

This publication contains Parts Information for all 1987-90 Jeeps.

The use of this Parts Catalog and the arrangement of information herein is explained in the General Information Section as indexed below.

INDEX TO INFORMATION PAGES

- ABBREVIATIONS A-20-24
- ALPHABETICAL INDEX A-6
- BODY PLATE INTERPRETATION A-11 & 12
- BODY CODE PLATE A-11 & 12
- BUILD DATE MO. AND YR. A-9
- CATALOG AND PARTS BULLETINS A-6
- COLOR CODED OR COMBINED PART NUMBERS A-7
- DATE CORRELATION TABLES A-17
- ENGINE IDENTIFICATION NUMBERS A-7
- GROUP CONTENTS A-4
- HOW TO LOCATE PARTS A-3
- ILLUSTRATION INDEX A-6
- INTERIOR TRIM A-7
- LABEL LOCATIONS A-8, 9 & 10
- METRIC CONVERSION TABLE A-19
- NEWPART INDEX A-6
- NUMERICAL INDEX A-6
- PAGE NUMBERING A-5
- PARTS CATALOG REVISION SERVICE A-6
- PARTS PACKAGES A-6
- PRICE CLASS (SERIES) INFORMATION A-8, 9 & 10
- RIGHT AND LEFT PART NUMBERS A-5
- SALES CODES A-18
- SPECIFYING INFORMATION A-5
- STANDARD PARTS A-6
- SYMBOLS USED IN THIS CATALOG A-5
- TRANSMISSION MODEL & SERIAL NUMBER A-7
- VEHICLE IDENTIFICATION NUMBER A-11-16

HOW TO USE THIS CATALOG AND LOCATE PARTS

This Catalog is divided into Part Groups in which illustrations for parts of a similar function and/or location are published. The Group Contents listing on the next page shows the type of parts contained in each group. Tabs are provided or available to separate each group.

Several methods may be used to locate a specific part:

Option 1: From the Group Contents listing, select the group which would most logically contain the part to be found. Open the catalog to the beginning of that group. The first page of the group will contain an index of illustrations. Select the illustration most likely to contain the part. Turn to the selected illustration and locate the part by reviewing the illustration item numbers and associated text information following the illustration.

Option 2: If the "noun" name of the part you seek is known, an alphabetical index of Nouns and Illustration titles is provided to assist in finding the part. Several keys may be found in this index.

| | | |
|---|------------|-----------------------------|
| RESERVOIR , Power Strng. Oil Pump. | Group 19 | Group Reference |
| ALTERNATOR , Cherokee | 8-1600 | Illustration Reference |
| BELT , Front Seat Cherokee | ITB-1000/3 | Illustration/Item Reference |
| Group _____ | | |
| Illustration No. _____ | | |
| Item _____ | | |

Option 3: If the part number is known but the applications need to be determined, refer to the numerical index. This index shows the group, illustration number and item for each part listed in the catalog. Multiple references mean the part is listed more than once.

PART GROUP—TITLES & CONTENT

| GROUP | CONTENTS |
|-----------------|--|
| INF | Information Section |
| AL | Alphabetical Index |
| NE | Newpart Index |
| IL | Illustration Index (All Groups) |
| 1 | Catalog Notices |
| 2 | Front Suspension & Drive Front Suspension Components ... Steering Knuckles Front Drive Shafts, Axles, Locking Hubs ... Front Differential |
| 3 | Rear Axle Rear Axle and Component Parts ... Rear Axle Mountings |
| 4 | Parking Brake Controls |
| 5 | Service Brakes Brake Controls and Mechanism ... Brake Warning Switch, Parking Brake Components within the Wheel ... Wheel Hardware, Bearings and Seals |
| 6 | Clutch Clutch Unit and Components ... Clutch Pedal, Controls |
| 7 | Cooling Front Grille, Grille Support, Radiator Supports, Headlamp Supports ... Radiators, Fans and Fan Motors, Hoses, Thermostats ... Transmission Cooling ... Water Pump ... Drive Belts and Pulleys ... Turbocharger Cooling |
| 8 | Electrical Switches, Relays, Solenoids, Sensors, ... Battery Trays ... Engine Electrical ... Starters, Alternators, Distributors ... Front, Rear, Interior Lamp ... Body Wiring ... Horn |
| 8A | Instrument Panel and Console Instrument Panel and Console Electrical Parts, Clusters, Switches, Wiring ... All Hard and Soft Trim Parts ... Radio, Speakers and Antenna |
| 9 (A, B ...) | Engine (By Engine Type) Engine Components ... Engine Oil System ... Flywheels, Torque Converters ... Engine Mounting |
| 11 | Exhaust Exhaust System Components ... Heat Shields |
| 13 | Frame, Bumper & Fascia Frame Components, Crossmembers ... Bumper and Fascia Components ... Snow Plow Parts |
| 14 | Fuel Accelerator Pedal, Linkage, Throttle Control ... Air Cleaner ... Carburetors, Throttle Body and Injection Components ... Fuel Lines, Fuel Tank ... Fuel Pump ... Turbocharger Components ... Speed Control |

| GROUP | CONTENTS |
|------------------|--|
| 16 | Prop. Shaft and Universal Joint |
| 17 | Rear Suspension Rear Suspension Components |
| 18 | Service Bulletin Parts |
| 19 | Steering Steering Wheels, Column ... Power Steering Pump ... Steering Gear ... Steering Linkage, Tie Rods |
| 21M | Manual Transmission and Transfer Cases Manual Transmission, Transaxle and Components ... Gearshift Controls ... Transfer Case, Controls, Mountings ... Speedometer Pinion and Cable |
| 21A | Automatic Transmission Automatic Transmission, Transaxle and Components ... Gearshift Controls ... Speedometer Pinion and Cable |
| 22 | Wheels Wheel Rims ... Wheel Covers, Hubcaps ... Jack and Spare Tire Storage |
| 23 | Exterior Ornamentation Exterior Ornamentation, Tape Stripes, Decals ... Exterior Moldings ... Vinyl Roof and Trim |
| 23A | Body-Sheet Metal Except Doors Body Metal ... Stationary Glass ... Sunroof ... Convertible Top ... Hood and Deck Release |
| 23C | Body-Doors and Related Parts Door Metal ... Door Hardware ... Door Glass ... and Regulator ... Door Mirrors ... Weatherstrips |
| 23D | Body-Miscellaneous Lock Cylinders and Keys ... Windshield Washer/Wiper System |
| IT (A, B ...) | Interior Trim (By Body Code) All Interior Trim Except Dash and Console ... Seats and Seat Belts ... Seat Adjusters, Manual and Power ... Carpet ... Interior Panels and Moldings ... Security/Tonneau Covers |
| 24 | Heater and Air Heater, Air Conditioning System and Controls |
| 25 | Emission Systems Air Pump ... EGR System ... Vapor Canister |
| NU | Numerical Index |

PAGE NUMBERING

Two-part page numbers are used throughout this catalog. The first part of the page designation indicates one major group or section. The second part indicates the actual page number in the group. For example:

2-1 indicates Group 2, Front Suspension, Page 1
3-4 indicates Group 3, Axle Rear, Page 4

In the maintenance of the Loose Leaf Parts Catalog Revision Service, it may become necessary to add information beyond the capacity of the page. In this event, an "A" page will be used. For example, if it becomes necessary, because of change, to add several part numbers to page 2-1 and space does not permit the addition, you will be given Page 2-1A. Page 2-1A should be filed immediately following Page 2-1.

Figure and Item Numbers are also commonly used to identify locations in this Catalog, i.e., 14-900/8 refers to Group 14, illustration 900, Item Number 8. Illustration Numbers are always ascending sequential within the Groups.

RIGHT AND LEFT PART NUMBERS

Right and Left part numbers are frequently combined on one line, e.g., 3514 444-5. Such numbers are interpreted as 3514 444 Right Side application and 3514 445 Left Side. Right and Left Sides are always determined by their relationship to the driver when normally seated and looking forward.

SYMBOLS USED IN THIS PARTS CATALOG

The following symbols are commonly used with Part Number and quantity information in this Catalog:

— Preceding a part number indicates parts which have been added and not previously published.

AR — Indicates the quantity required may vary or is to be determined by the user.

PAR — (Indicates Paint As Required).

SPECIFYING INFORMATION

The following information is included in this Parts Catalog:

1. Part Name
2. Part Number
3. Model Application
4. Quantity used per vehicle
5. Description and dimensions necessary for proper identification of parts where necessary
6. Model or Engine Column:
Engine by Displacement or Vehicle Model
Code Body Style Code or Price Class.
7. Effective points of model year running changes are indicated by vehicle serial number, engine number or body number where applicable. When serial number effective points are not available, production effective dates are used. (Refer to the Federal Certification Label for the build date.)
8. Parts designated as CANADA or EXPORT are not available through U.S. parts outlets.

In the event replacement parts not listed herein are required due to a special service situation, Dealers should contact their factory specifier for assistance. Problems encountered with peculiar part specifications can be resolved in the same manner.

ILLUSTRATION INDEX

This index is a compilation of catalog parts description data with reference to illustrations, figures and key numbers as shown:

| ILLUSTRATION INDEX | GROUP | ILLUS. NO. |
|--------------------|---------------|------------|
| FENDER D. W. | 7 - 1500 / 18 | 23A-1400 |

The first page of each group contains a listing of all illustrations within that group. Also refer to illustrations alphabetically listed in information section.

ALPHABETICAL INDEX

This index is a compilation of catalog parts description data with a reference to the location of the item by group—Figure and key number as shown in the following example:

| | |
|------------------|---------------|
| Housing, w/Pump | 7 - 1500 / 18 |
| Group | |
| Illustration No. | |
| Item | |

The index will be expanded progressively as data is added to computer files. To locate a part by name, refer to the Alphabetical Index. This indicates the group and illustration and item number where the part is located. Alphabetical Index can be found in INF section of catalog.

NUMERICAL INDEX

A listing of Part Numbers contained in the catalog. The numbers are in numerical sequence with reference to the group and illustration and item number where the part is located.

PARTS PACKAGES

Service Parts Packages, containing all parts needed for specific service operation, are listed in their respective groups with related parts. The listing will show adaptability and model application.

STANDARD PARTS

Important attaching standard parts such as bolts, nuts, etc., are generally listed in the text of the respective major parts groups.

CATALOG AND PARTS BULLETINS

BULLETINS are issued when important changes are made in production or when corrections are to be made in the Parts Catalog between regular revisions. All catalogs should be noted and changed accordingly to remain current between revisions.

PARTS CATALOG REVISION SERVICE

Subscribers to the Jeep/Eagle Parts Catalog Revision Service will be periodically provided with revised copy incorporating the latest information. Revisions may be provided by Group or complete book copy.

NEWPART INDEX

A listing of new part numbers contained in the catalog. The numbers are in group sequence with reference to the illustration and item number where the part is located.

COLOR CODED OR COMBINED PART NUMBERS

Appearing throughout this catalog are part numbers containing both letters and numbers. For example: D500 KB7. These are good serviceable part numbers. The combination of letters and numbers merely indicates the parts are keyed to the interior color of the vehicles on which they are used.

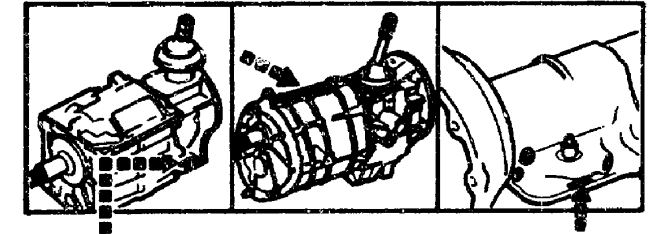
In addition, Right and Left part numbers are frequently combined on one line; e.g., D500-1 KB7. Such numbers are interpreted as D500 KB7, Right Side application, and D501 KB7 Left Side. Right and Left Sides are always determined by their relationship to the driver when normally seated and looking forward.

INTERIOR TRIM

Refer to the Group IT, Interior Trim section of the catalog, for information relative to Interior Soft and Hard Trim, Rolled Stock, etc.

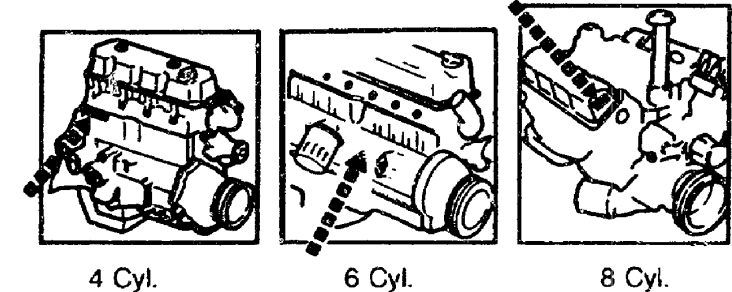
TRANSMISSION IDENTIFICATION

The Part Number and/or Model Number of the Transmission.



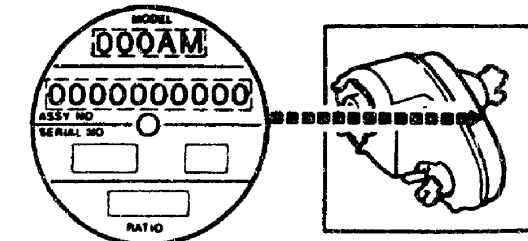
ENGINE IDENTIFICATION

A Sequential Number Assigned by the Engine Assembly Plant.

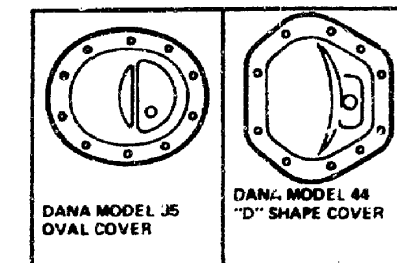


TRANSFER CASE IDENTIFICATION

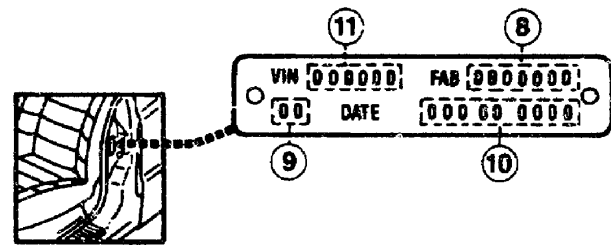
The Model Number and Part Number of the Transfer Case Assembly.



REAR AXLE IDENTIFICATION



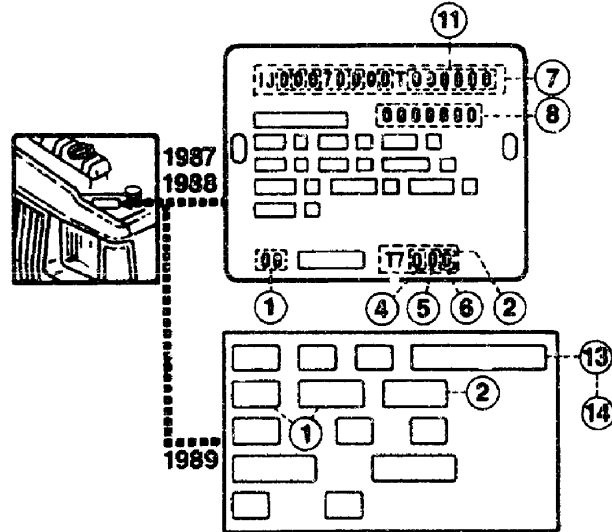
**1987 - 1989
BODY I.D. PLATES
CHEROKEE, WAGONEER, COMANCHE**



- 1 PAINT CODE**
- 3D or HA2 = Sterling Metallic Clearcoat
 - BC = Briarwood Metallic Clearcoat
 - BD = Grenadine Metallic Clearcoat
 - BE or HE4 = Colorado Red Clearcoat
 - CA or HWB = Pearl White Clearcoat
 - CB = Buff Yellow Clearcoat
 - CC or HS4 = Dover Grey Metallic Clearcoat
 - CE or HQ9 = Dark Baltic Metallic Clearcoat
 - CH or HB3 = Spinnaker Blue Metallic Clearcoat
 - CK or HE8 = Dark Vivid Red Metallic Clearcoat
 - CP = Medium Bronze Metallic Clearcoat
 - CW = Coffee Clearcoat
 - DK or HY7 = Sand Clearcoat
 - DL or HY3 = Sand Metallic Clearcoat
 - FG = Forest Green Clearcoat
 - FO = Utility Orange Clearcoat
 - FY = D.O.T. Yellow Clearcoat
 - PI or FX6 = Classic Black Clearcoat
 - 999 = Special Paint Option
 - 2D = Deep Night Blue Clearcoat
 - 3B = Sebring Red Clearcoat
 - 3C = Garnet Metallic Clearcoat
 - 4D = Champagne Metallic Clearcoat
 - 4M = Charcoal Gray Metallic Clearcoat
 - 5D = Dark Honey Metallic Clearcoat
 - 5E = Dark Brown Metallic Clearcoat
 - 9B = Olympic White Clearcoat
 - AA = Dark Petwer Metallic Clearcoat
 - AB = Beige Clearcoat
 - AJ = Medium Blue Metallic Clearcoat

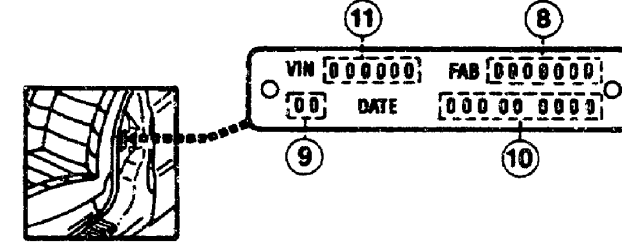
2 INTERIOR TRIM COLOR/MATERIAL CODES (EARLIER VEHICLES):

- 4**
- 1 = Graphite/Black
 - 2 = Charcoal
 - 3 = Blue
 - 4 = Cordovan (1987)
 - 5 = Cordovan (1988)
 - 6 = Tan
 - 9 = Honey
- 5**
- N = Bucket Seat - Reclining (Truck)
 - P = Bucket Seat - Non-Reclining (Wagon)
 - Q = Bucket Seat - Reclining (Wagon)
 - Y = Bench Seat - Notched for Shift Lever (Truck)
- 6**
- G = Vinyl Upholstery - "Deluxe Grain"
 - H = Cloth Upholstery - "Canyon"
 - L = Leather Upholstery
 - T = Vinyl Upholstery - "Premium"
 - U = Cloth Upholstery - "Mesa"



- W = Cloth Upholstery - "Hunter's Plaid"
- X = Vinyl Upholstery - "Celtic Grain"
- AL = Leather Upholstery (Grand Wagoneer)
- B1 = Cloth Upholstery - "Canyon" (Truck-Bench Seat, with Notch for Shift Lever)
- B7 = Cloth Upholstery - "Canyon" (Cherokee)
- D1 = Cloth Upholstery - "Canyon" (Truck-Bench Seat, No Notch for Shift Lever)
- E1 = Cloth Upholstery - "Canyon" (Truck-Bench Seat, No Notch for Shift Lever)
- F2 = Vinyl Upholstery - "Premium" (Truck - Bench Seat, No Notch for Shift Lever)
- F8 = Vinyl Upholstery - "Premium" (Cherokee)
- ML = Leather Upholstery (Cherokee)
- Q7 = Cloth Upholstery - "Luggage" (Truck-Bucket Seats)
- W7 = Cloth Upholstery - "Hunter's Plaid" (Cherokee)
- X1 = Cloth Upholstery - "Canyon" (Truck-Bench Seat, with Notch for Shift Lever)
- X2 = Vinyl Upholstery - "Premium" (Truck-Bench Seat, with Notch for Shift Lever)
- X7 = Cloth Upholstery - "Canyon" (Cherokee)
- X8 = Vinyl Upholstery - "Premium" (Truck-Bucket Seats)
- XL = Leather Upholstery (Cherokee)
- YL = Leather Upholstery (Wagoneer)
- H9 = Cordovan
- Q8 = Navy
- SA = Charcoal or Graphite
- YY = Sand

**1987 - 1989
BODY I.D. PLATES
CHEROKEE, WAGONEER, COMANCHE**



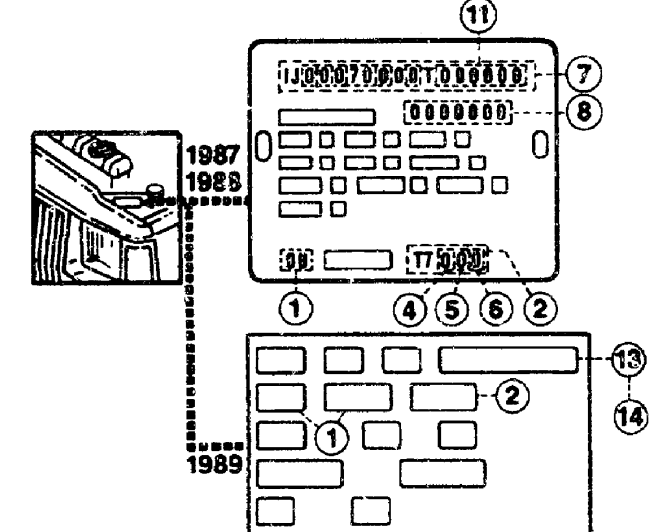
7 VEHICLE IDENTIFICATION NUMBER (VIN)

8 BODY FABRICATION NUMBER
A sequential number assigned by the body framing plant, never returning to zero for the life of the body series, beginning with 0,000,001.

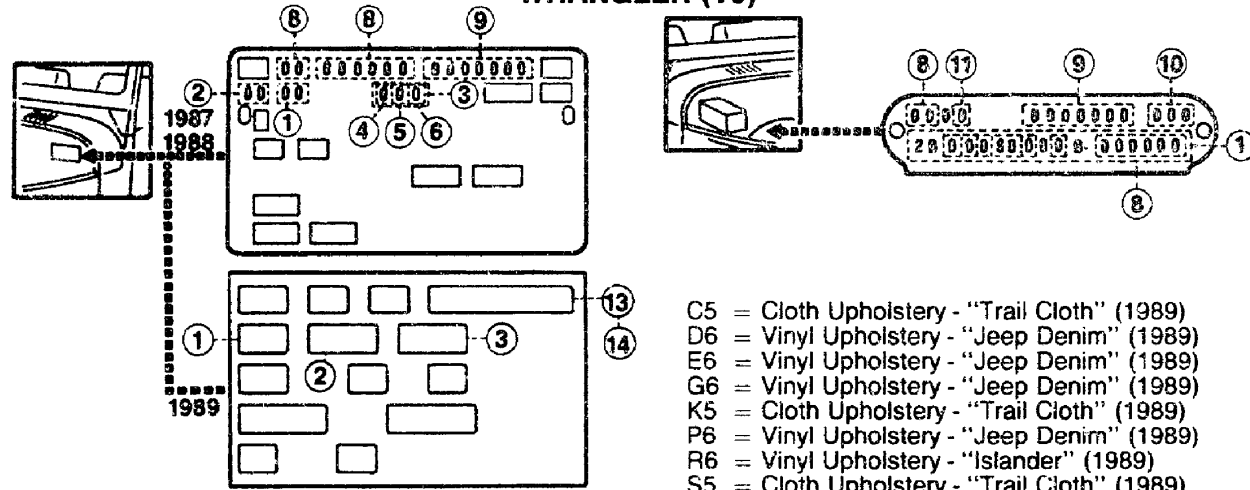
9 thru 10 MANUFACTURING DATE

- 9**
- 87 = Model Year 1987
 - 88 = Model Year 1988
 - 89 = Model Year 1989
- 10** Month, Day and Year the Vehicle Was Built

11 = A sequential serial number assigned by the vehicle manufacturer, beginning with 000 001 each model year.



1987-1989 BODY I.D. PLATES
WRANGLER (YJ)



1 PAINT CODE

- 2A = Mist Silver Metallic (1987)
- 2B = Sun Yellow (1987)
- 3P = Garnet Metallic (1987)
- 4A = Autumn Brown Metallic (1987)
- 4B = Mocha Brown Metallic (1987)
- 5H = Medium Blue Metallic (1987)
- 5J = Dark Blue Metallic (1987)
- 9B = Olympic White (1987)
- AB = Beige (1987)
- BE = Colorado Red
- BH or HA4 = Silver Metallic (1988/)
- BJ or HB4 = Spinnaker Blue Metallic (1988/)
- BK = Vivid Red Metallic (1988)
- BL or HJ5 = Khaki Metallic (1988/)
- BM = Sand Dune Yellow (1988)
- CA or HWA = Pearl White (1988/)
- CW = Coffee (1988)
- DD or HJ4 = Malibu Yellow (1989)
- DE or HO3 = Pacific Blue (1989)
- DK or HY5 = Sand (1989)
- DP or HE3 = Bright Red (1989)
- P1 or HX5 = Classic Black

2 TOP COLOR/TYPE CODES

- BK = Black Hard Top
- WH = White Hard Top (1987)
- HY = Honey Hard Top (1987)
- TN = Tan Hard Top (1988)
- CH = Charcoal Hard Top (1988/1989)
- KT = Sand Hard Top (1989)
- SB = Black Soft Top
- SW = White Soft Top (1987)
- SH = Honey Soft Top (1987)
- ST = Tan Soft Top (1988)
- SC = Charcoal Soft Top (1988/1989)
- SK = Khaki Soft Top (1988/1989)
- JT = Sand Soft Top (1989)

3 INTERIOR TRIM COLOR/MATERIAL CODES (Later Vehicles):

- A5 = Cloth Upholstery - "Trail Cloth" (1989)
- A6 = Vinyl Upholstery - "Jeep Denim" (1989)

- C5 = Cloth Upholstery - "Trail Cloth" (1989)
- D6 = Vinyl Upholstery - "Jeep Denim" (1989)
- E6 = Vinyl Upholstery - "Jeep Denim" (1989)
- G6 = Vinyl Upholstery - "Jeep Denim" (1989)
- K5 = Cloth Upholstery - "Trail Cloth" (1989)
- P6 = Vinyl Upholstery - "Jeep Denim" (1989)
- R6 = Vinyl Upholstery - "Islander" (1989)
- S5 = Cloth Upholstery - "Trail Cloth" (1989)
- T5 = Cloth Upholstery - "Trail Cloth" (1989)
- W5 = Cloth Upholstery - "Trail Cloth" (1989)
- W6 = Vinyl Upholstery - "Islander" (1989)
- X5 = Cloth Upholstery - "Trail Cloth" (1989)
- SA = Charcoal (1989)
- YY = Sand or Khaki (1989)

3 INTERIOR TRIM COLOR/MATERIAL CODES (Earlier Vehicles):

- 4** 1 = Black (1987)
- 9 = Honey (1987)
- B = Bucket Seat (1988)
- 5** E = Bucket Seat-High Back (1987)
- D = Vinyl Upholstery-"Jeep Denim" (1988)
- F = Cloth Upholstery-"Trail Cloth" (1988)
- 6** D = Vinyl Upholstery-"Jeep Print" (1987)
- F = Vinyl Upholstery-"Buffalo Grain" (1987)
- A = Charcoal (1988)
- E = Tan (1988)
- F = Khaki (1988)

7 VEHICLE IDENTIFICATION NUMBER (V.I.N.)

8 A sequential serial number assigned by the vehicle manufacturer, beginning with 000 001 each model year.

9 BODY FABRICATION NUMBER

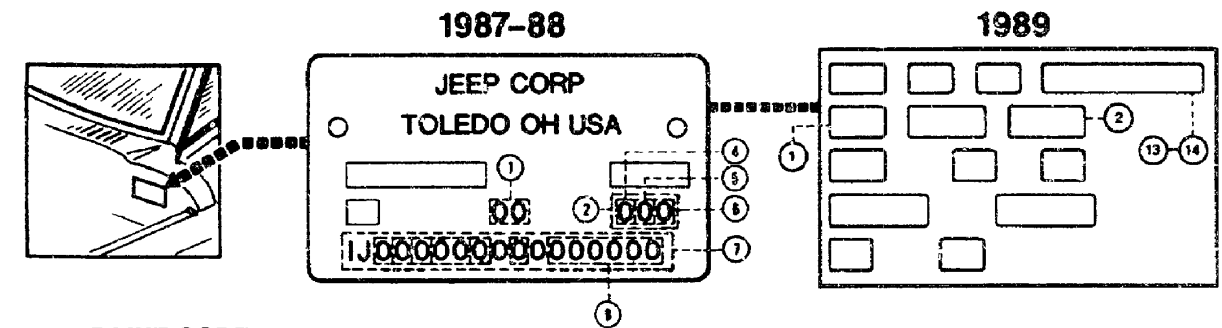
A sequential number assigned by the body framing plant, never returning to zero for the life of the body series, beginning with 0,000,001.

10 COUNTRY EQUIPMENT CODE

- 141 = U.S., Except California
- 142 = Canada
- 143 = U.S. - California Only

- 11** C = 4.2L Six Cylinder Gasoline Engine
- H = 2.46L Four Cylinder Gasoline Engine

1987-1989 BODY I.D. PLATES
GRAND WAGONEER



1 PAINT CODE

- 2D = Deep Night Blue Clearcoat
- 3D or HA2 = Sterling Metallic Clearcoat
- 4D = Champagne Metallic Clearcoat
- 4M = Charcoal Metallic Clearcoat
- 9B = Olympic White Clearcoat
- AB = Beige Clearcoat
- BC = Briarwood Metallic Clearcoat
- BD = Grenadine Metallic Clearcoat
- BE = Colorado Red Clearcoat
- CA or HWB = Pearl White Clearcoat
- CB = Buff Yellow Clearcoat
- CC or HS4 = Dover Grey Metallic Clearcoat
- CE or HQ9 = Dark Baltic Metallic Clearcoat
- CK or HE8 = Dark Vivid Red Metallic Clearcoat
- CP = Medium Bronze Metallic Clearcoat
- CW = Coffee Clearcoat
- DK or HY7 = Sand Clearcoat
- DL or HY3 = Sand Metallic Clearcoat
- FF = Prime Paint Only
- FG = Forest Green Clearcoat
- FO = Utility Orange Clearcoat
- FY = D.O.T Yellow Clearcoat
- P1 or FX6 = Classic Black Clearcoat
- HM9 = Black Cherry Pearlcoat
- HS3 = Dover Gray Metallic
- HW7 = Bright White
- HX8 = Black
- 999 = Special Paint Option

2 INTERIOR TRIM COLOR/MATERIAL CODES

- 4** 4 = Cordovan (1987)
- 5 = Cordovan (1988)
- 6 = Tan (1987-88)
- A = Bench Seat
- C = Bucket Seat
- AL = Leather Upholstery - Grand Wagoneer w/Bucket Seats
- EZ = Vinyl Upholstery - Celtic Grain - Grand Wagoneer w/Bench Seat
- EB = Vinyl Upholstery - Celtic Grain - Grand Wagoneer w/Bucket Seats
- H9 = Cordovan
- YY = Sand

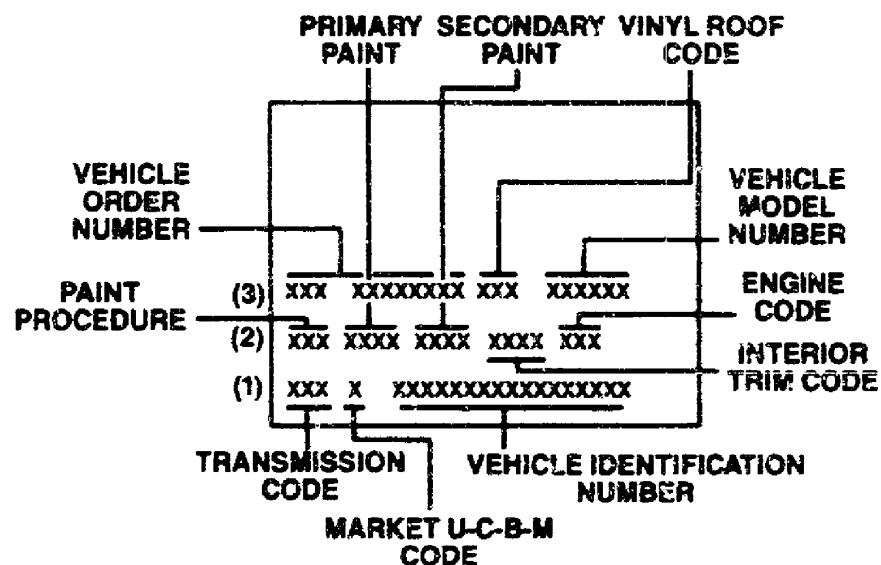
- 5** A = Bench Seat
- B = Bucket Seat
- L = Leather Upholstery
- N = Vinyl - Celtic Grain
- T = Vinyl - Tooled Grain

- 6** G = Cloth Upholstery - "Luggage"
- L = Leather Upholstery
- N = Vinyl Upholstery - "Celtic Grain"
- T = Vinyl Upholstery - "Tooled Grain"
- E = Tan

7 VEHICLE IDENTIFICATION NUMBER (V.I.N.)

8 A sequential serial number assigned by the vehicle manufacturer, beginning with 000 001 each model year.

**1990
I.D. PLATES**



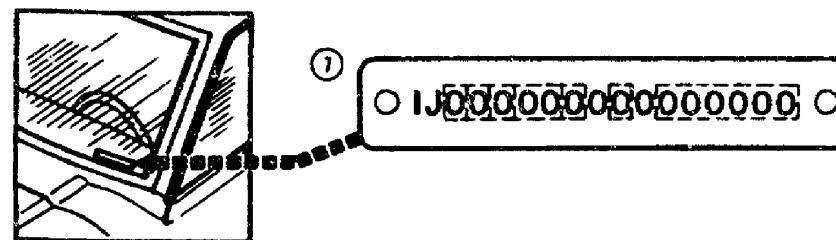
1990 JEEP EXTERIOR PAINT CODES

- AA9 = Charcoal Gray
- AC8 = Navy Blue
- DX8 = Black C/C
- FM9 = Black Cherry P/C
- GW6 = Bright White
- GW7 = Bright White C/C
- HA2 = Sterling Silver
- HB3 = Spinnaker Blue Poly
- HB8 = Midnight Blue C/C
- HE4 = Colorado Red C/C
- HJ4 = Malibu Yellow
- HJ5 = Khaki Poly
- HQ3 = Pacific Blue
- HQ9 = Dark Baltic Blue Poly
- HS3 = Dover Gray Poly
- HY3 = Sand Poly
- HY5 = Sand
- TR4 = Graphic Red

1990 JEEP INTERIOR PAINT

- A8 = Dark Charcoal
- C5 = Twilight Blue
- H9 = Cordovan
- R8 = Bordeaux
- S1 = Charcoal
- S8 = Charcoal
- T7 = Tundra
- X7 = Black
- Y1 = Sand
- Y6 = Dark Sand

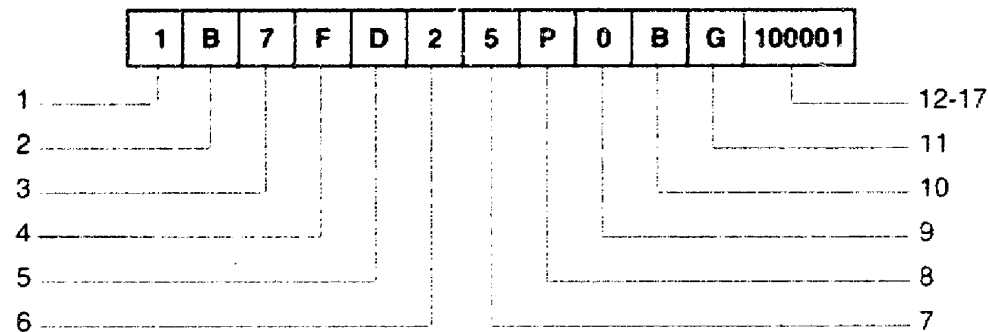
VEHICLE IDENTIFICATION NUMBER



Vehicle Identification Number

The vehicle identification number consists of a combination of seventeen letters and numbers. The first six elements identify the model, body type, GVW class, engine, model year and assembly plant.

The last element indicates the plant building sequence. All models will begin with 100001. The Vehicle Identification Number is located on the Vehicle Identification Plate, Equipment Identification Plate, and the applicable U.S. Federal Motor Vehicle Safety Standards "Certification Label" and Frame Rail. Refer to V.I.N. Chart for code and sample V.I.N.



**VEHICLE IDENTIFICATION
1987-1988 JEEP VEHICLES**

Beginning with 1981 model vehicles, the Vehicle Identification Number (VIN) was revised to conform with U.S. Government regulations. The number can be found on an embossed plate mounted on the left-hand side of the instrument panel.

1 COUNTRY

1 = U.S.
2 = Canada

2 BUILT BY

J = Jeep Corp
B = American Motors (Canada) Inc. Jeep

3 TYPE

C = MPV
T = Truck
D = Incomplete Vehicle
E = Export, LHD
F = Export, RHD

4 ENGINES

B = 2.1L, Four, Turbo Diesel
E = 2.46L, Four, 1-B Carb.
Y = 2.46L, Four, 1-B Carb.
C = 4.2L, Six, 2-B Carb.
N = 5.9L, V-8, 2-B Carb.
M = 4.0L, I-6, MPI
H = 2.46L, Four, TBI

5 POWERTRAIN

| | |
|---------------------------------|----------------------|
| Transmission | Transfer Case |
| M = 4-Spd. Man. - Floor Shift | Part Time/4-WD |
| X/Y = 4-Spd. Man. - Floor Shift | Part Time/4-WD |
| S = 4-Spd. Man. - Floor Shift | None/2-WD |
| F = 5-Spd. Man. - Floor Shift | Part Time/4-WD |
| L = 5-Spd. Man. - Floor Shift | Part Time/4-WD |
| V = 5-Spd. Man. - Floor Shift | Part Time/4-WD |
| W = 5-Spd. Man. - Floor Shift | None/2-WD |
| E/Z = 3-Auto. - Column Shift | Part Time/4-WD |
| J = 3-Auto. - Column Shift | Select-Trac/4-WD |
| G = 4-Auto. - Column Shift | None/2-WD |
| P = 4-Auto. - Column Shift | Part Time/4-WD |
| R = 4-Auto. - Floor Shift | Part Time/4-WD |
| T = 4-Auto. - Floor Shift | Select-Trac/4-WD |
| U = 4-Auto. - Floor Shift | None/2-WD |

6-7 BODY TYPE

15 = Jeep Grand Wagoneer (4-Dr. Wagon) - 109 W.B.
25 = Jeep Truck - J-10 (Pickup-6.5') - 119 W.B.
26 = Jeep Truck - J-10 (Pickup-8.0') - 131 W.B.
27 = Jeep Truck - J-20 (Pickup-8.0') - 131 W.B.
63 = Jeep Comanche - 4-WD (Pickup-6') - 113 W.B.
64 = Jeep Comanche - 2-WD (Pickup-6') - 113 W.B.
65 = Jeep Comanche - 4-WD (Pickup-7') - 120 W.B.
66 = Jeep Comanche - 2-WD (Pickup-7') - 120 W.B.
73 = Jeep Cherokee - 2-WD (2-Dr. Wagon) - 101 W.B.
74 = Jeep Cherokee - 2-WD (4-Dr. Wagon) - 101 W.B.
75 = Jeep Wagoneer - 4-WD (4-Dr. Wagon) - 101 W.B.
77 = Jeep Cherokee - 4-WD (2-Dr. Wagon) - 101 W.B.
78 = Jeep Cherokee - 4-WD (4-Dr. Wagon) - 101 W.B.
79 = Jeep Cherokee - 4-WD (4-Dr. Wagon) - 101 W.B.
81 = Jeep Wrangler - (2-Dr. Open Body) - 93.5 W.B.
82 = Jeep Wrangler - (2-Dr. Open Body) - 103.5 W.B.

**VEHICLE IDENTIFICATION
1987-1988 JEEP VEHICLES**

Beginning with 1981 model vehicles, the Vehicle Identification Number (VIN) was revised to conform with U.S. Government regulations. The number can be found on an embossed plate mounted on the left-hand side of the instrument panel.

8 GVWR

3001-4000

J = Wrangler Base
J = Cherokee Base
K = Wrangler Sport
K = Cherokee Pioneer
L = Wrangler Laredo
L = Cherokee Laredo
M = Wrangler Sahara

4001-5000

| | |
|----------------------|-------------------------|
| 1 = Wrangler Base | 4 = Cherokee Laredo |
| 1 = Cherokee Base | 4 = Wagoneer Limited |
| 1 = Comanche Base | 5 = Cherokee E.C.E. |
| 1 = Wagoneer Base | 5 = Comanche Eliminator |
| 2 = Wrangler Sahara | 9 = Cherokee Limited |
| 2 = Cherokee Pioneer | P = Comanche Pioneer |
| 3 = Wrangler Sport | S = Comanche Chief |
| 3 = Cherokee Chief | T = Comanche Laredo |
| 4 = Wrangler Laredo | |

5001-6000

F = Comanche Base (MT/BT)
F = Comanche - Custom (MT)
N = Grand Wagoneer/J-10
R = Comanche Pioneer (MT/BT)
U = Comanche Laredo (MT/BT)

6001-7000

U = Grand Wagoneer
U = J-10 Truck
P = J-20 Truck

7001-8000

S = J-20 Truck

8001-9000

Y = J-20 Truck
(MT) = Metric Ton
(BT) = Big Ton

9 CHECK DIGIT

Number or Letter

10 MODEL YEAR

H = 1987
J = 1988

11 PLANT LOCATION

T = Toledo
B = Brampton

12 thru 17

Sequential Serial Number
Six Digit Number

SALES CODES

Due to the increase complexity of qualifications required to describe the application of some replacement parts; particularly those related to the Emission Control System, Sales Codes are used on a selected basis in some areas of this publication.

Normally, Sales Codes will be employed as secondary qualifiers and are for the express purpose of providing positive identification of parts applicable to vehicle components or systems so complex in nature that normal methods of written qualification are either inadequate or confusing.

The Sales code will always appear after the written description of the part; will be enclosed in parenthesis; will be prefixed S/C, and will follow a hyphen appended to the S/C, e.g.: (S/C-HAO).

To determine whether or not the vehicle for which the part is being specified was built with a particular Sales Code it will be necessary to refer to the Body Code Plate depicted on page INF-10. Sales Codes are also listed on vehicle invoices and on the Maroney label which is affixed to the side glass on new units.

METRIC CONVERSION TABLE

LINEAR MEASUREMENT

| | |
|------------------|-------------------|
| 1 foot (ft.) | = 12 inches (in.) |
| 1 yard (yd.) | = 3 ft. = 36 in. |
| 1 mile (statute) | = 5,280 ft. |

| To convert | Into | Multiply by |
|------------|-------------|-------------|
| inches | centimeters | 2.5400 |
| inches | millimeters | 25.4000 |
| feet | meters | 0.3048 |
| feet | millimeters | 304.8000 |
| yards | meters | 0.9144 |
| miles | kilometers | 1.6093 |

AREA MEASUREMENT

| | |
|------------------------|------------------------------|
| 1 square foot (sq.ft.) | = 144 square inches (sq.in.) |
| 1 square yard (sq.yd.) | = 9 square feet |
| 1 acre | = 4,840 sq. ft. |
| 1 square mile | = 640 acres |

| To convert | Into | Multiply by |
|---------------|-----------------|-------------|
| square inches | sq. centimeters | 6.4516 |
| square feet | sq. meters | 0.0929 |
| square yards | sq. meters | 0.8361 |
| acres | sq. meters | 4,047.0 |
| square miles | sq. kilometers | 2.5900 |

CUBIC MEASUREMENT (VOLUME)

| | |
|------------------------|--------------------------------|
| 1 cubic foot (cu. ft.) | = 1,728 cubic inches (cu. in.) |
| 1 cubic yard (cu. yd.) | = 27 cubic feet |

| To convert | Into | Multiply by |
|--------------|-----------------|-------------|
| cubic inches | cu. centimeters | 16.3872 |
| cubic feet | cubic meters | 0.0283 |
| cubic yards | cubic meters | 0.7646 |

LIQUID MEASUREMENT (CAPACITY)

| | |
|-----------------|---------------------------|
| 1 pint (pt.) | = 28.875 cubic inches |
| 1 quart (qt.) | = 2 pints = 57.75 cu. in. |
| 1 gallon (gal.) | = 4 qts. = 231 cu. in. |

| To convert | Into | Multiply by |
|--------------|--------|-------------|
| cubic inches | liters | 0.0164 |
| pints | liters | 2.1132 |
| quarts | liters | 0.9463 |
| gallons | liters | 3.7853 |
| cubic feet | liters | 28.3162 |

WEIGHT MEASUREMENT

| | |
|---------------|---------------|
| 1 ounce (oz.) | = 16 drams |
| 1 pound (lb.) | = 16 ounces |
| 1 short ton | = 2000 pounds |
| 1 long ton | = 2240 pounds |

| To convert | Into | Multiply by |
|--------------|---------------|-------------|
| drams | grams | 1.7718 |
| ounces | drams | 28.3495 |
| pounds | kilograms | 0.4536 |
| tons (short) | tons (metric) | 0.9072 |

POWER MEASUREMENT

| | | |
|-------------------|-------------|---------------------|
| 1 horsepower (hp) | = 746 watts | 7457 kilowatts (kw) |
|-------------------|-------------|---------------------|

| To convert | Into | Multiply by |
|-------------------|-------------------|-------------|
| horsepower (U.S.) | horsepower (met.) | 1.0139 |
| horsepower (U.S.) | kilowatts | 0.7457 |
| kilowatts | horsepower (U.S.) | 1.3405 |

| | |
|-------------------|-----------------------|
| 1 centimeter (cm) | = 10 millimeters (mm) |
| 1 meter (m) | = 100 cm = 1000 mm |
| 1 kilometer (km) | = 1000 meters |

| To convert | Into | Multiply by |
|-------------|--------|-------------|
| centimeters | inches | 0.3937 |
| millimeters | inches | 0.0394 |
| meters | feet | 3.2808 |
| millimeters | feet | 0.0033 |
| meters | yards | 1.0936 |
| kilometers | miles | 0.6214 |

| | |
|-------------------------------------|--|
| 1 sq. centimeter (cm ²) | = 100 sq. millimeters (mm ²) |
| 1 sq. meter (m ²) | = 10,000 cm ² |
| 1 are (a) | = 100 m ² |
| 1 sq. kilometer (km ²) | = 1,000,000 m ² |

| To convert | Into | Multiply by |
|-----------------|------------|-------------|
| sq. centimeters | sq. inches | 0.1550 |
| sq. meters | sq. feet | 10.7639 |
| sq. meters | sq. yards | 1.1960 |
| sq. meters | acres | 0.0002 |
| sq. kilometers | sq. miles | 0.3861 |

| | |
|-------------------------------------|---|
| 1 cu. centimeter (cm ³) | = 1000 cu. millimeters (mm ³) |
| 1 cubic meter (m ³) | = 1,000,000 cm ³ |

| To convert | Into | Multiply by |
|-----------------|--------------|-------------|
| cu. centimeters | cubic inches | 0.0610 |
| cubic meters | cubic feet | 35.3145 |
| cubic meters | cubic yards | 1.3079 |

| | |
|--------------------|------------------------|
| 1 centimeter (cl.) | = 10 milliliters (ml.) |
| 1 liter (l.) | = 100 cl. = 1000 ml. |
| 1 kiloliter (kl.) | = 1000 liters |

| To convert | Into | Multiply by |
|------------|--------------|-------------|
| liters | cubic inches | 61.0250 |
| liters | pints | 0.4732 |
| liters | quarts | 1.0566 |
| liters | gallons | 0.2642 |
| liters | cubic feet | 0.0353 |

| | |
|-------------------|-----------------------|
| 1 centigram (cg.) | = 10 milligrams (mg.) |
| 1 gram (g.) | = 100 cg. = 1000 mg. |
| 1 kilogram (kg.) | = 1000 grams |
| 1 metric ton (t.) | = 1000 kg. |

| To convert | Into | Multiply by |
|---------------|--------------|-------------|
| grams | drams | 0.5644 |
| grams | ounces | 0.0353 |
| kilograms | pounds | 2.2046 |
| tons (metric) | tons (short) | 1.1023 |

| | | |
|-------------------|-------------|---------|
| 1 horsepower (ps) | = 736 watts | 7355 kw |
|-------------------|-------------|---------|

| To convert | Into | Multiply by |
|-------------------|-------------------|-------------|
| horsepower (met.) | horsepower (U.S.) | 0.9863 |
| kilowatts | horsepower (met.) | 0.7355 |
| horsepower (met.) | kilowatts | 1.2596 |

ABBREVIATIONS

Abbreviations as used throughout this catalog are interpreted as follows:

| | | | |
|------------|--|----------|---------------------------------|
| AAV | AMERICAN ARAB VEHICLE | CARB | CARBURETOR |
| ABS | ABSORBER | CATA | CATALYTIC |
| ACC | ACCESSORY | C/BAR | CROSS BAR |
| ACCEL | ACCELERATOR | CBL | CABLE |
| A/CLNR | AIR CLEANER | C/BRD | CIRCUIT BOARD |
| A/COND | AIR CONDITIONING | C.BRKR | CIRCUIT BREAKER |
| ACTG | ACTUATING | CCW | COUNTERCLOCKWISE |
| ACTR | ACTUATOR | CDN | CANADA |
| ADAPT | ADAPTER-ADAPTATION | C/E | COMMUTATOR END |
| ADJ | ADJUSTING-ADJUSTOR-ADJUSTABLE-ADJUSTMENT | CH | SWITZERLAND |
| ADR | AUSTRALIAN DESIGN RULE | CHAM | CHAMFRED |
| A/INL | AIR INLET | CHMBR | CHAMBER |
| ALT | U.S.A. HIGH ALTITUDE AREAS | CHR | CHROMIUM |
| ALTR | ALTERNATOR | C.I. | CUBIC INCH |
| ALUM | ALUMINUM | C/IRON | CAST IRON |
| AMP | AMPERE | C/CASE | CRANKCASE |
| AMPL | AMPLIFIER | CK/CHFT | CRANKSHAFT |
| AMTR | AMMETER | CKD | COMPLETE KNOCK-DOWN (KDX) |
| ANCH | ANCHOR | CL | CLEANER |
| & | AND | CL/NUT | CLINCH NUT |
| A/OUT | AIR OUTLET | C/LP | COURTESY LAMP |
| APPROX | APPROXIMATE, APPROXIMATELY | CLSR | CLOSURE |
| AR | AS REQUIRED | C/LTR | CIGAR OR CIGARETTE LIGHTER |
| A/RATLR | ANTI RATTLER | C/MBR | CROSSMEMBER |
| A REST | ARM REST | COE | CAB OVER ENGINE |
| ARM | ARMATURE | COL | COLUMN |
| A/SQK | ANTISQUEAK | COMB | COMBINATION |
| ASSY | ASSEMBLY | COMBN | COMBUSTION |
| A/SUSP | AIR SUSPENSION | COMP | COMPLETE, COMPONENT |
| A.T.C. | AUTOMATIC TEMPERATURE CONTROL | COMPN | COMPRESSION |
| ATT | ATTACHING | COMPR | COMPRESSOR |
| A/TRANS | AUTOMATIC TRANSMISSION | COMPT | COMPARTMENT |
| AUTO | AUTOMATIC | COMTR | COMMUTATOR |
| AUX | AUXILIARY | COND | CONDENSER |
| B | BELGIUM | CONDT | CONDUIT |
| BAL | BALANCE | CONDTG | CONDITIONING |
| BATT | BATTERY | CONN | CONNECTING-CONNECTION-CONNECTOR |
| BBL | BARREL | CONT | CONTINUED-CONTROL |
| B/BRK | BOOSTER BRAKE | CONT'D | CONTINUED |
| B/CRK | BELL CRANK | CONV | CONVERTER |
| B.E. | BLACK ENAMEL | COP | COPPER |
| B/JNT | BALL JOINT | CO/SHFT | COUNTERSHAFT |
| BLK | BLOCK | CO/WT | COUNTERWEIGHT |
| BLT | BUILT | CP | CANDLEPOWER |
| BLWR | BLOWER | C/PILLAR | CENTER PILLAR |
| BMPR | BUMPER | CPLG | COUPLING |
| BOLT / RET | BOLT / RETAINER | C/SHFT | CROSS SHAFT |
| BOLT / WA. | BOLT / WASHER | CSTG | CASTING |
| BR | BRASS | CTR | CENTER |
| BRD | BOARD | CU | CUBIC |
| BRG | BEARING | CUSH | CUSHION |
| BRK | BRAKE | CUST | CUSTOM |
| BRKT | BRACKET | CV | CONVERTIBLE |
| BRKR | BREAKER | C/VAL | CONTROL VALVE |
| BRT | BRIGHT | CVR | COVER |
| BRZ | BRONZE | C/WT | COUNTERWEIGHT |
| BSTR | BOOSTER | CYL | CYLINDER |
| B/STUD | BALL STUD | DBL | DOUBLE |
| BTM | BOTTOM | D/CVR | DUST COVER |
| BTN | BUTTON | D/E | DRIVE END |
| B/UP | BACK UP | DECAL | DECALCOMANIA |
| BUSH | BUSHING | DEFL | DEFLECTOR |
| CAD | CADIUM | DEFGR | DEFROGGER |
| CAN | CANADA-CANADIAN | DEFR | DEFROSTER |
| CAP | CAPACITY | DEG (°) | DEGREE |
| C.A.S. | CLEANER AIR SYSTEM | D/EXH | DUAL EXHAUST |

ABBREVIATIONS (Cont'd)

| | | | |
|------------|--------------------------------------|---------|---------------------------------|
| DIA | DIAMETER | FLR | FLOOR |
| DIAG | DIAGONAL | F/MLDG | FINISH MOULDING |
| DIAPH | DIAPHRAGM | F/NDR | FENDER |
| DIFF | DIFFERENTIAL | F/PAN | FLOOR PAN |
| DIM | DIMENSION | F/PUMP | FUEL PUMP |
| DIR | DIRECT-DIRECTIONAL | FREQ | FREQUENCY |
| Dir CL | DIRECT CLUTCH | FRT | FRONT |
| DIST | DISTRIBUTOR-DISTRIBUTING | FT | FOOT-FEET |
| DIV | DIVISION-DIVISIONAL | F/TANK | FUEL TANK |
| D/LINK | DRAG LINK | FTG | FITTING |
| D/LP | DOVE LAMP | F/TOP | FOLDING TOP |
| DMPR | DAMPER | GA | GAUGE-GAGE |
| DOM | DOMESTIC | GALV | GALVANIZED |
| D/PINION | DRIVE PINION | GARN | GARNISH |
| DR | DOOR | GCC | GULF COAST COUNTRIES |
| D/R SHAFT | DOUBLE ROCKER SHAFT | G/BOX | GLOVE BOX |
| DRIV | DRIVE | GEN | GENERATOR |
| DRVN | DRIVEN | GLA | GLASS |
| D/SEAL | DUST SEAL | G/MLDG | GARNISH-MOULDING |
| D/SHLD | DUST SHIELD | GND | GROUND |
| D/SW | DIMMER SWITCH | GOV | GOVERNOR |
| EBL | ELECTRIC HEATED BACK LIGHT | GR | GEAR |
| ECE | ECONOMIC COMMISSION OF EUROPE | G/REG | GENERATOR-REGULATOR |
| ECC | ECCENTRIC | GRL | GRILLE |
| ECS | EVAPORATE EMISSION CONTROL SYSTEM | GRMT | GROMMET |
| EDR | ENGLAND DESIGN RULE | G/SHIFT | GEARSHIFT |
| EEC | EUROPEAN ECONOMIC COMMUNITY | GSKT | GASKET |
| E.F.I. (M) | ELECTRONIC FUEL INJECTION (METERING) | GVW | GROSS VEHICLE WEIGHT |
| E.G.R. | EXHAUST GAS RECIRCULATION | H/BRK | HAND BRAKE |
| ELECT | ELECTRIC | H/C | HIGH COMPRESSION |
| ELIM | ELIMINATOR | HD | HEAD |
| EMR | ENGINE MAINTENANCE REMINDER | H/D | HEAVY DUTY |
| ENG | ENGINE | HDL | HANDLE |
| EQ | EQUIPMENT | H/LIN | HEAD LINING |
| ESC | ESCUTCHEON | HDLS | HEADLESS |
| ET | EGYPT | HDR | HEADER |
| ETC | ET CETERA | HEMI | HEMISPHERICAL |
| EVAP | EVAPORATION-EVAPORATOR | HEX | HEXAGON |
| EX | EXTRA | HGE | HINGE |
| EXC | EXCLUDE | H/GUIDE | HYDRAGUIDE |
| EXH | EXHAUST | H/LP | HEADLAMP |
| EXP | EXPORT | H/PERF | HIGH PERFORMANCE |
| EXPN | EXPANSION | H/REST | HEAD REST |
| EXT | EXTENSION | HSG | HOUSING |
| EXTL | EXTERNAL | H/SNK | HEAT SINK |
| EXTR | EXTRUDED | H/SHLD | HEAT SHIELD |
| F | FRANCE | HT | HEATER |
| F | FAHRENHEIT | HVY | HEAVY |
| FACT | FACTORY | HYD | HYDRAULIC |
| F/AIR | FRESH AIR | I/ARM | IDLER ARM |
| FAST | FASTENING-FASTENER | I.D. | INSIDE DIAMETER |
| F/AXLE | FRONT AXLE | IDENT | IDENTIFICATION |
| F/BRD | FLOOR BOARD | IGN | IGNITION |
| F/CPLG | FLUID COUPLING | IN | INCH |
| F/DR | FRONT DOOR | INCL | INCLUSIVE-INCLUDES |
| F/FILT | FUEL FILTER | IND | INDUSTRIAL |
| F/GA | FUEL GAGE | INDIC | INDICATOR |
| F/IDLE | FUEL IDLE | INL | INLET |
| FIL HD | FILLISTER HEAD | INR | INNER |
| FIN | FINISH | INS | INSULATING-INSULATION-INSULATOR |
| F/INJ | FUEL INJECTION | INST | INSTRUMENT-INSTRUCTION |
| FLD | FIELD | INT | INTAKE |
| FLEX | FLEXIBLE | INTER | INTERMITTENTLY-INTERMEDIATE |
| FLG | FLANGE | INTL | INTERNAL |
| FL HD | FLAT HEAD | INTLK | INTERLOCK |

ABBREVIATIONS (Cont'd)

I/PNL INSTRUMENT PANEL
 I/PULLEY IDLER PULLEY
 I/S INSIDE
 J JAPAN
 J/BLK JUNCTION BLOCK
 JNT JOINT
 K/DN KICKDOWN
 KDX KNOCK DOWN EXPORT
 KILO KILOMETER
 KNU KNUCKLE
 K/UP KICKUP
 LBS POUNDS
 L/C LOW COMPRESSION
 LCF LOW CAB FORWARD
 L/COMPT LUGGAGE COMPARTMENT
 LEA LEATHER
 LED LIGHT EMITTING DIODE
 LGH LENGTH
 LHD LEFT HAND DRIVE
 L.H. THD LEFT HAND THREAD
 LIC LICENSE
 LIN LINING-LINER
 LK LOCK
 LKG LOCKING
 LK/NUT LOCK NUT
 LK/WA LOCK WASHER
 LOC LOCATING
 LP LAMP
 LPG LIQUID PROPANE GAS
 L.S.H. LOW SECTION HEIGHT
 LT LEFT
 LUB LUBRICANT-LUBRICATING
 LUGG LUGGAGE
 LVR LEVER
 LWR LOWER
 M / I MARINE / INDUSTRIAL
 M/ADJ MANUAL ADJUSTING
 MAN MANUAL
 MANF MANIFOLD
 MAR MARINE
 MAX MAXIMUM
 MAX PERF MAXIMUM PERFORMANCE
 M/BRK MANUAL BRAKE
 MBR MEMBER
 M/CYL MASTER CYLINDER
 MECH MECHANISM
 MED MEDIUM
 MEDAL MEDALLION
 MIL MILITARY
 MIN MINIMUM
 MDLG MOULDING
 MOD MODEL
 M/MTRG MAIN METERING
 M.P.H. MILES PER HOUR
 MT MOUNT
 MTG MOUNTING
 MTR MOTOR
 M/TRANS MANUAL TRANSMISSION
 MTRG METERING
 NEG NEGATIVE
 NEUT NEUTRAL
 NI NICKEL
 NO. OR # NUMBER
 NOM NOMINAL
 NO NITROGEN OXIDE EMISSION CONTROL
 N/PLT NAME PLATE
 NRM NON-REGULATED MARKETS

NUT / WA NUT AND WASHER
 O/CTR OVER CENTER
 O.D. OUTSIDE DIAMETER
 O/DRV OVER DRIVE
 O/GA OIL GAUGE
 OPER OPERATING
 OPNG OPENING
 OPP OPPOSITE
 OPT OPTIONAL
 O/PUMP OIL PUMP
 ORN ORNAMENT
 O/RUNN OVERRUNNING
 O/S OUTSIDE
 O/SIZE OVERSIZE
 OTR OUTER
 OUTL OUTLET
 OV OVAL
 O/W OPTIONAL WITH
 O/WRAP OVERWRAP
 OZ OUNCE
 P PITCH
 PACK PACKING
 PARK PARKING
 PART PARTIAL PARTITION
 PASS PASSENGER
 P/BRK POWER BRAKE
 P/BTN PUSH BUTTON
 PC/BRD PRINTED CIRCUIT BOARD
 PED PEDAL
 PERF PERFORMANCE
 PIST PISTON
 PIV PIVOT
 PKG PACKAGE
 PL PLAIN
 P/LAMP PARKING LAMP
 PLR PILLAR
 PLT PLATE-PLATED
 PLUNG PLUNGER
 PL/WA PLAIN WASHER
 P/MTR POTENTIOMETER
 PNL PANEL
 PNTD PAINTED
 POS POSITIVE
 POLY POLYESTER
 P/PNL POCKET PANEL
 PRESS PRESSURE
 PRI PRIMARY
 PROD PRODUCTION
 P/ROD PUSH ROD
 PROP PROPELLER
 PRPG PROPORTIONING
 PSF POUNDS PER SQUARE FOOT
 PSI POUNDS PER SQUARE INCH
 P/STRG POWER STEERING
 PT POINT
 PTO POWER TAKE OFF
 PWR POWER
 Q/PNL QUARTER PANEL
 QTR QUARTER
 Q/WDO QUARTER WINDOW
 R RADIUS
 R/A REAR AXLE
 R/AXLE REAR AXLE
 RAD RADIATOR
 RC CHINA
 R/CONT REMOTE CONTROL
 RC/SHIFT ROCKER SHAFT

RD ROUND
 R/DR REAR DOOR
 REC RECEIVER
 RECIR RECIRCULATING
 RECT RECTANGULAR
 RECTR RECTIFIER
 RED REDUCTION
 REFL REFLECTOR
 REG REGULATOR
 HEINF REINFORCEMENT
 REL RELEASE
 REM REMOTE
 REQ REQUIRED
 RES RESISTOR
 RET RETAINER
 RETG RETAINING
 REV REVERSE
 REVERB REVERBERATOR
 R/FLR REAR FLOOR
 RHD RIGHT HAND DRIVE
 RHEO RHEOSTAT
 R.H. THD RIGHT HAND THREAD
 R/L RIGHT AND LEFT
 RPM REVOLUTIONS PER MINUTE
 R/QTR REAR QUARTER
 RR REAR
 RSVR RESERVOIR
 RT RIGHT
 R/WDO REAR WINDOW
 S SWEDEN
 S/ABS SHOCK ABSORBER
 S/C SALES CODE
 S/COMPT SIDE COMPARTMENT
 S/DEFL STONE DEFLECTOR
 SECT SECTION
 SER SERIAL-SERVICE
 S/EXH SINGLE EXHAUST
 S-FIN SEMI-FINISHED
 S/GR STEERING GEAR
 SHFT SHIFT
 SHLD SHIELD
 SIG SIGNAL
 S/KNU STEERING KNUCKLE
 SLD SLIDE
 SLDG SLIDING
 S/LP STOP LAMP
 SLTD SLOTTED
 SLV SLEEVE
 S/MBR SIDE MARKER
 SOC SOCKET
 SOL SOLENOID
 SPD SPEED
 SPEEDO SPEEDOMETER
 SPKR SPEAKER
 SPL SPECIAL
 SPL EQUIP SPECIAL EQUIPMENT
 SPRG SPRING
 S/PNL SIDE PANEL
 SP/SHLD SPLASH SHIELD
 SQ SQUARE
 S/R SHAFT SINGLE ROCKER SHAFT
 S/RAIL SIDE RAIL
 S/RING SNAP RING
 S/SHLD SIDE SHIELD
 S/SILL SIDE SILL
 S/SPD SINGLE SPEED
 STA STATION-STATIONARY

ABBREVIATIONS (Cont'd)

STAB STABILIZER
 STD STANDARD
 STGHT STRAIGHT
 STL STEEL
 STRG STEERING
 STRKR STRIKER
 STRNR STRAINER
 STRTR STARTER
 SUCT SUCTION
 SUPT SUPPORT
 SUSP SUSPENSION
 SW SWITCH
 SYNCH SYNCHRONIZER
 T TEETH
 TAP TAPPING
 TBI THROTTLE BODY INJECTION
 T/BKL TURN BUCKLE
 T/BLK TERMINAL BLOCK
 T/COMP TRIMMED COMPLETE
 T/CONT THROTTLE CONTROL
 T/CONV TORQUE CONVERTER
 TEMP TEMPERATURE
 TERM TERMINAL
 T/GA TEMPERATURE GAUGE
 T-GATE TAILGATE
 THD THREAD
 THK THICK
 THERMO THERMOSTAT
 3RD THIRD
 THR THRUST
 THROT THROTTLE
 T.I.C. THERMOSTATIC IGNITION CONTROL
 T/LP TAIL LAMP
 TORQ TORQUE
 TORS TORSION
 TPI THREADS PER INCH
 T/PIPE TAIL PIPE
 T/PLT TAPPING PLATE
 T/PNL TRIM PANEL
 TPR TAPER
 TRANS TRANSMISSION
 TRANSF TRANSFER
 TRIMD TRIMMED
 T/SIG TURN SIGNAL
 TRUN. TRUNNION
 TST TAIL STOP / TURNING
 TR TURKEY
 T/STRIP TACKING STRIP
 TUB TUBULAR
 U/BODY UNDERBODY
 U/DRV UNDERDRIVE
 U/JNT UNIVERSAL JOINT
 UNIV UNIVERSAL
 UPR UPPER
 US UNITED STATES (ALL 50 STATES)
 US-49 UNITED STATES (49 STATES, NOT CALIFORNIA)
 US-CA UNITED STATES (CALIFORNIA ONLY)
 U/S UNDERSIZE
 U/SEAT UNDERSEAT
 U/W USED WITH
 V VENTUR (QTY OF CARB BBL)
 VAC VACUUM
 VAL VALVE
 V/DMPR VIBRATION DAMPER
 VENT VENTILATOR-VENTILATING
 VERT VERTICAL

ABBREVIATIONS (Cont'd)

VOL CONT ... VOLUME CONTROL
V/REG VOLTAGE REGULATOR
V/SPD VARIABLE SPEED
V/WING VENT WING
W WATT
WA WASHER
WAG WAGON
WB WHEELBASE
W/BRG WHEEL BEARING
W/CORD WEATHERCORD
WDO WINDOW
WHL WHEEL

W/HSE WHEELHOUSE
W/LIFT WINDOW LIFT
W/O WITHOUT
W/PUMP WATER PUMP
W/REG WINDOW REGULATOR
W/SHLD WINDSHIELD
W/STRIP WEATHERSTRIP
WT WEIGHT
W/WASHER WINDSHIELD WASHER
W/WPR WINDSHIELD WIPER
X/MBR X MEMBER
YV VENEZUELA

GROUP 2 - FRONT SUSPENSION & DRIVE

ILLUSTRATION TITLE **GROUP-FIG. NO.**

FRONT SUSPENSION

BAR, FRONT STABILIZER WRANGLER, YJ Fig. 2-100
 BAR, FRONT STABILIZER CHEROKEE, WAGONEER, COMANCHE Fig. 2-200
 BAR, FRONT STABILIZER GRAND WAGONEER, J10, J20 Fig. 2-300
 FRONT SPRING AND SHOCK ABSORBER WRANGLER, YJ Fig. 2-400
 FRONT SPRING AND SHOCK ABSORBER CHEROKEE, WAGONEER, COMANCHE Fig. 2-500
 SUSPENSION ARMS, FRONT CHEROKEE, WAGONEER, COMANCHE Fig. 2-600
 FRONT SPRING AND SHOCK ABSORBER GRAND WAGONEER, J10, J20 Fig. 2-700

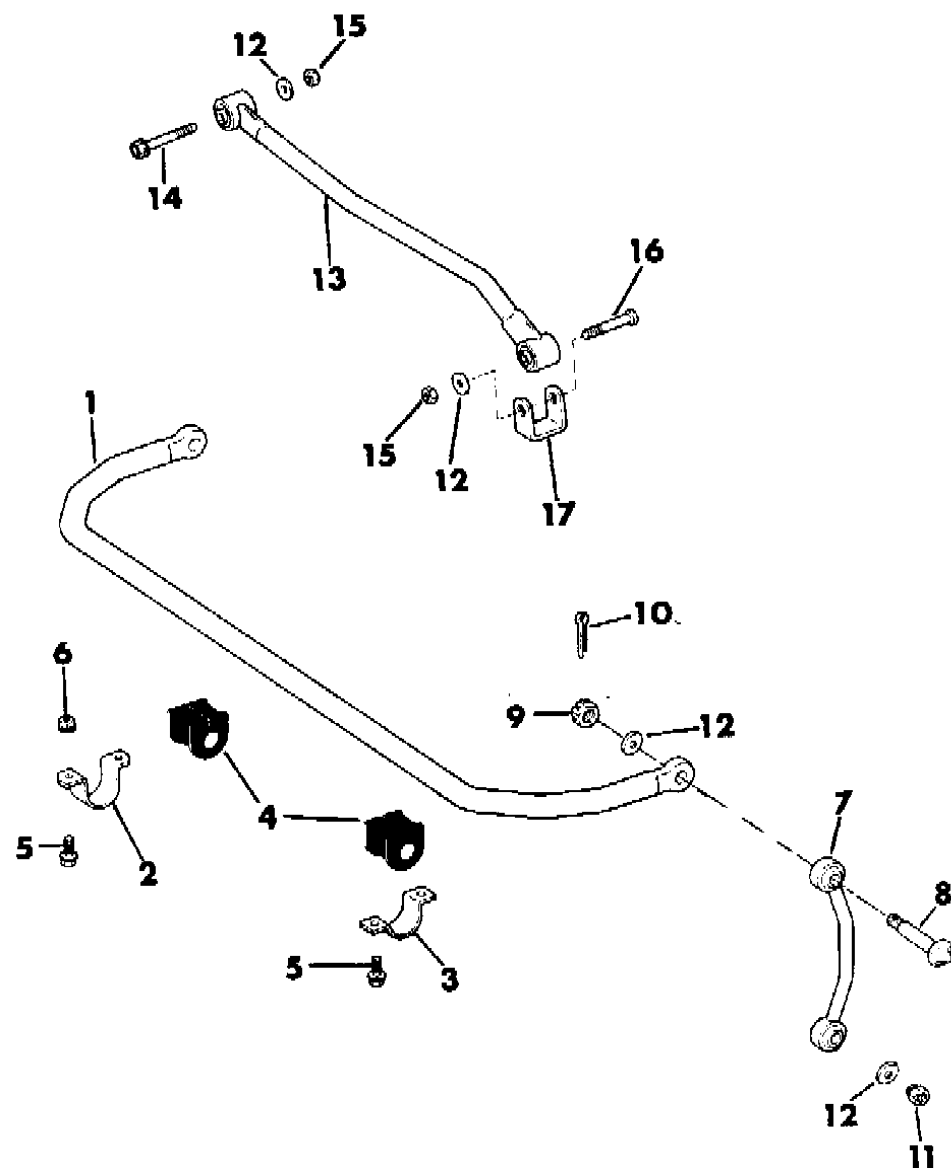
FRONT AXLES

AXLE ASSEMBLY, FRONT WRANGLER, YJ Fig. 2-800
 HOUSING, FRONT AXLE - 1988 KDX W/O DISCONNECT WRANGLER, YJ Fig. 2-900
 HOUSING, FRONT AXLE W/DISCONNECT WRANGLER, YJ Fig. 2-1000
 DIFFERENTIAL, FRONT AXLE WRANGLER, YJ Fig. 2-1100
 SHAFTS, FRONT AXLE - 1987-89 KDX W/O DISCONNECT WRANGLER, YJ Fig. 2-1200
 SHAFTS, FRONT AXLE W/DISCONNECT WRANGLER, YJ Fig. 2-1300
 AXLE ASSEMBLY, FRONT 4 WHEEL DRIVE CHEROKEE, WAGONEER, COMANCHE Fig. 2-1400
 HOUSING, FRONT AXLE 4 WHEEL DRIVE W/O DISCONNECT CHEROKEE, WAGONEER, COMANCHE .. Fig. 2-1500
 HOUSING, FRONT AXLE 4 WHEEL DRIVE W/DISCONNECT CHEROKEE, WAGONEER, COMANCHE Fig. 2-1600
 HOUSING, FRONT AXLE 2 WHEEL DRIVE CHEROKEE, WAGONEER, COMANCHE Fig. 2-1700
 DIFFERENTIAL, FRONT AXLE CHEROKEE, WAGONEER, COMANCHE Fig. 2-1800
 SHAFTS, FRONT AXLE W/O DISCONNECT 1988-90 CHEROKEE, WAGONEER, COMANCHE Fig. 2-1900
 SHAFTS, FRONT AXLE W/O DISCONNECT - 1987 CHEROKEE, WAGONEER, COMANCHE Fig. 2-1950
 SHAFTS, FRONT AXLE W/DISCONNECT CHEROKEE, WAGONEER, COMANCHE Fig. 2-2000
 AXLE ASSEMBLY, FRONT GRAND WAGONEER, J10, J20 Fig. 2-2100
 HOUSING, FRONT AXLE GRAND WAGONEER, J10, J20 Fig. 2-2200
 DIFFERENTIAL, FRONT AXLE GRAND WAGONEER, J10, J20 Fig. 2-2300
 SHAFTS, FRONT AXLE GRAND WAGONEER, J10, J20 Fig. 2-2400
 LOCKING HUBS, SELECTIVE DRIVE W/ 208 TRANSFER CASE J20 Fig. 2-2500

ILLUSTRATION NOT AVAILABLE AT TIME OF PUBLICATION

BAR, FRONT STABILIZER WRANGLER, YJ
Figure 2-100

8J02 100



| ITEM | PART NUMBER | QTY | BODY | MODEL | DESCRIPTION |
|------|-------------|-----|------|-------|---------------------|
| 1 | 5200 3142 | 1 | | | BAR, Stabilizer *** |
| 2 | 5200 1085 | 1 | | | CLAMP |
| 3 | 5204 0047 | 1 | | | CLAMP |
| 4 | 5200 3143 | 2 | | | CUSHION |
| 5 | J812 4191 | 4 | | | BOLT |
| 6 | J400 5142 | 2 | | | NUT |
| 7 | 5200 2609 | 2 | | | LINK |
| 8 | J535 2787 | 2 | | | PIN |
| 9 | J027 4428 | 2 | | | NUT |
| 10 | J010 3374 | 2 | | | PIN, Cotter |
| 11 | J400 4311 | 2 | | | NUT |
| 12 | J448 8495 | 10 | | | WASHER |
| 13 | 5204 0403 | 1 | | | BAR, Track |
| 14 | 3420 2415 | 1 | | | BOLT |
| 15 | 1150 2723 | 4 | | | NUT |
| 16 | | | | | BOLT |
| | 3420 1465 | 3 | | | 1987-89 |
| | 6502 248 | 3 | | | 1990 |
| 17 | 5200 1989 | 2 | | | SPACER |

MODEL CODES:

| | | |
|-----------------------------|-----------------------------|------------------------------|
| 15 = Grand Wagoneer 4 Dr. | 65 = Comanche 4WD-7 Ft. Box | 77 = Cherokee 4WD-2 Dr. |
| 25 = J-10 Pickup-119" W.B. | 66 = Comanche 2WD-7 Ft. Box | 78 = Cherokee 4WD-4 Dr. |
| 26 = J-10 Pickup-131" W.B. | 73 = Cherokee 2WD-2 Dr. | 79 = Cherokee 4WD-4 Dr.-Com |
| 27 = J-20 Pickup-131" W.B. | 74 = Cherokee 2WD-4 Dr. | 81 = Wrangler-93" W.B. |
| 63 = Comanche 4WD-6 Ft. Box | 75 = Wagoneer 4WD-4 Dr. | 82 = Wrangler-103" W.B.-Exp. |
| 64 = Comanche 2WD-6 Ft. Box | | |

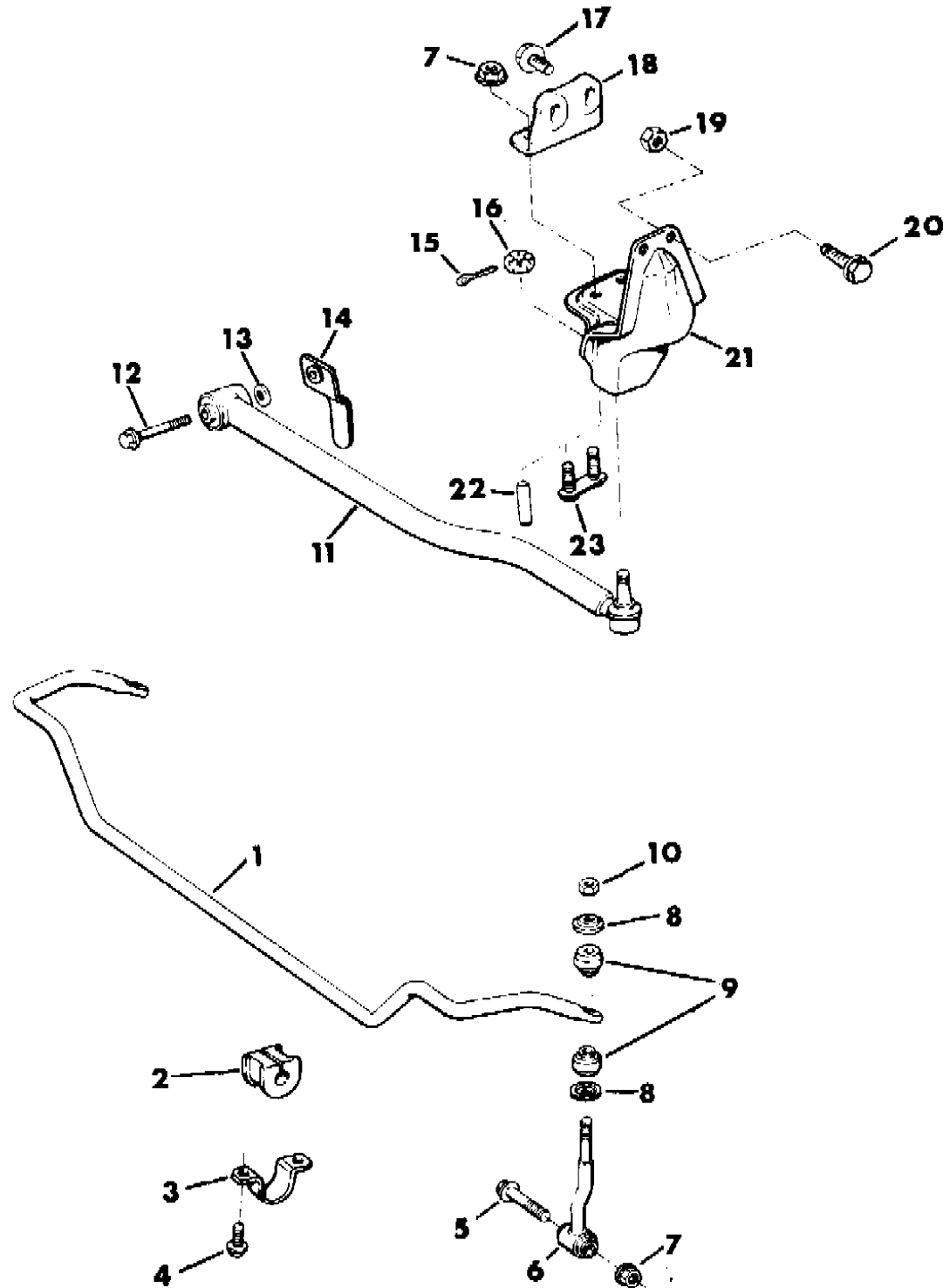
BODY STYLES:

MJ = Comanche Pickup
 SJ = Grand Wagoneer Wgn., J-10 & J-20 Pickups
 XJ = Cherokee, Wagoneer Limited
 YJ = Wrangler

AR = Use as Required - = Non Illustrated Part P.A.R. = Paint as Required

BAR, FRONT STABILIZER CHEROKEE, WAGONEER, COMANCHE
Figure 2-200

8 J 02 200



| ITEM | PART NUMBER | QTY | BODY | MODEL | DESCRIPTION |
|------|-------------|-----|------|-------|----------------------------------|
| 1 | | | | | BAR, Stabilizer |
| | 5200 1143 | 1 | | | Diameter = 24mm |
| | 5200 3151 | 1 | | | Diameter = 28mm |
| 2 | J536 5098 | 2 | | | CUSHION, Stabilizer |
| | | | | | Yellow, 24mm |
| | | | | | Orange, 28mm |
| | 5200 1144 | 2 | | | 1987-89 |
| | 5200 6495 | 2 | | | 1990 |
| | 5200 3232 | 2 | | | Brown H.D., 28mm |
| 3 | 5200 1085 | 2 | | | CLAMP |
| 4 | 3420 1321 | 4 | | | BOLT |
| 5 | 3420 1949 | 2 | | | BOLT |
| 6 | 5200 3360 | 2 | | | LINK |
| 7 | 1150 2813 | AR | | | NUT |
| 8 | 5200 3361 | 4 | | | RETAINER |
| 9 | 5200 1132 | 4 | | | GROMMET |
| 10 | 1150 0424 | 2 | | | NUT |
| 11 | | | | | BAR, Track |
| | 5200 0970 | 1 | | | |
| | 5200 3918 | 1 | | | w/KDX Venezuela |
| 12 | 3420 1927 | 1 | | | BOLT |
| 13 | S243 6163 | 1 | | | WASHER |
| 14 | 3420 2463 | 1 | | | RETAINER |
| 15 | 1101 0069 | 1 | | | PIN |
| 16 | J027 4428 | 1 | | | NUT |
| 17 | 3420 2037 | 2 | | | BOLT, Diesel Engine *** |
| 18 | 5200 1275 | 1 | | | REINFORCEMENT, Diesel Engine *** |
| 19 | 1150 1033 | 2 | | | NUT, M10 |
| | 1150 2813 | 2 | | | M12 |
| 20 | 1150 2606 | 2 | | | BOLT, M10x1.5 |
| | 3420 2472 | 2 | | | M12x1.75 |
| 21 | 5200 4346 | 1 | | | BRACKET, Track Bar |
| 22 | 3420 2742 | 2 | | | STUD, w/o 2.5L Eng. |
| 23 | 5200 1493 | 1 | | | PLATE, Track Bar, w/2.5L Eng. |

MODEL CODES:

| | | |
|-----------------------------|-----------------------------|------------------------------|
| 15 = Grand Wagoneer 4 Dr. | 65 = Comanche 4WD-7 Ft. Box | 77 = Cherokee 4WD-2 Dr. |
| 25 = J-10 Pickup-119" W.B. | 66 = Comanche 2WD-7 Ft. Box | 78 = Cherokee 4WD-4 Dr. |
| 26 = J-10 Pickup-131" W.B. | 73 = Cherokee 2WD-2 Dr. | 79 = Cherokee 4WD-4 Dr.-Com |
| 27 = J-20 Pickup-131" W.B. | 74 = Cherokee 2WD-4 Dr. | 81 = Wrangler-93" W.B. |
| 63 = Comanche 4WD-6 Ft. Box | 75 = Wagoneer 4WD-4 Dr. | 82 = Wrangler-103" W.B.-Exp. |
| 64 = Comanche 2WD-6 Ft. Box | | |

BODY STYLES:

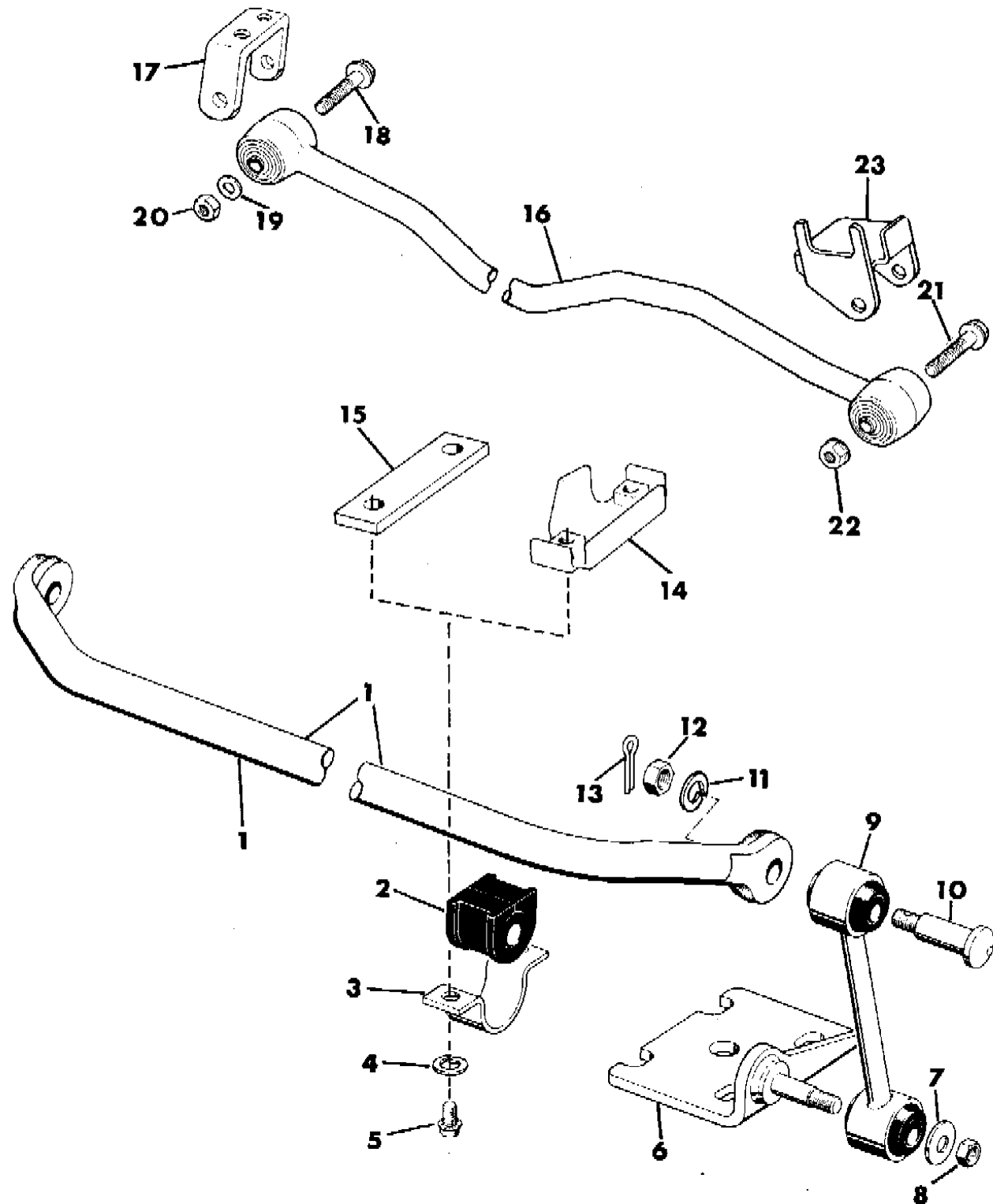
MJ = Comanche Pickup
 SJ = Grand Wagoneer Wgn., J-10 & J-20 Pickups
 XJ = Cherokee, Wagoneer Limited
 YJ = Wrangler

AR = Use as Required - = Non Illustrated Part P.A.R. = Paint as Required

BAR, FRONT STABILIZER GRAND WAGONEER, J10, J20

Figure 2-300

8J02 300A



| ITEM | PART NUMBER | QTY | BODY | MODEL | DESCRIPTION |
|------|-------------|-----|------|--------|----------------------|
| 1 | 5200 1995 | 1 | | 15, 26 | BAR, Stabilizer |
| | J535 2705 | 1 | | 27 | |
| 2 | 5200 1996 | 2 | | 15, 26 | CUSHION, Stabilizer |
| | J535 2702 | 2 | | 27 | |
| 3 | J535 2703 | 2 | | | CLAMP |
| 4 | J012 0383 | 4 | | | WASHER |
| 5 | J027 4902 | 4 | | | SCREW, Length = .75" |
| | J400 5824 | 4 | | | BOLT, Length = 2.00" |
| 6 | | | | | BRACKET |
| | J535 9584 | 1 | | | Rt. |
| | J535 9585 | 1 | | | Lt. |
| 7 | J012 0389 | 2 | | | WASHER |
| 8 | J027 4655 | 2 | | | NUT |
| 9 | J535 5594 | 2 | | 15, 26 | LINK |
| | J535 2788 | 2 | | 27 | |
| 10 | J535 2787 | 2 | | | PIN |
| 11 | J535 0644 | 2 | | | WASHER |
| 12 | J942 1085 | 2 | | | NUT |
| 13 | J013 7190 | 2 | | | PIN |
| 14 | | | | | BRACKET |
| | J535 5597 | 1 | | 15, 26 | Rt. |
| | J535 5596 | 1 | | 15, 26 | Lt. |
| 15 | J099 4880 | 2 | | 27 | SPACER |
| 16 | 5200 1985 | 1 | | 15 | BAR, Track |
| 17 | 5200 1989 | 1 | | 15 | SPACER |
| 18 | 3420 1465 | 1 | | 15 | BOLT |
| 19 | J448 8495 | 1 | | 15 | WASHER |
| 20 | 1150 2723 | 1 | | 15 | NUT |
| 21 | T057 1572 | 1 | | 15 | BOLT |
| 22 | 1150 2812 | 1 | | 15 | NUT |
| 23 | 5200 2084 | 1 | | 15 | BRACKET, Track Bar |

MODEL CODES:

| | | |
|-----------------------------|-----------------------------|------------------------------|
| 15 = Grand Wagoneer 4 Dr. | 65 = Comanche 4WD-7 Ft. Box | 77 = Cherokee 4WD-2 Dr. |
| 25 = J-10 Pickup-119" W.B. | 66 = Comanche 2WD-7 Ft. Box | 78 = Cherokee 4WD-4 Dr. |
| 26 = J-10 Pickup-131" W.B. | 73 = Cherokee 2WD-2 Dr. | 79 = Cherokee 4WD-4 Dr.-Com |
| 27 = J-20 Pickup-131" W.B. | 74 = Cherokee 2WD-4 Dr. | 81 = Wrangler-93" W.B. |
| 63 = Comanche 4WD-6 Ft. Box | 75 = Wagoneer 4WD-4 Dr. | 82 = Wrangler-103" W.B.-Exp. |
| 64 = Comanche 2WD-6 Ft. Box | | |

BODY STYLES:

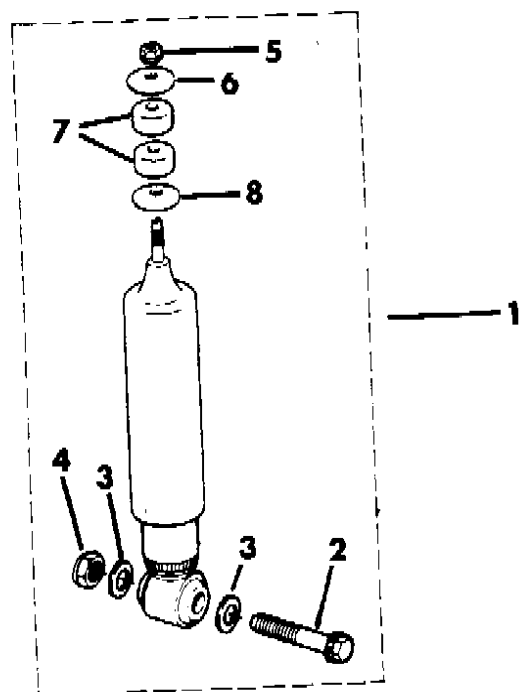
MJ = Comanche Pickup
 SJ = Grand Wagoneer Wgn., J-10 & J-20 Pickups
 XJ = Cherokee, Wagoneer Limited
 YJ = Wrangler

AR = Use as Required - = Non Illustrated Part P.A.R. = Paint as Required

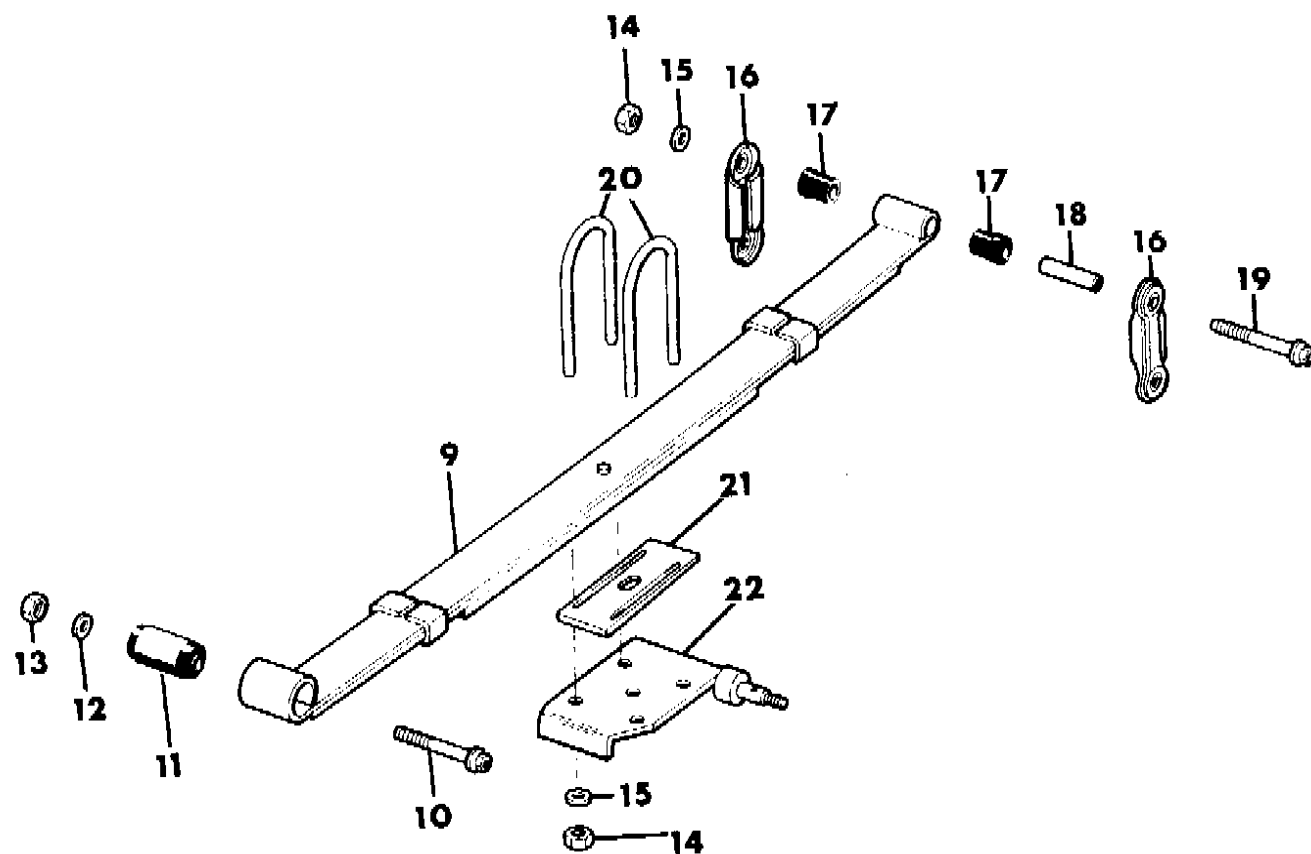
FRONT SPRING AND SHOCK ABSORBER WRANGLER, YJ

Figure 2-400

8J02 400



| ITEM | PART NUMBER | QTY | BODY | MODEL | DESCRIPTION |
|------|-------------|-----|------|-------|--|
| 1 | | | | | SHOCK ABSORBER |
| | 8350 2866 | 2 | | | Standard Duty, Coded 89 52 040 034 |
| | 8350 2836 | 2 | | | Heavy Duty, Coded 89 52 002 610 or 89 52 002 752 |
| 2 | J018 1709 | 2 | | | BOLT |
| 3 | 0120 390 | 4 | | | WASHER |
| 4 | J400 4311 | 2 | | | NUT |
| 5 | J012 0369 | 2 | | | NUT |
| 6 | J316 5076 | 2 | | | RETAINER |
| 7 | J321 6638 | 4 | | | GROMMET |
| 8 | J314 6809 | 2 | | | RETAINER |
| 9 | | | | | SPRING, Front |
| | 5200 3207 | 2 | | | w/2.5L Eng. Standard Duty (4 Leaf) |
| | 5200 3206 | 2 | | | w/4.2L Eng. Standard Duty |
| | 5200 3448 | 2 | | | Heavy Duty |
| 10 | J400 7547 | 2 | | | BOLT |
| 11 | 5200 2551 | 2 | | | BUSHING |
| 12 | J400 6884 | 2 | | | WASHER |
| 13 | J400 3979 | 2 | | | NUT |
| 14 | J400 4311 | 12 | | | NUT |
| 15 | J448 8495 | 12 | | | WASHER |
| 16 | 5204 0415 | 4 | | | PLATE |
| 17 | 5200 2552 | 8 | | | BUSHING |
| 18 | 5200 2553 | 4 | | | SPACER |
| 19 | J400 7393 | 4 | | | BOLT |
| 20 | | | | | U-BOLT *** |
| | J813 0369 | 4 | | | Width = 3.06" |
| | J813 0370 | 4 | | | Width = 3.75" |
| 21 | 5200 3408 | 2 | | | SHIM |
| 22 | | | | | PLATE *** |
| | 5204 0407 | 1 | | | Lt. |
| | 5204 0348 | 1 | | | Rt., Except Egypt And Venezuela |
| | 5204 0408 | 1 | | | Rt., Egypt And Venezuela |



MODEL CODES:

| | | |
|-----------------------------|-----------------------------|------------------------------|
| 15 = Grand Wagoneer 4 Dr. | 65 = Comanche 4WD-7 Ft. Box | 77 = Cherokee 4WD-2 Dr. |
| 25 = J-10 Pickup-119" W.B. | 66 = Comanche 2WD-7 Ft. Box | 78 = Cherokee 4WD-4 Dr. |
| 26 = J-10 Pickup-131" W.B. | 73 = Cherokee 2WD-2 Dr. | 79 = Cherokee 4WD-4 Dr.-Com |
| 27 = J-20 Pickup-131" W.B. | 74 = Cherokee 2WD-4 Dr. | 81 = Wrangler-93" W.B. |
| 63 = Comanche 4WD-6 Ft. Box | 75 = Wagoneer 4WD-4 Dr. | 82 = Wrangler-103" W.B.-Exp. |
| 64 = Comanche 2WD-6 Ft. Box | | |

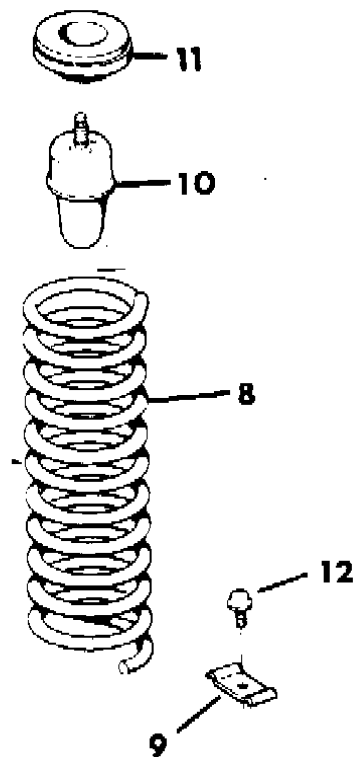
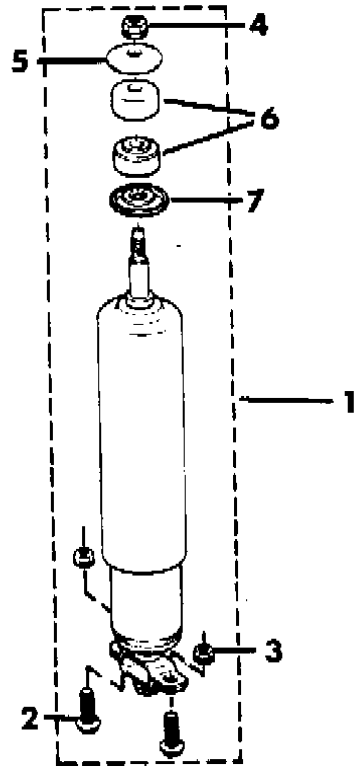
BODY STYLES:

MJ = Comanche Pickup
 SJ = Grand Wagoneer Wgn., J-10 & J-20 Pickups
 XJ = Cherokee, Wagoneer Limited
 YJ = Wrangler

AR = Use as Required - = Non Illustrated Part P.A.R. = Paint as Required

FRONT SPRING AND SHOCK ABSORBER CHEROKEE, WAGONEER, COMANCHE
Figure 2-500

8J02 500



| ITEM | PART NUMBER | QTY | BODY | MODEL | DESCRIPTION |
|------|-------------|-----|------|-------|---|
| 1 | | | | | SHOCK ABSORBER |
| | 8350 0313 | 2 | XJ | | Light Duty, Coded 89 52 001 209, 89 52 004 524 |
| | 8350 0312 | 2 | XJ | | Standard Duty, Coded 89 52 001 207 |
| | 8350 0314 | 2 | XJ | | Heavy Duty, Coded 89 52 001 208 |
| | 8350 2509 | 2 | MJ | | Standard Duty, Coded 89 52 000 949 |
| | 8350 2510 | 2 | MJ | | Heavy Duty, Coded 89 52 000 814 |
| | 8350 4211 | 2 | | | Heavy Duty, Off Road Package, Coded 89 52 003 288 |
| | 8350 2511 | 2 | | | Heavy Duty, Off Road Package, Coded 89 52 002 388 |
| 2 | J420 0402 | 4 | | | SCREW |
| 3 | 1150 2811 | 4 | | | NUT |
| 4 | J012 0369 | 2 | | | NUT |
| 5 | J316 5076 | 2 | | | RETAINER |
| 6 | J321 6638 | 4 | | | GROMMET |
| 7 | J314 6809 | 2 | | | RETAINER |
| 8 | | | | | SPRING, Front |
| | 5200 1107 | 2 | | | Light Duty, Coded EF |
| | 5200 1108 | 2 | | | Light Duty, Coded EG |
| | 5200 1109 | 2 | | | Light Duty, Coded EH |
| | 5200 1110 | 2 | | | Light Duty, Coded EJ |
| | 5200 1111 | 2 | | | Light Duty, Coded EK |
| | 5200 1784 | 2 | | | Light Duty, Coded EL |
| | 5200 1785 | 2 | | | Light Duty, Coded EM |
| | 5200 1786 | 2 | | | Light Duty, Coded EN |
| | 5200 1787 | 2 | | | Light Duty, Coded EP |
| | 5200 1788 | 2 | | | Light Duty, Coded ER |
| | 5200 1789 | 2 | | | Standard Duty, Coded FL |
| | 5200 1114 | 2 | | | Standard Duty, Coded FE |
| | 5200 1115 | 2 | | | Standard Duty, Coded FF |
| | 5200 1116 | 2 | | | Standard Duty, Coded FG |
| | 5200 1117 | 2 | | | Standard Duty, Coded FH |
| | 5200 1118 | 2 | | | Standard Duty, Coded FJ |
| | 5200 1119 | 2 | | | Standard Duty, Coded FK |
| | 5200 1789 | 2 | | | Standard Duty, Coded FL |
| | 5200 1790 | 2 | | | Standard Duty, Coded FM |
| | 5200 1791 | 2 | | | Standard Duty, Coded FN |
| | 5200 1792 | 2 | | | Standard Duty, Coded FP |
| | 5200 1122 | 2 | | | Heavy Duty, Coded GF |

MODEL CODES:

| | | |
|-----------------------------|-----------------------------|------------------------------|
| 15 = Grand Wagoneer 4 Dr. | 65 = Comanche 4WD-7 Ft. Box | 77 = Cherokee 4WD-2 Dr. |
| 25 = J-10 Pickup-119" W.B. | 66 = Comanche 2WD-7 Ft. Box | 78 = Cherokee 4WD-4 Dr. |
| 26 = J-10 Pickup-131" W.B. | 73 = Cherokee 2WD-2 Dr. | 79 = Cherokee 4WD-4 Dr.-Com |
| 27 = J-20 Pickup-131" W.B. | 74 = Cherokee 2WD-4 Dr. | 81 = Wrangler-93" W.B. |
| 63 = Comanche 4WD-6 Ft. Box | 75 = Wagoneer 4WD-4 Dr. | 82 = Wrangler-103" W.B.-Exp. |
| 64 = Comanche 2WD-6 Ft. Box | | |

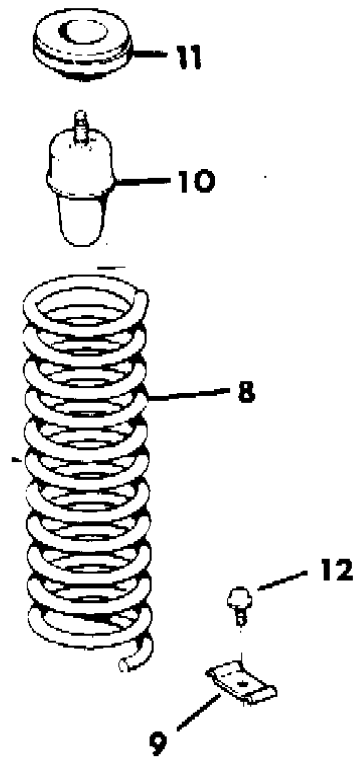
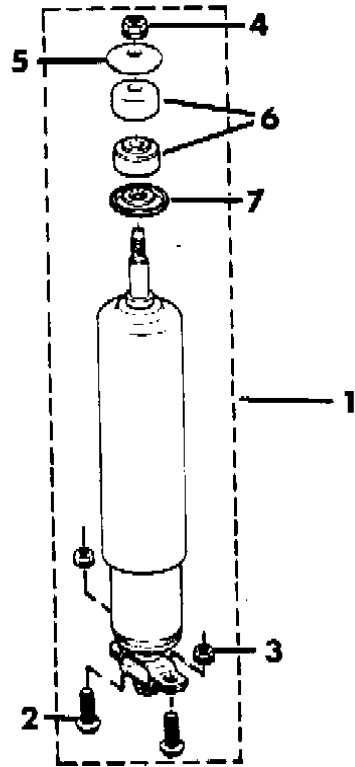
BODY STYLES:

MJ = Comanche Pickup
 SJ = Grand Wagoneer Wgn., J-10 & J-20 Pickups
 XJ = Cherokee, Wagoneer Limited
 YJ = Wrangler

AR = Use as Required - = Non Illustrated Part P.A.R. = Paint as Required

FRONT SPRING AND SHOCK ABSORBER CHEROKEE, WAGONEER, COMANCHE
Figure 2-500

8J02 500



| ITEM | PART NUMBER | QTY | BODY | MODEL | DESCRIPTION |
|------|-------------|-----|------|-------|----------------------|
| | 5200 1123 | 2 | | | Heavy Duty, Coded GG |
| | 5200 1124 | 2 | | | Heavy Duty, Coded GH |
| | 5200 1125 | 2 | | | Heavy Duty, Coded GJ |
| | 5200 1793 | 2 | | | Heavy Duty, Coded GK |
| | 5200 1794 | 2 | | | Heavy Duty, Coded GL |
| | 5200 1795 | 2 | | | Heavy Duty, Coded GM |
| | 5200 1796 | 2 | | | Heavy Duty, Coded GN |
| 9 | 5300 0899 | 2 | | | BRACKET |
| 10 | 5200 4749 | 2 | | | CUSHION |
| 11 | 5200 0229 | 2 | | | ISOLATOR |
| 12 | S150 0086 | 2 | | | SCREW |

MODEL CODES:

| | | |
|-----------------------------|-----------------------------|------------------------------|
| 15 = Grand Wagoneer 4 Dr. | 65 = Comanche 4WD-7 Ft. Box | 77 = Cherokee 4WD-2 Dr. |
| 25 = J-10 Pickup-119" W.B. | 66 = Comanche 2WD-7 Ft. Box | 78 = Cherokee 4WD-4 Dr. |
| 26 = J-10 Pickup-131" W.B. | 73 = Cherokee 2WD-2 Dr. | 79 = Cherokee 4WD-4 Dr.-Com |
| 27 = J-20 Pickup-131" W.B. | 74 = Cherokee 2WD-4 Dr. | 81 = Wrangler-93" W.B. |
| 63 = Comanche 4WD-6 Ft. Box | 75 = Wagoneer 4WD-4 Dr. | 82 = Wrangler-103" W.B.-Exp. |
| 64 = Comanche 2WD-6 Ft. Box | | |

BODY STYLES:

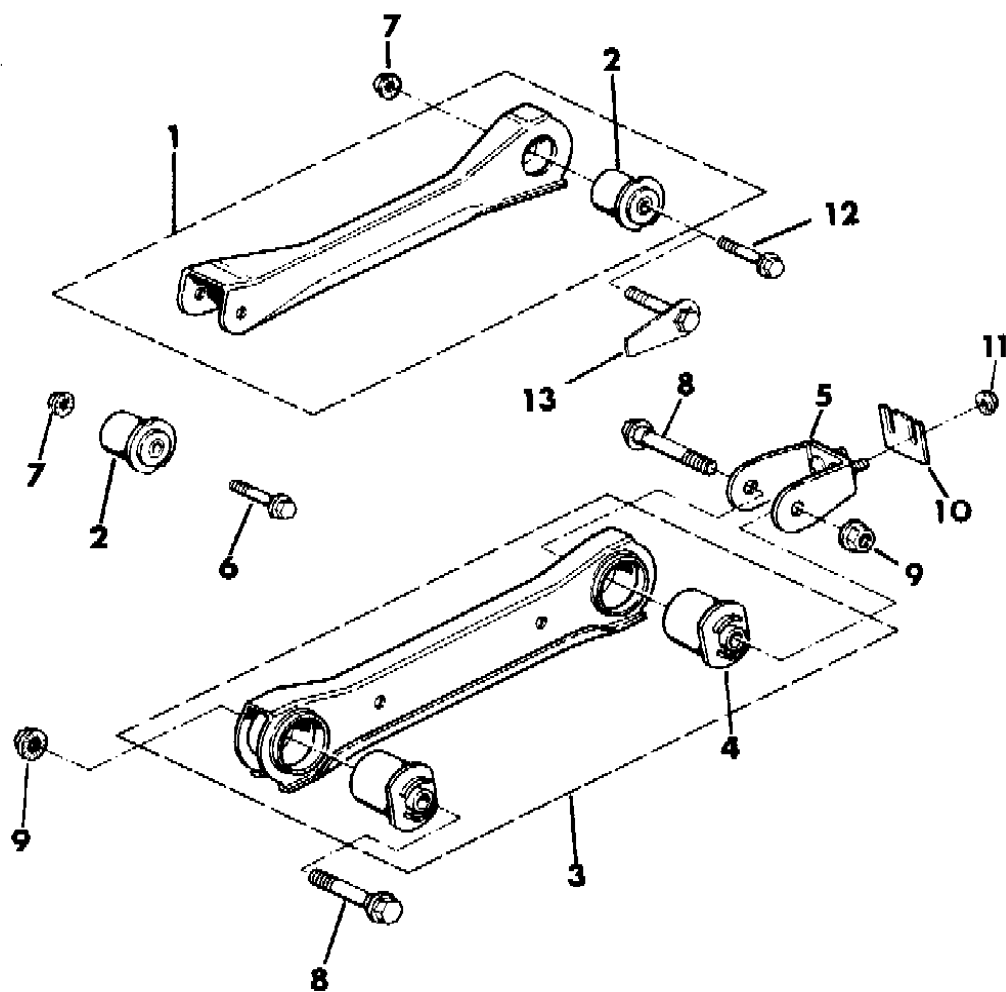
MJ = Comanche Pickup
 SJ = Grand Wagoneer Wgn., J-10 & J-20 Pickups
 XJ = Cherokee, Wagoneer Limited
 YJ = Wrangler

AR = Use as Required - = Non Illustrated Part P.A.R. = Paint as Required

SUSPENSION ARMS, FRONT CHEROKEE, WAGONEER, COMANCHE

Figure 2-600

8J02 600



| ITEM | PART NUMBER | QTY | BODY | MODEL | DESCRIPTION |
|------|-------------|-----|------|-------|------------------------|
| 1 | | | | | ARM, Suspension Upper |
| | 5200 0213 | 2 | | | w/o ECE |
| | 5200 2535 | 2 | | | w/ECE |
| 2 | | | | | BUSHING |
| | 5200 3636 | 4 | | | w/o ECE |
| | 5200 3637 | 4 | | | w/ECE |
| 3 | | | | | ARM, Suspension Lower |
| | 5200 1162 | 2 | | | w/o ECE |
| | 5200 2538 | 2 | | | w/ECE |
| 4 | | | | | BUSHING |
| | 5200 1161 | 4 | | | w/o ECE |
| | 5200 2539 | 4 | | | w/ECE |
| 5 | 5200 0532 | 2 | | | CLEVIS, Suspension *** |
| 6 | 3420 2640 | 2 | | | BOLT |
| 7 | 1150 6007 | 4 | | | NUT |
| 8 | 3420 1392 | 4 | | | BOLT |
| 9 | 1150 2814 | 4 | | | NUT |
| 10 | | | | | SHIM |
| | 5200 0234 | AR | | | Thickness = .95mm |
| | 5200 3976 | AR | | | Thickness = 4.00mm |
| 11 | 1150 2811 | 4 | | | NUT |
| 12 | 3420 2641 | 2 | | | BOLT |
| 13 | 3420 3013 | 2 | | | BOLT |

MODEL CODES:

| | | |
|-----------------------------|-----------------------------|------------------------------|
| 15 = Grand Wagoneer 4 Dr. | 65 = Comanche 4WD-7 Ft. Box | 77 = Cherokee 4WD-2 Dr. |
| 25 = J-10 Pickup-119" W.B. | 66 = Comanche 2WD-7 Ft. Box | 78 = Cherokee 4WD-4 Dr. |
| 26 = J-10 Pickup-131" W.B. | 73 = Cherokee 2WD-2 Dr. | 79 = Cherokee 4WD-4 Dr.-Com |
| 27 = J-20 Pickup-131" W.B. | 74 = Cherokee 2WD-4 Dr. | 81 = Wrangler-93" W.B. |
| 63 = Comanche 4WD-6 Ft. Box | 75 = Wagoneer 4WD-4 Dr. | 82 = Wrangler-103" W.B.-Exp. |
| 64 = Comanche 2WD-6 Ft. Box | | |

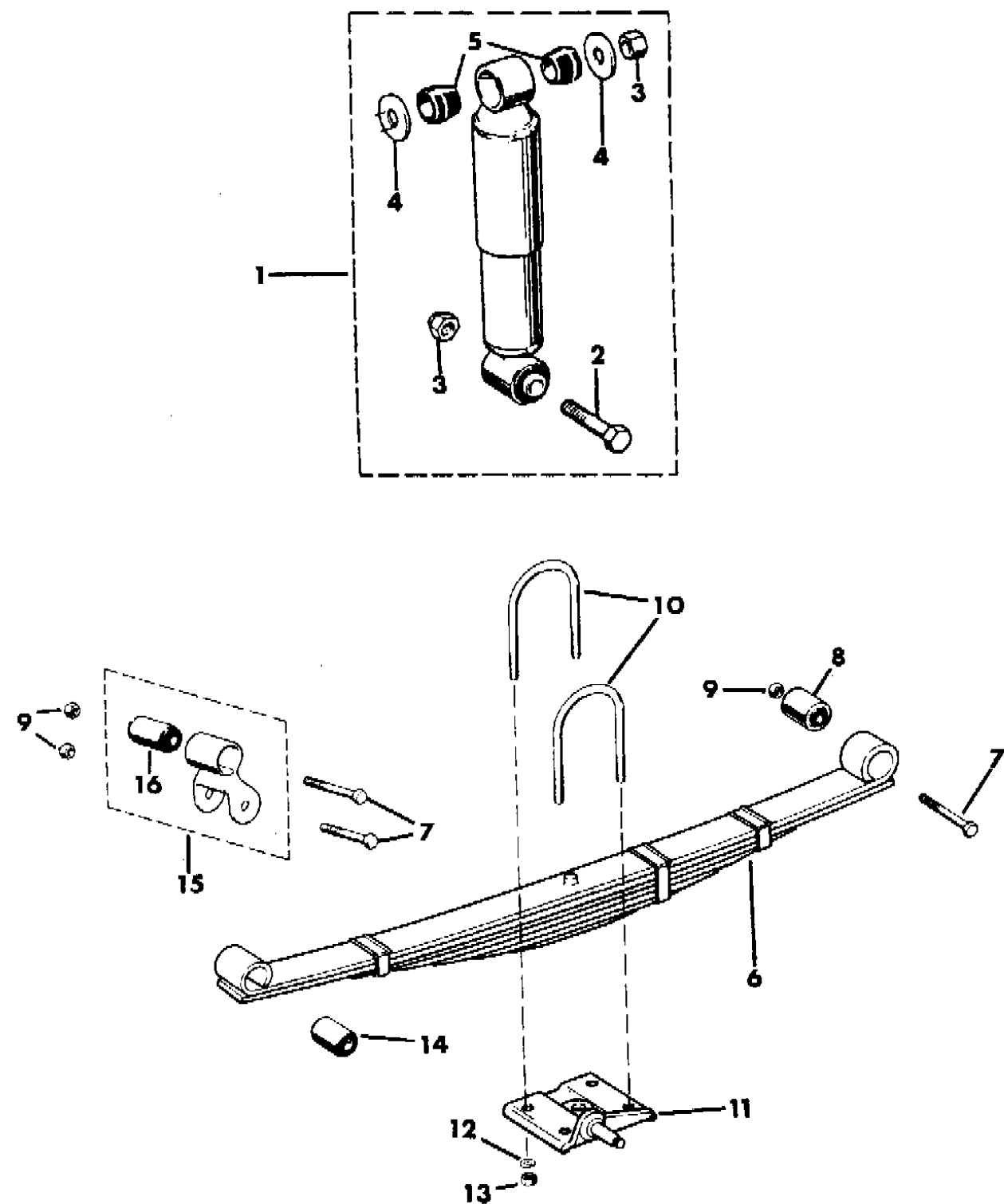
BODY STYLES:

MJ = Comanche Pickup
 SJ = Grand Wagoneer Wgn., J-10 & J-20 Pickups
 XJ = Cherokee, Wagoneer Limited
 YJ = Wrangler

AR = Use as Required - = Non Illustrated Part P.A.R. = Paint as Required

FRONT SPRING AND SHOCK ABSORBER GRAND WAGONEER, J10, J20
Figure 2-700

8J02 700



| ITEM | PART NUMBER | QTY | BODY | MODEL | DESCRIPTION |
|------|-------------|-----|------|-------|-----------------------|
| 1 | | | | | SHOCK ABSORBER |
| | 8350 1877 | 2 | | 15 | Standard |
| | 8350 3694 | 2 | | 15 | Heavy Duty |
| | J812 9467 | 2 | | 26,27 | Heavy Duty |
| 2 | J018 1709 | 2 | | | BOLT |
| 3 | J400 4311 | 4 | | | NUT |
| 4 | J448 8495 | 4 | | | WASHER |
| 5 | J063 7936 | 4 | | | BUSHING |
| 6 | | | | | SPRING, Front |
| | J536 2950 | 2 | | | 5 Leaf |
| | J536 2949 | 2 | | | 6 Leaf |
| | J536 2954 | 2 | | 15 | 7 Leaf, w/4.2L Eng. |
| | J536 2953 | 2 | | 15 | 7 Leaf, w/5.9L Eng. |
| | J536 2951 | 2 | | 26,27 | 7 Leaf, Standard Duty |
| | J536 2952 | 2 | | 27 | 7 Leaf, Heavy Duty |
| 7 | J400 4120 | 6 | | | BOLT |
| 8 | J535 8985 | 2 | | 15,26 | BUSHING |
| | J535 5369 | 2 | | 27 | |
| 9 | J400 3979 | 6 | | | NUT |
| 10 | J812 9474 | 4 | | | U-BOLT *** |
| 11 | | | | | BRACKET |
| | J535 9585 | 1 | | | Rt. |
| | J535 9584 | 1 | | | Lt. |
| 12 | J400 4806 | 8 | | | WASHER |
| 13 | J942 0350 | 8 | | | NUT |
| 14 | J094 4870 | 2 | | | BUSHING |
| 15 | J535 2863 | 2 | | 15,26 | SHACKLE |
| | J535 2251 | 2 | | 27 | |
| 16 | J535 2079 | 2 | | | BUSHING |

MODEL CODES:

| | | |
|-----------------------------|-----------------------------|------------------------------|
| 15 = Grand Wagoneer 4 Dr. | 65 = Comanche 4WD-7 Ft. Box | 77 = Cherokee 4WD-2 Dr. |
| 25 = J-10 Pickup-119" W.B. | 66 = Comanche 2WD-7 Ft. Box | 78 = Cherokee 4WD-4 Dr. |
| 26 = J-10 Pickup-131" W.B. | 73 = Cherokee 2WD-2 Dr. | 79 = Cherokee 4WD-4 Dr.-Com |
| 27 = J-20 Pickup-131" W.B. | 74 = Cherokee 2WD-4 Dr. | 81 = Wrangler-93" W.B. |
| 63 = Comanche 4WD-6 Ft. Box | 75 = Wagoneer 4WD-4 Dr. | 82 = Wrangler-103" W.B.-Exp. |
| 64 = Comanche 2WD-6 Ft. Box | | |

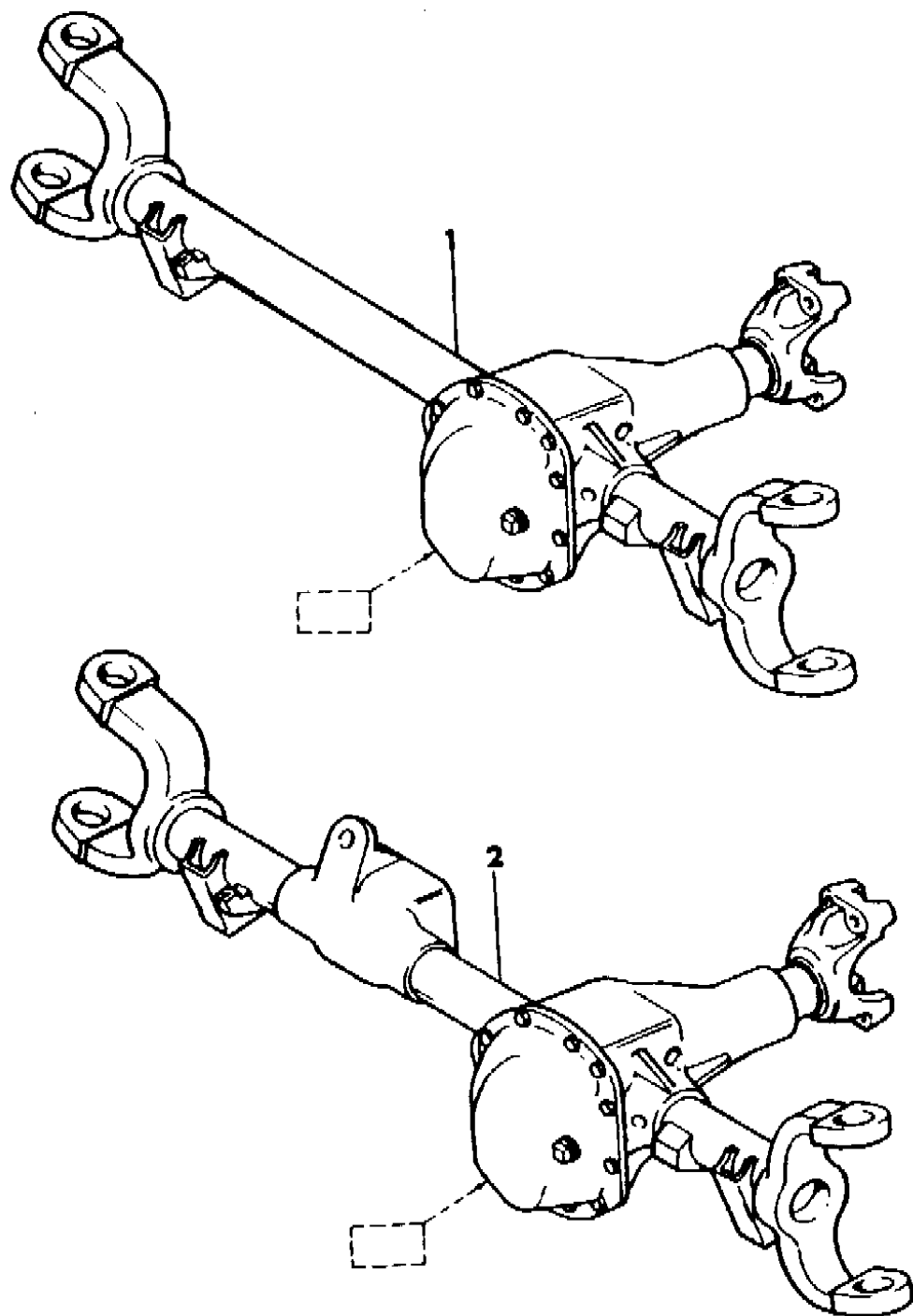
BODY STYLES:

MJ = Comanche Pickup
 SJ = Grand Wagoneer Wgn., J-10 & J-20 Pickups
 XJ = Cherokee, Wagoneer Limited
 YJ = Wrangler

AR = Use as Required - = Non Illustrated Part P.A.R. = Paint as Required

AXLE ASSEMBLY, FRONT WRANGLER, YJ
Figure 2-800

8J02 800



| ITEM | PART NUMBER | QTY | BODY | MODEL | DESCRIPTION |
|------|-------------|-----|------|-------|--|
| 1 | | | | | AXLE ASSEMBLY, w/o Disconnect, KDX *** |
| | 8350 5401 | 1 | | | 3.07 Ratio, Tagged 89 53 003 861 |
| | 8350 5523 | 1 | | | 3.55 Ratio, Tagged 89 53 005 048 |
| 2 | | | | | AXLE ASSEMBLY, w/Disconnect *** |
| | | | | | 1987-89 |
| | 8350 3046 | 1 | | | 3.07 Ratio, Tagged 89 53 003 709 |
| | 8350 4908 | 1 | | | 3.54 Ratio, Tagged 89 53 003 710 |
| | 8350 5513 | 1 | | | 3.55 Ratio, Tagged 89 53 005 044 |
| | 8350 5297 | 1 | | | 4.10 Ratio, Tagged 89 53 003 711 |
| | | | | | 1990 |
| | 5252 962 | 1 | | | 3.07 Ratio, Tagged 53 005 565 |
| | 5252 964 | 1 | | | 3.55 Ratio, Tagged 53 005 566 |
| | 4637 925 | 1 | | | 4.10 Ratio, Tagged 53 005 567 |

MODEL CODES:

| | | |
|-----------------------------|-----------------------------|------------------------------|
| 15 = Grand Wagoneer 4 Dr. | 65 = Comanche 4WD-7 Ft. Box | 77 = Cherokee 4WD-2 Dr. |
| 25 = J-10 Pickup-119" W.B. | 66 = Comanche 2WD-7 Ft. Box | 78 = Cherokee 4WD-4 Dr. |
| 26 = J-10 Pickup-131" W.B. | 73 = Cherokee 2WD-2 Dr. | 79 = Cherokee 4WD-4 Dr.-Com |
| 27 = J-20 Pickup-131" W.B. | 74 = Cherokee 2WD-4 Dr. | 81 = Wrangler-93" W.B. |
| 63 = Comanche 4WD-6 Ft. Box | 75 = Wagoneer 4WD-4 Dr. | 82 = Wrangler-103" W.B.-Exp. |
| 64 = Comanche 2WD-6 Ft. Box | | |

BODY STYLES:

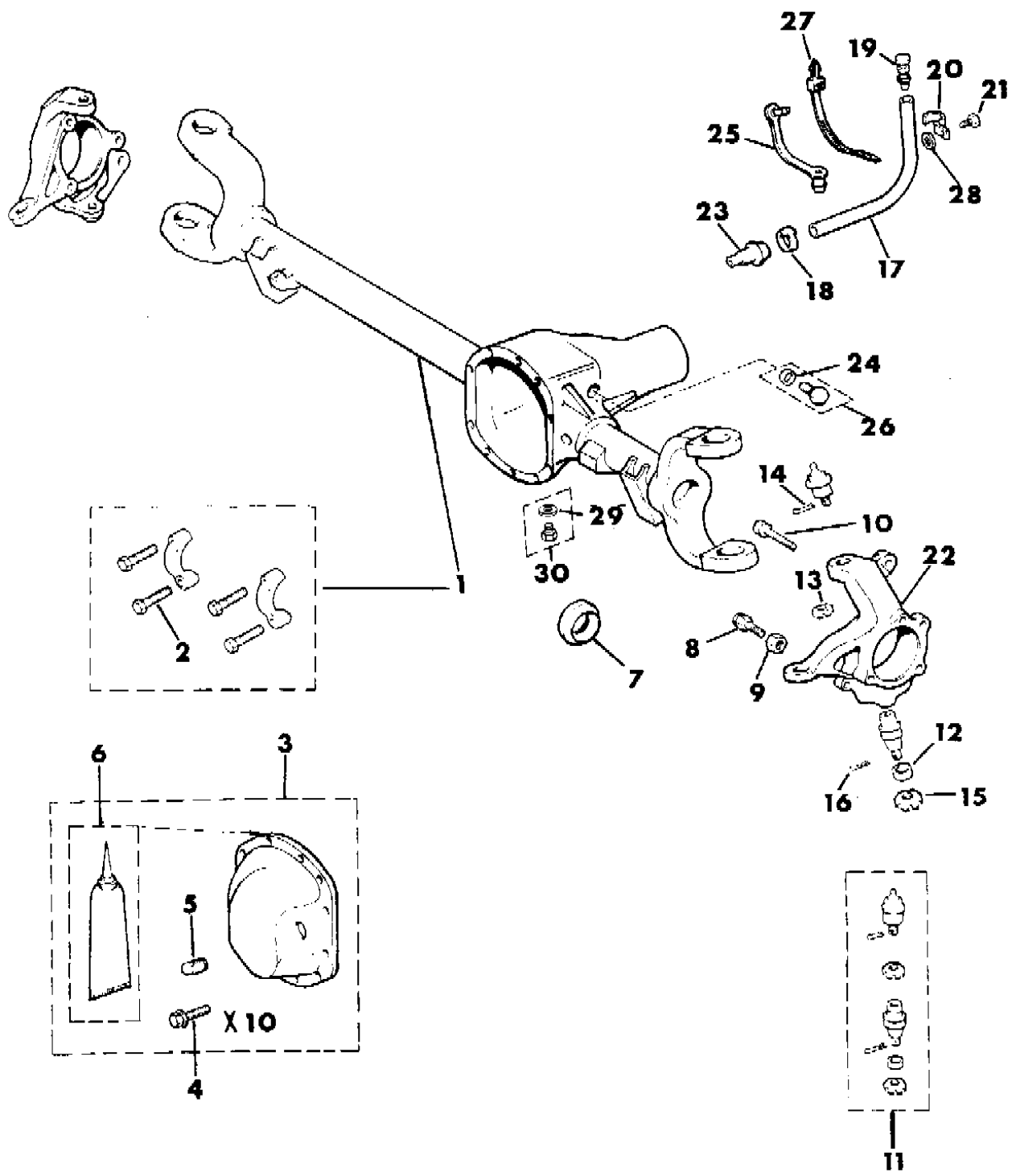
MJ = Comanche Pickup
 SJ = Grand Wagoneer Wgn., J-10 & J-20 Pickups
 XJ = Cherokee, Wagoneer Limited
 YJ = Wrangler

AR = Use as Required - = Non Illustrated Part P.A.R. = Paint as Required

HOUSING, FRONT AXLE - 1988 KDX W/O DISCONNECT WRANGLER, YJ
Figure 2-900

8J02 900

| ITEM | PART NUMBER | QTY | BODY | MODEL | DESCRIPTION |
|------|-------------|-----|------|-------|------------------------------|
| 1 | 8350 5403 | 1 | | | HOUSING, Front Axle |
| 2 | S017 9890 | 4 | | | BOLT |
| 3 | 8350 0194 | 1 | | | COVER PACKAGE |
| 4 | J027 3573 | 10 | | | BOLT |
| 5 | | | | | PLUG |
| | S010 3869 | 1 | | | 3/4"-14 |
| | J400 4751 | 1 | | | 1/2"-14 |
| 6 | J899 3317 | 1 | | | SEALER, Gasket in a Tube *** |
| 7 | J812 1781 | 2 | | | SEAL |
| 8 | 1791 701 | 1 | | | BOLT, Jam |
| 9 | S011 4494 | 1 | | | NUT, Jam |
| 10 | 3420 1535 | 6 | | | BOLT |
| 11 | 8350 0202 | 1 | | | SOCKET PACKAGE *** |
| 12 | 8350 0203 | 1 | | | RING, Split |
| 13 | J999 8578 | 1 | | | NUT |
| 14 | J812 1392 | 1 | | | PIN, Cotter |
| 15 | J812 3318 | 1 | | | NUT |
| 16 | 1101 0069 | 1 | | | PIN, Cotter |
| 17 | J812 5823 | 1 | | | HOSE, Vent (Bulk) |
| 18 | J322 7851 | 1 | | | CLAMP |
| 19 | J535 2955 | 1 | | | BREATHER *** |
| 20 | J014 0780 | 1 | | | CLIP |
| 21 | 1150 1608 | 1 | | | SCREW |
| 22 | | | | | KNUCKLE, Steering |
| | 5300 0626 | 1 | | | Rt. |
| | 5300 0625 | 1 | | | Lt. |
| 23 | 8350 4653 | 1 | | | VENT |
| 24 | 3300 0322 | 1 | | | GASKET, Sensor |
| 25 | J400 1712 | 1 | | | STRAP |
| 26 | 8350 1425 | 1 | | | PLUG PACKAGE *** |
| 27 | 3420 1788 | 2 | | | STRAP |
| 28 | J400 3084 | 1 | | | NUT, Push |
| 29 | J317 0271 | 1 | | | GASKET |
| 30 | J812 1449 | 1 | | | PLUG PACKAGE *** |



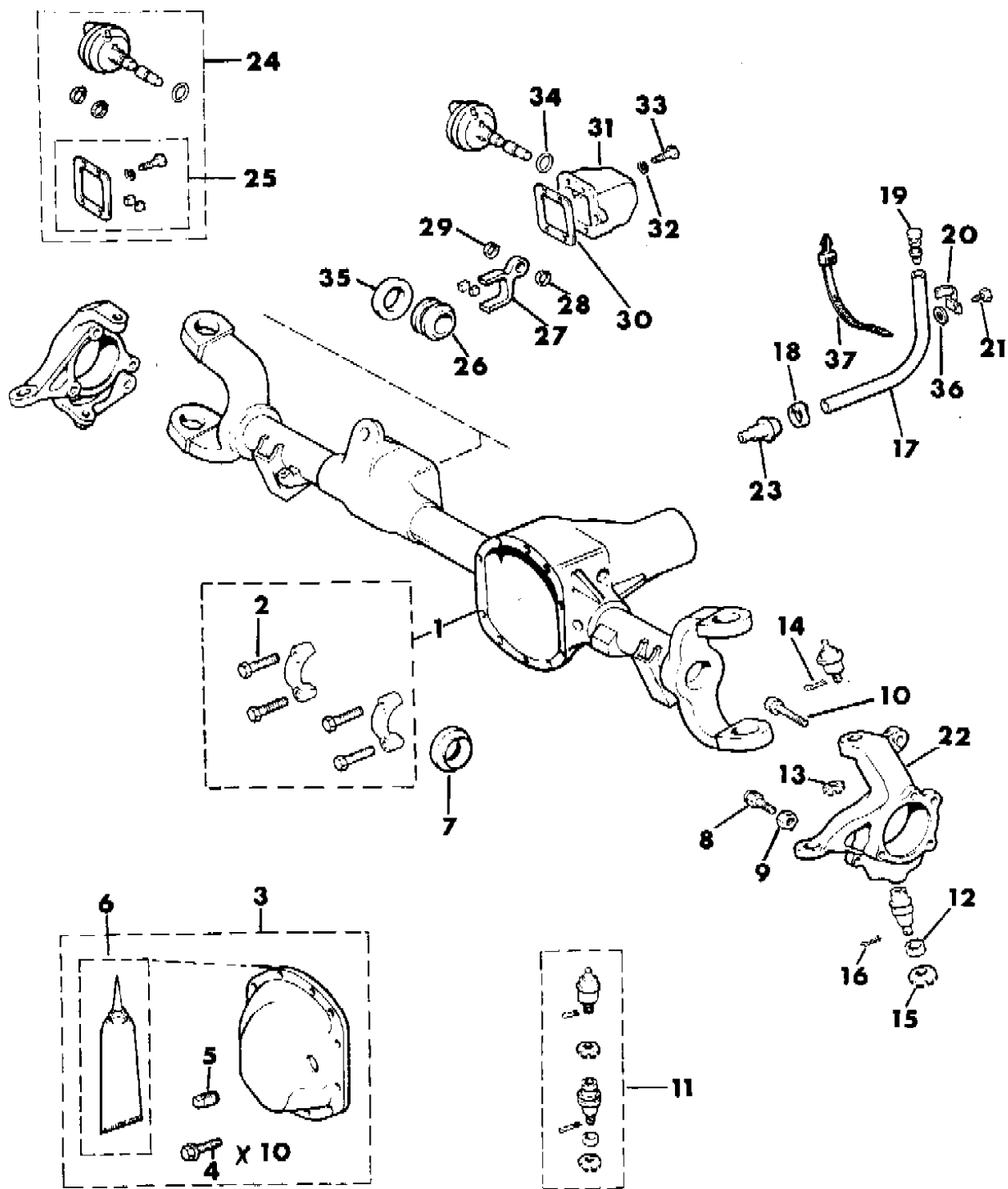
MODEL CODES:
 15 = Grand Wagoneer 4 Dr. 65 = Comanche 4WD-7 Ft. Box 77 = Cherokee 4WD-2 Dr.
 25 = J-10 Pickup-119" W.B. 66 = Comanche 2WD-7 Ft. Box 78 = Cherokee 4WD-4 Dr.
 26 = J-10 Pickup-131" W.B. 73 = Cherokee 2WD-2 Dr. 79 = Cherokee 4WD-4 Dr.-Com
 27 = J-20 Pickup-131" W.B. 74 = Cherokee 2WD-4 Dr. 81 = Wrangler-93" W.B.
 63 = Comanche 4WD-6 Ft. Box 75 = Wagoneer 4WD-4 Dr. 82 = Wrangler-103" W.B.-Exp.
 64 = Comanche 2WD-6 Ft. Box

BODY STYLES:
 MJ = Comanche Pickup
 SJ = Grand Wagoneer Wgn., J-10 & J-20 Pickups
 XJ = Cherokee, Wagoneer Limited
 YJ = Wrangler

AR = Use as Required - = Non Illustrated Part P.A.R. = Paint as Required

HOUSING, FRONT AXLE W/DISCONNECT WRANGLER, YJ
Figure 2-1000

8J02 1000



| ITEM | PART NUMBER | QTY | BODY | MODEL | DESCRIPTION |
|------|-------------|-----|------|-------|--------------------------------------|
| 1 | | | | | HOUSING, Front Axle |
| | 8350 4479 | 1 | | | 1987-89 |
| | 5252 605 | 1 | | | 1990 |
| 2 | S017 9890 | 4 | | | BOLT |
| 3 | 8350 0194 | 1 | | | COVER PACKAGE |
| 4 | J027 3573 | 10 | | | BOLT |
| 5 | | | | | PLUG |
| | S010 3869 | 1 | | | 3/4"-14 |
| | J400 4751 | 1 | | | 1/2"-14 |
| 6 | J899 3317 | 1 | | | SEALER, Gasket in a Tube *** |
| 7 | J812 1781 | 1 | | | SEAL, Left |
| 8 | JA00 0821 | 1 | | | BOLT, Jam |
| 9 | S011 4494 | 1 | | | NUT, Jam |
| 10 | 3420 1535 | 6 | | | BOLT |
| 11 | 8350 0202 | 1 | | | SOCKET PACKAGE *** |
| 12 | 8350 0203 | 1 | | | RING, Split |
| 13 | J012 5258 | 1 | | | NUT |
| 14 | J812 1392 | 1 | | | PIN, Cotter |
| 15 | J812 3318 | 1 | | | NUT |
| 16 | 1101 0069 | 1 | | | PIN, Cotter |
| 17 | J812 5823 | 1 | | | HOSE, Vent (Bulk) |
| 18 | J322 7851 | 1 | | | CLAMP |
| 19 | J535 2955 | 1 | | | BREATHER *** |
| 20 | J014 0780 | 1 | | | CLIP |
| 21 | J018 0121 | 1 | | | SCREW |
| 22 | | | | | KNUCKLE, Steering |
| | | | | | 1987-89 |
| | 5300 0626 | 1 | | | Rt. |
| | 5300 0625 | 1 | | | Lt. |
| | 5300 5602-3 | 1 | | | 1990 |
| 23 | 8350 4653 | 1 | | | VENT |
| 24 | 8350 3113 | 1 | | | MOTOR PACKAGE, Front Axle Vacuum *** |
| 25 | J813 3708 | 1 | | | CLIP PACKAGE *** |
| 26 | 8350 4813 | 1 | | | COLLAR, Axle Shaft Shifter |
| 27 | 8350 3695 | 1 | | | FORK, Axle Shift |
| 28 | J813 3618 | 1 | | | RING, Snap |
| 29 | J813 3619 | 1 | | | RING, Snap |

MODEL CODES:

| | | |
|-----------------------------|-----------------------------|------------------------------|
| 15 = Grand Wagoneer 4 Dr. | 65 = Comanche 4WD-7 Ft. Box | 77 = Cherokee 4WD-2 Dr. |
| 25 = J-10 Pickup-119" W.B. | 66 = Comanche 2WD-7 Ft. Box | 78 = Cherokee 4WD-4 Dr. |
| 26 = J-10 Pickup-131" W.B. | 73 = Cherokee 2WD-2 Dr. | 79 = Cherokee 4WD-4 Dr.-Com |
| 27 = J-20 Pickup-131" W.B. | 74 = Cherokee 2WD-4 Dr. | 81 = Wrangler-93" W.B. |
| 63 = Comanche 4WD-6 Ft. Box | 75 = Wagoneer 4WD-4 Dr. | 82 = Wrangler-103" W.B.-Exp. |
| 64 = Comanche 2WD-6 Ft. Box | | |

BODY STYLES:

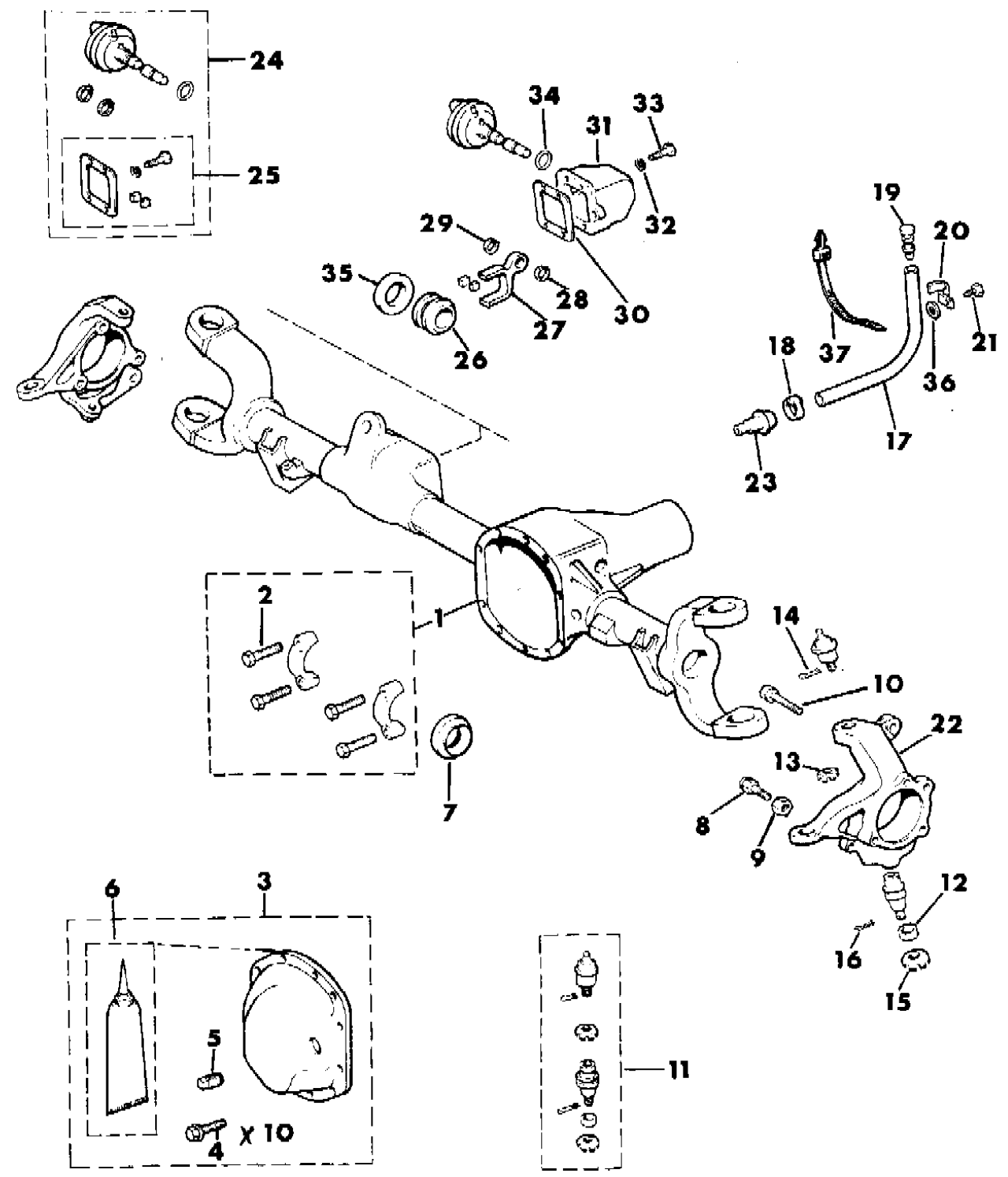
MJ = Comanche Pickup
SJ = Grand Wagoneer Wgn., J-10 & J-20 Pickups
XJ = Cherokee, Wagoneer Limited
YJ = Wrangler

AR = Use as Required - = Non Illustrated Part P.A.R. = Paint as Required

HOUSING, FRONT AXLE W/DISCONNECT WRANGLER, YJ
Figure 2-1000

8J02 1000

| ITEM | PART NUMBER | QTY | BODY | MODEL | DESCRIPTION |
|------|-------------|-----|------|-------|-------------------|
| 30 | J813 3709 | 1 | | | GASKET, Cover |
| 31 | 8350 0195 | 1 | | | COVER, Axle Shift |
| 32 | J813 3624 | 4 | | | WASHER |
| 33 | J813 3623 | 4 | | | BOLT |
| 34 | J813 3620 | 1 | | | O-RING |
| 35 | | | | | SEAL, Rt. |
| | 8350 0199 | 1 | | | 2.290" |
| | 8350 3504 | 1 | | | 2.125" |
| 36 | J400 3084 | 1 | | | NUT, Push |
| 37 | 3420 1788 | 2 | | | STRAP |



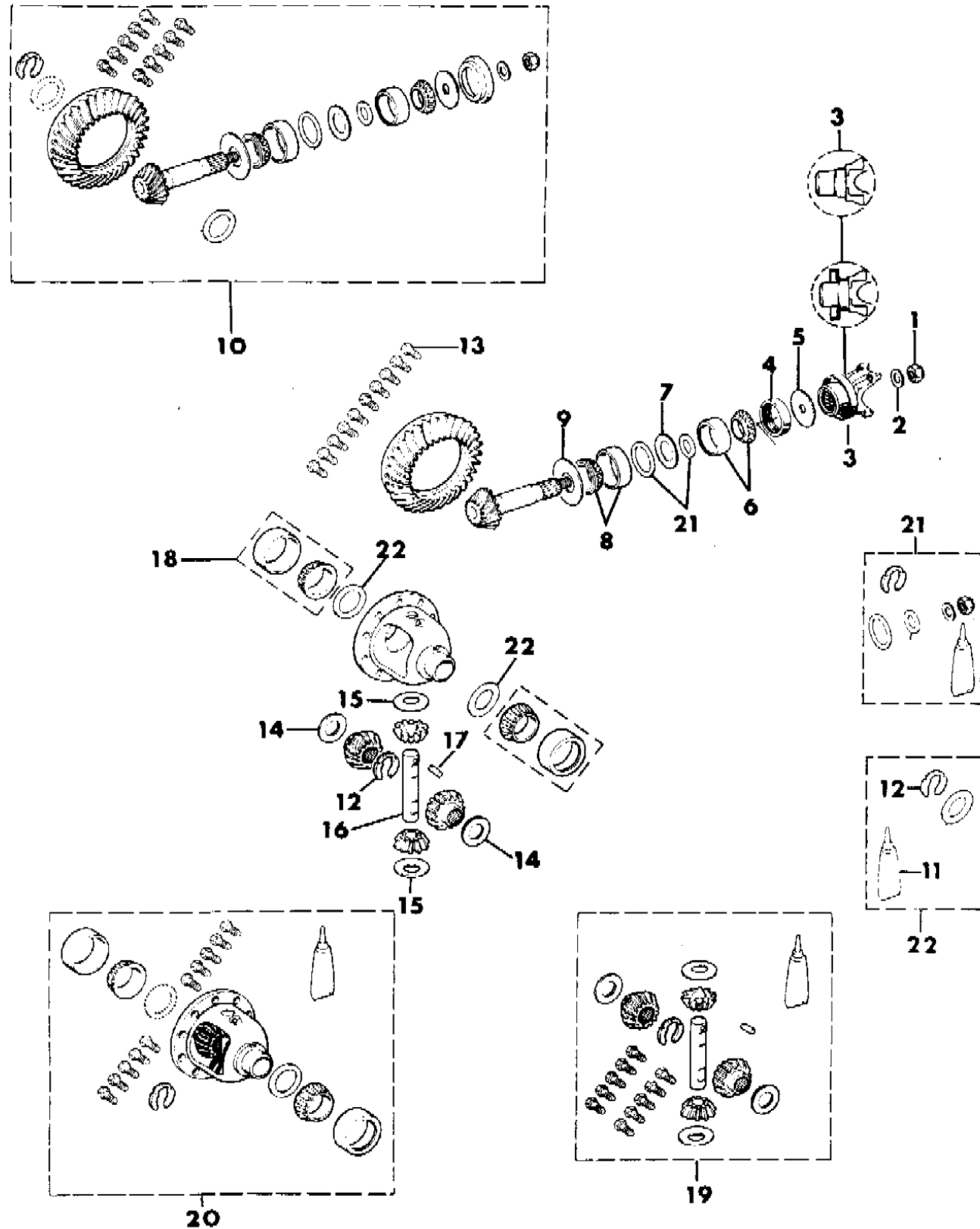
MODEL CODES:
 15 = Grand Wagoneer 4 Dr. 65 = Comanche 4WD-7 Ft. Box 77 = Cherokee 4WD-2 Dr.
 25 = J-10 Pickup-119" W.B. 66 = Comanche 2WD-7 Ft. Box 78 = Cherokee 4WD-4 Dr.
 26 = J-10 Pickup-131" W.B. 73 = Cherokee 2WD-2 Dr. 79 = Cherokee 4WD-4 Dr.-Com
 27 = J-20 Pickup-131" W.B. 74 = Cherokee 2WD-4 Dr. 81 = Wrangler-93" W.B.
 63 = Comanche 4WD-6 Ft. Box 75 = Wagoneer 4WD-4 Dr. 82 = Wrangler-103" W.B.-Exp.
 64 = Comanche 2WD-6 Ft. Box

BODY STYLES:
 MJ = Comanche Pickup
 SJ = Grand Wagoneer Wgn., J-10 & J-20 Pickups
 XJ = Cherokee, Wagoneer Limited
 YJ = Wrangler

AR = Use as Required - = Non Illustrated Part P.A.R. = Paint as Required

DIFFERENTIAL, FRONT AXLE WRANGLER, YJ
Figure 2-1100

8J02 1100



| ITEM | PART NUMBER | QTY | BODY | MODEL | DESCRIPTION |
|------|-------------|-----|------|-------|--------------------------------------|
| 1 | J080 1367 | 1 | | | NUT, Pinion |
| 2 | J063 6570 | 1 | | | WASHER, Pinion |
| 3 | J813 3241 | 1 | | | YOKE, Pinion w/Slinger |
| 4 | 8350 3388 | 1 | | | w/o Slinger |
| 4 | J099 8092 | 1 | | | SEAL, Pinion w/Slinger |
| | 8350 3390 | 1 | | | w/o Slinger |
| 5 | J063 6566 | 1 | | | SLINGER, Dust |
| 6 | J812 4052 | 1 | | | BEARING PACKAGE |
| 7 | J093 4937 | 1 | | | BAFFLE |
| 8 | J812 6499 | 1 | | | BEARING PACKAGE |
| 9 | J091 6372 | 1 | | | SLINGER, Oil |
| 10 | | | | | GEAR SET, Front Axle Ring And Pinion |
| | 8350 0187 | 1 | | | 3.07 Ratio |
| | 8350 2355 | 1 | | | 3.54 Ratio |
| | 8350 5480 | 1 | | | 3.55 Ratio |
| | 8350 2353 | 1 | | | 4.10 Ratio |
| 11 | J899 3317 | 1 | | | SEALER, RTV |
| 12 | J813 0763 | 1 | | | SNAP RING |
| 13 | J064 9454 | 10 | | | BOLT |
| 14 | J813 3724 | 2 | | | WASHER |
| 15 | J812 0831 | 2 | | | WASHER |
| 16 | J094 6384 | 1 | | | SHAFT, Differential |
| 17 | J063 6360 | 1 | | | PIN |
| 18 | J812 6500 | 2 | | | BEARING PACKAGE |
| 19 | | | | | GEAR SET, Front Axle Differential |
| | 8350 0190 | 1 | | | 1987-89 |
| | 5252 591 | 1 | | | 1990 |
| 20 | | | | | CASE, Front Axle Differential |
| | | | | | 1987-89 |
| | 8350 0168 | 1 | | | 3.07, 3.54 & 3.55 Ratios |
| | 8350 0169 | 1 | | | 4.10 Ratio |
| | | | | | 1990 |
| | 5252 582 | 1 | | | 3.07 & 3.55 Ratios |
| | 5252 590 | 1 | | | 4.10 Ratio |
| 21 | 8350 0192 | 1 | | | SHIM PACKAGE |
| 22 | 8350 0191 | 1 | | | SHIM PACKAGE |

MODEL CODES:

| | | |
|-----------------------------|-----------------------------|------------------------------|
| 15 = Grand Wagoneer 4 Dr. | 65 = Comanche 4WD-7 Ft. Box | 77 = Cherokee 4WD-2 Dr. |
| 25 = J-10 Pickup-119" W.B. | 66 = Comanche 2WD-7 Ft. Box | 78 = Cherokee 4WD-4 Dr. |
| 26 = J-10 Pickup-131" W.B. | 73 = Cherokee 2WD-2 Dr. | 79 = Cherokee 4WD-4 Dr.-Com |
| 27 = J-20 Pickup-131" W.B. | 74 = Cherokee 2WD-4 Dr. | 81 = Wrangler-93" W.B. |
| 63 = Comanche 4WD-6 Ft. Box | 75 = Wagoneer 4WD-4 Dr. | 82 = Wrangler-103" W.B.-Exp. |
| 64 = Comanche 2WD-6 Ft. Box | | |

BODY STYLES:

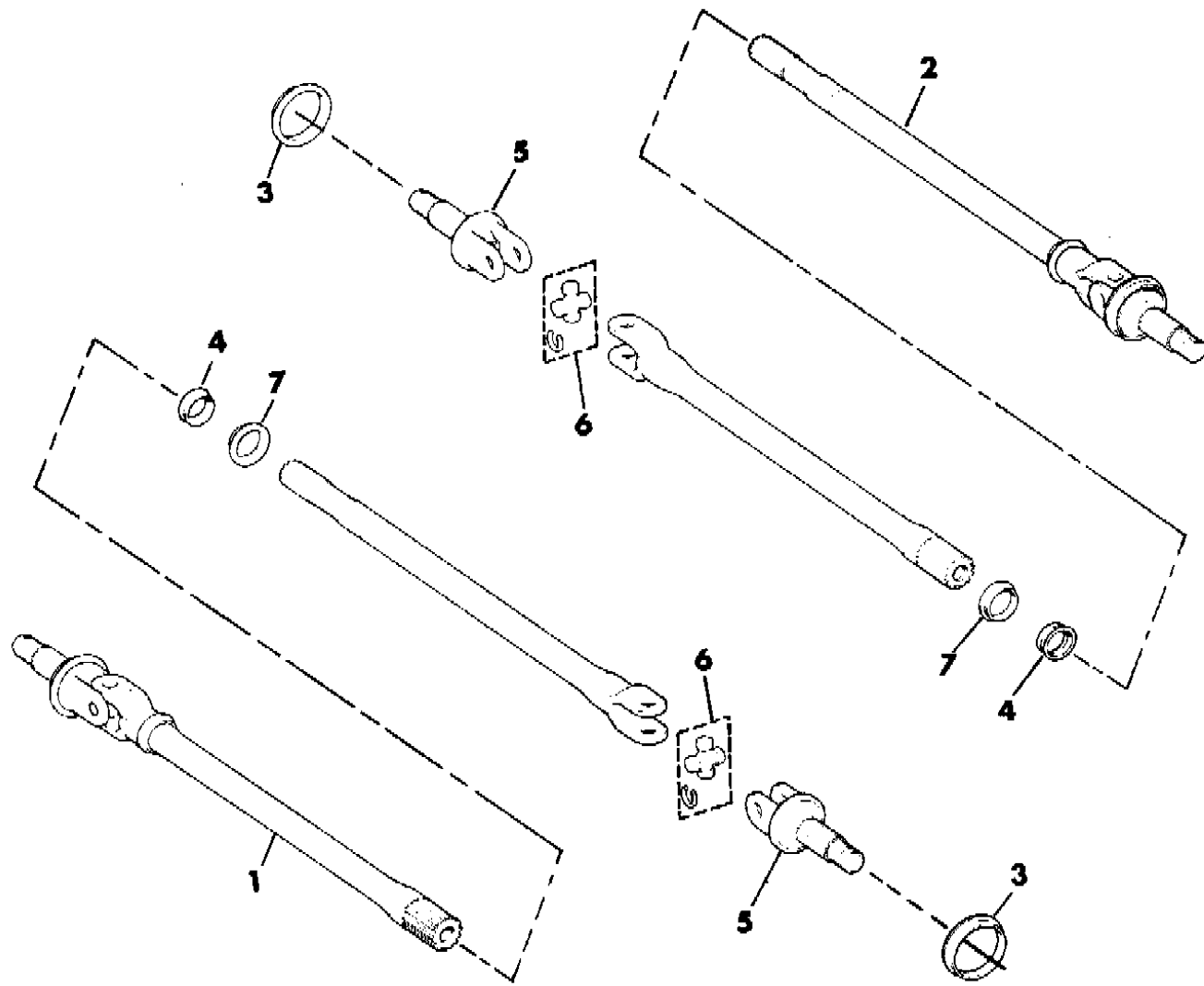
MJ = Comanche Pickup
 SJ = Grand Wagoneer Wgn., J-10 & J-20 Pickups
 XJ = Cherokee, Wagoneer Limited
 YJ = Wrangler

AR = Use as Required - = Non Illustrated Part P.A.R. = Paint as Required

SHAFTS, FRONT AXLE - 1987-89 KDX W/O DISCONNECT WRANGLER, YJ
Figure 2-1200

8J02 1200

| ITEM | PART NUMBER | QTY | BODY | MODEL | DESCRIPTION |
|------|-------------|-----|------|-------|------------------|
| 1 | 5300 2134 | 1 | | | SHAFT, Axle Rt. |
| 2 | 5300 0684 | 1 | | | SHAFT, Axle Lt. |
| 3 | 8350 0201 | AR | | | SLINGER, Dust |
| 4 | J812 1781 | 2 | | | SEAL |
| 5 | 8350 0184 | 2 | | | SHAFT, Outer |
| 6 | J812 6637 | 2 | | | JOINT, Universal |
| 7 | J812 6232 | 2 | | | SLINGER, Oil |



MODEL CODES:

| | | |
|-----------------------------|-----------------------------|------------------------------|
| 15 = Grand Wagoneer 4 Dr. | 65 = Comanche 4WD-7 Ft. Box | 77 = Cherokee 4WD-2 Dr. |
| 25 = J-10 Pickup-119" W.B. | 66 = Comanche 2WD-7 Ft. Box | 78 = Cherokee 4WD-4 Dr. |
| 26 = J-10 Pickup-131" W.B. | 73 = Cherokee 2WD-2 Dr. | 79 = Cherokee 4WD-4 Dr.-Com |
| 27 = J-20 Pickup-131" W.B. | 74 = Cherokee 2WD-4 Dr. | 81 = Wrangler-93" W.B. |
| 63 = Comanche 4WD-6 Ft. Box | 75 = Wagoneer 4WD-4 Dr. | 82 = Wrangler-103" W.B.-Exp. |
| 64 = Comanche 2WD-6 Ft. Box | | |

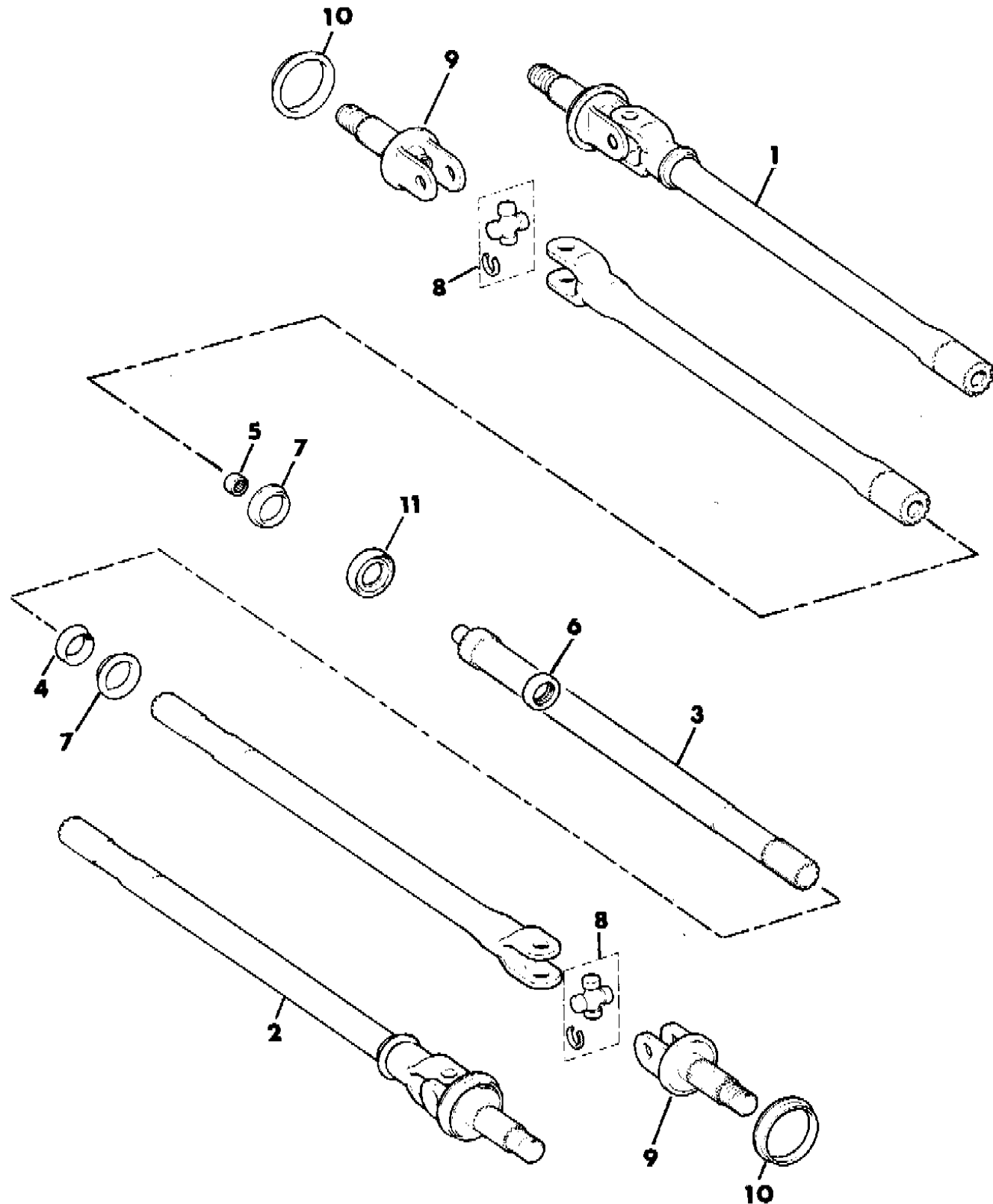
BODY STYLES:

MJ = Comanche Pickup
SJ = Grand Wagoneer Wgn., J-10 & J-20 Pickups
XJ = Cherokee, Wagoneer Limited
YJ = Wrangler

AR = Use as Required - = Non Illustrated Part P.A.R. = Paint as Required

SHAFTS, FRONT AXLE W/DISCONNECT WRANGLER, YJ
Figure 2-1300

8J02 1300



| ITEM | PART NUMBER | QTY | BODY | MODEL | DESCRIPTION |
|------|-------------|-----|------|-------|-------------------------------------|
| 1 | | | | | SHAFT ASSEMBLY, Axle Rt. |
| | 5300 0224 | 1 | | | 1987-89 |
| | 5252 972 | 1 | | | 1990 |
| 2 | | | | | SHAFT ASSEMBLY, Axle Lt. |
| | 5300 0684 | 1 | | | 1987/89 |
| | 5252 585 | 1 | | | 1990 |
| 3 | | | | | SHAFT, Intermediate |
| | 8350 0198 | 1 | | | 1987-89 |
| | 5252 594 | 1 | | | 1990 |
| 4 | J812 1781 | 1 | | | SEAL |
| 5 | 4137 737 | 1 | | | BEARING, 1987-89 |
| | 5252 686 | 1 | | | 1990 |
| 6 | J813 3622 | 1 | | | BEARING, 1987-89 |
| | 5252 687 | 1 | | | BUSHING, 1990 |
| 7 | | | | | SLINGER, Oil |
| | J812 6232 | 2 | | | 1987-89 |
| | 8350 7105 | 2 | | | 1990 |
| 8 | J812 6637 | 2 | | | JOINT, Universal |
| 9 | 8350 0184 | 2 | | | SHAFT, Outer |
| 10 | 8350 0201 | 2 | | | SLINGER, Dust 1987-89, (N/A w/1990) |
| 11 | | | | | SEAL |
| | 8350 0199 | 1 | | | O.D. = 2.29" |
| | 8350 3504 | 1 | | | O.D. = 2.12" |

MODEL CODES:

| | | |
|-----------------------------|-----------------------------|------------------------------|
| 15 = Grand Wagoneer 4 Dr. | 65 = Comanche 4WD-7 Ft. Box | 77 = Cherokee 4WD-2 Dr. |
| 25 = J-10 Pickup-119" W.B. | 66 = Comanche 2WD-7 Ft. Box | 78 = Cherokee 4WD-4 Dr. |
| 26 = J-10 Pickup-131" W.B. | 73 = Cherokee 2WD-2 Dr. | 79 = Cherokee 4WD-4 Dr.-Com |
| 27 = J-20 Pickup-131" W.B. | 74 = Cherokee 2WD-4 Dr. | 81 = Wrangler-93" W.B. |
| 63 = Comanche 4WD-6 Ft. Box | 75 = Wagoneer 4WD-4 Dr. | 82 = Wrangler-103" W.B.-Exp. |
| 64 = Comanche 2WD-6 Ft. Box | | |

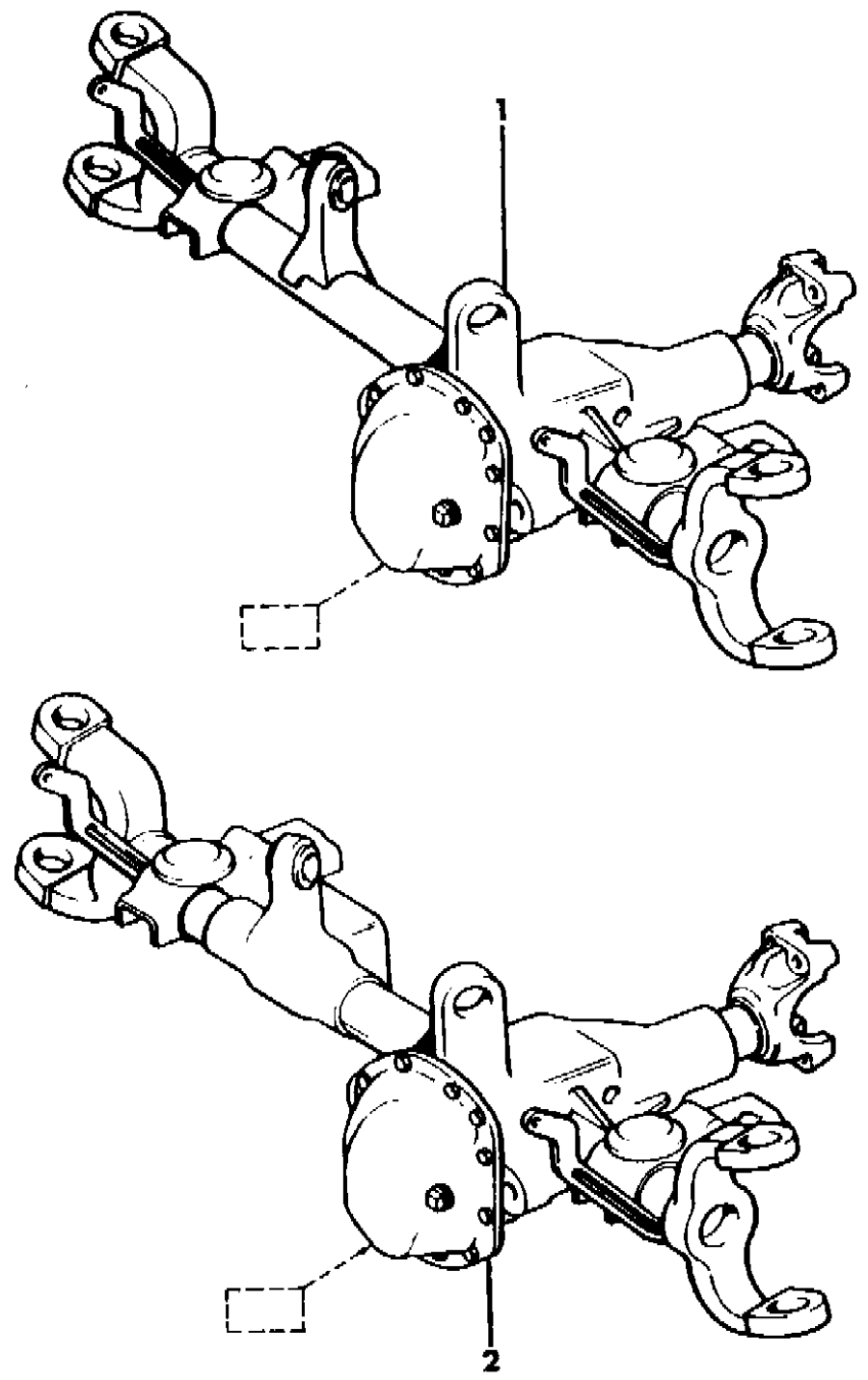
BODY STYLES:

MJ = Comanche Pickup
SJ = Grand Wagoneer Wgn., J-10 & J-20 Pickups
XJ = Cherokee, Wagoneer Limited
YJ = Wrangler

AR = Use as Required - = Non Illustrated Part P.A.R. = Paint as Required

AXLE ASSEMBLY, FRONT 4 WHEEL DRIVE CHEROKEE, WAGONEER, COMANCHE
Figure 2-1400

8J02 1400



| ITEM | PART NUMBER | QTY | BODY | MODEL | DESCRIPTION |
|------|-------------|-----|------|-------|--|
| 1 | | | | | AXLE ASSEMBLY, Front - w/Disconnect Front Axle *** |
| | | | | | 1987-89 |
| | 8350 5504 | 1 | | | 3.07 Ratio, Tagged 89 53 000 930 or 89 53 005 413 |
| | 8350 5506 | 1 | | | 3.55 Ratio, Tagged 89 53 005 043 |
| | 8350 3566 | 1 | | | 4.10 Ratio, Tagged 89 53 000 394 or 89 53 004 244 |
| | 8350 3567 | 1 | | | 4.56 Ratio, Tagged 89 53 003 497 |
| | | | | | 1990 |
| | 5252 965 | 1 | | | 3.07 Ratio, Tagged 53 005 574 |
| | 5252 970 | 1 | | | 3.07 Ratio, ECE, Tagged 53 005 575 |
| | 5252 966 | 1 | | | 3.55 Ratio, Tagged 53 005 576 |
| | 5252 967 | 1 | | | 4.10 Ratio, Tagged 53 005 577 |
| | 5252 969 | 1 | | | 4.10 Ratio, ECE, Tagged 53 005 578 |
| | 5252 968 | 1 | | | 4.56 Ratio, Tagged 53 005 579 |
| 2 | | | | | AXLE ASSEMBLY, Front - w/o Disconnect Front Axle *** |
| | | | | | 1987-89 |
| | 8350 5509 | 1 | | | 3.55 Ratio, Tagged 89 53 005 045 or 89 53 005 412 |
| | 8350 5509 | 1 | | | 3.55 Ratio, w/Anti-Lock Brakes, Tagged 89 53 005 190 |
| | 8350 5508 | 1 | | | 4.10 Ratio, KDX, Tagged 89 53 004 458 |
| | 8350 5509 | 1 | | | 3.55 Ratio, w/Anti-Lock Brakes, Tagged 89 53 006 199 |
| | | | | | 1990 |
| | 5252 958 | 1 | | | 3.55 Ratio, Tagged 53 005 581 |
| | 5252 958 | 1 | | | 3.55 Ratio, w/Anti-Lock Brakes, Tagged 53 005 582 |
| | 5252 959 | 1 | | | 3.55 Ratio, ECE, Tagged 53 005 580 |

MODEL CODES:
 15 = Grand Wagoneer 4 Dr. 65 = Comanche 4WD-7 Ft. Box 77 = Cherokee 4WD-2 Dr.
 25 = J-10 Pickup-119" W.B. 66 = Comanche 2WD-7 Ft. Box 78 = Cherokee 4WD-4 Dr.
 26 = J-10 Pickup-131" W.B. 73 = Cherokee 2WD-2 Dr. 79 = Cherokee 4WD-4 Dr.-Com
 27 = J-20 Pickup-131" W.B. 74 = Cherokee 2WD-4 Dr. 81 = Wrangler-93" W.B.
 63 = Comanche 4WD-6 Ft. Box 75 = Wagoneer 4WD-4 Dr. 82 = Wrangler-103" W.B.-Exp.
 64 = Comanche 2WD-6 Ft. Box

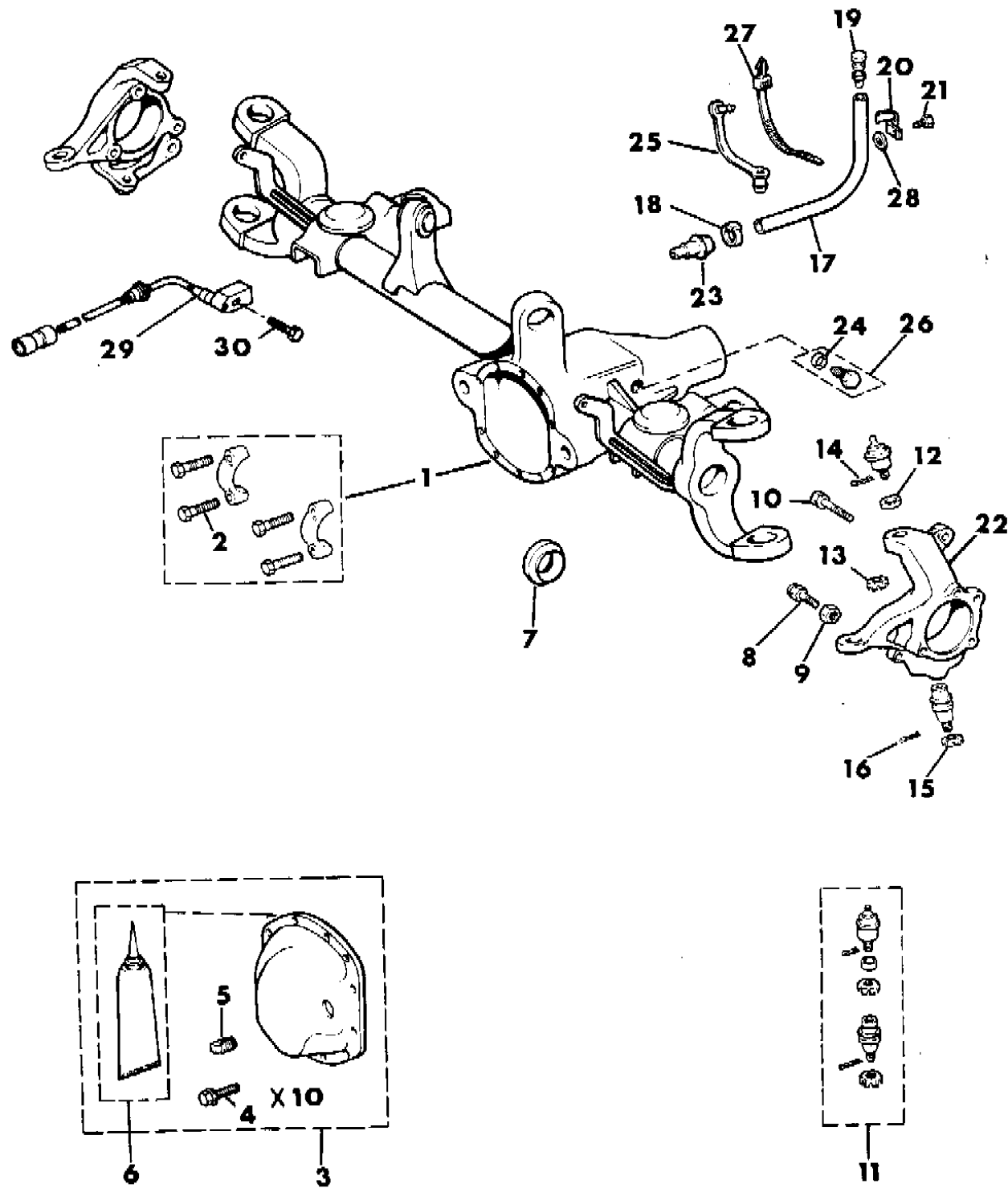
BODY STYLES:
 MJ = Comanche Pickup
 SJ = Grand Wagoneer Wgn., J-10 & J-20 Pickups
 XJ = Cherokee, Wagoneer Limited
 YJ = Wrangler

AR = Use as Required - = Non Illustrated Part P.A.R. = Paint as Required

HOUSING, FRONT AXLE 4 WHEEL DRIVE W/O DISCONNECT CHEROKEE, WAGONEER, COMANCHE

Figure 2-1500

8J02 1500



| ITEM | PART NUMBER | QTY | BODY | MODEL | DESCRIPTION |
|------|-------------|-----|------|-------|------------------------------------|
| 1 | | | | | HOUSING, Front Axle |
| | 8350 5517 | 1 | | | 1987-89 |
| | 5252 579 | 1 | | | 1990 |
| | 5252 580 | 1 | | | 1990, ECE |
| 2 | S017 9890 | 4 | | | BOLT |
| 3 | 8350 0194 | 1 | | | COVER PACKAGE |
| 4 | J027 3573 | 10 | | | BOLT |
| 5 | | | | | PLUG |
| | S010 3869 | 1 | | | 3/4"-14 |
| | J400 4751 | 1 | | | 1/2"-14 |
| 6 | J899 3317 | 1 | | | SEALER, Gasket in a Tube *** |
| 7 | J812 1781 | 2 | | | SEAL |
| 8 | JA00 0821 | 1 | | | BOLT, Jam |
| 9 | S011 4494 | 1 | | | NUT, Jam |
| 10 | 3420 1535 | 6 | | | BOLT |
| 11 | 8350 0202 | 1 | | | SOCKET PACKAGE *** |
| 12 | 8350 0203 | 1 | | | RING, Split |
| 13 | J012 5258 | 1 | | | NUT |
| 14 | J812 1392 | 1 | | | PIN, Cotter |
| 15 | J812 3318 | 1 | | | NUT |
| 16 | 1101 0069 | 1 | | | PIN, Cotter |
| 17 | J812 5823 | 1 | | | HOSE, Vent (Bulk) |
| 18 | J322 7851 | 1 | | | CLAMP |
| 19 | J535 2955 | 1 | | | BREATHER *** |
| 20 | J014 0780 | 1 | | | CLIP |
| 21 | 1150 1608 | 1 | | | SCREW |
| 22 | | | | | KNUCKLE, Steering |
| | | | | | Right w/o Anti-Lock Braking System |
| | 5300 0626 | 1 | | | 1987-89 |
| | 5300 5602 | 1 | | | 1990 |
| | | | | | Right w/Anti-Lock Braking System |
| | 8350 4922 | 1 | | | 1987-89 |
| | 5300 5974 | 1 | | | 1990 |
| | | | | | Left w/o Anti-Lock Braking System |
| | 5300 0625 | 1 | | | 1987-89 |
| | 5300 5603 | 1 | | | 1990 |
| | | | | | Lt. w/Anti-Lock Braking System |

MODEL CODES:

| | | |
|-----------------------------|-----------------------------|------------------------------|
| 15 = Grand Wagoneer 4 Dr. | 65 = Comanche 4WD-7 Ft. Box | 77 = Cherokee 4WD-2 Dr. |
| 25 = J-10 Pickup-119" W.B. | 66 = Comanche 2WD-7 Ft. Box | 78 = Cherokee 4WD-4 Dr. |
| 26 = J-10 Pickup-131" W.B. | 73 = Cherokee 2WD-2 Dr. | 79 = Cherokee 4WD-4 Dr.-Com |
| 27 = J-20 Pickup-131" W.B. | 74 = Cherokee 2WD-4 Dr. | 81 = Wrangler-93" W.B. |
| 63 = Comanche 4WD-6 Ft. Box | 75 = Wagoneer 4WD-4 Dr. | 82 = Wrangler-103" W.B.-Exp. |
| 64 = Comanche 2WD-6 Ft. Box | | |

BODY STYLES:

MJ = Comanche Pickup
 SJ = Grand Wagoneer Wgn., J-10 & J-20 Pickups
 XJ = Cherokee, Wagoneer Limited
 YJ = Wrangler

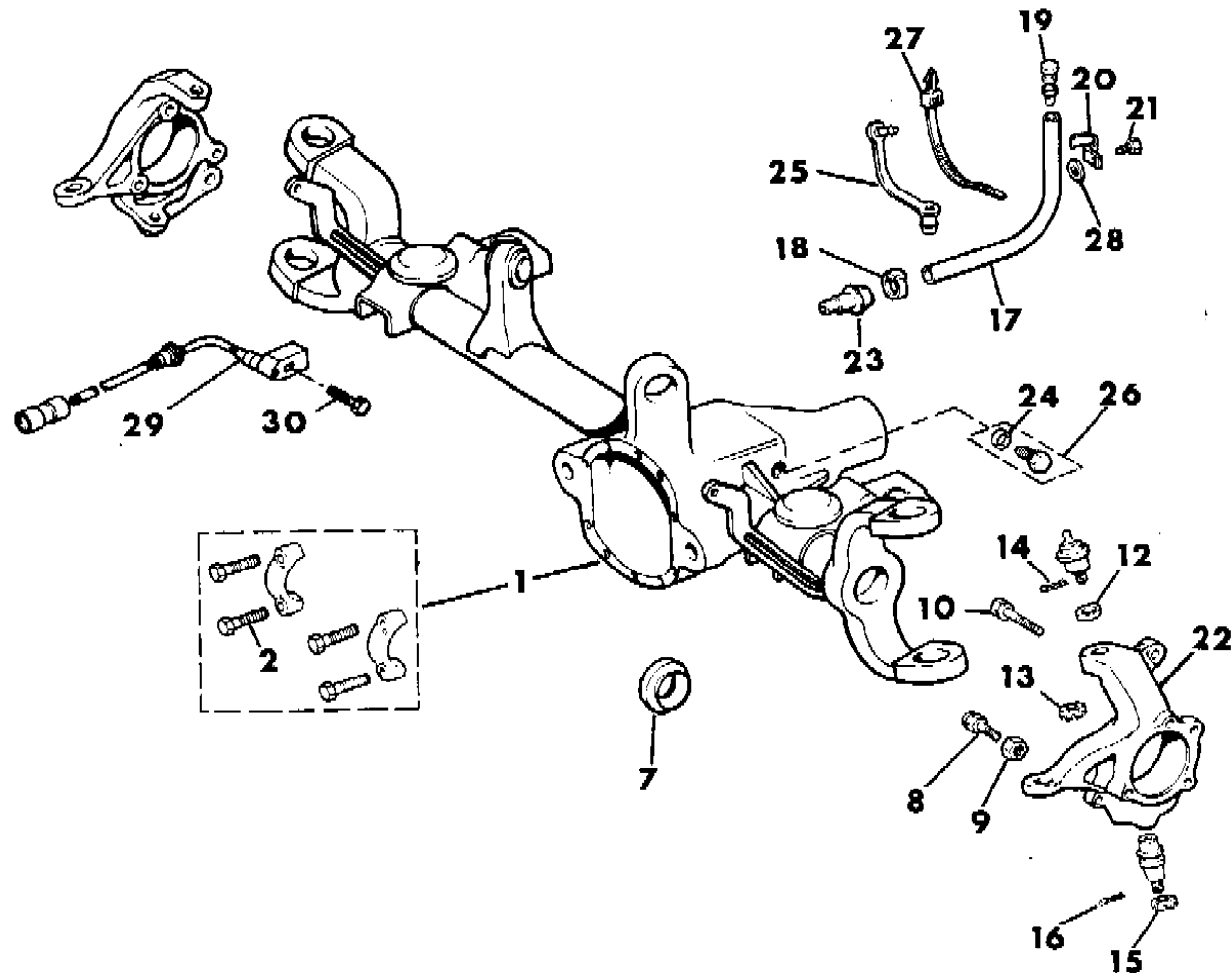
AR = Use as Required - = Non Illustrated Part P.A.R. = Paint as Required

HOUSING, FRONT AXLE 4 WHEEL DRIVE W/O DISCONNECT CHEROKEE, WAGONEER, COMANCHE

Figure 2-1500

8J02 1500

| ITEM | PART NUMBER | QTY | BODY | MODEL | DESCRIPTION |
|------|-------------|-----|------|-------|-----------------------------------|
| | 8350 4923 | 1 | | | 1987-89 |
| | 5300 5975 | 1 | | | 1990 |
| 23 | 8350 4653 | 1 | | | VENT |
| 24 | 3300 0322 | 1 | | | GASKET |
| 25 | J400 1712 | 1 | | | STRAP |
| 26 | 8350 1425 | 1 | | | PLUG PACKAGE *** |
| 27 | 3420 1788 | 2 | | | STRAP |
| 28 | J400 3084 | 1 | | | NUT, Push |
| 29 | 5600 3678 | 2 | | | SENSOR w/Anti-Lock Braking System |
| 30 | 8350 4920 | 2 | | | BOLT w/Anti-Lock Braking System |



MODEL CODES:

| | | |
|-----------------------------|-----------------------------|------------------------------|
| 15 = Grand Wagoneer 4 Dr. | 65 = Comanche 4WD-7 Ft. Box | 77 = Cherokee 4WD-2 Dr. |
| 25 = J-10 Pickup-119" W.B. | 66 = Comanche 2WD-7 Ft. Box | 78 = Cherokee 4WD-4 Dr. |
| 26 = J-10 Pickup-131" W.B. | 73 = Cherokee 2WD-2 Dr. | 79 = Cherokee 4WD-4 Dr.-Com |
| 27 = J-20 Pickup-131" W.B. | 74 = Cherokee 2WD-4 Dr. | 81 = Wrangler-93" W.B. |
| 63 = Comanche 4WD-6 Ft. Box | 75 = Wagoneer 4WD-4 Dr. | 82 = Wrangler-103" W.B.-Exp. |
| 64 = Comanche 2WD-6 Ft. Box | | |

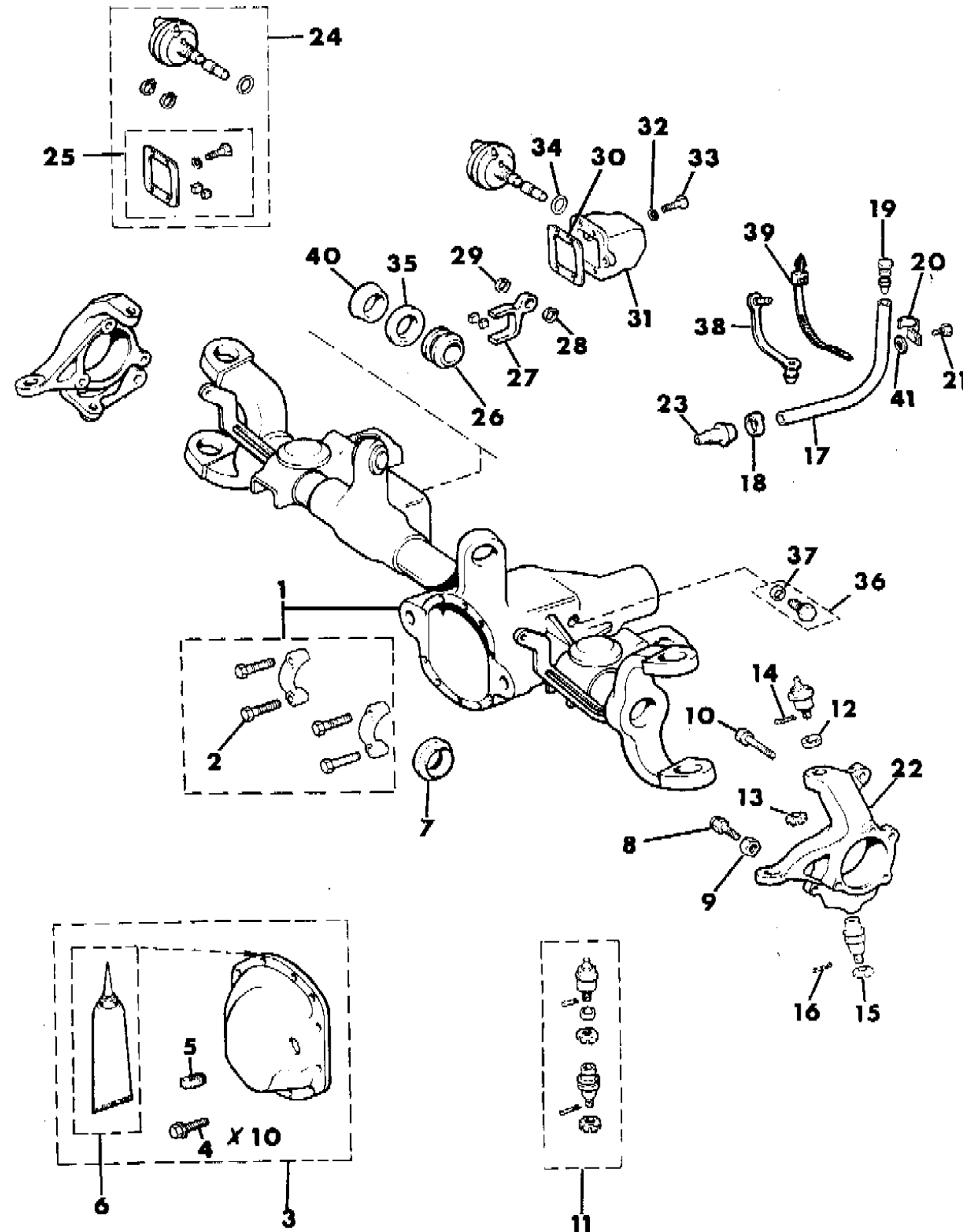
BODY STYLES:

MJ = Comanche Pickup
 SJ = Grand Wagoneer Wgn., J-10 & J-20 Pickups
 XJ = Cherokee, Wagoneer Limited
 YJ = Wrangler

AR = Use as Required - = Non Illustrated Part P.A.R. = Paint as Required

HOUSING, FRONT AXLE 4 WHEEL DRIVE W/DISCONNECT CHEROKEE, WAGONEER, COMANCHE
Figure 2-1600

8J02 1600



| ITEM | PART NUMBER | QTY | BODY | MODEL | DESCRIPTION |
|------|-------------|-----|------|-------|--------------------------------------|
| 1 | | | | | HOUSING, Front Axle |
| | 8350 5518 | 1 | | | 1987-89 |
| | 5252 588 | 1 | | | 1990 |
| | 5252 589 | 1 | | | 1990 w/ECE |
| 2 | S017 9890 | 4 | | | BOLT |
| 3 | 8350 0194 | 1 | | | COVER PACKAGE |
| 4 | J027 3573 | 10 | | | BOLT |
| 5 | | | | | PLUG |
| | S010 3869 | 1 | | | 3/4"-14 |
| | J400 4751 | 1 | | | 1/2"-14 |
| 6 | J899 3317 | 1 | | | SEALER, Gasket in a Tube *** |
| 7 | J812 1781 | 1 | | | SEAL, Lt. |
| 8 | JA00 0821 | 1 | | | BOLT, Jam |
| 9 | S011 4494 | 1 | | | NUT, JAM |
| 10 | 3420 1535 | 6 | | | BOLT |
| 11 | 8350 0202 | 1 | | | SOCKET PACKAGE *** |
| 12 | 8350 0203 | 1 | | | RING, Split |
| 13 | J012 5258 | 1 | | | NUT |
| 14 | J812 1392 | 1 | | | PIN, Cotter |
| 15 | J812 3318 | 1 | | | NUT |
| 16 | 1101 0069 | 1 | | | PIN, Cotter |
| 17 | J812 5823 | 1 | | | HOSE, Vent, Bulk |
| 18 | J322 7851 | 1 | | | CLAMP |
| 19 | J535 2955 | 1 | | | BREATHER *** |
| 20 | J014 0780 | 1 | | | CLIP |
| 21 | J018 0121 | 1 | | | SCREW |
| 22 | | | | | KNUCKLE, Steering |
| | 5300 0626 | 1 | | | Rt. 1987-89 |
| | 5300 5602 | 1 | | | Rt. 1990 |
| | 5300 0625 | 1 | | | Lt. 1987-89 |
| | 5300 5603 | 1 | | | Lt. 1990 |
| 23 | 8350 4653 | 1 | | | VENT |
| 24 | 8350 3113 | 1 | | | MOTOR PACKAGE, Front Axle Vacuum *** |
| 25 | J813 3708 | 1 | | | CLIP PACKAGE *** |
| 26 | 8350 4813 | 1 | | | COLLAR, Axle Shaft |
| 27 | 8350 3695 | 1 | | | FORK, Axle Shift |
| 28 | J813 3618 | 1 | | | RING, Snap |

MODEL CODES:

| | | |
|-----------------------------|-----------------------------|------------------------------|
| 15 = Grand Wagoneer 4 Dr. | 65 = Comanche 4WD-7 Ft. Box | 77 = Cherokee 4WD-2 Dr. |
| 25 = J-10 Pickup-119" W.B. | 66 = Comanche 2WD-7 Ft. Box | 78 = Cherokee 4WD-4 Dr. |
| 26 = J-10 Pickup-131" W.B. | 73 = Cherokee 2WD-2 Dr. | 79 = Cherokee 4WD-4 Dr.-Com |
| 27 = J-20 Pickup-131" W.B. | 74 = Cherokee 2WD-4 Dr. | 81 = Wrangler-93" W.B. |
| 63 = Comanche 4WD-6 Ft. Box | 75 = Wagoneer 4WD-4 Dr. | 82 = Wrangler-103" W.B.-Exp. |
| 64 = Comanche 2WD-6 Ft. Box | | |

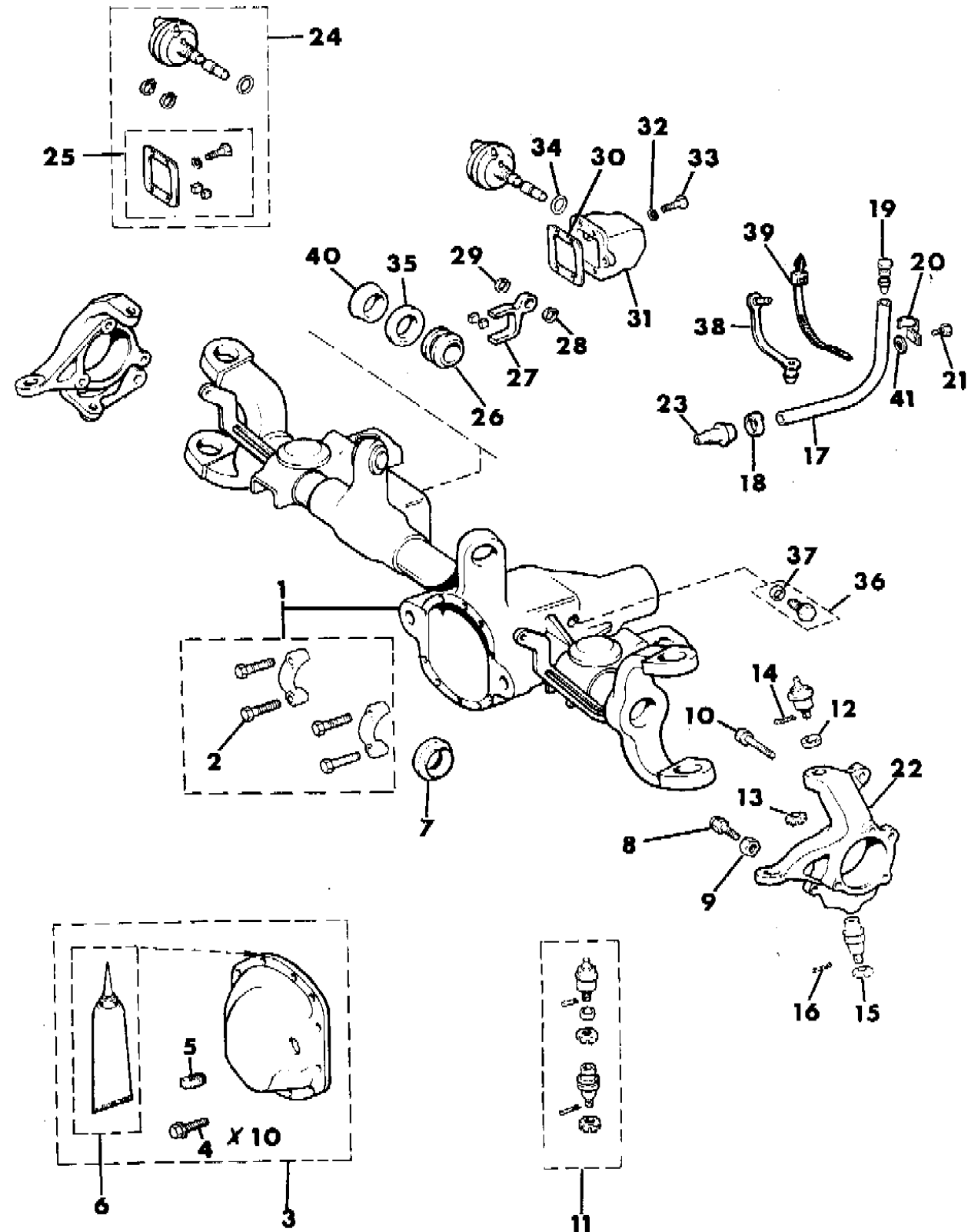
BODY STYLES:

MJ = Comanche Pickup
 SJ = Grand Wagoneer Wgn., J-10 & J-20 Pickups
 XJ = Cherokee, Wagoneer Limited
 YJ = Wrangler

AR = Use as Required - = Non Illustrated Part P.A.R. = Paint as Required

HOUSING, FRONT AXLE 4 WHEEL DRIVE W/DISCONNECT CHEROKEE, WAGONEER, COMANCHE
Figure 2-1600

8J02 1600



| ITEM | PART NUMBER | QTY | BODY | MODEL | DESCRIPTION |
|------|-------------|-----|------|-------|-----------------------------------|
| 29 | J813 3619 | 1 | | | RING, Snap |
| 30 | J813 3709 | 1 | | | GASKET, Cover |
| 31 | 8350 0195 | 1 | | | COVER, Axle Shift |
| 32 | J813 3624 | 4 | | | WASHER |
| 33 | J813 3623 | 4 | | | BOLT |
| 34 | J813 3620 | 1 | | | O-RING |
| 35 | 8350 3504 | 1 | | | SEAL, O.D.= 2.12" (Vendor #42500) |
| | 8350 0199 | 1 | | | O.D.= 2.29" (Vendor #40570) |
| 36 | 8350 1425 | 1 | | | PLUG PACKAGE *** |
| 37 | 3300 0322 | 1 | | | GASKET |
| 38 | J400 1712 | 1 | | | STRAP |
| 39 | 3420 1788 | 2 | | | STRAP |
| 40 | 8350 4375 | 1 | | | GUIDE, Axle Shaft |
| 41 | J400 3084 | 1 | | | NUT, Push |

MODEL CODES:

| | | |
|-----------------------------|-----------------------------|------------------------------|
| 15 = Grand Wagoneer 4 Dr. | 65 = Comanche 4WD-7 Ft. Box | 77 = Cherokee 4WD-2 Dr. |
| 25 = J-10 Pickup-119" W.B. | 66 = Comanche 2WD-7 Ft. Box | 78 = Cherokee 4WD-4 Dr. |
| 26 = J-10 Pickup-131" W.B. | 73 = Cherokee 2WD-2 Dr. | 79 = Cherokee 4WD-4 Dr.-Com |
| 27 = J-20 Pickup-131" W.B. | 74 = Cherokee 2WD-4 Dr. | 81 = Wrangler-93" W.B. |
| 63 = Comanche 4WD-6 Ft. Box | 75 = Wagoneer 4WD-4 Dr. | 82 = Wrangler-103" W.B.-Exp. |
| 64 = Comanche 2WD-6 Ft. Box | | |

BODY STYLES:

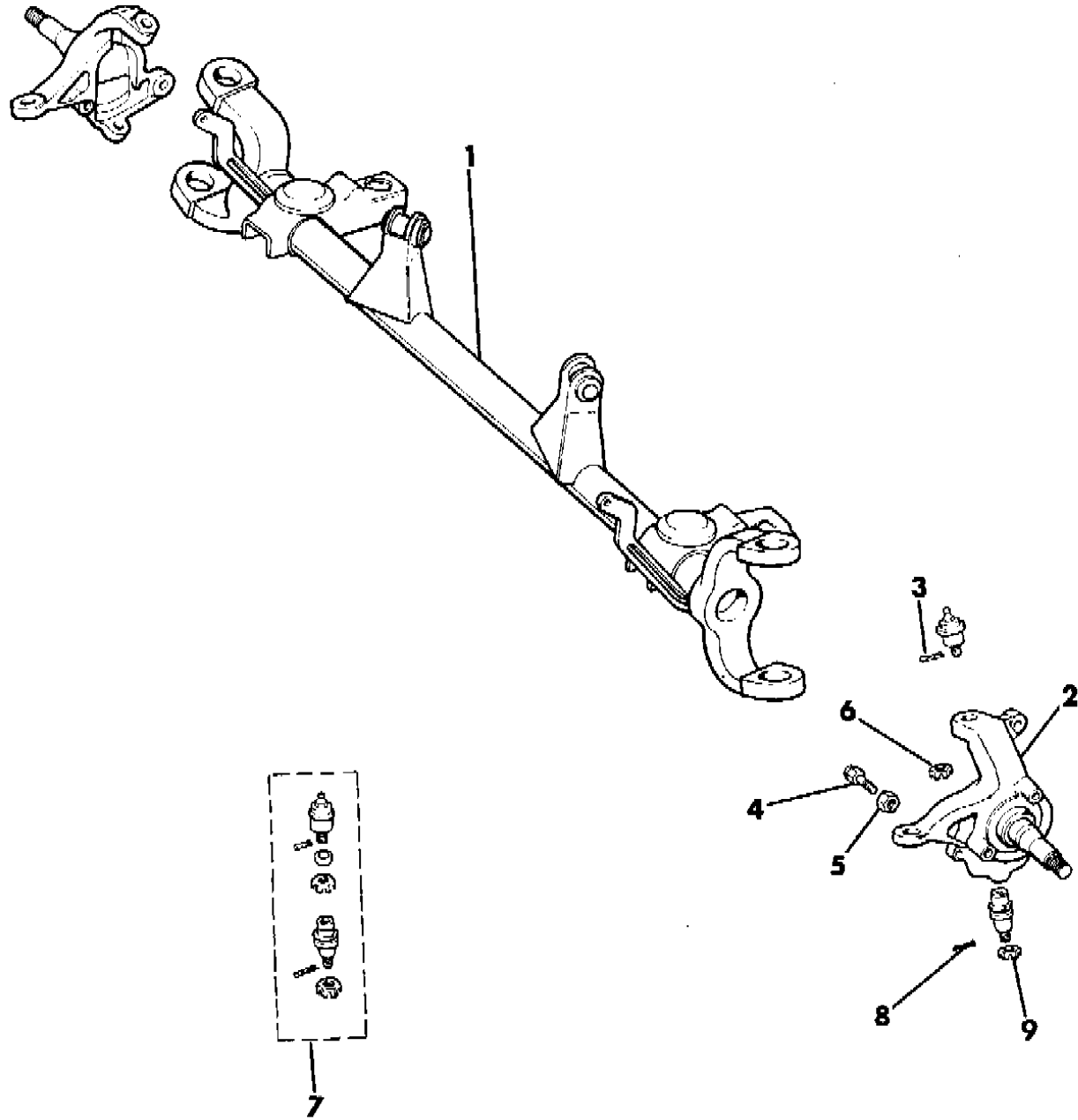
MJ = Comanche Pickup
SJ = Grand Wagoneer Wgn., J-10 & J-20 Pickups
XJ = Cherokee, Wagoneer Limited
YJ = Wrangler

AR = Use as Required - = Non Illustrated Part P.A.R. = Paint as Required

HOUSING, FRONT AXLE 2 WHEEL DRIVE CHEROKEE, WAGONEER, COMANCHE
Figure 2-1700

8J02 1700B

| ITEM | PART NUMBER | QTY | BODY | MODEL | DESCRIPTION |
|------|-------------|-----|------|-------|---------------------|
| 1 | | | | | HOUSING, Front Axle |
| | 8350 2081 | 1 | | | 1987-89 |
| | 5252 685 | 1 | | | 1990 |
| 2 | | | | | KNUCKLE, Steering |
| | 5300 2932 | 1 | | | Rt. |
| | 5300 2931 | 1 | | | Lt. |
| 3 | J812 1392 | 1 | | | PIN, Cotter |
| 4 | JA00 0821 | 1 | | | BOLT, Jam |
| 5 | S011 4494 | 1 | | | NUT, Jam |
| 6 | J012 5258 | 1 | | | NUT |
| 7 | 8350 0202 | 1 | | | SOCKET PACKAGE *** |
| 8 | 1101 0069 | 1 | | | PIN, Cotter |
| 9 | J812 3318 | 1 | | | NUT |



MODEL CODES:

| | | |
|-----------------------------|-----------------------------|------------------------------|
| 15 = Grand Wagoneer 4 Dr. | 65 = Comanche 4WD-7 Ft. Box | 77 = Cherokee 4WD-2 Dr. |
| 25 = J-10 Pickup-119" W.B. | 66 = Comanche 2WD-7 Ft. Box | 78 = Cherokee 4WD-4 Dr. |
| 26 = J-10 Pickup-131" W.B. | 73 = Cherokee 2WD-2 Dr. | 79 = Cherokee 4WD-4 Dr.-Com |
| 27 = J-20 Pickup-131" W.B. | 74 = Cherokee 2WD-4 Dr. | 81 = Wrangler-93" W.B. |
| 63 = Comanche 4WD-6 Ft. Box | 75 = Wagoneer 4WD-4 Dr. | 82 = Wrangler-103" W.B.-Exp. |
| 64 = Comanche 2WD-6 Ft. Box | | |

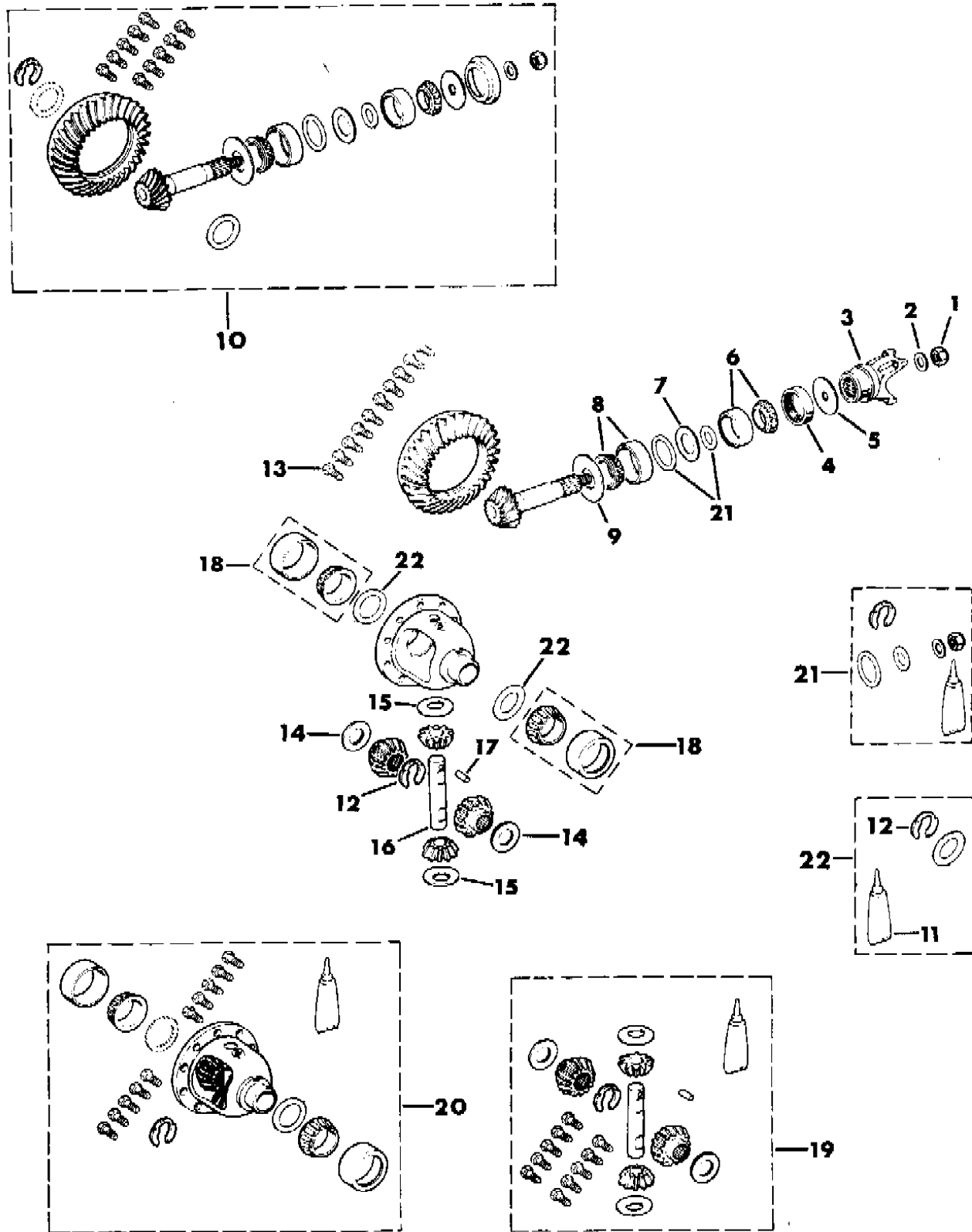
BODY STYLES:

MJ = Comanche Pickup
 SJ = Grand Wagoneer Wgn., J-10 & J-20 Pickups
 XJ = Cherokee, Wagoneer Limited
 YJ = Wrangler

AR = Use as Required - = Non Illustrated Part P.A.R. = Paint as Required

DIFFERENTIAL, FRONT AXLE CHEROKEE, WAGONEER, COMANCHE
Figure 2-1800

8 J 02 1800



| ITEM | PART NUMBER | QTY | BODY | MODEL | DESCRIPTION |
|------|-------------|-----|------|-------|--------------------------------------|
| 1 | J080 1367 | 1 | | | NUT, Pinion |
| 2 | J063 6570 | 1 | | | WASHER, Pinion |
| 3 | 8350 3388 | 1 | | | YOKE, Pinion |
| 4 | 8350 3390 | 1 | | | SEAL, Pinion |
| 5 | J063 6566 | 1 | | | SLINGER, Dust |
| 6 | J812 4052 | 1 | | | BEARING PACKAGE |
| 7 | J093 4937 | 1 | | | BAFFLE |
| 8 | J812 6499 | 1 | | | BEARING PACKAGE |
| 9 | J091 6372 | 1 | | | SLINGER, Oil |
| 10 | | | | | GEAR SET, Front Axle Ring And Pinion |
| | 8350 0187 | 1 | | | 3.07 Ratio |
| | 8350 2355 | 1 | | | 3.54 Ratio |
| | 8350 5480 | 1 | | | 3.55 Ratio |
| | 8350 2353 | 1 | | | 4.10 Ratio |
| | 8350 3424 | 1 | | | 4.56 Ratio |
| 11 | J899 3317 | 1 | | | SEALER, RTV |
| 12 | J813 0763 | 1 | | | SNAP RING |
| 13 | J064 9454 | 10 | | | BOLT |
| 14 | J813 3724 | 2 | | | WASHER |
| 15 | J812 0831 | 2 | | | WASHER |
| 16 | J094 6384 | 1 | | | SHAFT, Differential |
| 17 | J063 6360 | 1 | | | PIN |
| 18 | J812 6500 | 2 | | | BEARING PACKAGE |
| 19 | | | | | GEAR SET, Front Axle Differential |
| | 8350 0190 | 1 | | | 1987-89 |
| | 5252 591 | 1 | | | 1990 |
| 20 | | 1 | | | CASE, Front Axle Differential |
| | 8350 0168 | 1 | | | 3.07 or 3.55 Ratio |
| | 5252 582 | 1 | | | 1987-89 |
| | | | | | 1990 |
| | 8350 0169 | 1 | | | 4.10 or 4.56 Ratio |
| | 5252 590 | 1 | | | 1987-89 |
| | | | | | 1990 |
| 21 | 8350 0192 | 1 | | | SHIM PACKAGE |
| 22 | 8350 0191 | 1 | | | SHIM PACKAGE |

MODEL CODES:

| | | |
|-----------------------------|-----------------------------|------------------------------|
| 15 = Grand Wagoneer 4 Dr. | 65 = Comanche 4WD-7 Ft. Box | 77 = Cherokee 4WD-2 Dr. |
| 25 = J-10 Pickup-119" W.B. | 66 = Comanche 2WD-7 Ft. Box | 78 = Cherokee 4WD-4 Dr. |
| 26 = J-10 Pickup-131" W.B. | 73 = Cherokee 2WD-2 Dr. | 79 = Cherokee 4WD-4 Dr.-Com |
| 27 = J-20 Pickup-131" W.B. | 74 = Cherokee 2WD-4 Dr. | 81 = Wrangler-93" W.B. |
| 63 = Comanche 4WD-6 Ft. Box | 75 = Wagoneer 4WD-4 Dr. | 82 = Wrangler-103" W.B.-Exp. |
| 64 = Comanche 2WD-6 Ft. Box | | |

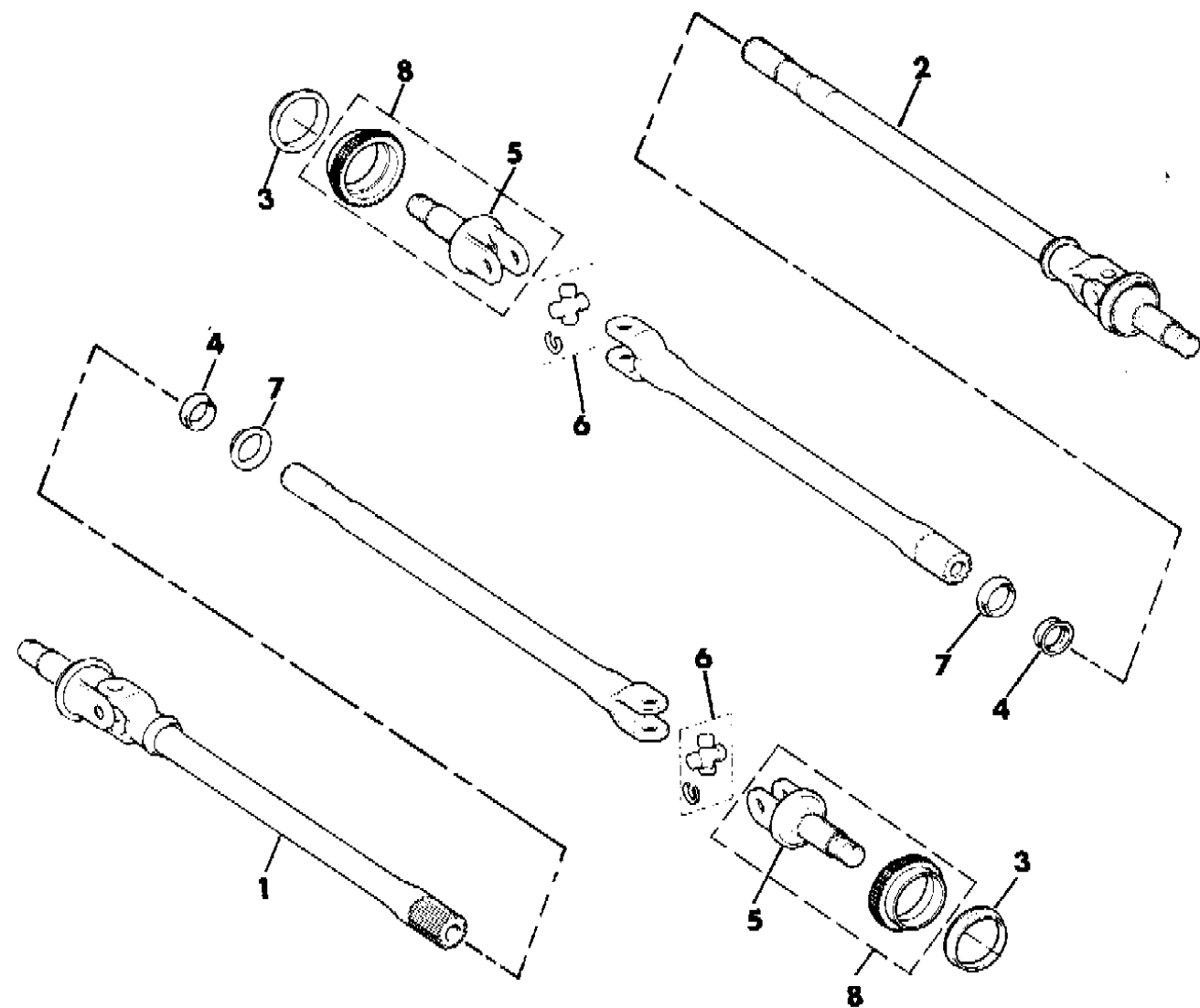
BODY STYLES:

MJ = Comanche Pickup
 SJ = Grand Wagoneer Wgn., J-10 & J-20 Pickups
 XJ = Cherokee, Wagoneer Limited
 YJ = Wrangler

AR = Use as Required - = Non Illustrated Part P.A.R. = Paint as Required

SHAFTS, FRONT AXLE W/O DISCONNECT 1988-90 CHEROKEE, WAGONEER, COMANCHE
Figure 2-1900

8J02 1900



| ITEM | PART NUMBER | QTY | BODY | MODEL | DESCRIPTION |
|------|-------------|-----|------|-------|---|
| 1 | | | | | SHAFT, Axle |
| | | | | | Right, w/o Anti-Lock Braking System |
| | 5300 2134 | 1 | | | 1988-90 (Up To 4-1-90) |
| | 5252 584 | 1 | | | 1990 (After 4-1-90) |
| | | | | | Rt., w/Anti-Lock Braking System |
| | 8350 6005 | 1 | | | 1989-90 (Up To 4-1-90) |
| | 5252 586 | 1 | | | 1990 (After 4-1-90) |
| 2 | | | | | SHAFT, Axle |
| | | | | | Lt., w/o Anti-Lock Braking System |
| | 5300 0684 | 1 | | | 1988-90 (Up To 4-1-90) |
| | 5252 585 | 1 | | | 1990 (After 4-1-90) |
| | | | | | Lt., w/Anti-Lock Braking system |
| | 8350 6006 | 1 | | | 1989-90 (Up To 4-1-90) |
| | 5252 587 | 1 | | | 1990 (After 4-1-90) |
| 3 | 8350 0201 | 2 | | | SLINGER, Dust |
| 4 | J812 1781 | 2 | | | SEAL |
| 5 | 8350 0184 | 2 | | | SHAFT, Outer w/o Anti-Lock Braking System |
| 6 | | | | | JOINT, Universal |
| | J812 6637 | 2 | | | w/o Anti-Lock Braking System, 1988-89 |
| | J812 6638 | 2 | | | w/Anti-Lock Braking system, 1989 |
| | J812 6637 | 2 | | | All, 1990 |
| 7 | | | | | SLINGER, Oil |
| | J812 6232 | 2 | | | 1988-89 |
| | 8350 7105 | 2 | | | 1990 |
| 8 | 8350 5572 | 2 | | | SHAFT, Outer Anti-Lock Braking System |

MODEL CODES:

| | | |
|-----------------------------|-----------------------------|------------------------------|
| 15 = Grand Wagoneer 4 Dr. | 65 = Comanche 4WD-7 Ft. Box | 77 = Cherokee 4WD-2 Dr. |
| 25 = J-10 Pickup-119" W.B. | 66 = Comanche 2WD-7 Ft. Box | 78 = Cherokee 4WD-4 Dr. |
| 26 = J-10 Pickup-131" W.B. | 73 = Cherokee 2WD-2 Dr. | 79 = Cherokee 4WD-4 Dr.-Com |
| 27 = J-20 Pickup-131" W.B. | 74 = Cherokee 2WD-4 Dr. | 81 = Wrangler-93" W.B. |
| 63 = Comanche 4WD-6 Ft. Box | 75 = Wagoneer 4WD-4 Dr. | 82 = Wrangler-103" W.B.-Exp. |
| 64 = Comanche 2WD-6 Ft. Box | | |

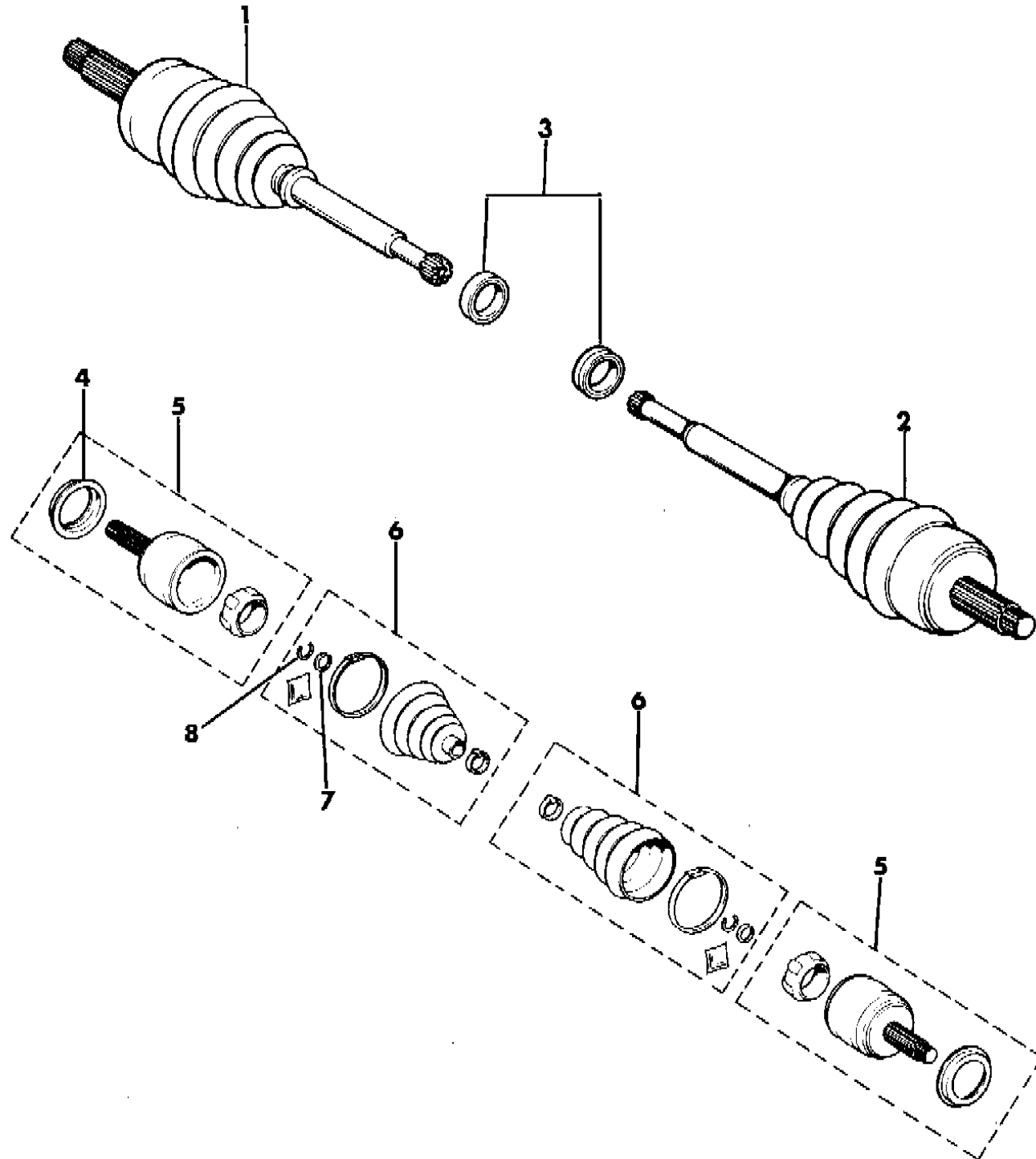
BODY STYLES:

MJ = Comanche Pickup
SJ = Grand Wagoneer Wgn., J-10 & J-20 Pickups
XJ = Cherokee, Wagoneer Limited
YJ = Wrangler

AR = Use as Required - = Non Illustrated Part P.A.R. = Paint as Required

SHAFTS, FRONT AXLE W/O DISCONNECT - 1987 CHEROKEE, WAGONEER, COMANCHE
Figure 2-1950

8J02 1950



| ITEM | PART NUMBER | QTY | BODY | MODEL | DESCRIPTION |
|------|-------------|-----|------|-------|-----------------|
| 1 | 5300 2128 | 1 | | | SHAFT, Axle Rt. |
| 2 | 5300 0227 | 1 | | | SHAFT, Axle Lt. |
| 3 | J812 1781 | 2 | | | SEAL |
| 4 | 8350 0201 | 2 | | | SLINGER, Dust |
| 5 | 8350 0696 | 2 | | | JOINT, Assy. |
| 6 | 8350 0698 | 2 | | | BOOT PACKAGE |
| 7 | 8350 0699 | 2 | | | RING, Spacer |
| 8 | 8350 0697 | 2 | | | RING, Retaining |

MODEL CODES:

| | | |
|-----------------------------|-----------------------------|------------------------------|
| 15 = Grand Wagoneer 4 Dr. | 65 = Comanche 4WD-7 Ft. Box | 77 = Cherokee 4WD-2 Dr. |
| 25 = J-10 Pickup-119" W.B. | 66 = Comanche 2WD-7 Ft. Box | 78 = Cherokee 4WD-4 Dr. |
| 26 = J-10 Pickup-131" W.B. | 73 = Cherokee 2WD-2 Dr. | 79 = Cherokee 4WD-4 Dr.-Com |
| 27 = J-20 Pickup-131" W.B. | 74 = Cherokee 2WD-4 Dr. | 81 = Wrangler-93" W.B. |
| 63 = Comanche 4WD-6 Ft. Box | 75 = Wagoneer 4WD-4 Dr. | 82 = Wrangler-103" W.B.-Exp. |
| 64 = Comanche 2WD-6 Ft. Box | | |

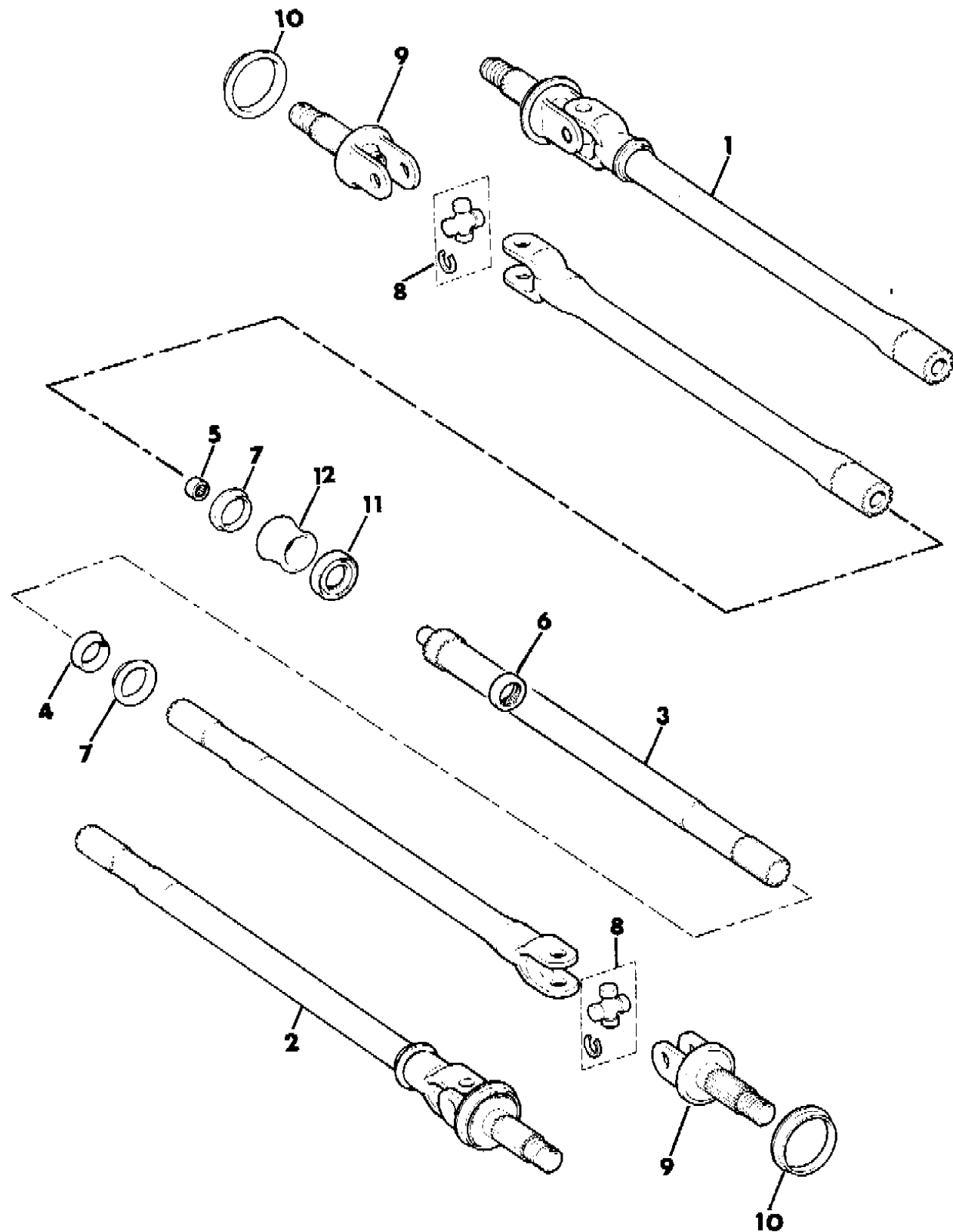
BODY STYLES:

MJ = Comanche Pickup
SJ = Grand Wagoneer Wgn., J-10 & J-20 Pickups
XJ = Cherokee, Wagoneer Limited
YJ = Wrangler

AR = Use as Required - = Non Illustrated Part P.A.R. = Paint as Required

SHAFTS, FRONT AXLE W/DISCONNECT CHEROKEE, WAGONEER, COMANCHE
Figure 2-2000

8J02 2000



| ITEM | PART NUMBER | QTY | BODY | MODEL | DESCRIPTION |
|------|-------------|-----|------|-------|-----------------------------------|
| 1 | | | | | SHAFT ASSEMBLY, Axle Rt. |
| | 5300 0224 | 1 | | | 1987-89 |
| | 5252 972 | 1 | | | 1990 |
| 2 | | | | | SHAFT ASSEMBLY, Axle Lt. |
| | 5300 0684 | 1 | | | 1987-89 |
| | 5252 585 | 1 | | | 1990 |
| 3 | | | | | SHAFT, Intermediate |
| | 8350 0198 | 1 | | | 1987/89 |
| | 5252 594 | 1 | | | 1990 |
| 4 | J812 1781 | 1 | | | SEAL |
| 5 | J813 4213 | 1 | | | BEARING, 1987-89 |
| | 5252 686 | 1 | | | BUSHING, 1990 |
| 6 | J813 3622 | 1 | | | BEARING, 1987-89 |
| | 5252 687 | 1 | | | 1990 |
| 7 | | | | | SLINGER, Oil |
| | J812 6232 | 2 | | | 1987-89 |
| | 8350 7105 | 2 | | | 1990 |
| 8 | J812 6637 | 2 | | | JOINT, Universal |
| 9 | 8350 0184 | 2 | | | SHAFT, Outer |
| 10 | 8350 0201 | 2 | | | SLINGER, Dust 1987-89, (N/A 1990) |
| 11 | | | | | SEAL |
| | 8350 0199 | 1 | | | O.D. = 2.29" |
| | 8350 3504 | 1 | | | O.D. = 2.12 |
| 12 | 8350 4375 | 1 | | | GUIDE |

MODEL CODES:

| | | |
|-----------------------------|-----------------------------|------------------------------|
| 15 = Grand Wagoneer 4 Dr. | 65 = Comanche 4WD-7 Ft. Box | 77 = Cherokee 4WD-2 Dr. |
| 25 = J-10 Pickup-119" W.B. | 66 = Comanche 2WD-7 Ft. Box | 78 = Cherokee 4WD-4 Dr. |
| 26 = J-10 Pickup-131" W.B. | 73 = Cherokee 2WD-2 Dr. | 79 = Cherokee 4WD-4 Dr.-Com |
| 27 = J-20 Pickup-131" W.B. | 74 = Cherokee 2WD-4 Dr. | 81 = Wrangler-93" W.B. |
| 63 = Comanche 4WD-6 Ft. Box | 75 = Wagoneer 4WD-4 Dr. | 82 = Wrangler-103" W.B.-Exp. |
| 64 = Comanche 2WD-6 Ft. Box | | |

BODY STYLES:

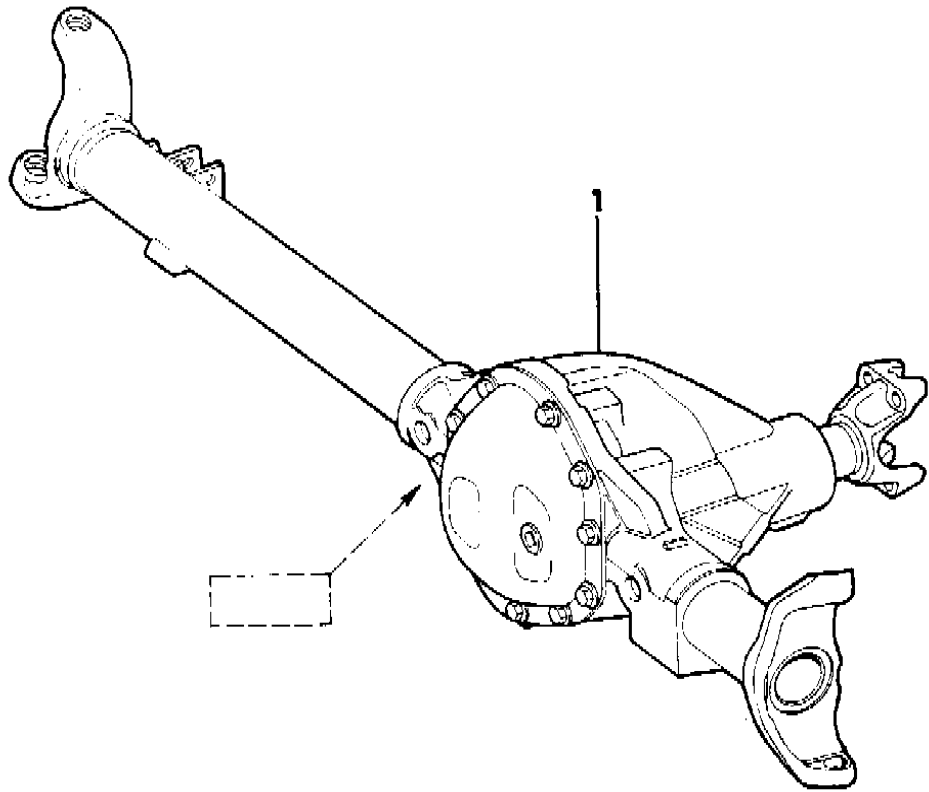
MJ = Comanche Pickup
SJ = Grand Wagoneer Wgn., J-10 & J-20 Pickups
XJ = Cherokee, Wagoneer Limited
YJ = Wrangler

AR = Use as Required - = Non Illustrated Part P.A.R. = Paint as Required

AXLE ASSEMBLY, FRONT GRAND WAGONEER, J10, J20
Figure 2-2100

8J02 2100

| ITEM | PART NUMBER | QTY | BODY | MODEL | DESCRIPTION |
|------|-------------|-----|------|-------|---|
| 1 | | | | | AXLE ASSEMBLY, Front *** |
| | 8350 1399 | 1 | SJ | | 2.72 Ratio, Tagged 89 53 004 206 or 89 53 004 003 |
| | 8350 5525 | 1 | SJ | | 3.31 Ratio, Tagged 89 53 004 208 or 89 53 004 004 |
| | J813 3596 | 1 | J10 | | 2.72 Ratio, Tagged 89 53 004 207 or 89 53 004 006 |
| | J813 3597 | 1 | J10 | | 3.31 Ratio, Tagged 89 53 004 209 or 89 53 004 007 |
| | J813 3600 | 1 | J20 | | 3.73 Ratio, Tagged 89 53 004 211 or 89 53 004 010 |



MODEL CODES:

| | | |
|-----------------------------|-----------------------------|------------------------------|
| 15 = Grand Wagoneer 4 Dr. | 65 = Comanche 4WD-7 Ft. Box | 77 = Cherokee 4WD-2 Dr. |
| 25 = J-10 Pickup-119" W.B. | 66 = Comanche 2WD-7 Ft. Box | 78 = Cherokee 4WD-4 Dr. |
| 26 = J-10 Pickup-131" W.B. | 73 = Cherokee 2WD-2 Dr. | 79 = Cherokee 4WD-4 Dr.-Com |
| 27 = J-20 Pickup-131" W.B. | 74 = Cherokee 2WD-4 Dr. | 81 = Wrangler-93" W.B. |
| 63 = Comanche 4WD-6 Ft. Box | 75 = Wagoneer 4WD-4 Dr. | 82 = Wrangler-103" W.B.-Exp. |
| 64 = Comanche 2WD-6 Ft. Box | | |

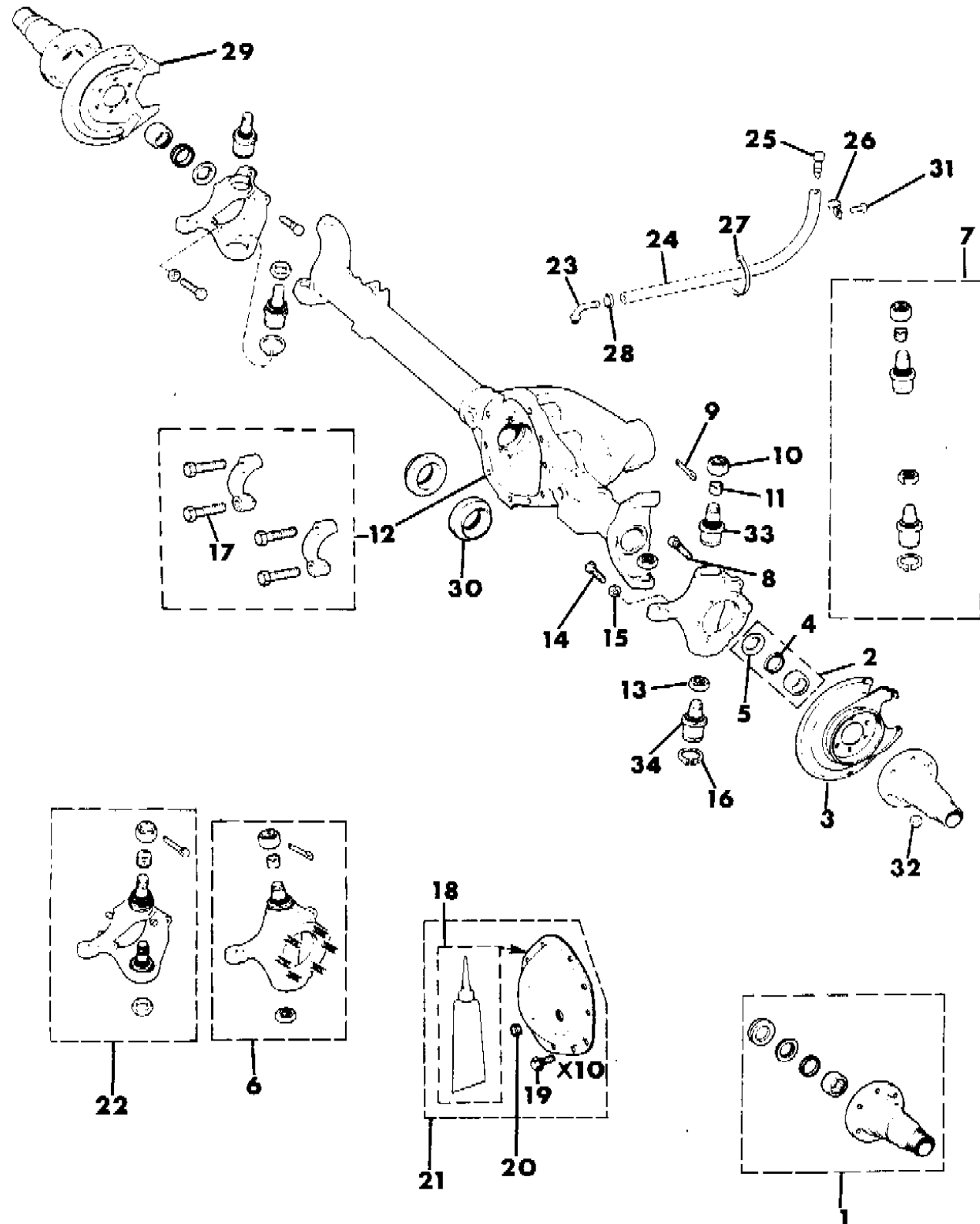
BODY STYLES:

MJ = Comanche Pickup
 SJ = Grand Wagoneer Wgn., J-10 & J-20 Pickups
 XJ = Cherokee, Wagoneer Limited
 YJ = Wrangler

AR = Use as Required - = Non Illustrated Part P.A.R. = Paint as Required

HOUSING, FRONT AXLE GRAND WAGONEER, J10, J20
Figure 2-2200

8J02 2200



| ITEM | PART NUMBER | QTY | BODY | MODEL | DESCRIPTION |
|------|-------------|-----|------|--------|------------------------------|
| 1 | J812 8767 | 2 | | | SPINDLE ASSEMBLY *** |
| 2 | J812 7356 | 2 | | | BEARING PACKAGE |
| 3 | | | | | SHIELD, Splash Lt. |
| | 8350 1982 | 1 | | 15, 26 | |
| | J537 0115 | 1 | | 27 | |
| 4 | J812 1397 | 2 | | | SEAL |
| 5 | 8350 1113 | 2 | | | SPACER |
| 6 | J812 8611 | 1 | | | KNUCKLE, Steering Lt. |
| 7 | J812 4333 | 2 | | | SOCKET PACKAGE *** |
| 8 | J812 4847 | 12 | | | STUD |
| 9 | J812 1392 | 2 | | | PIN, Cotter |
| 10 | J812 1364 | 2 | | | NUT |
| 11 | J812 1365 | 2 | | | Ring, Split *** |
| 12 | | | | | HOUSING, Front Axle |
| | 8350 5499 | 1 | | 15 | |
| | J813 2706 | 1 | | 26, 27 | |
| 13 | J812 1391 | 2 | | | NUT, Jam |
| 14 | JA00 0821 | 2 | | | BOLT |
| 15 | S011 4494 | 2 | | | NUT |
| 16 | J812 4362 | 2 | | | RING, Snap |
| 17 | S017 9890 | 4 | | | BOLT |
| 18 | J899 3317 | 1 | | | SEALER, Gasket in a Tube *** |
| 19 | J027 3573 | 10 | | | BOLT |
| 20 | S010 3869 | 1 | | | PLUG |
| 21 | J812 4352 | 1 | | | COVER PACKAGE |
| 22 | J812 8610 | 1 | | | KNUCKLE, Steering RIGHT |
| 23 | J535 3495 | 1 | | | VENT |
| 24 | J812 5823 | 1 | | | HOSE, Vent, Bulk 1 Foot |
| 25 | J535 2955 | 1 | | | BREATHER *** |
| 26 | J014 0780 | 1 | | | CLIP |
| 27 | J322 3227 | 1 | | | STRAP |
| 28 | J322 7851 | 1 | | | CLAMP |
| 29 | | | | | SHIELD, Splash Rt. |
| | 8350 1982 | 1 | | 15, 26 | |
| | J537 0116 | 1 | | 27 | |
| 30 | 8350 1009 | 2 | | | SEAL |
| 31 | J400 3556 | 1 | | | SCREW |

MODEL CODES:

| | | |
|-----------------------------|-----------------------------|------------------------------|
| 15 = Grand Wagoneer 4 Dr. | 65 = Comanche 4WD-7 Ft. Box | 77 = Cherokee 4WD-2 Dr. |
| 25 = J-10 Pickup-119" W.B. | 66 = Comanche 2WD-7 Ft. Box | 78 = Cherokee 4WD-4 Dr. |
| 26 = J-10 Pickup-131" W.B. | 73 = Cherokee 2WD-2 Dr. | 79 = Cherokee 4WD-4 Dr.-Com |
| 27 = J-20 Pickup-131" W.B. | 74 = Cherokee 2WD-4 Dr. | 81 = Wrangler-93" W.B. |
| 63 = Comanche 4WD-6 Ft. Box | 75 = Wagoneer 4WD-4 Dr. | 82 = Wrangler-103" W.B.-Exp. |
| 64 = Comanche 2WD-6 Ft. Box | | |

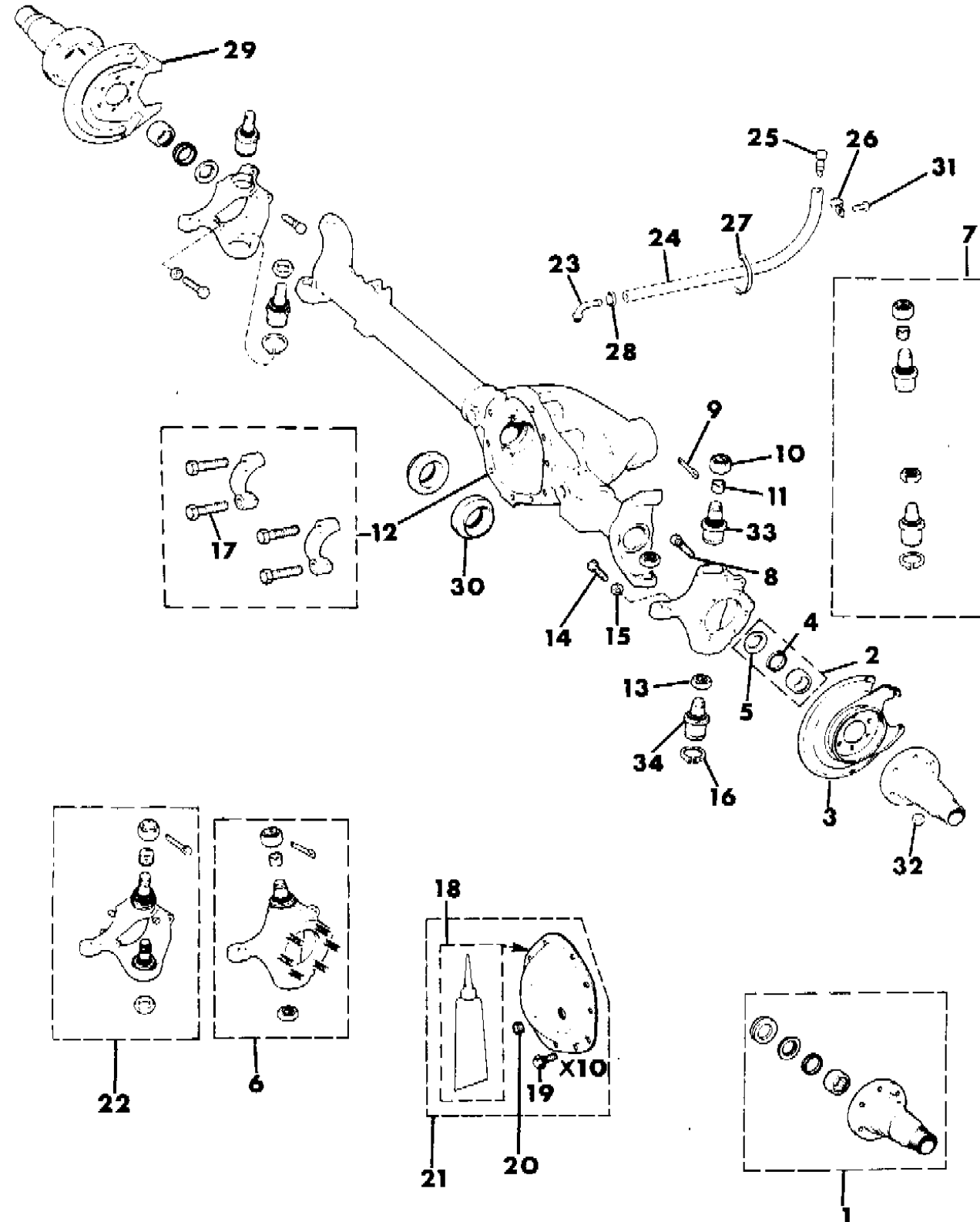
BODY STYLES:

MJ = Comanche Pickup
SJ = Grand Wagoneer Wgn., J-10 & J-20 Pickups
XJ = Cherokee, Wagoneer Limited
YJ = Wrangler

AR = Use as Required - = Non Illustrated Part P.A.R. = Paint as Required

HOUSING, FRONT AXLE GRAND WAGONEER, J10, J20
Figure 2-2200

8J02 2200



| ITEM | PART NUMBER | QTY | BODY | MODEL | DESCRIPTION |
|------|-------------|-----|------|-------|-------------|
| 32 | J941 1783 | 12 | | | NUT |
| 33 | J812 2495 | 1 | | | SOCKET |
| 34 | J812 2496 | 1 | | | SOCKET |

MODEL CODES:

| | | |
|-----------------------------|-----------------------------|------------------------------|
| 15 = Grand Wagoneer 4 Dr. | 65 = Comanche 4WD-7 Ft. Box | 77 = Cherokee 4WD-2 Dr. |
| 25 = J-10 Pickup-119" W.B. | 66 = Comanche 2WD-7 Ft. Box | 78 = Cherokee 4WD-4 Dr. |
| 26 = J-10 Pickup-131" W.B. | 73 = Cherokee 2WD-2 Dr. | 79 = Cherokee 4WD-4 Dr.-Com |
| 27 = J-20 Pickup-131" W.B. | 74 = Cherokee 2WD-4 Dr. | 81 = Wrangler-93" W.B. |
| 63 = Comanche 4WD-6 Ft. Box | 75 = Wagoneer 4WD-4 Dr. | 82 = Wrangler-103" W.B.-Exp. |
| 64 = Comanche 2WD-6 Ft. Box | | |

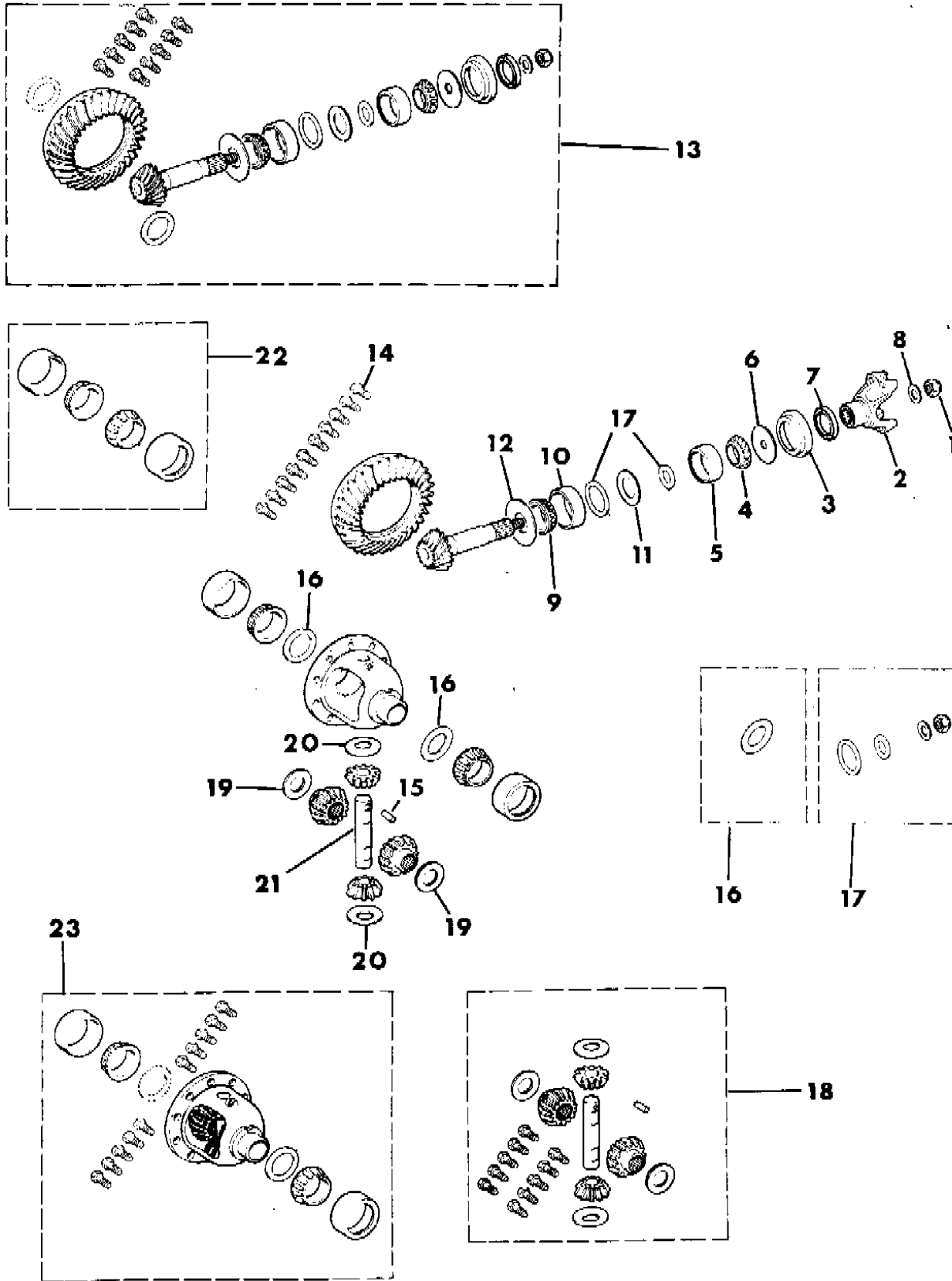
BODY STYLES:

MJ = Comanche Pickup
SJ = Grand Wagoneer Wgn., J-10 & J-20 Pickups
XJ = Cherokee, Wagoneer Limited
YJ = Wrangler

AR = Use as Required - = Non Illustrated Part P.A.R. = Paint as Required

DIFFERENTIAL, FRONT AXLE GRAND WAGONEER, J10, J20
Figure 2-2300

8 J02 2300



| ITEM | PART NUMBER | QTY | BODY | MODEL | DESCRIPTION |
|------|-------------|-----|------|-------|--------------------------------------|
| 1 | J080 1367 | 1 | | | NUT, Pinion |
| 2 | 8350 3388 | 1 | | | YOKE, Pinion |
| 3 | 8350 3390 | 1 | | | SEAL, Pinion |
| 4 | J005 2878 | 1 | | | BEARING |
| 5 | J005 2879 | 1 | | | CUP, Bearing |
| 6 | J063 6566 | 1 | | | SLINGER, Dust |
| 7 | J063 6568 | 1 | | | SHEILD, Dust |
| 8 | J063 6570 | 1 | | | WASHER, Pinion |
| 9 | J080 7266 | 1 | | | BEARING |
| 10 | 0698 413 | 1 | | | CUP, Bearing |
| 11 | J091 6373 | 1 | | | BAFFLE |
| 12 | J091 6372 | 1 | | | SLINGER, Oil |
| 13 | | | | | GEAR SET, Front Axle Ring And Pinion |
| | J813 4222 | 1 | | | 2.73 Ratio |
| | J813 4219 | 1 | | | 3.31 Ratio |
| | J812 4777 | 1 | | | 3.73 Ratio |
| 14 | J064 9454 | 10 | | | BOLT |
| 15 | J063 6360 | 1 | | | PIN |
| 16 | J812 9222 | 1 | | | SHIM PACKAGE |
| 17 | J812 9221 | 1 | | | SHIM PACKAGE |
| 18 | J812 9228 | 1 | | | GEAR SET, Front Axle Differential |
| 19 | J064 5789 | 2 | | | WASHER |
| 20 | J064 5790 | 2 | | | WASHER |
| 21 | J080 5327 | 1 | | | SHAFT, Differential |
| 22 | J812 4071 | 1 | | | BEARING PACKAGE |
| 23 | J812 9226 | 1 | | | CASE, Front Axle Differential |

MODEL CODES:

| | | |
|-----------------------------|-----------------------------|------------------------------|
| 15 = Grand Wagoneer 4 Dr. | 65 = Comanche 4WD-7 Ft. Box | 77 = Cherokee 4WD-2 Dr. |
| 25 = J-10 Pickup-119" W.B. | 66 = Comanche 2WD-7 Ft. Box | 78 = Cherokee 4WD-4 Dr. |
| 26 = J-10 Pickup-131" W.B. | 73 = Cherokee 2WD-2 Dr. | 79 = Cherokee 4WD-4 Dr.-Com |
| 27 = J-20 Pickup-131" W.B. | 74 = Cherokee 2WD-4 Dr. | 81 = Wrangler-93" W.B. |
| 63 = Comanche 4WD-6 Ft. Box | 75 = Wagoneer 4WD-4 Dr. | 82 = Wrangler-103" W.B.-Exp. |
| 64 = Comanche 2WD-6 Ft. Box | | |

BODY STYLES:

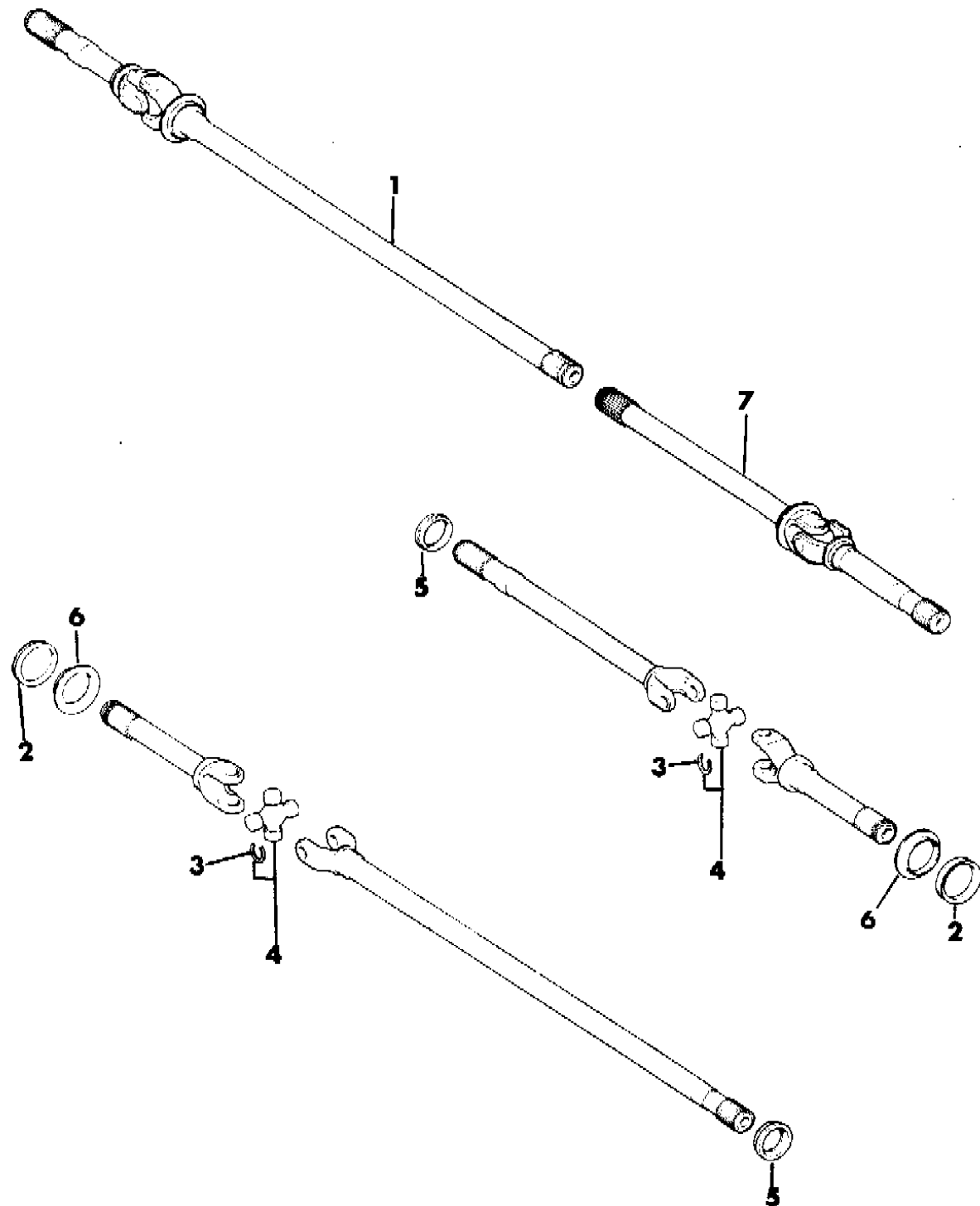
| |
|---|
| MJ = Comanche Pickup |
| SJ = Grand Wagoneer Wgn., J-10 & J-20 Pickups |
| XJ = Cherokee, Wagoneer Limited |
| YJ = Wrangler |

AR = Use as Required - = Non Illustrated Part P.A.R. = Paint as Required

SHAFTS, FRONT AXLE GRAND WAGONEER, J10, J20

Figure 2-2400

8J02 2400



| ITEM | PART NUMBER | QTY | BODY | MODEL | DESCRIPTION |
|------|-------------|-----|------|--------|-----------------|
| 1 | | | | | SHAFT, Axle Rt. |
| | J813 2912 | 1 | | 15 | |
| | J813 2915 | 1 | | 26, 27 | |
| 2 | J812 7350 | 2 | | | SEAL |
| 3 | J090 9453 | 8 | | | RING, Snap |
| 4 | J812 6638 | 2 | | | SPIDER *** |
| 5 | J812 9096 | 2 | | | SEAL |
| 6 | J812 8285 | 2 | | | RETAINER |
| 7 | | | | | SHAFT, Axle Lt. |
| | J813 2913 | 1 | | 15 | |
| | J813 2916 | 1 | | 26, 27 | |

MODEL CODES:

| | | |
|-----------------------------|-----------------------------|------------------------------|
| 15 = Grand Wagoneer 4 Dr. | 65 = Comanche 4WD-7 Ft. Box | 77 = Cherokee 4WD-2 Dr. |
| 25 = J-10 Pickup-119" W.B. | 66 = Comanche 2WD-7 Ft. Box | 78 = Cherokee 4WD-4 Dr. |
| 26 = J-10 Pickup-131" W.B. | 73 = Cherokee 2WD-2 Dr. | 79 = Cherokee 4WD-4 Dr.-Com |
| 27 = J-20 Pickup-131" W.B. | 74 = Cherokee 2WD-4 Dr. | 81 = Wrangler-93" W.B. |
| 63 = Comanche 4WD-6 Ft. Box | 75 = Wagoneer 4WD-4 Dr. | 82 = Wrangler-103" W.B.-Exp. |
| 64 = Comanche 2WD-6 Ft. Box | | |

BODY STYLES:

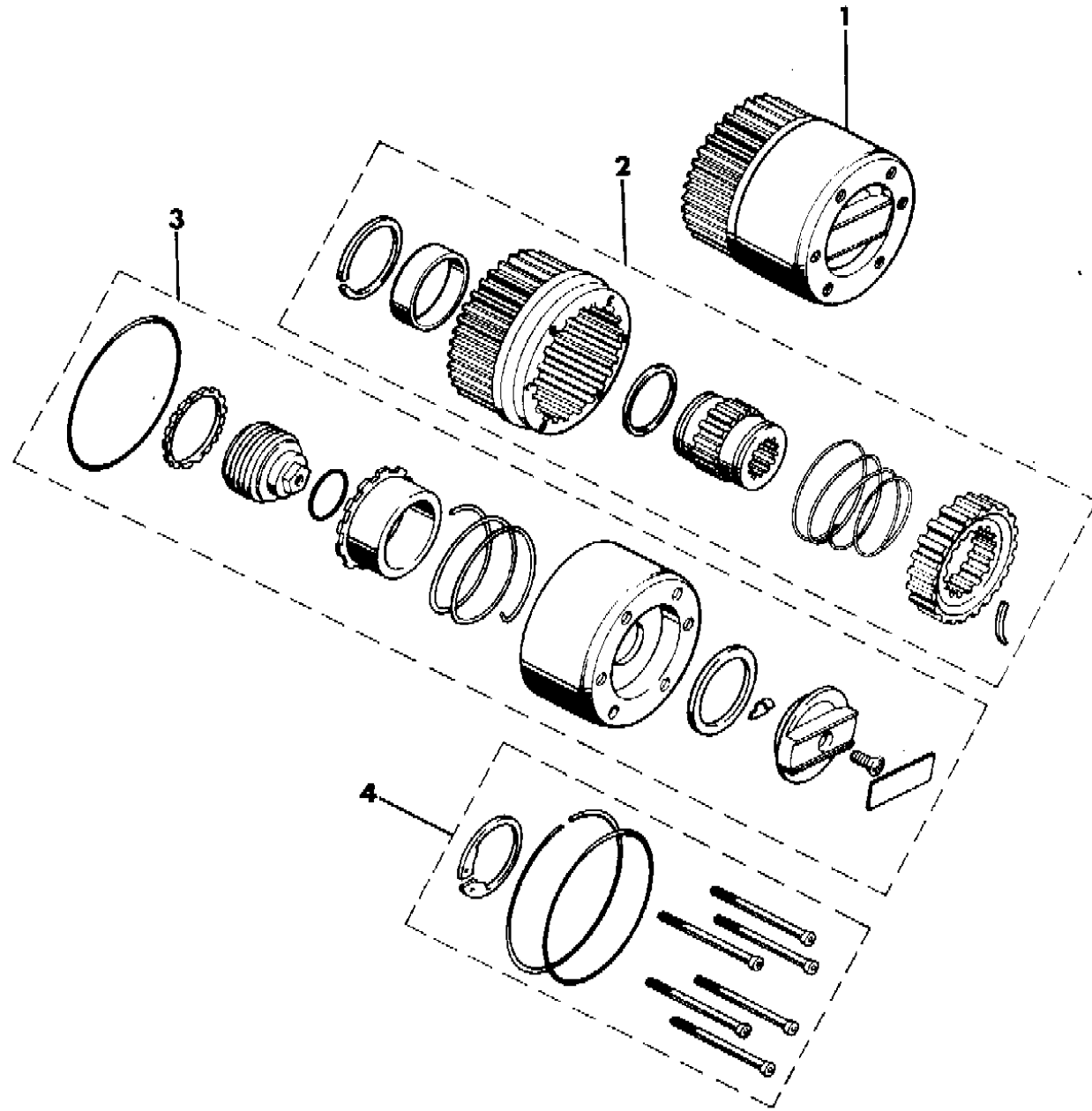
MJ = Comanche Pickup
 SJ = Grand Wagoneer Wgn., J-10 & J-20 Pickups
 XJ = Cherokee, Wagoneer Limited
 YJ = Wrangler

AR = Use as Required - = Non Illustrated Part P.A.R. = Paint as Required

LOCKING HUBS, SELECTIVE DRIVE W/ 208 TRANSFER CASE J20
Figure 2-2500

8J02 2500

| ITEM | PART NUMBER | QTY | BODY | MODEL | DESCRIPTION |
|------|-------------|-----|------|-------|--------------------|
| 1 | 5300 4806 | 2 | | | HUB, Assy. Locking |
| 2 | J813 1252 | 2 | | | BODY PACKAGE |
| 3 | 8350 3639 | 2 | | | CAP PACKAGE |
| 4 | J813 1251 | 2 | | | SERVICE PACKAGE |



MODEL CODES:

| | | |
|-----------------------------|-----------------------------|------------------------------|
| 15 = Grand Wagoneer 4 Dr. | 65 = Comanche 4WD-7 Ft. Box | 77 = Cherokee 4WD-2 Dr. |
| 25 = J-10 Pickup-119" W.B. | 66 = Comanche 2WD-7 Ft. Box | 78 = Cherokee 4WD-4 Dr. |
| 26 = J-10 Pickup-131" W.B. | 73 = Cherokee 2WD-2 Dr. | 79 = Cherokee 4WD-4 Dr.-Com |
| 27 = J-20 Pickup-131" W.B. | 74 = Cherokee 2WD-4 Dr. | 81 = Wrangler-93" W.B. |
| 63 = Comanche 4WD-6 Ft. Box | 75 = Wagoneer 4WD-4 Dr. | 82 = Wrangler-103" W.B.-Exp. |
| 64 = Comanche 2WD-6 Ft. Box | | |

BODY STYLES:

MJ = Comanche Pickup
SJ = Grand Wagoneer Wgn., J-10 & J-20 Pickups
XJ = Cherokee, Wagoneer Limited
YJ = Wrangler

AR = Use as Required - = Non Illustrated Part P.A.R. = Paint as Required

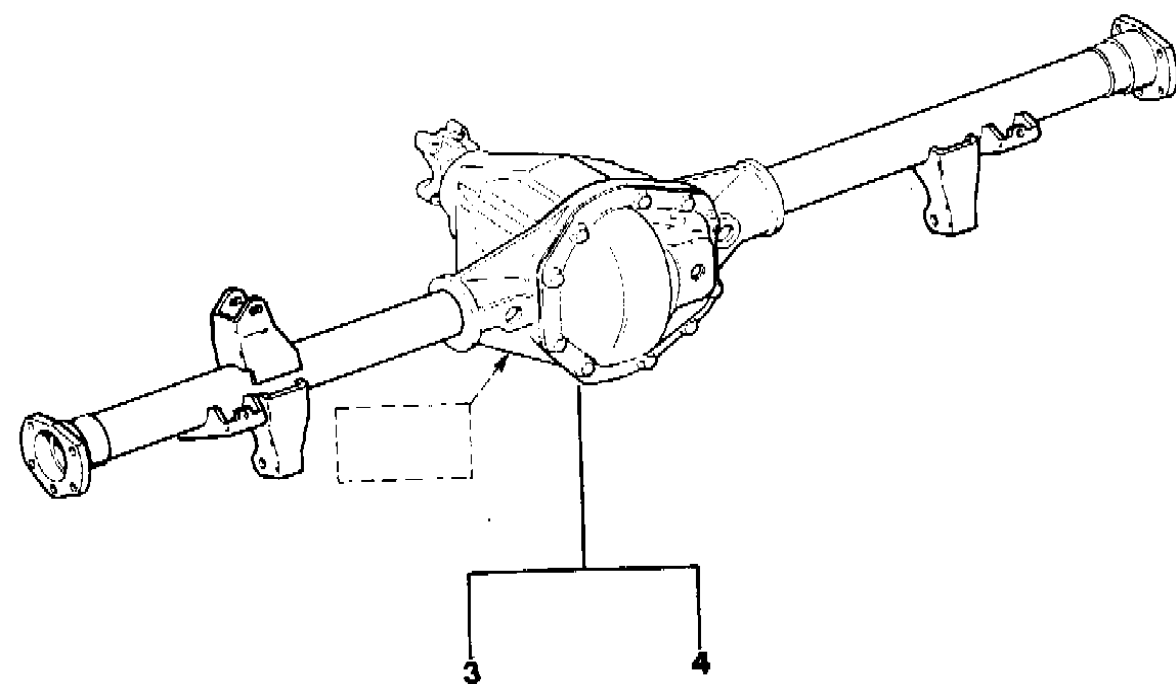
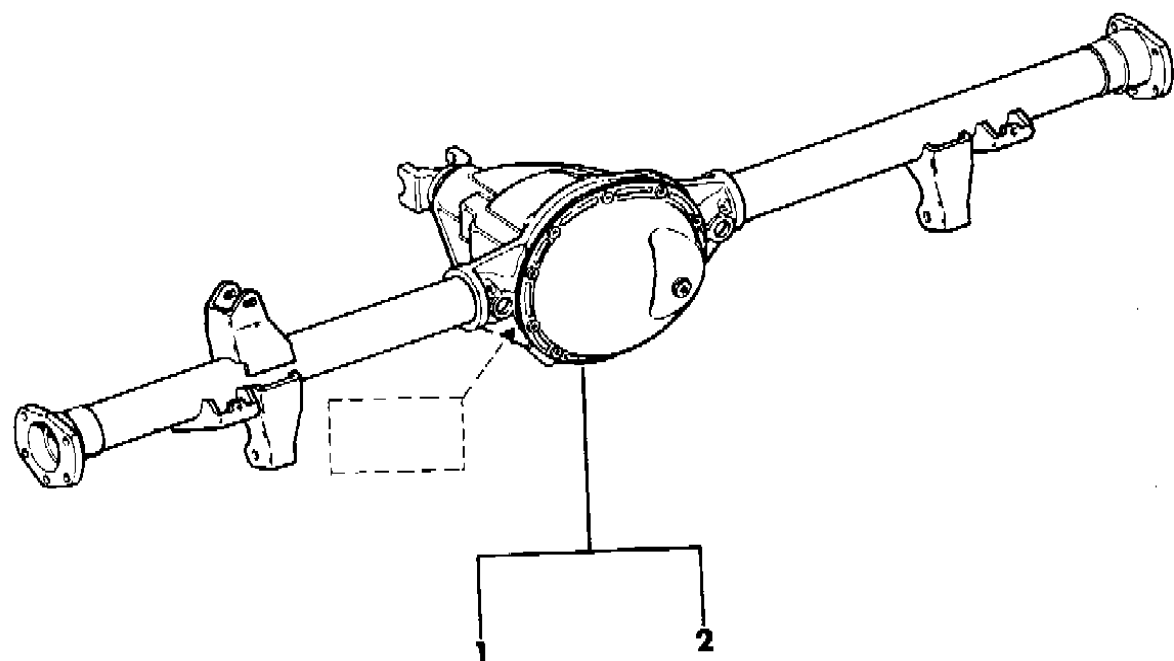
GROUP 3 - REAR AXLE

| ILLUSTRATION TITLE | GROUP-FIG. NO. |
|--|-----------------------|
| WRANGLER, YJ | |
| AXLE ASSEMBLY, REAR DANA MODEL 35, DANA MODEL 44 KDX WRANGLER, YJ | Fig. 3-50 |
| HOUSING AND DIFFERENTIAL, REAR AXLE DANA MODEL 35 W/O LOCKING DIFFERENTIAL WRANGLER, YJ | Fig. 3-100 |
| HOUSING AND DIFFERENTIAL, REAR AXLE DANA MODEL 35 W/LOCKING DIFFERENTIAL WRANGLER, YJ | Fig. 3-200 |
| SHAFT, REAR AXLE DANA MODEL 35 WRANGLER, YJ | Fig. 3-210 |
| HOUSING AND DIFFERENTIAL, REAR AXLE DANA MODEL 44 KDX W/O LOCKING DIFFERENTIAL WRANGLER, YJ | Fig. 3-225 |
| HOUSING AND DIFFERENTIAL, REAR AXLE DANA MODEL 44 KDX W/LOCKING DIFFERENTIAL WRANGLER, YJ | Fig. 3-250 |
| SHAFT, REAR AXLE DANA MODEL 44 KDX WRANGLER, YJ | Fig. 3-350 |
| CHEROKEE, WAGONEER, COMANCHE | |
| AXLE ASSEMBLY, REAR DANA MODEL 35 CHEROKEE, WAGONEER, COMANCHE | Fig. 3-375 |
| HOUSING, REAR AXLE DANA MODEL 35 CHEROKEE, WAGONEER, COMANCHE | Fig. 3-400 |
| DIFFERENTIAL, NON-LOCKING DANA MODEL 35 CHEROKEE, WAGONEER, COMANCHE | Fig. 3-500 |
| DIFFERENTIAL, LOCKING DANA MODEL 35 CHEROKEE, WAGONEER, COMANCHE | Fig. 3-600 |
| SHAFT, REAR AXLE DANA MODEL 35 CHEROKEE, WAGONEER, COMANCHE | Fig. 3-700 |
| AXLE ASSEMBLY, REAR DANA MODEL 44 CHEROKEE, WAGONEER, COMANCHE | Fig. 3-750 |
| HOUSING AND DIFFERENTIAL, REAR AXLE DANA MODEL 44 W/O LOCKING DIFFERENTIAL CHEROKEE, WAGONEER, COMANCHE | Fig. 3-800 |
| HOUSING AND DIFFERENTIAL, REAR AXLE DANA MODEL 44 W/LOCKING DIFFERENTIAL CHEROKEE, WAGONEER, COMANCHE | Fig. 3-900 |
| SHAFT, REAR AXLE DANA MODEL 44 CHEROKEE, WAGONEER, COMANCHE | Fig. 3-1000 |
| GRAND WAGONEER, J10, J20 | |
| REAR AXLE ASSEMBLY DANA MODEL 44, DANA MODEL 60 GRAND WAGONEER, J-10, J-20 | Fig. 3-1100 |
| HOUSING AND DIFFERENTIAL, REAR AXLE DANA MODEL 44 W/O LOCKING DIFFERENTIAL GRAND WAGONEER, J-10 | Fig. 3-1200 |
| HOUSING AND DIFFERENTIAL, REAR AXLE DANA MODEL 44 W/LOCKING DIFFERENTIAL GRAND WAGONEER, J-10 | Fig. 3-1300 |
| SHAFT, REAR AXLE DANA MODEL 44 GRAND WAGONEER, J-10 | Fig. 3-1400 |
| HOUSING AND DIFFERENTIAL, REAR AXLE DANA MODEL 60 W/O LOCKING DIFFERENTIAL J-20 | Fig. 3-1500 |
| HOUSING AND DIFFERENTIAL, REAR AXLE DANA MODEL 60 W/LOCKING DIFFERENTIAL J-20 | Fig. 3-1600 |
| SHAFT, REAR AXLE DANA MODEL 60 J-20 | Fig. 3-1700 |

ILLUSTRATION NOT AVAILABLE AT TIME OF PUBLICATION

AXLE ASSEMBLY, REAR DANA MODEL 35, DANA MODEL 44 KDX WRANGLER, YJ
Figure 3-50

8 J03 050



| ITEM | PART NUMBER | QTY | BODY | MODEL | DESCRIPTION |
|------|-------------|-----|------|-------|--|
| 1 | | | | | DANA MODEL 35 - w/o LOCKING DIFFERENTIAL |
| | | | | | 1987/89 |
| | 8350 2874 | 1 | | | 3.07 Ratio, Tagged 89 53 003 871 |
| | 8350 3195 | 1 | | | 3.55 Ratio, Tagged 89 53 004 684 |
| | 8350 2876 | 1 | | | 4.11 Ratio, Tagged 89 53 003 873 |
| | | | | | 1990 |
| | 5252 933 | 1 | | | 3.07 Ratio, Tagged 53 008 518 |
| | 5252 934 | 1 | | | 3.55 Ratio, Tagged 53 008 519 |
| | 5252 935 | 1 | | | 4.11 Ratio, Tagged 53 008 521 |
| 2 | | | | | DANA MODEL 35 - w/LOCKING DIFFERENTIAL *** |
| | | | | | 1987/89 |
| | 8350 3196 | 1 | | | 3.55 Ratio, Tagged 89 53 004 685 |
| | 8350 2877 | 1 | | | 4.11 Ratio, Tagged 89 53 003 868 |
| | | | | | 1990 |
| | 5252 936 | 1 | | | 3.55 Ratio, Tagged 53 008 520 |
| | 5252 937 | 1 | | | 4.11 Ratio, Tagged 53 008 522 |
| 3 | | | | | DANA MODEL 44 KDX - w/o LOCKING DIFFERENTIAL *** |
| | 8350 5406 | 1 | | | 3.54 Ratio (89 53 005 124) |
| 4 | | | | | DANA MODEL 44 KDX - w/LOCKING DIFFERENTIAL *** |
| | 8350 5441 | 1 | | | 3.07 Ratio (89 53 005 123) |
| | 8350 5442 | 1 | | | 3.54 Ratio (89 53 005 125) |
| | 8350 5441 | 1 | | | 3.07 Ratio (89 53 005 414) |
| | 8350 5442 | 1 | | | 3.54 Ratio (89 53 005 415) |

MODEL CODES:
 15 = Grand Wagoneer 4 Dr. 65 = Comanche 4WD-7 Ft. Box 77 = Cherokee 4WD-2 Dr.
 25 = J-10 Pickup-119" W.B. 66 = Comanche 2WD-7 Ft. Box 78 = Cherokee 4WD-4 Dr.
 26 = J-10 Pickup-131" W.B. 73 = Cherokee 2WD-2 Dr. 79 = Cherokee 4WD-4 Dr.-Com
 27 = J-20 Pickup-131" W.B. 74 = Cherokee 2WD-4 Dr. 81 = Wrangler-93" W.B.
 63 = Comanche 4WD-6 Ft. Box 75 = Wagoneer 4WD-4 Dr. 82 = Wrangler-103" W.B.-Exp.
 64 = Comanche 2WD-6 Ft. Box

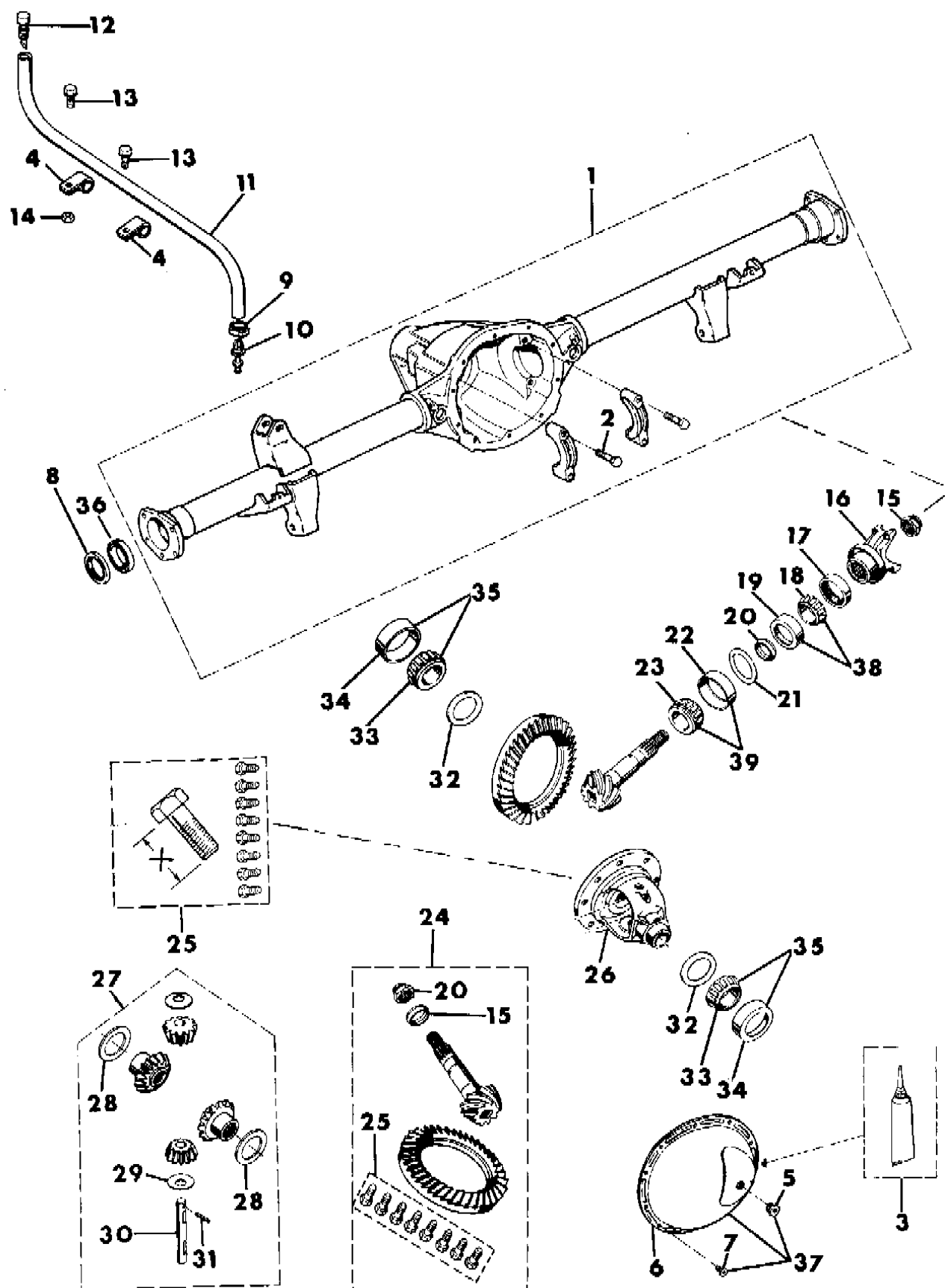
BODY STYLES:
 MJ = Comanche Pickup
 SJ = Grand Wagoneer Wgn., J-10 & J-20 Pickups
 XJ = Cherokee, Wagoneer Limited
 YJ = Wrangler

AR = Use as Required - = Non Illustrated Part P.A.R. = Paint as Required

HOUSING AND DIFFERENTIAL, REAR AXLE DANA MODEL 35 W/O LOCKING DIFFERENTIAL WRANGLER, YJ

Figure 3-100

8J03 100A



| ITEM | PART NUMBER | QTY | BODY | MODEL | DESCRIPTION |
|------|-------------|-----|------|-------|---|
| 1 | | | | | HOUSING, Axle |
| | 8350 2878 | 1 | | | 1987/89 |
| | 5252 519 | 1 | | | 1990 |
| 2 | J400 6553 | 4 | | | BOLT |
| 3 | J899 3317 | 1 | | | SEALER, Gasket-in-a-Tube |
| 4 | J014 0780 | 2 | | | CLIP |
| 5 | | | | | PLUG |
| | J400 7344 | 1 | | | 1/2"-14 |
| | 5252 504 | 1 | | | Rubber |
| 6 | 8350 5125 | 1 | | | COVER, w/Threaded Plug Hole |
| 7 | J400 6708 | 10 | | | BOLT |
| 8 | | | | | SEAL |
| | 8350 3010 | 2 | | | 1987/89 |
| | 5252 499 | 2 | | | 1990 |
| 9 | J322 7851 | 1 | | | CLAMP |
| 10 | J318 7999 | 1 | | | VENT |
| 11 | J812 5823 | 1 | | | HOSE (1') |
| 12 | J535 2955 | 1 | | | BREATHER |
| 13 | J400 5063 | 2 | | | SCREW |
| 14 | J012 0361 | 1 | | | NUT |
| 15 | J318 2601 | 1 | | | NUT, Pinion |
| 16 | 8350 3318 | 1 | | | YOKE, Pinion |
| 17 | 8350 4946 | 1 | | | SEAL, Pinion |
| 18 | J315 6063 | 1 | | | CONE, Bearing |
| 19 | J315 6062 | 1 | | | CUP, Bearing |
| 20 | J317 5779 | 1 | | | SPACER, Pinion |
| 21 | 8350 3003 | 1 | | | SHIM KIT, (8) |
| 22 | J315 6065 | 1 | | | CUP, Bearing |
| 23 | J317 0947 | 1 | | | CONE, Bearing |
| 24 | | | | | GEAR SET, Ring and Pinion |
| | 8350 3021 | 1 | | | 3.07 Ratio, .66" Bolt Length Tagged 89 53 003 871 (Vendor #42128) |
| | 8350 5472 | 1 | | | 3.07 Ratio, .81" Bolt Length Tagged 89 53 003 871 or 53 008 518 (Vendor #42828) |
| | 8350 4376 | 1 | | | 3.55 Ratio, Tagged 89 53 004 684 or 53 008 519 |
| | 8350 4938 | 1 | | | 4.11 Ratio, Tagged 89 53 003 873or 53 008 521 |
| 25 | | | | | BOLT PACKAGE |

MODEL CODES:

| | | |
|-----------------------------|-----------------------------|------------------------------|
| 15 = Grand Wagoneer 4 Dr. | 65 = Comanche 4WD-7 Ft. Box | 77 = Cherokee 4WD-2 Dr. |
| 25 = J-10 Pickup-119" W.B. | 66 = Comanche 2WD-7 Ft. Box | 78 = Cherokee 4WD-4 Dr. |
| 26 = J-10 Pickup-131" W.B. | 73 = Cherokee 2WD-2 Dr. | 79 = Cherokee 4WD-4 Dr.-Com |
| 27 = J-20 Pickup-131" W.B. | 74 = Cherokee 2WD-4 Dr. | 81 = Wrangler-93" W.B. |
| 63 = Comanche 4WD-6 Ft. Box | 75 = Wagoneer 4WD-4 Dr. | 82 = Wrangler-103" W.B.-Exp. |
| 64 = Comanche 2WD-6 Ft. Box | | |

BODY STYLES:

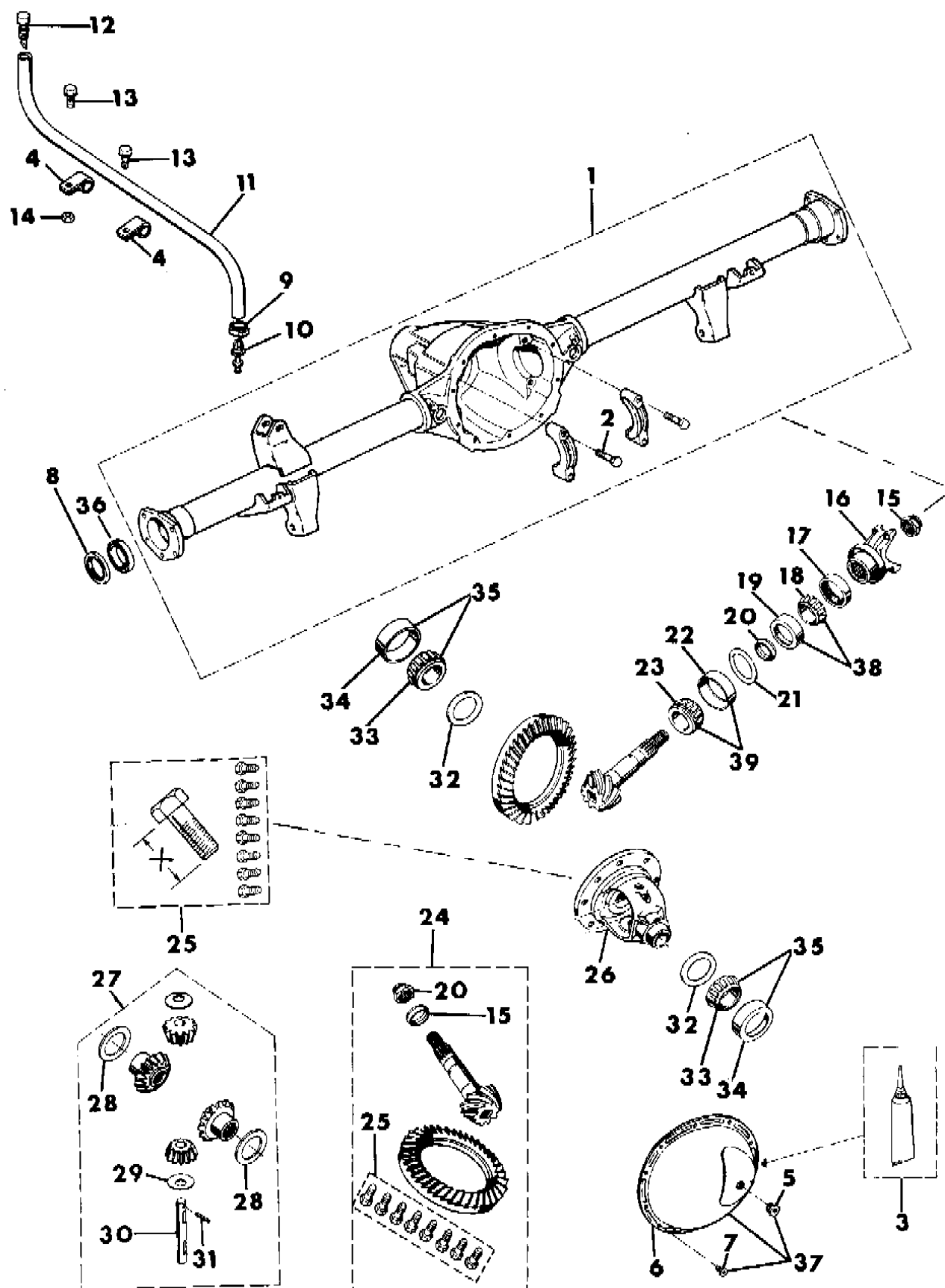
| |
|---|
| MJ = Comanche Pickup |
| SJ = Grand Wagoneer Wgn., J-10 & J-20 Pickups |
| XJ = Cherokee, Wagoneer Limited |
| YJ = Wrangler |

AR = Use as Required - = Non Illustrated Part P.A.R. = Paint as Required

HOUSING AND DIFFERENTIAL, REAR AXLE DANA MODEL 35 W/O LOCKING DIFFERENTIAL WRANGLER, YJ

Figure 3-100

8J03 100A



| ITEM | PART NUMBER | QTY | BODY | MODEL | DESCRIPTION |
|------|-------------|-----|------|-------|---|
| | J320 2890 | 1 | | | .66" Length |
| | 8350 4374 | 1 | | | .81" Length |
| 26 | | | | | CASE, Differential 1987/89 |
| | 5300 0561 | 1 | | | 3.07 Ratio, .66" Bolt Length Tagged 89 53 003 871 |
| | 8350 2880 | 1 | | | 3.07 Ratio, .81" Bolt Length Tagged 89 53 003 871 |
| | 5300 0561 | 1 | | | 3.55 Ratio, Tagged 89 53 004 684 |
| | 5300 0561 | 1 | | | 4.11 Ratio, Tagged 89 53 003 873 1990 |
| | 5252 510 | 1 | | | 3.07 Ratio, Tagged 53 008 518 |
| | 5252 517 | 1 | | | 3.55 Ratio, Tagged 53 008 519 |
| | 5252 517 | 1 | | | 4.11 Ratio, Tagged 53 008 521 |
| 27 | | | | | GEAR SET, Differential |
| | 8350 3002 | 1 | | | 1987/89 |
| | 5252 495 | 1 | | | 1990 |
| 28 | J323 7817 | 2 | | | WASHER, Side |
| 29 | J323 7818 | 1 | | | WASHER, Pinion |
| 30 | J322 4231 | 1 | | | SHAFT, Differential (1987/89) |
| 31 | | | | | PIN, Retaining |
| | S045 5313 | 1 | | | 1987/89 |
| | 5252 502 | 1 | | | 1990 |
| 32 | 8350 3004 | 1 | | | SHIM PACKAGE (16) |
| 33 | 1937 771 | 2 | | | CONE, Bearing |
| 34 | J317 1166 | 2 | | | CUP, Bearing |
| 35 | J812 6500 | 1 | | | BEARING PACKAGE, Differential Side *** |
| 36 | J813 4586 | 2 | | | BEARING ASSEMBLY, Axle Shaft (1990) |
| 37 | 5252 493 | 1 | | | COVER ASSEMBLY PACKAGE *** |
| 38 | 5252 508 | 1 | | | BEARING PACKAGE, Pinion Outer *** |
| 39 | 5252 507 | 1 | | | BEARING PACKAGE, Pinion Inner *** |

MODEL CODES:

| | | |
|-----------------------------|-----------------------------|------------------------------|
| 15 = Grand Wagoneer 4 Dr. | 65 = Comanche 4WD-7 Ft. Box | 77 = Cherokee 4WD-2 Dr. |
| 25 = J-10 Pickup-119" W.B. | 66 = Comanche 2WD-7 Ft. Box | 78 = Cherokee 4WD-4 Dr. |
| 26 = J-10 Pickup-131" W.B. | 73 = Cherokee 2WD-2 Dr. | 79 = Cherokee 4WD-4 Dr.-Com |
| 27 = J-20 Pickup-131" W.B. | 74 = Cherokee 2WD-4 Dr. | 81 = Wrangler-93" W.B. |
| 63 = Comanche 4WD-6 Ft. Box | 75 = Wagoneer 4WD-4 Dr. | 82 = Wrangler-103" W.B.-Exp. |
| 64 = Comanche 2WD-6 Ft. Box | | |

BODY STYLES:

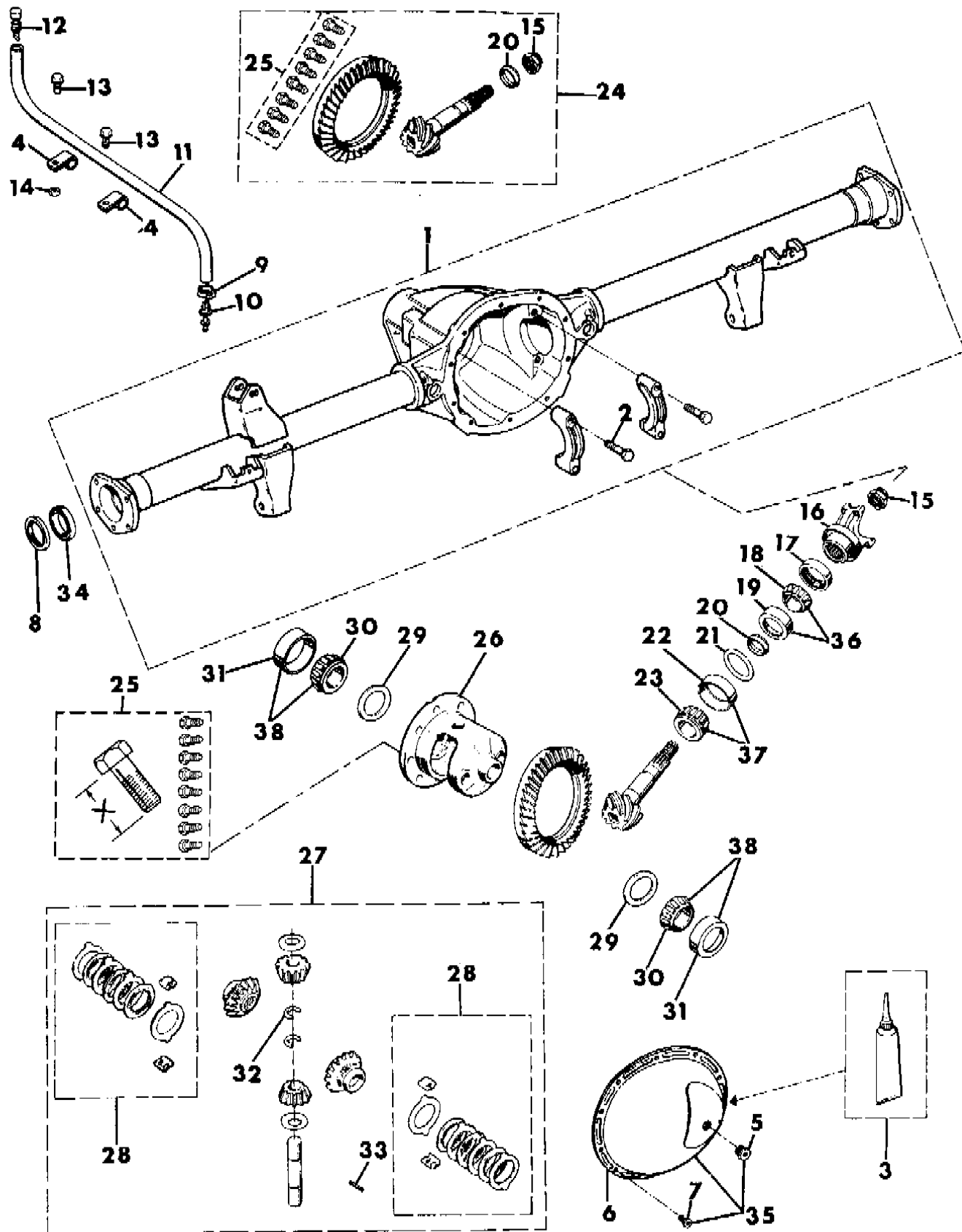
MJ = Comanche Pickup
 SJ = Grand Wagoneer Wgn., J-10 & J-20 Pickups
 XJ = Cherokee, Wagoneer Limited
 YJ = Wrangler

AR = Use as Required - = Non Illustrated Part P.A.R. = Paint as Required

HOUSING AND DIFFERENTIAL, REAR AXLE DANA MODEL 35 W/LOCKING DIFFERENTIAL WRANGLER, YJ

Figure 3-200

8J03 200A



| ITEM | PART NUMBER | QTY | BODY | MODEL | DESCRIPTION |
|------|-------------|-----|------|-------|--|
| 1 | | | | | HOUSING, Axle |
| | 8350 2878 | 1 | | | 1987/89 |
| | 5252 519 | 1 | | | 1990 |
| 2 | J400 6553 | 4 | | | BOLT |
| 3 | J899 3317 | 1 | | | SEALER, Gasket-in-a-Tube |
| 4 | J014 0780 | 2 | | | CLIP |
| 5 | | | | | PLUG |
| | J400 7344 | 1 | | | 1/2"-14 |
| | 5252 504 | 1 | | | Rubber |
| 6 | 8350 5125 | 1 | | | COVER, w/Threaded Plug Hole |
| 7 | J400 6708 | 10 | | | BOLT |
| 8 | | | | | SEAL |
| | 8350 3010 | 2 | | | 1987/89 |
| | 5252 499 | 2 | | | 1990 |
| 9 | J322 7851 | 1 | | | CLAMP |
| 10 | J318 7999 | 1 | | | VENT |
| 11 | J812 5823 | 1 | | | HOSE (1') |
| 12 | J535 2955 | 1 | | | BREATHER |
| 13 | J400 5063 | 2 | | | SCREW |
| 14 | J012 0361 | 1 | | | NUT |
| 15 | J318 2601 | 1 | | | NUT, Pinion |
| 16 | 8350 3318 | 1 | | | YOKE, Pinion |
| 17 | 8350 4946 | 1 | | | SEAL, Pinion |
| 18 | J315 6063 | 1 | | | CONE, Bearing |
| 19 | J315 6062 | 1 | | | CUP, Bearing |
| 20 | J317 5779 | 1 | | | SPACER, Pinion |
| 21 | 8350 3003 | 1 | | | SHIM PACKAGE |
| 22 | J315 6065 | 1 | | | CUP, Bearing |
| 23 | J317 0947 | 1 | | | CONE, Bearing |
| 24 | | | | | GEAR SET |
| | 8350 4376 | 1 | | | 3.55 Ratio, Tagged 89 53 004 685 or 53 008 520 |
| | 8350 4938 | 1 | | | 4.11 Ratio, Tagged 89 53 003 868 or 53 008 522 |
| 25 | | | | | BOLT PACKAGE |
| | J320 2890 | 1 | | | 66mm |
| | 8350 4374 | 1 | | | 81mm |
| 26 | | | | | CASE, Differential |
| | 5300 0986 | 1 | | | 1987 |

MODEL CODES:

| | | |
|-----------------------------|-----------------------------|------------------------------|
| 15 = Grand Wagoneer 4 Dr. | 65 = Comanche 4WD-7 Ft. Box | 77 = Cherokee 4WD-2 Dr. |
| 25 = J-10 Pickup-119" W.B. | 66 = Comanche 2WD-7 Ft. Box | 78 = Cherokee 4WD-4 Dr. |
| 26 = J-10 Pickup-131" W.B. | 73 = Cherokee 2WD-2 Dr. | 79 = Cherokee 4WD-4 Dr.-Com |
| 27 = J-20 Pickup-131" W.B. | 74 = Cherokee 2WD-4 Dr. | 81 = Wrangler-93" W.B. |
| 63 = Comanche 4WD-6 Ft. Box | 75 = Wagoneer 4WD-4 Dr. | 82 = Wrangler-103" W.B.-Exp. |
| 64 = Comanche 2WD-6 Ft. Box | | |

BODY STYLES:

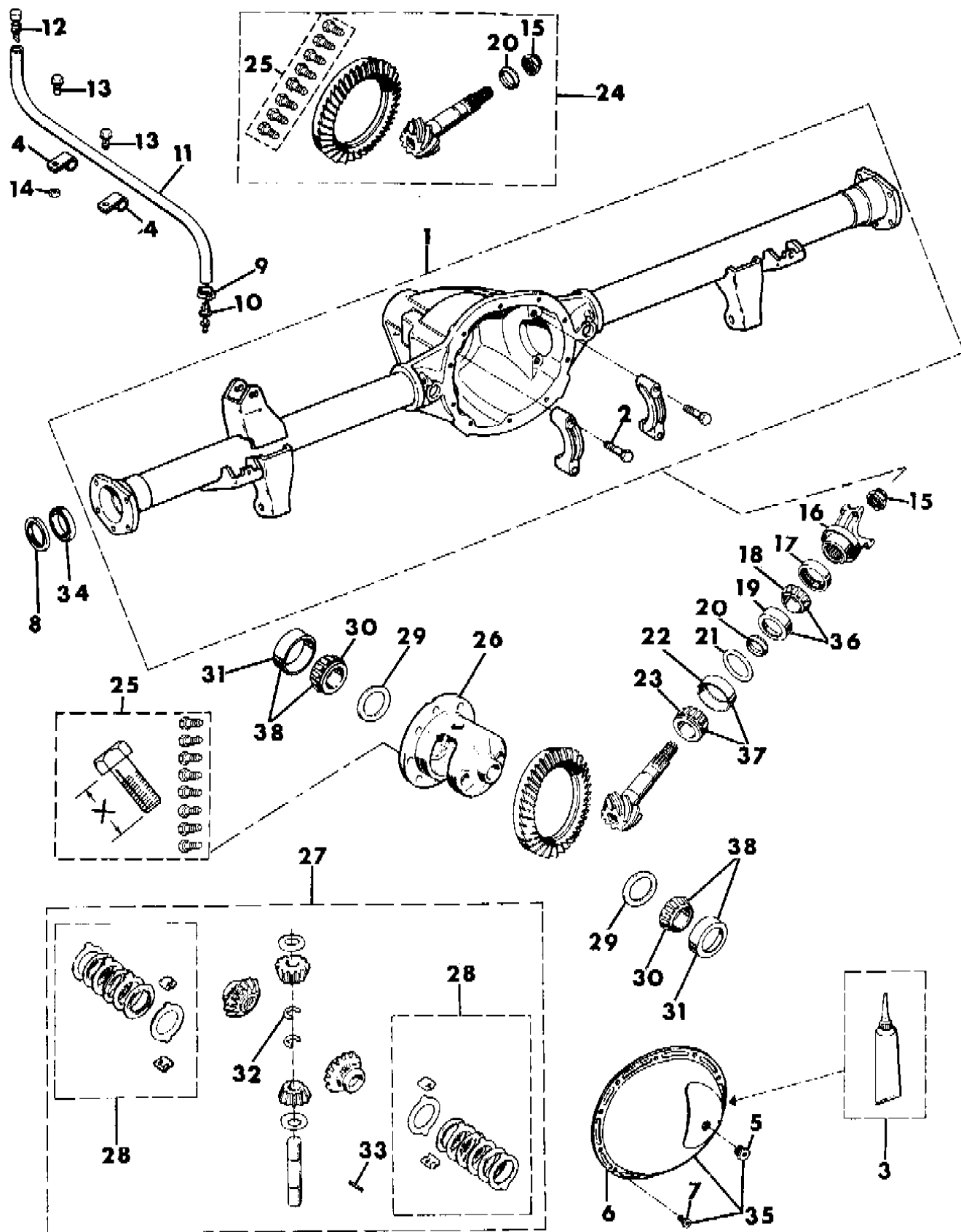
MJ = Comanche Pickup
 SJ = Grand Wagoneer Wgn., J-10 & J-20 Pickups
 XJ = Cherokee, Wagoneer Limited
 YJ = Wrangler

AR = Use as Required - = Non Illustrated Part P.A.R. = Paint as Required

HOUSING AND DIFFERENTIAL, REAR AXLE DANA MODEL 35 W/LOCKING DIFFERENTIAL WRANGLER, YJ

Figure 3-200

8J03 200A



| ITEM | PART NUMBER | QTY | BODY | MODEL | DESCRIPTION |
|------|-------------|-----|------|-------|--|
| | 8350 5021 | 1 | | | 1988/1989 |
| | 5252 496 | 1 | | | 1990 |
| 27 | 8350 0262 | 1 | | | 1987 |
| | 8350 5022 | 1 | | | 1988/1989 |
| | 5252 497 | 1 | | | 1990 |
| 28 | | | | | DISC PACKAGE, Differential *** |
| | 8350 0263 | 1 | | | 1987/89 |
| | 5252 506 | 1 | | | 1990 |
| 29 | 8350 3004 | 1 | | | SHIM PACKAGE (16) *** |
| 30 | 1937 771 | 2 | | | CONE, Bearing |
| 31 | J317 1166 | 2 | | | CUP, Bearing |
| 32 | 8350 1445 | 1 | | | RING, Snap |
| 33 | | | | | PIN, Retaining |
| | 8350 5019 | 1 | | | 1987/89 |
| | 5252 502 | 1 | | | 1990 |
| 34 | J813 4586 | 2 | | | BEARING ASSEMBLY, Axle Shaft (1990) |
| 35 | 5252 493 | 1 | | | COVER ASSEMBLY PACKAGE *** |
| 36 | 5252 508 | 1 | | | BEARING PACKAGE, Pinion Outer *** |
| 37 | 5252 507 | 1 | | | BEARING PACKAGE, Pinion Inner *** |
| 38 | J812 6500 | 1 | | | BEARING PACKAGE, Differential Side *** |

MODEL CODES:

| | | |
|-----------------------------|-----------------------------|------------------------------|
| 15 = Grand Wagoneer 4 Dr. | 65 = Comanche 4WD-7 Ft. Box | 77 = Cherokee 4WD-2 Dr. |
| 25 = J-10 Pickup-119" W.B. | 66 = Comanche 2WD-7 Ft. Box | 78 = Cherokee 4WD-4 Dr. |
| 26 = J-10 Pickup-131" W.B. | 73 = Cherokee 2WD-2 Dr. | 79 = Cherokee 4WD-4 Dr.-Com |
| 27 = J-20 Pickup-131" W.B. | 74 = Cherokee 2WD-4 Dr. | 81 = Wrangler-93" W.B. |
| 63 = Comanche 4WD-6 Ft. Box | 75 = Wagoneer 4WD-4 Dr. | 82 = Wrangler-103" W.B.-Exp. |
| 64 = Comanche 2WD-6 Ft. Box | | |

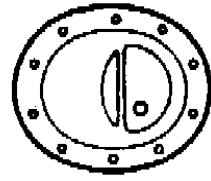
BODY STYLES:

MJ = Comanche Pickup
 SJ = Grand Wagoneer Wgn., J-10 & J-20 Pickups
 XJ = Cherokee, Wagoneer Limited
 YJ = Wrangler

AR = Use as Required - = Non Illustrated Part P.A.R. = Paint as Required

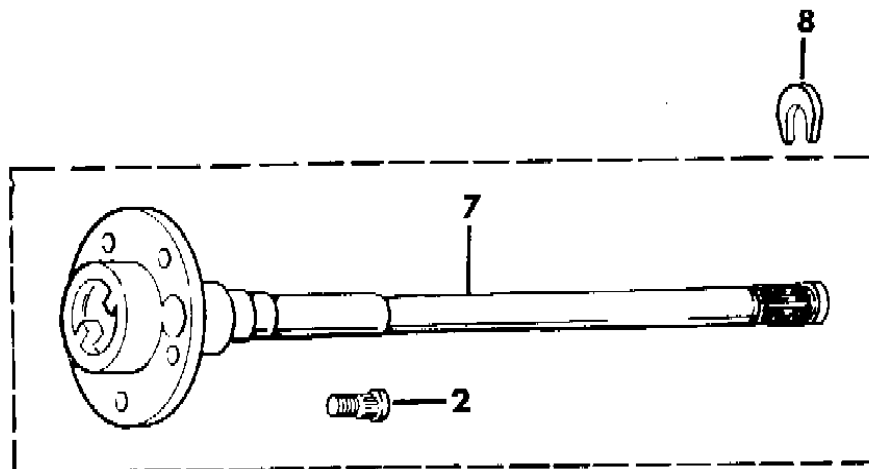
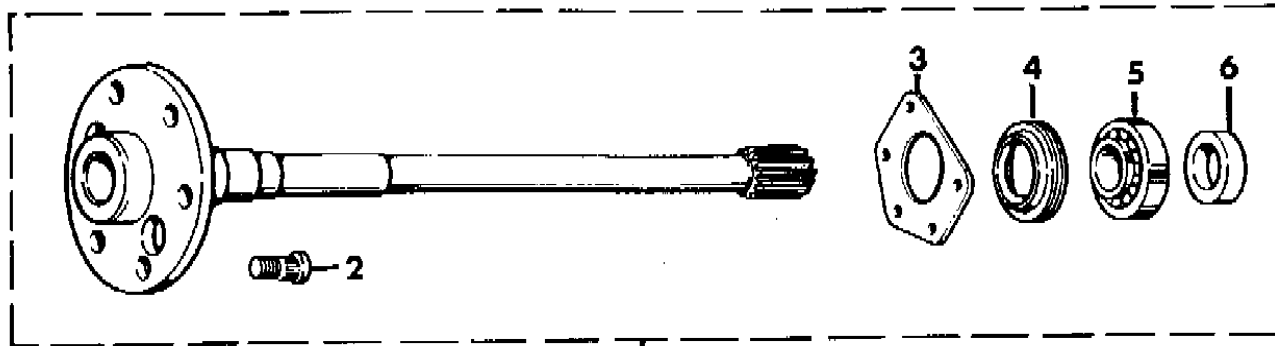
SHAFT, REAR AXLE DANA MODEL 35 WRANGLER, YJ
Figure 3-210

8J03 210 B



DANA MODEL 35 AXLE (REF.)

| ITEM | PART NUMBER | QTY | BODY | MODEL | DESCRIPTION |
|------|-------------|-----|------|-------|-----------------------------|
| 1 | 8350 2882-3 | 1 | | | SHAFT, Axle |
| 2 | 8350 3053 | 10 | | | STUD, Wheel |
| 3 | 8350 3022 | 2 | | | RETAINER, Seal |
| 4 | 5300 0477 | 2 | | | SEAL |
| 5 | 5300 0475 | 2 | | | BEARING |
| 6 | 8350 3054 | 2 | | | RING, Retainer |
| 7 | 5252 948-9 | 1 | | | SHAFT, Axle (1990) |
| 8 | 5252 505 | 2 | | | RETAINER, Axle Shaft (1990) |



MODEL CODES:

| | | |
|-----------------------------|-----------------------------|------------------------------|
| 15 = Grand Wagoneer 4 Dr. | 65 = Comanche 4WD-7 Ft. Box | 77 = Cherokee 4WD-2 Dr. |
| 25 = J-10 Pickup-119" W.B. | 66 = Comanche 2WD-7 Ft. Box | 78 = Cherokee 4WD-4 Dr. |
| 26 = J-10 Pickup-131" W.B. | 73 = Cherokee 2WD-2 Dr. | 79 = Cherokee 4WD-4 Dr.-Com |
| 27 = J-20 Pickup-131" W.B. | 74 = Cherokee 2WD-4 Dr. | 81 = Wrangler-93" W.B. |
| 63 = Comanche 4WD-6 Ft. Box | 75 = Wagoneer 4WD-4 Dr. | 82 = Wrangler-103" W.B.-Exp. |
| 64 = Comanche 2WD-6 Ft. Box | | |

BODY STYLES:

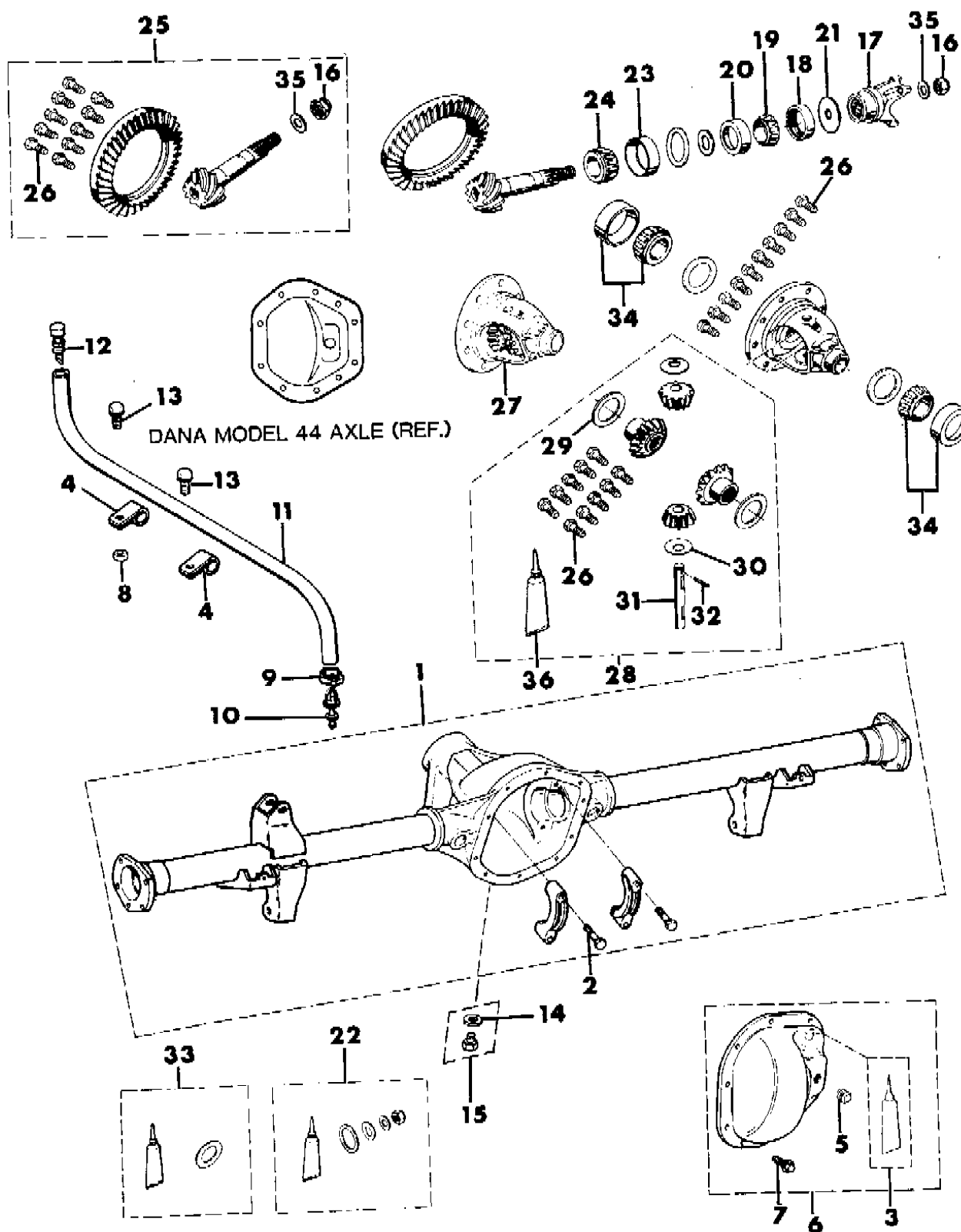
MJ = Comanche Pickup
SJ = Grand Wagoneer Wgn., J-10 & J-20 Pickups
XJ = Cherokee, Wagoneer Limited
YJ = Wrangler

AR = Use as Required - = Non Illustrated Part P.A.R. = Paint as Required

HOUSING AND DIFFERENTIAL, REAR AXLE DANA MODEL 44 KDX W/O LOCKING DIFFERENTIAL WRANGLER, YJ

Figure 3-225

8J03 225



| ITEM | PART NUMBER | QTY | BODY | MODEL | DESCRIPTION |
|------|-------------|-----|------|-------|--|
| 1 | 8350 5407 | 1 | | | HOUSING, Axle |
| 2 | 8350 1515 | 4 | | | BOLT |
| 3 | J899 3317 | 1 | | | SEALER, Gasket-in-a-Tube |
| 4 | J014 0780 | 2 | | | CLIP |
| 5 | 8350 1571 | 1 | | | PLUG |
| 6 | 8350 3058 | 1 | | | COVER |
| 7 | J099 1546 | 10 | | | BOLT |
| 8 | J012 0361 | 1 | | | NUT |
| 9 | J322 7851 | 1 | | | CLAMP |
| 10 | J318 7999 | 1 | | | VENT |
| 11 | J812 5823 | 1 | | | HOSE (1') |
| 12 | J535 2955 | 1 | | | BREATHER |
| 13 | J400 5063 | 1 | | | SCREW |
| 14 | J317 0271 | 1 | | | GASKET |
| 15 | J812 1449 | 1 | | | PLUG PACKAGE |
| 16 | J080 1367 | 1 | | | NUT, Pinion |
| 17 | 8350 3388 | 1 | | | YOKE, Pinion |
| 18 | 8350 3390 | 1 | | | SEAL, Pinion |
| 19 | J005 2878 | 1 | | | CONE, Bearing |
| 20 | J005 2879 | 1 | | | CUP, Bearing |
| 21 | J063 6566 | 1 | | | SLINGER |
| 22 | J812 9221 | 1 | | | SHIM PACKAGE |
| 23 | J005 2877 | 1 | | | CUP, Bearing |
| 24 | J080 7266 | 1 | | | CONE, Bearing |
| 25 | 8350 3437 | 1 | | | GEAR SET, Rear Axle Ring and Pinion w/3.54 Ratio |
| 26 | J064 9454 | 10 | | | BOLT |
| 27 | 8350 3073 | 1 | | | CASE, Rear Axle Differential |
| 28 | 8350 3068 | 1 | | | GEAR SET, Rear Axle Differential |
| 29 | J080 5325 | 2 | | | WASHER, Side |
| 30 | J064 5790 | 2 | | | WASHER, Pinion |
| 31 | 8350 3069 | 1 | | | SHAFT, Differential |
| 32 | J063 6360 | 1 | | | PIN |
| 33 | J812 9222 | 1 | | | SHIM PACKAGE |
| 34 | J812 4071 | 1 | | | BEARING PACKAGE |
| 35 | J063 6570 | 1 | | | WASHER |
| 36 | J899 3317 | 1 | | | SEALER, Gasket-in-a-Tube |

MODEL CODES:

| | | |
|-----------------------------|-----------------------------|------------------------------|
| 15 = Grand Wagoneer 4 Dr. | 65 = Comanche 4WD-7 Ft. Box | 77 = Cherokee 4WD-2 Dr. |
| 25 = J-10 Pickup-119" W.B. | 66 = Comanche 2WD-7 Ft. Box | 78 = Cherokee 4WD-4 Dr. |
| 26 = J-10 Pickup-131" W.B. | 73 = Cherokee 2WD-2 Dr. | 79 = Cherokee 4WD-4 Dr.-Com |
| 27 = J-20 Pickup-131" W.B. | 74 = Cherokee 2WD-4 Dr. | 81 = Wrangler-93" W.B. |
| 63 = Comanche 4WD-6 Ft. Box | 75 = Wagoneer 4WD-4 Dr. | 82 = Wrangler-103" W.B.-Exp. |
| 64 = Comanche 2WD-6 Ft. Box | | |

BODY STYLES:

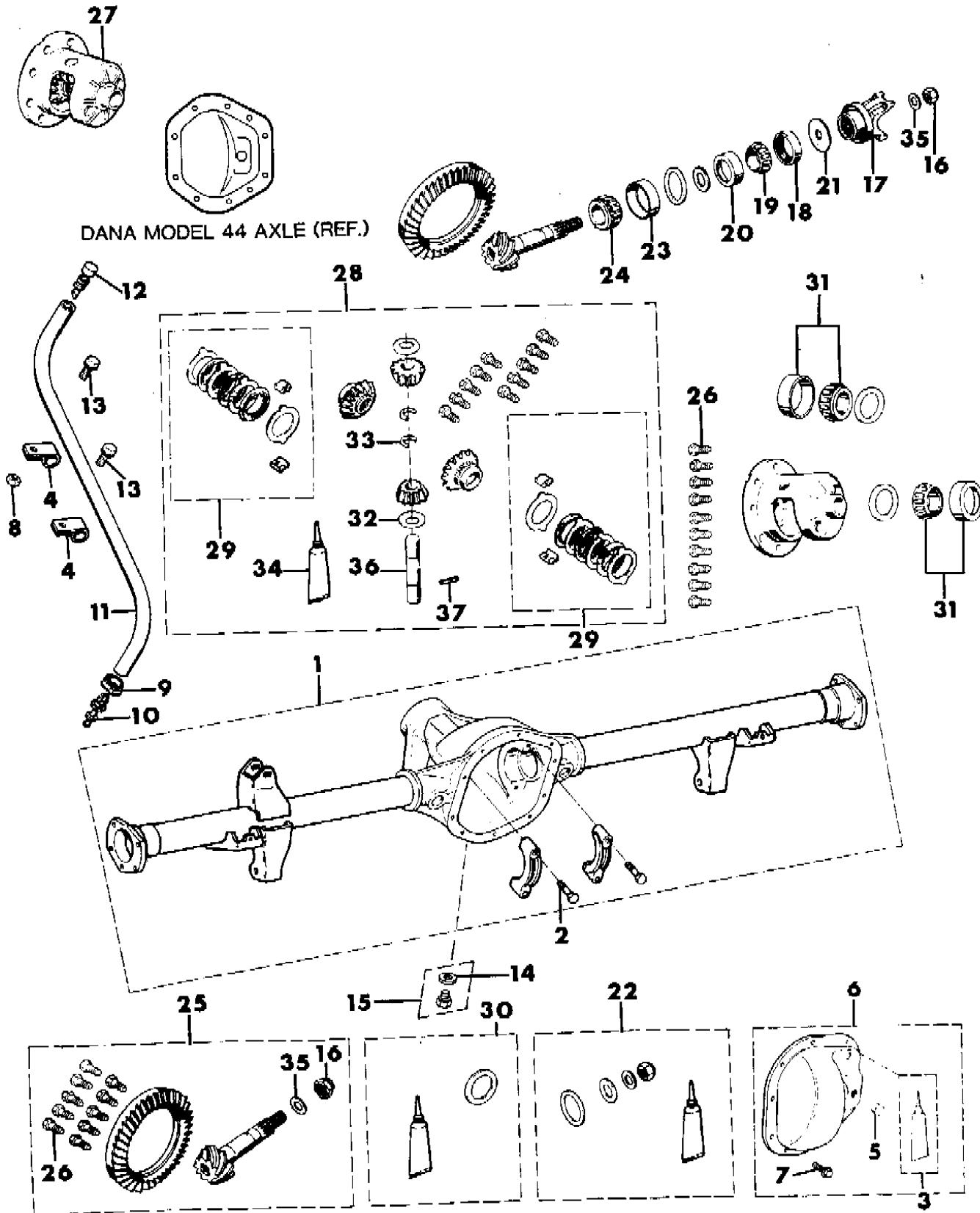
MJ = Comanche Pickup
 SJ = Grand Wagoneer Wgn., J-10 & J-20 Pickups
 XJ = Cherokee, Wagoneer Limited
 YJ = Wrangler

AR = Use as Required - = Non Illustrated Part P.A.R. = Paint as Required

HOUSING AND DIFFERENTIAL, REAR AXLE DANA MODEL 44 KDX W/LOCKING DIFFERENTIAL WRANGLER, YJ

Figure 3-250

8J03 250



| ITEM | PART NUMBER | QTY | BODY | MODEL | DESCRIPTION |
|------|-------------|-----|------|-------|--|
| 1 | 8350 5407 | 1 | | | HOUSING, Axle |
| 2 | 8350 1515 | 4 | | | BOLT |
| 3 | J899 3317 | 1 | | | SEALER, Gasket-in-a-Tube |
| 4 | J014 0780 | 2 | | | CLIP |
| 5 | 8350 1571 | 1 | | | PLUG |
| 6 | 8350 3058 | 1 | | | COVER |
| 7 | J099 1546 | 10 | | | BOLT |
| 8 | J012 0361 | 1 | | | NUT |
| 9 | J322 7851 | 1 | | | CLAMP |
| 10 | J318 7999 | 1 | | | VENT |
| 11 | J812 5823 | 1 | | | HOSE, (1') |
| 12 | J535 2955 | 1 | | | BREATHER |
| 13 | J400 5063 | 1 | | | SCREW |
| 14 | J317 0271 | 1 | | | GASKET |
| 15 | J812 1449 | 1 | | | PLUG PACKAGE |
| 16 | J080 1367 | 1 | | | NUT, Pinion |
| 17 | 8350 3388 | 1 | | | YOKE, Pinion |
| 18 | 8350 3390 | 1 | | | SEAL, Pinion |
| 19 | J005 2878 | 1 | | | CONE, Bearing |
| 20 | J005 2879 | 1 | | | CUP, Bearing |
| 21 | J063 6566 | 1 | | | SLINGER |
| 22 | J812 9221 | 1 | | | SHIM PACKAGE |
| 23 | J005 2877 | 1 | | | CUP, Bearing |
| 24 | J080 7266 | 1 | | | CONE, Bearing |
| 25 | | | | | GEAR SET, Rear Axle Differential |
| | 8350 4197 | 1 | | | 3.07 Ratio |
| | 8350 3437 | 1 | | | 3.54 Ratio |
| 26 | J064 9454 | 10 | | | BOLT |
| 27 | J812 9218 | 1 | | | CASE, Rear Axle Differential |
| 28 | | | | | GEAR SET, Rear Axle Differential |
| | J812 9220 | 1 | | | Cross Shaft secured by two retaining rings |
| | 8350 5432 | 1 | | | Cross Shaft secured by a roll pin |
| 29 | J099 4345 | 1 | | | DISC PACKAGE |
| 30 | J812 9222 | 1 | | | SHIM PACKAGE |
| 31 | J812 4071 | 1 | | | BEARING PACKAGE |
| 32 | J064 5790 | 2 | | | WASHER, Pinion |
| 33 | 8350 3070 | 2 | | | RING, Snap |

MODEL CODES:

| | | |
|-----------------------------|-----------------------------|------------------------------|
| 15 = Grand Wagoneer 4 Dr. | 65 = Comanche 4WD-7 Ft. Box | 77 = Cherokee 4WD-2 Dr. |
| 25 = J-10 Pickup-119" W.B. | 66 = Comanche 2WD-7 Ft. Box | 78 = Cherokee 4WD-4 Dr. |
| 26 = J-10 Pickup-131" W.B. | 73 = Cherokee 2WD-2 Dr. | 79 = Cherokee 4WD-4 Dr.-Com |
| 27 = J-20 Pickup-131" W.B. | 74 = Cherokee 2WD-4 Dr. | 81 = Wrangler-93" W.B. |
| 63 = Comanche 4WD-6 Ft. Box | 75 = Wagoneer 4WD-4 Dr. | 82 = Wrangler-103" W.B.-Exp. |
| 64 = Comanche 2WD-6 Ft. Box | | |

BODY STYLES:

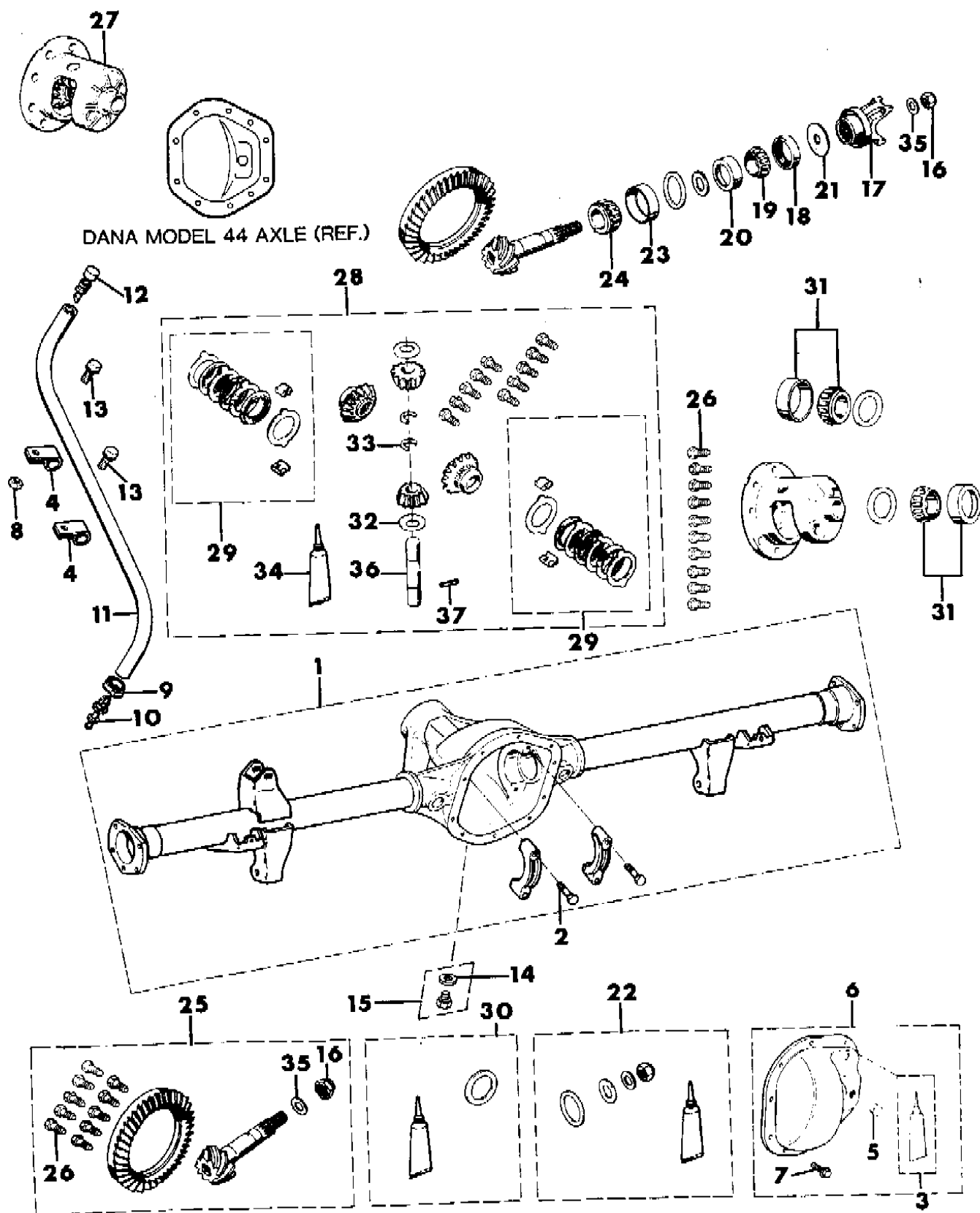
MJ = Comanche Pickup
 SJ = Grand Wagoneer Wgn., J-10 & J-20 Pickups
 XJ = Cherokee, Wagoneer Limited
 YJ = Wrangler

AR = Use as Required - = Non Illustrated Part P.A.R. = Paint as Required

HOUSING AND DIFFERENTIAL, REAR AXLE DANA MODEL 44 KDX W/LOCKING DIFFERENTIAL WRANGLER, YJ

Figure 3-250

8 J03 250



| ITEM | PART NUMBER | QTY | BODY | MODEL | DESCRIPTION |
|------|-------------|-----|------|-------|----------------------------|
| 34 | J899 3317 | 1 | | | SEALER, Gasket-in-a-Tube |
| 35 | J063 6570 | 1 | | | WASHER |
| 36 | 8350 3069 | 1 | | | SHAFT, Secured by roll pin |
| 37 | J063 6360 | 1 | | | PIN, Cross Shaft Securing |

MODEL CODES:

- | | | |
|-----------------------------|-----------------------------|------------------------------|
| 15 = Grand Wagoneer 4 Dr. | 65 = Comanche 4WD-7 Ft. Box | 77 = Cherokee 4WD-2 Dr. |
| 25 = J-10 Pickup-119" W.B. | 66 = Comanche 2WD-7 Ft. Box | 78 = Cherokee 4WD-4 Dr. |
| 26 = J-10 Pickup-131" W.B. | 73 = Cherokee 2WD-2 Dr. | 79 = Cherokee 4WD-4 Dr.-Com |
| 27 = J-20 Pickup-131" W.B. | 74 = Cherokee 2WD-4 Dr. | 81 = Wrangler-93" W.B. |
| 63 = Comanche 4WD-6 Ft. Box | 75 = Wagoneer 4WD-4 Dr. | 82 = Wrangler-103" W.B.-Exp. |
| 64 = Comanche 2WD-6 Ft. Box | | |

BODY STYLES:

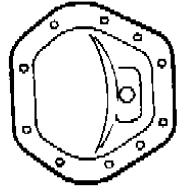
- MJ = Comanche Pickup
 SJ = Grand Wagoneer Wgn., J-10 & J-20 Pickups
 XJ = Cherokee, Wagoneer Limited
 YJ = Wrangler

AR = Use as Required - = Non Illustrated Part P.A.R. = Paint as Required

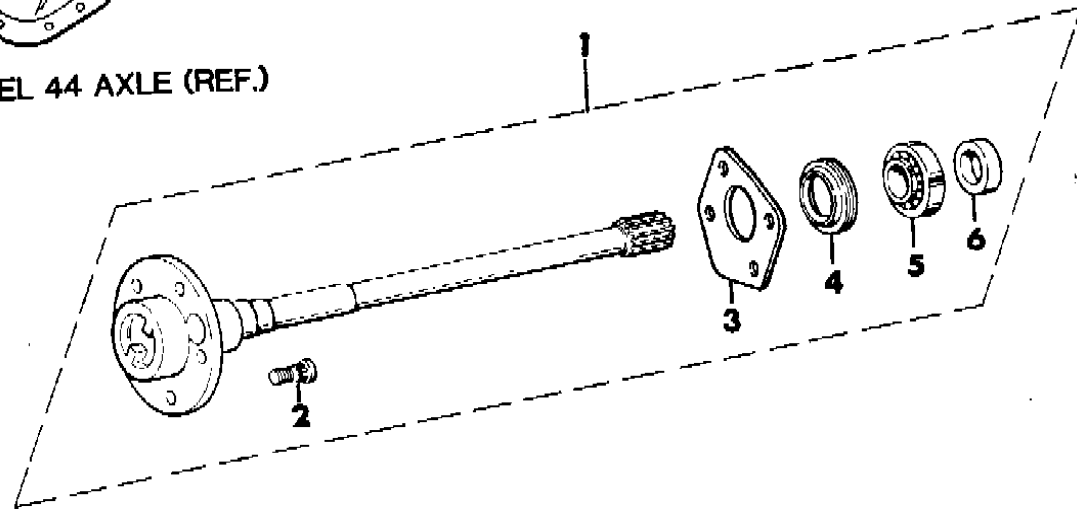
SHAFT, REAR AXLE DANA MODEL 44 KDX WRANGLER, YJ

Figure 3-350

8J03 350



DANA MODEL 44 AXLE (REF.)



| ITEM | PART NUMBER | QTY | BODY | MODEL | DESCRIPTION |
|------|-------------|-----|------|-------|-----------------|
| 1 | | | | | SHAFT, Axle |
| | 8350 4960 | 1 | | | Right |
| | 8350 4961 | 1 | | | Left |
| 2 | 8350 3053 | 10 | | | STUD, Wheel |
| 3 | 8350 4190 | 2 | | | RETAINER |
| 4 | 8350 3063 | 2 | | | SEAL |
| 5 | 8350 3064 | 2 | | | BEARING |
| 6 | 8350 3077 | 2 | | | RING, Retaining |

MODEL CODES:

| | | |
|-----------------------------|-----------------------------|------------------------------|
| 15 = Grand Wagoneer 4 Dr. | 65 = Comanche 4WD-7 Ft. Box | 77 = Cherokee 4WD-2 Dr. |
| 25 = J-10 Pickup-119" W.B. | 66 = Comanche 2WD-7 Ft. Box | 78 = Cherokee 4WD-4 Dr. |
| 26 = J-10 Pickup-131" W.B. | 73 = Cherokee 2WD-2 Dr. | 79 = Cherokee 4WD-4 Dr.-Com |
| 27 = J-20 Pickup-131" W.B. | 74 = Cherokee 2WD-4 Dr. | 81 = Wrangler-93" W.B. |
| 63 = Comanche 4WD-6 Ft. Box | 75 = Wagoneer 4WD-4 Dr. | 82 = Wrangler-103" W.B.-Exp. |
| 64 = Comanche 2WD-6 Ft. Box | | |

BODY STYLES:

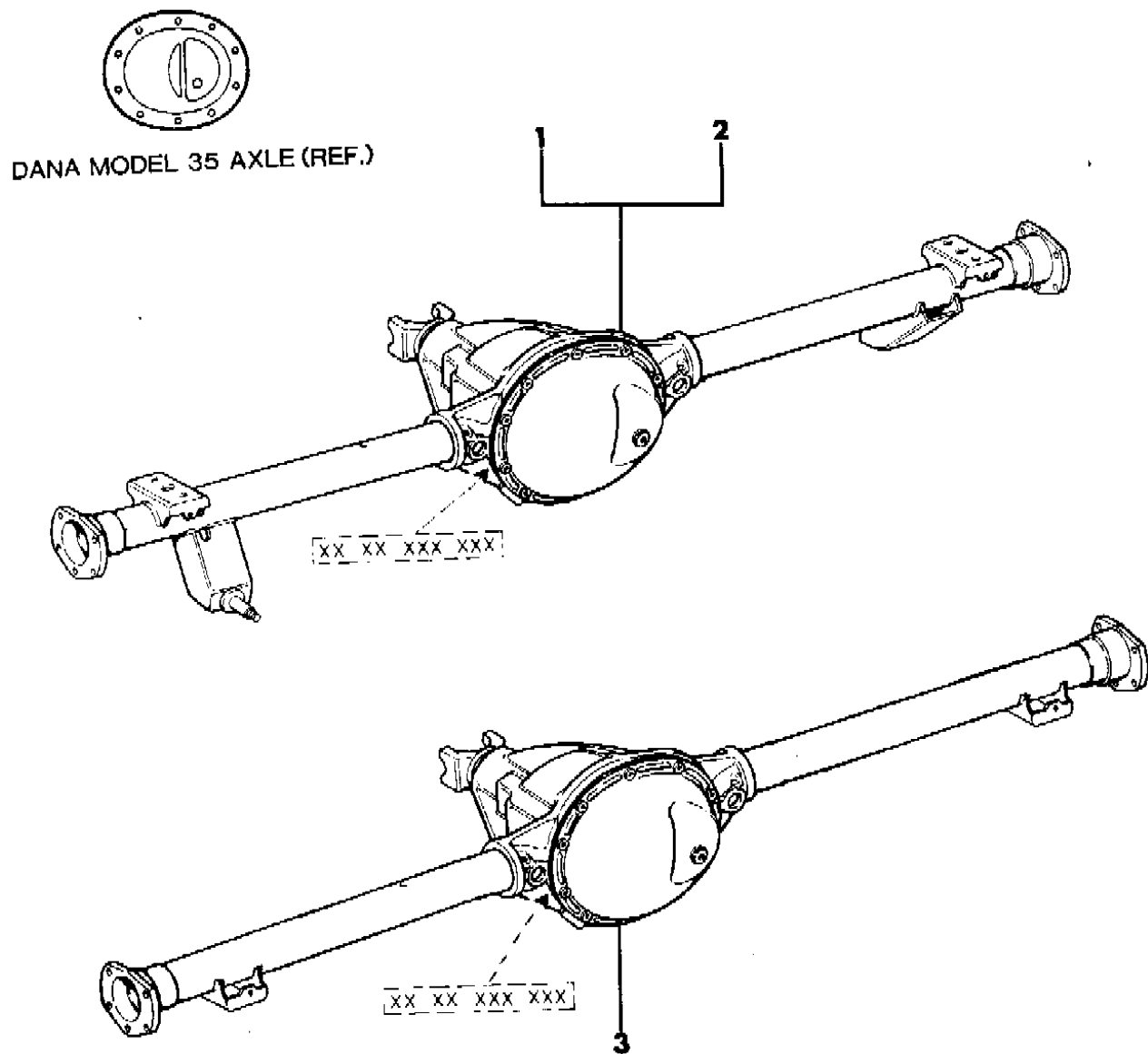
MJ = Comanche Pickup
 SJ = Grand Wagoneer Wgn., J-10 & J-20 Pickups
 XJ = Cherokee, Wagoneer Limited
 YJ = Wrangler

AR = Use as Required - = Non Illustrated Part P.A.R. = Paint as Required

AXLE ASSEMBLY, REAR DANA MODEL 35 CHEROKEE, WAGONEER, COMANCHE

Figure 3-375

8J03 375



| ITEM | PART NUMBER | QTY | BODY | MODEL | DESCRIPTION |
|------|-------------|-----|------|-------|--|
| 1 | | | XJ | | AXLE ASSEMBLY w/o LOCKING DIFFERENTIAL |
| | | | | | 1987/89 |
| | 8350 4941 | 1 | | | 3.07 Ratio, Tagged 89 53 003 516 |
| | 8350 4493 | 1 | | | 3.55 Ratio, Tagged 89 53 004 680 |
| | 8350 4493 | 1 | | | 3.55 Ratio, Tagged 89 53 005 193 |
| | 8350 4493 | 1 | | | 3.55 Ratio, w/Anti-Lock Brakes, Tagged 89 53 005 215 |
| | 8350 5126 | 1 | | | 3.55 Ratio, Tagged 89 53 005 172 |
| | 8350 4939 | 1 | | | 4.11 Ratio, Tagged 89 53 003 695 |
| | 8350 4939 | 1 | | | 4.11 Ratio, Tagged 89 53 005 336 |
| | 8350 4492 | 1 | | | 4.56 Ratio, Tagged 89 53 004 772 |
| | 8350 4492 | 1 | | | 4.56 Ratio, Tagged 89 53 005 338 |
| | | | | | 1990 |
| | 5252 927 | 1 | | | 3.07 Ratio, Tagged 53 005 584 |
| | 5252 929 | 1 | | | 3.55 Ratio, Tagged 53 005 585 |
| | 5252 929 | 1 | | | 3.55 Ratio, Tagged 53 005 589 |
| | 5252 951 | 1 | | | 3.55 Ratio, w/Anti-Lock Brakes, Tagged 53 005 587 |
| | 5252 930 | 1 | | | 4.11 Ratio, Tagged 53 005 590 |
| | 5252 932 | 1 | | | 4.56 Ratio, Tagged 53 005 592 |
| 2 | | | XJ | | AXLE ASSEMBLY w/LOCKING DIFFERENTIAL |
| | | | | | 1987/89 |
| | 8350 5002 | 1 | | | 3.07 Ratio, Tagged 89 53 003 514 |
| | 8350 5127 | 1 | | | 3.55 Ratio, Tagged 89 53 005 173 |
| | 8350 5127 | 1 | | | 3.55 Ratio, w/Anti-Lock Brakes, Tagged 89 53 005 216 |
| | 8350 4940 | 1 | | | 4.11 Ratio, Tagged 89 53 005 337 |
| | 8350 4940 | 1 | | | 4.11 Ratio, Tagged 89 53 003 693 |
| | | | | | 1990 |
| | 5252 928 | 1 | | | 3.07 Ratio, Tagged 53 005 982 |
| | 5252 928 | 1 | | | 3.07 Ratio, ECE, Tagged 53 008 658 |
| | 5252 953 | 1 | | | 3.55 Ratio, Tagged 53 005 586 |
| | 5252 953 | 1 | | | 3.55 Ratio, ECE, Tagged 53 008 659 |
| | 5252 950 | 1 | | | 3.55 Ratio, w/Anti-Lock Brakes, Tagged 53 005 588 |
| | 5252 931 | 1 | | | 4.11 Ratio, Tagged 53 005 591 |
| | 5252 931 | 1 | | | 4.11 Ratio, ECE, Tagged 53 008 657 |
| 3 | | | MJ | | AXLE ASSEMBLY w/o LOCKING DIFFERENTIAL |
| | | | | | 1987/89 |
| | 8350 4936 | 1 | | | 3.07 Ratio, Tagged 89 53 004 770 |
| | 8350 4496 | 1 | | | 3.55 Ratio, Tagged 89 53 004 682 |

MODEL CODES:

| | | |
|-----------------------------|-----------------------------|------------------------------|
| 15 = Grand Wagoneer 4 Dr. | 65 = Comanche 4WD-7 Ft. Box | 77 = Cherokee 4WD-2 Dr. |
| 25 = J-10 Pickup-119" W.B. | 66 = Comanche 2WD-7 Ft. Box | 78 = Cherokee 4WD-4 Dr. |
| 26 = J-10 Pickup-131" W.B. | 73 = Cherokee 2WD-2 Dr. | 79 = Cherokee 4WD-4 Dr.-Com |
| 27 = J-20 Pickup-131" W.B. | 74 = Cherokee 2WD-4 Dr. | 81 = Wrangler-93" W.B. |
| 63 = Comanche 4WD-6 Ft. Box | 75 = Wagoneer 4WD-4 Dr. | 82 = Wrangler-103" W.B.-Exp. |
| 64 = Comanche 2WD-6 Ft. Box | | |

BODY STYLES:

| |
|---|
| MJ = Comanche Pickup |
| SJ = Grand Wagoneer Wgn., J-10 & J-20 Pickups |
| XJ = Cherokee, Wagoneer Limited |
| YJ = Wrangler |

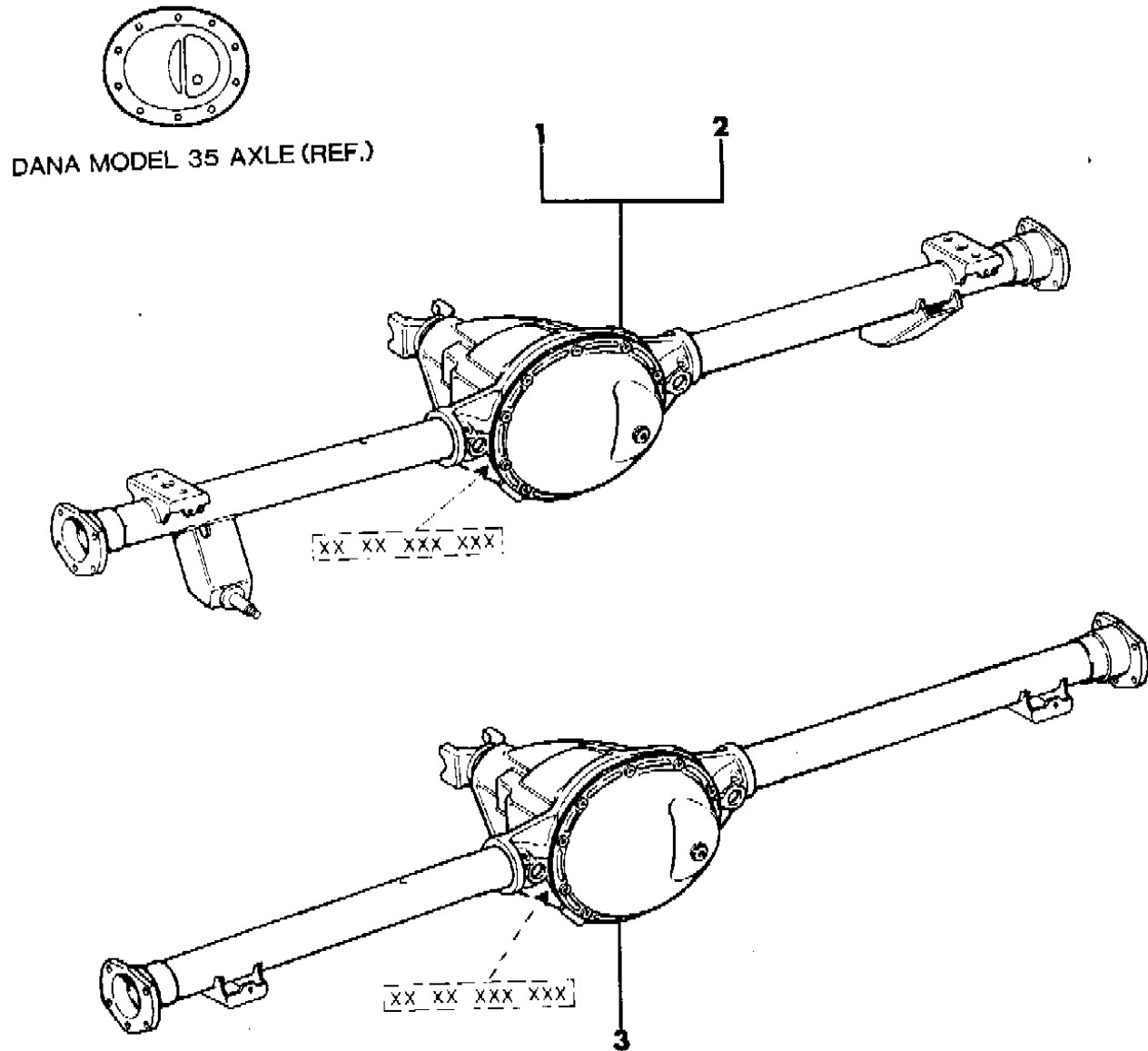
AR = Use as Required - = Non Illustrated Part P.A.R. = Paint as Required

AXLE ASSEMBLY, REAR DANA MODEL 35 CHEROKEE, WAGONEER, COMANCHE

Figure 3-375

8J03 375

| ITEM | PART NUMBER | QTY | BODY | MODEL | DESCRIPTION |
|------|-------------|-----|------|-------|---|
| | 8350 4937 | 1 | | | 4.11 Ratio, Tagged 89 53 004 769 |
| | 8350 4495 | 1 | | | 4.56 Ratio, Tagged 89 53 004 773 |
| | 5252 941 | 1 | | | 1990 3.07 Ratio, Tagged 53 008 596 or 53 005 593 |
| | 5252 942 | 1 | | | 3.55 Ratio, Tagged 53 008 597 or 53 005 594 |
| | 5252 943 | 1 | | | 4.11 Ratio, Tagged 53 008 598 or 53 005 983 |
| | 5252 946 | 1 | | | 4.56 Ratio, Tagged 53 008 599 or 53 005 595 |



MODEL CODES:

| | | |
|-----------------------------|-----------------------------|------------------------------|
| 15 = Grand Wagoneer 4 Dr. | 65 = Comanche 4WD-7 Ft. Box | 77 = Cherokee 4WD-2 Dr. |
| 25 = J-10 Pickup-119" W.B. | 66 = Comanche 2WD-7 Ft. Box | 78 = Cherokee 4WD-4 Dr. |
| 26 = J-10 Pickup-131" W.B. | 73 = Cherokee 2WD-2 Dr. | 79 = Cherokee 4WD-4 Dr.-Com |
| 27 = J-20 Pickup-131" W.B. | 74 = Cherokee 2WD-4 Dr. | 81 = Wrangler-93" W.B. |
| 63 = Comanche 4WD-6 Ft. Box | 75 = Wagoneer 4WD-4 Dr. | 82 = Wrangler-103" W.B.-Exp. |
| 64 = Comanche 2WD-6 Ft. Box | | |

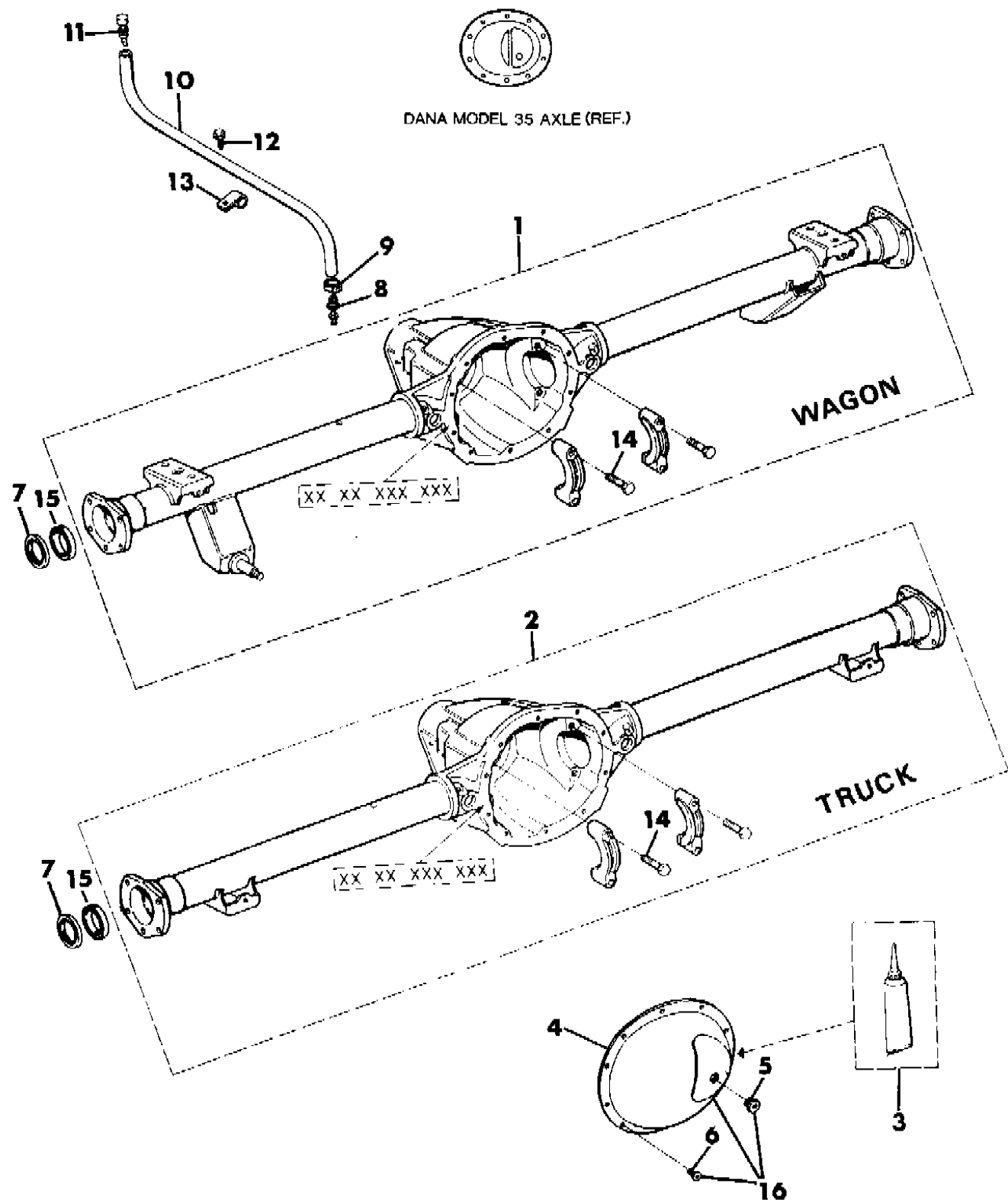
BODY STYLES:

MJ = Comanche Pickup
 SJ = Grand Wagoneer Wgn., J-10 & J-20 Pickups
 XJ = Cherokee, Wagoneer Limited
 YJ = Wrangler

AR = Use as Required - = Non Illustrated Part P.A.R. = Paint as Required

HOUSING, REAR AXLE DANA MODEL 35 CHEROKEE, WAGONEER, COMANCHE
Figure 3-400

8J03 400A



| ITEM | PART NUMBER | QTY | BODY | MODEL | DESCRIPTION |
|------|-------------|-----|------|-------|---|
| 1 | | | XJ | | HOUSING, Axle |
| | 8350 3008 | 1 | | | 1987/89 |
| | | | | | 1990 |
| | 5252 511 | 1 | | | Tagged 53 005 584, 53 005 587, 53 005 588, 53 005 982 or 53 008 658 |
| | 5252 516 | 1 | | | Tagged 53 005 585, 53 005 586, 53 005 589, 53 005 590, 53 005 591, 53 005 592, 53 008 657 or 53 008 659 |
| 2 | | | MJ | | HOUSING, Axle |
| | 8350 3014 | 1 | | | 1987/89 |
| | 5252 632 | 1 | | | 1990 |
| 3 | J899 3317 | 1 | | | SEALER, Gasket-in-a-Tube |
| 4 | 8350 5125 | 1 | | | COVER |
| 5 | | | | | PLUG |
| | J400 4751 | 1 | | | 1/2"-14 |
| | 5252 504 | 1 | | | Rubber |
| 6 | J400 6708 | 10 | | | BOLT |
| 7 | | | | | SEAL |
| | 8350 3010 | 2 | | | 1987/89 |
| | 5252 499 | 2 | | | 1990 (Stamped 42914) |
| 8 | J318 7999 | 1 | | | VENT |
| 9 | J322 7851 | 1 | | | CLAMP |
| 10 | J318 7627 | 1 | | | HOSE, Vent |
| 11 | J535 2955 | 1 | | | BREATHER |
| 12 | J942 6241 | 1 | | | SCREW |
| 13 | J012 0526 | 1 | | | CLIP |
| 14 | J400 6553 | 4 | | | BOLT |
| 15 | J813 4586 | 2 | | | BEARING ASSEMBLY, Axle Shaft (1990) |
| 16 | 5252 493 | 1 | | | COVER ASSEMBLY PACKAGE *** |

MODEL CODES:

| | | |
|-----------------------------|-----------------------------|------------------------------|
| 15 = Grand Wagoneer 4 Dr. | 65 = Comanche 4WD-7 Ft. Box | 77 = Cherokee 4WD-2 Dr. |
| 25 = J-10 Pickup-119" W.B. | 66 = Comanche 2WD-7 Ft. Box | 78 = Cherokee 4WD-4 Dr. |
| 26 = J-10 Pickup-131" W.B. | 73 = Cherokee 2WD-2 Dr. | 79 = Cherokee 4WD-4 Dr.-Com |
| 27 = J-20 Pickup-131" W.B. | 74 = Cherokee 2WD-4 Dr. | 81 = Wrangler-93" W.B. |
| 63 = Comanche 4WD-6 Ft. Box | 75 = Wagoneer 4WD-4 Dr. | 82 = Wrangler-103" W.B.-Exp. |
| 64 = Comanche 2WD-6 Ft. Box | | |

BODY STYLES:

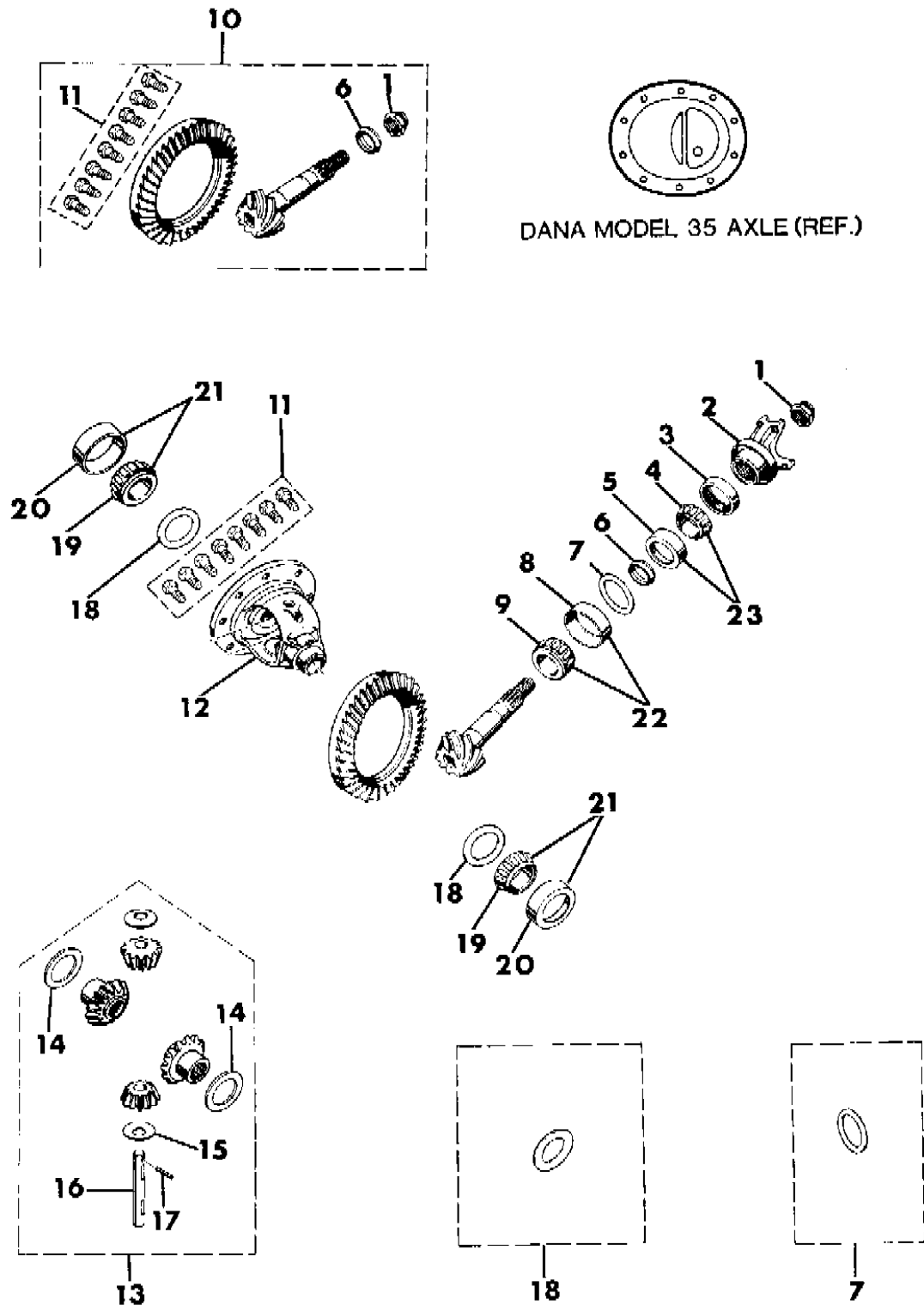
MJ = Comanche Pickup
 SJ = Grand Wagoneer Wgn., J-10 & J-20 Pickups
 XJ = Cherokee, Wagoneer Limited
 YJ = Wrangler

AR = Use as Required - = Non Illustrated Part P.A.R. = Paint as Required

DIFFERENTIAL, NON-LOCKING DANA MODEL 35 CHEROKEE, WAGONEER, COMANCHE

Figure 3-500

8 J03 500 A



| ITEM | PART NUMBER | QTY | BODY | MODEL | DESCRIPTION |
|------|-------------|-----|------|-------|--|
| 1 | J318 2601 | 1 | | | NUT, Pinion |
| 2 | 8350 3318 | 1 | | | YOKE, Pinion |
| 3 | 8350 4946 | 1 | | | SEAL, Pinion |
| 4 | J315 6063 | 1 | | | CONE, Bearing |
| 5 | J315 6062 | 1 | | | CUP, Bearing |
| 6 | J317 5779 | 1 | | | SPACER, Pinion |
| 7 | 8350 3003 | 1 | | | SHIM KIT (8) |
| 8 | J315 6065 | 1 | | | CUP, Bearing |
| 9 | J317 0947 | 1 | | | RACE, Bearing |
| 10 | | | | | GEAR SET |
| | 8350 4934 | 1 | | | 3.07 Ratio (40-13) |
| | 8350 5472 | 1 | | | 3.07 Ratio (43-14) |
| | 8350 3000 | 1 | | | 3.31 Ratio |
| | 8350 4376 | 1 | | | 3.55 Ratio |
| | 8350 4938 | 1 | | | 4.11 Ratio |
| | 8350 4377 | 1 | | | 4.56 Ratio |
| 11 | 8350 4374 | 1 | | | BOLT KIT |
| 12 | | | | | CASE, Differential |
| | | | | | 1987/89 |
| | 8350 2880 | 1 | | | 3.07, 3.31 Ratio |
| | 8350 3001 | 1 | | | 3.55, 4.11, 4.56 Ratio |
| | | | | | 1990 |
| | 5252 510 | 1 | | | 3.07 Ratio |
| | 5252 494 | 1 | | | 3.55, 4.11, 4.56 Ratios |
| 13 | | | | | GEAR SET, Differential |
| | 8350 3002 | 1 | | | 1987/89 |
| | 5252 495 | 1 | | | 1990 |
| 14 | J323 7817 | 2 | | | WASHER, Side |
| 15 | J323 7818 | 2 | | | WASHER, Pinion |
| 16 | J322 4231 | 1 | | | SHAFT, Differential (1987/89) |
| 17 | | | | | PIN, Retaining |
| | S045 5313 | 1 | | | 1987/89 |
| | 5252 502 | 1 | | | 1990 |
| 18 | 8350 3004 | 1 | | | SHIM KIT (16) |
| 19 | 1937 771 | 2 | | | CONE, Bearing |
| 20 | J317 1166 | 2 | | | CUP, Bearing |
| 21 | J812 6500 | 1 | | | BEARING PACKAGE, Differential Side *** |

MODEL CODES:

| | | |
|-----------------------------|-----------------------------|------------------------------|
| 15 = Grand Wagoneer 4 Dr. | 65 = Comanche 4WD-7 Ft. Box | 77 = Cherokee 4WD-2 Dr. |
| 25 = J-10 Pickup-119" W.B. | 66 = Comanche 2WD-7 Ft. Box | 78 = Cherokee 4WD-4 Dr. |
| 26 = J-10 Pickup-131" W.B. | 73 = Cherokee 2WD-2 Dr. | 79 = Cherokee 4WD-4 Dr.-Com |
| 27 = J-20 Pickup-131" W.B. | 74 = Cherokee 2WD-4 Dr. | 81 = Wrangler-93" W.B. |
| 63 = Comanche 4WD-6 Ft. Box | 75 = Wagoneer 4WD-4 Dr. | 82 = Wrangler-103" W.B.-Exp. |
| 64 = Comanche 2WD-6 Ft. Box | | |

BODY STYLES:

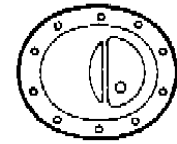
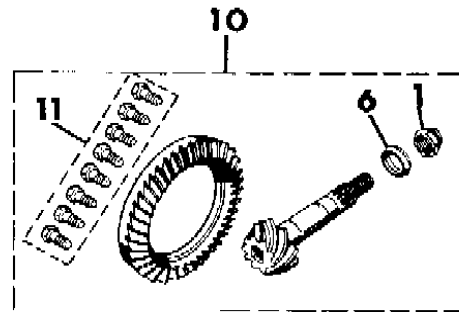
MJ = Comanche Pickup
 SJ = Grand Wagoneer Wgn., J-10 & J-20 Pickups
 XJ = Cherokee, Wagoneer Limited
 YJ = Wrangler

AR = Use as Required - = Non Illustrated Part P.A.R. = Paint as Required

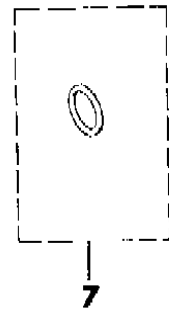
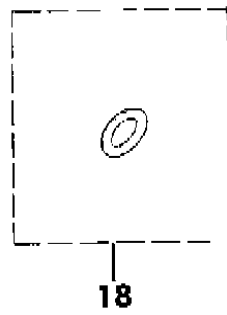
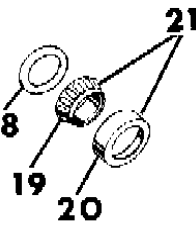
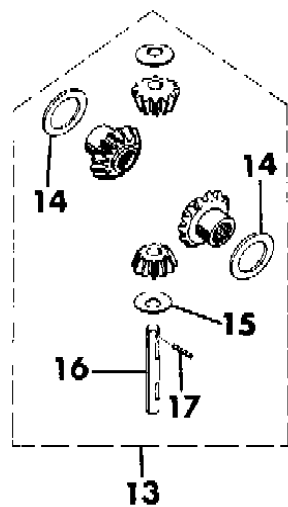
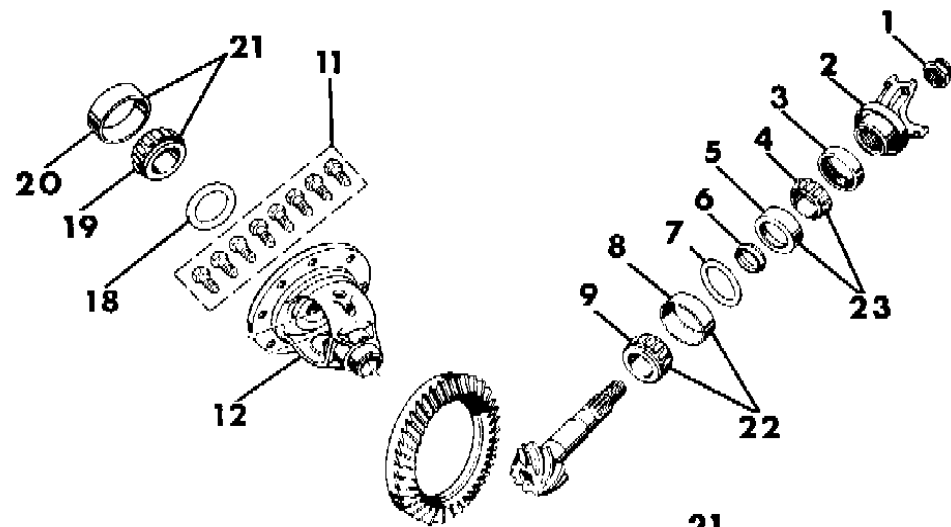
DIFFERENTIAL, NON-LOCKING DANA MODEL 35 CHEROKEE, WAGONEER, COMANCHE
Figure 3-500

8 J03 500 A

| ITEM | PART NUMBER | QTY | BODY | MODEL | DESCRIPTION |
|------|-------------|-----|------|-------|-----------------------------------|
| 22 | 5252 507 | 1 | | | BEARING PACKAGE, Pinion Inner *** |
| 23 | 5252 508 | 1 | | | BEARING PACKAGE, Pinion Outer *** |



DANA MODEL 35 AXLE (REF.)



MODEL CODES:

| | | |
|-----------------------------|-----------------------------|------------------------------|
| 15 = Grand Wagoneer 4 Dr. | 65 = Comanche 4WD-7 Ft. Box | 77 = Cherokee 4WD-2 Dr. |
| 25 = J-10 Pickup-119" W.B. | 66 = Comanche 2WD-7 Ft. Box | 78 = Cherokee 4WD-4 Dr. |
| 26 = J-10 Pickup-131" W.B. | 73 = Cherokee 2WD-2 Dr. | 79 = Cherokee 4WD-4 Dr.-Com |
| 27 = J-20 Pickup-131" W.B. | 74 = Cherokee 2WD-4 Dr. | 81 = Wrangler-93" W.B. |
| 63 = Comanche 4WD-6 Ft. Box | 75 = Wagoneer 4WD-4 Dr. | 82 = Wrangler-103" W.B.-Exp. |
| 64 = Comanche 2WD-6 Ft. Box | | |

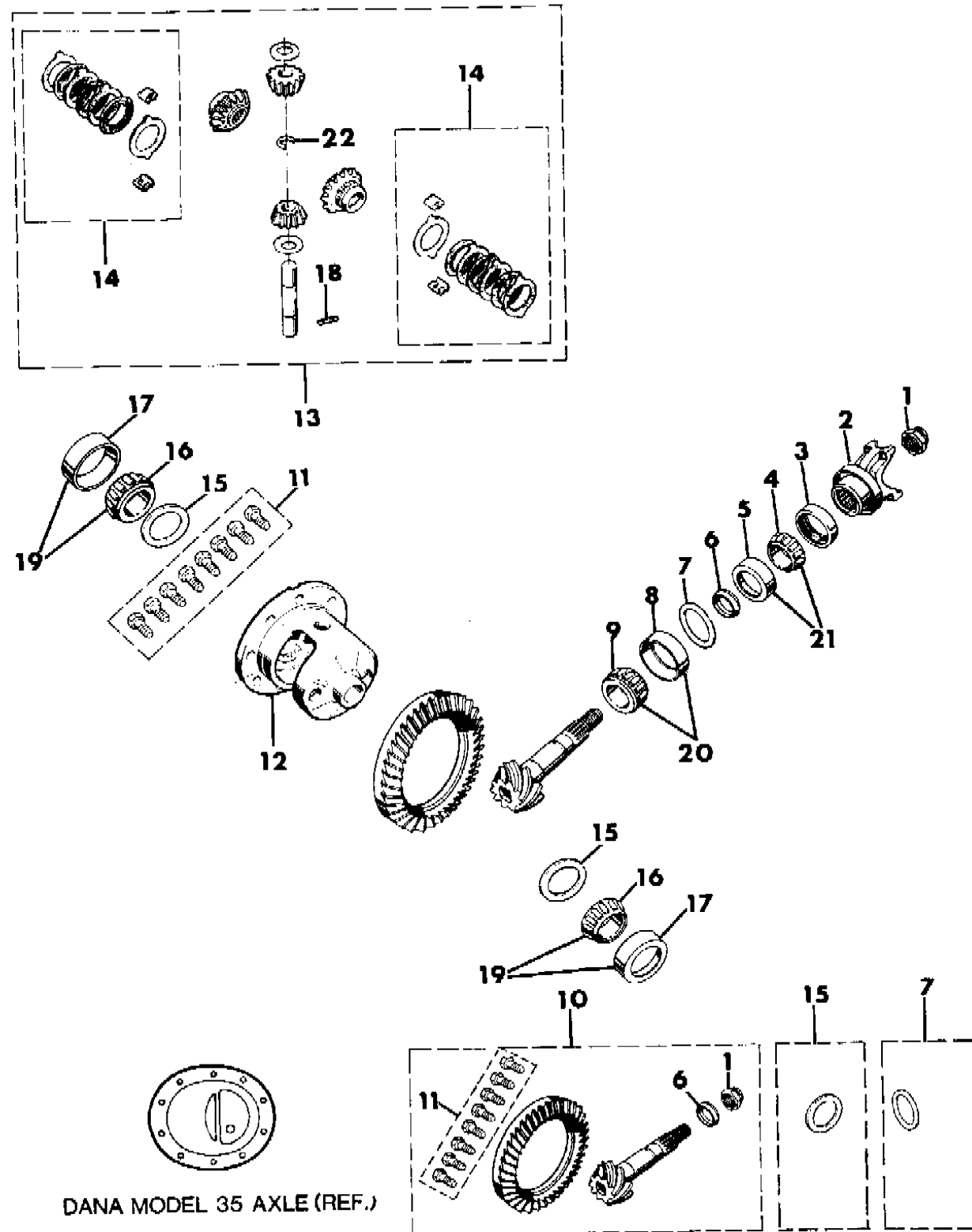
BODY STYLES:

MJ = Comanche Pickup
 SJ = Grand Wagoneer Wgn., J-10 & J-20 Pickups
 XJ = Cherokee, Wagoneer Limited
 YJ = Wrangler

AR = Use as Required - = Non Illustrated Part P.A.R. = Paint as Required

DIFFERENTIAL, LOCKING DANA MODEL 35 CHEROKEE, WAGONEER, COMANCHE
Figure 3-600

8J03 600B



DANA MODEL 35 AXLE (REF.)

| ITEM | PART NUMBER | QTY | BODY | MODEL | DESCRIPTION |
|------|-------------|-----|------|-------|--|
| 1 | J318 2601 | 1 | | | NUT, Pinion |
| 2 | 8350 3318 | 1 | | | YOKE, Pinion |
| 3 | 8350 4946 | 1 | | | SEAL, Pinion |
| 4 | J315 6063 | 1 | | | CONE, Bearing |
| 5 | J315 6062 | 1 | | | CUP, Bearing |
| 6 | J317 5779 | 1 | | | SPACER, Pinion |
| 7 | 8350 3003 | 1 | | | SHIM KIT |
| 8 | J315 6065 | 1 | | | CUP, Bearing |
| 9 | J317 0947 | 1 | | | CONE, Bearing |
| 10 | | | | | GEAR SET, Ring and Pinion |
| | 8350 4934 | 1 | | | 3.07 Ratio (40-13) |
| | 8350 5472 | 1 | | | 3.07 Ratio (43-14) |
| | 8350 4376 | 1 | | | 3.55 Ratio |
| | 8350 4938 | 1 | | | 4.11 Ratio |
| 11 | 8350 4374 | 1 | | | BOLT KIT |
| 12 | | | | | CASE, Differential |
| | | | | | 1987/89 |
| | 8350 5020 | 1 | | | 3.07 Ratio |
| | 8350 5021 | 1 | | | 3.55, 4.11 Ratio |
| | | | | | 1990 |
| | 5252 512 | 1 | | | 3.07 Ratio |
| | 5252 496 | 1 | | | 3.55, 4.11 Ratio |
| 13 | | | | | GEAR SET, Differential |
| | 8350 0262 | 1 | | | 1987 |
| | 8350 5022 | 1 | | | 1988/89 |
| | 5252 497 | 1 | | | 1990 |
| 14 | | | | | DISC KIT, Differential *** |
| | 8350 0263 | 1 | | | 1987/89 |
| | 5252 506 | 1 | | | 1990 |
| 15 | 8350 3004 | 1 | | | SHIM KIT |
| 16 | J315 6052 | 2 | | | CONE, Bearing |
| 17 | J317 1166 | 2 | | | CUP, Bearing |
| 18 | | | | | PIN, Retaining |
| | 8350 5019 | 1 | | | 1987/89 |
| | 5252 502 | 1 | | | 1990 |
| 19 | J812 6500 | 1 | | | BEARING PACKAGE, Differential Side *** |
| 20 | 5252 507 | 1 | | | BEARING PACKAGE, Pinion Inner *** |

MODEL CODES:

| | | |
|-----------------------------|-----------------------------|------------------------------|
| 15 = Grand Wagoneer 4 Dr. | 65 = Comanche 4WD-7 Ft. Box | 77 = Cherokee 4WD-2 Dr. |
| 25 = J-10 Pickup-119" W.B. | 66 = Comanche 2WD-7 Ft. Box | 78 = Cherokee 4WD-4 Dr. |
| 26 = J-10 Pickup-131" W.B. | 73 = Cherokee 2WD-2 Dr. | 79 = Cherokee 4WD-4 Dr.-Com |
| 27 = J-20 Pickup-131" W.B. | 74 = Cherokee 2WD-4 Dr. | 81 = Wrangler-93" W.B. |
| 63 = Comanche 4WD-6 Ft. Box | 75 = Wagoneer 4WD-4 Dr. | 82 = Wrangler-103" W.B.-Exp. |
| 64 = Comanche 2WD-6 Ft. Box | | |

BODY STYLES:

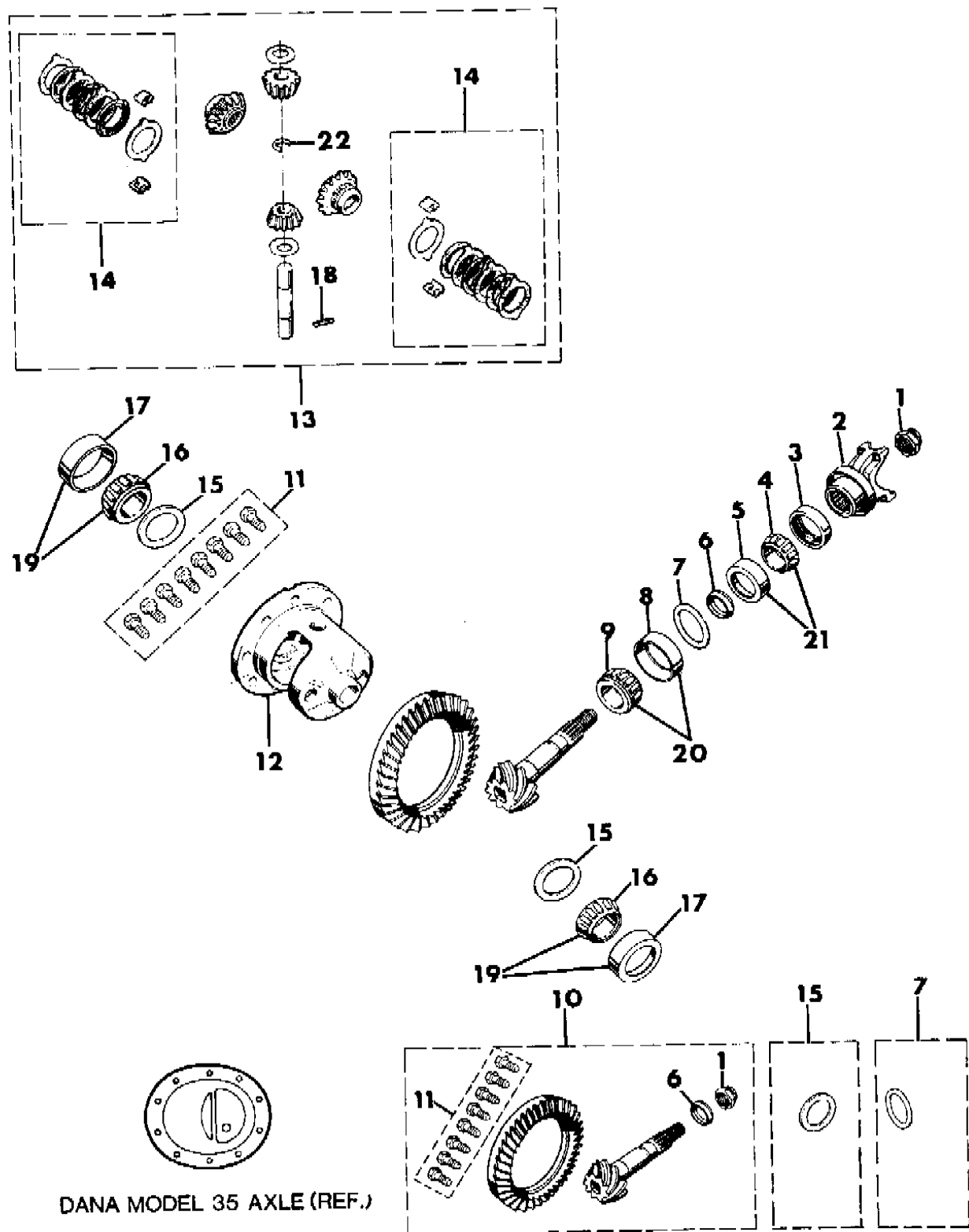
MJ = Comanche Pickup
 SJ = Grand Wagoneer Wgn., J-10 & J-20 Pickups
 XJ = Cherokee, Wagoneer Limited
 YJ = Wrangler

AR = Use as Required - = Non Illustrated Part P.A.R. = Paint as Required

DIFFERENTIAL, LOCKING DANA MODEL 35 CHEROKEE, WAGONEER, COMANCHE
Figure 3-600

8J03 600B

| ITEM | PART NUMBER | QTY | BODY | MODEL | DESCRIPTION |
|------|-------------|-----|------|-------|-----------------------------------|
| 21 | 5252 508 | 1 | | | BEARING PACKAGE, Pinion Outer *** |
| 22 | 8350 1445 | 1 | | | RING, Snap (1987/89) |



MODEL CODES:

- | | | |
|-----------------------------|-----------------------------|------------------------------|
| 15 = Grand Wagoneer 4 Dr. | 65 = Comanche 4WD-7 Ft. Box | 77 = Cherokee 4WD-2 Dr. |
| 25 = J-10 Pickup-119" W.B. | 66 = Comanche 2WD-7 Ft. Box | 78 = Cherokee 4WD-4 Dr. |
| 26 = J-10 Pickup-131" W.B. | 73 = Cherokee 2WD-2 Dr. | 79 = Cherokee 4WD-4 Dr.-Com |
| 27 = J-20 Pickup-131" W.B. | 74 = Cherokee 2WD-4 Dr. | 81 = Wrangler-93" W.B. |
| 63 = Comanche 4WD-6 Ft. Box | 75 = Wagoneer 4WD-4 Dr. | 82 = Wrangler-103" W.B.-Exp. |
| 64 = Comanche 2WD-6 Ft. Box | | |

BODY STYLES:

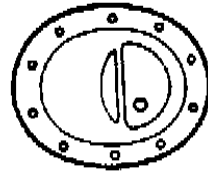
- MJ = Comanche Pickup
- SJ = Grand Wagoneer Wgn., J-10 & J-20 Pickups
- XJ = Cherokee, Wagoneer Limited
- YJ = Wrangler

AR = Use as Required - = Non Illustrated Part P.A.R. = Paint as Required

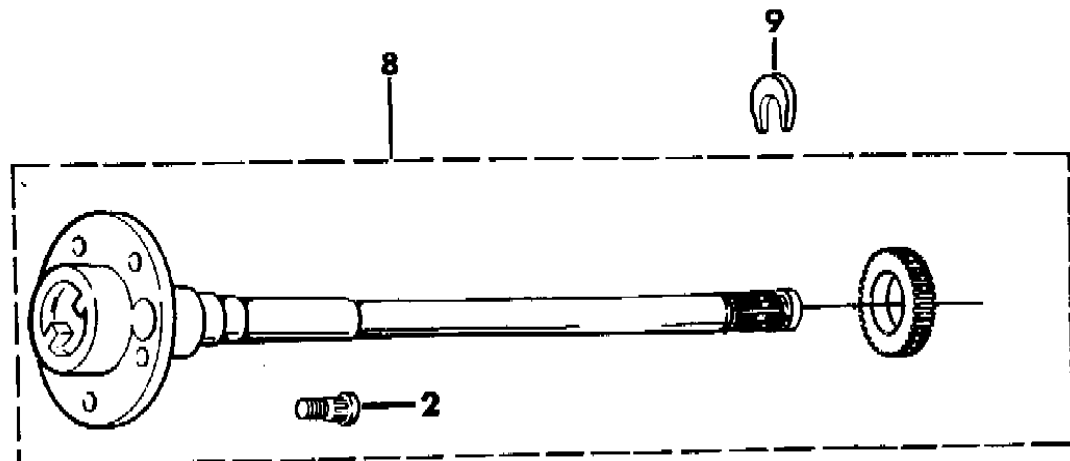
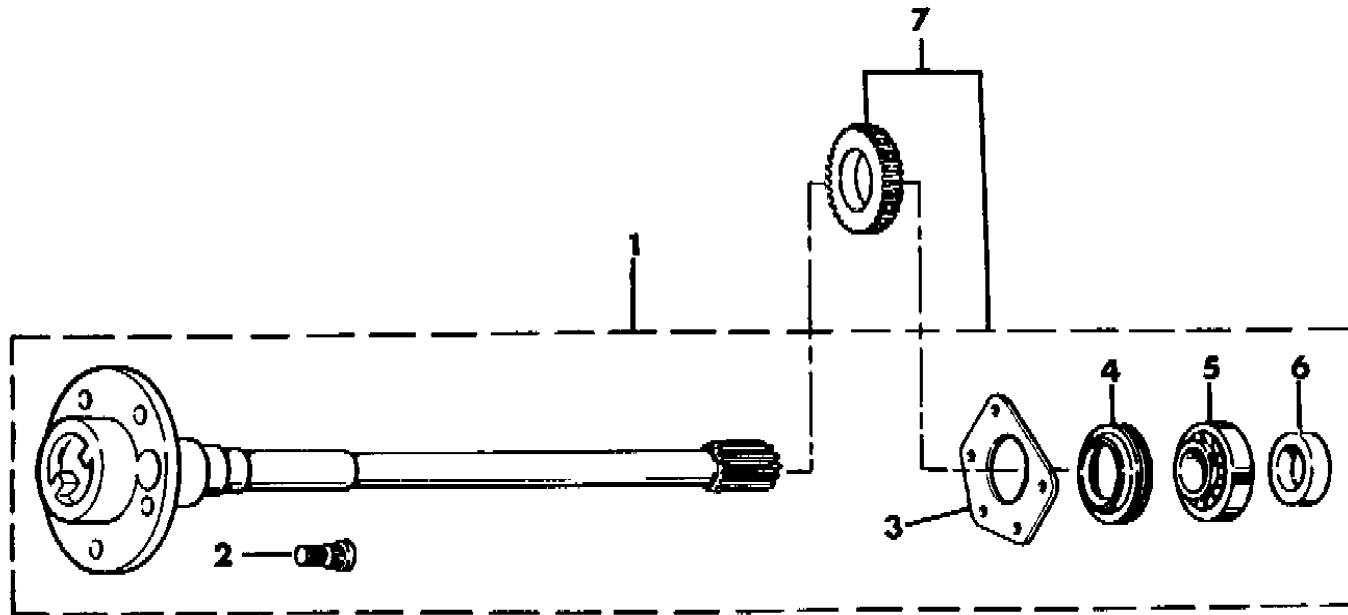
SHAFT, REAR AXLE DANA MODEL 35 CHEROKEE, WAGONEER, COMANCHE

Figure 3-700

8J03700C



DANA MODEL 35 AXLE (REF.)



| ITEM | PART NUMBER | QTY | BODY | MODEL | DESCRIPTION |
|------|-------------|-----|------|-------|--|
| 1 | 8350 2882-3 | 1 | | | SHAFT, Axle (w/o Anti-Lock Brakes) (1987-89) |
| 2 | 8350 3053 | 10 | | | STUD, Wheel |
| 3 | 8350 3022 | 2 | | | RETAINER, Seal |
| 4 | 5300 0477 | 2 | | | SEAL,(1987-1989) |
| | 5252 499 | 2 | | | SEAL,(1990) |
| 5 | 5300 0475 | 2 | | | BEARING |
| 6 | 8350 3054 | 2 | | | RING, Retaining |
| 7 | 8350 4962-3 | 1 | | | SHAFT, Axle w/Anti-Lock Brakes (1987-89) |
| 8 | 5252 948-9 | 1 | | | SHAFTS, Axle w/ or w/o Anti-Lock Brakes (1990) *** |
| 9 | 5252 505 | 2 | | | RETAINER, Axle Shaft (1990) |

MODEL CODES:

| | | |
|-----------------------------|-----------------------------|------------------------------|
| 15 = Grand Wagoneer 4 Dr. | 65 = Comanche 4WD-7 Ft. Box | 77 = Cherokee 4WD-2 Dr. |
| 25 = J-10 Pickup-119" W.B. | 66 = Comanche 2WD-7 Ft. Box | 78 = Cherokee 4WD-4 Dr. |
| 26 = J-10 Pickup-131" W.B. | 73 = Cherokee 2WD-2 Dr. | 79 = Cherokee 4WD-4 Dr.-Com |
| 27 = J-20 Pickup-131" W.B. | 74 = Cherokee 2WD-4 Dr. | 81 = Wrangler-93" W.B. |
| 63 = Comanche 4WD-6 Ft. Box | 75 = Wagoneer 4WD-4 Dr. | 82 = Wrangler-103" W.B.-Exp. |
| 64 = Comanche 2WD-6 Ft. Box | | |

BODY STYLES:

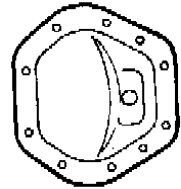
MJ = Comanche Pickup
 SJ = Grand Wagoneer Wgn., J-10 & J-20 Pickups
 XJ = Cherokee, Wagoneer Limited
 YJ = Wrangler

AR = Use as Required - = Non Illustrated Part P.A.R. = Paint as Required

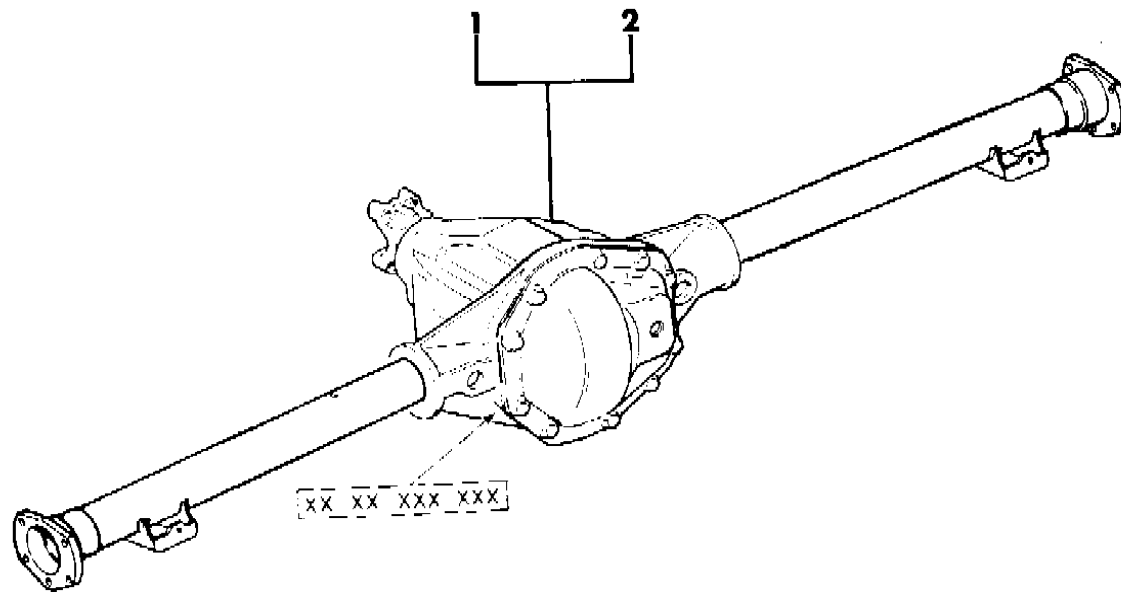
AXLE ASSEMBLY, REAR DANA MODEL 44 CHEROKEE, WAGONEER, COMANCHE

Figure 3-750

8J03 750



DANA MODEL 44 AXLE (REF.)



| ITEM | PART NUMBER | QTY | BODY | MODEL | DESCRIPTION |
|------|-------------|-----|------|-------|---|
| 1 | | | | | AXLE ASSEMBLY w/o LOCKING DIFFERENTIAL |
| | 8350 4198 | 1 | XJ | | 3.07 Ratio, Tagged 89 53 005 001, 1987 Only |
| | 8350 4207 | 1 | XJ | | 3.54 Ratio, Tagged 89 53 005 003 or 89 53 005 191 , 1987 Only |
| | 8350 4200 | 1 | MJ | | 3.07 Ratio, Tagged 89 53 005 005 |
| | 8350 3436 | 1 | MJ | | 3.54 Ratio, Tagged 89 53 004 694 |
| | 8350 3056 | 1 | MJ | | 4.09 Ratio, Tagged 89 53 003 071 or 89 53 004 695 |
| 2 | | | | | AXLE ASSEMBLY w/LOCKING DIFFERENTIAL |
| | 8350 4199 | 1 | XJ | | 3.07 Ratio, Tagged 89 53 005 002, 1987 Only |
| | 8350 4208 | 1 | XJ | | 3.54 Ratio, Tagged 89 53 005 004 or 89 53 005 192 , 1987 Only |
| | 8350 4201 | 1 | MJ | | 3.07 Ratio, Tagged 89 53 005 006 |
| | 8350 5433 | 1 | MJ | | 3.07 Ratio, Tagged 89 53 005 416 |
| | 8350 4202 | 1 | MJ | | 3.54 Ratio, Tagged 89 53 005 007 |
| | 8350 5434 | 1 | MJ | | 3.54 Ratio, Tagged 89 53 005 417 |

MODEL CODES:

| | | |
|-----------------------------|-----------------------------|------------------------------|
| 15 = Grand Wagoneer 4 Dr. | 65 = Comanche 4WD-7 Ft. Box | 77 = Cherokee 4WD-2 Dr. |
| 25 = J-10 Pickup-119" W.B. | 66 = Comanche 2WD-7 Ft. Box | 78 = Cherokee 4WD-4 Dr. |
| 26 = J-10 Pickup-131" W.B. | 73 = Cherokee 2WD-2 Dr. | 79 = Cherokee 4WD-4 Dr.-Com |
| 27 = J-20 Pickup-131" W.B. | 74 = Cherokee 2WD-4 Dr. | 81 = Wrangler-93" W.B. |
| 63 = Comanche 4WD-6 Ft. Box | 75 = Wagoneer 4WD-4 Dr. | 82 = Wrangler-103" W.B.-Exp. |
| 64 = Comanche 2WD-6 Ft. Box | | |

BODY STYLES:

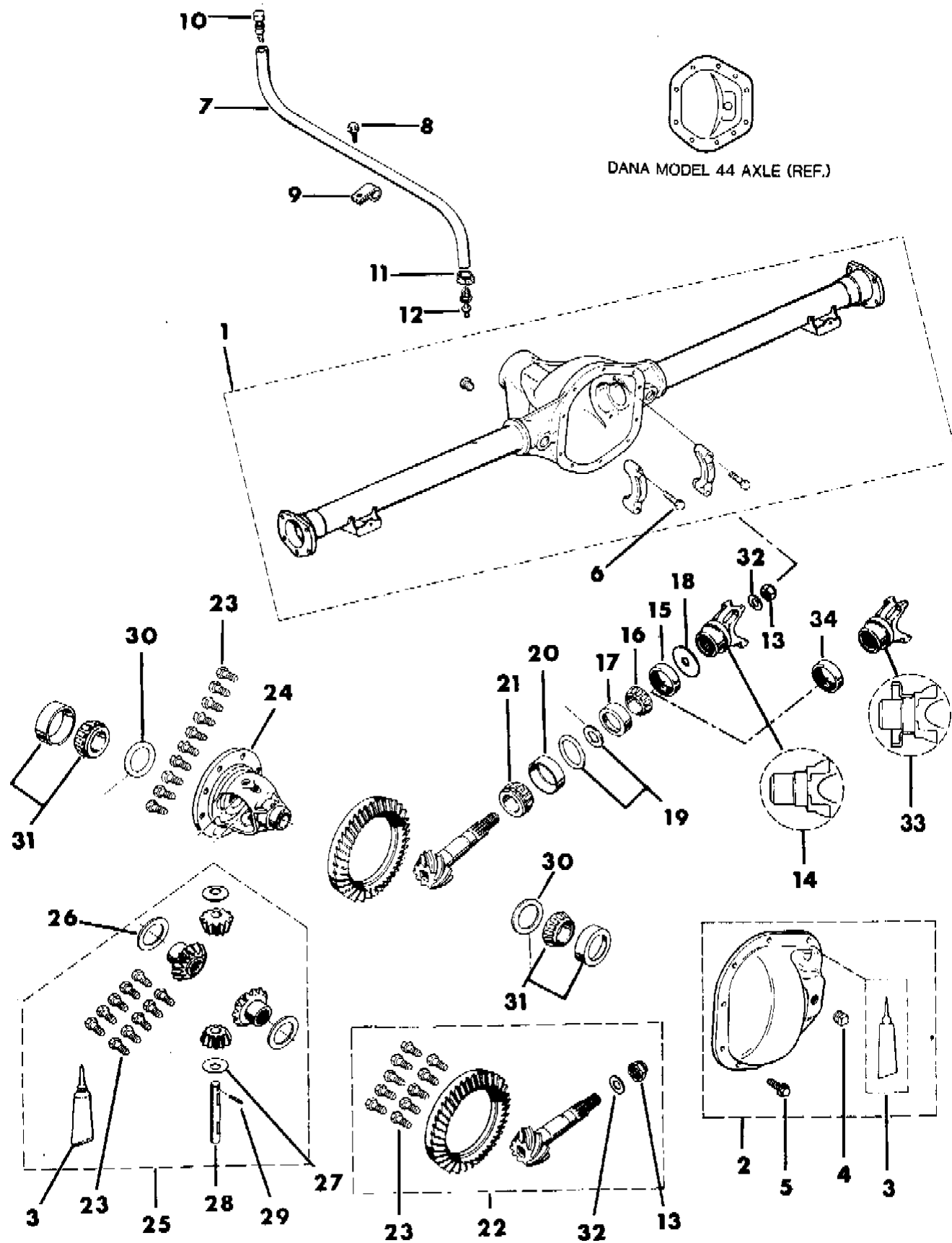
MJ = Comanche Pickup
 SJ = Grand Wagoneer Wgn., J-10 & J-20 Pickups
 XJ = Cherokee, Wagoneer Limited
 YJ = Wrangler

AR = Use as Required - = Non Illustrated Part P.A.R. = Paint as Required

HOUSING AND DIFFERENTIAL, REAR AXLE DANA MODEL 44 W/O LOCKING DIFFERENTIAL CHEROKEE, WAGONEER, COMANCHE

Figure 3-800

8J03 800 A



| ITEM | PART NUMBER | QTY | BODY | MODEL | DESCRIPTION |
|------|-------------|-----|------|-------|---------------------------|
| 1 | | | | | HOUSING, Axle |
| | 8350 4196 | 1 | XJ | | 1987 Only |
| | 8350 3055 | 1 | MJ | | 1987/90 |
| 2 | 8350 5549 | 1 | | | COVER |
| 3 | J899 3317 | 1 | | | SEALER, Gasket-in-a-Tube |
| 4 | 3640 792 | 1 | | | PLUG (3/4") |
| | S044 4588 | 1 | | | PLUG (1/2") |
| 5 | J027 3573 | 10 | | | BOLT |
| 6 | 8350 1515 | 4 | | | BOLT |
| 7 | J318 7627 | 1 | | | HOSE, Vent |
| 8 | J942 6241 | 1 | | | SCREW |
| 9 | J012 0526 | 1 | | | CLIP |
| 10 | J535 2955 | 1 | | | BREATHER |
| 11 | J322 7851 | 1 | | | CLAMP |
| 12 | J318 7999 | 1 | | | VENT |
| 13 | J080 1367 | 1 | | | NUT, Pinion |
| 14 | J813 3241 | 1 | | | YOKE, Pinion |
| 15 | J099 8092 | 1 | | | SEAL, Pinion |
| 16 | 1793 513 | 1 | | | CONE, Bearing |
| 17 | J005 2879 | 1 | | | CUP, Bearing |
| 18 | J063 6566 | 1 | | | SLINGER |
| 19 | J812 9221 | 1 | | | SHIM KIT |
| 20 | 0698 413 | 1 | | | CUP, Bearing |
| 21 | J080 7266 | 1 | | | CONE, Bearing |
| 22 | | | | | GEAR SET, Ring and Pinion |
| | 8350 4197 | 1 | | | 3.07 Ratio |
| | 4137 749 | 1 | | | 3.54 Ratio |
| | 8350 3059 | 1 | | | 4.09 Ratio |
| 23 | J064 9454 | 10 | | | BOLT |
| 24 | | | | | CASE, Differential |
| | 8350 3073 | 1 | | | 3.07, 3.54 Ratio |
| | 8350 3067 | 1 | | | 4.09 Ratio |
| 25 | 8350 3068 | 1 | | | GEAR SET, Differential |
| 26 | J080 5325 | 2 | | | WASHER, Side |
| 27 | J064 5790 | 2 | | | WASHER, Pinion |
| 28 | 8350 3069 | 1 | | | SHAFT, Differential |
| 29 | J063 6360 | 1 | | | PIN |

MODEL CODES:

| | | |
|-----------------------------|-----------------------------|------------------------------|
| 15 = Grand Wagoneer 4 Dr. | 65 = Comanche 4WD-7 Ft. Box | 77 = Cherokee 4WD-2 Dr. |
| 25 = J-10 Pickup-119" W.B. | 66 = Comanche 2WD-7 Ft. Box | 78 = Cherokee 4WD-4 Dr. |
| 26 = J-10 Pickup-131" W.B. | 73 = Cherokee 2WD-2 Dr. | 79 = Cherokee 4WD-4 Dr.-Com |
| 27 = J-20 Pickup-131" W.B. | 74 = Cherokee 2WD-4 Dr. | 81 = Wrangler-93" W.B. |
| 63 = Comanche 4WD-6 Ft. Box | 75 = Wagoneer 4WD-4 Dr. | 82 = Wrangler-103" W.B.-Exp. |
| 64 = Comanche 2WD-6 Ft. Box | | |

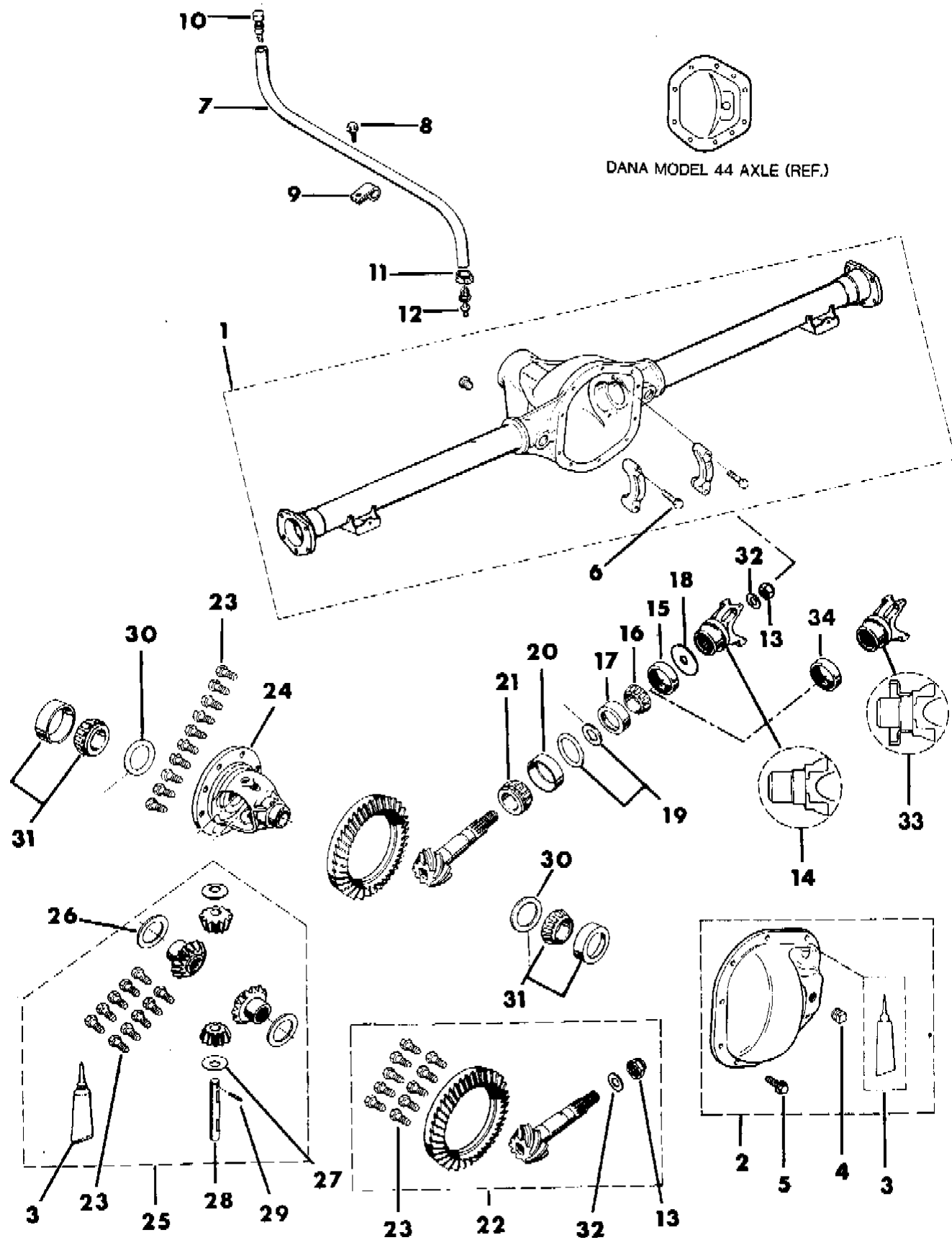
BODY STYLES:

| |
|---|
| MJ = Comanche Pickup |
| SJ = Grand Wagoneer Wgn., J-10 & J-20 Pickups |
| XJ = Cherokee, Wagoneer Limited |
| YJ = Wrangler |

AR = Use as Required - = Non Illustrated Part P.A.R. = Paint as Required

HOUSING AND DIFFERENTIAL, REAR AXLE DANA MODEL 44 W/O LOCKING DIFFERENTIAL CHEROKEE, WAGONEER, COMANCHE
Figure 3-800

8J03 800 A



| ITEM | PART NUMBER | QTY | BODY | MODEL | DESCRIPTION |
|------|-------------|-----|------|-------|--------------|
| 30 | J812 9222 | 1 | | | SHIM KIT |
| 31 | J812 4071 | 1 | | | BEARING KIT |
| 32 | J063 6570 | 1 | | | WASHER |
| 33 | J813 3241 | 1 | | | YOKE, Pinion |
| 34 | J099 8092 | 1 | | | SEAL, Pinion |

MODEL CODES:

| | | |
|-----------------------------|-----------------------------|------------------------------|
| 15 = Grand Wagoneer 4 Dr. | 65 = Comanche 4WD-7 Ft. Box | 77 = Cherokee 4WD-2 Dr. |
| 25 = J-10 Pickup-119" W.B. | 66 = Comanche 2WD-7 Ft. Box | 78 = Cherokee 4WD-4 Dr. |
| 26 = J-10 Pickup-131" W.B. | 73 = Cherokee 2WD-2 Dr. | 79 = Cherokee 4WD-4 Dr.-Com |
| 27 = J-20 Pickup-131" W.B. | 74 = Cherokee 2WD-4 Dr. | 81 = Wrangler-93" W.B. |
| 63 = Comanche 4WD-6 Ft. Box | 75 = Wagoneer 4WD-4 Dr. | 82 = Wrangler-103" W.B.-Exp. |
| 64 = Comanche 2WD-6 Ft. Box | | |

BODY STYLES:

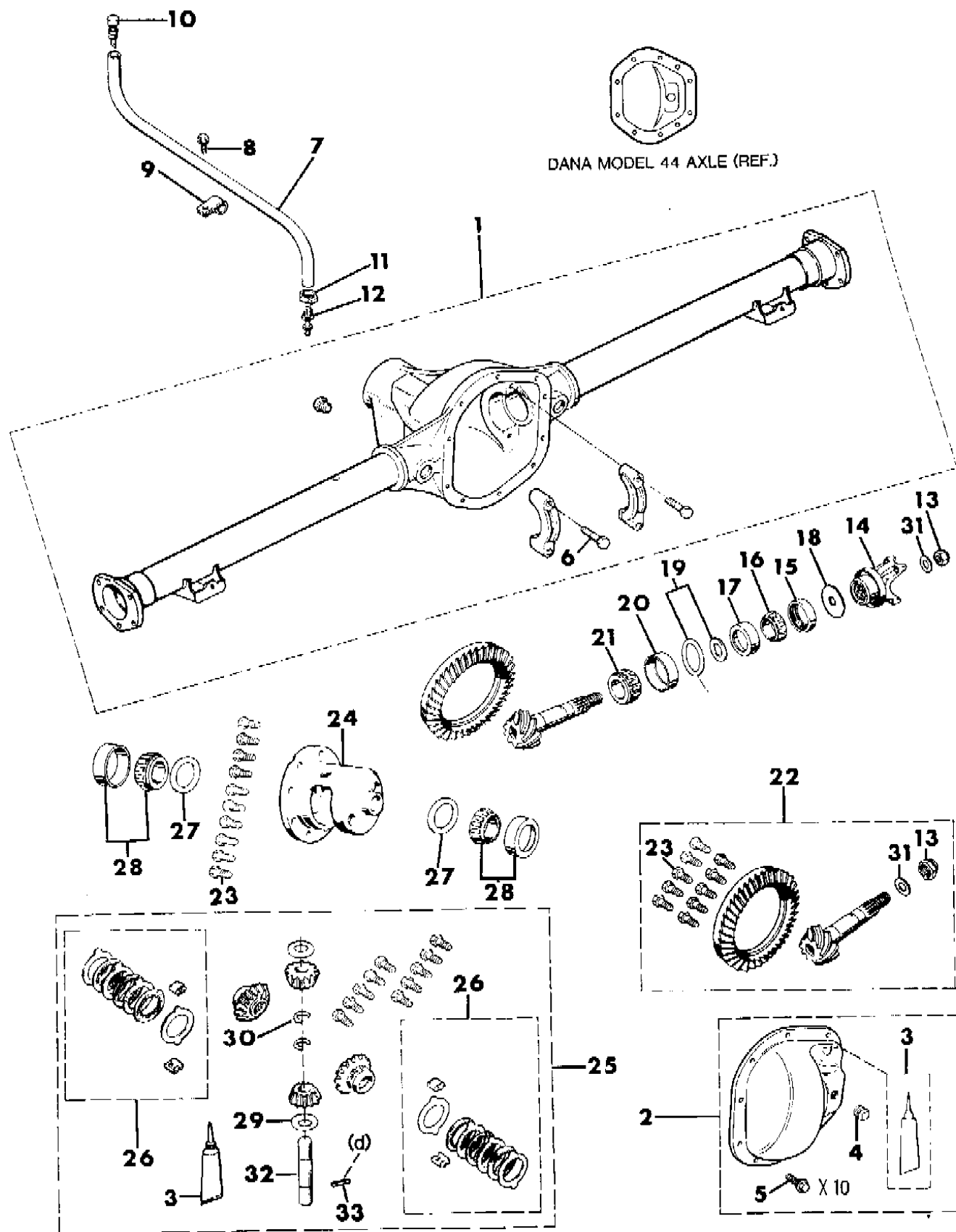
MJ = Comanche Pickup
 SJ = Grand Wagoneer Wgn., J-10 & J-20 Pickups
 XJ = Cherokee, Wagoneer Limited
 YJ = Wrangler

AR = Use as Required - = Non Illustrated Part P.A.R. = Paint as Required

HOUSING AND DIFFERENTIAL, REAR AXLE DANA MODEL 44 W/LOCKING DIFFERENTIAL CHEROKEE, WAGONEER, COMANCHE

Figure 3-900

8J03 900 A



| ITEM | PART NUMBER | QTY | BODY | MODEL | DESCRIPTION |
|------|-------------|-----|------|-------|--|
| 1 | | | | | HOUSING, Axle |
| | 8350 4196 | 1 | XJ | | 1987 Only |
| | 8350 3055 | 1 | MJ | | 1987/90 |
| 2 | 8350 5549 | 1 | | | COVER |
| 3 | J899 3317 | 1 | | | SEALER, Gasket-in-a-Tube |
| 4 | 3640 792 | 1 | | | PLUG (3/4") |
| | S044 4588 | 1 | | | PLUG (1/2") |
| 5 | J027 3573 | 10 | | | BOLT |
| 6 | 8350 1515 | 4 | | | BOLT |
| 7 | J318 7627 | 1 | | | HOSE, Vent |
| 8 | J942 6241 | 1 | | | SCREW |
| 9 | J012 0526 | 1 | | | CUP |
| 10 | J535 2955 | 1 | | | BREATHER |
| 11 | J322 7851 | 1 | | | CLAMP |
| 12 | J318 7999 | 1 | | | VENT |
| 13 | J080 1367 | 1 | | | NUT, Pinion |
| 14 | J813 3241 | 1 | | | YOKE, Pinion |
| 15 | J099 8092 | 1 | | | SEAL, Pinion |
| 16 | 1793 513 | 1 | | | CONE, Bearing |
| 17 | J005 2879 | 1 | | | CUP, Bearing |
| 18 | J063 6566 | 1 | | | SLINGER |
| 19 | J812 9221 | 1 | | | SHIM KIT |
| 20 | 0698 413 | 1 | | | CUP, Bearing |
| 21 | J080 7266 | 1 | | | CONE, Bearing |
| 22 | | | | | GEAR SET, Ring and Pinion |
| | 8350 4197 | 1 | | | 3.07 Ratio |
| | 4137 749 | 1 | | | 3.54 Ratio |
| 23 | J064 9454 | 10 | | | BOLT |
| 24 | 8350 5431 | 1 | | | CASE, Differential |
| 25 | | | | | GEAR SET, Rear Axle Differential |
| | J812 9220 | 1 | | | Cross Shaft(#32) secured by two retaining rings #30. (1987/89) |
| | 8350 5432 | 1 | | | Cross Shaft(#32) secured by a roll pin #33. |
| 26 | J099 4345 | 1 | | | DISC KIT, Differential |
| 27 | J812 9222 | 1 | | | SHIM KIT |
| 28 | J812 4071 | 1 | | | BEARING KIT |
| 29 | J064 5790 | 2 | | | WASHER, Pinion |
| 30 | 8350 3070 | 2 | | | RING, Snap (1987/89) |

MODEL CODES:

| | | |
|-----------------------------|-----------------------------|------------------------------|
| 15 = Grand Wagoneer 4 Dr. | 65 = Comanche 4WD-7 Ft. Box | 77 = Cherokee 4WD-2 Dr. |
| 25 = J-10 Pickup-119" W.B. | 66 = Comanche 2WD-7 Ft. Box | 78 = Cherokee 4WD-4 Dr. |
| 26 = J-10 Pickup-131" W.B. | 73 = Cherokee 2WD-2 Dr. | 79 = Cherokee 4WD-4 Dr.-Com |
| 27 = J-20 Pickup-131" W.B. | 74 = Cherokee 2WD-4 Dr. | 81 = Wrangler-93" W.B. |
| 63 = Comanche 4WD-6 Ft. Box | 75 = Wagoneer 4WD-4 Dr. | 82 = Wrangler-103" W.B.-Exp. |
| 64 = Comanche 2WD-6 Ft. Box | | |

BODY STYLES:

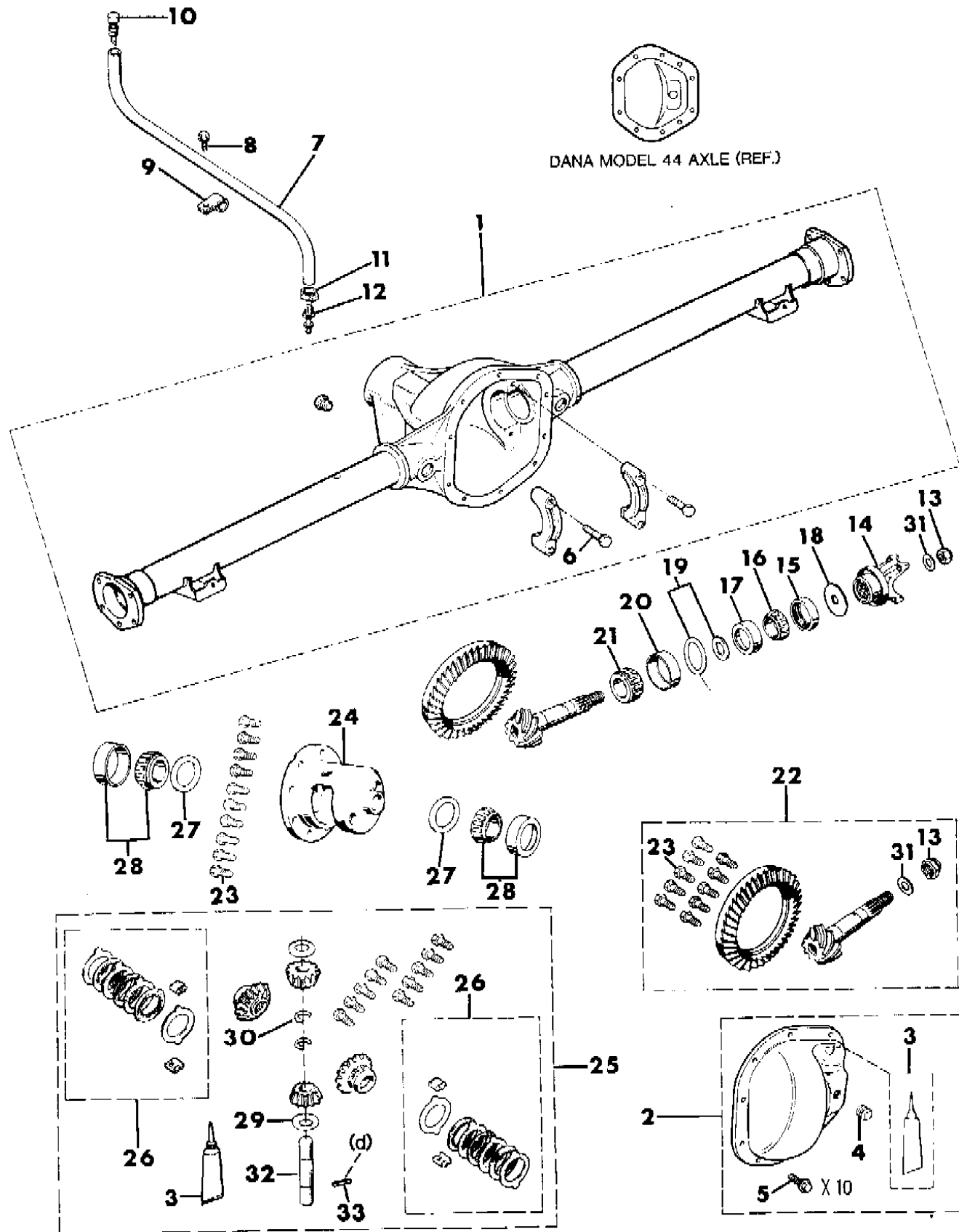
MJ = Comanche Pickup
 SJ = Grand Wagoneer Wgn., J-10 & J-20 Pickups
 XJ = Cherokee, Wagoneer Limited
 YJ = Wrangler

AR = Use as Required - = Non Illustrated Part P.A.R. = Paint as Required

HOUSING AND DIFFERENTIAL, REAR AXLE DANA MODEL 44 W/LOCKING DIFFERENTIAL CHEROKEE, WAGONEER, COMANCHE

Figure 3-900

8J03 900 A



| ITEM | PART NUMBER | QTY | BODY | MODEL | DESCRIPTION |
|------|-------------|-----|------|-------|-------------|
|------|-------------|-----|------|-------|-------------|

| | | | | | |
|----|-----------|---|--|--|-----------|
| 31 | J063 6570 | 1 | | | WASHER |
| 32 | 8350 3069 | 1 | | | SHAFT |
| 33 | J063 6360 | 1 | | | PIN, Roll |

MODEL CODES:

| | | |
|-----------------------------|-----------------------------|------------------------------|
| 15 = Grand Wagoneer 4 Dr. | 65 = Comanche 4WD-7 Ft. Box | 77 = Cherokee 4WD-2 Dr. |
| 25 = J-10 Pickup-119" W.B. | 66 = Comanche 2WD-7 Ft. Box | 78 = Cherokee 4WD-4 Dr. |
| 26 = J-10 Pickup-131" W.B. | 73 = Cherokee 2WD-2 Dr. | 79 = Cherokee 4WD-4 Dr.-Com |
| 27 = J-20 Pickup-131" W.B. | 74 = Cherokee 2WD-4 Dr. | 81 = Wrangler-93" W.B. |
| 63 = Comanche 4WD-6 Ft. Box | 75 = Wagoneer 4WD-4 Dr. | 82 = Wrangler-103" W.B.-Exp. |
| 64 = Comanche 2WD-6 Ft. Box | | |

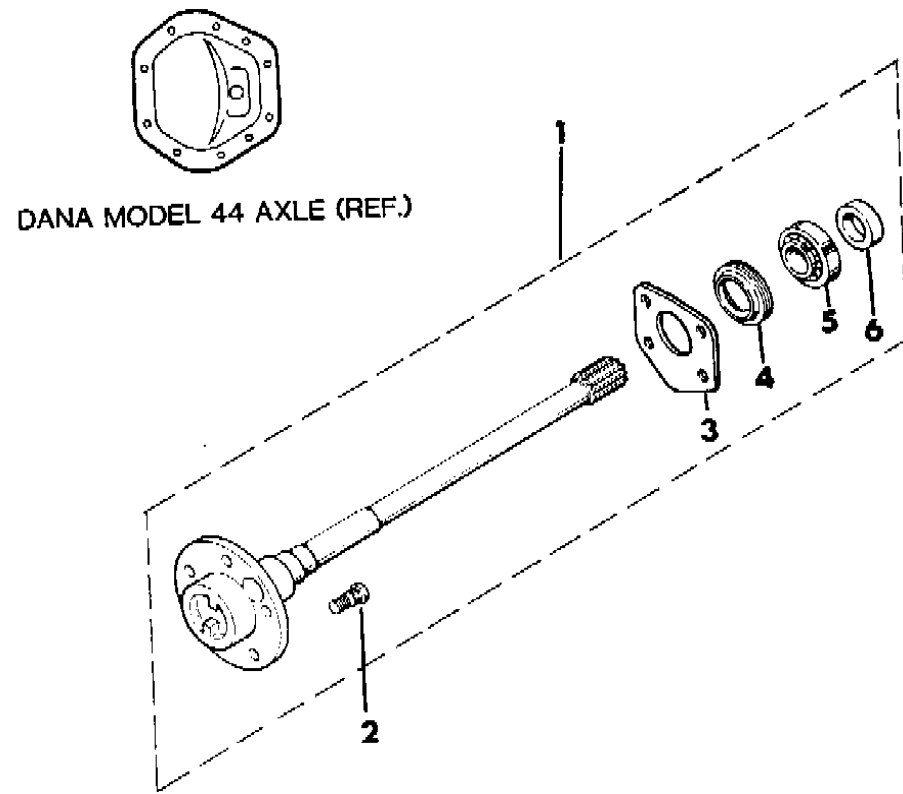
BODY STYLES:

MJ = Comanche Pickup
 SJ = Grand Wagoneer Wgn., J-10 & J-20 Pickups
 XJ = Cherokee, Wagoneer Limited
 YJ = Wrangler

AR = Use as Required - = Non Illustrated Part P.A.R. = Paint as Required

SHAFT, REAR AXLE DANA MODEL 44 CHEROKEE, WAGONEER, COMANCHE
Figure 3-1000

8J03 1000



| ITEM | PART NUMBER | QTY | BODY | MODEL | DESCRIPTION |
|------|-------------|-----|------|-------|-----------------|
| 1 | | | | | SHAFT, Axle |
| | 8350 4960 | 1 | | | Right |
| | 8350 4961 | 1 | | | Left |
| 2 | | | | | STUD, Wheel |
| | J322 0275 | 10 | | | 1987 |
| | 8350 3053 | 10 | | | 1988/90 |
| 3 | 8350 4190 | 2 | | | RETAINER |
| 4 | 8350 3063 | 2 | | | SEAL |
| 5 | J323 0115 | 2 | | | BEARING |
| 6 | 8350 3077 | 2 | | | RING, Retaining |

MODEL CODES:

| | | |
|-----------------------------|-----------------------------|------------------------------|
| 15 = Grand Wagoneer 4 Dr. | 65 = Comanche 4WD-7 Ft. Box | 77 = Cherokee 4WD-2 Dr. |
| 25 = J-10 Pickup-119" W.B. | 66 = Comanche 2WD-7 Ft. Box | 78 = Cherokee 4WD-4 Dr. |
| 26 = J-10 Pickup-131" W.B. | 73 = Cherokee 2WD-2 Dr. | 79 = Cherokee 4WD-4 Dr.-Com |
| 27 = J-20 Pickup-131" W.B. | 74 = Cherokee 2WD-4 Dr. | 81 = Wrangler-93" W.B. |
| 63 = Comanche 4WD-6 Ft. Box | 75 = Wagoneer 4WD-4 Dr. | 82 = Wrangler-103" W.B.-Exp. |
| 64 = Comanche 2WD-6 Ft. Box | | |

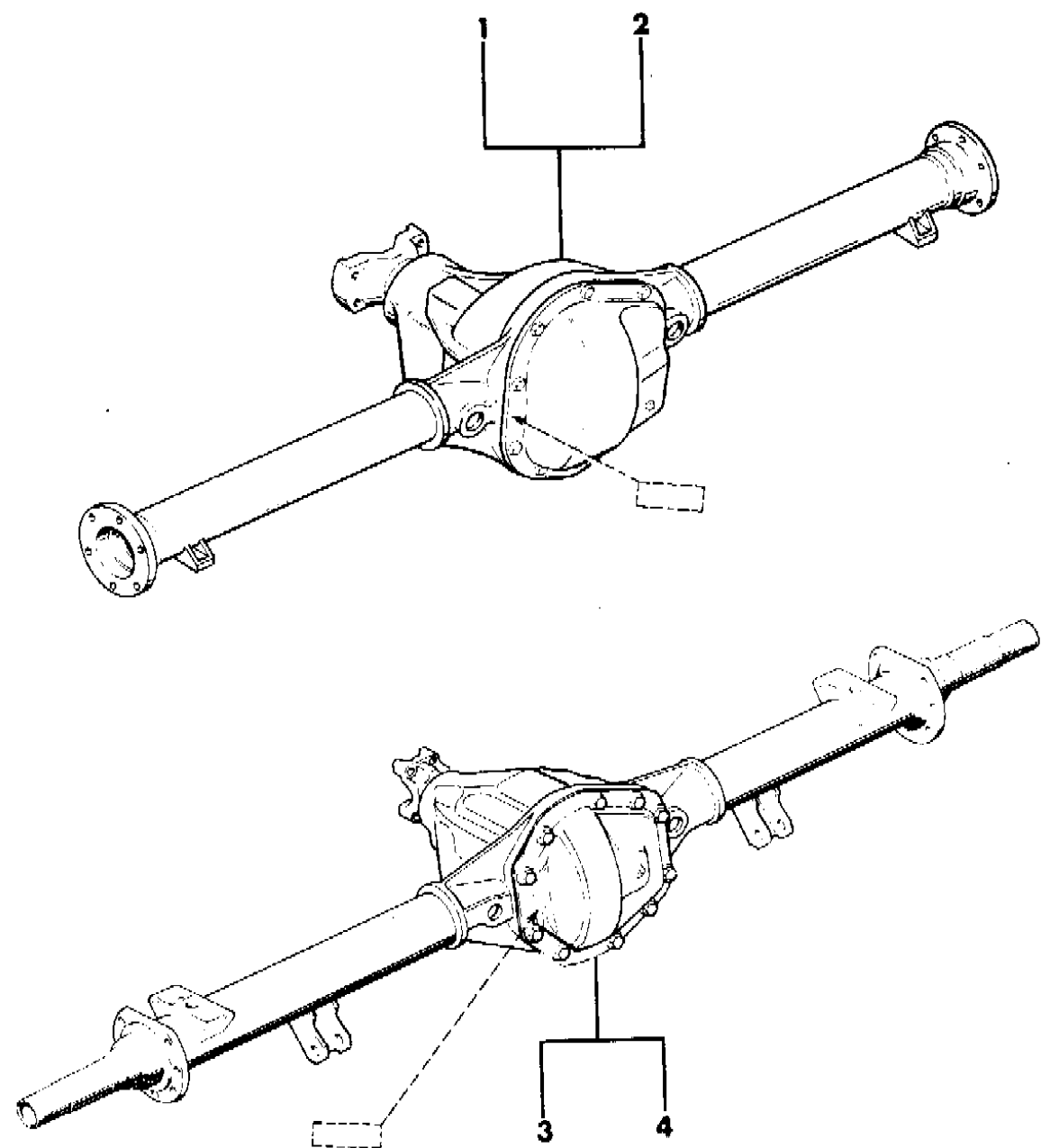
BODY STYLES:

MJ = Comanche Pickup
 SJ = Grand Wagoneer Wgn., J-10 & J-20 Pickups
 XJ = Cherokee, Wagoneer Limited
 YJ = Wrangler

AR = Use as Required - = Non Illustrated Part P.A.R. = Paint as Required

REAR AXLE ASSEMBLY DANA MODEL 44, DANA MODEL 60 GRAND WAGONEER, J-10, J-20
Figure 3-1100

8J03 1100



| ITEM | PART NUMBER | QTY | BODY | MODEL | DESCRIPTION |
|---------------|-------------|-----|------|-------|----------------------------|
| DANA MODEL 44 | | | | | |
| 1 | | | | | w/o Locking Differential |
| | 8350 3092 | 1 | | 15 | 2.73 Ratio (89 53 004 028) |
| | 8350 3089 | 1 | | 15 | 3.31 Ratio (89 53 004 030) |
| | 8350 3098 | 1 | | 26 | 2.73 Ratio (89 53 004 032) |
| | 8350 3096 | 1 | | 26 | 3.31 Ratio (89 53 004 034) |
| 2 | | | | | w/Locking Differential |
| | 8350 3093 | 1 | | 15 | 3.31 Ratio (89 53 004 031) |
| | 8350 5438 | 1 | | 15 | 3.31 Ratio (89 53 005 418) |
| | 8350 3099 | 1 | | 26 | 3.31 Ratio (89 53 004 035) |
| DANA MODEL 60 | | | | | |
| 3 | | | | | w/o Locking Differential |
| | J813 1928 | 1 | | 27 | 3.73 Ratio (89 53 004 087) |
| 4 | | | | | w/Locking Differential |
| | J813 1927 | 1 | | 27 | 3.73 Ratio (89 53 004 086) |

MODEL CODES:

| | | |
|-----------------------------|-----------------------------|------------------------------|
| 15 = Grand Wagoneer 4 Dr. | 65 = Comanche 4WD-7 Ft. Box | 77 = Cherokee 4WD-2 Dr. |
| 25 = J-10 Pickup-119" W.B. | 66 = Comanche 2WD-7 Ft. Box | 78 = Cherokee 4WD-4 Dr. |
| 26 = J-10 Pickup-131" W.B. | 73 = Cherokee 2WD-2 Dr. | 79 = Cherokee 4WD-4 Dr.-Com |
| 27 = J-20 Pickup-131" W.B. | 74 = Cherokee 2WD-4 Dr. | 81 = Wrangler-93" W.B. |
| 63 = Comanche 4WD-6 Ft. Box | 75 = Wagoneer 4WD-4 Dr. | 82 = Wrangler-103" W.B.-Exp. |
| 64 = Comanche 2WD-6 Ft. Box | | |

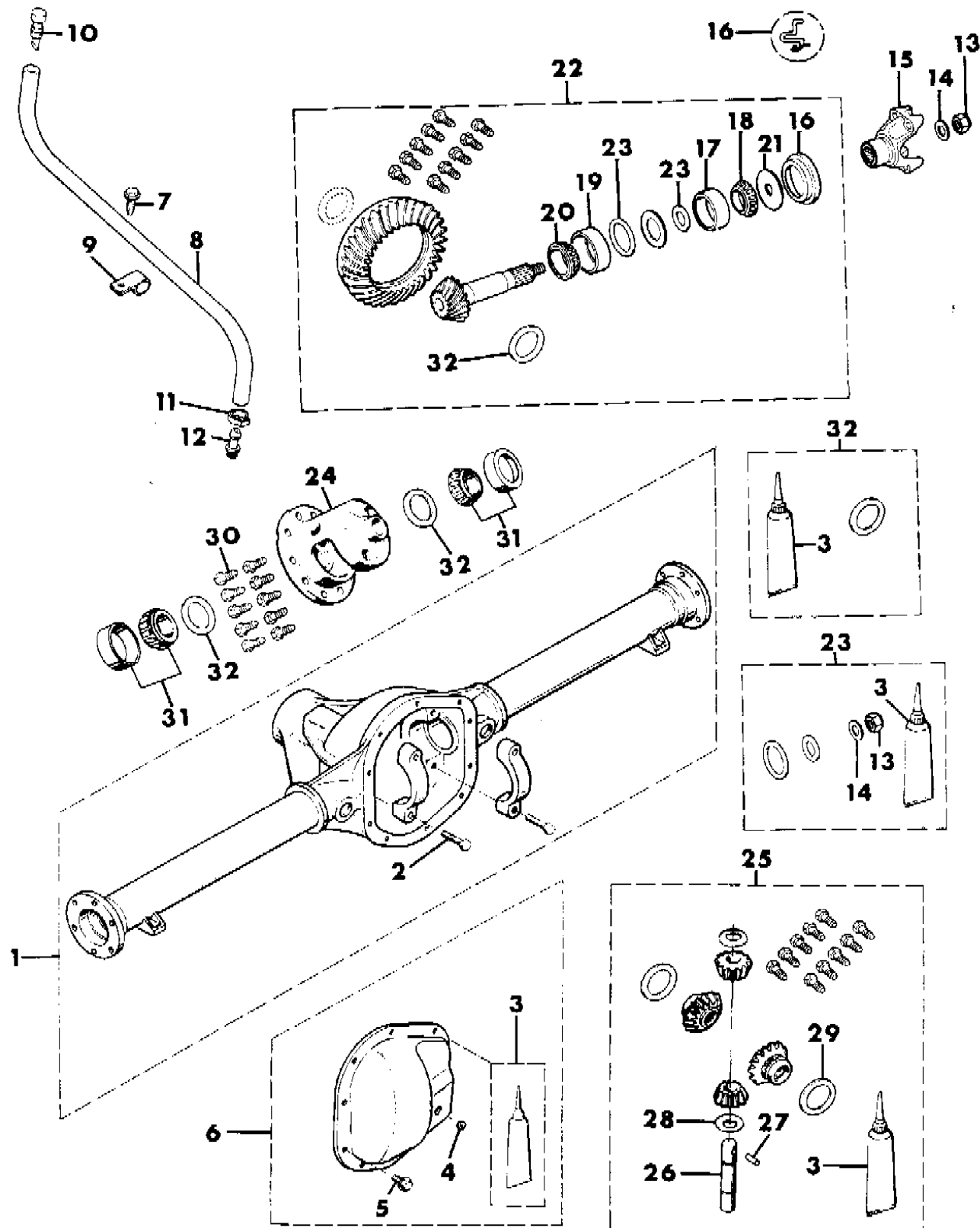
BODY STYLES:

MJ = Comanche Pickup
 SJ = Grand Wagoneer Wgn., J-10 & J-20 Pickups
 XJ = Cherokee, Wagoneer Limited
 YJ = Wrangler

AR = Use as Required - = Non Illustrated Part P.A.R. = Paint as Required

HOUSING AND DIFFERENTIAL, REAR AXLE DANA MODEL 44 W/O LOCKING DIFFERENTIAL GRAND WAGONEER, J-10
Figure 3-1200

8 J03 1200



| ITEM | PART NUMBER | QTY | BODY | MODEL | DESCRIPTION |
|------|-------------|-----|------|-------|---------------------------|
| 1 | | | | | HOUSING, Axle |
| | 8350 3088 | 1 | 15 | | Wagon |
| | 8350 3097 | 1 | 26 | | J-10 |
| 2 | 8350 1515 | 4 | | | BOLT |
| 3 | J899 3317 | 1 | | | SEALER, Gasket-in-a-Tube |
| 4 | 3640 792 | 1 | | | PLUG (3/4") |
| | S044 4588 | 1 | | | PLUG (1/2") |
| 5 | J027 3573 | 10 | | | BOLT |
| 6 | 8350 5549 | 1 | | | COVER KIT *** |
| 7 | J942 6241 | 1 | | | SCREW |
| 8 | J812 5823 | AR | | | HOSE, Vent (1') |
| 9 | J012 0525 | 1 | | | CUP |
| 10 | J535 2955 | 1 | | | BREATHER |
| 11 | J322 7851 | 1 | | | CLAMP |
| 12 | J318 7999 | 1 | | | VENT |
| 13 | J080 1367 | 1 | | | NUT, Pinion |
| 14 | J063 6570 | 1 | | | WASHER, Pinion |
| 15 | 8350 3388 | 1 | | | YOKE, Pinion |
| 16 | 8350 3390 | 1 | | | SEAL, Pinion |
| 17 | J005 2879 | 1 | | | CUP, Bearing |
| 18 | 1793 513 | 1 | | | CONE, Bearing |
| 19 | 0698 413 | 1 | | | CUP, Bearing |
| 20 | J080 7266 | 1 | | | CONE, Bearing |
| 21 | J063 6566 | 1 | | | SLINGER |
| 22 | | | | | GEAR SET, Ring and Pinion |
| | J813 4222 | 1 | | | 2.73 Ratio |
| | J813 4219 | 1 | | | 3.31 Ratio |
| 23 | J812 9221 | 1 | | | SHIM KIT |
| 24 | 8350 3073 | 1 | | | CASE, Differential |
| 25 | 8350 3068 | 1 | | | GEAR SET, Differential |
| 26 | 8350 3069 | 1 | | | SHAFT, Differential |
| 27 | J063 6360 | 1 | | | PIN |
| 28 | J064 5790 | 2 | | | WASHER |
| 29 | J080 5325 | 2 | | | WASHER |
| 30 | J064 9454 | 10 | | | BOLT |
| 31 | J812 4071 | 1 | | | BEARING KIT |
| 32 | J812 9222 | 1 | | | SHIM KIT |

MODEL CODES:

| | | |
|-----------------------------|-----------------------------|------------------------------|
| 15 = Grand Wagoneer 4 Dr. | 65 = Comanche 4WD-7 Ft. Box | 77 = Cherokee 4WD-2 Dr. |
| 25 = J-10 Pickup-119" W.B. | 66 = Comanche 2WD-7 Ft. Box | 78 = Cherokee 4WD-4 Dr. |
| 26 = J-10 Pickup-131" W.B. | 73 = Cherokee 2WD-2 Dr. | 79 = Cherokee 4WD-4 Dr.-Com |
| 27 = J-20 Pickup-131" W.B. | 74 = Cherokee 2WD-4 Dr. | 81 = Wrangler-93" W.B. |
| 63 = Comanche 4WD-6 Ft. Box | 75 = Wagoneer 4WD-4 Dr. | 82 = Wrangler-103" W.B.-Exp. |
| 64 = Comanche 2WD-6 Ft. Box | | |

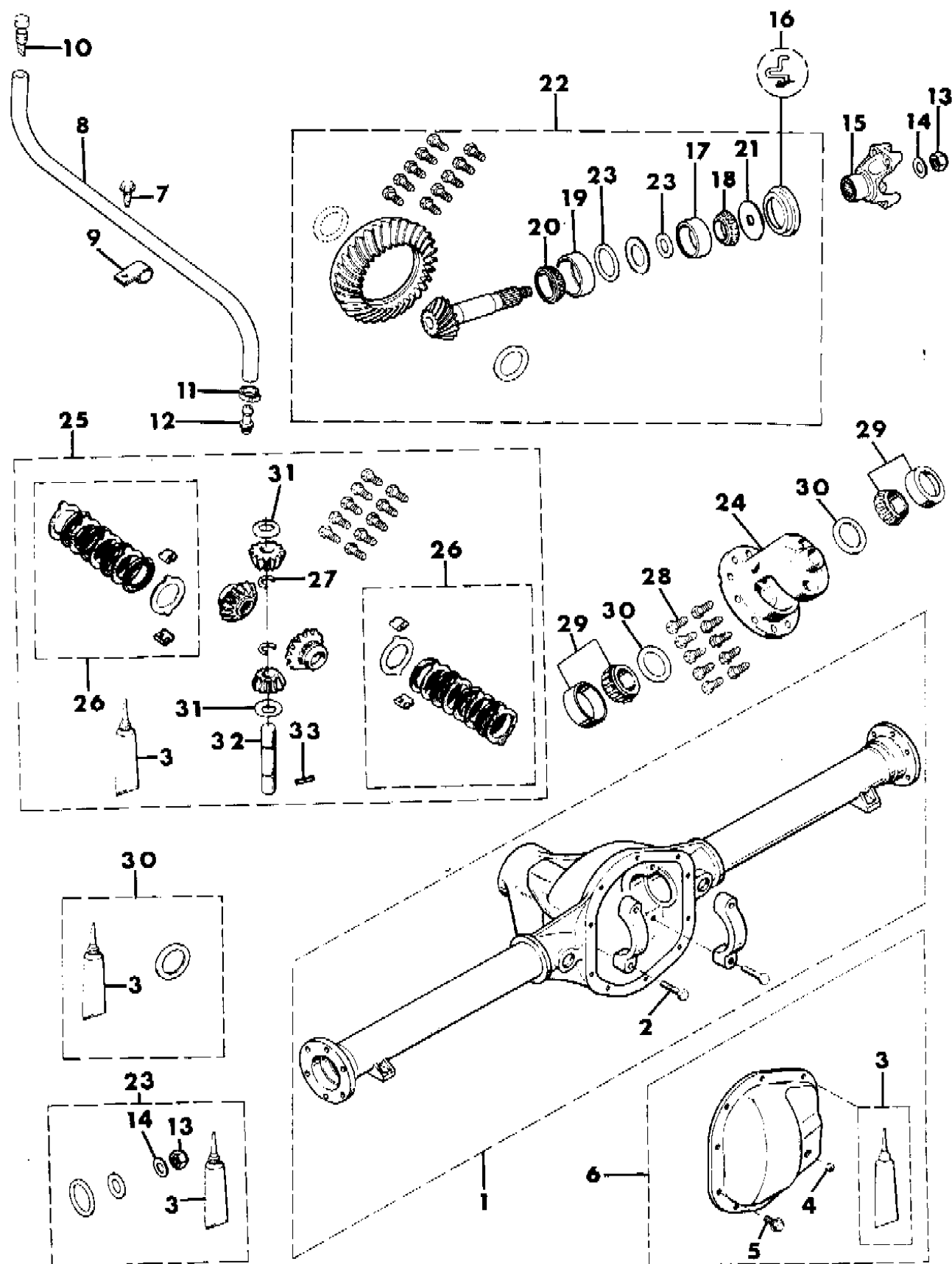
BODY STYLES:

MJ = Comanche Pickup
 SJ = Grand Wagoneer Wgn., J-10 & J-20 Pickups
 XJ = Cherokee, Wagoneer Limited
 YJ = Wrangler

AR = Use as Required - = Non Illustrated Part P.A.R. = Paint as Required

HOUSING AND DIFFERENTIAL, REAR AXLE DANA MODEL 44 W/LOCKING DIFFERENTIAL GRAND WAGONEER, J-10
Figure 3-1300

8 J031300



| ITEM | PART NUMBER | QTY | BODY | MODEL | DESCRIPTION |
|------|-------------|-----|------|-------|---|
| 1 | | | | | HOUSING, Axle |
| | 8350 3088 | 1 | 15 | | Wagon |
| | 8350 3097 | 1 | 26 | | J-10 |
| 2 | 8350 1515 | 4 | | | BOLT |
| 3 | J899 3317 | 1 | | | SEALER, Gasket-in-a-Tube |
| 4 | 3640 792 | 1 | | | PLUG (3/4") |
| | S044 4588 | 1 | | | PLUG (1/2") |
| 5 | J027 3573 | 10 | | | BOLT |
| 6 | 8350 5549 | 1 | | | COVER KIT *** |
| 7 | J942 6241 | 1 | | | SCREW |
| 8 | J812 5823 | AR | | | HOSE, Vent (1') |
| 9 | J012 0525 | 1 | | | CLIP |
| 10 | J535 2955 | 1 | | | BREATHER |
| 11 | J322 7851 | 1 | | | CLAMP |
| 12 | J318 7999 | 1 | | | VENT |
| 13 | J080 1367 | 1 | | | NUT, Pinion |
| 14 | J063 6570 | 1 | | | WASHER, Pinion |
| 15 | 8350 3388 | 1 | | | YOKE, Pinion |
| 16 | 8350 3390 | 1 | | | SEAL, Pinion |
| 17 | J005 2879 | 1 | | | CUP, Bearing |
| 18 | 1793 513 | 1 | | | CONE, Bearing |
| 19 | 0698 413 | 1 | | | CUP, Bearing |
| 20 | J080 7266 | 1 | | | CONE, Bearing |
| 21 | J063 6566 | 1 | | | SLINGER |
| 22 | J813 4219 | 1 | | | GEAR SET, Ring and Pinion, 3.31 Ratio |
| 23 | J812 9221 | 1 | | | SHIM KIT |
| 24 | 8350 5431 | 1 | | | CASE, Differential |
| 25 | | | | | GEAR SET, Differential |
| | J812 9220 | 1 | | | w/Snap Ring Retainer (1987/89) |
| | 8350 5432 | 1 | | | w/Roll Pin Retainer (1990) |
| 26 | J099 4345 | 1 | | | DISC KIT, Differential |
| 27 | 8350 3070 | 2 | | | RING, Snap (Cross Shaft Secured by two Retaining Rings) (1987/89) |
| 28 | J064 9454 | 10 | | | BOLT |
| 29 | J812 4071 | 1 | | | BEARING KIT |
| 30 | J812 9222 | 1 | | | SHIM KIT |
| 31 | J064 5790 | 2 | | | WASHER, Pinion |

MODEL CODES:

| | | |
|-----------------------------|-----------------------------|------------------------------|
| 15 = Grand Wagoneer 4 Dr. | 65 = Comanche 4WD-7 Ft. Box | 77 = Cherokee 4WD-2 Dr. |
| 25 = J-10 Pickup-119" W.B. | 66 = Comanche 2WD-7 Ft. Box | 78 = Cherokee 4WD-4 Dr. |
| 26 = J-10 Pickup-131" W.B. | 73 = Cherokee 2WD-2 Dr. | 79 = Cherokee 4WD-4 Dr.-Com |
| 27 = J-20 Pickup-131" W.B. | 74 = Cherokee 2WD-4 Dr. | 81 = Wrangler-93" W.B. |
| 63 = Comanche 4WD-6 Ft. Box | 75 = Wagoneer 4WD-4 Dr. | 82 = Wrangler-103" W.B.-Exp. |
| 64 = Comanche 2WD-6 Ft. Box | | |

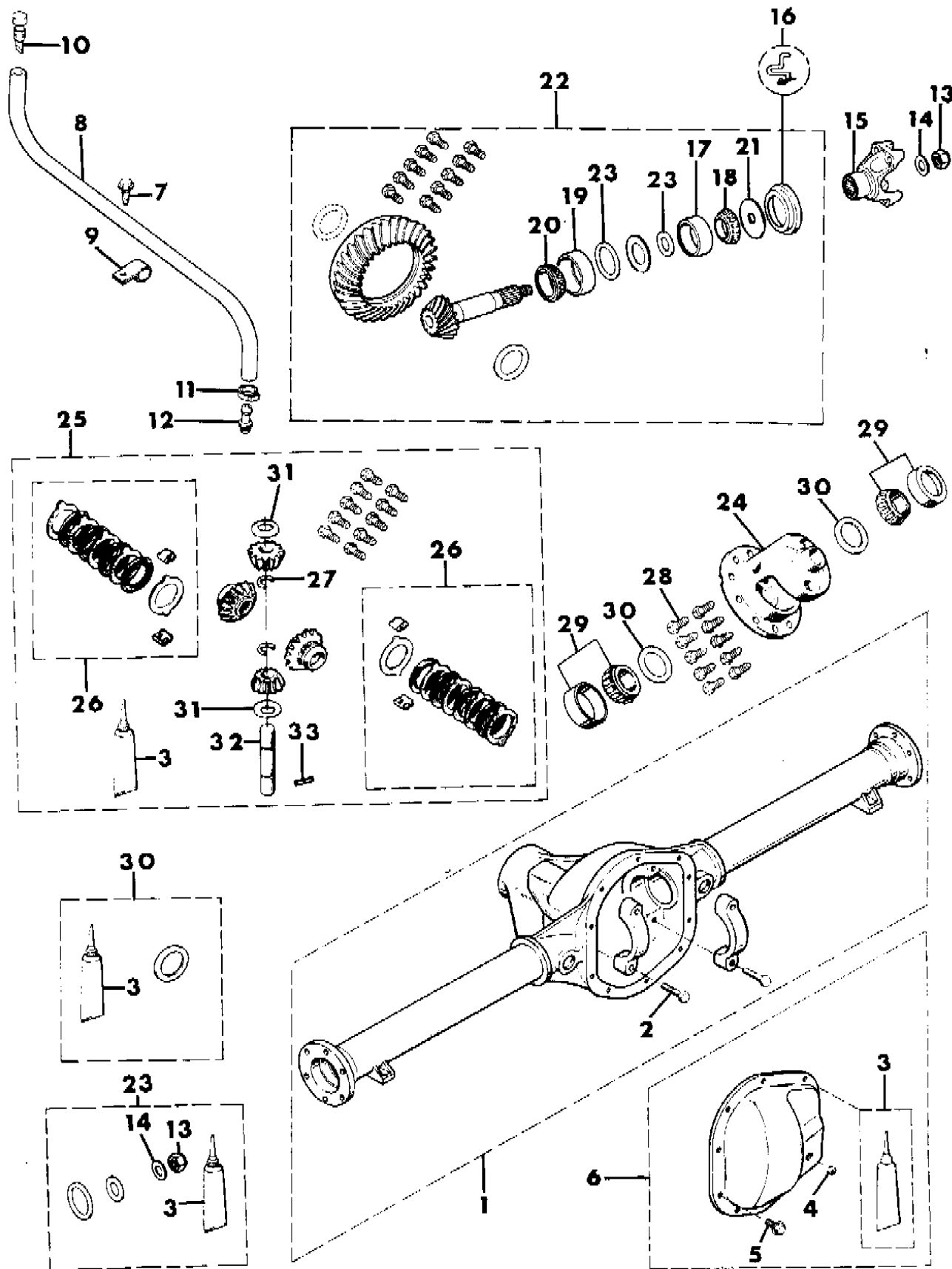
BODY STYLES:

MJ = Comanche Pickup
 SJ = Grand Wagoneer Wgn., J-10 & J-20 Pickups
 XJ = Cherokee, Wagoneer Limited
 YJ = Wrangler

AR = Use as Required - = Non Illustrated Part P.A.R. = Paint as Required

HOUSING AND DIFFERENTIAL, REAR AXLE DANA MODEL 44 W/LOCKING DIFFERENTIAL GRAND WAGONEER, J-10
Figure 3-1300

8 J031300



| ITEM | PART NUMBER | QTY | BODY | MODEL | DESCRIPTION |
|------|-------------|-----|------|-------|---|
| 32 | 8350 3069 | 1 | | | SHAFT (Cross Shaft Secured by Roll Pin) |
| 33 | J063 6360 | 1 | | | PIN, Roll (Cross Shaft Secured by Roll Pin) |

MODEL CODES:

| | | |
|-----------------------------|-----------------------------|------------------------------|
| 15 = Grand Wagoneer 4 Dr. | 65 = Comanche 4WD-7 Ft. Box | 77 = Cherokee 4WD-2 Dr. |
| 25 = J-10 Pickup-119" W.B. | 66 = Comanche 2WD-7 Ft. Box | 78 = Cherokee 4WD-4 Dr. |
| 26 = J-10 Pickup-131" W.B. | 73 = Cherokee 2WD-2 Dr. | 79 = Cherokee 4WD-4 Dr.-Com |
| 27 = J-20 Pickup-131" W.B. | 74 = Cherokee 2WD-4 Dr. | 81 = Wrangler-93" W.B. |
| 63 = Comanche 4WD-6 Ft. Box | 75 = Wagoneer 4WD-4 Dr. | 82 = Wrangler-103" W.B.-Exp. |
| 64 = Comanche 2WD-6 Ft. Box | | |

BODY STYLES:

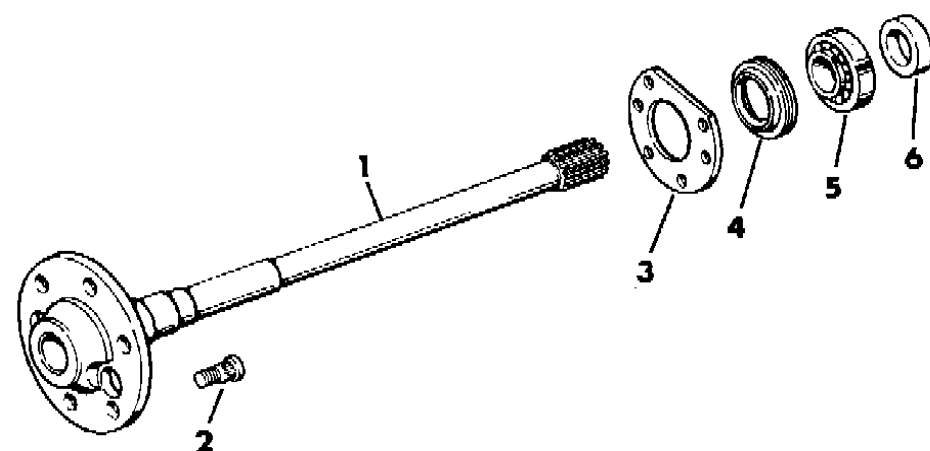
MJ = Comanche Pickup
SJ = Grand Wagoneer Wgn., J-10 & J-20 Pickups
XJ = Cherokee, Wagoneer Limited
YJ = Wrangler

AR = Use as Required - = Non Illustrated Part P.A.R. = Paint as Required

SHAFT, REAR AXLE DANA MODEL 44 GRAND WAGONEER, J-10
Figure 3-1400

8J03 1400

| ITEM | PART NUMBER | QTY | BODY | MODEL | DESCRIPTION |
|------|-------------|-----|------|-------|-----------------|
| 1 | | | | | SHAFT, Axle |
| | 8350 3090 | 1 | | 15 | Right |
| | 8350 3094 | 1 | | 26 | Right |
| | 8350 3091 | 1 | | 15 | Left |
| | 8350 3095 | 1 | | 26 | Left |
| 2 | J323 0413 | 12 | | | STUD, Wheel |
| 3 | J323 9073 | 2 | | | RETAINER |
| 4 | J324 0086 | 2 | | | SEAL,Outer |
| | J323 5929 | 2 | | | SEAL,Inner |
| 5 | J323 0115 | 2 | | | BEARING |
| 6 | 8350 3077 | 2 | | | RING, Retaining |



MODEL CODES:
 15 = Grand Wagoneer 4 Dr. 65 = Comanche 4WD-7 Ft. Box 77 = Cherokee 4WD-2 Dr.
 25 = J-10 Pickup-119" W.B. 66 = Comanche 2WD-7 Ft. Box 78 = Cherokee 4WD-4 Dr.
 26 = J-10 Pickup-131" W.B. 73 = Cherokee 2WD-2 Dr. 79 = Cherokee 4WD-4 Dr.-Com
 27 = J-20 Pickup-131" W.B. 74 = Cherokee 2WD-4 Dr. 81 = Wrangler-93" W.B.
 63 = Comanche 4WD-6 Ft. Box 75 = Wagoneer 4WD-4 Dr. 82 = Wrangler-103" W.B.-Exp.
 64 = Comanche 2WD-6 Ft. Box

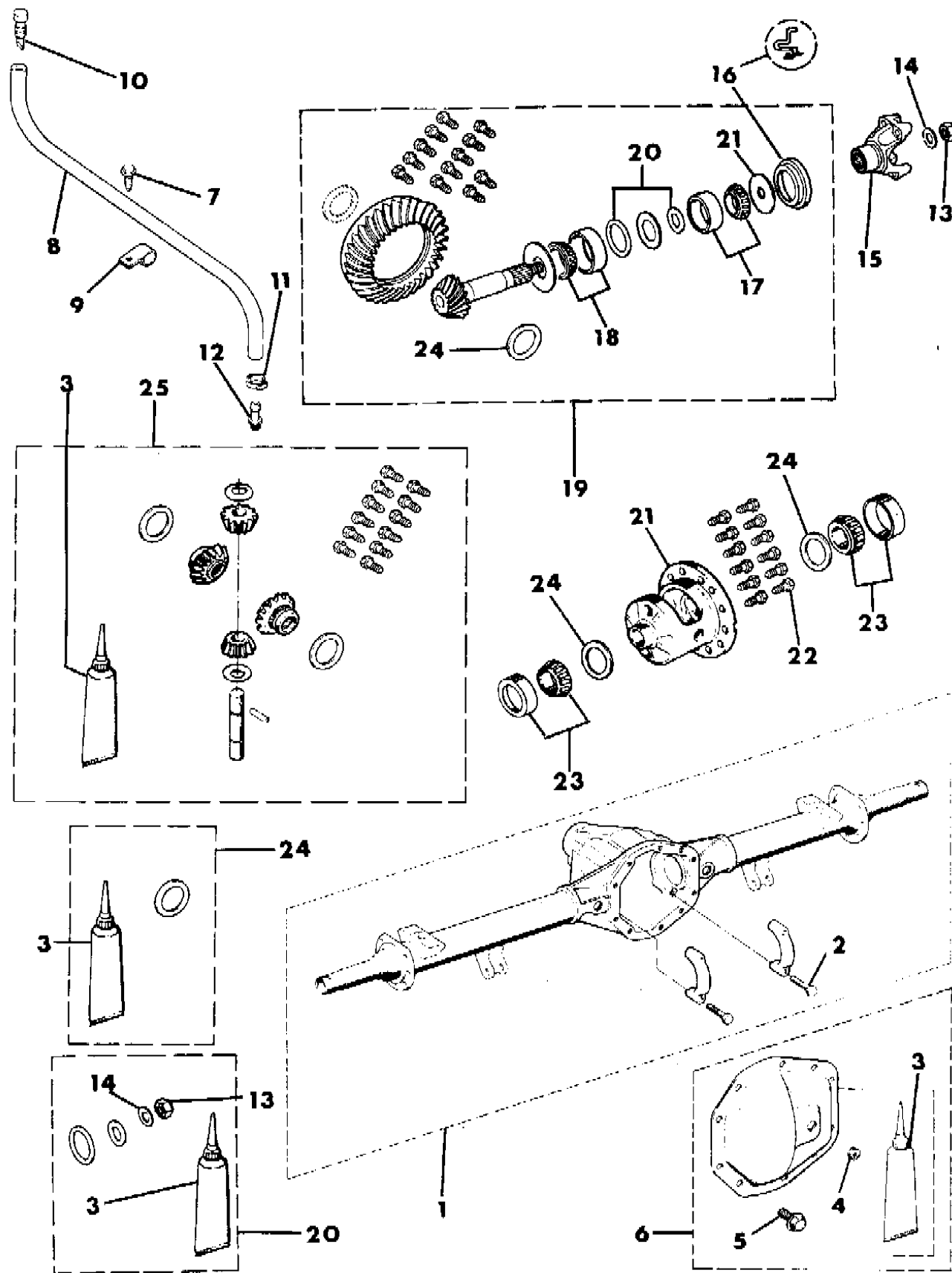
BODY STYLES:
 MJ = Comanche Pickup
 SJ = Grand Wagoneer Wgn., J-10 & J-20 Pickups
 XJ = Cherokee, Wagoneer Limited
 YJ = Wrangler

AR = Use as Required - = Non Illustrated Part P.A.R. = Paint as Required

HOUSING AND DIFFERENTIAL, REAR AXLE DANA MODEL 60 W/O LOCKING DIFFERENTIAL J-20

Figure 3-1500

8J03 1500



| ITEM | PART NUMBER | QTY | BODY | MODEL | DESCRIPTION |
|------|-------------|-----|------|-------|---------------------------------------|
| 1 | 8350 0147 | 1 | | | HOUSING |
| 2 | 8350 1515 | 4 | | | BOLT |
| 3 | J899 3317 | 1 | | | SEALER, Gasket-in-a-Tube |
| 4 | J812 7358 | 1 | | | PLUG |
| 5 | J099 1106 | 10 | | | BOLT |
| 6 | J812 9200 | 1 | | | COVER KIT |
| 7 | J942 6241 | 1 | | | SCREW |
| 8 | J812 5823 | AR | | | HOSE, Vent (1') |
| 9 | J012 0526 | 1 | | | CLIP |
| 10 | J535 2955 | 1 | | | BREATHER |
| 11 | J322 7851 | 1 | | | CLAMP |
| 12 | J535 3494 | 1 | | | VENT |
| 13 | J091 9585 | 1 | | | NUT, Pinion |
| 14 | J091 9612 | 1 | | | WASHER, Pinion |
| 15 | J813 4809 | 1 | | | YOKE, Pinion |
| 16 | J813 4810 | 1 | | | SEAL, Pinion |
| 17 | J812 4027 | 1 | | | BEARING KIT |
| 18 | J812 4026 | 1 | | | BEARING KIT |
| 19 | J812 9234 | 1 | | | GEAR SET, Ring and Pinion, 3.73 Ratio |
| 20 | J812 9246 | 1 | | | SHIM KIT |
| 21 | J812 9230 | 1 | | | CASE, Differential |
| 22 | J091 9586 | 12 | | | BOLT |
| 23 | J812 4028 | 1 | | | BEARING KIT |
| 24 | J812 9242 | 1 | | | SHIM KIT |
| 25 | J812 9241 | 1 | | | GEAR SET, Differential |

MODEL CODES:

| | | |
|-----------------------------|-----------------------------|------------------------------|
| 15 = Grand Wagoneer 4 Dr. | 65 = Comanche 4WD-7 Ft. Box | 77 = Cherokee 4WD-2 Dr. |
| 25 = J-10 Pickup-119" W.B. | 66 = Comanche 2WD-7 Ft. Box | 78 = Cherokee 4WD-4 Dr. |
| 26 = J-10 Pickup-131" W.B. | 73 = Cherokee 2WD-2 Dr. | 79 = Cherokee 4WD-4 Dr.-Com |
| 27 = J-20 Pickup-131" W.B. | 74 = Cherokee 2WD-4 Dr. | 81 = Wrangler-93" W.B. |
| 63 = Comanche 4WD-6 Ft. Box | 75 = Wagoneer 4WD-4 Dr. | 82 = Wrangler-103" W.B.-Exp. |
| 64 = Comanche 2WD-6 Ft. Box | | |

BODY STYLES:

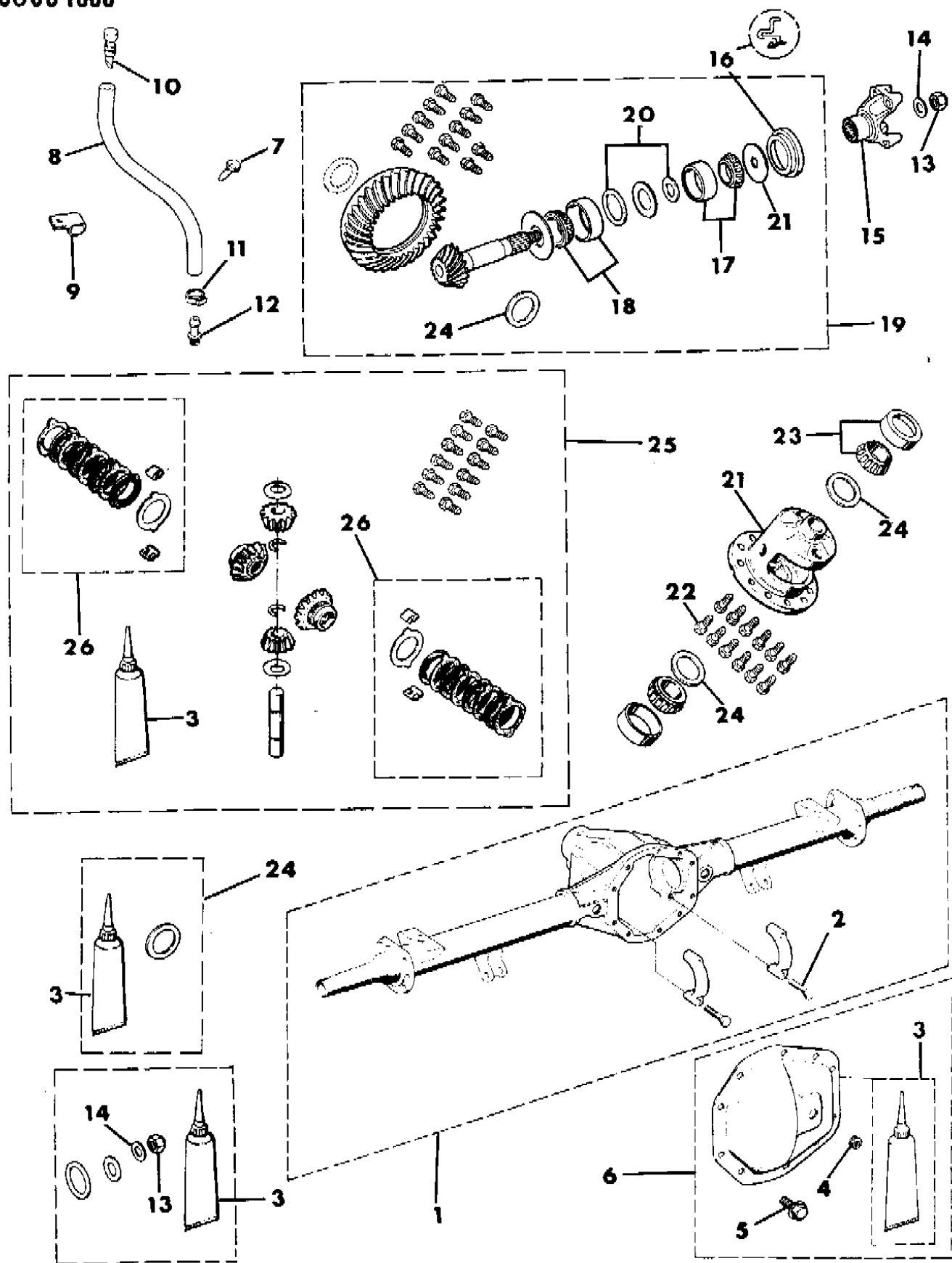
MJ = Comanche Pickup
 SJ = Grand Wagoneer Wgn., J-10 & J-20 Pickups
 XJ = Cherokee, Wagoneer Limited
 YJ = Wrangler

AR = Use as Required - = Non Illustrated Part P.A.R. = Paint as Required

HOUSING AND DIFFERENTIAL, REAR AXLE DANA MODEL 60 W/LOCKING DIFFERENTIAL J-20

Figure 3-1600

8J031600



| ITEM | PART NUMBER | QTY | BODY | MODEL | DESCRIPTION |
|------|-------------|-----|------|-------|---------------------------------------|
| 1 | 8350 0147 | 1 | | | HOUSING |
| 2 | 8350 1515 | 4 | | | BOLT |
| 3 | J899 3317 | 1 | | | SEALER, Gasket-in-a-Tube |
| 4 | J812 7358 | 1 | | | PLUG |
| 5 | J099 1106 | 10 | | | BOLT |
| 6 | J812 9200 | 1 | | | COVER KIT |
| 7 | J942 6241 | 1 | | | SCREW |
| 8 | J812 5823 | AR | | | HOSE, Vent (1') |
| 9 | J012 0526 | 1 | | | CLIP |
| 10 | J535 2955 | 1 | | | BREATHER |
| 11 | J322 7851 | 1 | | | CLAMP |
| 12 | J535 3494 | 1 | | | VENT |
| 13 | J091 9585 | 1 | | | NUT, Pinion |
| 14 | J091 9612 | 1 | | | WASHER, Pinion |
| 15 | J813 4809 | 1 | | | YOKE, Pinion |
| 16 | J813 4810 | 1 | | | SEAL, Pinion |
| 17 | J812 4027 | 1 | | | BEARING KIT |
| 18 | J812 4026 | 1 | | | BEARING KIT |
| 19 | J812 9234 | 1 | | | GEAR SET, Ring and Pinion, 3.73 Ratio |
| 20 | J812 9246 | 1 | | | SHIM KIT |
| 21 | J812 9229 | 1 | | | CASE, Differential |
| 22 | J091 9586 | 12 | | | BOLT |
| 23 | J812 4028 | 1 | | | BEARING KIT |
| 24 | J812 9242 | 1 | | | SHIM KIT |
| 25 | J812 9240 | 1 | | | GEAR SET, Differential |
| 26 | J812 2379 | 1 | | | DISC KIT, Differential |

MODEL CODES:
 15 = Grand Wagoneer 4 Dr. 65 = Comanche 4WD-7 Ft. Box 77 = Cherokee 4WD-2 Dr.
 25 = J-10 Pickup-119" W.B. 66 = Comanche 2WD-7 Ft. Box 78 = Cherokee 4WD-4 Dr.
 26 = J-10 Pickup-131" W.B. 73 = Cherokee 2WD-2 Dr. 79 = Cherokee 4WD-4 Dr.-Com
 27 = J-20 Pickup-131" W.B. 74 = Cherokee 2WD-4 Dr. 81 = Wrangler-93" W.B.
 63 = Comanche 4WD-6 Ft. Box 75 = Wagoneer 4WD-4 Dr. 82 = Wrangler-103" W.B.-Exp.
 64 = Comanche 2WD-6 Ft. Box

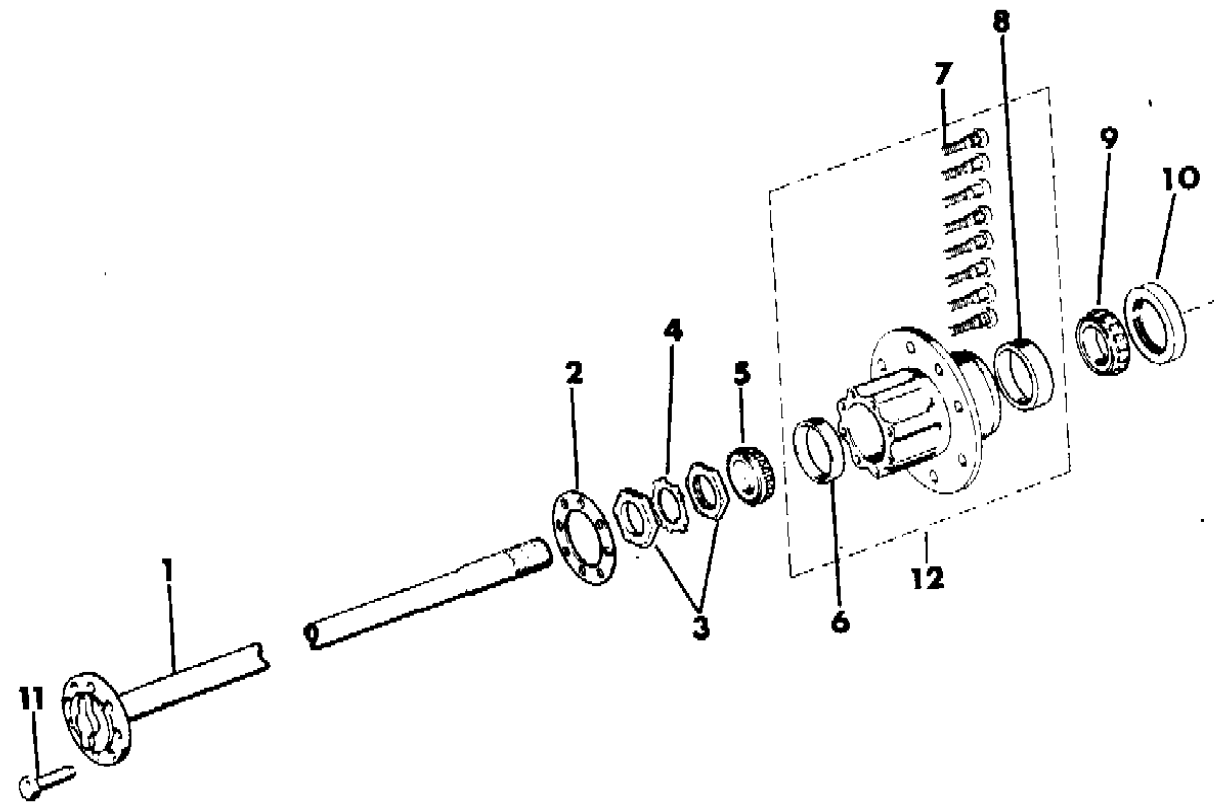
BODY STYLES:
 MJ = Comanche Pickup
 SJ = Grand Wagoneer Wgn., J-10 & J-20 Pickups
 XJ = Cherokee, Wagoneer Limited
 YJ = Wrangler

AR = Use as Required - = Non Illustrated Part P.A.R. = Paint as Required

SHAFT, REAR AXLE DANA MODEL 60 J-20

Figure 3-1700

8J03 1700



| ITEM | PART NUMBER | QTY | BODY | MODEL | DESCRIPTION |
|------|-------------|-----|------|-------|--------------|
| 1 | J813 1932 | 2 | | | SHAFT, Axle |
| 2 | J535 2662 | 2 | | | GASKET |
| 3 | J099 2300 | 4 | | | NUT |
| 4 | J400 4829 | 2 | | | WASHER |
| 5 | J099 2276 | 2 | | | BEARING |
| 6 | J099 2336 | 2 | | | CUP, Bearing |
| 7 | J812 4958 | 16 | | | STUD, Wheel |
| 8 | J812 4840 | 2 | | | CUP, Bearing |
| 9 | J535 2661 | 2 | | | BEARING |
| 10 | J535 2786 | 2 | | | SEAL |
| 11 | J400 6129 | 16 | | | BOLT |
| 12 | J812 4956 | 2 | | | HUB |

MODEL CODES:

| | | |
|-----------------------------|-----------------------------|------------------------------|
| 15 = Grand Wagoneer 4 Dr. | 65 = Comanche 4WD-7 Ft. Box | 77 = Cherokee 4WD-2 Dr. |
| 25 = J-10 Pickup-119" W.B. | 66 = Comanche 2WD-7 Ft. Box | 78 = Cherokee 4WD-4 Dr. |
| 26 = J-10 Pickup-131" W.B. | 73 = Cherokee 2WD-2 Dr. | 79 = Cherokee 4WD-4 Dr.-Com |
| 27 = J-20 Pickup-131" W.B. | 74 = Cherokee 2WD-4 Dr. | 81 = Wrangler-93" W.B. |
| 63 = Comanche 4WD-6 Ft. Box | 75 = Wagoneer 4WD-4 Dr. | 82 = Wrangler-103" W.B.-Exp. |
| 64 = Comanche 2WD-6 Ft. Box | | |

BODY STYLES:

MJ = Comanche Pickup
 SJ = Grand Wagoneer Wgn., J-10 & J-20 Pickups
 XJ = Cherokee, Wagoneer Limited
 YJ = Wrangler

AR = Use as Required - = Non Illustrated Part P.A.R. = Paint as Required

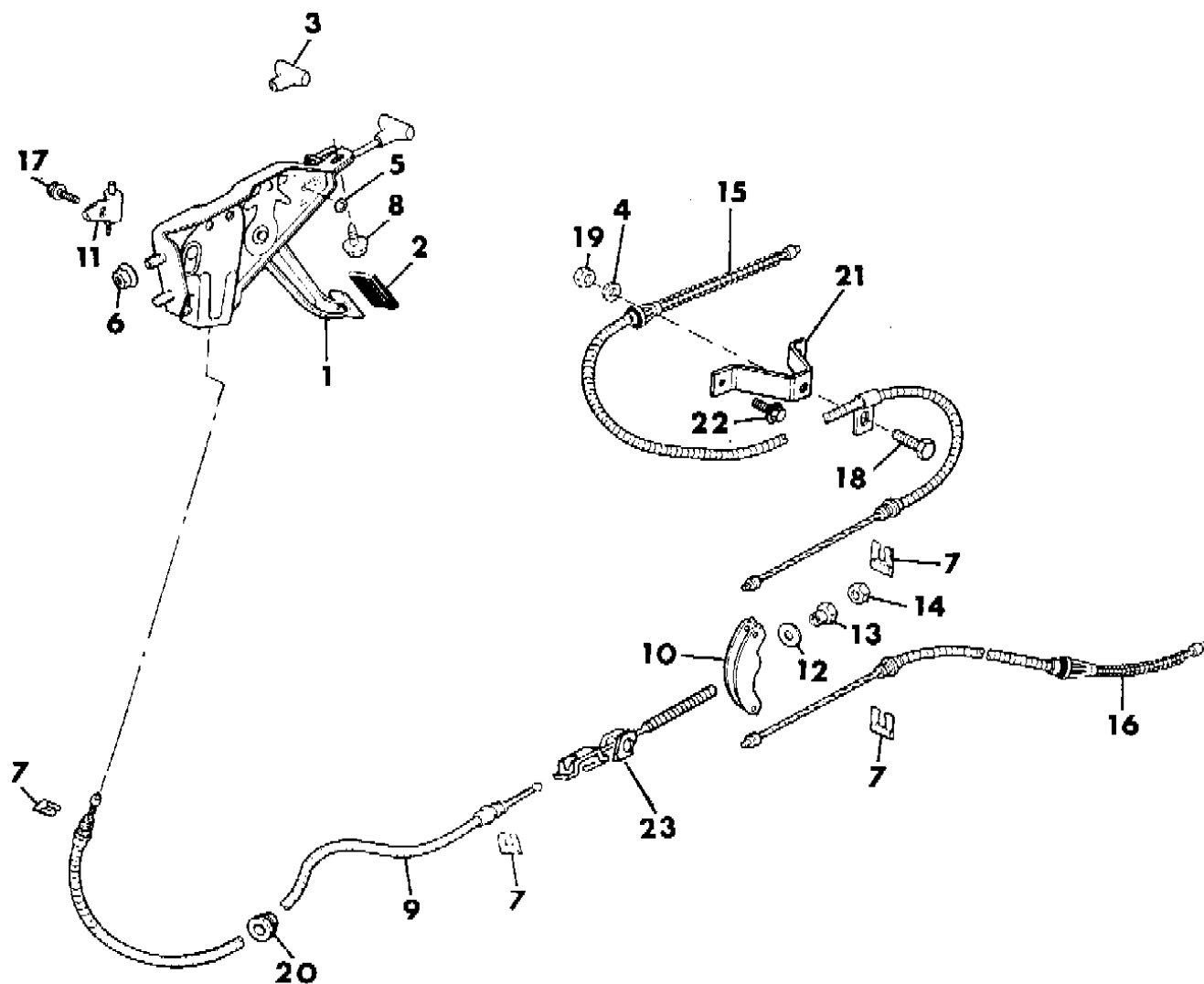
GROUP 4 - BRAKES, PARKING

| ILLUSTRATION TITLE | GROUP-FIG. NO. |
|--|-----------------------|
| LEVER ASSEMBLY AND CABLES PARKING BRAKE WRANGLER, YJ | Fig. 4-100 |
| LEVER ASSEMBLY AND CABLES PARKING BRAKE CHEROKEE, WAGONEER | Fig. 4-200 |
| LEVER ASSEMBLY AND CABLES PARKING BRAKE COMANCHE | Fig. 4-300 |
| LEVER ASSEMBLY AND CABLES PARKING BRAKE WAGONEER, J10, J20 | Fig. 4-400 |

ILLUSTRATION NOT AVAILABLE AT TIME OF PUBLICATION

LEVER ASSEMBLY AND CABLES PARKING BRAKE WRANGLER, YJ
Figure 4-100

8J04100A



| ITEM | PART NUMBER | QTY | BODY | MODEL | DESCRIPTION |
|------|-------------|-----|------|-----------|---|
| 1 | 5200 3176 | 1 | | | LEVER ASSEMBLY, Brake *** |
| 2 | J322 0433 | 1 | | | PAD, Pedal |
| 3 | J448 7994 | 1 | | | HANDLE |
| 4 | J012 0393 | 1 | | | WASHER |
| 5 | J320 8306 | 1 | | | CLIP |
| 6 | J400 5704 | 1 | | | NUT |
| 7 | J321 7581 | 4 | | | CLIP |
| 8 | J098 7145 | 1 | | | SCREW |
| 9 | | | | | CABLE, Brake |
| | 5200 3181 | 1 | | 81 | |
| | 5200 2815 | 1 | | 82 | |
| 10 | 5200 1154 | 1 | | | EQUALIZER |
| 11 | J323 2194 | 1 | | | SWITCH, Brake Warning Lamp |
| 12 | J400 3807 | 1 | | | WASHER |
| 13 | 5200 1157 | 1 | | | NUT |
| 14 | 1150 0749 | 1 | | | NUT |
| 15 | | | | | CABLE, Brake, Right |
| | 5200 3182 | 1 | | 1987/89 | |
| | 5200 4706 | 1 | | 1990 | |
| | 5200 3182 | 1 | | 1990, KDX | |
| 16 | | | | | CABLE, Brake, Left |
| | 5200 3183 | 1 | | 1987/89 | |
| | 5200 4707 | 1 | | 1990 | |
| | 5200 3183 | 1 | | 1990, KDX | |
| 17 | J942 1073 | 1 | | | SCREW |
| 18 | J027 3573 | 1 | | | BOLT |
| 19 | J941 3447 | 1 | | | NUT |
| 20 | J535 1742 | 1 | | | GROMMET |
| 21 | J536 3211 | 1 | | 82 | BRACKET, KDX |
| 22 | S942 3777 | 2 | | 82 | BOLT, KDX |
| 23 | J545 9676 | 1 | | | BRACKET ASSEMBLY, Hand Brake Stabilizer *** |

MODEL CODES:

| | | |
|-----------------------------|-----------------------------|------------------------------|
| 15 = Grand Wagoneer 4 Dr. | 65 = Comanche 4WD-7 Ft. Box | 77 = Cherokee 4WD-2 Dr. |
| 25 = J-10 Pickup-119" W.B. | 66 = Comanche 2WD-7 Ft. Box | 78 = Cherokee 4WD-4 Dr. |
| 26 = J-10 Pickup-131" W.B. | 73 = Cherokee 2WD-2 Dr. | 79 = Cherokee 4WD-4 Dr.-Com |
| 27 = J-20 Pickup-131" W.B. | 74 = Cherokee 2WD-4 Dr. | 81 = Wrangler-93" W.B. |
| 63 = Comanche 4WD-6 Ft. Box | 75 = Wagoneer 4WD-4 Dr. | 82 = Wrangler-103" W.B.-Exp. |
| 64 = Comanche 2WD-6 Ft. Box | | |

BODY STYLES:

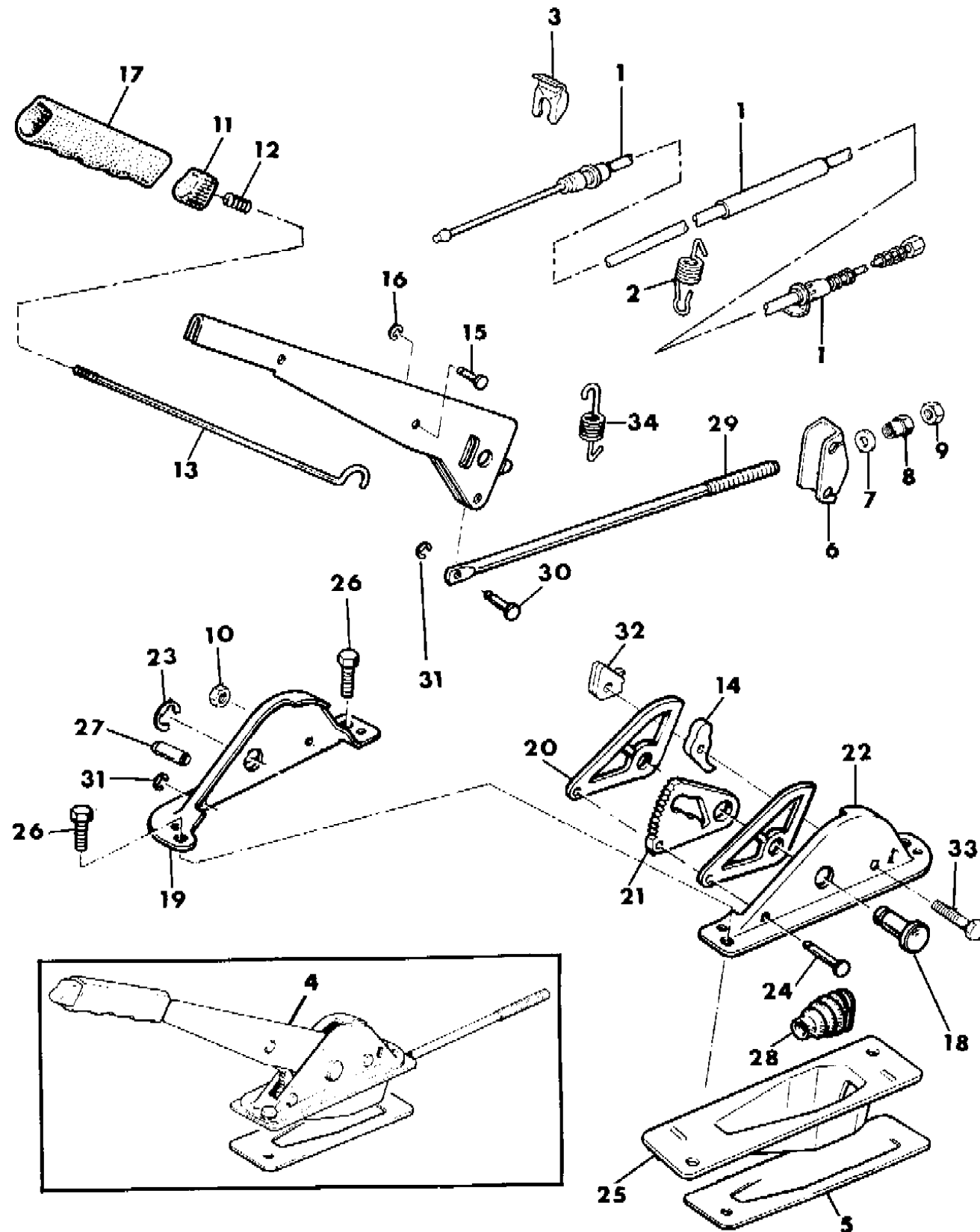
MJ = Comanche Pickup
 SJ = Grand Wagoneer Wgn., J-10 & J-20 Pickups
 XJ = Cherokee, Wagoneer Limited
 YJ = Wrangler

AR = Use as Required - = Non Illustrated Part P.A.R. = Paint as Required

LEVER ASSEMBLY AND CABLES PARKING BRAKE CHEROKEE, WAGONEER

Figure 4-200

8 J04 200 A



| ITEM | PART NUMBER | QTY | BODY | MODEL | DESCRIPTION |
|------|-------------|-----|------|-------|--------------------------------------|
| 1 | | | | | CABLE, Brake |
| | 5200 3256 | 2 | | | 1987/89 |
| | 5200 4709 | 2 | | | 1990 |
| 2 | 5200 1156 | 2 | | | SPRING, Cable to U/B Seat Belt Plate |
| 3 | J321 7581 | 2 | | | CLIP, Spring |
| 4 | J067 8723 | 1 | | | LEVER ASSEMBLY, Brake *** |
| 5 | 3200 0744 | 1 | | | SEAL |
| 6 | 5200 1154 | 1 | | | LINK, Cable |
| 7 | J400 3807 | 1 | | | WASHER |
| 8 | 5200 1157 | 1 | | | NUT |
| 9 | 1150 0749 | 1 | | | NUT |
| 10 | T303 3005 | 1 | | | NUT |
| 11 | J066 2741 | 1 | | | BUTTON, Brake Release |
| 12 | J066 2781 | 1 | | | SPRING, Release |
| 13 | J066 2784 | 1 | | | ROD, Release |
| 14 | J066 2770 | 1 | | | PAWL, Locking |
| 15 | J305 0033 | 1 | | | PIN |
| 16 | J306 6150 | 1 | | | CLIP, Retaining |
| 17 | J066 2742 | 1 | | | HANDLE, Lever |
| 18 | J305 0070 | 1 | | | SHAFT, Housing |
| 19 | J066 2783 | 1 | | | HOUSING, Lever |
| 20 | J069 9064 | 2 | | | WASHER |
| 21 | J066 2771 | 1 | | | SECTOR, Locking |
| 22 | J066 2782 | 1 | | | HOUSING, Lever |
| 23 | J306 6162 | 1 | | | RING, Retaining |
| 24 | J305 0094 | 1 | | | PIN |
| 25 | 5200 1155 | 1 | | | COVER, Housing |
| 26 | 3420 1756 | 2 | | | BOLT |
| 27 | J503 5073 | 1 | | | PIN |
| 28 | J059 1208 | 1 | | | BOOT |
| 29 | J059 1241 | 1 | | | ROD, Adjusting |
| 30 | J305 0069 | 1 | | | PIN |
| 31 | J306 6151 | 2 | | | CLIP |
| 32 | J065 2153 | 1 | | | SWITCH, Brake Warning Lamp |
| 33 | T300 1658 | 1 | | | SCREW |
| 34 | 5200 6657 | 2 | | | SPRING, Cable to Frame Rail |

MODEL CODES:

| | | |
|-----------------------------|-----------------------------|------------------------------|
| 15 = Grand Wagoneer 4 Dr. | 65 = Comanche 4WD-7 Ft. Box | 77 = Cherokee 4WD-2 Dr. |
| 25 = J-10 Pickup-119" W.B. | 66 = Comanche 2WD-7 Ft. Box | 78 = Cherokee 4WD-4 Dr. |
| 26 = J-10 Pickup-131" W.B. | 73 = Cherokee 2WD-2 Dr. | 79 = Cherokee 4WD-4 Dr.-Com |
| 27 = J-20 Pickup-131" W.B. | 74 = Cherokee 2WD-4 Dr. | 81 = Wrangler-93" W.B. |
| 63 = Comanche 4WD-6 Ft. Box | 75 = Wagoneer 4WD-4 Dr. | 82 = Wrangler-103" W.B.-Exp. |
| 64 = Comanche 2WD-6 Ft. Box | | |

BODY STYLES:

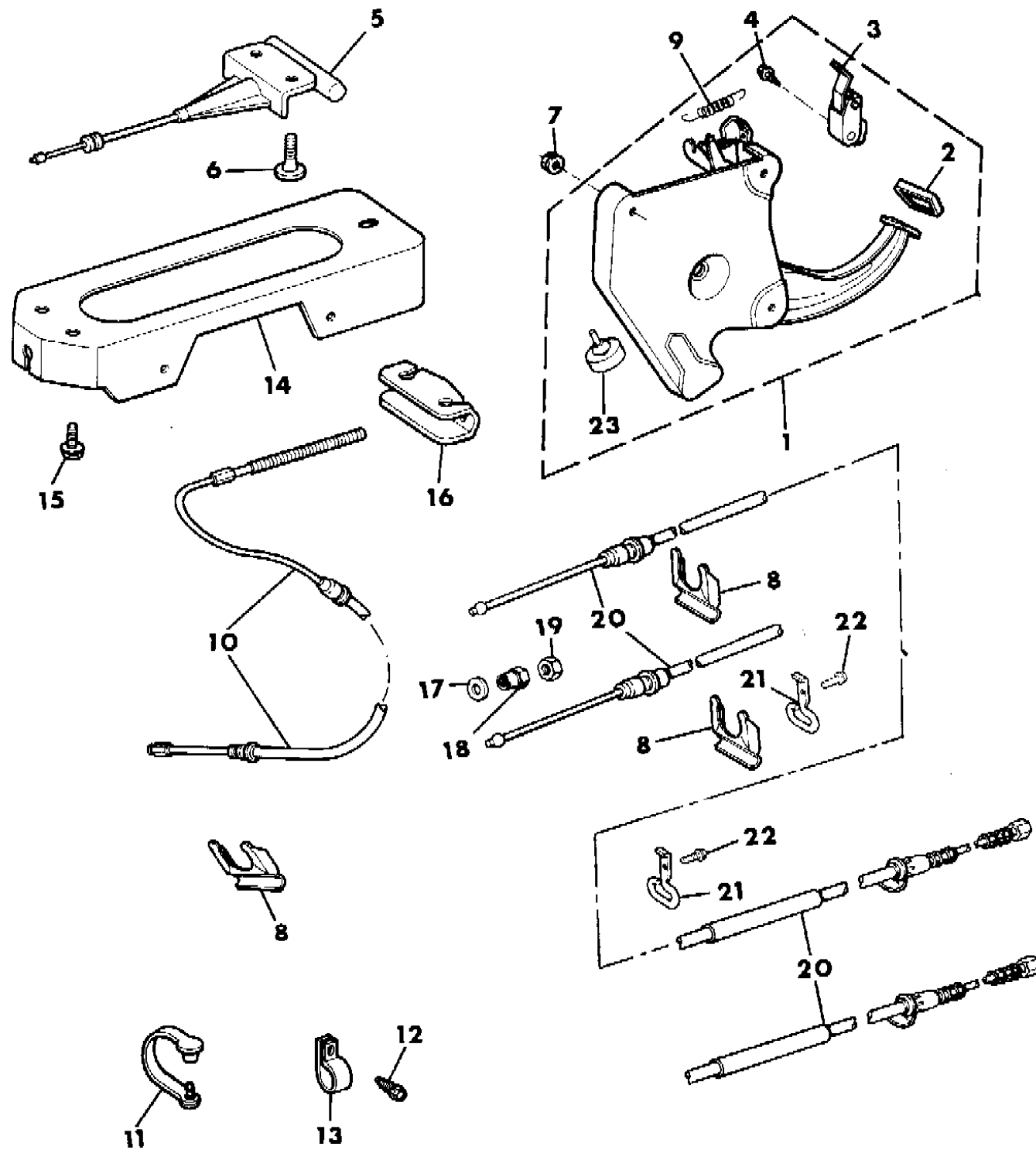
MJ = Comanche Pickup
 SJ = Grand Wagoneer Wgn., J-10 & J-20 Pickups
 XJ = Cherokee, Wagoneer Limited
 YJ = Wrangler

AR = Use as Required - = Non Illustrated Part P.A.R. = Paint as Required

LEVER ASSEMBLY AND CABLES PARKING BRAKE COMANCHE

Figure 4-300

8 J04 300



| ITEM | PART NUMBER | QTY | BODY | MODEL | DESCRIPTION |
|------|-------------|-----|------|-------|----------------------------|
| 1 | 5200 0803 | 1 | | | LEVER ASSEMBLY, Brake *** |
| 2 | 8350 2639 | 1 | | | PAD, Pedal |
| 3 | 5600 1966 | 1 | | | SWITCH, Brake Warning Lamp |
| 4 | J941 6223 | 1 | | | SCREW |
| 5 | 5200 0861 | 1 | | | CABLE, Release |
| 6 | 3420 1473 | 2 | | | SCREW |
| 7 | 1150 2811 | 2 | | | NUT |
| 8 | J321 7581 | 4 | | | CLIP |
| 9 | 8350 4860 | 1 | | | SPRING |
| 10 | | | | | CABLE, Brake |
| | 5200 3192 | 1 | | | 6 Foot Box *** |
| | 5200 3190 | 1 | | | 7 Foot Box |
| 11 | J400 0306 | 1 | | | STRAP |
| 12 | J400 1701 | 2 | | | SCREW |
| | 1150 0100 | 2 | | | SCREW, KDX |
| 13 | J012 0524 | 2 | | | CLIP |
| 14 | | | | | BRACKET |
| | 5200 2997 | 1 | | | 6 Foot Box |
| | 5200 0863 | 1 | | | 7 Foot Box |
| 15 | 3420 1991 | 1 | | | BOLT |
| 16 | 5200 1154 | 1 | | | EQUALIZER |
| 17 | J400 3807 | 1 | | | WASHER |
| 18 | 5200 1157 | 1 | | | NUT |
| 19 | 1150 0749 | 1 | | | NUT |
| 20 | | | | | CABLE, Brake |
| | 5200 3188 | 2 | | | 1987/89 |
| | 5200 6380 | 2 | | | 1990 |
| 21 | 5200 3547 | 2 | | | CLIP |
| 22 | 3420 1193 | 2 | | | BOLT |
| 23 | 8350 5579 | 1 | | | BUMPER |

MODEL CODES:

| | | |
|-----------------------------|-----------------------------|------------------------------|
| 15 = Grand Wagoneer 4 Dr. | 65 = Comanche 4WD-7 Ft. Box | 77 = Cherokee 4WD-2 Dr. |
| 25 = J-10 Pickup-119" W.B. | 66 = Comanche 2WD-7 Ft. Box | 78 = Cherokee 4WD-4 Dr. |
| 26 = J-10 Pickup-131" W.B. | 73 = Cherokee 2WD-2 Dr. | 79 = Cherokee 4WD-4 Dr.-Com |
| 27 = J-20 Pickup-131" W.B. | 74 = Cherokee 2WD-4 Dr. | 81 = Wrangler-93" W.B. |
| 63 = Comanche 4WD-6 Ft. Box | 75 = Wagoneer 4WD-4 Dr. | 82 = Wrangler-103" W.B.-Exp. |
| 64 = Comanche 2WD-6 Ft. Box | | |

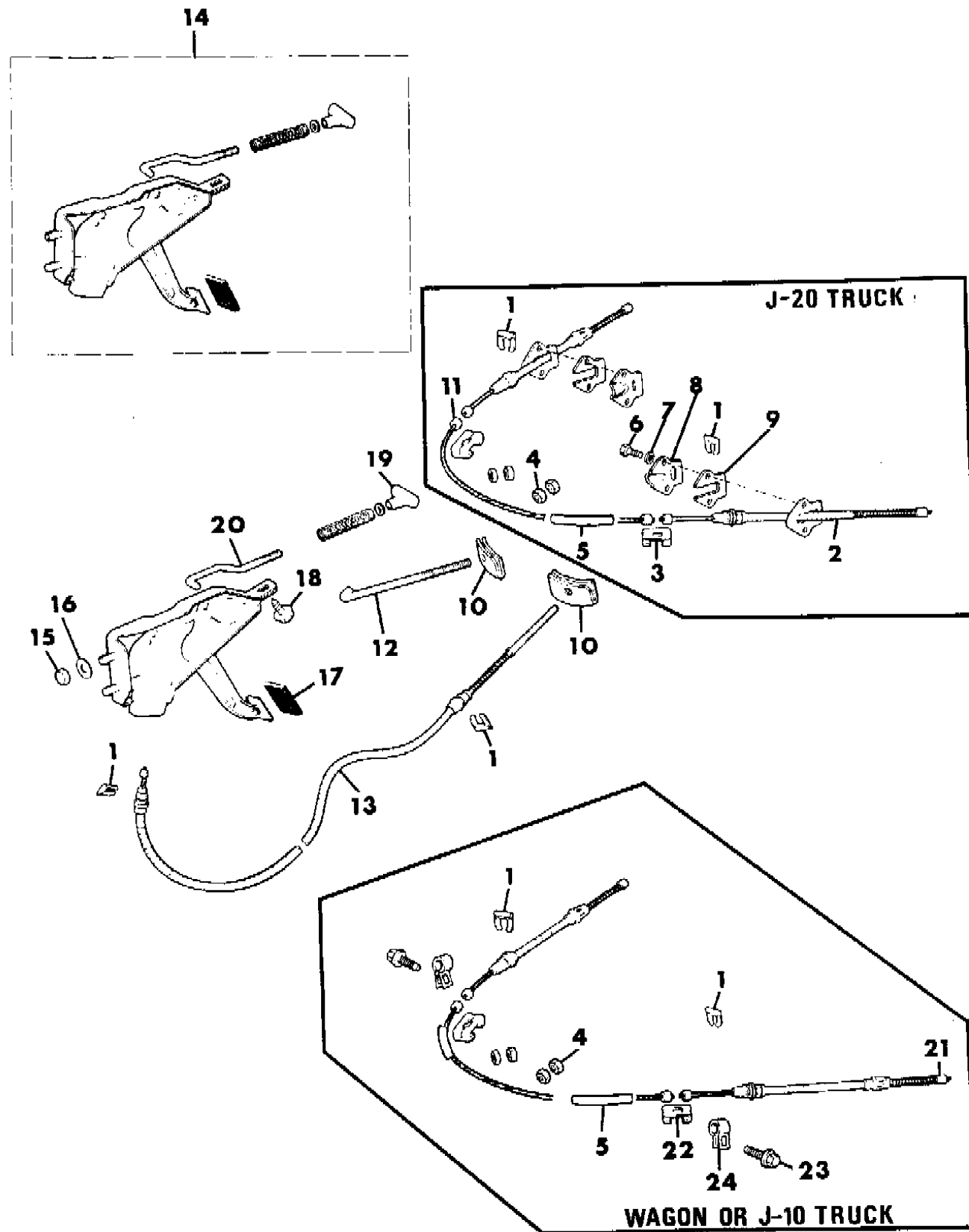
BODY STYLES:

MJ = Comanche Pickup
 SJ = Grand Wagoneer Wgn., J-10 & J-20 Pickups
 XJ = Cherokee, Wagoneer Limited
 YJ = Wrangler

AR = Use as Required - = Non Illustrated Part P.A.R. = Paint as Required

LEVER ASSEMBLY AND CABLES PARKING BRAKE WAGONEER, J10, J20
Figure 4-400

8J04 400



| ITEM | PART NUMBER | QTY | BODY | MODEL | DESCRIPTION |
|------|-------------|-----|------|--------|---------------------------------------|
| 1 | J321 7581 | 4 | | | CLIP, Retaining |
| 2 | J536 2136 | 2 | | 27 | CABLE, Brake |
| 3 | J535 1675 | 2 | | | CLIP |
| 4 | J012 0368 | 4 | | | NUT |
| 5 | J536 1320 | 2 | | | SLEEVE |
| 6 | J018 0077 | 4 | | 27 | BOLT |
| 7 | J012 0214 | 4 | | 27 | WASHER |
| 8 | J535 2785 | 2 | | 27 | CLAMP |
| 9 | J535 2784 | 2 | | 27 | GASKET |
| 10 | J535 1663 | 2 | | | EQUALIZER |
| 11 | | | | | CABLE, Brake |
| | J536 2868 | 1 | | 27 | w/Manual Transmission |
| | J536 1279 | 1 | | 27 | w/Automatic Transmission |
| | J536 1279 | 1 | | 15, 26 | w/Manual Transmission |
| | J536 1280 | 1 | | 15, 26 | w/Automatic Transmission, 4.2L Engine |
| | J536 1279 | 1 | | 15, 26 | w/Automatic Transmission, 5.9L Engine |
| 12 | J536 1278 | 1 | | | ROD |
| 13 | | | | | CABLE, Brake |
| | J536 1029 | 1 | | 27 | w/Manual Transmission |
| | J536 1026 | 1 | | 27 | w/Automatic Transmission |
| | J536 1026 | 1 | | | w/Manual Transmission |
| | J536 1029 | 1 | | | w/Automatic Transmission, 4.2L Engine |
| | J536 1026 | 1 | | | w/Automatic Transmission, 5.9L Engine |
| 14 | J536 2139 | 1 | | | LEVER ASSEMBLY, Brake *** |
| 15 | J027 1184 | 2 | | | NUT |
| 16 | J012 0393 | 2 | | | WASHER |
| 17 | J322 0433 | 1 | | | PAD, Pedal |
| 18 | J098 7145 | 1 | | | BOLT |
| 19 | J448 7994 | 1 | | | HANDLE |
| 20 | J448 7993 | 1 | | | ROD |
| 21 | | | | | CABLE, Brake |
| | J536 2132 | 2 | | 15 | |
| | J536 2130 | 2 | | 26 | |
| 22 | J535 1675 | 2 | | | CLIP |
| 23 | J400 4626 | 2 | | | BOLT |
| 24 | J012 7879 | 2 | | | CLIP |

MODEL CODES:

| | | |
|-----------------------------|-----------------------------|------------------------------|
| 15 = Grand Wagoneer 4 Dr. | 65 = Comanche 4WD-7 Ft. Box | 77 = Cherokee 4WD-2 Dr. |
| 25 = J-10 Pickup-119" W.B. | 66 = Comanche 2WD-7 Ft. Box | 78 = Cherokee 4WD-4 Dr. |
| 26 = J-10 Pickup-131" W.B. | 73 = Cherokee 2WD-2 Dr. | 79 = Cherokee 4WD-4 Dr.-Com |
| 27 = J-20 Pickup-131" W.B. | 74 = Cherokee 2WD-4 Dr. | 81 = Wrangler-93" W.B. |
| 63 = Comanche 4WD-6 Ft. Box | 75 = Wagoneer 4WD-4 Dr. | 82 = Wrangler-103" W.B.-Exp. |
| 64 = Comanche 2WD-6 Ft. Box | | |

BODY STYLES:

| |
|---|
| MJ = Comanche Pickup |
| SJ = Grand Wagoneer Wgn., J-10 & J-20 Pickups |
| XJ = Cherokee, Wagoneer Limited |
| YJ = Wrangler |

AR = Use as Required - = Non Illustrated Part P.A.R. = Paint as Required

GROUP 5 - BRAKES, SERVICE

ILLUSTRATION TITLE **GROUP-FIG. NO.**

WRANGLER, YJ

PEDAL, BRAKE WRANGLER, YJ Fig. 5-100

BOOSTER AND MASTER CYLINDER WRANGLER, YJ Fig. 5-200

LINES AND HOSES, BRAKE WRANGLER, YJ Fig. 5-300

BRAKES, FRONT WRANGLER, YJ Fig. 5-325

BRAKES, REAR - W/DANA MODEL 35 AXLE WRANGLER, YJ 1987/89 Fig. 5-350

BRAKES, REAR - W/DANA MODEL 35 AXLE WRANGLER, YJ 1990 Fig. 5-355

BRAKES, REAR - W/DANA MODEL 44 AXLE...EXPORT(KDX) WRANGLER Fig. 5-375

CHEROKEE, WAGONEER, COMANCHE

PEDAL, BRAKE CHEROKEE, WAGONEER, COMANCHE Fig. 5-400

VACUUM PUMP, BRAKES DIESEL Fig. 5-450

BOOSTER AND MASTER CYLINDER U.S. AND CANADA CHEROKEE, WAGONEER, COMANCHE Fig. 5-500

BOOSTER AND MASTER CYLINDER EXPORT CHEROKEE, WAGONEER, COMANCHE Fig. 5-600

CYLINDER, BRAKE MASTER W/ANTI-LOCK BRAKING SYSTEM CHEROKEE, WAGONEER Fig. 5-650

LINES AND HOSES, BRAKE U.S. AND CANADA CHEROKEE, WAGONEER, COMANCHE Fig. 5-700

HEIGHT SENSING VALVE COMANCHE Fig. 5-725

LINES AND HOSES, BRAKE W/ANTI-LOCK BRAKING SYSTEM Fig. 5-750

LINES AND HOSES, BRAKE EXPORT CHEROKEE, WAGONEER Fig. 5-800

BRAKES, FRONT CHEROKEE, WAGONEER, COMANCHE Fig. 5-825

BRAKES, REAR DRUM - W/DANA MODEL 35 CHEROKEE, WAGONEER, COMANCHE 1987/89 Fig. 5-900

BRAKES, REAR DRUM - W/DANA MODEL 35 CHEROKEE, WAGONEER, COMANCHE 1990 Fig. 5-950

BRAKES, REAR DRUM - W/DANA MODEL 44 CHEROKEE, WAGONEER, COMANCHE Fig. 5-975

GRAND WAGONEER, J-10, J-20

PEDAL, BRAKES GRAND WAGONEER, J-10, J-20 Fig. 5-1000

BOOSTER AND MASTER CYLINDER GRAND WAGONEER, J-10, J-20 Fig. 5-1100

LINES AND HOSES, BRAKE GRAND WAGONEER, J-10, J-20 Fig. 5-1200

BRAKES, FRONT DISC GRAND WAGONEER, J-10, J-20 Fig. 5-1300

BRAKES, REAR DRUM DANA MODEL 44 AXLE GRAND WAGONEER, J-10 Fig. 5-1350

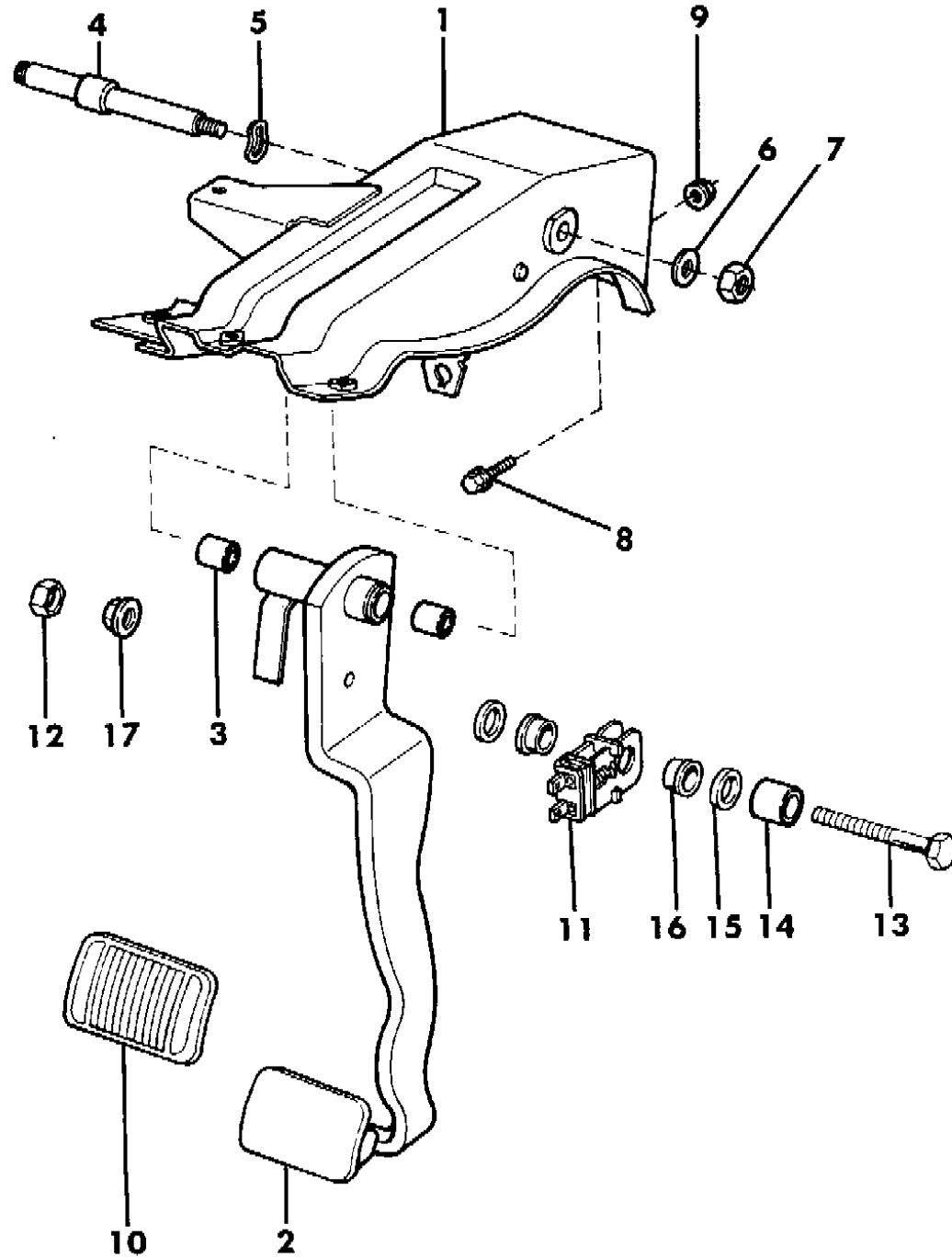
BRAKES, REAR DRUM DANA MODEL 60 AXLE J-20 Fig. 5-1400

DRUMS AND BEARINGS, REAR BRAKE DANA MODEL 60 AXLE J-20 Fig. 5-1500

ILLUSTRATION NOT AVAILABLE AT TIME OF PUBLICATION

PEDAL, BRAKE WRANGLER, YJ
Figure 5-100

8J05 100



| ITEM | PART NUMBER | QTY | BODY | MODEL | DESCRIPTION |
|------|-------------|-----|------|-------|--------------------------|
| 1 | | | | | BRACKET, Pedal |
| | 5200 2325 | 1 | | | w/Manual Transmission |
| | 5200 3047 | 1 | | | w/Automatic Transmission |
| 2 | | | | | PEDAL, Brake |
| | 5200 3051 | 1 | | | w/Manual Transmission |
| | 5200 3052 | 1 | | | w/Auto. Trans. |
| 3 | J094 6177 | 2 | | | BUSHING |
| 4 | | | | | SHAFT |
| | J535 9834 | 1 | | | w/Manual Transmission |
| | J535 1803 | 1 | | | w/Automatic Transmission |
| 5 | J535 1844 | 1 | | | WASHER |
| 6 | J012 0396 | 1 | | | WASHER |
| 7 | J400 4311 | 1 | | | NUT |
| 8 | J018 0123 | 1 | | | BOLT |
| 9 | J400 3909 | 4 | | | NUT |
| 10 | | | | | PAD, Pedal |
| | 5200 2750 | 1 | | | w/Manual Transmission |
| | 5200 2749 | 1 | | | w/Automatic Transmission |
| 11 | | | | | SWITCH, Brake Lamp |
| | J322 5787 | 1 | | | w/Cruise Control |
| | J321 5938 | 1 | | | w/o Cruise Control |
| 12 | J942 0166 | 1 | | | NUT |
| 13 | J400 4486 | 1 | | | BOLT |
| 14 | J321 5928 | 1 | | | SLEEVE |
| 15 | J321 5924 | 2 | | | SPACER |
| 16 | J321 5922 | 2 | | | BUSHING |
| 17 | J400 5311 | 1 | | | NUT |

MODEL CODES:

| | | |
|-----------------------------|-----------------------------|------------------------------|
| 15 = Grand Wagoneer 4 Dr. | 65 = Comanche 4WD-7 Ft. Box | 77 = Cherokee 4WD-2 Dr. |
| 25 = J-10 Pickup-119" W.B. | 66 = Comanche 2WD-7 Ft. Box | 78 = Cherokee 4WD-4 Dr. |
| 26 = J-10 Pickup-131" W.B. | 73 = Cherokee 2WD-2 Dr. | 79 = Cherokee 4WD-4 Dr.-Com |
| 27 = J-20 Pickup-131" W.B. | 74 = Cherokee 2WD-4 Dr. | 81 = Wrangler-93" W.B. |
| 63 = Comanche 4WD-6 Ft. Box | 75 = Wagoneer 4WD-4 Dr. | 82 = Wrangler-103" W.B.-Exp. |
| 64 = Comanche 2WD-6 Ft. Box | | |

BODY STYLES:

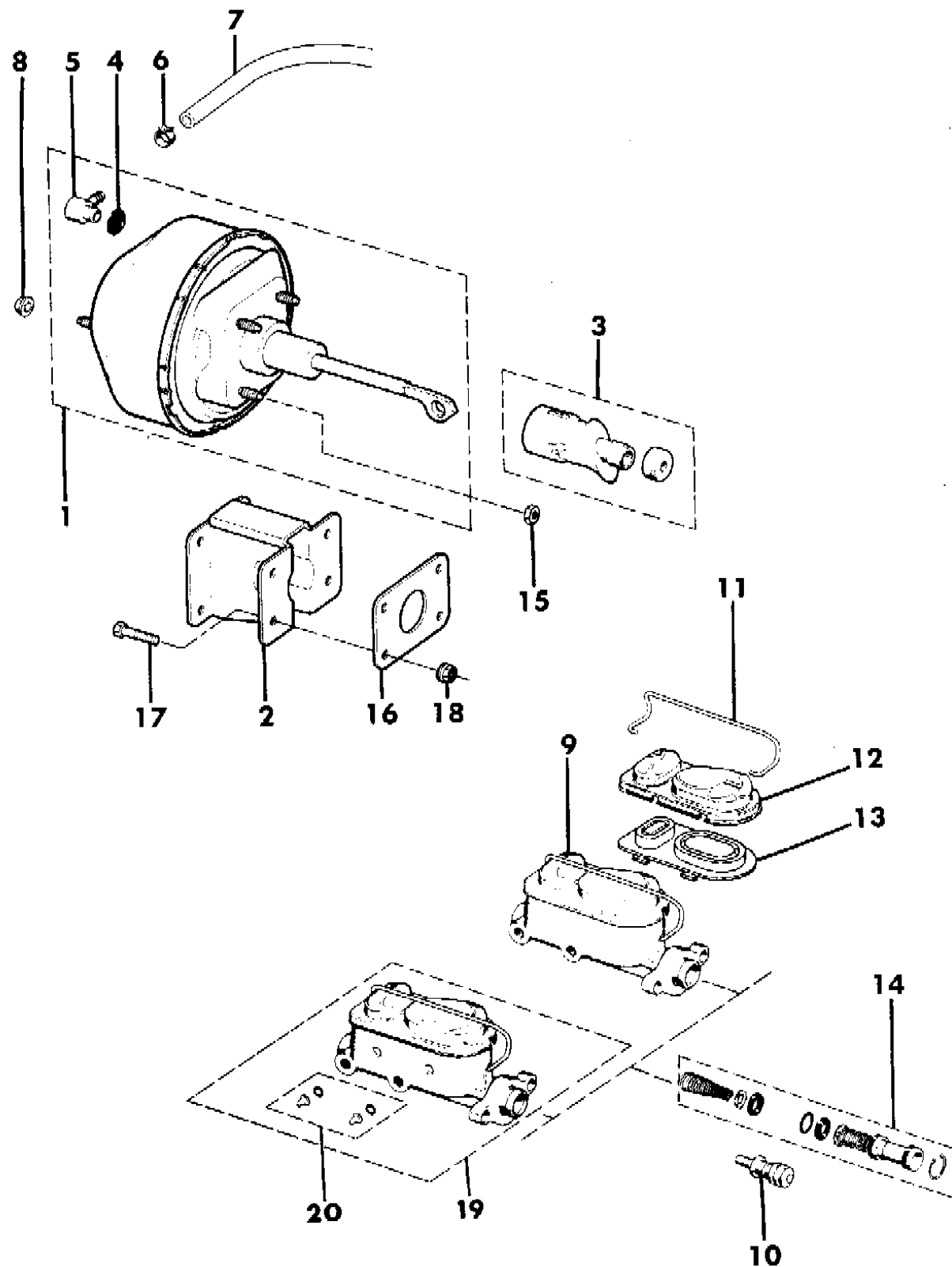
MJ = Comanche Pickup
 SJ = Grand Wagoneer Wgn., J-10 & J-20 Pickups
 XJ = Cherokee, Wagoneer Limited
 YJ = Wrangler

AR = Use as Required - = Non Illustrated Part P.A.R. = Paint as Required

BOOSTER AND MASTER CYLINDER WRANGLER, YJ

Figure 5-200

8 J05 200



| ITEM | PART NUMBER | QTY | BODY | MODEL | DESCRIPTION |
|------|-------------|-----|------|-------|-----------------------------------|
| 1 | | | | | BOOSTER, Brake |
| | 8350 2846 | 1 | | | 1987/89 |
| | 5252 628 | 1 | | | 1990 |
| 2 | 8350 2847 | 1 | | | BRACKET ASSEMBLY, Booster |
| 3 | 8350 2848 | 1 | | | GUARD KIT, Booster |
| 4 | J320 8510 | 1 | | | GROMMET, Valve |
| 5 | 8350 3496 | 1 | | | VALVE, Check |
| 6 | J317 8454 | 1 | | | CLAMP |
| 7 | J812 5883 | 1 | | | HOSE, Vacuum (Bulk) |
| 8 | J400 3909 | 2 | | | NUT |
| 9 | | | | | CYLINDER, Brake Master w/o ECE |
| | J324 1807 | 1 | | | 1987/89 |
| | 5252 626 | 1 | | | 1990 |
| 10 | J813 3915 | 1 | | | PISTON, Master Cylinder (1988/89) |
| 11 | J813 3910 | 1 | | | RETAINER |
| 12 | 8350 4454 | 1 | | | COVER, Master Cylinder |
| 13 | 8350 4455 | 1 | | | GASKET |
| 14 | | | | | REPAIR KIT, Master Cylinder |
| | J813 3913 | 1 | | | 1987/89 |
| | 5252 629 | 1 | | | 1990 |
| 15 | 8350 0105 | 4 | | | NUT |
| 16 | 5200 1844 | 1 | | | SEAL |
| 17 | J018 0123 | 4 | | | BOLT |
| 18 | J400 3909 | 1 | | | NUT |
| 19 | | | | | CYLINDER, Brake Master w/ECE |
| | J324 1805 | 1 | | | 1987/89 |
| | 5252 627 | 1 | | | 1990 |
| 20 | 8350 0142 | 1 | | | GLASS, Sight w/ECE |

MODEL CODES:

| | | |
|-----------------------------|-----------------------------|------------------------------|
| 15 = Grand Wagoneer 4 Dr. | 65 = Comanche 4WD-7 Ft. Box | 77 = Cherokee 4WD-2 Dr. |
| 25 = J-10 Pickup-119" W.B. | 66 = Comanche 2WD-7 Ft. Box | 78 = Cherokee 4WD-4 Dr. |
| 26 = J-10 Pickup-131" W.B. | 73 = Cherokee 2WD-2 Dr. | 79 = Cherokee 4WD-4 Dr.-Com |
| 27 = J-20 Pickup-131" W.B. | 74 = Cherokee 2WD-4 Dr. | 81 = Wrangler-93" W.B. |
| 63 = Comanche 4WD-6 Ft. Box | 75 = Wagoneer 4WD-4 Dr. | 82 = Wrangler-103" W.B.-Exp. |
| 64 = Comanche 2WD-6 Ft. Box | | |

BODY STYLES:

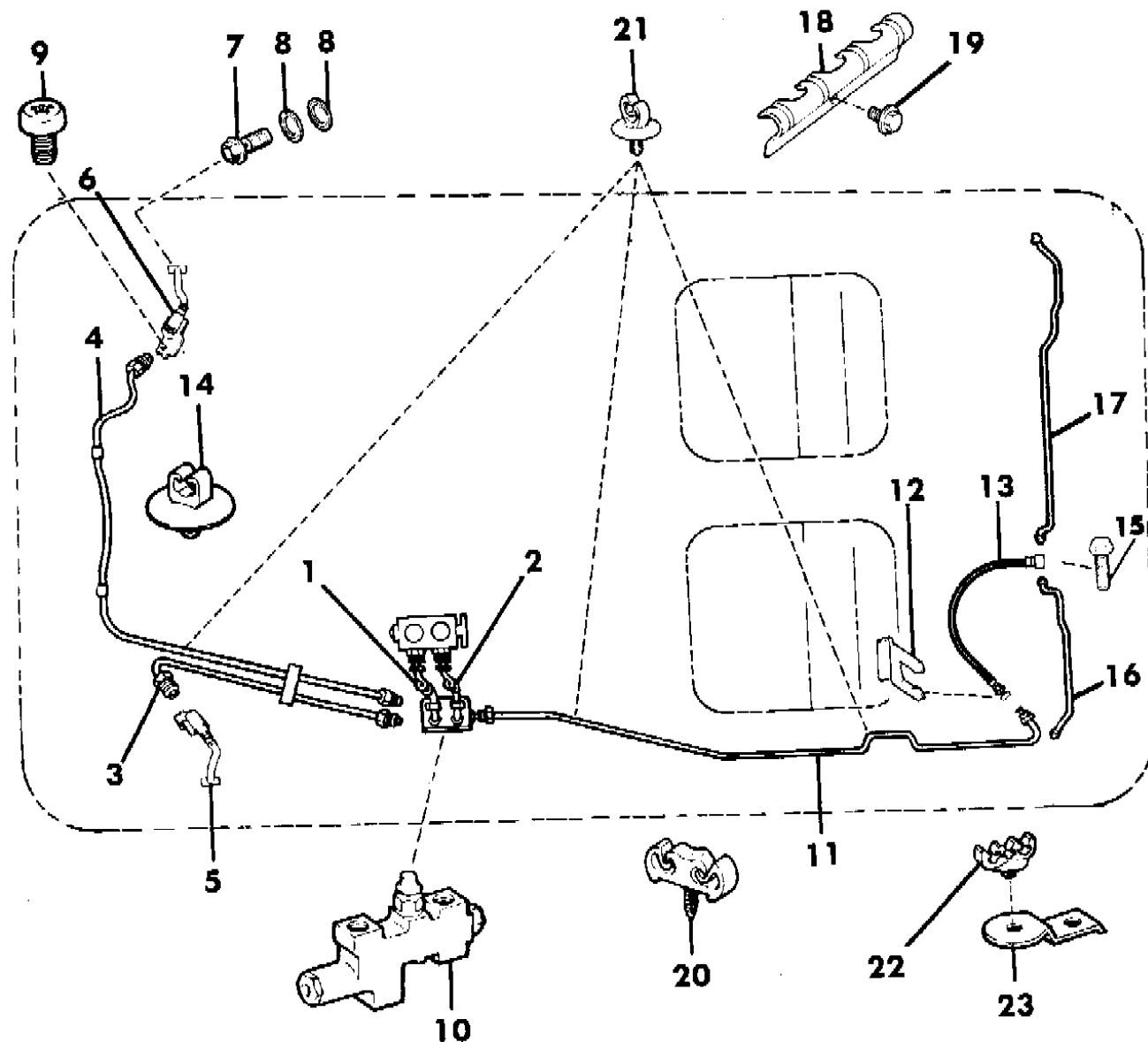
MJ = Comanche Pickup
 SJ = Grand Wagoneer Wgn., J-10 & J-20 Pickups
 XJ = Cherokee, Wagoneer Limited
 YJ = Wrangler

AR = Use as Required - = Non Illustrated Part P.A.R. = Paint as Required

LINES AND HOSES, BRAKE WRANGLER, YJ

Figure 5-300

8J05 300



| ITEM | PART NUMBER | QTY | BODY | MODEL | DESCRIPTION |
|------|-------------|-----|------|-------|----------------------|
| 1 | 5204 0163 | 1 | | | LINE, Brake |
| 2 | 5204 0159 | 1 | | | LINE, Brake |
| 3 | 5204 0169 | 1 | | | LINE, Brake |
| 4 | 5204 0168 | 1 | | | LINE, Brake |
| 5 | | | | | HOSE, Brake |
| | 5200 2849 | 1 | | | 1987/89 |
| | 5200 6473 | 1 | | | 1990 |
| 6 | | | | | HOSE, Brake |
| | 5200 2848 | 1 | | | 1987/89 |
| | 5200 6472 | 1 | | | 1990 |
| 7 | J400 6700 | 2 | | | BOLT |
| 8 | J323 6434 | 4 | | | GASKET |
| 9 | 3420 1670 | 2 | | | SCREW |
| 10 | | | | | VALVE, Proportioning |
| | 5200 3118 | 1 | | | 1987/89 |
| | 5200 6324 | 1 | | | 1990 |
| | 5200 3118 | 1 | | | 1990, KDX |
| 11 | | | | | LINE, Brake |
| | 5204 0172 | 1 | | | w/o KDX |
| | 5204 0172 | 1 | 81 | | w/KDX |
| | 5200 2814 | 1 | 82 | | w/KDX |
| 12 | J004 7774 | 1 | | | CLIP |
| 13 | | | | | HOSE, Brake |
| | 5200 1917 | 1 | | | 1987/89 |
| | 5200 4153 | 1 | | | 1990 |
| 14 | J400 7396 | 2 | | | CLIP |
| 15 | 3420 1610 | 1 | | | SCREW |
| 16 | | | | | LINE, Brake |
| | 5204 0173 | 1 | | | 1987/89 |
| | 5200 4151 | 1 | | | 1990 |
| | 5204 0173 | 1 | | | KDX |
| 17 | | | | | LINE, Brake |
| | 5204 0174 | 1 | | | 1987/89 |
| | 5200 4150 | 1 | | | 1990 |
| | 5200 3750 | 1 | | | KDX |
| 18 | J323 4854 | 1 | | | CLIP |
| 19 | 3420 1912 | 2 | | | SCREW |

MODEL CODES:

| | | |
|-----------------------------|-----------------------------|------------------------------|
| 15 = Grand Wagoneer 4 Dr. | 65 = Comanche 4WD-7 Ft. Box | 77 = Cherokee 4WD-2 Dr. |
| 25 = J-10 Pickup-119" W.B. | 66 = Comanche 2WD-7 Ft. Box | 78 = Cherokee 4WD-4 Dr. |
| 26 = J-10 Pickup-131" W.B. | 73 = Cherokee 2WD-2 Dr. | 79 = Cherokee 4WD-4 Dr.-Com |
| 27 = J-20 Pickup-131" W.B. | 74 = Cherokee 2WD-4 Dr. | 81 = Wrangler-93" W.B. |
| 63 = Comanche 4WD-6 Ft. Box | 75 = Wagoneer 4WD-4 Dr. | 82 = Wrangler-103" W.B.-Exp. |
| 64 = Comanche 2WD-6 Ft. Box | | |

BODY STYLES:

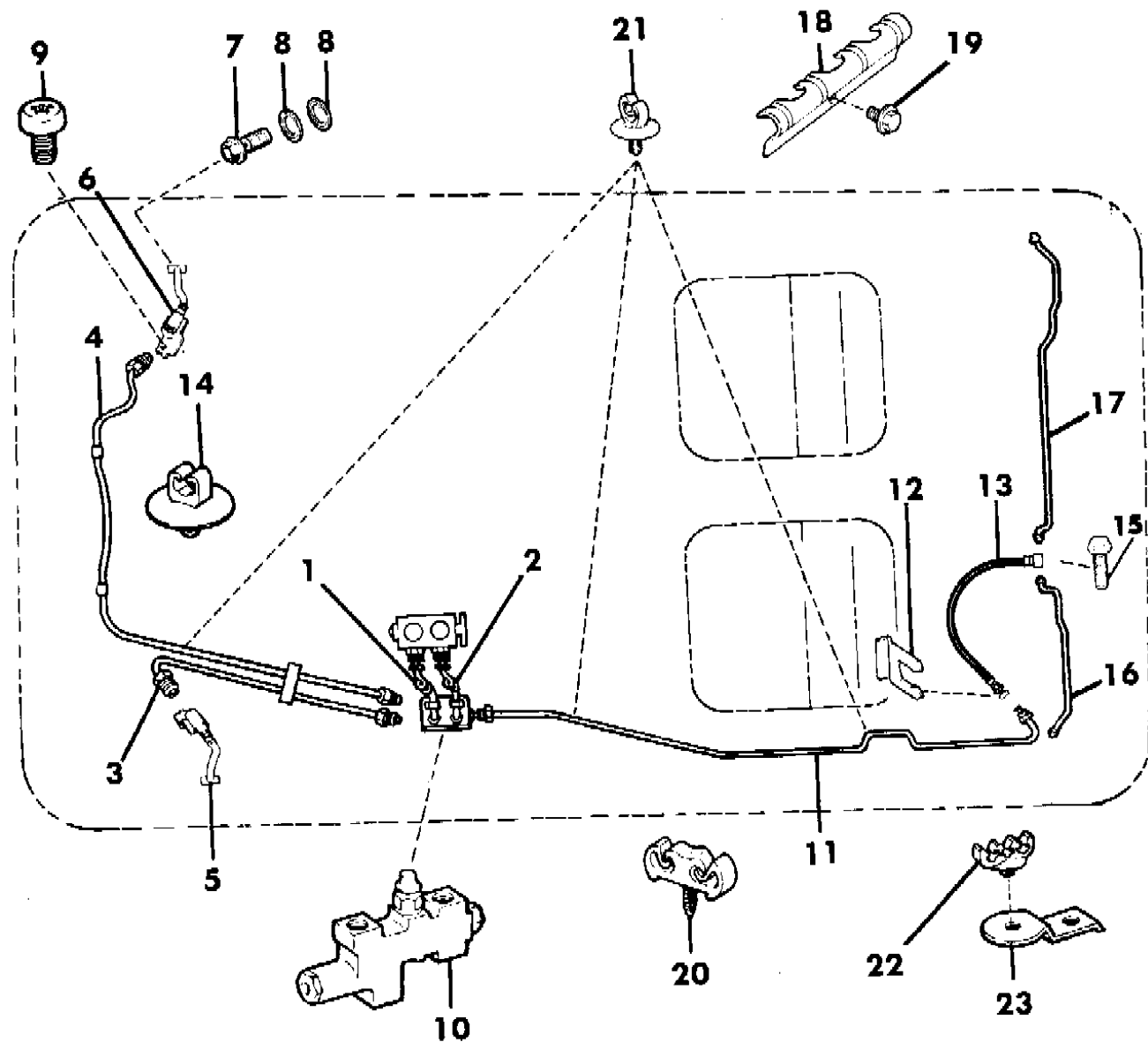
MJ = Comanche Pickup
 SJ = Grand Wagoneer Wgn., J-10 & J-20 Pickups
 XJ = Cherokee, Wagoneer Limited
 YJ = Wrangler

AR = Use as Required - = Non Illustrated Part P.A.R. = Paint as Required

LINES AND HOSES, BRAKE WRANGLER, YJ

Figure 5-300

8J05 300



| ITEM | PART NUMBER | QTY | BODY | MODEL | DESCRIPTION |
|------|-------------|-----|------|-------|-------------|
| 20 | 5200 2044 | 1 | | | CLIP |
| 21 | 3200 0404 | 3 | | | CLIP |
| 22 | 5300 1242 | 1 | | | CLIP |
| 23 | 5200 2757 | 1 | | | BRACKET |

MODEL CODES:

| | | |
|-----------------------------|-----------------------------|------------------------------|
| 15 = Grand Wagoneer 4 Dr. | 65 = Comanche 4WD-7 Ft. Box | 77 = Cherokee 4WD-2 Dr. |
| 25 = J-10 Pickup-119" W.B. | 66 = Comanche 2WD-7 Ft. Box | 78 = Cherokee 4WD-4 Dr. |
| 26 = J-10 Pickup-131" W.B. | 73 = Cherokee 2WD-2 Dr. | 79 = Cherokee 4WD-4 Dr.-Com |
| 27 = J-20 Pickup-131" W.B. | 74 = Cherokee 2WD-4 Dr. | 81 = Wrangler-93" W.B. |
| 63 = Comanche 4WD-6 Ft. Box | 75 = Wagoneer 4WD-4 Dr. | 82 = Wrangler-103" W.B.-Exp. |
| 64 = Comanche 2WD-6 Ft. Box | | |

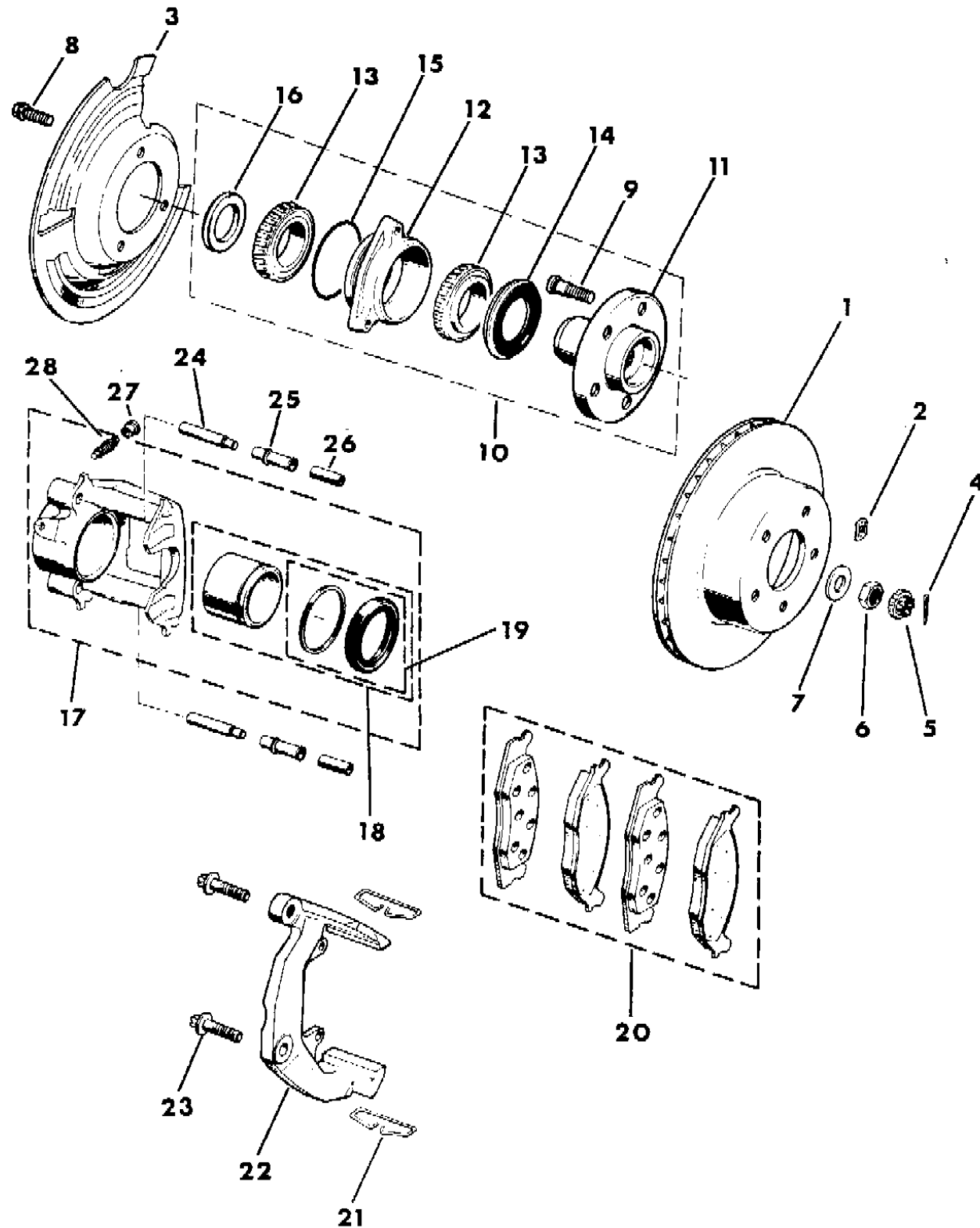
BODY STYLES:

MJ = Comanche Pickup
 SJ = Grand Wagoneer Wgn., J-10 & J-20 Pickups
 XJ = Cherokee, Wagoneer Limited
 YJ = Wrangler

AR = Use as Required - = Non Illustrated Part P.A.R. = Paint as Required

BRAKES, FRONT WRANGLER, YJ
Figure 5-325

8J05 325



| ITEM | PART NUMBER | QTY | BODY | MODEL | DESCRIPTION |
|------|-------------|-----|------|-------|---|
| 1 | | | | | ROTOR, Brake |
| | J325 1156 | 2 | | | 1987/89 |
| | 5200 5000 | 2 | | | 1990 |
| 2 | J400 6185 | 6 | | | NUT |
| 3 | | | | | SHIELD, Splash |
| | | | | | Right |
| | 5200 0114 | 1 | | | 1987/89 |
| | 5252 982 | 1 | | | 1990 |
| | | | | | Left |
| | 5200 0115 | 1 | | | 1987/89 |
| | 5252 983 | 1 | | | 1990 |
| 4 | 1101 0069 | 2 | | | PIN |
| 5 | J420 0097 | 2 | | | RETAINER |
| 6 | J420 0095 | 2 | | | NUT |
| 7 | J420 0096 | 2 | | | WASHER |
| 8 | 3420 1535 | 6 | | | BOLT |
| 9 | | | | | BOLT |
| | J323 8138 | 10 | | | 1987/89 |
| | 5300 7463 | 10 | | | 1990 |
| 10 | | | | | HUB and BEARING ASSEMBLY, Front Brake *** |
| | 5300 0228 | 2 | | | 1987/89 |
| | | | | | 1990 |
| | 5300 5604 | 2 | | | Roller Bearing (Kelsey Hayes) |
| | 5300 7449 | 2 | | | Ball Bearing (Fag) |
| 11 | 5300 0234 | 2 | | | HUB, 1987/89 |
| 12 | 5300 0230 | 2 | | | CARRIER, Hub and Bearing (1987/89) *** |
| 13 | 5300 0238 | 4 | | | BEARING (1987/89) *** |
| 14 | J323 8137 | 2 | | | SEAL (1987/89) *** |
| 15 | 5300 0237 | 2 | | | SEAL (1987/89) *** |
| 16 | 5300 0239 | 2 | | | SEAL (1987/89) *** |
| 17 | | | | | CALIPER, Brake |
| | | | | | Right |
| | J813 3846 | 1 | | | 1987/89 |
| | 5252 984 | 1 | | | 1990 |
| | | | | | Left |
| | J813 3847 | 1 | | | 1987/89 |
| | 5252 985 | 1 | | | 1990 |

MODEL CODES:

| | | |
|-----------------------------|-----------------------------|------------------------------|
| 15 = Grand Wagoneer 4 Dr. | 65 = Comanche 4WD-7 Ft. Box | 77 = Cherokee 4WD-2 Dr. |
| 25 = J-10 Pickup-119" W.B. | 66 = Comanche 2WD-7 Ft. Box | 78 = Cherokee 4WD-4 Dr. |
| 26 = J-10 Pickup-131" W.B. | 73 = Cherokee 2WD-2 Dr. | 79 = Cherokee 4WD-4 Dr.-Com |
| 27 = J-20 Pickup-131" W.B. | 74 = Cherokee 2WD-4 Dr. | 81 = Wrangler-93" W.B. |
| 63 = Comanche 4WD-6 Ft. Box | 75 = Wagoneer 4WD-4 Dr. | 82 = Wrangler-103" W.B.-Exp. |
| 64 = Comanche 2WD-6 Ft. Box | | |

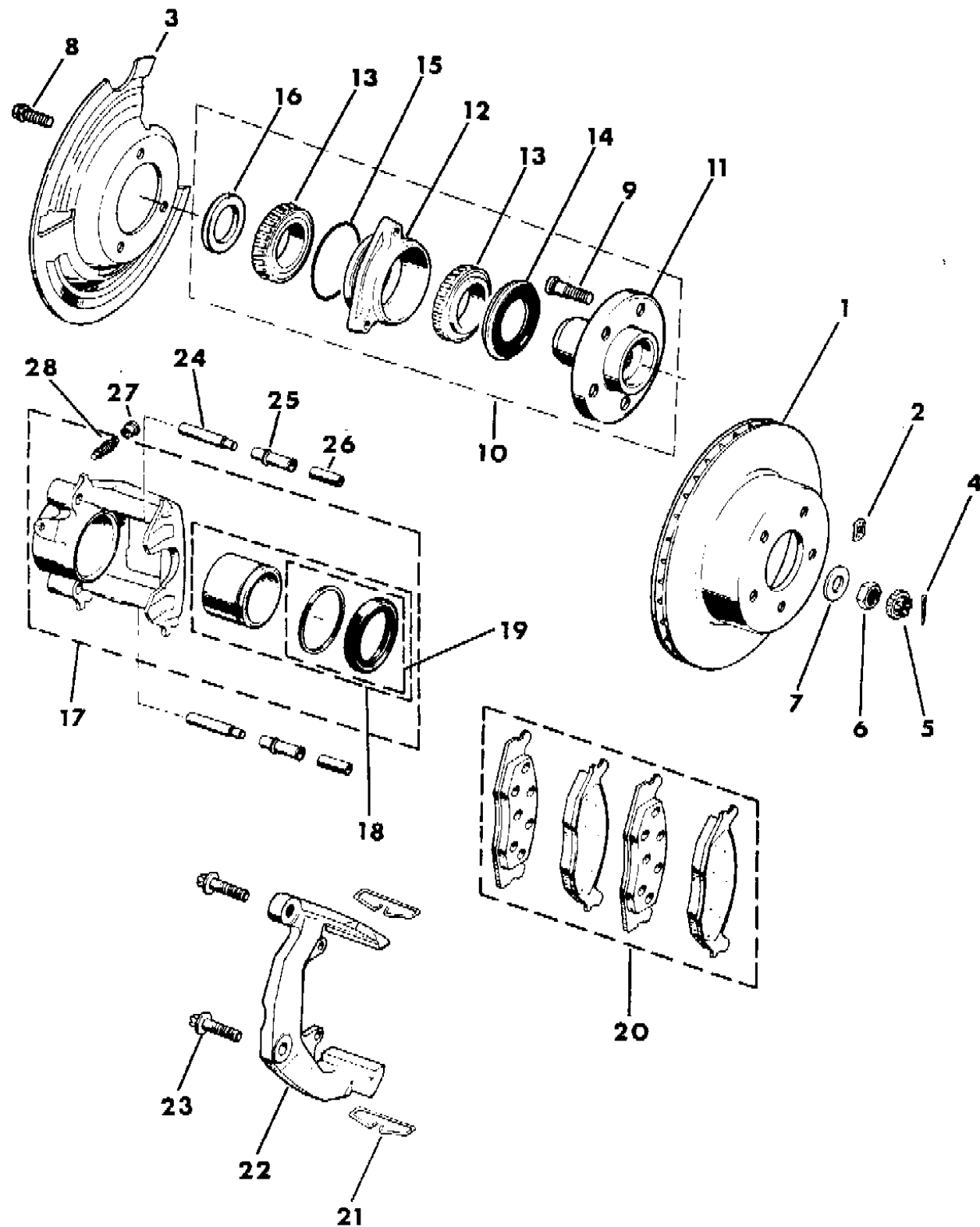
BODY STYLES:

MJ = Comanche Pickup
SJ = Grand Wagoneer Wgn., J-10 & J-20 Pickups
XJ = Cherokee, Wagoneer Limited
YJ = Wrangler

AR = Use as Required - = Non Illustrated Part P.A.R. = Paint as Required

BRAKES, FRONT WRANGLER, YJ
Figure 5-325

8J05 325



| ITEM | PART NUMBER | QTY | BODY | MODEL | DESCRIPTION |
|------|-------------|-----|------|-------|---|
| 18 | | | | | PISTON PACKAGE, Front Brake Caliper *** |
| | J813 3845 | 2 | | | 1987/89 |
| | 5252 614 | 2 | | | 1990 |
| 19 | J813 3852 | 2 | | | SEAL PACKAGE, Front Brake Caliper |
| 20 | | | | | PAD PACKAGE, FRONT BRAKE CALIPERS |
| | | | | | 1987/89 |
| | 8350 1167 | 1 | | | U.S., Canada |
| | 8350 2200 | 1 | | | ECE, Export |
| | 5252 531 | 1 | | | 1990 |
| 21 | J323 9865 | 4 | | | CLIP, Anti-Rattle |
| 22 | 5200 0490 | 2 | | | BRACKET, Caliper Mounting (1987/89) |
| | | 2 | | | (1990) Service on Knuckle (D) |
| 23 | 3420 1506 | 4 | | | BOLT |
| 24 | | | | | PIN, Caliper |
| | 8350 4655 | 4 | | | 1987/89 |
| | 5253 000 | 4 | | | 1990 |
| 25 | | | | | BUSHING |
| | 5200 1700 | 4 | | | 1987/89 |
| | 4383 471 | 4 | | | 1990 |
| 26 | | | | | SLEEVE |
| | 5200 1701 | 4 | | | 1987/89 |
| | 4636 017 | 4 | | | 1990 |
| 27 | | | | | CAP |
| | J324 0871 | 2 | | | 1987/89 |
| | 4238 717 | 2 | | | 1990 |
| 28 | J320 3313 | 2 | | | SCREW, Bleeder |

MODEL CODES:

| | | |
|-----------------------------|-----------------------------|------------------------------|
| 15 = Grand Wagoneer 4 Dr. | 65 = Comanche 4WD-7 Ft. Box | 77 = Cherokee 4WD-2 Dr. |
| 25 = J-10 Pickup-119" W.B. | 66 = Comanche 2WD-7 Ft. Box | 78 = Cherokee 4WD-4 Dr. |
| 26 = J-10 Pickup-131" W.B. | 73 = Cherokee 2WD-2 Dr. | 79 = Cherokee 4WD-4 Dr.-Com |
| 27 = J-20 Pickup-131" W.B. | 74 = Cherokee 2WD-4 Dr. | 81 = Wrangler-93" W.B. |
| 63 = Comanche 4WD-6 Ft. Box | 75 = Wagoneer 4WD-4 Dr. | 82 = Wrangler-103" W.B.-Exp. |
| 64 = Comanche 2WD-6 Ft. Box | | |

BODY STYLES:

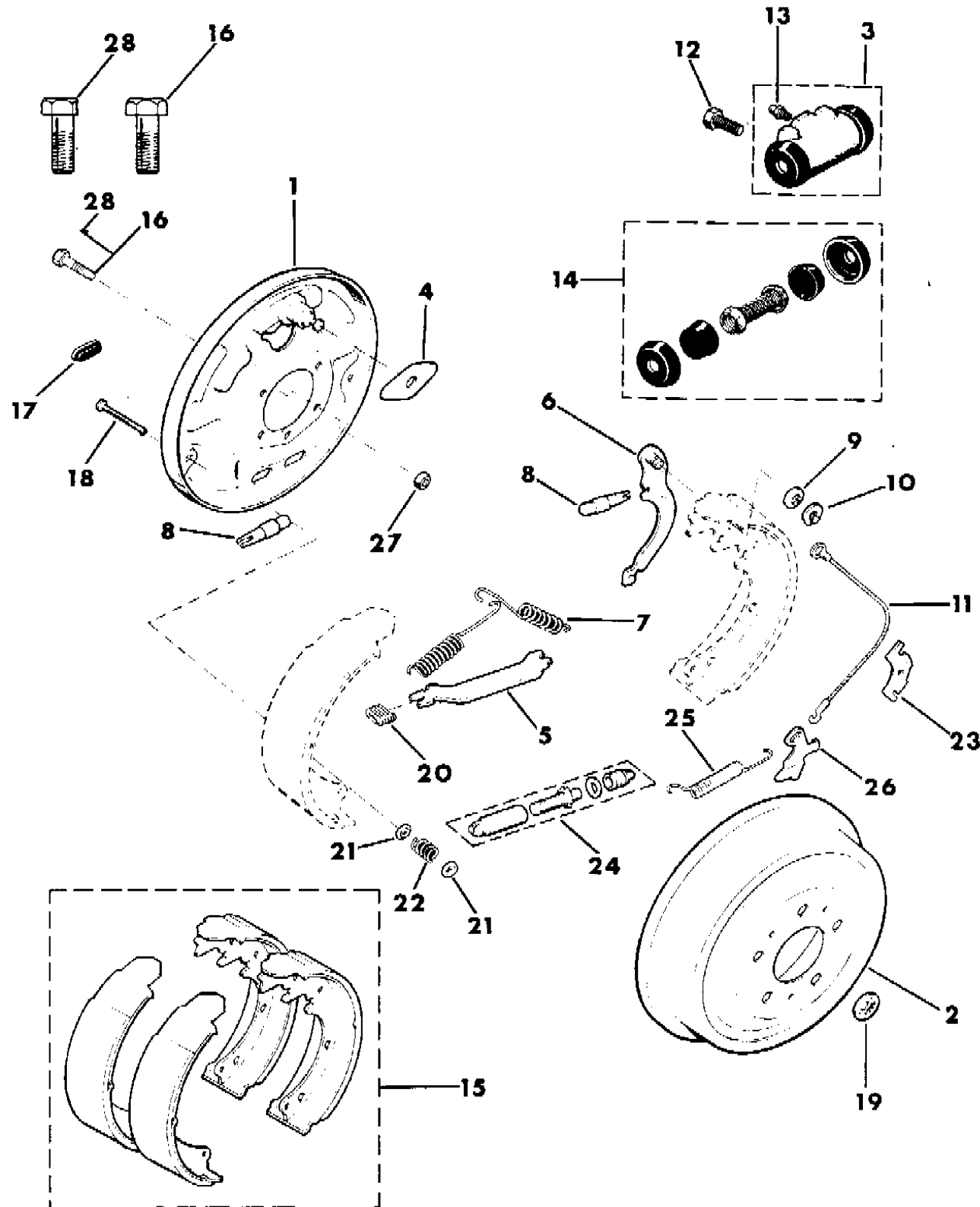
MJ = Comanche Pickup
SJ = Grand Wagoneer Wgn., J-10 & J-20 Pickups
XJ = Cherokee, Wagoneer Limited
YJ = Wrangler

AR = Use as Required - = Non Illustrated Part P.A.R. = Paint as Required

BRAKES, REAR - W/DANA MODEL 35 AXLE WRANGLER, YJ 1987/89

Figure 5-350

8J05 350



| ITEM | PART NUMBER | QTY | BODY | MODEL | DESCRIPTION |
|------|-------------|-----|------|-------|-------------------------------------|
| 1 | | | | | PLATE, Backing |
| | 8350 0988 | 1 | | | Right |
| | 8350 0989 | 1 | | | Left |
| 2 | 5200 1151 | 2 | | | DRUM, Brake (Cast#82663-4) (D) |
| 3 | | | | | CYLINDER, Wheel |
| | 5200 0848 | 1 | | | Right |
| | 5200 0849 | 1 | | | Left |
| 4 | J320 1032 | 2 | | | PLATE, Guide |
| 5 | J311 2778 | 2 | | | STRUT, Parking |
| 6 | | | | | LEVER, Cable |
| | J320 1034 | 1 | | | Right |
| | J320 1033 | 1 | | | Left |
| 7 | J311 2780 | 4 | | | SPRING, Return |
| 8 | J004 8331 | 4 | | | LINK, Cylinder |
| 9 | J310 8203 | 2 | | | WASHER |
| 10 | J310 8202 | 2 | | | RETAINER, Lever |
| 11 | J320 1027 | 2 | | | CABLE, Adjuster |
| 12 | J448 6551 | 4 | | | BOLT |
| 13 | J320 3313 | 2 | | | SCREW, Bleeder |
| 14 | 8350 0987 | 2 | | | REPAIR PACKAGE, Wheel Cylinder |
| 15 | J813 3818 | 1 | | | SHOE PACKAGE, Brake |
| | 4762 542 | 1 | | | EUROPE |
| | JR77 5075 | 1 | | | SHOE PACKAGE, Brake, Remanufactured |
| 16 | J314 3794 | 8 | | | BOLT |
| 17 | J320 1957 | 4 | | | PLUG, Adjusting |
| 18 | J314 3612 | 4 | | | PIN |
| 19 | J400 6185 | 2 | | | NUT, Push |
| 20 | J311 2779 | 2 | | | SPRING |
| 21 | J008 9259 | 8 | | | CUP |
| 22 | J320 5979 | 4 | | | SPRING |
| 23 | J320 1947 | 2 | | | GUIDE, Cable |
| 24 | | | | | ADJUSTER |
| | 5200 1216 | 1 | | | Right |
| | 5200 1215 | 1 | | | Left |
| 25 | J320 1937 | 2 | | | SPRING, Adjuster |
| 26 | | | | | LEVER, Adjuster |
| | J320 1030 | 1 | | | Right |

MODEL CODES:

| | | |
|-----------------------------|-----------------------------|------------------------------|
| 15 = Grand Wagoneer 4 Dr. | 65 = Comanche 4WD-7 Ft. Box | 77 = Cherokee 4WD-2 Dr. |
| 25 = J-10 Pickup-119" W.B. | 66 = Comanche 2WD-7 Ft. Box | 78 = Cherokee 4WD-4 Dr. |
| 26 = J-10 Pickup-131" W.B. | 73 = Cherokee 2WD-2 Dr. | 79 = Cherokee 4WD-4 Dr.-Com |
| 27 = J-20 Pickup-131" W.B. | 74 = Cherokee 2WD-4 Dr. | 81 = Wrangler-93" W.B. |
| 63 = Comanche 4WD-6 Ft. Box | 75 = Wagoneer 4WD-4 Dr. | 82 = Wrangler-103" W.B.-Exp. |
| 64 = Comanche 2WD-6 Ft. Box | | |

BODY STYLES:

MJ = Comanche Pickup
 SJ = Grand Wagoneer Wgn., J-10 & J-20 Pickups
 XJ = Cherokee, Wagoneer Limited
 YJ = Wrangler

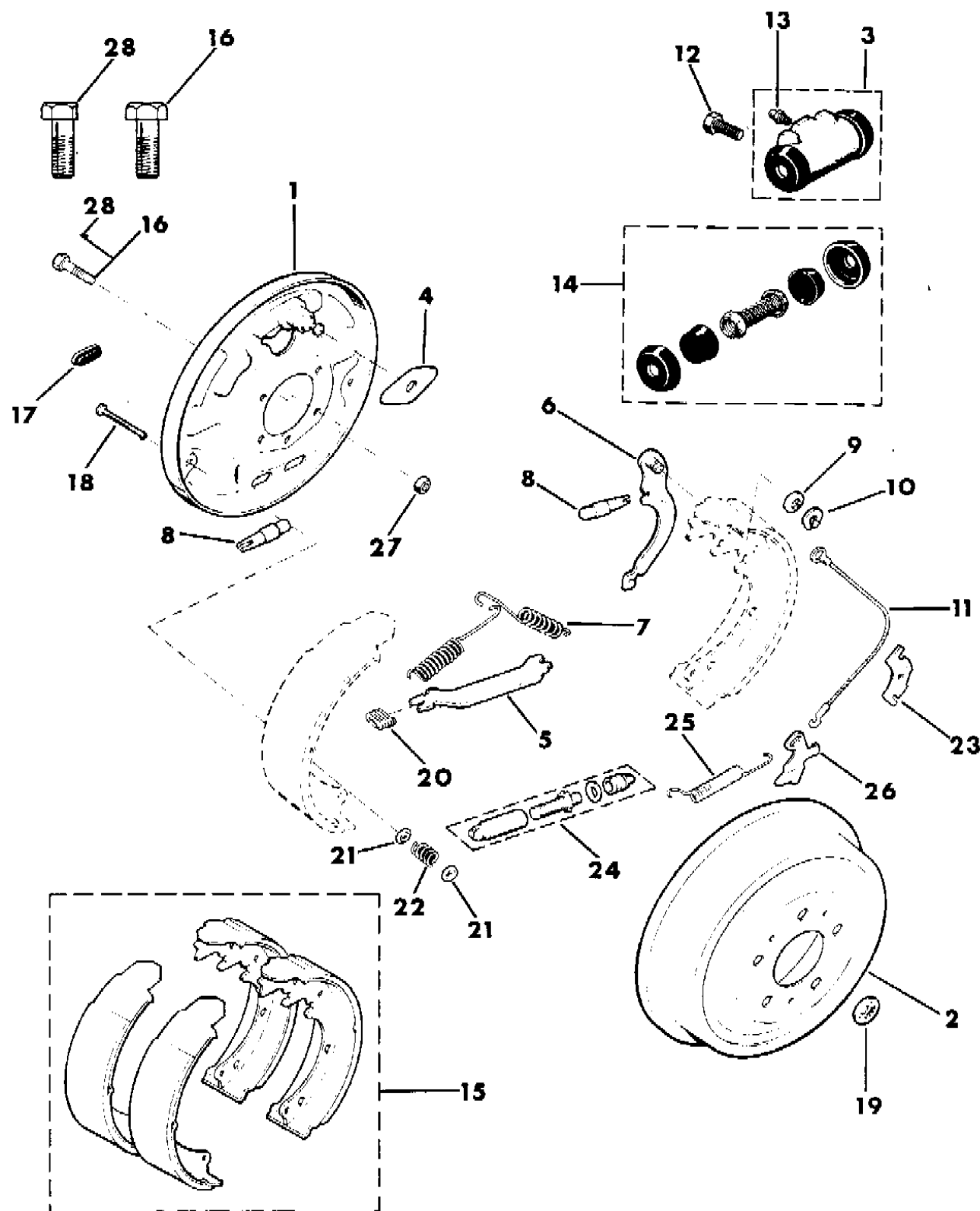
AR = Use as Required - = Non Illustrated Part P.A.R. = Paint as Required

BRAKES, REAR - W/DANA MODEL 35 AXLE WRANGLER, YJ 1987/89

Figure 5-350

| ITEM | PART NUMBER | QTY | BODY | MODEL | DESCRIPTION |
|------|-------------|-----|------|-------|-------------|
| | J320 1029 | 1 | | | Left |
| 27 | J941 1783 | 8 | | | NUT |
| 28 | J099 4313 | 8 | | | BOLT |

8J05 350



MODEL CODES:

| | | |
|-----------------------------|-----------------------------|------------------------------|
| 15 = Grand Wagoneer 4 Dr. | 65 = Comanche 4WD-7 Ft. Box | 77 = Cherokee 4WD-2 Dr. |
| 25 = J-10 Pickup-119" W.B. | 66 = Comanche 2WD-7 Ft. Box | 78 = Cherokee 4WD-4 Dr. |
| 26 = J-10 Pickup-131" W.B. | 73 = Cherokee 2WD-2 Dr. | 79 = Cherokee 4WD-4 Dr.-Com |
| 27 = J-20 Pickup-131" W.B. | 74 = Cherokee 2WD-4 Dr. | 81 = Wrangler-93" W.B. |
| 63 = Comanche 4WD-6 Ft. Box | 75 = Wagoneer 4WD-4 Dr. | 82 = Wrangler-103" W.B.-Exp. |
| 64 = Comanche 2WD-6 Ft. Box | | |

BODY STYLES:

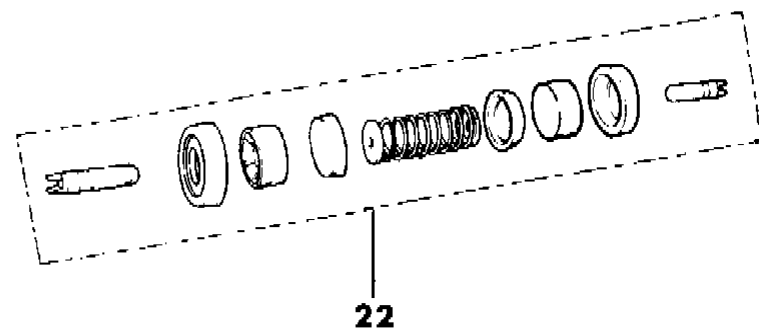
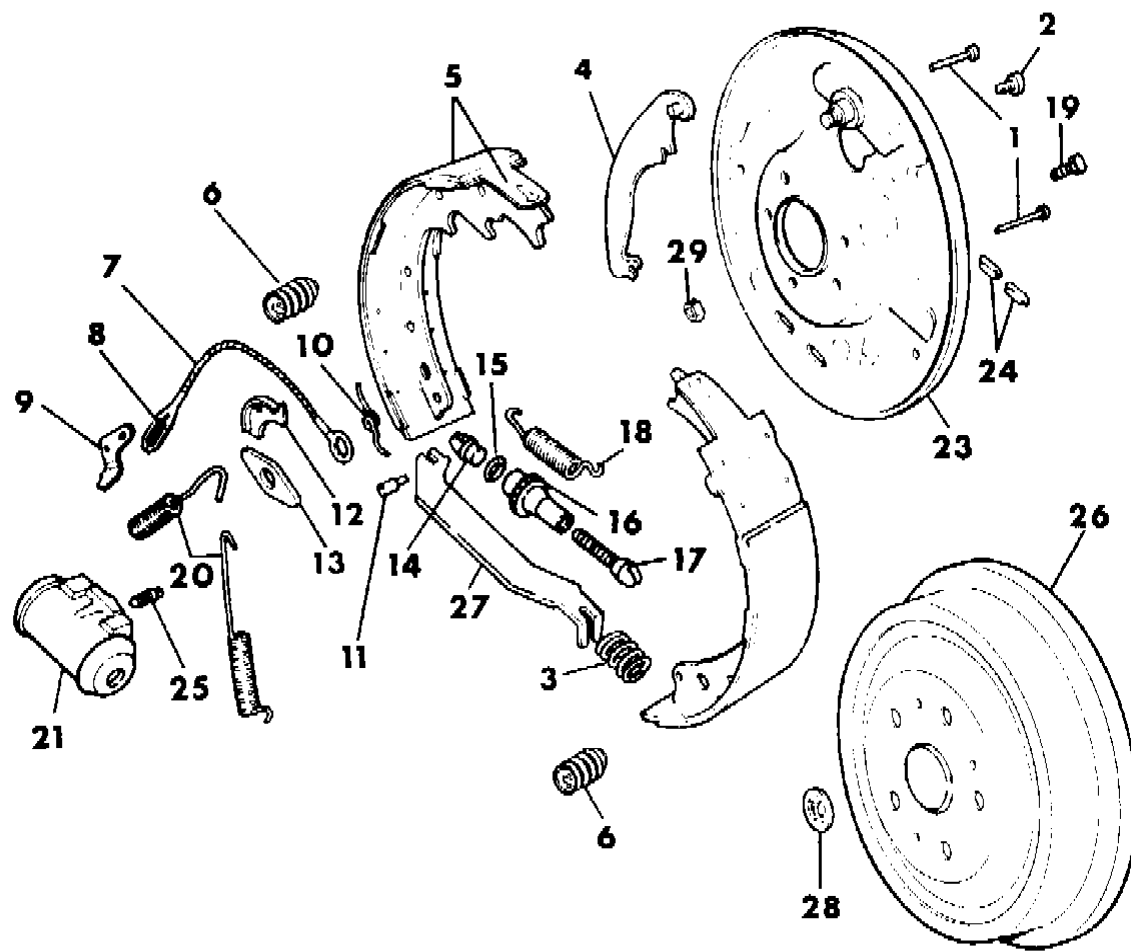
MJ = Comanche Pickup
SJ = Grand Wagoneer Wgn., J-10 & J-20 Pickups
XJ = Cherokee, Wagoneer Limited
YJ = Wrangler

AR = Use as Required - = Non Illustrated Part P.A.R. = Paint as Required

BRAKES, REAR - W/DANA MODEL 35 AXLE WRANGLER, YJ 1990

Figure 5-355

8J05 355 B



| ITEM | PART NUMBER | QTY | BODY | MODEL | DESCRIPTION |
|------|-------------|-----|------|-------|--|
| 1 | 2260 548 | 4 | | | PIN, Brake Shoe Hold Down |
| 2 | 6028 921 | 4 | | | SCREW, Cylinder Mounting |
| 3 | 4313 079 | 2 | | | SPRING, Parking Brake Strut |
| 4 | 4313 810-1 | 1 | | | LEVER, Parking Brake |
| 5 | 4423 606 | 1 | | | SHOE and LINING PACKAGE |
| 6 | 4313 062 | 4 | | | SPRING ASSEMBLY, Hold Down *** |
| 7 | 3461 662 | 2 | | | CABLE, Automatic Adjuster |
| 8 | 3461 660 | 2 | | | SPRING, Automatic Adjuster Cable |
| 9 | 3461 665 | 2 | | | LEVER, Automatic Adjuster |
| 10 | 2944 580-1 | 1 | | | SPRING, Automatic Adjuster Lever |
| 11 | 2880 528 | 1 | | | PIN PACKAGE, Autommatic Adjuster Lever |
| 12 | 2260 793 | 2 | | | GUIDE, Automatic Adjuster Cable |
| 13 | 4313 075 | 2 | | | PLATE, Guide |
| 14 | 2944 586 | 2 | | | BUTTON, Automatic Adjuster |
| 15 | 6027 559 | 2 | | | WASHER, Automatic Adjuster Button |
| 16 | 2944 692-3 | 1 | | | NUT, Automatic Adjuster Pivot Screw |
| 17 | 2881 686-7 | 1 | | | SCREW, Automatic Adjuster Pivot |
| 18 | 4423 085 | 2 | | | SPRING, Shoe to Shoe |
| 19 | J099 4313 | 8 | | | BOLT, Rear Wheel Brake Mounting |
| 20 | 2881 676 | 4 | | | SPRING, Brake Shoe Return |
| 21 | 5252 617 | 2 | | | CYLINDER, Wheel |
| 22 | 5252 630 | 2 | | | REPAIR PACKAGE, Wheel Cylinder |
| 23 | 5252 720-1 | 1 | | | PLATE, Backing |
| 24 | 4238 721 | 4 | | | PLUG, Brake Adjuster Hole |
| 25 | 3766 674 | 2 | | | SCREW, Bleeder |
| 26 | 5200 5350 | 2 | | | DRUM, Rear Brake |
| 27 | 4313 078 | 2 | | | STRUT, Parking Brake Lever |
| 28 | 6026 430 | 4 | | | RETAINER, Brake Drum |
| 29 | J941 1783 | 8 | | | NUT |
| | 4636 779 | 1 | | | BRAKE PACKAGE, Hardware *** |

MODEL CODES:

| | | |
|-----------------------------|-----------------------------|------------------------------|
| 15 = Grand Wagoneer 4 Dr. | 65 = Comanche 4WD-7 Ft. Box | 77 = Cherokee 4WD-2 Dr. |
| 25 = J-10 Pickup-119" W.B. | 66 = Comanche 2WD-7 Ft. Box | 78 = Cherokee 4WD-4 Dr. |
| 26 = J-10 Pickup-131" W.B. | 73 = Cherokee 2WD-2 Dr. | 79 = Cherokee 4WD-4 Dr.-Com |
| 27 = J-20 Pickup-131" W.B. | 74 = Cherokee 2WD-4 Dr. | 81 = Wrangler-93" W.B. |
| 63 = Comanche 4WD-6 Ft. Box | 75 = Wagoneer 4WD-4 Dr. | 82 = Wrangler-103" W.B.-Exp. |
| 64 = Comanche 2WD-6 Ft. Box | | |

BODY STYLES:

MJ = Comanche Pickup
 SJ = Grand Wagoneer Wgn., J-10 & J-20 Pickups
 XJ = Cherokee, Wagoneer Limited
 YJ = Wrangler

AR = Use as Required - = Non Illustrated Part P.A.R. = Paint as Required

BRAKES, REAR - W/DANA MODEL 44 AXLE...EXPORT(KDX) WRANGLER

Figure 5-375

8J05 375

| ITEM | PART NUMBER | QTY | BODY | MODEL | DESCRIPTION |
|------|-------------|-----|------|-------|--------------------------------|
| 1 | | | | | PLATE, BACKING |
| | 8350 2386 | 1 | | | Right |
| | 8350 2387 | 1 | | | Left |
| 2 | 5200 1915 | 2 | | | DRUM, Brake (Stamped 87087-7) |
| 3 | | | | | CYLINDER, WHEEL |
| | 5200 0848 | 1 | | | Right |
| | 5200 0849 | 1 | | | Left |
| 4 | J320 1032 | 2 | | | PLATE, Guide |
| 5 | | | | | STRUT, PARKING |
| | 8350 4372 | 1 | | | Right |
| | 8350 4373 | 1 | | | Left |
| 6 | | | | | LEVER, CABLE |
| | 8350 4306 | 1 | | | Right |
| | 8350 4307 | 1 | | | Left |
| 7 | J311 2780 | 4 | | | SPRING, Return |
| 8 | J004 8331 | 4 | | | LINK, Cylinder |
| 9 | 8350 2900 | 2 | | | WASHER |
| 10 | J310 8202 | 2 | | | RETAINER, Lever |
| 11 | J320 1027 | 2 | | | CABLE, Adjuster |
| 12 | J448 6551 | 4 | | | BOLT |
| 13 | J320 3313 | 2 | | | SCREW, Bleeder |
| 14 | 8350 0987 | 2 | | | REPAIR PACKAGE, Wheel Cylinder |
| 15 | 8350 2385 | 1 | | | SHOE PACKAGE, Brake |
| 16 | J099 4313 | 8 | | | BOLT |
| 17 | J320 1957 | 4 | | | PLUG, Adjusting |
| 18 | J321 0994 | 4 | | | PIN |
| 19 | J400 6185 | 2 | | | NUT, Push |
| 20 | 8350 4310 | 2 | | | SPRING |
| 21 | J008 9259 | 8 | | | CUP |
| 22 | J320 1956 | 4 | | | SPRING |
| 23 | J320 1947 | 2 | | | GUIDE, Cable |
| 24 | | | | | ADJUSTER |
| | 8350 4308 | 1 | | | Right |
| | 8350 4309 | 1 | | | Left |
| 25 | J320 1937 | 2 | | | SPRING, Adjuster |
| 26 | | | | | LEVER, ADJUSTER |
| | J320 1030 | 1 | | | Right |

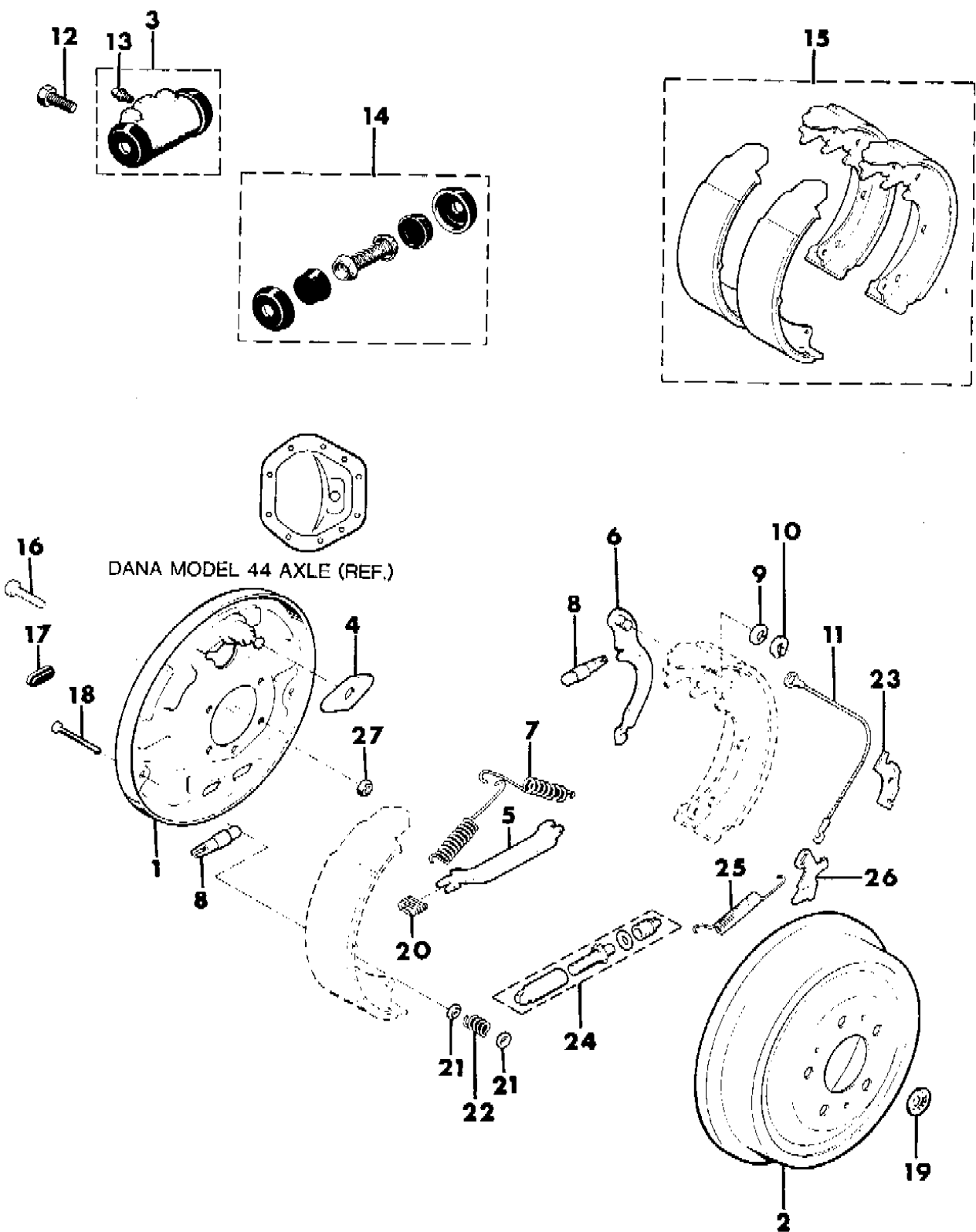
MODEL CODES:

| | | |
|-----------------------------|-----------------------------|------------------------------|
| 15 = Grand Wagoneer 4 Dr. | 65 = Comanche 4WD-7 Ft. Box | 77 = Cherokee 4WD-2 Dr. |
| 25 = J-10 Pickup-119" W.B. | 66 = Comanche 2WD-7 Ft. Box | 78 = Cherokee 4WD-4 Dr. |
| 26 = J-10 Pickup-131" W.B. | 73 = Cherokee 2WD-2 Dr. | 79 = Cherokee 4WD-4 Dr.-Com |
| 27 = J-20 Pickup-131" W.B. | 74 = Cherokee 2WD-4 Dr. | 81 = Wrangler-93" W.B. |
| 63 = Comanche 4WD-6 Ft. Box | 75 = Wagoneer 4WD-4 Dr. | 82 = Wrangler-103" W.B.-Exp. |
| 64 = Comanche 2WD-6 Ft. Box | | |

BODY STYLES:

MJ = Comanche Pickup
 SJ = Grand Wagoneer Wgn., J-10 & J-20 Pickups
 XJ = Cherokee, Wagoneer Limited
 YJ = Wrangler

AR = Use as Required - = Non Illustrated Part P.A.R. = Paint as Required



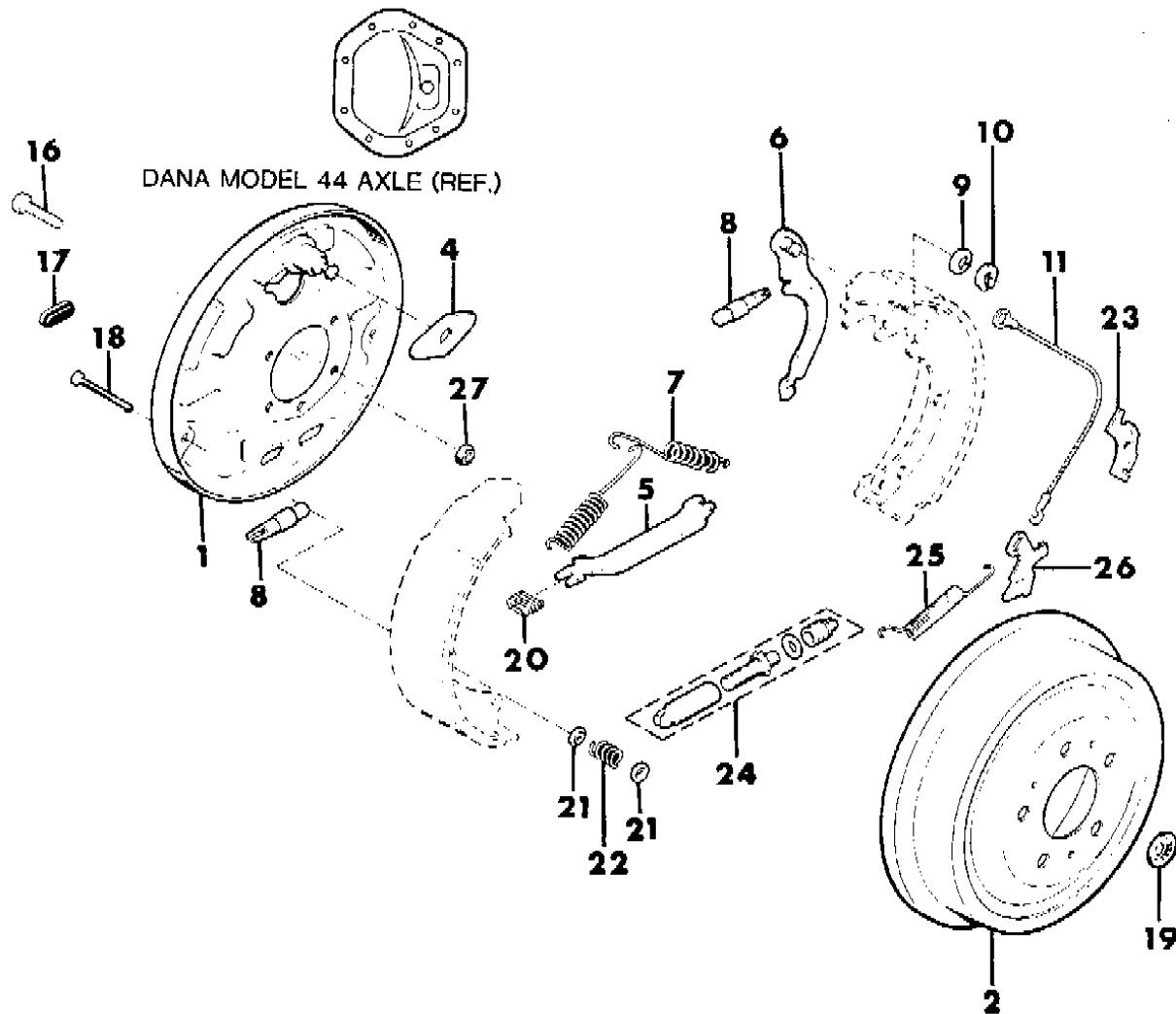
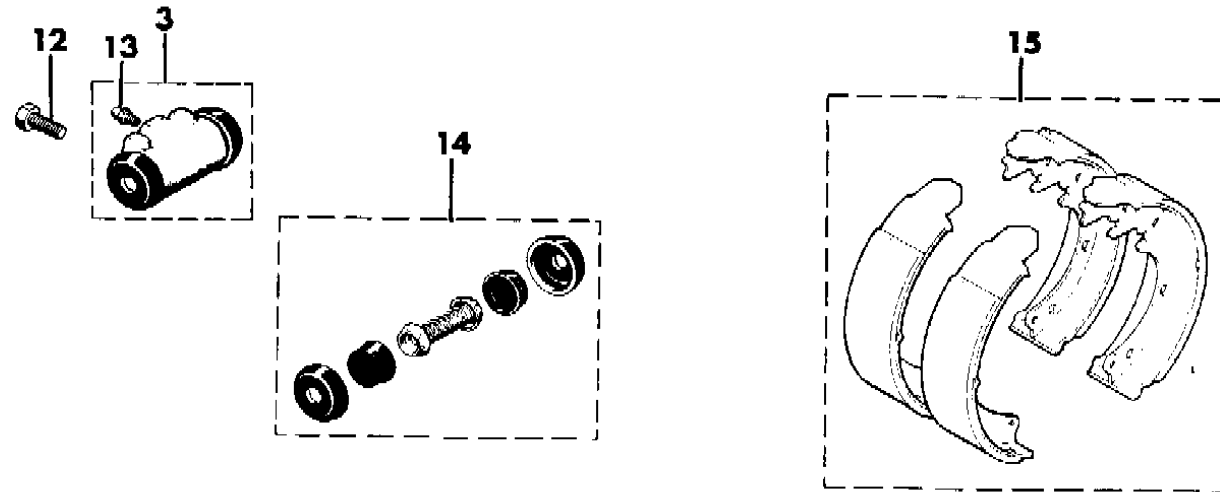
BRAKES, REAR - W/DANA MODEL 44 AXLE...EXPORT(KDX) WRANGLER

Figure 5-375

8J05 375

| ITEM | PART NUMBER | QTY | BODY | MODEL | DESCRIPTION |
|------|-------------|-----|------|-------|-------------|
|------|-------------|-----|------|-------|-------------|

| | | | | | |
|----|-----------|---|--|--|-----------------------------|
| | J320 1029 | 1 | | | Left |
| 27 | J941 1783 | 8 | | | NUT |
| | 4636 778 | 1 | | | BRAKE PACKAGE, Hardware *** |



MODEL CODES:

| | | |
|-----------------------------|-----------------------------|------------------------------|
| 15 = Grand Wagoneer 4 Dr. | 65 = Comanche 4WD-7 Ft. Box | 77 = Cherokee 4WD-2 Dr. |
| 25 = J-10 Pickup-119" W.B. | 66 = Comanche 2WD-7 Ft. Box | 78 = Cherokee 4WD-4 Dr. |
| 26 = J-10 Pickup-131" W.B. | 73 = Cherokee 2WD-2 Dr. | 79 = Cherokee 4WD-4 Dr.-Com |
| 27 = J-20 Pickup-131" W.B. | 74 = Cherokee 2WD-4 Dr. | 81 = Wrangler-93" W.B. |
| 63 = Comanche 4WD-6 Ft. Box | 75 = Wagoneer 4WD-4 Dr. | 82 = Wrangler-103" W.B.-Exp. |
| 64 = Comanche 2WD-6 Ft. Box | | |

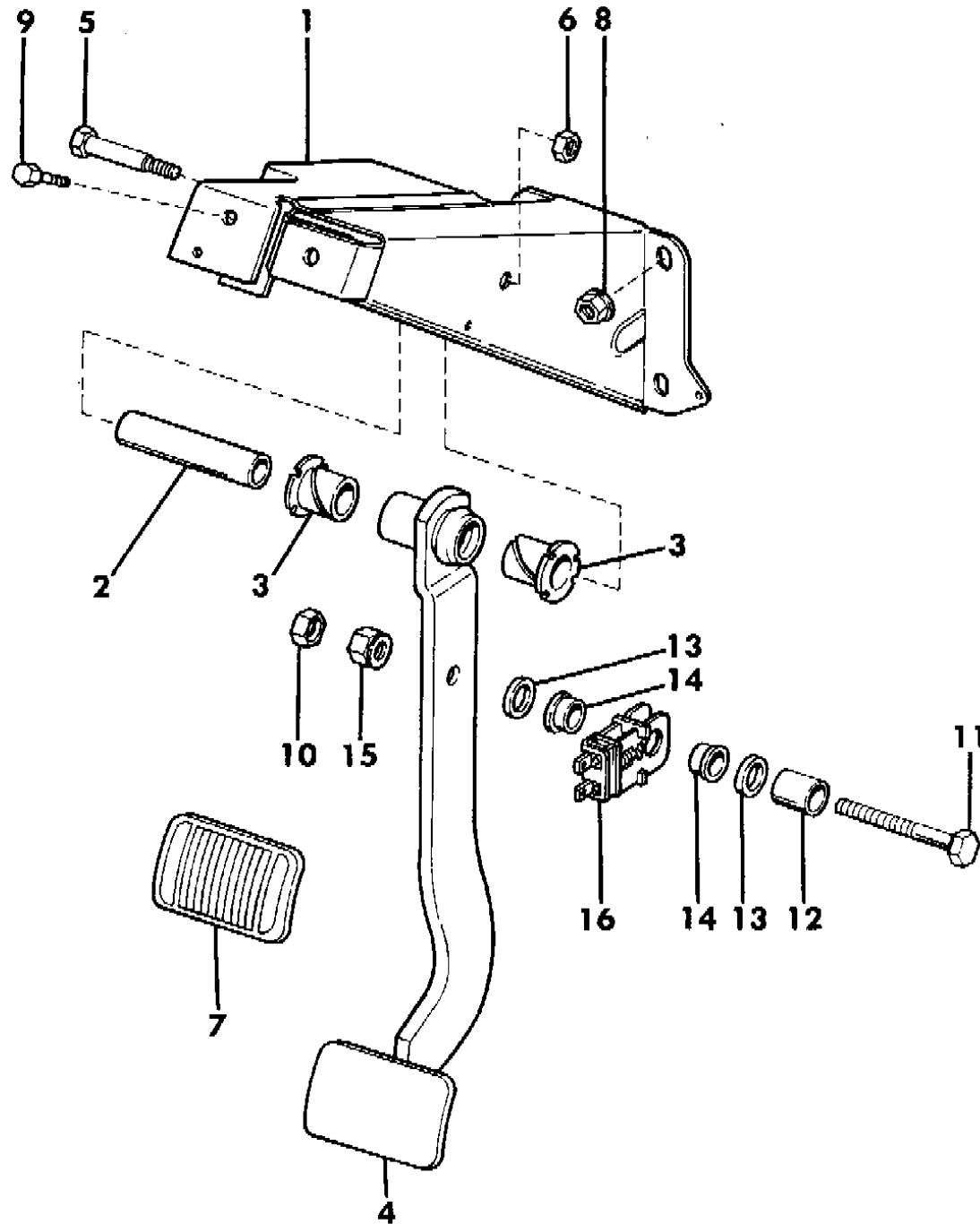
BODY STYLES:

MJ = Comanche Pickup
 SJ = Grand Wagoneer Wgn., J-10 & J-20 Pickups
 XJ = Cherokee, Wagoneer Limited
 YJ = Wrangler

AR = Use as Required - = Non Illustrated Part P.A.R. = Paint as Required

PEDAL, BRAKE CHEROKEE, WAGONEER, COMANCHE
Figure 5-400

8J05 400



| ITEM | PART NUMBER | QTY | BODY | MODEL | DESCRIPTION |
|------|-------------|-----|------|-------|---|
| 1 | | | | | BRACKET, Pedal |
| | 5200 2629 | 1 | | | w/Column Mounted Gear Shift |
| | 5200 0394 | 1 | | | w/Floor Mounted Gear Shift |
| 2 | 5300 0637 | 1 | | | SLEEVE |
| 3 | J322 5981 | 2 | | | BUSHING |
| 4 | | | | | PEDAL, Brake |
| | | | | | w/Manual Transmission |
| | 5200 2615 | 1 | | | 1987 U.S., Canada |
| | 5200 2619 | 1 | | | 1987 Export |
| | 5200 2615 | 1 | | | 1988/89 All |
| | 5200 2615 | 1 | | | 1990 All Except E.C.E. |
| | 5200 2619 | 1 | | | 1990 E.C.E. |
| | 5200 0091 | 1 | | | w/Automatic Transmission - w/o Anti-Lock Brakes |
| | 5200 3331 | 1 | | | w/Automatic Transmission - w/Anti-Lock Brakes |
| 5 | | | | | BOLT |
| | 3420 1515 | 1 | | | w/Manual Transmission |
| | 1150 0847 | 1 | | | w/Automatic Transmission |
| 6 | 1150 1039 | 1 | | | NUT |
| 7 | | | | | PAD, Pedal |
| | 5200 2750 | 1 | | | w/Manual Transmission |
| | 5200 2749 | 1 | | | w/Automatic Transmission |
| 8 | J400 3909 | 4 | | | NUT |
| 9 | 1150 2685 | 2 | | | BOLT |
| 10 | J942 0166 | 1 | | | NUT |
| 11 | J400 4486 | 1 | | | BOLT |
| 12 | J321 5928 | 1 | | | SLEEVE |
| 13 | J321 5924 | 2 | | | SPACER |
| 14 | J321 5922 | 2 | | | BUSHING |
| 15 | J400 5311 | 1 | | | NUT |
| 16 | | | | | SWITCH, Brake Lamp |
| | J322 5787 | 1 | | | w/Cruise Control |
| | J321 5938 | 1 | | | w/o Cruise Control |
| | 5600 2281 | 1 | | | W/Cruise Control (Plunger Type w/Vac. & Elect. Conn.) |

Stamp#25509432 (D) ***

MODEL CODES:

| | | |
|-----------------------------|-----------------------------|------------------------------|
| 15 = Grand Wagoneer 4 Dr. | 65 = Comanche 4WD-7 Ft. Box | 77 = Cherokee 4WD-2 Dr. |
| 25 = J-10 Pickup-119" W.B. | 66 = Comanche 2WD-7 Ft. Box | 78 = Cherokee 4WD-4 Dr. |
| 26 = J-10 Pickup-131" W.B. | 73 = Cherokee 2WD-2 Dr. | 79 = Cherokee 4WD-4 Dr.-Com |
| 27 = J-20 Pickup-131" W.B. | 74 = Cherokee 2WD-4 Dr. | 81 = Wrangler-93" W.B. |
| 63 = Comanche 4WD-6 Ft. Box | 75 = Wagoneer 4WD-4 Dr. | 82 = Wrangler-103" W.B.-Exp. |
| 64 = Comanche 2WD-6 Ft. Box | | |

BODY STYLES:

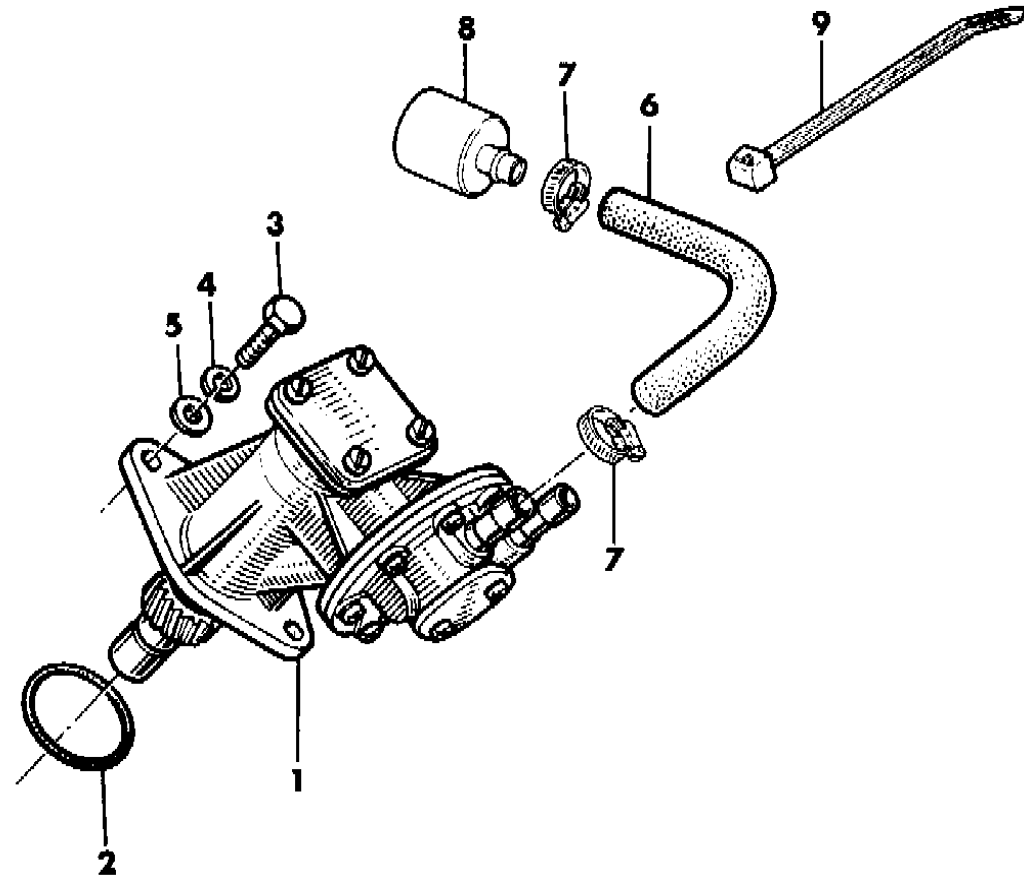
MJ = Comanche Pickup
 SJ = Grand Wagoneer Wgn., J-10 & J-20 Pickups
 XJ = Cherokee, Wagoneer Limited
 YJ = Wrangler

AR = Use as Required - = Non Illustrated Part P.A.R. = Paint as Required

VACUUM PUMP, BRAKES DIESEL
Figure 5-450

8J05 450

| ITEM | PART NUMBER | QTY | BODY | MODEL | DESCRIPTION |
|------|-------------|-----|------|-------|-----------------------|
| 1 | T067 9259 | 1 | | | PUMP, Vacuum |
| 2 | T306 5067 | 1 | | | SEAL |
| 3 | T300 1142 | 2 | | | BOLT |
| 4 | T305 5031 | 2 | | | WASHER, Lock |
| 5 | T305 3074 | 2 | | | WASHER, Flat |
| 6 | 5300 2575 | 1 | | | HOSE |
| 7 | J320 3076 | 2 | | | CLAMP |
| 8 | 5300 2574 | 1 | | | SILENCER, Vacuum Pump |
| 9 | J322 3227 | 1 | | | STRAP |



MODEL CODES:

| | | |
|-----------------------------|-----------------------------|------------------------------|
| 15 = Grand Wagoneer 4 Dr. | 65 = Comanche 4WD-7 Ft. Box | 77 = Cherokee 4WD-2 Dr. |
| 25 = J-10 Pickup-119" W.B. | 66 = Comanche 2WD-7 Ft. Box | 78 = Cherokee 4WD-4 Dr. |
| 26 = J-10 Pickup-131" W.B. | 73 = Cherokee 2WD-2 Dr. | 79 = Cherokee 4WD-4 Dr.-Com |
| 27 = J-20 Pickup-131" W.B. | 74 = Cherokee 2WD-4 Dr. | 81 = Wrangler-93" W.B. |
| 63 = Comanche 4WD-6 Ft. Box | 75 = Wagoneer 4WD-4 Dr. | 82 = Wrangler-103" W.B.-Exp. |
| 64 = Comanche 2WD-6 Ft. Box | | |

BODY STYLES:

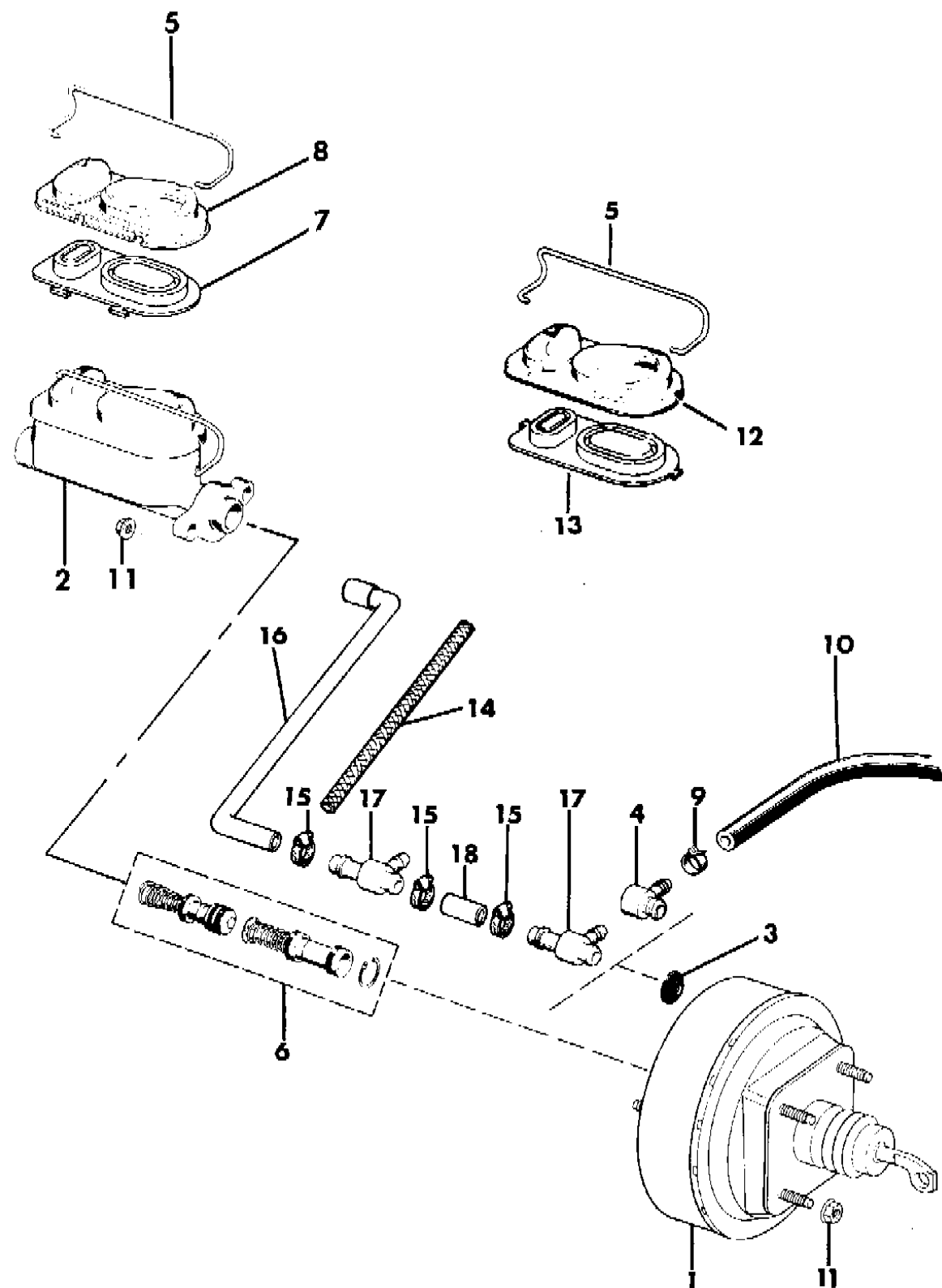
MJ = Comanche Pickup
SJ = Grand Wagoneer Wgn., J-10 & J-20 Pickups
XJ = Cherokee, Wagoneer Limited
YJ = Wrangler

AR = Use as Required - = Non Illustrated Part P.A.R. = Paint as Required

BOOSTER AND MASTER CYLINDER U.S. AND CANADA CHEROKEE, WAGONEER, COMANCHE

Figure 5-500

8 J05 500 A



| ITEM | PART NUMBER | QTY | BODY | MODEL | DESCRIPTION |
|------|-------------|-----|------|-------|---------------------------------|
| 1 | | | | | BOOSTER, Brake |
| | 8350 1533 | 1 | | | Gas Engine |
| | 8350 1534 | 1 | | | Diesel Engine |
| 2 | | | | | CYLINDER, Brake Master |
| | J324 1807 | 1 | | | 1987/89 |
| | 5252 622 | 1 | | | 1990 |
| 3 | J320 8510 | 1 | | | GROMMET, Valve |
| 4 | J448 7455 | 1 | | | VALVE, Check |
| 5 | J813 3910 | 1 | | | RETAINER |
| 6 | | | | | REPAIR PACKAGE, Master Cylinder |
| | 8351 0015 | 1 | | | 1987/89 |
| | 5252 625 | 1 | | | 1990 |
| 7 | 8350 4455 | 1 | | | GASKET |
| 8 | 8350 4454 | 1 | | | COVER |
| 9 | | | | | CLAMP, Hose |
| | J320 3076 | 1 | | | Gas Engine |
| | J321 9466 | 1 | | | Diesel Engine |
| 10 | | | | | HOSE, Vacuum |
| | 5200 2715 | 1 | | | 4 Cylinder Gas Engine |
| | 5200 3141 | 1 | | | 6 Cylinder Engine |
| | J812 5883 | 1 | | | Diesel Engine |
| 11 | J400 3909 | 6 | | | NUT |
| 12 | J813 3911 | 1 | | | COVER |
| 13 | J813 3912 | 1 | | | GASKET |
| 14 | 3200 1056 | 1 | | | SLEEVE |
| 15 | 3300 0784 | 3 | | | CLAMP, Hose |
| 16 | 5200 1783 | 1 | | | HOSE, Vacuum |
| 17 | 8350 1532 | 2 | | | VALVE, Check |
| 18 | 5200 2458 | 1 | | | CONNECTOR |

MODEL CODES:

| | | |
|-----------------------------|-----------------------------|------------------------------|
| 15 = Grand Wagoneer 4 Dr. | 65 = Comanche 4WD-7 Ft. Box | 77 = Cherokee 4WD-2 Dr. |
| 25 = J-10 Pickup-119" W.B. | 66 = Comanche 2WD-7 Ft. Box | 78 = Cherokee 4WD-4 Dr. |
| 26 = J-10 Pickup-131" W.B. | 73 = Cherokee 2WD-2 Dr. | 79 = Cherokee 4WD-4 Dr.-Com |
| 27 = J-20 Pickup-131" W.B. | 74 = Cherokee 2WD-4 Dr. | 81 = Wrangler-93" W.B. |
| 63 = Comanche 4WD-6 Ft. Box | 75 = Wagoneer 4WD-4 Dr. | 82 = Wrangler-103" W.B.-Exp. |
| 64 = Comanche 2WD-6 Ft. Box | | |

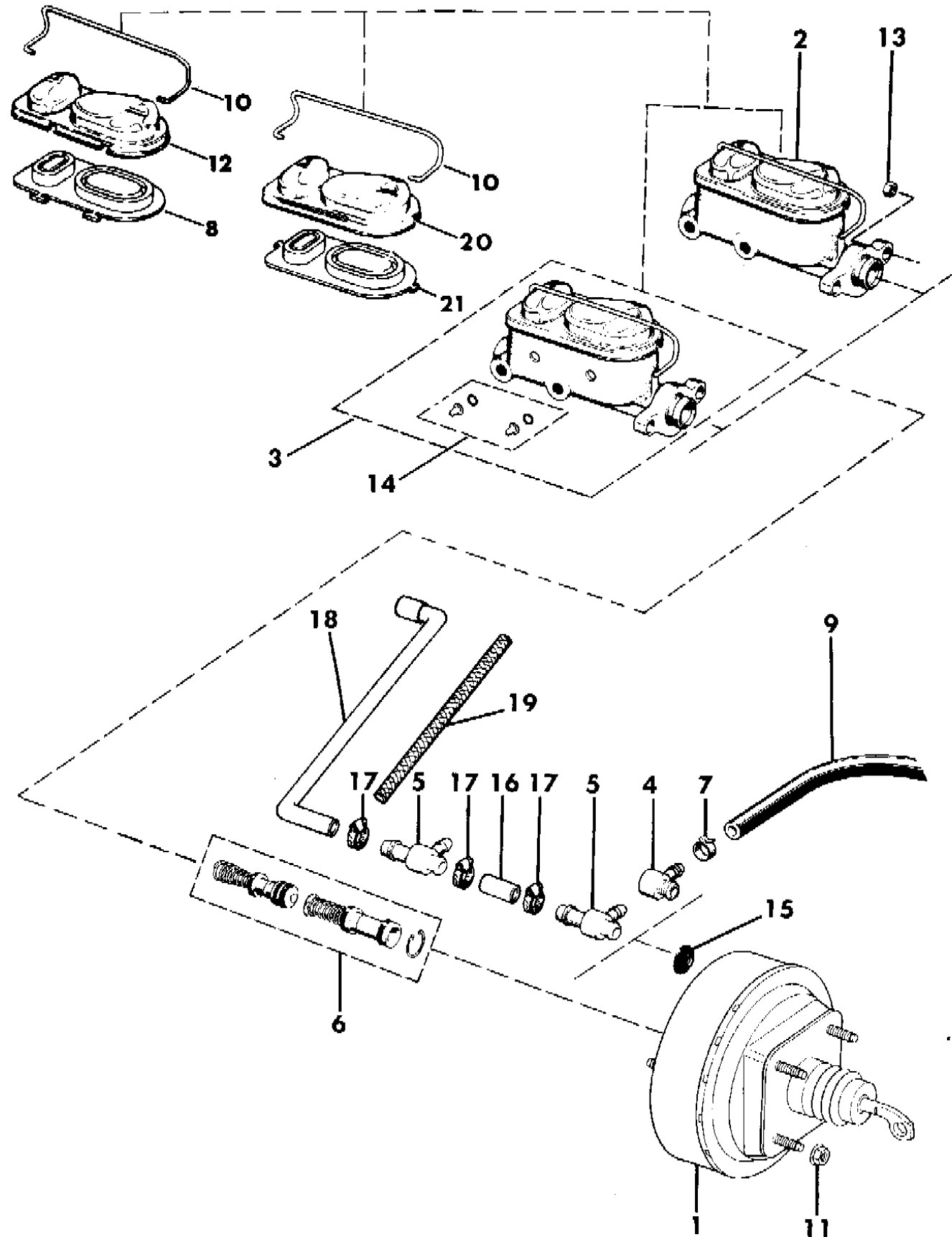
BODY STYLES:

MJ = Comanche Pickup
 SJ = Grand Wagoneer Wgn., J-10 & J-20 Pickups
 XJ = Cherokee, Wagoneer Limited
 YJ = Wrangler

AR = Use as Required - = Non Illustrated Part P.A.R. = Paint as Required

BOOSTER AND MASTER CYLINDER EXPORT CHEROKEE, WAGONEER, COMANCHE
Figure 5-600

8J05 600 A



| ITEM | PART NUMBER | QTY | BODY | MODEL | DESCRIPTION |
|------|-------------|-----|------|-------|---|
| 1 | | | | | BOOSTER, BRAKE |
| | 8350 1533 | 1 | | | Gas, ECE |
| | 8350 1535 | 1 | | | Diesel, ECE |
| | 8350 1534 | 1 | | | Diesel, Non-Regulated Markets, KDX, KDX-CHINA |
| 2 | | | | | CYLINDER, Brake Master, Diesel, KDX, KDX-CHINA, Non-Regulated Markets |
| | J324 1807 | 1 | | | 1987/89 |
| | 5252 622 | 1 | | | 1990 |
| 3 | | | | | CYLINDER, BRAKE MASTER |
| | | | | | Gas, ECE |
| | J324 1805 | 1 | | | 1987/89 |
| | 5252 623 | 1 | | | 1990 |
| | | | | | Diesel, ECE |
| | 5200 0973 | 1 | | | 1987/89 |
| | 5252 624 | 1 | | | 1990 |
| | | | | | Diesel, Non-Regulated Markets |
| | J324 1807 | 1 | | | 1987/89 |
| | 5252 622 | 1 | | | 1990 |
| 4 | J448 7455 | 1 | | | VALVE, Check, Gas |
| 5 | 8350 1532 | 1 | | | VALVE, Check, Diesel |
| 6 | | | | | REPAIR KIT, Master Cylinder |
| | 8351 0015 | 1 | | | 1987/89 |
| | 5252 625 | 1 | | | 1990 |
| 7 | | | | | CLAMP, HOSE |
| | J320 3076 | 1 | | | Gas |
| | J321 9466 | 1 | | | Diesel |
| 8 | 8350 4455 | 1 | | | GASKET |
| 9 | | | | | HOSE, VACUUM |
| | J324 2729 | 1 | | | Gas, Non-Regulated Markets, 4 Cylinder Engine |
| | 5200 2715 | 1 | | | Gas, ECE, 4 Cylinder Engine |
| | 5200 3141 | 1 | | | 6 Cylinder Engine |
| | J812 5883 | 1 | | | Diesel Engine |
| 10 | J813 3910 | 1 | | | RETAINER |
| 11 | J400 3909 | 4 | | | NUT |
| 12 | 8350 4454 | 1 | | | COVER |
| 13 | J400 3909 | 2 | | | NUT |
| 14 | 8350 0142 | 1 | | | GLASS, Sight - ECE |

MODEL CODES:

| | | |
|-----------------------------|-----------------------------|------------------------------|
| 15 = Grand Wagoneer 4 Dr. | 65 = Comanche 4WD-7 Ft. Box | 77 = Cherokee 4WD-2 Dr. |
| 25 = J-10 Pickup-119" W.B. | 66 = Comanche 2WD-7 Ft. Box | 78 = Cherokee 4WD-4 Dr. |
| 26 = J-10 Pickup-131" W.B. | 73 = Cherokee 2WD-2 Dr. | 79 = Cherokee 4WD-4 Dr.-Com |
| 27 = J-20 Pickup-131" W.B. | 74 = Cherokee 2WD-4 Dr. | 81 = Wrangler-93" W.B. |
| 63 = Comanche 4WD-6 Ft. Box | 75 = Wagoneer 4WD-4 Dr. | 82 = Wrangler-103" W.B.-Exp. |
| 64 = Comanche 2WD-6 Ft. Box | | |

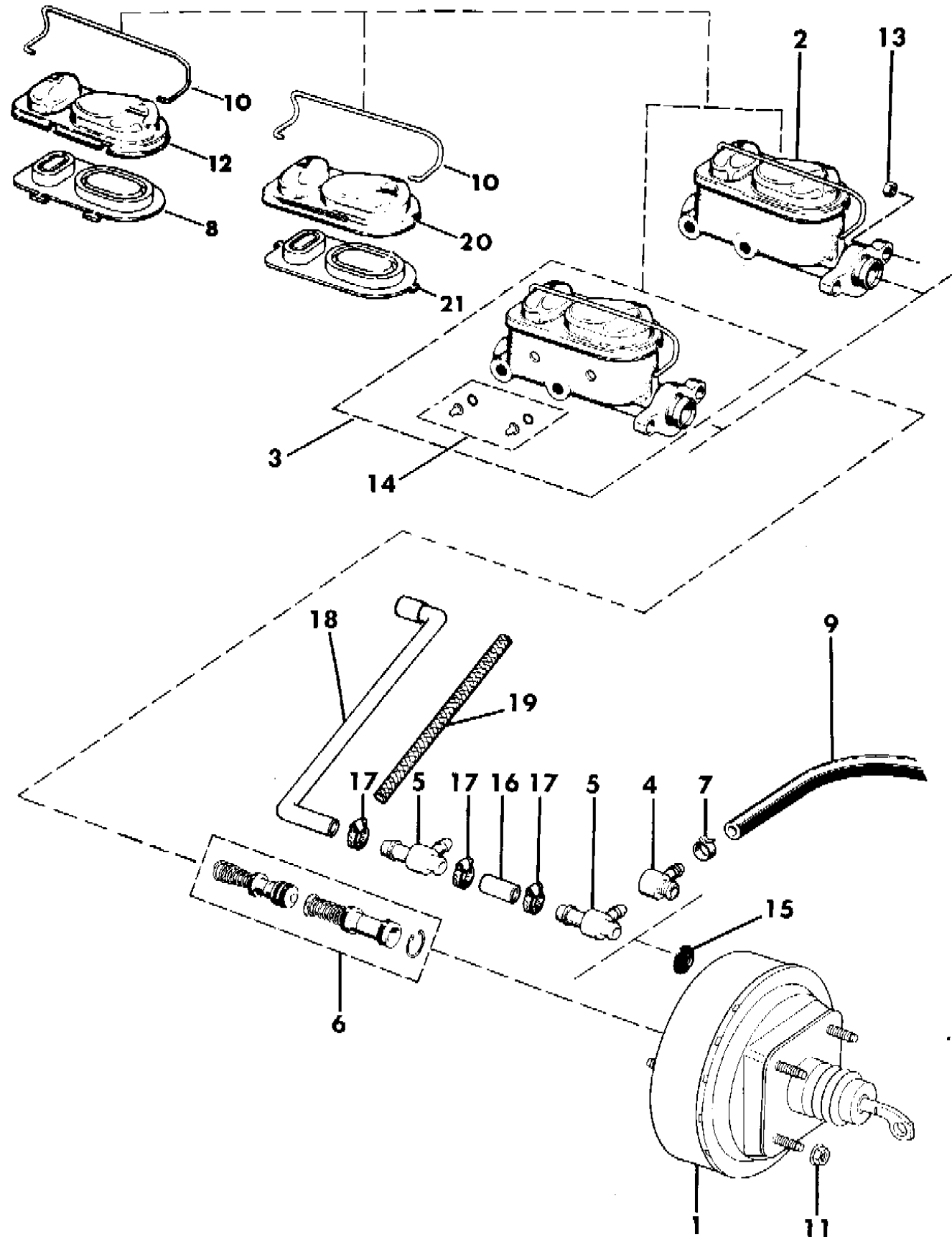
BODY STYLES:

MJ = Comanche Pickup
 SJ = Grand Wagoneer Wgn., J-10 & J-20 Pickups
 XJ = Cherokee, Wagoneer Limited
 YJ = Wrangler

AR = Use as Required - = Non Illustrated Part P.A.R. = Paint as Required

BOOSTER AND MASTER CYLINDER EXPORT CHEROKEE, WAGONEER, COMANCHE
Figure 5-600

8J05 600 A



| ITEM | PART NUMBER | QTY | BODY | MODEL | DESCRIPTION |
|------|-------------|-----|------|-------|----------------------|
| 15 | J320 8510 | 1 | | | GROMMET, Valve |
| 16 | 5200 2458 | 1 | | | CONNECTOR, Diesel |
| 17 | 3300 0784 | 3 | | | CLAMP, Hose, Diesel |
| 18 | 5200 1783 | 1 | | | HOSE, Vacuum, Diesel |
| 19 | 3200 1056 | 1 | | | SLEEVE, Diesel |
| 20 | J813 3911 | 1 | | | COVER |
| 21 | J813 3912 | 1 | | | GASKET |

MODEL CODES:

| | | |
|-----------------------------|-----------------------------|------------------------------|
| 15 = Grand Wagoneer 4 Dr. | 65 = Comanche 4WD-7 Ft. Box | 77 = Cherokee 4WD-2 Dr. |
| 25 = J-10 Pickup-119" W.B. | 66 = Comanche 2WD-7 Ft. Box | 78 = Cherokee 4WD-4 Dr. |
| 26 = J-10 Pickup-131" W.B. | 73 = Cherokee 2WD-2 Dr. | 79 = Cherokee 4WD-4 Dr.-Com |
| 27 = J-20 Pickup-131" W.B. | 74 = Cherokee 2WD-4 Dr. | 81 = Wrangler-93" W.B. |
| 63 = Comanche 4WD-6 Ft. Box | 75 = Wagoneer 4WD-4 Dr. | 82 = Wrangler-103" W.B.-Exp. |
| 64 = Comanche 2WD-6 Ft. Box | | |

BODY STYLES:

MJ = Comanche Pickup
 SJ = Grand Wagoneer Wgn., J-10 & J-20 Pickups
 XJ = Cherokee, Wagoneer Limited
 YJ = Wrangler

AR = Use as Required - = Non Illustrated Part P.A.R. = Paint as Required

CYLINDER, BRAKE MASTER W/ANTI-LOCK BRAKING SYSTEM CHEROKEE, WAGONEER

Figure 5-650

8J05 650A

| ITEM | PART NUMBER | QTY | BODY | MODEL | DESCRIPTION |
|------|-------------|-----|------|-------|---|
| 1 | | | | | HYDRAULIC ASSEMBLY, Complete as Purchased *** |
| | 8350 7055 | 1 | | | For Vehicles Built up to 01-29-89 |
| | 5200 4738 | 1 | | | For Vehicles Built 01-29-89 and Later |
| | 4638 065 | 1 | | | 1990 |
| 2 | 4637 632 | 1 | | | ACCUMULATOR, ABS Brakes *** |
| | 4637 635 | 1 | | | SWITCH PKG., Accumulator Consists of (Switch, Modulator and Harness-Jumper, Modulator Diff. Switch) *** |
| 3 | 4637 629 | 1 | | | O-RING |
| 4 | 5200 7844 | 1 | | | HOSE, High Pressure (D) |
| 5 | 4637 633 | 1 | | | FITTING |
| - | 4637 630 | 1 | | | O-RING, Fitting |
| 6 | 4637 654 | 1 | | | SWITCH, Accumulator (Delta Pressure A) Includes #7 |
| 7 | 4637 652 | 1 | | | O-RING, Switch |
| 8 | 4637 642 | 1 | | | BLOCK, Accumulator *** |
| 9 | 4637 627 | 1 | | | BRACKET ASSEMBLY, Mounting *** |
| 10 | J400 3909 | 4 | | | NUT, Mounting |
| 11 | 4637 641 | 1 | | | GASKET, Mounting |
| 12 | 4637 644 | 2 | | | SCREW, Modulator Mounting |
| 13 | 4637 648 | 1 | | | BOLT, Accumulator Block Mounting |
| 14 | J400 3909 | 2 | | | NUT, Accumulator to Bracket |
| 15 | 4637 620 | 1 | | | ACTUATOR & RESERVOIR ASSEMBLY *** |
| | 4746 509 | 1 | | | ACTUATOR PACKAGE, Japan 1989-90 |
| | 4773 175 | 1 | | | ACTUATOR REPAIR KIT |
| 16 | 4637 628 | 1 | | | SWITCH, Modulator (Delta Pressure B) |
| 17 | 4637 626 | 1 | | | MODULATOR |
| 18 | J400 6502 | 2 | | | CLAMP |
| 19 | 4637 646 | 1 | | | HOSE, Low Pressure Feed |
| 20 | 4637 623 | 3 | | | GROMMET, Reservoir to Actuator |
| 21 | 4637 625 | 1 | | | SWITCH, Fluid Level |
| 22 | 4637 622 | 1 | | | RESERVOIR ASSEMBLY, Also Includes Items #21,23 &24 *** |
| 23 | | | | | FILTER, Reservoir Cap |
| | 8350 5101 | 1 | | | 1989 |
| | 4637 624 | 1 | | | 1990 |
| 24 | | | | | CAP, Reservoir |
| | 8350 5097 | 1 | | | 1989 |
| | 4637 650 | 1 | | | 1990 |
| | J318 7999 | 1 | | | BREATHER, Axle Vent 1989 (D) *** |

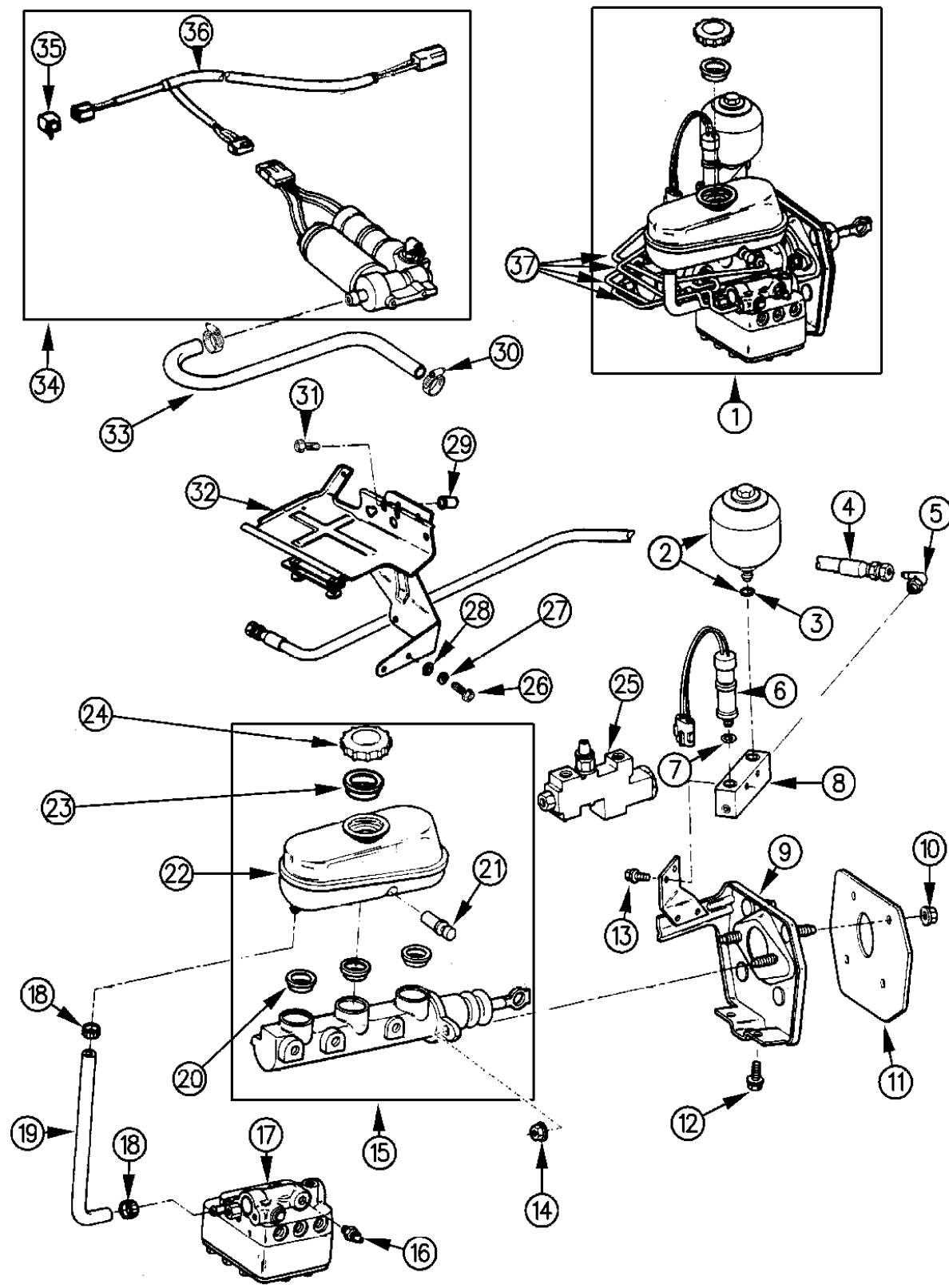
MODEL CODES:

| | | |
|-----------------------------|-----------------------------|------------------------------|
| 15 = Grand Wagoneer 4 Dr. | 65 = Comanche 4WD-7 Ft. Box | 77 = Cherokee 4WD-2 Dr. |
| 25 = J-10 Pickup-119" W.B. | 66 = Comanche 2WD-7 Ft. Box | 78 = Cherokee 4WD-4 Dr. |
| 26 = J-10 Pickup-131" W.B. | 73 = Cherokee 2WD-2 Dr. | 79 = Cherokee 4WD-4 Dr.-Com |
| 27 = J-20 Pickup-131" W.B. | 74 = Cherokee 2WD-4 Dr. | 81 = Wrangler-93" W.B. |
| 63 = Comanche 4WD-6 Ft. Box | 75 = Wagoneer 4WD-4 Dr. | 82 = Wrangler-103" W.B.-Exp. |
| 64 = Comanche 2WD-6 Ft. Box | | |

BODY STYLES:

MJ = Comanche Pickup
 SJ = Grand Wagoneer Wgn., J-10 & J-20 Pickups
 XJ = Cherokee, Wagoneer Limited
 YJ = Wrangler

AR = Use as Required - = Non Illustrated Part P.A.R. = Paint as Required

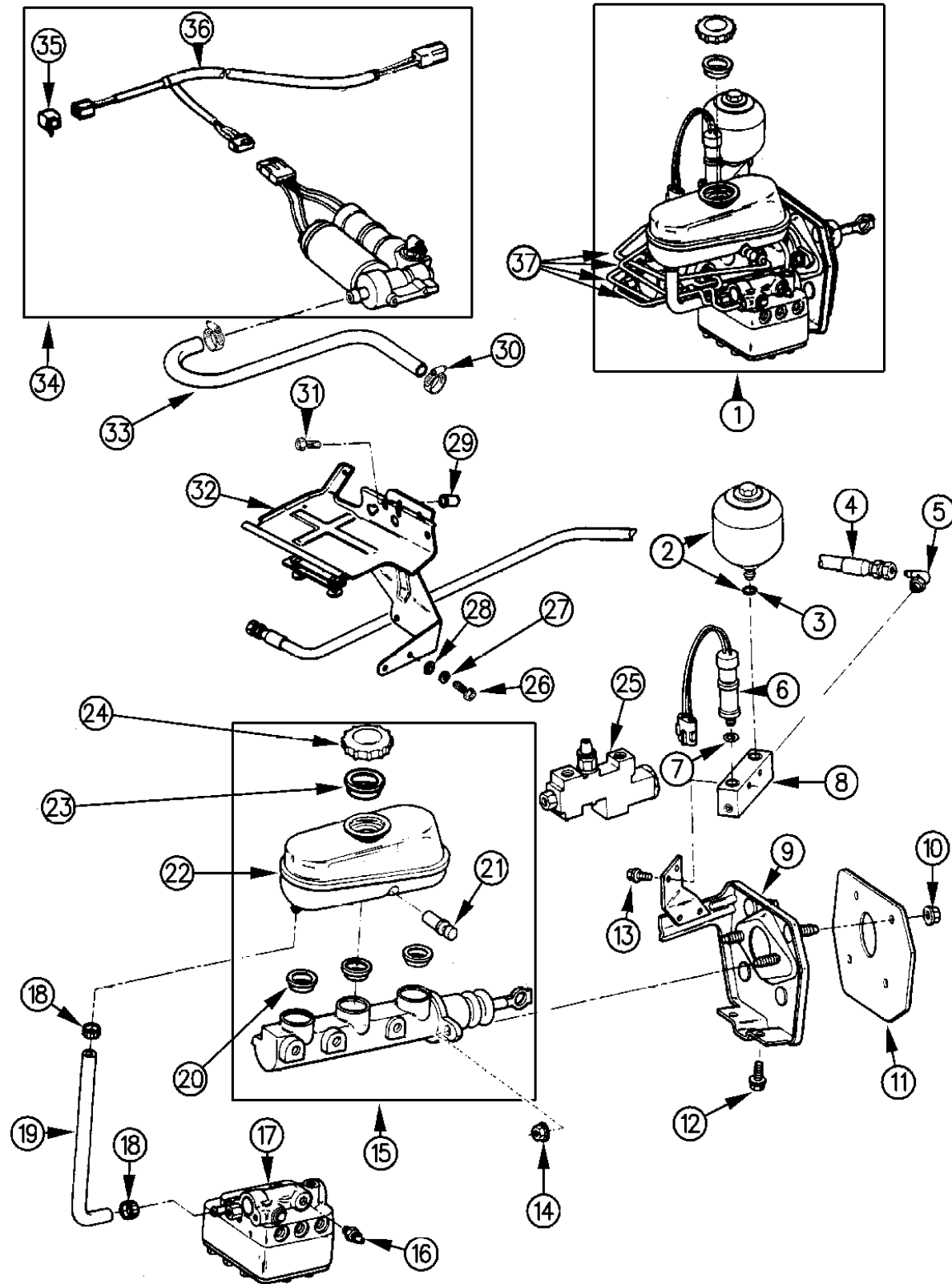


CYLINDER, BRAKE MASTER W/ANTI-LOCK BRAKING SYSTEM CHEROKEE, WAGONEER

Figure 5-650

8J05 650A

| ITEM | PART NUMBER | QTY | BODY | MODEL | DESCRIPTION |
|------|-------------|-----|------|-------|--|
| 25 | 5200 6221 | 1 | | | VALVE, Proportioning |
| 26 | J018 0016 | 3 | | | BOLT, Bracket Mounting |
| 27 | J012 0380 | 3 | | | WASHER, Bracket Mounting |
| 28 | 5200 6803 | 3 | | | ISOLATOR, Bracket *** |
| 29 | 3420 1595 | 2 | | | NUTSERT *** |
| 30 | J400 6661 | 2 | | | CLAMP, Low Pressure Hose |
| 31 | 3420 1808 | 2 | | | SCREW & WASHER, Bracket Mounting *** |
| 32 | 5200 3298 | 1 | | | BRACKET ASSEMBLY, ABS Pump Mounting *** |
| 33 | 4746 511 | 1 | | | HOSE, Low Pressure |
| 34 | 5200 3297 | 1 | | | PUMP ASSEMBLY-Also includes the pump motor pressure switch *** |
| - | 4637 657 | 1 | | | SNAP RING, Pump Inlet Nipple Retaining |
| - | 4637 655 | 1 | | | NIPPLE, Low Pressure Hose (Straight) |
| - | 4637 656 | 1 | | | NIPPLE, Low Pressure Hose (120 Degrees) |
| 35 | 5200 4461 | 1 | | | RELAY, Pump *** |
| 36 | 5200 4460 | 1 | | | HARNESS, Relay *** |
| 37 | 4637 634 | 1 | | | TUBE ASSEMBLY PACKAGE, Also Includes Clip *** |
| - | 4637 631 | 1 | | | CLIP, Tubes |



MODEL CODES:

| | | |
|-----------------------------|-----------------------------|------------------------------|
| 15 = Grand Wagoneer 4 Dr. | 65 = Comanche 4WD-7 Ft. Box | 77 = Cherokee 4WD-2 Dr. |
| 25 = J-10 Pickup-119" W.B. | 66 = Comanche 2WD-7 Ft. Box | 78 = Cherokee 4WD-4 Dr. |
| 26 = J-10 Pickup-131" W.B. | 73 = Cherokee 2WD-2 Dr. | 79 = Cherokee 4WD-4 Dr.-Com |
| 27 = J-20 Pickup-131" W.B. | 74 = Cherokee 2WD-4 Dr. | 81 = Wrangler-93" W.B. |
| 63 = Comanche 4WD-6 Ft. Box | 75 = Wagoneer 4WD-4 Dr. | 82 = Wrangler-103" W.B.-Exp. |
| 64 = Comanche 2WD-6 Ft. Box | | |

BODY STYLES:

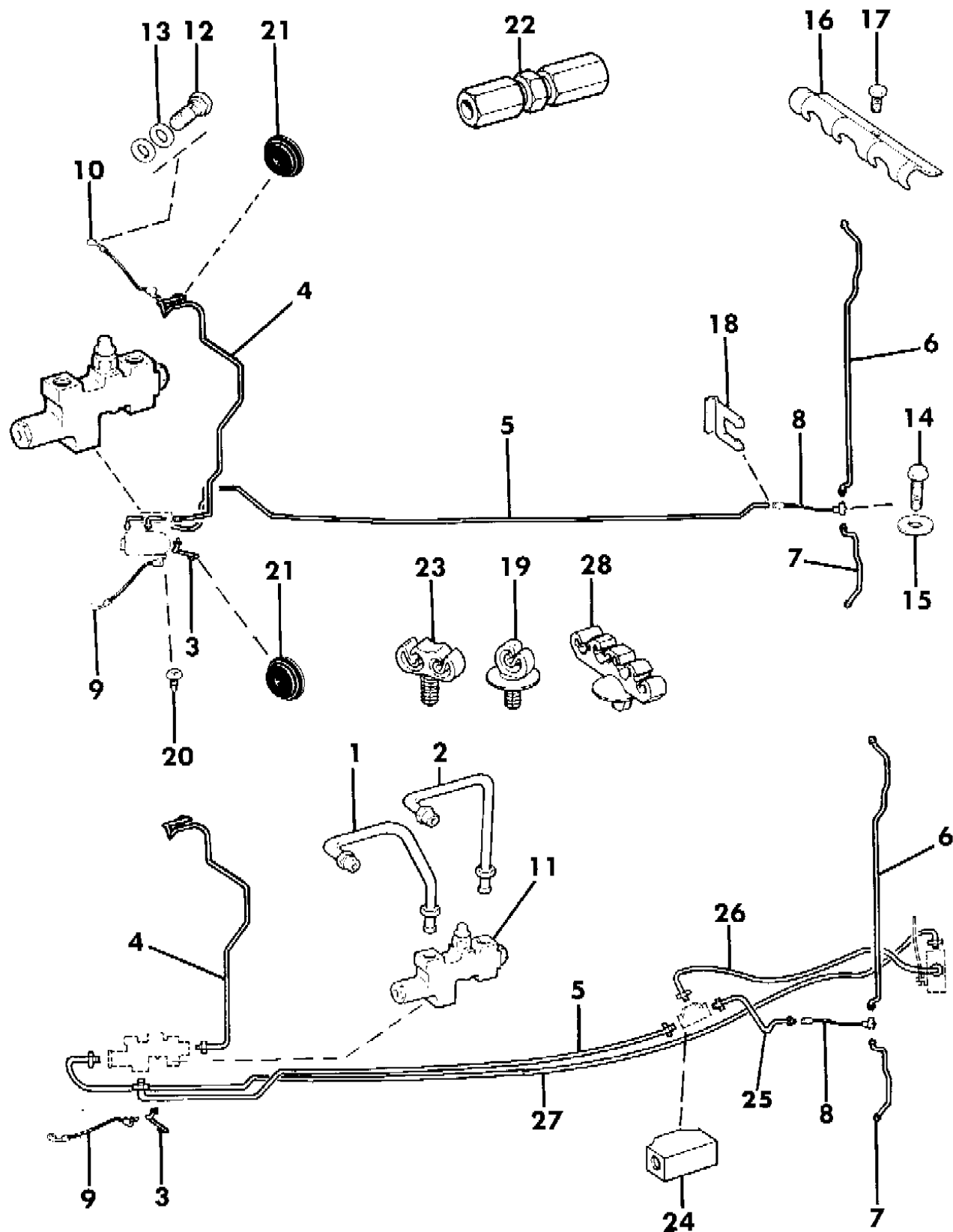
MJ = Comanche Pickup
 SJ = Grand Wagoneer Wgn., J-10 & J-20 Pickups
 XJ = Cherokee, Wagoneer Limited
 YJ = Wrangler

AR = Use as Required - = Non Illustrated Part P.A.R. = Paint as Required

LINES AND HOSES, BRAKE U.S. AND CANADA CHEROKEE, WAGONEER, COMANCHE

Figure 5-700

8J05 700 B



| ITEM | PART NUMBER | QTY | BODY | MODEL | DESCRIPTION |
|------|-------------|-----|------|-------|----------------------|
| 1 | 5200 2781 | 1 | | | LINE, Brake |
| 2 | 5200 0172 | 1 | | | LINE, Brake |
| 3 | 5200 0164 | 1 | | | LINE, Brake |
| 4 | 5200 3024 | 1 | | | LINE, Brake |
| 5 | 5200 0163 | 1 | XJ | | LINE, Brake |
| | | | MJ | | w/6 Foot Box |
| | 5200 2205 | 1 | | | 1987/89 |
| | 5200 6225 | 1 | | | 1990 |
| | | | MJ | | w/7 Foot Box |
| | 5200 3204 | 1 | | | 1987/89 |
| | 5200 6223 | 1 | | | 1990 |
| 6 | | | XJ | | LINE, Brake |
| | | | | | w/Dana Model 35 |
| | 5200 0168 | 1 | | | 1987/89 |
| | 5200 5058 | 1 | | | 1990 |
| | | | XJ | | w/Dana Model 44 |
| | 5200 3502 | 1 | | | 1987 |
| | | | MJ | | w/Dana Model 35 Axle |
| | 5200 2362 | 1 | | | 1987/89 |
| | 5200 4330 | 1 | | | 1990 |
| | 5200 3088 | 1 | MJ | | w/Dana Model 44 Axle |
| 7 | | | XJ | | LINE, Brake |
| | 5200 0167 | 1 | | | 1987/89 |
| | 5200 5471 | 1 | | | 1990 |
| | | | MJ | | w/Dana Model 35 Axle |
| | 5200 2363 | 1 | | | 1987/89 |
| | 5200 4331 | 1 | | | 1990 |
| | 5200 1918 | 1 | MJ | | w/Dana Model 44 Axle |
| 8 | | | XJ | | HOSE, Brake |
| | 5200 0162 | 1 | | | 1987/89 |
| | 5200 5045 | 1 | | | 1990 |
| | | | MJ | | W/6 Foot Box |
| | 5200 3607 | 1 | | | 1987/89 |
| | 5200 4152 | 1 | | | 1990 |
| | | | MJ | | w/7 Foot Box |
| | 5200 1917 | 1 | | | 1987/89 |
| | 5200 4153 | 1 | | | 1990 |

MODEL CODES:

| | | |
|-----------------------------|-----------------------------|------------------------------|
| 15 = Grand Wagoneer 4 Dr. | 65 = Comanche 4WD-7 Ft. Box | 77 = Cherokee 4WD-2 Dr. |
| 25 = J-10 Pickup-119" W.B. | 66 = Comanche 2WD-7 Ft. Box | 78 = Cherokee 4WD-4 Dr. |
| 26 = J-10 Pickup-131" W.B. | 73 = Cherokee 2WD-2 Dr. | 79 = Cherokee 4WD-4 Dr.-Com |
| 27 = J-20 Pickup-131" W.B. | 74 = Cherokee 2WD-4 Dr. | 81 = Wrangler-93" W.B. |
| 63 = Comanche 4WD-6 Ft. Box | 75 = Wagoneer 4WD-4 Dr. | 82 = Wrangler-103" W.B.-Exp. |
| 64 = Comanche 2WD-6 Ft. Box | | |

BODY STYLES:

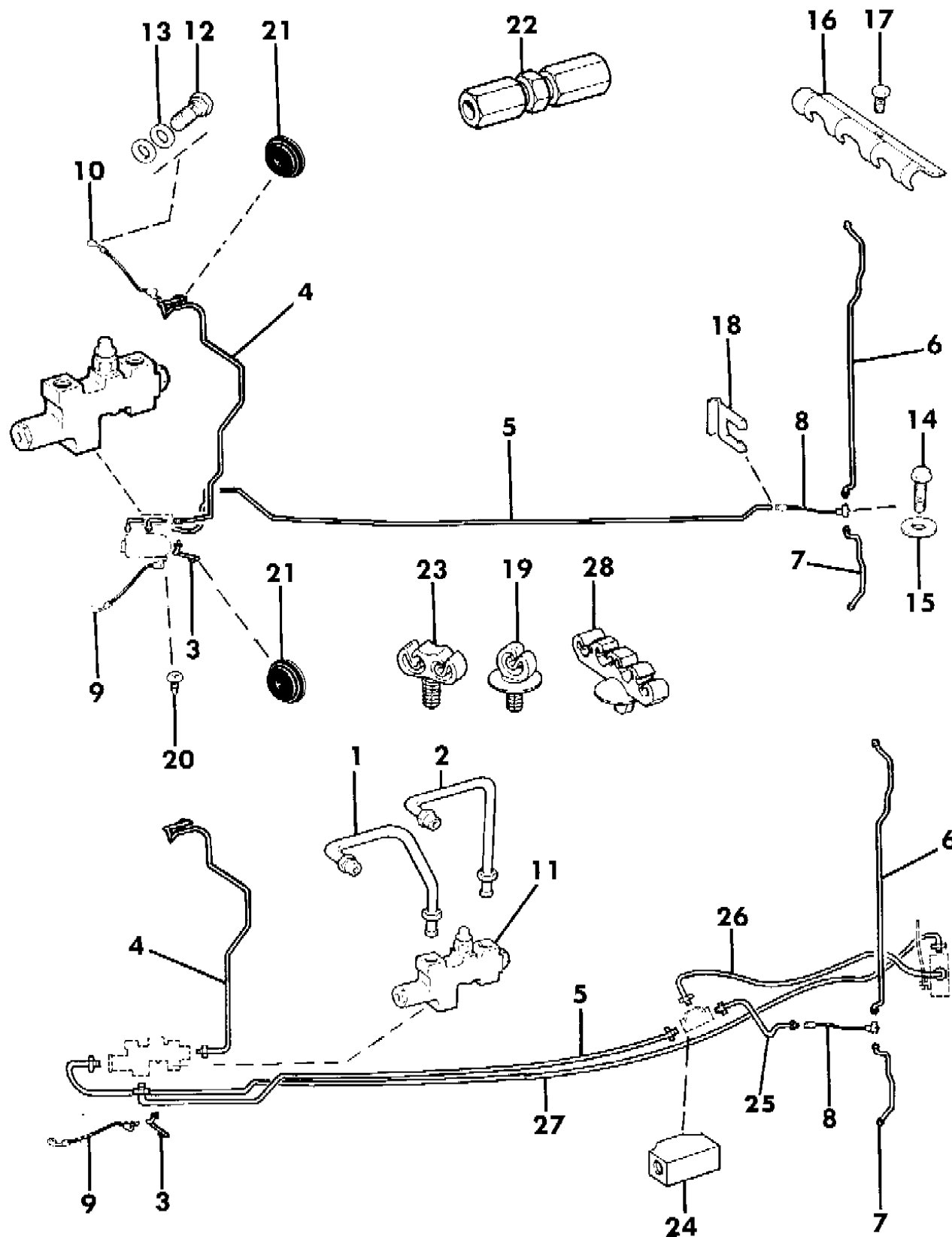
MJ = Comanche Pickup
 SJ = Grand Wagoneer Wgn., J-10 & J-20 Pickups
 XJ = Cherokee, Wagoneer Limited
 YJ = Wrangler

AR = Use as Required - = Non Illustrated Part P.A.R. = Paint as Required

LINES AND HOSES, BRAKE U.S. AND CANADA CHEROKEE, WAGONEER, COMANCHE

Figure 5-700

8J05 700 B



| ITEM | PART NUMBER | QTY | BODY | MODEL | DESCRIPTION |
|------|-------------|-----|------|-------|-------------------------------|
| 9 | | | | | HOSE, Brake |
| | 5200 1405 | 1 | | | 1987/89, 1990 2WD |
| | 5200 6471 | 1 | | | 1990 4WD |
| 10 | | | | | HOSE, Brake |
| | 5200 1404 | 1 | | | 1987/89, 1990 2WD |
| | 5200 6470 | 1 | | | 1990 4WD |
| 11 | | | XJ | | VALVE, Proportioning |
| | 5200 0097 | 1 | | | 1987/89 |
| | 5200 6221 | 1 | | | 1990 |
| | | | XJ | | VALVE, Proportioning (Export) |
| | 5200 3118 | 1 | | | 1987/89 |
| | 5200 6394 | 1 | | | 1990 |
| | 5200 2497 | 1 | MJ | | VALVE, Proportioning |
| 12 | J400 6700 | 2 | | | BOLT |
| 13 | J323 6434 | 4 | | | GASKET |
| 14 | 3420 1610 | 1 | XJ | | SCREW |
| | T300 1235 | 1 | MJ | | SCREW |
| 15 | J400 1089 | 2 | | | WASHER |
| 16 | J323 4854 | 1 | | | CLIP |
| 17 | 3420 1152 | 1 | | | SCREW |
| 18 | J004 7774 | 1 | | | CLIP |
| 19 | 3200 0404 | 1 | | | CLIP |
| 20 | 1150 2764 | 2 | | | SCREW |
| 21 | J312 6237 | 2 | | | GROMMET |
| 22 | J812 6773 | AR | | | UNION, Brake Line Repair |
| 23 | 5200 2044 | 2 | | | CLIP |
| 24 | J319 6997 | 1 | MJ | | TEE |
| 25 | | | | | LINE, Brake |
| | 5200 2992 | 1 | MJ | | w/6 Foot Box |
| | 5200 2368 | 1 | MJ | | w/7 Foot Box |
| 26 | | | | | LINE, Brake |
| | 5200 2397 | 1 | MJ | | w/6 Foot Box |
| | 5200 2960 | 1 | MJ | | w/7 Foot Box |
| 27 | | | | | LINE, Brake |
| | | | MJ | | w/6 Foot Box |
| | 5200 2398 | 1 | | | 1987/89 |
| | 5200 6222 | 1 | | | 1990 |

MODEL CODES:

| | | |
|-----------------------------|-----------------------------|------------------------------|
| 15 = Grand Wagoneer 4 Dr. | 65 = Comanche 4WD-7 Ft. Box | 77 = Cherokee 4WD-2 Dr. |
| 25 = J-10 Pickup-119" W.B. | 66 = Comanche 2WD-7 Ft. Box | 78 = Cherokee 4WD-4 Dr. |
| 26 = J-10 Pickup-131" W.B. | 73 = Cherokee 2WD-2 Dr. | 79 = Cherokee 4WD-4 Dr.-Com |
| 27 = J-20 Pickup-131" W.B. | 74 = Cherokee 2WD-4 Dr. | 81 = Wrangler-93" W.B. |
| 63 = Comanche 4WD-6 Ft. Box | 75 = Wagoneer 4WD-4 Dr. | 82 = Wrangler-103" W.B.-Exp. |
| 64 = Comanche 2WD-6 Ft. Box | | |

BODY STYLES:

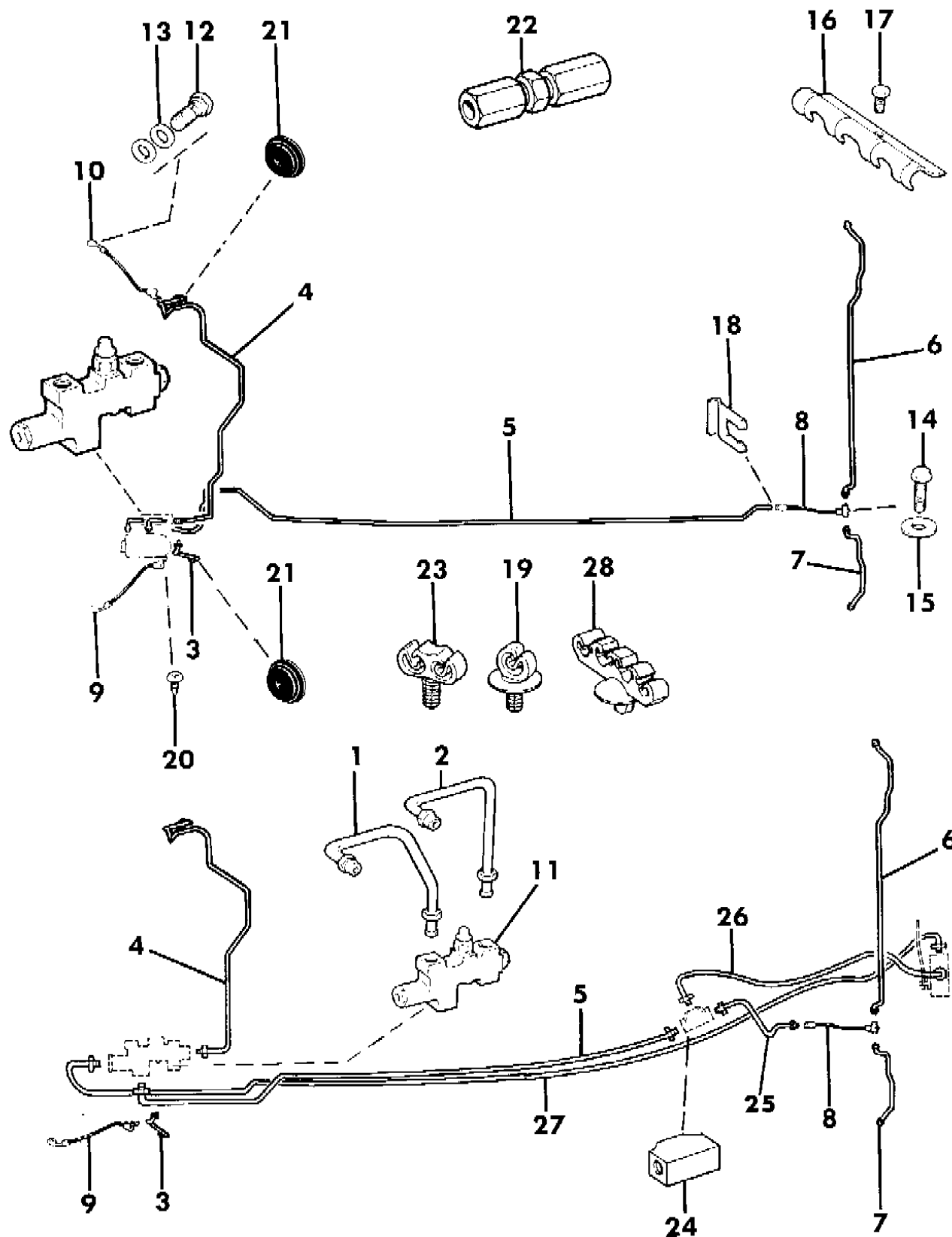
MJ = Comanche Pickup
 SJ = Grand Wagoneer Wgn., J-10 & J-20 Pickups
 XJ = Cherokee, Wagoneer Limited
 YJ = Wrangler

AR = Use as Required - = Non Illustrated Part P.A.R. = Paint as Required

LINES AND HOSES, BRAKE U.S. AND CANADA CHEROKEE, WAGONEER, COMANCHE

Figure 5-700

8J05 700 B



| ITEM | PART NUMBER | QTY | BODY | MODEL | DESCRIPTION |
|------|-------------|-----|------|-------|--------------|
| | | | MJ | | w/7 Foot Box |
| | 5200 3203 | 1 | | | 1987/89 |
| | 5200 6224 | 1 | | | 1990 |
| 28 | 5300 0585 | 1 | | | CLIP |

MODEL CODES:

- | | | |
|-----------------------------|-----------------------------|------------------------------|
| 15 = Grand Wagoneer 4 Dr. | 65 = Comanche 4WD-7 Ft. Box | 77 = Cherokee 4WD-2 Dr. |
| 25 = J-10 Pickup-119" W.B. | 66 = Comanche 2WD-7 Ft. Box | 78 = Cherokee 4WD-4 Dr. |
| 26 = J-10 Pickup-131" W.B. | 73 = Cherokee 2WD-2 Dr. | 79 = Cherokee 4WD-4 Dr.-Com |
| 27 = J-20 Pickup-131" W.B. | 74 = Cherokee 2WD-4 Dr. | 81 = Wrangler-93" W.B. |
| 63 = Comanche 4WD-6 Ft. Box | 75 = Wagoneer 4WD-4 Dr. | 82 = Wrangler-103" W.B.-Exp. |
| 64 = Comanche 2WD-6 Ft. Box | | |

BODY STYLES:

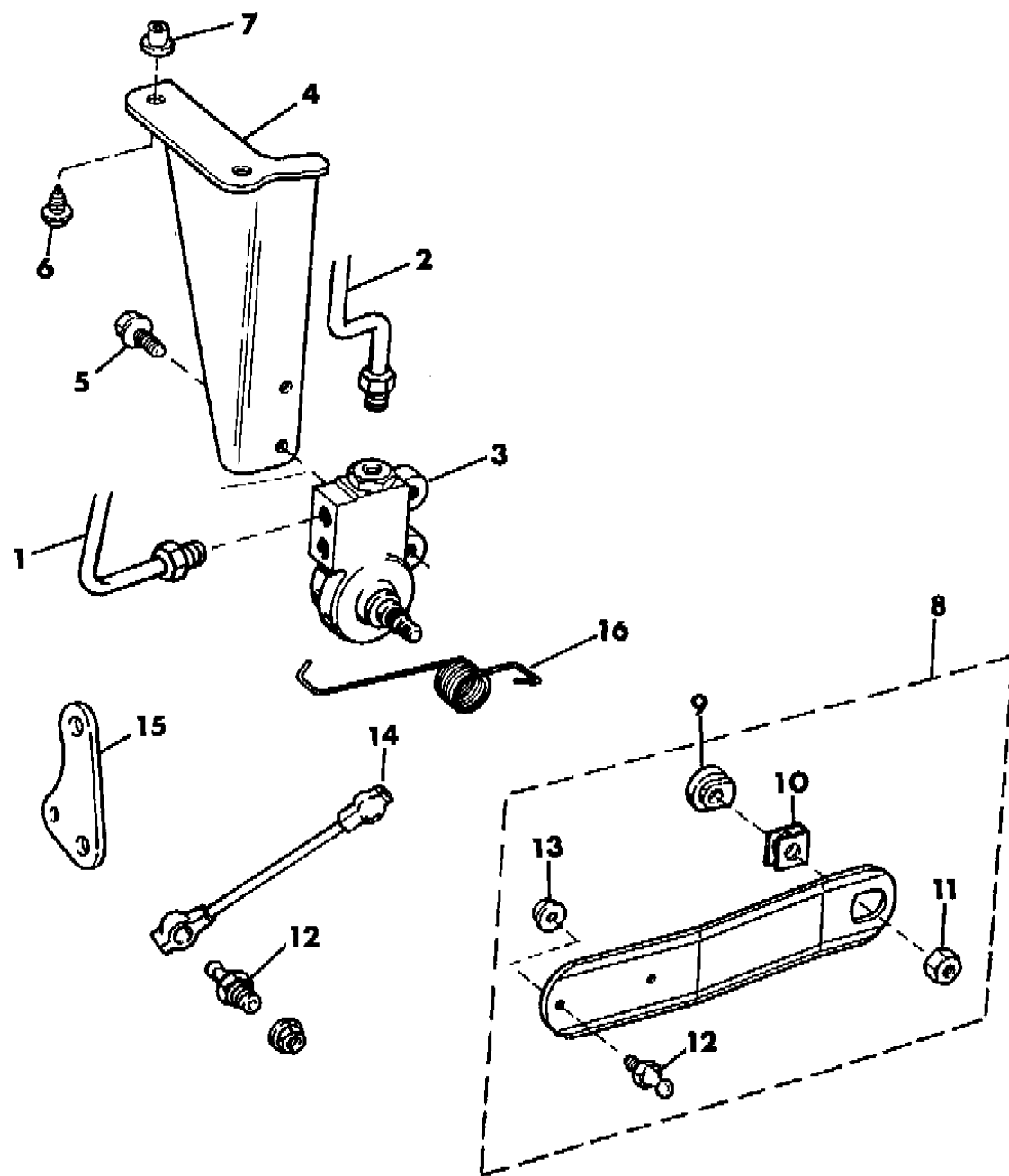
- MJ = Comanche Pickup
 SJ = Grand Wagoneer Wgn., J-10 & J-20 Pickups
 XJ = Cherokee, Wagoneer Limited
 YJ = Wrangler

AR = Use as Required - = Non Illustrated Part P.A.R. = Paint as Required

HEIGHT SENSING VALVE COMANCHE

Figure 5-725

8 J05 725A



| ITEM | PART NUMBER | QTY | BODY | MODEL | DESCRIPTION |
|------|-------------|-----|------|-------|--|
| 1 | | | | | LINE, Brake |
| | | | | | w/6 Foot Box |
| | 5200 2398 | 1 | | | 1987/89 |
| | 5200 6222 | 1 | | | 1990 |
| | | | | | w/7 Foot Box |
| | | | | | 1987/89 |
| | 5200 3203 | 1 | | | For vehicles built up to 03-01-89 |
| | 5200 4292 | 1 | | | For vehicles built 03-01-89 and later |
| | 5200 6224 | 1 | | | 1990 |
| 2 | | | | | LINE, Brake |
| | | | | | w/6 Foot Box |
| | 5200 2397 | 1 | | | 1987/89 |
| | 5200 2960 | 1 | | | 1990 |
| 3 | | | | | VALVE, Height Sensing |
| | | | | | 1987/89 |
| | 5200 2369 | 1 | | | 1987/89 |
| | 5200 5759 | 1 | | | 1990 |
| 4 | | | | | BRACKET, Valve |
| | | | | | w/6 Foot Box |
| | 5200 2993 | 1 | | | 1987/89 |
| | 5200 2961 | 1 | | | 1990 |
| 5 | J942 3545 | 2 | | | BOLT |
| 6 | 3420 1756 | 2 | | | BOLT |
| 7 | 3420 1595 | 2 | | | NUTSERT |
| 8 | | | | | LEVER, Valve |
| | | | | | w/Dana Model 35 Axle |
| | 5200 3167 | 1 | | | w/Dana Model 44 Axle |
| | 5200 3681 | 1 | | | KDX Built for Venezuela |
| | 5200 3167 | 1 | | | KDX Built for Venezuela |
| | 5200 3681 | 1 | | | KDX Built for Turkey |
| 9 | 5200 3165 | 1 | | | BUSHING, Lever |
| 10 | 5200 3166 | 1 | | | RETAINER |
| 11 | J012 0376 | 1 | | | NUT |
| 12 | J420 0415 | 2 | | | STUD, Ball |
| 13 | 1150 3750 | 2 | | | NUT |
| 14 | | | | | LINK |
| | | | | | w/Dana Model 35 Axle and 2 Wheel Drive |
| | 5200 2964 | 1 | | | w/Dana Model 35 Axle and 2 Wheel Drive |
| | 5200 2965 | 1 | | | w/Dana Model 35 Axle and 4 Wheel Drive |
| | 5200 3679 | 1 | | | w/Dana Model 44 Axle and 7 Foot Box |
| | 5200 2965 | 1 | | | KDX Built for Venezuela |
| | 5200 3679 | 1 | | | KDX Built for Turkey |

MODEL CODES:

| | | |
|-----------------------------|-----------------------------|------------------------------|
| 15 = Grand Wagoneer 4 Dr. | 65 = Comanche 4WD-7 Ft. Box | 77 = Cherokee 4WD-2 Dr. |
| 25 = J-10 Pickup-119" W.B. | 66 = Comanche 2WD-7 Ft. Box | 78 = Cherokee 4WD-4 Dr. |
| 26 = J-10 Pickup-131" W.B. | 73 = Cherokee 2WD-2 Dr. | 79 = Cherokee 4WD-4 Dr.-Com |
| 27 = J-20 Pickup-131" W.B. | 74 = Cherokee 2WD-4 Dr. | 81 = Wrangler-93" W.B. |
| 63 = Comanche 4WD-6 Ft. Box | 75 = Wagoneer 4WD-4 Dr. | 82 = Wrangler-103" W.B.-Exp. |
| 64 = Comanche 2WD-6 Ft. Box | | |

BODY STYLES:

MJ = Comanche Pickup
 SJ = Grand Wagoneer Wgn., J-10 & J-20 Pickups
 XJ = Cherokee, Wagoneer Limited
 YJ = Wrangler

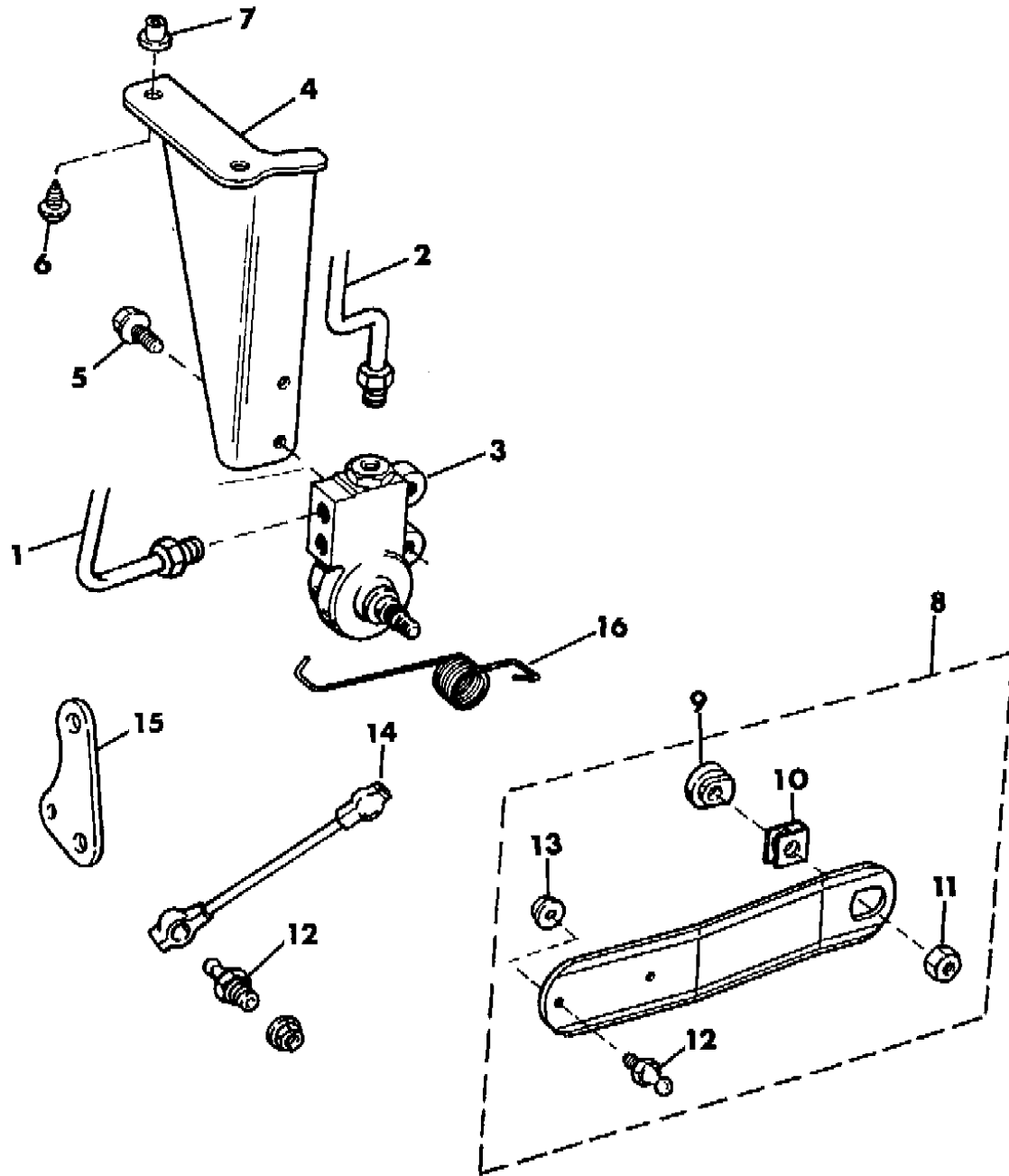
AR = Use as Required - = Non Illustrated Part P.A.R. = Paint as Required

HEIGHT SENSING VALVE COMANCHE

Figure 5-725

8 J05 725A

| ITEM | PART NUMBER | QTY | BODY | MODEL | DESCRIPTION |
|------|-------------|-----|------|-------|----------------------|
| 15 | | | | | BRACKET |
| | 5200 2968 | 1 | | | w/Dana Model 35 Axle |
| | 5200 3172 | 1 | | | w/Dana Model 44 Axle |
| | 5200 3172 | 1 | | | KDX Built for Turkey |
| 16 | 5200 2736 | 1 | | | SPRING, 1987 Only |



MODEL CODES:

| | | |
|-----------------------------|-----------------------------|------------------------------|
| 15 = Grand Wagoneer 4 Dr. | 65 = Comanche 4WD-7 Ft. Box | 77 = Cherokee 4WD-2 Dr. |
| 25 = J-10 Pickup-119" W.B. | 66 = Comanche 2WD-7 Ft. Box | 78 = Cherokee 4WD-4 Dr. |
| 26 = J-10 Pickup-131" W.B. | 73 = Cherokee 2WD-2 Dr. | 79 = Cherokee 4WD-4 Dr.-Com |
| 27 = J-20 Pickup-131" W.B. | 74 = Cherokee 2WD-4 Dr. | 81 = Wrangler-93" W.B. |
| 63 = Comanche 4WD-6 Ft. Box | 75 = Wagoneer 4WD-4 Dr. | 82 = Wrangler-103" W.B.-Exp. |
| 64 = Comanche 2WD-6 Ft. Box | | |

BODY STYLES:

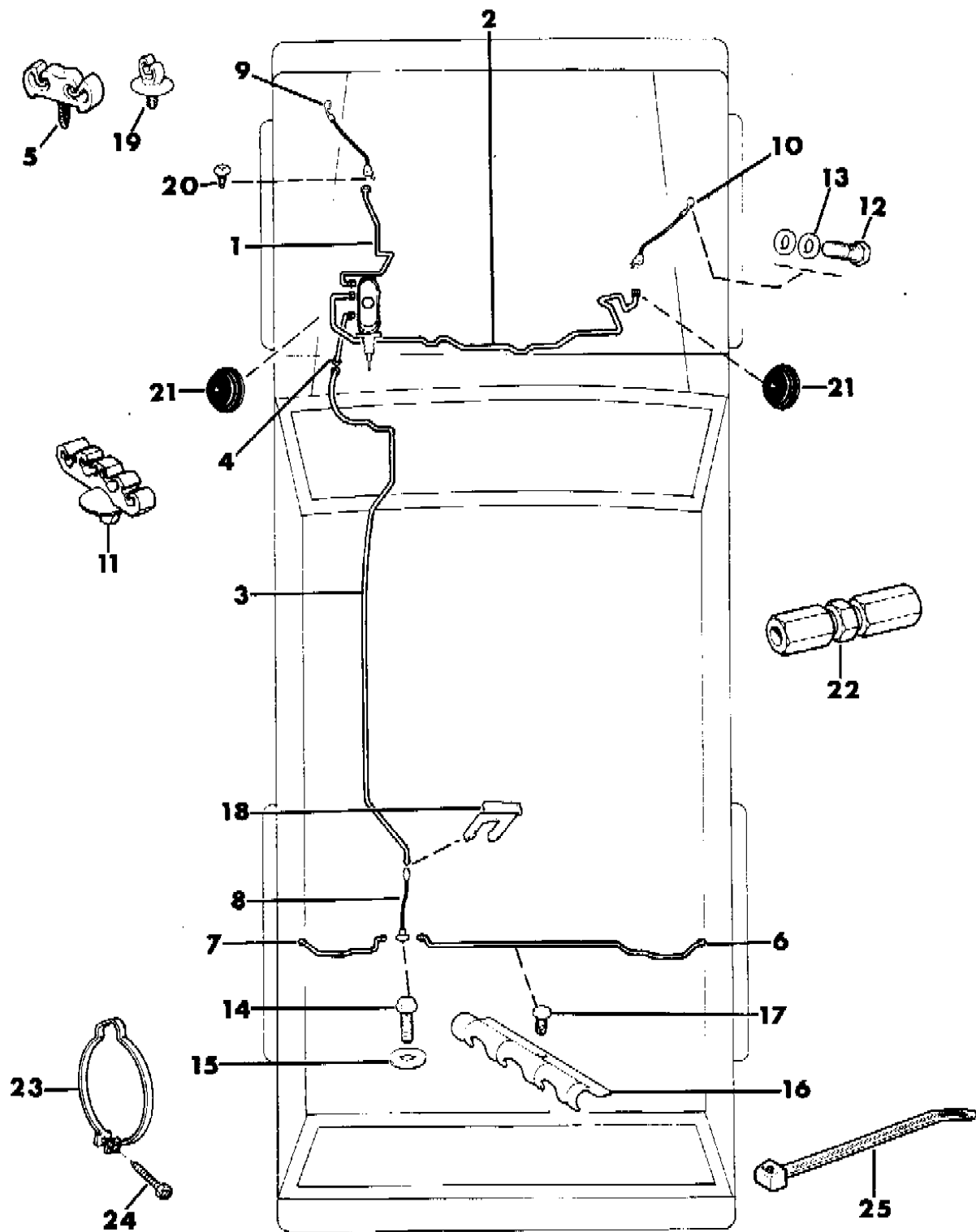
MJ = Comanche Pickup
 SJ = Grand Wagoneer Wgn., J-10 & J-20 Pickups
 XJ = Cherokee, Wagoneer Limited
 YJ = Wrangler

AR = Use as Required - = Non Illustrated Part P.A.R. = Paint as Required

LINES AND HOSES, BRAKE W/ANTI-LOCK BRAKING SYSTEM

Figure 5-750

8 J05 750



| ITEM | PART NUMBER | QTY | BODY | MODEL | DESCRIPTION |
|------|-------------|-----|------|-------|----------------------------------|
| 1 | 5200 3319 | 1 | | | LINE, Brake |
| 2 | 5200 3320 | 1 | | | LINE, Brake 1988/89 |
| | 5200 4930 | 1 | | | 1990 |
| 3 | 5200 3739 | 1 | | | LINE, Brake |
| 4 | 5200 3740 | 1 | | | LINE, Brake 1988/89 |
| | 5200 4931 | 1 | | | 1990 |
| 5 | 5200 2044 | 2 | | | CLIP |
| 6 | 5200 0168 | 1 | | | LINE, Brake 1988/89 |
| | 5200 5058 | 1 | | | 1990 |
| 7 | 5200 0167 | 1 | | | LINE, Brake 1988/89 |
| | 5200 5471 | 1 | | | 1990 |
| 8 | 5200 0162 | 1 | | | HOSE, Brake 1988/89 |
| | 5200 5045 | 1 | | | 1990 |
| 9 | 5200 1405 | 1 | | | HOSE, Brake 1988/89, 1990 2WD |
| | 5200 6471 | 1 | | | 1990 4WD |
| 10 | 5200 1404 | 1 | | | HOSE, Brake 1988/89, 1990 2WD |
| | 5200 6470 | 1 | | | 1990 4WD *** |
| 11 | 5300 0585 | 1 | | | CLIP |
| 12 | J400 6700 | 2 | | | BOLT |
| 13 | J323 6434 | 4 | | | GASKET |
| 14 | 3420 1610 | 1 | | | SCREW, 1988/89 |
| | 4137 696 | 1 | | | 1990 (D) |
| 15 | J400 1089 | 2 | | | WASHER |
| 16 | J323 4854 | 1 | | | CLIP |
| 17 | 3420 1152 | 1 | | | SCREW |
| 18 | J004 7774 | 1 | | | CLIP |
| 19 | 3200 0404 | 1 | | | CLIP |
| 20 | 1150 2764 | 2 | | | SCREW |
| 21 | J312 6237 | 2 | | | GROMMET |
| 22 | J812 6773 | AR | | | UNION, Brake Line Repair |

MODEL CODES:

| | | |
|-----------------------------|-----------------------------|------------------------------|
| 15 = Grand Wagoneer 4 Dr. | 65 = Comanche 4WD-7 Ft. Box | 77 = Cherokee 4WD-2 Dr. |
| 25 = J-10 Pickup-119" W.B. | 66 = Comanche 2WD-7 Ft. Box | 78 = Cherokee 4WD-4 Dr. |
| 26 = J-10 Pickup-131" W.B. | 73 = Cherokee 2WD-2 Dr. | 79 = Cherokee 4WD-4 Dr.-Com |
| 27 = J-20 Pickup-131" W.B. | 74 = Cherokee 2WD-4 Dr. | 81 = Wrangler-93" W.B. |
| 63 = Comanche 4WD-6 Ft. Box | 75 = Wagoneer 4WD-4 Dr. | 82 = Wrangler-103" W.B.-Exp. |
| 64 = Comanche 2WD-6 Ft. Box | | |

BODY STYLES:

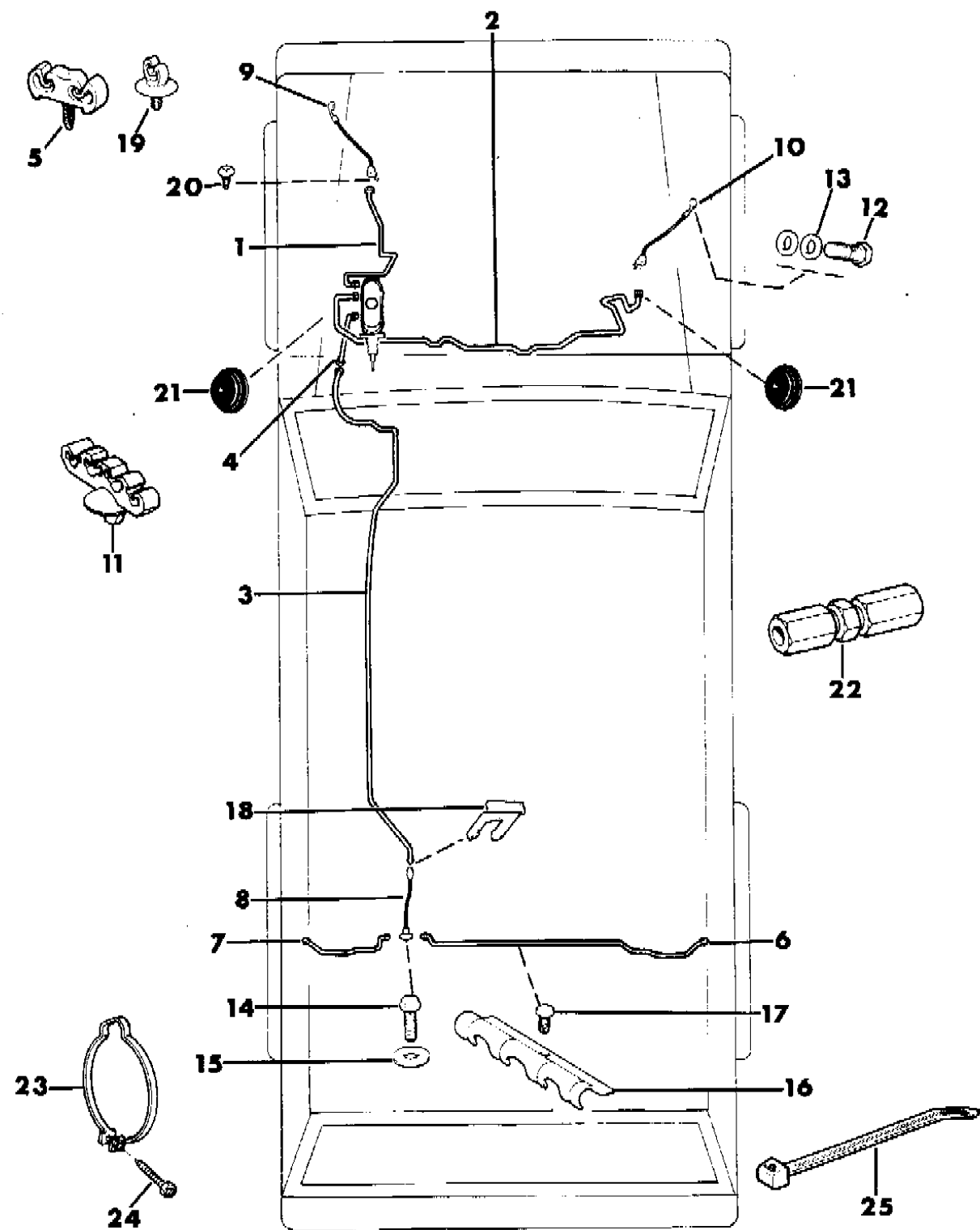
MJ = Comanche Pickup
 SJ = Grand Wagoneer Wgn., J-10 & J-20 Pickups
 XJ = Cherokee, Wagoneer Limited
 YJ = Wrangler

AR = Use as Required - = Non Illustrated Part P.A.R. = Paint as Required

LINES AND HOSES, BRAKE W/ANTI-LOCK BRAKING SYSTEM

Figure 5-750

8 J05 750



| ITEM | PART NUMBER | QTY | BODY | MODEL | DESCRIPTION |
|------|-------------|-----|------|-------|-------------|
|------|-------------|-----|------|-------|-------------|

| | | | | | |
|----|-----------|----|--|--|-------|
| 23 | 3200 3197 | 4 | | | CLAMP |
| 24 | J812 4425 | 4 | | | BOLT |
| 25 | J322 3227 | AR | | | STRAP |

- MODEL CODES:
- | | | |
|-----------------------------|-----------------------------|------------------------------|
| 15 = Grand Wagoneer 4 Dr. | 65 = Comanche 4WD-7 Ft. Box | 77 = Cherokee 4WD-2 Dr. |
| 25 = J-10 Pickup-119" W.B. | 66 = Comanche 2WD-7 Ft. Box | 78 = Cherokee 4WD-4 Dr. |
| 26 = J-10 Pickup-131" W.B. | 73 = Cherokee 2WD-2 Dr. | 79 = Cherokee 4WD-4 Dr.-Com |
| 27 = J-20 Pickup-131" W.B. | 74 = Cherokee 2WD-4 Dr. | 81 = Wrangler-93" W.B. |
| 63 = Comanche 4WD-6 Ft. Box | 75 = Wagoneer 4WD-4 Dr. | 82 = Wrangler-103" W.B.-Exp. |
| 64 = Comanche 2WD-6 Ft. Box | | |

- BODY STYLES:
- MJ = Comanche Pickup
 - SJ = Grand Wagoneer Wgn., J-10 & J-20 Pickups
 - XJ = Cherokee, Wagoneer Limited
 - YJ = Wrangler

AR = Use as Required - = Non Illustrated Part P.A.R. = Paint as Required

LINES AND HOSES, BRAKE EXPORT CHEROKEE, WAGONEER

Figure 5-800

8J05 800

| ITEM | PART NUMBER | QTY | BODY | MODEL | DESCRIPTION |
|------|-------------|-----|------|-------|---|
| 1 | 5200 2781 | 1 | | | LINE, Brake |
| 2 | 5200 0172 | 1 | | | LINE, Brake |
| 3 | 5200 0164 | 1 | | | LINE, Brake |
| 4 | 5200 3024 | 1 | | | LINE, Brake |
| 5 | 5200 0328 | 1 | | | LINE, Brake |
| 6 | | | | | LINE, Brake |
| | 5200 0168 | 1 | | | 1987/89 |
| | 5200 5058 | 1 | | | 1990 |
| 7 | | | | | LINE, Brake |
| | 5200 0167 | 1 | | | 1987/89 |
| | 5200 5471 | 1 | | | 1990 |
| 8 | | | | | HOSE, Brake |
| | 5200 0162 | 1 | | | 1987/89 |
| | 5200 5045 | 1 | | | 1990 |
| 9 | | | | | HOSE, Brake |
| | 5200 1405 | 1 | | | 1987/89, 1990 2WD |
| | 5200 6471 | 1 | | | 1990 4WD |
| 10 | | | | | HOSE, Brake |
| | 5200 1404 | 1 | | | 1987/89, 1990 2WD |
| | 5200 6470 | 1 | | | 1990 4WD |
| 11 | | | | | VALVE, Proportioning, ECE |
| | 5200 1774 | 1 | | | 1987/88 |
| | 5200 3118 | 1 | | | 1989, Except France & Italy |
| | 5200 6656 | 1 | | | 1989, France & Italy Only |
| | 5200 6394 | 1 | | | 1990 |
| | | | | | VALVE, Proportioning, Non-Regulated Markets |
| | 5200 0097 | 1 | | | 1987/89 |
| | 5200 6221 | 1 | | | 1990 |
| 12 | J400 6700 | 2 | | | BOLT |
| 13 | J323 6434 | 4 | | | GASKET |
| 14 | T300 1235 | 1 | | | SCREW |
| 15 | J400 1089 | 2 | | | WASHER |
| 16 | J323 4854 | 1 | | | CLIP |
| 17 | 3420 1152 | 1 | | | SCREW |
| 18 | J004 7774 | 1 | | | CLIP |
| 19 | 3200 0404 | 1 | | | CLIP |
| 20 | 1150 2764 | 2 | | | SCREW |

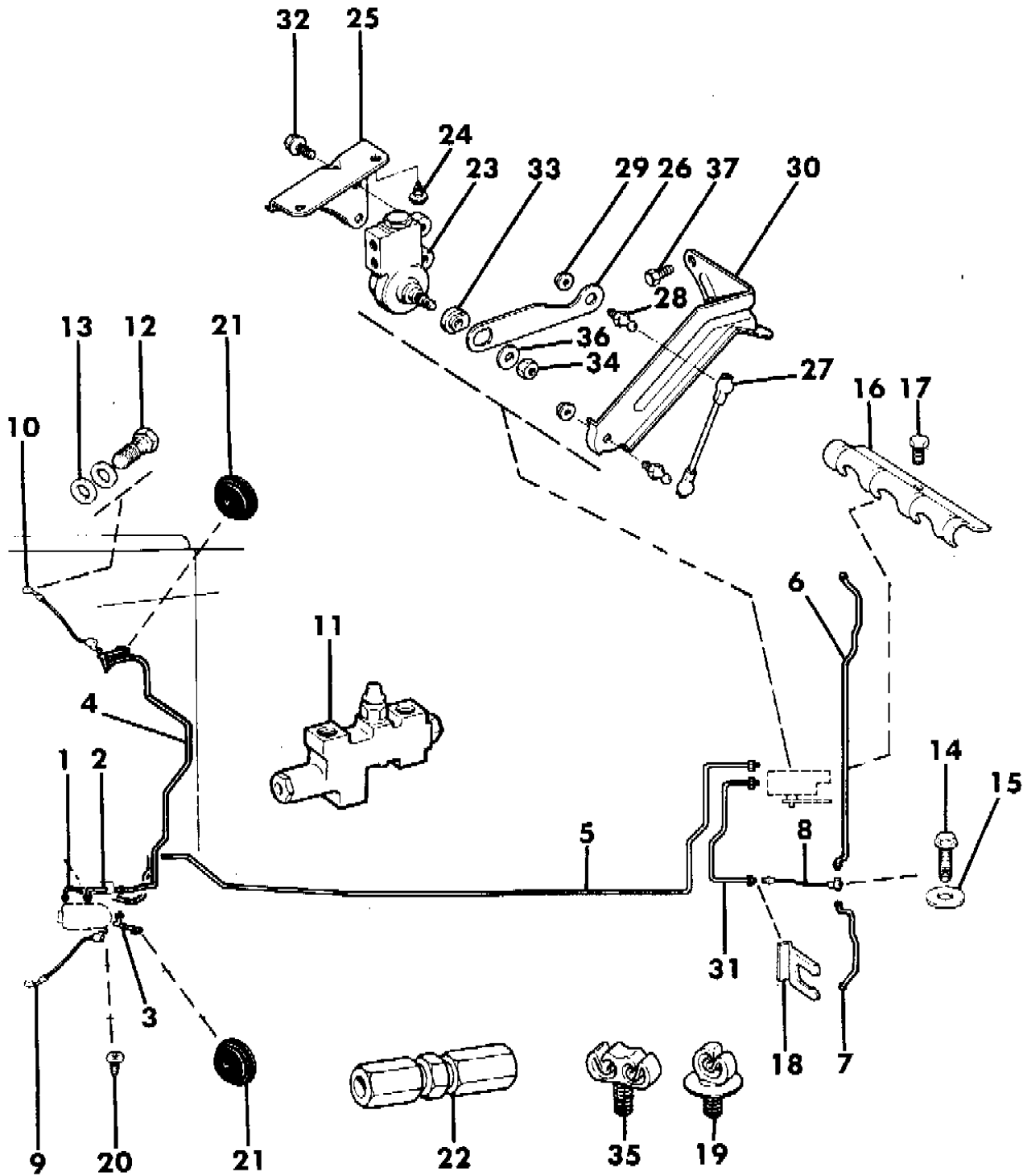
MODEL CODES:

| | | |
|-----------------------------|-----------------------------|------------------------------|
| 15 = Grand Wagoneer 4 Dr. | 65 = Comanche 4WD-7 Ft. Box | 77 = Cherokee 4WD-2 Dr. |
| 25 = J-10 Pickup-119" W.B. | 66 = Comanche 2WD-7 Ft. Box | 78 = Cherokee 4WD-4 Dr. |
| 26 = J-10 Pickup-131" W.B. | 73 = Cherokee 2WD-2 Dr. | 79 = Cherokee 4WD-4 Dr.-Com |
| 27 = J-20 Pickup-131" W.B. | 74 = Cherokee 2WD-4 Dr. | 81 = Wrangler-93" W.B. |
| 63 = Comanche 4WD-6 Ft. Box | 75 = Wagoneer 4WD-4 Dr. | 82 = Wrangler-103" W.B.-Exp. |
| 64 = Comanche 2WD-6 Ft. Box | | |

BODY STYLES:

MJ = Comanche Pickup
 SJ = Grand Wagoneer Wgn., J-10 & J-20 Pickups
 XJ = Cherokee, Wagoneer Limited
 YJ = Wrangler

AR = Use as Required - = Non Illustrated Part P.A.R. = Paint as Required

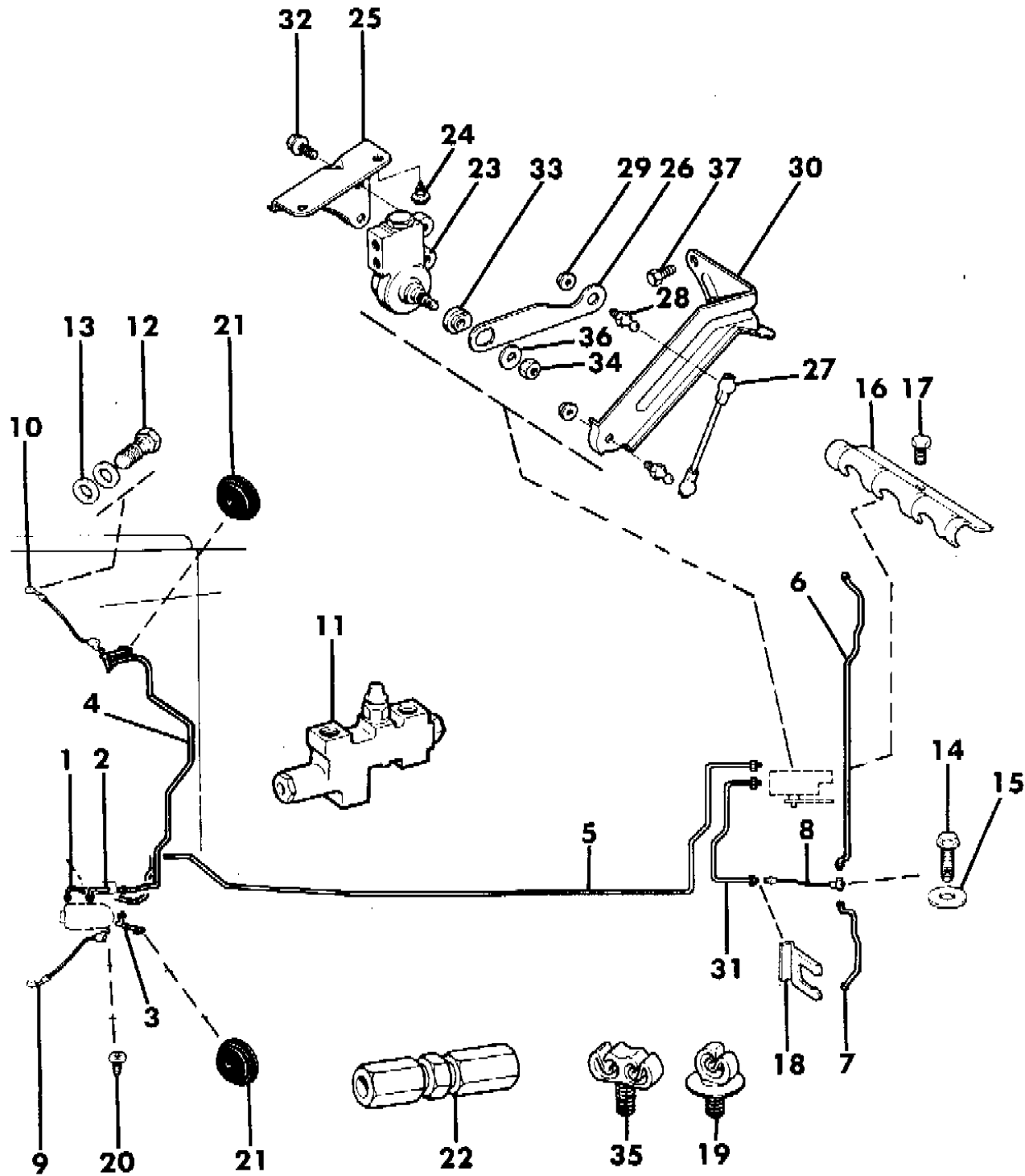


LINES AND HOSES, BRAKE EXPORT CHEROKEE, WAGONEER

Figure 5-800

8J05 800

| ITEM | PART NUMBER | QTY | BODY | MODEL | DESCRIPTION |
|------|-------------|-----|------|-------|--------------------------|
| 21 | J312 6237 | 2 | | | GROMMET |
| 22 | J812 6773 | AR | | | UNION, Brake Line Repair |
| 23 | 5200 0329 | 1 | | | VALVE, Height Sensing |
| 24 | 1150 0986 | 2 | | | BOLT |
| 25 | 5200 0330 | 1 | | | BRACKET, Valve |
| 26 | 5200 0332 | 1 | | | LEVER, Valve |
| 27 | 5200 0739 | 1 | | | LINK |
| 28 | J420 0415 | 2 | | | STUD, Ball |
| 29 | 1150 3739 | 2 | | | NUT |
| 30 | 5200 0737 | 1 | | | BRACKET |
| 31 | 5200 0327 | 1 | | | LINE, Brake |
| 32 | J942 3545 | 2 | | | BOLT |
| 33 | 5200 0782 | 1 | | | BUSHING, Lever |
| 34 | J012 0376 | 1 | | | NUT |
| 35 | 5200 2044 | 2 | | | CLIP |
| 36 | J012 0393 | 1 | | | WASHER |
| 37 | 1150 2453 | 3 | | | BOLT |



MODEL CODES:

| | | |
|-----------------------------|-----------------------------|------------------------------|
| 15 = Grand Wagoneer 4 Dr. | 65 = Comanche 4WD-7 Ft. Box | 77 = Cherokee 4WD-2 Dr. |
| 25 = J-10 Pickup-119" W.B. | 66 = Comanche 2WD-7 Ft. Box | 78 = Cherokee 4WD-4 Dr. |
| 26 = J-10 Pickup-131" W.B. | 73 = Cherokee 2WD-2 Dr. | 79 = Cherokee 4WD-4 Dr.-Com |
| 27 = J-20 Pickup-131" W.B. | 74 = Cherokee 2WD-4 Dr. | 81 = Wrangler-93" W.B. |
| 63 = Comanche 4WD-6 Ft. Box | 75 = Wagoneer 4WD-4 Dr. | 82 = Wrangler-103" W.B.-Exp. |
| 64 = Comanche 2WD-6 Ft. Box | | |

BODY STYLES:

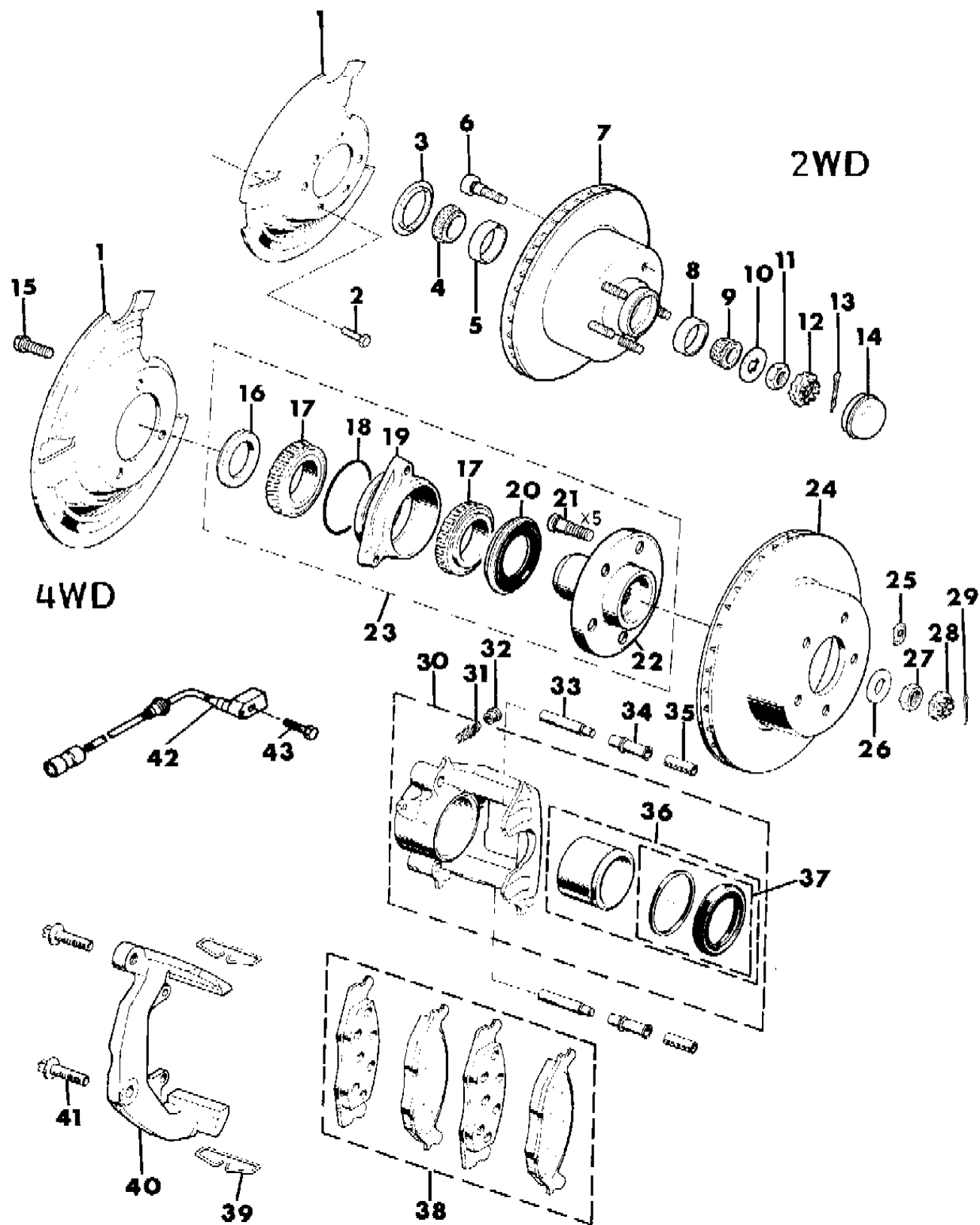
MJ = Comanche Pickup
 SJ = Grand Wagoneer Wgn., J-10 & J-20 Pickups
 XJ = Cherokee, Wagoneer Limited
 YJ = Wrangler

AR = Use as Required - = Non Illustrated Part P.A.R. = Paint as Required

BRAKES, FRONT CHEROKEE, WAGONEER, COMANCHE

Figure 5-825

8J05 825A



| ITEM | PART NUMBER | QTY | BODY | MODEL | DESCRIPTION |
|------|-------------|-----|------|-------|---|
| 1 | | | | | SHIELD, Splash |
| | | | | | Right |
| | 5200 0114 | 1 | | | 1987-89 |
| | 5200 0114 | 1 | | | 1990, 2WD |
| | 5252 603 | 1 | | | 1990, 4WD |
| | | | | | Left |
| | 5200 0115 | 1 | | | 1987-89 |
| | 5200 0115 | 1 | | | 1990, 2WD |
| | 5252 604 | 1 | | | 1990, 4WD |
| 2 | 1150 3451 | 6 | | | BOLT |
| 3 | 5300 2919 | 2 | | | SEAL |
| 4 | 5300 2922 | 2 | | | BEARING |
| 5 | 5300 2925 | 2 | | | CUP, Bearing |
| 6 | 8350 4792 | 10 | | | BOLT |
| 7 | 5300 2928 | 2 | | | ROTOR, Brake |
| 8 | 5300 2924 | 2 | | | CUP, Bearing |
| 9 | 5300 2921 | 2 | | | BEARING |
| 10 | J400 7358 | 2 | | | WASHER |
| 11 | J317 3399 | 2 | | | NUT |
| 12 | J317 3401 | 2 | | | RETAINER |
| 13 | J010 3387 | 2 | | | PIN |
| 14 | J322 3364 | 2 | | | CAP |
| 15 | 3420 1535 | 6 | | | BOLT |
| 16 | 5300 0239 | 2 | | | SEAL, 1987-89 |
| 17 | 5300 0238 | 4 | | | BEARING, 1987-89 |
| 18 | 5300 0237 | 2 | | | SEAL, 1987-89 |
| 19 | 5300 0230 | 2 | | | CARRIER, Hub and Bearing, 1987-89 *** |
| 20 | J323 8137 | 2 | | | SEAL, 1987-89 |
| 21 | | | | | BOLT |
| | J323 8138 | 10 | | | 1987-89 |
| | 5300 7463 | 10 | | | 1990 |
| 22 | 5300 0234 | 2 | | | HUB, 1987-89 |
| 23 | | | | | HUB and BEARING ASSEMBLY, Front Brake *** |
| | 5300 0228 | 2 | | | 1987-89 |
| | | | | | 1990 |
| | 5300 5604 | 2 | | | Roller Bearing (Kelsey Hayes) |
| | 5300 7449 | 2 | | | Ball Bearing (Fag) |

MODEL CODES:

| | | |
|-----------------------------|-----------------------------|------------------------------|
| 15 = Grand Wagoneer 4 Dr. | 65 = Comanche 4WD-7 Ft. Box | 77 = Cherokee 4WD-2 Dr. |
| 25 = J-10 Pickup-119" W.B. | 66 = Comanche 2WD-7 Ft. Box | 78 = Cherokee 4WD-4 Dr. |
| 26 = J-10 Pickup-131" W.B. | 73 = Cherokee 2WD-2 Dr. | 79 = Cherokee 4WD-4 Dr.-Com |
| 27 = J-20 Pickup-131" W.B. | 74 = Cherokee 2WD-4 Dr. | 81 = Wrangler-93" W.B. |
| 63 = Comanche 4WD-6 Ft. Box | 75 = Wagoneer 4WD-4 Dr. | 82 = Wrangler-103" W.B.-Exp. |
| 64 = Comanche 2WD-6 Ft. Box | | |

BODY STYLES:

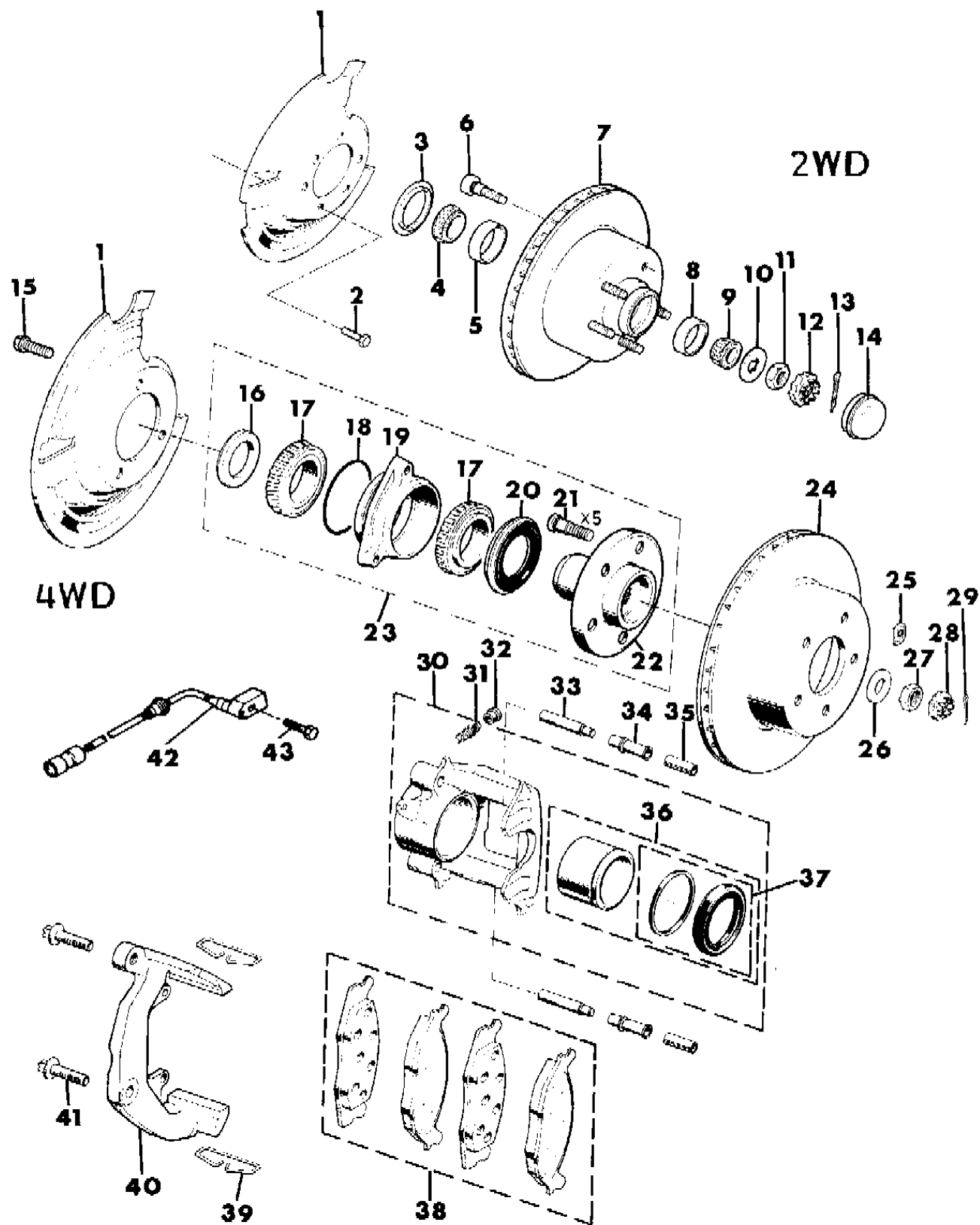
MJ = Comanche Pickup
 SJ = Grand Wagoneer Wgn., J-10 & J-20 Pickups
 XJ = Cherokee, Wagoneer Limited
 YJ = Wrangler

AR = Use as Required - = Non Illustrated Part P.A.R. = Paint as Required

BRAKES, FRONT CHEROKEE, WAGONEER, COMANCHE

Figure 5-825

8J05 825A



| ITEM | PART NUMBER | QTY | BODY | MODEL | DESCRIPTION |
|------|-------------|-----|------|-------|---------------------|
| 24 | | | | | ROTOR, Brake |
| | J325 1156 | 2 | | | 1987-89 |
| | 5200 5000 | 2 | | | 1990 |
| 25 | J400 6185 | 6 | | | NUT |
| 26 | J420 0096 | 2 | | | WASHER |
| 27 | J420 0095 | 2 | | | NUT |
| 28 | J420 0097 | 2 | | | RETAINER |
| 29 | | | | | PIN |
| | 1101 0069 | 2 | | | 1987-89 |
| | | 2 | | | 1990-Do Not Service |
| 30 | | | | | CALIPER, Brake |
| | | | | | 1987-89 |
| | J813 3846 | 1 | | | Right |
| | J813 3847 | 1 | | | Left |
| | | | | | 1990, 2WD |
| | 5252 986 | 1 | | | Right |
| | 5252 987 | 1 | | | Left |
| | | | | | 1990, 4WD |
| | 5252 984 | 1 | | | Right |
| | 5252 985 | 1 | | | Left |
| 31 | J320 3313 | 2 | | | SCREW, Bleeder |
| 32 | | | | | CAP |
| | J324 0871 | 2 | | | 1987-89 |
| | 4238 717 | 2 | | | 1990 |
| 33 | | | | | PIN, Caliper |
| | 8350 4655 | 4 | | | 1987-89 |
| | 8350 4655 | 4 | | | 1990, 2WD |
| | 5253 000 | 4 | | | 1990, 4WD |
| 34 | | | | | BUSHING |
| | 5200 1700 | 4 | | | 1987-89 |
| | 5200 1700 | 4 | | | 1990, 2WD |
| | 4383 471 | 4 | | | 1990, 4WD |
| 35 | | | | | SLEEVE |
| | 5200 1701 | 4 | | | 1987-89 |
| | 5200 1701 | 4 | | | 1990, 2WD |
| | 4636 017 | 4 | | | 1990, 4WD |
| 36 | | | | | PISTON PACKAGE *** |

MODEL CODES:

| | | |
|-----------------------------|-----------------------------|------------------------------|
| 15 = Grand Wagoneer 4 Dr. | 65 = Comanche 4WD-7 Ft. Box | 77 = Cherokee 4WD-2 Dr. |
| 25 = J-10 Pickup-119" W.B. | 66 = Comanche 2WD-7 Ft. Box | 78 = Cherokee 4WD-4 Dr. |
| 26 = J-10 Pickup-131" W.B. | 73 = Cherokee 2WD-2 Dr. | 79 = Cherokee 4WD-4 Dr.-Com |
| 27 = J-20 Pickup-131" W.B. | 74 = Cherokee 2WD-4 Dr. | 81 = Wrangler-93" W.B. |
| 63 = Comanche 4WD-6 Ft. Box | 75 = Wagoneer 4WD-4 Dr. | 82 = Wrangler-103" W.B.-Exp. |
| 64 = Comanche 2WD-6 Ft. Box | | |

BODY STYLES:

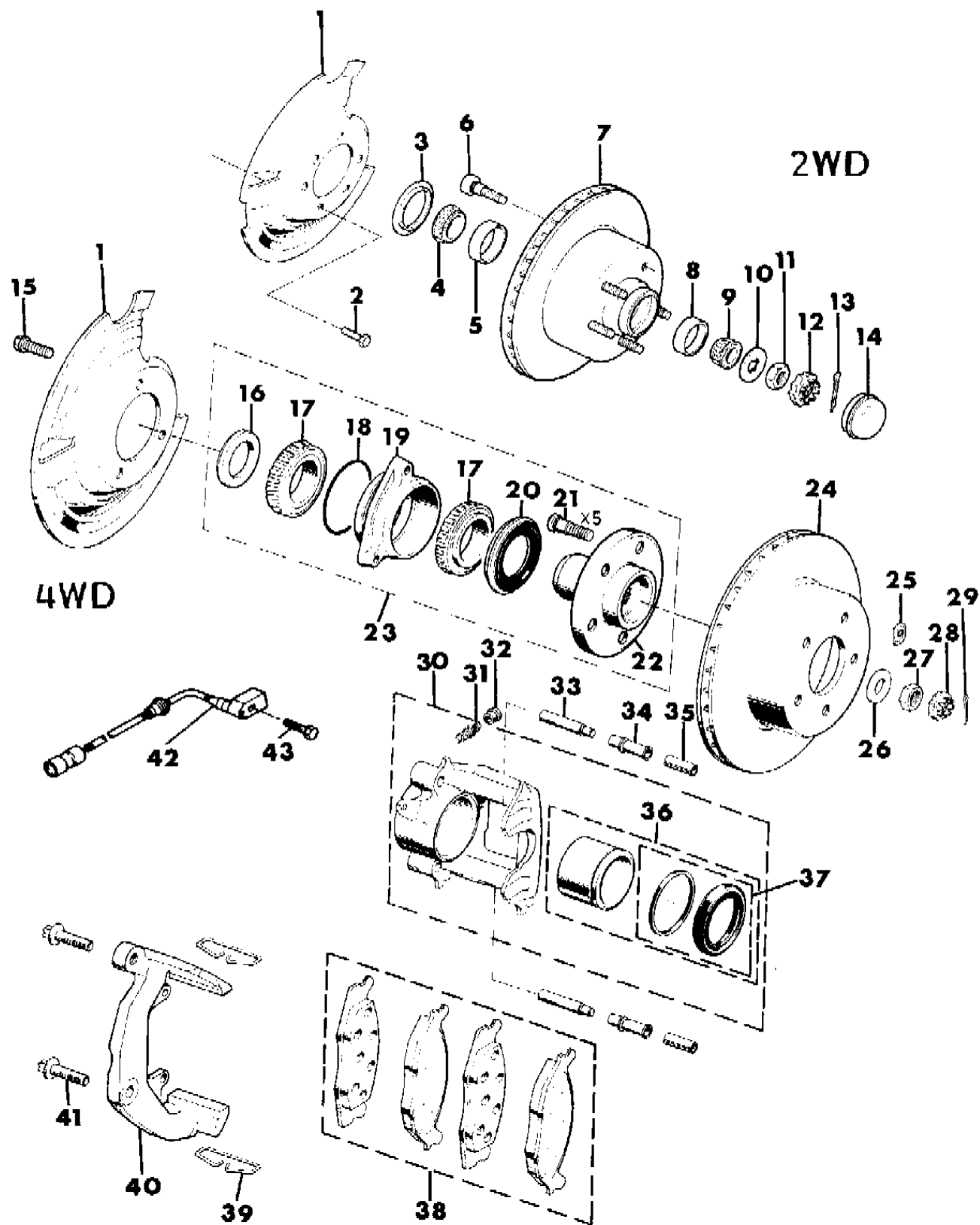
MJ = Comanche Pickup
 SJ = Grand Wagoneer Wgn., J-10 & J-20 Pickups
 XJ = Cherokee, Wagoneer Limited
 YJ = Wrangler

AR = Use as Required - = Non Illustrated Part P.A.R. = Paint as Required

BRAKES, FRONT CHEROKEE, WAGONEER, COMANCHE

Figure 5-825

8J05 825A



| ITEM | PART NUMBER | QTY | BODY | MODEL | DESCRIPTION |
|------|-------------|-----|------|-------|--------------------------------------|
| | J813 3845 | 2 | | | 1987-89 |
| | 5252 614 | 2 | | | 1990 |
| 37 | J813 3852 | 2 | | | SEAL PACKAGE |
| 38 | | | | | PAD PACKAGE, Brake |
| | | | | | 1987-89 |
| | 8350 1167 | 1 | | | U.S. and Canada |
| | 8350 2200 | 1 | | | Export |
| | 5252 613 | 1 | | | 1990, 2WD |
| | 5252 531 | 1 | | | 1990, 4WD |
| 39 | J323 9865 | 4 | | | CLIP, Anti-Rattle |
| 40 | | | | | BRACKET, Mounting |
| | 5200 0490 | 2 | | | 1987-89 |
| | 5200 0490 | 2 | | | 1990, 2WD |
| | | 2 | | | 1990, 4WD (Service with Knuckle) (D) |
| 41 | | | | | BOLT |
| | 3420 1506 | 4 | | | 1987-89 |
| | 3420 1506 | 4 | | | 1990, 2WD |
| 42 | 5600 3678 | 2 | | | SENSOR, Speed ABS |
| 43 | 8350 4920 | 2 | | | BOLT, Sensor ABS |

MODEL CODES:
 15 = Grand Wagoneer 4 Dr. 65 = Comanche 4WD-7 Ft. Box 77 = Cherokee 4WD-2 Dr.
 25 = J-10 Pickup-119" W.B. 66 = Comanche 2WD-7 Ft. Box 78 = Cherokee 4WD-4 Dr.
 26 = J-10 Pickup-131" W.B. 73 = Cherokee 2WD-2 Dr. 79 = Cherokee 4WD-4 Dr.-Com
 27 = J-20 Pickup-131" W.B. 74 = Cherokee 2WD-4 Dr. 81 = Wrangler-93" W.B.
 63 = Comanche 4WD-6 Ft. Box 75 = Wagoneer 4WD-4 Dr. 82 = Wrangler-103" W.B.-Exp.
 64 = Comanche 2WD-6 Ft. Box

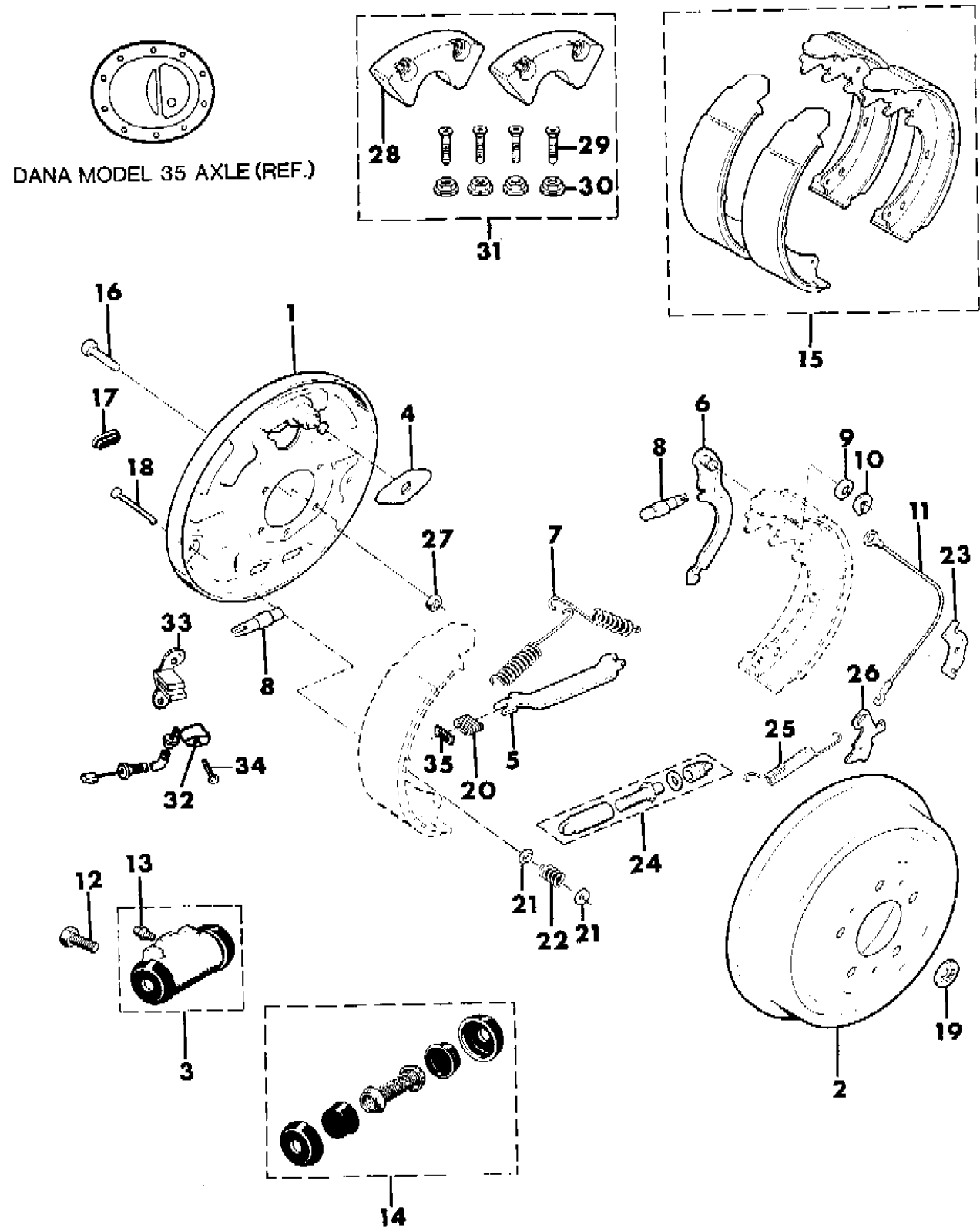
BODY STYLES:
 MJ = Comanche Pickup
 SJ = Grand Wagoneer Wgn., J-10 & J-20 Pickups
 XJ = Cherokee, Wagoneer Limited
 YJ = Wrangler

AR = Use as Required - = Non Illustrated Part P.A.R. = Paint as Required

BRAKES, REAR DRUM - W/DANA MODEL 35 CHEROKEE, WAGONEER, COMANCHE 1987/89

Figure 5-900

8J05 900B



| ITEM | PART NUMBER | QTY | BODY | MODEL | DESCRIPTION |
|------|-------------|-----|-------|-------|--------------------------------|
| 1 | | | | | PLATE, Backing |
| | 8350 0988-9 | 1 | | | w/o Anti-Lock Brakes |
| | 8350 4910-1 | 1 | | | w/Anti-Lock Brakes |
| 2 | 5200 1151 | 2 | | | DRUM, Brake (Cast#82663-4) (D) |
| 3 | 5200 0848-9 | 1 | | | CYLINDER, Wheel |
| 4 | J320 1032 | 2 | | | PLATE, Guide |
| 5 | | | | | STRUT, Parking |
| | 8350 4372-3 | 1 | | | w/o Anti-Lock Brakes |
| | 8350 4916-7 | 1 | | | w/Anti-Lock Brakes |
| 6 | 8350 4306-7 | 1 | | | LEVER, Cable |
| 7 | J311 2780 | 4 | | | SPRING, Return |
| 8 | J004 8331 | 4 | | | LINK, Cylinder |
| 9 | | | | | WASHER |
| | J310 8203 | 2 | | | w/o Anti-Lock Brakes |
| | 8350 2900 | 2 | | | w/Anti-Lock Brakes |
| 10 | J310 8202 | 2 | | | RETAINER, Lever |
| 11 | J320 1027 | 2 | | | CABLE, Adjuster |
| 12 | J448 6551 | 4 | | | BOLT |
| 13 | J320 3313 | 2 | | | SCREW, Bleeder |
| 14 | 8350 0987 | 2 | | | REPAIR PACKAGE, Wheel Cylinder |
| 15 | | | | | SHOE PACKAGE, Brake *** |
| | J813 3818 | 1 | | | New |
| | JR77 5075 | 1 | | | Remanufactured |
| | 4762 542 | 1 | XJ,MJ | | EUROPE |
| 16 | J099 4313 | 8 | | | BOLT |
| 17 | J320 1957 | 4 | | | PLUG, Adjusting |
| 18 | J314 3612 | 4 | | | PIN |
| 19 | J400 6185 | 2 | | | NUT, Push |
| 20 | | | | | SPRING |
| | J311 2779 | 2 | | | w/o Anti-Lock Brakes |
| | 8350 4918 | 2 | | | w/Anti-Lock Brakes |
| 21 | J008 9259 | 8 | | | CUP |
| 22 | J320 5979 | 4 | | | SPRING |
| 23 | J320 1947 | 2 | | | GUIDE, Cable |
| 24 | | | | | ADJUSTER |
| | 5200 1216 | 1 | | | Right |
| | 5200 1215 | 1 | | | Left |

MODEL CODES:

| | | |
|-----------------------------|-----------------------------|------------------------------|
| 15 = Grand Wagoneer 4 Dr. | 65 = Comanche 4WD-7 Ft. Box | 77 = Cherokee 4WD-2 Dr. |
| 25 = J-10 Pickup-119" W.B. | 66 = Comanche 2WD-7 Ft. Box | 78 = Cherokee 4WD-4 Dr. |
| 26 = J-10 Pickup-131" W.B. | 73 = Cherokee 2WD-2 Dr. | 79 = Cherokee 4WD-4 Dr.-Com |
| 27 = J-20 Pickup-131" W.B. | 74 = Cherokee 2WD-4 Dr. | 81 = Wrangler-93" W.B. |
| 63 = Comanche 4WD-6 Ft. Box | 75 = Wagoneer 4WD-4 Dr. | 82 = Wrangler-103" W.B.-Exp. |
| 64 = Comanche 2WD-6 Ft. Box | | |

BODY STYLES:

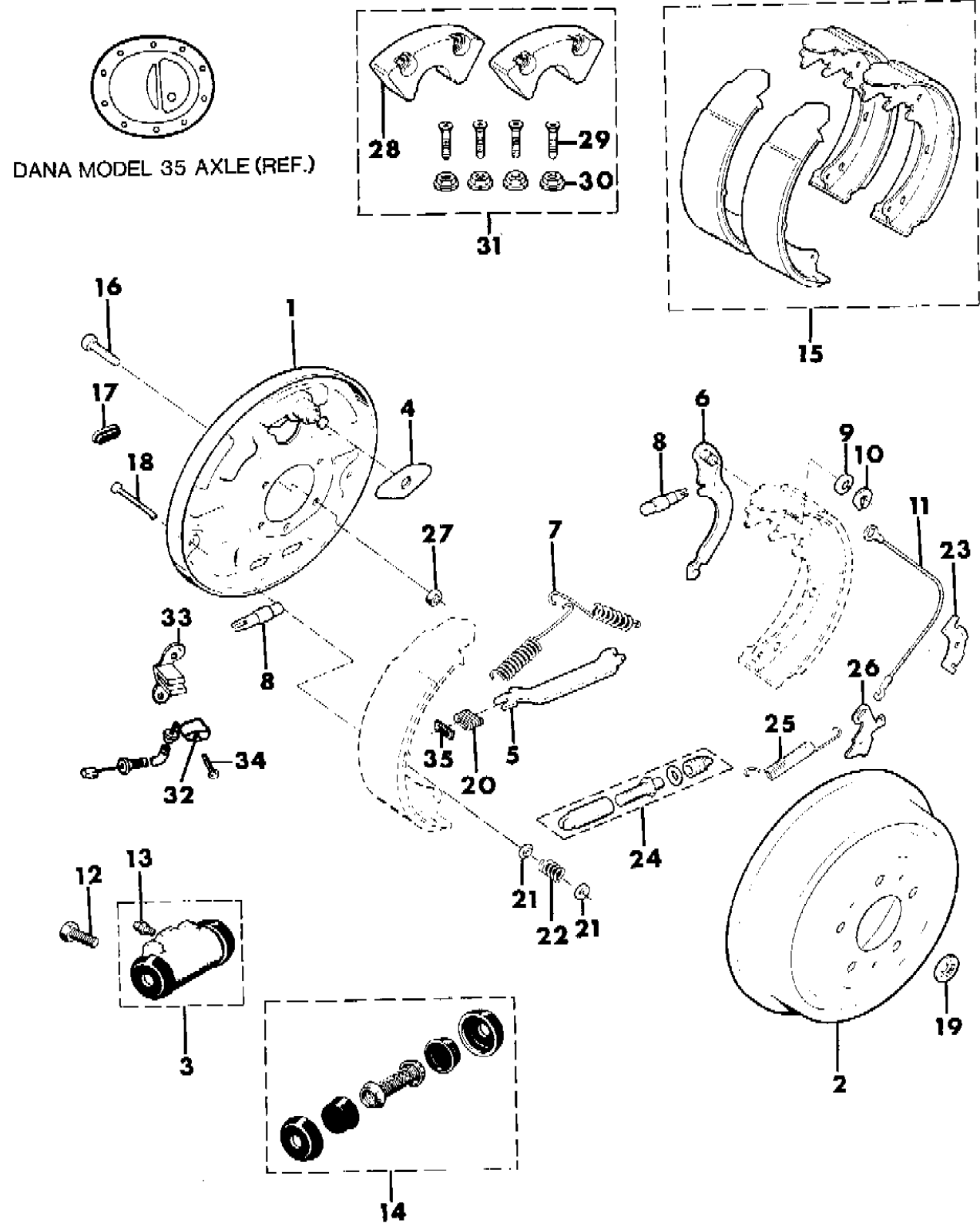
MJ = Comanche Pickup
 SJ = Grand Wagoneer Wgn., J-10 & J-20 Pickups
 XJ = Cherokee, Wagoneer Limited
 YJ = Wrangler

AR = Use as Required - = Non Illustrated Part P.A.R. = Paint as Required

BRAKES, REAR DRUM - W/DANA MODEL 35 CHEROKEE, WAGONEER, COMANCHE 1987/89

Figure 5-900

8J05 900B



| ITEM | PART NUMBER | QTY | BODY | MODEL | DESCRIPTION |
|------|-------------|-----|------|-------|----------------------------------|
| 25 | J320 1937 | 2 | | | SPRING, Adjuster |
| 26 | J320 1030 | 1 | | | LEVER, Adjuster Right |
| | J320 1029 | 1 | | | Left |
| 27 | J941 1783 | 8 | | | NUT |
| 28 | 5200 4149 | 2 | | | DAMPER |
| 29 | 3420 2124 | 4 | | | BOLT |
| 30 | 1150 3750 | 4 | | | NUT |
| 31 | 8310 0069 | 1 | | | DAMPER PACKAGE |
| 32 | | 1 | | | SENSOR, Anti-Lock Brakes |
| | 5600 2513 | 1 | | | Right |
| | 5600 2590 | 1 | | | Left |
| 33 | 5200 3326 | 2 | | | BRACKET, Sensor Anti-Lock Brakes |
| 34 | 8350 4920 | 2 | | | BOLT, Hex Head Flanged |
| 35 | 8350 4919 | 2 | | | WASHER, w/Anti-Lock Brakes |

MODEL CODES:

| | | |
|-----------------------------|-----------------------------|------------------------------|
| 15 = Grand Wagoneer 4 Dr. | 65 = Comanche 4WD-7 Ft. Box | 77 = Cherokee 4WD-2 Dr. |
| 25 = J-10 Pickup-119" W.B. | 66 = Comanche 2WD-7 Ft. Box | 78 = Cherokee 4WD-4 Dr. |
| 26 = J-10 Pickup-131" W.B. | 73 = Cherokee 2WD-2 Dr. | 79 = Cherokee 4WD-4 Dr.-Com |
| 27 = J-20 Pickup-131" W.B. | 74 = Cherokee 2WD-4 Dr. | 81 = Wrangler-93" W.B. |
| 63 = Comanche 4WD-6 Ft. Box | 75 = Wagoneer 4WD-4 Dr. | 82 = Wrangler-103" W.B.-Exp. |
| 64 = Comanche 2WD-6 Ft. Box | | |

BODY STYLES:

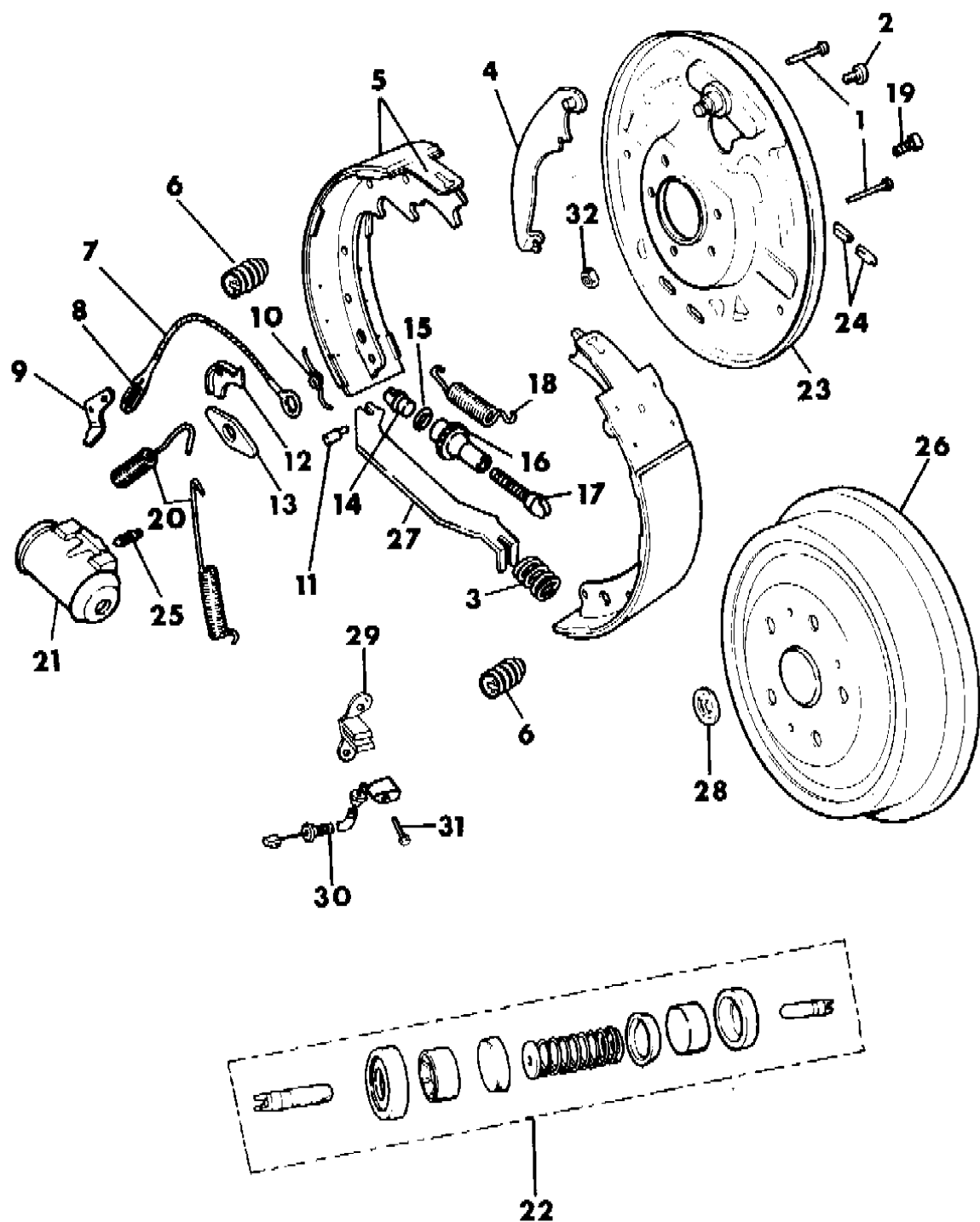
MJ = Comanche Pickup
 SJ = Grand Wagoneer Wgn., J-10 & J-20 Pickups
 XJ = Cherokee, Wagoneer Limited
 YJ = Wrangler

AR = Use as Required - = Non Illustrated Part P.A.R. = Paint as Required

BRAKES, REAR DRUM - W/DANA MODEL 35 CHEROKEE, WAGONEER, COMANCHE 1990

Figure 5-950

8J05 950B



| ITEM | PART NUMBER | QTY | BODY | MODEL | DESCRIPTION |
|------|-------------|-----|------|-------|---------------------------------------|
| 1 | 2260 548 | 4 | | | PIN, Brake Shoe Hold Down |
| 2 | 6028 921 | 4 | | | SCREW, Cylinder Mounting |
| 3 | 4313 079 | 2 | | | SPRING, Parking Brake Strut |
| 4 | 4313 810-1 | 1 | | | LEVER, Parking Brake |
| 5 | 4423 606 | 1 | | | SHOE and Lining PACKAGE *** |
| 6 | 4313 062 | 4 | | | SPRING ASSEMBLY, Hold Down *** |
| 7 | 3461 662 | 2 | | | CABLE, Automatic Adjuster |
| 8 | 3461 660 | 2 | | | SPRING, Automatic Adjuster |
| 9 | 3461 665 | 2 | | | LEVER, Automatic Adjuster |
| 10 | 2944 580-1 | 1 | | | SPRING, Automatic Adjuster Lever |
| 11 | 2880 528 | 1 | | | PIN PACKAGE, Automatic Adjuster Lever |
| 12 | 2260 793 | 2 | | | GUIDE, Automatic Adjuster Cable |
| 13 | 4313 075 | 2 | | | PLATE, Guide |
| 14 | 2944 586 | 2 | | | BUTTON, Automatic Adjuster |
| 15 | 6027 559 | 2 | | | WASHER, Automatic Adjuster Button |
| 16 | 2944 692-3 | 1 | | | NUT, Automatic Adjuster Pivot Screw |
| 17 | 2881 686-7 | 1 | | | SCREW, Automatic Adjuster Pivot |
| 18 | 4423 085 | 2 | | | SPRING, Shoe to Shoe |
| 19 | J099 4313 | 8 | | | BOLT, Rear Wheel Brake Mounting |
| 20 | 2881 676 | 4 | | | SPRING, Brake Shoe Return |
| 21 | | | | | CYLINDER, Wheel |
| | 4313 056 | 2 | | | U.S., Canada |
| | 5252 617 | 2 | | | Export |
| 22 | | | | | REPAIR PACKAGE, Wheel Cylinder |
| | 5252 631 | 2 | | | U.S., Canada |
| | 5252 630 | 2 | | | Export |
| 23 | | | | | PLATE, Backing |
| | 5252 720-1 | 1 | | | w/o Anti-Lock Brakes |
| | 5252 718-9 | 1 | | | w/Anti-Lock Brakes |
| 24 | 4238 721 | 4 | | | PLUG, Brake Adjuster Hole |
| 25 | 3766 674 | 2 | | | SCREW, Bleeder |
| 26 | 5200 5350 | 2 | | | DRUM, Rear Brake |
| 27 | 4313 078 | 2 | | | STRUT, Parking Brake Lever |
| 28 | 6026 430 | 4 | | | RETAINER, Brake Drum |
| 29 | 5200 6400-1 | 1 | | | BRACKET, Sensor Anti-Lock Brakes |
| 30 | | | | | SENSOR, Anti-Lock Brakes |
| | 5600 2513 | 1 | | | Right |

MODEL CODES:

| | | |
|-----------------------------|-----------------------------|------------------------------|
| 15 = Grand Wagoneer 4 Dr. | 65 = Comanche 4WD-7 Ft. Box | 77 = Cherokee 4WD-2 Dr. |
| 25 = J-10 Pickup-119" W.B. | 66 = Comanche 2WD-7 Ft. Box | 78 = Cherokee 4WD-4 Dr. |
| 26 = J-10 Pickup-131" W.B. | 73 = Cherokee 2WD-2 Dr. | 79 = Cherokee 4WD-4 Dr.-Com |
| 27 = J-20 Pickup-131" W.B. | 74 = Cherokee 2WD-4 Dr. | 81 = Wrangler-93" W.B. |
| 63 = Comanche 4WD-6 Ft. Box | 75 = Wagoneer 4WD-4 Dr. | 82 = Wrangler-103" W.B.-Exp. |
| 64 = Comanche 2WD-6 Ft. Box | | |

BODY STYLES:

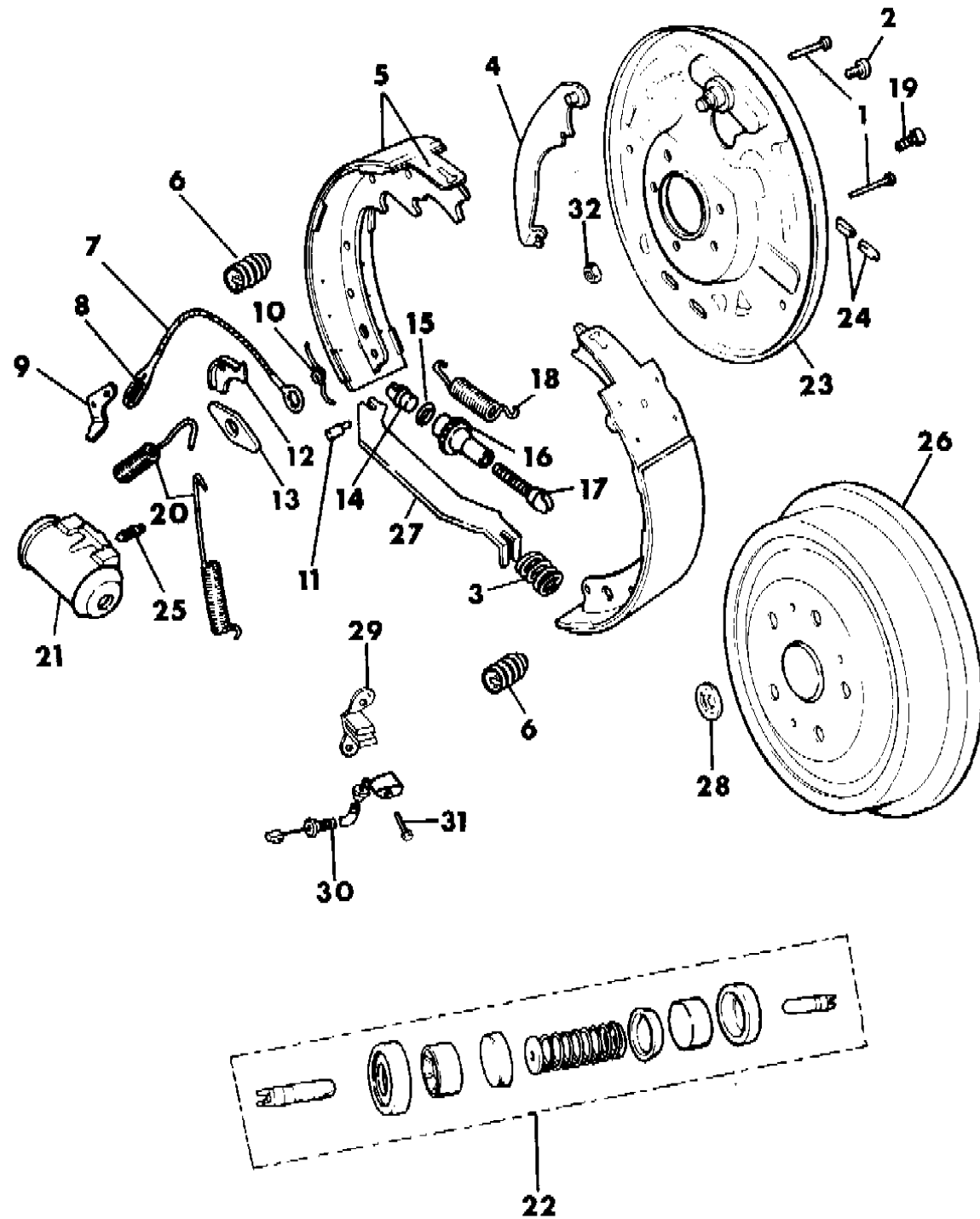
MJ = Comanche Pickup
 SJ = Grand Wagoneer Wgn., J-10 & J-20 Pickups
 XJ = Cherokee, Wagoneer Limited
 YJ = Wrangler

AR = Use as Required - = Non Illustrated Part P.A.R. = Paint as Required

BRAKES, REAR DRUM - W/DANA MODEL 35 CHEROKEE, WAGONEER, COMANCHE 1990

Figure 5-950

8J05 950B



| ITEM | PART NUMBER | QTY | BODY | MODEL | DESCRIPTION |
|------|-------------|-----|------|-------|---|
| | 5600 2590 | 1 | | | Left |
| 31 | 8350 4920 | 2 | | | BOLT, Hex Flanged Head |
| 32 | J941 1783 | 8 | | | NUT |
| | 4636 779 | 1 | | | BRAKE PACKAGE, Hardware (Exc. Comanche) *** |

MODEL CODES:

| | | |
|-----------------------------|-----------------------------|------------------------------|
| 15 = Grand Wagoneer 4 Dr. | 65 = Comanche 4WD-7 Ft. Box | 77 = Cherokee 4WD-2 Dr. |
| 25 = J-10 Pickup-119" W.B. | 66 = Comanche 2WD-7 Ft. Box | 78 = Cherokee 4WD-4 Dr. |
| 26 = J-10 Pickup-131" W.B. | 73 = Cherokee 2WD-2 Dr. | 79 = Cherokee 4WD-4 Dr.-Com |
| 27 = J-20 Pickup-131" W.B. | 74 = Cherokee 2WD-4 Dr. | 81 = Wrangler-93" W.B. |
| 63 = Comanche 4WD-6 Ft. Box | 75 = Wagoneer 4WD-4 Dr. | 82 = Wrangler-103" W.B.-Exp. |
| 64 = Comanche 2WD-6 Ft. Box | | |

BODY STYLES:

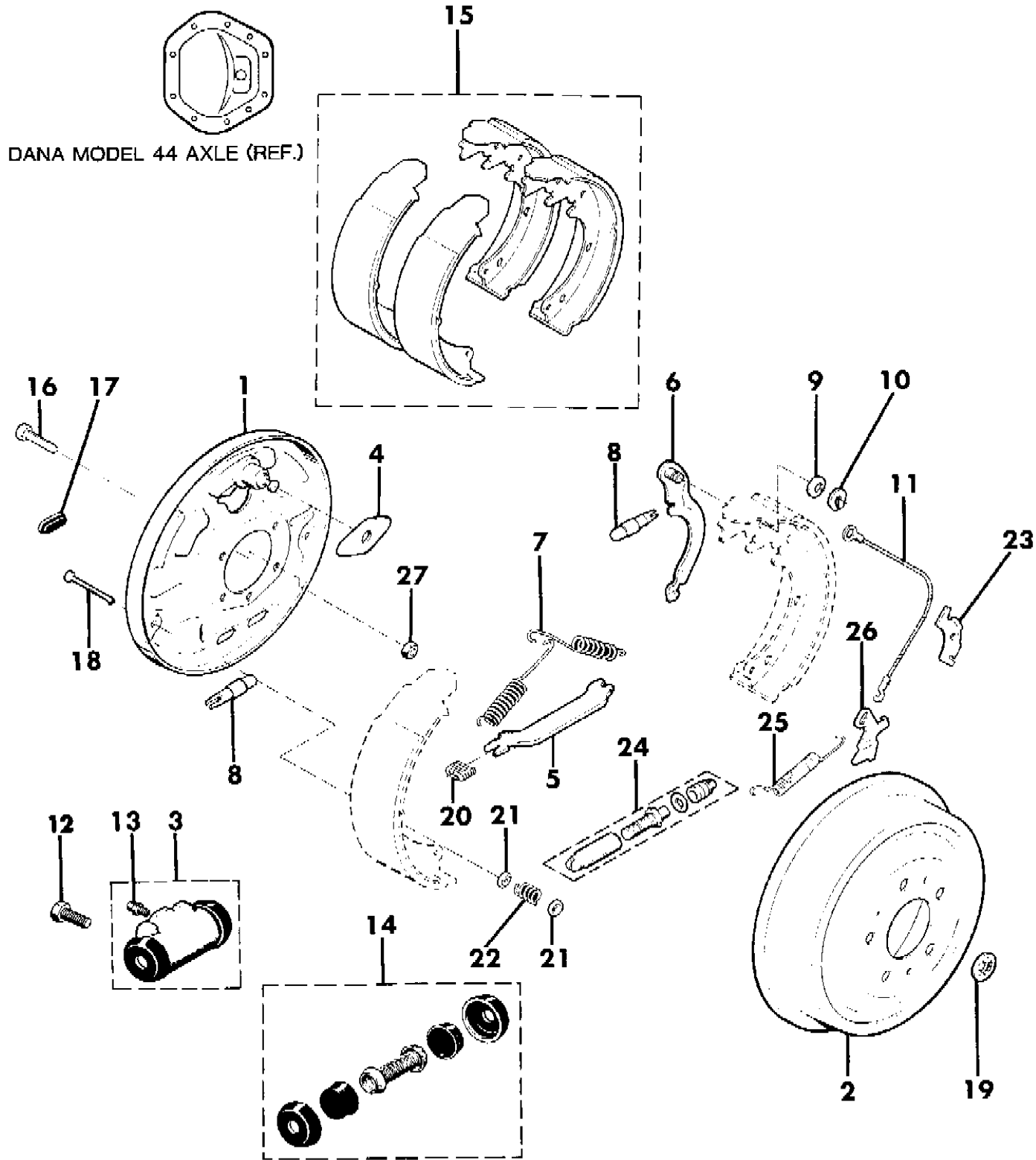
MJ = Comanche Pickup
 SJ = Grand Wagoneer Wgn., J-10 & J-20 Pickups
 XJ = Cherokee, Wagoneer Limited
 YJ = Wrangler

AR = Use as Required - = Non Illustrated Part P.A.R. = Paint as Required

BRAKES, REAR DRUM - W/DANA MODEL 44 CHEROKEE, WAGONEER, COMANCHE

Figure 5-975

8J05 975B



| ITEM | PART NUMBER | QTY | BODY | MODEL | DESCRIPTION |
|------|-------------|-----|------|-------|---|
| 1 | 8350 2386-7 | 1 | | | PLATE, Backing |
| 2 | 5200 1915 | 2 | | | DRUM, Brake (Stamped 87087-7) |
| 3 | 5200 0848-9 | 1 | | | CYLINDER, Wheel |
| 4 | J320 1032 | 2 | | | PLATE, Guide |
| 5 | 8350 4372-3 | 1 | | | STRUT, Parking |
| 6 | 8350 4306-7 | 1 | | | LEVER, Cable |
| 7 | J311 2780 | 4 | | | SPRING, Return |
| 8 | J004 8331 | 4 | | | LINK, Cylinder |
| 9 | 8350 2900 | 2 | | | WASHER |
| 10 | J310 8202 | 2 | | | RETAINER, Lever |
| 11 | J320 1027 | 2 | | | CABLE, Adjuster |
| 12 | J448 6551 | 4 | | | BOLT |
| 13 | J320 3313 | 2 | | | SCREW, Bleeder |
| 14 | 8350 0987 | 2 | | | REPAIR PACKAGE, Wheel Cylinder |
| 15 | 8350 2385 | 1 | | | SHOE PACKAGE, Brake *** |
| | 4762 546 | 1 | | | EUROPE |
| 16 | J099 4313 | 8 | | | BOLT |
| 17 | J320 1957 | 4 | | | PLUG, Adjusting |
| 18 | J321 0994 | 4 | | | PIN |
| 19 | J400 6185 | 2 | | | NUT, Push |
| 20 | 8350 4310 | 2 | | | SPRING |
| 21 | J008 9259 | 8 | | | CUP |
| 22 | J320 1956 | 4 | | | SPRING |
| 23 | J320 1947 | 2 | | | GUIDE, Cable |
| 24 | 8350 4308-9 | 1 | | | ADJUSTER |
| 25 | J320 1937 | 2 | | | SPRING, Adjuster |
| 26 | J320 1030 | 1 | | | LEVER, Adjuster |
| | J320 1029 | 1 | | | Right |
| | J320 1029 | 1 | | | Left |
| 27 | J941 1783 | 8 | | | NUT |
| | 4636 778 | 1 | | | BRAKE PACKAGE, Hardware (Exc. Wagoneer) *** |

MODEL CODES:

| | | |
|-----------------------------|-----------------------------|------------------------------|
| 15 = Grand Wagoneer 4 Dr. | 65 = Comanche 4WD-7 Ft. Box | 77 = Cherokee 4WD-2 Dr. |
| 25 = J-10 Pickup-119" W.B. | 66 = Comanche 2WD-7 Ft. Box | 78 = Cherokee 4WD-4 Dr. |
| 26 = J-10 Pickup-131" W.B. | 73 = Cherokee 2WD-2 Dr. | 79 = Cherokee 4WD-4 Dr.-Com |
| 27 = J-20 Pickup-131" W.B. | 74 = Cherokee 2WD-4 Dr. | 81 = Wrangler-93" W.B. |
| 63 = Comanche 4WD-6 Ft. Box | 75 = Wagoneer 4WD-4 Dr. | 82 = Wrangler-103" W.B.-Exp. |
| 64 = Comanche 2WD-6 Ft. Box | | |

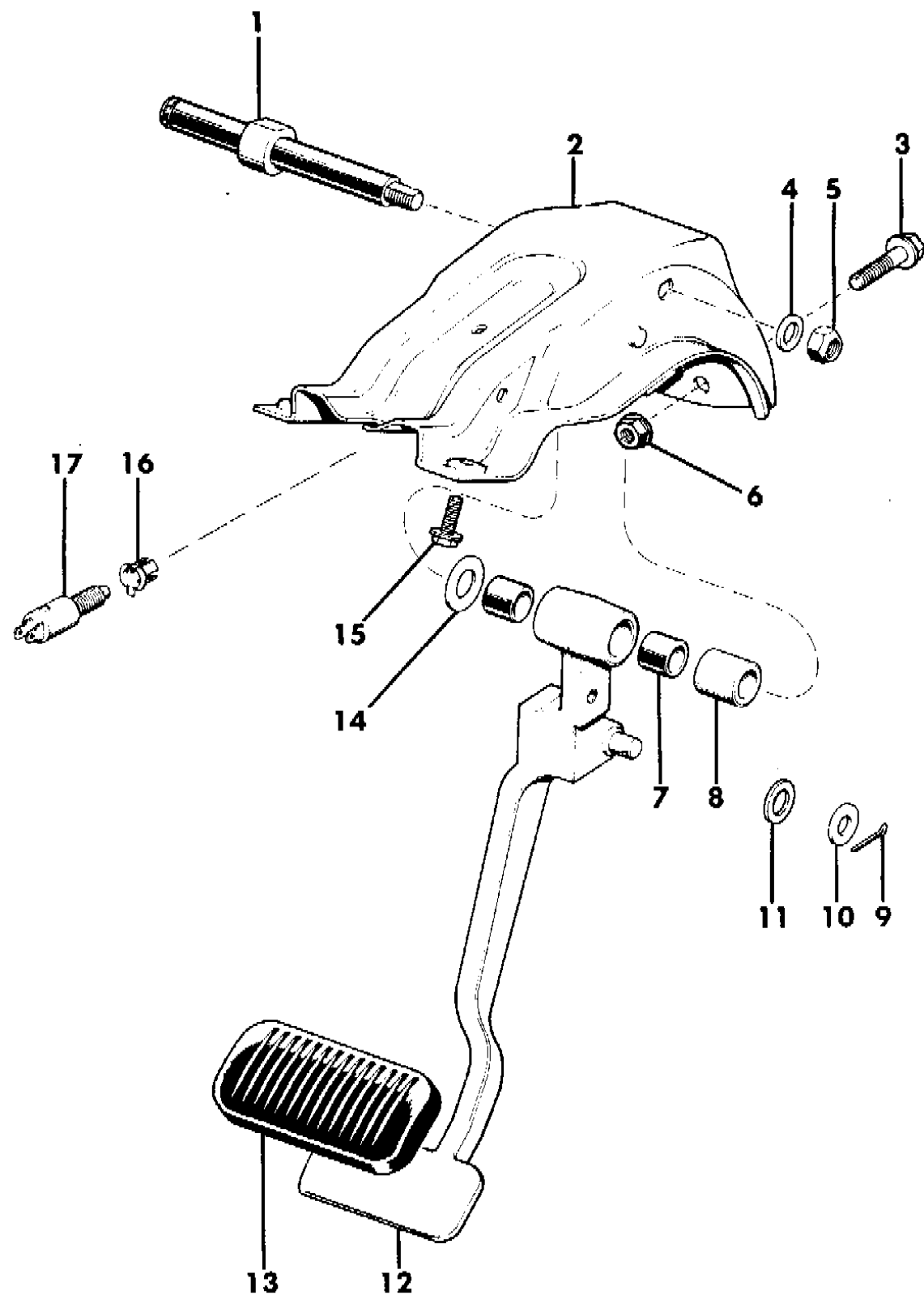
BODY STYLES:

MJ = Comanche Pickup
 SJ = Grand Wagoneer Wgn., J-10 & J-20 Pickups
 XJ = Cherokee, Wagoneer Limited
 YJ = Wrangler

AR = Use as Required - = Non Illustrated Part P.A.R. = Paint as Required

PEDAL, BRAKES GRAND WAGONEER, J-10, J-20
Figure 5-1000

8J05 1000



| ITEM | PART NUMBER | QTY | BODY | MODEL | DESCRIPTION |
|------|-------------|-----|------|-------|--------------------------|
| 1 | | | | | SHAFT |
| | J535 1805 | 1 | | | w/Manual Transmission |
| | J535 1803 | 1 | | | w/Automatic Transmission |
| 2 | J536 3501 | 1 | | | BRACKET, Pedal |
| 3 | J018 0125 | 2 | | | BOLT |
| 4 | J012 0396 | 1 | | | WASHER |
| 5 | J400 4311 | 1 | | | NUT |
| 6 | J400 3909 | 2 | | | NUT |
| 7 | J094 6177 | | | | BEARING |
| 8 | J535 1057 | 1 | | | SPACER |
| 9 | J012 1224 | 1 | | | PIN |
| 10 | J012 0395 | 1 | | | WASHER, Plain |
| 11 | J095 8629 | 1 | | | WASHER, Spring |
| 12 | | | | | PEDAL, Brake |
| | J535 7470 | 1 | | | w/Manual Transmission |
| | J535 7471 | 1 | | | w/Automatic Transmission |
| 13 | | | | | PAD, Pedal |
| | J536 3508 | 1 | | | w/Manual Transmission |
| | J536 3521 | 1 | | | w/Automatic Transmission |
| 14 | J535 1844 | 1 | | | WASHER |
| 15 | J018 0120 | 2 | | | BOLT |
| 16 | J535 2622 | 1 | | | BUSHING |
| 17 | J535 2620 | 1 | | | SWITCH |

MODEL CODES:

| | | |
|-----------------------------|-----------------------------|------------------------------|
| 15 = Grand Wagoneer 4 Dr. | 65 = Comanche 4WD-7 Ft. Box | 77 = Cherokee 4WD-2 Dr. |
| 25 = J-10 Pickup-119" W.B. | 66 = Comanche 2WD-7 Ft. Box | 78 = Cherokee 4WD-4 Dr. |
| 26 = J-10 Pickup-131" W.B. | 73 = Cherokee 2WD-2 Dr. | 79 = Cherokee 4WD-4 Dr.-Com |
| 27 = J-20 Pickup-131" W.B. | 74 = Cherokee 2WD-4 Dr. | 81 = Wrangler-93" W.B. |
| 63 = Comanche 4WD-6 Ft. Box | 75 = Wagoneer 4WD-4 Dr. | 82 = Wrangler-103" W.B.-Exp. |
| 64 = Comanche 2WD-6 Ft. Box | | |

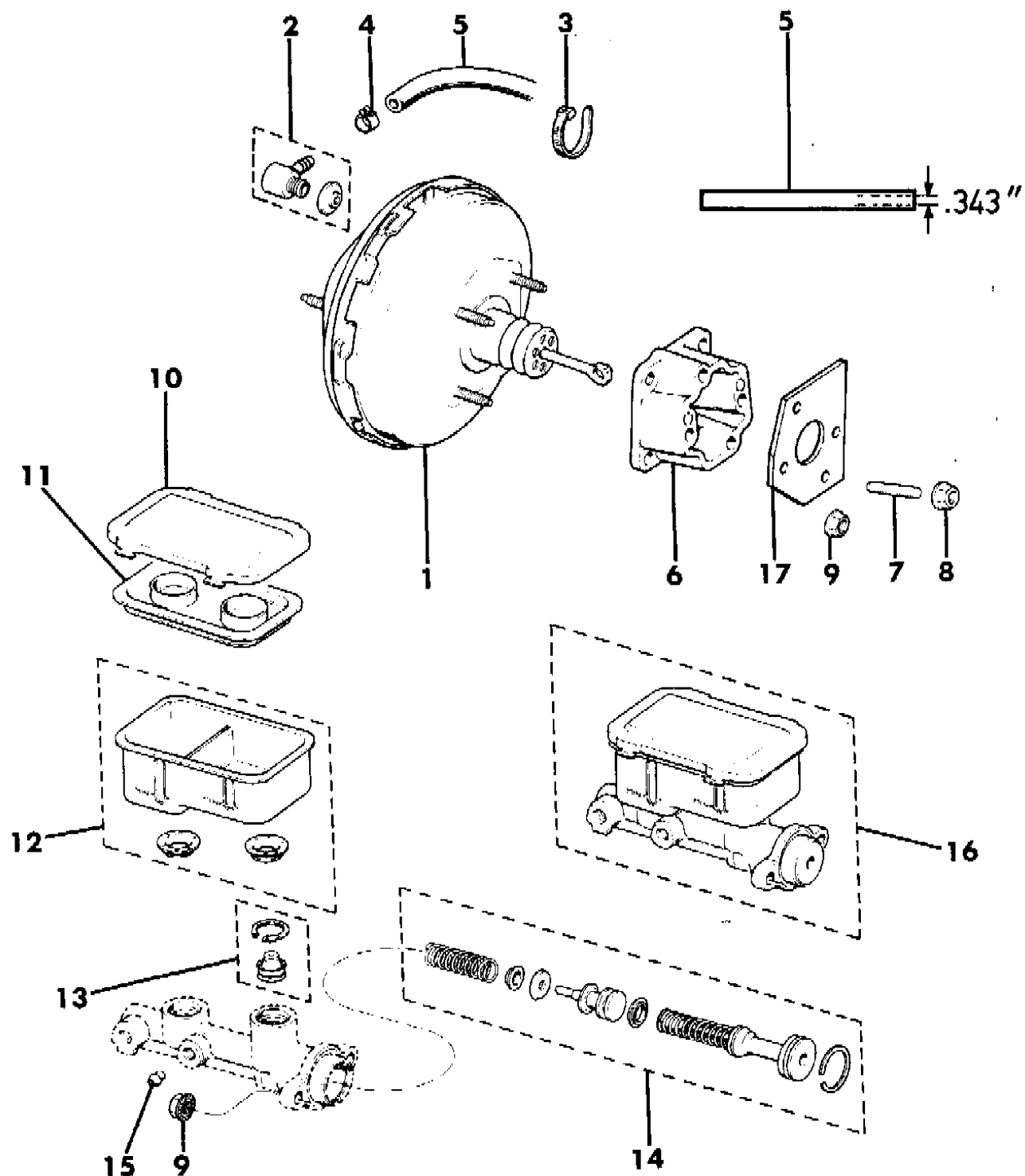
BODY STYLES:

MJ = Comanche Pickup
 SJ = Grand Wagoneer Wgn., J-10 & J-20 Pickups
 XJ = Cherokee, Wagoneer Limited
 YJ = Wrangler

AR = Use as Required - = Non Illustrated Part P.A.R. = Paint as Required

BOOSTER AND MASTER CYLINDER GRAND WAGONEER, J-10, J-20
Figure 5-1100

8J05 1100



| ITEM | PART NUMBER | QTY | BODY | MODEL | DESCRIPTION |
|------|-------------|-----|------|-------|---------------------------------|
| 1 | 8350 0986 | 1 | | | BOOSTER, Brake |
| 2 | J812 5991 | 1 | | | VALVE, Check |
| 3 | J322 3227 | 1 | | | STRAP |
| 4 | J320 3076 | 1 | | | CLAMP |
| 5 | J812 5883 | 1 | | | HOSE, Vacuum (Bulk) |
| 6 | | | | | SPACER |
| | J536 3039 | 1 | | | 6 Cylinder Engine |
| | J535 9059 | 1 | | | 8 Cylinder Engine |
| 7 | J400 6485 | 4 | | | STUD |
| 8 | J400 6653 | 4 | | | NUT |
| 9 | J420 0301 | 6 | | | NUT |
| 10 | J813 3319 | 1 | | | COVER |
| 11 | J813 3318 | 1 | | | GASKET |
| 12 | J813 3321 | 1 | | | RESERVOIR |
| 13 | J813 3322 | 1 | | | VALVE, Check |
| 14 | J813 3317 | 1 | | | REPAIR PACKAGE, Master Cylinder |
| 15 | J812 8300 | 2 | | | SEAT |
| 16 | J813 3316 | 1 | | | CYLINDER, Brake Master |
| 17 | J536 3040 | 1 | | | SPACER |

MODEL CODES:

| | | |
|-----------------------------|-----------------------------|------------------------------|
| 15 = Grand Wagoneer 4 Dr. | 65 = Comanche 4WD-7 Ft. Box | 77 = Cherokee 4WD-2 Dr. |
| 25 = J-10 Pickup-119" W.B. | 66 = Comanche 2WD-7 Ft. Box | 78 = Cherokee 4WD-4 Dr. |
| 26 = J-10 Pickup-131" W.B. | 73 = Cherokee 2WD-2 Dr. | 79 = Cherokee 4WD-4 Dr.-Com |
| 27 = J-20 Pickup-131" W.B. | 74 = Cherokee 2WD-4 Dr. | 81 = Wrangler-93" W.B. |
| 63 = Comanche 4WD-6 Ft. Box | 75 = Wagoneer 4WD-4 Dr. | 82 = Wrangler-103" W.B.-Exp. |
| 64 = Comanche 2WD-6 Ft. Box | | |

BODY STYLES:

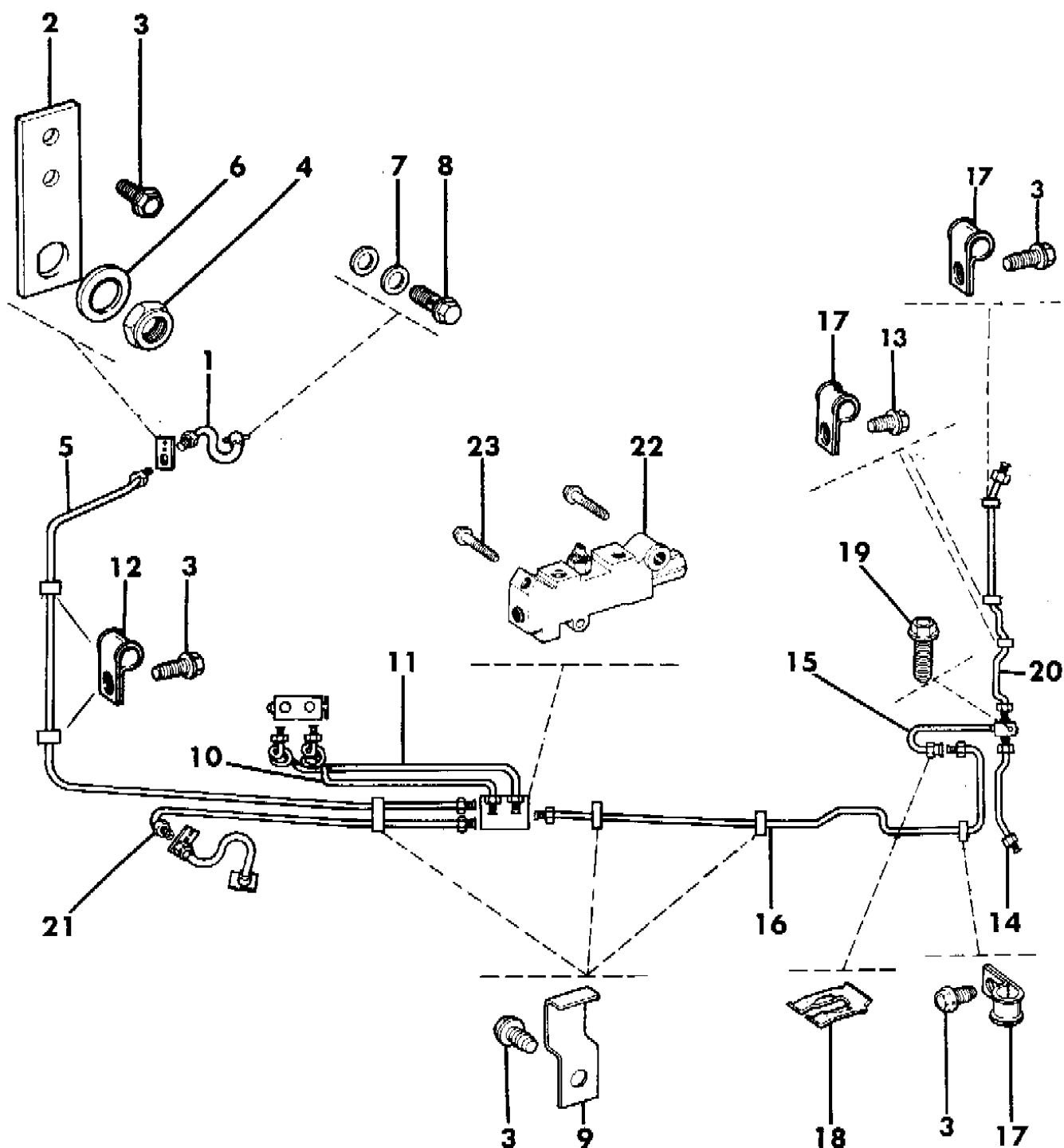
MJ = Comanche Pickup
 SJ = Grand Wagoneer Wgn., J-10 & J-20 Pickups
 XJ = Cherokee, Wagoneer Limited
 YJ = Wrangler

AR = Use as Required - = Non Illustrated Part P.A.R. = Paint as Required

LINES AND HOSES, BRAKE GRAND WAGONEER, J-10, J-20

Figure 5-1200

8J05 1200



| ITEM | PART NUMBER | QTY | BODY | MODEL | DESCRIPTION |
|------|-------------|-----|------|--------|----------------------|
| 1 | J535 9322 | 2 | | 15 | HOSE, Brake |
| | J535 9323 | 2 | | 26, 27 | HOSE, Brake |
| 2 | J535 3415 | 2 | | | BRACKET |
| 3 | J400 5063 | 8 | | | SCREW |
| 4 | J400 5338 | 2 | | | NUT |
| 5 | J535 5441 | 1 | | | LINE, Brake |
| 6 | J013 1016 | 2 | | | WASHER |
| 7 | J420 0303 | 4 | | | WASHER |
| 8 | J420 0304 | 2 | | | BOLT |
| 9 | J400 4901 | 3 | | | CLIP |
| 10 | J536 2873 | 1 | | | LINE, Brake |
| 11 | J536 2875 | 1 | | | LINE, Brake |
| 12 | J042 7026 | 2 | | | CLIP |
| 13 | J400 4077 | 2 | | | SCREW |
| 14 | 5200 2090 | 1 | | 15 | LINE, Brake |
| | J536 0933 | 1 | | 26 | LINE, Brake |
| | J536 0934 | 1 | | 27 | LINE, Brake |
| 15 | J535 5076 | 1 | | 15 | HOSE, Brake |
| | J535 5073 | 1 | | 26, 27 | HOSE, Brake |
| 16 | J536 0936 | 1 | | 15 | LINE, Brake |
| | J536 2871 | 1 | | 26, 27 | LINE, Brake |
| 17 | J019 2107 | 3 | | 15, 26 | CLIP |
| | J017 9148 | 3 | | 27 | CLIP |
| 18 | J063 7427 | 1 | | | CLIP |
| 19 | J400 5691 | 1 | | | SCREW |
| 20 | 5200 2996 | 1 | | 15 | LINE, Brake |
| | 5200 3168 | 1 | | 26 | LINE, Brake |
| | J536 0935 | 1 | | 27 | LINE, Brake |
| 21 | J535 2184 | 1 | | | LINE, Brake |
| 22 | J536 4240 | 1 | | | VALVE, Proportioning |
| 23 | J400 5666 | 2 | | | SCREW |

MODEL CODES:

| | | |
|-----------------------------|-----------------------------|------------------------------|
| 15 = Grand Wagoneer 4 Dr. | 65 = Comanche 4WD-7 Ft. Box | 77 = Cherokee 4WD-2 Dr. |
| 25 = J-10 Pickup-119" W.B. | 66 = Comanche 2WD-7 Ft. Box | 78 = Cherokee 4WD-4 Dr. |
| 26 = J-10 Pickup-131" W.B. | 73 = Cherokee 2WD-2 Dr. | 79 = Cherokee 4WD-4 Dr.-Com |
| 27 = J-20 Pickup-131" W.B. | 74 = Cherokee 2WD-4 Dr. | 81 = Wrangler-93" W.B. |
| 63 = Comanche 4WD-6 Ft. Box | 75 = Wagoneer 4WD-4 Dr. | 82 = Wrangler-103" W.B.-Exp. |
| 64 = Comanche 2WD-6 Ft. Box | | |

BODY STYLES:

MJ = Comanche Pickup
 SJ = Grand Wagoneer Wgn., J-10 & J-20 Pickups
 XJ = Cherokee, Wagoneer Limited
 YJ = Wrangler

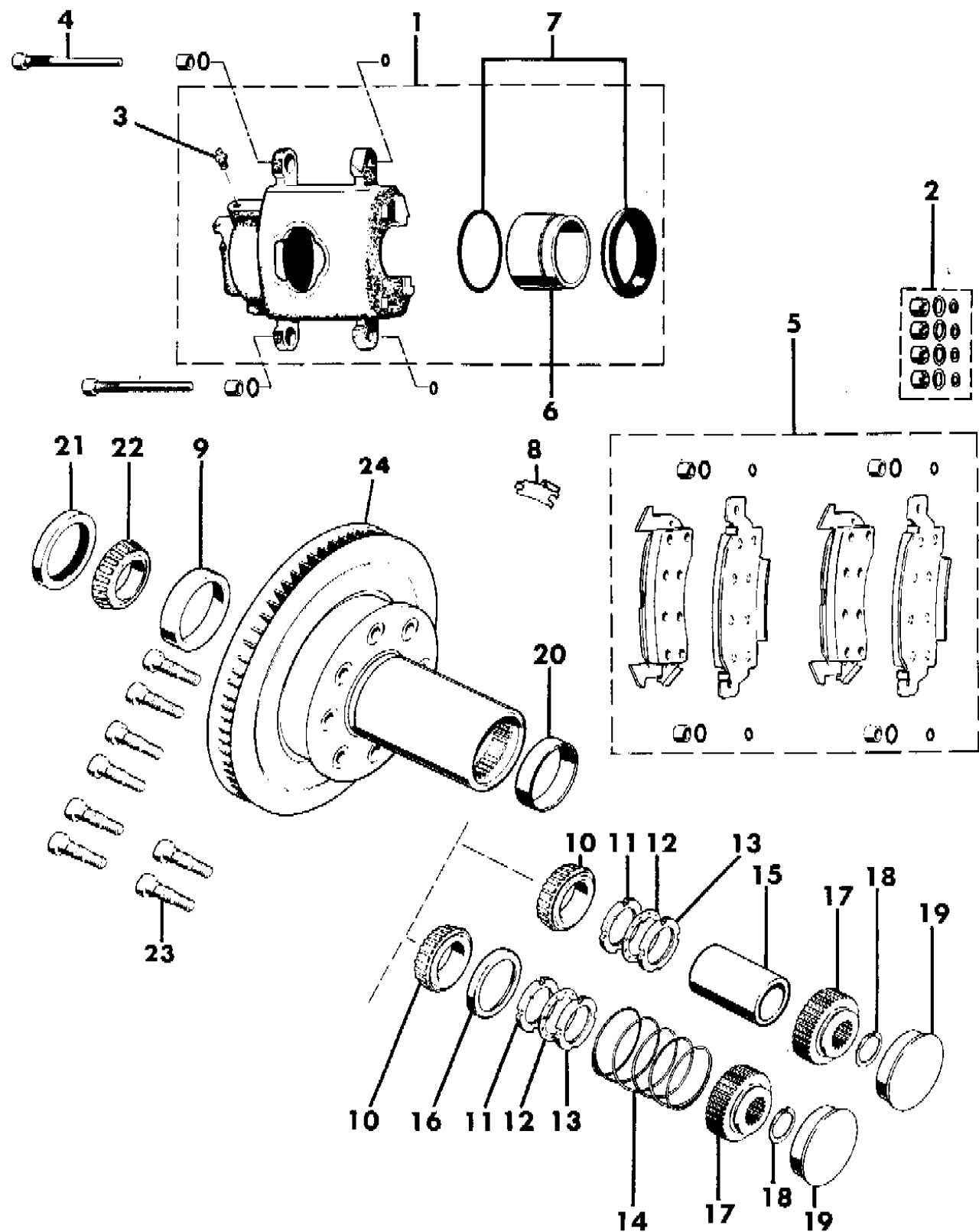
AR = Use as Required - = Non Illustrated Part P.A.R. = Paint as Required

BRAKES, FRONT DISC GRAND WAGONEER, J-10, J-20

Figure 5-1300

8J05 1300

| ITEM | PART NUMBER | QTY | BODY | MODEL | DESCRIPTION |
|------|-------------|-----|------|--------|--------------------|
| 1 | | | | | CALIPER, Brake |
| | 8350 1980 | 1 | | | Right |
| | 8350 1981 | 1 | | | Left |
| 2 | 8350 1360 | 1 | | | HARDWARE PACKAGE |
| 3 | J812 9722 | 2 | | | SCREW, Bleeder |
| 4 | J812 4572 | 4 | | | BOLT |
| 5 | 8350 1356 | 1 | | | PAD PACKAGE, Brake |
| 6 | J812 4571 | 2 | | | PISTON |
| 7 | J812 4574 | 2 | | | SEAL PACKAGE |
| 8 | J812 4573 | 2 | | | CLIP |
| 9 | J535 7394 | 2 | | | CUP, Bearing |
| 10 | J315 6052 | 2 | | | BEARING |
| 11 | J400 4816 | 2 | | | NUT, Inner |
| 12 | J400 4815 | 2 | | | WASHER |
| 13 | J535 2169 | 2 | | | NUT, Outer |
| 14 | J535 2615 | 2 | | | SPRING |
| 15 | 8350 4954 | 1 | | | SPACER |
| 16 | J535 2650 | 2 | | | CUP |
| 17 | J535 8494 | 2 | | | GEAR |
| 18 | J535 2166 | 2 | | | RING, Snap |
| 19 | J535 2268 | 2 | | | CAP |
| 20 | J092 5447 | 2 | | | CUP, Bearing |
| 21 | J535 9703 | 2 | | | SEAL |
| 22 | J535 7401 | 2 | | | BEARING |
| 23 | J812 4803 | 12 | | 15, 26 | BOLT |
| | J535 9276 | 16 | | 27 | BOLT |
| 24 | J535 7391 | 2 | | 15, 26 | ROTOR, Brake |
| | J535 9275 | 2 | | 27 | ROTOR, Brake |



MODEL CODES:

| | | |
|-----------------------------|-----------------------------|------------------------------|
| 15 = Grand Wagoneer 4 Dr. | 65 = Comanche 4WD-7 Ft. Box | 77 = Cherokee 4WD-2 Dr. |
| 25 = J-10 Pickup-119" W.B. | 66 = Comanche 2WD-7 Ft. Box | 78 = Cherokee 4WD-4 Dr. |
| 26 = J-10 Pickup-131" W.B. | 73 = Cherokee 2WD-2 Dr. | 79 = Cherokee 4WD-4 Dr.-Com |
| 27 = J-20 Pickup-131" W.B. | 74 = Cherokee 2WD-4 Dr. | 81 = Wrangler-93" W.B. |
| 63 = Comanche 4WD-6 Ft. Box | 75 = Wagoneer 4WD-4 Dr. | 82 = Wrangler-103" W.B.-Exp. |
| 64 = Comanche 2WD-6 Ft. Box | | |

BODY STYLES:

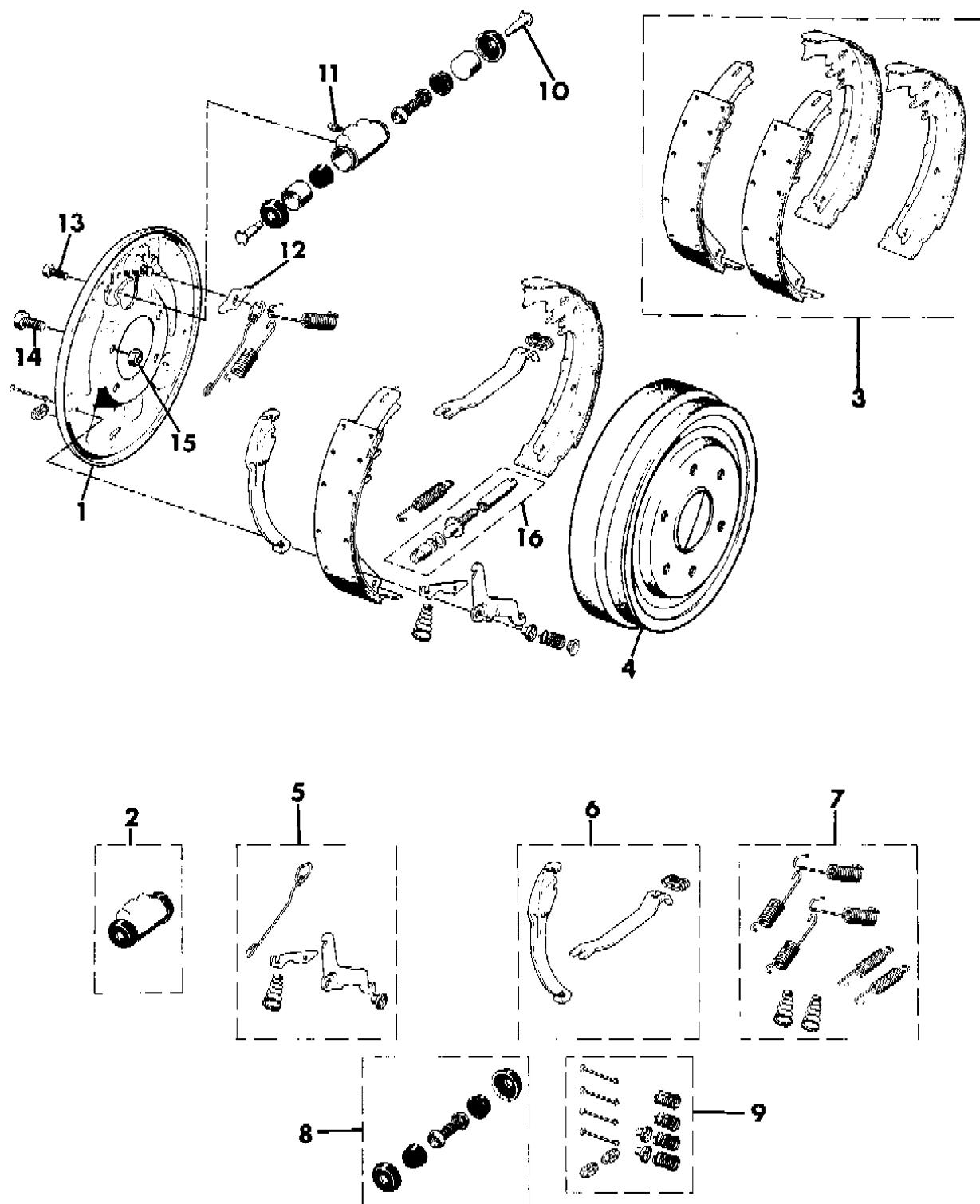
MJ = Comanche Pickup
 SJ = Grand Wagoneer Wgn., J-10 & J-20 Pickups
 XJ = Cherokee, Wagoneer Limited
 YJ = Wrangler

AR = Use as Required - = Non Illustrated Part P.A.R. = Paint as Required

BRAKES, REAR DRUM DANA MODEL 44 AXLE GRAND WAGONEER, J-10
Figure 5-1350

8J05 1350 A

| ITEM | PART NUMBER | QTY | BODY | MODEL | DESCRIPTION |
|------|-------------|-----|------|-------|---|
| 1 | J812 7779 | 1 | | | PLATE, Backing Right, U.S. and Canada |
| | J813 0746 | 1 | | | Right, Export |
| | J812 7778 | 1 | | | Left, U.S. and Canada |
| | J813 0745 | 1 | | | Left, Export |
| 2 | J812 9723 | 2 | | | CYLINDER, Wheel U.S. and Canada |
| | J813 0747 | 2 | | | Export |
| 3 | J812 7782 | 1 | | | SHOE PACKAGE, Brake U.S. and Canada |
| | J813 0744 | 1 | | | Export |
| 4 | J535 9281 | 2 | | | DRUM, Brake U.S. and Canada |
| | J535 2266 | 2 | | | Export |
| 5 | J812 4514 | 1 | | | ADJUSTER PACKAGE Right |
| | J812 4513 | 1 | | | Left |
| 6 | J812 7788 | 1 | | | REPAIR PACKAGE Right |
| | J812 7787 | 1 | | | Left |
| 7 | J812 7783 | 1 | | | SPRING PACKAGE |
| 8 | J812 4566 | 2 | | | REPAIR PACKAGE, Wheel Cylinder U.S. and Canada |
| | J813 0748 | 2 | | | Export |
| 9 | J812 7784 | 1 | | | HOLD DOWN PACKAGE U.S. and Canada |
| | J812 4515 | 1 | | | Export |
| | J812 7781 | 4 | | | LINK, Cylinder |
| 11 | J812 9725 | 2 | | | SCREW, Bleeder |
| 12 | J812 7780 | 2 | | | PLATE, Guide |
| 13 | J092 0307 | 4 | | | BOLT |
| 14 | J812 4850 | 8 | | | BOLT |
| 15 | J941 3215 | 8 | | | NUT |
| 16 | J812 7786 | 1 | | | ADJUSTER Right |
| | J812 7785 | 1 | | | Left |



MODEL CODES:

| | | |
|-----------------------------|-----------------------------|------------------------------|
| 15 = Grand Wagoneer 4 Dr. | 65 = Comanche 4WD-7 Ft. Box | 77 = Cherokee 4WD-2 Dr. |
| 25 = J-10 Pickup-119" W.B. | 66 = Comanche 2WD-7 Ft. Box | 78 = Cherokee 4WD-4 Dr. |
| 26 = J-10 Pickup-131" W.B. | 73 = Cherokee 2WD-2 Dr. | 79 = Cherokee 4WD-4 Dr.-Com |
| 27 = J-20 Pickup-131" W.B. | 74 = Cherokee 2WD-4 Dr. | 81 = Wrangler-93" W.B. |
| 63 = Comanche 4WD-6 Ft. Box | 75 = Wagoneer 4WD-4 Dr. | 82 = Wrangler-103" W.B.-Exp. |
| 64 = Comanche 2WD-6 Ft. Box | | |

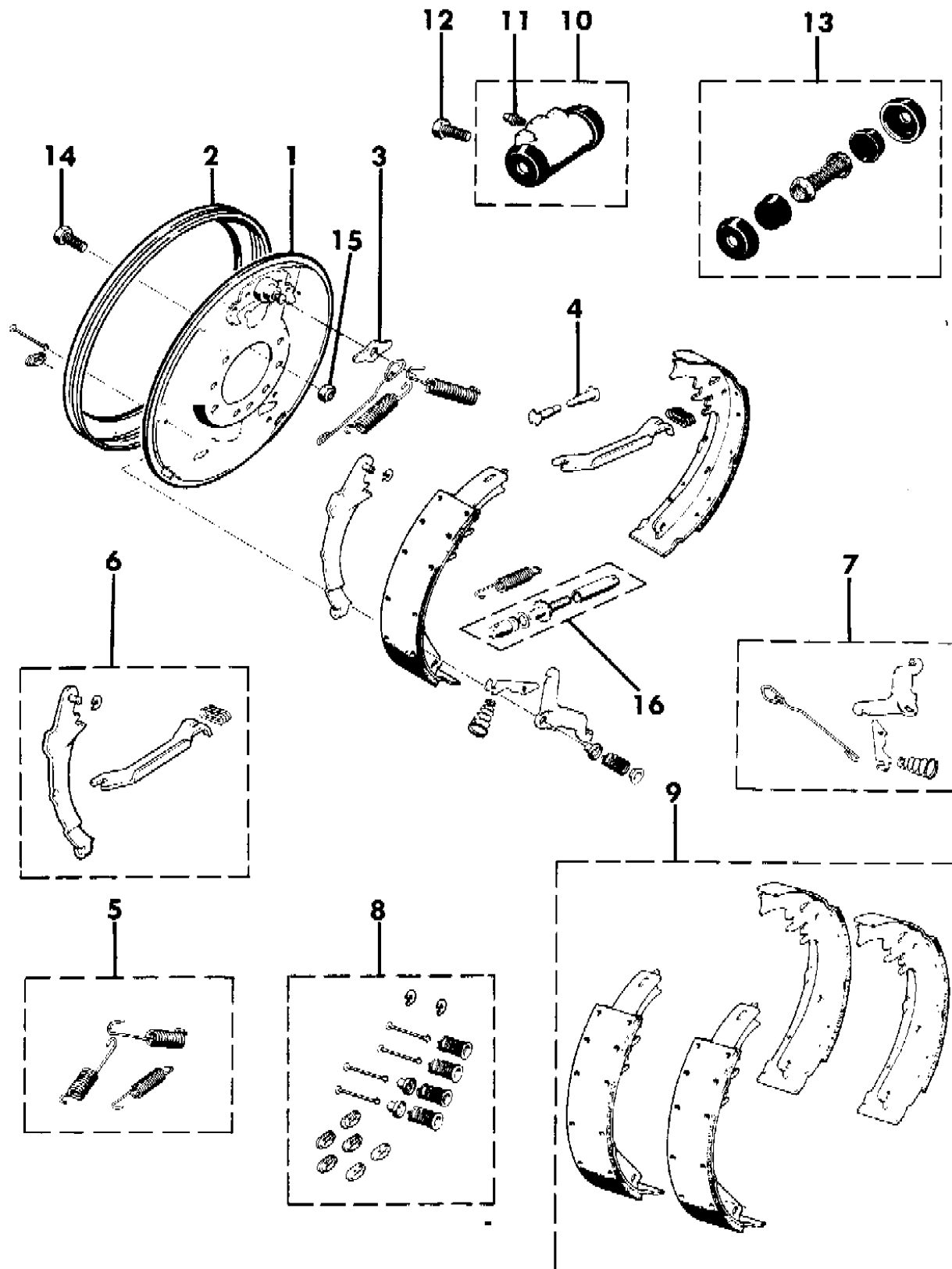
BODY STYLES:

MJ = Comanche Pickup
 SJ = Grand Wagoneer Wgn., J-10 & J-20 Pickups
 XJ = Cherokee, Wagoneer Limited
 YJ = Wrangler

AR = Use as Required - = Non Illustrated Part P.A.R. = Paint as Required

BRAKES, REAR DRUM DANA MODEL 60 AXLE J-20
Figure 5-1400

8J051400



| ITEM | PART NUMBER | QTY | BODY | MODEL | DESCRIPTION |
|------|-------------|-----|------|-------|--------------------------------|
| 1 | J812 4523 | 1 | | | PLATE, Backing Right |
| | J812 4522 | 1 | | | Left |
| 2 | J535 9032 | 2 | | | SHIELD, Splash |
| 3 | J812 4504 | 2 | | | PLATE, Guide |
| 4 | J812 7781 | 2 | | | LINK, Cylinder |
| 5 | J812 4527 | 1 | | | SPRING PACKAGE |
| 6 | J812 4531 | 1 | | | REPAIR PACKAGE Right |
| | J812 4530 | 1 | | | Left |
| 7 | J812 4525 | 1 | | | ADJUSTER PACKAGE Right |
| | J812 4524 | 1 | | | Left |
| 8 | J812 4526 | 1 | | | HOLD DOWN PACKAGE |
| 9 | J813 0362 | 1 | | | SHOE PACKAGE, Brake |
| 10 | J812 9724 | 2 | | | CYLINDER, Wheel |
| 11 | J812 9725 | 2 | | | SCREW, Bleeder |
| 12 | J092 0307 | 4 | | | BOLT |
| 13 | J812 8856 | 2 | | | REPAIR PACKAGE, Wheel Cylinder |
| 14 | J941 9293 | 14 | | | BOLT |
| 15 | J941 3215 | 14 | | | NUT |
| 16 | J812 4529 | 1 | | | ADJUSTER Right |
| | J812 4528 | 1 | | | Left |

MODEL CODES:

| | | |
|-----------------------------|-----------------------------|------------------------------|
| 15 = Grand Wagoneer 4 Dr. | 65 = Comanche 4WD-7 Ft. Box | 77 = Cherokee 4WD-2 Dr. |
| 25 = J-10 Pickup-119" W.B. | 66 = Comanche 2WD-7 Ft. Box | 78 = Cherokee 4WD-4 Dr. |
| 26 = J-10 Pickup-131" W.B. | 73 = Cherokee 2WD-2 Dr. | 79 = Cherokee 4WD-4 Dr.-Com |
| 27 = J-20 Pickup-131" W.B. | 74 = Cherokee 2WD-4 Dr. | 81 = Wrangler-93" W.B. |
| 63 = Comanche 4WD-6 Ft. Box | 75 = Wagoneer 4WD-4 Dr. | 82 = Wrangler-103" W.B.-Exp. |
| 64 = Comanche 2WD-6 Ft. Box | | |

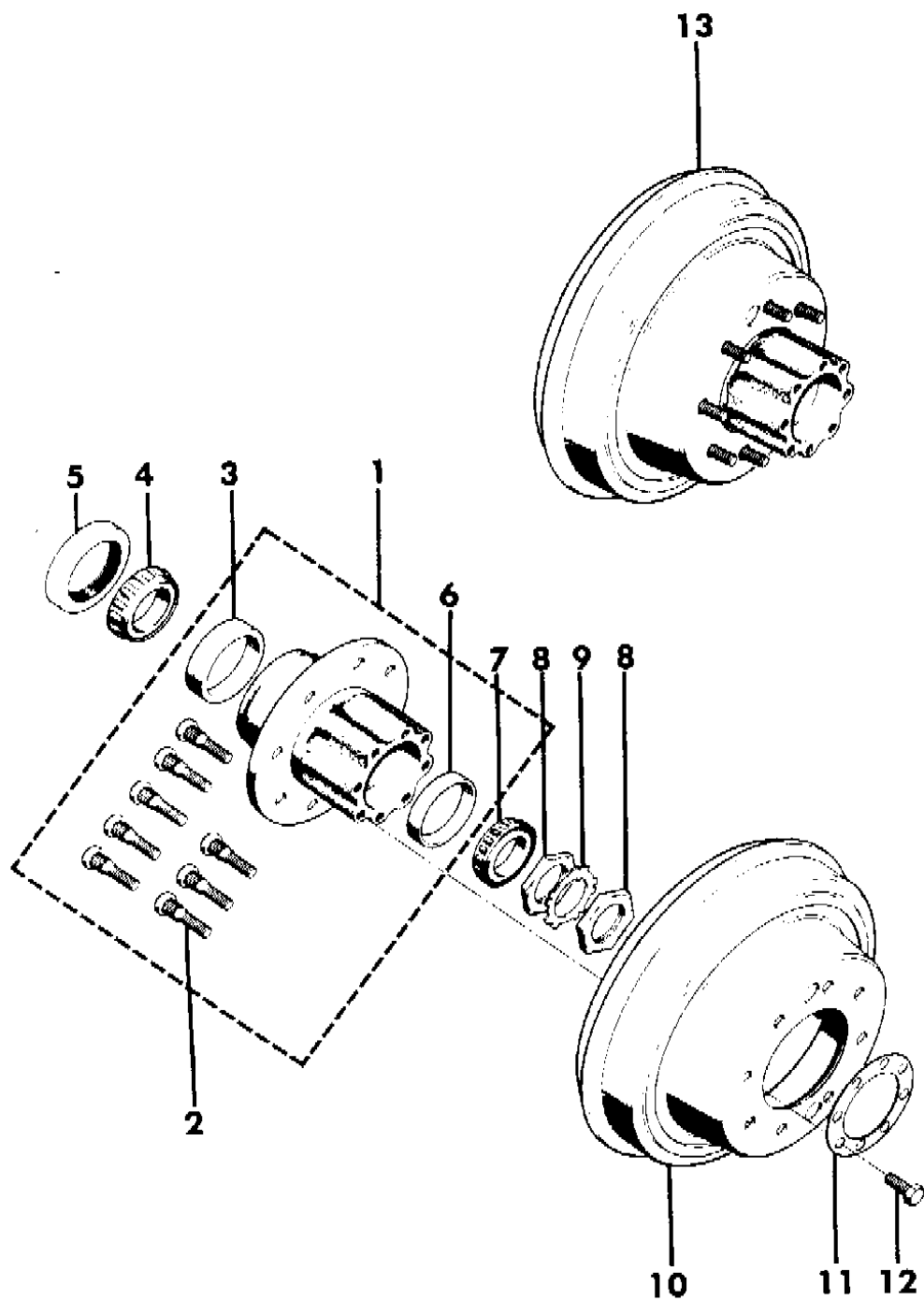
BODY STYLES:

MJ = Comanche Pickup
SJ = Grand Wagoneer Wgn., J-10 & J-20 Pickups
XJ = Cherokee, Wagoneer Limited
YJ = Wrangler

AR = Use as Required - = Non Illustrated Part P.A.R. = Paint as Required

DRUMS AND BEARINGS, REAR BRAKE DANA MODEL 60 AXLE J-20
Figure 5-1500

8J05 1500



| ITEM | PART NUMBER | QTY | BODY | MODEL | DESCRIPTION |
|------|-------------|-----|------|-------|--------------|
| 1 | J812 4956 | 2 | | | HUB |
| 2 | J812 4958 | 16 | | | STUD, Wheel |
| 3 | J812 4840 | 2 | | | CUP, Bearing |
| 4 | J535 2661 | 2 | | | BEARING |
| 5 | J535 2786 | 2 | | | SEAL |
| 6 | J099 2336 | 2 | | | CUP, Bearing |
| 7 | J099 2276 | 2 | | | BEARING |
| 8 | J099 2300 | 2 | | | NUT |
| 9 | J400 4829 | 2 | | | WASHER |
| 10 | J812 4957 | 2 | | | DRUM, Brake |
| 11 | J535 2662 | 2 | | | GASKET |
| 12 | J400 6129 | 16 | | | BOLT |
| 13 | J535 2286 | 2 | | | HUB and DRUM |

MODEL CODES:

| | | |
|-----------------------------|-----------------------------|------------------------------|
| 15 = Grand Wagoneer 4 Dr. | 65 = Comanche 4WD-7 Ft. Box | 77 = Cherokee 4WD-2 Dr. |
| 25 = J-10 Pickup-119" W.B. | 66 = Comanche 2WD-7 Ft. Box | 78 = Cherokee 4WD-4 Dr. |
| 26 = J-10 Pickup-131" W.B. | 73 = Cherokee 2WD-2 Dr. | 79 = Cherokee 4WD-4 Dr.-Com |
| 27 = J-20 Pickup-131" W.B. | 74 = Cherokee 2WD-4 Dr. | 81 = Wrangler-93" W.B. |
| 63 = Comanche 4WD-6 Ft. Box | 75 = Wagoneer 4WD-4 Dr. | 82 = Wrangler-103" W.B.-Exp. |
| 64 = Comanche 2WD-6 Ft. Box | | |

BODY STYLES:

MJ = Comanche Pickup
SJ = Grand Wagoneer Wgn., J-10 & J-20 Pickups
XJ = Cherokee, Wagoneer Limited
YJ = Wrangler

AR = Use as Required - = Non Illustrated Part P.A.R. = Paint as Required

GROUP 6 - CLUTCH

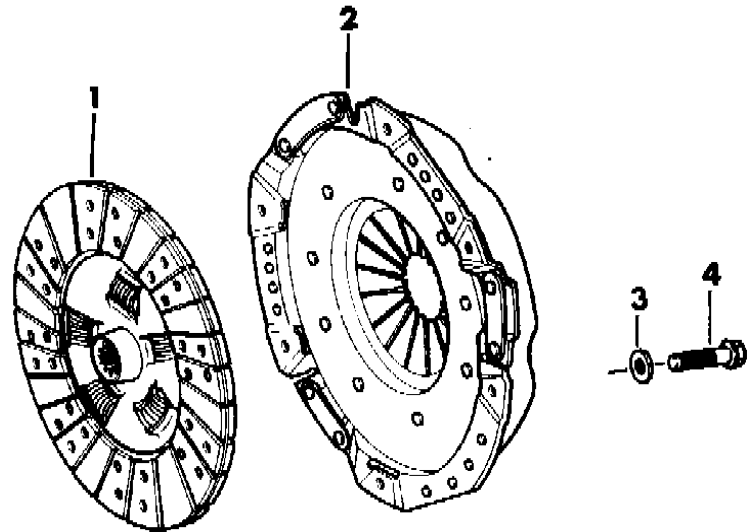
| ILLUSTRATION TITLE | GROUP-FIG. NO. |
|--|-----------------------|
| CLUTCH | |
| CLUTCH ALL MODELS | Fig. 6-100 |
| HOUSING AND PAN, CLUTCH | |
| HOUSING AND PAN, CLUTCH WRANGLER, YJ | Fig. 6-200 |
| HOUSING AND PAN, CLUTCH CHEROKEE, COMANCHE | Fig. 6-300 |
| HOUSING AND PAN, CLUTCH TRUCK J10, J20 | Fig. 6-400 |
| PEDAL CLUTCH | |
| PEDAL, CLUTCH WRANGLER, YJ | Fig. 6-500 |
| PEDAL, CLUTCH DIESEL ENGINE CHEROKEE, COMANCHE | Fig. 6-600 |
| PEDAL, CLUTCH GAS ENGINE CHEROKEE, COMANCHE | Fig. 6-700 |
| PEDAL, CLUTCH GRAND WAGONEER, TRUCK J10, J20 | Fig. 6-800 |

ILLUSTRATION NOT AVAILABLE AT TIME OF PUBLICATION

CLUTCH ALL MODELS

Figure 6-100

8 J 06 100



| ITEM | PART NUMBER | QTY | BODY | MODEL | DESCRIPTION | |
|------|-------------|-----------|-----------|-------|--------------------------------------|--------------------------------------|
| 1 | | | | | PLATE, Driven | |
| | | | | | WRANGLER, YJ | |
| | | 5300 4538 | 1 | | 4 CYL. ENG. | |
| | | 5300 4679 | 1 | | 6 CYL. ENG. | |
| | | | | | CHEROKEE, COMANCHE | |
| | | 5300 4538 | 1 | | 4 CYL. ENG. | |
| | | 5300 4679 | 1 | | 6 CYL. ENG. | |
| 2 | | | | | COVER And PRESSURE PLATE, Clutch *** | |
| | | | | | WRANGLER, YJ | |
| | | | | | 4 CYL. ENG. | |
| | | 5300 3006 | 1 | | 1987/1989 | |
| | | 5300 7583 | 1 | | 1990 | |
| | | 5300 8258 | 1 | | 6 CYL. ENG. 1987/89 | |
| | | 4626 211 | 1 | | 6 CYL. ENG. 1990 (D) | |
| | | | | | CHEROKEE, COMANCHE | |
| | | 5300 3006 | 1 | | 4 CYL. ENG. | |
| | | 5300 8258 | 1 | | 6 CYL. ENG. | |
| 3 | | | | | WASHER | |
| | | | | | WRANGLER, YJ | |
| | | | | | 4 CYL. ENG. | |
| | | 1150 0221 | 6 | | CHEROKEE, COMANCHE | |
| | | 1150 0221 | 6 | | 4 CYL. ENG. | |
| | | T140 2092 | 6 | | DIESEL | |
| | 4 | | | | | BOLT, Clutch Cover to Block |
| | | | | | | WRANGLER, YJ |
| | | | 3420 1373 | 6 | | 4 CYL. ENG. M8-1.25x22mm (Hex Hd) |
| | | | J400 4165 | 6 | | 6 CYL. ENG. 3/8-16x.810 (Hx Flng Hd) |
| | | | | | CHEROKEE, COMANCHE | |
| | | 3420 1373 | 6 | | 4 CYL. ENG. M8-1.25x22mm (Hx Hd) | |
| | | J400 4165 | 6 | | 6 CYL. ENG. 3/8-16x.810 (Hx Flng Hd) | |
| | | J300 9059 | 6 | | DIESEL | |

MODEL CODES:

| | | |
|-----------------------------|-----------------------------|------------------------------|
| 15 = Grand Wagoneer 4 Dr. | 65 = Comanche 4WD-7 Ft. Box | 77 = Cherokee 4WD-2 Dr. |
| 25 = J-10 Pickup-119" W.B. | 66 = Comanche 2WD-7 Ft. Box | 78 = Cherokee 4WD-4 Dr. |
| 26 = J-10 Pickup-131" W.B. | 73 = Cherokee 2WD-2 Dr. | 79 = Cherokee 4WD-4 Dr.-Com |
| 27 = J-20 Pickup-131" W.B. | 74 = Cherokee 2WD-4 Dr. | 81 = Wrangler-93" W.B. |
| 63 = Comanche 4WD-6 Ft. Box | 75 = Wagoneer 4WD-4 Dr. | 82 = Wrangler-103" W.B.-Exp. |
| 64 = Comanche 2WD-6 Ft. Box | | |

BODY STYLES:

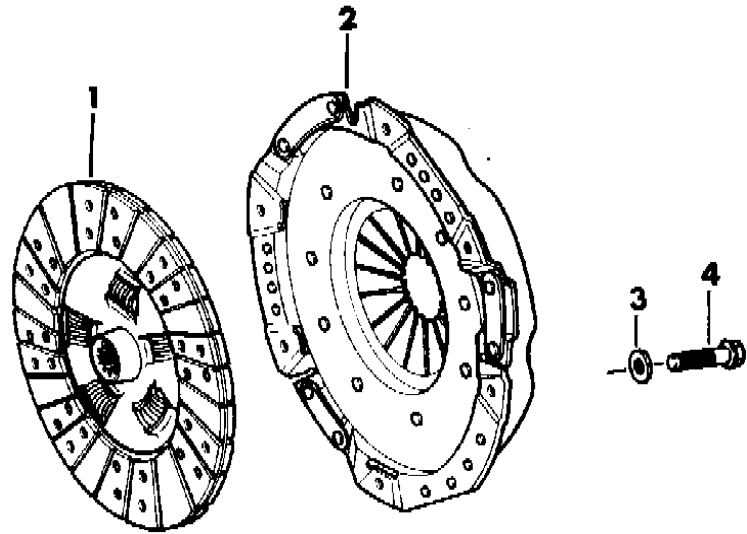
MJ = Comanche Pickup
 SJ = Grand Wagoneer Wgn., J-10 & J-20 Pickups
 XJ = Cherokee, Wagoneer Limited
 YJ = Wrangler

AR = Use as Required - = Non Illustrated Part P.A.R. = Paint as Required

CLUTCH ALL MODELS
Figure 6-100

8 J06 100

| ITEM | PART NUMBER | QTY | BODY | MODEL | DESCRIPTION |
|------|-------------|-----|------|-------|--------------------------------|
| | J400 4165 | 6 | | | GRAND WAGONEER, TRUCK J10, J20 |



MODEL CODES:

| | | |
|-----------------------------|-----------------------------|------------------------------|
| 15 = Grand Wagoneer 4 Dr. | 65 = Comanche 4WD-7 Ft. Box | 77 = Cherokee 4WD-2 Dr. |
| 25 = J-10 Pickup-119" W.B. | 66 = Comanche 2WD-7 Ft. Box | 78 = Cherokee 4WD-4 Dr. |
| 26 = J-10 Pickup-131" W.B. | 73 = Cherokee 2WD-2 Dr. | 79 = Cherokee 4WD-4 Dr.-Com |
| 27 = J-20 Pickup-131" W.B. | 74 = Cherokee 2WD-4 Dr. | 81 = Wrangler-93" W.B. |
| 63 = Comanche 4WD-6 Ft. Box | 75 = Wagoneer 4WD-4 Dr. | 82 = Wrangler-103" W.B.-Exp. |
| 64 = Comanche 2WD-6 Ft. Box | | |

BODY STYLES:

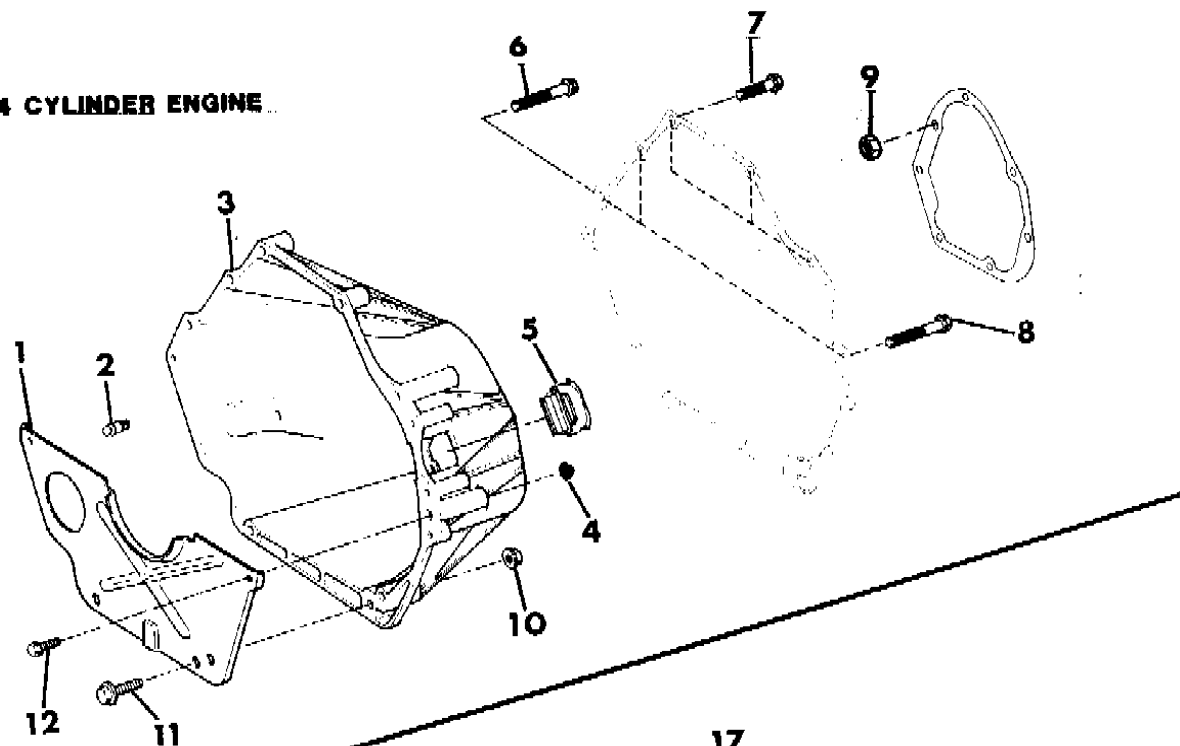
MJ = Comanche Pickup
 SJ = Grand Wagoneer Wgn., J-10 & J-20 Pickups
 XJ = Cherokee, Wagoneer Limited
 YJ = Wrangler

AR = Use as Required - = Non Illustrated Part P.A.R. = Paint as Required

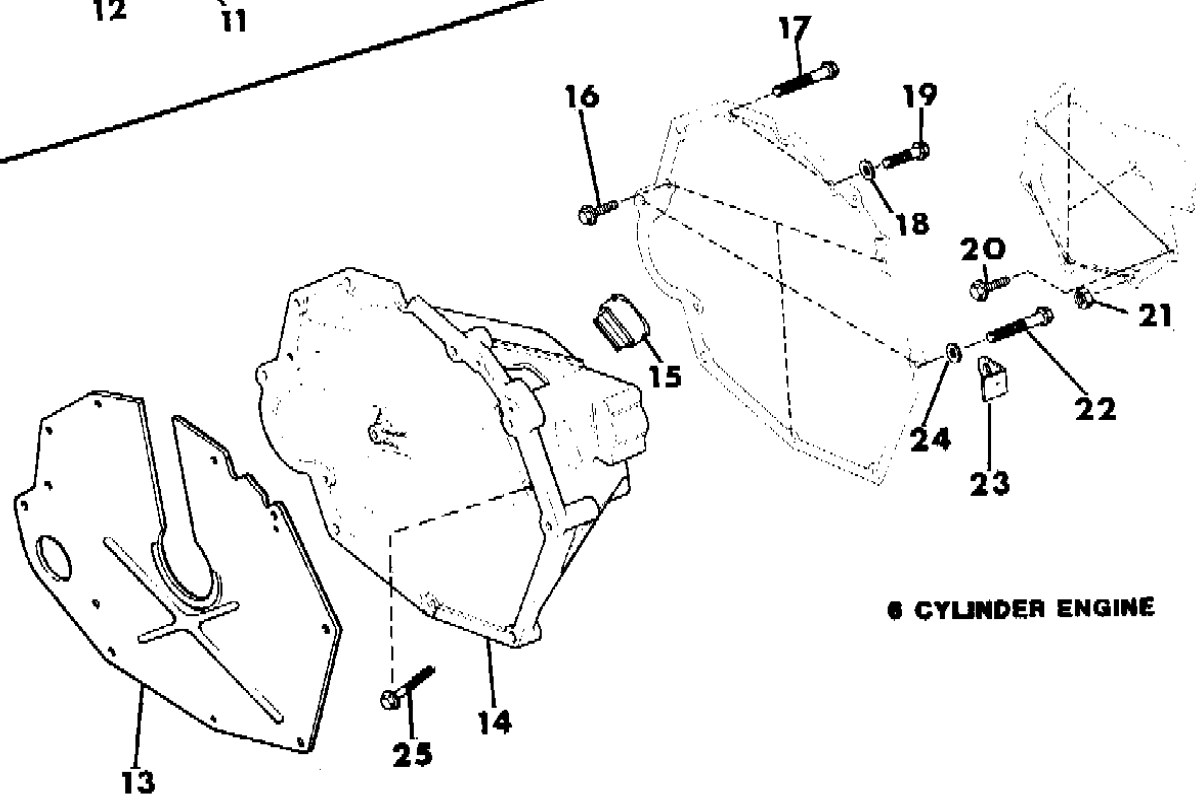
HOUSING AND PAN, CLUTCH WRANGLER, YJ
Figure 6-200

8 J06 200

4 CYLINDER ENGINE



6 CYLINDER ENGINE



| ITEM | PART NUMBER | QTY | BODY | MODEL | DESCRIPTION |
|------|-------------|-----|------|--------------------------------|---------------------------------------|
| 1 | 5300 3382 | 1 | | | COVER, Dust Clutch Housing |
| 2 | 5300 2386 | 1 | | | PIVOT |
| 3 | 5300 2096 | 1 | | | HOUSING, Clutch 4 Cyl. Eng. |
| 4 | J420 0046 | 2 | | | NUT, Hex Serrated Lock M8-1.25x8mm |
| 5 | | | | | GROMMET, Sensor Clutch Housing |
| | 5300 3787 | 1 | | 1987/1989 | |
| | 5300 9045 | 1 | | 1990 | |
| 6 | | | | | BOLT, Clutch Housing |
| | 3420 1465 | 2 | | | M12-1.75x80mm |
| | 1150 4922 | 4 | | | M12-1.75x50mm |
| | 3420 1837 | 4 | | | M12-1.75x90mm |
| 7 | 1150 2628 | 2 | | | BOLT, M8-1.25x30mm |
| 8 | | | | | BOLT, CLutch Housing |
| | 3420 1914 | AR | | | M10-1.25x45mm |
| | 3420 1949 | AR | | | M12-1.75x70mm |
| 9 | J420 0046 | 1 | | | NUT, M8-1.25 |
| 10 | 1150 2723 | 2 | | | NUT, M12-1.75 |
| 11 | 1150 5098 | 2 | | | BOLT, M12-1.75x60mm |
| 12 | 1150 2628 | 2 | | | BOLT, M8-1.25x30mm |
| 13 | 5300 4473 | 1 | | | SPACER, Clutch Housing |
| 14 | | | | | HOUSING, Clutch 6 Cyl. Eng. |
| | 5300 2112 | 1 | | 1987/1988 | |
| | 5300 2112 | 1 | | 1989 W/Peugeot Transmission | |
| | 5300 7105 | 1 | | 1989/1990 W/Aisin Transmission | |
| 15 | | 1 | | | GROMMET, Sensor Clutch Housing |
| | 5300 3787 | 1 | | 1987/1989 | |
| | 5300 9045 | 1 | | 1990 | |
| 16 | S150 0086 | 3 | | | SCREW, 5/16-12x.875 |
| 17 | J942 8638 | 1 | | | BOLT, 3/8-16x.620 |
| 18 | SO44 6363 | 2 | | | WASHER, 3/8x.875x.078. |
| 19 | J018 0129 | 2 | | | BOLT, Hex Hd, 3/8-16x1.875 |
| 20 | 3420 2060 | 2 | | | BOLT Hex Flanged Hd, M10-1.5x45mm *** |
| 21 | 1150 6007 | 5 | | | NUT, Hex Flanged, M10-1.5x10mm |
| 22 | J942 7626 | 2 | | | BOLT Hex Hd, 7/16-14x3.125 *** |
| 23 | J536 4749 | 1 | | | BRACKET |
| 24 | J400 5397 | 2 | | | WASHER, 7/16x.875x.135 |
| 25 | 3420 2790 | 1 | | | BOLT, Hex Flanged Head, M10x1.25x34mm |

MODEL CODES:

| | | |
|-----------------------------|-----------------------------|------------------------------|
| 15 = Grand Wagoneer 4 Dr. | 65 = Comanche 4WD-7 Ft. Box | 77 = Cherokee 4WD-2 Dr. |
| 25 = J-10 Pickup-119" W.B. | 66 = Comanche 2WD-7 Ft. Box | 78 = Cherokee 4WD-4 Dr. |
| 26 = J-10 Pickup-131" W.B. | 73 = Cherokee 2WD-2 Dr. | 79 = Cherokee 4WD-4 Dr.-Com |
| 27 = J-20 Pickup-131" W.B. | 74 = Cherokee 2WD-4 Dr. | 81 = Wrangler-93" W.B. |
| 63 = Comanche 4WD-6 Ft. Box | 75 = Wagoneer 4WD-4 Dr. | 82 = Wrangler-103" W.B.-Exp. |
| 64 = Comanche 2WD-6 Ft. Box | | |

BODY STYLES:

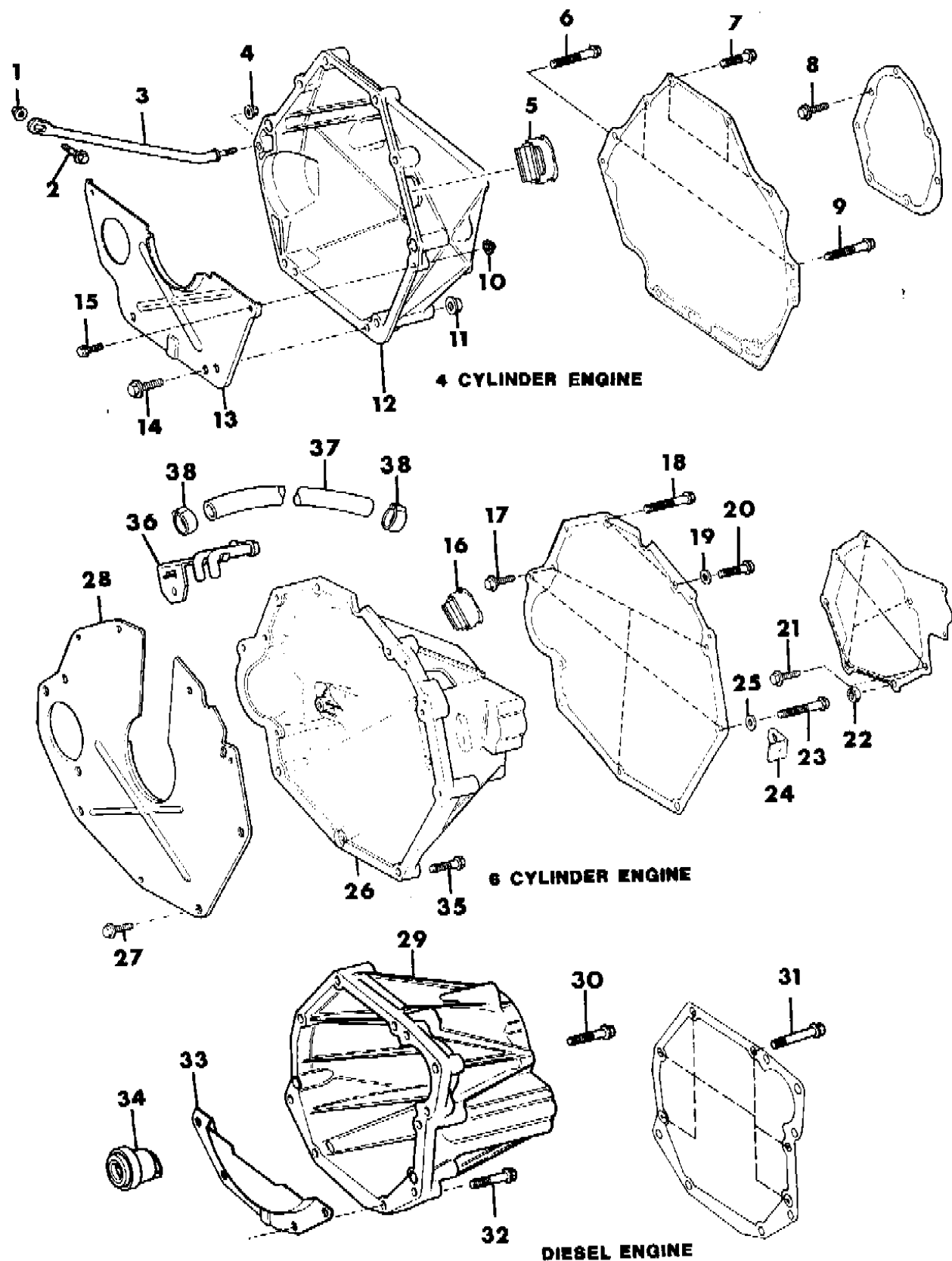
MJ = Comanche Pickup
 SJ = Grand Wagoneer Wgn., J-10 & J-20 Pickups
 XJ = Cherokee, Wagoneer Limited
 YJ = Wrangler

AR = Use as Required - = Non Illustrated Part P.A.R. = Paint as Required

HOUSING AND PAN, CLUTCH CHEROKEE, COMANCHE

Figure 6-300

8J06 300



| ITEM | PART NUMBER | QTY | BODY | MODEL | DESCRIPTION |
|------|-------------|-----|------|-------|---|
| 1 | 1150 2813 | 1 | | | NUT, M12-1.75x13mm |
| 2 | 3420 1389 | 1 | | | BOLT, Hex Flanged Hd, M12-1.75x35mm |
| 3 | 5300 1595 | 1 | | | ROD, Brace |
| 4 | 1150 2813 | 2 | | | NUT Hex Flanged, M12-1.75x13mm *** |
| 5 | 5300 8017 | 1 | | | GROMMET, Sensor, Clutch Housing |
| | 5300 8018 | 1 | | | PLUG, Used Less Engine Speed Sensor |
| 6 | | | | | BOLT, Hex Flanged Head |
| | 3420 1949 | 1 | | | M12-1.75x70mm |
| | 3420 1837 | 1 | | | M12-1.75x90mm |
| 7 | 1150 4922 | 3 | | | BOLT Hex Flngd Hd, M12-1.75x50mm *** |
| 8 | 3420 1914 | 9 | | | BOLT Hex Flngd Hd, M10-1.25x45mm *** |
| 9 | | | | | BOLT Hex Flanged Head *** |
| | 3420 1949 | 1 | | | M12-1.75x70mm |
| | 3420 1837 | 1 | | | M12-1.75x90mm |
| 10 | J420 0046 | 2 | | | NUT, Hex Serated Lock, M8-1.25x8mm |
| 11 | 1150 2813 | 2 | | | NUT, Hex Lock Flanged, M12-1.75x13mm |
| 12 | 5300 2096 | 1 | | | HOUSING, Clutch 4 Cyl. Eng. |
| 13 | 5300 3382 | 1 | | | COVER, Dust |
| 14 | 1150 2723 | 2 | | | NUT, Hex Flanged, M12-1.75x12mm |
| 15 | 1150 2628 | 2 | | | BOLT Hex Head, M8-1.25x30mm *** |
| 16 | 5300 8017 | 1 | | | GROMMET, Sensor |
| 17 | S150 0086 | 3 | | | SCREW, .88mm |
| 18 | J942 8638 | 1 | | | BOLT, Hex Head, 3/8-16x.620 |
| 19 | S943 9511 | 6 | | | WASHER, 8mmIDx15mmODx.5mm |
| 20 | J018 0129 | 2 | | | BOLT, Hex Head, 3/8-16x1.875 |
| 21 | 3420 2060 | 2 | | | BOLT, Hex Head, M10-1.5x45mm |
| 22 | 1150 6007 | 5 | | | NUT, Hex Flanged, M10-1.5x10mm |
| 23 | J942 7626 | 2 | | | BOLT Hex Head, 7/16-14x3.125 *** |
| 24 | J536 4749 | 1 | | | BRACKET |
| 25 | J400 5397 | 2 | | | WASHER, 7/16IDx.875ODx.135Thk . |
| 26 | | | | | HOUSING, Clutch 6 Cyl. Eng. |
| | 5300 2112 | 1 | | | Type 1: Used 1987/1989 With Peugeot BA10/5 5 SpeedTransmission. |
| | 5300 7105 | 1 | | | Type 2: Used 1989/1990 With Aisin AX15 5 Speed Transmission |
| 27 | | | | | BOLT, Hex Flanged Head |
| | 1150 4922 | AR | | | 1987/1989 |
| | 3420 2790 | AR | | | 1990: M10-1.25x34mm |

MODEL CODES:

| | | |
|-----------------------------|-----------------------------|------------------------------|
| 15 = Grand Wagoneer 4 Dr. | 65 = Comanche 4WD-7 Ft. Box | 77 = Cherokee 4WD-2 Dr. |
| 25 = J-10 Pickup-119" W.B. | 66 = Comanche 2WD-7 Ft. Box | 78 = Cherokee 4WD-4 Dr. |
| 26 = J-10 Pickup-131" W.B. | 73 = Cherokee 2WD-2 Dr. | 79 = Cherokee 4WD-4 Dr.-Com |
| 27 = J-20 Pickup-131" W.B. | 74 = Cherokee 2WD-4 Dr. | 81 = Wrangler-93" W.B. |
| 63 = Comanche 4WD-6 Ft. Box | 75 = Wagoneer 4WD-4 Dr. | 82 = Wrangler-103" W.B.-Exp. |
| 64 = Comanche 2WD-6 Ft. Box | | |

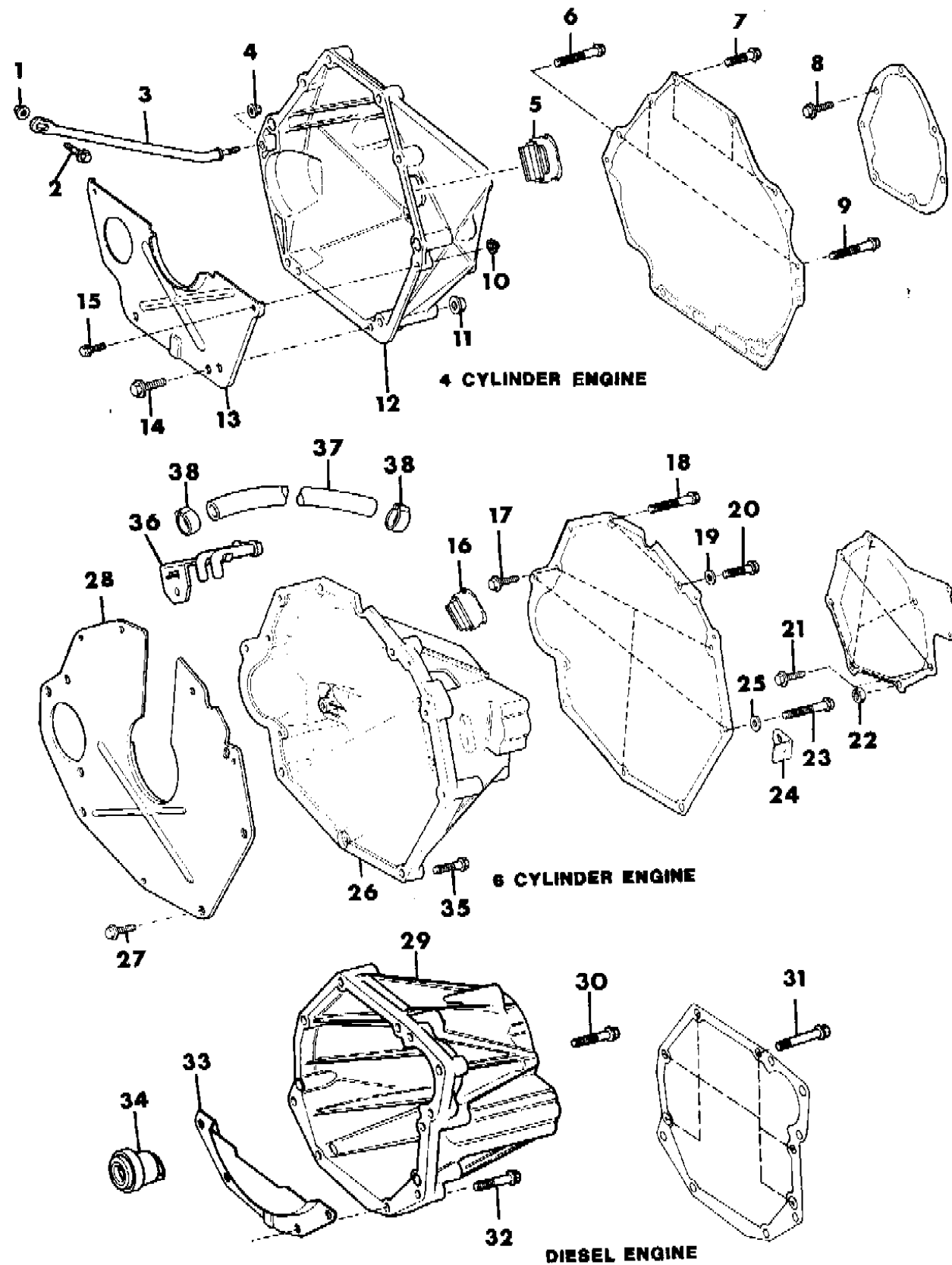
BODY STYLES:

MJ = Comanche Pickup
 SJ = Grand Wagoneer Wgn., J-10 & J-20 Pickups
 XJ = Cherokee, Wagoneer Limited
 YJ = Wrangler

AR = Use as Required - = Non Illustrated Part P.A.R. = Paint as Required

HOUSING AND PAN, CLUTCH CHEROKEE, COMANCHE
Figure 6-300

8J06 300



| ITEM | PART NUMBER | QTY | BODY | MODEL | DESCRIPTION |
|------|-------------|-----|------|-------|---|
| 28 | 5300 4473 | 1 | | | SPACER, Clutch Housing |
| 29 | 5300 1164 | 1 | | | HOUSING, Clutch, Diesel |
| 30 | 3420 2317 | 9 | | | BOLT, M10 x 1.25 x 60mm |
| 31 | 3420 2042 | 6 | | | BOLT, M10 x 1.5 x 90mm |
| 32 | 3420 2027 | 4 | | | BOLT, M10 x 1.5 x 60mm |
| 33 | 5300 1336 | 1 | | | COVER, Dust Clutch Housing |
| 34 | 5300 1162 | 1 | | | SLEEVE, Clutch Throwout Bearing |
| 35 | 3420 2029 | 2 | | | BOLT Hex Flanged Head, M10-1.5x50mm *** |
| 36 | 5300 4428 | 1 | | | TUBE, CUP and BRACKET |
| 37 | J812 5810 | AR | | | HOSE, Bulk |
| 38 | J400 6047 | 2 | | | CLAMPS |

MODEL CODES:

| | | |
|-----------------------------|-----------------------------|------------------------------|
| 15 = Grand Wagoneer 4 Dr. | 65 = Comanche 4WD-7 Ft. Box | 77 = Cherokee 4WD-2 Dr. |
| 25 = J-10 Pickup-119" W.B. | 66 = Comanche 2WD-7 Ft. Box | 78 = Cherokee 4WD-4 Dr. |
| 26 = J-10 Pickup-131" W.B. | 73 = Cherokee 2WD-2 Dr. | 79 = Cherokee 4WD-4 Dr.-Com |
| 27 = J-20 Pickup-131" W.B. | 74 = Cherokee 2WD-4 Dr. | 81 = Wrangler-93" W.B. |
| 63 = Comanche 4WD-6 Ft. Box | 75 = Wagoneer 4WD-4 Dr. | 82 = Wrangler-103" W.B.-Exp. |
| 64 = Comanche 2WD-6 Ft. Box | | |

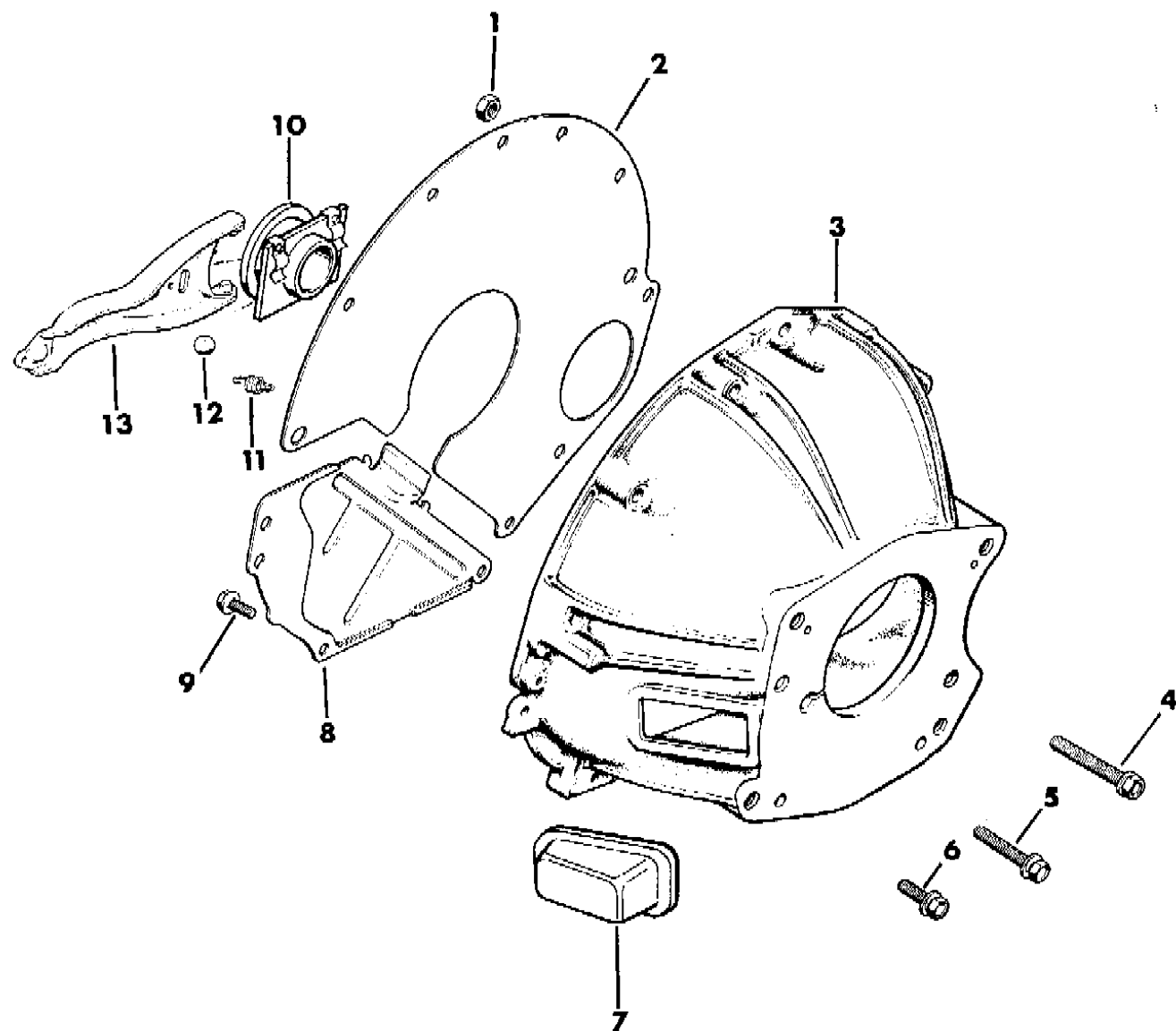
BODY STYLES:

MJ = Comanche Pickup
 SJ = Grand Wagoneer Wgn., J-10 & J-20 Pickups
 XJ = Cherokee, Wagoneer Limited
 YJ = Wrangler

AR = Use as Required - = Non Illustrated Part P.A.R. = Paint as Required

HOUSING AND PAN, CLUTCH TRUCK J10, J20
Figure 6-400

8 J 06 400



| ITEM | PART NUMBER | QTY | BODY | MODEL | DESCRIPTION |
|------|-------------|-----|------|-------|---|
| 1 | S941 8738 | 2 | | | NUT, Hex, 3/8-16x.329 |
| 2 | J321 3743 | 1 | | | SPACER, Clutch Housing Truck |
| 3 | J323 8423 | 1 | | | HOUSING ASSEMBLY, Truck *** |
| 4 | J400 4370 | 2 | | | BOLT Hex Head, Incl Washer, 7/16-14x2.750 *** |
| 5 | J400 1885 | 4 | | | BOLT Hex Head, Incl Washer, 3/8-16x2.190 *** |
| 6 | J400 1883 | 1 | | | BOLT Hex Head, Incl Washer, 3/8-16x1.00 *** |
| 7 | J323 8430 | 1 | | | BOOT, Clutch Housing |
| 8 | J321 3744 | 1 | | | COVER |
| 9 | J400 0987 | 2 | | | BOLT Hex Head w/spring lockwasher, 5/16-18x.620 *** |
| 10 | J323 6561 | 1 | | | SLEEVE, With Bearing |
| 11 | J322 2799 | 1 | | | SPRING, Throwout Lever |
| 12 | J016 9162 | 1 | | | BALL |
| 13 | J536 1620 | 1 | | | LEVER, Clutch |

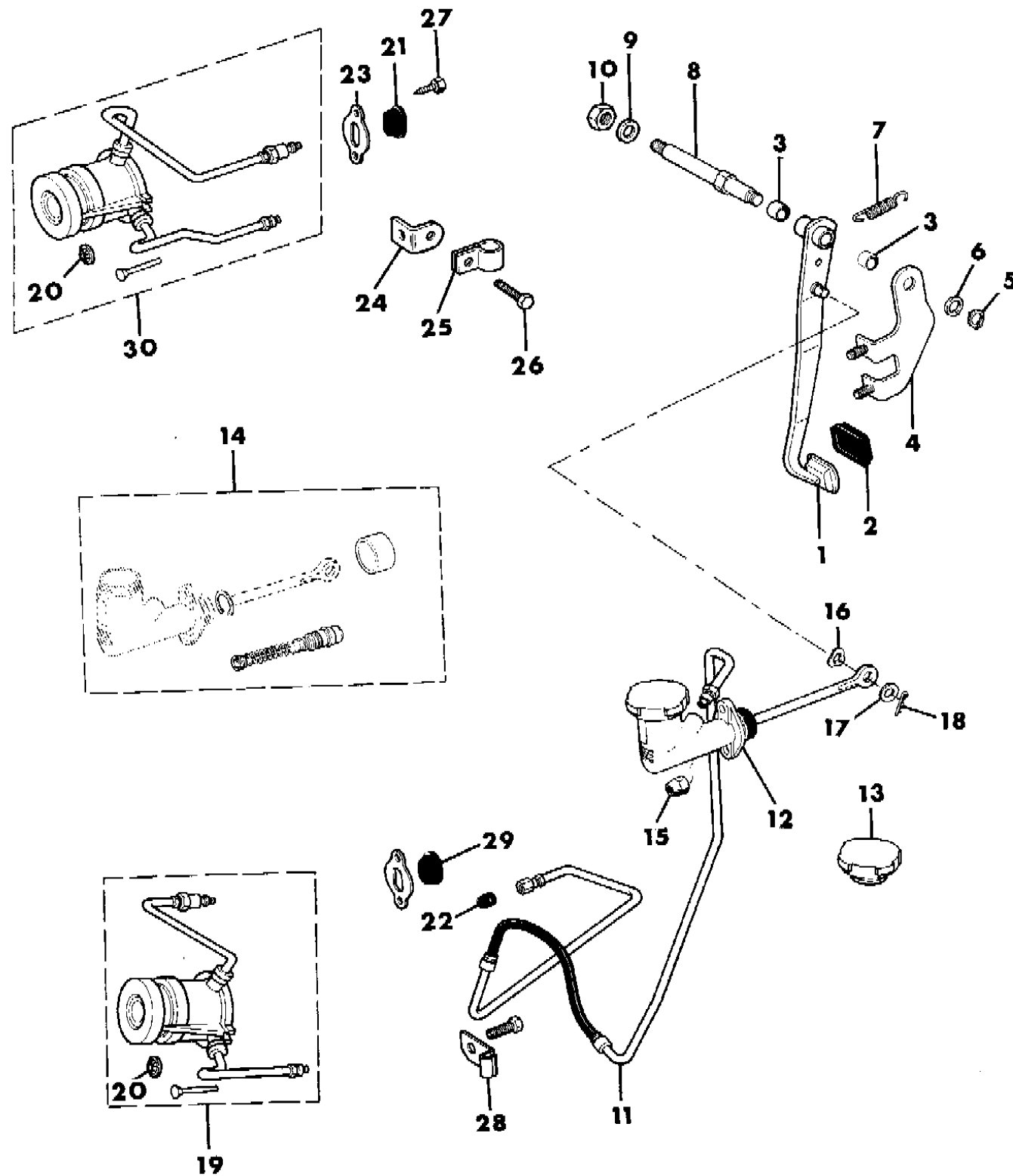
MODEL CODES:
 15 = Grand Wagoneer 4 Dr. 65 = Comanche 4WD-7 Ft. Box 77 = Cherokee 4WD-2 Dr.
 25 = J-10 Pickup-119" W.B. 66 = Comanche 2WD-7 Ft. Box 78 = Cherokee 4WD-4 Dr.
 26 = J-10 Pickup-131" W.B. 73 = Cherokee 2WD-2 Dr. 79 = Cherokee 4WD-4 Dr.-Com
 27 = J-20 Pickup-131" W.B. 74 = Cherokee 2WD-4 Dr. 81 = Wrangler-93" W.B.
 63 = Comanche 4WD-6 Ft. Box 75 = Wagoneer 4WD-4 Dr. 82 = Wrangler-103" W.B.-Exp.
 64 = Comanche 2WD-6 Ft. Box

BODY STYLES:
 MJ = Comanche Pickup
 SJ = Grand Wagoneer Wgn., J-10 & J-20 Pickups
 XJ = Cherokee, Wagoneer Limited
 YJ = Wrangler

AR = Use as Required - = Non Illustrated Part P.A.R. = Paint as Required

PEDAL, CLUTCH WRANGLER, YJ
Figure 6-500

8J06 500



| ITEM | PART NUMBER | QTY | BODY | MODEL | DESCRIPTION |
|------|-------------|-----|------|-------|---|
| 1 | 5300 3897 | 1 | | | PEDAL, Clutch |
| 2 | 5200 2750 | 1 | | | COVER, Clutch Pedal |
| 3 | J094 6177 | 2 | | | BEARING, Clutch Pedal |
| 4 | J535 9817 | 1 | | | BRACE, Clutch Pedal Support |
| 5 | J400 6471 | 1 | | | RING, Retaining Clutch Pedal Shaft |
| 6 | J535 1844 | 2 | | | WASHER 3/4IDx1.100Dx.015THK Plain |
| 7 | J535 1050 | 1 | | | SPRING |
| 8 | J535 9834 | 1 | | | SHAFT, Clutch Pedal |
| 9 | J012 0396 | 1 | | | WASHER 1/2IDx1.063ODx.093thk |
| 10 | J400 4311 | 1 | | | LOCKNUT 1/2-20x.437 *** |
| 11 | 5300 4241 | 1 | | | TUBE & HOSE ASSY, Hydraulic Clutch *** 4 CYL. ENG. |
| | 5300 4345 | 1 | | | 1987/1989: 6 Cyl. Eng. W/Peugeot BA 10/5 Trans |
| | 5300 5925 | 1 | | | 1989/1990: 6 Cyl. Eng., W/AisinAX15 |
| 12 | 5300 4466 | 1 | | | CYLINDER, Clutch Master |
| 13 | 8350 4098 | 1 | | | CAP, Clutch Master Cylinder |
| 14 | 8350 4097 | 1 | | | REPAIR PACKAGE, Clutch Master Cylinder |
| 15 | J012 0376 | 2 | | | NUT, Hex 5/16-18x.266 |
| 16 | J400 4616 | 1 | | | WASHER, Wave 1/2IDx.781ODx.014thk |
| 17 | J012 0396 | 1 | | | WASHER, Flat 1/2IDx1.063ODx.093Thk. |
| 18 | J010 3374 | 1 | | | PIN, Cotter |
| 19 | 8350 3384 | 1 | | | CLUTCH CONTROL PACKAGE, 4 Cyl. Eng. *** |
| | 8350 3385 | 1 | | | PIN, Spiral Head 1/8 x 5/8, 4 Cyl. Eng. (D) |
| 20 | J400 6866 | 2 | | | NUT, Push |
| 21 | 5300 3807 | 1 | | | GROMMET, 6 Cyl. Eng. |
| 22 | 5300 4052 | 1 | | | GROMMET, 4 Cyl. Eng. |
| 23 | 5300 3361 | 1 | | | COVER |
| 24 | J536 4749 | 1 | | | BRACKET |
| 25 | J012 0521 | 1 | | | CLIP, Closed Tube 1/4ID-.5lgx5/16holex.4wd |
| 26 | J941 5162 | 1 | | | SCREW, Hewx Flanged Head, #10-16x.375 |
| 27 | 1150 0821 | 2 | | | BOLT Hex Head, M8-1.25x45mm *** |
| 29 | 5300 4051 | 1 | | | GROMMET, 4 Cyl Eng. |
| 30 | 8350 3383 | 1 | | | CLUTCH CONTROL PACKAGE, 6 Cyl. Eng. *** |
| | 5252 137 | 1 | | | 1987/1989: W/ Peugeot Transmission, Model BA 10/5 1989/1990: W/ Aisin Transmission, Model AX15 |

MODEL CODES:

| | | |
|-----------------------------|-----------------------------|------------------------------|
| 15 = Grand Wagoneer 4 Dr. | 65 = Comanche 4WD-7 Ft. Box | 77 = Cherokee 4WD-2 Dr. |
| 25 = J-10 Pickup-119" W.B. | 66 = Comanche 2WD-7 Ft. Box | 78 = Cherokee 4WD-4 Dr. |
| 26 = J-10 Pickup-131" W.B. | 73 = Cherokee 2WD-2 Dr. | 79 = Cherokee 4WD-4 Dr.-Com |
| 27 = J-20 Pickup-131" W.B. | 74 = Cherokee 2WD-4 Dr. | 81 = Wrangler-93" W.B. |
| 63 = Comanche 4WD-6 Ft. Box | 75 = Wagoneer 4WD-4 Dr. | 82 = Wrangler-103" W.B.-Exp. |
| 64 = Comanche 2WD-6 Ft. Box | | |

BODY STYLES:

MJ = Comanche Pickup
SJ = Grand Wagoneer Wgn., J-10 & J-20 Pickups
XJ = Cherokee, Wagoneer Limited
YJ = Wrangler

AR = Use as Required - = Non Illustrated Part P.A.R. = Paint as Required

PEDAL, CLUTCH DIESEL ENGINE CHEROKEE, COMANCHE

Figure 6-600

8J06 600C

| ITEM | PART NUMBER | QTY | BODY | MODEL | DESCRIPTION |
|------|-------------|-----|------|-------|----------------------------------|
| 1 | 5300 4363 | 1 | | | PEDAL, Clutch |
| 2 | 5300 0636 | 1 | | | SLEEVE |
| 3 | 1150 2812 | 2 | | | NUT |
| 4 | 5200 2750 | 1 | | | PAD, Clutch Pedal |
| 5 | 5200 0402 | 1 | | | SPRING, Return Clutch Pedal |
| 6 | | | | | CYLINDER, Clutch Master |
| | 5300 4466 | 1 | | | Short Shaft |
| | 5300 5467 | 1 | | | Long Shaft |
| 7 | J400 4616 | 1 | | | WASHER |
| 8 | J012 0396 | 1 | | | WASHER |
| 9 | S011 9120 | 1 | | | PIN, Cotter |
| 10 | J941 3534 | 2 | | | NUT |
| 11 | | | | | HOSE TUBE ASSEMBLY *** |
| | 5300 4161 | 1 | | | 1987/1989 |
| | 5300 5923 | 1 | | | 1990 |
| 12 | 5300 1324 | 1 | | | CYLINDER, Clutch Slave |
| 13 | J321 7479 | 1 | | | PIVOT |
| 14 | 1150 2729 | 2 | | | NUT |
| 15 | J813 3629 | 1 | | | SCREW, Bleeder |
| 16 | 5300 0484 | 1 | | | LEVER, Clutch |
| 17 | 8350 0670 | 1 | | | REPAIR PACKAGE, Slave Cylinder |
| 18 | 3420 2043 | 2 | | | STUD |
| 19 | 5300 0585 | 1 | | | CLIP |
| 20 | 8350 4097 | 1 | | | REPAIR PACKAGE, Master Cylinder |
| 21 | 8350 4098 | 1 | | | CAP PACKAGE, Master Cylinder *** |
| 22 | 5300 5119 | 1 | | | SEAL |
| 23 | J400 7472 | 1 | | | BUSHING |
| 24 | J400 7070 | 2 | | | WASHER, .062" |
| 25 | J016 9162 | 1 | | | BALL |
| 26 | 3420 1961 | 1 | | | CLIP, Hose |
| 27 | J323 7235 | 1 | | | PLATE> *** |
| 28 | 3420 1869 | 1 | | | BOLT |
| 29 | J322 5981 | 2 | | | BUSHING, Brake and Clutch Shaft |

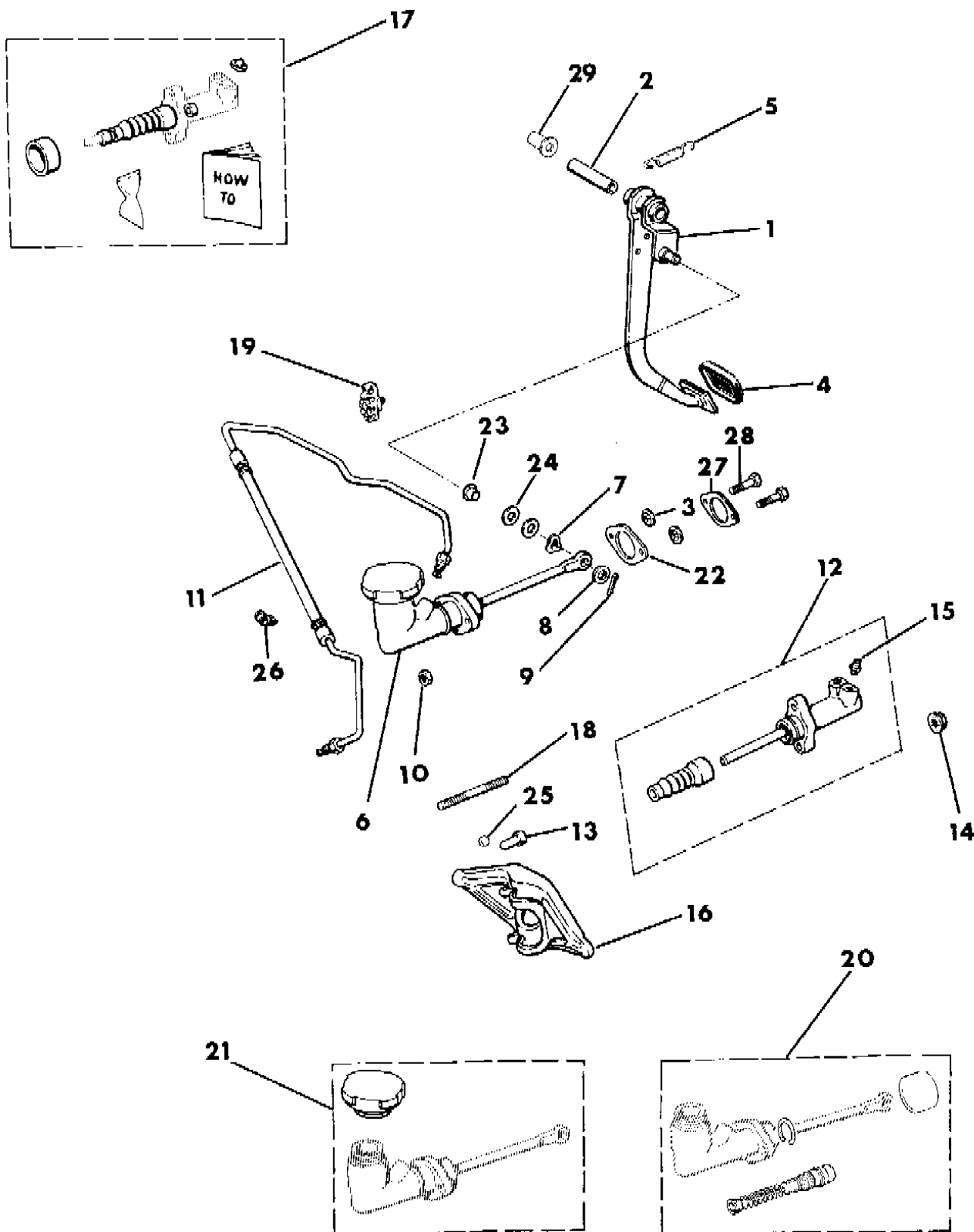
MODEL CODES:

| | | |
|-----------------------------|-----------------------------|------------------------------|
| 15 = Grand Wagoneer 4 Dr. | 65 = Comanche 4WD-7 Ft. Box | 77 = Cherokee 4WD-2 Dr. |
| 25 = J-10 Pickup-119" W.B. | 66 = Comanche 2WD-7 Ft. Box | 78 = Cherokee 4WD-4 Dr. |
| 26 = J-10 Pickup-131" W.B. | 73 = Cherokee 2WD-2 Dr. | 79 = Cherokee 4WD-4 Dr.-Com |
| 27 = J-20 Pickup-131" W.B. | 74 = Cherokee 2WD-4 Dr. | 81 = Wrangler-93" W.B. |
| 63 = Comanche 4WD-6 Ft. Box | 75 = Wagoneer 4WD-4 Dr. | 82 = Wrangler-103" W.B.-Exp. |
| 64 = Comanche 2WD-6 Ft. Box | | |

BODY STYLES:

MJ = Comanche Pickup
 SJ = Grand Wagoneer Wgn., J-10 & J-20 Pickups
 XJ = Cherokee, Wagoneer Limited
 YJ = Wrangler

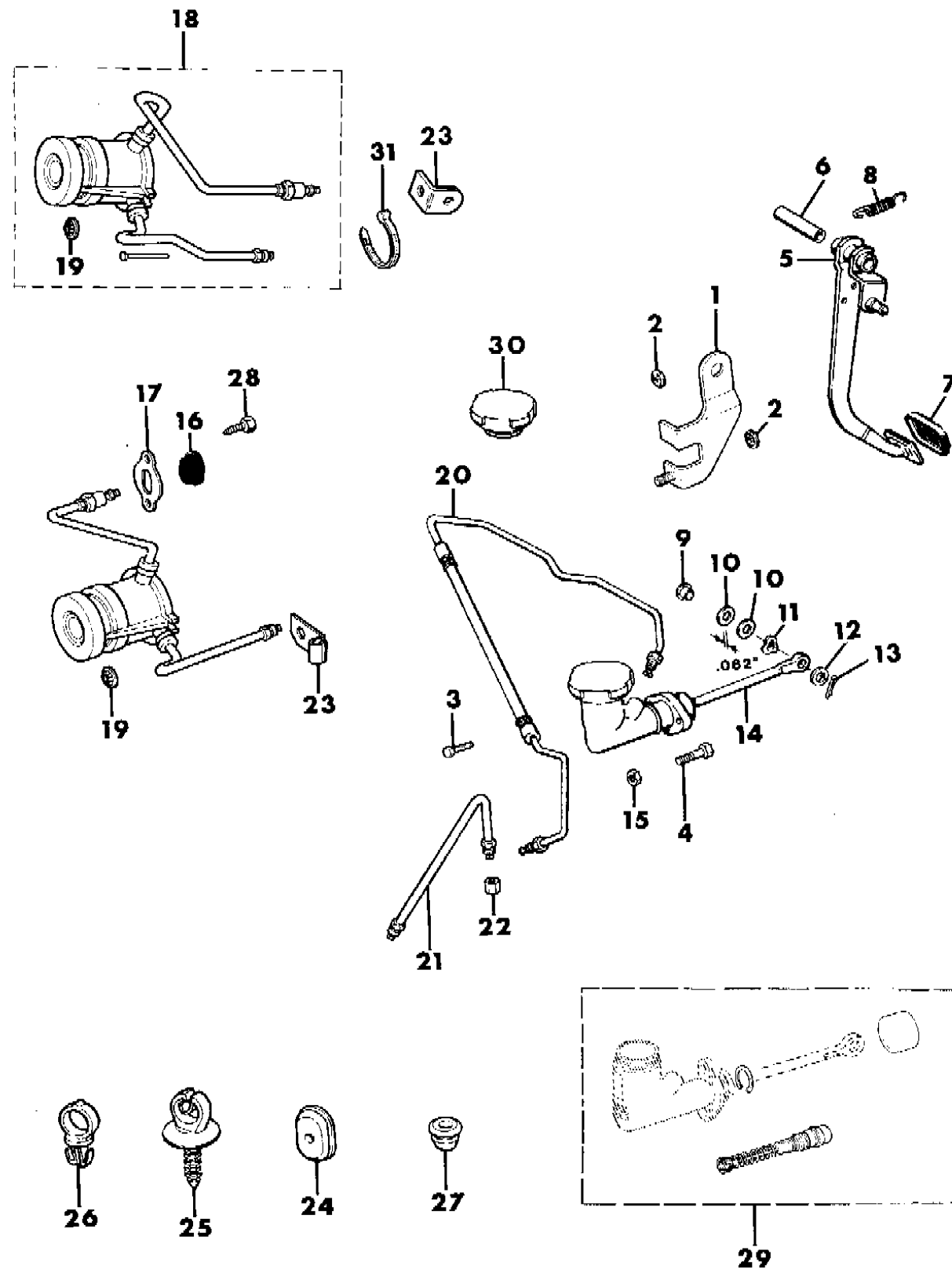
AR = Use as Required - = Non Illustrated Part P.A.R. = Paint as Required



PEDAL, CLUTCH GAS ENGINE CHEROKEE, COMANCHE

Figure 6-700

8J0 6 700



| ITEM | PART NUMBER | QTY | BODY | MODEL | DESCRIPTION |
|------|-------------|-----|------|-------|---|
| 1 | 5300 4336 | 1 | | | BRACE ASSEMBLY, Clutch Pedal *** |
| 2 | 3420 1918 | 3 | | | NUT |
| 3 | 8350 0810 | 1 | | | BOLT |
| 4 | 1150 2628 | 1 | | | BOLT |
| 5 | 5300 4363 | 1 | | | PEDAL, Clutch |
| 6 | 5300 0636 | 1 | | | SLEEVE, Clutch Pedal |
| 7 | 5200 2750 | 1 | | | COVER |
| 8 | 5200 0402 | 1 | | | SPRING, Clutch Return |
| 9 | J400 7472 | 1 | | | BUSHING |
| 10 | J400 7070 | 2 | | | WASHER |
| 11 | J400 4616 | 1 | | | WASHER |
| 12 | J012 0396 | 1 | | | WASHER, Flat |
| 13 | S011 9120 | 1 | | | PIN |
| 14 | 5300 4467 | 1 | | | CYLINDER, Clutch Master |
| 15 | 3420 1918 | 4 | | | NUT |
| 16 | 5300 3807 | 1 | | | GROMMET, 6 CYL. ENG. |
| 17 | 5300 3361 | 1 | | | COVER |
| 18 | | | | | CLUTCH CONTROL PACKAGE, Hydraulic Sleeve *** |
| | 8350 3384 | 1 | | | 4 CYL. ENG. |
| | 8350 3383 | 1 | | | 1987-89: 6 CYL. ENG., W/Peugeot Tran. Model BA10/5. |
| | 5252 137 | 1 | | | 1989-90: 6 CYL. ENG, W/Aisin Tran. Model AX15 |
| 19 | J400 6866 | 1 | | | NUT, Push-on |
| 20 | | | | | TUBE AND HOSE ASSEMBLY, Hydraulic Clutch *** |
| | 5300 4900 | 1 | | | 4 CYL. ENG. |
| | 5300 4504 | 1 | | | 1987-89: 6 CYL. ENG, W/Peugeot Tran Model BA10/5 |
| | 5300 5923 | 1 | | | 1989-90: 6 CYL. ENG. W/Aisin Tran. Model AX15 |
| 21 | 5300 4901 | 1 | | | HOSE, Lower 4 CYL. ENG. |
| 22 | S044 2394 | 1 | | | UNION |
| 23 | | | | | BRACKET, Hydraulic Tubes |
| | J536 4749 | 1 | | | 4 CYL. ENG. |
| | 5300 4505 | 1 | | | 6 CYL. ENG. |
| 24 | 5300 4051 | 1 | | | GROMMET, Cover Hydraulic Clutch Tubes |
| 25 | 3200 0404 | 1 | | | CLIP |
| 26 | J400 5701 | 1 | | | CLIP |
| 27 | 5300 4052 | 1 | | | GROMMET, 4 CYL. ENG. |
| 28 | 1150 0821 | 1 | | | BOLT |
| 29 | 8350 4097 | 1 | | | REPAIR PACKAGE, Clutch Master Cylinder |

MODEL CODES:

| | | |
|-----------------------------|-----------------------------|------------------------------|
| 15 = Grand Wagoneer 4 Dr. | 65 = Comanche 4WD-7 Ft. Box | 77 = Cherokee 4WD-2 Dr. |
| 25 = J-10 Pickup-119" W.B. | 66 = Comanche 2WD-7 Ft. Box | 78 = Cherokee 4WD-4 Dr. |
| 26 = J-10 Pickup-131" W.B. | 73 = Cherokee 2WD-2 Dr. | 79 = Cherokee 4WD-4 Dr.-Com |
| 27 = J-20 Pickup-131" W.B. | 74 = Cherokee 2WD-4 Dr. | 81 = Wrangler-93" W.B. |
| 63 = Comanche 4WD-6 Ft. Box | 75 = Wagoneer 4WD-4 Dr. | 82 = Wrangler-103" W.B.-Exp. |
| 64 = Comanche 2WD-6 Ft. Box | | |

BODY STYLES:

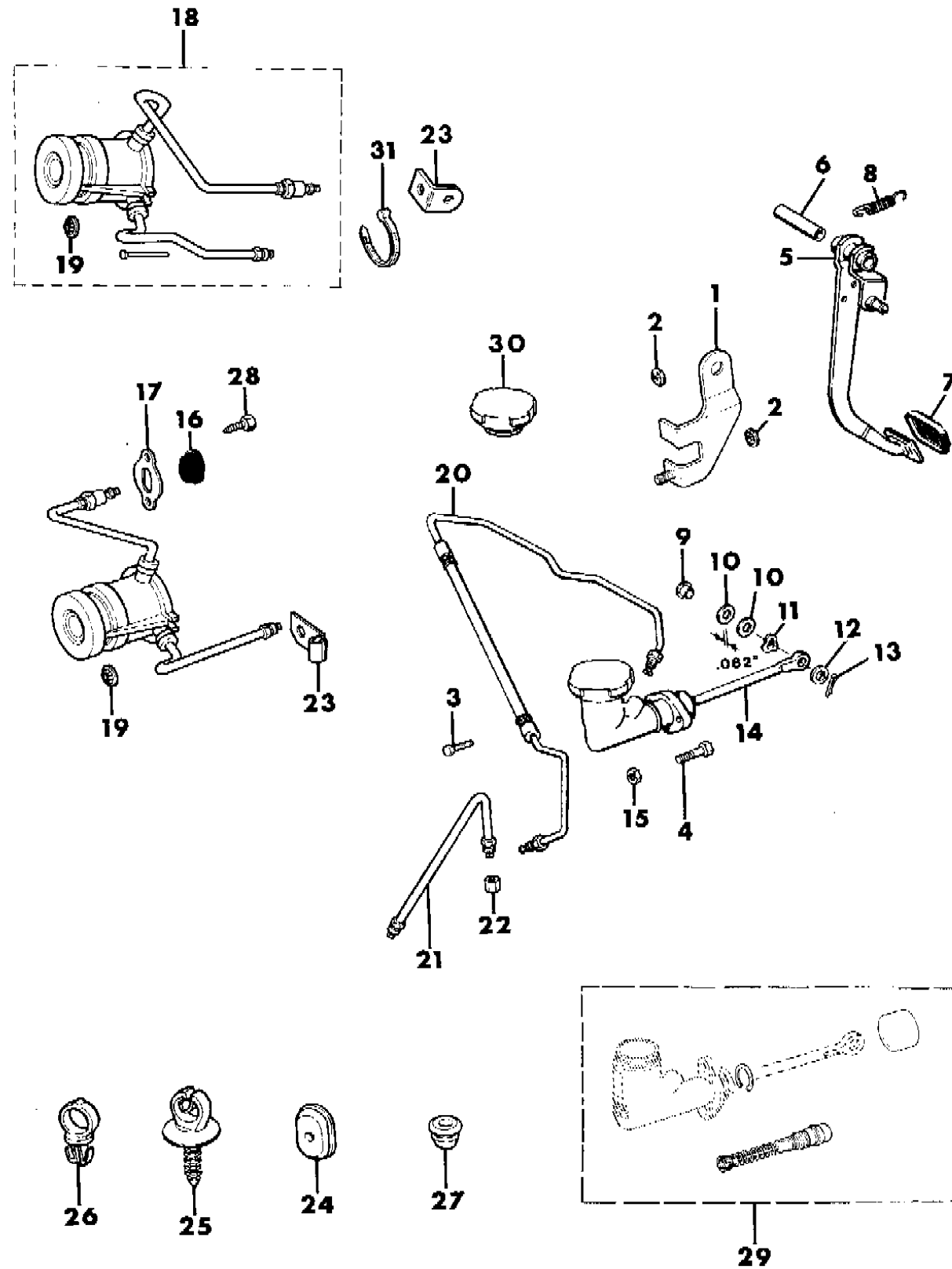
MJ = Comanche Pickup
 SJ = Grand Wagoneer Wgn., J-10 & J-20 Pickups
 XJ = Cherokee, Wagoneer Limited
 YJ = Wrangler

AR = Use as Required - = Non Illustrated Part P.A.R. = Paint as Required

PEDAL, CLUTCH GAS ENGINE CHEROKEE, COMANCHE

Figure 6-700

8J0 6 700



| ITEM | PART NUMBER | QTY | BODY | MODEL | DESCRIPTION |
|------|-------------|-----|------|-------|---|
| 30 | 8350 4098 | 1 | | | CAP PACKAGE, Clutch Master Cylinder *** |
| 31 | 3420 1788 | 1 | | | STRAP |

MODEL CODES:

| | | |
|-----------------------------|-----------------------------|------------------------------|
| 15 = Grand Wagoneer 4 Dr. | 65 = Comanche 4WD-7 Ft. Box | 77 = Cherokee 4WD-2 Dr. |
| 25 = J-10 Pickup-119" W.B. | 66 = Comanche 2WD-7 Ft. Box | 78 = Cherokee 4WD-4 Dr. |
| 26 = J-10 Pickup-131" W.B. | 73 = Cherokee 2WD-2 Dr. | 79 = Cherokee 4WD-4 Dr.-Com |
| 27 = J-20 Pickup-131" W.B. | 74 = Cherokee 2WD-4 Dr. | 81 = Wrangler-93" W.B. |
| 63 = Comanche 4WD-6 Ft. Box | 75 = Wagoneer 4WD-4 Dr. | 82 = Wrangler-103" W.B.-Exp. |
| 64 = Comanche 2WD-6 Ft. Box | | |

BODY STYLES:

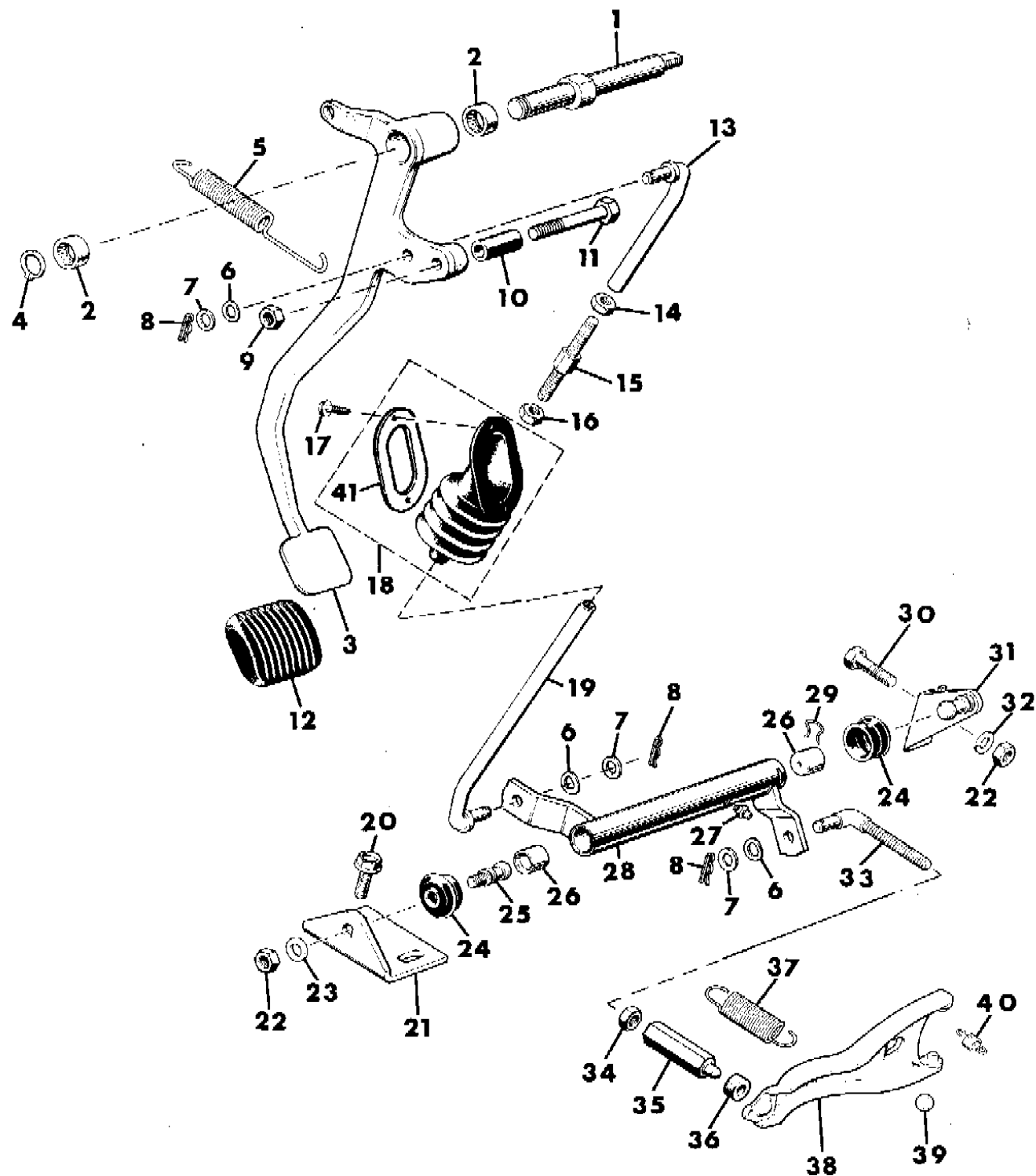
MJ = Comanche Pickup
 SJ = Grand Wagoneer Wgn., J-10 & J-20 Pickups
 XJ = Cherokee, Wagoneer Limited
 YJ = Wrangler

AR = Use as Required - = Non Illustrated Part P.A.R. = Paint as Required

PEDAL, CLUTCH GRAND WAGONEER, TRUCK J10, J20

Figure 6-800

8J06800



| ITEM | PART NUMBER | QTY | BODY | MODEL | DESCRIPTION |
|------|-------------|-----|------|-------|--------------------------------|
| 1 | J535 1805 | 1 | | | SHAFT, Clutch Pedal |
| 2 | J094 9169 | 2 | | | BEARING, Clutch Pedal Shaft |
| 3 | J535 9897 | 1 | | | PEDAL, Clutch |
| 4 | J091 2640 | 1 | | | RING |
| 5 | J535 1118 | 1 | | | SPRING, Clutch Return |
| 6 | J321 5893 | 2 | | | WASHER, Spring |
| 7 | J400 4437 | 3 | | | WASHER |
| 8 | J400 4295 | 3 | | | PIN |
| 9 | J027 1193 | 1 | | | NUT |
| 10 | J400 4828 | 1 | | | BUMPER, Clutch Pedal Return |
| 11 | J400 4826 | 1 | | | BOLT |
| 12 | J536 3508 | 1 | | | COVER, Clutch Pedal Pad |
| 13 | J535 9903 | 1 | | | ROD, Clutch Pedal Upper |
| 14 | J012 4824 | 1 | | | NUT |
| 15 | J535 5063 | 1 | | | LINK, Connecting Upper - Lower |
| 16 | J400 4966 | 1 | | | NUT |
| 17 | J941 7855 | 1 | | | SCREW |
| 18 | J535 7674 | 1 | | | BOOT PACKAGE, Clutch Rod *** |
| 19 | J535 9934 | 1 | | 15 | ROD, Lower |
| | J536 1741 | 1 | | 26,27 | |
| 20 | J400 1933 | 1 | | | SCREW |
| 21 | J536 1736 | 1 | | | BRACKET |
| 22 | J027 1506 | 1 | | | NUT |
| 23 | J012 0383 | 1 | | | WASHER |
| 24 | J316 7049 | 2 | | | BOOT |
| 25 | J094 4666 | 1 | | | STUD |
| 26 | J316 7067 | 2 | | | BUSHING, Bellcrank |
| 27 | J099 8414 | 1 | | | FITTING |
| 28 | J536 3971 | 1 | | | BELLCRANK, Clutch Lower |
| 29 | J316 9769 | 1 | | | RING, Retaining |
| 30 | S018 6677 | 1 | | | BOLT |
| 31 | J535 9726 | 1 | | | BRACKET |
| 32 | J012 0214 | 1 | | | WASHER |
| 33 | J536 3460 | 1 | | | ROD |
| 34 | J012 4925 | 1 | | | NUT |
| 35 | J535 9735 | 1 | | | ADJUSTER, Clutch Lever |

MODEL CODES:

| | | |
|-----------------------------|-----------------------------|------------------------------|
| 15 = Grand Wagoneer 4 Dr. | 65 = Comanche 4WD-7 Ft. Box | 77 = Cherokee 4WD-2 Dr. |
| 25 = J-10 Pickup-119" W.B. | 66 = Comanche 2WD-7 Ft. Box | 78 = Cherokee 4WD-4 Dr. |
| 26 = J-10 Pickup-131" W.B. | 73 = Cherokee 2WD-2 Dr. | 79 = Cherokee 4WD-4 Dr.-Com |
| 27 = J-20 Pickup-131" W.B. | 74 = Cherokee 2WD-4 Dr. | 81 = Wrangler-93" W.B. |
| 63 = Comanche 4WD-6 Ft. Box | 75 = Wagoneer 4WD-4 Dr. | 82 = Wrangler-103" W.B.-Exp. |
| 64 = Comanche 2WD-6 Ft. Box | | |

BODY STYLES:

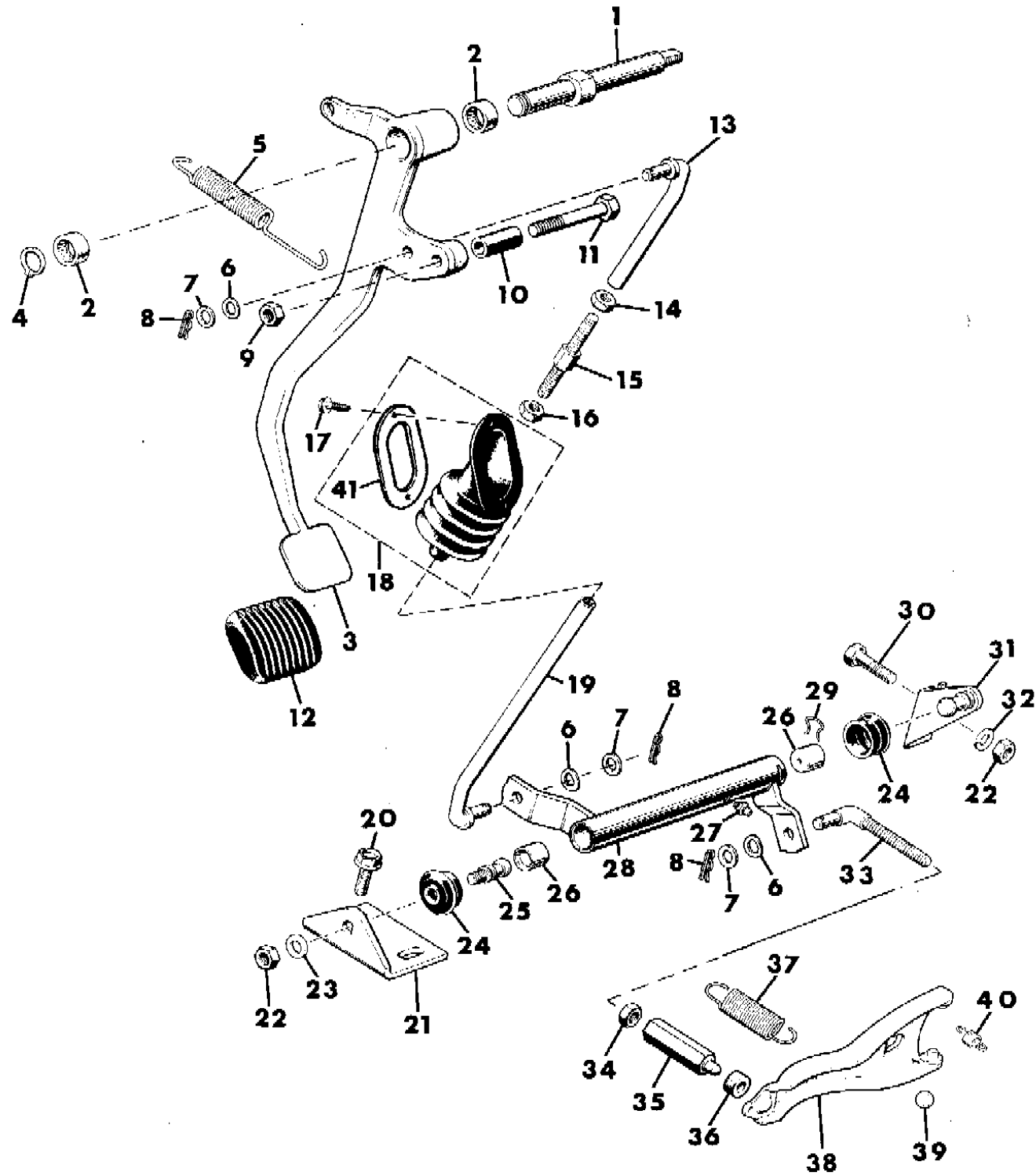
MJ = Comanche Pickup
 SJ = Grand Wagoneer Wgn., J-10 & J-20 Pickups
 XJ = Cherokee, Wagoneer Limited
 YJ = Wrangler

AR = Use as Required - = Non Illustrated Part P.A.R. = Paint as Required

PEDAL, CLUTCH GRAND WAGONEER, TRUCK J10, J20

Figure 6-800

8J06800



| ITEM | PART NUMBER | QTY | BODY | MODEL | DESCRIPTION |
|------|-------------|-----|------|-------|-----------------------------|
| 36 | J313 0998 | 1 | | | SEAL |
| 37 | J535 1252 | 1 | | | SPRING, Clutch Lever, Large |
| 38 | J536 1620 | 1 | | | LEVER |
| 39 | J016 9162 | 1 | | | BALL |
| 40 | J322 2799 | 1 | | | SPRING, Clutch Lever, Small |
| 41 | J535 1134 | 1 | | | PLATE |

MODEL CODES:

| | | |
|-----------------------------|-----------------------------|------------------------------|
| 15 = Grand Wagoneer 4 Dr. | 65 = Comanche 4WD-7 Ft. Box | 77 = Cherokee 4WD-2 Dr. |
| 25 = J-10 Pickup-119" W.B. | 66 = Comanche 2WD-7 Ft. Box | 78 = Cherokee 4WD-4 Dr. |
| 26 = J-10 Pickup-131" W.B. | 73 = Cherokee 2WD-2 Dr. | 79 = Cherokee 4WD-4 Dr.-Com |
| 27 = J-20 Pickup-131" W.B. | 74 = Cherokee 2WD-4 Dr. | 81 = Wrangler-93" W.B. |
| 63 = Comanche 4WD-6 Ft. Box | 75 = Wagoneer 4WD-4 Dr. | 82 = Wrangler-103" W.B.-Exp. |
| 64 = Comanche 2WD-6 Ft. Box | | |

BODY STYLES:

MJ = Comanche Pickup
 SJ = Grand Wagoneer Wgn., J-10 & J-20 Pickups
 XJ = Cherokee, Wagoneer Limited
 YJ = Wrangler

AR = Use as Required - = Non Illustrated Part P.A.R. = Paint as Required

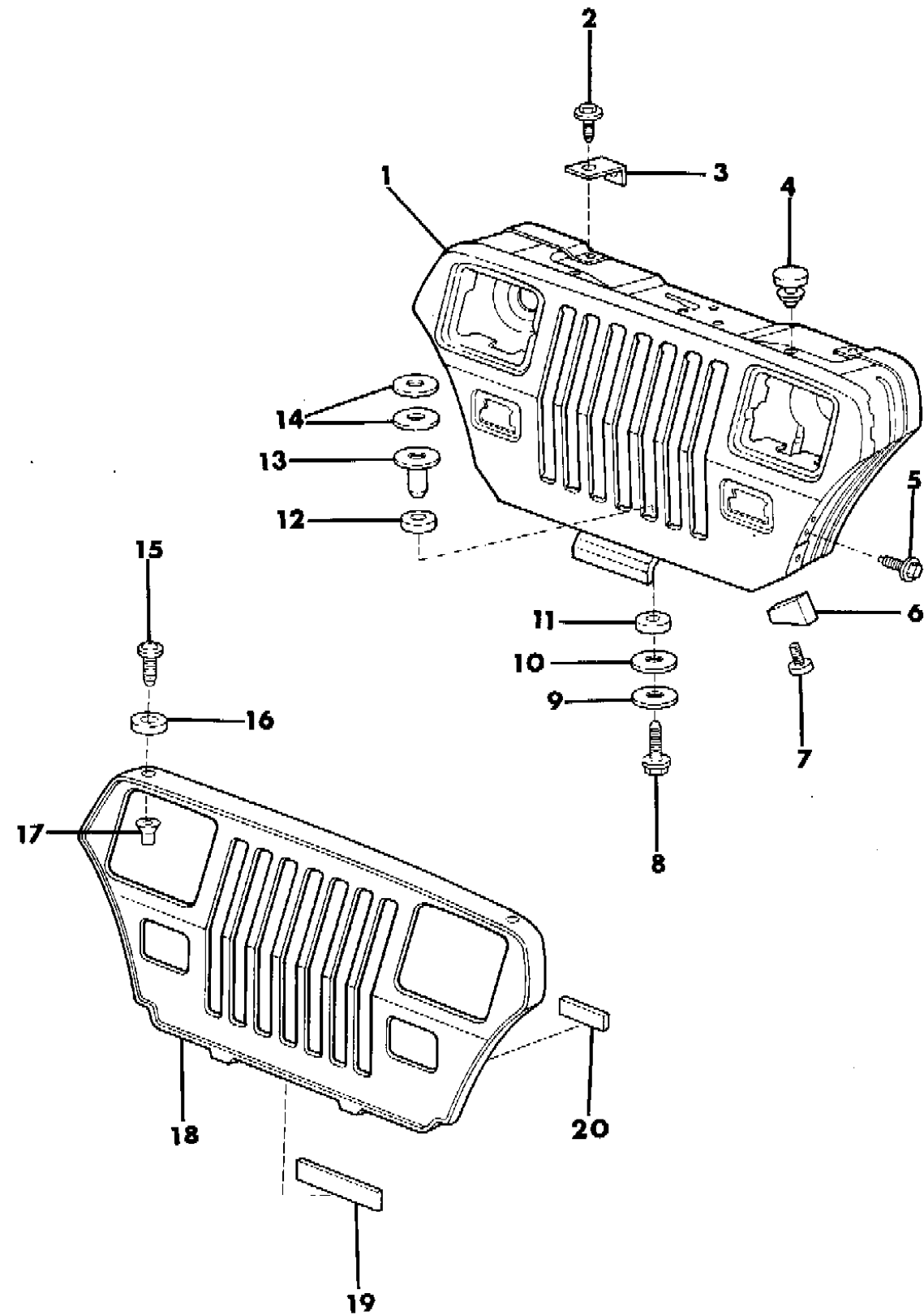
GROUP 7 - COOLING

| ILLUSTRATION TITLE | GROUP-FIG. NO. |
|---|-----------------------|
| GRILLE AND RELATED PARTS | |
| GRILLE AND RELATED PARTS WRANGLER, YJ | Fig. 7-100 |
| GRILLE AND RELATED PARTS CHEROKEE, WAGONEER, COMANCHE | Fig. 7-200 |
| GRILLE AND RELATED PARTS GRAND WAGONEER, J10, J20 | Fig. 7-300 |
| RADIATOR AND RELATED PARTS | |
| RADIATOR AND RELATED PARTS 4 CYLINDER ENGINE WRANGLER, YJ | Fig. 7-400 |
| RADIATOR AND RELATED PARTS 6 CYLINDER ENGINE WRANGLER, YJ | Fig. 7-500 |
| RADIATOR AND RELATED PARTS 4 CYLINDER ENGINE WAGONEER, CHEROKEE, COMANCHE | Fig. 7-600 |
| RADIATOR AND RELATED PARTS 6 CYLINDER ENGINE WAGONEER, CHEROKEE, COMANCHE | Fig. 7-700 |
| RADIATOR AND RELATED PARTS DIESEL ENGINE CHEROKEE, COMANCHE - EXPORT | Fig. 7-800 |
| RADIATOR AND RELATED PARTS 6 CYLINDER ENGINE GRAND WAGONEER, J10 | Fig. 7-900 |
| RADIATOR AND RELATED PARTS 8 CYLINDER ENGINE GRAND WAGONEER, J10, J20 | Fig. 7-1000 |
| CONDENSER TANKS | |
| CONDENSER TANKS | Fig. 7-1100 |
| OIL COOLER LINES | |
| OIL COOLER LINES AUTOMATIC TRANSMISSION WRANGLER, YJ | Fig. 7-1200 |
| OIL COOLER AND LINES AUTOMATIC TRANSMISSION CHEROKEE, WAGONEER, COMANCHE | Fig. 7-1300 |
| OIL COOLER AND LINES AUTOMATIC TRANSMISSION GRAND WAGONEER | Fig. 7-1400 |
| DRIVE BELTS | |
| DRIVE BELTS WRANGLER, YJ | Fig. 7-1500 |
| DRIVE BELTS WAGONEER, CHEROKEE, COMANCHE | Fig. 7-1600 |
| DRIVE BELTS GRAND WAGONEER | Fig. 7-1700 |
| DRIVE PULLEYS | |
| DRIVE PULLEYS WRANGLER, YJ | Fig. 7-1800 |
| DRIVE PULLEYS 4 AND 6 CYLINDER ENGINES WAGONEER, CHEROKEE, COMANCHE | Fig. 7-1900 |
| DRIVE PULLEYS DIESEL ENGINE CHEROKEE, COMANCHE | Fig. 7-2000 |
| DRIVE PULLEYS GRAND WAGONEER, J10, J20 | Fig. 7-2100 |
| WATER PUMPS | |
| WATER PUMP WRANGLER, YJ | Fig. 7-2200 |
| WATER PUMP AND RELATED PARTS WAGONEER, CHEROKEE, COMANCHE | Fig. 7-2300 |
| WATER PUMP AND RELATED PARTS GRAND WAGONEER, J10, J20 | Fig. 7-2400 |

ILLUSTRATION NOT AVAILABLE AT TIME OF PUBLICATION

GRILLE AND RELATED PARTS WRANGLER, YJ
Figure 7-100

8J07 100



| ITEM | PART NUMBER | QTY | BODY | MODEL | DESCRIPTION |
|------|-------------|-----|------|-------|-----------------------------|
| 1 | | | | | GRILLE, Radiator |
| | 5501 5847 | 1 | | | 1987-89 |
| | 5502 7347 | 1 | | | 1990 |
| 2 | J400 5063 | 2 | | | SCREW |
| 3 | 5505 0145 | 2 | | | BRACKET, Mounting |
| 4 | J400 7504 | 4 | | | BUMPER, Hood, except Laredo |
| 5 | J400 4455 | AR | | | SCREW |
| 6 | 5501 0844 | 2 | | | CUSHION |
| 7 | J400 7355 | 2 | | | SCREW |
| 8 | J400 7412 | 1 | | | SCREW |
| 9 | J400 4943 | 1 | | | WASHER |
| 10 | J097 1672 | 1 | | | WASHER |
| 11 | J097 1669 | 1 | | | SPACER |
| 12 | J097 2278 | 1 | | | WASHER |
| 13 | J097 1673 | 1 | | | WASHER |
| 14 | J097 6871 | 2 | | | WASHER |
| 15 | J400 6674 | 6 | | | SCREW, Laredo |
| 16 | J400 7503 | 4 | | | BUMPER, Hood, Laredo |
| 17 | J400 5237 | 6 | | | NUT, Laredo |
| 18 | 5505 0079 | 1 | | | APPLIQUE, Radiator, Chrome |
| 19 | 8350 4565 | 1 | | | TAPE |
| 20 | | | | | TAPE (Not Serviced) |

MODEL CODES:

| | | |
|-----------------------------|-----------------------------|------------------------------|
| 15 = Grand Wagoneer 4 Dr. | 65 = Comanche 4WD-7 Ft. Box | 77 = Cherokee 4WD-2 Dr. |
| 25 = J-10 Pickup-119" W.B. | 66 = Comanche 2WD-7 Ft. Box | 78 = Cherokee 4WD-4 Dr. |
| 26 = J-10 Pickup-131" W.B. | 73 = Cherokee 2WD-2 Dr. | 79 = Cherokee 4WD-4 Dr.-Com |
| 27 = J-20 Pickup-131" W.B. | 74 = Cherokee 2WD-4 Dr. | 81 = Wrangler-93" W.B. |
| 63 = Comanche 4WD-6 Ft. Box | 75 = Wagoneer 4WD-4 Dr. | 82 = Wrangler-103" W.B.-Exp. |
| 64 = Comanche 2WD-6 Ft. Box | | |

BODY STYLES:

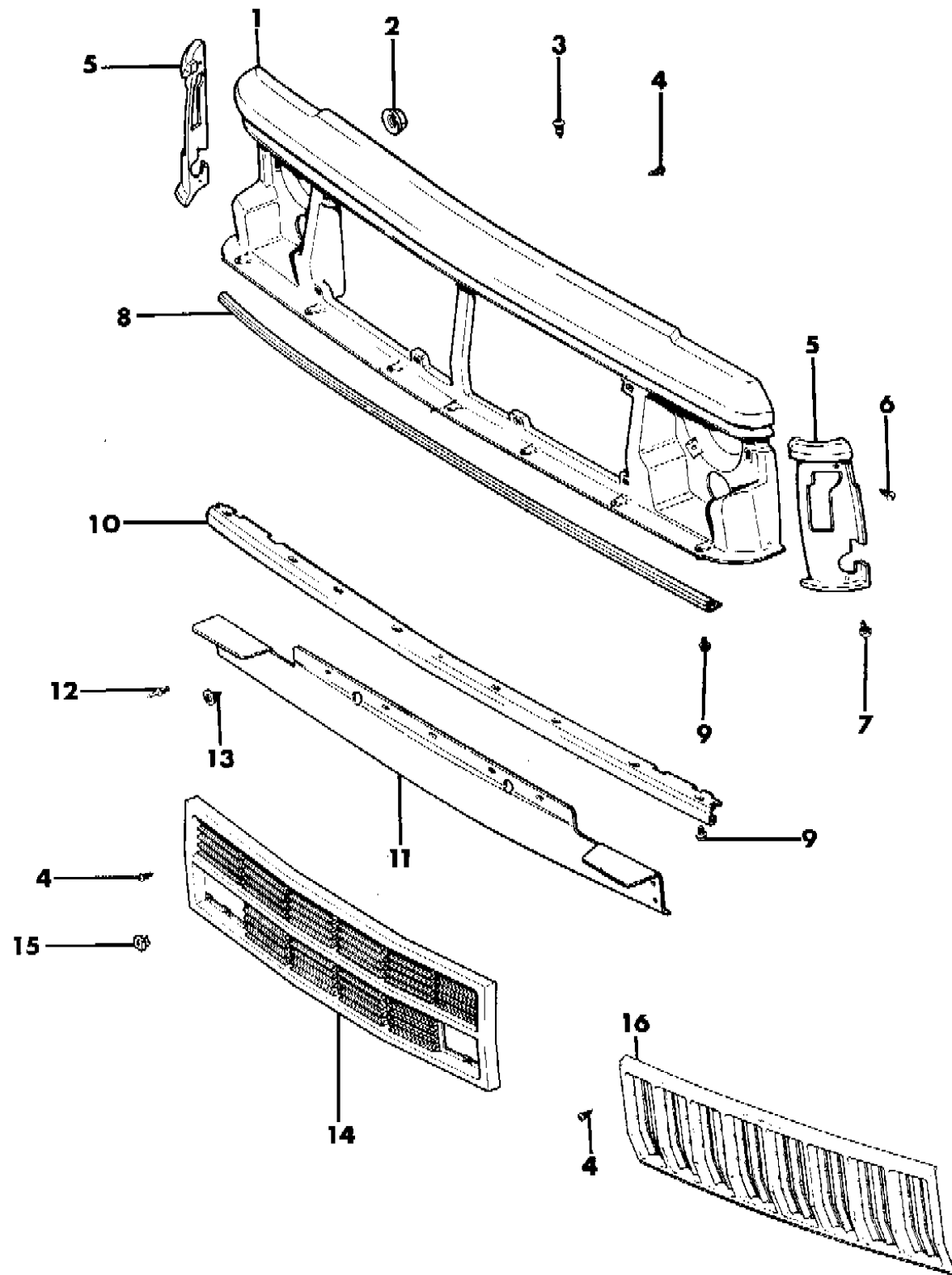
MJ = Comanche Pickup
 SJ = Grand Wagoneer Wgn., J-10 & J-20 Pickups
 XJ = Cherokee, Wagoneer Limited
 YJ = Wrangler

AR = Use as Required - = Non Illustrated Part P.A.R. = Paint as Required

GRILLE AND RELATED PARTS CHEROKEE, WAGONEER, COMANCHE

Figure 7-200

8J07 200



| ITEM | PART NUMBER | QTY | BODY | MODEL | DESCRIPTION |
|------|-------------|-----|------|-------|--|
| 1 | 5500 1972 | 1 | | | PANEL, Grille Cherokee, Comanche |
| | 5500 8062 | 1 | | | Wagoneer |
| 2 | 3420 1246 | 8 | | | NUT |
| 3 | 1150 0994 | 4 | | | SCREW |
| 4 | 3420 1426 | 12 | | | SCREW |
| 5 | 5500 2308 | 1 | | | MOLDING, Grille, Right *** Chrome Paint as required |
| | 8350 4450 | 1 | | | 1987-89 |
| 5 | 5AH1 8JX8 | 1 | | | 1990 |
| | 5500 2309 | 1 | | | MOLDING, Grille, Left *** Chrome Paint as required |
| 5 | 8350 4451 | 1 | | | 1987-89 |
| | 5AH1 9JX8 | 1 | | | 1990 |
| 6 | 3420 1372 | 4 | | | SCREW |
| 7 | 1150 2843 | 6 | | | SCREW |
| 8 | 5500 1480 | 1 | | | MOLDING, Grille *** Chrome Paint as required |
| | 5501 8674 | 1 | | | 1987-89 |
| 8 | 5AU8 1JX8 | 1 | | | 1990 |
| | 3420 2323 | 18 | | | SCREW |
| 9 | 5500 1477 | 1 | | | Chrome, Cherokee, Comanche |
| | 5501 8670 | 1 | | | Classic Black, Cherokee, Comanche (Paint as Required), 1987-89 |
| 9 | 5AU8 0JX8 | 1 | | | Black, paint as required, 1990 |
| | 5500 9297 | 1 | | | Chrome, Wagoneer |
| 10 | 5500 1477 | 1 | | | Chrome, Cherokee, Comanche |
| | 5501 8670 | 1 | | | Classic Black, Cherokee, Comanche (Paint as Required), 1987-89 |
| 10 | 5AU8 0JX8 | 1 | | | Black, paint as required, 1990 |
| | 5500 9297 | 1 | | | Chrome, Wagoneer |
| 11 | 5502 5236 | 1 | | | DEFLECTOR, Air, paint as required *** 1987-89 |
| | 5AG0 6JX8 | 1 | | | Black, 1990 |
| 11 | 5AH0 8JX9 | 1 | | | Flat Black, 1990 |
| | 5500 1477 | 1 | | | Chrome, Cherokee, Comanche |
| 12 | 5501 8670 | 1 | | | Classic Black, Cherokee, Comanche (Paint as Required), 1987-89 |
| | 5AU8 0JX8 | 1 | | | Black, paint as required, 1990 |
| 12 | 5500 9297 | 1 | | | Chrome, Wagoneer |
| | 5502 5236 | 1 | | | DEFLECTOR, Air, paint as required *** 1987-89 |
| 12 | 5AG0 6JX8 | 1 | | | Black, 1990 |
| | 5AH0 8JX9 | 1 | | | Flat Black, 1990 |
| 12 | 3420 1631 | 4 | | | RIVET Black |
| | 3420 1835 | 4 | | | Silver |

MODEL CODES:

| | | |
|-----------------------------|-----------------------------|------------------------------|
| 15 = Grand Wagoneer 4 Dr. | 65 = Comanche 4WD-7 Ft. Box | 77 = Cherokee 4WD-2 Dr. |
| 25 = J-10 Pickup-119" W.B. | 66 = Comanche 2WD-7 Ft. Box | 78 = Cherokee 4WD-4 Dr. |
| 26 = J-10 Pickup-131" W.B. | 73 = Cherokee 2WD-2 Dr. | 79 = Cherokee 4WD-4 Dr.-Com |
| 27 = J-20 Pickup-131" W.B. | 74 = Cherokee 2WD-4 Dr. | 81 = Wrangler-93" W.B. |
| 63 = Comanche 4WD-6 Ft. Box | 75 = Wagoneer 4WD-4 Dr. | 82 = Wrangler-103" W.B.-Exp. |
| 64 = Comanche 2WD-6 Ft. Box | | |

BODY STYLES:

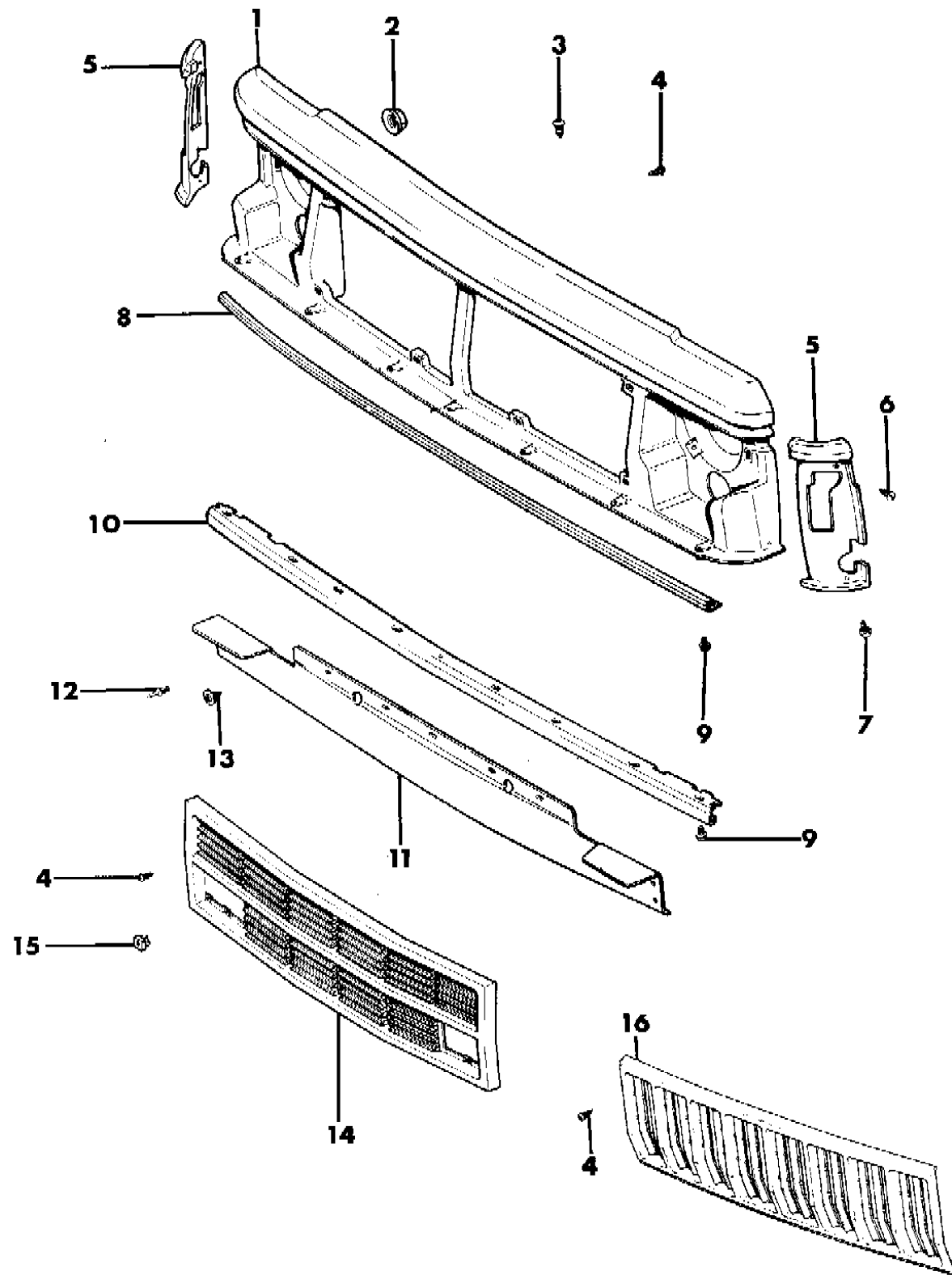
MJ = Comanche Pickup
 SJ = Grand Wagoneer Wgn., J-10 & J-20 Pickups
 XJ = Cherokee, Wagoneer Limited
 YJ = Wrangler

AR = Use as Required - = Non Illustrated Part P.A.R. = Paint as Required

GRILLE AND RELATED PARTS CHEROKEE, WAGONEER, COMANCHE

Figure 7-200

8J07 200



| ITEM | PART NUMBER | QTY | BODY | MODEL | DESCRIPTION |
|------|-------------|-----|------|-------|---|
| 13 | 3420 1360 | 5 | | | SCREW |
| 14 | 5500 7974 | 1 | | | GRILLE, Radiator, Chrome/Black, Wagoneer, 1987-90 |
| 15 | J400 4689 | 8 | | | NUT |
| 16 | | | | | GRILLE, Radiator |
| | 5500 0153 | 1 | | | Black, Cherokee, Comanche, 1987 (Paint as Required) |
| | 5500 2229 | 1 | | | Chrome/Black, Cherokee, Comanche, 1987 |
| | 5501 8658 | 1 | | | Charcoal, Cherokee "Limited", 1987 |
| | 5501 8657 | 1 | | | Classic Black, Cherokee "Limited", 1987 |
| | 5501 8656 | 1 | | | Grenadine, Cherokee "Limited", 1987 |
| | 5501 9666 | 1 | | | Grenadine, Cherokee "Limited" 1988 |
| | 5501 3144 | 1 | | | Argent/Black, Cherokee, Comanche, 1988-90 |
| | 5502 0262 | 1 | | | Black/Colorado Red, Cherokee, Comanche, 1988-89 |
| | 5501 3146 | 1 | | | Chrome/Black, Cherokee, Comanche, 1988-89 |
| | 5501 3146 | 1 | | | Chrome/Black, Cherokee, 1990 |
| | 5501 9667 | 1 | | | Black/Classic Black, Comanche, Cherokee "Limited" 1988-89 |
| | 5501 9665 | 1 | | | Black/Dover Gray, Comanche, Cherokee "Limited" 1988-89 |
| | 5502 0262 | 1 | | | Red (Coded "BE"), Comanche, Cherokee "Limited" 1988-89 |
| | 5502 5215 | 1 | | | Black/Dk. Vivid Red, Cherokee, 1989 |
| | 5502 2112 | 1 | | | Black/Pearl White, Cherokee, 1989 |
| | 5501 3145 | 1 | | | Black/Black, Cherokee, Comanche, 1989-90 |
| | 5AF9 6JX8 | 1 | | | Black, Cherokee, Comanche, painted body color, 1990 |
| | 5AF9 6JW7 | 1 | | | Bright White, Cherokee, Comanche, painted body color, 1990 |
| | 5AF9 6JM9 | 1 | | | Dark Red, Cherokee, Comanche, painted body color, 1990 |
| | 5AF9 6JS3 | 1 | | | Dover Grey, Cherokee, Comanche, painted body color, 1990 |
| | 5AF9 6JB8 | 1 | | | Midnight Blue, Cherokee, Comanche, painted body color, 1990 |
| | 5AF9 6JE4 | 1 | | | Colorado Red, Cherokee, Comanche, painted body color, 1990 |

MODEL CODES:

| | | |
|-----------------------------|-----------------------------|------------------------------|
| 15 = Grand Wagoneer 4 Dr. | 65 = Comanche 4WD-7 Ft. Box | 77 = Cherokee 4WD-2 Dr. |
| 25 = J-10 Pickup-119" W.B. | 66 = Comanche 2WD-7 Ft. Box | 78 = Cherokee 4WD-4 Dr. |
| 26 = J-10 Pickup-131" W.B. | 73 = Cherokee 2WD-2 Dr. | 79 = Cherokee 4WD-4 Dr.-Com |
| 27 = J-20 Pickup-131" W.B. | 74 = Cherokee 2WD-4 Dr. | 81 = Wrangler-93" W.B. |
| 63 = Comanche 4WD-6 Ft. Box | 75 = Wagoneer 4WD-4 Dr. | 82 = Wrangler-103" W.B.-Exp. |
| 64 = Comanche 2WD-6 Ft. Box | | |

BODY STYLES:

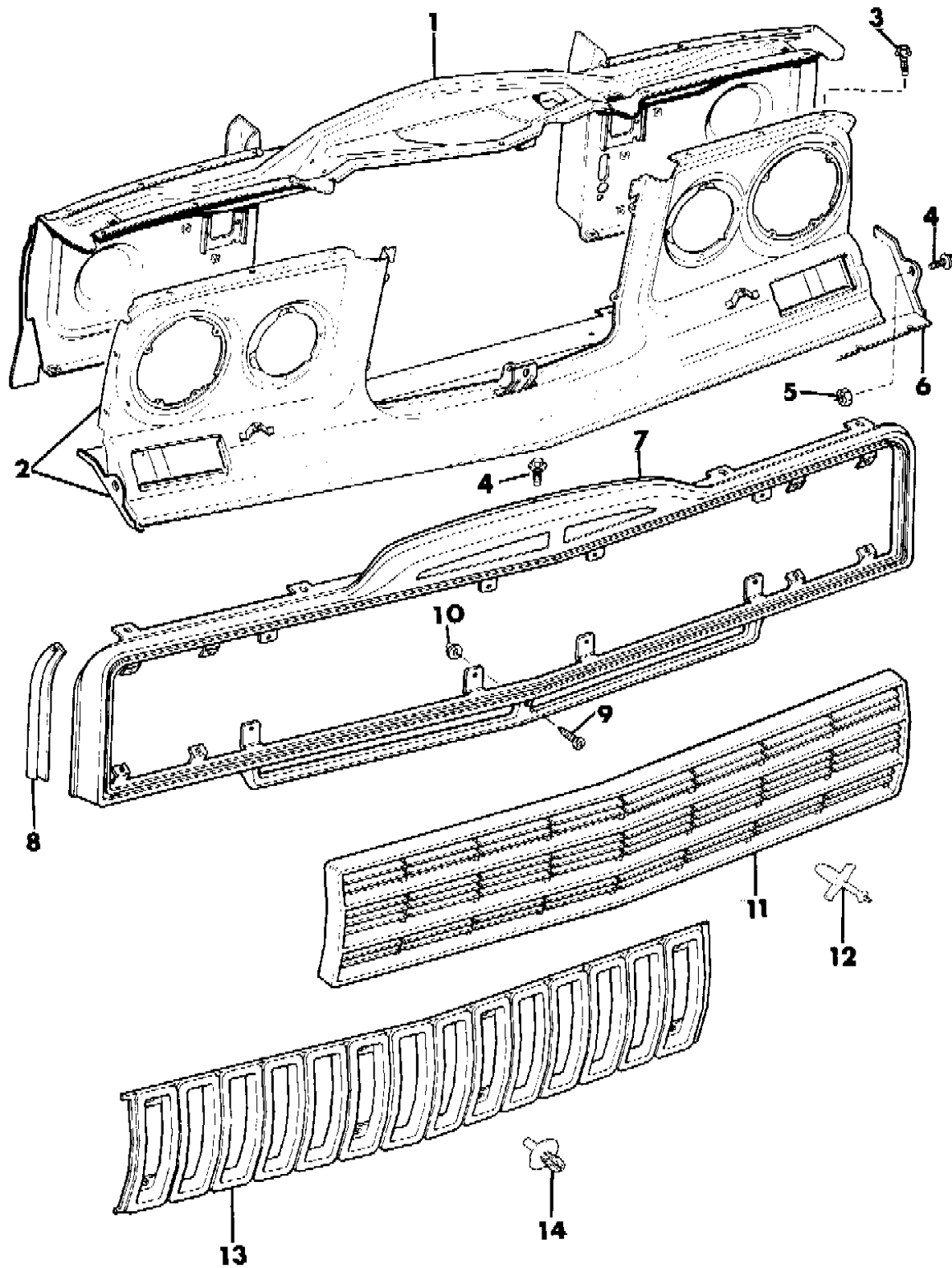
MJ = Comanche Pickup
 SJ = Grand Wagoneer Wgn., J-10 & J-20 Pickups
 XJ = Cherokee, Wagoneer Limited
 YJ = Wrangler

AR = Use as Required - = Non Illustrated Part P.A.R. = Paint as Required

GRILLE AND RELATED PARTS GRAND WAGONEER, J10, J20

Figure 7-300

8J07 300



| ITEM | PART NUMBER | QTY | BODY | MODEL | DESCRIPTION |
|------|-------------|-----|------|-------|---------------------------|
| 1 | | | | | SUPPORT, Radiator |
| | J575 7416 | 1 | | | 6 Cylinder Engine 1987 |
| | 5501 9994 | 1 | | | 6 Cylinder Engine 1988 |
| | J575 7410 | 1 | | | 8 Cylinder Engine 1987 |
| | 5501 9996 | 1 | | | 8 Cylinder Engine 1988-90 |
| 2 | | | | | PANEL, Grille |
| | J575 7418 | 1 | | | 6 Cylinder Engine 1987-88 |
| | J575 7412 | 1 | | | 8 Cylinder Engine 1987-89 |
| | 5502 6210 | 1 | | | 8 Cylinder Engine 1990 |
| 3 | J400 5354 | 6 | | | BOLT |
| 4 | J400 4455 | AR | | | BOLT |
| 5 | J027 1184 | 2 | | | NUT |
| 6 | | | | | SHIELD |
| | J546 6525 | 1 | | | 6 Cylinder Engine 1987-88 |
| | J546 6511 | 1 | | | 8 Cylinder Engine 1987-90 |
| 7 | 5500 7704 | 1 | | | GRILLE, Radiator Surround |
| 8 | J575 8838 | 2 | | | WELT |
| 9 | J400 6127 | 3 | | | SCREW |
| 10 | J400 6126 | 3 | | | NUT |
| 11 | 5500 7703 | 1 | | 15 | GRILLE, Radiator |
| 12 | J400 7469 | 8 | | | RIVET |
| 13 | | | | 26,27 | GRILLE, Radiator |
| | J575 6766 | 1 | | | Chrome 1987-88 |
| | J575 8704 | 1 | | | Black 1987-88 |
| 14 | J400 4647 | 8 | | | RIVET |

MODEL CODES:

| | | |
|-----------------------------|-----------------------------|------------------------------|
| 15 = Grand Wagoneer 4 Dr. | 65 = Comanche 4WD-7 Ft. Box | 77 = Cherokee 4WD-2 Dr. |
| 25 = J-10 Pickup-119" W.B. | 66 = Comanche 2WD-7 Ft. Box | 78 = Cherokee 4WD-4 Dr. |
| 26 = J-10 Pickup-131" W.B. | 73 = Cherokee 2WD-2 Dr. | 79 = Cherokee 4WD-4 Dr.-Com |
| 27 = J-20 Pickup-131" W.B. | 74 = Cherokee 2WD-4 Dr. | 81 = Wrangler-93" W.B. |
| 63 = Comanche 4WD-6 Ft. Box | 75 = Wagoneer 4WD-4 Dr. | 82 = Wrangler-103" W.B.-Exp. |
| 64 = Comanche 2WD-6 Ft. Box | | |

BODY STYLES:

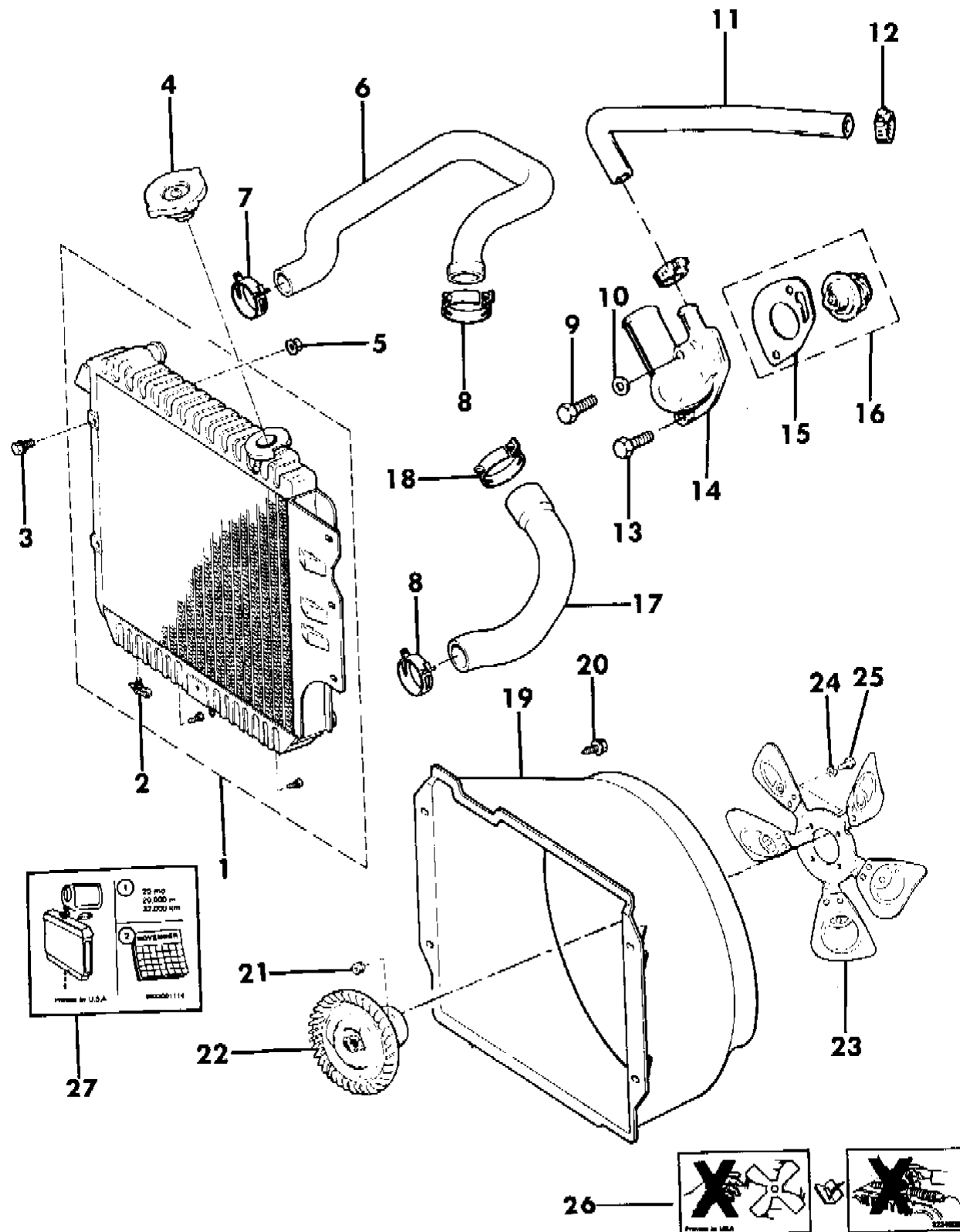
MJ = Comanche Pickup
 SJ = Grand Wagoneer Wgn., J-10 & J-20 Pickups
 XJ = Cherokee, Wagoneer Limited
 YJ = Wrangler

AR = Use as Required - = Non Illustrated Part P.A.R. = Paint as Required

RADIATOR AND RELATED PARTS 4 CYLINDER ENGINE WRANGLER, YJ

Figure 7-400

8J 07 400 B



| ITEM | PART NUMBER | QTY | BODY | MODEL | DESCRIPTION |
|------|-------------|-----|------|-------|--|
| 1 | | | | | RADIATOR |
| | 5204 0286 | 1 | | | Stamped 52040229 - Manual Transmission Standard Duty Cooling 1987-89 |
| | 5204 0288 | 1 | | | Stamped 52040287 - Manual Transmission Heavy Duty Cooling 1987-89 |
| | 5200 6124 | 1 | | | 1990 |
| 2 | J316 6547 | 1 | | | DRAINCOCK |
| 3 | J400 6906 | 6 | | | BOLT |
| 4 | J323 9375 | 1 | | | CAP, Radiator |
| 5 | J400 4201 | 6 | | | NUT |
| 6 | 5200 3911 | 1 | | | HOSE, Inlet |
| 7 | 3200 2983 | 3 | | | CLAMP |
| 8 | 5200 5580 | 2 | | | CLAMP |
| 9 | J400 6951 | 1 | | | BOLT |
| 10 | J012 0393 | 1 | | | WASHER |
| 11 | | | | | HOSE |
| | 3300 3581 | 1 | | | 1987 |
| | 3200 2708 | 1 | | | 1988 |
| | 5200 3842 | 1 | | | NRM |
| | 5200 2831 | 1 | | | Egypt or Venezuela KDX |
| 12 | 3200 2256 | 2 | | | CLAMP |
| 13 | J812 1298 | 1 | | | BOLT |
| 14 | | | | | HOUSING, Thermostat |
| | 3300 2929 | 1 | | | 1987 |
| | 3300 3612 | 1 | | | 1988 |
| | 5300 5529 | 1 | | | 1989-90 |
| 15 | J318 9874 | 1 | | | GASKET |
| 16 | 8350 1426 | 1 | | | THERMOSTAT PACKAGE, Engine Coolant |
| 17 | 5200 3910 | 1 | | | HOSE, Outlet |
| 18 | 3200 2366 | 1 | | | CLAMP |
| 19 | 5204 0239 | 1 | | | SHROUD |
| 20 | J400 3069 | 4 | | | SCREW |
| 21 | J027 1184 | 4 | | | NUT |
| 22 | J324 1857 | 1 | | | DRIVE, Fan |
| 23 | 5200 1965 | 1 | | | FAN, Cooling |
| 24 | J012 0214 | 8 | | | WASHER |
| 25 | S017 9814 | 4 | | | BOLT |

MODEL CODES:

| | | |
|-----------------------------|-----------------------------|------------------------------|
| 15 = Grand Wagoneer 4 Dr. | 65 = Comanche 4WD-7 Ft. Box | 77 = Cherokee 4WD-2 Dr. |
| 25 = J-10 Pickup-119" W.B. | 66 = Comanche 2WD-7 Ft. Box | 78 = Cherokee 4WD-4 Dr. |
| 26 = J-10 Pickup-131" W.B. | 73 = Cherokee 2WD-2 Dr. | 79 = Cherokee 4WD-4 Dr.-Com |
| 27 = J-20 Pickup-131" W.B. | 74 = Cherokee 2WD-4 Dr. | 81 = Wrangler-93" W.B. |
| 63 = Comanche 4WD-6 Ft. Box | 75 = Wagoneer 4WD-4 Dr. | 82 = Wrangler-103" W.B.-Exp. |
| 64 = Comanche 2WD-6 Ft. Box | | |

BODY STYLES:

MJ = Comanche Pickup
 SJ = Grand Wagoneer Wgn., J-10 & J-20 Pickups
 XJ = Cherokee, Wagoneer Limited
 YJ = Wrangler

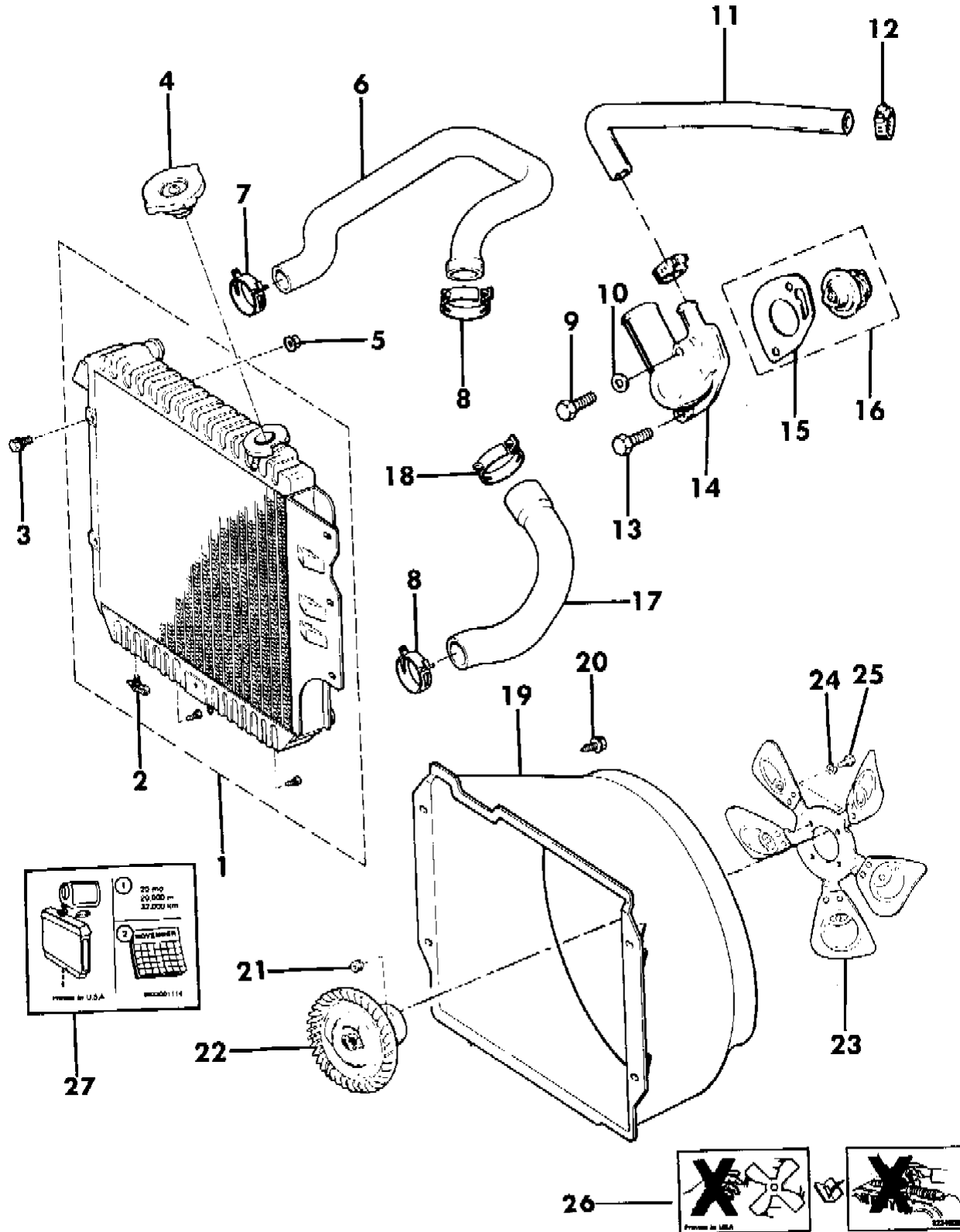
AR = Use as Required - = Non Illustrated Part P.A.R. = Paint as Required

RADIATOR AND RELATED PARTS 4 CYLINDER ENGINE WRANGLER, YJ
Figure 7-400

8J 07 400 B

| ITEM | PART NUMBER | QTY | BODY | MODEL | DESCRIPTION |
|------|-------------|-----|------|-------|-------------|
|------|-------------|-----|------|-------|-------------|

| | | | | | |
|----|-----------|---|--|--|-----------------|
| 26 | J323 4806 | 1 | | | LABEL, Fan |
| 27 | 3300 1114 | 1 | | | LABEL, Radiator |



MODEL CODES:

| | | |
|-----------------------------|-----------------------------|------------------------------|
| 15 = Grand Wagoneer 4 Dr. | 65 = Comanche 4WD-7 Ft. Box | 77 = Cherokee 4WD-2 Dr. |
| 25 = J-10 Pickup-119" W.B. | 66 = Comanche 2WD-7 Ft. Box | 78 = Cherokee 4WD-4 Dr. |
| 26 = J-10 Pickup-131" W.B. | 73 = Cherokee 2WD-2 Dr. | 79 = Cherokee 4WD-4 Dr.-Com |
| 27 = J-20 Pickup-131" W.B. | 74 = Cherokee 2WD-4 Dr. | 81 = Wrangler-93" W.B. |
| 63 = Comanche 4WD-6 Ft. Box | 75 = Wagoneer 4WD-4 Dr. | 82 = Wrangler-103" W.B.-Exp. |
| 64 = Comanche 2WD-6 Ft. Box | | |

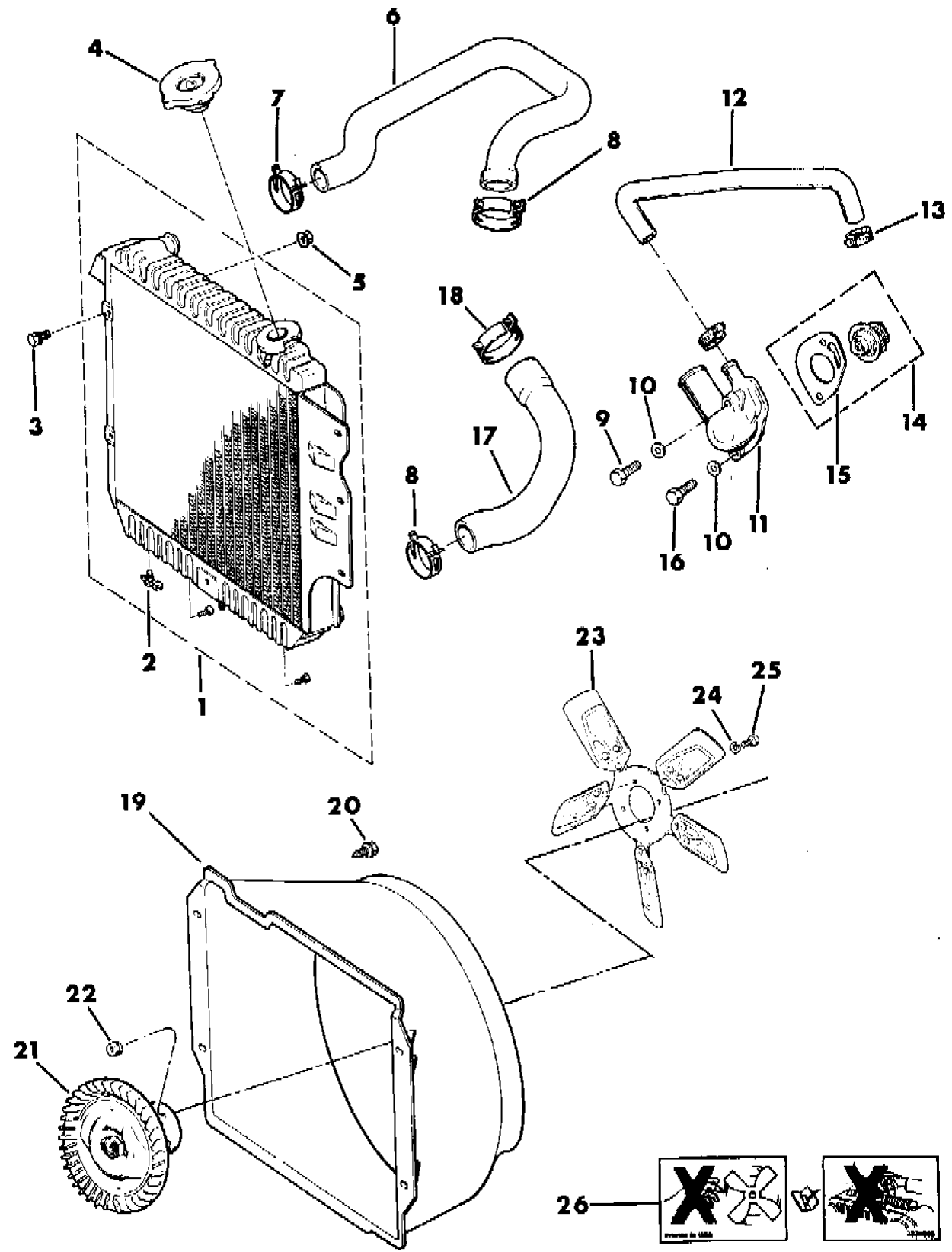
BODY STYLES:

MJ = Comanche Pickup
 SJ = Grand Wagoneer Wgn., J-10 & J-20 Pickups
 XJ = Cherokee, Wagoneer Limited
 YJ = Wrangler

AR = Use as Required - = Non Illustrated Part P.A.R. = Paint as Required

RADIATOR AND RELATED PARTS 6 CYLINDER ENGINE WRANGLER, YJ
Figure 7-500

8 J 07 500 A



| ITEM | PART NUMBER | QTY | BODY | MODEL | DESCRIPTION |
|------|-------------|-----|------|-------|--|
| 1 | | | | | RADIATOR |
| | 5204 0286 | 1 | | | Stamped 52040285, 52040286 - Standard Duty Cooling 1987-89 |
| | 5204 0288 | 1 | | | Stamped 52040287, 52040288 - Heavy Duty Cooling 1987-89 |
| | 5200 6126 | 1 | | | 1990 |
| 2 | J316 6547 | 1 | | | DRAINCOCK |
| 3 | J400 6906 | 6 | | | BOLT |
| 4 | J323 9375 | 1 | | | CAP, Radiator |
| 5 | J400 4201 | 6 | | | NUT |
| 6 | 5200 3906 | 1 | | | HOSE, Inlet |
| | 5200 2702 | 1 | | | Egypt KDX - 24 Volt |
| 7 | 3200 2983 | 3 | | | CLAMP |
| 8 | 5200 5580 | 2 | | | CLAMP |
| 9 | J400 6951 | 1 | | | BOLT |
| 10 | 3200 2256 | 2 | | | WASHER |
| 11 | 3300 4856 | 1 | | | HOUSING, Thermostat |
| 12 | | | | | HOSE |
| | J372 8191 | 1 | | | 1987 |
| | 5200 3908 | 1 | | | 1988-90 |
| 13 | J320 3076 | 2 | | | CLAMP |
| 14 | 8350 1426 | 1 | | | THERMOSTAT PACKAGE, Engine Coolant |
| 15 | J318 9874 | 1 | | | GASKET |
| 16 | J812 1298 | 1 | | | BOLT |
| 17 | 5200 3905 | 1 | | | HOSE, Outlet |
| 18 | 3200 2366 | 1 | | | CLAMP |
| 19 | 5204 0291 | 1 | | | SHROUD |
| 20 | J400 3069 | 4 | | | SCREW |
| 21 | | | | | DRIVE, Fan |
| | J324 1857 | 1 | | | w/o Serpentine Belt Drive |
| | J324 1858 | 1 | | | Serpentine Belt Drive |
| 22 | J027 1184 | 4 | | | NUT |
| 23 | | | | | FAN, Cooling |
| | J323 7182 | 1 | | | w/o Serpentine Belt Drive |
| | J323 9446 | 1 | | | Serpentine Belt Drive |
| 24 | J012 0214 | 4 | | | WASHER |
| 25 | S017 9814 | 4 | | | BOLT |
| 26 | J323 4806 | 1 | | | LABEL, Fan |

MODEL CODES:

| | | |
|-----------------------------|-----------------------------|------------------------------|
| 15 = Grand Wagoneer 4 Dr. | 65 = Comanche 4WD-7 Ft. Box | 77 = Cherokee 4WD-2 Dr. |
| 25 = J-10 Pickup-119" W.B. | 66 = Comanche 2WD-7 Ft. Box | 78 = Cherokee 4WD-4 Dr. |
| 26 = J-10 Pickup-131" W.B. | 73 = Cherokee 2WD-2 Dr. | 79 = Cherokee 4WD-4 Dr.-Com |
| 27 = J-20 Pickup-131" W.B. | 74 = Cherokee 2WD-4 Dr. | 81 = Wrangler-93" W.B. |
| 63 = Comanche 4WD-6 Ft. Box | 75 = Wagoneer 4WD-4 Dr. | 82 = Wrangler-103" W.B.-Exp. |
| 64 = Comanche 2WD-6 Ft. Box | | |

BODY STYLES:

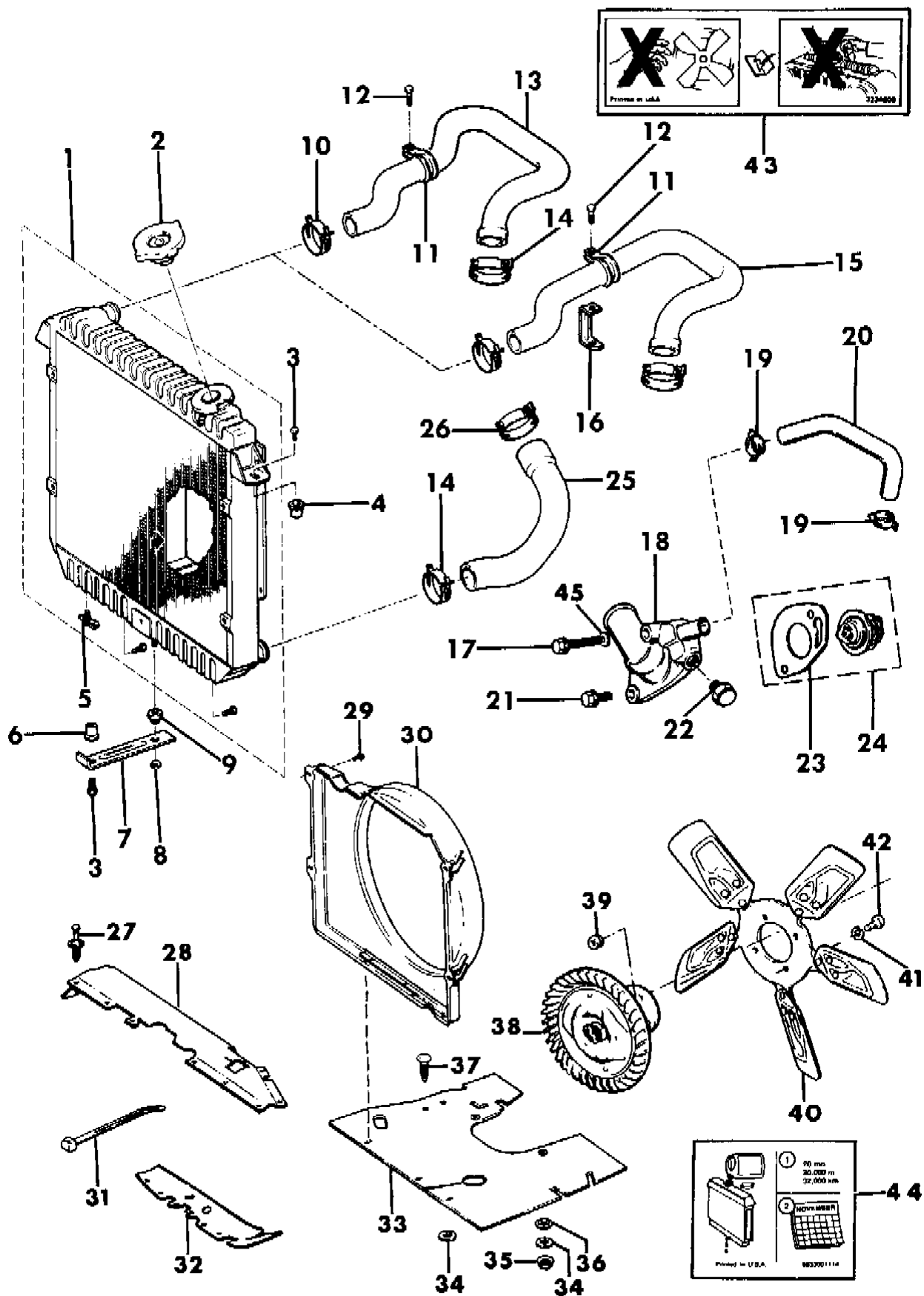
MJ = Comanche Pickup
 SJ = Grand Wagoneer Wgn., J-10 & J-20 Pickups
 XJ = Cherokee, Wagoneer Limited
 YJ = Wrangler

AR = Use as Required - = Non Illustrated Part P.A.R. = Paint as Required

RADIATOR AND RELATED PARTS 4 CYLINDER ENGINE WAGONEER, CHEROKEE, COMANCHE

Figure 7-600

8J07 600 A



| ITEM | PART NUMBER | QTY | BODY | MODEL | DESCRIPTION |
|------|-------------|-----|------|-------|---|
| 1 | | | | | RADIATOR |
| | 5200 3544 | 1 | | | Stamped 52003545 - Manual Transmission - Standard Duty Cooling |
| | 5200 3544 | 1 | | | Stamped 52003544 - Automatic Transmission - Standard Duty Cooling |
| | 5200 3370 | 1 | | | Stamped 52003255, 52003370 - Heavy Duty Cooling |
| | 5200 3551 | 1 | | | Stamped 52003551 - Manual Transmission - Maximum Duty Cooling |
| 2 | J323 9375 | 1 | | | CAP, Radiator |
| 3 | 1150 2628 | 3 | | | BOLT |
| 4 | 3420 1348 | 2 | | | NUT |
| 5 | J316 6547 | 1 | | | DRAINCOCK |
| 6 | 3420 1493 | 1 | | | NUT |
| 7 | 5300 0510 | 1 | | | BRACE, Radiator |
| 8 | 3420 1494 | 1 | | | RING |
| 9 | 5300 0511 | 1 | | | GROMMET |
| 10 | 3200 2983 | 3 | | | CLAMP |
| 11 | J012 5931 | 1 | | | CLIP |
| 12 | 1150 0985 | 1 | | | SCREW |
| 13 | | | | | HOSE, Inlet |
| | 5200 3789 | 1 | | | w/o A/C |
| | 5200 3791 | 1 | | | Factory Installed Air Conditioning - w/24mm wide A/C Compressor Cylinder Head |
| | 5200 3791 | 1 | | | "American Air" Air Conditioning - w/24mm wide A/C Compressor Cylinder Head |
| 14 | 5200 5580 | 2 | | | CLAMP |
| 15 | | | | | HOSE, Inlet |
| | 5200 3941 | 1 | | | Factory Installed Air Conditioning - w/45mm wide A/C Compressor Cylinder Head |
| | 5200 3941 | 1 | | | "American Air" Air Conditioning - w/45mm wide A/C Compressor Cylinder Head |
| 16 | 5200 3943 | 1 | | | BRACKET |
| 17 | J400 6951 | 1 | | | BOLT |
| 18 | | | | | HOUSING, Thermostat |
| | 3300 4856 | 1 | | | 1987 |
| | 3300 3612 | 1 | | | 1988 |
| | 5300 5529 | 1 | | | 1989-90 |

MODEL CODES:

| | | |
|-----------------------------|-----------------------------|------------------------------|
| 15 = Grand Wagoneer 4 Dr. | 65 = Comanche 4WD-7 Ft. Box | 77 = Cherokee 4WD-2 Dr. |
| 25 = J-10 Pickup-119" W.B. | 66 = Comanche 2WD-7 Ft. Box | 78 = Cherokee 4WD-4 Dr. |
| 26 = J-10 Pickup-131" W.B. | 73 = Cherokee 2WD-2 Dr. | 79 = Cherokee 4WD-4 Dr.-Com |
| 27 = J-20 Pickup-131" W.B. | 74 = Cherokee 2WD-4 Dr. | 81 = Wrangler-93" W.B. |
| 63 = Comanche 4WD-6 Ft. Box | 75 = Wagoneer 4WD-4 Dr. | 82 = Wrangler-103" W.B.-Exp. |
| 64 = Comanche 2WD-6 Ft. Box | | |

BODY STYLES:

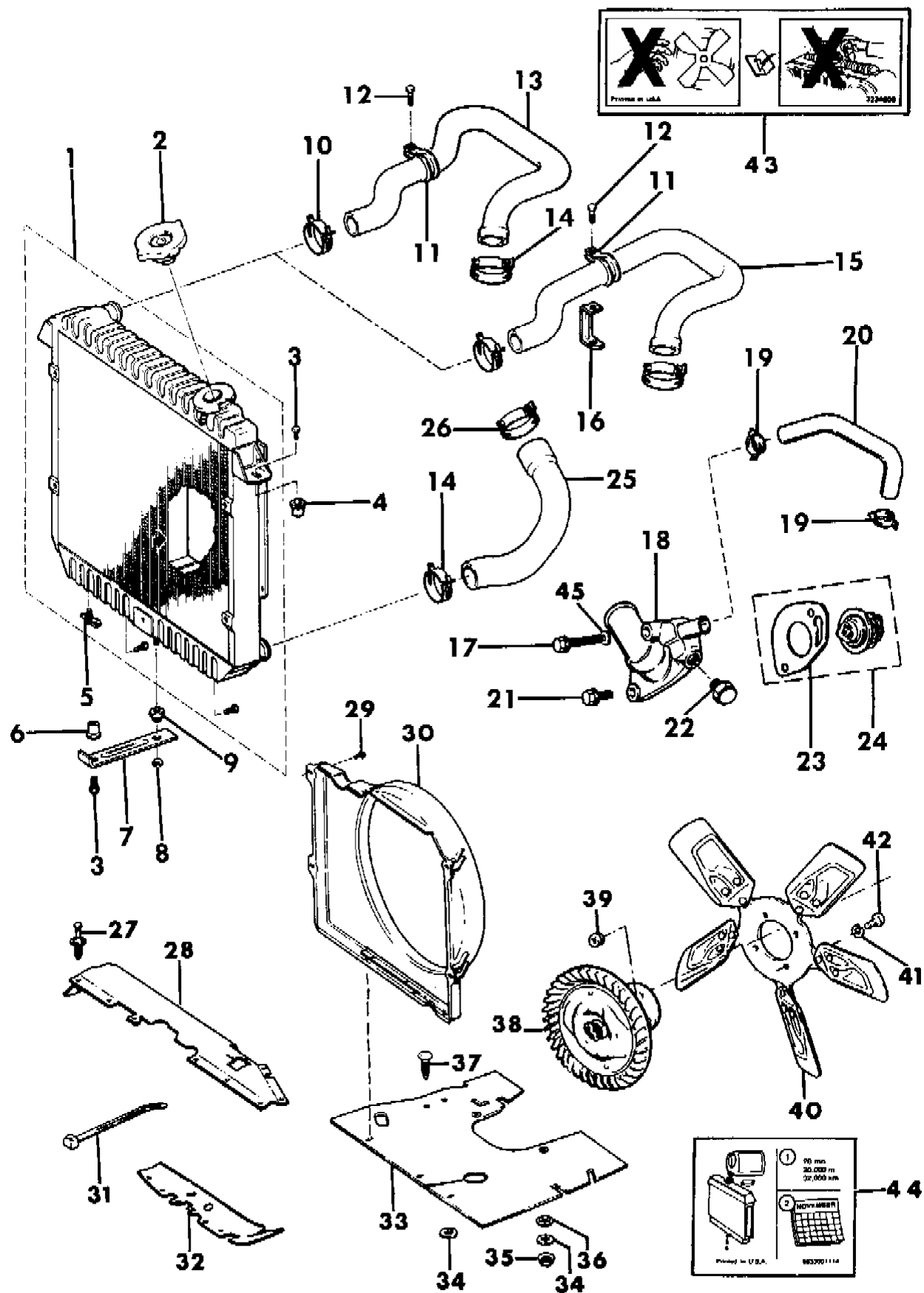
MJ = Comanche Pickup
 SJ = Grand Wagoneer Wgn., J-10 & J-20 Pickups
 XJ = Cherokee, Wagoneer Limited
 YJ = Wrangler

AR = Use as Required - = Non Illustrated Part P.A.R. = Paint as Required

RADIATOR AND RELATED PARTS 4 CYLINDER ENGINE WAGONEER, CHEROKEE, COMANCHE

Figure 7-600

8J07 600 A



| ITEM | PART NUMBER | QTY | BODY | MODEL | DESCRIPTION |
|------|-------------|-----|------|-------|-------------------------------------|
| 19 | J320 3076 | 2 | | | CLAMP |
| 20 | | | | | HOSE |
| | | | | | EFI Engine |
| | 3300 2508 | 1 | | | 1987 |
| | 3200 2708 | 1 | | | 1988-90 |
| | | | | | Carbureted Engine - NRM |
| | J324 1955 | 1 | | | 1987 |
| | 5200 3842 | 1 | | | Built up to 11-15-88 |
| | 5200 4317 | 1 | | | Built 11-15-88 and later |
| 21 | J400 6985 | 1 | | | BOLT |
| 22 | T307 5106 | 1 | | | PLUG |
| 23 | J318 9874 | 1 | | | GASKET |
| 24 | | | | | THERMOSTAT PACKAGE, Engine Coolant |
| | 8350 1426 | 1 | | | w/o ECE |
| | 8350 4378 | 1 | | | ECE |
| 25 | 5200 3790 | 1 | | | HOSE, Outlet |
| 26 | 3200 2366 | 1 | | | CLAMP |
| 27 | 3420 1621 | 14 | | | RIVET - Heavy Duty Cooling |
| 28 | | | | | SEAL, Radiator |
| | 5500 3056 | 1 | | | Heavy Duty Cooling |
| | 8350 1912 | 1 | | | "American Air" Air Conditioning |
| 29 | J318 9013 | 4 | | | SCREW |
| 30 | 5300 0015 | 1 | | | SHROUD, Fan |
| 31 | J322 3227 | 1 | | | STRAP |
| 32 | 5500 3057 | 1 | | | SEAL, Radiator - Heavy Duty Cooling |
| 33 | 5200 3571 | 1 | | | SHIELD, Engine Splash |
| 34 | J044 6188 | 2 | | | WASHER |
| 35 | J400 4587 | 2 | | | NUT |
| 36 | J400 0271 | 2 | | | NUT, Push |
| 37 | | | | | FASTENER |
| | J400 4919 | 3 | | | .80" |
| | 3420 2787 | 2 | | | 1.12" |
| 38 | J324 1858 | 1 | | | DRIVE, Fan |
| 39 | J027 1184 | 4 | | | NUT |
| 40 | 5300 0699 | 1 | | | FAN, Cooling |
| 41 | J012 0214 | 4 | | | WASHER |
| 42 | J018 0075 | 4 | | | BOLT |

MODEL CODES:

| | | |
|-----------------------------|-----------------------------|------------------------------|
| 15 = Grand Wagoneer 4 Dr. | 65 = Comanche 4WD-7 Ft. Box | 77 = Cherokee 4WD-2 Dr. |
| 25 = J-10 Pickup-119" W.B. | 66 = Comanche 2WD-7 Ft. Box | 78 = Cherokee 4WD-4 Dr. |
| 26 = J-10 Pickup-131" W.B. | 73 = Cherokee 2WD-2 Dr. | 79 = Cherokee 4WD-4 Dr.-Com |
| 27 = J-20 Pickup-131" W.B. | 74 = Cherokee 2WD-4 Dr. | 81 = Wrangler-93" W.B. |
| 63 = Comanche 4WD-6 Ft. Box | 75 = Wagoneer 4WD-4 Dr. | 82 = Wrangler-103" W.B.-Exp. |
| 64 = Comanche 2WD-6 Ft. Box | | |

BODY STYLES:

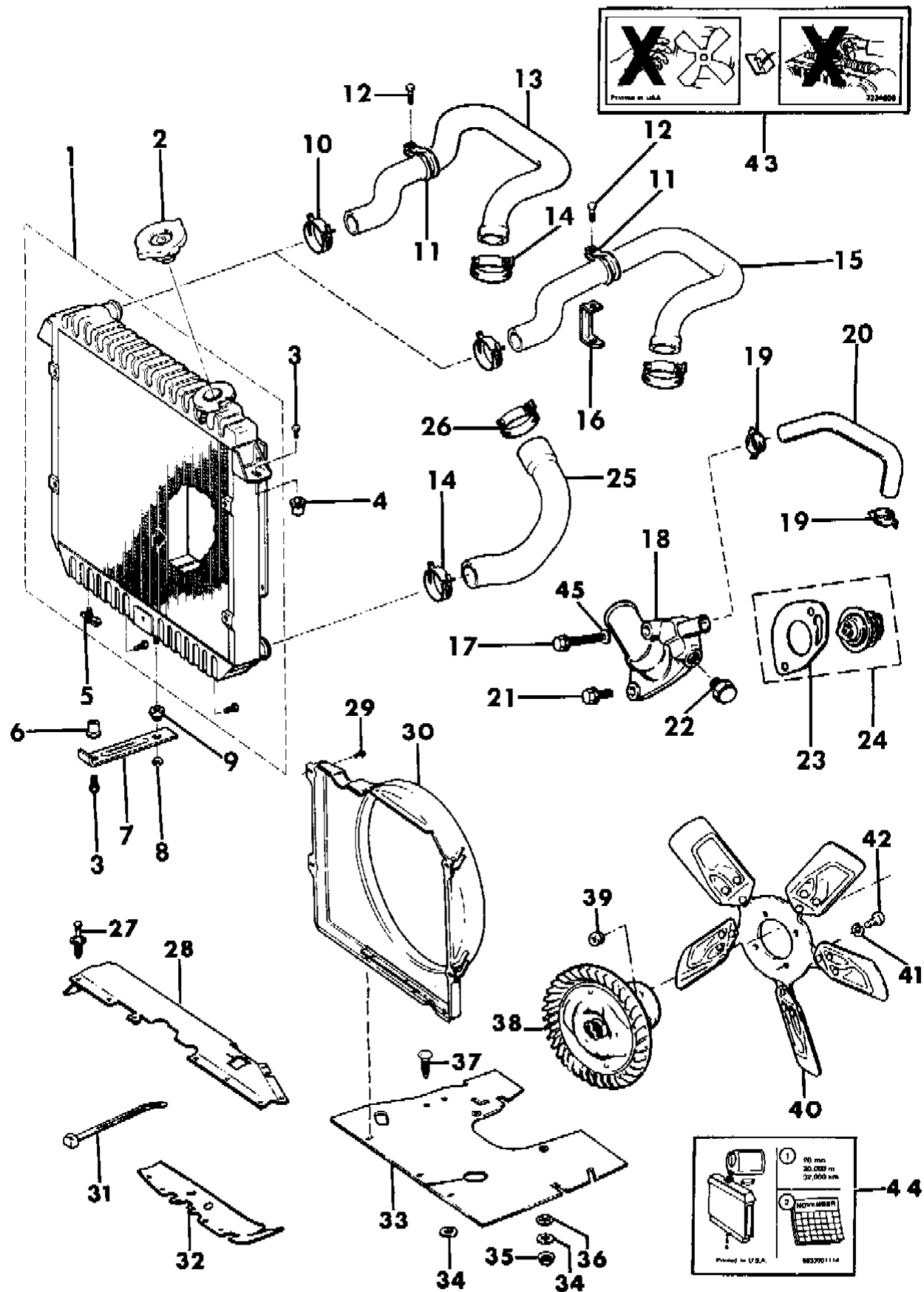
MJ = Comanche Pickup
 SJ = Grand Wagoneer Wgn., J-10 & J-20 Pickups
 XJ = Cherokee, Wagoneer Limited
 YJ = Wrangler

AR = Use as Required - = Non Illustrated Part P.A.R. = Paint as Required

RADIATOR AND RELATED PARTS 4 CYLINDER ENGINE WAGONEER, CHEROKEE, COMANCHE

Figure 7-600

8J07 600 A



| ITEM | PART NUMBER | QTY | BODY | MODEL | DESCRIPTION |
|------|-------------|-----|------|-------|-------------|
|------|-------------|-----|------|-------|-------------|

| | | | | | |
|----|-----------|---|--|--|-----------------|
| 43 | J323 4806 | 1 | | | LABEL, Fan |
| 44 | 3300 1114 | 1 | | | LABEL, Radiator |
| 45 | J012 0393 | 2 | | | WASHER |

MODEL CODES:

| | | |
|-----------------------------|-----------------------------|------------------------------|
| 15 = Grand Wagoneer 4 Dr. | 65 = Comanche 4WD-7 Ft. Box | 77 = Cherokee 4WD-2 Dr. |
| 25 = J-10 Pickup-119" W.B. | 66 = Comanche 2WD-7 Ft. Box | 78 = Cherokee 4WD-4 Dr. |
| 26 = J-10 Pickup-131" W.B. | 73 = Cherokee 2WD-2 Dr. | 79 = Cherokee 4WD-4 Dr.-Com |
| 27 = J-20 Pickup-131" W.B. | 74 = Cherokee 2WD-4 Dr. | 81 = Wrangler-93" W.B. |
| 63 = Comanche 4WD-6 Ft. Box | 75 = Wagoneer 4WD-4 Dr. | 82 = Wrangler-103" W.B.-Exp. |
| 64 = Comanche 2WD-6 Ft. Box | | |

BODY STYLES:

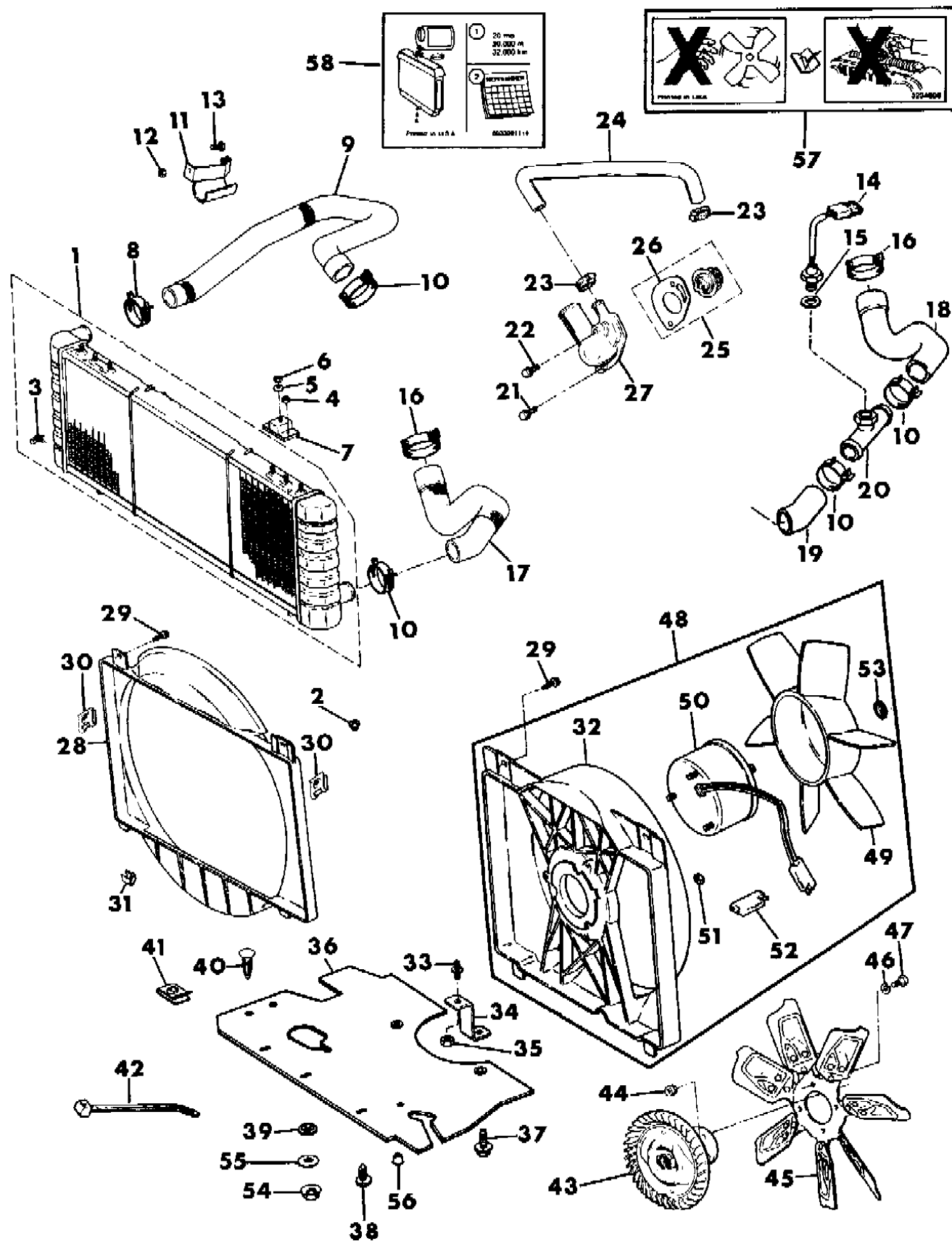
MJ = Comanche Pickup
 SJ = Grand Wagoneer Wgn., J-10 & J-20 Pickups
 XJ = Cherokee, Wagoneer Limited
 YJ = Wrangler

AR = Use as Required - = Non Illustrated Part P.A.R. = Paint as Required

RADIATOR AND RELATED PARTS 6 CYLINDER ENGINE WAGONEER, CHEROKEE, COMANCHE

Figure 7-700

8J07 700 B



| ITEM | PART NUMBER | QTY | BODY | MODEL | DESCRIPTION |
|------|-------------|-----|------|-------|---|
| 1 | | | | | RADIATOR |
| | 5200 2094 | 1 | | | Stamped 52002094, 52002584 - Standard Duty Cooling - w/o Factory Installed Air Conditioning |
| | 5200 3685 | 1 | | | Stamped 52003684, 52003685 - Standard Duty Cooling - w/o Factory Installed Air Conditioning |
| | 5200 3695 | 1 | | | Stamped 52003694, 52003695 - Standard Duty Cooling - w/o Factory Installed Air Conditioning |
| | 5200 3696 | 1 | | | Stamped 52003693, 52003696 - Standard Duty Cooling - Factory Installed Air Conditioning |
| | 5200 3157 | 1 | | | Stamped 52003156, 52003157, 52003158, 52003159, 52003683 |
| | 5200 3933 | 1 | | | Stamped 52003933 - Automatic Transmission - Heavy Duty Cooling |
| 2 | J068 7550 | 3 | | | GROMMET |
| 3 | J316 6547 | 1 | | | DRAINCOCK Metal |
| | 8350 5381 | 1 | | | Plastic |
| 4 | 1150 2722 | 4 | | | NUT |
| 5 | J400 1083 | 2 | | | WASHER |
| 6 | 1150 3745 | 2 | | | NUT |
| 7 | 5200 2585 | 2 | | | INSULATOR |
| 8 | 3200 2983 | 1 | | | CLAMP |
| 9 | | | | | HOSE, Inlet |
| | 5200 3801 | 1 | | | w/o Factory Installed Air Conditioning |
| | 5200 3803 | 1 | | | w/Factory Installed Air Conditioning |
| 10 | 5200 5580 | 3 | | | CLAMP |
| 11 | 8350 5291 | 1 | | | BRACKET - Factory Installed Air Conditioning |
| 12 | 1150 2729 | 1 | | | NUT - Factory Installed Air Conditioning |
| 13 | 1150 2628 | 1 | | | BOLT - Factory Installed Air Conditioning |
| 14 | 3200 1846 | 1 | | | SENSOR, Fan |
| 15 | 3300 1029 | 1 | | | GASKET |
| 16 | 3200 2366 | 1 | | | CLAMP |
| 17 | 5200 3945 | 1 | | | HOSE, Outlet -without "american air" air conditioning |
| 18 | 8350 5115 | 1 | | | HOSE, Outlet - "American Air" Air Conditioning |
| 19 | 8350 5114 | 1 | | | HOSE, Outlet - "American Air" Air Conditioning |
| 20 | 8350 5113 | 1 | | | FITTING - "American Air" Air Conditioning |
| 21 | J400 6985 | 1 | | | BOLT |

MODEL CODES:

| | | |
|-----------------------------|-----------------------------|------------------------------|
| 15 = Grand Wagoneer 4 Dr. | 65 = Comanche 4WD-7 Ft. Box | 77 = Cherokee 4WD-2 Dr. |
| 25 = J-10 Pickup-119" W.B. | 66 = Comanche 2WD-7 Ft. Box | 78 = Cherokee 4WD-4 Dr. |
| 26 = J-10 Pickup-131" W.B. | 73 = Cherokee 2WD-2 Dr. | 79 = Cherokee 4WD-4 Dr.-Com |
| 27 = J-20 Pickup-131" W.B. | 74 = Cherokee 2WD-4 Dr. | 81 = Wrangler-93" W.B. |
| 63 = Comanche 4WD-6 Ft. Box | 75 = Wagoneer 4WD-4 Dr. | 82 = Wrangler-103" W.B.-Exp. |
| 64 = Comanche 2WD-6 Ft. Box | | |

BODY STYLES:

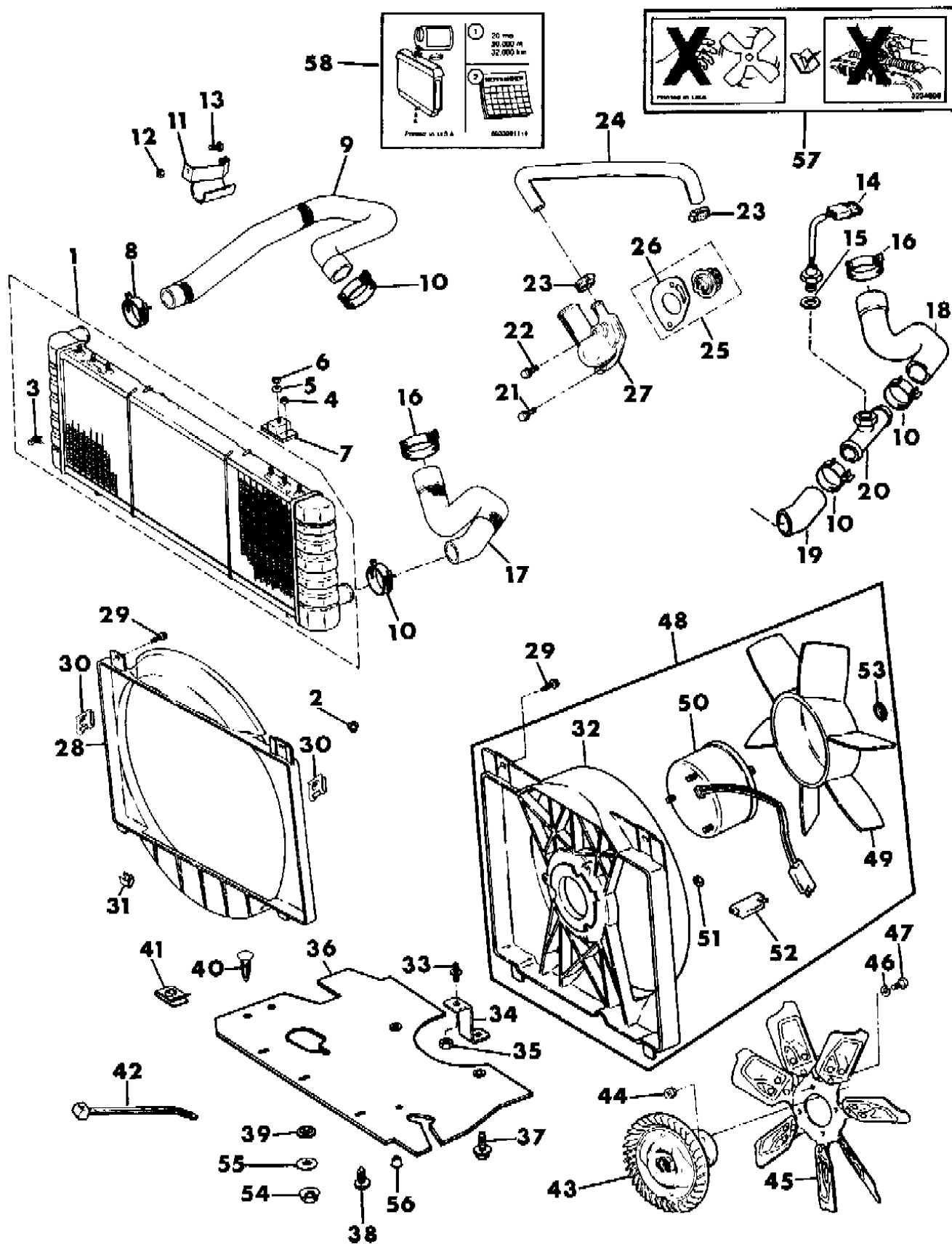
| |
|---|
| MJ = Comanche Pickup |
| SJ = Grand Wagoneer Wgn., J-10 & J-20 Pickups |
| XJ = Cherokee, Wagoneer Limited |
| YJ = Wrangler |

AR = Use as Required - = Non Illustrated Part P.A.R. = Paint as Required

RADIATOR AND RELATED PARTS 6 CYLINDER ENGINE WAGONEER, CHEROKEE, COMANCHE

Figure 7-700

8J07 700 B



| ITEM | PART NUMBER | QTY | BODY | MODEL | DESCRIPTION |
|------|-------------|-----|------|---------|------------------------|
| 22 | J400 6951 | 1 | | | BOLT |
| 23 | J320 3076 | 2 | | | CLAMP |
| 24 | 5600 4783 | 1 | | | HOSE |
| 25 | 8350 1426 | 1 | | | THERMOSTAT PACKAGE |
| 26 | J318 9874 | 1 | | | GASKET |
| 27 | | | | | HOUSING, Thermostat |
| | 3300 2929 | 1 | | 1987-88 | |
| | 3300 4856 | 1 | | 1989-90 | |
| 28 | 5200 2097 | 1 | | | SHROUD, Mechanical Fan |
| 29 | 3420 1195 | 2 | | | SCREW |
| 30 | 8350 1426 | 1 | | | THERMOSTAT |
| 31 | 3420 2655 | 4 | | | CLIP |
| 32 | 8350 3412 | 1 | | | SHROUD, Electric Fan |
| 33 | 3420 2347 | 1 | | | STUD |
| 34 | 5200 3837 | 1 | | | BRACKET |
| 35 | | | | | NUT |
| | J420 0046 | 3 | | 1987 | |
| | 8351 0135 | 1 | | 1988-90 | |
| 36 | 5200 3570 | 1 | | | SHIELD, Engine Splash |
| 37 | 3420 1540 | 2 | | | SCREW |
| 38 | J400 4919 | 3 | | | FASTENER .28" |
| 39 | J400 0271 | 3 | | | NUT, Push .25" |
| | 3420 2014 | 2 | | | SCREW .31" |
| 40 | 3420 2787 | 2 | | | FASTENER .38" |
| 41 | 1150 0662 | 1 | | | NUT |
| 42 | J322 3227 | 1 | | | STRAP |
| 43 | 5200 3205 | 1 | | | DRIVE, Fan |
| 44 | J027 1184 | 4 | | | NUT |
| 45 | 8350 4571 | 1 | | | FAN, Cooling |
| 46 | J012 0214 | 4 | | | WASHER |
| 47 | J018 0075 | 4 | | | BOLT |
| 48 | 5200 2591 | 1 | | | MODULE, Fan |
| 49 | 8350 3411 | 1 | | | FAN, Cooling |
| 50 | 8350 3582 | 1 | | | MOTOR, Fan |
| 51 | 8350 3415 | 3 | | | NUT |
| 52 | 8350 3583 | 3 | | | CONNECTOR |
| 53 | 8350 3417 | 1 | | | RETAINER, Fan |

MODEL CODES:

| | | |
|-----------------------------|-----------------------------|------------------------------|
| 15 = Grand Wagoneer 4 Dr. | 65 = Comanche 4WD-7 Ft. Box | 77 = Cherokee 4WD-2 Dr. |
| 25 = J-10 Pickup-119" W.B. | 66 = Comanche 2WD-7 Ft. Box | 78 = Cherokee 4WD-4 Dr. |
| 26 = J-10 Pickup-131" W.B. | 73 = Cherokee 2WD-2 Dr. | 79 = Cherokee 4WD-4 Dr.-Com |
| 27 = J-20 Pickup-131" W.B. | 74 = Cherokee 2WD-4 Dr. | 81 = Wrangler-93" W.B. |
| 63 = Comanche 4WD-6 Ft. Box | 75 = Wagoneer 4WD-4 Dr. | 82 = Wrangler-103" W.B.-Exp. |
| 64 = Comanche 2WD-6 Ft. Box | | |

BODY STYLES:

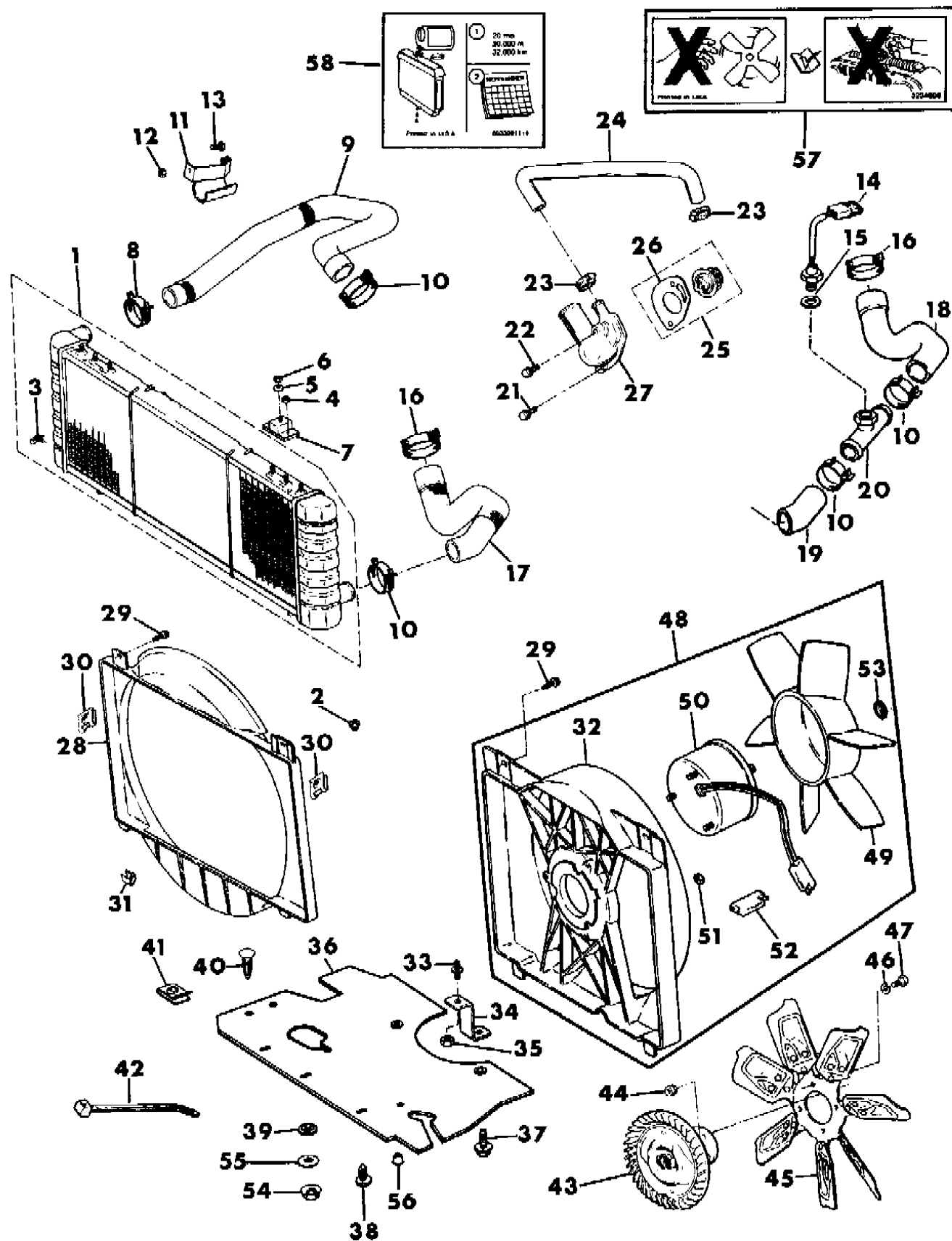
MJ = Comanche Pickup
 SJ = Grand Wagoneer Wgn., J-10 & J-20 Pickups
 XJ = Cherokee, Wagoneer Limited
 YJ = Wrangler

AR = Use as Required - = Non Illustrated Part P.A.R. = Paint as Required

RADIATOR AND RELATED PARTS 6 CYLINDER ENGINE WAGONEER, CHEROKEE, COMANCHE

Figure 7-700

8J07 700 B



| ITEM | PART NUMBER | QTY | BODY | MODEL | DESCRIPTION |
|------|-------------|-----|------|-------|-----------------|
| 54 | J400 4587 | 3 | | | NUT (1987) |
| 55 | J044 6188 | AR | | | WASHER (1987) |
| 56 | 3420 1575 | 3 | | | NUT (1987) |
| 57 | J323 4806 | 1 | | | LABEL, Fan |
| 58 | 3300 1114 | 1 | | | LABEL, Radiator |

MODEL CODES:

| | | |
|-----------------------------|-----------------------------|------------------------------|
| 15 = Grand Wagoneer 4 Dr. | 65 = Comanche 4WD-7 Ft. Box | 77 = Cherokee 4WD-2 Dr. |
| 25 = J-10 Pickup-119" W.B. | 66 = Comanche 2WD-7 Ft. Box | 78 = Cherokee 4WD-4 Dr. |
| 26 = J-10 Pickup-131" W.B. | 73 = Cherokee 2WD-2 Dr. | 79 = Cherokee 4WD-4 Dr.-Com |
| 27 = J-20 Pickup-131" W.B. | 74 = Cherokee 2WD-4 Dr. | 81 = Wrangler-93" W.B. |
| 63 = Comanche 4WD-6 Ft. Box | 75 = Wagoneer 4WD-4 Dr. | 82 = Wrangler-103" W.B.-Exp. |
| 64 = Comanche 2WD-6 Ft. Box | | |

BODY STYLES:

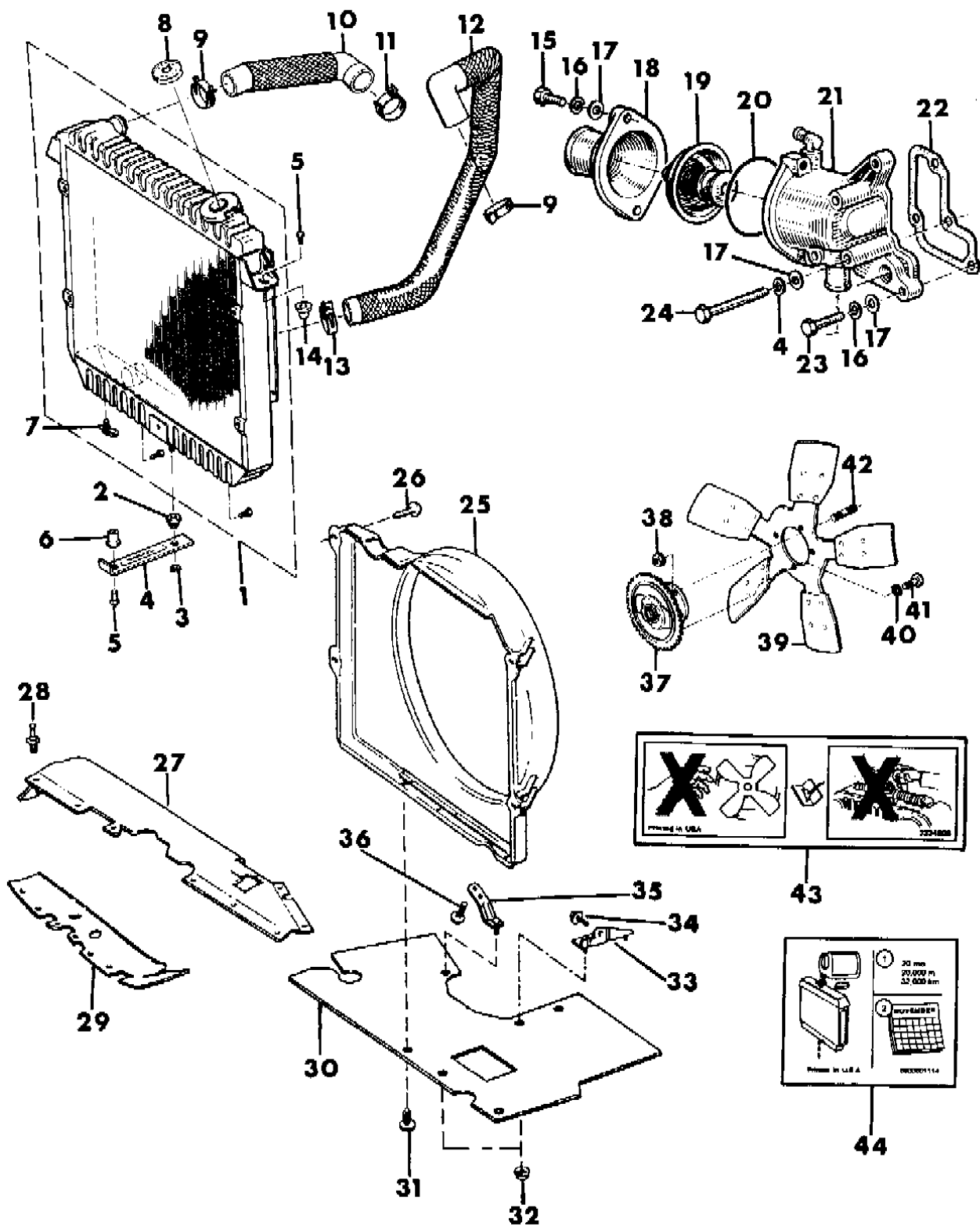
MJ = Comanche Pickup
 SJ = Grand Wagoneer Wgn., J-10 & J-20 Pickups
 XJ = Cherokee, Wagoneer Limited
 YJ = Wrangler

AR = Use as Required - = Non Illustrated Part P.A.R. = Paint as Required

RADIATOR AND RELATED PARTS DIESEL ENGINE CHEROKEE, COMANCHE - EXPORT

Figure 7-800

8 J07 800 C



| ITEM | PART NUMBER | QTY | BODY | MODEL | DESCRIPTION |
|------|-------------|-----|------|-------|--------------------------------|
| 1 | 5300 1174 | 1 | | | RADIATOR |
| 2 | 5300 0511 | 1 | | | GROMMET |
| 3 | 3420 1494 | 1 | | | RING, Retaining |
| 4 | 5300 0510 | 1 | | | BRACE, Radiator |
| 5 | 1150 2628 | 3 | | | BOLT |
| 6 | 3420 1493 | 1 | | | NUT |
| 7 | J316 6547 | 1 | | | DRAINCOCK |
| 8 | J536 4692 | 1 | | | CAP, Radiator |
| 9 | 3200 2983 | 2 | | | CLAMP |
| 10 | 5200 3800 | 1 | | | HOSE, Inlet |
| 11 | 3200 2371 | 1 | | | CLAMP |
| 12 | 5200 3799 | 1 | | | HOSE, Outlet |
| 13 | 5200 5580 | 1 | | | CLAMP |
| 14 | 3420 1348 | 2 | | | NUT |
| 15 | T300 1634 | 2 | | | BOLT |
| 16 | T305 5031 | 14 | | | WASHER, Lock |
| 17 | T305 3074 | 14 | | | WASHER, Flat |
| 18 | T065 6732 | 1 | | | OUTLET, Thermostat |
| 19 | T069 7157 | 1 | | | THERMOSTAT, Engine Coolant |
| 20 | T024 5057 | 1 | | | GASKET |
| 21 | T072 7361 | 1 | | | HOUSING, Thermostat |
| 22 | T134 8932 | 1 | | | GASKET |
| 23 | T300 1614 | 1 | | | BOLT |
| 24 | T300 1238 | 3 | | | BOLT |
| 25 | 5300 1177 | 1 | | | SHROUD, Fan |
| 26 | J318 9013 | 4 | | | SCREW |
| 27 | 5500 3056 | 1 | | | SEAL |
| 28 | 3420 1621 | 14 | | | RIVET |
| 29 | 5500 3057 | 1 | | | SEAL |
| 30 | 5200 1858 | 1 | | | SHIELD, Engine Splash |
| 31 | J400 4919 | 3 | | | NUT |
| 32 | J400 5813 | 3 | | | NUT (1987) |
| 33 | J400 6220 | 3 | | | NUT |
| 34 | 1150 2702 | 5 | | | NUT (1987) |
| 35 | 5300 2543 | 1 | | | BRACKET, Splash Shield - Left |
| 36 | 3420 1540 | 2 | | | BOLT |
| 37 | 5300 2544 | 1 | | | BRACKET, Splash Shield - Right |

MODEL CODES:

| | | |
|-----------------------------|-----------------------------|------------------------------|
| 15 = Grand Wagoneer 4 Dr. | 65 = Comanche 4WD-7 Ft. Box | 77 = Cherokee 4WD-2 Dr. |
| 25 = J-10 Pickup-119" W.B. | 66 = Comanche 2WD-7 Ft. Box | 78 = Cherokee 4WD-4 Dr. |
| 26 = J-10 Pickup-131" W.B. | 73 = Cherokee 2WD-2 Dr. | 79 = Cherokee 4WD-4 Dr.-Com |
| 27 = J-20 Pickup-131" W.B. | 74 = Cherokee 2WD-4 Dr. | 81 = Wrangler-93" W.B. |
| 63 = Comanche 4WD-6 Ft. Box | 75 = Wagoneer 4WD-4 Dr. | 82 = Wrangler-103" W.B.-Exp. |
| 64 = Comanche 2WD-6 Ft. Box | | |

BODY STYLES:

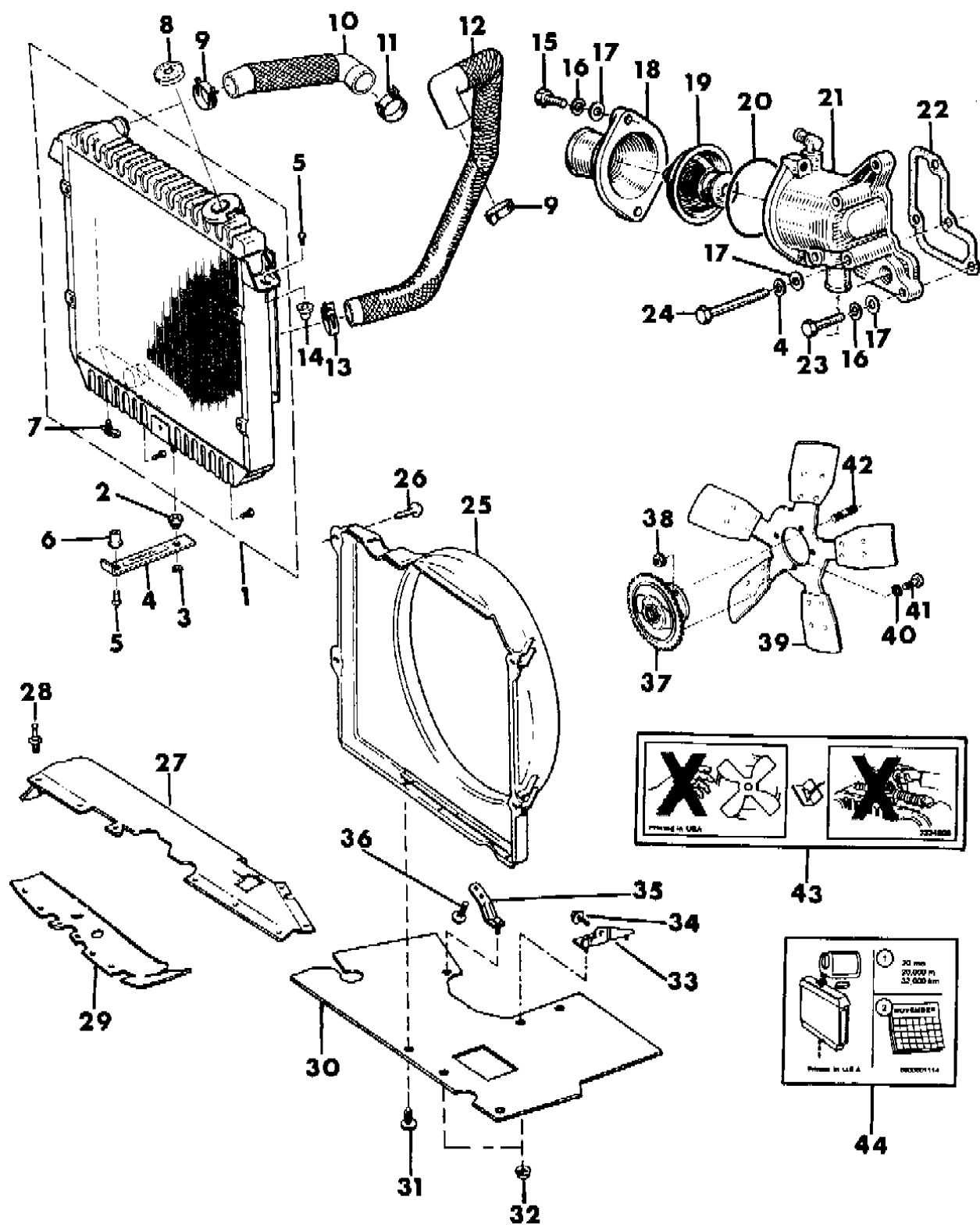
MJ = Comanche Pickup
 SJ = Grand Wagoneer Wgn., J-10 & J-20 Pickups
 XJ = Cherokee, Wagoneer Limited
 YJ = Wrangler

AR = Use as Required - = Non Illustrated Part P.A.R. = Paint as Required

RADIATOR AND RELATED PARTS DIESEL ENGINE CHEROKEE, COMANCHE - EXPORT

Figure 7-800

8 J07 800 C



| ITEM | PART NUMBER | QTY | BODY | MODEL | DESCRIPTION |
|------|-------------|-----|------|-------|-----------------|
| 36 | 3420 1912 | 2 | | | SCREW |
| 37 | 5300 1168 | 1 | | | DRIVE, Fan |
| 38 | 3420 1658 | 4 | | | NUT, Lock |
| 39 | 5300 1706 | 1 | | | FAN, Cooling |
| 40 | J012 0214 | 4 | | | WASHER, Lock |
| 41 | J045 4895 | 4 | | | BOLT |
| 42 | 3420 2197 | 4 | | | STUD |
| 43 | J323 4806 | 1 | | | LABEL, Fan |
| 44 | 3300 1114 | 1 | | | LABEL, Radiator |

MODEL CODES:

- | | | |
|-----------------------------|-----------------------------|------------------------------|
| 15 = Grand Wagoneer 4 Dr. | 65 = Comanche 4WD-7 Ft. Box | 77 = Cherokee 4WD-2 Dr. |
| 25 = J-10 Pickup-119" W.B. | 66 = Comanche 2WD-7 Ft. Box | 78 = Cherokee 4WD-4 Dr. |
| 26 = J-10 Pickup-131" W.B. | 73 = Cherokee 2WD-2 Dr. | 79 = Cherokee 4WD-4 Dr.-Com |
| 27 = J-20 Pickup-131" W.B. | 74 = Cherokee 2WD-4 Dr. | 81 = Wrangler-93" W.B. |
| 63 = Comanche 4WD-6 Ft. Box | 75 = Wagoneer 4WD-4 Dr. | 82 = Wrangler-103" W.B.-Exp. |
| 64 = Comanche 2WD-6 Ft. Box | | |

BODY STYLES:

- MJ = Comanche Pickup
 SJ = Grand Wagoneer Wgn., J-10 & J-20 Pickups
 XJ = Cherokee, Wagoneer Limited
 YJ = Wrangler

AR = Use as Required - = Non Illustrated Part P.A.R. = Paint as Required

RADIATOR AND RELATED PARTS 6 CYLINDER ENGINE GRAND WAGONEER, J10
Figure 7-900

8J07 900

| ITEM | PART NUMBER | QTY | BODY | MODEL | DESCRIPTION |
|------|-------------|-----|------|-------|---|
| 1 | | | | | RADIATOR |
| | J536 1456 | 1 | | | Stamped 6976 - Manual Transmission - Standard Duty Cooling |
| | J536 1576 | 1 | | | Stamped 9099 - Manual Transmission - Heavy Duty Cooling |
| 2 | J535 9274 | 1 | | | DRAINCOCK |
| 3 | | | | | CAP, Radiator |
| | J535 2954 | 1 | | | w/o Heavy Duty Cooling |
| | J535 8177 | 1 | | | Heavy Duty Cooling |
| 4 | J320 3078 | 3 | | | CLAMP |
| 5 | J536 2698 | 1 | | | HOSE, Inlet |
| 6 | J012 0524 | 2 | | | CLIP |
| 7 | J400 6951 | 1 | | | BOLT |
| 8 | J012 0393 | 2 | | | WASHER |
| 9 | J320 3739 | 1 | | | HOSE, Bulk 1 foot |
| 10 | J320 3076 | 2 | | | CLAMP |
| 11 | J400 6985 | 1 | | | BOLT |
| 12 | J323 5347 | 1 | | | HOUSING, Thermostat |
| 13 | J318 9874 | 1 | | | GASKET |
| 14 | 8350 1426 | 1 | | | THERMOSTAT PACKAGE, Engine Coolant |
| 15 | J320 3079 | 1 | | | CLAMP |
| 16 | J535 4405 | 1 | | | HOSE, Outlet |
| 17 | J535 9100 | 1 | | | SHROUD Heavy Duty Cooling |
| 18 | J400 3556 | 4 | | | BOLT |
| 19 | J400 4208 | 4 | | | NUT |
| 20 | | | | | DRIVE, Fan |
| | J536 2170 | 1 | | | Heavy Duty Cooling - w/o Serpentine Belt Drive |
| | J536 2520 | 1 | | | Serpentine Belt Drive |
| 21 | J027 1184 | 4 | | | NUT |
| 22 | J536 2528 | 1 | | | FAN, Cooling - Serpentine Belt Drive |
| 23 | J012 0214 | 4 | | | WASHER |
| 24 | J018 0075 | 4 | | | BOLT |
| 25 | J099 4277 | 1 | | | FAN, Cooling - Heavy Duty Cooling - w/o Serpentine Belt Drive |
| 26 | 5200 2171 | 1 | | | FAN, Cooling - w/o Heavy Duty Cooling - w/o Serpentine Belt Drive |
| 27 | S018 1618 | 4 | | | BOLT - w/o Heavy Duty Cooling - w/o Serpentine Belt Drive |
| 28 | J322 9710 | 1 | | | SPACER - w/o Heavy Duty Cooling - w/o Serpentine Belt Drive |

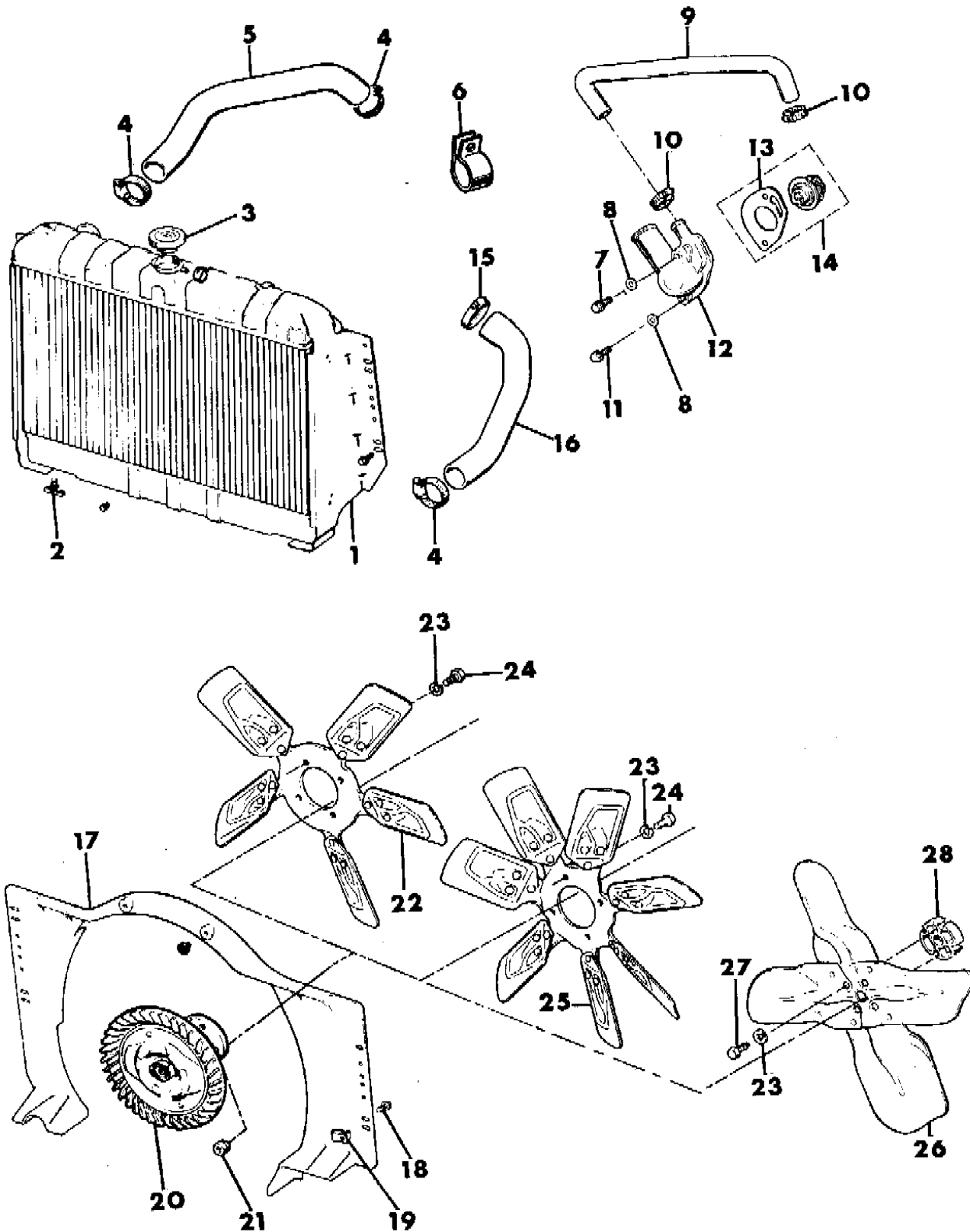
MODEL CODES:

| | | |
|-----------------------------|-----------------------------|------------------------------|
| 15 = Grand Wagoneer 4 Dr. | 65 = Comanche 4WD-7 Ft. Box | 77 = Cherokee 4WD-2 Dr. |
| 25 = J-10 Pickup-119" W.B. | 66 = Comanche 2WD-7 Ft. Box | 78 = Cherokee 4WD-4 Dr. |
| 26 = J-10 Pickup-131" W.B. | 73 = Cherokee 2WD-2 Dr. | 79 = Cherokee 4WD-4 Dr.-Com |
| 27 = J-20 Pickup-131" W.B. | 74 = Cherokee 2WD-4 Dr. | 81 = Wrangler-93" W.B. |
| 63 = Comanche 4WD-6 Ft. Box | 75 = Wagoneer 4WD-4 Dr. | 82 = Wrangler-103" W.B.-Exp. |
| 64 = Comanche 2WD-6 Ft. Box | | |

BODY STYLES:

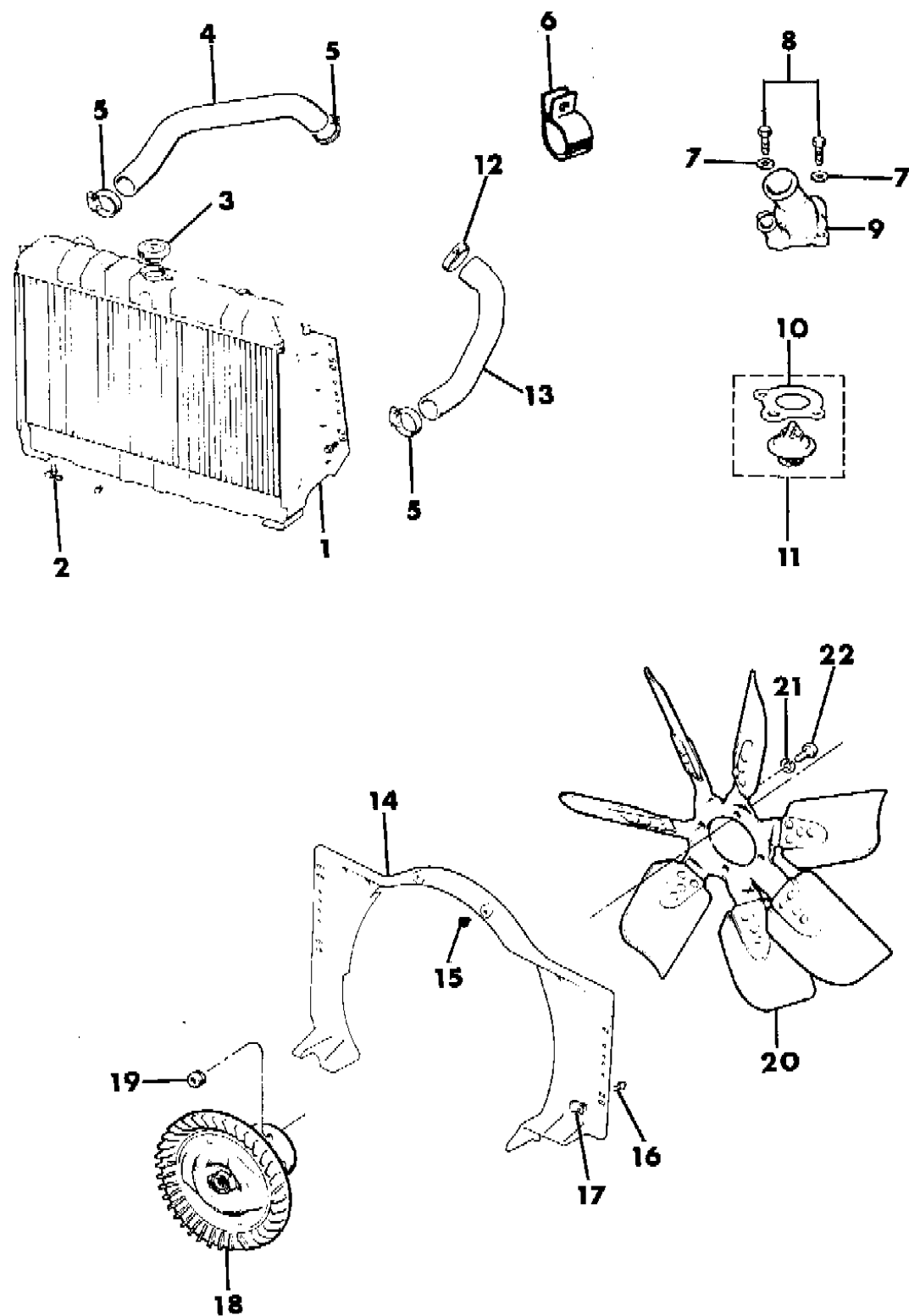
MJ = Comanche Pickup
 SJ = Grand Wagoneer Wgn., J-10 & J-20 Pickups
 XJ = Cherokee, Wagoneer Limited
 YJ = Wrangler

AR = Use as Required - = Non Illustrated Part P.A.R. = Paint as Required



RADIATOR AND RELATED PARTS 8 CYLINDER ENGINE GRAND WAGONEER, J10, J20
Figure 7-1000

8 J07 1000



| ITEM | PART NUMBER | QTY | BODY | MODEL | DESCRIPTION |
|------|-------------|-----|------|-------|------------------------------------|
| 1 | | | | | RADIATOR |
| | 5200 3751 | 1 | | | Stamped 52003751 (Max Cooling) |
| | J536 1575 | 1 | | | Stamped 52001575 (Standard Duty) |
| 2 | J535 9274 | 1 | | | DRAINCOCK |
| 3 | | | | | CAP, Radiator |
| | J535 2954 | 1 | | | w/o Heavy Duty Cooling 1987-89 |
| | J535 8177 | 1 | | | w/Heavy Duty Cooling 1987-89 |
| | J535 8177 | 1 | | | 1990 |
| 4 | | | | | HOSE, Inlet |
| | 8350 3499 | 1 | | | 1987-88 |
| | 8350 5532 | 1 | | | 1989-90 |
| 5 | J320 3078 | 3 | | | CLAMP |
| 6 | J012 0524 | 2 | | | CLIP |
| 7 | J012 0393 | 2 | | | WASHER |
| 8 | J018 0079 | 2 | | | BOLT |
| 9 | J323 8509 | 1 | | | HOUSING, Thermostat |
| 10 | J318 7543 | 1 | | | GASKET |
| 11 | J812 7383 | 1 | | | THERMOSTAT PACKAGE, Engine Coolant |
| 12 | J320 3079 | 1 | | | CLAMP |
| 13 | J535 4528 | 1 | | | HOSE, Outlet |
| 14 | J536 1650 | 1 | | | SHROUD - Heavy Duty Cooling |
| 15 | J096 8072 | 2 | | | BUMPER - Heavy Duty Cooling |
| 16 | J400 3556 | 4 | | | BOLT |
| 17 | J400 4208 | 4 | | | NUT |
| 18 | J536 2722 | 1 | | | DRIVE, Fan |
| 19 | J027 1184 | 4 | | | NUT |
| 20 | J099 4277 | 1 | | | FAN, Cooling |
| 21 | J012 0214 | 4 | | | WASHER, Lock |
| 22 | J018 0075 | 4 | | | BOLT |

MODEL CODES:

| | | |
|-----------------------------|-----------------------------|------------------------------|
| 15 = Grand Wagoneer 4 Dr. | 65 = Comanche 4WD-7 Ft. Box | 77 = Cherokee 4WD-2 Dr. |
| 25 = J-10 Pickup-119" W.B. | 66 = Comanche 2WD-7 Ft. Box | 78 = Cherokee 4WD-4 Dr. |
| 26 = J-10 Pickup-131" W.B. | 73 = Cherokee 2WD-2 Dr. | 79 = Cherokee 4WD-4 Dr.-Com |
| 27 = J-20 Pickup-131" W.B. | 74 = Cherokee 2WD-4 Dr. | 81 = Wrangler-93" W.B. |
| 63 = Comanche 4WD-6 Ft. Box | 75 = Wagoneer 4WD-4 Dr. | 82 = Wrangler-103" W.B.-Exp. |
| 64 = Comanche 2WD-6 Ft. Box | | |

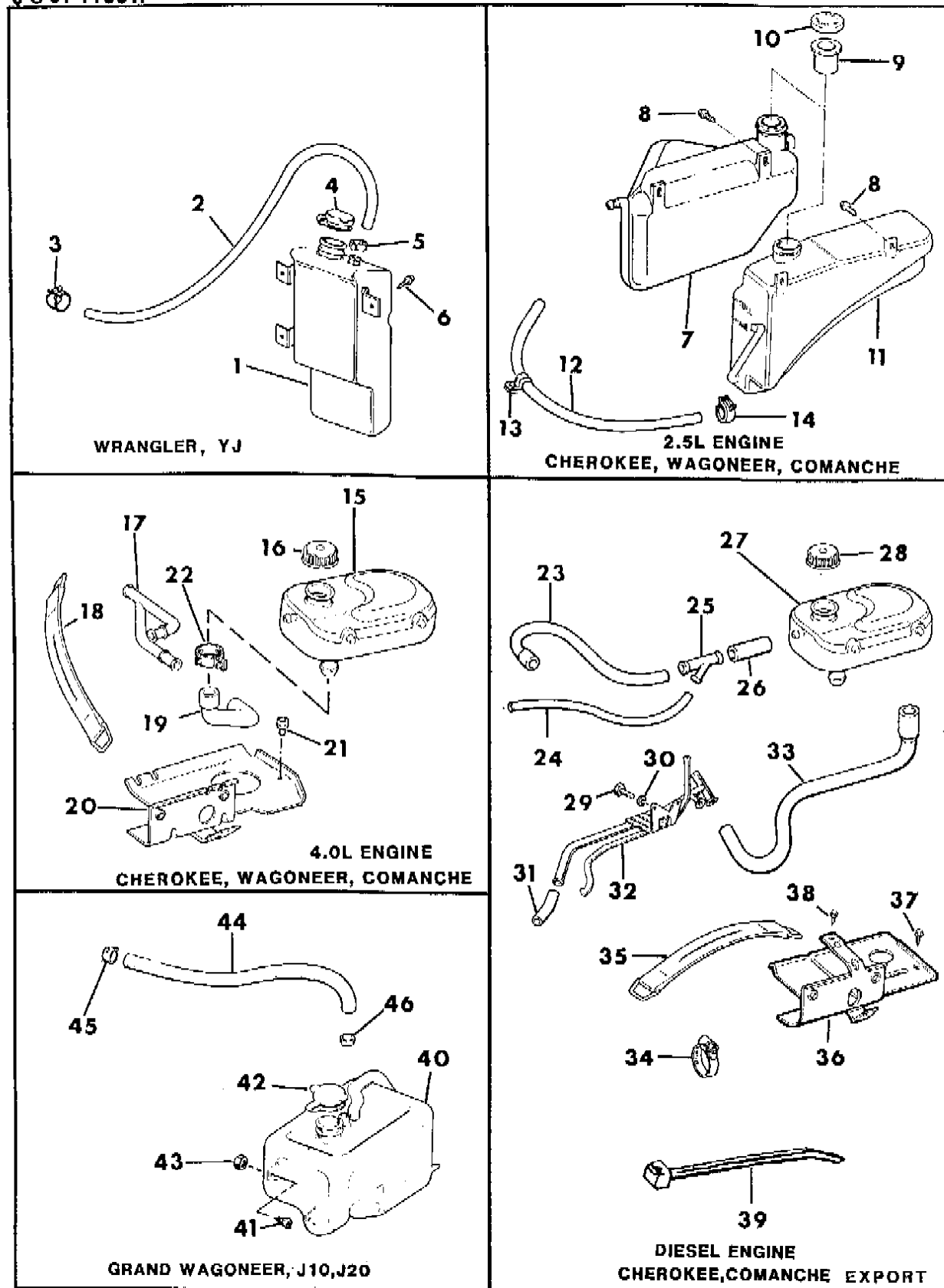
BODY STYLES:

MJ = Comanche Pickup
 SJ = Grand Wagoneer Wgn., J-10 & J-20 Pickups
 XJ = Cherokee, Wagoneer Limited
 YJ = Wrangler

AR = Use as Required - = Non Illustrated Part P.A.R. = Paint as Required

CONDENSER TANKS
Figure 7-1100

8 J 07 1100A



| ITEM | PART NUMBER | QTY | BODY | MODEL | DESCRIPTION |
|------|-------------|-----|------|-------|-----------------------------------|
| 1 | J536 2920 | 1 | | | BOTTLE, Coolant |
| 2 | J536 3169 | 1 | | | HOSE 1987-89 |
| | J536 2888 | 1 | | | 1990 |
| 3 | J093 4246 | 1 | | | CLAMP |
| 4 | J322 3202 | 1 | | | CAP, Coolant Bottle |
| 5 | J322 3128 | 1 | | | CLAMP |
| 6 | | | | | BOLT |
| | J400 4801 | 3 | | | Up to 4-24-89 |
| | J400 6850 | 3 | | | Vehicles Built 4-24-89 and later |
| 7 | 5300 0018 | 1 | | | BOTTLE, Coolant - Export |
| 8 | 3420 1784 | 2 | | | SCREW |
| 9 | 3300 0576 | 1 | | | BAFFLE, Coolant Bottle |
| 10 | 3300 0438 | 1 | | | CAP, Coolant Bottle |
| 11 | 5200 3213 | 1 | | | BOTTLE, Coolant - U.S. and Canada |
| 12 | | | | | HOSE |
| | 5200 3091 | 1 | | | U.S. and Canada |
| | 5300 0020 | 1 | | | Export |
| 13 | J012 0526 | 1 | | | CLIP |
| 14 | J400 6047 | 1 | | | CLAMP |
| 15 | J075 8977 | 1 | | | BOTTLE, Coolant |
| 16 | 4401 790 | 1 | | | CAP, Coolant Bottle |
| 17 | 5200 3248 | 1 | | | TEE |
| 18 | J400 0715 | 1 | | | STRAP, Coolant Bottle |
| 19 | 5200 3245 | 1 | | | HOSE |
| 20 | 5200 2940 | 1 | | | BRACKET, Coolant Bottle |
| 21 | 1150 2453 | 3 | | | SCREW |
| 22 | 3200 2364 | 2 | | | CLAMP |
| 23 | 5200 2064 | 1 | | | HOSE, Thermostat to Tee |
| 24 | 5200 2065 | 1 | | | HOSE, Radiator to Tee |
| 25 | 5200 2066 | 1 | | | TEE |
| 26 | 5200 2070 | 1 | | | HOSE, Tee to Bottle |
| 27 | J075 8977 | 1 | | | BOTTLE, Coolant |
| 28 | 4401 790 | 1 | | | CAP, Coolant Bottle |
| 29 | T300 1120 | 2 | | | BOLT |
| 30 | T305 5007 | 2 | | | WASHER |
| 31 | T071 5737 | 1 | | | HOSE, Tube to Water Pump |
| 32 | T072 5376 | 1 | | | TUBE ASSEMBLY, Coolant |

MODEL CODES:

| | | |
|-----------------------------|-----------------------------|------------------------------|
| 15 = Grand Wagoneer 4 Dr. | 65 = Comanche 4WD-7 Ft. Box | 77 = Cherokee 4WD-2 Dr. |
| 25 = J-10 Pickup-119" W.B. | 66 = Comanche 2WD-7 Ft. Box | 78 = Cherokee 4WD-4 Dr. |
| 26 = J-10 Pickup-131" W.B. | 73 = Cherokee 2WD-2 Dr. | 79 = Cherokee 4WD-4 Dr.-Com |
| 27 = J-20 Pickup-131" W.B. | 74 = Cherokee 2WD-4 Dr. | 81 = Wrangler-93" W.B. |
| 63 = Comanche 4WD-6 Ft. Box | 75 = Wagoneer 4WD-4 Dr. | 82 = Wrangler-103" W.B.-Exp. |
| 64 = Comanche 2WD-6 Ft. Box | | |

BODY STYLES:

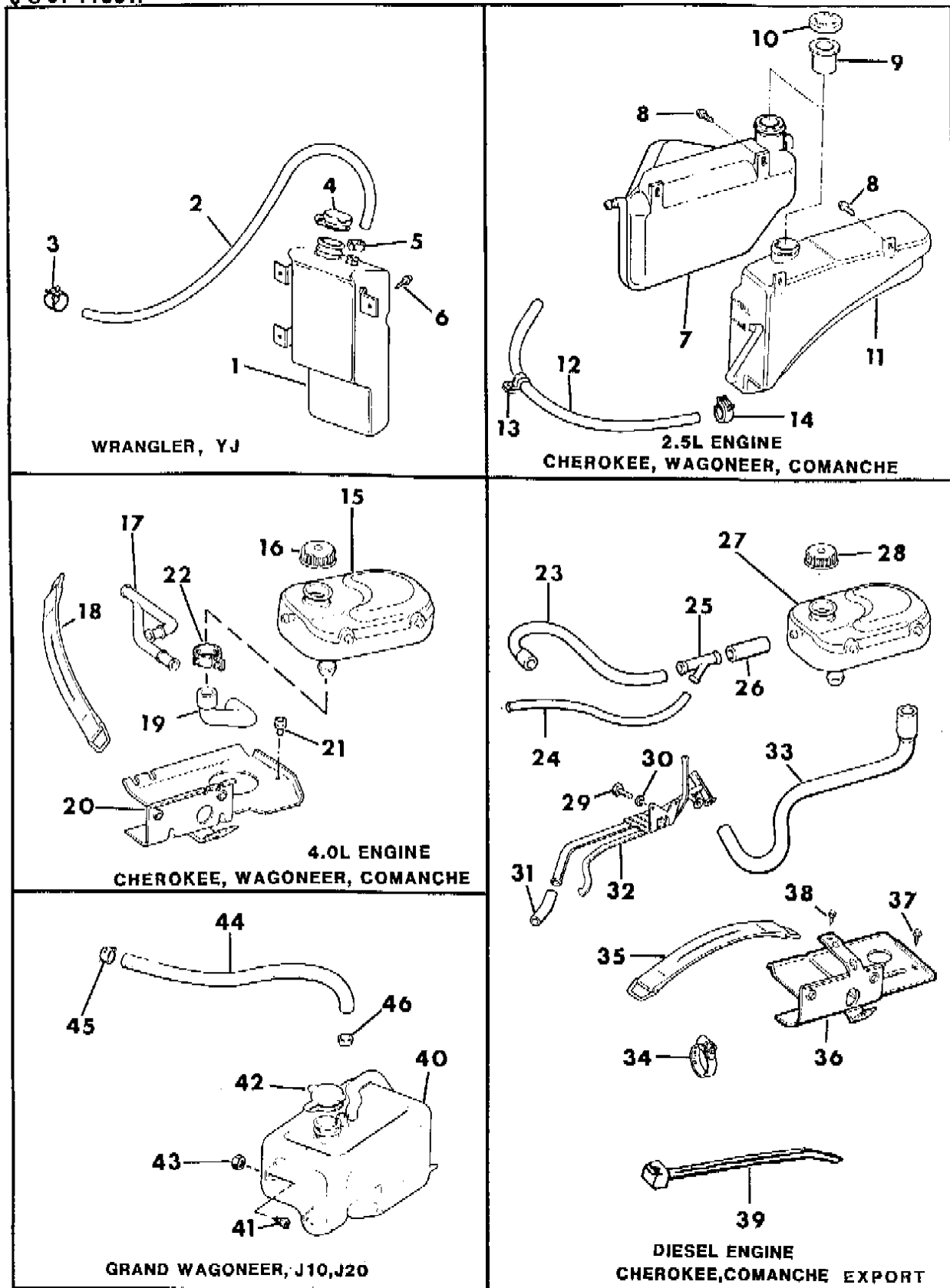
MJ = Comanche Pickup
 SJ = Grand Wagoneer Wgn., J-10 & J-20 Pickups
 XJ = Cherokee, Wagoneer Limited
 YJ = Wrangler

AR = Use as Required - = Non Illustrated Part P.A.R. = Paint as Required

CONDENSER TANKS

Figure 7-1100

8 J 07 1100A



| ITEM | PART NUMBER | QTY | BODY | MODEL | DESCRIPTION |
|------|-------------|-----|------|-------|-------------------------------|
| 33 | 5200 2063 | 1 | | | HOSE, Bottle To Heater |
| 34 | | | | | CLAMP |
| | 3300 0785 | AR | | | 12mm thru 20mm |
| | 3300 0784 | AR | | | 17mm thru 25mm |
| | J320 3076 | AR | | | 14mm thru 27mm |
| | J320 3077 | AR | | | 21mm thru 44mm |
| | J320 3078 | AR | | | 33mm thru 57mm |
| 35 | J400 0715 | 1 | | | STRAP, Coolant Bottle |
| 36 | 5200 2067 | 1 | | | BRACKET, Coolant Bottle |
| 37 | 1150 2453 | 2 | | | SCREW |
| 38 | 3420 2399 | 1 | | | BOLT |
| 39 | | | | | STRAP |
| | J322 3227 | AR | | | Standard Duty Cooling - 200mm |
| | J369 3058 | AR | | | Standard Duty Cooling - 300mm |
| | J323 0270 | AR | | | Heavy Duty Cooling - 350mm |
| | J323 5187 | AR | | | Heavy Duty Cooling - 450mm |
| 40 | J535 8026 | 1 | | | BOTTLE, Coolant *** |
| 41 | | | | | SCREW |
| | J400 5466 | 1 | | | .50" |
| | J018 8926 | 1 | | | .62" |
| 42 | J322 3202 | 1 | | | CAP |
| 43 | J012 0361 | 1 | | | NUT |
| 44 | J536 3169 | 1 | | | HOSE |
| 45 | J093 4246 | 1 | | | CLAMP |
| 46 | J322 3128 | 2 | | | CLAMP |
| 47 | J072 9451 | 2 | | | HOSE, Oil Drain |

MODEL CODES:

| | | |
|-----------------------------|-----------------------------|------------------------------|
| 15 = Grand Wagoneer 4 Dr. | 65 = Comanche 4WD-7 Ft. Box | 77 = Cherokee 4WD-2 Dr. |
| 25 = J-10 Pickup-119" W.B. | 66 = Comanche 2WD-7 Ft. Box | 78 = Cherokee 4WD-4 Dr. |
| 26 = J-10 Pickup-131" W.B. | 73 = Cherokee 2WD-2 Dr. | 79 = Cherokee 4WD-4 Dr.-Com |
| 27 = J-20 Pickup-131" W.B. | 74 = Cherokee 2WD-4 Dr. | 81 = Wrangler-93" W.B. |
| 63 = Comanche 4WD-6 Ft. Box | 75 = Wagoneer 4WD-4 Dr. | 82 = Wrangler-103" W.B.-Exp. |
| 64 = Comanche 2WD-6 Ft. Box | | |

BODY STYLES:

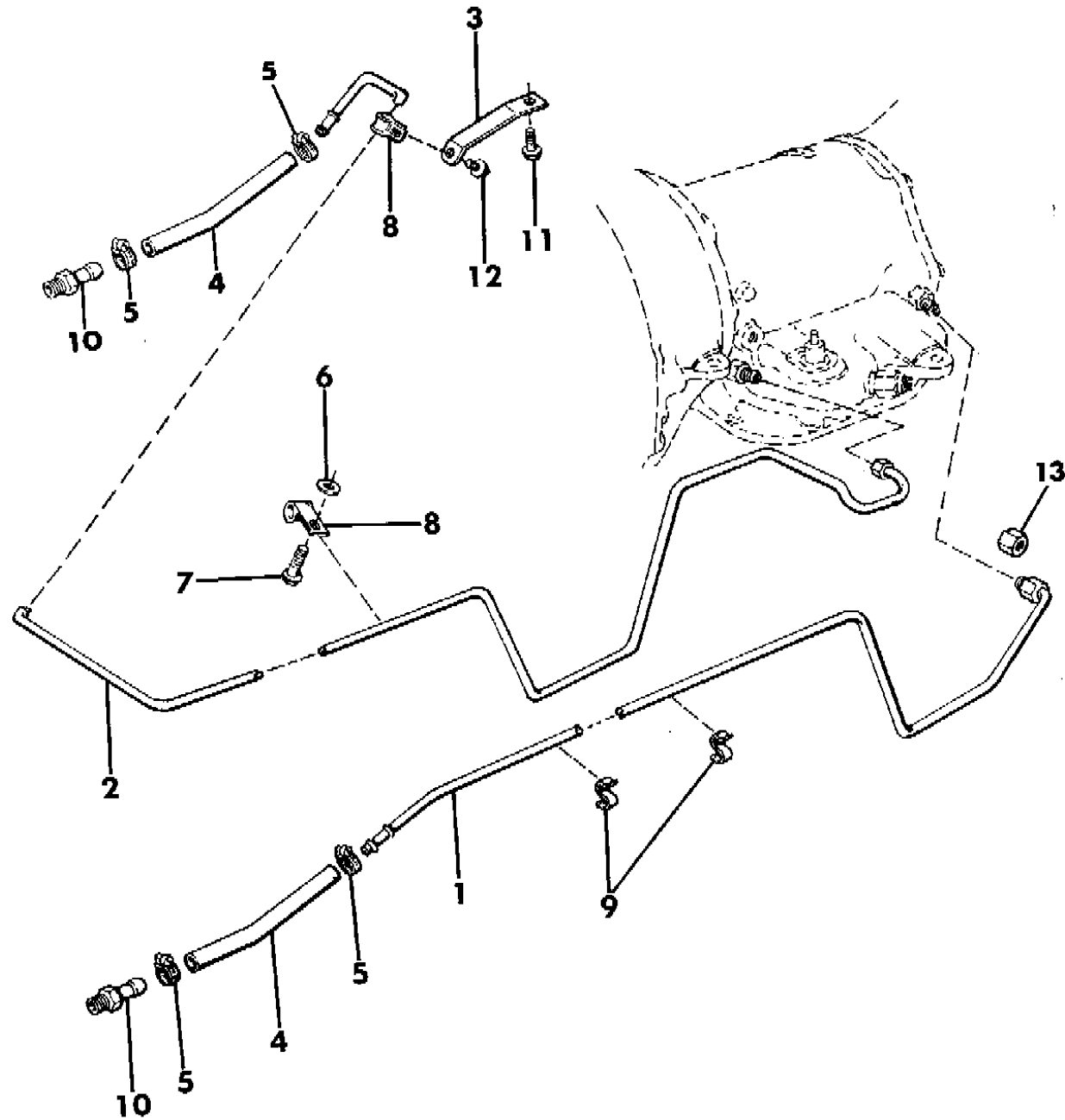
MJ = Comanche Pickup
 SJ = Grand Wagoneer Wgn., J-10 & J-20 Pickups
 XJ = Cherokee, Wagoneer Limited
 YJ = Wrangler

AR = Use as Required - = Non Illustrated Part P.A.R. = Paint as Required

OIL COOLER LINES AUTOMATIC TRANSMISSION WRANGLER, YJ
Figure 7-1200

8J07 1200

| ITEM | PART NUMBER | QTY | BODY | MODEL | DESCRIPTION |
|------|-------------|-----|------|-------|-------------------------------|
| 1 | 5300 2012 | 1 | | | TUBE, Oil Supply |
| 2 | 5300 2013 | 1 | | | TUBE, Oil Return 1987-1989 |
| | 4418 154 | 1 | | | 1990 |
| 3 | J536 3747 | 1 | | | BRACKET, Return Line |
| 4 | J812 5814 | 2 | | | HOSE Bulk |
| 5 | J400 6502 | 4 | | | CLAMP, Hose Oil Cooler Lines |
| 6 | J066 9842 | 4 | | | SPACER |
| 7 | J400 6393 | 2 | | | BOLT 1/4-20 |
| 8 | J012 0522 | 3 | | | CLIP, Tube #5x1 |
| 9 | J400 0021 | 3 | | | CLIP, Tube |
| 10 | J318 7949 | 2 | | | FITTING |
| 11 | J400 6296 | 1 | | | SCREW 1/4-20x.56 |
| 12 | J942 6241 | 1 | | | BOLT 1/4-14x.50 |
| 13 | J400 4457 | 2 | | | NUT 1/4-20 |



MODEL CODES:

| | | |
|-----------------------------|-----------------------------|------------------------------|
| 15 = Grand Wagoneer 4 Dr. | 65 = Comanche 4WD-7 Ft. Box | 77 = Cherokee 4WD-2 Dr. |
| 25 = J-10 Pickup-119" W.B. | 66 = Comanche 2WD-7 Ft. Box | 78 = Cherokee 4WD-4 Dr. |
| 26 = J-10 Pickup-131" W.B. | 73 = Cherokee 2WD-2 Dr. | 79 = Cherokee 4WD-4 Dr.-Com |
| 27 = J-20 Pickup-131" W.B. | 74 = Cherokee 2WD-4 Dr. | 81 = Wrangler-93" W.B. |
| 63 = Comanche 4WD-6 Ft. Box | 75 = Wagoneer 4WD-4 Dr. | 82 = Wrangler-103" W.B.-Exp. |
| 64 = Comanche 2WD-6 Ft. Box | | |

BODY STYLES:

MJ = Comanche Pickup
SJ = Grand Wagoneer Wgn., J-10 & J-20 Pickups
XJ = Cherokee, Wagoneer Limited
YJ = Wrangler

AR = Use as Required - = Non Illustrated Part P.A.R. = Paint as Required

OIL COOLER AND LINES AUTOMATIC TRANSMISSION CHEROKEE, WAGONEER, COMANCHE

Figure 7-1300

8J07 1300

| ITEM | PART NUMBER | QTY | BODY | MODEL | DESCRIPTION |
|------|-------------|-----|------|-------|--|
| 1 | 5300 2868 | 1 | | | TUBE, Supply - 4 Cylinder Engine |
| | 5300 4531 | 1 | | | TUBE, Return - 6 Cylinder Engine |
| 2 | 5300 2867 | 1 | | | TUBE, Return - 4 Cylinder Engine |
| | 5300 4530 | 1 | | | TUBE, Supply - 6 Cylinder Engine |
| 3 | 5300 4696 | 1 | | | BRACKET, Tube Clip Support - 4 Cylinder Engine |
| 4 | 5300 4631 | 1 | | | BRACKET, Tube Clip Mounting - 6 Cylinder Engine |
| 5 | 8220 0668 | 1 | | | COOLER, Auxiliary Oil, Heavy Duty Cooling (stamped 52002595) |
| 6 | 5200 3476 | 1 | | | HOSE ASSEMBLY - 6 Cylinder Engine |
| 7 | J320 3076 | 1 | | | CLAMP - 6 Cylinder Engine |
| 8 | 1150 2843 | 2 | | | SCREW - 6 Cylinder Engine |
| 9 | 5300 5224 | 1 | | | TUBE ASSEMBLY, Oil Cooler |
| 10 | 5300 4992 | 1 | | | BRACKET - 4 Cylinder Engine |
| 11 | 3420 2698 | 2 | | | CLIP - 6 Cylinder Engine |
| 12 | 5300 4989 | 1 | | | BRACKET - 6 Cylinder Engine |
| 13 | J400 0021 | 2 | | | CLIP "S" *** |
| 14 | J400 1717 | 1 | | | CLIP |
| 15 | J942 1073 | AR | | | SCREW #10-16x.50 |
| 16 | S027 3801 | 2 | | | NUT |
| 17 | 1150 2813 | 1 | | | NUT - 6 Cylinder Engine |
| 18 | 5300 4991 | 1 | | | BRACKET - 4 Cylinder Engine |
| 19 | 5300 4990 | 1 | | | BRACKET - 6 Cylinder Engine |
| 20 | 3420 2697 | 2 | | | CLIP |
| 21 | 8350 3728 | 2 | | | UNION |
| 22 | 8350 3727 | 2 | | | O-RING |
| 23 | 8350 4447 | 5 | | | REPAIR PACKAGE, Oil Cooler Lines Connect |
| 24 | 3420 1788 | AR | | | STRAP, Wiring |

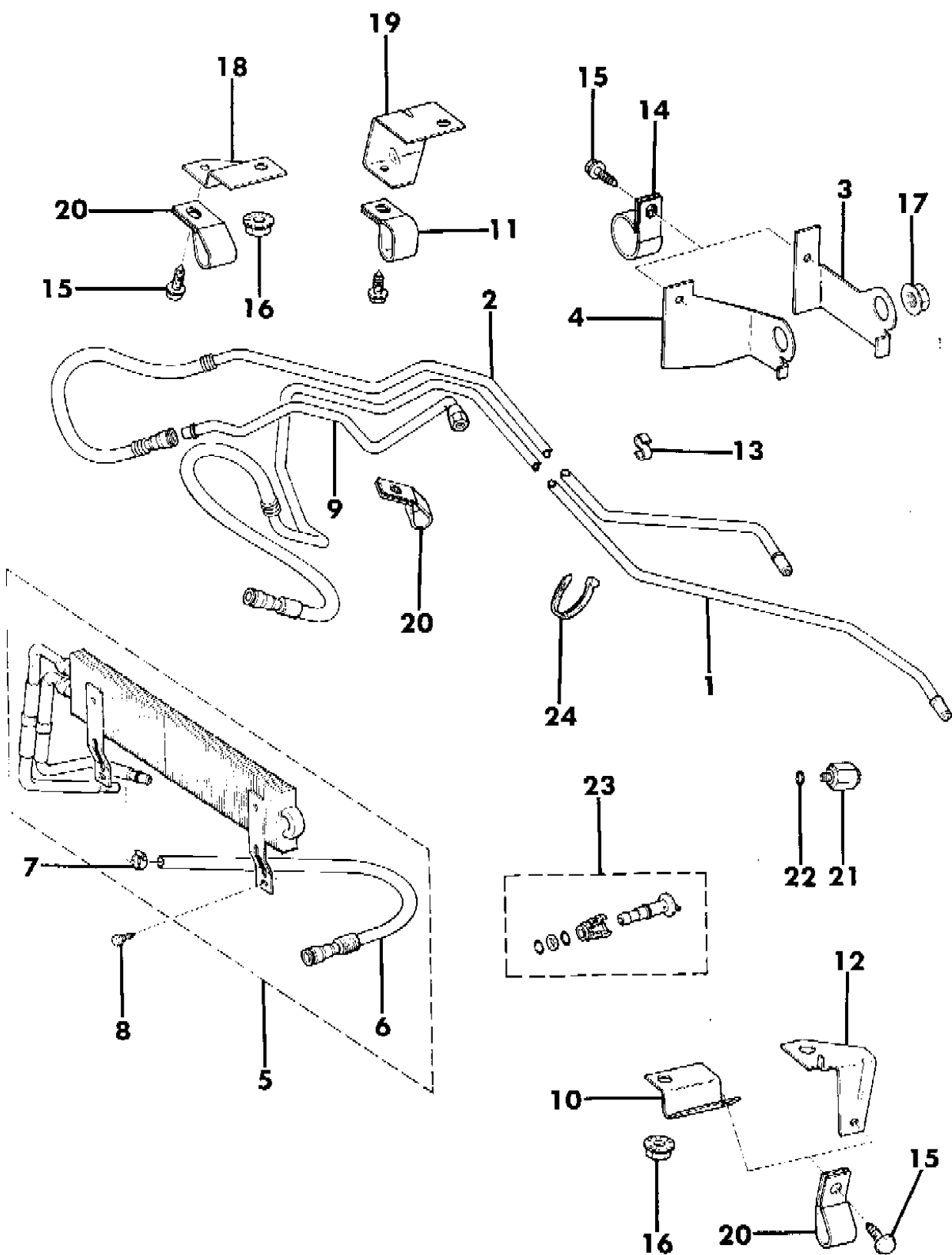
MODEL CODES:

| | | |
|-----------------------------|-----------------------------|------------------------------|
| 15 = Grand Wagoneer 4 Dr. | 65 = Comanche 4WD-7 Ft. Box | 77 = Cherokee 4WD-2 Dr. |
| 25 = J-10 Pickup-119" W.B. | 66 = Comanche 2WD-7 Ft. Box | 78 = Cherokee 4WD-4 Dr. |
| 26 = J-10 Pickup-131" W.B. | 73 = Cherokee 2WD-2 Dr. | 79 = Cherokee 4WD-4 Dr.-Com |
| 27 = J-20 Pickup-131" W.B. | 74 = Cherokee 2WD-4 Dr. | 81 = Wrangler-93" W.B. |
| 63 = Comanche 4WD-6 Ft. Box | 75 = Wagoneer 4WD-4 Dr. | 82 = Wrangler-103" W.B.-Exp. |
| 64 = Comanche 2WD-6 Ft. Box | | |

BODY STYLES:

MJ = Comanche Pickup
 SJ = Grand Wagoneer Wgn., J-10 & J-20 Pickups
 XJ = Cherokee, Wagoneer Limited
 YJ = Wrangler

AR = Use as Required - = Non Illustrated Part P.A.R. = Paint as Required



OIL COOLER AND LINES AUTOMATIC TRANSMISSION GRAND WAGONEER

Figure 7-1400

8J07 1400

| ITEM | PART NUMBER | QTY | BODY | MODEL | DESCRIPTION |
|------|-------------|-----|------|-------|--|
| 1 | J536 1659 | 1 | | | COOLER, Auxiliary Oil |
| 2 | J536 1664 | 1 | | | BRACKET, Auxiliary Oil Cooler, Right Hand |
| 3 | | | | | CLAMP |
| | J400 6502 | 4 | | | .22" to .62" |
| | J400 6661 | 4 | | | .44" to .78" |
| 4 | J536 1662 | 1 | | | HOSE, Auxiliary Oil Cooler to Radiator |
| 5 | J536 1661 | 1 | | | HOSE, Transmission Oil Cooler |
| 6 | J941 5803 | 4 | | | SCREW |
| 7 | J536 1822 | 8 | | | WASHER |
| 8 | J536 1663 | 1 | | | BRACKET, Auxiliary Oil Cooler, Left Hand |
| 9 | J012 0392 | 4 | | | WASHER |
| 10 | J941 6918 | 4 | | | NUT |
| 11 | J400 1701 | 4 | | | SCREW |
| 12 | J400 6393 | 1 | | | SCREW |
| 13 | J012 0522 | 1 | | | CLIP, Tube #5x1" |
| 14 | J094 1011 | 1 | | | SPACER |
| 15 | J942 3545 | 1 | | | BOLT |
| 16 | J321 5925 | 1 | | | CLIP |
| 17 | J545 5277 | 1 | | | SPACER |
| 18 | J322 3227 | AR | | | STRAP |
| 19 | J942 6241 | 1 | | | SCREW |
| 20 | J400 0021 | AR | | | CLIP "S", Oil Cooler Tubes *** |
| 21 | J536 3746 | 1 | | | BRACKET, Oil Cooler Tube Support |
| 22 | | | | | TUBE ASSEMBLY, Return *** |
| | | | | | w/o Auxiliary Cooler |
| | J536 3797 | 1 | | | 1987-89 |
| | 4418 154 | AR | | | 1990 - Bulk, 25' Roll |
| | | | | | Auxiliary Cooler |
| | J536 3798 | 1 | | | 1987-89 |
| | 4418 154 | AR | | | 1990 - Bulk, 25' Roll |
| 23 | J536 3808 | 1 | | | TUBE ASSEMBLY, Oil Cooler Supply *** |
| 24 | J812 5814 | 1 | | | HOSE Bulk |
| 25 | J400 6662 | 2 | | | CONNECTOR, Auxiliary Oil Cooler Return Lines |
| 26 | J400 4457 | 2 | | | NUT, Hex Tube 1/2-20 Return Cooling Lines |
| 27 | J012 0527 | 1 | | | CLIP, Closed #10x1" Right Side |

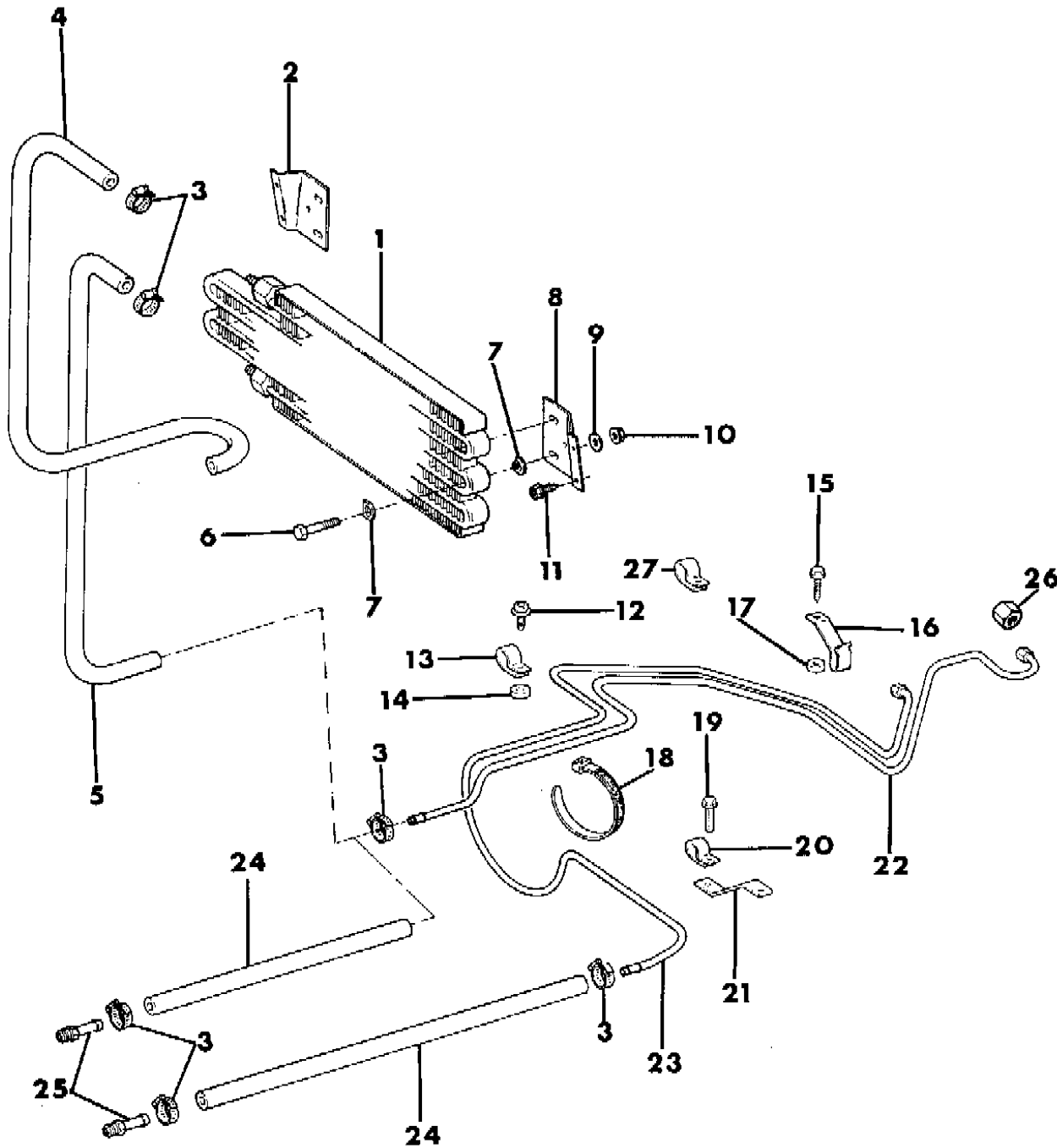
MODEL CODES:

| | | |
|-----------------------------|-----------------------------|------------------------------|
| 15 = Grand Wagoneer 4 Dr. | 65 = Comanche 4WD-7 Ft. Box | 77 = Cherokee 4WD-2 Dr. |
| 25 = J-10 Pickup-119" W.B. | 66 = Comanche 2WD-7 Ft. Box | 78 = Cherokee 4WD-4 Dr. |
| 26 = J-10 Pickup-131" W.B. | 73 = Cherokee 2WD-2 Dr. | 79 = Cherokee 4WD-4 Dr.-Com |
| 27 = J-20 Pickup-131" W.B. | 74 = Cherokee 2WD-4 Dr. | 81 = Wrangler-93" W.B. |
| 63 = Comanche 4WD-6 Ft. Box | 75 = Wagoneer 4WD-4 Dr. | 82 = Wrangler-103" W.B.-Exp. |
| 64 = Comanche 2WD-6 Ft. Box | | |

BODY STYLES:

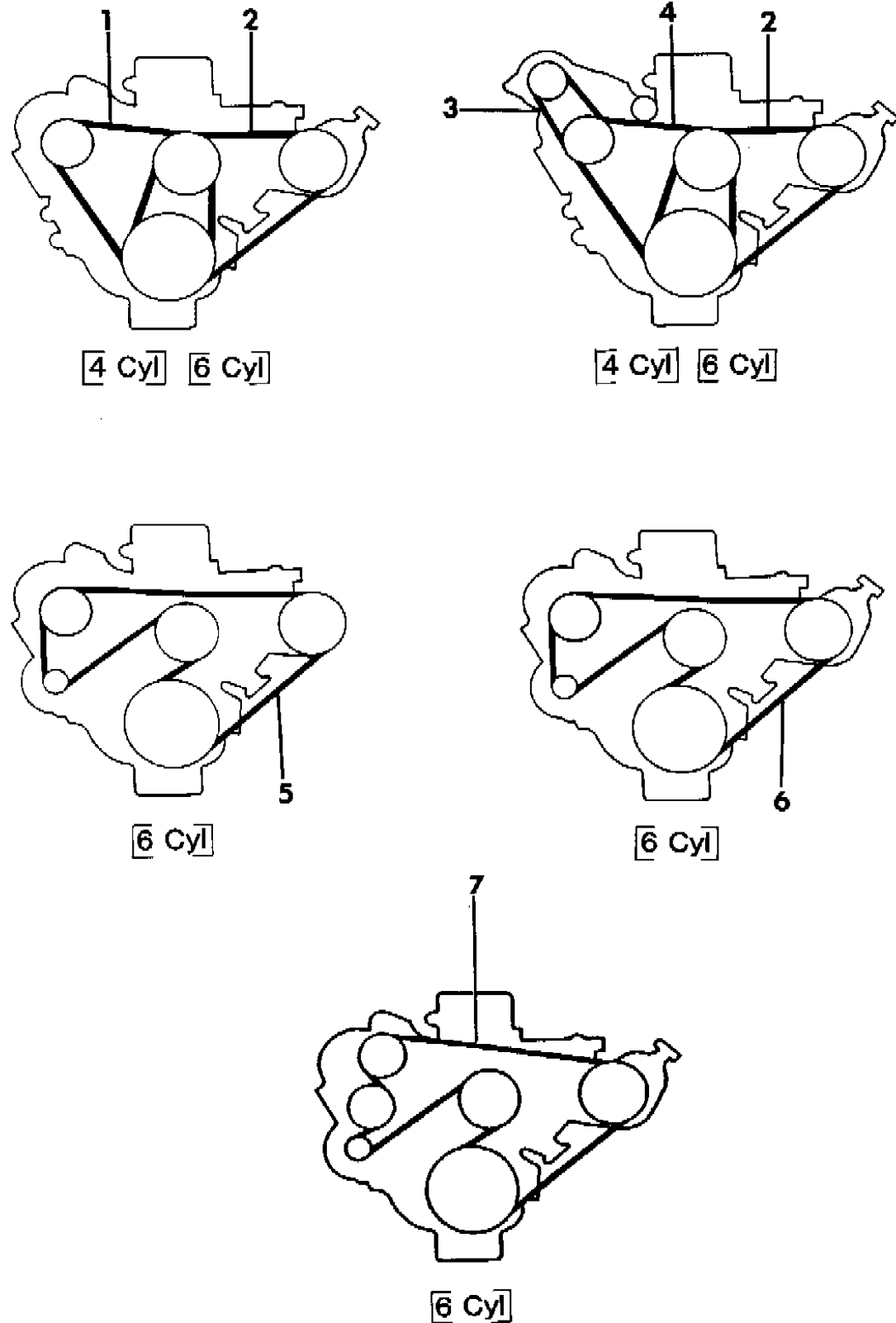
MJ = Comanche Pickup
 SJ = Grand Wagoneer Wgn., J-10 & J-20 Pickups
 XJ = Cherokee, Wagoneer Limited
 YJ = Wrangler

AR = Use as Required - = Non Illustrated Part P.A.R. = Paint as Required



DRIVE BELTS WRANGLER, YJ
Figure 7-1500

8J07 1500



| ITEM | PART NUMBER | QTY | BODY | MODEL | DESCRIPTION |
|------|-------------|-----|------|-------|--|
| 1 | | | | | BELT, Alternator |
| | JY01 3432 | 1 | | | 1987 |
| | J323 9615 | 1 | | | 1988-90 |
| 2 | | | | | BELT, Power Steering |
| | JY01 7465 | 1 | | | 1987 |
| | J322 6936 | 1 | | | 1988-90 |
| 3 | | | | | BELT, Alternator "American Air" Air Conditioning |
| | JY01 3241 | 1 | | | 1987 |
| | 8350 1923 | 1 | | | 1988-90 |
| 4 | 8350 3350 | 1 | | | BELT, Compressor - "American Air" Air Conditioning |
| 5 | | | | | BELT, Serpentine - w/o Power Steering |
| | JK06 0785 | 1 | | | 1987 |
| | 5300 1119 | 1 | | | 1988-90 |
| 6 | | | | | BELT, Serpentine - Power Steering |
| | JK06 0817 | 1 | | | 1987 |
| | 5300 1120 | 1 | | | 1988-90 |
| 7 | | | | | BELT, Serpentine - Egypt KDX 24 Volt |
| | 5300 1120 | 1 | | | w/o Power Steering |
| | | | | | w/Power Steering |
| | JK06 0860 | 1 | | | 1987 |
| | 5300 3674 | 1 | | | 1988-90 |

MODEL CODES:

| | | |
|-----------------------------|-----------------------------|------------------------------|
| 15 = Grand Wagoneer 4 Dr. | 65 = Comanche 4WD-7 Ft. Box | 77 = Cherokee 4WD-2 Dr. |
| 25 = J-10 Pickup-119" W.B. | 66 = Comanche 2WD-7 Ft. Box | 78 = Cherokee 4WD-4 Dr. |
| 26 = J-10 Pickup-131" W.B. | 73 = Cherokee 2WD-2 Dr. | 79 = Cherokee 4WD-4 Dr.-Com |
| 27 = J-20 Pickup-131" W.B. | 74 = Cherokee 2WD-4 Dr. | 81 = Wrangler-93" W.B. |
| 63 = Comanche 4WD-6 Ft. Box | 75 = Wagoneer 4WD-4 Dr. | 82 = Wrangler-103" W.B.-Exp. |
| 64 = Comanche 2WD-6 Ft. Box | | |

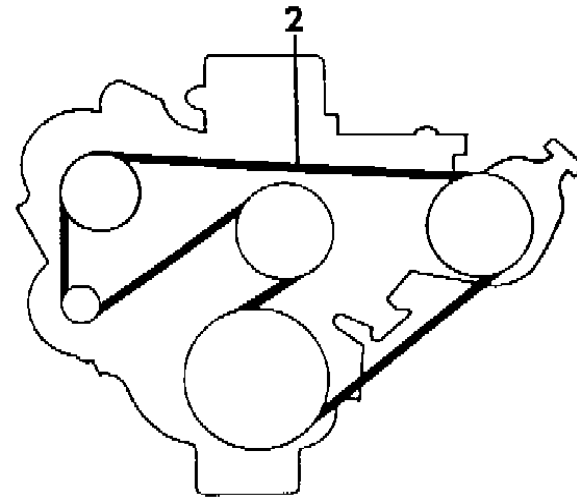
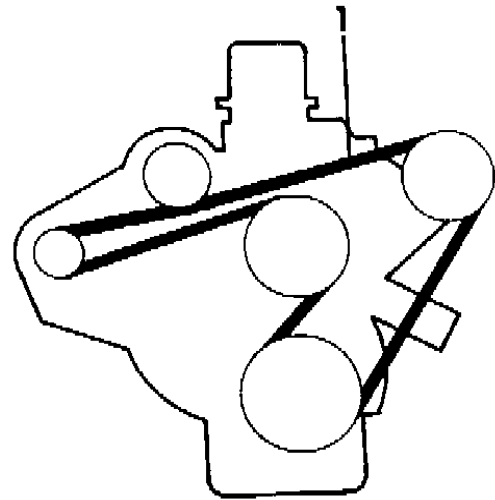
BODY STYLES:

MJ = Comanche Pickup
 SJ = Grand Wagoneer Wgn., J-10 & J-20 Pickups
 XJ = Cherokee, Wagoneer Limited
 YJ = Wrangler

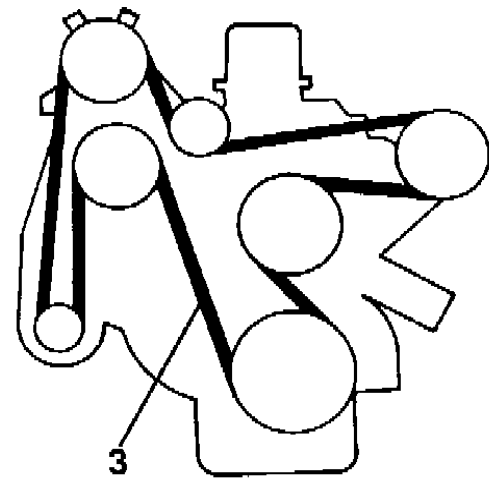
AR = Use as Required - = Non Illustrated Part P.A.R. = Paint as Required

DRIVE BELTS WAGONEER, CHEROKEE, COMANCHE
Figure 7-1600

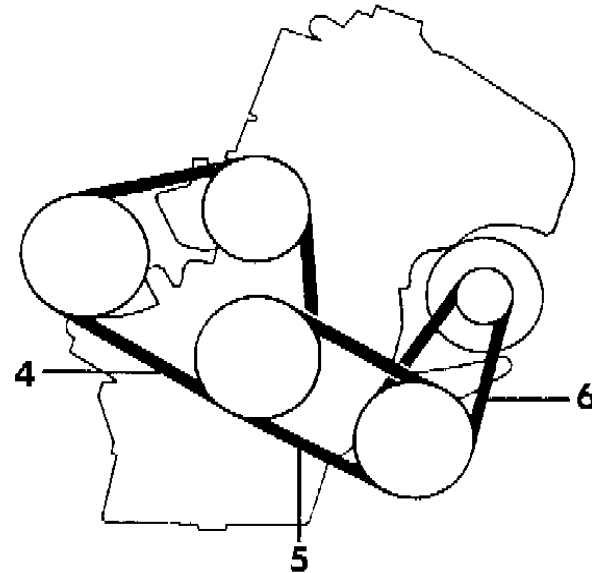
8J07 1600A



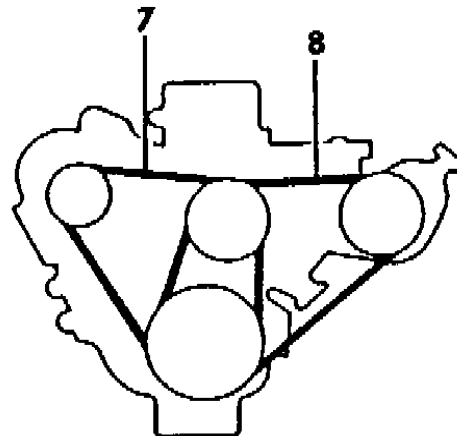
[4 Cyl-Gas]



[6 Cyl]



[Diesel]



| ITEM | PART NUMBER | QTY | BODY | MODEL | DESCRIPTION |
|------|-------------|-----|------|-------|---|
| 1 | 5300 2900 | 1 | | | BELT, Serpentine - w/o Factory Installed Air Conditioning |
| 2 | 5300 1120 | 1 | | | BELT, Serpentine -w/Factory Installed Air Conditioning |
| 3 | 5300 2899 | 1 | | | BELT, Serpentine |
| 4 | | | | | BELT, Fan |
| | 5300 1772 | 1 | | | w/o Factory Installed Air Conditioning |
| | 5300 2341 | 1 | | | w/Factory Installed Air Conditioning |
| 5 | 5300 1773 | 1 | | | BELT, Power Steering |
| 6 | 5300 1774 | 1 | | | BELT, Alternator |
| 7 | J323 9615 | 1 | | | BELT, Alternator, w/o Serpentine Belt Drive |
| 8 | J322 6936 | 1 | | | BELT, Power Steering, w/o Serpentine Belt Drive |

MODEL CODES:

| | | |
|-----------------------------|-----------------------------|------------------------------|
| 15 = Grand Wagoneer 4 Dr. | 65 = Comanche 4WD-7 Ft. Box | 77 = Cherokee 4WD-2 Dr. |
| 25 = J-10 Pickup-119" W.B. | 66 = Comanche 2WD-7 Ft. Box | 78 = Cherokee 4WD-4 Dr. |
| 26 = J-10 Pickup-131" W.B. | 73 = Cherokee 2WD-2 Dr. | 79 = Cherokee 4WD-4 Dr.-Com |
| 27 = J-20 Pickup-131" W.B. | 74 = Cherokee 2WD-4 Dr. | 81 = Wrangler-93" W.B. |
| 63 = Comanche 4WD-6 Ft. Box | 75 = Wagoneer 4WD-4 Dr. | 82 = Wrangler-103" W.B.-Exp. |
| 64 = Comanche 2WD-6 Ft. Box | | |

BODY STYLES:

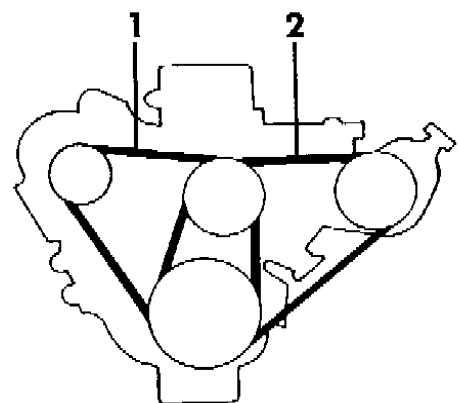
MJ = Comanche Pickup
SJ = Grand Wagoneer Wgn., J-10 & J-20 Pickups
XJ = Cherokee, Wagoneer Limited
YJ = Wrangler

AR = Use as Required - = Non Illustrated Part P.A.R. = Paint as Required

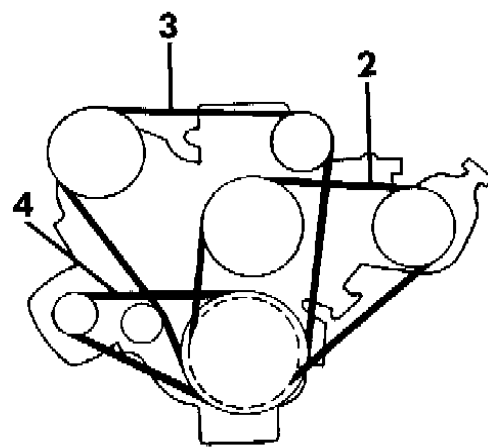
DRIVE BELTS GRAND WAGONEER

Figure 7-1700

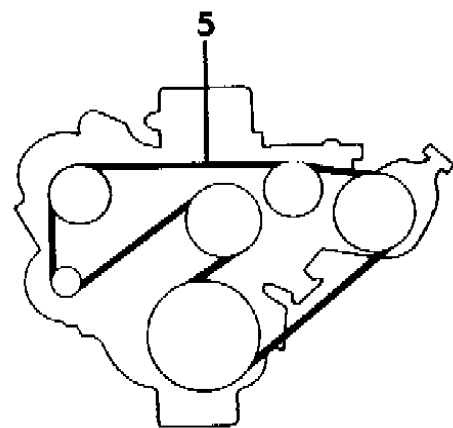
8J07 1700



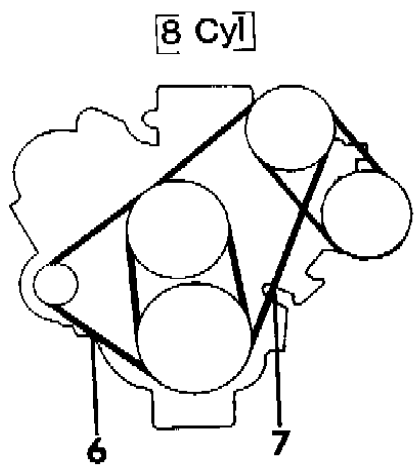
6 Cyl



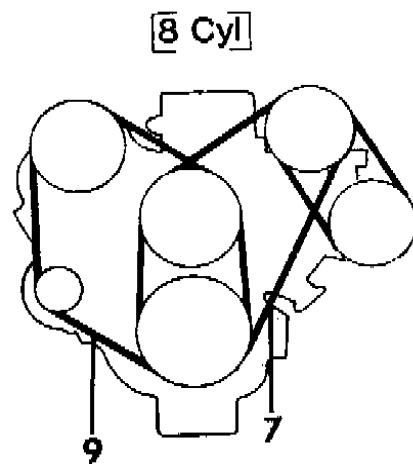
6 Cyl



6 Cyl



8 Cyl



8 Cyl

| ITEM | PART NUMBER | QTY | BODY | MODEL | DESCRIPTION |
|------|-------------|-----|------|-------|--|
| 1 | J323 9615 | 1 | | | BELT, Alternator |
| 2 | J322 6936 | 1 | | | BELT, Power Steering |
| 3 | J324 1403 | 1 | | | BELT, Air Conditioning |
| 4 | J323 9645 | 1 | | | BELT, Alternator |
| 5 | J323 9594 | 1 | | | BELT, Serpentine |
| 6 | J322 7690 | 1 | | | BELT, Alternator - 56 or 78 Ampere |
| | J536 2181 | 1 | | | BELT SET, Alternator - 85 or 94 Ampere *** |
| 7 | J322 7692 | 1 | | | BELT, Power Steering |
| 8 | J322 8287 | 1 | | | BELT, Air Pump |
| 9 | | | | | BELT SET, Alternator *** |
| | J322 7691 | 1 | | | 56, 78 or 94 Ampere *** |
| | J536 2180 | 1 | | | 85 Ampere |

MODEL CODES:

| | | |
|-----------------------------|-----------------------------|------------------------------|
| 15 = Grand Wagoneer 4 Dr. | 65 = Comanche 4WD-7 Ft. Box | 77 = Cherokee 4WD-2 Dr. |
| 25 = J-10 Pickup-119" W.B. | 66 = Comanche 2WD-7 Ft. Box | 78 = Cherokee 4WD-4 Dr. |
| 26 = J-10 Pickup-131" W.B. | 73 = Cherokee 2WD-2 Dr. | 79 = Cherokee 4WD-4 Dr.-Com |
| 27 = J-20 Pickup-131" W.B. | 74 = Cherokee 2WD-4 Dr. | 81 = Wrangler-93" W.B. |
| 63 = Comanche 4WD-6 Ft. Box | 75 = Wagoneer 4WD-4 Dr. | 82 = Wrangler-103" W.B.-Exp. |
| 64 = Comanche 2WD-6 Ft. Box | | |

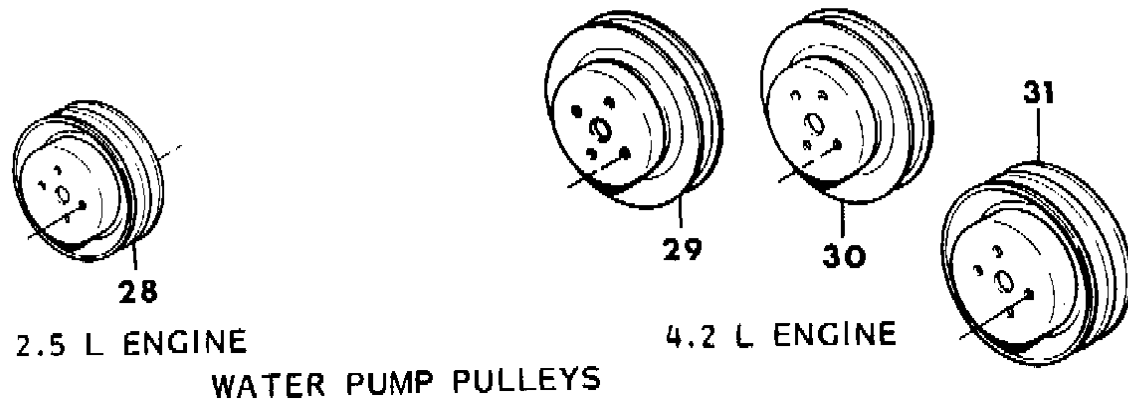
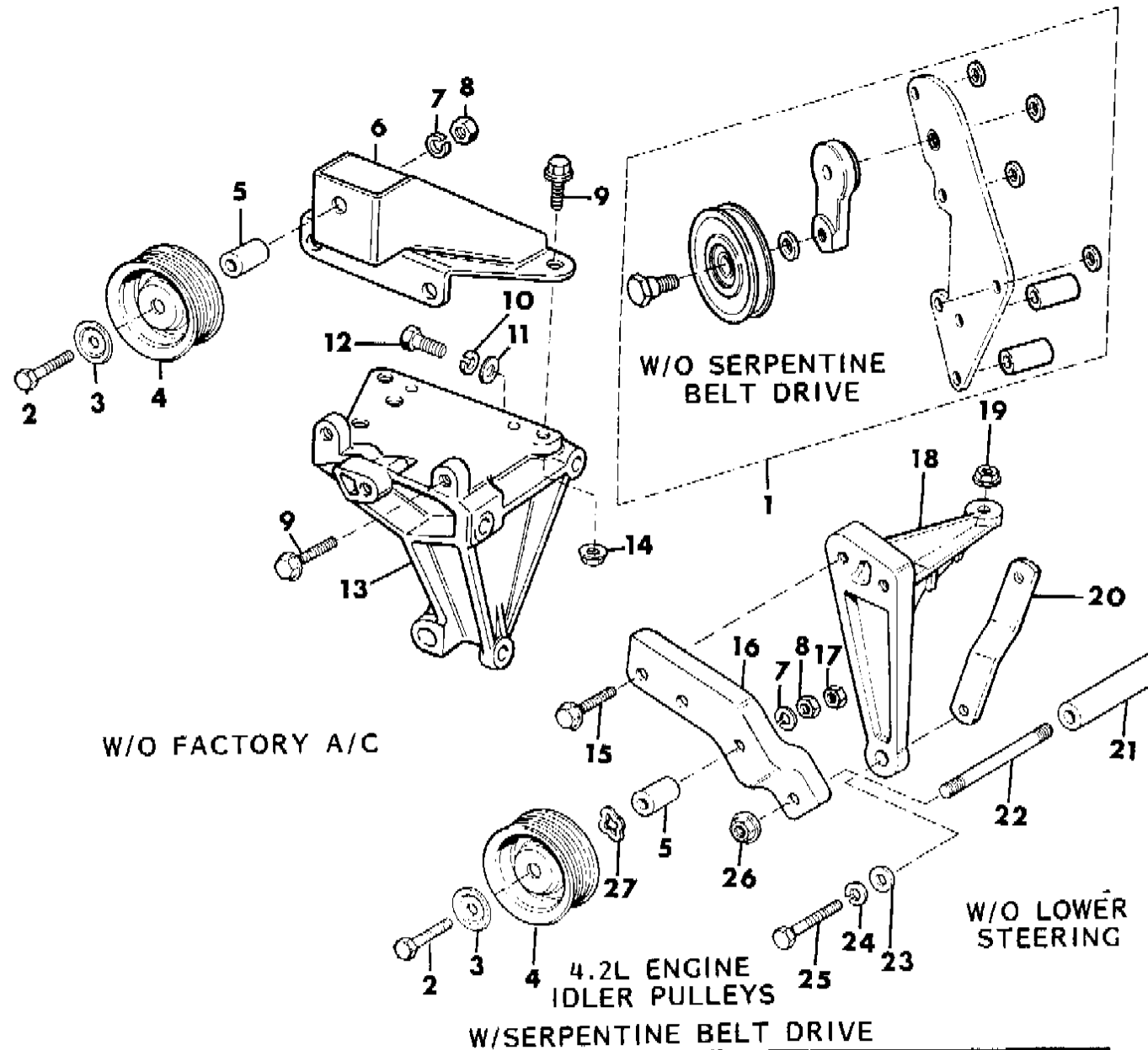
BODY STYLES:

MJ = Comanche Pickup
 SJ = Grand Wagoneer Wgn., J-10 & J-20 Pickups
 XJ = Cherokee, Wagoneer Limited
 YJ = Wrangler

AR = Use as Required - = Non Illustrated Part P.A.R. = Paint as Required

DRIVE PULLEYS WRANGLER, YJ
Figure 7-1800

8J07 1800A



| ITEM | PART NUMBER | QTY | BODY | MODEL | DESCRIPTION |
|------|-------------|-----|------|-------|--|
| 1 | 8350 3364 | 1 | | | PULLEY PACKAGE, Idler - "American Air" *** |
| 2 | J042 7571 | 2 | | | BOLT |
| 3 | J323 9495 | 2 | | | SHIELD |
| 4 | J323 9821 | 2 | | | PULLEY, Idler |
| | 5300 2903 | 1 | | | Egypt KDX - w/o Power Steering |
| | 5300 2905 | 1 | | | Egypt KDX - w/o Factory Installed Air Conditioning |
| 5 | J400 6738 | 2 | | | SPACER |
| | 5300 4302 | 1 | | | Egypt KDX - w/o Power Steering |
| 6 | 3300 2139 | 1 | | | BRACKET, Idler |
| 7 | J012 0383 | 2 | | | WASHER, Lock |
| 8 | J400 6165 | 2 | | | NUT |
| 9 | | | | | BOLT |
| | 1150 2606 | 1 | | | 25mm |
| | 1150 2689 | 3 | | | 30mm |
| 10 | J400 3803 | 4 | | | WASHER, Lock |
| 11 | J400 1102 | 4 | | | WASHER |
| 12 | | | | | BOLT |
| | J400 6995 | 4 | | | 1.12" |
| | J018 0129 | AR | | | 1.87" |
| 13 | 5300 0530 | 1 | | | BRACKET, Idler |
| 14 | J400 3909 | 4 | | | NUT |
| 15 | J027 3776 | 2 | | | BOLT |
| 16 | 3300 0542 | 1 | | | BRACKET, Idler |
| 17 | J027 2122 | 1 | | | NUT, Jam |
| 18 | 3300 4224 | 1 | | | BRACKET, Idler |
| 19 | J400 4005 | 2 | | | NUT |
| 20 | 3300 0715 | 1 | | | BRACE |
| 21 | J400 6988 | 1 | | | SPACER |
| 22 | J420 0424 | 1 | | | STUD |
| 23 | J400 1104 | 1 | | | WASHER |
| 24 | J012 0382 | 1 | | | WASHER, Lock |
| 25 | J018 0126 | 1 | | | BOLT |
| 26 | 1150 6007 | 1 | | | NUT |
| 27 | J400 4687 | 1 | | | WASHER |
| 28 | J323 6658 | 1 | | | PULLEY, Coolant Pump |
| 29 | J323 7564 | 1 | | | PULLEY, Coolant Pump - Serpentine Belt Drive |

MODEL CODES:

| | | |
|-----------------------------|-----------------------------|------------------------------|
| 15 = Grand Wagoneer 4 Dr. | 65 = Comanche 4WD-7 Ft. Box | 77 = Cherokee 4WD-2 Dr. |
| 25 = J-10 Pickup-119" W.B. | 66 = Comanche 2WD-7 Ft. Box | 78 = Cherokee 4WD-4 Dr. |
| 26 = J-10 Pickup-131" W.B. | 73 = Cherokee 2WD-2 Dr. | 79 = Cherokee 4WD-4 Dr.-Com |
| 27 = J-20 Pickup-131" W.B. | 74 = Cherokee 2WD-4 Dr. | 81 = Wrangler-93" W.B. |
| 63 = Comanche 4WD-6 Ft. Box | 75 = Wagoneer 4WD-4 Dr. | 82 = Wrangler-103" W.B.-Exp. |
| 64 = Comanche 2WD-6 Ft. Box | | |

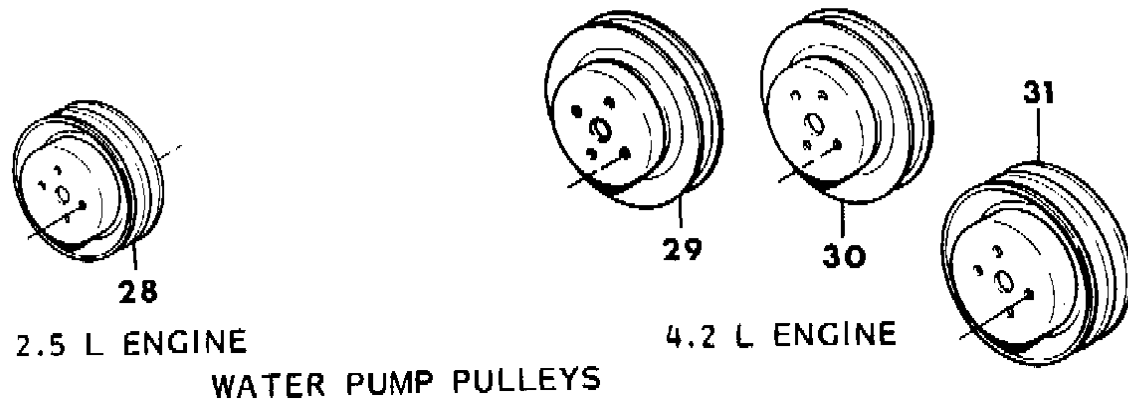
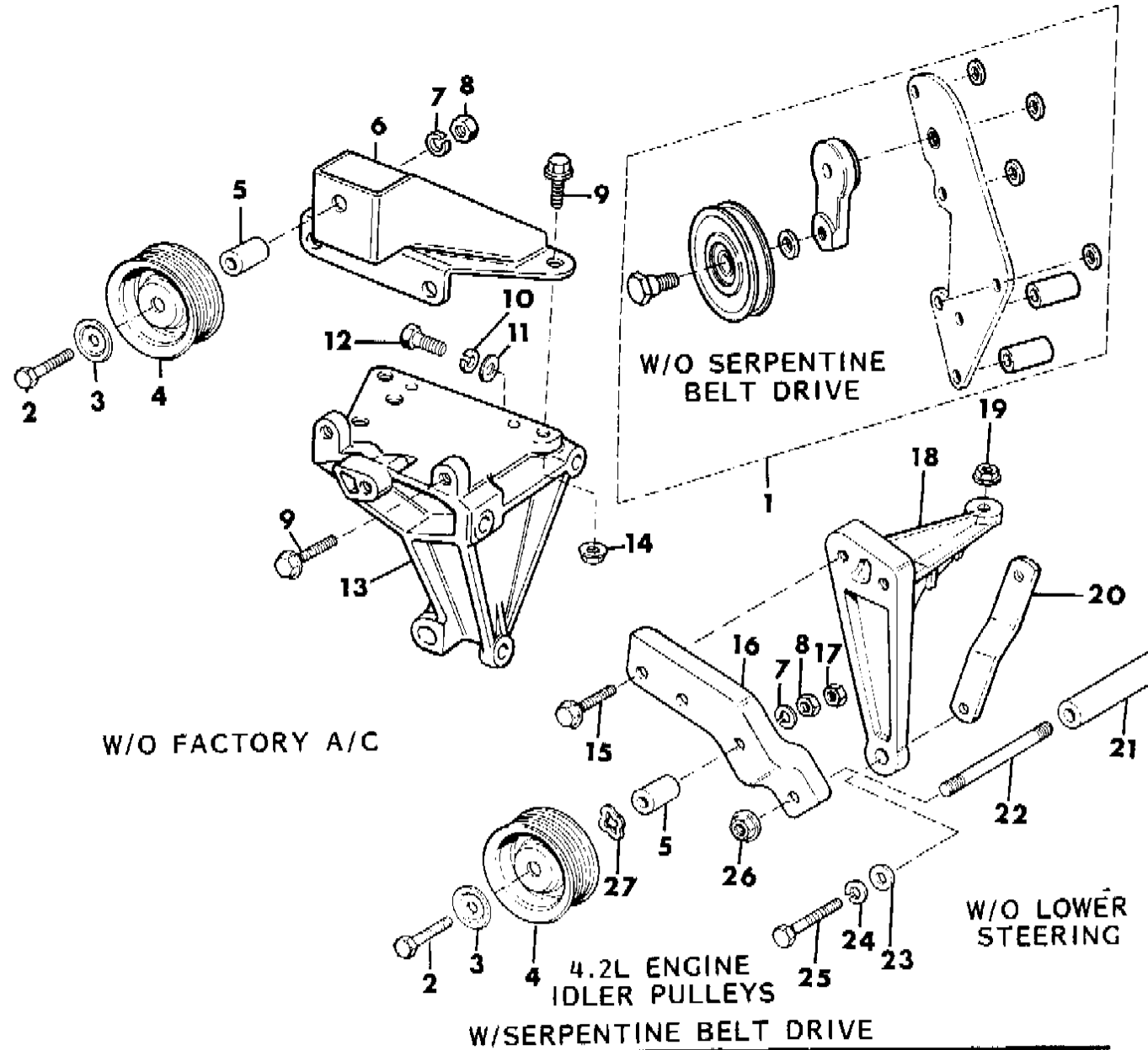
BODY STYLES:

MJ = Comanche Pickup
SJ = Grand Wagoneer Wgn., J-10 & J-20 Pickups
XJ = Cherokee, Wagoneer Limited
YJ = Wrangler

AR = Use as Required - = Non Illustrated Part P.A.R. = Paint as Required

DRIVE PULLEYS WRANGLER, YJ
Figure 7-1800

8J07 1800A



| ITEM | PART NUMBER | QTY | BODY | MODEL | DESCRIPTION |
|------|-------------|-----|------|-------|---|
| 30 | J323 6657 | 1 | | | PULLEY, Coolant Pump - Factory Installed Air Conditioning - w/o Serpentine Belt Drive |
| 31 | J323 6658 | 1 | | | PULLEY, Coolant Pump - w/o Factory Installed Air Conditioning - w/o Serpentine Belt Drive |
| | J323 6658 | 1 | | | PULLEY, Coolant Pump - "American Air" Air Conditioning - w/o Serpentine Belt Drive |

MODEL CODES:

| | | |
|-----------------------------|-----------------------------|------------------------------|
| 15 = Grand Wagoneer 4 Dr. | 65 = Comanche 4WD-7 Ft. Box | 77 = Cherokee 4WD-2 Dr. |
| 25 = J-10 Pickup-119" W.B. | 66 = Comanche 2WD-7 Ft. Box | 78 = Cherokee 4WD-4 Dr. |
| 26 = J-10 Pickup-131" W.B. | 73 = Cherokee 2WD-2 Dr. | 79 = Cherokee 4WD-4 Dr.-Com |
| 27 = J-20 Pickup-131" W.B. | 74 = Cherokee 2WD-4 Dr. | 81 = Wrangler-93" W.B. |
| 63 = Comanche 4WD-6 Ft. Box | 75 = Wagoneer 4WD-4 Dr. | 82 = Wrangler-103" W.B.-Exp. |
| 64 = Comanche 2WD-6 Ft. Box | | |

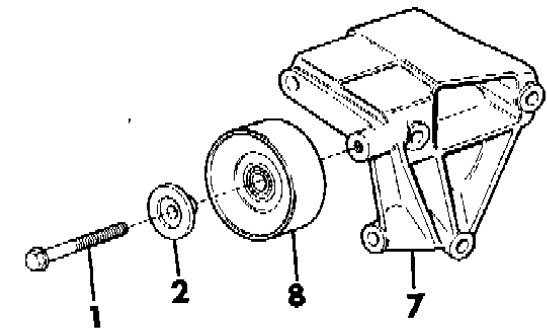
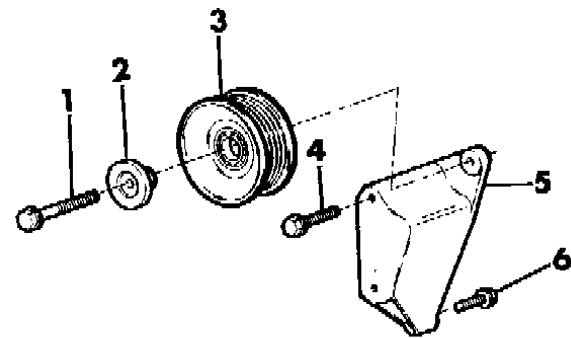
BODY STYLES:

MJ = Comanche Pickup
SJ = Grand Wagoneer Wgn., J-10 & J-20 Pickups
XJ = Cherokee, Wagoneer Limited
YJ = Wrangler

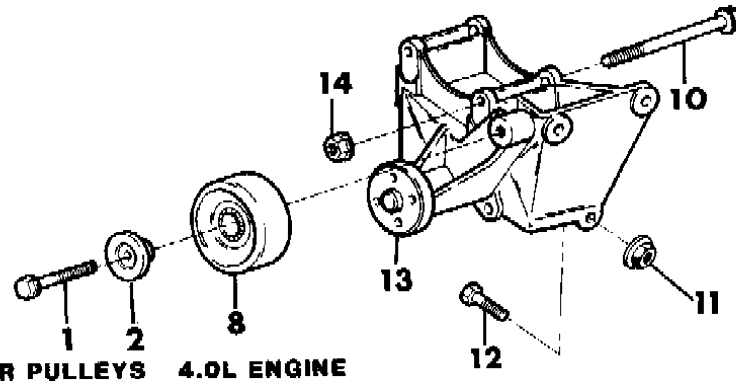
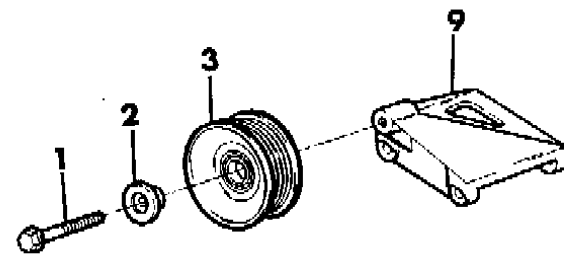
AR = Use as Required - = Non Illustrated Part P.A.R. = Paint as Required

DRIVE PULLEYS 4 AND 6 CYLINDER ENGINES WAGONEER, CHEROKEE, COMANCHE
Figure 7-1900

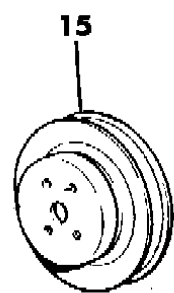
8 J 07 1900



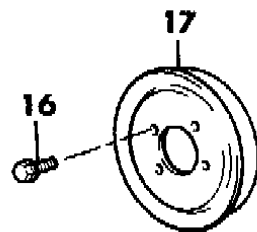
2.5L ENGINE



IDLER PULLEYS 4.0L ENGINE



2.5L ENGINE



17

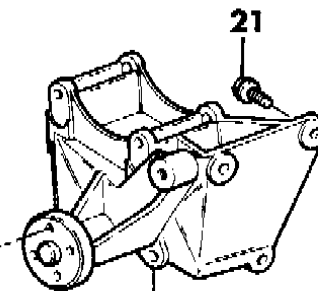
16

18

WATER PUMP PULLEYS



19



4.0L ENGINE

| ITEM | PART NUMBER | QTY | BODY | MODEL | DESCRIPTION |
|------|-------------|-----|------|-------|---|
| 1 | 3420 1869 | AR | | | BOLT |
| 2 | 3300 2201 | AR | | | BUSHING |
| 3 | 5300 2903 | AR | | | PULLEY, Idler |
| 4 | J813 2323 | 2 | | | BOLT |
| 5 | 5300 3804 | 1 | | | BRACKET, Idler Pulley - w/o Power Steering |
| 6 | 3420 1819 | 2 | | | BOLT |
| 7 | 3300 2961 | 1 | | | BRACKET |
| 8 | 5300 2905 | AR | | | PULLEY, Idler |
| 9 | 5300 2904 | 1 | | | BRACKET, Idler Pulley Mounting - w/o Air Conditioning |
| 10 | 3420 2168 | 2 | | | BOLT |
| 11 | J400 4747 | 1 | | | NUT |
| 12 | J400 7329 | 3 | | | BOLT |
| 13 | | | | | BRACKET, Idler Pulley Mounting |
| | 5300 2901 | 1 | | | Air Conditioning |
| | 5300 5462 | 1 | | | ECE |
| 14 | 1150 2812 | 2 | | | NUT |
| 15 | J323 7564 | 1 | | | PULLEY, Water Pump |
| 16 | 1150 2764 | 4 | | | BOLT |
| 17 | 5300 2907 | 1 | | | PULLEY, Water Pump |
| 18 | J400 6714 | 4 | | | STUD |
| 19 | 5300 2906 | 1 | | | PULLEY, Fan |
| 20 | 5300 2901 | 1 | | | BRACKET, Fan Mounting |
| 21 | J400 7329 | 3 | | | BOLT |

MODEL CODES:

| | | |
|-----------------------------|-----------------------------|------------------------------|
| 15 = Grand Wagoneer 4 Dr. | 65 = Comanche 4WD-7 Ft. Box | 77 = Cherokee 4WD-2 Dr. |
| 25 = J-10 Pickup-119" W.B. | 66 = Comanche 2WD-7 Ft. Box | 78 = Cherokee 4WD-4 Dr. |
| 26 = J-10 Pickup-131" W.B. | 73 = Cherokee 2WD-2 Dr. | 79 = Cherokee 4WD-4 Dr.-Com |
| 27 = J-20 Pickup-131" W.B. | 74 = Cherokee 2WD-4 Dr. | 81 = Wrangler-93" W.B. |
| 63 = Comanche 4WD-6 Ft. Box | 75 = Wagoneer 4WD-4 Dr. | 82 = Wrangler-103" W.B.-Exp. |
| 64 = Comanche 2WD-6 Ft. Box | | |

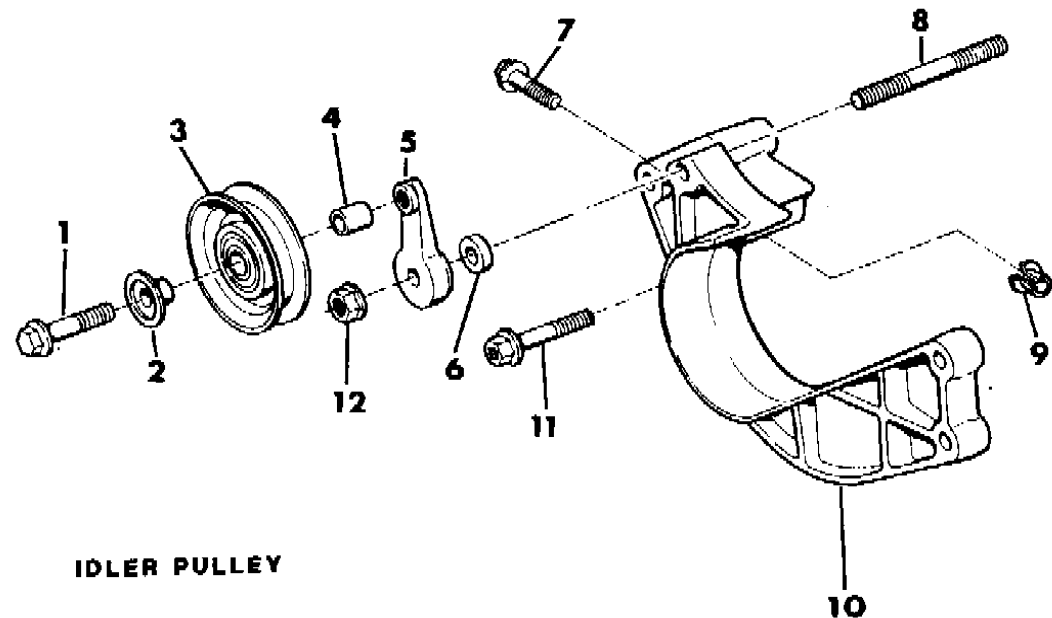
BODY STYLES:

MJ = Comanche Pickup
SJ = Grand Wagoneer Wgn., J-10 & J-20 Pickups
XJ = Cherokee, Wagoneer Limited
YJ = Wrangler

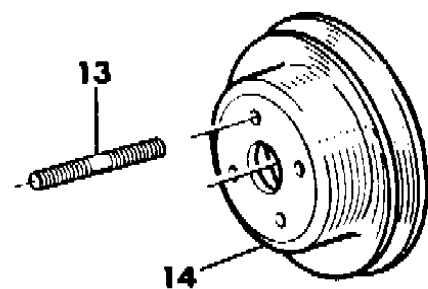
AR = Use as Required - = Non Illustrated Part P.A.R. = Paint as Required

DRIVE PULLEYS DIESEL ENGINE CHEROKEE, COMANCHE
Figure 7-2000

8 J07 2000



IDLER PULLEY



WATER PUMP PULLEY

| ITEM | PART NUMBER | QTY | BODY | MODEL | DESCRIPTION |
|------|-------------|-----|------|-------|------------------|
| 1 | 3420 2060 | 1 | | | BOLT |
| 2 | 3300 2201 | 1 | | | BUSHING |
| 3 | J324 0577 | 1 | | | PULLEY, Idler |
| 4 | 3420 2054 | 1 | | | SPACER |
| 5 | J324 0576 | 1 | | | ECCENTRIC, Idler |
| 6 | 3420 2053 | 1 | | | SPACER |
| 7 | 3420 1869 | 1 | | | BOLT |
| 8 | 3420 1743 | 1 | | | STUD |
| 9 | 5300 0548 | 1 | | | SPACER |
| 10 | 5300 1771 | 1 | | | BRACKET, Idler |
| 11 | 3420 2047 | 1 | | | BOLT |
| 12 | J420 0081 | 1 | | | NUT |
| 13 | 3420 2197 | 4 | | | STUD |
| 14 | T072 5803 | 1 | | | PULLEY |

MODEL CODES:

| | | |
|-----------------------------|-----------------------------|------------------------------|
| 15 = Grand Wagoneer 4 Dr. | 65 = Comanche 4WD-7 Ft. Box | 77 = Cherokee 4WD-2 Dr. |
| 25 = J-10 Pickup-119" W.B. | 66 = Comanche 2WD-7 Ft. Box | 78 = Cherokee 4WD-4 Dr. |
| 26 = J-10 Pickup-131" W.B. | 73 = Cherokee 2WD-2 Dr. | 79 = Cherokee 4WD-4 Dr.-Com |
| 27 = J-20 Pickup-131" W.B. | 74 = Cherokee 2WD-4 Dr. | 81 = Wrangler-93" W.B. |
| 63 = Comanche 4WD-6 Ft. Box | 75 = Wagoneer 4WD-4 Dr. | 82 = Wrangler-103" W.B.-Exp. |
| 64 = Comanche 2WD-6 Ft. Box | | |

BODY STYLES:

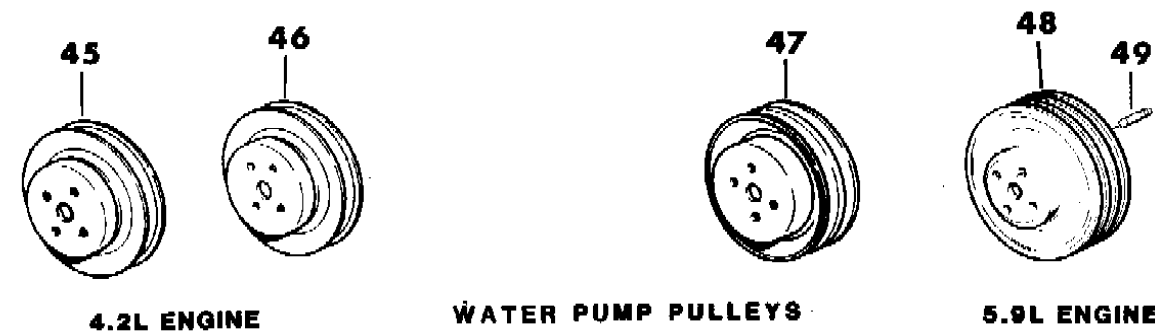
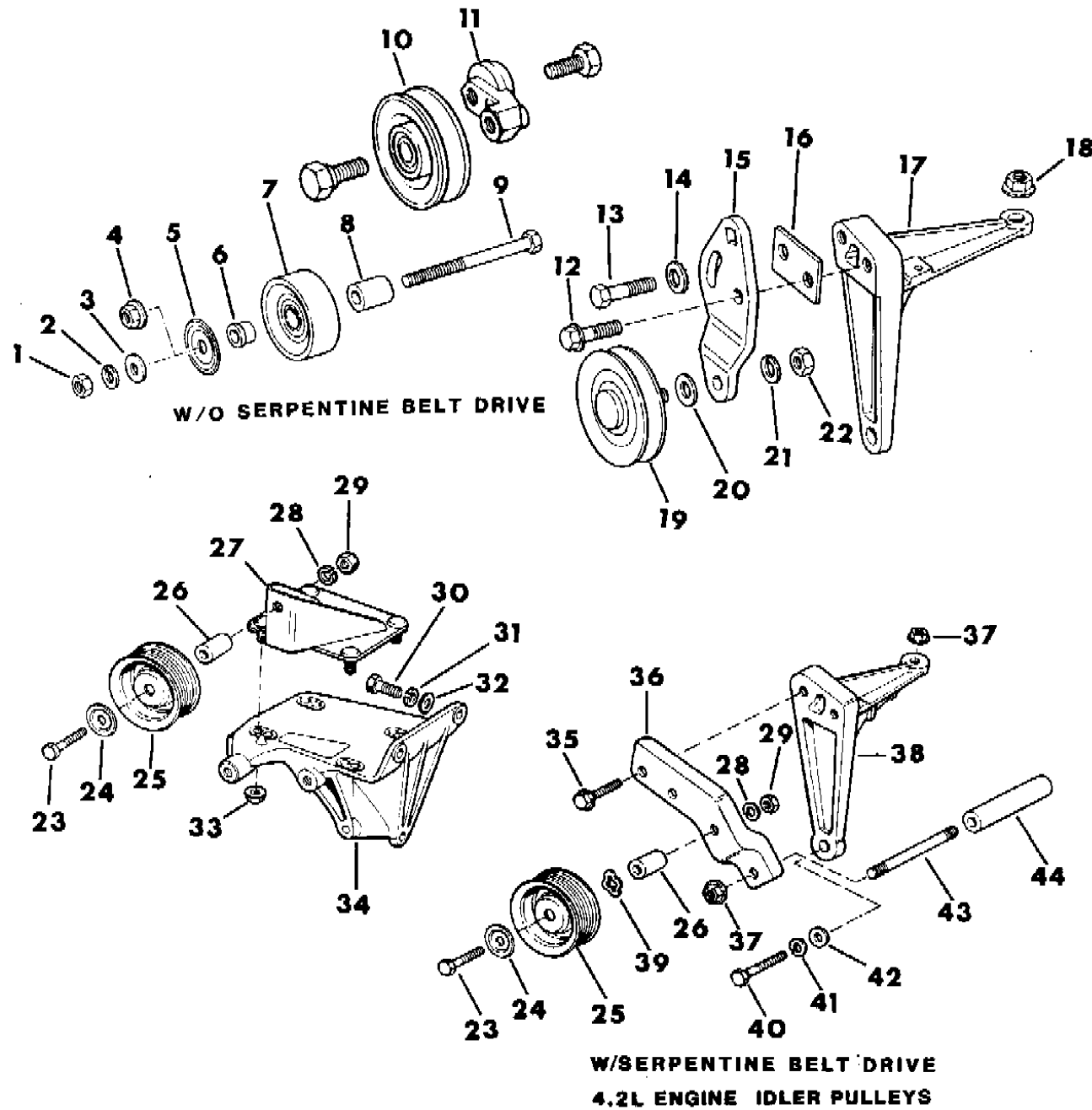
MJ = Comanche Pickup
SJ = Grand Wagoneer Wgn., J-10 & J-20 Pickups
XJ = Cherokee, Wagoneer Limited
YJ = Wrangler

AR = Use as Required - = Non Illustrated Part P.A.R. = Paint as Required

DRIVE PULLEYS GRAND WAGONEER, J10, J20

Figure 7-2100

8 J 07 2100



| ITEM | PART NUMBER | QTY | BODY | MODEL | DESCRIPTION |
|------|-------------|-----|------|-------|---|
| 1 | J012 0377 | 1 | | | NUT, Hex - Factory Installed Air Conditioning |
| 2 | J400 3803 | 1 | | | WASHER, Lock - Factory Installed Air Conditioning |
| 3 | J400 1104 | 1 | | | WASHER, Flat - Factory Installed Air Conditioning |
| 4 | J400 4008 | 1 | | | NUT, Flange - Factory Installed Air Conditioning |
| 5 | J324 1090 | 1 | | | SHIELD - Factory Installed Air Conditioning |
| 6 | J324 1039 | 1 | | | BUSHING - Factory Installed Air Conditioning |
| 7 | J324 1406 | 1 | | | PULLEY, Idler - Factory Installed Air Conditioning |
| 8 | J400 6949 | 1 | | | SPACER - Factory Installed Air Conditioning |
| 9 | J018 9295 | 1 | | | BOLT - Factory Installed Air Conditioning |
| 10 | 8350 1351 | 1 | | | PULLEY, Idler - "American Air" Air Conditioning |
| 11 | J813 3940 | 1 | | | ECCENTRIC, Idler - "American Air" Air Conditioning *** |
| 12 | J027 3776 | 1 | | | BOLT - Factory Installed Air Conditioning |
| 13 | J400 4100 | 1 | | | BOLT - Factory Installed Air Conditioning |
| 14 | J400 5390 | 1 | | | WASHER - Factory Installed Air Conditioning |
| 15 | J322 4472 | 1 | | | BRACKET, Idler - Factory Installed Air Conditioning |
| 16 | J322 4473 | 1 | | | SPACER - Factory Installed Air Conditioning |
| 17 | 3300 4224 | 1 | | | BRACKET, Idler - Factory Installed Air Conditioning |
| 18 | J400 4005 | 1 | | | NUT - Factory Installed Air Conditioning |
| 19 | J321 7201 | 1 | | | PULLEY, Idler - Factory Installed Air Conditioning |
| 20 | J400 1289 | 1 | | | SPACER - Factory Installed Air Conditioning |
| 21 | J400 1898 | 1 | | | WASHER, Lock - Factory Installed Air Conditioning |
| 22 | S012 0370 | 1 | | | NUT - Factory Installed Air Conditioning |
| 23 | J042 7571 | 1 | | | BOLT |
| 24 | J323 9495 | 1 | | | SHIELD |
| 25 | J323 9821 | 1 | | | PULLEY, Idler |
| 26 | J400 6738 | 1 | | | SPACER |
| 27 | 3300 0450 | 1 | | | BRACKET, Idler - w/o Factory Installed Air Conditioning |
| 28 | J012 0383 | 1 | | | WASHER, Lock |
| 29 | J027 2122 | 1 | | | NUT |
| 30 | J018 0123 | 4 | | | BOLT - w/o Factory Installed Air Conditioning |
| 31 | J400 3803 | 4 | | | WASHER, Lock - w/o Factory Installed Air Conditioning |
| 32 | J400 1102 | 4 | | | WASHER - w/o Factory Installed Air Conditioning |
| 33 | J400 3909 | 4 | | | NUT - w/o Factory Installed Air Conditioning |
| 34 | J323 7579 | 1 | | | BRACKET, Idler - w/o Factory Installed Air Conditioning |
| 35 | J027 3776 | 2 | | | BOLT |
| 36 | 3300 0542 | 1 | | | BRACKET, Idler |
| 37 | J400 4005 | 2 | | | NUT |

MODEL CODES:

| | | |
|-----------------------------|-----------------------------|------------------------------|
| 15 = Grand Wagoneer 4 Dr. | 65 = Comanche 4WD-7 Ft. Box | 77 = Cherokee 4WD-2 Dr. |
| 25 = J-10 Pickup-119" W.B. | 66 = Comanche 2WD-7 Ft. Box | 78 = Cherokee 4WD-4 Dr. |
| 26 = J-10 Pickup-131" W.B. | 73 = Cherokee 2WD-2 Dr. | 79 = Cherokee 4WD-4 Dr.-Com |
| 27 = J-20 Pickup-131" W.B. | 74 = Cherokee 2WD-4 Dr. | 81 = Wrangler-93" W.B. |
| 63 = Comanche 4WD-6 Ft. Box | 75 = Wagoneer 4WD-4 Dr. | 82 = Wrangler-103" W.B.-Exp. |
| 64 = Comanche 2WD-6 Ft. Box | | |

BODY STYLES:

MJ = Comanche Pickup
 SJ = Grand Wagoneer Wgn., J-10 & J-20 Pickups
 XJ = Cherokee, Wagoneer Limited
 YJ = Wrangler

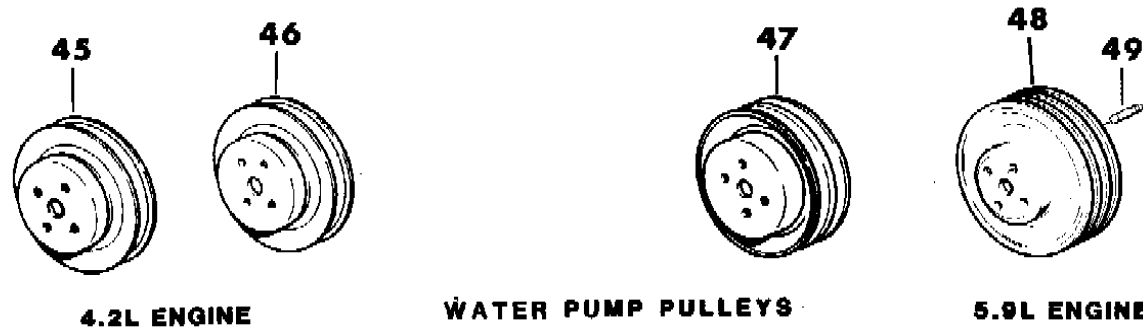
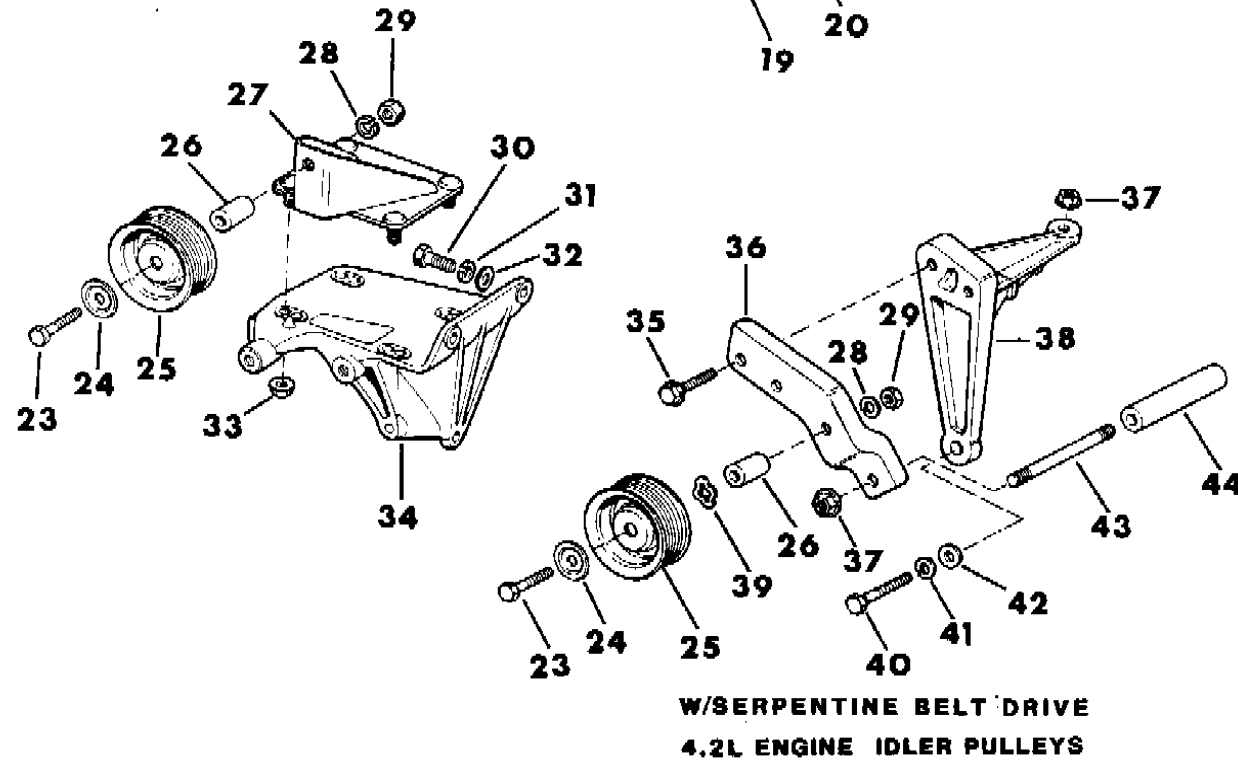
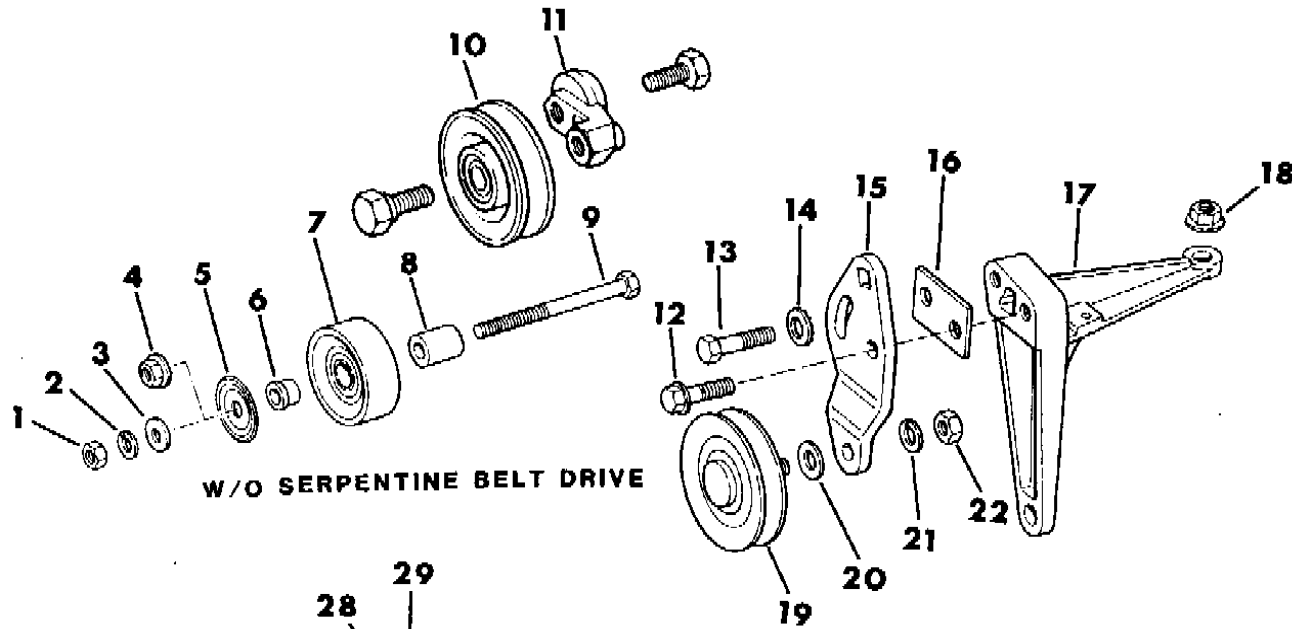
AR = Use as Required - = Non Illustrated Part P.A.R. = Paint as Required

DRIVE PULLEYS GRAND WAGONEER, J10, J20

Figure 7-2100

8 J 07 2100

| ITEM | PART NUMBER | QTY | BODY | MODEL | DESCRIPTION |
|------|-------------|-----|------|-------|---|
| 38 | 3300 4224 | 1 | | | BRACKET, Idler |
| 39 | J400 4687 | 1 | | | WASHER |
| 40 | J018 0126 | 1 | | | BOLT |
| 41 | J012 0382 | 1 | | | WASHER, Lock |
| 42 | J400 1104 | 1 | | | WASHER |
| 43 | J420 0424 | 1 | | | STUD |
| 44 | J400 6987 | 1 | | | SPACER |
| 45 | J323 7564 | 1 | | | PULLEY, Coolant Pump - Serpentine Belt Drive |
| 46 | J323 6657 | 1 | | | PULLEY, Coolant Pump - Factory Installed Air Conditionig - w/o Serpentine Belt Drive |
| 47 | J323 6658 | 1 | | | PULLEY, Coolant Pump w/o Factory Installed Air Conditioning - w/o Serpentine Belt Drive |
| 48 | J323 6658 | 1 | | | "American Air" Air Conditioning - w/o Serpentine Belt Drive |
| 49 | J322 7673 | 1 | | | PULLEY |
| 49 | J400 6714 | 4 | | | STUD |



MODEL CODES:

| | | |
|-----------------------------|-----------------------------|------------------------------|
| 15 = Grand Wagoneer 4 Dr. | 65 = Comanche 4WD-7 Ft. Box | 77 = Cherokee 4WD-2 Dr. |
| 25 = J-10 Pickup-119" W.B. | 66 = Comanche 2WD-7 Ft. Box | 78 = Cherokee 4WD-4 Dr. |
| 26 = J-10 Pickup-131" W.B. | 73 = Cherokee 2WD-2 Dr. | 79 = Cherokee 4WD-4 Dr.-Com |
| 27 = J-20 Pickup-131" W.B. | 74 = Cherokee 2WD-4 Dr. | 81 = Wrangler-93" W.B. |
| 63 = Comanche 4WD-6 Ft. Box | 75 = Wagoneer 4WD-4 Dr. | 82 = Wrangler-103" W.B.-Exp. |
| 64 = Comanche 2WD-6 Ft. Box | | |

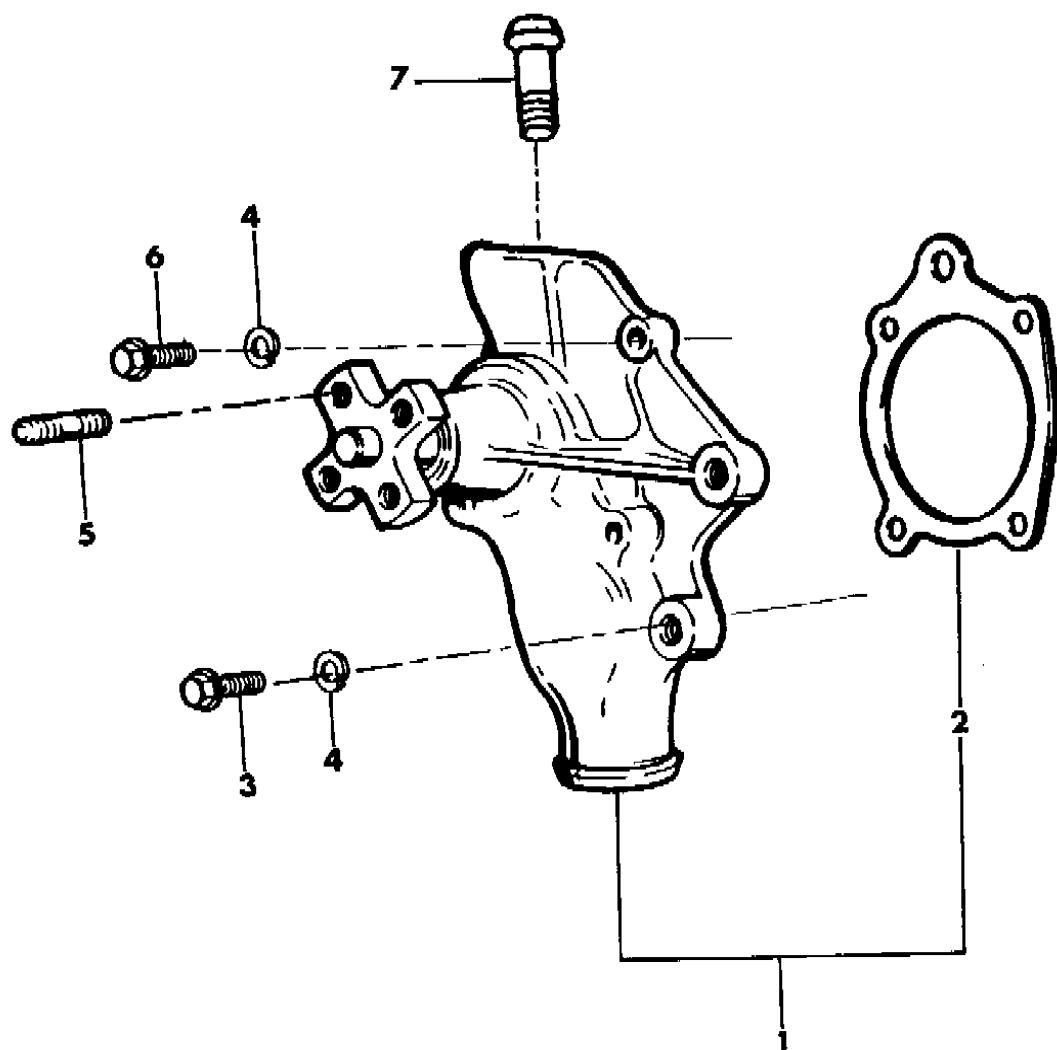
BODY STYLES:

MJ = Comanche Pickup
 SJ = Grand Wagoneer Wgn., J-10 & J-20 Pickups
 XJ = Cherokee, Wagoneer Limited
 YJ = Wrangler

AR = Use as Required - = Non Illustrated Part P.A.R. = Paint as Required

WATER PUMP WRANGLER, YJ
Figure 7-2200

8 J072200



| ITEM | PART NUMBER | QTY | BODY | MODEL | DESCRIPTION |
|------|-------------|-----|------|-------|---|
| 1 | | | | | PUMP PACKAGE, Coolant |
| | JR77 5046 | 1 | | | 2.5L Engine Remanufactured |
| | 8350 2957 | 1 | | | Export 4.2L Engine - w/o Serpentine Belt Drive |
| | JR77 5046 | 1 | | | Remanufactured |
| | 8350 2957 | 1 | | | Export 4.2L Engine - Serpentine Belt Drive |
| | JR77 5047 | 1 | | | Remanufactured |
| | 8350 2938 | 1 | | | Export |
| 2 | J317 3204 | 1 | | | GASKET |
| 3 | J400 6908 | 2 | | | BOLT |
| 4 | J012 0214 | 8 | | | WASHER |
| 5 | J400 6714 | 4 | | | STUD |
| 6 | | | | | BOLT |
| | J400 3872 | 2 | | | 2.5L Engine |
| | J943 1975 | 2 | | | 4.2L Engine |
| 7 | J314 2368 | 1 | | | TUBE |

MODEL CODES:

| | | |
|-----------------------------|-----------------------------|------------------------------|
| 15 = Grand Wagoneer 4 Dr. | 65 = Comanche 4WD-7 Ft. Box | 77 = Cherokee 4WD-2 Dr. |
| 25 = J-10 Pickup-119" W.B. | 66 = Comanche 2WD-7 Ft. Box | 78 = Cherokee 4WD-4 Dr. |
| 26 = J-10 Pickup-131" W.B. | 73 = Cherokee 2WD-2 Dr. | 79 = Cherokee 4WD-4 Dr.-Com |
| 27 = J-20 Pickup-131" W.B. | 74 = Cherokee 2WD-4 Dr. | 81 = Wrangler-93" W.B. |
| 63 = Comanche 4WD-6 Ft. Box | 75 = Wagoneer 4WD-4 Dr. | 82 = Wrangler-103" W.B.-Exp. |
| 64 = Comanche 2WD-6 Ft. Box | | |

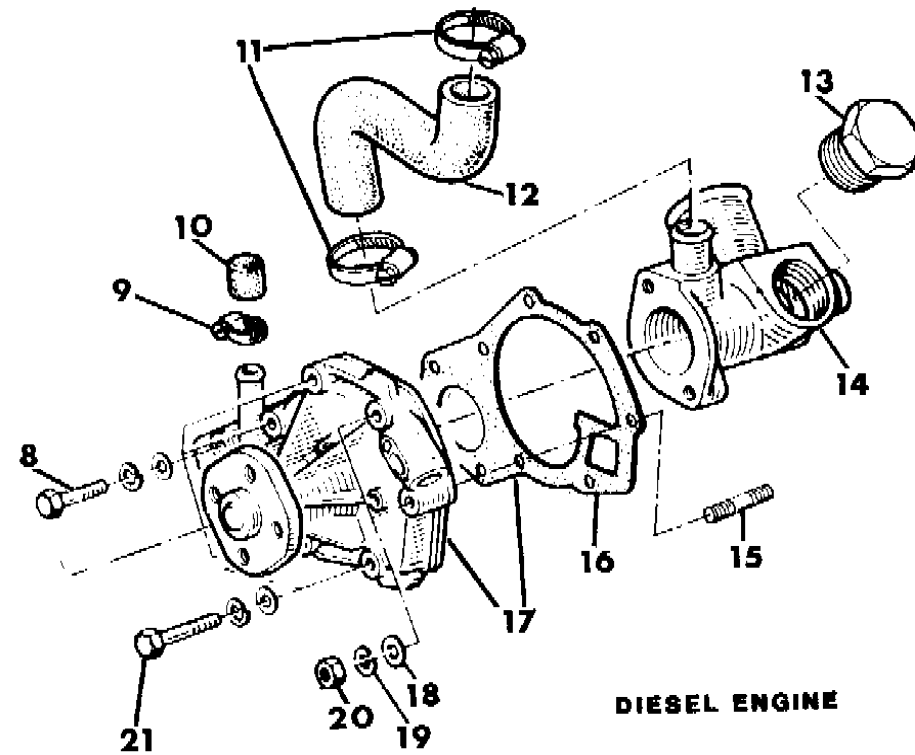
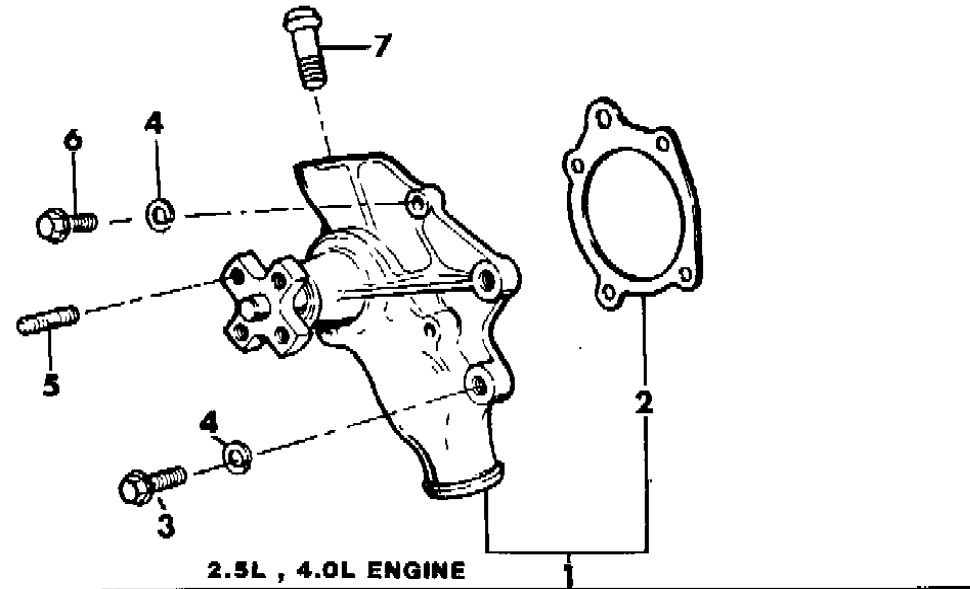
BODY STYLES:

MJ = Comanche Pickup
 SJ = Grand Wagoneer Wgn., J-10 & J-20 Pickups
 XJ = Cherokee, Wagoneer Limited
 YJ = Wrangler

AR = Use as Required - = Non Illustrated Part P.A.R. = Paint as Required

WATER PUMP AND RELATED PARTS WAGONEER, CHEROKEE, COMANCHE
Figure 7-2300

8J07 2300



| ITEM | PART NUMBER | QTY | BODY | MODEL | DESCRIPTION |
|------|-------------|-----|------|-------|---|
| 1 | | | | | PUMP PACKAGE, Water |
| | | | | | 2.5L Engine |
| | JR77 5046 | 1 | | | Remanufactured (w/o Serpentine Belt Drive) |
| | JR77 5047 | 1 | | | Remanufactured (with Serpentine Belt Drive) |
| | 8350 2957 | 1 | | | Export (w/o Serpentine Belt Drive) |
| | 8350 2938 | 1 | | | Export (with Serpentine Belt Drive) |
| | | | | | 4.0L Engine |
| | JR77 5122 | 1 | | | Remanufactured |
| | 8350 3407 | 1 | | | Export |
| 2 | J317 3204 | 1 | | | GASKET |
| 3 | J400 6908 | 2 | | | BOLT |
| 4 | J012 0214 | 4 | | | WASHER |
| 5 | J400 6714 | 4 | | | STUD 2.5L Engine |
| 6 | | | | | BOLT |
| | J400 3872 | 2 | | | 2.5L Engine |
| | J812 1298 | 3 | | | 4.0L Engine |
| 7 | | | | | TUBE |
| | 3200 2709 | 1 | | | 2.5L Engine |
| | 3300 2969 | 1 | | | 4.0L Engine |
| 8 | T300 1123 | 4 | | | BOLT |
| 9 | 3300 0784 | 1 | | | CLAMP |
| 10 | T065 7697 | 1 | | | CAP |
| 11 | J320 3077 | 2 | | | CLAMP |
| 12 | T066 1636 | 1 | | | HOSE |
| 13 | T307 5133 | 1 | | | PLUG |
| 14 | T071 5330 | 1 | | | OUTLET, Water Pump |
| 15 | T302 7095 | 2 | | | STUD |
| 16 | T134 9446 | 1 | | | GASKET |
| 17 | | | | | PUMP PACKAGE, Water |
| | JR77 5056 | 1 | | | Remanufactured |
| | T146 1336 | 1 | | | Export |
| 18 | T305 3074 | 14 | | | WASHER, Flat |
| 19 | T305 5031 | 14 | | | WASHER, Lock |
| 20 | J303 2012 | 2 | | | NUT |
| 21 | J300 1607 | 2 | | | BOLT |

MODEL CODES:

| | | |
|-----------------------------|-----------------------------|------------------------------|
| 15 = Grand Wagoneer 4 Dr. | 65 = Comanche 4WD-7 Ft. Box | 77 = Cherokee 4WD-2 Dr. |
| 25 = J-10 Pickup-119" W.B. | 66 = Comanche 2WD-7 Ft. Box | 78 = Cherokee 4WD-4 Dr. |
| 26 = J-10 Pickup-131" W.B. | 73 = Cherokee 2WD-2 Dr. | 79 = Cherokee 4WD-4 Dr.-Com |
| 27 = J-20 Pickup-131" W.B. | 74 = Cherokee 2WD-4 Dr. | 81 = Wrangler-93" W.B. |
| 63 = Comanche 4WD-6 Ft. Box | 75 = Wagoneer 4WD-4 Dr. | 82 = Wrangler-103" W.B.-Exp. |
| 64 = Comanche 2WD-6 Ft. Box | | |

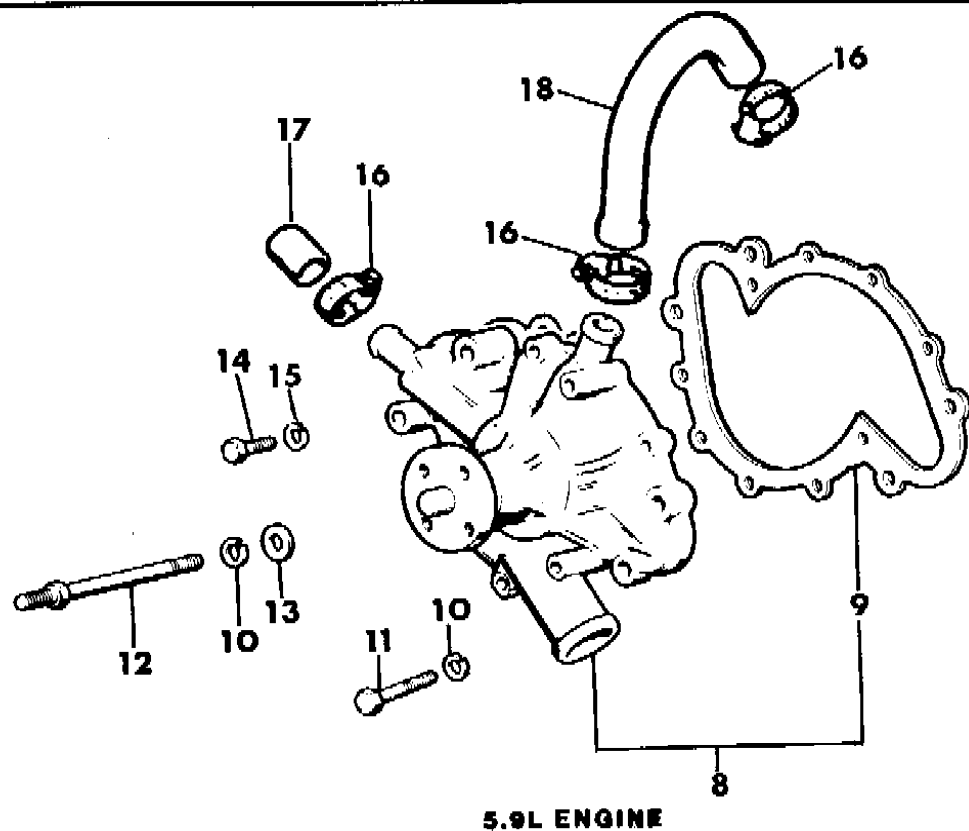
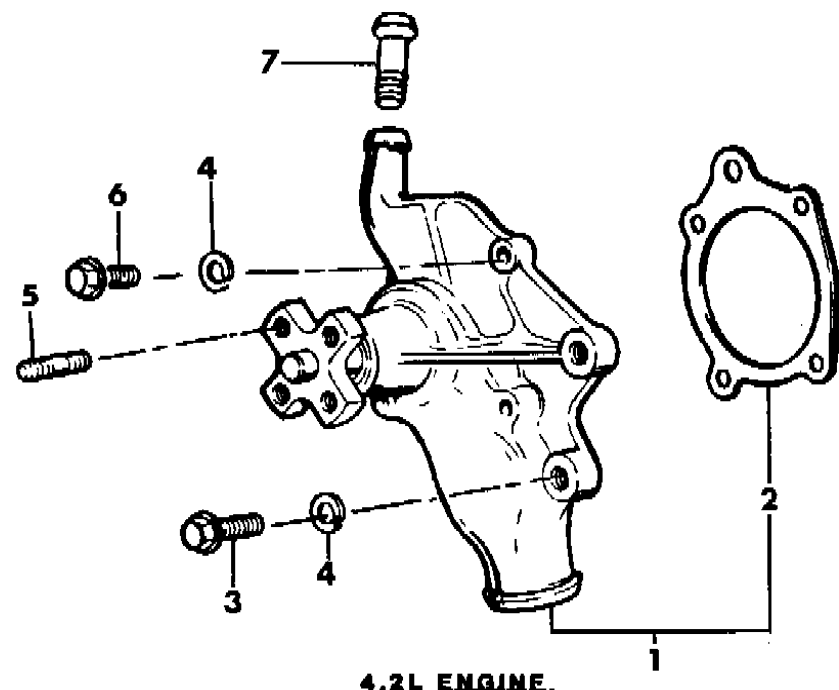
BODY STYLES:

MJ = Comanche Pickup
 SJ = Grand Wagoneer Wgn., J-10 & J-20 Pickups
 XJ = Cherokee, Wagoneer Limited
 YJ = Wrangler

AR = Use as Required - = Non Illustrated Part P.A.R. = Paint as Required

WATER PUMP AND RELATED PARTS GRAND WAGONEER, J10, J20
Figure 7-2400

8J07 2400



| ITEM | PART NUMBER | QTY | BODY | MODEL | DESCRIPTION |
|------|-------------|-----|------|-------|--|
| 1 | | | | | PUMP PACKAGE, Coolant |
| | JR77 5046 | 1 | | | Remanufactured - w/o Serpentine Belt Drive |
| | J813 4320 | 1 | | | Export - w/o Serpentine Belt Drive |
| | JR77 5047 | 1 | | | Remanufactured - Serpentine Belt Drive |
| | J813 4321 | 1 | | | Export - Serpentine Belt Drive |
| 2 | J317 3204 | 1 | | | GASKET |
| 3 | J400 6908 | 2 | | | BOLT |
| 4 | J012 0214 | 4 | | | WASHER |
| 5 | J400 6714 | 4 | | | STUD |
| 6 | J943 1975 | 2 | | | BOLT |
| 7 | 3200 2591 | 1 | | | NIPPLE |
| 8 | | | | | PUMP PACKAGE, Coolant |
| | JR77 5050 | 1 | | | Remanufactured |
| | J323 4427 | 1 | | | Export |
| 9 | J318 1899 | 1 | | | GASKET |
| 10 | J400 3803 | 2 | | | WASHER, Lock |
| 11 | J018 6288 | 1 | | | BOLT 4.50" |
| 12 | J318 5530 | 1 | | | STUD |
| 13 | J400 1829 | 1 | | | WASHER |
| 14 | | | | | BOLT |
| | J018 0046 | 3 | | | 2.25" |
| | J017 9798 | 4 | | | 1.12" |
| 15 | J012 0380 | 7 | | | WASHER |
| 16 | J320 3077 | 3 | | | CLAMP |
| 17 | J316 0337 | 1 | | | CAP |
| 18 | J318 2494 | 1 | | | HOSE |

MODEL CODES:

| | | |
|-----------------------------|-----------------------------|------------------------------|
| 15 = Grand Wagoneer 4 Dr. | 65 = Comanche 4WD-7 Ft. Box | 77 = Cherokee 4WD-2 Dr. |
| 25 = J-10 Pickup-119" W.B. | 66 = Comanche 2WD-7 Ft. Box | 78 = Cherokee 4WD-4 Dr. |
| 26 = J-10 Pickup-131" W.B. | 73 = Cherokee 2WD-2 Dr. | 79 = Cherokee 4WD-4 Dr.-Com |
| 27 = J-20 Pickup-131" W.B. | 74 = Cherokee 2WD-4 Dr. | 81 = Wrangler-93" W.B. |
| 63 = Comanche 4WD-6 Ft. Box | 75 = Wagoneer 4WD-4 Dr. | 82 = Wrangler-103" W.B.-Exp. |
| 64 = Comanche 2WD-6 Ft. Box | | |

BODY STYLES:

MJ = Comanche Pickup
 SJ = Grand Wagoneer Wgn., J-10 & J-20 Pickups
 XJ = Cherokee, Wagoneer Limited
 YJ = Wrangler

AR = Use as Required - = Non Illustrated Part P.A.R. = Paint as Required

GROUP 8 - ELECTRICAL

| ILLUSTRATION TITLE | GROUP-FIG. NO. |
|--|-----------------------|
| RELAYS | |
| RELAYS WRANGLER, YJ | Fig. 8-100 |
| RELAYS CHEROKEE, WAGONEER, COMANCHE | Fig. 8-200 |
| RELAYS GRAND WAGONEER, J10, J20 | Fig. 8-300 |
| SWITCHES AND SENDING UNITS | |
| SWITCHES AND SENDING UNITS WRANGLER, YJ | Fig. 8-400 |
| SWITCHES AND SENDING UNITS CHEROKEE, WAGONEER, COMANCHE | Fig. 8-500 |
| SWITCHES AND SENDING UNITS GRAND WAGONEER, J10, J20 | Fig. 8-600 |
| SWITCHES ALL MODELS | Fig. 8-650 |
| MICROPROCESSORS AND OXYGEN SENSORS | |
| MICROPROCESSORS AND OXYGEN SENSORS WRANGLER, YJ, CHEROKEE, WAGONEER, COMANCHE, GRAND WAGONEER, J10, J20 | Fig. 8-700 |
| BATTERY TRAYS AND CABLES | |
| BATTERY TRAYS WRANGLER, YJ, CHEROKEE, WAGONEER, COMANCHE, GRAND WAGONEER, J10, J20 | Fig. 8-800 |
| BATTERY CABLES WRANGLER, YJ, CHEROKEE, WAGONEER, COMANCHE GRAND WAGONEER, J10, J20 | Fig. 8-900 |
| DISTRIBUTORS | |
| DISTRIBUTOR 2.5L ENGINE ELECTRONIC FUEL INJECTION | Fig. 8-1000 |
| DISTRIBUTOR 2.5L ENGINE CARBURETED | Fig. 8-1100 |
| DISTRIBUTOR 4.2L ENGINE | Fig. 8-1200 |
| DISTRIBUTOR 4.0L ENGINE | Fig. 8-1300 |
| DISTRIBUTOR 5.9L ENGINE | Fig. 8-1400 |
| STARTERS | |
| STARTER AND MOUNTING 2.5L ENGINE BOSCH | Fig. 8-1500 |
| STARTER AND MOUNTING 4.2 AND 5.9 ENGINE 1987 | Fig. 8-1550 |
| STARTER AND MOUNTING 4.0L ENGINE, 1987-90 4.2L, 5.9L ENGINE 1988-90 | Fig. 8-1600 |
| STARTER AND MOUNTING DIESEL ENGINE | Fig. 8-1700 |
| ALTERNATORS | |
| ALTERNATOR 2.5L AND 4.2L ENGINES WRANGLER, YJ | Fig. 8-1800 |
| ALTERNATOR 100 AMPERE--24 VOLT WRANGLER EGYPT KDX | Fig. 8-1900 |
| ALTERNATOR MOUNTING 2.5L AND 4.2L ENGINES WRANGLER, YJ | Fig. 8-2000 |
| ALTERNATOR AND MOUNTING 2.5L ENGINE WAGONEER, CHEROKEE, COMANCHE | Fig. 8-2100 |

ILLUSTRATION NOT AVAILABLE AT TIME OF PUBLICATION

GROUP 8 - ELECTRICAL

GROUP 8 - ELECTRICAL

| ILLUSTRATION TITLE | GROUP-FIG. NO. |
|---|----------------|
| ALTERNATORS (Continued) | |
| ALTERNATOR AND MOUNTING 2.5L ENGINE WAGONEER, CHEROKEE, COMANCHE | Fig. 8-2100 |
| ALTERNATOR AND MOUNTING 4.0L ENGINE CHEROKEE, WAGONEER, COMANCHE | Fig. 8-2200 |
| ALTERNATOR 60 AMPERE DIESEL ENGINE CHEROKEE | Fig. 8-2300 |
| ALTERNATOR 70 AMPERE DIESEL ENGINE CHEROKEE | Fig. 8-2400 |
| ALTERNATOR MOUNTING DIESEL ENGINE CHEROKEE | Fig. 8-2500 |
| ALTERNATOR 42, 56, 78 AMPERE GRAND WAGONEER, J10, J20 | Fig. 8-2600 |
| ALTERNATOR AND MOUNTING 85-94 AMPERE GRAND WAGONEER, J10, J20 | Fig. 8-2700 |
| ALTERNATOR MOUNTING 4.2L ENGINE GRAND WAGONEER, J10 | Fig. 8-2800 |
| ALTERNATOR MOUNTING 5.9L ENGINE GRAND WAGONEER, J10, J20 | Fig. 8-2900 |
| LAMPS | |
| LAMPS--FRONT WRANGLER, YJ, U.S. AND CANADA | Fig. 8-3000 |
| LAMPS--FRONT WRANGLER, EXPORT, ECE | Fig. 8-3100 |
| LAMPS--FRONT-BLACKOUT WRANGLER, YJ | Fig. 8-3200 |
| LAMPS--FOG RECTANGULAR WRANGLER, YJ | Fig. 8-3300 |
| LAMPS--FOG ROUND WRANGLER, YJ | Fig. 8-3400 |
| LAMPS--REAR WRANGLER, YJ | Fig. 8-3500 |
| LAMPS--REAR-FOG & BLACKOUT WRANGLER, YJ | Fig. 8-3600 |
| LAMPS--FRONT WAGONEER | Fig. 8-3700 |
| LAMPS--FOG CHEROKEE, WAGONEER, COMANCHE | Fig. 8-3800 |
| LAMPS--FRONT U.S., CANADA, EXPORT CHEROKEE, COMANCHE | Fig. 8-3900 |
| LAMPS--REAR CHEROKEE, WAGONEER, COMANCHE | Fig. 8-4000 |
| LAMPS--FRONT GRAND WAGONEER, J10, J20 | Fig. 8-4100 |
| LAMPS--FOG GRAND WAGONEER, J10, J20 | Fig. 8-4200 |
| LAMPS--REAR GRAND WAGONEER | Fig. 8-4300 |
| LAMPS--REAR 1987/88 J10, J20 | Fig. 8-4400 |
| LAMPS--CARGO-DOME-COURTESY-UNDERHOOD WRANGLER, YJ | Fig. 8-4500 |
| LAMPS--CARGO-DOME-COURTESY-UNDERHOOD CHEROKEE, WAGONEER, COMANCHE | Fig. 8-4600 |
| LAMPS--CARGO-DOME-COURTESY-UNDERHOOD GRAND WAGONEER, J10, J20 | Fig. 8-4700 |
| HARNESS--ENGINE FRONT END AND RELATED PARTS | |
| HARNESS--ENGINE COMPARTMENT AND BODY WRANGLER, YJ | Fig. 8-4800 |
| HARNESS--ENGINE COMPARTMENT 4 & 6 CYLINDER ENGINE CHEROKEE, WAGONEER, COMANCHE .. | Fig. 8-4900 |
| HARNESS--ENGINE COMPARTMENT GRAND WAGONEER, J10, J20 | Fig. 8-5000 |
| COIL, SPARKPLUGS AND WIRES | |
| COIL--SPARKPLUGS--WIRES 2.5L ENGINE | Fig. 8-5100 |

| ILLUSTRATION TITLE | GROUP-FIG. NO. |
|--|----------------|
| COIL, SPARKPLUGS AND WIRES (Continued) | |
| COIL--SPARKPLUGS--WIRES 2.5L ENGINE | Fig. 8-5100 |
| COIL--SPARKPLUGS--WIRES 4.2L ENGINE | Fig. 8-5200 |
| COIL--SPARKPLUGS--WIRES 4.0L ENGINE | Fig. 8-5300 |
| COIL--SPARKPLUGS--WIRES 5.9L ENGINE | Fig. 8-5400 |
| HORNS | |
| HORNS ALL | Fig. 8-5500 |
| HARNESS--BODY AND ACCESSORY | |
| HARNESS, BODY AND ACCESSORY CHEROKEE, WAGONEER | Fig. 8-5600 |
| HARNESS--BODY AND ACCESSORY COMANCHE | Fig. 8-5700 |
| HARNESS--BODY AND ACCESSORY GRAND WAGONEER | Fig. 8-5800 |
| HARNESS--BODY AND ACCESSORY J10, J20 | Fig. 8-5900 |
| MODULE ANTI LOCK BRAKE SYSTEM CHEROKEE, WAGONEER | Fig. 8-6000 |

RELAYS WRANGLER, YJ
Figure 8-100

8 J08 100 B

| ITEM | PART NUMBER | QTY | BODY | MODEL | DESCRIPTION |
|------|-------------|-----|------|-------|--|
| 1 | | | | | RELAY, Starter |
| | 5300 4798 | 1 | | | 4 Cyl. Engine |
| | 3300 3934 | 1 | | | 6 Cyl. Engine, 1988-89 |
| | 5600 4667 | | | | 1990 *** |
| 2 | 5600 2460 | 1 | | | TIMER, Emissions |
| 3 | | | | | RELAY |
| | 3300 1777 | 1 | | | Manifold Heater, 6 Cyl. Engine |
| | 3300 1777 | 1 | | | A/C Clutch, 4 Cyl. Engine, 1988-90 |
| | 3300 1777 | 1 | | | Fuel Pump, 4 Cyl. Engine, 1988 |
| | 3300 1777 | 1 | | | Idle Speed Control, 4 Cyl. Engine, 1988 |
| | 5600 2958 | 1 | | | Fuel Pump, 4 Cyl. Engine, 1989-90 (Stamped 56002959) |
| | 5600 2958 | 1 | | | Idle Speed Control, 4 Cyl. Engine, 1989-90 (Stamped 56002959) |
| 4 | | | | | RELAY |
| | 3300 1776 | 1 | | | Fog Lamp, ASD |
| | 3300 1776 | 1 | | | Headlamp, 1989-90 |
| | 8220 1117 | | YJ | | Power Door Locks with half doors *** |
| 5 | 1150 2843 | 1 | | | SCREW |
| 6 | J576 4039 | 1 | | | RELAY, Horn |
| 7 | 5600 2009 | 1 | | | RELAY, Heated Glass |
| 8 | 5600 0428 | 1 | | | GOVERNOR, Intermittent Wiper |
| 9 | 5600 2081 | 1 | | | BRACKET |
| 10 | J942 1073 | 2 | | | SCREW |
| 11 | J368 9091 | 1 | | | FASTENER, Velcro Hook |
| 12 | | | | | LINK, Fusible |
| | J813 3785 | 1 | | | 14 Gauge |
| | J321 0989 | 1 | | | 18 Gauge |
| 13 | 1150 2702 | 2 | | | NUT |
| 14 | 5300 3069 | 1 | | | RELAY, A.C. Delay, 4 Cyl. Engine, Auto. Trans. w/ "American Air" |
| 15 | 5600 4262 | 1 | | | MODULE, Headlamp, 1990-91 |
| 16 | | | | | RELAY, Starter |
| | J323 5898 | 1 | | | 6 Cyl., Manual, 1987 |
| | J323 5897 | 1 | | | 6 Cyl., Auto., 1987 |
| 17 | J812 0054 | 2 | | | SCREW, 1987 |

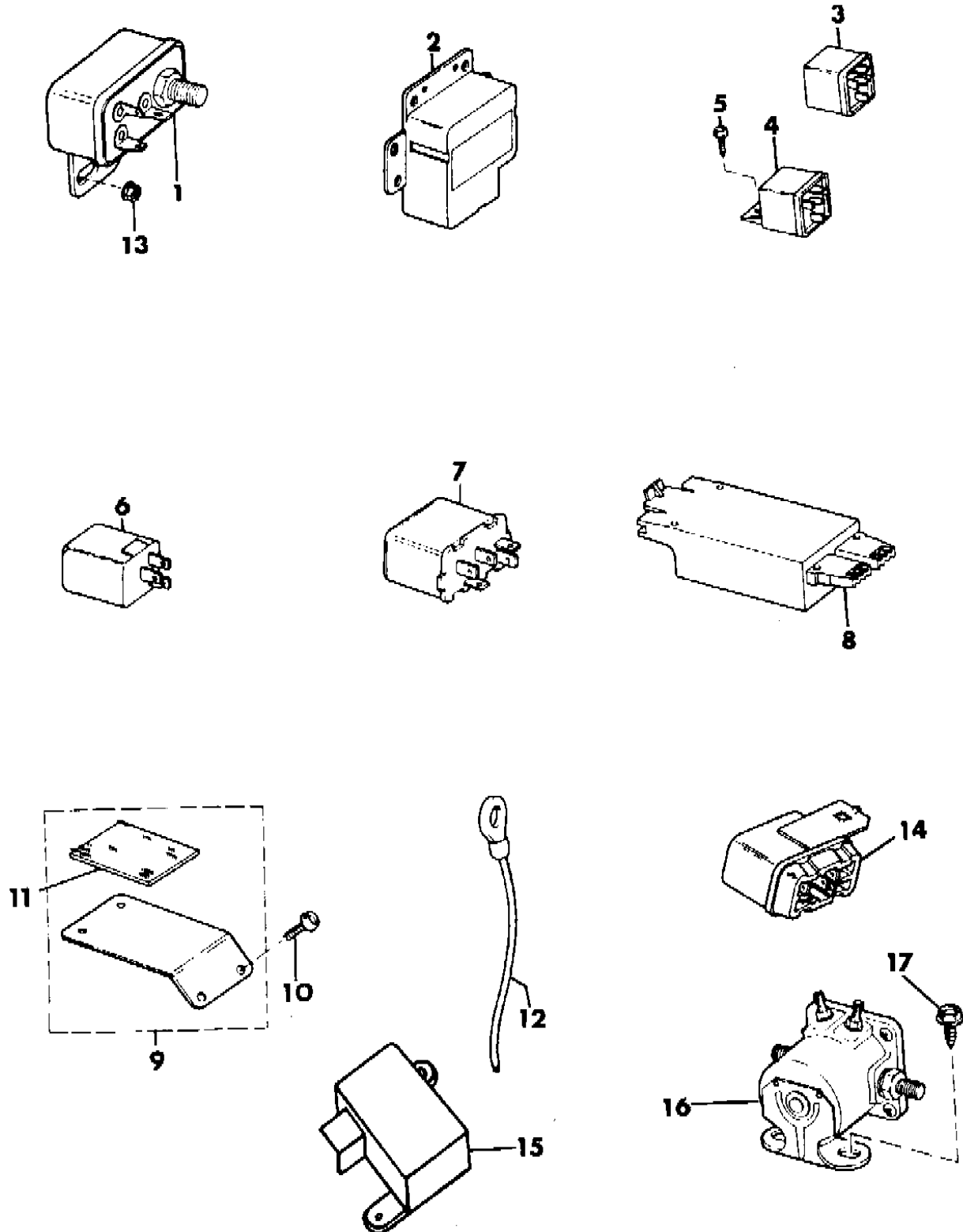
MODEL CODES:

| | | |
|-----------------------------|-----------------------------|------------------------------|
| 15 = Grand Wagoneer 4 Dr. | 65 = Comanche 4WD-7 Ft. Box | 77 = Cherokee 4WD-2 Dr. |
| 25 = J-10 Pickup-119" W.B. | 66 = Comanche 2WD-7 Ft. Box | 78 = Cherokee 4WD-4 Dr. |
| 26 = J-10 Pickup-131" W.B. | 73 = Cherokee 2WD-2 Dr. | 79 = Cherokee 4WD-4 Dr.-Com |
| 27 = J-20 Pickup-131" W.B. | 74 = Cherokee 2WD-4 Dr. | 81 = Wrangler-93" W.B. |
| 63 = Comanche 4WD-6 Ft. Box | 75 = Wagoneer 4WD-4 Dr. | 82 = Wrangler-103" W.B.-Exp. |
| 64 = Comanche 2WD-6 Ft. Box | | |

BODY STYLES:

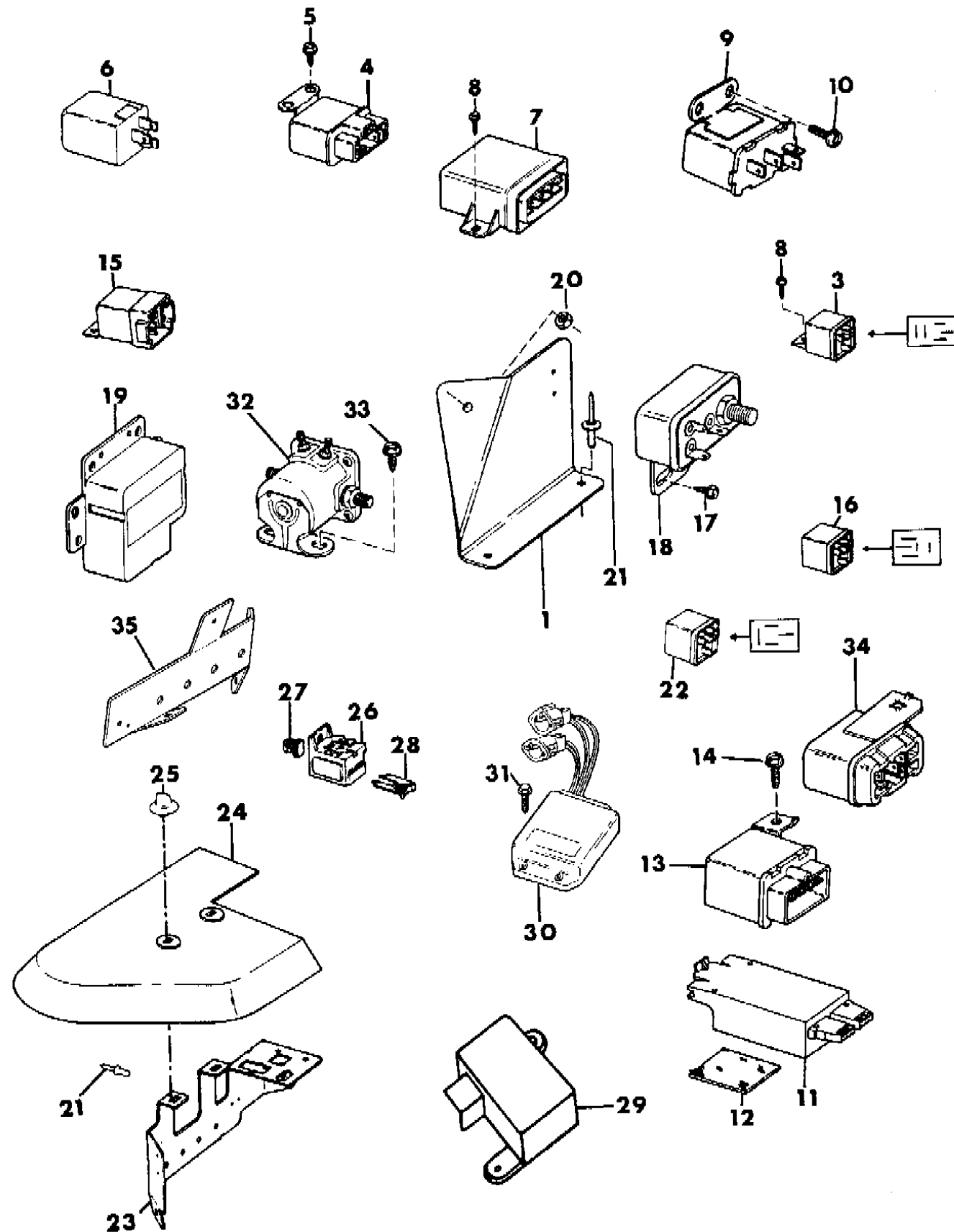
MJ = Comanche Pickup
SJ = Grand Wagoneer Wgn., J-10 & J-20 Pickups
XJ = Cherokee, Wagoneer Limited
YJ = Wrangler

AR = Use as Required - = Non Illustrated Part P.A.R. = Paint as Required



RELAYS CHEROKEE, WAGONEER, COMANCHE
Figure 8-200

8 J08 200C



| ITEM | PART NUMBER | QTY | BODY | MODEL | DESCRIPTION |
|------|-------------|-----|------|-------|--|
| 1 | 5300 4672 | 1 | | | BRACKET, Starter Relay, w/Diesel Engine |
| 2 | 1150 0079 | 2 | | | SCREW |
| 3 | 3300 1776 | 1 | | | RELAY Manifold Heater Keyless Entry |
| 4 | 5600 1186 | 1 | | | RELAY, Choke Heater |
| 5 | 1150 0985 | 2 | | | SCREW |
| 6 | J576 4039 | 1 | | | RELAY, Horn |
| 7 | 3300 1301 | 1 | | | TIMER, Glow Plug Control, w/Diesel Engine |
| 8 | 1150 2843 | AR | | | SCREW |
| 9 | 3600 0350 | 1 | | | RELAY, Heated Glass |
| 10 | 3420 1489 | 1 | | | SCREW |
| 11 | 5600 0428 | 1 | | | GOVERNOR, Intermittent Wiper |
| 12 | J368 9091 | 1 | | | FASTENER, Velcro Hook |
| 13 | 5600 0636 | 1 | | | RELAY, Headlamp Delay |
| 14 | 3420 1489 | 1 | | | SCREW |
| 15 | 5600 0836 | 1 | | | RELAY, Power Antenna |
| 16 | 3300 1777 | 1 | | | RELAY Anti-Diesel Fuel Pump Air Conditioning Throttle Control Oxygen Sensor |
| 17 | 3420 1996 | 2 | | | SCREW w/Diesel Engine |
| 18 | 1150 2843 | 2 | | | w/o Diesel Engine |
| | 5300 4798 | 1 | | | RELAY, Starter 1987 4 Cyl. Injected Engine |
| | 3300 3934 | 1 | | | 4 Cyl. Carberated Engine |
| | 5300 4798 | 1 | | | 6 Cyl. Engine |
| | J323 6793 | 1 | | | Diesel Engine 1988-90 |

MODEL CODES:

| | | |
|-----------------------------|-----------------------------|------------------------------|
| 15 = Grand Wagoneer 4 Dr. | 65 = Comanche 4WD-7 Ft. Box | 77 = Cherokee 4WD-2 Dr. |
| 25 = J-10 Pickup-119" W.B. | 66 = Comanche 2WD-7 Ft. Box | 78 = Cherokee 4WD-4 Dr. |
| 26 = J-10 Pickup-131" W.B. | 73 = Cherokee 2WD-2 Dr. | 79 = Cherokee 4WD-4 Dr.-Com |
| 27 = J-20 Pickup-131" W.B. | 74 = Cherokee 2WD-4 Dr. | 81 = Wrangler-93" W.B. |
| 63 = Comanche 4WD-6 Ft. Box | 75 = Wagoneer 4WD-4 Dr. | 82 = Wrangler-103" W.B.-Exp. |
| 64 = Comanche 2WD-6 Ft. Box | | |

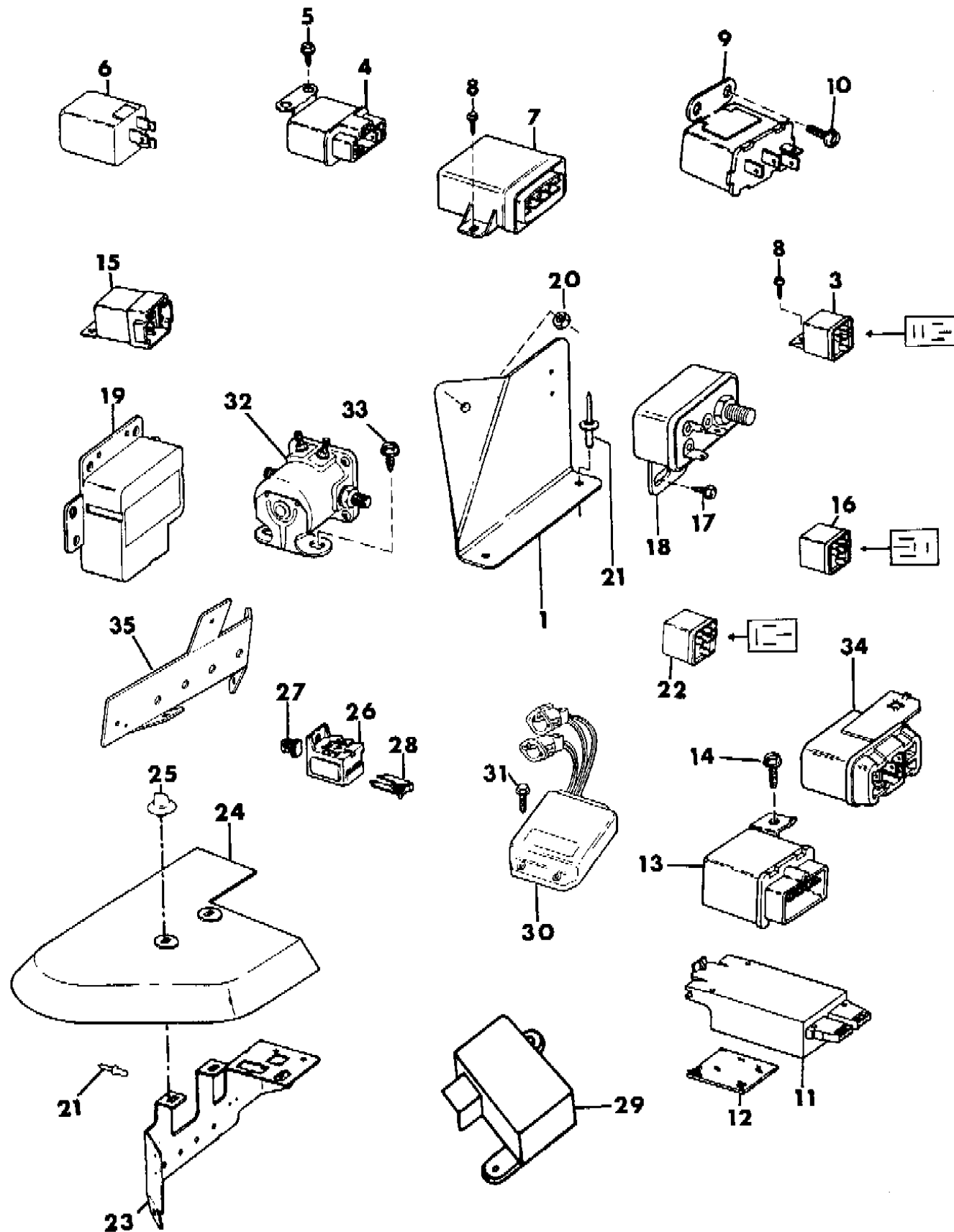
BODY STYLES:

| |
|---|
| MJ = Comanche Pickup |
| SJ = Grand Wagoneer Wgn., J-10 & J-20 Pickups |
| XJ = Cherokee, Wagoneer Limited |
| YJ = Wrangler |

AR = Use as Required - = Non Illustrated Part P.A.R. = Paint as Required

RELAYS CHEROKEE, WAGONEER, COMANCHE
Figure 8-200

8 J08 200C



| ITEM | PART NUMBER | QTY | BODY | MODEL | DESCRIPTION |
|------|-------------|-----|------|-------|--|
| | 5300 4798 | 1 | | | 4 Cyl. Injected Engine |
| | 3300 3934 | 1 | | | 4 Cyl. Carberated Engine |
| | 3300 3934 | 1 | | | 6 Cyl. Engine |
| | 5300 4798 | 1 | | | Diesel Engine |
| 19 | 5600 2460 | 1 | | | TIMER, Emission Maintenance |
| 20 | 3420 1169 | 2 | | | NUT, Hex, w/Diesel Engine |
| 21 | 3420 1208 | 2 | | | RIVET |
| 22 | | | | | RELAY |
| | 3600 3046 | 1 | | | Glow Plug Control, w/Diesel Engine *** |
| | 3600 3046 | 1 | | | Cooling Fan, 6 Cyl. Engine, w/Heavy Duty Cooling |
| | 5600 2958 | 1 | | | Idle Speed Control |
| | 5600 2958 | 1 | | | Fog Lamp |
| | 5600 2958 | 1 | | | TRAILER Tow 1990 |
| 23 | 5300 4489 | 1 | | | BRACKET, Relay |
| 24 | 5600 2298 | 1 | | | COVER, Relay |
| 25 | 3420 2329 | 2 | | | NUT, Push |
| 26 | J417 9106 | 4 | | | CONNECTOR |
| 27 | J417 9831 | 4 | | | CLIP |
| 28 | 3417 5430 | 4 | | | RETAINER, Lock |
| 29 | 5600 4262 | 1 | | | MODULE, Headlamp, 1990-91 |
| 30 | J323 0451 | 1 | | | MODULE, Ignition (4Cyl. Carbureted) |
| 31 | J400 5982 | 3 | | | SCREW |
| 32 | J323 5897 | 1 | | | RELAY, Starter 4 Cyl. w/Auto. Trans. |
| | J323 5898 | 1 | | | 4 Cyl. w/Manual Trans. |
| 33 | 1150 0079 | 2 | | | SCREW |
| 34 | 5300 3069 | 1 | | | RELAY, Power Steering 4 Cyl. Injected |
| 35 | 5300 4489 | 1 | | | BRACKET, Relay |

MODEL CODES:

| | | |
|-----------------------------|-----------------------------|------------------------------|
| 15 = Grand Wagoneer 4 Dr. | 65 = Comanche 4WD-7 Ft. Box | 77 = Cherokee 4WD-2 Dr. |
| 25 = J-10 Pickup-119" W.B. | 66 = Comanche 2WD-7 Ft. Box | 78 = Cherokee 4WD-4 Dr. |
| 26 = J-10 Pickup-131" W.B. | 73 = Cherokee 2WD-2 Dr. | 79 = Cherokee 4WD-4 Dr.-Com |
| 27 = J-20 Pickup-131" W.B. | 74 = Cherokee 2WD-4 Dr. | 81 = Wrangler-93" W.B. |
| 63 = Comanche 4WD-6 Ft. Box | 75 = Wagoneer 4WD-4 Dr. | 82 = Wrangler-103" W.B.-Exp. |
| 64 = Comanche 2WD-6 Ft. Box | | |

BODY STYLES:

MJ = Comanche Pickup
SJ = Grand Wagoneer Wgn., J-10 & J-20 Pickups
XJ = Cherokee, Wagoneer Limited
YJ = Wrangler

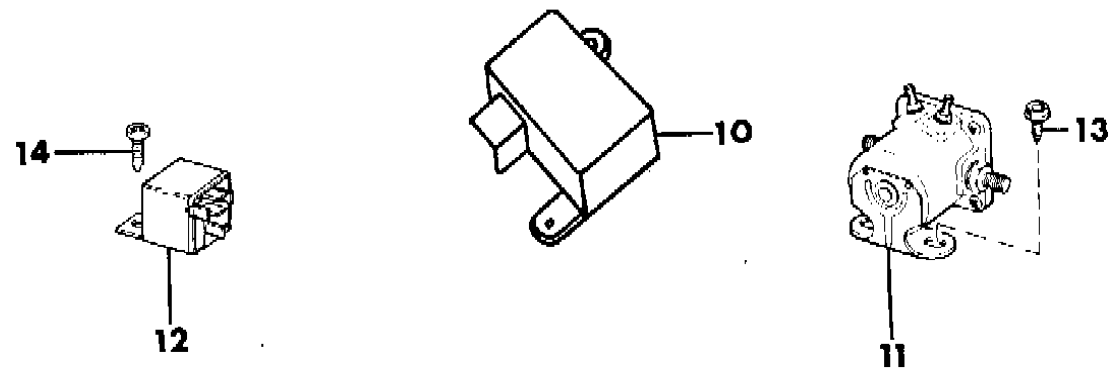
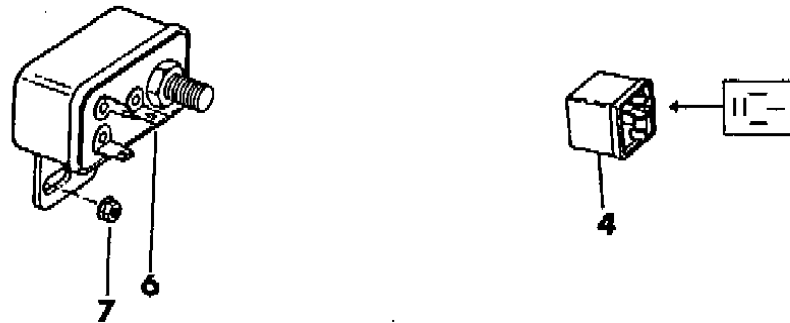
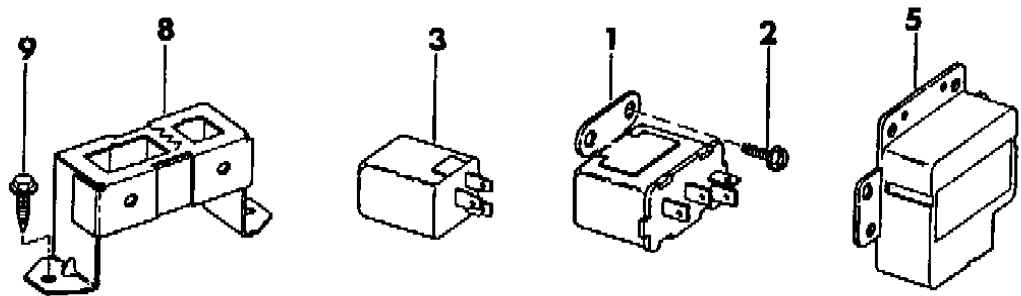
AR = Use as Required - = Non Illustrated Part P.A.R. = Paint as Required

RELAYS GRAND WAGONEER, J10, J20

Figure 8-300

8 J08 300B

| ITEM | PART NUMBER | QTY | BODY | MODEL | DESCRIPTION |
|------|-------------|-----|------|-------|-------------------------------|
| 1 | J546 1897 | 1 | | | RELAY, Heated Glass |
| 2 | 3420 1489 | 1 | | | SCREW, 1987-89 |
| | 3420 2358 | 1 | | | SCREW, 1990 |
| 3 | J576 4039 | 1 | | | RELAY, Horn |
| 4 | | | | | RELAY |
| | 3300 1777 | 1 | | | Fog Lamp |
| | 3300 1777 | 1 | | | Manifold Heater |
| | 3300 1777 | 1 | | | Idle Speed Control |
| 5 | 5600 2460 | 1 | | | TIMER, Emission Maintenance |
| 6 | 3300 3934 | 1 | | | RELAY, Starter |
| 7 | 1150 2811 | 2 | | | NUT |
| 8 | J576 1769 | 1 | | | BRACKET, Diagnostic Connector |
| 9 | J400 1701 | 2 | | | SCREW |
| 10 | 5600 4262 | 1 | | | MODULE, Headlamp, 1990-91 |
| 11 | | | | | SOLENOID, Starter |
| | J575 2125 | 1 | | | w/Auto Trans. |
| | J323 0406 | 1 | | | w/Manual Trans. |
| 12 | 3300 1776 | 1 | | | RELAY, Fog Lamp |
| 13 | J400 4801 | 2 | | | SCREW |
| 14 | J941 4721 | 1 | | | SCREW |



MODEL CODES:

| | | |
|-----------------------------|-----------------------------|------------------------------|
| 15 = Grand Wagoneer 4 Dr. | 65 = Comanche 4WD-7 Ft. Box | 77 = Cherokee 4WD-2 Dr. |
| 25 = J-10 Pickup-119" W.B. | 66 = Comanche 2WD-7 Ft. Box | 78 = Cherokee 4WD-4 Dr. |
| 26 = J-10 Pickup-131" W.B. | 73 = Cherokee 2WD-2 Dr. | 79 = Cherokee 4WD-4 Dr.-Com |
| 27 = J-20 Pickup-131" W.B. | 74 = Cherokee 2WD-4 Dr. | 81 = Wrangler-93" W.B. |
| 63 = Comanche 4WD-6 Ft. Box | 75 = Wagoneer 4WD-4 Dr. | 82 = Wrangler-103" W.B.-Exp. |
| 64 = Comanche 2WD-6 Ft. Box | | |

BODY STYLES:

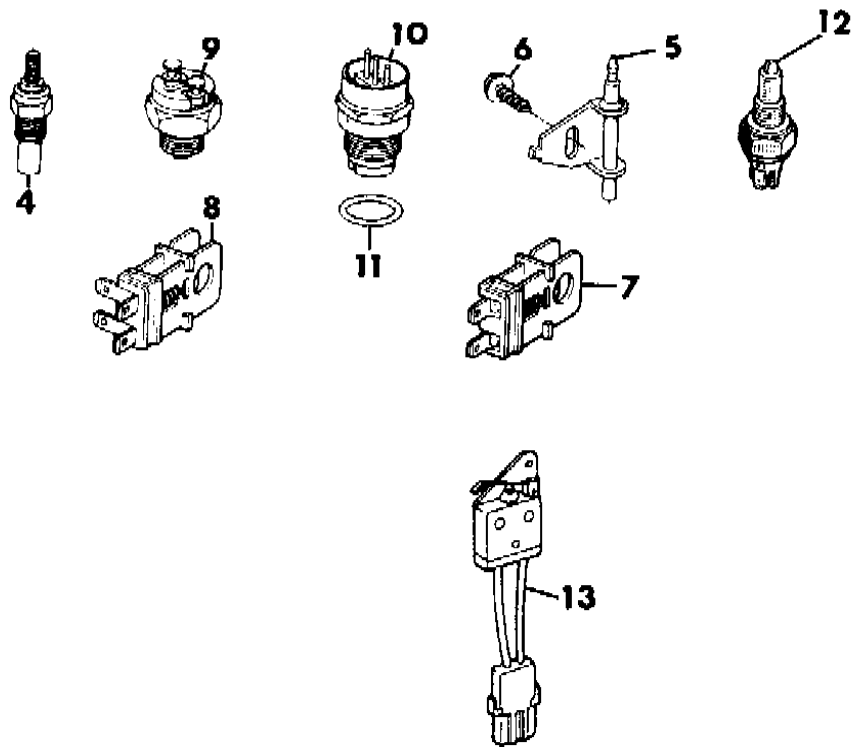
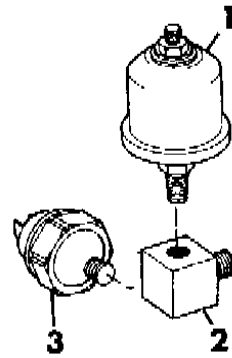
MJ = Comanche Pickup
 SJ = Grand Wagoneer Wgn., J-10 & J-20 Pickups
 XJ = Cherokee, Wagoneer Limited
 YJ = Wrangler

AR = Use as Required - = Non Illustrated Part P.A.R. = Paint as Required

SWITCHES AND SENDING UNITS WRANGLER, YJ
Figure 8-400

8 J08 400A

| ITEM | PART NUMBER | QTY | BODY | MODEL | DESCRIPTION |
|------|-------------|-----|------|-------|--|
| 1 | 5300 5218 | 1 | | | SENDING UNIT, Oil Pressure *** |
| 2 | J400 6600 | 1 | | | FITTING 6 Cyl. Engine |
| | J093 4001 | 1 | | | 4 Cyl. Engine |
| 3 | J575 8695 | 1 | | | SWITCH, Oil Pressure |
| 4 | 5300 5056 | 1 | | | SENDING UNIT, Coolant Temp. |
| 5 | J323 2194 | 1 | | | SWITCH, Parking Brake Warning Lamp |
| 6 | J942 1073 | 1 | | | SCREW |
| 7 | J321 5938 | 1 | | | SWITCH, Brake Lamp, w/o Cruise Control |
| 8 | J322 5787 | 1 | | | SWITCH, Brake Lamp, w/Cruise Control |
| 9 | 5300 4522 | 1 | | | SWITCH, Back-Up Lamp, w/Man. Trans. |
| 10 | J323 2844 | 1 | | | SWITCH, Neutral Safety, w/Auto. Trans. |
| 11 | J812 1142 | 1 | | | GASKET |
| 12 | 5300 2831 | 1 | | | SWITCH, Upshift Lamp, w/4 Speed Trans. |
| 13 | #5600 6076 | 1 | | | SWITCH, Rear Wiper Lockout |



MODEL CODES:

| | | |
|-----------------------------|-----------------------------|------------------------------|
| 15 = Grand Wagoneer 4 Dr. | 65 = Comanche 4WD-7 Ft. Box | 77 = Cherokee 4WD-2 Dr. |
| 25 = J-10 Pickup-119" W.B. | 66 = Comanche 2WD-7 Ft. Box | 78 = Cherokee 4WD-4 Dr. |
| 26 = J-10 Pickup-131" W.B. | 73 = Cherokee 2WD-2 Dr. | 79 = Cherokee 4WD-4 Dr.-Com |
| 27 = J-20 Pickup-131" W.B. | 74 = Cherokee 2WD-4 Dr. | 81 = Wrangler-93" W.B. |
| 63 = Comanche 4WD-6 Ft. Box | 75 = Wagoneer 4WD-4 Dr. | 82 = Wrangler-103" W.B.-Exp. |
| 64 = Comanche 2WD-6 Ft. Box | | |

BODY STYLES:

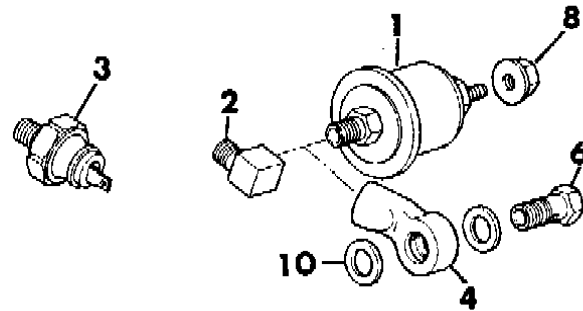
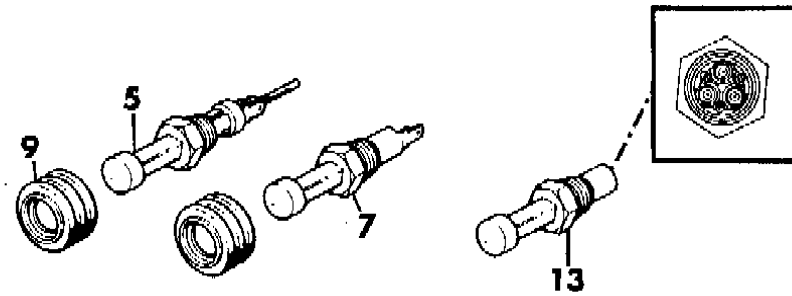
MJ = Comanche Pickup
 SJ = Grand Wagoneer Wgn., J-10 & J-20 Pickups
 XJ = Cherokee, Wagoneer Limited
 YJ = Wrangler

AR = Use as Required - = Non Illustrated Part P.A.R. = Paint as Required

SWITCHES AND SENDING UNITS CHEROKEE, WAGONEER, COMANCHE

Figure 8-500

8 J08 500 A



| ITEM | PART NUMBER | QTY | BODY | MODEL | DESCRIPTION |
|------|-------------|-----|------|-------|--|
| 1 | | | | | SENDING UNIT, Oil Pressure |
| | 5300 5218 | 1 | | | Gas Engine |
| | 3300 2472 | 1 | | | Diesel Engine |
| 2 | | | | | FITTING |
| | J093 4001 | 1 | | | 4 Cyl. Gas Engine *** |
| | J400 6600 | 1 | | | 4 Cyl. Gas Engine (Export) |
| | J321 2002 | 1 | | | 6 Cyl. Engine |
| 3 | | | | | SWITCH, Oil Pressure |
| | J314 2826 | 1 | | | Gas Engine |
| | J575 8695 | 1 | | | 4 Cyl. Gas Engine (Export) |
| 4 | 3300 2464 | 1 | | | ADAPTER, Diesel Engine *** |
| 5 | 5600 0137 | 1 | | | SWITCH, Dome Lamp/Buzzer |
| 6 | T103 0598 | 1 | | | BOLT, Adapter, Diesel Engine |
| 7 | 5600 0136 | 3 | | | SWITCH, Dome Lamp, Also Order 1 of J4006601 |
| 8 | J027 1169 | 1 | | | NUT, Diesel Engine *** |
| 9 | 5600 1223 | 4 | | | BOOT |
| 10 | J324 3136 | 2 | | | GASKET, Diesel Engine *** |
| 11 | 5300 1936 | 1 | | | ADAPTER, Diesel Engine *** |
| 12 | J323 0408 | 1 | | | SWITCH, Coolant Temp., Gas Engine w/Coolant Temp. Warning Lamp |
| | 5300 5309 | 1 | | | SENDING UNIT, Coolant Temp., Gas Eng., w/Coolant Temp. Gauge |
| | 5300 5056 | 1 | | | SWITCH, Coolant Temp., Diesel Engine |
| 13 | | | | | SWITCH, Dome Lamp, Doors |
| | 4373 296 | 2 | | | FRONT-1990 |
| | 4373 296 | 2 | | 15 | REAR-1990 |

MODEL CODES:

| | | |
|-----------------------------|-----------------------------|------------------------------|
| 15 = Grand Wagoneer 4 Dr. | 65 = Comanche 4WD-7 Ft. Box | 77 = Cherokee 4WD-2 Dr. |
| 25 = J-10 Pickup-119" W.B. | 66 = Comanche 2WD-7 Ft. Box | 78 = Cherokee 4WD-4 Dr. |
| 26 = J-10 Pickup-131" W.B. | 73 = Cherokee 2WD-2 Dr. | 79 = Cherokee 4WD-4 Dr.-Com |
| 27 = J-20 Pickup-131" W.B. | 74 = Cherokee 2WD-4 Dr. | 81 = Wrangler-93" W.B. |
| 63 = Comanche 4WD-6 Ft. Box | 75 = Wagoneer 4WD-4 Dr. | 82 = Wrangler-103" W.B.-Exp. |
| 64 = Comanche 2WD-6 Ft. Box | | |

BODY STYLES:

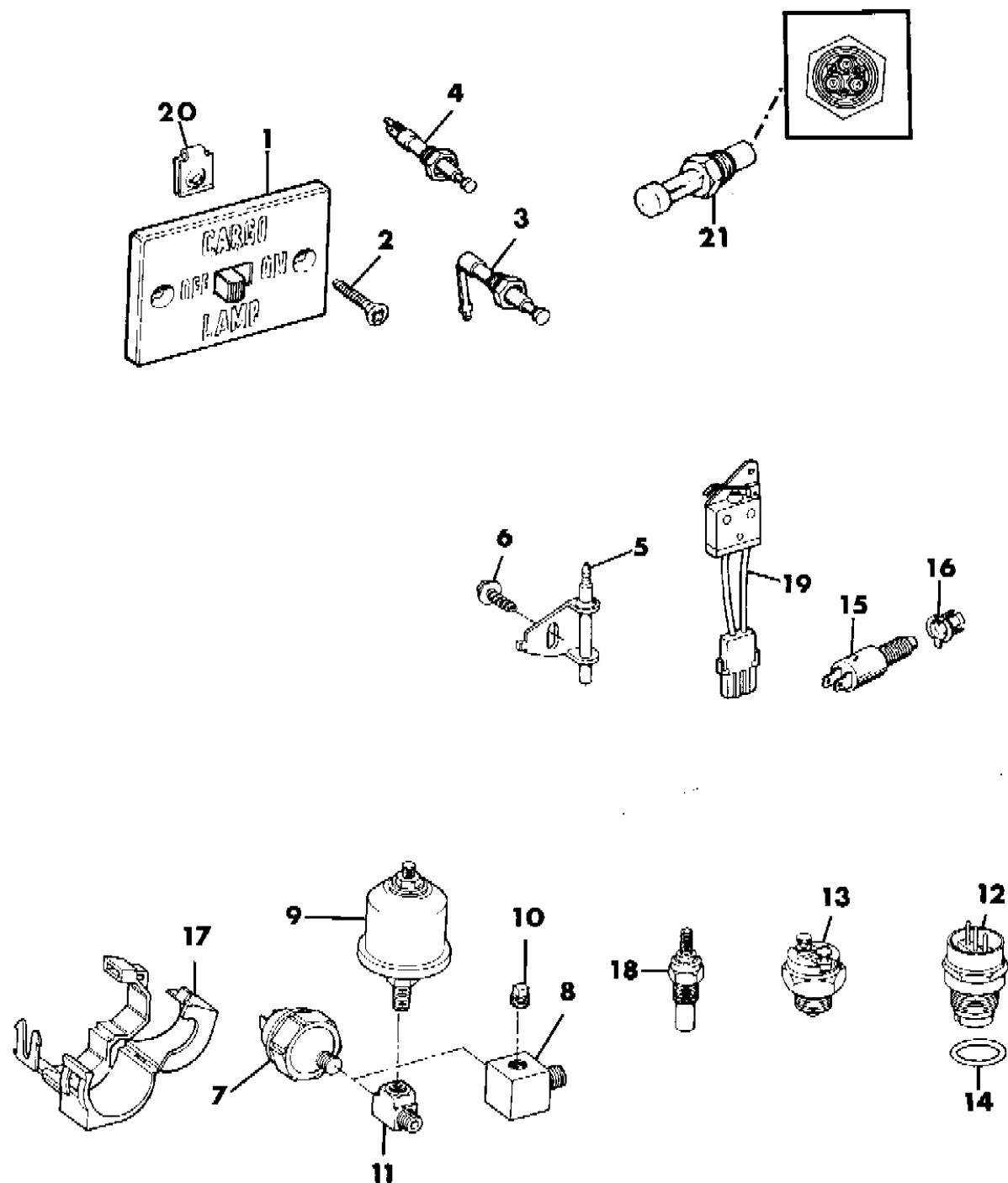
MJ = Comanche Pickup
 SJ = Grand Wagoneer Wgn., J-10 & J-20 Pickups
 XJ = Cherokee, Wagoneer Limited
 YJ = Wrangler

AR = Use as Required - = Non Illustrated Part P.A.R. = Paint as Required

SWITCHES AND SENDING UNITS GRAND WAGONEER, J10, J20

Figure 8-600

8 J08 600 A



| ITEM | PART NUMBER | QTY | BODY | MODEL | DESCRIPTION |
|------|-------------|-----|------|-------|--|
| 1 | J545 1489 | 1 | | | SWITCH, Dome Lamp |
| 2 | J400 4955 | 2 | | 26,27 | TRUCK |
| | J400 2657 | 2 | | 15 | WAGON |
| 3 | J576 1248 | 3 | | | SWITCH, Dome Lamp 1987-89 |
| | 4373 296 | 2 | | | 1990 |
| 4 | J576 4249 | 1 | | | SWITCH, Dome Lamp 1988-89 |
| | 4373 296 | 1 | | | 1990 |
| 5 | J323 2194 | 1 | | | SWITCH, Parking Brake Warning Lamp |
| 6 | J942 1073 | 1 | | | SCREW |
| 7 | J575 8695 | 1 | | | SWITCH, Oil Pressure |
| 8 | J321 2002 | 1 | | | FITTING, 6 Cyl. Engine *** |
| 9 | 5300 5218 | 1 | | | SENDING UNIT, Oil Pressure *** |
| 10 | J010 3877 | 1 | | | PLUG, 6 Cyl. Engine *** |
| 11 | J400 5879 | 1 | | | TEE, 8 Cyl. Engine *** |
| 12 | J323 2844 | 1 | | | SWITCH, Neutral Safety, w/Auto. Trans. |
| 13 | J575 1207 | 1 | | | SWITCH, Back-Up Lamp, w/Man. Trans. |
| 14 | J812 1142 | 1 | | | GASKET |
| 15 | J535 2620 | 1 | | | SWITCH, Brake Lamp |
| 16 | J535 2622 | 1 | | | RETAINER |
| 17 | J417 5241 | 1 | | | CONNECTOR |
| 18 | 5300 5056 | 1 | | | SENDING UNIT, Coolant Temp. *** |
| 19 | 5600 3694 | 1 | | | SWITCH, Safety, w/Rear Window Wiper and Washer |
| 20 | J400 6402 | 1 | | | NUT, Spring |
| 21 | 4373 296 | 2 | | | SWITCH, Dome Lamp 1990 |

MODEL CODES:

| | | |
|-----------------------------|-----------------------------|------------------------------|
| 15 = Grand Wagoneer 4 Dr. | 65 = Comanche 4WD-7 Ft. Box | 77 = Cherokee 4WD-2 Dr. |
| 25 = J-10 Pickup-119" W.B. | 66 = Comanche 2WD-7 Ft. Box | 78 = Cherokee 4WD-4 Dr. |
| 26 = J-10 Pickup-131" W.B. | 73 = Cherokee 2WD-2 Dr. | 79 = Cherokee 4WD-4 Dr.-Com |
| 27 = J-20 Pickup-131" W.B. | 74 = Cherokee 2WD-4 Dr. | 81 = Wrangler-93" W.B. |
| 63 = Comanche 4WD-6 Ft. Box | 75 = Wagoneer 4WD-4 Dr. | 82 = Wrangler-103" W.B.-Exp. |
| 64 = Comanche 2WD-6 Ft. Box | | |

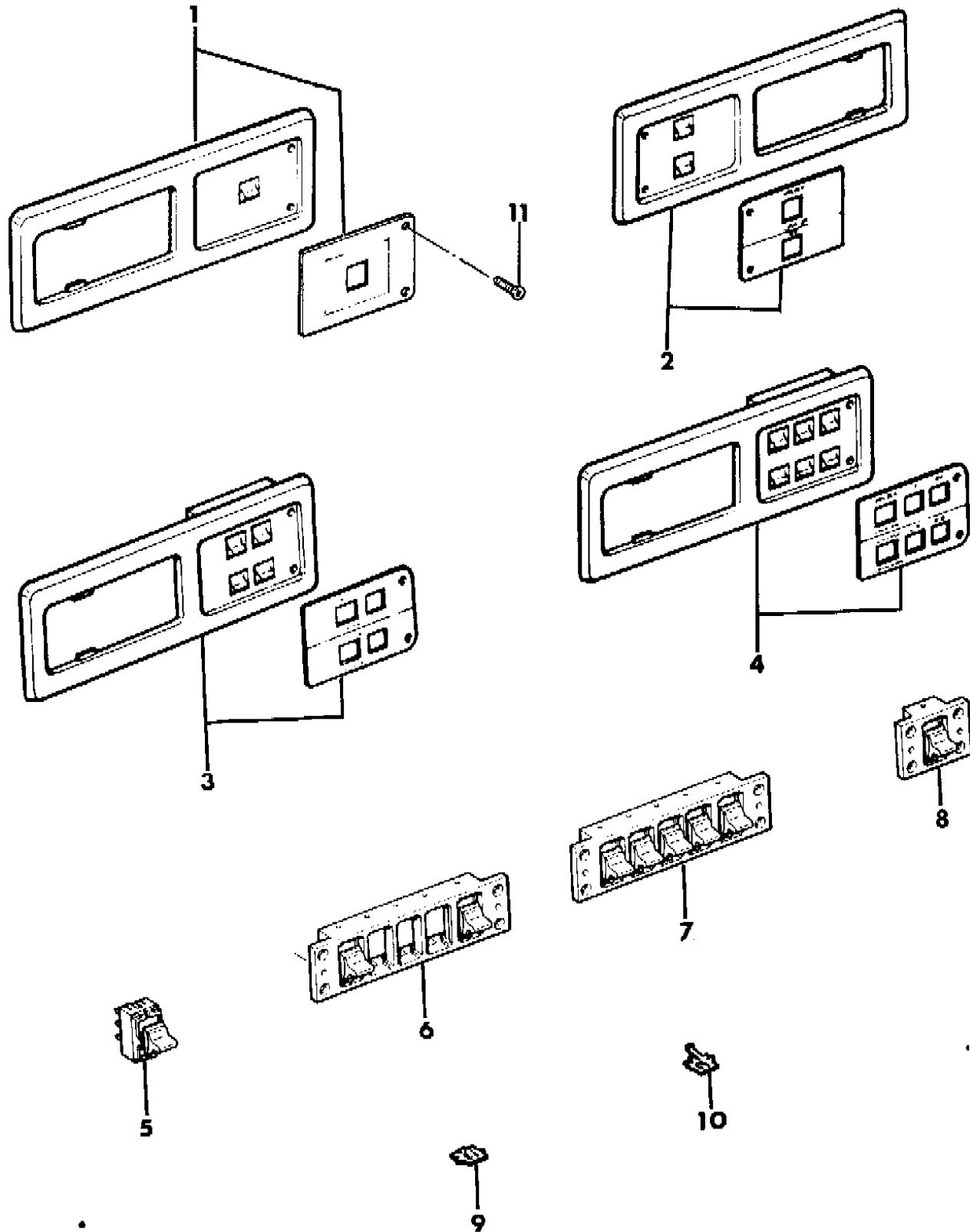
BODY STYLES:

MJ = Comanche Pickup
 SJ = Grand Wagoneer Wgn., J-10 & J-20 Pickups
 XJ = Cherokee, Wagoneer Limited
 YJ = Wrangler

AR = Use as Required - = Non Illustrated Part P.A.R. = Paint as Required

SWITCHES ALL MODELS
Figure 8-650

8 J08 650 A



| ITEM | PART NUMBER | QTY | BODY | MODEL | DESCRIPTION |
|------|-------------|-----|-------|---------|--|
| 1 | | | | | SWITCH, w/Pwr. Windows, Rear Door |
| | 5500 2124 | 1 | XJ | | 1987, Woodgrain |
| | 5500 2134 | 1 | XJ | | 1987, Black |
| | 5501 9364-5 | 1 | XJ | | 1988-90, Woodgrain |
| | 5501 9366-7 | 1 | XJ | | 1988-90, Black |
| | 5500 2130 | 2 | MJ | | w/Pwr. Locks, Frt. Door |
| 2 | | | | | SWITCH, w/Pwr. Windows & Pwr. Locks, Frt. Door Rt. |
| | 5600 0258 | 1 | XJ,MJ | | 1987 |
| | 5500 2123 | 1 | XJ,MJ | | 1988-91, Woodgrain |
| | 5500 2133 | 1 | XJ,MJ | | 1988-91, Black |
| 3 | | | | | SWITCH, w/Pwr. Windows & Pwr. Locks, Frt. Door Lt . |
| | 5500 2135 | 1 | XJ | 73,77 | 1987-91 |
| | 5500 2135 | 1 | MJ | | 1987-90 |
| 4 | | | | | SWITCH, w/Pwr. Windows & Pwr. Locks Frt. Door Lt . |
| | 5500 2122 | 1 | XJ | 74,75,7 | 1987-90, Woodgrain |
| | 5500 2132 | 1 | XJ | 74,75,7 | 1988-91, Black |
| 5 | J372 8042 | 1 | SJ | | SWITCH, w/Pwr. Windows & Pwr. Locks |
| 6 | J372 8048 | 1 | SJ | | HOUSING, w/Pwr. Windows & Pwr. Locks, Frt. Door, Rt. |
| 7 | J372 8030 | 1 | SJ | | HOUSING, w/Pwr. Windows & Pwr. Locks, Frt. Door, Lt. |
| 8 | J371 9090 | 2 | SJ | | SWITCH, w/Pwr. Windows & Pwr. Locks, Rear Doors |
| 9 | J400 6536 | AR | | | CLIP |
| 10 | J400 6546 | AR | | | CLIP |
| 11 | S150 0405 | AR | | | SCREW |

MODEL CODES:

| | | |
|-----------------------------|-----------------------------|------------------------------|
| 15 = Grand Wagoneer 4 Dr. | 65 = Comanche 4WD-7 Ft. Box | 77 = Cherokee 4WD-2 Dr. |
| 25 = J-10 Pickup-119" W.B. | 66 = Comanche 2WD-7 Ft. Box | 78 = Cherokee 4WD-4 Dr. |
| 26 = J-10 Pickup-131" W.B. | 73 = Cherokee 2WD-2 Dr. | 79 = Cherokee 4WD-4 Dr.-Com |
| 27 = J-20 Pickup-131" W.B. | 74 = Cherokee 2WD-4 Dr. | 81 = Wrangler-93" W.B. |
| 63 = Comanche 4WD-6 Ft. Box | 75 = Wagoneer 4WD-4 Dr. | 82 = Wrangler-103" W.B.-Exp. |
| 64 = Comanche 2WD-6 Ft. Box | | |

BODY STYLES:

MJ = Comanche Pickup
 SJ = Grand Wagoneer Wgn., J-10 & J-20 Pickups
 XJ = Cherokee, Wagoneer Limited
 YJ = Wrangler

AR = Use as Required - = Non Illustrated Part P.A.R. = Paint as Required

MICROPROCESSORS AND OXYGEN SENSORS WRANGLER, YJ, CHEROKEE, WAGONEER, COMANCHE, GRAND WAGONEER, J10, J20
Figure 8-700

8J08 700 B

| ITEM | PART NUMBER | QTY | BODY | MODEL | DESCRIPTION |
|------|-------------|-----|--------|-------|---|
| 1 | | | | | MICROPROCESSOR *** w/ 6 Cyl. Engine, Man. Trans. 1987-90 w/ 6 Cyl. Engine, Auto. Trans. 1987-90 |
| | 5300 5522 | 1 | YJ, SJ | | |
| | 5300 5523 | 1 | YJ | | |
| 2 | 5300 5023 | 1 | YJ | | w/ 4 Cyl. Engine |
| 3 | 5300 2332 | 1 | YJ, XJ | | BRACKET, M.A.P. Sensor, w/ 4 Cyl. Engine SENSOR, Oxygen |
| | 3300 2455 | 1 | YJ | | w/6 Cyl. Engine (1987) |
| | 3300 4243 | 1 | YJ, SJ | | w/ 6 Cyl. Engine (19988-90) |
| | 5300 4245 | 1 | XJ, MJ | | w/ 6 Cyl. Engine |
| | 5300 2106 | 1 | YJXJMJ | | w/ 4 Cyl. Engine |
| 4 | 5300 4000 | 1 | YJ | | BRACKET, Microprocessor |
| 5 | 5300 3421 | 1 | YJ | | BRACKET, Microprocessor |
| 6 | J323 3062 | 1 | YJ | | PAD, Microprocessor |
| 7 | 3300 0153 | 1 | YJ, XJ | | SENSOR, M.A.P. |
| 8 | J400 1701 | 1 | YJ | | SCREW |
| 9 | S150 7041 | 2 | YJ, XJ | | BOLT |
| 10 | 3420 1461 | 2 | YJ, XJ | | NUT |
| 11 | J942 1073 | 2 | YJ | | SCREW |
| 12 | T300 1369 | 3 | YJ | | SCREW |
| 13 | J400 5704 | 2 | YJ | | NUT |
| 14 | 5300 3933 | 1 | XJ | | BRACKET |
| 15 | | | | | MICROPROCESSOR *** 6 Cyl. Engine, w/Man. Trans., 1987-88 |
| | 5300 5407 | 1 | XJ, MJ | | |
| | 5300 5406 | 1 | XJ, MJ | | 6 Cyl. Engine, Auto. Trans., 1987-88 |
| | 5300 5429 | 1 | XJ, MJ | | 6 Cyl. Engine, w/Man. Trans., 1989-90 |
| | 5300 5428 | 1 | XJ, MJ | | 6 Cyl. Engine, w/Auto. Trans., 1989-90 |
| | 5300 7474 | 1 | XJ, MJ | | 6 Cyl. Engine, w/ Leaded Fuel (Export) |
| | 5300 4763 | 1 | XJ, MJ | | 4 Cyl. Engine, w/Man. Trans. |
| | 5300 4764 | 1 | XJ, MJ | | 4 Cyl. Engine, w/ Auto. Trans. |
| 16 | 1150 3059 | 3 | XJ, MJ | | SCREW |
| 17 | 3420 1358 | 2 | XJ, MJ | | NUT 1987 |
| | 3420 1461 | 2 | | | NUT 1988/90 |
| 18 | J322 3227 | 1 | XJ, MJ | | STRAP, Tie |
| 19 | | | | | MICROPROCESSOR *** w/Man. Trans. Calif. & Canada |
| | 3300 1744 | 1 | SJ | | |

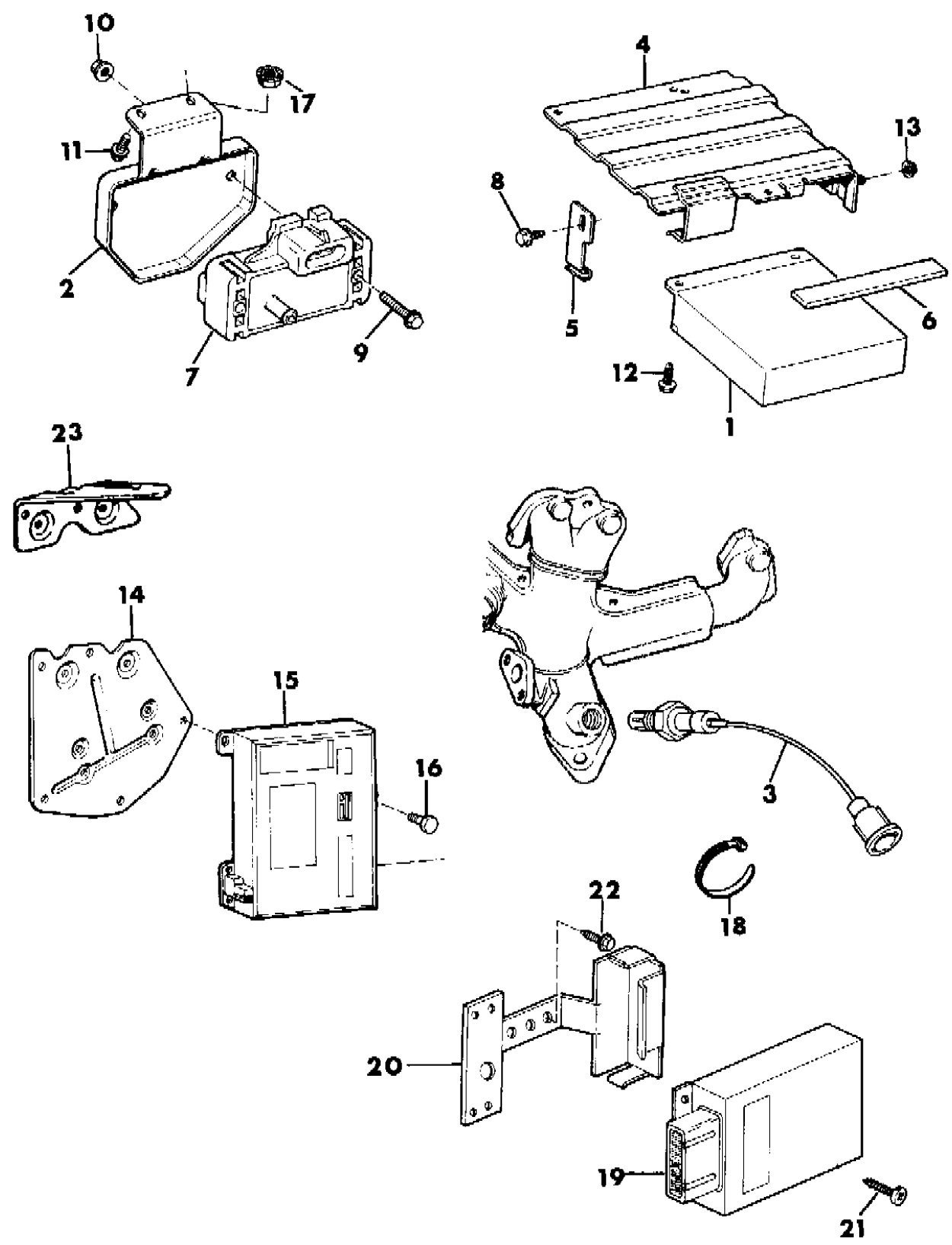
MODEL CODES:

| | | |
|-----------------------------|-----------------------------|------------------------------|
| 15 = Grand Wagoneer 4 Dr. | 65 = Comanche 4WD-7 Ft. Box | 77 = Cherokee 4WD-2 Dr. |
| 25 = J-10 Pickup-119" W.B. | 66 = Comanche 2WD-7 Ft. Box | 78 = Cherokee 4WD-4 Dr. |
| 26 = J-10 Pickup-131" W.B. | 73 = Cherokee 2WD-2 Dr. | 79 = Cherokee 4WD-4 Dr.-Com |
| 27 = J-20 Pickup-131" W.B. | 74 = Cherokee 2WD-4 Dr. | 81 = Wrangler-93" W.B. |
| 63 = Comanche 4WD-6 Ft. Box | 75 = Wagoneer 4WD-4 Dr. | 82 = Wrangler-103" W.B.-Exp. |
| 64 = Comanche 2WD-6 Ft. Box | | |

BODY STYLES:

MJ = Comanche Pickup
SJ = Grand Wagoneer Wgn., J-10 & J-20 Pickups
XJ = Cherokee, Wagoneer Limited
YJ = Wrangler

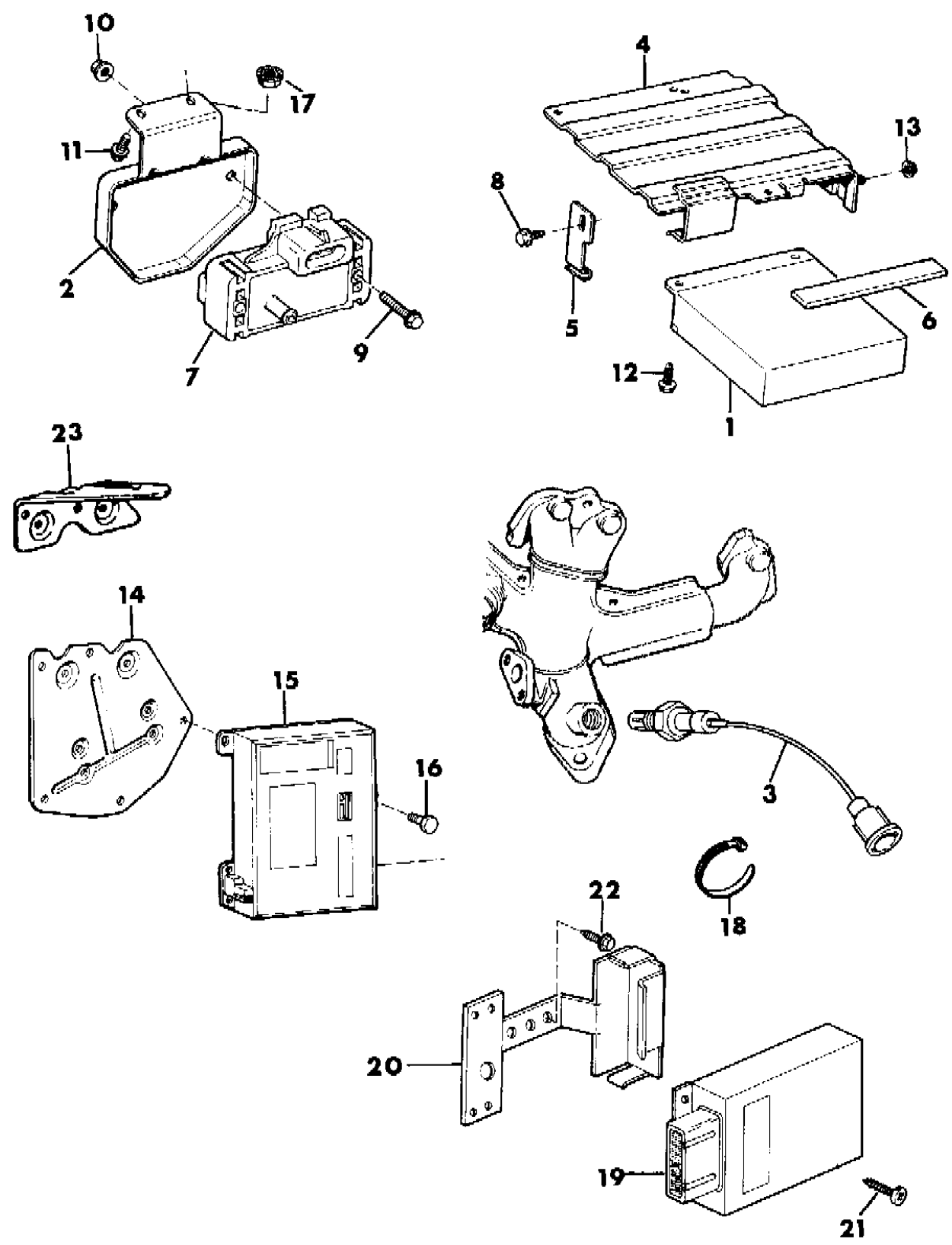
AR = Use as Required - = Non Illustrated Part P.A.R. = Paint as Required



MICROPROCESSORS AND OXYGEN SENSORS WRANGLER, YJ, CHEROKEE, WAGONEER, COMANCHE, GRAND WAGONEER, J10, J20
 Figure 8-700

8J08 700 B

| ITEM | PART NUMBER | QTY | BODY | MODEL | DESCRIPTION |
|------|-------------|-----|------|-------|-------------------------------|
| 20 | J576 2646 | 1 | SJ | | BRACKET |
| 21 | J448 9487 | 2 | SJ | | SCREW |
| 22 | J812 0052 | 3 | SJ | | SCREW |
| 23 | 5501 0821 | 1 | | | BRACKET, 6 Cyl. (Calif. Only) |



- MODEL CODES:
- | | | |
|-----------------------------|-----------------------------|------------------------------|
| 15 = Grand Wagoneer 4 Dr. | 65 = Comanche 4WD-7 Ft. Box | 77 = Cherokee 4WD-2 Dr. |
| 25 = J-10 Pickup-119" W.B. | 66 = Comanche 2WD-7 Ft. Box | 78 = Cherokee 4WD-4 Dr. |
| 26 = J-10 Pickup-131" W.B. | 73 = Cherokee 2WD-2 Dr. | 79 = Cherokee 4WD-4 Dr.-Com |
| 27 = J-20 Pickup-131" W.B. | 74 = Cherokee 2WD-4 Dr. | 81 = Wrangler-93" W.B. |
| 63 = Comanche 4WD-6 Ft. Box | 75 = Wagoneer 4WD-4 Dr. | 82 = Wrangler-103" W.B.-Exp. |
| 64 = Comanche 2WD-6 Ft. Box | | |

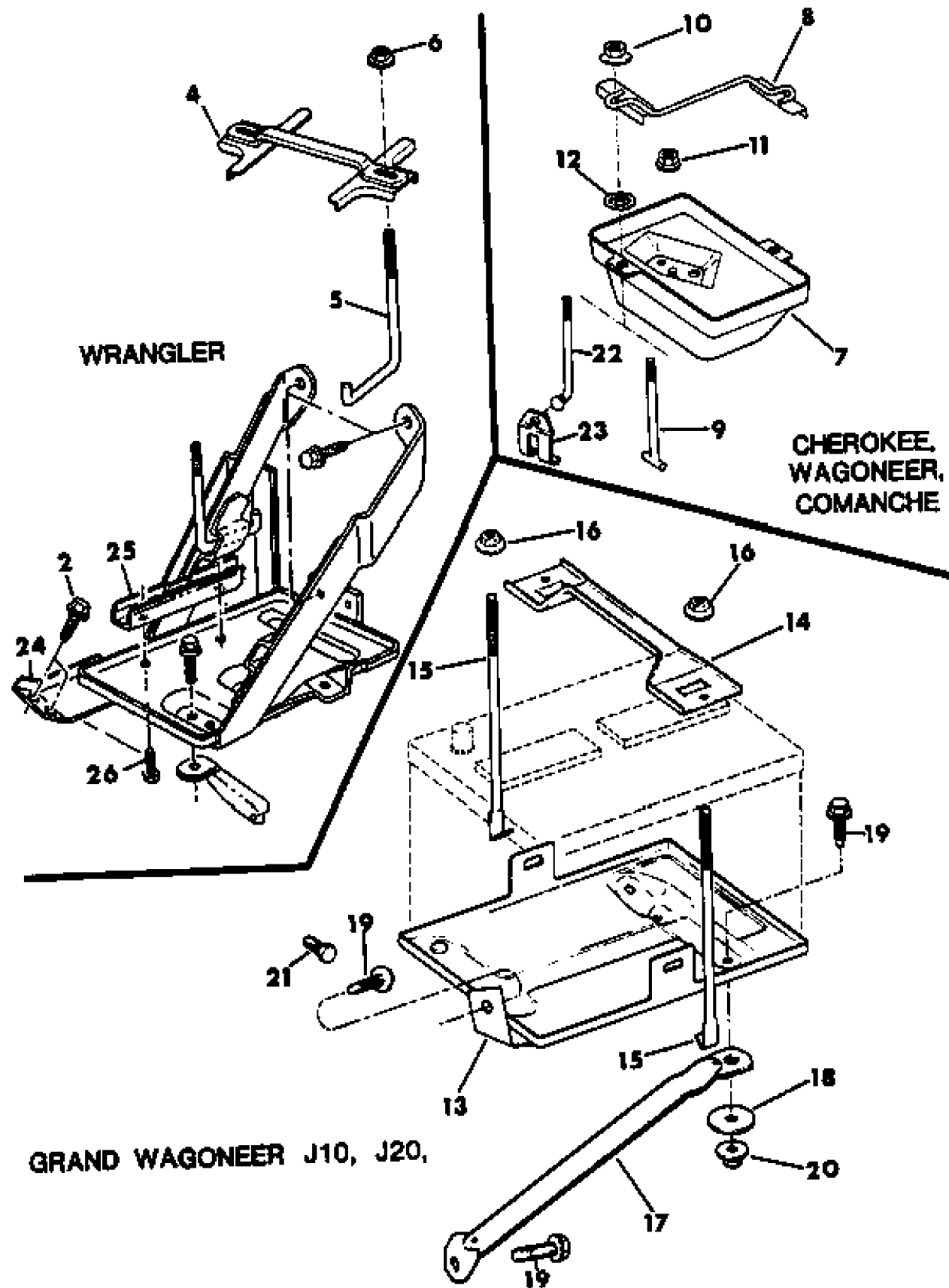
- BODY STYLES:
- MJ = Comanche Pickup
 - SJ = Grand Wagoneer Wgn., J-10 & J-20 Pickups
 - XJ = Cherokee, Wagoneer Limited
 - YJ = Wrangler

AR = Use as Required - = Non Illustrated Part P.A.R. = Paint as Required

BATTERY TRAYS WRANGLER, YJ, CHEROKEE, WAGONEER, COMANCHE, GRAND WAGONEER, J10, J20

Figure 8-800

8J08800C



| ITEM | PART NUMBER | QTY | BODY | MODEL | DESCRIPTION |
|------|-------------|-----|-------|-------|---------------------------------|
| 1 | 5500 9619 | 1 | YJ | | BOX, Battery |
| 2 | J027 3573 | 8 | YJ | | BOLT |
| 3 | 5501 3627 | 1 | YJ | | BRACE |
| 4 | 5501 2921 | 1 | YJ | | BRACKET, Battery |
| 5 | 5501 2922 | 2 | YJ | | ROD |
| 6 | J400 5937 | 2 | YJ | | NUT |
| 7 | | | | | BOX, Battery |
| | 5200 2092 | 1 | XJ,MJ | | Gas Engine |
| | 5501 0770 | 1 | XJ,MJ | | Diesel Engine |
| 8 | | | | | BRACKET, Battery |
| | 5501 0722 | 1 | XJ,MJ | | Gas Engine |
| | 5501 1012 | 1 | XJ,MJ | | Diesel Engine |
| 9 | 5501 4375 | 2 | XJ,MJ | | ROD, 6 Cyl. Engine |
| 10 | 3420 1918 | 2 | XJ,MJ | | NUT |
| 11 | 3420 1317 | 3 | XJ,MJ | | NUT |
| 12 | 3420 2014 | 2 | XJ,MJ | | NUT, Push |
| 13 | 5501 4359 | 1 | SJ | | BOX, Battery, 1987 |
| | 5501 9526 | 1 | SJ | | BOX, Battery, 1988-90 |
| 14 | 5501 4361 | 1 | SJ | | BRACKET, Battery |
| 15 | 5501 4362 | 2 | SJ | | ROD, 1987 |
| | 5501 9527 | 2 | SJ | | ROD, 1988-90 |
| 16 | 3420 1246 | 2 | SJ | | NUT |
| 17 | J097 7576 | 1 | SJ | | BRACE |
| 18 | J066 4607 | 2 | SJ | | WASHER |
| 19 | J400 4455 | 3 | SJ | | BOLT |
| 20 | J400 4866 | 3 | SJ | | NUT |
| 21 | J018 0120 | 1 | SJ | | BOLT |
| 22 | 5501 1015 | 2 | XJ | | ROD Diesel |
| 23 | 5501 0720 | 2 | XJ | | CLAMP, Battery Hold Down Diesel |
| 24 | 5501 2925 | 1 | YJ | | BRACKET, Battery Tray Support |
| 25 | J546 9962 | 1 | YJ | | BRACKET, Battery Adapter |
| 26 | J400 4648 | AR | YJ | | SCREW, (1/4x20x.62) |

MODEL CODES:

| | | |
|-----------------------------|-----------------------------|------------------------------|
| 15 = Grand Wagoneer 4 Dr. | 65 = Comanche 4WD-7 Ft. Box | 77 = Cherokee 4WD-2 Dr. |
| 25 = J-10 Pickup-119" W.B. | 66 = Comanche 2WD-7 Ft. Box | 78 = Cherokee 4WD-4 Dr. |
| 26 = J-10 Pickup-131" W.B. | 73 = Cherokee 2WD-2 Dr. | 79 = Cherokee 4WD-4 Dr.-Com |
| 27 = J-20 Pickup-131" W.B. | 74 = Cherokee 2WD-4 Dr. | 81 = Wrangler-93" W.B. |
| 63 = Comanche 4WD-6 Ft. Box | 75 = Wagoneer 4WD-4 Dr. | 82 = Wrangler-103" W.B.-Exp. |
| 64 = Comanche 2WD-6 Ft. Box | | |

BODY STYLES:

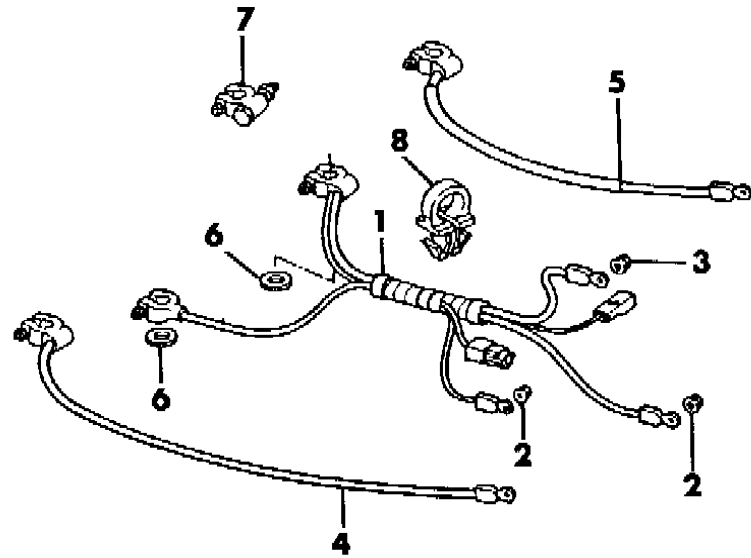
MJ = Comanche Pickup
 SJ = Grand Wagoneer Wgn., J-10 & J-20 Pickups
 XJ = Cherokee, Wagoneer Limited
 YJ = Wrangler

AR = Use as Required - = Non Illustrated Part P.A.R. = Paint as Required

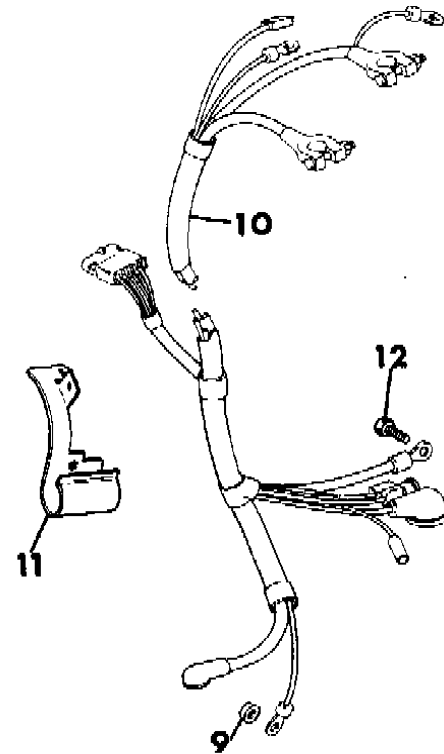
BATTERY CABLES WRANGLER, YJ, CHEROKEE, WAGONEER, COMANCHE GRAND WAGONEER, J10, J20

Figure 8-900

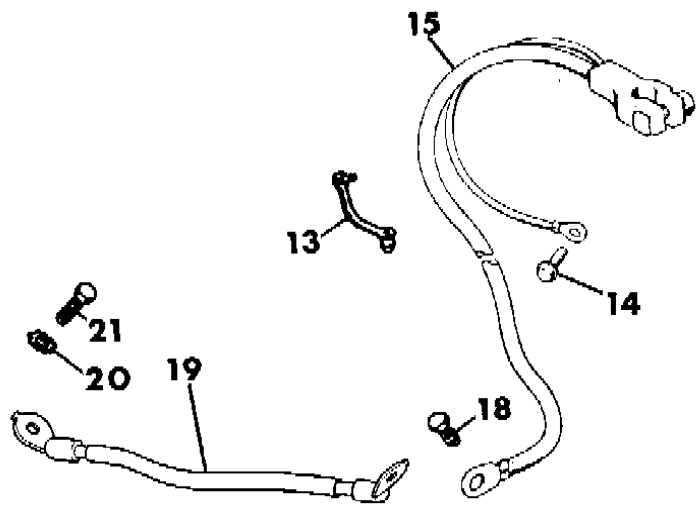
8 J08 900



WRANGLER, YJ



CHEROKEE
WAGONEER
COMANCHE



GRAND WAGONEER, J-10, J-20

| ITEM | PART NUMBER | QTY | BODY | MODEL | DESCRIPTION |
|------|-------------|-----|-------|-------|---------------------------------|
| 1 | | 1 | | | HARNESS, Battery |
| | 5603 0060 | 1 | YJ | | 6 Cyl., 1987 |
| | 5600 2066 | 1 | YJ | | 4 Cyl., 1987 |
| | 5600 2566 | 1 | YJ | | 2.5 Eng., Pos. & Neg., 1988-90 |
| 2 | J400 6715 | 1 | YJ | | NUT, 4 Cyl. Engine |
| | J027 1187 | 2 | YJ | | NUT, 6 Cyl. Engine |
| 3 | 3420 2346 | 1 | YJ | | NUT |
| 4 | 5600 2516 | 1 | YJ | | CABLE, Negative, 6 Cyl. Engine |
| 5 | | | | | CABLE, Positive, 6 Cyl. Engine |
| | 5600 2515 | 1 | YJ | | 1987 |
| | 5600 2754 | 1 | YJ | | 1988-90 |
| 6 | J522 7487 | 2 | YJ | | WASHER, Terminal Anti-Corrosion |
| 7 | 9600 0053 | 2 | YJ | | TERMINAL, Positive |
| | 9600 0054 | 2 | YJ | | Negative |
| 8 | 3420 1633 | 1 | YJ | | CLIP |
| 9 | J027 1187 | 1 | XJ,MJ | | NUT, 1987 |
| | 3420 1749 | 1 | XJ,MJ | | 1988-90 |
| 10 | | | XJ,MJ | | HARNESS, Alternator/Battery |
| | 5600 2286 | 1 | | | 6 Cyl. Engine, 1987-90 |
| | 5600 3703 | 1 | | | 1990 |
| | 5600 1988 | 1 | | | 4 Cyl. Engine, 1987-90 |
| | 5600 4817 | 1 | | | 1990 |
| | 5600 2499 | 1 | | | Diesel Engine, 1987-90 |
| | 5600 3977 | 1 | | | 1990 |
| 11 | 5600 1344 | 1 | XJ,MJ | | BRACKET, Battery Cable, Diesel |
| 12 | J942 8638 | 1 | XJ,MJ | | BOLT |
| 13 | J400 1712 | 1 | SJ | | CLIP |
| 14 | J400 4801 | 1 | SJ | | BOLT |
| 15 | J546 5067 | 1 | SJ | | CABLE, Negative |
| 16 | | | | | CABLE, Positive |
| | J535 0457 | 1 | SJ | | 6 Cyl. Engine, 1987 |
| | J546 5069 | 1 | SJ | | 8 Cyl. Engine, 1987 |
| | 5600 2759 | 1 | SJ | | 6 Cyl. Engine, 1988 |
| | 5600 2974 | 1 | SJ | | 8 Cyl. Engine, 1988 |
| | 5600 3466 | 1 | SJ | | 8 Cyl. Engine, 1989-90 |
| 17 | | | | | NUT |
| | 3420 2346 | 2 | SJ | | 8mm Dia. |

MODEL CODES:

| | | |
|-----------------------------|-----------------------------|------------------------------|
| 15 = Grand Wagoneer 4 Dr. | 65 = Comanche 4WD-7 Ft. Box | 77 = Cherokee 4WD-2 Dr. |
| 25 = J-10 Pickup-119" W.B. | 66 = Comanche 2WD-7 Ft. Box | 78 = Cherokee 4WD-4 Dr. |
| 26 = J-10 Pickup-131" W.B. | 73 = Cherokee 2WD-2 Dr. | 79 = Cherokee 4WD-4 Dr.-Com |
| 27 = J-20 Pickup-131" W.B. | 74 = Cherokee 2WD-4 Dr. | 81 = Wrangler-93" W.B. |
| 63 = Comanche 4WD-6 Ft. Box | 75 = Wagoneer 4WD-4 Dr. | 82 = Wrangler-103" W.B.-Exp. |
| 64 = Comanche 2WD-6 Ft. Box | | |

BODY STYLES:

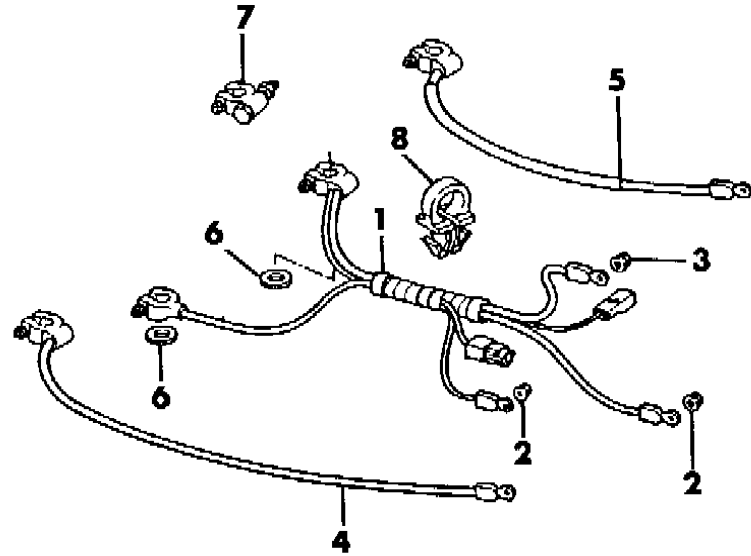
| |
|---|
| MJ = Comanche Pickup |
| SJ = Grand Wagoneer Wgn., J-10 & J-20 Pickups |
| XJ = Cherokee, Wagoneer Limited |
| YJ = Wrangler |

AR = Use as Required - = Non Illustrated Part P.A.R. = Paint as Required

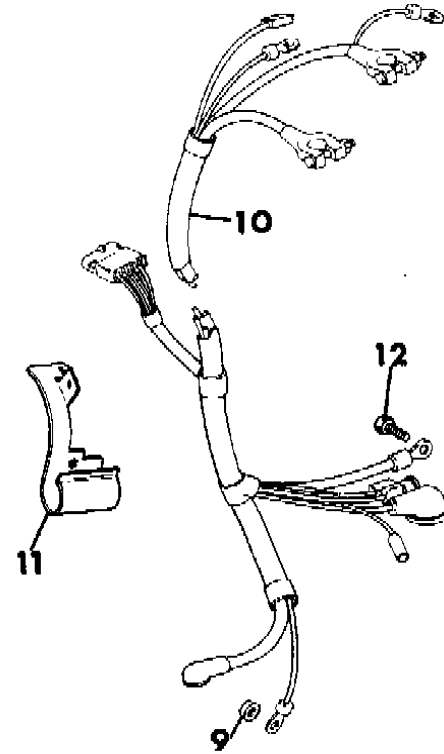
BATTERY CABLES WRANGLER, YJ, CHEROKEE, WAGONEER, COMANCHE GRAND WAGONEER, J10, J20

Figure 8-900

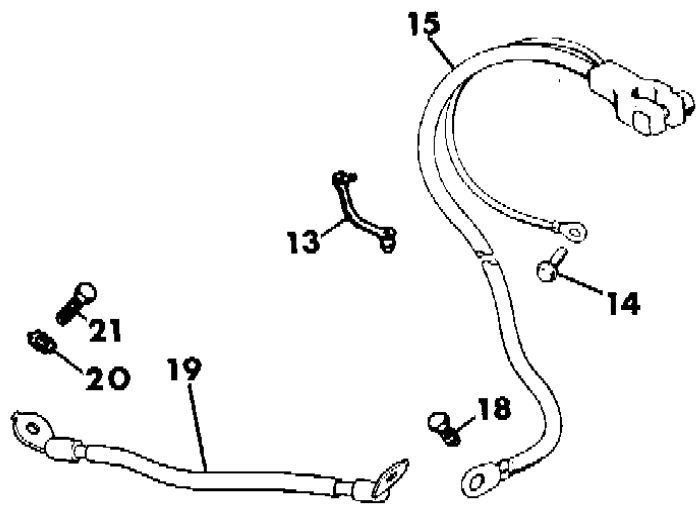
8 J08 900



WRANGLER, YJ



CHEROKEE
WAGONEER
COMANCHE



GRAND WAGONEER, J-10, J-20

| ITEM | PART NUMBER | QTY | BODY | MODEL | DESCRIPTION |
|------|-------------|-----|------|-------|--------------------------|
| | J400 6715 | 2 | SJ | | 5/16" Dia. |
| 18 | J018 0120 | 1 | SJ | | BOLT |
| 19 | | | | | CABLE, Body Ground Strap |
| | J093 8988 | 1 | SJ | | 8 Cyl. Engine |
| | J576 2380 | 1 | SJ | | 6 Cyl. Engine |
| | 5603 0064 | 1 | SJ | | 1987 |
| 20 | J013 8489 | 4 | SJ | | WASHER |
| 21 | J018 0122 | 1 | SJ | | BOLT |

MODEL CODES:

| | | |
|-----------------------------|-----------------------------|------------------------------|
| 15 = Grand Wagoneer 4 Dr. | 65 = Comanche 4WD-7 Ft. Box | 77 = Cherokee 4WD-2 Dr. |
| 25 = J-10 Pickup-119" W.B. | 66 = Comanche 2WD-7 Ft. Box | 78 = Cherokee 4WD-4 Dr. |
| 26 = J-10 Pickup-131" W.B. | 73 = Cherokee 2WD-2 Dr. | 79 = Cherokee 4WD-4 Dr.-Com |
| 27 = J-20 Pickup-131" W.B. | 74 = Cherokee 2WD-4 Dr. | 81 = Wrangler-93" W.B. |
| 63 = Comanche 4WD-6 Ft. Box | 75 = Wagoneer 4WD-4 Dr. | 82 = Wrangler-103" W.B.-Exp. |
| 64 = Comanche 2WD-6 Ft. Box | | |

BODY STYLES:

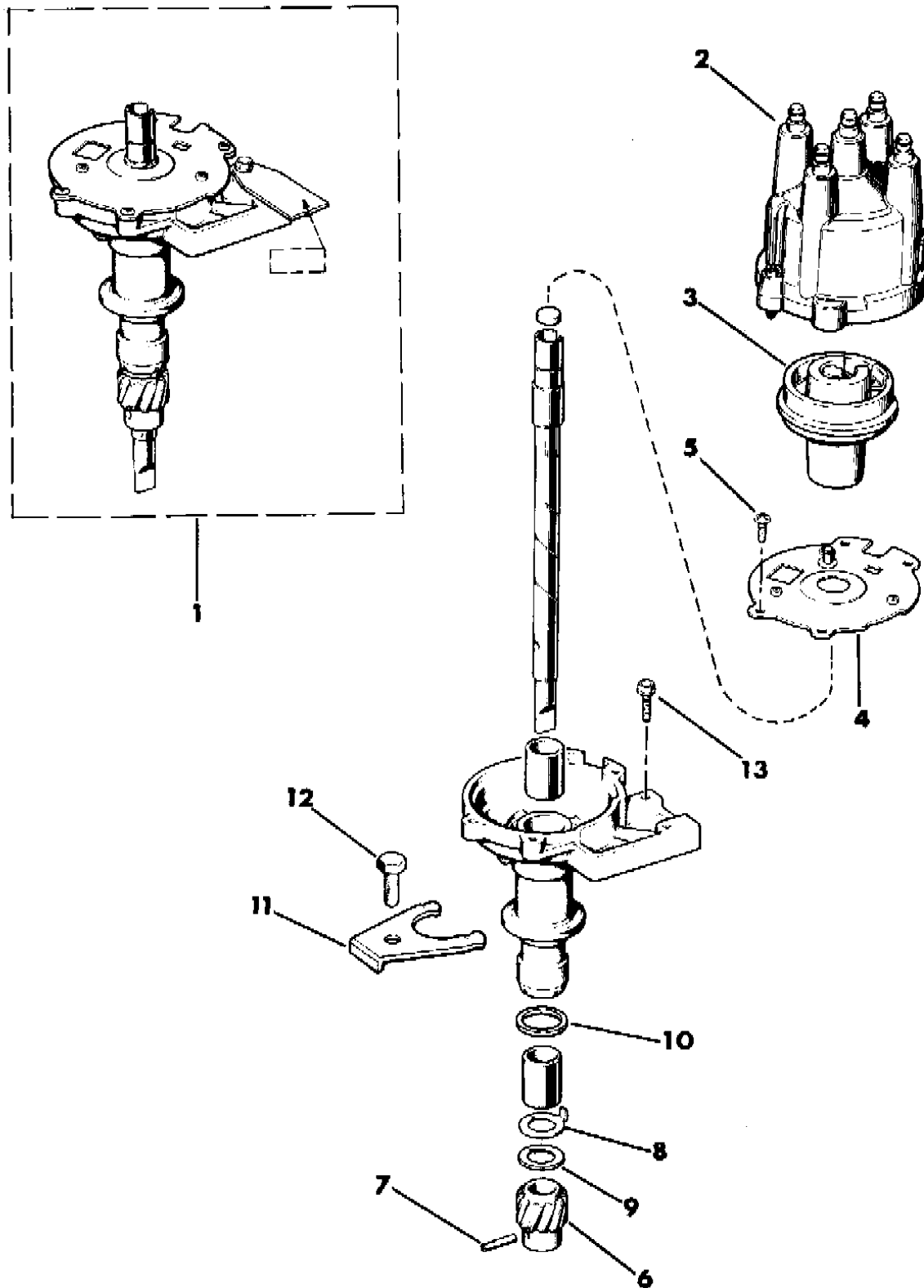
MJ = Comanche Pickup
 SJ = Grand Wagoneer Wgn., J-10 & J-20 Pickups
 XJ = Cherokee, Wagoneer Limited
 YJ = Wrangler

AR = Use as Required - = Non Illustrated Part P.A.R. = Paint as Required

DISTRIBUTOR 2.5L ENGINE ELECTRONOC FUEL INJECTION

Figure 8-1000

8 J08 1000



| ITEM | PART NUMBER | QTY | BODY | MODEL | DESCRIPTION |
|------|-------------|-----|------|-------|-----------------------------------|
| 1 | | | | | DISTRIBUTOR |
| | 5300 2107 | 1 | | | Tagged 89 53 002 107 or 53002 107 |
| | 3300 4461 | 1 | | | Tagged 89 33 004 461 or 33004 461 |
| 2 | J323 4451 | 1 | | | CAP, Distributor |
| 3 | 3300 4795 | 1 | | | ROTOR, Distributor, 1988-90 |
| 4 | J812 8460 | 1 | | | BOLT |
| 5 | J812 8470 | 2 | | | SCREW |
| 6 | J813 3652 | 1 | | | GEAR, Distributor |
| 7 | J812 8462 | 1 | | | PIN |
| 8 | J812 8465 | 1 | | | WASHER |
| 9 | J323 1413 | AR | | | SHIM |
| 10 | J318 1288 | 1 | | | GASKET |
| 11 | 3300 4242 | 1 | | | CLAMP, Distributor |
| 12 | J018 0079 | 1 | | | BOLT |

MODEL CODES:

| | | |
|-----------------------------|-----------------------------|------------------------------|
| 15 = Grand Wagoneer 4 Dr. | 65 = Comanche 4WD-7 Ft. Box | 77 = Cherokee 4WD-2 Dr. |
| 25 = J-10 Pickup-119" W.B. | 66 = Comanche 2WD-7 Ft. Box | 78 = Cherokee 4WD-4 Dr. |
| 26 = J-10 Pickup-131" W.B. | 73 = Cherokee 2WD-2 Dr. | 79 = Cherokee 4WD-4 Dr.-Com |
| 27 = J-20 Pickup-131" W.B. | 74 = Cherokee 2WD-4 Dr. | 81 = Wrangler-93" W.B. |
| 63 = Comanche 4WD-6 Ft. Box | 75 = Wagoneer 4WD-4 Dr. | 82 = Wrangler-103" W.B.-Exp. |
| 64 = Comanche 2WD-6 Ft. Box | | |

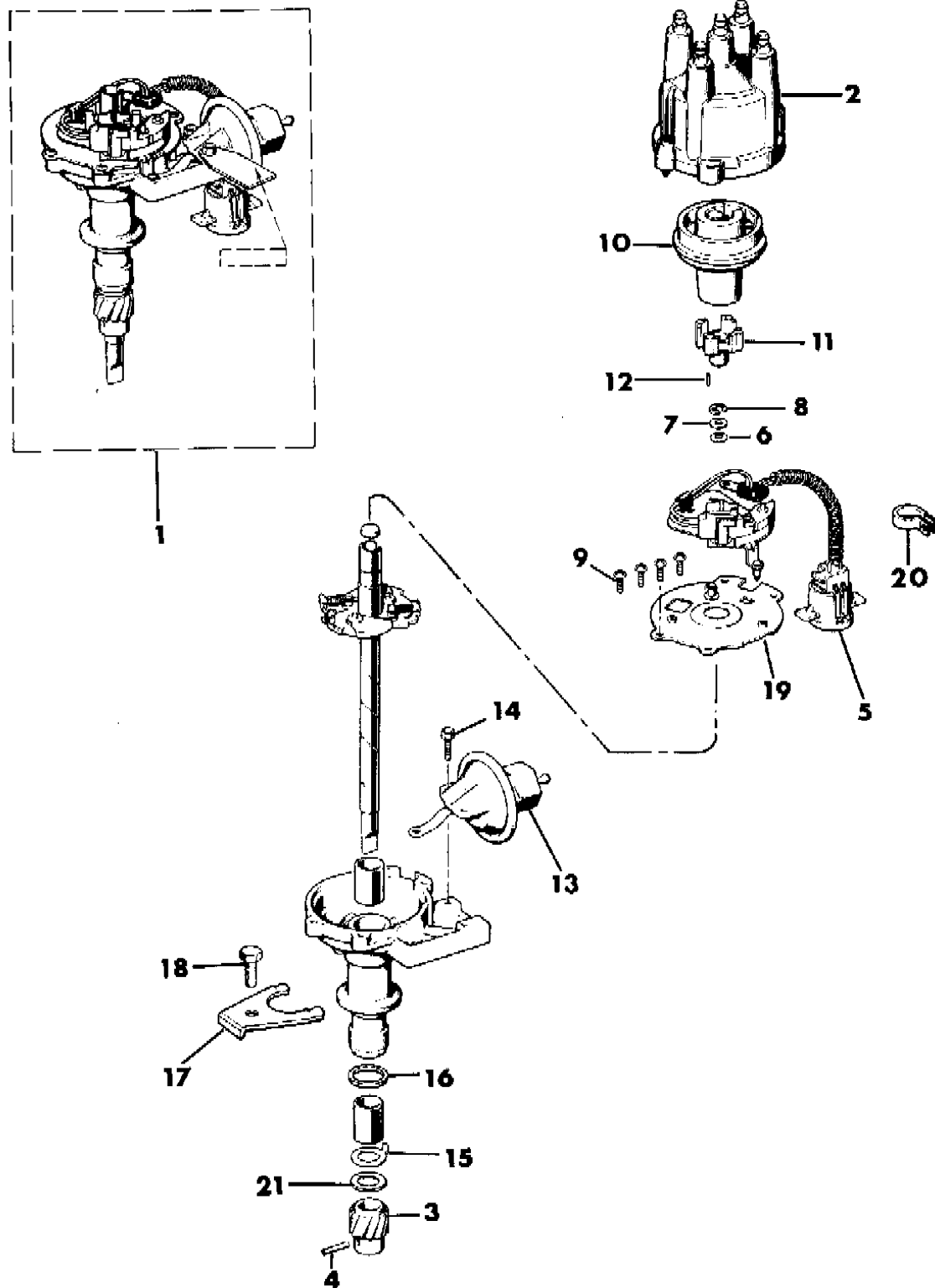
BODY STYLES:

MJ = Comanche Pickup
 SJ = Grand Wagoneer Wgn., J-10 & J-20 Pickups
 XJ = Cherokee, Wagoneer Limited
 YJ = Wrangler

AR = Use as Required - = Non Illustrated Part P.A.R. = Paint as Required

DISTRIBUTOR 2.5L ENGINE CARBURETED
Figure 8-1100

8J08 1100



| ITEM | PART NUMBER | QTY | BODY | MODEL | DESCRIPTION |
|------|-------------|-----|------|-------|-----------------------------|
| 1 | 3300 4654 | 1 | | | DISTRIBUTOR |
| 2 | J323 4451 | 1 | | | CAP, Distributor |
| 3 | J813 3652 | 1 | | | GEAR, Distributor |
| 4 | J812 8462 | 1 | | | PIN |
| 5 | 8350 0409 | 1 | | | SENSOR, Distributor |
| 6 | J812 8468 | 1 | | | WASHER |
| 7 | J812 8469 | 1 | | | WASHER |
| 8 | J812 8464 | 1 | | | RETAINER |
| 9 | J812 8470 | 4 | | | SCREW |
| 10 | | | | | ROTOR, Distributor |
| | J323 4452 | 1 | | | 1987-88 |
| | 3300 4795 | 1 | | | 1989-90 |
| 11 | 8350 0412 | 1 | | | RELUCTOR, Distributor |
| 12 | J812 8463 | 1 | | | PIN |
| 13 | J813 2802 | 1 | | | CONTROL, Distributor Vacuum |
| 14 | J812 8460 | 2 | | | BOLT |
| 15 | J812 8465 | 1 | | | WASHER |
| 16 | J318 1288 | 1 | | | GASKET |
| 17 | 3300 4242 | 1 | | | CLAMP, Distributor |
| 18 | J018 0079 | 1 | | | BOLT |
| 19 | J323 1413 | AR | | | SHIM |
| 20 | J400 1718 | 1 | | | CLIP |

MODEL CODES:

| | | |
|-----------------------------|-----------------------------|------------------------------|
| 15 = Grand Wagoneer 4 Dr. | 65 = Comanche 4WD-7 Ft. Box | 77 = Cherokee 4WD-2 Dr. |
| 25 = J-10 Pickup-119" W.B. | 66 = Comanche 2WD-7 Ft. Box | 78 = Cherokee 4WD-4 Dr. |
| 26 = J-10 Pickup-131" W.B. | 73 = Cherokee 2WD-2 Dr. | 79 = Cherokee 4WD-4 Dr.-Com |
| 27 = J-20 Pickup-131" W.B. | 74 = Cherokee 2WD-4 Dr. | 81 = Wrangler-93" W.B. |
| 63 = Comanche 4WD-6 Ft. Box | 75 = Wagoneer 4WD-4 Dr. | 82 = Wrangler-103" W.B.-Exp. |
| 64 = Comanche 2WD-6 Ft. Box | | |

BODY STYLES:

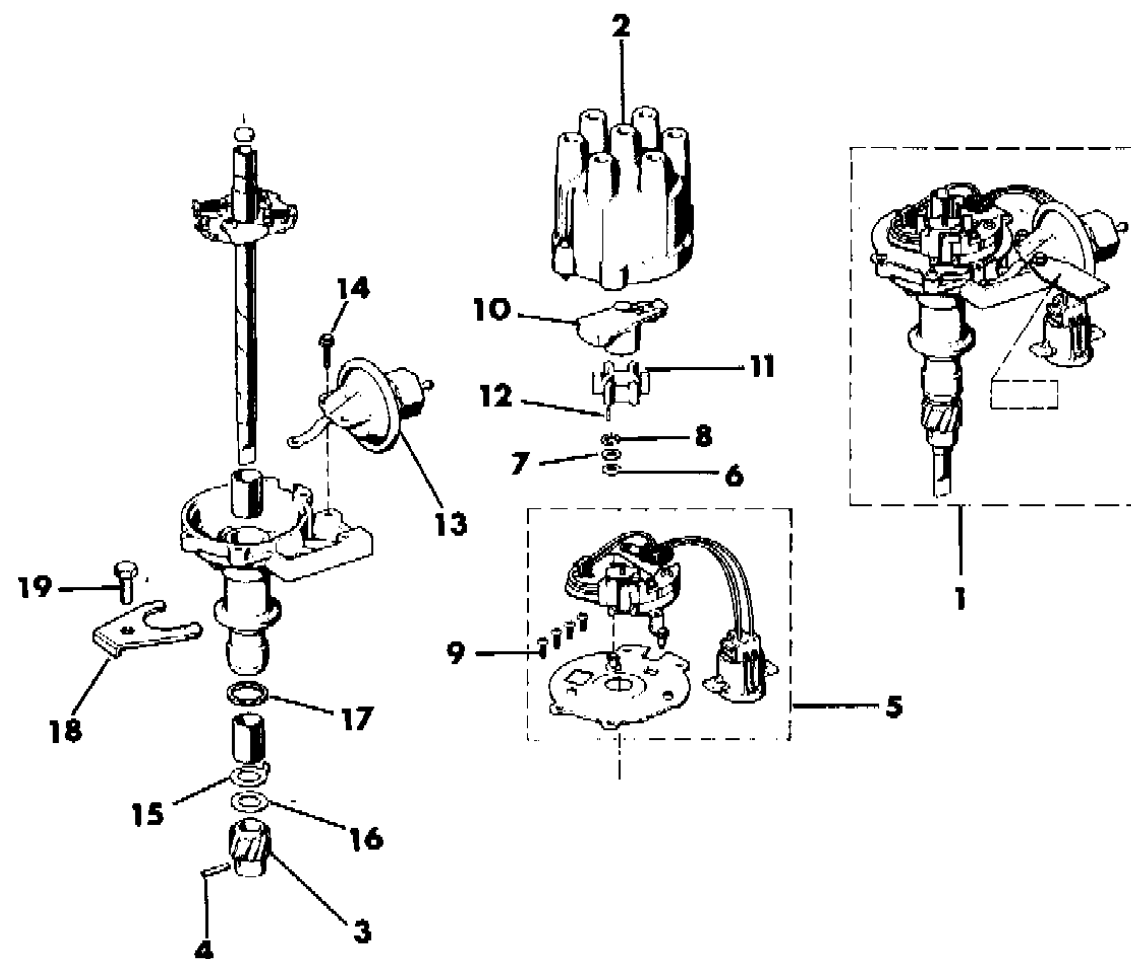
MJ = Comanche Pickup
 SJ = Grand Wagoneer Wgn., J-10 & J-20 Pickups
 XJ = Cherokee, Wagoneer Limited
 YJ = Wrangler

AR = Use as Required - = Non Illustrated Part P.A.R. = Paint as Required

DISTRIBUTOR 4.2L ENGINE

Figure 8-1200

8J08 1200



| ITEM | PART NUMBER | QTY | BODY | MODEL | DESCRIPTION |
|------|-------------|-----|------|-------|-----------------------------|
| 1 | 3300 4655 | 1 | | | DISTRIBUTOR |
| 2 | J323 0457 | 1 | | | CAP, Distributor |
| 3 | J813 3652 | 1 | | | GEAR, Distributor |
| 4 | J812 8462 | 1 | | | PIN |
| 5 | J812 8445 | 1 | | | SENSOR, Distributor |
| 6 | J812 8468 | 1 | | | WASHER |
| 7 | J812 8469 | 1 | | | WASHER |
| 8 | J812 8464 | 1 | | | RETAINER |
| 9 | J812 8470 | 2 | | | SCREW |
| 10 | J323 0821 | 1 | | | ROTOR, Distributor |
| 11 | J812 8422 | 1 | | | RELUCTOR, Distributor |
| 12 | J812 8463 | 1 | | | PIN |
| 13 | J813 4678 | 1 | | | CONTROL, Distributor Vacuum |
| 14 | J812 8460 | 2 | | | BOLT |
| 15 | J812 8465 | 1 | | | WASHER |
| 16 | J323 1413 | AR | | | SHIM |
| 17 | J318 1288 | 1 | | | GASKET |
| 18 | 3300 4242 | 1 | | | CLAMP, Distributor |
| 19 | J018 0079 | 1 | | | BOLT |

MODEL CODES:

| | | |
|-----------------------------|-----------------------------|------------------------------|
| 15 = Grand Wagoneer 4 Dr. | 65 = Comanche 4WD-7 Ft. Box | 77 = Cherokee 4WD-2 Dr. |
| 25 = J-10 Pickup-119" W.B. | 66 = Comanche 2WD-7 Ft. Box | 78 = Cherokee 4WD-4 Dr. |
| 26 = J-10 Pickup-131" W.B. | 73 = Cherokee 2WD-2 Dr. | 79 = Cherokee 4WD-4 Dr.-Com |
| 27 = J-20 Pickup-131" W.B. | 74 = Cherokee 2WD-4 Dr. | 81 = Wrangler-93" W.B. |
| 63 = Comanche 4WD-6 Ft. Box | 75 = Wagoneer 4WD-4 Dr. | 82 = Wrangler-103" W.B.-Exp. |
| 64 = Comanche 2WD-6 Ft. Box | | |

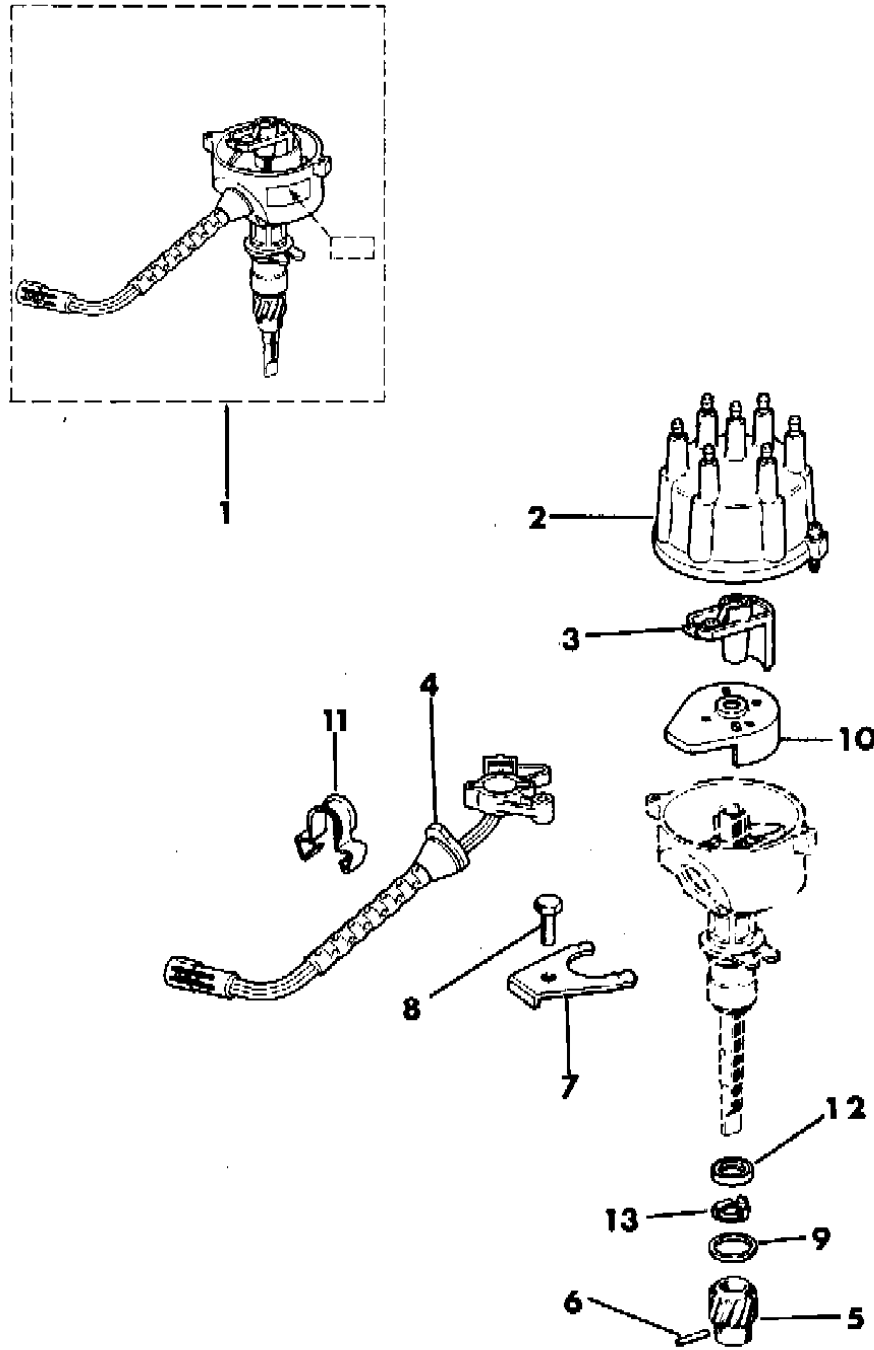
BODY STYLES:

MJ = Comanche Pickup
 SJ = Grand Wagoneer Wgn., J-10 & J-20 Pickups
 XJ = Cherokee, Wagoneer Limited
 YJ = Wrangler

AR = Use as Required - = Non Illustrated Part P.A.R. = Paint as Required

DISTRIBUTOR 4.0L ENGINE
Figure 8-1300

8 J08 1300



| ITEM | PART NUMBER | QTY | BODY | MODEL | DESCRIPTION |
|------|-------------|-----|------|-------|----------------------------------|
| 1 | | | | | DISTRIBUTOR |
| | 5300 7190 | 1 | | | Tagged 89 53 007 190 or 53007190 |
| | 3300 4589 | 1 | | | Tagged 89 33 004 589 or 33004589 |
| 2 | 3300 4024 | 1 | | | CAP, Distributor |
| 3 | 3300 3389 | 1 | | | ROTOR, Distributor |
| 4 | 3300 4590 | 1 | | | STATOR, Distributor |
| 5 | 8350 4635 | 1 | | | GEAR, Distributor |
| 6 | J812 8462 | 1 | | | PIN |
| 7 | 3300 4242 | 1 | | | CLAMP |
| 8 | J018 0079 | 1 | | | BOLT |
| 9 | J318 1288 | 1 | | | GASKET |
| 10 | 3300 4254 | 1 | | | PLATE |
| 11 | 5300 5253 | 1 | | | CLIP |
| 12 | 3300 4595 | 1 | | | SEAL |
| 13 | 3300 4594 | 1 | | | WASHER, Thrust |

MODEL CODES:

| | | |
|-----------------------------|-----------------------------|------------------------------|
| 15 = Grand Wagoneer 4 Dr. | 65 = Comanche 4WD-7 Ft. Box | 77 = Cherokee 4WD-2 Dr. |
| 25 = J-10 Pickup-119" W.B. | 66 = Comanche 2WD-7 Ft. Box | 78 = Cherokee 4WD-4 Dr. |
| 26 = J-10 Pickup-131" W.B. | 73 = Cherokee 2WD-2 Dr. | 79 = Cherokee 4WD-4 Dr.-Com |
| 27 = J-20 Pickup-131" W.B. | 74 = Cherokee 2WD-4 Dr. | 81 = Wrangler-93" W.B. |
| 63 = Comanche 4WD-6 Ft. Box | 75 = Wagoneer 4WD-4 Dr. | 82 = Wrangler-103" W.B.-Exp. |
| 64 = Comanche 2WD-6 Ft. Box | | |

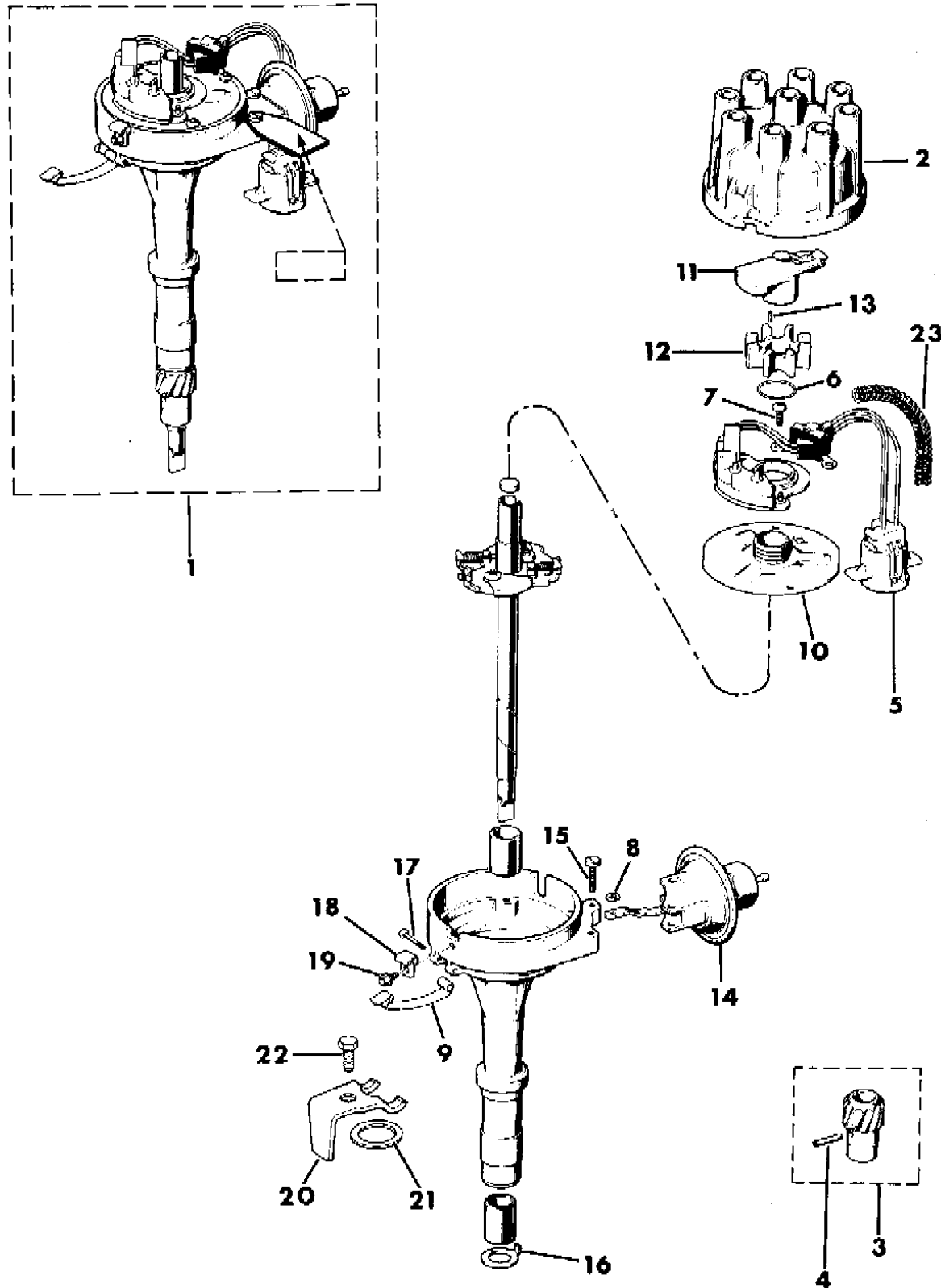
BODY STYLES:

MJ = Comanche Pickup
 SJ = Grand Wagoneer Wgn., J-10 & J-20 Pickups
 XJ = Cherokee, Wagoneer Limited
 YJ = Wrangler

AR = Use as Required - = Non Illustrated Part P.A.R. = Paint as Required

DISTRIBUTOR 5.9L ENGINE
Figure 8-1400

8J08 800 1400



| ITEM | PART NUMBER | QTY | BODY | MODEL | DESCRIPTION |
|------|-------------|-----|------|-------|-----------------------------|
| 1 | J323 3174 | 1 | | | DISTRIBUTOR |
| 2 | J323 0757 | 1 | | | CAP, Distributor |
| 3 | J320 8615 | 1 | | | GEAR, Distributor |
| 4 | J812 8462 | 1 | | | PIN |
| 5 | J812 8900 | 1 | | | SENSOR, Distributor |
| 6 | J812 8953 | 1 | | | RETAINER |
| 7 | J812 8470 | 1 | | | SCREW |
| 8 | J448 8186 | 1 | | | CLIP |
| 9 | J812 8955 | 2 | | | CLAMP |
| 10 | J812 8957 | 1 | | | PLATE, Mounting |
| 11 | J323 0765 | 1 | | | ROTOR, Distributor |
| 12 | J812 8899 | 1 | | | RELUCTOR, Distributor |
| 13 | J812 8463 | 1 | | | PIN |
| 14 | J812 9470 | 1 | | | CONTROL, Distributor Vacuum |
| 15 | J812 8958 | 2 | | | SCREW |
| 16 | J812 8465 | 1 | | | WASHER |
| 17 | J812 8956 | 1 | | | RIVET |
| 18 | J812 8993 | 1 | | | TAB |
| 19 | J812 9359 | 1 | | | SCREW |
| 20 | J323 3813 | 1 | | | CLAMP |
| 21 | J318 1288 | 1 | | | GASKET |
| 22 | J018 0123 | 1 | | | BOLT |
| 23 | 3300 1774 | 1 | | | SHIELD |

MODEL CODES:

| | | |
|-----------------------------|-----------------------------|------------------------------|
| 15 = Grand Wagoneer 4 Dr. | 65 = Comanche 4WD-7 Ft. Box | 77 = Cherokee 4WD-2 Dr. |
| 25 = J-10 Pickup-119" W.B. | 66 = Comanche 2WD-7 Ft. Box | 78 = Cherokee 4WD-4 Dr. |
| 26 = J-10 Pickup-131" W.B. | 73 = Cherokee 2WD-2 Dr. | 79 = Cherokee 4WD-4 Dr.-Com |
| 27 = J-20 Pickup-131" W.B. | 74 = Cherokee 2WD-4 Dr. | 81 = Wrangler-93" W.B. |
| 63 = Comanche 4WD-6 Ft. Box | 75 = Wagoneer 4WD-4 Dr. | 82 = Wrangler-103" W.B.-Exp. |
| 64 = Comanche 2WD-6 Ft. Box | | |

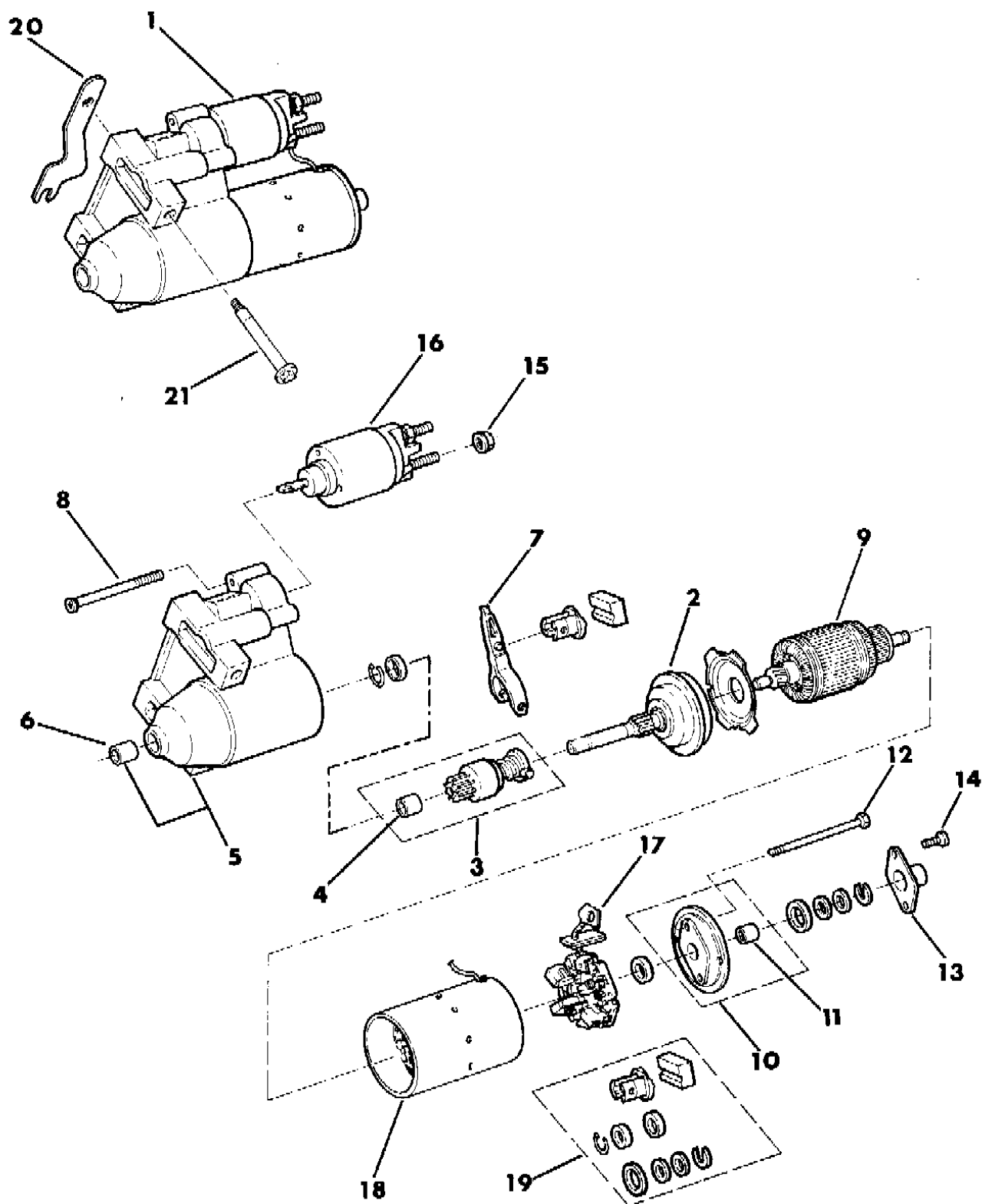
BODY STYLES:

MJ = Comanche Pickup
 SJ = Grand Wagoneer Wgn., J-10 & J-20 Pickups
 XJ = Cherokee, Wagoneer Limited
 YJ = Wrangler

AR = Use as Required - = Non Illustrated Part P.A.R. = Paint as Required

STARTER AND MOUNTING 2.5L ENGINE BOSCH
Figure 8-1500

8J08 1500



| ITEM | PART NUMBER | QTY | BODY | MODEL | DESCRIPTION |
|------|-------------|-----|-------|-------|--------------------------|
| 1 | | | | | STARTER |
| | JR77 5132 | 1 | | | Remanufactured |
| | 8350 3480 | 1 | | | Export |
| 2 | 8350 2493 | 1 | | | GEAR ASSEMBLY, Reduction |
| 3 | 8350 1498 | 1 | | | DRIVE ASSEMBLY, Starter |
| 4 | 8350 1499 | 2 | | | BUSHING |
| 5 | 8350 2494 | 1 | | | HOUSING, Starter Drive |
| 6 | 8350 1586 | 1 | | | BUSHING |
| 7 | 8350 1587 | 1 | | | LEVER, Starter Drive |
| 8 | 8350 2279 | 3 | | | SCREW |
| 9 | 8350 1588 | 1 | | | ARMATURE, Starter |
| 10 | 8350 2495 | 1 | | | COVER, Starter |
| 11 | 8350 1590 | 1 | | | BUSHING |
| 12 | 8350 2496 | 2 | | | BOLT |
| 13 | 8350 2214 | 1 | | | COVER, Starter |
| 14 | T300 6115 | 2 | | | BOLT |
| 15 | 8350 2497 | 1 | | | NUT |
| 16 | 8350 2614 | 1 | YJ | | SOLENOID, Starter |
| | 8350 4107 | 1 | XJ,MJ | | |
| 17 | | | | | HOLDER ASSEMBLY, Brush |
| | 8350 2615 | 1 | YJ | | |
| | 8350 4108 | 1 | XJ,MJ | | |
| 18 | 8350 2217 | 1 | | | HOUSING, Starter Field |
| 19 | 8350 2218 | 1 | | | HARDWARE PACKAGE |
| 20 | | | | | SHIM |
| | J324 1711 | AR | | | X=.015" |
| | J324 1712 | AR | | | X=.045" |
| 21 | J400 6964 | 2 | | | BOLT |

MODEL CODES:

| | | |
|-----------------------------|-----------------------------|------------------------------|
| 15 = Grand Wagoneer 4 Dr. | 65 = Comanche 4WD-7 Ft. Box | 77 = Cherokee 4WD-2 Dr. |
| 25 = J-10 Pickup-119" W.B. | 66 = Comanche 2WD-7 Ft. Box | 78 = Cherokee 4WD-4 Dr. |
| 26 = J-10 Pickup-131" W.B. | 73 = Cherokee 2WD-2 Dr. | 79 = Cherokee 4WD-4 Dr.-Com |
| 27 = J-20 Pickup-131" W.B. | 74 = Cherokee 2WD-4 Dr. | 81 = Wrangler-93" W.B. |
| 63 = Comanche 4WD-6 Ft. Box | 75 = Wagoneer 4WD-4 Dr. | 82 = Wrangler-103" W.B.-Exp. |
| 64 = Comanche 2WD-6 Ft. Box | | |

BODY STYLES:

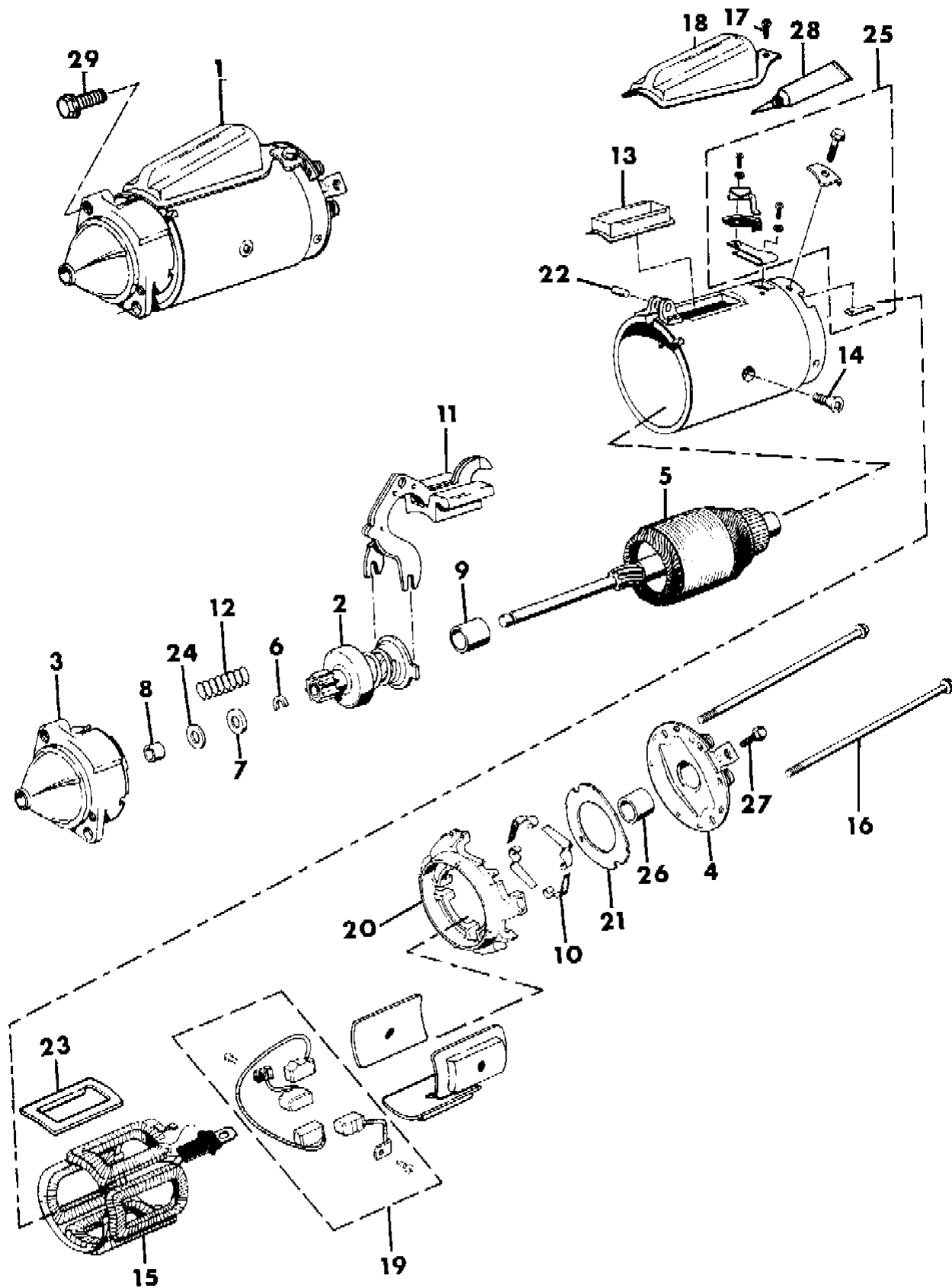
MJ = Comanche Pickup
 SJ = Grand Wagoneer Wgn., J-10 & J-20 Pickups
 XJ = Cherokee, Wagoneer Limited
 YJ = Wrangler

AR = Use as Required - = Non Illustrated Part P.A.R. = Paint as Required

STARTER AND MOUNTING 4.2 AND 5.9 ENGINE 1987

Figure 8-1550

8 J 08 1550



| ITEM | PART NUMBER | QTY | BODY | MODEL | DESCRIPTION |
|------|-------------|-----|------|-------|---------------------------|
| 1 | JR77 5001 | 1 | | | STARTER, (Remanufactured) |
| | J575 2791 | 1 | | | (Export) |
| 2 | J812 0193 | 1 | | | DRIVE ASSEMBLY *** |
| 3 | J813 3036 | 1 | | | HOUSING, Drive |
| 4 | J812 8440 | 1 | | | COVER, Rear |
| 5 | J812 0028 | 1 | | | ARMATURE |
| 6 | J320 7418 | 1 | | | RING |
| 7 | J320 7419 | 1 | | | RETAINER |
| 8 | J812 0030 | 1 | | | BUSHING |
| 9 | J812 1196 | 1 | | | BUSHING |
| 10 | J812 8441 | 4 | | | SPRING |
| 11 | J813 3051 | 1 | | | LEVER, Drive |
| 12 | J320 7426 | 1 | | | SPRING |
| 13 | J813 3053 | 1 | | | SLEEVE |
| 14 | J812 7992 | 3 | | | SCREW |
| 15 | J812 8438 | 1 | | | COIL |
| 16 | J320 7431 | 2 | | | BOLT |
| 17 | J812 9211 | 1 | | | BOLT |
| 18 | J813 3052 | 1 | | | COVER, Lever *** |
| 19 | J812 8434 | 1 | | | BRUSH PACKAGE *** |
| 20 | J812 8433 | 1 | | | HOLDER, Brush |
| 21 | J812 8432 | 1 | | | INSULATOR |
| 22 | J813 3054 | 1 | | | PIN |
| 23 | J320 7427 | 1 | | | FLANGE *** |
| 24 | J812 8444 | 1 | | | WASHER |
| 25 | J812 8446 | 1 | | | POINTER PACKAGE *** |
| 26 | J812 1196 | 1 | | | BUSHING |
| 27 | J400 5982 | 1 | | | BOLT |
| 28 | J899 3317 | 1 | | | SEALER *** |
| 29 | J400 1884 | AR | | | BOLT, (x=1.19") |
| | J400 6684 | AR | | | (x=1.38") Man. Trans. |
| | J400 6192 | AR | | | (x=.75") Auto. Trans. |

MODEL CODES:

| | | |
|-----------------------------|-----------------------------|------------------------------|
| 15 = Grand Wagoneer 4 Dr. | 65 = Comanche 4WD-7 Ft. Box | 77 = Cherokee 4WD-2 Dr. |
| 25 = J-10 Pickup-119" W.B. | 66 = Comanche 2WD-7 Ft. Box | 78 = Cherokee 4WD-4 Dr. |
| 26 = J-10 Pickup-131" W.B. | 73 = Cherokee 2WD-2 Dr. | 79 = Cherokee 4WD-4 Dr.-Com |
| 27 = J-20 Pickup-131" W.B. | 74 = Cherokee 2WD-4 Dr. | 81 = Wrangler-93" W.B. |
| 63 = Comanche 4WD-6 Ft. Box | 75 = Wagoneer 4WD-4 Dr. | 82 = Wrangler-103" W.B.-Exp. |
| 64 = Comanche 2WD-6 Ft. Box | | |

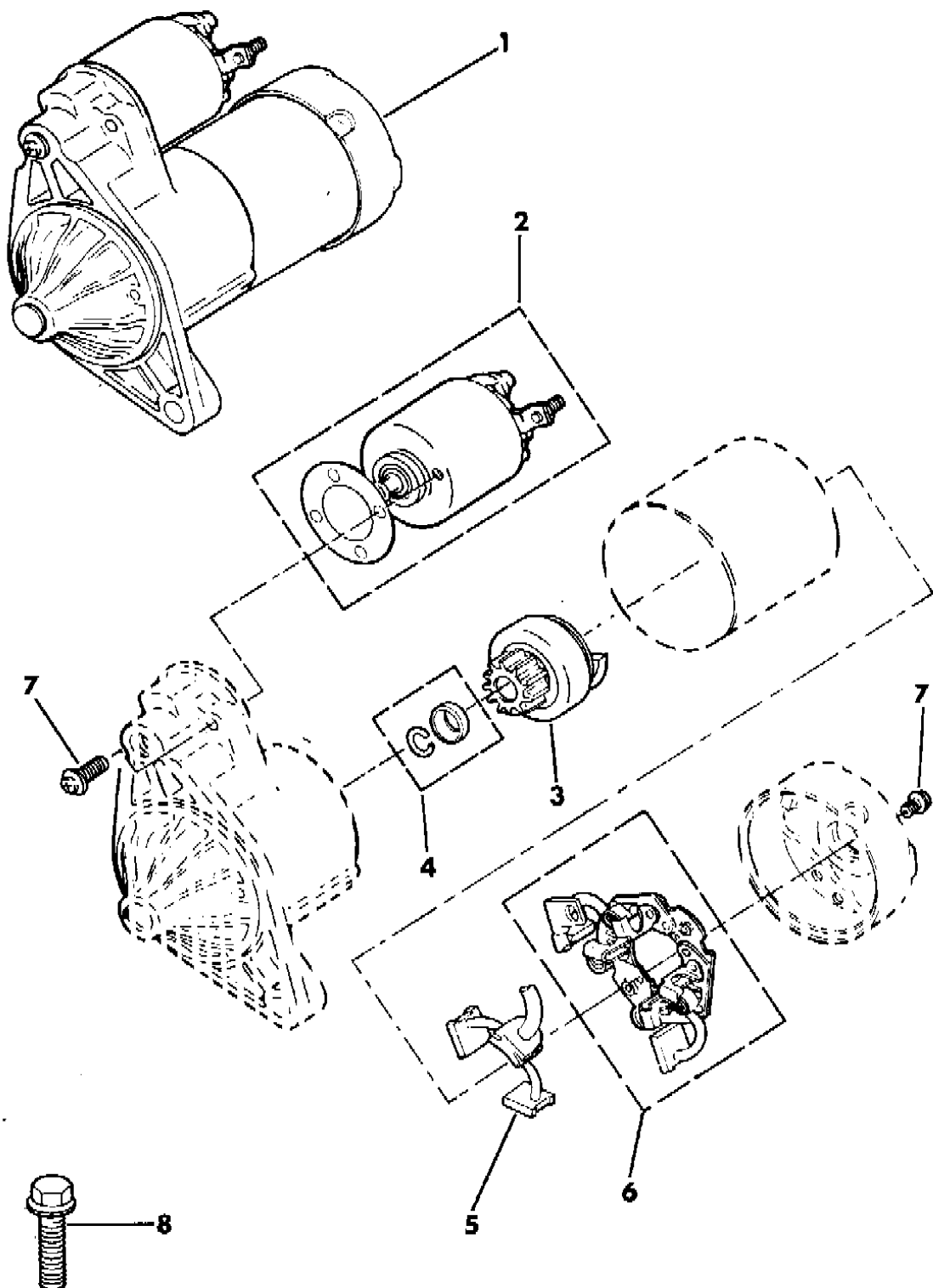
BODY STYLES:

MJ = Comanche Pickup
 SJ = Grand Wagoneer Wgn., J-10 & J-20 Pickups
 XJ = Cherokee, Wagoneer Limited
 YJ = Wrangler

AR = Use as Required - = Non Illustrated Part P.A.R. = Paint as Required

STARTER AND MOUNTING 4.0L ENGINE, 1987-90 4.2L, 5.9L ENGINE 1988-90
Figure 8-1600

8J08 1600



| ITEM | PART NUMBER | QTY | BODY | MODEL | DESCRIPTION |
|------|-------------|-----|------|-------|-------------------------|
| 1 | | | | | STARTER |
| | JR77 5123 | 1 | | | Remanufactured *** |
| | 3300 2709 | 1 | | | Export |
| 2 | 8350 3655 | 1 | | | SOLENOID |
| 3 | 8350 3662 | 1 | | | DRIVE ASSEMBLY, Starter |
| 4 | 8350 3661 | 1 | | | RETAINER |
| 5 | 8350 3670 | 1 | | | BRUSH |
| 6 | 8350 3671 | 1 | | | HOLDER, Brush |
| 7 | 8350 3674 | 1 | | | SCREW SET |
| 8 | | | | | BOLT |
| | J400 6192 | 1 | | | 1.75" |
| | 1150 2689 | 1 | | | 1.18" |
| | J400 6684 | 1 | | | 1.37" |

MODEL CODES:
 15 = Grand Wagoneer 4 Dr. 65 = Comanche 4WD-7 Ft. Box 77 = Cherokee 4WD-2 Dr.
 25 = J-10 Pickup-119" W.B. 66 = Comanche 2WD-7 Ft. Box 78 = Cherokee 4WD-4 Dr.
 26 = J-10 Pickup-131" W.B. 73 = Cherokee 2WD-2 Dr. 79 = Cherokee 4WD-4 Dr.-Com
 27 = J-20 Pickup-131" W.B. 74 = Cherokee 2WD-4 Dr. 81 = Wrangler-93" W.B.
 63 = Comanche 4WD-6 Ft. Box 75 = Wagoneer 4WD-4 Dr. 82 = Wrangler-103" W.B.-Exp.
 64 = Comanche 2WD-6 Ft. Box

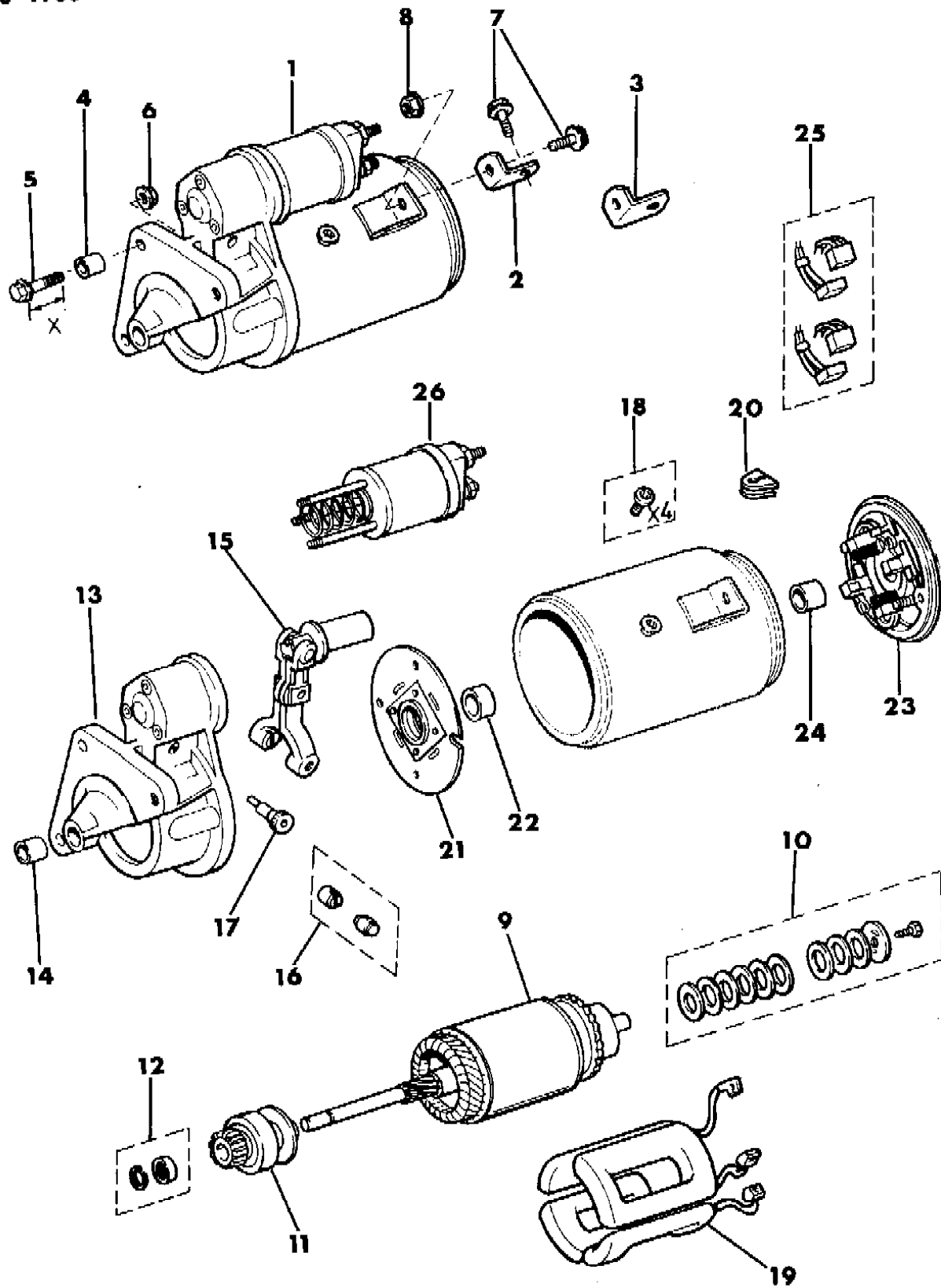
BODY STYLES:
 MJ = Comanche Pickup
 SJ = Grand Wagoneer Wgn., J-10 & J-20 Pickups
 XJ = Cherokee, Wagoneer Limited
 YJ = Wrangler

AR = Use as Required - = Non Illustrated Part P.A.R. = Paint as Required

STARTER AND MOUNTING DIESEL ENGINE

Figure 8-1700

8J08 1700



| ITEM | PART NUMBER | QTY | BODY | MODEL | DESCRIPTION |
|------|-------------|-----|------|-------|-----------------------------------|
| 1 | | | | | STARTER |
| | JR77 5042 | 1 | | | Remanufactured |
| | 5300 2577 | 1 | | | Export |
| 2 | J066 5022 | 1 | | | BRACKET, Starter Upper |
| 3 | J072 3818 | 1 | | | BRACKET, Starter Lower |
| 4 | 5300 1858 | 1 | | | PIN |
| 5 | | | | | BOLT, w/Manual Transmission |
| | 3420 2029 | 1 | | | X=50mm |
| | 3420 2047 | 3 | | | X=65mm |
| 6 | 1150 2812 | 2 | | | NUT |
| 7 | 3420 1586 | 4 | | | BOLT |
| 8 | 3420 1918 | 2 | | | NUT |
| 9 | 8350 2039 | 1 | | | ARMATURE, Starter |
| 10 | 8350 4627 | 1 | | | HARDWARE PACKAGE *** |
| 11 | 8350 2041 | 1 | | | DRIVE ASSEMBLY, Starter |
| 12 | 8350 2042 | 1 | | | STOP PACKAGE, Drive *** |
| 13 | 8350 2043 | 1 | | | HOUSING, Starter Drive |
| 14 | 8350 2044 | 1 | | | BUSHING |
| 15 | 8350 4468 | 1 | | | LEVER ASSEMBLY, Starter Drive *** |
| 16 | 8350 2046 | 1 | | | PIN SET |
| 17 | 8350 2047 | 1 | | | PIN |
| 18 | 8350 2048 | 1 | | | SCREW PACKAGE *** |
| 19 | 8350 2049 | 1 | | | COIL PACKAGE, Starter Field *** |
| 20 | 8350 2050 | 1 | | | GROMMET |
| 21 | 8350 2051 | 1 | | | PLATE, Starter Intermediate |
| 22 | 8350 2052 | 1 | | | BUSHING |
| 23 | 8350 2053 | 1 | | | COVER, Starter Rear |
| 24 | 8350 2054 | 1 | | | BUSHING |
| 25 | 8350 4629 | 1 | | | BRUSH PACKAGE, Starter *** |
| 26 | 8350 2879 | 1 | | | SOLENOID |

NOTE: Items #10 thru #26 are for 1987-89 ONLY

MODEL CODES:

| | | |
|-----------------------------|-----------------------------|------------------------------|
| 15 = Grand Wagoneer 4 Dr. | 65 = Comanche 4WD-7 Ft. Box | 77 = Cherokee 4WD-2 Dr. |
| 25 = J-10 Pickup-119" W.B. | 66 = Comanche 2WD-7 Ft. Box | 78 = Cherokee 4WD-4 Dr. |
| 26 = J-10 Pickup-131" W.B. | 73 = Cherokee 2WD-2 Dr. | 79 = Cherokee 4WD-4 Dr.-Com |
| 27 = J-20 Pickup-131" W.B. | 74 = Cherokee 2WD-4 Dr. | 81 = Wrangler-93" W.B. |
| 63 = Comanche 4WD-6 Ft. Box | 75 = Wagoneer 4WD-4 Dr. | 82 = Wrangler-103" W.B.-Exp. |
| 64 = Comanche 2WD-6 Ft. Box | | |

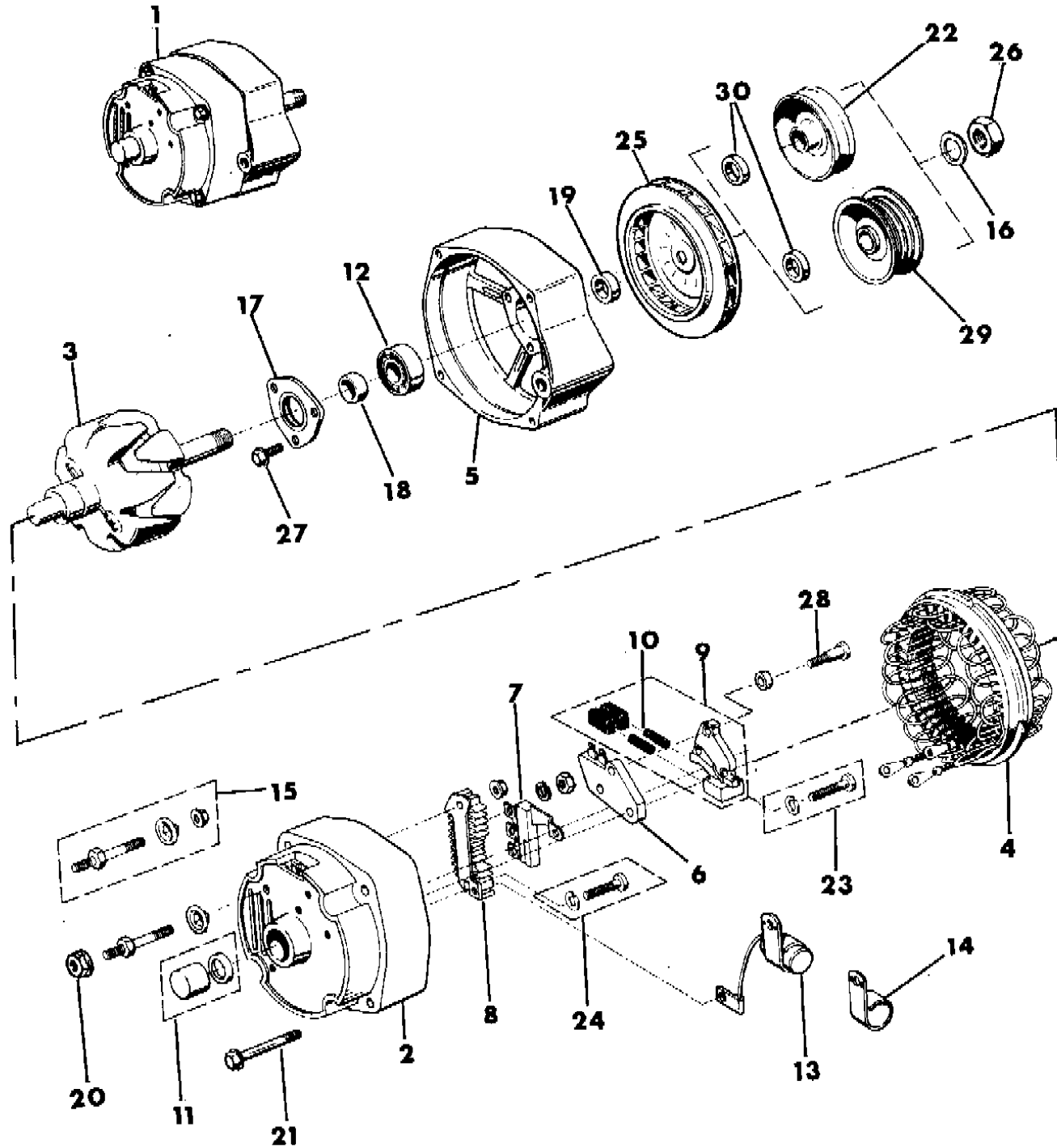
BODY STYLES:

MJ = Comanche Pickup
 SJ = Grand Wagoneer Wgn., J-10 & J-20 Pickups
 XJ = Cherokee, Wagoneer Limited
 YJ = Wrangler

AR = Use as Required - = Non Illustrated Part P.A.R. = Paint as Required

ALTERNATOR 2.5L AND 4.2L ENGINES WRANGLER, YJ
Figure 8-1800

8 J08 1800



| ITEM | PART NUMBER | QTY | BODY | MODEL | DESCRIPTION |
|------|-------------|-----|------|-------|---|
| 1 | | | | | ALTERNATOR, 56-66-78 Ampere |
| | JR77 5005 | 1 | | | Remanufactured |
| | J813 4664 | 1 | | | Export |
| 2 | J813 4651 | 1 | | | HOUSING, Alternator Rear |
| 3 | | | | | ROTOR, Alternator |
| | J813 4645 | 1 | | | Tagged 110 5044, 110 5045, 110 5047 or 110 5048 |
| | J813 4646 | 1 | | | Tagged 110 5046 or 110 5049 |
| 4 | | | | | STATOR, Alternator |
| | J813 4649 | 1 | | | Tagged 110 5045, 110 5046, 110 5048 or 110 5049 |
| | J813 4648 | 1 | | | Tagged 110 5044 or 110 5047 |
| 5 | J813 4655 | 1 | | | HOUSING, Alternator Front |
| 6 | 8330 0084 | 1 | | | REGULATOR, Voltage |
| 7 | 8330 0072 | 1 | | | DIODE TRIO *** |
| 8 | J813 4650 | 1 | | | RECTIFIER, Diode |
| 9 | J813 4652 | 1 | | | HOLDER, Brush |
| 10 | J813 4653 | 1 | | | SPRING |
| 11 | J812 5181 | 1 | | | BEARING |
| 12 | J812 6709 | 1 | | | BEARING |
| 13 | J812 5183 | 1 | | | CAPACITOR, Alternator |
| 14 | J812 5184 | 1 | | | CLAMP |
| 15 | J813 3274 | 1 | | | TERMINAL |
| 16 | J813 3280 | 1 | | | WASHER |
| 17 | J813 4658 | 1 | | | RETAINER |
| 18 | J813 3279 | 1 | | | COLLAR |
| 19 | J813 4659 | 1 | | | COLLAR |
| 20 | J420 0453 | 1 | | | NUT |
| 21 | J812 5191 | 4 | | | BOLT |
| 22 | J813 2698 | 1 | | | PULLEY, Alternator w/o Serpentine Belt Drive |
| 23 | J813 3273 | 1 | | | SCREW |
| 24 | J813 4669 | 1 | | | SCREW |
| 25 | J813 4662 | 1 | | | FAN, Alternator |
| 26 | J812 5242 | 1 | | | NUT |
| 27 | J813 4668 | 3 | | | SCREW |
| 28 | J812 5244 | 2 | | | SCREW |
| 29 | J813 4194 | 1 | | | PULLEY, Alternator w/Serpentine Belt Drive |
| 30 | J813 3299 | 1 | | | COLLAR |

MODEL CODES:

| | | |
|-----------------------------|-----------------------------|------------------------------|
| 15 = Grand Wagoneer 4 Dr. | 65 = Comanche 4WD-7 Ft. Box | 77 = Cherokee 4WD-2 Dr. |
| 25 = J-10 Pickup-119" W.B. | 66 = Comanche 2WD-7 Ft. Box | 78 = Cherokee 4WD-4 Dr. |
| 26 = J-10 Pickup-131" W.B. | 73 = Cherokee 2WD-2 Dr. | 79 = Cherokee 4WD-4 Dr.-Com |
| 27 = J-20 Pickup-131" W.B. | 74 = Cherokee 2WD-4 Dr. | 81 = Wrangler-93" W.B. |
| 63 = Comanche 4WD-6 Ft. Box | 75 = Wagoneer 4WD-4 Dr. | 82 = Wrangler-103" W.B.-Exp. |
| 64 = Comanche 2WD-6 Ft. Box | | |

BODY STYLES:

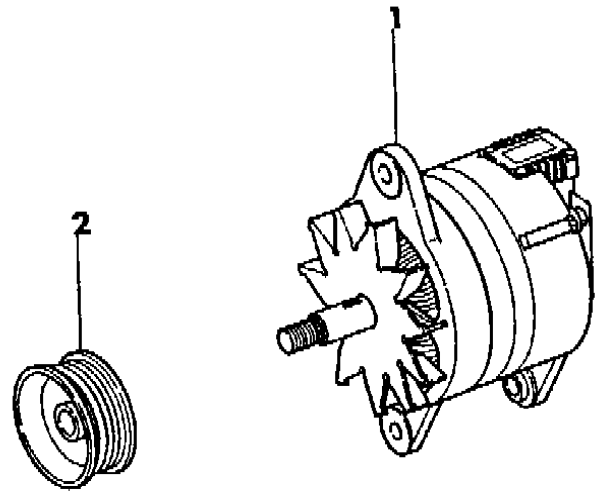
MJ = Comanche Pickup
SJ = Grand Wagoneer Wgn., J-10 & J-20 Pickups
XJ = Cherokee, Wagoneer Limited
YJ = Wrangler

AR = Use as Required - = Non Illustrated Part P.A.R. = Paint as Required

ALTERNATOR 100 AMPERE--24 VOLT WRANGLER EGYPT KDX
Figure 8-1900

8 J08 1900

| ITEM | PART NUMBER | QTY | BODY | MODEL | DESCRIPTION |
|------|-------------|-----|------|-------|-------------|
| 1 | J805 1821 | 1 | | | ALTERNATOR |
| 2 | 5300 3686 | 1 | | | PULLEY |



MODEL CODES:

- | | | |
|-----------------------------|-----------------------------|------------------------------|
| 15 = Grand Wagoneer 4 Dr. | 65 = Comanche 4WD-7 Ft. Box | 77 = Cherokee 4WD-2 Dr. |
| 25 = J-10 Pickup-119" W.B. | 66 = Comanche 2WD-7 Ft. Box | 78 = Cherokee 4WD-4 Dr. |
| 26 = J-10 Pickup-131" W.B. | 73 = Cherokee 2WD-2 Dr. | 79 = Cherokee 4WD-4 Dr.-Com |
| 27 = J-20 Pickup-131" W.B. | 74 = Cherokee 2WD-4 Dr. | 81 = Wrangler-93" W.B. |
| 63 = Comanche 4WD-6 Ft. Box | 75 = Wagoneer 4WD-4 Dr. | 82 = Wrangler-103" W.B.-Exp. |
| 64 = Comanche 2WD-6 Ft. Box | | |

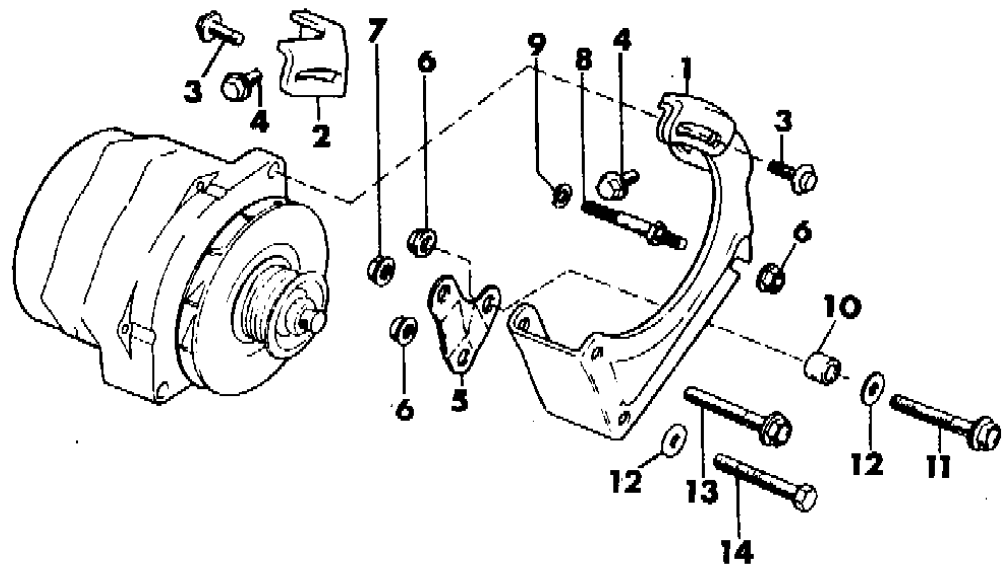
BODY STYLES:

- MJ = Comanche Pickup
- SJ = Grand Wagoneer Wgn., J-10 & J-20 Pickups
- XJ = Cherokee, Wagoneer Limited
- YJ = Wrangler

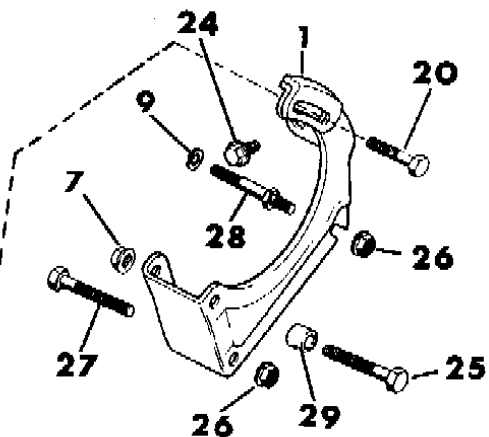
AR = Use as Required - = Non Illustrated Part P.A.R. = Paint as Required

ALTERNATOR MOUNTING 2.5L AND 4.2L ENGINES WRANGLER, YJ
Figure 8-2000

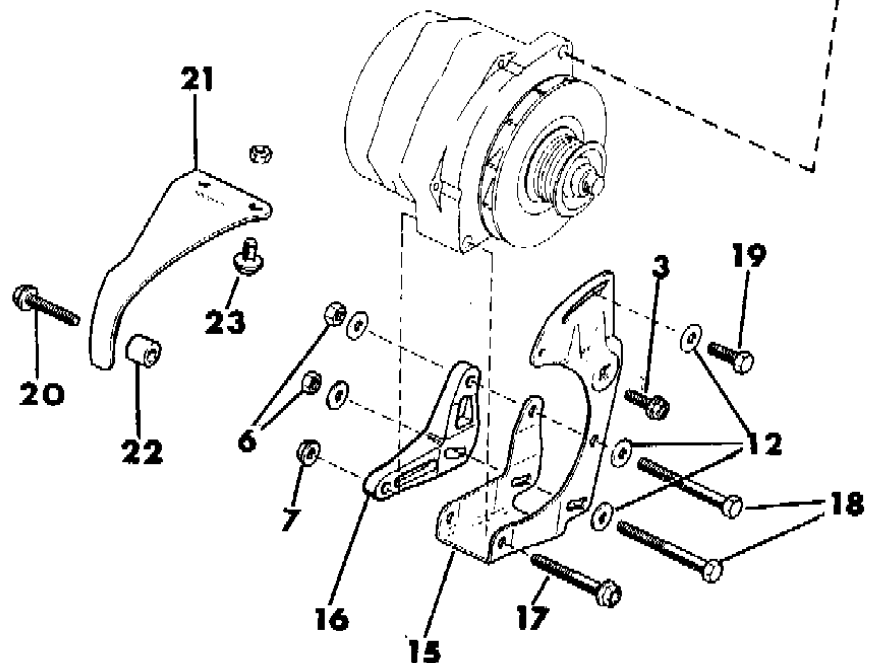
8 J08 2000



2.5L ENGINE



W/O SERPENTINE BELT



W/SERPENTINE BELT

4.2L ENGINE

| ITEM | PART NUMBER | QTY | BODY | MODEL | DESCRIPTION |
|------|-------------|-----|------|-------|---------------------|
| 1 | 3300 1658 | 1 | | | BRACKET, Alternator |
| 2 | 3300 1574 | 1 | | | BRACE, Alternator |
| 3 | 3420 1818 | AR | | | BOLT |
| 4 | J941 9885 | 2 | | | BOLT |
| 5 | 3300 1715 | 1 | | | BRACKET, Alternator |
| 6 | J400 4747 | AR | | | NUT |
| 7 | 1150 6007 | 3 | | | NUT |
| 8 | J400 7154 | 1 | | | STUD |
| 9 | J400 3803 | 1 | | | WASHER |
| 10 | | | | | SPACER |
| | 3420 1903 | 1 | | | 2.0mm |
| | 3420 2521 | 1 | | | 7.4mm |
| 11 | J018 9305 | 1 | | | BOLT |
| 12 | J400 1104 | AR | | | WASHER |
| 13 | 1150 4745 | 1 | | | BOLT |
| 14 | J018 9303 | 1 | | | BOLT |
| 15 | 5300 1117 | 1 | | | BRACKET, Alternator |
| 16 | 5300 4388 | 1 | | | BRACE, Alternator |
| 17 | 1150 5025 | 1 | | | BOLT |
| 18 | J045 6958 | 2 | | | BOLT |
| 19 | J400 6995 | 1 | | | BOLT |
| 20 | J420 0406 | 1 | | | BOLT |
| 21 | 5300 1118 | 1 | | | BRACE, Alternator |
| 22 | 3420 1839 | 1 | | | SPACER |
| 23 | | | | | BOLT |
| | 3420 1868 | 1 | | | 16mm |
| | 3420 1869 | 1 | | | 35mm |
| 24 | J027 4882 | 1 | | | BOLT |
| 25 | 1150 0835 | 1 | | | BOLT |
| 26 | J400 3909 | 1 | | | NUT |
| 27 | J018 0137 | 1 | | | BOLT |
| 28 | J400 6973 | 1 | | | STUD |
| 29 | 3420 2521 | 1 | | | SPACER |

MODEL CODES:

| | | |
|-----------------------------|-----------------------------|------------------------------|
| 15 = Grand Wagoneer 4 Dr. | 65 = Comanche 4WD-7 Ft. Box | 77 = Cherokee 4WD-2 Dr. |
| 25 = J-10 Pickup-119" W.B. | 66 = Comanche 2WD-7 Ft. Box | 78 = Cherokee 4WD-4 Dr. |
| 26 = J-10 Pickup-131" W.B. | 73 = Cherokee 2WD-2 Dr. | 79 = Cherokee 4WD-4 Dr.-Com |
| 27 = J-20 Pickup-131" W.B. | 74 = Cherokee 2WD-4 Dr. | 81 = Wrangler-93" W.B. |
| 63 = Comanche 4WD-6 Ft. Box | 75 = Wagoneer 4WD-4 Dr. | 82 = Wrangler-103" W.B.-Exp. |
| 64 = Comanche 2WD-6 Ft. Box | | |

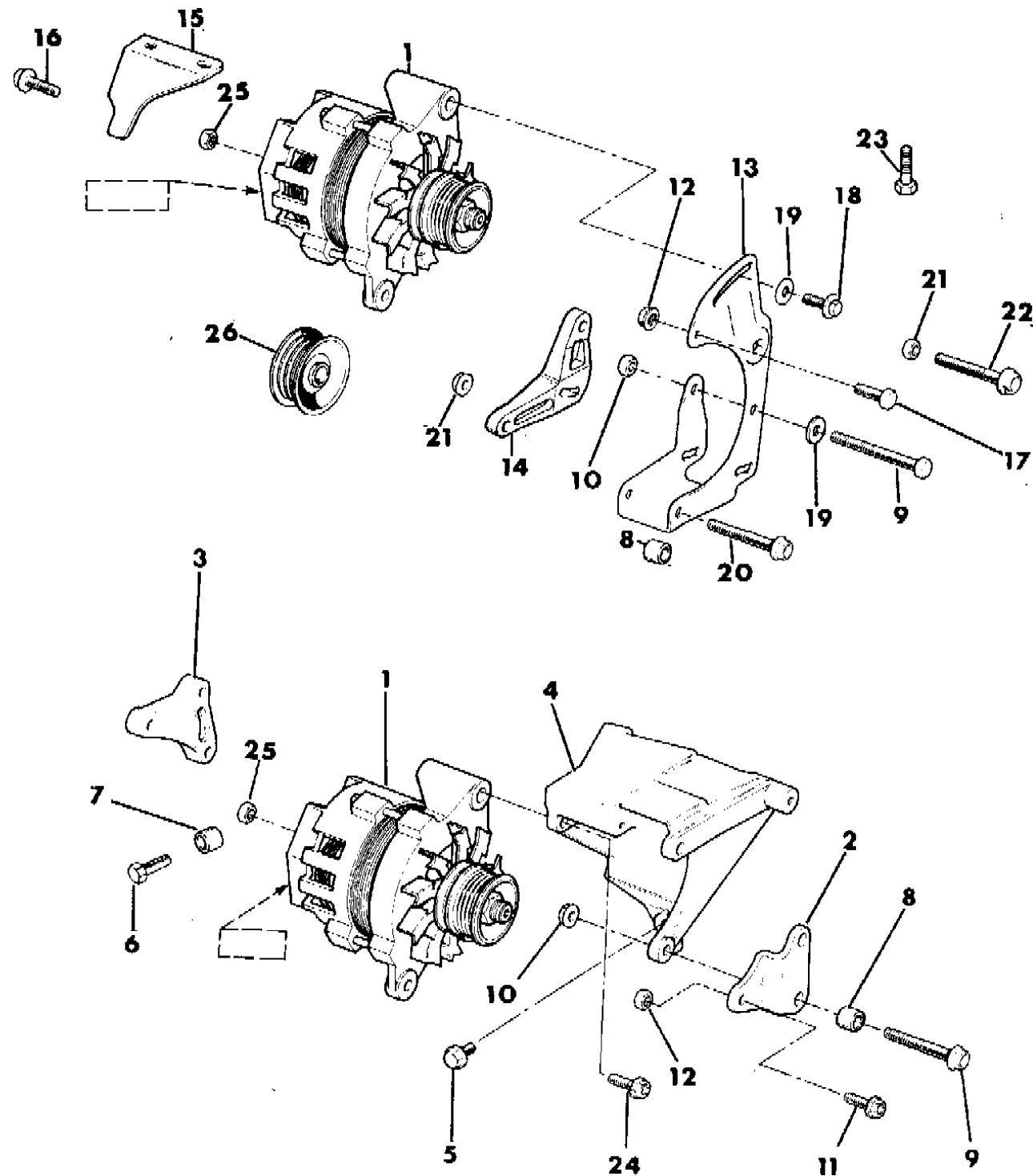
BODY STYLES:

MJ = Comanche Pickup
SJ = Grand Wagoneer Wgn., J-10 & J-20 Pickups
XJ = Cherokee, Wagoneer Limited
YJ = Wrangler

AR = Use as Required - = Non Illustrated Part P.A.R. = Paint as Required

ALTERNATOR AND MOUNTING 2.5L ENGINE WAGONEER, CHEROKEE, COMANCHE
Figure 8-2100

8 J08 2100



| ITEM | PART NUMBER | QTY | BODY | MODEL | DESCRIPTION |
|------|-------------|-----|------|-------|--|
| 1 | | | | | ALTERNATOR |
| | JR77 5131 | 1 | | | 61 Ampere Tagged 110 1175 Remanufactured |
| | 5300 3802 | 1 | | | 61 Ampere Tagged 110 1175 Export |
| | JR77 5130 | 1 | | | 74 Ampere Tagged 110 1176 Remanufactured |
| | 5300 3803 | 1 | | | 74 Ampere Tagged 110 1176 Export |
| | JR77 5129 | 1 | | | 61 Ampere Tagged 110 1171 Remanufactured |
| | 5300 4264 | 1 | | | 61 Ampere Tagged 110 1171 Export |
| | JR77 5128 | 1 | | | 74 Ampere Tagged 110 1172 Remanufactured |
| | 5300 4265 | 1 | | | 74 Ampere Tagged 110 1172 Export |
| 2 | 3300 2962 | 1 | | | BRACKET, Alternator w/o Factory A/C |
| 3 | 3300 2963 | 1 | | | BRACKET, Alternator w/o Factory A/C |
| 4 | 3300 2961 | 1 | | | BRACKET, Alternator w/o Factory A/C |
| 5 | J400 7585 | 3 | | | BOLT |
| 6 | 3420 1819 | 1 | | | BOLT |
| 7 | 5300 0548 | 1 | | | SPACER |
| 8 | 3420 2521 | 1 | | | SPACER |
| 9 | J045 6958 | 2 | | | BOLT, 4.00" |
| 10 | J400 4747 | 2 | | | NUT |
| 11 | 3420 2062 | 1 | | | BOLT, 50.mm |
| 12 | 3420 1918 | AR | | | NUT |
| 13 | 5300 4386 | 1 | | | BRACKET, Alternator w/Factory A/C |
| 14 | 5300 4388 | 1 | | | BRACKET, Alternator w/Factory A/C |
| 15 | 5300 4387 | 1 | | | BRACKET, Alternator w/Factory A/C |
| 16 | 3420 1818 | 1 | | | BOLT |
| 17 | J813 2323 | 1 | | | BOLT |
| 18 | J400 6995 | 1 | | | BOLT |
| 19 | J400 1104 | AR | | | WASHER |
| 20 | 3420 2042 | 1 | | | BOLT |
| 21 | 1150 6007 | 1 | | | NUT |
| 22 | 3420 1869 | 2 | | | BOLT |
| 23 | 3420 1868 | 2 | | | BOLT |
| 24 | 3420 2042 | 1 | | | BOLT |
| 25 | 1150 3748 | 1 | | | NUT |
| 26 | J813 4194 | 1 | | | PULLEY, w/"American Air" |

MODEL CODES:

| | | |
|-----------------------------|-----------------------------|------------------------------|
| 15 = Grand Wagoneer 4 Dr. | 65 = Comanche 4WD-7 Ft. Box | 77 = Cherokee 4WD-2 Dr. |
| 25 = J-10 Pickup-119" W.B. | 66 = Comanche 2WD-7 Ft. Box | 78 = Cherokee 4WD-4 Dr. |
| 26 = J-10 Pickup-131" W.B. | 73 = Cherokee 2WD-2 Dr. | 79 = Cherokee 4WD-4 Dr.-Com |
| 27 = J-20 Pickup-131" W.B. | 74 = Cherokee 2WD-4 Dr. | 81 = Wrangler-93" W.B. |
| 63 = Comanche 4WD-6 Ft. Box | 75 = Wagoneer 4WD-4 Dr. | 82 = Wrangler-103" W.B.-Exp. |
| 64 = Comanche 2WD-6 Ft. Box | | |

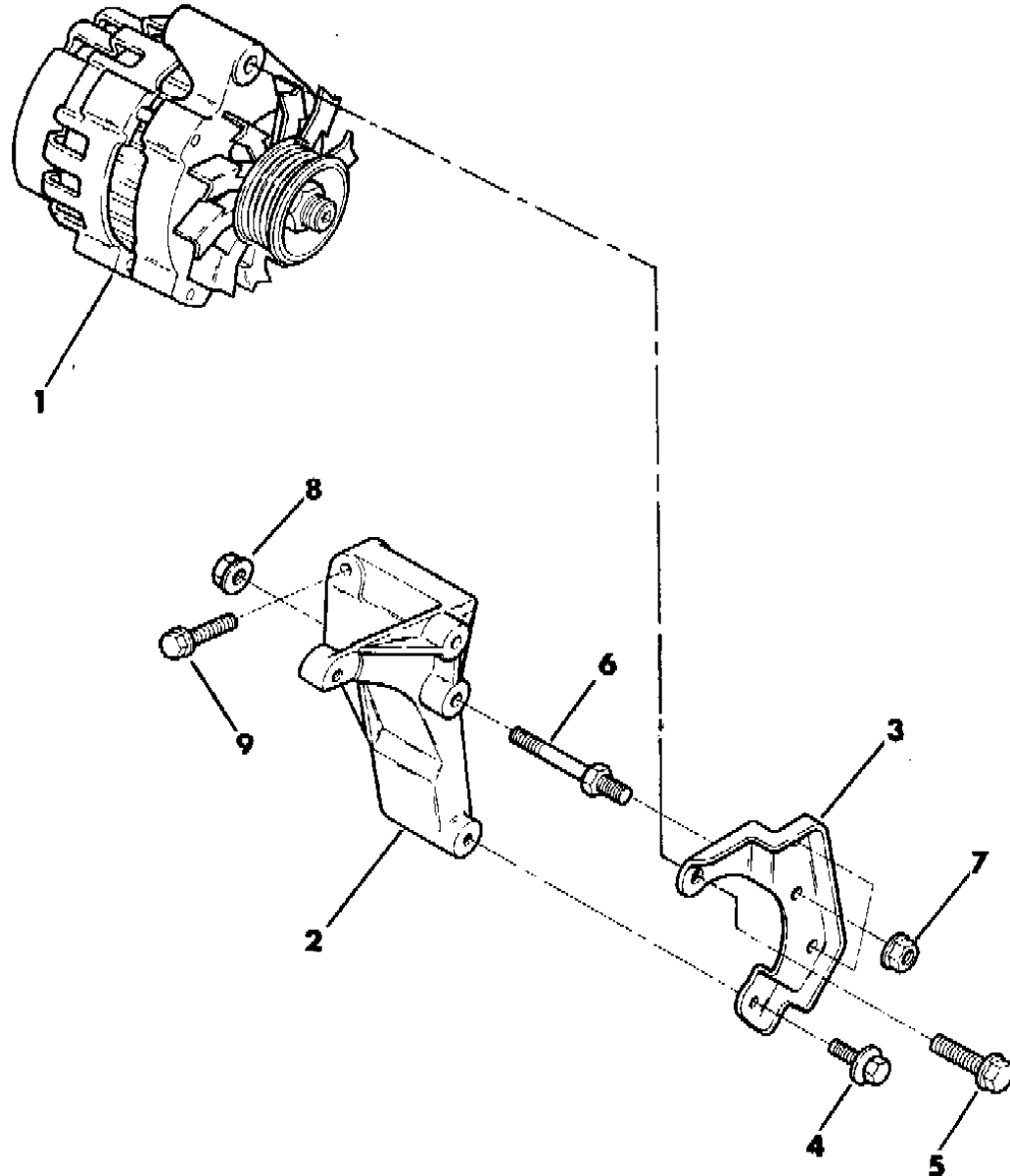
BODY STYLES:

MJ = Comanche Pickup
SJ = Grand Wagoneer Wgn., J-10 & J-20 Pickups
XJ = Cherokee, Wagoneer Limited
YJ = Wrangler

AR = Use as Required - = Non Illustrated Part P.A.R. = Paint as Required

ALTERNATOR AND MOUNTING 4.0L ENGINE CHEROKEE, WAGONEER, COMANCHE
Figure 8-2200

8J08 2200



| ITEM | PART NUMBER | QTY | BODY | MODEL | DESCRIPTION |
|------|-------------|-----|------|-------|--|
| 1 | | | | | ALTERNATOR |
| | JR77 5127 | 1 | | | 60 Ampere Tagged 110 1168 Remanufactured |
| | | 1 | | | 60 Ampere Tagged 110 1168 Export (Use 100 AMP) |
| | JR77 5126 | 1 | | | 85 Ampere Tagged 110 1170 Remanufactured |
| | 5300 2898 | 1 | | | 85 Ampere Tagged 110 1170 Export |
| | JR77 5125 | 1 | | | 100 Ampere Tagged 110 1167 Remanufactured |
| | 5300 2897 | 1 | | | 100 Ampere Tagged 110 1167 Export |
| 2 | 5300 2894 | 1 | | | BRACKET, Alternator |
| 3 | 5300 2895 | 1 | | | BRACKET, Alternator |
| 4 | 3420 1819 | 1 | | | BOLT |
| 5 | S150 5199 | 1 | | | BOLT |
| 6 | | | | | BOLT |
| | J400 7455 | 2 | | | 4.12" |
| | J400 7154 | 1 | | | 2.86" |
| 7 | J400 3909 | 3 | | | NUT |
| 8 | J400 6080 | 2 | | | NUT |
| 9 | J400 6995 | 2 | | | BOLT |

MODEL CODES:

| | | |
|-----------------------------|-----------------------------|------------------------------|
| 15 = Grand Wagoneer 4 Dr. | 65 = Comanche 4WD-7 Ft. Box | 77 = Cherokee 4WD-2 Dr. |
| 25 = J-10 Pickup-119" W.B. | 66 = Comanche 2WD-7 Ft. Box | 78 = Cherokee 4WD-4 Dr. |
| 26 = J-10 Pickup-131" W.B. | 73 = Cherokee 2WD-2 Dr. | 79 = Cherokee 4WD-4 Dr.-Com |
| 27 = J-20 Pickup-131" W.B. | 74 = Cherokee 2WD-4 Dr. | 81 = Wrangler-93" W.B. |
| 63 = Comanche 4WD-6 Ft. Box | 75 = Wagoneer 4WD-4 Dr. | 82 = Wrangler-103" W.B.-Exp. |
| 64 = Comanche 2WD-6 Ft. Box | | |

BODY STYLES:

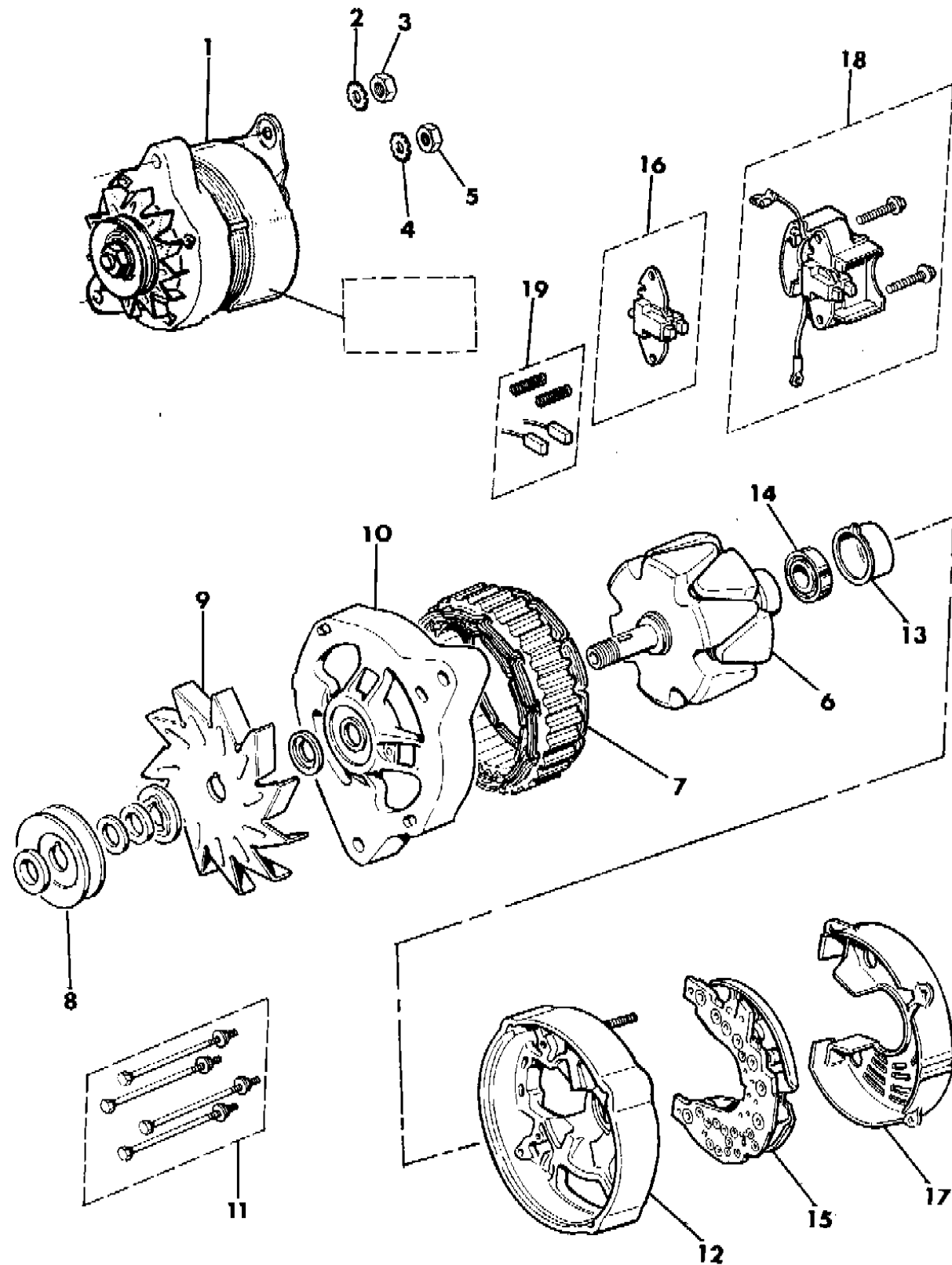
MJ = Comanche Pickup
SJ = Grand Wagoneer Wgn., J-10 & J-20 Pickups
XJ = Cherokee, Wagoneer Limited
YJ = Wrangler

AR = Use as Required - = Non Illustrated Part P.A.R. = Paint as Required

ALTERNATOR 60 AMPERE DIESEL ENGINE CHEROKEE

Figure 8-2300

8J08 2300



| ITEM | PART NUMBER | QTY | BODY | MODEL | DESCRIPTION |
|------|-------------|-----|------|-------|--|
| 1 | | | | | ALTERNATOR |
| | JR77 5028 | 1 | | | Reman |
| | 5300 1762 | 1 | | | Tagged A13N107 (Export) |
| | 5300 2267 | 1 | | | Tagged A13N117 (Export) |
| 2 | J305 6008 | 1 | | | WASHER |
| 3 | 3420 1169 | 1 | | | NUT, 6mm |
| 4 | T140 2081 | 1 | | | WASHER |
| 5 | T140 5672 | 1 | | | NUT, 5mm |
| 6 | 8350 2028 | 1 | | | ROTOR, Alternator |
| 7 | 8350 1991 | 1 | | | STATOR, Alternator |
| 8 | 8350 2017 | 1 | | | PULLEY, Alternator |
| 9 | 8350 1993 | 1 | | | FAN, Alternator |
| 10 | 8350 2018 | 1 | | | HOUSING, Alternator Front |
| 11 | 8350 1995 | 1 | | | BOLT PACKAGE *** |
| 12 | 8350 2019 | 1 | | | HOUSING, Alternator Rear |
| 13 | T102 9372 | 1 | | | CAP, Bearing |
| 14 | 8350 1998 | 1 | | | BEARING |
| 15 | 8350 2029 | 1 | | | RECTIFIER, Diode |
| 16 | 8350 2030 | 1 | | | HOLDER, Alternator Brush Tagged A13N117 |
| 17 | 8350 2002 | 1 | | | COVER, Rectifier |
| 18 | | | | | REGULATOR ASSEMBLY, Voltage |
| | 8350 2023 | 1 | | | Tagged A13N107 |
| | 8350 2031 | 1 | | | Tagged A13N117 |
| 19 | 8350 2021 | 1 | | | BRUSH PACKAGE, Alternator Tagged A13N107 *** |

MODEL CODES:

| | | |
|-----------------------------|-----------------------------|------------------------------|
| 15 = Grand Wagoneer 4 Dr. | 65 = Comanche 4WD-7 Ft. Box | 77 = Cherokee 4WD-2 Dr. |
| 25 = J-10 Pickup-119" W.B. | 66 = Comanche 2WD-7 Ft. Box | 78 = Cherokee 4WD-4 Dr. |
| 26 = J-10 Pickup-131" W.B. | 73 = Cherokee 2WD-2 Dr. | 79 = Cherokee 4WD-4 Dr.-Com |
| 27 = J-20 Pickup-131" W.B. | 74 = Cherokee 2WD-4 Dr. | 81 = Wrangler-93" W.B. |
| 63 = Comanche 4WD-6 Ft. Box | 75 = Wagoneer 4WD-4 Dr. | 82 = Wrangler-103" W.B.-Exp. |
| 64 = Comanche 2WD-6 Ft. Box | | |

BODY STYLES:

MJ = Comanche Pickup
 SJ = Grand Wagoneer Wgn., J-10 & J-20 Pickups
 XJ = Cherokee, Wagoneer Limited
 YJ = Wrangler

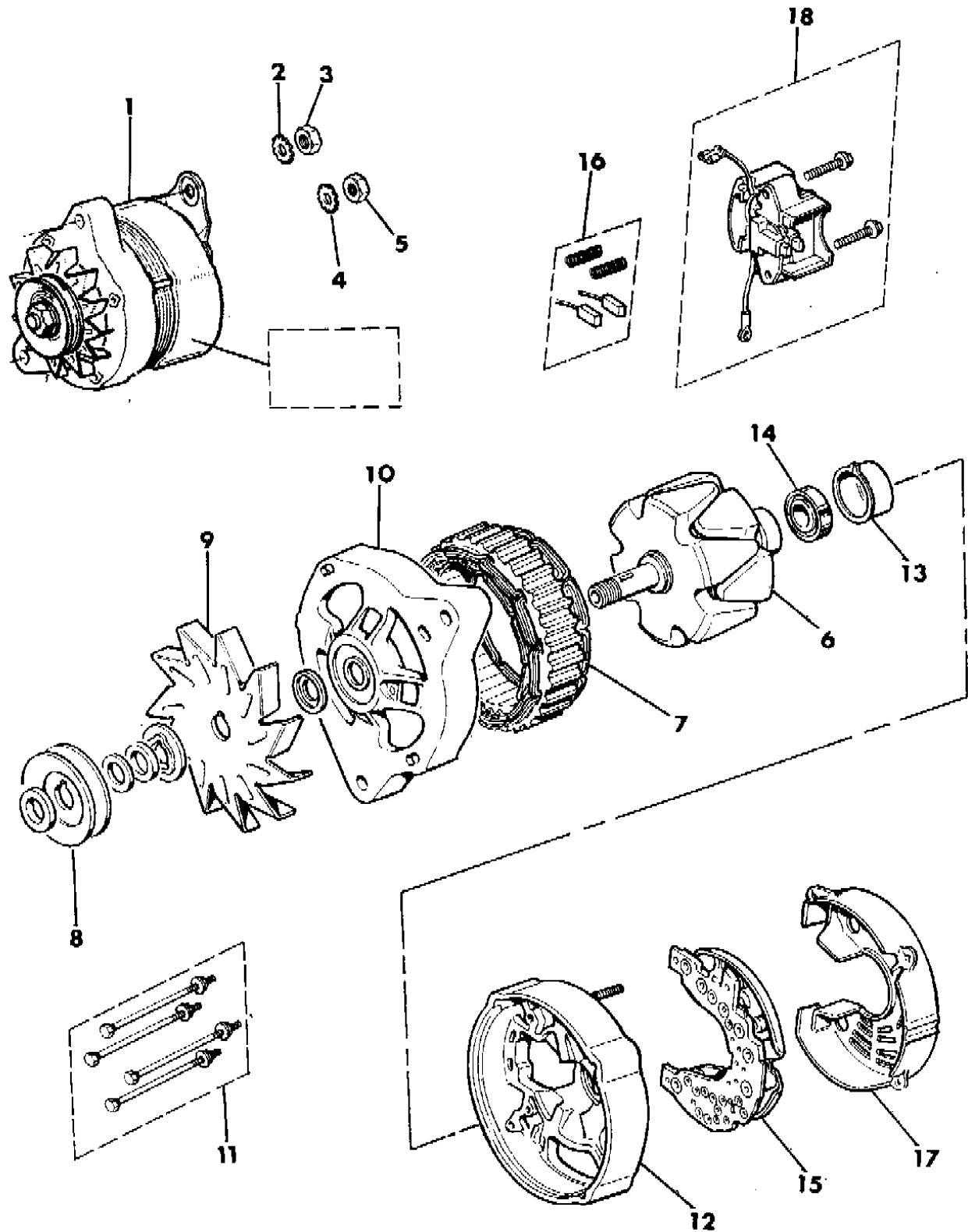
AR = Use as Required - = Non Illustrated Part P.A.R. = Paint as Required

ALTERNATOR 70 AMPERE DIESEL ENGINE CHEROKEE

Figure 8-2400

8J08 2400

| ITEM | PART NUMBER | QTY | BODY | MODEL | DESCRIPTION |
|------|-------------|-----|------|-------|-------------------------------|
| 1 | 5300 1764 | 1 | | | ALTERNATOR (Export) *** |
| | JR77 5029 | 1 | | | Reman |
| 2 | J305 6008 | 1 | | | WASHER |
| 3 | 3420 1169 | 1 | | | NUT, 6mm |
| 4 | J305 6005 | 1 | | | WASHER |
| 5 | T140 5672 | 1 | | | NUT, 5mm |
| 6 | 8350 2015 | 1 | | | ROTOR, Alternator |
| 7 | 8350 2016 | 1 | | | STATOR, Alternator |
| 8 | 8350 2017 | 1 | | | PULLEY, Alternator *** |
| 9 | 8350 1993 | 1 | | | FAN, Alternator |
| 10 | 8350 2018 | 1 | | | HOUSING, Alternator Front |
| 11 | 8350 1995 | 1 | | | BOLT PACKAGE *** |
| 12 | 8350 2019 | 1 | | | HOUSING, Alternator Rear |
| 13 | T102 9372 | 1 | | | CAP, Bearing |
| 14 | 8350 1998 | 1 | | | BEARING |
| 15 | 8350 2020 | 1 | | | RECTIFIER, Diode |
| 16 | 8350 2021 | 1 | | | BRUSH PACKAGE, Alternator *** |
| 17 | 8350 2002 | 1 | | | COVER, Rectifier |
| 18 | 8350 2023 | 1 | | | REGULATOR ASSEMBLY, Voltage |



MODEL CODES:

| | | |
|-----------------------------|-----------------------------|------------------------------|
| 15 = Grand Wagoneer 4 Dr. | 65 = Comanche 4WD-7 Ft. Box | 77 = Cherokee 4WD-2 Dr. |
| 25 = J-10 Pickup-119" W.B. | 66 = Comanche 2WD-7 Ft. Box | 78 = Cherokee 4WD-4 Dr. |
| 26 = J-10 Pickup-131" W.B. | 73 = Cherokee 2WD-2 Dr. | 79 = Cherokee 4WD-4 Dr.-Com |
| 27 = J-20 Pickup-131" W.B. | 74 = Cherokee 2WD-4 Dr. | 81 = Wrangler-93" W.B. |
| 63 = Comanche 4WD-6 Ft. Box | 75 = Wagoneer 4WD-4 Dr. | 82 = Wrangler-103" W.B.-Exp. |
| 64 = Comanche 2WD-6 Ft. Box | | |

BODY STYLES:

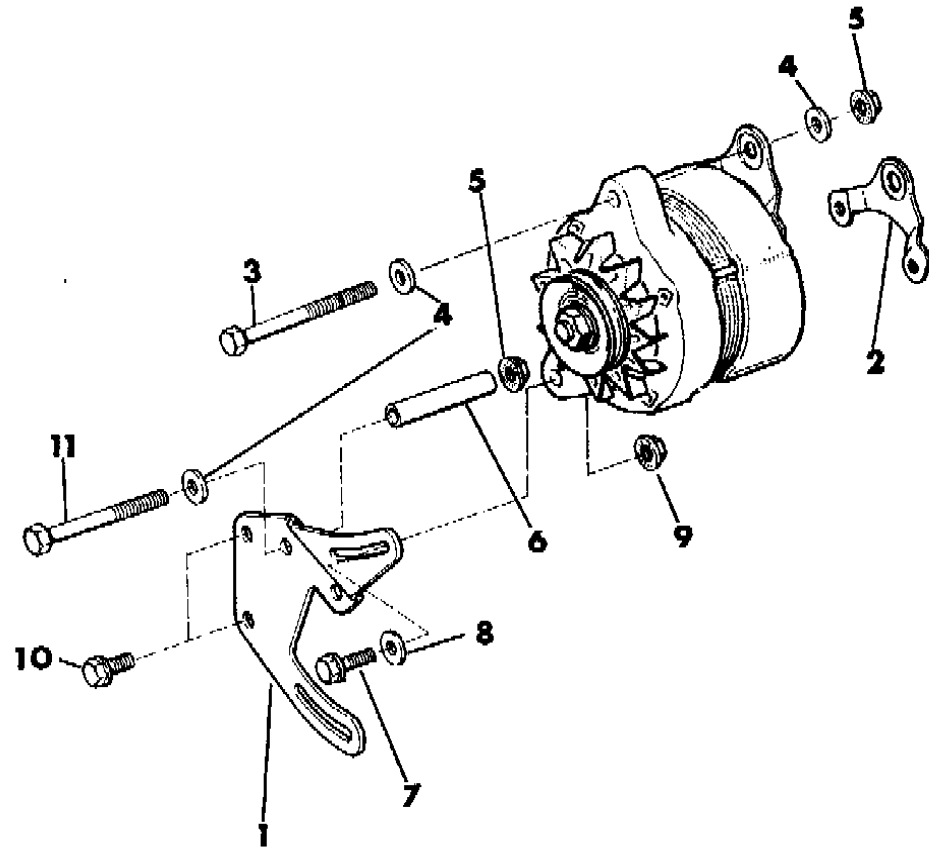
MJ = Comanche Pickup
 SJ = Grand Wagoneer Wgn., J-10 & J-20 Pickups
 XJ = Cherokee, Wagoneer Limited
 YJ = Wrangler

AR = Use as Required - = Non Illustrated Part P.A.R. = Paint as Required

ALTERNATOR MOUNTING DIESEL ENGINE CHEROKEE

Figure 8-2500

8J08 2500



| ITEM | PART NUMBER | QTY | BODY | MODEL | DESCRIPTION |
|------|-------------|-----|------|-------|--------------------------------|
| 1 | 5300 1768 | 1 | | | BRACKET, Alternator Adjustment |
| 2 | | | | | BRACKET, Alternator Rear |
| | 8350 2003 | 1 | | | Tagged A13N107 or A13N117 |
| | 8350 2022 | 1 | | | Tagged A13N108 |
| 3 | T063 7598 | 1 | | | BOLT, 125mm |
| 4 | J400 1104 | 3 | | | WASHER |
| 5 | 1150 2812 | 2 | | | NUT |
| 6 | 3420 2052 | 1 | | | SPACER |
| 7 | 3420 2062 | 1 | | | BOLT, 50mm |
| 8 | 1150 0255 | 1 | | | WASHER |
| 9 | 1150 2811 | 1 | | | NUT |
| 10 | 3420 2060 | 2 | | | BOLT, 45mm |
| 11 | T310 1114 | 1 | | | BOLT, 100mm |

MODEL CODES:

| | | |
|-----------------------------|-----------------------------|------------------------------|
| 15 = Grand Wagoneer 4 Dr. | 65 = Comanche 4WD-7 Ft. Box | 77 = Cherokee 4WD-2 Dr. |
| 25 = J-10 Pickup-119" W.B. | 66 = Comanche 2WD-7 Ft. Box | 78 = Cherokee 4WD-4 Dr. |
| 26 = J-10 Pickup-131" W.B. | 73 = Cherokee 2WD-2 Dr. | 79 = Cherokee 4WD-4 Dr.-Com |
| 27 = J-20 Pickup-131" W.B. | 74 = Cherokee 2WD-4 Dr. | 81 = Wrangler-93" W.B. |
| 63 = Comanche 4WD-6 Ft. Box | 75 = Wagoneer 4WD-4 Dr. | 82 = Wrangler-103" W.B.-Exp. |
| 64 = Comanche 2WD-6 Ft. Box | | |

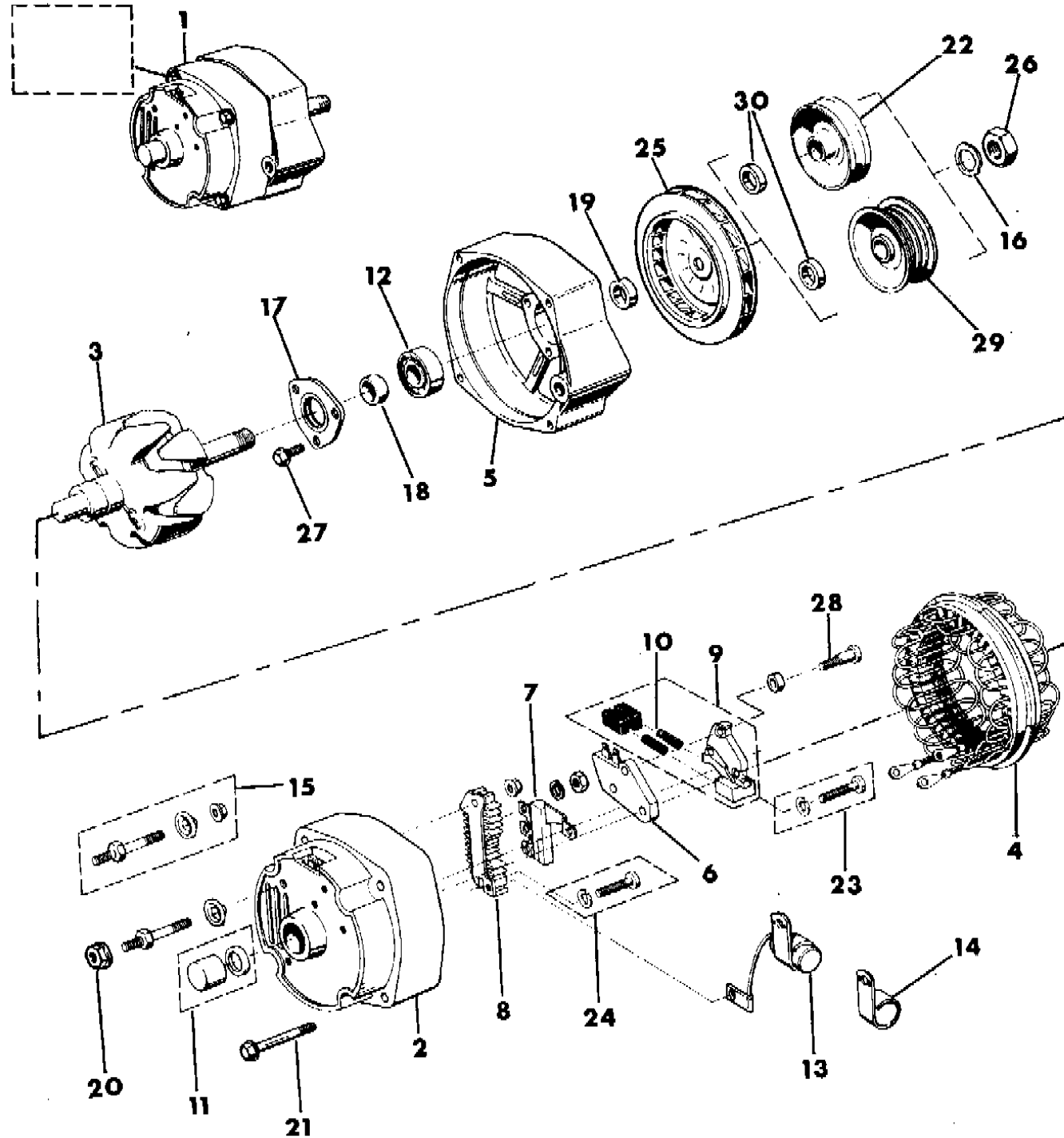
BODY STYLES:

MJ = Comanche Pickup
 SJ = Grand Wagoneer Wgn., J-10 & J-20 Pickups
 XJ = Cherokee, Wagoneer Limited
 YJ = Wrangler

AR = Use as Required - = Non Illustrated Part P.A.R. = Paint as Required

ALTERNATOR 42, 56, 78 AMPERE GRAND WAGONEER, J10, J20
Figure 8-2600

8 J08 2600



| ITEM | PART NUMBER | QTY | BODY | MODEL | DESCRIPTION |
|------|-------------|-----|------|-------|--|
| 1 | | | | | ALTERNATOR |
| | JR77 5005 | 1 | | | Remanufactured 56-78 Ampere |
| | J813 4664 | 1 | | | Export 56-78 Ampere |
| | JR77 5004 | 1 | | | Remanufactured 42 Ampere |
| | J813 4663 | 1 | | | Export 42 Ampere |
| 2 | | | | | HOUSING, Alternator Rear |
| | J813 4651 | 1 | | | Tagged 1105081, 1105082, 1105083 or 1105084 |
| | J813 2555 | 1 | | | Tagged 1105079 or 1105080 |
| 3 | | | | | ROTOR, Alternator |
| | J813 4645 | 1 | | | Tagged 1105081, 1105082, 1105079 or 1105080 *** |
| | J813 4646 | 1 | | | Tagged 1105083 or 1105084 |
| 4 | | | | | STATOR, Alternator |
| | J813 4648 | 1 | | | Tagged 1105081 or 1105082 |
| | J813 4649 | 1 | | | Tagged 1105083 or 1105084 |
| | J813 5174 | 1 | | | Tagged 1105079 or 1105080 |
| | J813 4655 | 1 | | | HOUSING, Alternator Front |
| | J813 4655 | 1 | | | Tagged 1105081, 1105082, 1105083 or 1105084 |
| | J813 4654 | 1 | | | Tagged 1105079 or 1105080 |
| 6 | 8330 0084 | 1 | | | REGULATOR, Voltage |
| 7 | 8330 0072 | 1 | | | DIODE TRIO *** |
| 8 | J813 4650 | 1 | | | RECTIFIER, Diode |
| 9 | J813 4652 | 1 | | | HOLDER, Alternator Brush |
| 10 | | | | | SPRING *** |
| | J813 4653 | 1 | | | Tagged 1105081, 1105082, 1105083, 1105084 or 1105079 |
| | J813 3272 | 1 | | | Tagged 1105080 |
| 11 | J812 5181 | 1 | | | BEARING |
| 12 | J812 6709 | 1 | | | BEARING |
| 13 | J812 5183 | 1 | | | CAPACITOR, Alternator |
| 14 | J812 5184 | 1 | | | CLAMP |
| 15 | J813 3274 | 1 | | | TERMINAL |
| 16 | J813 3280 | 1 | | | WASHER |
| 17 | J813 4658 | 1 | | | RETAINER |
| 18 | J813 3279 | 1 | | | COLLAR |
| 19 | | | | | COLLAR |
| | J813 4659 | 1 | | | Tagged 1105081, 1105082, 1105083, 1105084 |
| | J813 2696 | 1 | | | Tagged 1105079, 1105080 |
| 20 | J420 0453 | 1 | | | NUT |

MODEL CODES:

| | | |
|-----------------------------|-----------------------------|------------------------------|
| 15 = Grand Wagoneer 4 Dr. | 65 = Comanche 4WD-7 Ft. Box | 77 = Cherokee 4WD-2 Dr. |
| 25 = J-10 Pickup-119" W.B. | 66 = Comanche 2WD-7 Ft. Box | 78 = Cherokee 4WD-4 Dr. |
| 26 = J-10 Pickup-131" W.B. | 73 = Cherokee 2WD-2 Dr. | 79 = Cherokee 4WD-4 Dr.-Com |
| 27 = J-20 Pickup-131" W.B. | 74 = Cherokee 2WD-4 Dr. | 81 = Wrangler-93" W.B. |
| 63 = Comanche 4WD-6 Ft. Box | 75 = Wagoneer 4WD-4 Dr. | 82 = Wrangler-103" W.B.-Exp. |
| 64 = Comanche 2WD-6 Ft. Box | | |

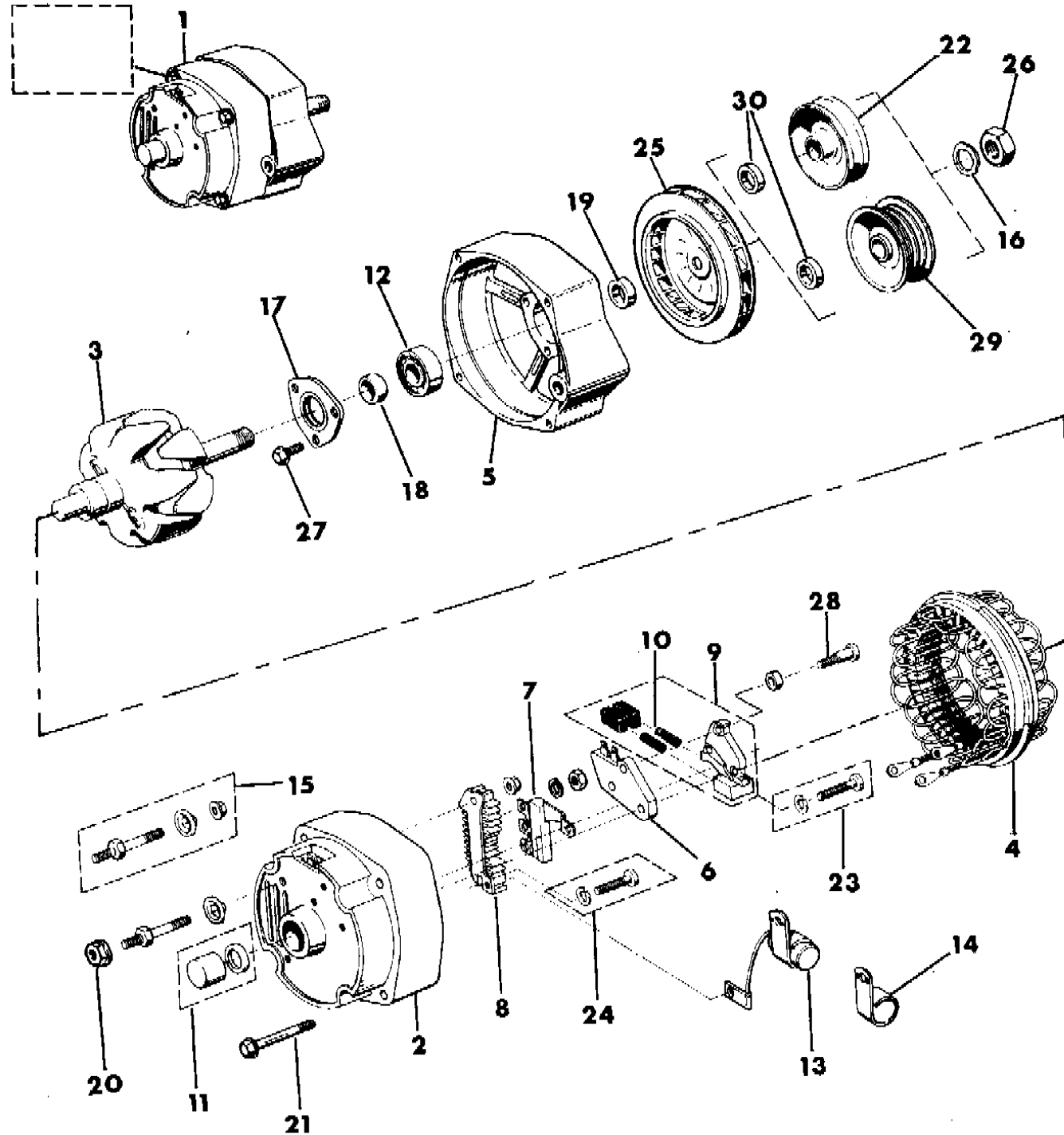
BODY STYLES:

MJ = Comanche Pickup
SJ = Grand Wagoneer Wgn., J-10 & J-20 Pickups
XJ = Cherokee, Wagoneer Limited
YJ = Wrangler

AR = Use as Required - = Non Illustrated Part P.A.R. = Paint as Required

ALTERNATOR 42, 56, 78 AMPERE GRAND WAGONEER, J10, J20
Figure 8-2600

8 J08 2600



| ITEM | PART NUMBER | QTY | BODY | MODEL | DESCRIPTION |
|------|-------------|-----|------|-------|---|
| 21 | J812 5191 | 4 | | | BOLT |
| 22 | J813 2698 | 1 | | | PULLEY, Alternator w/o Serpentine Belt Drive |
| 23 | J813 3273 | 1 | | | SCREW |
| 24 | J813 4669 | 1 | | | SCREW |
| 25 | | | | | FAN, Alternator |
| | J813 4662 | 1 | | | Tagged 1105081, 1105082, 1105083 or 1105084 |
| | J813 2695 | 1 | | | Tagged 1105079 |
| | J812 5193 | 1 | | | Tagged 1105080 |
| 26 | J812 5242 | 1 | | | NUT |
| 27 | J813 4668 | 3 | | | SCREW |
| 28 | J812 5244 | 2 | | | SCREW |
| 29 | J813 4194 | 1 | | | PULLEY, Alternator Tagged 1105081, 1105082, 1105083 or 1105084w/Serpentine Belt Drive |
| | J812 8522 | | | | With Double Groove *** |
| 30 | J813 3299 | 1 | | | COLLAR |

MODEL CODES:

| | | |
|-----------------------------|-----------------------------|------------------------------|
| 15 = Grand Wagoneer 4 Dr. | 65 = Comanche 4WD-7 Ft. Box | 77 = Cherokee 4WD-2 Dr. |
| 25 = J-10 Pickup-119" W.B. | 66 = Comanche 2WD-7 Ft. Box | 78 = Cherokee 4WD-4 Dr. |
| 26 = J-10 Pickup-131" W.B. | 73 = Cherokee 2WD-2 Dr. | 79 = Cherokee 4WD-4 Dr.-Com |
| 27 = J-20 Pickup-131" W.B. | 74 = Cherokee 2WD-4 Dr. | 81 = Wrangler-93" W.B. |
| 63 = Comanche 4WD-6 Ft. Box | 75 = Wagoneer 4WD-4 Dr. | 82 = Wrangler-103" W.B.-Exp. |
| 64 = Comanche 2WD-6 Ft. Box | | |

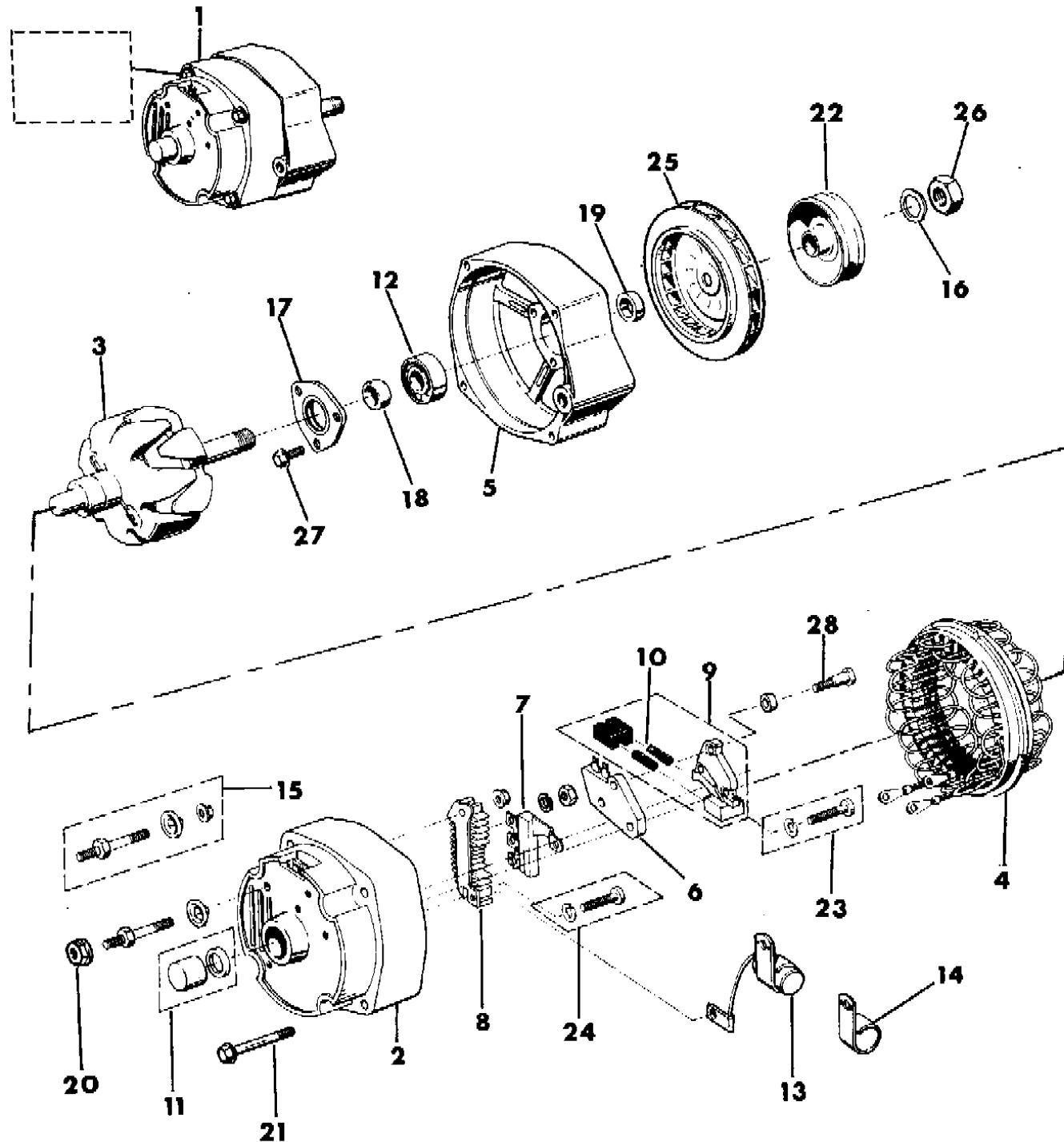
BODY STYLES:

MJ = Comanche Pickup
SJ = Grand Wagoneer Wgn., J-10 & J-20 Pickups
XJ = Cherokee, Wagoneer Limited
YJ = Wrangler

AR = Use as Required - = Non Illustrated Part P.A.R. = Paint as Required

ALTERNATOR AND MOUNTING 85-94 AMPERE GRAND WAGONEER, J10, J20
Figure 8-2700

8 J08 2700



| ITEM | PART NUMBER | QTY | BODY | MODEL | DESCRIPTION |
|------|-------------|-----|------|-------|---|
| 1 | | | | | ALTERNATOR |
| | J813 4666 | 1 | | | 85 Ampere |
| | 8350 5104 | 1 | | | 94 Ampere |
| 2 | J813 3266 | 1 | | | HOUSING, Rear Tagged 1105346 Tagged 1101484 (Not Serv.) |
| 3 | J813 4646 | 1 | | | ROTOR Tagged 1101484 |
| | J813 3264 | 1 | | | Tagged 1105346 |
| 4 | J813 3265 | 1 | | | STATOR, Alternator Tagged 1105346 *** Tagged 1101484 (Not Serv.) |
| 5 | J813 4656 | 1 | | | HOUSING, Alternator Front Tagged 1105346 Tagged 1101484 (Not Serv.) |
| 6 | J812 5176 | 1 | | | REGULATOR, Voltage Tagged 1105346 |
| | 8350 5214 | 1 | | | Tagged 1101484 |
| 7 | 8330 0072 | 1 | | | DIODE TRIO *** |
| 8 | J813 3269 | 1 | | | RECTIFIER, Diode Tagged 1105346 |
| | 8350 5216 | 1 | | | Tagged 1101484 |
| 9 | J813 3271 | 1 | | | HOLDER, Brush Tagged 1105346 |
| | J813 4652 | 1 | | | Tagged 1101484 |
| 10 | J813 4653 | 1 | | | SPRING |
| 11 | J812 5181 | 1 | | | BEARING Tagged 1101484 |
| | 8350 5217 | 1 | | | Tagged 1101484 |
| 12 | J812 6709 | 1 | | | BEARING Tagged 1101484 |
| | 8350 5215 | 1 | | | Tagged 1101484 |
| 13 | J812 5183 | 1 | | | CAPACITOR, Alternator |
| 14 | J812 5184 | 1 | | | CLAMP |
| 15 | J813 3274 | 1 | | | TERMINAL |
| 16 | J813 3280 | 1 | | | WASHER |
| 17 | J813 4658 | 1 | | | RETAINER |

MODEL CODES:

| | | |
|-----------------------------|-----------------------------|------------------------------|
| 15 = Grand Wagoneer 4 Dr. | 65 = Comanche 4WD-7 Ft. Box | 77 = Cherokee 4WD-2 Dr. |
| 25 = J-10 Pickup-119" W.B. | 66 = Comanche 2WD-7 Ft. Box | 78 = Cherokee 4WD-4 Dr. |
| 26 = J-10 Pickup-131" W.B. | 73 = Cherokee 2WD-2 Dr. | 79 = Cherokee 4WD-4 Dr.-Com |
| 27 = J-20 Pickup-131" W.B. | 74 = Cherokee 2WD-4 Dr. | 81 = Wrangler-93" W.B. |
| 63 = Comanche 4WD-6 Ft. Box | 75 = Wagoneer 4WD-4 Dr. | 82 = Wrangler-103" W.B.-Exp. |
| 64 = Comanche 2WD-6 Ft. Box | | |

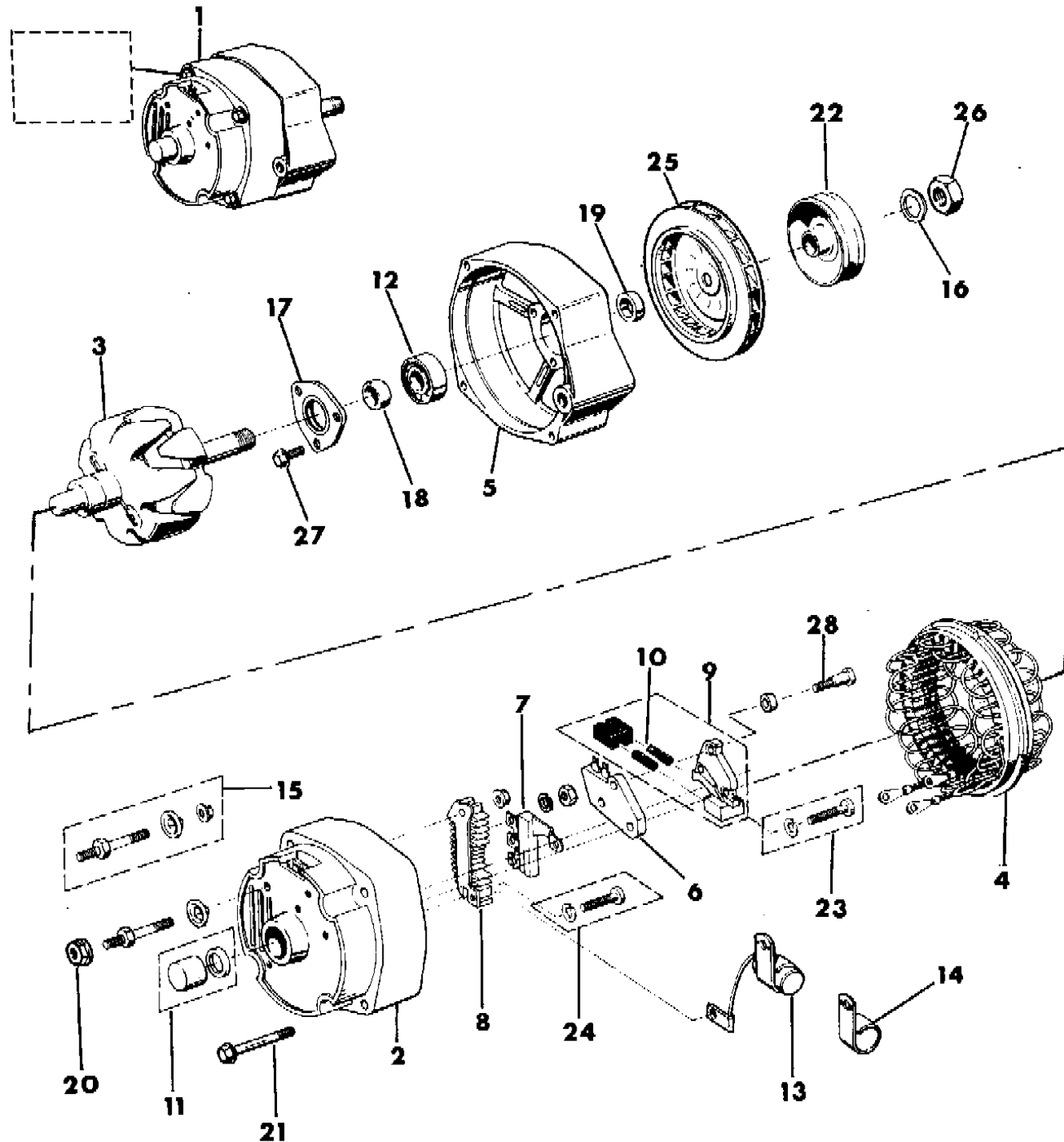
BODY STYLES:

MJ = Comanche Pickup
SJ = Grand Wagoneer Wgn., J-10 & J-20 Pickups
XJ = Cherokee, Wagoneer Limited
YJ = Wrangler

AR = Use as Required - = Non Illustrated Part P.A.R. = Paint as Required

ALTERNATOR AND MOUNTING 85-94 AMPERE GRAND WAGONEER, J10, J20
Figure 8-2700

8 J08 2700



| ITEM | PART NUMBER | QTY | BODY | MODEL | DESCRIPTION |
|------|-------------|-----|------|-------|--|
| 18 | | | | | COLLAR |
| | J813 4661 | 1 | | | Tagged 1105346 |
| | J813 3279 | 1 | | | Tagged 1101484 |
| 19 | | | | | COLLAR |
| | J813 4660 | 1 | | | Tagged 1105346 |
| | J813 4659 | 1 | | | Tagged 1101484 |
| 20 | J420 0453 | 1 | | | NUT |
| 21 | J812 5191 | 4 | | | BOLT |
| 22 | J812 8522 | 1 | | | PULLEY, Alternator w/o Serpentine Belt |
| 23 | J813 3273 | 1 | | | SCREW |
| 24 | J813 4669 | 1 | | | SCREW |
| 25 | | | | | FAN, Alternator |
| | J813 3281 | 1 | | | Tagged 1105346 |
| | J813 4662 | 1 | | | Tagged 1101484 |
| 26 | J812 5242 | 1 | | | NUT |
| 27 | J813 4668 | 3 | | | SCREW |
| 28 | J812 5244 | 2 | | | SCREW |

MODEL CODES:

| | | |
|-----------------------------|-----------------------------|------------------------------|
| 15 = Grand Wagoneer 4 Dr. | 65 = Comanche 4WD-7 Ft. Box | 77 = Cherokee 4WD-2 Dr. |
| 25 = J-10 Pickup-119" W.B. | 66 = Comanche 2WD-7 Ft. Box | 78 = Cherokee 4WD-4 Dr. |
| 26 = J-10 Pickup-131" W.B. | 73 = Cherokee 2WD-2 Dr. | 79 = Cherokee 4WD-4 Dr.-Com |
| 27 = J-20 Pickup-131" W.B. | 74 = Cherokee 2WD-4 Dr. | 81 = Wrangler-93" W.B. |
| 63 = Comanche 4WD-6 Ft. Box | 75 = Wagoneer 4WD-4 Dr. | 82 = Wrangler-103" W.B.-Exp. |
| 64 = Comanche 2WD-6 Ft. Box | | |

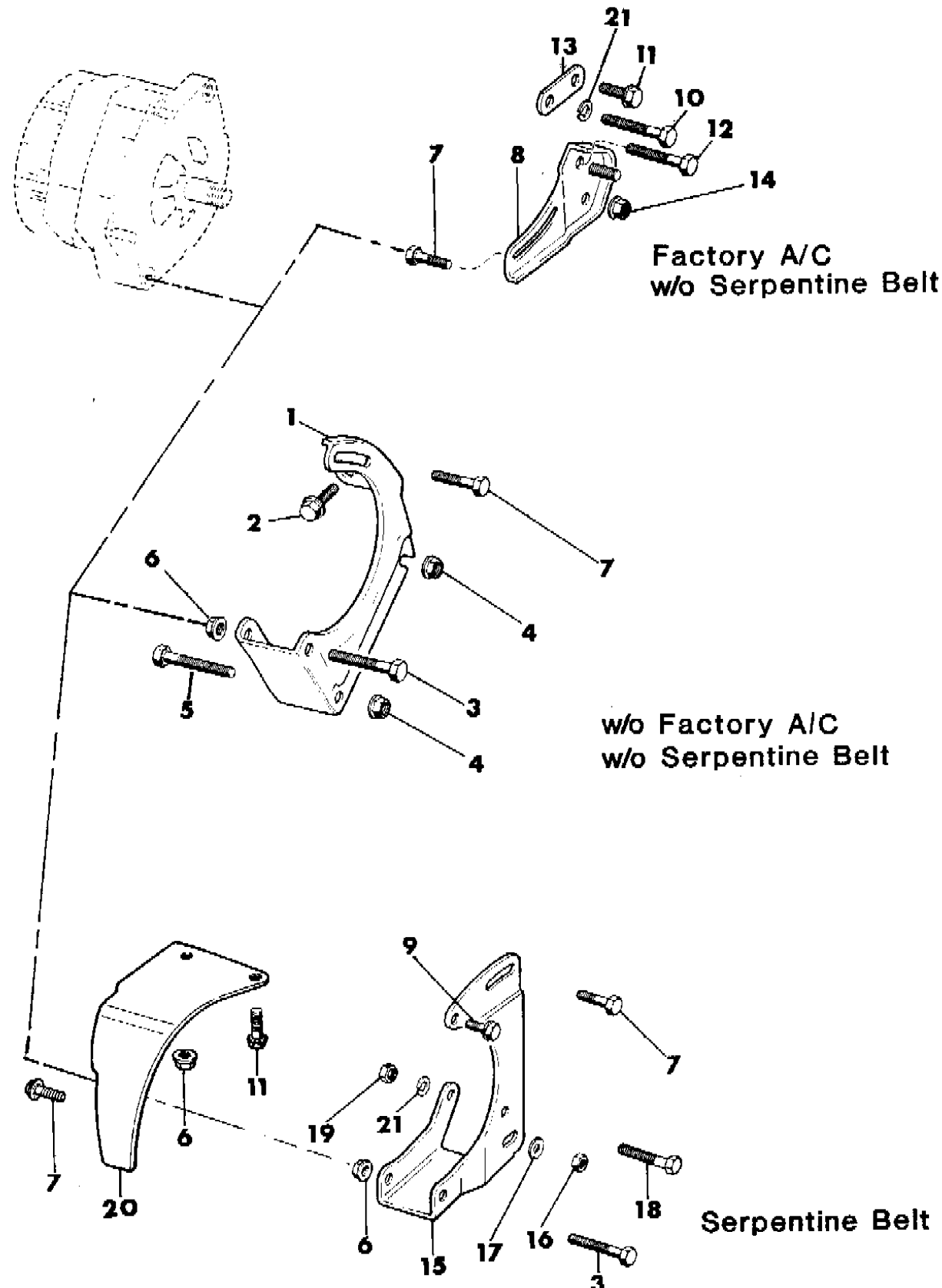
BODY STYLES:

MJ = Comanche Pickup
SJ = Grand Wagoneer Wgn., J-10 & J-20 Pickups
XJ = Cherokee, Wagoneer Limited
YJ = Wrangler

AR = Use as Required - = Non Illustrated Part P.A.R. = Paint as Required

ALTERNATOR MOUNTING 4.2L ENGINE GRAND WAGONEER, J10
Figure 8-2800

8 J08 2800



| ITEM | PART NUMBER | QTY | BODY | MODEL | DESCRIPTION |
|------|-------------|-----|------|-------|---------------------|
| 1 | 3300 1658 | 1 | | | BRACKET, Alternator |
| 2 | J027 4882 | 1 | | | SCREW |
| 3 | 1150 0835 | 1 | | | BOLT |
| 4 | J400 3909 | 2 | | | NUT |
| 5 | J018 0137 | 1 | | | BOLT |
| 6 | 1150 6007 | 1 | | | NUT |
| 7 | 3420 1818 | 1 | | | BOLT |
| 8 | J323 6310 | 1 | | | BRACKET, Alternator |
| 9 | J018 0123 | 1 | | | BOLT |
| 10 | J018 9303 | 1 | | | BOLT |
| 11 | J400 6995 | 1 | | | BOLT |
| 12 | J018 0137 | 1 | | | BOLT |
| 13 | J323 0381 | 1 | | | STRAP |
| 14 | J400 3909 | 1 | | | NUT |
| 15 | J322 4477 | 1 | | | BRACKET, Alternator |
| 16 | J941 3534 | 1 | | | NUT |
| 17 | J400 1104 | 1 | | | WASHER |
| 18 | J018 0138 | 1 | | | BOLT |
| 19 | J400 3909 | 1 | | | NUT |
| 20 | J323 8456 | 1 | | | BRACE, Alternator |
| 21 | J400 3803 | 1 | | | WASHER |

MODEL CODES:

| | | |
|-----------------------------|-----------------------------|------------------------------|
| 15 = Grand Wagoneer 4 Dr. | 65 = Comanche 4WD-7 Ft. Box | 77 = Cherokee 4WD-2 Dr. |
| 25 = J-10 Pickup-119" W.B. | 66 = Comanche 2WD-7 Ft. Box | 78 = Cherokee 4WD-4 Dr. |
| 26 = J-10 Pickup-131" W.B. | 73 = Cherokee 2WD-2 Dr. | 79 = Cherokee 4WD-4 Dr.-Com |
| 27 = J-20 Pickup-131" W.B. | 74 = Cherokee 2WD-4 Dr. | 81 = Wrangler-93" W.B. |
| 63 = Comanche 4WD-6 Ft. Box | 75 = Wagoneer 4WD-4 Dr. | 82 = Wrangler-103" W.B.-Exp. |
| 64 = Comanche 2WD-6 Ft. Box | | |

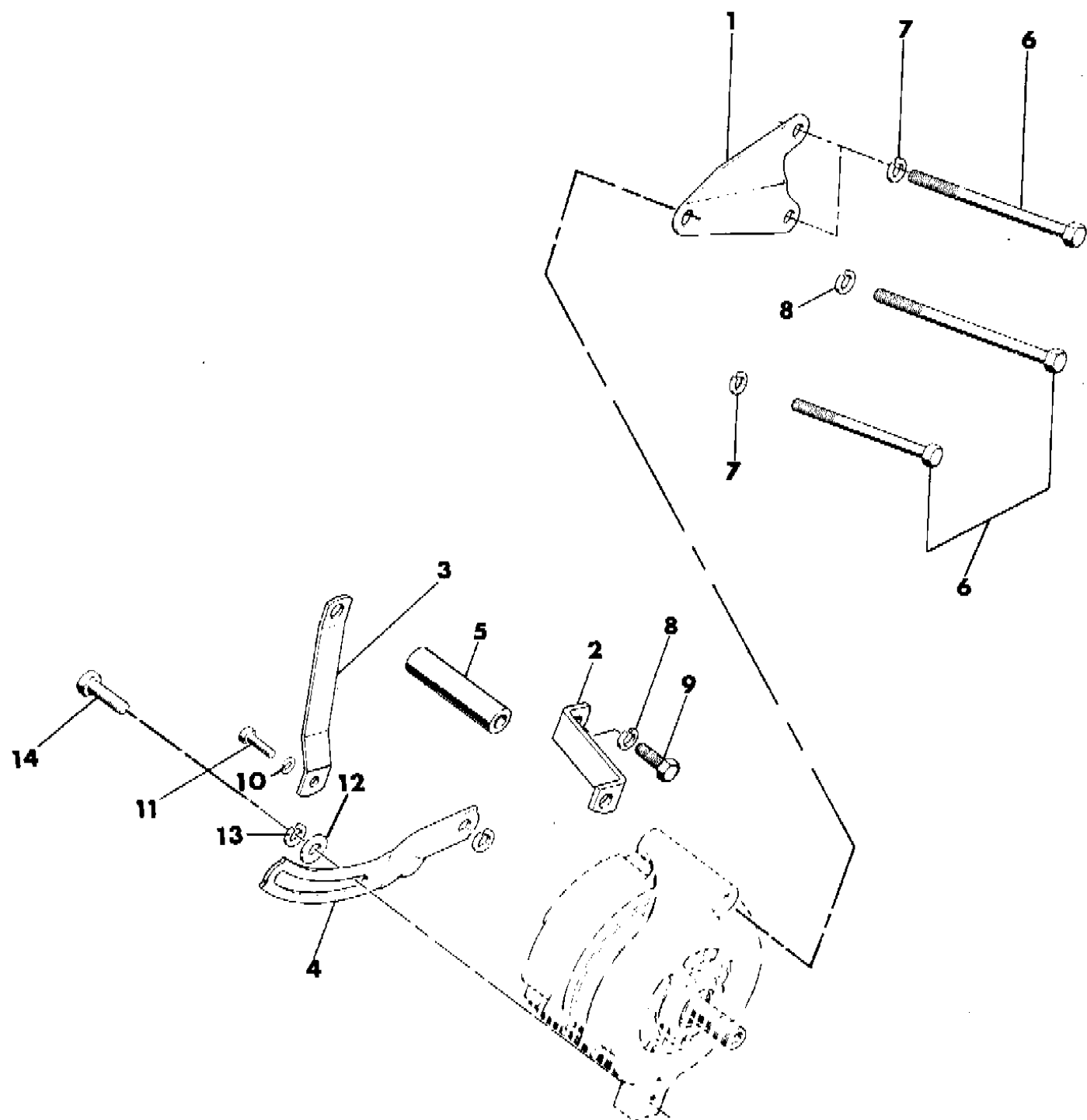
BODY STYLES:

MJ = Comanche Pickup
SJ = Grand Wagoneer Wgn., J-10 & J-20 Pickups
XJ = Cherokee, Wagoneer Limited
YJ = Wrangler

AR = Use as Required - = Non Illustrated Part P.A.R. = Paint as Required

ALTERNATOR MOUNTING 5.9L ENGINE GRAND WAGONEER, J10, J20
Figure 8-2900

8 J08 2900



| ITEM | PART NUMBER | QTY | BODY | MODEL | DESCRIPTION |
|------|-------------|-----|------|-------|------------------------------------|
| 1 | | | | | BRACKET |
| | J535 7907 | 1 | | | w/Factory A/C |
| | J535 7905 | 1 | | | w/o Factory A/C |
| 2 | | | | | BRACKET, Alternator |
| | J535 9301 | 1 | | | w/Factory A/C |
| | J535 9302 | 1 | | | w/o Factory A/C |
| 3 | | | | | SUPPORT, Alternator |
| | J535 9300 | 1 | | | Tagged 1105080, 1105082 or 1101484 |
| | J536 4256 | 1 | | | Tagged 1105084 or 1105346 |
| 4 | | | | | BRACKET, Adjusting |
| | J535 7906 | 1 | | | Tagged 1105080, 1105082 or 1101484 |
| | J536 2172 | 1 | | | Tagged 1105084, 1105346 |
| 5 | | | | | SPACER |
| | J400 6186 | 1 | | | 3.44" |
| | J400 6822 | 1 | | | 3.56" |
| 6 | | | | | BOLT |
| | J018 0122 | 1 | | | 1.00" |
| | S027 4101 | 1 | | | 4.88" |
| | J019 2406 | AR | | | 5.25" |
| | J021 5511 | AR | | | 5.75" |
| | J400 6031 | 1 | | | 6.50" |
| 7 | J400 3803 | 1 | | | WASHER |
| 8 | J400 4807 | 1 | | | WASHER |
| 9 | J018 0120 | 1 | | | BOLT |
| 10 | 1150 0221 | 1 | | | WASHER |
| 11 | 1150 1939 | 1 | | | BOLT |
| 12 | J400 1095 | 1 | | | WASHER |
| 13 | J012 0214 | 1 | | | WASHER |
| 14 | | | | | BOLT |
| | J420 0406 | 1 | | | 8mm |
| | J420 0419 | 1 | | | 10mm |
| | J018 0079 | 1 | | | .31" |

MODEL CODES:

| | | |
|-----------------------------|-----------------------------|------------------------------|
| 15 = Grand Wagoneer 4 Dr. | 65 = Comanche 4WD-7 Ft. Box | 77 = Cherokee 4WD-2 Dr. |
| 25 = J-10 Pickup-119" W.B. | 66 = Comanche 2WD-7 Ft. Box | 78 = Cherokee 4WD-4 Dr. |
| 26 = J-10 Pickup-131" W.B. | 73 = Cherokee 2WD-2 Dr. | 79 = Cherokee 4WD-4 Dr.-Com |
| 27 = J-20 Pickup-131" W.B. | 74 = Cherokee 2WD-4 Dr. | 81 = Wrangler-93" W.B. |
| 63 = Comanche 4WD-6 Ft. Box | 75 = Wagoneer 4WD-4 Dr. | 82 = Wrangler-103" W.B.-Exp. |
| 64 = Comanche 2WD-6 Ft. Box | | |

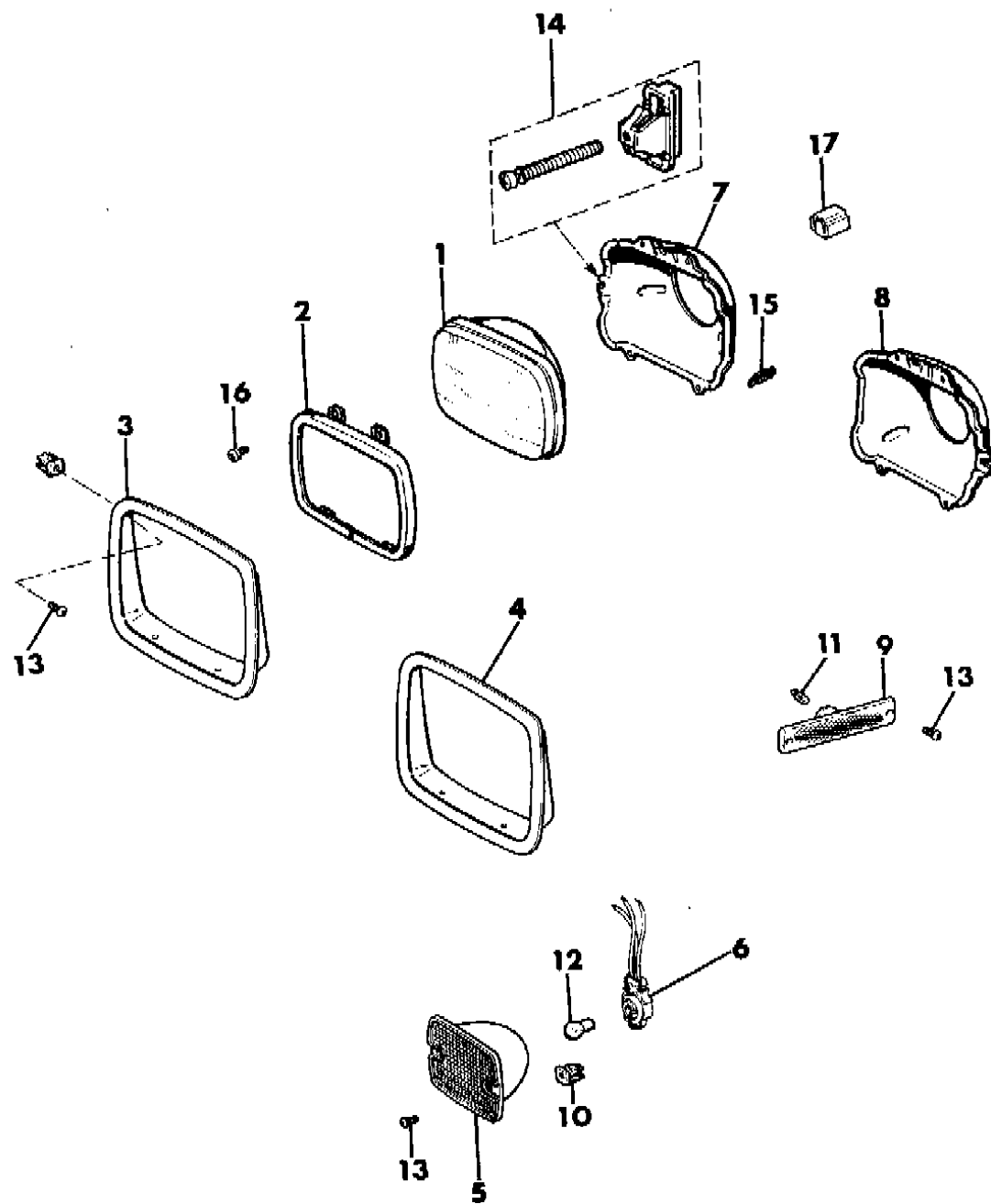
BODY STYLES:

MJ = Comanche Pickup
SJ = Grand Wagoneer Wgn., J-10 & J-20 Pickups
XJ = Cherokee, Wagoneer Limited
YJ = Wrangler

AR = Use as Required - = Non Illustrated Part P.A.R. = Paint as Required

LAMPS--FRONT WRANGLER, YJ, U.S. AND CANADA
Figure 8-3000

8J08 3000



| ITEM | PART NUMBER | QTY | BODY | MODEL | DESCRIPTION |
|------|-------------|-----|------|-------|---------------------------|
| 1 | J813 4319 | 2 | | | BULB, Seal Beam (6054) |
| 2 | 5600 1260 | 2 | | | RING, Headlamp |
| 3 | | | | | BEZEL, Headlamp, Right |
| | 5600 3104 | 1 | | | Chrome *** |
| | 5600 1908 | 1 | | | (P.A.R.) |
| 4 | | | | | BEZEL, Headlamp, Left |
| | 5600 3105 | 1 | | | Chrome |
| | 5600 1909 | 1 | | | (P.A.R.) |
| 5 | 5600 1378 | 2 | | | LAMP, Parking |
| 6 | J812 8931 | 2 | | | SOCKET, Parking Lamp |
| 7 | 5600 1278 | 1 | | | SEAT, Headlamp, Right |
| 8 | 5600 1279 | 1 | | | SEAT, Headlamp, Left |
| 9 | 5600 1424 | 2 | | | LAMP, Marker |
| 10 | J400 0141 | 12 | | | NUT, Push |
| 11 | J942 1330 | 1 | | | BULB, (194) |
| 12 | J943 8848 | 2 | | | BULB, (2057) |
| 13 | J400 5821 | 16 | | | SCREW |
| 14 | 5600 1419 | 4 | | | SCREW, Headlamp Adjusting |
| 15 | 3600 0885 | 2 | | | SPRING |
| 16 | 3420 1821 | 8 | | | SCREW |
| 17 | J099 8475 | 2 | | | CONNECTOR, Headlamp |

MODEL CODES:

| | | |
|-----------------------------|-----------------------------|------------------------------|
| 15 = Grand Wagoneer 4 Dr. | 65 = Comanche 4WD-7 Ft. Box | 77 = Cherokee 4WD-2 Dr. |
| 25 = J-10 Pickup-119" W.B. | 66 = Comanche 2WD-7 Ft. Box | 78 = Cherokee 4WD-4 Dr. |
| 26 = J-10 Pickup-131" W.B. | 73 = Cherokee 2WD-2 Dr. | 79 = Cherokee 4WD-4 Dr.-Com |
| 27 = J-20 Pickup-131" W.B. | 74 = Cherokee 2WD-4 Dr. | 81 = Wrangler-93" W.B. |
| 63 = Comanche 4WD-6 Ft. Box | 75 = Wagoneer 4WD-4 Dr. | 82 = Wrangler-103" W.B.-Exp. |
| 64 = Comanche 2WD-6 Ft. Box | | |

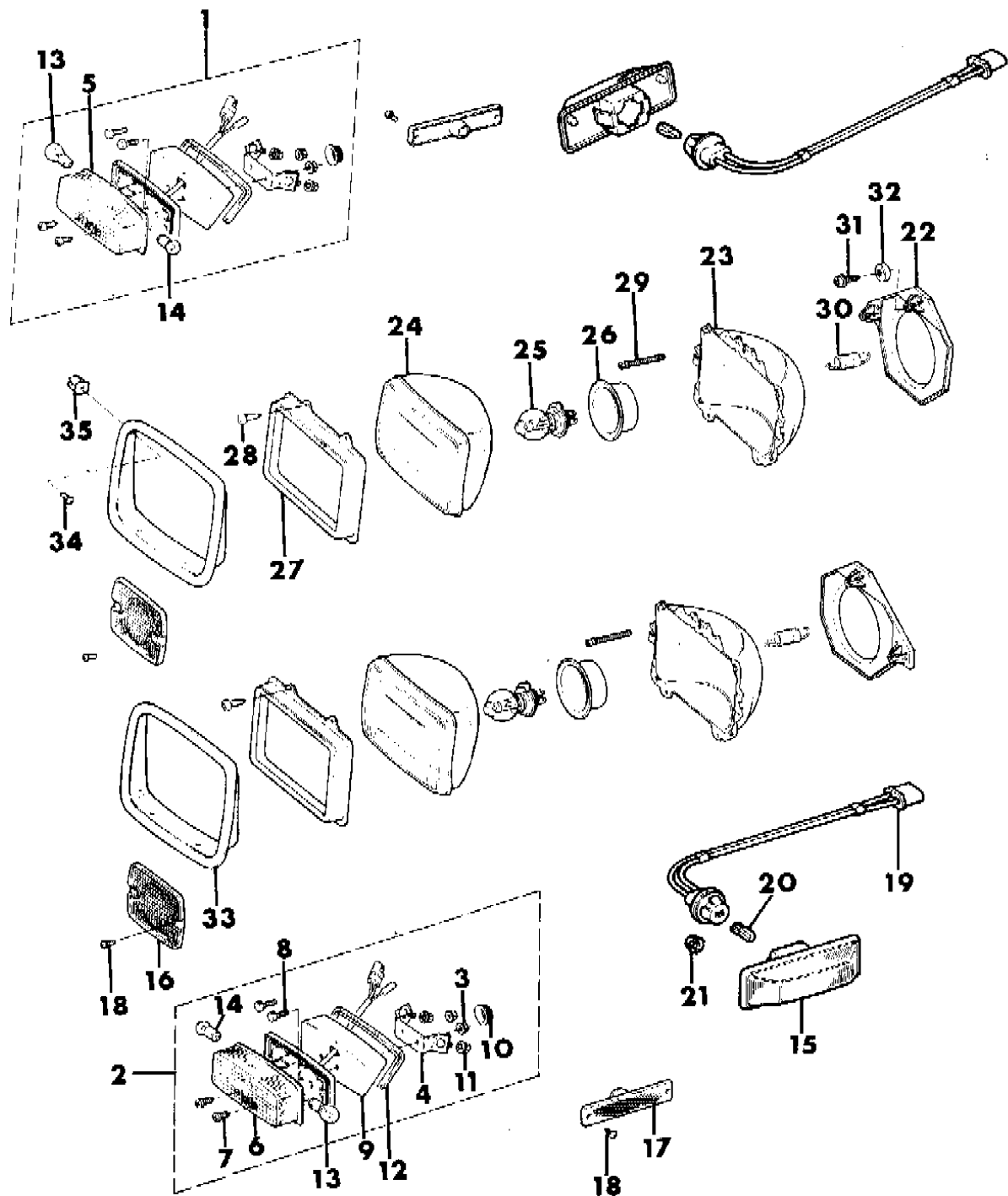
BODY STYLES:

MJ = Comanche Pickup
SJ = Grand Wagoneer Wgn., J-10 & J-20 Pickups
XJ = Cherokee, Wagoneer Limited
YJ = Wrangler

AR = Use as Required - = Non Illustrated Part P.A.R. = Paint as Required

LAMPS--FRONT WRANGLER, EXPORT, ECE
Figure 8-3100

8J08 3100



| ITEM | PART NUMBER | QTY | BODY | MODEL | DESCRIPTION |
|------|-------------|-----|------|-------|-----------------------------|
| 1 | 5600 3010 | 1 | | | LAMP, Parking, Right |
| 2 | 5600 3011 | 1 | | | LAMP, Parking, Left |
| 3 | J027 1163 | 4 | | | NUT, Hex |
| 4 | 5502 1203 | 2 | | | BRACKET |
| 5 | J813 3788 | 1 | | | LENS, Right *** |
| 6 | J813 3789 | 1 | | | LENS, Left *** |
| 7 | J400 5806 | 4 | | | SCREW |
| 8 | J400 3924 | 4 | | | SCREW |
| 9 | 5502 1205 | 2 | | | BASE |
| 10 | J400 6847 | 2 | | | BUSHING |
| 11 | J941 6918 | 4 | | | NUT, Hex |
| 12 | J575 8112 | 2 | | | SEAL |
| 13 | J575 7455 | 2 | | | BULB, (P25-1) |
| 14 | J813 3773 | 2 | | | BULB, (R19-10) |
| 15 | 5600 1127 | 2 | | | LAMP, Turn |
| 16 | 5600 3098 | 2 | | | LENS |
| 17 | 5600 3100 | 2 | | | LAMP, Side Marker |
| 18 | J400 5821 | 8 | | | SCREW |
| 19 | 5600 1433 | 2 | | | SOCKET ASSEMBLY |
| 20 | J942 1330 | 2 | | | BULB, (194) |
| 21 | S027 1482 | 2 | | | NUT |
| 22 | 5600 3080-1 | 1 | | | ADAPTER, Headlamp Mounting |
| 23 | 5600 3082-3 | 1 | | | SEAT, Headlamp |
| 24 | 5600 3086 | 2 | | | REFLECTOR, Headlamp |
| 25 | | | | | ELEMENT, Quartz Halogen *** |
| | J813 3772 | 2 | | | (H4-Clear) |
| | J813 3336 | 2 | | | (H4-Amber) |
| 26 | J813 3795 | 2 | | | BOOT |
| 27 | 3600 2557 | 2 | | | RING, Headlamp |
| 28 | 3420 2563 | 8 | | | SCREW |
| 29 | 5600 3095 | 4 | | | SCREW, Adjusting |
| 30 | 3600 0885 | 2 | | | SPRING |
| 31 | 3420 2774 | 4 | | | SCREW |
| 32 | 5500 1994 | 4 | | | WASHER, Clamp |
| 33 | 5600 1396-7 | 1 | | | BEZEL, Headlamp |
| 34 | J400 5821 | 8 | | | SCREW |
| 35 | J400 0141 | 8 | | | NUT |

MODEL CODES:

| | | |
|-----------------------------|-----------------------------|------------------------------|
| 15 = Grand Wagoneer 4 Dr. | 65 = Comanche 4WD-7 Ft. Box | 77 = Cherokee 4WD-2 Dr. |
| 25 = J-10 Pickup-119" W.B. | 66 = Comanche 2WD-7 Ft. Box | 78 = Cherokee 4WD-4 Dr. |
| 26 = J-10 Pickup-131" W.B. | 73 = Cherokee 2WD-2 Dr. | 79 = Cherokee 4WD-4 Dr.-Com |
| 27 = J-20 Pickup-131" W.B. | 74 = Cherokee 2WD-4 Dr. | 81 = Wrangler-93" W.B. |
| 63 = Comanche 4WD-6 Ft. Box | 75 = Wagoneer 4WD-4 Dr. | 82 = Wrangler-103" W.B.-Exp. |
| 64 = Comanche 2WD-6 Ft. Box | | |

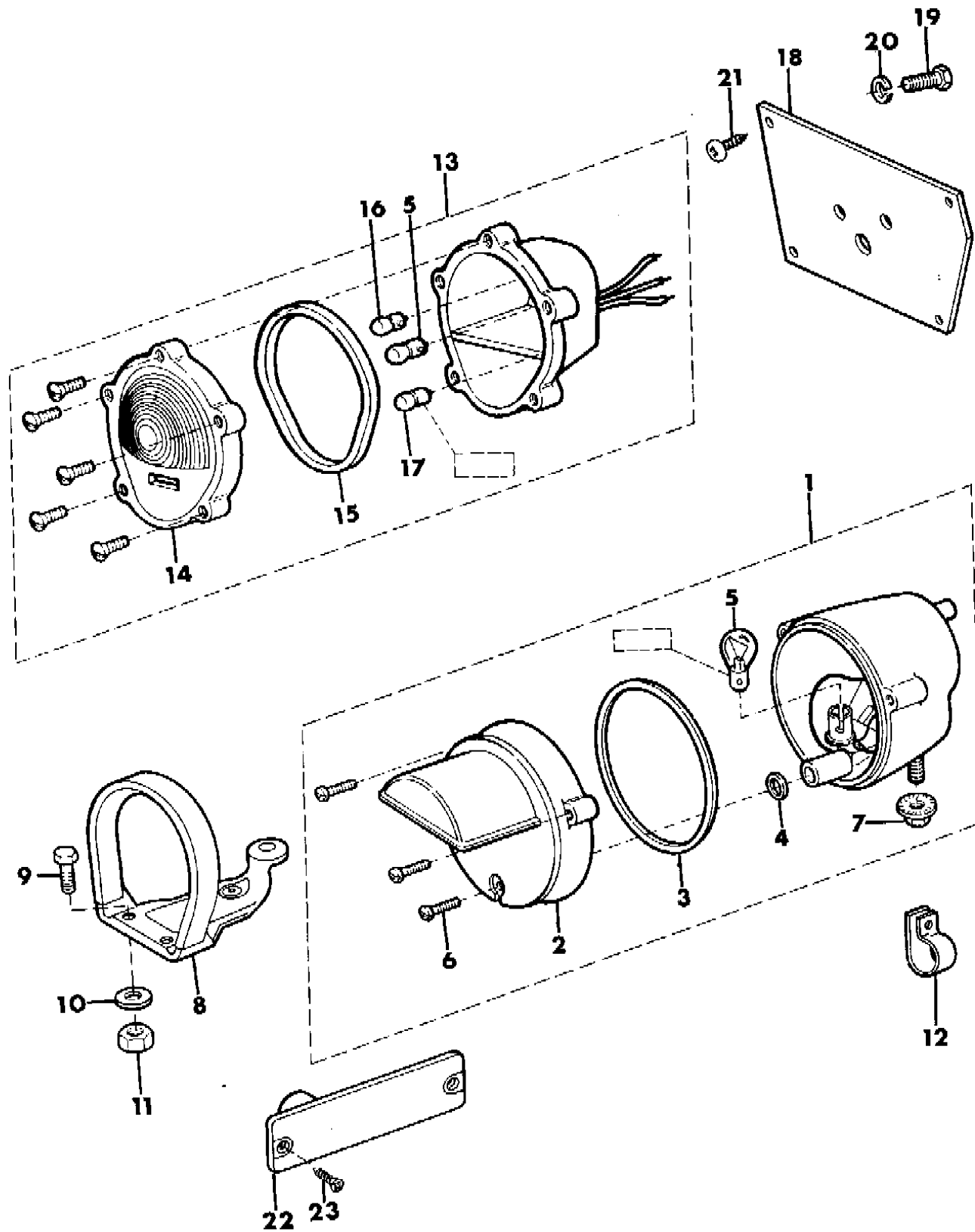
BODY STYLES:

MJ = Comanche Pickup
SJ = Grand Wagoneer Wgn., J-10 & J-20 Pickups
XJ = Cherokee, Wagoneer Limited
YJ = Wrangler

AR = Use as Required - = Non Illustrated Part P.A.R. = Paint as Required

LAMPS--FRONT-BLACKOUT WRANGLER, YJ
Figure 8-3200

8J08 3200



| ITEM | PART NUMBER | QTY | BODY | MODEL | DESCRIPTION |
|------|-------------|-----|------|-------|--------------------------------|
| 1 | J805 1525 | 1 | | | LAMP, Blackout |
| 2 | J813 4592 | 1 | | | DOOR, Blackout Lamp |
| 3 | J813 4593 | 1 | | | GASKET |
| 4 | J813 4594 | 1 | | | O-RING |
| 5 | J320 9543 | 3 | | | BULB, (1156) |
| 6 | J813 4595 | 3 | | | SCREW |
| 7 | J400 4747 | 1 | | | NUT, Hex |
| 8 | J805 0377 | 1 | | | BRACKET |
| 9 | S017 9814 | 3 | | | BOLT, Hex |
| 10 | J012 0214 | 3 | | | WASHER |
| 11 | J012 0376 | 3 | | | NUT |
| 12 | J012 7879 | 1 | | | CLIP |
| 13 | J805 1526 | 2 | | | LAMP, Blackout Park/Turn |
| 14 | J813 4577 | 1 | | | COVER, Blackout Turn Lamp Door |
| 15 | J813 4580 | 2 | | | GASKET |
| 16 | J014 2452 | 2 | | | BULB, (89) |
| 17 | S014 2450 | 2 | | | BULB, (67) |
| 18 | 5501 0767 | 2 | | | COVER, Bracket |
| 19 | J400 5600 | 4 | | | SCREW |
| 20 | J012 0382 | 4 | | | WASHER |
| 21 | J941 6223 | 8 | | | SCREW |
| 22 | J575 8206 | 2 | | | COVER, Side Marker |
| 23 | J400 2461 | 4 | | | SCREW |

MODEL CODES:

| | | |
|-----------------------------|-----------------------------|------------------------------|
| 15 = Grand Wagoneer 4 Dr. | 65 = Comanche 4WD-7 Ft. Box | 77 = Cherokee 4WD-2 Dr. |
| 25 = J-10 Pickup-119" W.B. | 66 = Comanche 2WD-7 Ft. Box | 78 = Cherokee 4WD-4 Dr. |
| 26 = J-10 Pickup-131" W.B. | 73 = Cherokee 2WD-2 Dr. | 79 = Cherokee 4WD-4 Dr.-Com |
| 27 = J-20 Pickup-131" W.B. | 74 = Cherokee 2WD-4 Dr. | 81 = Wrangler-93" W.B. |
| 63 = Comanche 4WD-6 Ft. Box | 75 = Wagoneer 4WD-4 Dr. | 82 = Wrangler-103" W.B.-Exp. |
| 64 = Comanche 2WD-6 Ft. Box | | |

BODY STYLES:

MJ = Comanche Pickup
SJ = Grand Wagoneer Wgn., J-10 & J-20 Pickups
XJ = Cherokee, Wagoneer Limited
YJ = Wrangler

AR = Use as Required - = Non Illustrated Part P.A.R. = Paint as Required

LAMPS--FOG RECTANGULAR WRANGLER, YJ
Figure 8-3300

8J08 3300 A

| ITEM | PART NUMBER | QTY | BODY | MODEL | DESCRIPTION |
|------|-------------|-----|------|-------|-------------------------|
| 1 | 5600 2160 | 2 | | | LAMP, Fog |
| 2 | 5600 2068 | 2 | | | COVER, Fog Lamp |
| 3 | J813 3441 | 2 | | | ELEMENT, Quartz Halogen |
| 4 | J813 3442 | 2 | | | BEZEL |
| 5 | J813 3440 | 2 | | | LENS |
| 6 | 5600 2830 | 2 | | | BRACKET 1988-90 *** |
| 7 | J018 0077 | 4 | | | BOLT |
| 8 | J013 8485 | 4 | | | WASHER |
| 9 | J400 6080 | 4 | | | NUT |
| 10 | J813 2883 | 2 | | | BASE |
| 11 | J400 3084 | 4 | | | RETAINER |
| 12 | J027 1190 | 4 | | | NUT |
| 13 | J400 3924 | 4 | | | SCREW |
| 14 | | | | | DECAL *** |
| | 8350 2831 | 2 | | | Black |
| | 8350 2842 | 2 | | | Gold |
| 15 | 5600 2588 | 2 | | | LAMP, Fog |
| 16 | 8350 3692 | 2 | | | ELEMENT |
| 17 | 5600 2584 | 2 | | | COVER |
| 18 | 8350 4214 | 2 | | | BEZEL |
| 19 | 8350 4130 | 2 | | | LENS |
| 20 | 8350 4131 | 2 | | | BOOT |
| 21 | S150 2788 | 2 | | | BOLT |
| 22 | 8350 4213 | 2 | | | BRACKET |
| 23 | 3420 1781 | 4 | | | SCREW |
| 24 | J806 0007 | 4 | | | SCREW |
| 25 | 1150 0207 | 2 | | | WASHER, Lock |
| 26 | J420 0405 | 2 | | | NUT |
| 27 | 5600 2290 | 2 | | | BRACKET 1987 |
| 28 | 8350 3696 | 2 | | | HARNES, Jumper 1987 |

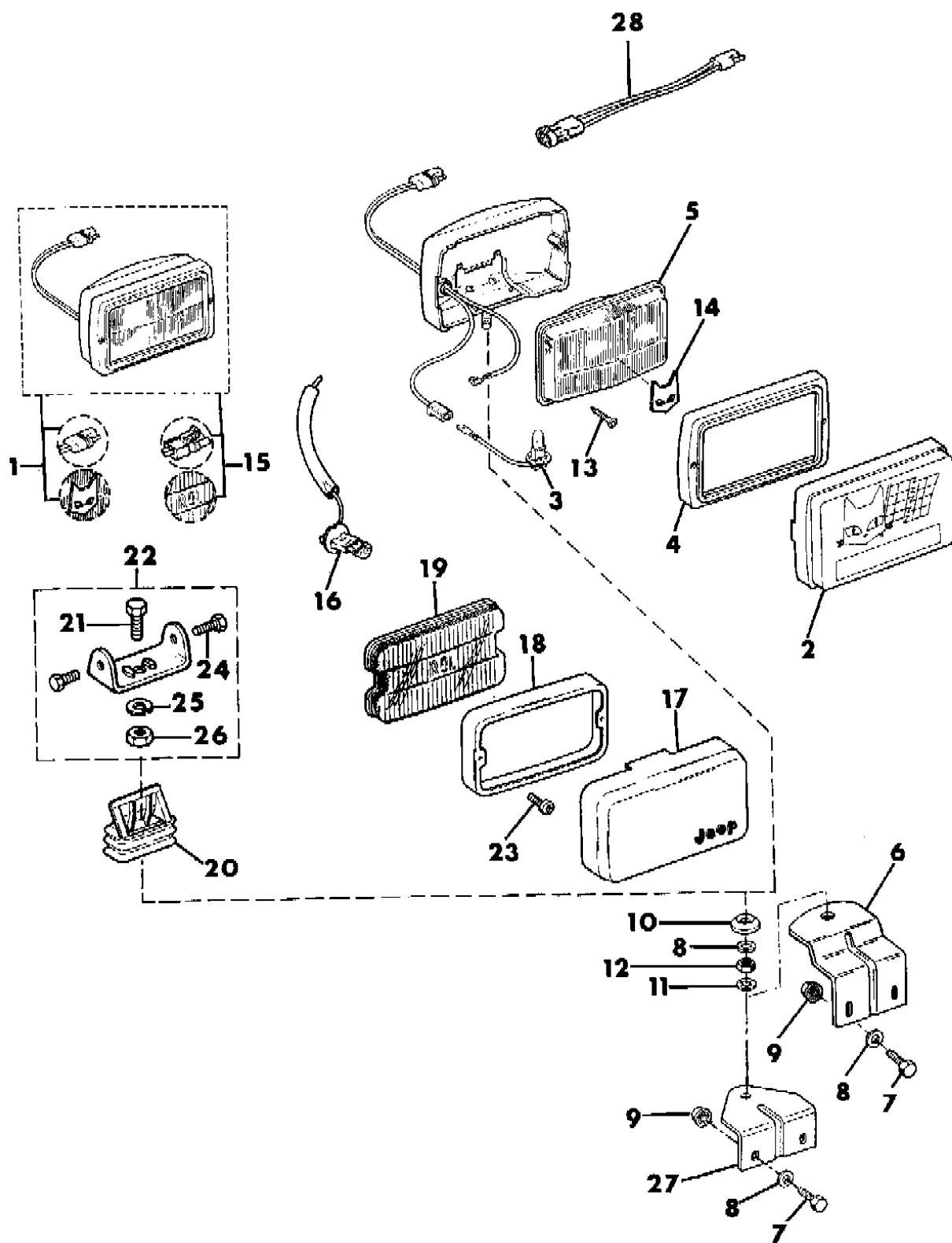
MODEL CODES:

| | | |
|-----------------------------|-----------------------------|------------------------------|
| 15 = Grand Wagoneer 4 Dr. | 65 = Comanche 4WD-7 Ft. Box | 77 = Cherokee 4WD-2 Dr. |
| 25 = J-10 Pickup-119" W.B. | 66 = Comanche 2WD-7 Ft. Box | 78 = Cherokee 4WD-4 Dr. |
| 26 = J-10 Pickup-131" W.B. | 73 = Cherokee 2WD-2 Dr. | 79 = Cherokee 4WD-4 Dr.-Com |
| 27 = J-20 Pickup-131" W.B. | 74 = Cherokee 2WD-4 Dr. | 81 = Wrangler-93" W.B. |
| 63 = Comanche 4WD-6 Ft. Box | 75 = Wagoneer 4WD-4 Dr. | 82 = Wrangler-103" W.B.-Exp. |
| 64 = Comanche 2WD-6 Ft. Box | | |

BODY STYLES:

MJ = Comanche Pickup
SJ = Grand Wagoneer Wgn., J-10 & J-20 Pickups
XJ = Cherokee, Wagoneer Limited
YJ = Wrangler

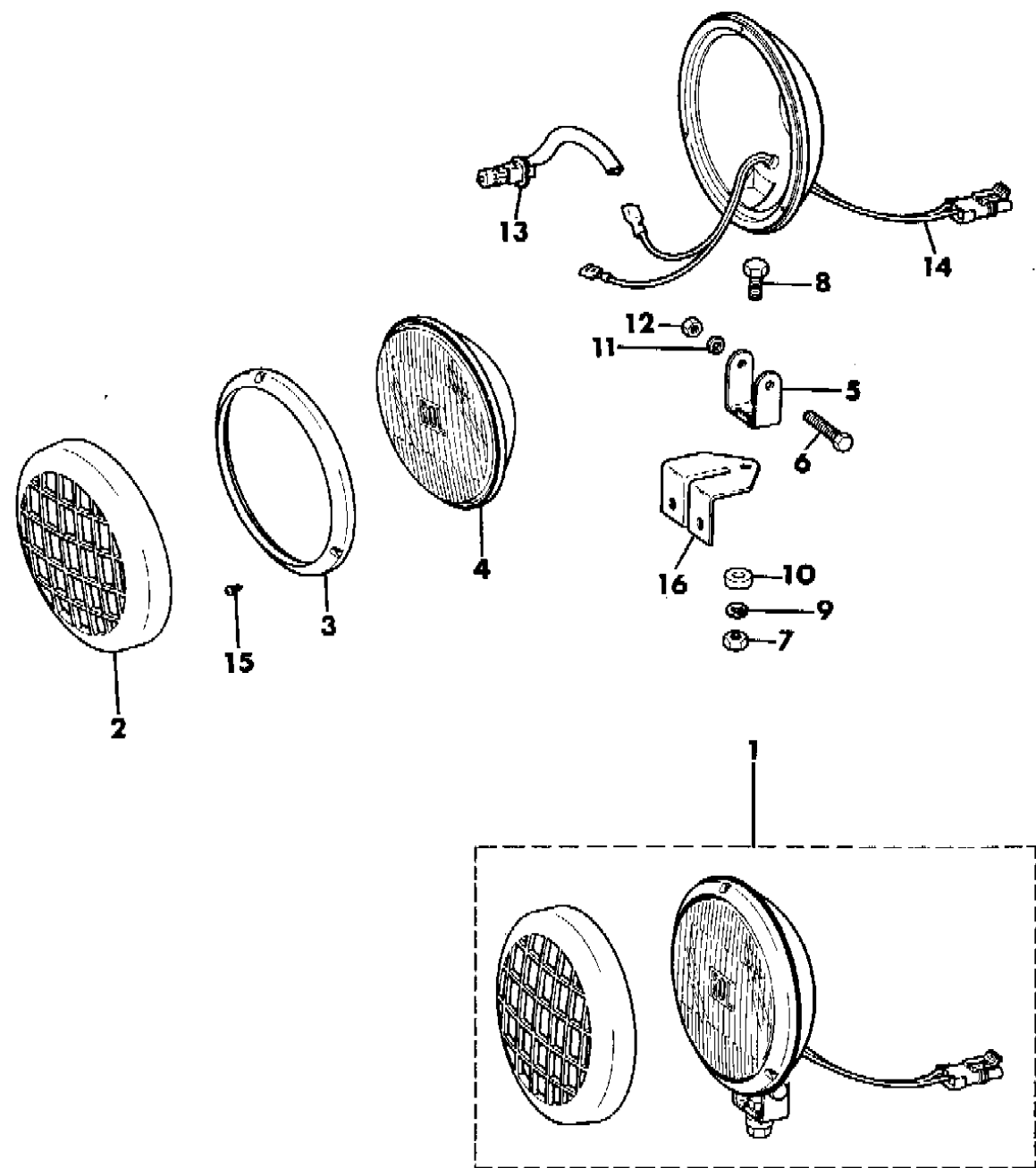
AR = Use as Required - = Non Illustrated Part P.A.R. = Paint as Required



LAMPS--FOG ROUND WRANGLER, YJ

Figure 8-3400

8J08 3400



| ITEM | PART NUMBER | QTY | BODY | MODEL | DESCRIPTION |
|------|-------------|-----|------|-------|---------------|
| 1 | 5600 2784 | 2 | | | LAMP, Fog |
| 2 | 8350 5390 | 2 | | | SHIELD, Stone |
| 3 | 8350 5391 | 2 | | | BEZEL |
| 4 | 8350 5392 | 2 | | | REFLECTOR |
| 5 | 8350 5395 | 2 | | | BRACKET |
| 6 | 1150 0821 | 2 | | | BOLT |
| 7 | 1150 0424 | 2 | | | NUT, Hex |
| 8 | 1150 0829 | 2 | | | BOLT |
| 9 | 1150 0222 | 2 | | | WASHER, Lock |
| 10 | 8350 5393 | 2 | | | SPACER |
| 11 | 1150 0221 | 2 | | | WASHER, Lock |
| 12 | 1150 0749 | 2 | | | NUT, Hex |
| 13 | 8350 3692 | 2 | | | ELEMENT, (H3) |
| 14 | 8350 5394 | 2 | | | HARNESS |
| 15 | S942 5893 | 3 | | | SCREW |
| 16 | 5600 2290 | 2 | | | BRACKET |

MODEL CODES:

| | | |
|-----------------------------|-----------------------------|------------------------------|
| 15 = Grand Wagoneer 4 Dr. | 65 = Comanche 4WD-7 Ft. Box | 77 = Cherokee 4WD-2 Dr. |
| 25 = J-10 Pickup-119" W.B. | 66 = Comanche 2WD-7 Ft. Box | 78 = Cherokee 4WD-4 Dr. |
| 26 = J-10 Pickup-131" W.B. | 73 = Cherokee 2WD-2 Dr. | 79 = Cherokee 4WD-4 Dr.-Com |
| 27 = J-20 Pickup-131" W.B. | 74 = Cherokee 2WD-4 Dr. | 81 = Wrangler-93" W.B. |
| 63 = Comanche 4WD-6 Ft. Box | 75 = Wagoneer 4WD-4 Dr. | 82 = Wrangler-103" W.B.-Exp. |
| 64 = Comanche 2WD-6 Ft. Box | | |

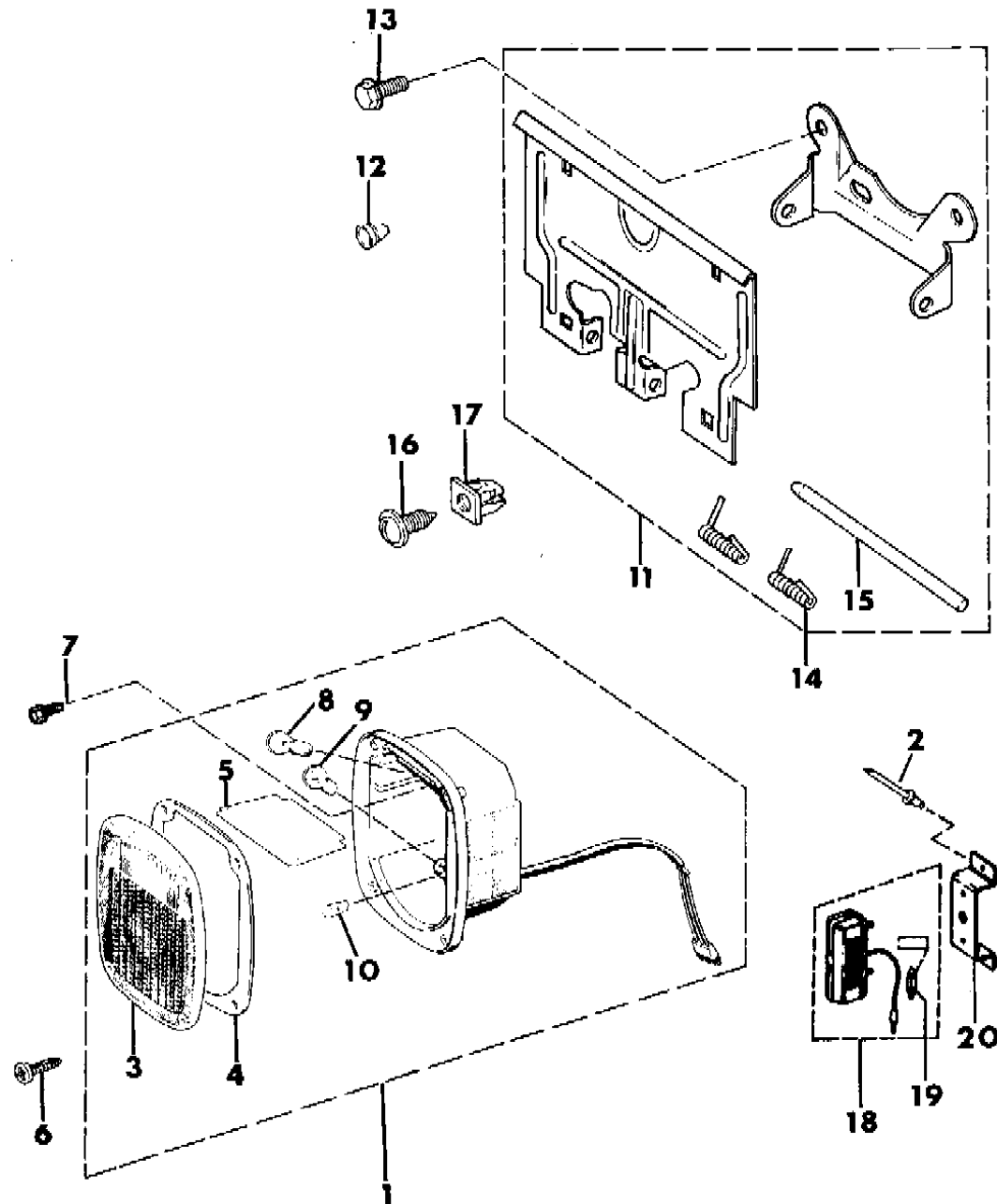
BODY STYLES:

MJ = Comanche Pickup
 SJ = Grand Wagoneer Wgn., J-10 & J-20 Pickups
 XJ = Cherokee, Wagoneer Limited
 YJ = Wrangler

AR = Use as Required - = Non Illustrated Part P.A.R. = Paint as Required

LAMPS--REAR WRANGLER, YJ
Figure 8-3500

8 J08 3500



| ITEM | PART NUMBER | QTY | BODY | MODEL | DESCRIPTION |
|------|-------------|-----|------|-------|---------------------------|
| 1 | 5600 2134-5 | 1 | | | TAILLAMP *** |
| | J576 4204 | 2 | | | ECE |
| 2 | J400 5791 | 4 | | | RIVET, ECE |
| 3 | J545 7724 | 2 | | | LENS |
| | 8350 1003 | 2 | | | ECE |
| 4 | J813 2853 | 2 | | | GASKET |
| 5 | J545 7725 | 2 | | | BAFFLE |
| 6 | J812 3288 | 8 | | | SCREW |
| 7 | J400 0318 | 6 | | | SCREW |
| 8 | | | | | BULB |
| | J320 9543 | 2 | | | (1156) |
| | J575 7455 | 4 | | | (P25-1) |
| 9 | | | | | BULB |
| | J320 9544 | 2 | | | (1157) |
| | J575 7450 | 2 | | | (P25-2) |
| 10 | J942 1330 | 2 | | | BULB, (194) |
| 11 | 5500 7403 | 1 | | | BRACKET, License |
| | J576 4216 | 1 | | | ECE |
| 12 | J400 6673 | 2 | | | BUMPER, License |
| 13 | J400 5817 | 2 | | | SCREW |
| 14 | J324 0412-3 | 1 | | | SPRING |
| 15 | J319 0716 | 1 | | | PIN |
| 16 | J400 0272 | 2 | | | SCREW |
| 17 | J400 0141 | 2 | | | NUT |
| 18 | 5600 3546 | 1 | | | LAMP, License ECE |
| 19 | T309 7183 | 2 | | | BULB, (C11-7W) ECE |
| 20 | J576 4664 | 2 | | | BRACKET, License Lamp ECE |

MODEL CODES:

| | | |
|-----------------------------|-----------------------------|------------------------------|
| 15 = Grand Wagoneer 4 Dr. | 65 = Comanche 4WD-7 Ft. Box | 77 = Cherokee 4WD-2 Dr. |
| 25 = J-10 Pickup-119" W.B. | 66 = Comanche 2WD-7 Ft. Box | 78 = Cherokee 4WD-4 Dr. |
| 26 = J-10 Pickup-131" W.B. | 73 = Cherokee 2WD-2 Dr. | 79 = Cherokee 4WD-4 Dr.-Com |
| 27 = J-20 Pickup-131" W.B. | 74 = Cherokee 2WD-4 Dr. | 81 = Wrangler-93" W.B. |
| 63 = Comanche 4WD-6 Ft. Box | 75 = Wagoneer 4WD-4 Dr. | 82 = Wrangler-103" W.B.-Exp. |
| 64 = Comanche 2WD-6 Ft. Box | | |

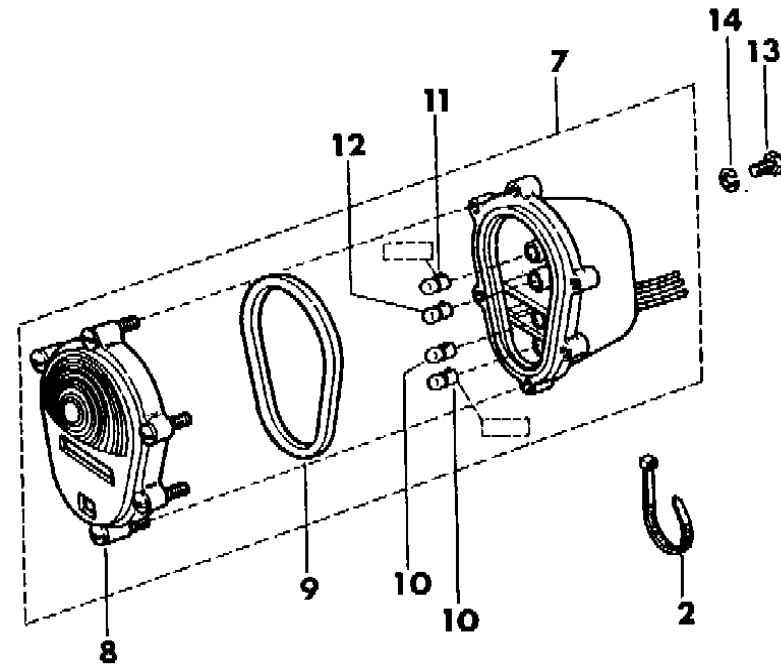
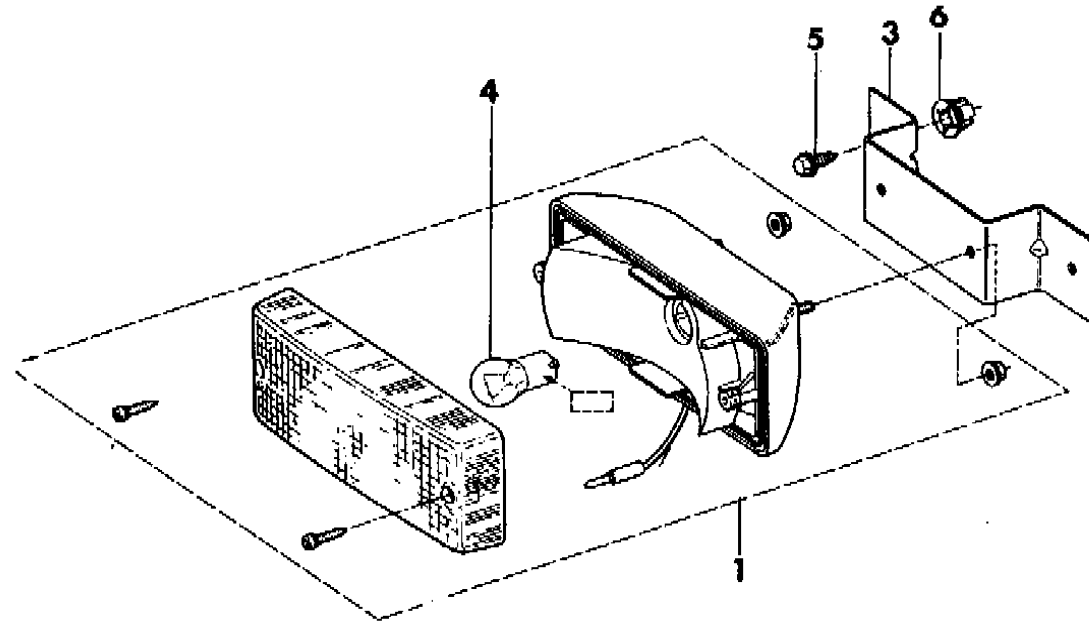
BODY STYLES:

MJ = Comanche Pickup
SJ = Grand Wagoneer Wgn., J-10 & J-20 Pickups
XJ = Cherokee, Wagoneer Limited
YJ = Wrangler

AR = Use as Required - = Non Illustrated Part P.A.R. = Paint as Required

LAMPS--REAR-FOG & BLACKOUT WRANGLER, YJ
Figure 8-3600

8J08 3600



| ITEM | PART NUMBER | QTY | BODY | MODEL | DESCRIPTION |
|------|-------------|-----|------|-------|---------------------------|
| 1 | J576 4754 | 1 | | | LAMP, Rear Fog (Export) |
| 2 | J322 3227 | 1 | | | STRAP |
| 3 | 5502 1488 | 1 | | | BRACKET (Export) *** |
| 4 | J575 7455 | 1 | | | BULB, P25-1 (Export) |
| 5 | J812 0054 | 2 | | | SCREW (Export) *** |
| 6 | J322 0125 | 1 | | | BUSHING (Export) *** |
| 7 | J805 1524 | 2 | | | LAMP, Blackout |
| 8 | J813 4572 | 2 | | | COVER, Blackout Lamp Door |
| 9 | J813 4573 | 2 | | | GASKET |
| 10 | S014 2450 | 4 | | | BULB, (67) |
| 11 | J014 2452 | 2 | | | BULB, (89) |
| 12 | J320 9543 | 2 | | | BULB, (1156) |
| 13 | J018 0120 | 4 | | | SCREW |
| 14 | J012 0382 | 1 | | | WASHER |

MODEL CODES:

| | | |
|-----------------------------|-----------------------------|------------------------------|
| 15 = Grand Wagoneer 4 Dr. | 65 = Comanche 4WD-7 Ft. Box | 77 = Cherokee 4WD-2 Dr. |
| 25 = J-10 Pickup-119" W.B. | 66 = Comanche 2WD-7 Ft. Box | 78 = Cherokee 4WD-4 Dr. |
| 26 = J-10 Pickup-131" W.B. | 73 = Cherokee 2WD-2 Dr. | 79 = Cherokee 4WD-4 Dr.-Com |
| 27 = J-20 Pickup-131" W.B. | 74 = Cherokee 2WD-4 Dr. | 81 = Wrangler-93" W.B. |
| 63 = Comanche 4WD-6 Ft. Box | 75 = Wagoneer 4WD-4 Dr. | 82 = Wrangler-103" W.B.-Exp. |
| 64 = Comanche 2WD-6 Ft. Box | | |

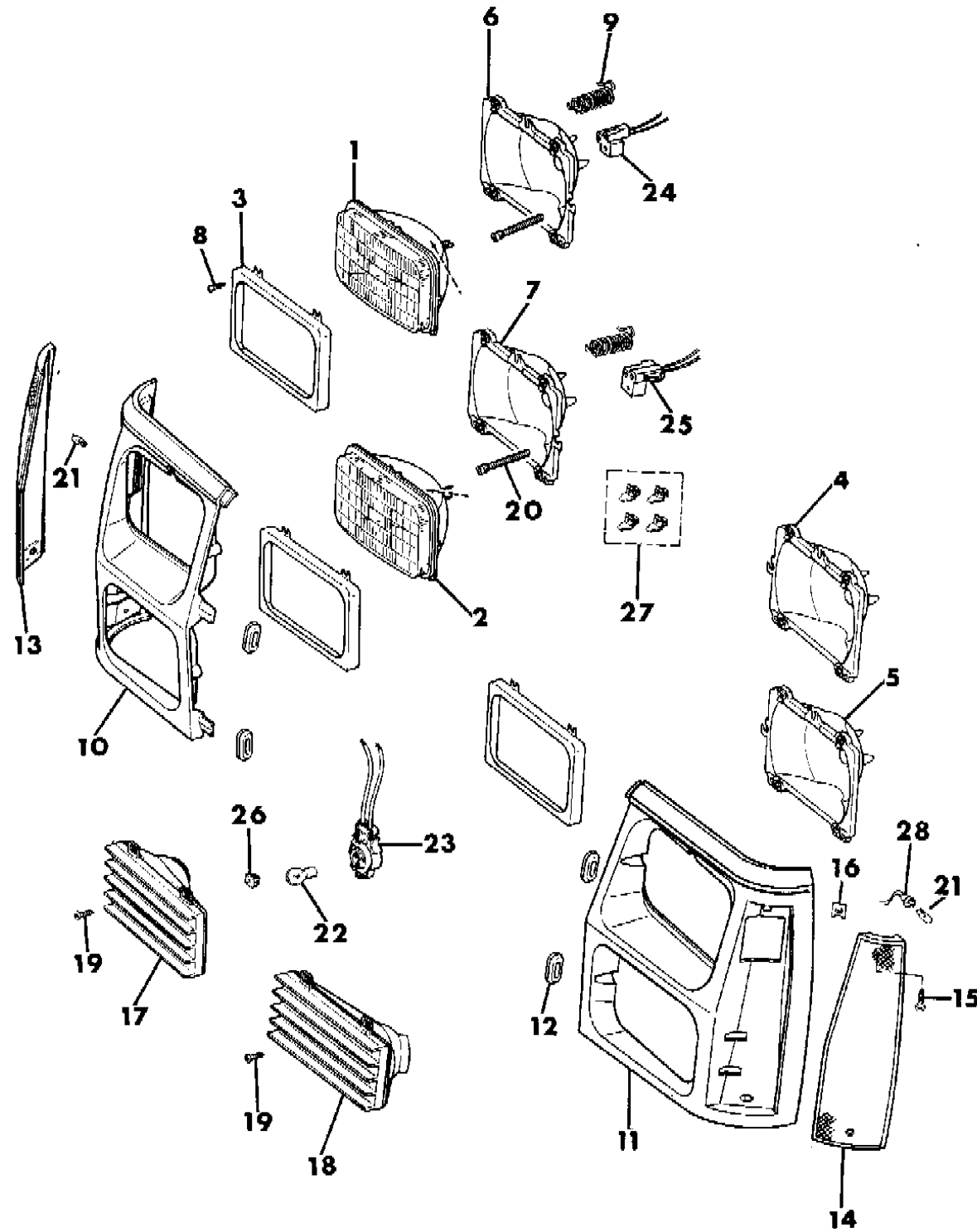
BODY STYLES:

MJ = Comanche Pickup
SJ = Grand Wagoneer Wgn., J-10 & J-20 Pickups
XJ = Cherokee, Wagoneer Limited
YJ = Wrangler

AR = Use as Required - = Non Illustrated Part P.A.R. = Paint as Required

LAMPS--FRONT WAGONEER
Figure 8-3700

8J08 3700



| ITEM | PART NUMBER | QTY | BODY | MODEL | DESCRIPTION |
|------|-------------|-----|------|-------|-------------------------|
| 1 | | | | | BULB, Seal Beam (H4703) |
| | 3600 1059 | 2 | | | 1987-89 |
| | 4451 025 | 2 | | | 1990 |
| 2 | 3600 1058 | 2 | | | BULB, Seal Beam (H4701) |
| 3 | | | | | RING, Headlamp |
| | 3600 1060 | 4 | | | 1987-89 |
| | 4451 032 | 4 | | | 1990 |
| 4 | | | | | SEAT, Headlamp, Left |
| | 3600 1056 | 1 | | | 1987-89 |
| | 4451 342 | 1 | | | 1990 |
| 5 | 3600 1052 | 1 | | | SEAT, Headlamp, Left |
| 6 | | | | | SEAT, Headlamp, Right |
| | 3600 1057 | 1 | | | 1987-89 |
| | 4451 343 | 1 | | | 1990 |
| 7 | 3600 1053 | 1 | | | SEAT, Headlamp, Right |
| 8 | | | | | SCREW |
| | S650 3553 | 16 | | | 1987-89 |
| | 4451 174 | 16 | | | 1990 |
| 9 | 5600 2220 | 4 | | | SPRING |
| 10 | 5500 8046 | 1 | | | BEZEL, Headlamp, Right |
| 11 | 5500 8047 | 1 | | | BEZEL, Headlamp, Left |
| 12 | 5500 9573 | 4 | | | GROMMET |
| 13 | 5600 1528 | 1 | | | LAMP, Marker |
| 14 | 5600 1529 | 1 | | | LAMP, Marker |
| 15 | 3420 1406 | 4 | | | SCREW |
| 16 | 3420 1265 | 4 | | | NUT |
| 17 | | | | | LAMP, Park/Turn, Right |
| | 5600 1530 | 1 | | | Gray *** |
| | 5600 3044 | 1 | | | Clear |
| 18 | | | | | LAMP, Park/Turn, Left |
| | 5600 1531 | 1 | | | Gray |
| | 5600 3045 | 1 | | | Clear |
| 19 | 3420 1464 | 6 | | | SCREW |
| 20 | 3420 1415 | 8 | | | SCREW, Headlamp Adj. |
| 21 | J942 1330 | 2 | | | BULB, (194) |
| 22 | | | | | BULB |
| | J943 8850 | 2 | | | (2057NA) |

MODEL CODES:

| | | |
|-----------------------------|-----------------------------|------------------------------|
| 15 = Grand Wagoneer 4 Dr. | 65 = Comanche 4WD-7 Ft. Box | 77 = Cherokee 4WD-2 Dr. |
| 25 = J-10 Pickup-119" W.B. | 66 = Comanche 2WD-7 Ft. Box | 78 = Cherokee 4WD-4 Dr. |
| 26 = J-10 Pickup-131" W.B. | 73 = Cherokee 2WD-2 Dr. | 79 = Cherokee 4WD-4 Dr.-Com |
| 27 = J-20 Pickup-131" W.B. | 74 = Cherokee 2WD-4 Dr. | 81 = Wrangler-93" W.B. |
| 63 = Comanche 4WD-6 Ft. Box | 75 = Wagoneer 4WD-4 Dr. | 82 = Wrangler-103" W.B.-Exp. |
| 64 = Comanche 2WD-6 Ft. Box | | |

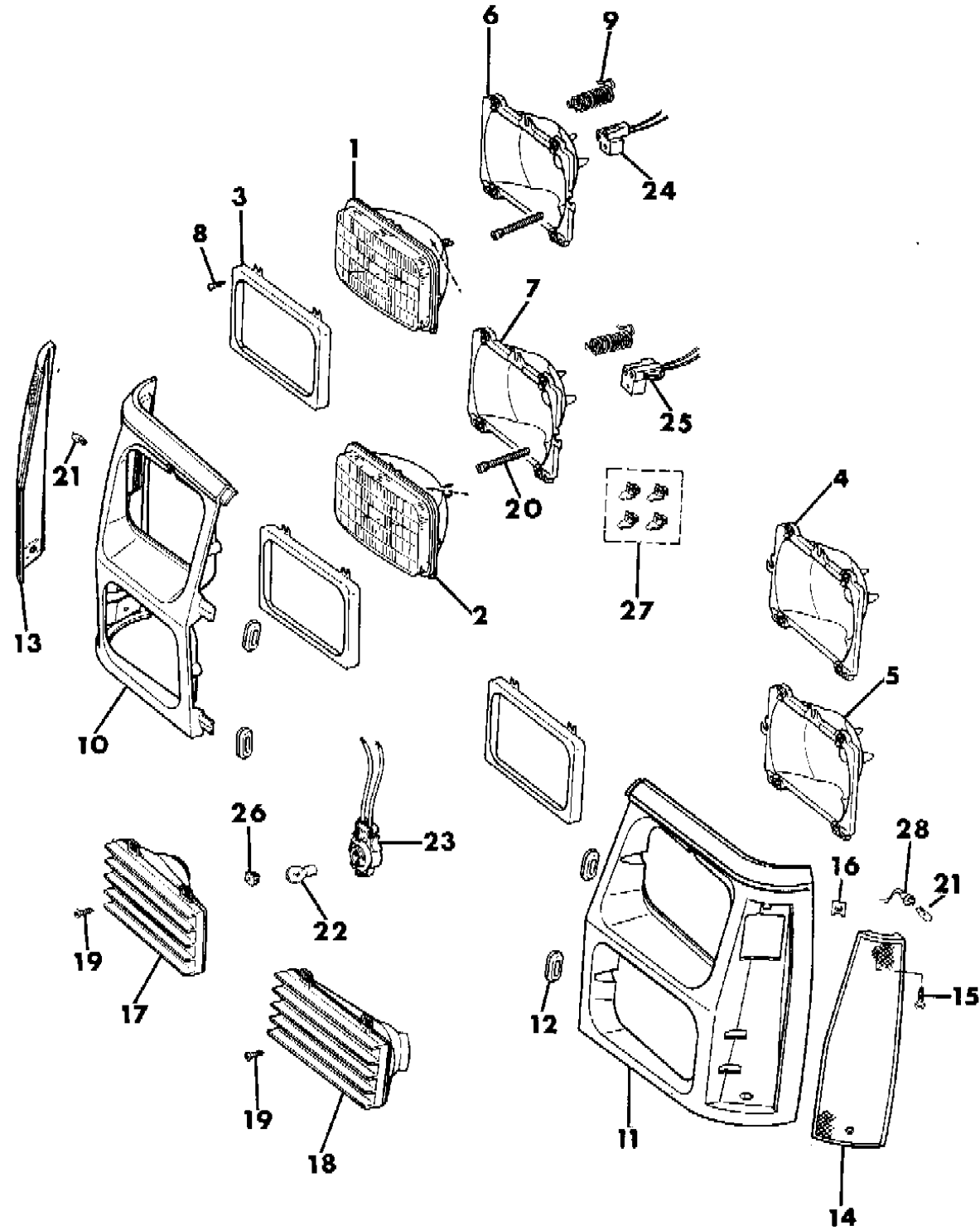
BODY STYLES:

MJ = Comanche Pickup
SJ = Grand Wagoneer Wgn., J-10 & J-20 Pickups
XJ = Cherokee, Wagoneer Limited
YJ = Wrangler

AR = Use as Required - = Non Illustrated Part P.A.R. = Paint as Required

LAMPS--FRONT WAGONEER
Figure 8-3700

8J08 3700



| ITEM | PART NUMBER | QTY | BODY | MODEL | DESCRIPTION |
|------|-------------|-----|------|-------|----------------------|
| | 5600 2813 | 2 | | | (2357NA) |
| 23 | J812 8931 | 2 | | | SOCKET |
| 24 | 8350 2841 | 1 | | | CONNECTOR, Low Beam |
| 25 | 8350 2840 | 1 | | | CONNECTOR, High Beam |
| 26 | 3420 1263 | 6 | | | NUT, Push |
| 27 | S650 3548 | 4 | | | NUT |
| 28 | J098 9428 | 2 | | | SOCKET, Marker Lamp |

MODEL CODES:

| | | |
|-----------------------------|-----------------------------|------------------------------|
| 15 = Grand Wagoneer 4 Dr. | 65 = Comanche 4WD-7 Ft. Box | 77 = Cherokee 4WD-2 Dr. |
| 25 = J-10 Pickup-119" W.B. | 66 = Comanche 2WD-7 Ft. Box | 78 = Cherokee 4WD-4 Dr. |
| 26 = J-10 Pickup-131" W.B. | 73 = Cherokee 2WD-2 Dr. | 79 = Cherokee 4WD-4 Dr.-Com |
| 27 = J-20 Pickup-131" W.B. | 74 = Cherokee 2WD-4 Dr. | 81 = Wrangler-93" W.B. |
| 63 = Comanche 4WD-6 Ft. Box | 75 = Wagoneer 4WD-4 Dr. | 82 = Wrangler-103" W.B.-Exp. |
| 64 = Comanche 2WD-6 Ft. Box | | |

BODY STYLES:

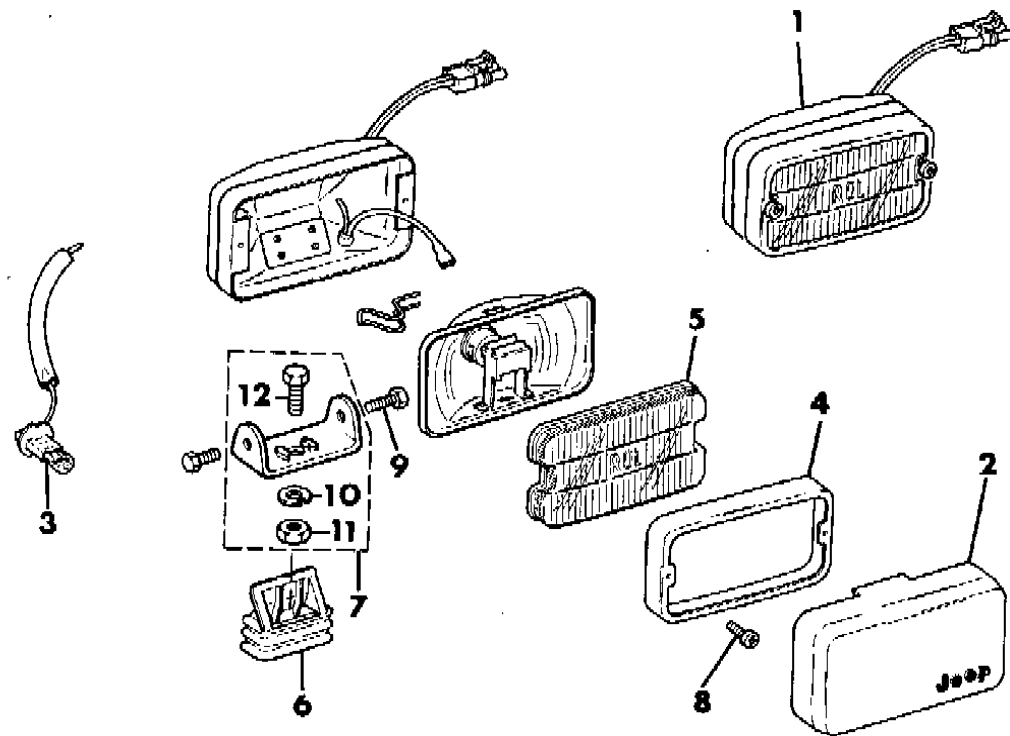
MJ = Comanche Pickup
SJ = Grand Wagoneer Wgn., J-10 & J-20 Pickups
XJ = Cherokee, Wagoneer Limited
YJ = Wrangler

AR = Use as Required - = Non Illustrated Part P.A.R. = Paint as Required

LAMPS--FOG CHEROKEE, WAGONEER, COMANCHE
Figure 8-3800

8J08 3800

| ITEM | PART NUMBER | QTY | BODY | MODEL | DESCRIPTION |
|------|-------------|-----|------|-------|-------------------------|
| 1 | 5600 2583 | 2 | | | LAMP, Fog |
| 2 | | | | | COVER, Fog Lamp |
| | 5600 2584 | 2 | | | Black/Silver |
| | 5600 2714 | 2 | | | Black/Gold |
| 3 | 8350 3692 | 2 | | | ELEMENT, Quartz Halogen |
| 4 | 8350 3699 | 2 | | | BEZEL |
| 5 | 8350 4130 | 2 | | | LENS, Fog Lamp |
| 6 | 8350 4131 | 2 | | | BOOT |
| 7 | 8350 4213 | 2 | | | BRACKET, Fog Lamp |
| 8 | 3420 1781 | 4 | | | SCREW |
| 9 | J806 0007 | 4 | | | SCREW |
| 10 | 1150 0207 | 2 | | | WASHER, Lock |
| 11 | J420 0405 | 2 | | | NUT |
| 12 | S150 2788 | 2 | | | BOLT |



MODEL CODES:

| | | |
|-----------------------------|-----------------------------|------------------------------|
| 15 = Grand Wagoneer 4 Dr. | 65 = Comanche 4WD-7 Ft. Box | 77 = Cherokee 4WD-2 Dr. |
| 25 = J-10 Pickup-119" W.B. | 66 = Comanche 2WD-7 Ft. Box | 78 = Cherokee 4WD-4 Dr. |
| 26 = J-10 Pickup-131" W.B. | 73 = Cherokee 2WD-2 Dr. | 79 = Cherokee 4WD-4 Dr.-Com |
| 27 = J-20 Pickup-131" W.B. | 74 = Cherokee 2WD-4 Dr. | 81 = Wrangler-93" W.B. |
| 63 = Comanche 4WD-6 Ft. Box | 75 = Wagoneer 4WD-4 Dr. | 82 = Wrangler-103" W.B.-Exp. |
| 64 = Comanche 2WD-6 Ft. Box | | |

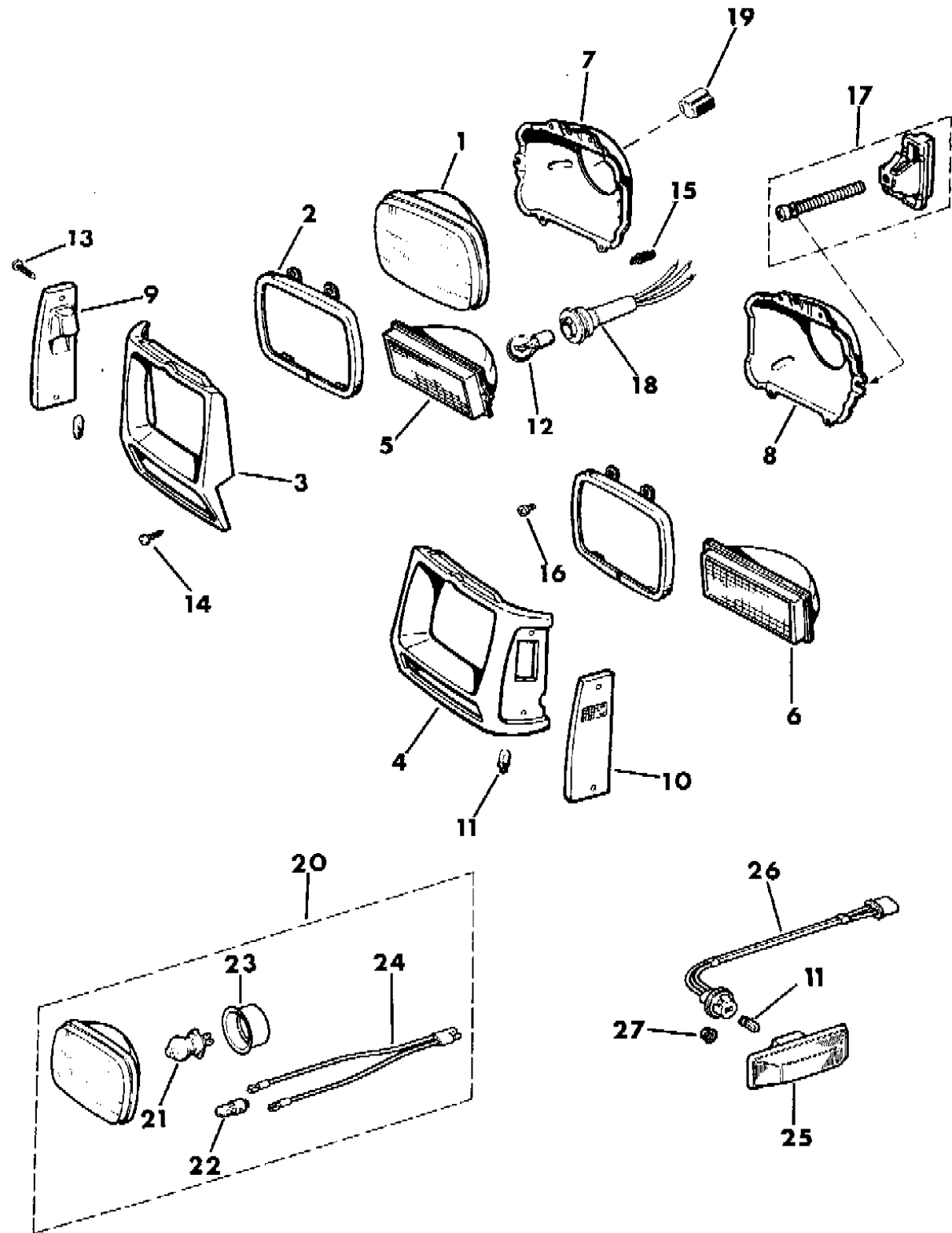
BODY STYLES:

MJ = Comanche Pickup
SJ = Grand Wagoneer Wgn., J-10 & J-20 Pickups
XJ = Cherokee, Wagoneer Limited
YJ = Wrangler

AR = Use as Required - = Non Illustrated Part P.A.R. = Paint as Required

LAMPS--FRONT U.S., CANADA, EXPORT CHEROKEE, COMANCHE
Figure 8-3900

8J08 3900



| ITEM | PART NUMBER | QTY | BODY | MODEL | DESCRIPTION |
|------|-------------|-----|------|-------|--------------------------------------|
| 1 | J813 4319 | 2 | | | BULB, Seal Beam (6054) U.S. & Canada |
| 2 | 5600 1260 | 2 | | | RING, Headlamp |
| 3 | | | | | BEZEL, Headlamp, Right *** |
| | 5500 0682 | 1 | | | Gray, (P.A.R.) |
| | 5500 2244 | 1 | | | Chrome |
| 4 | | | | | BEZEL, Headlamp, Left |
| | 5500 0683 | 1 | | | Gray, (P.A.R.) |
| | 5500 2245 | 1 | | | Chrome |
| 5 | | | | | LAMP, Parking, Right |
| | 5600 0098 | 1 | | | U.S. & Canada (clear) |
| | 5600 0852 | 1 | | | Export (amber) |
| 6 | | | | | LAMP, Parking, Left |
| | 5600 0099 | 1 | | | U.S. & Canada, (clear) |
| | 5600 0853 | 1 | | | Export (amber) |
| 7 | 5600 1278 | 1 | | | SEAT, Headlamp, Right |
| 8 | 5600 1279 | 1 | | | SEAT, Headlamp, Left |
| 9 | | | | | LAMP, Marker, Right |
| | 5600 0110 | 1 | | | U.S. & Canada |
| | 5600 0638 | 1 | | | Export |
| 10 | | | | | LAMP, Marker, Left |
| | 5600 0111 | 1 | | | U.S. & Canada |
| | 5600 0639 | 1 | | | Export |
| 11 | J942 1330 | 2 | | | BULB |
| 12 | | | | | BULB |
| | J943 8850 | 2 | | | U.S. & Canada |
| | J575 7450 | 2 | | | Export |
| 13 | 3420 1406 | 4 | | | SCREW |
| 14 | 3420 1721 | 8 | | | SCREW |
| 15 | 3600 0885 | 4 | | | SPRING |
| 16 | 3420 1821 | 4 | | | SCREW |
| 17 | 3420 1415 | 4 | | | SCREW, Headlamp Adjust |
| 18 | 8350 1000 | 2 | | | SOCKET, Parking Lamp |
| 19 | J099 8475 | 2 | | | SOCKET, U.S. & Canada |
| 20 | | | | | HEADLAMP ASSEMBLY, Export |
| | 5600 0888 | 2 | | | Amber |
| | 5600 0887 | 2 | | | Clear |
| 21 | | | | | ELEMENT, Quartz Halogen, Export *** |

MODEL CODES:

| | | |
|-----------------------------|-----------------------------|------------------------------|
| 15 = Grand Wagoneer 4 Dr. | 65 = Comanche 4WD-7 Ft. Box | 77 = Cherokee 4WD-2 Dr. |
| 25 = J-10 Pickup-119" W.B. | 66 = Comanche 2WD-7 Ft. Box | 78 = Cherokee 4WD-4 Dr. |
| 26 = J-10 Pickup-131" W.B. | 73 = Cherokee 2WD-2 Dr. | 79 = Cherokee 4WD-4 Dr.-Com |
| 27 = J-20 Pickup-131" W.B. | 74 = Cherokee 2WD-4 Dr. | 81 = Wrangler-93" W.B. |
| 63 = Comanche 4WD-6 Ft. Box | 75 = Wagoneer 4WD-4 Dr. | 82 = Wrangler-103" W.B.-Exp. |
| 64 = Comanche 2WD-6 Ft. Box | | |

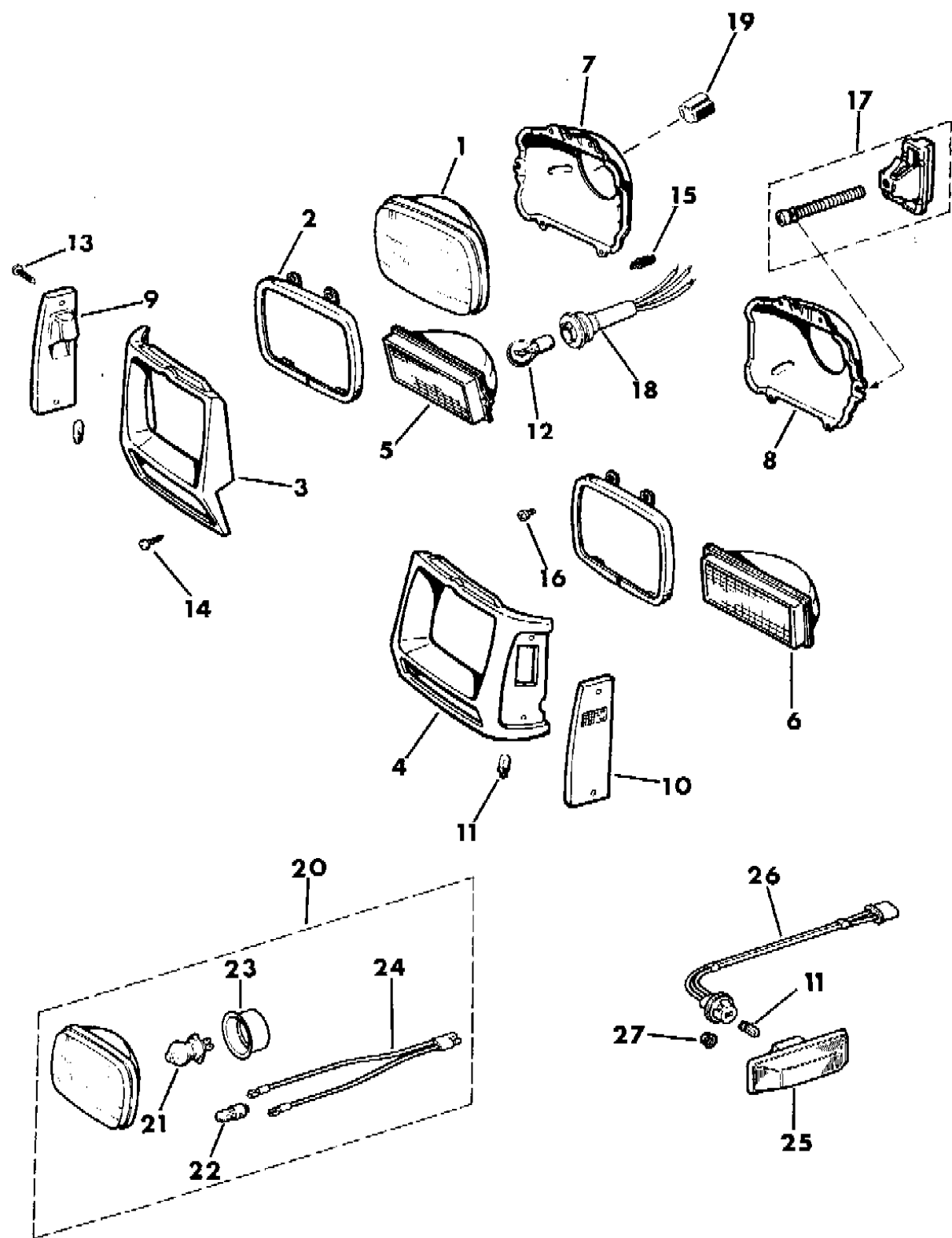
BODY STYLES:

MJ = Comanche Pickup
SJ = Grand Wagoneer Wgn., J-10 & J-20 Pickups
XJ = Cherokee, Wagoneer Limited
YJ = Wrangler

AR = Use as Required - = Non Illustrated Part P.A.R. = Paint as Required

LAMPS--FRONT U.S., CANADA, EXPORT CHEROKEE, COMANCHE
Figure 8-3900

8J08 3900



| ITEM | PART NUMBER | QTY | BODY | MODEL | DESCRIPTION |
|------|-------------|-----|------|-------|----------------------------------|
| | J813 3336 | 2 | | | Amber (H4) |
| | J813 3772 | 2 | | | Clear (H4) |
| 22 | J324 2539 | 2 | | | BULB, Export (TB-4)) |
| 23 | J813 3795 | 2 | | | BOOT, Export *** |
| 24 | J324 2536 | 2 | | | HARNASS, Lamp, Export |
| 25 | 5600 1127 | 2 | | | LAMP, Turn, Export without bezel |
| | 5600 4464 | 2 | | | LAMP, Turn, Export with bezel |
| 26 | 5600 1433 | 2 | | | SOCKET, Export *** |
| 27 | S027 1482 | 4 | | | NUT, Export *** |

MODEL CODES:

| | | |
|-----------------------------|-----------------------------|------------------------------|
| 15 = Grand Wagoneer 4 Dr. | 65 = Comanche 4WD-7 Ft. Box | 77 = Cherokee 4WD-2 Dr. |
| 25 = J-10 Pickup-119" W.B. | 66 = Comanche 2WD-7 Ft. Box | 78 = Cherokee 4WD-4 Dr. |
| 26 = J-10 Pickup-131" W.B. | 73 = Cherokee 2WD-2 Dr. | 79 = Cherokee 4WD-4 Dr.-Com |
| 27 = J-20 Pickup-131" W.B. | 74 = Cherokee 2WD-4 Dr. | 81 = Wrangler-93" W.B. |
| 63 = Comanche 4WD-6 Ft. Box | 75 = Wagoneer 4WD-4 Dr. | 82 = Wrangler-103" W.B.-Exp. |
| 64 = Comanche 2WD-6 Ft. Box | | |

BODY STYLES:

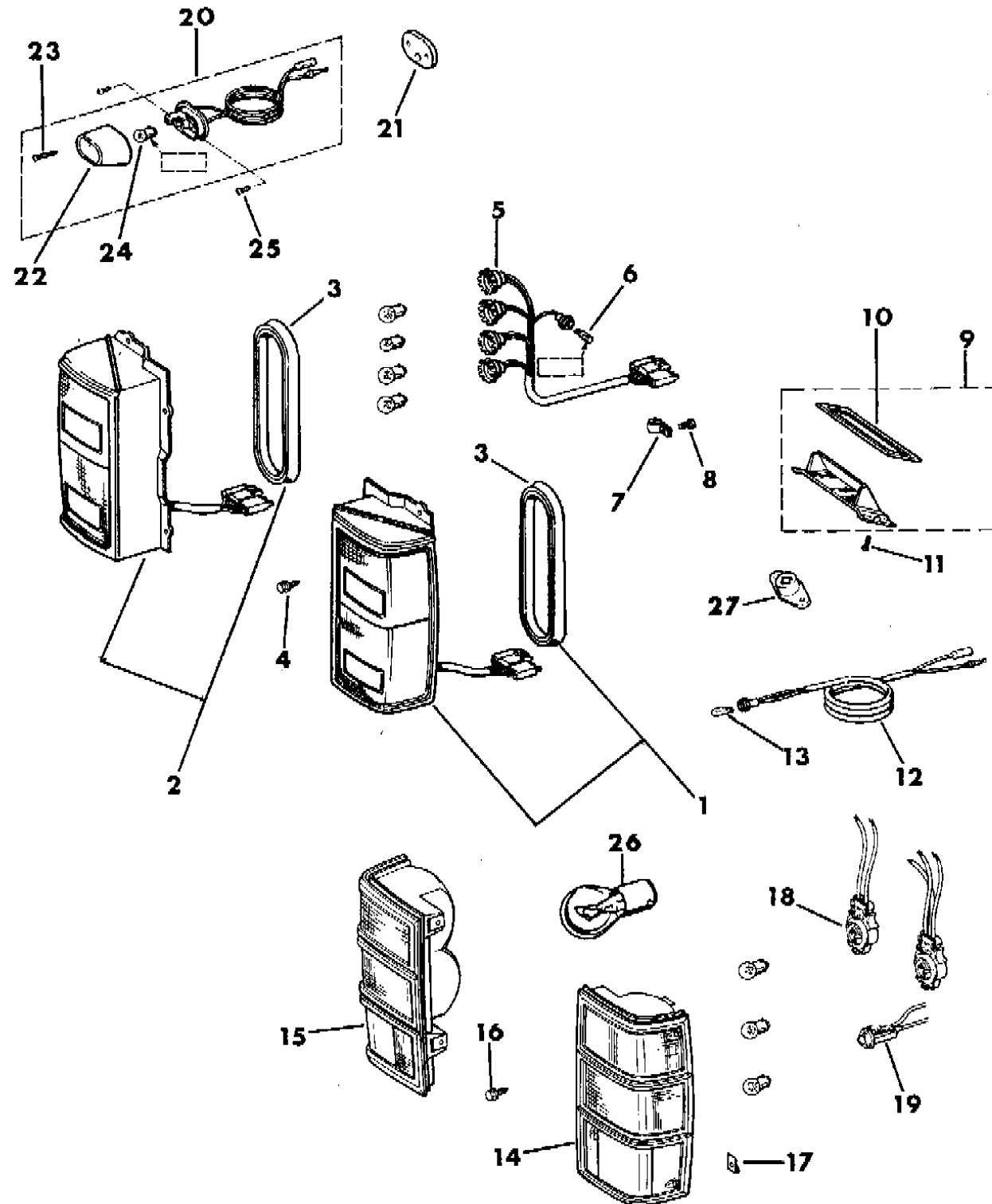
MJ = Comanche Pickup
SJ = Grand Wagoneer Wgn., J-10 & J-20 Pickups
XJ = Cherokee, Wagoneer Limited
YJ = Wrangler

AR = Use as Required - = Non Illustrated Part P.A.R. = Paint as Required

LAMPS--REAR CHEROKEE, WAGONEER, COMANCHE

Figure 8-4000

8J08 4000



| ITEM | PART NUMBER | QTY | BODY | MODEL | DESCRIPTION |
|------|-------------|-----|------|-------|-----------------------------------|
| 1 | | | | | TAILLAMP, Right *** |
| | 8350 4316 | 1 | | | Cherokee, Amber |
| | 8350 3644 | 1 | | | Cherokee, ECE |
| | 8350 4116 | 1 | | | Wagoneer, Red *** |
| 2 | | | | | TAILLAMP, Left *** |
| | 8350 4317 | 1 | | | Cherokee, Amber |
| | 8350 3645 | 1 | | | Cherokee ECE |
| | 8350 4117 | 1 | | | Wagoneer, Red |
| 3 | 5600 0131 | 2 | | | GASKET |
| 4 | 3420 2205 | 8 | | | SCREW |
| 5 | | | | | HARNESSES, Taillamp |
| | 5600 2361 | 2 | | | Wagoneer |
| | 5600 2360 | 2 | | | Cherokee (3 Socket harness) |
| | 5600 2362 | 2 | | | ECE |
| 6 | J947 1777 | 2 | | | BULB, (194) |
| 7 | J400 0553 | 2 | | | CLIP |
| 8 | 1150 2843 | 2 | | | SCREW |
| 9 | 5600 0409 | 1 | | | LAMP, License *** |
| | 5600 0673 | 1 | | | COVER ASSEMBLY, License Lamp Hole |
| 10 | 5600 0411 | 1 | | | GASKET |
| 11 | 3420 1502 | 2 | | | SCREW |
| 12 | | | | | HARNESSES, Lamp |
| | 5600 0550 | 1 | | | U.S. & Canada |
| | 5600 1434 | 1 | | | ECE |
| | 5600 0664 | 1 | | | JAPAN |
| 13 | J448 8426 | 1 | | | BULB, (168) |
| 14 | | | MJ | | TAILLAMP, Right *** |
| | 5600 1352 | 1 | | | Black 1987 |
| | 5600 1354 | 1 | | | Chrome |
| | 5600 0848 | 1 | | | Red *** |
| 15 | | | MJ | | TAILLAMP, Left *** |
| | 5600 1353 | 1 | | | Black 1987 |
| | 5600 1355 | 1 | | | Chrome |
| | 5600 0849 | 1 | | | Red |
| 16 | 3420 1464 | 8 | MJ | | SCREW |
| 17 | 3420 1265 | 8 | MJ | | NUT |
| 18 | J812 8931 | 4 | MJ | | SOCKET, Tail/Stop/Turn |

MODEL CODES:

| | | |
|-----------------------------|-----------------------------|------------------------------|
| 15 = Grand Wagoneer 4 Dr. | 65 = Comanche 4WD-7 Ft. Box | 77 = Cherokee 4WD-2 Dr. |
| 25 = J-10 Pickup-119" W.B. | 66 = Comanche 2WD-7 Ft. Box | 78 = Cherokee 4WD-4 Dr. |
| 26 = J-10 Pickup-131" W.B. | 73 = Cherokee 2WD-2 Dr. | 79 = Cherokee 4WD-4 Dr.-Com |
| 27 = J-20 Pickup-131" W.B. | 74 = Cherokee 2WD-4 Dr. | 81 = Wrangler-93" W.B. |
| 63 = Comanche 4WD-6 Ft. Box | 75 = Wagoneer 4WD-4 Dr. | 82 = Wrangler-103" W.B.-Exp. |
| 64 = Comanche 2WD-6 Ft. Box | | |

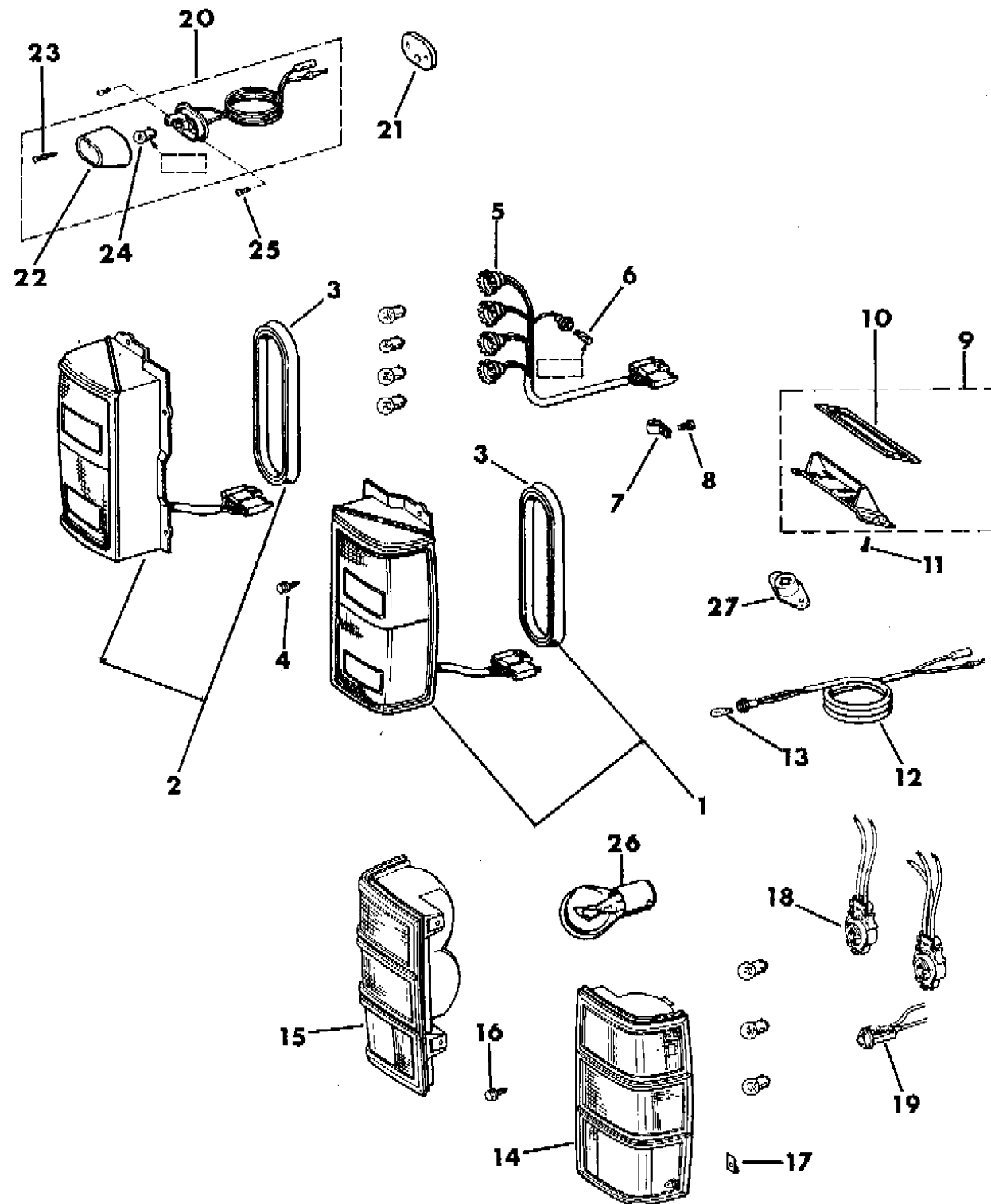
BODY STYLES:

MJ = Comanche Pickup
 SJ = Grand Wagoneer Wgn., J-10 & J-20 Pickups
 XJ = Cherokee, Wagoneer Limited
 YJ = Wrangler

AR = Use as Required - = Non Illustrated Part P.A.R. = Paint as Required

LAMPS--REAR CHEROKEE, WAGONEER, COMANCHE
Figure 8-4000

8J08 4000



| ITEM | PART NUMBER | QTY | BODY | MODEL | DESCRIPTION |
|------|-------------|-----|------|-------|----------------------|
| 19 | 8350 2744 | 2 | MJ | | SOCKET, Back-Up Lamp |
| 20 | 5600 0674 | 1 | XJ | | LAMP, License |
| 21 | 5600 0675 | 1 | XJ | | GASKET |
| 22 | 8350 0452 | 1 | XJ | | COVER |
| 23 | 8350 0451 | 2 | XJ | | SCREW |
| 24 | J947 1777 | 1 | | | BULB, (97) |
| 25 | | | | | SCREW |
| | 3420 1372 | 2 | | | Wagon |
| | 3420 1467 | 2 | | | Truck |
| 26 | | | | | BULB |
| | J320 9543 | AR | | | (1156) |
| | J943 8848 | AR | | | (2057) |
| | J575 7455 | AR | | | (P25-1) |
| | J575 7450 | AR | | | (P25-2) |
| 27 | 5600 3163 | 2 | | | LAMP, ECE |

MODEL CODES:

| | | |
|-----------------------------|-----------------------------|------------------------------|
| 15 = Grand Wagoneer 4 Dr. | 65 = Comanche 4WD-7 Ft. Box | 77 = Cherokee 4WD-2 Dr. |
| 25 = J-10 Pickup-119" W.B. | 66 = Comanche 2WD-7 Ft. Box | 78 = Cherokee 4WD-4 Dr. |
| 26 = J-10 Pickup-131" W.B. | 73 = Cherokee 2WD-2 Dr. | 79 = Cherokee 4WD-4 Dr.-Com |
| 27 = J-20 Pickup-131" W.B. | 74 = Cherokee 2WD-4 Dr. | 81 = Wrangler-93" W.B. |
| 63 = Comanche 4WD-6 Ft. Box | 75 = Wagoneer 4WD-4 Dr. | 82 = Wrangler-103" W.B.-Exp. |
| 64 = Comanche 2WD-6 Ft. Box | | |

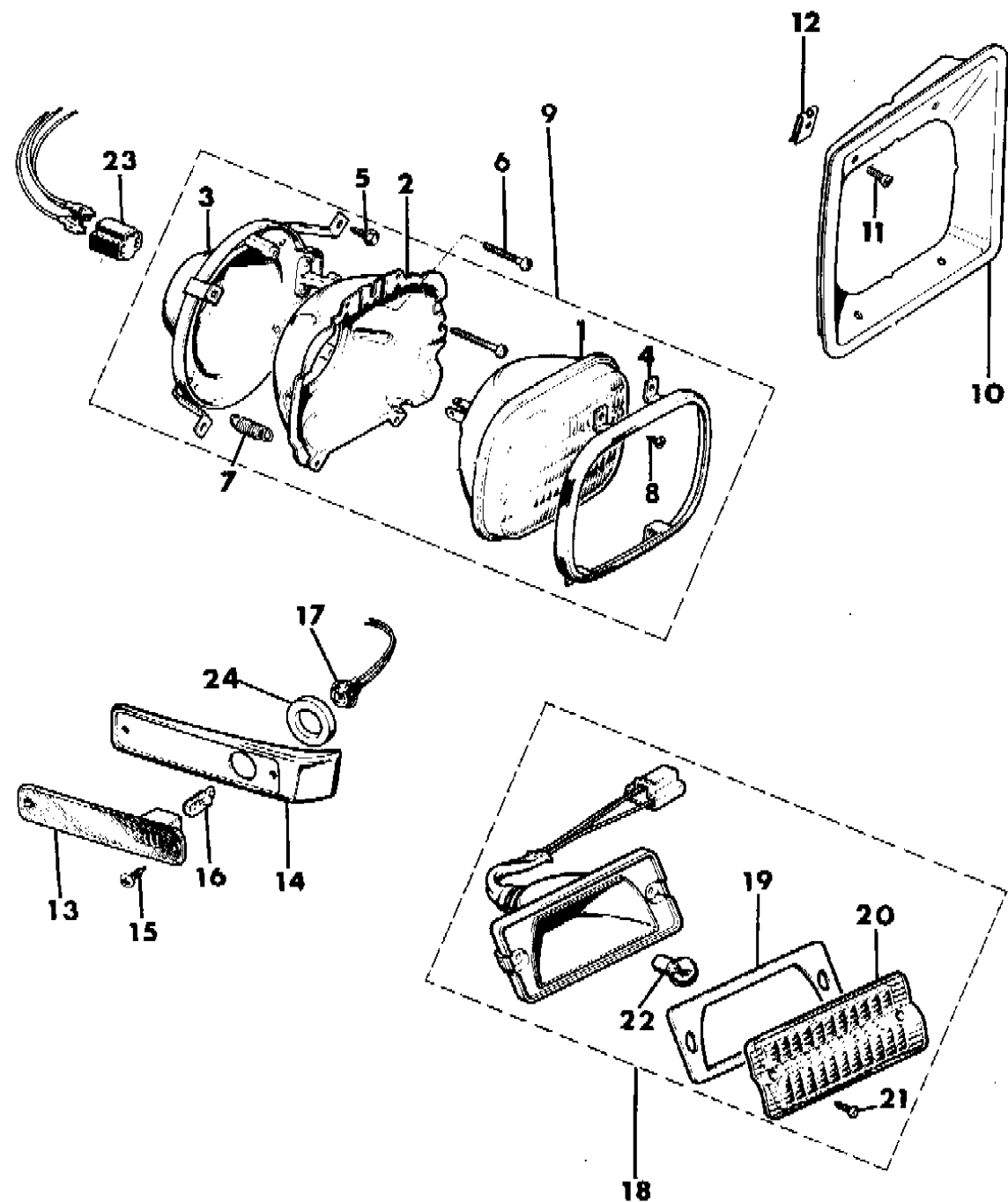
BODY STYLES:

MJ = Comanche Pickup
SJ = Grand Wagoneer Wgn., J-10 & J-20 Pickups
XJ = Cherokee, Wagoneer Limited
YJ = Wrangler

AR = Use as Required - = Non Illustrated Part P.A.R. = Paint as Required

LAMPS--FRONT GRAND WAGONEER, J10, J20
Figure 8-4100

8J08 4100



| ITEM | PART NUMBER | QTY | BODY | MODEL | DESCRIPTION |
|------|-------------|-----|------|-------|-----------------------------------|
| 1 | | | | | BULB, Seal Beam |
| | J813 4319 | 2 | | | (H6054) |
| | J812 8683 | 2 | | | (6052) |
| 2 | J812 9592 | 2 | | | SEAT, Headlamp |
| 3 | J813 0053 | 2 | | | HOUSING, Headlamp |
| 4 | J812 9439 | 2 | | | RING, Headlamp |
| 5 | J942 6241 | 8 | | | SCREW |
| 6 | J812 9405 | 4 | | | SCREW |
| 7 | J320 2756 | 2 | | | SPRING |
| 8 | S045 0211 | 8 | | | SCREW |
| 9 | | | | | HEADLAMP ASSEMBLY |
| | J575 2861 | 2 | | | (H6054) |
| | J546 8563 | 2 | | | (6052) |
| 10 | | | | | BEZEL, Headlamp |
| | J575 8702-3 | 1 | | | Black |
| | J576 4142-3 | 1 | | | Chrome |
| 11 | J400 5906 | 8 | | | SCREW, .87" Long *** |
| 12 | J400 5843 | 8 | | | NUT |
| 13 | J099 4020 | 2 | | | LAMP, Marker |
| 14 | J546 5790-1 | 1 | | | BASE |
| 15 | J400 6552 | 4 | | | SCREW, 1.25" Long *** |
| 16 | J942 1330 | 2 | | | BULB, (194) |
| 17 | J098 9428 | 2 | | | SOCKET |
| 18 | J546 0106-7 | 1 | | | LAMP, Parking |
| | 3764 863 | | | | SOCKET, Park Lamp(for J5460106-7) |
| 19 | J546 0101 | 2 | | | GASKET |
| 20 | J546 0102 | 2 | | | LENS |
| 21 | S942 5249 | 4 | | | SCREW |
| 22 | J320 9544 | 2 | | | BULB, (1157) |
| 23 | J099 8475 | 2 | | | SOCKET, Headlamp |
| 24 | 5505 2547 | 2 | | | SEAL |

MODEL CODES:

| | | |
|-----------------------------|-----------------------------|------------------------------|
| 15 = Grand Wagoneer 4 Dr. | 65 = Comanche 4WD-7 Ft. Box | 77 = Cherokee 4WD-2 Dr. |
| 25 = J-10 Pickup-119" W.B. | 66 = Comanche 2WD-7 Ft. Box | 78 = Cherokee 4WD-4 Dr. |
| 26 = J-10 Pickup-131" W.B. | 73 = Cherokee 2WD-2 Dr. | 79 = Cherokee 4WD-4 Dr.-Com |
| 27 = J-20 Pickup-131" W.B. | 74 = Cherokee 2WD-4 Dr. | 81 = Wrangler-93" W.B. |
| 63 = Comanche 4WD-6 Ft. Box | 75 = Wagoneer 4WD-4 Dr. | 82 = Wrangler-103" W.B.-Exp. |
| 64 = Comanche 2WD-6 Ft. Box | | |

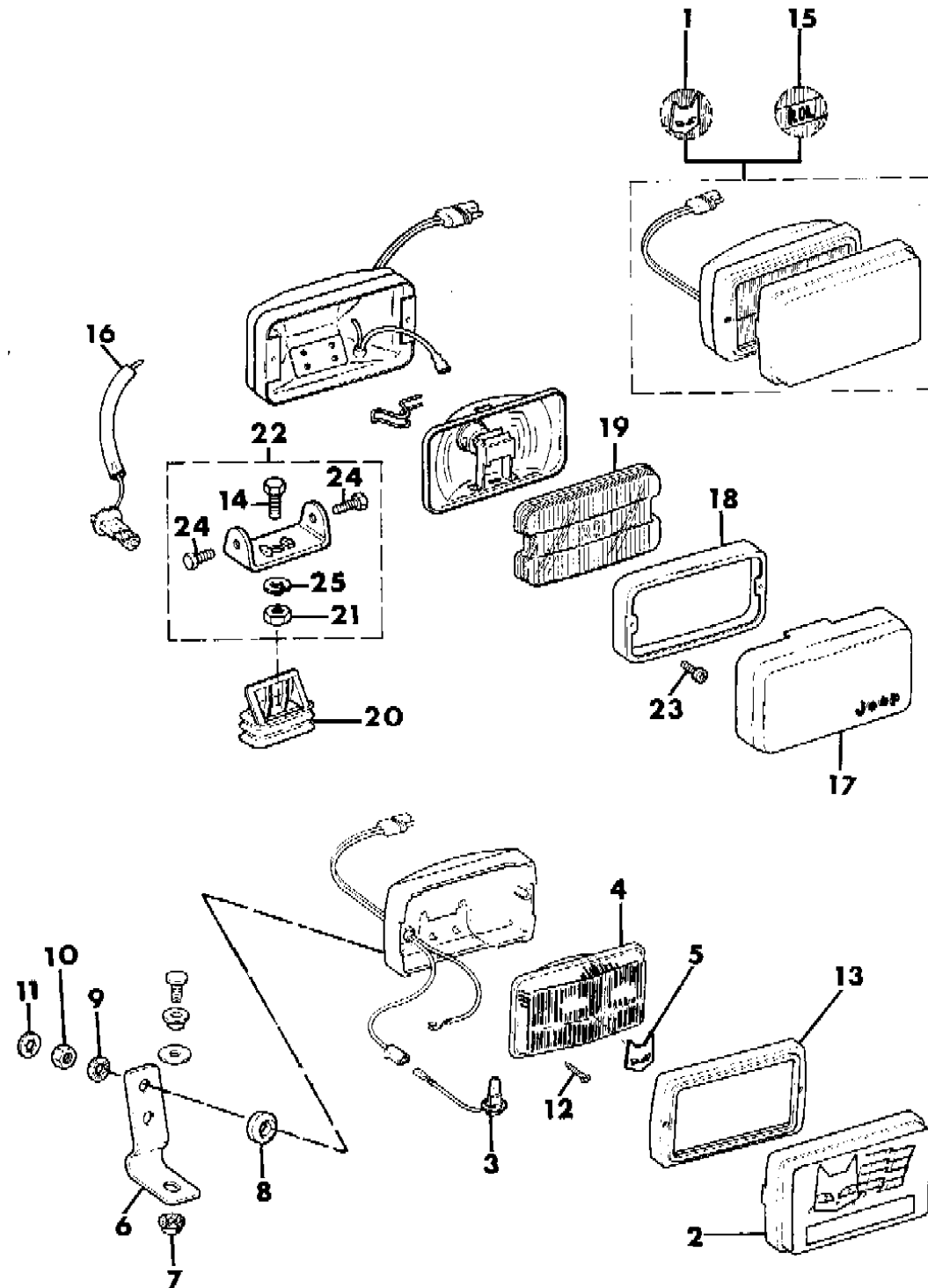
BODY STYLES:

MJ = Comanche Pickup
SJ = Grand Wagoneer Wgn., J-10 & J-20 Pickups
XJ = Cherokee, Wagoneer Limited
YJ = Wrangler

AR = Use as Required - = Non Illustrated Part P.A.R. = Paint as Required

LAMPS--FOG GRAND WAGONEER, J10, J20
Figure 8-4200

8 J08 4200



| ITEM | PART NUMBER | QTY | BODY | MODEL | DESCRIPTION |
|------|-------------|-----|------|-------|---------------------------|
| 1 | 5600 2160 | 2 | | | LAMP, Fog |
| 2 | | | | | COVER, Fog Lamp |
| | 5600 2068 | 2 | | | Black |
| 3 | J813 3441 | 2 | | | ELEMENT, Quartz Halogen |
| 4 | J813 3440 | 2 | | | LENS |
| 5 | | | | | MEDALLION |
| | 8350 2831 | 2 | | | Black |
| | 8350 2842 | 2 | | | Gold |
| 6 | J575 8043 | 2 | | | BRACKET |
| 7 | J400 3956 | 2 | | | NUT |
| 8 | J813 2883 | 2 | | | BASE, Fog Lamp |
| 9 | J013 8485 | 4 | | | WASHER |
| 10 | J027 1190 | 4 | | | NUT |
| 11 | J400 3084 | 4 | | | RETAINER |
| 12 | J400 3924 | 4 | | | SCREW |
| 13 | J813 3442 | 2 | | | BEZEL |
| 14 | S150 2788 | 2 | | | BOLT |
| 15 | 5600 3013 | 2 | | | LAMP, Fog (without Cover) |
| 16 | 8350 3692 | 2 | | | ELEMENT |
| 17 | 5600 2584 | 2 | | | COVER |
| 18 | 8350 4214 | 2 | | | BEZEL |
| 19 | 8350 4130 | 2 | | | LENS |
| 20 | 8350 4131 | 2 | | | BOOT |
| 21 | J420 0405 | 2 | | | NUT |
| 22 | 8350 4213 | 2 | | | BRACKET |
| 23 | 3420 1781 | 4 | | | SCREW |
| 24 | J806 0007 | 4 | | | SCREW |
| 25 | 1150 0207 | 2 | | | WASHER, Lock |

MODEL CODES:

| | | |
|-----------------------------|-----------------------------|------------------------------|
| 15 = Grand Wagoneer 4 Dr. | 65 = Comanche 4WD-7 Ft. Box | 77 = Cherokee 4WD-2 Dr. |
| 25 = J-10 Pickup-119" W.B. | 66 = Comanche 2WD-7 Ft. Box | 78 = Cherokee 4WD-4 Dr. |
| 26 = J-10 Pickup-131" W.B. | 73 = Cherokee 2WD-2 Dr. | 79 = Cherokee 4WD-4 Dr.-Com |
| 27 = J-20 Pickup-131" W.B. | 74 = Cherokee 2WD-4 Dr. | 81 = Wrangler-93" W.B. |
| 63 = Comanche 4WD-6 Ft. Box | 75 = Wagoneer 4WD-4 Dr. | 82 = Wrangler-103" W.B.-Exp. |
| 64 = Comanche 2WD-6 Ft. Box | | |

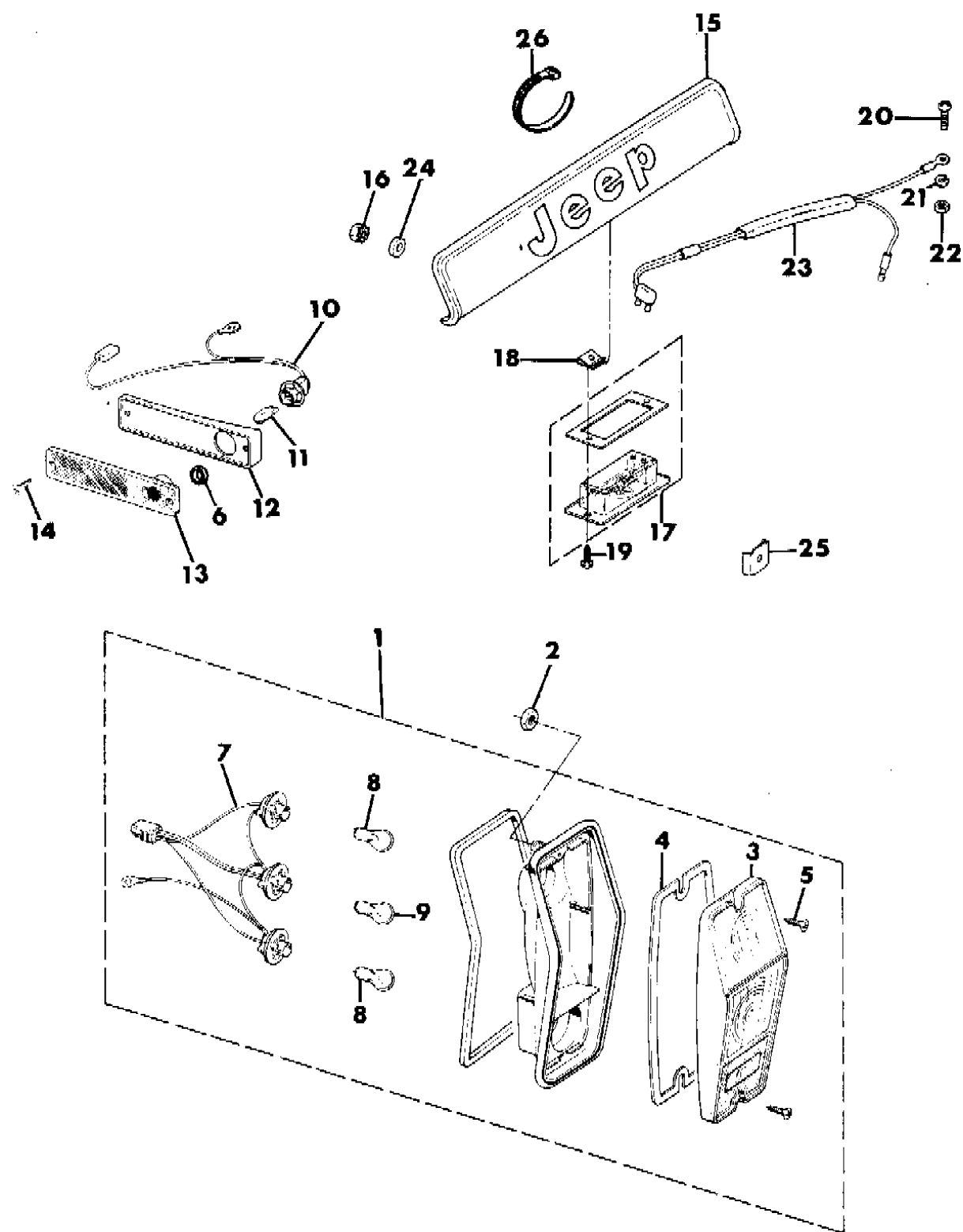
BODY STYLES:

MJ = Comanche Pickup
SJ = Grand Wagoneer Wgn., J-10 & J-20 Pickups
XJ = Cherokee, Wagoneer Limited
YJ = Wrangler

AR = Use as Required - = Non Illustrated Part P.A.R. = Paint as Required

LAMPS--REAR GRAND WAGONEER
Figure 8-4300

8J08 4300



| ITEM | PART NUMBER | QTY | BODY | MODEL | DESCRIPTION |
|------|-------------|-----|------|-------|-------------------|
| 1 | J576 1508 | 2 | | | TAILLAMP |
| 2 | J027 1172 | 4 | | | NUT |
| 3 | J813 4111 | 2 | | | LENS, Taillamp |
| 4 | J812 4342 | 2 | | | GASKET |
| 5 | J016 1798 | 4 | | | SCREW |
| 6 | 5505 2547 | 2 | | | SEAL |
| 7 | J575 2600 | 2 | | | HARNESS, Taillamp |
| 8 | J320 9543 | 4 | | | BULB, (1156) |
| 9 | J320 9544 | 2 | | | BULB, (1157) |
| 10 | J098 9428 | 2 | | | HARNESS, Taillamp |
| 11 | J942 1330 | 2 | | | BULB, (194) |
| 12 | J576 4646-7 | 1 | | | BASE |
| 13 | J099 4021 | 2 | | | LAMP, Marker |
| 14 | J812 2837 | 4 | | | SCREW |
| 15 | 5501 3579 | 1 | | | HOUSING |
| 16 | J400 5699 | 2 | | | NUT |
| 17 | J367 0544 | 1 | | | LAMP, License |
| 18 | J027 1166 | 2 | | | NUT |
| 19 | J016 1798 | 2 | | | SCREW |
| 20 | J045 4783 | 1 | | | SCREW |
| 21 | J017 8378 | 1 | | | WASHER |
| 22 | J012 0361 | 1 | | | NUT |
| 23 | J545 4958 | 1 | | | HARNESS, Taillamp |
| 24 | J400 3089 | 4 | | | SPACER |
| 25 | J097 0487 | 2 | | | SPACER |
| 26 | J322 3227 | 5 | | | STRAP |

MODEL CODES:

| | | |
|-----------------------------|-----------------------------|------------------------------|
| 15 = Grand Wagoneer 4 Dr. | 65 = Comanche 4WD-7 Ft. Box | 77 = Cherokee 4WD-2 Dr. |
| 25 = J-10 Pickup-119" W.B. | 66 = Comanche 2WD-7 Ft. Box | 78 = Cherokee 4WD-4 Dr. |
| 26 = J-10 Pickup-131" W.B. | 73 = Cherokee 2WD-2 Dr. | 79 = Cherokee 4WD-4 Dr.-Com |
| 27 = J-20 Pickup-131" W.B. | 74 = Cherokee 2WD-4 Dr. | 81 = Wrangler-93" W.B. |
| 63 = Comanche 4WD-6 Ft. Box | 75 = Wagoneer 4WD-4 Dr. | 82 = Wrangler-103" W.B.-Exp. |
| 64 = Comanche 2WD-6 Ft. Box | | |

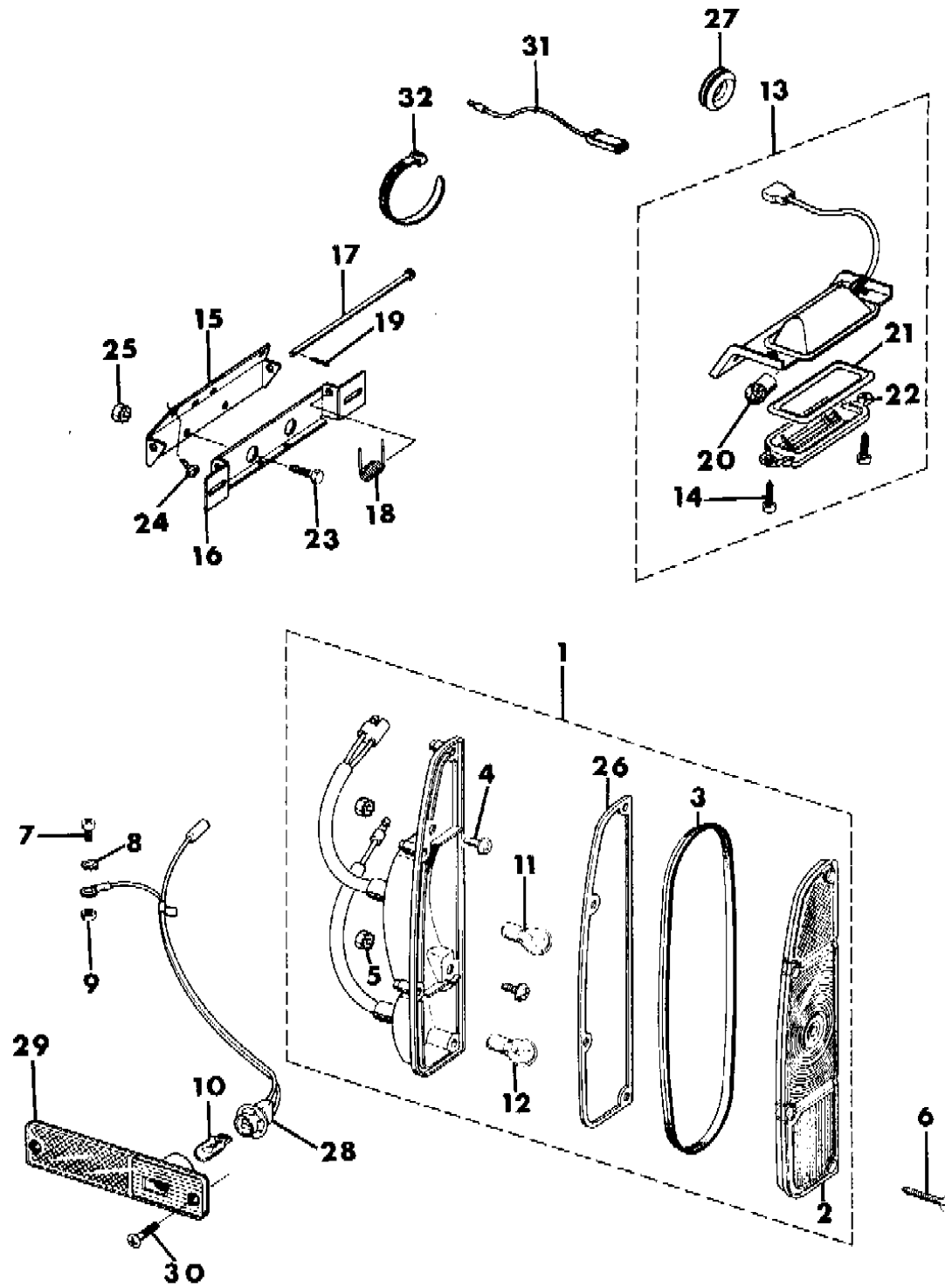
BODY STYLES:

MJ = Comanche Pickup
SJ = Grand Wagoneer Wgn., J-10 & J-20 Pickups
XJ = Cherokee, Wagoneer Limited
YJ = Wrangler

AR = Use as Required - = Non Illustrated Part P.A.R. = Paint as Required

LAMPS--REAR 1987/88 J10, J20
Figure 8-4400

8J08 4400



| ITEM | PART NUMBER | QTY | BODY | MODEL | DESCRIPTION |
|------|-------------|-----|------|-------|------------------------------|
| 1 | | | | | LAMP, Tail |
| | J098 7831 | 1 | | | Left |
| | J098 7832 | 1 | | | Right |
| 2 | | | | | LENS, Taillamp |
| | J098 8111 | 1 | | | Left *** |
| | J098 8112 | 1 | | | Right |
| 3 | J545 0274 | 2 | | | GASKET |
| 4 | J019 1985 | 4 | | | SCREW |
| 5 | J027 1172 | 4 | | | NUT |
| 6 | J942 5250 | 8 | | | SCREW |
| 7 | J045 4783 | 2 | | | SCREW |
| 8 | J017 8378 | 2 | | | WASHER |
| 9 | J012 0361 | 2 | | | NUT |
| 10 | J942 1330 | 2 | | | BULB, (194) |
| 11 | J320 9544 | 2 | | | BULB, (1157) |
| 12 | J320 9543 | 2 | | | BULB, (1156) |
| 13 | J093 0887 | 1 | | | LAMP, License |
| 14 | J018 7303 | 2 | | | SCREW |
| 15 | J093 1389 | 1 | | | BRACKET |
| 16 | J093 1390 | 1 | | | HINGE |
| 17 | J093 1391 | 1 | | | PIN |
| 18 | J093 1392 | 1 | | | SPRING |
| 19 | J011 2726 | 1 | | | PIN, Cotter |
| 20 | J093 8900 | 1 | | | BULB, (1155) |
| 21 | J093 0889 | 1 | | | GASKET |
| 22 | J093 0887 | 1 | | | LENS |
| 23 | J400 4081 | 2 | | | SCREW |
| 24 | J018 7303 | 2 | | | SCREW |
| 25 | J012 0368 | 2 | | | NUT |
| 26 | J812 2676 | 2 | | | GASKET |
| 27 | J012 0408 | 1 | | | GROMMET |
| 28 | J098 9428 | 1 | | | HARNASS, Lamp |
| 29 | J099 4021 | 2 | | | LAMP, Marker |
| 30 | J400 5821 | 4 | | | SCREW |
| 31 | J545 0045 | 1 | | | WIRE, Back Up Lamp Extension |
| 32 | J322 3227 | 5 | | | STRAP |

MODEL CODES:

| | | |
|-----------------------------|-----------------------------|------------------------------|
| 15 = Grand Wagoneer 4 Dr. | 65 = Comanche 4WD-7 Ft. Box | 77 = Cherokee 4WD-2 Dr. |
| 25 = J-10 Pickup-119" W.B. | 66 = Comanche 2WD-7 Ft. Box | 78 = Cherokee 4WD-4 Dr. |
| 26 = J-10 Pickup-131" W.B. | 73 = Cherokee 2WD-2 Dr. | 79 = Cherokee 4WD-4 Dr.-Com |
| 27 = J-20 Pickup-131" W.B. | 74 = Cherokee 2WD-4 Dr. | 81 = Wrangler-93" W.B. |
| 63 = Comanche 4WD-6 Ft. Box | 75 = Wagoneer 4WD-4 Dr. | 82 = Wrangler-103" W.B.-Exp. |
| 64 = Comanche 2WD-6 Ft. Box | | |

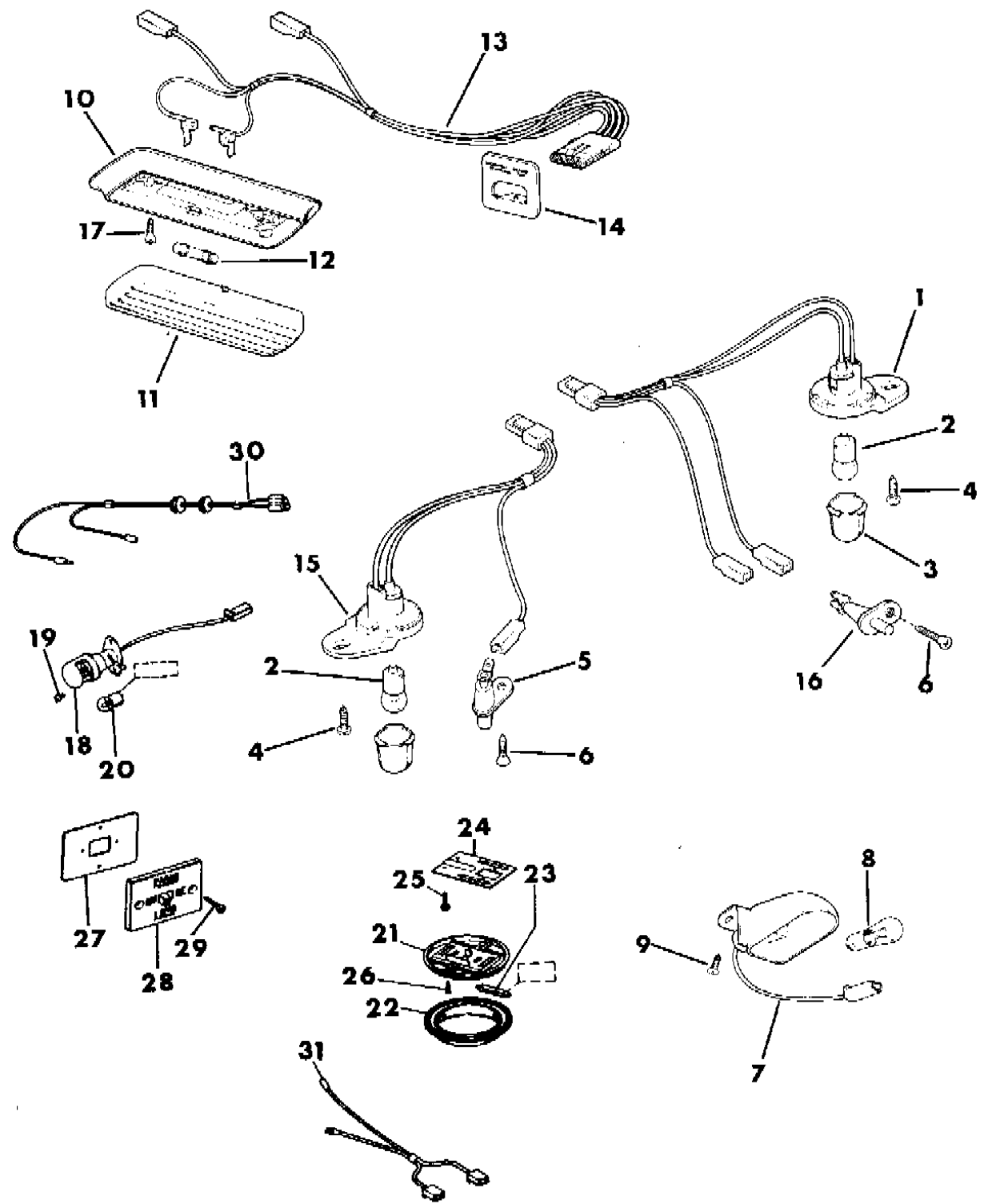
BODY STYLES:

MJ = Comanche Pickup
SJ = Grand Wagoneer Wgn., J-10 & J-20 Pickups
XJ = Cherokee, Wagoneer Limited
YJ = Wrangler

AR = Use as Required - = Non Illustrated Part P.A.R. = Paint as Required

LAMPS--CARGO-DOME-COURTESY-UNDERHOOD WRANGLER, YJ
Figure 8-4500

8J08 4500



| ITEM | PART NUMBER | QTY | BODY | MODEL | DESCRIPTION |
|------|-------------|-----|------|-------|---|
| 1 | 5600 2387 | 1 | | | LAMP, Courtesy Left |
| 2 | J014 2452 | 2 | | | BULB, (89) |
| 3 | J545 0116 | 2 | | | LENS |
| 4 | J448 9487 | 2 | | | SCREW |
| 5 | 5600 2221 | 1 | | | SWITCH, Dome Lamp Right |
| 6 | S016 3405 | 2 | | | SCREW |
| 7 | J324 0729 | 1 | | | LAMP, Underhood (Plastic Lamp 56006870 & 56006766 Shield) |
| 8 | J812 5442 | 1 | | | BULB, (105) |
| 9 | 3420 1691 | 2 | | | SCREW |
| 10 | J095 9999 | 1 | | | BASE, Dome/Reading Lamp |
| 11 | J095 9978 | 1 | | | LENS |
| 12 | J812 8482 | 1 | | | BULB (212) *** |
| 13 | | | | | HARNESS, Dome Lamp |
| | 5600 1827 | 1 | | | Except Export |
| | J805 3212 | 1 | | | Front, Export w/World Cab |
| | J805 3213 | 1 | | | Rear, Export w/World Cab |
| 14 | 5600 2043 | 1 | | | PLATE |
| 15 | 5600 2386 | 1 | | | LAMP, Courtesy Right |
| 16 | 5600 2382 | 1 | | | SWITCH, Dome Lamp |
| 17 | S016 1812 | 2 | | | SCREW |
| 18 | J599 5493 | 1 | | | LAMP, Map |
| 19 | J942 0688 | 2 | | | SCREW |
| 20 | S014 2450 | 1 | | | BULB, (67) |
| 21 | J575 1234 | 2 | | | BASE |
| 22 | J368 9643 | 2 | | | LENS |
| 23 | J400 3086 | 2 | | | BULB, (56) |
| 24 | J805 2259 | 2 | | | PLATE, Dome Lamp |
| 25 | J400 7487 | 4 | | | SCREW |
| 26 | 3420 1468 | 4 | | | SCREW |
| 27 | J805 2466 | 1 | | | PLATE, Switch |
| 28 | J545 1489 | 1 | | | SWITCH |
| 29 | J448 9487 | 4 | | | SCREW |
| 30 | J805 3211 | 1 | | | HARNESS, Dome Lamp Feed. Export w/World Cab |
| 31 | J805 3214 | 1 | | | HARNESS, Switch, Export w/World Cab |

MODEL CODES:
 15 = Grand Wagoneer 4 Dr. 65 = Comanche 4WD-7 Ft. Box 77 = Cherokee 4WD-2 Dr.
 25 = J-10 Pickup-119" W.B. 66 = Comanche 2WD-7 Ft. Box 78 = Cherokee 4WD-4 Dr.
 26 = J-10 Pickup-131" W.B. 73 = Cherokee 2WD-2 Dr. 79 = Cherokee 4WD-4 Dr.-Com
 27 = J-20 Pickup-131" W.B. 74 = Cherokee 2WD-4 Dr. 81 = Wrangler-93" W.B.
 63 = Comanche 4WD-6 Ft. Box 75 = Wagoneer 4WD-4 Dr. 82 = Wrangler-103" W.B.-Exp.
 64 = Comanche 2WD-6 Ft. Box

BODY STYLES:
 MJ = Comanche Pickup
 SJ = Grand Wagoneer Wgn., J-10 & J-20 Pickups
 XJ = Cherokee, Wagoneer Limited
 YJ = Wrangler

AR = Use as Required - = Non Illustrated Part P.A.R. = Paint as Required

LAMPS--CARGO-DOME-COURTESY-UNDERHOOD CHEROKEE, WAGONEER, COMANCHE

Figure 8-4600

8J08 4600

| ITEM | PART NUMBER | QTY | BODY | MODEL | DESCRIPTION |
|------|-------------|-----|------|-------|--|
| 1 | 5600 1224 | 1 | XJ | | LAMP, Dome (P.A.R.) 1988-89 |
| | 5BA6 8JY1 | 1 | XJ | | LAMP, Dome (P.A.R.) 1990 |
| 2 | 5600 2116 | 1 | XJ | | LAMP, Dome/Reading (P.A.R.) 1987-89 |
| | 5BA6 7JY1 | 1 | XJ | | LAMP, Dome/Reading (P.A.R.) Cherokee-1990 (Socket 56002358 Wiring) |
| 3 | 5600 0191 | 1 | XJ | | LENS, Dome Lamp |
| 4 | J400 3086 | AR | | | BULB, (561) |
| 5 | J943 6750 | 2 | | | BULB, Reading Lamp (106) |
| 6 | 3420 1533 | 2 | XJ | | STUD |
| 7 | J400 0459 | 2 | XJ | | NUT |
| 8 | | | | | LAMP, Cargo |
| | 5600 2715 | 1 | XJ | | 1988-89 P.A.R. |
| | 5BA7 0JY1 | 1 | XJ | | 1990 P.A.R. |
| 9 | 5600 0678 | 2 | | | LAMP, Courtesy |
| 10 | 5500 7120 | 2 | | | BRACKET |
| 11 | 1150 2843 | 2 | | | SCREW |
| 12 | J014 2453 | 1 | | | BULB, (90) |
| 13 | 5600 2556 | 1 | | | BRACKET |
| 14 | 1150 2453 | 2 | | | SCREW |
| 15 | J324 0729 | 1 | | | LAMP, Underhood |
| 16 | J812 5442 | 1 | | | BULB, (105) |
| 17 | 3420 1691 | 2 | | | SCREW |
| 18 | | | | | LAMP, Underhood |
| | 8220 0136 | 1 | | | 1987-89 |
| | 5600 4120 | 1 | | | 1990 |
| 19 | 8350 0907 | 1 | | | LENS, Underhood Lamp |
| 20 | 5500 2812 | 1 | XJ | | BRACKET, Cargo Lamp |
| 21 | J448 9487 | 2 | XJ | | SCREW |
| 22 | 3420 1595 | 2 | | | NUT |
| 23 | 3420 1807 | 2 | | | SCREW |
| 24 | T134 9760 | 2 | MJ | | LAMP, Dome, Comanche |
| 25 | T309 7183 | 2 | MJ | | BULB, Comanche |
| 26 | 3420 1977 | 2 | MJ | | NUT |
| 27 | 5600 1240 | 1 | MJ | | GASKET, Box Lamp |
| 28 | 5600 0846 | 1 | MJ | | LAMP |
| 29 | S150 2900 | 2 | MJ | | SCREW |

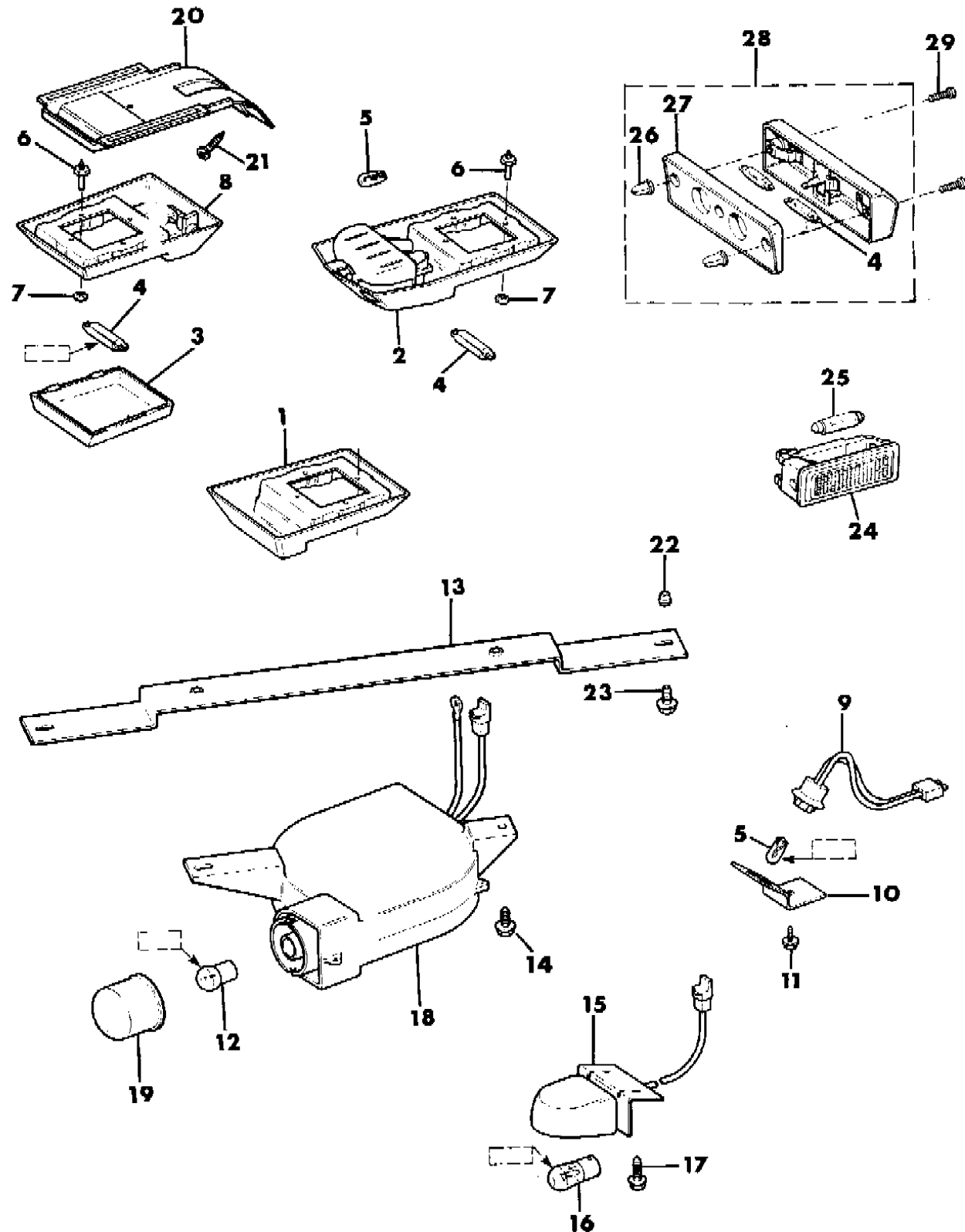
MODEL CODES:

| | | |
|-----------------------------|-----------------------------|------------------------------|
| 15 = Grand Wagoneer 4 Dr. | 65 = Comanche 4WD-7 Ft. Box | 77 = Cherokee 4WD-2 Dr. |
| 25 = J-10 Pickup-119" W.B. | 66 = Comanche 2WD-7 Ft. Box | 78 = Cherokee 4WD-4 Dr. |
| 26 = J-10 Pickup-131" W.B. | 73 = Cherokee 2WD-2 Dr. | 79 = Cherokee 4WD-4 Dr.-Com |
| 27 = J-20 Pickup-131" W.B. | 74 = Cherokee 2WD-4 Dr. | 81 = Wrangler-93" W.B. |
| 63 = Comanche 4WD-6 Ft. Box | 75 = Wagoneer 4WD-4 Dr. | 82 = Wrangler-103" W.B.-Exp. |
| 64 = Comanche 2WD-6 Ft. Box | | |

BODY STYLES:

MJ = Comanche Pickup
 SJ = Grand Wagoneer Wgn., J-10 & J-20 Pickups
 XJ = Cherokee, Wagoneer Limited
 YJ = Wrangler

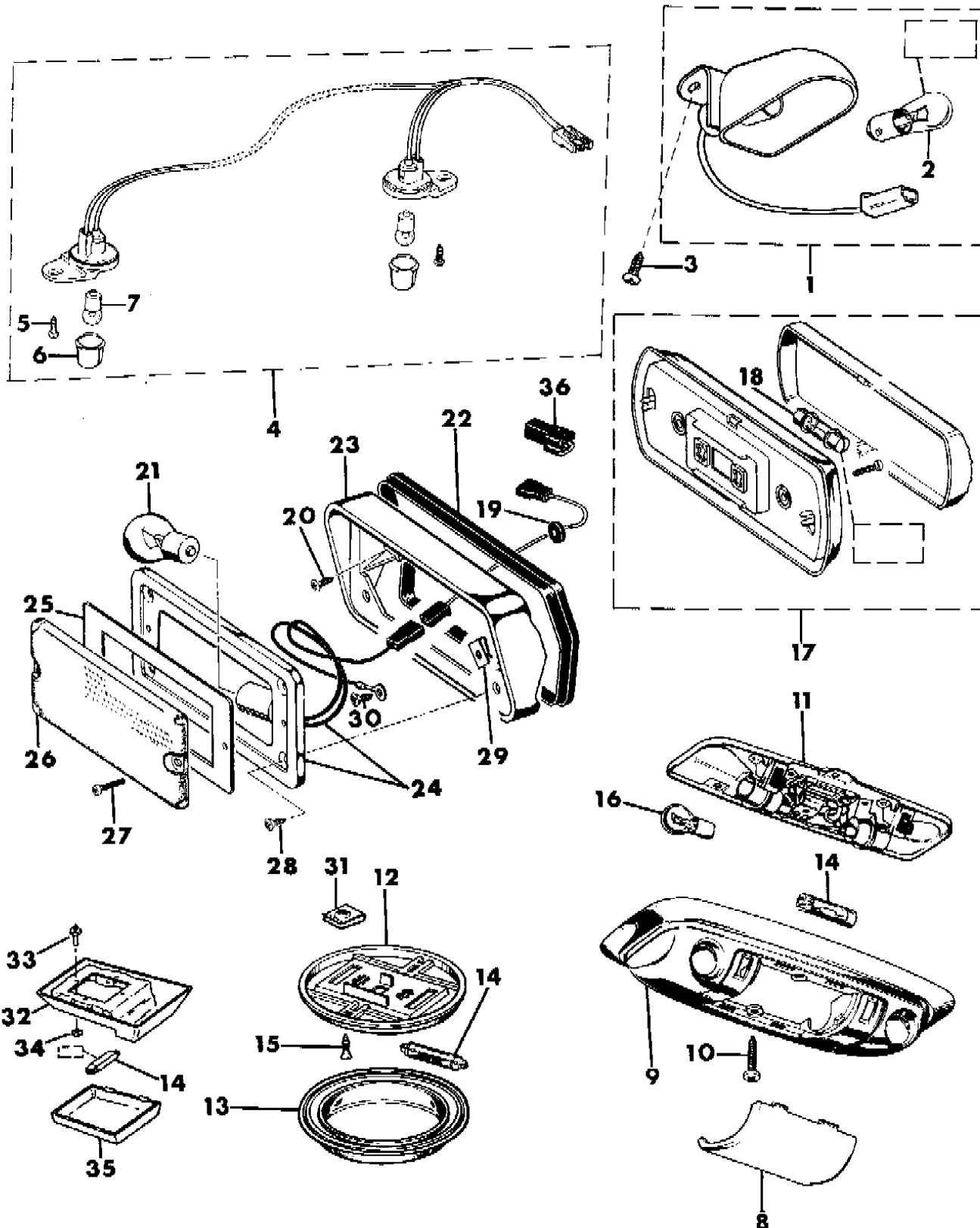
AR = Use as Required - = Non Illustrated Part P.A.R. = Paint as Required



LAMPS--CARGO-DOME-COURTESY-UNDERHOOD GRAND WAGONEER, J10, J20

Figure 8-4700

8J08 4700



| ITEM | PART NUMBER | QTY | BODY | MODEL | DESCRIPTION |
|------|-------------|-----|------|-------|-------------------------|
| 1 | J324 0729 | 1 | | | LAMP, Underhood |
| 2 | J812 5442 | 1 | | | BULB, (105) |
| 3 | J942 1073 | 2 | | | SCREW |
| 4 | J575 7097 | 1 | | | LAMP, Courtesy |
| 5 | J941 7282 | 2 | | | SCREW |
| 6 | J545 0116 | 2 | | | LENS |
| 7 | J014 2452 | 2 | | | BULB, (89) |
| 8 | J323 4114 | 1 | 15 | | LENS |
| 9 | J323 6152 | 1 | | 15 | HOUSING |
| 10 | J942 2397 | 2 | | 15 | SCREW |
| 11 | J323 6151 | 1 | | 15 | BASE, Dome/Reading Lamp |
| 12 | J575 1234 | 1 | | 15 | BASE |
| 13 | J368 9643 | 2 | | 15 | LENS |
| 14 | J400 3086 | AR | | 15 | BULB, (561) |
| 15 | J812 0056 | 4 | | 15 | SCREW |
| 16 | S045 5136 | 2 | | 15 | BULB, (1004) |
| 17 | J095 6436 | 1 | | 26,27 | LAMP, Dome |
| 18 | J096 0531 | 1 | | 26,27 | BULB, (212) |
| 19 | J093 3348 | 1 | | 26,27 | GROMMET |
| 20 | J941 4721 | 3 | | 26,27 | SCREW |
| 21 | J320 9543 | 1 | | 26,27 | BULB, (1156) |
| 22 | J545 1488 | 1 | | 26,27 | SEAL |
| 23 | J545 1487 | 1 | | 26,27 | BEZEL |
| 24 | J545 2057 | 1 | | 26,27 | BASE |
| 25 | J545 2305 | 1 | | 26,27 | GASKET |
| 26 | J545 2306 | 1 | | 26,27 | LENS |
| 27 | J016 4401 | 2 | | 26,27 | SCREW |
| 28 | J448 8697 | 4 | | 26,27 | SCREW |
| 29 | 3420 1310 | 2 | | 26,27 | NUT |
| 30 | J941 4721 | 2 | | 26,27 | SCREW |
| 31 | J096 1852 | AR | | 15 | U-NUT |
| 32 | 5600 2715 | 1 | | 15 | BASE, Cargo Lamp |
| 33 | 3420 1533 | 2 | | 15 | STUD |
| 34 | J400 0459 | 2 | | 15 | NUT |
| 35 | 5600 0191 | 1 | | 15 | LENS, Cargo Lamp |
| 36 | J575 0947 | 1 | | 26,27 | CONNECTOR |

MODEL CODES:

| | | |
|-----------------------------|-----------------------------|------------------------------|
| 15 = Grand Wagoneer 4 Dr. | 65 = Comanche 4WD-7 Ft. Box | 77 = Cherokee 4WD-2 Dr. |
| 25 = J-10 Pickup-119" W.B. | 66 = Comanche 2WD-7 Ft. Box | 78 = Cherokee 4WD-4 Dr. |
| 26 = J-10 Pickup-131" W.B. | 73 = Cherokee 2WD-2 Dr. | 79 = Cherokee 4WD-4 Dr.-Com |
| 27 = J-20 Pickup-131" W.B. | 74 = Cherokee 2WD-4 Dr. | 81 = Wrangler-93" W.B. |
| 63 = Comanche 4WD-6 Ft. Box | 75 = Wagoneer 4WD-4 Dr. | 82 = Wrangler-103" W.B.-Exp. |
| 64 = Comanche 2WD-6 Ft. Box | | |

BODY STYLES:

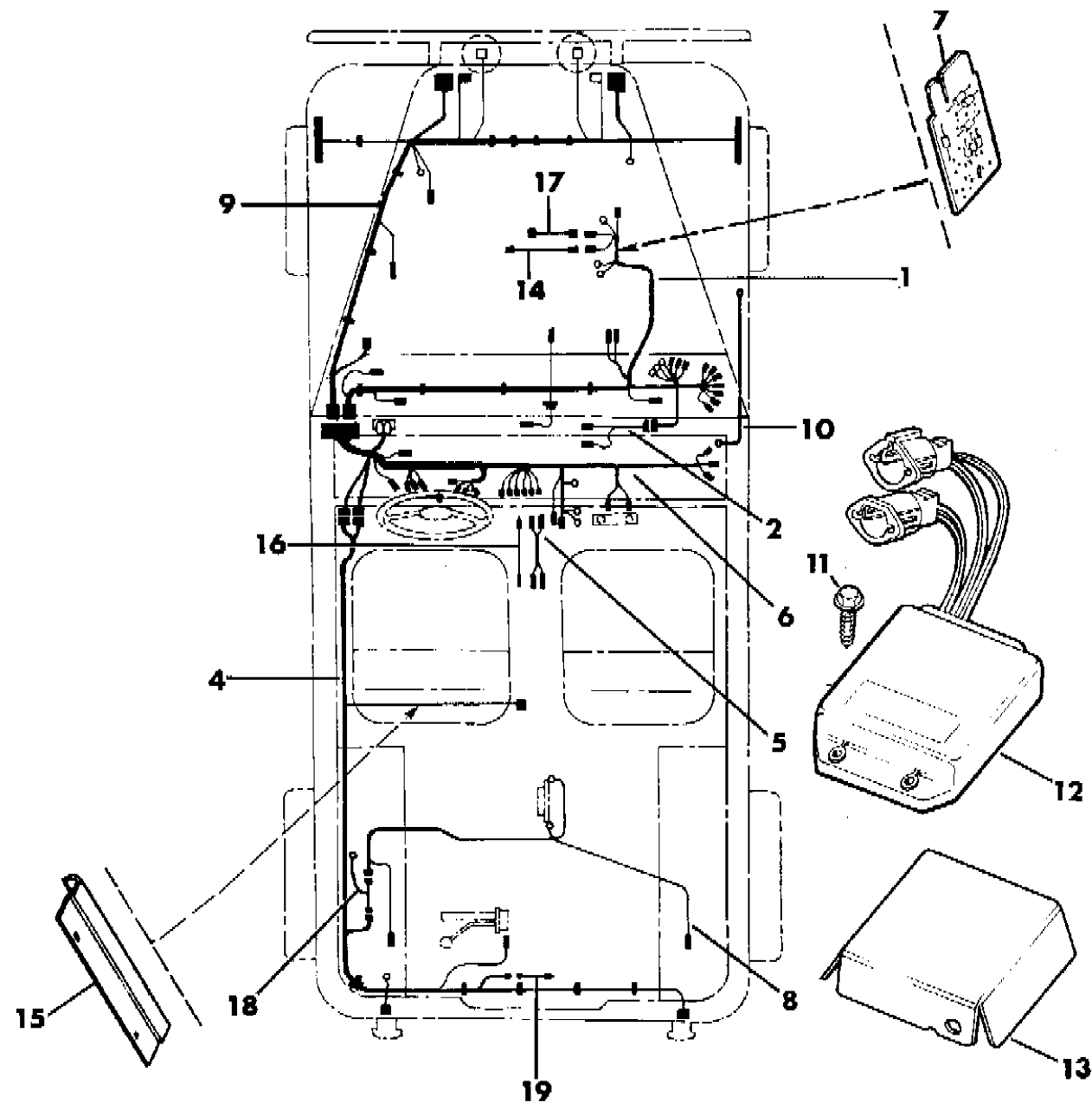
MJ = Comanche Pickup
 SJ = Grand Wagoneer Wgn., J-10 & J-20 Pickups
 XJ = Cherokee, Wagoneer Limited
 YJ = Wrangler

AR = Use as Required - = Non Illustrated Part P.A.R. = Paint as Required

HARNESS--ENGINE COMPARTMENT AND BODY WRANGLER, YJ

Figure 8-4800

8J08 4800A



| ITEM | PART NUMBER | QTY | BODY | MODEL | DESCRIPTION |
|------|-------------|-----|------|-------|--|
| 1 | | | | | HARNESS, Engine |
| | 5600 1821 | 1 | | | 6 Cyl., 1987 |
| | 5603 0105 | 1 | | | 4 Cyl., U.S. & Canada, 1987-89 |
| | 5600 4512 | 1 | | | 4 Cyl., U.S. & Canada, 1990 |
| | 5600 4161 | 1 | | | 4 Cyl., U.S. & Canada, 1991 |
| | 5600 2976 | 1 | | | 4 Cyl., Non-Regulated Markets, 1988-89 |
| | 5600 4513 | 1 | | | 4 Cyl. Non-Regulated Markets, 1990 |
| | 5600 3184 | 1 | | | 6 Cyl., U.S. & Canada, 1988 |
| | 5600 4042 | | | | 6 Cyl., U.S. & Canada 1989 *** |
| | 5600 4514 | 1 | | | 6 Cyl., U.S. & Canada, 1990 |
| | 5600 2977 | 1 | | | 6 Cyl., Non-Regulated Markets, 1988-89 |
| | 5600 3184 | 1 | | | 6 Cyl., U.S. & Canada, 1988 |
| | 5600 4042 | | | | 6 Cyl, U.S. & Canada 1989 *** |
| | 5600 4515 | 1 | | | 6 Cyl., Non-Regulated Markets, 1990 |
| 2 | | | | | HARNESS, Transmission |
| | 5600 1820 | 1 | | | w/ Auto. Trans., 1987-89 |
| | 5600 4517 | 1 | | | w/ Auto. Trans., 1990 |
| | 5600 1819 | 1 | | | 4 Cyl. Engine, w/Man. Trans. |
| | 5600 2979 | 1 | | | 6 Cyl. Engine, w/Man. Trans. |
| 3 | | | | | HARNESS, Alt. |
| | J575 8282 | 1 | | | 6 Cyl., 1987-90 |
| 4 | | | | | HARNESS, Body |
| | 5600 2598 | 1 | | | 1987 |
| | 5600 2598 | 1 | | | 1988 |
| | 5600 3015 | 1 | | | w/o ECE, 1989 |
| | 5600 3153 | 1 | | | w/ ECE, 1989 |
| | 5600 5943 | 1 | | | w/ ECE, 1990 (Plastic Enclosure) |
| | 5600 5943 | 1 | | | w/ECE 1990 (Soft Top) |
| | 5600 5944 | 1 | | | w/o ECE, 1990 (Plastic Enclosure) |
| | 5600 4527 | 1 | | | w/o E.C.E. 1990 (Soft Top) |
| 5 | 5600 2161 | 1 | | | HARNESS, Cigar Lighter, w/o A/C |
| 6 | | | | | HARNESS, Instrument |
| | 5600 2596 | 1 | | | 1987 |
| | 5600 2893 | 1 | | | 1988 |
| | 5600 3004 | 1 | | | w/ ECE, 1989 |
| | 5600 3117 | 1 | | | w/o ECE, 1989 |
| | 5600 4818 | 1 | | | w/o ECE, 1990 |

MODEL CODES:

| | | |
|-----------------------------|-----------------------------|------------------------------|
| 15 = Grand Wagoneer 4 Dr. | 65 = Comanche 4WD-7 Ft. Box | 77 = Cherokee 4WD-2 Dr. |
| 25 = J-10 Pickup-119" W.B. | 66 = Comanche 2WD-7 Ft. Box | 78 = Cherokee 4WD-4 Dr. |
| 26 = J-10 Pickup-131" W.B. | 73 = Cherokee 2WD-2 Dr. | 79 = Cherokee 4WD-4 Dr.-Com |
| 27 = J-20 Pickup-131" W.B. | 74 = Cherokee 2WD-4 Dr. | 81 = Wrangler-93" W.B. |
| 63 = Comanche 4WD-6 Ft. Box | 75 = Wagoneer 4WD-4 Dr. | 82 = Wrangler-103" W.B.-Exp. |
| 64 = Comanche 2WD-6 Ft. Box | | |

BODY STYLES:

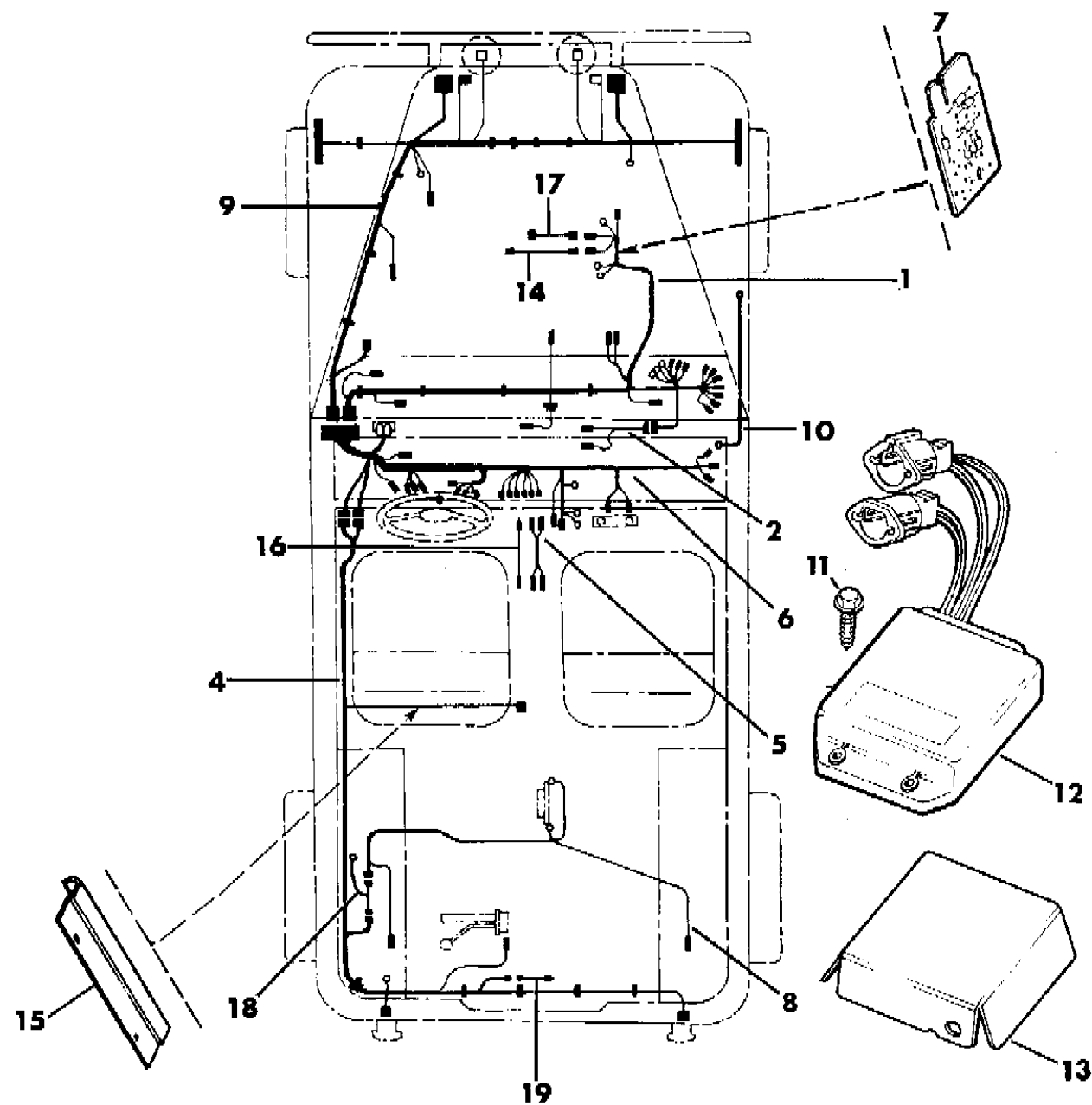
MJ = Comanche Pickup
 SJ = Grand Wagoneer Wgn., J-10 & J-20 Pickups
 XJ = Cherokee, Wagoneer Limited
 YJ = Wrangler

AR = Use as Required - = Non Illustrated Part P.A.R. = Paint as Required

HARNESS--ENGINE COMPARTMENT AND BODY WRANGLER, YJ

Figure 8-4800

8J08 4800 A



| ITEM | PART NUMBER | QTY | BODY | MODEL | DESCRIPTION |
|------|-------------|-----|------|-------|--|
| | 5600 4822 | 1 | | | w/ ECE, 1990 |
| | 5600 3118 | 1 | | | w/Blackout Lights |
| 7 | J324 0744 | 1 | | | DIODE, 6 Cylinder Engine |
| 8 | | | | | HARNESS, Plastic Enclosure |
| | 5600 1827 | 1 | | | 1987-88 |
| | 5600 2668 | 1 | | | 1989 |
| | 5600 4399 | | | | 1990 with Rear Wipers *** |
| 9 | | 1 | | | HARNESS, Front End Lighting |
| | 5603 0090 | 1 | | | 1987 |
| | 5600 2589 | 1 | | | w/o ECE, 1988-89 |
| | 5600 2589 | 1 | | | w/ ECE, 1988 |
| | 5600 3007 | 1 | | | w/ ECE, 1989 |
| | 5600 3817 | 1 | | | w/ ECE, 1990 |
| | 5600 3060 | 1 | | | w/o ECE, w/o Daytime Running Lamp, 1990 |
| | 5600 3061 | 1 | | | w/o ECE, w/ Daytime Running Lamp, 1990 |
| 10 | 5603 0055 | 1 | | | CABLE, Starter |
| 11 | J400 5982 | 3 | | | SCREW |
| 12 | | | | | MODULE, Ignition |
| | 3300 4065 | 1 | | | 1987 |
| | 5300 5079 | 1 | | | 1988-90 |
| 13 | 5300 2673 | 1 | | | COVER |
| 14 | 5600 2980 | 1 | | | HARNESS, A/C, Non-Regulated Markets, 1988-90 |
| 15 | 5600 2062 | 1 | | | COVER, Harness |
| 16 | J575 2583 | 1 | | | HARNESS, Console Illumination |
| 17 | J575 8282 | 1 | | | HARNESS, Alternator, 6 Cyl., Engine, 1987-90 |
| 18 | 8350 6010 | 1 | | | HARNESS, Jumper. 1988-89 |
| 19 | 5600 3512 | 1 | | | HARNESS, Fog Lamp. 1989 |

MODEL CODES:

| | | |
|-----------------------------|-----------------------------|------------------------------|
| 15 = Grand Wagoneer 4 Dr. | 65 = Comanche 4WD-7 Ft. Box | 77 = Cherokee 4WD-2 Dr. |
| 25 = J-10 Pickup-119" W.B. | 66 = Comanche 2WD-7 Ft. Box | 78 = Cherokee 4WD-4 Dr. |
| 26 = J-10 Pickup-131" W.B. | 73 = Cherokee 2WD-2 Dr. | 79 = Cherokee 4WD-4 Dr.-Com |
| 27 = J-20 Pickup-131" W.B. | 74 = Cherokee 2WD-4 Dr. | 81 = Wrangler-93" W.B. |
| 63 = Comanche 4WD-6 Ft. Box | 75 = Wagoneer 4WD-4 Dr. | 82 = Wrangler-103" W.B.-Exp. |
| 64 = Comanche 2WD-6 Ft. Box | | |

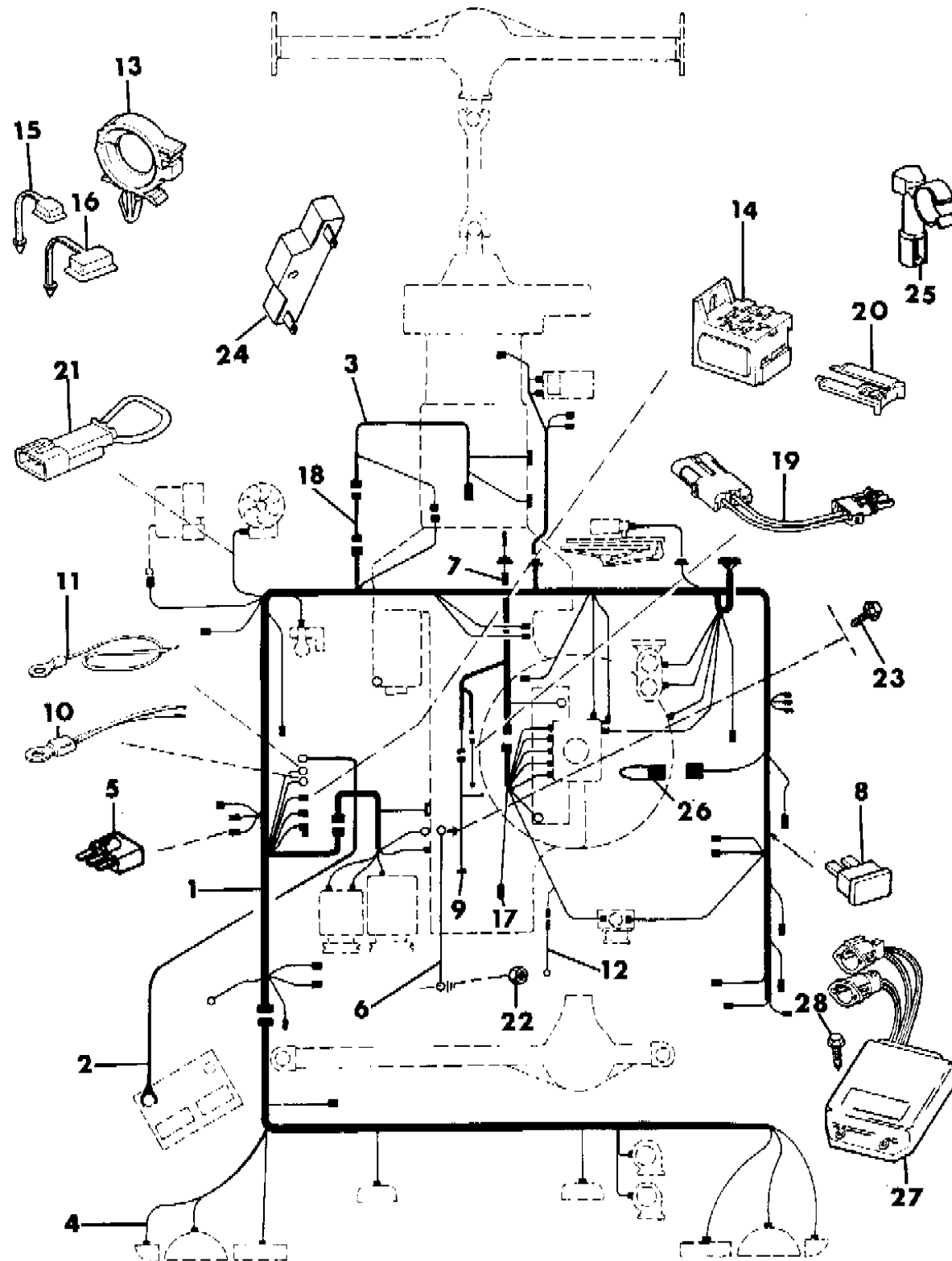
BODY STYLES:

MJ = Comanche Pickup
 SJ = Grand Wagoneer Wgn., J-10 & J-20 Pickups
 XJ = Cherokee, Wagoneer Limited
 YJ = Wrangler

AR = Use as Required - = Non Illustrated Part P.A.R. = Paint as Required

HARNES--ENGINE COMPARTMENT 4 & 6 CYLINDER ENGINE CHEROKEE, WAGONEER, COMANCHE
Figure 8-4900

8J08 4900 A



| ITEM | PART NUMBER | QTY | BODY | MODEL | DESCRIPTION |
|------|-------------|-----|------|-------|---|
| 1 | | | | | HARNES, Engine Compartment |
| | 5600 2794 | 1 | | | 6 Cyl. Engine, w/A.C. 1987 |
| | 5600 3622 | 1 | | | 1988-89 |
| | 5600 2862 | 1 | | | 6 Cyl. Engine, w/"American Air", w/o Heavy Duty Cooling |
| | 5600 2795 | 1 | | | 6 Cyl. Engine, w/"American Air" 1987 |
| | 5600 2863 | 1 | | | 6 Cyl. Engine, w/"American Air", w/ Heavy Duty Cooling 1988 |
| | 5600 3621 | 1 | | | 6 Cyl. Engine, w/"American Air", w/Heavy Duty Cooling 1989 |
| | 5600 3787 | 1 | | | 6 Cyl. Engine, w/ Anti-Lock Brakes, 1989 |
| | 5600 4642 | 1 | | | 6 Cyl. ENGINE, w/o A.C. 1990 |
| | 5600 4643 | 1 | | | 6 Cyl. ENGINE, w/A.C., w/o Anti Lock Brakes 1990 |
| | 5600 4644 | 1 | | | 6 Cyl. Engine, w/A.C., w/Anti Lock Bakes 1990 |
| | 5600 4646 | 1 | | | 6-Cyl. Eng., w/Daytime Running Lamps, Disc Brakes, Canada |
| | 5600 2608 | 1 | | | 4 Cyl. Engine, w/ Air Fuel Injected 1987 |
| | 5600 2609 | 1 | | | 4 Cyl. Engine, w/"American Air" Fuel Injected 1987 |
| | 5600 2860 | 1 | | | 4 Cyl. Engine, w/"American Air" Fuel Injected 1988/89 |
| | 5600 2859 | 1 | | | 4 Cyl. Gas Engine, w/A.C. 1988 |
| | 5600 3305 | 1 | | | 4 Cyl. Gas Engine, w/A.C. 1989 |
| | 5600 2860 | 1 | | | 4 Cyl. Engine, w/"American Air" |
| | 5600 2295 | 1 | | | 4 Cyl. Engine Non Regulated Markets 1987 |
| | 5600 2864 | 1 | | | 4 Cyl. Engine, Non-Regulated Markets 1988/89 |
| | 5600 4639 | 1 | | | 4 Cyl. Engine w/o A.C. 1990 |
| | 5600 4640 | 1 | | | 4 Cyl. Engine w/A.C. 1990 |
| | 5600 2234 | 1 | | | Diesel Engine 1987 |
| | 5600 2865 | 1 | | | Diesel Engine 1988-89 |
| | 5600 4661 | 1 | | | Diesel Engine 1990 |
| 2 | | | | | HARNES, Alternator |
| | 5600 2614 | 1 | | | 6 Cyl. 1987/89 |
| | 5600 3738 | 1 | | | 6 Cyl. 1990 |
| | 5600 2693 | 1 | | | 4 Cyl. Gas Engine, Non-Regulated Markets |
| | 5600 1988 | 1 | | | 4 Cyl. Engine, U.S. & Canada |
| 3 | | | | | HARNES, Transmission |
| | 8350 3718 | 1 | | | Auto. Trans., 2WD |
| | 8350 3843 | 1 | | | 6 Cyl. Engine, Auto. Trans., 4WD |
| | 5600 1971 | 1 | | | 6 Cyl., w/Manual Trans. 1987 |
| | 5600 2898 | 1 | | | 4 Cyl. Gas Engine, w/Manual Trans. |
| | 8350 3740 | 1 | | | 4 Cyl. Engine, w/Auto Trans. 4WD |
| | 5600 1970 | 1 | | | 4 Cyl., w/Manual Trans. 1987 |

MODEL CODES:

| | | |
|-----------------------------|-----------------------------|------------------------------|
| 15 = Grand Wagoneer 4 Dr. | 65 = Comanche 4WD-7 Ft. Box | 77 = Cherokee 4WD-2 Dr. |
| 25 = J-10 Pickup-119" W.B. | 66 = Comanche 2WD-7 Ft. Box | 78 = Cherokee 4WD-4 Dr. |
| 26 = J-10 Pickup-131" W.B. | 73 = Cherokee 2WD-2 Dr. | 79 = Cherokee 4WD-4 Dr.-Com |
| 27 = J-20 Pickup-131" W.B. | 74 = Cherokee 2WD-4 Dr. | 81 = Wrangler-93" W.B. |
| 63 = Comanche 4WD-6 Ft. Box | 75 = Wagoneer 4WD-4 Dr. | 82 = Wrangler-103" W.B.-Exp. |
| 64 = Comanche 2WD-6 Ft. Box | | |

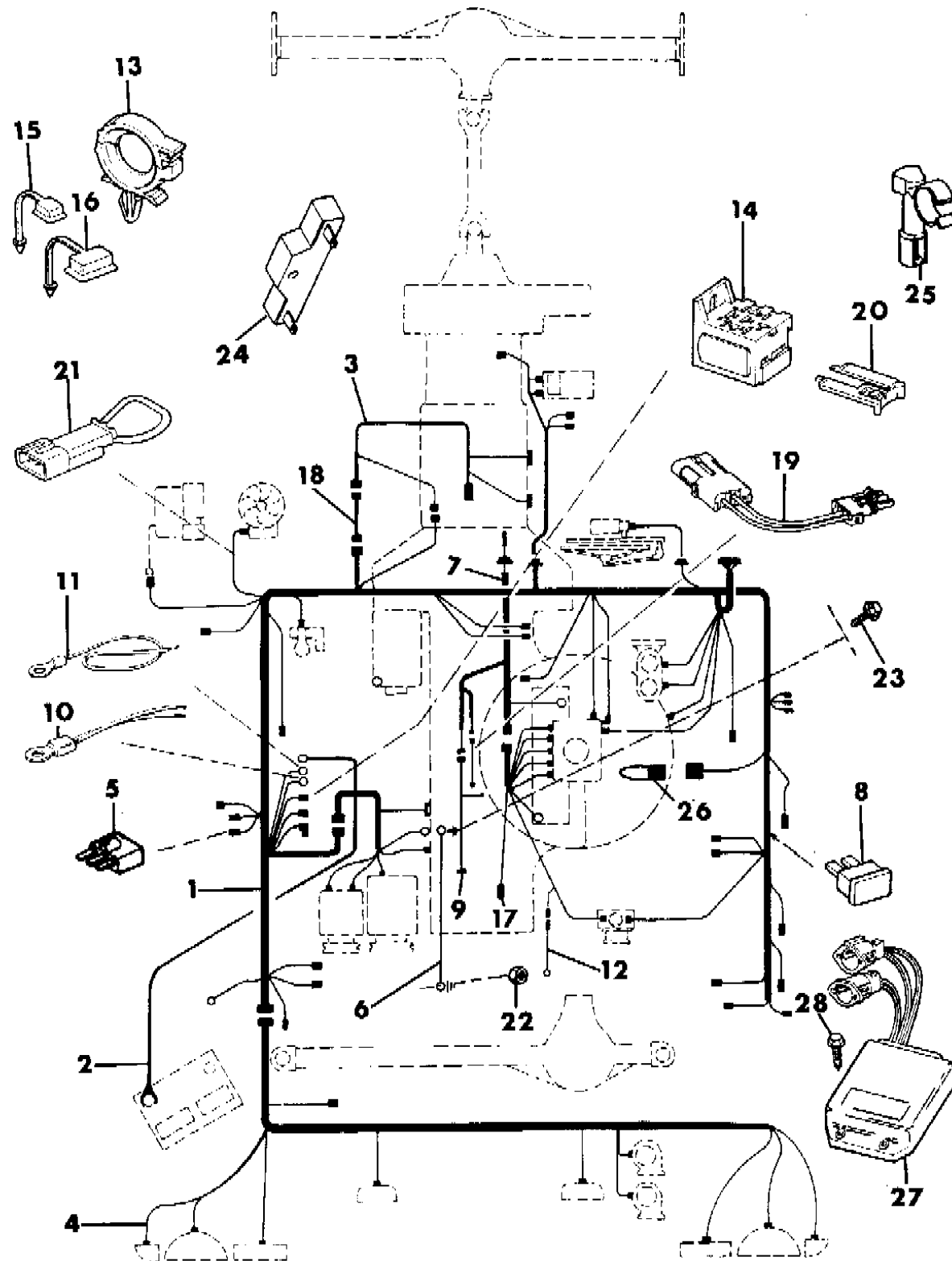
BODY STYLES:

MJ = Comanche Pickup
 SJ = Grand Wagoneer Wgn., J-10 & J-20 Pickups
 XJ = Cherokee, Wagoneer Limited
 YJ = Wrangler

AR = Use as Required - = Non Illustrated Part P.A.R. = Paint as Required

HARNESS--ENGINE COMPARTMENT 4 & 6 CYLINDER ENGINE CHEROKEE, WAGONEER, COMANCHE
Figure 8-4900

8J08 4900 A



| ITEM | PART NUMBER | QTY | BODY | MODEL | DESCRIPTION |
|------|-------------|-----|------|-------|--|
| | 5600 2898 | 1 | | | 4 Cyl., w/Manual Trans 1988-90 |
| | 5600 4820 | 1 | | | 6 Cyl., AISIN 5 Speed 1989-90 |
| | 5600 4192 | 1 | | | DIESEL 1990 |
| | 5600 4192 | 1 | | | 4 Cyl., w/Manual Trans. (NRM) 1990 |
| | 5600 1753 | 1 | | | Diesel Engine, Man. Trans. 1987-89 |
| 4 | | | | | HARNESS, Front End Cherokee or Comanche |
| | 5600 2586 | 1 | | | 1987-89 |
| | 5600 3751 | 1 | | | 1990 w/Dual Road Fog Lamp |
| | 5600 3750 | 1 | | | 1990 w/o Dual Road Fog Lamp Wagoneer |
| | 5600 2585 | 1 | | | 1987-89 |
| | 5600 3754 | 1 | | | 1990 |
| | 5600 2300 | 1 | | | Emission Controlled European 1987-89 |
| | 5600 3755 | 1 | | | 1990 |
| 5 | 5600 1965 | 1 | | | DIODE, Module, w/ Anti-Lock Brakes (Also Rad. Fan Diode) |
| 6 | | | | | HARNESS, Ground |
| | 5600 0761 | 1 | | | Gas Engine |
| | 5600 0786 | 1 | | | Diesel Engine |
| 7 | | | | | HARNESS, Electronic Engine Control |
| | | | | | 4 CYLINDER GAS ENGINE |
| | 5600 2430 | 1 | | | 1987 Fuel Injected w/Manual Trans. |
| | 5600 2431 | 1 | | | w/Auto. Trans. |
| | 5600 2849 | 1 | | | 1988 w/Manual Trans. |
| | 5600 2966 | 1 | | | w/Auto. Trans. 1989 |
| | 5600 3625 | 1 | | | w/Manual Trans. |
| | 5600 3626 | 1 | | | w/Auto. Trans. 1990 |
| | 5600 4821 | 1 | | | w/Manual Trans. |
| | 5600 4825 | 1 | | | w/Auto. Trans. |
| | | | | | 6 CYLINDER ENGINE |
| | 5600 2434 | 1 | | | 1987 w/Manual Trans. (Stamped 56002851) |

MODEL CODES:

| | | |
|-----------------------------|-----------------------------|------------------------------|
| 15 = Grand Wagoneer 4 Dr. | 65 = Comanche 4WD-7 Ft. Box | 77 = Cherokee 4WD-2 Dr. |
| 25 = J-10 Pickup-119" W.B. | 66 = Comanche 2WD-7 Ft. Box | 78 = Cherokee 4WD-4 Dr. |
| 26 = J-10 Pickup-131" W.B. | 73 = Cherokee 2WD-2 Dr. | 79 = Cherokee 4WD-4 Dr.-Com |
| 27 = J-20 Pickup-131" W.B. | 74 = Cherokee 2WD-4 Dr. | 81 = Wrangler-93" W.B. |
| 63 = Comanche 4WD-6 Ft. Box | 75 = Wagoneer 4WD-4 Dr. | 82 = Wrangler-103" W.B.-Exp. |
| 64 = Comanche 2WD-6 Ft. Box | | |

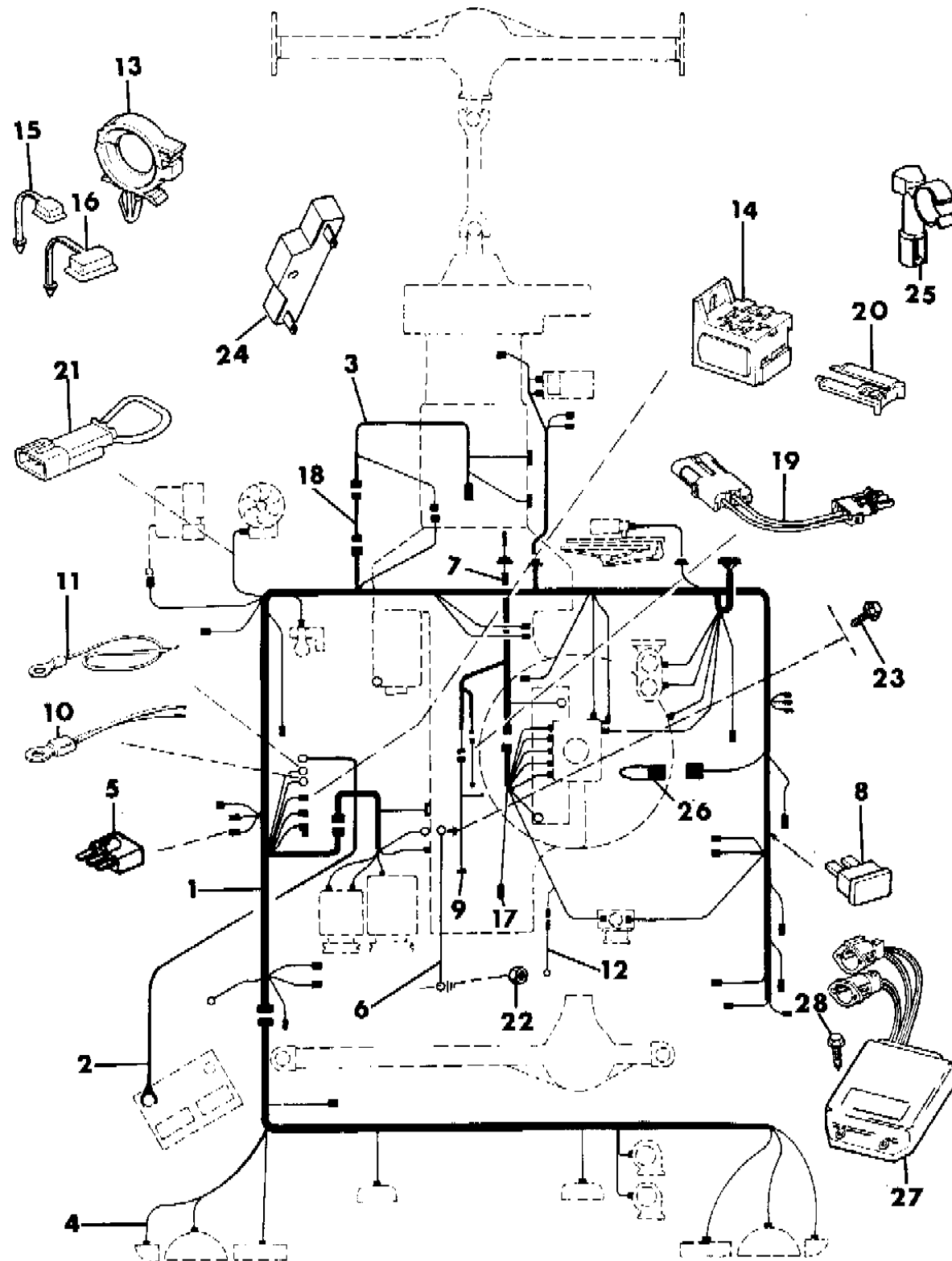
BODY STYLES:

MJ = Comanche Pickup
 SJ = Grand Wagoneer Wgn., J-10 & J-20 Pickups
 XJ = Cherokee, Wagoneer Limited
 YJ = Wrangler

AR = Use as Required - = Non Illustrated Part P.A.R. = Paint as Required

HARNES--ENGINE COMPARTMENT 4 & 6 CYLINDER ENGINE CHEROKEE, WAGONEER, COMANCHE
Figure 8-4900

8J08 4900 A



| ITEM | PART NUMBER | QTY | BODY | MODEL | DESCRIPTION |
|------|-------------|-----|------|-------|--|
| | 5600 2435 | 1 | | | w/Auto. Trans. 1988 |
| | 5600 3534 | 1 | | | w/Manual Trans. (Stamped 56002851) |
| | 5600 2967 | 1 | | | w/Auto. Trans. |
| | 5600 3627 | 1 | | | 1989 w/Manual Trans. |
| | 5600 4819 | 1 | | | 1990 w/Manual Trans. |
| | 5600 3626 | 1 | | | 6 Cylinder Engine, w/o Anti Lock Brakes w/ Auto Trans. { *** 1989 |
| | 5600 4823 | 1 | | | 1990 6 Cylinder Engine, w/Anti Lock Brakes, w/Auto Tr ans. *** |
| | 5600 3628 | 1 | | | 1989 |
| | 5600 4824 | 1 | | | 1990 |
| 8 | 3600 1416 | 1 | | | FUSE, 2 Ampere |
| 9 | 5600 2101 | 1 | | | HARNES, Idle Speedup, 4 Cyl., Gas Engine |
| 10 | J813 4201 | 2 | | | FUSIBLE LINK, 18 Gauge |
| 11 | J813 3785 | 1 | | | FUSIBLE LINK, 14 Gauge |
| 12 | 5600 1345 | 1 | | | WIRE, Fuel Shut-Off Solenoid, Diesel Engine |
| 13 | J417 5403 | AR | | | CLIP |
| 14 | J417 9106 | 3 | | | CONNECTOR |
| 15 | J416 0718 | 1 | | | COVER, 6-Hole |
| 16 | J416 0818 | 1 | | | COVER, 15-Hole |
| 17 | | | | | HARNES, Injector |
| | 5600 2854 | 1 | | | 6 Cyl. Engine 1987-88 |
| | 5600 2432 | 1 | | | 4 Cyl. Injected Engine 1987 |
| | 5600 2853 | 1 | | | 4 Cyl. Gas Engine, 1988 |
| | | | | | Injector Harness For 1989 Is Part of E.C.U. Harness, Item #7 |
| 18 | | | | | HARNES,Jumper |
| | | | | | With Auto. Trans. |
| | 5600 2600 | 1 | | | 242. Transfer Case, 4WD Lock Light |
| | | | | | With Man. Trans. |
| | 5600 2613 | 1 | | | Transmission Back-up Light Switch |
| 19 | 8350 4369 | 1 | | | HARNES, Ignition Sensor Jumper |
| 20 | 3417 5430 | 1 | | | RETAINER, Lock |
| 21 | 8350 4880 | 1 | | | RESISTOR, 1.2 Ohm |
| 22 | J942 2299 | 1 | | | NUT |
| 23 | 3420 1749 | 1 | | | SCREW |
| 24 | 3300 0682 | 1 | | | RESISTOR, Fuel Pump |

MODEL CODES:

| | | |
|-----------------------------|-----------------------------|------------------------------|
| 15 = Grand Wagoneer 4 Dr. | 65 = Comanche 4WD-7 Ft. Box | 77 = Cherokee 4WD-2 Dr. |
| 25 = J-10 Pickup-119" W.B. | 66 = Comanche 2WD-7 Ft. Box | 78 = Cherokee 4WD-4 Dr. |
| 26 = J-10 Pickup-131" W.B. | 73 = Cherokee 2WD-2 Dr. | 79 = Cherokee 4WD-4 Dr.-Com |
| 27 = J-20 Pickup-131" W.B. | 74 = Cherokee 2WD-4 Dr. | 81 = Wrangler-93" W.B. |
| 63 = Comanche 4WD-6 Ft. Box | 75 = Wagoneer 4WD-4 Dr. | 82 = Wrangler-103" W.B.-Exp. |
| 64 = Comanche 2WD-6 Ft. Box | | |

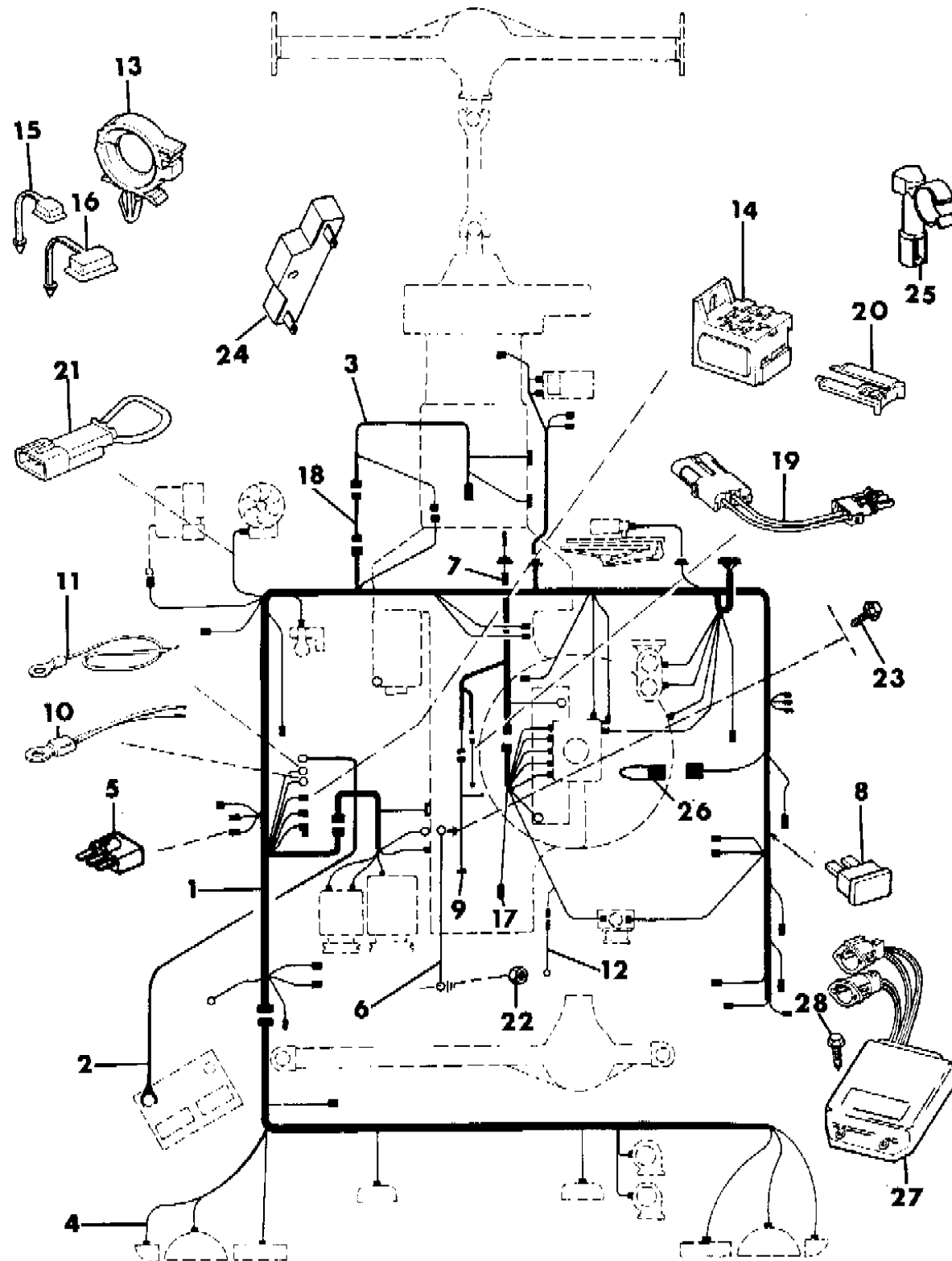
BODY STYLES:

MJ = Comanche Pickup
 SJ = Grand Wagoneer Wgn., J-10 & J-20 Pickups
 XJ = Cherokee, Wagoneer Limited
 YJ = Wrangler

AR = Use as Required - = Non Illustrated Part P.A.R. = Paint as Required

HARNES--ENGINE COMPARTMENT 4 & 6 CYLINDER ENGINE CHEROKEE, WAGONEER, COMANCHE
Figure 8-4900

8J08 4900 A



| ITEM | PART NUMBER | QTY | BODY | MODEL | DESCRIPTION |
|------|-------------|-----|------|-------|----------------------------------|
| 25 | J324 2912 | 3 | | | CLIP |
| 26 | 5600 1586 | 1 | | | JUMPER, Compressor Diesel Engine |
| 27 | 5300 5079 | 1 | | | MODULE, Ignition 4Cyl.(NRM) |
| 28 | J400 5982 | 3 | | | SCREW 4Cyl. (NRM) *** |

MODEL CODES:

| | | |
|-----------------------------|-----------------------------|------------------------------|
| 15 = Grand Wagoneer 4 Dr. | 65 = Comanche 4WD-7 Ft. Box | 77 = Cherokee 4WD-2 Dr. |
| 25 = J-10 Pickup-119" W.B. | 66 = Comanche 2WD-7 Ft. Box | 78 = Cherokee 4WD-4 Dr. |
| 26 = J-10 Pickup-131" W.B. | 73 = Cherokee 2WD-2 Dr. | 79 = Cherokee 4WD-4 Dr.-Com |
| 27 = J-20 Pickup-131" W.B. | 74 = Cherokee 2WD-4 Dr. | 81 = Wrangler-93" W.B. |
| 63 = Comanche 4WD-6 Ft. Box | 75 = Wagoneer 4WD-4 Dr. | 82 = Wrangler-103" W.B.-Exp. |
| 64 = Comanche 2WD-6 Ft. Box | | |

BODY STYLES:

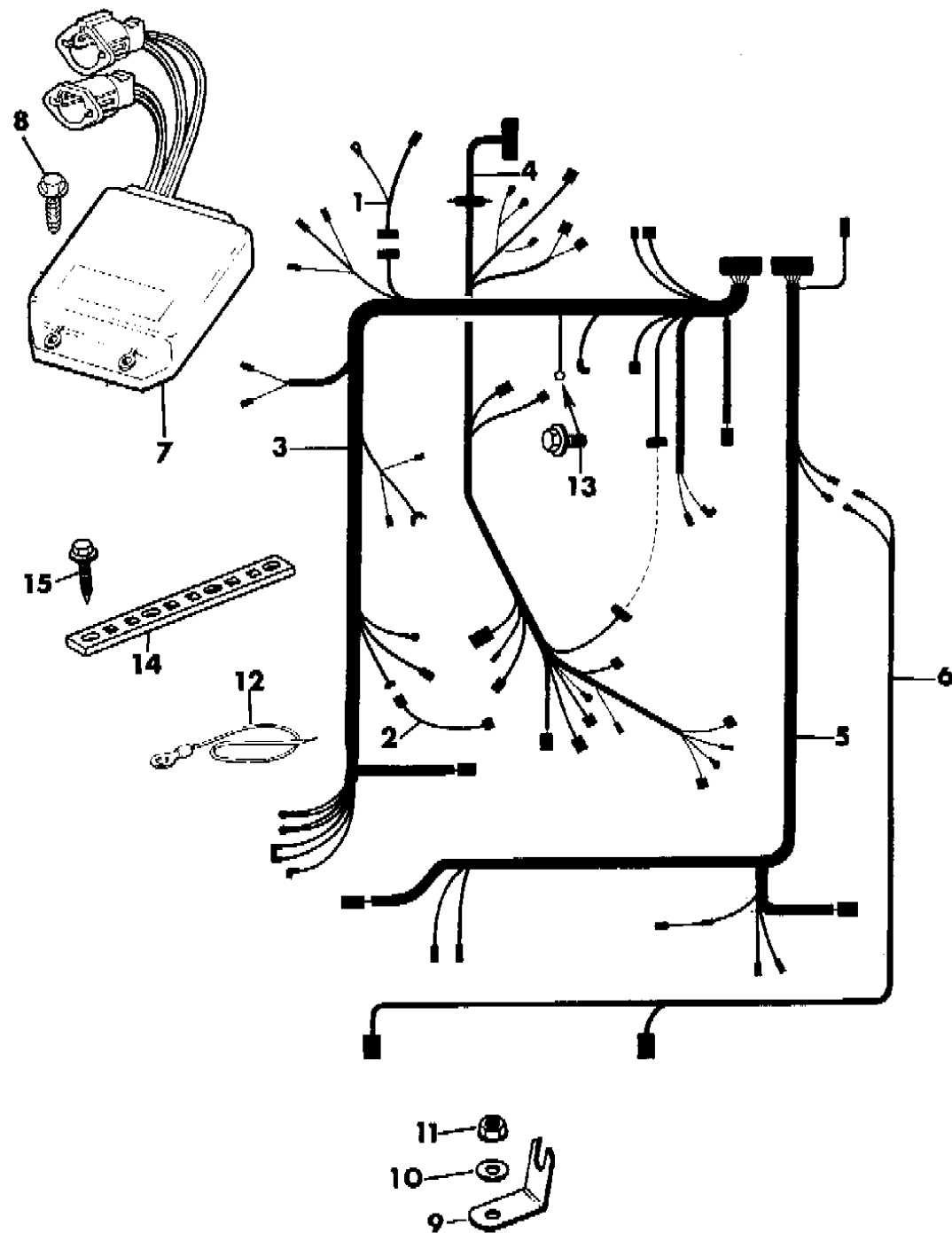
MJ = Comanche Pickup
 SJ = Grand Wagoneer Wgn., J-10 & J-20 Pickups
 XJ = Cherokee, Wagoneer Limited
 YJ = Wrangler

AR = Use as Required - = Non Illustrated Part P.A.R. = Paint as Required

HARNESS--ENGINE COMPARTMENT GRAND WAGONEER, J10, J20

Figure 8-5000

8J08 5000



| ITEM | PART NUMBER | QTY | BODY | MODEL | DESCRIPTION |
|------|-------------|-----|------|-------|---|
| 1 | | | | | HARNESS, Transmission |
| | 5600 2030 | 1 | | | w/Auto Trans, w/Transfer Case AM 229 |
| | 5600 2230 | 1 | | | w/Auto Trans, w/Transfer Case AM 207 |
| | 5600 2031 | 1 | | | w/Man. Transmission |
| 2 | J575 8282 | 1 | | | HARNESS, Alternator 6 Cyl., Eng. (Calif.) |
| 3 | | | | | HARNESS, Engine Compartment |
| | 5600 2406 | 1 | | | 6 Cyl. |
| | 5600 2405 | 1 | | | 8 Cyl., 1987 |
| | 5600 3641 | 1 | | | 8 Cyl., 1988-89 |
| | 5600 3712 | 1 | | | 8 Cyl., 1990 |
| 4 | J576 4233 | 1 | | | HARNESS, Emission, 6 Cyl.Engine |
| 5 | | | | | HARNESS, Headlamp |
| | 5600 2841 | 1 | | | w/Rear Wiper & Washer, 1987-88 |
| | 5600 3159 | 1 | | | 1989 |
| | 5600 3713 | 1 | | | 1990 U.S. |
| | 5600 3714 | 1 | | | 1990 Canada |
| 6 | J575 8253 | 1 | | | HARNESS, Fog Lamp, Export |
| 7 | | | | | MODULE, Ignition |
| | 3300 4065 | 1 | | | 1987 |
| | 5300 5079 | 1 | | | 1988-90 |
| 8 | J400 5982 | 3 | | | SCREW |
| 9 | J575 2416 | 2 | | | SUPPORT, Harness |
| 10 | J012 0391 | 2 | | | WASHER |
| 11 | J420 0325 | 2 | | | NUT |
| 12 | | | | | LINK, Fusible |
| | J812 7340 | 1 | | | 14 Gauge *** |
| | J321 0989 | 1 | | | 18 Gauge |
| 13 | J400 4652 | 1 | | | SCREW, Ground |
| 14 | J536 1473 | 2 | | | PLATE |
| 15 | J942 1073 | 4 | | | SCREW |

MODEL CODES:

| | | |
|-----------------------------|-----------------------------|------------------------------|
| 15 = Grand Wagoneer 4 Dr. | 65 = Comanche 4WD-7 Ft. Box | 77 = Cherokee 4WD-2 Dr. |
| 25 = J-10 Pickup-119" W.B. | 66 = Comanche 2WD-7 Ft. Box | 78 = Cherokee 4WD-4 Dr. |
| 26 = J-10 Pickup-131" W.B. | 73 = Cherokee 2WD-2 Dr. | 79 = Cherokee 4WD-4 Dr.-Com |
| 27 = J-20 Pickup-131" W.B. | 74 = Cherokee 2WD-4 Dr. | 81 = Wrangler-93" W.B. |
| 63 = Comanche 4WD-6 Ft. Box | 75 = Wagoneer 4WD-4 Dr. | 82 = Wrangler-103" W.B.-Exp. |
| 64 = Comanche 2WD-6 Ft. Box | | |

BODY STYLES:

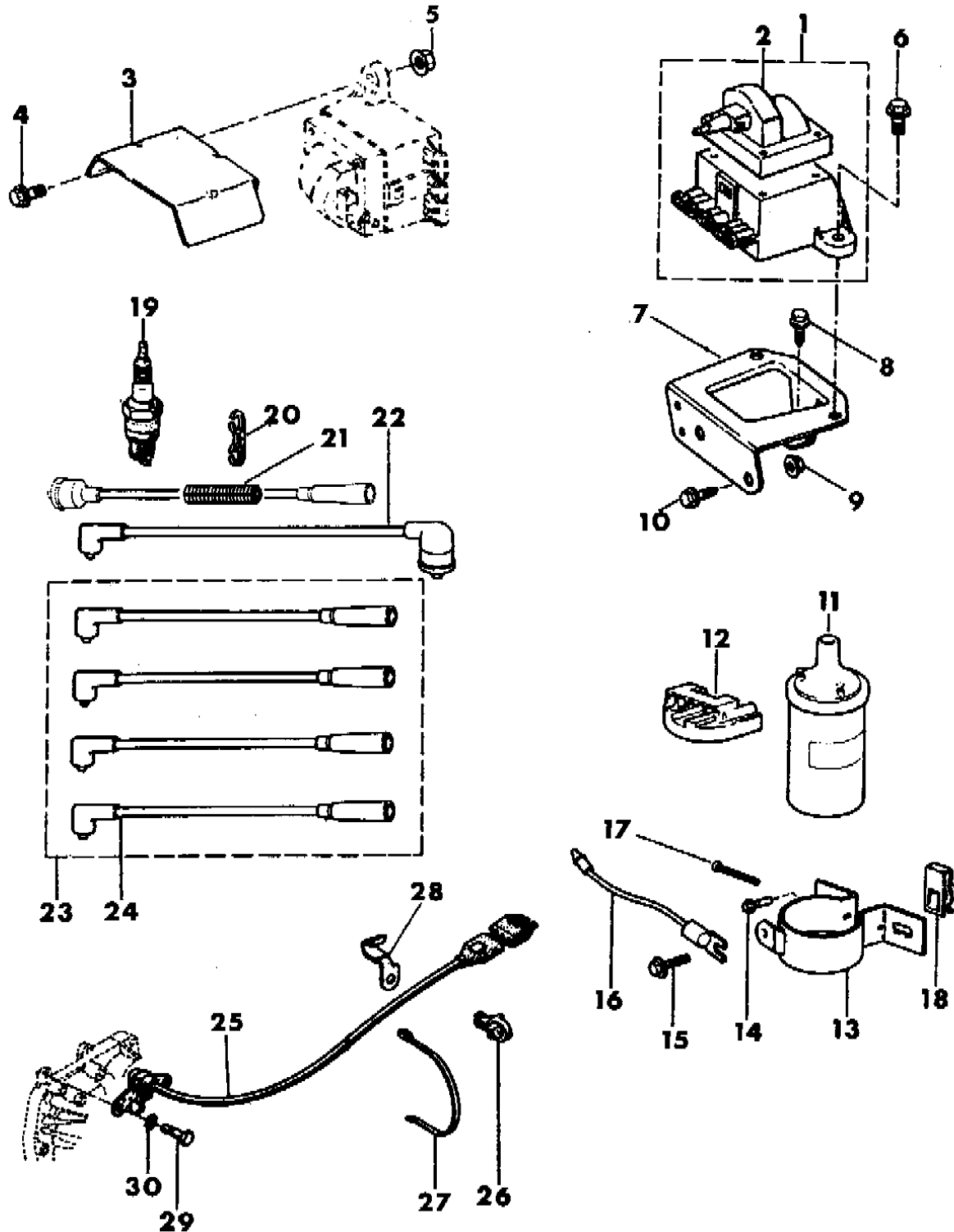
MJ = Comanche Pickup
 SJ = Grand Wagoneer Wgn., J-10 & J-20 Pickups
 XJ = Cherokee, Wagoneer Limited
 YJ = Wrangler

AR = Use as Required - = Non Illustrated Part P.A.R. = Paint as Required

COIL--SPARKPLUGS--WIRES 2.5L ENGINE

Figure 8-5100

8 J08 5100



| ITEM | PART NUMBER | QTY | BODY | MODEL | DESCRIPTION |
|------|-------------|-----|-------|-------|---|
| 1 | 3300 2299 | 1 | | | MODULE, Ignition Coil EFI Engine |
| 2 | T103 1135 | 1 | | | COIL, Ignition EFI Engine |
| 3 | 5300 2673 | 1 | YJ | | COVER, EFI Engine |
| 4 | J400 6705 | 2 | YJ | | BOLT, EFI Engine |
| 5 | J400 6715 | 2 | YJ | | NUT, EFI Engine |
| 6 | J420 0406 | 2 | XJ,MJ | | BOLT, EFI Engine |
| 7 | 5300 2331 | 1 | XJ,MJ | | BRACKET, Ignition Module EFI Engine |
| 8 | 1150 2843 | 1 | XJ,MJ | | SCREW, EFI Engine |
| 9 | J420 0046 | 2 | XJ,MJ | | NUT, EFI Engine |
| 10 | 1150 4735 | 2 | XJ,MJ | | BOLT, EFI Engine |
| 11 | 3300 4522 | 1 | XJ,MJ | | COIL, Ignition Carbureted Engine |
| 12 | J323 0639 | 1 | | | CONNECTOR, Carbureted Engine 1987 - 89 |
| | J417 9510 | 1 | | | 1990 |
| 13 | J323 0787 | 1 | | | BRACKET, Coil Carbureted Engine |
| 14 | J400 6985 | 2 | | | BOLT |
| 15 | J940 9106 | 1 | | | BOLT |
| 16 | J322 9510 | 1 | | | CAPACITOR, Ignition Carbureted Engine *** |
| 17 | J813 0952 | 1 | | | BOLT, Carbureted Engine |
| 18 | J400 4208 | 2 | XJ,MJ | | NUT, Carbureted Engine |
| 19 | | | | | SPARKPLUG *** |
| | J323 9652 | 4 | | | RFN 14LY, Carbureted Engine |
| | 3300 2750 | 4 | | | RC 12LYC, EFI Engine |
| 20 | J324 3095 | 1 | | | SEPARATOR, Ignition Wire |
| 21 | 3300 1774 | 2 | | | SHIELD, Ignition Wire |
| 22 | | | | | WIRE, Coil |
| | 5300 5093 | 1 | YJ | | Carbureted Engine, Export, Non-Regulated Markets |
| | 5300 2177 | 1 | | | EFI Engine |
| | J324 2842 | 1 | XJ,MJ | | Carbureted Engine *** |
| | 5300 2157 | 1 | XJ,MJ | | EFI Engine *** |
| 23 | 8350 2400 | 1 | | | WIRE SET, Ignition *** |
| 24 | 8330 0149 | 4 | | | WIRE, Ignition |
| 25 | T073 9789 | | | | SENSOR, Engine Speed EFI Engine |
| | 5300 5421 | 1 | YJ | | High Altitude |
| | 3300 4761 | 1 | | | US, Canada, Emission Controlled European (Wiring Repair 4443965) |
| 26 | 3420 1633 | 1 | | | CLIP, EFI Engine |

MODEL CODES:

| | | |
|-----------------------------|-----------------------------|------------------------------|
| 15 = Grand Wagoneer 4 Dr. | 65 = Comanche 4WD-7 Ft. Box | 77 = Cherokee 4WD-2 Dr. |
| 25 = J-10 Pickup-119" W.B. | 66 = Comanche 2WD-7 Ft. Box | 78 = Cherokee 4WD-4 Dr. |
| 26 = J-10 Pickup-131" W.B. | 73 = Cherokee 2WD-2 Dr. | 79 = Cherokee 4WD-4 Dr.-Com |
| 27 = J-20 Pickup-131" W.B. | 74 = Cherokee 2WD-4 Dr. | 81 = Wrangler-93" W.B. |
| 63 = Comanche 4WD-6 Ft. Box | 75 = Wagoneer 4WD-4 Dr. | 82 = Wrangler-103" W.B.-Exp. |
| 64 = Comanche 2WD-6 Ft. Box | | |

BODY STYLES:

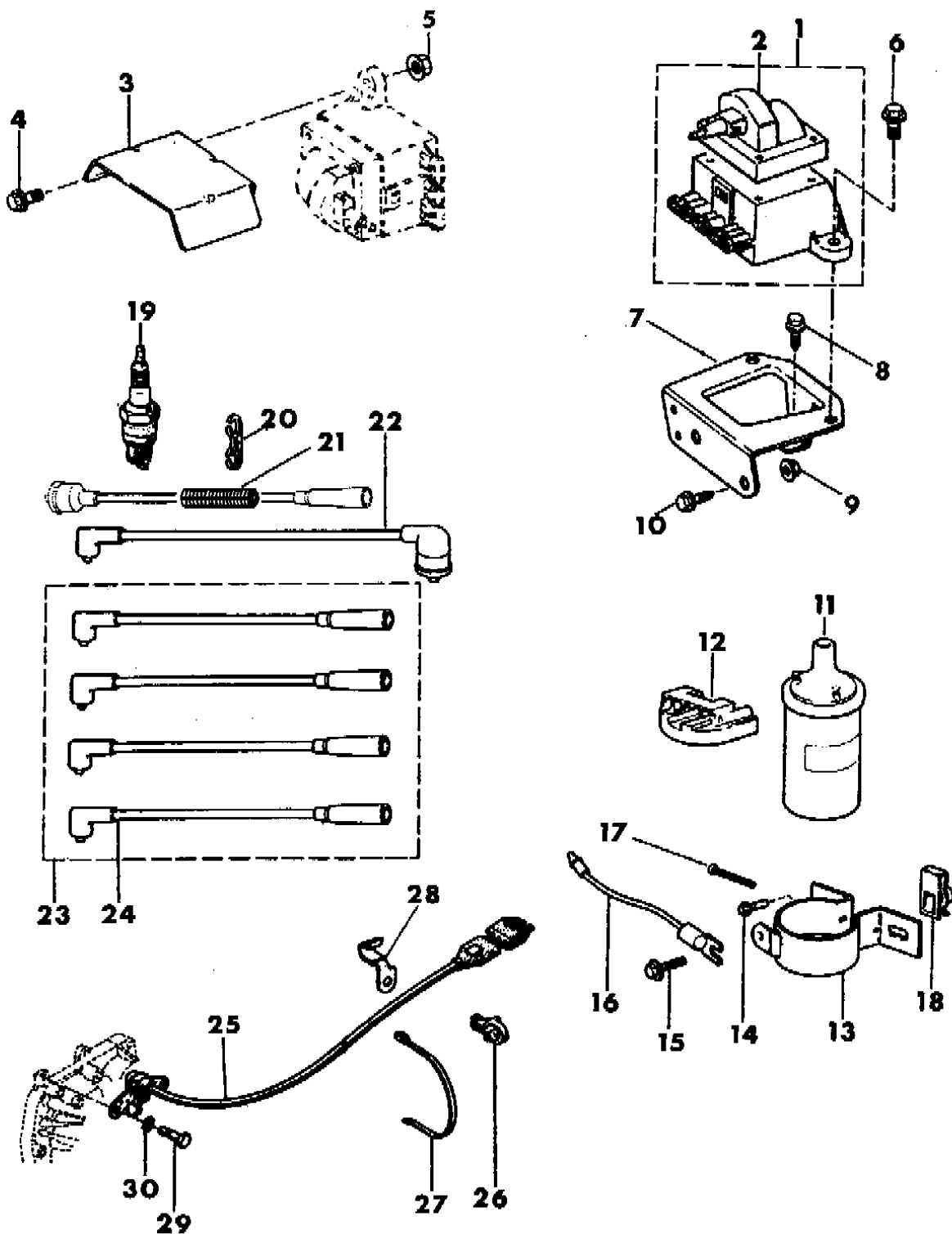
MJ = Comanche Pickup
 SJ = Grand Wagoneer Wgn., J-10 & J-20 Pickups
 XJ = Cherokee, Wagoneer Limited
 YJ = Wrangler

AR = Use as Required - = Non Illustrated Part P.A.R. = Paint as Required

COIL--SPARKPLUGS--WIRES 2.5L ENGINE

Figure 8-5100

8 J08 5100



| ITEM | PART NUMBER | QTY | BODY | MODEL | DESCRIPTION |
|------|-------------|-----|-------|-------|--------------------|
| 27 | J322 3227 | 1 | | | STRAP, EFI Engine |
| 28 | 3420 2771 | 1 | XJ,MJ | | CLIP, EFI Engine |
| 29 | J305 0116 | 2 | | | BOLT, EFI Engine |
| 30 | T140 2084 | 2 | | | WASHER, EFI Engine |

MODEL CODES:

| | | |
|-----------------------------|-----------------------------|------------------------------|
| 15 = Grand Wagoneer 4 Dr. | 65 = Comanche 4WD-7 Ft. Box | 77 = Cherokee 4WD-2 Dr. |
| 25 = J-10 Pickup-119" W.B. | 66 = Comanche 2WD-7 Ft. Box | 78 = Cherokee 4WD-4 Dr. |
| 26 = J-10 Pickup-131" W.B. | 73 = Cherokee 2WD-2 Dr. | 79 = Cherokee 4WD-4 Dr.-Com |
| 27 = J-20 Pickup-131" W.B. | 74 = Cherokee 2WD-4 Dr. | 81 = Wrangler-93" W.B. |
| 63 = Comanche 4WD-6 Ft. Box | 75 = Wagoneer 4WD-4 Dr. | 82 = Wrangler-103" W.B.-Exp. |
| 64 = Comanche 2WD-6 Ft. Box | | |

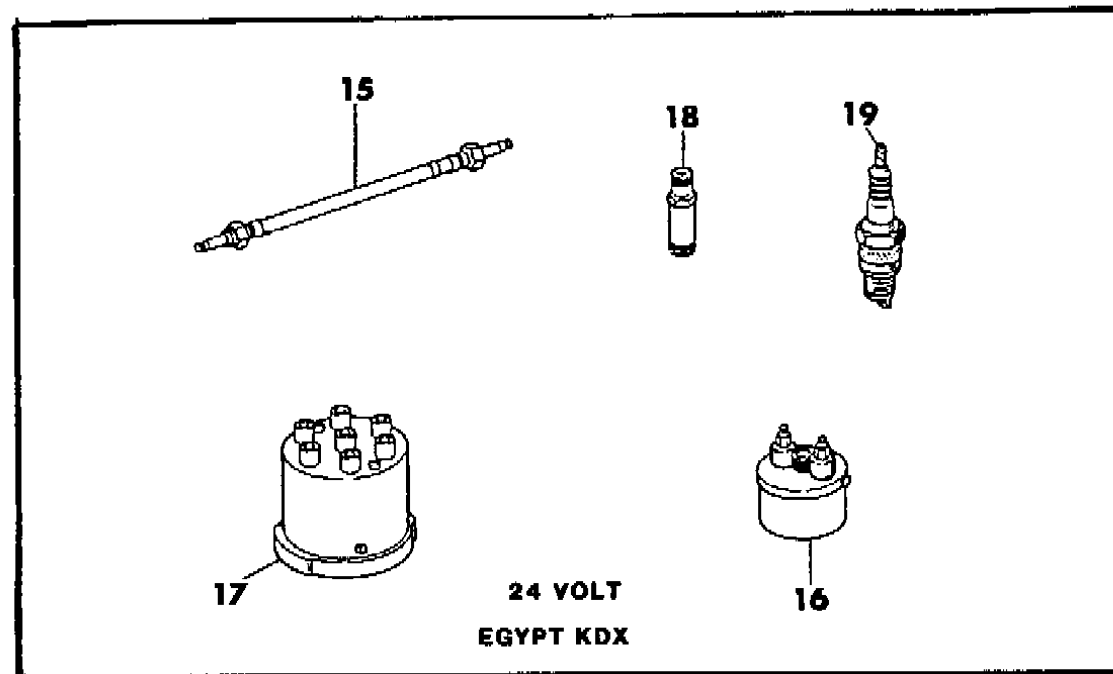
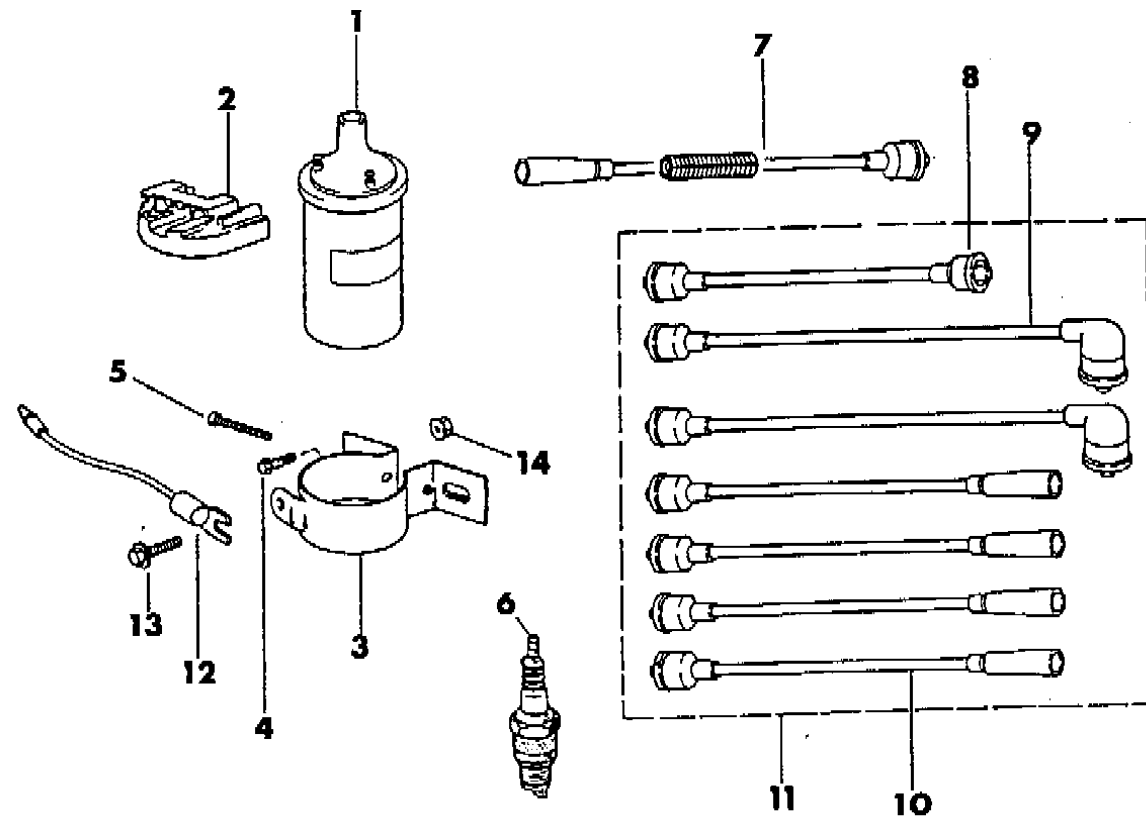
BODY STYLES:

MJ = Comanche Pickup
 SJ = Grand Wagoneer Wgn., J-10 & J-20 Pickups
 XJ = Cherokee, Wagoneer Limited
 YJ = Wrangler

AR = Use as Required - = Non Illustrated Part P.A.R. = Paint as Required

COIL--SPARKPLUGS--WIRES 4.2L ENGINE
Figure 8-5200

8 J08 5200



| ITEM | PART NUMBER | QTY | BODY | MODEL | DESCRIPTION |
|---|-------------|-----|------|-------|--------------------------------|
| 1 | | | | | COIL, Ignition |
| | 3300 4522 | 1 | | | 1987-88-89-90 |
| 2 | | | | | CONNECTOR |
| | J323 0639 | 1 | | | 1987 - 89 |
| | J417 9510 | 1 | | | 1990 |
| 3 | J323 0787 | 1 | | | BRACKET, Coil |
| 4 | J400 6708 | 2 | | | BOLT |
| 5 | J813 0952 | 1 | | | SCREW |
| 6 | 4318 138 | 6 | | | SPARK PLUG, RFN 14LY |
| 7 | 3300 1774 | 1 | | | SHIELD, Ignition Wire |
| 8 | 8330 0144 | 1 | | | WIRE, Coil |
| 9 | J324 1151 | 2 | | | WIRE, Ignition |
| 10 | J324 1154 | 4 | | | WIRE, Ignition |
| 11 | 8330 0088 | 1 | | | WIRE SET, Ignition 1987-90 *** |
| 12 | J322 9510 | 1 | | | CAPACITOR, Ignition |
| 13 | J940 9106 | 1 | | | SCREW |
| 14 | J400 6715 | 2 | | | NUT |
| The Following Parts Are For Wrangler, Egyptian KDX Vehicles w/24 Volt Ignition Systems | | | | | |
| 15 | | | | | CABLE, Ignition *** |
| | 9600 0086 | 2 | | | Cable 1 or 6 *** |
| | 9600 0085 | 1 | | | Cable 5 |
| | 9600 0084 | 2 | | | Cable 3 or 4 |
| | 9600 0082 | 1 | | | Cable 2 |
| | 9600 0080 | 1 | | | Cable, Coil |
| 16 | 9600 0079 | 1 | | | SHIELD, Coil |
| 17 | 9600 0078 | 1 | | | SHIELD, Distributor |
| 18 | 9600 0087 | 6 | | | ENCLOSURE, Sparkplug *** |
| 19 | 3300 3312 | 6 | | | SPARK PLUG, RS 12YC |

MODEL CODES:

| | | |
|-----------------------------|-----------------------------|------------------------------|
| 15 = Grand Wagoneer 4 Dr. | 65 = Comanche 4WD-7 Ft. Box | 77 = Cherokee 4WD-2 Dr. |
| 25 = J-10 Pickup-119" W.B. | 66 = Comanche 2WD-7 Ft. Box | 78 = Cherokee 4WD-4 Dr. |
| 26 = J-10 Pickup-131" W.B. | 73 = Cherokee 2WD-2 Dr. | 79 = Cherokee 4WD-4 Dr.-Com |
| 27 = J-20 Pickup-131" W.B. | 74 = Cherokee 2WD-4 Dr. | 81 = Wrangler-93" W.B. |
| 63 = Comanche 4WD-6 Ft. Box | 75 = Wagoneer 4WD-4 Dr. | 82 = Wrangler-103" W.B.-Exp. |
| 64 = Comanche 2WD-6 Ft. Box | | |

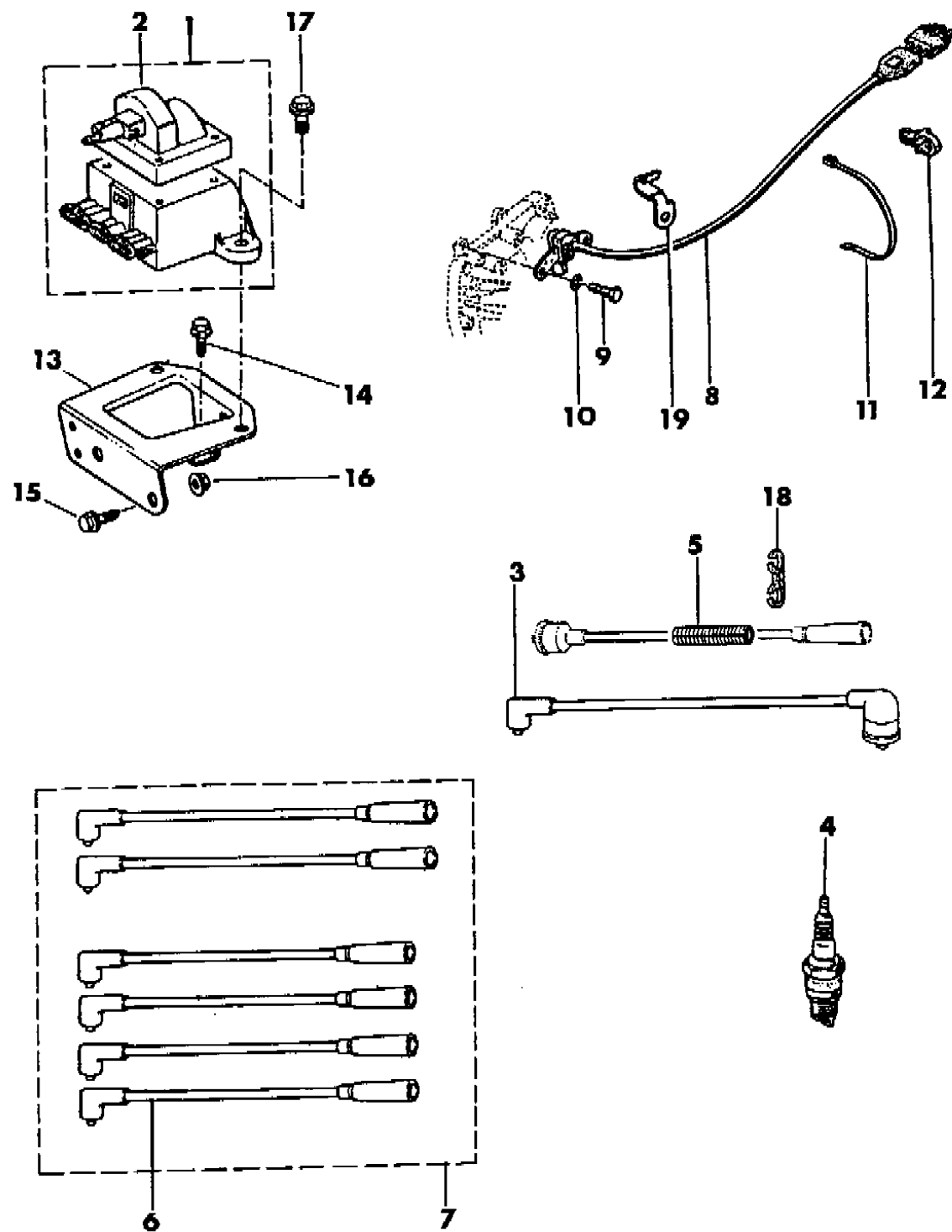
BODY STYLES:

MJ = Comanche Pickup
 SJ = Grand Wagoneer Wgn., J-10 & J-20 Pickups
 XJ = Cherokee, Wagoneer Limited
 YJ = Wrangler

AR = Use as Required - = Non Illustrated Part P.A.R. = Paint as Required

COIL--SPARKPLUGS--WIRES 4.0L ENGINE
Figure 8-5300

8J08 5300



| ITEM | PART NUMBER | QTY | BODY | MODEL | DESCRIPTION |
|------|-------------|-----|------|-------|--------------------------------------|
| 1 | 3300 2299 | 1 | | | MODULE, Ignition Coil |
| 2 | T103 1135 | 1 | | | COIL, Ignition |
| 3 | 5300 2157 | 1 | | | WIRE, Coil |
| 4 | 3300 3862 | 6 | | | SPARK PLUG, RC 9YC |
| 5 | 3300 1774 | 1 | | | SHIELD, Ignition Wire |
| 6 | | | | | WIRE, Ignition |
| | 3300 3402 | 2 | | | 13.5" long *** |
| | 3300 3404 | 4 | | | 11.0" long *** |
| 7 | 8330 0156 | 1 | | | WIRE SET, Ignition *** |
| 8 | T073 9789 | 1 | | | SENSOR, Engine Speed 1987 |
| | 3300 4761 | 1 | | | 1988-90 (Wiring Repair Pkg. 4443965) |
| | 5300 3659 | 1 | | | High Altitude (Crank Sensor) |
| 9 | J305 0116 | 2 | | | BOLT |
| 10 | T140 2084 | 2 | | | WASHER |
| 11 | J322 3227 | 1 | | | STRAP |
| 12 | 3420 1833 | 1 | | | CLIP |
| 13 | 5300 2331 | 1 | | | BRACKET, Ignition Module |
| 14 | 1150 2843 | 1 | | | SCREW |
| 15 | 1150 4735 | 2 | | | BOLT |
| 16 | J420 0046 | 2 | | | NUT |
| 17 | J420 0406 | 2 | | | BOLT |
| 18 | J324 3095 | 1 | | | SEPARATOR, Ignition Wire |
| 19 | 3420 2771 | 1 | | | CLIP |

MODEL CODES:

| | | |
|-----------------------------|-----------------------------|------------------------------|
| 15 = Grand Wagoneer 4 Dr. | 65 = Comanche 4WD-7 Ft. Box | 77 = Cherokee 4WD-2 Dr. |
| 25 = J-10 Pickup-119" W.B. | 66 = Comanche 2WD-7 Ft. Box | 78 = Cherokee 4WD-4 Dr. |
| 26 = J-10 Pickup-131" W.B. | 73 = Cherokee 2WD-2 Dr. | 79 = Cherokee 4WD-4 Dr.-Com |
| 27 = J-20 Pickup-131" W.B. | 74 = Cherokee 2WD-4 Dr. | 81 = Wrangler-93" W.B. |
| 63 = Comanche 4WD-6 Ft. Box | 75 = Wagoneer 4WD-4 Dr. | 82 = Wrangler-103" W.B.-Exp. |
| 64 = Comanche 2WD-6 Ft. Box | | |

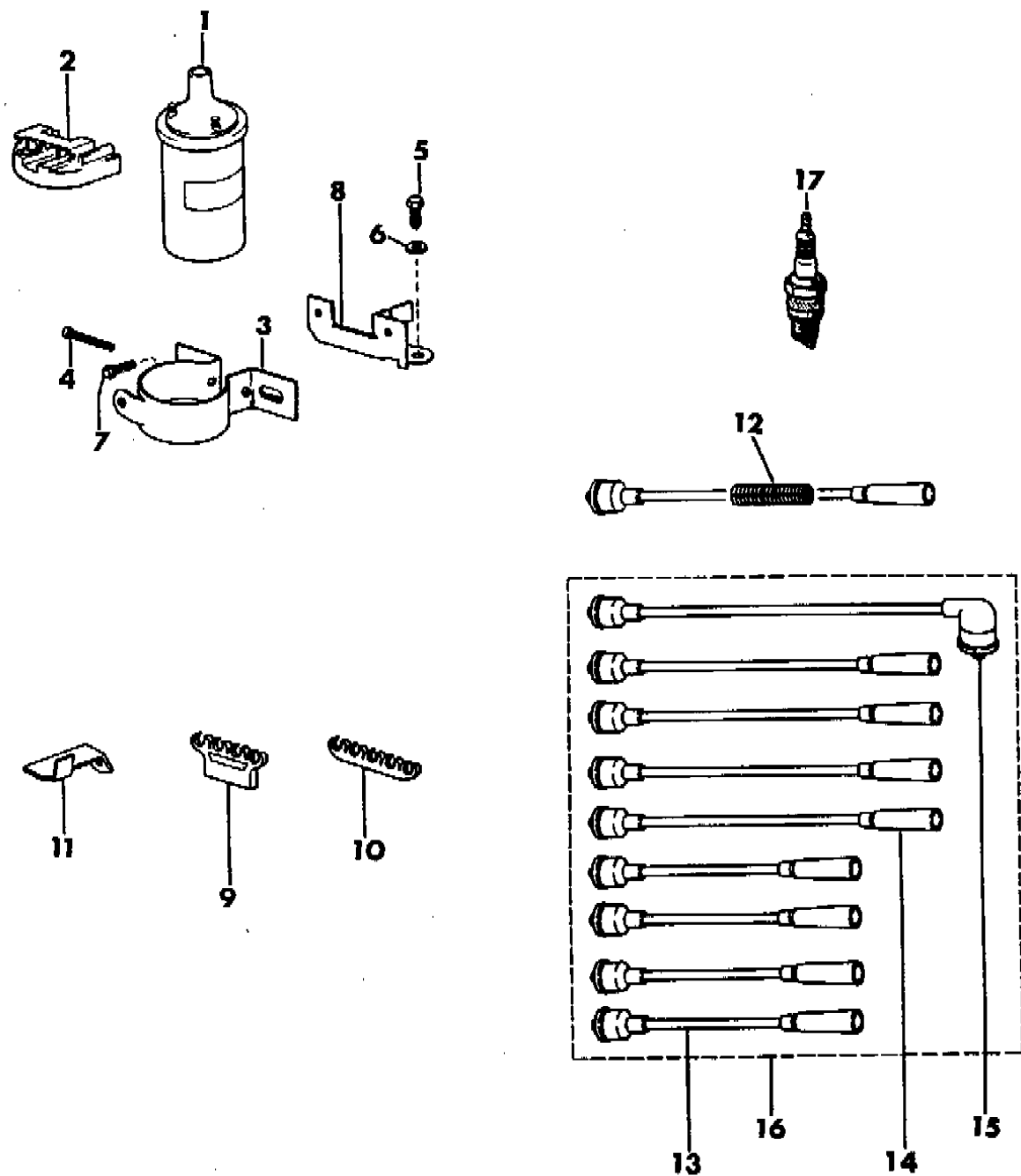
BODY STYLES:

MJ = Comanche Pickup
 SJ = Grand Wagoneer Wgn., J-10 & J-20 Pickups
 XJ = Cherokee, Wagoneer Limited
 YJ = Wrangler

AR = Use as Required - = Non Illustrated Part P.A.R. = Paint as Required

COIL--SPARKPLUGS--WIRES 5.9L ENGINE
Figure 8-5400

8 J08 5400



| ITEM | PART NUMBER | QTY | BODY | MODEL | DESCRIPTION |
|------|-------------|-----|------|-------|------------------------|
| 1 | | | | | COIL |
| | 3300 4522 | 1 | | | 1988-90 |
| 2 | | | | | CONNECTOR |
| | J323 0639 | 1 | | | 1987 - 89 |
| | J417 9510 | 1 | | | 1990 |
| 3 | J323 0787 | 1 | | | BRACKET, Coil |
| 4 | J813 0952 | 1 | | | SCREW |
| 5 | J942 8638 | 1 | | | BOLT |
| 6 | J400 3808 | 1 | | | WASHER |
| 7 | J027 1444 | 2 | | | BOLT |
| 8 | J322 8268 | 1 | | | BRACKET |
| 9 | J318 0107 | 3 | | | SEPARATOR |
| 10 | J318 6116 | 1 | | | SEPARATOR |
| 11 | J322 6495 | 1 | | | BRACKET |
| 12 | 3300 1774 | 1 | | | SHIELD, Ignition Wire |
| 13 | J322 5808 | 4 | | | WIRE, Ignition |
| 14 | J322 5810 | 4 | | | WIRE, Ignition |
| 15 | J323 1901 | 1 | | | WIRE, Coil |
| 16 | 8330 0090 | 1 | | | WIRE SET, Ignition *** |
| 17 | J324 2841 | 8 | | | SPARK PLUG, RN 12YC |

MODEL CODES:

| | | |
|-----------------------------|-----------------------------|------------------------------|
| 15 = Grand Wagoneer 4 Dr. | 65 = Comanche 4WD-7 Ft. Box | 77 = Cherokee 4WD-2 Dr. |
| 25 = J-10 Pickup-119" W.B. | 66 = Comanche 2WD-7 Ft. Box | 78 = Cherokee 4WD-4 Dr. |
| 26 = J-10 Pickup-131" W.B. | 73 = Cherokee 2WD-2 Dr. | 79 = Cherokee 4WD-4 Dr.-Com |
| 27 = J-20 Pickup-131" W.B. | 74 = Cherokee 2WD-4 Dr. | 81 = Wrangler-93" W.B. |
| 63 = Comanche 4WD-6 Ft. Box | 75 = Wagoneer 4WD-4 Dr. | 82 = Wrangler-103" W.B.-Exp. |
| 64 = Comanche 2WD-6 Ft. Box | | |

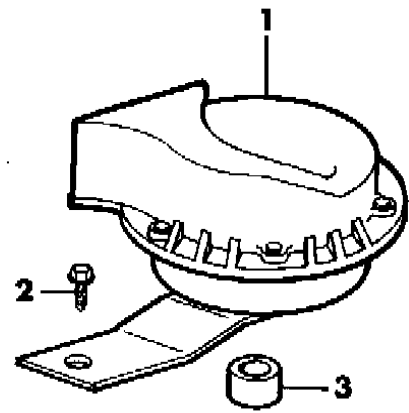
BODY STYLES:

MJ = Comanche Pickup
 SJ = Grand Wagoneer Wgn., J-10 & J-20 Pickups
 XJ = Cherokee, Wagoneer Limited
 YJ = Wrangler

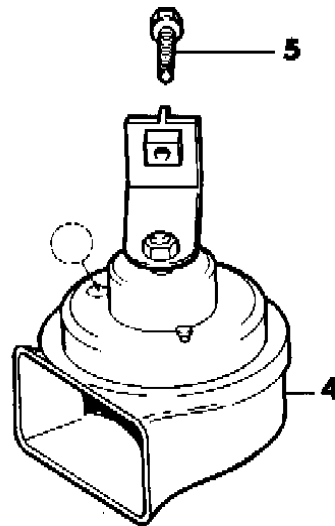
AR = Use as Required - = Non Illustrated Part P.A.R. = Paint as Required

HORNS ALL
Figure 8-5500

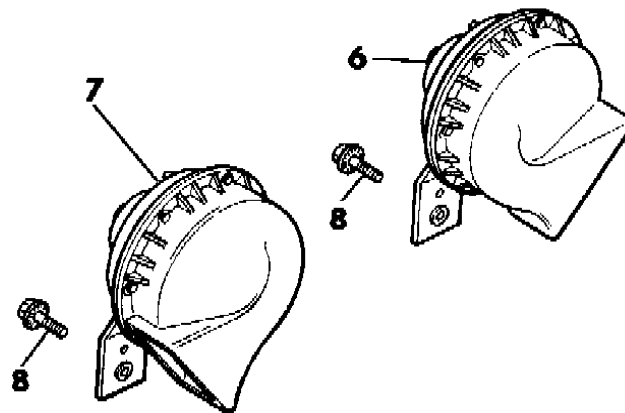
8J08 5500



WRANGER, YJ



CHEROKEE, WAGONEER, COMANCHE



GRAND WAGONEER, J-10, J-20

| ITEM | PART NUMBER | QTY | BODY | MODEL | DESCRIPTION |
|------|-------------|-----|------|-------|-------------------------|
| 1 | J575 8484 | 1 | YJ | | HORN |
| | 5600 2378 | 1 | | | Diesel 1987 |
| | 5600 2953 | 1 | YJ | | ECE |
| 2 | J400 4801 | 1 | YJ | | SCREW |
| 3 | J546 1837 | 1 | YJ | | BUMPER |
| 4 | | | | | HORN *** |
| | 5600 2302 | 1 | XJ | | U.S. & Canada Low Note |
| | 5600 2606 | 1 | XJ | | ECE Low Note |
| | 5600 2376 | 1 | | | Diesel 1987 |
| | 5600 2303 | 1 | XJ | | U.S. & Canada High Note |
| | 5600 2607 | 1 | XJ | | ECE High Note |
| 5 | 3420 2606 | 2 | XJ | | SCREW |
| 6 | J575 8485 | 1 | SJ | | HORN, High Note |
| 7 | J575 8484 | 1 | SJ | | HORN, Low Note |
| 8 | J420 0406 | 2 | SJ | | SCREW |

MODEL CODES:

| | | |
|-----------------------------|-----------------------------|------------------------------|
| 15 = Grand Wagoneer 4 Dr. | 65 = Comanche 4WD-7 Ft. Box | 77 = Cherokee 4WD-2 Dr. |
| 25 = J-10 Pickup-119" W.B. | 66 = Comanche 2WD-7 Ft. Box | 78 = Cherokee 4WD-4 Dr. |
| 26 = J-10 Pickup-131" W.B. | 73 = Cherokee 2WD-2 Dr. | 79 = Cherokee 4WD-4 Dr.-Com |
| 27 = J-20 Pickup-131" W.B. | 74 = Cherokee 2WD-4 Dr. | 81 = Wrangler-93" W.B. |
| 63 = Comanche 4WD-6 Ft. Box | 75 = Wagoneer 4WD-4 Dr. | 82 = Wrangler-103" W.B.-Exp. |
| 64 = Comanche 2WD-6 Ft. Box | | |

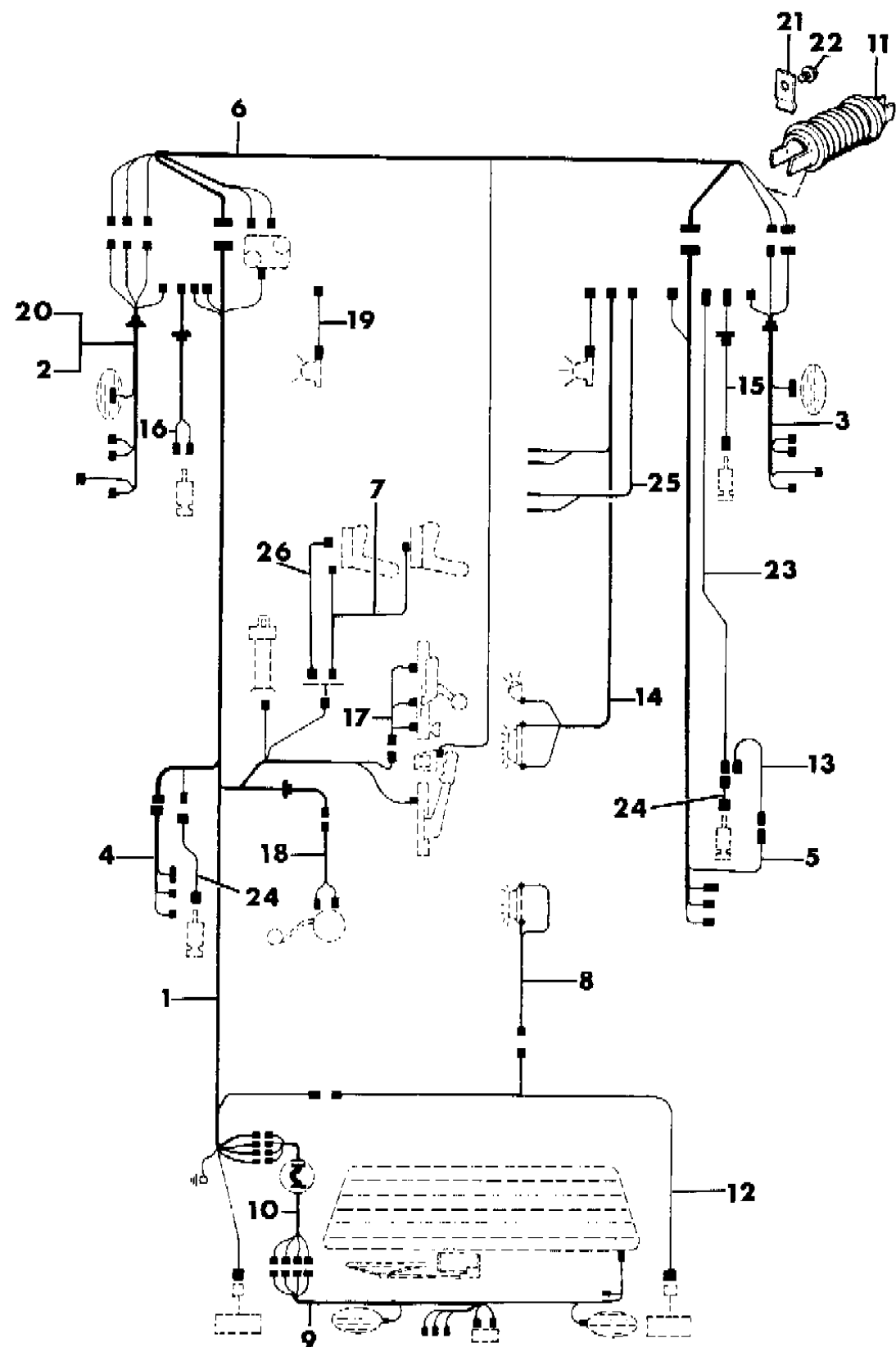
BODY STYLES:

MJ = Comanche Pickup
 SJ = Grand Wagoneer Wgn., J-10 & J-20 Pickups
 XJ = Cherokee, Wagoneer Limited
 YJ = Wrangler

AR = Use as Required - = Non Illustrated Part P.A.R. = Paint as Required

HARNESS, BODY AND ACCESSORY CHEROKEE, WAGONEER
Figure 8-5600

8J08 5600 C



| ITEM | PART NUMBER | QTY | BODY | MODEL | DESCRIPTION |
|------|-------------|-----|------|-------|--|
| 1 | | | | | HARNESS, Body, w/Power Door Locks, w/ & w/o Trailer Tow |
| | 5600 2677 | 1 | | | 1987 |
| | 5600 3935 | 1 | | | 1988-89 |
| | 5600 4573 | 1 | | | 1990 |
| 2 | | | | | HARNESS, Door, Left, w/Power Door Locks, Power Windows, Power Mirrors |
| | 5600 2336 | 1 | | | 1987 |
| | 5600 2769 | 1 | | | 1988-89 |
| | 5600 3747 | | | | 1990 with Power Windows and Locks *** |
| | 5600 3743 | 1 | | | 1990 |
| 3 | | | | | HARNESS, Door, Right, w/Power Door Locks, Power Windows, Power Mirrors |
| | 5600 2338 | 1 | | | 1987 |
| | 5600 2770 | 1 | | | 1988-89 |
| | 5600 3744 | 1 | | | 1990 |
| 4 | | | | | HARNESS, Door, Left, w/Power Doors Locks, Power Windows |
| | 5600 2317 | 1 | | | 1987 |
| | 5600 2793 | 1 | | | 1988-90 |
| 5 | | | | | HARNESS, DOOR, w/Power Door Locks, and Manual Windows |
| | 5600 2105 | 1 | | | 1987 |
| | 5600 2106 | 1 | | | HARNESS, DOOR, w/Power Door Locks, and Power Windows |
| | | | | | 1987 |
| | 5600 2792 | 1 | | | HARNESS, Door, Right, w/Power Door Locks, Power Windows |
| | | | | | 1988-90 |
| 6 | | | | | HARNESS, Body, w/Power Door Locks, Power Windows, Power Mirrors |
| | 5600 2353 | 1 | | | 1987 |
| | 5600 2873 | 1 | | | 1988-89 |
| | 5600 4475 | | | | 1990 |
| 7 | | | | | HARNESS, SEAT |
| | 5600 1230 | 1 | | | 1987 |
| | 5600 2886 | 1 | | | 1988-90 |
| 8 | | | | | HARNESS, Cargo Lamp, w/bulb Holder |
| 9 | | | | | HARNESS, Liftgate |
| | 5600 2374 | 1 | | | 1987-89 |
| | 5600 3937 | 1 | | | 1990 |
| 10 | | | | | HARNESS to Liftgate *** |

MODEL CODES:

| | | |
|-----------------------------|-----------------------------|------------------------------|
| 15 = Grand Wagoneer 4 Dr. | 65 = Comanche 4WD-7 Ft. Box | 77 = Cherokee 4WD-2 Dr. |
| 25 = J-10 Pickup-119" W.B. | 66 = Comanche 2WD-7 Ft. Box | 78 = Cherokee 4WD-4 Dr. |
| 26 = J-10 Pickup-131" W.B. | 73 = Cherokee 2WD-2 Dr. | 79 = Cherokee 4WD-4 Dr.-Com |
| 27 = J-20 Pickup-131" W.B. | 74 = Cherokee 2WD-4 Dr. | 81 = Wrangler-93" W.B. |
| 63 = Comanche 4WD-6 Ft. Box | 75 = Wagoneer 4WD-4 Dr. | 82 = Wrangler-103" W.B.-Exp. |
| 64 = Comanche 2WD-6 Ft. Box | | |

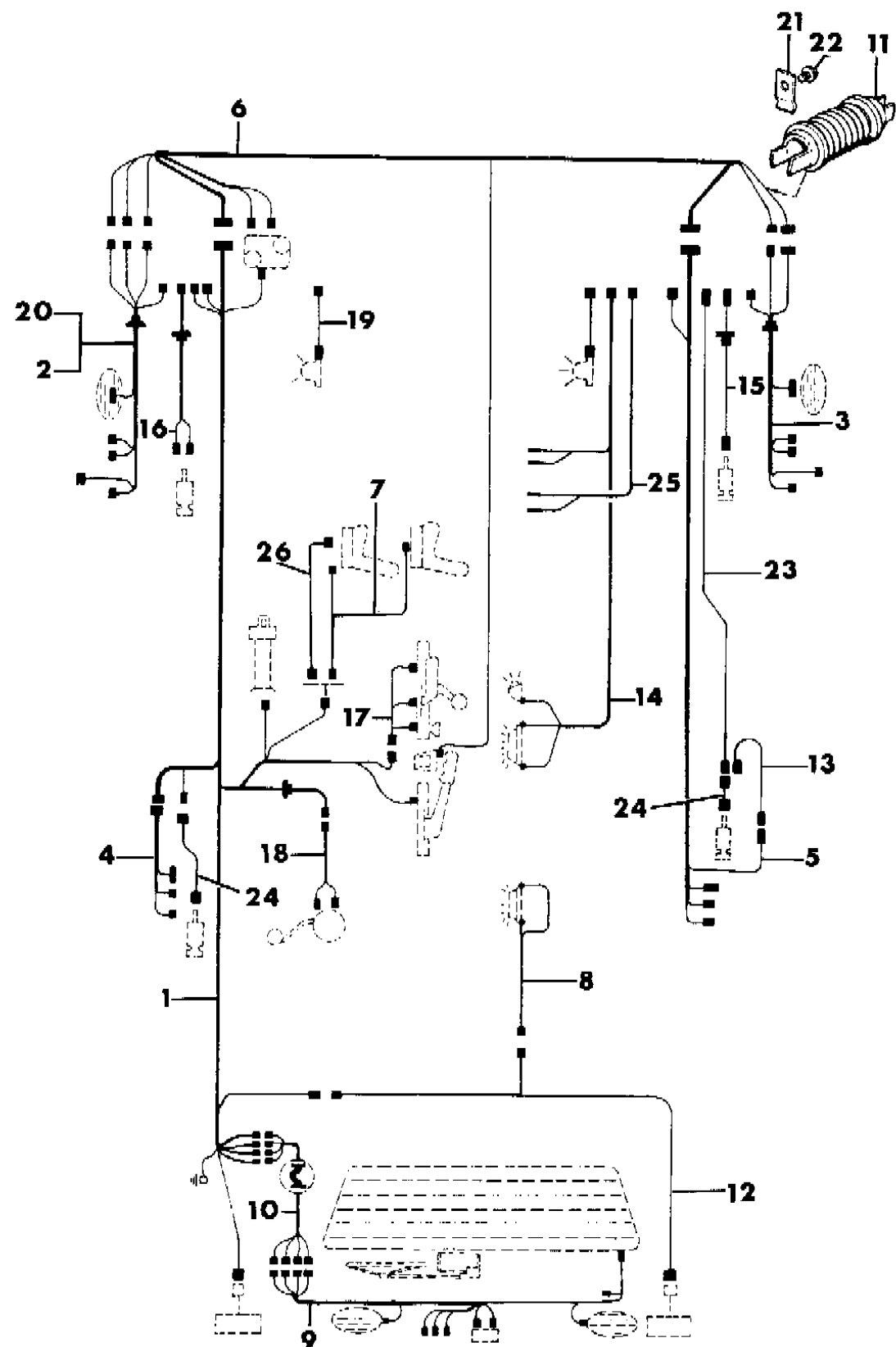
BODY STYLES:

MJ = Comanche Pickup
SJ = Grand Wagoneer Wgn., J-10 & J-20 Pickups
XJ = Cherokee, Wagoneer Limited
YJ = Wrangler

AR = Use as Required - = Non Illustrated Part P.A.R. = Paint as Required

HARNESS, BODY AND ACCESSORY CHEROKEE, WAGONEER
Figure 8-5600

8J08 5600 C



| ITEM | PART NUMBER | QTY | BODY | MODEL | DESCRIPTION |
|------|-------------|-----|------|-------|--|
| | 5600 2678 | 1 | | | 1987-89 |
| | 5600 3759 | 1 | | | 1990 |
| 11 | 5500 1138 | 4 | | | TUBE, Protector |
| 12 | | | | | HARNESS, Rear Cross Body |
| | 5600 2346 | 1 | | | 1987-89 |
| | 5600 4502 | 1 | | | 1990 |
| 13 | 5600 0621 | 2 | | | HARNESS, Courtesy Lamp |
| 14 | 5600 2094 | 1 | | | HARNESS, Dome Lamp 1987 |
| | 5600 2764 | 1 | | | w/Keyless Entry 1988-89 |
| | 5600 4869 | 1 | | | w/Keyless Entry, w/o Overhead Console 1990 |
| | 5600 4567 | 1 | | | Map/Reading Lamp 1990 |
| | 5600 4868 | 1 | | | Overhead Console, 1990 |
| 15 | | | | | HARNESS, Dome Lamp, Right |
| | 5600 2364 | 1 | | | 1988-89 |
| | 5600 4917 | 1 | | | 1990 |
| 16 | 5600 2365 | 1 | | | HARNESS, Dome Lamp, Left |
| | 5600 2365 | 1 | | | 1988-89 |
| | 5600 4916 | 1 | | | 1990 |
| 17 | 5600 2396 | 1 | | | HARNESS, Console Illumination |
| 18 | | | | | HARNESS, Fuel Tank |
| | 5600 1859 | 1 | | | 4 Cyl. Gas Engine |
| | 5600 1860 | 1 | | | 4 Cyl. Diesel Engine |
| | 5600 1860 | 1 | | | 6 Cyl. Engine |
| 19 | | | | | HARNESS, Courtesy Lamp |
| | 5600 0678 | 2 | | | 1987-89 |
| | 5600 4406 | 2 | | | 1990 |
| 20 | 5600 1850 | 2 | | | HARNESS, Speaker |
| 21 | J090 8834 | 8 | | | CLAMP |
| 22 | 3420 1489 | 8 | | | SCREW |
| 23 | | | | | HARNESS |
| | 5600 2318 | 1 | | | Rear Door Switch 1987-89 |
| | 5600 3764 | 1 | | | Rear Door Switch 1990 |
| 24 | 5600 3766 | 2 | | | HARNESS, Switch Adaptive 1990 |
| 25 | | | | | HARNESS, Lighted Vanity, w/o Keyless Entry |
| | 5600 2092 | 1 | | | 1987-89 |
| | 5600 4869 | 1 | | | 1990 |
| 26 | | | | | HARNESS, SEAT |

MODEL CODES:

| | | |
|-----------------------------|-----------------------------|------------------------------|
| 15 = Grand Wagoneer 4 Dr. | 65 = Comanche 4WD-7 Ft. Box | 77 = Cherokee 4WD-2 Dr. |
| 25 = J-10 Pickup-119" W.B. | 66 = Comanche 2WD-7 Ft. Box | 78 = Cherokee 4WD-4 Dr. |
| 26 = J-10 Pickup-131" W.B. | 73 = Cherokee 2WD-2 Dr. | 79 = Cherokee 4WD-4 Dr.-Com |
| 27 = J-20 Pickup-131" W.B. | 74 = Cherokee 2WD-4 Dr. | 81 = Wrangler-93" W.B. |
| 63 = Comanche 4WD-6 Ft. Box | 75 = Wagoneer 4WD-4 Dr. | 82 = Wrangler-103" W.B.-Exp. |
| 64 = Comanche 2WD-6 Ft. Box | | |

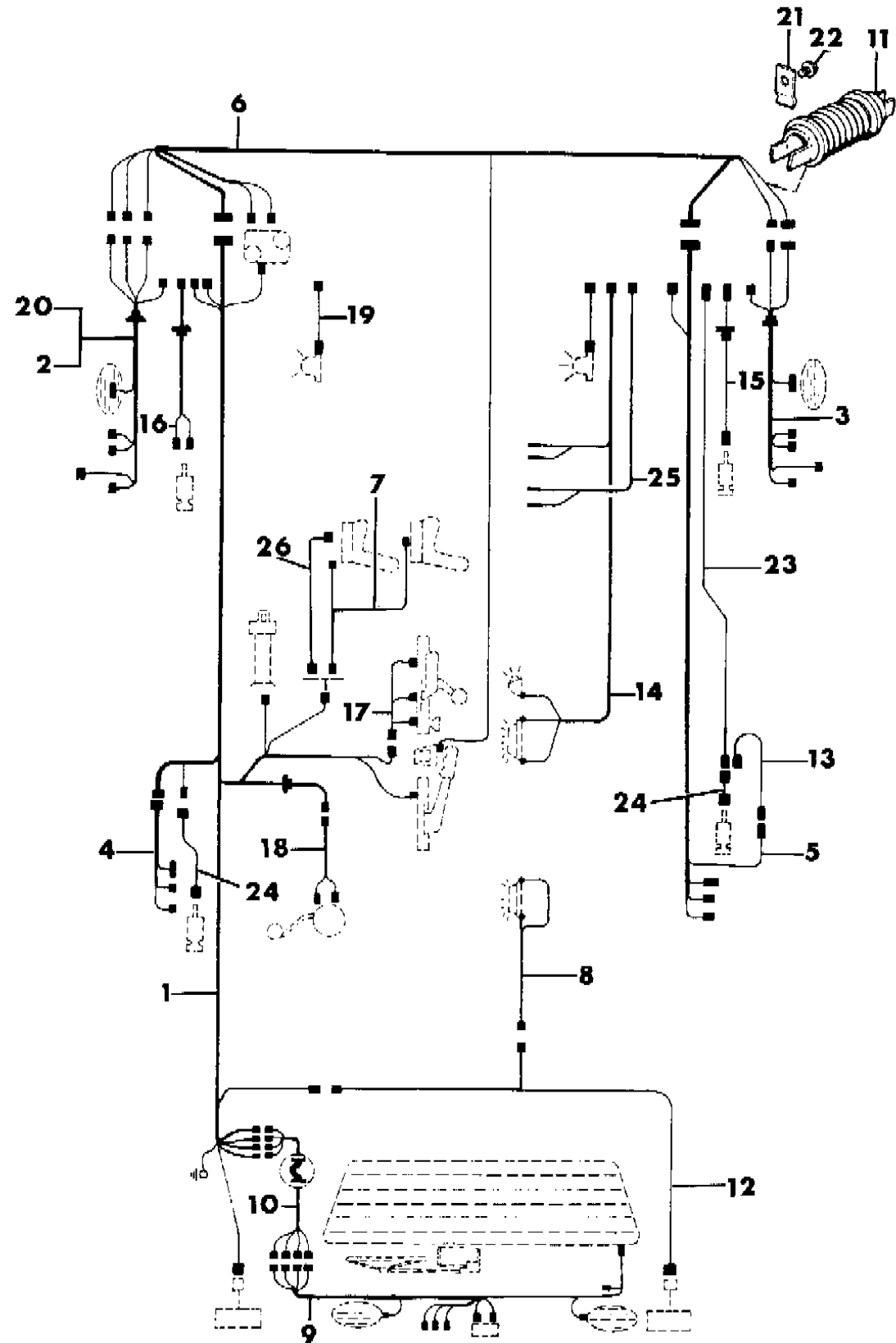
BODY STYLES:

MJ = Comanche Pickup
SJ = Grand Wagoneer Wgn., J-10 & J-20 Pickups
XJ = Cherokee, Wagoneer Limited
YJ = Wrangler

AR = Use as Required - = Non Illustrated Part P.A.R. = Paint as Required

HARNESS, BODY AND ACCESSORY CHEROKEE, WAGONEER
Figure 8-5600

8J08 5600 C



| ITEM | PART NUMBER | QTY | BODY | MODEL | DESCRIPTION |
|------|-------------|-----|------|-------|-------------|
|------|-------------|-----|------|-------|-------------|

| | | | | | |
|--|-----------|---|--|--|---------|
| | 5600 1229 | 1 | | | 1987 |
| | 5600 2886 | 1 | | | 1988-90 |

MODEL CODES:

| | | |
|-----------------------------|-----------------------------|------------------------------|
| 15 = Grand Wagoneer 4 Dr. | 65 = Comanche 4WD-7 Ft. Box | 77 = Cherokee 4WD-2 Dr. |
| 25 = J-10 Pickup-119" W.B. | 66 = Comanche 2WD-7 Ft. Box | 78 = Cherokee 4WD-4 Dr. |
| 26 = J-10 Pickup-131" W.B. | 73 = Cherokee 2WD-2 Dr. | 79 = Cherokee 4WD-4 Dr.-Com |
| 27 = J-20 Pickup-131" W.B. | 74 = Cherokee 2WD-4 Dr. | 81 = Wrangler-93" W.B. |
| 63 = Comanche 4WD-6 Ft. Box | 75 = Wagoneer 4WD-4 Dr. | 82 = Wrangler-103" W.B.-Exp. |
| 64 = Comanche 2WD-6 Ft. Box | | |

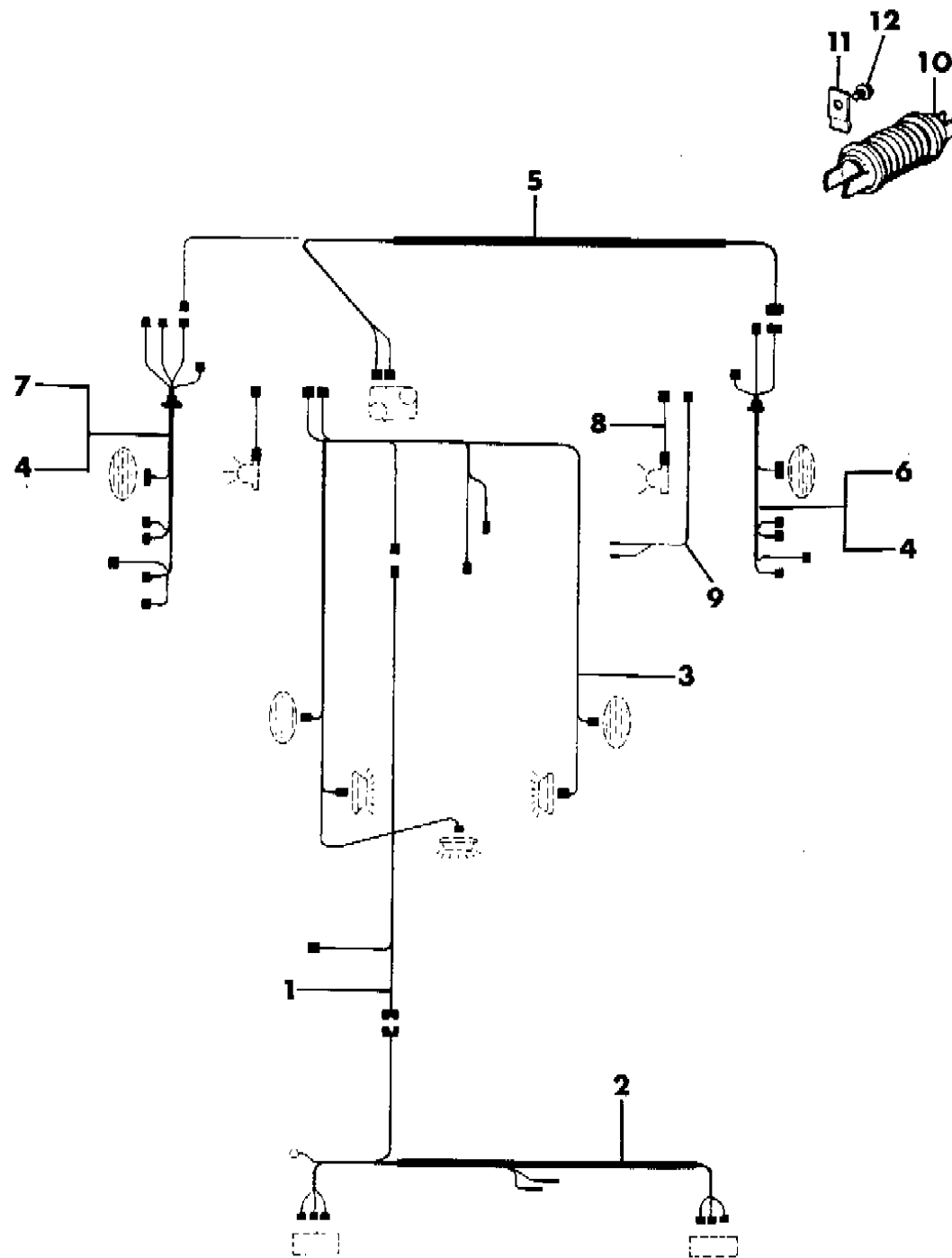
BODY STYLES:

MJ = Comanche Pickup
SJ = Grand Wagoneer Wgn., J-10 & J-20 Pickups
XJ = Cherokee, Wagoneer Limited
YJ = Wrangler

AR = Use as Required - = Non Illustrated Part P.A.R. = Paint as Required

HARNES--BODY AND ACCESSORY COMANCHE
Figure 8-5700

8J08 5700



| ITEM | PART NUMBER | QTY | BODY | MODEL | DESCRIPTION |
|------|-------------|-----|------|-------|---|
| 1 | | | | | HARNES, Under Body |
| | 5600 2528 | 1 | | | 1987 |
| | 5600 2884 | 1 | | | 1988-90 |
| 2 | 5600 2530 | 1 | | | HARNES, Rear Lighting 1987-90 *** |
| 3 | | | | | HARNES Cab *** |
| | 5600 2313 | 1 | | | 1987-88 |
| | 5600 2869 | 1 | | | 1989 |
| | 5600 4574 | 1 | | | 1990 |
| 4 | 5600 1850 | 2 | | | HARNES, Speaker (Door),w/o Power Door Locks, w/o Power Windows |
| | 5600 2336 | 1 | | | HARNES, Speaker (Door) w/Power Door Locks, w/Power Windows 1987 |
| 5 | | | | | HARNES, Body, w/Power Door Locks, w/Power Windows |
| | 5600 1683 | 1 | | | 1987 |
| | 5600 2350 | 1 | | | 1988-89 |
| 6 | 5600 2770 | 1 | | | HARNES, Door, Right |
| 7 | 5600 2329 | 1 | | | HARNES, Door, Left |
| | 5600 2338 | 1 | | | HARNES,Door, w/Power Door Locks, w/Power Windows 1987 |
| 8 | 5600 0678 | 2 | | | HARNES, Courtesy Lamp |
| 9 | 5600 2092 | 1 | | | HARNES, Lighted Vanity |
| 10 | 5500 1138 | 2 | | | TUBE, Protector |
| 11 | J090 8834 | 2 | | | CLAMP |
| 12 | 3420 1489 | 2 | | | SCREW |

MODEL CODES:

| | | |
|-----------------------------|-----------------------------|------------------------------|
| 15 = Grand Wagoneer 4 Dr. | 65 = Comanche 4WD-7 Ft. Box | 77 = Cherokee 4WD-2 Dr. |
| 25 = J-10 Pickup-119" W.B. | 66 = Comanche 2WD-7 Ft. Box | 78 = Cherokee 4WD-4 Dr. |
| 26 = J-10 Pickup-131" W.B. | 73 = Cherokee 2WD-2 Dr. | 79 = Cherokee 4WD-4 Dr.-Com |
| 27 = J-20 Pickup-131" W.B. | 74 = Cherokee 2WD-4 Dr. | 81 = Wrangler-93" W.B. |
| 63 = Comanche 4WD-6 Ft. Box | 75 = Wagoneer 4WD-4 Dr. | 82 = Wrangler-103" W.B.-Exp. |
| 64 = Comanche 2WD-6 Ft. Box | | |

BODY STYLES:

MJ = Comanche Pickup
 SJ = Grand Wagoneer Wgn., J-10 & J-20 Pickups
 XJ = Cherokee, Wagoneer Limited
 YJ = Wrangler

AR = Use as Required - = Non Illustrated Part P.A.R. = Paint as Required

HARNESS--BODY AND ACCESSORY GRAND WAGONEER

Figure 8-5800

8J08 5800

| ITEM | PART NUMBER | QTY | BODY | MODEL | DESCRIPTION |
|------|-------------|-----|------|-------|---|
| 1 | 5600 3219 | 1 | | | HARNESS, Body |
| 2 | | | | | HARNESS, Rear Cross |
| | 5600 3218 | 1 | | | 1987-89 |
| | 5600 4912 | 1 | | | 1990 |
| 3 | 5600 2656 | 1 | | | HARNESS, Tailgate, 1988-90 |
| 4 | 5600 2029 | 1 | | | HARNESS, Speaker, w/o Power Windows |
| 5 | | | | | HARNESS, Front Cross |
| | 5600 2027 | 1 | | | 1987 w/Power Windows |
| | 5600 2028 | 1 | | | 1987 w/o Power Windows |
| | 5600 2711 | 1 | | | 1988 |
| | 5600 3640 | 1 | | | 1989 |
| | 5600 3954 | 1 | | | 1990 |
| 6 | | | | | HARNESS |
| | J575 7098 | 1 | | | Dome, Reading and Vanity Lamp |
| | J575 8655 | 1 | | | Dome Lamp |
| 7 | 5600 2400 | 1 | | | HARNESS, Door, Left |
| 8 | 5600 2403 | 1 | | | HARNESS, Door, Right |
| 9 | | | | | HARNESS, Seat Belt |
| | J575 8010 | 1 | | | w/o Power Seats |
| | 5600 4903 | 1 | | | w/ Power Seats |
| | J575 8008 | | | | 1987-88 |
| 10 | 5600 2401 | 2 | | | HARNESS, Door |
| 11 | J575 2302 | 1 | | | HARNESS, Fuel Tank |
| 12 | J575 8063 | 1 | | | HARNESS, Door |
| 13 | J576 2322 | 2 | | | RETAINER |
| 14 | J576 2321 | 2 | | | CAP |
| 15 | J575 6873 | 2 | | | RETAINER |
| 16 | J575 6933 | 2 | | | CAP |
| 17 | J812 0054 | 8 | | | SCREW |
| 18 | J576 4658 | 1 | | | HARNESS, Courtesy Lamp, w/o Power Windows or Door Locks |
| 19 | 3420 2362 | 4 | | | CLIP |
| 20 | 3420 1904 | 3 | | | CLIP |
| 21 | J097 4764 | 3 | | | SCREW |
| 22 | J400 1712 | 3 | | | CLIP |
| 23 | 5600 2364-5 | 1 | | | HARNESS, Jumper Dome Lamp Switch |

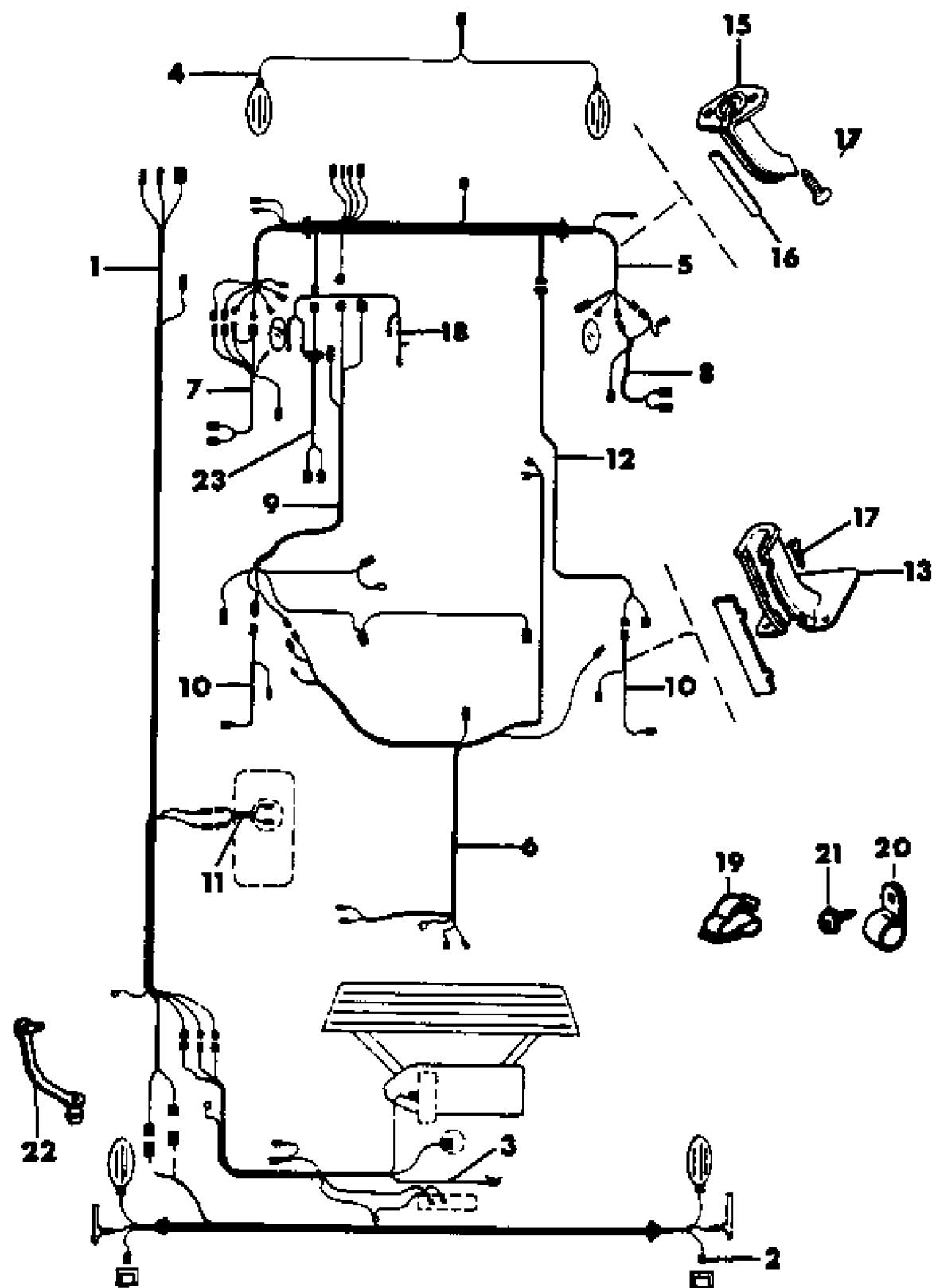
MODEL CODES:

| | | |
|-----------------------------|-----------------------------|------------------------------|
| 15 = Grand Wagoneer 4 Dr. | 65 = Comanche 4WD-7 Ft. Box | 77 = Cherokee 4WD-2 Dr. |
| 25 = J-10 Pickup-119" W.B. | 66 = Comanche 2WD-7 Ft. Box | 78 = Cherokee 4WD-4 Dr. |
| 26 = J-10 Pickup-131" W.B. | 73 = Cherokee 2WD-2 Dr. | 79 = Cherokee 4WD-4 Dr.-Com |
| 27 = J-20 Pickup-131" W.B. | 74 = Cherokee 2WD-4 Dr. | 81 = Wrangler-93" W.B. |
| 63 = Comanche 4WD-6 Ft. Box | 75 = Wagoneer 4WD-4 Dr. | 82 = Wrangler-103" W.B.-Exp. |
| 64 = Comanche 2WD-6 Ft. Box | | |

BODY STYLES:

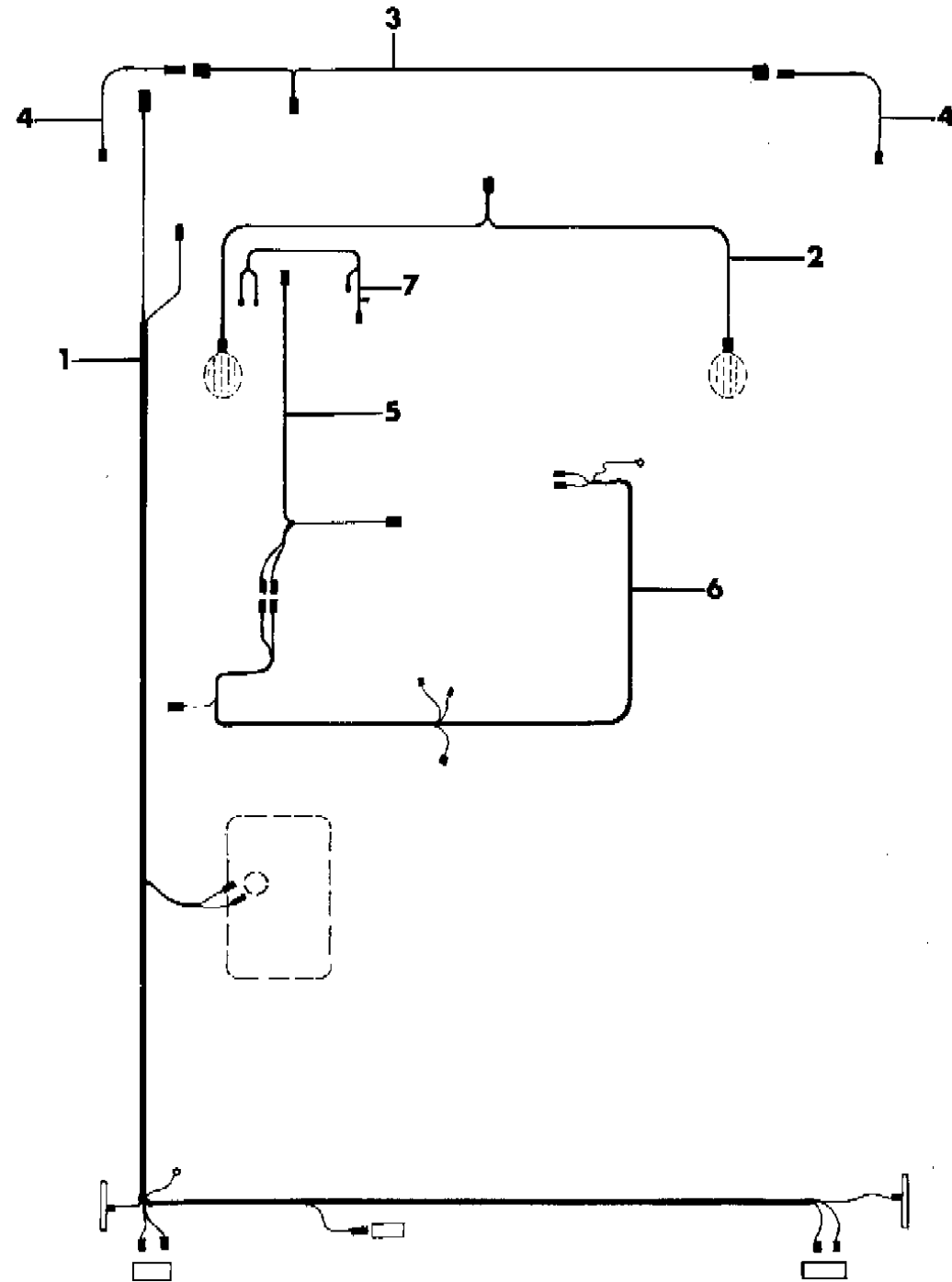
MJ = Comanche Pickup
 SJ = Grand Wagoneer Wgn., J-10 & J-20 Pickups
 XJ = Cherokee, Wagoneer Limited
 YJ = Wrangler

AR = Use as Required - = Non Illustrated Part P.A.R. = Paint as Required



HARNESS--BODY AND ACCESSORY J10, J20
Figure 8-5900

8J08 5900



| ITEM | PART NUMBER | QTY | BODY | MODEL | DESCRIPTION |
|------|-------------|-----|------|-------|---|
| 1 | 5600 2413 | 1 | | | HARNESS, Rear Cross |
| 2 | 5600 2029 | 1 | | | HARNESS, Speaker |
| 3 | J545 0120 | 1 | | | HARNESS, Door Switch |
| 4 | J545 6013 | 2 | | | HARNESS, Door Switch |
| 5 | J575 8010 | 1 | | | HARNESS, Seat Belt |
| 6 | J575 7092 | 1 | | | HARNESS, Dome Lamp |
| | J575 8227 | 1 | | | Dome, Cargo and Vanity Lamp |
| 7 | J576 4658 | 1 | | | HARNESS, Courtesy Lamp, w/o Power Door Locks, w/Power Windows |

MODEL CODES:

| | | |
|-----------------------------|-----------------------------|------------------------------|
| 15 = Grand Wagoneer 4 Dr. | 65 = Comanche 4WD-7 Ft. Box | 77 = Cherokee 4WD-2 Dr. |
| 25 = J-10 Pickup-119" W.B. | 66 = Comanche 2WD-7 Ft. Box | 78 = Cherokee 4WD-4 Dr. |
| 26 = J-10 Pickup-131" W.B. | 73 = Cherokee 2WD-2 Dr. | 79 = Cherokee 4WD-4 Dr.-Com |
| 27 = J-20 Pickup-131" W.B. | 74 = Cherokee 2WD-4 Dr. | 81 = Wrangler-93" W.B. |
| 63 = Comanche 4WD-6 Ft. Box | 75 = Wagoneer 4WD-4 Dr. | 82 = Wrangler-103" W.B.-Exp. |
| 64 = Comanche 2WD-6 Ft. Box | | |

BODY STYLES:

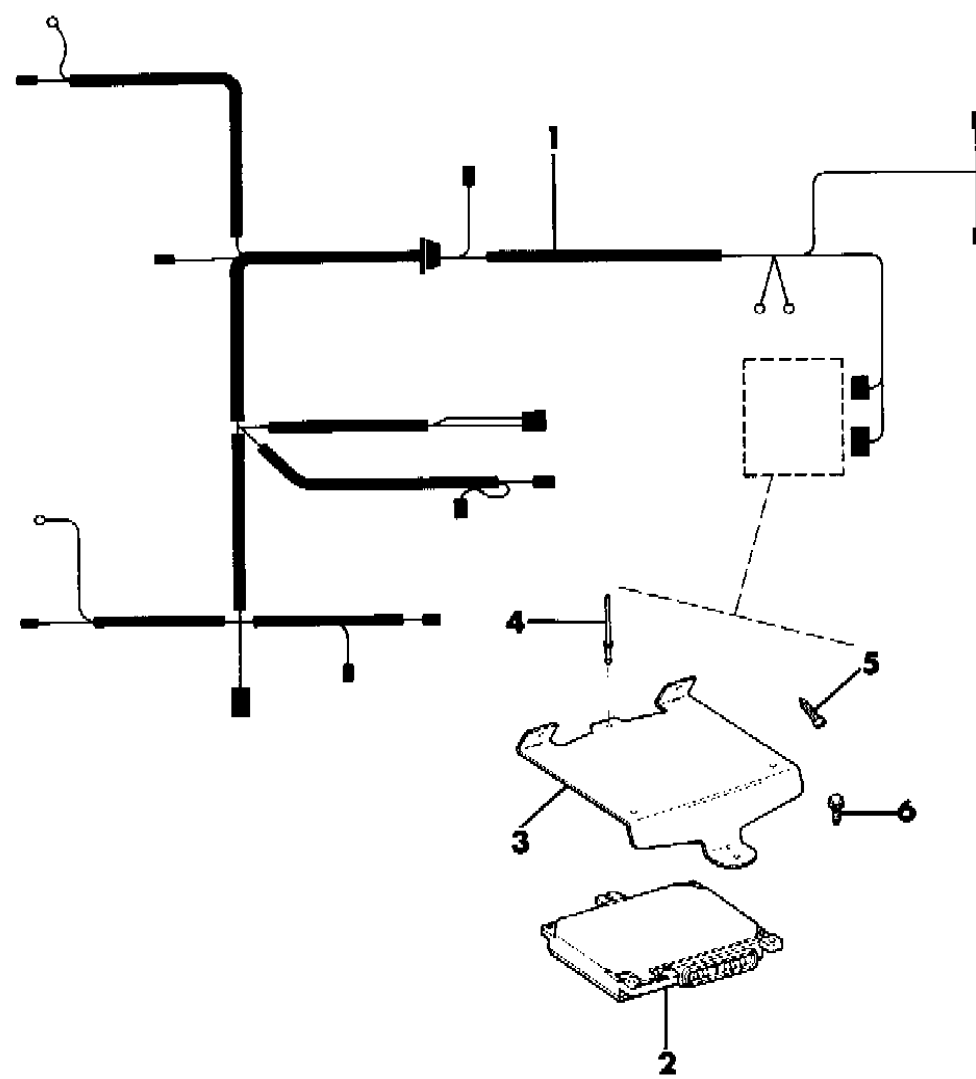
MJ = Comanche Pickup
 SJ = Grand Wagoneer Wgn., J-10 & J-20 Pickups
 XJ = Cherokee, Wagoneer Limited
 YJ = Wrangler

AR = Use as Required - = Non Illustrated Part P.A.R. = Paint as Required

MODULE ANTI LOCK BRAKE SYSTEM CHEROKEE, WAGONEER
Figure 8-6000

8 J08 6000 A

| ITEM | PART NUMBER | QTY | BODY | MODEL | DESCRIPTION |
|------|-------------|-----|------|-------|---------------------------|
| 1 | | | | | HARNESS, Anti-Lock Brakes |
| | 8350 6009 | 1 | | | 1989 (Up To 1-29-89) |
| | 5600 3987 | 1 | | | 1989 (After 1-29-89) |
| | 5600 4367 | 1 | | | 1990 |
| 2 | 5600 4028 | 1 | | | MODULE, Anti-Lock Brakes |
| 3 | 5600 2511 | 1 | | | BRACKET |
| 4 | 3420 2104 | 3 | | | RIVET |
| 5 | J448 9487 | 2 | | | SCREW |
| 6 | 3420 1261 | 1 | | | SCREW |



- MODEL CODES:
- | | | |
|-----------------------------|-----------------------------|------------------------------|
| 15 = Grand Wagoneer 4 Dr. | 65 = Comanche 4WD-7 Ft. Box | 77 = Cherokee 4WD-2 Dr. |
| 25 = J-10 Pickup-119" W.B. | 66 = Comanche 2WD-7 Ft. Box | 78 = Cherokee 4WD-4 Dr. |
| 26 = J-10 Pickup-131" W.B. | 73 = Cherokee 2WD-2 Dr. | 79 = Cherokee 4WD-4 Dr.-Com |
| 27 = J-20 Pickup-131" W.B. | 74 = Cherokee 2WD-4 Dr. | 81 = Wrangler-93" W.B. |
| 63 = Comanche 4WD-6 Ft. Box | 75 = Wagoneer 4WD-4 Dr. | 82 = Wrangler-103" W.B.-Exp. |
| 64 = Comanche 2WD-6 Ft. Box | | |

- BODY STYLES:
- MJ = Comanche Pickup
 - SJ = Grand Wagoneer Wgn., J-10 & J-20 Pickups
 - XJ = Cherokee, Wagoneer Limited
 - YJ = Wrangler

AR = Use as Required - = Non Illustrated Part P.A.R. = Paint as Required

GROUP 8A - ELECTRICAL - INSTRUMENT PANEL AND CONSOLES

ILLUSTRATION TITLE **GROUP-FIG. NO.**

WRANGLER, YJ

INSTRUMENT PANEL PAD AND BEZELS WRANGLER, YJ Fig. 8A-100

INSTRUMENT PANEL ASH RECEIVER AND SWITCHES WRANGLER, YJ Fig. 8A-200

FUSE PANEL-INSTRUMENT PANEL WIRING WRANGLER, YJ Fig. 8A-300

INSTRUMENT PANEL CLUSTER WRANGLER, YJ Fig. 8A-400

ANTENNA--SPEAKERS--KNOBS WRANGLER, YJ Fig. 8A-500

CONSOLE--FLOOR WRANGLER, YJ Fig. 8A-600

CLIPS--MISCELLANEOUS WRANGLER, YJ Fig. 8A-700

RELAYS--MISCELLANEOUS WRANGLER, YJ Fig. 8A-800

CONNECTOR--MISCELLANEOUS WRANGLER, YJ Fig. 8A-900

CHEROKEE, WAGONEER AND COMANCHE

INSTRUMENT PANEL PAD AND BEZELS CHEROKEE, WAGONEER, COMANCHE Fig. 8A-1000

INSTRUMENT PANEL SWITCHES AND CIGAR LIGHTER CHEROKEE, WAGONEER,COMANCHE Fig. 8A-1100

INSTRUMENT CLUSTER--WITH GAUGES W/O TACHOMETER (TYPE 2) 1987, 1988/ CHEROKEE,
WAGONEER,COMANCHE Fig. 8A-1200

INSTRUMENT CLUSTER--WITH GAUGES, W/O TACHOMETER (TYPE 1) 1987 Fig. 8A-1250

INSTRUMENT CLUSTER--WITH GAUGES W/TACHOMETER,TYPE 2 1987 CHEROKEE, WAGONEER,
COMANCHE Fig. 8A-1300

INSTRUMENT CLUSTER--WITH CAUGES W/TACHOMETER, CHEROKEE LIMITED (1987) 1988/
CHEROKEE, WAGONEER, COMANCHE Fig. 8A-1310

INSTRUMENT CLUSTER--WITH GAUGES, W/ TACHOMETER (TYPE 1) 1987 (EXCEPT CHEROKEE
LIMITED) Fig. 8A-1350

INSTRUMENT CLUSTER--WITH WARNING LAMPS W/O TACHOMETER (TYPE 2) 1987, 1988/ CHEROKEE,
WAGONEER, COMANCHE Fig. 8A-1400

INSTRUMENT CLUSTER--WITH WARNING LAMP (TYPE 1) 1987 CHEROKEE, WAGONEER, COMANCHE . Fig. 8A-1450

FUSE PANEL--INSTRUMENT PANEL WIRING CHEROKEE, WAGONEER, COMANCHE Fig. 8A-1500

SPEAKERS AND KNOBS--RADIO TWO SPEAKER SYSTEM CHEROKEE, WAGONEER, COMANCHE Fig. 8A-1600

SPEAKERS AND KNOBS--RADIO FOUR AND SIX SPEAKER SYSTEM CHEROKEE, WAGONEER,
COMANCHE Fig. 8A-1700

ANTENNA CHEROKEE, WAGONEER, COMANCHE Fig. 8A-1800

CONSOLE--OVERHEAD CHEROKEE, WAGONEER 1990 Fig. 8A-1850

SHIFT BEZELS CHEROKEE, WAGONEER, COMANCHE Fig. 8A-1900

CONSOLE CHEROKEE, WAGONEER, COMANCHE Fig. 8A-2000

SWITCHES--MISCELLANEOUS CHEROKEE, WAGONEER, COMANCHE Fig. 8A-2100

ILLUSTRATION NOT AVAILABLE AT TIME OF PUBLICATION

GROUP 8A - ELECTRICAL - INSTRUMENT PANEL AND CONSOLES

ILLUSTRATION TITLE

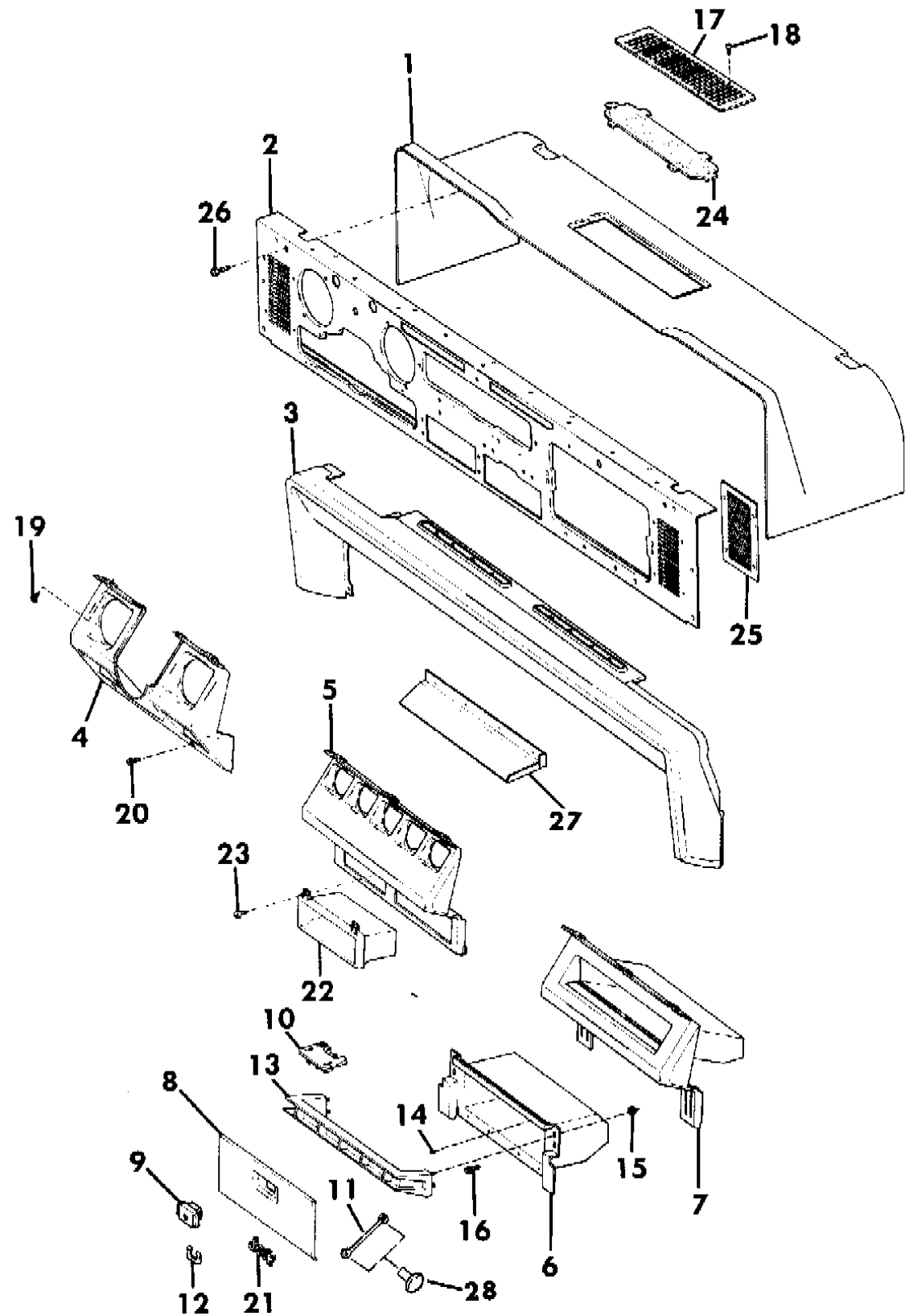
GROUP-FIG. NO.

GRAND WAGONEER, J10 AND J20

| | |
|--|--------------|
| INSTRUMENT PANEL GRAND WAGONEER, J10, J20 | Fig. 8A-2200 |
| INSTRUMENT CLUSTER GRAND WAGONEER, J10, J20 | Fig. 8A-2300 |
| FUSE PANEL--INSTRUMENT PANEL WIRING GRAND WAGONEER, J10, J20 | Fig. 8A-2400 |
| SPEAKERS AND KNOBS--RADIO TWO SPEAKER SYSTEM GRAND WAGONEER, J10, J20 | Fig. 8A-2500 |
| SPEAKERS AND KNOBS--RADIO FOUR SPEAKER SYSTEM GRAND WAGONEER, J10, J20 | Fig. 8A-2600 |
| ANTENNA GRAND WAGONEER, J10, J20 | Fig. 8A-2700 |
| CONSOLE--OVERHEAD GRAND WAGONEER | Fig. 8A-2800 |
| SWITCHES--MISCELLANEOUS GRAND WAGONEER, J10, J20 | Fig. 8A-2900 |

INSTRUMENT PANEL PAD AND BEZELS WRANGLER, YJ
Figure 8A-100

8J82 100 A



| ITEM | PART NUMBER | QTY | BODY | MODEL | DESCRIPTION |
|------|-------------|-----|------|-------|--|
| 1 | 5500 8208 | 1 | | | PANEL, Instrument, P.A.R. |
| 2 | J400 4991 | 11 | | | SCREW |
| 3 | 5AD8 3JY6 | 1 | | | PAD, Instrument Panel |
| 4 | 5500 8207 | 2 | | | GRILLE, Speaker |
| 5 | J400 3671 | 16 | | | SCREW |
| 6 | 5500 7747 | 1 | | | HOUSING, Cluster 1987-89 (P.A.R.) 1990 |
| | 5AS8 0JA8 | 1 | | | Charcoal |
| | 5AS8 0JY6 | 1 | | | Sand |
| 7 | 3420 1510 | 7 | | | SCREW |
| 8 | 5AD8 8JY6 | 1 | | | HOUSING, Gauge P.A.R. |
| 9 | 5501 5148 | 1 | | | DEFLECTOR, Water *** |
| 10 | J448 9487 | 2 | | | SCREW |
| 11 | 5500 7711 | 1 | | | HOUSING, Radio Opening |
| 12 | 5500 0343 | 1 | | | STRIKER, Glove Box |
| 13 | 5500 7294 | 1 | | | HANDLE, Assist |
| 14 | 5500 7286 | 1 | | | DOOR, Glove Box |
| 15 | 5500 7800 | 1 | | | LATCH, Glove Box |
| 16 | 5500 6506 | 1 | | | RETAINER, Lock |
| 17 | 5501 0071 | 1 | | | NAME PLATE, Jeep |
| 18 | 5502 0572 | 2 | | | STRAP, Glove Box Door |
| 19 | J400 0093 | 2 | | | BUMPER, Glove Box Door |
| 20 | J941 9303 | 4 | | | SCREW |
| 21 | 5502 0573 | 2 | | | BUTTON, Retaining |
| 22 | 5500 7292 | 1 | | | TOP, Glove Box Housing |
| 23 | J941 6918 | 4 | | | NUT, Hex |
| 24 | 5500 7813 | 1 | | | HOUSING, Glove Box, P.A.R. 1987-89 |
| | 5AD8 2JY6 | 1 | | | 1990 |

MODEL CODES:

| | | |
|-----------------------------|-----------------------------|------------------------------|
| 15 = Grand Wagoneer 4 Dr. | 65 = Comanche 4WD-7 Ft. Box | 77 = Cherokee 4WD-2 Dr. |
| 25 = J-10 Pickup-119" W.B. | 66 = Comanche 2WD-7 Ft. Box | 78 = Cherokee 4WD-4 Dr. |
| 26 = J-10 Pickup-131" W.B. | 73 = Cherokee 2WD-2 Dr. | 79 = Cherokee 4WD-4 Dr.-Com |
| 27 = J-20 Pickup-131" W.B. | 74 = Cherokee 2WD-4 Dr. | 81 = Wrangler-93" W.B. |
| 63 = Comanche 4WD-6 Ft. Box | 75 = Wagoneer 4WD-4 Dr. | 82 = Wrangler-103" W.B.-Exp. |
| 64 = Comanche 2WD-6 Ft. Box | | |

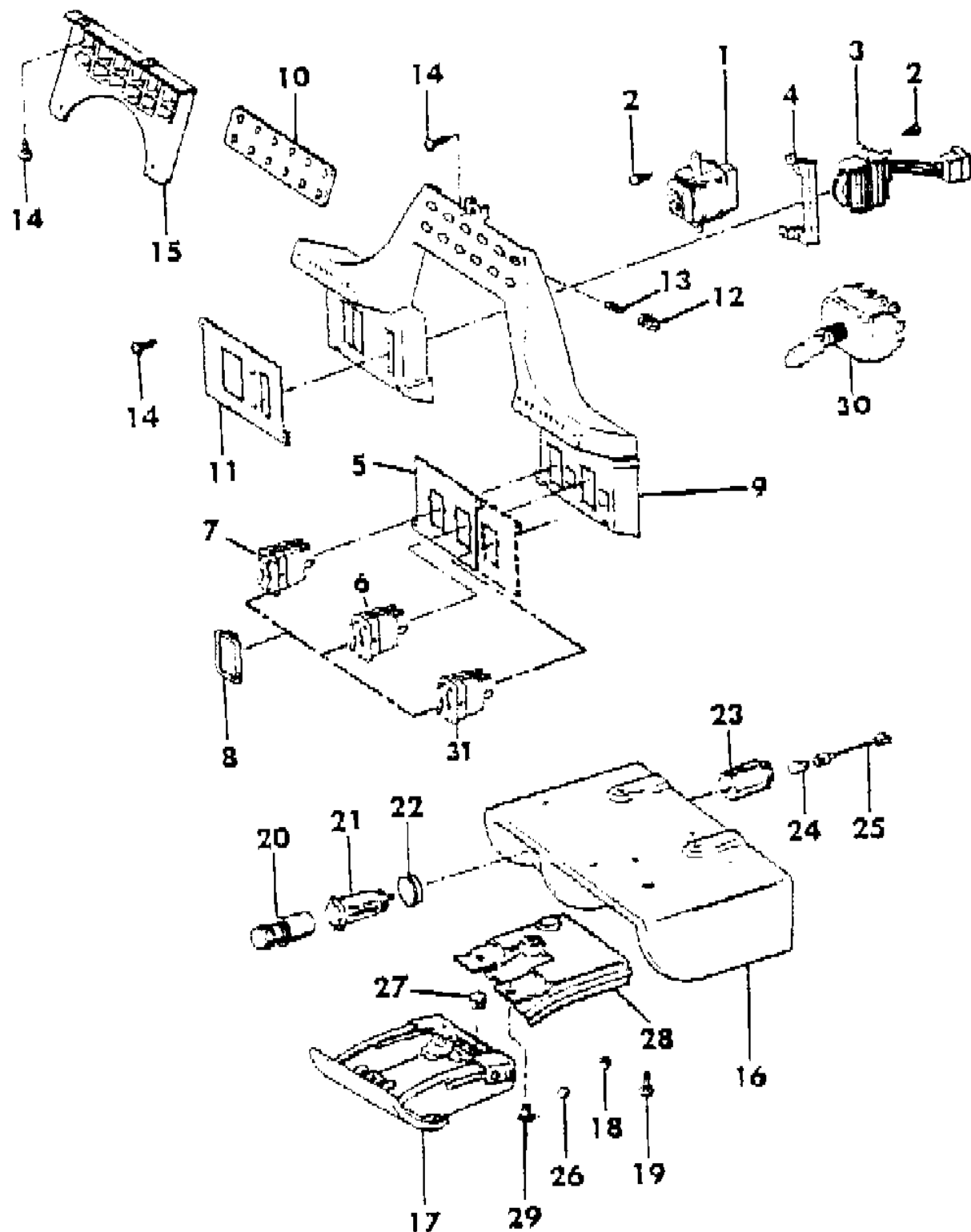
BODY STYLES:

MJ = Comanche Pickup
 SJ = Grand Wagoneer Wgn., J-10 & J-20 Pickups
 XJ = Cherokee, Wagoneer Limited
 YJ = Wrangler

AR = Use as Required - = Non Illustrated Part P.A.R. = Paint as Required

INSTRUMENT PANEL ASH RECEIVER AND SWITCHES WRANGLER, YJ
Figure 8A-200

8J82 200 A



| ITEM | PART NUMBER | QTY | BODY | MODEL | DESCRIPTION |
|------|-------------|-----|------|-------|-----------------------------------|
| 1 | 5600 3119 | 1 | | | SWITCH, Headlamp |
| 2 | J448 9487 | 6 | | | SCREW |
| 3 | 5600 1864 | 1 | | | RHEOSTAT |
| 4 | 5501 3336 | 1 | | | BRACKET |
| 5 | | | | | APPLIQUE |
| | | | | | 1988-89, 2-hole |
| | 5500 8213 | 1 | | | w/o Emission Controlled European |
| | 5500 8214 | 1 | | | Emission Controlled European |
| | 5502 4780 | 1 | | | 1990, 3-hole |
| | 5502 4783 | 1 | | | 1990, 1 Hole |
| 6 | | | | | SWITCH, Defogger |
| | 5600 0030 | 1 | | | 1987-89 |
| | 5600 3540 | 1 | | | 1990 |
| 7 | | | | | SWITCH, Fog Lamp |
| | 5600 0025 | 1 | | | 1987-89 |
| | 5600 3541 | 1 | | | w/ ECE, 1990 |
| | 5600 2384 | 1 | | | w/o ECE, 1990 |
| 8 | 5500 3005 | AR | | | COVER, Switch |
| 9 | | | | | HOUSING, Switch (w/Circuit Board) |
| | 5500 8917 | 1 | | | 1987-89 |
| | 5503 3354 | 1 | | | 1990 |
| 10 | 5500 8915 | 1 | | | GASKET, Switch Housing |
| 11 | | | | | LENS |
| | 5500 8217 | 1 | | | HEADLAMP |
| | 5500 8214 | 1 | | | Fog,Defogger, 1987-89 |
| | 5500 8214 | 1 | | | Fog,Defogger, ECE, 1987-89 |
| 12 | 3600 0091 | 7 | | | SOCKET |
| 13 | J812 5723 | 7 | | | BULB, (74) |
| 14 | J400 3671 | 6 | | | SCREW |
| 15 | | | | | BEZEL, Warning lamps |
| | 5AF7 4JA8 | 1 | | | 1998-90 (Charcoal) |
| | 5AF7 4JY6 | 1 | | | 1988-90 (Sand) |
| | | | | | w/Emission Controlled European |
| | 5502 1996 | 1 | | | 1988-89 (P.A.R.) |
| | 5AR9 2JA8 | 1 | | | 1990 (Charcoal) |
| | 5AR9 2JY6 | 1 | | | 1990 (Sand) |
| 16 | 5500 8354 | 1 | | | HOUSING, P.A.R. |

MODEL CODES:

| | | |
|-----------------------------|-----------------------------|------------------------------|
| 15 = Grand Wagoneer 4 Dr. | 65 = Comanche 4WD-7 Ft. Box | 77 = Cherokee 4WD-2 Dr. |
| 25 = J-10 Pickup-119" W.B. | 66 = Comanche 2WD-7 Ft. Box | 78 = Cherokee 4WD-4 Dr. |
| 26 = J-10 Pickup-131" W.B. | 73 = Cherokee 2WD-2 Dr. | 79 = Cherokee 4WD-4 Dr.-Com |
| 27 = J-20 Pickup-131" W.B. | 74 = Cherokee 2WD-4 Dr. | 81 = Wrangler-93" W.B. |
| 63 = Comanche 4WD-6 Ft. Box | 75 = Wagoneer 4WD-4 Dr. | 82 = Wrangler-103" W.B.-Exp. |
| 64 = Comanche 2WD-6 Ft. Box | | |

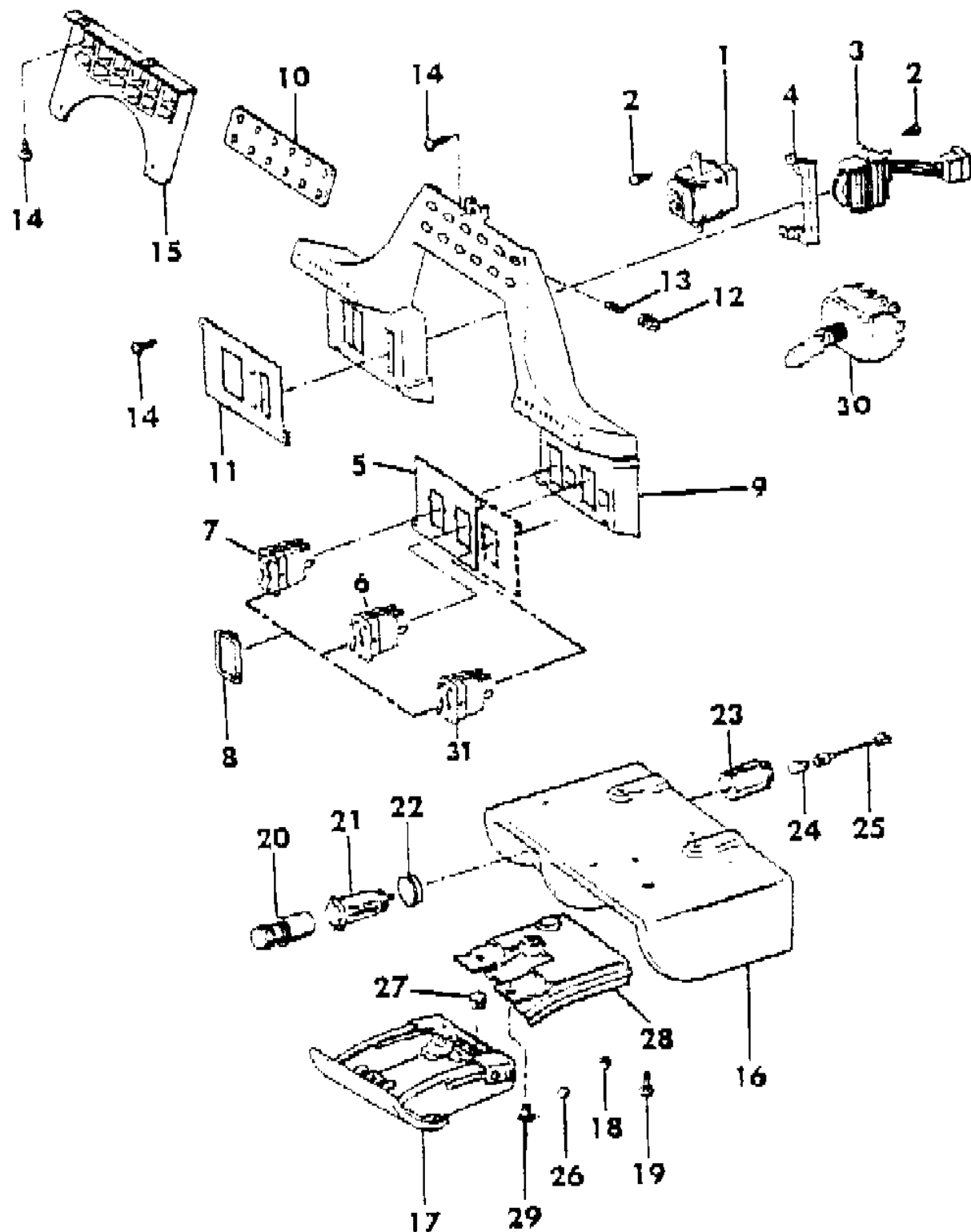
BODY STYLES:

MJ = Comanche Pickup
 SJ = Grand Wagoneer Wgn., J-10 & J-20 Pickups
 XJ = Cherokee, Wagoneer Limited
 YJ = Wrangler

AR = Use as Required - = Non Illustrated Part P.A.R. = Paint as Required

INSTRUMENT PANEL ASH RECEIVER AND SWITCHES WRANGLER, YJ
Figure 8A-200

8J82 200 A



| ITEM | PART NUMBER | QTY | BODY | MODEL | DESCRIPTION |
|------|-------------|-----|------|-------|----------------------------|
| 17 | 5500 8351 | 1 | | | ASHTRAY |
| 18 | J012 0361 | 1 | | | NUT |
| 19 | J400 5796 | 3 | | | SCREW |
| 20 | 5600 0501 | 1 | | | LIGHTER, Cigar |
| 21 | J345 3270 | 1 | | | HOUSING, Cigar Lighter |
| 22 | 3500 1906 | 1 | | | RING, Illumination |
| 23 | 3600 0242 | 1 | | | CLAMP, Cigar Lighter |
| 24 | 0131 282 | AR | | | BULB, (53) |
| 25 | 3600 0279 | AR | | | SOCKET, Bulb |
| 26 | S014 7488 | 4 | | | BALL |
| 27 | J400 0081 | 1 | | | PLUG |
| 28 | 5500 8352 | 1 | | | RETAINER, Ashtray |
| 29 | J400 2038 | 2 | | | RIVET |
| 30 | J805 1502 | 1 | | | SWITCH, Blackout Lamp |
| 31 | 5600 2651 | 1 | | | SWITCH, Rear Wipe & Washer |

MODEL CODES:

| | | |
|-----------------------------|-----------------------------|------------------------------|
| 15 = Grand Wagoneer 4 Dr. | 65 = Comanche 4WD-7 Ft. Box | 77 = Cherokee 4WD-2 Dr. |
| 25 = J-10 Pickup-119" W.B. | 66 = Comanche 2WD-7 Ft. Box | 78 = Cherokee 4WD-4 Dr. |
| 26 = J-10 Pickup-131" W.B. | 73 = Cherokee 2WD-2 Dr. | 79 = Cherokee 4WD-4 Dr.-Com |
| 27 = J-20 Pickup-131" W.B. | 74 = Cherokee 2WD-4 Dr. | 81 = Wrangler-93" W.B. |
| 63 = Comanche 4WD-6 Ft. Box | 75 = Wagoneer 4WD-4 Dr. | 82 = Wrangler-103" W.B.-Exp. |
| 64 = Comanche 2WD-6 Ft. Box | | |

BODY STYLES:

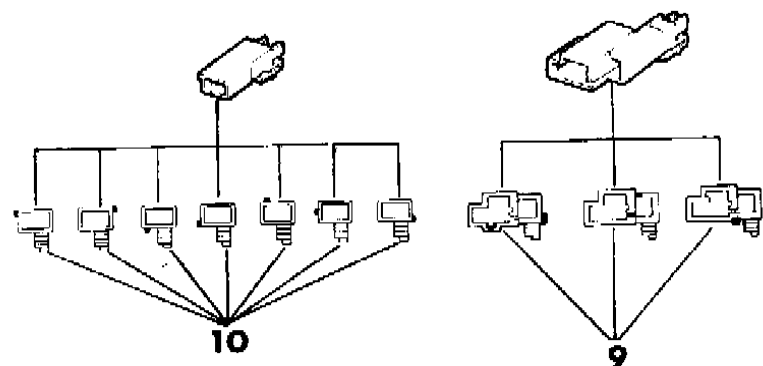
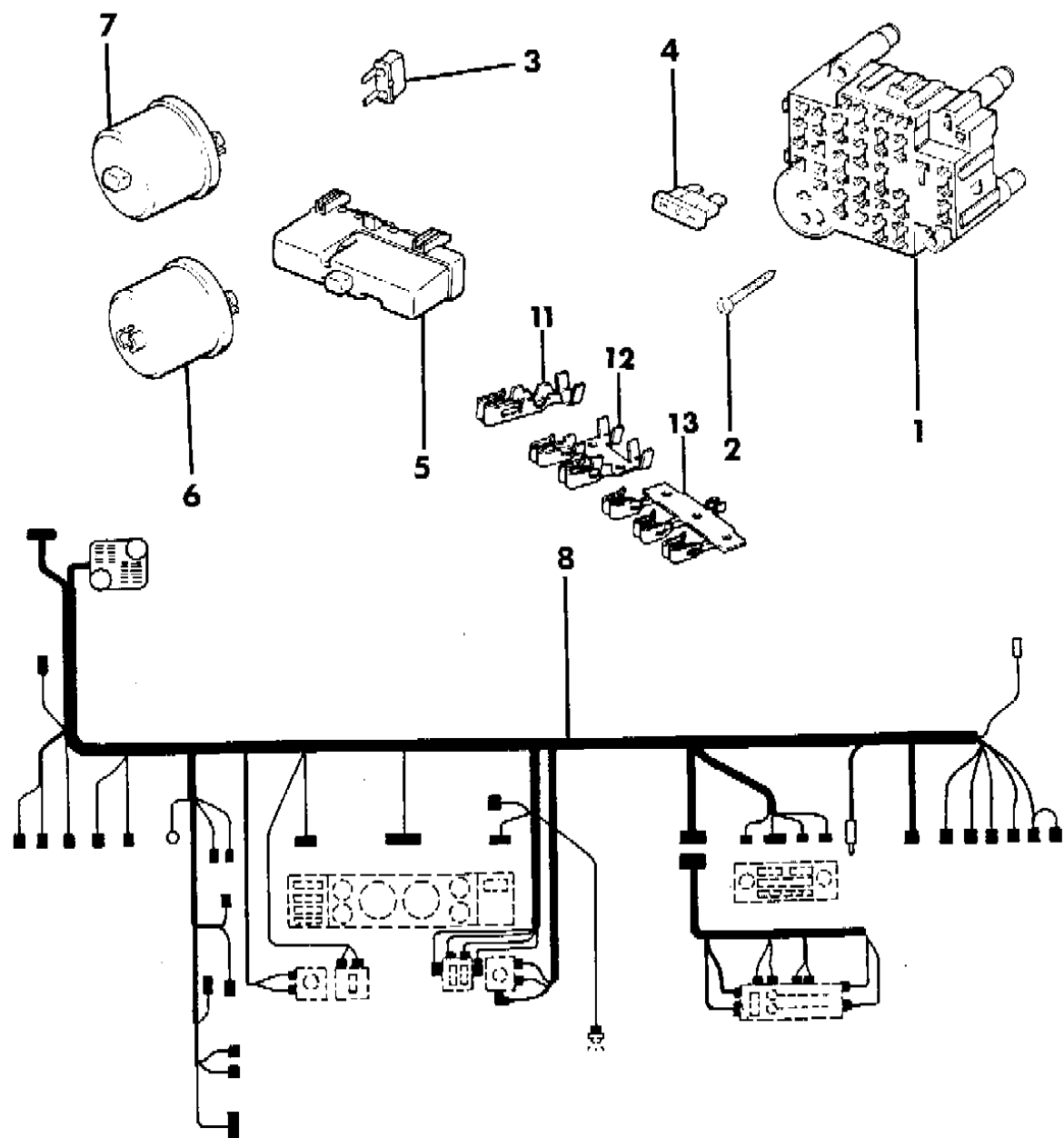
MJ = Comanche Pickup
 SJ = Grand Wagoneer Wgn., J-10 & J-20 Pickups
 XJ = Cherokee, Wagoneer Limited
 YJ = Wrangler

AR = Use as Required - = Non Illustrated Part P.A.R. = Paint as Required

FUSE PANEL-INSTRUMENT PANEL WIRING WRANGLER, YJ

Figure 8A-300

8J82 300 A



| ITEM | PART NUMBER | QTY | BODY | MODEL | DESCRIPTION |
|------|-------------|-----|------|-------|--|
| 1 | J575 0329 | 1 | | | PANEL, Fuse |
| 2 | 3420 1598 | 2 | | | SCREW |
| 3 | 5600 3116 | 1 | | | BREAKER, Circuit 5.3 Ampere |
| | 5600 2069 | 1 | | | 6 Ampere |
| 4 | J323 1213 | AR | | | FUSE 5 Ampere |
| | J323 1216 | AR | | | 15 Ampere |
| | J323 1217 | AR | | | 20 Ampere |
| | J323 1218 | AR | | | 25 Ampere |
| 5 | 5600 1077 | 1 | | | BUZZER, Headlamp/Seat Belt |
| 6 | J545 2266 | 1 | | | FLASHER, Hazzard |
| 7 | 3837 161 | 1 | | | FLASHER, Turn Signal |
| 8 | 5600 2893 | 1 | | | HARNESS, Instrument Panel 1988 |
| | 5600 3117 | 1 | | | 1989, w/o Emission Controlled European |
| | 5600 3004 | 1 | | | 1989, w/Emission Controlled European |
| | 5600 4822 | 1 | | | 1990, w/Emission Controlled European |
| | 5600 4818 | 1 | | | 1990, w/o Emission Controlled European |
| | 5600 3118 | 1 | | | Export, w/Blackout Lights |
| | 5600 2161 | 1 | | | HARNESS, Cigar Lighter |
| 9 | J417 9540 | AR | | | CONNECTOR Brown |
| | J417 9542 | AR | | | Green |
| | J417 9630 | AR | | | Black |
| 10 | J417 9530 | AR | | | CONNECTOR Orange |
| | J417 9531 | AR | | | Black |
| | J417 9532 | AR | | | Green |
| | J417 9533 | AR | | | Beige |
| | J417 9534 | AR | | | Blue |
| | J417 9535 | AR | | | Brown |
| | J417 9537 | AR | | | Red |
| 11 | J323 1223 | 5 | | | TERMINAL |
| 12 | J323 1224 | 3 | | | TERMINAL |
| 13 | J323 1225 | 1 | | | TERMINAL |

MODEL CODES:

| | | |
|-----------------------------|-----------------------------|------------------------------|
| 15 = Grand Wagoneer 4 Dr. | 65 = Comanche 4WD-7 Ft. Box | 77 = Cherokee 4WD-2 Dr. |
| 25 = J-10 Pickup-119" W.B. | 66 = Comanche 2WD-7 Ft. Box | 78 = Cherokee 4WD-4 Dr. |
| 26 = J-10 Pickup-131" W.B. | 73 = Cherokee 2WD-2 Dr. | 79 = Cherokee 4WD-4 Dr.-Com |
| 27 = J-20 Pickup-131" W.B. | 74 = Cherokee 2WD-4 Dr. | 81 = Wrangler-93" W.B. |
| 63 = Comanche 4WD-6 Ft. Box | 75 = Wagoneer 4WD-4 Dr. | 82 = Wrangler-103" W.B.-Exp. |
| 64 = Comanche 2WD-6 Ft. Box | | |

BODY STYLES:

MJ = Comanche Pickup
 SJ = Grand Wagoneer Wgn., J-10 & J-20 Pickups
 XJ = Cherokee, Wagoneer Limited
 YJ = Wrangler

AR = Use as Required - = Non Illustrated Part P.A.R. = Paint as Required

INSTRUMENT PANEL CLUSTER WRANGLER, YJ
Figure 8A-400

8J82 400

| ITEM | PART NUMBER | QTY | BODY | MODEL | DESCRIPTION |
|------|-------------|-----|------|------------------------|-----------------------------|
| 1 | | | | | SPEEDOMETER, Miles |
| | 5600 1594 | 1 | | 1987 | |
| | 5600 2918 | 1 | | 1989-90 | |
| 2 | | | | | SPEEDOMETER, Kilo |
| | 5600 1595 | 1 | | 1987 | |
| | 5600 2916 | 1 | | 1988-90 | |
| 3 | 3420 1461 | 4 | | | NUT |
| 4 | 5600 2289 | 10 | | | FILTER |
| 5 | J400 3671 | 10 | | | SCREW |
| 6 | | | | | TACHOMETER |
| | 5600 1380 | 1 | | 4 Cyl. Engine, 1987 | |
| | 5600 2914 | 1 | | 4 Cyl. Engine, 1988-90 | |
| | 5600 1565 | 1 | | 6 Cyl. Engine, 1987 | |
| | 5600 2915 | 1 | | 6 Cyl. Engine, 1988-90 | |
| 7 | 9421 330 | 4 | | | BULB, (194) |
| 8 | 5600 1386 | 1 | | | GAUGE, Fuel |
| 9 | 5600 1389 | 1 | | | GAUGE, Oil, U.S. |
| 10 | 5600 1558 | 1 | | | GAUGE, Oil, Canada |
| 11 | 5600 1388 | 1 | | | CLOCK |
| 12 | 5600 1387 | 1 | | | GAUGE, Temperature, U.S. |
| 13 | 5600 1559 | 1 | | | GAUGE, Temperature, Canada |
| 14 | 5600 1390 | 1 | | | VOLTMETER |
| 15 | 8350 7109 | 1 | | | HOUSING |
| 16 | 8350 2949 | 1 | | | BEZEL |
| 17 | 8350 2948 | 1 | | | LENS, (Clock Knob Included) |
| 18 | 8350 7110 | 1 | | | BOARD, Circuit |
| 19 | 5600 1557 | 1 | | | GAUGE, Fuel, Export |
| 20 | J941 7561 | 6 | | | BULB, (161) |
| 21 | J369 7186 | 6 | | | SOCKET |
| 22 | 3420 1797 | 2 | | | SCREW |
| 23 | 3420 1529 | 3 | | | SCREW |
| 24 | 8350 2951 | 4 | | | CONNECTOR |

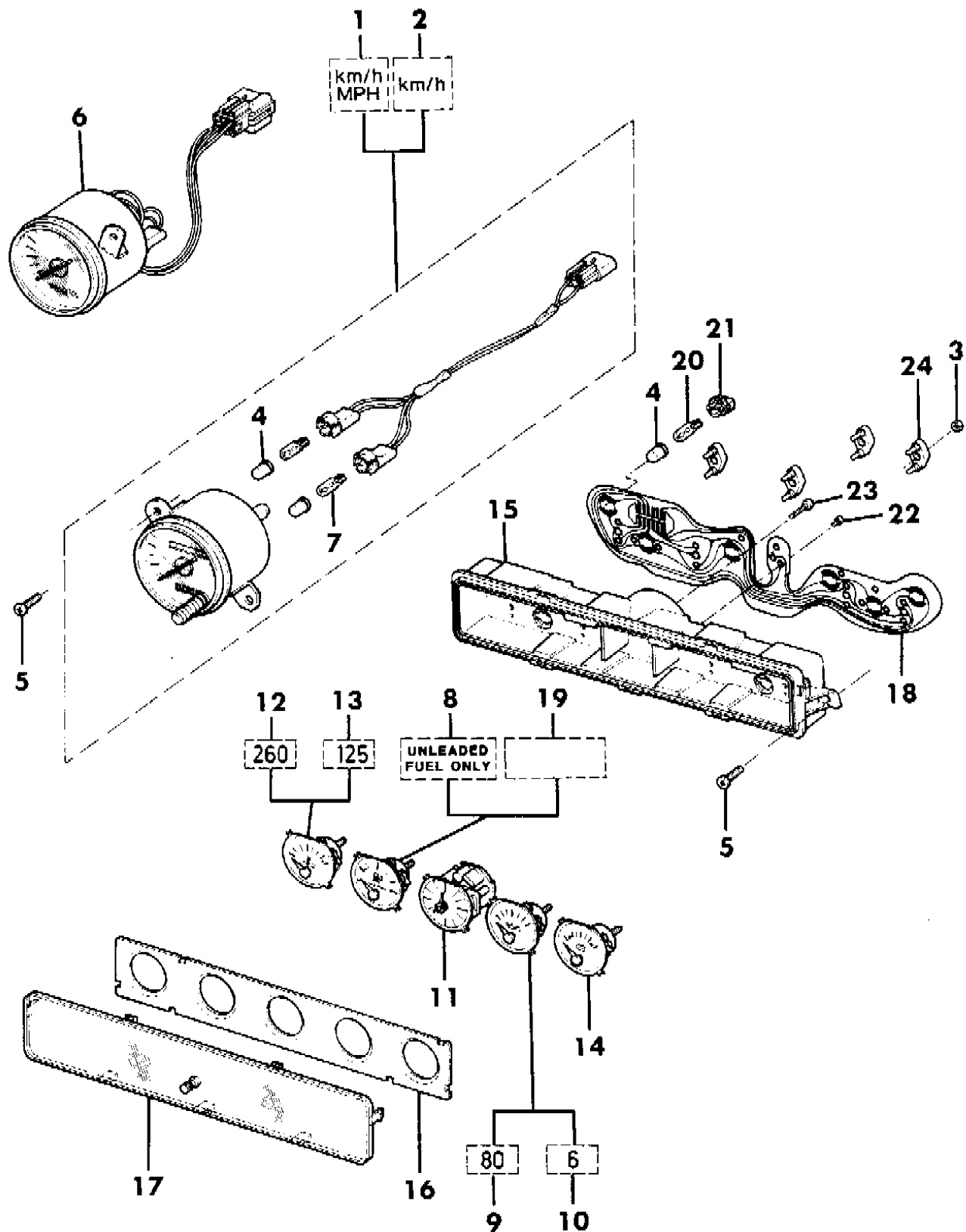
MODEL CODES:

| | | |
|-----------------------------|-----------------------------|------------------------------|
| 15 = Grand Wagoneer 4 Dr. | 65 = Comanche 4WD-7 Ft. Box | 77 = Cherokee 4WD-2 Dr. |
| 25 = J-10 Pickup-119" W.B. | 66 = Comanche 2WD-7 Ft. Box | 78 = Cherokee 4WD-4 Dr. |
| 26 = J-10 Pickup-131" W.B. | 73 = Cherokee 2WD-2 Dr. | 79 = Cherokee 4WD-4 Dr.-Com |
| 27 = J-20 Pickup-131" W.B. | 74 = Cherokee 2WD-4 Dr. | 81 = Wrangler-93" W.B. |
| 63 = Comanche 4WD-6 Ft. Box | 75 = Wagoneer 4WD-4 Dr. | 82 = Wrangler-103" W.B.-Exp. |
| 64 = Comanche 2WD-6 Ft. Box | | |

BODY STYLES:

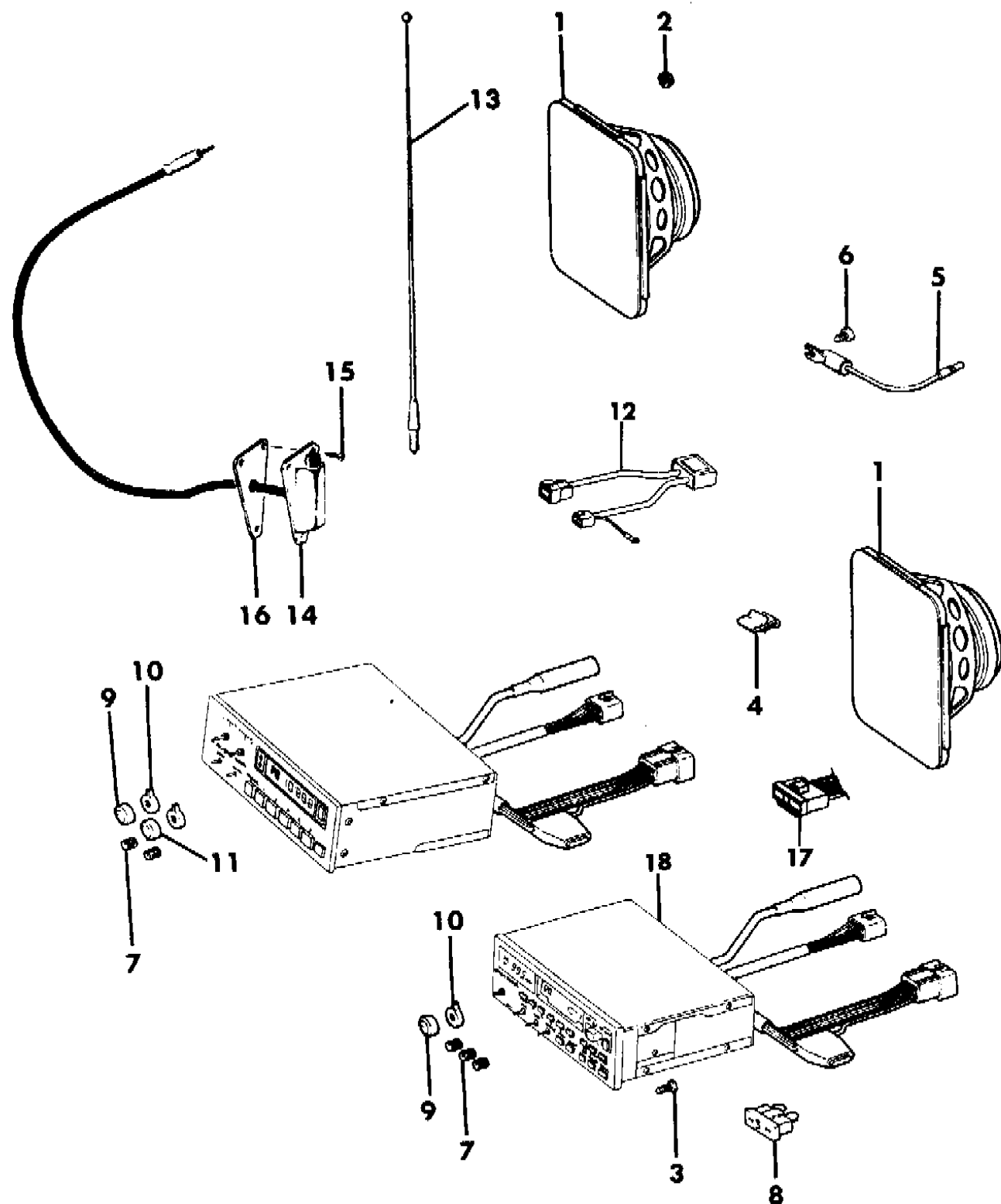
MJ = Comanche Pickup
 SJ = Grand Wagoneer Wgn., J-10 & J-20 Pickups
 XJ = Cherokee, Wagoneer Limited
 YJ = Wrangler

AR = Use as Required - = Non Illustrated Part P.A.R. = Paint as Required



ANTENNA--SPEAKERS--KNOBS WRANGLER, YJ
Figure 8A-500

8J82 500 A



| ITEM | PART NUMBER | QTY | BODY | MODEL | DESCRIPTION |
|------|-------------|-----|------|-------|--------------------------------|
| 1 | 5600 2695 | 2 | | | SPEAKER |
| 2 | S014 4485 | 8 | | | NUT |
| 3 | J400 3671 | 2 | | | SCREW |
| 4 | J400 5963 | 1 | | | CLIP |
| 5 | J322 9510 | 1 | | | CAPACITOR, Ignition |
| 6 | J940 9106 | 1 | | | SCREW |
| 7 | 8350 1415 | 3 | | | KNOB, Balance |
| 8 | J323 1213 | 1 | | | FUSE, 5 Ampere |
| 9 | 8350 1413 | 1 | | | KNOB, Volume |
| | 8350 7040 | 1 | | | Volume/Tune 1990 |
| 10 | 8350 1414 | 2 | | | KNOB, Secondary |
| | 8350 7041 | 1 | | | Bass/Treble w/o Cass. 1990 |
| | 8350 7042 | 1 | | | w/Cass. 1990 |
| | 8350 7043 | 1 | | | Fader 1990 |
| 11 | 8350 1416 | 1 | | | KNOB, Tuning |
| 12 | 5600 3160 | 1 | | | HARNESS, Jumper. KDX-Venezuela |
| 13 | | | | | ANTENNA |
| | J899 3415 | 1 | | | Chrome |
| | 8220 0684 | 1 | | | Black |
| 14 | | | | | BASE, w/Cable |
| | J812 7842 | 1 | | | Chrome |
| | 8220 0683 | 1 | | | Black |
| 15 | J400 2807 | 1 | | | SCREW |
| 16 | J097 5528 | 3 | | | PAD |
| 17 | #8350 6510 | AR | | | HARNESS, Radio Repair |
| 18 | | | | | RADIO, See Accessory Catalog |

MODEL CODES:

| | | |
|-----------------------------|-----------------------------|------------------------------|
| 15 = Grand Wagoneer 4 Dr. | 65 = Comanche 4WD-7 Ft. Box | 77 = Cherokee 4WD-2 Dr. |
| 25 = J-10 Pickup-119" W.B. | 66 = Comanche 2WD-7 Ft. Box | 78 = Cherokee 4WD-4 Dr. |
| 26 = J-10 Pickup-131" W.B. | 73 = Cherokee 2WD-2 Dr. | 79 = Cherokee 4WD-4 Dr.-Com |
| 27 = J-20 Pickup-131" W.B. | 74 = Cherokee 2WD-4 Dr. | 81 = Wrangler-93" W.B. |
| 63 = Comanche 4WD-6 Ft. Box | 75 = Wagoneer 4WD-4 Dr. | 82 = Wrangler-103" W.B.-Exp. |
| 64 = Comanche 2WD-6 Ft. Box | | |

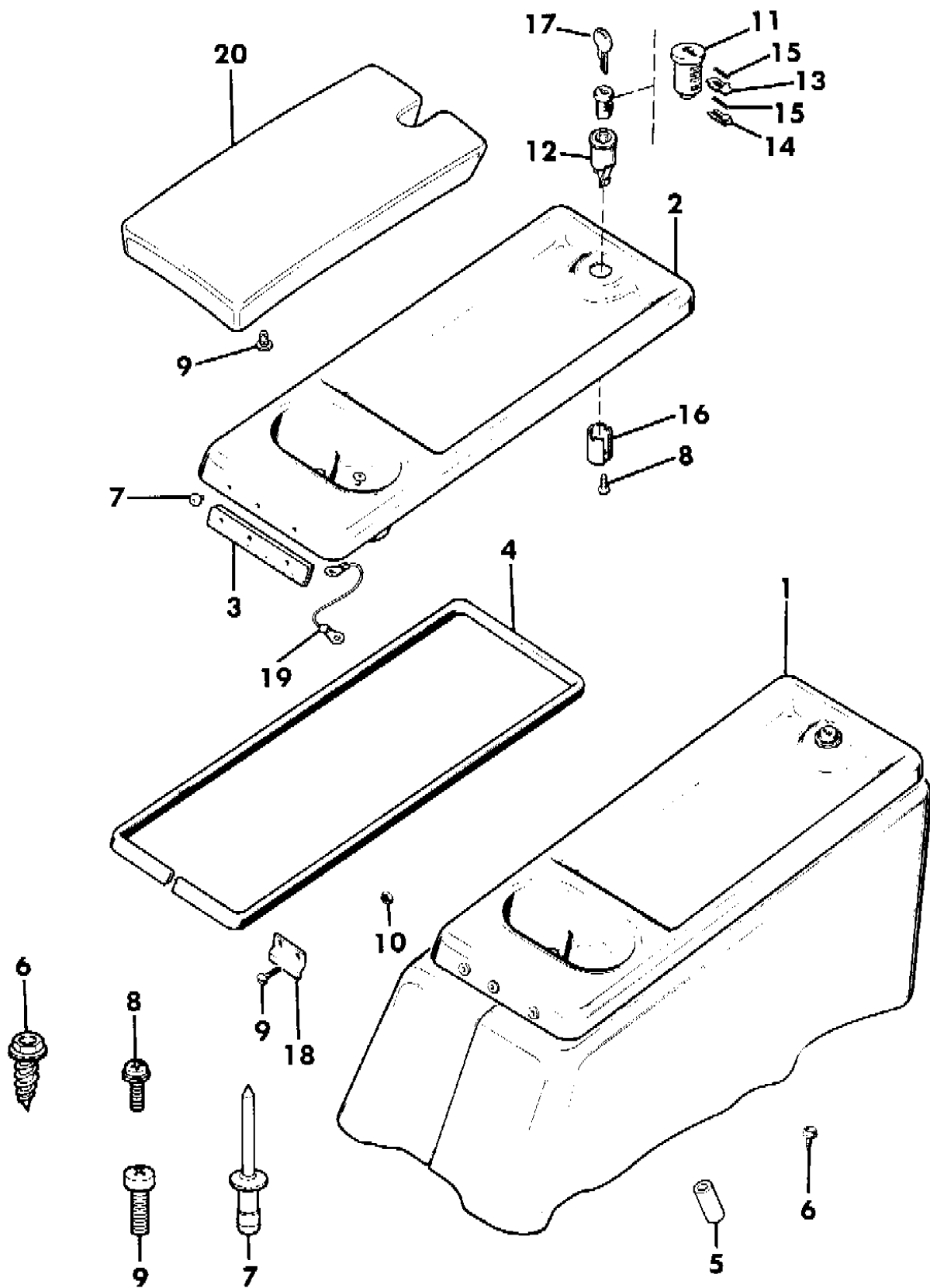
BODY STYLES:

MJ = Comanche Pickup
 SJ = Grand Wagoneer Wgn., J-10 & J-20 Pickups
 XJ = Cherokee, Wagoneer Limited
 YJ = Wrangler

AR = Use as Required - = Non Illustrated Part P.A.R. = Paint as Required

CONSOLE--FLOOR WRANGLER, YJ
Figure 8A-600

8J82 600



| ITEM | PART NUMBER | QTY | BODY | MODEL | DESCRIPTION |
|------|-------------|-----|------|-------|-------------------|
| 1 | J899 7174 | 1 | | | CONSOLE, P.A.R. |
| 2 | 5AG8 4JY6 | 1 | | | DOOR |
| 3 | J546 1605 | 1 | | | HINGE, Door |
| 4 | J546 1606 | 1 | | | SEAL, Door |
| 5 | J546 1607 | 1 | | | SEAL, Drain |
| 6 | J400 2359 | 4 | | | SCREW |
| 7 | J400 5300 | 6 | | | RIVET |
| 8 | J045 0649 | 1 | | | SCREW |
| 9 | J015 9920 | 4 | | | SCREW |
| 10 | J027 1166 | 2 | | | NUT |
| 11 | J448 7663 | 1 | | | CYLINDER, Lock |
| 12 | J448 4698 | 1 | | | CASE |
| 13 | | | | | TUMBLER, Lock |
| | J812 2876 | AR | | | 1 |
| | J812 2877 | AR | | | 2 |
| | J812 2878 | AR | | | 3 |
| | J812 2879 | AR | | | 4 |
| | J812 2880 | AR | | | 5 |
| 14 | J812 2875 | 1 | | | RETAINER, Tumbler |
| 15 | J812 2881 | AR | | | SPRING |
| 16 | J546 3621 | 1 | | | RETAINER, Lock |
| 17 | 5502 5852 | 1 | | | KEY, Uncoded |
| 18 | J813 2541 | 1 | | | STRIKER |
| 19 | J374 1968 | 1 | | | CABLE, Door |
| 20 | | | | | COVER, Armrest |
| | 5502 1223 | 1 | | | Sand 1989 |
| | 5501 9301 | 1 | | | Tan 1988 |

MODEL CODES:

| | | |
|-----------------------------|-----------------------------|------------------------------|
| 15 = Grand Wagoneer 4 Dr. | 65 = Comanche 4WD-7 Ft. Box | 77 = Cherokee 4WD-2 Dr. |
| 25 = J-10 Pickup-119" W.B. | 66 = Comanche 2WD-7 Ft. Box | 78 = Cherokee 4WD-4 Dr. |
| 26 = J-10 Pickup-131" W.B. | 73 = Cherokee 2WD-2 Dr. | 79 = Cherokee 4WD-4 Dr.-Com |
| 27 = J-20 Pickup-131" W.B. | 74 = Cherokee 2WD-4 Dr. | 81 = Wrangler-93" W.B. |
| 63 = Comanche 4WD-6 Ft. Box | 75 = Wagoneer 4WD-4 Dr. | 82 = Wrangler-103" W.B.-Exp. |
| 64 = Comanche 2WD-6 Ft. Box | | |

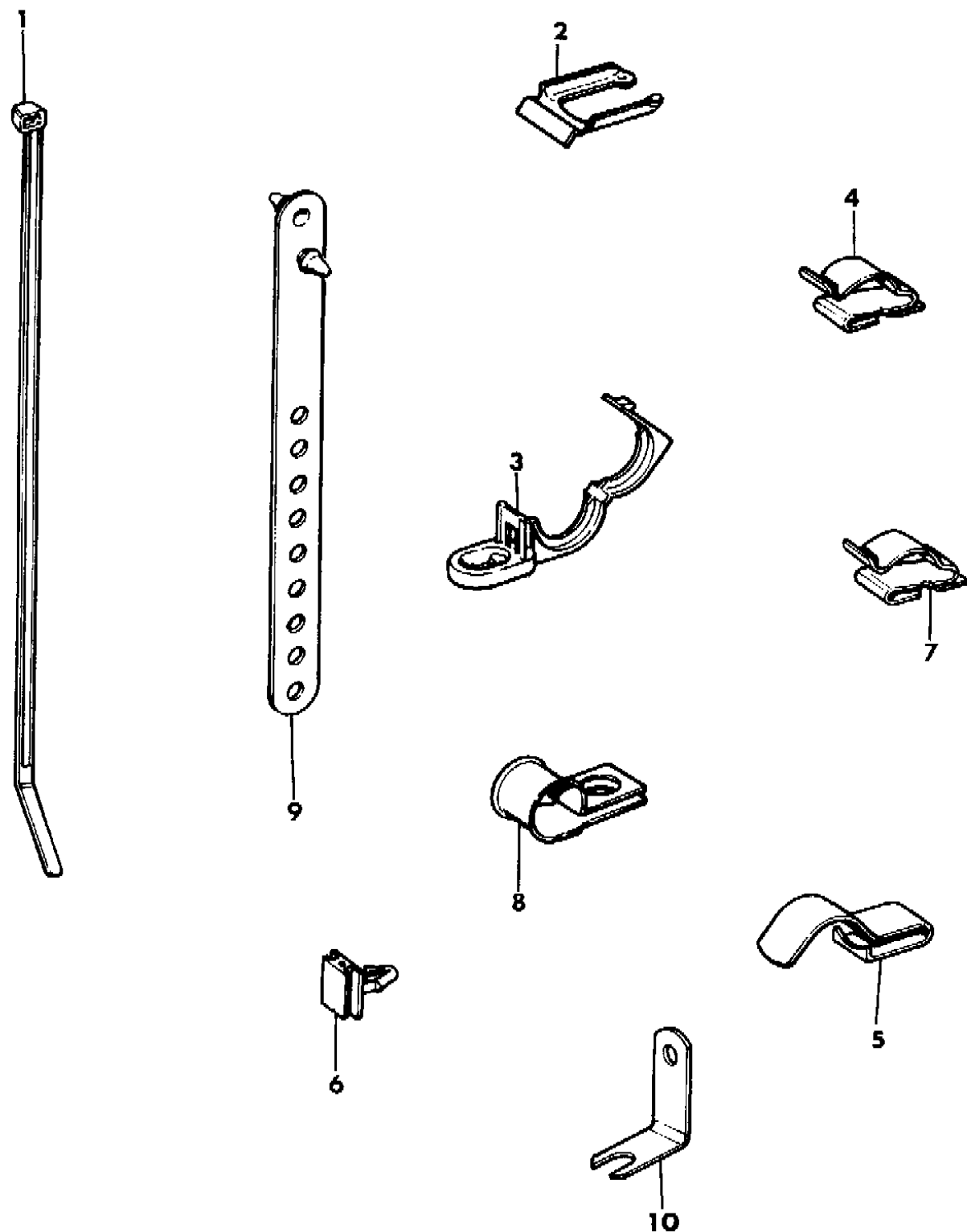
BODY STYLES:

MJ = Comanche Pickup
 SJ = Grand Wagoneer Wgn., J-10 & J-20 Pickups
 XJ = Cherokee, Wagoneer Limited
 YJ = Wrangler

AR = Use as Required - = Non Illustrated Part P.A.R. = Paint as Required

CLIPS--MISCELLANEOUS WRANGLER, YJ
Figure 8A-700

8J82 700



| ITEM | PART NUMBER | QTY | BODY | MODEL | DESCRIPTION |
|------|-------------|-----|------|-------|------------------|
| 1 | J322 3227 | 1 | | | STRAP |
| 2 | J321 7581 | 1 | | | CLIP |
| 3 | J545 9095 | 1 | | | CLIP |
| 4 | 3420 2362 | 1 | | | CLIP |
| 5 | J545 4903 | 1 | | | CLIP |
| 6 | J417 9831 | 1 | | | CLIP, Connector |
| 7 | 3420 2362 | 1 | | | CLIP |
| 8 | J014 0780 | 1 | | | CLIP |
| 9 | J092 6878 | 1 | | | STRAP |
| 10 | J575 2416 | 1 | | | SUPPORT, Harness |

MODEL CODES:

| | | |
|-----------------------------|-----------------------------|------------------------------|
| 15 = Grand Wagoneer 4 Dr. | 65 = Comanche 4WD-7 Ft. Box | 77 = Cherokee 4WD-2 Dr. |
| 25 = J-10 Pickup-119" W.B. | 66 = Comanche 2WD-7 Ft. Box | 78 = Cherokee 4WD-4 Dr. |
| 26 = J-10 Pickup-131" W.B. | 73 = Cherokee 2WD-2 Dr. | 79 = Cherokee 4WD-4 Dr.-Com |
| 27 = J-20 Pickup-131" W.B. | 74 = Cherokee 2WD-4 Dr. | 81 = Wrangler-93" W.B. |
| 63 = Comanche 4WD-6 Ft. Box | 75 = Wagoneer 4WD-4 Dr. | 82 = Wrangler-103" W.B.-Exp. |
| 64 = Comanche 2WD-6 Ft. Box | | |

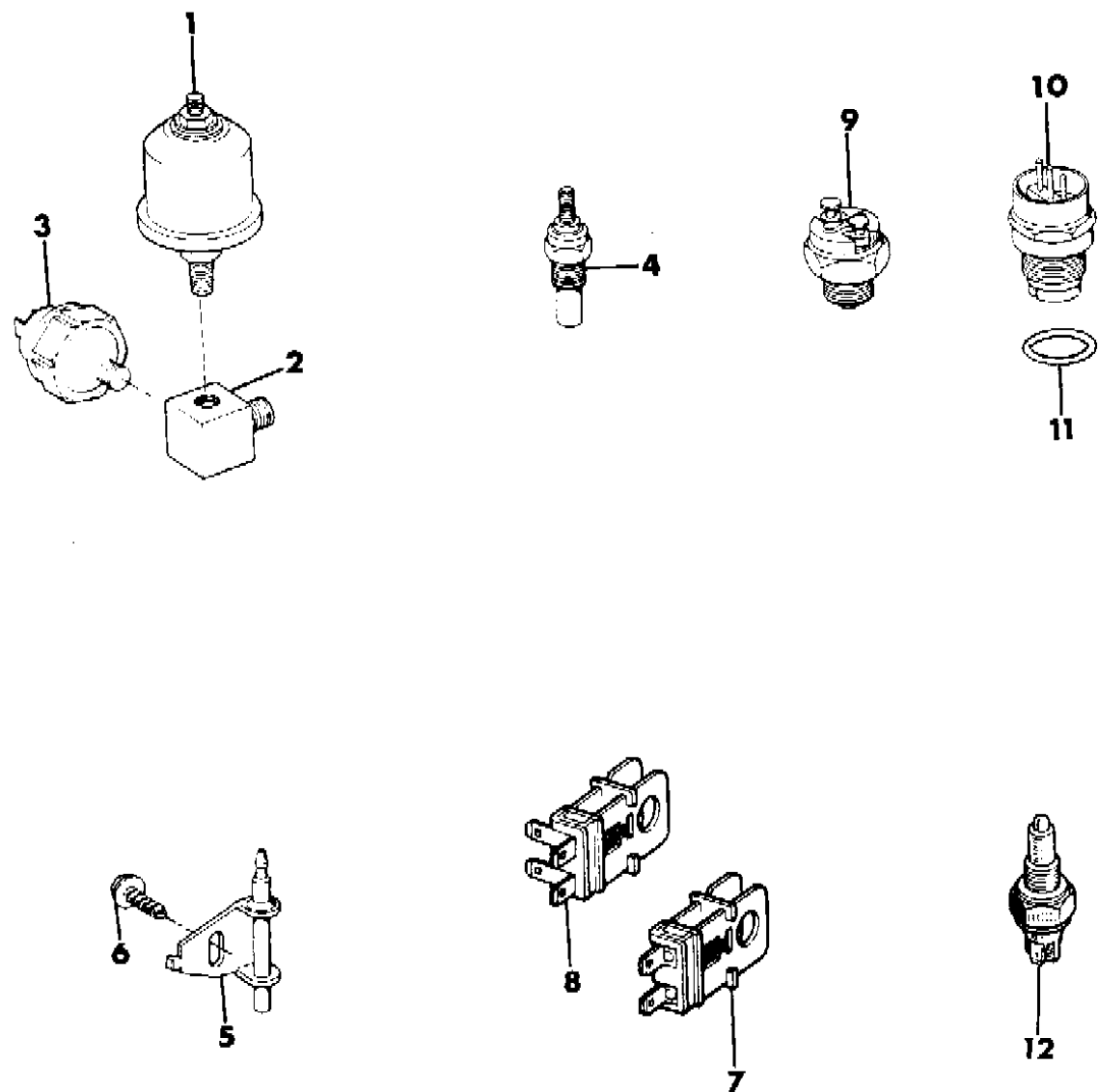
BODY STYLES:

MJ = Comanche Pickup
 SJ = Grand Wagoneer Wgn., J-10 & J-20 Pickups
 XJ = Cherokee, Wagoneer Limited
 YJ = Wrangler

AR = Use as Required - = Non Illustrated Part P.A.R. = Paint as Required

RELAYS--MISCELLANEOUS WRANGLER, YJ
Figure 8A-800

8J82 800



| ITEM | PART NUMBER | QTY | BODY | MODEL | DESCRIPTION |
|------|-------------|-----|------|-------|---|
| 1 | 5300 5218 | 1 | | | SENDER, Oil Pressure *** |
| 2 | J093 4001 | 1 | | | FITTING, 4 Cyl. Engine *** |
| | J400 6600 | 1 | | | w/6 Cyl. Engine *** |
| 3 | J575 8695 | 1 | | | SWITCH, Oil Pressure |
| 4 | 5300 5056 | 1 | | | SENDER, Coolant Temperature *** |
| 5 | J323 2194 | 1 | | | SWITCH, Parking Brake Warning Lamp |
| 6 | J812 0054 | 1 | | | SCREW |
| 7 | J321 5938 | 1 | | | SWITCH, Brake Lamp w/o speed control |
| 8 | J322 5787 | 1 | | | SWITCH, Brake Lamp w/speed control |
| 9 | 5300 4522 | 1 | | | SWITCH, Backup Lamp w/Manual Trans. |
| 10 | 4057 750 | 1 | | | SWITCH, Neutral Safety w/Auto. Trans. |
| 11 | J812 1142 | 1 | | | GASKET |
| 12 | 5300 2831 | 1 | | | SWITCH, Upshift Lamp, w/ 5-Spd. Manual Trans. |

MODEL CODES:

| | | |
|-----------------------------|-----------------------------|------------------------------|
| 15 = Grand Wagoneer 4 Dr. | 65 = Comanche 4WD-7 Ft. Box | 77 = Cherokee 4WD-2 Dr. |
| 25 = J-10 Pickup-119" W.B. | 66 = Comanche 2WD-7 Ft. Box | 78 = Cherokee 4WD-4 Dr. |
| 26 = J-10 Pickup-131" W.B. | 73 = Cherokee 2WD-2 Dr. | 79 = Cherokee 4WD-4 Dr.-Com |
| 27 = J-20 Pickup-131" W.B. | 74 = Cherokee 2WD-4 Dr. | 81 = Wrangler-93" W.B. |
| 63 = Comanche 4WD-6 Ft. Box | 75 = Wagoneer 4WD-4 Dr. | 82 = Wrangler-103" W.B.-Exp. |
| 64 = Comanche 2WD-6 Ft. Box | | |

BODY STYLES:

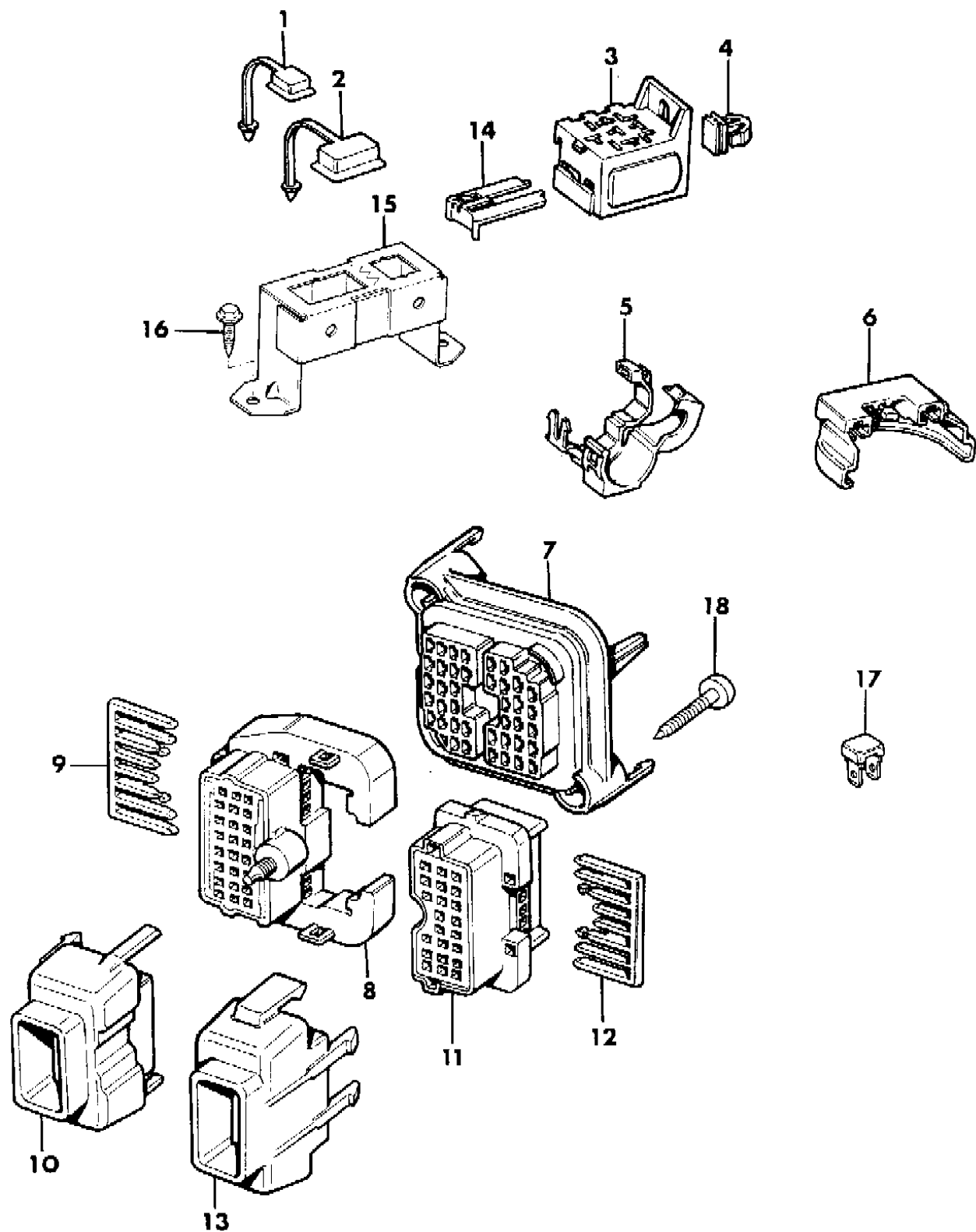
MJ = Comanche Pickup
 SJ = Grand Wagoneer Wgn., J-10 & J-20 Pickups
 XJ = Cherokee, Wagoneer Limited
 YJ = Wrangler

AR = Use as Required - = Non Illustrated Part P.A.R. = Paint as Required

CONNECTOR--MISCELLANEOUS WRANGLER, YJ
Figure 8A-900

8J82 900

| ITEM | PART NUMBER | QTY | BODY | MODEL | DESCRIPTION |
|------|-------------|-----|------|-------|-------------------------------|
| 1 | 4450 990 | 1 | | | COVER, 6 Hole |
| 2 | 4450 991 | 1 | | | COVER, 15 Hole |
| 3 | J417 9106 | 2 | | | CONNECTOR |
| 4 | J417 9831 | 2 | | | CLIP |
| 5 | J417 5241 | 1 | | | RETAINER,Lock |
| 6 | J323 0639 | 1 | | | CONNECTOR |
| 7 | 3417 8240 | 1 | | | CONNECTOR, Bulkhead |
| 8 | 3417 8230 | 1 | | | CONNECTOR, Bulkhead |
| 9 | 3417 5323 | 1 | | | RETAINER, Blue |
| 10 | 3417 5325 | 1 | | | COVER |
| 11 | 3417 8231 | 1 | | | CONNECTOR, Bulkhead |
| 12 | 3417 5324 | 1 | | | RETAINER, Clear |
| 13 | 3417 5326 | 1 | | | COVER |
| 14 | 3417 5430 | 2 | | | RETAINER, Lock |
| 15 | J576 1769 | 1 | | | BRACKET, Diagnostic Connector |
| 16 | J812 0054 | 2 | | | SCREW |
| 17 | J318 6890 | 1 | | | TERMINAL, Jumper |
| 18 | 3420 1256 | 2 | | | SCREW |



MODEL CODES:

| | | |
|-----------------------------|-----------------------------|------------------------------|
| 15 = Grand Wagoneer 4 Dr. | 65 = Comanche 4WD-7 Ft. Box | 77 = Cherokee 4WD-2 Dr. |
| 25 = J-10 Pickup-119" W.B. | 66 = Comanche 2WD-7 Ft. Box | 78 = Cherokee 4WD-4 Dr. |
| 26 = J-10 Pickup-131" W.B. | 73 = Cherokee 2WD-2 Dr. | 79 = Cherokee 4WD-4 Dr.-Com |
| 27 = J-20 Pickup-131" W.B. | 74 = Cherokee 2WD-4 Dr. | 81 = Wrangler-93" W.B. |
| 63 = Comanche 4WD-6 Ft. Box | 75 = Wagoneer 4WD-4 Dr. | 82 = Wrangler-103" W.B.-Exp. |
| 64 = Comanche 2WD-6 Ft. Box | | |

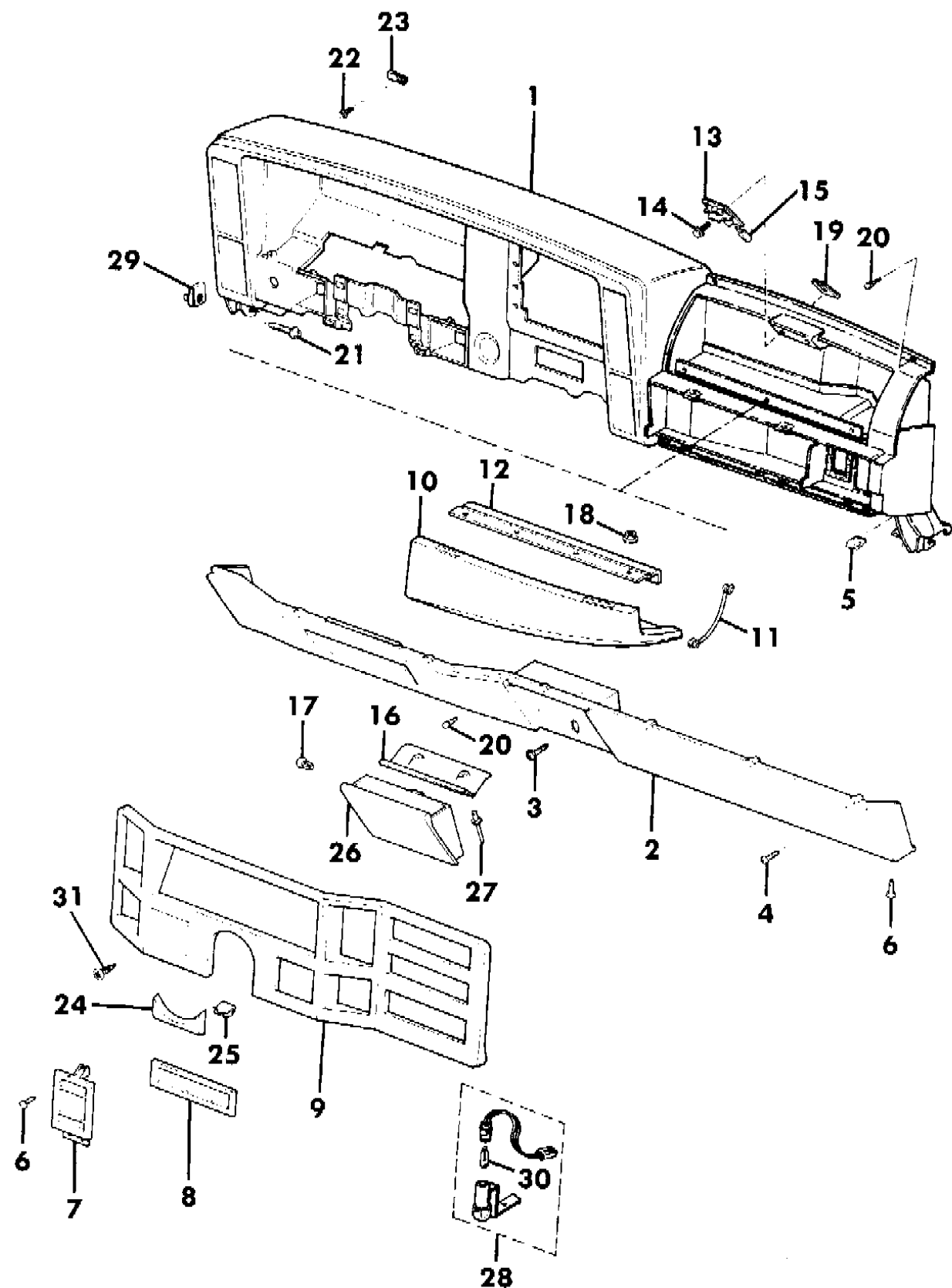
BODY STYLES:

MJ = Comanche Pickup
SJ = Grand Wagoneer Wgn., J-10 & J-20 Pickups
XJ = Cherokee, Wagoneer Limited
YJ = Wrangler

AR = Use as Required - = Non Illustrated Part P.A.R. = Paint as Required

INSTRUMENT PANEL PAD AND BEZELS CHEROKEE, WAGONEER, COMANCHE
Figure 8A-1000

8J82 1000



| ITEM | PART NUMBER | QTY | BODY | MODEL | DESCRIPTION |
|------|-------------|-----|------|-------|------------------------------|
| 1 | | | | | PANEL, Instrument |
| | 8350 6058 | 1 | | | 1987-89 |
| | | | | | 1990 |
| | 8350 6058 | 1 | | | P.A.R. |
| | 5252 249 | 1 | | | Cordovan |
| | 5252 250 | 1 | | | Sand, Except Export |
| | 8350 6058 | 1 | | | P.A.R. |
| 2 | | | | | PANEL, Lower, P.A.R. |
| | 5501 1088 | 1 | | | 1987-89 |
| | 5AC1 7JY6 | 1 | | | 1990 |
| 3 | 3420 1314 | 1 | | | SCREW |
| 4 | J400 2465 | 7 | | | SCREW |
| 5 | J044 5446 | 2 | | | NUT |
| 6 | J812 0615 | 2 | | | SCREW |
| 7 | 5500 0652 | 1 | | | COVER, Clock Opening |
| 8 | 5500 2063 | 1 | | | COVER, Radio Opening |
| 9 | | | | | BEZEL, Cluster |
| | 5500 5659 | 1 | | | Black |
| | 5500 5660 | 1 | | | Black/Chrome |
| | 5505 2626 | 1 | | | Silver/Black |
| | 5505 2631 | 1 | | | Woodgrain |
| 10 | 5502 0602 | 1 | | | DOOR, Glove Box, P.A.R. 1989 |
| | 5AC1 6JY6 | 1 | | | DOOR, Glove Box, P.A.R. 1990 |
| 11 | 5502 0572 | 1 | | | CABLE, Door |
| 12 | 5500 0340 | 1 | | | HINGE, Glove Box |
| 13 | 5500 1086 | 1 | | | STRIKER, Door (Incl. Lamp) |
| 14 | J400 2461 | 2 | | | SCREW |
| 15 | 9421 330 | 1 | | | BULB, (194) |
| 16 | 5500 0359 | 1 | | | RETAINER, Ashtray |
| 17 | 3420 1650 | 2 | | | CLIP |
| 18 | 1150 2722 | 3 | | | NUT |
| 19 | 3420 1820 | 3 | | | NUT |
| 20 | J400 0093 | 4 | | | BUMPER, Glove Box Door |
| 21 | 3420 1540 | 4 | | | SCREW |
| 22 | 1150 3059 | 4 | | | SCREW |
| 23 | 3420 1519 | 2 | | | NUT |
| 24 | | | | | FILLER, Steering Column |

MODEL CODES:

| | | |
|-----------------------------|-----------------------------|------------------------------|
| 15 = Grand Wagoneer 4 Dr. | 65 = Comanche 4WD-7 Ft. Box | 77 = Cherokee 4WD-2 Dr. |
| 25 = J-10 Pickup-119" W.B. | 66 = Comanche 2WD-7 Ft. Box | 78 = Cherokee 4WD-4 Dr. |
| 26 = J-10 Pickup-131" W.B. | 73 = Cherokee 2WD-2 Dr. | 79 = Cherokee 4WD-4 Dr.-Com |
| 27 = J-20 Pickup-131" W.B. | 74 = Cherokee 2WD-4 Dr. | 81 = Wrangler-93" W.B. |
| 63 = Comanche 4WD-6 Ft. Box | 75 = Wagoneer 4WD-4 Dr. | 82 = Wrangler-103" W.B.-Exp. |
| 64 = Comanche 2WD-6 Ft. Box | | |

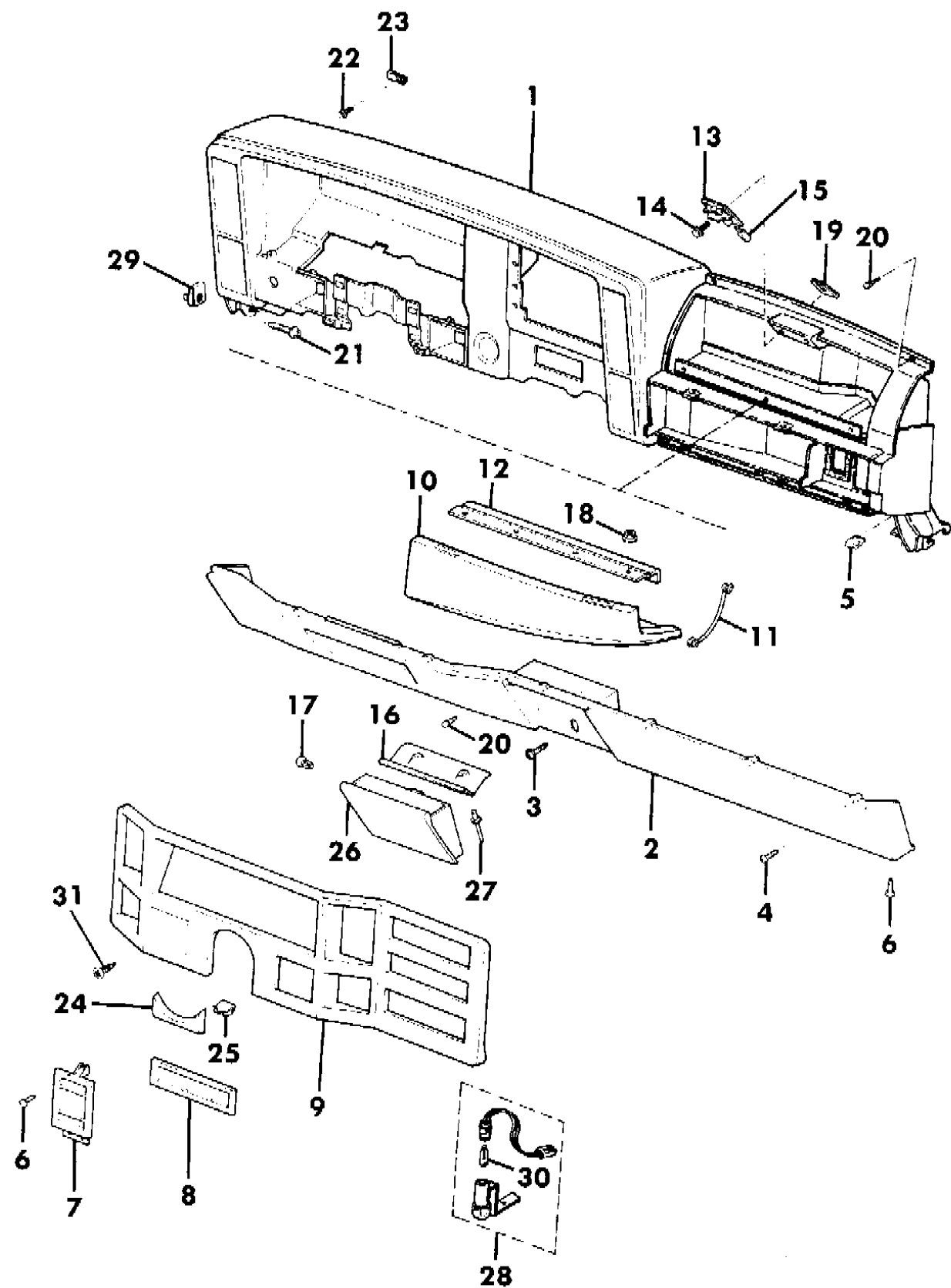
BODY STYLES:

MJ = Comanche Pickup
 SJ = Grand Wagoneer Wgn., J-10 & J-20 Pickups
 XJ = Cherokee, Wagoneer Limited
 YJ = Wrangler

AR = Use as Required - = Non Illustrated Part P.A.R. = Paint as Required

INSTRUMENT PANEL PAD AND BEZELS CHEROKEE, WAGONEER, COMANCHE
Figure 8A-1000

8J82 1000



| ITEM | PART NUMBER | QTY | BODY | MODEL | DESCRIPTION |
|------|-------------|-----|------|-------|--------------------------------|
| | 5500 3101 | 1 | | | Wagoneer, Woodgrain |
| | 5500 3102 | 1 | | | Laredo |
| | 5500 3103 | 1 | | | Except Wagoneer, Black |
| | 5501 8924 | 1 | | | Except Wagoneer, Silver/Chrome |
| 25 | 3420 2502 | 8 | | | CLIP |
| 26 | 5501 1094 | 1 | | | ASHTRAY, P.A.R. *** |
| 27 | 3420 1197 | 2 | | | RIVET |
| 28 | 5600 0138 | 1 | | | LAMP, Ash Receiver |
| 29 | 1150 0656 | 4 | | | NUT |
| 30 | J019 3065 | 1 | | | BULB, (1815) |
| 31 | J448 8697 | 4 | | | SCREW |

MODEL CODES:

| | | |
|-----------------------------|-----------------------------|------------------------------|
| 15 = Grand Wagoneer 4 Dr. | 65 = Comanche 4WD-7 Ft. Box | 77 = Cherokee 4WD-2 Dr. |
| 25 = J-10 Pickup-119" W.B. | 66 = Comanche 2WD-7 Ft. Box | 78 = Cherokee 4WD-4 Dr. |
| 26 = J-10 Pickup-131" W.B. | 73 = Cherokee 2WD-2 Dr. | 79 = Cherokee 4WD-4 Dr.-Com |
| 27 = J-20 Pickup-131" W.B. | 74 = Cherokee 2WD-4 Dr. | 81 = Wrangler-93" W.B. |
| 63 = Comanche 4WD-6 Ft. Box | 75 = Wagoneer 4WD-4 Dr. | 82 = Wrangler-103" W.B.-Exp. |
| 64 = Comanche 2WD-6 Ft. Box | | |

BODY STYLES:

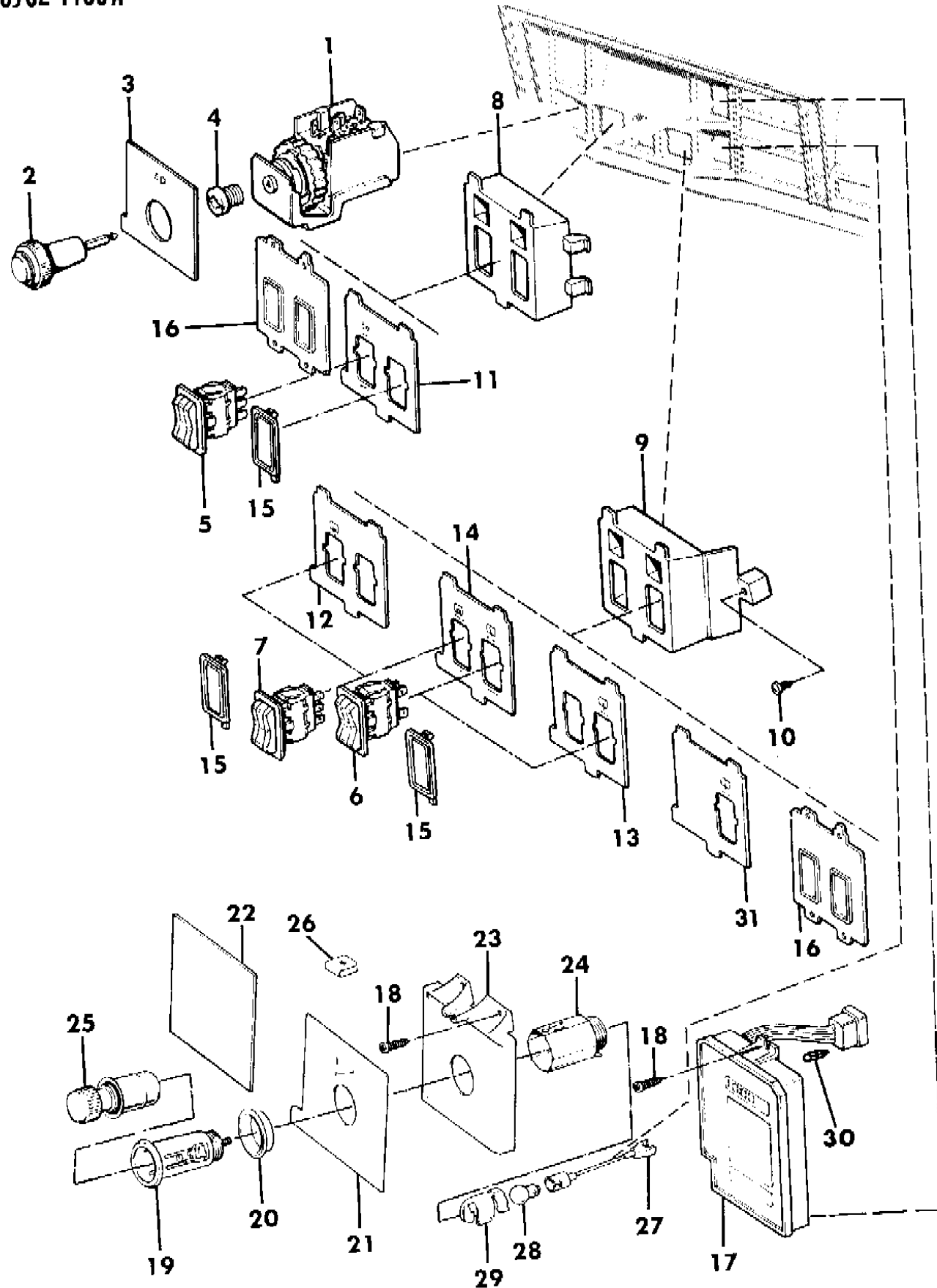
MJ = Comanche Pickup
 SJ = Grand Wagoneer Wgn., J-10 & J-20 Pickups
 XJ = Cherokee, Wagoneer Limited
 YJ = Wrangler

AR = Use as Required - = Non Illustrated Part P.A.R. = Paint as Required

INSTRUMENT PANEL SWITCHES AND CIGAR LIGHTER CHEROKEE, WAGONEER, COMANCHE

Figure 8A-1100

8J82 1100A



| ITEM | PART NUMBER | QTY | BODY | MODEL | DESCRIPTION |
|------|-------------|-----|------|-------|-----------------------------|
| 1 | 5600 1197 | 1 | | | SWITCH, HeadLamp |
| 2 | 5600 0857 | 1 | | | KNOB, Headlamp |
| | 5600 0022 | 1 | | | Export |
| | | | | | U.S., Canada |
| 3 | | | | | COVER, Headlamp Switch |
| | 5500 4522 | 1 | | | Export |
| | 5600 0492 | 1 | | | U.S., Canada |
| 4 | J364 6513 | 1 | | | NUT |
| 5 | | | | | SWITCH |
| | 5600 0025 | 1 | | | Fog Lamp *** |
| | 5600 0025 | 1 | | | Trans. Comfort *** |
| | 5600 0025 | 1 | MJ | | Cargo Lamp |
| 6 | 5600 0029 | 1 | XJ | | SWITCH, Rear Wiper |
| 7 | 5600 0030 | 1 | | | SWITCH, Defogger |
| 8 | 5500 1893 | 1 | | | HOUSING, Switch, Left |
| 9 | 5500 1892 | 1 | | | HOUSING, Switch, Right |
| 10 | J400 2461 | 2 | | | SCREW |
| 11 | | | | | LENS, Identification |
| | 5500 2939 | 1 | | | Fog Lamp, U.S., Canada |
| | 5500 4221 | 1 | | | Front/Rear Fog Lamp, Export |
| | 5600 1581 | 1 | MJ | | Fog/Cargo Lamp |
| 12 | | | | | LENS, Identification |
| | 5600 2126 | 1 | | | Fog/Defogger, Export |
| | 5600 2128 | 1 | | | Fog/Defogger, U.S., Canada |
| 13 | | | | | LENS, Identification |
| | 5500 2942 | 1 | | | Wiper |
| | 5600 2131 | 1 | | | Wiper/Transmission |
| | 5600 2132 | | | | Transmission *** |
| 14 | | | | | LENS, Identification |
| | 5600 0499 | 1 | | | Wiper/Defogger |
| 15 | 5500 3005 | 2 | | | PLATE, Switch |
| 16 | | | | | COVER, Switch |
| | 5600 0493 | AR | | | U.S., Canada |
| | 5500 2810 | AR | | | Export |
| 17 | | | | | CLOCK |
| | 8220 0639 | 1 | | | 1987 |
| | 8220 0908 | 1 | | | 1988-90 |

MODEL CODES:

| | | |
|-----------------------------|-----------------------------|------------------------------|
| 15 = Grand Wagoneer 4 Dr. | 65 = Comanche 4WD-7 Ft. Box | 77 = Cherokee 4WD-2 Dr. |
| 25 = J-10 Pickup-119" W.B. | 66 = Comanche 2WD-7 Ft. Box | 78 = Cherokee 4WD-4 Dr. |
| 26 = J-10 Pickup-131" W.B. | 73 = Cherokee 2WD-2 Dr. | 79 = Cherokee 4WD-4 Dr.-Com |
| 27 = J-20 Pickup-131" W.B. | 74 = Cherokee 2WD-4 Dr. | 81 = Wrangler-93" W.B. |
| 63 = Comanche 4WD-6 Ft. Box | 75 = Wagoneer 4WD-4 Dr. | 82 = Wrangler-103" W.B.-Exp. |
| 64 = Comanche 2WD-6 Ft. Box | | |

BODY STYLES:

MJ = Comanche Pickup
 SJ = Grand Wagoneer Wgn., J-10 & J-20 Pickups
 XJ = Cherokee, Wagoneer Limited
 YJ = Wrangler

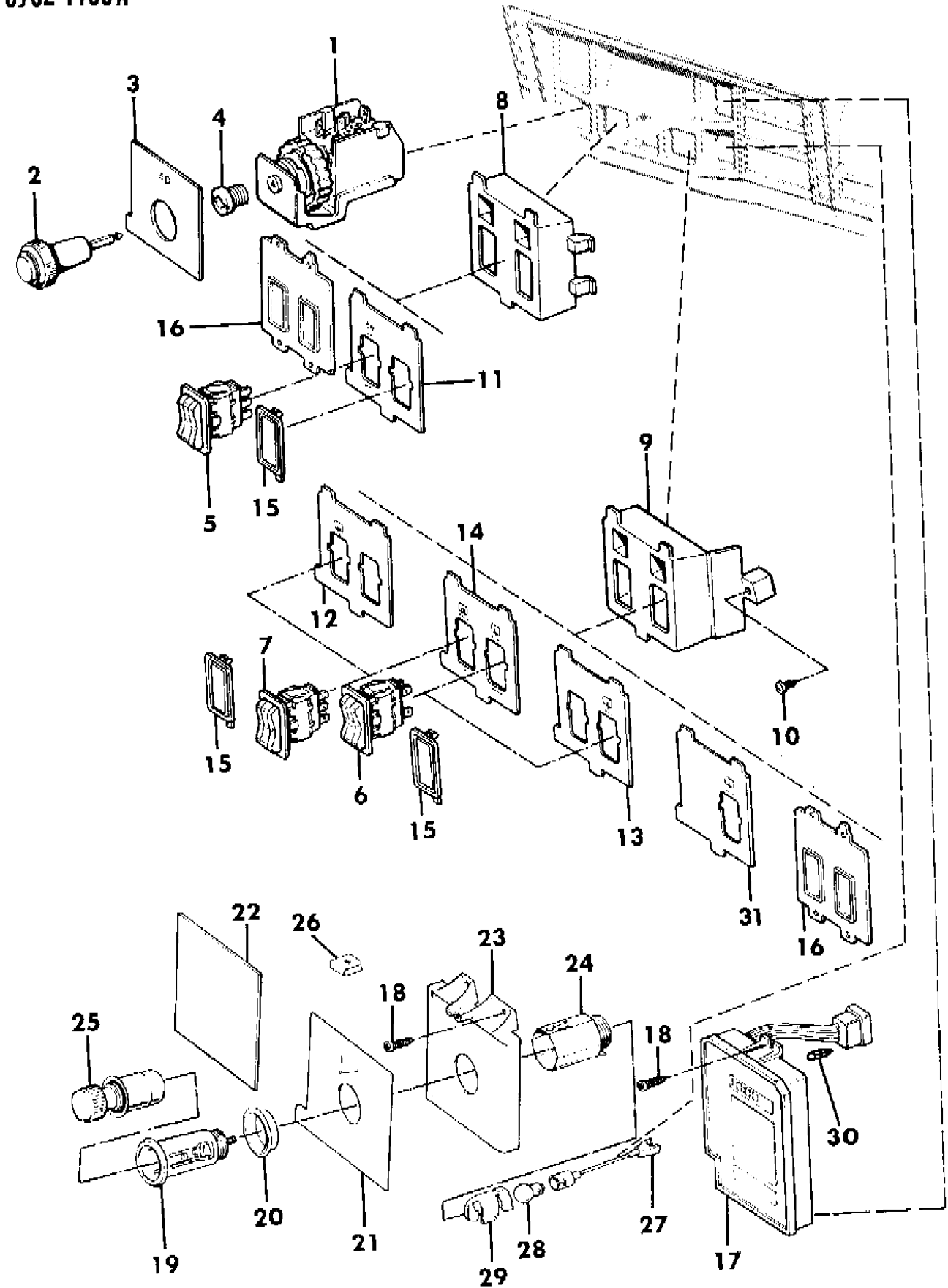
AR = Use as Required - = Non Illustrated Part P.A.R. = Paint as Required

INSTRUMENT PANEL SWITCHES AND CIGAR LIGHTER CHEROKEE, WAGONEER, COMANCHE

Figure 8A-1100

8J82 1100A

| ITEM | PART NUMBER | QTY | BODY | MODEL | DESCRIPTION |
|------|-------------|-----|------|-------|-----------------------------------|
| 18 | J400 2461 | 4 | | | SCREW |
| 19 | J345 3270 | 1 | | | HOUSING, Cigar Lighter |
| 20 | 3500 1906 | 1 | | | RING, Illumination |
| 21 | 5600 0490 | 1 | | | COVER |
| 22 | 5600 0058 | 1 | | | COVER |
| 23 | 5500 2664 | 1 | | | BRACKET, Cigar Lighter |
| 24 | 3600 0242 | 1 | | | CLAMP, Cigar Lighter |
| 25 | 5600 0501 | 1 | | | LIGHTER, Cigar |
| 26 | J400 4223 | 2 | | | NUT |
| 27 | 3600 0279 | 1 | | | SOCKET |
| 28 | J013 1282 | 1 | | | BULB, (53) |
| 29 | 5600 1194 | 1 | | | SHIELD, Bulb |
| 30 | J812 5723 | 1 | | | BULB, (74) |
| | 5600 1787 | | | | SOCKET, Clock |
| 31 | 5600 0495 | 1 | | | LENS, Wiper Identification, (KDX) |



MODEL CODES:

- | | | |
|-----------------------------|-----------------------------|------------------------------|
| 15 = Grand Wagoneer 4 Dr. | 65 = Comanche 4WD-7 Ft. Box | 77 = Cherokee 4WD-2 Dr. |
| 25 = J-10 Pickup-119" W.B. | 66 = Comanche 2WD-7 Ft. Box | 78 = Cherokee 4WD-4 Dr. |
| 26 = J-10 Pickup-131" W.B. | 73 = Cherokee 2WD-2 Dr. | 79 = Cherokee 4WD-4 Dr.-Com |
| 27 = J-20 Pickup-131" W.B. | 74 = Cherokee 2WD-4 Dr. | 81 = Wrangler-93" W.B. |
| 63 = Comanche 4WD-6 Ft. Box | 75 = Wagoneer 4WD-4 Dr. | 82 = Wrangler-103" W.B.-Exp. |
| 64 = Comanche 2WD-6 Ft. Box | | |

BODY STYLES:

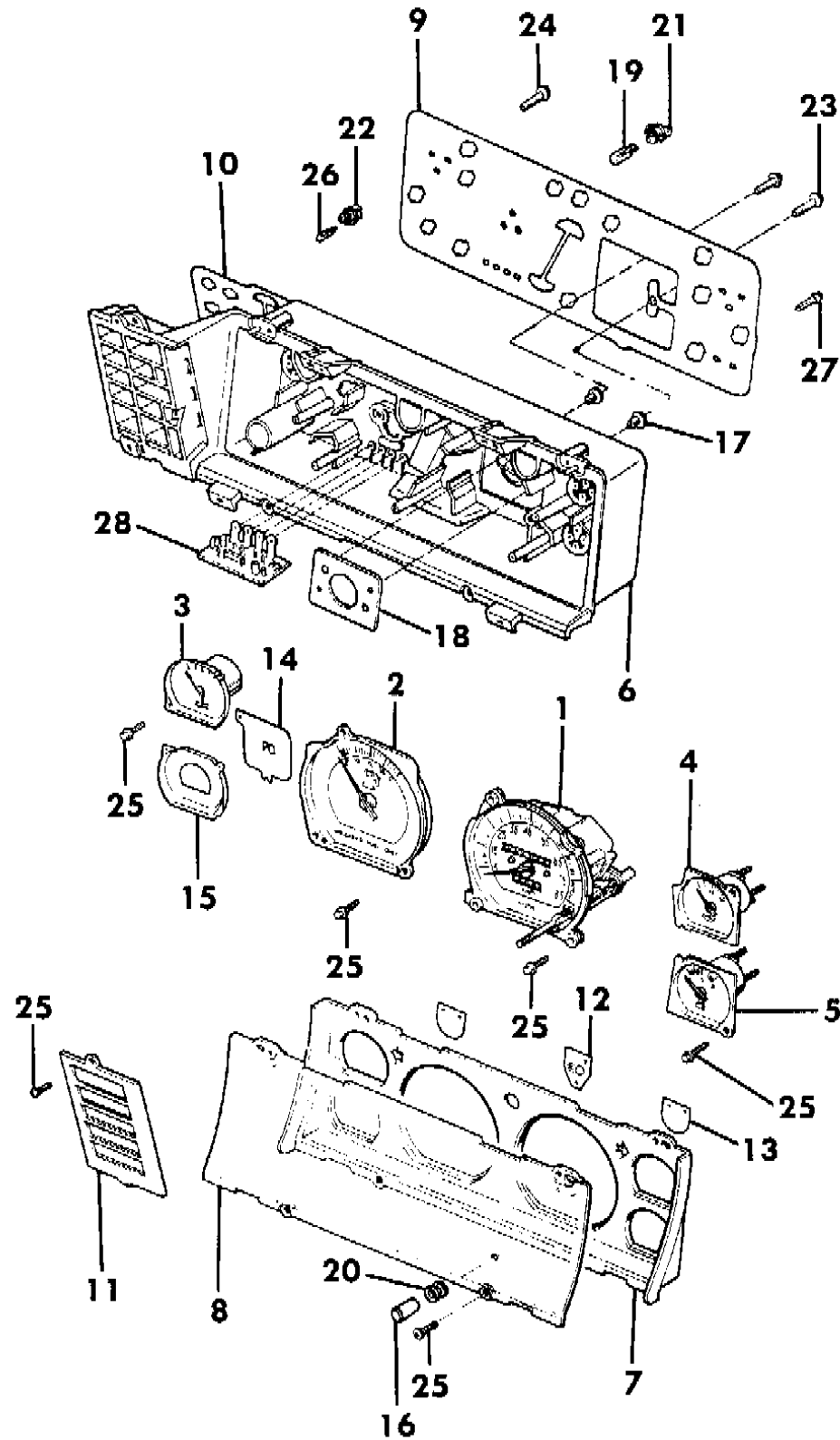
- MJ = Comanche Pickup
 SJ = Grand Wagoneer Wgn., J-10 & J-20 Pickups
 XJ = Cherokee, Wagoneer Limited
 YJ = Wrangler

AR = Use as Required - = Non Illustrated Part P.A.R. = Paint as Required

INSTRUMENT CLUSTER--WITH GAUGES W/O TACHOMETER (TYPE 2) 1987, 1988/ CHEROKEE, WAGONEER,COMANCHE

Figure 8A-1200

8J82 1200



| ITEM | PART NUMBER | QTY | BODY | MODEL | DESCRIPTION |
|------|-------------|-----|------|-------|-------------------------------|
| 1 | | | | | SPEEDOMETER |
| | 8350 4224 | 1 | | | Miles |
| | 8350 4225 | 1 | | | Kilo |
| 2 | 8350 4234 | 1 | | | GAUGE, Fuel |
| 3 | | | | | GAUGE, Temperature |
| | 8350 4239 | 1 | | | U.S. |
| | 8350 4240 | 1 | | | Canada, Export |
| 4 | | | | | GAUGE, Oil |
| | 8350 4243 | 1 | | | U.S. |
| | 8350 4244 | 1 | | | Canada, Export |
| 5 | | | | | VOLTMETER *** |
| | 8350 4247 | 1 | | | 1987 |
| | 8350 5413 | 1 | | | 1988-90 |
| 6 | 8350 4251 | 1 | | | HOUSING, Cluster |
| 7 | 8350 4238 | 1 | | | BEZEL, Cluster |
| 8 | 8350 4255 | 1 | | | LENS, Cluster |
| 9 | 8350 4258 | 1 | | | CONDUCTOR, Printed Circuit |
| 10 | 8350 4262 | 1 | | | CONDUCTOR, Printed Circuit |
| 11 | | | | | FILTER, Warning Lamp |
| | 8350 4264 | 1 | | | U.S. 1987 |
| | 8350 4863 | 1 | | | U.S. 1988-89 |
| | 8350 4265 | 1 | | | Canada, Export 1987 |
| | 8350 5256 | 1 | | | Canada, Export 1988-89 |
| 12 | 8350 4267 | 1 | | | FILTER, High Beam Lamp |
| 13 | 8350 4269 | 2 | | | FILTER, Turn Signal Lamp |
| 14 | 8350 5408 | 1 | | | FILTER, Low Fuel Warning Lamp |
| 15 | 8350 4282 | 1 | | | BEZEL, Low Fuel Warning |
| 16 | 8350 4273 | 1 | | | KNOB, Odometer |
| 17 | 8350 4274 | 2 | | | BUSHING, Speedometer |
| 18 | 8350 4275 | 1 | | | GASKET |
| 19 | | | | | BULB |
| | J942 1330 | 15 | | | Coded (194) |
| | J448 8426 | 1 | | | Coded (168) |
| | J941 7561 | 1 | | | Coded (161) |
| 20 | 8350 4276 | 1 | | | GROMMET |
| 21 | J369 7186 | 15 | | | SOCKET |
| 22 | 5600 1787 | 10 | | | SOCKET |

MODEL CODES:

| | | |
|-----------------------------|-----------------------------|------------------------------|
| 15 = Grand Wagoneer 4 Dr. | 65 = Comanche 4WD-7 Ft. Box | 77 = Cherokee 4WD-2 Dr. |
| 25 = J-10 Pickup-119" W.B. | 66 = Comanche 2WD-7 Ft. Box | 78 = Cherokee 4WD-4 Dr. |
| 26 = J-10 Pickup-131" W.B. | 73 = Cherokee 2WD-2 Dr. | 79 = Cherokee 4WD-4 Dr.-Com |
| 27 = J-20 Pickup-131" W.B. | 74 = Cherokee 2WD-4 Dr. | 81 = Wrangler-93" W.B. |
| 63 = Comanche 4WD-6 Ft. Box | 75 = Wagoneer 4WD-4 Dr. | 82 = Wrangler-103" W.B.-Exp. |
| 64 = Comanche 2WD-6 Ft. Box | | |

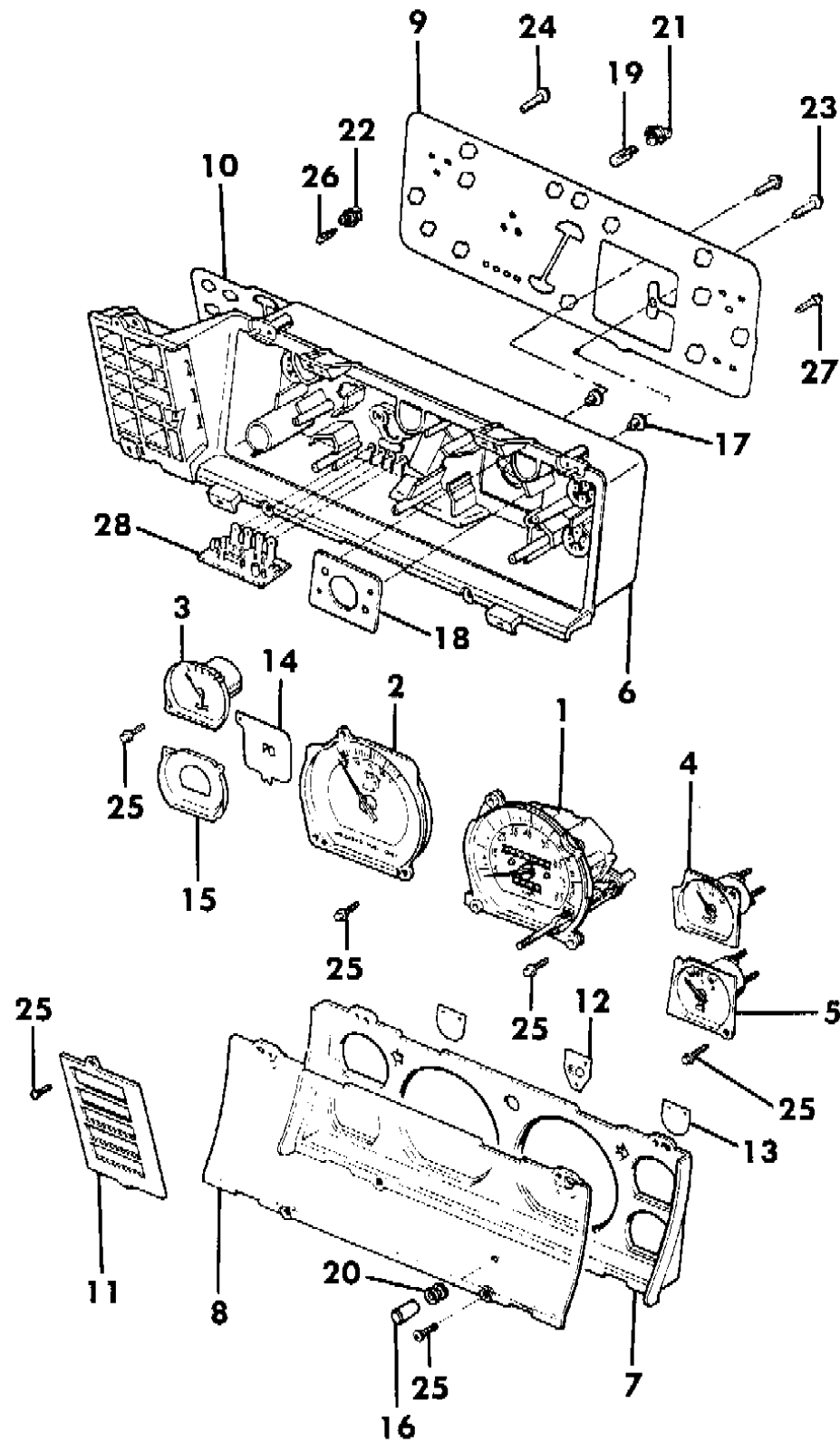
BODY STYLES:

MJ = Comanche Pickup
 SJ = Grand Wagoneer Wgn., J-10 & J-20 Pickups
 XJ = Cherokee, Wagoneer Limited
 YJ = Wrangler

AR = Use as Required - = Non Illustrated Part P.A.R. = Paint as Required

INSTRUMENT CLUSTER--WITH GAUGES W/O TACHOMETER (TYPE 2) 1987, 1988/ CHEROKEE, WAGONEER, COMANCHE
Figure 8A-1200

8J82 1200



| ITEM | PART NUMBER | QTY | BODY | MODEL | DESCRIPTION |
|------|-------------|-----|------|-------|--------------------------|
| 23 | 8350 4277 | 4 | | | SCREW, 14mm Long |
| 24 | 8350 4278 | 11 | | | SCREW, 32mm Long |
| 25 | S016 1860 | AR | | | SCREW |
| 26 | | | | | BULB |
| | J812 5723 | 10 | | | Coded (74) |
| | J943 6789 | 1 | | | Coded (37) |
| 27 | 8350 4279 | 9 | | | SCREW, 13mm Long |
| 28 | 8350 4281 | 1 | | | MODULE, Low Fuel Warning |

MODEL CODES:
 15 = Grand Wagoneer 4 Dr. 65 = Comanche 4WD-7 Ft. Box 77 = Cherokee 4WD-2 Dr.
 25 = J-10 Pickup-119" W.B. 66 = Comanche 2WD-7 Ft. Box 78 = Cherokee 4WD-4 Dr.
 26 = J-10 Pickup-131" W.B. 73 = Cherokee 2WD-2 Dr. 79 = Cherokee 4WD-4 Dr.-Com
 27 = J-20 Pickup-131" W.B. 74 = Cherokee 2WD-4 Dr. 81 = Wrangler-93" W.B.
 63 = Comanche 4WD-6 Ft. Box 75 = Wagoneer 4WD-4 Dr. 82 = Wrangler-103" W.B.-Exp.
 64 = Comanche 2WD-6 Ft. Box

BODY STYLES:
 MJ = Comanche Pickup
 SJ = Grand Wagoneer Wgn., J-10 & J-20 Pickups
 XJ = Cherokee, Wagoneer Limited
 YJ = Wrangler

AR = Use as Required - = Non Illustrated Part P.A.R. = Paint as Required

INSTRUMENT CLUSTER--WITH GAUGES, W/O TACHOMETER (TYPE 1) 1987
Figure 8A-1250

8J82 1250

| ITEM | PART NUMBER | QTY | BODY | MODEL | DESCRIPTION |
|------|-------------|-----|------|-------|--------------------------------|
| 1 | 8350 0292 | 1 | | | LENS, Cluster |
| 2 | 8350 0290 | 1 | | | BEZEL, Cluster |
| 3 | 8350 1551 | 1 | | | Diesel |
| | 8350 3462 | 1 | | | FILTER, Warning Lamps (1987) |
| | 8350 3465 | 1 | | | Canada/Export (1987) |
| 4 | 8350 3464 | 1 | | | Diesel (1987) |
| | 8351 0021 | 1 | | | FILTER, High Beam Lamp |
| 5 | 8351 0020 | 1 | | | FILTER, Turn Signal Lamp |
| 6 | 8350 0281 | 1 | | | HOUSING, Cluster |
| 7 | 8350 1539 | 1 | | | Diesel |
| | 8351 0022 | 1 | | | FILTER, Cluster |
| 8 | 8350 0320 | 1 | | | CONDUCTOR, Printed Circuit *** |
| | 8350 1562 | 1 | | | Diesel |
| 9 | 8350 2278 | 1 | | | CONDUCTOR, Printed Circuit *** |
| | 8350 0321 | 1 | | | Diesel |
| 10 | 8350 0294 | 1 | | | SPEEDOMETER, Miles |
| | 8350 0297 | 1 | | | Kilo |
| 11 | 8350 2026 | 1 | | | SCREW |
| 12 | 8350 0295 | 1 | | | KNOB, Trip Odometer |
| 13 | 8350 0298 | 1 | | | GAUGE, Fuel (U.S.A./Canada) |
| | 8350 0305 | 1 | | | Non Regulated Markets |
| 14 | 8350 1563 | 1 | | | Diesel |
| | 8350 2025 | 1 | | | GASKET |
| 15 | 8350 0311 | 1 | | | GAUGE, Temperature (260) |
| | 8350 1560 | 1 | | | Diesel (260) |
| 16 | 8351 0184 | 1 | | | Canada (125) |
| | 8350 2024 | 1 | | | RETAINER, Speedometer Cable |
| 17 | 8351 0030 | 1 | | | FILTER, Low Fuel Warning Lamp |
| 18 | 8350 4463 | 1 | | | GAUGE, Oil (80) |
| | 8351 0024 | 1 | | | Canada (5.4) |
| 19 | 8350 1565 | 1 | | | Diesel (120) |
| | 5600 1448 | 1 | | | HOSE, Turbo Boost Gauge |
| 20 | 8350 0318 | 1 | | | VOLTMETER *** |
| 21 | 8350 1555 | 1 | | | GAUGE, Turbo Boost |
| | 8351 0025 | AR | | | SCREW |
| 22 | J941 7561 | AR | | | BULB (161) *** |
| | J448 8426 | AR | | | (168) |

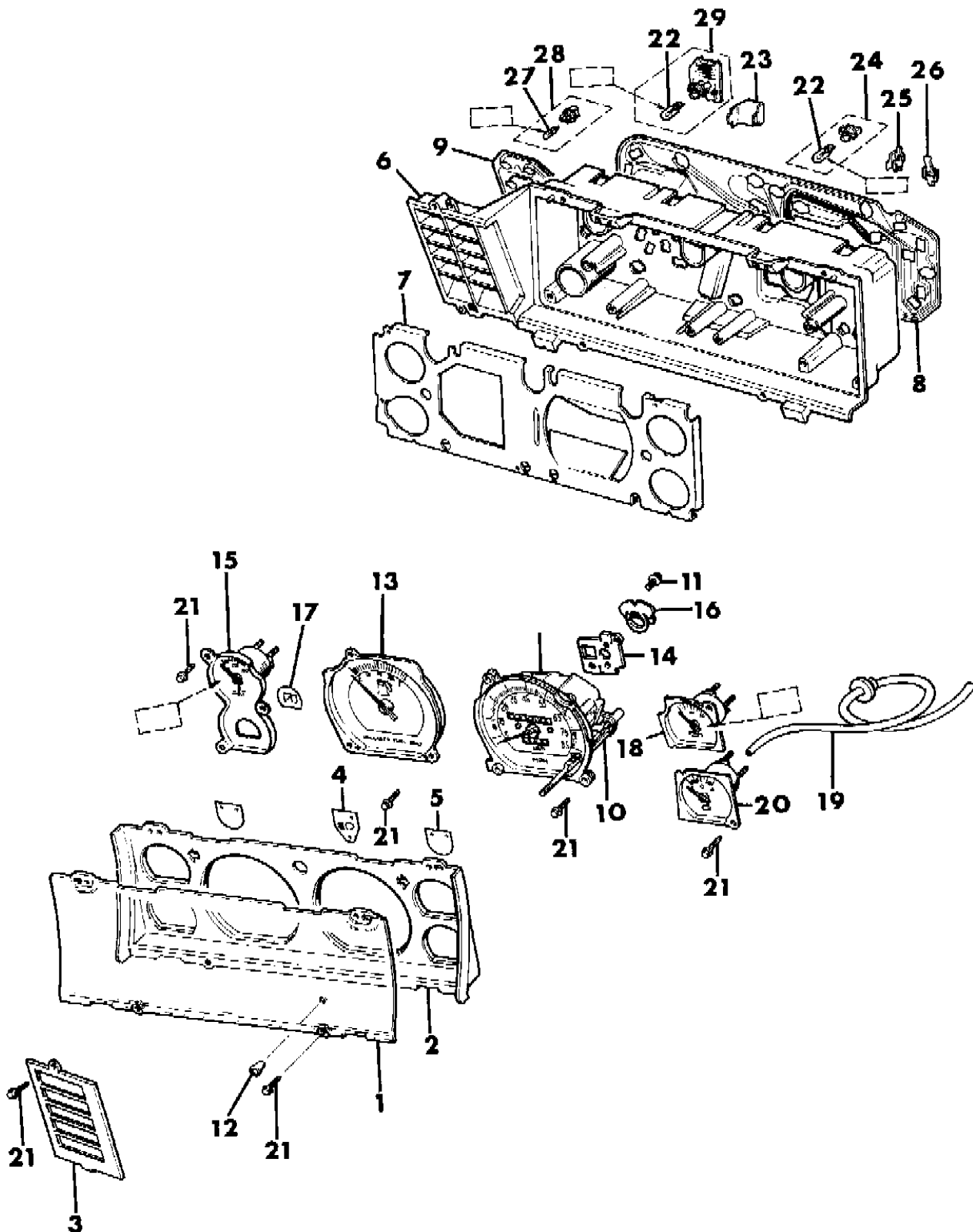
MODEL CODES:

| | | |
|-----------------------------|-----------------------------|------------------------------|
| 15 = Grand Wagoneer 4 Dr. | 65 = Comanche 4WD-7 Ft. Box | 77 = Cherokee 4WD-2 Dr. |
| 25 = J-10 Pickup-119" W.B. | 66 = Comanche 2WD-7 Ft. Box | 78 = Cherokee 4WD-4 Dr. |
| 26 = J-10 Pickup-131" W.B. | 73 = Cherokee 2WD-2 Dr. | 79 = Cherokee 4WD-4 Dr.-Com |
| 27 = J-20 Pickup-131" W.B. | 74 = Cherokee 2WD-4 Dr. | 81 = Wrangler-93" W.B. |
| 63 = Comanche 4WD-6 Ft. Box | 75 = Wagoneer 4WD-4 Dr. | 82 = Wrangler-103" W.B.-Exp. |
| 64 = Comanche 2WD-6 Ft. Box | | |

BODY STYLES:

MJ = Comanche Pickup
SJ = Grand Wagoneer Wgn., J-10 & J-20 Pickups
XJ = Cherokee, Wagoneer Limited
YJ = Wrangler

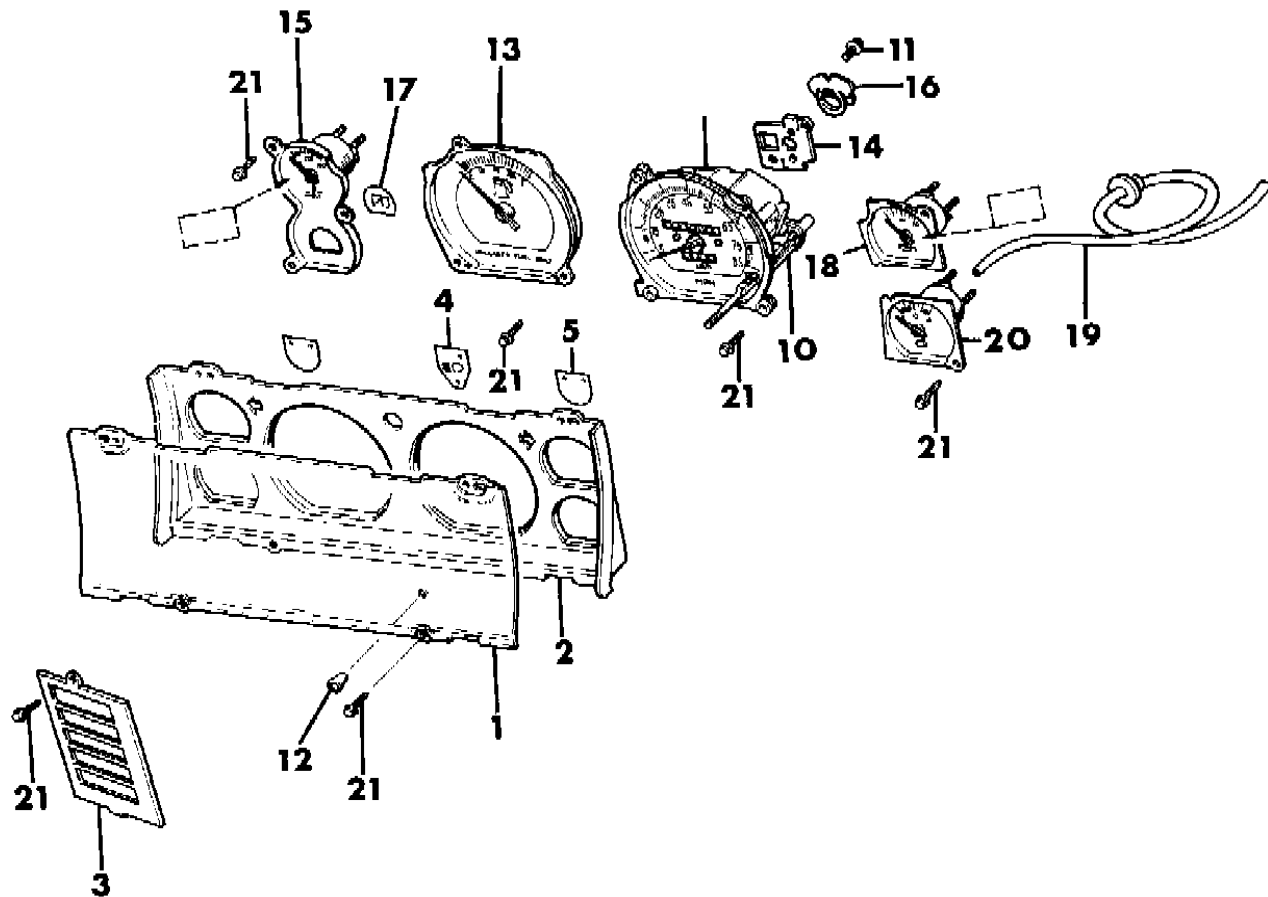
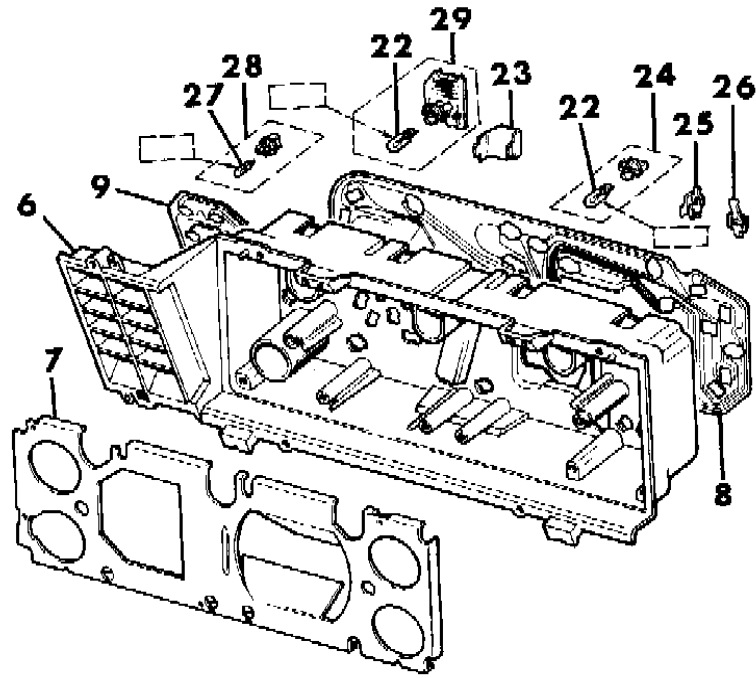
AR = Use as Required - = Non Illustrated Part P.A.R. = Paint as Required



INSTRUMENT CLUSTER--WITH GAUGES, W/O TACHOMETER (TYPE 1) 1987
Figure 8A-1250

8J82 1250

| ITEM | PART NUMBER | QTY | BODY | MODEL | DESCRIPTION |
|------|-------------|-----|------|-------|-------------------------------|
| 23 | 5600 0627 | 1 | | | SHIELD |
| | J942 1330 | AR | | | Bulb |
| 24 | 8350 0324 | AR | | | SOCKET ASSEMBLY (Grey) *** |
| | 8351 0036 | AR | | | (Blue) |
| | 8351 0037 | AR | | | (Black) |
| 25 | 8351 0026 | AR | | | CLIP |
| 26 | 8351 0027 | 1 | | | CLIP |
| 27 | J812 5723 | AR | | | BULB (74) *** |
| 28 | 5600 1787 | 7 | | | SOCKET ASSEMBLY (Black) *** |
| 29 | 5600 0012 | 1 | | | MODULE, Low Fuel Warning Lamp |



MODEL CODES:

| | | |
|-----------------------------|-----------------------------|------------------------------|
| 15 = Grand Wagoneer 4 Dr. | 65 = Comanche 4WD-7 Ft. Box | 77 = Cherokee 4WD-2 Dr. |
| 25 = J-10 Pickup-119" W.B. | 66 = Comanche 2WD-7 Ft. Box | 78 = Cherokee 4WD-4 Dr. |
| 26 = J-10 Pickup-131" W.B. | 73 = Cherokee 2WD-2 Dr. | 79 = Cherokee 4WD-4 Dr.-Com |
| 27 = J-20 Pickup-131" W.B. | 74 = Cherokee 2WD-4 Dr. | 81 = Wrangler-93" W.B. |
| 63 = Comanche 4WD-6 Ft. Box | 75 = Wagoneer 4WD-4 Dr. | 82 = Wrangler-103" W.B.-Exp. |
| 64 = Comanche 2WD-6 Ft. Box | | |

BODY STYLES:

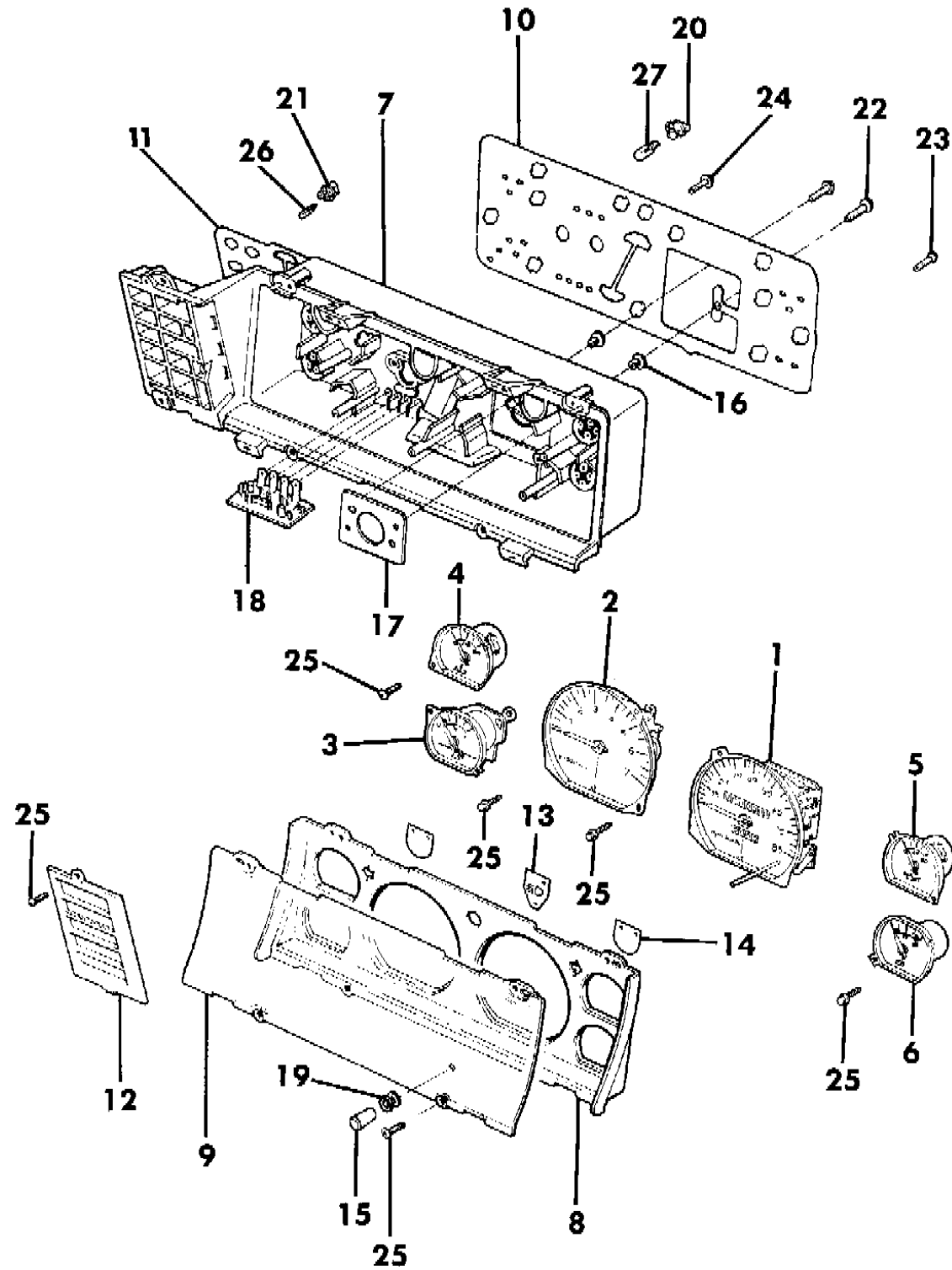
MJ = Comanche Pickup
SJ = Grand Wagoneer Wgn., J-10 & J-20 Pickups
XJ = Cherokee, Wagoneer Limited
YJ = Wrangler

AR = Use as Required - = Non Illustrated Part P.A.R. = Paint as Required

INSTRUMENT CLUSTER--WITH GAUGES W/TACHOMETER,TYPE 2 1987 CHEROKEE, WAGONEER, COMANCHE

Figure 8A-1300

8182 1300 B



| ITEM | PART NUMBER | QTY | BODY | MODEL | DESCRIPTION |
|------|-------------|-----|------|-------|--------------------------------|
| 1 | | | | | SPEEDOMETER |
| | 8350 4224 | 1 | | | Miles |
| | 8350 4225 | 1 | | | Kilo |
| 2 | | | | | TACHOMETER |
| | 8350 4229 | 1 | | | 4 Cyl. 1987 |
| | 8350 4228 | 1 | | | 6 Cyl. |
| | 8350 4230 | 1 | | | Diesel 1987 |
| 3 | | | | | GAUGE, Fuel |
| | 8350 4231 | 1 | | | Unleaded Fuel |
| | 8350 4232 | 1 | | | Non Regulated Markets |
| | 8350 4233 | 1 | | | Diesel 1987 |
| 4 | | | | | GAUGE, Temperature |
| | 8350 4239 | 1 | | | U.S.A. |
| | 8350 4240 | 1 | | | Canada/Export |
| | 8350 4242 | 1 | | | Diesel (Canada/Export) |
| | 8350 4241 | 1 | | | Diesel 1987 |
| 5 | | | | | GAUGE, Oil |
| | 8350 4243 | 1 | | | U.S.A. |
| | 8350 4244 | 1 | | | Canada/Export |
| | 8350 4246 | 1 | | | Diesel (Canada/Export) |
| | 8350 4245 | 1 | | | Diesel 1987 |
| 6 | | | | | VOLTMETER *** |
| | 8350 4247 | 1 | | | 1987 |
| | 8350 4248 | 1 | | | Gauge, Turbo Boost (Diesel) |
| 7 | | | | | HOUSING, Cluster |
| | 8350 4254 | 1 | | | Diesel |
| 8 | | | | | BEZEL, Cluster |
| 9 | | | | | LENS, Cluster |
| 10 | | | | | CONDUCTOR, Printed Circuit |
| | 8350 4261 | 1 | | | Diesel |
| 11 | | | | | CONDUCTOR, Printed Circuit *** |
| | 8350 4262 | 1 | | | Diesel |
| | 8350 4263 | 1 | | | Diesel |
| 12 | | | | | FILTER, Warning Lamp |
| | 8350 4264 | 1 | | | U.S.A. 1987 |
| | 8350 4265 | 1 | | | Canada/Export 1987 |
| | 8350 4268 | 1 | | | Diesel (Canada/Export) |
| | 8350 4266 | 1 | | | Diesel 1987 |

MODEL CODES:

| | | |
|-----------------------------|-----------------------------|------------------------------|
| 15 = Grand Wagoneer 4 Dr. | 65 = Comanche 4WD-7 Ft. Box | 77 = Cherokee 4WD-2 Dr. |
| 25 = J-10 Pickup-119" W.B. | 66 = Comanche 2WD-7 Ft. Box | 78 = Cherokee 4WD-4 Dr. |
| 26 = J-10 Pickup-131" W.B. | 73 = Cherokee 2WD-2 Dr. | 79 = Cherokee 4WD-4 Dr.-Com |
| 27 = J-20 Pickup-131" W.B. | 74 = Cherokee 2WD-4 Dr. | 81 = Wrangler-93" W.B. |
| 63 = Comanche 4WD-6 Ft. Box | 75 = Wagoneer 4WD-4 Dr. | 82 = Wrangler-103" W.B.-Exp. |
| 64 = Comanche 2WD-6 Ft. Box | | |

BODY STYLES:

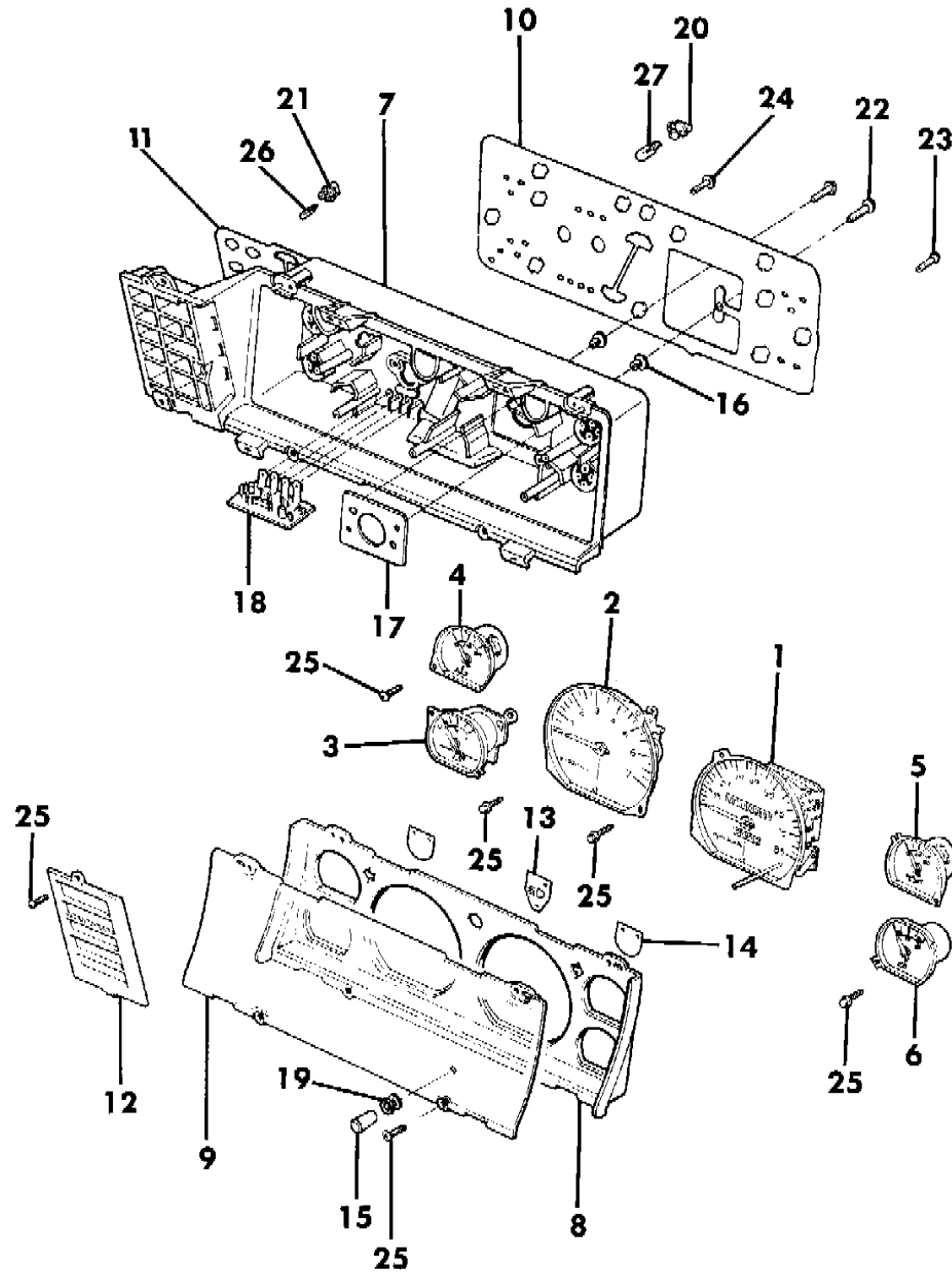
MJ = Comanche Pickup
 SJ = Grand Wagoneer Wgn., J-10 & J-20 Pickups
 XJ = Cherokee, Wagoneer Limited
 YJ = Wrangler

AR = Use as Required - = Non Illustrated Part P.A.R. = Paint as Required

INSTRUMENT CLUSTER--WITH GAUGES W/TACHOMETER,TYPE 2 1987 CHEROKEE, WAGONEER, COMANCHE

Figure 8A-1300

8182 1300 B



| ITEM | PART NUMBER | QTY | BODY | MODEL | DESCRIPTION |
|------|-------------|-----|------|-------|--------------------------|
| 13 | 8350 4267 | 1 | | | FILTER, High Beam |
| 14 | 8350 4269 | 2 | | | FILTER, Turn Signal Lamp |
| 15 | 8350 4273 | 1 | | | KNOB, Odometer |
| 16 | 8350 4274 | 2 | | | BUSHING, Speedometer |
| 17 | 8350 4275 | 1 | | | GASKET |
| 18 | 8350 4280 | 1 | | | MODULE, Low Fuel Warning |
| 19 | 8350 4276 | 1 | | | GROMMET |
| 20 | J369 7186 | 12 | | | SOCKET |
| 21 | 5600 1787 | 10 | | | SOCKET, Warning Lamp |
| 22 | 8350 4277 | 4 | | | SCREW, 16mm Long |
| 23 | 8350 4278 | 11 | | | SCREW, 32mm Long |
| 24 | 8350 4279 | 9 | | | SCREW, 13mm Long |
| 25 | S016 1860 | AR | | | SCREW |
| 26 | | | | | BULB |
| | J812 5723 | 10 | | | Coded (74) |
| 27 | | | | | BULB |
| | J942 1330 | 12 | | | Coded (194) |

MODEL CODES:

| | | |
|-----------------------------|-----------------------------|------------------------------|
| 15 = Grand Wagoneer 4 Dr. | 65 = Comanche 4WD-7 Ft. Box | 77 = Cherokee 4WD-2 Dr. |
| 25 = J-10 Pickup-119" W.B. | 66 = Comanche 2WD-7 Ft. Box | 78 = Cherokee 4WD-4 Dr. |
| 26 = J-10 Pickup-131" W.B. | 73 = Cherokee 2WD-2 Dr. | 79 = Cherokee 4WD-4 Dr.-Com |
| 27 = J-20 Pickup-131" W.B. | 74 = Cherokee 2WD-4 Dr. | 81 = Wrangler-93" W.B. |
| 63 = Comanche 4WD-6 Ft. Box | 75 = Wagoneer 4WD-4 Dr. | 82 = Wrangler-103" W.B.-Exp. |
| 64 = Comanche 2WD-6 Ft. Box | | |

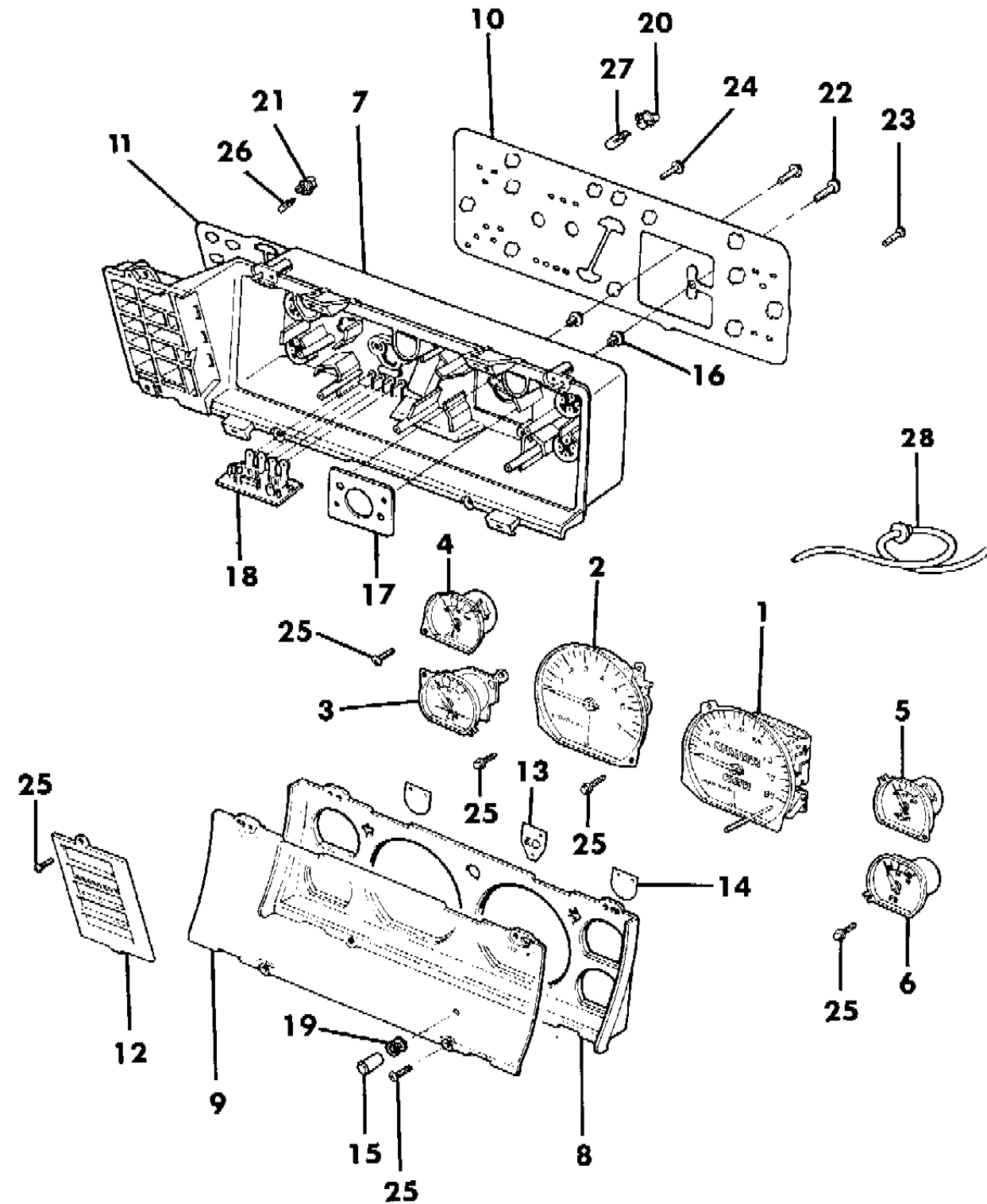
BODY STYLES:

MJ = Comanche Pickup
 SJ = Grand Wagoneer Wgn., J-10 & J-20 Pickups
 XJ = Cherokee, Wagoneer Limited
 YJ = Wrangler

AR = Use as Required - = Non Illustrated Part P.A.R. = Paint as Required

INSTRUMENT CLUSTER--WITH GAUGES W/TACHOMETER, CHEROKEE LIMITED (1987) 1988/ CHEROKEE, WAGONEER, COMANCHE
Figure 8A-1310

8J82 1310



| ITEM | PART NUMBER | QTY | BODY | MODEL | DESCRIPTION |
|------|-------------|-----|------|-------|------------------------------------|
| 1 | 8350 4456 | 1 | | | SPEEDOMETER, Miles |
| | 8350 4457 | 1 | | | Kilo |
| 2 | 8350 4458 | 1 | | | TACHOMETER, 6 Cyl. |
| | 8350 4504 | 1 | | | 4 Cyl. 1988/89 |
| | 8350 4503 | 1 | | | Diesel 1988/89 |
| 3 | 8350 4459 | 1 | | | GAUGE, Fuel U.S.A. |
| | 8350 4460 | 1 | | | CANADA |
| | 8350 4505 | 1 | | | Diesel, 1988/89 |
| 4 | 8350 4461 | 1 | | | GAUGE, Temperature U.S.A. |
| | 8350 4462 | 1 | | | Canada |
| | 8350 4507 | 1 | | | Diesel, 1988/89 |
| 5 | 8350 4463 | 1 | | | GAUGE, Oil U.S.A. |
| | 8350 4464 | 1 | | | Canada |
| | 8350 4509 | 1 | | | Diesel, 1988/89 |
| 6 | | | | | VOLTMETER *** |
| | 8350 4465 | 1 | | | 1988/89 |
| | 8350 5414 | 1 | | | 1990 |
| | 8350 4510 | 1 | | | Gauge, Turbo Boost Diesel |
| 7 | 8350 4249 | 1 | | | HOUSING, Cluster |
| 8 | 8350 4466 | 1 | | | BEZEL, Cluster *** |
| 9 | 8350 4255 | 1 | | | LENS, Cluster |
| 10 | 8350 4257 | 1 | | | CONDUCTOR, Printed Circuit *** |
| 11 | 8350 4262 | 1 | | | CONDUCTOR, Printed Circuit *** |
| 12 | 8350 4264 | 1 | | | FILTER , Warning Lamps U.S.A. 1987 |
| | 8350 4863 | 1 | | | U.S.A. 1988/90 |
| | 8350 4265 | 1 | | | Canada 1987 |
| | 8350 5256 | 1 | | | Canada 1988/90 |
| | 8350 4890 | 1 | | | Diesel 1988/90 |
| 13 | 8350 4267 | 1 | | | FILTER, High Beam Lamp |
| 14 | 8350 4269 | 2 | | | FILTER, Turn Signal Lamp |
| 15 | 8350 4273 | 1 | | | KNOB, Trip Odometer |
| 16 | 8350 4274 | 1 | | | BUSHING, Speedometer |
| 17 | 8350 4275 | 1 | | | GASKET |
| 18 | 8350 4280 | 1 | | | MODULE, Low Fuel Warning Lamp |
| 19 | 8350 4276 | 1 | | | GROMMET |
| 20 | J369 7186 | 12 | | | SOCKET |
| 21 | 5600 1787 | 10 | | | SOCKET, Warning Lamp |

MODEL CODES:

| | | |
|-----------------------------|-----------------------------|------------------------------|
| 15 = Grand Wagoneer 4 Dr. | 65 = Comanche 4WD-7 Ft. Box | 77 = Cherokee 4WD-2 Dr. |
| 25 = J-10 Pickup-119" W.B. | 66 = Comanche 2WD-7 Ft. Box | 78 = Cherokee 4WD-4 Dr. |
| 26 = J-10 Pickup-131" W.B. | 73 = Cherokee 2WD-2 Dr. | 79 = Cherokee 4WD-4 Dr.-Com |
| 27 = J-20 Pickup-131" W.B. | 74 = Cherokee 2WD-4 Dr. | 81 = Wrangler-93" W.B. |
| 63 = Comanche 4WD-6 Ft. Box | 75 = Wagoneer 4WD-4 Dr. | 82 = Wrangler-103" W.B.-Exp. |
| 64 = Comanche 2WD-6 Ft. Box | | |

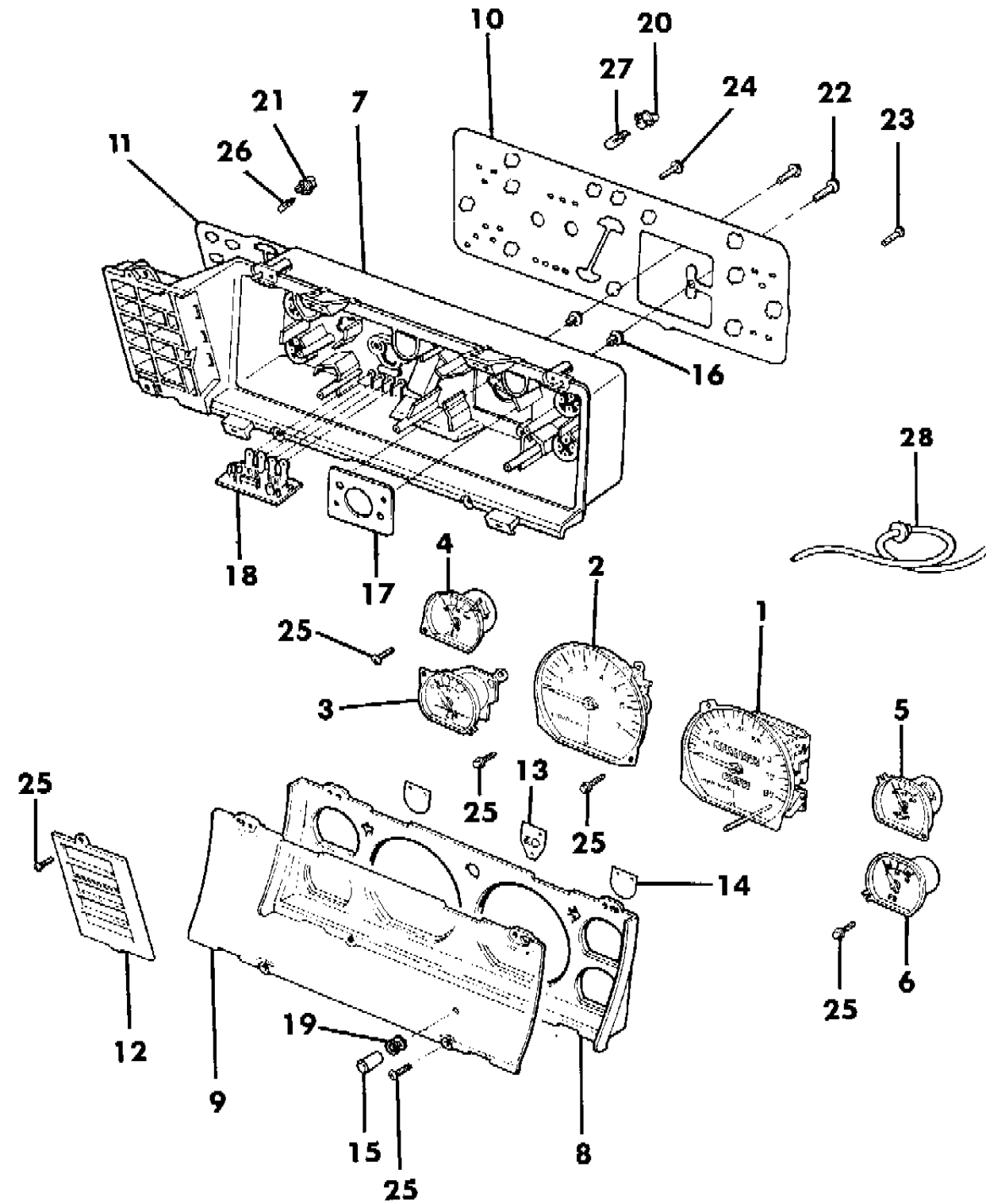
BODY STYLES:

MJ = Comanche Pickup
SJ = Grand Wagoneer Wgn., J-10 & J-20 Pickups
XJ = Cherokee, Wagoneer Limited
YJ = Wrangler

AR = Use as Required - = Non Illustrated Part P.A.R. = Paint as Required

INSTRUMENT CLUSTER--WITH CAUGES W/TACHOMETER, CHEROKEE LIMITED (1987) 1988/ CHEROKEE, WAGONEER, COMANCHE
Figure 8A-1310

8J82 1310



| ITEM | PART NUMBER | QTY | BODY | MODEL | DESCRIPTION |
|------|-------------|-----|------|-------|---------------------|
| 22 | 8350 4277 | 4 | | | SCREW 13mm Long *** |
| 23 | 8350 4278 | 11 | | | SCREW 32mm Long *** |
| 24 | 8350 4279 | 9 | | | SCREW 13mm Long *** |
| 25 | S016 1860 | AR | | | SCREW |
| 26 | | | | | BULB |
| | J812 5723 | 10 | | | Code (74) |
| | J943 6789 | AR | | | Code (37) |
| 27 | | | | | BULB |
| | J942 1330 | 12 | | | Code (194) |
| | J941 7561 | AR | | | Code (161) |
| | J448 8426 | AR | | | Code (168) |
| 28 | 5600 1448 | 1 | | | HOSE, Turbo Boost |

MODEL CODES:

| | | |
|-----------------------------|-----------------------------|------------------------------|
| 15 = Grand Wagoneer 4 Dr. | 65 = Comanche 4WD-7 Ft. Box | 77 = Cherokee 4WD-2 Dr. |
| 25 = J-10 Pickup-119" W.B. | 66 = Comanche 2WD-7 Ft. Box | 78 = Cherokee 4WD-4 Dr. |
| 26 = J-10 Pickup-131" W.B. | 73 = Cherokee 2WD-2 Dr. | 79 = Cherokee 4WD-4 Dr.-Com |
| 27 = J-20 Pickup-131" W.B. | 74 = Cherokee 2WD-4 Dr. | 81 = Wrangler-93" W.B. |
| 63 = Comanche 4WD-6 Ft. Box | 75 = Wagoneer 4WD-4 Dr. | 82 = Wrangler-103" W.B.-Exp. |
| 64 = Comanche 2WD-6 Ft. Box | | |

BODY STYLES:

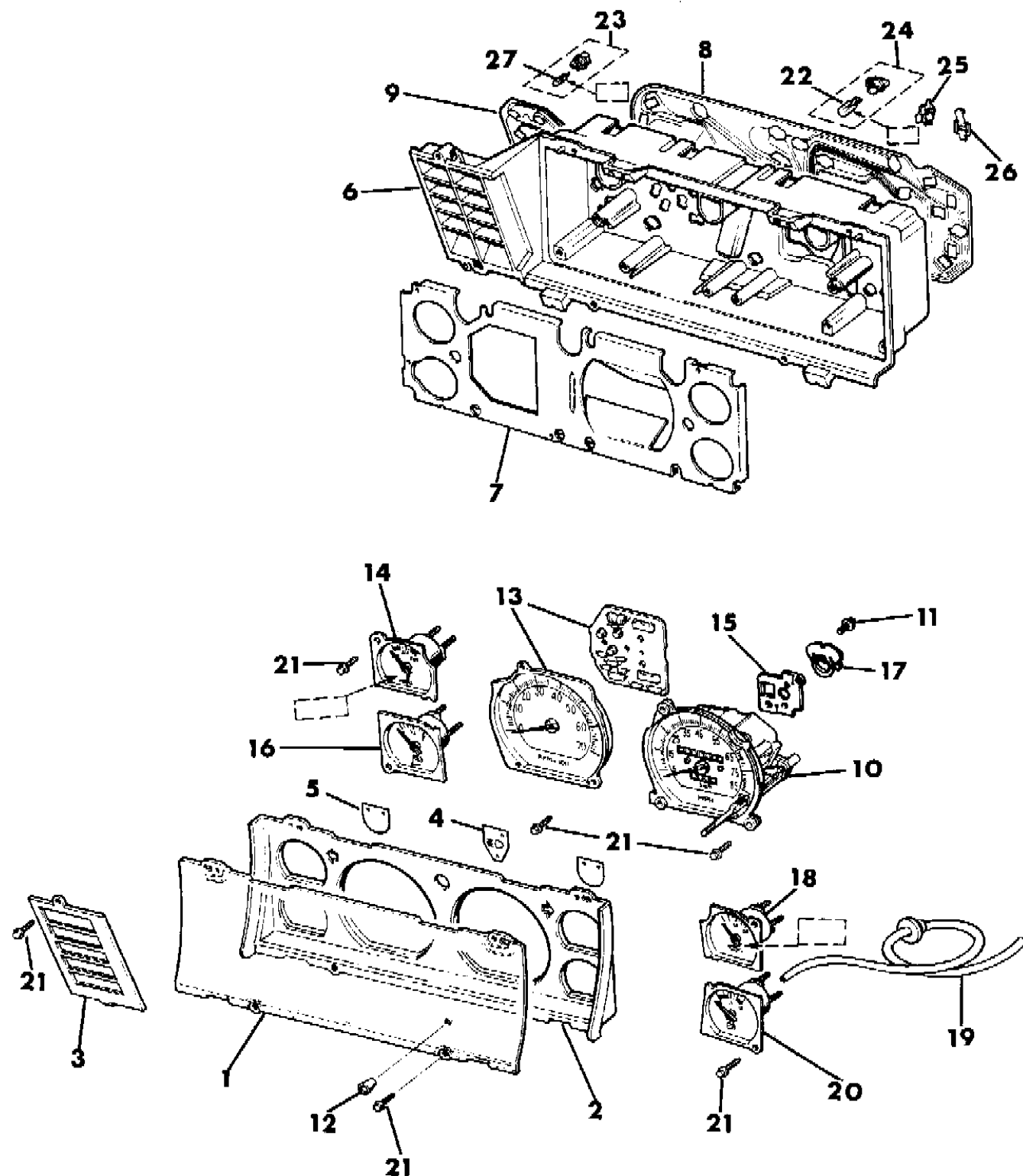
MJ = Comanche Pickup
SJ = Grand Wagoneer Wgn., J-10 & J-20 Pickups
XJ = Cherokee, Wagoneer Limited
YJ = Wrangler

AR = Use as Required - = Non Illustrated Part P.A.R. = Paint as Required

INSTRUMENT CLUSTER--WITH GAUGES, W/ TACHOMETER (TYPE 1) 1987 (EXCEPT CHEROKEE LIMITED)

Figure 8A-1350

8J82 1350



| ITEM | PART NUMBER | QTY | BODY | MODEL | DESCRIPTION |
|------|-------------|-----|------|-------|--------------------------------|
| 1 | 8350 0292 | 1 | | | LENS, Cluster |
| 2 | 8350 0290 | 1 | | | BEZEL, Cluster |
| 3 | 8350 1551 | 1 | | | Diesel |
| | 8350 3462 | 1 | | | FILTER, Warning Lamps |
| | 8350 3465 | 1 | | | Canada/Export |
| | 8350 3464 | 1 | | | Diesel |
| 4 | 8350 3463 | 1 | | | Diesel (Canada/Export) |
| | 8351 0021 | 1 | | | FILTER, High Beam Lamp |
| 5 | 8351 0020 | 2 | | | FILTER, Turn Signal Lamp |
| 6 | 8350 0282 | 1 | | | HOUSING, Cluster |
| 7 | 8350 1554 | 1 | | | Diesel |
| | 8351 0022 | 1 | | | FILTER, Cluster |
| 8 | 8350 0328 | 1 | | | CONDUCTOR, Printed Circuit *** |
| 9 | 8350 1561 | 1 | | | Diesel |
| | 8350 2278 | 1 | | | CONDUCTOR, Printed Circuit *** |
| 10 | 8350 0321 | 1 | | | Diesel |
| | 8350 0294 | 1 | | | SPEEDOMETER, Miles |
| 11 | 8350 0297 | 1 | | | Kilo |
| | 8350 2026 | 1 | | | SCREW |
| 12 | 8350 0295 | 1 | | | KNOB, Trip Odometer |
| | 8350 0309 | 1 | | | TACHOMETER, 6 Cyl. |
| 13 | 8350 0308 | 1 | | | 4 Cyl. |
| | 8350 1567 | 1 | | | 4 Cyl. (Diesel) |
| 14 | 8350 0310 | 1 | | | GAUGE, Temperature (260) |
| | 8350 1559 | 1 | | | Diesel (260) |
| 15 | 8351 0023 | 1 | | | Canada (125) |
| | 8350 1558 | 1 | | | Diesel (Canada/Export) 125 |
| 16 | 8350 2025 | 1 | | | GASKET |
| 17 | 8350 0302 | 1 | | | GAUGE, Fuel (U.S.A./Canada) |
| | 8350 0306 | 1 | | | Non-Regulated Markets |
| 18 | 8350 1564 | 1 | | | Diesel |
| | 8350 2024 | 1 | | | RETAINER, Speedometer Cable |
| 19 | 8350 4463 | 1 | | | GAUGE, Oil (80) |
| | 8351 0024 | 1 | | | Canada (5.4) |
| 20 | 5600 1448 | 1 | | | HOSE, Turbo Boost Gauge |
| | 8350 1565 | 1 | | | Diesel (120) |
| | 8350 1566 | 1 | | | Diesel (8.3) Canadn/Export |

MODEL CODES:

| | | |
|-----------------------------|-----------------------------|------------------------------|
| 15 = Grand Wagoneer 4 Dr. | 65 = Comanche 4WD-7 Ft. Box | 77 = Cherokee 4WD-2 Dr. |
| 25 = J-10 Pickup-119" W.B. | 66 = Comanche 2WD-7 Ft. Box | 78 = Cherokee 4WD-4 Dr. |
| 26 = J-10 Pickup-131" W.B. | 73 = Cherokee 2WD-2 Dr. | 79 = Cherokee 4WD-4 Dr.-Com |
| 27 = J-20 Pickup-131" W.B. | 74 = Cherokee 2WD-4 Dr. | 81 = Wrangler-93" W.B. |
| 63 = Comanche 4WD-6 Ft. Box | 75 = Wagoneer 4WD-4 Dr. | 82 = Wrangler-103" W.B.-Exp. |
| 64 = Comanche 2WD-6 Ft. Box | | |

BODY STYLES:

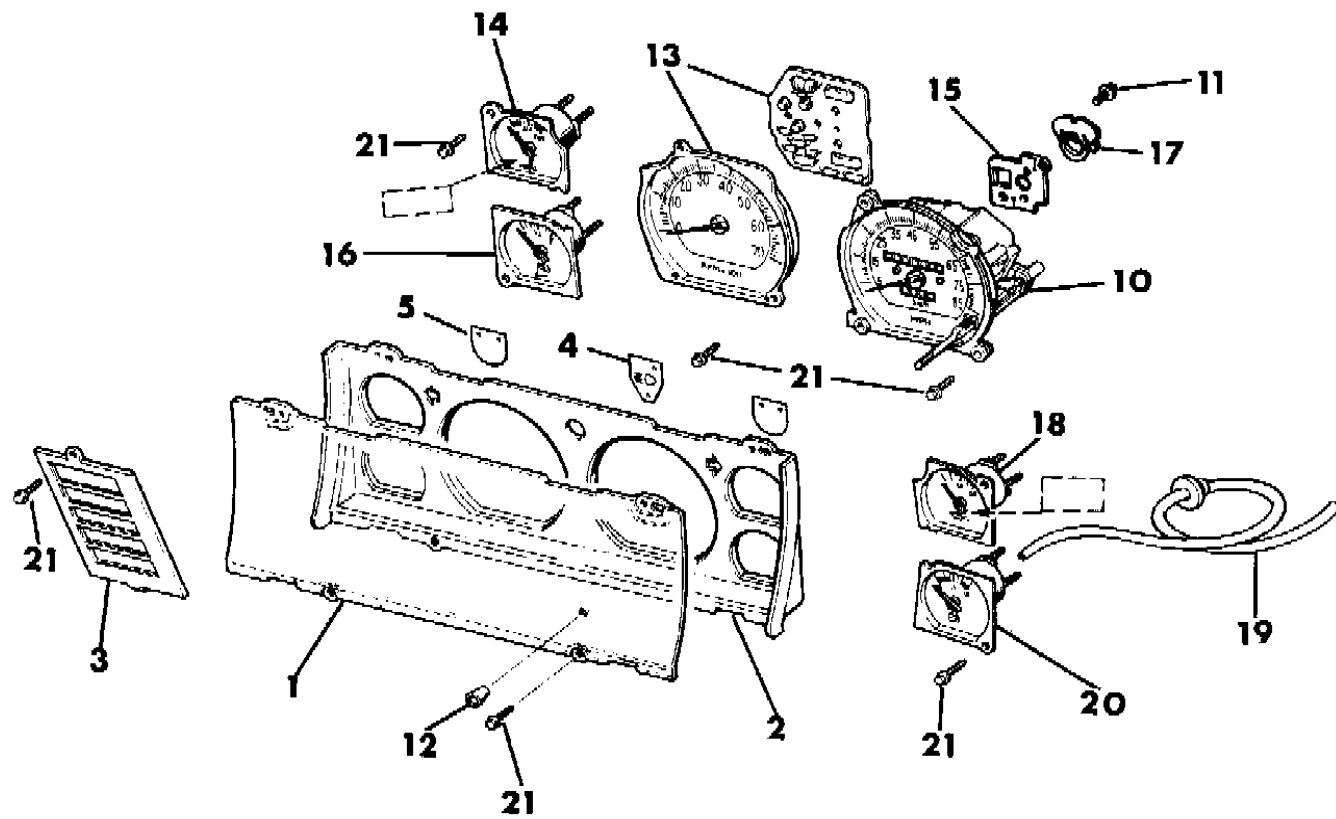
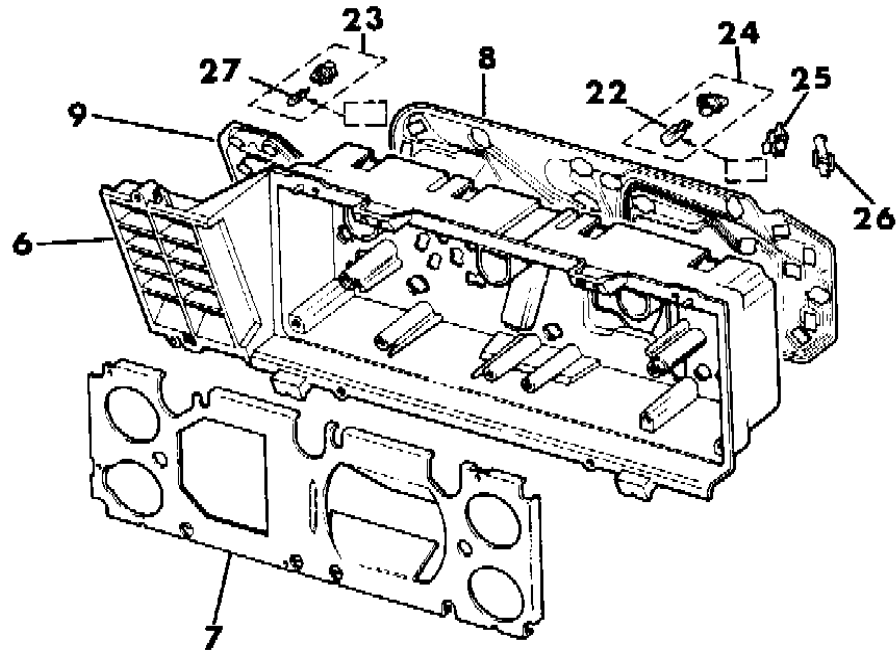
MJ = Comanche Pickup
 SJ = Grand Wagoneer Wgn., J-10 & J-20 Pickups
 XJ = Cherokee, Wagoneer Limited
 YJ = Wrangler

AR = Use as Required - = Non Illustrated Part P.A.R. = Paint as Required

INSTRUMENT CLUSTER--WITH GAUGES, W/ TACHOMETER (TYPE 1) 1987 (EXCEPT CHEROKEE LIMITED)

Figure 8A-1350

8J82 1350



| ITEM | PART NUMBER | QTY | BODY | MODEL | DESCRIPTION |
|------|-------------|-----|------|-------|-----------------------------|
| 20 | 8350 0318 | 1 | | | VOLTMETER *** |
| | 8350 1555 | 1 | | | Diesel, Turbo Boost Gauge |
| 21 | 8351 0025 | AR | | | SCREW |
| 22 | J941 7561 | AR | | | BULB (161) *** |
| | J942 1330 | AR | | | (194) |
| 23 | 5600 1787 | 7 | | | SOCKET ASSEMBLY (Black) *** |
| | J448 8426 | 1 | | | Bulb (168) |
| 24 | 8350 0324 | AR | | | SOCKET ASSEMBLY (Grey) *** |
| 25 | 8351 0026 | AR | | | CLIP |
| 26 | 8351 0027 | 1 | | | CLIP |
| 27 | J812 5723 | AR | | | BULB |

MODEL CODES:

| | | |
|-----------------------------|-----------------------------|------------------------------|
| 15 = Grand Wagoneer 4 Dr. | 65 = Comanche 4WD-7 Ft. Box | 77 = Cherokee 4WD-2 Dr. |
| 25 = J-10 Pickup-119" W.B. | 66 = Comanche 2WD-7 Ft. Box | 78 = Cherokee 4WD-4 Dr. |
| 26 = J-10 Pickup-131" W.B. | 73 = Cherokee 2WD-2 Dr. | 79 = Cherokee 4WD-4 Dr.-Com |
| 27 = J-20 Pickup-131" W.B. | 74 = Cherokee 2WD-4 Dr. | 81 = Wrangler-93" W.B. |
| 63 = Comanche 4WD-6 Ft. Box | 75 = Wagoneer 4WD-4 Dr. | 82 = Wrangler-103" W.B.-Exp. |
| 64 = Comanche 2WD-6 Ft. Box | | |

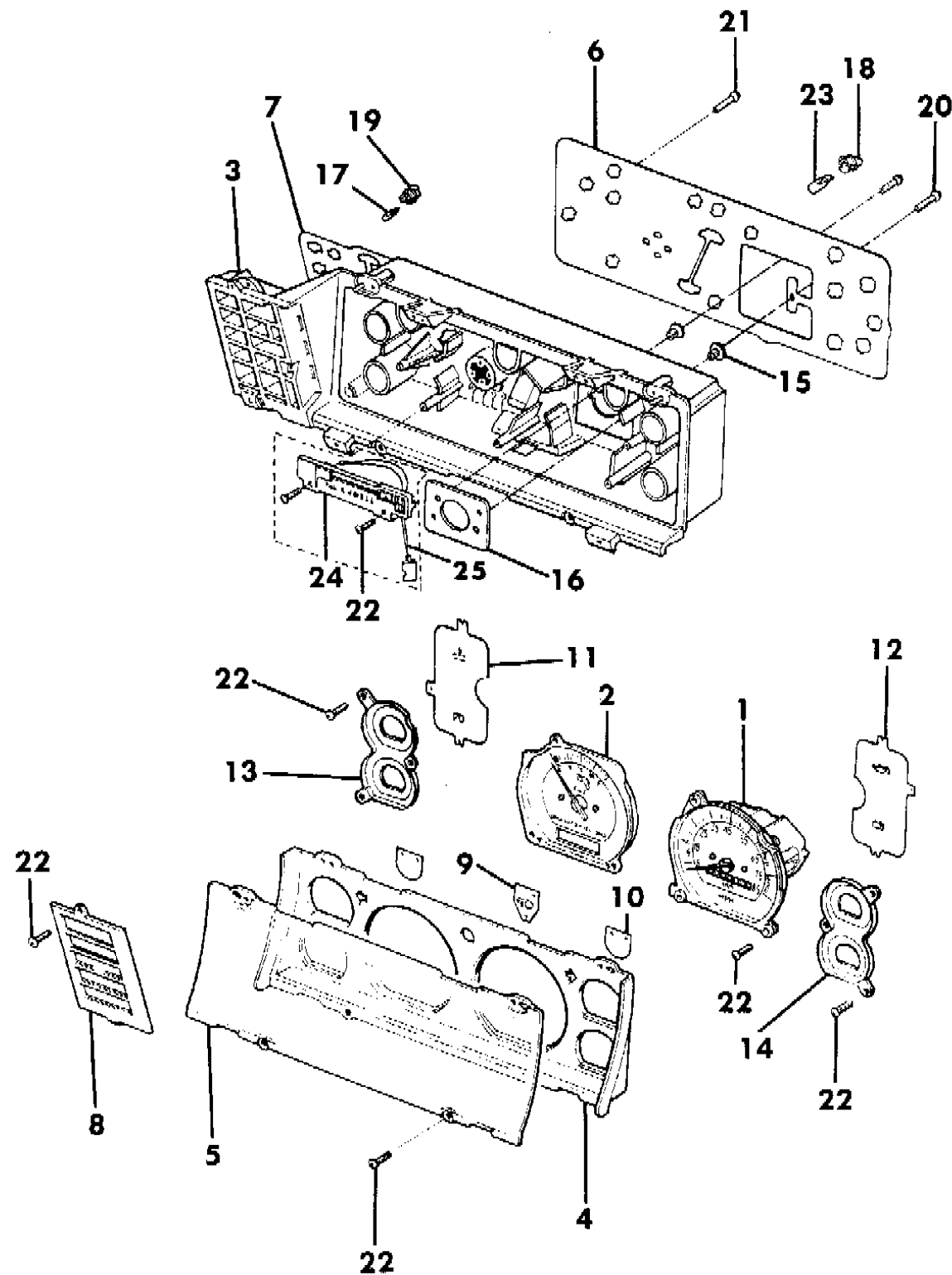
BODY STYLES:

MJ = Comanche Pickup
 SJ = Grand Wagoneer Wgn., J-10 & J-20 Pickups
 XJ = Cherokee, Wagoneer Limited
 YJ = Wrangler

AR = Use as Required - = Non Illustrated Part P.A.R. = Paint as Required

INSTRUMENT CLUSTER--WITH WARNING LAMPS W/O TACHOMETER (TYPE 2) 1987, 1988/ CHEROKEE, WAGONEER, COMANCHE
Figure 8A-1400

8J82 1400



| ITEM | PART NUMBER | QTY | BODY | MODEL | DESCRIPTION |
|------|-------------|-----|------|-------|--|
| 1 | | | | | SPEEDOMETER |
| | 8350 4226 | 1 | | | Miles |
| | 8350 4227 | 1 | | | Kilo |
| 2 | | | | | GAUGE, Fuel |
| | 8350 4234 | 1 | | | w/Floor Shift |
| | 8350 4236 | 1 | | | w/Column Shift |
| | 8350 4237 | 1 | | | w/Column Shift,(Non-Regulated Markets) |
| | 8350 4393 | 1 | | | w/Floor Shift,(Non-Regulated Markets) |
| 3 | | | | | HOUSING, Cluster |
| | 8350 4252 | 1 | | | w/Floor Shift |
| | 8350 4253 | 1 | | | w/Column Shift |
| 4 | 8350 4238 | 1 | | | BEZEL, Cluster |
| 5 | 8350 4256 | 1 | | | LENS, Cluster |
| 6 | | | | | CONDUCTOR, Printed Circuit |
| | 8350 4259 | 1 | | | w/Floor Shift |
| | 8350 4260 | 1 | | | w/Column Shift |
| 7 | 8350 4263 | 1 | | | CONDUCTOR, Printed Circuit |
| 8 | | | | | FILTER, Warning Lamps |
| | 8350 4264 | 1 | | | U.S.A. (1987) |
| | 8350 4265 | 1 | | | Canada (1987) |
| | 8350 4265 | 1 | | | Non-Regulated Markets (1987) |
| | 8350 4863 | 1 | | | U.S.A. (1988/89) |
| | 8350 5256 | 1 | | | Canada (1988/89) |
| | 8350 5256 | 1 | | | Non-Regulated Markets (1988/89) |
| 9 | 8350 4267 | 1 | | | FILTER, H/Beam Lamp |
| 10 | 8350 4269 | 2 | | | FILTER, Turn Signal Lamp |
| 11 | 8350 5409 | 1 | | | FILTER, Cluster |
| 12 | 8350 4272 | 1 | | | FILTER, Cluster |
| 13 | 8350 4284 | 1 | | | BEZEL, Temperature |
| 14 | 8350 4285 | 1 | | | BEZEL, Cluster |
| 15 | 8350 4274 | 2 | | | BUSHING |
| 16 | 8350 4275 | 1 | | | GASKET |
| 17 | | | | | BULB |
| | J812 5723 | 10 | | | Coded (74) |
| | J943 6789 | 1 | | | Coded (37) |
| 18 | J369 7186 | 15 | | | SOCKET |
| 19 | 5600 1787 | 10 | | | SOCKET |

MODEL CODES:

| | | |
|-----------------------------|-----------------------------|------------------------------|
| 15 = Grand Wagoneer 4 Dr. | 65 = Comanche 4WD-7 Ft. Box | 77 = Cherokee 4WD-2 Dr. |
| 25 = J-10 Pickup-119" W.B. | 66 = Comanche 2WD-7 Ft. Box | 78 = Cherokee 4WD-4 Dr. |
| 26 = J-10 Pickup-131" W.B. | 73 = Cherokee 2WD-2 Dr. | 79 = Cherokee 4WD-4 Dr.-Com |
| 27 = J-20 Pickup-131" W.B. | 74 = Cherokee 2WD-4 Dr. | 81 = Wrangler-93" W.B. |
| 63 = Comanche 4WD-6 Ft. Box | 75 = Wagoneer 4WD-4 Dr. | 82 = Wrangler-103" W.B.-Exp. |
| 64 = Comanche 2WD-6 Ft. Box | | |

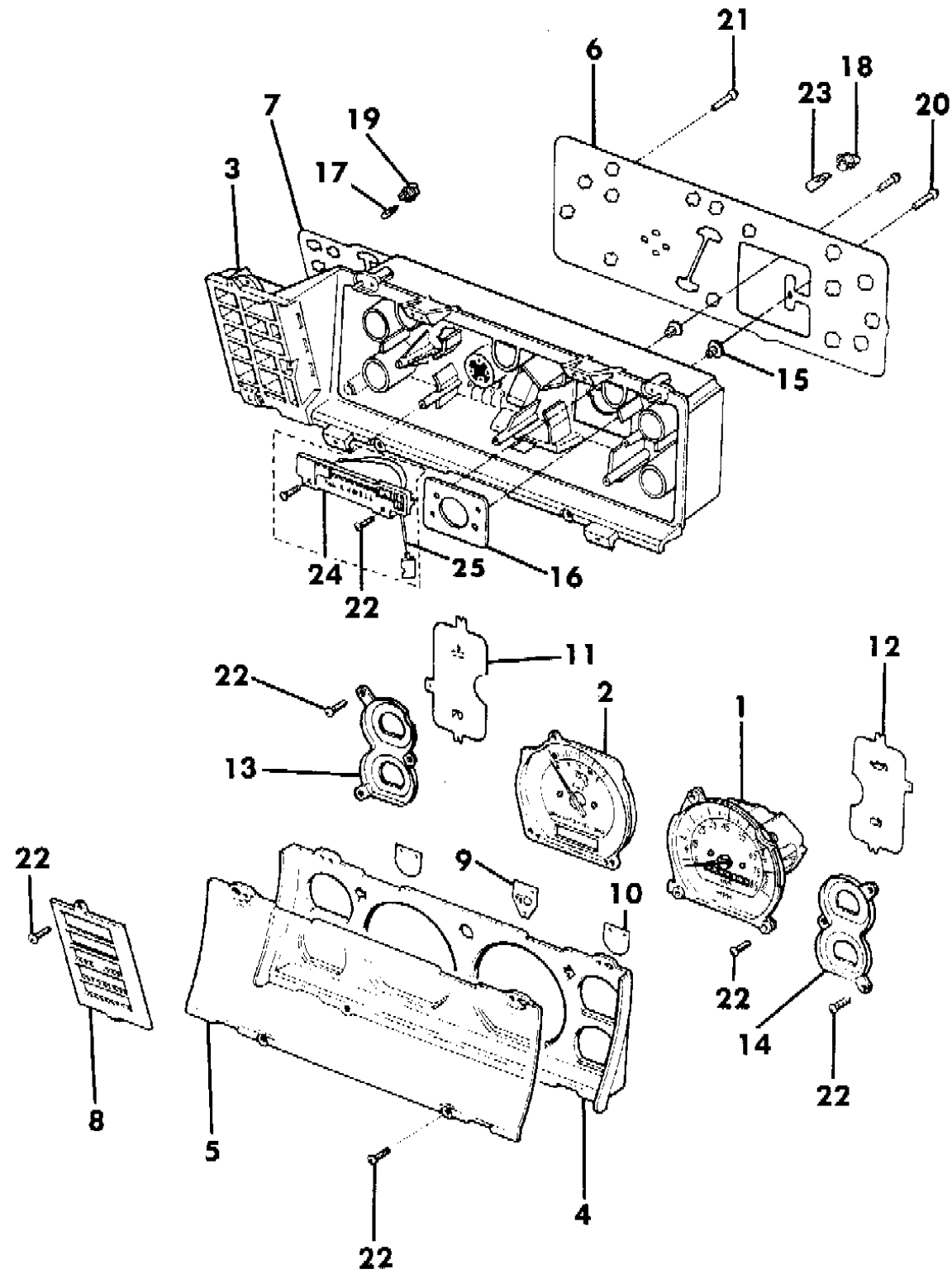
BODY STYLES:

MJ = Comanche Pickup
 SJ = Grand Wagoneer Wgn., J-10 & J-20 Pickups
 XJ = Cherokee, Wagoneer Limited
 YJ = Wrangler

AR = Use as Required - = Non Illustrated Part P.A.R. = Paint as Required

INSTRUMENT CLUSTER--WITH WARNING LAMPS W/O TACHOMETER (TYPE 2) 1987, 1988/ CHEROKEE, WAGONEER, COMANCHE
Figure 8A-1400

8J82 1400



| ITEM | PART NUMBER | QTY | BODY | MODEL | DESCRIPTION |
|------|-------------|-----|------|-------|---------------------------------|
| 20 | 8350 4277 | 7 | | | SCREW, 14mm long |
| 21 | 8350 4278 | 11 | | | SCREW, 32mm long |
| 22 | S016 1860 | AR | | | SCREW |
| 23 | | | | | BULB |
| | J942 1330 | 15 | | | Coded (194) *** |
| | J941 7561 | 1 | | | Coded (161) |
| | J448 8426 | 1 | | | Coded (168) |
| 24 | 8350 4235 | 1 | | | DIAL, Shift, w/Column Shift *** |
| 25 | 8350 6061 | 1 | | | CABLE, Selector, w/Column Shift |

MODEL CODES:

| | | |
|-----------------------------|-----------------------------|------------------------------|
| 15 = Grand Wagoneer 4 Dr. | 65 = Comanche 4WD-7 Ft. Box | 77 = Cherokee 4WD-2 Dr. |
| 25 = J-10 Pickup-119" W.B. | 66 = Comanche 2WD-7 Ft. Box | 78 = Cherokee 4WD-4 Dr. |
| 26 = J-10 Pickup-131" W.B. | 73 = Cherokee 2WD-2 Dr. | 79 = Cherokee 4WD-4 Dr.-Com |
| 27 = J-20 Pickup-131" W.B. | 74 = Cherokee 2WD-4 Dr. | 81 = Wrangler-93" W.B. |
| 63 = Comanche 4WD-6 Ft. Box | 75 = Wagoneer 4WD-4 Dr. | 82 = Wrangler-103" W.B.-Exp. |
| 64 = Comanche 2WD-6 Ft. Box | | |

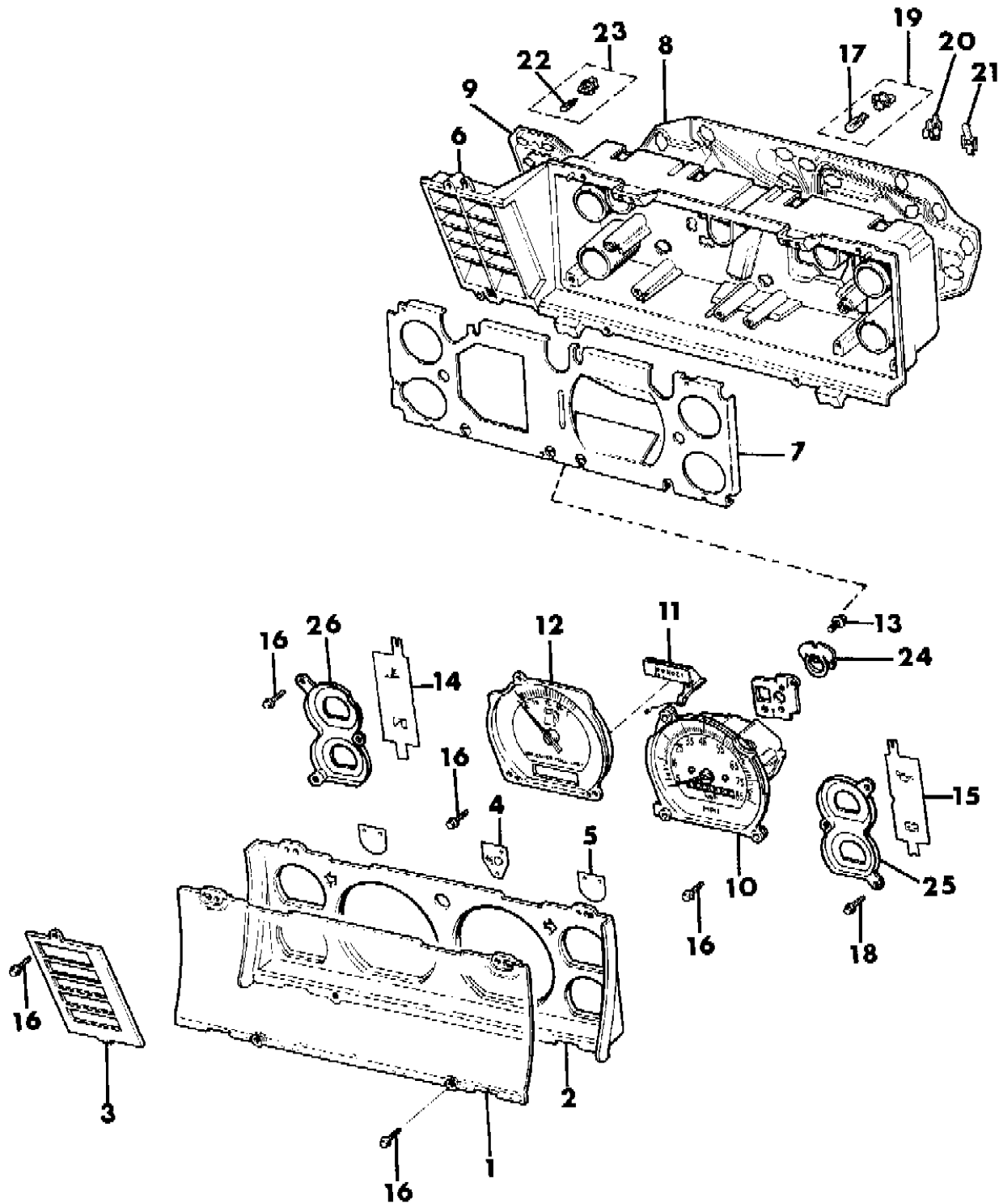
BODY STYLES:

MJ = Comanche Pickup
 SJ = Grand Wagoneer Wgn., J-10 & J-20 Pickups
 XJ = Cherokee, Wagoneer Limited
 YJ = Wrangler

AR = Use as Required - = Non Illustrated Part P.A.R. = Paint as Required

INSTRUMENT CLUSTER--WITH WARNING LAMP (TYPE 1) 1987 CHEROKEE, WAGONEER, COMANCHE
Figure 8A-1450

8J82 1450



| ITEM | PART NUMBER | QTY | BODY | MODEL | DESCRIPTION |
|------|-------------|-----|------|-------|--|
| 1 | 8350 0291 | 1 | | | LENS, Cluster |
| 2 | 8350 0290 | 1 | | | BEZEL, Cluster |
| 3 | 8350 3462 | 1 | | | FILTER, Warning Lamps (1987) |
| 4 | 8350 3465 | 1 | | | Canada/Export (1987) |
| 5 | 8351 0021 | 1 | | | FILTER, High Beam LAMP |
| 6 | 8350 0283 | 1 | | | HOUSING, Floor Mounted Gear Shift |
| 7 | 8350 3544 | 1 | | | Column Mounted Gear Shift |
| 8 | 8351 0022 | 1 | | | FILTER, Cluster |
| 9 | 8350 0319 | 1 | | | CONDUCTOR, Printed Circuit *** |
| 10 | 8350 0321 | 1 | | | CONDUCTOR, Printed Circuit *** |
| 11 | 8350 0293 | 1 | | | SPEEDOMETER, Miles |
| 12 | 8350 0296 | 1 | | | Kilo |
| 13 | 8350 3545 | 1 | | | DIAL, Shift w/Column Mounted Gear Shift *** |
| 14 | 8350 0298 | 1 | | | GAUGE, Fuel (Floor Mounted Gear Shift) U.S.A./Canada |
| 15 | 8350 3167 | 1 | | | w/Column Mounted Gear Shift (U.S.A./Canada) |
| 16 | 8350 0305 | 1 | | | Non Regulated Markets (Floor Mounted Gear Shift) |
| 17 | 8350 3467 | 1 | | | w/Column Mounted Gear Shift (Non Regulated Markets) |
| 18 | 8350 2026 | 1 | | | SCREW |
| 19 | 8351 0028 | 1 | | | FILTER, Temp./Low Fuel Lamps |
| 20 | 8351 0029 | 1 | | | FILTER, Oil Voltage Lamps |
| 21 | 8351 0025 | AR | | | SCREW |
| 22 | J448 8426 | AR | | | BULB (168) *** |
| 23 | J941 7561 | AR | | | (161) |
| 24 | J942 1330 | AR | | | (194) |
| 25 | 8350 2025 | 1 | | | GASKET |
| 26 | 8350 0324 | AR | | | SOCKET ASSEMBLY (Grey) *** |
| 27 | 8351 0026 | AR | | | CLIP |
| 28 | 8351 0027 | 1 | | | CLIP |
| 29 | J812 5723 | AR | | | BULB (74) *** |
| 30 | 5600 1787 | 7 | | | SOCKET ASSEMBLY (Black) *** |
| 31 | 8350 2024 | 1 | | | RETAINER, Speedometer Cable |
| 32 | 8350 1593 | | | | BEZEL, Cluster |
| 33 | 8350 1592 | 1 | | | BEZEL, Cluster |

MODEL CODES:

| | | |
|-----------------------------|-----------------------------|------------------------------|
| 15 = Grand Wagoneer 4 Dr. | 65 = Comanche 4WD-7 Ft. Box | 77 = Cherokee 4WD-2 Dr. |
| 25 = J-10 Pickup-119" W.B. | 66 = Comanche 2WD-7 Ft. Box | 78 = Cherokee 4WD-4 Dr. |
| 26 = J-10 Pickup-131" W.B. | 73 = Cherokee 2WD-2 Dr. | 79 = Cherokee 4WD-4 Dr.-Com |
| 27 = J-20 Pickup-131" W.B. | 74 = Cherokee 2WD-4 Dr. | 81 = Wrangler-93" W.B. |
| 63 = Comanche 4WD-6 Ft. Box | 75 = Wagoneer 4WD-4 Dr. | 82 = Wrangler-103" W.B.-Exp. |
| 64 = Comanche 2WD-6 Ft. Box | | |

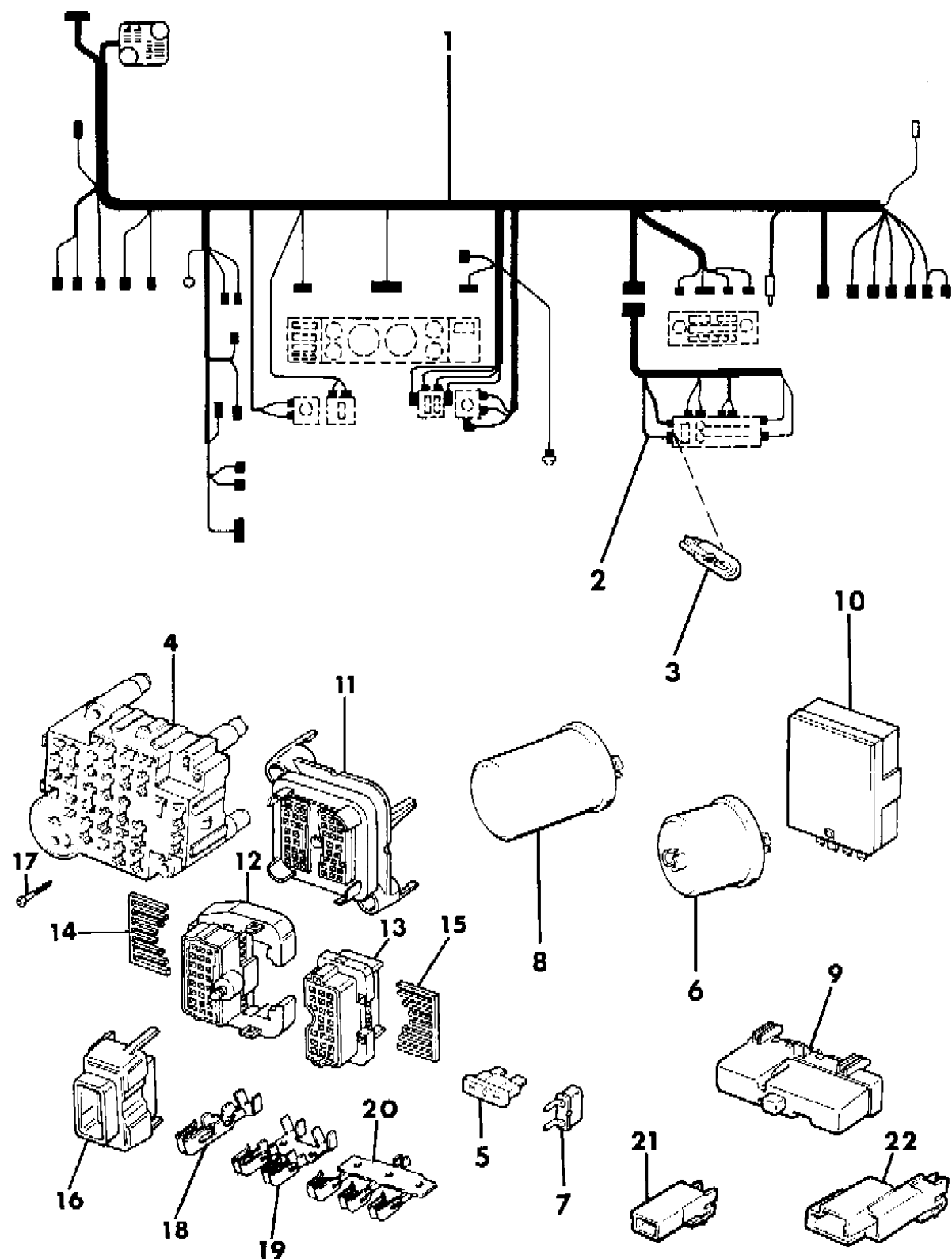
BODY STYLES:

MJ = Comanche Pickup
 SJ = Grand Wagoneer Wgn., J-10 & J-20 Pickups
 XJ = Cherokee, Wagoneer Limited
 YJ = Wrangler

AR = Use as Required - = Non Illustrated Part P.A.R. = Paint as Required

FUSE PANEL--INSTRUMENT PANEL WIRING CHEROKEE, WAGONEER, COMANCHE
Figure 8A-1500

8J82 1500 A



| ITEM | PART NUMBER | QTY | BODY | MODEL | DESCRIPTION |
|------|-------------|-----|------|-------|--|
| 1 | | | | | WIRING HARNESS |
| | 5600 1998 | 1 | XJ | | w/Diesel Engine 1987 |
| | 5600 2674 | 1 | XJ | | w/Gas Engine 1987 |
| | 5600 1999 | 1 | XJ | | Emission Controlled European 1987 |
| | 5600 2680 | 1 | MJ | | w/Gas Engine 1987 |
| | 5600 2001 | 1 | MJ | | w/Diesel Engine 1987 |
| | 5600 3844 | 1 | XJ | | w/Gas Engine 1988-89 |
| | 5600 2878 | 1 | XJ | | w/Diesel Engine, Non-Regulated Markets 1988-89 |
| | 5600 3963 | 1 | XJ | | w/Diesel Engine, Non-Regulated Markets 1990 |
| | 5600 3150 | 1 | XJ | | Emission Controlled European 1988-89 |
| | 5600 3962 | 1 | XJ | | Emission Controlled European 1990 |
| | 5600 2880 | 1 | MJ | | w/Gas Engine 1988 |
| | 5600 3847 | 1 | MJ | | w/Gas Engine 1989 |
| | 5600 4906 | 1 | MJ | | w/Gas Engine 1990 |
| | 5600 3960 | 1 | XJ | | w/Gas Engine w/o Anti Lock Brakes 1990 |
| | 5600 2881 | 1 | MJ | | w/Diesel Engine 1988-89 |
| | 5600 4907 | 1 | MJ | | w/Diesel Engine 1990 |
| | 5600 3961 | 1 | XJ | | w/Gas Engine, w/Anti Lock Brakes 1990 |
| 2 | | | | | HARNESS, Heater |
| | 5600 2388 | 1 | | | w/Gas Engine 1987 |
| | 5600 2389 | 1 | | | w/Diesel Engine, w/Factory Air Cond. 1987 |
| | 5600 1846 | 1 | | | w/Gas Engine, w/o Factory A.C. |
| | 8350 5537 | 1 | | | w/"American A.C." |
| | 5600 2874 | 1 | | | w/Gas Engine, w/Factory A.C., 1988-90 |
| | 5600 1848 | 1 | | | w/Diesel Engine, w/o Factory A.C. |
| | 5600 2868 | 1 | | | w/Diesel Engine, w/Factory A.C. |
| 3 | J812 5723 | 2 | | | BULB, (74) |
| 4 | J417 9458 | 1 | | | PANEL, Fuse |
| 5 | | | | | FUSE |
| | J323 1213 | AR | | | 5 Ampere |
| | J323 1214 | AR | | | 7.5 Ampere |
| | J323 1215 | AR | | | 10 Ampere |
| | J323 1216 | AR | | | 15 Ampere |
| | J323 1217 | AR | | | 20 Ampere |
| | J323 1218 | AR | | | 25 Ampere |
| 6 | J545 2266 | 1 | | | FLASHER, Hazard |
| 7 | | | | | CIRCUIT BREAKER |

MODEL CODES:

| | | |
|-----------------------------|-----------------------------|------------------------------|
| 15 = Grand Wagoneer 4 Dr. | 65 = Comanche 4WD-7 Ft. Box | 77 = Cherokee 4WD-2 Dr. |
| 25 = J-10 Pickup-119" W.B. | 66 = Comanche 2WD-7 Ft. Box | 78 = Cherokee 4WD-4 Dr. |
| 26 = J-10 Pickup-131" W.B. | 73 = Cherokee 2WD-2 Dr. | 79 = Cherokee 4WD-4 Dr.-Com |
| 27 = J-20 Pickup-131" W.B. | 74 = Cherokee 2WD-4 Dr. | 81 = Wrangler-93" W.B. |
| 63 = Comanche 4WD-6 Ft. Box | 75 = Wagoneer 4WD-4 Dr. | 82 = Wrangler-103" W.B.-Exp. |
| 64 = Comanche 2WD-6 Ft. Box | | |

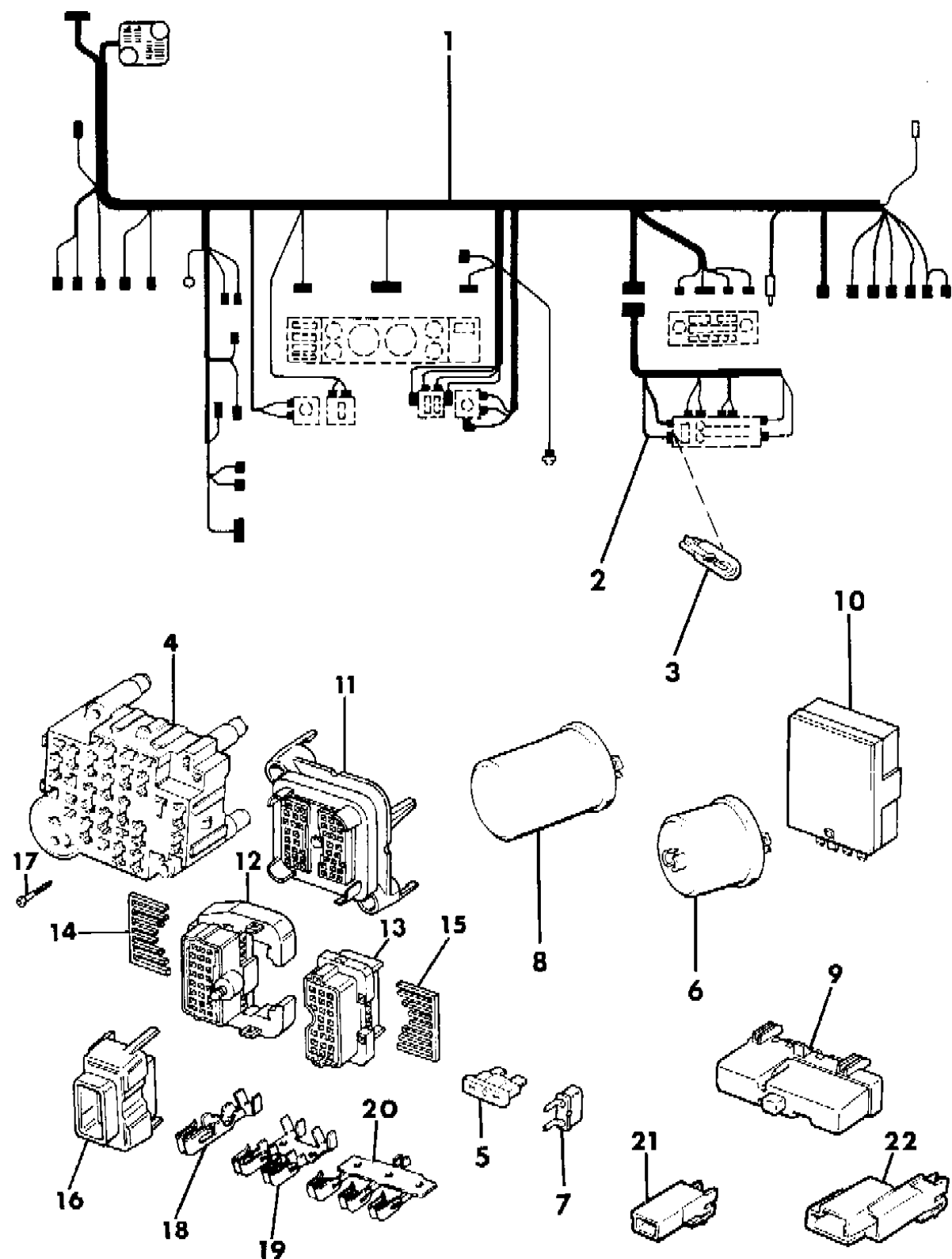
BODY STYLES:

MJ = Comanche Pickup
SJ = Grand Wagoneer Wgn., J-10 & J-20 Pickups
XJ = Cherokee, Wagoneer Limited
YJ = Wrangler

AR = Use as Required - = Non Illustrated Part P.A.R. = Paint as Required

FUSE PANEL--INSTRUMENT PANEL WIRING CHEROKEE, WAGONEER, COMANCHE
Figure 8A-1500

8J82 1500 A



| ITEM | PART NUMBER | QTY | BODY | MODEL | DESCRIPTION |
|------|-------------|-----|------|-------|----------------------|
| | 5600 1110 | 1 | | | 4.8 Ampere |
| | 8350 7005 | 1 | | | 30 Ampere |
| 8 | 3837 161 | 1 | | | FLASHER, Turn Signal |
| | J321 2067 | 1 | | | Standard (224) |
| | 5600 0903 | 1 | | | Heavy Duty (323) |
| | J545 2266 | 1 | | | (550) 3 Bladed |
| 9 | | | | | (552) |
| | 5600 1076 | 1 | | | BUZZER, Headlamp |
| | 5600 1077 | 1 | | | Blue |
| | J323 1209 | 1 | | | Black |
| 10 | 5600 1347 | 1 | | | Seat Belt |
| 11 | 3417 8240 | 1 | | | CHIME, Warning |
| 12 | 3417 8230 | 1 | | | CONNECTOR, Bulkhead |
| 13 | 3417 8231 | 1 | | | CONNECTOR, Bulkhead |
| 14 | 3417 5323 | 1 | | | CONNECTOR, Bulkhead |
| 15 | 3417 5324 | 1 | | | RETAINER, Blue |
| 16 | | | | | RETAINER, Clear |
| | | | | | COVER |
| | 3417 5325 | 1 | | | Item #12 |
| | 3417 5326 | 1 | | | Item #13 |
| 17 | 3420 1598 | 2 | | | SCREW |
| 18 | J323 1223 | 5 | | | TERMINAL |
| 19 | J323 1224 | 3 | | | TERMINAL |
| 20 | J323 1225 | 1 | | | TERMINAL |
| 21 | | | | | CONNECTOR |
| | J417 9537 | 1 | | | Red |
| | J417 9530 | 1 | | | ORANGE |
| | J417 9531 | 1 | | | BLACK |
| | J417 9532 | 1 | | | GREEN |
| | J417 9533 | 1 | | | BEIGE |
| | J417 9534 | 1 | | | BLUE |
| | J417 9535 | 1 | | | BROWN |
| 22 | | | | | CONNECTOR |
| | J417 9540 | 1 | | | BROWN |
| | J417 9542 | 1 | | | GREEN |
| | J417 9630 | 1 | | | BLACK |

MODEL CODES:

| | | |
|-----------------------------|-----------------------------|------------------------------|
| 15 = Grand Wagoneer 4 Dr. | 65 = Comanche 4WD-7 Ft. Box | 77 = Cherokee 4WD-2 Dr. |
| 25 = J-10 Pickup-119" W.B. | 66 = Comanche 2WD-7 Ft. Box | 78 = Cherokee 4WD-4 Dr. |
| 26 = J-10 Pickup-131" W.B. | 73 = Cherokee 2WD-2 Dr. | 79 = Cherokee 4WD-4 Dr.-Com |
| 27 = J-20 Pickup-131" W.B. | 74 = Cherokee 2WD-4 Dr. | 81 = Wrangler-93" W.B. |
| 63 = Comanche 4WD-6 Ft. Box | 75 = Wagoneer 4WD-4 Dr. | 82 = Wrangler-103" W.B.-Exp. |
| 64 = Comanche 2WD-6 Ft. Box | | |

BODY STYLES:

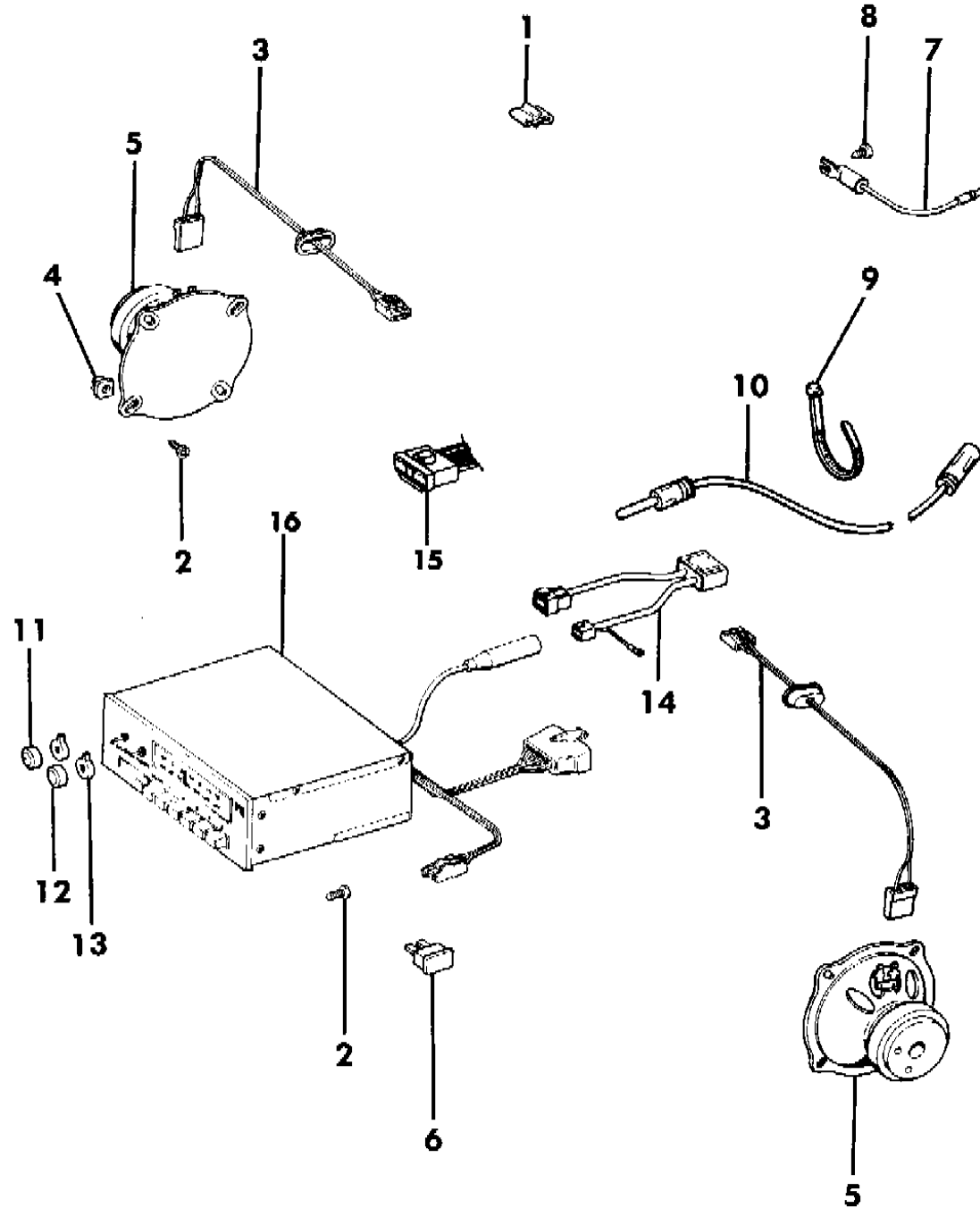
MJ = Comanche Pickup
SJ = Grand Wagoneer Wgn., J-10 & J-20 Pickups
XJ = Cherokee, Wagoneer Limited
YJ = Wrangler

AR = Use as Required - = Non Illustrated Part P.A.R. = Paint as Required

SPEAKERS AND KNOBS--RADIO TWO SPEAKER SYSTEM CHEROKEE, WAGONEER, COMANCHE

Figure 8A-1600

8J82 1600 A



| ITEM | PART NUMBER | QTY | BODY | MODEL | DESCRIPTION |
|------|-------------|-----|------|-------|--|
| 1 | J400 5963 | 1 | | | CLIP |
| 2 | J448 9487 | 10 | | | SCREW |
| 3 | 5600 1850 | 2 | | | HARNESS, Speaker, w/o Power Locks or Windows |
| 4 | J400 5242 | 8 | | | NUT |
| 5 | 3600 3461 | 2 | | | SPEAKER, Door |
| 6 | J323 1213 | 1 | | | FUSE, 5 Ampere |
| 7 | J322 9510 | 1 | | | CAPACITOR, Ignition |
| 8 | 3420 1895 | 1 | | | SCREW |
| 9 | J322 3227 | 1 | | | STRAP |
| 10 | 5600 0527 | 1 | | | CABLE, Antenna |
| 11 | 8350 1413 | 1 | | | KNOB, Radio Volume |
| | 8350 7040 | 1 | | | Volume/Tune 1990 |
| 12 | 8350 1416 | 1 | | | KNOB, Radio Tuning |
| 13 | 8350 1414 | 2 | | | KNOB, Radio Secondary |
| | 8350 7041 | 1 | | | Bass/Treble w/o Cass. 1990 |
| | 8350 7042 | 1 | | | Bass/Treble w/Cass. 1990 |
| | 8350 7043 | 1 | | | Fader 1990 |
| 14 | 5600 3160 | 1 | | | HARNESS, Jumper, Export (CHINA) |
| 15 | #8350 6510 | AR | | | HARNESS, Radio Repair |
| 16 | | | | | RADIO, See Accessory Catalog |

MODEL CODES:

| | | |
|-----------------------------|-----------------------------|------------------------------|
| 15 = Grand Wagoneer 4 Dr. | 65 = Comanche 4WD-7 Ft. Box | 77 = Cherokee 4WD-2 Dr. |
| 25 = J-10 Pickup-119" W.B. | 66 = Comanche 2WD-7 Ft. Box | 78 = Cherokee 4WD-4 Dr. |
| 26 = J-10 Pickup-131" W.B. | 73 = Cherokee 2WD-2 Dr. | 79 = Cherokee 4WD-4 Dr.-Com |
| 27 = J-20 Pickup-131" W.B. | 74 = Cherokee 2WD-4 Dr. | 81 = Wrangler-93" W.B. |
| 63 = Comanche 4WD-6 Ft. Box | 75 = Wagoneer 4WD-4 Dr. | 82 = Wrangler-103" W.B.-Exp. |
| 64 = Comanche 2WD-6 Ft. Box | | |

BODY STYLES:

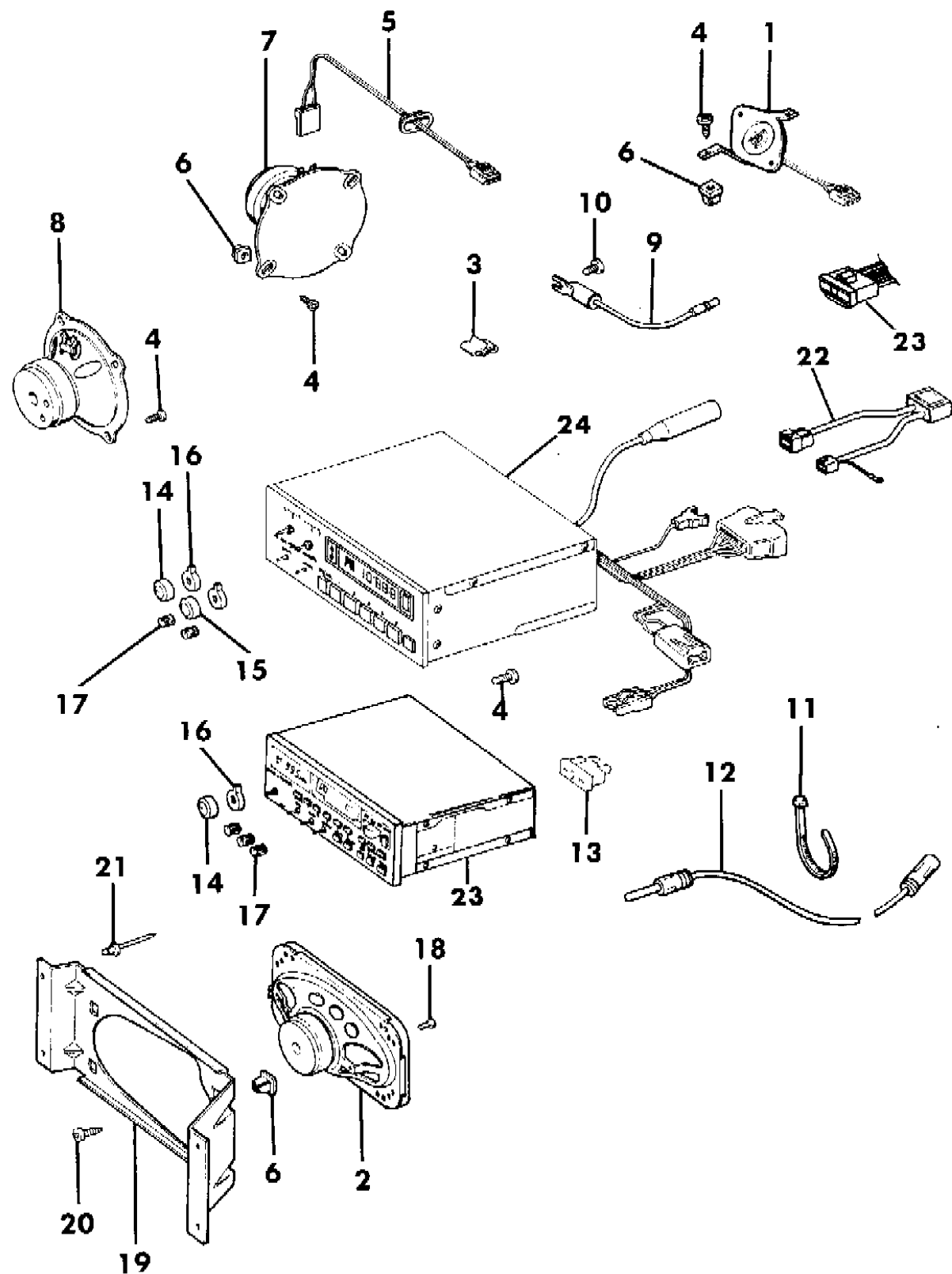
MJ = Comanche Pickup
 SJ = Grand Wagoneer Wgn., J-10 & J-20 Pickups
 XJ = Cherokee, Wagoneer Limited
 YJ = Wrangler

AR = Use as Required - = Non Illustrated Part P.A.R. = Paint as Required

SPEAKERS AND KNOBS--RADIO FOUR AND SIX SPEAKER SYSTEM CHEROKEE, WAGONEER, COMANCHE

Figure 8A-1700

8J82 1700 A



| ITEM | PART NUMBER | QTY | BODY | MODEL | DESCRIPTION |
|------|-------------|-----|------|-------|--|
| 1 | | | XJ | | SPEAKER, Instrument Panel |
| | 3600 1123 | 1 | | | Right |
| | 5600 2013 | 1 | | | Left |
| 2 | 5600 1878 | 2 | MJ | | SPEAKER, Rear |
| 3 | J400 5963 | 2 | | | CLIP |
| 4 | J448 9487 | 18 | | | SCREW |
| 5 | 5600 1850 | 2 | | | HARNESS, Speaker, w/o Power Locks or Windows |
| 6 | J400 5242 | 8 | | | NUT |
| 7 | | | | | SPEAKER, Door |
| | 5600 1880 | 2 | | | w/o D.N.R. |
| | 3600 1124 | 2 | | | w/D.N.R. |
| 8 | | | XJ | | SPEAKER, Rear |
| | 3600 3461 | 2 | | | w/o D.N.R. |
| | 3600 1125 | 2 | | | w/D.N.R. |
| 9 | J322 9510 | 1 | | | CAPACITOR, Ignition |
| 10 | 3420 1895 | 1 | | | SCREW |
| 11 | J322 3227 | 1 | | | STRAP |
| 12 | 5600 0527 | 1 | | | CABLE, Antenna |
| 13 | | | | | FUSE |
| | J323 1211 | 1 | | | 3 Ampere |
| | J323 1213 | 1 | | | 5 Ampere |
| 14 | 8350 1413 | 1 | | | KNOB, Volume |
| | 8350 7040 | 1 | | | Volume/Tune 1990 |
| 15 | 8350 1416 | 1 | | | KNOB, Tuning |
| 16 | 8350 1414 | 2 | | | KNOB, Secondary |
| | 8350 7043 | 1 | | | Fader 1990 |
| 17 | 8350 1415 | 3 | | | KNOB, Balance |
| | 8350 7042 | 2 | | | Bass/Treble w/Cass. 1990 |
| 18 | J448 9487 | 8 | | | SCREW |
| 19 | 5500 6736 | 2 | MJ | | BRACKET, Speaker |
| 20 | J400 2461 | 8 | | | SCREW |
| 21 | 3420 1792 | 8 | | | RIVET |
| 22 | 5600 3160 | 1 | | | HARNESS, Jumper KDX-China |
| 23 | 8350 6510 | AR | | | HARNESS, Radio Repair |
| 24 | | 1 | | | RADIO, See Accessory Catalog |

MODEL CODES:

| | | |
|-----------------------------|-----------------------------|------------------------------|
| 15 = Grand Wagoneer 4 Dr. | 65 = Comanche 4WD-7 Ft. Box | 77 = Cherokee 4WD-2 Dr. |
| 25 = J-10 Pickup-119" W.B. | 66 = Comanche 2WD-7 Ft. Box | 78 = Cherokee 4WD-4 Dr. |
| 26 = J-10 Pickup-131" W.B. | 73 = Cherokee 2WD-2 Dr. | 79 = Cherokee 4WD-4 Dr.-Com |
| 27 = J-20 Pickup-131" W.B. | 74 = Cherokee 2WD-4 Dr. | 81 = Wrangler-93" W.B. |
| 63 = Comanche 4WD-6 Ft. Box | 75 = Wagoneer 4WD-4 Dr. | 82 = Wrangler-103" W.B.-Exp. |
| 64 = Comanche 2WD-6 Ft. Box | | |

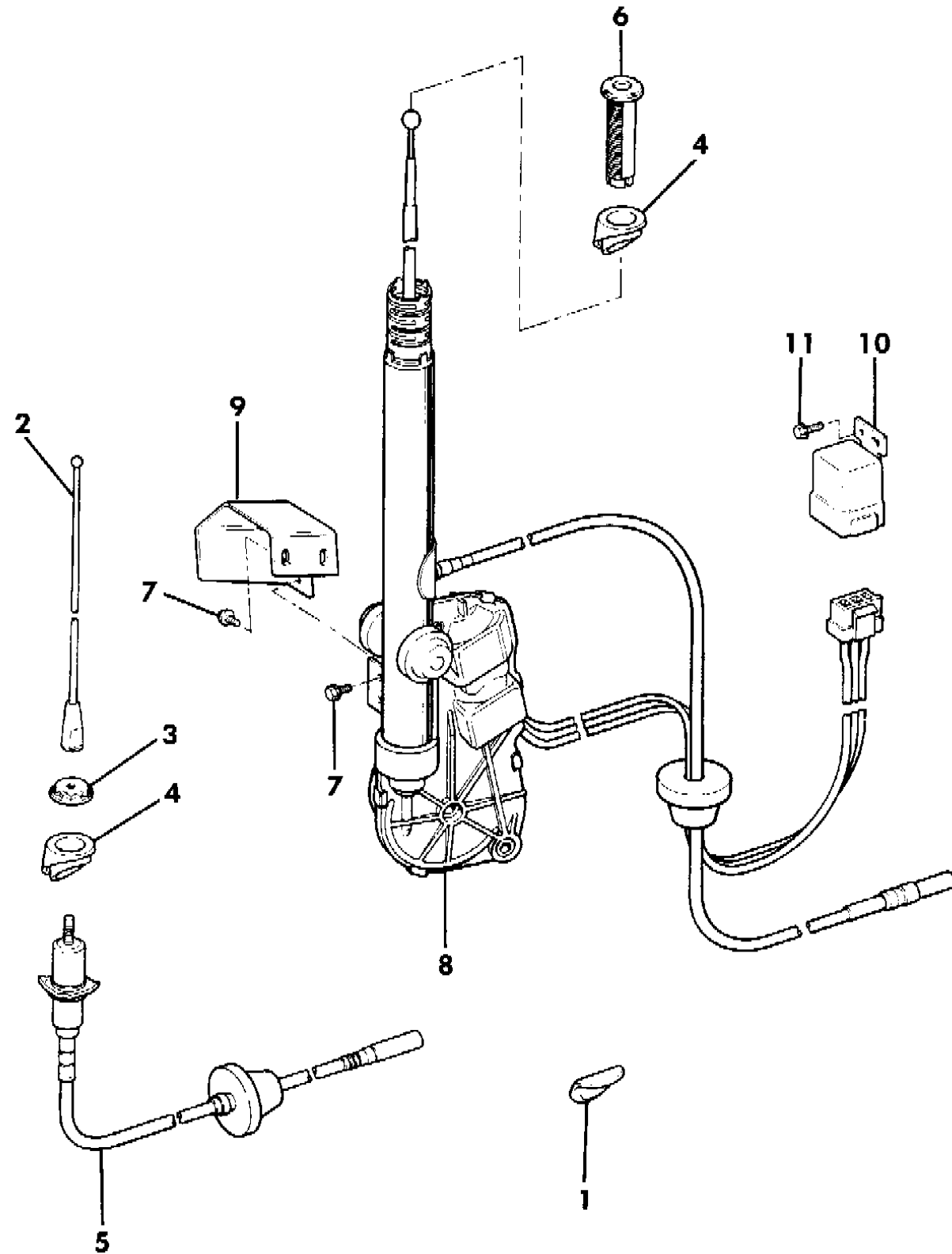
BODY STYLES:

MJ = Comanche Pickup
 SJ = Grand Wagoneer Wgn., J-10 & J-20 Pickups
 XJ = Cherokee, Wagoneer Limited
 YJ = Wrangler

AR = Use as Required - = Non Illustrated Part P.A.R. = Paint as Required

ANTENNA CHEROKEE, WAGONEER, COMANCHE
Figure 8A-1800

8J82 1800



| ITEM | PART NUMBER | QTY | BODY | MODEL | DESCRIPTION |
|------|-------------|-----|------|-------|----------------|
| 1 | 5600 1184 | 1 | | | COVER, Hole |
| 2 | 5600 0508 | 1 | | | ANTENNA |
| 3 | 5600 0506 | 1 | | | NUT |
| 4 | 5600 1183 | 1 | | | PAD |
| 5 | 5600 0282 | 1 | | | BASE, w/Cable |
| 6 | 5600 0552 | 1 | XJ | | ESCUTCHEON |
| 7 | 3420 1522 | 4 | XJ | | SCREW |
| 8 | 5600 3151 | 1 | XJ | | ANTENNA, Power |
| 9 | 5600 0553 | 1 | XJ | | BRACKET |
| 10 | 5600 0836 | 1 | XJ | | RELAY, Antenna |
| 11 | 3420 1489 | 2 | XJ | | SCREW |

MODEL CODES:

| | | |
|-----------------------------|-----------------------------|------------------------------|
| 15 = Grand Wagoneer 4 Dr. | 65 = Comanche 4WD-7 Ft. Box | 77 = Cherokee 4WD-2 Dr. |
| 25 = J-10 Pickup-119" W.B. | 66 = Comanche 2WD-7 Ft. Box | 78 = Cherokee 4WD-4 Dr. |
| 26 = J-10 Pickup-131" W.B. | 73 = Cherokee 2WD-2 Dr. | 79 = Cherokee 4WD-4 Dr.-Com |
| 27 = J-20 Pickup-131" W.B. | 74 = Cherokee 2WD-4 Dr. | 81 = Wrangler-93" W.B. |
| 63 = Comanche 4WD-6 Ft. Box | 75 = Wagoneer 4WD-4 Dr. | 82 = Wrangler-103" W.B.-Exp. |
| 64 = Comanche 2WD-6 Ft. Box | | |

BODY STYLES:

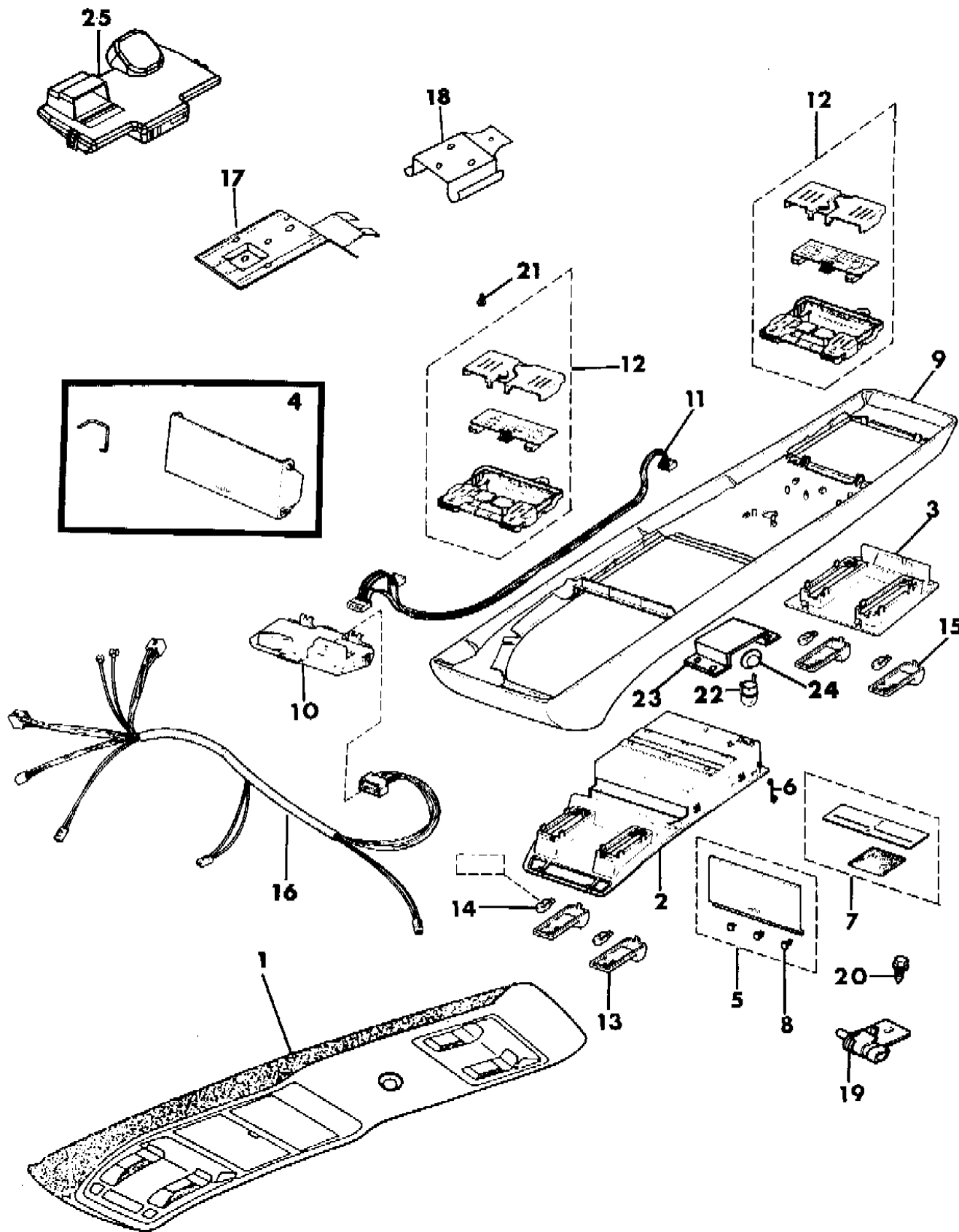
MJ = Comanche Pickup
 SJ = Grand Wagoneer Wgn., J-10 & J-20 Pickups
 XJ = Cherokee, Wagoneer Limited
 YJ = Wrangler

AR = Use as Required - = Non Illustrated Part P.A.R. = Paint as Required

CONSOLE--OVERHEAD CHEROKEE, WAGONEER 1990

Figure 8A-1850

8J82 1850F



| ITEM | PART NUMBER | QTY | BODY | MODEL | DESCRIPTION |
|------|-------------|-----|------|-------|------------------------------|
| 1 | | | | | CONSOLE, Assembly (complete) |
| | 5AK1 9JS1 | 1 | | | Charcoal |
| | 5AK1 9JH9 | 1 | | | Cordovan |
| | 5AK1 9JY1 | 1 | | | Sand |
| | 5AK1 9KY6 | 1 | | | DARK SAND *** |
| 2 | 4521 399 | 1 | | | HOUSING, Front |
| 3 | 5502 4260 | 1 | | | HOUSING, Rear |
| 4 | 4309 341 | 1 | | | DOOR, Sunglass Bin |
| | 4609 340 | | | | SPRING, Sunglass Door |
| 5 | 4507 567 | 1 | | | DOOR, Garage Door Opener |
| 6 | 4409 911 | 1 | | | SPRING |
| 7 | 4309 345 | 1 | | | FASTENER, Velcro Hook |
| 8 | 4309 344 | 1 | | | ADAPTER, Garage Door Button |
| 9 | | | | | HOUSING, Console |
| | 4626 124 | 1 | | | Charcoal |
| | 4626 125 | 1 | | | Cordovan |
| | 8350 7226 | 1 | | | Sand |
| | 8350 7227 | 1 | | | DARK SAND *** |
| 10 | 4437 566 | 1 | | | COMPASS, Temp. Module *** |
| 11 | 4450 262 | 1 | | | HARNESS, LAMP/Compass |
| 12 | 4638 924 | 2 | | | MODULE, Dome Lamp Assembly |
| 13 | 4507 896-7 | 1 | | | LENS, Switch Front |
| 14 | J943 7173 | 4 | | | BULB, (912) |
| 15 | 4507 584-5 | 1 | | | LENS, Switch, Rear |
| 16 | 5600 4868 | 1 | | | HARNESS, Domelamp |
| 17 | 5503 3358 | 1 | | | BRACKET, Front Mounting |
| 18 | 5502 5816 | 1 | | | BRACKET, Rear Mounting |
| 19 | 4437 691 | 1 | | | SENSOR, Outside Air Temp. |
| 20 | 1150 2843 | 1 | | | SCREW |
| 21 | 6032 456 | 5 | | | SCREW |
| 22 | 8350 5263 | 1 | | | LENS |
| 23 | 5502 4275 | 1 | | | COVER, Keyless Entry |
| 24 | 8350 7229 | 1 | | | BEZEL, Lens |
| 25 | 5266 173 | 1 | | | MODULE |

MODEL CODES:

| | | |
|-----------------------------|-----------------------------|------------------------------|
| 15 = Grand Wagoneer 4 Dr. | 65 = Comanche 4WD-7 Ft. Box | 77 = Cherokee 4WD-2 Dr. |
| 25 = J-10 Pickup-119" W.B. | 66 = Comanche 2WD-7 Ft. Box | 78 = Cherokee 4WD-4 Dr. |
| 26 = J-10 Pickup-131" W.B. | 73 = Cherokee 2WD-2 Dr. | 79 = Cherokee 4WD-4 Dr.-Com |
| 27 = J-20 Pickup-131" W.B. | 74 = Cherokee 2WD-4 Dr. | 81 = Wrangler-93" W.B. |
| 63 = Comanche 4WD-6 Ft. Box | 75 = Wagoneer 4WD-4 Dr. | 82 = Wrangler-103" W.B.-Exp. |
| 64 = Comanche 2WD-6 Ft. Box | | |

BODY STYLES:

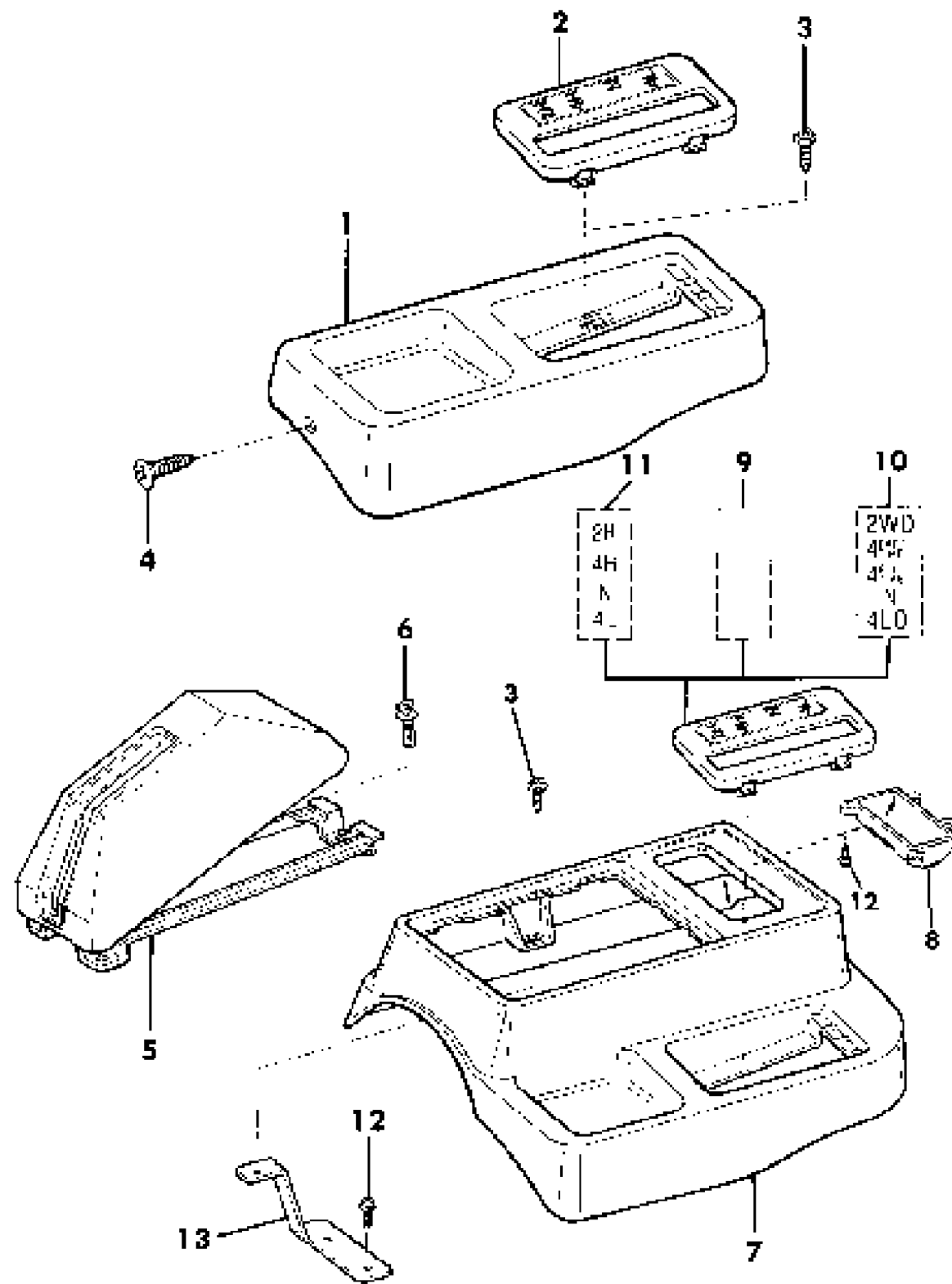
MJ = Comanche Pickup
 SJ = Grand Wagoneer Wgn., J-10 & J-20 Pickups
 XJ = Cherokee, Wagoneer Limited
 YJ = Wrangler

AR = Use as Required - = Non Illustrated Part P.A.R. = Paint as Required

SHIFT BEZELS CHEROKEE, WAGONEER, COMANCHE

Figure 8A-1900

8J82 1900



| ITEM | PART NUMBER | QTY | BODY | MODEL | DESCRIPTION |
|------|-------------|-----|------|-------|-----------------------------------|
| 1 | 5500 8549 | 1 | | | BEZEL, Shift, Truck |
| 2 | 5500 5175 | 1 | | | BEZEL, Transfer Case, Truck |
| 3 | 3420 1314 | AR | | | SCREW |
| 4 | J400 4315 | 1 | | | SCREW |
| 5 | 5501 2338 | 1 | XJ | | COVER, Parking Brake, P.A.R. |
| 6 | J400 6633 | 3 | | | SCREW |
| 7 | 5500 8149 | 1 | | | BEZEL, Shift 1987-89 |
| | 5BA6 9JY6 | 1 | | | 1990 |
| 8 | 5500 3281 | 1 | | | CUP, Coin Retainer |
| 9 | 5501 2346 | 1 | | | COVER, 2WD, P.A.R. |
| 10 | 5502 0094 | 1 | | | BEZEL, Transfer Case, 4WD 1988-89 |
| | 5501 5306 | 1 | | | 1987 |
| 11 | 5500 5175 | 1 | | | BEZEL, Transfer Case, 4WD |
| 12 | 1150 2843 | 4 | | | SCREW |
| 13 | 5300 0812 | 1 | | | BRACKET, Manual Trans. |

MODEL CODES:

| | | |
|-----------------------------|-----------------------------|------------------------------|
| 15 = Grand Wagoneer 4 Dr. | 65 = Comanche 4WD-7 Ft. Box | 77 = Cherokee 4WD-2 Dr. |
| 25 = J-10 Pickup-119" W.B. | 66 = Comanche 2WD-7 Ft. Box | 78 = Cherokee 4WD-4 Dr. |
| 26 = J-10 Pickup-131" W.B. | 73 = Cherokee 2WD-2 Dr. | 79 = Cherokee 4WD-4 Dr.-Com |
| 27 = J-20 Pickup-131" W.B. | 74 = Cherokee 2WD-4 Dr. | 81 = Wrangler-93" W.B. |
| 63 = Comanche 4WD-6 Ft. Box | 75 = Wagoneer 4WD-4 Dr. | 82 = Wrangler-103" W.B.-Exp. |
| 64 = Comanche 2WD-6 Ft. Box | | |

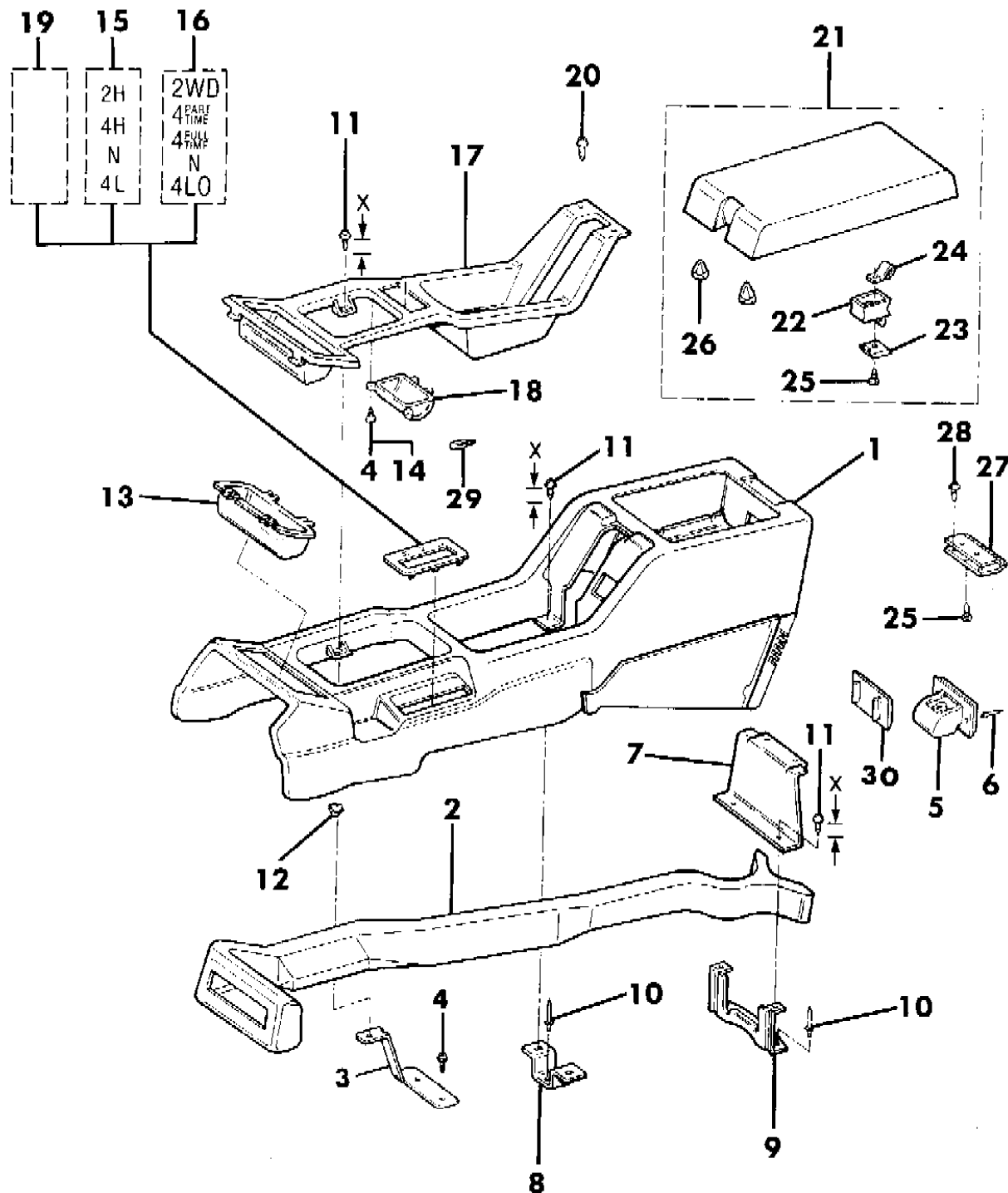
BODY STYLES:

MJ = Comanche Pickup
 SJ = Grand Wagoneer Wgn., J-10 & J-20 Pickups
 XJ = Cherokee, Wagoneer Limited
 YJ = Wrangler

AR = Use as Required - = Non Illustrated Part P.A.R. = Paint as Required

CONSOLE CHEROKEE, WAGONEER, COMANCHE
Figure 8A-2000

8J82 2000B



| ITEM | PART NUMBER | QTY | BODY | MODEL | DESCRIPTION |
|------|-------------|-----|------|-------|----------------------------|
| 1 | | | | | BASE, Console, P.A.R. |
| | 8350 4859 | 1 | XJ | | 1987-90 |
| | 8350 2357 | 1 | MJ | | 1987 |
| | 8350 4859 | 1 | MJ | | 1988-90 |
| 2 | 5500 1303 | 1 | XJ | | DUCT, Rear Heater |
| 3 | 5300 0812 | 1 | | | BRACKET, Manual Trans. |
| 4 | 1150 2843 | 6 | XJ | | SCREW (Hex.Head) *** |
| 5 | 5AC3 5JY6 | 1 | | | RECEIVER, Ash, P.A.R. |
| 6 | 3420 1197 | 2 | | | RIVET |
| 7 | 5500 1294 | 1 | | | REINFORCEMENT |
| 8 | 5500 1307 | 1 | | | BRACKET, Center |
| 9 | 5500 1308 | 1 | | | BRACKET, Rear |
| 10 | 3420 1197 | 4 | | | RIVET |
| 11 | | | | | SCREW |
| | 3420 1314 | 6 | XJ | | Wagon |
| | J400 3663 | 4 | MJ | | Truck |
| 12 | 3420 1509 | 2 | | | CLIP |
| 13 | 5500 1391 | 1 | | | BOX, Storage |
| 14 | 3420 1298 | 4 | MJ | | SCREW (Pan Head) *** |
| 15 | 5500 5175 | 1 | | | BEZEL, Transfer Case 4WD |
| 16 | 5502 0094 | 1 | | | BEZEL, Transfer Case 4WD |
| | 5501 5306 | 1 | | | 1987 |
| 17 | | | | | COVER, Shift, P.A.R. |
| | 5500 1319 | 1 | XJ | | |
| | 5500 8218 | 1 | MJ | | |
| 18 | 5500 3281 | 1 | | | CUP, Coin Retainer |
| 19 | 5501 2346 | 1 | | | COVER, 2WD, P.A.R. |
| 20 | 3420 1286 | 2 | | | SCREW |
| 21 | 5500 8162 | 1 | | | COVER, Storage, P.A.R. |
| 22 | 5500 1299 | 1 | | | LATCH, Storage Compartment |
| 23 | 5500 1300 | 1 | | | RETAINER, Latch |
| 24 | 5500 1301 | 1 | | | SPRING, Latch |
| 25 | 3420 1510 | 5 | | | SCREW |
| 26 | 3420 1902 | 2 | | | BUMPER, Cover |
| 27 | 5500 1302 | 1 | | | HINGE, Cover |
| 28 | J448 9487 | 3 | | | SCREW |
| 29 | S943 7448 | 3 | | | BULB |

MODEL CODES:

| | | |
|-----------------------------|-----------------------------|------------------------------|
| 15 = Grand Wagoneer 4 Dr. | 65 = Comanche 4WD-7 Ft. Box | 77 = Cherokee 4WD-2 Dr. |
| 25 = J-10 Pickup-119" W.B. | 66 = Comanche 2WD-7 Ft. Box | 78 = Cherokee 4WD-4 Dr. |
| 26 = J-10 Pickup-131" W.B. | 73 = Cherokee 2WD-2 Dr. | 79 = Cherokee 4WD-4 Dr.-Com |
| 27 = J-20 Pickup-131" W.B. | 74 = Cherokee 2WD-4 Dr. | 81 = Wrangler-93" W.B. |
| 63 = Comanche 4WD-6 Ft. Box | 75 = Wagoneer 4WD-4 Dr. | 82 = Wrangler-103" W.B.-Exp. |
| 64 = Comanche 2WD-6 Ft. Box | | |

BODY STYLES:

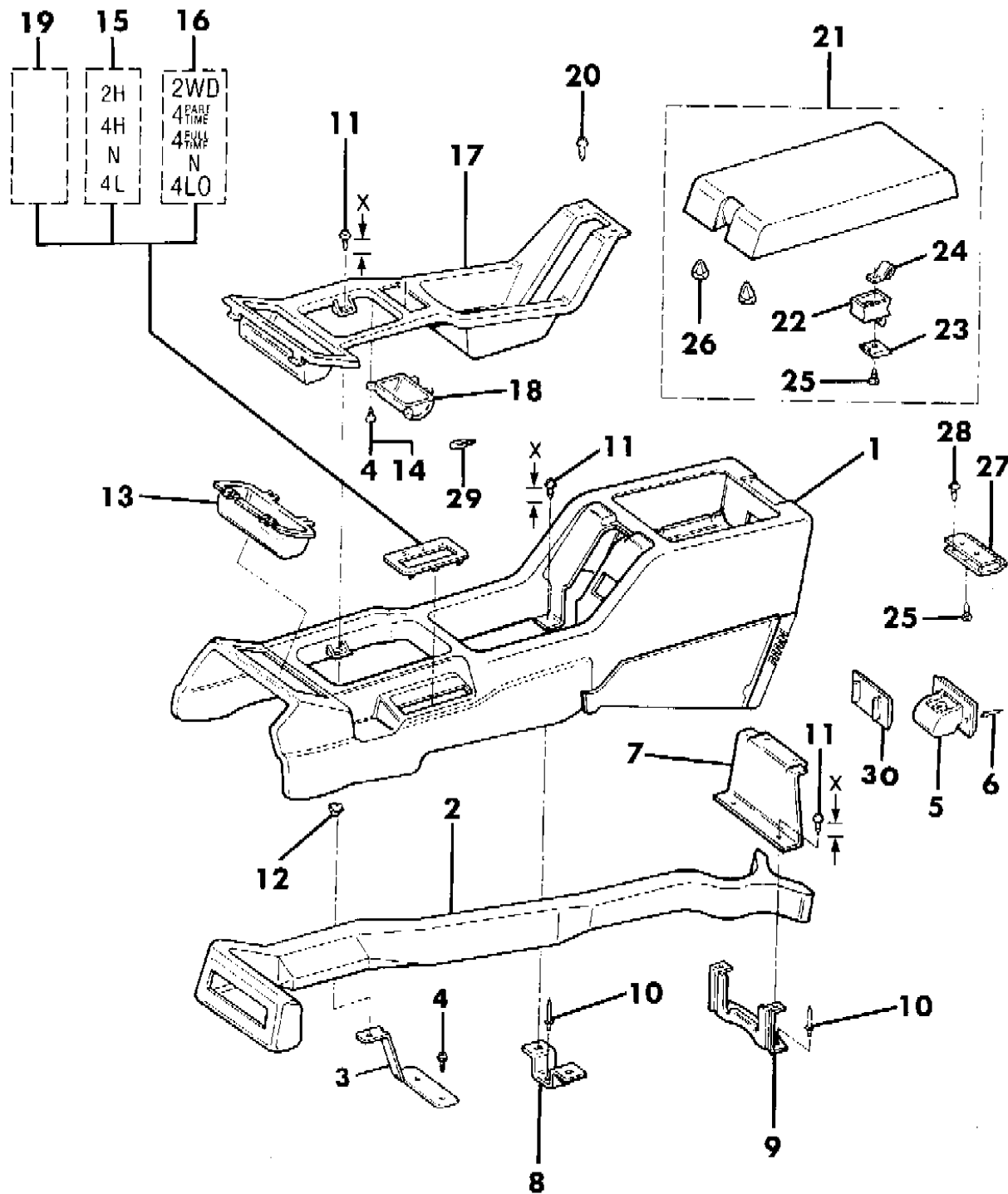
MJ = Comanche Pickup
SJ = Grand Wagoneer Wgn., J-10 & J-20 Pickups
XJ = Cherokee, Wagoneer Limited
YJ = Wrangler

AR = Use as Required - = Non Illustrated Part P.A.R. = Paint as Required

CONSOLE CHEROKEE, WAGONEER, COMANCHE
Figure 8A-2000

8J82 2000B

| ITEM | PART NUMBER | QTY | BODY | MODEL | DESCRIPTION |
|------|-------------|-----|------|-------|--------------------|
| 30 | 5500 8220 | 1 | | | COVER, P.A.R. 1987 |



MODEL CODES:

| | | |
|-----------------------------|-----------------------------|------------------------------|
| 15 = Grand Wagoneer 4 Dr. | 65 = Comanche 4WD-7 Ft. Box | 77 = Cherokee 4WD-2 Dr. |
| 25 = J-10 Pickup-119" W.B. | 66 = Comanche 2WD-7 Ft. Box | 78 = Cherokee 4WD-4 Dr. |
| 26 = J-10 Pickup-131" W.B. | 73 = Cherokee 2WD-2 Dr. | 79 = Cherokee 4WD-4 Dr.-Com |
| 27 = J-20 Pickup-131" W.B. | 74 = Cherokee 2WD-4 Dr. | 81 = Wrangler-93" W.B. |
| 63 = Comanche 4WD-6 Ft. Box | 75 = Wagoneer 4WD-4 Dr. | 82 = Wrangler-103" W.B.-Exp. |
| 64 = Comanche 2WD-6 Ft. Box | | |

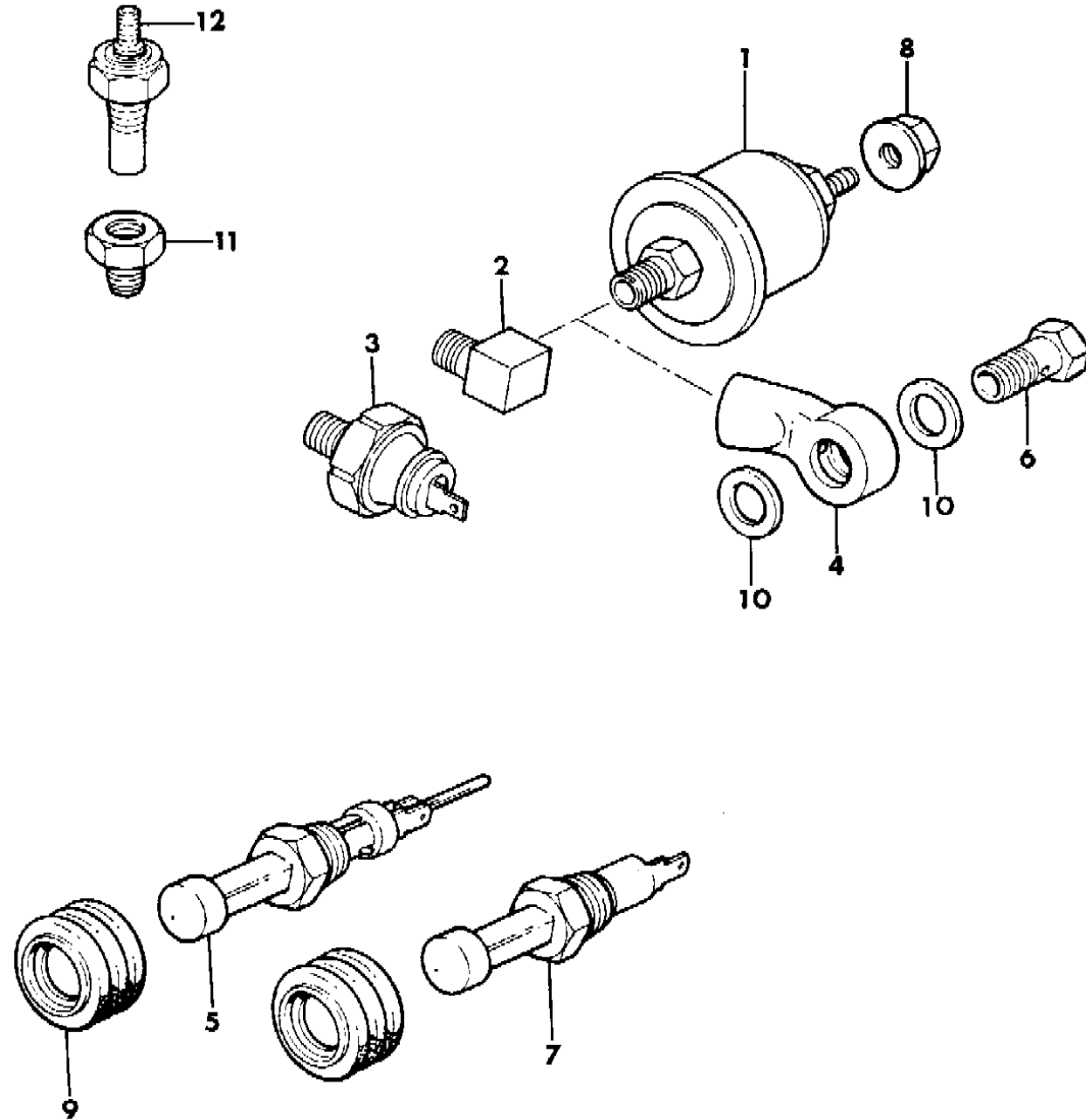
BODY STYLES:

MJ = Comanche Pickup
SJ = Grand Wagoneer Wgn., J-10 & J-20 Pickups
XJ = Cherokee, Wagoneer Limited
YJ = Wrangler

AR = Use as Required - = Non Illustrated Part P.A.R. = Paint as Required

SWITCHES--MISCELLANEOUS CHEROKEE, WAGONEER, COMANCHE
Figure 8A-2100

8J82 2100



| ITEM | PART NUMBER | QTY | BODY | MODEL | DESCRIPTION |
|------|-------------|-----|------|-------|--|
| 1 | 5300 5218 | 1 | | | SENDER, Oil Pressure, w/Gas Engine, U.S. *** |
| | 3300 2472 | 1 | | | SENDER, Oil Pressure, w/ Diesel Engine *** |
| 2 | J093 4001 | 1 | | | FITTING, 4 Cyl Engine, Gas, U.S. *** |
| | J400 6600 | 1 | | | FITTING, Emission Controlled European, 4 Cyl. Engine, Gas *** |
| | J321 2002 | 1 | | | FITTING, 6 Cyl. Engine *** |
| 3 | J314 2826 | 1 | | | SWITCH, Oil Pressure, w/Gas Engine |
| | J575 8695 | 1 | | | SWITCH, Oil Pressure, Emission Controlled European, 4 Cyl Engine, Gas |
| 4 | 3300 2464 | 1 | | | ADAPTER, w/Diesel Engine |
| 5 | 5600 0137 | 1 | | | SWITCH, Dome Lamp/Buzzer, (Order Washer J4006601) |
| 6 | T103 0598 | 1 | | | BOLT, Adapter, w/Diesel Engine |
| 7 | 5600 0136 | 3 | | | SWITCH, Dome Lamp, (Order Washer J4006601) |
| 8 | J027 1169 | 1 | | | NUT, w/Diesel Engine |
| 9 | 5600 1223 | 4 | | | BOOT |
| 10 | J324 3136 | 2 | | | GASKET, w/Diesel Engine |
| 11 | 5300 1936 | 1 | | | ADAPTER, w/Diesel Engine |
| 12 | J323 0408 | 1 | | | SWITCH, Coolant Temperature Warning Light, Gas Engine |
| | 5300 5309 | 1 | | | SENDER, Coolant Temperature, w/ Coolant Temperature Gauge, w/ Gas Engine *** |
| | 5300 5056 | 1 | | | SWITCH, Coolant Temperature, w/ Diesel Engine |

MODEL CODES:

| | | |
|-----------------------------|-----------------------------|------------------------------|
| 15 = Grand Wagoneer 4 Dr. | 65 = Comanche 4WD-7 Ft. Box | 77 = Cherokee 4WD-2 Dr. |
| 25 = J-10 Pickup-119" W.B. | 66 = Comanche 2WD-7 Ft. Box | 78 = Cherokee 4WD-4 Dr. |
| 26 = J-10 Pickup-131" W.B. | 73 = Cherokee 2WD-2 Dr. | 79 = Cherokee 4WD-4 Dr.-Com |
| 27 = J-20 Pickup-131" W.B. | 74 = Cherokee 2WD-4 Dr. | 81 = Wrangler-93" W.B. |
| 63 = Comanche 4WD-6 Ft. Box | 75 = Wagoneer 4WD-4 Dr. | 82 = Wrangler-103" W.B.-Exp. |
| 64 = Comanche 2WD-6 Ft. Box | | |

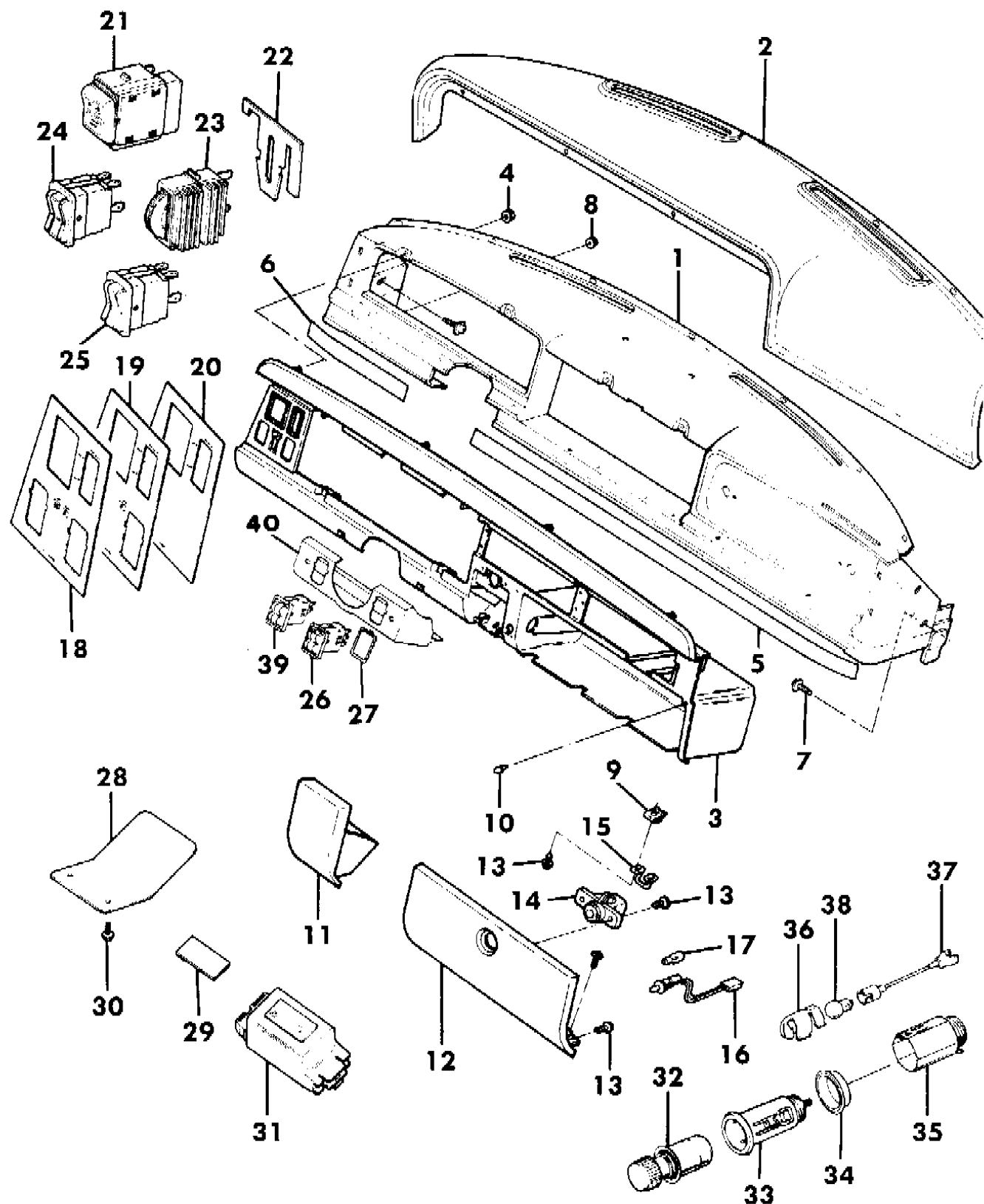
BODY STYLES:

MJ = Comanche Pickup
 SJ = Grand Wagoneer Wgn., J-10 & J-20 Pickups
 XJ = Cherokee, Wagoneer Limited
 YJ = Wrangler

AR = Use as Required - = Non Illustrated Part P.A.R. = Paint as Required

INSTRUMENT PANEL GRAND WAGONEER, J10, J20
Figure 8A-2200

8J82 2200



| ITEM | PART NUMBER | QTY | BODY | MODEL | DESCRIPTION |
|------|-------------|-----|------|-------|-------------------------------|
| 1 | 5500 9585 | 1 | | | PANEL, Instrument, P.A.R. |
| 2 | 5501 1222 | 1 | | | PAD, Instrument Panel |
| | 5AD9 8JH9 | 1 | | | Dark Tan |
| | 5AD9 8JY6 | 1 | | | Cordovan |
| | 5AD9 8JY6 | 1 | | | Sand |
| 3 | 5500 9743 | 1 | | | BEZEL, Instrument Panel |
| 4 | 1150 3745 | 4 | | | NUT, Flange |
| 5 | 5501 0052 | 1 | | | APPLIQUE, Instrument Panel |
| | 5501 3098 | 1 | | | Grand Wagoneer |
| | 5501 3098 | 1 | | | Base Wagon, Truck |
| 6 | 5501 0053 | 1 | | | APPLIQUE, Instrument Panel |
| | 5501 3099 | 1 | | | Grand Wagoneer |
| | 5501 3099 | 1 | | | Base Wagon, Truck |
| 7 | J400 5885 | 2 | | | SCREW |
| 8 | 3420 1461 | 3 | | | NUT |
| 9 | 3420 1820 | 2 | | | NUT |
| 10 | J400 0093 | 4 | | | BUMPER |
| 11 | 5500 7695 | 1 | | | ASHTRAY |
| 12 | 5500 7696 | 1 | | | DOOR, Glove Box |
| 13 | J400 3671 | 12 | | | SCREW |
| 14 | 5501 5376 | 1 | | | HOUSING, Glove Box Lock |
| 15 | J363 2496 | 1 | | | STRIKER, Glove Box Lock |
| 16 | 3600 1627 | 1 | | | SWITCH, Glove Box Lamp |
| 17 | J345 1933 | 1 | | | BULB, (1893) |
| 18 | 5500 7691 | 1 | | | LENS, Headlamp Identification |
| 19 | 5500 9227 | 1 | | | LENS, Headlamp Identification |
| 20 | 5500 9108 | 1 | | | LENS, Headlamp Identification |
| 21 | 5600 1861 | 1 | | | SWITCH, Headlamp |
| 22 | 5600 2010 | 1 | | | RETAINER |
| 23 | 5600 1863 | 1 | | | RHEOSTAT |
| 24 | 5600 0030 | 1 | | | SWITCH, Defogger |
| 25 | 5600 1526 | 1 | | | SWITCH, Window |
| 26 | 5600 2384 | 1 | | | SWITCH, Fog Lamp |
| 27 | 5500 3005 | 1 | | | COVER, Rocker Switch Opening |
| 28 | 5600 2081 | 1 | | | BRACKET |
| 29 | J368 9091 | 1 | | | FASTENER, Velcro |
| 30 | J812 0054 | 2 | | | SCREW |

MODEL CODES:

| | | |
|-----------------------------|-----------------------------|------------------------------|
| 15 = Grand Wagoneer 4 Dr. | 65 = Comanche 4WD-7 Ft. Box | 77 = Cherokee 4WD-2 Dr. |
| 25 = J-10 Pickup-119" W.B. | 66 = Comanche 2WD-7 Ft. Box | 78 = Cherokee 4WD-4 Dr. |
| 26 = J-10 Pickup-131" W.B. | 73 = Cherokee 2WD-2 Dr. | 79 = Cherokee 4WD-4 Dr.-Com |
| 27 = J-20 Pickup-131" W.B. | 74 = Cherokee 2WD-4 Dr. | 81 = Wrangler-93" W.B. |
| 63 = Comanche 4WD-6 Ft. Box | 75 = Wagoneer 4WD-4 Dr. | 82 = Wrangler-103" W.B.-Exp. |
| 64 = Comanche 2WD-6 Ft. Box | | |

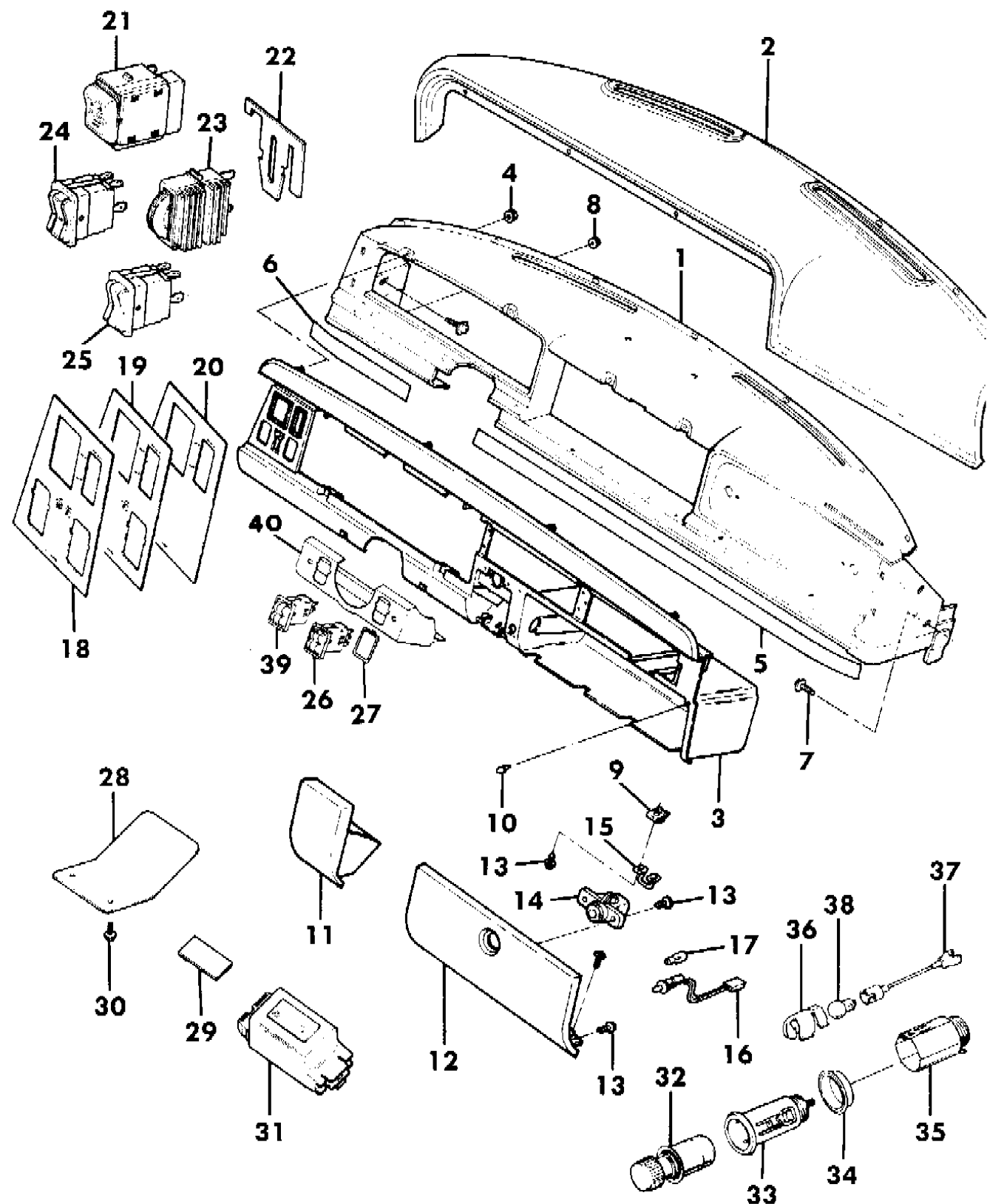
BODY STYLES:

MJ = Comanche Pickup
 SJ = Grand Wagoneer Wgn., J-10 & J-20 Pickups
 XJ = Cherokee, Wagoneer Limited
 YJ = Wrangler

AR = Use as Required - = Non Illustrated Part P.A.R. = Paint as Required

INSTRUMENT PANEL GRAND WAGONEER, J10, J20
Figure 8A-2200

8J82 2200



| ITEM | PART NUMBER | QTY | BODY | MODEL | DESCRIPTION |
|------|-------------|-----|------|-------|----------------------------------|
| 31 | 5600 0428 | | | | GOVERNOR, Intermittent Wiper *** |
| 32 | 3600 0280 | 1 | | | LIGHTER, Cigar |
| 33 | J345 3270 | 1 | | | HOUSING, Cigar Lighter |
| 34 | 3500 1906 | 1 | | | RING, Illumination |
| 35 | 3600 0242 | 1 | | | CLAMP, Cigar Lighter |
| 36 | 3600 0268 | 1 | | | SHIELD, Bulb |
| 37 | 3600 0279 | 1 | | | SOCKET |
| 38 | J013 1282 | 1 | | | BULB, (53) |
| 39 | 5600 2651 | 1 | | | SWITCH, Rear Window Wiper/Washer |
| 40 | | | | | COVER, P.A.R. |
| | 5502 1070 | 1 | | | 1988-89 |
| | 5AG4 8JY6 | 1 | | | 1990 |

MODEL CODES:

| | | |
|-----------------------------|-----------------------------|------------------------------|
| 15 = Grand Wagoneer 4 Dr. | 65 = Comanche 4WD-7 Ft. Box | 77 = Cherokee 4WD-2 Dr. |
| 25 = J-10 Pickup-119" W.B. | 66 = Comanche 2WD-7 Ft. Box | 78 = Cherokee 4WD-4 Dr. |
| 26 = J-10 Pickup-131" W.B. | 73 = Cherokee 2WD-2 Dr. | 79 = Cherokee 4WD-4 Dr.-Com |
| 27 = J-20 Pickup-131" W.B. | 74 = Cherokee 2WD-4 Dr. | 81 = Wrangler-93" W.B. |
| 63 = Comanche 4WD-6 Ft. Box | 75 = Wagoneer 4WD-4 Dr. | 82 = Wrangler-103" W.B.-Exp. |
| 64 = Comanche 2WD-6 Ft. Box | | |

BODY STYLES:

MJ = Comanche Pickup
 SJ = Grand Wagoneer Wgn., J-10 & J-20 Pickups
 XJ = Cherokee, Wagoneer Limited
 YJ = Wrangler

AR = Use as Required - = Non Illustrated Part P.A.R. = Paint as Required

INSTRUMENT CLUSTER GRAND WAGONEER, J10, J20
Figure 8A-2300

8J82 2300

| ITEM | PART NUMBER | QTY | BODY | MODEL | DESCRIPTION |
|------|-------------|-----|------|-------|----------------------------------|
| 1 | 8350 2839 | 1 | | | BEZEL, Cluster U.S. |
| | 8350 2838 | 1 | | | BEZEL, Cluster Canada |
| 2 | 8350 2521 | 1 | | | SPEEDOMETER, Miles |
| | 8350 2530 | 1 | | | SPEEDOMETER, Kilo |
| 3 | 8350 2523 | 1 | | | CLOCK, Digital |
| 4 | 8350 2525 | 1 | | | VOLTMETER |
| 5 | 8350 2528 | 1 | | | GAUGE, Oil |
| 6 | 8350 2532 | 1 | | | GAUGE, Oil |
| 7 | | | | | FILTER, Warning Lamps |
| | 8350 2541 | 1 | | | US 1987 |
| | 8350 5033 | 1 | | | CANADA 1987 |
| | 8350 5128 | 1 | | | US 1988-90 |
| | 8350 5129 | 1 | | | CANADA 1988-90 |
| 8 | 8350 2531 | 1 | | | GAUGE, Temperature |
| 9 | 8350 2527 | 1 | | | GAUGE, Temperature |
| 10 | 8350 2536 | 1 | | | COVER, Clock Opening |
| 11 | 8350 2529 | 1 | | | LENS, Cluster |
| 12 | 8350 2537 | 1 | | | COVER, Clock Opening |
| 13 | 8350 2540 | 1 | | | HOUSING, Cluster |
| 14 | 8350 2522 | 1 | | | PRINTED CIRCUIT |
| 15 | 8350 2524 | 1 | | | MODULE, Low Fuel Warning Lamp |
| 16 | 5500 7690 | 1 | | | OVERLAY |
| 17 | 3420 2502 | 9 | | | CLIP, Retaining |
| 18 | J812 5723 | 5 | | | BULB, (74) |
| 19 | 3600 0091 | 5 | | | SOCKET |
| 20 | J369 7186 | 3 | | | SOCKET |
| 21 | J942 1330 | 6 | | | BULB, (194) *** |
| 22 | J400 2657 | 6 | | | SCREW |
| 23 | J812 8911 | 6 | | | SCREW |
| 24 | J080 3366 | 2 | | | SCREW |
| 25 | 5500 9106 | 2 | | | COVER |
| 26 | 8350 2526 | 1 | | | GAUGE, Fuel |
| 27 | 3600 3272 | 1 | | | SOCKET, Blue, (Includes 73 Bulb) |

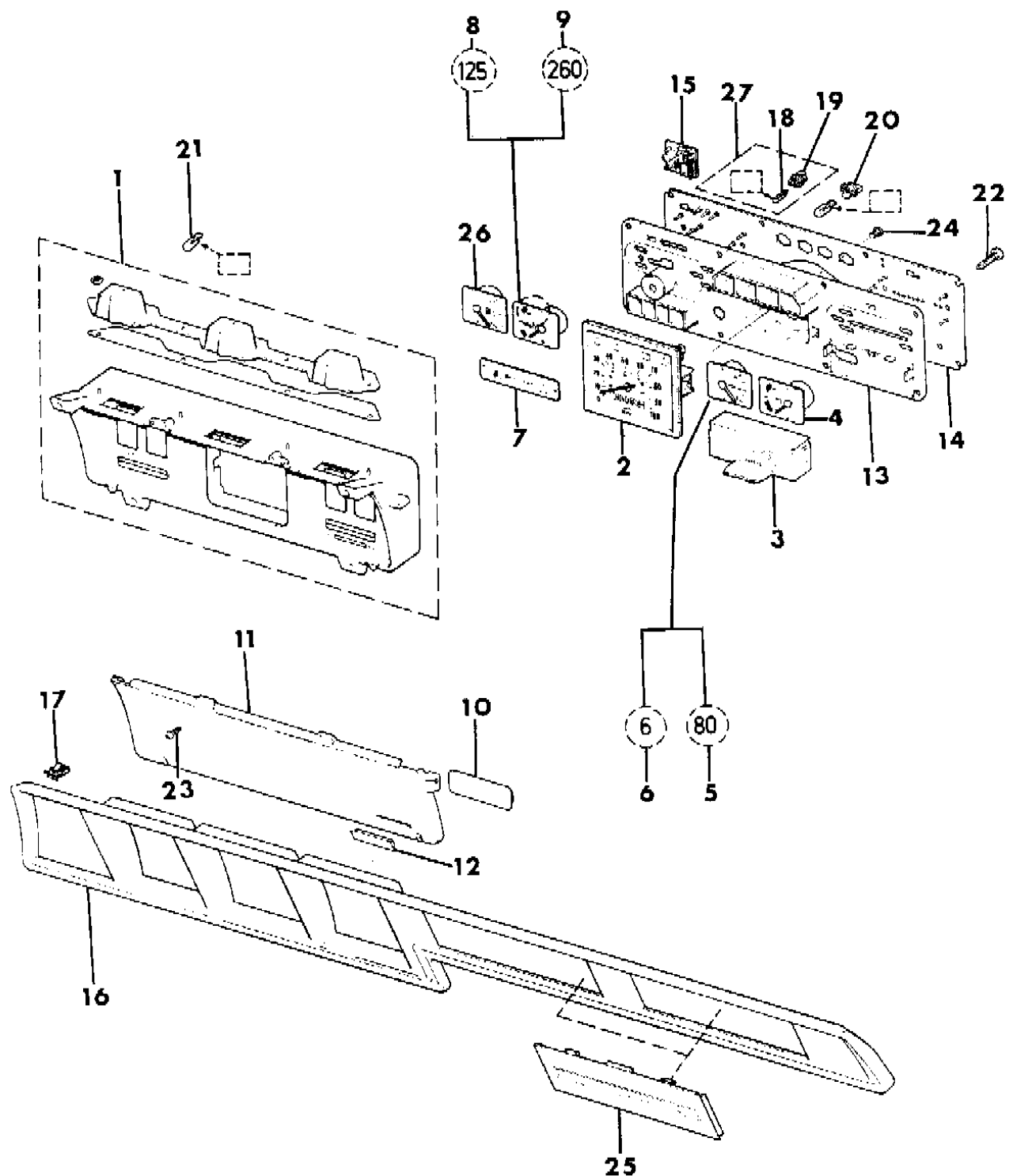
MODEL CODES:

| | | |
|-----------------------------|-----------------------------|------------------------------|
| 15 = Grand Wagoneer 4 Dr. | 65 = Comanche 4WD-7 Ft. Box | 77 = Cherokee 4WD-2 Dr. |
| 25 = J-10 Pickup-119" W.B. | 66 = Comanche 2WD-7 Ft. Box | 78 = Cherokee 4WD-4 Dr. |
| 26 = J-10 Pickup-131" W.B. | 73 = Cherokee 2WD-2 Dr. | 79 = Cherokee 4WD-4 Dr.-Com |
| 27 = J-20 Pickup-131" W.B. | 74 = Cherokee 2WD-4 Dr. | 81 = Wrangler-93" W.B. |
| 63 = Comanche 4WD-6 Ft. Box | 75 = Wagoneer 4WD-4 Dr. | 82 = Wrangler-103" W.B.-Exp. |
| 64 = Comanche 2WD-6 Ft. Box | | |

BODY STYLES:

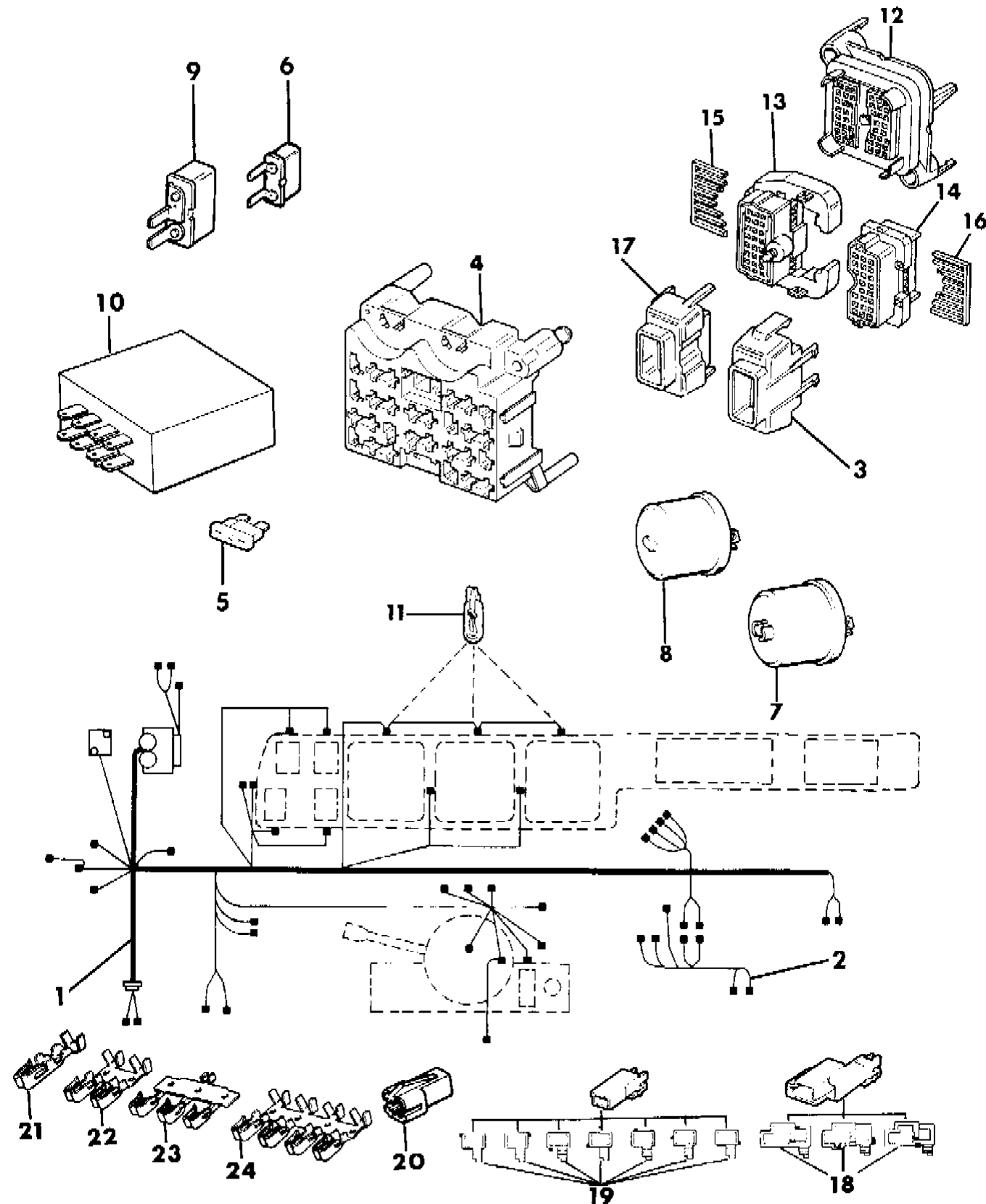
MJ = Comanche Pickup
 SJ = Grand Wagoneer Wgn., J-10 & J-20 Pickups
 XJ = Cherokee, Wagoneer Limited
 YJ = Wrangler

AR = Use as Required - = Non Illustrated Part P.A.R. = Paint as Required



FUSE PANEL--INSTRUMENT PANEL WIRING GRAND WAGONEER, J10, J20
Figure 8A-2400

8J82 2400 A



| ITEM | PART NUMBER | QTY | BODY | MODEL | DESCRIPTION |
|------|-------------|-----|------|-------|------------------------------|
| 1 | | | | | HARNESS, Instrument |
| | 5600 2410 | 1 | | | 1987 |
| | 5600 2890 | 1 | | | 1988 |
| | 5600 3108 | 1 | | | 1989 |
| | 5600 3717 | 1 | | | 1990 |
| 2 | | | | | HARNESS, Heater |
| | 5600 2023 | 1 | | | w/o Factory A.C., 1987 |
| | 5600 2024 | 1 | | | w/Factory A.C., 1987 |
| | 5600 2888 | 1 | | | w/o Factory A.C., 1988 |
| | 5600 2889 | 1 | | | w/Factory A.C., 1988-89 |
| 3 | 3417 5326 | 1 | | | COVER |
| 4 | | | | | PANEL, Fuse |
| | 3417 9448 | 1 | | | w/o Rear Wiper |
| | 5600 2844 | 1 | | | w/Rear Wiper |
| 5 | | | | | FUSE |
| | J323 1211 | AR | | | 3 Ampere |
| | J323 1215 | AR | | | 10 Ampere |
| | J323 1216 | AR | | | 15 Ampere |
| | J323 1217 | AR | | | 20 Ampere |
| | J323 1218 | AR | | | 25 Ampere |
| 6 | 8350 7005 | 1 | | | BREAKER, Circuit, 30 Ampere |
| 7 | J545 2266 | 1 | | | FLASHER, Hazzard |
| 8 | 3600 1032 | 1 | | | FLASHER, Turn Signal |
| 9 | 5600 2056 | 1 | | | BREAKER, Circuit, 7.5 Ampere |
| 10 | 3600 1269 | 1 | | | CHIME, Warning |
| 11 | J941 7561 | 3 | | | BULB, (161) |
| 12 | 3417 8240 | 1 | | | CONNECTOR, Bulkhead |
| 13 | 3417 8230 | 1 | | | CONNECTOR, Bulkhead |
| 14 | 3417 8231 | 1 | | | CONNECTOR, Bulkhead |
| 15 | 3417 5323 | 1 | | | RETAINER, Blue |
| 16 | 3417 5324 | 1 | | | RETAINER, Clear |
| 17 | 3417 5325 | 1 | | | COVER |
| 18 | | | | | CONNECTOR |
| | J417 9540 | AR | | | Brown |
| | J417 9542 | AR | | | Green |
| | J417 9630 | AR | | | Black |
| 19 | | | | | CONNECTOR |

MODEL CODES:

| | | |
|-----------------------------|-----------------------------|------------------------------|
| 15 = Grand Wagoneer 4 Dr. | 65 = Comanche 4WD-7 Ft. Box | 77 = Cherokee 4WD-2 Dr. |
| 25 = J-10 Pickup-119" W.B. | 66 = Comanche 2WD-7 Ft. Box | 78 = Cherokee 4WD-4 Dr. |
| 26 = J-10 Pickup-131" W.B. | 73 = Cherokee 2WD-2 Dr. | 79 = Cherokee 4WD-4 Dr.-Com |
| 27 = J-20 Pickup-131" W.B. | 74 = Cherokee 2WD-4 Dr. | 81 = Wrangler-93" W.B. |
| 63 = Comanche 4WD-6 Ft. Box | 75 = Wagoneer 4WD-4 Dr. | 82 = Wrangler-103" W.B.-Exp. |
| 64 = Comanche 2WD-6 Ft. Box | | |

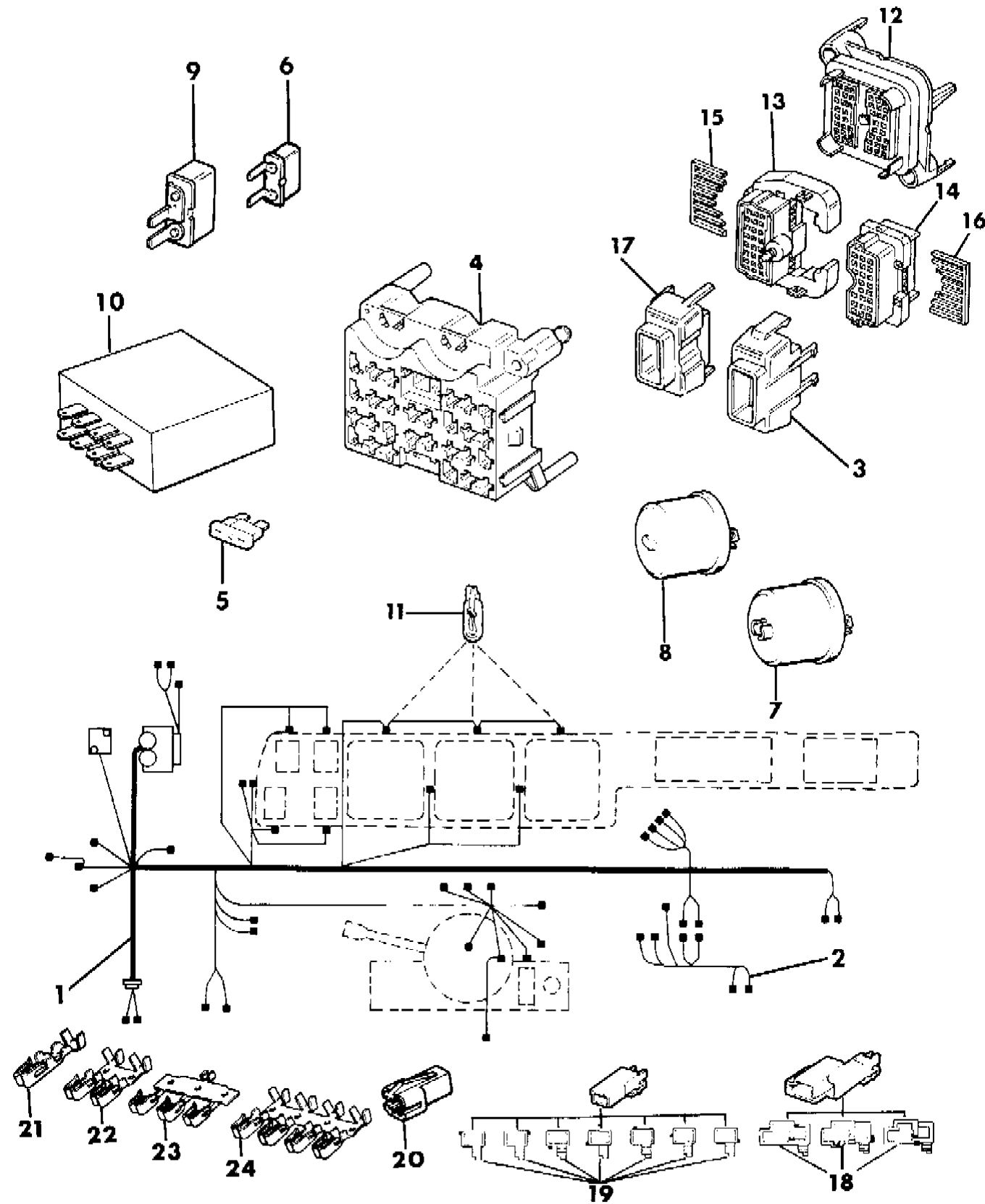
BODY STYLES:

MJ = Comanche Pickup
SJ = Grand Wagoneer Wgn., J-10 & J-20 Pickups
XJ = Cherokee, Wagoneer Limited
YJ = Wrangler

AR = Use as Required - = Non Illustrated Part P.A.R. = Paint as Required

FUSE PANEL--INSTRUMENT PANEL WIRING GRAND WAGONEER, J10, J20
Figure 8A-2400

8J82 2400 A



| ITEM | PART NUMBER | QTY | BODY | MODEL | DESCRIPTION |
|------|-------------|-----|------|-------|-------------|
| | J417 9530 | AR | | | Orange |
| | J417 9531 | AR | | | Black |
| | J417 9532 | AR | | | Green |
| | J417 9533 | AR | | | Beige |
| | J417 9534 | AR | | | Blue |
| | J417 9535 | AR | | | Brown |
| | J417 9537 | AR | | | Red |
| 20 | J575 0947 | AR | | | CONNECTOR |
| 21 | J323 1223 | 10 | | | TERMINAL |
| 22 | J323 1224 | 4 | | | TERMINAL |
| 23 | J323 1225 | 1 | | | TERMINAL |
| 24 | J413 6912 | 1 | | | TERMINAL |

MODEL CODES:

| | | |
|-----------------------------|-----------------------------|------------------------------|
| 15 = Grand Wagoneer 4 Dr. | 65 = Comanche 4WD-7 Ft. Box | 77 = Cherokee 4WD-2 Dr. |
| 25 = J-10 Pickup-119" W.B. | 66 = Comanche 2WD-7 Ft. Box | 78 = Cherokee 4WD-4 Dr. |
| 26 = J-10 Pickup-131" W.B. | 73 = Cherokee 2WD-2 Dr. | 79 = Cherokee 4WD-4 Dr.-Com |
| 27 = J-20 Pickup-131" W.B. | 74 = Cherokee 2WD-4 Dr. | 81 = Wrangler-93" W.B. |
| 63 = Comanche 4WD-6 Ft. Box | 75 = Wagoneer 4WD-4 Dr. | 82 = Wrangler-103" W.B.-Exp. |
| 64 = Comanche 2WD-6 Ft. Box | | |

BODY STYLES:

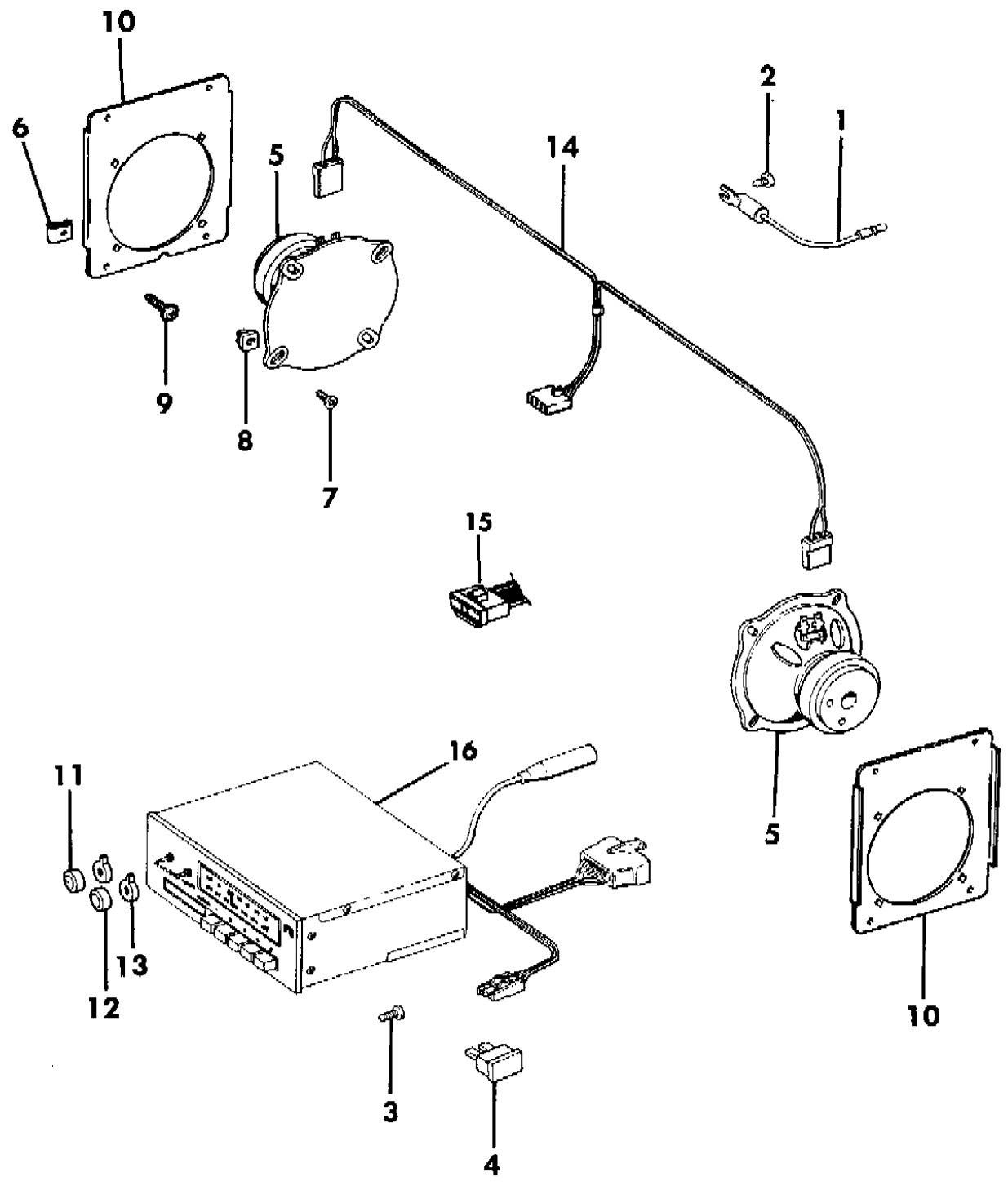
MJ = Comanche Pickup
SJ = Grand Wagoneer Wgn., J-10 & J-20 Pickups
XJ = Cherokee, Wagoneer Limited
YJ = Wrangler

AR = Use as Required - = Non Illustrated Part P.A.R. = Paint as Required

SPEAKERS AND KNOBS--RADIO TWO SPEAKER SYSTEM GRAND WAGONEER, J10, J20
Figure 8A-2500

8J82 2500 A

| ITEM | PART NUMBER | QTY | BODY | MODEL | DESCRIPTION |
|------|-------------|-----|------|-------|--|
| 1 | J322 9510 | 1 | | | CAPACITOR, Ignition |
| 2 | J940 9106 | 1 | | | SCREW |
| 3 | 3420 1298 | 2 | | | SCREW |
| 4 | J323 1213 | 1 | | | FUSE, 5 Ampere |
| 5 | 3600 3461 | 2 | | | SPEAKER, Monaural |
| 6 | J943 1530 | 8 | | | NUT |
| 7 | J448 9487 | 8 | | | SCREW |
| 8 | 3420 1263 | 8 | | | NUT |
| 9 | J045 7002 | 8 | | | SCREW |
| 10 | J545 6511 | 2 | | | BRACKET, Speaker |
| 11 | 8350 1413 | 1 | | | KNOB, Radio Volume |
| | 8350 7040 | 1 | | | Volume/Tune 1990 |
| 12 | 8350 1416 | 1 | | | KNOB, Radio Tuning |
| | 8350 7043 | 1 | | | Fader 1990 |
| 13 | 8350 1414 | 2 | | | KNOB, Radio Secondary |
| | 8350 7041 | 1 | | | Bass/Treble w/o Cass 1990 |
| | 8350 7042 | 1 | | | w/Cass 1990 |
| 14 | 5600 2029 | 1 | | | HARNES, Speaker, w/o Power Windows or Door Locks |
| 15 | #8350 6510 | AR | | | HARNES, Radio Repair |
| 16 | | 1 | | | RADIO, See ACCESSORY Catalog |



MODEL CODES:

- | | | |
|-----------------------------|-----------------------------|------------------------------|
| 15 = Grand Wagoneer 4 Dr. | 65 = Comanche 4WD-7 Ft. Box | 77 = Cherokee 4WD-2 Dr. |
| 25 = J-10 Pickup-119" W.B. | 66 = Comanche 2WD-7 Ft. Box | 78 = Cherokee 4WD-4 Dr. |
| 26 = J-10 Pickup-131" W.B. | 73 = Cherokee 2WD-2 Dr. | 79 = Cherokee 4WD-4 Dr.-Com |
| 27 = J-20 Pickup-131" W.B. | 74 = Cherokee 2WD-4 Dr. | 81 = Wrangler-93" W.B. |
| 63 = Comanche 4WD-6 Ft. Box | 75 = Wagoneer 4WD-4 Dr. | 82 = Wrangler-103" W.B.-Exp. |
| 64 = Comanche 2WD-6 Ft. Box | | |

BODY STYLES:

- MJ = Comanche Pickup
 SJ = Grand Wagoneer Wgn., J-10 & J-20 Pickups
 XJ = Cherokee, Wagoneer Limited
 YJ = Wrangler

AR = Use as Required - = Non Illustrated Part P.A.R. = Paint as Required

SPEAKERS AND KNOBS--RADIO FOUR SPEAKER SYSTEM GRAND WAGONEER, J10, J20

Figure 8A-2600

8J82 2600

| ITEM | PART NUMBER | QTY | BODY | MODEL | DESCRIPTION |
|------|-------------|-----|------|-------|--|
| 1 | J940 9106 | 1 | | | SCREW |
| 2 | J322 9510 | 1 | | | CAPACITOR, Ignition |
| 3 | J323 1213 | 1 | | | FUSE, 5 Ampere |
| 4 | 3420 1298 | 2 | | | SCREW |
| 5 | | | | | SPEAKER, Door |
| | 3600 3461 | 2 | | | w/o D.N.R. |
| | 3600 1125 | 2 | | | w/D.N.R. |
| 6 | 3420 1263 | 16 | | | NUT |
| 7 | J448 9487 | 16 | | | SCREW |
| 8 | J545 6511 | 2 | | | BRACKET, Door Speaker |
| 9 | J045 7002 | 16 | | | SCREW |
| 10 | J943 1530 | 16 | | | NUT |
| 11 | | | | | SPEAKER, Rear (Wagon) |
| | 3600 3461 | 2 | | | w/o D.N.R. |
| | 3600 1125 | 2 | | | w/D.N.R. |
| 12 | | | | | BRACKET, Speaker |
| | J545 6150 | 1 | | | Right |
| | J545 6149 | 1 | | | Left |
| 13 | 5600 2029 | 1 | | | HARNES, Speaker, w/o Power Windows or Door Locks |
| 14 | 8350 1413 | 1 | | | KNOB, Radio Volume |
| | 8350 7040 | 1 | | | Volume/Tune 1990 |
| 15 | 8350 1416 | 1 | | | KNOB, Radio Tuning |
| 16 | 8350 1414 | 2 | | | KNOB, Radio Secondary |
| | 8350 7078 | 1 | | | Fader 1990 |
| 17 | 8350 1415 | 3 | | | KNOB, Radio Balance |
| | 8350 7042 | 2 | | | Bass/Treble w/Cass. 1990 |
| 18 | | 1 | | | RADIO, See Accessory Catalog |

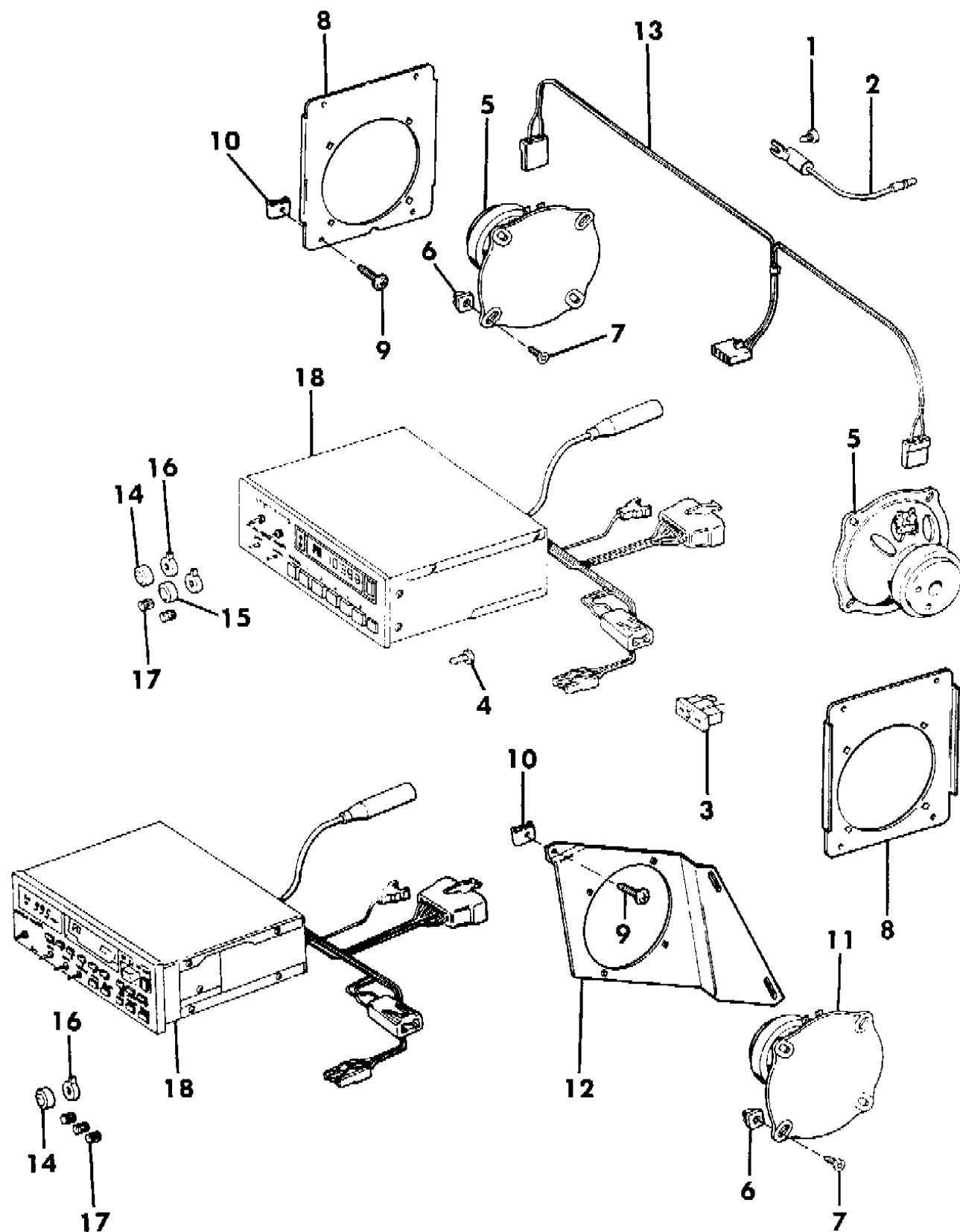
MODEL CODES:

| | | |
|-----------------------------|-----------------------------|------------------------------|
| 15 = Grand Wagoneer 4 Dr. | 65 = Comanche 4WD-7 Ft. Box | 77 = Cherokee 4WD-2 Dr. |
| 25 = J-10 Pickup-119" W.B. | 66 = Comanche 2WD-7 Ft. Box | 78 = Cherokee 4WD-4 Dr. |
| 26 = J-10 Pickup-131" W.B. | 73 = Cherokee 2WD-2 Dr. | 79 = Cherokee 4WD-4 Dr.-Com |
| 27 = J-20 Pickup-131" W.B. | 74 = Cherokee 2WD-4 Dr. | 81 = Wrangler-93" W.B. |
| 63 = Comanche 4WD-6 Ft. Box | 75 = Wagoneer 4WD-4 Dr. | 82 = Wrangler-103" W.B.-Exp. |
| 64 = Comanche 2WD-6 Ft. Box | | |

BODY STYLES:

MJ = Comanche Pickup
 SJ = Grand Wagoneer Wgn., J-10 & J-20 Pickups
 XJ = Cherokee, Wagoneer Limited
 YJ = Wrangler

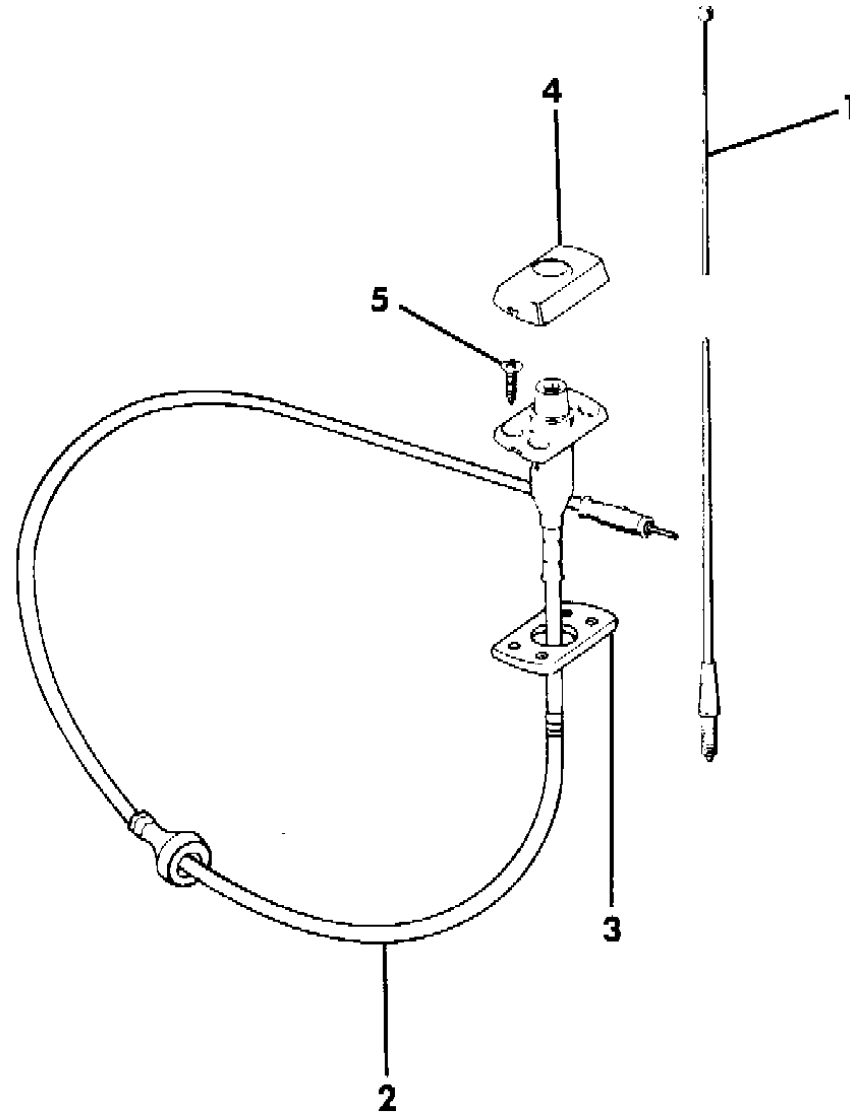
AR = Use as Required - = Non Illustrated Part P.A.R. = Paint as Required



ANTENNA GRAND WAGONEER, J10, J20
Figure 8A-2700

8J82 2700

| ITEM | PART NUMBER | QTY | BODY | MODEL | DESCRIPTION |
|------|-------------|-----|------|-------|---------------|
| 1 | J899 3415 | 1 | | | ANTENNA |
| 2 | J812 5404 | 1 | | | BASE, w/Cable |
| 3 | J367 8887 | 1 | | | PAD |
| 4 | J367 8889 | 1 | | | CAP |
| 5 | J400 1477 | 4 | | | SCREW |



MODEL CODES:

| | | |
|-----------------------------|-----------------------------|------------------------------|
| 15 = Grand Wagoneer 4 Dr. | 65 = Comanche 4WD-7 Ft. Box | 77 = Cherokee 4WD-2 Dr. |
| 25 = J-10 Pickup-119" W.B. | 66 = Comanche 2WD-7 Ft. Box | 78 = Cherokee 4WD-4 Dr. |
| 26 = J-10 Pickup-131" W.B. | 73 = Cherokee 2WD-2 Dr. | 79 = Cherokee 4WD-4 Dr.-Com |
| 27 = J-20 Pickup-131" W.B. | 74 = Cherokee 2WD-4 Dr. | 81 = Wrangler-93" W.B. |
| 63 = Comanche 4WD-6 Ft. Box | 75 = Wagoneer 4WD-4 Dr. | 82 = Wrangler-103" W.B.-Exp. |
| 64 = Comanche 2WD-6 Ft. Box | | |

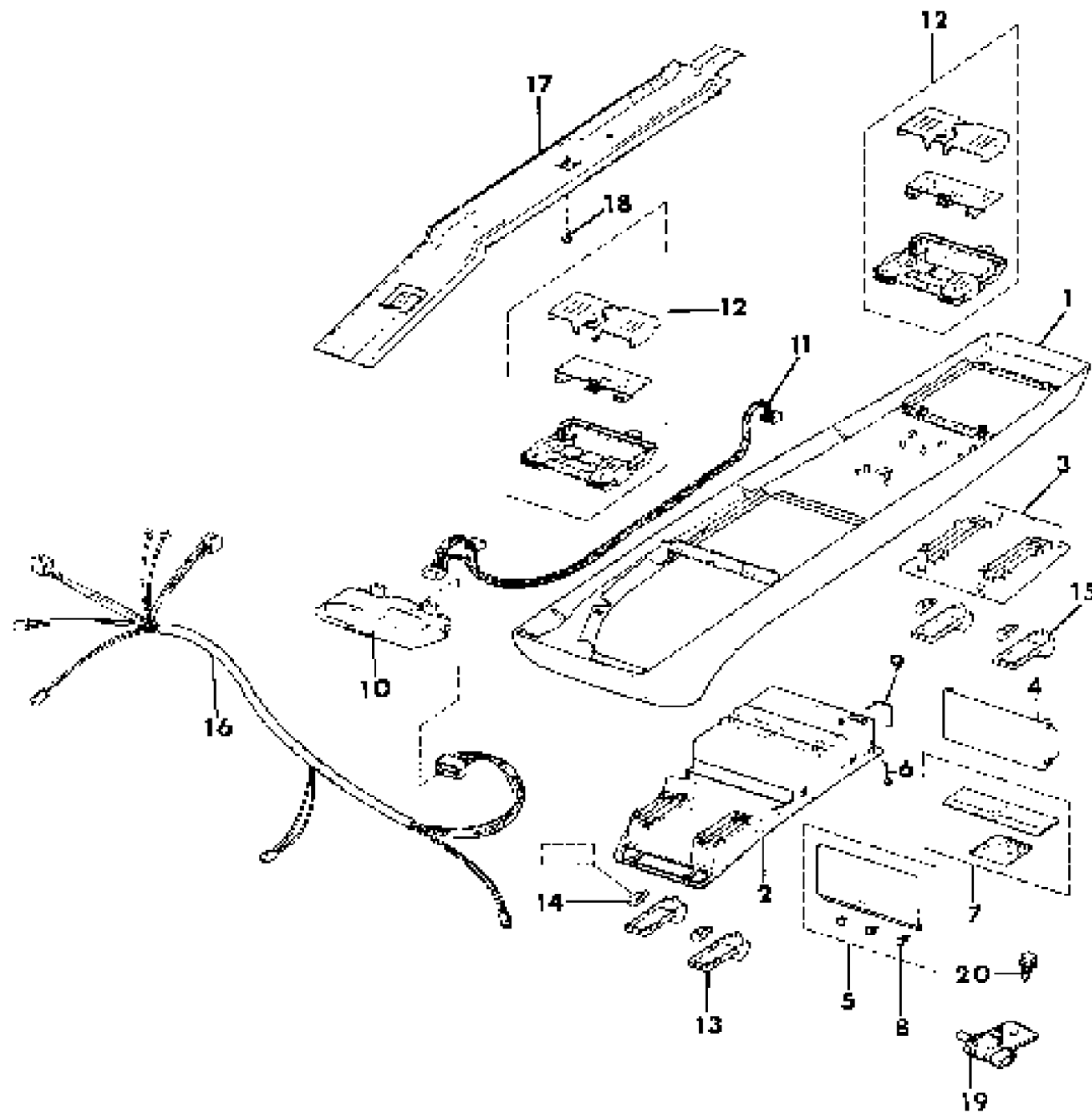
BODY STYLES:

MJ = Comanche Pickup
 SJ = Grand Wagoneer Wgn., J-10 & J-20 Pickups
 XJ = Cherokee, Wagoneer Limited
 YJ = Wrangler

AR = Use as Required - = Non Illustrated Part P.A.R. = Paint as Required

CONSOLE--OVERHEAD GRAND WAGONEER
Figure 8A-2800

8J62 2800



| ITEM | PART NUMBER | QTY | BODY | MODEL | DESCRIPTION |
|------|-------------|-----|------|-------|---------------------------------|
| 1 | | | | | HOUSING |
| | 8350 6011 | 1 | | | Sand |
| | 8350 6012 | 1 | | | Cordovan |
| 2 | 5502 4262 | 1 | | | HOUSING |
| 3 | 5502 4260 | 1 | | | HOUSING, Rear |
| 4 | 4309 341 | 1 | | | DOOR & SPRING, Sunglass Bin *** |
| 5 | 4507 567 | 1 | | | DOOR, Garage Door Opener |
| 6 | #4409 911 | 1 | | | SPRING |
| 7 | 4309 345 | 1 | | | FASTENER, Velcro Hook |
| 8 | 4309 344 | 1 | | | ADAPTER, Garage Door Button |
| 9 | 1150 2843 | 1 | | | SCREW |
| 10 | 4437 566 | 1 | | | COMPASS, Temp. Module *** |
| 11 | 4450 262 | 1 | | | HARNESS, Lamp/Compass |
| 12 | 4521 242 | 2 | | | MODULE, Dome Lamp Assembly |
| 13 | 4507 578-9 | 1 | | | LENS, Front |
| 14 | J943 7173 | 4 | | | BULB, (912) |
| 15 | 4507 580-1 | 1 | | | LENS, Rear |
| 16 | 5600 3643 | 1 | | | HARNESS, Dome Lamp |
| 17 | 5502 1730 | 1 | | | BRACKET |
| 18 | 3420 1487 | 4 | | | SCREW |
| 19 | 4437 691 | 1 | | | SENSOR, Outside Air Temp. |

MODEL CODES:

| | | |
|-----------------------------|-----------------------------|------------------------------|
| 15 = Grand Wagoneer 4 Dr. | 65 = Comanche 4WD-7 Ft. Box | 77 = Cherokee 4WD-2 Dr. |
| 25 = J-10 Pickup-119" W.B. | 66 = Comanche 2WD-7 Ft. Box | 78 = Cherokee 4WD-4 Dr. |
| 26 = J-10 Pickup-131" W.B. | 73 = Cherokee 2WD-2 Dr. | 79 = Cherokee 4WD-4 Dr.-Com |
| 27 = J-20 Pickup-131" W.B. | 74 = Cherokee 2WD-4 Dr. | 81 = Wrangler-93" W.B. |
| 63 = Comanche 4WD-6 Ft. Box | 75 = Wagoneer 4WD-4 Dr. | 82 = Wrangler-103" W.B.-Exp. |
| 64 = Comanche 2WD-6 Ft. Box | | |

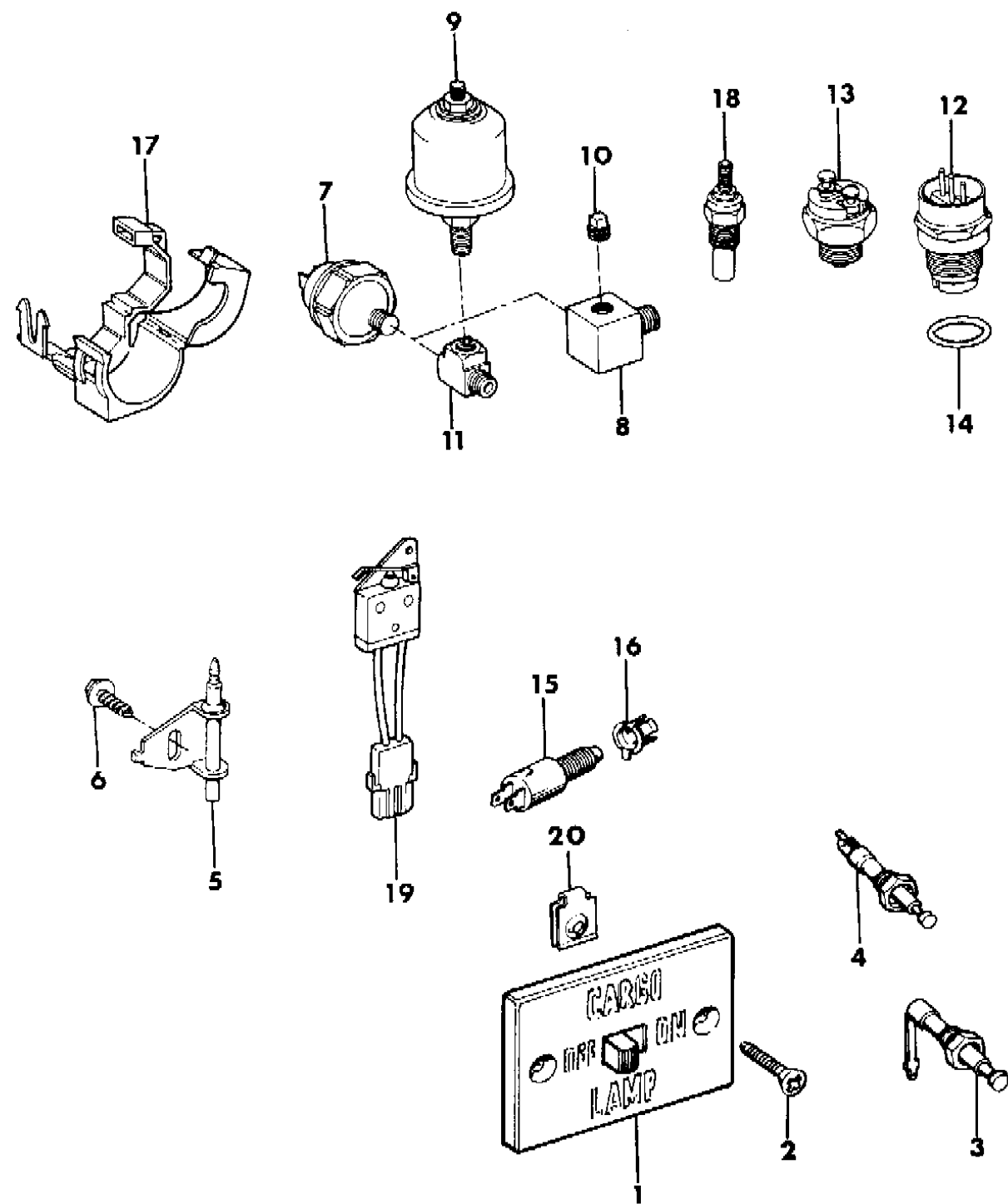
BODY STYLES:

MJ = Comanche Pickup
SJ = Grand Wagoneer Wgn., J-10 & J-20 Pickups
XJ = Cherokee, Wagoneer Limited
YJ = Wrangler

AR = Use as Required - = Non Illustrated Part P.A.R. = Paint as Required

SWITCHES--MISCELLANEOUS GRAND WAGONEER, J10, J20
Figure 8A-2900

8 J 82 2900



| ITEM | PART NUMBER | QTY | BODY | MODEL | DESCRIPTION |
|------|-------------|-----|------|-------|---------------------------------------|
| 1 | J545 1489 | 1 | | | SWITCH, Dome Lamp |
| 2 | J400 4955 | 2 | | 26,27 | SCREW |
| | J400 2657 | 2 | | 15 | SCREW |
| 3 | J576 1248 | 3 | | | SWITCH, Dome Lamp |
| 4 | J576 4249 | 1 | | | SWITCH, Dome Lamp |
| 5 | J323 2194 | 1 | | | SWITCH, Parking Brake Warning Lamp |
| 6 | J812 0054 | 1 | | | SCREW |
| 7 | J575 8695 | 1 | | | SWITCH, Oil Pressure |
| 8 | J321 2002 | 1 | | | FITTING, 6 Cyl. Engine *** |
| 9 | 5300 5218 | 1 | | | SENDER, Oil Pressure *** |
| 10 | J010 3877 | 1 | | | PLUG, 6 Cyl. Engine |
| 11 | J400 5879 | 1 | | | TEE, 8 Cyl. Engine |
| 12 | 4057 750 | 1 | | | SWITCH, Neutral Safety, w/Auto Trans. |
| 13 | J575 1207 | 1 | | | SWITCH, Back-Up Lamp, w/Manual Trans. |
| 14 | J812 1142 | 1 | | | GASKET |
| 15 | J535 2620 | 1 | | | SWITCH, Brake Lamp |
| 16 | J535 2622 | 1 | | | RETAINER |
| 17 | J417 5241 | 1 | | | CONNECTOR |
| 18 | 5300 5056 | 1 | | | SENDER, Coolant Temp |
| 19 | 5600 3694 | 1 | | | SWITCH, Safety, w/Rear Wiper |
| 20 | J400 6402 | 2 | | | NUT, Spring |

MODEL CODES:

| | | |
|-----------------------------|-----------------------------|------------------------------|
| 15 = Grand Wagoneer 4 Dr. | 65 = Comanche 4WD-7 Ft. Box | 77 = Cherokee 4WD-2 Dr. |
| 25 = J-10 Pickup-119" W.B. | 66 = Comanche 2WD-7 Ft. Box | 78 = Cherokee 4WD-4 Dr. |
| 26 = J-10 Pickup-131" W.B. | 73 = Cherokee 2WD-2 Dr. | 79 = Cherokee 4WD-4 Dr.-Com |
| 27 = J-20 Pickup-131" W.B. | 74 = Cherokee 2WD-4 Dr. | 81 = Wrangler-93" W.B. |
| 63 = Comanche 4WD-6 Ft. Box | 75 = Wagoneer 4WD-4 Dr. | 82 = Wrangler-103" W.B.-Exp. |
| 64 = Comanche 2WD-6 Ft. Box | | |

BODY STYLES:

MJ = Comanche Pickup
 SJ = Grand Wagoneer Wgn., J-10 & J-20 Pickups
 XJ = Cherokee, Wagoneer Limited
 YJ = Wrangler

AR = Use as Required - = Non Illustrated Part P.A.R. = Paint as Required

GROUP 9A - ENGINE, 4 CYLINDER

ILLUSTRATION TITLE **GROUP-FIG. NO.**

2.1L ENGINE

I.D. LOCATION 2.1L ENGINE DIESEL Fig. 9A-100
ENGINE BLOCK 2.1L ENGINE DIESEL Fig. 9A-200
GASKET SET 2.1L ENGINE DIESEL Fig. 9A-300
CYLINDER HEAD 2.1L ENGINE DIESEL Fig. 9A-400
CRANKSHAFT AND PISTON 2.1L ENGINE DIESEL Fig. 9A-500
CAMSHAFT AND VALVES 2.1L ENGINE DIESEL Fig. 9A-600
TIMING COVER AND INTERMEDIATE SHAFT 2.1L ENGINE DIESEL Fig. 9A-700
ENGINE OILING 2.1L ENGINE DIESEL Fig. 9A-800
OIL LINES 2.1L ENGINE DIESEL Fig. 9A-900
MANIFOLD - INTAKE AND EXHAUST 2.1L ENGINE DIESEL Fig. 9A-1000
SEPARATOR, OIL 2.1L ENGINE DIESEL Fig. 9A-1100
OIL COOLER AND FILTER 2.1L ENGINE DIESEL Fig. 9A-1200
ENGINE MOUNTING 2.1L ENGINE DIESEL Fig. 9A-1300

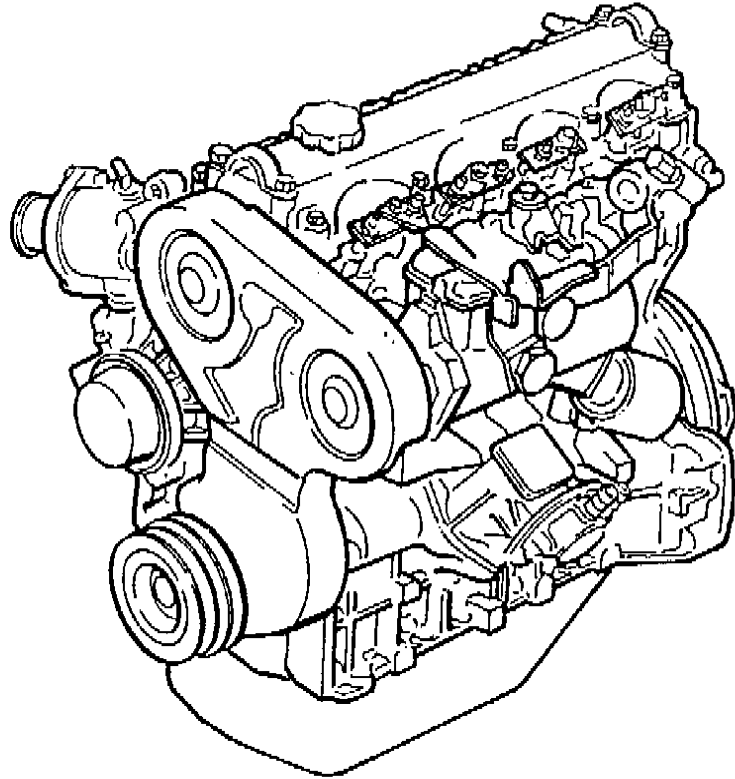
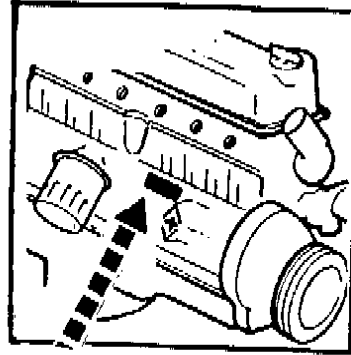
2.5L ENGINE

I.D. LOCATION 2.5L ENGINE Fig. 9A-1400
CYLINDER BLOCK 2.5L ENGINE Fig. 9A-1500
GASKET SET 2.5L ENGINE Fig. 9A-1600
GASKET, CYLINDER HEAD 2.5 ENGINE Fig. 9A-1700
CRANKSHAFT AND PISTON 2.5L ENGINE Fig. 9A-1800
CAMSHAFT AND VALVE 2.5L ENGINE Fig. 9A-1900
TIMING COVER 2.5L ENGINE Fig. 9A-2000
ENGINE OILING 2.5L ENGINE Fig. 9A-2100
MANIFOLD - INTAKE AND EXHAUST 2.5L EFI ENGINE Fig. 9A-2200
MANIFOLD - INTAKE AND EXHAUST 2.5L CARBURETED ENGINE Fig. 9A-2300
ENGINE MOUNTING 2.5L ENGINE WRANGLER, YJ Fig. 9A-2400
ENGINE MOUNTING 2.5L ENGINE CHEROKEE, WAGONEER, COMANCHE Fig. 9A-2500

ILLUSTRATION NOT AVAILABLE AT TIME OF PUBLICATION

I.D. LOCATION 2.1L ENGINE DIESEL
Figure 9A-100

8J58 100 A



| ITEM | PART NUMBER | QTY | BODY | MODEL | DESCRIPTION |
|------|-------------|-----|------|-------|-------------|
| | | | | | |
| | | | | | |
| | | | | | |
| | | | | | |
| | | | | | |
| | | | | | |
| | | | | | |
| | | | | | |
| | | | | | |
| | | | | | |
| | | | | | |
| | | | | | |
| | | | | | |
| | | | | | |
| | | | | | |
| | | | | | |
| | | | | | |
| | | | | | |
| | | | | | |
| | | | | | |

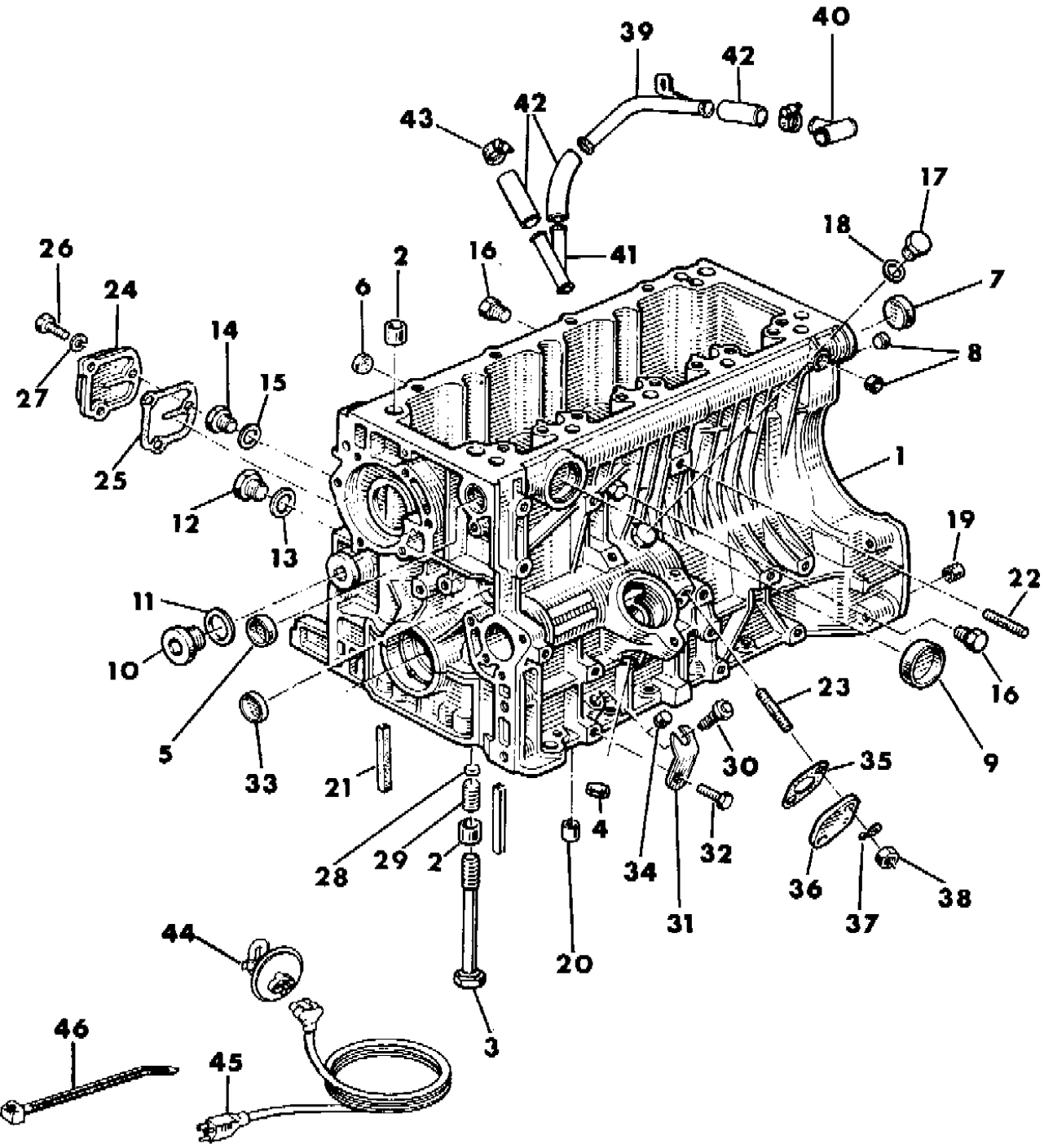
MODEL CODES:
15 = Grand Wagoneer 4 Dr. 65 = Comanche 4WD-7 Ft. Box 77 = Cherokee 4WD-2 Dr.
25 = J-10 Pickup-119" W.B. 66 = Comanche 2WD-7 Ft. Box 78 = Cherokee 4WD-4 Dr.
26 = J-10 Pickup-131" W.B. 73 = Cherokee 2WD-2 Dr. 79 = Cherokee 4WD-4 Dr.-Com
27 = J-20 Pickup-131" W.B. 74 = Cherokee 2WD-4 Dr. 81 = Wrangler-93" W.B.
63 = Comanche 4WD-6 Ft. Box 75 = Wagoneer 4WD-4 Dr. 82 = Wrangler-103" W.B.-Exp.
64 = Comanche 2WD-6 Ft. Box

BODY STYLES:
MJ = Comanche Pickup
SJ = Grand Wagoneer Wgn., J-10 & J-20 Pickups
XJ = Cherokee, Wagoneer Limited
YJ = Wrangler

AR = Use as Required - = Non Illustrated Part P.A.R. = Paint as Required

ENGINE BLOCK 2.1L ENGINE DIESEL
Figure 9A-200

8J58 200 A



| ITEM | PART NUMBER | QTY | BODY | MODEL | DESCRIPTION |
|------|-------------|-----|------|-------|-------------------------------------|
| - | T146 3606 | 1 | | | ENGINE, Complete - Less Turbo |
| 1 | T146 3298 | 1 | | | BLOCK, Engine Up To Engine #3799 |
| | T146 3647 | 1 | | | After Engine #3799 |
| 2 | J501 0146 | AR | | | PIN |
| 3 | T058 9081 | 10 | | | BOLT |
| 4 | | | | | PLUG |
| | T307 5032 | 1 | | | 10mm |
| | T307 5039 | 1 | | | 12mm |
| 5 | J307 5143 | 1 | | | PLUG |
| 6 | T307 5018 | 1 | | | PLUG |
| 7 | T307 5034 | 1 | | | PLUG |
| 8 | T307 5039 | 2 | | | PLUG |
| 9 | T307 5144 | 1 | | | PLUG |
| 10 | T307 5137 | 1 | | | PLUG |
| 11 | T306 2015 | 1 | | | GASKET |
| 12 | J307 5076 | 1 | | | PLUG |
| 13 | T777 7650 | 1 | | | GASKET |
| 14 | T307 5025 | 1 | | | PLUG |
| 15 | T306 1028 | 1 | | | GASKET |
| 16 | T307 5009 | 2 | | | PLUG |
| 17 | T307 5029 | 1 | | | PLUG |
| 18 | T306 2013 | 1 | | | GASKET |
| 19 | T501 0126 | AR | | | PIN |
| 20 | J501 0006 | AR | | | PIN |
| 21 | | | | | SEAL |
| | T134 9381 | AR | | | 5.10mm |
| | T134 9382 | AR | | | 5.40mm |
| 22 | T302 7130 | 1 | | | STUD |
| 23 | T302 7081 | 2 | | | STUD |
| 24 | T067 7302 | 1 | | | COVER, Engine Block Side - Right |
| 25 | J073 3513 | 1 | | | GASKET |
| 26 | T149 3034 | 3 | | | BOLT |
| 27 | T149 3067 | 3 | | | WASHER |
| 28 | T502 7023 | AR | | | SEAL |
| 29 | T307 5118 | 1 | | | PLUG |
| 30 | T489 5580 | 1 | | | PLUG |

MODEL CODES:

| | | |
|-----------------------------|-----------------------------|------------------------------|
| 15 = Grand Wagoneer 4 Dr. | 65 = Comanche 4WD-7 Ft. Box | 77 = Cherokee 4WD-2 Dr. |
| 25 = J-10 Pickup-119" W.B. | 66 = Comanche 2WD-7 Ft. Box | 78 = Cherokee 4WD-4 Dr. |
| 26 = J-10 Pickup-131" W.B. | 73 = Cherokee 2WD-2 Dr. | 79 = Cherokee 4WD-4 Dr.-Com |
| 27 = J-20 Pickup-131" W.B. | 74 = Cherokee 2WD-4 Dr. | 81 = Wrangler-93" W.B. |
| 63 = Comanche 4WD-6 Ft. Box | 75 = Wagoneer 4WD-4 Dr. | 82 = Wrangler-103" W.B.-Exp. |
| 64 = Comanche 2WD-6 Ft. Box | | |

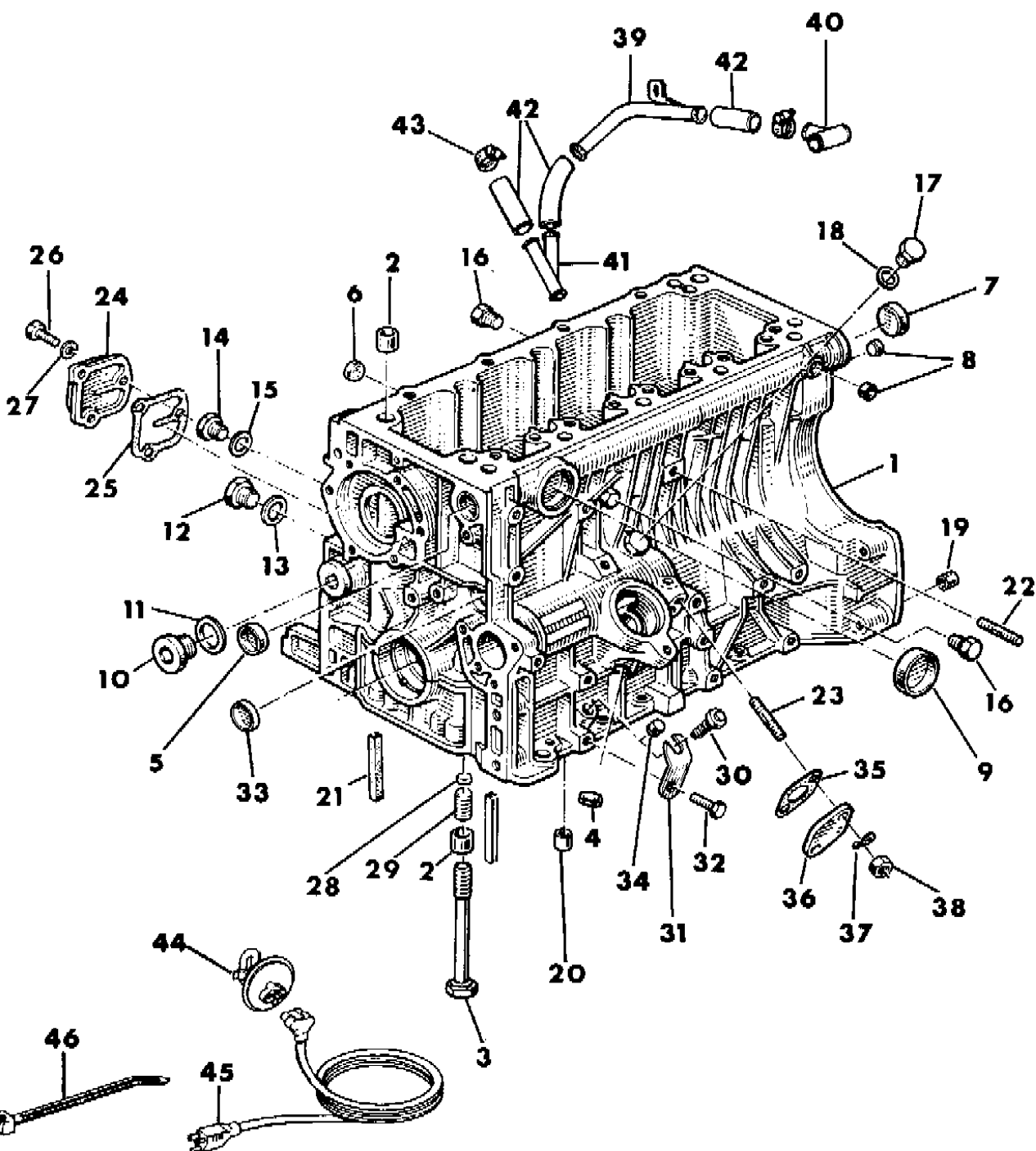
BODY STYLES:

MJ = Comanche Pickup
 SJ = Grand Wagoneer Wgn., J-10 & J-20 Pickups
 XJ = Cherokee, Wagoneer Limited
 YJ = Wrangler

AR = Use as Required - = Non Illustrated Part P.A.R. = Paint as Required

ENGINE BLOCK 2.1L ENGINE DIESEL
Figure 9A-200

8J58 200 A



| ITEM | PART NUMBER | QTY | BODY | MODEL | DESCRIPTION |
|------|-------------|-----|------|-------|---------------------------------|
| 31 | J077 7436 | 1 | | | RETAINER |
| 32 | T149 3030 | 1 | | | BOLT |
| 33 | T307 5015 | 1 | | | PLUG |
| 34 | T307 5067 | 1 | | | PLUG |
| 35 | T306 5088 | 1 | | | GASKET |
| 36 | T066 9805 | 1 | | | COVER, Engine Block Side - Left |
| 37 | J305 7005 | 2 | | | WASHER |
| 38 | T149 3047 | 2 | | | NUT |
| 39 | 5300 3925 | 1 | | | TUBE, Engine Oil Drain |
| 40 | T072 7942 | 1 | | | TEE, Oil Drain Upper |
| 41 | T072 7945 | 1 | | | TEE, Oil Drain Lower |
| 42 | 5300 3934 | 3 | | | HOSE |
| 43 | J320 3076 | 6 | | | CLAMP |
| 44 | 3300 1361 | 1 | | | HEATER, Engine Block |
| 45 | 5600 0828 | 1 | | | CORD, Power Supply |
| 46 | | | | | STRAP |
| | J322 3227 | AR | | | 200mm |
| | J369 3058 | AR | | | 300mm |
| | J323 0270 | AR | | | 350mm |
| | J323 5187 | AR | | | 450mm |

MODEL CODES:

| | | |
|-----------------------------|-----------------------------|------------------------------|
| 15 = Grand Wagoneer 4 Dr. | 65 = Comanche 4WD-7 Ft. Box | 77 = Cherokee 4WD-2 Dr. |
| 25 = J-10 Pickup-119" W.B. | 66 = Comanche 2WD-7 Ft. Box | 78 = Cherokee 4WD-4 Dr. |
| 26 = J-10 Pickup-131" W.B. | 73 = Cherokee 2WD-2 Dr. | 79 = Cherokee 4WD-4 Dr.-Com |
| 27 = J-20 Pickup-131" W.B. | 74 = Cherokee 2WD-4 Dr. | 81 = Wrangler-93" W.B. |
| 63 = Comanche 4WD-6 Ft. Box | 75 = Wagoneer 4WD-4 Dr. | 82 = Wrangler-103" W.B.-Exp. |
| 64 = Comanche 2WD-6 Ft. Box | | |

BODY STYLES:

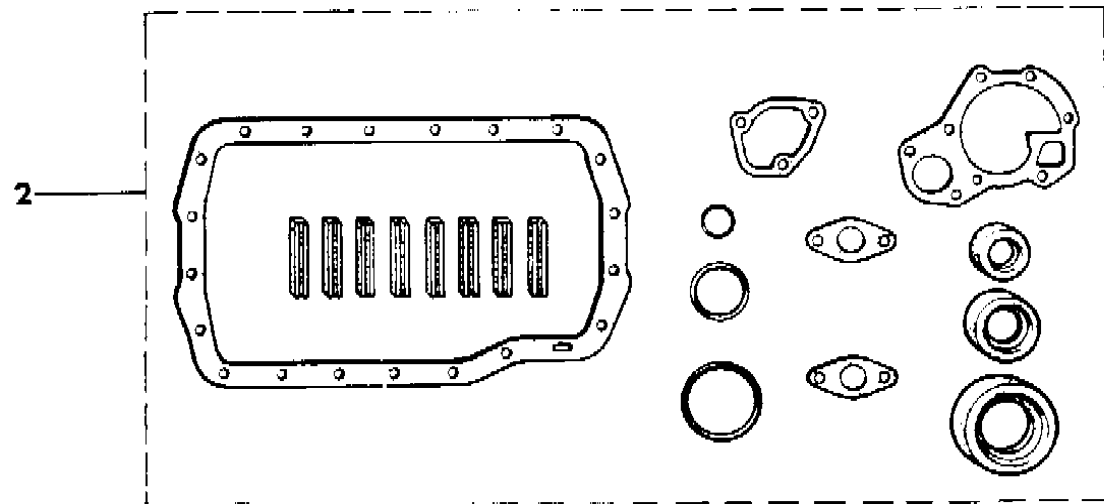
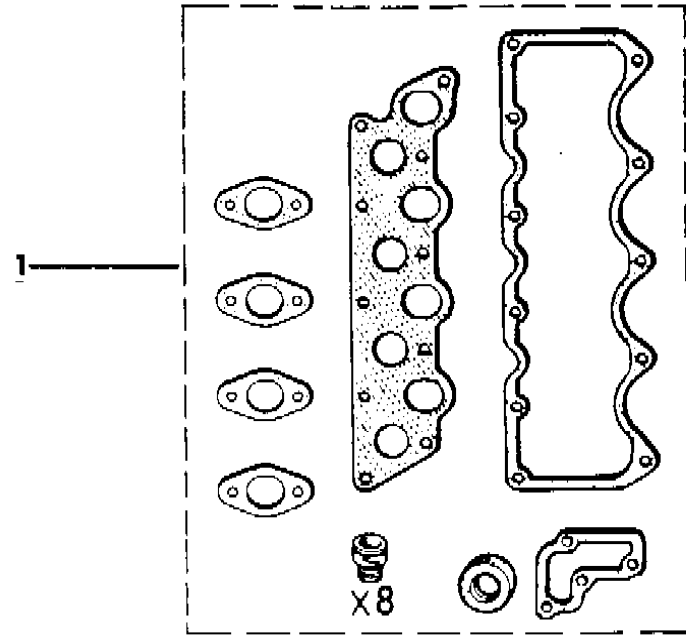
MJ = Comanche Pickup
 SJ = Grand Wagoneer Wgn., J-10 & J-20 Pickups
 XJ = Cherokee, Wagoneer Limited
 YJ = Wrangler

AR = Use as Required - = Non Illustrated Part P.A.R. = Paint as Required

GASKET SET 2.1L ENGINE DIESEL
Figure 9A-300

8J58 300

| ITEM | PART NUMBER | QTY | BODY | MODEL | DESCRIPTION |
|------|-------------|-----|------|-------|------------------------------|
| 1 | T146 1765 | 1 | | | GASKET PACKAGE, Engine Upper |
| 2 | T146 4133 | 1 | | | GASKET PACKAGE, Engine Lower |



MODEL CODES:

| | | |
|-----------------------------|-----------------------------|------------------------------|
| 15 = Grand Wagoneer 4 Dr. | 65 = Comanche 4WD-7 Ft. Box | 77 = Cherokee 4WD-2 Dr. |
| 25 = J-10 Pickup-119" W.B. | 66 = Comanche 2WD-7 Ft. Box | 78 = Cherokee 4WD-4 Dr. |
| 26 = J-10 Pickup-131" W.B. | 73 = Cherokee 2WD-2 Dr. | 79 = Cherokee 4WD-4 Dr.-Com |
| 27 = J-20 Pickup-131" W.B. | 74 = Cherokee 2WD-4 Dr. | 81 = Wrangler-93" W.B. |
| 63 = Comanche 4WD-6 Ft. Box | 75 = Wagoneer 4WD-4 Dr. | 82 = Wrangler-103" W.B.-Exp. |
| 64 = Comanche 2WD-6 Ft. Box | | |

BODY STYLES:

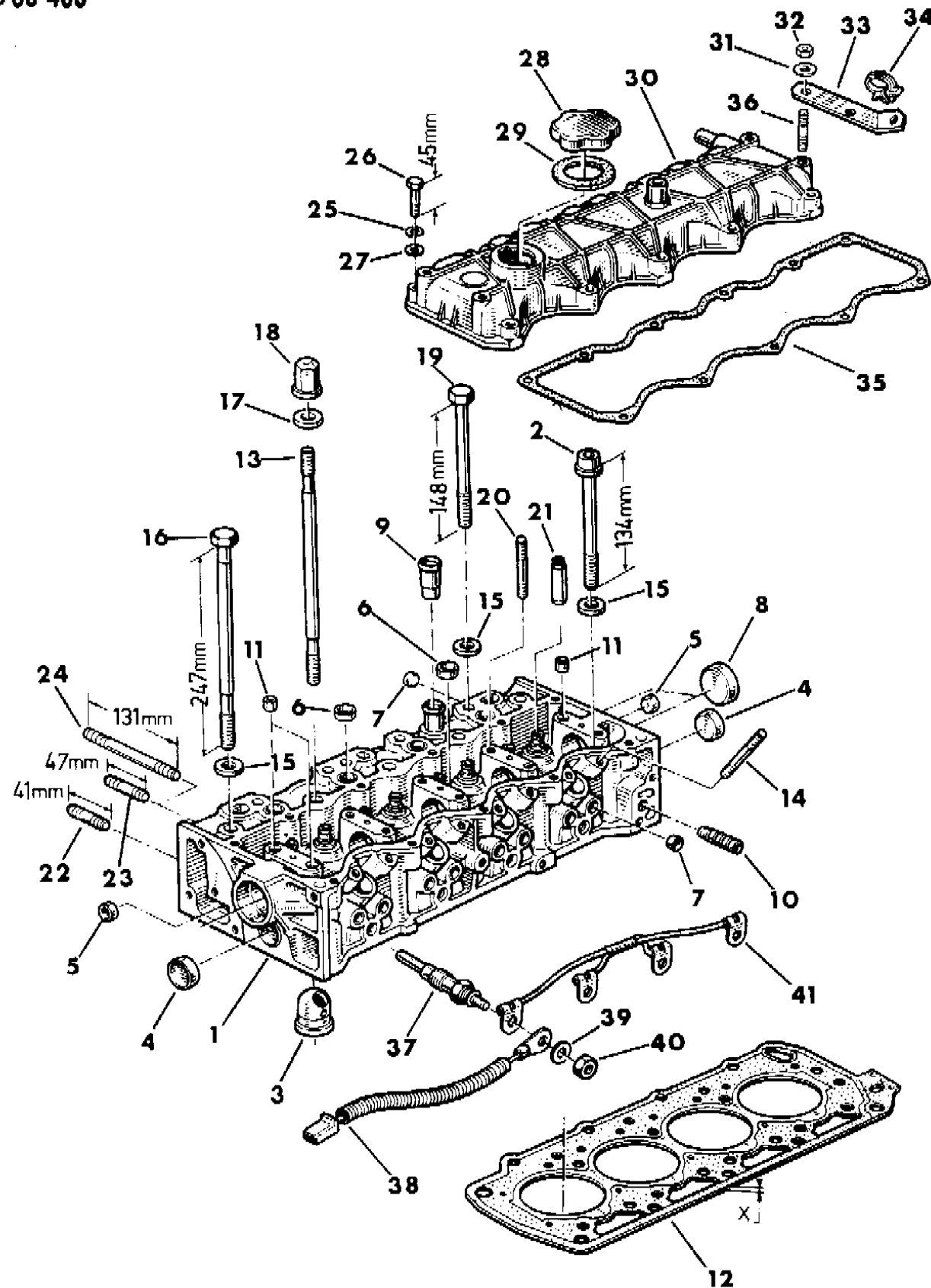
MJ = Comanche Pickup
 SJ = Grand Wagoneer Wgn., J-10 & J-20 Pickups
 XJ = Cherokee, Wagoneer Limited
 YJ = Wrangler

AR = Use as Required - = Non Illustrated Part P.A.R. = Paint as Required

CYLINDER HEAD 2.1L ENGINE DIESEL

Figure 9A-400

8J58 400



| ITEM | PART NUMBER | QTY | BODY | MODEL | DESCRIPTION |
|------|-------------|-----|------|-------|------------------------|
| 1 | T146 3380 | 1 | | | HEAD, Engine Cylinder |
| 2 | J066 0908 | AR | | | BOLT |
| 3 | T146 2231 | 4 | | | CHAMBER, Precombustion |
| 4 | J307 5143 | 2 | | | PLUG |
| 5 | T307 5141 | 2 | | | PLUG |
| 6 | T307 5142 | 2 | | | PLUG |
| 7 | | | | | PLUG |
| | T307 5032 | AR | | | 10mm |
| | T307 5039 | AR | | | 12mm |
| 8 | T307 5144 | 2 | | | PLUG |
| 9 | | | | | NIPPLE, Coolant |
| | T063 8975 | 1 | | | 18.0mm |
| | T063 9062 | 1 | | | 20.6mm |
| 10 | T052 1772 | 1 | | | FITTING |
| 11 | J065 9822 | 3 | | | SLEEVE |
| 12 | | | | | GASKET |
| | T102 8289 | 1 | | | 1.6mm |
| | T071 1666 | 1 | | | 1.7mm |
| | T102 8290 | 1 | | | 1.8mm |
| 13 | T067 5862 | 3 | | | STUD |
| 14 | T302 7077 | 8 | | | STUD |
| 15 | T066 2634 | AR | | | WASHER |
| 16 | J073 0882 | 2 | | | BOLT |
| 17 | T067 5868 | AR | | | WASHER |
| 18 | T067 5866 | 3 | | | NUT |
| 19 | T067 5863 | 8 | | | BOLT |
| 20 | T302 7211 | AR | | | STUD |
| 21 | T146 2486 | 8 | | | GUIDE, 13.35mm |
| 22 | T302 7025 | AR | | | STUD |
| 23 | T302 7129 | AR | | | STUD |
| 24 | T302 7166 | AR | | | STUD |
| 25 | T149 3067 | 11 | | | WASHER, Lock |
| 26 | J300 1607 | 11 | | | BOLT |
| 27 | T140 2065 | 11 | | | WASHER, Flat |
| 28 | T072 1928 | 1 | | | CAP |
| 29 | T071 8985 | 1 | | | GASKET |
| 30 | T071 7274 | 1 | | | COVER, Cylinder Head |

MODEL CODES:

| | | |
|-----------------------------|-----------------------------|------------------------------|
| 15 = Grand Wagoneer 4 Dr. | 65 = Comanche 4WD-7 Ft. Box | 77 = Cherokee 4WD-2 Dr. |
| 25 = J-10 Pickup-119" W.B. | 66 = Comanche 2WD-7 Ft. Box | 78 = Cherokee 4WD-4 Dr. |
| 26 = J-10 Pickup-131" W.B. | 73 = Cherokee 2WD-2 Dr. | 79 = Cherokee 4WD-4 Dr.-Com |
| 27 = J-20 Pickup-131" W.B. | 74 = Cherokee 2WD-4 Dr. | 81 = Wrangler-93" W.B. |
| 63 = Comanche 4WD-6 Ft. Box | 75 = Wagoneer 4WD-4 Dr. | 82 = Wrangler-103" W.B.-Exp. |
| 64 = Comanche 2WD-6 Ft. Box | | |

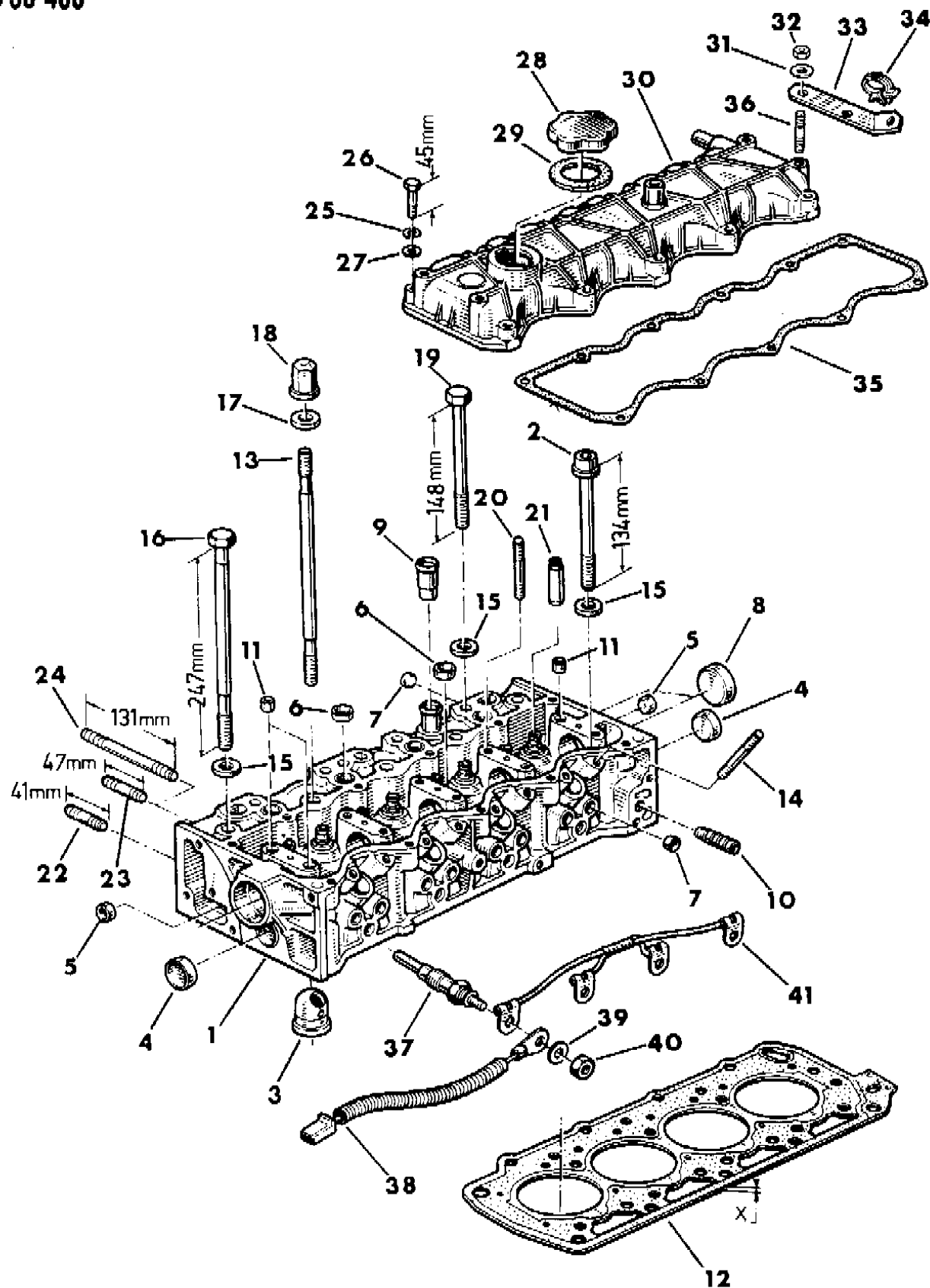
BODY STYLES:

MJ = Comanche Pickup
 SJ = Grand Wagoneer Wgn., J-10 & J-20 Pickups
 XJ = Cherokee, Wagoneer Limited
 YJ = Wrangler

AR = Use as Required - = Non Illustrated Part P.A.R. = Paint as Required

CYLINDER HEAD 2.1L ENGINE DIESEL
Figure 9A-400

8J58 400



| ITEM | PART NUMBER | QTY | BODY | MODEL | DESCRIPTION |
|------|-------------|-----|------|-------|----------------------|
| 31 | T149 3053 | 2 | | | WASHER |
| 32 | T149 3047 | 2 | | | NUT |
| 33 | T069 1636 | 1 | | | BRACKET |
| 34 | T307 9103 | 1 | | | CLIP |
| 35 | T066 2455 | 1 | | | GASKET |
| 36 | T302 7065 | 2 | | | STUD |
| 37 | T134 9475 | 4 | | | PLUG, Glow |
| 38 | 5603 2504 | 2 | | | HARNESSES, Glow Plug |
| 39 | T305 7031 | 4 | | | WASHER |
| 40 | T149 3070 | 4 | | | NUT |
| 41 | T198 6538 | 1 | | | HARNESSES, Glow Plug |

MODEL CODES:

| | | |
|-----------------------------|-----------------------------|------------------------------|
| 15 = Grand Wagoneer 4 Dr. | 65 = Comanche 4WD-7 Ft. Box | 77 = Cherokee 4WD-2 Dr. |
| 25 = J-10 Pickup-119" W.B. | 66 = Comanche 2WD-7 Ft. Box | 78 = Cherokee 4WD-4 Dr. |
| 26 = J-10 Pickup-131" W.B. | 73 = Cherokee 2WD-2 Dr. | 79 = Cherokee 4WD-4 Dr.-Com |
| 27 = J-20 Pickup-131" W.B. | 74 = Cherokee 2WD-4 Dr. | 81 = Wrangler-93" W.B. |
| 63 = Comanche 4WD-6 Ft. Box | 75 = Wagoneer 4WD-4 Dr. | 82 = Wrangler-103" W.B.-Exp. |
| 64 = Comanche 2WD-6 Ft. Box | | |

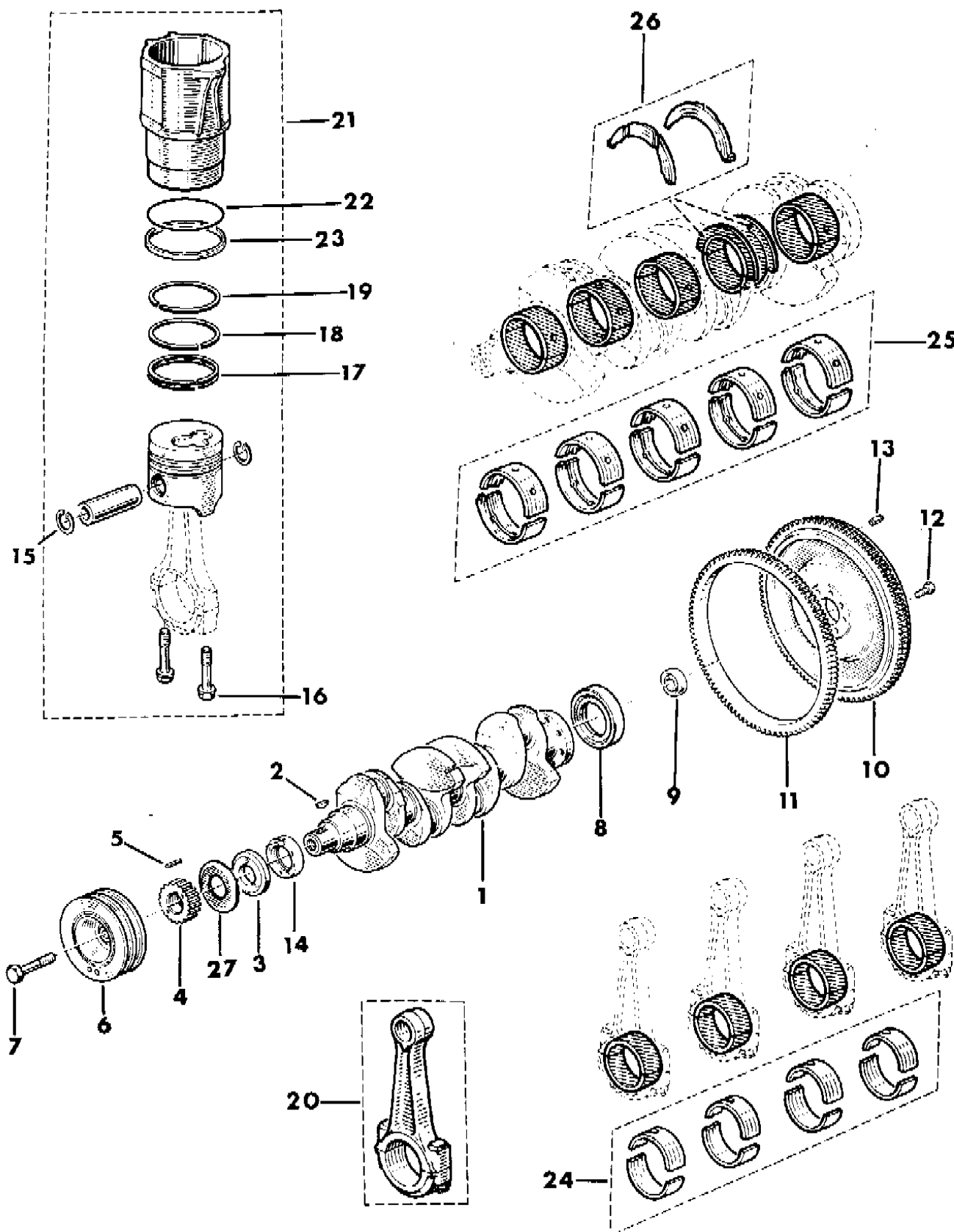
BODY STYLES:

MJ = Comanche Pickup
 SJ = Grand Wagoneer Wgn., J-10 & J-20 Pickups
 XJ = Cherokee, Wagoneer Limited
 YJ = Wrangler

AR = Use as Required - = Non Illustrated Part P.A.R. = Paint as Required

CRANKSHAFT AND PISTON 2.1L ENGINE DIESEL
Figure 9A-500

8J58 500 A



| ITEM | PART NUMBER | QTY | BODY | MODEL | DESCRIPTION |
|------|-------------|-----|------|-------|--------------------------------------|
| 1 | | | | | CRANKSHAFT, Less Bearings |
| | T073 4981 | 1 | | | 1987-88 |
| | J072 2325 | 1 | | | 1989-90 |
| 2 | T307 0009 | 1 | | | KEY, Shaft |
| 3 | T061 6979 | 1 | | | SPACER |
| 4 | T134 9583 | 1 | | | SPROCKET, Crankshaft |
| 5 | T306 7080 | 1 | | | PIN |
| 6 | T072 7596 | 1 | | | PULLEY, Crankshaft |
| 7 | T067 0967 | 1 | | | BOLT |
| 8 | T134 9596 | 1 | | | SEAL |
| 9 | T309 0310 | 1 | | | BEARING, Pilot - Manual Transmission |
| 10 | T159 6861 | 1 | | | FLYWHEEL Manual Transmission |
| 11 | T066 4055 | 1 | | | GEAR, Ring - Manual Transmission |
| 12 | T064 7358 | 7 | | | BOLT Manual Transmission |
| 13 | T306 7256 | 3 | | | PIN |
| 14 | T134 9595 | 1 | | | SEAL |
| 15 | T067 6497 | 8 | | | RETAINER, Piston Pin |
| 16 | J065 5434 | 8 | | | BOLT |
| 17 | T066 5606 | 4 | | | RING, Oil Control |
| 18 | T069 6139 | 4 | | | RING, Lower Compression |
| 19 | T069 6138 | 4 | | | RING, Upper Compression |
| 20 | T146 2223 | 1 | | | ROD SET, Connecting |
| 21 | | | | | PISTON PACKAGE, w/Sleeve *** |
| | T146 2222 | 1 | | | Up To Engine #3799 |
| | T146 3646 | 1 | | | After Engine #3799 |
| 22 | T134 8225 | 4 | | | O-RING |
| 23 | T066 6025 | 4 | | | GASKET |
| 24 | | | | | BEARING PACKAGE |
| | T146 2226 | 1 | | | Standard |
| | T146 2227 | 1 | | | -.010" |
| 25 | | | | | BEARING PACKAGE |
| | T134 8542 | 1 | | | Standard |
| | T134 8543 | 1 | | | -.010" |
| 26 | | | | | BEARING PACKAGE, Thrust |
| | | | | | Thickness |
| | T134 8320 | 1 | | | 2.80 to 2.85mm |
| | T134 8820 | 1 | | | 2.85 to 2.90mm |

MODEL CODES:

| | | |
|-----------------------------|-----------------------------|------------------------------|
| 15 = Grand Wagoneer 4 Dr. | 65 = Comanche 4WD-7 Ft. Box | 77 = Cherokee 4WD-2 Dr. |
| 25 = J-10 Pickup-119" W.B. | 66 = Comanche 2WD-7 Ft. Box | 78 = Cherokee 4WD-4 Dr. |
| 26 = J-10 Pickup-131" W.B. | 73 = Cherokee 2WD-2 Dr. | 79 = Cherokee 4WD-4 Dr.-Com |
| 27 = J-20 Pickup-131" W.B. | 74 = Cherokee 2WD-4 Dr. | 81 = Wrangler-93" W.B. |
| 63 = Comanche 4WD-6 Ft. Box | 75 = Wagoneer 4WD-4 Dr. | 82 = Wrangler-103" W.B.-Exp. |
| 64 = Comanche 2WD-6 Ft. Box | | |

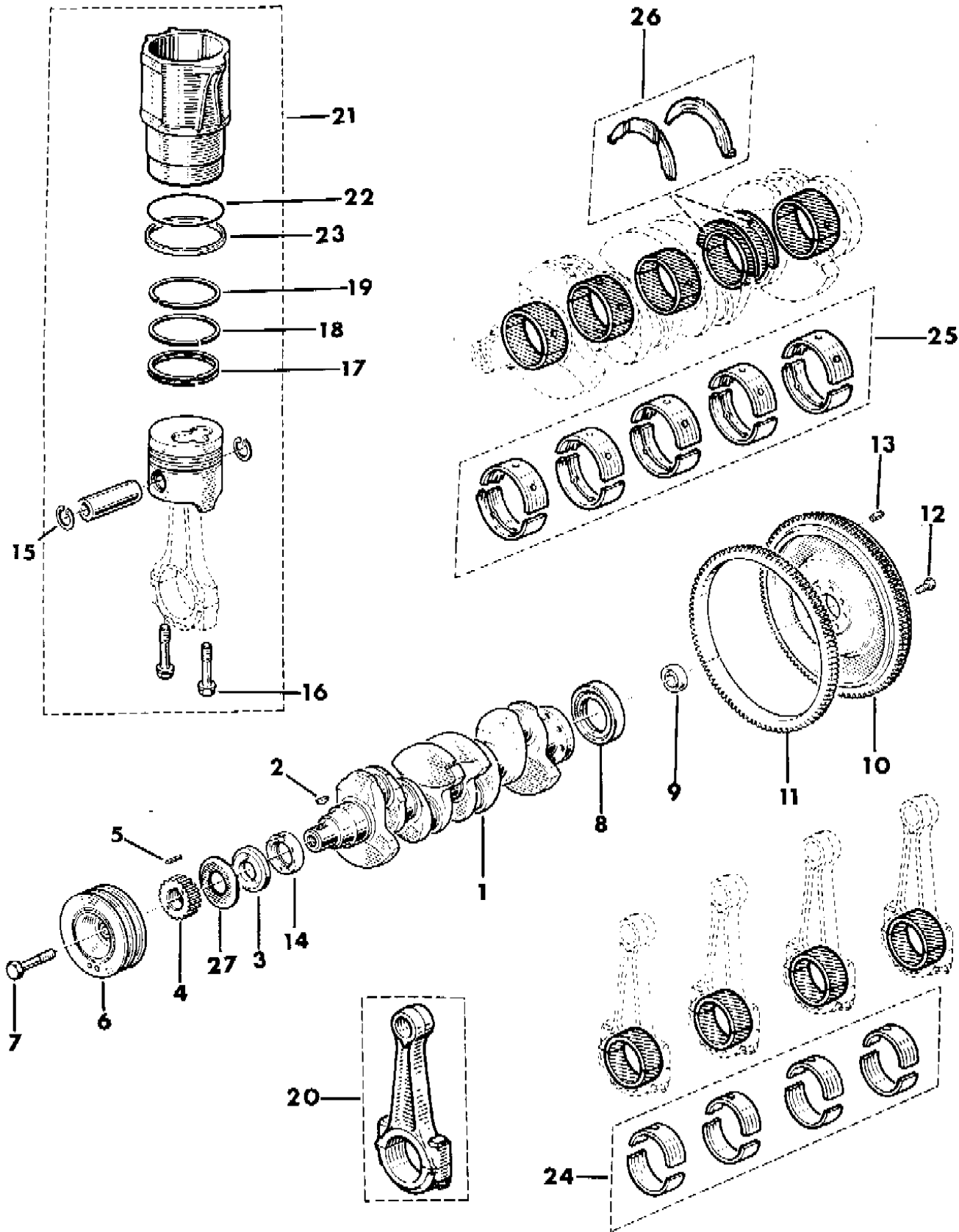
BODY STYLES:

| |
|---|
| MJ = Comanche Pickup |
| SJ = Grand Wagoneer Wgn., J-10 & J-20 Pickups |
| XJ = Cherokee, Wagoneer Limited |
| YJ = Wrangler |

AR = Use as Required - = Non Illustrated Part P.A.R. = Paint as Required

CRANKSHAFT AND PISTON 2.1L ENGINE DIESEL
Figure 9A-500

8J58 500 A



| ITEM | PART NUMBER | QTY | BODY | MODEL | DESCRIPTION |
|------|-------------|-----|------|-------|-------------|
|------|-------------|-----|------|-------|-------------|

| | | | | | |
|----|-----------|---|--|--|----------------|
| | T134 8821 | 1 | | | 2.90 to 2.95mm |
| | T134 8822 | 1 | | | 2.95 to 3.00mm |
| 27 | T073 3447 | 1 | | | SLINGER *** |

MODEL CODES:

| | | |
|-----------------------------|-----------------------------|------------------------------|
| 15 = Grand Wagoneer 4 Dr. | 65 = Comanche 4WD-7 Ft. Box | 77 = Cherokee 4WD-2 Dr. |
| 25 = J-10 Pickup-119" W.B. | 66 = Comanche 2WD-7 Ft. Box | 78 = Cherokee 4WD-4 Dr. |
| 26 = J-10 Pickup-131" W.B. | 73 = Cherokee 2WD-2 Dr. | 79 = Cherokee 4WD-4 Dr.-Com |
| 27 = J-20 Pickup-131" W.B. | 74 = Cherokee 2WD-4 Dr. | 81 = Wrangler-93" W.B. |
| 63 = Comanche 4WD-6 Ft. Box | 75 = Wagoneer 4WD-4 Dr. | 82 = Wrangler-103" W.B.-Exp. |
| 64 = Comanche 2WD-6 Ft. Box | | |

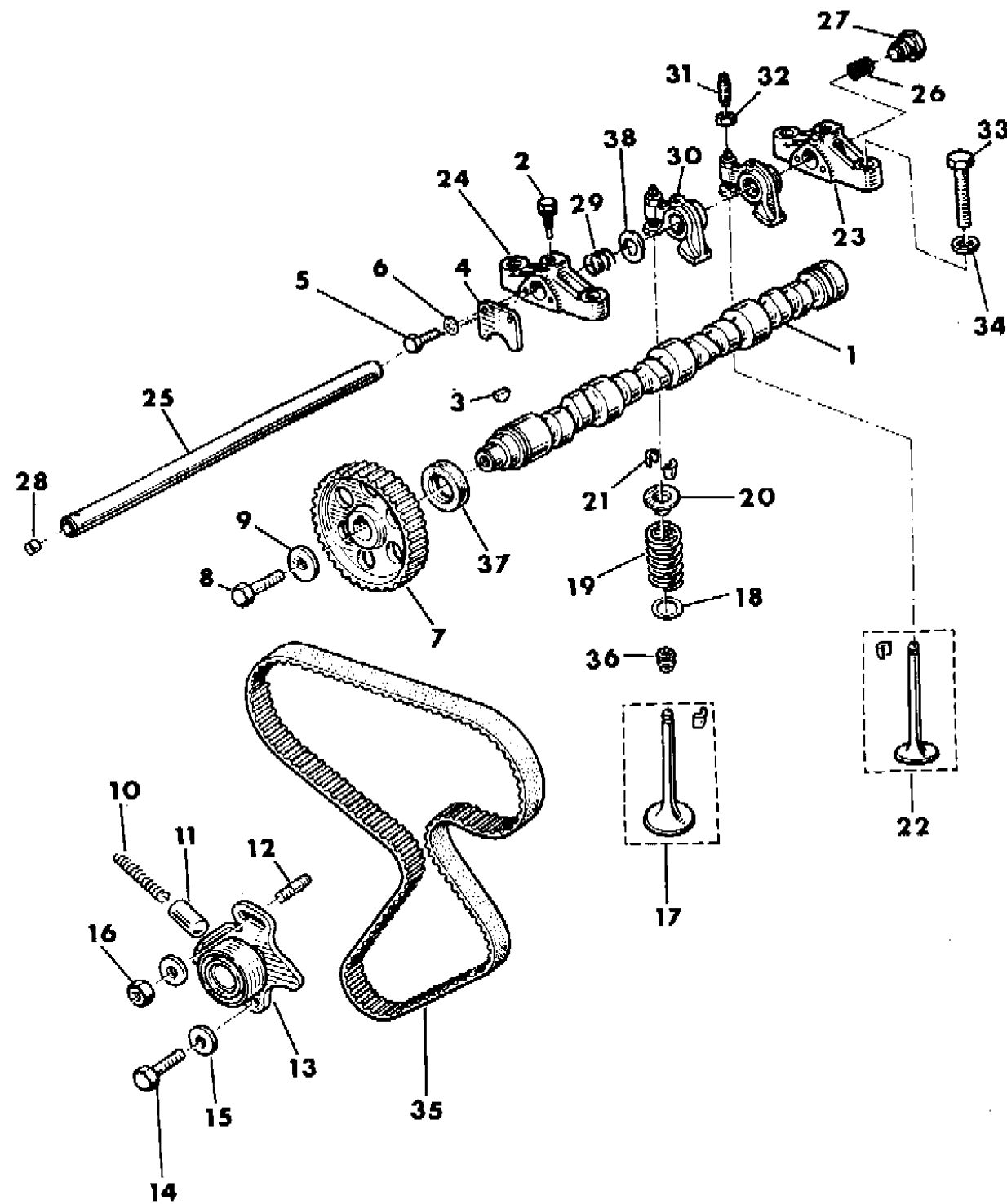
BODY STYLES:

| |
|---|
| MJ = Comanche Pickup |
| SJ = Grand Wagoneer Wgn., J-10 & J-20 Pickups |
| XJ = Cherokee, Wagoneer Limited |
| YJ = Wrangler |

AR = Use as Required - = Non Illustrated Part P.A.R. = Paint as Required

CAMSHAFT AND VALVES 2.1L ENGINE DIESEL
Figure 9A-600

8J58 600 A



| ITEM | PART NUMBER | QTY | BODY | MODEL | DESCRIPTION |
|------|-------------|-----|------|-------|--|
| 1 | T069 9231 | 1 | | | CAMSHAFT |
| 2 | T024 5031 | 5 | | | SCREW |
| 3 | T307 0007 | 1 | | | KEY, Shaft |
| 4 | T058 7893 | 1 | | | RETAINER, Camshaft Thrust |
| 5 | J300 1138 | 2 | | | BOLT |
| 6 | T149 3060 | 2 | | | WASHER |
| 7 | T134 9586 | 1 | | | SPROCKET, Camshaft |
| 8 | T310 1091 | 1 | | | BOLT |
| 9 | T065 5331 | 1 | | | WASHER |
| 10 | T501 5125 | 1 | | | SPRING |
| 11 | T134 8251 | 1 | | | TENSIONER |
| 12 | T302 7065 | 1 | | | STUD |
| 13 | T072 2452 | 1 | | | IDLER, Timing Belt |
| 14 | T149 3031 | 1 | | | BOLT |
| 15 | 1150 0255 | 2 | | | WASHER |
| 16 | J303 2018 | 1 | | | NUT |
| 17 | T146 2232 | 1 | | | VALVE PACKAGE, Intake |
| 18 | J305 3700 | 8 | | | SEAT, Spring |
| 19 | T067 3343 | 8 | | | SPRING |
| 20 | T026 8948 | 8 | | | RETAINER |
| 21 | T134 9125 | 16 | | | KEEPER |
| 22 | T146 1339 | 1 | | | VALVE PACKAGE, Exhaust |
| 23 | T065 4085 | 4 | | | BRACE |
| 24 | T065 4084 | 1 | | | BRACE |
| 25 | | | | | SHAFT, Rocker Arm |
| | T146 3654 | 1 | | | For Engine Serial Number Up to Number 19665. |
| | J146 4082 | 1 | | | For Engine Serial Number 19666 and After. |
| 26 | T065 0095 | 1 | | | FILTER, Rocker Shaft Oil |
| 27 | T307 5053 | 1 | | | PLUG |
| 28 | T307 5039 | 1 | | | PLUG |
| 29 | T065 9821 | AR | | | SPRING |
| 30 | | | | | ARM, Valve Rocker |
| | T600 9641 | 8 | | | For Engine Serial Number Up to Number 19665. |
| | J600 6610 | 8 | | | For Engine Serial Number 19666 and After. |
| 31 | | | | | SCREW |
| | T065 9962 | 8 | | | For Engine Serial Number Up to Number 19665. |
| | J073 0361 | 8 | | | For Engine Serial Number 19666 and After |

MODEL CODES:

| | | |
|-----------------------------|-----------------------------|------------------------------|
| 15 = Grand Wagoneer 4 Dr. | 65 = Comanche 4WD-7 Ft. Box | 77 = Cherokee 4WD-2 Dr. |
| 25 = J-10 Pickup-119" W.B. | 66 = Comanche 2WD-7 Ft. Box | 78 = Cherokee 4WD-4 Dr. |
| 26 = J-10 Pickup-131" W.B. | 73 = Cherokee 2WD-2 Dr. | 79 = Cherokee 4WD-4 Dr.-Com |
| 27 = J-20 Pickup-131" W.B. | 74 = Cherokee 2WD-4 Dr. | 81 = Wrangler-93" W.B. |
| 63 = Comanche 4WD-6 Ft. Box | 75 = Wagoneer 4WD-4 Dr. | 82 = Wrangler-103" W.B.-Exp. |
| 64 = Comanche 2WD-6 Ft. Box | | |

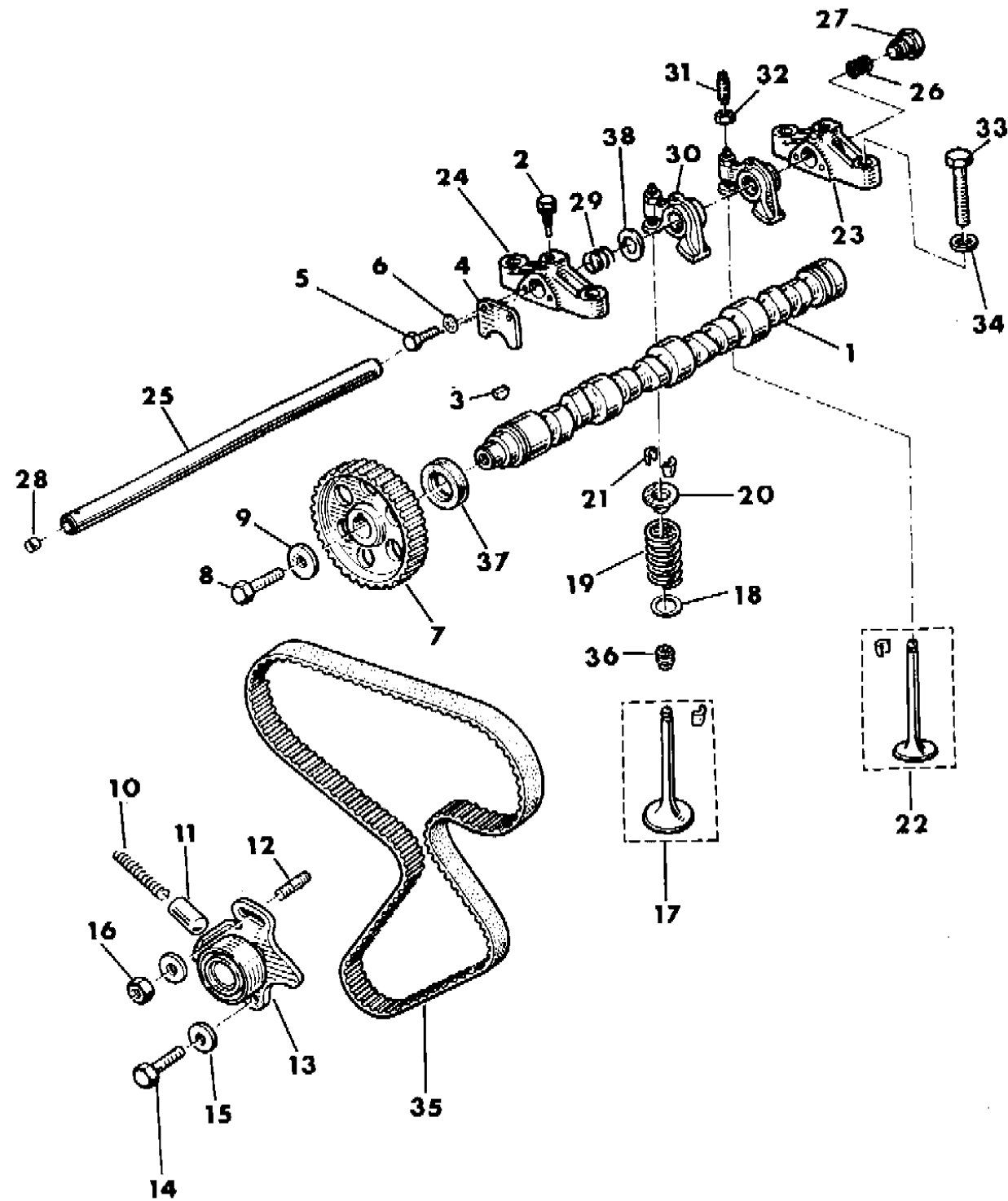
BODY STYLES:

MJ = Comanche Pickup
 SJ = Grand Wagoneer Wgn., J-10 & J-20 Pickups
 XJ = Cherokee, Wagoneer Limited
 YJ = Wrangler

AR = Use as Required - = Non Illustrated Part P.A.R. = Paint as Required

CAMSHAFT AND VALVES 2.1L ENGINE DIESEL
Figure 9A-600

8J58 600 A



| ITEM | PART NUMBER | QTY | BODY | MODEL | DESCRIPTION |
|------|-------------|-----|------|-------|---|
| 32 | | | | | NUT |
| | T951 8680 | 8 | | | For Engine Serial Number Up to Number 19665. |
| | T303 3042 | 8 | | | For Engine Serial Number 19666 and After. |
| 33 | J064 5218 | AR | | | BOLT |
| 34 | T777 7658 | AR | | | WASHER |
| 35 | T066 3544 | 1 | | | BELT, Timing |
| 36 | T073 3464 | 8 | | | SEAL |
| 37 | T134 9626 | 1 | | | SEAL |
| 38 | T073 3736 | AR | | | SPACER, For Engine Serial Number 19666 and After. |

MODEL CODES:

| | | |
|-----------------------------|-----------------------------|------------------------------|
| 15 = Grand Wagoneer 4 Dr. | 65 = Comanche 4WD-7 Ft. Box | 77 = Cherokee 4WD-2 Dr. |
| 25 = J-10 Pickup-119" W.B. | 66 = Comanche 2WD-7 Ft. Box | 78 = Cherokee 4WD-4 Dr. |
| 26 = J-10 Pickup-131" W.B. | 73 = Cherokee 2WD-2 Dr. | 79 = Cherokee 4WD-4 Dr.-Com |
| 27 = J-20 Pickup-131" W.B. | 74 = Cherokee 2WD-4 Dr. | 81 = Wrangler-93" W.B. |
| 63 = Comanche 4WD-6 Ft. Box | 75 = Wagoneer 4WD-4 Dr. | 82 = Wrangler-103" W.B.-Exp. |
| 64 = Comanche 2WD-6 Ft. Box | | |

BODY STYLES:

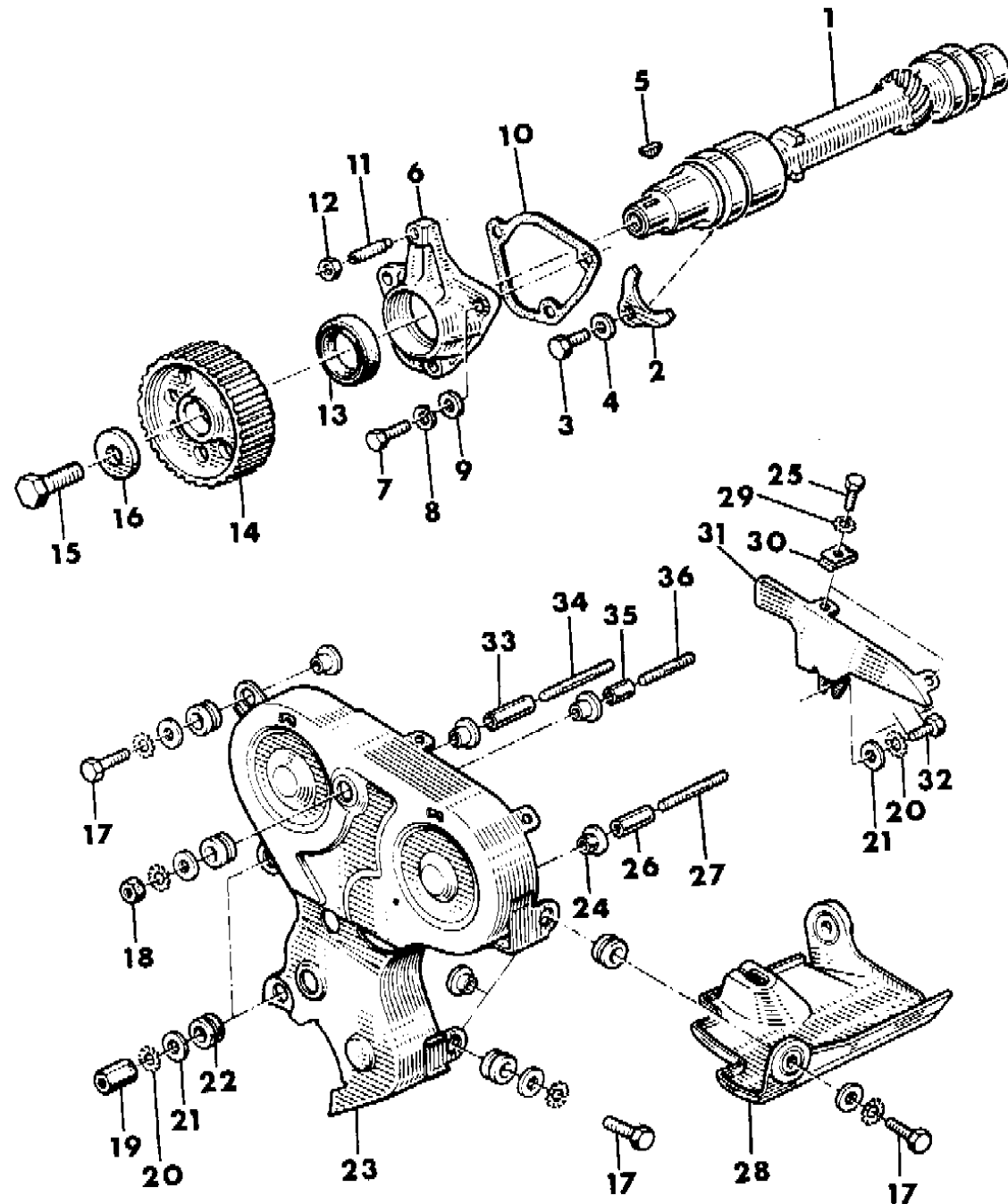
MJ = Comanche Pickup
 SJ = Grand Wagoneer Wgn., J-10 & J-20 Pickups
 XJ = Cherokee, Wagoneer Limited
 YJ = Wrangler

AR = Use as Required - = Non Illustrated Part P.A.R. = Paint as Required

TIMING COVER AND INTERMEDIATE SHAFT 2.1L ENGINE DIESEL

Figure 9A-700

8J58 700



| ITEM | PART NUMBER | QTY | BODY | MODEL | DESCRIPTION |
|------|-------------|-----|------|-------|------------------------------|
| 1 | T059 0867 | 1 | | | SHAFT, Engine Intermediate |
| 2 | T072 4890 | 1 | | | RETAINER, Shaft Thrust |
| 3 | T149 3030 | 1 | | | BOLT |
| 4 | 1150 0255 | 1 | | | WASHER |
| 5 | T307 0007 | 1 | | | KEY, Shaft |
| 6 | T065 5189 | 1 | | | COVER, Intermediate Shaft |
| 7 | T300 1142 | 3 | | | BOLT |
| 8 | T149 3067 | 3 | | | WASHER, Lock |
| 9 | T305 3102 | 3 | | | WASHER, Flat |
| 10 | J073 7414 | 1 | | | GASKET |
| 11 | T302 7117 | 1 | | | SCREW, Adjusting |
| 12 | T149 3045 | 1 | | | NUT |
| 13 | T134 9625 | 1 | | | SEAL |
| 14 | T134 9584 | 1 | | | SPROCKET, Intermediate Shaft |
| 15 | T310 1069 | 1 | | | BOLT |
| 16 | T305 3189 | 1 | | | WASHER |
| 17 | T300 1142 | 3 | | | BOLT |
| 18 | J303 2012 | 1 | | | NUT |
| 19 | T303 2079 | 2 | | | NUT, Sleeve |
| 20 | T149 3060 | 7 | | | WASHER, Lock |
| 21 | T149 3052 | 7 | | | WASHER, Flat |
| 22 | T063 4996 | 6 | | | GROMMET |
| 23 | T066 4709 | 1 | | | COVER, Timing Case Front |
| 24 | T061 6373 | 6 | | | BUSHING |
| 25 | T300 1118 | 2 | | | BOLT |
| 26 | T500 1001 | 1 | | | SLEEVE |
| 27 | T302 7095 | 1 | | | STUD |
| 28 | T069 3037 | 1 | | | SHIELD, Alternator |
| 29 | T140 2082 | 2 | | | WASHER, 100 Cnt. Pkg. |
| 30 | T304 6048 | 2 | | | NUT, Clip |
| 31 | T066 4756 | 1 | | | COVER, Timing Case Rear |
| 32 | T149 3034 | 1 | | | BOLT |
| 33 | T500 1002 | 1 | | | SLEEVE |
| 34 | T302 7151 | 1 | | | STUD |
| 35 | T500 1000 | 1 | | | SLEEVE |
| 36 | T302 7113 | 1 | | | STUD |

MODEL CODES:

| | | |
|-----------------------------|-----------------------------|------------------------------|
| 15 = Grand Wagoneer 4 Dr. | 65 = Comanche 4WD-7 Ft. Box | 77 = Cherokee 4WD-2 Dr. |
| 25 = J-10 Pickup-119" W.B. | 66 = Comanche 2WD-7 Ft. Box | 78 = Cherokee 4WD-4 Dr. |
| 26 = J-10 Pickup-131" W.B. | 73 = Cherokee 2WD-2 Dr. | 79 = Cherokee 4WD-4 Dr.-Com |
| 27 = J-20 Pickup-131" W.B. | 74 = Cherokee 2WD-4 Dr. | 81 = Wrangler-93" W.B. |
| 63 = Comanche 4WD-6 Ft. Box | 75 = Wagoneer 4WD-4 Dr. | 82 = Wrangler-103" W.B.-Exp. |
| 64 = Comanche 2WD-6 Ft. Box | | |

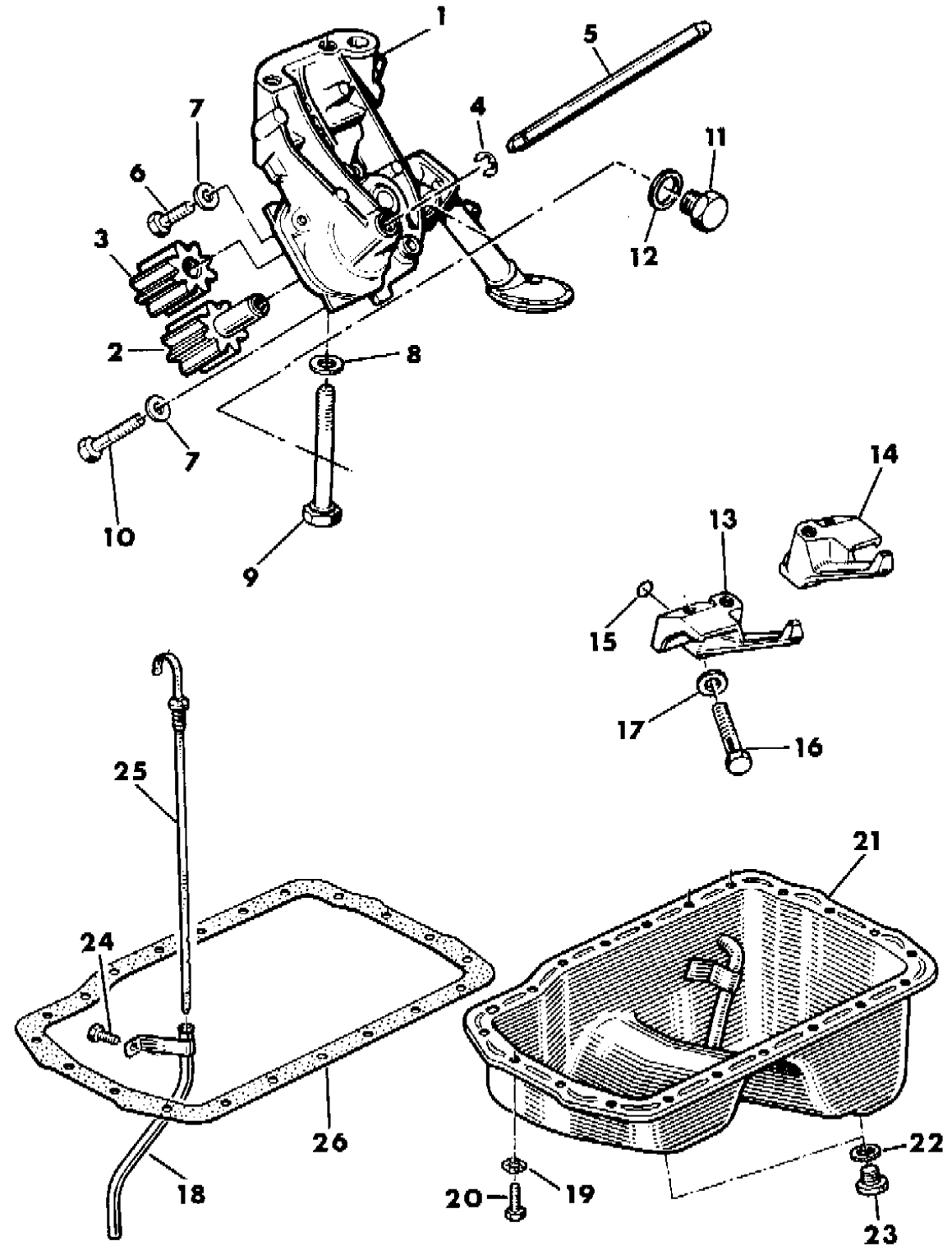
BODY STYLES:

MJ = Comanche Pickup
 SJ = Grand Wagoneer Wgn., J-10 & J-20 Pickups
 XJ = Cherokee, Wagoneer Limited
 YJ = Wrangler

AR = Use as Required - = Non Illustrated Part P.A.R. = Paint as Required

ENGINE OILING 2.1L ENGINE DIESEL
Figure 9A-800

8 J58 800 A



| ITEM | PART NUMBER | QTY | BODY | MODEL | DESCRIPTION |
|------|-------------|-----|------|-------|-----------------------------|
| 1 | T600 5270 | 1 | | | PUMP, Engine Oil |
| 2 | T072 4210 | 1 | | | GEAR, Oil Pump Drive |
| 3 | T069 0232 | 1 | | | GEAR, Oil Pump Driven |
| 4 | T306 6231 | 1 | | | CLIP, Oil Pump Shaft |
| 5 | T072 4211 | 1 | | | SHAFT, Oil Pump Gear |
| 6 | T300 1142 | AR | | | BOLT |
| 7 | T305 3102 | AR | | | WASHER |
| 8 | T149 3055 | 2 | | | WASHER |
| 9 | T310 1057 | 2 | | | BOLT |
| 10 | T300 1123 | AR | | | BOLT |
| 11 | T307 5025 | 1 | | | PLUG |
| 12 | T306 1028 | 1 | | | GASKET |
| 13 | T072 9363 | 2 | | | JET, Piston Oil Cooling |
| 14 | J073 6473 | 2 | | | JET, Piston Oil Cooling |
| 15 | T306 5104 | 4 | | | SEAL |
| 16 | T300 1614 | 4 | | | BOLT |
| 17 | T305 3666 | 4 | | | WASHER |
| 18 | T072 5913 | 1 | | | TUBE, Engine Oil Indicator |
| 19 | T149 3072 | 21 | | | WASHER |
| 20 | T149 3034 | 21 | | | BOLT |
| 21 | T146 3599 | 1 | | | PAN, Engine Oil |
| 22 | T777 7649 | 2 | | | GASKET |
| 23 | T307 5129 | 2 | | | PLUG |
| 24 | 1150 4336 | 1 | | | BOLT |
| 25 | T071 3429 | 1 | | | INDICATOR, Engine Oil Level |
| 26 | T069 5943 | 1 | | | GASKET |

MODEL CODES:

| | | |
|-----------------------------|-----------------------------|------------------------------|
| 15 = Grand Wagoneer 4 Dr. | 65 = Comanche 4WD-7 Ft. Box | 77 = Cherokee 4WD-2 Dr. |
| 25 = J-10 Pickup-119" W.B. | 66 = Comanche 2WD-7 Ft. Box | 78 = Cherokee 4WD-4 Dr. |
| 26 = J-10 Pickup-131" W.B. | 73 = Cherokee 2WD-2 Dr. | 79 = Cherokee 4WD-4 Dr.-Com |
| 27 = J-20 Pickup-131" W.B. | 74 = Cherokee 2WD-4 Dr. | 81 = Wrangler-93" W.B. |
| 63 = Comanche 4WD-6 Ft. Box | 75 = Wagoneer 4WD-4 Dr. | 82 = Wrangler-103" W.B.-Exp. |
| 64 = Comanche 2WD-6 Ft. Box | | |

BODY STYLES:

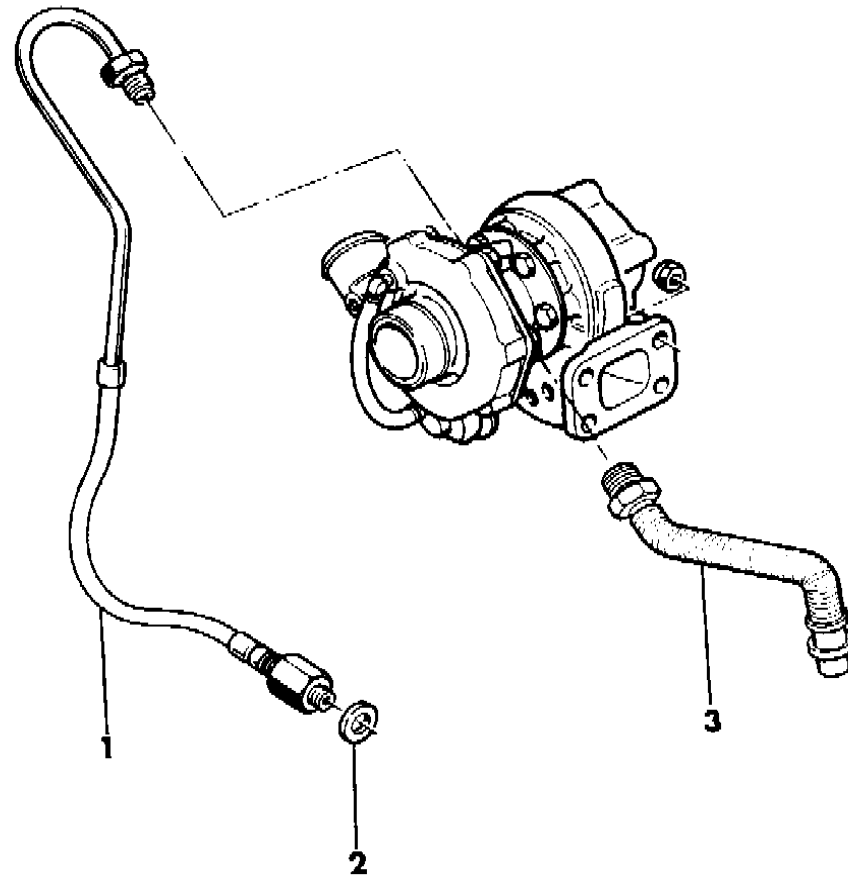
MJ = Comanche Pickup
 SJ = Grand Wagoneer Wgn., J-10 & J-20 Pickups
 XJ = Cherokee, Wagoneer Limited
 YJ = Wrangler

AR = Use as Required - = Non Illustrated Part P.A.R. = Paint as Required

OIL LINES 2.1L ENGINE DIESEL
Figure 9A-900

8J58 900

| ITEM | PART NUMBER | QTY | BODY | MODEL | DESCRIPTION |
|------|-------------|-----|------|-------|------------------|
| 1 | T072 7702 | 1 | | | TUBE, Oil Supply |
| 2 | T777 7650 | 1 | | | GASKET |
| 3 | 8350 7177 | 1 | | | HOSE, Oil Return |



MODEL CODES:

| | | |
|-----------------------------|-----------------------------|------------------------------|
| 15 = Grand Wagoneer 4 Dr. | 65 = Comanche 4WD-7 Ft. Box | 77 = Cherokee 4WD-2 Dr. |
| 25 = J-10 Pickup-119" W.B. | 66 = Comanche 2WD-7 Ft. Box | 78 = Cherokee 4WD-4 Dr. |
| 26 = J-10 Pickup-131" W.B. | 73 = Cherokee 2WD-2 Dr. | 79 = Cherokee 4WD-4 Dr.-Com |
| 27 = J-20 Pickup-131" W.B. | 74 = Cherokee 2WD-4 Dr. | 81 = Wrangler-93" W.B. |
| 63 = Comanche 4WD-6 Ft. Box | 75 = Wagoneer 4WD-4 Dr. | 82 = Wrangler-103" W.B.-Exp. |
| 64 = Comanche 2WD-6 Ft. Box | | |

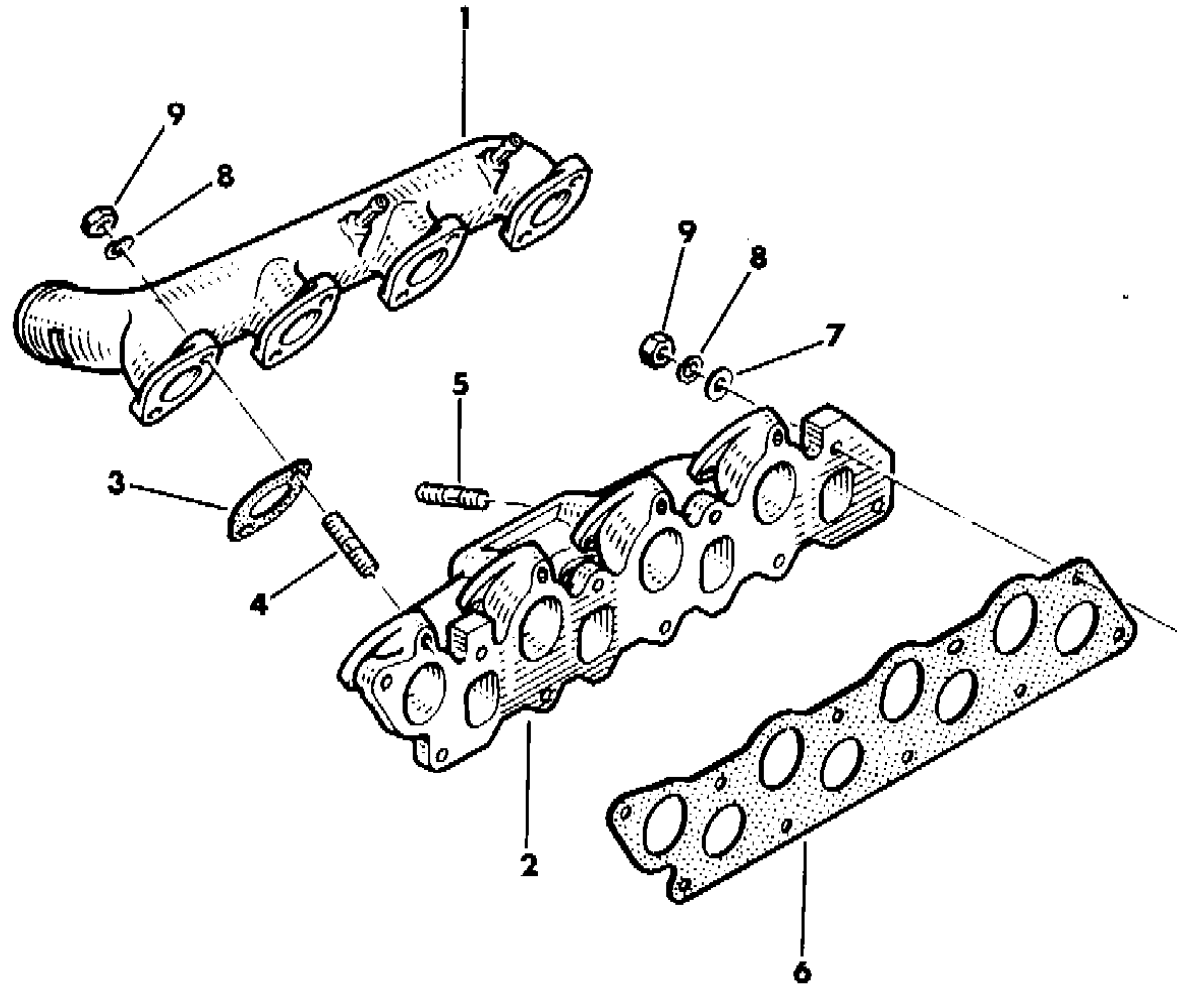
BODY STYLES:

MJ = Comanche Pickup
 SJ = Grand Wagoneer Wgn., J-10 & J-20 Pickups
 XJ = Cherokee, Wagoneer Limited
 YJ = Wrangler

AR = Use as Required - = Non Illustrated Part P.A.R. = Paint as Required

MANIFOLD - INTAKE AND EXHAUST 2.1L ENGINE DIESEL
Figure 9A-1000

8J58 1000



| ITEM | PART NUMBER | QTY | BODY | MODEL | DESCRIPTION |
|------|-------------|-----|------|-------|--------------------------|
| 1 | T068 8218 | 1 | | | MANIFOLD, Pre-Intake |
| 2 | T072 3183 | 1 | | | MANIFOLD, Intake/Exhaust |
| 3 | T069 4729 | 4 | | | GASKET |
| 4 | T302 7155 | 8 | | | STUD |
| 5 | T302 7156 | 4 | | | STUD |
| 6 | T134 8923 | 1 | | | GASKET |
| 7 | 1150 0255 | 10 | | | WASHER, Flat |
| 8 | T149 3041 | 18 | | | WASHER, Lock |
| 9 | T149 3047 | 18 | | | NUT |

MODEL CODES:

| | | |
|-----------------------------|-----------------------------|------------------------------|
| 15 = Grand Wagoneer 4 Dr. | 65 = Comanche 4WD-7 Ft. Box | 77 = Cherokee 4WD-2 Dr. |
| 25 = J-10 Pickup-119" W.B. | 66 = Comanche 2WD-7 Ft. Box | 78 = Cherokee 4WD-4 Dr. |
| 26 = J-10 Pickup-131" W.B. | 73 = Cherokee 2WD-2 Dr. | 79 = Cherokee 4WD-4 Dr.-Com |
| 27 = J-20 Pickup-131" W.B. | 74 = Cherokee 2WD-4 Dr. | 81 = Wrangler-93" W.B. |
| 63 = Comanche 4WD-6 Ft. Box | 75 = Wagoneer 4WD-4 Dr. | 82 = Wrangler-103" W.B.-Exp. |
| 64 = Comanche 2WD-6 Ft. Box | | |

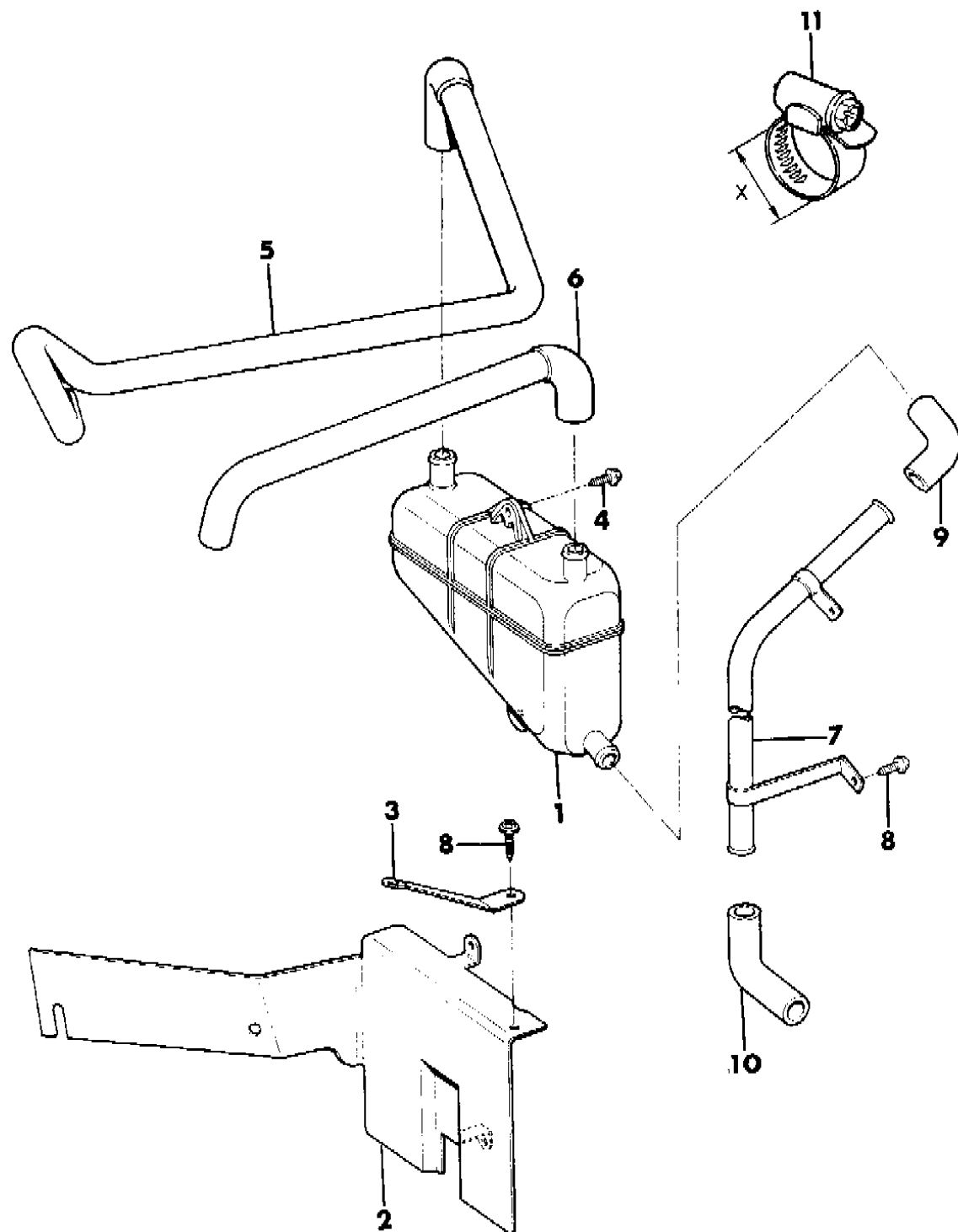
BODY STYLES:

MJ = Comanche Pickup
 SJ = Grand Wagoneer Wgn., J-10 & J-20 Pickups
 XJ = Cherokee, Wagoneer Limited
 YJ = Wrangler

AR = Use as Required - = Non Illustrated Part P.A.R. = Paint as Required

SEPARATOR, OIL 2.1L ENGINE DIESEL
Figure 9A-1100

8J58 1100



| ITEM | PART NUMBER | QTY | BODY | MODEL | DESCRIPTION |
|------|-------------|-----|------|-------|--------------------------------|
| 1 | J069 9090 | 1 | | | TANK, Oil Separator |
| 2 | 3300 2101 | 1 | | | BRACKET, w/Shield |
| 3 | 3300 2102 | 1 | | | STRAP, Support |
| 4 | 1150 0079 | 2 | | | SCREW |
| 5 | 5300 2320 | 1 | | | HOSE, Separator to Turbo Inlet |
| 6 | 5300 2321 | 1 | | | HOSE, Separator to Valve Cover |
| 7 | 5300 2212 | 1 | | | TUBE ASSEMBLY, Separator Drain |
| 8 | 1150 2453 | 2 | | | SCREW |
| 9 | 5300 2213 | 1 | | | HOSE, Drain Tube Upper |
| 10 | 5300 2214 | 1 | | | HOSE, Drain Tube Lower |
| 11 | | | | | CLAMP, Hose |
| | 3300 0784 | AR | | | .67" Thru .98" |
| | J320 3076 | AR | | | .56" Thru 1.06" |
| | J320 3077 | AR | | | .81" Thru 1.75" |

MODEL CODES:

| | | |
|-----------------------------|-----------------------------|------------------------------|
| 15 = Grand Wagoneer 4 Dr. | 65 = Comanche 4WD-7 Ft. Box | 77 = Cherokee 4WD-2 Dr. |
| 25 = J-10 Pickup-119" W.B. | 66 = Comanche 2WD-7 Ft. Box | 78 = Cherokee 4WD-4 Dr. |
| 26 = J-10 Pickup-131" W.B. | 73 = Cherokee 2WD-2 Dr. | 79 = Cherokee 4WD-4 Dr.-Com |
| 27 = J-20 Pickup-131" W.B. | 74 = Cherokee 2WD-4 Dr. | 81 = Wrangler-93" W.B. |
| 63 = Comanche 4WD-6 Ft. Box | 75 = Wagoneer 4WD-4 Dr. | 82 = Wrangler-103" W.B.-Exp. |
| 64 = Comanche 2WD-6 Ft. Box | | |

BODY STYLES:

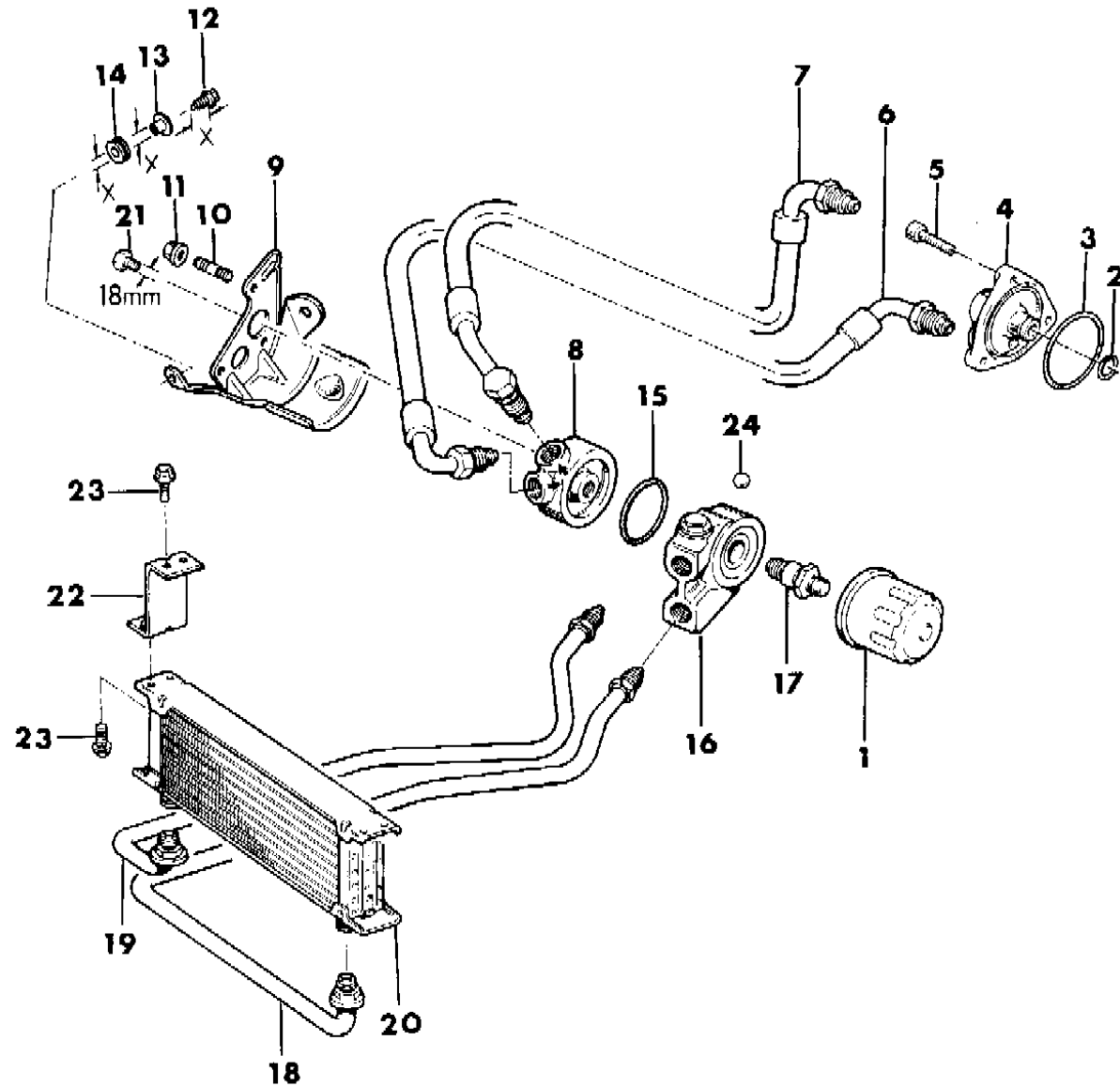
MJ = Comanche Pickup
 SJ = Grand Wagoneer Wgn., J-10 & J-20 Pickups
 XJ = Cherokee, Wagoneer Limited
 YJ = Wrangler

AR = Use as Required - = Non Illustrated Part P.A.R. = Paint as Required

OIL COOLER AND FILTER 2.1L ENGINE DIESEL

Figure 9A-1200

8J58 1200 A



| ITEM | PART NUMBER | QTY | BODY | MODEL | DESCRIPTION |
|------|-------------|-----|------|-------|---------------------------------|
| 1 | T073 0077 | 1 | | | FILTER, Engine Oil |
| 2 | T306 5091 | 1 | | | SEAL |
| 3 | T306 5090 | 1 | | | GASKET |
| 4 | T070 2948 | 1 | | | ADAPTER, Engine Oil Filter |
| 5 | T300 9085 | 3 | | | BOLT |
| 6 | 5300 1923 | 1 | | | HOSE, Remote Filter Supply |
| 7 | 3300 1312 | 1 | | | HOSE, Remote Filter Return |
| 8 | J072 2458 | 1 | | | ADAPTER, Oil Filter Engine |
| 9 | 3300 1313 | 1 | | | BRACKET, Remote Oil Filter |
| 10 | T302 7081 | 3 | | | STUD |
| 11 | J420 0046 | 3 | | | NUT |
| 12 | | | | | SCREW |
| | 1150 2453 | 1 | | | x=16mm |
| | 3420 1691 | 2 | | | x=20mm |
| 13 | | | | | BUSHING |
| | 3300 2747 | 1 | | | x=12.0mm |
| | 3300 2748 | 2 | | | x=10.6mm |
| 14 | | | | | GROMMET |
| | 3300 2744 | 1 | | | x=11.7mm |
| | 3300 2745 | 1 | | | x=10.3mm |
| 15 | 3420 2316 | 1 | | | O-RING |
| 16 | 5200 1633 | 1 | | | VALVE, Oil Cooler By-Pass |
| 17 | 5200 1658 | 1 | | | CONNECTOR |
| 18 | 8350 4413 | 1 | | | TUBE, Engine Oil Cooler - Left |
| 19 | 8350 4414 | 1 | | | TUBE, Engine Oil Cooler - Right |
| 20 | 5200 1848 | 1 | | | COOLER, Engine Oil |
| 21 | 5300 3926 | 1 | | | PLUG |
| 22 | 5200 2830 | 2 | | | BRACKET, Oil Cooler |
| 23 | 1150 5117 | 8 | | | BOLT |
| 24 | 8350 4927 | 1 | | | BALL |

MODEL CODES:

| | | |
|-----------------------------|-----------------------------|------------------------------|
| 15 = Grand Wagoneer 4 Dr. | 65 = Comanche 4WD-7 Ft. Box | 77 = Cherokee 4WD-2 Dr. |
| 25 = J-10 Pickup-119" W.B. | 66 = Comanche 2WD-7 Ft. Box | 78 = Cherokee 4WD-4 Dr. |
| 26 = J-10 Pickup-131" W.B. | 73 = Cherokee 2WD-2 Dr. | 79 = Cherokee 4WD-4 Dr.-Com |
| 27 = J-20 Pickup-131" W.B. | 74 = Cherokee 2WD-4 Dr. | 81 = Wrangler-93" W.B. |
| 63 = Comanche 4WD-6 Ft. Box | 75 = Wagoneer 4WD-4 Dr. | 82 = Wrangler-103" W.B.-Exp. |
| 64 = Comanche 2WD-6 Ft. Box | | |

BODY STYLES:

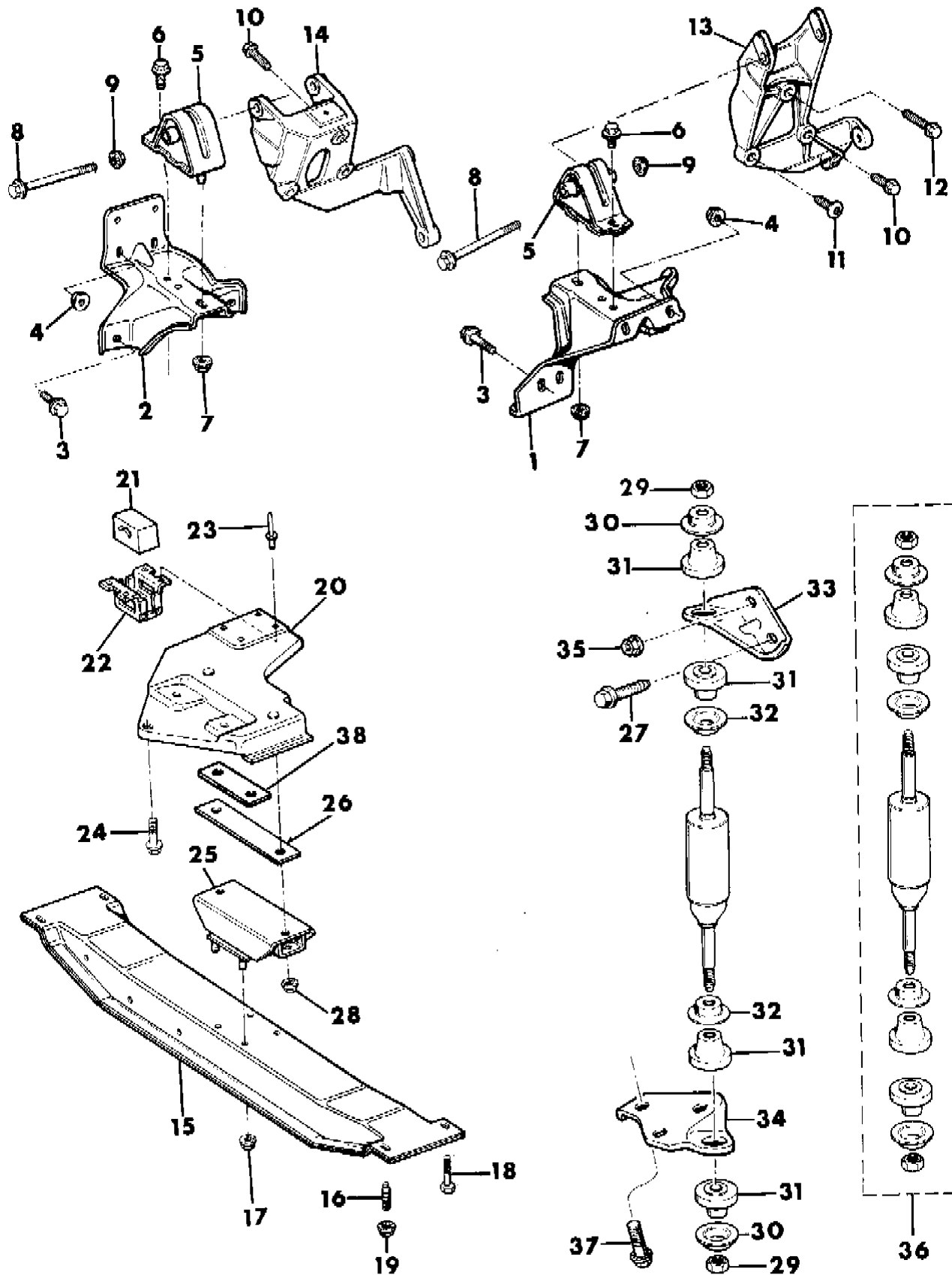
MJ = Comanche Pickup
 SJ = Grand Wagoneer Wgn., J-10 & J-20 Pickups
 XJ = Cherokee, Wagoneer Limited
 YJ = Wrangler

AR = Use as Required - = Non Illustrated Part P.A.R. = Paint as Required

ENGINE MOUNTING 2.1L ENGINE DIESEL

Figure 9A-1300

8J58 1300 A



| ITEM | PART NUMBER | QTY | BODY | MODEL | DESCRIPTION |
|------|-------------|-----|------|-------|---|
| 1 | 5200 1497 | 1 | | | BRACKET, Engine - Left |
| 2 | 5200 1498 | 1 | | | BRACKET, Engine - Right |
| 3 | 1150 2685 | 4 | | | BOLT |
| 4 | 3420 1416 | 4 | | | NUT |
| 5 | 5200 0957 | 2 | | | MOUNT, Engine 1987-89 *** |
| | 5200 6726 | 2 | | | 1990 |
| 6 | 3420 2037 | 2 | | | BOLT |
| 7 | 1150 2812 | 2 | | | NUT |
| 8 | 3420 1959 | 2 | | | BOLT 125mm |
| 9 | 1150 2813 | 2 | | | NUT |
| 10 | 1150 4516 | 4 | | | BOLT, Hex Flange |
| 11 | 3420 2174 | 1 | | | BOLT, Torx |
| 12 | 1150 4038 | 1 | | | BOLT |
| 13 | 5200 0771 | 1 | | | BRACKET, Engine - Left |
| 14 | 5200 0770 | 1 | | | BRACKET, Engine - Right |
| 15 | 5200 2328 | 1 | | | CROSSMEMBER, Transmission Support |
| 16 | 3420 1710 | 2 | | | STUD |
| 17 | 3420 1918 | 4 | | | NUT |
| 18 | 3420 1540 | 6 | | | BOLT 30mm |
| 19 | 1150 2812 | 4 | | | NUT |
| 20 | 5200 3063 | 1 | | | BRACKET, Transmission Support Rear |
| 21 | 5300 0101 | 1 | | | INSULATOR |
| 22 | 5300 0104 | 1 | | | BRACKET |
| 23 | 3420 1980 | 4 | | | RIVET |
| 24 | J400 7162 | 4 | | | BOLT 1.25mm |
| 25 | | | | | CUSHION, Rear Support - Manual Transmission |
| | 5200 1313 | 1 | | | Blue, 2WD |
| | 5200 1180 | 1 | | | Yellow, 4WD |
| 26 | 5200 0956 | 1 | | | SPACER |
| 27 | 3420 2047 | 1 | | | BOLT |
| 28 | 1150 2812 | 2 | | | NUT Manual Transmission M10 x 1.5 |
| 29 | J012 0368 | 2 | | | NUT |
| 30 | 5200 0819 | 2 | | | RETAINER, Outer |
| 31 | 5200 0619 | 4 | | | BUSHING |
| 32 | 5200 0820 | 2 | | | RETAINER, Inner |
| 33 | 5200 1070 | 1 | | | BRACKET, Shock Absorber |
| 34 | 5200 1071 | 1 | | | BRACKET, Shock Absorber |

MODEL CODES:

| | | |
|-----------------------------|-----------------------------|------------------------------|
| 15 = Grand Wagoneer 4 Dr. | 65 = Comanche 4WD-7 Ft. Box | 77 = Cherokee 4WD-2 Dr. |
| 25 = J-10 Pickup-119" W.B. | 66 = Comanche 2WD-7 Ft. Box | 78 = Cherokee 4WD-4 Dr. |
| 26 = J-10 Pickup-131" W.B. | 73 = Cherokee 2WD-2 Dr. | 79 = Cherokee 4WD-4 Dr.-Com |
| 27 = J-20 Pickup-131" W.B. | 74 = Cherokee 2WD-4 Dr. | 81 = Wrangler-93" W.B. |
| 63 = Comanche 4WD-6 Ft. Box | 75 = Wagoneer 4WD-4 Dr. | 82 = Wrangler-103" W.B.-Exp. |
| 64 = Comanche 2WD-6 Ft. Box | | |

BODY STYLES:

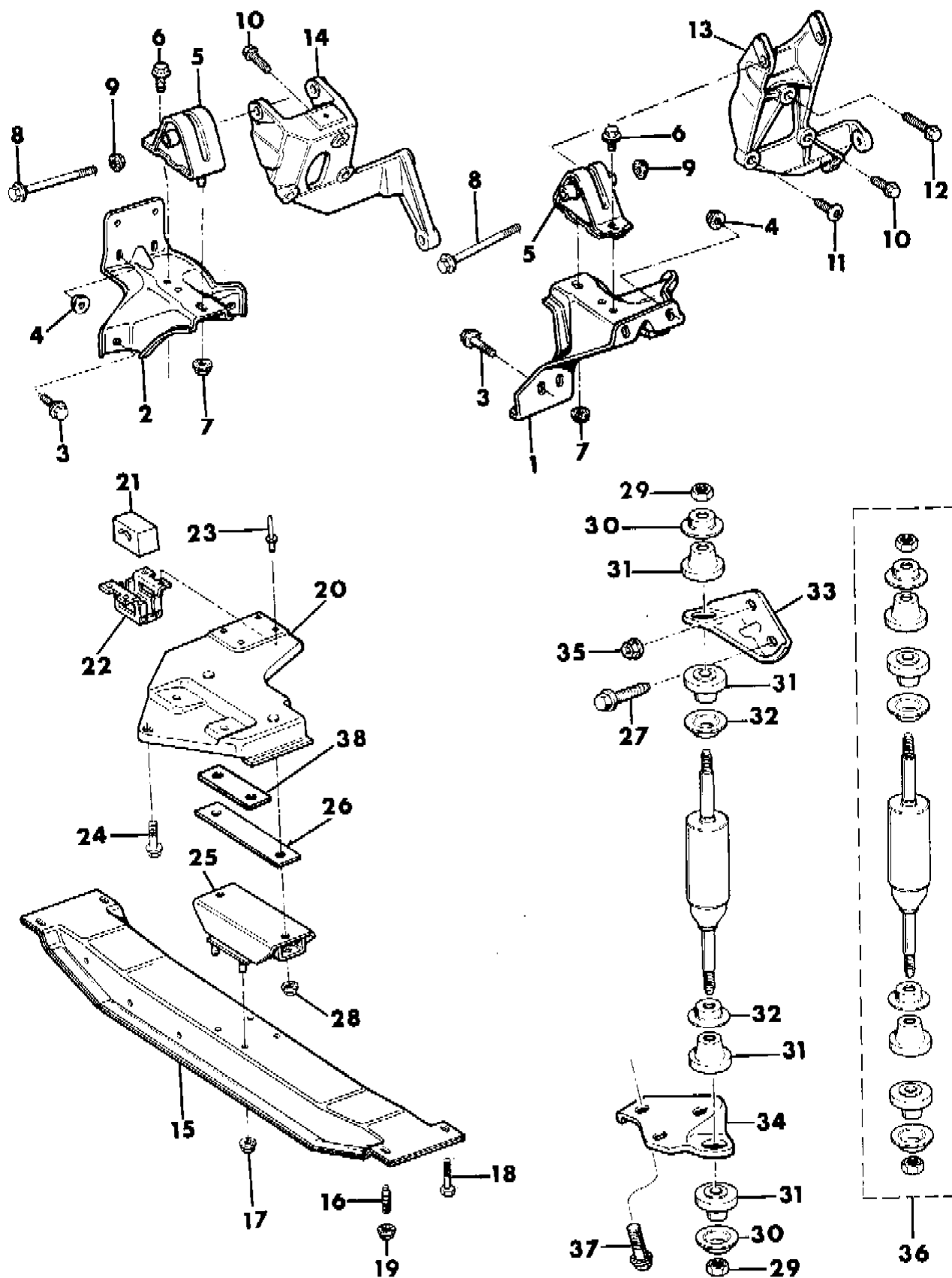
MJ = Comanche Pickup
 SJ = Grand Wagoneer Wgn., J-10 & J-20 Pickups
 XJ = Cherokee, Wagoneer Limited
 YJ = Wrangler

AR = Use as Required - = Non Illustrated Part P.A.R. = Paint as Required

ENGINE MOUNTING 2.1L ENGINE DIESEL

Figure 9A-1300

8J58 1300 A



| ITEM | PART NUMBER | QTY | BODY | MODEL | DESCRIPTION |
|------|-------------|-----|------|-------|--------------------------------|
| 35 | J420 0081 | 1 | | | NUT |
| 36 | 8350 0358 | 1 | | | SHOCK ABSORBER PACKAGE, Engine |
| 37 | | | | | BOLT |
| | 3420 1321 | 3 | | | 25mm |
| | 3420 2114 | 3 | | | 35mm |
| | 3420 2060 | 3 | | | 45mm |
| 38 | 5200 2933 | 1 | | | SPACER |

MODEL CODES:

| | | |
|-----------------------------|-----------------------------|------------------------------|
| 15 = Grand Wagoneer 4 Dr. | 65 = Comanche 4WD-7 Ft. Box | 77 = Cherokee 4WD-2 Dr. |
| 25 = J-10 Pickup-119" W.B. | 66 = Comanche 2WD-7 Ft. Box | 78 = Cherokee 4WD-4 Dr. |
| 26 = J-10 Pickup-131" W.B. | 73 = Cherokee 2WD-2 Dr. | 79 = Cherokee 4WD-4 Dr.-Com |
| 27 = J-20 Pickup-131" W.B. | 74 = Cherokee 2WD-4 Dr. | 81 = Wrangler-93" W.B. |
| 63 = Comanche 4WD-6 Ft. Box | 75 = Wagoneer 4WD-4 Dr. | 82 = Wrangler-103" W.B.-Exp. |
| 64 = Comanche 2WD-6 Ft. Box | | |

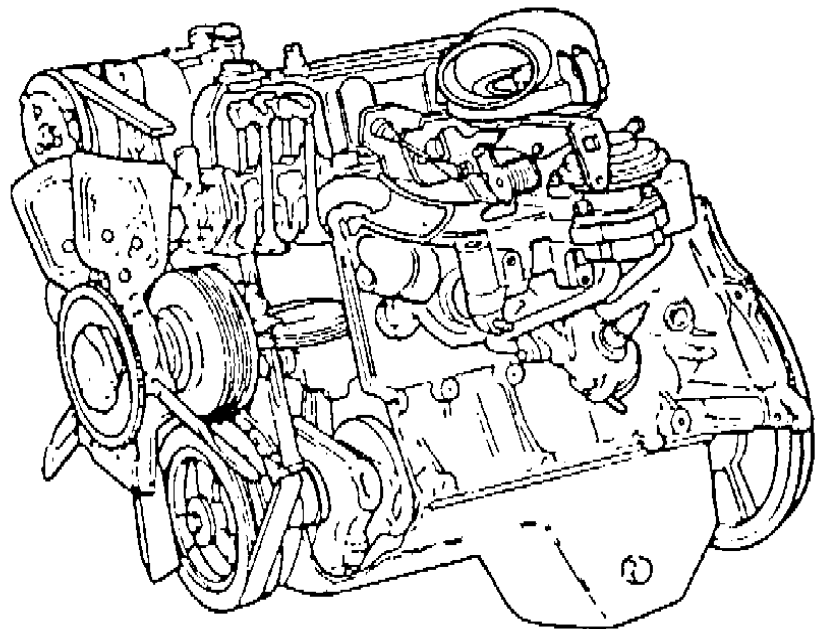
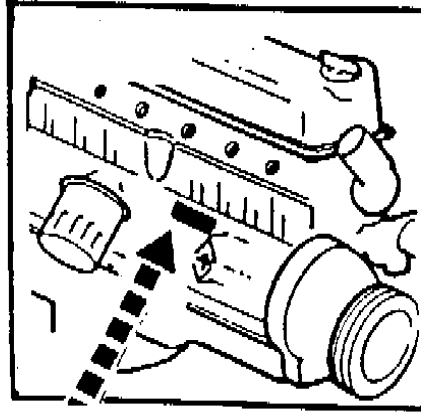
BODY STYLES:

MJ = Comanche Pickup
 SJ = Grand Wagoneer Wgn., J-10 & J-20 Pickups
 XJ = Cherokee, Wagoneer Limited
 YJ = Wrangler

AR = Use as Required - = Non Illustrated Part P.A.R. = Paint as Required

**I.D. LOCATION 2.5L ENGINE
Figure 9A-1400**

8J58 1400



| ITEM | PART NUMBER | QTY | BODY | MODEL | DESCRIPTION |
|------|-------------|-----|------|-------|-------------|
| | | | | | |
| | | | | | |
| | | | | | |
| | | | | | |
| | | | | | |
| | | | | | |
| | | | | | |
| | | | | | |
| | | | | | |
| | | | | | |
| | | | | | |
| | | | | | |
| | | | | | |
| | | | | | |
| | | | | | |
| | | | | | |
| | | | | | |
| | | | | | |
| | | | | | |
| | | | | | |
| | | | | | |

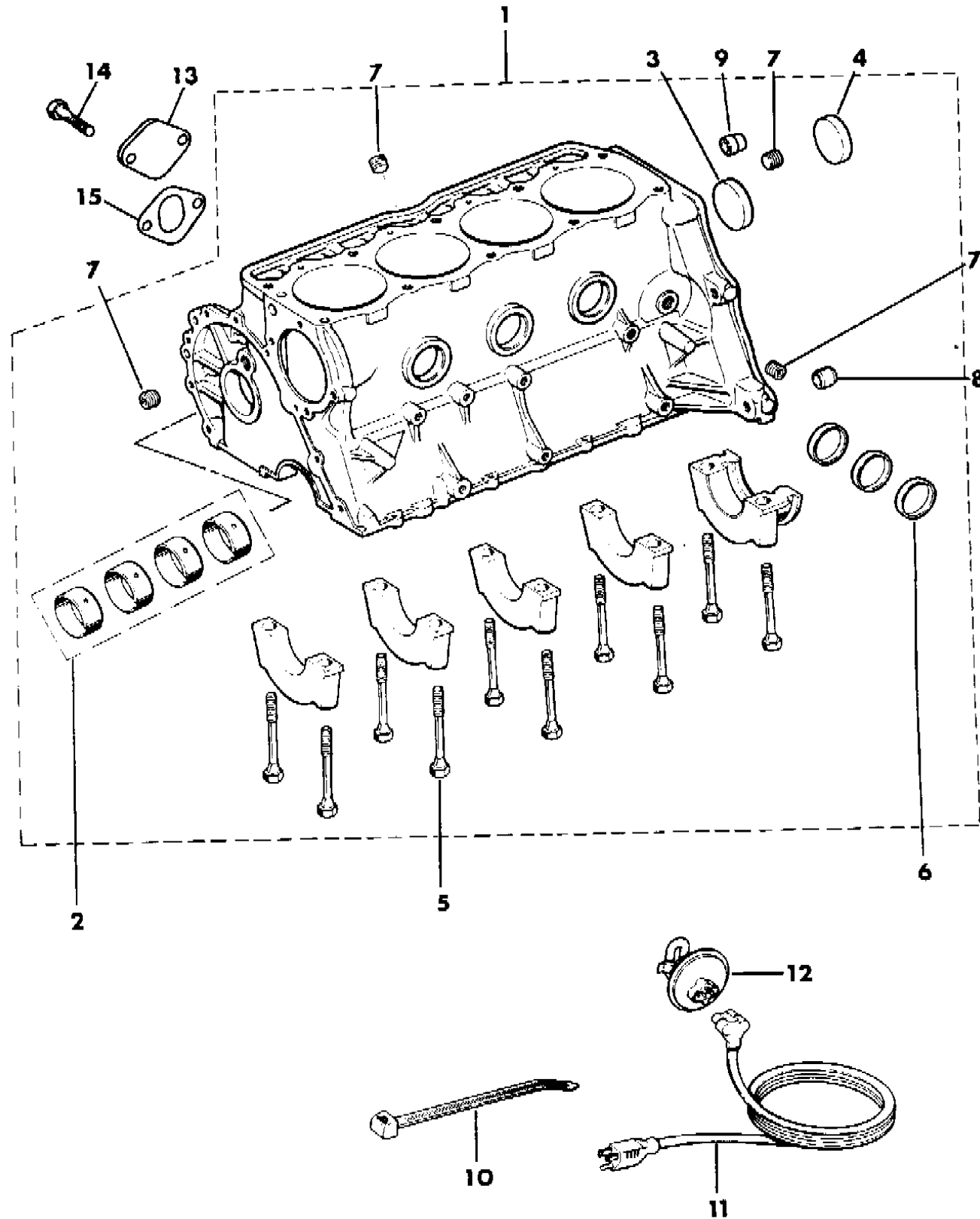
- MODEL CODES:
- | | | |
|-----------------------------|-----------------------------|------------------------------|
| 15 = Grand Wagoneer 4 Dr. | 65 = Comanche 4WD-7 Ft. Box | 77 = Cherokee 4WD-2 Dr. |
| 25 = J-10 Pickup-119" W.B. | 66 = Comanche 2WD-7 Ft. Box | 78 = Cherokee 4WD-4 Dr. |
| 26 = J-10 Pickup-131" W.B. | 73 = Cherokee 2WD-2 Dr. | 79 = Cherokee 4WD-4 Dr.-Com |
| 27 = J-20 Pickup-131" W.B. | 74 = Cherokee 2WD-4 Dr. | 81 = Wrangler-93" W.B. |
| 63 = Comanche 4WD-6 Ft. Box | 75 = Wagoneer 4WD-4 Dr. | 82 = Wrangler-103" W.B.-Exp. |
| 64 = Comanche 2WD-6 Ft. Box | | |

- BODY STYLES:
- MJ = Comanche Pickup
 - SJ = Grand Wagoneer Wgn., J-10 & J-20 Pickups
 - XJ = Cherokee, Wagoneer Limited
 - YJ = Wrangler

AR = Use as Required - = Non Illustrated Part P.A.R. = Paint as Required

CYLINDER BLOCK 2.5L ENGINE
Figure 9A-1500

8 J 58 1500



| ITEM | PART NUMBER | QTY | BODY | MODEL | DESCRIPTION |
|------|-------------|-----|-------|-------|---|
| | 4637 399 | 1 | | | ENGINE, Short (Contains, Crankshaft, Pistons, Rings, Rods, and Bearings Assembled in Block) |
| 1 | 8350 2958 | 1 | | | BLOCK, Engine |
| 2 | J320 5711 | 1 | | | BEARING PACKAGE Standard |
| | J320 8985 | 1 | | | +0.010" |
| 3 | J317 2313 | 1 | | | PLUG |
| 4 | J310 5394 | 1 | | | PLUG |
| 5 | J400 6948 | 10 | | | BOLT |
| 6 | J400 6580 | 3 | | | PLUG |
| 7 | J044 4660 | 4 | | | PLUG |
| 8 | J400 6953 | 1 | | | PIN |
| 9 | J324 1332 | 1 | | | PIN |
| 10 | | | | | STRAP |
| | J323 5187 | AR | YJ | | 450mm |
| | J323 3227 | AR | MJ,XJ | | 200mm |
| | J369 3058 | AR | MJ,XJ | | 300mm |
| | J323 0270 | AR | MJ,XJ | | 350mm |
| | J323 5187 | AR | MJ,XJ | | 450mm |
| 11 | | | | | CORD, Power Supply |
| | 5600 1824 | 1 | YJ | | |
| | 3600 0628 | 1 | MJ,XJ | | |
| 12 | J324 1657 | 1 | | | HEATER, Engine Block |
| 13 | 3300 4223 | 1 | | | PLATE, Cover - Fuel Pump |
| 14 | J018 0077 | 2 | | | BOLT |
| 15 | J317 4685 | 1 | | | GASKET |

MODEL CODES:

| | | |
|-----------------------------|-----------------------------|------------------------------|
| 15 = Grand Wagoneer 4 Dr. | 65 = Comanche 4WD-7 Ft. Box | 77 = Cherokee 4WD-2 Dr. |
| 25 = J-10 Pickup-119" W.B. | 66 = Comanche 2WD-7 Ft. Box | 78 = Cherokee 4WD-4 Dr. |
| 26 = J-10 Pickup-131" W.B. | 73 = Cherokee 2WD-2 Dr. | 79 = Cherokee 4WD-4 Dr.-Com |
| 27 = J-20 Pickup-131" W.B. | 74 = Cherokee 2WD-4 Dr. | 81 = Wrangler-93" W.B. |
| 63 = Comanche 4WD-6 Ft. Box | 75 = Wagoneer 4WD-4 Dr. | 82 = Wrangler-103" W.B.-Exp. |
| 64 = Comanche 2WD-6 Ft. Box | | |

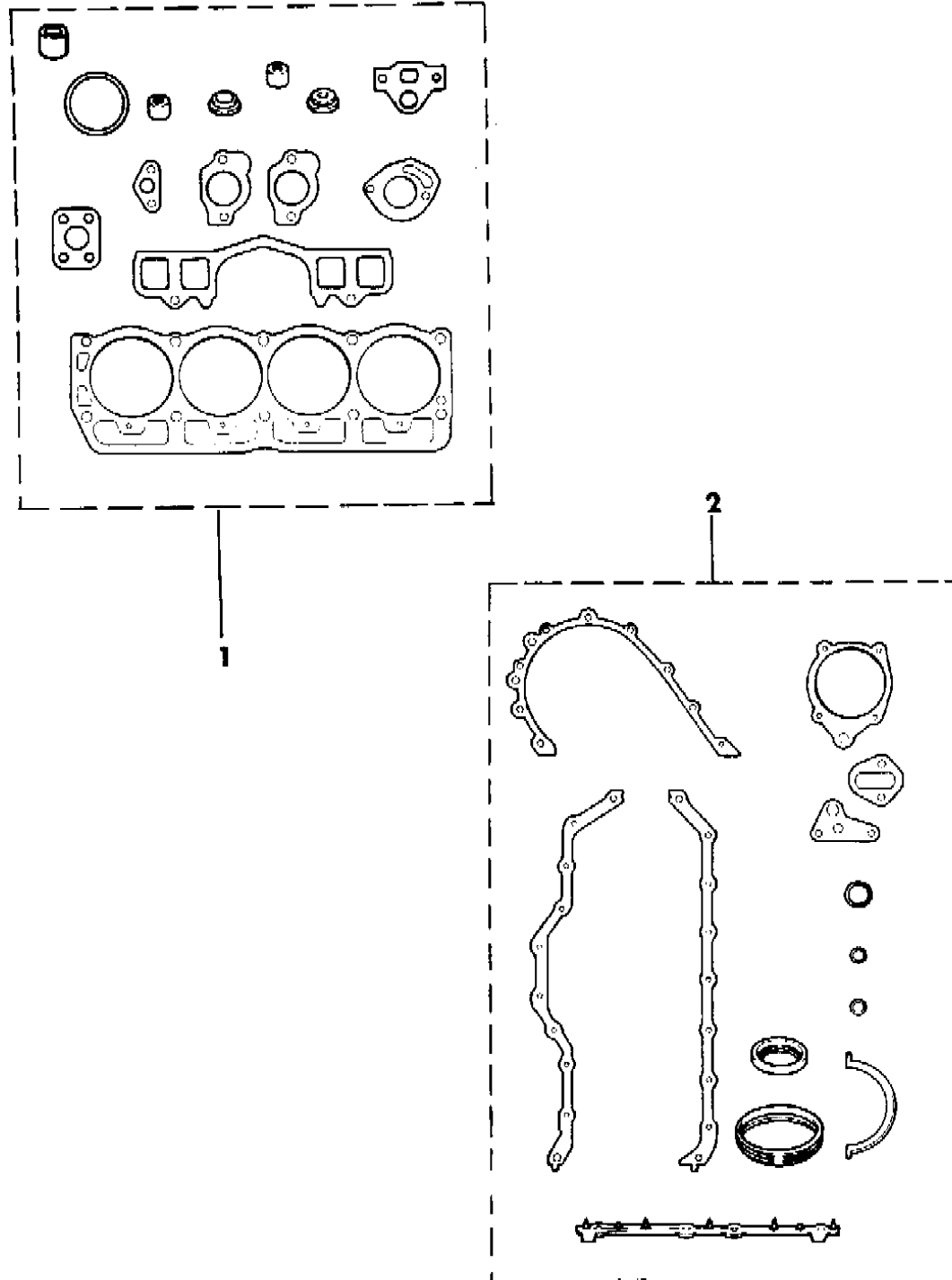
BODY STYLES:

MJ = Comanche Pickup
 SJ = Grand Wagoneer Wgn., J-10 & J-20 Pickups
 XJ = Cherokee, Wagoneer Limited
 YJ = Wrangler

AR = Use as Required - = Non Illustrated Part P.A.R. = Paint as Required

GASKET SET 2.5L ENGINE
Figure 9A-1600

8 J58 1600



| ITEM | PART NUMBER | QTY | BODY | MODEL | DESCRIPTION |
|------|-------------|-----|------|-------|--------------------------------------|
| 1 | | | | | GASKET PACKAGE, Engine Upper |
| | 8350 2501 | 1 | | | Up to engine #608H11 |
| | 8350 4346 | 1 | | | Engine #608H11 and later |
| 2 | | | | | GASKET PACKAGE, Engine Lower 1987-89 |
| | 8350 4647 | 1 | | | |
| | 8350 5399 | 1 | | | 1990 |

MODEL CODES:

| | | |
|-----------------------------|-----------------------------|------------------------------|
| 15 = Grand Wagoneer 4 Dr. | 65 = Comanche 4WD-7 Ft. Box | 77 = Cherokee 4WD-2 Dr. |
| 25 = J-10 Pickup-119" W.B. | 66 = Comanche 2WD-7 Ft. Box | 78 = Cherokee 4WD-4 Dr. |
| 26 = J-10 Pickup-131" W.B. | 73 = Cherokee 2WD-2 Dr. | 79 = Cherokee 4WD-4 Dr.-Com |
| 27 = J-20 Pickup-131" W.B. | 74 = Cherokee 2WD-4 Dr. | 81 = Wrangler-93" W.B. |
| 63 = Comanche 4WD-6 Ft. Box | 75 = Wagoneer 4WD-4 Dr. | 82 = Wrangler-103" W.B.-Exp. |
| 64 = Comanche 2WD-6 Ft. Box | | |

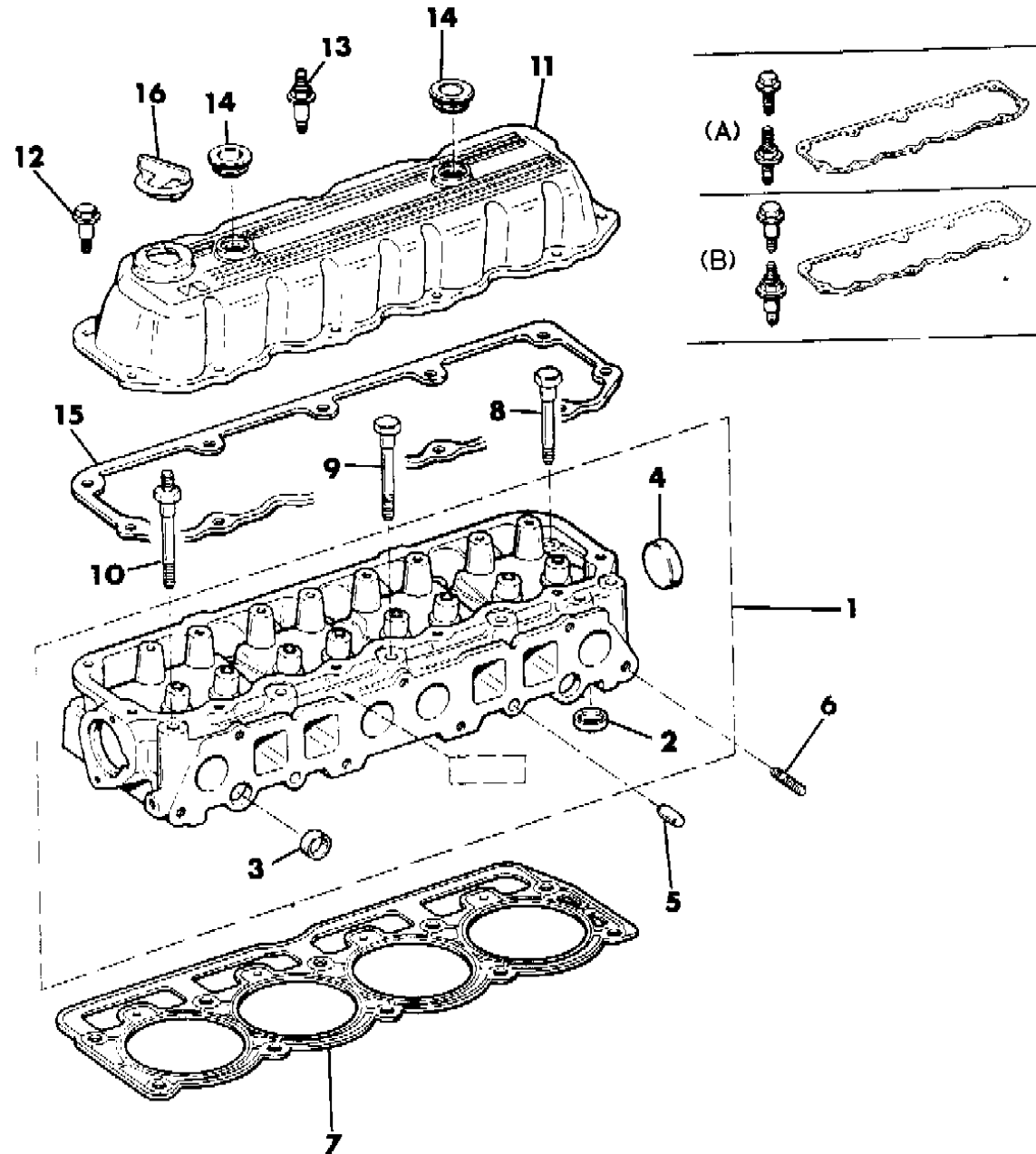
BODY STYLES:

MJ = Comanche Pickup
 SJ = Grand Wagoneer Wgn., J-10 & J-20 Pickups
 XJ = Cherokee, Wagoneer Limited
 YJ = Wrangler

AR = Use as Required - = Non Illustrated Part P.A.R. = Paint as Required

GASKET, CYLINDER HEAD 2.5 ENGINE
Figure 9A-1700

8 J58 1700



| ITEM | PART NUMBER | QTY | BODY | MODEL | DESCRIPTION |
|------|-------------|-----|-------|-------|-------------------------------|
| 1 | | | | | HEAD, Engine Cylinder |
| | 8350 2487 | 1 | | | Injected #2403 |
| | 8350 2488 | 1 | | | Carbureted #2405 |
| 2 | 3300 2400 | 4 | | | SEAT, Exhaust Valve |
| 3 | J317 2319 | 4 | | | PLUG .875" |
| 4 | J310 5394 | 1 | | | PLUG 2" |
| 5 | J317 2318 | 2 | | | PIN |
| 6 | J400 7462 | 2 | | | STUD |
| 7 | 3300 3722 | | | | GASKET |
| 8 | J400 7308 | 5 | | | BOLT 3.75" |
| 9 | J400 7307 | 1 | | | BOLT 4.52" |
| 10 | | | | | BOLT, Stud |
| | J400 7310 | AR | | | 1.00" |
| | J400 7311 | AR | | | 1.38" |
| 11 | | | | | COVER, Cylinder Head |
| | J324 2121 | 1 | | | CONDITION (A) |
| | 3300 3857 | 1 | | | CONDITION (B) |
| 12 | | | | | BOLT |
| | S943 2476 | AR | | | Condition (A) |
| | J400 7506 | AR | | | Condition (B) |
| 13 | | | | | BOLT, Stud |
| | J400 7144 | 3 | YJ | | Condition (A) |
| | J400 7508 | 3 | YJ | | Condition (B) |
| | J400 7495 | AR | MJ,XJ | | |
| 14 | | | | | GROMMET |
| | 3300 1237 | AR | | | Carbureted .45" |
| | J323 7765 | AR | | | Carbureted .72" |
| | 5300 4721 | AR | | | Injected 2.2mm |
| 15 | | | | | GASKET |
| | J324 1731 | 1 | | | Condition (A) *** |
| | J899 3317 | 1 | | | Condition (B), RTV Sealer *** |
| 16 | 3300 1016 | 1 | | | CAP |

MODEL CODES:

| | | |
|-----------------------------|-----------------------------|------------------------------|
| 15 = Grand Wagoneer 4 Dr. | 65 = Comanche 4WD-7 Ft. Box | 77 = Cherokee 4WD-2 Dr. |
| 25 = J-10 Pickup-119" W.B. | 66 = Comanche 2WD-7 Ft. Box | 78 = Cherokee 4WD-4 Dr. |
| 26 = J-10 Pickup-131" W.B. | 73 = Cherokee 2WD-2 Dr. | 79 = Cherokee 4WD-4 Dr.-Com |
| 27 = J-20 Pickup-131" W.B. | 74 = Cherokee 2WD-4 Dr. | 81 = Wrangler-93" W.B. |
| 63 = Comanche 4WD-6 Ft. Box | 75 = Wagoneer 4WD-4 Dr. | 82 = Wrangler-103" W.B.-Exp. |
| 64 = Comanche 2WD-6 Ft. Box | | |

BODY STYLES:

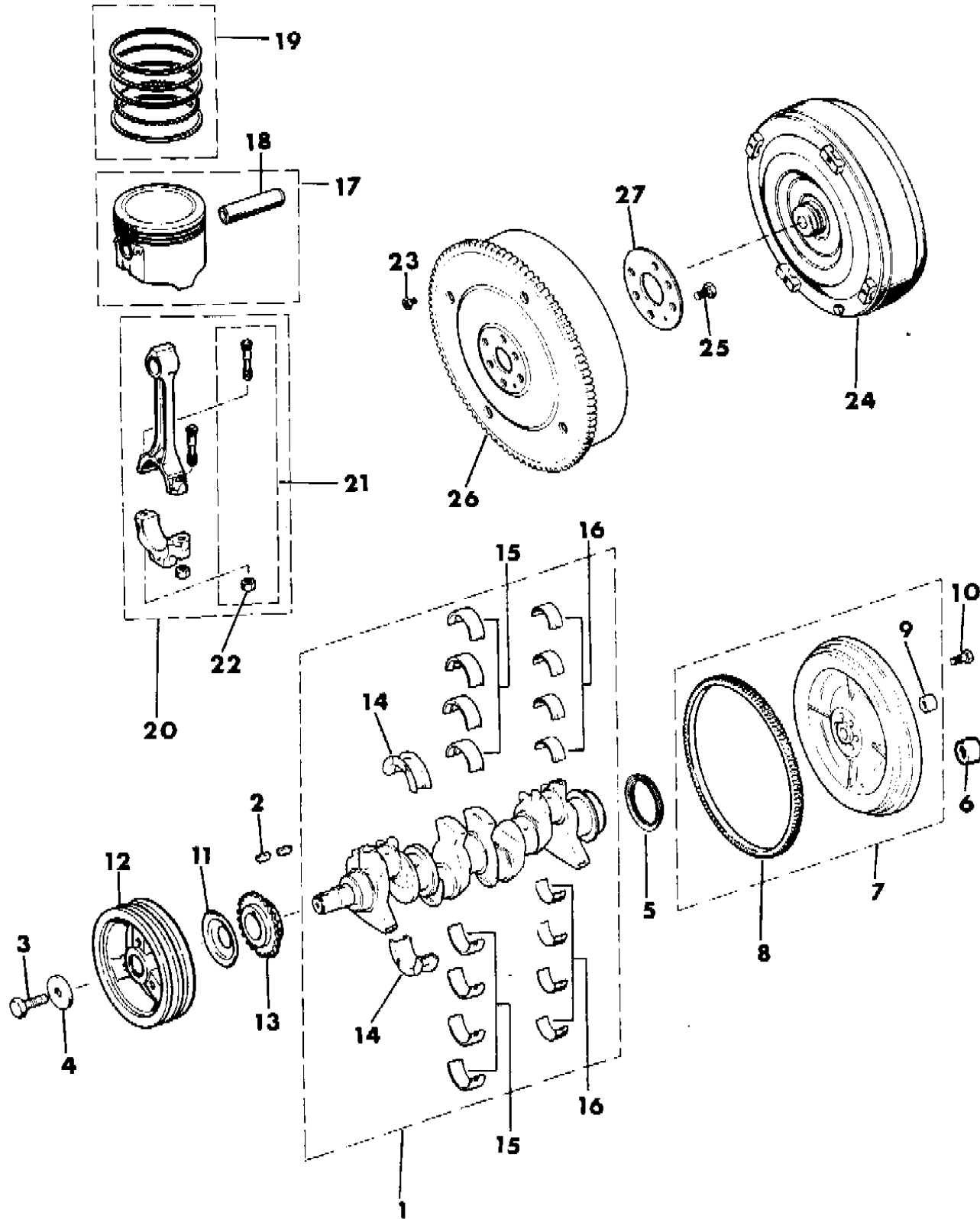
MJ = Comanche Pickup
 SJ = Grand Wagoneer Wgn., J-10 & J-20 Pickups
 XJ = Cherokee, Wagoneer Limited
 YJ = Wrangler

AR = Use as Required - = Non Illustrated Part P.A.R. = Paint as Required

CRANKSHAFT AND PISTON 2.5L ENGINE

Figure 9A-1800

8 J 58 1800



| ITEM | PART NUMBER | QTY | BODY | MODEL | DESCRIPTION |
|------|-------------|-----|-------|-------|--------------------------------------|
| 1 | 8350 4658 | 1 | | | CRANKSHAFT PACKAGE *** |
| 2 | J310 7002 | 2 | | | KEY |
| 3 | | | | | BOLT |
| | S018 1698 | 1 | | | 1.25" |
| | S942 4033 | 1 | | | 1.62" |
| 4 | J323 0155 | 1 | | | WASHER |
| 5 | 3300 4143 | 1 | | | SEAL |
| 6 | | | MJ,XJ | | BUSHING, Automatic Transmission |
| | 5300 0832 | 1 | | | 1987 |
| | 3300 2840 | 1 | | | 1988-90 |
| 7 | 3300 2408 | 1 | | | FLYWHEEL, Manual Transmission |
| 8 | J324 1718 | 1 | | | GEAR, Ring - Manual Transmission |
| 9 | J325 0005 | 1 | | | BEARING, Pilot - Manual Transmission |
| 10 | J400 7123 | 6 | | | BOLT, Manual Transmission |
| 11 | J317 3076 | 1 | | | SLINGER, Oil |
| 12 | J324 2885 | 1 | YJ | | DAMPER |
| | J324 2886 | 1 | MJ,XJ | | |
| 13 | J324 2281 | 1 | YJ | | SPROCKET, Crankshaft |
| | 3300 4020 | 1 | MJ,XJ | | |
| 14 | | | | | BEARING PACKAGE, Main |
| | J813 3253 | 1 | | | Standard |
| | J813 3681 | 1 | | | -.001" |
| | J813 3683 | 1 | | | -.002" |
| | J813 3255 | 1 | | | -.010" |
| | J813 3685 | 1 | | | -.012" |
| 15 | | | | | BEARING PACKAGE, Main |
| | J813 3252 | 4 | | | Standard |
| | J813 3680 | 4 | | | -.001" |
| | J813 3682 | 4 | | | -.002" |
| | J813 3254 | 4 | | | -.010" |
| | J813 3684 | 4 | | | -.012" |
| 16 | | | | | BEARING PACKAGE, Rod |
| | 8350 0300 | 4 | | | Standard |
| | 8350 1397 | 4 | | | -.001" |
| | 8350 0301 | 4 | | | -.010" |
| 17 | | | | | PISTON PACKAGE, Standard *** |
| | 4773 157 | 4 | | | Size 'B' 3.8746" |

MODEL CODES:

| | | |
|-----------------------------|-----------------------------|------------------------------|
| 15 = Grand Wagoneer 4 Dr. | 65 = Comanche 4WD-7 Ft. Box | 77 = Cherokee 4WD-2 Dr. |
| 25 = J-10 Pickup-119" W.B. | 66 = Comanche 2WD-7 Ft. Box | 78 = Cherokee 4WD-4 Dr. |
| 26 = J-10 Pickup-131" W.B. | 73 = Cherokee 2WD-2 Dr. | 79 = Cherokee 4WD-4 Dr.-Com |
| 27 = J-20 Pickup-131" W.B. | 74 = Cherokee 2WD-4 Dr. | 81 = Wrangler-93" W.B. |
| 63 = Comanche 4WD-6 Ft. Box | 75 = Wagoneer 4WD-4 Dr. | 82 = Wrangler-103" W.B.-Exp. |
| 64 = Comanche 2WD-6 Ft. Box | | |

BODY STYLES:

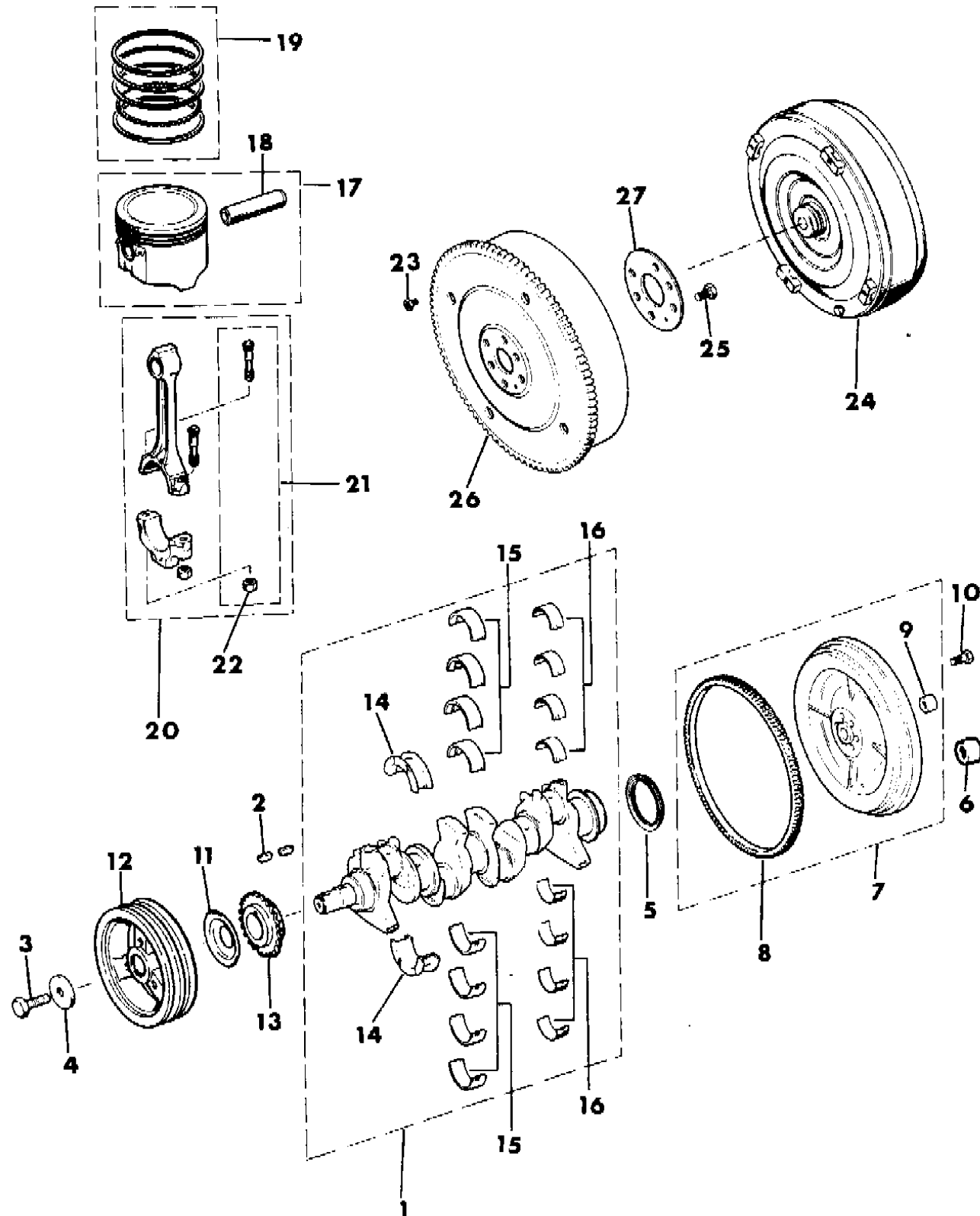
MJ = Comanche Pickup
 SJ = Grand Wagoneer Wgn., J-10 & J-20 Pickups
 XJ = Cherokee, Wagoneer Limited
 YJ = Wrangler

AR = Use as Required - = Non Illustrated Part P.A.R. = Paint as Required

CRANKSHAFT AND PISTON 2.5L ENGINE

Figure 9A-1800

8 J 58 1800



| ITEM | PART NUMBER | QTY | BODY | MODEL | DESCRIPTION |
|------|-------------|-----|-------|-------|----------------------|
| | 4773 158 | 4 | | | Size 'C' 3.8750" |
| | 4773 159 | 4 | | | Size 'D' 3.8754" |
| | 4773 456 | 4 | | | Size 'E' 3.8758" |
| | 8350 0252 | 4 | | | +0.010" O/Size |
| 18 | | | | | PIN, Piston |
| | J318 0483 | 4 | | | Standard |
| | 8350 0303 | 4 | | | +0.003" |
| | 8350 0304 | 4 | | | +0.005" |
| 19 | | | | | RING PACKAGE, Piston |
| | 8350 1987 | 4 | | | Standard |
| | 8350 1988 | 4 | | | +0.010" |
| 20 | 3300 4545 | 4 | | | ROD, Connecting |
| 21 | J813 3824 | 8 | | | BOLT PACKAGE |
| 22 | J400 6385 | 8 | | | NUT |
| 23 | J420 0302 | 4 | MJ,XJ | | BOLT |
| 24 | | | | | CONVERTER, Torque |
| | 5300 3917 | 1 | MJ,XJ | | EUROPE, MIDEAST, KDX |
| | JR77 5138 | 1 | MJ,XJ | | Remanufactured |
| 25 | J400 7122 | 6 | MJ,XJ | | BOLT |
| 26 | 3300 3313 | 1 | MJ,XJ | | PLATE |
| 27 | 5300 2234 | 1 | MJ,XJ | | REINFORCEMENT |

MODEL CODES:

| | | |
|-----------------------------|-----------------------------|------------------------------|
| 15 = Grand Wagoneer 4 Dr. | 65 = Comanche 4WD-7 Ft. Box | 77 = Cherokee 4WD-2 Dr. |
| 25 = J-10 Pickup-119" W.B. | 66 = Comanche 2WD-7 Ft. Box | 78 = Cherokee 4WD-4 Dr. |
| 26 = J-10 Pickup-131" W.B. | 73 = Cherokee 2WD-2 Dr. | 79 = Cherokee 4WD-4 Dr.-Com |
| 27 = J-20 Pickup-131" W.B. | 74 = Cherokee 2WD-4 Dr. | 81 = Wrangler-93" W.B. |
| 63 = Comanche 4WD-6 Ft. Box | 75 = Wagoneer 4WD-4 Dr. | 82 = Wrangler-103" W.B.-Exp. |
| 64 = Comanche 2WD-6 Ft. Box | | |

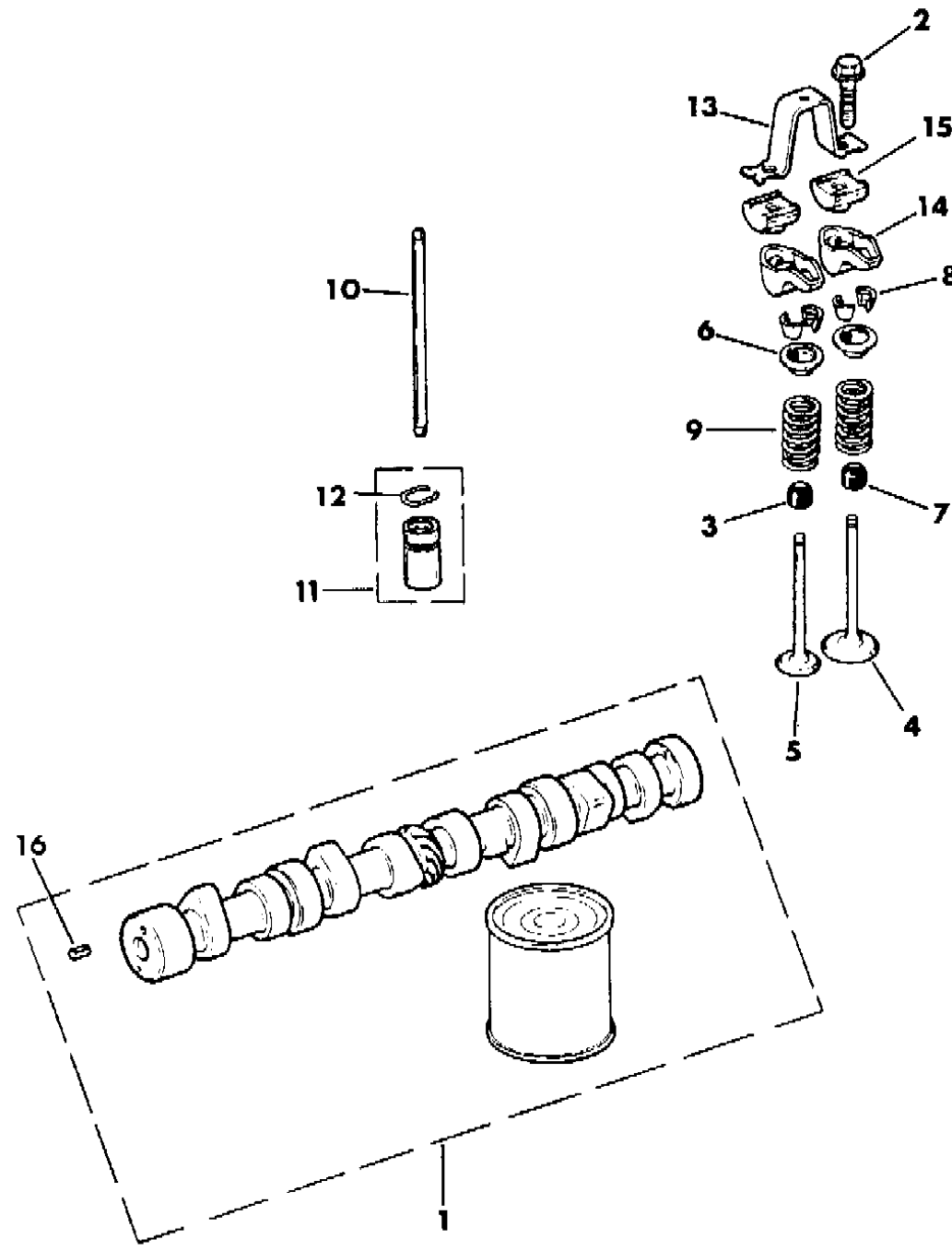
BODY STYLES:

MJ = Comanche Pickup
 SJ = Grand Wagoneer Wgn., J-10 & J-20 Pickups
 XJ = Cherokee, Wagoneer Limited
 YJ = Wrangler

AR = Use as Required - = Non Illustrated Part P.A.R. = Paint as Required

CAMSHAFT AND VALVE 2.5L ENGINE
Figure 9A-1900

8 J 58 1900



| ITEM | PART NUMBER | QTY | BODY | MODEL | DESCRIPTION |
|------|-------------|-----|------|-------|------------------------------------|
| 1 | 8350 0249 | 1 | | | CAMSHAFT |
| 2 | J812 0512 | 8 | | | BOLT |
| 3 | | | | | SEAL, Exhaust Valve |
| | 3300 2522 | 4 | | | Standard |
| | 3300 2522 | 4 | | | +0.003" |
| | 3300 2733 | 4 | | | +0.015" |
| 4 | | | | | VALVE, Intake |
| | J324 2659 | 4 | | | Standard Marked 59 |
| | 3300 3515 | 4 | | | Standard Marked 15 |
| | J324 2670 | 4 | | | +0.003" Marked 70 |
| | 3300 3519 | 4 | | | +0.003" Marked 19 |
| | J324 2671 | 4 | | | +0.015" Marked 71 |
| | 3300 3575 | 4 | | | +0.015" Marked 75 |
| 5 | | | | | VALVE, Exhaust |
| | 3300 2429 | 4 | | | Standard Marked 29 |
| | 3300 3860 | 4 | | | Standard Marked 60 |
| | 8350 2491 | 4 | | | +0.003" Marked 73 |
| | 3300 3520 | 4 | | | +0.003" Marked 20 |
| | 8350 2492 | 4 | | | +0.015" Marked 74 |
| | 3300 3576 | 4 | | | +0.015" Marked 76 |
| 6 | | | | | RETAINER |
| | J324 2661 | 8 | | | 1.82" Cylindrical Spring - 1987 |
| | 3300 4626 | 8 | | | 1988-90 |
| 7 | | | | | SEAL |
| | 3300 2729 | 4 | | | Standard |
| | 3300 2729 | 4 | | | +0.003" |
| | 3300 3016 | 4 | | | +0.015" |
| 8 | | | | | KEEPER |
| | J324 2664 | 16 | | | Valves Marked #29,59,70,71,73,74 |
| | 3300 3521 | 16 | | | Valves Marked #15,19,20,60,75,76 |
| 9 | | | | | SPRING |
| | 3300 4296 | 8 | | | 2.00" Long, Conical Shape |
| | J324 2678 | 8 | | | 1.82" Long, Cylindrical Shape 1987 |
| 10 | J324 1709 | 8 | | | PUSHROD |
| 11 | J322 2276 | 8 | | | TAPPET |
| 12 | J644 0614 | 8 | | | RING |
| 13 | J323 6513 | 4 | | | BRIDGE |

MODEL CODES:

| | | |
|-----------------------------|-----------------------------|------------------------------|
| 15 = Grand Wagoneer 4 Dr. | 65 = Comanche 4WD-7 Ft. Box | 77 = Cherokee 4WD-2 Dr. |
| 25 = J-10 Pickup-119" W.B. | 66 = Comanche 2WD-7 Ft. Box | 78 = Cherokee 4WD-4 Dr. |
| 26 = J-10 Pickup-131" W.B. | 73 = Cherokee 2WD-2 Dr. | 79 = Cherokee 4WD-4 Dr.-Com |
| 27 = J-20 Pickup-131" W.B. | 74 = Cherokee 2WD-4 Dr. | 81 = Wrangler-93" W.B. |
| 63 = Comanche 4WD-6 Ft. Box | 75 = Wagoneer 4WD-4 Dr. | 82 = Wrangler-103" W.B.-Exp. |
| 64 = Comanche 2WD-6 Ft. Box | | |

BODY STYLES:

MJ = Comanche Pickup
 SJ = Grand Wagoneer Wgn., J-10 & J-20 Pickups
 XJ = Cherokee, Wagoneer Limited
 YJ = Wrangler

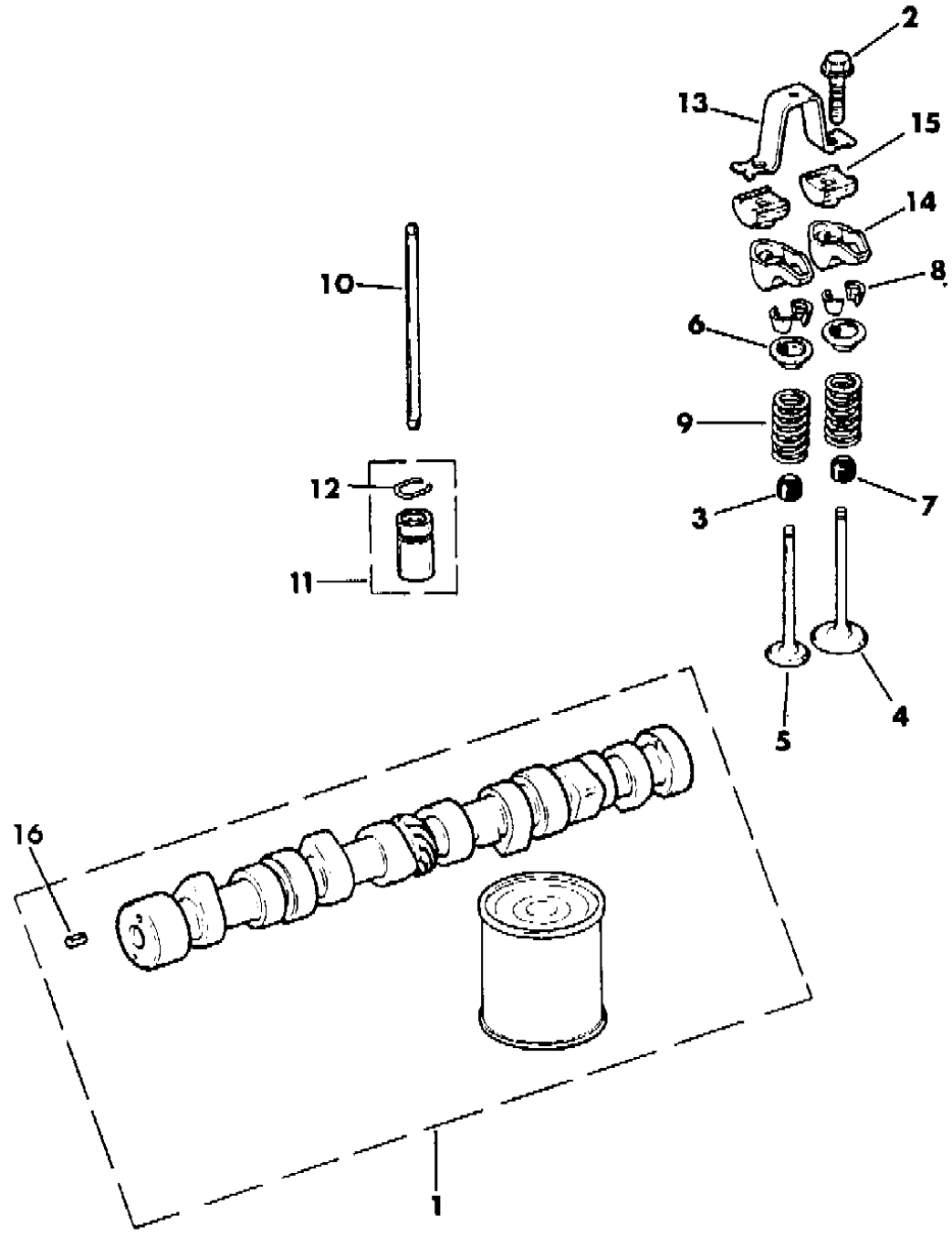
AR = Use as Required - = Non Illustrated Part P.A.R. = Paint as Required

CAMSHAFT AND VALVE 2.5L ENGINE
Figure 9A-1900

8 J 58 1900

| ITEM | PART NUMBER | QTY | BODY | MODEL | DESCRIPTION |
|------|-------------|-----|------|-------|-------------|
|------|-------------|-----|------|-------|-------------|

| | | | | | |
|----|-----------|---|--|--|-------------------|
| 14 | J324 2393 | 8 | | | ARM, Valve Rocker |
| 15 | J323 5090 | 8 | | | PIVOT |
| 16 | J045 6384 | 1 | | | PIN |



MODEL CODES:

| | | |
|-----------------------------|-----------------------------|------------------------------|
| 15 = Grand Wagoneer 4 Dr. | 65 = Comanche 4WD-7 Ft. Box | 77 = Cherokee 4WD-2 Dr. |
| 25 = J-10 Pickup-119" W.B. | 66 = Comanche 2WD-7 Ft. Box | 78 = Cherokee 4WD-4 Dr. |
| 26 = J-10 Pickup-131" W.B. | 73 = Cherokee 2WD-2 Dr. | 79 = Cherokee 4WD-4 Dr.-Com |
| 27 = J-20 Pickup-131" W.B. | 74 = Cherokee 2WD-4 Dr. | 81 = Wrangler-93" W.B. |
| 63 = Comanche 4WD-6 Ft. Box | 75 = Wagoneer 4WD-4 Dr. | 82 = Wrangler-103" W.B.-Exp. |
| 64 = Comanche 2WD-6 Ft. Box | | |

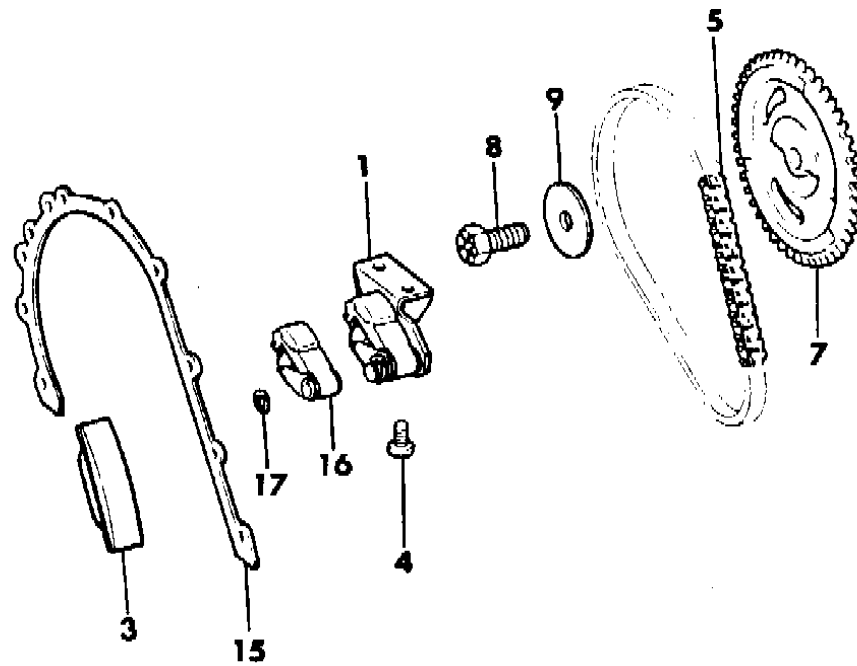
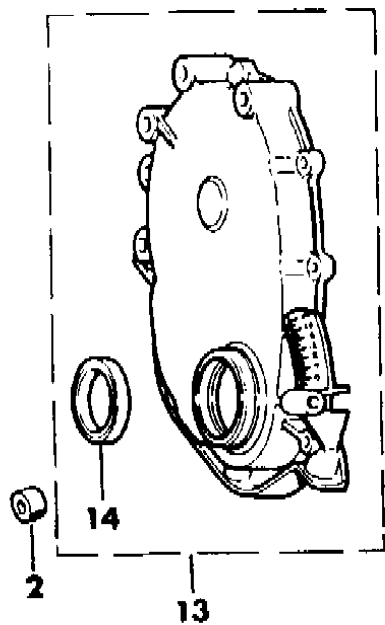
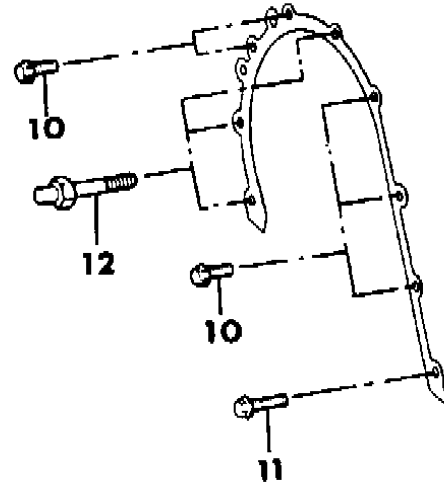
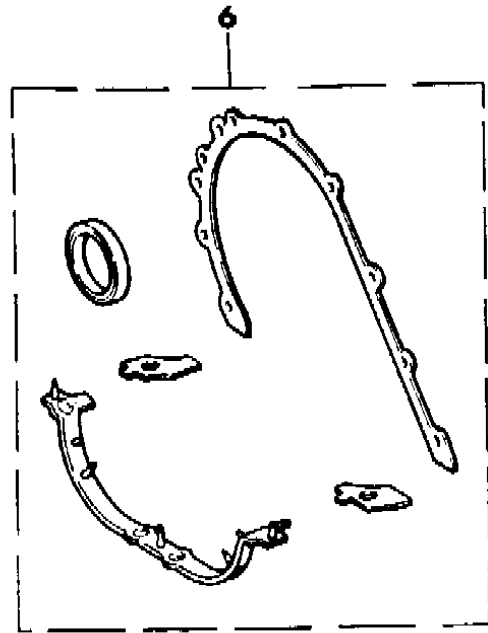
BODY STYLES:

MJ = Comanche Pickup
 SJ = Grand Wagoneer Wgn., J-10 & J-20 Pickups
 XJ = Cherokee, Wagoneer Limited
 YJ = Wrangler

AR = Use as Required - = Non Illustrated Part P.A.R. = Paint as Required

TIMING COVER 2.5L ENGINE
Figure 9A-2000

8J58 2000



| ITEM | PART NUMBER | QTY | BODY | MODEL | DESCRIPTION |
|------|-------------|-----|------|-------|--------------------------------|
| 1 | 3300 3421 | 1 | | | TENSIONER |
| 2 | 3420 2521 | 1 | | | SPACER |
| 3 | J324 2617 | 1 | | | BUMPER |
| 4 | J400 6708 | 2 | | | SCREW |
| 5 | J324 2300 | 1 | | | CHAIN, Timing |
| 6 | J812 9097 | 1 | | | GASKET PACKAGE |
| 7 | J324 2280 | 1 | | | SPROCKET, Camshaft |
| 8 | J317 2308 | 1 | | | BOLT |
| 9 | J317 3284 | 1 | | | WASHER |
| 10 | J400 6906 | 5 | | | BOLT .75" |
| 11 | 6034 914 | 1 | | | BOLT 1.12" |
| 12 | J400 7154 | 3 | | | BOLT, Stud |
| 13 | | | | | COVER, Timing Case |
| | 3300 2984 | 1 | | | 1987 |
| | 5300 5769 | 1 | | | 1988-90 |
| 14 | 3300 4681 | 1 | | | SEAL |
| 15 | J322 5187 | 1 | | | GASKET |
| 16 | | | | | TENSIONER, Serviced in Item #1 |
| 17 | | | | | CLIP, Serviced in Item #1 |

MODEL CODES:

| | | |
|-----------------------------|-----------------------------|------------------------------|
| 15 = Grand Wagoneer 4 Dr. | 65 = Comanche 4WD-7 Ft. Box | 77 = Cherokee 4WD-2 Dr. |
| 25 = J-10 Pickup-119" W.B. | 66 = Comanche 2WD-7 Ft. Box | 78 = Cherokee 4WD-4 Dr. |
| 26 = J-10 Pickup-131" W.B. | 73 = Cherokee 2WD-2 Dr. | 79 = Cherokee 4WD-4 Dr.-Com |
| 27 = J-20 Pickup-131" W.B. | 74 = Cherokee 2WD-4 Dr. | 81 = Wrangler-93" W.B. |
| 63 = Comanche 4WD-6 Ft. Box | 75 = Wagoneer 4WD-4 Dr. | 82 = Wrangler-103" W.B.-Exp. |
| 64 = Comanche 2WD-6 Ft. Box | | |

BODY STYLES:

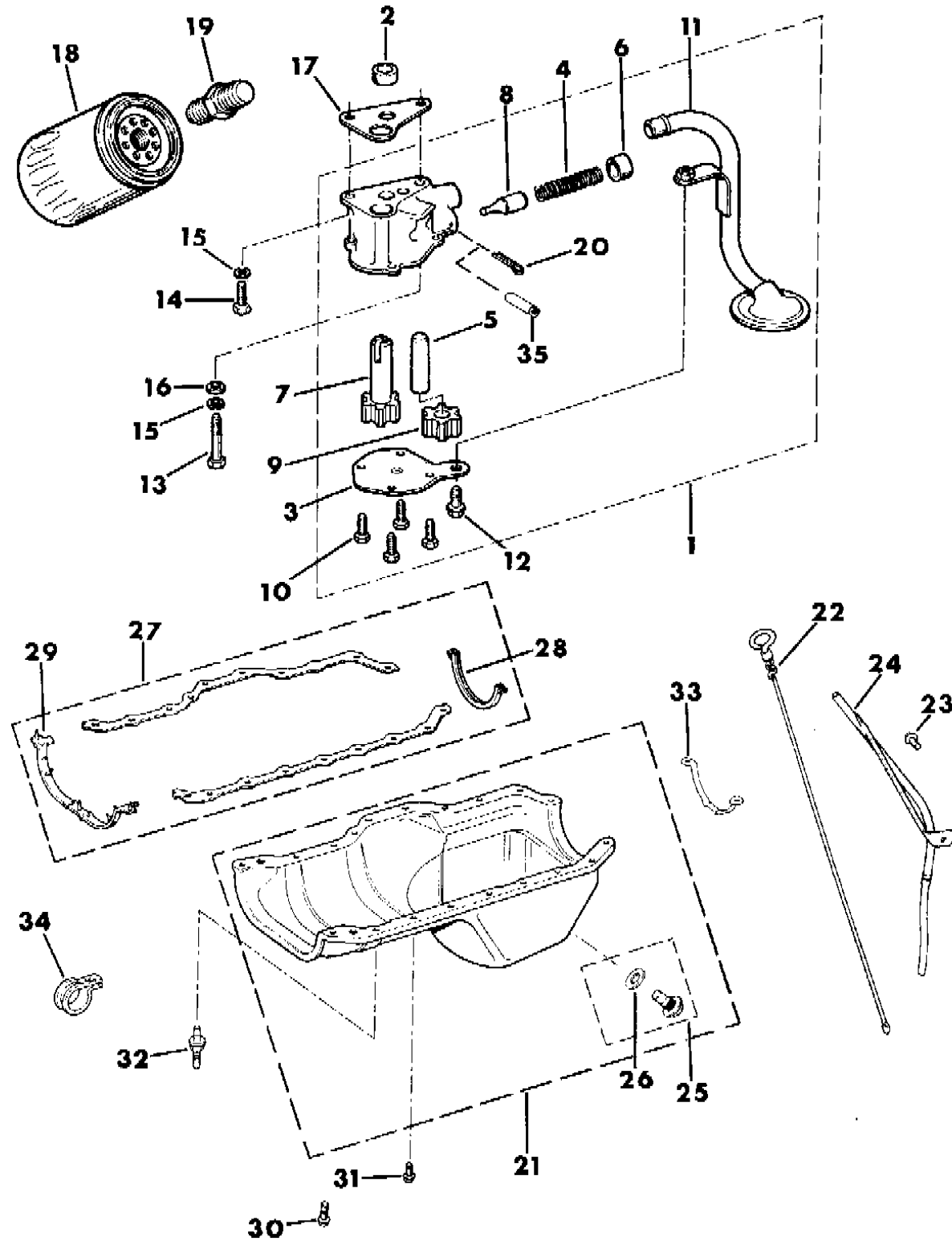
MJ = Comanche Pickup
 SJ = Grand Wagoneer Wgn., J-10 & J-20 Pickups
 XJ = Cherokee, Wagoneer Limited
 YJ = Wrangler

AR = Use as Required - = Non Illustrated Part P.A.R. = Paint as Required

ENGINE OILING 2.5L ENGINE

Figure 9A-2100

8J58 2100



| ITEM | PART NUMBER | QTY | BODY | MODEL | DESCRIPTION |
|------|-------------|-----|-------|-------|-----------------------------|
| 1 | J324 3102 | 1 | | | PUMP, Engine Oil |
| 2 | J400 5149 | 1 | | | PIN |
| 3 | J324 1733 | 1 | | | COVER, Oil Pump |
| 4 | J323 9668 | 1 | | | SPRING |
| 5 | J317 1956 | 1 | | | SHAFT, Oil Pump Gear |
| 6 | J317 1958 | 1 | | | RETAINER |
| 7 | J317 2334 | 1 | | | GEAR, Oil Pump Drive |
| 8 | | | | | PLUNGER |
| | J318 8661 | 1 | | | Standard |
| | J324 1676 | 1 | | | +0.010" |
| 9 | J319 6843 | 1 | | | GEAR, Oil Pump Driven |
| 10 | J812 2990 | 4 | | | SCREW 1987-89 |
| | J941 6852 | 4 | | | BOLT 1990 |
| 11 | J324 3111 | 1 | | | TUBE, Oil Pump Inlet |
| 12 | J400 6909 | 1 | | | BOLT |
| 13 | J943 7670 | 1 | | | BOLT 2.62" |
| 14 | S942 7934 | 1 | | | BOLT, .88" |
| 15 | J012 0214 | 2 | | | WASHER, Lock |
| 16 | J012 0393 | 1 | | | WASHER |
| 17 | J317 2332 | 1 | | | GASKET |
| 18 | 3300 4195 | 1 | | | FILTER, Engine Oil |
| 19 | 3300 3538 | 1 | | | CONNECTOR |
| 20 | S010 8635 | 1 | | | PIN, Cotter |
| 21 | 5302 0205 | 1 | | | PAN, Engine Oil 1986-93 |
| 22 | 3300 2407 | 1 | | | INDICATOR, Engine Oil Level |
| 23 | J027 3573 | 1 | | | BOLT |
| 24 | J324 1748 | 1 | | | TUBE, Engine Oil Indicator |
| 25 | 8350 1425 | 1 | | | PLUG PACKAGE |
| 26 | J324 3136 | 1 | | | GASKET |
| 27 | 8350 4661 | 1 | | | GASKET PACKAGE |
| 28 | J324 1609 | 1 | | | SEAL |
| 29 | 8350 4654 | 1 | | | SEAL |
| 30 | J400 6297 | 4 | | | SCREW .75" |
| 31 | J400 6296 | 17 | | | SCREW .56" |
| 32 | 6034 914 | 1 | YJ | | BOLT |
| | J400 7178 | 1 | MJ,XJ | | BOLT, Stud |
| 33 | J324 3116 | 1 | | | SUPPORT |

MODEL CODES:

| | | |
|-----------------------------|-----------------------------|------------------------------|
| 15 = Grand Wagoneer 4 Dr. | 65 = Comanche 4WD-7 Ft. Box | 77 = Cherokee 4WD-2 Dr. |
| 25 = J-10 Pickup-119" W.B. | 66 = Comanche 2WD-7 Ft. Box | 78 = Cherokee 4WD-4 Dr. |
| 26 = J-10 Pickup-131" W.B. | 73 = Cherokee 2WD-2 Dr. | 79 = Cherokee 4WD-4 Dr.-Com |
| 27 = J-20 Pickup-131" W.B. | 74 = Cherokee 2WD-4 Dr. | 81 = Wrangler-93" W.B. |
| 63 = Comanche 4WD-6 Ft. Box | 75 = Wagoneer 4WD-4 Dr. | 82 = Wrangler-103" W.B.-Exp. |
| 64 = Comanche 2WD-6 Ft. Box | | |

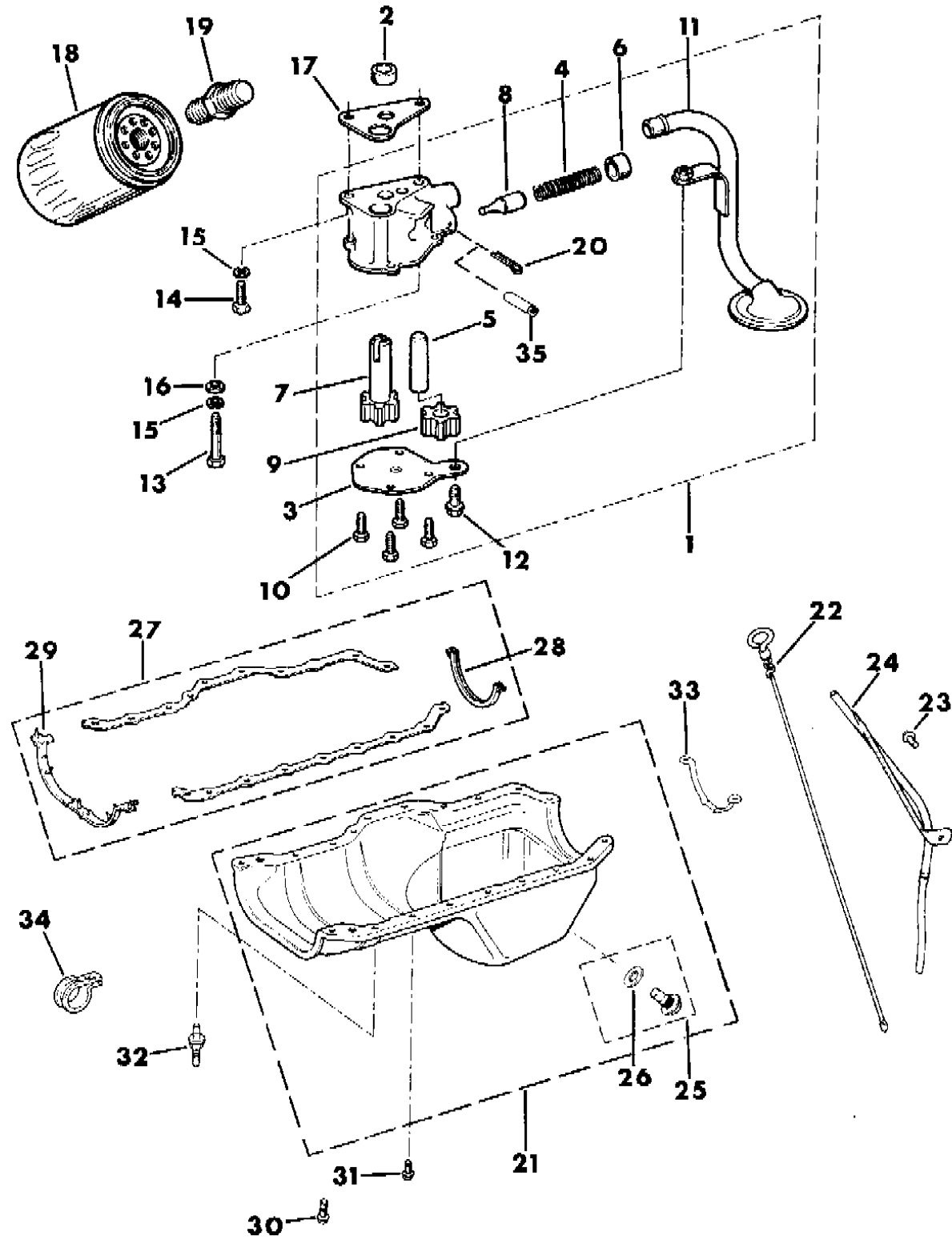
BODY STYLES:

MJ = Comanche Pickup
 SJ = Grand Wagoneer Wgn., J-10 & J-20 Pickups
 XJ = Cherokee, Wagoneer Limited
 YJ = Wrangler

AR = Use as Required - = Non Illustrated Part P.A.R. = Paint as Required

ENGINE OILING 2.5L ENGINE
Figure 9A-2100

8J58 2100



| ITEM | PART NUMBER | QTY | BODY | MODEL | DESCRIPTION |
|------|-------------|-----|------|-------|-------------|
| 34 | J012 0522 | 1 | YJ | | CLIP |
| 35 | J027 1448 | 1 | | | PIN, Roll |

MODEL CODES:

| | | |
|-----------------------------|-----------------------------|------------------------------|
| 15 = Grand Wagoneer 4 Dr. | 65 = Comanche 4WD-7 Ft. Box | 77 = Cherokee 4WD-2 Dr. |
| 25 = J-10 Pickup-119" W.B. | 66 = Comanche 2WD-7 Ft. Box | 78 = Cherokee 4WD-4 Dr. |
| 26 = J-10 Pickup-131" W.B. | 73 = Cherokee 2WD-2 Dr. | 79 = Cherokee 4WD-4 Dr.-Com |
| 27 = J-20 Pickup-131" W.B. | 74 = Cherokee 2WD-4 Dr. | 81 = Wrangler-93" W.B. |
| 63 = Comanche 4WD-6 Ft. Box | 75 = Wagoneer 4WD-4 Dr. | 82 = Wrangler-103" W.B.-Exp. |
| 64 = Comanche 2WD-6 Ft. Box | | |

BODY STYLES:

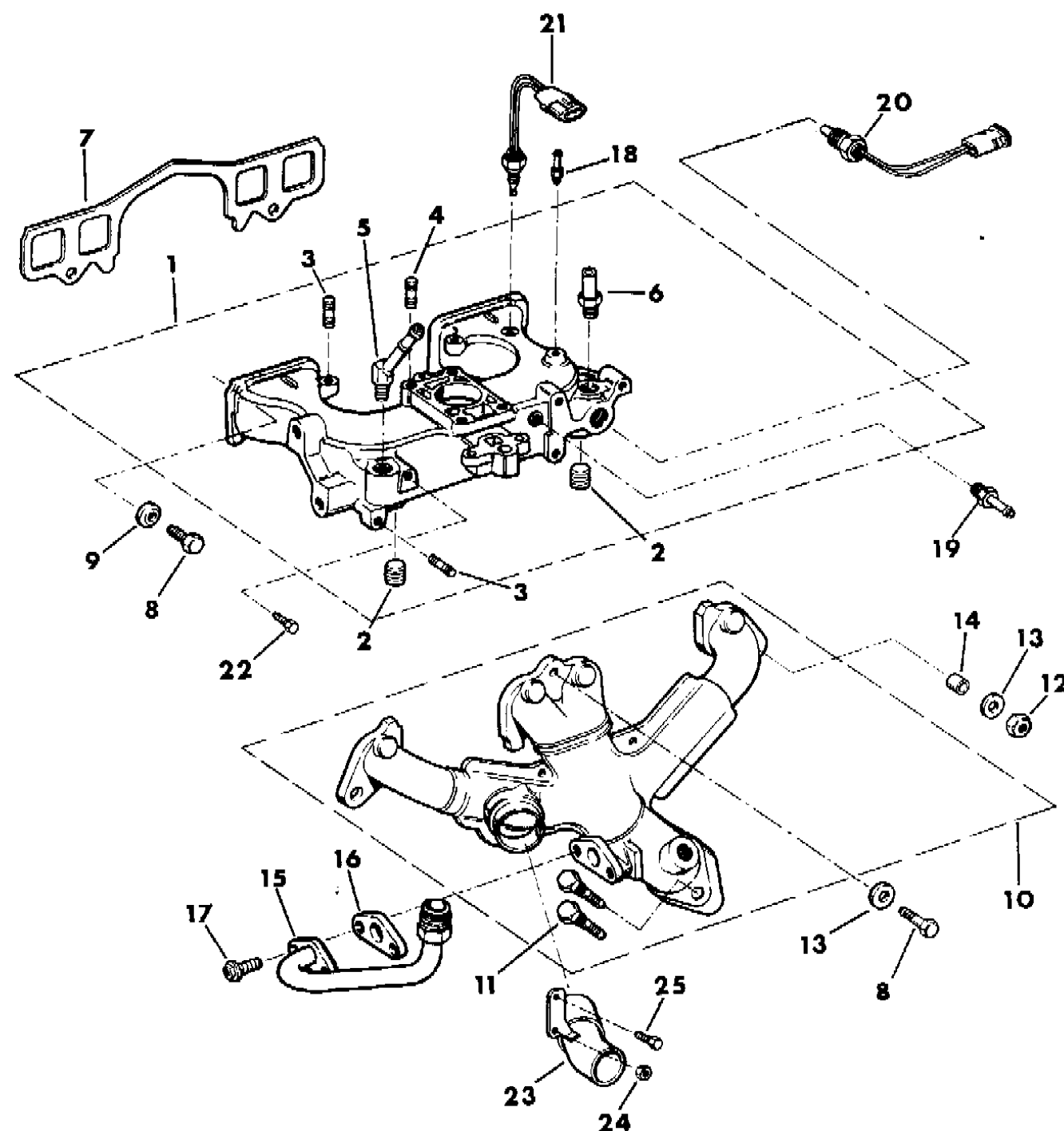
MJ = Comanche Pickup
 SJ = Grand Wagoneer Wgn., J-10 & J-20 Pickups
 XJ = Cherokee, Wagoneer Limited
 YJ = Wrangler

AR = Use as Required - = Non Illustrated Part P.A.R. = Paint as Required

MANIFOLD - INTAKE AND EXHAUST 2.5L EFI ENGINE

Figure 9A-2200

8 J58 2200



| ITEM | PART NUMBER | QTY | BODY | MODEL | DESCRIPTION |
|------|-------------|-----|-------|-------|--------------------------------|
| 1 | 3300 3436 | 1 | | | MANIFOLD, Intake |
| 2 | | | | | PLUG |
| | S940 9961 | 2 | | | 1987 |
| | J400 7434 | 2 | | | 1988-90 |
| 3 | J400 1617 | 2 | | | STUD |
| 4 | J400 7314 | 4 | | | STUD |
| 5 | | | | | NIPPLE |
| | 3300 3580 | 1 | | | Straight |
| | 3200 2707 | 1 | | | Elbow |
| 6 | | | | | NIPPLE |
| | 3300 2501 | 1 | | | Elbow |
| | 3200 2709 | 1 | | | Straight |
| 7 | J324 2854 | 1 | | | GASKET |
| 8 | J018 6622 | 5 | | | BOLT |
| 9 | 3300 4255 | 4 | | | CLAMP |
| 10 | 4713 055 | 1 | | | MANIFOLD, Exhaust |
| 11 | J400 7109 | 2 | | | STUD |
| 12 | J400 7153 | 2 | | | NUT |
| 13 | J317 3077 | 3 | | | WASHER |
| 14 | 3300 3332 | 2 | | | SPACER |
| 15 | 3300 2516 | 1 | | | TUBE, EGR |
| 16 | 3300 3879 | 1 | | | GASKET |
| 17 | J400 6985 | 2 | | | BOLT |
| 18 | 3300 1089 | 1 | YJ | | FITTING, Vacuum |
| | 5300 2726 | 1 | MJ,XJ | | 1987 |
| | 5300 4523 | 1 | MJ,XJ | | 1988-90 |
| 19 | 5300 4523 | 1 | YJ | | FITTING, Vacuum |
| | 3300 2327 | 1 | MJ,XJ | | |
| 20 | 3300 2383 | 1 | | | SENSOR, Coolant Temperature |
| 21 | 3300 2382 | 1 | | | SENSOR, Intake Air Temperature |
| 22 | J027 3573 | 1 | | | BOLT |
| 23 | 3300 3439 | 1 | MJ,XJ | | TUBE, Shroud Extension |
| 24 | J400 6080 | 1 | MJ,XJ | | NUT |
| 25 | J027 3573 | 1 | MJ,XJ | | BOLT |

MODEL CODES:

| | | |
|-----------------------------|-----------------------------|------------------------------|
| 15 = Grand Wagoneer 4 Dr. | 65 = Comanche 4WD-7 Ft. Box | 77 = Cherokee 4WD-2 Dr. |
| 25 = J-10 Pickup-119" W.B. | 66 = Comanche 2WD-7 Ft. Box | 78 = Cherokee 4WD-4 Dr. |
| 26 = J-10 Pickup-131" W.B. | 73 = Cherokee 2WD-2 Dr. | 79 = Cherokee 4WD-4 Dr.-Com |
| 27 = J-20 Pickup-131" W.B. | 74 = Cherokee 2WD-4 Dr. | 81 = Wrangler-93" W.B. |
| 63 = Comanche 4WD-6 Ft. Box | 75 = Wagoneer 4WD-4 Dr. | 82 = Wrangler-103" W.B.-Exp. |
| 64 = Comanche 2WD-6 Ft. Box | | |

BODY STYLES:

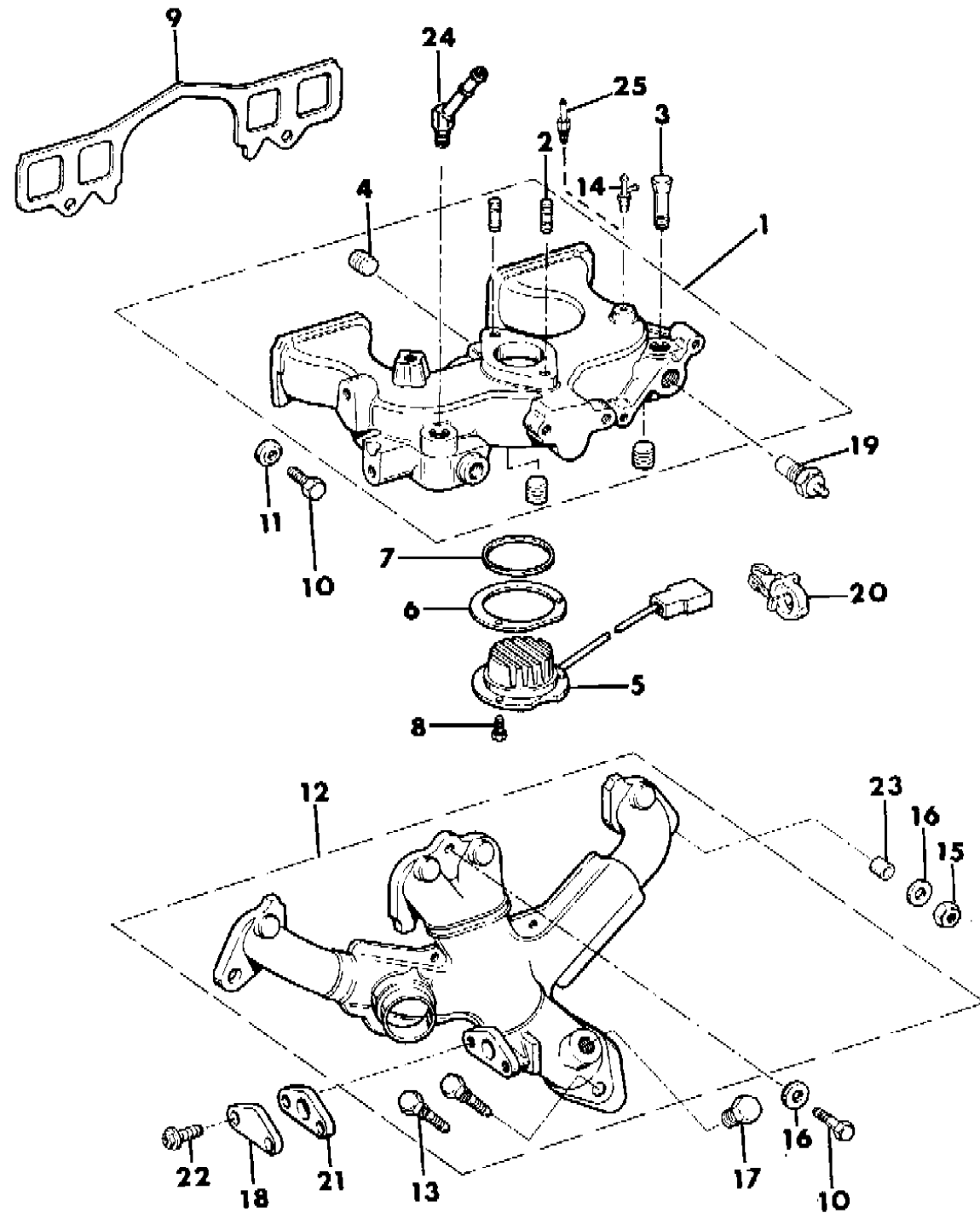
MJ = Comanche Pickup
 SJ = Grand Wagoneer Wgn., J-10 & J-20 Pickups
 XJ = Cherokee, Wagoneer Limited
 YJ = Wrangler

AR = Use as Required - = Non Illustrated Part P.A.R. = Paint as Required

MANIFOLD - INTAKE AND EXHAUST 2.5L CARBURETED ENGINE

Figure 9A-2300

8J58 2300A



| ITEM | PART NUMBER | QTY | BODY | MODEL | DESCRIPTION |
|------|-------------|-----|------|-------|--------------------------------|
| 1 | 8350 1410 | 1 | | | MANIFOLD, Intake |
| 2 | J400 6957 | 2 | | | STUD |
| 3 | 3200 2709 | 2 | | | NIPPLE |
| 4 | S940 9961 | 3 | | | PLUG |
| 5 | 3300 2466 | 1 | | | HEATER, Early Fuel Evaporation |
| 6 | J323 8909 | 1 | | | GASKET |
| 7 | J420 0431 | 1 | | | O-RING |
| 8 | J018 0016 | 3 | | | BOLT |
| 9 | J324 2854 | 1 | | | GASKET |
| 10 | J018 6622 | 5 | | | BOLT |
| 11 | 3300 4255 | 4 | | | WASHER, Clamp |
| 12 | 4713 055 | 1 | | | MANIFOLD, Exhaust |
| 13 | J400 7109 | 2 | | | STUD |
| 14 | 3300 1089 | 1 | | | FITTING, Vacuum |
| 15 | J400 7153 | 2 | | | NUT |
| 16 | J317 3077 | 3 | | | WASHER |
| 17 | J420 0413 | 1 | | | PLUG |
| 18 | J324 2583 | 1 | | | COVER, EGR Port |
| 19 | J324 2321 | 1 | | | SWITCH, Early Fuel Evaporation |
| 20 | 3420 1633 | 1 | | | CLIP |
| 21 | 3300 3879 | 1 | | | GASKET |
| 22 | J400 6985 | 2 | | | BOLT |
| 23 | 3300 3332 | 2 | | | SPACER |
| 24 | 3200 2707 | 1 | | | ELBOW |
| 25 | 5300 2726 | 1 | | | FITTING, Vacuum |

MODEL CODES:

| | | |
|-----------------------------|-----------------------------|------------------------------|
| 15 = Grand Wagoneer 4 Dr. | 65 = Comanche 4WD-7 Ft. Box | 77 = Cherokee 4WD-2 Dr. |
| 25 = J-10 Pickup-119" W.B. | 66 = Comanche 2WD-7 Ft. Box | 78 = Cherokee 4WD-4 Dr. |
| 26 = J-10 Pickup-131" W.B. | 73 = Cherokee 2WD-2 Dr. | 79 = Cherokee 4WD-4 Dr.-Com |
| 27 = J-20 Pickup-131" W.B. | 74 = Cherokee 2WD-4 Dr. | 81 = Wrangler-93" W.B. |
| 63 = Comanche 4WD-6 Ft. Box | 75 = Wagoneer 4WD-4 Dr. | 82 = Wrangler-103" W.B.-Exp. |
| 64 = Comanche 2WD-6 Ft. Box | | |

BODY STYLES:

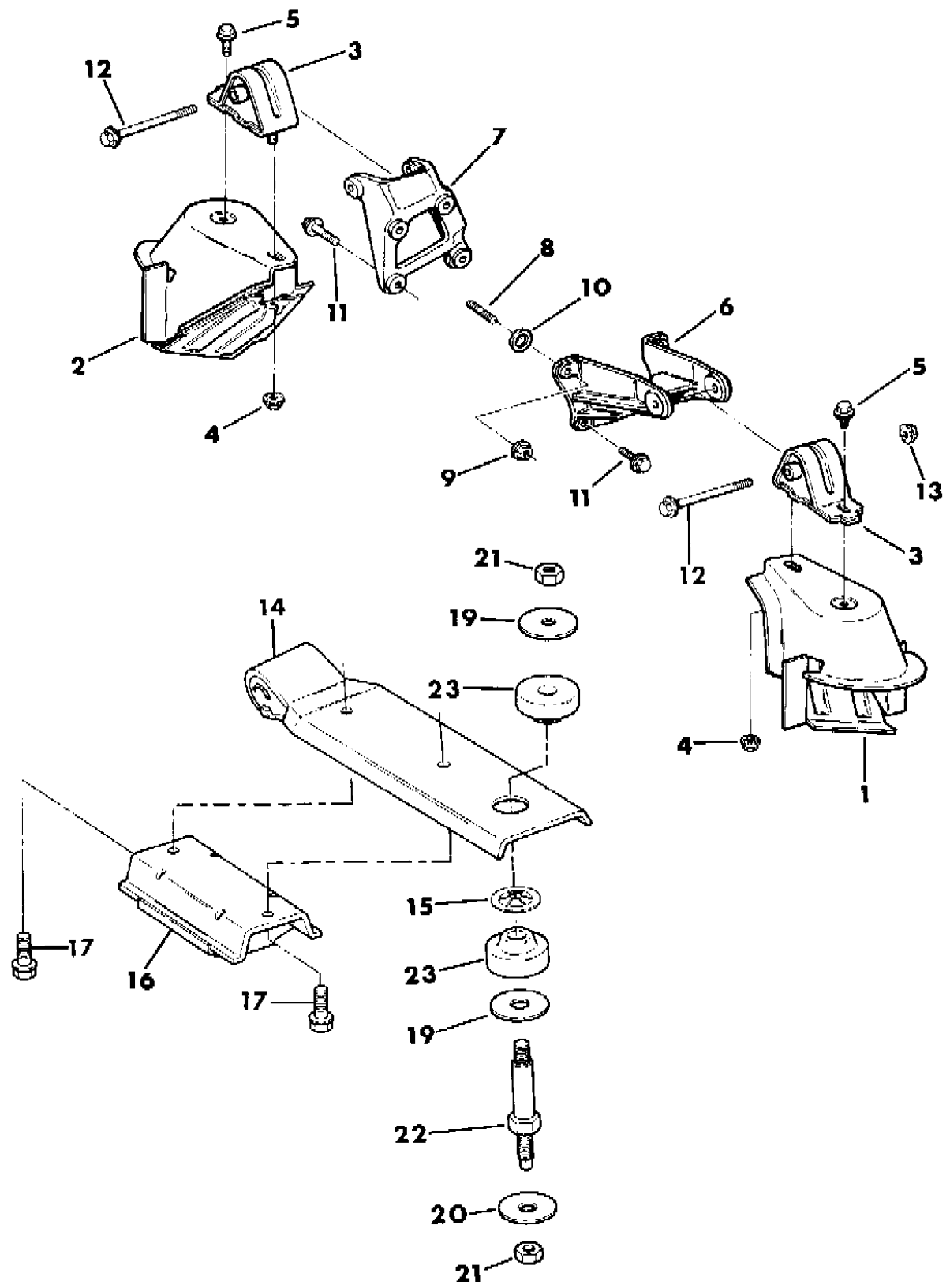
MJ = Comanche Pickup
 SJ = Grand Wagoneer Wgn., J-10 & J-20 Pickups
 XJ = Cherokee, Wagoneer Limited
 YJ = Wrangler

AR = Use as Required - = Non Illustrated Part P.A.R. = Paint as Required

ENGINE MOUNTING 2.5L ENGINE WRANGLER, YJ
Figure 9A-2400

8 J58 2400B

| ITEM | PART NUMBER | QTY | BODY | MODEL | DESCRIPTION |
|------|-------------|-----|------|-------|---------------------------|
| 1 | 5204 0333 | 1 | | | BRACKET, Engine - Left |
| 2 | 5204 0335 | 1 | | | BRACKET, Engine - Right |
| 3 | 5200 0074 | 2 | | | MOUNT, Engine |
| 4 | 1150 2812 | 2 | | | NUT |
| 5 | 3420 1559 | 2 | | | BOLT |
| 6 | 5200 0079 | 1 | | | BRACKET, Engine - Left |
| 7 | 5200 1183 | 1 | | | BRACKET, Engine - Right |
| 8 | J400 4110 | 1 | | | STUD |
| 9 | J400 6653 | 1 | | | NUT |
| 10 | J400 1161 | 1 | | | WASHER, Spacer |
| 11 | J400 6999 | 7 | | | BOLT |
| 12 | 3420 1959 | 2 | | | BOLT |
| 13 | 1150 2813 | 2 | | | NUT |
| 14 | 5200 3043 | 1 | | | BRACKET, Torque Arm |
| 15 | J400 0235 | 1 | | | NUT, Push .38" I.D. |
| 16 | 5200 2625 | 1 | | | CUSHION |
| 17 | | | | | BOLT |
| | J400 7162 | 2 | | | 7/16-14x1-1/8" 4 Cylinder |
| | J941 9856 | 2 | | | 7/16-14x1" 6 Cylinder |
| 18 | J094 1399 | 2 | | | WASHER |
| 19 | J094 5269 | 4 | | | WASHER |
| 21 | J941 1783 | 2 | | | NUT |
| 22 | J535 8879 | 1 | | | STUD |
| 23 | J094 5266 | 2 | | | INSULATOR |



MODEL CODES:

| | | |
|-----------------------------|-----------------------------|------------------------------|
| 15 = Grand Wagoneer 4 Dr. | 65 = Comanche 4WD-7 Ft. Box | 77 = Cherokee 4WD-2 Dr. |
| 25 = J-10 Pickup-119" W.B. | 66 = Comanche 2WD-7 Ft. Box | 78 = Cherokee 4WD-4 Dr. |
| 26 = J-10 Pickup-131" W.B. | 73 = Cherokee 2WD-2 Dr. | 79 = Cherokee 4WD-4 Dr.-Com |
| 27 = J-20 Pickup-131" W.B. | 74 = Cherokee 2WD-4 Dr. | 81 = Wrangler-93" W.B. |
| 63 = Comanche 4WD-6 Ft. Box | 75 = Wagoneer 4WD-4 Dr. | 82 = Wrangler-103" W.B.-Exp. |
| 64 = Comanche 2WD-6 Ft. Box | | |

BODY STYLES:

MJ = Comanche Pickup
 SJ = Grand Wagoneer Wgn., J-10 & J-20 Pickups
 XJ = Cherokee, Wagoneer Limited
 YJ = Wrangler

AR = Use as Required - = Non Illustrated Part P.A.R. = Paint as Required

ENGINE MOUNTING 2.5L ENGINE CHEROKEE, WAGONEER, COMANCHE
Figure 9A-2500

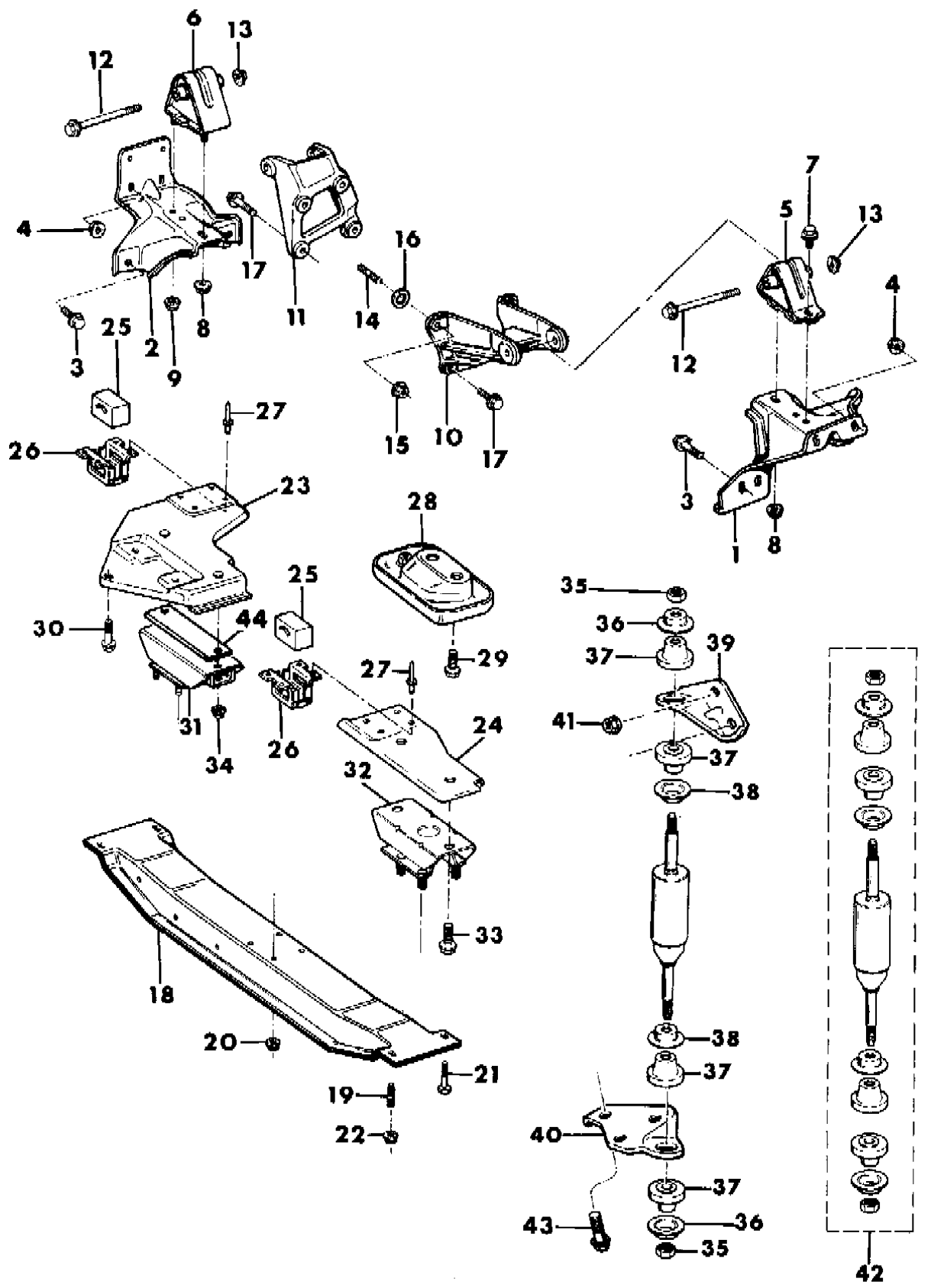
8J58 2500 A

| ITEM | PART NUMBER | QTY | BODY | MODEL | DESCRIPTION |
|------|-------------|-----|------|-------|--|
| 1 | 5200 3005 | 1 | | | BRACKET, Engine - Left |
| 2 | 5200 0572 | 1 | | | BRACKET, Engine - Right |
| 3 | | | | | BOLT |
| | 3420 2037 | 5 | | | 35mm - 1987-88 |
| | 3420 2219 | 5 | | | 40mm - 1989-90 |
| 4 | 3420 1416 | 4 | | | NUT |
| 5 | 5200 0074 | 1 | | | MOUNT, Engine - Left *** |
| 6 | J324 2711 | 1 | | | MOUNT, Engine - Right *** |
| 7 | 3420 1559 | 1 | | | BOLT |
| 8 | 3420 1828 | 2 | | | NUT |
| 9 | 1150 2812 | 1 | | | NUT |
| 10 | 5200 0079 | 1 | | | BRACKET, Engine - Left |
| 11 | | | | | BRACKET, Engine - Right |
| | 5200 0728 | 1 | | | Manual Transmission |
| | 5200 1183 | 1 | | | Automatic Transmission |
| 12 | 3420 1556 | 2 | | | BOLT, 120mm |
| 13 | 1150 2813 | 2 | | | NUT |
| 14 | J400 4110 | 1 | | | STUD |
| 15 | J400 6653 | AR | | | NUT |
| 16 | | | | | WASHER, Spacer |
| | J400 1161 | 1 | | | w/o Power Steering |
| | J400 6994 | 1 | | | Power Steering |
| 17 | | | | | BOLT |
| | J400 6999 | 7 | | | 1987-88 |
| | J400 7622 | 7 | | | 1989-90 |
| 18 | 5200 2328 | 1 | | | CROSSMEMBER, Transmission Support |
| 19 | 3420 1710 | 2 | | | STUD |
| 20 | 3420 1918 | 4 | | | NUT |
| 21 | 3420 1540 | 6 | | | BOLT, 30mm |
| 22 | 1150 2812 | 4 | | | NUT |
| 23 | | | | | BRACKET, Transmission Support Rear |
| | 5200 3069 | 1 | | | Manual Transmission |
| | 5200 3073 | 1 | | | Automatic Transmission, 4WD |
| 24 | 5200 3071 | 1 | | | BRACKET, Transmission Support Rear - Automatic Transmission, 2WD |
| 25 | 5300 0101 | 1 | | | INSULATOR |
| 26 | 5300 0104 | 1 | | | BRACKET |

MODEL CODES:
 15 = Grand Wagoneer 4 Dr. 65 = Comanche 4WD-7 Ft. Box 77 = Cherokee 4WD-2 Dr.
 25 = J-10 Pickup-119" W.B. 66 = Comanche 2WD-7 Ft. Box 78 = Cherokee 4WD-4 Dr.
 26 = J-10 Pickup-131" W.B. 73 = Cherokee 2WD-2 Dr. 79 = Cherokee 4WD-4 Dr.-Com
 27 = J-20 Pickup-131" W.B. 74 = Cherokee 2WD-4 Dr. 81 = Wrangler-93" W.B.
 63 = Comanche 4WD-6 Ft. Box 75 = Wagoneer 4WD-4 Dr. 82 = Wrangler-103" W.B.-Exp.
 64 = Comanche 2WD-6 Ft. Box

BODY STYLES:
 MJ = Comanche Pickup
 SJ = Grand Wagoneer Wgn., J-10 & J-20 Pickups
 XJ = Cherokee, Wagoneer Limited
 YJ = Wrangler

AR = Use as Required - = Non Illustrated Part P.A.R. = Paint as Required



ENGINE MOUNTING 2.5L ENGINE CHEROKEE, WAGONEER, COMANCHE
Figure 9A-2500

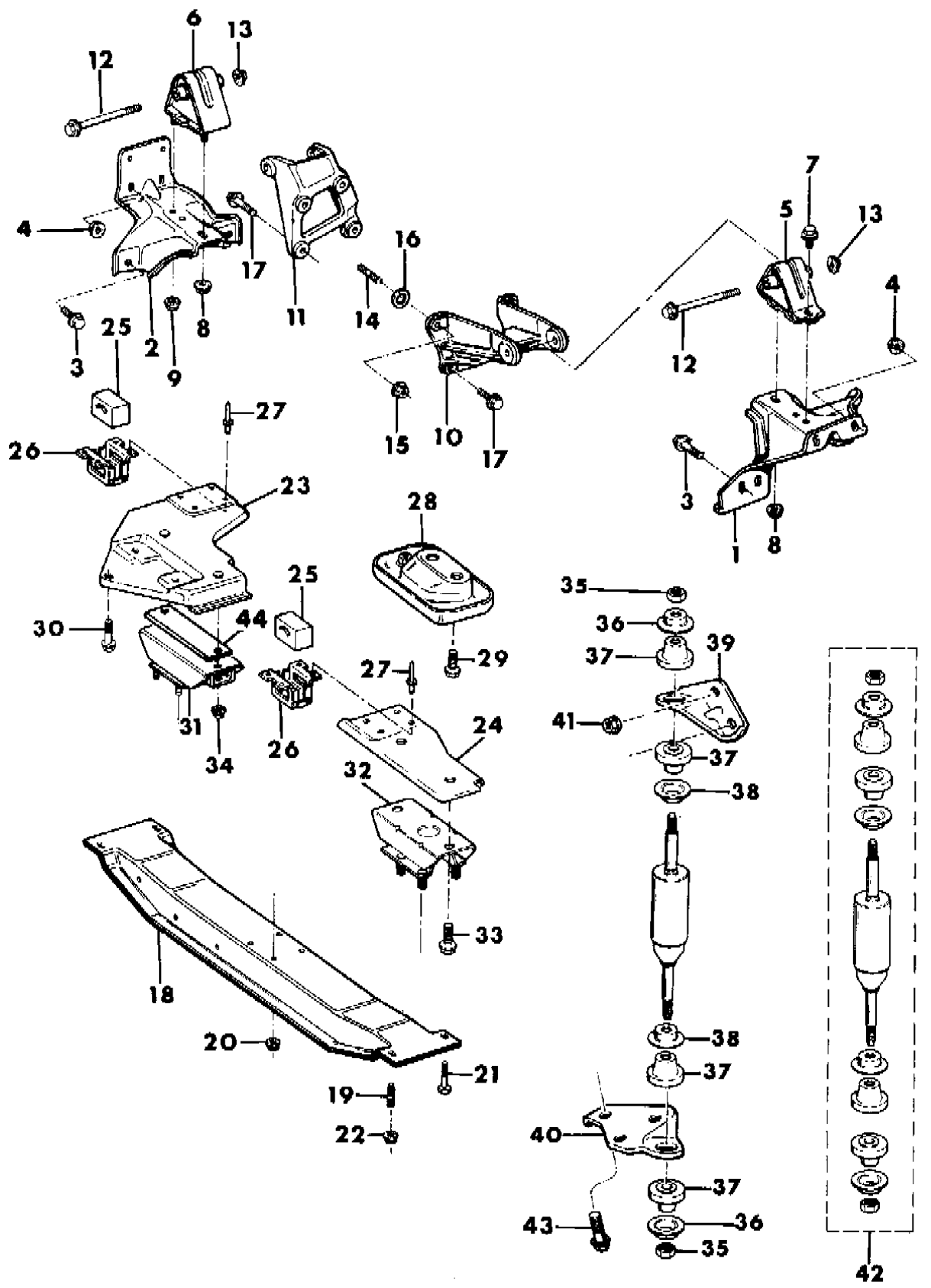
8J58 2500 A

| ITEM | PART NUMBER | QTY | BODY | MODEL | DESCRIPTION |
|------|-------------|-----|------|-------|--|
| 27 | | | | | RIVET |
| | 3420 1980 | 4 | | | w/Automatic Transmission |
| | 3420 1629 | 4 | | | w/Manual Transmission |
| 28 | 5200 2338 | 1 | | | BRACKET ASSEMBLY, Transmission Support - Automatic Transmission, 2WD |
| 29 | 3420 1322 | 2 | | | BOLT, M12x1.75x25mm, 2WD |
| 30 | | | | | BOLT |
| | J027 4902 | 4 | | | Manual Transmission .75" |
| | 3420 1322 | AR | | | Automatic Transmission M12x1.75x25mm |
| 31 | | | | | CUSHION, Transmission Support Rear |
| | 5200 1313 | 1 | | | Manual Transmission - Blue, 2WD |
| | 5200 1180 | 1 | | | Manual Transmission - Yellow, 4WD |
| | 5200 2334 | 1 | | | Automatic Transmission - Purple |
| 32 | 5200 2334 | 1 | | | CUSHION, Transmission Support Rear - Purple |
| 33 | 3420 1322 | 2 | | | BOLT, M12x1.75x25mm |
| 34 | | | | | NUT |
| | 1150 2812 | 2 | | | Manual Transmission M10 x 1.5 |
| | 1150 2813 | 2 | | | Automatic Transmission M12 x 1.75 |
| 35 | J012 0368 | 2 | | | NUT |
| 36 | 5200 0819 | 2 | | | RETAINER, Outer |
| 37 | 5200 0619 | 4 | | | BUSHING |
| 38 | 5200 0820 | 2 | | | RETAINER, Inner |
| 39 | 5200 1146 | 1 | | | BRACKET, Shock Absorber |
| 40 | 5200 1372 | 1 | | | BRACKET, Shock Absorber |
| 41 | J400 4008 | 2 | | | NUT |
| 42 | 8350 0358 | 1 | | | SHOCK ABSORBER PACKAGE, Engine |
| 43 | | | | | BOLT |
| | 3420 1321 | 3 | | | 25mm |
| | 3420 2114 | 3 | | | 35mm |
| | 3420 2060 | 3 | | | 45mm |
| 44 | 5200 3061 | 1 | | | SPACER, 1987 |

MODEL CODES:
 15 = Grand Wagoneer 4 Dr. 65 = Comanche 4WD-7 Ft. Box 77 = Cherokee 4WD-2 Dr.
 25 = J-10 Pickup-119" W.B. 66 = Comanche 2WD-7 Ft. Box 78 = Cherokee 4WD-4 Dr.
 26 = J-10 Pickup-131" W.B. 73 = Cherokee 2WD-2 Dr. 79 = Cherokee 4WD-4 Dr.-Com
 27 = J-20 Pickup-131" W.B. 74 = Cherokee 2WD-4 Dr. 81 = Wrangler-93" W.B.
 63 = Comanche 4WD-6 Ft. Box 75 = Wagoneer 4WD-4 Dr. 82 = Wrangler-103" W.B.-Exp.
 64 = Comanche 2WD-6 Ft. Box

BODY STYLES:
 MJ = Comanche Pickup
 SJ = Grand Wagoneer Wgn., J-10 & J-20 Pickups
 XJ = Cherokee, Wagoneer Limited
 YJ = Wrangler

AR = Use as Required - = Non Illustrated Part P.A.R. = Paint as Required



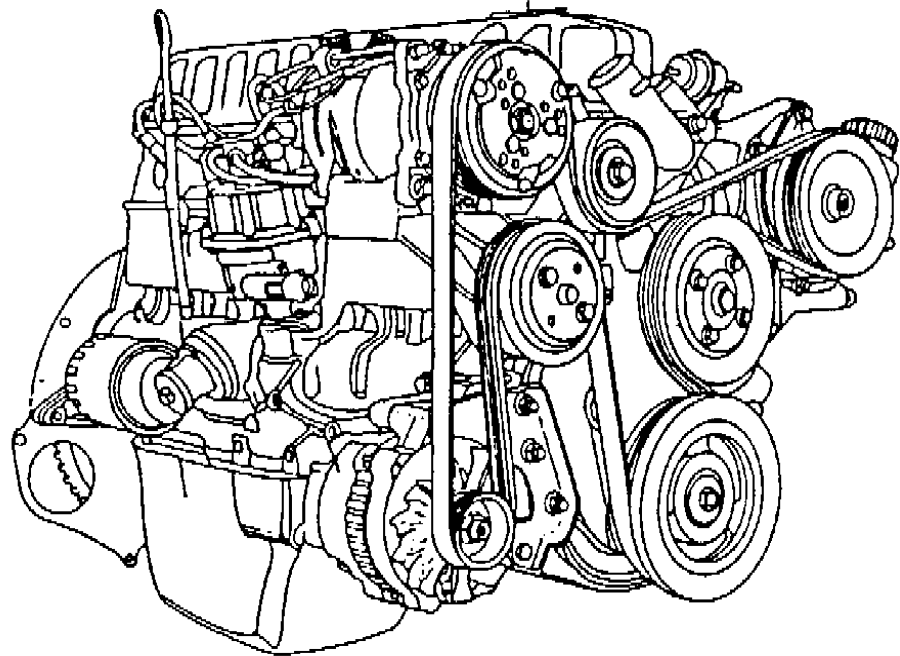
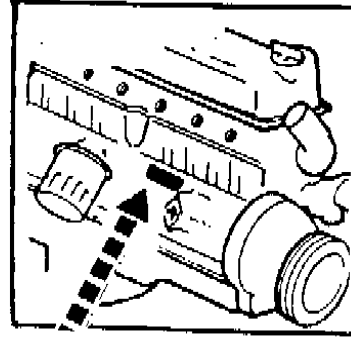
GROUP 9B - ENGINE, 6 CYLINDER

| ILLUSTRATION TITLE | GROUP-FIG. NO. |
|---|-----------------------|
| 4.0L ENGINE | |
| I.D. LOCATION 4.0L ENGINE | Fig. 9B-100 |
| CYLINDER BLOCK 4.0L ENGINE | Fig. 9B-200 |
| GASKET SET 4.0L ENGINE | Fig. 9B-300 |
| CYLINDER HEAD 4.0L ENGINE | Fig. 9B-400 |
| CRANKSHAFT AND PISTON 4.0L ENGINE | Fig. 9B-500 |
| CAMSHAFT AND VALVE 4.0L ENGINE | Fig. 9B-600 |
| TIMING COVER 4.0L ENGINE | Fig. 9B-700 |
| ENGINE OILING 4.0L ENGINE | Fig. 9B-800 |
| MANIFOLD - INTAKE AND EXHAUST 4.0L ENGINE | Fig. 9B-900 |
| ENGINE MOUNTING 4.0L ENGINE | Fig. 9B-1000 |
| 4.2L ENGINE | |
| I.D. LOCATION 4.2L ENGINE | Fig. 9B-1100 |
| CYLINDER BLOCK 4.2L ENGINE | Fig. 9B-1200 |
| GASKET SET 4.2L ENGINE | Fig. 9B-1300 |
| CYLINDER HEAD 4.2L ENGINE | Fig. 9B-1400 |
| CRANKSHAFT AND PISTON 4.2L ENGINE | Fig. 9B-1500 |
| CAMSHAFT AND VALVE 4.2L ENGINE | Fig. 9B-1600 |
| TIMING COVER 4.2L ENGINE | Fig. 9B-1700 |
| ENGINE OILING 4.2L ENGINE | Fig. 9B-1800 |
| OIL FILTER, REMOTE 4.2L ENGINE WRANGLER KDX | Fig. 9B-1850 |
| MANIFOLD - INTAKE AND EXHAUST 4.2L ENGINE | Fig. 9B-1900 |
| ENGINE MOUNTING 4.2L ENGINE WRANGLER, YJ | Fig. 9B-2000 |
| ENGINE MOUNTING 4.2L ENGINE GRAND WAGONEER, TRUCK J10 | Fig. 9B-2100 |

ILLUSTRATION NOT AVAILABLE AT TIME OF PUBLICATION

I.D. LOCATION 4.0L ENGINE
Figure 9B-100

8 J 56 100



| ITEM | PART NUMBER | QTY | BODY | MODEL | DESCRIPTION |
|------|-------------|-----|------|-------|-------------|
| | | | | | |
| | | | | | |
| | | | | | |
| | | | | | |
| | | | | | |
| | | | | | |
| | | | | | |
| | | | | | |
| | | | | | |
| | | | | | |
| | | | | | |
| | | | | | |
| | | | | | |
| | | | | | |
| | | | | | |
| | | | | | |
| | | | | | |
| | | | | | |
| | | | | | |

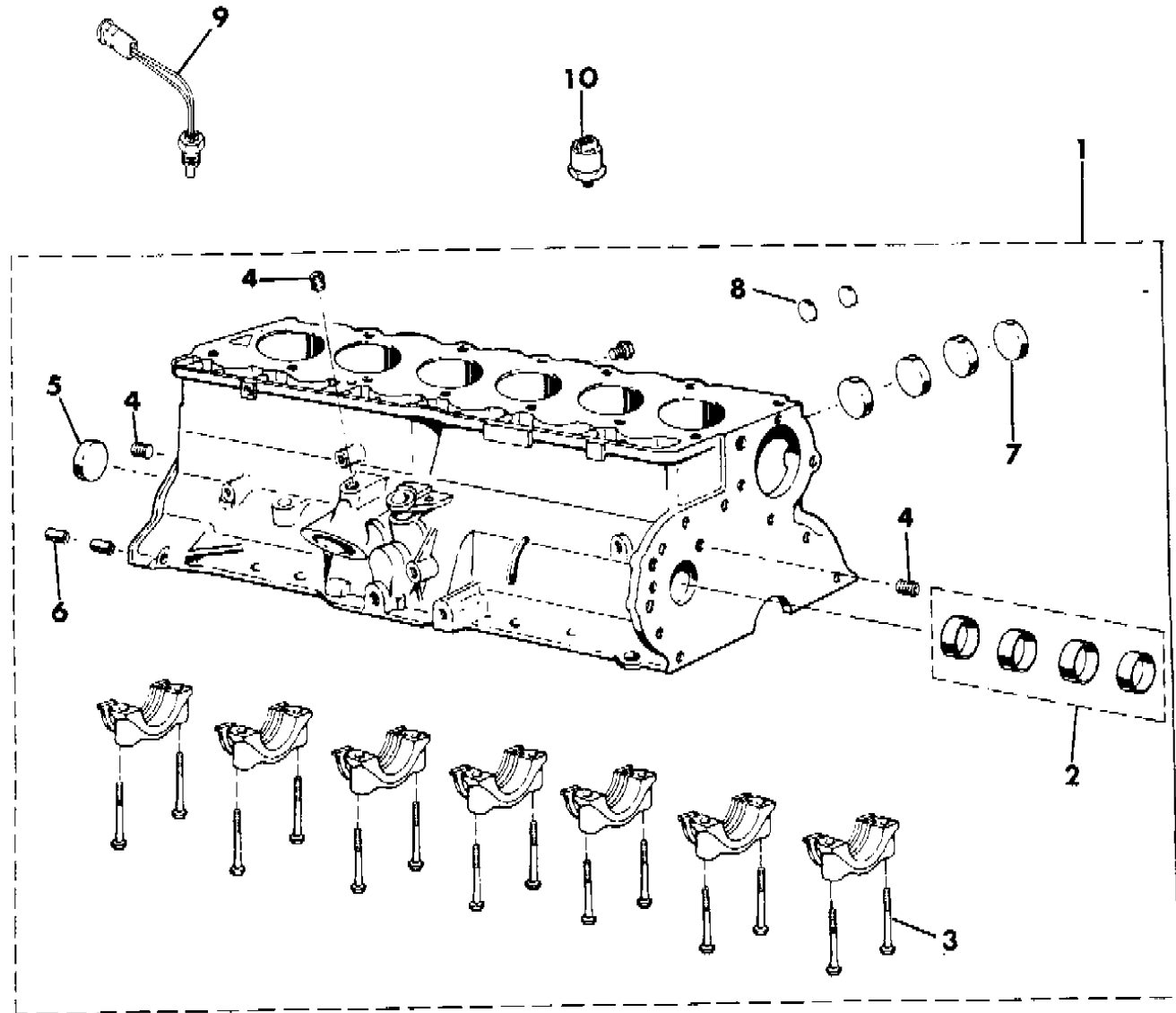
- MODEL CODES:**
15 = Grand Wagoneer 4 Dr. 65 = Comanche 4WD-7 Ft. Box 77 = Cherokee 4WD-2 Dr.
25 = J-10 Pickup-119" W.B. 66 = Comanche 2WD-7 Ft. Box 78 = Cherokee 4WD-4 Dr.
26 = J-10 Pickup-131" W.B. 73 = Cherokee 2WD-2 Dr. 79 = Cherokee 4WD-4 Dr.-Com
27 = J-20 Pickup-131" W.B. 74 = Cherokee 2WD-4 Dr. 81 = Wrangler-93" W.B.
63 = Comanche 4WD-6 Ft. Box 75 = Wagoneer 4WD-4 Dr. 82 = Wrangler-103" W.B.-Exp.
64 = Comanche 2WD-6 Ft. Box

- BODY STYLES:**
MJ = Comanche Pickup
SJ = Grand Wagoneer Wgn., J-10 & J-20 Pickups
XJ = Cherokee, Wagoneer Limited
YJ = Wrangler

AR = Use as Required - = Non Illustrated Part P.A.R. = Paint as Required

CYLINDER BLOCK 4.0L ENGINE
Figure 9B-200

8 J 56 200



| ITEM | PART NUMBER | QTY | BODY | MODEL | DESCRIPTION |
|------|-------------|-----|------|---------|------------------------------|
| | | | | | ENGINE, Short, Less Camshaft |
| 1 | 8350 3401 | 1 | | 1987 | |
| | 8350 5043 | 1 | | 1988-90 | |
| | 8350 3400 | 1 | | 1987 | BLOCK, Engine *** |
| 2 | 8350 5110 | 1 | | 1988-90 | |
| | J320 5711 | 1 | | | BEARING PACKAGE |
| | J320 8985 | 1 | | | Standard +.010" |
| 3 | J400 6948 | 14 | | | BOLT |
| 4 | J044 4660 | 4 | | | PLUG |
| 5 | J317 2313 | 1 | | | PLUG |
| 6 | J400 5148 | 2 | | | PIN |
| 7 | J310 5394 | 4 | | | PLUG, 2" |
| 8 | J317 8449 | 2 | | | PLUG, 1" |
| 9 | 3300 2383 | 1 | | | SENSOR, Coolant Temperature |
| 10 | 3300 2933 | 1 | | | SENSOR, Knock |
| 11 | 5300 5197 | 1 | | | HEATER, Engine Block |
| 12 | J575 2677 | 1 | | | CORD, Power Supply |
| 13 | | | | | STRAP |
| | J322 3227 | AR | | | 200mm |
| | J369 3058 | AR | | | 300mm |
| | J323 0270 | AR | | | 350mm |
| | J323 5187 | AR | | | 450mm |

MODEL CODES:

| | | |
|-----------------------------|-----------------------------|------------------------------|
| 15 = Grand Wagoneer 4 Dr. | 65 = Comanche 4WD-7 Ft. Box | 77 = Cherokee 4WD-2 Dr. |
| 25 = J-10 Pickup-119" W.B. | 66 = Comanche 2WD-7 Ft. Box | 78 = Cherokee 4WD-4 Dr. |
| 26 = J-10 Pickup-131" W.B. | 73 = Cherokee 2WD-2 Dr. | 79 = Cherokee 4WD-4 Dr.-Com |
| 27 = J-20 Pickup-131" W.B. | 74 = Cherokee 2WD-4 Dr. | 81 = Wrangler-93" W.B. |
| 63 = Comanche 4WD-6 Ft. Box | 75 = Wagoneer 4WD-4 Dr. | 82 = Wrangler-103" W.B.-Exp. |
| 64 = Comanche 2WD-6 Ft. Box | | |

BODY STYLES:

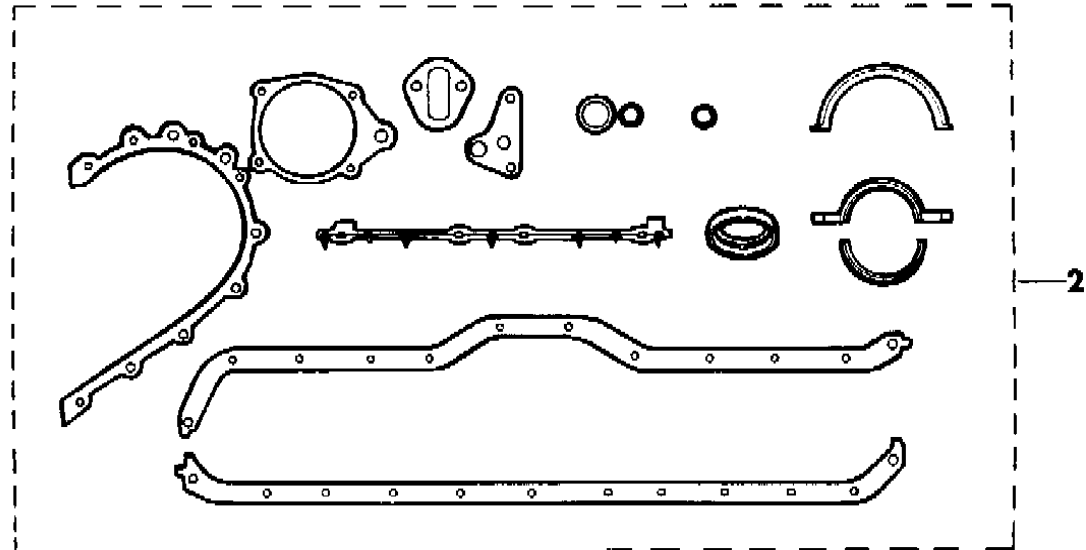
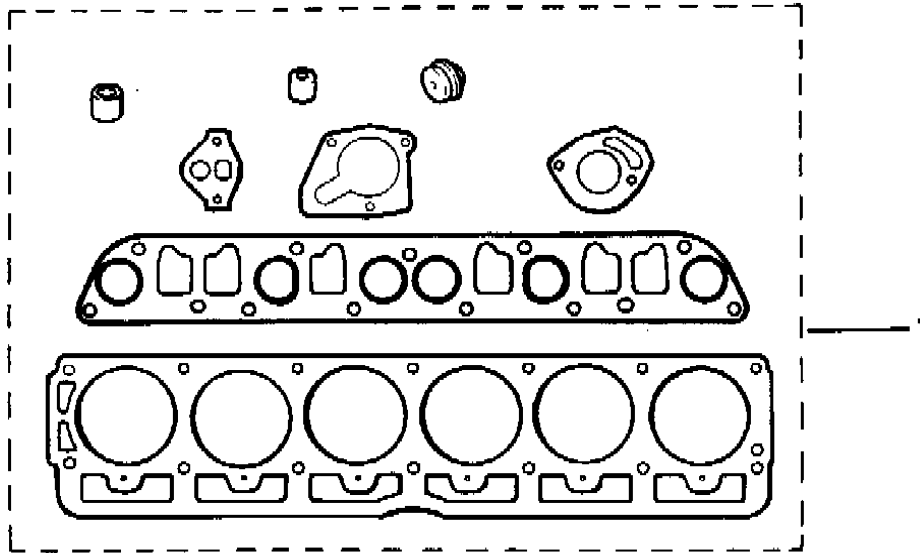
MJ = Comanche Pickup
 SJ = Grand Wagoneer Wgn., J-10 & J-20 Pickups
 XJ = Cherokee, Wagoneer Limited
 YJ = Wrangler

AR = Use as Required - = Non Illustrated Part P.A.R. = Paint as Required

GASKET SET 4.0L ENGINE
Figure 9B-300

8 J 56 300

| ITEM | PART NUMBER | QTY | BODY | MODEL | DESCRIPTION |
|------|-------------|-----|------|-------|-------------------------------|
| 1 | 8350 5141 | 1 | | | GASKET PACKAGE, Engine, Upper |
| 2 | 8350 5389 | 1 | | | GASKET PACKAGE, Engine, Lower |



MODEL CODES:

| | | |
|-----------------------------|-----------------------------|------------------------------|
| 15 = Grand Wagoneer 4 Dr. | 65 = Comanche 4WD-7 Ft. Box | 77 = Cherokee 4WD-2 Dr. |
| 25 = J-10 Pickup-119" W.B. | 66 = Comanche 2WD-7 Ft. Box | 78 = Cherokee 4WD-4 Dr. |
| 26 = J-10 Pickup-131" W.B. | 73 = Cherokee 2WD-2 Dr. | 79 = Cherokee 4WD-4 Dr.-Com |
| 27 = J-20 Pickup-131" W.B. | 74 = Cherokee 2WD-4 Dr. | 81 = Wrangler-93" W.B. |
| 63 = Comanche 4WD-6 Ft. Box | 75 = Wagoneer 4WD-4 Dr. | 82 = Wrangler-103" W.B.-Exp. |
| 64 = Comanche 2WD-6 Ft. Box | | |

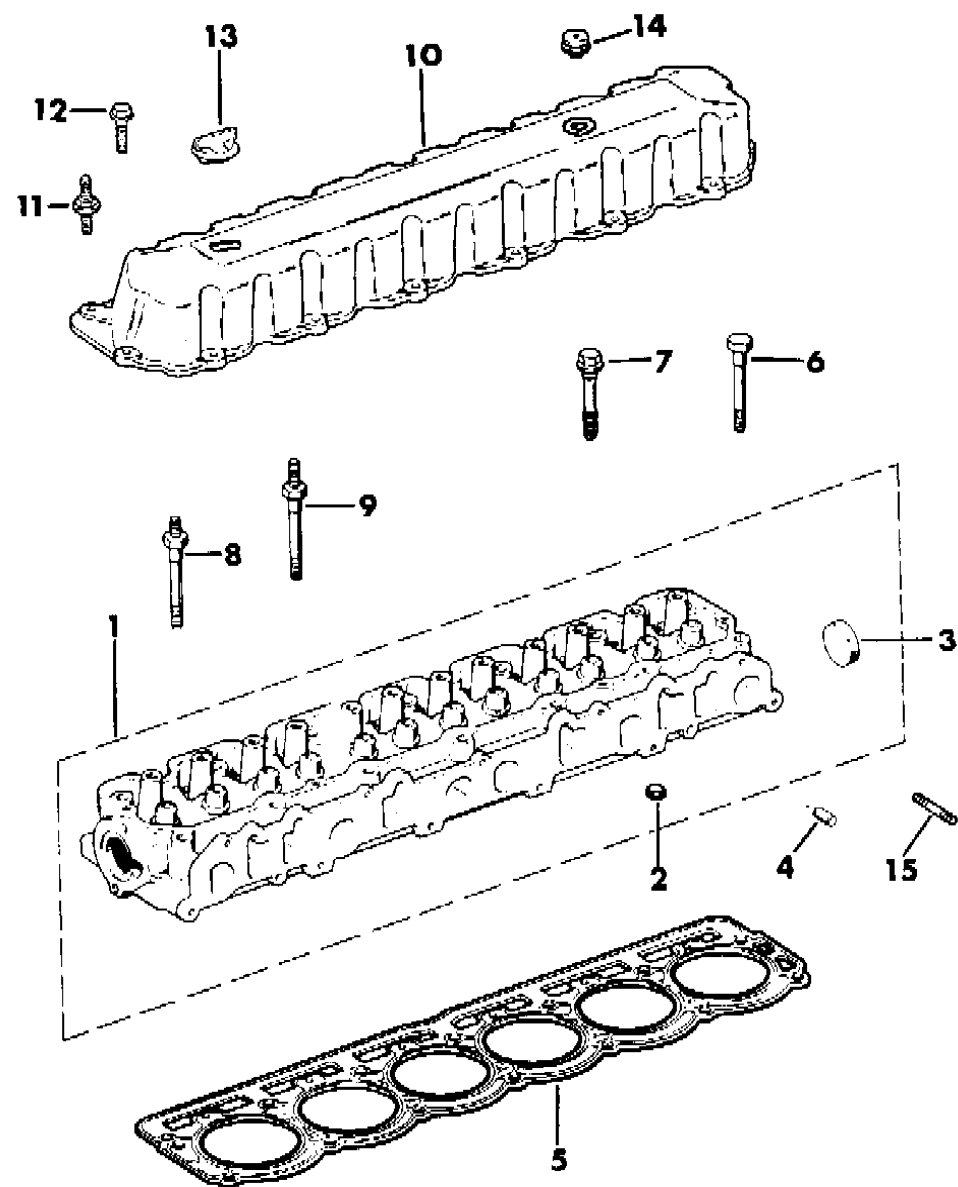
BODY STYLES:

MJ = Comanche Pickup
SJ = Grand Wagoneer Wgn., J-10 & J-20 Pickups
XJ = Cherokee, Wagoneer Limited
YJ = Wrangler

AR = Use as Required - = Non Illustrated Part P.A.R. = Paint as Required

CYLINDER HEAD 4.0L ENGINE
Figure 9B-400

8 J 56 400



| ITEM | PART NUMBER | QTY | BODY | MODEL | DESCRIPTION |
|------|-------------|-----|------|-------|----------------------------|
| 1 | 8350 3406 | 1 | | | HEAD, Engine Cylinder 2686 |
| 2 | J400 7434 | 6 | | | PLUG |
| 3 | J310 5394 | 1 | | | PLUG |
| 4 | J317 2318 | 2 | | | PIN |
| 5 | 3300 4447 | 1 | | | GASKET |
| 6 | J400 7307 | 2 | | | BOLT, 4.5" |
| 7 | J400 7308 | 7 | | | BOLT, 3.75" |
| 8 | J400 7310 | 4 | | | BOLT, Stud |
| 9 | J400 7311 | 1 | | | BOLT, Stud |
| 10 | 5300 5991 | | | | COVER, Cylinder Head |
| 11 | J400 7495 | AR | | | BOLT, Stud |
| 12 | | | | | BOLT |
| | J400 7506 | AR | | | 1987 |
| | J400 7600 | AR | | | 1988-90 |
| 13 | 3300 1016 | 1 | | | CAP |
| 14 | | | | | GROMMET, PCV |
| | 5300 4722 | 1 | | | Gray, 2.6mm I.D. |
| | 5300 4721 | 1 | | | Black, 2.2mm I.D. |
| 15 | J400 7462 | 2 | | | STUD |

MODEL CODES:

| | | |
|-----------------------------|-----------------------------|------------------------------|
| 15 = Grand Wagoneer 4 Dr. | 65 = Comanche 4WD-7 Ft. Box | 77 = Cherokee 4WD-2 Dr. |
| 25 = J-10 Pickup-119" W.B. | 66 = Comanche 2WD-7 Ft. Box | 78 = Cherokee 4WD-4 Dr. |
| 26 = J-10 Pickup-131" W.B. | 73 = Cherokee 2WD-2 Dr. | 79 = Cherokee 4WD-4 Dr.-Com |
| 27 = J-20 Pickup-131" W.B. | 74 = Cherokee 2WD-4 Dr. | 81 = Wrangler-93" W.B. |
| 63 = Comanche 4WD-6 Ft. Box | 75 = Wagoneer 4WD-4 Dr. | 82 = Wrangler-103" W.B.-Exp. |
| 64 = Comanche 2WD-6 Ft. Box | | |

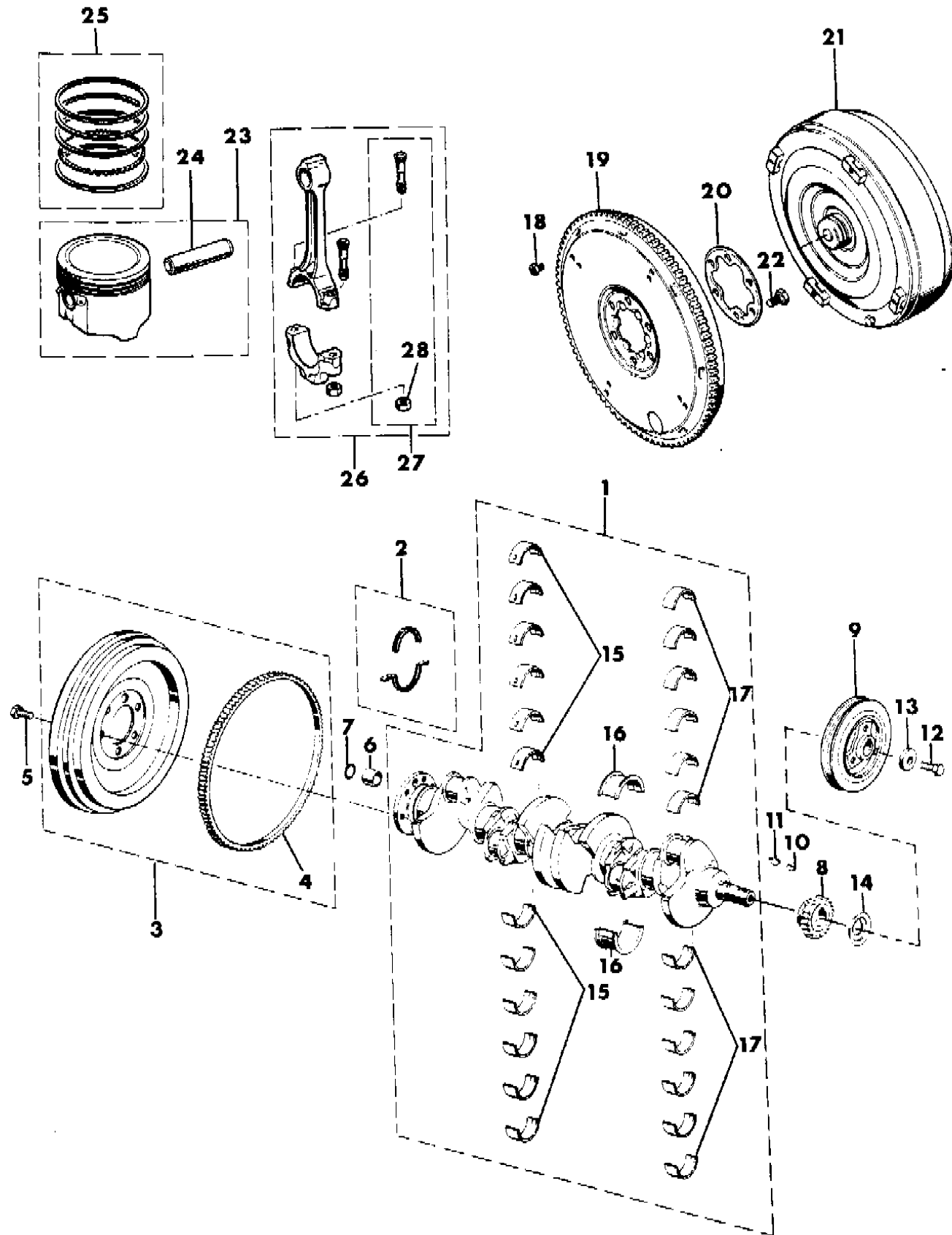
BODY STYLES:

MJ = Comanche Pickup
 SJ = Grand Wagoneer Wgn., J-10 & J-20 Pickups
 XJ = Cherokee, Wagoneer Limited
 YJ = Wrangler

AR = Use as Required - = Non Illustrated Part P.A.R. = Paint as Required

CRANKSHAFT AND PISTON 4.0L ENGINE
Figure 9B-500

8J 56 500



| ITEM | PART NUMBER | QTY | BODY | MODEL | DESCRIPTION |
|------|-------------|-----|------|-------|---|
| 1 | 8350 3409 | 1 | | | CRANKSHAFT PACKAGE, w/Offset Locating Tabs On Main Bearings *** |
| | 8350 7107 | 1 | | | w/Centered Locating Tabs On Main Bearings |
| 2 | J320 5331 | 1 | | | SEAL PACKAGE |
| 3 | 3300 2672 | 1 | | | FLYWHEEL, Manual Transmission *** |
| 4 | J317 9741 | 1 | | | GEAR, Ring Manual Transmission |
| 5 | J317 0524 | 6 | | | BOLT, Manual Transmission |
| 6 | 3300 4041 | 1 | | | BEARING, Pilot Manual Transmission |
| 7 | J322 0102 | 1 | | | SEAL, Manual Transmission |
| 8 | 3300 2979 | 1 | | | SPROCKET, Crankshaft |
| 9 | 3300 2920 | 1 | | | DAMPER/Pulley *** |
| 10 | J310 7234 | 1 | | | KEY, Shaft |
| 11 | J310 7002 | 1 | | | KEY, Shaft |
| 12 | S018 1698 | 1 | | | BOLT |
| 13 | J323 0155 | 1 | | | WASHER |
| 14 | J317 3076 | 1 | | | SLINGER, Oil |
| 15 | | | | | BEARING PACKAGE, Main (Offset Locating Tabs) *** |
| | J813 3252 | 6 | | | Standard |
| | J813 3680 | 6 | | | .001" |
| | J813 3682 | 6 | | | .002" |
| | J813 3254 | 6 | | | .010" |
| | J813 3684 | 6 | | | .012" |
| | | | | | BEARING PACKAGE, Main (Centered Locating Tab) *** |
| | 8350 7079 | 6 | | | Standard |
| | 8350 7080 | 6 | | | .001" |
| | 8350 7081 | 6 | | | .002" |
| | 8350 7083 | 6 | | | .010" |
| 16 | | | | | BEARING PACKAGE, Thrust (Offset Locating Tabs) *** |
| | J813 3253 | 1 | | | Standard |
| | J813 3681 | 1 | | | .001" |
| | J813 3683 | 1 | | | .002" |
| | J813 3255 | 1 | | | .010" |
| | J813 3685 | 1 | | | .012" |
| | | | | | BEARING PACKAGE, Thrust (Centered Locating Tab) *** |
| | 8350 7084 | 1 | | | Standard |
| | 8350 7086 | 1 | | | .001" |
| | 8350 7088 | 1 | | | .002" |

MODEL CODES:

| | | |
|-----------------------------|-----------------------------|------------------------------|
| 15 = Grand Wagoneer 4 Dr. | 65 = Comanche 4WD-7 Ft. Box | 77 = Cherokee 4WD-2 Dr. |
| 25 = J-10 Pickup-119" W.B. | 66 = Comanche 2WD-7 Ft. Box | 78 = Cherokee 4WD-4 Dr. |
| 26 = J-10 Pickup-131" W.B. | 73 = Cherokee 2WD-2 Dr. | 79 = Cherokee 4WD-4 Dr.-Com |
| 27 = J-20 Pickup-131" W.B. | 74 = Cherokee 2WD-4 Dr. | 81 = Wrangler-93" W.B. |
| 63 = Comanche 4WD-6 Ft. Box | 75 = Wagoneer 4WD-4 Dr. | 82 = Wrangler-103" W.B.-Exp. |
| 64 = Comanche 2WD-6 Ft. Box | | |

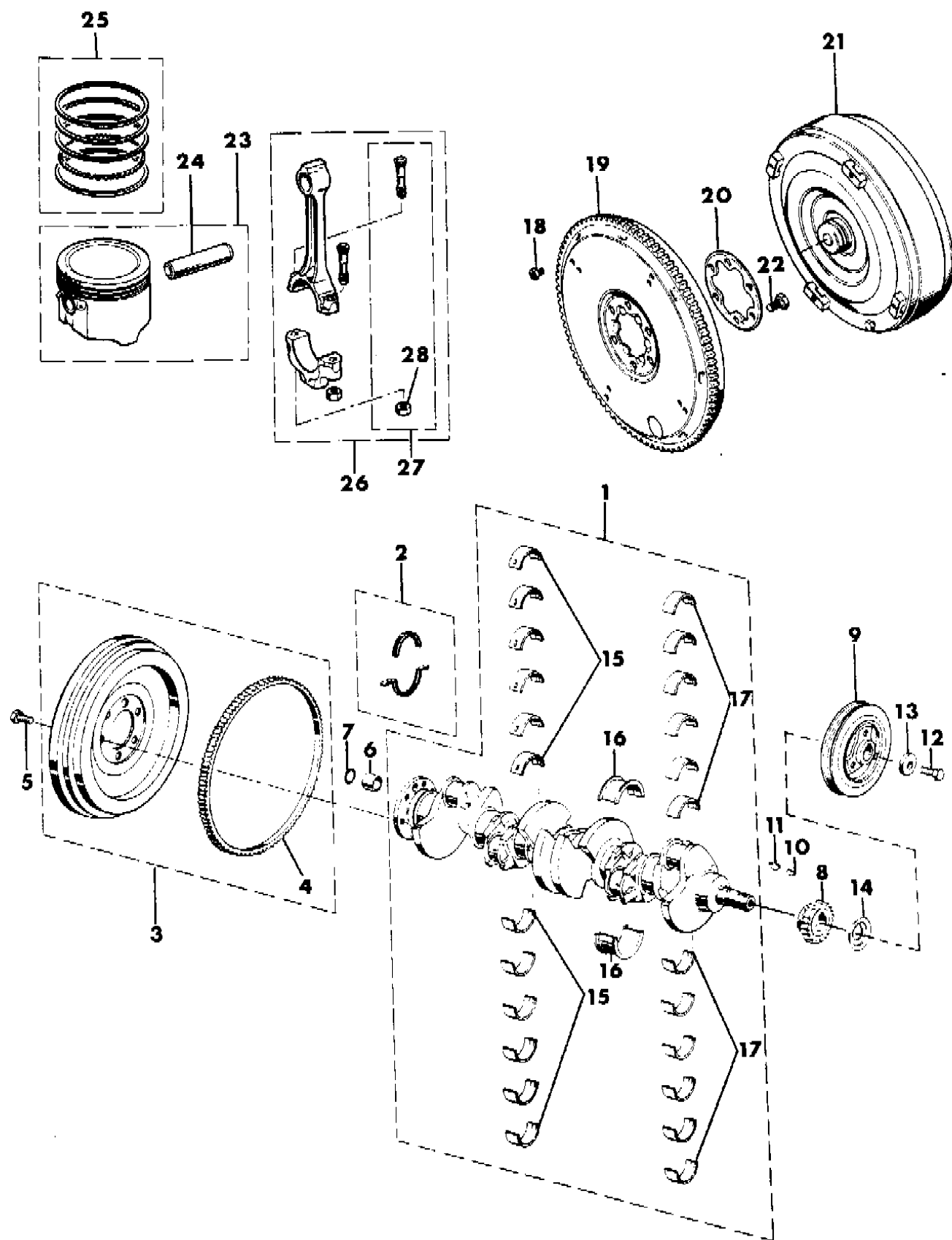
BODY STYLES:

MJ = Comanche Pickup
 SJ = Grand Wagoneer Wgn., J-10 & J-20 Pickups
 XJ = Cherokee, Wagoneer Limited
 YJ = Wrangler

AR = Use as Required - = Non Illustrated Part P.A.R. = Paint as Required

CRANKSHAFT AND PISTON 4.0L ENGINE
Figure 9B-500

8J 56 500



| ITEM | PART NUMBER | QTY | BODY | MODEL | DESCRIPTION |
|------|-------------|-----|------|-------|------------------------------|
| | 8350 7090 | 1 | | | .010" |
| 17 | | | | | BEARING PACKAGE, Rods |
| | 8350 0300 | 6 | | | Standard |
| | 8350 1397 | 6 | | | .001" |
| | 8350 0301 | 6 | | | .010" |
| 18 | | | | | BOLT |
| | J420 0302 | 4 | | | 1987-88 |
| | 3420 2497 | 4 | | | 1989-90 |
| 19 | 3300 2675 | | | | PLATE, Converter Drive |
| 20 | J321 4094 | 1 | | | REINFORCEMENT |
| 21 | | | | | CONVERTER, Torque |
| | 5300 3431 | 1 | | | Export |
| | JR77 5139 | 1 | | | Remanufactured |
| 22 | J315 1407 | 6 | | | BOLT |
| 23 | | | | | PISTON PACKAGE, Standard *** |
| | 4773 157 | 6 | | | Size 'B' 3.8746" |
| | 4773 158 | 6 | | | Size 'C' 3.8750" |
| | 4773 159 | 6 | | | Size 'D' 3.8754" |
| | 4773 456 | 6 | | | Size 'E' 3.8758" |
| | 8350 0252 | 6 | | | +.010" O/Size |
| 24 | | | | | PIN, Piston |
| | J318 0483 | 6 | | | Standard |
| | 8350 0303 | 6 | | | +.003" |
| | 8350 0304 | 6 | | | +.005" |
| 25 | | | | | RING PACKAGE, Piston |
| | 8350 1987 | 6 | | | Standard |
| | 8350 1988 | 6 | | | +.010" |
| 26 | 3300 4545 | 6 | | | ROD, Connecting |
| 27 | J813 3824 | 12 | | | BOLT PACKAGE |
| 28 | J400 6385 | 12 | | | NUT |

MODEL CODES:

| | | |
|-----------------------------|-----------------------------|------------------------------|
| 15 = Grand Wagoneer 4 Dr. | 65 = Comanche 4WD-7 Ft. Box | 77 = Cherokee 4WD-2 Dr. |
| 25 = J-10 Pickup-119" W.B. | 66 = Comanche 2WD-7 Ft. Box | 78 = Cherokee 4WD-4 Dr. |
| 26 = J-10 Pickup-131" W.B. | 73 = Cherokee 2WD-2 Dr. | 79 = Cherokee 4WD-4 Dr.-Com |
| 27 = J-20 Pickup-131" W.B. | 74 = Cherokee 2WD-4 Dr. | 81 = Wrangler-93" W.B. |
| 63 = Comanche 4WD-6 Ft. Box | 75 = Wagoneer 4WD-4 Dr. | 82 = Wrangler-103" W.B.-Exp. |
| 64 = Comanche 2WD-6 Ft. Box | | |

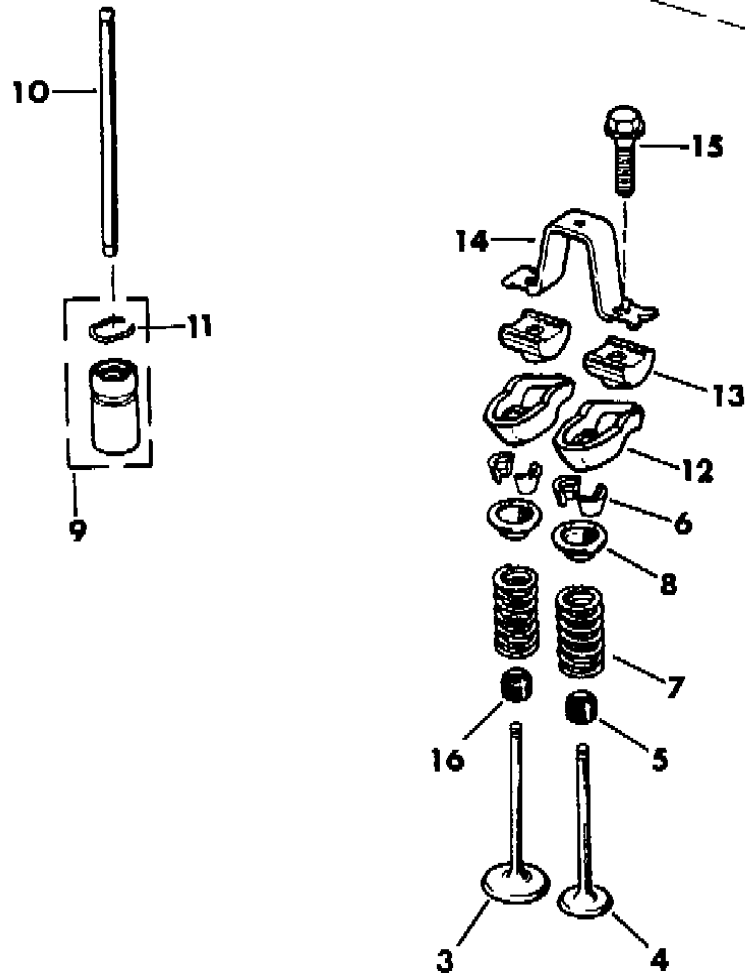
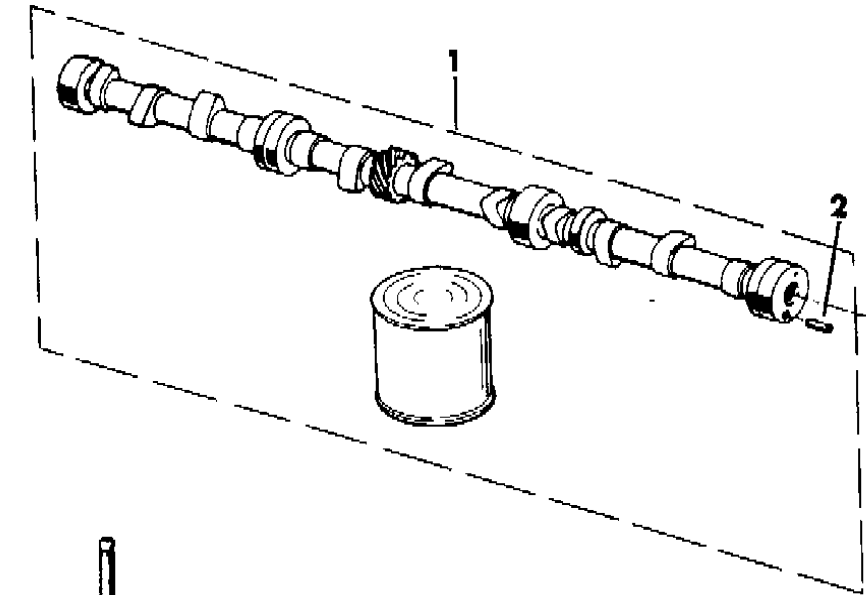
BODY STYLES:

MJ = Comanche Pickup
 SJ = Grand Wagoneer Wgn., J-10 & J-20 Pickups
 XJ = Cherokee, Wagoneer Limited
 YJ = Wrangler

AR = Use as Required - = Non Illustrated Part P.A.R. = Paint as Required

CAMSHAFT AND VALVE 4.0L ENGINE
Figure 9B-600

8 J 56 600



| ITEM | PART NUMBER | QTY | BODY | MODEL | DESCRIPTION |
|------|-------------|-----|------|-------|--|
| 1 | 8350 3402 | 1 | | | CAMSHAFT |
| 2 | J045 6384 | 1 | | | PIN |
| 3 | | | | | VALVE, Intake |
| | 3300 3515 | 6 | | | Standard |
| | 3300 3519 | 6 | | | +0.003" |
| | 3300 3575 | 6 | | | +0.015" |
| 4 | | | | | VALVE, Exhaust |
| | 3300 3860 | 6 | | | Standard |
| | 3300 3520 | 6 | | | +0.003" |
| | 3300 3576 | 6 | | | +0.015" |
| 5 | | | | | SEAL, Exhaust Valve |
| | 3300 2522 | 6 | | | Standard |
| | 3300 2522 | 6 | | | +0.003" |
| | 3300 2733 | 6 | | | +0.015" |
| 6 | 3300 3521 | 24 | | | KEEPER |
| 7 | | | | | SPRING, Valve |
| | 3300 4296 | 12 | | | 2.00" Long, Conical Shaped |
| | J324 2678 | 12 | | | 1.82" Long, Cylindrical Shaped |
| 8 | | | | | RETAINER |
| | 3300 4626 | 12 | | | 2.00" Long, Conical Shaped Spring - 1988 |
| | 3300 3179 | 12 | | | 1.82" Long, Cylindrical Shaped Spring - 1988 |
| | 3300 4626 | 12 | | | 1989-90 |
| 9 | J322 2276 | 12 | | | TAPPET |
| 10 | 3300 2986 | 12 | | | PUSHROD *** |
| 11 | J644 0614 | 12 | | | RING |
| 12 | J324 2393 | 12 | | | ARM, Valve Rocker |
| 13 | J323 5090 | 12 | | | PIVOT |
| 14 | J323 6513 | 6 | | | BRIDGE |
| 15 | J812 0512 | 12 | | | BOLT |
| 16 | | | | | SEAL, Intake Valve |
| | 3300 2729 | 6 | | | Standard |
| | 3300 2729 | 6 | | | +0.003" |
| | 3300 3016 | 6 | | | +0.015" |

MODEL CODES:

| | | |
|-----------------------------|-----------------------------|------------------------------|
| 15 = Grand Wagoneer 4 Dr. | 65 = Comanche 4WD-7 Ft. Box | 77 = Cherokee 4WD-2 Dr. |
| 25 = J-10 Pickup-119" W.B. | 66 = Comanche 2WD-7 Ft. Box | 78 = Cherokee 4WD-4 Dr. |
| 26 = J-10 Pickup-131" W.B. | 73 = Cherokee 2WD-2 Dr. | 79 = Cherokee 4WD-4 Dr.-Com |
| 27 = J-20 Pickup-131" W.B. | 74 = Cherokee 2WD-4 Dr. | 81 = Wrangler-93" W.B. |
| 63 = Comanche 4WD-6 Ft. Box | 75 = Wagoneer 4WD-4 Dr. | 82 = Wrangler-103" W.B.-Exp. |
| 64 = Comanche 2WD-6 Ft. Box | | |

BODY STYLES:

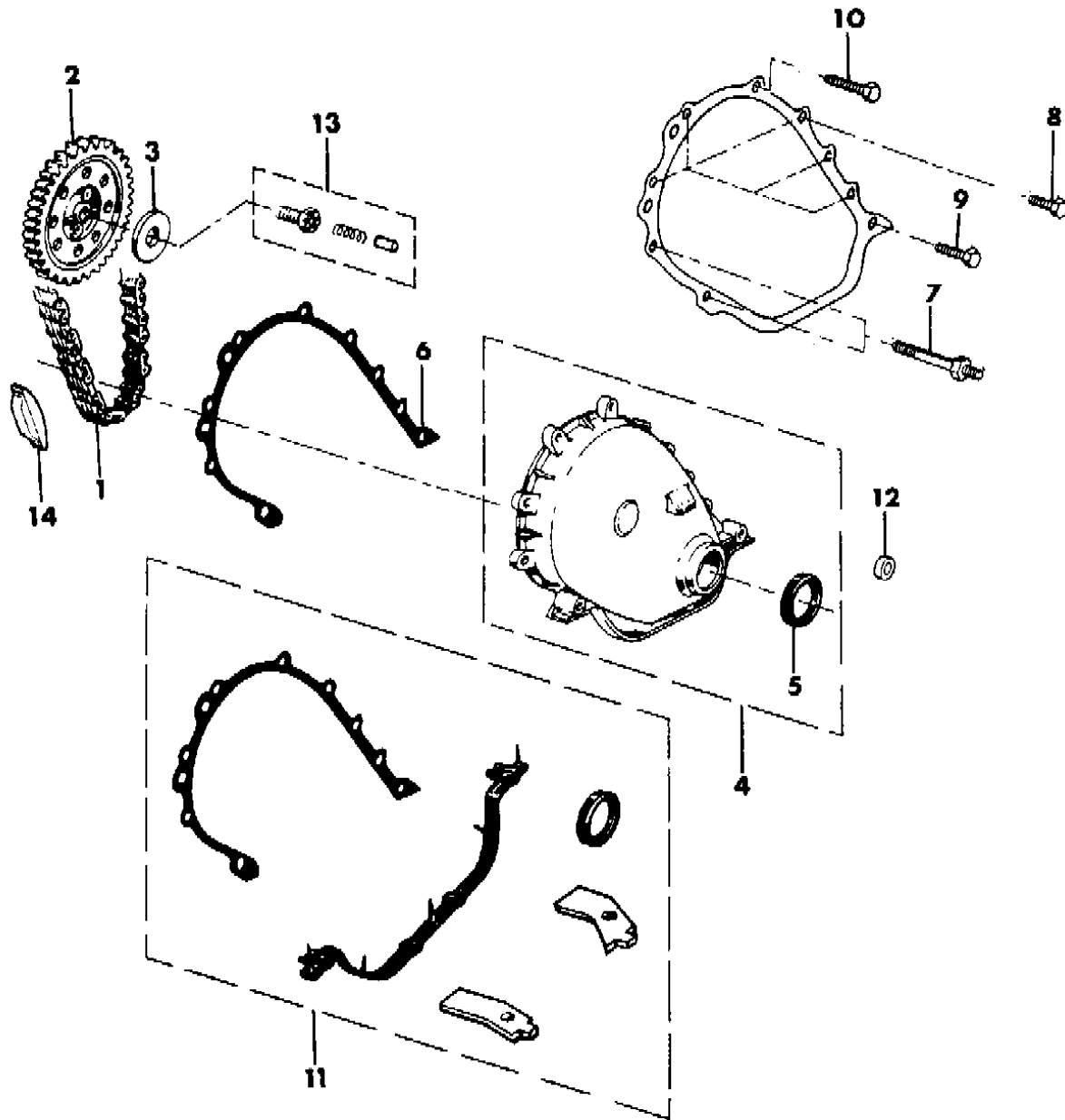
MJ = Comanche Pickup
 SJ = Grand Wagoneer Wgn., J-10 & J-20 Pickups
 XJ = Cherokee, Wagoneer Limited
 YJ = Wrangler

AR = Use as Required - = Non Illustrated Part P.A.R. = Paint as Required

TIMING COVER 4.0L ENGINE
Figure 9B-700

8J56 700

| ITEM | PART NUMBER | QTY | BODY | MODEL | DESCRIPTION |
|------|-------------|-----|------|-------|--------------------|
| 1 | 3300 2977 | 1 | | | CHAIN, Timing |
| 2 | 3300 2978 | 1 | | | SPROCKET, Camshaft |
| 3 | J317 3284 | 1 | | | WASHER |
| 4 | 3300 2984 | 1 | | | COVER, Timing Case |
| | | | | | 1987 |
| | | | | | 1988-90 |
| 5 | 5300 5769 | 1 | | | SEAL |
| 6 | 3300 4681 | 1 | | | GASKET |
| 7 | J322 5187 | 1 | | | BOLT, Stud |
| | J400 7154 | AR | | | 2.89" |
| | J400 7455 | AR | | | 4.15" |
| 8 | J400 6906 | 5 | | | BOLT |
| 9 | 6034 914 | 1 | | | BOLT |
| 10 | J400 7566 | AR | | | BOLT |
| 11 | J812 9097 | 1 | | | GASKET PACKAGE |
| 12 | 3420 2521 | 1 | | | SPACER |
| 13 | 8350 2890 | 1 | | | PIN PACKAGE |
| 14 | 3300 3446 | 1 | | | BUMPER |



MODEL CODES:

| | | |
|-----------------------------|-----------------------------|------------------------------|
| 15 = Grand Wagoneer 4 Dr. | 65 = Comanche 4WD-7 Ft. Box | 77 = Cherokee 4WD-2 Dr. |
| 25 = J-10 Pickup-119" W.B. | 66 = Comanche 2WD-7 Ft. Box | 78 = Cherokee 4WD-4 Dr. |
| 26 = J-10 Pickup-131" W.B. | 73 = Cherokee 2WD-2 Dr. | 79 = Cherokee 4WD-4 Dr.-Com |
| 27 = J-20 Pickup-131" W.B. | 74 = Cherokee 2WD-4 Dr. | 81 = Wrangler-93" W.B. |
| 63 = Comanche 4WD-6 Ft. Box | 75 = Wagoneer 4WD-4 Dr. | 82 = Wrangler-103" W.B.-Exp. |
| 64 = Comanche 2WD-6 Ft. Box | | |

BODY STYLES:

MJ = Comanche Pickup
 SJ = Grand Wagoneer Wgn., J-10 & J-20 Pickups
 XJ = Cherokee, Wagoneer Limited
 YJ = Wrangler

AR = Use as Required - = Non Illustrated Part P.A.R. = Paint as Required

ENGINE OILING 4.0L ENGINE
Figure 9B-800

8 J 56 800

| ITEM | PART NUMBER | QTY | BODY | MODEL | DESCRIPTION |
|------|-------------|-----|------|-------|-----------------------------|
| 1 | 3300 2921 | 1 | | | PUMP, Engine Oil |
| 2 | J400 5149 | 1 | | | PIN |
| 3 | J324 1733 | 1 | | | COVER, Oil Pump |
| 4 | J323 9668 | 1 | | | SPRING |
| 5 | J317 1956 | 1 | | | SHAFT, Oil Pump Gear |
| 6 | J317 1958 | 1 | | | RETAINER |
| 7 | J317 2334 | 1 | | | GEAR, Oil Pump Drive |
| 8 | | | | | PLUNGER |
| | J318 8661 | 1 | | | Standard |
| | J324 1676 | 1 | | | +0.010" |
| 9 | J319 6843 | 1 | | | GEAR, Oil Pump Driven |
| 10 | J812 2990 | 4 | | | SCREW, 1987-89 |
| | J941 6852 | 4 | | | 1990 |
| 11 | 3300 2696 | 1 | | | TUBE, Oil Pump Inlet |
| 12 | J317 2332 | 1 | | | GASKET |
| 13 | J018 0078 | 1 | | | BOLT |
| 14 | J943 7670 | 1 | | | BOLT |
| 15 | J012 0393 | 1 | | | WASHER |
| 16 | J012 0214 | 2 | | | WASHER, Lock |
| 17 | 3300 4195 | 1 | | | FILTER, Engine Oil |
| 18 | 3300 4125 | 1 | | | CONNECTOR |
| 19 | S010 8635 | 1 | | | PIN, Cotter |
| 20 | 3300 2787 | 1 | | | ADAPTER, Oil Filter |
| 21 | 3300 2700 | 1 | | | BOLT |
| 22 | | | | | O-RING |
| | 3300 2970 | 1 | | | .80" |
| | 3300 2971 | 1 | | | 1.30" |
| | 3300 2972 | 1 | | | 2.48" |
| 23 | 5300 7839 | 1 | | | PAN, Engine Oil |
| 24 | J400 7617 | 21 | | | SCREW, .56" |
| 25 | J400 7614 | 3 | | | SCREW, .75" |
| | J400 7610 | 1 | | | BOLT, .25" |
| 26 | 8350 4662 | 1 | | | GASKET PACKAGE |
| 27 | J317 7635 | 1 | | | SEAL, Rear |
| 28 | 8350 4654 | 1 | | | SEAL, Front |
| 29 | 3300 3656 | 1 | | | TUBE, Engine Oil Indicator |
| 30 | | | | | INDICATOR, Engine Oil Level |

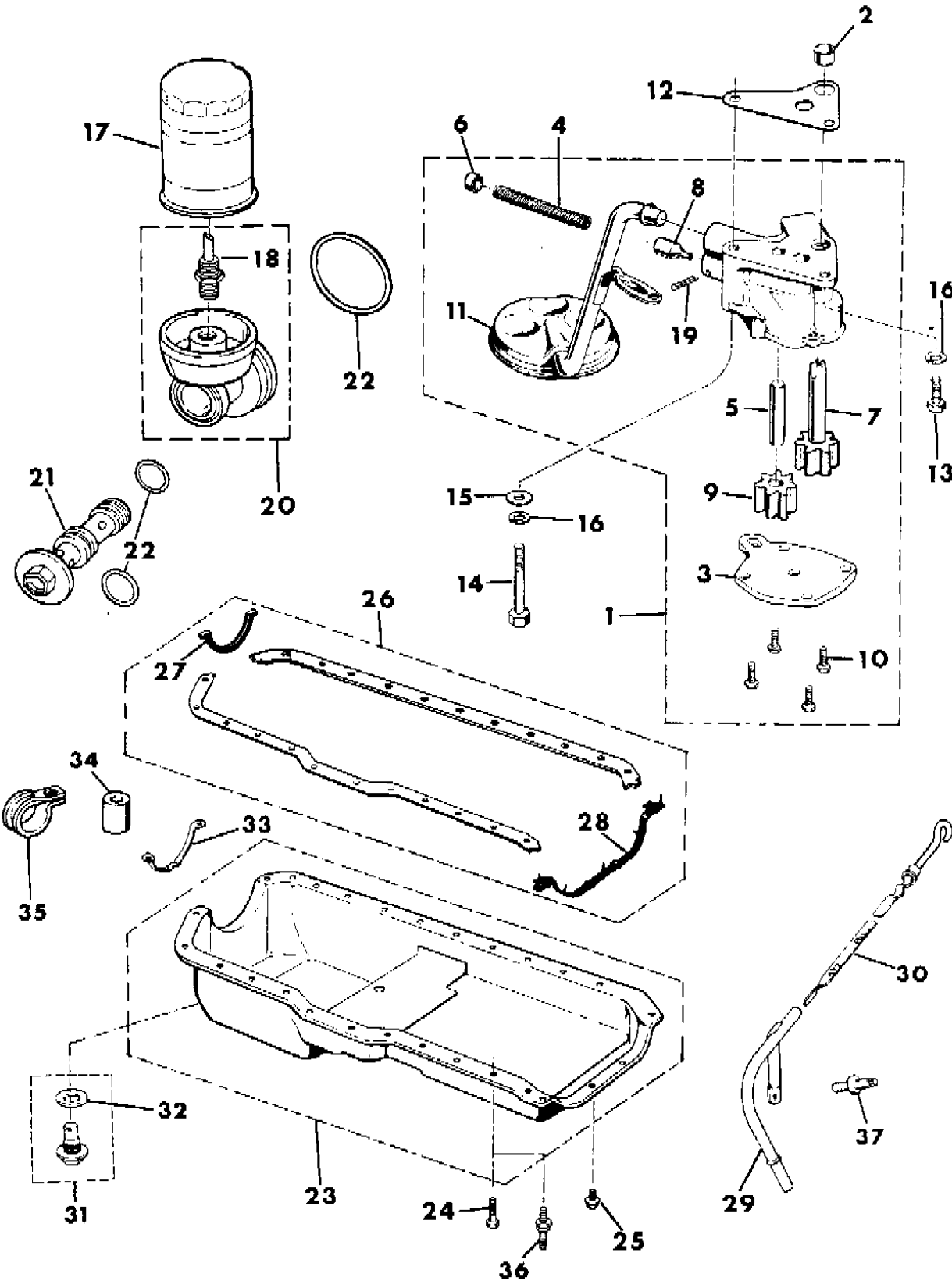
MODEL CODES:

| | | |
|-----------------------------|-----------------------------|------------------------------|
| 15 = Grand Wagoneer 4 Dr. | 65 = Comanche 4WD-7 Ft. Box | 77 = Cherokee 4WD-2 Dr. |
| 25 = J-10 Pickup-119" W.B. | 66 = Comanche 2WD-7 Ft. Box | 78 = Cherokee 4WD-4 Dr. |
| 26 = J-10 Pickup-131" W.B. | 73 = Cherokee 2WD-2 Dr. | 79 = Cherokee 4WD-4 Dr.-Com |
| 27 = J-20 Pickup-131" W.B. | 74 = Cherokee 2WD-4 Dr. | 81 = Wrangler-93" W.B. |
| 63 = Comanche 4WD-6 Ft. Box | 75 = Wagoneer 4WD-4 Dr. | 82 = Wrangler-103" W.B.-Exp. |
| 64 = Comanche 2WD-6 Ft. Box | | |

BODY STYLES:

| |
|---|
| MJ = Comanche Pickup |
| SJ = Grand Wagoneer Wgn., J-10 & J-20 Pickups |
| XJ = Cherokee, Wagoneer Limited |
| YJ = Wrangler |

AR = Use as Required - = Non Illustrated Part P.A.R. = Paint as Required

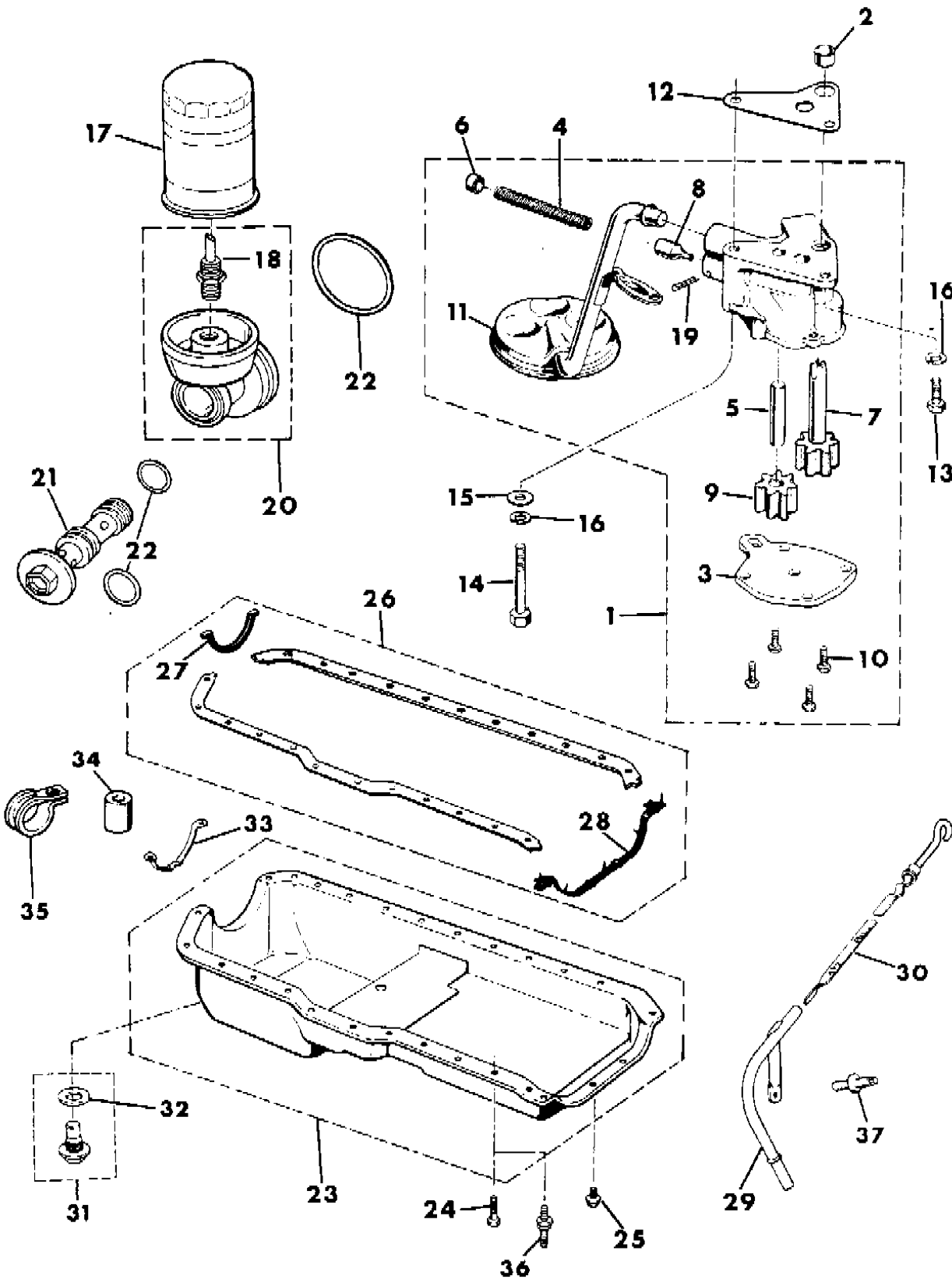


ENGINE OILING 4.0L ENGINE

Figure 9B-800

8 J 56 800

| ITEM | PART NUMBER | QTY | BODY | MODEL | DESCRIPTION |
|------|-------------|-----|------|-------------|--------------|
| | 3300 2669 | 1 | | 1987-88 | |
| | 5300 5531 | 1 | | 1989-90 *** | |
| 31 | 8350 1425 | 1 | | | PLUG PACKAGE |
| 32 | J324 3136 | 1 | | | GASKET |
| 33 | J324 3116 | 1 | | | SUPPORT |
| 34 | 3420 2601 | 1 | | | SPACER |
| 35 | J012 0522 | 1 | | | CLIP |
| 36 | | | | | STUD, Bolt |
| | J400 7178 | 3 | | 1987 | |
| | J400 7613 | 3 | | 1988-90 | |
| 37 | J400 7448 | 1 | | | STUD, Bolt |



MODEL CODES:

| | | |
|-----------------------------|-----------------------------|------------------------------|
| 15 = Grand Wagoneer 4 Dr. | 65 = Comanche 4WD-7 Ft. Box | 77 = Cherokee 4WD-2 Dr. |
| 25 = J-10 Pickup-119" W.B. | 66 = Comanche 2WD-7 Ft. Box | 78 = Cherokee 4WD-4 Dr. |
| 26 = J-10 Pickup-131" W.B. | 73 = Cherokee 2WD-2 Dr. | 79 = Cherokee 4WD-4 Dr.-Com |
| 27 = J-20 Pickup-131" W.B. | 74 = Cherokee 2WD-4 Dr. | 81 = Wrangler-93" W.B. |
| 63 = Comanche 4WD-6 Ft. Box | 75 = Wagoneer 4WD-4 Dr. | 82 = Wrangler-103" W.B.-Exp. |
| 64 = Comanche 2WD-6 Ft. Box | | |

BODY STYLES:

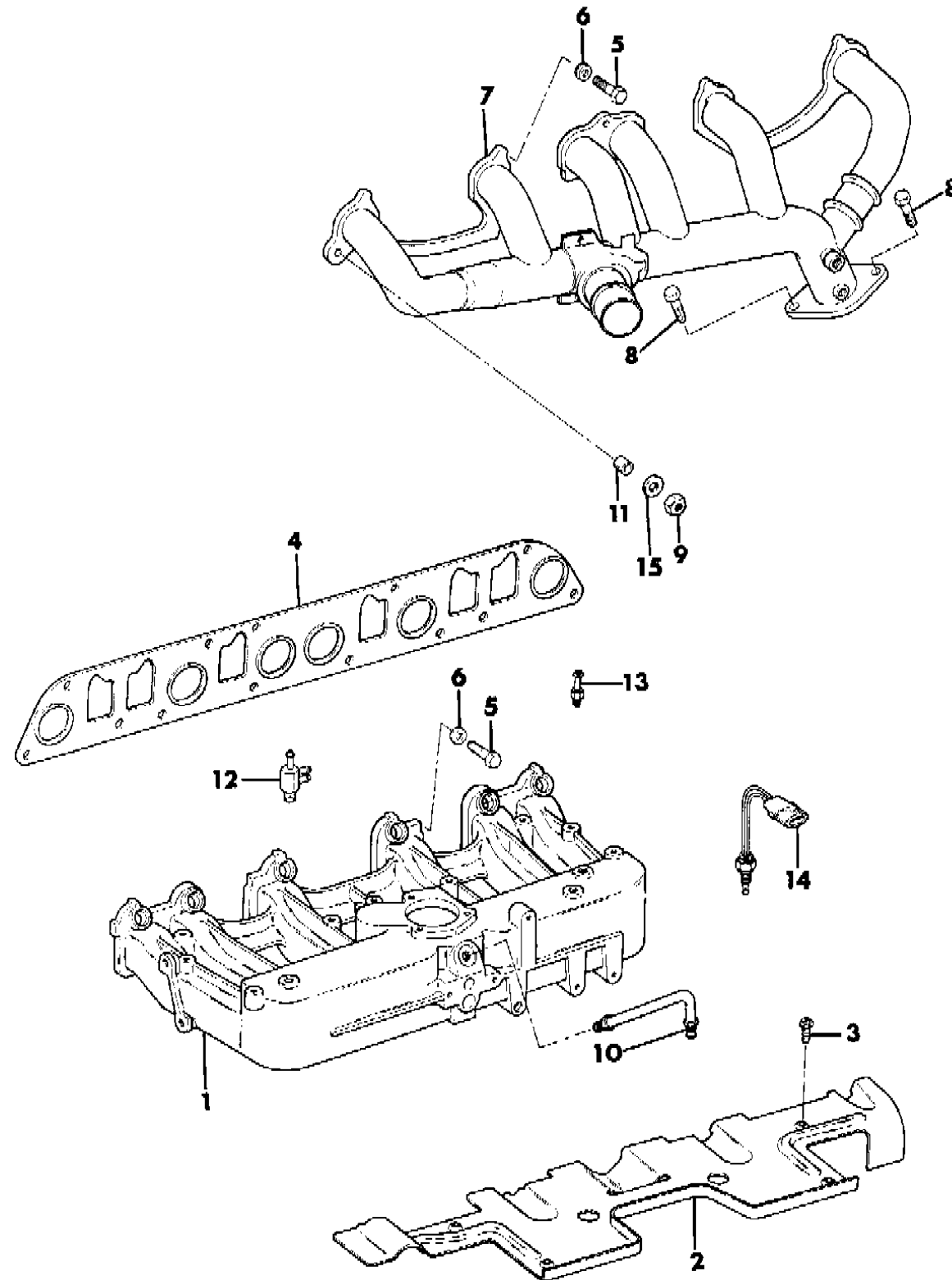
MJ = Comanche Pickup
 SJ = Grand Wagoneer Wgn., J-10 & J-20 Pickups
 XJ = Cherokee, Wagoneer Limited
 YJ = Wrangler

AR = Use as Required - = Non Illustrated Part P.A.R. = Paint as Required

MANIFOLD - INTAKE AND EXHAUST 4.0L ENGINE

Figure 9B-900

8 J56 900 A



| ITEM | PART NUMBER | QTY | BODY | MODEL | DESCRIPTION |
|------|-------------|-----|------|-------|----------------------------|
| 1 | 3300 2872 | 1 | | | MANIFOLD, Intake |
| 2 | 3300 3183 | 1 | | | SHIELD, Heat |
| 3 | J400 6909 | 5 | | | BOLT |
| 4 | 5302 0122 | 1 | | | GASKET |
| 5 | J018 6622 | 10 | | | BOLT |
| 6 | 3300 4255 | 8 | | | CLAMP |
| 7 | 3300 3972 | 1 | | | MANIFOLD, Exhaust |
| 8 | 5300 6244 | 1 | XJ | | w/ECE 1990 |
| 8 | J400 7109 | 2 | | | STUD |
| 9 | J535 1688 | 2 | | | NUT |
| 10 | 3300 2871 | 1 | | | TUBE, EGR |
| 11 | 3300 4026 | 2 | | | SPACER |
| 12 | 5300 4507 | 1 | | | FITTING, 3-Port |
| 13 | | | | | FITTING |
| | 3300 2328 | 2 | | | 1.28" |
| | 3300 2327 | 2 | | | 1.47" |
| 14 | 3300 2382 | 1 | | | SENSOR, Air Temperature |
| 15 | 3300 4255 | 3 | | | WASHER, |
| 16 | J812 1104 | AR | | | PLUG, 1/4x18PT |
| 17 | 3300 2327 | AR | | | NIPPLE, 1/4x18PTx3/8Hose |
| | J322 7272 | 1 | | | CAP, With Anti-lock Brakes |

MODEL CODES:

| | | |
|-----------------------------|-----------------------------|------------------------------|
| 15 = Grand Wagoneer 4 Dr. | 65 = Comanche 4WD-7 Ft. Box | 77 = Cherokee 4WD-2 Dr. |
| 25 = J-10 Pickup-119" W.B. | 66 = Comanche 2WD-7 Ft. Box | 78 = Cherokee 4WD-4 Dr. |
| 26 = J-10 Pickup-131" W.B. | 73 = Cherokee 2WD-2 Dr. | 79 = Cherokee 4WD-4 Dr.-Com |
| 27 = J-20 Pickup-131" W.B. | 74 = Cherokee 2WD-4 Dr. | 81 = Wrangler-93" W.B. |
| 63 = Comanche 4WD-6 Ft. Box | 75 = Wagoneer 4WD-4 Dr. | 82 = Wrangler-103" W.B.-Exp. |
| 64 = Comanche 2WD-6 Ft. Box | | |

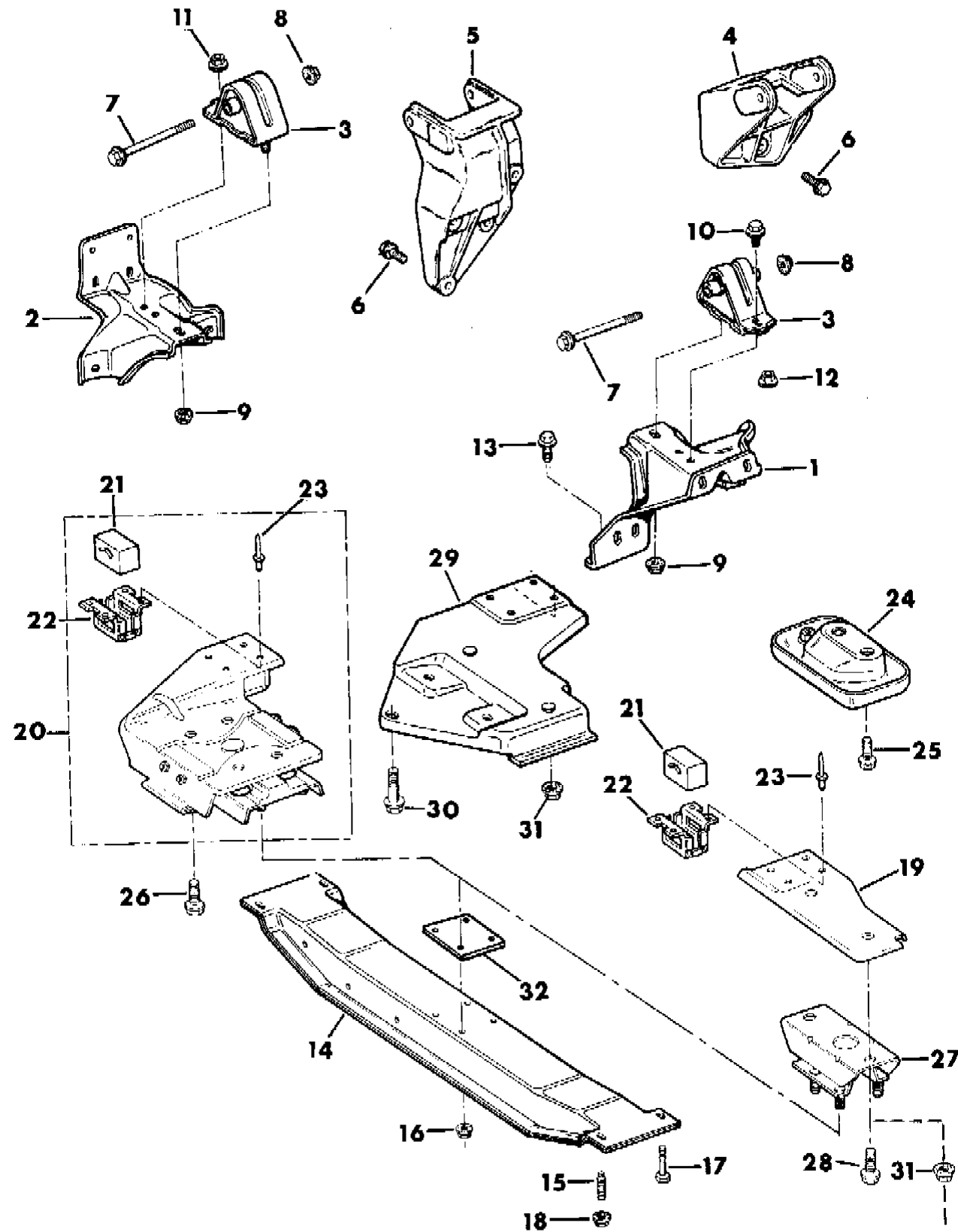
BODY STYLES:

MJ = Comanche Pickup
 SJ = Grand Wagoneer Wgn., J-10 & J-20 Pickups
 XJ = Cherokee, Wagoneer Limited
 YJ = Wrangler

AR = Use as Required - = Non Illustrated Part P.A.R. = Paint as Required

ENGINE MOUNTING 4.0L ENGINE
Figure 9B-1000

8 J 56 1000 A



| ITEM | PART NUMBER | QTY | BODY | MODEL | DESCRIPTION |
|------|-------------|-----|------|-------|---|
| 1 | 5200 2603 | 1 | | | BRACKET, Engine Left |
| 2 | 5200 2602 | 1 | | | BRACKET, Engine Right |
| 3 | 5201 9201 | 2 | | | MOUNT, Engine *** |
| 4 | 5200 2607 | 1 | | | BRACKET, Engine Support Left |
| 5 | 5200 2785 | 1 | | | BRACKET, Engine Support Right |
| 6 | | | | | BOLT |
| | J400 7585 | 1 | | | 1.00" |
| | J400 7622 | 5 | | | 1.12" |
| 7 | 3420 2606 | 2 | | | BOLT |
| 8 | 1150 2813 | 2 | | | NUT |
| 9 | 3420 1828 | 2 | | | NUT |
| 10 | 3420 1559 | 1 | | | BOLT |
| 11 | 1150 2812 | 1 | | | NUT |
| 12 | 3420 1416 | 3 | | | NUT |
| 13 | 3420 2472 | 3 | | | BOLT |
| 14 | | | | | CROSSMEMBER, Transmission Support |
| | 5200 2328 | 1 | | | Automatic |
| | 5200 2328 | 1 | | | Type 1, Peugeot 1987-89 |
| | 5200 3929 | 1 | | | Type 2, Aisin AX15 1989-90 |
| 15 | 3420 1710 | 2 | | | STUD |
| 16 | 3420 1918 | 4 | | | NUT |
| 17 | 3420 1540 | 6 | | | BOLT, 30mm |
| 18 | 1150 2812 | 4 | | | NUT |
| 19 | 5200 3071 | 1 | | | BRACKET, Transmission Support Rear - Automatic Transmission |
| 20 | 8350 5567 | 1 | | | CUSHION ASSEMBLY, With Bracket - Peugeot 5 speed Manual Transmission *** |
| 21 | 5300 0101 | 1 | | | INSULATOR |
| 22 | 5300 0104 | 1 | | | BRACKET |
| 23 | | | | | RIVET |
| | 3420 1980 | 4 | | | Automatic Transmission |
| | 3420 1629 | 4 | | | Manual Transmission |
| 24 | 5200 2337 | 1 | | | BRACKET ASSEMBLY, Transmission Support- Automatic Transmission, 2WD *** |
| 25 | 3420 1322 | 2 | | | BOLT, 25mm, 2WD |
| 26 | S018 0144 | 4 | | | BOLT, 75" |
| 27 | | | | | CUSHION, Transmission Support Rear |
| | 5200 2334 | | | | Automatic Transmission |

MODEL CODES:

| | | |
|-----------------------------|-----------------------------|------------------------------|
| 15 = Grand Wagoneer 4 Dr. | 65 = Comanche 4WD-7 Ft. Box | 77 = Cherokee 4WD-2 Dr. |
| 25 = J-10 Pickup-119" W.B. | 66 = Comanche 2WD-7 Ft. Box | 78 = Cherokee 4WD-4 Dr. |
| 26 = J-10 Pickup-131" W.B. | 73 = Cherokee 2WD-2 Dr. | 79 = Cherokee 4WD-4 Dr.-Com |
| 27 = J-20 Pickup-131" W.B. | 74 = Cherokee 2WD-4 Dr. | 81 = Wrangler-93" W.B. |
| 63 = Comanche 4WD-6 Ft. Box | 75 = Wagoneer 4WD-4 Dr. | 82 = Wrangler-103" W.B.-Exp. |
| 64 = Comanche 2WD-6 Ft. Box | | |

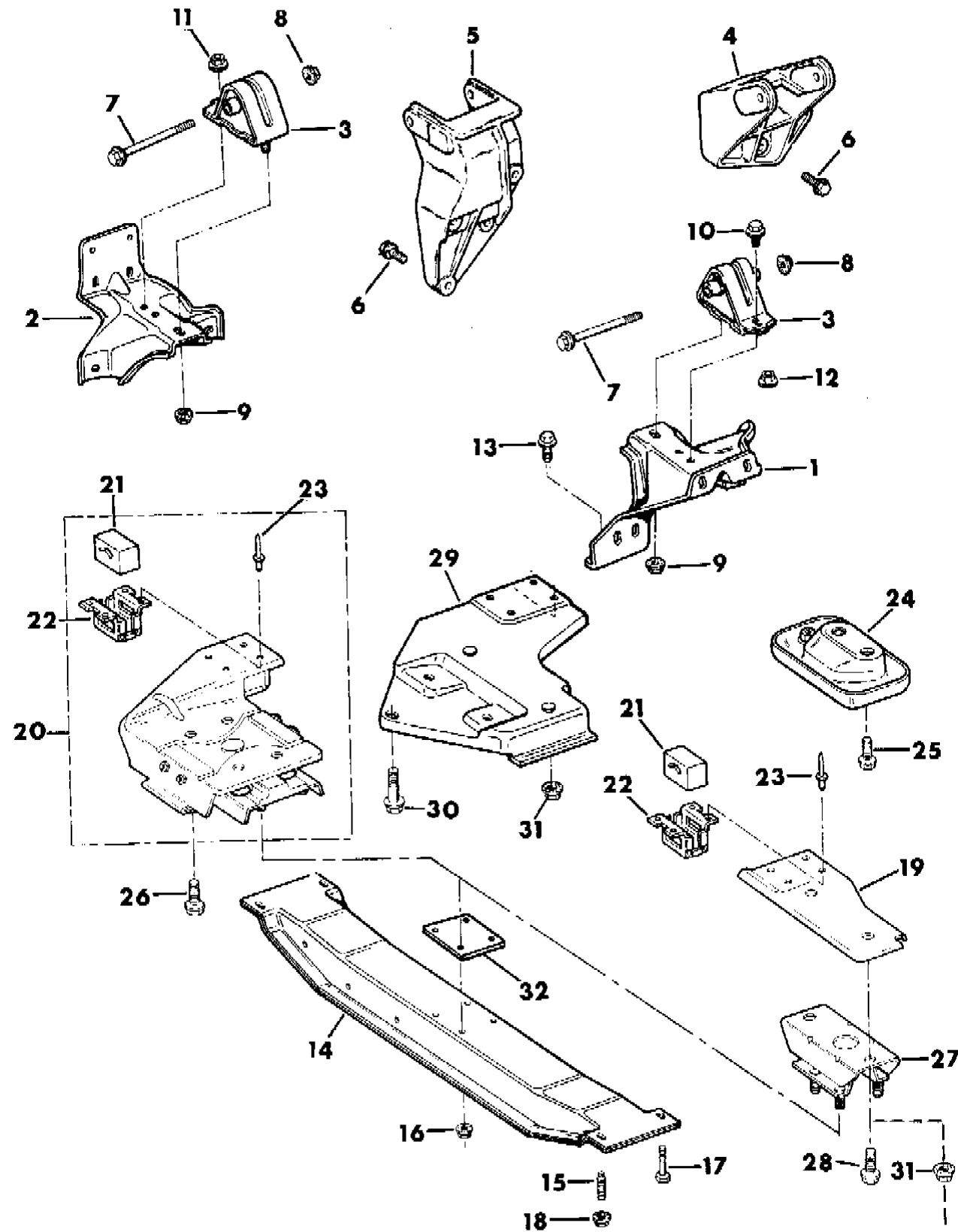
BODY STYLES:

MJ = Comanche Pickup
 SJ = Grand Wagoneer Wgn., J-10 & J-20 Pickups
 XJ = Cherokee, Wagoneer Limited
 YJ = Wrangler

AR = Use as Required - = Non Illustrated Part P.A.R. = Paint as Required

ENGINE MOUNTING 4.0L ENGINE
Figure 9B-1000

8 J 56 1000 A



| ITEM | PART NUMBER | QTY | BODY | MODEL | DESCRIPTION |
|------|-------------|-----|------|-------|---|
| | 5200 2334 | 1 | | | Manual Transmission |
| 28 | 3420 1322 | 2 | | | BOLT, 25mm |
| 29 | 5200 3927 | 1 | | | BRACKET, Transmission Support Rear, Type 2 Aisin AX15 1989/90 |
| 30 | | | | | BOLT |
| | J027 4902 | 4 | | | .75" Manual Transmission |
| | 1150 4922 | AR | | | .25mm Automatic Transmission |
| 31 | | | | | NUT |
| | 1150 2812 | 2 | | | M 10x1.5 Manual Transmission |
| | 1150 2813 | 2 | | | M 12x1.75 Automatic Transmission |
| 32 | 5200 3939 | 1 | | | SPACER, With Aisin AX15 Transmission |

MODEL CODES:

| | | |
|-----------------------------|-----------------------------|------------------------------|
| 15 = Grand Wagoneer 4 Dr. | 65 = Comanche 4WD-7 Ft. Box | 77 = Cherokee 4WD-2 Dr. |
| 25 = J-10 Pickup-119" W.B. | 66 = Comanche 2WD-7 Ft. Box | 78 = Cherokee 4WD-4 Dr. |
| 26 = J-10 Pickup-131" W.B. | 73 = Cherokee 2WD-2 Dr. | 79 = Cherokee 4WD-4 Dr.-Com |
| 27 = J-20 Pickup-131" W.B. | 74 = Cherokee 2WD-4 Dr. | 81 = Wrangler-93" W.B. |
| 63 = Comanche 4WD-6 Ft. Box | 75 = Wagoneer 4WD-4 Dr. | 82 = Wrangler-103" W.B.-Exp. |
| 64 = Comanche 2WD-6 Ft. Box | | |

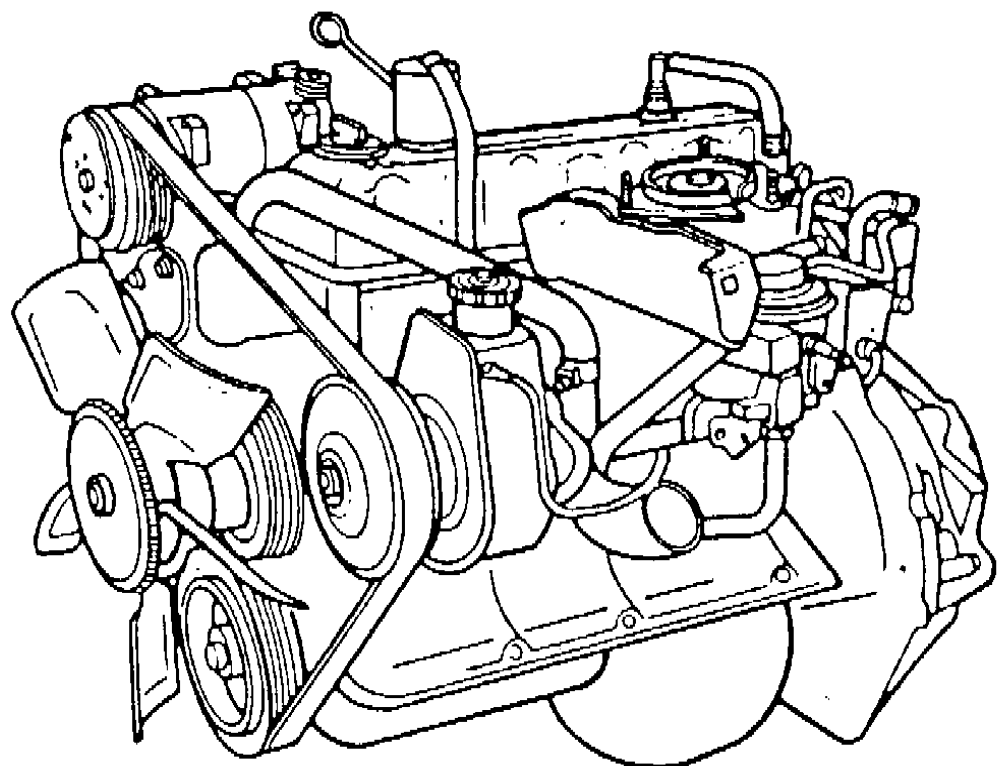
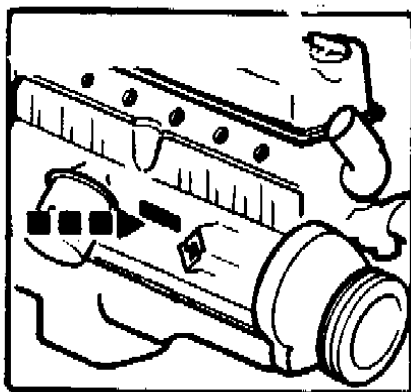
BODY STYLES:

MJ = Comanche Pickup
 SJ = Grand Wagoneer Wgn., J-10 & J-20 Pickups
 XJ = Cherokee, Wagoneer Limited
 YJ = Wrangler

AR = Use as Required - = Non Illustrated Part P.A.R. = Paint as Required

I.D. LOCATION 4.2L ENGINE
Figure 9B-1100

8J56 1100



| ITEM | PART NUMBER | QTY | BODY | MODEL | DESCRIPTION |
|------|-------------|-----|------|-------|-------------|
| | | | | | |
| | | | | | |
| | | | | | |
| | | | | | |
| | | | | | |
| | | | | | |
| | | | | | |
| | | | | | |
| | | | | | |
| | | | | | |
| | | | | | |
| | | | | | |
| | | | | | |
| | | | | | |
| | | | | | |
| | | | | | |
| | | | | | |
| | | | | | |
| | | | | | |
| | | | | | |
| | | | | | |
| | | | | | |

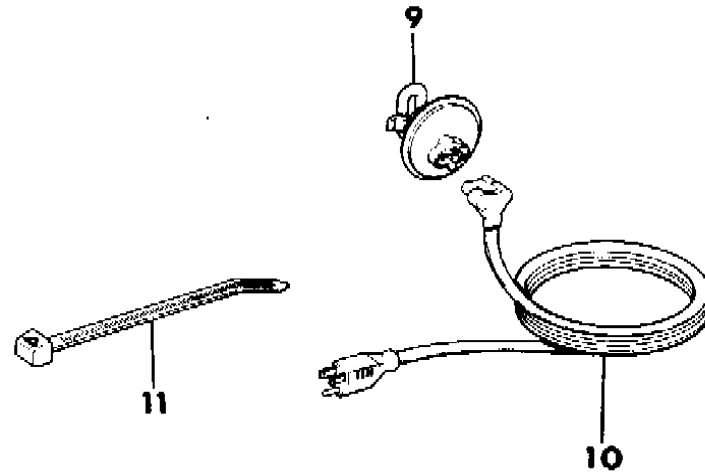
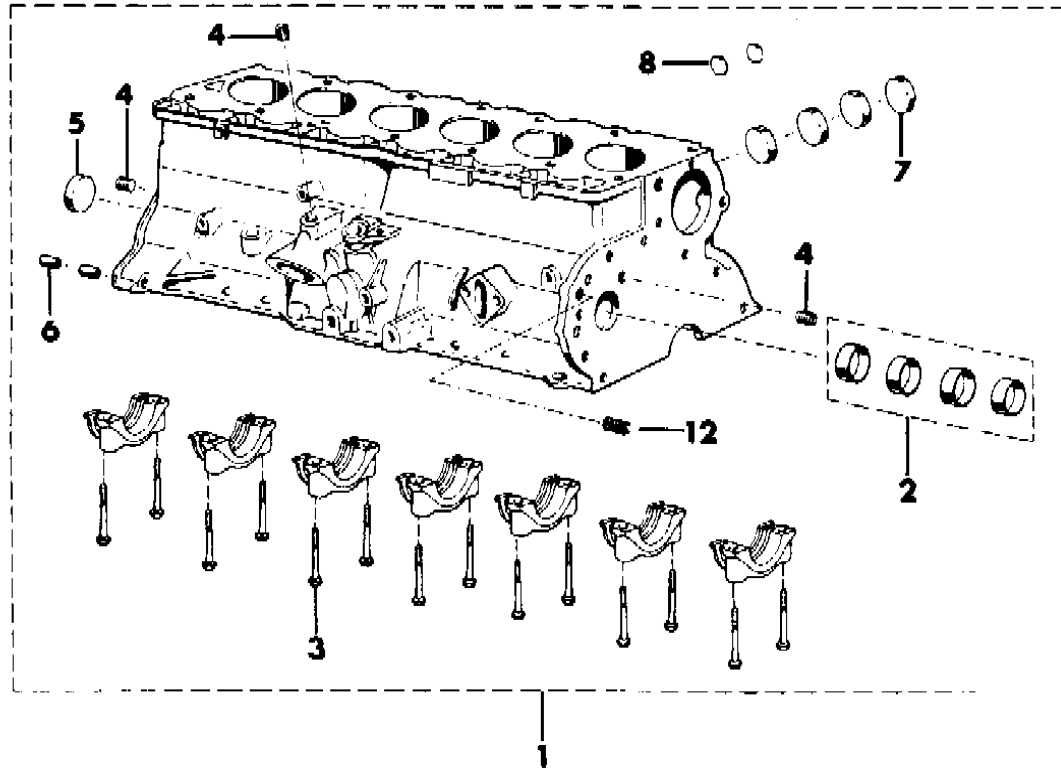
- MODEL CODES:
- | | | |
|-----------------------------|-----------------------------|------------------------------|
| 15 = Grand Wagoneer 4 Dr. | 65 = Comanche 4WD-7 Ft. Box | 77 = Cherokee 4WD-2 Dr. |
| 25 = J-10 Pickup-119" W.B. | 66 = Comanche 2WD-7 Ft. Box | 78 = Cherokee 4WD-4 Dr. |
| 26 = J-10 Pickup-131" W.B. | 73 = Cherokee 2WD-2 Dr. | 79 = Cherokee 4WD-4 Dr.-Com |
| 27 = J-20 Pickup-131" W.B. | 74 = Cherokee 2WD-4 Dr. | 81 = Wrangler-93" W.B. |
| 63 = Comanche 4WD-6 Ft. Box | 75 = Wagoneer 4WD-4 Dr. | 82 = Wrangler-103" W.B.-Exp. |
| 64 = Comanche 2WD-6 Ft. Box | | |

- BODY STYLES:
- MJ = Comanche Pickup
 - SJ = Grand Wagoneer Wgn., J-10 & J-20 Pickups
 - XJ = Cherokee, Wagoneer Limited
 - YJ = Wrangler

AR = Use as Required - = Non Illustrated Part P.A.R. = Paint as Required

CYLINDER BLOCK 4.2L ENGINE
Figure 9B-1200

8J56 1200



| ITEM | PART NUMBER | QTY | BODY | MODEL | DESCRIPTION |
|------|-------------|-----|------|-------|------------------------------|
| | | | | | ENGINE, Short, Less Camshaft |
| | 8350 2936 | 1 | YJ | | 1987 |
| | 8350 5111 | 1 | YJ | | 1988 |
| | 8350 5591 | 1 | YJ | | 1989-90 |
| | 8350 3328 | 1 | SJ | | |
| 1 | | | | | BLOCK, Engine |
| | 8350 2935 | 1 | YJ | | 1987 |
| | 8350 5112 | 1 | YJ | | 1988 |
| | 8350 5592 | 1 | YJ | | 1989-90 |
| | 8350 3327 | 1 | SJ | | |
| 2 | | | | | BEARING PACKAGE |
| | J320 5711 | 1 | | | Standard |
| | J320 8985 | 1 | | | +0.010" |
| 3 | J400 6948 | 14 | | | BOLT |
| 4 | J044 4660 | 3 | | | PLUG |
| 5 | J317 2313 | 1 | | | PLUG |
| 6 | J400 5148 | 2 | | | PIN |
| 7 | J310 5394 | 4 | | | PLUG 2" |
| 8 | J317 8449 | 2 | | | PLUG 1" |
| 9 | 5300 5197 | 1 | | | HEATER, Engine Block |
| 10 | 5600 1824 | 1 | YJ | | CORD, Power Supply |
| | J324 2324 | 1 | SJ | | |
| 11 | | | | | STRAP |
| | J322 3227 | AR | | | 200mm |
| | J369 3058 | AR | | | 300mm |
| | J323 0270 | AR | | | 350mm |
| | J323 5187 | AR | | | 450mm |
| 12 | J400 7540 | 1 | SJ | | INSERT |

MODEL CODES:

| | | |
|-----------------------------|-----------------------------|------------------------------|
| 15 = Grand Wagoneer 4 Dr. | 65 = Comanche 4WD-7 Ft. Box | 77 = Cherokee 4WD-2 Dr. |
| 25 = J-10 Pickup-119" W.B. | 66 = Comanche 2WD-7 Ft. Box | 78 = Cherokee 4WD-4 Dr. |
| 26 = J-10 Pickup-131" W.B. | 73 = Cherokee 2WD-2 Dr. | 79 = Cherokee 4WD-4 Dr.-Com |
| 27 = J-20 Pickup-131" W.B. | 74 = Cherokee 2WD-4 Dr. | 81 = Wrangler-93" W.B. |
| 63 = Comanche 4WD-6 Ft. Box | 75 = Wagoneer 4WD-4 Dr. | 82 = Wrangler-103" W.B.-Exp. |
| 64 = Comanche 2WD-6 Ft. Box | | |

BODY STYLES:

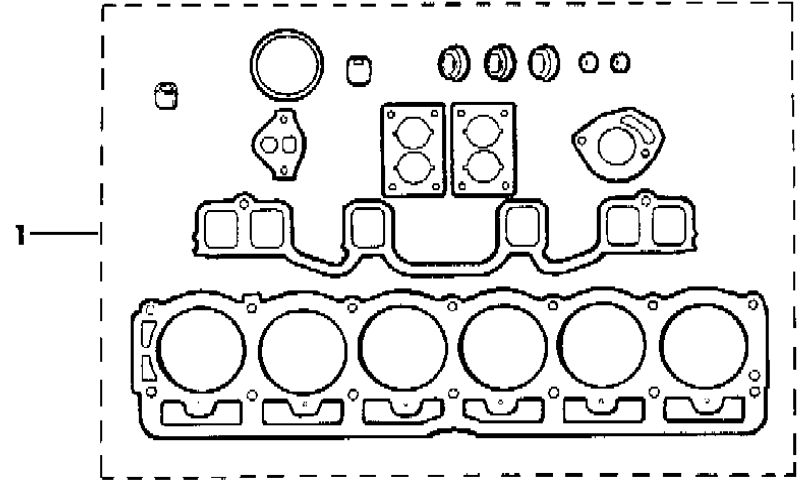
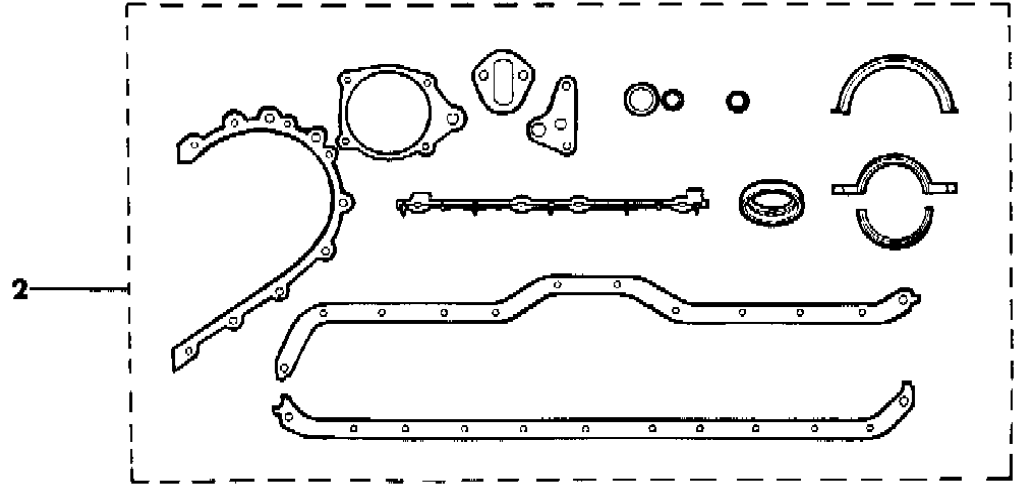
MJ = Comanche Pickup
 SJ = Grand Wagoneer Wgn., J-10 & J-20 Pickups
 XJ = Cherokee, Wagoneer Limited
 YJ = Wrangler

AR = Use as Required - = Non Illustrated Part P.A.R. = Paint as Required

GASKET SET 4.2L ENGINE
Figure 9B-1300

8 J56 1300

| ITEM | PART NUMBER | QTY | BODY | MODEL | DESCRIPTION |
|------|-------------|-----|------|-------|-------------------------------|
| 1 | 8350 2384 | | | | GASKET PACKAGE, Engine, Upper |
| 2 | 8350 5389 | | | | GASKET PACKAGE, Engine, Lower |



MODEL CODES:
 15 = Grand Wagoneer 4 Dr. 65 = Comanche 4WD-7 Ft. Box 77 = Cherokee 4WD-2 Dr.
 25 = J-10 Pickup-119" W.B. 66 = Comanche 2WD-7 Ft. Box 78 = Cherokee 4WD-4 Dr.
 26 = J-10 Pickup-131" W.B. 73 = Cherokee 2WD-2 Dr. 79 = Cherokee 4WD-4 Dr.-Com
 27 = J-20 Pickup-131" W.B. 74 = Cherokee 2WD-4 Dr. 81 = Wrangler-93" W.B.
 63 = Comanche 4WD-6 Ft. Box 75 = Wagoneer 4WD-4 Dr. 82 = Wrangler-103" W.B.-Exp.
 64 = Comanche 2WD-6 Ft. Box

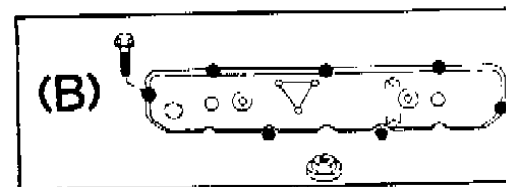
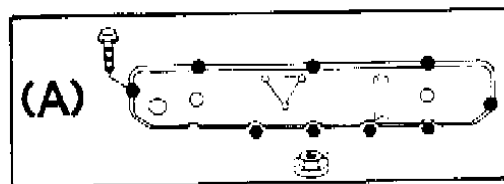
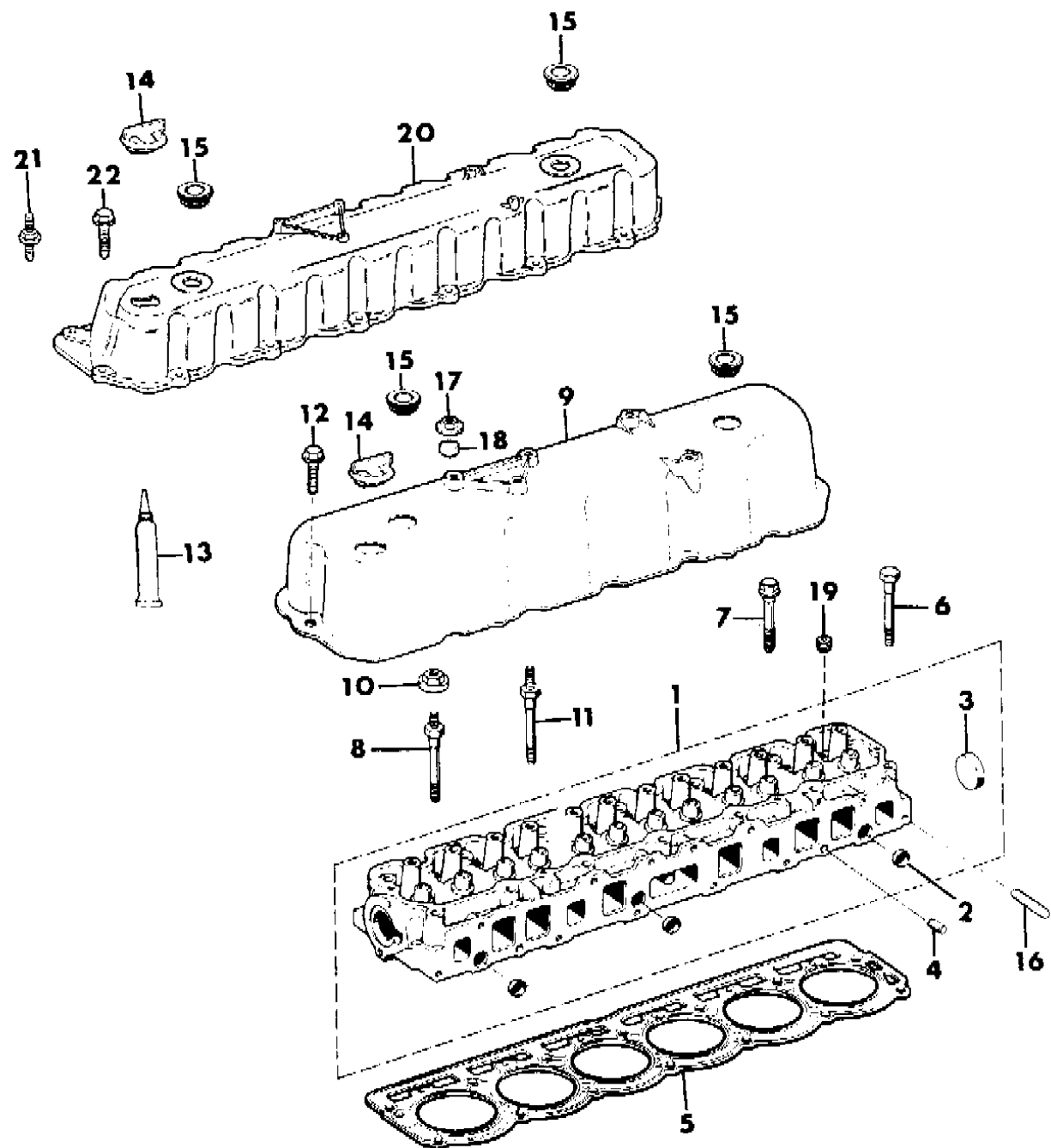
BODY STYLES:
 MJ = Comanche Pickup
 SJ = Grand Wagoneer Wgn., J-10 & J-20 Pickups
 XJ = Cherokee, Wagoneer Limited
 YJ = Wrangler

AR = Use as Required - = Non Illustrated Part P.A.R. = Paint as Required

CYLINDER HEAD 4.2L ENGINE

Figure 9B-1400

8J56 1400



| ITEM | PART NUMBER | QTY | BODY | MODEL | DESCRIPTION |
|------|-------------|-----|------|-------|---|
| 1 | | | | | HEAD, Engine Cylinder |
| | 8350 2372 | 1 | | | 1987 Use with plastic cylinder head cover #715 |
| | 8350 3322 | 1 | | | 1987-90 Use with aluminum cylinder head cover #661 |
| 2 | J317 2319 | 3 | | | PLUG |
| 3 | J310 5394 | 1 | | | PLUG 2" |
| 4 | J317 2318 | 2 | | | PIN |
| 5 | J322 8469 | 1 | | | GASKET |
| 6 | J400 7307 | 2 | | | BOLT, 4.5" |
| 7 | J400 7308 | 7 | | | BOLT, 3.76" |
| 8 | J400 7310 | 4 | | | BOLT, Stud - 1" Short End |
| 9 | | | | | COVER, Cylinder Head |
| | 3300 3691 | 1 | | | Inset A, Plastic |
| | 8350 3343 | 1 | | | Inset B, Plastic |
| 10 | | | | | NUT, Retainer |
| | 8350 2989 | 4 | | | Inset A |
| | J400 7199 | 2 | | | Inset B |
| 11 | J400 7311 | 1 | | | BOLT, Stud - 1.38" Short End |
| 12 | | | | | BOLT |
| | J400 7435 | 5 | | | Inset A |
| | S943 2476 | 5 | | | Inset B |
| 13 | J899 3317 | 1 | | | GASKET, RTV Sealer |
| 14 | 3300 1016 | 1 | | | CAP |
| 15 | | | | | GROMMET |
| | J323 7765 | 2 | | | .48" |
| | 5300 0957 | 2 | | | .66" |
| 16 | J400 7462 | 2 | | | STUD |
| 17 | J400 6926 | 2 | | | NUT, Use with plastic cylinder head cover, Inset B |
| 18 | J323 7837 | 2 | | | SEAL, Use with plastic cylinder head cover, Inset B |
| 19 | J400 7434 | 6 | | | PLUG |
| 20 | 3300 3688 | 1 | | | COVER, Cylinder Head, Aluminum |
| | 5300 5992 | 1 | | | Export |
| 21 | J400 7495 | 1 | | | STUD |
| 22 | J400 7600 | 14 | | | BOLT |

MODEL CODES:

| | | |
|-----------------------------|-----------------------------|------------------------------|
| 15 = Grand Wagoneer 4 Dr. | 65 = Comanche 4WD-7 Ft. Box | 77 = Cherokee 4WD-2 Dr. |
| 25 = J-10 Pickup-119" W.B. | 66 = Comanche 2WD-7 Ft. Box | 78 = Cherokee 4WD-4 Dr. |
| 26 = J-10 Pickup-131" W.B. | 73 = Cherokee 2WD-2 Dr. | 79 = Cherokee 4WD-4 Dr.-Com |
| 27 = J-20 Pickup-131" W.B. | 74 = Cherokee 2WD-4 Dr. | 81 = Wrangler-93" W.B. |
| 63 = Comanche 4WD-6 Ft. Box | 75 = Wagoneer 4WD-4 Dr. | 82 = Wrangler-103" W.B.-Exp. |
| 64 = Comanche 2WD-6 Ft. Box | | |

BODY STYLES:

MJ = Comanche Pickup
 SJ = Grand Wagoneer Wgn., J-10 & J-20 Pickups
 XJ = Cherokee, Wagoneer Limited
 YJ = Wrangler

AR = Use as Required - = Non Illustrated Part P.A.R. = Paint as Required

CRANKSHAFT AND PISTON 4.2L ENGINE

Figure 9B-1500

8 J56 1500

| ITEM | PART NUMBER | QTY | BODY | MODEL | DESCRIPTION |
|------|-------------|-----|-------|-------|--|
| 1 | | | | | CRANKSHAFT PACKAGE *** |
| | J813 3741 | 1 | YJ | | 2.48" Nose, For Engine No. 1 Thru 608C10 |
| | 8350 3326 | 1 | YJ,SJ | | 2.06" Nose, Engine No. 608C11 Thru ... |
| 2 | J320 5331 | 1 | | | SEAL PACKAGE |
| 3 | | | | | FLYWHEEL, Manual Transmission *** |
| | J324 0094 | 1 | | | 1987 |
| | 3300 4435 | 1 | SJ | | 1988 |
| | 3300 2672 | 1 | YJ | | 1988-90 |
| 4 | J317 9741 | 1 | | | GEAR, Ring - ManualTransmission |
| 5 | J317 0524 | 6 | | | BOLT, Manual Transmission |
| 6 | 3300 4041 | 1 | | | BEARING, Pilot - Manual Transmission |
| 7 | 3300 4107 | 1 | | | SPROCKET, Crankshaft |
| 8 | J323 7196 | 1 | | | DAMPER, w/V-Belt Drive |
| 9 | J323 7723 | 1 | | | DAMPER, w/Serpentine Belt Drive |
| 10 | J310 7234 | 1 | | | KEY, Shaft |
| 11 | J310 7002 | 1 | | | KEY, Shaft |
| 12 | | | | | BOLT |
| | S018 1698 | 1 | YJ | | 1.25" |
| | S942 4033 | 1 | YJ,SJ | | 1.62" |
| 13 | J323 0155 | 1 | | | WASHER |
| 14 | | | | | PULLEY, Crankshaft |
| | J322 4690 | 1 | | | w/o Factory Air, w/V-Belt Drive |
| | J322 4692 | 1 | | | Factory Air, w/V-Belt Drive |
| | J812 6188 | 1 | | | "American Air", w/V-Belt Drive |
| 15 | S017 9814 | 3 | | | BOLT, w/V-Belt Drive |
| 16 | J012 0214 | 3 | | | WASHER, w/V-Belt Drive |
| 17 | J317 3076 | 1 | | | SLINGER, Oil |
| 18 | | | | | BEARING PACKAGE, Main *** |
| | J813 3252 | 6 | | | Standard |
| | J813 3680 | 6 | | | -.001" |
| | J813 3682 | 6 | | | -.002" |
| | J813 3254 | 6 | | | -.010 |
| | J813 3684 | 6 | | | -.012 |
| 19 | | | | | BEARING PACKAGE, Main |
| | J813 3253 | 1 | | | Standard |
| | J813 3681 | 1 | | | -.001 |
| | J813 3683 | 1 | | | -.002 |

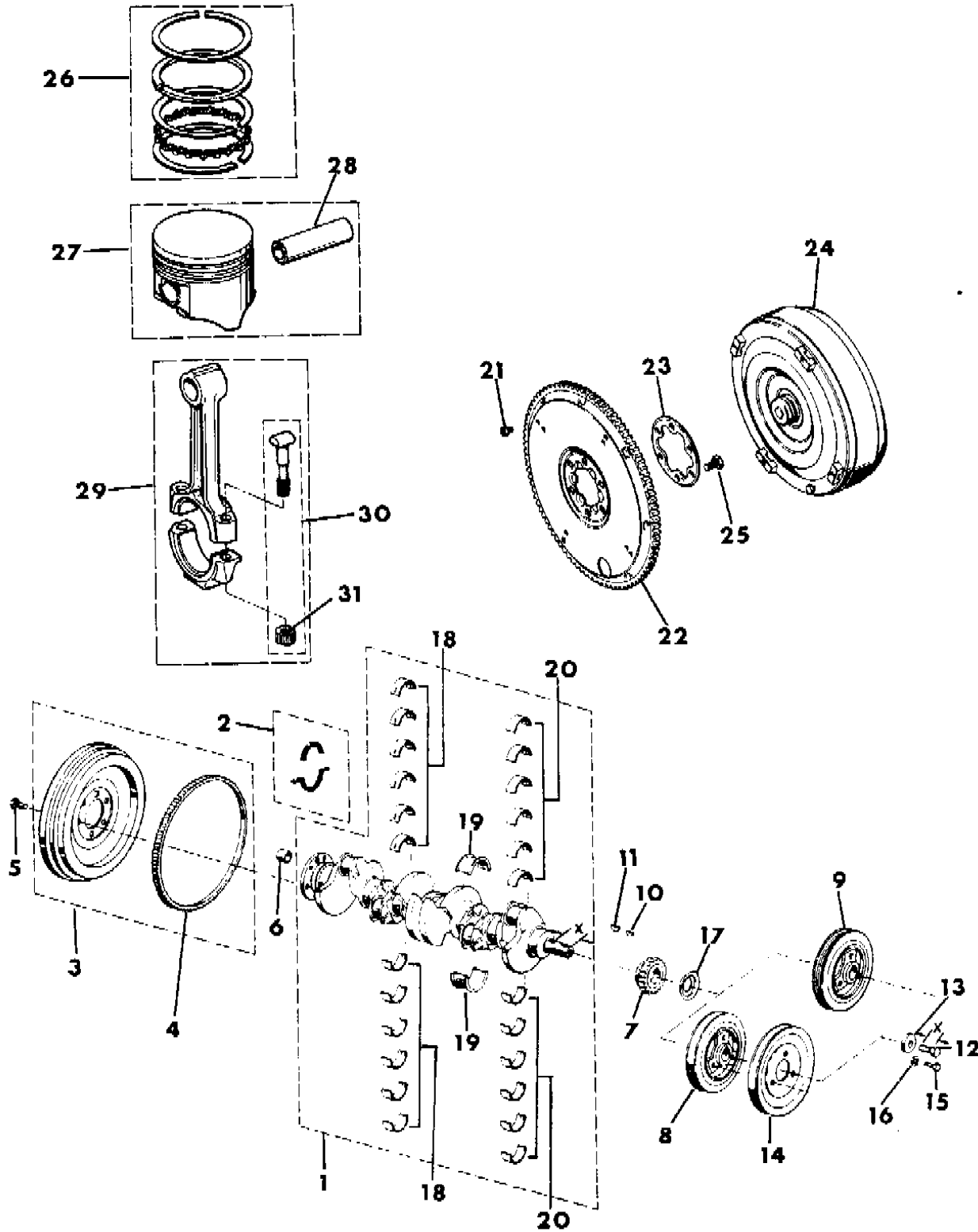
MODEL CODES:

| | | |
|-----------------------------|-----------------------------|------------------------------|
| 15 = Grand Wagoneer 4 Dr. | 65 = Comanche 4WD-7 Ft. Box | 77 = Cherokee 4WD-2 Dr. |
| 25 = J-10 Pickup-119" W.B. | 66 = Comanche 2WD-7 Ft. Box | 78 = Cherokee 4WD-4 Dr. |
| 26 = J-10 Pickup-131" W.B. | 73 = Cherokee 2WD-2 Dr. | 79 = Cherokee 4WD-4 Dr.-Com |
| 27 = J-20 Pickup-131" W.B. | 74 = Cherokee 2WD-4 Dr. | 81 = Wrangler-93" W.B. |
| 63 = Comanche 4WD-6 Ft. Box | 75 = Wagoneer 4WD-4 Dr. | 82 = Wrangler-103" W.B.-Exp. |
| 64 = Comanche 2WD-6 Ft. Box | | |

BODY STYLES:

| |
|---|
| MJ = Comanche Pickup |
| SJ = Grand Wagoneer Wgn., J-10 & J-20 Pickups |
| XJ = Cherokee, Wagoneer Limited |
| YJ = Wrangler |

AR = Use as Required - = Non Illustrated Part P.A.R. = Paint as Required



CRANKSHAFT AND PISTON 4.2L ENGINE
Figure 9B-1500

8 J56 1500

| ITEM | PART NUMBER | QTY | BODY | MODEL | DESCRIPTION |
|------|-------------|-----|------|-------|-------------------------------|
| | J813 3255 | 1 | | | -.010 |
| | J813 3685 | 1 | | | -.012 |
| 20 | | | | | BEARING PACKAGE, Rods |
| | J812 6204 | 6 | | | Standard |
| | J812 6205 | 6 | | | -.001 |
| | J812 6206 | 6 | | | -.002 |
| | J812 6207 | 6 | | | -.010 |
| | J812 6208 | 6 | | | -.012 |
| 21 | J321 4097 | 4 | | | BOLT |
| 22 | | | | | PLATE, Converter |
| | J323 2138 | 1 | | | 1987 |
| | 3300 4359 | 1 | | | 1988/ |
| 23 | J321 4094 | 1 | | | REINFORCEMENT |
| 24 | | | | | CONVERTER, Torque 4.2L Engine |
| | JR77 5134 | 1 | | | Remanufactured |
| | 5300 4910 | 1 | | | Up to 11-29-89 |
| | 4412 923 | 1 | | | After 11-29-89 |
| 25 | J315 1407 | 6 | | | BOLT |
| 26 | | | | | RING PACKAGE, Piston *** |
| | 8350 6383 | 1 | | | Standard |
| | 8350 6384 | 1 | | | +.010 |
| 27 | | | | | PISTON PACKAGE, Standard *** |
| | 4762 940 | 6 | | | Size 'B' 3.7492 - 3.7496" |
| | 4762 942 | 6 | | | Size 'C' 3.7496 - 3.7500" |
| | 4762 943 | 6 | | | Size 'D' 3.7500 - 3.7504" |
| | J813 4442 | 6 | | | +.010" O/Size |
| 28 | | | | | PIN, Piston |
| | J318 0483 | 6 | | | Standard |
| | 8350 0303 | 6 | | | +.003 |
| | 8350 0304 | 6 | | | +.005 |
| 29 | J323 7812 | 6 | | | ROD, Connecting |
| 30 | J813 3824 | 12 | | | BOLT PACKAGE |
| 31 | J400 6385 | 12 | | | NUT |

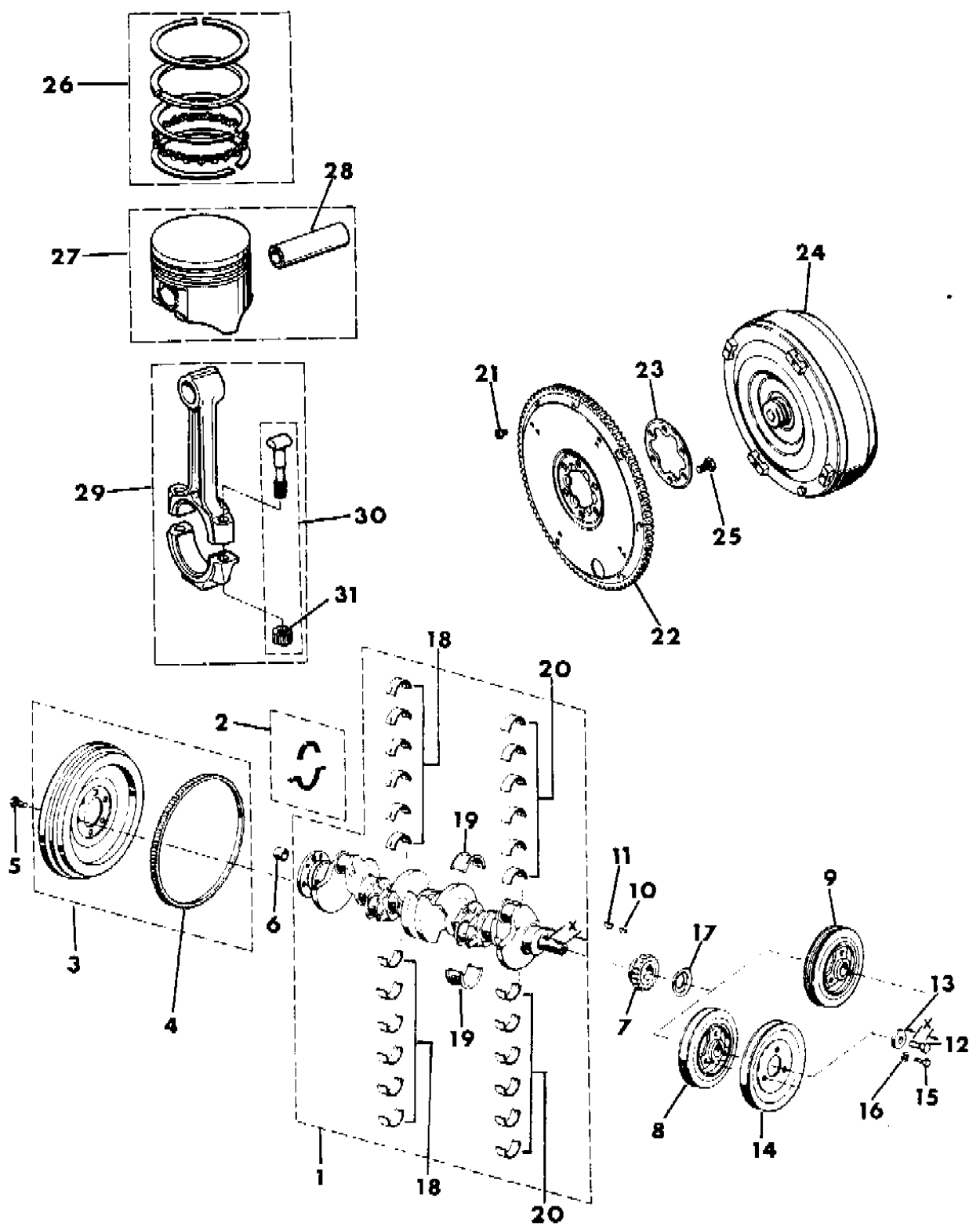
MODEL CODES:

| | | |
|-----------------------------|-----------------------------|------------------------------|
| 15 = Grand Wagoneer 4 Dr. | 65 = Comanche 4WD-7 Ft. Box | 77 = Cherokee 4WD-2 Dr. |
| 25 = J-10 Pickup-119" W.B. | 66 = Comanche 2WD-7 Ft. Box | 78 = Cherokee 4WD-4 Dr. |
| 26 = J-10 Pickup-131" W.B. | 73 = Cherokee 2WD-2 Dr. | 79 = Cherokee 4WD-4 Dr.-Com |
| 27 = J-20 Pickup-131" W.B. | 74 = Cherokee 2WD-4 Dr. | 81 = Wrangler-93" W.B. |
| 63 = Comanche 4WD-6 Ft. Box | 75 = Wagoneer 4WD-4 Dr. | 82 = Wrangler-103" W.B.-Exp. |
| 64 = Comanche 2WD-6 Ft. Box | | |

BODY STYLES:

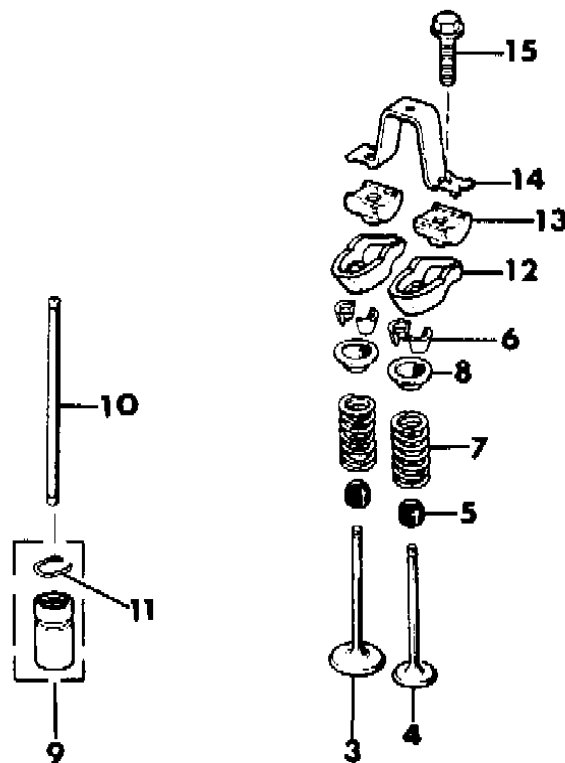
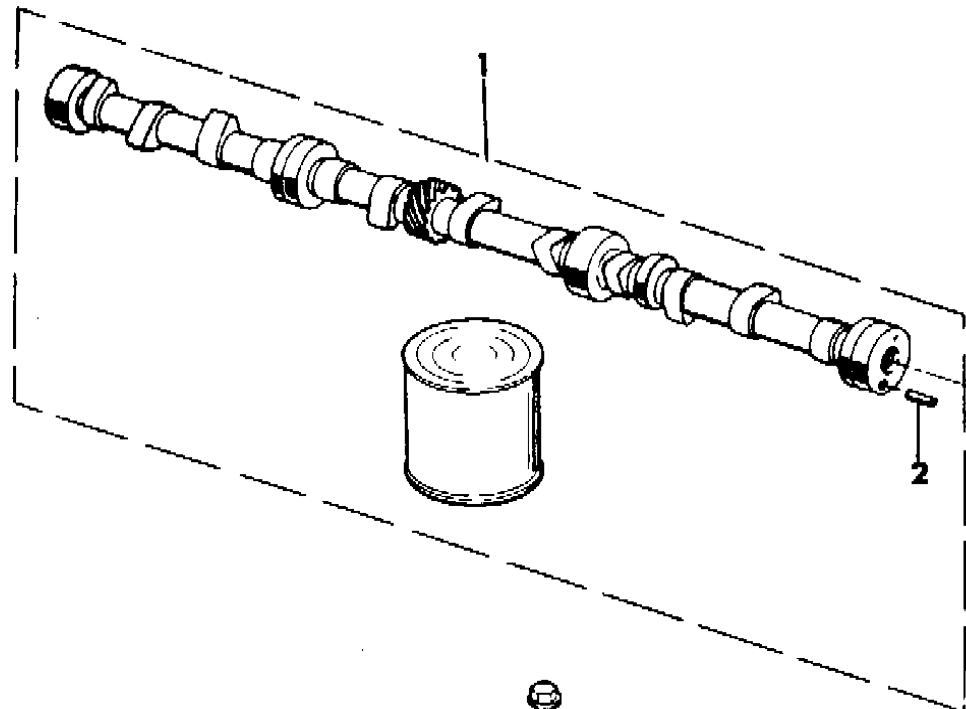
| |
|---|
| MJ = Comanche Pickup |
| SJ = Grand Wagoneer Wgn., J-10 & J-20 Pickups |
| XJ = Cherokee, Wagoneer Limited |
| YJ = Wrangler |

AR = Use as Required - = Non Illustrated Part P.A.R. = Paint as Required



CAMSHAFT AND VALVE 4.2L ENGINE
Figure 9B-1600

8J56 1600



| ITEM | PART NUMBER | QTY | BODY | MODEL | DESCRIPTION |
|------|-------------|-----|-------|-------|-------------------|
| 1 | J813 3009 | 1 | | | CAMSHAFT |
| 2 | J045 6384 | 1 | | | PIN |
| 3 | | | | | VALVE, Intake |
| | J324 0768 | 6 | | | Standard |
| | J324 0166 | 6 | | | +0.003" |
| | J324 0167 | 6 | | | +0.015" |
| 4 | | | | | VALVE, Exhaust |
| | J324 0767 | 6 | | | Standard |
| | J324 0163 | 6 | | | +0.003" |
| | J324 0164 | 6 | | | +0.015" |
| 5 | | | | | SEAL, Valve Stem |
| | J321 8976 | 12 | | | Standard |
| | J321 8976 | 12 | | | +0.003" |
| | J321 8977 | 12 | | | +0.015" |
| 6 | J318 0458 | 24 | | | KEEPER |
| 7 | J322 8192 | 12 | | | SPRING |
| 8 | 3300 3180 | 12 | | | RETAINER |
| 9 | J322 2276 | 12 | | | TAPPET |
| 10 | | | | | PUSHROD |
| | J324 2395 | 12 | YJ,SJ | | 1988 |
| | 3300 4853 | 12 | YJ | | 1989-90 |
| 11 | J644 0614 | 12 | | | RING |
| 12 | J324 2393 | 12 | | | ARM, Valve Rocker |
| 13 | J323 5090 | 12 | | | PIVOT |
| 14 | J323 6513 | 6 | | | BRIDGE |
| 15 | J812 0512 | 12 | | | BOLT |

MODEL CODES:

| | | |
|-----------------------------|-----------------------------|------------------------------|
| 15 = Grand Wagoneer 4 Dr. | 65 = Comanche 4WD-7 Ft. Box | 77 = Cherokee 4WD-2 Dr. |
| 25 = J-10 Pickup-119" W.B. | 66 = Comanche 2WD-7 Ft. Box | 78 = Cherokee 4WD-4 Dr. |
| 26 = J-10 Pickup-131" W.B. | 73 = Cherokee 2WD-2 Dr. | 79 = Cherokee 4WD-4 Dr.-Com |
| 27 = J-20 Pickup-131" W.B. | 74 = Cherokee 2WD-4 Dr. | 81 = Wrangler-93" W.B. |
| 63 = Comanche 4WD-6 Ft. Box | 75 = Wagoneer 4WD-4 Dr. | 82 = Wrangler-103" W.B.-Exp. |
| 64 = Comanche 2WD-6 Ft. Box | | |

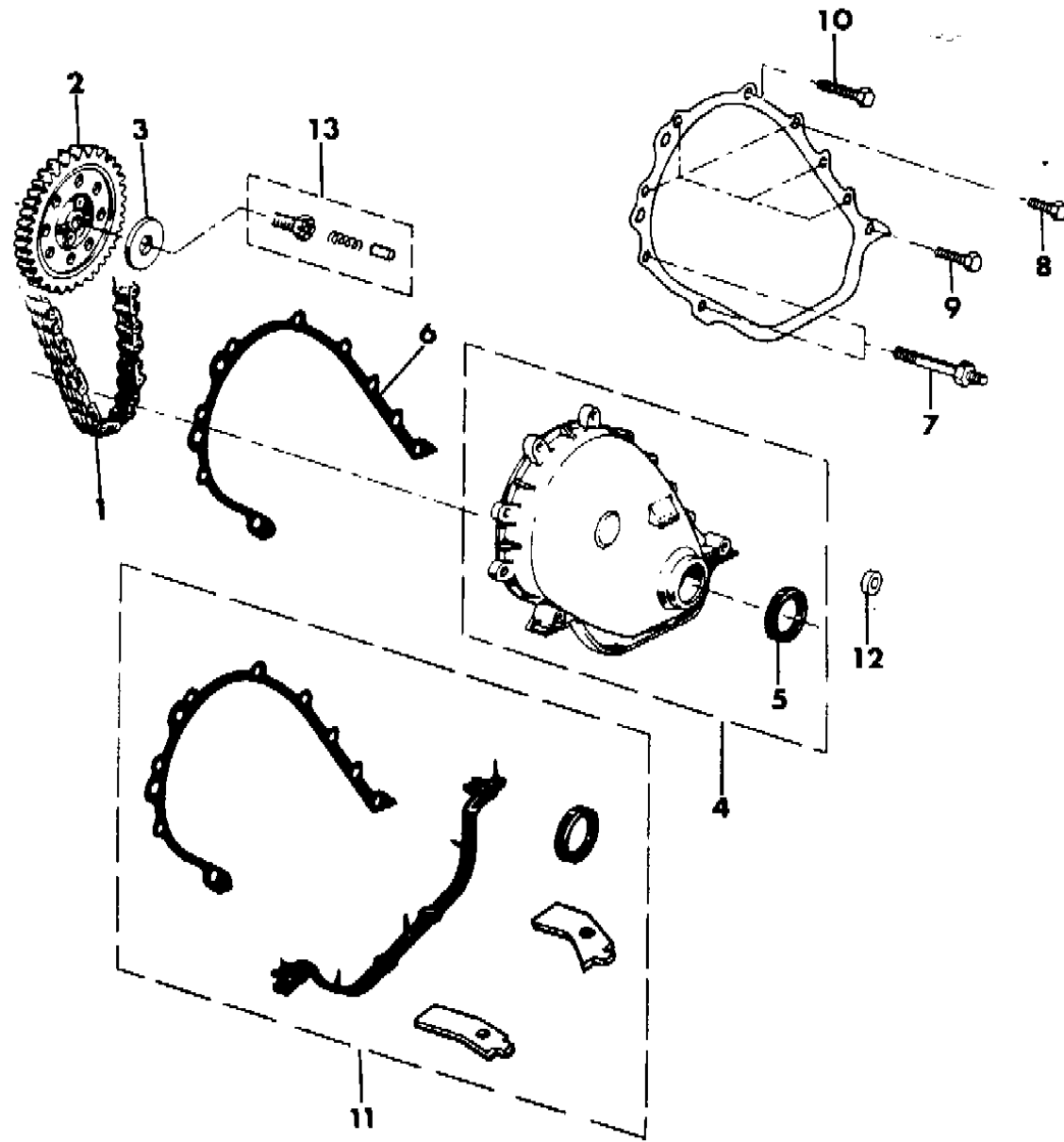
BODY STYLES:

MJ = Comanche Pickup
 SJ = Grand Wagoneer Wgn., J-10 & J-20 Pickups
 XJ = Cherokee, Wagoneer Limited
 YJ = Wrangler

AR = Use as Required - = Non Illustrated Part P.A.R. = Paint as Required

TIMING COVER 4.2L ENGINE
Figure 9B-1700

8J56 1700



| ITEM | PART NUMBER | QTY | BODY | MODEL | DESCRIPTION |
|------|-------------|-----|------|-------|--------------------|
| 1 | J324 0502 | 1 | | | CHAIN, Timing |
| 2 | J320 6693 | 1 | | | SPROCKET, Camshaft |
| 3 | J317 3284 | 1 | | | WASHER |
| 4 | 5300 5769 | 1 | | | COVER, Timing Case |
| 5 | 3300 4681 | 1 | | | SEAL |
| 6 | J322 5187 | 1 | | | GASKET |
| 7 | J400 7154 | AR | YJ | | BOLT, Stud |
| | J400 6973 | AR | SJ | | |
| 8 | J400 6906 | 5 | | | BOLT, .75" |
| 9 | 6034 914 | 1 | | | BOLT, 1.12" |
| 10 | J400 7566 | AR | | | BOLT, 1.88" |
| 11 | J812 9097 | 1 | | | GASKET PACKAGE |
| 12 | 3420 2521 | 1 | | | SPACER |
| 13 | 8350 2890 | 1 | | | PIN PACKAGE |

MODEL CODES:

| | | |
|-----------------------------|-----------------------------|------------------------------|
| 15 = Grand Wagoneer 4 Dr. | 65 = Comanche 4WD-7 Ft. Box | 77 = Cherokee 4WD-2 Dr. |
| 25 = J-10 Pickup-119" W.B. | 66 = Comanche 2WD-7 Ft. Box | 78 = Cherokee 4WD-4 Dr. |
| 26 = J-10 Pickup-131" W.B. | 73 = Cherokee 2WD-2 Dr. | 79 = Cherokee 4WD-4 Dr.-Com |
| 27 = J-20 Pickup-131" W.B. | 74 = Cherokee 2WD-4 Dr. | 81 = Wrangler-93" W.B. |
| 63 = Comanche 4WD-6 Ft. Box | 75 = Wagoneer 4WD-4 Dr. | 82 = Wrangler-103" W.B.-Exp. |
| 64 = Comanche 2WD-6 Ft. Box | | |

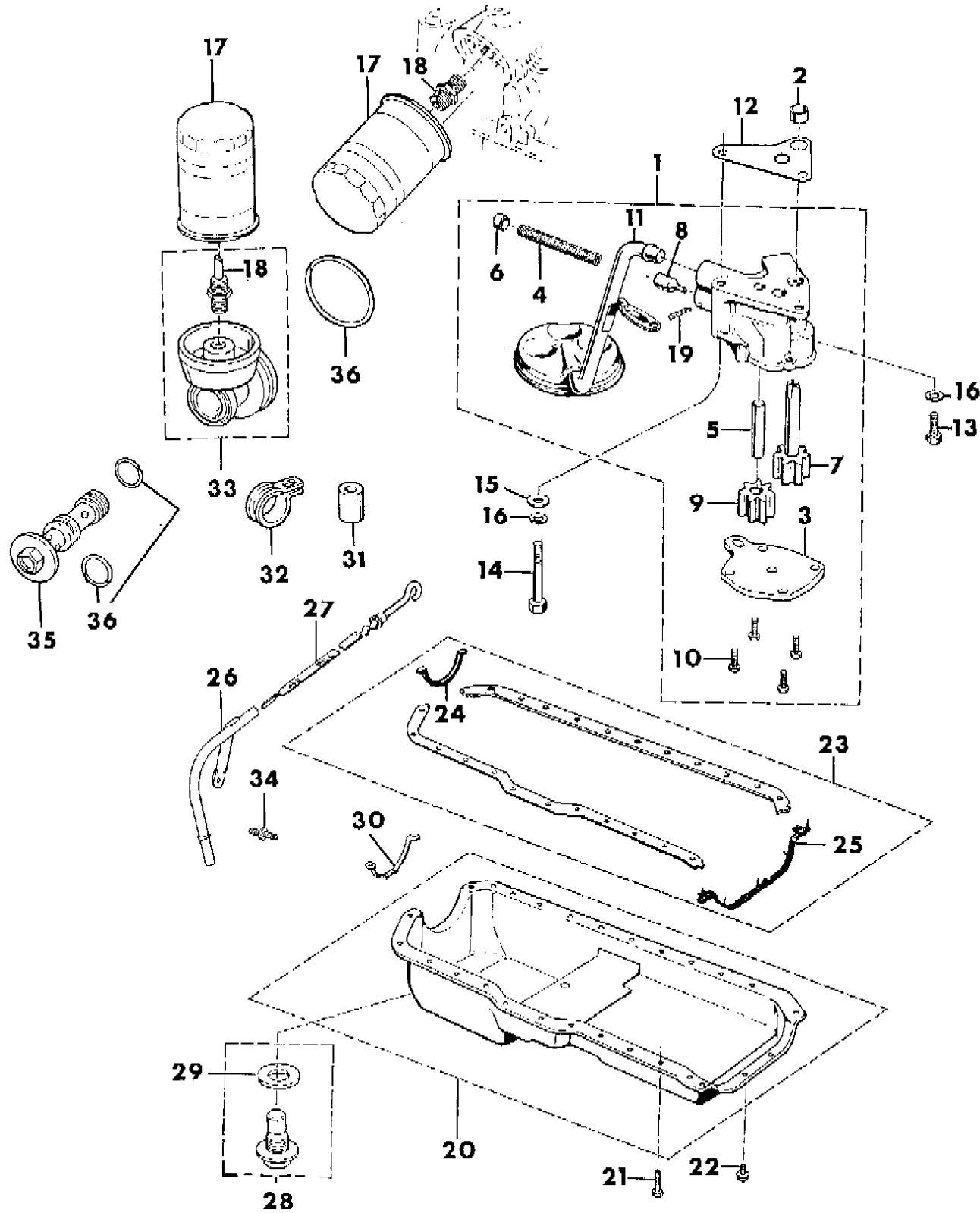
BODY STYLES:

MJ = Comanche Pickup
 SJ = Grand Wagoneer Wgn., J-10 & J-20 Pickups
 XJ = Cherokee, Wagoneer Limited
 YJ = Wrangler

AR = Use as Required - = Non Illustrated Part P.A.R. = Paint as Required

ENGINE OILING 4.2L ENGINE
Figure 9B-1800

8J56 1800A



| ITEM | PART NUMBER | QTY | BODY | MODEL | DESCRIPTION |
|------|-------------|-----|------|-------|-----------------------------|
| 1 | J324 2141 | 1 | | | PUMP, Engine Oil |
| 2 | J400 5149 | 1 | | | PIN |
| 3 | J324 1733 | 1 | | | COVER, Oil Pump |
| 4 | J323 9668 | 1 | | | SPRING |
| 5 | J317 1956 | 1 | | | SHAFT, Oil Pump Gear |
| 6 | J317 1958 | 1 | | | RETAINER |
| 7 | J317 2334 | 1 | | | GEAR, Oil Pump Drive |
| 8 | | | | | PLUNGER |
| | J318 8661 | 1 | | | Standard |
| | J324 1676 | 1 | | | +0.010" |
| 9 | J319 6843 | 1 | | | GEAR, Oil Pump Driven |
| 10 | J812 2990 | 4 | | | SCREW, 1988-89 |
| | J941 6852 | 4 | | | 1990 |
| 11 | J324 2140 | 1 | | | TUBE, Oil Pump Inlet |
| 12 | J317 2332 | 1 | | | GASKET |
| 13 | J018 0078 | 1 | | | BOLT |
| 14 | J943 7670 | 1 | | | BOLT |
| 15 | J012 0393 | 1 | | | WASHER |
| 16 | J012 0214 | 2 | | | WASHER, Lock |
| 17 | 3300 4195 | 1 | | | FILTER, Engine Oil |
| 18 | 3300 3538 | 1 | YJ | | CONNECTOR |
| | 3300 4125 | 1 | SJ | | |
| 19 | S010 8635 | 1 | | | PIN, Cotter |
| 20 | | | | | PAN, Engine Oil |
| | J324 3152 | 1 | | | 1987-89 |
| | 5300 7839 | 1 | | | 1990 |
| 21 | J400 7617 | 23 | | | SCREW, .56" Long |
| | 6034 914 | 1 | | | BOLT, 1.12" Long |
| 22 | J400 7614 | 4 | YJ | | SCREW |
| | J400 6297 | 4 | SJ | | |
| 23 | 8350 4662 | 1 | | | GASKET PACKAGE |
| 24 | 3300 4733 | 1 | | | SEAL |
| 25 | 8350 4654 | 1 | | | SEAL |
| 26 | | | | | TUBE, Engine Oil Indicator |
| | 3300 3656 | 1 | YJ | | |
| | J324 2449 | 1 | SJ | | |
| 27 | | | | | INDICATOR, Engine Oil Level |

MODEL CODES:

| | | |
|-----------------------------|-----------------------------|------------------------------|
| 15 = Grand Wagoneer 4 Dr. | 65 = Comanche 4WD-7 Ft. Box | 77 = Cherokee 4WD-2 Dr. |
| 25 = J-10 Pickup-119" W.B. | 66 = Comanche 2WD-7 Ft. Box | 78 = Cherokee 4WD-4 Dr. |
| 26 = J-10 Pickup-131" W.B. | 73 = Cherokee 2WD-2 Dr. | 79 = Cherokee 4WD-4 Dr.-Com |
| 27 = J-20 Pickup-131" W.B. | 74 = Cherokee 2WD-4 Dr. | 81 = Wrangler-93" W.B. |
| 63 = Comanche 4WD-6 Ft. Box | 75 = Wagoneer 4WD-4 Dr. | 82 = Wrangler-103" W.B.-Exp. |
| 64 = Comanche 2WD-6 Ft. Box | | |

BODY STYLES:

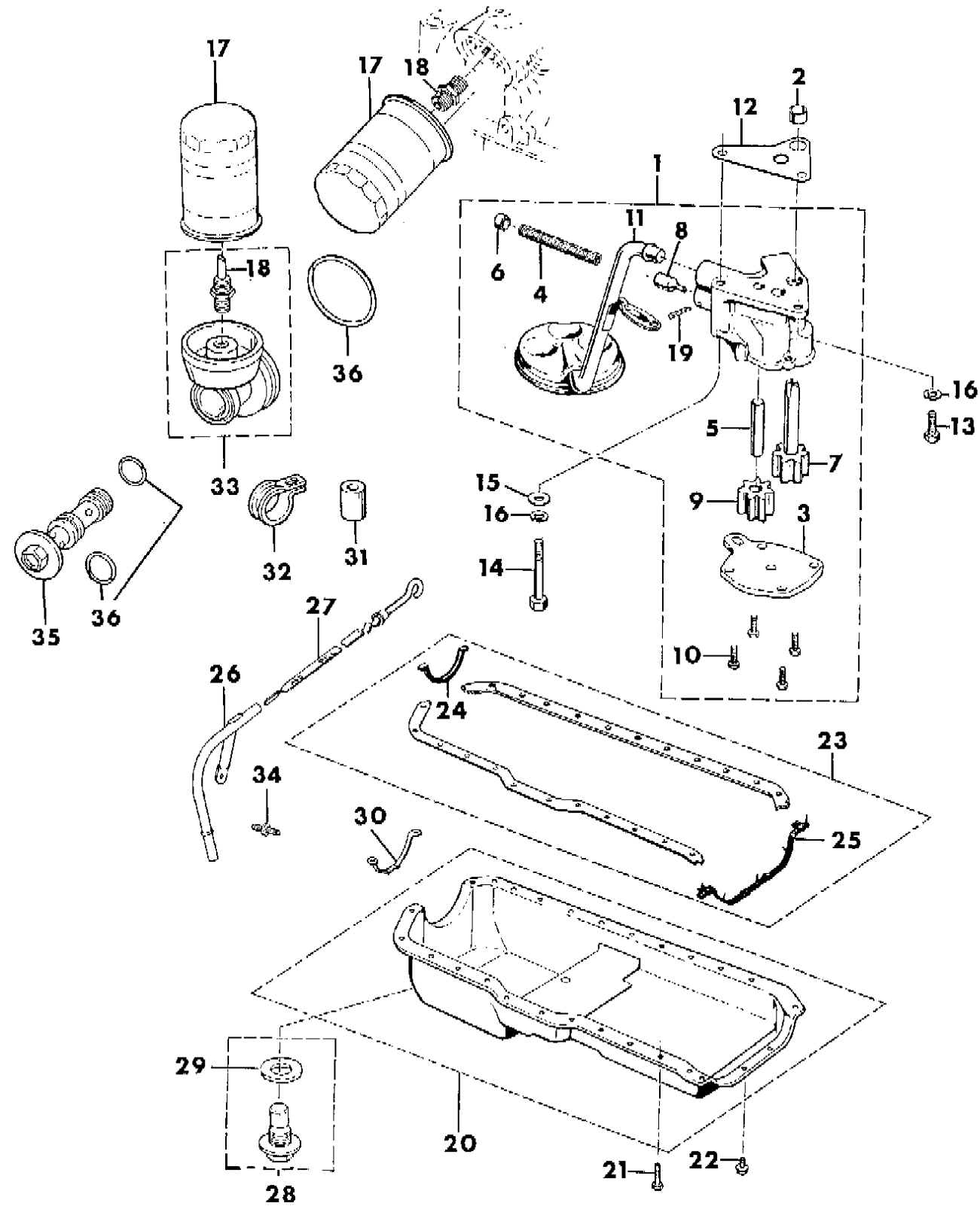
| |
|---|
| MJ = Comanche Pickup |
| SJ = Grand Wagoneer Wgn., J-10 & J-20 Pickups |
| XJ = Cherokee, Wagoneer Limited |
| YJ = Wrangler |

AR = Use as Required - = Non Illustrated Part P.A.R. = Paint as Required

ENGINE OILING 4.2L ENGINE

Figure 9B-1800

8J56 1800A



| ITEM | PART NUMBER | QTY | BODY | MODEL | DESCRIPTION |
|------|-------------|-----|------|-------|---------------------|
| | 3300 3875 | 1 | YJ | | 1987 |
| | 3300 4796 | 1 | YJ | | 1988-90 |
| | J324 2441 | 1 | SJ | | |
| 28 | 8350 1425 | 1 | | | PLUG PACKAGE |
| 29 | J324 3136 | 1 | | | GASKET |
| 30 | J324 3116 | 1 | | | SUPPORT |
| 31 | 3420 2601 | 1 | | | SPACER |
| 32 | J012 0522 | 1 | | | CLIP |
| 33 | 3300 2787 | 1 | SJ | | ADAPTER, Oil Filter |
| 34 | J400 7448 | 1 | | | STUD |
| 35 | 3300 2700 | 1 | SJ | | BOLT |
| 36 | | | SJ | | O-RING |
| | 3300 2970 | 1 | | | .80" |
| | 3300 2971 | 1 | | | 1.30" |
| | 3300 2972 | 1 | | | 2.48" |

MODEL CODES:

| | | |
|-----------------------------|-----------------------------|------------------------------|
| 15 = Grand Wagoneer 4 Dr. | 65 = Comanche 4WD-7 Ft. Box | 77 = Cherokee 4WD-2 Dr. |
| 25 = J-10 Pickup-119" W.B. | 66 = Comanche 2WD-7 Ft. Box | 78 = Cherokee 4WD-4 Dr. |
| 26 = J-10 Pickup-131" W.B. | 73 = Cherokee 2WD-2 Dr. | 79 = Cherokee 4WD-4 Dr.-Com |
| 27 = J-20 Pickup-131" W.B. | 74 = Cherokee 2WD-4 Dr. | 81 = Wrangler-93" W.B. |
| 63 = Comanche 4WD-6 Ft. Box | 75 = Wagoneer 4WD-4 Dr. | 82 = Wrangler-103" W.B.-Exp. |
| 64 = Comanche 2WD-6 Ft. Box | | |

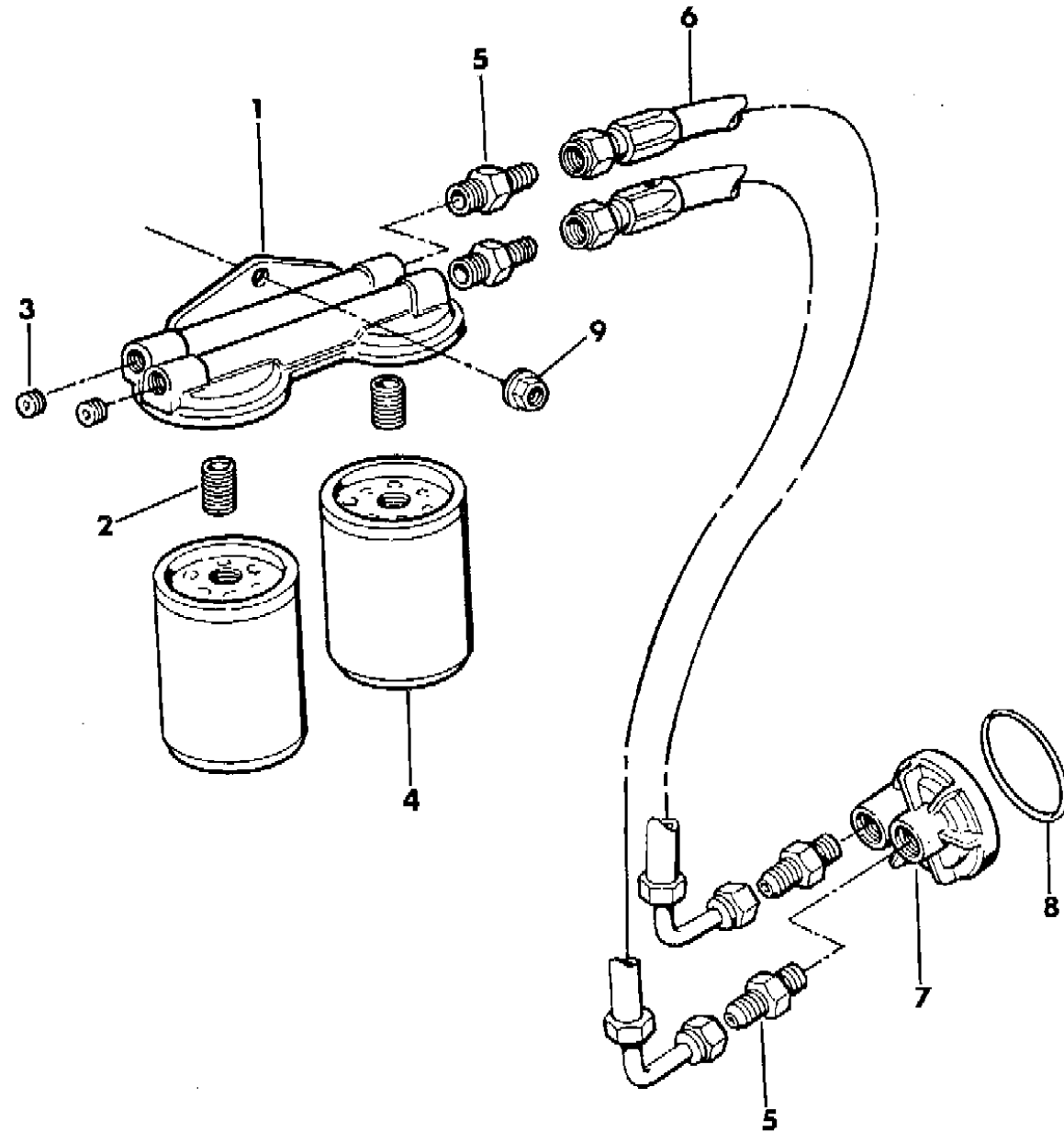
BODY STYLES:

MJ = Comanche Pickup
 SJ = Grand Wagoneer Wgn., J-10 & J-20 Pickups
 XJ = Cherokee, Wagoneer Limited
 YJ = Wrangler

AR = Use as Required - = Non Illustrated Part P.A.R. = Paint as Required

OIL FILTER, REMOTE 4.2L ENGINE WRANGLER KDX
Figure 9B-1850

8 J56 1850



| ITEM | PART NUMBER | QTY | BODY | MODEL | DESCRIPTION |
|------|-------------|-----|------|-------|--------------------|
| 1 | | | | | BASE |
| | J805 1353 | 1 | | | 1987-89 |
| | 5302 0097 | 1 | | | 1990 |
| 2 | | | | | NIPPLE |
| | J805 1354 | 2 | | | 1987-89 |
| | 5302 0098 | 1 | | | 1990 |
| 3 | | | | | PLUG |
| | J805 1412 | 2 | | | 1987-89 |
| | 5302 0099 | 2 | | | 1990 |
| 4 | J805 1330 | 2 | | | FILTER, Engine Oil |
| 5 | J805 3020 | 4 | | | FITTING *** |
| 6 | J805 3016 | 2 | | | HOSE |
| 7 | | | | | ADAPTER |
| | J805 1351 | 1 | | | 1987-89 |
| | 5302 0095 | 1 | | | 1990 |
| 8 | | | | | O-RING |
| | J805 1352 | 1 | | | 1987-89 |
| | 5302 0096 | 1 | | | 1990 |
| 9 | J012 0376 | 1 | | | NUT |

MODEL CODES:

| | | |
|-----------------------------|-----------------------------|------------------------------|
| 15 = Grand Wagoneer 4 Dr. | 65 = Comanche 4WD-7 Ft. Box | 77 = Cherokee 4WD-2 Dr. |
| 25 = J-10 Pickup-119" W.B. | 66 = Comanche 2WD-7 Ft. Box | 78 = Cherokee 4WD-4 Dr. |
| 26 = J-10 Pickup-131" W.B. | 73 = Cherokee 2WD-2 Dr. | 79 = Cherokee 4WD-4 Dr.-Com |
| 27 = J-20 Pickup-131" W.B. | 74 = Cherokee 2WD-4 Dr. | 81 = Wrangler-93" W.B. |
| 63 = Comanche 4WD-6 Ft. Box | 75 = Wagoneer 4WD-4 Dr. | 82 = Wrangler-103" W.B.-Exp. |
| 64 = Comanche 2WD-6 Ft. Box | | |

BODY STYLES:

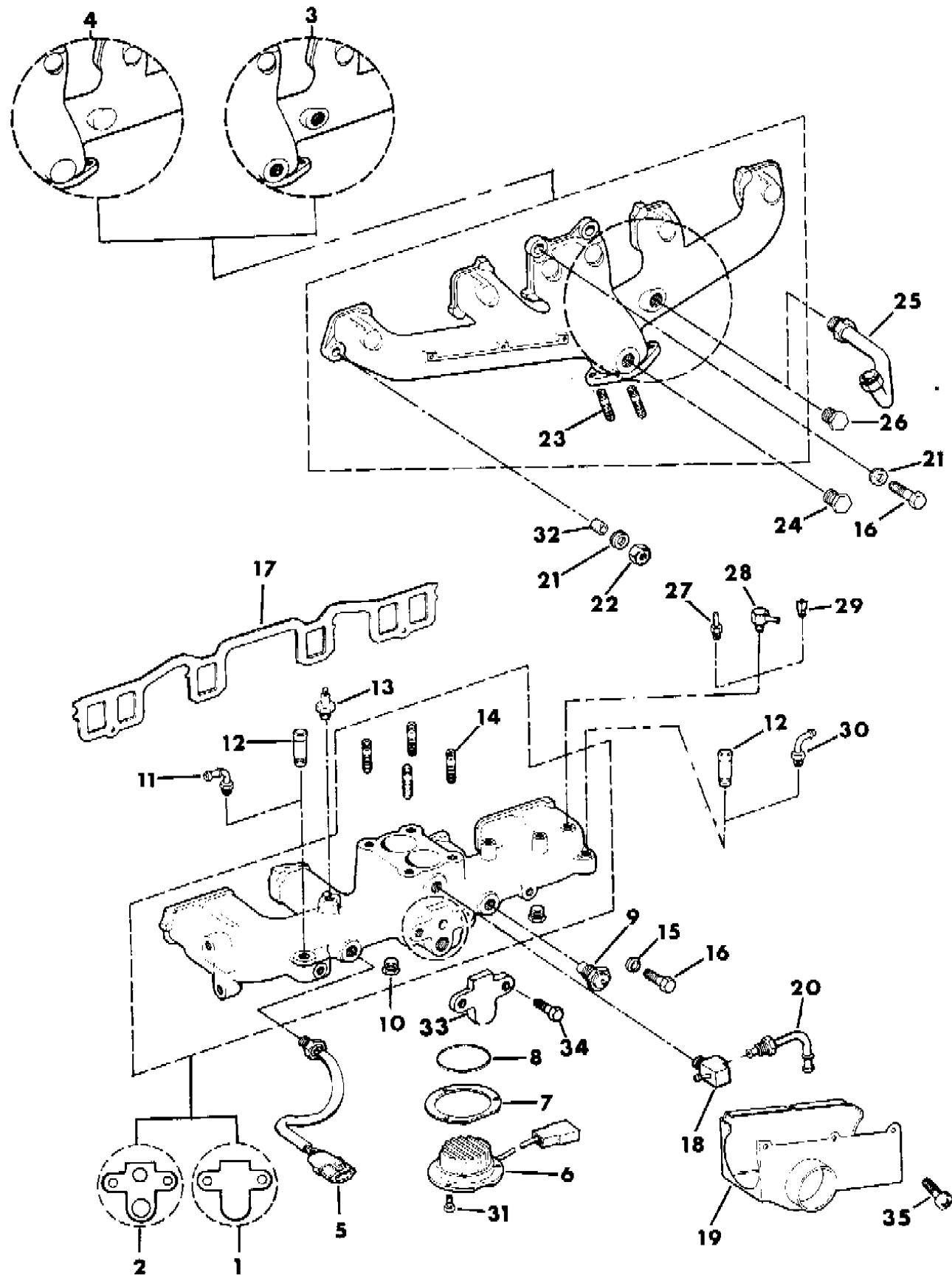
MJ = Comanche Pickup
SJ = Grand Wagoneer Wgn., J-10 & J-20 Pickups
XJ = Cherokee, Wagoneer Limited
YJ = Wrangler

AR = Use as Required - = Non Illustrated Part P.A.R. = Paint as Required

MANIFOLD - INTAKE AND EXHAUST 4.2L ENGINE

Figure 9B-1900

8 J56 1900



| ITEM | PART NUMBER | QTY | BODY | MODEL | DESCRIPTION |
|------|-------------|-----|------|-------|---------------------------------|
| 1 | 3300 0337 | 1 | | | MANIFOLD, Intake - Export |
| 2 | 8350 0204 | 1 | | | MANIFOLD, Intake |
| 3 | J323 7426 | 1 | | | MANIFOLD, Exhaust |
| 4 | 3300 0584 | 1 | | | MANIFOLD, Exhaust - Export |
| 5 | 3300 1979 | 1 | | | SWITCH, Coolant Temperature FFB |
| 6 | J324 2601 | 1 | | | HEATER, Early Fuel Evaporation |
| 7 | J323 8909 | 1 | | | GASKET |
| 8 | J420 0431 | 1 | | | O-RING |
| 9 | J324 2321 | 1 | | | SWITCH, Early Fuel Evaporation |
| 10 | S940 9961 | 2 | | | PLUG |
| 11 | J324 0081 | 1 | YJ | | ELBOW |
| 12 | 3200 2591 | 2 | | | NIPPLE |
| 13 | 5300 5278 | 1 | | | SENSOR, Knock |
| 14 | J400 6722 | 4 | | | STUD |
| 15 | 3300 4255 | 8 | | | WASHER, Clamp |
| 16 | J018 6622 | 10 | | | BOLT |
| 17 | J324 2855 | 1 | | | GASKET |
| 18 | J323 9145 | 1 | | | FITTING |
| 19 | J323 8506 | 1 | | | SHROUD, Exhaust Manifold |
| 20 | J322 9170 | 1 | YJ | | TUBE, Vacuum |
| | J536 2870 | 1 | SJ | | |
| 21 | J317 3077 | 4 | | | WASHER |
| 22 | J535 1688 | 2 | | | NUT |
| 23 | J400 6547 | 2 | | | STUD |
| 24 | J420 0413 | 1 | | | PLUG |
| 25 | J324 1722 | 1 | | | TUBE, EGR |
| 26 | J063 9979 | 1 | | | PLUG |
| 27 | 5300 2726 | 1 | | | FITTING |
| 28 | J323 9146 | 1 | | | FITTING |
| 29 | J010 3877 | 1 | | | PLUG |
| 30 | 3300 2501 | 1 | YJ | | ELBOW |
| 31 | J018 0016 | 3 | | | BOLT |
| 32 | 3300 4026 | 1 | | | SPACER |
| 33 | J321 9665 | 1 | SJ | | COVER, EGR Port NRM |
| 34 | J027 3573 | 2 | SJ | | BOLT |
| 35 | J011 1030 | 3 | | | SCREW |

MODEL CODES:

| | | |
|-----------------------------|-----------------------------|------------------------------|
| 15 = Grand Wagoneer 4 Dr. | 65 = Comanche 4WD-7 Ft. Box | 77 = Cherokee 4WD-2 Dr. |
| 25 = J-10 Pickup-119" W.B. | 66 = Comanche 2WD-7 Ft. Box | 78 = Cherokee 4WD-4 Dr. |
| 26 = J-10 Pickup-131" W.B. | 73 = Cherokee 2WD-2 Dr. | 79 = Cherokee 4WD-4 Dr.-Com |
| 27 = J-20 Pickup-131" W.B. | 74 = Cherokee 2WD-4 Dr. | 81 = Wrangler-93" W.B. |
| 63 = Comanche 4WD-6 Ft. Box | 75 = Wagoneer 4WD-4 Dr. | 82 = Wrangler-103" W.B.-Exp. |
| 64 = Comanche 2WD-6 Ft. Box | | |

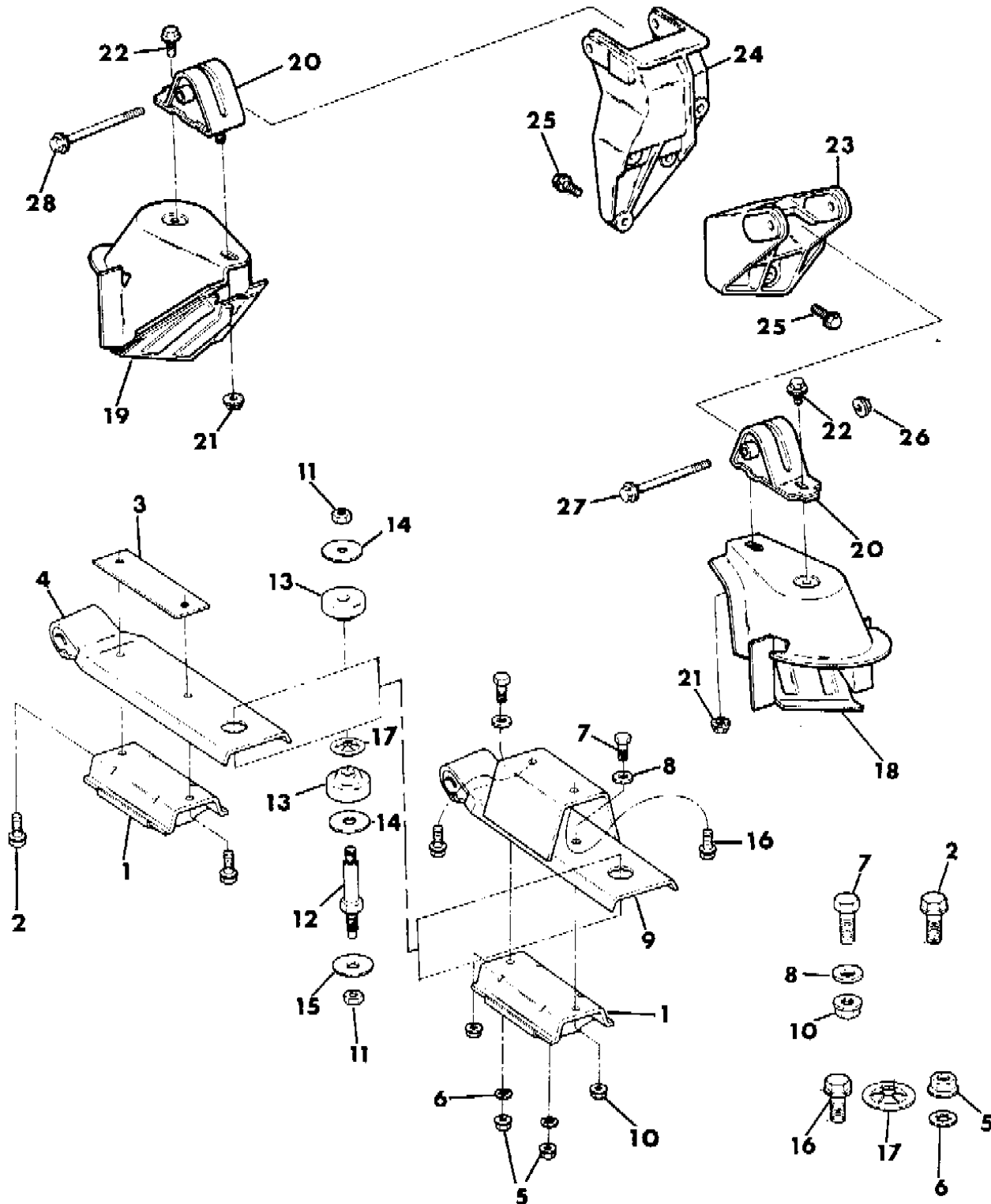
BODY STYLES:

MJ = Comanche Pickup
 SJ = Grand Wagoneer Wgn., J-10 & J-20 Pickups
 XJ = Cherokee, Wagoneer Limited
 YJ = Wrangler

AR = Use as Required - = Non Illustrated Part P.A.R. = Paint as Required

ENGINE MOUNTING 4.2L ENGINE WRANGLER, YJ
Figure 9B-2000

8 J 56 2000



| ITEM | PART NUMBER | QTY | BODY | MODEL | DESCRIPTION |
|------|-------------|-----|------|-------|---|
| 1 | 5200 2625 | 1 | | | CUSHION |
| 2 | J400 7162 | 4 | | | BOLT, Manual Transmission |
| 3 | 5200 3044 | 1 | | | SPACER, 1988-89 Manual Transmission |
| 4 | 5200 3043 | 1 | | | BRACKET, Torque Arm - Manual Transmission 1988-89 Peugeot BA10/5 1989-90 Aisin AX15 |
| 5 | 5200 3925 | 1 | | | NUT |
| 6 | T140 5676 | 2 | | | WASHER |
| 7 | J305 8034 | 2 | | | BOLT, Automatic Transmission |
| 8 | J018 0146 | 2 | | | WASHER, Automatic Transmission |
| 9 | J400 5397 | 2 | | | BRACKET, Torque Arm - Automatic Transmission |
| 10 | 5200 3045 | 1 | | | NUT, Automatic Transmission |
| 11 | J400 4005 | 2 | | | NUT |
| 12 | J941 1783 | 2 | | | NUT |
| 13 | J535 8879 | 1 | | | STUD |
| 14 | J094 5266 | 2 | | | INSULATOR |
| 15 | J094 5269 | 4 | | | WASHER |
| 16 | J094 1399 | 2 | | | WASHER |
| 17 | J941 9856 | 2 | | | SCREW, Automatic Transmission |
| 18 | J400 0235 | 1 | | | NUT, Push |
| 19 | 5204 0333 | 1 | | | BRACKET, Engine - Left |
| 20 | 5204 0335 | 1 | | | BRACKET, Engine - Right |
| 21 | 5201 9201 | 1 | | | MOUNT, Engine *** |
| 22 | 1150 2812 | 2 | | | NUT |
| 23 | 3420 1559 | 1 | | | BOLT |
| 24 | 5204 0269 | 1 | | | BRACKET, Engine - Left |
| 25 | 5200 2783 | 1 | | | BRACKET, Engine - Right |
| | J400 7585 | 6 | | | 1.00" |
| | J400 7622 | 6 | | | 1.12" |
| 26 | 1150 2813 | 2 | | | NUT |
| 27 | 3420 1959 | 1 | | | BOLT |
| 28 | 3420 2606 | 1 | | | BOLT |

MODEL CODES:

| | | |
|-----------------------------|-----------------------------|------------------------------|
| 15 = Grand Wagoneer 4 Dr. | 65 = Comanche 4WD-7 Ft. Box | 77 = Cherokee 4WD-2 Dr. |
| 25 = J-10 Pickup-119" W.B. | 66 = Comanche 2WD-7 Ft. Box | 78 = Cherokee 4WD-4 Dr. |
| 26 = J-10 Pickup-131" W.B. | 73 = Cherokee 2WD-2 Dr. | 79 = Cherokee 4WD-4 Dr.-Com |
| 27 = J-20 Pickup-131" W.B. | 74 = Cherokee 2WD-4 Dr. | 81 = Wrangler-93" W.B. |
| 63 = Comanche 4WD-6 Ft. Box | 75 = Wagoneer 4WD-4 Dr. | 82 = Wrangler-103" W.B.-Exp. |
| 64 = Comanche 2WD-6 Ft. Box | | |

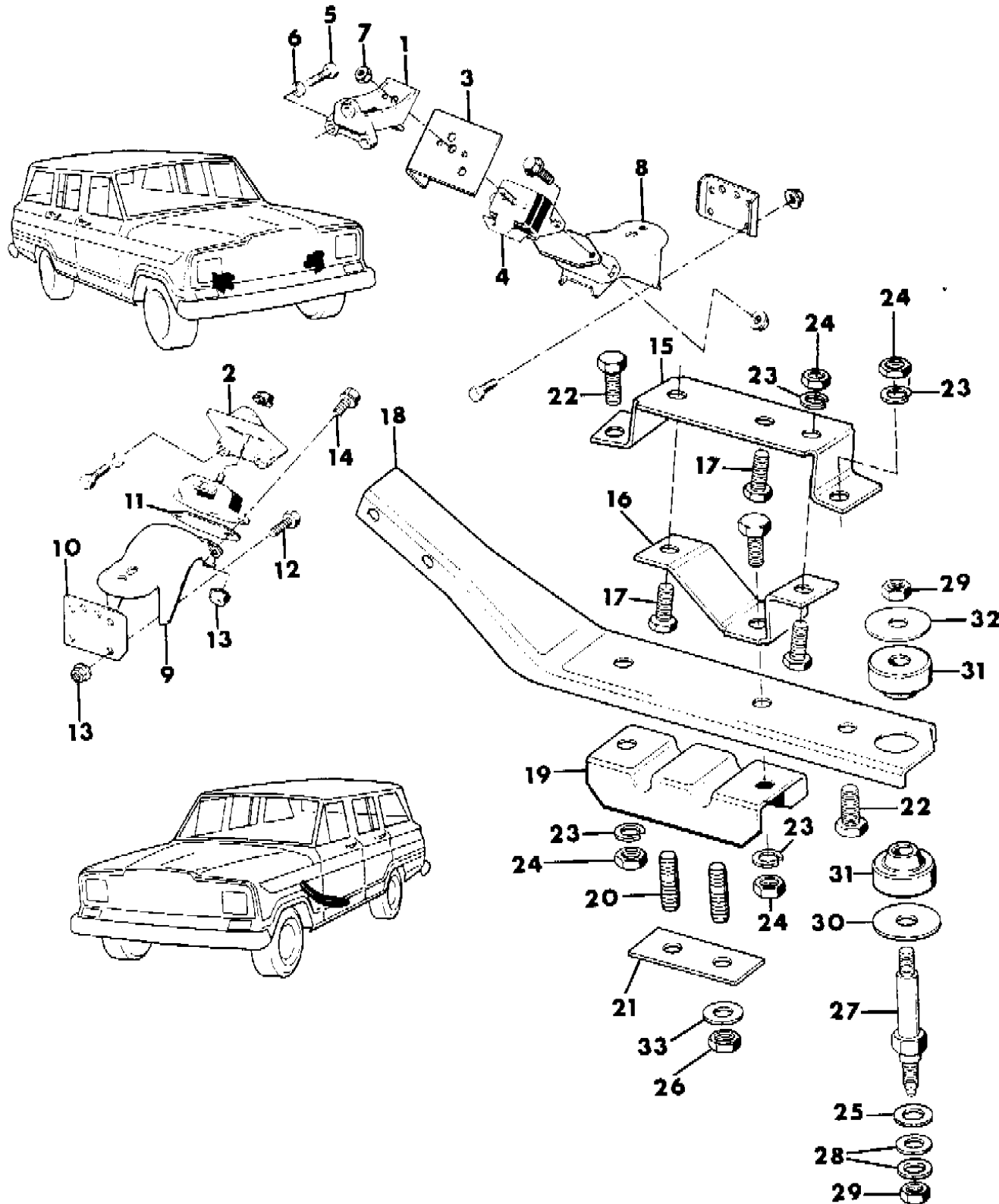
BODY STYLES:

MJ = Comanche Pickup
 SJ = Grand Wagoneer Wgn., J-10 & J-20 Pickups
 XJ = Cherokee, Wagoneer Limited
 YJ = Wrangler

AR = Use as Required - = Non Illustrated Part P.A.R. = Paint as Required

ENGINE MOUNTING 4.2L ENGINE GRAND WAGONEER, TRUCK J10
Figure 9B-2100

8J56 2100



| ITEM | PART NUMBER | QTY | BODY | MODEL | DESCRIPTION |
|------|-------------|-----|------|-------|---|
| 1 | 8350 3469 | 1 | | | BRACKET, Engine |
| 2 | J536 4439 | 1 | | | BRACKET, Engine |
| 3 | J535 4449 | 1 | | | SHIELD, Heat |
| 4 | J812 8488 | 2 | | | MOUNT, Engine |
| 5 | J018 0123 | 6 | | | BOLT |
| 6 | J012 0382 | 6 | | | WASHER, Lock |
| 7 | J400 3975 | 2 | | | NUT |
| 8 | J535 2439 | 1 | | | BRACKET |
| 9 | J535 2440 | 1 | | | BRACKET |
| 10 | J535 3589 | 2 | | | REINFORCEMENT |
| 11 | J536 4387 | 2 | | | SHIM |
| 12 | J400 6864 | 6 | | | BOLT |
| 13 | J400 3909 | 6 | | | NUT |
| 14 | | | | | BOLT |
| | J018 0122 | 3 | | | 1.00" |
| | S018 0124 | 1 | | | 1.25" |
| 15 | J535 9754 | 1 | | | BRACKET, Upper - Automatic Transmission |
| 16 | J535 9753 | 1 | | | BRACKET, Lower - Automatic Transmission |
| 17 | | | | | BOLT |
| | J400 6110 | AR | | | .88" Manual Transmission |
| | J400 6112 | AR | | | 1.00" Automatic Transmission |
| 18 | | | | | BRACKET |
| | J536 4455 | 1 | | | Manual Transmission |
| | J535 9752 | 1 | | | Automatic Transmission |
| 19 | J137 0910 | 1 | | | INSULATOR |
| 20 | J400 4819 | 2 | | | STUD |
| 21 | J536 1885 | 1 | | | SPACER |
| 22 | J018 0145 | 4 | | | BOLT |
| 23 | J012 0383 | 4 | | | WASHER, Lock |
| 24 | J027 1501 | 4 | | | NUT |
| 25 | J400 1134 | 1 | | | WASHER |
| 26 | J941 3215 | 2 | | | NUT |
| 27 | J535 8879 | 1 | | | STUD ASSEMBLY |
| 28 | J400 1104 | 2 | | | WASHER |
| 29 | J941 1783 | 2 | | | NUT |
| 30 | J094 1399 | 1 | | | WASHER |
| 31 | J094 5266 | 2 | | | INSULATOR |

MODEL CODES:

| | | |
|-----------------------------|-----------------------------|------------------------------|
| 15 = Grand Wagoneer 4 Dr. | 65 = Comanche 4WD-7 Ft. Box | 77 = Cherokee 4WD-2 Dr. |
| 25 = J-10 Pickup-119" W.B. | 66 = Comanche 2WD-7 Ft. Box | 78 = Cherokee 4WD-4 Dr. |
| 26 = J-10 Pickup-131" W.B. | 73 = Cherokee 2WD-2 Dr. | 79 = Cherokee 4WD-4 Dr.-Com |
| 27 = J-20 Pickup-131" W.B. | 74 = Cherokee 2WD-4 Dr. | 81 = Wrangler-93" W.B. |
| 63 = Comanche 4WD-6 Ft. Box | 75 = Wagoneer 4WD-4 Dr. | 82 = Wrangler-103" W.B.-Exp. |
| 64 = Comanche 2WD-6 Ft. Box | | |

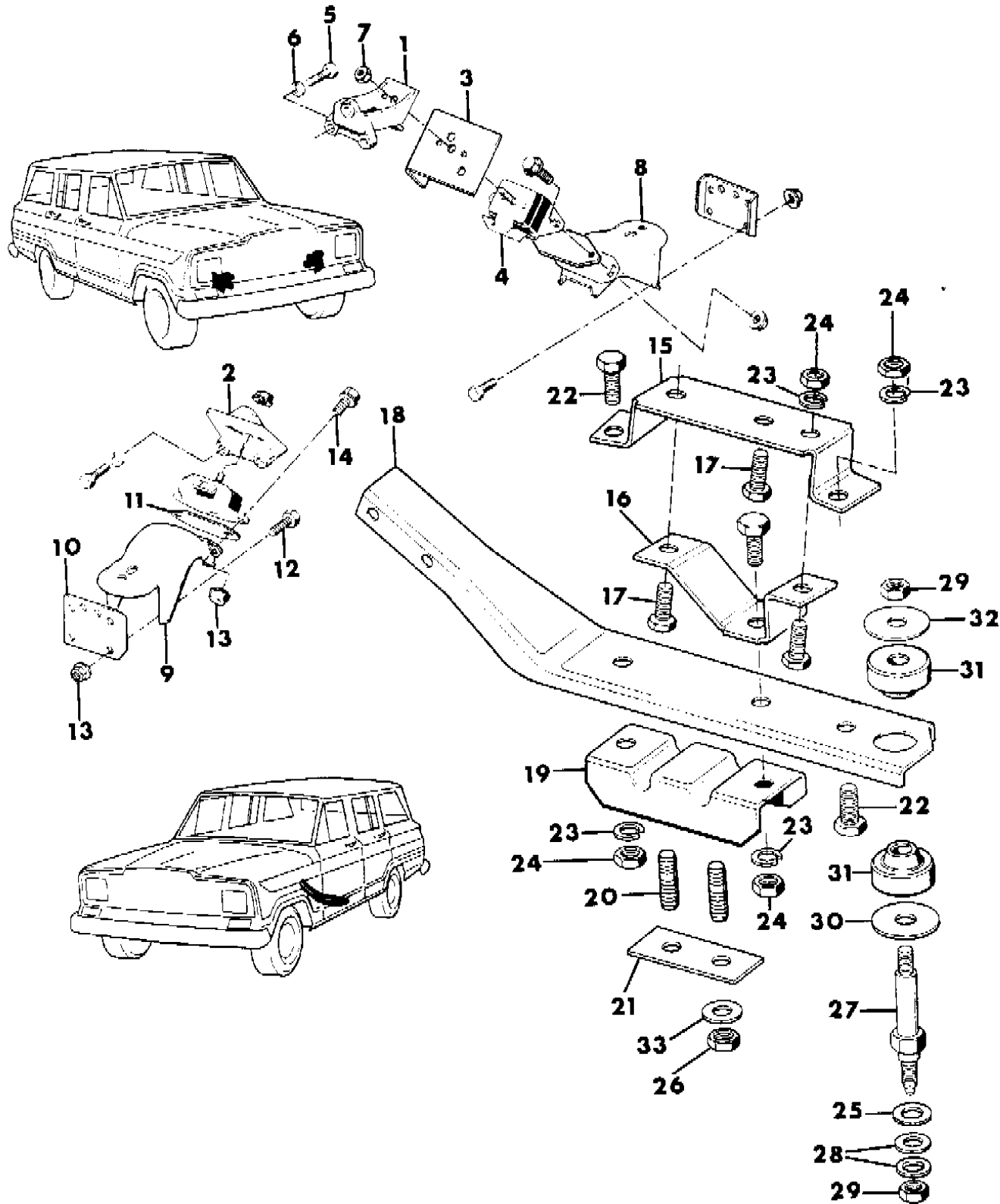
BODY STYLES:

MJ = Comanche Pickup
 SJ = Grand Wagoneer Wgn., J-10 & J-20 Pickups
 XJ = Cherokee, Wagoneer Limited
 YJ = Wrangler

AR = Use as Required - = Non Illustrated Part P.A.R. = Paint as Required

ENGINE MOUNTING 4.2L ENGINE GRAND WAGONEER, TRUCK J10
Figure 9B-2100

8J56 2100



| ITEM | PART NUMBER | QTY | BODY | MODEL | DESCRIPTION |
|------|-------------|-----|------|-------|-------------|
| 32 | J094 5269 | 1 | | | WASHER |
| 33 | J400 3805 | 1 | | | WASHER |

MODEL CODES:

| | | |
|-----------------------------|-----------------------------|------------------------------|
| 15 = Grand Wagoneer 4 Dr. | 65 = Comanche 4WD-7 Ft. Box | 77 = Cherokee 4WD-2 Dr. |
| 25 = J-10 Pickup-119" W.B. | 66 = Comanche 2WD-7 Ft. Box | 78 = Cherokee 4WD-4 Dr. |
| 26 = J-10 Pickup-131" W.B. | 73 = Cherokee 2WD-2 Dr. | 79 = Cherokee 4WD-4 Dr.-Com |
| 27 = J-20 Pickup-131" W.B. | 74 = Cherokee 2WD-4 Dr. | 81 = Wrangler-93" W.B. |
| 63 = Comanche 4WD-6 Ft. Box | 75 = Wagoneer 4WD-4 Dr. | 82 = Wrangler-103" W.B.-Exp. |
| 64 = Comanche 2WD-6 Ft. Box | | |

BODY STYLES:

MJ = Comanche Pickup
 SJ = Grand Wagoneer Wgn., J-10 & J-20 Pickups
 XJ = Cherokee, Wagoneer Limited
 YJ = Wrangler

AR = Use as Required - = Non Illustrated Part P.A.R. = Paint as Required

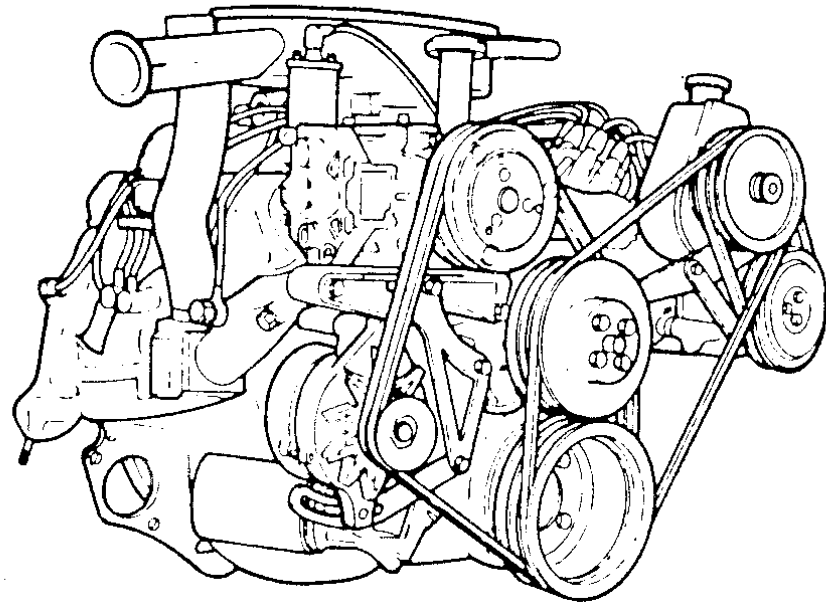
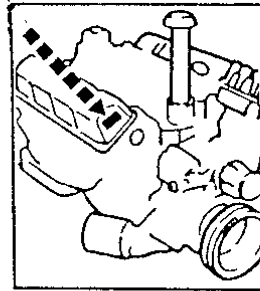
GROUP 9C - ENGINE, 8 CYLINDER

| ILLUSTRATION TITLE | GROUP-FIG. NO. |
|--|-----------------------|
| 5.9L ENGINE | |
| I.D. LOCATION 5.9L ENGINE | Fig. 9C-100 |
| CYLINDER BLOCK 5.9L ENGINE | Fig. 9C-200 |
| GASKET SET 5.9L ENGINE | Fig. 9C-300 |
| CYLINDER HEAD 5.9L ENGINE | Fig. 9C-400 |
| CRANKSHAFT AND PISTON 5.9L ENGINE | Fig. 9C-500 |
| CAMSHAFT AND VALVE 5.9L ENGINE | Fig. 9C-600 |
| TIMING COVER 5.9L ENGINE | Fig. 9C-700 |
| ENGINE OILING 5.9L ENGINE | Fig. 9C-800 |
| MANIFOLD, INTAKE AND EXHAUST 5.9L ENGINE | Fig. 9C-900 |
| ENGINE MOUNTING 5.9L ENGINE | Fig. 9C-1000 |

ILLUSTRATION NOT AVAILABLE AT TIME OF PUBLICATION

I.D. LOCATION 5.9L ENGINE
 Figure 9C-100

8J09 100



| ITEM | PART NUMBER | QTY | BODY | MODEL | DESCRIPTION |
|------|-------------|-----|------|-------|-------------|
| | | | | | |
| | | | | | |
| | | | | | |
| | | | | | |
| | | | | | |
| | | | | | |
| | | | | | |
| | | | | | |
| | | | | | |
| | | | | | |
| | | | | | |
| | | | | | |
| | | | | | |
| | | | | | |
| | | | | | |
| | | | | | |
| | | | | | |
| | | | | | |
| | | | | | |
| | | | | | |

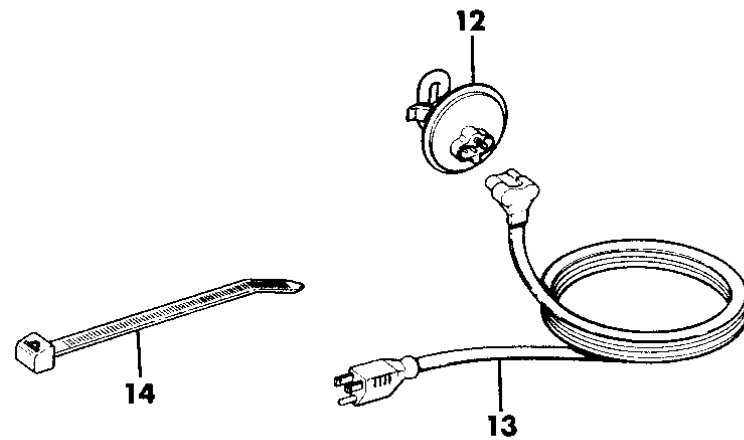
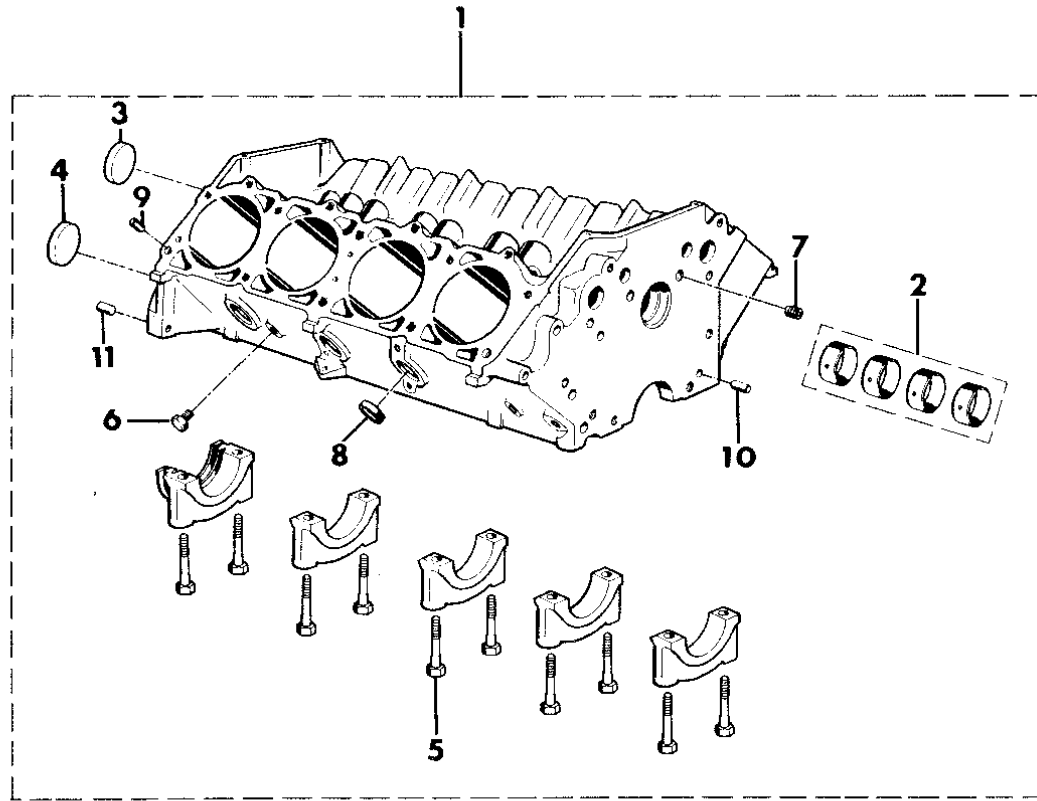
- MODEL CODES:
- 15 = Grand Wagoneer 4 Dr.
 - 25 = J-10 Pickup-119" W.B.
 - 26 = J-10 Pickup-131" W.B.
 - 27 = J-20 Pickup-131" W.B.
 - 63 = Comanche 4WD-6 Ft. Box
 - 64 = Comanche 2WD-6 Ft. Box
 - 65 = Comanche 4WD-7 Ft. Box
 - 66 = Comanche 2WD-7 Ft. Box
 - 73 = Cherokee 2WD-2 Dr.
 - 74 = Cherokee 2WD-4 Dr.
 - 75 = Wagoneer 4WD-4 Dr.
 - 77 = Cherokee 4WD-2 Dr.
 - 78 = Cherokee 4WD-4 Dr.
 - 79 = Cherokee 4WD-4 Dr.-Com
 - 81 = Wrangler-93" W.B.
 - 82 = Wrangler-103" W.B.-Exp.

- BODY STYLES:
- MJ = Comanche Pickup
 - SJ = Grand Wagoneer Wgn., J-10 & J-20 Pickups
 - XJ = Cherokee, Wagoneer Limited
 - YJ = Wrangler

AR = Use as Required - = Non Illustrated Part P.A.R. = Paint as Required

CYLINDER BLOCK 5.9L ENGINE
Figure 9C-200

8J09 200



| ITEM | PART NUMBER | QTY | BODY | MODEL | DESCRIPTION |
|------|-------------|-----|------|-------|-------------------------------|
| X | J813 3592 | 1 | | | ENGINE, Short - Less Camshaft |
| 1 | J448 7212 | 1 | | | BLOCK, Engine |
| 2 | J448 6286 | 1 | | | BEARING PACKAGE |
| 3 | J317 2313 | 1 | | | PLUG |
| 4 | J400 6580 | 2 | | | PLUG |
| 5 | J319 0891 | 10 | | | BOLT |
| 6 | J044 4618 | 2 | | | PLUG |
| 7 | J044 4660 | 6 | | | PLUG |
| 8 | J314 4641 | 6 | | | PLUG |
| 9 | J400 5149 | 4 | | | PIN |
| 10 | J400 5307 | 2 | | | PIN |
| 11 | J400 5148 | 2 | | | PIN |
| 12 | J323 4035 | 1 | | | HEATER, Engine Block |
| 13 | J324 2324 | 1 | | | CORD, Power Supply |
| 14 | | | | | STRAP |
| | J322 3227 | AR | | | 200mm |
| | J369 3058 | AR | | | 300mm |
| | J323 0270 | AR | | | 350mm |
| | J323 5187 | AR | | | 450mm |

MODEL CODES:

| | | |
|-----------------------------|-----------------------------|------------------------------|
| 15 = Grand Wagoneer 4 Dr. | 65 = Comanche 4WD-7 Ft. Box | 77 = Cherokee 4WD-2 Dr. |
| 25 = J-10 Pickup-119" W.B. | 66 = Comanche 2WD-7 Ft. Box | 78 = Cherokee 4WD-4 Dr. |
| 26 = J-10 Pickup-131" W.B. | 73 = Cherokee 2WD-2 Dr. | 79 = Cherokee 4WD-4 Dr.-Com |
| 27 = J-20 Pickup-131" W.B. | 74 = Cherokee 2WD-4 Dr. | 81 = Wrangler-93" W.B. |
| 63 = Comanche 4WD-6 Ft. Box | 75 = Wagoneer 4WD-4 Dr. | 82 = Wrangler-103" W.B.-Exp. |
| 64 = Comanche 2WD-6 Ft. Box | | |

BODY STYLES:

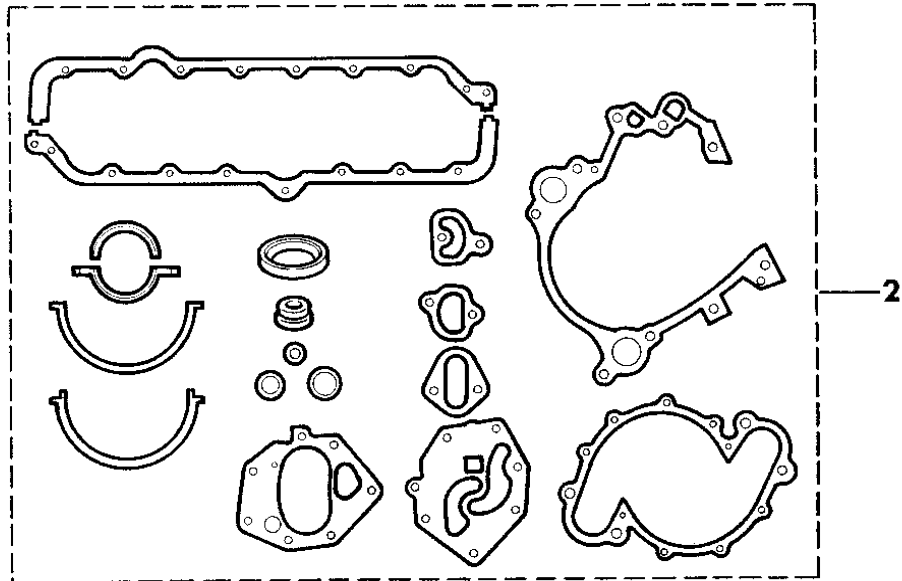
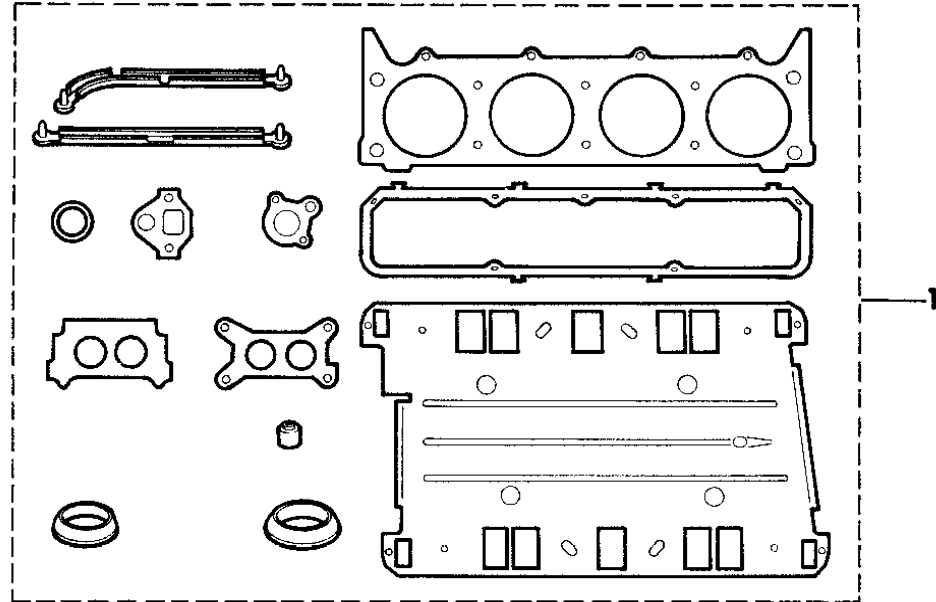
MJ = Comanche Pickup
 SJ = Grand Wagoneer Wgn., J-10 & J-20 Pickups
 XJ = Cherokee, Wagoneer Limited
 YJ = Wrangler

AR = Use as Required - = Non Illustrated Part P.A.R. = Paint as Required

GASKET SET 5.9L ENGINE
Figure 9C-300

8J09 300

| ITEM | PART NUMBER | QTY | BODY | MODEL | DESCRIPTION |
|------|-------------|-----|------|-------|------------------------------|
| 1 | J812 8192 | 1 | | | GASKET PACKAGE, Engine Upper |
| 2 | J812 5727 | 1 | | | GASKET PACKAGE, Engine Lower |



MODEL CODES:

| | | |
|-----------------------------|-----------------------------|------------------------------|
| 15 = Grand Wagoneer 4 Dr. | 65 = Comanche 4WD-7 Ft. Box | 77 = Cherokee 4WD-2 Dr. |
| 25 = J-10 Pickup-119" W.B. | 66 = Comanche 2WD-7 Ft. Box | 78 = Cherokee 4WD-4 Dr. |
| 26 = J-10 Pickup-131" W.B. | 73 = Cherokee 2WD-2 Dr. | 79 = Cherokee 4WD-4 Dr.-Com |
| 27 = J-20 Pickup-131" W.B. | 74 = Cherokee 2WD-4 Dr. | 81 = Wrangler-93" W.B. |
| 63 = Comanche 4WD-6 Ft. Box | 75 = Wagoneer 4WD-4 Dr. | 82 = Wrangler-103" W.B.-Exp. |
| 64 = Comanche 2WD-6 Ft. Box | | |

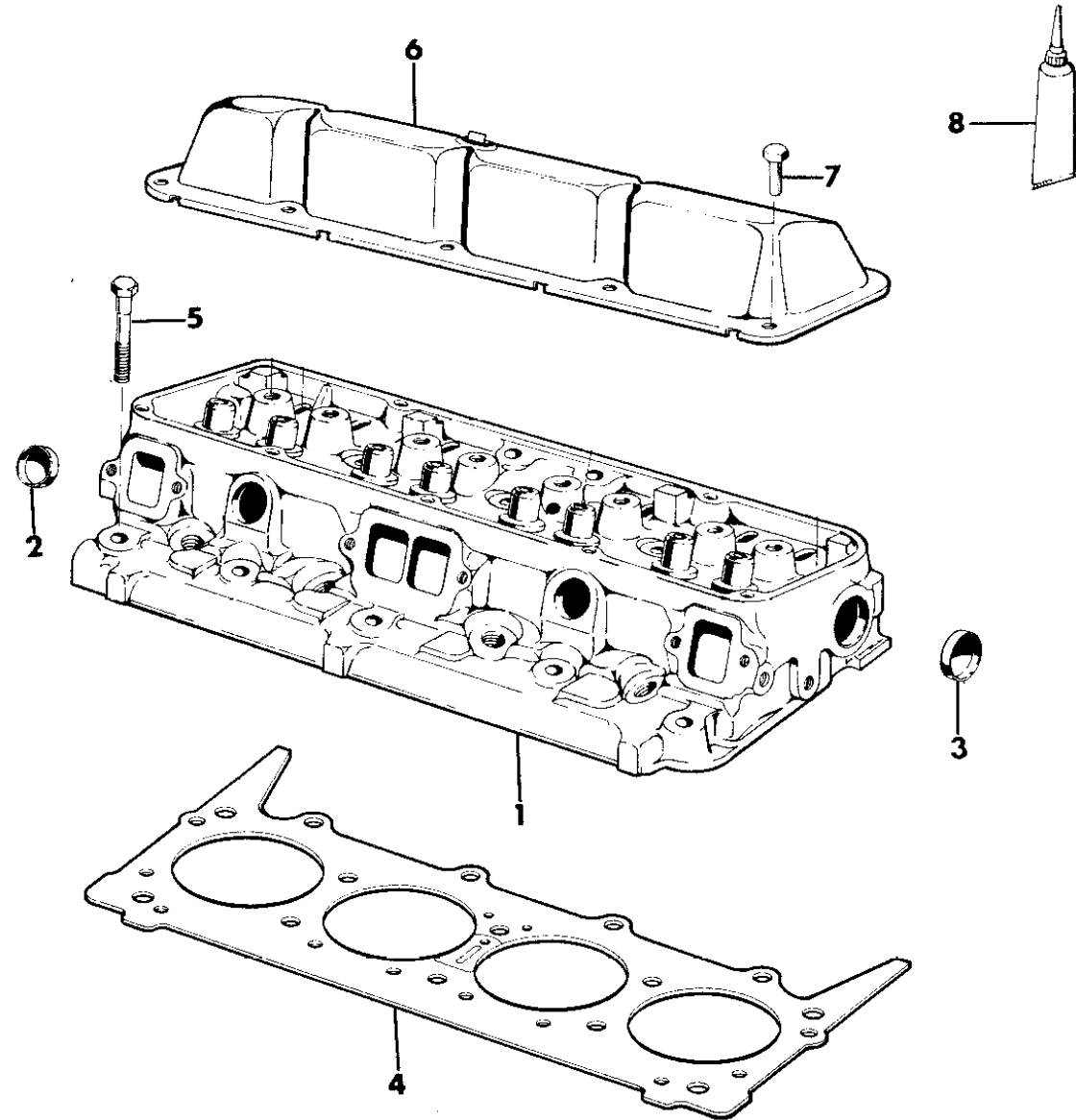
BODY STYLES:

MJ = Comanche Pickup
 SJ = Grand Wagoneer Wgn., J-10 & J-20 Pickups
 XJ = Cherokee, Wagoneer Limited
 YJ = Wrangler

AR = Use as Required - = Non Illustrated Part P.A.R. = Paint as Required

CYLINDER HEAD 5.9L ENGINE
Figure 9C-400

8J09 400



| ITEM | PART NUMBER | QTY | BODY | MODEL | DESCRIPTION |
|------|-------------|-----|------|-------|-----------------------|
| 1 | J813 0366 | 2 | | | HEAD, Engine Cylinder |
| 2 | J317 8449 | 2 | | | PLUG |
| 3 | J314 4641 | 2 | | | PLUG |
| 4 | J322 7352 | 2 | | | GASKET |
| 5 | | | | | BOLT |
| | J319 4682 | 10 | | | 2.36" |
| | J319 4681 | 18 | | | 3.79" |
| 6 | 5300 7906 | 2 | | | COVER, Cylinder Head |
| 7 | J400 5731 | 14 | | | BOLT |
| 8 | J899 3317 | AR | | | GASKET, R.T.V. Sealer |

MODEL CODES:

| | | |
|-----------------------------|-----------------------------|------------------------------|
| 15 = Grand Wagoneer 4 Dr. | 65 = Comanche 4WD-7 Ft. Box | 77 = Cherokee 4WD-2 Dr. |
| 25 = J-10 Pickup-119" W.B. | 66 = Comanche 2WD-7 Ft. Box | 78 = Cherokee 4WD-4 Dr. |
| 26 = J-10 Pickup-131" W.B. | 73 = Cherokee 2WD-2 Dr. | 79 = Cherokee 4WD-4 Dr.-Com |
| 27 = J-20 Pickup-131" W.B. | 74 = Cherokee 2WD-4 Dr. | 81 = Wrangler-93" W.B. |
| 63 = Comanche 4WD-6 Ft. Box | 75 = Wagoneer 4WD-4 Dr. | 82 = Wrangler-103" W.B.-Exp. |
| 64 = Comanche 2WD-6 Ft. Box | | |

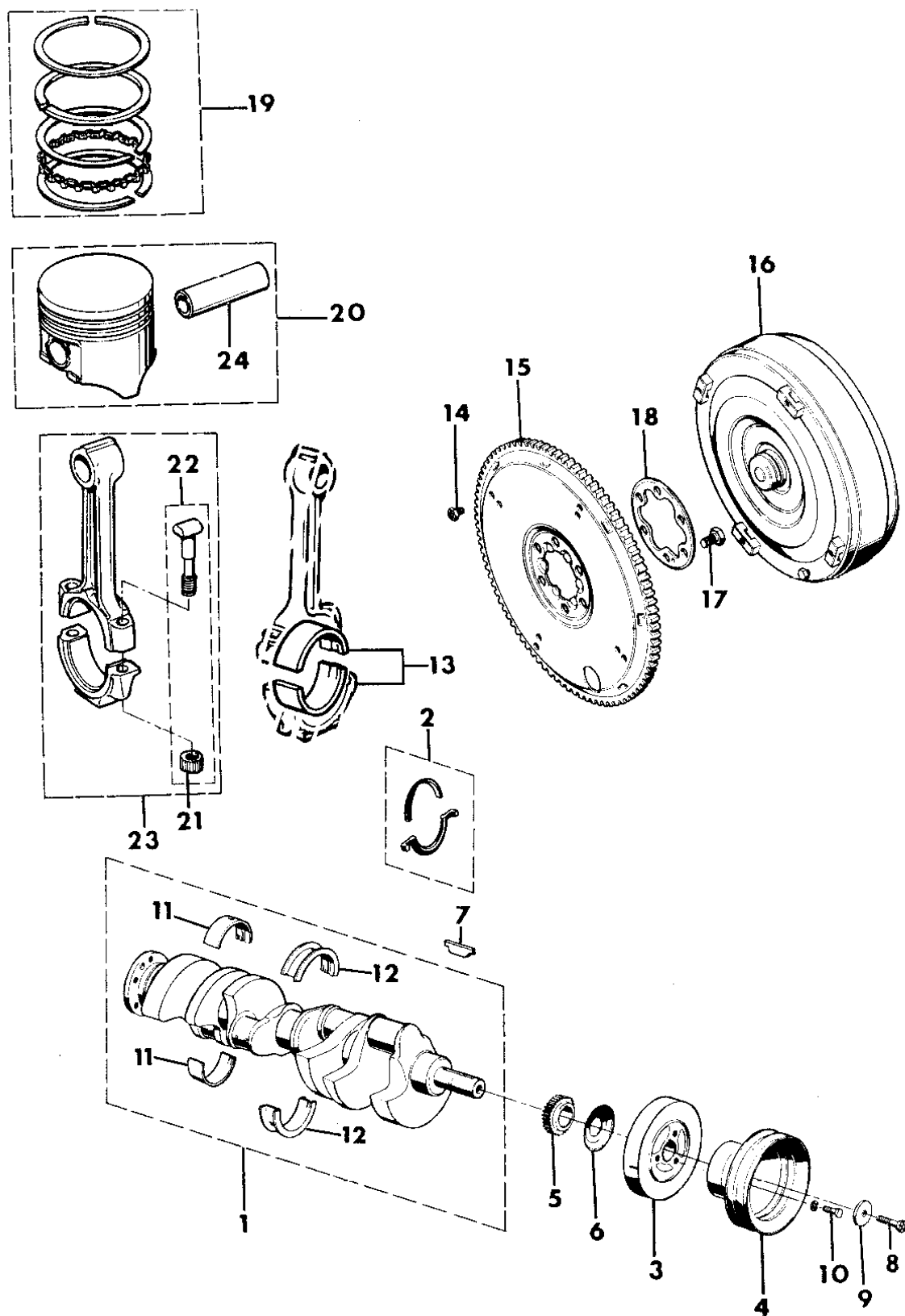
BODY STYLES:

MJ = Comanche Pickup
 SJ = Grand Wagoneer Wgn., J-10 & J-20 Pickups
 XJ = Cherokee, Wagoneer Limited
 YJ = Wrangler

AR = Use as Required - = Non Illustrated Part P.A.R. = Paint as Required

CRANKSHAFT AND PISTON 5.9L ENGINE
Figure 9C-500

8J09 500



| ITEM | PART NUMBER | QTY | BODY | MODEL | DESCRIPTION |
|------|-------------|-----|------|-------|--|
| 1 | J813 4413 | 1 | | | CRANKSHAFT PACKAGE |
| 2 | J320 6691 | 1 | | | SEAL PACKAGE |
| 3 | J323 0131 | 1 | | | DAMPER |
| 4 | J322 7671 | 1 | | | PULLEY |
| 5 | J323 4235 | 1 | | | SPROCKET, Crankshaft |
| 6 | J318 0205 | 1 | | | SLINGER, Oil |
| 7 | J322 9831 | 1 | | | KEY |
| 6 | J400 5748 | 1 | | | BOLT |
| 9 | J323 0155 | 1 | | | WASHER |
| 10 | J018 0123 | 4 | | | BOLT |
| 11 | J812 5928 | 4 | | | BEARING PACKAGE, Main Std. |
| | J812 5929 | 4 | | | -0.001" |
| | J812 5930 | 4 | | | -0.002" |
| | J812 5931 | 4 | | | -0.010" |
| | J812 5932 | 4 | | | -0.012" |
| 12 | J812 5933 | 1 | | | BEARING PACKAGE, Main Std. |
| | J812 5934 | 1 | | | -0.001" |
| | J812 5935 | 1 | | | -0.002" |
| | J812 5936 | 1 | | | -0.010" |
| | J812 5937 | 1 | | | -0.012" |
| 13 | J812 6204 | 8 | | | BEARING PACKAGE, Rod Std. |
| | J812 6205 | 8 | | | -0.001" |
| | J812 6206 | 8 | | | -0.002" |
| | J812 6207 | 8 | | | -0.010" |
| | J812 6208 | 8 | | | -0.012" |
| 14 | J321 4097 | 4 | | | BOLT |
| 15 | J323 2139 | 1 | | | PLATE, Converter Drive 1987 |
| | 3300 4361 | 1 | | | 1988-90 |
| 16 | 5300 4912 | 1 | | | CONVERTER, Torque 5.9L Engine Remanufactured: 1988-89 |
| | 5300 4912 | 1 | | | Export: 1988-89 |
| | 4431 180 | 1 | | | 1990 |
| 17 | J315 1407 | AR | | | BOLT |

MODEL CODES:

| | | |
|-----------------------------|-----------------------------|------------------------------|
| 15 = Grand Wagoneer 4 Dr. | 65 = Comanche 4WD-7 Ft. Box | 77 = Cherokee 4WD-2 Dr. |
| 25 = J-10 Pickup-119" W.B. | 66 = Comanche 2WD-7 Ft. Box | 78 = Cherokee 4WD-4 Dr. |
| 26 = J-10 Pickup-131" W.B. | 73 = Cherokee 2WD-2 Dr. | 79 = Cherokee 4WD-4 Dr.-Com |
| 27 = J-20 Pickup-131" W.B. | 74 = Cherokee 2WD-4 Dr. | 81 = Wrangler-93" W.B. |
| 63 = Comanche 4WD-6 Ft. Box | 75 = Wagoneer 4WD-4 Dr. | 82 = Wrangler-103" W.B.-Exp. |
| 64 = Comanche 2WD-6 Ft. Box | | |

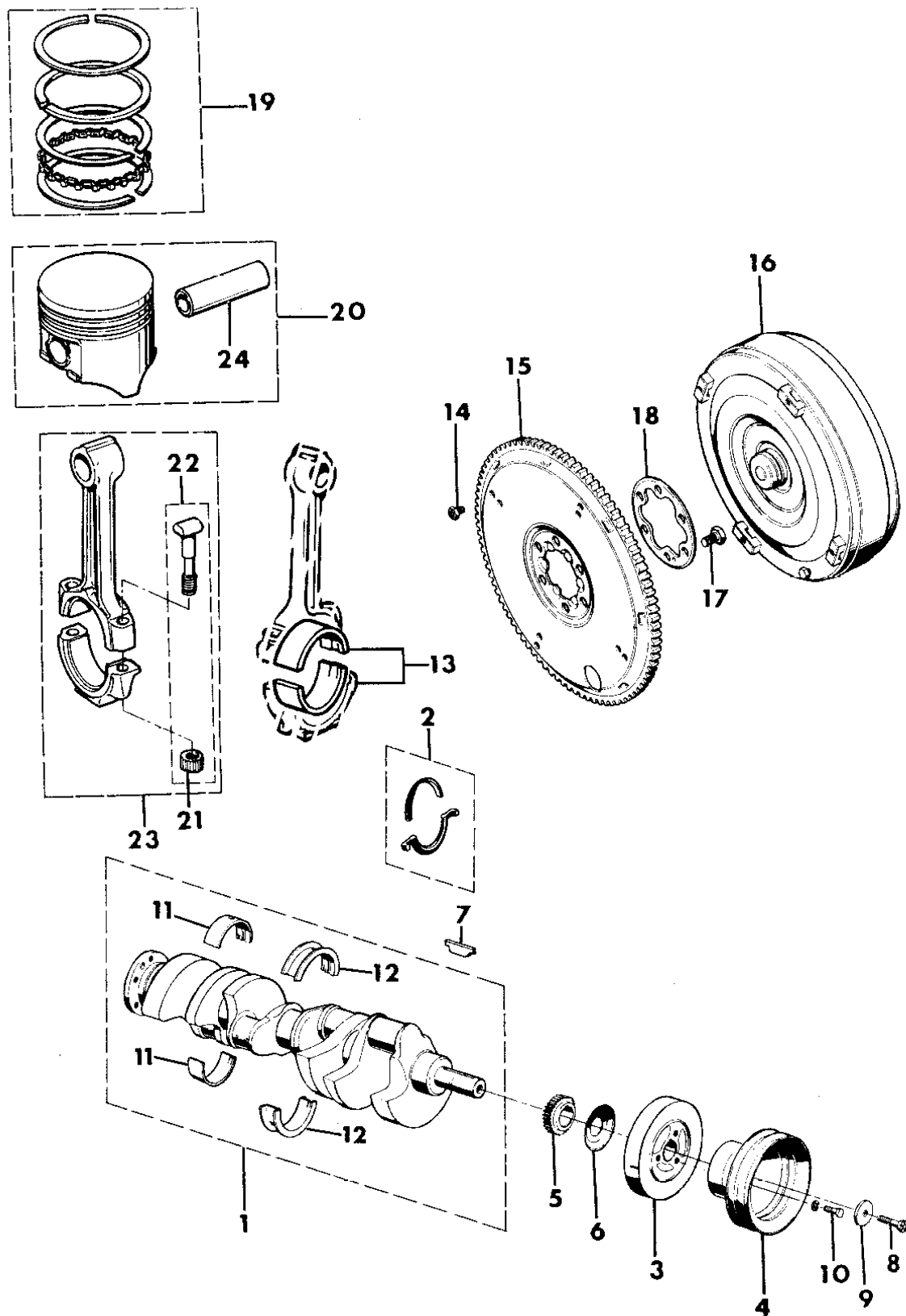
BODY STYLES:

MJ = Comanche Pickup
 SJ = Grand Wagoneer Wgn., J-10 & J-20 Pickups
 XJ = Cherokee, Wagoneer Limited
 YJ = Wrangler

AR = Use as Required - = Non Illustrated Part P.A.R. = Paint as Required

CRANKSHAFT AND PISTON 5.9L ENGINE
Figure 9C-500

8J09 500



| ITEM | PART NUMBER | QTY | BODY | MODEL | DESCRIPTION |
|------|-------------|-----|------|-------|----------------------|
| 18 | J321 4094 | 1 | | | PLATE, Reinforcement |
| 19 | J320 8066 | 1 | | | RING PACKAGE, Piston |
| | J320 8067 | 1 | | | Std. +.010" |
| 20 | | | | | PISTON PACKAGE |
| | J813 3807 | 8 | | | Std. |
| | J813 3808 | 8 | | | +.010" |
| 21 | J400 6385 | 16 | | | NUT |
| 22 | J813 3824 | 16 | | | BOLT PACKAGE |
| 23 | J323 7814 | 8 | | | ROD, Connecting |
| 24 | | | | | PIN, Piston |
| | J318 0483 | 8 | | | Std. |
| | 8350 0303 | 8 | | | +.003" |
| | 8350 0304 | 8 | | | +.005" |

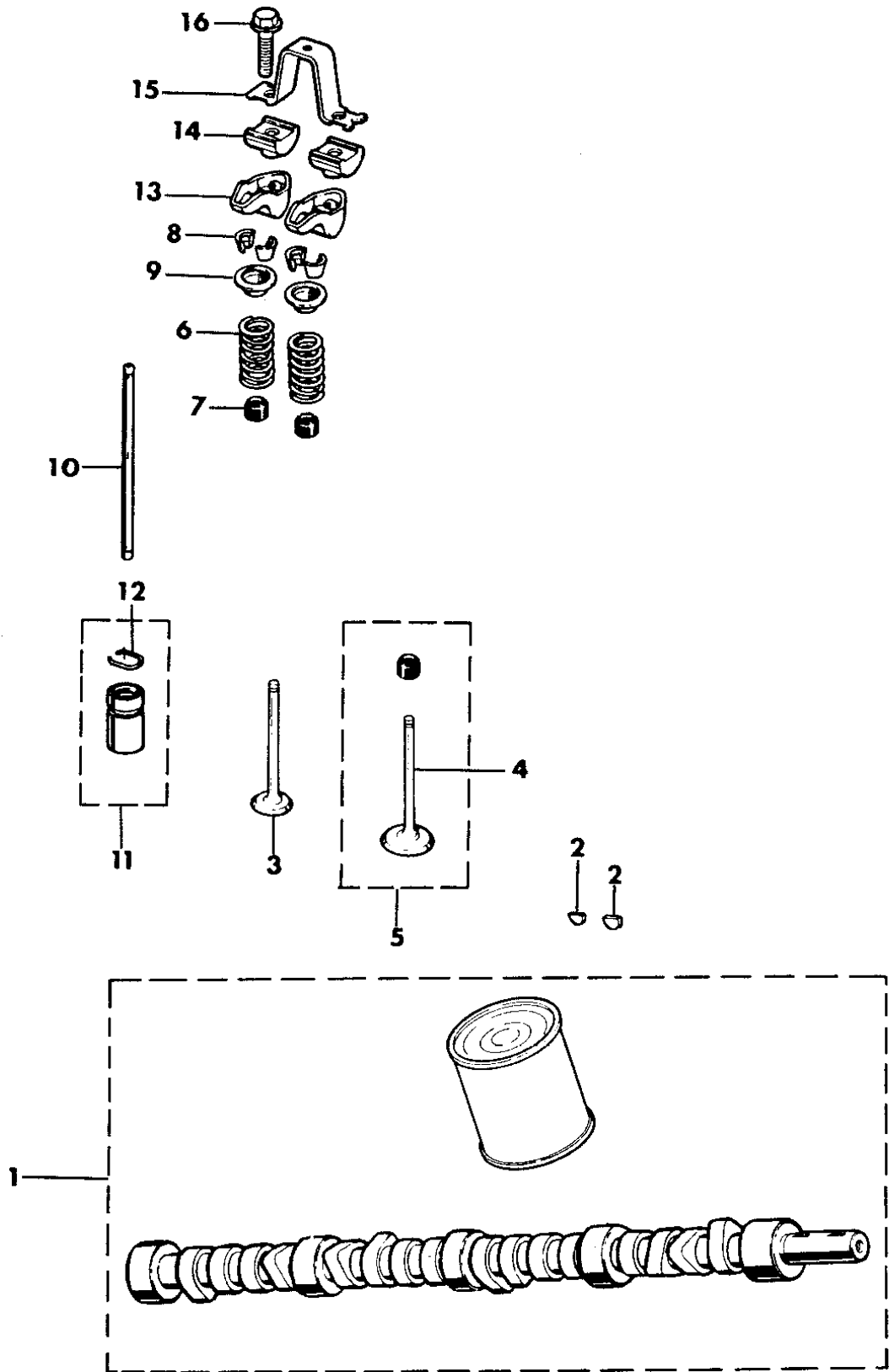
MODEL CODES:
 15 = Grand Wagoneer 4 Dr. 65 = Comanche 4WD-7 Ft. Box 77 = Cherokee 4WD-2 Dr.
 25 = J-10 Pickup-119" W.B. 66 = Comanche 2WD-7 Ft. Box 78 = Cherokee 4WD-4 Dr.
 26 = J-10 Pickup-131" W.B. 73 = Cherokee 2WD-2 Dr. 79 = Cherokee 4WD-4 Dr.-Com
 27 = J-20 Pickup-131" W.B. 74 = Cherokee 2WD-4 Dr. 81 = Wrangler-93" W.B.
 63 = Comanche 4WD-6 Ft. Box 75 = Wagoneer 4WD-4 Dr. 82 = Wrangler-103" W.B.-Exp.
 64 = Comanche 2WD-6 Ft. Box

BODY STYLES:
 MJ = Comanche Pickup
 SJ = Grand Wagoneer Wgn., J-10 & J-20 Pickups
 XJ = Cherokee, Wagoneer Limited
 YJ = Wrangler

AR = Use as Required - = Non Illustrated Part P.A.R. = Paint as Required

CAMSHAFT AND VALVE 5.9L ENGINE
Figure 9C-600

8J09 600



| ITEM | PART NUMBER | QTY | BODY | MODEL | DESCRIPTION |
|------|-------------|-----|------|-------|--------------------------|
| 1 | J448 6476 | 1 | | | CAMSHAFT |
| 2 | J012 4546 | 2 | | | KEY |
| 3 | | | | | VALVE, Exhaust |
| | J322 4598 | 8 | | | Std. |
| | J322 4604 | 8 | | | +0.003" |
| | J322 4605 | 8 | | | +0.015" |
| 4 | J322 9657 | 8 | | | VALVE, Intake - Standard |
| 5 | | | | | VALVE PACKAGE, Intake |
| | J812 7694 | 8 | | | +0.003" |
| | J812 7695 | 8 | | | +0.015" |
| 6 | J322 8192 | 16 | | | SPRING |
| 7 | | | | | DEFLECTOR |
| | J321 8976 | 16 | | | Std. |
| | J321 8976 | 16 | | | +0.003" |
| | J321 8977 | 16 | | | +0.015" |
| 8 | J315 6157 | 32 | | | KEEPER |
| 9 | 3300 3180 | 16 | | | RETAINER |
| 10 | J321 4014 | 16 | | | PUSHROD |
| 11 | J322 2276 | 16 | | | TAPPET |
| 12 | J644 0614 | 16 | | | RING |
| 13 | J321 0177 | 16 | | | ARM, Valve Rocker |
| 14 | J323 5090 | 16 | | | PIVOT |
| 15 | J323 6513 | 8 | | | BRIDGE |
| 16 | J812 0512 | 16 | | | BOLT |

MODEL CODES:

| | | |
|-----------------------------|-----------------------------|------------------------------|
| 15 = Grand Wagoneer 4 Dr. | 65 = Comanche 4WD-7 Ft. Box | 77 = Cherokee 4WD-2 Dr. |
| 25 = J-10 Pickup-119" W.B. | 66 = Comanche 2WD-7 Ft. Box | 78 = Cherokee 4WD-4 Dr. |
| 26 = J-10 Pickup-131" W.B. | 73 = Cherokee 2WD-2 Dr. | 79 = Cherokee 4WD-4 Dr.-Com |
| 27 = J-20 Pickup-131" W.B. | 74 = Cherokee 2WD-4 Dr. | 81 = Wrangler-93" W.B. |
| 63 = Comanche 4WD-6 Ft. Box | 75 = Wagoneer 4WD-4 Dr. | 82 = Wrangler-103" W.B.-Exp. |
| 64 = Comanche 2WD-6 Ft. Box | | |

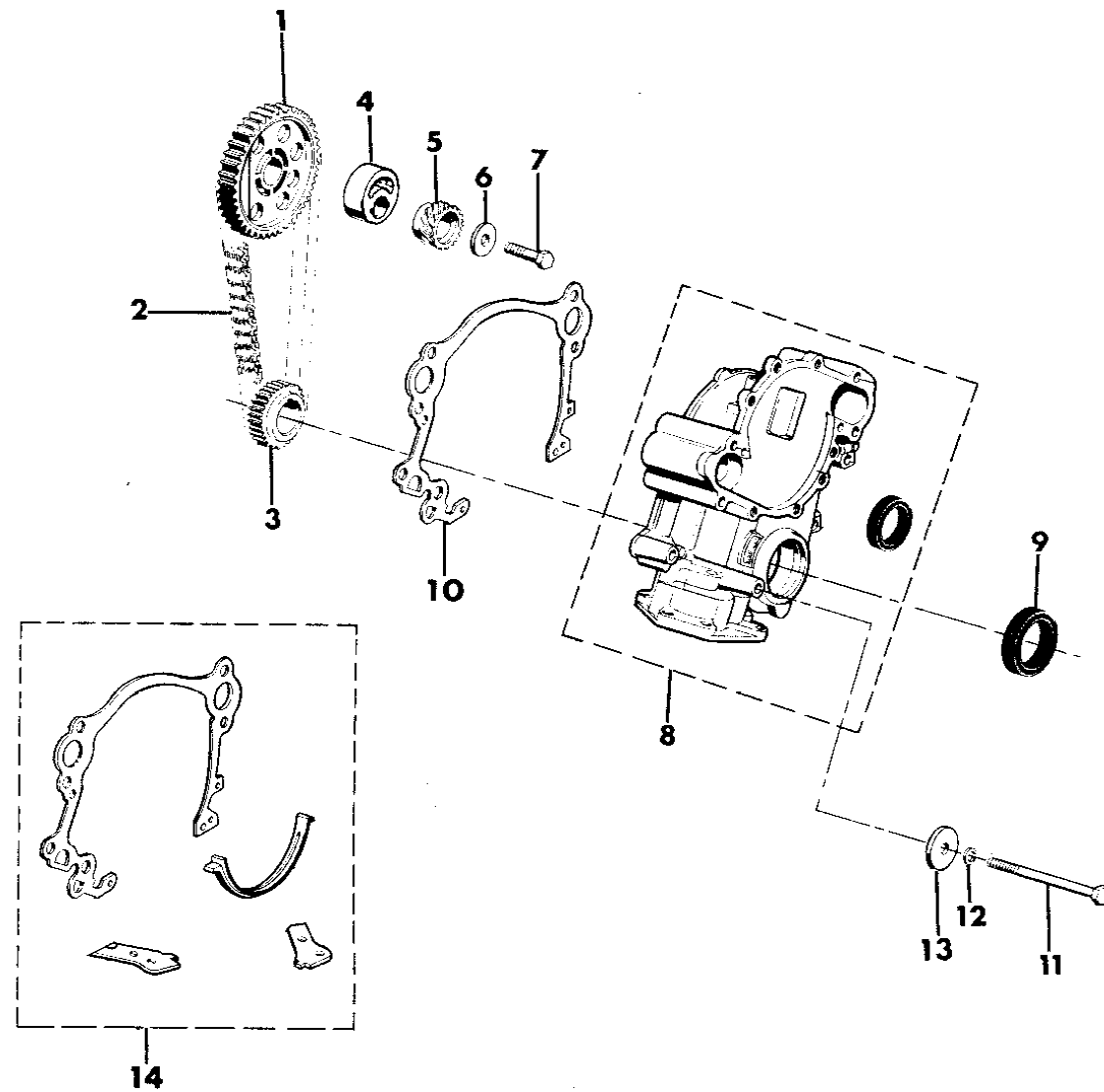
BODY STYLES:

MJ = Comanche Pickup
 SJ = Grand Wagoneer Wgn., J-10 & J-20 Pickups
 XJ = Cherokee, Wagoneer Limited
 YJ = Wrangler

AR = Use as Required - = Non Illustrated Part P.A.R. = Paint as Required

TIMING COVER 5.9L ENGINE
Figure 9C-700

8 J09 700



| ITEM | PART NUMBER | QTY | BODY | MODEL | DESCRIPTION |
|------|-------------|-----|------|-------|----------------------|
| 1 | J323 4234 | 1 | | | SPROCKET, Camshaft |
| 2 | J323 4433 | 1 | | | CHAIN, Timing |
| 3 | J323 4235 | 1 | | | SPROCKET, Crankshaft |
| 4 | J321 8314 | 1 | | | ECCENTRIC, Fuel Pump |
| 5 | J319 4007 | 1 | | | GEAR, Distributor |
| 6 | J318 9338 | 1 | | | SPACER |
| 7 | J019 2353 | 1 | | | BOLT |
| 8 | J812 9373 | 1 | | | COVER |
| 9 | J319 3613 | 1 | | | SEAL |
| 10 | J318 0216 | 1 | | | GASKET |
| 11 | | | | | BOLT |
| | J017 9844 | 2 | | | 1.62" |
| | J400 5624 | 2 | | | 2.12" |
| | J018 9303 | 2 | | | 3.12" |
| 12 | J400 3803 | 4 | | | WASHER, Lock |
| 13 | J400 1102 | 4 | | | WASHER, Plain |
| 14 | J812 9098 | 1 | | | GASKET PACKAGE |

MODEL CODES:

| | | |
|-----------------------------|-----------------------------|------------------------------|
| 15 = Grand Wagoneer 4 Dr. | 65 = Comanche 4WD-7 Ft. Box | 77 = Cherokee 4WD-2 Dr. |
| 25 = J-10 Pickup-119" W.B. | 66 = Comanche 2WD-7 Ft. Box | 78 = Cherokee 4WD-4 Dr. |
| 26 = J-10 Pickup-131" W.B. | 73 = Cherokee 2WD-2 Dr. | 79 = Cherokee 4WD-4 Dr.-Com |
| 27 = J-20 Pickup-131" W.B. | 74 = Cherokee 2WD-4 Dr. | 81 = Wrangler-93" W.B. |
| 63 = Comanche 4WD-6 Ft. Box | 75 = Wagoneer 4WD-4 Dr. | 82 = Wrangler-103" W.B.-Exp. |
| 64 = Comanche 2WD-6 Ft. Box | | |

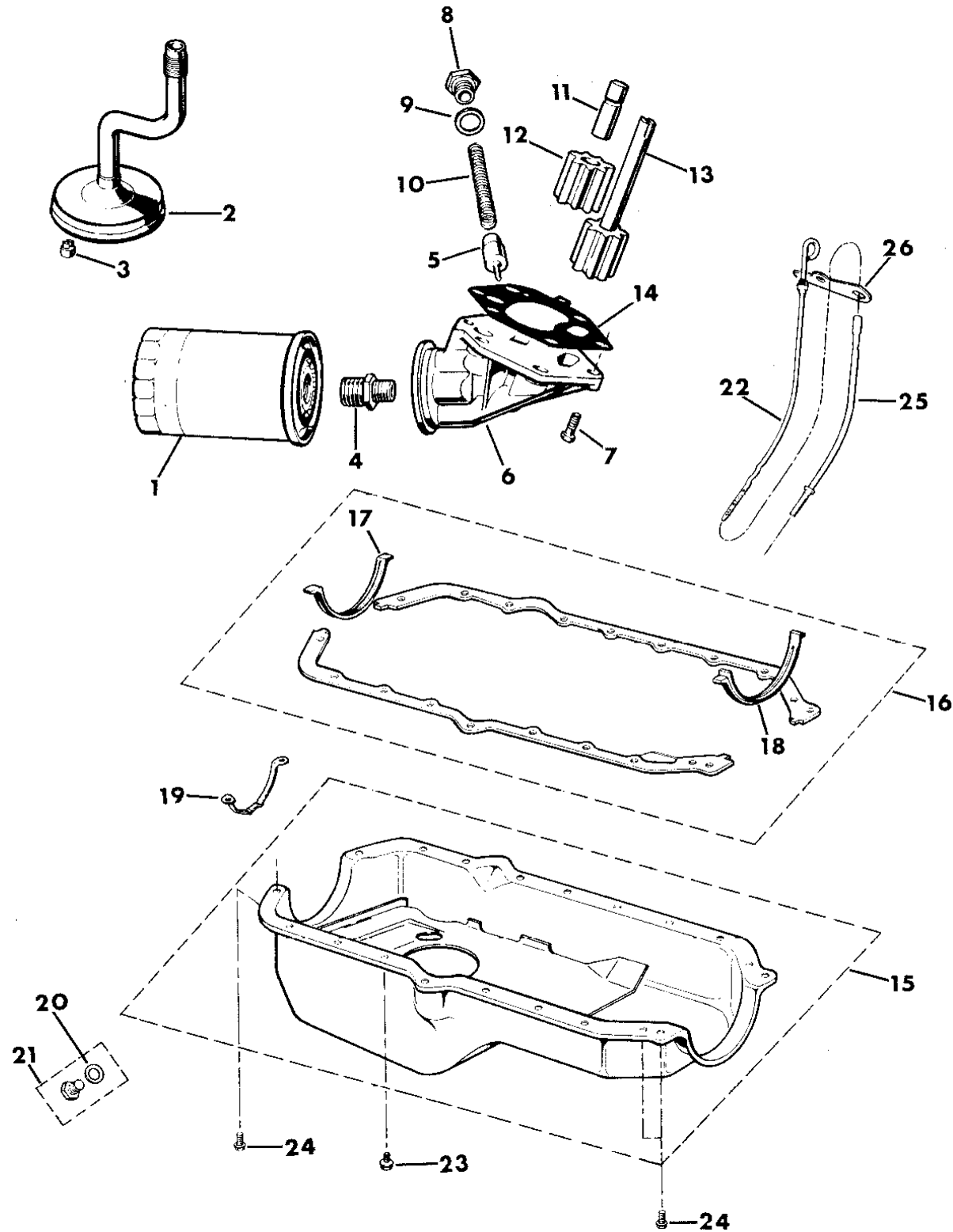
BODY STYLES:

MJ = Comanche Pickup
 SJ = Grand Wagoneer Wgn., J-10 & J-20 Pickups
 XJ = Cherokee, Wagoneer Limited
 YJ = Wrangler

AR = Use as Required - = Non Illustrated Part P.A.R. = Paint as Required

ENGINE OILING 5.9L ENGINE
Figure 9C-800

8J09 800



| ITEM | PART NUMBER | QTY | BODY | MODEL | DESCRIPTION |
|------|-------------|-----|------|-------|-----------------------------|
| 1 | 3300 4195 | 1 | | | FILTER, Engine Oil |
| 2 | J321 6049 | 1 | | | TUBE, Oil Pump Inlet |
| 3 | J316 7541 | 1 | | | SPACER |
| 4 | 3300 3538 | 1 | | | CONNECTOR |
| 5 | | | | | PLUNGER |
| | J318 8661 | 1 | | | Std. |
| | J324 1676 | 1 | | | +0.010" |
| 6 | 3300 3536 | 1 | | | COVER, Oil Pump |
| 7 | J813 3623 | 7 | | | BOLT |
| 8 | J312 4735 | 1 | | | CAP |
| 9 | J310 5561 | 1 | | | GASKET |
| 10 | J323 3994 | 1 | | | SPRING |
| 11 | J318 0209 | 1 | | | SHAFT |
| 12 | J319 6842 | 1 | | | GEAR, Oil Pump Driven |
| 13 | J318 2698 | 1 | | | GEAR, Drive |
| 14 | J322 6241 | 1 | | | GASKET, Cover |
| 15 | J323 6322 | 1 | | | PAN, Engine Oil |
| 16 | J320 6690 | 1 | | | GASKET PACKAGE |
| 17 | 3300 4733 | 1 | | | SEAL |
| 18 | J318 0414 | 1 | | | SEAL |
| 19 | J324 3116 | 1 | | | SUPPORT |
| 20 | J317 0271 | 1 | | | SEAL |
| 21 | | | | | PLUG PACKAGE, Oil Pan |
| | J812 1449 | 1 | | | Non-Magnetic |
| | J320 6696 | 1 | | | Magnetic |
| 22 | J322 4880 | 1 | | | INDICATOR, Engine Oil Level |
| 23 | | | | | SCREW |
| | J400 6296 | 14 | | | 1987 |
| | J400 7617 | 14 | | | 1988-90 |
| 24 | J400 6909 | 6 | | | SCREW |
| 25 | J319 0848 | 1 | | | TUBE, Engine Oil Indicator |
| 26 | J321 5161 | 1 | | | BRACKET |

MODEL CODES:

| | | |
|-----------------------------|-----------------------------|------------------------------|
| 15 = Grand Wagoneer 4 Dr. | 65 = Comanche 4WD-7 Ft. Box | 77 = Cherokee 4WD-2 Dr. |
| 25 = J-10 Pickup-119" W.B. | 66 = Comanche 2WD-7 Ft. Box | 78 = Cherokee 4WD-4 Dr. |
| 26 = J-10 Pickup-131" W.B. | 73 = Cherokee 2WD-2 Dr. | 79 = Cherokee 4WD-4 Dr.-Com |
| 27 = J-20 Pickup-131" W.B. | 74 = Cherokee 2WD-4 Dr. | 81 = Wrangler-93" W.B. |
| 63 = Comanche 4WD-6 Ft. Box | 75 = Wagoneer 4WD-4 Dr. | 82 = Wrangler-103" W.B.-Exp. |
| 64 = Comanche 2WD-6 Ft. Box | | |

BODY STYLES:

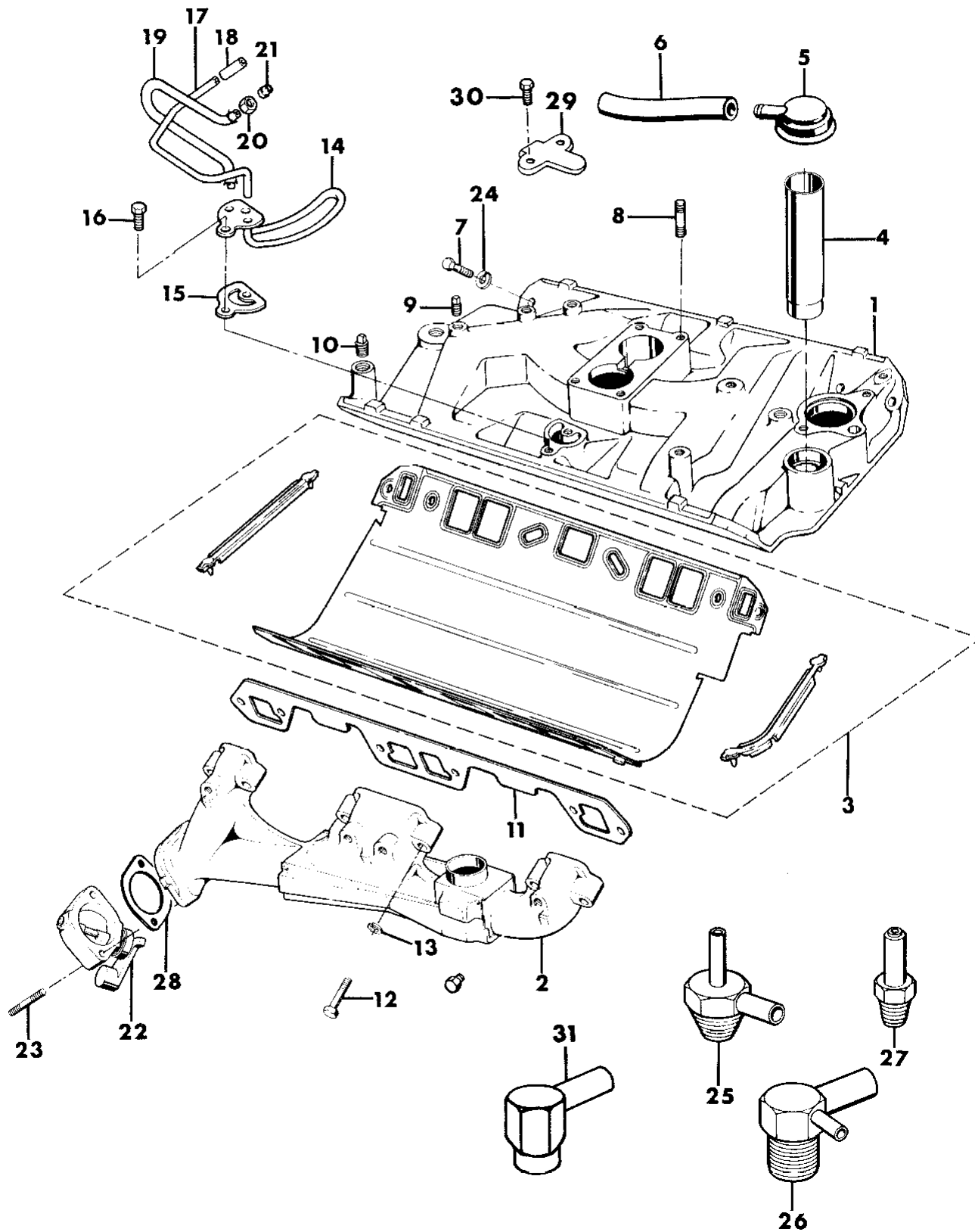
MJ = Comanche Pickup
 SJ = Grand Wagoneer Wgn., J-10 & J-20 Pickups
 XJ = Cherokee, Wagoneer Limited
 YJ = Wrangler

AR = Use as Required - = Non Illustrated Part P.A.R. = Paint as Required

MANIFOLD, INTAKE AND EXHAUST 5.9L ENGINE

Figure 9C-900

8J09 900



| ITEM | PART NUMBER | QTY | BODY | MODEL | DESCRIPTION |
|------|-------------|-----|------|-------|----------------------|
| 1 | J323 3786 | 1 | | | MANIFOLD, Intake |
| 2 | | | | | MANIFOLD, Exhaust |
| | J812 1274 | 1 | | | Right |
| | J812 9210 | 1 | | | Left |
| 3 | J812 5869 | 1 | | | GASKET PACKAGE |
| 4 | J319 8950 | 1 | | | TUBE, Oil Filler |
| 5 | J322 0248 | 1 | | | CAP, Oil Filler |
| 6 | J812 5841 | AR | | | HOSE, Bulk |
| 7 | J018 6622 | 12 | | | BOLT |
| 8 | J019 2423 | 4 | | | STUD |
| 9 | J010 3877 | AR | | | PLUG |
| 10 | J044 4660 | AR | | | PLUG |
| 11 | J323 7270 | 2 | | | GASKET |
| 12 | | | | | BOLT |
| | J400 4538 | 4 | | | .38" |
| | J400 6311 | 8 | | | .31" |
| 13 | | | | | WASHER |
| | J400 3938 | 4 | | | .38" |
| | J400 6292 | 8 | | | .31" |
| 14 | J322 0181 | 1 | | | TUBE |
| 15 | J321 8215 | 1 | | | GASKET |
| 16 | J400 6297 | 2 | | | SCREW |
| 17 | J323 0266 | 1 | | | TUBE, Clean Air |
| 18 | 8330 0080 | AR | | | HOSE, 1/4" I.D. Bulk |
| 19 | J323 9811 | 1 | | | TUBE, Heat |
| 20 | J011 4627 | 1 | | | NUT |
| 21 | J011 4628 | 1 | | | SLEEVE |
| 22 | J323 8998 | 1 | | | DAMPER |
| 23 | | | | | STUD |
| | J400 4109 | 2 | | | Right |
| | J400 4110 | 2 | | | Left |
| 24 | J400 3938 | 12 | | | WASHER |
| 25 | J322 5447 | 1 | | | FITTING |
| 26 | J321 6512 | 1 | | | FITTING |
| 27 | | | | | FITTING *** |
| | 5300 2726 | 1 | | | .25"O.D. |
| | J400 7235 | 1 | | | .188"O.D. |

MODEL CODES:

| | | |
|-----------------------------|-----------------------------|------------------------------|
| 15 = Grand Wagoneer 4 Dr. | 65 = Comanche 4WD-7 Ft. Box | 77 = Cherokee 4WD-2 Dr. |
| 25 = J-10 Pickup-119" W.B. | 66 = Comanche 2WD-7 Ft. Box | 78 = Cherokee 4WD-4 Dr. |
| 26 = J-10 Pickup-131" W.B. | 73 = Cherokee 2WD-2 Dr. | 79 = Cherokee 4WD-4 Dr.-Com |
| 27 = J-20 Pickup-131" W.B. | 74 = Cherokee 2WD-4 Dr. | 81 = Wrangler-93" W.B. |
| 63 = Comanche 4WD-6 Ft. Box | 75 = Wagoneer 4WD-4 Dr. | 82 = Wrangler-103" W.B.-Exp. |
| 64 = Comanche 2WD-6 Ft. Box | | |

BODY STYLES:

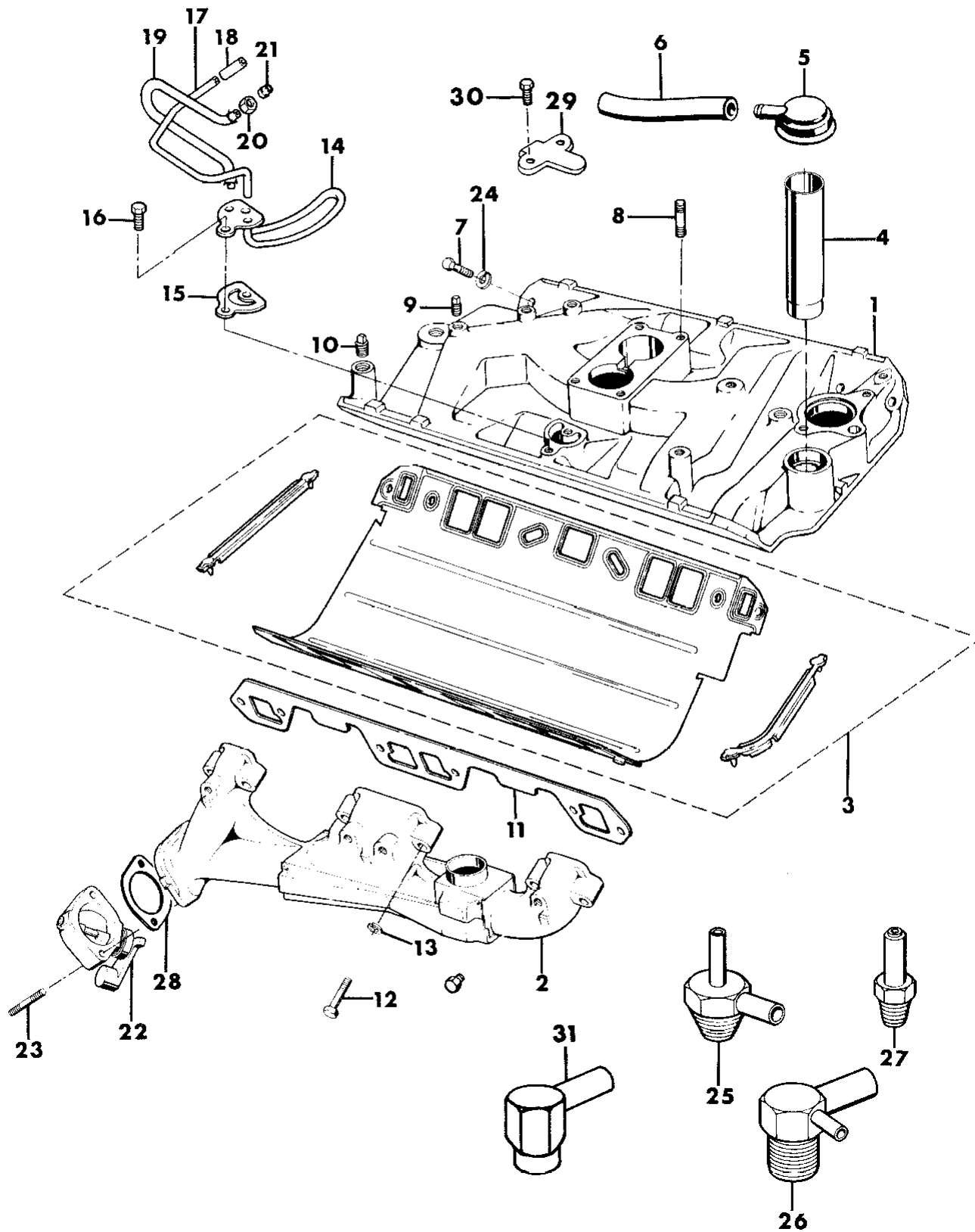
MJ = Comanche Pickup
 SJ = Grand Wagoneer Wgn., J-10 & J-20 Pickups
 XJ = Cherokee, Wagoneer Limited
 YJ = Wrangler

AR = Use as Required - = Non Illustrated Part P.A.R. = Paint as Required

MANIFOLD, INTAKE AND EXHAUST 5.9L ENGINE
Figure 9C-900

8J09 900

| ITEM | PART NUMBER | QTY | BODY | MODEL | DESCRIPTION |
|------|-------------|-----|------|-------|--------------------------------|
| 28 | J535 3073 | 1 | | | GASKET |
| 29 | J321 9665 | 1 | | | COVER, EGR Port |
| 30 | J027 3573 | 2 | | | BOLT |
| 31 | J319 8347 | 1 | | | ELBOW, Vacuum, Intake Manifold |



MODEL CODES:

| | | |
|-----------------------------|-----------------------------|------------------------------|
| 15 = Grand Wagoneer 4 Dr. | 65 = Comanche 4WD-7 Ft. Box | 77 = Cherokee 4WD-2 Dr. |
| 25 = J-10 Pickup-119" W.B. | 66 = Comanche 2WD-7 Ft. Box | 78 = Cherokee 4WD-4 Dr. |
| 26 = J-10 Pickup-131" W.B. | 73 = Cherokee 2WD-2 Dr. | 79 = Cherokee 4WD-4 Dr.-Com |
| 27 = J-20 Pickup-131" W.B. | 74 = Cherokee 2WD-4 Dr. | 81 = Wrangler-93" W.B. |
| 63 = Comanche 4WD-6 Ft. Box | 75 = Wagoneer 4WD-4 Dr. | 82 = Wrangler-103" W.B.-Exp. |
| 64 = Comanche 2WD-6 Ft. Box | | |

BODY STYLES:

MJ = Comanche Pickup
 SJ = Grand Wagoneer Wgn., J-10 & J-20 Pickups
 XJ = Cherokee, Wagoneer Limited
 YJ = Wrangler

AR = Use as Required - = Non Illustrated Part P.A.R. = Paint as Required

ENGINE MOUNTING 5.9L ENGINE
Figure 9C-1000

8 J09 1000A

| ITEM | PART NUMBER | QTY | BODY | MODEL | DESCRIPTION |
|------|-------------|-----|------|-------|--|
| 1 | J535 9754 | 1 | | | BRACKET, Upper, Automatic Transmission |
| 2 | J535 9753 | 1 | | | BRACKET, Lower, Automatic Transmission |
| 3 | | | | | BOLT |
| | J400 6110 | AR | | | .88", Manual Transmission |
| | J400 6112 | AR | | | 1.00", Automatic Transmission |
| 4 | | | | | BRACKET |
| | J536 4455 | 1 | | | Manual Transmission |
| | J535 9752 | 1 | | | Automatic Transmission |
| 5 | J137 0910 | 1 | | | INSULATOR |
| 6 | J400 4819 | 2 | | | STUD |
| 7 | J536 1885 | 1 | | | SPACER |
| 8 | J018 0145 | 4 | | | BOLT |
| 9 | J012 0383 | 4 | | | WASHER, Lock |
| 10 | J027 1501 | 4 | | | NUT |
| 11 | J400 1134 | 1 | | | WASHER |
| 12 | J018 0121 | 6 | | | BOLT |
| 13 | J535 8879 | 1 | | | STUD ASSEMBLY |
| 14 | J400 1104 | 2 | | | WASHER |
| 15 | J941 1783 | 2 | | | NUT |
| 16 | J094 1399 | 1 | | | WASHER |
| 17 | J094 5266 | 2 | | | INSULATOR |
| 18 | J094 5269 | 1 | | | WASHER |
| 19 | J400 3805 | 1 | | | WASHER |
| 20 | J941 3215 | 2 | | | NUT |
| 21 | J318 6274 | 1 | | | BRACKET, Engine |
| 22 | J318 6275 | 1 | | | BRACKET, Engine |
| 23 | J321 9194 | 2 | | | MOUNT, Engine |
| 24 | 5200 3004 | 2 | | | BRACKET |
| 25 | J535 2448 | 2 | | | REINFORCEMENT |
| 26 | J099 8373 | 2 | | | REINFORCEMENT |
| 27 | J400 6864 | 4 | | | BOLT |
| 28 | J400 3909 | 6 | | | NUT |
| 29 | J400 5664 | 2 | | | BOLT |
| 30 | J400 3869 | AR | | | NUT |
| 31 | J012 0382 | AR | | | WASHER, Lock |
| 32 | J400 1104 | 4 | | | WASHER, Plain |

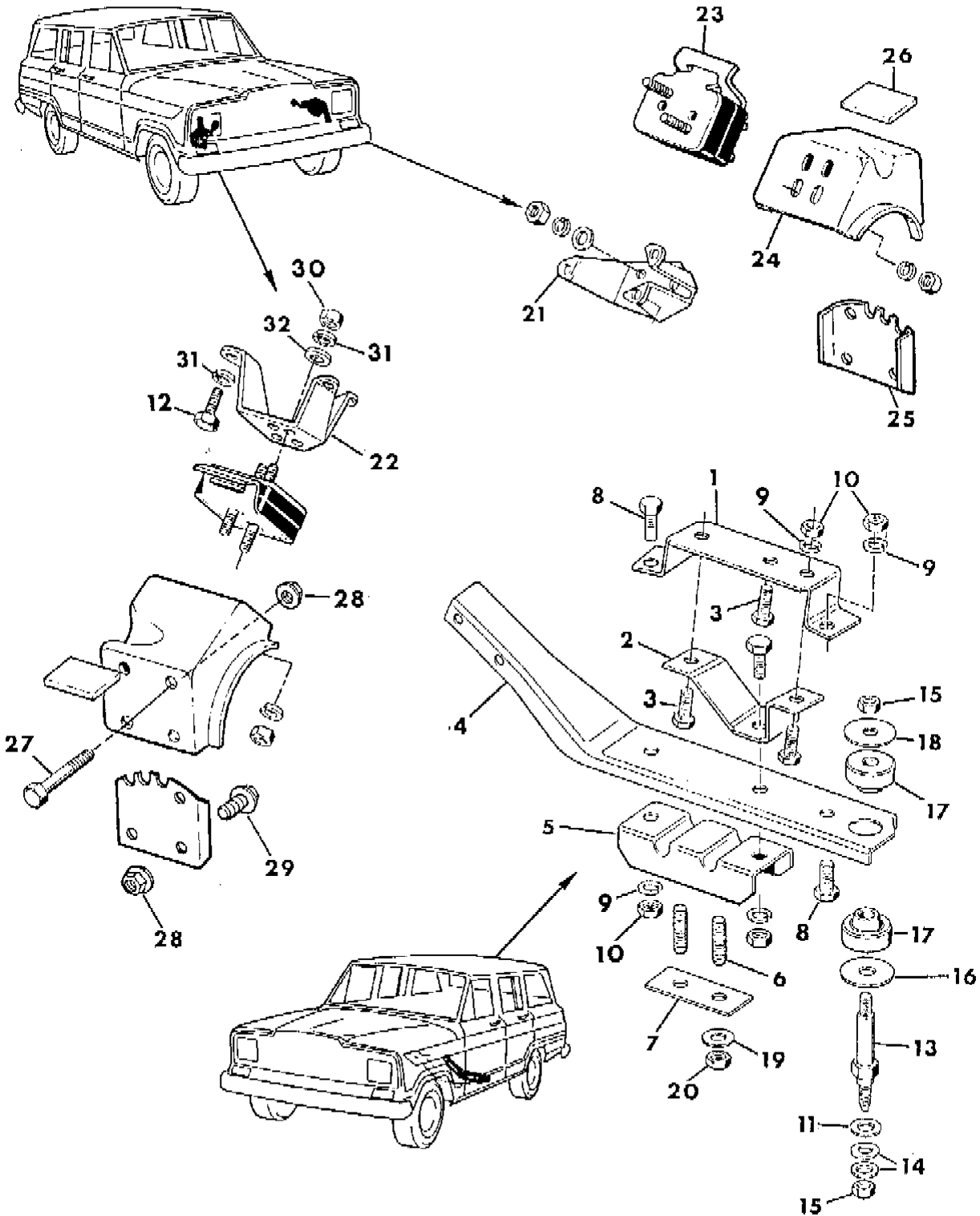
MODEL CODES:

| | | |
|-----------------------------|-----------------------------|------------------------------|
| 15 = Grand Wagoneer 4 Dr. | 65 = Comanche 4WD-7 Ft. Box | 77 = Cherokee 4WD-2 Dr. |
| 25 = J-10 Pickup-119" W.B. | 66 = Comanche 2WD-7 Ft. Box | 78 = Cherokee 4WD-4 Dr. |
| 26 = J-10 Pickup-131" W.B. | 73 = Cherokee 2WD-2 Dr. | 79 = Cherokee 4WD-4 Dr.-Com |
| 27 = J-20 Pickup-131" W.B. | 74 = Cherokee 2WD-4 Dr. | 81 = Wrangler-93" W.B. |
| 63 = Comanche 4WD-6 Ft. Box | 75 = Wagoneer 4WD-4 Dr. | 82 = Wrangler-103" W.B.-Exp. |
| 64 = Comanche 2WD-6 Ft. Box | | |

BODY STYLES:

MJ = Comanche Pickup
 SJ = Grand Wagoneer Wgn., J-10 & J-20 Pickups
 XJ = Cherokee, Wagoneer Limited
 YJ = Wrangler

AR = Use as Required - = Non Illustrated Part P.A.R. = Paint as Required



GROUP 11 - EXHAUST

ILLUSTRATION TITLE **GROUP-FIG. NO.**

EXHAUST SYSTEMS

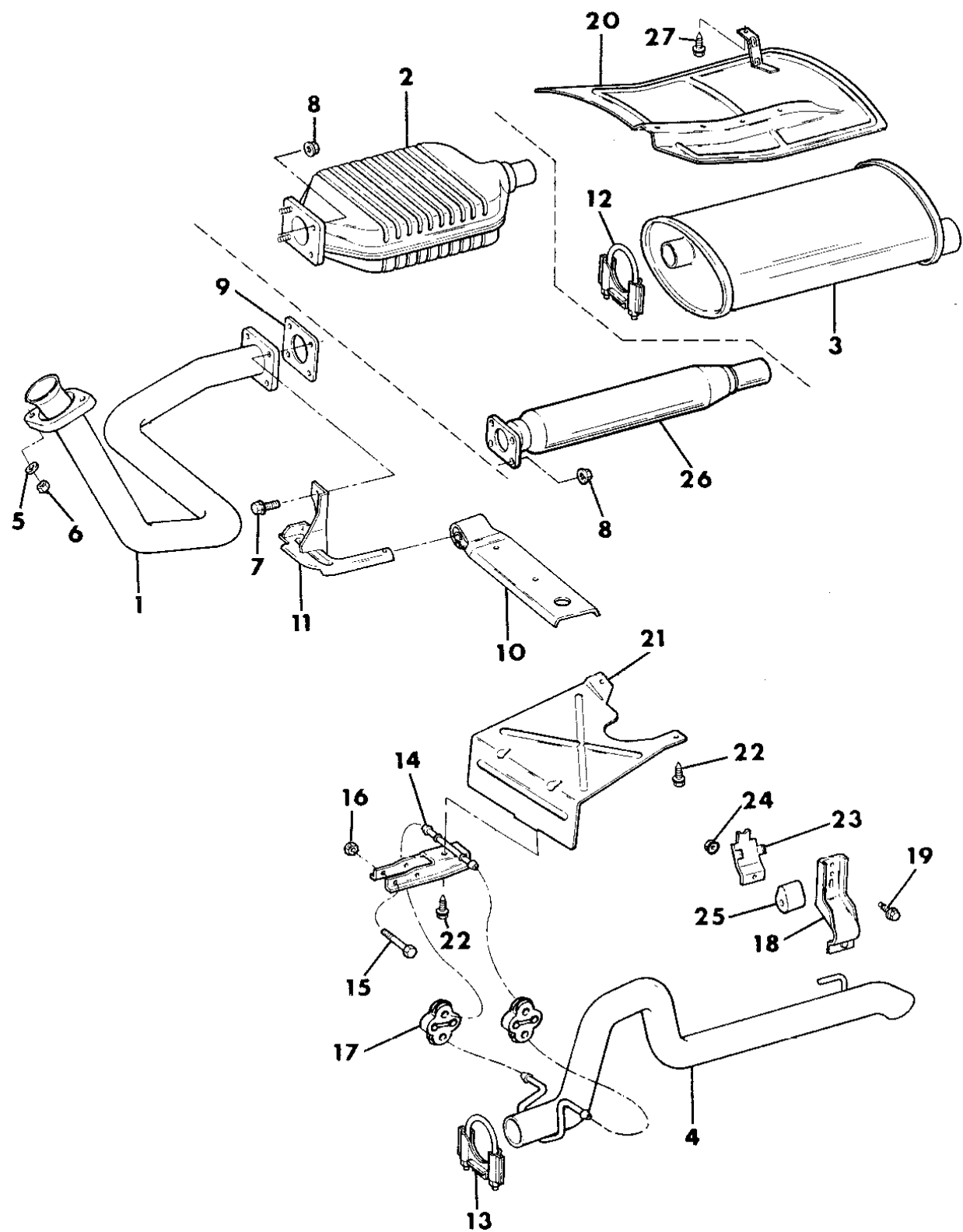
| | |
|--|-------------|
| EXHAUST SYSTEM WRANGLER, YJ | Fig. 11-100 |
| EXHAUST SYSTEM GAS ENGINES CHEROKEE, WAGONEER | Fig. 11-200 |
| EXHAUST SYSTEM GAS ENGINES COMANCHE | Fig. 11-225 |
| EXHAUST SYSTEM DIESEL ENGINE CHEROKEE, COMANCHE - EXPORT | Fig. 11-250 |
| EXHAUST SYSTEM GRAND WAGONEER | Fig. 11-300 |
| EXHAUST SYSTEM EXPORT NRM GRAND WAGONEER | Fig. 11-350 |
| EXHAUST SYSTEM J10, J20 | Fig. 11-400 |
| EXHAUST SYSTEM EXPORT NRM J10, J20 | Fig. 11-450 |

ILLUSTRATION NOT AVAILABLE AT TIME OF PUBLICATION

EXHAUST SYSTEM WRANGLER, YJ

Figure 11-100

8J11 100



| ITEM | PART NUMBER | QTY | BODY | MODEL | DESCRIPTION |
|------|-------------|-----|------|-------|---|
| 1 | | | | | PIPE, Front Exhaust |
| | 5200 1720 | 1 | | | 2.5L Engine |
| | 5204 0278 | 1 | | | 4.2L Engine |
| | 5200 2816 | 1 | | | 4.2L Engine, Egypt KDX, NRM |
| 2 | | | | | CONVERTER, Catalytic |
| | 5200 3723 | 1 | | | 2.5L Engine *** |
| | 5300 1627 | 1 | | | 4.2L Engine |
| 3 | | | | | MUFFLER |
| | 8350 2978 | 1 | | | 2.5L Engine |
| | 8350 2979 | 1 | | | 4.2L Engine |
| | 5200 3934 | 1 | | | MUFFLER-TAIL PIPE ASSEMBLY - 4.2L Engine, Egypt KDX *** |
| 4 | 8350 2980 | 1 | | | PIPE, Tail |
| 5 | J400 1104 | 2 | | | WASHER |
| 6 | S941 8738 | 2 | | | NUT |
| 7 | J812 5845 | AR | | | BOLT |
| 8 | J400 4008 | 4 | | | NUT |
| 9 | J322 6666 | 1 | | | GASKET |
| 10 | | | | | BRACKET |
| | 5200 3043 | 1 | | | Manual Transmission |
| | 5200 3045 | 1 | | | Automatic Transmission |
| 11 | 5200 2743 | 1 | | | SUPPORT |
| 12 | | | | | CLAMP |
| | 5200 2144 | 1 | | | 2.5L Engine |
| | 5200 1860 | 1 | | | 4.2L Engine |
| 13 | 8330 0061 | 1 | | | CLAMP |
| 14 | 5200 2506 | 1 | | | HANGER |
| 15 | J018 0046 | 2 | | | BOLT |
| 16 | S027 3801 | 2 | | | NUT |
| 17 | 5200 2400 | 2 | | | SUPPORT |
| 18 | 5200 3426 | 1 | | | BRACKET |
| 19 | J400 1933 | 2 | | | SCREW |
| 20 | 5200 3280 | 1 | | | SHIELD, Heat |
| 21 | 5200 3271 | 1 | | | SHIELD, Heat |
| 22 | J942 6241 | AR | | | SCREW |
| 23 | 5200 3427 | 1 | | | BRACKET |
| 24 | J400 6080 | 1 | | | NUT |
| 25 | 5204 0219 | 1 | | | INSULATOR |

MODEL CODES:

| | | |
|-----------------------------|-----------------------------|------------------------------|
| 15 = Grand Wagoneer 4 Dr. | 65 = Comanche 4WD-7 Ft. Box | 77 = Cherokee 4WD-2 Dr. |
| 25 = J-10 Pickup-119" W.B. | 66 = Comanche 2WD-7 Ft. Box | 78 = Cherokee 4WD-4 Dr. |
| 26 = J-10 Pickup-131" W.B. | 73 = Cherokee 2WD-2 Dr. | 79 = Cherokee 4WD-4 Dr.-Com |
| 27 = J-20 Pickup-131" W.B. | 74 = Cherokee 2WD-4 Dr. | 81 = Wrangler-93" W.B. |
| 63 = Comanche 4WD-6 Ft. Box | 75 = Wagoneer 4WD-4 Dr. | 82 = Wrangler-103" W.B.-Exp. |
| 64 = Comanche 2WD-6 Ft. Box | | |

BODY STYLES:

MJ = Comanche Pickup
 SJ = Grand Wagoneer Wgn., J-10 & J-20 Pickups
 XJ = Cherokee, Wagoneer Limited
 YJ = Wrangler

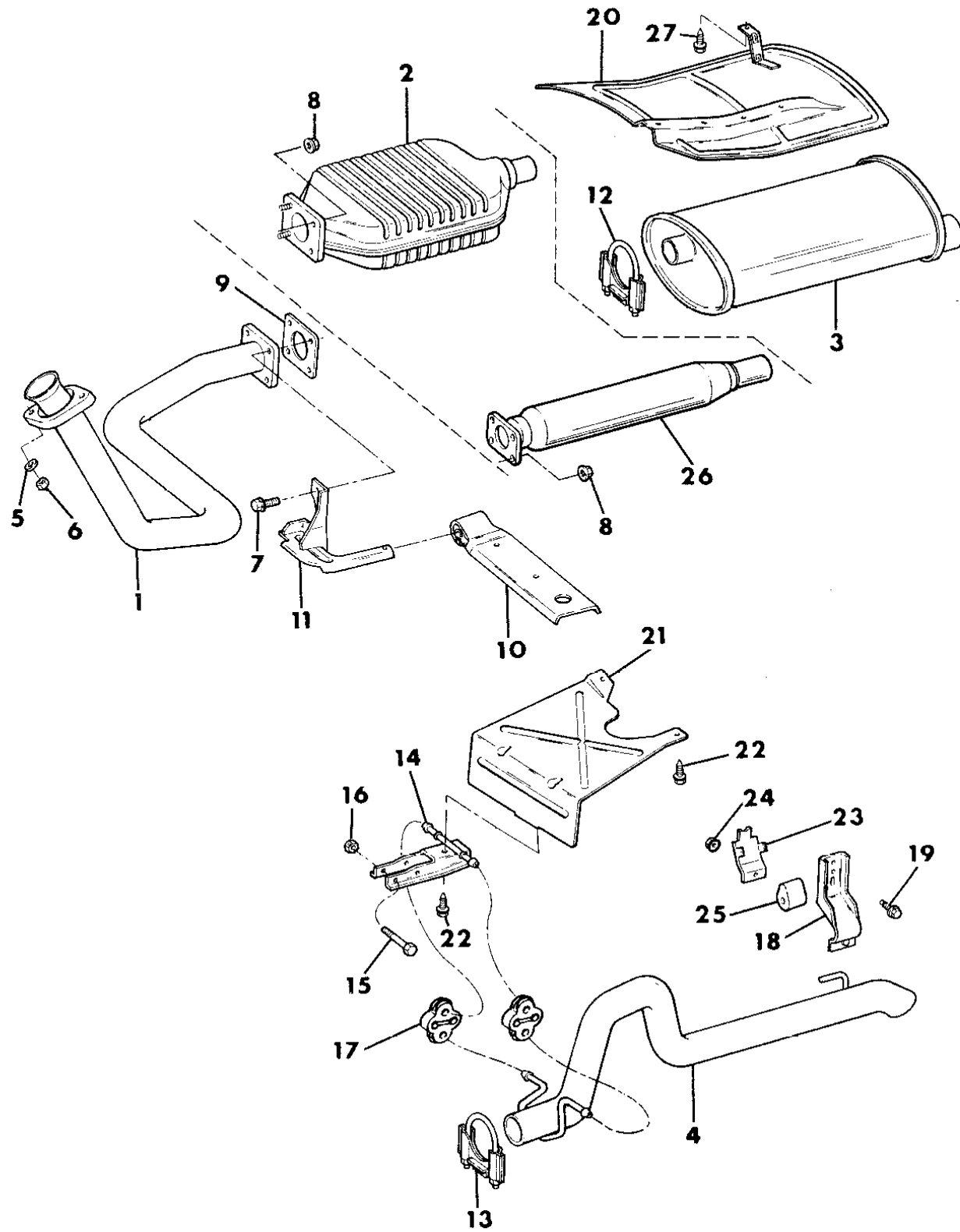
AR = Use as Required - = Non Illustrated Part P.A.R. = Paint as Required

EXHAUST SYSTEM WRANGLER, YJ
Figure 11-100

8J11 100

| ITEM | PART NUMBER | QTY | BODY | MODEL | DESCRIPTION |
|------|-------------|-----|------|-------|-------------|
|------|-------------|-----|------|-------|-------------|

| | | | | | |
|----|-----------|---|--|--|-------------|
| 26 | | | | | RESONATOR |
| | 5200 3369 | 1 | | | 2.5L Engine |
| | 5300 1555 | 1 | | | 4.2L Engine |
| 27 | J943 1948 | 1 | | | SCREW |



MODEL CODES:

| | | |
|-----------------------------|-----------------------------|------------------------------|
| 15 = Grand Wagoneer 4 Dr. | 65 = Comanche 4WD-7 Ft. Box | 77 = Cherokee 4WD-2 Dr. |
| 25 = J-10 Pickup-119" W.B. | 66 = Comanche 2WD-7 Ft. Box | 78 = Cherokee 4WD-4 Dr. |
| 26 = J-10 Pickup-131" W.B. | 73 = Cherokee 2WD-2 Dr. | 79 = Cherokee 4WD-4 Dr.-Com |
| 27 = J-20 Pickup-131" W.B. | 74 = Cherokee 2WD-4 Dr. | 81 = Wrangler-93" W.B. |
| 63 = Comanche 4WD-6 Ft. Box | 75 = Wagoneer 4WD-4 Dr. | 82 = Wrangler-103" W.B.-Exp. |
| 64 = Comanche 2WD-6 Ft. Box | | |

BODY STYLES:

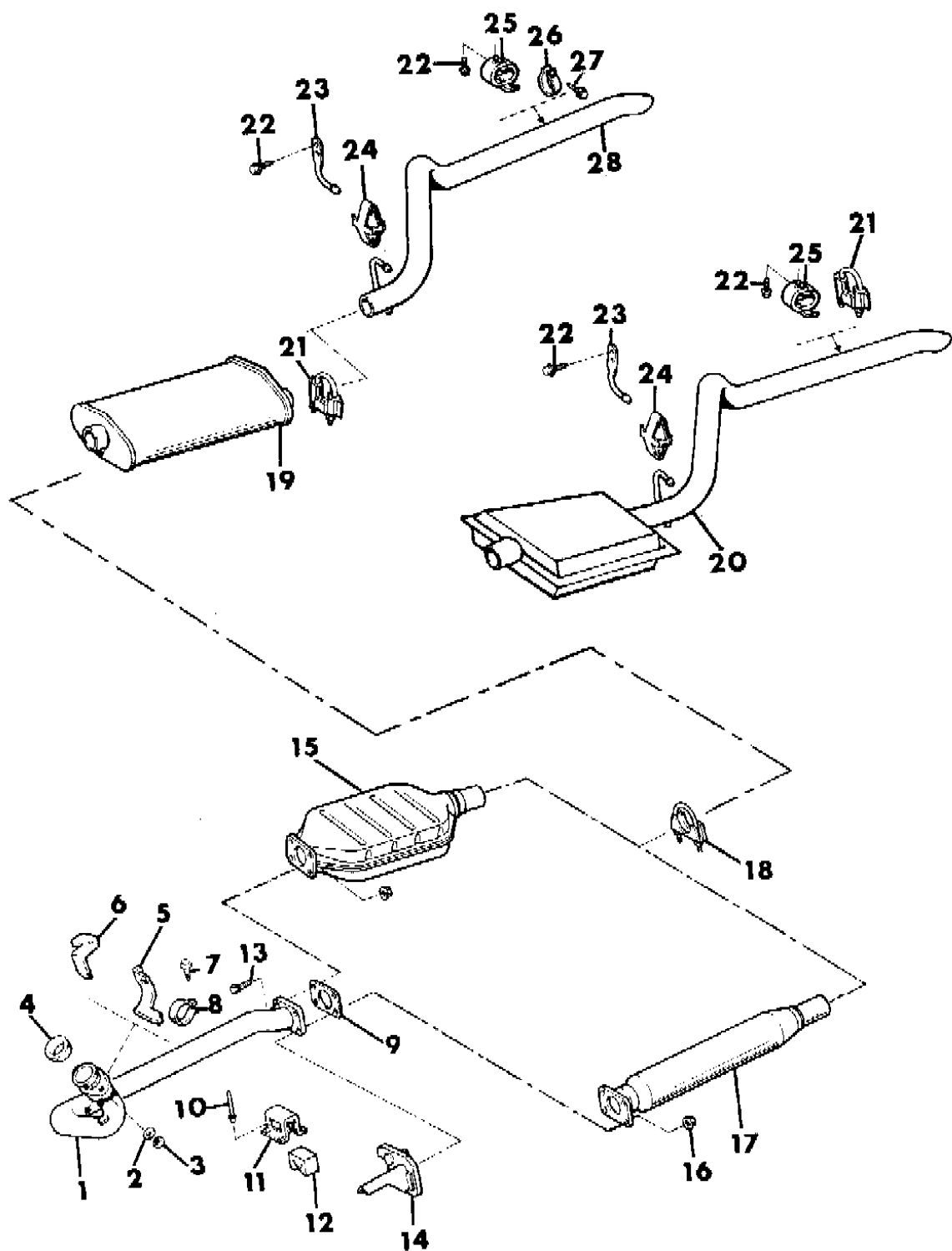
MJ = Comanche Pickup
SJ = Grand Wagoneer Wgn., J-10 & J-20 Pickups
XJ = Cherokee, Wagoneer Limited
YJ = Wrangler

AR = Use as Required - = Non Illustrated Part P.A.R. = Paint as Required

EXHAUST SYSTEM GAS ENGINES CHEROKEE, WAGONEER

Figure 11-200

8J11200A



| ITEM | PART NUMBER | QTY | BODY | MODEL | DESCRIPTION |
|------|-------------|-----|------|-------|--|
| 1 | | | | | PIPE, Front Exhaust |
| | 8350 7205 | 1 | | | 2.5L Engine |
| | 5200 2989 | 1 | | | 4.0L Engine |
| 2 | J400 1104 | 2 | | | WASHER |
| 3 | S941 8738 | 2 | | | NUT 1987-89 |
| | J400 4008 | 2 | | | NUT 1990 |
| 4 | 5200 3025 | 1 | | | SEAL 4.0L Engine |
| 5 | 5300 1652 | 1 | | | SUPPORT 2.5L Engine |
| 6 | 5200 3606 | 1 | | | SUPPORT 4.0L Engine |
| 7 | J400 4692 | 1 | | | SCREW |
| 8 | | | | | CLAMP |
| | 5200 2949 | 1 | | | 2.5L Engine |
| | 5200 2949 | 1 | | | 4.0L Engine |
| 9 | J322 6666 | 1 | | | GASKET |
| 10 | J400 6543 | 4 | | | RIVET |
| 11 | 5300 0104 | 1 | | | BRACKET |
| 12 | 5300 0101 | 1 | | | INSULATOR |
| 13 | J812 5845 | 2 | | | BOLT |
| 14 | 5200 3040 | 1 | | | SUPPORT |
| 15 | | | | | CONVERTER, Catalytic |
| | 5200 3723 | 1 | | | 2.5L Engine |
| | 5200 3725 | 1 | | | 4.0L Engine |
| 16 | J400 4008 | 4 | | | NUT |
| 17 | | | | | RESONATOR |
| | 5200 3369 | 1 | | | NRM |
| | 5200 3940 | 1 | | | ECE |
| | 5200 3369 | 1 | | | China or Venezuela KDX |
| 18 | 5200 2144 | 1 | | | CLAMP |
| 19 | | | | | MUFFLER 1987-89 |
| | 8350 2646 | 1 | | | 2.5L Engine |
| | 5200 3985 | 1 | | | 4.0L Engine |
| 20 | 5200 3985 | 1 | | | MUFFLER and TAILPIPE ASSEMBLY 1990 *** |
| 21 | 8330 0061 | 1 | | | CLAMP |
| 22 | 3420 1193 | AR | | | SCREW |
| 23 | 5200 2403 | 1 | | | HANGER |
| 24 | 5200 1759 | AR | | | SUPPORT |
| 25 | 5200 2794 | 1 | | | INSULATOR AND BRACKET ASSEMBLY *** |

MODEL CODES:

| | | |
|-----------------------------|-----------------------------|------------------------------|
| 15 = Grand Wagoneer 4 Dr. | 65 = Comanche 4WD-7 Ft. Box | 77 = Cherokee 4WD-2 Dr. |
| 25 = J-10 Pickup-119" W.B. | 66 = Comanche 2WD-7 Ft. Box | 78 = Cherokee 4WD-4 Dr. |
| 26 = J-10 Pickup-131" W.B. | 73 = Cherokee 2WD-2 Dr. | 79 = Cherokee 4WD-4 Dr.-Com |
| 27 = J-20 Pickup-131" W.B. | 74 = Cherokee 2WD-4 Dr. | 81 = Wrangler-93" W.B. |
| 63 = Comanche 4WD-6 Ft. Box | 75 = Wagoneer 4WD-4 Dr. | 82 = Wrangler-103" W.B.-Exp. |
| 64 = Comanche 2WD-6 Ft. Box | | |

BODY STYLES:

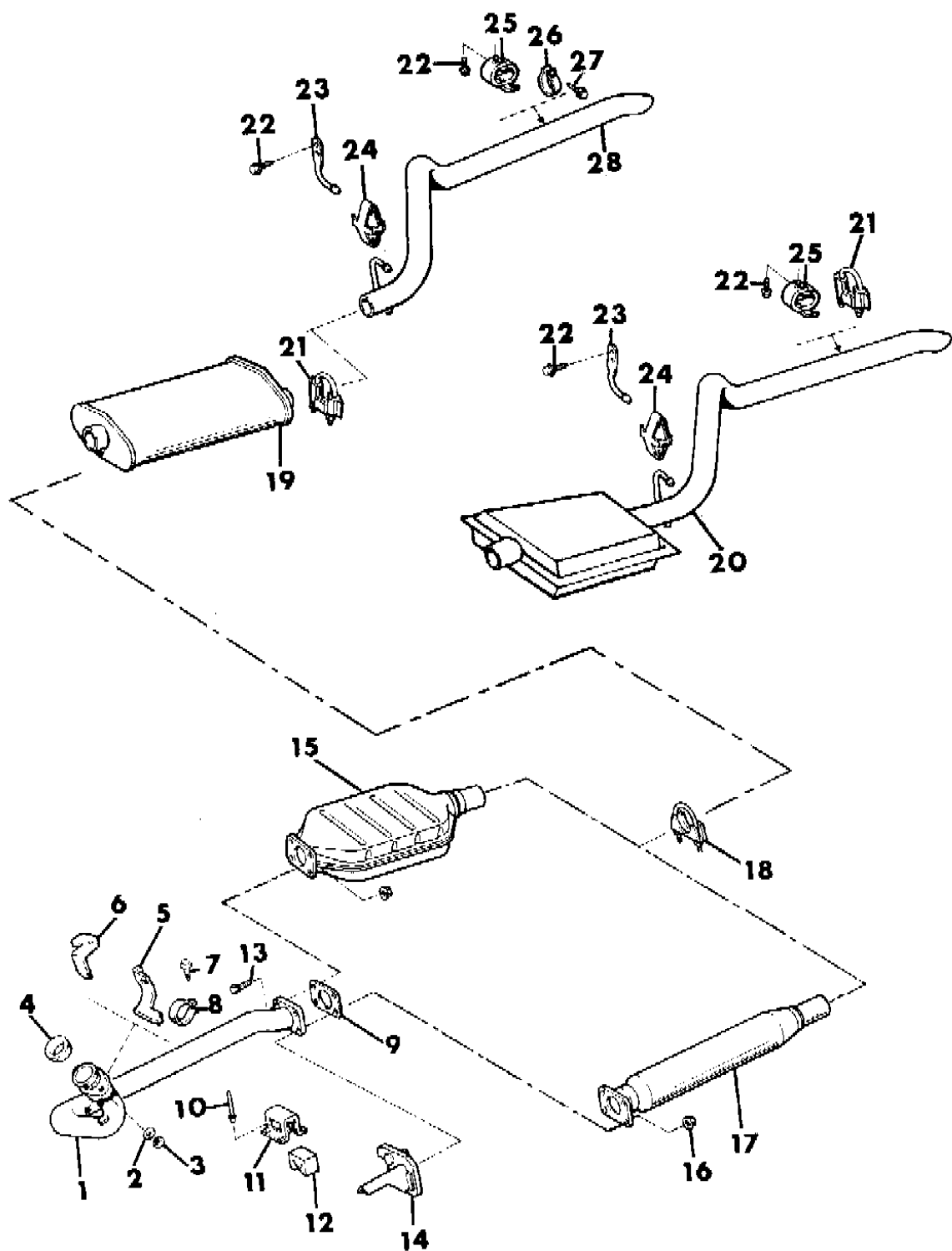
MJ = Comanche Pickup
 SJ = Grand Wagoneer Wgn., J-10 & J-20 Pickups
 XJ = Cherokee, Wagoneer Limited
 YJ = Wrangler

AR = Use as Required - = Non Illustrated Part P.A.R. = Paint as Required

EXHAUST SYSTEM GAS ENGINES CHEROKEE, WAGONEER

Figure 11-200

8J11200A



| ITEM | PART NUMBER | QTY | BODY | MODEL | DESCRIPTION |
|------|-------------|-----|------|-------|--------------------|
| 26 | 5200 2722 | 1 | | | CLAMP 1987-89 |
| 27 | J400 4692 | 1 | | | SCREW 1987-89 |
| 28 | | | | | PIPE, Tail 1987-89 |
| | 8350 2645 | 1 | | | 2.5L Engine |
| | 8350 5295 | 1 | | | 4.0L Engine |

MODEL CODES:

| | | |
|-----------------------------|-----------------------------|------------------------------|
| 15 = Grand Wagoneer 4 Dr. | 65 = Comanche 4WD-7 Ft. Box | 77 = Cherokee 4WD-2 Dr. |
| 25 = J-10 Pickup-119" W.B. | 66 = Comanche 2WD-7 Ft. Box | 78 = Cherokee 4WD-4 Dr. |
| 26 = J-10 Pickup-131" W.B. | 73 = Cherokee 2WD-2 Dr. | 79 = Cherokee 4WD-4 Dr.-Com |
| 27 = J-20 Pickup-131" W.B. | 74 = Cherokee 2WD-4 Dr. | 81 = Wrangler-93" W.B. |
| 63 = Comanche 4WD-6 Ft. Box | 75 = Wagoneer 4WD-4 Dr. | 82 = Wrangler-103" W.B.-Exp. |
| 64 = Comanche 2WD-6 Ft. Box | | |

BODY STYLES:

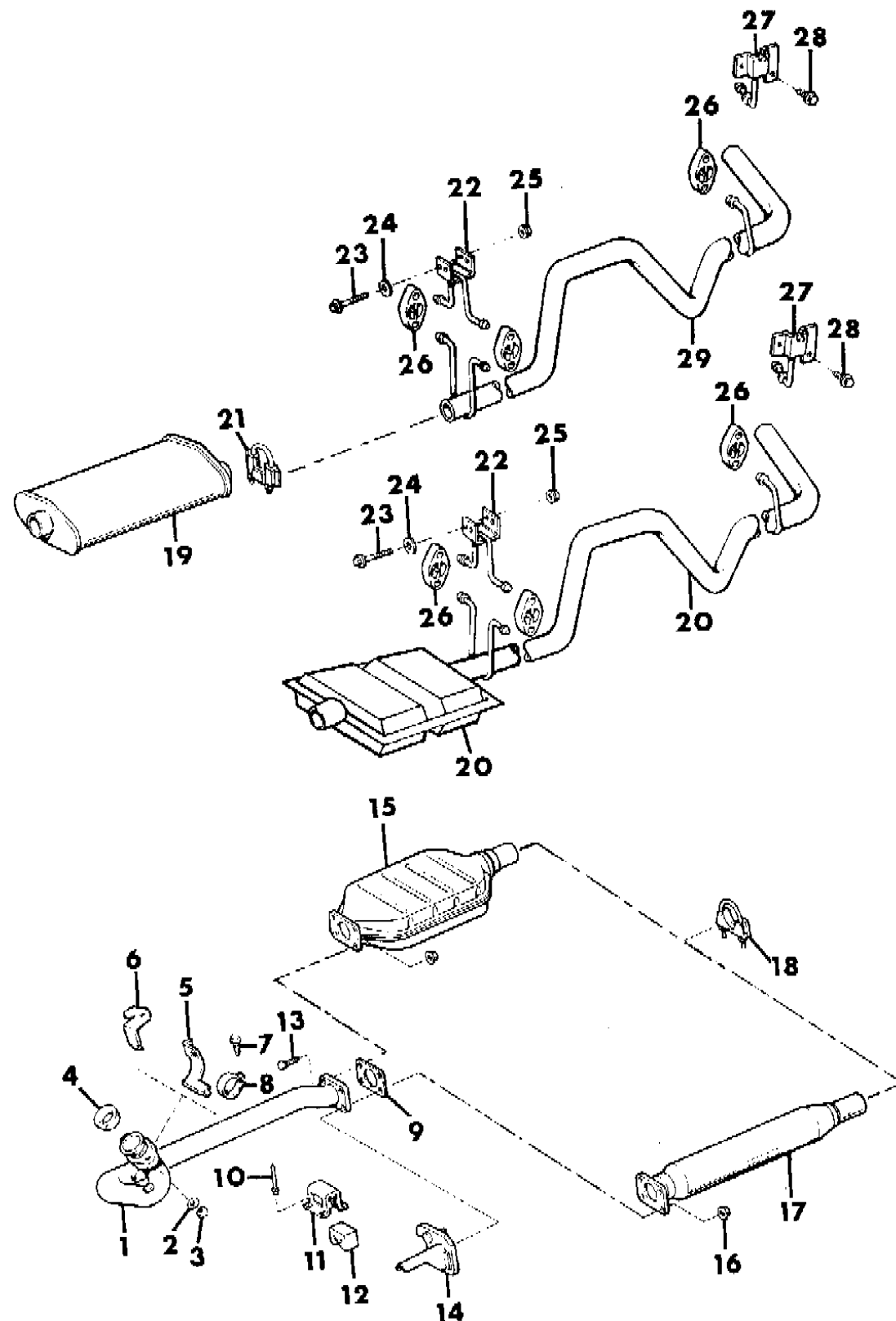
MJ = Comanche Pickup
 SJ = Grand Wagoneer Wgn., J-10 & J-20 Pickups
 XJ = Cherokee, Wagoneer Limited
 YJ = Wrangler

AR = Use as Required - = Non Illustrated Part P.A.R. = Paint as Required

EXHAUST SYSTEM GAS ENGINES COMANCHE

Figure 11-225

8J11 225



| ITEM | PART NUMBER | QTY | BODY | MODEL | DESCRIPTION |
|------|-------------|-----|------|-------|--|
| 1 | | | | | PIPE, Front Exhaust |
| | 5200 3008 | 1 | | | 2.5L Engine |
| | 5200 2989 | 1 | | | 4.0L Engine |
| 2 | J400 1104 | 2 | | | WASHER 1987-89 |
| 3 | S941 8738 | 2 | | | NUT 1987-89 |
| | J400 4008 | 2 | | | NUT 1990 |
| 4 | 5200 3025 | 1 | | | SEAL 4.0L Engine |
| 5 | 5300 1652 | 1 | | | SUPPORT 2.5L Engine |
| 6 | 5200 3606 | 1 | | | SUPPORT 4.0L Engine |
| 7 | J400 4692 | 1 | | | SCREW |
| 8 | | | | | CLAMP |
| | 5200 2949 | 1 | | | 2.5L Engine |
| | 5200 2949 | 1 | | | 4.0L Engine |
| 9 | J322 6666 | 1 | | | GASKET |
| 10 | J400 6543 | 4 | | | RIVET |
| 11 | 5300 0104 | 1 | | | BRACKET |
| 12 | 5300 0101 | 1 | | | INSULATOR |
| 13 | J812 5845 | 2 | | | BOLT |
| 14 | 5200 3040 | 1 | | | SUPPORT |
| 15 | | | | | CONVERTER, Catalytic |
| | 5200 3723 | 1 | | | 2.5L Engine |
| | 5200 3725 | 1 | | | 4.0L Engine |
| 16 | J400 4008 | 4 | | | NUT |
| 17 | | | | | RESONATOR |
| | 5200 3369 | 1 | | | NRM |
| | 5200 3940 | 1 | | | ECE |
| | 5200 3369 | 1 | | | China or Venezuela KDX |
| 18 | 5200 2144 | 1 | | | CLAMP |
| 19 | | | | | MUFFLER 1987-89 |
| | 8350 2656 | 1 | | | 2.5L Engine |
| | 8350 3631 | 1 | | | 4.0L Engine |
| 20 | | | | | MUFFLER and TAILPIPE ASSEMBLY 1990 *** |
| | 5200 4658 | 1 | | | 6 Foot Box |
| | 5200 4656 | 1 | | | 7 Foot Box |
| 21 | 8330 0061 | 1 | | | CLAMP |
| 22 | 5200 1762 | 1 | | | HANGER |
| 23 | T300 1397 | 2 | | | BOLT |

MODEL CODES:

| | | |
|-----------------------------|-----------------------------|------------------------------|
| 15 = Grand Wagoneer 4 Dr. | 65 = Comanche 4WD-7 Ft. Box | 77 = Cherokee 4WD-2 Dr. |
| 25 = J-10 Pickup-119" W.B. | 66 = Comanche 2WD-7 Ft. Box | 78 = Cherokee 4WD-4 Dr. |
| 26 = J-10 Pickup-131" W.B. | 73 = Cherokee 2WD-2 Dr. | 79 = Cherokee 4WD-4 Dr.-Com |
| 27 = J-20 Pickup-131" W.B. | 74 = Cherokee 2WD-4 Dr. | 81 = Wrangler-93" W.B. |
| 63 = Comanche 4WD-6 Ft. Box | 75 = Wagoneer 4WD-4 Dr. | 82 = Wrangler-103" W.B.-Exp. |
| 64 = Comanche 2WD-6 Ft. Box | | |

BODY STYLES:

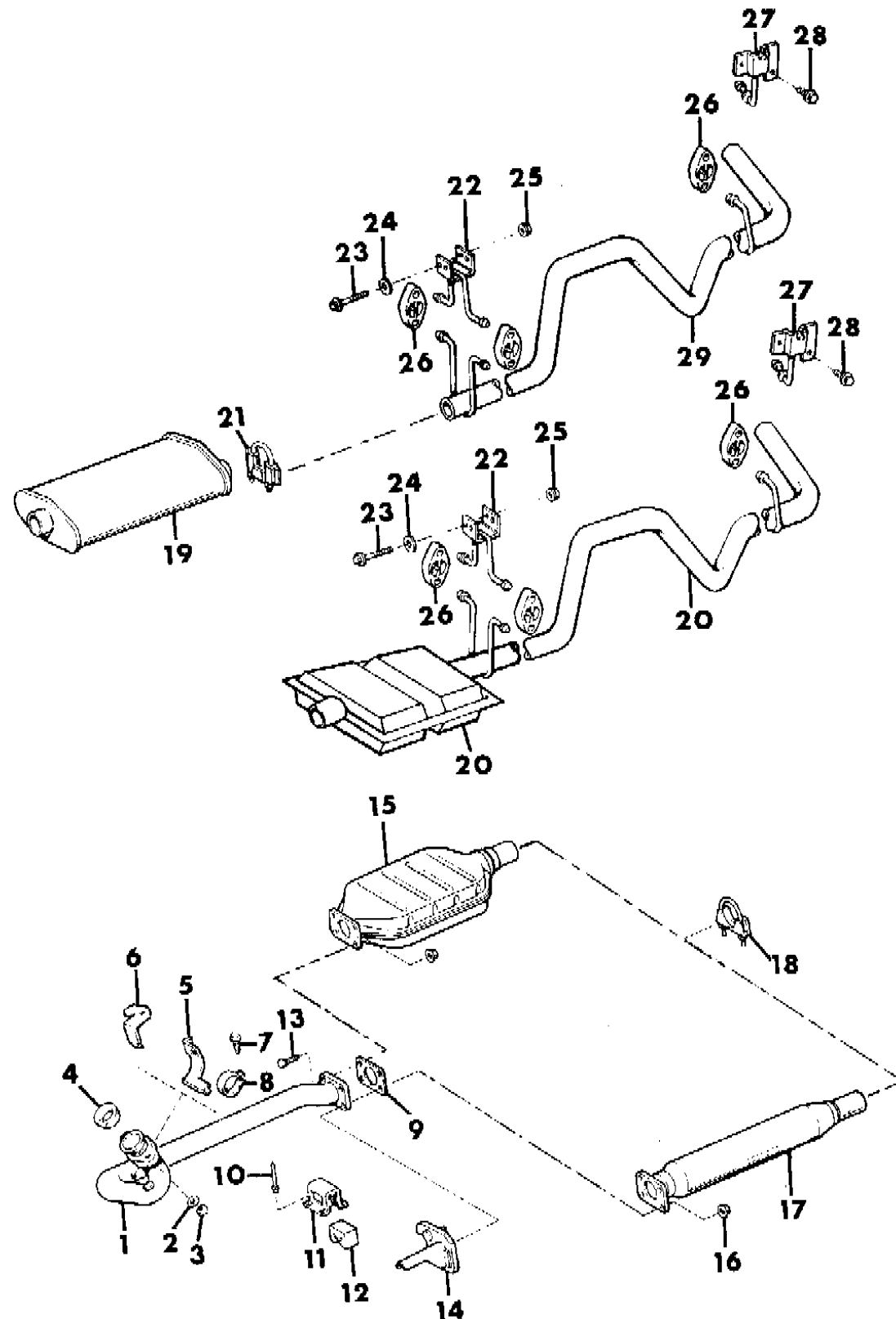
MJ = Comanche Pickup
 SJ = Grand Wagoneer Wgn., J-10 & J-20 Pickups
 XJ = Cherokee, Wagoneer Limited
 YJ = Wrangler

AR = Use as Required - = Non Illustrated Part P.A.R. = Paint as Required

EXHAUST SYSTEM GAS ENGINES COMANCHE

Figure 11-225

8J11 225



| ITEM | PART NUMBER | QTY | BODY | MODEL | DESCRIPTION |
|------|-------------|-----|------|-------|--------------------|
| 24 | 1150 0255 | 2 | | | WASHER |
| 25 | 1150 2811 | 2 | | | NUT |
| 26 | 5200 1759 | AR | | | SUPPORT |
| 27 | | | | | HANGER |
| | 5200 3019 | 1 | | | 6 Foot Box |
| | 5200 3015 | 1 | | | 7 Foot Box |
| 28 | 3420 1193 | AR | | | SCREW |
| 29 | | | | | PIPE, Tail 1987-89 |
| | 8350 3453 | 1 | | | 6 Foot Box |
| | 8350 2655 | 1 | | | 7 Foot Box |

MODEL CODES:

| | | |
|-----------------------------|-----------------------------|------------------------------|
| 15 = Grand Wagoneer 4 Dr. | 65 = Comanche 4WD-7 Ft. Box | 77 = Cherokee 4WD-2 Dr. |
| 25 = J-10 Pickup-119" W.B. | 66 = Comanche 2WD-7 Ft. Box | 78 = Cherokee 4WD-4 Dr. |
| 26 = J-10 Pickup-131" W.B. | 73 = Cherokee 2WD-2 Dr. | 79 = Cherokee 4WD-4 Dr.-Com |
| 27 = J-20 Pickup-131" W.B. | 74 = Cherokee 2WD-4 Dr. | 81 = Wrangler-93" W.B. |
| 63 = Comanche 4WD-6 Ft. Box | 75 = Wagoneer 4WD-4 Dr. | 82 = Wrangler-103" W.B.-Exp. |
| 64 = Comanche 2WD-6 Ft. Box | | |

BODY STYLES:

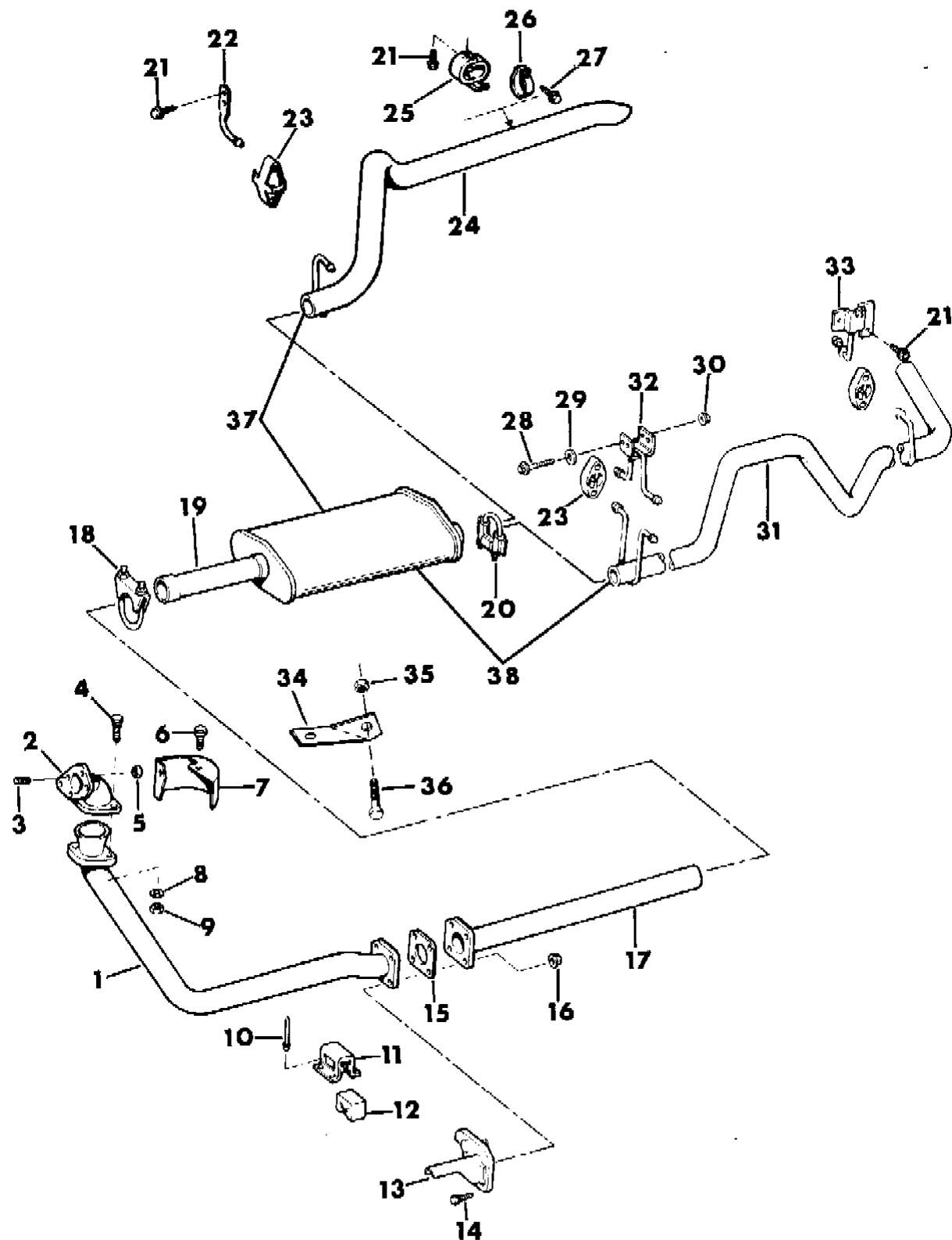
MJ = Comanche Pickup
 SJ = Grand Wagoneer Wgn., J-10 & J-20 Pickups
 XJ = Cherokee, Wagoneer Limited
 YJ = Wrangler

AR = Use as Required - = Non Illustrated Part P.A.R. = Paint as Required

EXHAUST SYSTEM DIESEL ENGINE CHEROKEE, COMANCHE - EXPORT

Figure 11-250

8J11 2508



| ITEM | PART NUMBER | QTY | BODY | MODEL | DESCRIPTION |
|------|-------------|-----|------|-------|-----------------------|
| 1 | 5200 3011 | 1 | | | PIPE, Front Exhaust |
| 2 | 5300 1750 | 1 | | | ADAPTER, Turbocharger |
| 3 | 3420 2088 | 4 | | | STUD |
| 4 | J400 7109 | 2 | | | STUD |
| 5 | 1150 0749 | 4 | | | NUT |
| 6 | 1150 4986 | 1 | | | BOLT |
| 7 | 3300 2103 | 1 | | | SHIELD, Adapter |
| 8 | J400 1104 | 2 | | | WASHER 1987-89 |
| 9 | S941 8738 | 2 | | | NUT 1987-89 |
| | J400 4008 | 2 | | | NUT, Flanged 1990 |
| 10 | 3420 2083 | 4 | | | RIVET |
| 11 | 5300 0104 | 1 | | | BRACKET |
| 12 | 5300 0101 | 1 | | | INSULATOR |
| 13 | 5200 3040 | 1 | | | SUPPORT |
| 14 | J812 5845 | AR | | | BOLT |
| 15 | J322 6666 | 1 | | | GASKET |
| 16 | J400 4008 | 4 | | | NUT |
| 17 | 5200 3013 | 1 | | | PIPE, Exhaust Adapter |
| 18 | 5200 1860 | 1 | | | CLAMP |
| 19 | | | | | MUFFLER 1987-90 |
| | 8350 2649 | 1 | XJ | | Wagon |
| | 8350 2657 | 1 | MJ | | Truck |
| 20 | 8330 0060 | 1 | | | CLAMP |
| 21 | 3420 1193 | AR | | | SCREW |
| 22 | 5300 1085 | 1 | XJ | | HANGER |
| 23 | 5200 1759 | AR | | | SUPPORT |
| 24 | 8350 2647 | 1 | XJ | | PIPE, Tail 1987-89 |
| 25 | 5200 2794 | 1 | XJ | | HANGER |
| 26 | 5200 2949 | 1 | XJ | | CLAMP |
| 27 | J400 4692 | AR | XJ | | SCREW |
| 28 | T300 1397 | 2 | MJ | | BOLT |
| 29 | 1150 0255 | 2 | MJ | | WASHER |
| 30 | 1150 2811 | 2 | MJ | | NUT, Lock |
| 31 | 8350 2653 | 1 | MJ | | PIPE, Tail 1987-89 |
| 32 | 5200 1762 | 1 | MJ | | HANGER ASSEMBLY *** |
| 33 | | | MJ | | HANGER ASSEMBLY *** |
| | 5200 3019 | 1 | | | 6 Foot Box |

MODEL CODES:

| | | |
|-----------------------------|-----------------------------|------------------------------|
| 15 = Grand Wagoneer 4 Dr. | 65 = Comanche 4WD-7 Ft. Box | 77 = Cherokee 4WD-2 Dr. |
| 25 = J-10 Pickup-119" W.B. | 66 = Comanche 2WD-7 Ft. Box | 78 = Cherokee 4WD-4 Dr. |
| 26 = J-10 Pickup-131" W.B. | 73 = Cherokee 2WD-2 Dr. | 79 = Cherokee 4WD-4 Dr.-Com |
| 27 = J-20 Pickup-131" W.B. | 74 = Cherokee 2WD-4 Dr. | 81 = Wrangler-93" W.B. |
| 63 = Comanche 4WD-6 Ft. Box | 75 = Wagoneer 4WD-4 Dr. | 82 = Wrangler-103" W.B.-Exp. |
| 64 = Comanche 2WD-6 Ft. Box | | |

BODY STYLES:

MJ = Comanche Pickup
 SJ = Grand Wagoneer Wgn., J-10 & J-20 Pickups
 XJ = Cherokee, Wagoneer Limited
 YJ = Wrangler

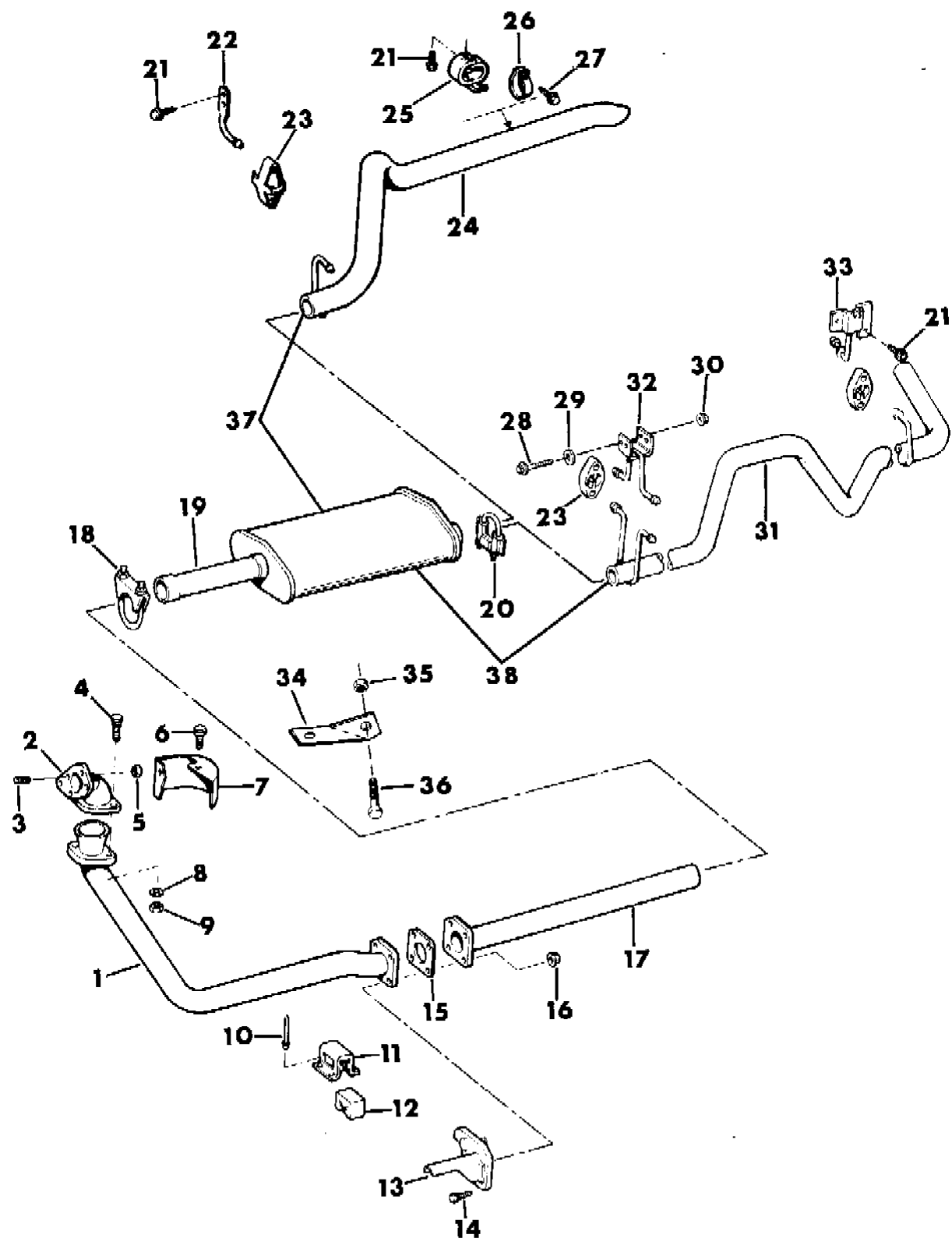
AR = Use as Required - = Non Illustrated Part P.A.R. = Paint as Required

EXHAUST SYSTEM DIESEL ENGINE CHEROKEE, COMANCHE - EXPORT

Figure 11-250

8J11 2508

| ITEM | PART NUMBER | QTY | BODY | MODEL | DESCRIPTION |
|------|-------------|-----|------|-------|--|
| | 5200 3015 | 1 | | | 7 Foot Box |
| 34 | 5300 6653 | 1 | | | BRACKET 1990 |
| 35 | 1150 3745 | 2 | | | NUT 1990 |
| 36 | 3420 1807 | 2 | | | BOLT 1990 |
| 37 | 5200 2204 | 1 | XJ | | TAILPIPE and MUFFLER ASSEMBLY 1990 *** |
| 38 | 5200 3017 | 1 | MJ | | TAILPIPE and MUFFLER ASSEMBLY 1990 *** |



MODEL CODES:

| | | |
|-----------------------------|-----------------------------|------------------------------|
| 15 = Grand Wagoneer 4 Dr. | 65 = Comanche 4WD-7 Ft. Box | 77 = Cherokee 4WD-2 Dr. |
| 25 = J-10 Pickup-119" W.B. | 66 = Comanche 2WD-7 Ft. Box | 78 = Cherokee 4WD-4 Dr. |
| 26 = J-10 Pickup-131" W.B. | 73 = Cherokee 2WD-2 Dr. | 79 = Cherokee 4WD-4 Dr.-Com |
| 27 = J-20 Pickup-131" W.B. | 74 = Cherokee 2WD-4 Dr. | 81 = Wrangler-93" W.B. |
| 63 = Comanche 4WD-6 Ft. Box | 75 = Wagoneer 4WD-4 Dr. | 82 = Wrangler-103" W.B.-Exp. |
| 64 = Comanche 2WD-6 Ft. Box | | |

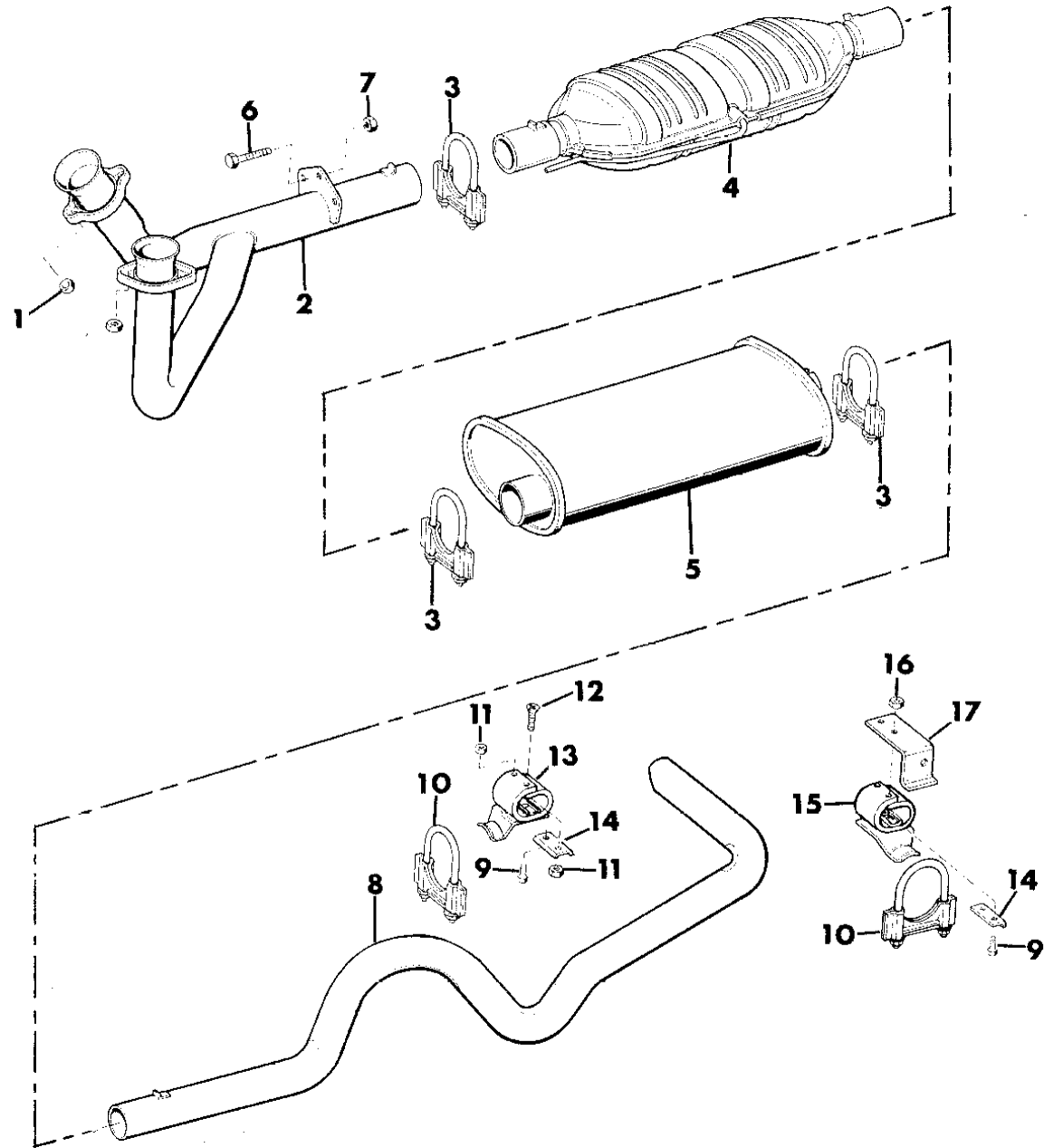
BODY STYLES:

MJ = Comanche Pickup
 SJ = Grand Wagoneer Wgn., J-10 & J-20 Pickups
 XJ = Cherokee, Wagoneer Limited
 YJ = Wrangler

AR = Use as Required - = Non Illustrated Part P.A.R. = Paint as Required

EXHAUST SYSTEM GRAND WAGONEER
Figure 11-300

8J11 300



| ITEM | PART NUMBER | QTY | BODY | MODEL | DESCRIPTION |
|------|-------------|-----|------|-------|----------------------|
| 1 | J400 3869 | 4 | | | NUT |
| 2 | J536 2536 | 1 | | | PIPE, Front Exhaust |
| 3 | J535 8827 | 1 | | | CLAMP |
| 4 | J537 0145 | 1 | | | CONVERTER, Catalytic |
| 5 | 8330 0066 | 1 | | | MUFFLER |
| 6 | J018 0132 | 1 | | | BOLT |
| 7 | J400 5142 | 1 | | | NUT |
| 8 | J536 4858 | 1 | | | PIPE, Tail |
| 9 | J018 0081 | 3 | | | BOLT |
| 10 | 8330 0062 | 2 | | | CLAMP |
| 11 | J941 3447 | 2 | | | NUT |
| 12 | J098 1537 | 1 | | | SCREW |
| 13 | J536 3088 | 1 | | | HANGER |
| 14 | J535 8978 | 2 | | | PLATE |
| 15 | J536 3087 | 1 | | | HANGER |
| 16 | J027 1184 | 2 | | | NUT |
| 17 | J535 7044 | 1 | | | BRACKET |

MODEL CODES:

| | | |
|-----------------------------|-----------------------------|------------------------------|
| 15 = Grand Wagoneer 4 Dr. | 65 = Comanche 4WD-7 Ft. Box | 77 = Cherokee 4WD-2 Dr. |
| 25 = J-10 Pickup-119" W.B. | 66 = Comanche 2WD-7 Ft. Box | 78 = Cherokee 4WD-4 Dr. |
| 26 = J-10 Pickup-131" W.B. | 73 = Cherokee 2WD-2 Dr. | 79 = Cherokee 4WD-4 Dr.-Com |
| 27 = J-20 Pickup-131" W.B. | 74 = Cherokee 2WD-4 Dr. | 81 = Wrangler-93" W.B. |
| 63 = Comanche 4WD-6 Ft. Box | 75 = Wagoneer 4WD-4 Dr. | 82 = Wrangler-103" W.B.-Exp. |
| 64 = Comanche 2WD-6 Ft. Box | | |

BODY STYLES:

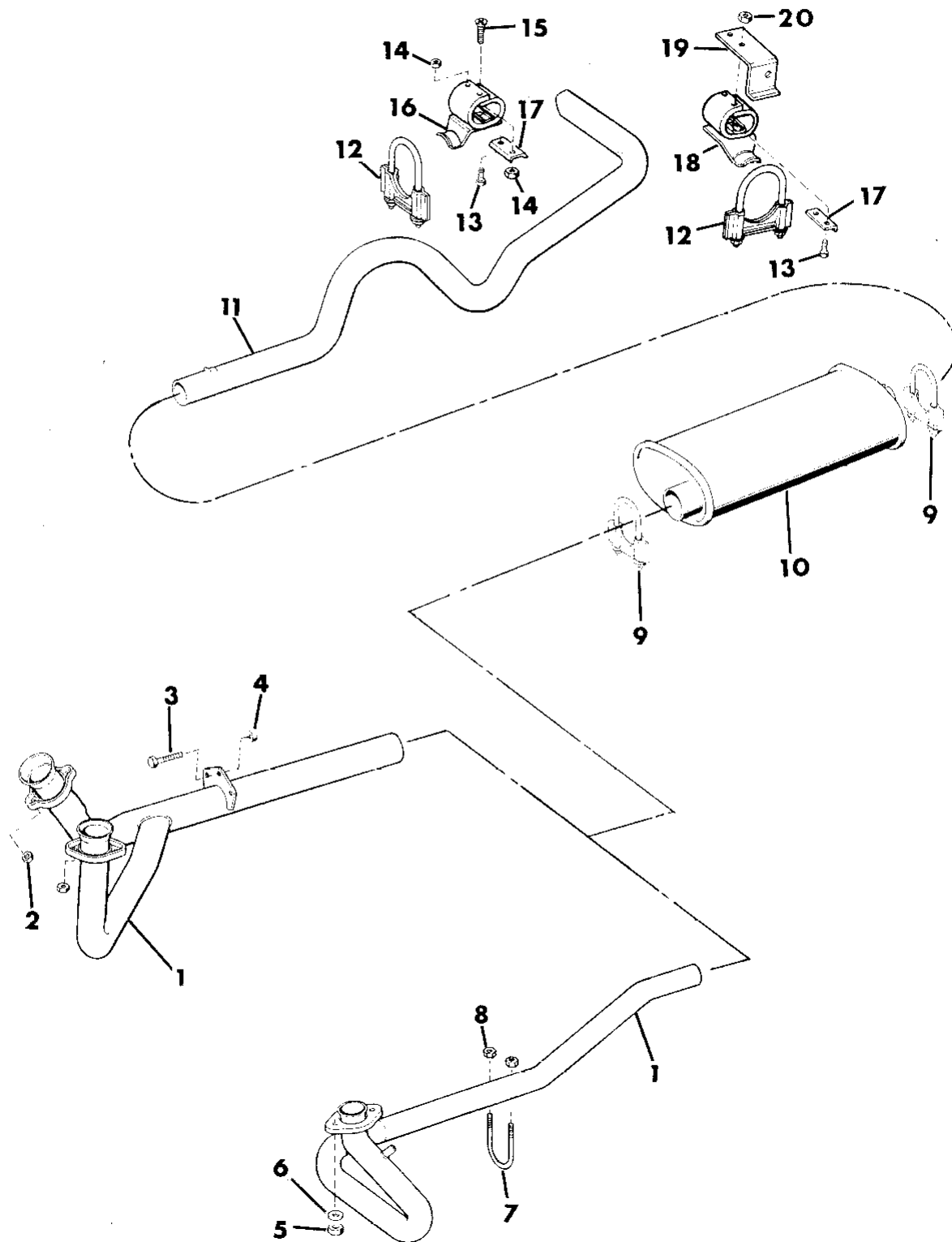
MJ = Comanche Pickup
 SJ = Grand Wagoneer Wgn., J-10 & J-20 Pickups
 XJ = Cherokee, Wagoneer Limited
 YJ = Wrangler

AR = Use as Required - = Non Illustrated Part P.A.R. = Paint as Required

EXHAUST SYSTEM EXPORT NRM GRAND WAGONEER

Figure 11-350

8 J11 350



| ITEM | PART NUMBER | QTY | BODY | MODEL | DESCRIPTION |
|------|-------------|-----|------|-------|---------------------|
| 1 | | | | | PIPE, Front Exhaust |
| | J536 4503 | 1 | | | 4.2L Engine |
| | J536 2809 | 1 | | | 5.9L Engine |
| 2 | J400 3869 | 4 | | | NUT 5.9L Engine |
| 3 | J018 0132 | 1 | | | BOLT 5.9L Engine |
| 4 | J400 5142 | 1 | | | NUT 5.9L Engine |
| 5 | S941 8738 | 2 | | | NUT 4.2L Engine |
| 6 | J400 1181 | 2 | | | NUT |
| 7 | J094 1013 | 1 | | | U-BOLT 4.2L Engine |
| 8 | J012 0376 | 2 | | | NUT 4.2L Engine |
| 9 | | | | | CLAMP |
| | 8330 0060 | 1 | | | 4.2L Engine |
| | J535 8827 | 2 | | | 5.9L Engine |
| 10 | | | | | MUFFLER |
| | J536 1747 | 1 | | | 4.2L Engine |
| | 8330 0066 | 1 | | | 5.9L Engine |
| 11 | | | | | PIPE, Tail |
| | J536 1873 | 1 | | | 4.2L Engine |
| | J536 0080 | 1 | | | 5.9L Engine |
| 12 | 8330 0062 | 2 | | | CLAMP |
| 13 | J018 0081 | 3 | | | BOLT |
| 14 | J941 3447 | 2 | | | NUT |
| 15 | J098 1537 | 1 | | | SCREW |
| 16 | J536 3088 | 1 | | | HANGER ASSEMBLY |
| 17 | J535 8978 | 2 | | | PLATE |
| 18 | J536 3087 | 1 | | | HANGER ASSEMBLY |
| 19 | J535 7044 | 1 | | | BRACKET |
| 20 | J027 1184 | 2 | | | NUT |

MODEL CODES:

| | | |
|-----------------------------|-----------------------------|------------------------------|
| 15 = Grand Wagoneer 4 Dr. | 65 = Comanche 4WD-7 Ft. Box | 77 = Cherokee 4WD-2 Dr. |
| 25 = J-10 Pickup-119" W.B. | 66 = Comanche 2WD-7 Ft. Box | 78 = Cherokee 4WD-4 Dr. |
| 26 = J-10 Pickup-131" W.B. | 73 = Cherokee 2WD-2 Dr. | 79 = Cherokee 4WD-4 Dr.-Com |
| 27 = J-20 Pickup-131" W.B. | 74 = Cherokee 2WD-4 Dr. | 81 = Wrangler-93" W.B. |
| 63 = Comanche 4WD-6 Ft. Box | 75 = Wagoneer 4WD-4 Dr. | 82 = Wrangler-103" W.B.-Exp. |
| 64 = Comanche 2WD-6 Ft. Box | | |

BODY STYLES:

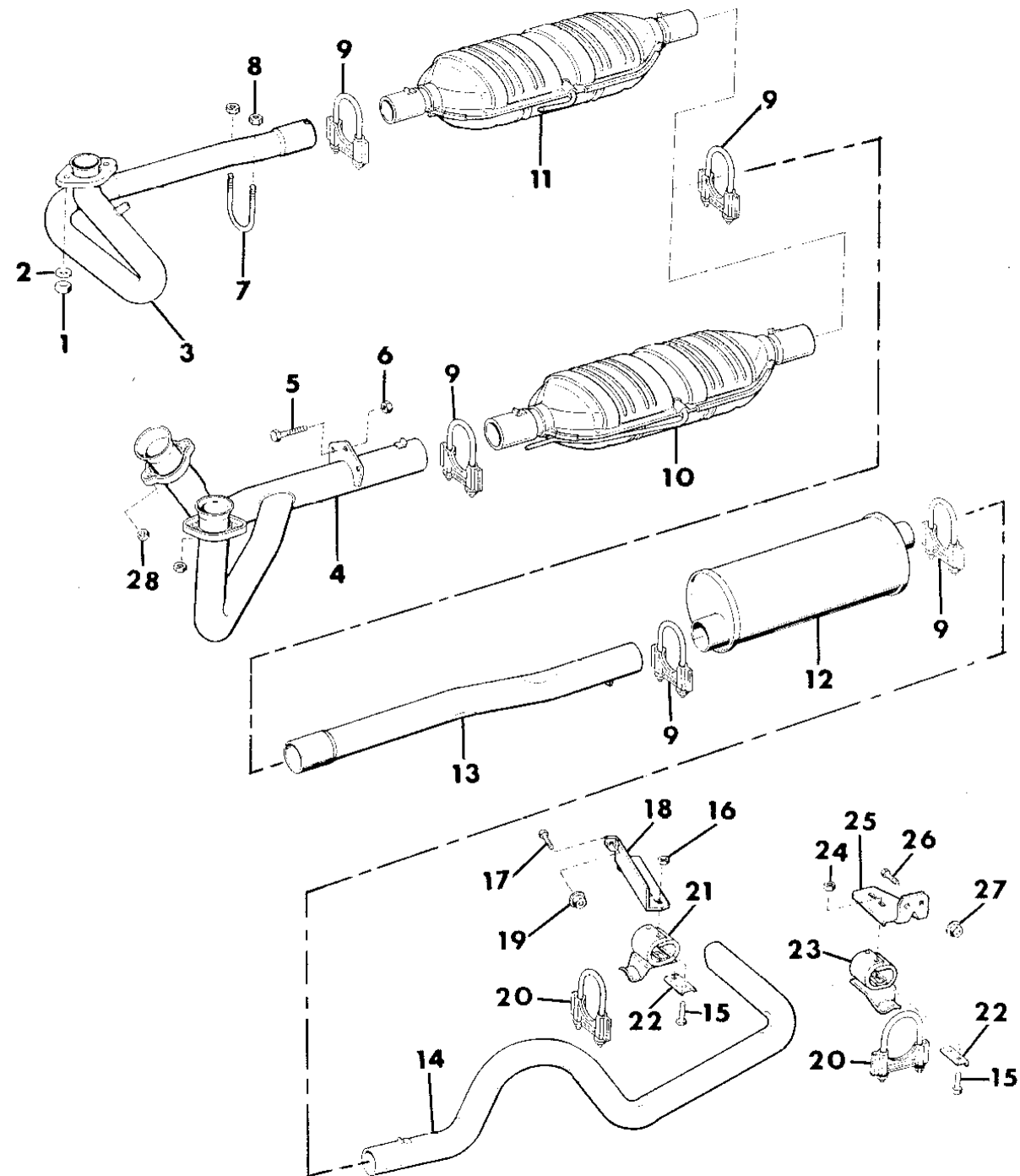
MJ = Comanche Pickup
 SJ = Grand Wagoneer Wgn., J-10 & J-20 Pickups
 XJ = Cherokee, Wagoneer Limited
 YJ = Wrangler

AR = Use as Required - = Non Illustrated Part P.A.R. = Paint as Required

EXHAUST SYSTEM J10, J20

Figure 11-400

8J11 400



| ITEM | PART NUMBER | QTY | BODY | MODEL | DESCRIPTION |
|------|-------------|-----|------|-------|----------------------------------|
| 1 | S941 8738 | 2 | | | NUT 4.2L Engine |
| 2 | J400 1181 | 2 | | | WASHER 4.2L Engine |
| 3 | J536 4317 | 1 | | | PIPE, Exhaust 4.2L Engine |
| 4 | J536 2536 | 1 | | 26,27 | PIPE, Exhaust 5.9L Engine |
| | J536 2536 | 1 | | 27 | 50 States |
| | J536 2536 | 1 | | 27 | Canada |
| | J536 1784 | 1 | | 25,26 | Canada - 5.9L Engine |
| 5 | J018 0132 | 1 | | | BOLT 5.9L Engine |
| 6 | J400 5142 | 1 | | | NUT 5.9L Engine |
| 7 | J094 1013 | 1 | | | U-BOLT 4.2L Engine |
| 8 | J012 0376 | 2 | | | NUT 4.2L Engine |
| 9 | | | | | CLAMP |
| | 8330 0060 | 4 | | | 4.2L Engine |
| | J535 8827 | 4 | | | 5.9L Engine |
| 10 | J537 0145 | 1 | | | CONVERTER, Catalytic 5.9L Engine |
| | J537 0145 | 1 | | 27 | Canada 5.9L Engine |
| 11 | J537 0123 | 1 | | | CONVERTER, Catalytic 4.2L Engine |
| 12 | | | | | MUFFLER |
| | J536 2489 | 1 | | | 4.2L Engine |
| | J536 1254 | 1 | | | 5.9L Engine |
| | J536 1842 | 1 | | 25,26 | Canada 5.9L Engine |
| | J536 1254 | 1 | | 27 | Canada 5.9L Engine |
| 13 | | | | | PIPE, Intermediate |
| | J536 2483 | 1 | | | 4.2L Engine |
| | J536 4860 | 1 | | | 5.9L Engine |
| 14 | | | | | PIPE, Tail |
| | J536 1954 | 1 | | | 4.2L Engine |
| | J536 3119 | 1 | | | 5.9L Engine |
| | J536 1987 | 1 | | 25,26 | Canada 5.9L Engine |
| | J536 3119 | 1 | | 27 | Canada 5.9L Engine |
| 15 | J018 0081 | 4 | | | BOLT |
| 16 | J400 1457 | 2 | | | NUT |
| 17 | J018 0121 | 2 | | | BOLT |
| 18 | J535 8969 | 1 | | | BRACKET |
| 19 | J400 3909 | 2 | | | NUT |
| 20 | | | | | CLAMP |
| | 8330 0060 | 2 | | | 4.2L Engine |

MODEL CODES:

| | | |
|-----------------------------|-----------------------------|------------------------------|
| 15 = Grand Wagoneer 4 Dr. | 65 = Comanche 4WD-7 Ft. Box | 77 = Cherokee 4WD-2 Dr. |
| 25 = J-10 Pickup-119" W.B. | 66 = Comanche 2WD-7 Ft. Box | 78 = Cherokee 4WD-4 Dr. |
| 26 = J-10 Pickup-131" W.B. | 73 = Cherokee 2WD-2 Dr. | 79 = Cherokee 4WD-4 Dr.-Com |
| 27 = J-20 Pickup-131" W.B. | 74 = Cherokee 2WD-4 Dr. | 81 = Wrangler-93" W.B. |
| 63 = Comanche 4WD-6 Ft. Box | 75 = Wagoneer 4WD-4 Dr. | 82 = Wrangler-103" W.B.-Exp. |
| 64 = Comanche 2WD-6 Ft. Box | | |

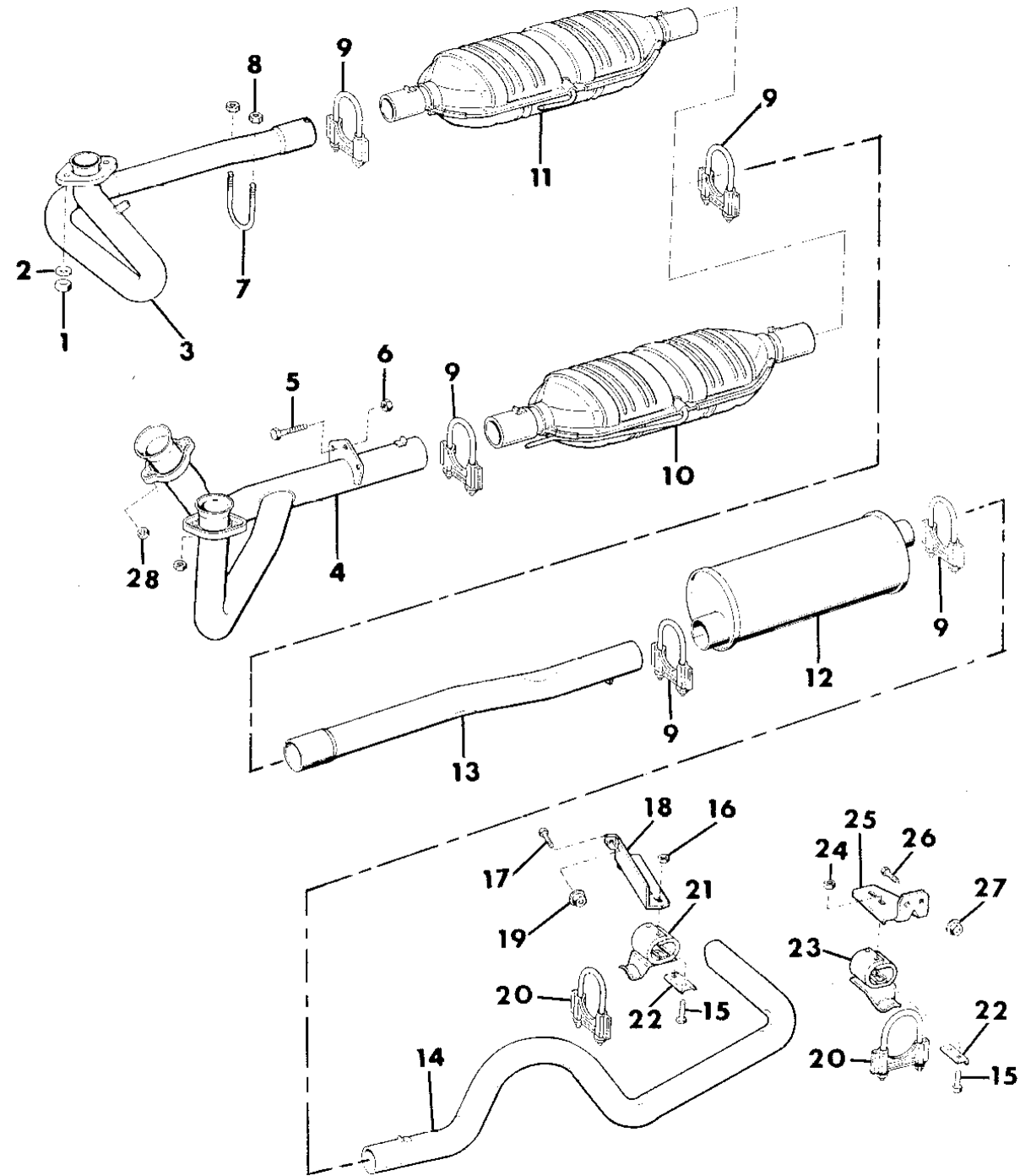
BODY STYLES:

MJ = Comanche Pickup
 SJ = Grand Wagoneer Wgn., J-10 & J-20 Pickups
 XJ = Cherokee, Wagoneer Limited
 YJ = Wrangler

AR = Use as Required - = Non Illustrated Part P.A.R. = Paint as Required

EXHAUST SYSTEM J10, J20
Figure 11-400

8J11 400



| ITEM | PART NUMBER | QTY | BODY | MODEL | DESCRIPTION |
|------|-------------|-----|------|-------|-----------------|
| | 8330 0062 | 2 | | | 5.9L Engine |
| 21 | J536 3088 | 1 | | | HANGER |
| 22 | J535 8978 | 2 | | | PLATE |
| 23 | J536 3087 | 1 | | | HANGER |
| 24 | J027 1184 | 2 | | | NUT |
| 25 | J536 1940 | 1 | | | BRACKET |
| 26 | J027 4319 | 2 | | | SCREW |
| 27 | J400 4005 | 2 | | | NUT |
| 28 | J400 3869 | 4 | | | NUT 5.9L Engine |

MODEL CODES:

| | | |
|-----------------------------|-----------------------------|------------------------------|
| 15 = Grand Wagoneer 4 Dr. | 65 = Comanche 4WD-7 Ft. Box | 77 = Cherokee 4WD-2 Dr. |
| 25 = J-10 Pickup-119" W.B. | 66 = Comanche 2WD-7 Ft. Box | 78 = Cherokee 4WD-4 Dr. |
| 26 = J-10 Pickup-131" W.B. | 73 = Cherokee 2WD-2 Dr. | 79 = Cherokee 4WD-4 Dr.-Com |
| 27 = J-20 Pickup-131" W.B. | 74 = Cherokee 2WD-4 Dr. | 81 = Wrangler-93" W.B. |
| 63 = Comanche 4WD-6 Ft. Box | 75 = Wagoneer 4WD-4 Dr. | 82 = Wrangler-103" W.B.-Exp. |
| 64 = Comanche 2WD-6 Ft. Box | | |

BODY STYLES:

MJ = Comanche Pickup
SJ = Grand Wagoneer Wgn., J-10 & J-20 Pickups
XJ = Cherokee, Wagoneer Limited
YJ = Wrangler

AR = Use as Required - = Non Illustrated Part P.A.R. = Paint as Required

EXHAUST SYSTEM EXPORT NRM J10, J20
Figure 11-450

8J11 450

| ITEM | PART NUMBER | QTY | BODY | MODEL | DESCRIPTION |
|------|-------------|-----|------|-------|---------------------|
| 1 | | | | | PIPE, Front Exhaust |
| | J536 4503 | 1 | | | 4.2L Engine |
| | J536 1784 | 1 | | | 5.9L Engine |
| 2 | J018 0132 | 1 | | | BOLT 5.9L Engine |
| 3 | J400 5142 | 1 | | | NUT 5.9L Engine |
| 4 | J400 3869 | 4 | | | NUT 5.9L Engine |
| 5 | J400 1181 | 2 | | | WASHER 4.2L Engine |
| 6 | S941 8738 | 2 | | | NUT 4.2L Engine |
| 7 | J094 1013 | 1 | | | U-BOLT 4.2L Engine |
| 8 | J012 0376 | 2 | | | NUT 4.2L Engine |
| 9 | | | | | CLAMP |
| | 8330 0060 | 4 | | | 4.2L Engine |
| | J535 8827 | 1 | | | 5.9L Engine |
| 10 | J400 4005 | 2 | | | NUT |
| 11 | J536 4860 | 1 | 27 | | PIPE, Intermediate |
| 12 | | | | | MUFFLER |
| | J536 1838 | 1 | | | 4.2L Engine |
| | J536 1842 | 1 | | | 5.9L Engine |
| 13 | | | | | PIPE, Tail |
| | J536 1958 | 1 | | | 4.2L Engine |
| | J536 1987 | 1 | | | 5.9L Engine |
| 14 | | | | | CLAMP |
| | 8330 0060 | 2 | | | 4.2L Engine |
| | 8330 0062 | 2 | | | 5.9L Engine |
| 15 | J400 3909 | 2 | | | NUT |
| 16 | J018 0121 | 2 | | | BOLT |
| 17 | J535 8969 | 1 | | | BRACKET, Front |
| 18 | J400 1457 | 2 | | | NUT |
| 19 | J536 3088 | 1 | | | HANGER ASSEMBLY |
| 20 | J535 8978 | 2 | | | PLATE |
| 21 | J018 0081 | 4 | | | BOLT |
| 22 | J536 3087 | 1 | | | HANGER ASSEMBLY |
| 23 | J027 1184 | 2 | | | NUT |
| 24 | J027 4319 | 2 | | | SCREW |
| 25 | J536 1940 | 1 | | | BRACKET, Rear |

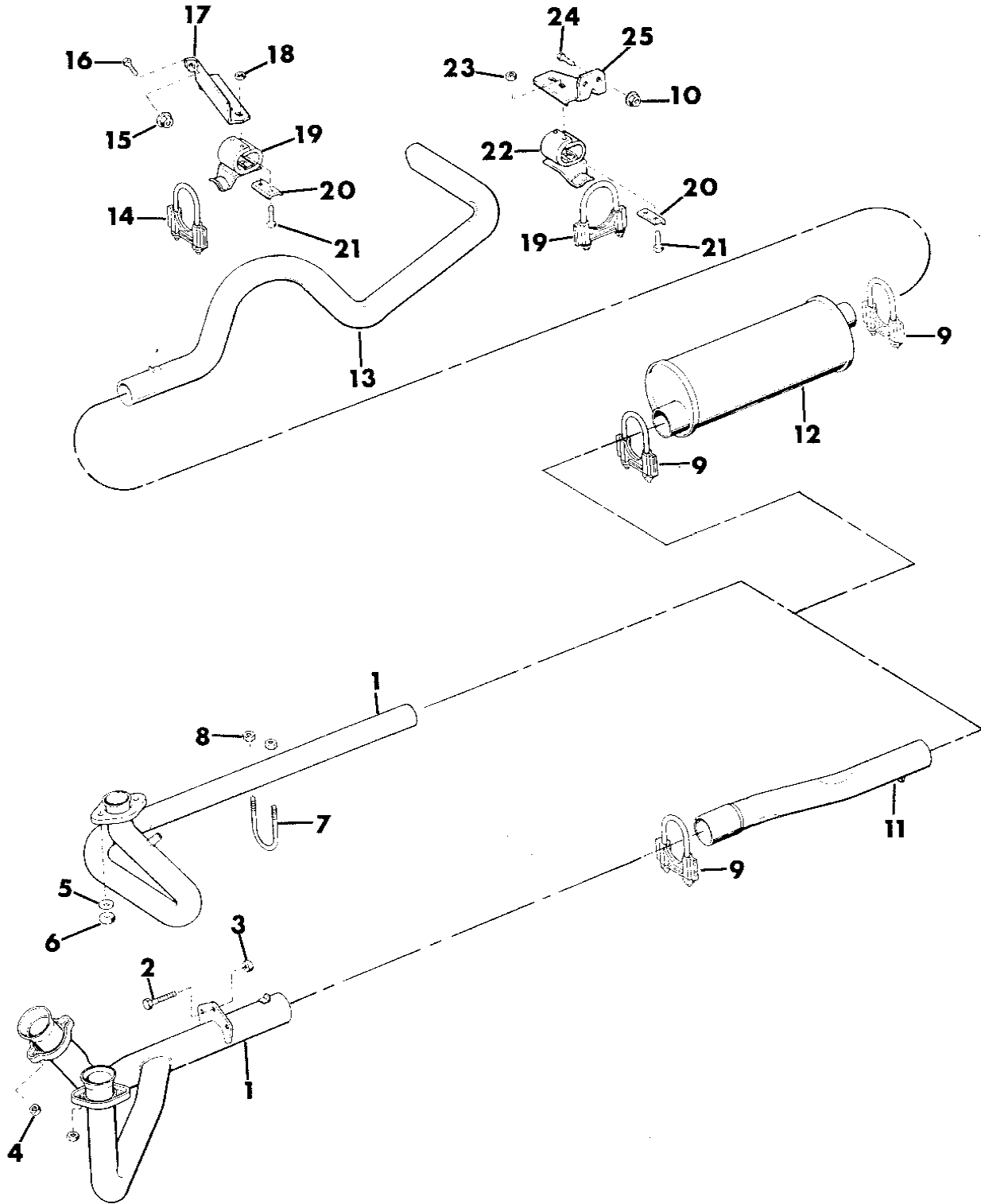
MODEL CODES:

| | | |
|-----------------------------|-----------------------------|------------------------------|
| 15 = Grand Wagoneer 4 Dr. | 65 = Comanche 4WD-7 Ft. Box | 77 = Cherokee 4WD-2 Dr. |
| 25 = J-10 Pickup-119" W.B. | 66 = Comanche 2WD-7 Ft. Box | 78 = Cherokee 4WD-4 Dr. |
| 26 = J-10 Pickup-131" W.B. | 73 = Cherokee 2WD-2 Dr. | 79 = Cherokee 4WD-4 Dr.-Com |
| 27 = J-20 Pickup-131" W.B. | 74 = Cherokee 2WD-4 Dr. | 81 = Wrangler-93" W.B. |
| 63 = Comanche 4WD-6 Ft. Box | 75 = Wagoneer 4WD-4 Dr. | 82 = Wrangler-103" W.B.-Exp. |
| 64 = Comanche 2WD-6 Ft. Box | | |

BODY STYLES:

MJ = Comanche Pickup
SJ = Grand Wagoneer Wgn., J-10 & J-20 Pickups
XJ = Cherokee, Wagoneer Limited
YJ = Wrangler

AR = Use as Required - = Non Illustrated Part P.A.R. = Paint as Required



GROUP 13 - FRAME & BUMPERS

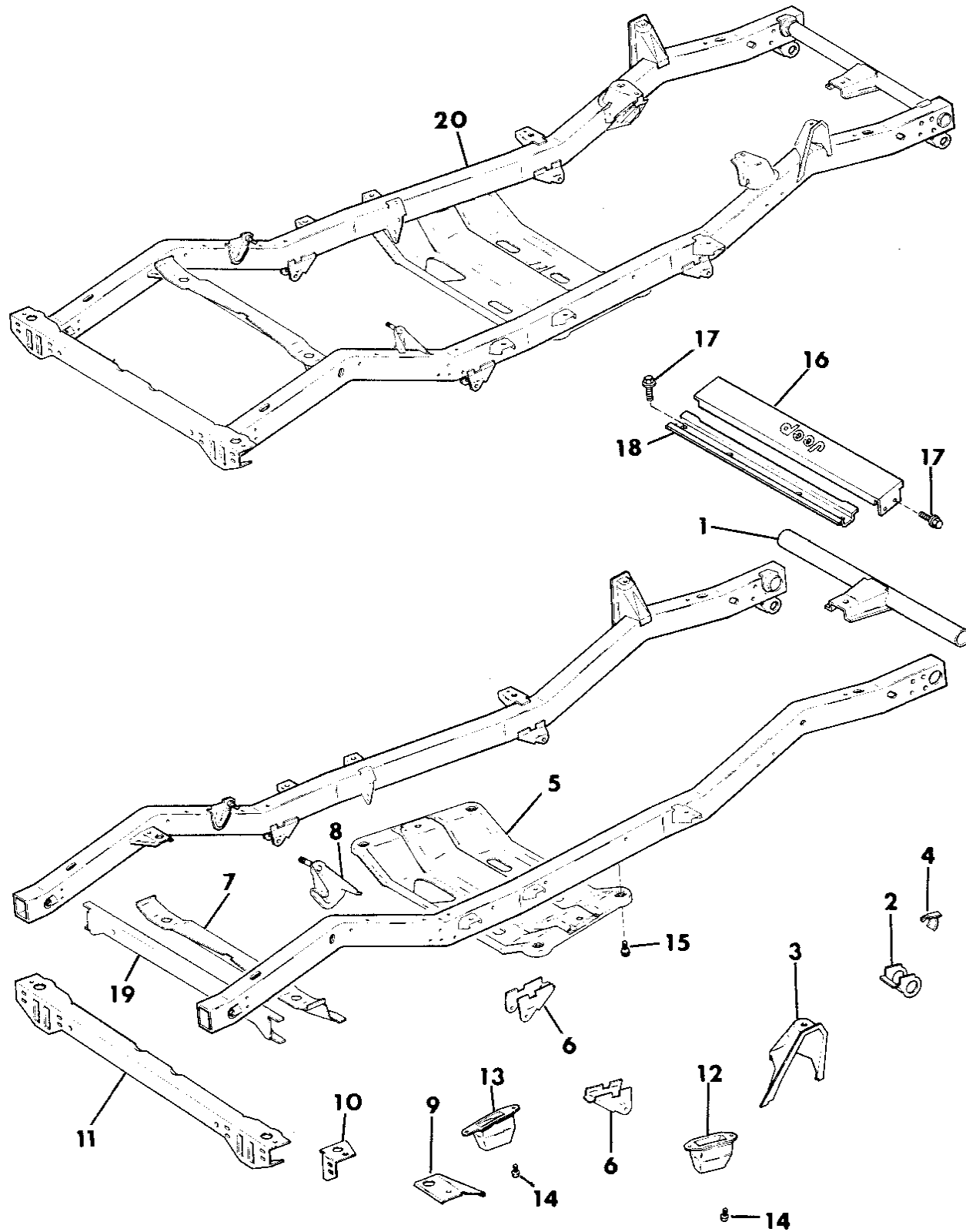
| ILLUSTRATION TITLE | GROUP-FIG. NO. |
|--|-----------------------|
| FRAME WRANGLER, YJ | Fig. 13-100 |
| MOUNTING HARDWARE--BODY WRANGLER, YJ | Fig. 13-200 |
| BUMPER--FRONT WRANGLER, YJ | Fig. 13-300 |
| BUMPER--REAR AND DRAW BAR WRANGLER, YJ | Fig. 13-400 |
| SNOWPLOW AND MOUNTING WRANGLER, YJ | Fig. 13-450 |
| MOUNTING HARDWARE PICKUP BOX COMANCHE | Fig. 13-500 |
| BUMPER--FRONT CHEROKEE, WAGONEER, COMANCHE | Fig. 13-600 |
| BUMPER--REAR CHEROKEE, WAGONEER | Fig. 13-700 |
| BUMPER, REAR STEP COMANCHE | Fig. 13-800 |
| WINCH CONTROLS HIDDEN WINCH CHEROKEE, COMANCHE | Fig. 13-900 |
| WINCH MOUNTING HIDDEN WINCH CHEROKEE, COMANCHE | Fig. 13-1000 |
| WINCH MOTOR AND DRUM HIDDEN WINCH CHEROKEE, COMANCHE | Fig. 13-1100 |
| HARNES--TRAILER TOWING WRANGLER...EXPORT | Fig. 13-1150 |
| HITCH--TRAILER LIGHT DUTY CHEROKEE, WAGONEER | Fig. 13-1200 |
| HITCH--TRAILER HEAVY DUTY CHEROKEE, WAGONEER | Fig. 13-1300 |
| SNOW PLOW POWER LIFT UNIT CHEROKEE, WAGONEER, WRANGLER, J10, J20 | Fig. 13-1400 |
| SNOW PLOW OPERATING CONTROLS AND SWITCHES CHEROKEE, COMANCHE, WRANGLER, J10, J20 | Fig. 13-1500 |
| SNOW PLOW MOLDBOARD AND MOUNTING CHEROKEE, COMANCHE | Fig. 13-1600 |
| SNOW PLOW POWER ANGLING CYLINDERS CHEROKEE, COMANCHE, WRANGLER, J10, J20 | Fig. 13-1700 |
| FRAME ASSEMBLY GRAND WAGONEER, J10, J20 | Fig. 13-1800 |
| FRAME AND COMPONENTS GRAND WAGONEER, J10, J20 | Fig. 13-1900 |
| MOUNTING HARDWARE--BODY GRAND WAGONEER, J10, J20 | Fig. 13-2000 |
| BUMPER--FRONT GRAND WAGONEER, J10, J20 | Fig. 13-2100 |
| BUMPERS--REAR GRAND WAGONEER, J10, J20 | Fig. 13-2200 |
| WIRING--TRAILER HITCH GRAND WAGONEER | Fig. 13-2300 |
| HITCH--TRAILER PINTLE HOOK J10, J20 1987-88 | Fig. 13-2350 |
| SNOW PLOW CONTROLS AND SWITCHES--WITH LIGHTS J-10, J-20 | Fig. 13-2375 |
| SNOW PLOW MOLDBOARD AND MOUNTING J10, J20 1987-88 | Fig. 13-2400 |

ILLUSTRATION NOT AVAILABLE AT TIME OF PUBLICATION

FRAME WRANGLER, YJ
Figure 13-100

8J13 100

| ITEM | PART NUMBER | QTY | BODY | MODEL | DESCRIPTION |
|--|-------------|-----|------|-------|--|
| 1 | 5204 0315 | 1 | | | CROSSMEMBER, Front |
| 2 | 5204 0398 | 2 | | | BRACKET |
| 3 | 5204 0325 | 2 | | | BRACKET |
| 4 | 5200 2800-1 | 1 | | | REINFORCEMENT |
| 5 | 5200 3960 | 1 | | | SKID PLATE, Trans. Support *** |
| 6 | 5204 0320 | 4 | | | BRACKET, Spring Pivot Mounting |
| 7 | 5204 0338 | 1 | | | CROSSMEMBER |
| 8 | 5204 0305 | 2 | | | BRACKET, Rear Shock Mounting |
| 9 | 5200 2006-7 | 1 | | | GUSSET |
| 10 | 5200 2644-5 | 1 | | | REINFORCEMENT |
| 11 | 5204 0340 | 1 | | | CROSSMEMBER, Rear |
| 12 | 5204 0426 | 1 | | | BUMPER, Front Axle |
| 13 | 5204 0007 | 1 | | | BUMPER, Rear Axle Jounce |
| 14 | J400 5063 | 8 | | | SCREW |
| 15 | J400 7402 | 6 | | | BOLT |
| 16 | 5505 0158 | 1 | | | COVER |
| 17 | J400 6850 | 6 | | | SCREW |
| 18 | 5500 7344 | 1 | | | SUPPORT |
| 19 | 5200 2727 | 1 | | | CROSSMEMBER, Fuel Tank, KDX Egypt, KDX Venezuela |
| 20 | | | | | FRAME ASSEMBLY |
| Track bar frame rail bracket serviced with frame only. | | | | | |
| | 5200 3969 | 1 | | | 2.5L Engine 4.2L Engine |
| | 5204 0006 | 1 | | | 1987-88 |
| | 5200 3959 | 1 | | | 1989-90 |



MODEL CODES:

| | | |
|-----------------------------|-----------------------------|------------------------------|
| 15 = Grand Wagoneer 4 Dr. | 65 = Comanche 4WD-7 Ft. Box | 77 = Cherokee 4WD-2 Dr. |
| 25 = J-10 Pickup-119" W.B. | 66 = Comanche 2WD-7 Ft. Box | 78 = Cherokee 4WD-4 Dr. |
| 26 = J-10 Pickup-131" W.B. | 73 = Cherokee 2WD-2 Dr. | 79 = Cherokee 4WD-4 Dr.-Com |
| 27 = J-20 Pickup-131" W.B. | 74 = Cherokee 2WD-4 Dr. | 81 = Wrangler-93" W.B. |
| 63 = Comanche 4WD-6 Ft. Box | 75 = Wagoneer 4WD-4 Dr. | 82 = Wrangler-103" W.B.-Exp. |
| 64 = Comanche 2WD-6 Ft. Box | | |

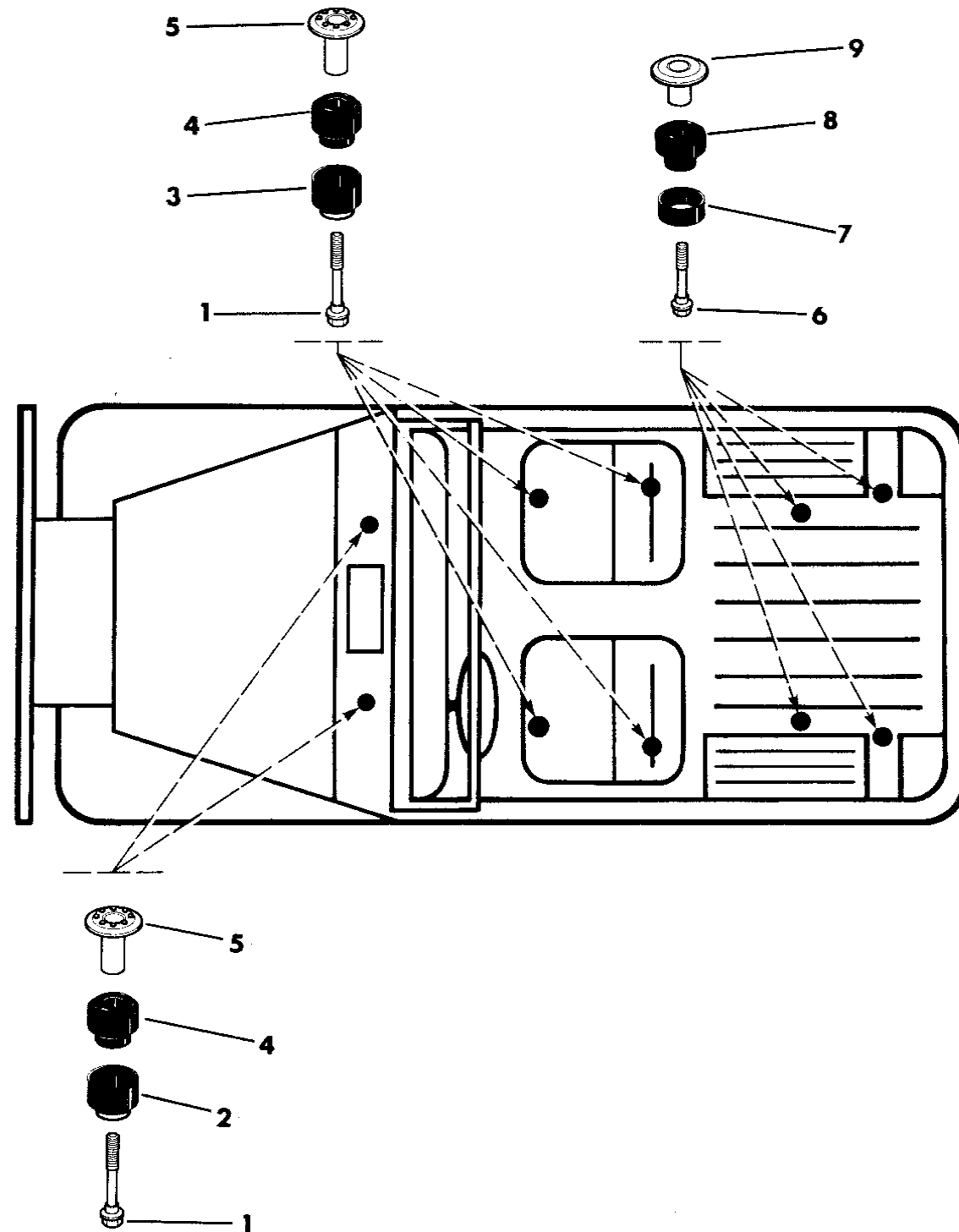
BODY STYLES:

MJ = Comanche Pickup
SJ = Grand Wagoneer Wgn., J-10 & J-20 Pickups
XJ = Cherokee, Wagoneer Limited
YJ = Wrangler

AR = Use as Required - = Non Illustrated Part P.A.R. = Paint as Required

MOUNTING HARDWARE--BODY WRANGLER, YJ
Figure 13-200

8J13 200



| ITEM | PART NUMBER | QTY | BODY | MODEL | DESCRIPTION |
|------|-------------|-----|------|-------|-------------|
| 1 | J400 7571 | 6 | | | BOLT |
| 2 | 5200 2723 | 2 | | | INSULATOR |
| 3 | 5200 1962 | 4 | | | INSULATOR |
| 4 | 5200 2008 | 6 | | | INSULATOR |
| 5 | 5200 1961 | 6 | | | BOLT |
| 6 | J400 7412 | 4 | | | SCREW |
| 7 | 5200 2659 | 4 | | | INSULATOR |
| 8 | 5200 2660 | 4 | | | INSULATOR |
| 9 | 5200 2661 | 4 | | | RETAINER |

MODEL CODES:

| | | |
|-----------------------------|-----------------------------|------------------------------|
| 15 = Grand Wagoneer 4 Dr. | 65 = Comanche 4WD-7 Ft. Box | 77 = Cherokee 4WD-2 Dr. |
| 25 = J-10 Pickup-119" W.B. | 66 = Comanche 2WD-7 Ft. Box | 78 = Cherokee 4WD-4 Dr. |
| 26 = J-10 Pickup-131" W.B. | 73 = Cherokee 2WD-2 Dr. | 79 = Cherokee 4WD-4 Dr.-Com |
| 27 = J-20 Pickup-131" W.B. | 74 = Cherokee 2WD-4 Dr. | 81 = Wrangler-93" W.B. |
| 63 = Comanche 4WD-6 Ft. Box | 75 = Wagoneer 4WD-4 Dr. | 82 = Wrangler-103" W.B.-Exp. |
| 64 = Comanche 2WD-6 Ft. Box | | |

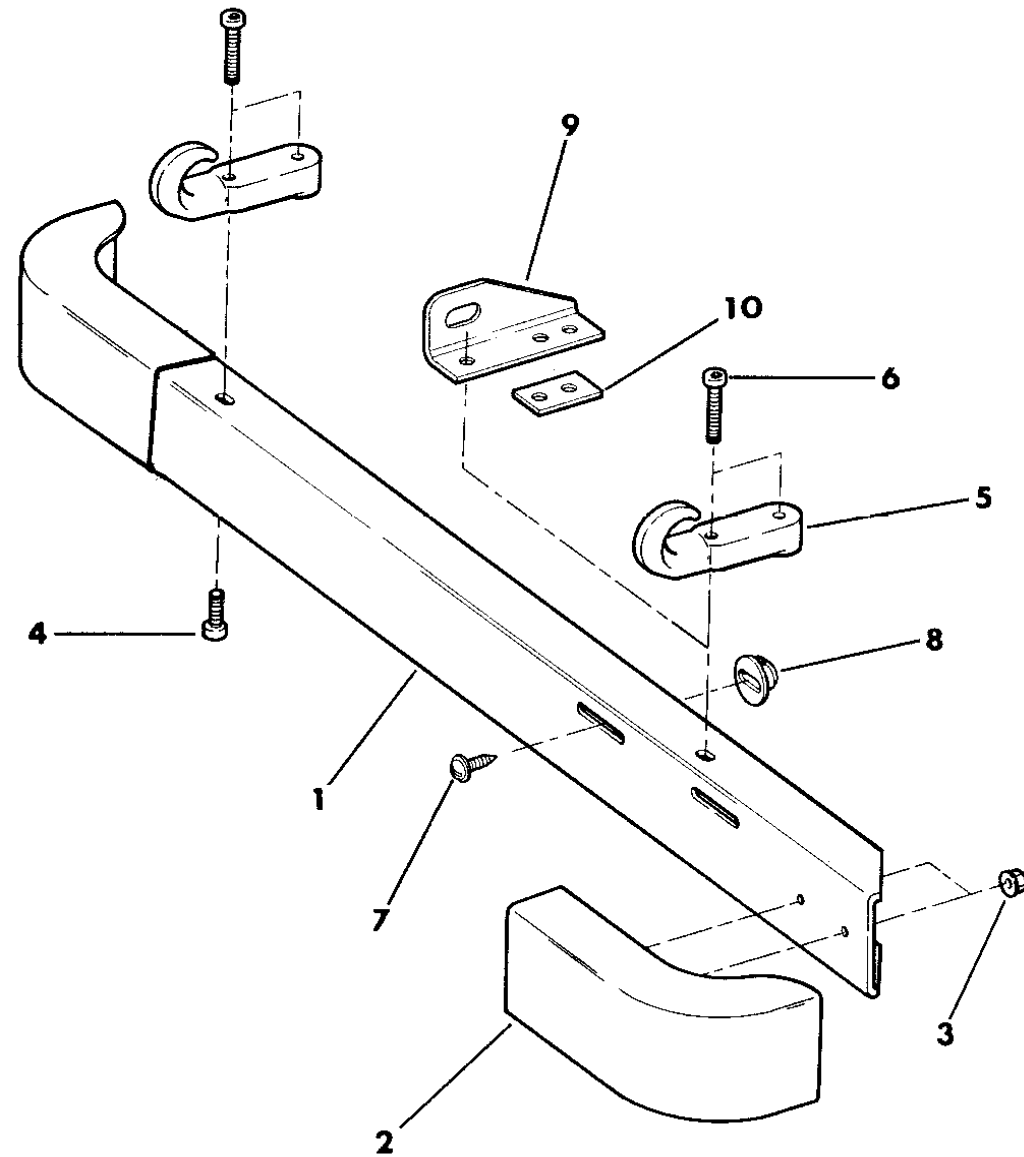
BODY STYLES:

MJ = Comanche Pickup
SJ = Grand Wagoneer Wgn., J-10 & J-20 Pickups
XJ = Cherokee, Wagoneer Limited
YJ = Wrangler

AR = Use as Required - = Non Illustrated Part P.A.R. = Paint as Required

BUMPER--FRONT WRANGLER, YJ
Figure 13-300

8 J13 300



| ITEM | PART NUMBER | QTY | BODY | MODEL | DESCRIPTION |
|------|-------------|-----|------|-------|--------------------------|
| 1 | | | | | RAIL, Bumper |
| | | | | | Black |
| | 5204 0026 | 1 | | | 1987-89 |
| | 5200 4262 | 1 | | | 1990 |
| | 5204 0024 | 1 | | | Chrome |
| 2 | 5204 0027 | 2 | | | EXTENSION, Rail |
| 3 | J400 6080 | 4 | | | NUT |
| 4 | | | | | BOLT |
| | J400 7368 | 4 | | | Black |
| | J400 7369 | 4 | | | Chrome |
| 5 | | | | | HOOK, Tow |
| | 5200 3087 | 2 | | | Black |
| | 5200 3086 | 2 | | | Chrome |
| 6 | | | | | BOLT |
| | J400 7467 | 4 | | | Black |
| | J400 7468 | 4 | | | Silver |
| 7 | J400 0272 | 2 | | | SCREW |
| 8 | J400 6126 | 2 | | | NUT |
| 9 | 5200 3811 | 1 | | | EYE, Towing (Export) *** |
| 10 | 5200 3812 | 1 | | | SPACER, (Export) |

MODEL CODES:

| | | |
|-----------------------------|-----------------------------|------------------------------|
| 15 = Grand Wagoneer 4 Dr. | 65 = Comanche 4WD-7 Ft. Box | 77 = Cherokee 4WD-2 Dr. |
| 25 = J-10 Pickup-119" W.B. | 66 = Comanche 2WD-7 Ft. Box | 78 = Cherokee 4WD-4 Dr. |
| 26 = J-10 Pickup-131" W.B. | 73 = Cherokee 2WD-2 Dr. | 79 = Cherokee 4WD-4 Dr.-Com |
| 27 = J-20 Pickup-131" W.B. | 74 = Cherokee 2WD-4 Dr. | 81 = Wrangler-93" W.B. |
| 63 = Comanche 4WD-6 Ft. Box | 75 = Wagoneer 4WD-4 Dr. | 82 = Wrangler-103" W.B.-Exp. |
| 64 = Comanche 2WD-6 Ft. Box | | |

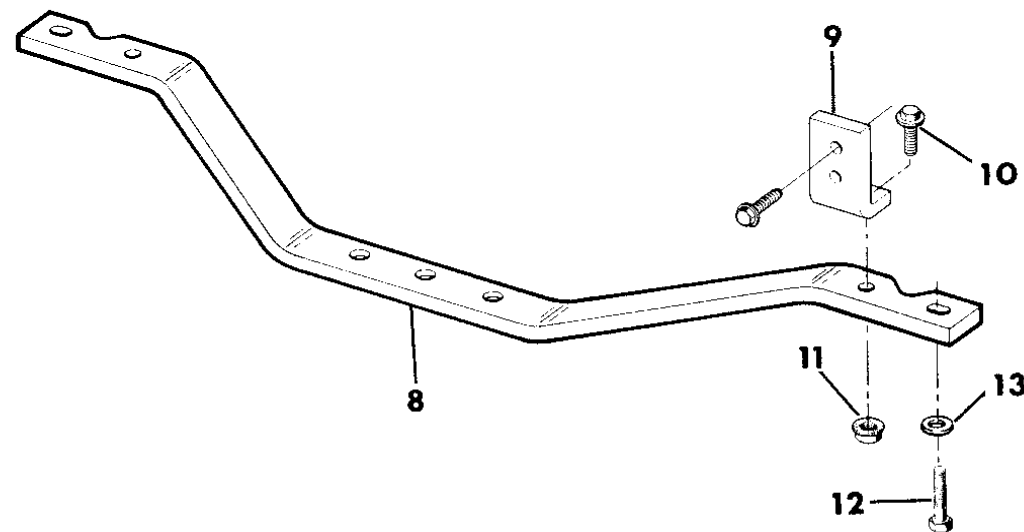
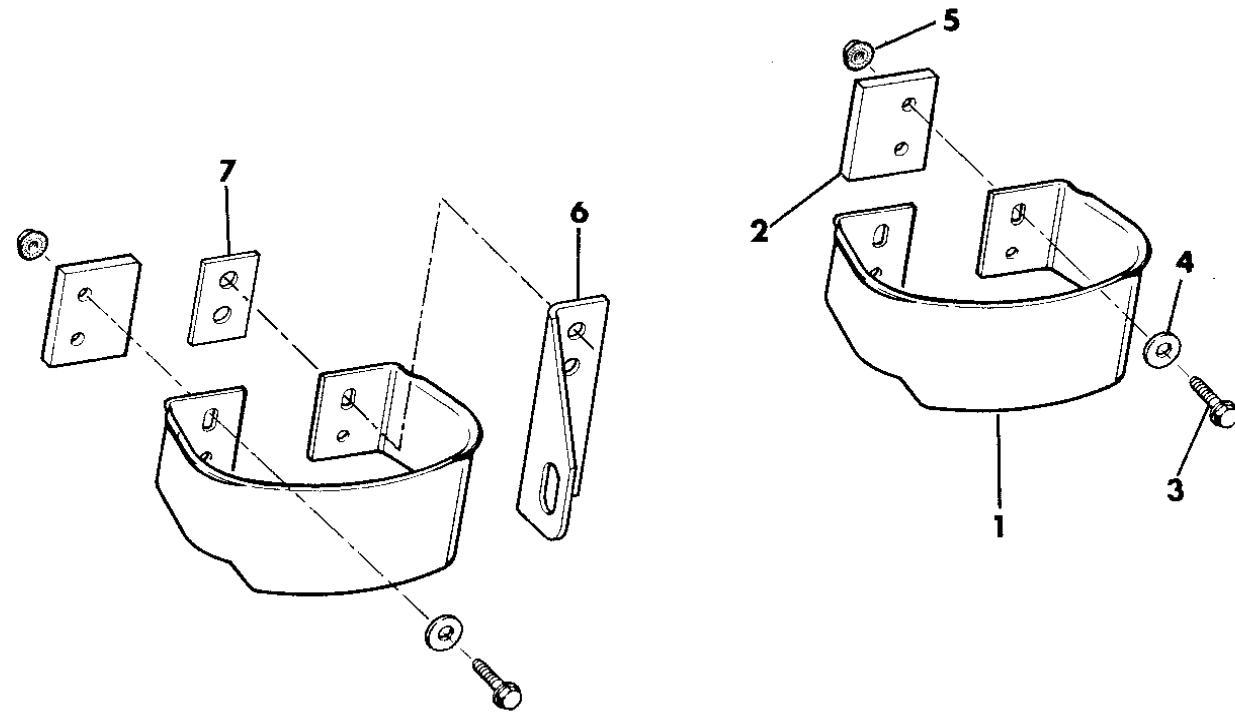
BODY STYLES:

MJ = Comanche Pickup
 SJ = Grand Wagoneer Wgn., J-10 & J-20 Pickups
 XJ = Cherokee, Wagoneer Limited
 YJ = Wrangler

AR = Use as Required - = Non Illustrated Part P.A.R. = Paint as Required

BUMPER--REAR AND DRAW BAR WRANGLER, YJ
Figure 13-400

8J13 400



| ITEM | PART NUMBER | QTY | BODY | MODEL | DESCRIPTION |
|------|-------------|-----|------|-------|--------------------------|
| 1 | | | | | BUMPERETTE, Rear |
| | | | | | Black |
| | 5501 0463 | 2 | | | 1987-89 |
| | 4773 058 | 2 | | | 1990 |
| | | 2 | | | Chrome |
| | 5501 0464 | 2 | | | 1987-89 |
| | 5502 4415 | 2 | | | 1990 |
| 2 | J535 8680 | 2 | | | SPACER |
| 3 | | | | | BOLT |
| | J942 3533 | 8 | | | Black, (1.50") |
| | S018 0144 | 8 | | | Black, (.88") |
| | J400 7211 | 8 | | | Chrome, (1.50") |
| | J400 7205 | 8 | | | Chrome, (.88") |
| 4 | J400 6695 | 8 | | | WASHER, Laredo |
| 5 | J400 4005 | 8 | | | NUT |
| 6 | 5200 3811 | 1 | | | EYE, Towing (Export) *** |
| 7 | 5200 3812 | 1 | | | SPACER, (Export) |
| 8 | 5204 0013 | 1 | | | BAR, Draw |
| 9 | 5204 0014 | 2 | | | BRACKET |
| 10 | J400 6913 | 2 | | | BOLT |
| 11 | J400 5749 | 2 | | | NUT |
| 12 | J941 9079 | 2 | | | BOLT |
| 13 | J400 5397 | 2 | | | WASHER |

MODEL CODES:

| | | |
|-----------------------------|-----------------------------|------------------------------|
| 15 = Grand Wagoneer 4 Dr. | 65 = Comanche 4WD-7 Ft. Box | 77 = Cherokee 4WD-2 Dr. |
| 25 = J-10 Pickup-119" W.B. | 66 = Comanche 2WD-7 Ft. Box | 78 = Cherokee 4WD-4 Dr. |
| 26 = J-10 Pickup-131" W.B. | 73 = Cherokee 2WD-2 Dr. | 79 = Cherokee 4WD-4 Dr.-Com |
| 27 = J-20 Pickup-131" W.B. | 74 = Cherokee 2WD-4 Dr. | 81 = Wrangler-93" W.B. |
| 63 = Comanche 4WD-6 Ft. Box | 75 = Wagoneer 4WD-4 Dr. | 82 = Wrangler-103" W.B.-Exp. |
| 64 = Comanche 2WD-6 Ft. Box | | |

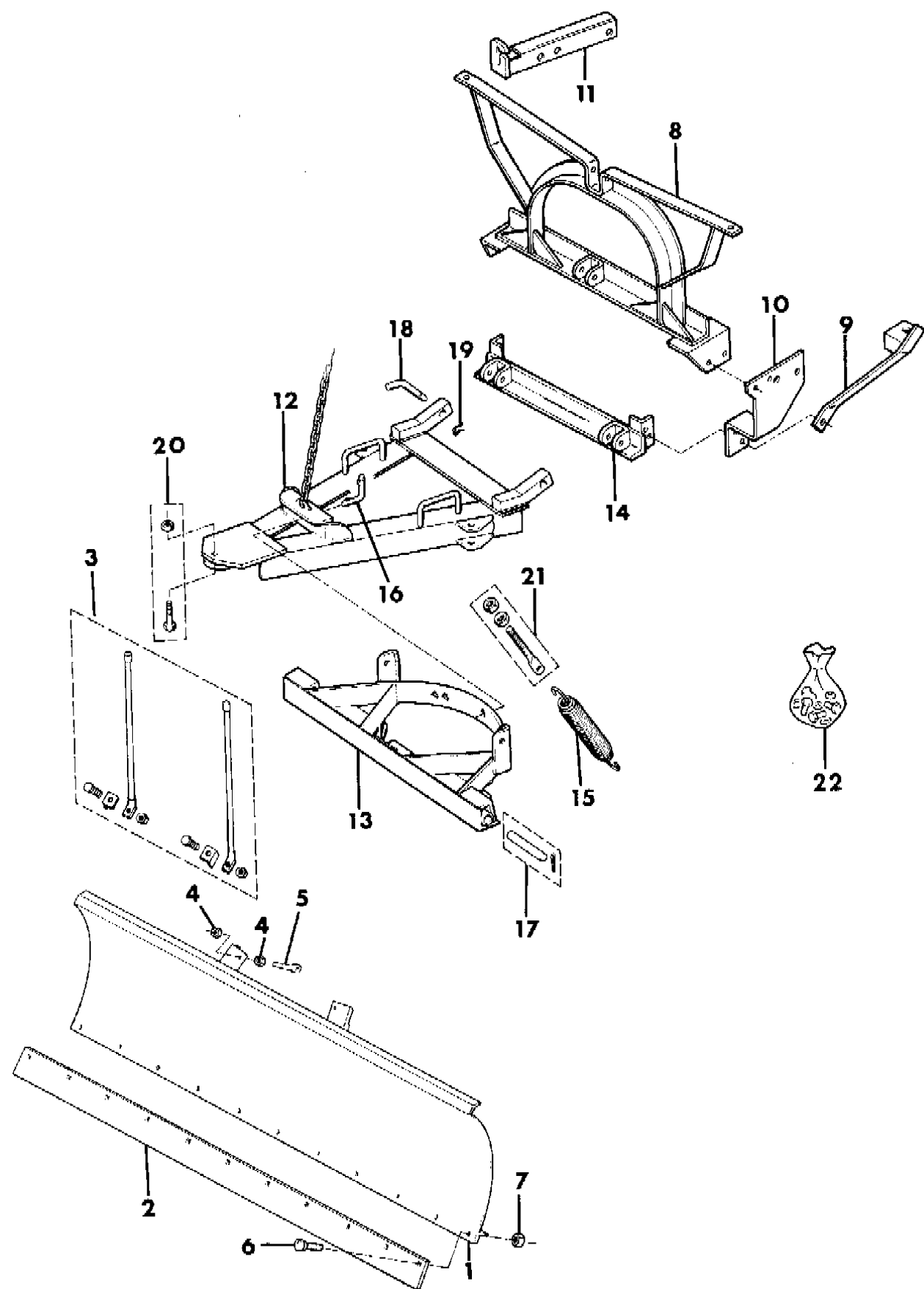
BODY STYLES:

MJ = Comanche Pickup
 SJ = Grand Wagoneer Wgn., J-10 & J-20 Pickups
 XJ = Cherokee, Wagoneer Limited
 YJ = Wrangler

AR = Use as Required - = Non Illustrated Part P.A.R. = Paint as Required

SNOWPLOW AND MOUNTING WRANGLER, YJ
Figure 13-450

8J13 450



| ITEM | PART NUMBER | QTY | BODY | MODEL | DESCRIPTION |
|------|-------------|-----|------|-------|------------------------------------|
| 1 | J200 9158 | 1 | | | CUTTING EDGE, Blade |
| 2 | J200 9131 | 1 | | | BLADE |
| 3 | J200 9916 | 1 | | | INDICATOR PACKAGE, Plow Marker *** |
| 4 | J202 0318 | 16 | | | NUT, Lock |
| 5 | J201 2150 | 2 | | | BOLT |
| 6 | J202 1943 | AR | | | BOLT |
| 7 | J202 0307 | 15 | | | NUT, Lock |
| 8 | J201 0985 | 1 | | | FRAME, Plow Lift |
| 9 | J201 0987 | 1 | | | FRAME, Plow Side, Lt. |
| | J201 0988 | 1 | | | (Rt.) |
| 10 | J201 0989 | 1 | | | PLATE, Plow Side (Lt.) |
| | J201 0990 | 1 | | | (Rt.) |
| 11 | J201 0514 | 1 | | | ARM, Plow Lift |
| 12 | J201 3299 | 1 | | | A-FRAME, Plow |
| 13 | J201 2326 | 1 | | | SECTOR, Plow *** |
| 14 | J201 0986 | 1 | | | FRAME, Plow Clevis |
| 15 | J200 7017 | 2 | | | SPRING |
| 16 | J201 3003 | 1 | | | PIN, Shear |
| 17 | J200 9119 | 2 | | | PIN, Pivot (w/Cotter Pin) |
| 18 | J201 1006 | 2 | | | PIN, Hinge |
| 19 | J202 1984 | 2 | | | PIN, Cotter |
| 20 | J200 9122 | 1 | | | BOLT, w/Nut |
| 21 | J200 9124 | 3 | | | BOLT, w/Nut |
| 22 | J200 8559 | 1 | | | HARDWARE, Plow Mtg. *** |

MODEL CODES:
 15 = Grand Wagoneer 4 Dr. 65 = Comanche 4WD-7 Ft. Box 77 = Cherokee 4WD-2 Dr.
 25 = J-10 Pickup-119" W.B. 66 = Comanche 2WD-7 Ft. Box 78 = Cherokee 4WD-4 Dr.
 26 = J-10 Pickup-131" W.B. 73 = Cherokee 2WD-2 Dr. 79 = Cherokee 4WD-4 Dr.-Com
 27 = J-20 Pickup-131" W.B. 74 = Cherokee 2WD-4 Dr. 81 = Wrangler-93" W.B.
 63 = Comanche 4WD-6 Ft. Box 75 = Wagoneer 4WD-4 Dr. 82 = Wrangler-103" W.B.-Exp.
 64 = Comanche 2WD-6 Ft. Box

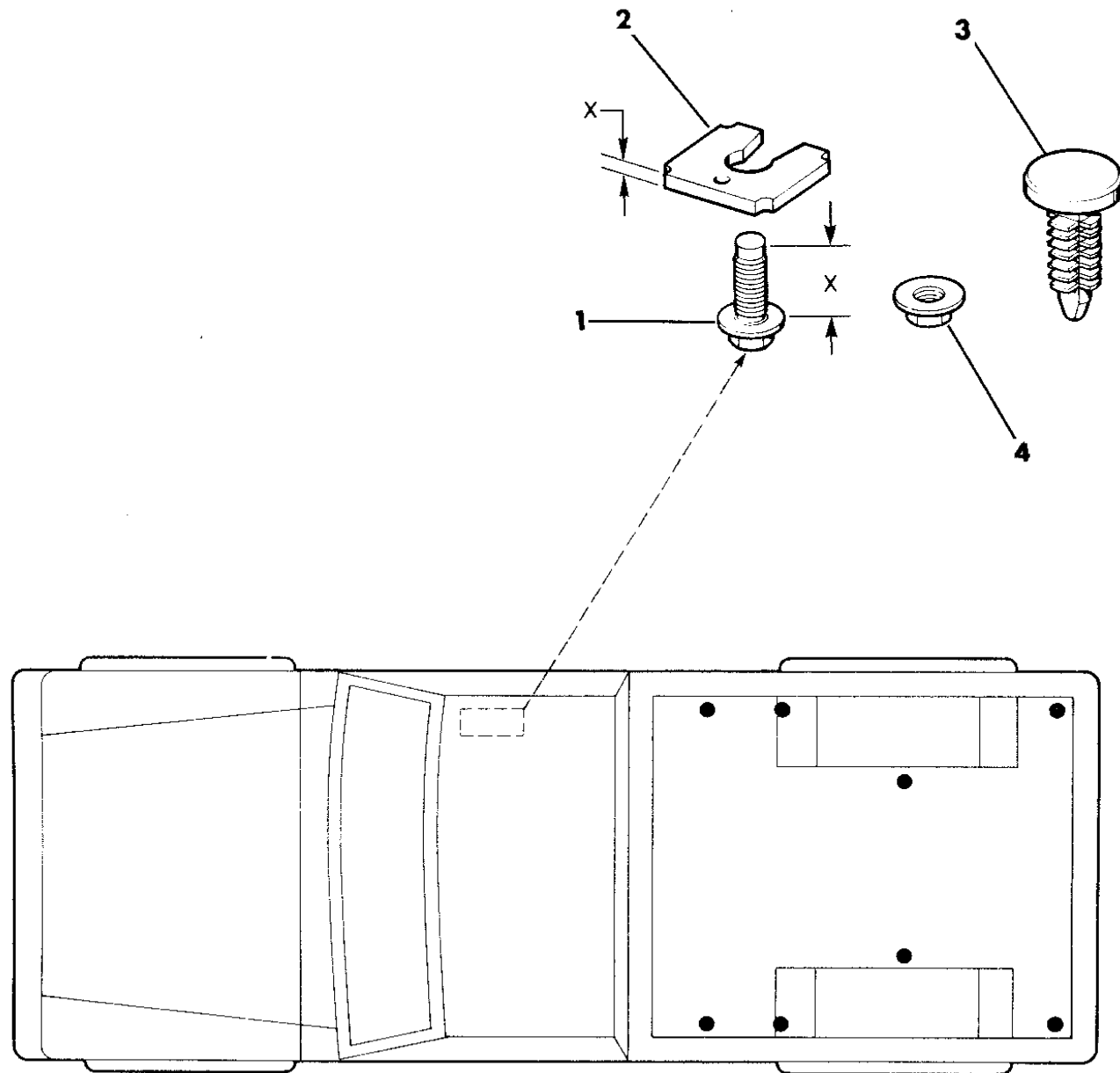
BODY STYLES:
 MJ = Comanche Pickup
 SJ = Grand Wagoneer Wgn., J-10 & J-20 Pickups
 XJ = Cherokee, Wagoneer Limited
 YJ = Wrangler

AR = Use as Required - = Non Illustrated Part P.A.R. = Paint as Required

MOUNTING HARDWARE PICKUP BOX COMANCHE

Figure 13-500

8J13 500



| ITEM | PART NUMBER | QTY | BODY | MODEL | DESCRIPTION |
|------|-------------|-----|------|-------|-------------|
| 1 | | | | | BOLT |
| | S150 2788 | 8 | | | (25mm) |
| | 1150 2606 | 2 | | | (25mm) |
| | | 2 | | | (20mm) |
| | 1150 2685 | 2 | | | 1988-89 |
| | 3420 1540 | 2 | | | 1990 |
| | 3420 1540 | 4 | | | (30mm) |
| | | | | | |
| 2 | | | | | SHIM |
| | 5500 6628 | AR | | | (4mm Thk.) |
| | 5500 6645 | AR | | | (1mm Thk.) |
| 3 | 3420 1545 | AR | | | CLIP |
| 4 | | | | | NUT |
| | 1150 2812 | 2 | | | 1988-89 |
| | 6502 113 | 2 | | | 1990 |

MODEL CODES:

- | | | |
|-----------------------------|-----------------------------|------------------------------|
| 15 = Grand Wagoneer 4 Dr. | 65 = Comanche 4WD-7 Ft. Box | 77 = Cherokee 4WD-2 Dr. |
| 25 = J-10 Pickup-119" W.B. | 66 = Comanche 2WD-7 Ft. Box | 78 = Cherokee 4WD-4 Dr. |
| 26 = J-10 Pickup-131" W.B. | 73 = Cherokee 2WD-2 Dr. | 79 = Cherokee 4WD-4 Dr.-Com |
| 27 = J-20 Pickup-131" W.B. | 74 = Cherokee 2WD-4 Dr. | 81 = Wrangler-93" W.B. |
| 63 = Comanche 4WD-6 Ft. Box | 75 = Wagoneer 4WD-4 Dr. | 82 = Wrangler-103" W.B.-Exp. |
| 64 = Comanche 2WD-6 Ft. Box | | |

BODY STYLES:

- MJ = Comanche Pickup
- SJ = Grand Wagoneer Wgn., J-10 & J-20 Pickups
- XJ = Cherokee, Wagoneer Limited
- YJ = Wrangler

AR = Use as Required - = Non Illustrated Part P.A.R. = Paint as Required

BUMPER--FRONT CHEROKEE, WAGONEER, COMANCHE
Figure 13-600

8J13 600

| ITEM | PART NUMBER | QTY | BODY | MODEL | DESCRIPTION |
|------|-------------|-----|------|-------|-----------------------------|
| 1 | | | | | RAIL, Bumper (Mod.Required) |
| | 5200 0185 | 1 | | | Black, (P.A.R.) |
| | 5523 4550 | 1 | | | Chrome, (Modify End Caps) |
| 2 | | | | | EXTENSION, Rail |
| | 5501 5786-7 | 1 | | | Argent |
| | 5200 0178-9 | 1 | | | Black |
| 3 | 5200 0692 | 2 | | | BRACKET, Support, 1987-88 |
| 4 | 1150 3750 | 8 | | | NUT |
| 5 | 5200 1972-3 | 1 | | | BRACE |
| 6 | 1150 0662 | 8 | | | NUT |
| 7 | 3420 1631 | 2 | | | RIVET |
| 8 | 5200 0462-3 | 1 | | | GUARD, Bumper |
| 9 | 1150 5098 | 4 | | | BOLT |
| 10 | 1150 0257 | 2 | | | WASHER |
| 11 | 3420 1596 | 2 | | | BOLT |
| 12 | 3420 1970 | 8 | | | SCREW |
| 13 | 5200 0488-9 | 1 | | | BRACKET, Mounting |
| 14 | 1150 2813 | AR | | | NUT |
| 15 | | | | | SCREW |
| | 1150 2606 | 6 | | | 1987 |
| | 3420 1540 | 6 | | | 1988-90 |
| 16 | | | | | BOLT |
| | 3420 2037 | 4 | | | 1987-89 |
| | 3420 1869 | 4 | | | 1990 *** |
| 17 | | | | | BOLT *** |
| | 3420 1379 | 2 | | | 1987-89 |
| | 3420 1388 | 2 | | | 1990 *** |
| 18 | 5200 3479 | 1 | | | BRACKET, License |
| 19 | 5200 0457 | 1 | | | BUMPER, License |
| 20 | | | | | SCREW *** |
| | J400 5466 | 2 | | | 1987-89 |
| | J812 0054 | 2 | | | 1990 *** |
| 21 | J400 0141 | 2 | | | NUT |
| 22 | 3420 1736 | 2 | | | BOLT |
| 23 | 1150 2811 | 2 | | | NUT |
| 24 | 5200 0746-7 | 1 | | | BRACKET, Mounting |
| 25 | 1150 2689 | 4 | | | BOLT |

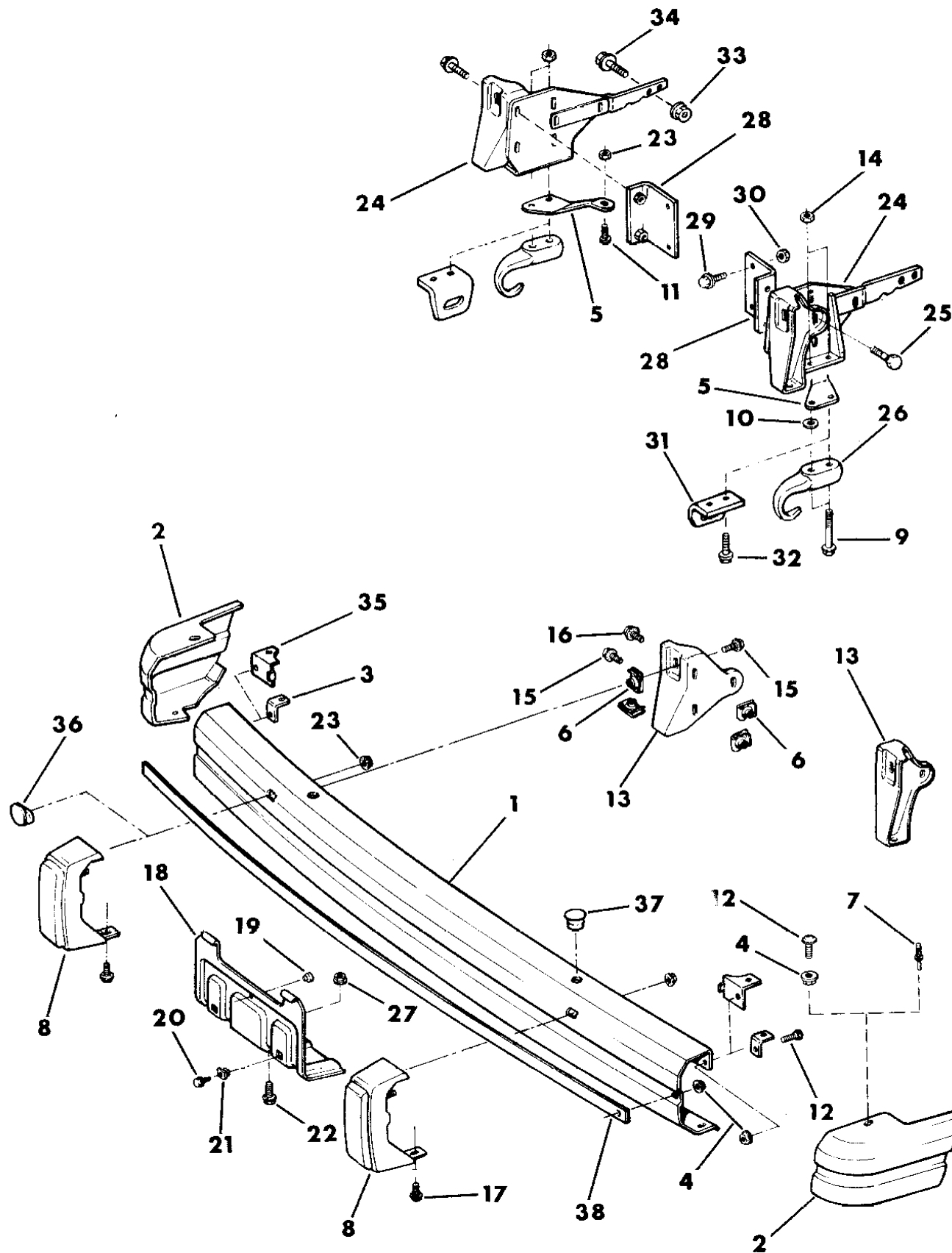
MODEL CODES:

| | | |
|-----------------------------|-----------------------------|------------------------------|
| 15 = Grand Wagoneer 4 Dr. | 65 = Comanche 4WD-7 Ft. Box | 77 = Cherokee 4WD-2 Dr. |
| 25 = J-10 Pickup-119" W.B. | 66 = Comanche 2WD-7 Ft. Box | 78 = Cherokee 4WD-4 Dr. |
| 26 = J-10 Pickup-131" W.B. | 73 = Cherokee 2WD-2 Dr. | 79 = Cherokee 4WD-4 Dr.-Com |
| 27 = J-20 Pickup-131" W.B. | 74 = Cherokee 2WD-4 Dr. | 81 = Wrangler-93" W.B. |
| 63 = Comanche 4WD-6 Ft. Box | 75 = Wagoneer 4WD-4 Dr. | 82 = Wrangler-103" W.B.-Exp. |
| 64 = Comanche 2WD-6 Ft. Box | | |

BODY STYLES:

MJ = Comanche Pickup
 SJ = Grand Wagoneer Wgn., J-10 & J-20 Pickups
 XJ = Cherokee, Wagoneer Limited
 YJ = Wrangler

AR = Use as Required - = Non Illustrated Part P.A.R. = Paint as Required

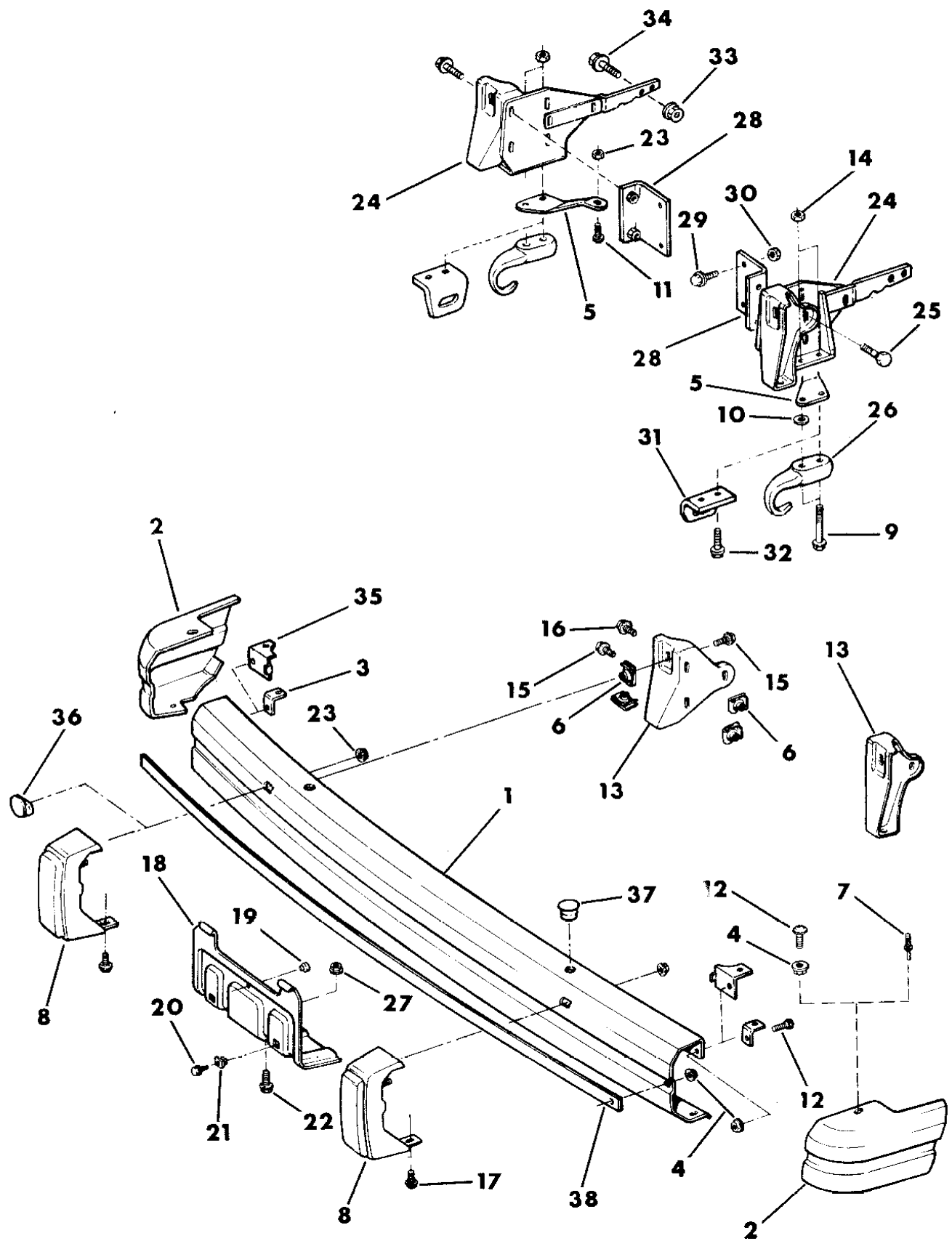


BUMPER--FRONT CHEROKEE, WAGONEER, COMANCHE

Figure 13-600

8J13 600

| ITEM | PART NUMBER | QTY | BODY | MODEL | DESCRIPTION |
|------|-------------|-----|------|-------|------------------------------|
| 26 | 5200 0710 | 2 | | | HOOK, Tow |
| 27 | 1150 2729 | 2 | | | NUT |
| 28 | 5200 1976-7 | 1 | | | BRACKET, Support |
| 29 | J420 0434 | 4 | | | BOLT |
| 30 | 1150 1033 | 4 | | | NUT |
| 31 | 5200 1644 | 2 | | | EYE, Towing |
| 32 | 3420 1848 | 4 | | | BOLT |
| 33 | | | | | NUT |
| | 3420 2656 | 1 | | | Right |
| | 1150 2814 | 1 | | | Left |
| 34 | | | | | BOLT |
| | 3420 2661 | 1 | | | Right |
| | 3420 2388 | 1 | | | Left |
| 35 | 5200 2730-1 | 1 | | | BRACKET, Support |
| 36 | 3420 2319 | 2 | | | PLUG |
| 37 | 3420 2321 | 2 | | | PLUG |
| 38 | | | | | INSERT, Rail (Mod. Required) |
| | 5501 8777 | 1 | | | Gold/Black |
| | 5501 9851 | 1 | | | Chrome/Black, 1988-89 |



- MODEL CODES:
- | | | |
|-----------------------------|-----------------------------|------------------------------|
| 15 = Grand Wagoneer 4 Dr. | 65 = Comanche 4WD-7 Ft. Box | 77 = Cherokee 4WD-2 Dr. |
| 25 = J-10 Pickup-119" W.B. | 66 = Comanche 2WD-7 Ft. Box | 78 = Cherokee 4WD-4 Dr. |
| 26 = J-10 Pickup-131" W.B. | 73 = Cherokee 2WD-2 Dr. | 79 = Cherokee 4WD-4 Dr.-Com |
| 27 = J-20 Pickup-131" W.B. | 74 = Cherokee 2WD-4 Dr. | 81 = Wrangler-93" W.B. |
| 63 = Comanche 4WD-6 Ft. Box | 75 = Wagoneer 4WD-4 Dr. | 82 = Wrangler-103" W.B.-Exp. |
| 64 = Comanche 2WD-6 Ft. Box | | |

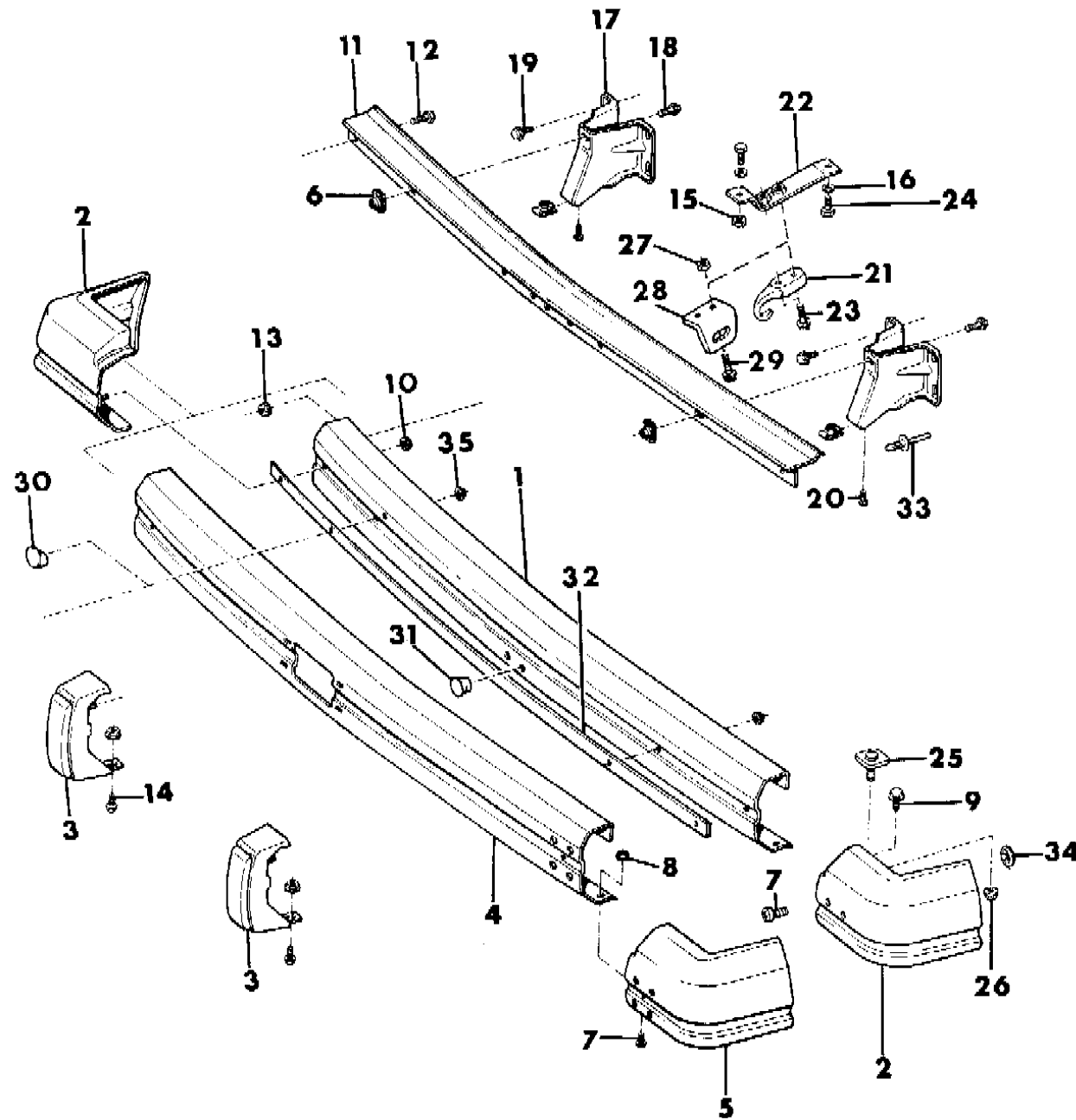
- BODY STYLES:
- MJ = Comanche Pickup
 - SJ = Grand Wagoneer Wgn., J-10 & J-20 Pickups
 - XJ = Cherokee, Wagoneer Limited
 - YJ = Wrangler

AR = Use as Required - = Non Illustrated Part P.A.R. = Paint as Required

BUMPER--REAR CHEROKEE, WAGONEER

Figure 13-700

8J13 700A



| ITEM | PART NUMBER | QTY | BODY | MODEL | DESCRIPTION |
|------|-------------|-----|------|-------|------------------------------|
| 1 | | | | | RAIL, Bumper (Mod. Required) |
| | | | | | Black |
| | 5200 0199 | 1 | | | 1987-89 |
| | 5502 6257 | 1 | | | 1990 |
| | | | | | Chrome |
| | 5200 0190 | 1 | | | 1988-89 |
| | 5502 6259 | 1 | | | 1990 |
| 2 | | | | | EXTENSION, Rail |
| | | | | | Argent (no holes) |
| | 5502 2102-3 | 1 | | | Argent (no holes) |
| | 5502 2076-7 | 1 | | | Black, 1987-90 |
| 3 | 5200 0468-9 | | | | GUARD, Bumper |
| 4 | | | | | RAIL, Bumper (Mod. Required) |
| | | | | | Black, (P.A.R.) |
| | 5200 0645 | 1 | | | Black, (P.A.R.) |
| | 5200 0644 | 1 | | | Chrome |
| 5 | | | | | EXTENSION, Rail |
| | | | | | Argent |
| | 5501 7822 | 1 | | | 1988-90 (4 holes) RT. |
| | 5501 7823 | 1 | | | 1988-90 (4 holes) LT. |
| | 5502 6264 | 1 | | | 1990 (2" Hole) |
| | | | | | Black, Right |
| | 5200 0654 | 1 | | | 1987-89 (4 holes) |
| | 5502 6262 | 1 | | | 1990 |
| 6 | 1150 0662 | 4 | | | NUT |
| 7 | 3420 1970 | 4 | | | SCREW |
| 8 | 1150 3750 | 4 | | | NUT |
| 9 | 3420 1736 | 2 | | | BOLT, 1987-89 |
| 10 | | | | | NUT |
| | 1150 2811 | 4 | | | 1987-89 |
| | 3420 1918 | 4 | | | 1990 |
| 11 | | | | | SHIELD, Bumper Rail |
| | | | | | 1987-89 |
| | 5200 3092 | 1 | | | 1987-89 |
| | 5502 6542 | 1 | | | 1990 |
| 12 | S150 2971 | 4 | | | SCREW, 1987-88 |
| 13 | 3420 1461 | 4 | | | NUT |
| 14 | | | | | BOLT |
| | | | | | 1987-89 |
| | 3420 1033 | 2 | | | 1987-89 |
| | 1150 4284 | 2 | | | 1990 |

MODEL CODES:

| | | |
|-----------------------------|-----------------------------|------------------------------|
| 15 = Grand Wagoneer 4 Dr. | 65 = Comanche 4WD-7 Ft. Box | 77 = Cherokee 4WD-2 Dr. |
| 25 = J-10 Pickup-119" W.B. | 66 = Comanche 2WD-7 Ft. Box | 78 = Cherokee 4WD-4 Dr. |
| 26 = J-10 Pickup-131" W.B. | 73 = Cherokee 2WD-2 Dr. | 79 = Cherokee 4WD-4 Dr.-Com |
| 27 = J-20 Pickup-131" W.B. | 74 = Cherokee 2WD-4 Dr. | 81 = Wrangler-93" W.B. |
| 63 = Comanche 4WD-6 Ft. Box | 75 = Wagoneer 4WD-4 Dr. | 82 = Wrangler-103" W.B.-Exp. |
| 64 = Comanche 2WD-6 Ft. Box | | |

BODY STYLES:

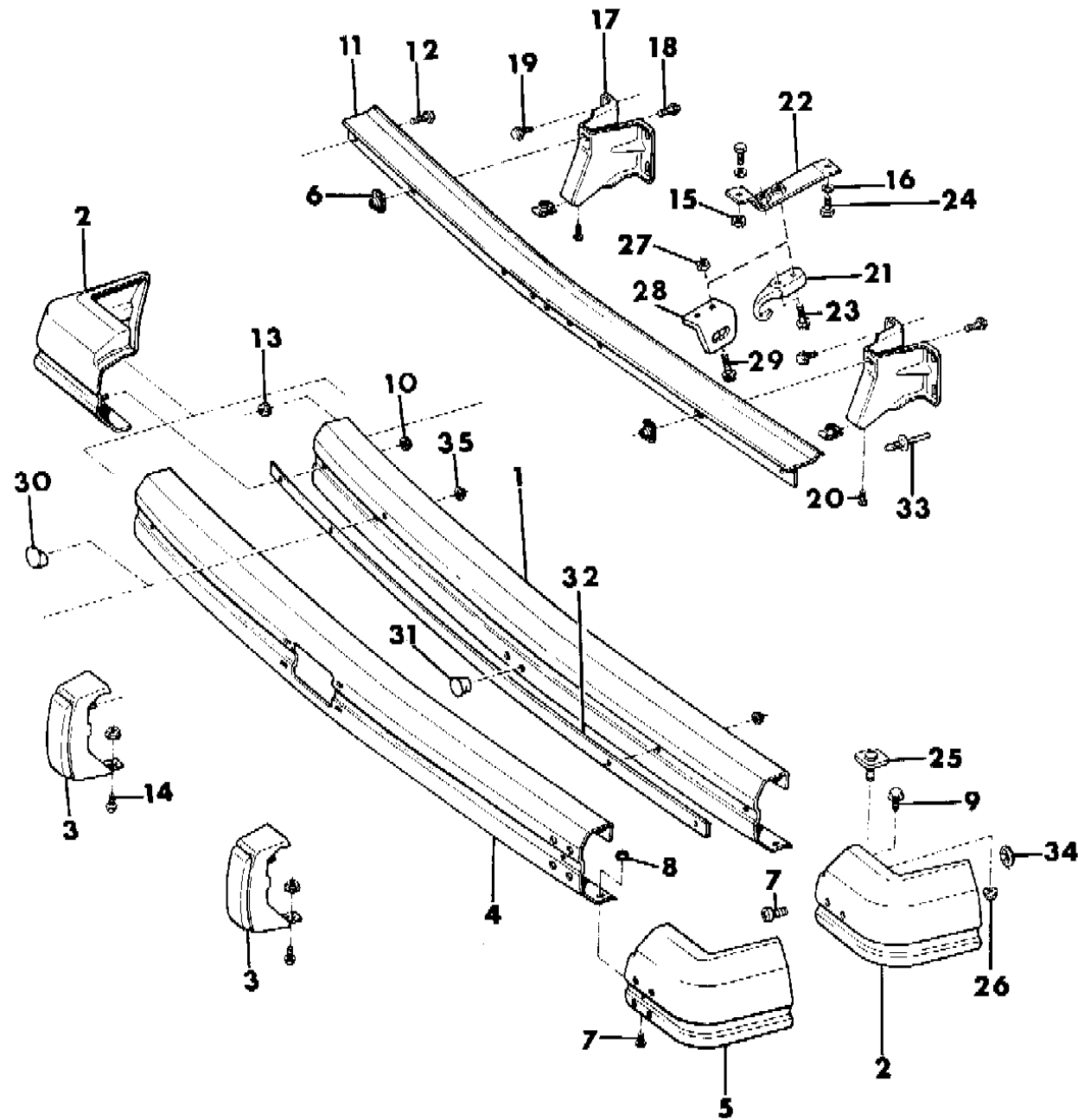
MJ = Comanche Pickup
 SJ = Grand Wagoneer Wgn., J-10 & J-20 Pickups
 XJ = Cherokee, Wagoneer Limited
 YJ = Wrangler

AR = Use as Required - = Non Illustrated Part P.A.R. = Paint as Required

BUMPER--REAR CHEROKEE, WAGONEER

Figure 13-700

8J13 700A



| ITEM | PART NUMBER | QTY | BODY | MODEL | DESCRIPTION |
|------|-------------|-----|------|-------|-------------------|
| 15 | 1150 1060 | 2 | | | NUT |
| 16 | 1150 0257 | 2 | | | WASHER |
| 17 | | | | | BRACKET, Mounting |
| | 5200 0290 | 2 | | | 1987-89 |
| | 5502 6265 | 2 | | | 1990 |
| 18 | 1150 2606 | 2 | | | BOLT |
| 19 | 3420 1540 | 8 | | | BOLT |
| 20 | 3420 1379 | 2 | | | BOLT, 1987-89 |
| 21 | 5200 0710 | 1 | | | HOOK, Tow |
| 22 | 5200 0712 | 1 | | | BRACKET, Tow |
| 23 | 1150 4922 | 1 | | | BOLT |
| 24 | 3420 1322 | 2 | | | BOLT |
| 25 | 5200 1384 | 2 | | | PLATE |
| 26 | 3420 1918 | 4 | | | NUT |
| 27 | 1150 2813 | 2 | | | NUT |
| 28 | 5200 1644 | 1 | | | EYE, Towing |
| 29 | 3420 1848 | 2 | | | BOLT |
| 30 | 3420 2319 | 2 | | | PLUG |
| 31 | 3420 2320 | 2 | | | PLUG |
| 32 | | | | | INSERT, Rail |
| | 5501 8777 | 1 | | | Gold/Black |
| | 5501 9851 | 1 | | | Chrome/Black |
| 33 | 3420 2855 | 4 | | | RIVET, 1988-89 |
| 34 | 3420 2014 | 2 | | | NUT |
| 35 | 1150 2811 | 4 | | | NUT |

MODEL CODES:

| | | |
|-----------------------------|-----------------------------|------------------------------|
| 15 = Grand Wagoneer 4 Dr. | 65 = Comanche 4WD-7 Ft. Box | 77 = Cherokee 4WD-2 Dr. |
| 25 = J-10 Pickup-119" W.B. | 66 = Comanche 2WD-7 Ft. Box | 78 = Cherokee 4WD-4 Dr. |
| 26 = J-10 Pickup-131" W.B. | 73 = Cherokee 2WD-2 Dr. | 79 = Cherokee 4WD-4 Dr.-Com |
| 27 = J-20 Pickup-131" W.B. | 74 = Cherokee 2WD-4 Dr. | 81 = Wrangler-93" W.B. |
| 63 = Comanche 4WD-6 Ft. Box | 75 = Wagoneer 4WD-4 Dr. | 82 = Wrangler-103" W.B.-Exp. |
| 64 = Comanche 2WD-6 Ft. Box | | |

BODY STYLES:

MJ = Comanche Pickup
 SJ = Grand Wagoneer Wgn., J-10 & J-20 Pickups
 XJ = Cherokee, Wagoneer Limited
 YJ = Wrangler

AR = Use as Required - = Non Illustrated Part P.A.R. = Paint as Required

BUMPER, REAR STEP COMANCHE
Figure 13-800

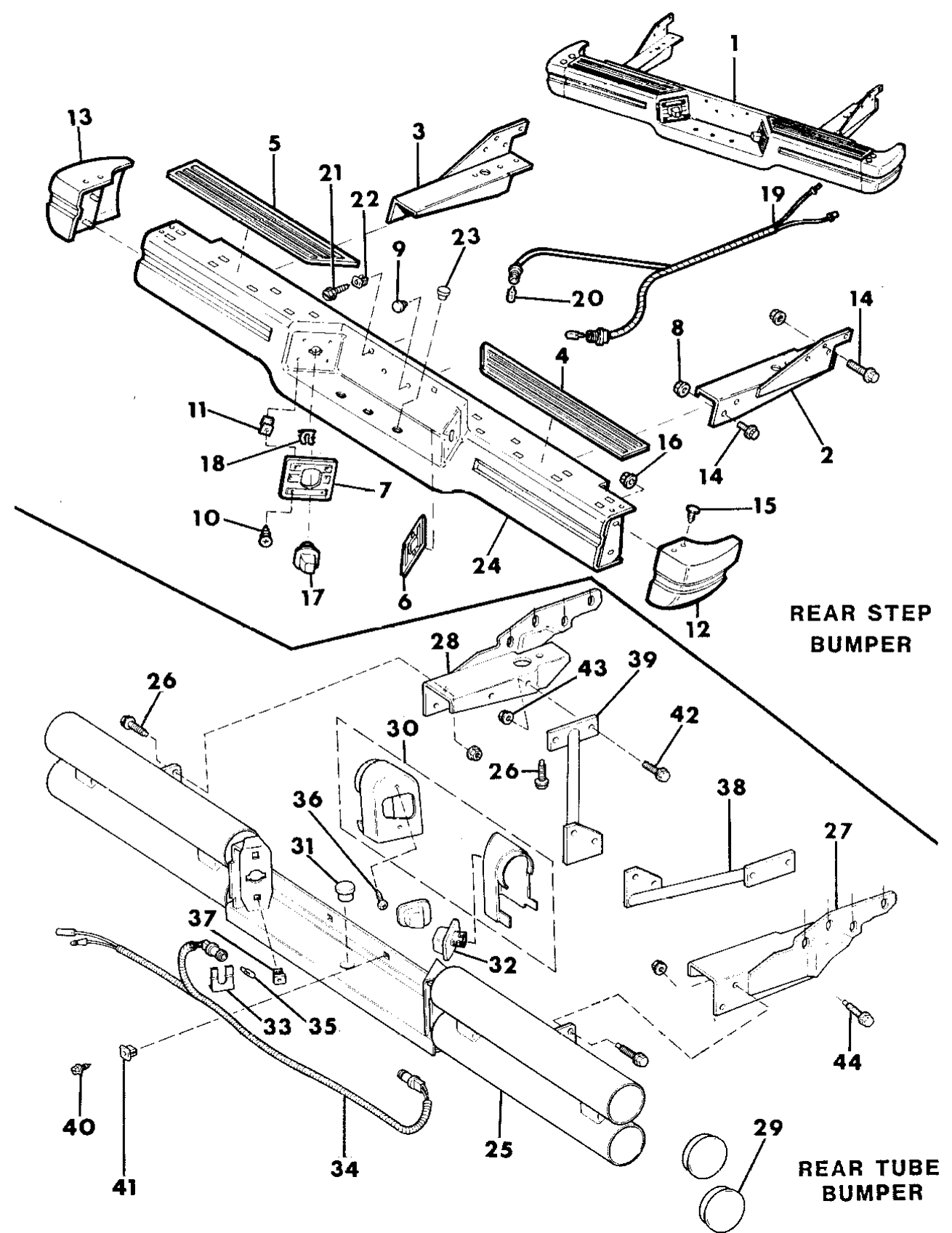
8 J13 800

| ITEM | PART NUMBER | QTY | BODY | MODEL | DESCRIPTION |
|-------|-------------|-----|------|-------|--|
| 1 | | | | | BUMPER PACKAGE, Step (Includes Items 2 thru. 24) |
| | 8220 0562 | 1 | | | Black, 1987-90 |
| | 8220 0988 | 1 | | | Chrome, 1988 |
| | 8220 0583 | 1 | | | Chrome, 1987 |
| 2-3 | 5500 9382-3 | 1 | | | BRACKET, Mounting |
| 4-5 | 5200 0792-3 | 1 | | | PLATE, Anti-Skid |
| 6-7 | 5200 1776-7 | 1 | | | PLATE, Cover |
| 8 | 1150 2812 | 4 | | | NUT *** |
| 9 | J400 4227 | 4 | | | BUMPER |
| 10 | 3420 1985 | 8 | | | SCREW |
| 11 | 3420 1263 | 8 | | | NUT |
| 12-13 | | | | | CAP, End |
| | 5501 5794-5 | 1 | | | Argent, 1988 |
| | 5200 1706-7 | 1 | | | Black |
| 14 | 3420 1991 | 16 | | | BOLT |
| 15 | J400 6966 | 4 | | | FASTENER |
| 16 | J400 6080 | 4 | | | NUT |
| 17 | | | | | LAMP, License |
| | 5600 1343 | 2 | | | Black |
| | 5600 1206 | 2 | | | Chrome, 1987-88 |
| 18 | 5600 1312 | 2 | | | CLIP, Retaining |
| 19 | 5600 1054 | 1 | | | HARNES, License Lamp |
| 20 | | | | | BULB |
| | J942 1330 | 2 | | | 1987-89 |
| | 9421 330 | 2 | | | 1990 |
| 21 | 1150 0079 | 2 | | | SCREW |
| 22 | J400 6367 | 2 | | | NUT |
| 23 | 8350 3587 | 3 | | | PLUG |
| 24 | 5501 9855 | 1 | | | RAIL, Bumper, Silver |
| 25 | 5501 8449 | 1 | | | BUMPER PACKAGE, Tubular (Includes items 25 thru. 44) |
| 26 | 3420 1991 | AR | | | SCREW, 1988 |
| 27-28 | 5501 8452-3 | 1 | | | BRACKET, Mounting, 1988 |
| 29 | 5501 8450 | 4 | | | CAP, End 1988 |
| 30 | 8350 5283 | 1 | | | CAP PACKAGE, 1988 *** |
| 31 | 5501 8454 | 1 | | | PLUG, 1988 |
| 32 | 5501 8455 | 2 | | | HOUSING, 1988 |
| 33 | 5600 1312 | 2 | | | CLIP, 1988 |

MODEL CODES:
 15 = Grand Wagoneer 4 Dr. 65 = Comanche 4WD-7 Ft. Box 77 = Cherokee 4WD-2 Dr.
 25 = J-10 Pickup-119" W.B. 66 = Comanche 2WD-7 Ft. Box 78 = Cherokee 4WD-4 Dr.
 26 = J-10 Pickup-131" W.B. 73 = Cherokee 2WD-2 Dr. 79 = Cherokee 4WD-4 Dr.-Com
 27 = J-20 Pickup-131" W.B. 74 = Cherokee 2WD-4 Dr. 81 = Wrangler-93" W.B.
 63 = Comanche 4WD-6 Ft. Box 75 = Wagoneer 4WD-4 Dr. 82 = Wrangler-103" W.B.-Exp.
 64 = Comanche 2WD-6 Ft. Box

BODY STYLES:
 MJ = Comanche Pickup
 SJ = Grand Wagoneer Wgn., J-10 & J-20 Pickups
 XJ = Cherokee, Wagoneer Limited
 YJ = Wrangler

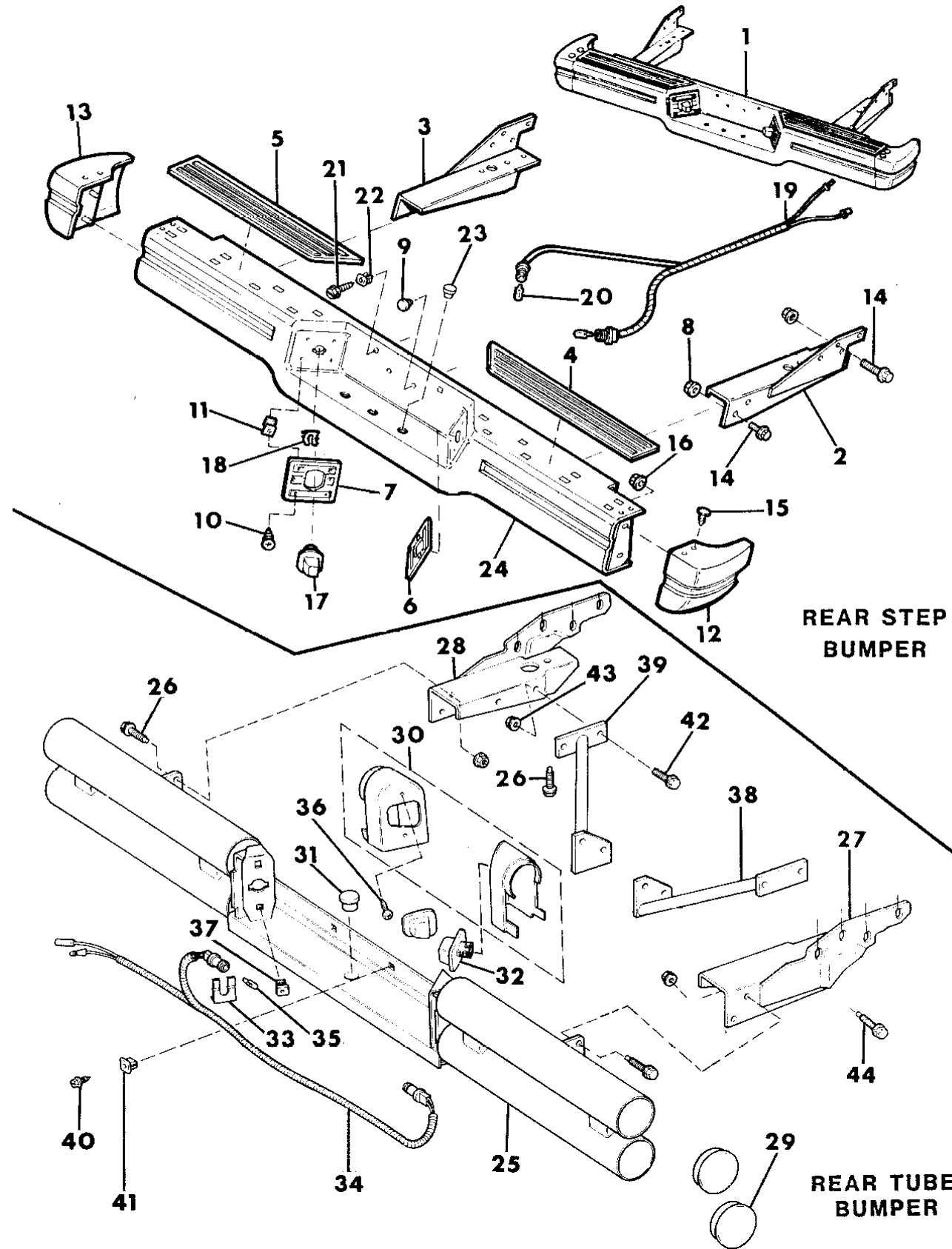
AR = Use as Required - = Non Illustrated Part P.A.R. = Paint as Required



BUMPER, REAR STEP COMANCHE
Figure 13-800

8 J13 800

| ITEM | PART NUMBER | QTY | BODY | MODEL | DESCRIPTION |
|-------|-------------|-----|------|-------|---------------------------------|
| 34 | 5600 2670 | 1 | | | HARNES, License Lamp 1988 |
| 35 | J942 1330 | 2 | | | BULB, 1988 |
| 36 | 3420 1985 | 4 | | | SCREW, 1988 |
| 37 | 3420 1263 | 4 | | | NUT, 1988 |
| 38-39 | 5502 0074-5 | 1 | | | BRACE, 1988 |
| 40 | J400 5466 | 2 | | | SCREW, 1988 |
| 41 | J400 0141 | 2 | | | NUT, 1988 |
| 42 | 3420 1869 | AR | | | SCREW, 1988 |
| 43 | 1150 2812 | 8 | | | NUT, 1988 |
| 44 | 3420 1869 | 8 | | | SCREW, 1988 (Locktite Required) |



**REAR STEP
BUMPER**

**REAR TUBE
BUMPER**

MODEL CODES:

| | | |
|-----------------------------|-----------------------------|------------------------------|
| 15 = Grand Wagoneer 4 Dr. | 65 = Comanche 4WD-7 Ft. Box | 77 = Cherokee 4WD-2 Dr. |
| 25 = J-10 Pickup-119" W.B. | 66 = Comanche 2WD-7 Ft. Box | 78 = Cherokee 4WD-4 Dr. |
| 26 = J-10 Pickup-131" W.B. | 73 = Cherokee 2WD-2 Dr. | 79 = Cherokee 4WD-4 Dr.-Com |
| 27 = J-20 Pickup-131" W.B. | 74 = Cherokee 2WD-4 Dr. | 81 = Wrangler-93" W.B. |
| 63 = Comanche 4WD-6 Ft. Box | 75 = Wagoneer 4WD-4 Dr. | 82 = Wrangler-103" W.B.-Exp. |
| 64 = Comanche 2WD-6 Ft. Box | | |

BODY STYLES:

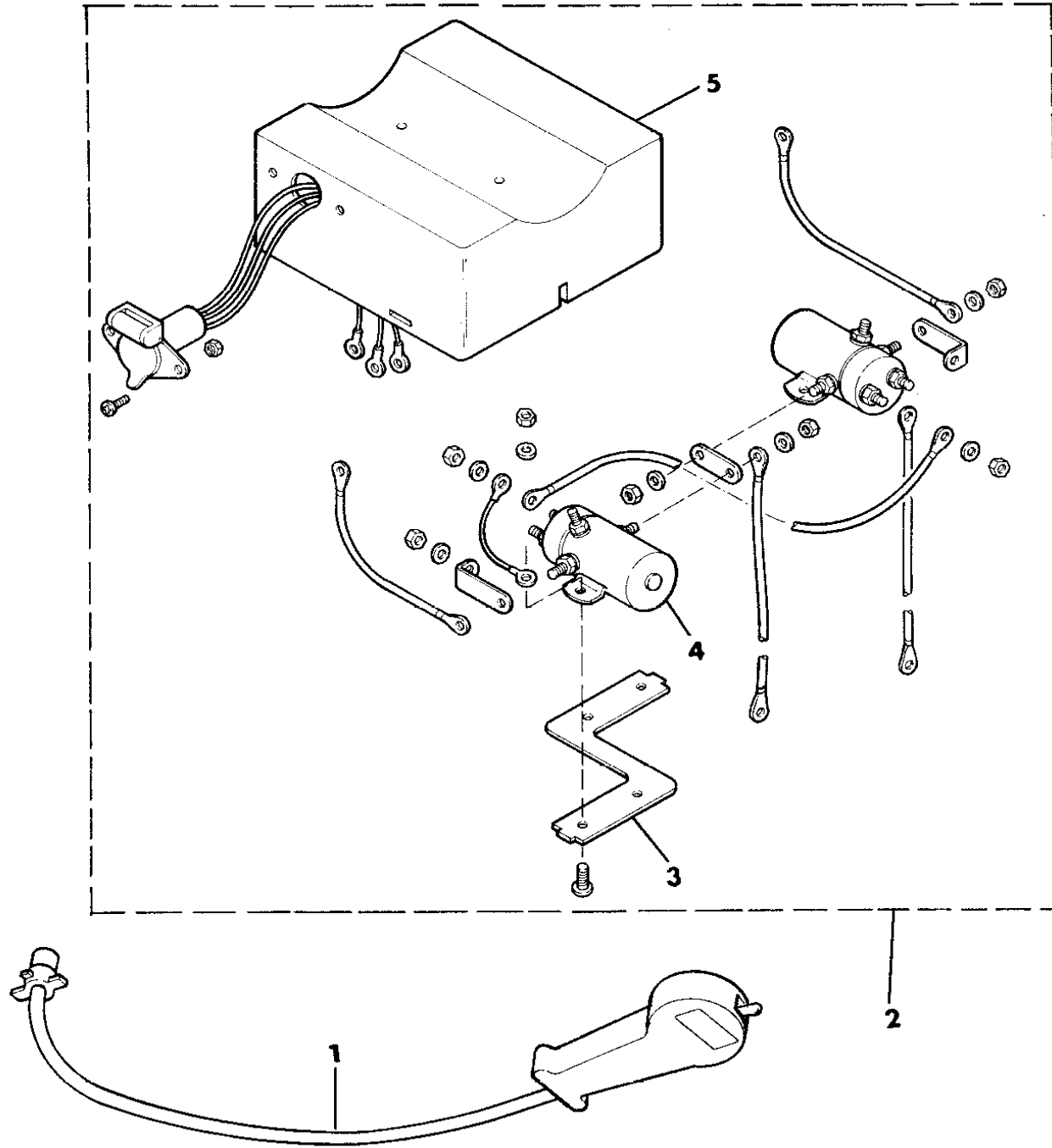
MJ = Comanche Pickup
 SJ = Grand Wagoneer Wgn., J-10 & J-20 Pickups
 XJ = Cherokee, Wagoneer Limited
 YJ = Wrangler

AR = Use as Required - = Non Illustrated Part P.A.R. = Paint as Required

WINCH CONTROLS HIDDEN WINCH CHEROKEE, COMANCHE
Figure 13-900

8J13 900

| ITEM | PART NUMBER | QTY | BODY | MODEL | DESCRIPTION |
|------|-------------|-----|------|-------|----------------------------|
| 1 | 8350 2231 | 1 | | | SWITCH ASSEMBLY, Winch |
| 2 | 8351 0141 | 1 | | | SOLENOID ASSEMBLY, Winch |
| 3 | 8351 0140 | 1 | | | BRACKET, Solenoid Mounting |
| 4 | 8351 0139 | 2 | | | SOLENOID |
| 5 | 8351 0138 | 1 | | | COVER, Solenoid |



MODEL CODES:

| | | |
|-----------------------------|-----------------------------|------------------------------|
| 15 = Grand Wagoneer 4 Dr. | 65 = Comanche 4WD-7 Ft. Box | 77 = Cherokee 4WD-2 Dr. |
| 25 = J-10 Pickup-119" W.B. | 66 = Comanche 2WD-7 Ft. Box | 78 = Cherokee 4WD-4 Dr. |
| 26 = J-10 Pickup-131" W.B. | 73 = Cherokee 2WD-2 Dr. | 79 = Cherokee 4WD-4 Dr.-Com |
| 27 = J-20 Pickup-131" W.B. | 74 = Cherokee 2WD-4 Dr. | 81 = Wrangler-93" W.B. |
| 63 = Comanche 4WD-6 Ft. Box | 75 = Wagoneer 4WD-4 Dr. | 82 = Wrangler-103" W.B.-Exp. |
| 64 = Comanche 2WD-6 Ft. Box | | |

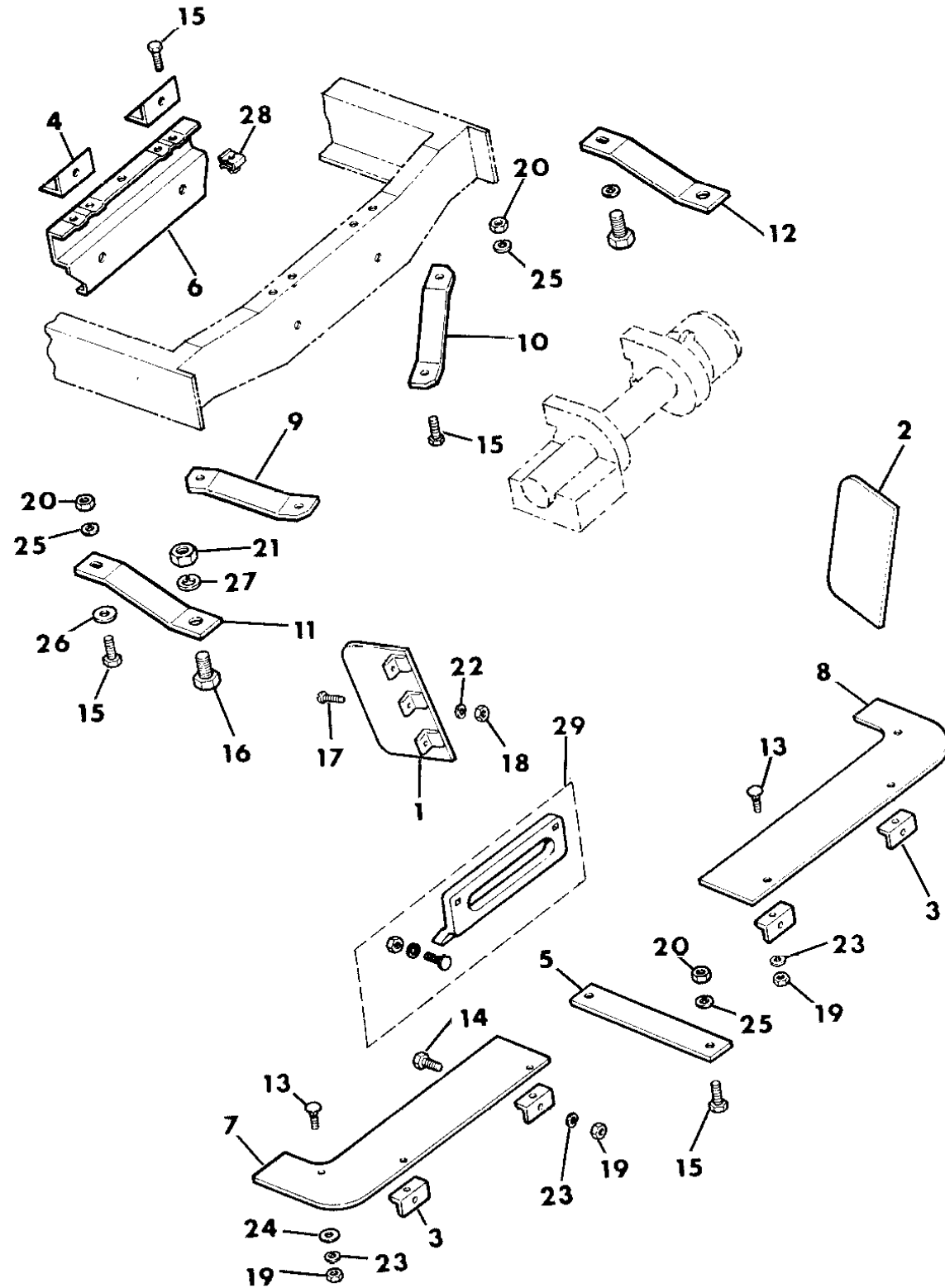
BODY STYLES:

MJ = Comanche Pickup
SJ = Grand Wagoneer Wgn., J-10 & J-20 Pickups
XJ = Cherokee, Wagoneer Limited
YJ = Wrangler

AR = Use as Required - = Non Illustrated Part P.A.R. = Paint as Required

WINCH MOUNTING HIDDEN WINCH CHEROKEE, COMANCHE
Figure 13-1000

8J13 1000



| ITEM | PART NUMBER | QTY | BODY | MODEL | DESCRIPTION |
|------|-------------|-----|------|-------|----------------------------|
| 1 | 8350 1124 | 1 | | | EXTENSION, Rail |
| 2 | 8350 1125 | 1 | | | EXTENSION, Rail |
| 3 | 8350 1126 | 4 | | | BRACKET, Angle |
| 4 | 8350 1127 | 2 | | | BRACKET, Angle |
| 5 | 8350 1128 | 1 | | | RETAINER, Rail (Not Serv.) |
| 6 | 8350 1129 | 1 | | | BRACKET, Winch Mounting |
| 7 | 8350 1130 | 1 | | | SHIELD, Bumper |
| 8 | 8350 1131 | 1 | | | SHIELD, Bumper |
| 9 | 8350 1132 | 1 | | | STRAP, Inner |
| 10 | 8350 1133 | 1 | | | STRAP, Inner |
| 11 | 8350 1134 | 1 | | | STRAP, Outer |
| 12 | 8350 1135 | 1 | | | STRAP, Outer |
| 13 | 8350 1149 | 6 | | | BOLT *** |
| 14 | | | | | BOLT |
| | S012 1887 | 4 | | | 1987-89 |
| | J018 0020 | 4 | | | 1990 |
| 15 | J018 0079 | 10 | | | BOLT *** |
| 16 | J999 8112 | 2 | | | BOLT, (Not Serv.) |
| 17 | 8350 1150 | 6 | | | SCREW |
| 18 | J012 0361 | 6 | | | NUT |
| 19 | J012 0375 | 10 | | | NUT |
| 20 | J012 0376 | 6 | | | NUT |
| 21 | S012 0378 | 2 | | | NUT |
| 22 | S012 0217 | 6 | | | WASHER, Lock |
| 23 | J012 0380 | 10 | | | WASHER, Lock |
| 24 | J012 0392 | 2 | | | WASHER, Plain |
| 25 | J012 0214 | 6 | | | WASHER, Lock |
| 26 | J012 0393 | 2 | | | WASHER, Plain |
| 27 | S012 0384 | 2 | | | WASHER, Lock |
| 28 | 8350 1136 | 4 | | | NUT, U-Type |
| 29 | 8350 2247 | 1 | | | GUIDE, Solid Cable |

MODEL CODES:

| | | |
|-----------------------------|-----------------------------|------------------------------|
| 15 = Grand Wagoneer 4 Dr. | 65 = Comanche 4WD-7 Ft. Box | 77 = Cherokee 4WD-2 Dr. |
| 25 = J-10 Pickup-119" W.B. | 66 = Comanche 2WD-7 Ft. Box | 78 = Cherokee 4WD-4 Dr. |
| 26 = J-10 Pickup-131" W.B. | 73 = Cherokee 2WD-2 Dr. | 79 = Cherokee 4WD-4 Dr.-Com |
| 27 = J-20 Pickup-131" W.B. | 74 = Cherokee 2WD-4 Dr. | 81 = Wrangler-93" W.B. |
| 63 = Comanche 4WD-6 Ft. Box | 75 = Wagoneer 4WD-4 Dr. | 82 = Wrangler-103" W.B.-Exp. |
| 64 = Comanche 2WD-6 Ft. Box | | |

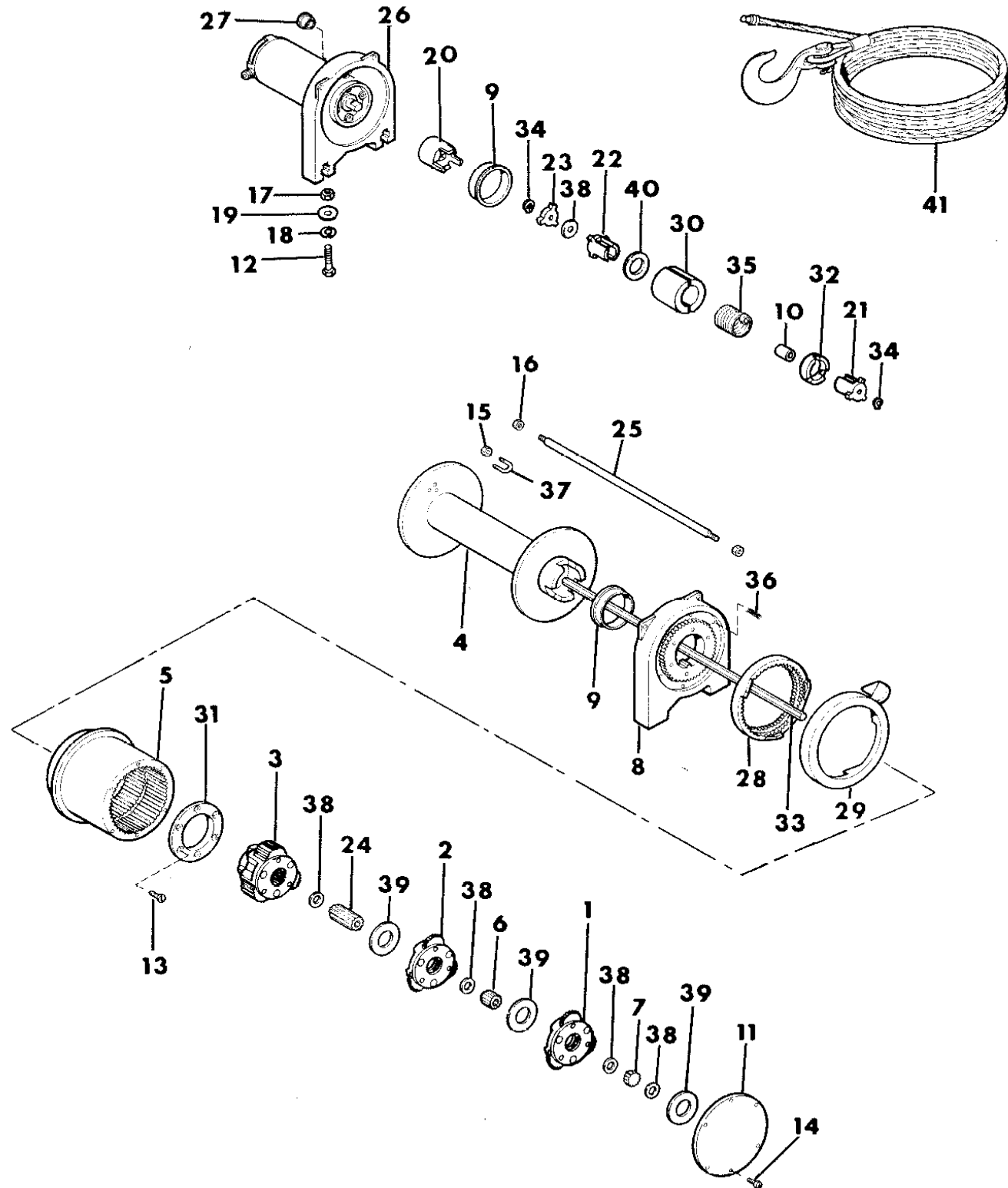
BODY STYLES:

MJ = Comanche Pickup
SJ = Grand Wagoneer Wgn., J-10 & J-20 Pickups
XJ = Cherokee, Wagoneer Limited
YJ = Wrangler

AR = Use as Required - = Non Illustrated Part P.A.R. = Paint as Required

WINCH MOTOR AND DRUM HIDDEN WINCH CHEROKEE, COMANCHE
Figure 13-1100

8J13 1100



| ITEM | PART NUMBER | QTY | BODY | MODEL | DESCRIPTION |
|------|-------------|-----|------|-------|-----------------------------|
| 1 | 8350 2228 | 1 | | | GEAR ASSEMBLY, Input |
| 2 | 8350 2229 | 1 | | | GEAR ASSEMBLY, Intermediate |
| 3 | 8350 2230 | 1 | | | GEAR ASSEMBLY, Output |
| 4 | 8350 2232 | 1 | | | DRUM, Cable |
| 5 | 8351 0105 | 1 | | | GEAR, Ring |
| 6 | 8351 0116 | 1 | | | GEAR, Intermediate |
| 7 | 8350 2233 | 1 | | | GEAR, Input |
| 8 | 8351 0100 | 1 | | | BEARING, End |
| 9 | 8351 0104 | 2 | | | BUSHING, Brake Drum |
| 10 | 8350 2234 | 1 | | | BUSHING, Brake Drum |
| 11 | 8351 0128 | 1 | | | COVER, Gear Housing |
| 12 | S018 0124 | 4 | | | SCREW |
| 13 | 8351 0136 | 6 | | | SCREW |
| 14 | 8351 0129 | 6 | | | SCREW |
| 15 | | | | | NUT |
| | 8351 0180 | 2 | | | 1987-89 |
| | J012 0361 | 2 | | | 1990 |
| 16 | 8351 0135 | 2 | | | NUT |
| 17 | S941 8738 | 4 | | | NUT |
| 18 | | | | | WASHER |
| | J012 0382 | 4 | | | 1987-89 |
| | J400 3803 | 4 | | | 1990 |
| 19 | 8350 2235 | 4 | | | WASHER |
| 20 | 8350 2236 | 1 | | | COUPLING, Brake |
| 21 | 8350 2237 | 1 | | | DRUM, Output Brake |
| 22 | 8350 2238 | 1 | | | DRUM, Input Brake |
| 23 | 8350 2239 | 1 | | | SPROCKET, Input |
| 24 | 8350 2240 | 1 | | | GEAR, Output |
| 25 | 8351 0134 | 1 | | | BAR, Tie |
| 26 | 8351 0038 | 1 | | | MOTOR |
| 27 | 8351 0103 | 1 | | | PLUG |
| 28 | 8351 0107 | 1 | | | RING, Locking |
| 29 | 8351 0106 | 1 | | | RING, Cam |
| 30 | 8350 2241 | 2 | | | RING, Half |
| 31 | 8351 0110 | 1 | | | RETAINER, Ring Gear |
| 32 | 8350 2242 | 1 | | | RETAINER, Brake Spring |
| 33 | 8350 2091 | 1 | | | SHAFT, Input |

MODEL CODES:

| | | |
|-----------------------------|-----------------------------|------------------------------|
| 15 = Grand Wagoneer 4 Dr. | 65 = Comanche 4WD-7 Ft. Box | 77 = Cherokee 4WD-2 Dr. |
| 25 = J-10 Pickup-119" W.B. | 66 = Comanche 2WD-7 Ft. Box | 78 = Cherokee 4WD-4 Dr. |
| 26 = J-10 Pickup-131" W.B. | 73 = Cherokee 2WD-2 Dr. | 79 = Cherokee 4WD-4 Dr.-Com |
| 27 = J-20 Pickup-131" W.B. | 74 = Cherokee 2WD-4 Dr. | 81 = Wrangler-93" W.B. |
| 63 = Comanche 4WD-6 Ft. Box | 75 = Wagoneer 4WD-4 Dr. | 82 = Wrangler-103" W.B.-Exp. |
| 64 = Comanche 2WD-6 Ft. Box | | |

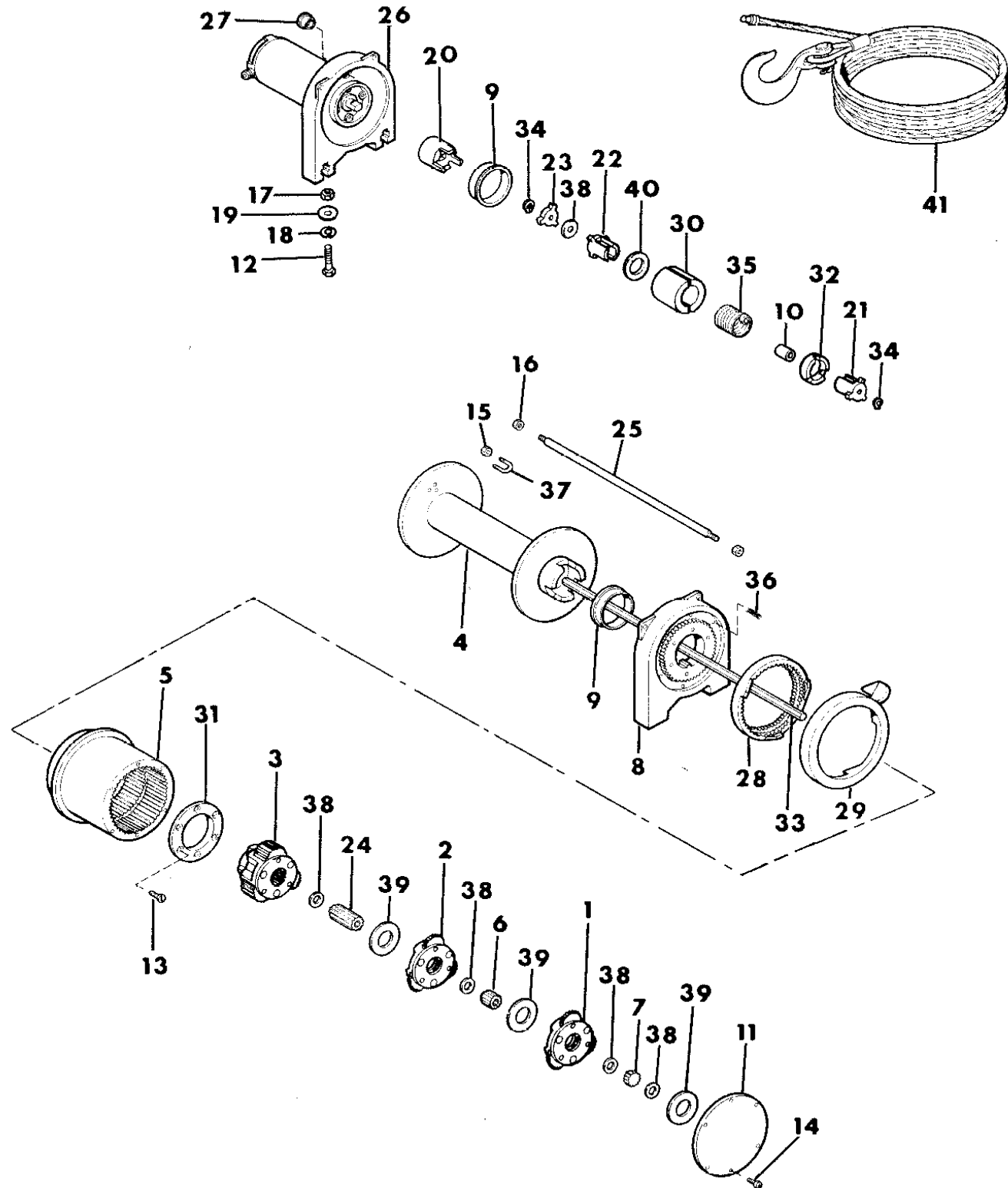
BODY STYLES:

MJ = Comanche Pickup
SJ = Grand Wagoneer Wgn., J-10 & J-20 Pickups
XJ = Cherokee, Wagoneer Limited
YJ = Wrangler

AR = Use as Required - = Non Illustrated Part P.A.R. = Paint as Required

WINCH MOTOR AND DRUM HIDDEN WINCH CHEROKEE, COMANCHE
Figure 13-1100

8J13 1100



| ITEM | PART NUMBER | QTY | BODY | MODEL | DESCRIPTION |
|------|-------------|-----|------|-------|----------------|
| 34 | 8350 2243 | 2 | | | RING, Snap |
| 35 | 8350 2244 | 2 | | | SPRING, Brake |
| 36 | 8350 2245 | 2 | | | SPRING |
| 37 | 8351 0102 | 1 | | | U-BOLT |
| 38 | 8351 0127 | 5 | | | WASHER, Thrust |
| 39 | 8351 0126 | 3 | | | WAHER, Thrust |
| 40 | 8350 2246 | 1 | | | WASHER, Thrust |
| 41 | J813 1517 | 1 | | | CABLE, Tow |

MODEL CODES:

| | | |
|-----------------------------|-----------------------------|------------------------------|
| 15 = Grand Wagoneer 4 Dr. | 65 = Comanche 4WD-7 Ft. Box | 77 = Cherokee 4WD-2 Dr. |
| 25 = J-10 Pickup-119" W.B. | 66 = Comanche 2WD-7 Ft. Box | 78 = Cherokee 4WD-4 Dr. |
| 26 = J-10 Pickup-131" W.B. | 73 = Cherokee 2WD-2 Dr. | 79 = Cherokee 4WD-4 Dr.-Com |
| 27 = J-20 Pickup-131" W.B. | 74 = Cherokee 2WD-4 Dr. | 81 = Wrangler-93" W.B. |
| 63 = Comanche 4WD-6 Ft. Box | 75 = Wagoneer 4WD-4 Dr. | 82 = Wrangler-103" W.B.-Exp. |
| 64 = Comanche 2WD-6 Ft. Box | | |

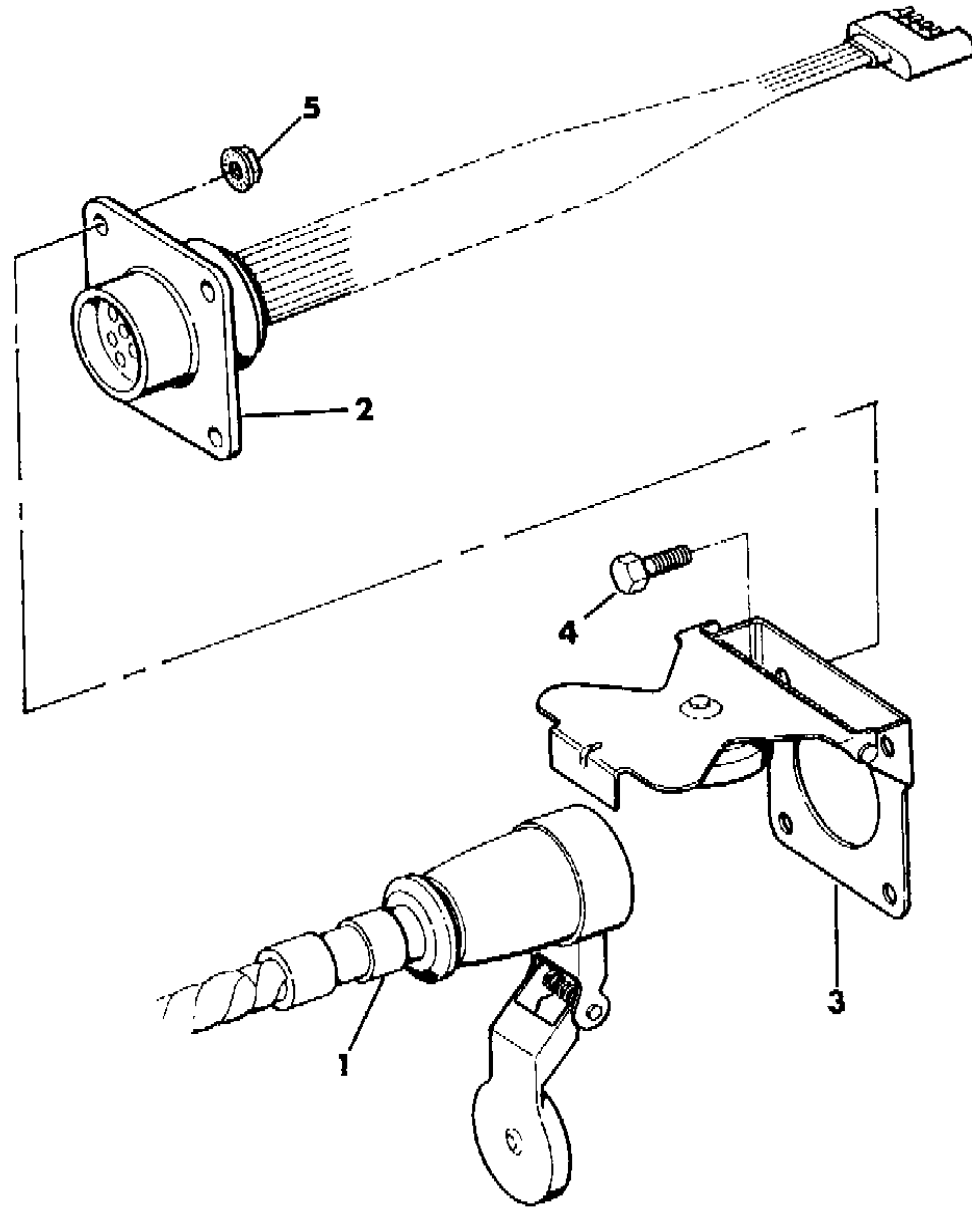
BODY STYLES:

MJ = Comanche Pickup
SJ = Grand Wagoneer Wgn., J-10 & J-20 Pickups
XJ = Cherokee, Wagoneer Limited
YJ = Wrangler

AR = Use as Required - = Non Illustrated Part P.A.R. = Paint as Required

HARNES--TRAILER TOWING WRANGLER....EXPORT
Figure 13-1150

8J13 1150



| ITEM | PART NUMBER | QTY | BODY | MODEL | DESCRIPTION |
|------|-------------|-----|------|-------|------------------------|
| 1 | J805 3178 | 1 | | | HARNES, Trailer Towing |
| 2 | J805 0600 | 1 | | | HARNES, Trailer Towing |
| 3 | J773 1428 | 1 | | | COVER, Trailer Towing |
| 4 | J018 0020 | 4 | | | BOLT |
| 5 | J941 6918 | 4 | | | NUT |

MODEL CODES:

| | | |
|-----------------------------|-----------------------------|------------------------------|
| 15 = Grand Wagoneer 4 Dr. | 65 = Comanche 4WD-7 Ft. Box | 77 = Cherokee 4WD-2 Dr. |
| 25 = J-10 Pickup-119" W.B. | 66 = Comanche 2WD-7 Ft. Box | 78 = Cherokee 4WD-4 Dr. |
| 26 = J-10 Pickup-131" W.B. | 73 = Cherokee 2WD-2 Dr. | 79 = Cherokee 4WD-4 Dr.-Com |
| 27 = J-20 Pickup-131" W.B. | 74 = Cherokee 2WD-4 Dr. | 81 = Wrangler-93" W.B. |
| 63 = Comanche 4WD-6 Ft. Box | 75 = Wagoneer 4WD-4 Dr. | 82 = Wrangler-103" W.B.-Exp. |
| 64 = Comanche 2WD-6 Ft. Box | | |

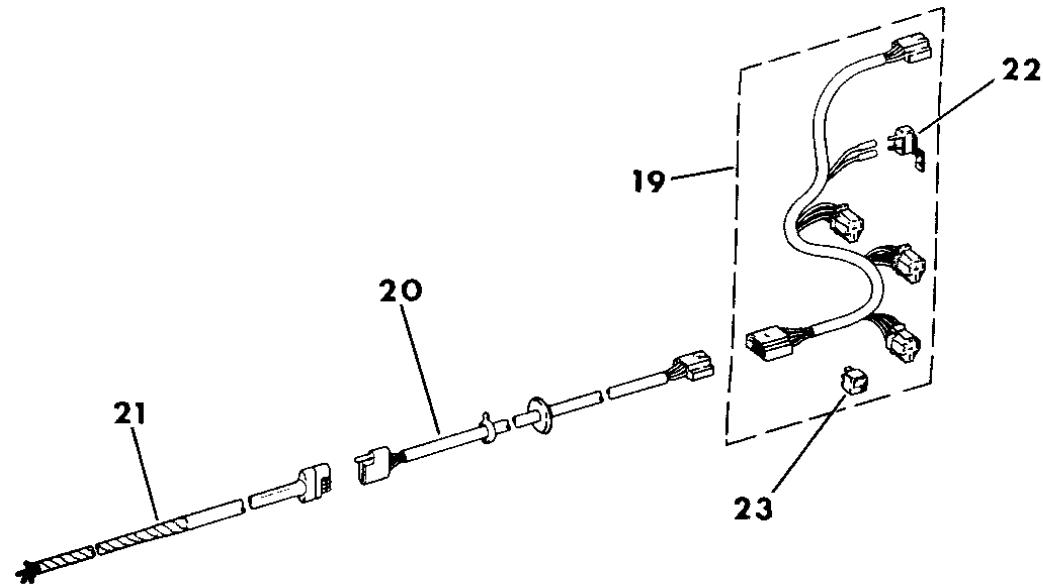
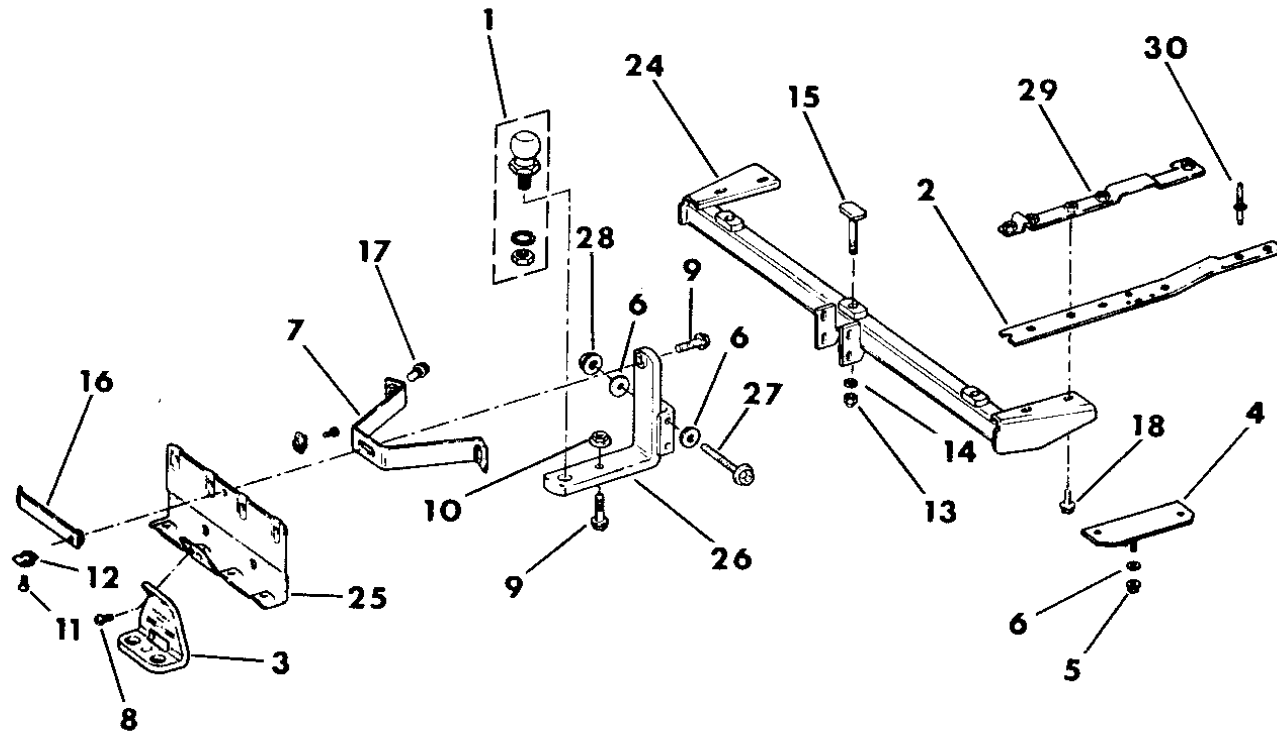
BODY STYLES:

MJ = Comanche Pickup
 SJ = Grand Wagoneer Wgn., J-10 & J-20 Pickups
 XJ = Cherokee, Wagoneer Limited
 YJ = Wrangler

AR = Use as Required - = Non Illustrated Part P.A.R. = Paint as Required

HITCH--TRAILER LIGHT DUTY CHEROKEE, WAGONEER
Figure 13-1200

8J13 1200



| ITEM | PART NUMBER | QTY | BODY | MODEL | DESCRIPTION |
|------|-------------|-----|------|-------|------------------------------------|
| 1 | | | | | BALL KIT, Trailer Towing *** |
| | J899 3216 | 1 | | | 1 7/8" |
| | J899 7211 | 1 | | | 2" |
| 2 | 5200 1661 | 2 | | | REINFORCEMENT |
| 3 | 5200 0920 | 1 | | | BRACKET |
| 4 | 5200 1511 | 1 | | | BRACKET |
| 5 | J420 0046 | 2 | | | NUT |
| 6 | 1150 0324 | 6 | | | WASHER |
| 7 | 5200 1168 | 1 | | | BRACKET |
| 8 | 3420 1999 | 2 | | | BOLT |
| 9 | 1150 4922 | 1 | | | BOLT |
| 10 | 1150 2813 | 2 | | | NUT |
| 11 | 3420 1596 | 8 | | | BOLT |
| 12 | 1150 0660 | 8 | | | NUT |
| 13 | 3420 1765 | 3 | | | NUT |
| 14 | S012 0384 | 3 | | | WASHER |
| 15 | 3420 1674 | 3 | | | BOLT |
| 16 | 5200 0482 | 1 | | | NUT, Tab |
| 17 | | | | | BOLT |
| | 1150 2685 | 2 | | | 1987-89 |
| | 3420 1540 | 2 | | | 1990 |
| 18 | | | | | BOLT |
| | 3420 1848 | 2 | | | 1988-89 |
| | 3420 1964 | 2 | | | 1990 |
| 19 | | | | | HARNESS, Trailer Towing |
| | | | | | (Also Order Body Harness 56002971) |
| | 5600 2357 | 1 | | 75 | 1987-89 |
| | 5600 3769 | 1 | | 75 | 1990 |
| | 5600 2354 | 1 | | | 1987-89, Cherokee |
| | 5600 3768 | 1 | | | 1990, Cherokee |
| 20 | 5600 2355 | 1 | | | HARNESS, Trailer Towing |
| 21 | J323 8838 | 1 | | | HARNESS, Trailer Towing |
| 22 | 8350 1394 | AR | | | BREAKER, Circuit |
| 23 | J575 8912 | AR | | | RELAY, Trailer Towing |
| 24 | 8350 1168 | 1 | | | TUBE |
| 25 | 8350 1169 | 1 | | | PLATE |
| 26 | 5200 1523 | 1 | | | BAR |

MODEL CODES:

| | | |
|-----------------------------|-----------------------------|------------------------------|
| 15 = Grand Wagoneer 4 Dr. | 65 = Comanche 4WD-7 Ft. Box | 77 = Cherokee 4WD-2 Dr. |
| 25 = J-10 Pickup-119" W.B. | 66 = Comanche 2WD-7 Ft. Box | 78 = Cherokee 4WD-4 Dr. |
| 26 = J-10 Pickup-131" W.B. | 73 = Cherokee 2WD-2 Dr. | 79 = Cherokee 4WD-4 Dr.-Com |
| 27 = J-20 Pickup-131" W.B. | 74 = Cherokee 2WD-4 Dr. | 81 = Wrangler-93" W.B. |
| 63 = Comanche 4WD-6 Ft. Box | 75 = Wagoneer 4WD-4 Dr. | 82 = Wrangler-103" W.B.-Exp. |
| 64 = Comanche 2WD-6 Ft. Box | | |

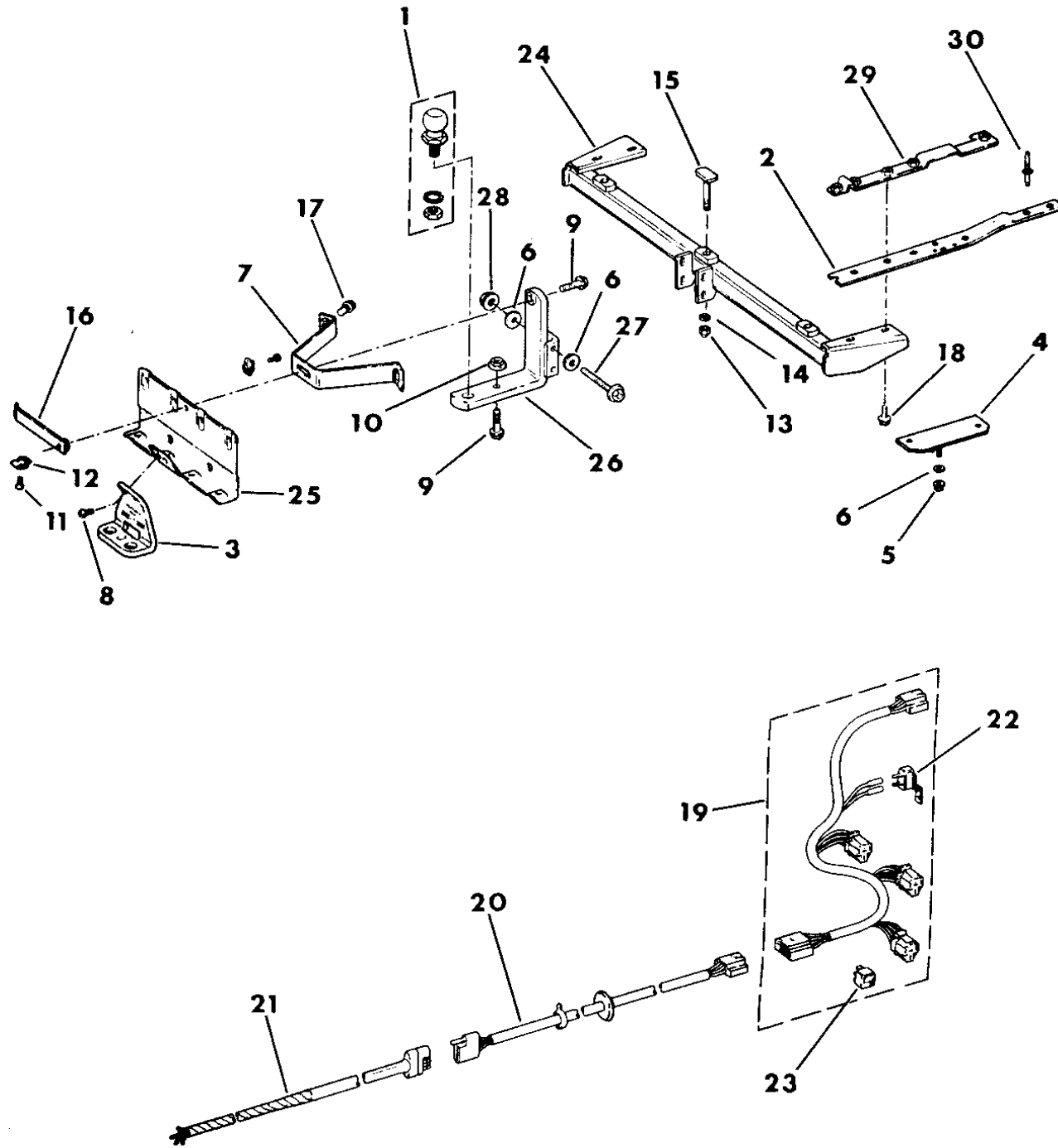
BODY STYLES:

MJ = Comanche Pickup
SJ = Grand Wagoneer Wgn., J-10 & J-20 Pickups
XJ = Cherokee, Wagoneer Limited
YJ = Wrangler

AR = Use as Required - = Non Illustrated Part P.A.R. = Paint as Required

HITCH--TRAILER LIGHT DUTY CHEROKEE, WAGONEER
Figure 13-1200

8J13 1200



| ITEM | PART NUMBER | QTY | BODY | MODEL | DESCRIPTION |
|------|-------------|-----|------|-------|---------------|
| 27 | 3420 2034 | 2 | | | SCREW |
| 28 | | | | | NUT |
| | 1150 2812 | 2 | | | 1987-89 |
| | 6502 113 | 2 | | | 1990 |
| 29 | 5200 1174-5 | 1 | | | REINFORCEMENT |
| 30 | | | | | RIVET |
| | J400 5791 | 4 | | | 1987-89 |
| | 3420 1353 | 4 | | | 1990 |

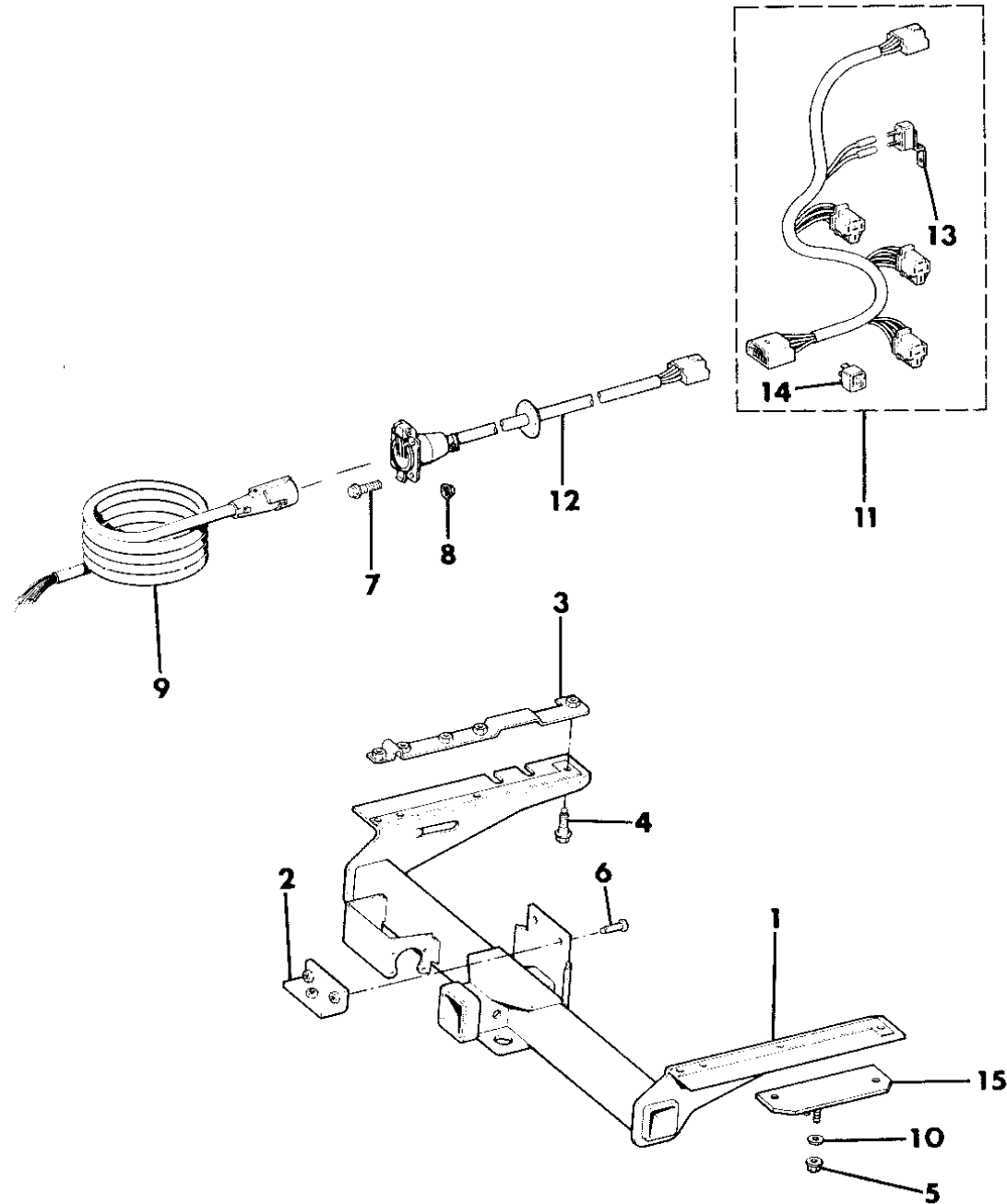
MODEL CODES:
 15 = Grand Wagoneer 4 Dr. 65 = Comanche 4WD-7 Ft. Box 77 = Cherokee 4WD-2 Dr.
 25 = J-10 Pickup-119" W.B. 66 = Comanche 2WD-7 Ft. Box 78 = Cherokee 4WD-4 Dr.
 26 = J-10 Pickup-131" W.B. 73 = Cherokee 2WD-2 Dr. 79 = Cherokee 4WD-4 Dr.-Com
 27 = J-20 Pickup-131" W.B. 74 = Cherokee 2WD-4 Dr. 81 = Wrangler-93" W.B.
 63 = Comanche 4WD-6 Ft. Box 75 = Wagoneer 4WD-4 Dr. 82 = Wrangler-103" W.B.-Exp.
 64 = Comanche 2WD-6 Ft. Box

BODY STYLES:
 MJ = Comanche Pickup
 SJ = Grand Wagoneer Wgn., J-10 & J-20 Pickups
 XJ = Cherokee, Wagoneer Limited
 YJ = Wrangler

AR = Use as Required - = Non Illustrated Part P.A.R. = Paint as Required

HITCH--TRAILER HEAVY DUTY CHEROKEE, WAGONEER
Figure 13-1300

8J13 1300



| ITEM | PART NUMBER | QTY | BODY | MODEL | DESCRIPTION |
|------|-------------|-----|------|-------|--|
| 1 | 5200 3542 | 1 | | | HITCH, Trailer |
| 2 | 5200 1389 | 1 | | | PLATE |
| 3 | 5200 1174-5 | 1 | | | REINFORCEMENT |
| 4 | 1150 4922 | 8 | | | BOLT |
| 5 | J420 0046 | 2 | | | NUT |
| 6 | 3420 1990 | 3 | | | BOLT |
| 7 | 3420 1195 | 4 | | | SCREW |
| 8 | J420 0325 | 4 | | | NUT |
| 9 | J545 5349 | 1 | | | HARNES, Trailer Towing |
| 10 | 1150 0324 | 2 | | | WASHER |
| 11 | | | | | HARNES, Trailer Towing (Also Order Body Harness 56002971 For 1987-89, Use 56004573 For 1990) |
| | 5600 2357 | 1 | | | 1987-89, Wagoneer |
| | 5600 3769 | 1 | | | 1990, 2 Door (Also order 56004573) |
| | 5600 2354 | 1 | | | 1987-89, Cherokee |
| | 5600 3768 | 1 | | | 1990, 4 Door |
| 12 | 5600 2356 | 1 | | | HARNES, Trailer Towing |
| 13 | 8350 1394 | 2 | | | BREAKER, Circuit *** |
| 14 | J575 8912 | 3 | | | RELAY, Trailer Towing |
| 15 | 5200 1511 | 1 | | | BRACKET |

MODEL CODES:

| | | |
|-----------------------------|-----------------------------|------------------------------|
| 15 = Grand Wagoneer 4 Dr. | 65 = Comanche 4WD-7 Ft. Box | 77 = Cherokee 4WD-2 Dr. |
| 25 = J-10 Pickup-119" W.B. | 66 = Comanche 2WD-7 Ft. Box | 78 = Cherokee 4WD-4 Dr. |
| 26 = J-10 Pickup-131" W.B. | 73 = Cherokee 2WD-2 Dr. | 79 = Cherokee 4WD-4 Dr.-Com |
| 27 = J-20 Pickup-131" W.B. | 74 = Cherokee 2WD-4 Dr. | 81 = Wrangler-93" W.B. |
| 63 = Comanche 4WD-6 Ft. Box | 75 = Wagoneer 4WD-4 Dr. | 82 = Wrangler-103" W.B.-Exp. |
| 64 = Comanche 2WD-6 Ft. Box | | |

BODY STYLES:

MJ = Comanche Pickup
SJ = Grand Wagoneer Wgn., J-10 & J-20 Pickups
XJ = Cherokee, Wagoneer Limited
YJ = Wrangler

AR = Use as Required - = Non Illustrated Part P.A.R. = Paint as Required

SNOW PLOW POWER LIFT UNIT CHEROKEE, WAGONEER, WRANGLER, J10, J20
Figure 13-1400

8 J13 1400A

| ITEM | PART NUMBER | QTY | BODY | MODEL | DESCRIPTION |
|------|-------------|-----|------|-------|---|
| 1 | | | | | MOTOR, Pump |
| | J201 5054 | 1 | | | 1987-89 |
| | 4026 163 | 1 | | | 1990 |
| 2 | J201 5026 | 1 | | | PUMP ASSEMBLY, Snow Plow Lift 1987-89 *** |
| 3 | | 1 | | | BASE, Lift Cylinder |
| | J201 5573 | 1 | | | 1987-89 |
| | 4026 170 | 1 | | | 1990 |
| 4 | J201 5045 | 1 | | | TANK, Lift Cylinder 1987-89 *** |
| 5 | 4026 168 | 1 | | | CYLINDER, Snow Plow Lift 1987-89 |
| 6 | J201 5335 | 1 | | | RAM, Snow PLow Lift 1987-89 |
| 7 | J201 5194 | 1 | | | COVER ASSEMBLY, Lift Cylinder |
| 8 | J201 5356 | 1 | | | SOLENOID, Valve |
| 9 | J201 5209 | 1 | | | WASHER |
| 10 | J201 5042 | 3 | | | STUD |
| 11 | J201 5043 | 3 | | | STUD |
| 12 | J201 5574 | 1 | | | VALVE PACKAGE, Check 1987-89 *** |
| 13 | J201 5326 | 1 | | | STRAINER |
| 14 | J201 5122 | 1 | | | O-RING PACKAGE *** |
| 15 | J201 5131 | 2 | | | O-RING |
| 16 | J201 5163 | 1 | | | O-RING |
| 17 | J201 5127 | 1 | | | O-RING |
| 18 | J201 5198 | 1 | | | O-RING |
| 19 | J201 5581 | 1 | | | SEAL, Pump Shaft |
| 20 | J200 5119 | 1 | | | SEAL, Lift Ram |
| 21 | J201 5254 | 1 | | | SEAL PACKAGE, Lift Cylinder *** |
| 22 | J201 5134 | 1 | | | FLUID, Hydraulic 1987-89 |
| 23 | J201 5456 | 1 | | | SEAL PACKAGE, Snow Plow Lift 1987-89 *** |
| 24 | | | | | FILTER PACKAGE *** |
| | J201 5620 | 2 | | | .50" 1987-89 |
| | J201 5641 | 2 | | | .56" |
| 25 | J201 5199 | 1 | | | SLEEVE, Lift Ram |
| 26 | J202 0697 | 3 | | | NUT, Lock |
| 27 | J202 1806 | 1 | | | VALVE, Pressure Relief |
| 28 | J202 1805 | 1 | | | FITTING, Reducer |
| 29 | J201 5621 | 1 | | | BAFFLE |
| 30 | | | | | (Serviced In Item 23) |

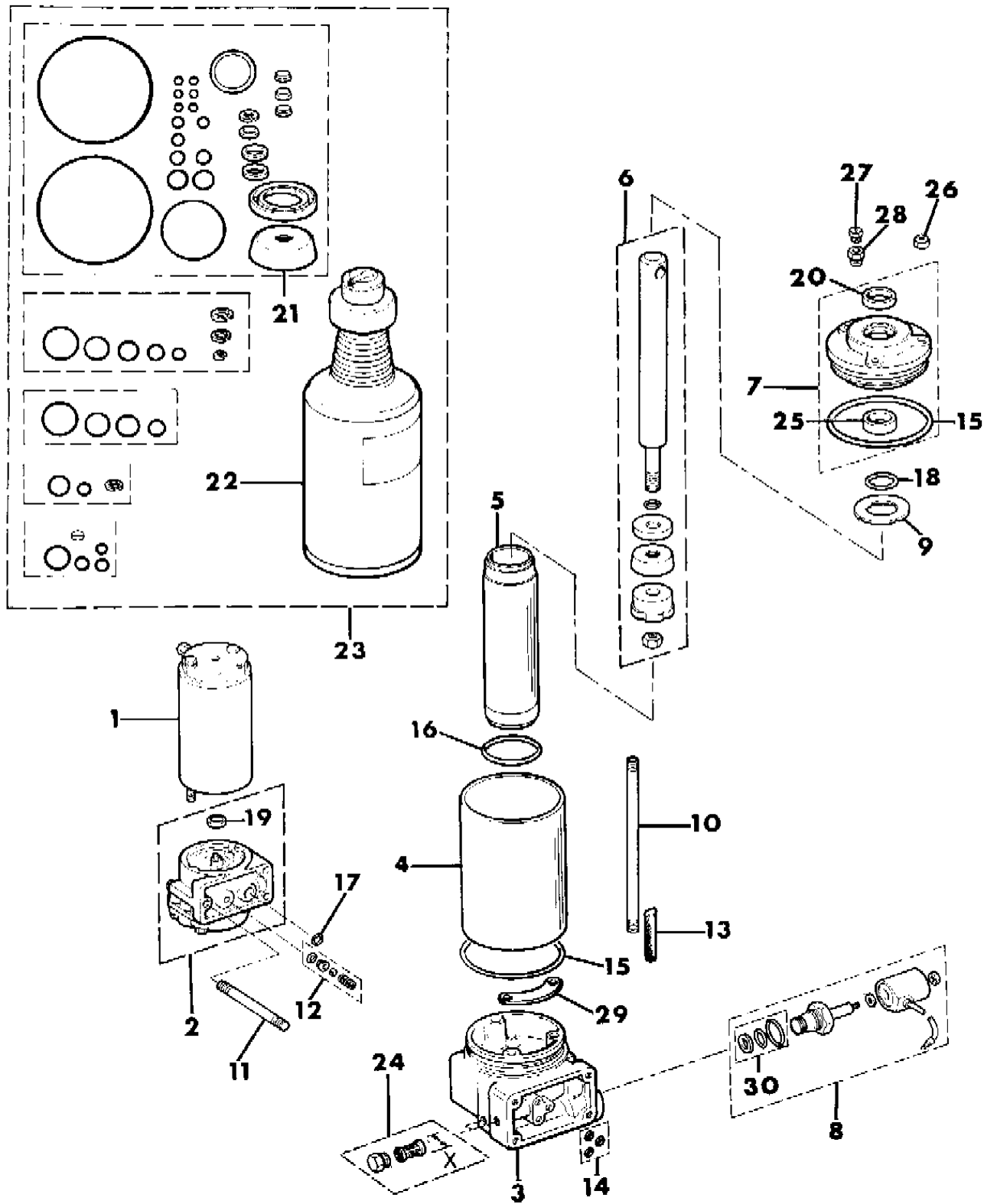
MODEL CODES:

| | | |
|-----------------------------|-----------------------------|------------------------------|
| 15 = Grand Wagoneer 4 Dr. | 65 = Comanche 4WD-7 Ft. Box | 77 = Cherokee 4WD-2 Dr. |
| 25 = J-10 Pickup-119" W.B. | 66 = Comanche 2WD-7 Ft. Box | 78 = Cherokee 4WD-4 Dr. |
| 26 = J-10 Pickup-131" W.B. | 73 = Cherokee 2WD-2 Dr. | 79 = Cherokee 4WD-4 Dr.-Com |
| 27 = J-20 Pickup-131" W.B. | 74 = Cherokee 2WD-4 Dr. | 81 = Wrangler-93" W.B. |
| 63 = Comanche 4WD-6 Ft. Box | 75 = Wagoneer 4WD-4 Dr. | 82 = Wrangler-103" W.B.-Exp. |
| 64 = Comanche 2WD-6 Ft. Box | | |

BODY STYLES:

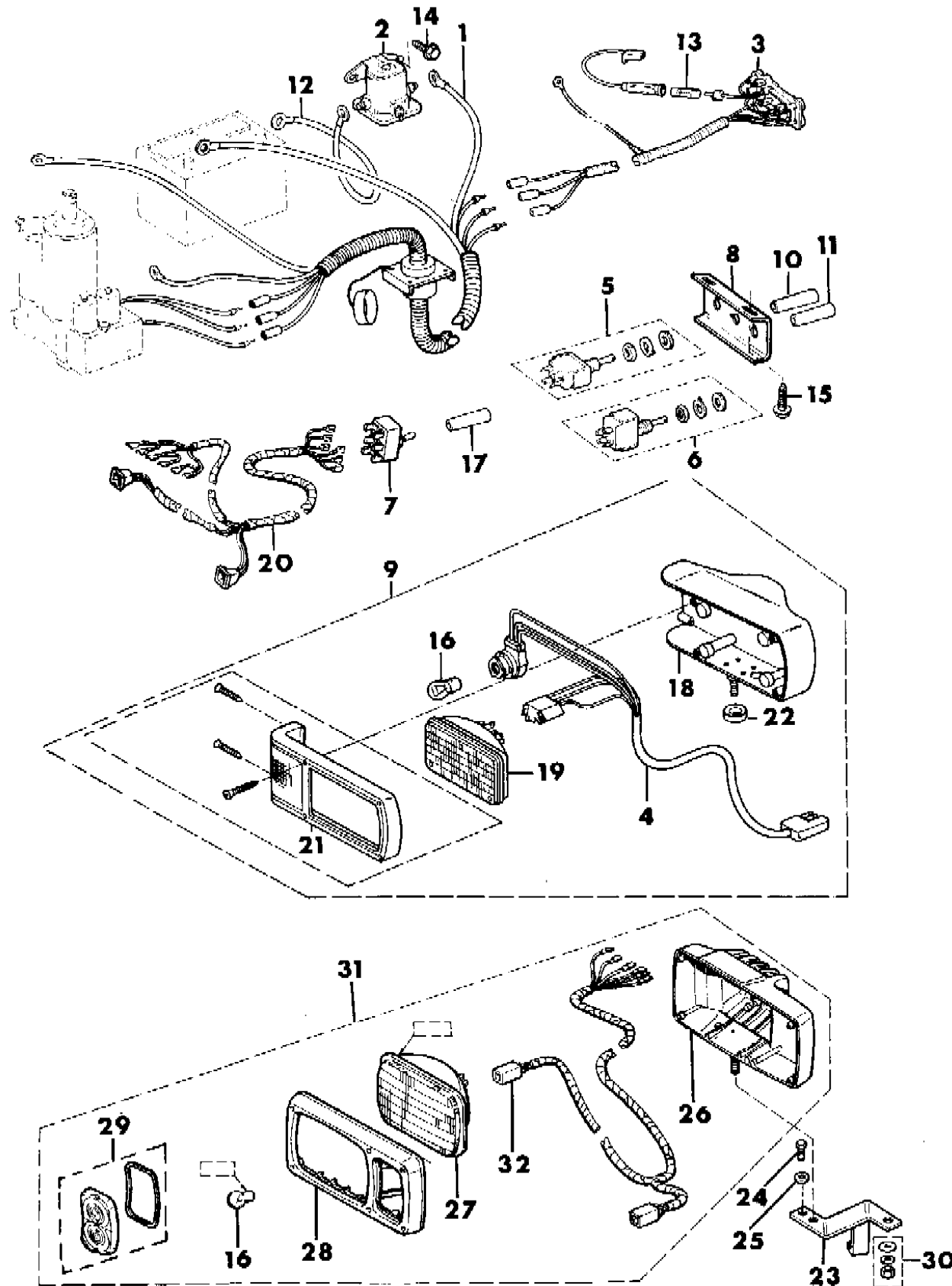
| |
|---|
| MJ = Comanche Pickup |
| SJ = Grand Wagoneer Wgn., J-10 & J-20 Pickups |
| XJ = Cherokee, Wagoneer Limited |
| YJ = Wrangler |

AR = Use as Required - = Non Illustrated Part P.A.R. = Paint as Required



SNOW PLOW OPERATING CONTROLS AND SWITCHES CHEROKEE, COMANCHE, WRANGLER, J10, J20
Figure 13-1500

8J13 1500A



| ITEM | PART NUMBER | QTY | BODY | MODEL | DESCRIPTION |
|------|-------------|-----|------|-------|---------------------------------------|
| 1 | J200 8470 | 1 | | | HARNESS, Snow Plow Electrical |
| 2 | 8330 0049 | 1 | | | SOLENOID, Snow Plow *** |
| 3 | 4026 191 | 1 | | | HARNESS, Snow Plow Electrical 1987-89 |
| 4 | 8350 5469 | 1 | | | HARNESS, Auxiliary Headlamp |
| 5 | | | | | SWITCH, Snow Plow Angle |
| | J202 1918 | 1 | | | 1987-89 |
| | 4026 192 | 1 | | | 1990 |
| 6 | | | | | SWITCH, Snow Plow Raise/Lower |
| | J202 1919 | 1 | | | 1987-89 |
| | 4162 742 | 1 | | | 1990 |
| 7 | 8350 2792 | 1 | | | SWITCH, Auxiliary Headlamp |
| 8 | J201 5656 | 1 | | | BRACKET, Snow Plow Switch |
| 9 | | | | | HEADLAMP ASSEMBLY *** |
| | 8350 5463 | 1 | | | Right |
| | 8350 5467 | 1 | | | Left |
| 10 | J201 5376 | 1 | | | HANDLE, Angle Switch (Black) |
| 11 | J201 5375 | 1 | | | HANDLE, Raise/Lower Switch (Yellow) |
| 12 | J200 5024 | 2 | | | CABLE, Snow Plow Solenoid |
| 13 | S010 6653 | 1 | | | FUSE, 20 Ampere |
| 14 | J400 5737 | 2 | | | SCREW |
| 15 | 1150 2843 | 2 | | | SCREW |
| 16 | J320 9544 | 4 | | | BULB, (1157) |
| 17 | 8350 3178 | 1 | | | HANDLE, Light Switch (Blue) |
| 18 | | | | | HOUSING, Auxiliary Headlamp |
| | 8350 5464 | 1 | | | Right |
| | 8350 5468 | 1 | | | Left |
| 19 | 8350 5471 | 2 | | | BULB, Seal Beam (6054) |
| 20 | | | | | HARNESS, Auxiliary Headlamp |
| | 8350 2795 | 1 | | | 1987-88 |
| | 8350 5469 | 1 | | | 1989-90 |
| 21 | 8350 5465 | 2 | | | BEZEL, Auxiliary Headlamp |
| 22 | 8350 5470 | 2 | | | ADAPTER, Headlamp Ferrule |
| 23 | J201 0716 | 1 | | | BRACKET, Right |
| | J201 0715 | 1 | | | BRACKET, Left |
| 24 | S018 0124 | 6 | | | BOLT |
| 25 | J012 0382 | 6 | | | WASHER, Lock |
| 26 | 8350 2793 | 1 | | | HOUSING, Auxiliary Headlamp, Right |

MODEL CODES:

| | | |
|-----------------------------|-----------------------------|------------------------------|
| 15 = Grand Wagoneer 4 Dr. | 65 = Comanche 4WD-7 Ft. Box | 77 = Cherokee 4WD-2 Dr. |
| 25 = J-10 Pickup-119" W.B. | 66 = Comanche 2WD-7 Ft. Box | 78 = Cherokee 4WD-4 Dr. |
| 26 = J-10 Pickup-131" W.B. | 73 = Cherokee 2WD-2 Dr. | 79 = Cherokee 4WD-4 Dr.-Com |
| 27 = J-20 Pickup-131" W.B. | 74 = Cherokee 2WD-4 Dr. | 81 = Wrangler-93" W.B. |
| 63 = Comanche 4WD-6 Ft. Box | 75 = Wagoneer 4WD-4 Dr. | 82 = Wrangler-103" W.B.-Exp. |
| 64 = Comanche 2WD-6 Ft. Box | | |

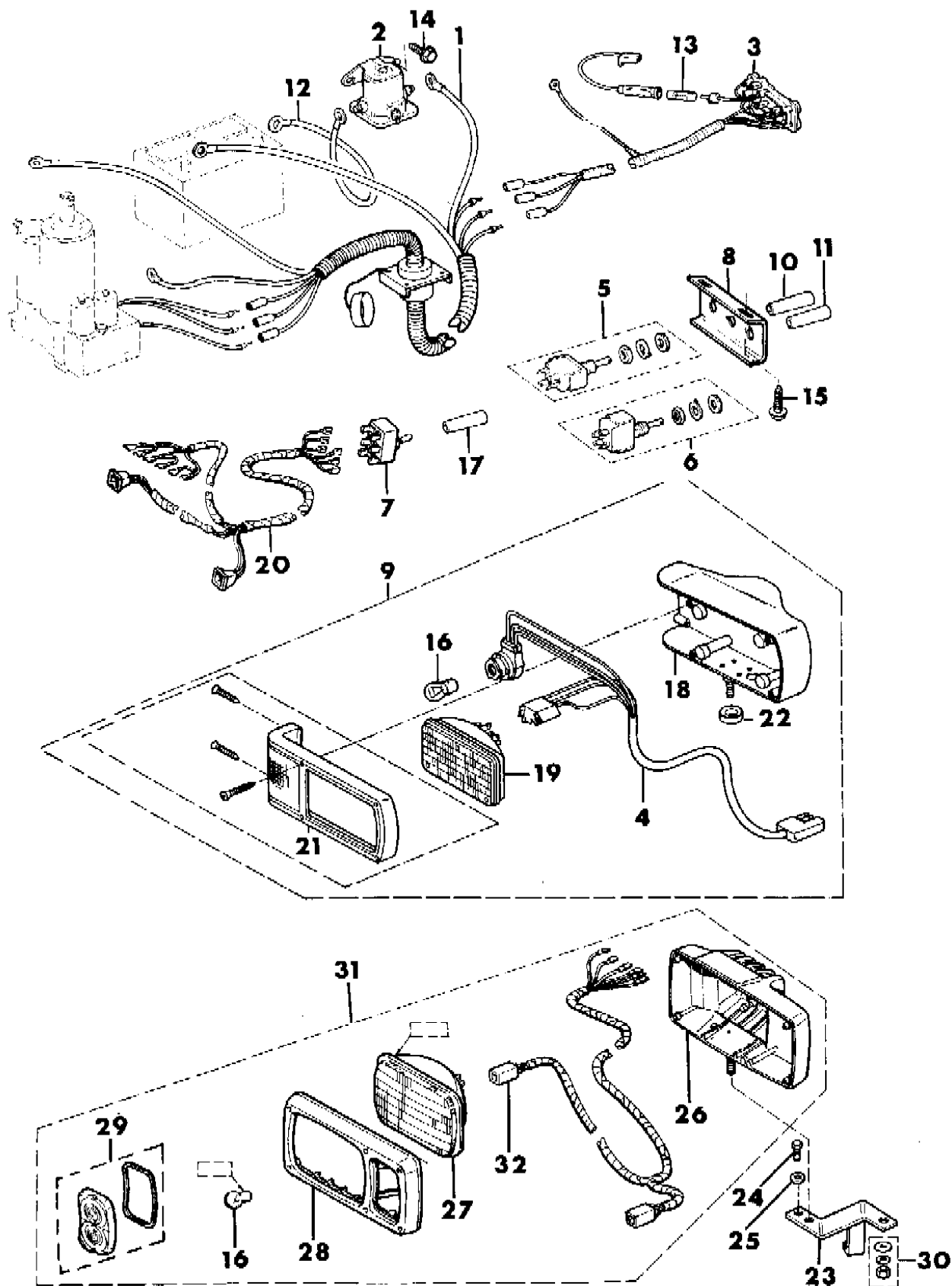
BODY STYLES:

MJ = Comanche Pickup
 SJ = Grand Wagoneer Wgn., J-10 & J-20 Pickups
 XJ = Cherokee, Wagoneer Limited
 YJ = Wrangler

AR = Use as Required - = Non Illustrated Part P.A.R. = Paint as Required

SNOW PLOW OPERATING CONTROLS AND SWITCHES CHEROKEE, COMANCHE, WRANGLER, J10, J20
Figure 13-1500

8J13 1500A



| ITEM | PART NUMBER | QTY | BODY | MODEL | DESCRIPTION |
|------|-------------|-----|------|-------|--|
| | 8350 2794 | 1 | | | HOUSING, Auxiliary Headlamp, Left |
| 27 | J813 4319 | 2 | | | BULB, Seal Beam, (6054) |
| 28 | 8350 2790 | 2 | | | BEZEL, Auxiliary Headlamp |
| 29 | 8350 2791 | 2 | | | LENS PACKAGE, Auxiliary Headlamp *** |
| 30 | 8350 2797 | 2 | | | MOUNTING PACKAGE, Auxiliary Headlamp *** |
| 31 | 8350 4184-5 | 1 | | | HEADLAMP ASSEMBLY *** |
| 32 | 8350 2796 | 1 | | | HARNES, Auxiliary Headlamp |

MODEL CODES:

| | | |
|-----------------------------|-----------------------------|------------------------------|
| 15 = Grand Wagoneer 4 Dr. | 65 = Comanche 4WD-7 Ft. Box | 77 = Cherokee 4WD-2 Dr. |
| 25 = J-10 Pickup-119" W.B. | 66 = Comanche 2WD-7 Ft. Box | 78 = Cherokee 4WD-4 Dr. |
| 26 = J-10 Pickup-131" W.B. | 73 = Cherokee 2WD-2 Dr. | 79 = Cherokee 4WD-4 Dr.-Com |
| 27 = J-20 Pickup-131" W.B. | 74 = Cherokee 2WD-4 Dr. | 81 = Wrangler-93" W.B. |
| 63 = Comanche 4WD-6 Ft. Box | 75 = Wagoneer 4WD-4 Dr. | 82 = Wrangler-103" W.B.-Exp. |
| 64 = Comanche 2WD-6 Ft. Box | | |

BODY STYLES:

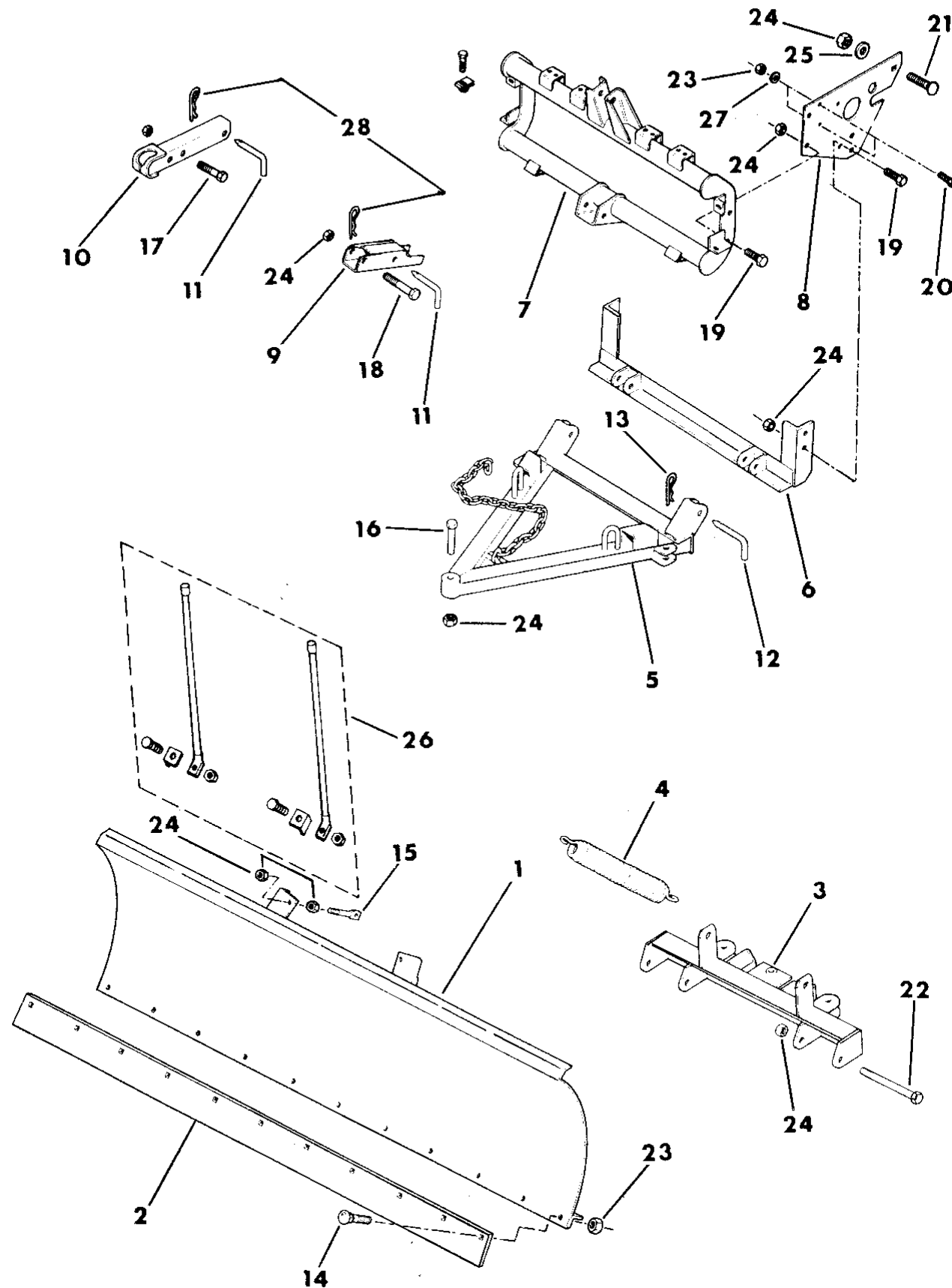
MJ = Comanche Pickup
 SJ = Grand Wagoneer Wgn., J-10 & J-20 Pickups
 XJ = Cherokee, Wagoneer Limited
 YJ = Wrangler

AR = Use as Required - = Non Illustrated Part P.A.R. = Paint as Required

SNOW PLOW MOLDBOARD AND MOUNTING CHEROKEE, COMANCHE

Figure 13-1600

8J13 1600



| ITEM | PART NUMBER | QTY | BODY | MODEL | DESCRIPTION |
|------|-------------|-----|------|-------|---|
| 1 | J260 9102 | 1 | | | MOLDBOARD ASSEMBLY |
| 2 | J200 9100 | 1 | | | BLADE, Moldboard |
| 3 | J201 0891 | 1 | | | BAR, Snow Plow Pivot |
| 4 | J201 2978 | 2 | | | SPRING, Snow Plow Trip |
| 5 | J201 0888 | 1 | | | A-FRAME, Snow Plow |
| 6 | J201 0897 | 1 | | | FRAME, Snow Plow Clevis |
| 7 | J201 0883 | 1 | | | FRAME, Snow Plow Lift |
| 8 | J201 0901 | 2 | | | PLATE, Side |
| 9 | J201 0529 | 1 | | | ARM, Snow Plow Support |
| 10 | | | | | ARM, Snow Plow Lift |
| | J201 0514 | 1 | | | 1987-89 |
| | 3497 294 | 1 | | | 1990 |
| 11 | J201 0538 | 2 | | | PIN, Quick Disconnect |
| 12 | J201 1006 | 2 | | | PIN, Hinge |
| 13 | J200 8408 | 2 | | | CLIP, Spring |
| 14 | J202 1943 | 11 | | | BOLT |
| 15 | J201 2150 | 2 | | | BOLT |
| 16 | J201 3591 | 1 | | | BOLT |
| 17 | J202 0144 | 1 | | | BOLT |
| 18 | S027 1730 | 1 | | | BOLT |
| 19 | J202 0139 | 8 | | | BOLT |
| 20 | S018 0175 | 4 | | | BOLT |
| 21 | J202 0254 | 2 | | | BOLT |
| 22 | J201 3598 | 2 | | | BOLT |
| 23 | J202 0307 | 15 | | | NUT, Lock |
| 24 | J202 0318 | 16 | | | NUT, Lock |
| 25 | J013 1016 | 2 | | | WASHER, Plain |
| 26 | | | | | INDICATOR PACKAGE, Snow Plow Marker *** |
| | J200 9916 | 1 | | | 1987-89 |
| | 3879 746 | 1 | | | 1990 |
| 27 | J012 0396 | 4 | | | WASHER, Plain |
| 28 | J202 1984 | 2 | | | PIN, Cotter |

MODEL CODES:

| | | |
|-----------------------------|-----------------------------|------------------------------|
| 15 = Grand Wagoneer 4 Dr. | 65 = Comanche 4WD-7 Ft. Box | 77 = Cherokee 4WD-2 Dr. |
| 25 = J-10 Pickup-119" W.B. | 66 = Comanche 2WD-7 Ft. Box | 78 = Cherokee 4WD-4 Dr. |
| 26 = J-10 Pickup-131" W.B. | 73 = Cherokee 2WD-2 Dr. | 79 = Cherokee 4WD-4 Dr.-Com |
| 27 = J-20 Pickup-131" W.B. | 74 = Cherokee 2WD-4 Dr. | 81 = Wrangler-93" W.B. |
| 63 = Comanche 4WD-6 Ft. Box | 75 = Wagoneer 4WD-4 Dr. | 82 = Wrangler-103" W.B.-Exp. |
| 64 = Comanche 2WD-6 Ft. Box | | |

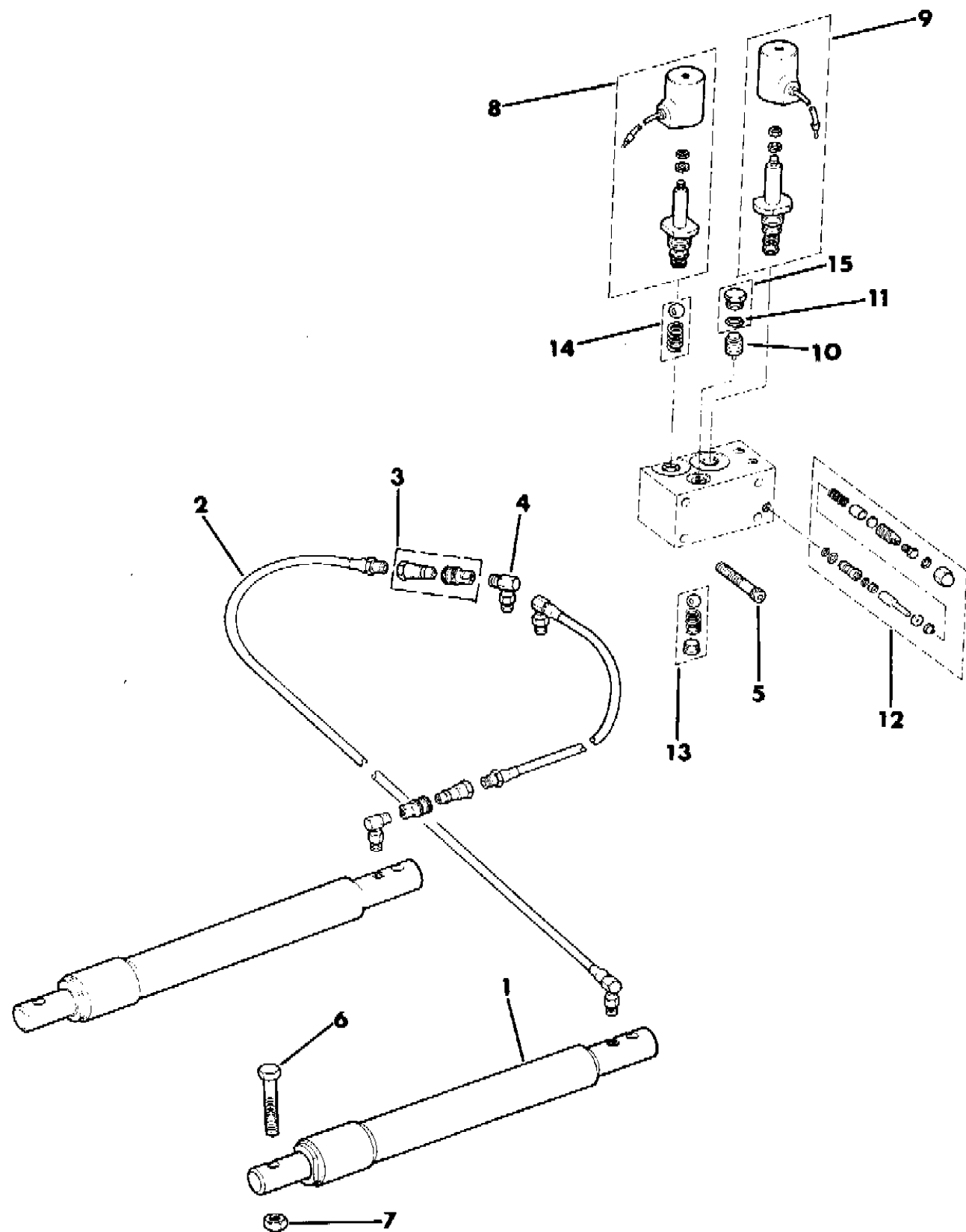
BODY STYLES:

MJ = Comanche Pickup
 SJ = Grand Wagoneer Wgn., J-10 & J-20 Pickups
 XJ = Cherokee, Wagoneer Limited
 YJ = Wrangler

AR = Use as Required - = Non Illustrated Part P.A.R. = Paint as Required

SNOW PLOW POWER ANGLING CYLINDERS CHEROKEE, COMANCHE, WRANGLER, J10, J20
Figure 13-1700

8J13 1700 A



| ITEM | PART NUMBER | QTY | BODY | MODEL | DESCRIPTION |
|------|-------------|-----|------|-------|----------------------------------|
| 1 | | | | | RAM, Power Angling |
| | J200 5810 | 2 | | | 1987-89 |
| | 3632 703 | 2 | | | 1990 |
| 2 | | | | | HOSE ASSEMBLY *** |
| | J202 1856 | 1 | | | 1987-89 |
| 3 | J201 5072 | 2 | | | COUPLING SET, 1987-89 *** |
| 4 | J202 1855 | 2 | | | FITTING, Swivel 1987-89 *** |
| 5 | J202 1826 | 4 | | | SCREW |
| 6 | S027 1730 | 4 | | | BOLT |
| 7 | J202 0318 | 1 | | | SOLENOID, Valve |
| 8 | J201 5357 | 1 | | | SOLENOID, Valve |
| 9 | J201 5358 | 1 | | | SOLENOID, Valve |
| 10 | J201 5609 | 1 | | | PISTON *** |
| 11 | J201 5126 | 1 | | | O-RING *** |
| 12 | | | | | VALVE PACKAGE, Crossover *** |
| | J201 5606 | 1 | | | 1987-89 |
| | 4026 175 | 1 | | | 1990 |
| 13 | | | | | VALVE PACKAGE, Check *** |
| | J201 5639 | 1 | | | 1987-89 |
| | 4026 177 | 1 | | | 1990 |
| 14 | J201 5576 | 1 | | | VALVE PACKAGE, Check 1987-89 *** |
| 15 | J201 5359 | 1 | | | PLUG |

MODEL CODES:

| | | |
|-----------------------------|-----------------------------|------------------------------|
| 15 = Grand Wagoneer 4 Dr. | 65 = Comanche 4WD-7 Ft. Box | 77 = Cherokee 4WD-2 Dr. |
| 25 = J-10 Pickup-119" W.B. | 66 = Comanche 2WD-7 Ft. Box | 78 = Cherokee 4WD-4 Dr. |
| 26 = J-10 Pickup-131" W.B. | 73 = Cherokee 2WD-2 Dr. | 79 = Cherokee 4WD-4 Dr.-Com |
| 27 = J-20 Pickup-131" W.B. | 74 = Cherokee 2WD-4 Dr. | 81 = Wrangler-93" W.B. |
| 63 = Comanche 4WD-6 Ft. Box | 75 = Wagoneer 4WD-4 Dr. | 82 = Wrangler-103" W.B.-Exp. |
| 64 = Comanche 2WD-6 Ft. Box | | |

BODY STYLES:

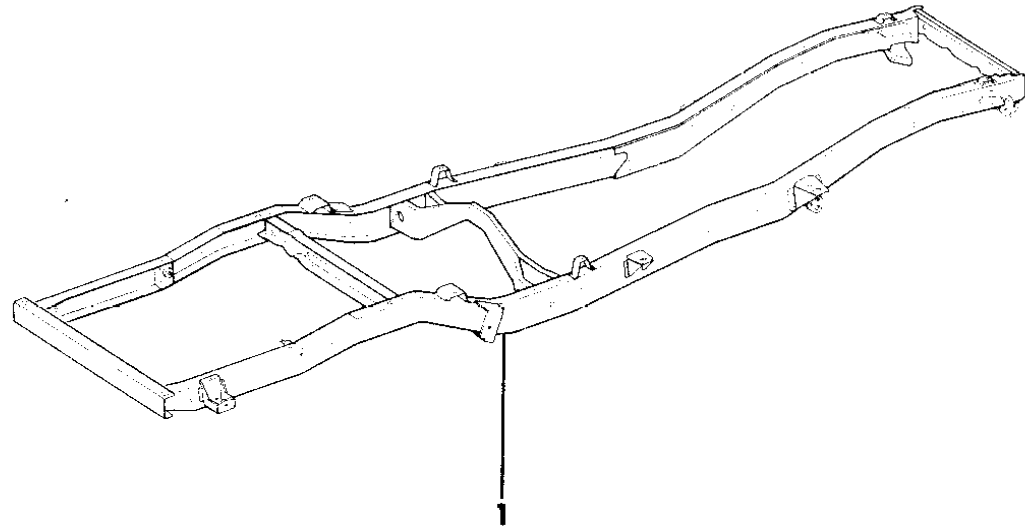
MJ = Comanche Pickup
 SJ = Grand Wagoneer Wgn., J-10 & J-20 Pickups
 XJ = Cherokee, Wagoneer Limited
 YJ = Wrangler

AR = Use as Required - = Non Illustrated Part P.A.R. = Paint as Required

FRAME ASSEMBLY GRAND WAGONEER, J10, J20
Figure 13-1800

8J13 1800

| ITEM | PART NUMBER | QTY | BODY | MODEL | DESCRIPTION |
|------|-------------|-----|------|--------|----------------|
| 1 | | | | | FRAME ASSEMBLY |
| | J536 5187 | 1 | | 15 | |
| | J535 9829 | 1 | | 26, 27 | 1987-88 |



MODEL CODES:

| | | |
|-----------------------------|-----------------------------|------------------------------|
| 15 = Grand Wagoneer 4 Dr. | 65 = Comanche 4WD-7 Ft. Box | 77 = Cherokee 4WD-2 Dr. |
| 25 = J-10 Pickup-119" W.B. | 66 = Comanche 2WD-7 Ft. Box | 78 = Cherokee 4WD-4 Dr. |
| 26 = J-10 Pickup-131" W.B. | 73 = Cherokee 2WD-2 Dr. | 79 = Cherokee 4WD-4 Dr.-Com |
| 27 = J-20 Pickup-131" W.B. | 74 = Cherokee 2WD-4 Dr. | 81 = Wrangler-93" W.B. |
| 63 = Comanche 4WD-6 Ft. Box | 75 = Wagoneer 4WD-4 Dr. | 82 = Wrangler-103" W.B.-Exp. |
| 64 = Comanche 2WD-6 Ft. Box | | |

BODY STYLES:

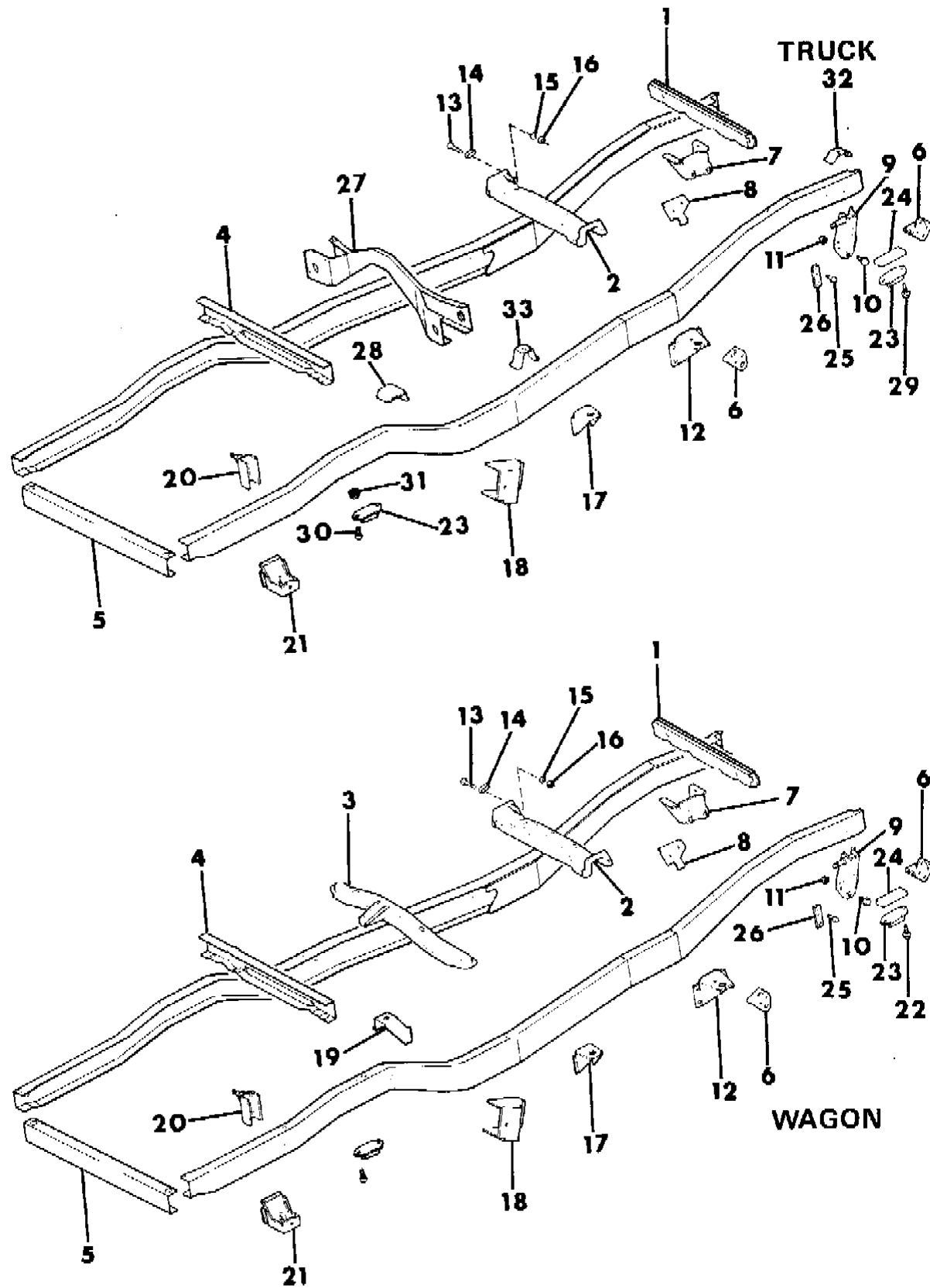
MJ = Comanche Pickup
 SJ = Grand Wagoneer Wgn., J-10 & J-20 Pickups
 XJ = Cherokee, Wagoneer Limited
 YJ = Wrangler

AR = Use as Required - = Non Illustrated Part P.A.R. = Paint as Required

FRAME AND COMPONENTS GRAND WAGONEER, J10, J20

Figure 13-1900

8J13 1900 A



| ITEM | PART NUMBER | QTY | BODY | MODEL | DESCRIPTION |
|------|-------------|-----|------|-------|---------------------------|
| 1 | J812 9559 | 1 | | | CROSSMEMBER, Front |
| 2 | J813 1904 | 1 | | | CROSSMEMBER, Engine, Rear |
| 3 | J812 7718 | 1 | | 15 | CROSSMEMBER, Center |
| | J813 3430 | 1 | | 26,27 | 1987-88 |
| 4 | J813 3431 | 1 | | 15 | CROSSMEMBER |
| | J812 6847 | 1 | | 26,27 | 1987-88 |
| 5 | J812 9560 | 1 | | 15 | CROSSMEMBER, Rear |
| | J812 6849 | 1 | | 26,27 | 1987-88 |
| 6 | J812 9561 | 4 | | | BRACKET, Spring Mounting |
| 7 | J812 7810 | 1 | | | BRACKET |
| 8 | J812 7811 | 1 | | | GUSSET |
| 9 | J536 4228-9 | | | | BRACKET, Shock Absorber |
| 10 | J400 5665 | 2 | | | SCREW, 1.12" |
| | J400 6864 | 4 | | | BOLT, 3.25" |
| 11 | J400 3909 | 4 | | | NUT |
| 12 | J812 6836 | 1 | | 15 | BRACKET Right |
| | J812 6835 | 1 | | 15 | Left |
| | J812 6838 | 1 | | 26,27 | Right, 1987-88 |
| | J812 6837 | 1 | | 26,27 | Left, 1987-88 (Not Serv.) |
| 13 | J018 1652 | 8 | | | BOLT |
| 14 | J813 1905 | 2 | | | SPACER |
| 15 | J012 0382 | 8 | | | WASHER 1987-89 |
| | J400 3803 | 8 | | | 1990 |
| 16 | J012 0369 | 8 | | | NUT |
| 17 | J812 6840 | 2 | | 15 | BRACKET |
| | J812 6839 | 2 | | 26,27 | 1988 |
| 18 | J812 6850 | 2 | | 15 | BRACKET |
| | J812 6852 | 1 | | 26,27 | Right, 1987-88 |
| | J812 6851 | 1 | | 26,27 | Left, 1987-88 |
| 19 | | | | | BRACKET |

MODEL CODES:

| | | |
|-----------------------------|-----------------------------|------------------------------|
| 15 = Grand Wagoneer 4 Dr. | 65 = Comanche 4WD-7 Ft. Box | 77 = Cherokee 4WD-2 Dr. |
| 25 = J-10 Pickup-119" W.B. | 66 = Comanche 2WD-7 Ft. Box | 78 = Cherokee 4WD-4 Dr. |
| 26 = J-10 Pickup-131" W.B. | 73 = Cherokee 2WD-2 Dr. | 79 = Cherokee 4WD-4 Dr.-Com |
| 27 = J-20 Pickup-131" W.B. | 74 = Cherokee 2WD-4 Dr. | 81 = Wrangler-93" W.B. |
| 63 = Comanche 4WD-6 Ft. Box | 75 = Wagoneer 4WD-4 Dr. | 82 = Wrangler-103" W.B.-Exp. |
| 64 = Comanche 2WD-6 Ft. Box | | |

BODY STYLES:

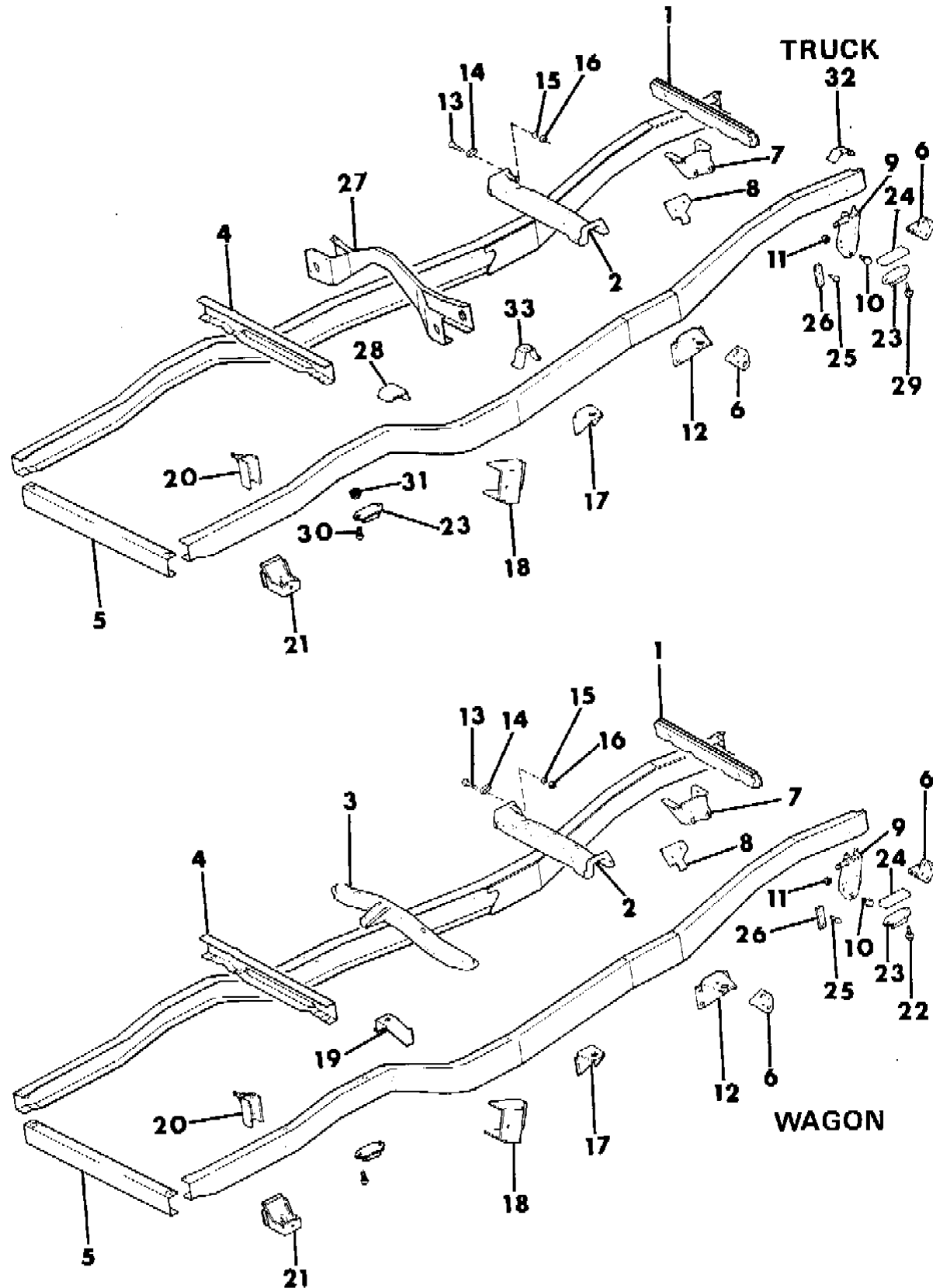
MJ = Comanche Pickup
 SJ = Grand Wagoneer Wgn., J-10 & J-20 Pickups
 XJ = Cherokee, Wagoneer Limited
 YJ = Wrangler

AR = Use as Required - = Non Illustrated Part P.A.R. = Paint as Required

FRAME AND COMPONENTS GRAND WAGONEER, J10, J20

Figure 13-1900

8J13 1900 A



| ITEM | PART NUMBER | QTY | BODY | MODEL | DESCRIPTION |
|------|-------------|-----|------|-------|------------------------------|
| | J812 6854 | 1 | | 15 | Right |
| | J812 6853 | 1 | | 15 | Left |
| 20 | J812 6859 | 2 | | 15 | BRACKET |
| | J812 6858 | 2 | | 26,27 | 1987-88 |
| 21 | J812 6861 | 2 | | 15 | BRACKET |
| | J812 6860 | 2 | | 26,27 | 1987-88 |
| 22 | J400 3060 | AR | | | SCREW, 1.25" |
| | J400 5063 | 2 | | 26,27 | .62", 1987-88 |
| 23 | J535 5483 | 4 | | | BUMPER, Axle |
| 24 | J536 1023 | 2 | | | SPACER |
| 25 | J400 5063 | 8 | | | SCREW |
| 26 | J535 3415 | 2 | | | BRACKET |
| 27 | J813 3430 | 1 | | 26,27 | CROSSMEMBER, Center 1988 |
| 28 | J812 6855 | 2 | | 26,27 | BRACKET, 1987-88 (Not Serv.) |
| 29 | | | | | SCREW |
| | J400 5063 | 2 | | 26,27 | .62", 1987-88 |
| | J400 3060 | 2 | | 26,27 | 1.25", 1988 |
| 30 | J018 0078 | 4 | | 26,27 | BOLT, 1987-88 |
| 31 | J012 0376 | 4 | | 26,27 | NUT, 1987-88 |
| 32 | J812 6803 | 2 | | 26,27 | BRACKET, 1987-88 |
| 33 | J812 6841 | 2 | | 26,27 | BRACKET, 1987-88 (Not Serv.) |

MODEL CODES:

| | | |
|-----------------------------|-----------------------------|------------------------------|
| 15 = Grand Wagoneer 4 Dr. | 65 = Comanche 4WD-7 Ft. Box | 77 = Cherokee 4WD-2 Dr. |
| 25 = J-10 Pickup-119" W.B. | 66 = Comanche 2WD-7 Ft. Box | 78 = Cherokee 4WD-4 Dr. |
| 26 = J-10 Pickup-131" W.B. | 73 = Cherokee 2WD-2 Dr. | 79 = Cherokee 4WD-4 Dr.-Com |
| 27 = J-20 Pickup-131" W.B. | 74 = Cherokee 2WD-4 Dr. | 81 = Wrangler-93" W.B. |
| 63 = Comanche 4WD-6 Ft. Box | 75 = Wagoneer 4WD-4 Dr. | 82 = Wrangler-103" W.B.-Exp. |
| 64 = Comanche 2WD-6 Ft. Box | | |

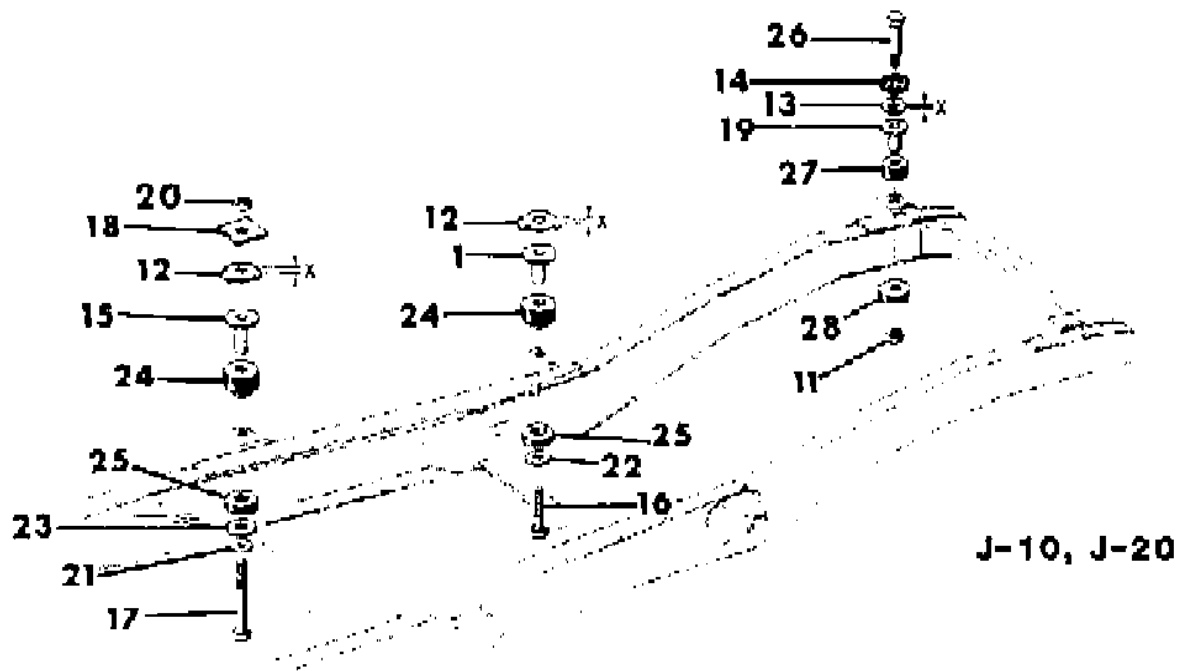
BODY STYLES:

MJ = Comanche Pickup
 SJ = Grand Wagoneer Wgn., J-10 & J-20 Pickups
 XJ = Cherokee, Wagoneer Limited
 YJ = Wrangler

AR = Use as Required - = Non Illustrated Part P.A.R. = Paint as Required

MOUNTING HARDWARE--BODY GRAND WAGONEER, J10, J20
Figure 13-2000

8J13 2000



| ITEM | PART NUMBER | QTY | BODY | MODEL | DESCRIPTION |
|------|-------------|-----|------|-------|---------------------------|
| 1 | J545 9181 | 8 | | | TUBE AND WASHER |
| 2 | S941 9091 | 8 | | 15 | BOLT, Hex Flange |
| 3 | J575 0380 | 2 | | 15 | TUBE, w/Washer |
| 4 | J400 6423 | 8 | | 15 | WASHER, Flat |
| 5 | J545 9184 | 8 | | 15 | INSULATOR, 1987-88 |
| | J545 9185 | 8 | | 15 | INSULATOR, 1989-90 |
| 6 | J545 9515 | 8 | | 15 | INSULATOR |
| 7 | J545 9186 | 2 | | 15 | INSULATOR |
| 8 | J400 6593 | 2 | | 15 | BOLT |
| 9 | J575 0373 | 2 | | 15 | INSULATOR |
| 10 | J575 0374 | 2 | | 15 | INSULATOR |
| 11 | J400 6165 | 2 | | | NUT, Flange |
| 12 | | | | | SHIM |
| | J400 6114 | AR | | | .033" Thick |
| | J400 6115 | AR | | | .060" Thick |
| 13 | | | | | WASHER |
| | J400 6411 | AR | | | .032" Thick |
| | J400 6412 | AR | | | .059" Thick |
| 14 | J400 6414 | AR | | | SHIM |
| 15 | J545 9524 | 2 | | 26,27 | TUBE, w/Washer, 1987-88 |
| 16 | S941 9091 | 2 | | 26,27 | BOLT, Hex Flange, 1987-88 |
| 17 | J400 5667 | 2 | | 26,27 | BOLT, 1987-88 |
| 18 | J099 4165 | 2 | | 26,27 | REINFORCEMENT, 1987-88 |
| 19 | J575 0381 | 2 | | 26,27 | TUBE, w/Washer, 1987-88 |
| 20 | J400 4005 | 2 | | 26,27 | NUT, Lock, 1987-88 |
| 21 | J400 3805 | 2 | | 26,27 | WASHER, Flat, 1987-88 |
| 22 | J400 6423 | 2 | | 26,27 | WASHER, Flat, 1987-88 |
| 23 | J400 6423 | 2 | | 26,27 | WASHER, Flat, 1987-88 |
| 24 | J545 9184 | 4 | | 26,27 | INSULATOR, 1987-88 |
| 25 | J545 9515 | 4 | | 26,27 | INSULATOR, 1987-88 |
| 26 | J400 6417 | 2 | | 26,27 | BOLT, 1987-88 |
| 27 | J575 0373 | 2 | | 26,27 | INSULATOR, 1987-88 |
| 28 | J575 0382 | 2 | | 26,27 | INSULATOR, 1987-88 |

MODEL CODES:

| | | |
|-----------------------------|-----------------------------|------------------------------|
| 15 = Grand Wagoneer 4 Dr. | 65 = Comanche 4WD-7 Ft. Box | 77 = Cherokee 4WD-2 Dr. |
| 25 = J-10 Pickup-119" W.B. | 66 = Comanche 2WD-7 Ft. Box | 78 = Cherokee 4WD-4 Dr. |
| 26 = J-10 Pickup-131" W.B. | 73 = Cherokee 2WD-2 Dr. | 79 = Cherokee 4WD-4 Dr.-Com |
| 27 = J-20 Pickup-131" W.B. | 74 = Cherokee 2WD-4 Dr. | 81 = Wrangler-93" W.B. |
| 63 = Comanche 4WD-6 Ft. Box | 75 = Wagoneer 4WD-4 Dr. | 82 = Wrangler-103" W.B.-Exp. |
| 64 = Comanche 2WD-6 Ft. Box | | |

BODY STYLES:

MJ = Comanche Pickup
SJ = Grand Wagoneer Wgn., J-10 & J-20 Pickups
XJ = Cherokee, Wagoneer Limited
YJ = Wrangler

AR = Use as Required - = Non Illustrated Part P.A.R. = Paint as Required

BUMPER--FRONT GRAND WAGONEER, J10, J20
Figure 13-2100

8J13 2100

| ITEM | PART NUMBER | QTY | BODY | MODEL | DESCRIPTION |
|------|-------------|-----|------|-------|--|
| 1 | J536 3152 | 1 | | 15 | RAIL, Bumper 1987-89 |
| | J536 3153 | 1 | | 26,27 | 1987-88 |
| 2 | J536 3154 | 1 | | 15 | RAIL, Bumper |
| | J536 3153 | 1 | | 26,27 | (Part must be modified to fit this application.) 1987-88 |
| 3 | J576 1927 | 1 | | | DEFLECTOR, Air |
| 4 | J576 1928 | 1 | | 15 | DEFLECTOR, Air |
| 5 | J536 2881 | 1 | | | GUARD, Bumper Right |
| | J536 2882 | 1 | | | Left |
| 6 | 5502 4418-9 | 1 | | | GUARD, Bumper |
| 7 | J535 8686 | 1 | | 15 | BRACKET, Mounting Right |
| | J535 8685 | 1 | | 15 | Left |
| | J535 8688 | 1 | | 26,27 | Right, 1987-88 |
| | J535 8687 | 1 | | 26,27 | Left, 1987-88 |
| | J400 7000 | 10 | | | SCREW |
| 9 | J400 6696 | 2 | | | WASHER |
| 10 | J400 3956 | AR | | | NUT |
| 11 | J576 4609 | 1 | | | BRACKET, License |
| 12 | J400 4156 | 1 | | | BUMPER |
| 13 | J942 6241 | 2 | | | SCREW |
| 14 | J400 5265 | 2 | | | NUT |
| 15 | J400 6801 | 6 | | | SCREW |
| | J400 6868 | AR | | | BOLT |
| 16 | J535 9296 | AR | | | INSULATOR |
| 17 | J400 6611 | 2 | | | BOLT |
| | J812 1353 | 6 | | | SCREW, 1987-89 |
| 18 | J941 9856 | 6 | | | 1990 |
| | J400 4469 | 6 | | | NUT |

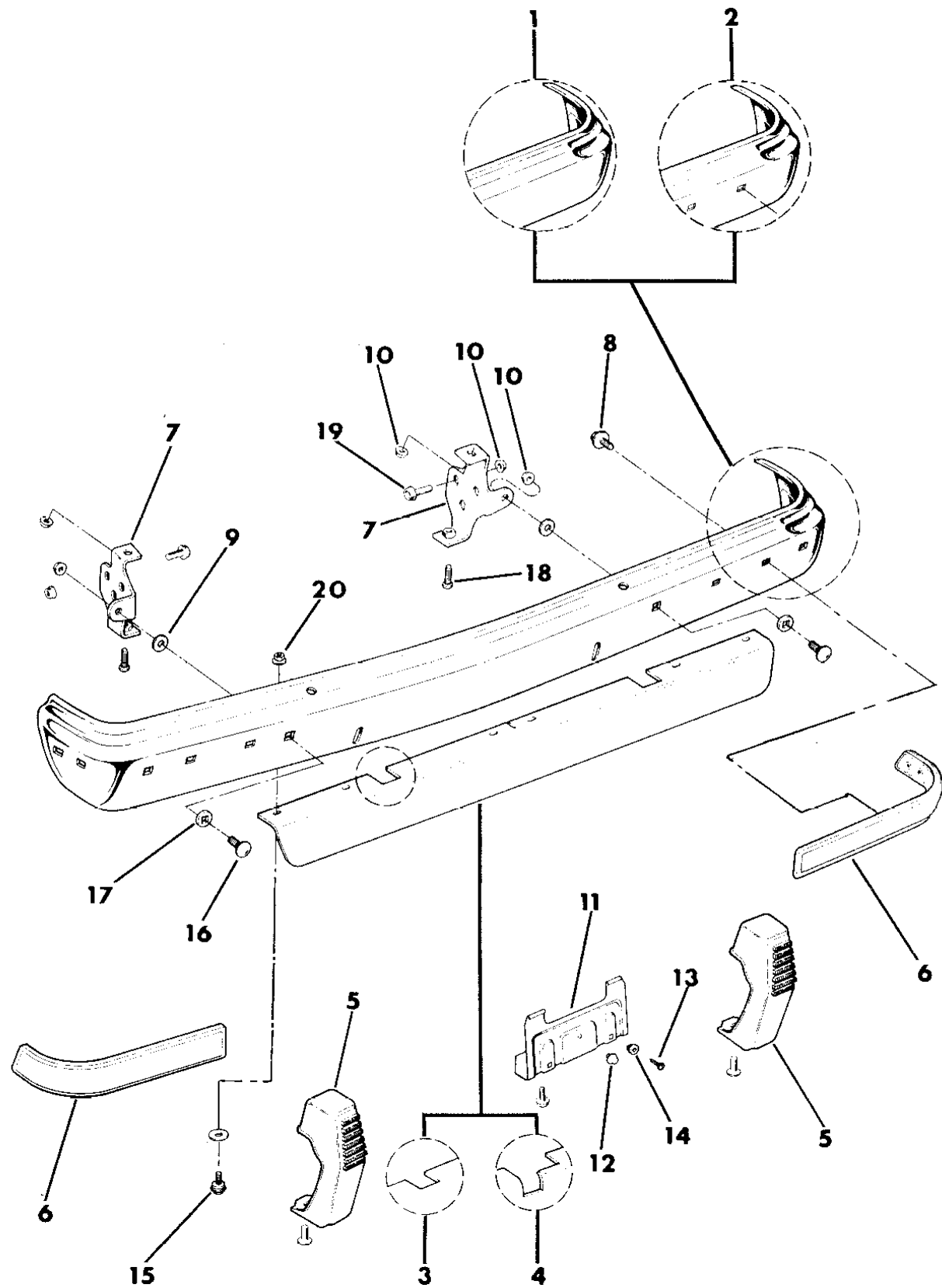
MODEL CODES:

| | | |
|-----------------------------|-----------------------------|------------------------------|
| 15 = Grand Wagoneer 4 Dr. | 65 = Comanche 4WD-7 Ft. Box | 77 = Cherokee 4WD-2 Dr. |
| 25 = J-10 Pickup-119" W.B. | 66 = Comanche 2WD-7 Ft. Box | 78 = Cherokee 4WD-4 Dr. |
| 26 = J-10 Pickup-131" W.B. | 73 = Cherokee 2WD-2 Dr. | 79 = Cherokee 4WD-4 Dr.-Com |
| 27 = J-20 Pickup-131" W.B. | 74 = Cherokee 2WD-4 Dr. | 81 = Wrangler-93" W.B. |
| 63 = Comanche 4WD-6 Ft. Box | 75 = Wagoneer 4WD-4 Dr. | 82 = Wrangler-103" W.B.-Exp. |
| 64 = Comanche 2WD-6 Ft. Box | | |

BODY STYLES:

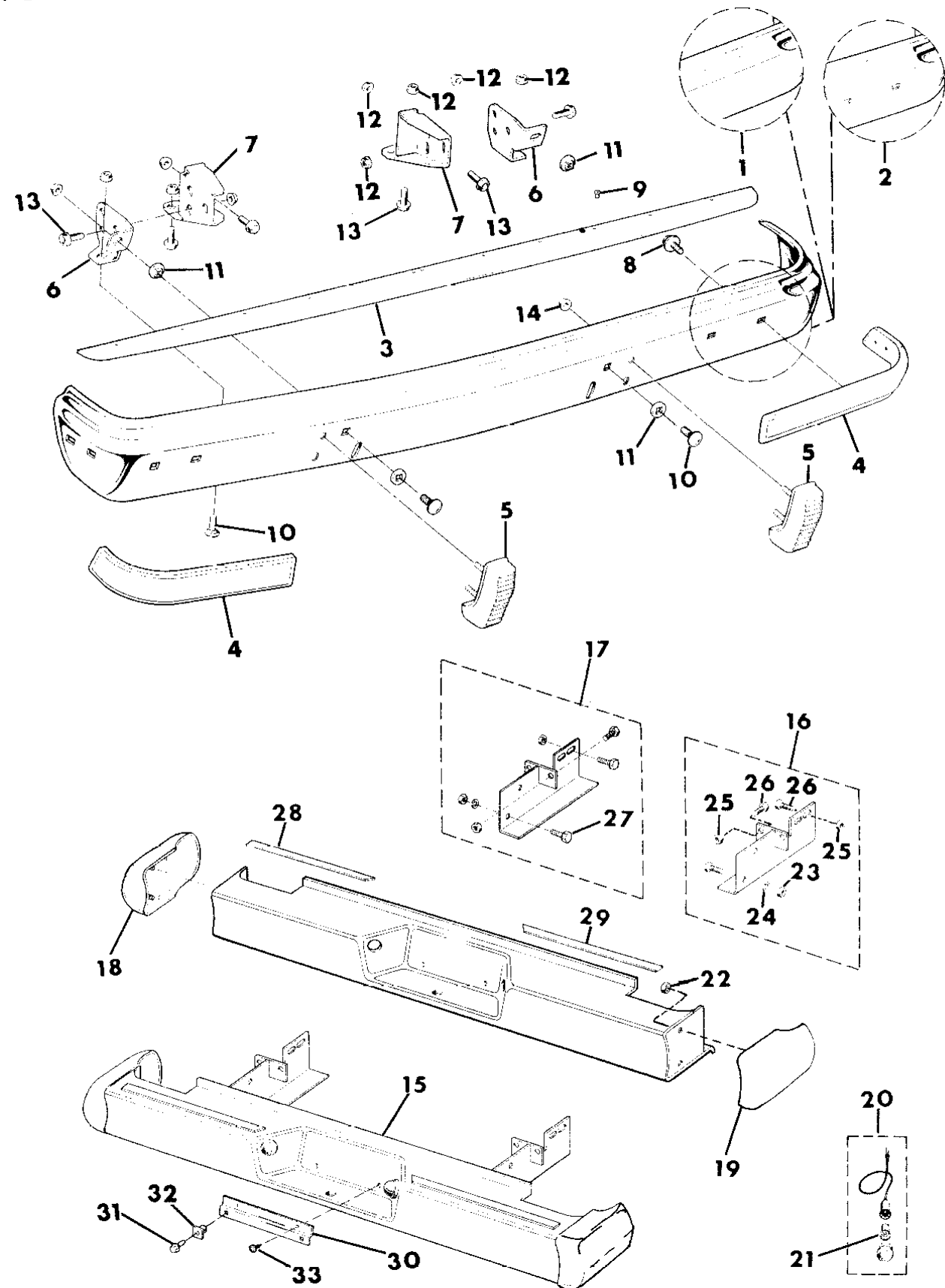
MJ = Comanche Pickup
 SJ = Grand Wagoneer Wgn., J-10 & J-20 Pickups
 XJ = Cherokee, Wagoneer Limited
 YJ = Wrangler

AR = Use as Required - = Non Illustrated Part P.A.R. = Paint as Required



BUMPERS--REAR GRAND WAGONEER, J10, J20
Figure 13-2200

8J13 2200



| ITEM | PART NUMBER | QTY | BODY | MODEL | DESCRIPTION |
|------|-------------|-----|------|-------|--|
| 1 | J536 3156 | 1 | | 15 | RAIL, Bumper, 1987-89, (w/o Holes for Guards and Cushions) |
| 2 | J536 3157 | 1 | | 15 | RAIL, Bumper, w/ Guards and Cushions |
| 3 | J576 4753 | 1 | | 15 | DEFLECTOR |
| 4 | 5502 4420-1 | 1 | | 15 | GUARD, Bumper |
| 5 | | | | 15 | GUARD, Bumper |
| 6 | J575 1658 | 1 | | | Right |
| | J575 1657 | 1 | | | Left |
| 6 | | | | 15 | BRACKET, Bumper |
| | J535 8730 | 1 | | | Right |
| | J535 8729 | 1 | | | Left |
| 7 | | | | 15 | BRACKET, Extension |
| | J535 8732 | 1 | | | Right |
| | J535 8731 | 1 | | | Left |
| 8 | J400 7000 | 8 | | 15 | SCREW |
| 9 | J400 4822 | 12 | | 15 | RIVET |
| 10 | J400 6868 | 4 | | 15 | BOLT |
| 11 | J535 9296 | 4 | | 15 | INSULATOR |
| 12 | J400 3956 | AR | | 15 | NUT |
| 13 | J812 1353 | AR | | 15 | SCREW, 1987-89 |
| | J941 9856 | AR | | 15 | 1990 |
| 14 | J400 6080 | 4 | | 15 | NUT |
| 15 | J210 9017 | 1 | | 26,27 | BUMPER, Rear Step, 1987-88, (Painted White) |
| | J210 9016 | 1 | | 26,27 | Chrome |
| 16 | J813 1394 | 1 | | 26,27 | BRACKET PACKAGE, 1987-88 *** |
| 17 | J813 1395 | 1 | | 26,27 | BRACKET PACKAGE, 1987-88 *** |
| 18 | J536 3170 | 1 | | 26,27 | CAP, End 1987-88 |
| 19 | J536 3171 | 1 | | 26,27 | CAP, End, 1987-88 |
| 20 | J211 0002 | 2 | | 26,27 | LIGHT PACKAGE, 1987-88 *** |
| 21 | S014 2450 | 2 | | 26,27 | BULB, (67) 1987-88 |
| 22 | J027 1184 | 4 | | 26,27 | NUT, 1987-88 |
| 23 | J400 5098 | 2 | | 26,27 | NUT, 1987-88 |
| 24 | J400 1134 | 2 | | 26,27 | WASHER, 1987-88 |
| 25 | J400 4005 | 4 | | 26,27 | NUT, 1987-88 |
| 26 | S018 0147 | 4 | | 26,27 | BOLT, 1987-88 |
| 27 | J941 9099 | 2 | | 26,27 | BOLT, 1987-88 |
| 28 | J536 3903 | 1 | | 26,27 | STRIP, Skid, 1987-88 *** |
| 29 | J536 3902 | 1 | | 26,27 | STRIP, Skid, 1987-88 *** |

MODEL CODES:

| | | |
|-----------------------------|-----------------------------|------------------------------|
| 15 = Grand Wagoneer 4 Dr. | 65 = Comanche 4WD-7 Ft. Box | 77 = Cherokee 4WD-2 Dr. |
| 25 = J-10 Pickup-119" W.B. | 66 = Comanche 2WD-7 Ft. Box | 78 = Cherokee 4WD-4 Dr. |
| 26 = J-10 Pickup-131" W.B. | 73 = Cherokee 2WD-2 Dr. | 79 = Cherokee 4WD-4 Dr.-Com |
| 27 = J-20 Pickup-131" W.B. | 74 = Cherokee 2WD-4 Dr. | 81 = Wrangler-93" W.B. |
| 63 = Comanche 4WD-6 Ft. Box | 75 = Wagoneer 4WD-4 Dr. | 82 = Wrangler-103" W.B.-Exp. |
| 64 = Comanche 2WD-6 Ft. Box | | |

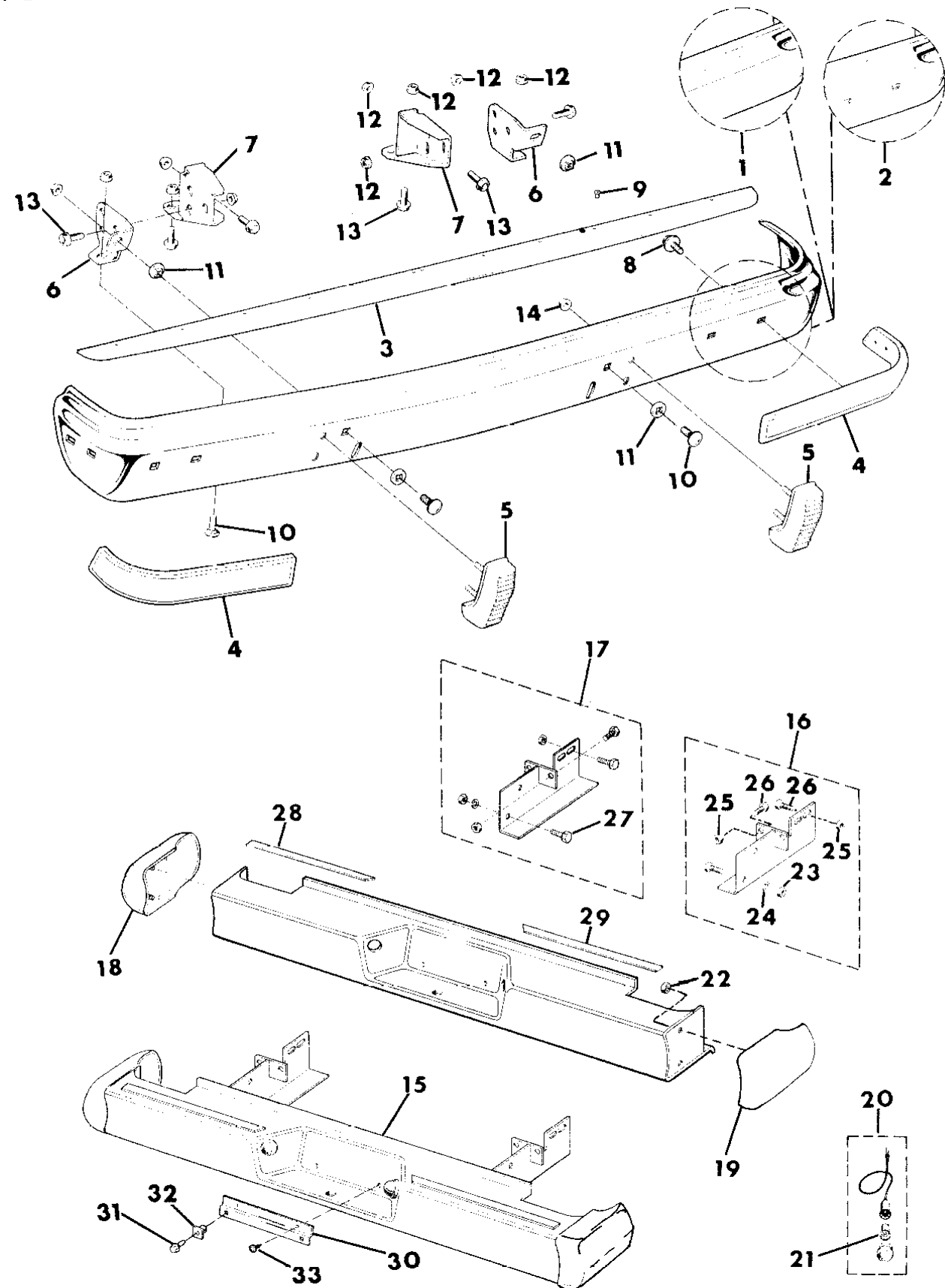
BODY STYLES:

MJ = Comanche Pickup
 SJ = Grand Wagoneer Wgn., J-10 & J-20 Pickups
 XJ = Cherokee, Wagoneer Limited
 YJ = Wrangler

AR = Use as Required - = Non Illustrated Part P.A.R. = Paint as Required

BUMPERS--REAR GRAND WAGONEER, J10, J20
Figure 13-2200

8J13 2200



| ITEM | PART NUMBER | QTY | BODY | MODEL | DESCRIPTION |
|------|-------------|-----|------|-------|---------------------------|
| 30 | J536 3433 | 1 | | 26,27 | BRACKET, License, 1987-88 |
| 31 | J400 4077 | 2 | | 26,27 | SCREW, 1987-88 |
| 32 | J400 0141 | 2 | | 26,27 | NUT, 1987-88 |
| 33 | J400 0272 | 2 | | 26,27 | SCREW, 1987-88 |

MODEL CODES:

| | | |
|-----------------------------|-----------------------------|------------------------------|
| 15 = Grand Wagoneer 4 Dr. | 65 = Comanche 4WD-7 Ft. Box | 77 = Cherokee 4WD-2 Dr. |
| 25 = J-10 Pickup-119" W.B. | 66 = Comanche 2WD-7 Ft. Box | 78 = Cherokee 4WD-4 Dr. |
| 26 = J-10 Pickup-131" W.B. | 73 = Cherokee 2WD-2 Dr. | 79 = Cherokee 4WD-4 Dr.-Com |
| 27 = J-20 Pickup-131" W.B. | 74 = Cherokee 2WD-4 Dr. | 81 = Wrangler-93" W.B. |
| 63 = Comanche 4WD-6 Ft. Box | 75 = Wagoneer 4WD-4 Dr. | 82 = Wrangler-103" W.B.-Exp. |
| 64 = Comanche 2WD-6 Ft. Box | | |

BODY STYLES:

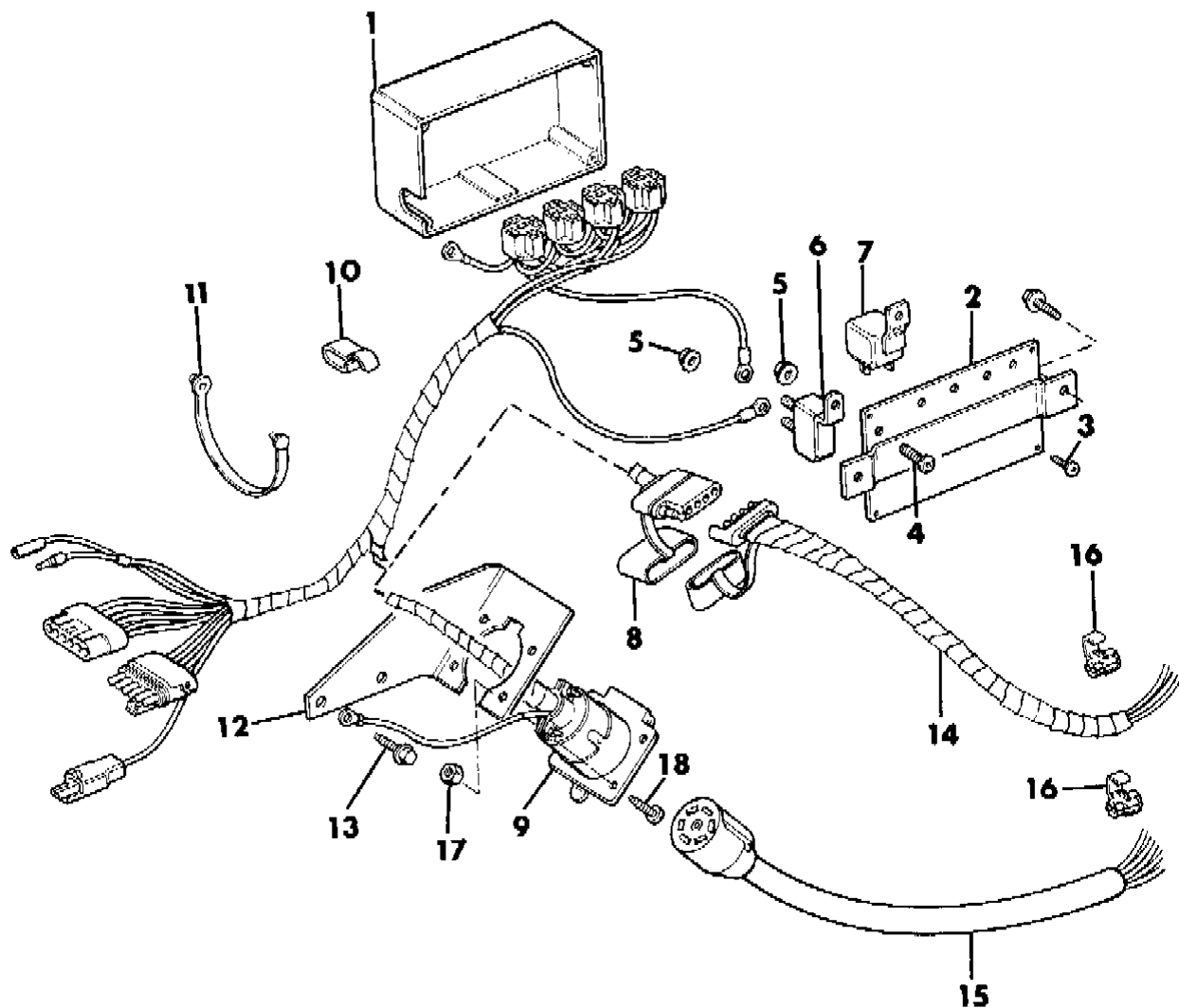
MJ = Comanche Pickup
 SJ = Grand Wagoneer Wgn., J-10 & J-20 Pickups
 XJ = Cherokee, Wagoneer Limited
 YJ = Wrangler

AR = Use as Required - = Non Illustrated Part P.A.R. = Paint as Required

WIRING--TRAILER HITCH GRAND WAGONEER
Figure 13-2300

8 J 132300 A

| ITEM | PART NUMBER | QTY | BODY | MODEL | DESCRIPTION |
|------|-------------|-----|------|-------|----------------------------------|
| 1 | J545 5334 | 1 | | | BOX *** |
| 2 | | | | | COVER |
| | J545 5345 | 1 | | | 1987-89 |
| | J576 1747 | 1 | | | 1990 |
| 3 | J019 1940 | 4 | | | SCREW |
| 4 | J017 9276 | 5 | | | SCREW |
| 5 | J027 1169 | 7 | | | NUT |
| 6 | 8350 1394 | 1 | | | BREAKER, Circuit *** |
| 7 | 3300 1776 | 4 | | | RELAY |
| 8 | J576 1921 | 1 | | | HARNESS, Trailer Towing, Class 1 |
| 9 | J576 4046 | 1 | | | HARNESS, Trailer Towing, Class 3 |
| 10 | J545 4903 | 4 | | | CLIP |
| 11 | J322 3227 | AR | | | STRAP |
| 12 | J536 2467 | 1 | | | BRACKET |
| 13 | J400 4801 | 2 | | | SCREW |
| 14 | J323 8838 | 1 | | | HARNESS, Trailer Towing, Class 1 |
| 15 | J545 5349 | 1 | | | HARNESS, Trailer Towing, Class 3 |
| 16 | J318 6888 | AR | | | CONNECTOR, Splice |
| 17 | J027 1166 | 4 | | | NUT |
| 18 | J015 9920 | 4 | | | SCREW |



MODEL CODES:

| | | |
|-----------------------------|-----------------------------|------------------------------|
| 15 = Grand Wagoneer 4 Dr. | 65 = Comanche 4WD-7 Ft. Box | 77 = Cherokee 4WD-2 Dr. |
| 25 = J-10 Pickup-119" W.B. | 66 = Comanche 2WD-7 Ft. Box | 78 = Cherokee 4WD-4 Dr. |
| 26 = J-10 Pickup-131" W.B. | 73 = Cherokee 2WD-2 Dr. | 79 = Cherokee 4WD-4 Dr.-Com |
| 27 = J-20 Pickup-131" W.B. | 74 = Cherokee 2WD-4 Dr. | 81 = Wrangler-93" W.B. |
| 63 = Comanche 4WD-6 Ft. Box | 75 = Wagoneer 4WD-4 Dr. | 82 = Wrangler-103" W.B.-Exp. |
| 64 = Comanche 2WD-6 Ft. Box | | |

BODY STYLES:

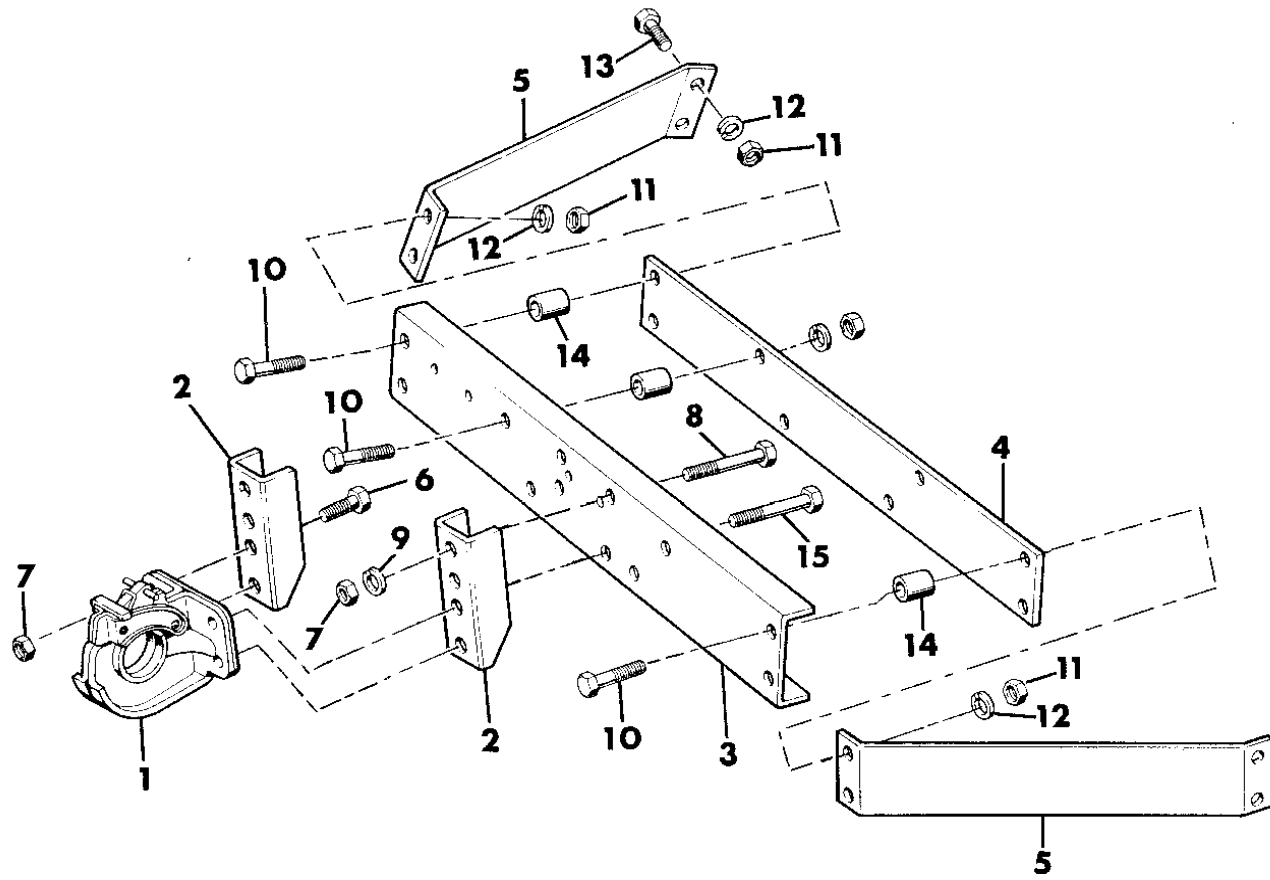
MJ = Comanche Pickup
 SJ = Grand Wagoneer Wgn., J-10 & J-20 Pickups
 XJ = Cherokee, Wagoneer Limited
 YJ = Wrangler

AR = Use as Required - = Non Illustrated Part P.A.R. = Paint as Required

HITCH--TRAILER PINTLE HOOK J10, J20 1987-88
Figure 13-2350

8J13 2350

| ITEM | PART NUMBER | QTY | BODY | MODEL | DESCRIPTION |
|------|-------------|-----|------|-------|----------------------------------|
| 1 | J096 1171 | 1 | | | HOOK, Pintle |
| 2 | J093 0403 | 2 | | | BRACKET |
| 3 | J093 0404 | 1 | | | REINFORCEMENT |
| 4 | J093 2311 | 1 | | | PLATE |
| 5 | J535 4021 | 2 | | | BRACE |
| 6 | J941 9099 | 3 | | | BOLT, Length = 1.25" |
| 7 | S012 0378 | 7 | | | NUT |
| 8 | S018 0188 | 3 | | | BOLT |
| 9 | S012 0384 | 3 | | | WASHER |
| 10 | J018 0132 | 8 | | | BOLT |
| 11 | S941 8738 | 12 | | | NUT |
| 12 | J012 0382 | 12 | | | WASHER |
| 13 | J018 0122 | 4 | | | BOLT |
| 14 | J093 2292 | 8 | | | SPACER |
| 15 | J999 8130 | 1 | | | BOLT, Length = 2.75" (Not Serv.) |



MODEL CODES:

| | | |
|-----------------------------|-----------------------------|------------------------------|
| 15 = Grand Wagoneer 4 Dr. | 65 = Comanche 4WD-7 Ft. Box | 77 = Cherokee 4WD-2 Dr. |
| 25 = J-10 Pickup-119" W.B. | 66 = Comanche 2WD-7 Ft. Box | 78 = Cherokee 4WD-4 Dr. |
| 26 = J-10 Pickup-131" W.B. | 73 = Cherokee 2WD-2 Dr. | 79 = Cherokee 4WD-4 Dr.-Com |
| 27 = J-20 Pickup-131" W.B. | 74 = Cherokee 2WD-4 Dr. | 81 = Wrangler-93" W.B. |
| 63 = Comanche 4WD-6 Ft. Box | 75 = Wagoneer 4WD-4 Dr. | 82 = Wrangler-103" W.B.-Exp. |
| 64 = Comanche 2WD-6 Ft. Box | | |

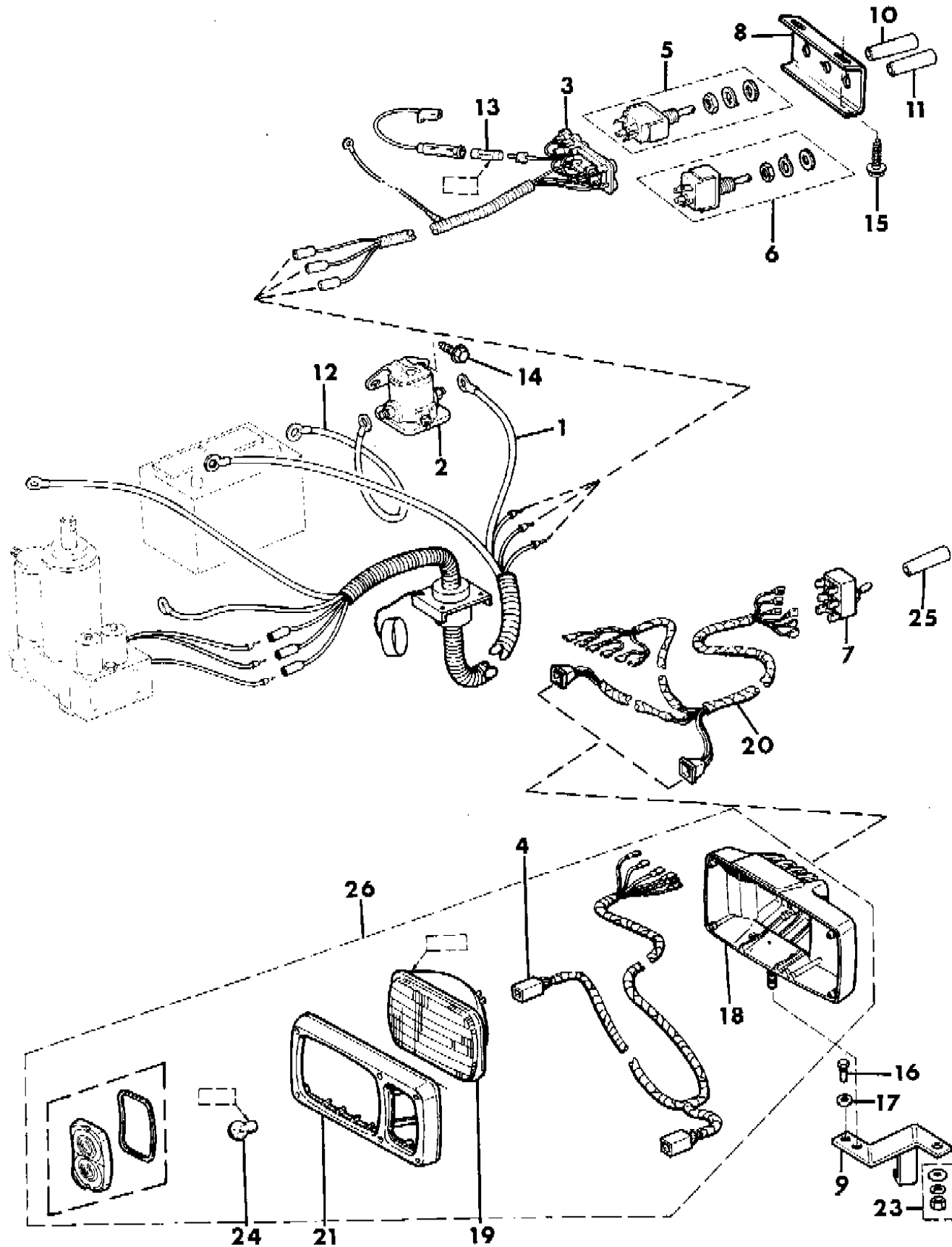
BODY STYLES:

MJ = Comanche Pickup
SJ = Grand Wagoneer Wgn., J-10 & J-20 Pickups
XJ = Cherokee, Wagoneer Limited
YJ = Wrangler

AR = Use as Required - = Non Illustrated Part P.A.R. = Paint as Required

SNOW PLOW CONTROLS AND SWITCHES--WITH LIGHTS J-10, J-20
Figure 13-2375

8 J13 2375



| ITEM | PART NUMBER | QTY | BODY | MODEL | DESCRIPTION |
|------|-------------|-----|------|-------|-------------------------------------|
| 1 | J200 8470 | 1 | | | HARNES, Plow |
| 2 | J322 5629 | 1 | | | SOLENOID, Plow *** |
| 3 | J201 5478 | 1 | | | HARNES, Plow |
| 4 | 8350 2796 | 1 | | | HARNES, Aux. Headlamp |
| 5 | J202 1918 | 1 | | | SWITCH, Plow Angle |
| 6 | J202 1919 | 1 | | | SWITCH, Raise/Lower |
| 7 | 8350 2792 | 1 | | | SWITCH, Aux. Headlamp |
| 8 | J201 5656 | 1 | | | BRACKET, Plow Switch |
| 9 | J201 0715 | 1 | | | BRACKET, Aux. Headlamp (Lt.) |
| | J201 0716 | 1 | | | (Rt.) |
| 10 | J201 5376 | 1 | | | HANDLE, Angle Switch (Black) |
| 11 | J201 5375 | 1 | | | HANDLE, Raise/Lower (Yellow) |
| 12 | J200 5024 | 2 | | | CABLE, Snow Plow Solenoid |
| 13 | S010 6653 | 1 | | | FUSE, 20 Amp. *** |
| 14 | J400 5737 | 2 | | | SCREW |
| 15 | 1150 2843 | 2 | | | SCREW |
| 16 | S018 0124 | 6 | | | BOLT |
| 17 | J012 0382 | 6 | | | WASHER, Lock |
| 18 | 8350 2794 | 1 | | | HOUSING, Aux. Headlamp (Lt.) |
| | 8350 2793 | 1 | | | (Rt.) |
| 19 | J813 4319 | 2 | | | BULB, Seal Beam, #6054 |
| 20 | 8350 2795 | 1 | | | HARNES, Aux. Headlamp |
| 21 | 8350 2790 | 2 | | | BEZEL, Aux. Headlamp |
| 22 | 8350 2791 | 2 | | | LENS PACKAGE, Aux. Headlamp *** |
| 23 | 8350 2797 | 2 | | | MOUNTING PACKAGE, Aux. Headlamp *** |
| 24 | J320 9544 | 4 | | | BULB, #1157 |
| 25 | 8350 3178 | 1 | | | HANDLE, Plow Light Switch (Blue) |
| 26 | 8350 4184-5 | 2 | | | HEADLAMP ASSEMBLY *** |

MODEL CODES:

| | | |
|-----------------------------|-----------------------------|------------------------------|
| 15 = Grand Wagoneer 4 Dr. | 65 = Comanche 4WD-7 Ft. Box | 77 = Cherokee 4WD-2 Dr. |
| 25 = J-10 Pickup-119" W.B. | 66 = Comanche 2WD-7 Ft. Box | 78 = Cherokee 4WD-4 Dr. |
| 26 = J-10 Pickup-131" W.B. | 73 = Cherokee 2WD-2 Dr. | 79 = Cherokee 4WD-4 Dr.-Com |
| 27 = J-20 Pickup-131" W.B. | 74 = Cherokee 2WD-4 Dr. | 81 = Wrangler-93" W.B. |
| 63 = Comanche 4WD-6 Ft. Box | 75 = Wagoneer 4WD-4 Dr. | 82 = Wrangler-103" W.B.-Exp. |
| 64 = Comanche 2WD-6 Ft. Box | | |

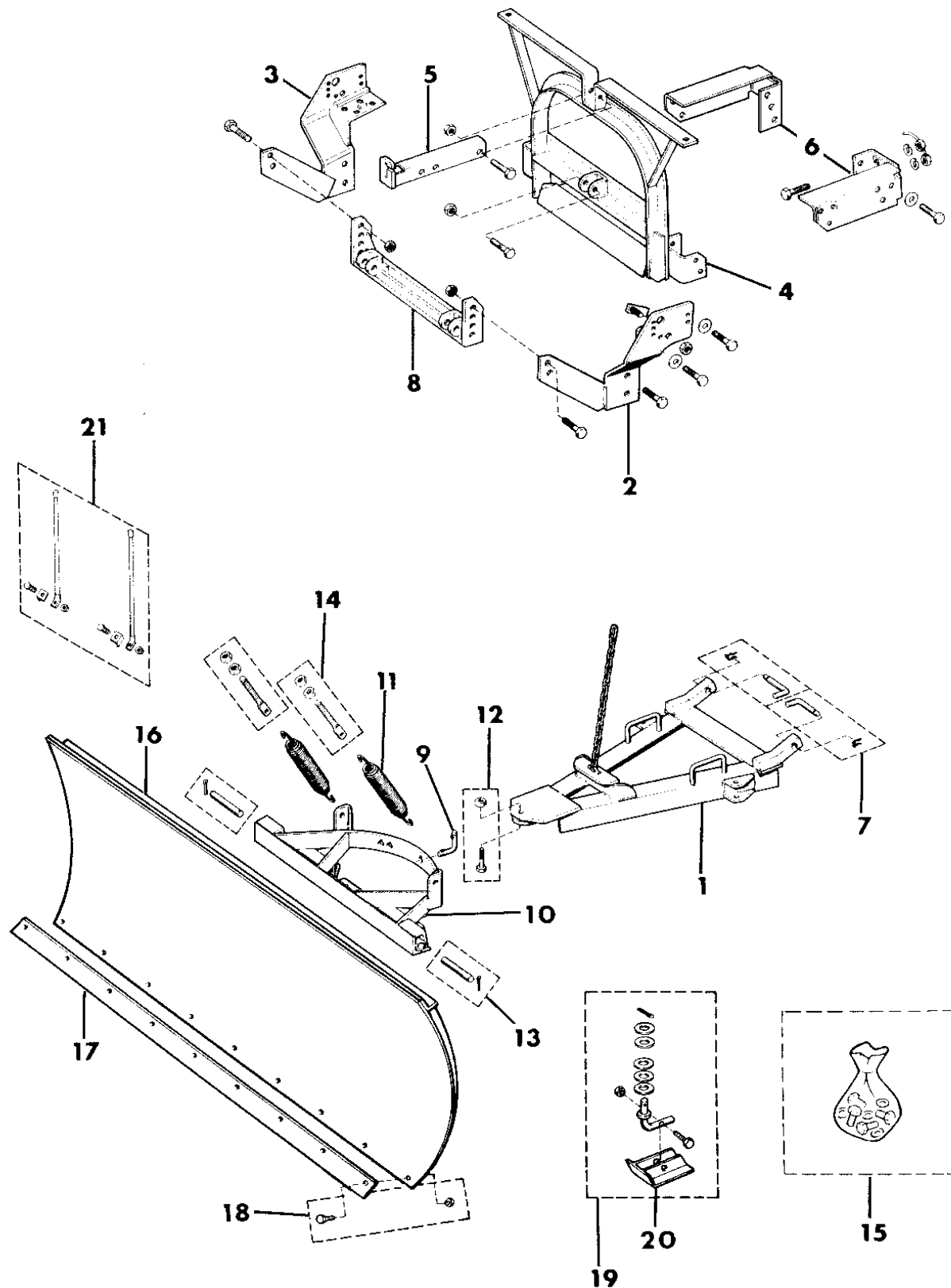
BODY STYLES:

MJ = Comanche Pickup
 SJ = Grand Wagoneer Wgn., J-10 & J-20 Pickups
 XJ = Cherokee, Wagoneer Limited
 YJ = Wrangler

AR = Use as Required - = Non Illustrated Part P.A.R. = Paint as Required

SNOW PLOW MOLDBOARD AND MOUNTING J10, J20 1987-88
Figure 13-2400

8J13 2400



| ITEM | PART NUMBER | QTY | BODY | MODEL | DESCRIPTION |
|------|-------------|-----|------|-------|---|
| 1 | | | | | A-FRAME, Snow Plow |
| | J201 3568 | 1 | | | Standard Duty |
| | J201 3569 | 1 | | 27 | Heavy Duty |
| 2 | J201 0429 | 1 | | | BRACKET, Side |
| 3 | J201 0430 | 1 | | | BRACKET, Side |
| 4 | J201 0480 | 1 | | | FRAME, Snow Plow Lift |
| 5 | J201 0514 | 1 | | | ARM, Lift |
| 6 | | | | | BRACKET, Front |
| | J200 8466 | 1 | | | Right |
| | J200 8465 | 1 | | | Left |
| 7 | J200 8562 | 2 | | | PIN PACKAGE, w/Clip |
| 8 | J201 0431 | 1 | | | FRAME, Snow Plow Clevis |
| 9 | J201 3003 | 1 | | | PIN, Shear |
| 10 | | | | | SECTOR, Snow Plow |
| | J201 2326 | 1 | | | Standard Duty |
| | J201 2793 | 1 | | | Heavy Duty |
| 11 | J200 7017 | 2 | | | SPRING, Snow Plow Trip |
| 12 | J200 9122 | 1 | | | BOLT |
| 13 | J200 9119 | 2 | | | PIN PACKAGE, w/Cotter Pin |
| 14 | J200 9124 | 2 | | | BOLT, Eye |
| 15 | J200 8461 | 1 | | | HARDWARE PACKAGE |
| 16 | | | | | MOLDBOARD ASSEMBLY |
| | J200 9163 | 1 | | | 90" |
| | J200 9286 | 1 | | 27 | 96" |
| 17 | | | | | BLADE, Moldboard |
| | J200 9796 | 1 | | | 90" |
| | J200 9133 | 1 | | 27 | 96" |
| 18 | J200 8184 | 1 | | | BOLT PACKAGE *** |
| 19 | J200 9126 | 2 | | | SPINDLE, Moldboard |
| 20 | J200 7006 | 2 | | | SHOE, Moldboard Spindle *** |
| 21 | J200 9916 | 1 | | | INDICATOR PACKAGE, Snow Plow Marker *** |

MODEL CODES:

| | | |
|-----------------------------|-----------------------------|------------------------------|
| 15 = Grand Wagoneer 4 Dr. | 65 = Comanche 4WD-7 Ft. Box | 77 = Cherokee 4WD-2 Dr. |
| 25 = J-10 Pickup-119" W.B. | 66 = Comanche 2WD-7 Ft. Box | 78 = Cherokee 4WD-4 Dr. |
| 26 = J-10 Pickup-131" W.B. | 73 = Cherokee 2WD-2 Dr. | 79 = Cherokee 4WD-4 Dr.-Com |
| 27 = J-20 Pickup-131" W.B. | 74 = Cherokee 2WD-4 Dr. | 81 = Wrangler-93" W.B. |
| 63 = Comanche 4WD-6 Ft. Box | 75 = Wagoneer 4WD-4 Dr. | 82 = Wrangler-103" W.B.-Exp. |
| 64 = Comanche 2WD-6 Ft. Box | | |

BODY STYLES:

MJ = Comanche Pickup
 SJ = Grand Wagoneer Wgn., J-10 & J-20 Pickups
 XJ = Cherokee, Wagoneer Limited
 YJ = Wrangler

AR = Use as Required - = Non Illustrated Part P.A.R. = Paint as Required

GROUP 14 - FUEL

| ILLUSTRATION TITLE | GROUP-FIG. NO. |
|---|----------------|
| AIR CLEANERS | |
| AIR CLEANER 2.5L EFI ENGINE WRANGLER, YJ | Fig. 14-100 |
| AIR CLEANER 2.5L EFI ENGINE CHEROKEE, WAGONEER, COMANCHE | Fig. 14-200 |
| AIR CLEANER 2.5L CARBURETED ENGINE WRANGLER - EXPORT | Fig. 14-300 |
| AIR CLEANER 2.5L CARBURETED ENGINE CHEROKEE, WAGONEER, COMANCHE - EXPORT | Fig. 14-400 |
| AIR CLEANER 4.2L ENGINE WRANGLER, YJ | Fig. 14-500 |
| AIR CLEANER 4.2L ENGINE - SEVERE USE WRANGLER - EXPORT | Fig. 14-550 |
| AIR CLEANER 4.0L ENGINE CHEROKEE, WAGONEER, COMANCHE | Fig. 14-600 |
| AIR CLEANER 4.2L ENGINE GRAND WAGONEER, J10 | Fig. 14-700 |
| AIR CLEANER 5.9L ENGINE GRAND WAGONEER, J10, J20 | Fig. 14-800 |
| AIR CLEANER DIESEL ENGINE CHEROKEE, COMANCHE | Fig. 14-900 |
| CARBURETOR AND COMPONENTS | |
| CARBURETOR AND COMPONENT PARTS 2.5L ENGINE WRANGLER, CHEROKEE, WAGONEER, COMANCHE - NRM | Fig. 14-1000 |
| CARBURETOR AND COMPONENT PARTS 4.2L ENGINE WRANGLER, YJ, GRAND WAGONEER, J10 | Fig. 14-1100 |
| CARBURETOR AND COMPONENT PARTS 5.9L ENGINE GRAND WAGONEER, J10, J20 | Fig. 14-1200 |
| THROTTLE BODY AND TURBO CHARGER COMPONENTS | |
| THROTTLE BODY 2.5L EFI ENGINE WRANGLER, YJ | Fig. 14-1300 |
| THROTTLE BODY 2.5L EFI ENGINE CHEROKEE, WAGONEER, COMANCHE | Fig. 14-1400 |
| FUEL INJECTION SYSTEM 4.0L ENGINE CHEROKEE, WAGONEER, COMANCHE | Fig. 14-1500 |
| FUEL INJECTION SYSTEM DIESEL ENGINE CHEROKEE, COMANCHE | Fig. 14-1600 |
| TURBO CHARGER DIESEL ENGINE CHEROKEE, COMANCHE | Fig. 14-1700 |
| ACCELERATOR PEDAL AND LINKAGE | |
| ACCELERATOR PEDAL AND LINKAGE 2.5L AND 4.2L ENGINES WRANGLER, YJ | Fig. 14-1800 |
| LINKAGE AUTOMATIC TRANSMISSION DETENT 4.2L ENGINE WRANGLER, YJ | Fig. 14-1850 |
| ACCELERATOR PEDAL AND LINKAGE 2.5L AND DIESEL ENGINES CHEROKEE, WAGONEER, COMANCHE | Fig. 14-1900 |
| ACCELERATOR PEDAL AND LINKAGE 4.0L ENGINE CHEROKEE, WAGONEER, COMANCHE | Fig. 14-2000 |
| LINKAGE AUTOMATIC TRANSMISSION DETENT 2.5L AND 4.0L ENGINES CHEROKEE, WAGONEER, COMANCHE | Fig. 14-2050 |
| ACCELERATOR PEDAL AND LINKAGE 4.2L AND 5.9L ENGINES GRAND WAGONEER, J10, J20 | Fig. 14-2100 |
| LINKAGE AUTOMATIC TRANSMISSION DETENT 4.2L AND 5.9L ENGINES GRAND WAGONEER, J10, J20 | Fig. 14-2150 |
| SPEED CONTROL | |
| SPEED CONTROL, ENGINE COMPARTMENT COMPONENTS 4.2L ENGINE WRANGLER, YJ | Fig. 14-2200 |

ILLUSTRATION NOT AVAILABLE AT TIME OF PUBLICATION

GROUP 14 - FUEL**GROUP 14 - FUEL****ILLUSTRATION TITLE****GROUP-FIG. NO.****ILLUSTRATION TITLE****GROUP-FIG. NO.****SPEED CONTROL (Continued)**

| | |
|---|--------------|
| SPEED CONTROL, ENGINE COMPARTMENT COMPONENTS 4.2L ENGINE WRANGLER, YJ | Fig. 14-2200 |
| SPEED CONTROL, INSTRUMENT PANEL COMPONENTS 4.2L ENGINE WRANGLER, YJ | Fig. 14-2250 |
| SPEED CONTROL ENGINE COMPARTMENT COMPONENTS 2.5L AND 4.0L CARBURETED ENGINES CHEROKEE, WAGONEER, COMANCHE - EXPORT | Fig. 14-2275 |
| SPEED CONTROL ENGINE COMPARTMENT COMPONENTS 2.5L AND 4.0L EFI ENGINES CHEROKEE, WAGONEER, COMANCHE | Fig. 14-2300 |
| SPEED CONTROL ENGINE COMPARTMENT COMPONENTS DIESEL ENGINE CHEROKEE, COMANCHE .. | Fig. 14-2350 |
| SPEED CONTROL, INSTRUMENT PANEL COMPONENTS 2.5L, 4.0L AND DIESEL ENGINES CHEROKEE, WAGONEER, COMANCHE | Fig. 14-2400 |
| SPEED CONTROL, ENGINE COMPARTMENT COMPONENTS 4.2L AND 5.9L ENGINES GRAND WAGONEER, J10, J20 | Fig. 14-2500 |
| SPEED CONTROL, INSTRUMENT PANEL COMPONENTS 4.2L AND 5.9L ENGINES GRAND WAGONEER, J10, J20 | Fig. 14-2550 |

FUEL PUMP AND FILTER

| | |
|---|--------------|
| FUEL PUMP AND FILTER 2.5L CARBURETED ENGINE WRANGLER - EXPORT | Fig. 14-2600 |
| FUEL PUMP AND FILTER 2.5L CARBURETED ENGINE CHEROKEE, COMANCHE - EXPORT | Fig. 14-2700 |
| FUEL PUMP AND FILTER 4.2L ENGINE WRANGLER, YJ | Fig. 14-2800 |
| FUEL PUMP AND FILTER 4.2L ENGINE - SEVERE USE WRANGLER - EXPORT | Fig. 14-2850 |
| FUEL PUMP AND FILTER 4.2L ENGINE GRAND WAGONEER, J10 | Fig. 14-2900 |
| FUEL PUMP AND FILTER 5.9L ENGINE GRAND WAGONEER, J10, J20 | Fig. 14-3000 |
| FUEL INJECTION PUMP DIESEL ENGINE CHEROKEE, COMANCHE | Fig. 14-3100 |

FUEL LINES

| | |
|--|--------------|
| FUEL LINES U.S., CANADA AND ECE WRANGLER, YJ | Fig. 14-3200 |
| FUEL LINES EGYPT AND VENEZUELA KDX, NRM WRANGLER - EXPORT | Fig. 14-3300 |
| FUEL LINES 2.5L CARBURETED ENGINE CHEROKEE, WAGONEER, COMANCHE | Fig. 14-3400 |
| FUEL LINES 2.5L EFI ENGINE CHEROKEE, WAGONEER, COMANCHE | Fig. 14-3500 |
| FUEL LINES 4.0L EFI ENGINE CHEROKEE, WAGONEER, COMANCHE | Fig. 14-3600 |
| FUEL LINES 4.2L AND 5.9L ENGINES GRAND WAGONEER, J10, J20 | Fig. 14-3700 |
| FUEL LINES DIESEL ENGINE CHEROKEE, COMANCHE | Fig. 14-3800 |

FUEL TANK

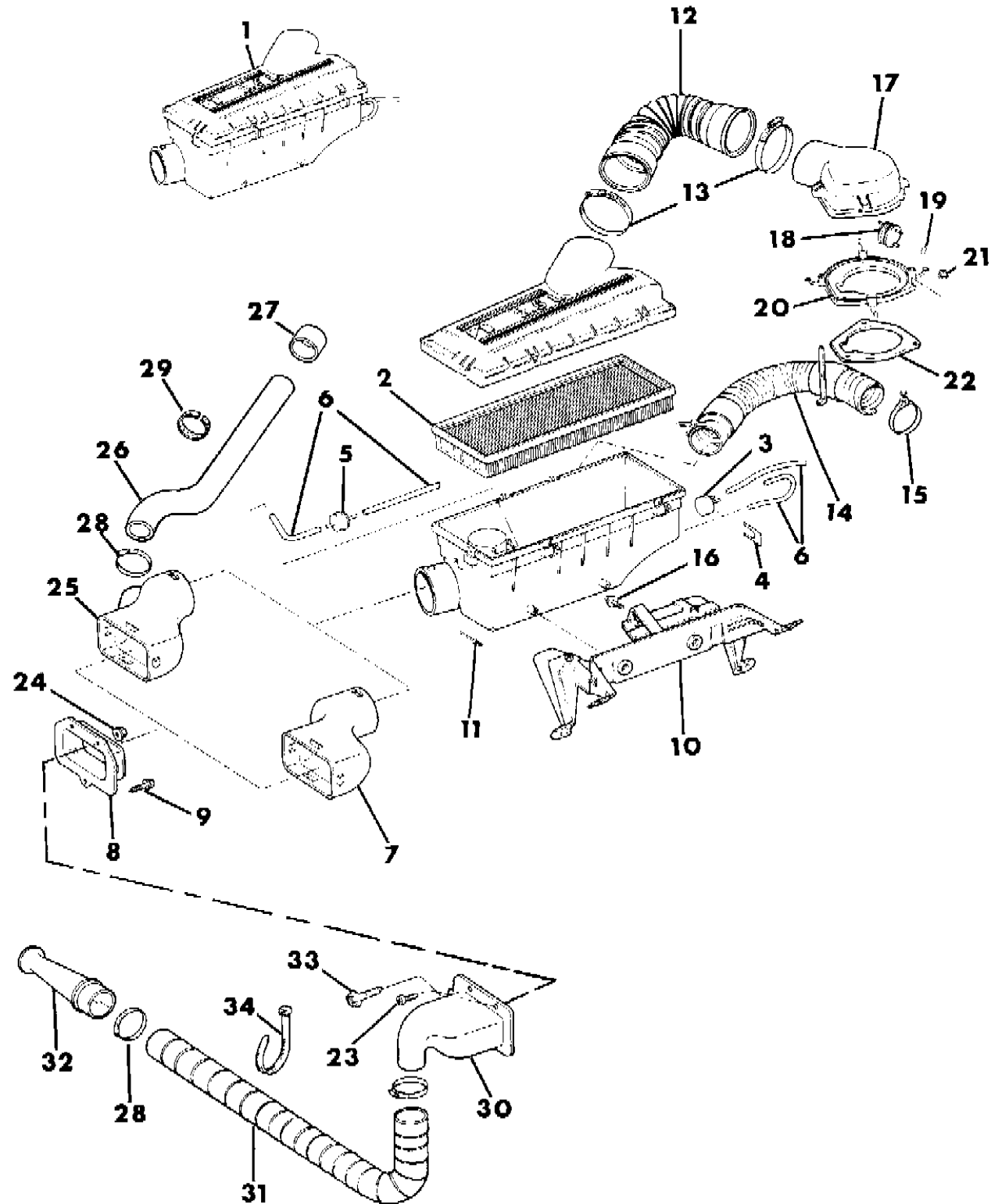
| | |
|--|--------------|
| FUEL TANK 14.5 GALLON WRANGLER, YJ | Fig. 14-3900 |
| FUEL TANK 20.0 GALLON WRANGLER, YJ | Fig. 14-4000 |
| FUEL CONTAINER 5 GALLON AUXILIARY WRANGLER - KDX | Fig. 14-4050 |
| FUEL TANK CHEROKEE AND WAGONEER | Fig. 14-4100 |

FUEL TANK (Continued)

| | |
|---------------------------------------|--------------|
| FUEL TANK CHEROKEE AND WAGONEER | Fig. 14-4100 |
| FUEL TANK COMANCHE | Fig. 14-4200 |
| FUEL TANK SKID PLATE COMANCHE | Fig. 14-4250 |
| FUEL TANK GRAND WAGONEER | Fig. 14-4300 |
| FUEL TANK J10, J20 | Fig. 14-4400 |

AIR CLEANER 2.5L EFI ENGINE WRANGLER, YJ
Figure 14-100

8 J14 100



| ITEM | PART NUMBER | QTY | BODY | MODEL | DESCRIPTION |
|------|-------------|-----|------|-------|-----------------------------------|
| 1 | 5300 2174 | 1 | | | AIR CLEANER |
| 2 | 5300 2184 | 1 | | | ELEMENT, Air Cleaner |
| 3 | 5300 2951 | 1 | | | SWITCH, Thermal Vacuum |
| 4 | J400 6334 | 1 | | | CLIP |
| 5 | J323 5938 | 1 | | | VALVE, Reverse Delay |
| 6 | J812 5995 | AR | | | HOSE, 3/16" I.D. - Bulk |
| 7 | 5300 2185 | 1 | | | DUCT, Fresh Air - U.S. and Canada |
| 8 | J546 3866 | 1 | | | ADAPTER, Air Intake |
| 9 | J942 1073 | 1 | | | SCREW |
| 10 | 5300 2178 | 1 | | | BRACKET, Air Cleaner Mounting |
| 11 | 3420 1597 | 4 | | | RIVET |
| 12 | 5300 4548 | 1 | | | TUBE, Air Intake |
| 13 | J400 7385 | AR | | | CLAMP, Hose |
| 14 | 5300 4590 | 1 | | | TUBE, Hot Air |
| 15 | J320 3078 | 1 | | | CLAMP, Hose |
| 16 | 3420 1790 | 1 | | | SCREW |
| 17 | 5300 2179 | 1 | | | ADAPTER, Air Intake |
| 18 | 5300 3938 | 1 | | | SENSOR, Intake Air Temperature |
| 19 | J400 1714 | 2 | | | NUT |
| 20 | 5300 2851 | 1 | | | ADAPTER, Air Intake |
| 21 | 3420 1446 | 3 | | | NUT |
| 22 | 3300 0244 | 1 | | | GASKET, Adapter |
| 23 | S150 1638 | 2 | | | SCREW |
| 24 | 1150 2702 | 2 | | | NUT |
| 25 | 5300 5328 | 1 | | | ADAPTER, Air Duct - ECE |
| 26 | 5300 5327 | 1 | | | HOSE, Resonator - ECE |
| 27 | 3300 4032 | 1 | | | PLUG - ECE |
| 28 | J320 3079 | 1 | | | CLAMP - ECE |
| 29 | 5300 5392 | 1 | | | STRAP, Tie - ECE |
| 30 | 5300 5325 | 1 | | | DUCT, Fresh Air - ECE |
| 31 | 5300 5326 | 1 | | | HOSE, Inlet - ECE |
| 32 | 3300 4033 | 1 | | | HORN, Air Inlet - ECE |
| 33 | 3420 2718 | 1 | | | SCREW - ECE |
| 34 | J323 0270 | 3 | | | STRAP, Tie - ECE |

MODEL CODES:

| | | |
|-----------------------------|-----------------------------|------------------------------|
| 15 = Grand Wagoneer 4 Dr. | 65 = Comanche 4WD-7 Ft. Box | 77 = Cherokee 4WD-2 Dr. |
| 25 = J-10 Pickup-119" W.B. | 66 = Comanche 2WD-7 Ft. Box | 78 = Cherokee 4WD-4 Dr. |
| 26 = J-10 Pickup-131" W.B. | 73 = Cherokee 2WD-2 Dr. | 79 = Cherokee 4WD-4 Dr.-Com |
| 27 = J-20 Pickup-131" W.B. | 74 = Cherokee 2WD-4 Dr. | 81 = Wrangler-93" W.B. |
| 63 = Comanche 4WD-6 Ft. Box | 75 = Wagoneer 4WD-4 Dr. | 82 = Wrangler-103" W.B.-Exp. |
| 64 = Comanche 2WD-6 Ft. Box | | |

BODY STYLES:

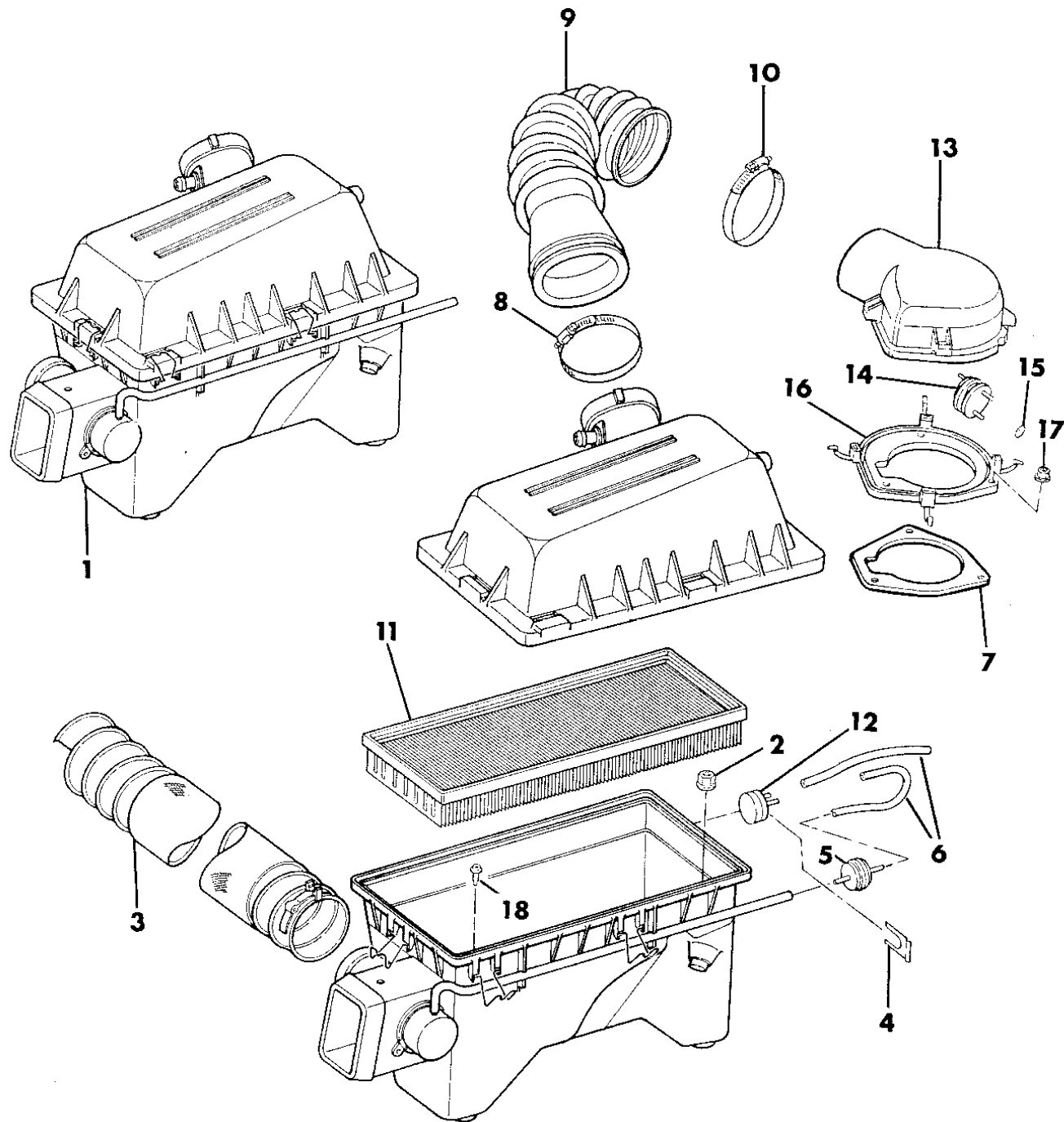
MJ = Comanche Pickup
 SJ = Grand Wagoneer Wgn., J-10 & J-20 Pickups
 XJ = Cherokee, Wagoneer Limited
 YJ = Wrangler

AR = Use as Required - = Non Illustrated Part P.A.R. = Paint as Required

AIR CLEANER 2.5L EFI ENGINE CHEROKEE, WAGONEER, COMANCHE

Figure 14-200

8J14 200



| ITEM | PART NUMBER | QTY | BODY | MODEL | DESCRIPTION |
|------|-------------|-----|------|-------|-----------------------------------|
| 1 | | | | | AIR CLEANER |
| | 5300 4281 | 1 | | | w/Unleaded Fuel |
| | 5300 4878 | 1 | | | w/Leaded Fuel |
| 2 | | | | | NUT |
| | 3420 1918 | 1 | | | 1987 |
| | 3420 1416 | 1 | | | 1988-90 |
| 3 | 5300 2877 | 1 | | | TUBE, Hot Air |
| 4 | J400 6334 | 1 | | | CLIP |
| 5 | J323 5938 | 1 | | | VALVE, Reverse Delay - White/Gray |
| 6 | J812 5995 | AR | | | HOSE, 3/16" I.D. - Bulk |
| 7 | 3300 2325 | 1 | | | GASKET, Adapter |
| 8 | J400 7479 | 1 | | | CLAMP, Hose |
| 9 | 5300 2876 | 1 | | | TUBE, Air Intake |
| 10 | J400 6643 | 1 | | | CLAMP, Hose |
| 11 | 5300 4383 | 1 | | | ELEMENT, Air Cleaner |
| 12 | 5300 2951 | 1 | | | SWITCH, Thermal Vacuum |
| 13 | 5300 2179 | 1 | | | ADAPTER, Air Intake |
| 14 | 5300 3938 | 1 | | | SENSOR, Air Intake Temperature |
| 15 | J400 1714 | 2 | | | NUT, Push |
| 16 | 5300 2851 | 1 | | | ADAPTER, Air Intake |
| 17 | 3420 1446 | 3 | | | NUT |
| 18 | 3420 1860 | 2 | | | SCREW |

MODEL CODES:

| | | |
|-----------------------------|-----------------------------|------------------------------|
| 15 = Grand Wagoneer 4 Dr. | 65 = Comanche 4WD-7 Ft. Box | 77 = Cherokee 4WD-2 Dr. |
| 25 = J-10 Pickup-119" W.B. | 66 = Comanche 2WD-7 Ft. Box | 78 = Cherokee 4WD-4 Dr. |
| 26 = J-10 Pickup-131" W.B. | 73 = Cherokee 2WD-2 Dr. | 79 = Cherokee 4WD-4 Dr.-Com |
| 27 = J-20 Pickup-131" W.B. | 74 = Cherokee 2WD-4 Dr. | 81 = Wrangler-93" W.B. |
| 63 = Comanche 4WD-6 Ft. Box | 75 = Wagoneer 4WD-4 Dr. | 82 = Wrangler-103" W.B.-Exp. |
| 64 = Comanche 2WD-6 Ft. Box | | |

BODY STYLES:

MJ = Comanche Pickup
 SJ = Grand Wagoneer Wgn., J-10 & J-20 Pickups
 XJ = Cherokee, Wagoneer Limited
 YJ = Wrangler

AR = Use as Required - = Non Illustrated Part P.A.R. = Paint as Required

AIR CLEANER 2.5L CARBURETED ENGINE WRANGLER - EXPORT

Figure 14-300

8J14 300

| ITEM | PART NUMBER | QTY | BODY | MODEL | DESCRIPTION |
|------|-------------|-----|------|-------|---|
| 1 | | | | | AIR CLEANER |
| | 5300 1825 | 1 | | | 1987-89 |
| | 5300 5156 | 1 | | | 1990 |
| 2 | J899 1386 | 1 | | | ELEMENT, Air Cleaner |
| 3 | 3420 1676 | 2 | | | NUT, Wing |
| 4 | 3300 1475 | 1 | | | GASKET, Air Cleaner to Carburetor |
| 5 | 3420 1844 | 1 | | | BOLT, Stud |
| 6 | J323 6695 | 1 | | | FILTER PACKAGE |
| 7 | J321 0891 | 1 | | | TEE |
| 8 | 5300 2950 | 1 | | | SENSOR, Intake Air Temperature |
| 9 | J400 6571 | 1 | | | CLIP |
| 10 | J323 7457 | 1 | | | SWITCH, Thermal Vacuum |
| 11 | J322 8426 | 1 | | | VALVE, Check |
| 12 | J323 5938 | 1 | | | VALVE, Reverse Delay - Gray |
| 13 | J323 4485 | 1 | | | GASKET, Air Cleaner Mounting to Bracket |
| 14 | 3300 1245 | 1 | | | BRACKET, Air Cleaner Mounting |
| 15 | J400 7139 | 1 | | | BOLT, Stud |
| 16 | J044 6188 | 2 | | | WASHER |
| 17 | J400 4469 | 2 | | | NUT |
| 18 | 3420 1831 | 1 | | | NUT, Cage |
| 19 | 3420 1841 | 1 | | | STUD |
| 20 | 3300 1529 | 1 | | | SLIDER |
| 21 | J323 2439 | 1 | | | ELBOW |
| 22 | J320 3079 | 3 | | | CLAMP, Hose |
| 23 | 5300 2737 | 1 | | | TUBE, Hot Air |
| 24 | J942 1073 | 1 | | | SCREW |
| 25 | J546 3866 | 1 | | | ADAPTER, Air Intake |
| 26 | J324 2264 | 1 | | | TUBE, Air Intake |
| 27 | J812 5812 | AR | | | HOSE, 3/16" I.D. Bulk |
| 28 | S150 1638 | 2 | | | SCREW |
| 29 | 1150 2702 | 2 | | | NUT |

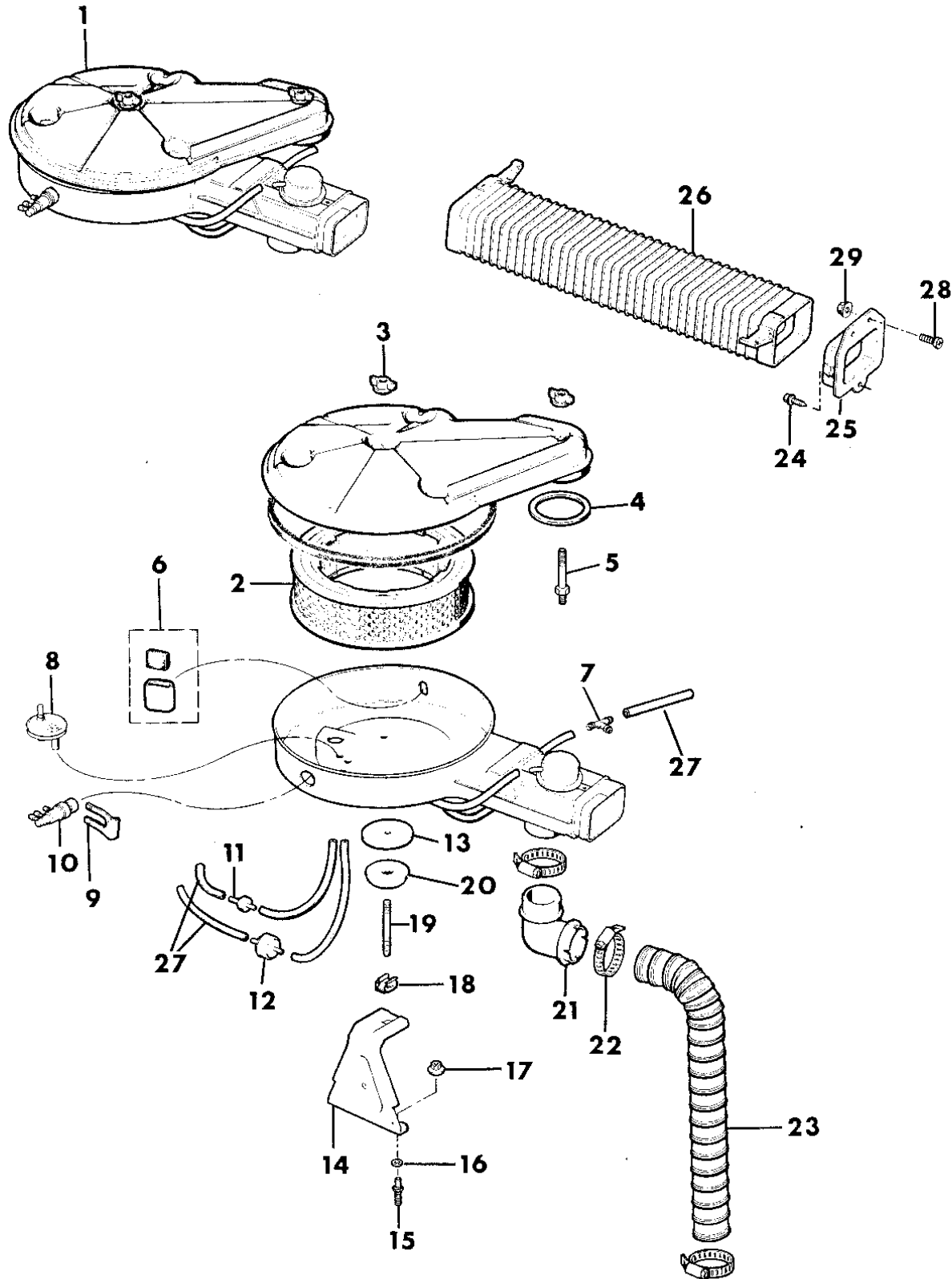
MODEL CODES:

| | | |
|-----------------------------|-----------------------------|------------------------------|
| 15 = Grand Wagoneer 4 Dr. | 65 = Comanche 4WD-7 Ft. Box | 77 = Cherokee 4WD-2 Dr. |
| 25 = J-10 Pickup-119" W.B. | 66 = Comanche 2WD-7 Ft. Box | 78 = Cherokee 4WD-4 Dr. |
| 26 = J-10 Pickup-131" W.B. | 73 = Cherokee 2WD-2 Dr. | 79 = Cherokee 4WD-4 Dr.-Com |
| 27 = J-20 Pickup-131" W.B. | 74 = Cherokee 2WD-4 Dr. | 81 = Wrangler-93" W.B. |
| 63 = Comanche 4WD-6 Ft. Box | 75 = Wagoneer 4WD-4 Dr. | 82 = Wrangler-103" W.B.-Exp. |
| 64 = Comanche 2WD-6 Ft. Box | | |

BODY STYLES:

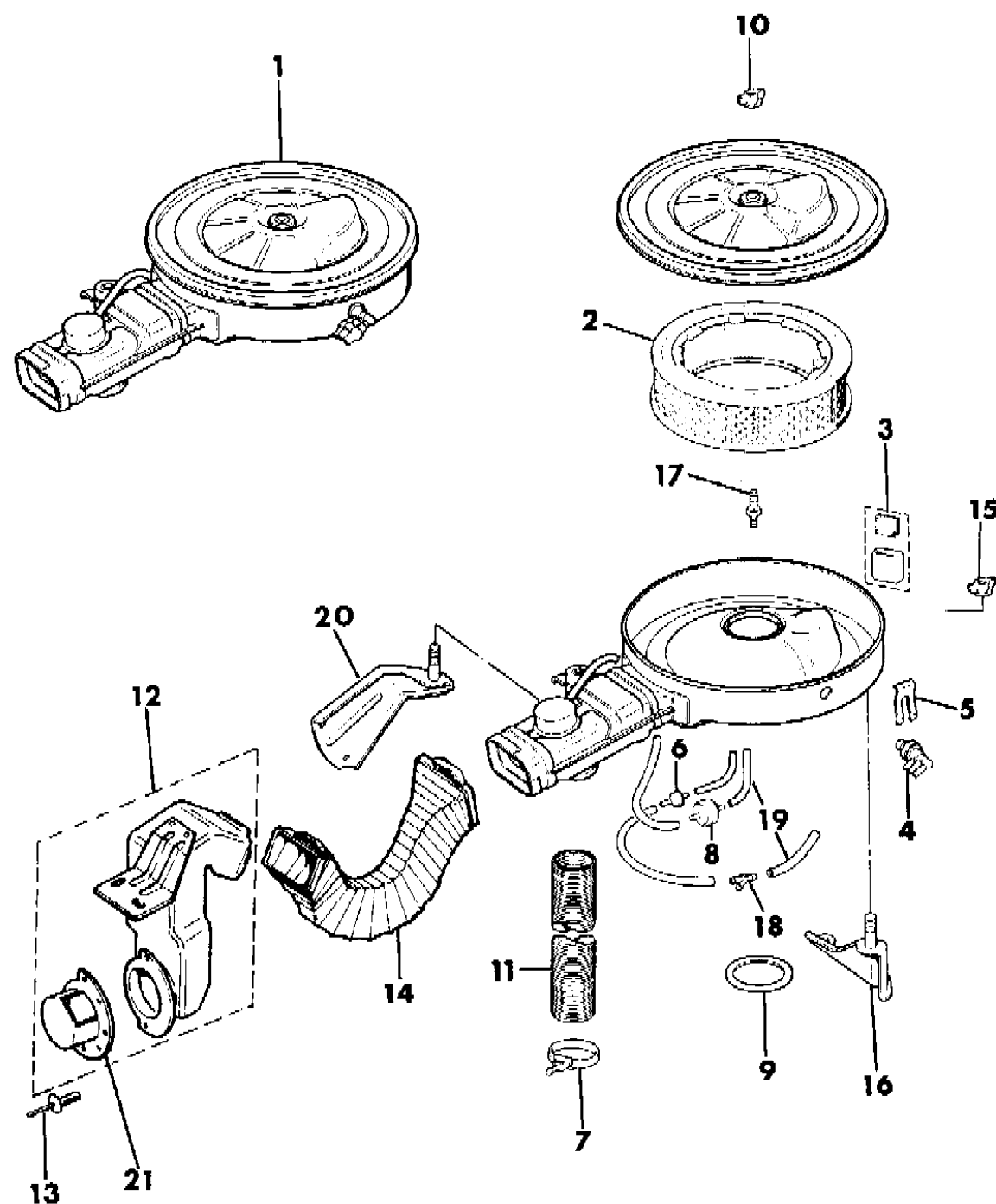
MJ = Comanche Pickup
 SJ = Grand Wagoneer Wgn., J-10 & J-20 Pickups
 XJ = Cherokee, Wagoneer Limited
 YJ = Wrangler

AR = Use as Required - = Non Illustrated Part P.A.R. = Paint as Required



AIR CLEANER 2.5L CARBURETED ENGINE CHEROKEE, WAGONEER, COMANCHE - EXPORT
Figure 14-400

8 J14 400 A



| ITEM | PART NUMBER | QTY | BODY | MODEL | DESCRIPTION |
|------|-------------|-----|------|---------|--------------------------------|
| 1 | 5300 1837 | 1 | | | AIR CLEANER |
| 2 | 8350 0999 | 1 | | | ELEMENT, Air Cleaner |
| 3 | J323 6695 | 1 | | | FILTER PACKAGE |
| 4 | J323 7457 | 1 | | | SWITCH, Thermal Vacuum |
| 5 | J400 6571 | 1 | | | CLIP |
| 6 | J322 8426 | 1 | | | VALVE, Check |
| 7 | J320 3078 | 2 | | | CLAMP, Hose |
| 8 | J323 5938 | 1 | | | VALVE, Reverse Delay - Gray |
| 9 | 3300 1475 | 1 | | | GASKET, Air Cleaner |
| 10 | 3420 1676 | 1 | | | NUT |
| 11 | 3300 3391 | 1 | | | TUBE, Hot Air |
| 12 | 3300 2112 | 1 | | 1987 | ADAPTER, Air Duct |
| | 5300 5143 | 1 | | 1988-90 | |
| 13 | | | | | RIVET |
| | 3420 1621 | 2 | | 1987 | |
| | 3420 2099 | 2 | | 1988-90 | |
| 14 | | | | | TUBE, Air Intake |
| | 3300 2113 | 1 | | 1987 | |
| | 5300 5144 | 1 | | 1988-90 | |
| 15 | 3420 1918 | 1 | | | NUT |
| 16 | 3300 1611 | 1 | | | BRACKET, Air Cleaner Mounting |
| 17 | 5300 0683 | 1 | | | STUD |
| 18 | 8310 0020 | 1 | | | CONNECTOR |
| 19 | J812 5812 | AR | | | HOSE, 3/16" I.D. - Bulk |
| 20 | | | | | BRACKET - 1987 |
| | 3300 1723 | 1 | | | w/o Power Steering |
| | 3300 1613 | 1 | | | w/o Air Cond. w/Power Steering |
| | 3300 1615 | 1 | | | w/Air Cond. |
| 21 | 3300 1705 | 1 | | | DEFLECTOR, Air - 1987 *** |

MODEL CODES:

| | | |
|-----------------------------|-----------------------------|------------------------------|
| 15 = Grand Wagoneer 4 Dr. | 65 = Comanche 4WD-7 Ft. Box | 77 = Cherokee 4WD-2 Dr. |
| 25 = J-10 Pickup-119" W.B. | 66 = Comanche 2WD-7 Ft. Box | 78 = Cherokee 4WD-4 Dr. |
| 26 = J-10 Pickup-131" W.B. | 73 = Cherokee 2WD-2 Dr. | 79 = Cherokee 4WD-4 Dr.-Com |
| 27 = J-20 Pickup-131" W.B. | 74 = Cherokee 2WD-4 Dr. | 81 = Wrangler-93" W.B. |
| 63 = Comanche 4WD-6 Ft. Box | 75 = Wagoneer 4WD-4 Dr. | 82 = Wrangler-103" W.B.-Exp. |
| 64 = Comanche 2WD-6 Ft. Box | | |

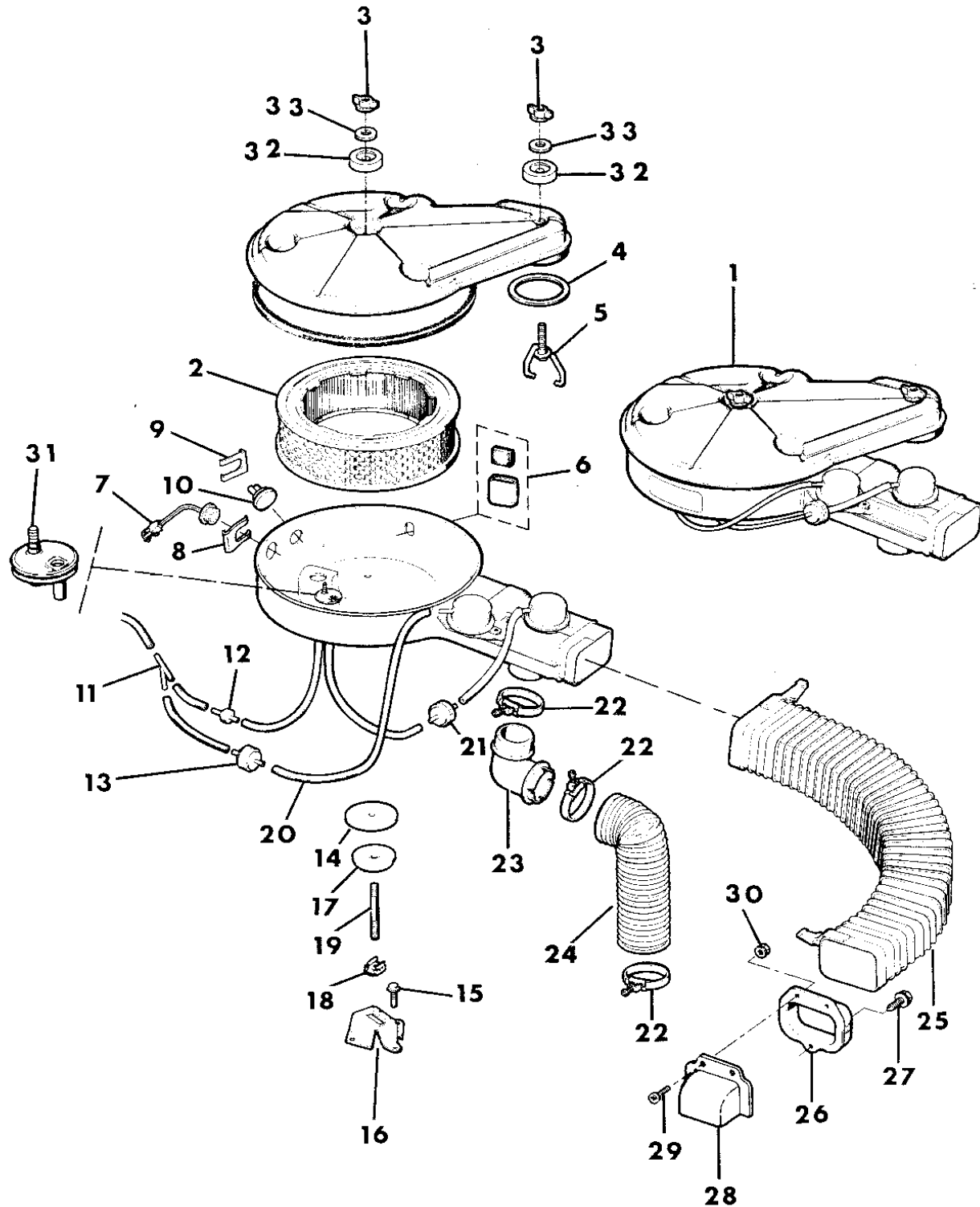
BODY STYLES:

MJ = Comanche Pickup
 SJ = Grand Wagoneer Wgn., J-10 & J-20 Pickups
 XJ = Cherokee, Wagoneer Limited
 YJ = Wrangler

AR = Use as Required - = Non Illustrated Part P.A.R. = Paint as Required

AIR CLEANER 4.2L ENGINE WRANGLER, YJ
Figure 14-500

8J14 500



| ITEM | PART NUMBER | QTY | BODY | MODEL | DESCRIPTION |
|------|-------------|-----|------|-------|---|
| 1 | | | | | AIR CLEANER |
| | 3300 2082 | 1 | | | U.S. and Canada |
| | J805 1832 | 1 | | | Export NRM |
| | J805 1832 | 1 | | | Venezuela KDX |
| 2 | J899 1386 | 1 | | | FILTER, Air Cleaner |
| 3 | J315 1735 | 2 | | | NUT, Wing |
| 4 | 3300 1475 | 1 | | | GASKET, Air Cleaner to Carburetor |
| 5 | J323 1263 | 1 | | | BAIL, Air Cleaner Retaining |
| 6 | J323 6695 | 1 | | | FILTER PACKAGE |
| 7 | 3300 0630 | 1 | | | SWITCH, Thermal Electric |
| 8 | J400 6784 | 1 | | | CLIP, Retaining |
| 9 | J400 6334 | 1 | | | CLIP, Retaining |
| 10 | J323 5329 | 1 | | | SWITCH, Thermal Vacuum |
| 11 | 8310 0020 | 1 | | | CONNECTOR |
| 12 | J322 8426 | 1 | | | VALVE, Check |
| 13 | J323 7141 | 1 | | | VALVE, Delay - Yellow |
| 14 | J323 4485 | 1 | | | GASKET, Air Cleaner Mounting to Bracket |
| 15 | J400 5731 | 3 | | | SCREW |
| 16 | J323 9648 | 1 | | | BRACKET, Mounting |
| 17 | J324 1389 | 1 | | | SPACER |
| 18 | J400 1946 | 1 | | | NUT, Cage |
| 19 | J400 7607 | 1 | | | STUD |
| 20 | J812 5812 | AR | | | HOSE, Bulk |
| 21 | | | | | VALVE, Reverse Delay |
| | J323 5938 | 1 | | | Gray - U.S. and Canada |
| | J323 7141 | 1 | | | Yellow - NRM |
| 22 | J320 3079 | 3 | | | CLAMP, Hose |
| 23 | J323 2439 | 1 | | | ELBOW |
| 24 | 3300 3391 | 1 | | | TUBE, Hot Air |
| 25 | J535 7889 | 1 | | | TUBE, Air Intake |
| 26 | J546 3866 | 1 | | | ADAPTER, Air Intake |
| 27 | J942 1073 | 1 | | | SCREW |
| 28 | 5300 5120 | 1 | | | DEFLECTOR, Water |
| 29 | 3420 2344 | 2 | | | SCREW |
| 30 | 1150 2702 | 2 | | | NUT |
| 31 | 5300 2950 | 1 | | | SENSOR, Intake Air Temperature |
| 32 | 3300 1941 | 2 | | | GROMMET |

MODEL CODES:

| | | |
|-----------------------------|-----------------------------|------------------------------|
| 15 = Grand Wagoneer 4 Dr. | 65 = Comanche 4WD-7 Ft. Box | 77 = Cherokee 4WD-2 Dr. |
| 25 = J-10 Pickup-119" W.B. | 66 = Comanche 2WD-7 Ft. Box | 78 = Cherokee 4WD-4 Dr. |
| 26 = J-10 Pickup-131" W.B. | 73 = Cherokee 2WD-2 Dr. | 79 = Cherokee 4WD-4 Dr.-Com |
| 27 = J-20 Pickup-131" W.B. | 74 = Cherokee 2WD-4 Dr. | 81 = Wrangler-93" W.B. |
| 63 = Comanche 4WD-6 Ft. Box | 75 = Wagoneer 4WD-4 Dr. | 82 = Wrangler-103" W.B.-Exp. |
| 64 = Comanche 2WD-6 Ft. Box | | |

BODY STYLES:

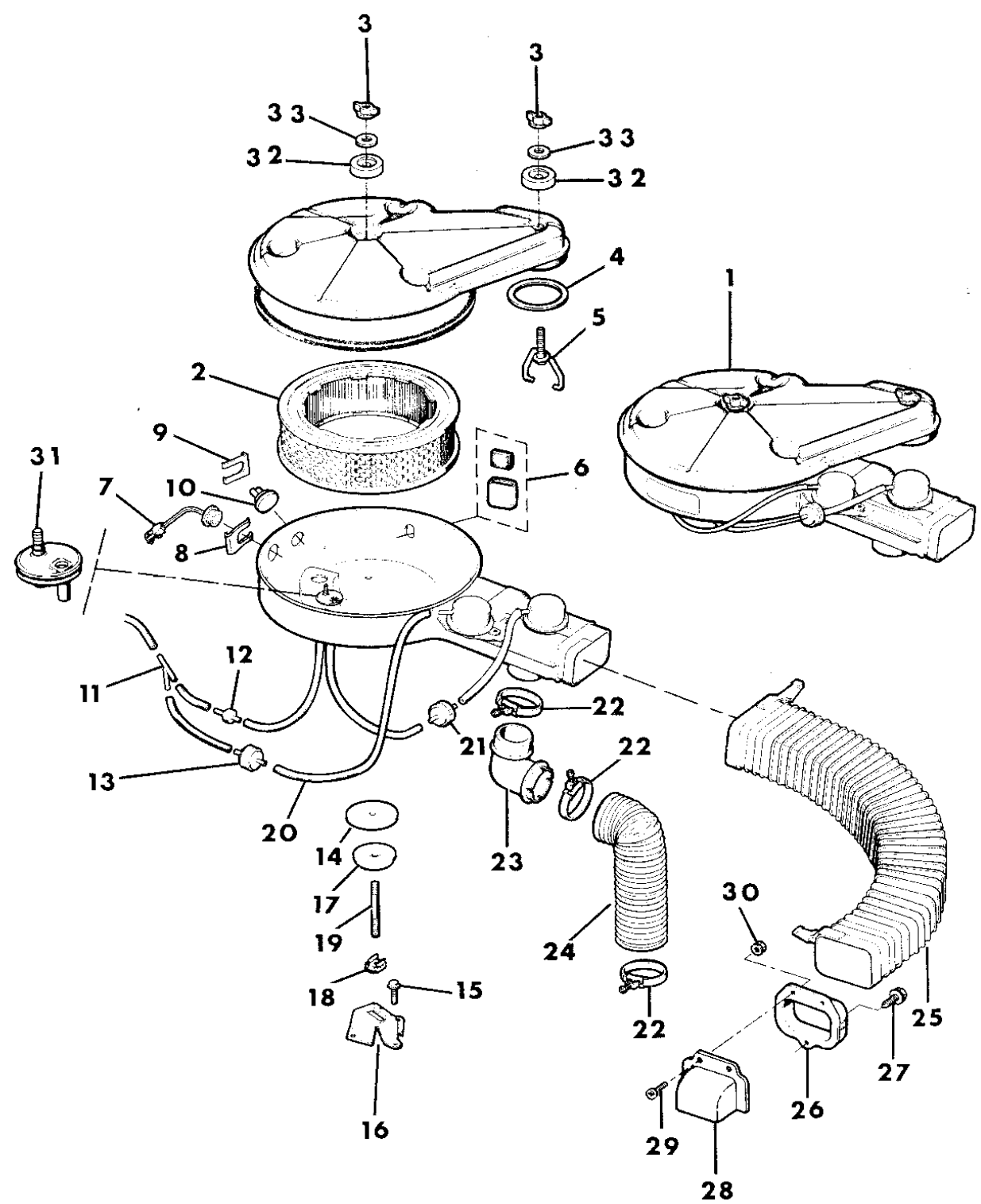
MJ = Comanche Pickup
 SJ = Grand Wagoneer Wgn., J-10 & J-20 Pickups
 XJ = Cherokee, Wagoneer Limited
 YJ = Wrangler

AR = Use as Required - = Non Illustrated Part P.A.R. = Paint as Required

AIR CLEANER 4.2L ENGINE WRANGLER, YJ
Figure 14-500

8J14 500

| ITEM | PART NUMBER | QTY | BODY | MODEL | DESCRIPTION |
|------|-------------|-----|------|-------|-------------|
| 33 | J420 0161 | 2 | | | WASHER |



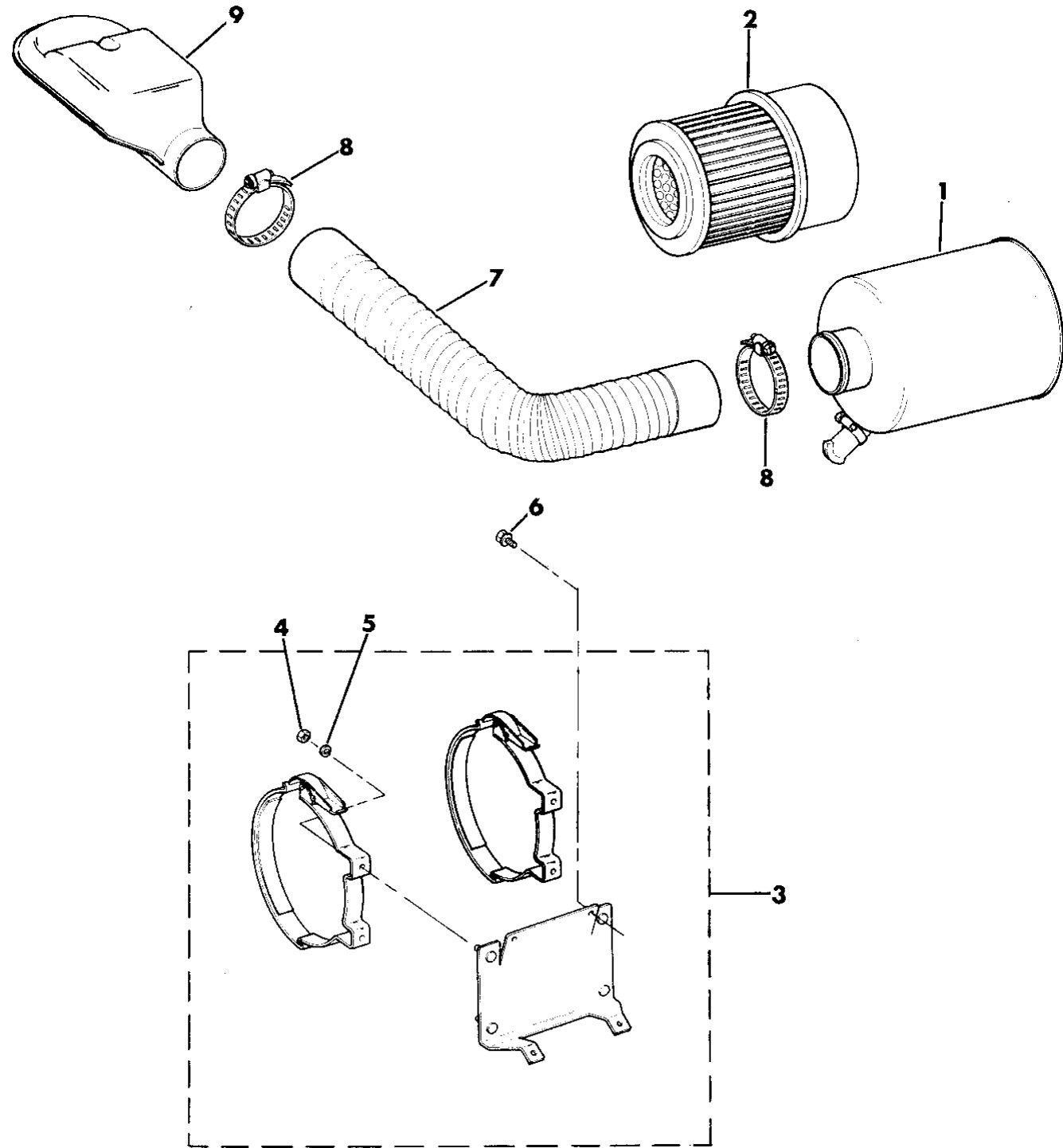
- MODEL CODES:
- | | | |
|-----------------------------|-----------------------------|------------------------------|
| 15 = Grand Wagoneer 4 Dr. | 65 = Comanche 4WD-7 Ft. Box | 77 = Cherokee 4WD-2 Dr. |
| 25 = J-10 Pickup-119" W.B. | 66 = Comanche 2WD-7 Ft. Box | 78 = Cherokee 4WD-4 Dr. |
| 26 = J-10 Pickup-131" W.B. | 73 = Cherokee 2WD-2 Dr. | 79 = Cherokee 4WD-4 Dr.-Com |
| 27 = J-20 Pickup-131" W.B. | 74 = Cherokee 2WD-4 Dr. | 81 = Wrangler-93" W.B. |
| 63 = Comanche 4WD-6 Ft. Box | 75 = Wagoneer 4WD-4 Dr. | 82 = Wrangler-103" W.B.-Exp. |
| 64 = Comanche 2WD-6 Ft. Box | | |

- BODY STYLES:
- MJ = Comanche Pickup
 - SJ = Grand Wagoneer Wgn., J-10 & J-20 Pickups
 - XJ = Cherokee, Wagoneer Limited
 - YJ = Wrangler

AR = Use as Required - = Non Illustrated Part P.A.R. = Paint as Required

AIR CLEANER 4.2L ENGINE - SEVERE USE WRANGLER - EXPORT
Figure 14-550

8 J14 550



| ITEM | PART NUMBER | QTY | BODY | MODEL | DESCRIPTION |
|------|-------------|-----|------|-------|----------------------|
| 1 | 5300 3675 | 1 | | | AIR CLEANER |
| 2 | 5300 3676 | 1 | | | ELEMENT, Air Cleaner |
| 3 | 5300 4171 | 1 | | | BRACKET ASSEMBLY |
| 4 | J012 0376 | 4 | | | NUT |
| 5 | J012 0214 | 4 | | | WASHER, Lock |
| 6 | J400 4455 | 4 | | | SCREW |
| 7 | J805 3171 | 1 | | | TUBE, Air Intake |
| 8 | J400 6643 | 2 | | | CLAMP, Hose |
| 9 | 5300 3679 | 1 | | | ADAPTER, Air Intake |

MODEL CODES:

| | | |
|-----------------------------|-----------------------------|------------------------------|
| 15 = Grand Wagoneer 4 Dr. | 65 = Comanche 4WD-7 Ft. Box | 77 = Cherokee 4WD-2 Dr. |
| 25 = J-10 Pickup-119" W.B. | 66 = Comanche 2WD-7 Ft. Box | 78 = Cherokee 4WD-4 Dr. |
| 26 = J-10 Pickup-131" W.B. | 73 = Cherokee 2WD-2 Dr. | 79 = Cherokee 4WD-4 Dr.-Com |
| 27 = J-20 Pickup-131" W.B. | 74 = Cherokee 2WD-4 Dr. | 81 = Wrangler-93" W.B. |
| 63 = Comanche 4WD-6 Ft. Box | 75 = Wagoneer 4WD-4 Dr. | 82 = Wrangler-103" W.B.-Exp. |
| 64 = Comanche 2WD-6 Ft. Box | | |

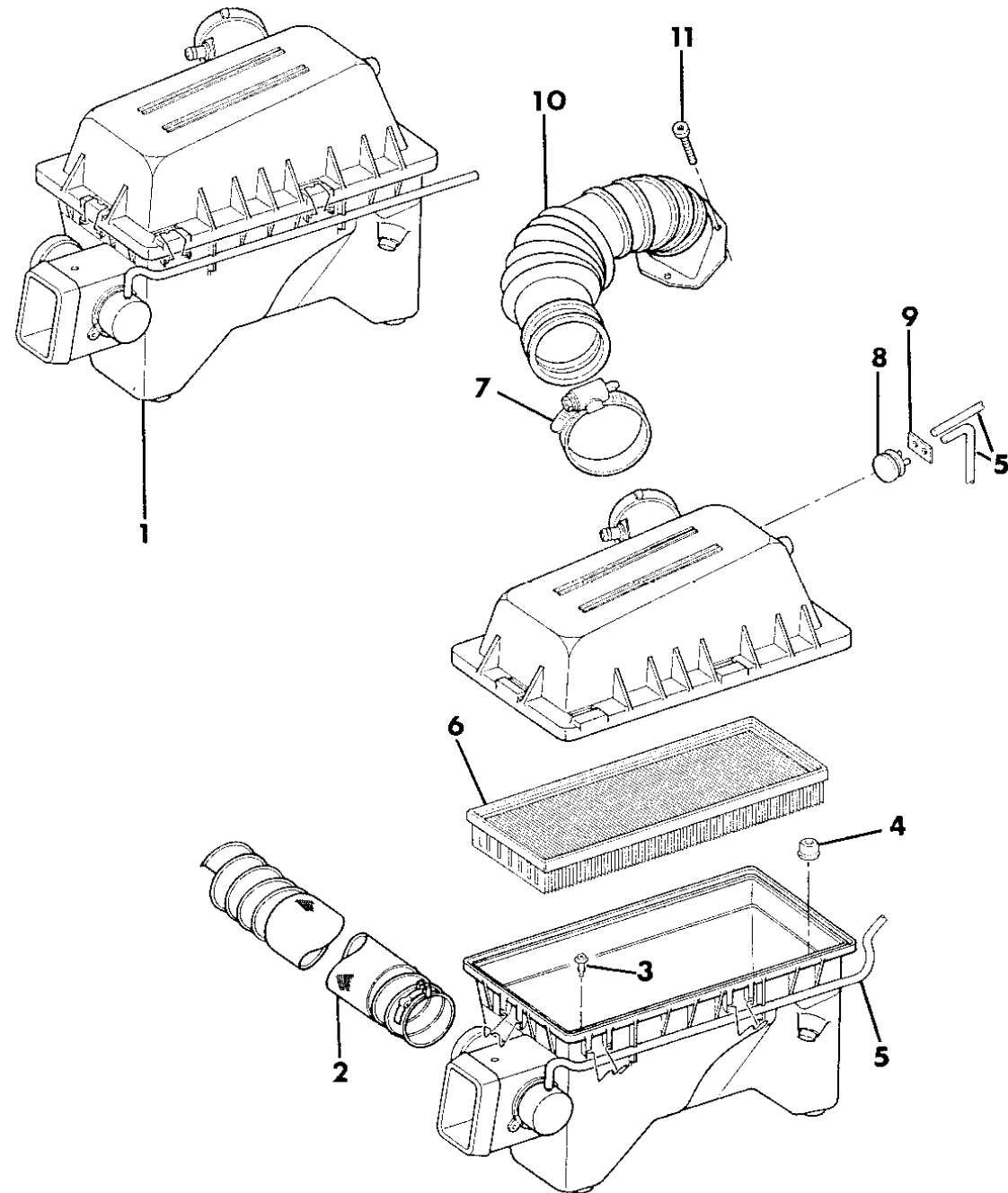
BODY STYLES:

MJ = Comanche Pickup
 SJ = Grand Wagoneer Wgn., J-10 & J-20 Pickups
 XJ = Cherokee, Wagoneer Limited
 YJ = Wrangler

AR = Use as Required - = Non Illustrated Part P.A.R. = Paint as Required

AIR CLEANER 4.0L ENGINE CHEROKEE, WAGONEER, COMANCHE
Figure 14-600

8J14600



| ITEM | PART NUMBER | QTY | BODY | MODEL | DESCRIPTION |
|------|-------------|-----|------|-------|--------------------------------|
| 1 | | | | | AIR CLEANER |
| | 5300 2735 | 1 | | | U.S., Canada and ECE |
| | 5300 4879 | 1 | | | Export NRM |
| 2 | 5300 4839 | 1 | | | TUBE, Hot Air |
| 3 | 3420 1860 | 2 | | | SCREW |
| 4 | | | | | NUT |
| | 3420 1918 | 1 | | | 1987 |
| | 3420 1416 | 1 | | | 1988-90 |
| 5 | J812 5995 | AR | | | HOSE, 3/16" I.D. - Bulk |
| 6 | 5300 4383 | 1 | | | FILTER, Air Cleaner |
| 7 | J400 7479 | 1 | | | CLAMP, Hose |
| 8 | 5300 4971 | 1 | | | SENSOR, Intake Air Temperature |
| 9 | 8350 3394 | 1 | | | RETAINER, Sensor |
| 10 | | | | | DUCT, Air |
| | 5300 2736 | 1 | | | 1987-88 |
| | 5300 6196 | 1 | | | 1989-90 |
| 11 | 3420 2546 | 3 | | | SCREW |

MODEL CODES:

| | | |
|-----------------------------|-----------------------------|------------------------------|
| 15 = Grand Wagoneer 4 Dr. | 65 = Comanche 4WD-7 Ft. Box | 77 = Cherokee 4WD-2 Dr. |
| 25 = J-10 Pickup-119" W.B. | 66 = Comanche 2WD-7 Ft. Box | 78 = Cherokee 4WD-4 Dr. |
| 26 = J-10 Pickup-131" W.B. | 73 = Cherokee 2WD-2 Dr. | 79 = Cherokee 4WD-4 Dr.-Com |
| 27 = J-20 Pickup-131" W.B. | 74 = Cherokee 2WD-4 Dr. | 81 = Wrangler-93" W.B. |
| 63 = Comanche 4WD-6 Ft. Box | 75 = Wagoneer 4WD-4 Dr. | 82 = Wrangler-103" W.B.-Exp. |
| 64 = Comanche 2WD-6 Ft. Box | | |

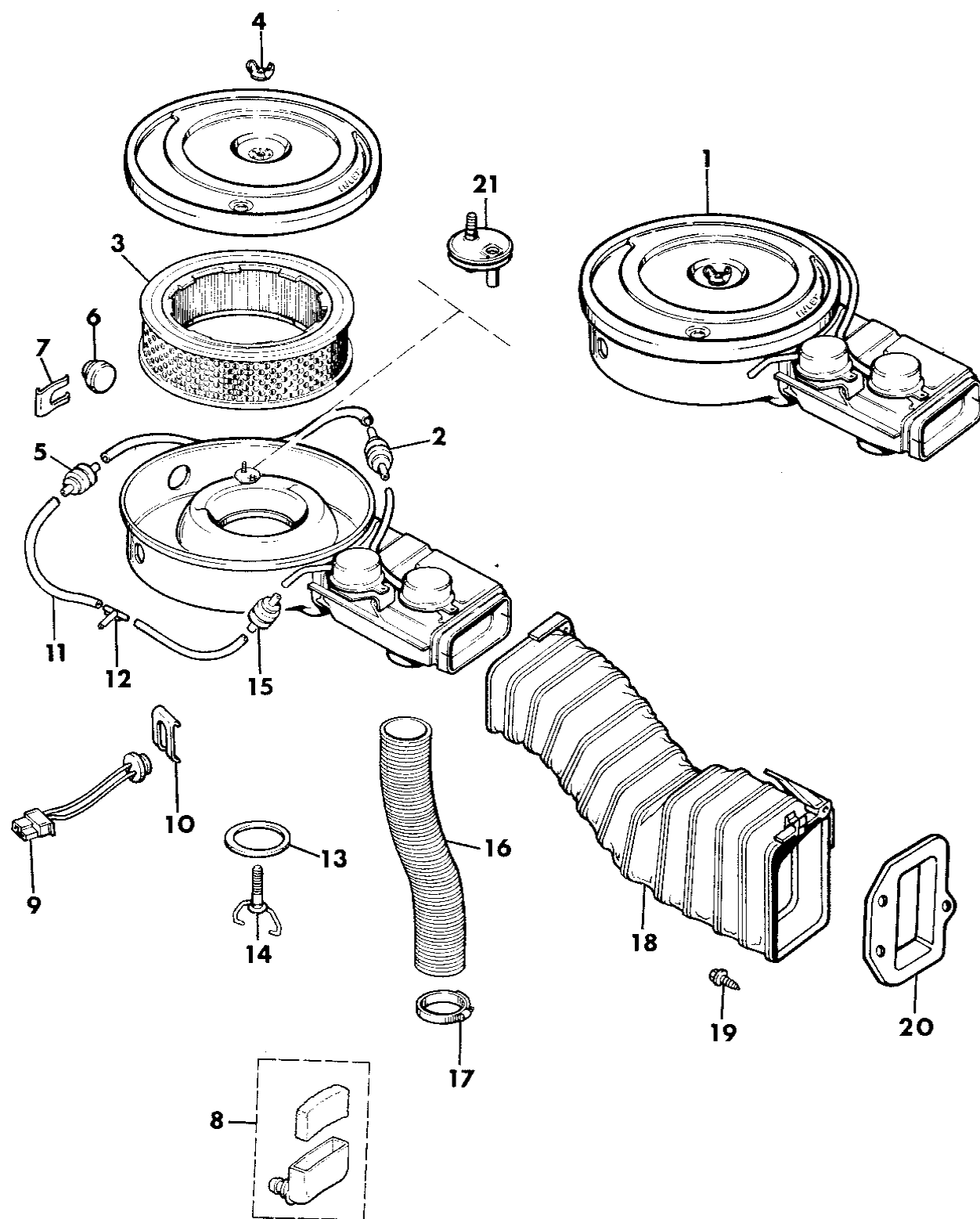
BODY STYLES:

MJ = Comanche Pickup
 SJ = Grand Wagoneer Wgn., J-10 & J-20 Pickups
 XJ = Cherokee, Wagoneer Limited
 YJ = Wrangler

AR = Use as Required - = Non Illustrated Part P.A.R. = Paint as Required

AIR CLEANER 4.2L ENGINE GRAND WAGONEER, J10
Figure 14-700

8J 14700



| ITEM | PART NUMBER | QTY | BODY | MODEL | DESCRIPTION |
|------|-------------|-----|------|-------|-------------------------------------|
| 1 | | | | | AIR CLEANER |
| | 3300 2064 | 1 | | | U.S. |
| | 3300 2065 | 1 | | | Canada 1987 |
| | 3300 2064 | 1 | | | Canada 1988-90 |
| | J805 1772 | 1 | | | Export NRM |
| 2 | J323 5938 | 1 | | | VALVE, Reverse Delay - White/Gray |
| 3 | J899 1386 | 1 | | | ELEMENT, Air Cleaner |
| 4 | J315 1735 | 1 | | | NUT, Wing |
| 5 | J322 8426 | 1 | | | VALVE, Check - White/Black |
| 6 | J323 5329 | 1 | | | SWITCH, Vacuum |
| 7 | J400 6334 | 1 | | | CLIP, Retaining |
| 8 | J323 6695 | 1 | | | FILTER PACKAGE |
| 9 | 3300 0630 | 1 | | | SWITCH, Thermal Electric |
| 10 | J400 6784 | 1 | | | CLIP, Retaining |
| 11 | J812 5812 | AR | | | HOSE, 3/16" I.D. - Bulk |
| 12 | 8310 0020 | 1 | | | CONNECTOR, Tee |
| 13 | 3300 1475 | 1 | | | GASKET, Air Cleaner |
| 14 | J323 1263 | | | | BAIL, Air Cleaner Retaining |
| 15 | J323 7141 | 1 | | | VALVE, Reverse Delay - Yellow/White |
| 16 | 3300 3391 | 1 | | | TUBE, Hot Air |
| 17 | J320 3079 | 2 | | | CLAMP, Hose |
| 18 | J535 7886 | 1 | | | TUBE, Air Intake |
| 19 | J942 1073 | 3 | | | SCREW |
| 20 | J546 3866 | 1 | | | ADAPTER, Air Intake |
| 21 | 5300 2950 | 1 | | | SENSOR, Intake Air Temperature |

MODEL CODES:

| | | |
|-----------------------------|-----------------------------|------------------------------|
| 15 = Grand Wagoneer 4 Dr. | 65 = Comanche 4WD-7 Ft. Box | 77 = Cherokee 4WD-2 Dr. |
| 25 = J-10 Pickup-119" W.B. | 66 = Comanche 2WD-7 Ft. Box | 78 = Cherokee 4WD-4 Dr. |
| 26 = J-10 Pickup-131" W.B. | 73 = Cherokee 2WD-2 Dr. | 79 = Cherokee 4WD-4 Dr.-Com |
| 27 = J-20 Pickup-131" W.B. | 74 = Cherokee 2WD-4 Dr. | 81 = Wrangler-93" W.B. |
| 63 = Comanche 4WD-6 Ft. Box | 75 = Wagoneer 4WD-4 Dr. | 82 = Wrangler-103" W.B.-Exp. |
| 64 = Comanche 2WD-6 Ft. Box | | |

BODY STYLES:

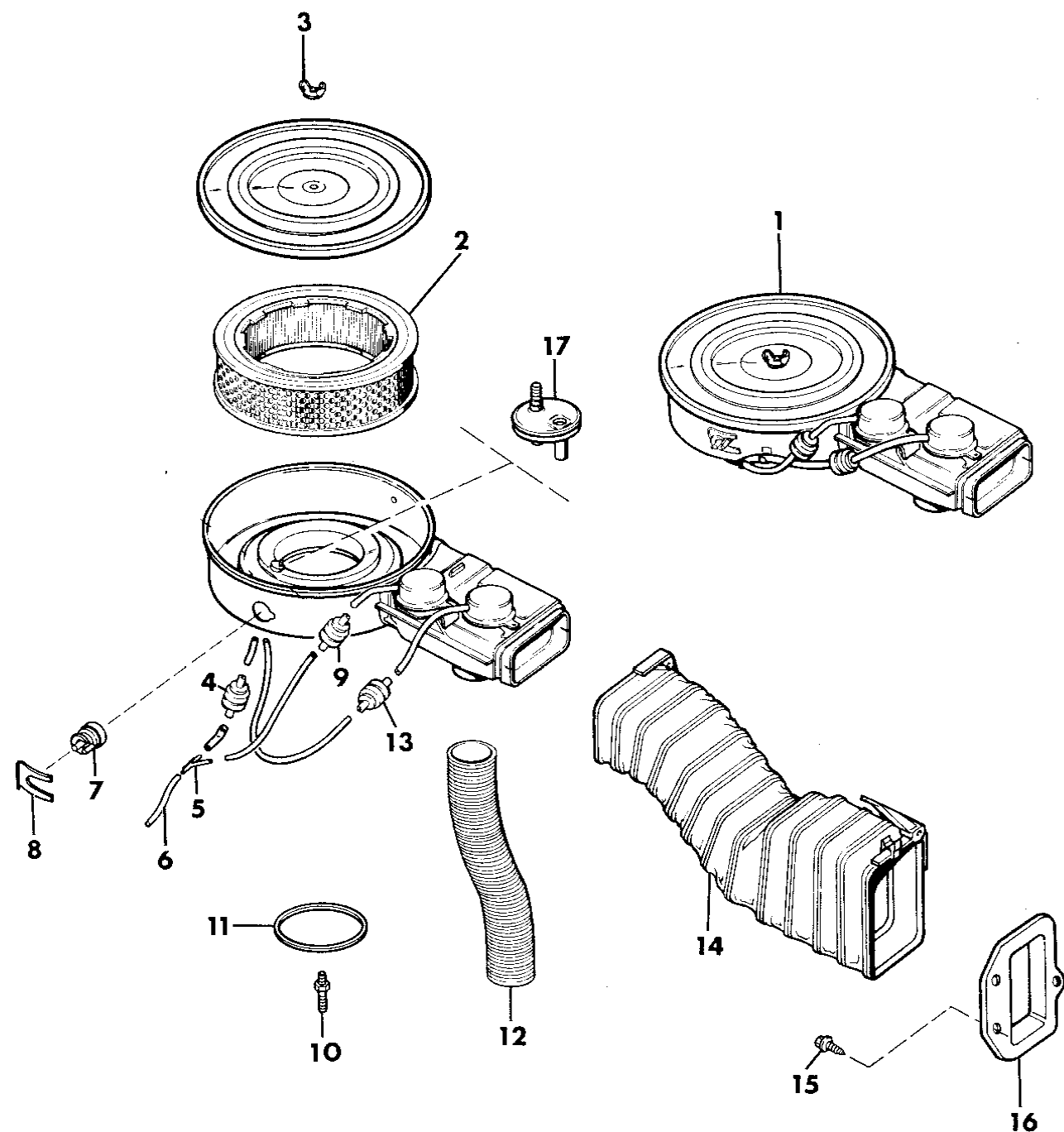
MJ = Comanche Pickup
 SJ = Grand Wagoneer Wgn., J-10 & J-20 Pickups
 XJ = Cherokee, Wagoneer Limited
 YJ = Wrangler

AR = Use as Required - = Non Illustrated Part P.A.R. = Paint as Required

AIR CLEANER 5.9L ENGINE GRAND WAGONEER, J10, J20
Figure 14-800

8J14800

| ITEM | PART NUMBER | QTY | BODY | MODEL | DESCRIPTION |
|------|-------------|-----|------|-------|-------------------------------------|
| 1 | | | | | AIR CLEANER |
| | 5300 3936 | 1 | | | Wagon - U.S. |
| | 5300 3937 | 1 | | | Wagon - Canada 1987 |
| | 5300 3936 | 1 | | | Wagon - Canada 1988-90 |
| | 5300 3936 | 1 | | | J10 - U.S. |
| | 5300 3937 | 1 | | | J10 - Canada 1987 |
| | 5300 3936 | 1 | | | J10 - Canada 1988-90 |
| | 5300 3936 | 1 | | | J20 - U.S. and High Alt. 1987 |
| | 5300 3936 | 1 | | | J20 - U.S. and Canada 1988-90 |
| | 5300 3937 | 1 | | | Export NRM |
| 2 | J899 2661 | 1 | | | ELEMENT, Air Cleaner |
| 3 | J315 1735 | 1 | | | NUT, Wing |
| 4 | J322 8426 | 1 | | | VALVE, Check - White/Black |
| 5 | J321 0891 | 1 | | | CONNECTOR, Tee |
| 6 | J812 5812 | AR | | | HOSE, 3/16" I.D. - Bulk |
| 7 | J323 5329 | 1 | | | SWITCH, Vacuum |
| 8 | J400 6334 | 1 | | | CLIP, Retaining |
| 9 | J323 7141 | 1 | | | VALVE, Reverse Delay - Yellow/White |
| 10 | J323 0269 | 1 | | | STUD |
| 11 | J319 1884 | 1 | | | GASKET, Air Cleaner to Carburetor |
| 12 | 3300 3391 | 1 | | | TUBE, Hot Air |
| 13 | J323 5938 | 1 | | | VALVE, Reverse Delay - Gray/White |
| 14 | J535 8444 | 1 | | | TUBE, Air Intake |
| 15 | J942 1073 | 3 | | | SCREW |
| 16 | J546 3866 | 1 | | | ADAPTER, Air Intake |
| 17 | 5300 3940 | 1 | | | SENSOR, Intake Air Temperature |



MODEL CODES:

| | | |
|-----------------------------|-----------------------------|------------------------------|
| 15 = Grand Wagoneer 4 Dr. | 65 = Comanche 4WD-7 Ft. Box | 77 = Cherokee 4WD-2 Dr. |
| 25 = J-10 Pickup-119" W.B. | 66 = Comanche 2WD-7 Ft. Box | 78 = Cherokee 4WD-4 Dr. |
| 26 = J-10 Pickup-131" W.B. | 73 = Cherokee 2WD-2 Dr. | 79 = Cherokee 4WD-4 Dr.-Com |
| 27 = J-20 Pickup-131" W.B. | 74 = Cherokee 2WD-4 Dr. | 81 = Wrangler-93" W.B. |
| 63 = Comanche 4WD-6 Ft. Box | 75 = Wagoneer 4WD-4 Dr. | 82 = Wrangler-103" W.B.-Exp. |
| 64 = Comanche 2WD-6 Ft. Box | | |

BODY STYLES:

MJ = Comanche Pickup
 SJ = Grand Wagoneer Wgn., J-10 & J-20 Pickups
 XJ = Cherokee, Wagoneer Limited
 YJ = Wrangler

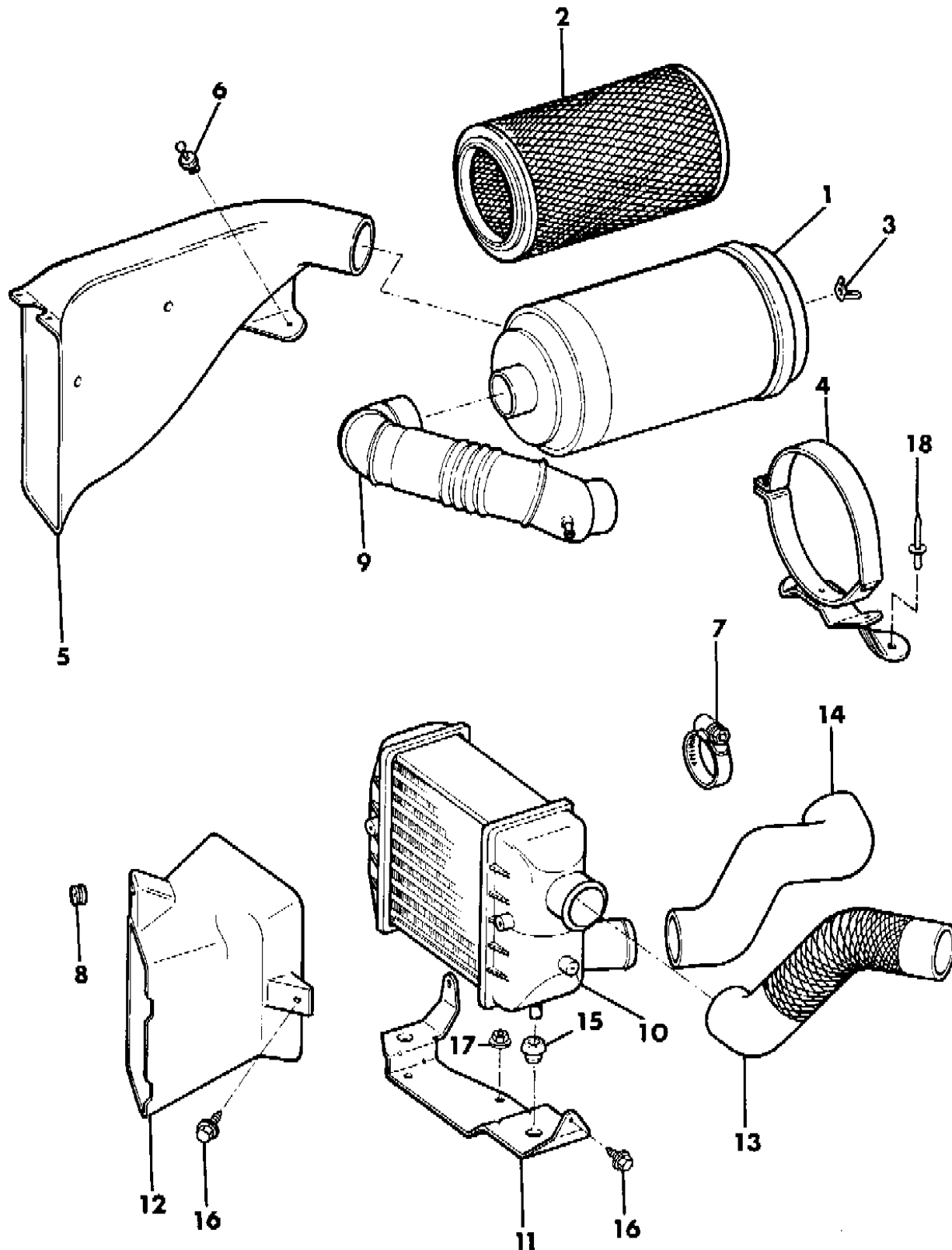
AR = Use as Required - = Non Illustrated Part P.A.R. = Paint as Required

AIR CLEANER DIESEL ENGINE CHEROKEE, COMANCHE

Figure 14-900

8J14900A

| ITEM | PART NUMBER | QTY | BODY | MODEL | DESCRIPTION |
|------|-------------|-----|------|-------|------------------------------------|
| 1 | 5300 1125 | 1 | | | AIR CLEANER |
| 2 | 8350 1843 | 1 | | | ELEMENT, Air Cleaner |
| 3 | 3300 1796 | 1 | | | NUT, Wing |
| 4 | 3300 2197 | 1 | | | BRACKET, Air Cleaner |
| 5 | 5300 4536 | 1 | | | DUCT, Fresh Air Intake |
| 6 | 3420 1621 | AR | | | RIVET |
| 7 | J320 3078 | AR | | | CLAMP, Hose 1.31" to 2.25" Dia. |
| | J320 3079 | AR | | | 1.81" to 2.75" Dia. |
| 8 | 3420 2170 | 1 | | | GROMMET |
| 9 | 3300 2199 | 1 | | | TUBE ASSEMBLY, Turbo Inlet |
| 10 | 5300 1178 | 1 | | | INTERCOOLER, Turbo Air |
| 11 | 5300 1182 | 1 | | | BRACKET, Intercooler Mounting |
| 12 | 5200 2582 | 1 | | | DUCT, Intercooler Air |
| 13 | 5200 2180 | 1 | | | HOSE, Manifold Inlet |
| 14 | 5300 1180 | 1 | | | HOSE, Turbo Outlet |
| 15 | J068 7550 | 2 | | | GROMMET |
| 16 | 3420 2071 | 4 | | | SCREW |
| 17 | 1150 2729 | 3 | | | NUT |
| | 3420 1918 | 3 | | | 1987 |
| | 1150 2729 | 3 | | | 1988-90 |
| 18 | 3420 1597 | 3 | | | RIVET |



MODEL CODES:

| | | |
|-----------------------------|-----------------------------|------------------------------|
| 15 = Grand Wagoneer 4 Dr. | 65 = Comanche 4WD-7 Ft. Box | 77 = Cherokee 4WD-2 Dr. |
| 25 = J-10 Pickup-119" W.B. | 66 = Comanche 2WD-7 Ft. Box | 78 = Cherokee 4WD-4 Dr. |
| 26 = J-10 Pickup-131" W.B. | 73 = Cherokee 2WD-2 Dr. | 79 = Cherokee 4WD-4 Dr.-Com |
| 27 = J-20 Pickup-131" W.B. | 74 = Cherokee 2WD-4 Dr. | 81 = Wrangler-93" W.B. |
| 63 = Comanche 4WD-6 Ft. Box | 75 = Wagoneer 4WD-4 Dr. | 82 = Wrangler-103" W.B.-Exp. |
| 64 = Comanche 2WD-6 Ft. Box | | |

BODY STYLES:

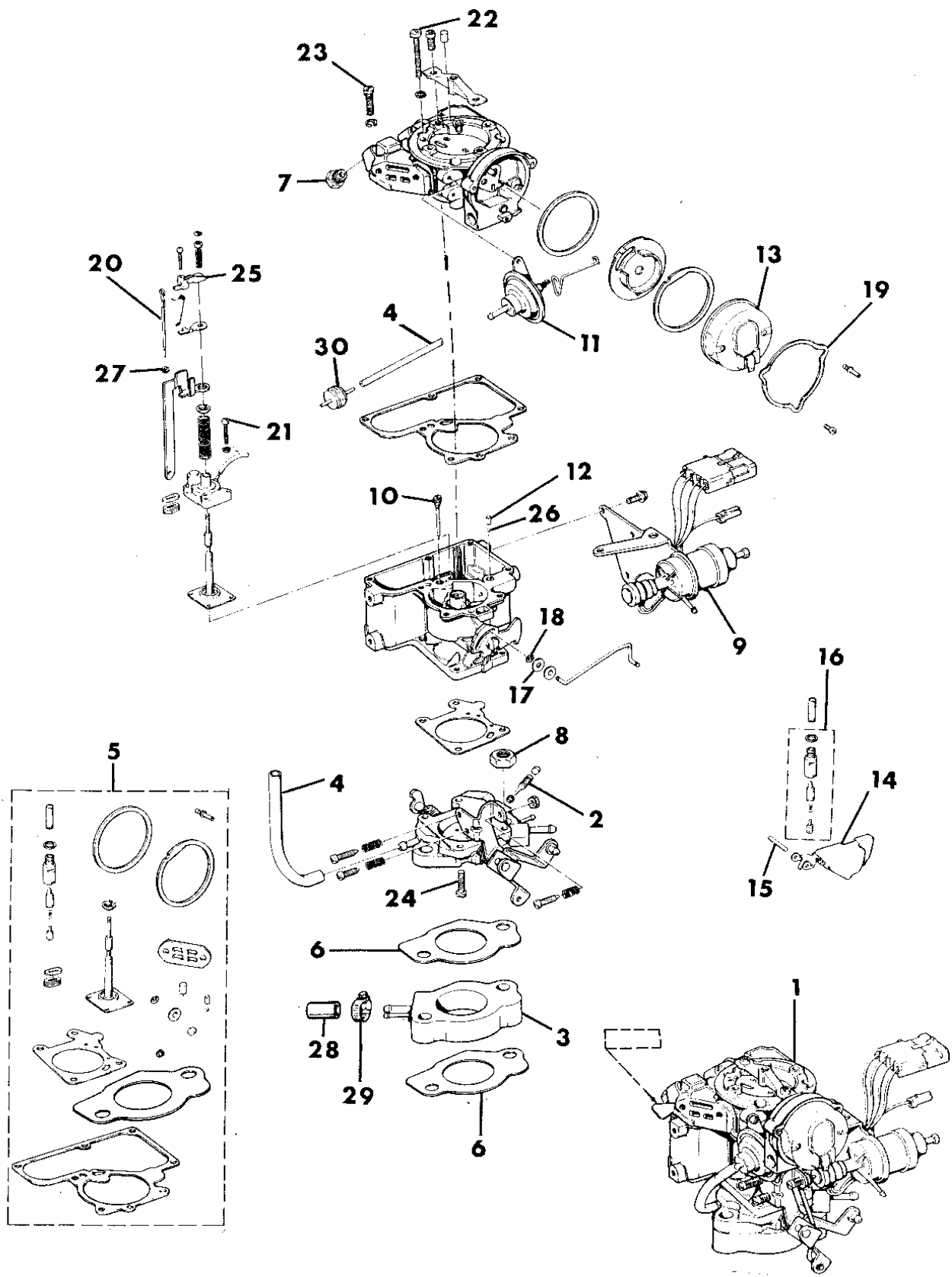
MJ = Comanche Pickup
 SJ = Grand Wagoneer Wgn., J-10 & J-20 Pickups
 XJ = Cherokee, Wagoneer Limited
 YJ = Wrangler

AR = Use as Required - = Non Illustrated Part P.A.R. = Paint as Required

CARBURETOR AND COMPONENT PARTS 2.5L ENGINE WRANGLER, CHEROKEE, WAGONEER, COMANCHE - NRM
Figure 14-1000

8 J 141000

| ITEM | PART NUMBER | QTY | BODY | MODEL | DESCRIPTION |
|------|-------------|-----|------|-------|--------------------------------------|
| 1 | 5300 2641 | 1 | | | CARBURETOR - Tag #7708 - Man. Trans. |
| 2 | 8350 0455 | 1 | | | SCREW, Idle Mixture |
| 3 | 5300 0616 | 1 | | | INSULATOR, Carburetor |
| 4 | J812 5812 | AR | | | HOSE, 3/16" I.D. Bulk |
| 5 | 8330 0085 | 1 | | | REPAIR PACKAGE, Carburetor |
| 6 | 5300 0617 | 2 | | | GASKET, Carburetor |
| 7 | J013 7406 | 1 | | | CONNECTOR |
| 8 | J012 4925 | 2 | | | NUT |
| 9 | 8350 2116 | 1 | | | SOLENOID, Throttle |
| 10 | 8350 2113 | 1 | | | JET, Low Speed |
| 11 | 8350 2112 | 1 | | | DIAPHRAGM, Choke |
| 12 | J812 0149 | 1 | | | WEIGHT, Check Ball |
| 13 | 8350 0921 | 1 | | | COIL, Choke |
| 14 | 8350 0454 | 1 | | | FLOAT, Carburetor |
| 15 | J812 4315 | 1 | | | PIN, Float |
| 16 | 8350 0932 | 1 | | | NEEDLE and SEAT |
| 17 | 8350 0456 | 1 | | | BUSHING, Choke Rod |
| 18 | J812 1249 | 1 | | | CLIP |
| 19 | J812 6555 | 1 | | | RETAINER, Choke Rod |
| 20 | 8350 2114 | 1 | | | ROD, Metering |
| 21 | J320 6433 | 4 | | | SCREW |
| 22 | J320 7738 | 3 | | | SCREW, 1.5" |
| 23 | J812 5858 | 4 | | | SCREW, .63" |
| 24 | J812 0222 | 4 | | | SCREW |
| 25 | 8350 0460 | 1 | | | ARM, Metering Rod |
| 26 | J812 0145 | 1 | | | BALL, Discharge Check |
| 27 | 8350 2115 | 1 | | | JET, Metering Rod |
| 28 | J322 7272 | 1 | | | CAP |
| 29 | 3300 0785 | 1 | | | CLAMP |
| 30 | J323 7293 | 1 | | | VALVE, Delay |



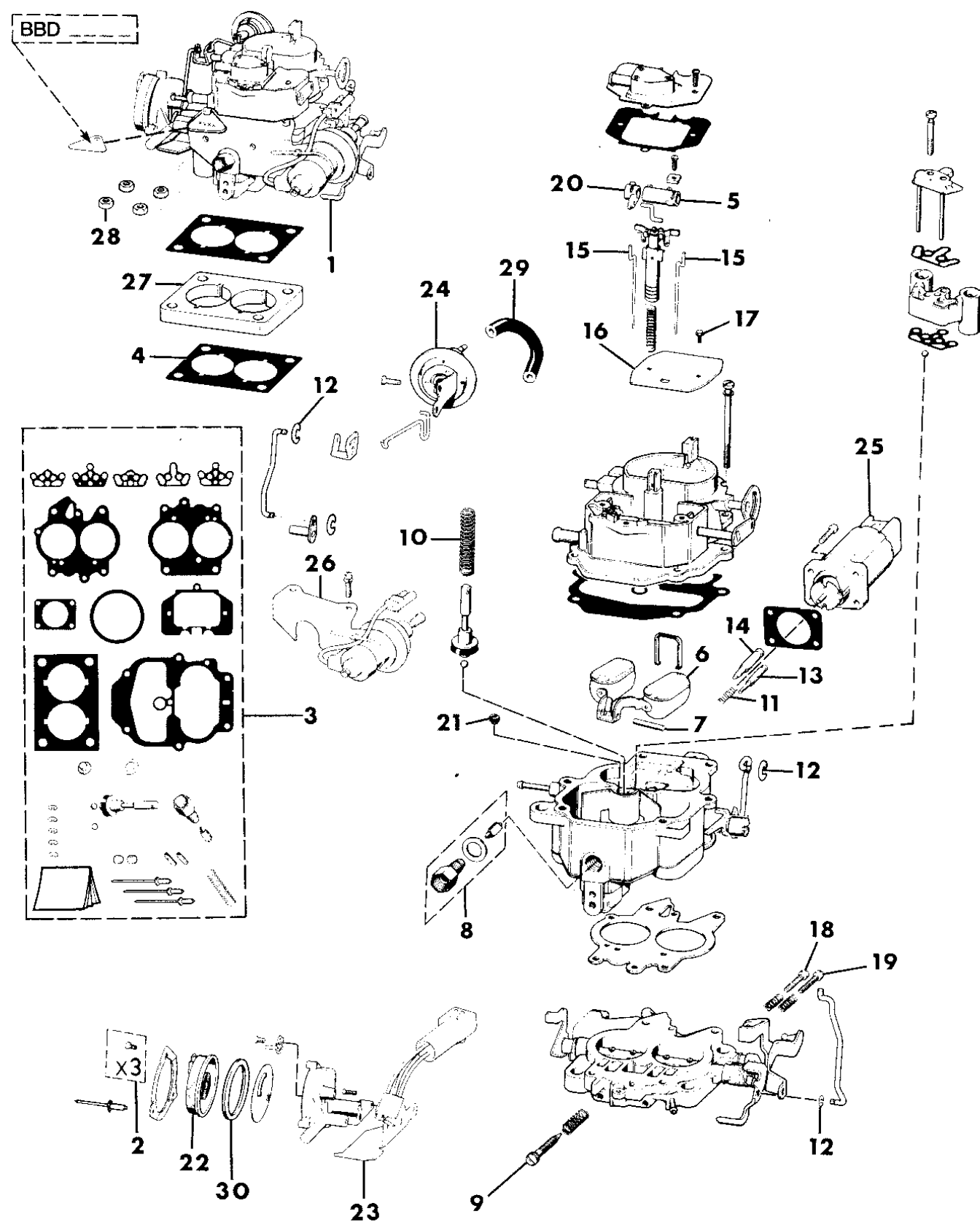
MODEL CODES:
 15 = Grand Wagoneer 4 Dr. 65 = Comanche 4WD-7 Ft. Box 77 = Cherokee 4WD-2 Dr.
 25 = J-10 Pickup-119" W.B. 66 = Comanche 2WD-7 Ft. Box 78 = Cherokee 4WD-4 Dr.
 26 = J-10 Pickup-131" W.B. 73 = Cherokee 2WD-2 Dr. 79 = Cherokee 4WD-4 Dr.-Com
 27 = J-20 Pickup-131" W.B. 74 = Cherokee 2WD-4 Dr. 81 = Wrangler-93" W.B.
 63 = Comanche 4WD-6 Ft. Box 75 = Wagoneer 4WD-4 Dr. 82 = Wrangler-103" W.B.-Exp.
 64 = Comanche 2WD-6 Ft. Box

BODY STYLES:
 MJ = Comanche Pickup
 SJ = Grand Wagoneer Wgn., J-10 & J-20 Pickups
 XJ = Cherokee, Wagoneer Limited
 YJ = Wrangler

AR = Use as Required - = Non Illustrated Part P.A.R. = Paint as Required

CARBURETOR AND COMPONENT PARTS 4.2L ENGINE WRANGLER, YJ, GRAND WAGONEER, J10
Figure 14-1100

8J141100



| ITEM | PART NUMBER | QTY | BODY | MODEL | DESCRIPTION |
|------|-------------|-----|------|-------|---|
| 1 | | | | | CARBURETOR |
| | 8332 0007 | 1 | | | U.S. and Canada - Tag #BBD 8383, BBD 8394 Carter, Man. Trans. |
| | 8332 0007 | 1 | YJ | | U.S. and Canada - Tag #BBD 8383, BBD 8394 Carter, Auto Trans. |
| | 3300 0486 | 1 | | 15,26 | Export NRM - Tag #8366 |
| | 3300 0486 | 1 | YJ | | Egypt and Venezuela - KDX - Tag #8366 |
| 2 | J813 3749 | 1 | | | SCREW PACKAGE |
| 3 | J813 4232 | 1 | | | REPAIR PACKAGE, Carburetor |
| 4 | J323 5405 | 2 | | | GASKET, Carburetor to Intake Manifold |
| 5 | J812 7319 | 1 | | | ARM, Metering Rod |
| 6 | J812 7325 | 1 | | | FLOAT, Carburetor |
| 7 | J812 4315 | 1 | | | PIN, Float |
| 8 | J812 7326 | 1 | | | NEEDLE and SEAT |
| 9 | J813 3451 | 2 | | | SCREW, Idle Mixture |
| 10 | J812 7324 | 1 | | | SPRING, Pump |
| 11 | 8350 0337 | 1 | | | SPRING, Actuator - Tag #8383, 8384 |
| 12 | J812 1249 | 4 | | | RETAINER |
| 13 | J813 4235 | 1 | | | PIN, Metering - Tag #8383, 8384 |
| 14 | J813 3702 | 1 | | | PIN, Metering - Tag #8383, 8384 |
| 15 | | | | | ROD, Metering |
| | J813 3949 | 2 | | | Tag #8383, 8384 |
| | J812 7816 | 2 | | | Tag #8366 |
| 16 | J812 7322 | 1 | | | VALVE, Choke |
| 17 | J812 6130 | 2 | | | SCREW, Choke Valve |
| 18 | J812 7329 | 1 | | | SCREW, Idle Speed |
| 19 | J812 7330 | 1 | | | SCREW, Fast Idle |
| 20 | J813 0220 | 1 | | | ARM, Accelerator Pump |
| 21 | | | | | JET, Metering Rod |
| | J320 7756 | 2 | | | Tag #8383, 8384 |
| | J094 8827 | 2 | | | Tag #8366 |
| 22 | | | | | COVER PACKAGE, Choke |
| | J813 3455 | 1 | | | Tag #8383, 8384 |
| | J813 2545 | 1 | | | Tag #8366 |
| 23 | J813 3952 | 1 | | | SWITCH, Wide Open Throttle - Tag #8383, 8384 |
| 24 | J813 4544 | 1 | | | DIAPHRAGM, Choke |
| 25 | J813 2632 | 1 | | | MOTOR, Carburetor Stepper - Tag #8383, 8384 |

MODEL CODES:

| | | |
|-----------------------------|-----------------------------|------------------------------|
| 15 = Grand Wagoneer 4 Dr. | 65 = Comanche 4WD-7 Ft. Box | 77 = Cherokee 4WD-2 Dr. |
| 25 = J-10 Pickup-119" W.B. | 66 = Comanche 2WD-7 Ft. Box | 78 = Cherokee 4WD-4 Dr. |
| 26 = J-10 Pickup-131" W.B. | 73 = Cherokee 2WD-2 Dr. | 79 = Cherokee 4WD-4 Dr.-Com |
| 27 = J-20 Pickup-131" W.B. | 74 = Cherokee 2WD-4 Dr. | 81 = Wrangler-93" W.B. |
| 63 = Comanche 4WD-6 Ft. Box | 75 = Wagoneer 4WD-4 Dr. | 82 = Wrangler-103" W.B.-Exp. |
| 64 = Comanche 2WD-6 Ft. Box | | |

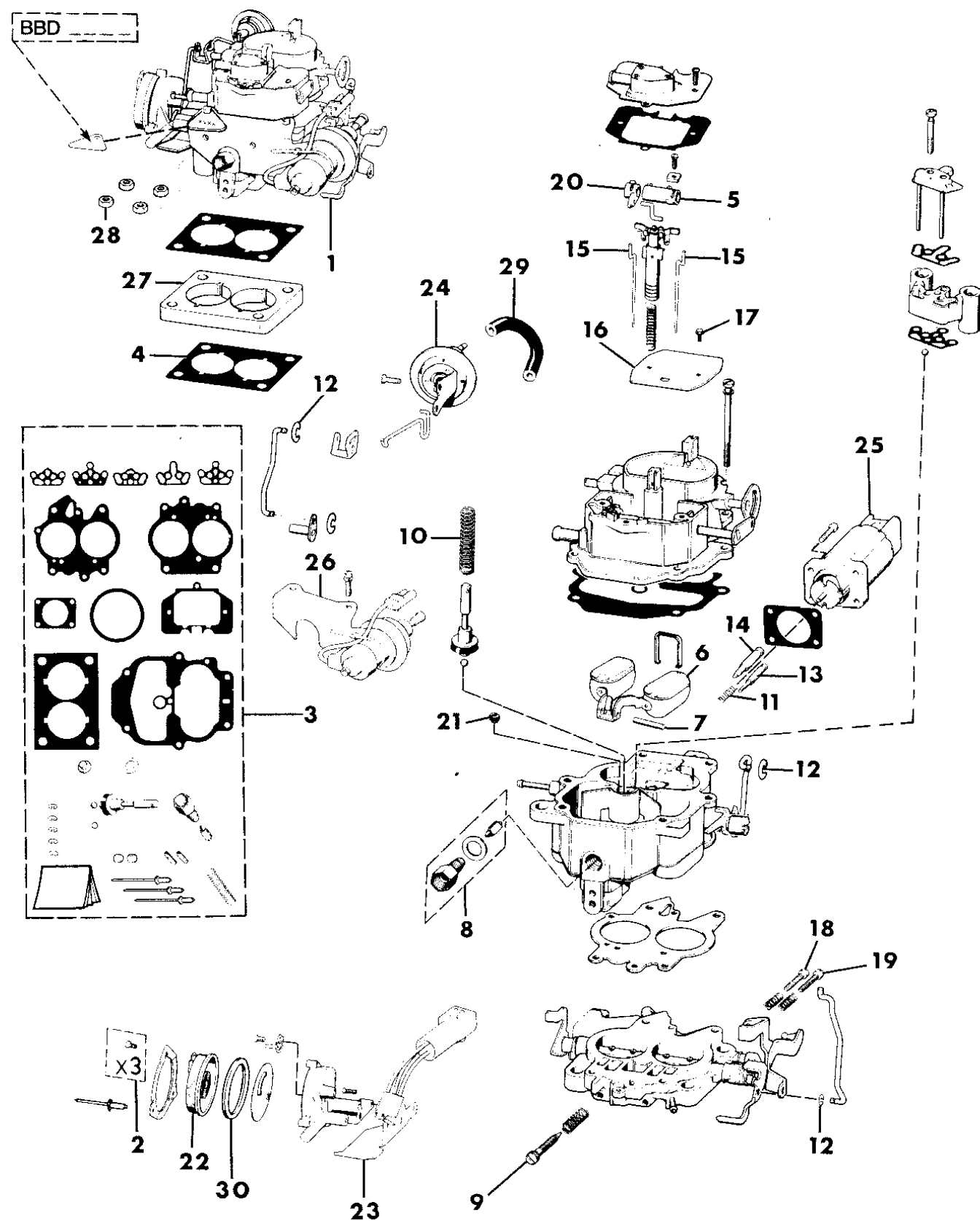
BODY STYLES:

MJ = Comanche Pickup
 SJ = Grand Wagoneer Wgn., J-10 & J-20 Pickups
 XJ = Cherokee, Wagoneer Limited
 YJ = Wrangler

AR = Use as Required - = Non Illustrated Part P.A.R. = Paint as Required

CARBURETOR AND COMPONENT PARTS 4.2L ENGINE WRANGLER, YJ, GRAND WAGONEER, J10
Figure 14-1100

8J141100



| ITEM | PART NUMBER | QTY | BODY | MODEL | DESCRIPTION |
|------|-------------|-----|------|-------|-------------------------|
| 26 | | | | | SOLENOID, Throttle |
| | 8350 0342 | 1 | | | Tag #8383, 8384 |
| | J812 7629 | 1 | | | Tag #8366 |
| 27 | J323 5406 | 1 | | | INSULATOR, Carburetor |
| 28 | J400 3825 | 4 | | | NUT |
| 29 | J812 5812 | AR | | | HOSE, 3/16" I.D. - Bulk |
| 30 | J813 3700 | 1 | | | GASKET |

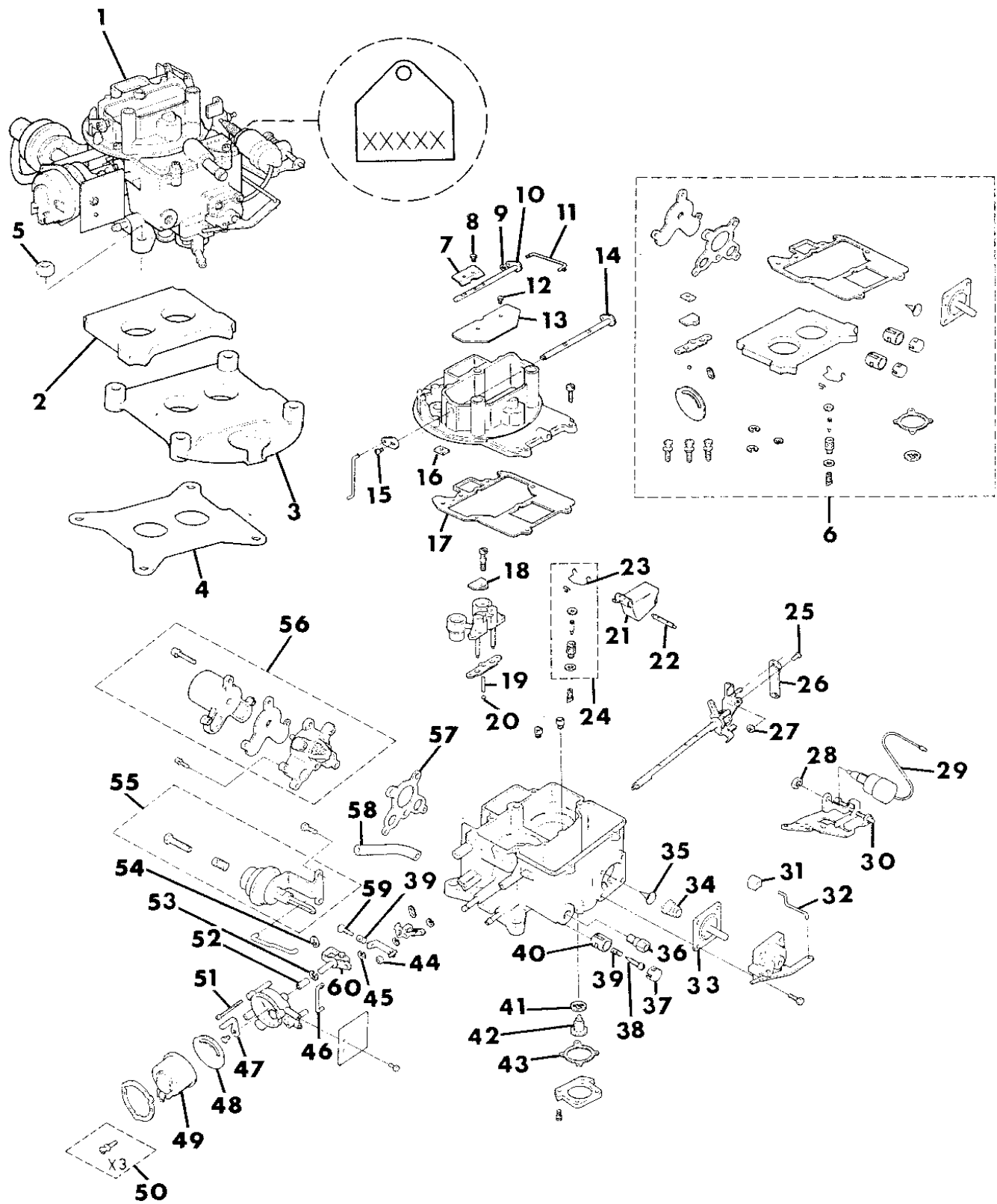
- MODEL CODES:**
- | | | |
|-----------------------------|-----------------------------|------------------------------|
| 15 = Grand Wagoneer 4 Dr. | 65 = Comanche 4WD-7 Ft. Box | 77 = Cherokee 4WD-2 Dr. |
| 25 = J-10 Pickup-119" W.B. | 66 = Comanche 2WD-7 Ft. Box | 78 = Cherokee 4WD-4 Dr. |
| 26 = J-10 Pickup-131" W.B. | 73 = Cherokee 2WD-2 Dr. | 79 = Cherokee 4WD-4 Dr.-Com |
| 27 = J-20 Pickup-131" W.B. | 74 = Cherokee 2WD-4 Dr. | 81 = Wrangler-93" W.B. |
| 63 = Comanche 4WD-6 Ft. Box | 75 = Wagoneer 4WD-4 Dr. | 82 = Wrangler-103" W.B.-Exp. |
| 64 = Comanche 2WD-6 Ft. Box | | |

- BODY STYLES:**
- MJ = Comanche Pickup
 - SJ = Grand Wagoneer Wgn., J-10 & J-20 Pickups
 - XJ = Cherokee, Wagoneer Limited
 - YJ = Wrangler

AR = Use as Required - = Non Illustrated Part P.A.R. = Paint as Required

CARBURETOR AND COMPONENT PARTS 5.9L ENGINE GRAND WAGONEER, J10, J20
Figure 14-1200

8J141200



| ITEM | PART NUMBER | QTY | BODY | MODEL | DESCRIPTION |
|------|-------------|-----|------|-------|--------------------------------------|
| 1 | | | | | CARBURETOR |
| | 5300 2537 | 1 | | | 1987-89 Tag #5RHA2 |
| | 5300 6748 | 1 | | | 1990-91 Tag #5RHA2 |
| 2 | J322 9622 | 1 | | | GASKET, Carburetor |
| 3 | J324 0515 | 1 | | | INSULATOR, Carburetor |
| 4 | J319 1886 | 1 | | | GASKET |
| 5 | J400 3825 | 4 | | | NUT |
| 6 | 8350 2174 | 1 | | | REPAIR PACKAGE, Carburetor |
| 7 | J812 8320 | 1 | | | VALVE, Air |
| 8 | J812 8321 | 2 | | | SCREW |
| 9 | J812 8323 | 1 | | | CLIP, Retaining |
| 10 | J812 8319 | 1 | | | SHAFT |
| 11 | J812 8322 | 1 | | | LINK |
| 12 | J320 9901 | 2 | | | SCREW |
| 13 | J448 8175 | 1 | | | VALVE, Choke |
| 14 | J812 8318 | 1 | | | SHAFT |
| 15 | | 1 | | | SCREW (not serviced) |
| 16 | J320 9880 | 1 | | | SEAL |
| 17 | 8350 3356 | 1 | | | GASKET |
| 18 | J448 8180 | 1 | | | PLATE |
| 19 | J812 3037 | 1 | | | WEIGHT |
| 20 | S014 5637 | 1 | | | BALL, Discharge Check |
| 21 | 8350 0930 | 1 | | | FLOAT, Carburetor |
| 22 | J320 9910 | 1 | | | SHAFT |
| 23 | J812 1330 | 1 | | | RETAINER |
| 24 | J812 8309 | 1 | | | NEEDLE and SEAT |
| 25 | J400 3924 | 1 | | | SCREW |
| 26 | J535 2990 | 1 | | | ADAPTER |
| 27 | J027 1163 | 1 | | | NUT |
| 28 | S942 0169 | 1 | | | NUT |
| 29 | J812 0480 | 1 | | | SOLENOID, Idle Speed |
| 30 | J812 1166 | 1 | | | BRACKET ASSEMBLY |
| 31 | 8350 3368 | 1 | | | TRUNNION |
| 32 | 8350 3367 | 1 | | | ROD |
| 33 | J813 3833 | 1 | | | DIAPHRAGM ASSEMBLY, Accelerator Pump |
| 34 | J812 5040 | 1 | | | SPRING, Pump |
| 35 | 8350 1195 | 1 | | | VALVE, Check |

MODEL CODES:

| | | |
|-----------------------------|-----------------------------|------------------------------|
| 15 = Grand Wagoneer 4 Dr. | 65 = Comanche 4WD-7 Ft. Box | 77 = Cherokee 4WD-2 Dr. |
| 25 = J-10 Pickup-119" W.B. | 66 = Comanche 2WD-7 Ft. Box | 78 = Cherokee 4WD-4 Dr. |
| 26 = J-10 Pickup-131" W.B. | 73 = Cherokee 2WD-2 Dr. | 79 = Cherokee 4WD-4 Dr.-Com |
| 27 = J-20 Pickup-131" W.B. | 74 = Cherokee 2WD-4 Dr. | 81 = Wrangler-93" W.B. |
| 63 = Comanche 4WD-6 Ft. Box | 75 = Wagoneer 4WD-4 Dr. | 82 = Wrangler-103" W.B.-Exp. |
| 64 = Comanche 2WD-6 Ft. Box | | |

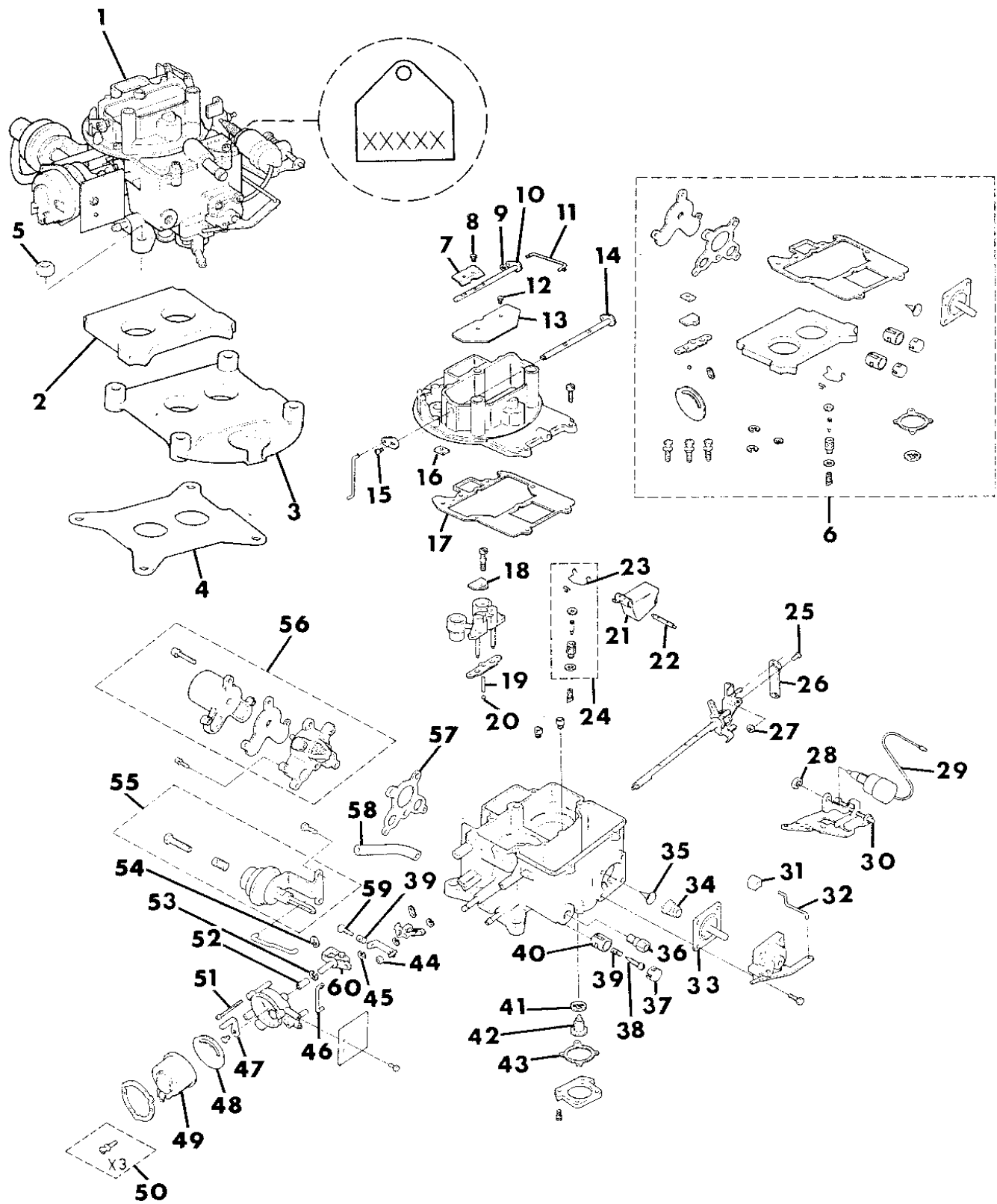
BODY STYLES:

MJ = Comanche Pickup
 SJ = Grand Wagoneer Wgn., J-10 & J-20 Pickups
 XJ = Cherokee, Wagoneer Limited
 YJ = Wrangler

AR = Use as Required - = Non Illustrated Part P.A.R. = Paint as Required

CARBURETOR AND COMPONENT PARTS 5.9L ENGINE GRAND WAGONEER, J10, J20
Figure 14-1200

8J141200



| ITEM | PART NUMBER | QTY | BODY | MODEL | DESCRIPTION |
|------|-------------|-----|------|-------|-----------------------|
| 36 | J013 7406 | 1 | | | FITTING |
| 37 | J813 3831 | 2 | | | CAP |
| 38 | J813 3890 | 2 | | | SCREW, Idle Mixture |
| 39 | J320 9917 | 3 | | | SPRING |
| 40 | J813 3832 | 2 | | | PLUG |
| 41 | J812 7515 | 1 | | | GASKET |
| 42 | J812 5042 | 1 | | | VALVE, Power |
| 43 | J320 9885 | 1 | | | GASKET |
| 44 | J027 1169 | 1 | | | NUT |
| 45 | J448 8171 | 3 | | | CLIP, Retaining |
| 46 | J320 9893 | 1 | | | ROD |
| 47 | J812 8327 | 1 | | | LEVER |
| 48 | 8350 2166 | 1 | | | GASKET |
| 49 | J813 3889 | 1 | | | COVER ASSEMBLY |
| 50 | J813 3834 | 1 | | | SCREW PACKAGE |
| 51 | J448 5441 | 3 | | | SCREW |
| 52 | J812 5987 | 1 | | | BUSHING |
| 53 | J320 9925 | 1 | | | CLIP, Retaining |
| 54 | J320 9922 | 1 | | | CLIP, Retaining |
| 55 | J813 4496 | 1 | | | DIAPHRAGM, Choke |
| 56 | J812 8314 | 1 | | | COMPENSATOR, Altitude |
| 57 | J812 8315 | 1 | | | GASKET |
| 58 | J812 5812 | AR | | | HOSE, 3/16" I.D. Bulk |
| 59 | J812 1329 | 1 | | | SCREW, Fast Idle |
| 60 | J812 8276 | 1 | | | LEVER ASSEMBLY |

MODEL CODES:

| | | |
|-----------------------------|-----------------------------|------------------------------|
| 15 = Grand Wagoneer 4 Dr. | 65 = Comanche 4WD-7 Ft. Box | 77 = Cherokee 4WD-2 Dr. |
| 25 = J-10 Pickup-119" W.B. | 66 = Comanche 2WD-7 Ft. Box | 78 = Cherokee 4WD-4 Dr. |
| 26 = J-10 Pickup-131" W.B. | 73 = Cherokee 2WD-2 Dr. | 79 = Cherokee 4WD-4 Dr.-Com |
| 27 = J-20 Pickup-131" W.B. | 74 = Cherokee 2WD-4 Dr. | 81 = Wrangler-93" W.B. |
| 63 = Comanche 4WD-6 Ft. Box | 75 = Wagoneer 4WD-4 Dr. | 82 = Wrangler-103" W.B.-Exp. |
| 64 = Comanche 2WD-6 Ft. Box | | |

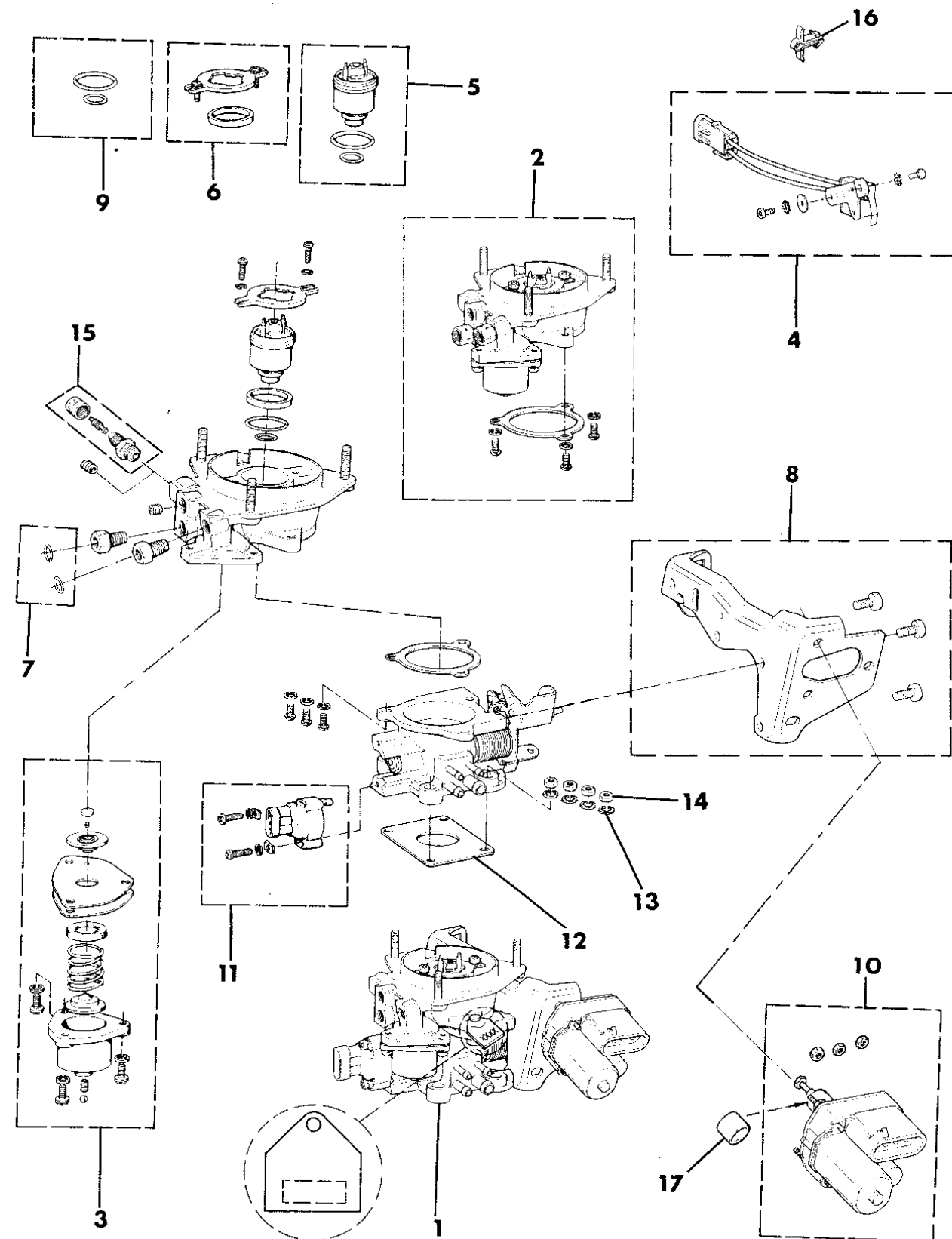
BODY STYLES:

MJ = Comanche Pickup
 SJ = Grand Wagoneer Wgn., J-10 & J-20 Pickups
 XJ = Cherokee, Wagoneer Limited
 YJ = Wrangler

AR = Use as Required - = Non Illustrated Part P.A.R. = Paint as Required

THROTTLE BODY 2.5L EFI ENGINE WRANGLER, YJ
Figure 14-1300

8 J 14 1300



| ITEM | PART NUMBER | QTY | BODY | MODEL | DESCRIPTION |
|------|-------------|-----|------|-------|--|
| 1 | | | | | BODY, Throttle |
| | 5300 2153 | 1 | | | Tag #8300 |
| | 5300 4540 | 1 | | | Tag #8700 |
| | 5300 5223 | 1 | | | Tag #8894 |
| 2 | 8350 2747 | 1 | | | BODY, Fuel |
| 3 | 8350 1829 | 1 | | | REGULATOR PACKAGE, Pressure |
| 4 | 8350 2749 | 1 | | | SWITCH, Wide Open Throttle |
| 5 | 8350 2748 | 1 | | | INJECTOR, Fuel |
| 6 | 8350 0064 | 1 | | | MOUNTING PACKAGE, Fuel Injector |
| 7 | 8350 0065 | 1 | | | GASKET PACKAGE, Flare |
| 8 | 8350 2750 | 1 | | | BRACKET PACKAGE |
| 9 | 8350 0067 | 1 | | | O-RING PACKAGE |
| 10 | 8350 2375 | 1 | | | ACTUATOR PACKAGE, Idle Speed |
| 11 | 3300 0169 | 1 | | | SENSOR PACKAGE, Throttle Position |
| 12 | 5300 2154 | 1 | | | GASKET, Throttle Body to Intake Manifold |
| 13 | J012 0393 | 4 | | | WASHER |
| 14 | J941 6531 | 4 | | | NUT |
| 15 | 8350 1572 | 1 | | | CONNECTOR, Diagnostic |
| 16 | 8350 2170 | 1 | | | CLIP |
| 17 | 8350 2374 | 1 | | | BOOT, Actuator |

MODEL CODES:

| | | |
|-----------------------------|-----------------------------|------------------------------|
| 15 = Grand Wagoneer 4 Dr. | 65 = Comanche 4WD-7 Ft. Box | 77 = Cherokee 4WD-2 Dr. |
| 25 = J-10 Pickup-119" W.B. | 66 = Comanche 2WD-7 Ft. Box | 78 = Cherokee 4WD-4 Dr. |
| 26 = J-10 Pickup-131" W.B. | 73 = Cherokee 2WD-2 Dr. | 79 = Cherokee 4WD-4 Dr.-Com |
| 27 = J-20 Pickup-131" W.B. | 74 = Cherokee 2WD-4 Dr. | 81 = Wrangler-93" W.B. |
| 63 = Comanche 4WD-6 Ft. Box | 75 = Wagoneer 4WD-4 Dr. | 82 = Wrangler-103" W.B.-Exp. |
| 64 = Comanche 2WD-6 Ft. Box | | |

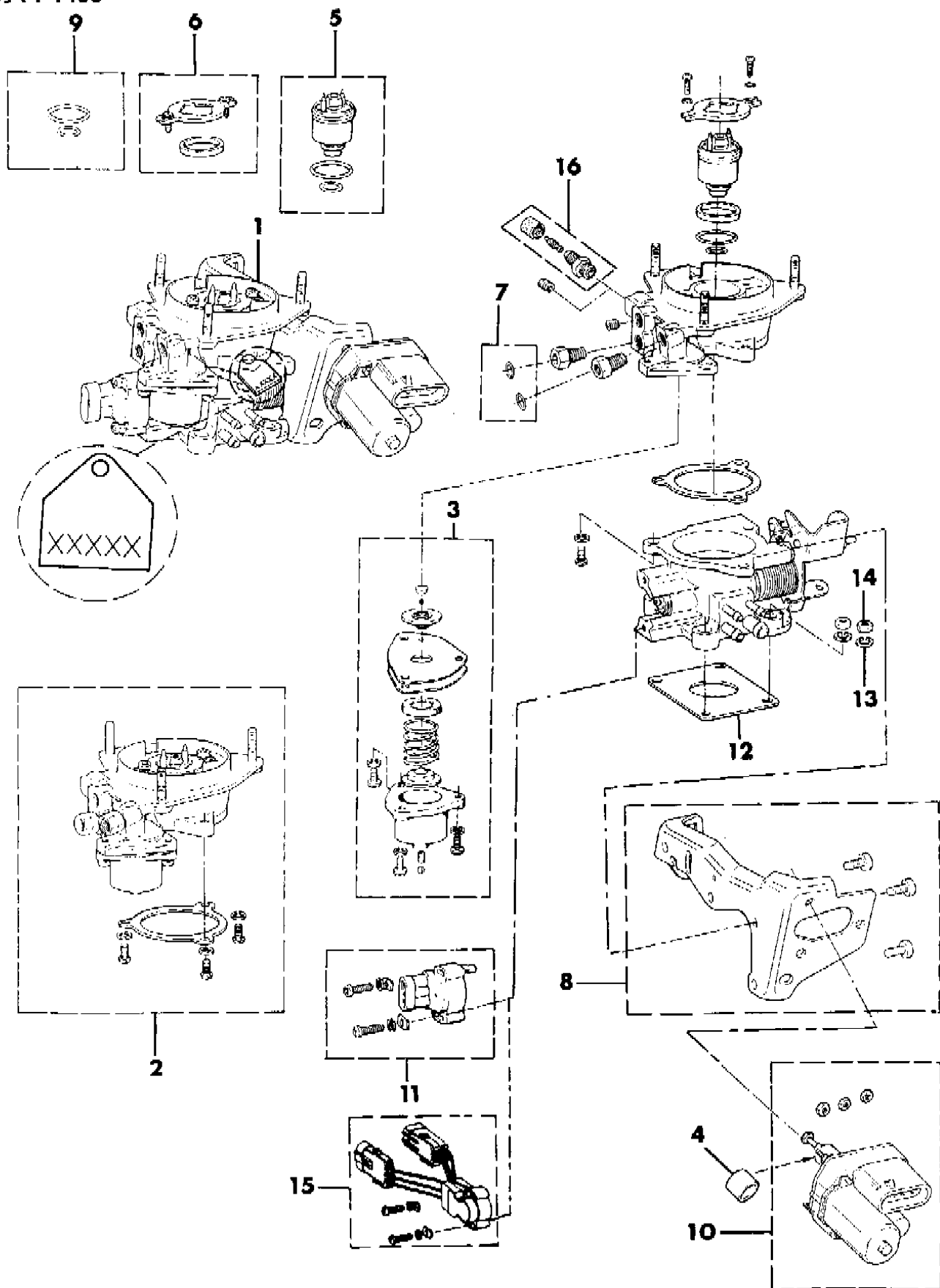
BODY STYLES:

MJ = Comanche Pickup
SJ = Grand Wagoneer Wgn., J-10 & J-20 Pickups
XJ = Cherokee, Wagoneer Limited
YJ = Wrangler

AR = Use as Required - = Non Illustrated Part P.A.R. = Paint as Required

THROTTLE BODY 2.5L EFI ENGINE CHEROKEE, WAGONEER, COMANCHE
Figure 14-1400

8J14 1400



| ITEM | PART NUMBER | QTY | BODY | MODEL | DESCRIPTION |
|------|-------------|-----|------|-------|--|
| 1 | | | | | BODY, Throttle |
| | 5300 2153 | 1 | | | Tag #8300 - Man. Trans. 1987 |
| | 5300 5222 | 1 | | | Tag #8892 and #8668 - Man. Trans. |
| | 5300 5221 | 1 | | | Tag #8893 and #8667 - Man. Trans. |
| 2 | 8350 4881 | 1 | | | BODY, Fuel |
| 3 | 8350 1829 | 1 | | | REGULATOR PACKAGE, Pressure |
| 4 | 8350 2374 | 1 | | | BOOT, Actuator *** |
| 5 | 8350 4851 | 1 | | | INJECTOR, Fuel |
| 6 | 8350 0064 | 1 | | | MOUNTING PACKAGE, Fuel Injector *** |
| 7 | 8350 0065 | 1 | | | GASKET SET, Flare *** |
| 8 | | | | | BRACKET PACKAGE *** |
| | 8350 2750 | 1 | | | Man. Trans. |
| | 8350 3638 | 1 | | | Auto. Trans. |
| 9 | 8350 0067 | 1 | | | O-RING PACKAGE |
| 10 | 8350 2375 | 1 | | | ACTUATOR PACKAGE, Idle Speed *** |
| 11 | 3300 0169 | 1 | | | SENSOR PACKAGE, Throttle Position - Man. Trans. |
| 12 | 5300 2154 | 1 | | | GASKET, Throttle Body to Intake Manifold |
| 13 | J012 0393 | 4 | | | WASHER |
| 14 | J941 6531 | 4 | | | NUT |
| 15 | 3300 4649 | 1 | | | SENSOR PACKAGE, Throttle Position - Auto. Trans. |
| 16 | 8350 1572 | 1 | | | CONNECTOR, Diagnostic |

MODEL CODES:

| | | |
|-----------------------------|-----------------------------|------------------------------|
| 15 = Grand Wagoneer 4 Dr. | 65 = Comanche 4WD-7 Ft. Box | 77 = Cherokee 4WD-2 Dr. |
| 25 = J-10 Pickup-119" W.B. | 66 = Comanche 2WD-7 Ft. Box | 78 = Cherokee 4WD-4 Dr. |
| 26 = J-10 Pickup-131" W.B. | 73 = Cherokee 2WD-2 Dr. | 79 = Cherokee 4WD-4 Dr.-Com |
| 27 = J-20 Pickup-131" W.B. | 74 = Cherokee 2WD-4 Dr. | 81 = Wrangler-93" W.B. |
| 63 = Comanche 4WD-6 Ft. Box | 75 = Wagoneer 4WD-4 Dr. | 82 = Wrangler-103" W.B.-Exp. |
| 64 = Comanche 2WD-6 Ft. Box | | |

BODY STYLES:

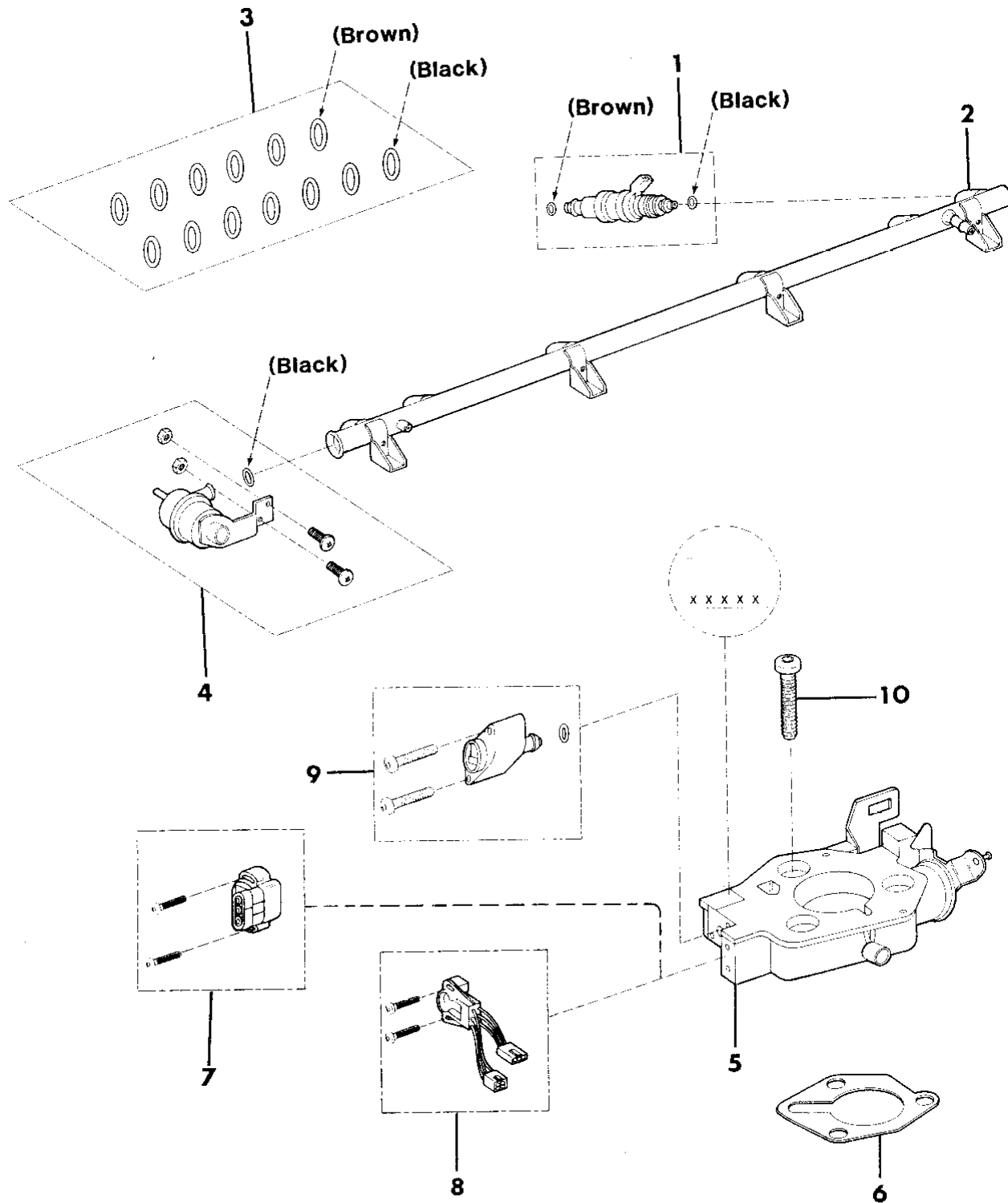
MJ = Comanche Pickup
SJ = Grand Wagoneer Wgn., J-10 & J-20 Pickups
XJ = Cherokee, Wagoneer Limited
YJ = Wrangler

AR = Use as Required - = Non Illustrated Part P.A.R. = Paint as Required

FUEL INJECTION SYSTEM 4.0L ENGINE CHEROKEE, WAGONEER, COMANCHE
Figure 14-1500

8J 14 1500

| ITEM | PART NUMBER | QTY | BODY | MODEL | DESCRIPTION |
|------|-------------|-----|------|-------|--|
| 1 | 5300 3956 | 6 | | | INJECTOR, Fuel |
| | 4275 317 | 6 | | | CLIP, Fuel Injector (Not Shown) |
| 2 | | | | | RAIL, Fuel |
| | 8350 3636 | 1 | | | 1987-89 |
| | 3300 2710 | 1 | | | 1990 |
| 3 | 8350 3637 | 1 | | | SEAL PACKAGE, Fuel Rail |
| 4 | 8350 3635 | 1 | | | REGULATOR PACKAGE, Pressure |
| 5 | | | | | BODY, Throttle |
| | 3300 3195 | 1 | | | Tag #9000S - Man. Trans. |
| | 3300 2711 | 1 | | | Tag #9008S - Auto. Trans. |
| 6 | 3300 2712 | 1 | | | GASKET, Throttle Body to Intake Manifold |
| 7 | 3300 3194 | 1 | | | SENSOR PACKAGE, Throttle Position - Man. Trans. |
| 8 | 3300 4650 | 1 | | | SENSOR PACKAGE, Throttle Position - Auto. Trans. |
| 9 | 8350 3643 | 1 | | | MOTOR PACKAGE, Idle Air By-Pass |
| 10 | J400 7433 | 3 | | | BOLT |



MODEL CODES:

| | | |
|-----------------------------|-----------------------------|------------------------------|
| 15 = Grand Wagoneer 4 Dr. | 65 = Comanche 4WD-7 Ft. Box | 77 = Cherokee 4WD-2 Dr. |
| 25 = J-10 Pickup-119" W.B. | 66 = Comanche 2WD-7 Ft. Box | 78 = Cherokee 4WD-4 Dr. |
| 26 = J-10 Pickup-131" W.B. | 73 = Cherokee 2WD-2 Dr. | 79 = Cherokee 4WD-4 Dr.-Com |
| 27 = J-20 Pickup-131" W.B. | 74 = Cherokee 2WD-4 Dr. | 81 = Wrangler-93" W.B. |
| 63 = Comanche 4WD-6 Ft. Box | 75 = Wagoneer 4WD-4 Dr. | 82 = Wrangler-103" W.B.-Exp. |
| 64 = Comanche 2WD-6 Ft. Box | | |

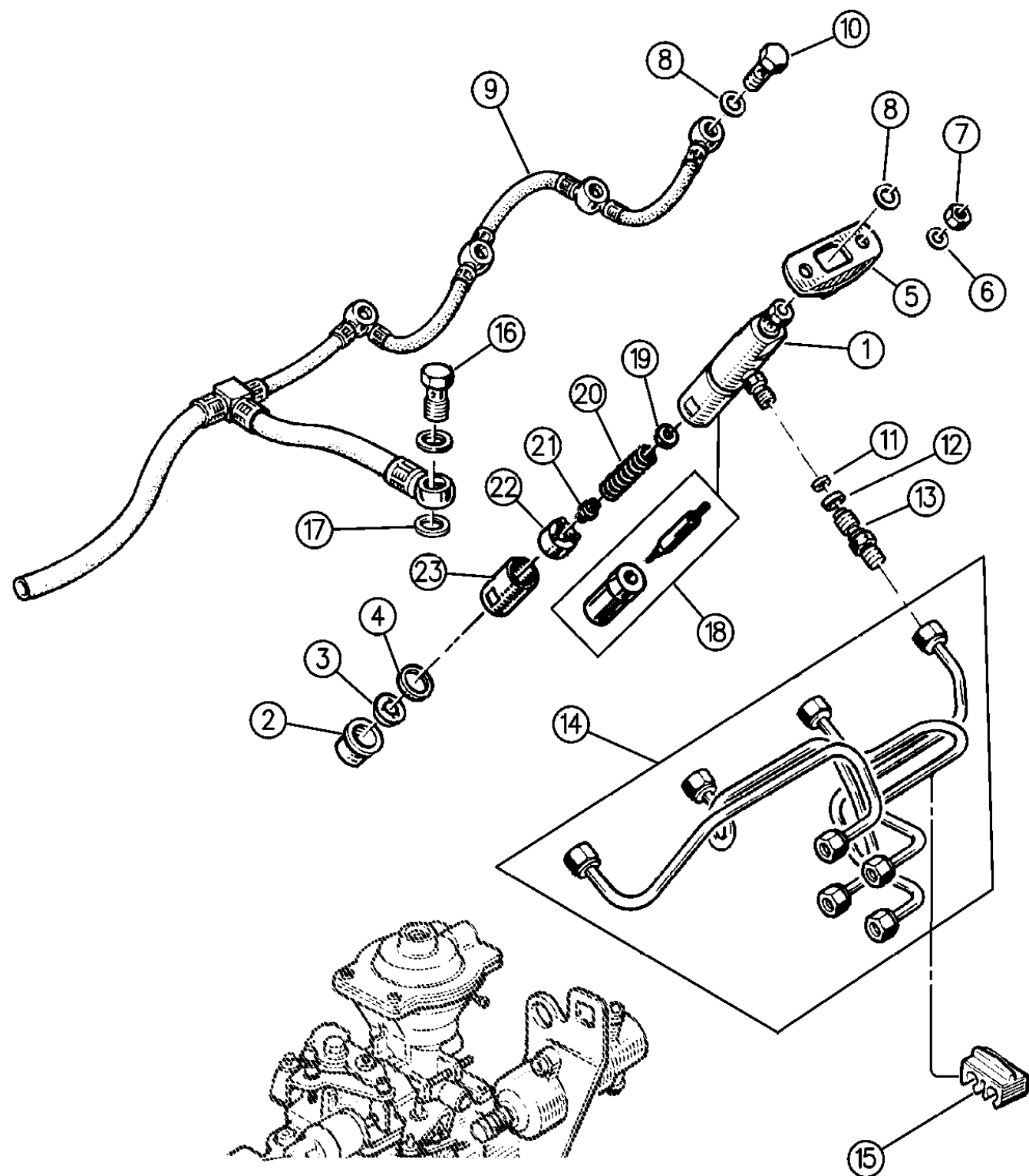
BODY STYLES:

MJ = Comanche Pickup
SJ = Grand Wagoneer Wgn., J-10 & J-20 Pickups
XJ = Cherokee, Wagoneer Limited
YJ = Wrangler

AR = Use as Required - = Non Illustrated Part P.A.R. = Paint as Required

FUEL INJECTION SYSTEM DIESEL ENGINE CHEROKEE, COMANCHE
Figure 14-1600

8J14 1600



| ITEM | PART NUMBER | QTY | BODY | MODEL | DESCRIPTION |
|-----------|-------------|-----|------|---------|--|
| 1 | JR77 5059 | 4 | | | NOZZLE, Injector, J8S 814 Engine |
| | J069 5922 | 4 | | | HOUSING, Injector, J8S 890 Engine |
| 2 | T069 0543 | 4 | | | SHIELD, Heat 17.5 mm |
| | T069 0544 | 4 | | | SHIELD, Heat 17.7 mm |
| | T066 3363 | 4 | | | GASKET |
| 4 | T069 0542 | 4 | | | O-RING |
| 5 | T067 9944 | 4 | | | RETAINER, Injector |
| 6 | 1150 0255 | 8 | | | WASHER |
| 7 | T303 2157 | 8 | | | NUT |
| 8 | T024 2149 | 8 | | | SEAL |
| 9 | J073 1807 | 1 | | | TUBE, Fuel Return |
| 10 | T480 5800 | 4 | | | UNION, Fuel Return |
| 11 | T102 4658 | 4 | | | WASHER |
| 12 | J301 5194 | 4 | | | SEAL |
| 13 | T102 4659 | 4 | | | CONNECTOR |
| 14 | T069 6528 | 1 | | | TUBE, Injector |
| 15 | T102 7035 | AR | | | SEPARATOR |
| 16 | T102 4765 | 1 | | | UNION, Fuel Return |
| 17 | 8350 2348 | 2 | | | SEAL |
| 18 | J120 2182 | 4 | | | PACKAGE, Needle and Seat, J8S 890 Engine |
| 19 | | | | | WASHER, Spring, J8S 890 Engine |
| | T102 4644 | AR | | | 1.00 mm |
| | T102 4645 | AR | | | 1.10 mm |
| | T102 4646 | AR | | | 1.20 mm |
| | T102 4647 | AR | | | 1.30 mm |
| | T102 4648 | AR | | | 1.40 mm |
| | T102 4649 | AR | | | 1.50 mm |
| | T102 4650 | AR | | | 1.60 mm |
| | T102 4651 | AR | | | 1.70 mm |
| | T102 4652 | AR | | | 1.80 mm |
| T102 4653 | AR | | | 1.90 mm | |
| 20 | T102 8073 | 1 | | | SPRING, J8S 890 Engine |
| 21 | T102 8074 | 1 | | | CUP, J8S 890 Engine |
| 22 | T102 4656 | 1 | | | SPACER, J8S 890 Engine |
| 23 | T102 4657 | 1 | | | CAP, J8S 890 Engine |

MODEL CODES:

| | | |
|-----------------------------|-----------------------------|------------------------------|
| 15 = Grand Wagoneer 4 Dr. | 65 = Comanche 4WD-7 Ft. Box | 77 = Cherokee 4WD-2 Dr. |
| 25 = J-10 Pickup-119" W.B. | 66 = Comanche 2WD-7 Ft. Box | 78 = Cherokee 4WD-4 Dr. |
| 26 = J-10 Pickup-131" W.B. | 73 = Cherokee 2WD-2 Dr. | 79 = Cherokee 4WD-4 Dr.-Com |
| 27 = J-20 Pickup-131" W.B. | 74 = Cherokee 2WD-4 Dr. | 81 = Wrangler-93" W.B. |
| 63 = Comanche 4WD-6 Ft. Box | 75 = Wagoneer 4WD-4 Dr. | 82 = Wrangler-103" W.B.-Exp. |
| 64 = Comanche 2WD-6 Ft. Box | | |

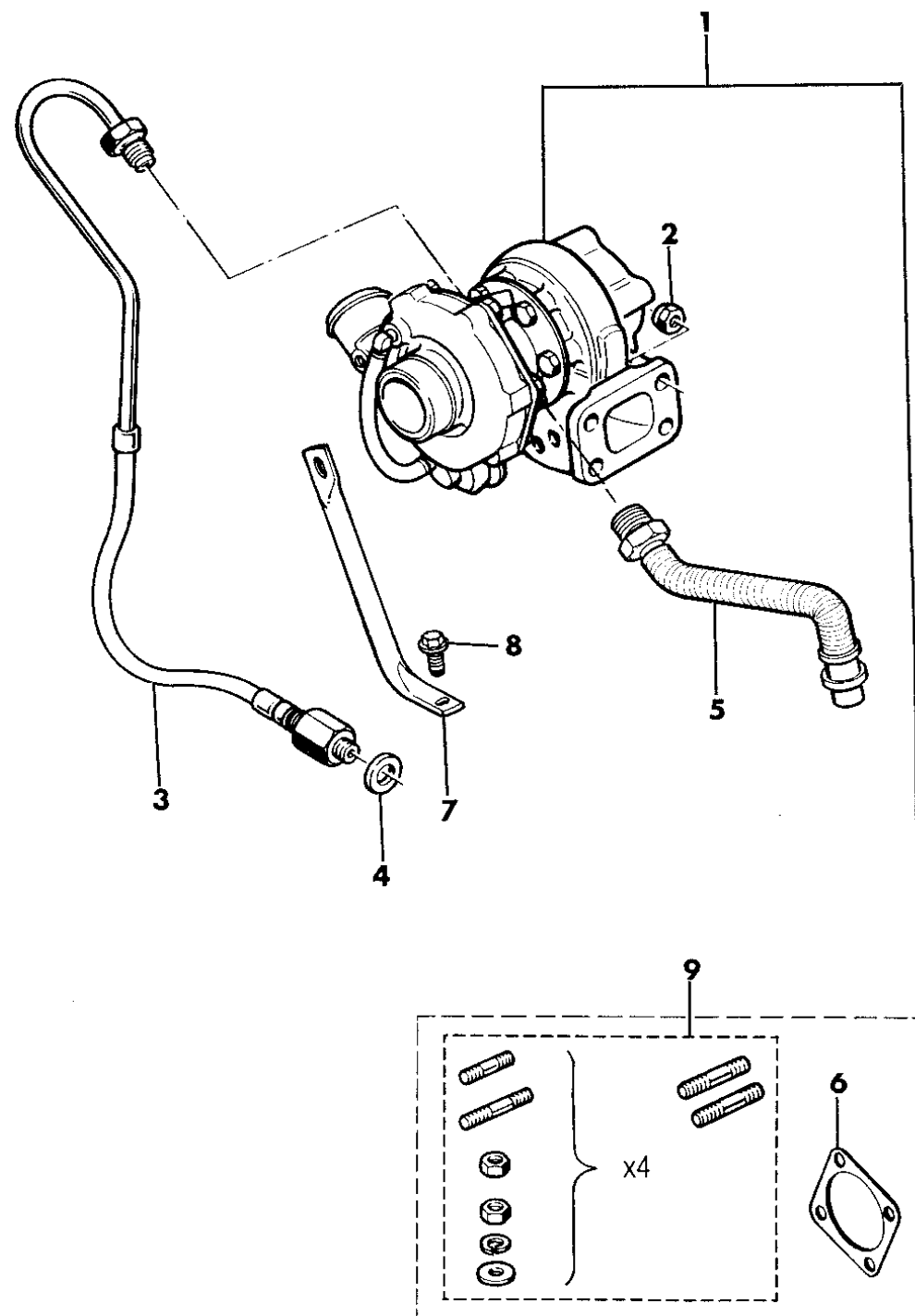
BODY STYLES:

MJ = Comanche Pickup
SJ = Grand Wagoneer Wgn., J-10 & J-20 Pickups
XJ = Cherokee, Wagoneer Limited
YJ = Wrangler

AR = Use as Required - = Non Illustrated Part P.A.R. = Paint as Required

TURBO CHARGER DIESEL ENGINE CHEROKEE, COMANCHE
Figure 14-1700

8 J14 1700



| ITEM | PART NUMBER | QTY | BODY | MODEL | DESCRIPTION |
|------|-------------|-----|------|-------|-----------------------|
| 1 | JR77 5043 | 1 | | | TURBO CHARGER - Reman |
| 2 | T303 4081 | 4 | | | NUT |
| 3 | T072 7702 | 1 | | | TUBE, Oil Supply |
| 4 | T777 7650 | 1 | | | GASKET |
| 5 | 5300 3935 | 1 | | | HOSE, Oil Return |
| 6 | T069 5216 | 1 | | | GASKET |
| 7 | 3300 2467 | 1 | | | BRACKET, Support |
| 8 | 3420 1818 | 1 | | | SCREW |
| 9 | T146 2991 | 1 | | | HARDWARE PACKAGE |

MODEL CODES:

| | | |
|-----------------------------|-----------------------------|------------------------------|
| 15 = Grand Wagoneer 4 Dr. | 65 = Comanche 4WD-7 Ft. Box | 77 = Cherokee 4WD-2 Dr. |
| 25 = J-10 Pickup-119" W.B. | 66 = Comanche 2WD-7 Ft. Box | 78 = Cherokee 4WD-4 Dr. |
| 26 = J-10 Pickup-131" W.B. | 73 = Cherokee 2WD-2 Dr. | 79 = Cherokee 4WD-4 Dr.-Com |
| 27 = J-20 Pickup-131" W.B. | 74 = Cherokee 2WD-4 Dr. | 81 = Wrangler-93" W.B. |
| 63 = Comanche 4WD-6 Ft. Box | 75 = Wagoneer 4WD-4 Dr. | 82 = Wrangler-103" W.B.-Exp. |
| 64 = Comanche 2WD-6 Ft. Box | | |

BODY STYLES:

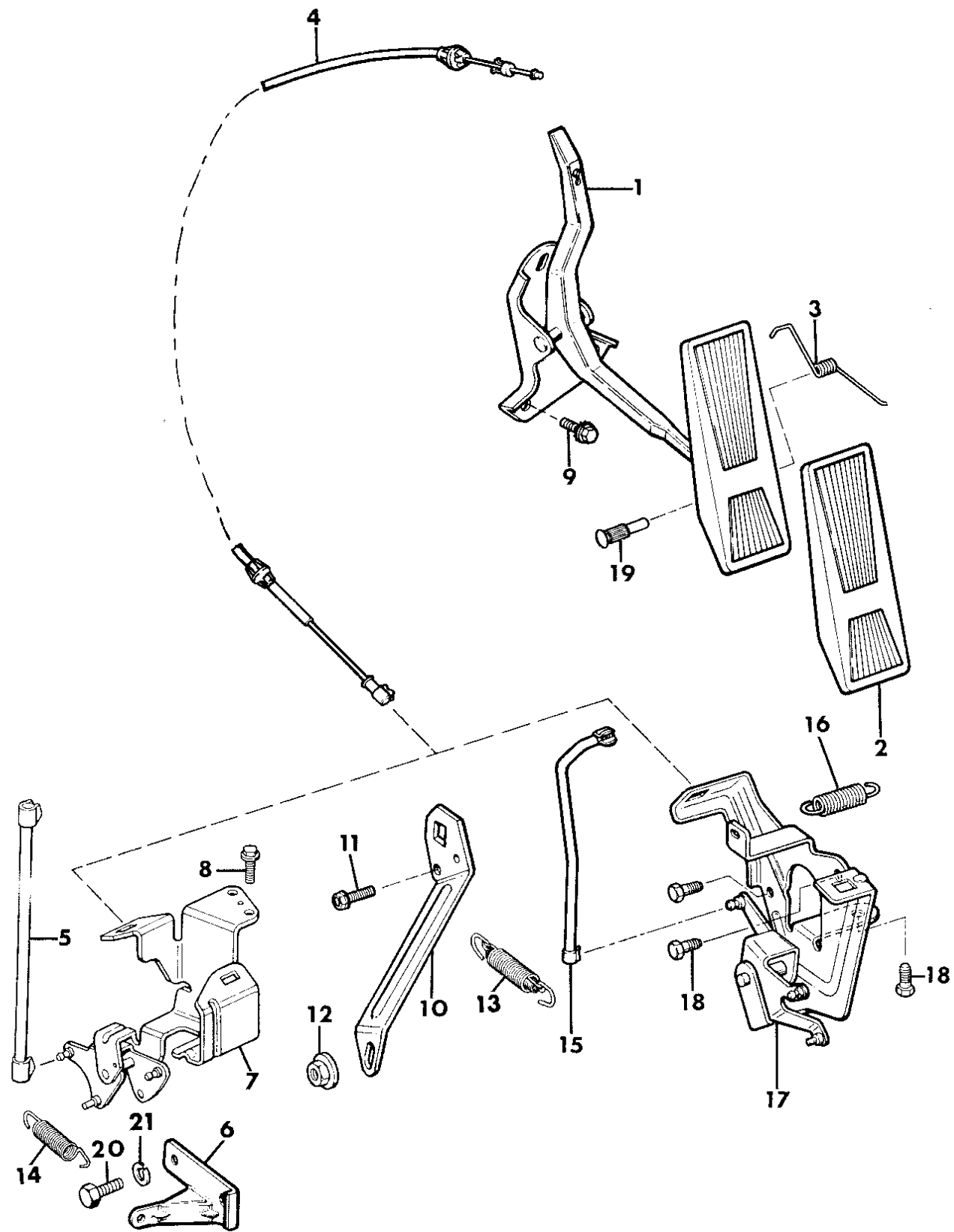
MJ = Comanche Pickup
 SJ = Grand Wagoneer Wgn., J-10 & J-20 Pickups
 XJ = Cherokee, Wagoneer Limited
 YJ = Wrangler

AR = Use as Required - = Non Illustrated Part P.A.R. = Paint as Required

ACCELERATOR PEDAL AND LINKAGE 2.5L AND 4.2L ENGINES WRANGLER, YJ
Figure 14-1800

8J14 1800

| ITEM | PART NUMBER | QTY | BODY | MODEL | DESCRIPTION |
|------|-------------|-----|------|-------|-------------------------------------|
| 1 | 5300 3967 | 1 | | | PEDAL, Accelerator |
| 2 | 5300 3932 | 1 | | | PAD, Pedal |
| 3 | J319 3369 | 1 | | | SPRING |
| 4 | | | | | CABLE, Accelerator |
| | 5300 5206 | 1 | | | 2.5L Eng. EFI |
| | 5204 0430 | 1 | | | 2.5L Eng. Carbureted - NRM |
| | 5204 0274 | 1 | | | 4.2L Eng. |
| 5 | J323 9634 | 1 | | | LINK, 4.2L Eng. |
| 6 | | | | | BRACKET, Spring Mounting |
| | J535 9319 | 1 | | | 4.2L Eng. - U.S. and Canada |
| | J536 4750 | 1 | | | 4.2L Eng. - KDX, NRM |
| 7 | J536 2728 | 1 | | | BELLCRANK, 4.2L Eng. |
| 8 | J027 3573 | 3 | | | SCREW, 4.2L Eng. |
| 9 | J400 4801 | 3 | | | SCREW |
| 10 | 5300 2749 | 1 | | | BRACE, 2.5L Eng. EFI |
| 11 | 3420 1807 | 1 | | | BOLT, Hex Flange 2.5L Eng. EFI |
| 12 | J400 6080 | 1 | | | NUT, 2.5L Eng. EFI |
| 13 | 5300 4096 | 1 | | | SPRING, Return 2.5L Eng. EFI |
| 14 | J535 8241 | 2 | | | SPRING, Return 4.2L Eng. |
| 15 | 3300 1068 | 1 | | | LINK, 2.5L Eng. Carbureted |
| 16 | 3300 1069 | 1 | | | SPRING, Return 2.5L Eng. Carbureted |
| 17 | 3300 1065 | 1 | | | BELLCRANK, 2.5L Eng. Carbureted |
| 18 | | | | | SCREW, 2.5L Eng. Carbureted |
| | S017 9814 | 3 | | | 1987-88 |
| | J027 3890 | 3 | | | 1989-90 |
| 19 | J322 0231 | 1 | | | PIN |
| 20 | J018 0077 | 2 | | | BOLT, 4.2L Eng. |
| 21 | J012 0214 | 2 | | | WASHER, Lock 4.2L Eng. |



MODEL CODES:

| | | |
|-----------------------------|-----------------------------|------------------------------|
| 15 = Grand Wagoneer 4 Dr. | 65 = Comanche 4WD-7 Ft. Box | 77 = Cherokee 4WD-2 Dr. |
| 25 = J-10 Pickup-119" W.B. | 66 = Comanche 2WD-7 Ft. Box | 78 = Cherokee 4WD-4 Dr. |
| 26 = J-10 Pickup-131" W.B. | 73 = Cherokee 2WD-2 Dr. | 79 = Cherokee 4WD-4 Dr.-Com |
| 27 = J-20 Pickup-131" W.B. | 74 = Cherokee 2WD-4 Dr. | 81 = Wrangler-93" W.B. |
| 63 = Comanche 4WD-6 Ft. Box | 75 = Wagoneer 4WD-4 Dr. | 82 = Wrangler-103" W.B.-Exp. |
| 64 = Comanche 2WD-6 Ft. Box | | |

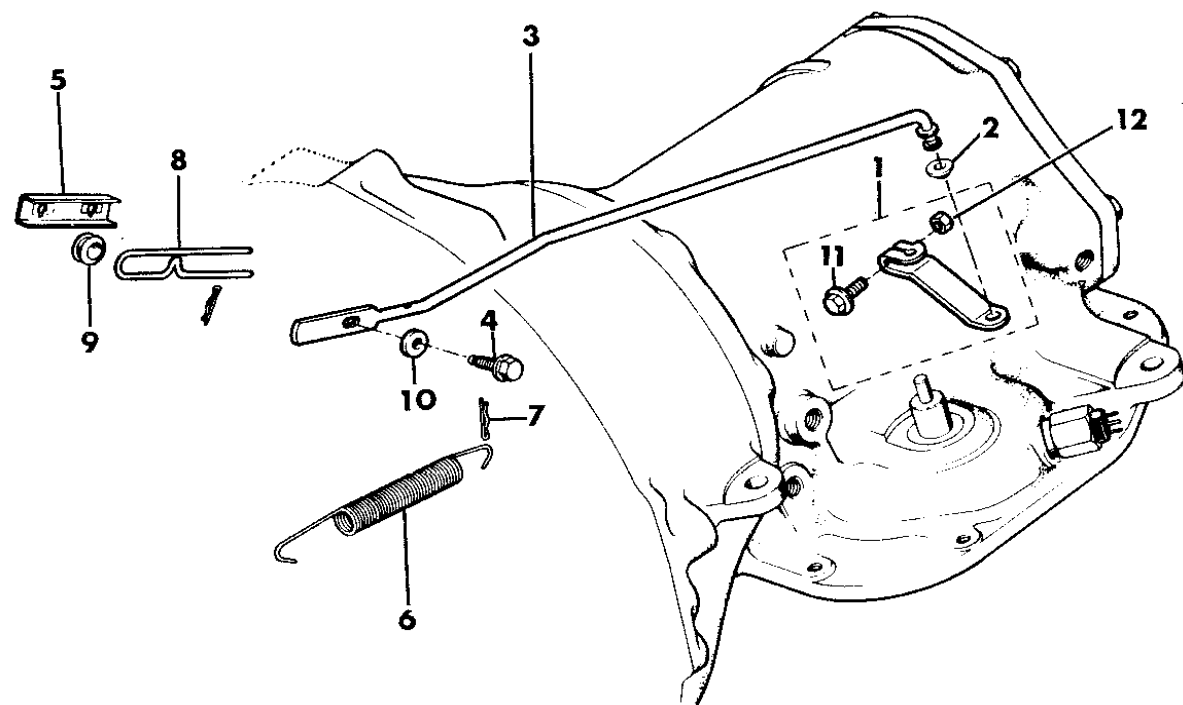
BODY STYLES:

MJ = Comanche Pickup
 SJ = Grand Wagoneer Wgn., J-10 & J-20 Pickups
 XJ = Cherokee, Wagoneer Limited
 YJ = Wrangler

AR = Use as Required - = Non Illustrated Part P.A.R. = Paint as Required

LINKAGE AUTOMATIC TRANSMISSION DETENT 4.2L ENGINE WRANGLER, YJ
Figure 14-1850

8J14 1850



| ITEM | PART NUMBER | QTY | BODY | MODEL | DESCRIPTION |
|------|-------------|-----|------|-------|-----------------|
| 1 | 5300 3728 | 1 | | | LEVER, Throttle |
| 2 | J322 0125 | 1 | | | BUSHING |
| 3 | 5300 2016 | 1 | | | ROD, Throttle |
| 4 | S943 2476 | 2 | | | BOLT |
| 5 | J324 0123 | 1 | | | CLAMP |
| 6 | J319 6286 | 1 | | | SPRING |
| 7 | J400 5122 | 2 | | | PIN, Hitch |
| 8 | J322 2405 | 1 | | | LINK |
| 9 | J322 3656 | 1 | | | SPACER |
| 10 | J400 1085 | 1 | | | WASHER |
| 11 | J400 6393 | 1 | | | SCREW |
| 12 | J027 1501 | 1 | | | NUT |

MODEL CODES:

| | | |
|-----------------------------|-----------------------------|------------------------------|
| 15 = Grand Wagoneer 4 Dr. | 65 = Comanche 4WD-7 Ft. Box | 77 = Cherokee 4WD-2 Dr. |
| 25 = J-10 Pickup-119" W.B. | 66 = Comanche 2WD-7 Ft. Box | 78 = Cherokee 4WD-4 Dr. |
| 26 = J-10 Pickup-131" W.B. | 73 = Cherokee 2WD-2 Dr. | 79 = Cherokee 4WD-4 Dr.-Com |
| 27 = J-20 Pickup-131" W.B. | 74 = Cherokee 2WD-4 Dr. | 81 = Wrangler-93" W.B. |
| 63 = Comanche 4WD-6 Ft. Box | 75 = Wagoneer 4WD-4 Dr. | 82 = Wrangler-103" W.B.-Exp. |
| 64 = Comanche 2WD-6 Ft. Box | | |

BODY STYLES:

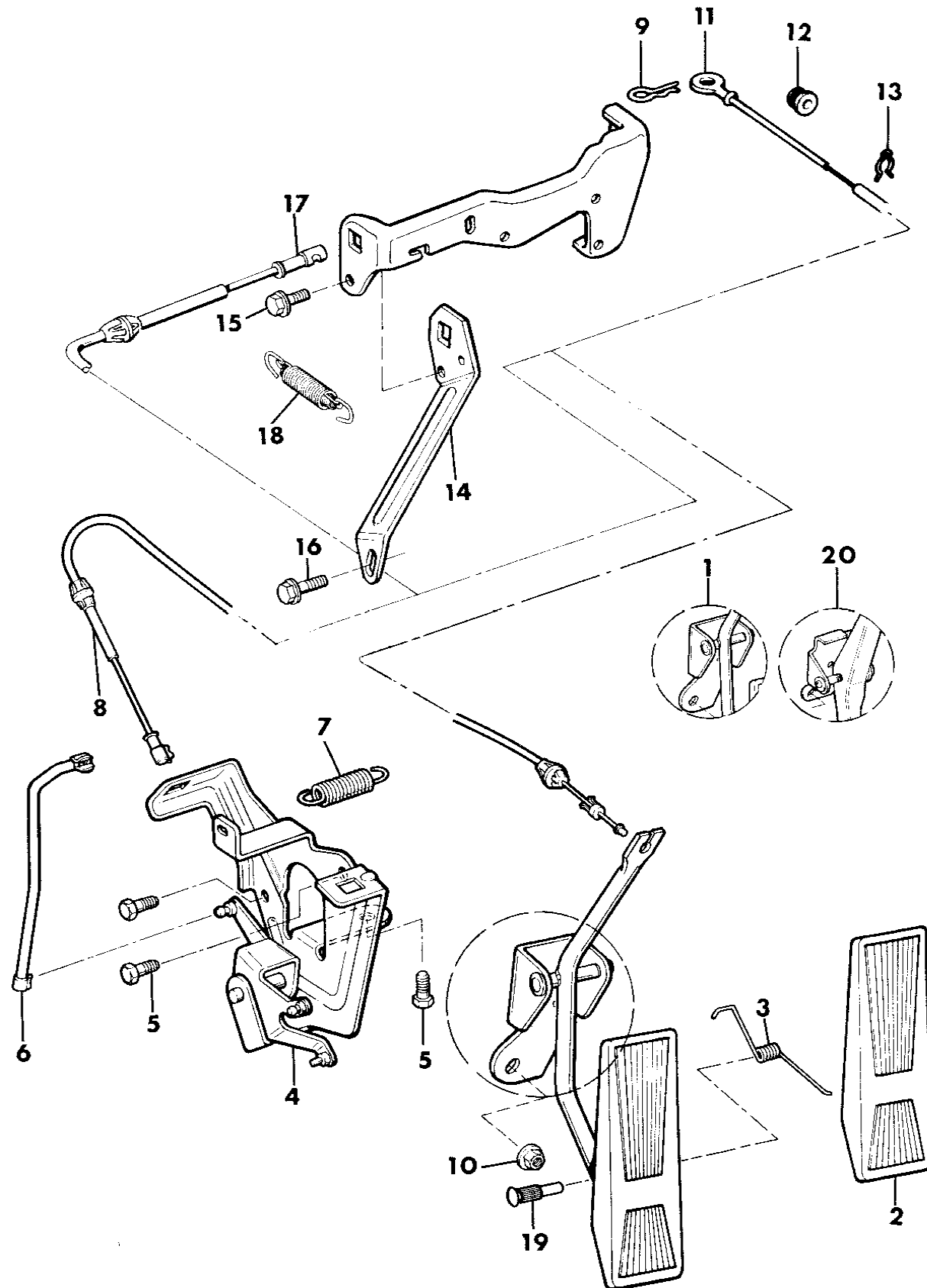
MJ = Comanche Pickup
SJ = Grand Wagoneer Wgn., J-10 & J-20 Pickups
XJ = Cherokee, Wagoneer Limited
YJ = Wrangler

AR = Use as Required - = Non Illustrated Part P.A.R. = Paint as Required

ACCELERATOR PEDAL AND LINKAGE 2.5L AND DIESEL ENGINES CHEROKEE, WAGONEER, COMANCHE

Figure 14-1900

8J141900



| ITEM | PART NUMBER | QTY | BODY | MODEL | DESCRIPTION |
|------|-------------|-----|------|-------|--|
| 1 | 5300 3719 | 1 | | | PEDAL, Accelerator - 1987-88 |
| 2 | 5300 3932 | 1 | | | PAD, Pedal |
| 3 | J319 3369 | 1 | | | SPRING |
| 4 | 3300 1065 | 1 | | | BELLCRANK ASSEMBLY - Carbureted Eng. *** |
| 5 | S017 9814 | 3 | | | SCREW - Carbureted Eng. |
| 6 | 3300 1068 | 1 | | | LINK - Carbureted Eng. |
| 7 | 3300 1069 | 1 | | | SPRING, Return - Carbureted Eng. |
| 8 | | | | | CABLE, Accelerator - Carbureted Eng. |
| | 5300 1572 | 1 | | | Item #1 Application |
| | 5300 5246 | 1 | | | Item #20 Application |
| 9 | J400 5122 | 1 | | | PIN - Diesel Eng. |
| 10 | 3420 1246 | 2 | | | NUT |
| 11 | | | | | CABLE, Accelerator - Diesel Eng. |
| | 5300 5204 | 1 | | | Item #1 Application |
| | 5300 5247 | 1 | | | Item #20 Application |
| 12 | 5300 1952 | 1 | | | GROMMET - Diesel Eng. |
| 13 | J306 6295 | 1 | | | CLIP - Diesel Eng. |
| 14 | 5300 2749 | 1 | | | BRACE - Injected Eng. |
| 15 | 3420 1807 | 1 | | | BOLT, Hex Head - Injected Eng. |
| 16 | J400 6036 | 1 | | | BOLT, Hex Flange - Injected Eng. |
| 17 | | | | | CABLE, Accelerator - Injected Eng. |
| | 5300 3652 | 1 | | | Item #1 Application |
| | 5300 5244 | 1 | | | Item #20 Application |
| 18 | 5300 4577 | 1 | | | SPRING, Return - Injected Eng. |
| 19 | J322 0231 | 1 | | | PIN |
| 20 | 5300 5241 | 1 | | | PEDAL, Accelerator - 1989-90 |

MODEL CODES:

| | | |
|-----------------------------|-----------------------------|------------------------------|
| 15 = Grand Wagoneer 4 Dr. | 65 = Comanche 4WD-7 Ft. Box | 77 = Cherokee 4WD-2 Dr. |
| 25 = J-10 Pickup-119" W.B. | 66 = Comanche 2WD-7 Ft. Box | 78 = Cherokee 4WD-4 Dr. |
| 26 = J-10 Pickup-131" W.B. | 73 = Cherokee 2WD-2 Dr. | 79 = Cherokee 4WD-4 Dr.-Com |
| 27 = J-20 Pickup-131" W.B. | 74 = Cherokee 2WD-4 Dr. | 81 = Wrangler-93" W.B. |
| 63 = Comanche 4WD-6 Ft. Box | 75 = Wagoneer 4WD-4 Dr. | 82 = Wrangler-103" W.B.-Exp. |
| 64 = Comanche 2WD-6 Ft. Box | | |

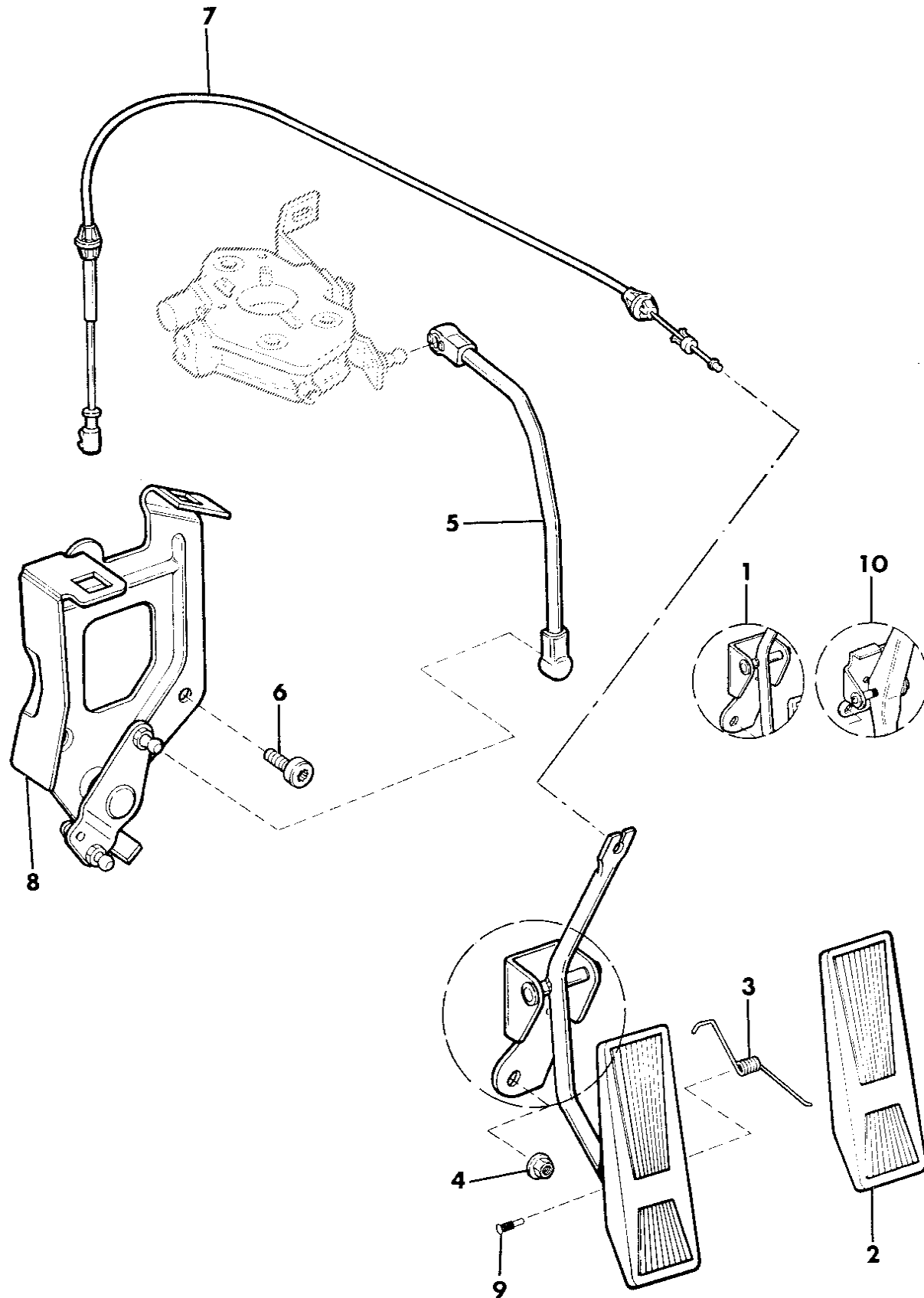
BODY STYLES:

MJ = Comanche Pickup
 SJ = Grand Wagoneer Wgn., J-10 & J-20 Pickups
 XJ = Cherokee, Wagoneer Limited
 YJ = Wrangler

AR = Use as Required - = Non Illustrated Part P.A.R. = Paint as Required

**ACCELERATOR PEDAL AND LINKAGE 4.0L ENGINE CHEROKEE, WAGONEER, COMANCHE
Figure 14-2000**

8J142000



| ITEM | PART NUMBER | QTY | BODY | MODEL | DESCRIPTION |
|------|-------------|-----|------|-------|------------------------------|
| 1 | 5300 3719 | 1 | | | PEDAL, Accelerator - 1987-88 |
| 2 | 5300 3932 | 1 | | | PAD, Pedal |
| 3 | J319 3369 | 1 | | | SPRING |
| 4 | 3420 1246 | 2 | | | NUT |
| 5 | | | | | LINK |
| | 5300 4964 | 1 | | | Item #1 Application |
| | 5300 5315 | 1 | | | Item #10 Application |
| 6 | J400 6708 | 3 | | | SCREW |
| 7 | | | | | CABLE, Accelerator |
| | 5300 5201 | 1 | | | Item #1 Application |
| | 5300 5245 | 1 | | | Item #10 Application |
| 8 | | | | | BELLCRANK ASSEMBLY |
| | 5300 5185 | 1 | | | Item #1 Application |
| | 5300 5312 | 1 | | | Item #10 Application |
| 9 | J322 0231 | 1 | | | PIN |
| 10 | 5300 5241 | 1 | | | PEDAL, Accelerator 1988-90 |

MODEL CODES:

| | | |
|-----------------------------|-----------------------------|------------------------------|
| 15 = Grand Wagoneer 4 Dr. | 65 = Comanche 4WD-7 Ft. Box | 77 = Cherokee 4WD-2 Dr. |
| 25 = J-10 Pickup-119" W.B. | 66 = Comanche 2WD-7 Ft. Box | 78 = Cherokee 4WD-4 Dr. |
| 26 = J-10 Pickup-131" W.B. | 73 = Cherokee 2WD-2 Dr. | 79 = Cherokee 4WD-4 Dr.-Com |
| 27 = J-20 Pickup-131" W.B. | 74 = Cherokee 2WD-4 Dr. | 81 = Wrangler-93" W.B. |
| 63 = Comanche 4WD-6 Ft. Box | 75 = Wagoneer 4WD-4 Dr. | 82 = Wrangler-103" W.B.-Exp. |
| 64 = Comanche 2WD-6 Ft. Box | | |

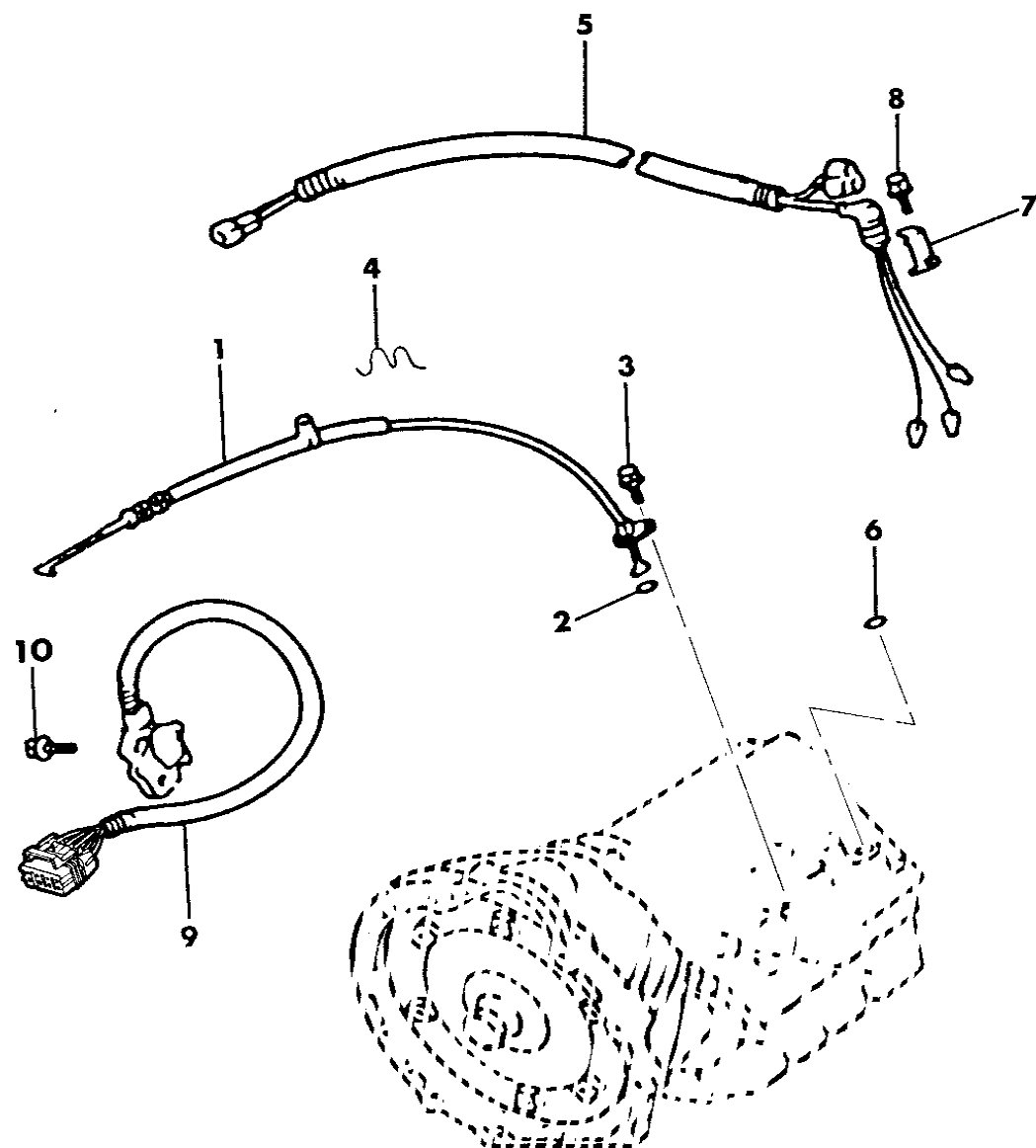
BODY STYLES:

MJ = Comanche Pickup
 SJ = Grand Wagoneer Wgn., J-10 & J-20 Pickups
 XJ = Cherokee, Wagoneer Limited
 YJ = Wrangler

AR = Use as Required - = Non Illustrated Part P.A.R. = Paint as Required

LINKAGE AUTOMATIC TRANSMISSION DETENT 2.5L AND 4.0L ENGINES CHEROKEE, WAGONEER, COMANCHE
Figure 14-2050

8J14 2050



| ITEM | PART NUMBER | QTY | BODY | MODEL | DESCRIPTION |
|------|-------------|-----|------|-------|-------------------------|
| 1 | | | | | CABLE, Throttle Control |
| | 8350 3707 | 1 | | | 2.5L Eng. |
| | 8350 3741 | 1 | | | 4.0L Eng. |
| 2 | 8350 3708 | 1 | | | O-RING |
| 3 | 8350 3709 | 1 | | | BOLT |
| 4 | 8350 3710 | 1 | | | CLAMP |
| 5 | 8350 3718 | 1 | RWD | | HARNESS, Transmission |
| | 8350 3740 | 1 | 4WD | | 2.5L Eng. |
| | 8350 3843 | 1 | 4WD | | 4.0L Eng. |
| 6 | 8350 3719 | 1 | | | O-RING |
| 7 | 8350 3717 | 1 | | | PLATE, Lock |
| 8 | 8350 3716 | 1 | | | BOLT |
| 9 | 8350 3712 | 1 | | | SWITCH, Neutral Safety |
| 10 | 8350 3714 | 1 | | | BOLT |

MODEL CODES:

| | | |
|-----------------------------|-----------------------------|------------------------------|
| 15 = Grand Wagoneer 4 Dr. | 65 = Comanche 4WD-7 Ft. Box | 77 = Cherokee 4WD-2 Dr. |
| 25 = J-10 Pickup-119" W.B. | 66 = Comanche 2WD-7 Ft. Box | 78 = Cherokee 4WD-4 Dr. |
| 26 = J-10 Pickup-131" W.B. | 73 = Cherokee 2WD-2 Dr. | 79 = Cherokee 4WD-4 Dr.-Com |
| 27 = J-20 Pickup-131" W.B. | 74 = Cherokee 2WD-4 Dr. | 81 = Wrangler-93" W.B. |
| 63 = Comanche 4WD-6 Ft. Box | 75 = Wagoneer 4WD-4 Dr. | 82 = Wrangler-103" W.B.-Exp. |
| 64 = Comanche 2WD-6 Ft. Box | | |

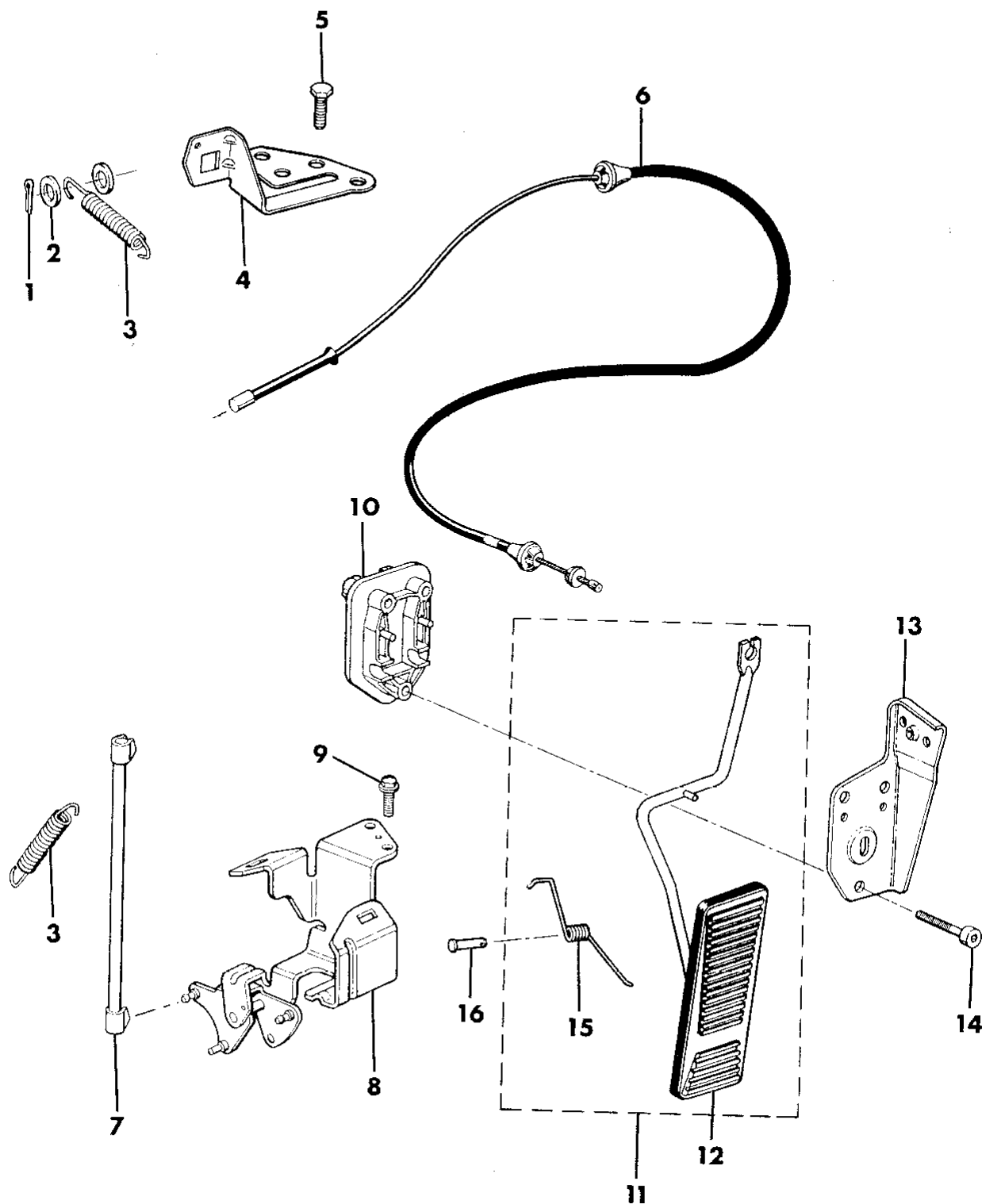
BODY STYLES:

MJ = Comanche Pickup
SJ = Grand Wagoneer Wgn., J-10 & J-20 Pickups
XJ = Cherokee, Wagoneer Limited
YJ = Wrangler

AR = Use as Required - = Non Illustrated Part P.A.R. = Paint as Required

ACCELERATOR PEDAL AND LINKAGE 4.2L AND 5.9L ENGINES GRAND WAGONEER, J10, J20
Figure 14-2100

8J14 2100



| ITEM | PART NUMBER | QTY | BODY | MODEL | DESCRIPTION |
|------|-------------|-----|------|-------|------------------------------------|
| 1 | J043 5864 | 1 | | | PIN, Cotter - 5.9L Eng. |
| 2 | J012 0392 | 2 | | | WASHER - 5.9L Eng. |
| 3 | | | | | SPRING, Return |
| | J535 8241 | 2 | | | 4.2L Eng. |
| | J535 7086 | 1 | | | 5.9L Eng. |
| 4 | J535 7914 | 1 | | | BRACKET, Cable - 5.9L Eng. |
| 5 | J400 0987 | 2 | | | SCREW - 5.9L Eng. |
| 6 | | | | | CABLE, Accelerator |
| | 5300 5203 | 1 | | | 4.2L Eng. |
| | 5300 5205 | 1 | | | 5.9L Eng. |
| 7 | J323 9634 | 1 | | | LINK, Carburetor - 4.2L Eng. |
| 8 | J536 2728 | 1 | | | BELLCRANK ASSEMBLY - 4.2L Eng. *** |
| 9 | J027 3573 | 3 | | | SCREW - 4.2L Eng. |
| 10 | J536 3792 | 1 | | | SUPPORT, Pedal |
| 11 | 5300 3963 | 1 | | | PEDAL, Accelerator |
| 12 | 5300 3932 | 1 | | | PAD, Pedal |
| 13 | J536 0187 | 1 | | | PLATE, Mounting |
| 14 | J400 7027 | 3 | | | SCREW |
| 15 | J319 3369 | 1 | | | SPRING |
| 16 | J319 3368 | 1 | | | PIN |

MODEL CODES:

| | | |
|-----------------------------|-----------------------------|------------------------------|
| 15 = Grand Wagoneer 4 Dr. | 65 = Comanche 4WD-7 Ft. Box | 77 = Cherokee 4WD-2 Dr. |
| 25 = J-10 Pickup-119" W.B. | 66 = Comanche 2WD-7 Ft. Box | 78 = Cherokee 4WD-4 Dr. |
| 26 = J-10 Pickup-131" W.B. | 73 = Cherokee 2WD-2 Dr. | 79 = Cherokee 4WD-4 Dr.-Com |
| 27 = J-20 Pickup-131" W.B. | 74 = Cherokee 2WD-4 Dr. | 81 = Wrangler-93" W.B. |
| 63 = Comanche 4WD-6 Ft. Box | 75 = Wagoneer 4WD-4 Dr. | 82 = Wrangler-103" W.B.-Exp. |
| 64 = Comanche 2WD-6 Ft. Box | | |

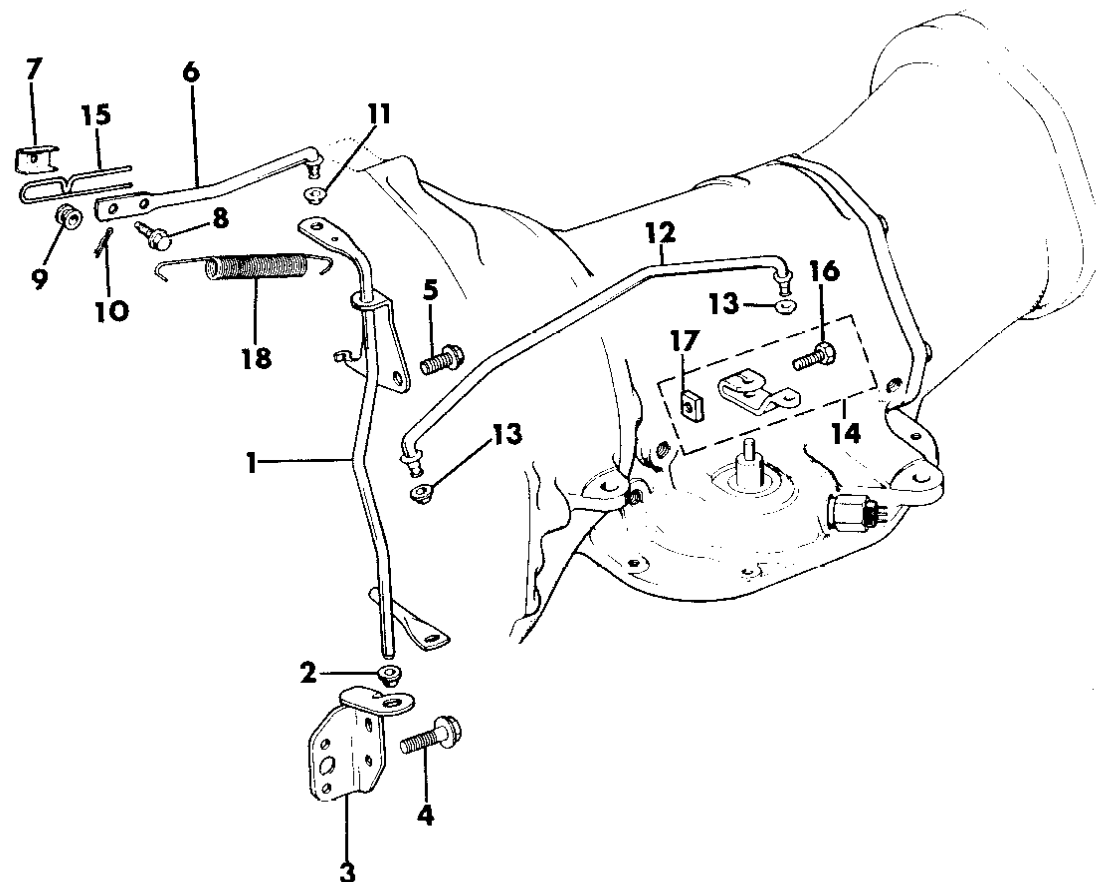
BODY STYLES:

MJ = Comanche Pickup
 SJ = Grand Wagoneer Wgn., J-10 & J-20 Pickups
 XJ = Cherokee, Wagoneer Limited
 YJ = Wrangler

AR = Use as Required - = Non Illustrated Part P.A.R. = Paint as Required

LINKAGE AUTOMATIC TRANSMISSION DETENT 4.2L AND 5.9L ENGINES GRAND WAGONEER, J10, J20
Figure 14-2150

8J14 2150



| ITEM | PART NUMBER | QTY | BODY | MODEL | DESCRIPTION |
|------|-------------|-----|------|-------|-------------|
| 1 | J536 1240 | 1 | | | BELLCRANK |
| 2 | J322 0413 | 1 | | | BUSHING |
| 3 | J536 0066 | 1 | | | BRACKET |
| 4 | J400 6297 | 2 | | | SCREW |
| 5 | J027 4902 | 1 | | | SCREW |
| 6 | J536 1058 | 1 | | | ROD |
| 7 | J321 7200 | 1 | | | CLAMP |
| 8 | S943 2476 | 1 | | | BOLT |
| 9 | J322 3656 | 1 | | | SPACER |
| 10 | J400 5122 | 1 | | | PIN, Hitch |
| 11 | J322 0125 | 1 | | | BUSHING |
| 12 | J322 0684 | 1 | | | LINK |
| 13 | J322 0125 | 1 | | | BUSHING |
| 14 | J322 0677 | 1 | | | LEVER |
| 15 | J536 1056 | 1 | | | LINK |
| 16 | J400 7460 | 1 | | | BOLT |
| 17 | J011 4381 | 1 | | | NUT |
| 18 | J319 6286 | 1 | | | SPRING |

MODEL CODES:

| | | |
|-----------------------------|-----------------------------|------------------------------|
| 15 = Grand Wagoneer 4 Dr. | 65 = Comanche 4WD-7 Ft. Box | 77 = Cherokee 4WD-2 Dr. |
| 25 = J-10 Pickup-119" W.B. | 66 = Comanche 2WD-7 Ft. Box | 78 = Cherokee 4WD-4 Dr. |
| 26 = J-10 Pickup-131" W.B. | 73 = Cherokee 2WD-2 Dr. | 79 = Cherokee 4WD-4 Dr.-Com |
| 27 = J-20 Pickup-131" W.B. | 74 = Cherokee 2WD-4 Dr. | 81 = Wrangler-93" W.B. |
| 63 = Comanche 4WD-6 Ft. Box | 75 = Wagoneer 4WD-4 Dr. | 82 = Wrangler-103" W.B.-Exp. |
| 64 = Comanche 2WD-6 Ft. Box | | |

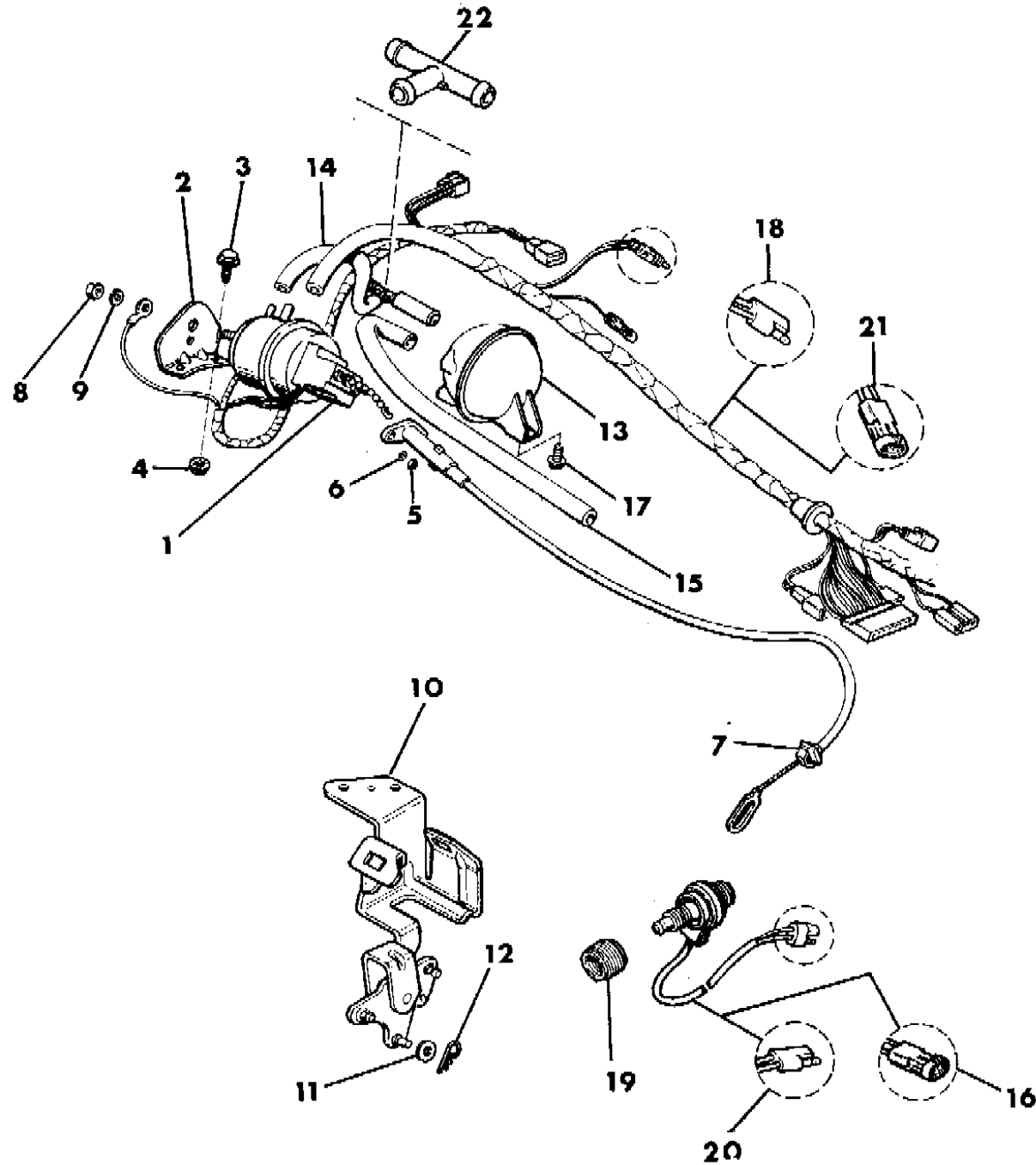
BODY STYLES:

MJ = Comanche Pickup
 SJ = Grand Wagoneer Wgn., J-10 & J-20 Pickups
 XJ = Cherokee, Wagoneer Limited
 YJ = Wrangler

AR = Use as Required - = Non Illustrated Part P.A.R. = Paint as Required

SPEED CONTROL, ENGINE COMPARTMENT COMPONENTS 4.2L ENGINE WRANGLER, YJ
Figure 14-2200

8 J 14 2200 A



| ITEM | PART NUMBER | QTY | BODY | MODEL | DESCRIPTION |
|------|-------------|-----|------|-------|-----------------------------------|
| 1 | 5300 5082 | 1 | | | SERVO, Cruise Control |
| 2 | 5300 3729 | 1 | | | BRACKET |
| 3 | J027 3573 | 2 | | | SCREW |
| 4 | J012 0376 | 2 | | | NUT |
| 5 | S013 4530 | 2 | | | NUT |
| 6 | S013 1044 | 2 | | | WASHER |
| 7 | | | | | CABLE |
| | J324 2185 | 1 | | | 1987-88 |
| | 5300 5208 | 1 | | | 1989 |
| 8 | J012 0375 | 1 | | | NUT |
| 9 | J012 0380 | 1 | | | WASHER |
| 10 | J536 2728 | 1 | | | BRACKET, Cable |
| 11 | J400 1078 | 1 | | | WASHER |
| 12 | J400 5758 | 1 | | | PIN |
| 13 | 5300 3408 | 1 | | | RESERVOIR, Vacuum |
| 14 | 5300 4653 | 1 | | | HARNESS, Vacuum |
| 15 | J812 5812 | AR | | | HOSE, Bulk |
| 16 | 5600 2605 | 1 | | | GENERATOR, Cruise Control *** |
| 17 | J942 6241 | 2 | | | SCREW |
| 18 | 5600 2242 | 1 | | | HARNESS |
| 19 | 8350 1453 | 1 | | | ADAPTER, Cruise Control Generator |
| 20 | 5300 4605 | 1 | | | GENERATOR, Cruise Control *** |
| 21 | 5600 2604 | 1 | | | HARNESS |
| 22 | 3300 0586 | 1 | | | TEE |

MODEL CODES:

| | | |
|-----------------------------|-----------------------------|------------------------------|
| 15 = Grand Wagoneer 4 Dr. | 65 = Comanche 4WD-7 Ft. Box | 77 = Cherokee 4WD-2 Dr. |
| 25 = J-10 Pickup-119" W.B. | 66 = Comanche 2WD-7 Ft. Box | 78 = Cherokee 4WD-4 Dr. |
| 26 = J-10 Pickup-131" W.B. | 73 = Cherokee 2WD-2 Dr. | 79 = Cherokee 4WD-4 Dr.-Com |
| 27 = J-20 Pickup-131" W.B. | 74 = Cherokee 2WD-4 Dr. | 81 = Wrangler-93" W.B. |
| 63 = Comanche 4WD-6 Ft. Box | 75 = Wagoneer 4WD-4 Dr. | 82 = Wrangler-103" W.B.-Exp. |
| 64 = Comanche 2WD-6 Ft. Box | | |

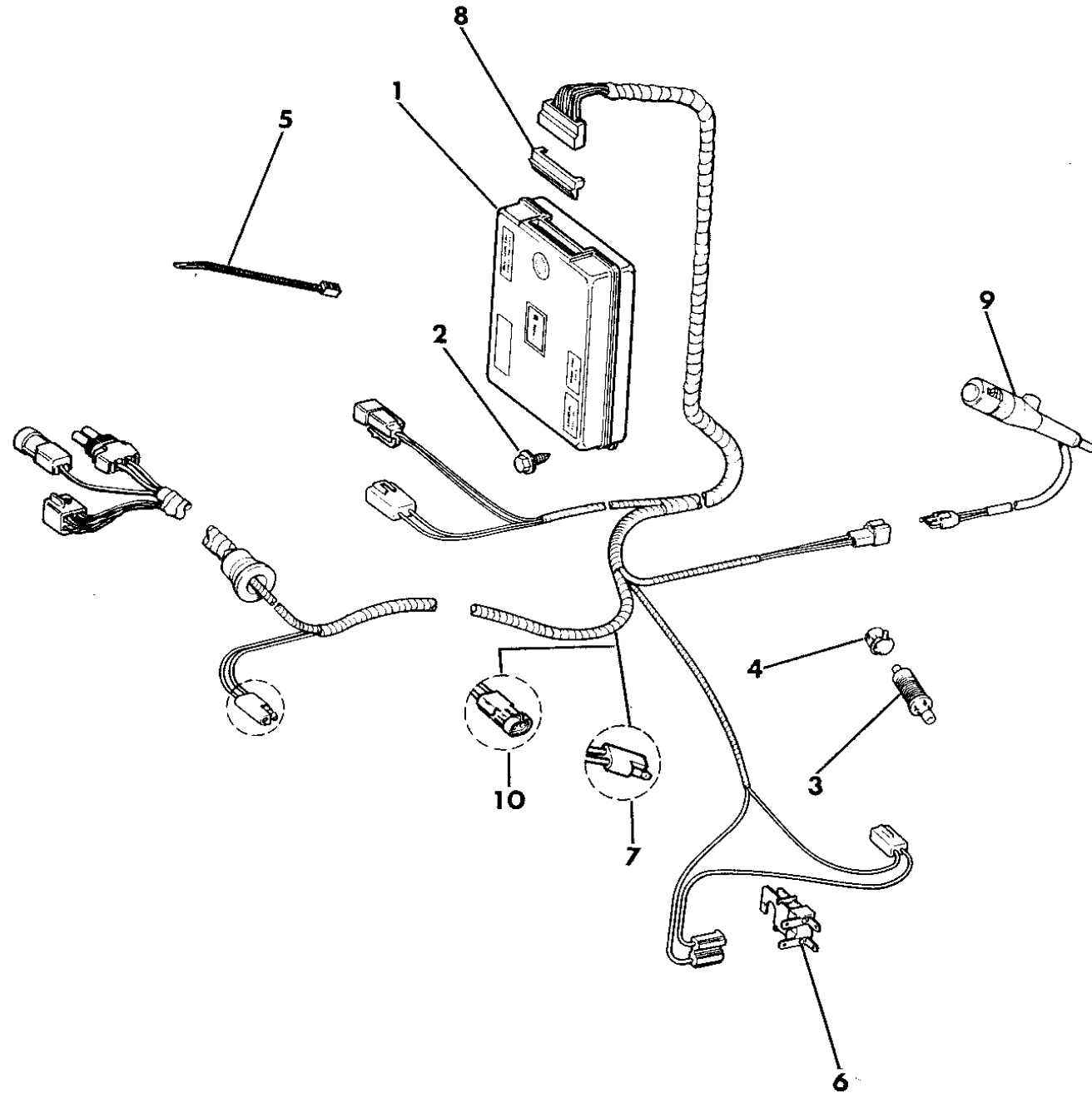
BODY STYLES:

MJ = Comanche Pickup
 SJ = Grand Wagoneer Wgn., J-10 & J-20 Pickups
 XJ = Cherokee, Wagoneer Limited
 YJ = Wrangler

AR = Use as Required - = Non Illustrated Part P.A.R. = Paint as Required

SPEED CONTROL, INSTRUMENT PANEL COMPONENTS 4.2L ENGINE WRANGLER, YJ
Figure 14-2250

8J14 2250



| ITEM | PART NUMBER | QTY | BODY | MODEL | DESCRIPTION |
|------|-------------|-----|------|-------|------------------------------|
| 1 | 5300 3973 | 1 | | | REGULATOR |
| 2 | J400 1701 | 2 | | | SCREW |
| 3 | J323 2970 | 1 | | | VALVE, Cruise Control Vacuum |
| 4 | J400 6789 | 1 | | | RETAINER |
| 5 | J322 3227 | AR | | | STRAP |
| 6 | J322 5787 | 1 | | | SWITCH, Brake Lamp |
| 7 | 5600 2242 | 1 | | | HARNESS |
| 8 | 5300 4158 | 1 | | | RETAINER |
| 9 | 5600 0034 | 1 | | | LEVER, Turn Signal |
| 10 | 5600 2604 | 1 | | | HARNESS |

MODEL CODES:

| | | |
|-----------------------------|-----------------------------|------------------------------|
| 15 = Grand Wagoneer 4 Dr. | 65 = Comanche 4WD-7 Ft. Box | 77 = Cherokee 4WD-2 Dr. |
| 25 = J-10 Pickup-119" W.B. | 66 = Comanche 2WD-7 Ft. Box | 78 = Cherokee 4WD-4 Dr. |
| 26 = J-10 Pickup-131" W.B. | 73 = Cherokee 2WD-2 Dr. | 79 = Cherokee 4WD-4 Dr.-Com |
| 27 = J-20 Pickup-131" W.B. | 74 = Cherokee 2WD-4 Dr. | 81 = Wrangler-93" W.B. |
| 63 = Comanche 4WD-6 Ft. Box | 75 = Wagoneer 4WD-4 Dr. | 82 = Wrangler-103" W.B.-Exp. |
| 64 = Comanche 2WD-6 Ft. Box | | |

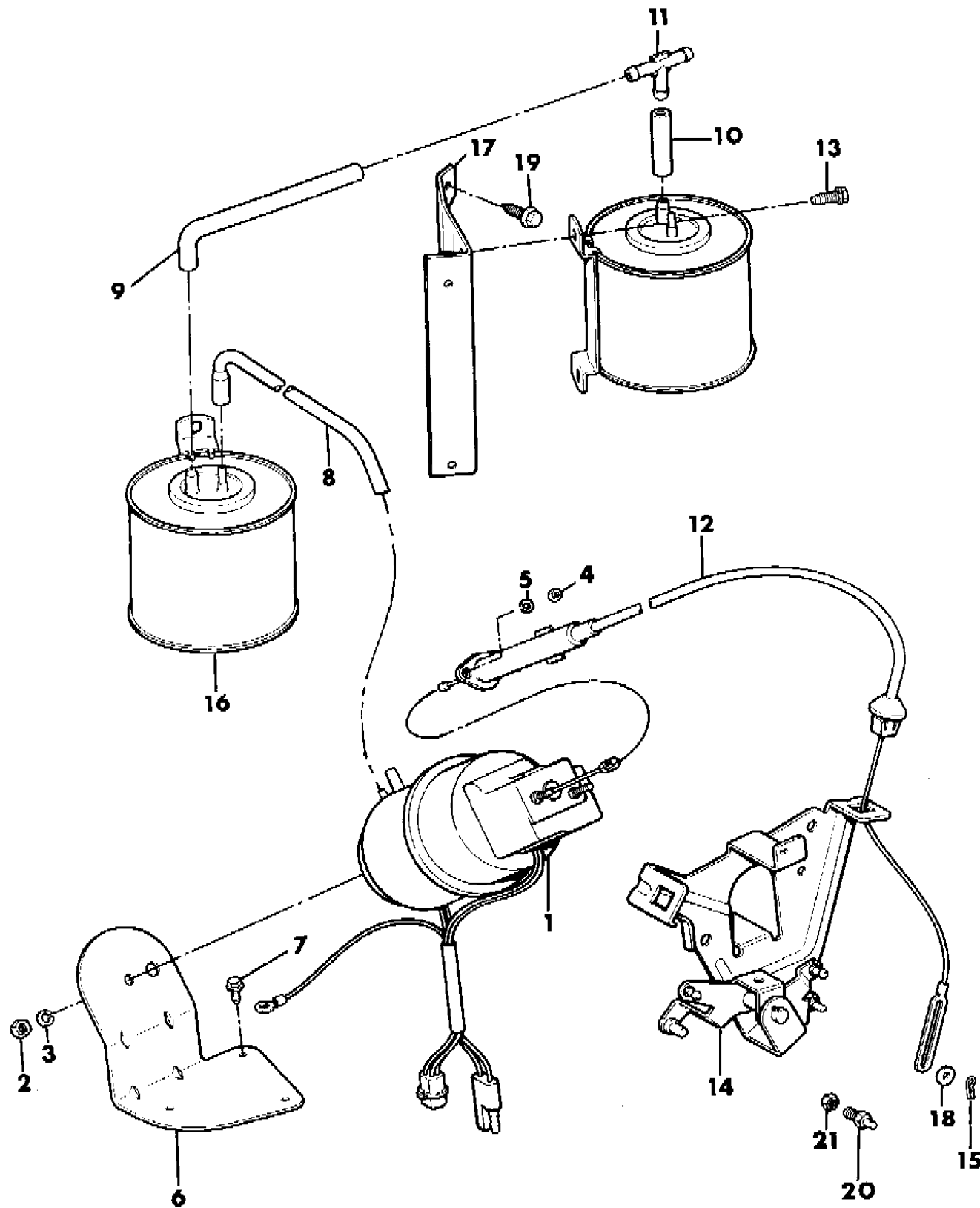
BODY STYLES:

MJ = Comanche Pickup
 SJ = Grand Wagoneer Wgn., J-10 & J-20 Pickups
 XJ = Cherokee, Wagoneer Limited
 YJ = Wrangler

AR = Use as Required - = Non Illustrated Part P.A.R. = Paint as Required

SPEED CONTROL ENGINE COMPARTMENT COMPONENTS 2.5L AND 4.0L CARBURETED ENGINES CHEROKEE, WAGONEER, COMANCHE - EXPORT
Figure 14-2275

8J14 2275A



| ITEM | PART NUMBER | QTY | BODY | MODEL | DESCRIPTION |
|------|-------------|-----|------|-------|----------------------------|
| 1 | J324 0500 | 1 | | | SERVO, Speed Control |
| 2 | J012 0375 | 1 | | | NUT |
| 3 | J012 0380 | 1 | | | WASHER |
| 4 | S013 4530 | 2 | | | NUT |
| 5 | S013 1044 | 2 | | | WASHER |
| 6 | 5300 0313 | 1 | | | BRACKET |
| 7 | 3420 1489 | 3 | | | SCREW |
| 8 | 5300 0316 | 1 | | | HOSE |
| 9 | | | | | HOSE |
| | 5300 1501 | 1 | | | 2.5L Eng. |
| | J812 5810 | 1 | | | 4.0L Eng. |
| 10 | 3300 0657 | 1 | | | HOSE - 2.5L Eng. |
| 11 | 3300 0586 | 1 | | | TEE |
| 12 | | | | | CABLE |
| | 5300 0028 | 1 | | | 2.5L Eng. |
| | 5300 0920 | 1 | | | 4.0L Eng. |
| 13 | 1150 2453 | 2 | | | SCREW - 2.5L Eng. |
| 14 | 3300 1065 | 1 | | | BRACKET, Cable - 2.5L Eng. |
| 15 | J400 5758 | 1 | | | PIN - 2.5L Eng. |
| 16 | J323 2991 | 1 | | | RESERVOIR, Vacuum |
| 17 | 5500 3276 | 1 | | | BRACKET - 2.5L Eng. |
| 18 | J400 1078 | 1 | | | WASHER - 2.5L Eng. |
| 19 | 3420 1691 | 1 | | | SCREW - 2.5L Eng. |
| 20 | 5300 0922 | 1 | | | STUD - 4.0L Eng. |
| 21 | 1150 3739 | 1 | | | NUT - 4.0L Eng. |

MODEL CODES:

| | | |
|-----------------------------|-----------------------------|------------------------------|
| 15 = Grand Wagoneer 4 Dr. | 65 = Comanche 4WD-7 Ft. Box | 77 = Cherokee 4WD-2 Dr. |
| 25 = J-10 Pickup-119" W.B. | 66 = Comanche 2WD-7 Ft. Box | 78 = Cherokee 4WD-4 Dr. |
| 26 = J-10 Pickup-131" W.B. | 73 = Cherokee 2WD-2 Dr. | 79 = Cherokee 4WD-4 Dr.-Com |
| 27 = J-20 Pickup-131" W.B. | 74 = Cherokee 2WD-4 Dr. | 81 = Wrangler-93" W.B. |
| 63 = Comanche 4WD-6 Ft. Box | 75 = Wagoneer 4WD-4 Dr. | 82 = Wrangler-103" W.B.-Exp. |
| 64 = Comanche 2WD-6 Ft. Box | | |

BODY STYLES:

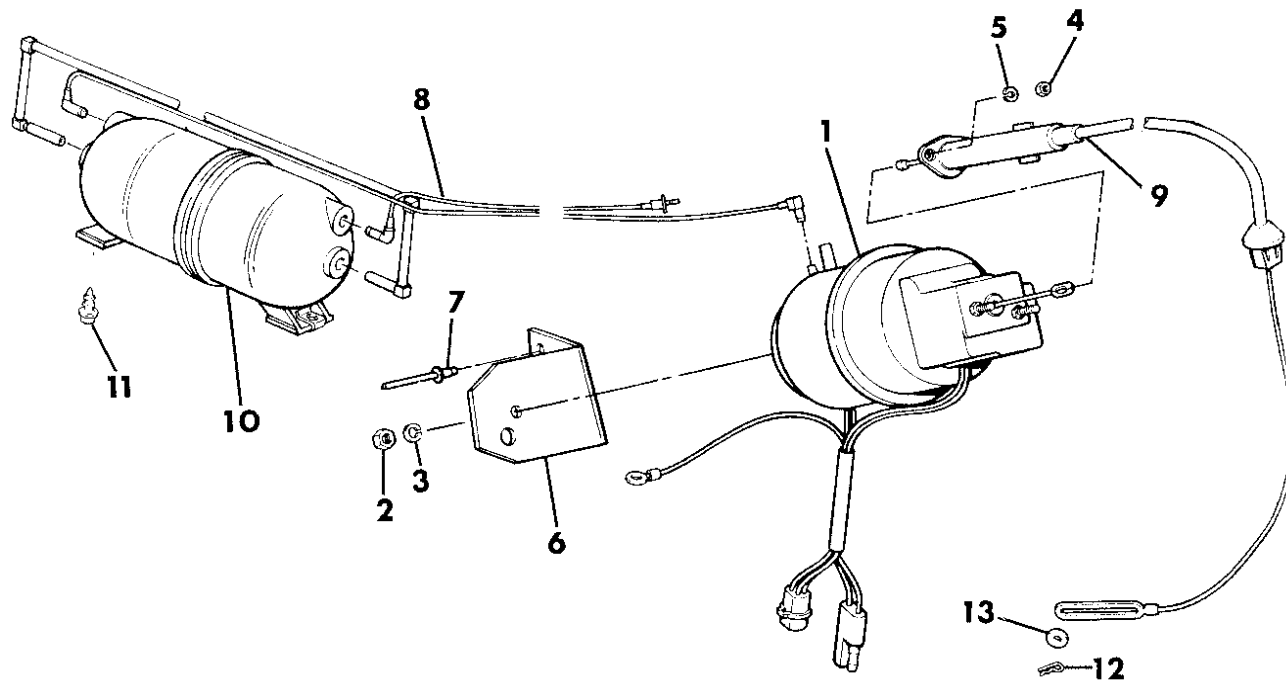
MJ = Comanche Pickup
 SJ = Grand Wagoneer Wgn., J-10 & J-20 Pickups
 XJ = Cherokee, Wagoneer Limited
 YJ = Wrangler

AR = Use as Required - = Non Illustrated Part P.A.R. = Paint as Required

SPEED CONTROL ENGINE COMPARTMENT COMPONENTS 2.5L AND 4.0L EFI ENGINES CHEROKEE, WAGONEER, COMANCHE
Figure 14-2300

8 J 14 2300

| ITEM | PART NUMBER | QTY | BODY | MODEL | DESCRIPTION |
|------|-------------|-----|------|-------|----------------------|
| 1 | | | | | SERVO, Speed Control |
| | 5300 5082 | 1 | | | 2.5L Eng. |
| | 5300 5082 | 1 | | | 4.0L Eng. |
| 2 | J012 0375 | 1 | | | NUT |
| 3 | J012 0380 | 1 | | | WASHER |
| 4 | S013 4530 | 2 | | | NUT |
| 5 | S013 1044 | 2 | | | WASHER |
| 6 | | | | | BRACKET |
| | 5300 4602 | 1 | | | 1987 |
| | 5300 5181 | 1 | | | 1988-90 |
| 7 | 3420 1489 | 3 | | | SCREW 1987 |
| | 3420 1208 | 3 | | | RIVET 1988-90 |
| 8 | 5300 3520 | 1 | | | HARNES, Vacuum |
| 9 | | | | | CABLE |
| | 5300 4292 | 1 | | | 2.5L Eng. 1987 |
| | 5300 5183 | 1 | | | 2.5L Eng. 1988-90 |
| | 5300 3654 | 1 | | | 4.0L Eng. 1987 |
| | 5300 5184 | 1 | | | 4.0L Eng. 1988-90 |
| 10 | 5300 3052 | 1 | | | RESERVOIR, Vacuum |
| 11 | 1150 0994 | 2 | | | SCREW |
| 12 | J400 5758 | 1 | | | PIN |
| 13 | J400 1078 | 1 | | | WASHER |



MODEL CODES:

| | | |
|-----------------------------|-----------------------------|------------------------------|
| 15 = Grand Wagoneer 4 Dr. | 65 = Comanche 4WD-7 Ft. Box | 77 = Cherokee 4WD-2 Dr. |
| 25 = J-10 Pickup-119" W.B. | 66 = Comanche 2WD-7 Ft. Box | 78 = Cherokee 4WD-4 Dr. |
| 26 = J-10 Pickup-131" W.B. | 73 = Cherokee 2WD-2 Dr. | 79 = Cherokee 4WD-4 Dr.-Com |
| 27 = J-20 Pickup-131" W.B. | 74 = Cherokee 2WD-4 Dr. | 81 = Wrangler-93" W.B. |
| 63 = Comanche 4WD-6 Ft. Box | 75 = Wagoneer 4WD-4 Dr. | 82 = Wrangler-103" W.B.-Exp. |
| 64 = Comanche 2WD-6 Ft. Box | | |

BODY STYLES:

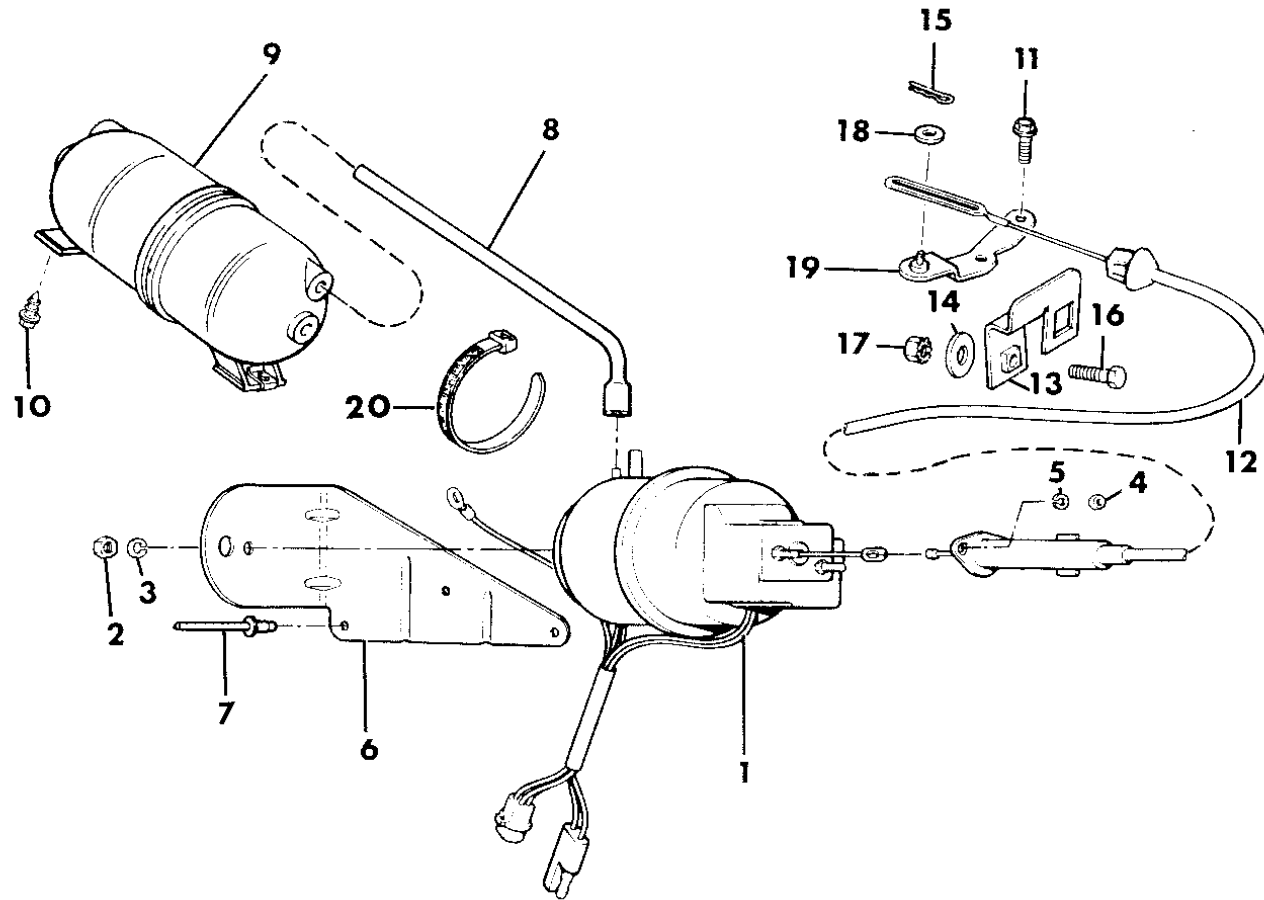
MJ = Comanche Pickup
 SJ = Grand Wagoneer Wgn., J-10 & J-20 Pickups
 XJ = Cherokee, Wagoneer Limited
 YJ = Wrangler

AR = Use as Required - = Non Illustrated Part P.A.R. = Paint as Required

SPEED CONTROL ENGINE COMPARTMENT COMPONENTS DIESEL ENGINE CHEROKEE, COMANCHE
Figure 14-2350

8J14 2350

| ITEM | PART NUMBER | QTY | BODY | MODEL | DESCRIPTION |
|------|-------------|-----|------|-------|----------------------|
| 1 | 5300 5082 | 1 | | | SERVO, Speed Control |
| 2 | J012 0375 | 1 | | | NUT |
| 3 | J012 0380 | 1 | | | WASHER |
| 4 | S013 4530 | 2 | | | NUT |
| 5 | S013 1044 | 2 | | | WASHER |
| 6 | 5300 1733 | 1 | | | BRACKET |
| 7 | 3420 1208 | 3 | | | RIVET |
| 8 | 5300 2949 | 1 | | | HOSE |
| 9 | 5300 3052 | 1 | | | RESERVOIR, Vacuum |
| 10 | 1150 2843 | 2 | | | SCREW |
| 11 | 3420 1807 | 2 | | | BOLT |
| 12 | 5300 1734 | 1 | | | CABLE |
| 13 | 3300 2659 | 1 | | | BRACKET |
| 14 | 1150 0306 | 1 | | | WASHER |
| 15 | J400 5758 | 1 | | | PIN |
| 16 | 1150 4331 | 1 | | | BOLT |
| 17 | 3420 1658 | 1 | | | NUT |
| 18 | J400 1078 | 1 | | | WASHER |
| 19 | 3300 2658 | 1 | | | LEVER |
| 20 | J322 3227 | 6 | | | STRAP, Tie |



MODEL CODES:

| | | |
|-----------------------------|-----------------------------|------------------------------|
| 15 = Grand Wagoneer 4 Dr. | 65 = Comanche 4WD-7 Ft. Box | 77 = Cherokee 4WD-2 Dr. |
| 25 = J-10 Pickup-119" W.B. | 66 = Comanche 2WD-7 Ft. Box | 78 = Cherokee 4WD-4 Dr. |
| 26 = J-10 Pickup-131" W.B. | 73 = Cherokee 2WD-2 Dr. | 79 = Cherokee 4WD-4 Dr.-Com |
| 27 = J-20 Pickup-131" W.B. | 74 = Cherokee 2WD-4 Dr. | 81 = Wrangler-93" W.B. |
| 63 = Comanche 4WD-6 Ft. Box | 75 = Wagoneer 4WD-4 Dr. | 82 = Wrangler-103" W.B.-Exp. |
| 64 = Comanche 2WD-6 Ft. Box | | |

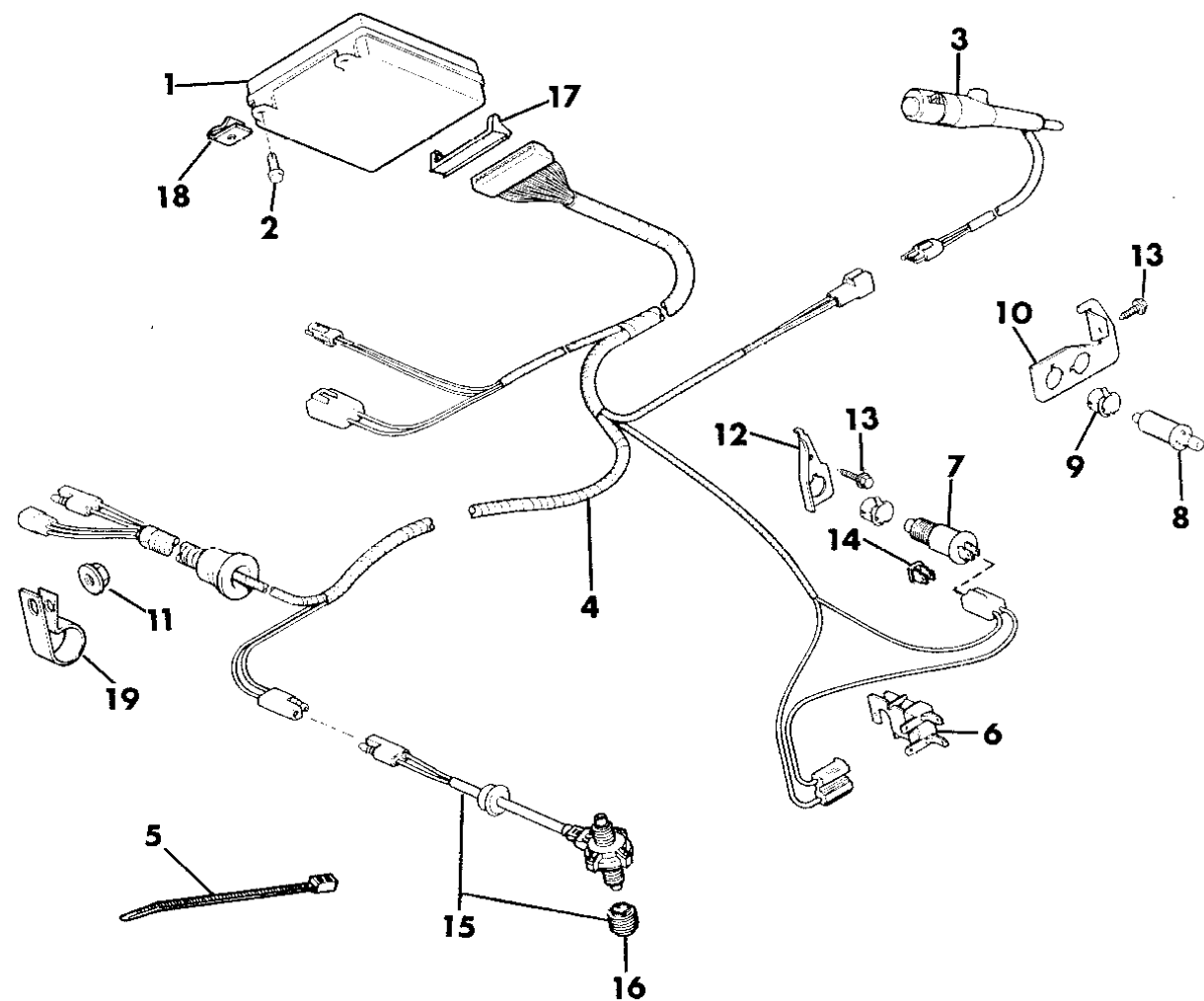
BODY STYLES:

MJ = Comanche Pickup
 SJ = Grand Wagoneer Wgn., J-10 & J-20 Pickups
 XJ = Cherokee, Wagoneer Limited
 YJ = Wrangler

AR = Use as Required - = Non Illustrated Part P.A.R. = Paint as Required

SPEED CONTROL, INSTRUMENT PANEL COMPONENTS 2.5L, 4.0L AND DIESEL ENGINES CHEROKEE, WAGONEER, COMANCHE
Figure 14-2400

8J14 2400



| ITEM | PART NUMBER | QTY | BODY | MODEL | DESCRIPTION |
|------|-------------|-----|------|-------|---|
| 1 | 5300 0320 | 1 | | | REGULATOR, Speed Control |
| 2 | 1150 2896 | 1 | | | SCREW |
| 3 | 5600 0034 | 1 | | | LEVER, Turn Signal |
| 4 | 5600 2832 | 1 | | | HARNESS, Speed Control Gas Eng. |
| | 5600 2206 | 1 | | | Diesel Eng. |
| 5 | 5600 1144 | 3 | | | CLIP |
| 6 | J322 5787 | 1 | | | SWITCH, Brake Lamp |
| 7 | 3600 0136 | 1 | | | SWITCH, Speed Control (w/Stamp # 25509432 Use 56002281 Switch) |
| 8 | J323 2970 | 1 | | | VALVE, Speed Control Vacuum |
| 9 | J400 6789 | AR | | | RETAINER |
| 10 | 5300 0388 | 1 | | | BRACKET, Speed Control |
| 11 | 1150 3745 | 2 | | | NUT, Hex |
| 12 | 5300 1430 | 1 | | | BRACKET - Man. Trans. |
| 13 | J812 0054 | AR | | | SCREW |
| 14 | J318 6890 | 1 | | | TERMINAL, Jumper - Auto. Trans. |
| 15 | | | | | GENERATOR, Speed Control *** |
| | 3300 3874 | 1 | | | 1987-89 |
| | 5300 8975 | 1 | | | 1990, (w/2Male Terminals) |
| 16 | 8350 1453 | 1 | | | ADAPTER, Generator |
| 17 | 5300 4158 | 1 | | | RETAINER, Harness |
| 18 | 1150 0654 | 2 | | | NUT, Spring |
| 19 | J400 1717 | 2 | | | CLIP |

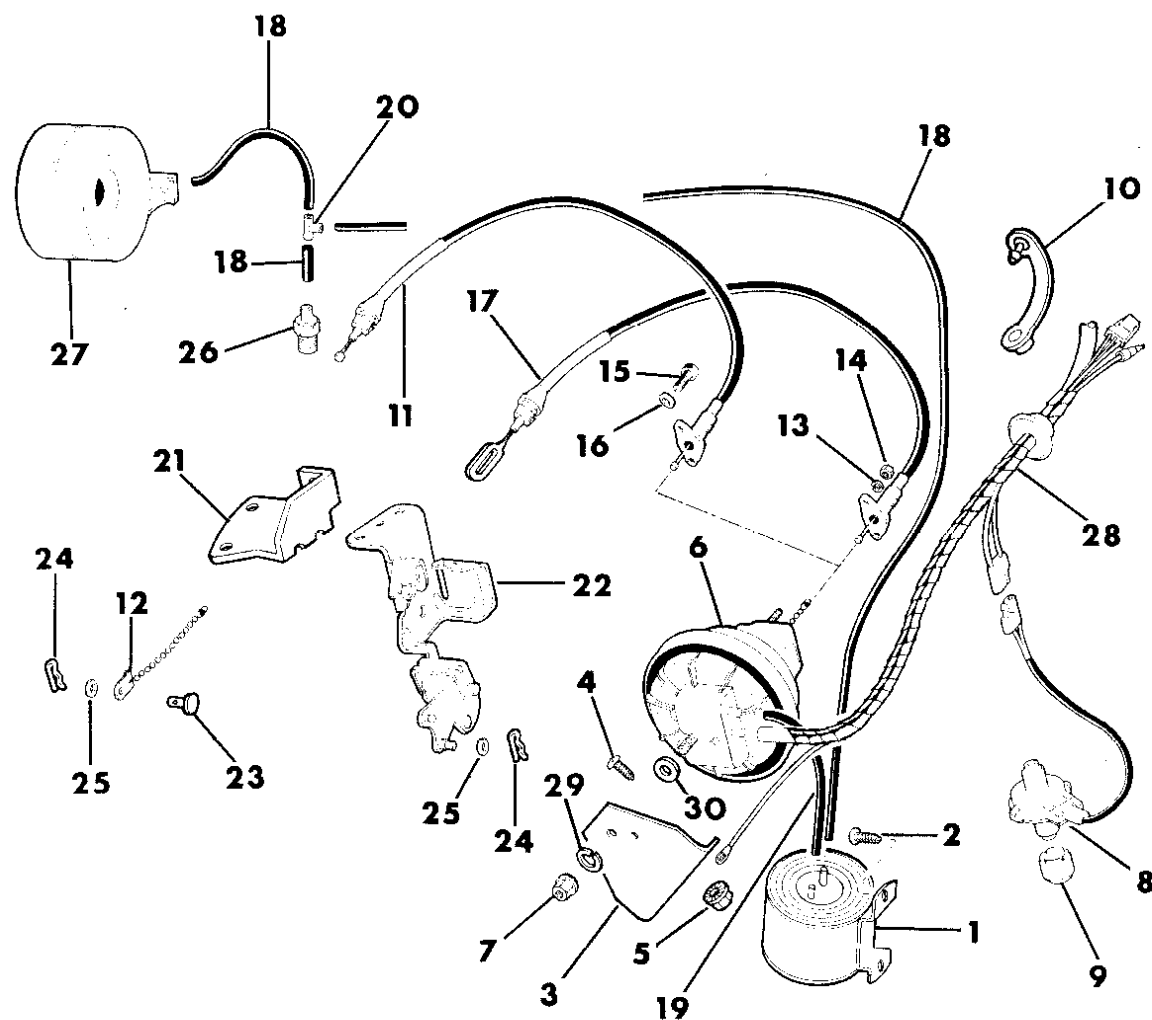
MODEL CODES:
 15 = Grand Wagoneer 4 Dr. 65 = Comanche 4WD-7 Ft. Box 77 = Cherokee 4WD-2 Dr.
 25 = J-10 Pickup-119" W.B. 66 = Comanche 2WD-7 Ft. Box 78 = Cherokee 4WD-4 Dr.
 26 = J-10 Pickup-131" W.B. 73 = Cherokee 2WD-2 Dr. 79 = Cherokee 4WD-4 Dr.-Com
 27 = J-20 Pickup-131" W.B. 74 = Cherokee 2WD-4 Dr. 81 = Wrangler-93" W.B.
 63 = Comanche 4WD-6 Ft. Box 75 = Wagoneer 4WD-4 Dr. 82 = Wrangler-103" W.B.-Exp.
 64 = Comanche 2WD-6 Ft. Box

BODY STYLES:
 MJ = Comanche Pickup
 SJ = Grand Wagoneer Wgn., J-10 & J-20 Pickups
 XJ = Cherokee, Wagoneer Limited
 YJ = Wrangler

AR = Use as Required - = Non Illustrated Part P.A.R. = Paint as Required

SPEED CONTROL, ENGINE COMPARTMENT COMPONENTS 4.2L AND 5.9L ENGINES GRAND WAGONEER, J10, J20
Figure 14-2500

8J142500



| ITEM | PART NUMBER | QTY | BODY | MODEL | DESCRIPTION |
|------|-------------|-----|------|-------|-----------------------------------|
| 1 | 5300 1068 | 1 | | | RESERVOIR, Vacuum |
| 2 | J942 6241 | 2 | | | SCREW |
| 3 | J575 8370 | 1 | | | BRACKET |
| 4 | J067 3600 | 2 | | | SCREW |
| 5 | J941 6918 | 2 | | | NUT |
| 6 | | | | | SERVO, Speed Control |
| | J576 1988 | 1 | | | 4.2L Eng. |
| | 5300 4607 | 1 | | | 5.9L Eng. |
| 7 | J012 0375 | 1 | | | NUT |
| 8 | 5300 4605 | 1 | | | GENERATOR, Speed Control |
| 9 | 8350 1453 | 1 | | | ADAPTER, Speed Control Generator |
| 10 | J400 1712 | 2 | | | STRAP |
| 11 | J324 0422 | 1 | | | CABLE - 5.9L Eng. |
| 12 | J323 4026 | 1 | | | CHAIN - 5.9L Eng. *** |
| 13 | S013 1044 | 2 | | | WASHER - 4.2L Eng. |
| 14 | S013 4530 | 2 | | | NUT - 4.2L Eng. |
| 15 | | 2 | | | SCREW - 5.9L Eng. (not serviced) |
| 16 | | 2 | | | WASHER - 5.9L Eng. (not serviced) |
| 17 | J324 2185 | 1 | | | CABLE - 4.2L Eng. |
| 18 | 8330 0080 | AR | | | HOSE, 4mm I.D. - Bulk |
| 19 | J812 5812 | AR | | | HOSE, 3/16" I.D. - Bulk |
| 20 | J097 5940 | 1 | | | TEE |
| 21 | J536 3683 | 1 | | | BRACKET, Cable - 5.9L Eng. |
| 22 | J536 2728 | 1 | | | BRACKET - 4.2L Eng. |
| 23 | J319 4849 | 1 | | | PIN, Clevis - 5.9L Eng. |
| 24 | J400 5758 | 1 | | | CLIP |
| 25 | J044 6152 | 1 | | | WASHER |
| 26 | | | | | FITTING |
| | 5300 2726 | 1 | | | 4.2L Eng. |
| | J322 5447 | 1 | | | 5.9L Eng. |
| 27 | J374 1279 | 1 | | | RESERVOIR, Vacuum |
| 28 | 5600 2390 | 1 | | | HARNESS |
| 29 | J012 0380 | 1 | | | WASHER, Lock - 5.9L Eng. |
| 30 | J012 0396 | 1 | | | WASHER, Flat - 5.9L Eng. |

MODEL CODES:

| | | |
|-----------------------------|-----------------------------|------------------------------|
| 15 = Grand Wagoneer 4 Dr. | 65 = Comanche 4WD-7 Ft. Box | 77 = Cherokee 4WD-2 Dr. |
| 25 = J-10 Pickup-119" W.B. | 66 = Comanche 2WD-7 Ft. Box | 78 = Cherokee 4WD-4 Dr. |
| 26 = J-10 Pickup-131" W.B. | 73 = Cherokee 2WD-2 Dr. | 79 = Cherokee 4WD-4 Dr.-Com |
| 27 = J-20 Pickup-131" W.B. | 74 = Cherokee 2WD-4 Dr. | 81 = Wrangler-93" W.B. |
| 63 = Comanche 4WD-6 Ft. Box | 75 = Wagoneer 4WD-4 Dr. | 82 = Wrangler-103" W.B.-Exp. |
| 64 = Comanche 2WD-6 Ft. Box | | |

BODY STYLES:

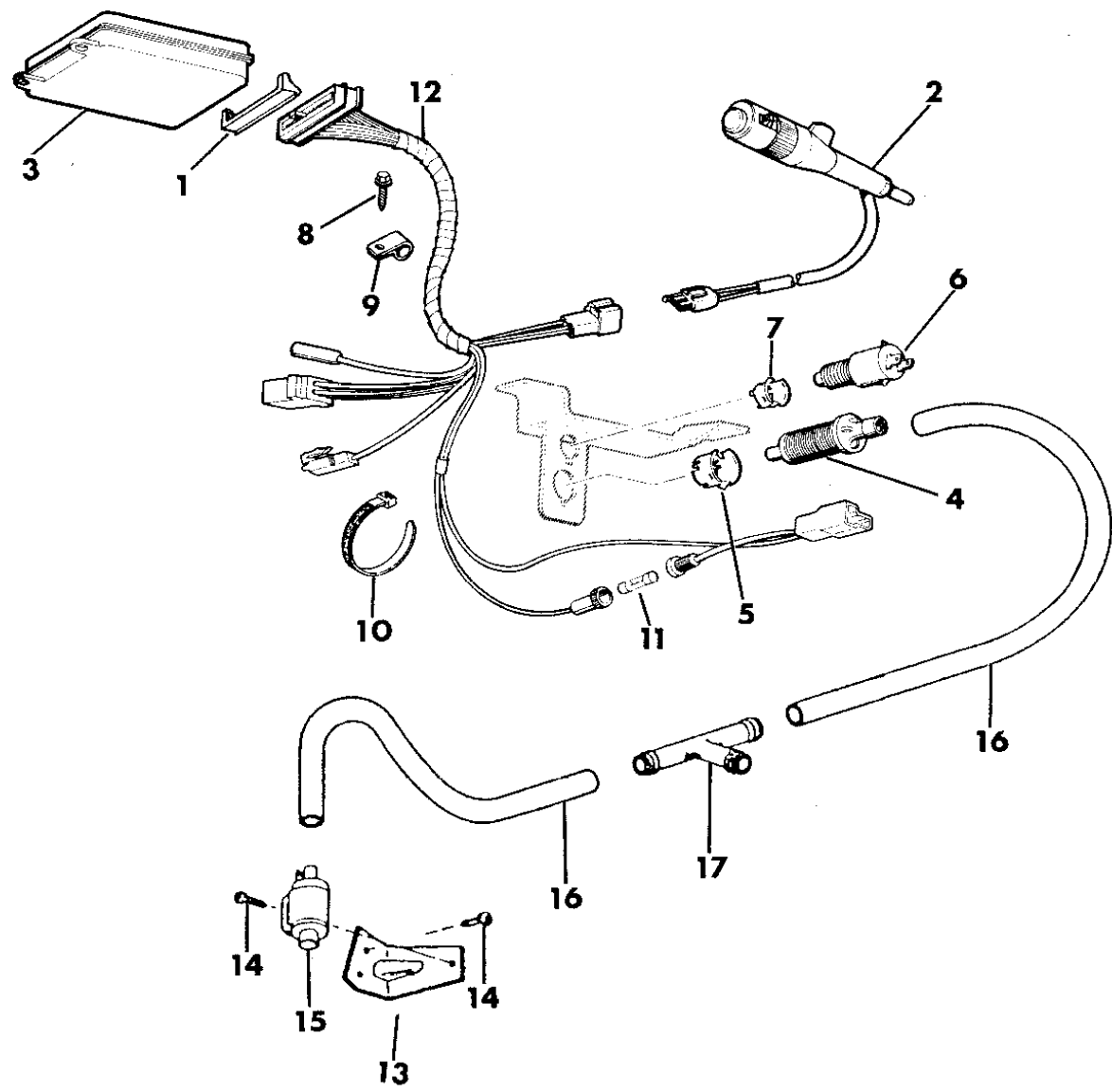
MJ = Comanche Pickup
 SJ = Grand Wagoneer Wgn., J-10 & J-20 Pickups
 XJ = Cherokee, Wagoneer Limited
 YJ = Wrangler

AR = Use as Required - = Non Illustrated Part P.A.R. = Paint as Required

SPEED CONTROL, INSTRUMENT PANEL COMPONENTS 4.2L AND 5.9L ENGINES GRAND WAGONEER, J10, J20
Figure 14-2550

8J14 2550

| ITEM | PART NUMBER | QTY | BODY | MODEL | DESCRIPTION |
|------|-------------|-----|------|-------|---|
| 1 | 5300 4158 | 1 | | | RETAINER, Harness |
| 2 | 5600 0034 | 1 | | | LEVER, Turn Signal |
| 3 | | | | | REGULATOR, Speed Control |
| | 5300 3973 | 1 | | | 4.2L Eng. |
| | 5300 0320 | 1 | | | 5.9L Eng. |
| 4 | J323 2970 | 1 | | | VALVE, Vacuum |
| 5 | J400 6789 | 1 | | | CLIP, Valve |
| 6 | J535 2620 | 1 | | | SWITCH, Stop Lamp |
| 7 | J535 2622 | 1 | | | RETAINER |
| 8 | J400 6630 | 1 | | | SCREW |
| 9 | J012 0526 | 1 | | | CLIP |
| 10 | J322 3227 | 1 | | | STRAP |
| 11 | J813 2908 | 1 | | | FUSE |
| 12 | 5600 2390 | 1 | | | HARNES |
| 13 | J536 4007 | 1 | | | BRACKET - Man. Trans. |
| 14 | J400 7001 | 3 | | | SCREW - Man. Trans. |
| 15 | J576 1946 | 1 | | | VALVE, Speed Control Vacuum - Man. Trans. |
| 16 | J812 5814 | 1 | | | HOSE - Man. Trans. |
| 17 | J400 6635 | 1 | | | TEE - Man. Trans. |



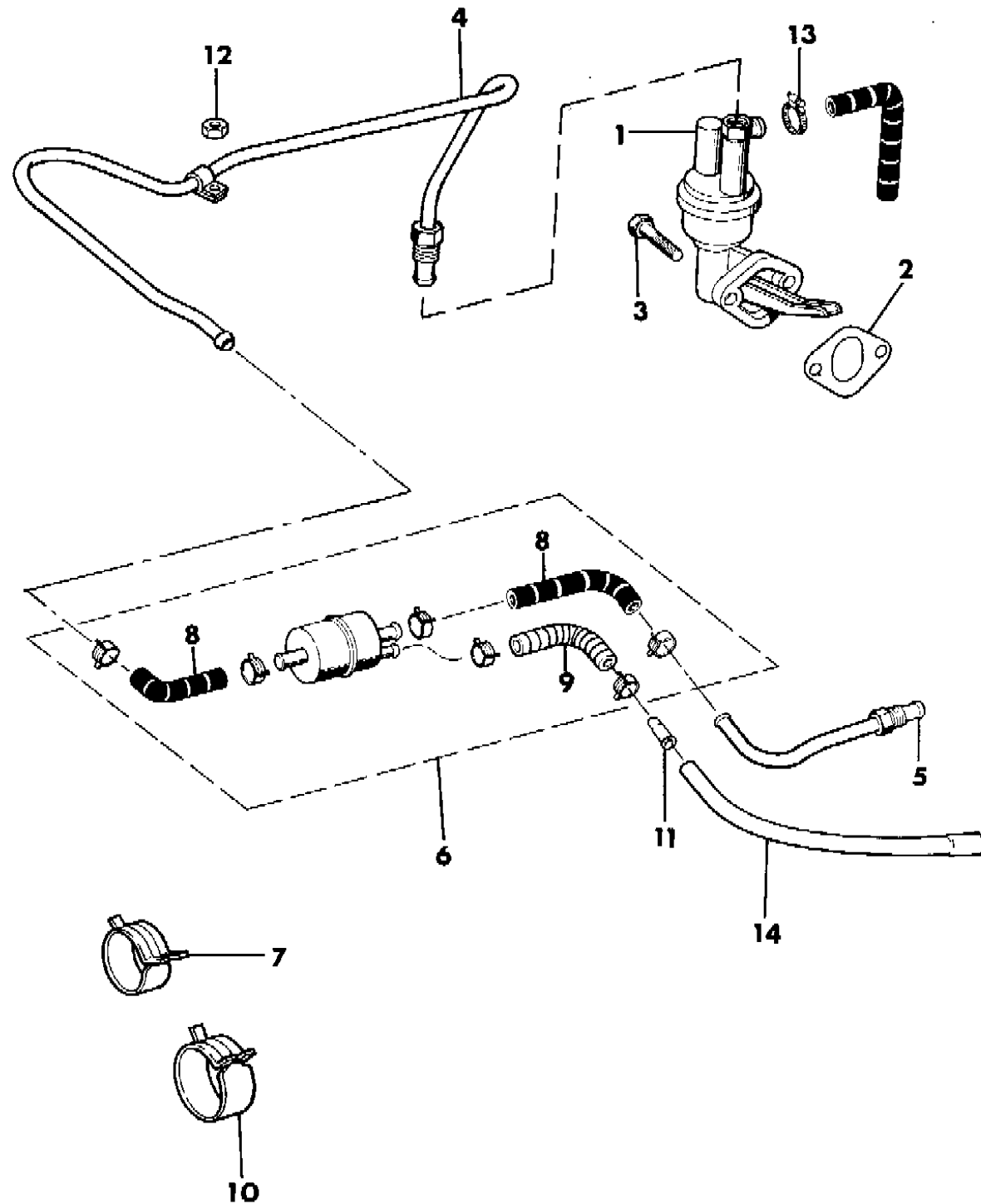
MODEL CODES:
 15 = Grand Wagoneer 4 Dr. 65 = Comanche 4WD-7 Ft. Box 77 = Cherokee 4WD-2 Dr.
 25 = J-10 Pickup-119" W.B. 66 = Comanche 2WD-7 Ft. Box 78 = Cherokee 4WD-4 Dr.
 26 = J-10 Pickup-131" W.B. 73 = Cherokee 2WD-2 Dr. 79 = Cherokee 4WD-4 Dr.-Com
 27 = J-20 Pickup-131" W.B. 74 = Cherokee 2WD-4 Dr. 81 = Wrangler-93" W.B.
 63 = Comanche 4WD-6 Ft. Box 75 = Wagoneer 4WD-4 Dr. 82 = Wrangler-103" W.B.-Exp.
 64 = Comanche 2WD-6 Ft. Box

BODY STYLES:
 MJ = Comanche Pickup
 SJ = Grand Wagoneer Wgn., J-10 & J-20 Pickups
 XJ = Cherokee, Wagoneer Limited
 YJ = Wrangler

AR = Use as Required - = Non Illustrated Part P.A.R. = Paint as Required

FUEL PUMP AND FILTER 2.5L CARBURETED ENGINE WRANGLER - EXPORT
Figure 14-2600

8J142600 A



| ITEM | PART NUMBER | QTY | BODY | MODEL | DESCRIPTION |
|------|-------------|-----|------|-------|----------------------|
| 1 | 3300 2652 | 1 | | | PUMP, Fuel |
| 2 | J317 4685 | 1 | | | GASKET, Fuel Pump |
| 3 | J018 0079 | 2 | | | BOLT |
| 4 | 5300 2566 | 1 | | | TUBE |
| 5 | 5300 2567 | 1 | | | TUBE |
| 6 | J812 9383 | 1 | | | FILTER PACKAGE, Fuel |
| 7 | J322 2900 | AR | | | CLAMP .50" Dia. |
| 8 | J812 5823 | AR | | | HOSE, .31" I.D. Bulk |
| 9 | J812 5843 | AR | | | HOSE, .25" I.D. Bulk |
| 10 | J318 1643 | AR | | | CLAMP .41" Dia. |
| 11 | J323 2144 | 1 | | | VALVE |
| 12 | J941 6918 | 1 | | | NUT |
| 13 | 3300 0785 | 1 | | | CLAMP |
| 14 | 5300 4179 | 1 | | | HOSE |

MODEL CODES:

| | | |
|-----------------------------|-----------------------------|------------------------------|
| 15 = Grand Wagoneer 4 Dr. | 65 = Comanche 4WD-7 Ft. Box | 77 = Cherokee 4WD-2 Dr. |
| 25 = J-10 Pickup-119" W.B. | 66 = Comanche 2WD-7 Ft. Box | 78 = Cherokee 4WD-4 Dr. |
| 26 = J-10 Pickup-131" W.B. | 73 = Cherokee 2WD-2 Dr. | 79 = Cherokee 4WD-4 Dr.-Com |
| 27 = J-20 Pickup-131" W.B. | 74 = Cherokee 2WD-4 Dr. | 81 = Wrangler-93" W.B. |
| 63 = Comanche 4WD-6 Ft. Box | 75 = Wagoneer 4WD-4 Dr. | 82 = Wrangler-103" W.B.-Exp. |
| 64 = Comanche 2WD-6 Ft. Box | | |

BODY STYLES:

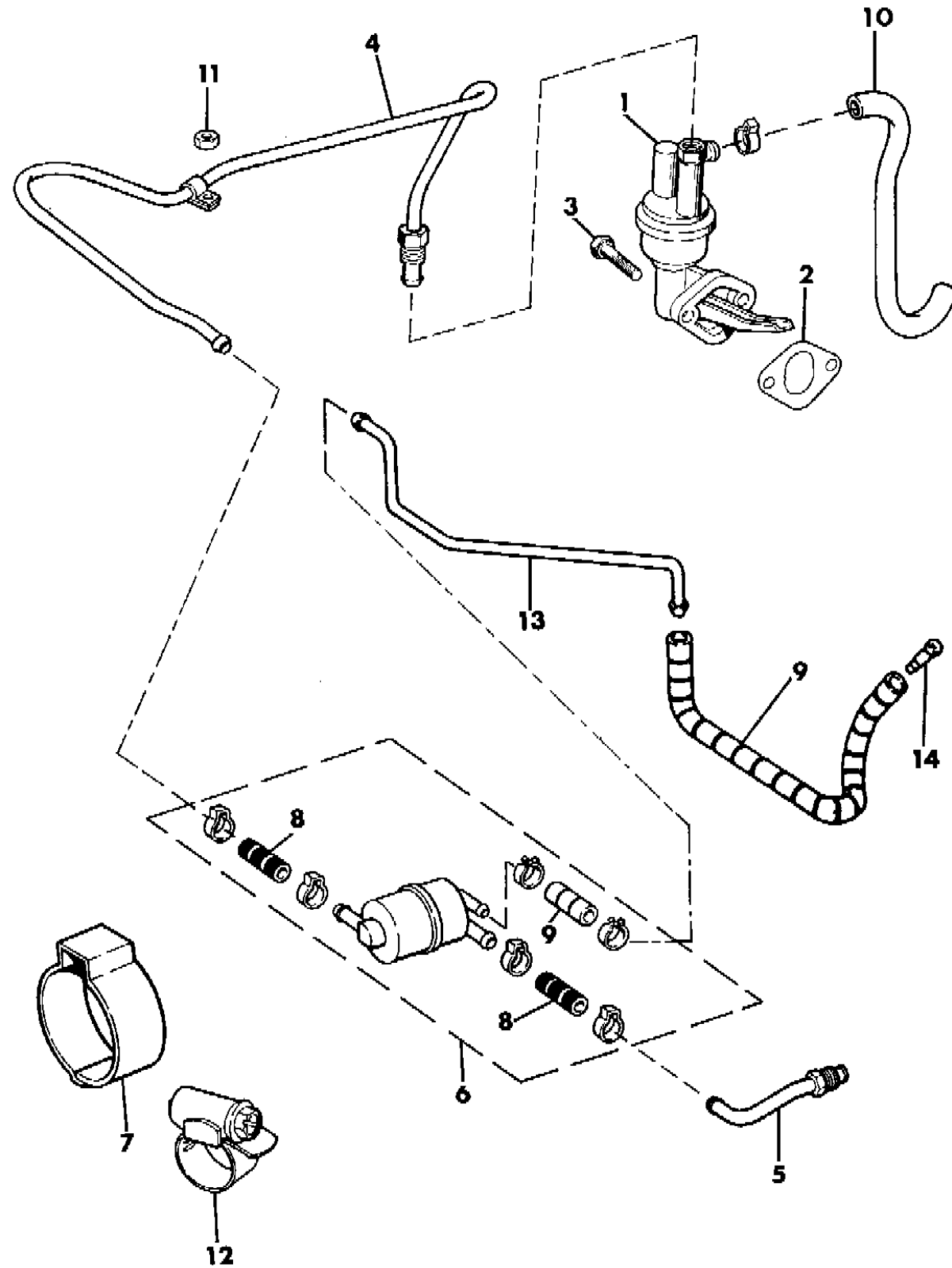
MJ = Comanche Pickup
SJ = Grand Wagoneer Wgn., J-10 & J-20 Pickups
XJ = Cherokee, Wagoneer Limited
YJ = Wrangler

AR = Use as Required - = Non Illustrated Part P.A.R. = Paint as Required

FUEL PUMP AND FILTER 2.5L CARBURETED ENGINE CHEROKEE, COMANCHE - EXPORT

Figure 14-2700

8J142700B



| ITEM | PART NUMBER | QTY | BODY | MODEL | DESCRIPTION |
|------|-------------|-----|------|-------|------------------------------------|
| 1 | 3300 2652 | 1 | | | PUMP, Fuel |
| 2 | J317 4685 | 1 | | | GASKET, Fuel Pump |
| 3 | J018 0079 | 2 | | | BOLT |
| 4 | 5300 2566 | 1 | | | TUBE |
| 5 | 5300 2567 | 1 | | | TUBE |
| 6 | 8350 0998 | 1 | | | FILTER PACKAGE, Fuel |
| 7 | | | | | CLAMP |
| | J322 7851 | AR | | | .60" Dia. |
| | J322 7852 | AR | | | .66" Dia. |
| 8 | J812 5823 | AR | | | HOSE, .31" I.D. - Bulk |
| 9 | J812 5843 | AR | | | HOSE, .25" I.D. - Bulk |
| 10 | | | | | HOSE |
| | 5300 1514 | 1 | | | Wagon |
| | J812 5823 | AR | | | Truck |
| 11 | J941 6918 | 1 | | | NUT |
| 12 | | | | | CLAMP |
| | 3300 0786 | 1 | | | .28" to .59" |
| | 3300 0785 | 1 | | | .47" to .79" |
| 13 | 5300 2569 | 1 | | | TUBE, Fuel Return - Truck exc. NRM |
| 14 | J323 2144 | 1 | | | VALVE - Truck exc. NRM |

MODEL CODES:

| | | |
|-----------------------------|-----------------------------|------------------------------|
| 15 = Grand Wagoneer 4 Dr. | 65 = Comanche 4WD-7 Ft. Box | 77 = Cherokee 4WD-2 Dr. |
| 25 = J-10 Pickup-119" W.B. | 66 = Comanche 2WD-7 Ft. Box | 78 = Cherokee 4WD-4 Dr. |
| 26 = J-10 Pickup-131" W.B. | 73 = Cherokee 2WD-2 Dr. | 79 = Cherokee 4WD-4 Dr.-Com |
| 27 = J-20 Pickup-131" W.B. | 74 = Cherokee 2WD-4 Dr. | 81 = Wrangler-93" W.B. |
| 63 = Comanche 4WD-6 Ft. Box | 75 = Wagoneer 4WD-4 Dr. | 82 = Wrangler-103" W.B.-Exp. |
| 64 = Comanche 2WD-6 Ft. Box | | |

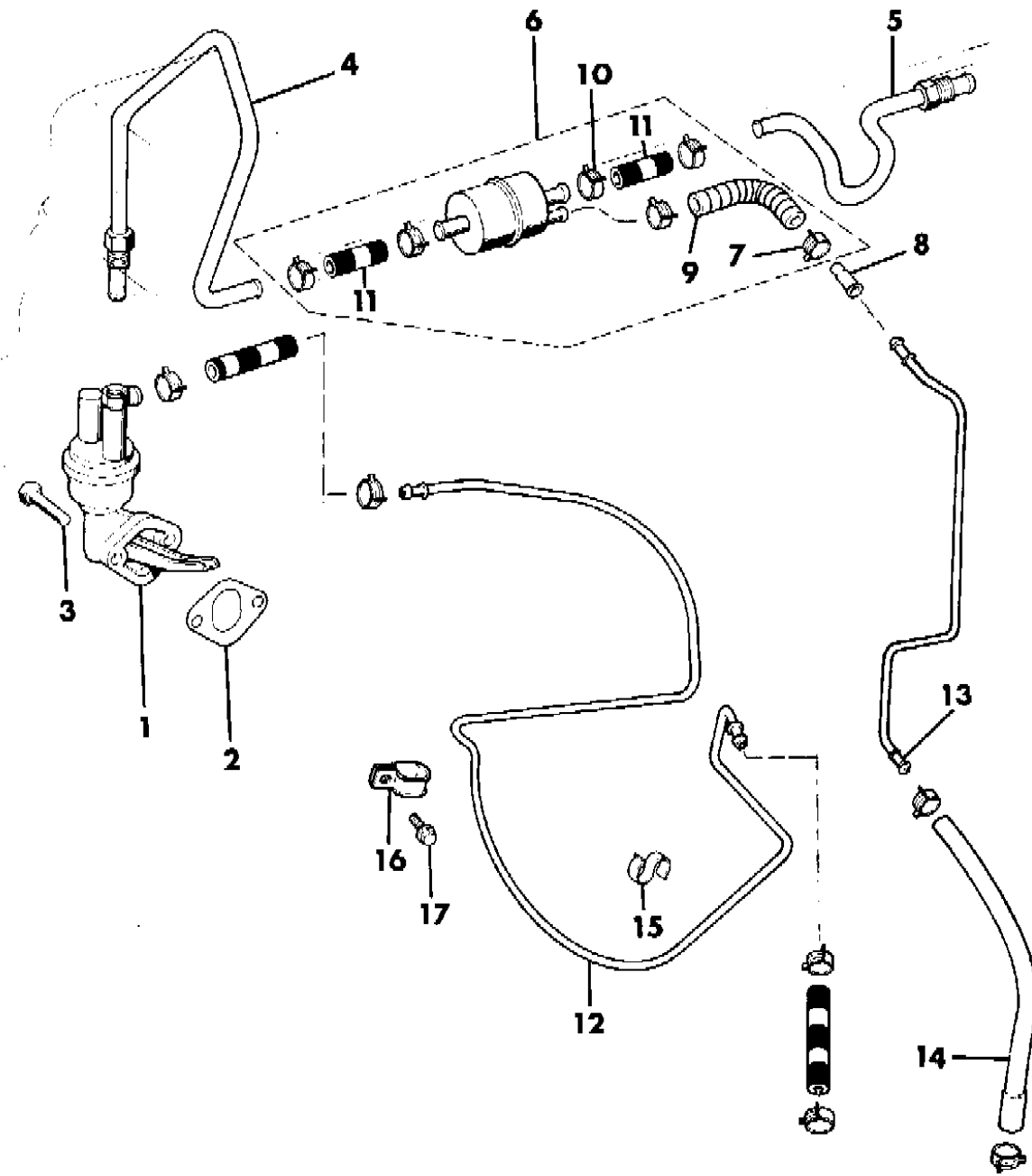
BODY STYLES:

MJ = Comanche Pickup
 SJ = Grand Wagoneer Wgn., J-10 & J-20 Pickups
 XJ = Cherokee, Wagoneer Limited
 YJ = Wrangler

AR = Use as Required - = Non Illustrated Part P.A.R. = Paint as Required

FUEL PUMP AND FILTER 4.2L ENGINE WRANGLER, YJ
Figure 14-2800

8J142800A



| ITEM | PART NUMBER | QTY | BODY | MODEL | DESCRIPTION |
|------|-------------|-----|------|-------|------------------------|
| 1 | | | | | PUMP, Fuel |
| | J322 8191 | 1 | | | Rear Inlet Fitting |
| | J324 0172 | 1 | | | Front Inlet Fitting |
| 2 | J317 4685 | 1 | | | GASKET, Fuel Pump |
| 3 | J018 0079 | 2 | | | BOLT |
| 4 | 5300 5137 | 1 | | | TUBE, Fuel Supply |
| 5 | 3300 2618 | 1 | | | TUBE, Fuel Supply |
| 6 | J812 9383 | 1 | | | FILTER PACKAGE, Fuel |
| 7 | J322 2900 | AR | | | CLAMP .41" Dia. |
| 8 | J323 2144 | 1 | | | VALVE, Check |
| 9 | J812 5843 | AR | | | HOSE, .25" I.D. - Bulk |
| 10 | J318 1643 | AR | | | CLAMP .50" Dia. |
| 11 | J812 5823 | AR | | | HOSE, .31" I.D. - Bulk |
| 12 | 5300 5138 | 1 | | | TUBE, Fuel Supply |
| 13 | 5300 3619 | 1 | | | TUBE, Fuel Return |
| 14 | 5300 1428 | 1 | | | HOSE, (Modify to Fit) |
| 15 | J400 4928 | 1 | | | CLIP |
| 16 | | | | | CLIP |
| | J400 7428 | 1 | | | U.S. and Canada |
| | J012 6166 | 1 | | | NRM, KDX |
| 17 | J027 4882 | 1 | | | SCREW |

MODEL CODES:

| | | |
|-----------------------------|-----------------------------|------------------------------|
| 15 = Grand Wagoneer 4 Dr. | 65 = Comanche 4WD-7 Ft. Box | 77 = Cherokee 4WD-2 Dr. |
| 25 = J-10 Pickup-119" W.B. | 66 = Comanche 2WD-7 Ft. Box | 78 = Cherokee 4WD-4 Dr. |
| 26 = J-10 Pickup-131" W.B. | 73 = Cherokee 2WD-2 Dr. | 79 = Cherokee 4WD-4 Dr.-Com |
| 27 = J-20 Pickup-131" W.B. | 74 = Cherokee 2WD-4 Dr. | 81 = Wrangler-93" W.B. |
| 63 = Comanche 4WD-6 Ft. Box | 75 = Wagoneer 4WD-4 Dr. | 82 = Wrangler-103" W.B.-Exp. |
| 64 = Comanche 2WD-6 Ft. Box | | |

BODY STYLES:

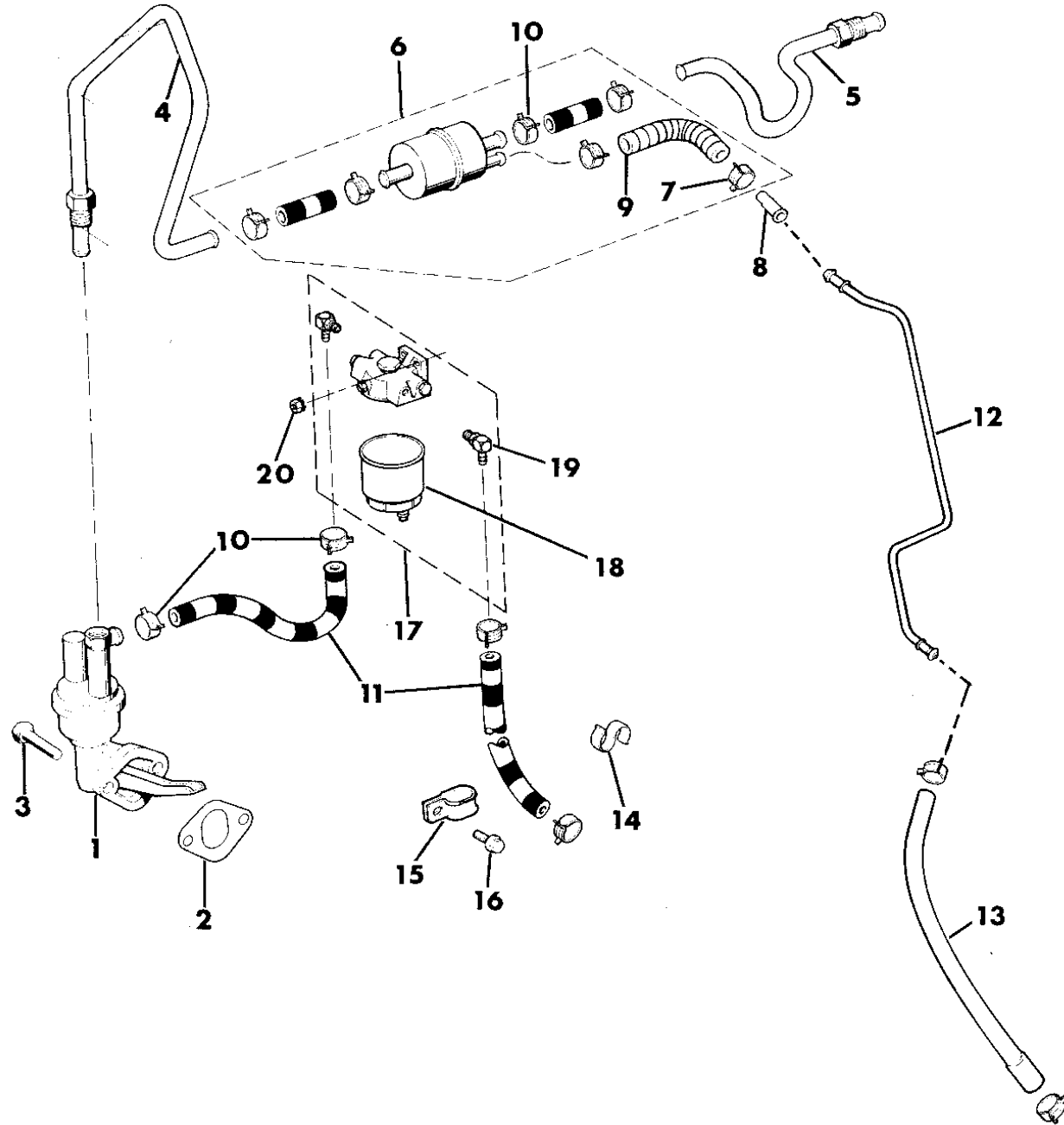
MJ = Comanche Pickup
SJ = Grand Wagoneer Wgn., J-10 & J-20 Pickups
XJ = Cherokee, Wagoneer Limited
YJ = Wrangler

AR = Use as Required - = Non Illustrated Part P.A.R. = Paint as Required

FUEL PUMP AND FILTER 4.2L ENGINE - SEVERE USE WRANGLER - EXPORT
Figure 14-2850

8 J14 28 50

| ITEM | PART NUMBER | QTY | BODY | MODEL | DESCRIPTION |
|------|-------------|-----|------|-------|------------------------|
| 1 | J322 8191 | 1 | | | PUMP, Fuel |
| 2 | J317 4685 | 1 | | | GASKET, Fuel Pump |
| 3 | J018 0079 | 2 | | | BOLT |
| 4 | 5300 5137 | 1 | | | TUBE, Fuel Supply |
| 5 | 3300 2618 | 1 | | | TUBE, Fuel Supply |
| 6 | J812 9383 | 1 | | | FILTER PACKAGE, Fuel |
| 7 | J322 2900 | AR | | | CLAMP .41" Dia. |
| 8 | J323 2144 | 1 | | | VALVE, Check |
| 9 | J812 5843 | AR | | | HOSE, .25" I.D. - Bulk |
| 10 | J318 1643 | AR | | | CLAMP .50" Dia. |
| 11 | J812 5823 | AR | | | HOSE, .31" I.D. - Bulk |
| 12 | 5300 3619 | 1 | | | TUBE, Fuel Return |
| 13 | 5300 1428 | 1 | | | HOSE, (Modify to Fit) |
| 14 | J400 4928 | 1 | | | CLIP |
| 15 | J012 6166 | 1 | | | CLIP |
| 16 | J027 4882 | 1 | | | SCREW |
| 17 | 5300 3784 | 1 | | | FILTER ASSEMBLY, Fuel |
| 18 | 5300 3785 | 1 | | | FILTER, Fuel |
| 19 | 5300 3786 | 2 | | | FITTING |
| 20 | J027 1184 | 2 | | | NUT |



MODEL CODES:

| | | |
|-----------------------------|-----------------------------|------------------------------|
| 15 = Grand Wagoneer 4 Dr. | 65 = Comanche 4WD-7 Ft. Box | 77 = Cherokee 4WD-2 Dr. |
| 25 = J-10 Pickup-119" W.B. | 66 = Comanche 2WD-7 Ft. Box | 78 = Cherokee 4WD-4 Dr. |
| 26 = J-10 Pickup-131" W.B. | 73 = Cherokee 2WD-2 Dr. | 79 = Cherokee 4WD-4 Dr.-Com |
| 27 = J-20 Pickup-131" W.B. | 74 = Cherokee 2WD-4 Dr. | 81 = Wrangler-93" W.B. |
| 63 = Comanche 4WD-6 Ft. Box | 75 = Wagoneer 4WD-4 Dr. | 82 = Wrangler-103" W.B.-Exp. |
| 64 = Comanche 2WD-6 Ft. Box | | |

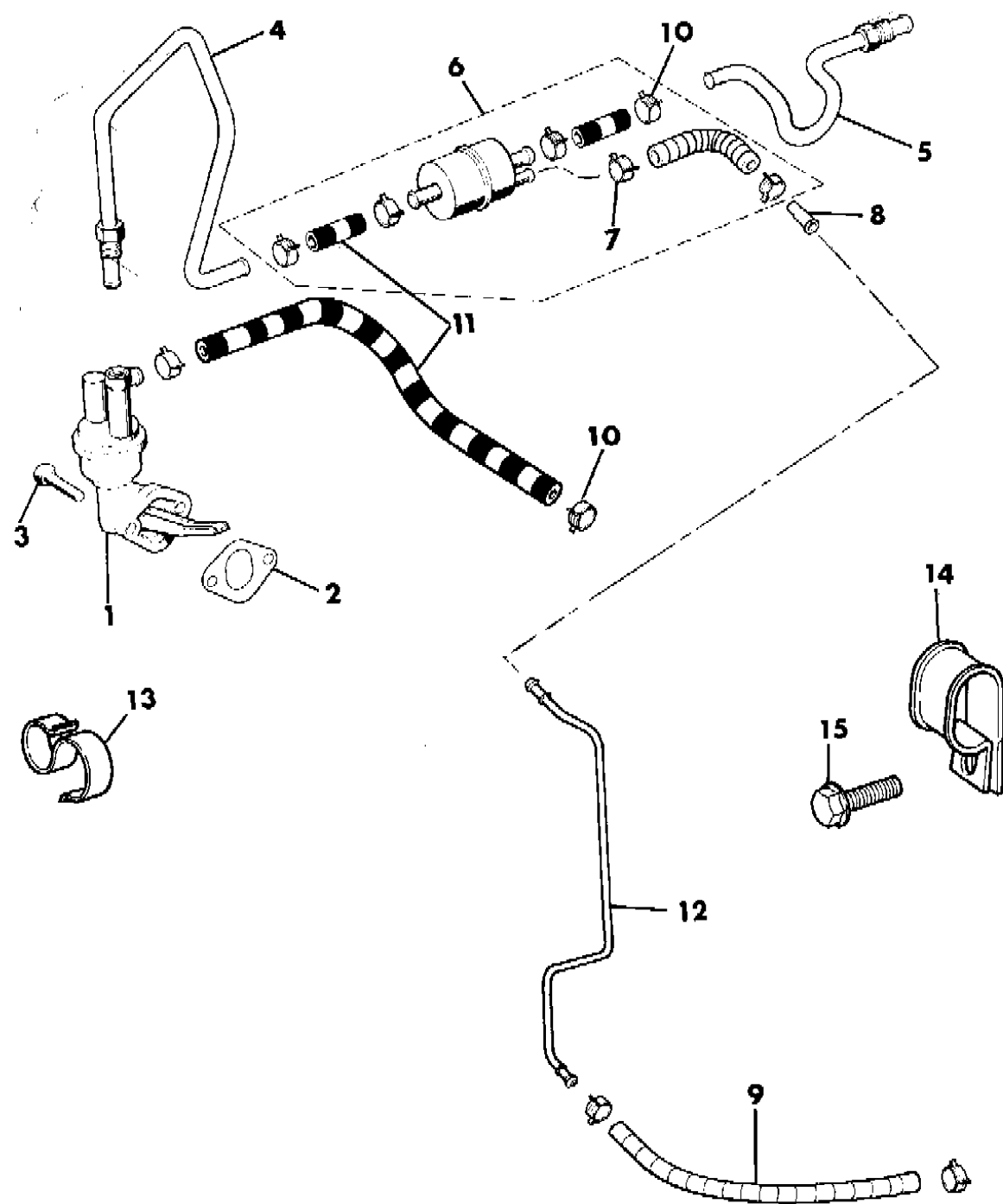
BODY STYLES:

MJ = Comanche Pickup
SJ = Grand Wagoneer Wgn., J-10 & J-20 Pickups
XJ = Cherokee, Wagoneer Limited
YJ = Wrangler

AR = Use as Required - = Non Illustrated Part P.A.R. = Paint as Required

FUEL PUMP AND FILTER 4.2L ENGINE GRAND WAGONEER, J10
Figure 14-2900

8 J142900A



| ITEM | PART NUMBER | QTY | BODY | MODEL | DESCRIPTION |
|------|-------------|-----|------|-------|------------------------|
| 1 | J322 8191 | 1 | | | PUMP, Fuel |
| 2 | J317 4685 | 1 | | | GASKET, Fuel Pump |
| 3 | J018 0079 | 2 | | | BOLT |
| 4 | 5300 5137 | 1 | | | TUBE, Fuel Supply |
| 5 | 3300 2618 | 1 | | | TUBE, Fuel Supply |
| 6 | J812 9383 | 1 | | | FILTER PACKAGE, Fuel |
| 7 | J322 2900 | AR | | | CLAMP .41" Dia. |
| 8 | J323 2144 | 1 | | | VALVE |
| 9 | J812 5843 | AR | | | HOSE, .25" I.D. - Bulk |
| 10 | J318 1643 | AR | | | CLAMP .50" Dia. |
| 11 | J812 5823 | AR | | | HOSE, .31" I.D. - Bulk |
| 12 | 5300 4056 | 1 | | | TUBE, Fuel Return |
| 13 | J400 4928 | 1 | | | CLIP |
| 14 | J012 6166 | 1 | | | CLIP |
| 15 | J027 4882 | 1 | | | SCREW |

MODEL CODES:

| | | |
|-----------------------------|-----------------------------|------------------------------|
| 15 = Grand Wagoneer 4 Dr. | 65 = Comanche 4WD-7 Ft. Box | 77 = Cherokee 4WD-2 Dr. |
| 25 = J-10 Pickup-119" W.B. | 66 = Comanche 2WD-7 Ft. Box | 78 = Cherokee 4WD-4 Dr. |
| 26 = J-10 Pickup-131" W.B. | 73 = Cherokee 2WD-2 Dr. | 79 = Cherokee 4WD-4 Dr.-Com |
| 27 = J-20 Pickup-131" W.B. | 74 = Cherokee 2WD-4 Dr. | 81 = Wrangler-93" W.B. |
| 63 = Comanche 4WD-6 Ft. Box | 75 = Wagoneer 4WD-4 Dr. | 82 = Wrangler-103" W.B.-Exp. |
| 64 = Comanche 2WD-6 Ft. Box | | |

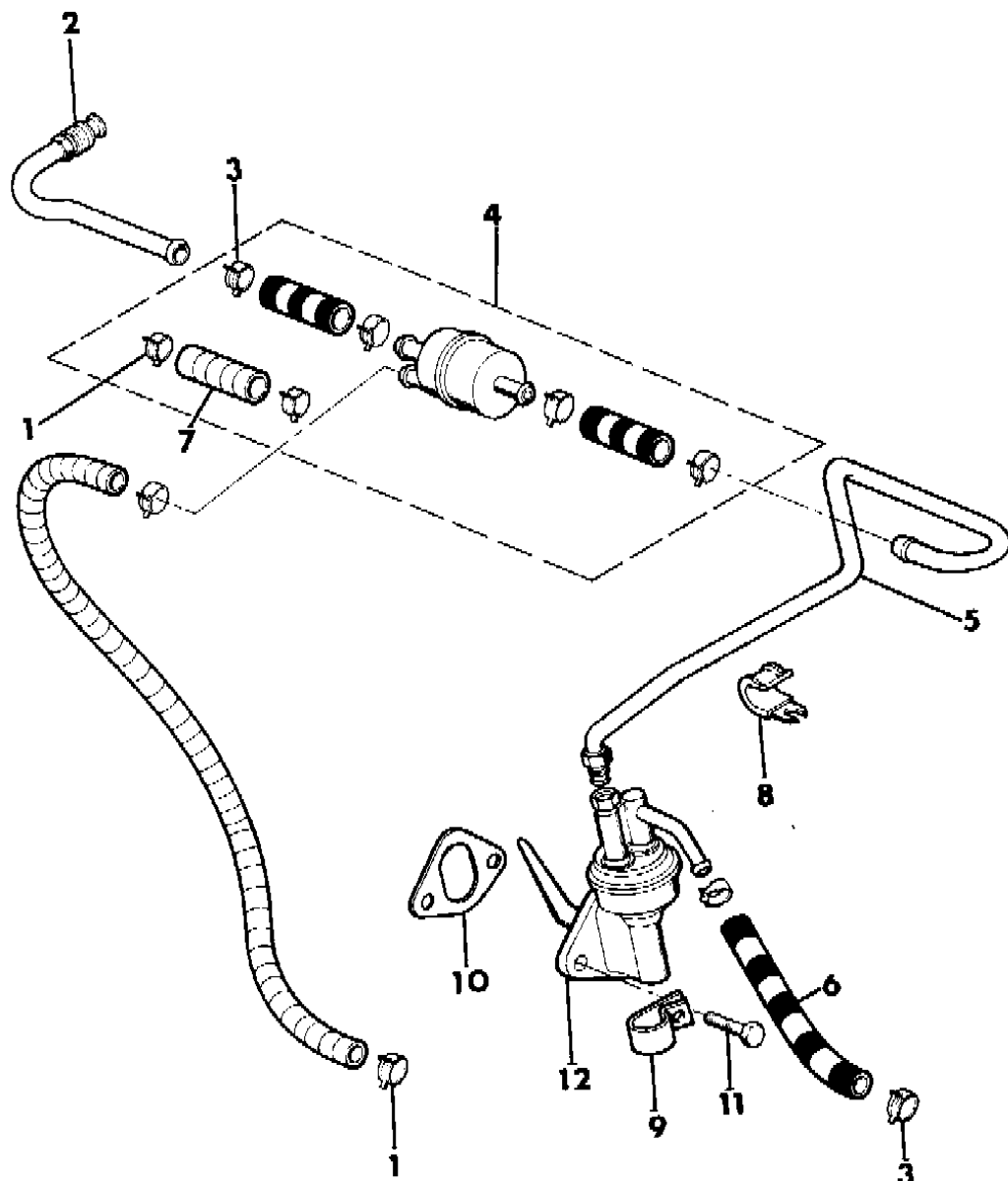
BODY STYLES:

MJ = Comanche Pickup
SJ = Grand Wagoneer Wgn., J-10 & J-20 Pickups
XJ = Cherokee, Wagoneer Limited
YJ = Wrangler

AR = Use as Required - = Non Illustrated Part P.A.R. = Paint as Required

FUEL PUMP AND FILTER 5.9L ENGINE GRAND WAGONEER, J10, J20
Figure 14-3000

8J14 3000 A



| ITEM | PART NUMBER | QTY | BODY | MODEL | DESCRIPTION |
|------|-------------|-----|------|-------|------------------------|
| 1 | J322 2900 | 2 | | | CLAMP .41" Dia. |
| 2 | 5300 4058 | 1 | | | TUBE, Fuel Supply |
| 3 | J318 1643 | 6 | | | CLAMP .50" Dia. |
| 4 | J812 9383 | 1 | | | FILTER PACKAGE, Fuel |
| 5 | 5300 4057 | 1 | | | TUBE, Fuel Supply |
| 6 | J812 5823 | AR | | | HOSE, .31" I.D. - Bulk |
| 7 | J812 5843 | AR | | | HOSE, .25" I.D - Bulk |
| 8 | J535 0435 | 1 | | | CLIP |
| 9 | J012 8302 | 1 | | | CLIP |
| 10 | J317 4685 | 1 | | | GASKET, Fuel Pump |
| 11 | J018 0125 | 2 | | | BOLT |
| 12 | J322 8195 | 1 | | | PUMP, Fuel |

MODEL CODES:

| | | |
|-----------------------------|-----------------------------|------------------------------|
| 15 = Grand Wagoneer 4 Dr. | 65 = Comanche 4WD-7 Ft. Box | 77 = Cherokee 4WD-2 Dr. |
| 25 = J-10 Pickup-119" W.B. | 66 = Comanche 2WD-7 Ft. Box | 78 = Cherokee 4WD-4 Dr. |
| 26 = J-10 Pickup-131" W.B. | 73 = Cherokee 2WD-2 Dr. | 79 = Cherokee 4WD-4 Dr.-Com |
| 27 = J-20 Pickup-131" W.B. | 74 = Cherokee 2WD-4 Dr. | 81 = Wrangler-93" W.B. |
| 63 = Comanche 4WD-6 Ft. Box | 75 = Wagoneer 4WD-4 Dr. | 82 = Wrangler-103" W.B.-Exp. |
| 64 = Comanche 2WD-6 Ft. Box | | |

BODY STYLES:

MJ = Comanche Pickup
SJ = Grand Wagoneer Wgn., J-10 & J-20 Pickups
XJ = Cherokee, Wagoneer Limited
YJ = Wrangler

AR = Use as Required - = Non Illustrated Part P.A.R. = Paint as Required

FUEL INJECTION PUMP DIESEL ENGINE CHEROKEE, COMANCHE
Figure 14-3100

8J143100

| ITEM | PART NUMBER | QTY | BODY | MODEL | DESCRIPTION |
|------|-------------|-----|------|-------|--------------------------|
| 1 | | | | | PUMP ASSEMBLY, Injection |
| | JR77 5058 | 1 | | | Reman |
| | T072 6944 | 1 | | | Export |
| 2 | T600 2198 | 1 | | | IDLER ASSEMBLY *** |
| 3 | T302 7191 | 3 | | | STUD |
| 4 | J420 0438 | 1 | | | BOLT |
| 5 | T310 1057 | 1 | | | BOLT |
| 6 | 1150 0255 | 5 | | | WASHER |
| 7 | T140 2093 | 5 | | | WASHER, Lock |
| 8 | T149 3047 | 5 | | | NUT |
| 9 | T068 4886 | 1 | | | SUPPORT |
| 10 | T140 5667 | 3 | | | BOLT |
| 11 | T305 3043 | 1 | | | WASHER |
| 12 | T140 2094 | 1 | | | WASHER, Lock |
| 13 | T140 5676 | 1 | | | NUT |
| 14 | T134 9585 | 1 | | | SPROCKET |
| 15 | T066 2634 | 1 | | | WASHER |
| 16 | T149 3071 | 1 | | | NUT |
| 17 | T102 4765 | 1 | | | UNION, Fuel Return |
| 18 | J073 0232 | 1 | | | UNION, Fuel Inlet *** |
| 19 | 8350 2348 | 4 | | | RING, Sealing |
| 20 | T102 5228 | 1 | | | CAPSULE, Thermostatic |
| 21 | 8350 2328 | 4 | | | GASKET |
| 22 | 8350 2330 | 1 | | | SCREW, Bleeder |
| 23 | 8350 2329 | 1 | | | WASHER, Sealing |
| 24 | 8350 2331 | 1 | | | SOLENOID, Fuel Shut-Off |
| 25 | 8350 2332 | 1 | | | O-RING |
| 26 | 8350 2333 | 1 | | | O-RING |
| 27 | 8350 2334 | 1 | | | CABLE, Throttle Control |
| 28 | 8350 2335 | 1 | | | BOOT |
| 29 | 8350 2336 | 1 | | | SLEEVE |
| 30 | 8350 2337 | 1 | | | TRUNNION |
| 31 | 8350 2338 | 1 | | | CLEVIS |
| 32 | 8350 2339 | 1 | | | SCREW, Set |
| 33 | 8350 2340 | 1 | | | CLAMP |
| 34 | 8350 2341 | 1 | | | SCREW, Stop |
| 35 | 8350 2342 | 1 | | | WASHER, Lock |

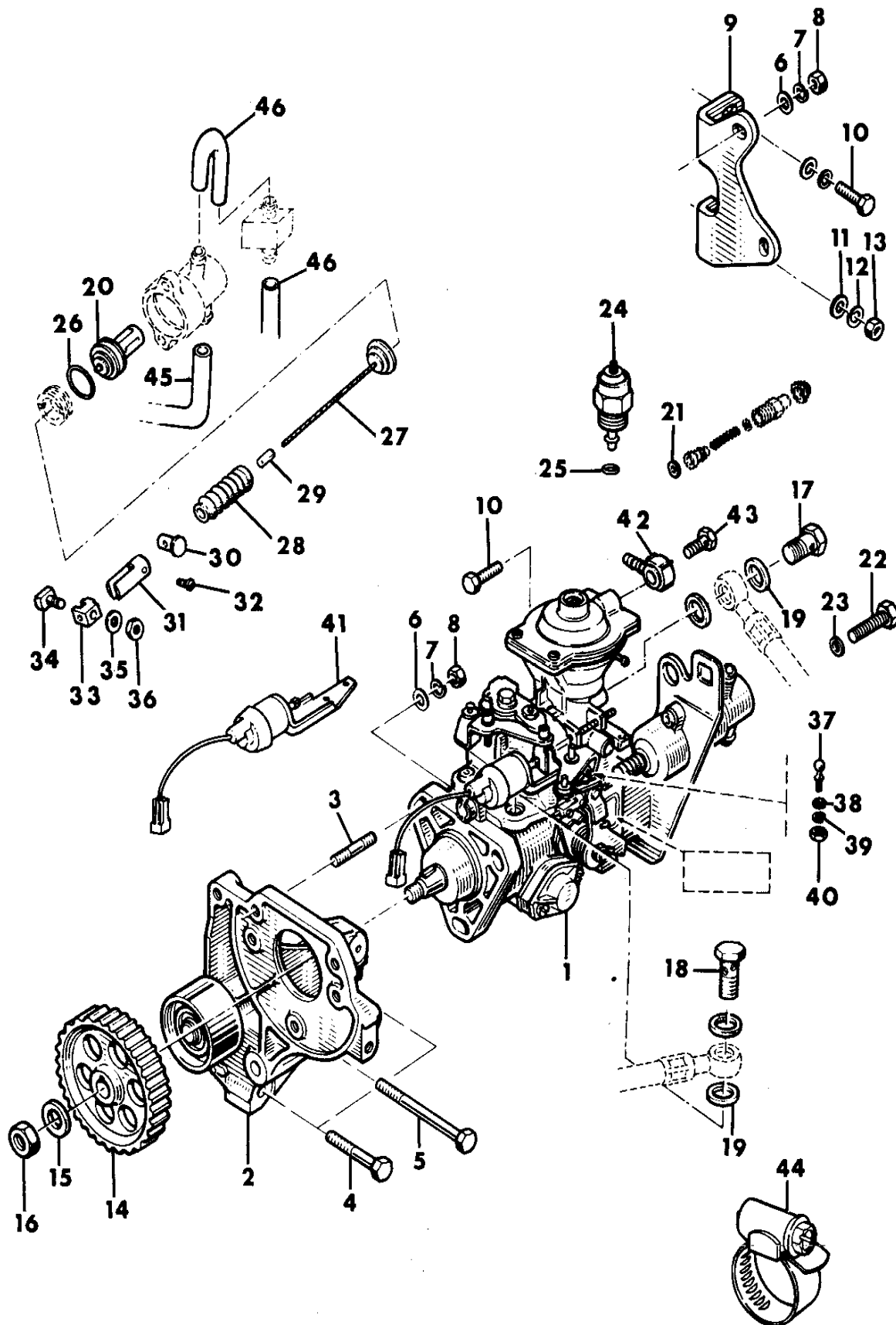
MODEL CODES:

| | | |
|-----------------------------|-----------------------------|------------------------------|
| 15 = Grand Wagoneer 4 Dr. | 65 = Comanche 4WD-7 Ft. Box | 77 = Cherokee 4WD-2 Dr. |
| 25 = J-10 Pickup-119" W.B. | 66 = Comanche 2WD-7 Ft. Box | 78 = Cherokee 4WD-4 Dr. |
| 26 = J-10 Pickup-131" W.B. | 73 = Cherokee 2WD-2 Dr. | 79 = Cherokee 4WD-4 Dr.-Com |
| 27 = J-20 Pickup-131" W.B. | 74 = Cherokee 2WD-4 Dr. | 81 = Wrangler-93" W.B. |
| 63 = Comanche 4WD-6 Ft. Box | 75 = Wagoneer 4WD-4 Dr. | 82 = Wrangler-103" W.B.-Exp. |
| 64 = Comanche 2WD-6 Ft. Box | | |

BODY STYLES:

MJ = Comanche Pickup
SJ = Grand Wagoneer Wgn., J-10 & J-20 Pickups
XJ = Cherokee, Wagoneer Limited
YJ = Wrangler

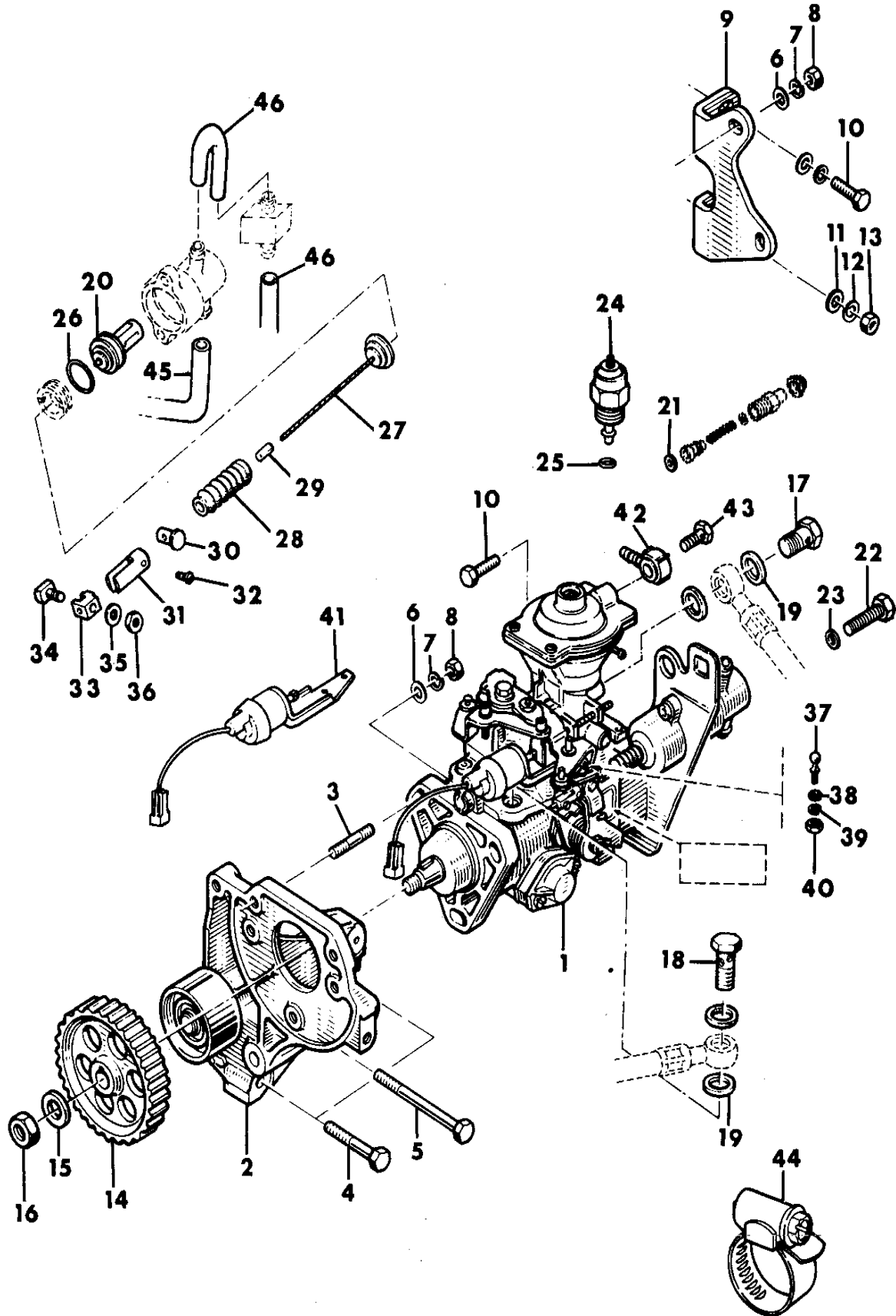
AR = Use as Required - = Non Illustrated Part P.A.R. = Paint as Required



FUEL INJECTION PUMP DIESEL ENGINE CHEROKEE, COMANCHE
Figure 14-3100

8J143100

| ITEM | PART NUMBER | QTY | BODY | MODEL | DESCRIPTION |
|------|-------------|-----|------|-------|--------------------------------|
| 36 | 8350 2343 | 1 | | | NUT |
| 37 | 8350 2344 | 1 | | | STUD, Ball |
| 38 | 8350 2345 | 1 | | | WASHER |
| 39 | 8350 2346 | 1 | | | WASHER, Lock |
| 40 | 8350 2347 | 1 | | | NUT |
| 41 | 8350 2349 | 1 | | | SOLENOID, Idle Speed |
| 42 | T070 6862 | 1 | | | CONNECTOR |
| 43 | T068 0758 | 1 | | | UNION *** |
| 44 | 3300 0785 | AR | | | CLAMP, Hose |
| 45 | J067 8478 | 1 | | | HOSE, Inlet |
| 46 | T066 5293 | AR | | | HOSE, Outlet - (Modify to Fit) |



MODEL CODES:

| | | |
|-----------------------------|-----------------------------|------------------------------|
| 15 = Grand Wagoneer 4 Dr. | 65 = Comanche 4WD-7 Ft. Box | 77 = Cherokee 4WD-2 Dr. |
| 25 = J-10 Pickup-119" W.B. | 66 = Comanche 2WD-7 Ft. Box | 78 = Cherokee 4WD-4 Dr. |
| 26 = J-10 Pickup-131" W.B. | 73 = Cherokee 2WD-2 Dr. | 79 = Cherokee 4WD-4 Dr.-Com |
| 27 = J-20 Pickup-131" W.B. | 74 = Cherokee 2WD-4 Dr. | 81 = Wrangler-93" W.B. |
| 63 = Comanche 4WD-6 Ft. Box | 75 = Wagoneer 4WD-4 Dr. | 82 = Wrangler-103" W.B.-Exp. |
| 64 = Comanche 2WD-6 Ft. Box | | |

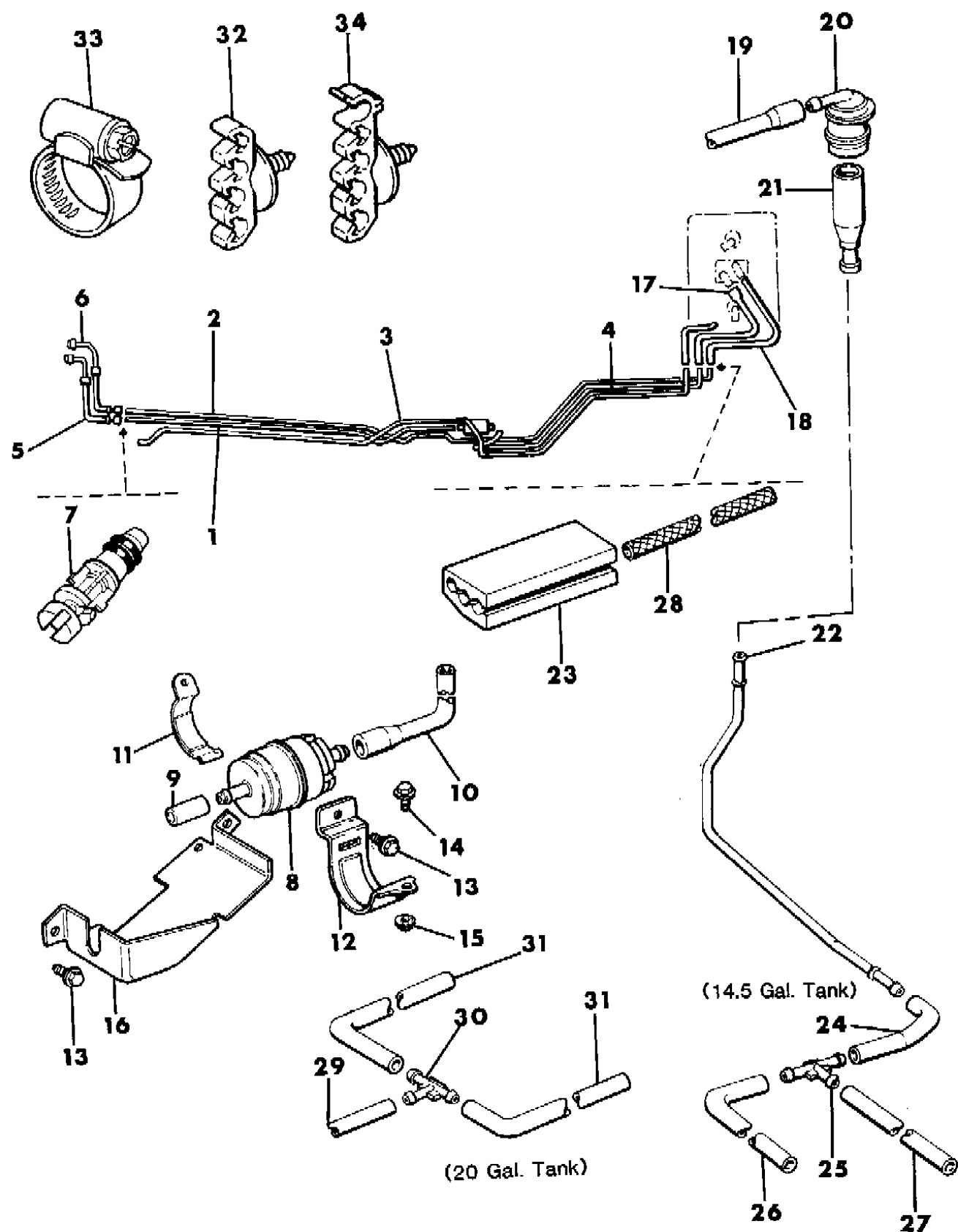
BODY STYLES:

MJ = Comanche Pickup
SJ = Grand Wagoneer Wgn., J-10 & J-20 Pickups
XJ = Cherokee, Wagoneer Limited
YJ = Wrangler

AR = Use as Required - = Non Illustrated Part P.A.R. = Paint as Required

FUEL LINES U.S., CANADA AND ECE WRANGLER, YJ
Figure 14-3200

8J14 3200 A



| ITEM | PART NUMBER | QTY | BODY | MODEL | DESCRIPTION |
|------|-------------|-----|------|-------|--|
| 1 | | | | | TUBE, Fuel Supply |
| | 5300 2194 | 1 | | | 2.5L Eng. |
| | 5300 3601 | 1 | | | 4.2L Eng. |
| 2 | | | | | TUBE, Fuel Return |
| | 5300 2196 | 1 | | | 2.5L Eng. |
| | 5300 3602 | 1 | | | 4.2L Eng. |
| 3 | 5300 3537 | 1 | | | TUBE, Fuel Vent |
| 4 | 5300 2195 | 1 | | | TUBE, Fuel Supply - 2.5L Eng. |
| 5 | 5300 2163 | 1 | | | HOSE ASSEMBLY, Fuel Supply - 2.5L Eng. |
| 6 | 5300 2167 | 1 | | | HOSE ASSEMBLY, Fuel Return - 2.5L Eng. |
| 7 | 8350 2745 | 2 | | | REPAIR PACKAGE - 2.5L Eng. |
| 8 | 3300 0076 | 1 | | | FILTER, Fuel - 2.5L Eng. |
| 9 | J812 5823 | AR | | | HOSE, Bulk - 2.5L Eng. |
| 10 | 5300 4014 | 1 | | | HOSE - 2.5L Eng. |
| 11 | 3300 0203 | 1 | | | CLAMP, Fuel Filter - 2.5L Eng. |
| 12 | 5300 2199 | 1 | | | BRACKET, Mounting - 2.5L Eng. |
| 13 | 3420 1756 | 6 | | | SCREW - 2.5L Eng. |
| 14 | 1150 3877 | 1 | | | BOLT - 2.5L Eng. |
| 15 | 1150 3745 | 1 | | | NUT - 2.5L Eng. |
| 16 | 5300 3536 | 1 | | | SHIELD - 2.5L Eng. |
| 17 | | | | | HOSE, Supply |
| | 5300 3597 | 1 | | | 14.5 Gal. Tank |
| | 5300 3607 | 1 | | | 20 Gal. Tank |
| 18 | | | | | HOSE, Return |
| | 5300 3606 | 1 | | | 14.5 Gal. Tank (Modify to Fit) |
| | 5300 3606 | 1 | | | 20 Gal. Tank |
| 19 | 5300 4053 | 1 | | | HOSE, Vent |
| 20 | J536 0058 | 1 | | | VALVE, Vent |
| 21 | 5300 4047 | 1 | | | CONNECTOR |
| 22 | 5300 4048 | 1 | | | TUBE, Fuel Vent |
| 23 | 5300 3646 | 1 | | | GROMMET, Hose |
| 24 | J323 2942 | 1 | | | HOSE, Vent |
| 25 | J323 7497 | 1 | | | TEE |
| 26 | J322 8132 | 1 | | | HOSE, Vent (Modify to Fit) |
| 27 | J812 5781 | AR | | | HOSE, Vent - Bulk |
| 28 | 3200 1056 | 1 | | | SLEEVE - 20 Gal. Tank |
| 29 | 8350 1071 | AR | | | HOSE, Bulk |

MODEL CODES:

| | | |
|-----------------------------|-----------------------------|------------------------------|
| 15 = Grand Wagoneer 4 Dr. | 65 = Comanche 4WD-7 Ft. Box | 77 = Cherokee 4WD-2 Dr. |
| 25 = J-10 Pickup-119" W.B. | 66 = Comanche 2WD-7 Ft. Box | 78 = Cherokee 4WD-4 Dr. |
| 26 = J-10 Pickup-131" W.B. | 73 = Cherokee 2WD-2 Dr. | 79 = Cherokee 4WD-4 Dr.-Com |
| 27 = J-20 Pickup-131" W.B. | 74 = Cherokee 2WD-4 Dr. | 81 = Wrangler-93" W.B. |
| 63 = Comanche 4WD-6 Ft. Box | 75 = Wagoneer 4WD-4 Dr. | 82 = Wrangler-103" W.B.-Exp. |
| 64 = Comanche 2WD-6 Ft. Box | | |

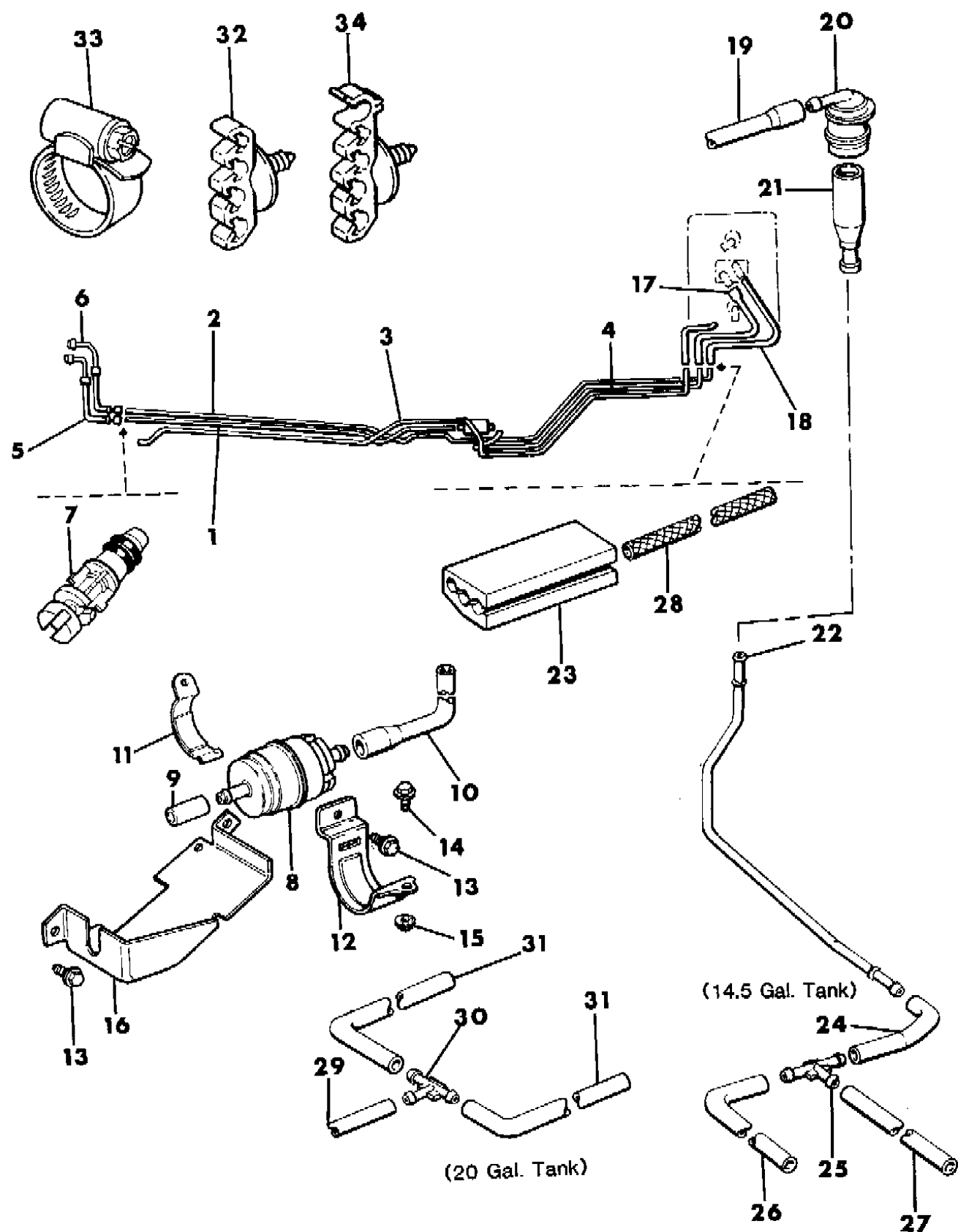
BODY STYLES:

MJ = Comanche Pickup
SJ = Grand Wagoneer Wgn., J-10 & J-20 Pickups
XJ = Cherokee, Wagoneer Limited
YJ = Wrangler

AR = Use as Required - = Non Illustrated Part P.A.R. = Paint as Required

FUEL LINES U.S., CANADA AND ECE WRANGLER, YJ
Figure 14-3200

8J14 3200 A



| ITEM | PART NUMBER | QTY | BODY | MODEL | DESCRIPTION |
|------|-------------|-----|------|-------|------------------------------|
| 30 | J323 9827 | 1 | | | TEE |
| 31 | 8330 0080 | AR | | | HOSE, Bulk |
| 32 | 3420 2371 | AR | | | CLIP |
| 33 | J320 3076 | AR | | | CLAMP, Hose .25" to 1.06" |
| | 3300 0785 | AR | | | .47" to .79" |
| | 3300 0786 | AR | | | .28" to .59" |
| 34 | 3420 2728 | 1 | | | CLIP |

MODEL CODES:

| | | |
|-----------------------------|-----------------------------|------------------------------|
| 15 = Grand Wagoneer 4 Dr. | 65 = Comanche 4WD-7 Ft. Box | 77 = Cherokee 4WD-2 Dr. |
| 25 = J-10 Pickup-119" W.B. | 66 = Comanche 2WD-7 Ft. Box | 78 = Cherokee 4WD-4 Dr. |
| 26 = J-10 Pickup-131" W.B. | 73 = Cherokee 2WD-2 Dr. | 79 = Cherokee 4WD-4 Dr.-Com |
| 27 = J-20 Pickup-131" W.B. | 74 = Cherokee 2WD-4 Dr. | 81 = Wrangler-93" W.B. |
| 63 = Comanche 4WD-6 Ft. Box | 75 = Wagoneer 4WD-4 Dr. | 82 = Wrangler-103" W.B.-Exp. |
| 64 = Comanche 2WD-6 Ft. Box | | |

BODY STYLES:

MJ = Comanche Pickup
SJ = Grand Wagoneer Wgn., J-10 & J-20 Pickups
XJ = Cherokee, Wagoneer Limited
YJ = Wrangler

AR = Use as Required - = Non Illustrated Part P.A.R. = Paint as Required

FUEL LINES EGYPT AND VENEZUELA KDX, NRM WRANGLER - EXPORT
Figure 14-3300

8J143300B

| ITEM | PART NUMBER | QTY | BODY | MODEL | DESCRIPTION |
|------|-------------|-----|------|-------|---|
| 1 | | | | | TUBE, Fuel Supply |
| | 5300 3990 | 1 | | | 2.5L Eng. - 20 Gal. Tank - NRM |
| | 5300 3601 | 1 | | | 4.2L Eng. - 20 Gal. Tank - NRM |
| | 5300 3988 | 1 | | | 4.2L Eng. - Egypt KDX w/103" W.B. |
| 2 | | | | | TUBE, Fuel Return |
| | 5300 3987 | 1 | | | 2.5L Eng. - 20 Gal. Tank - NRM |
| | 5300 3602 | 1 | | | 4.2L Eng. - 20 Gal. Tank - NRM |
| | 5300 3602 | 1 | | | 4.2L Eng. - Venezuela KDX w/93" W.B. |
| | 5300 3989 | 1 | | | 4.2L Eng. - Venezuela KDX w/103" W.B. |
| 3 | 8330 0080 | AR | | | HOSE, 7/32" I.D. - Bulk |
| 4 | J400 7075 | 1 | | | CONNECTOR - 20 Gal. Tank |
| 5 | 5300 3646 | 1 | | | GROMMET, Hose |
| 6 | 3200 1056 | 1 | | | SLEEVE |
| 7 | | | | | HOSE |
| | 5300 3606 | 1 | | | 14.5 Gal. Tank (Modify to Fit) |
| | 5300 3606 | 1 | | | 20 Gal. Tank |
| 8 | J812 5823 | AR | | | HOSE, 5/16" I.D. - Bulk - 20 Gal. Tank |
| 9 | J535 2955 | 1 | | | CAP, Vent - 20 Gal. Tank |
| 10 | | | | | CLAMP, Hose |
| | 3300 0786 | AR | | | .28" to .59" |
| | 3300 0785 | AR | | | .47" to .79" |
| 11 | 3420 2371 | AR | | | CLIP |
| 12 | J323 2982 | 1 | | | TEE - 20 Gal. Tank |
| 13 | | | | | HOSE |
| | 5300 3597 | 1 | | | 14.5 Gal. Tank |
| | 5300 3607 | 1 | | | 20 Gal. Tank |
| 14 | J014 0780 | 1 | | | CLIP - 20 Gal. Tank |
| 15 | J027 1166 | 1 | | | NUT - KDX w/93", 103" W.B. |
| 16 | 3420 2728 | AR | | | CLIP |
| 17 | J536 0058 | 1 | | | VALVE, Vent - 14.5 Gal. Tank - Venezuela KDX |
| 18 | 5300 4047 | 1 | | | CONNECTOR - 14.5 Gal. Tank - Venezuela KDX |
| 19 | 3420 2078 | 1 | | | RIVET - 14.5 Gal. Tank - Venezuela KDX w/93" W.B. |
| 20 | J014 0786 | 1 | | | CLIP - 14.5 Gal. Tank - Venezuela KDX |
| 21 | 5300 4048 | 1 | | | TUBE, Fuel Vent - 14.5 Gal. Tank - Venezuela KDX w/93" W.B. |
| 22 | J322 8132 | 1 | | | HOSE, Vent - 14.5 Gal. Tank - Venezuela KDX (Modify to Fit) |
| 23 | J323 7497 | 1 | | | TEE - 14.5 Gal. Tank - Venezuela KDX |
| 24 | 3420 1633 | 1 | | | CLIP - 14.5 Gal. Tank - Venezuela KDX w/103" W.B. |

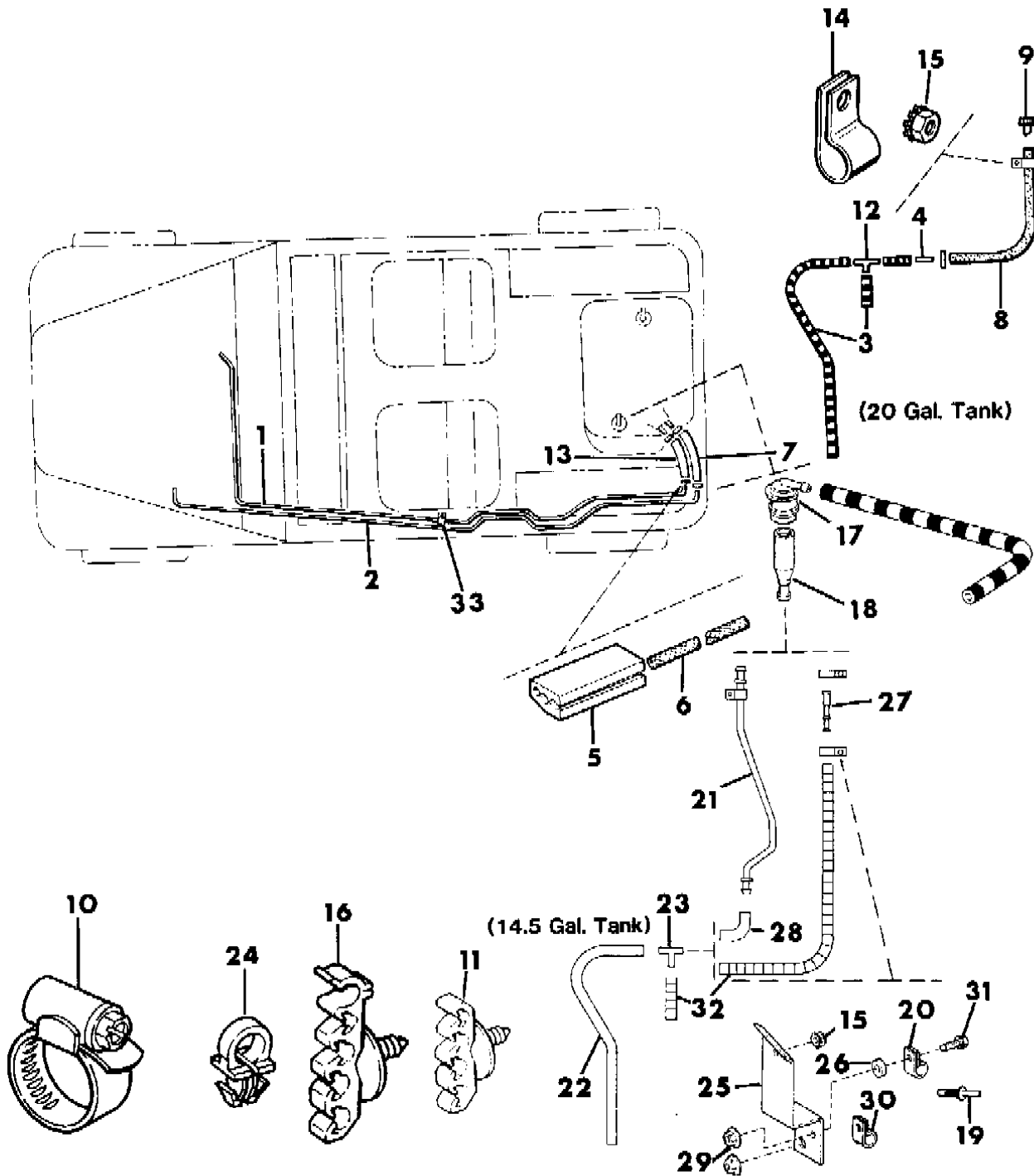
MODEL CODES:

| | | |
|-----------------------------|-----------------------------|------------------------------|
| 15 = Grand Wagoneer 4 Dr. | 65 = Comanche 4WD-7 Ft. Box | 77 = Cherokee 4WD-2 Dr. |
| 25 = J-10 Pickup-119" W.B. | 66 = Comanche 2WD-7 Ft. Box | 78 = Cherokee 4WD-4 Dr. |
| 26 = J-10 Pickup-131" W.B. | 73 = Cherokee 2WD-2 Dr. | 79 = Cherokee 4WD-4 Dr.-Com |
| 27 = J-20 Pickup-131" W.B. | 74 = Cherokee 2WD-4 Dr. | 81 = Wrangler-93" W.B. |
| 63 = Comanche 4WD-6 Ft. Box | 75 = Wagoneer 4WD-4 Dr. | 82 = Wrangler-103" W.B.-Exp. |
| 64 = Comanche 2WD-6 Ft. Box | | |

BODY STYLES:

MJ = Comanche Pickup
SJ = Grand Wagoneer Wgn., J-10 & J-20 Pickups
XJ = Cherokee, Wagoneer Limited
YJ = Wrangler

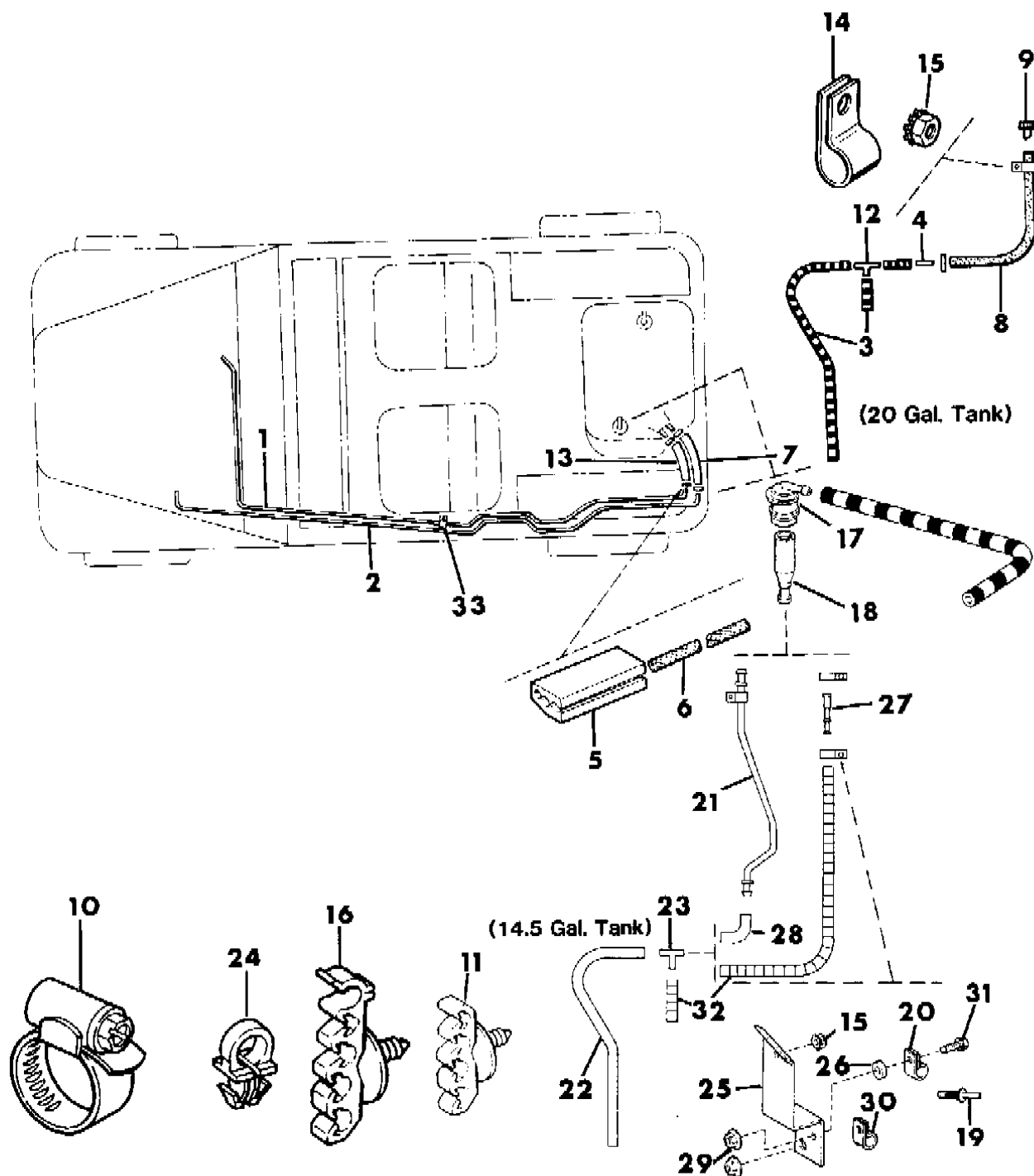
AR = Use as Required - = Non Illustrated Part P.A.R. = Paint as Required



FUEL LINES EGYPT AND VENEZUELA KDX, NRM WRANGLER - EXPORT
Figure 14-3300

8J143300B

| ITEM | PART NUMBER | QTY | BODY | MODEL | DESCRIPTION |
|------|-------------|-----|------|-------|--|
| 25 | 5300 5035 | 1 | | | BRACKET, Mounting - 14.5 Gal. Tank - Venezuela KDX w/103" W.B. |
| 26 | J066 9842 | 1 | | | SPACER - 14.5 Gal. Tank - Venezuela KDX w/103" W.B. |
| 27 | 5300 5034 | 1 | | | TUBE, Fuel Vent - 14.5 Gal. Tank - Venezuela KDX w/103" W.B. |
| 28 | J323 2942 | 1 | | | HOSE, Vent - 14.5 Gal. Tank - Venezuela KDX w/93" W.B. |
| 29 | 1150 3750 | 2 | | | NUT - 14.5 Gal. Tank - Venezuela KDX w/103" W.B. |
| 30 | J400 1718 | 1 | | | CLIP - 14.5 Gal. Tank - Venezuela KDX w/103 W.B. |
| 31 | 3420 1756 | 2 | | | BOLT - 14.5 Gal. Tank - Venezuela KDX w/103" W.B. |
| 32 | J812 5781 | AR | | | HOSE, Vent - Bulk - 14.5 Gal. Tank - Venezuela KDX w/103" W.B. |
| 33 | J400 7577 | 1 | | | CLIP - KDX w/93", 103" W.B. |



MODEL CODES:

| | | |
|-----------------------------|-----------------------------|------------------------------|
| 15 = Grand Wagoneer 4 Dr. | 65 = Comanche 4WD-7 Ft. Box | 77 = Cherokee 4WD-2 Dr. |
| 25 = J-10 Pickup-119" W.B. | 66 = Comanche 2WD-7 Ft. Box | 78 = Cherokee 4WD-4 Dr. |
| 26 = J-10 Pickup-131" W.B. | 73 = Cherokee 2WD-2 Dr. | 79 = Cherokee 4WD-4 Dr.-Com |
| 27 = J-20 Pickup-131" W.B. | 74 = Cherokee 2WD-4 Dr. | 81 = Wrangler-93" W.B. |
| 63 = Comanche 4WD-6 Ft. Box | 75 = Wagoneer 4WD-4 Dr. | 82 = Wrangler-103" W.B.-Exp. |
| 64 = Comanche 2WD-6 Ft. Box | | |

BODY STYLES:

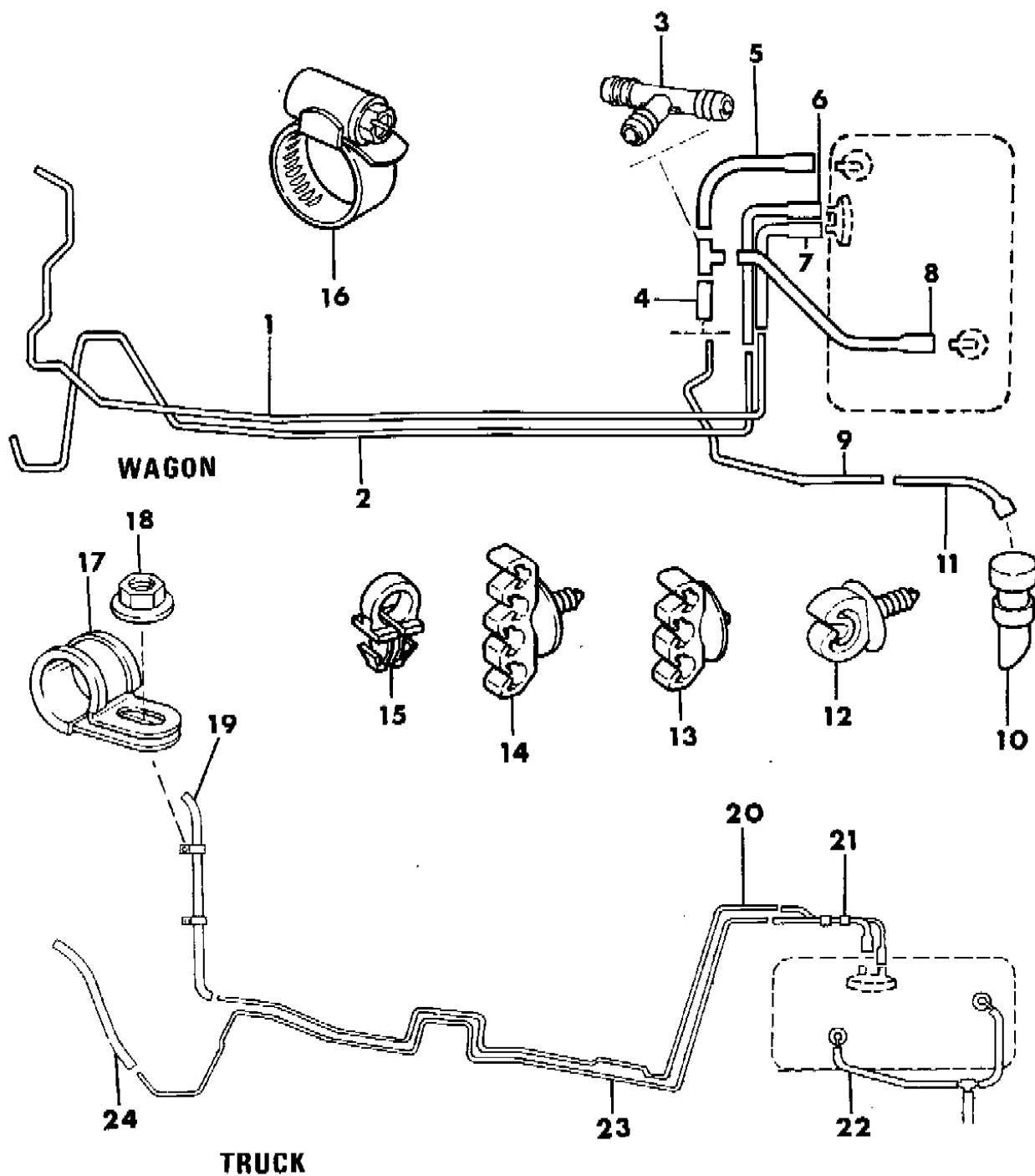
MJ = Comanche Pickup
SJ = Grand Wagoneer Wgn., J-10 & J-20 Pickups
XJ = Cherokee, Wagoneer Limited
YJ = Wrangler

AR = Use as Required - = Non Illustrated Part P.A.R. = Paint as Required

FUEL LINES 2.5L CARBURETED ENGINE CHEROKEE, WAGONEER, COMANCHE
Figure 14-3400

8J143400 A

| ITEM | PART NUMBER | QTY | BODY | MODEL | DESCRIPTION |
|------|-------------|-----|------|-------|-------------------|
| 1 | 5300 2568 | 1 | XJ | | TUBE, Fuel Supply |
| 2 | 5300 2571 | 1 | XJ | | TUBE, Fuel Return |
| 3 | J321 0891 | 1 | XJ | | TEE |
| 4 | J812 5995 | AR | XJ | | HOSE, Bulk |
| 5 | 5300 0194 | 1 | XJ | | HOSE, Vent |
| 6 | 5300 1428 | 1 | XJ | | HOSE, Return |
| 7 | 5300 1662 | 1 | XJ | | HOSE, Supply |
| 8 | 3300 0058 | 1 | XJ | | HOSE, Vent |
| 9 | 5300 1741 | 1 | XJ | | TUBE, Fuel Vent |
| 10 | J535 2955 | 1 | XJ | | CAP, Vent |
| 11 | 5300 1740 | 1 | XJ | | HOSE, Vent |
| 12 | 3200 0404 | AR | | | CLIP |
| 13 | 3300 0202 | AR | XJ | | CLIP |
| 14 | 3420 2371 | AR | XJ | | CLIP |
| 15 | 3420 1633 | AR | XJ | | CLIP |
| 16 | | | | | CLAMP, Hose |
| | 3300 0786 | AR | | | .28" to .59" |
| | 3300 0785 | AR | | | .47" to .78" |
| 17 | J400 5341 | 2 | MJ | | CLIP |
| 18 | 3420 1246 | 2 | MJ | | NUT |
| 19 | J812 5823 | AR | MJ | | HOSE, Bulk |
| 20 | 5300 4541 | 1 | MJ | | TUBE, Fuel Supply |
| 21 | 5300 3426 | 1 | MJ | | HOSE ASSEMBLY |
| 22 | 5300 3427 | 1 | MJ | | HOSE ASSEMBLY |
| 23 | 5300 1306 | 1 | MJ | | TUBE, Fuel Return |
| 24 | J812 5843 | AR | MJ | | HOSE, Bulk |



MODEL CODES:

| | | |
|-----------------------------|-----------------------------|------------------------------|
| 15 = Grand Wagoneer 4 Dr. | 65 = Comanche 4WD-7 Ft. Box | 77 = Cherokee 4WD-2 Dr. |
| 25 = J-10 Pickup-119" W.B. | 66 = Comanche 2WD-7 Ft. Box | 78 = Cherokee 4WD-4 Dr. |
| 26 = J-10 Pickup-131" W.B. | 73 = Cherokee 2WD-2 Dr. | 79 = Cherokee 4WD-4 Dr.-Com |
| 27 = J-20 Pickup-131" W.B. | 74 = Cherokee 2WD-4 Dr. | 81 = Wrangler-93" W.B. |
| 63 = Comanche 4WD-6 Ft. Box | 75 = Wagoneer 4WD-4 Dr. | 82 = Wrangler-103" W.B.-Exp. |
| 64 = Comanche 2WD-6 Ft. Box | | |

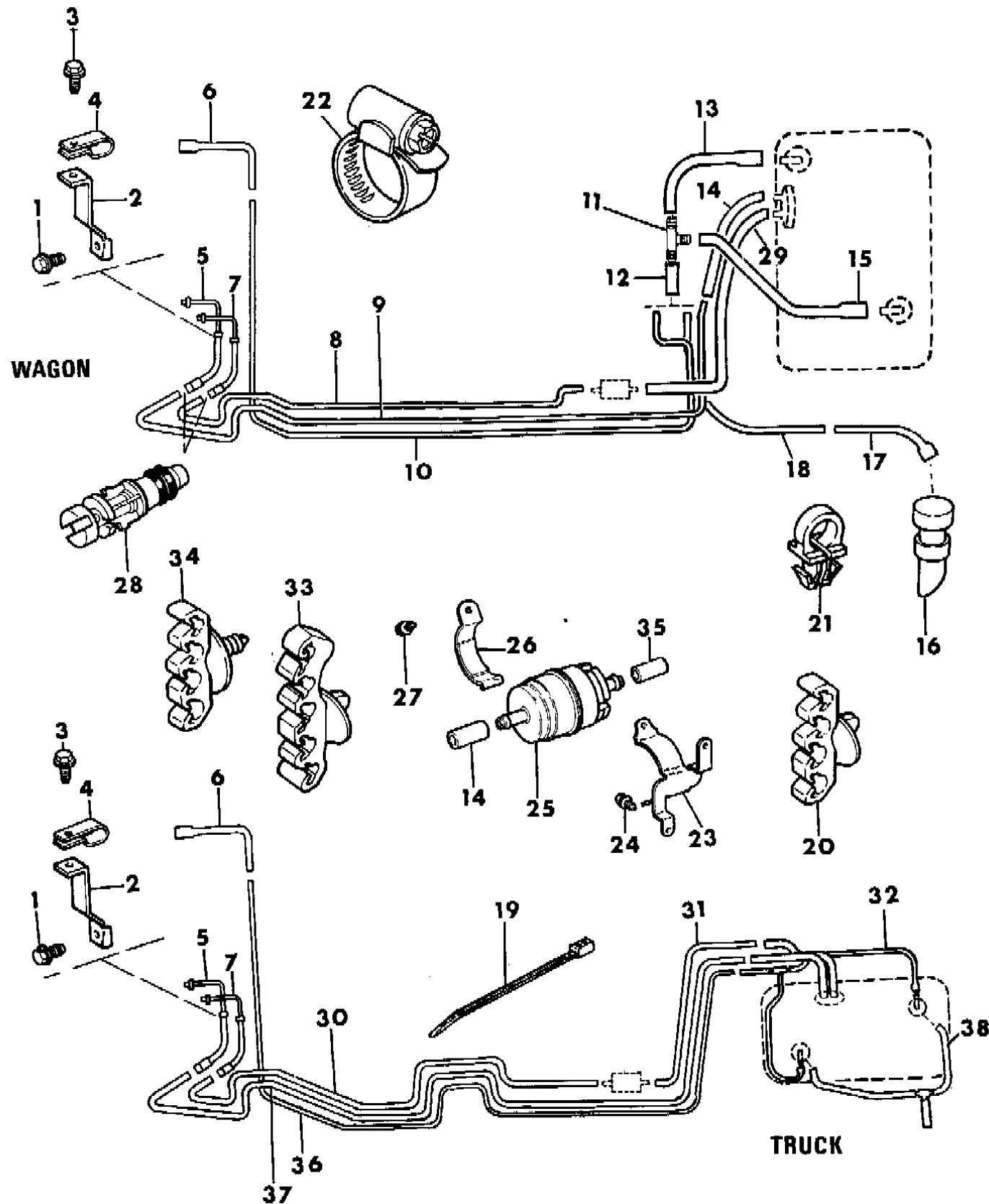
BODY STYLES:

MJ = Comanche Pickup
SJ = Grand Wagoneer Wgn., J-10 & J-20 Pickups
XJ = Cherokee, Wagoneer Limited
YJ = Wrangler

AR = Use as Required - = Non Illustrated Part P.A.R. = Paint as Required

FUEL LINES 2.5L EFI ENGINE CHEROKEE, WAGONEER, COMANCHE
Figure 14-3500

8J14 3500 B



| ITEM | PART NUMBER | QTY | BODY | MODEL | DESCRIPTION |
|------|-------------|-----|------|-------|---------------------------------------|
| 1 | J027 1444 | 1 | | | BOLT |
| 2 | 5300 3045 | 1 | | | BRACKET |
| 3 | 3420 1193 | 1 | | | SCREW |
| 4 | J400 7063 | 1 | | | CLIP |
| 5 | 5300 4496 | 1 | | | HOSE ASSEMBLY, Fuel Return |
| 6 | 5300 4608 | 1 | | | HOSE |
| 7 | 5300 4495 | 1 | | | HOSE ASSEMBLY, Fuel Supply |
| 8 | 5300 4486 | 1 | XJ | | TUBE, Fuel Supply |
| 9 | 5300 4487 | 1 | XJ | | TUBE, Fuel Return |
| 10 | 5300 2651 | 1 | XJ | | TUBE, Fuel Return - w/Unleaded Fuel |
| 11 | J321 0891 | 1 | XJ | | TEE |
| 12 | J812 5995 | AR | XJ | | HOSE, Bulk |
| 13 | 5300 0194 | 1 | XJ | | HOSE, Vent |
| 14 | J812 5823 | AR | | | HOSE, Return - Bulk |
| 15 | 3300 0058 | 1 | XJ | | HOSE, Vent |
| 16 | J535 2955 | 1 | XJ | | CAP, Vent - w/Leaded Fuel - ECE |
| 17 | 5300 1740 | 1 | XJ | | HOSE - w/Leaded Fuel - ECE |
| 18 | 5300 1741 | 1 | XJ | | TUBE, Fuel Vent - w/Leaded Fuel - ECE |
| 19 | 5600 1144 | 3 | XJ | | STRAP, Tie |
| 20 | 5300 0585 | AR | | | CLIP |
| 21 | 3420 1633 | AR | | | CLIP |
| 22 | | | | | CLAMP, Hose |
| | 3300 0786 | AR | | | .28" to .59" |
| | 3300 0785 | AR | | | .47" to .78" |
| 23 | 5300 2198 | 1 | | | BRACKET, Mounting |
| 24 | 3420 1756 | 2 | | | SCREW |
| 25 | 3300 0076 | 1 | | | FILTER, Fuel |
| 26 | 3300 0203 | 1 | | | CLAMP, Fuel Filter |
| 27 | 1150 2453 | 1 | | | SCREW |
| 28 | 8350 2745 | 2 | | | REPAIR PACKAGE |
| 29 | 5300 2189 | 1 | XJ | | HOSE, Supply |
| 30 | 5300 4416 | 1 | MJ | | TUBE, Fuel Supply |
| 31 | 5300 2192 | 1 | MJ | | TUBE, Fuel Supply |
| 32 | | | MJ | | HOSE ASSEMBLY |
| | 5300 4726 | 1 | | | 6 Ft. Box - U.S. |
| | 5300 4731 | 1 | | | 6 Ft. Box - Canada |
| | 5300 4723 | 1 | | | 7 Ft. Box - U.S. |

MODEL CODES:

| | | |
|-----------------------------|-----------------------------|------------------------------|
| 15 = Grand Wagoneer 4 Dr. | 65 = Comanche 4WD-7 Ft. Box | 77 = Cherokee 4WD-2 Dr. |
| 25 = J-10 Pickup-119" W.B. | 66 = Comanche 2WD-7 Ft. Box | 78 = Cherokee 4WD-4 Dr. |
| 26 = J-10 Pickup-131" W.B. | 73 = Cherokee 2WD-2 Dr. | 79 = Cherokee 4WD-4 Dr.-Com |
| 27 = J-20 Pickup-131" W.B. | 74 = Cherokee 2WD-4 Dr. | 81 = Wrangler-93" W.B. |
| 63 = Comanche 4WD-6 Ft. Box | 75 = Wagoneer 4WD-4 Dr. | 82 = Wrangler-103" W.B.-Exp. |
| 64 = Comanche 2WD-6 Ft. Box | | |

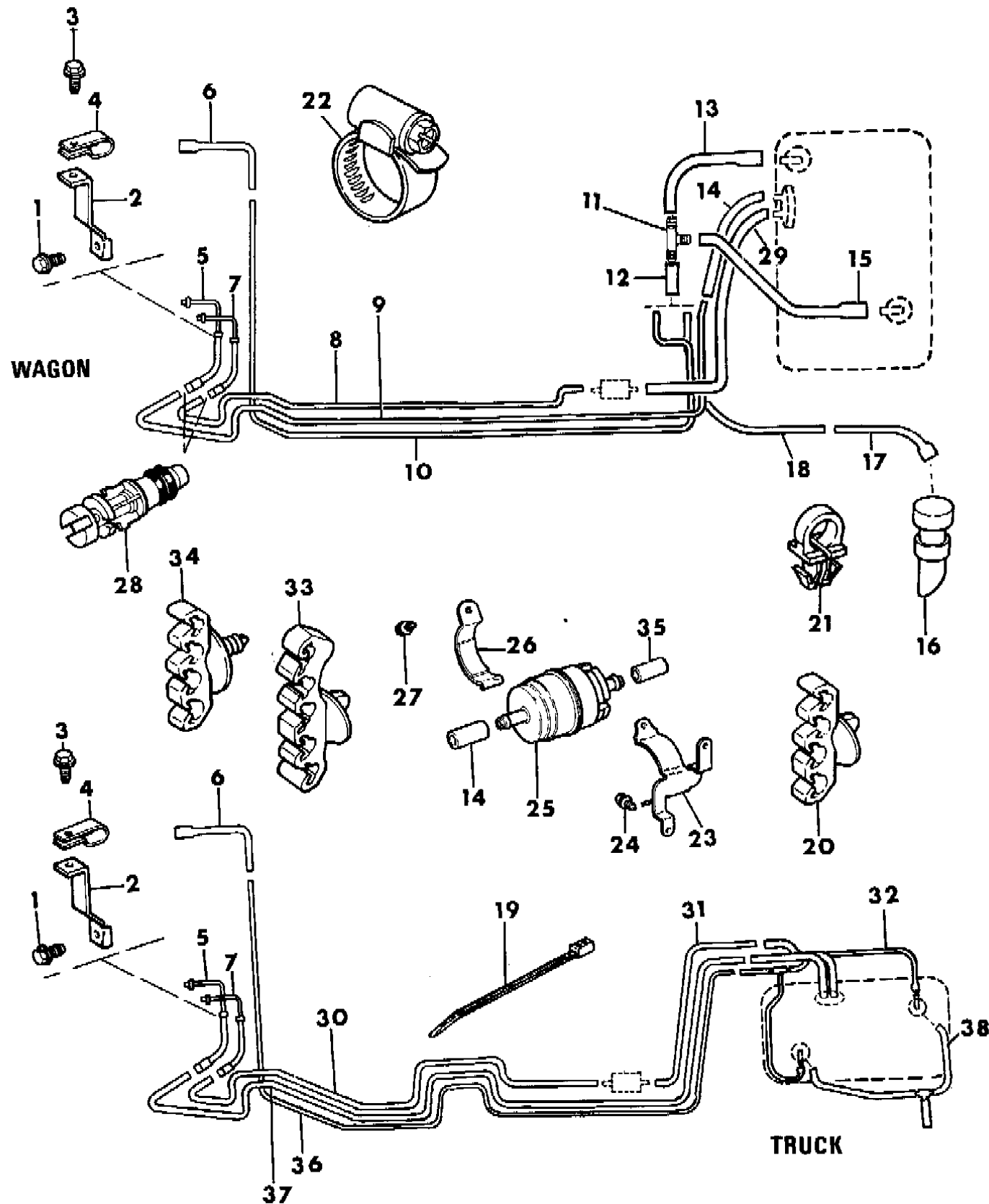
BODY STYLES:

MJ = Comanche Pickup
SJ = Grand Wagoneer Wgn., J-10 & J-20 Pickups
XJ = Cherokee, Wagoneer Limited
YJ = Wrangler

AR = Use as Required - = Non Illustrated Part P.A.R. = Paint as Required

FUEL LINES 2.5L EFI ENGINE CHEROKEE, WAGONEER, COMANCHE
Figure 14-3500

8J14 3500 B



| ITEM | PART NUMBER | QTY | BODY | MODEL | DESCRIPTION |
|------|-------------|-----|------|-------|-----------------------------|
| | 5300 3426 | 1 | | | 7 Ft. Box - Canada |
| 33 | 3420 2414 | AR | MJ | | CLIP, Tube |
| 34 | 3420 2371 | AR | MJ | | CLIP |
| 35 | J812 5781 | AR | MJ | | HOSE, Bulk |
| 36 | 5300 4418 | 1 | MJ | | TUBE, Fuel Vent |
| 37 | 5300 4417 | 1 | MJ | | TUBE, Fuel Return |
| 38 | 5300 3427 | 1 | | | HOSE ASSEMBLY - Canada 1987 |

MODEL CODES:

| | | |
|-----------------------------|-----------------------------|------------------------------|
| 15 = Grand Wagoneer 4 Dr. | 65 = Comanche 4WD-7 Ft. Box | 77 = Cherokee 4WD-2 Dr. |
| 25 = J-10 Pickup-119" W.B. | 66 = Comanche 2WD-7 Ft. Box | 78 = Cherokee 4WD-4 Dr. |
| 26 = J-10 Pickup-131" W.B. | 73 = Cherokee 2WD-2 Dr. | 79 = Cherokee 4WD-4 Dr.-Com |
| 27 = J-20 Pickup-131" W.B. | 74 = Cherokee 2WD-4 Dr. | 81 = Wrangler-93" W.B. |
| 63 = Comanche 4WD-6 Ft. Box | 75 = Wagoneer 4WD-4 Dr. | 82 = Wrangler-103" W.B.-Exp. |
| 64 = Comanche 2WD-6 Ft. Box | | |

BODY STYLES:

MJ = Comanche Pickup
SJ = Grand Wagoneer Wgn., J-10 & J-20 Pickups
XJ = Cherokee, Wagoneer Limited
YJ = Wrangler

AR = Use as Required - = Non Illustrated Part P.A.R. = Paint as Required

FUEL LINES 4.0L EFI ENGINE CHEROKEE, WAGONEER, COMANCHE
Figure 14-3600

8J 14 3600 A

| ITEM | PART NUMBER | QTY | BODY | MODEL | DESCRIPTION |
|------|-------------|-----|------|-------|--------------------------------|
| 1 | 5300 4608 | 1 | | | HOSE |
| 2 | 5200 3563 | 1 | | | SHIELD |
| 3 | J027 3573 | 1 | | | SCREW |
| 4 | 5300 4687 | 1 | | | TUBE ASSEMBLY, Fuel Supply |
| 5 | | | | | TUBE ASSEMBLY, Fuel Return *** |
| | 5300 2787 | 1 | | | Wagon 1987 |
| | 5300 2806 | 1 | | | Truck 1987 |
| | 5200 3635 | 1 | | | 1988-90 |
| 6 | 5300 2651 | 1 | | | TUBE, Fuel Vent |
| 7 | J321 0891 | 1 | | | TEE |
| 8 | J812 5995 | AR | | | HOSE, Bulk |
| 9 | 5300 0194 | 1 | | | HOSE, Vent |
| 10 | J812 5823 | AR | | | HOSE, Return - Bulk |
| 11 | 5300 2189 | 1 | XJ | | HOSE, Supply |
| 12 | 3300 0058 | 1 | XJ | | HOSE, Vent |
| 13 | J535 2955 | 1 | XJ | | CAP, Vent - NRM |
| 14 | 5300 1740 | 1 | XJ | | HOSE, Vent - NRM |
| 15 | 3200 0404 | AR | | | CLIP |
| 16 | 5300 1741 | 1 | XJ | | TUBE, Vent - NRM |
| 17 | 3420 2371 | AR | | | CLIP |
| 18 | 3420 1633 | 1 | XJ | | CLIP - NRM |
| 19 | | | | | CLAMP, Hose |
| | 3300 0786 | AR | | | .28" to .59" |
| | 3300 0785 | AR | | | .47" to .78" |
| 20 | 5300 2198 | 1 | | | BRACKET, Mounting |
| 21 | 3420 1756 | 2 | | | SCREW |
| 22 | 3300 0076 | 1 | | | FILTER, Fuel |
| 23 | 3300 0203 | 1 | | | CLAMP, Fuel Filter |
| 24 | 1150 2453 | AR | | | SCREW |
| 25 | 8350 2745 | 3 | | | REPAIR PACKAGE |
| 26 | 5200 3634 | 1 | | | HOSE ASSEMBLY, Fuel Return |
| 27 | J017 9148 | 1 | | | CLIP |
| 28 | 5300 4686 | 1 | MJ | | TUBE ASSEMBLY, Fuel Supply *** |
| 29 | 5200 3633 | 1 | MJ | | TUBE ASSEMBLY, Fuel Return *** |
| 30 | 5300 2192 | 1 | MJ | | TUBE, Fuel Supply |
| 31 | | | MJ | | HOSE ASSEMBLY |
| | 5300 4726 | 1 | | | 6 Ft. Box |

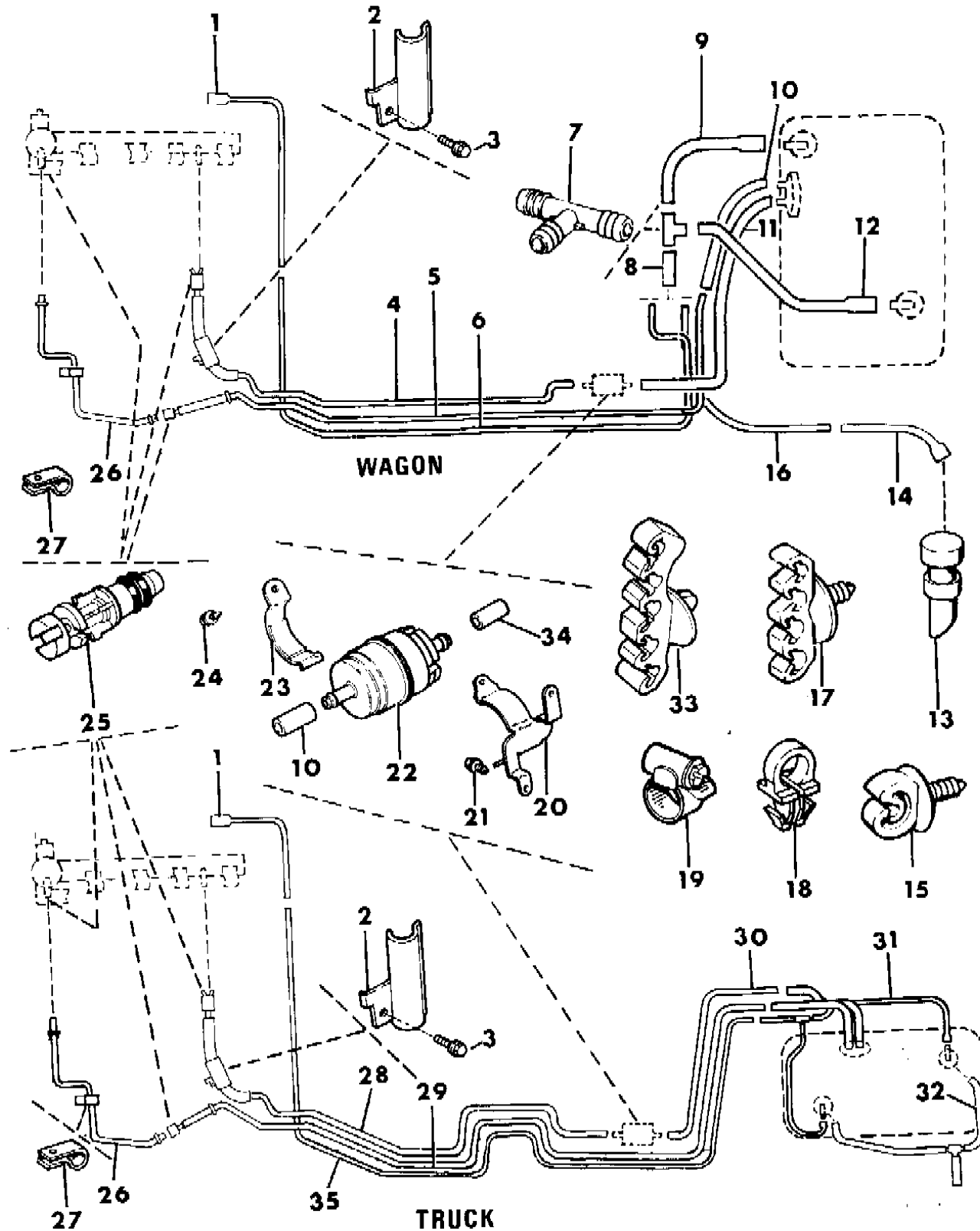
MODEL CODES:

| | | |
|-----------------------------|-----------------------------|------------------------------|
| 15 = Grand Wagoneer 4 Dr. | 65 = Comanche 4WD-7 Ft. Box | 77 = Cherokee 4WD-2 Dr. |
| 25 = J-10 Pickup-119" W.B. | 66 = Comanche 2WD-7 Ft. Box | 78 = Cherokee 4WD-4 Dr. |
| 26 = J-10 Pickup-131" W.B. | 73 = Cherokee 2WD-2 Dr. | 79 = Cherokee 4WD-4 Dr.-Com |
| 27 = J-20 Pickup-131" W.B. | 74 = Cherokee 2WD-4 Dr. | 81 = Wrangler-93" W.B. |
| 63 = Comanche 4WD-6 Ft. Box | 75 = Wagoneer 4WD-4 Dr. | 82 = Wrangler-103" W.B.-Exp. |
| 64 = Comanche 2WD-6 Ft. Box | | |

BODY STYLES:

MJ = Comanche Pickup
SJ = Grand Wagoneer Wgn., J-10 & J-20 Pickups
XJ = Cherokee, Wagoneer Limited
YJ = Wrangler

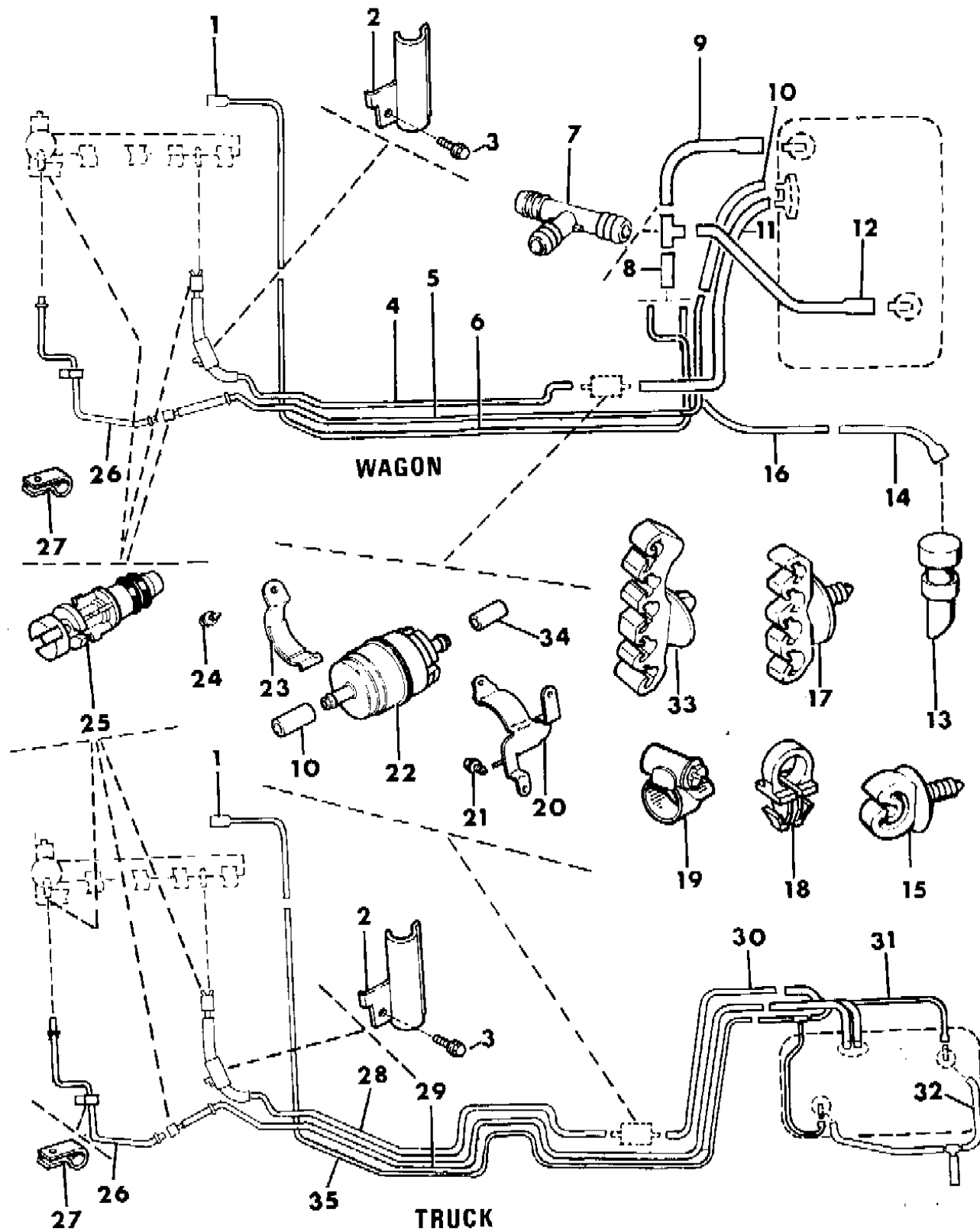
AR = Use as Required - = Non Illustrated Part P.A.R. = Paint as Required



FUEL LINES 4.0L EFI ENGINE CHEROKEE, WAGONEER, COMANCHE
Figure 14-3600

8J143600 A

| ITEM | PART NUMBER | QTY | BODY | MODEL | DESCRIPTION |
|------|-------------|-----|------|-------|--------------------------|
| | 5300 4723 | 1 | | | 7 Ft. Box |
| | 5300 4731 | 1 | | | 6 Ft. Box - NRM |
| | 5300 3426 | 1 | | | 7 Ft. Box - NRM |
| 32 | 5300 3427 | 1 | MJ | | HOSE ASSEMBLY - NRM |
| 33 | 3420 2414 | AR | MJ | | CLIP |
| 34 | J812 5781 | AR | MJ | | HOSE, Fuel Supply - Bulk |
| 35 | 5300 4418 | 1 | MJ | | TUBE, Fuel Vent |



MODEL CODES:

| | | |
|-----------------------------|-----------------------------|------------------------------|
| 15 = Grand Wagoneer 4 Dr. | 65 = Comanche 4WD-7 Ft. Box | 77 = Cherokee 4WD-2 Dr. |
| 25 = J-10 Pickup-119" W.B. | 66 = Comanche 2WD-7 Ft. Box | 78 = Cherokee 4WD-4 Dr. |
| 26 = J-10 Pickup-131" W.B. | 73 = Cherokee 2WD-2 Dr. | 79 = Cherokee 4WD-4 Dr.-Com |
| 27 = J-20 Pickup-131" W.B. | 74 = Cherokee 2WD-4 Dr. | 81 = Wrangler-93" W.B. |
| 63 = Comanche 4WD-6 Ft. Box | 75 = Wagoneer 4WD-4 Dr. | 82 = Wrangler-103" W.B.-Exp. |
| 64 = Comanche 2WD-6 Ft. Box | | |

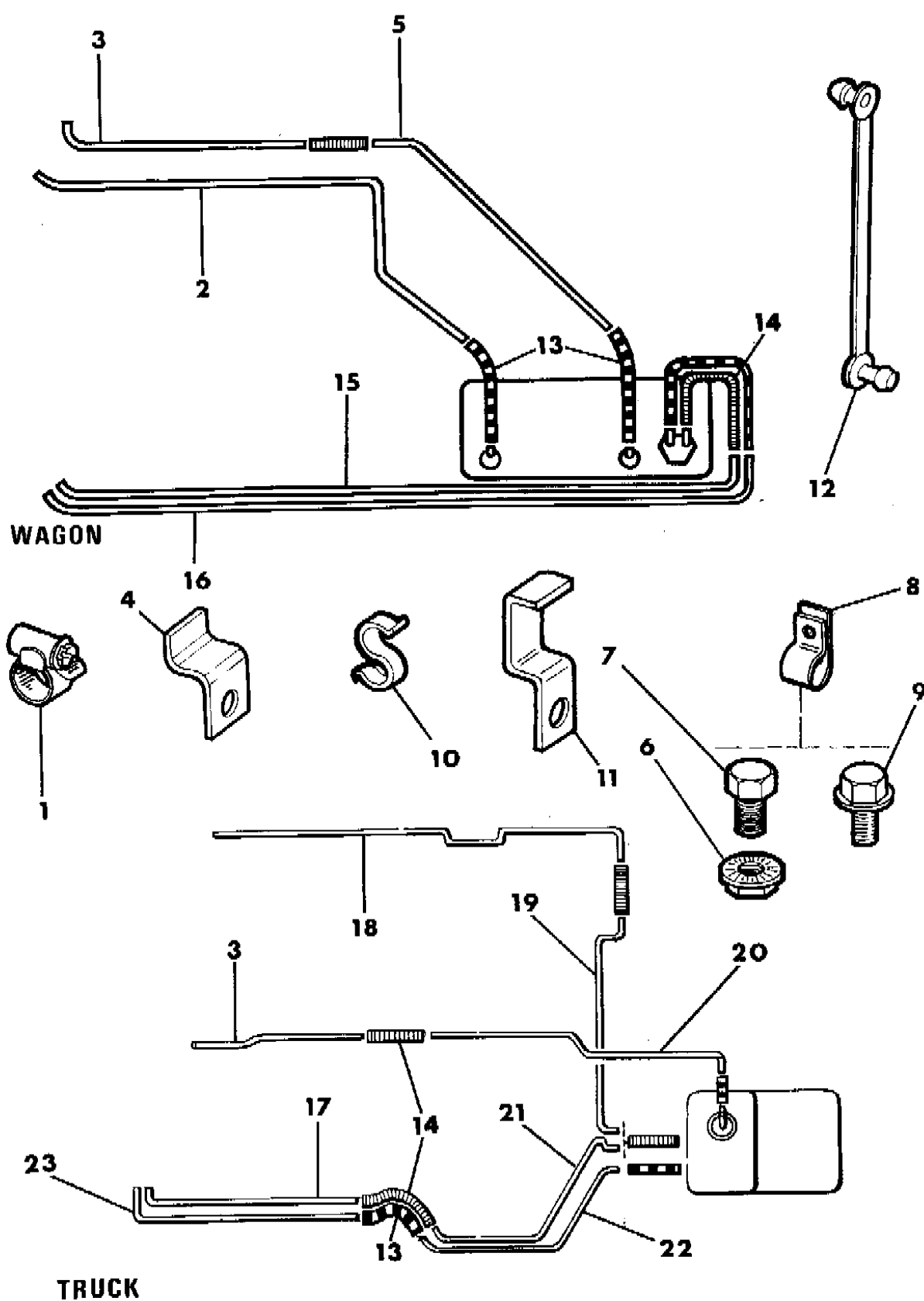
BODY STYLES:

MJ = Comanche Pickup
SJ = Grand Wagoneer Wgn., J-10 & J-20 Pickups
XJ = Cherokee, Wagoneer Limited
YJ = Wrangler

AR = Use as Required - = Non Illustrated Part P.A.R. = Paint as Required

FUEL LINES 4.2L AND 5.9L ENGINES GRAND WAGONEER, J10, J20
Figure 14-3700

8J 143700 A



| ITEM | PART NUMBER | QTY | BODY | MODEL | DESCRIPTION |
|------|-------------|-----|------|-------|-------------------------------|
| 1 | | | | | CLAMP, Hose |
| | 3300 0786 | AR | | | .28" to .59" |
| | 3300 0785 | AR | | | .47" to .78" |
| 2 | | | | 15 | TUBE, Vent |
| | J536 1554 | 1 | | | AM208 Transfer Case |
| | J536 1555 | 1 | | | AM229 Transfer Case |
| 3 | | | | | TUBE, Vent |
| | J536 3388 | 1 | | 26,27 | 4.2L Eng. |
| | J536 3385 | 1 | | 15 | 4.2L Eng. - NRM |
| | J536 1733 | 1 | | | 5.9L Eng. |
| 4 | J536 4175 | AR | | 15 | CLIP - 4.2L Eng. - NRM |
| 5 | J536 4188 | 1 | | 26,27 | TUBE, Vent |
| 6 | J400 3587 | AR | | 26,27 | NUT |
| 7 | S017 9814 | AR | | 26,27 | BOLT |
| 8 | | | | | CLIP |
| | J012 0522 | AR | | | .28" |
| | J019 2107 | AR | | | .34" |
| | J017 9148 | AR | | | .38" |
| 9 | | | | | SCREW |
| | J942 6241 | AR | | | .25" |
| | J400 5063 | AR | | | .31" |
| | J400 4626 | AR | | | .38" |
| 10 | | | | | CLIP, S Type |
| | J080 0743 | AR | | | .24" x .24" - NRM |
| | J400 4928 | AR | | | .24" x .30" |
| | J400 0021 | AR | | | .30" x .30" |
| 11 | J400 4901 | AR | | | CLIP |
| 12 | J400 1712 | 1 | | 15 | FASTENER |
| 13 | J812 5843 | AR | | | HOSE, .25" I.D. - Bulk |
| 14 | J812 5823 | AR | | | HOSE, .31" I.D. - Bulk |
| 15 | | | | 15 | TUBE, Fuel Supply |
| | J536 1192 | 1 | | | 4.2L Eng. - NRM |
| | J536 1195 | 1 | | | 5.9L Eng. |
| 16 | 5300 2557 | 1 | | 15 | TUBE, Fuel Return |
| 17 | 5300 2560 | 1 | | 26,27 | TUBE, Fuel Supply - 5.9L Eng. |
| 18 | J535 7965 | 1 | | 26,27 | TUBE, Fuel Supply - 4.2L Eng. |
| 19 | J536 1196 | 1 | | 26,27 | TUBE, Fuel Supply - 4.2L Eng. |

MODEL CODES:

| | | |
|-----------------------------|-----------------------------|------------------------------|
| 15 = Grand Wagoneer 4 Dr. | 65 = Comanche 4WD-7 Ft. Box | 77 = Cherokee 4WD-2 Dr. |
| 25 = J-10 Pickup-119" W.B. | 66 = Comanche 2WD-7 Ft. Box | 78 = Cherokee 4WD-4 Dr. |
| 26 = J-10 Pickup-131" W.B. | 73 = Cherokee 2WD-2 Dr. | 79 = Cherokee 4WD-4 Dr.-Com |
| 27 = J-20 Pickup-131" W.B. | 74 = Cherokee 2WD-4 Dr. | 81 = Wrangler-93" W.B. |
| 63 = Comanche 4WD-6 Ft. Box | 75 = Wagoneer 4WD-4 Dr. | 82 = Wrangler-103" W.B.-Exp. |
| 64 = Comanche 2WD-6 Ft. Box | | |

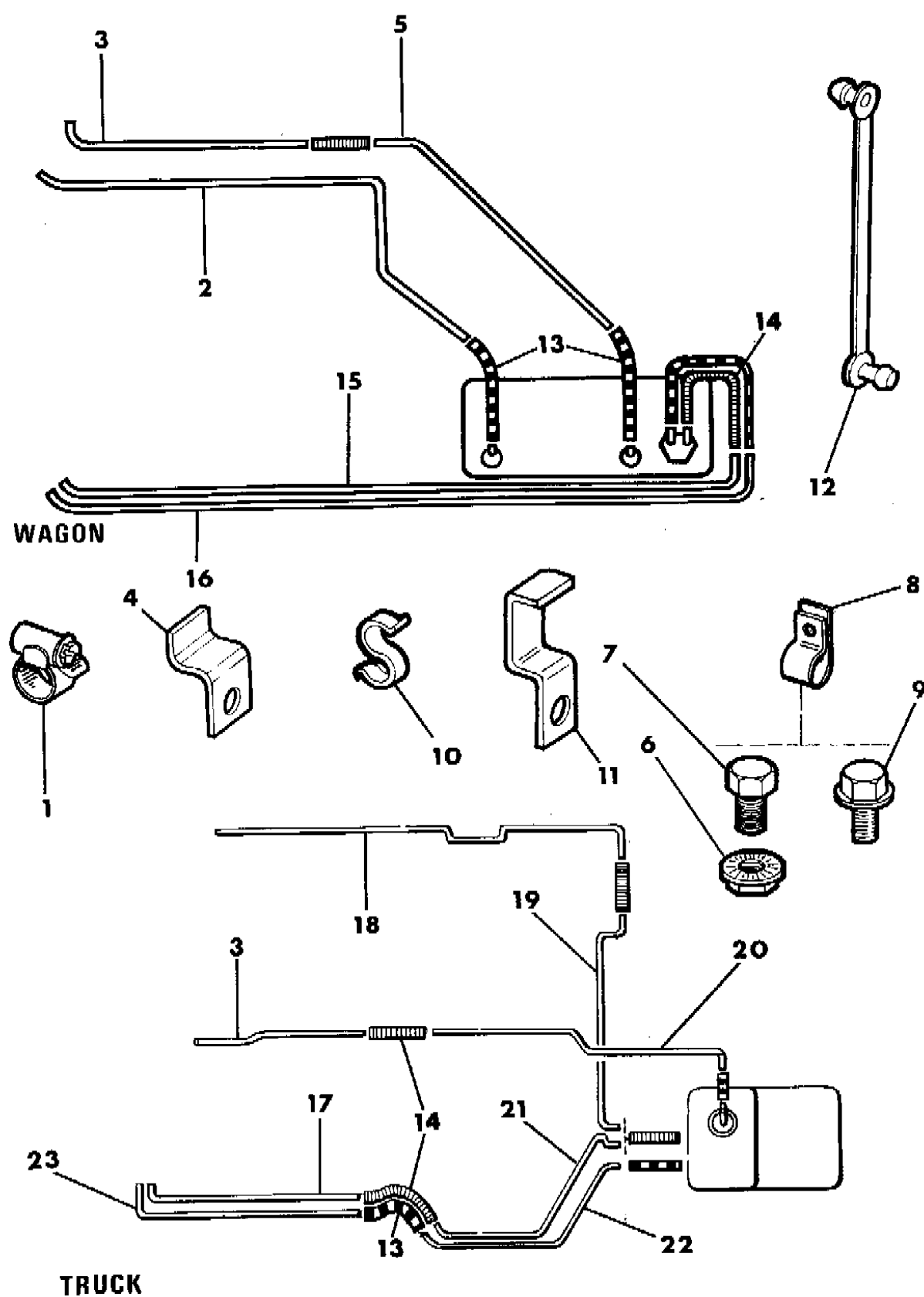
BODY STYLES:

| |
|---|
| MJ = Comanche Pickup |
| SJ = Grand Wagoneer Wgn., J-10 & J-20 Pickups |
| XJ = Cherokee, Wagoneer Limited |
| YJ = Wrangler |

AR = Use as Required - = Non Illustrated Part P.A.R. = Paint as Required

FUEL LINES 4.2L AND 5.9L ENGINES GRAND WAGONEER, J10, J20
Figure 14-3700

8J 143700 A



| ITEM | PART NUMBER | QTY | BODY | MODEL | DESCRIPTION |
|------|-------------|-----|------|-------|-------------------------------|
| 20 | | | | 26,27 | TUBE, Fuel Vent |
| | J536 3387 | 1 | | | 4.2L Eng. |
| | J536 1738 | 1 | | | 5.9L Eng. |
| 21 | J536 1198 | 1 | | 26,27 | TUBE, Fuel Supply - 5.9L Eng. |
| 22 | J536 1215 | 1 | | 26,27 | TUBE, Fuel Return |
| 23 | J535 8535 | 1 | | 26,27 | TUBE, Fuel Return |

MODEL CODES:

| | | |
|-----------------------------|-----------------------------|------------------------------|
| 15 = Grand Wagoneer 4 Dr. | 65 = Comanche 4WD-7 Ft. Box | 77 = Cherokee 4WD-2 Dr. |
| 25 = J-10 Pickup-119" W.B. | 66 = Comanche 2WD-7 Ft. Box | 78 = Cherokee 4WD-4 Dr. |
| 26 = J-10 Pickup-131" W.B. | 73 = Cherokee 2WD-2 Dr. | 79 = Cherokee 4WD-4 Dr.-Com |
| 27 = J-20 Pickup-131" W.B. | 74 = Cherokee 2WD-4 Dr. | 81 = Wrangler-93" W.B. |
| 63 = Comanche 4WD-6 Ft. Box | 75 = Wagoneer 4WD-4 Dr. | 82 = Wrangler-103" W.B.-Exp. |
| 64 = Comanche 2WD-6 Ft. Box | | |

BODY STYLES:

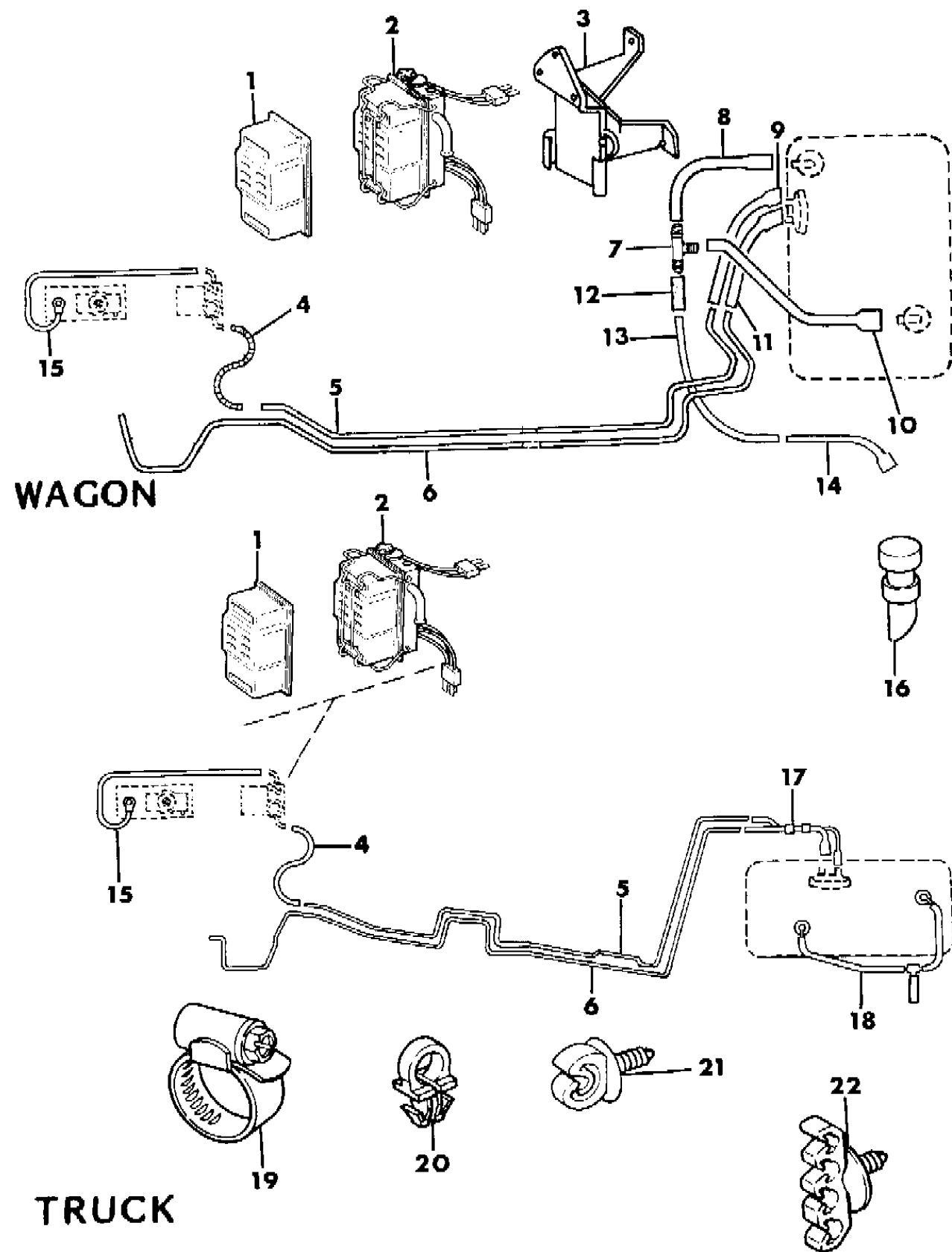
MJ = Comanche Pickup
SJ = Grand Wagoneer Wgn., J-10 & J-20 Pickups
XJ = Cherokee, Wagoneer Limited
YJ = Wrangler

AR = Use as Required - = Non Illustrated Part P.A.R. = Paint as Required

FUEL LINES DIESEL ENGINE CHEROKEE, COMANCHE

Figure 14-3800

8J143800 B



| ITEM | PART NUMBER | QTY | BODY | MODEL | DESCRIPTION |
|------|-------------|-----|------|-------|-------------------------------|
| 1 | 8350 1902 | 1 | | | FILTER, Fuel |
| 2 | 5300 1742 | 1 | | | FILTER ASSEMBLY, Fuel *** |
| 3 | 5300 2855 | 1 | | | BRACKET, Fuel Filter Mounting |
| 4 | J812 5823 | AR | | | HOSE, .31" I.D. - Bulk |
| 5 | | | | | TUBE, Fuel Supply |
| | 5300 1194 | 1 | | | Wagon |
| | 5300 4469 | 1 | | | Truck 1987 |
| | 5300 1194 | 1 | | | Truck 1988-90 |
| 6 | | | | | TUBE, Fuel Return |
| | 5300 1195 | 1 | | | Wagon |
| | 5300 4470 | 1 | | | Truck 1987 |
| | 5300 1195 | 1 | | | Truck 1988-90 |
| 7 | J321 0891 | 1 | | | TEE |
| 8 | 5300 0194 | 1 | | | HOSE |
| 9 | 5300 1662 | 1 | | | HOSE, Fuel Supply |
| 10 | 3300 0058 | 1 | | | HOSE |
| 11 | 5300 1428 | 1 | | | HOSE, Fuel Return |
| 12 | J812 5995 | AR | | | HOSE, .25" I.D. - Bulk |
| 13 | 5300 1741 | 1 | | | TUBE, Fuel Vent |
| 14 | 5300 1740 | 1 | | | HOSE, Fuel Vent |
| 15 | T072 8617 | 1 | | | HOSE ASSEMBLY, Fuel Supply |
| 16 | J535 2955 | 1 | | | CAP, Vent |
| 17 | 5300 4728 | 1 | | | HOSE ASSEMBLY |
| 18 | 5300 3427 | 1 | | | HOSE ASSEMBLY |
| 19 | | | | | CLAMP, Hose |
| | 3300 0786 | AR | | | .28" to .59" |
| | 3300 0785 | AR | | | .47" to .79" |
| 20 | 3420 1633 | 1 | | | CLIP - Wagon |
| 21 | | | | | CLIP |
| | 3420 2371 | AR | | | Wagon |
| | 3420 2414 | AR | | | Truck |
| 22 | 3200 0404 | AR | | | CLIP |

MODEL CODES:

| | | |
|-----------------------------|-----------------------------|------------------------------|
| 15 = Grand Wagoneer 4 Dr. | 65 = Comanche 4WD-7 Ft. Box | 77 = Cherokee 4WD-2 Dr. |
| 25 = J-10 Pickup-119" W.B. | 66 = Comanche 2WD-7 Ft. Box | 78 = Cherokee 4WD-4 Dr. |
| 26 = J-10 Pickup-131" W.B. | 73 = Cherokee 2WD-2 Dr. | 79 = Cherokee 4WD-4 Dr.-Com |
| 27 = J-20 Pickup-131" W.B. | 74 = Cherokee 2WD-4 Dr. | 81 = Wrangler-93" W.B. |
| 63 = Comanche 4WD-6 Ft. Box | 75 = Wagoneer 4WD-4 Dr. | 82 = Wrangler-103" W.B.-Exp. |
| 64 = Comanche 2WD-6 Ft. Box | | |

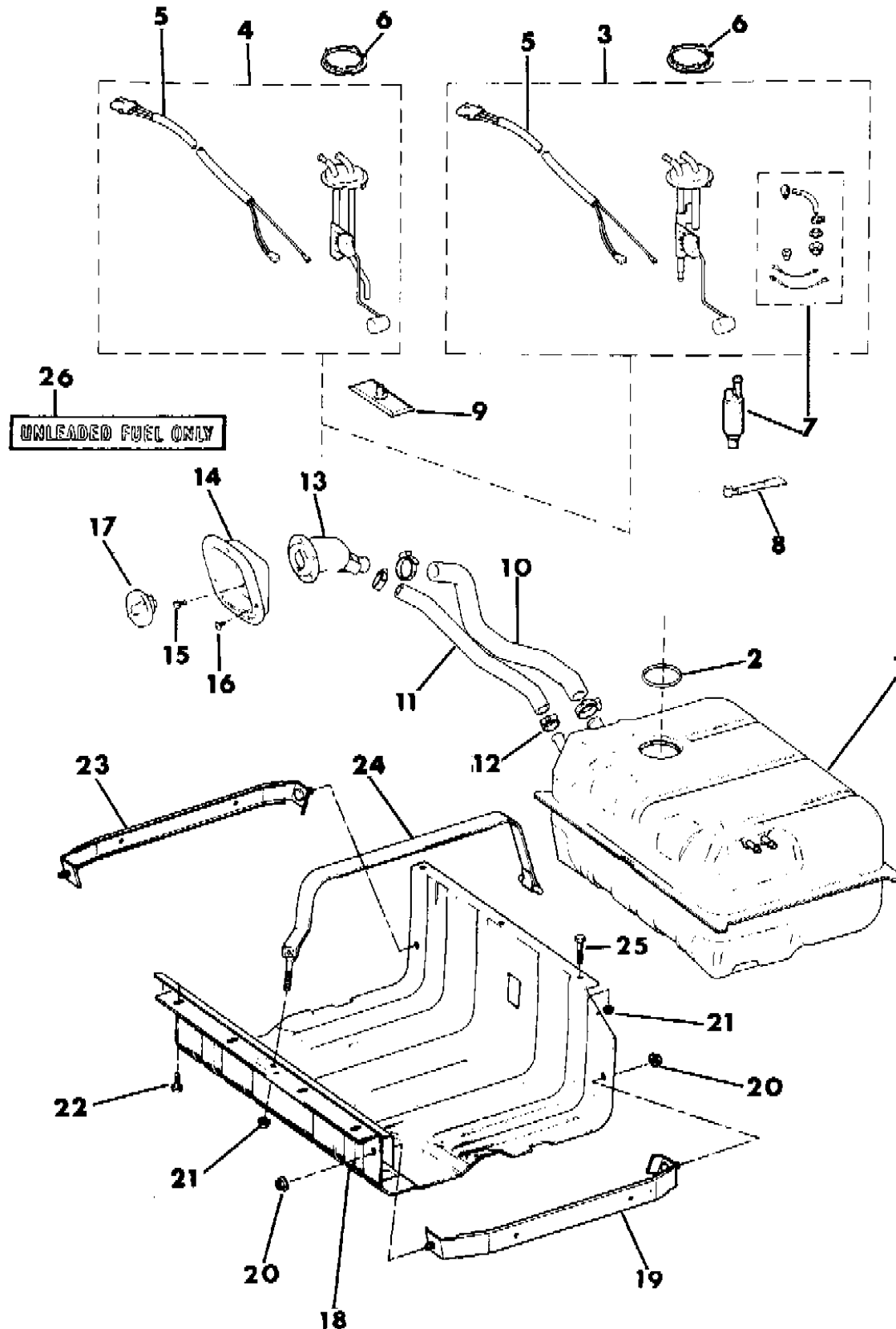
BODY STYLES:

| |
|---|
| MJ = Comanche Pickup |
| SJ = Grand Wagoneer Wgn., J-10 & J-20 Pickups |
| XJ = Cherokee, Wagoneer Limited |
| YJ = Wrangler |

AR = Use as Required - = Non Illustrated Part P.A.R. = Paint as Required

FUEL TANK 14.5 GALLON WRANGLER, YJ
Figure 14-3900

8J14 3900 A



| ITEM | PART NUMBER | QTY | BODY | MODEL | DESCRIPTION |
|------|-------------|-----|------|-------|------------------------------------|
| 1 | | | | | TANK, Fuel |
| | 8350 2961 | 1 | | | 2.5L Eng. |
| | 8350 2960 | 1 | | | 4.2L Eng. |
| 2 | 5300 0575 | 1 | | | O-RING |
| 3 | 8350 2990 | 1 | | | SENDING UNIT - 2.5L Eng. *** |
| 4 | 5300 3204 | 1 | | | SENDING UNIT - 4.2L Eng. *** |
| 5 | | | | | HARNASS, Fuel Tank |
| | 8350 2955 | 1 | | | 2.5L Eng. |
| | 8350 2956 | 1 | | | 4.2L Eng. |
| 6 | 5300 0584 | 1 | | | LOCK |
| 7 | 8350 2994 | 1 | | | PUMP PACKAGE, Fuel - 2.5L Eng. *** |
| 8 | 3300 0184 | 1 | | | FILTER, Fuel - 2.5L Eng. |
| 9 | 5300 1248 | 1 | | | FILTER, Fuel - 4.2L Eng. |
| 10 | | | | | HOSE, Filler |
| | 5204 0078 | 1 | | | w/93" W.B. |
| | 5200 3508 | 1 | | | w/103" W.B. - KDX |
| 11 | | | | | HOSE, Vent |
| | 5204 0080 | 1 | | | w/93" W.B. |
| | 5200 3510 | 1 | | | w/103" W.B. - KDX |
| 12 | J320 3077 | 4 | | | CLAMP, Hose |
| 13 | | | | | TUBE, Fuel Filler |
| | 5200 2437 | 1 | | | w/Unleaded Fuel |
| | 5200 3401 | 1 | | | w/Leaded Fuel w/93" W.B. |
| | 5200 3514 | 1 | | | w/Leaded Fuel w/103" W.B. - KDX |
| 14 | J546 3803 | 1 | | | PROTECTOR |
| 15 | J812 0054 | 6 | | | SCREW |
| 16 | J400 5817 | 3 | | | SCREW |
| 17 | | | | | CAP, Fuel Filler - Non-Locking |
| | 5200 3766 | 1 | | | U.S. |
| | 5200 3767 | 1 | | | Canada |
| | 5200 3768 | 1 | | | Export |
| | J535 9606 | 1 | | | Egypt - KDX w/103" W.B. |
| 18 | J535 7023 | 1 | | | PLATE, Skid |
| 19 | J535 7880 | 1 | | | STRAP, Right |
| 20 | J400 3956 | AR | | | NUT, Lock |
| 21 | J012 0376 | AR | | | NUT, Lock |
| 22 | J400 5819 | AR | | | BOLT |

MODEL CODES:

| | | |
|-----------------------------|-----------------------------|------------------------------|
| 15 = Grand Wagoneer 4 Dr. | 65 = Comanche 4WD-7 Ft. Box | 77 = Cherokee 4WD-2 Dr. |
| 25 = J-10 Pickup-119" W.B. | 66 = Comanche 2WD-7 Ft. Box | 78 = Cherokee 4WD-4 Dr. |
| 26 = J-10 Pickup-131" W.B. | 73 = Cherokee 2WD-2 Dr. | 79 = Cherokee 4WD-4 Dr.-Com |
| 27 = J-20 Pickup-131" W.B. | 74 = Cherokee 2WD-4 Dr. | 81 = Wrangler-93" W.B. |
| 63 = Comanche 4WD-6 Ft. Box | 75 = Wagoneer 4WD-4 Dr. | 82 = Wrangler-103" W.B.-Exp. |
| 64 = Comanche 2WD-6 Ft. Box | | |

BODY STYLES:

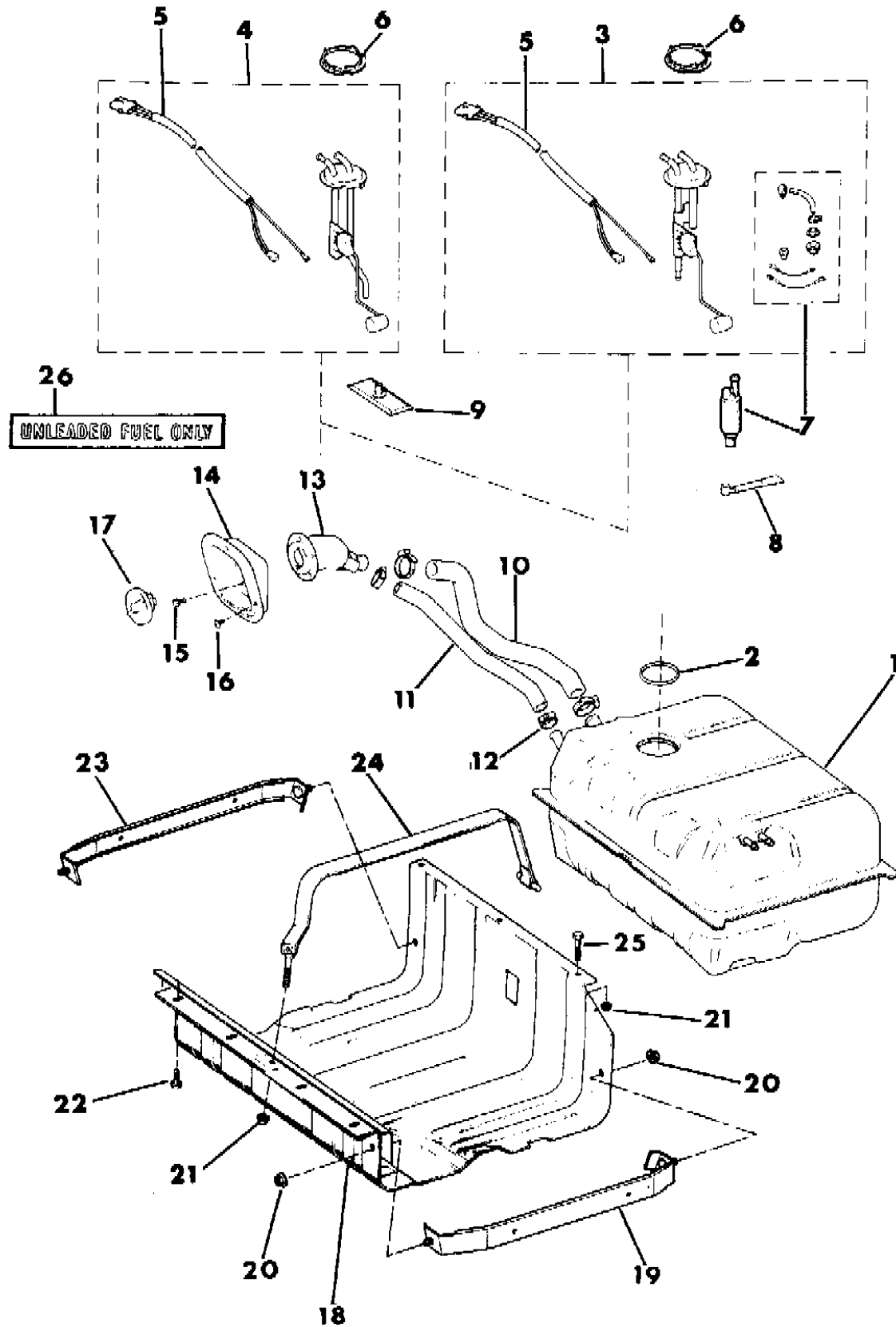
MJ = Comanche Pickup
SJ = Grand Wagoneer Wgn., J-10 & J-20 Pickups
XJ = Cherokee, Wagoneer Limited
YJ = Wrangler

AR = Use as Required - = Non Illustrated Part P.A.R. = Paint as Required

FUEL TANK 14.5 GALLON WRANGLER, YJ
Figure 14-3900

8J14 3900 A

| ITEM | PART NUMBER | QTY | BODY | MODEL | DESCRIPTION |
|------|-------------|-----|------|-------|----------------------|
| 23 | J535 7879 | 1 | | | STRAP, Left |
| 24 | 5200 3437 | 1 | | | STRAP |
| 25 | J018 0078 | 3 | | | BOLT |
| 26 | | | | | LABEL, Unleaded Fuel |
| | J369 6393 | 1 | | | U.S. |
| | J369 6394 | 1 | | | Canada |



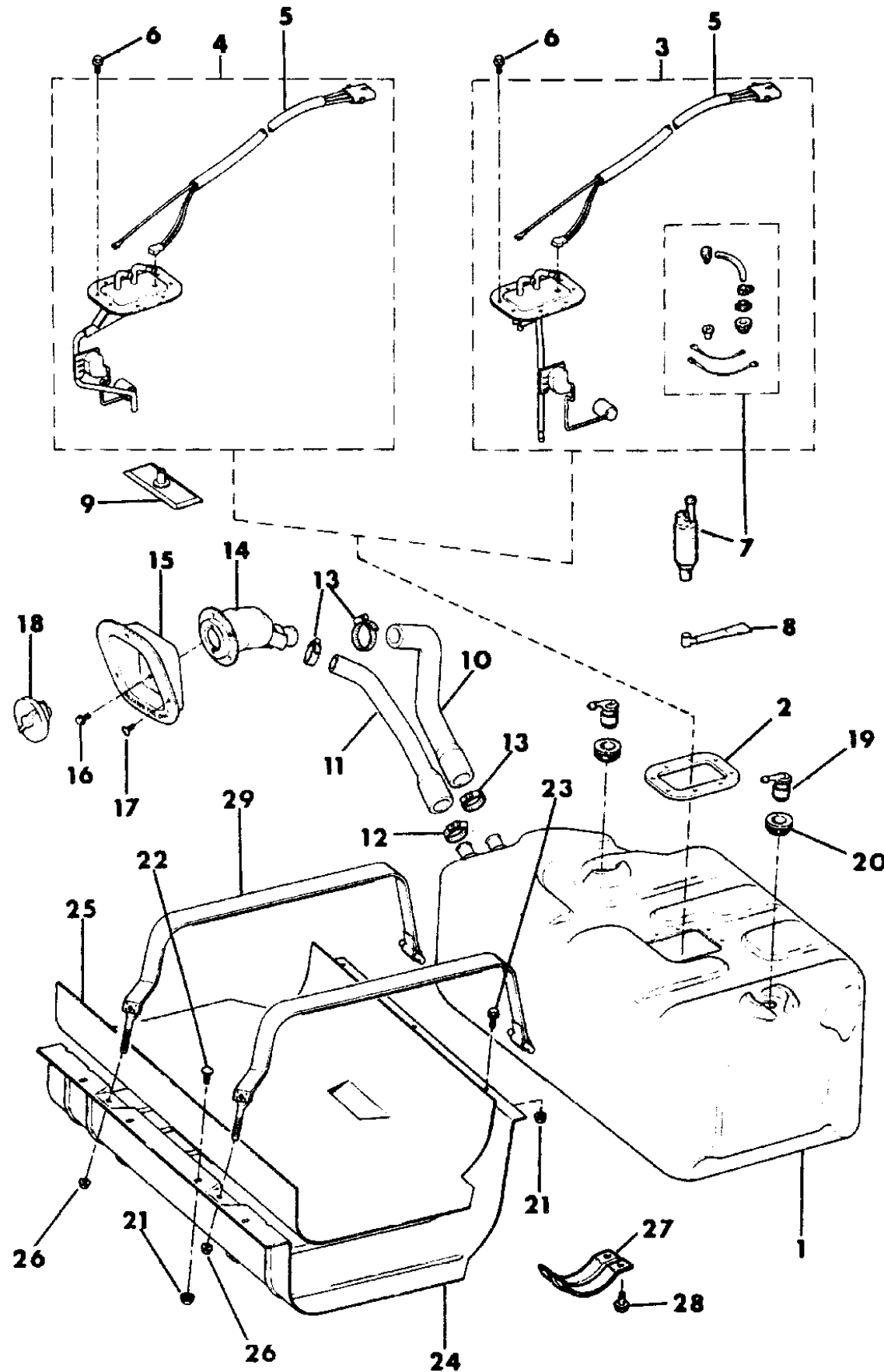
- MODEL CODES:
- | | | |
|-----------------------------|-----------------------------|------------------------------|
| 15 = Grand Wagoneer 4 Dr. | 65 = Comanche 4WD-7 Ft. Box | 77 = Cherokee 4WD-2 Dr. |
| 25 = J-10 Pickup-119" W.B. | 66 = Comanche 2WD-7 Ft. Box | 78 = Cherokee 4WD-4 Dr. |
| 26 = J-10 Pickup-131" W.B. | 73 = Cherokee 2WD-2 Dr. | 79 = Cherokee 4WD-4 Dr.-Com |
| 27 = J-20 Pickup-131" W.B. | 74 = Cherokee 2WD-4 Dr. | 81 = Wrangler-93" W.B. |
| 63 = Comanche 4WD-6 Ft. Box | 75 = Wagoneer 4WD-4 Dr. | 82 = Wrangler-103" W.B.-Exp. |
| 64 = Comanche 2WD-6 Ft. Box | | |

- BODY STYLES:
- MJ = Comanche Pickup
 - SJ = Grand Wagoneer Wgn., J-10 & J-20 Pickups
 - XJ = Cherokee, Wagoneer Limited
 - YJ = Wrangler

AR = Use as Required - = Non Illustrated Part P.A.R. = Paint as Required

FUEL TANK 20.0 GALLON WRANGLER, YJ
Figure 14-4000

8J14 4000



| ITEM | PART NUMBER | QTY | BODY | MODEL | DESCRIPTION |
|------|-------------|-----|------|-------|---|
| 1 | | | | | TANK, Fuel |
| | 5200 2633 | 1 | | | 2.5L Eng. - U.S., Canada and ECE |
| | 5200 2622 | 1 | | | Non Regulated Market |
| | 5200 2622 | 1 | | | 4.2L Eng. |
| 2 | 5300 4225 | 1 | | | GASKET |
| 3 | 8350 2991 | 1 | | | UNIT, Fuel Sending, 2.5L Eng. |
| 4 | 5300 3341 | 1 | | | UNIT, Fuel Sending, 4.2L Eng. |
| 5 | | | | | HARNESSES, Fuel Tank |
| | 8350 2955 | 1 | | | 2.5L Eng - U.S., Canada and ECE |
| | 8350 2956 | 1 | | | Non Regulated Markets |
| 6 | J400 4203 | 8 | | | SCREW |
| 7 | 8350 2995 | 1 | | | PUMP PACKAGE, Fuel - 2.5L Eng. - U.S., Canada and ECE *** |
| 8 | 3300 0184 | 1 | | | FILTER, Fuel - 2.5L Eng. - U.S., Canada and ECE |
| 9 | 5300 1248 | 1 | | | FILTER, Fuel, Non Regulated Markets |
| 10 | | | | | HOSE, Filler |
| | 5204 0079 | 1 | | | w/93" W.B. |
| | 5200 3509 | 1 | | | w/103" W.B. |
| 11 | | | | | HOSE, Vent |
| | 5204 0081 | 1 | | | w/93" W.B. |
| | 5200 3511 | 1 | | | w/103" W.B. |
| 12 | J320 3078 | 1 | | | CLAMP, Hose |
| 13 | J320 3077 | 3 | | | CLAMP, Hose |
| 14 | | | | | NOZZLE, Fuel Filler |
| | 5200 2437 | 1 | | | w/Unleaded Fuel, w/93" W.B. |
| | 5200 3401 | 1 | | | w/Leaded Fuel, w/93" W.B. |
| | 5200 3514 | 1 | | | w/Leaded Fuel w/103" W.B. |
| 15 | J546 3803 | 1 | | | PROTECTOR |
| 16 | J812 0054 | 6 | | | SCREW |
| 17 | J400 5817 | 3 | | | SCREW |
| 18 | | | | | CAP, Fuel Filler - Non-Locking |
| | 5200 3766 | 1 | | | U.S. |
| | 5200 3767 | 1 | | | Canada |
| | 5200 3768 | 1 | | | ECE, Venezuela KDX, Non Regulated Markets |
| | J535 9606 | 1 | | | Egypt KDX w/103" W.B. |
| 19 | J536 0058 | 2 | | | VALVE, Vent |
| 20 | J536 0059 | 2 | | | SEAL |
| 21 | J012 0376 | AR | | | NUT, Lock |

MODEL CODES:

| | | |
|-----------------------------|-----------------------------|------------------------------|
| 15 = Grand Wagoneer 4 Dr. | 65 = Comanche 4WD-7 Ft. Box | 77 = Cherokee 4WD-2 Dr. |
| 25 = J-10 Pickup-119" W.B. | 66 = Comanche 2WD-7 Ft. Box | 78 = Cherokee 4WD-4 Dr. |
| 26 = J-10 Pickup-131" W.B. | 73 = Cherokee 2WD-2 Dr. | 79 = Cherokee 4WD-4 Dr.-Com |
| 27 = J-20 Pickup-131" W.B. | 74 = Cherokee 2WD-4 Dr. | 81 = Wrangler-93" W.B. |
| 63 = Comanche 4WD-6 Ft. Box | 75 = Wagoneer 4WD-4 Dr. | 82 = Wrangler-103" W.B.-Exp. |
| 64 = Comanche 2WD-6 Ft. Box | | |

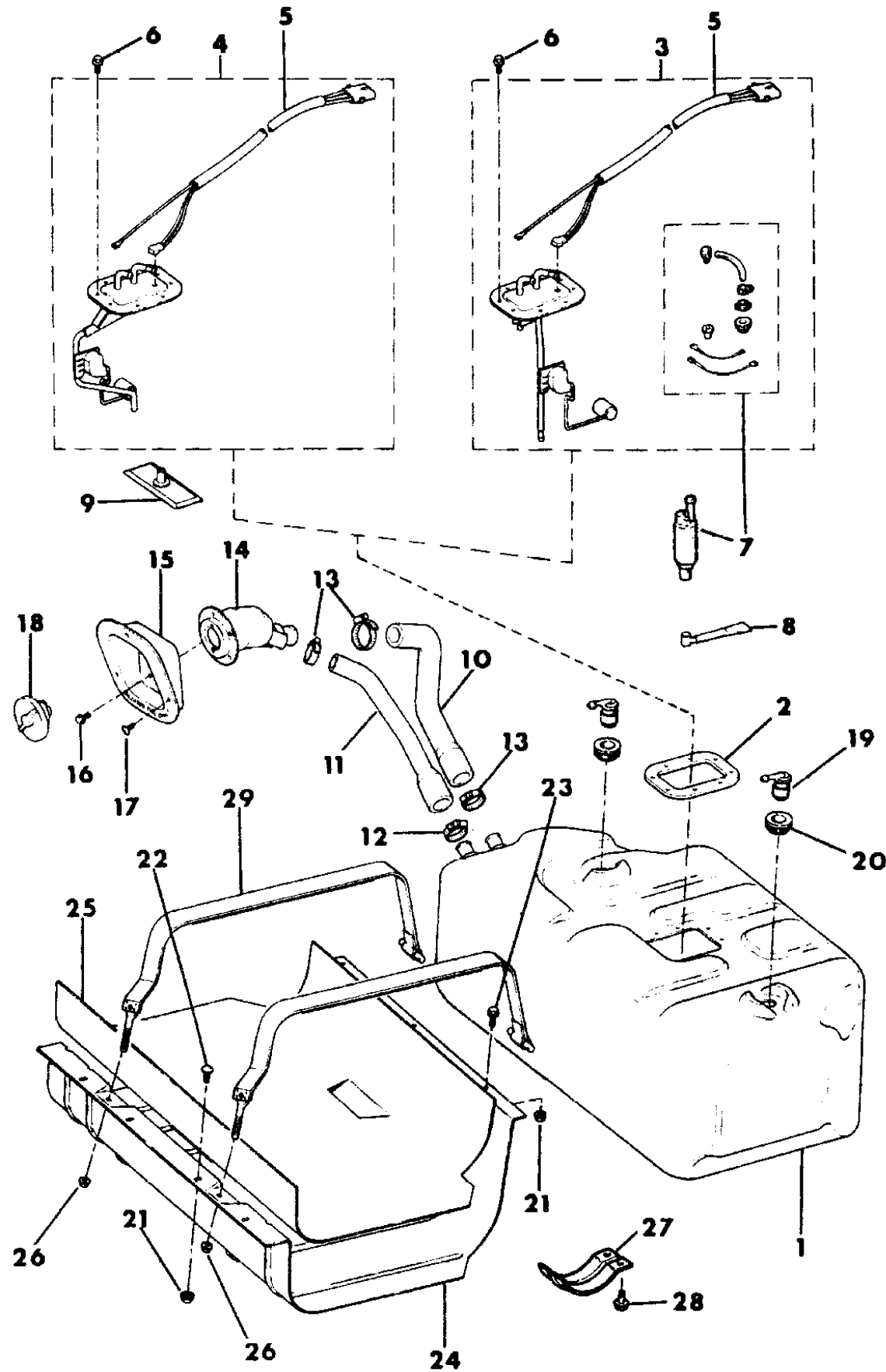
BODY STYLES:

MJ = Comanche Pickup
SJ = Grand Wagoneer Wgn., J-10 & J-20 Pickups
XJ = Cherokee, Wagoneer Limited
YJ = Wrangler

AR = Use as Required - = Non Illustrated Part P.A.R. = Paint as Required

FUEL TANK 20.0 GALLON WRANGLER, YJ
Figure 14-4000

8J14 4000



| ITEM | PART NUMBER | QTY | BODY | MODEL | DESCRIPTION |
|------|-------------|-----|------|-------|-------------|
| 22 | J400 5819 | AR | | | BOLT |
| 23 | J018 0078 | 3 | | | BOLT |
| 24 | 5204 0075 | 1 | | | PLATE, Skid |
| 25 | 5204 0076 | 1 | | | PAD |
| 26 | J400 3587 | 2 | | | NUT, Lock |
| 27 | 5300 0739 | 1 | | | PLATE, Skid |
| 28 | 3420 1033 | 2 | | | BOLT |
| 29 | J535 6651 | 2 | | | STRAP |

MODEL CODES:

| | | |
|-----------------------------|-----------------------------|------------------------------|
| 15 = Grand Wagoneer 4 Dr. | 65 = Comanche 4WD-7 Ft. Box | 77 = Cherokee 4WD-2 Dr. |
| 25 = J-10 Pickup-119" W.B. | 66 = Comanche 2WD-7 Ft. Box | 78 = Cherokee 4WD-4 Dr. |
| 26 = J-10 Pickup-131" W.B. | 73 = Cherokee 2WD-2 Dr. | 79 = Cherokee 4WD-4 Dr.-Com |
| 27 = J-20 Pickup-131" W.B. | 74 = Cherokee 2WD-4 Dr. | 81 = Wrangler-93" W.B. |
| 63 = Comanche 4WD-6 Ft. Box | 75 = Wagoneer 4WD-4 Dr. | 82 = Wrangler-103" W.B.-Exp. |
| 64 = Comanche 2WD-6 Ft. Box | | |

BODY STYLES:

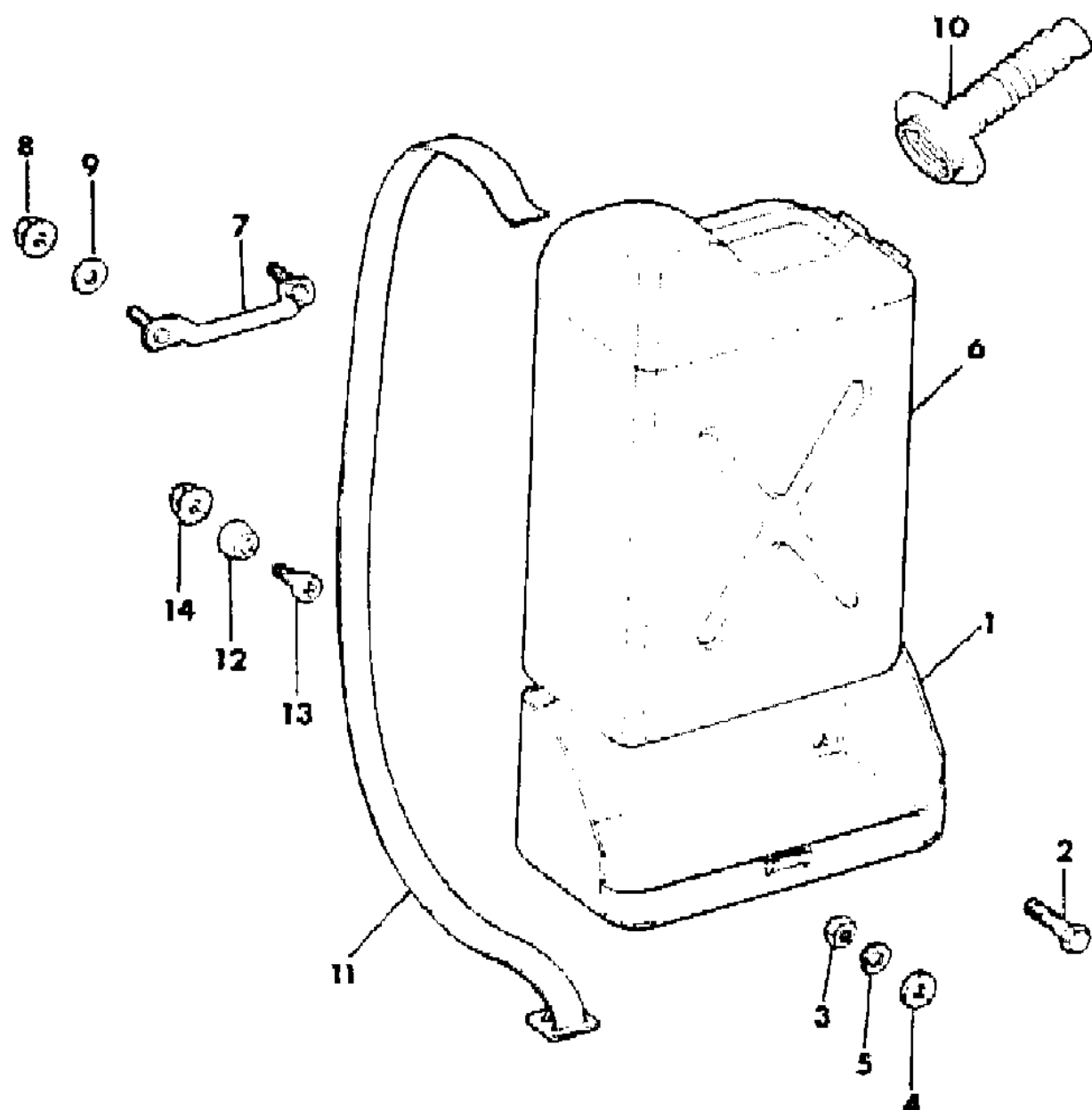
MJ = Comanche Pickup
SJ = Grand Wagoneer Wgn., J-10 & J-20 Pickups
XJ = Cherokee, Wagoneer Limited
YJ = Wrangler

AR = Use as Required - = Non Illustrated Part P.A.R. = Paint as Required

FUEL CONTAINER 5 GALLON AUXILIARY WRANGLER - KDX
Figure 14-4050

8 J14 4050

| ITEM | PART NUMBER | QTY | BODY | MODEL | DESCRIPTION |
|------|-------------|-----|------|-------|---|
| 1 | J805 1477 | 1 | | | CARRIER (Paint as Required) *** |
| 2 | J018 0120 | 4 | | | BOLT |
| 3 | S941 8738 | 4 | | | NUT |
| 4 | J012 0388 | 4 | | | WASHER, Flat |
| 5 | J012 0382 | 4 | | | WASHER, Lock |
| 6 | J805 1476 | 1 | | | CONTAINER, Fuel (Paint as Required) *** |
| 7 | 5500 9342 | 1 | | | LOOP, Footman |
| 8 | J027 1166 | 2 | | | NUT |
| 9 | J941 6244 | 2 | | | WASHER |
| 10 | J805 1065 | 1 | | | SPOUT |
| 11 | | 1 | | | STRAP (not serviced) |
| 12 | J096 8734 | 2 | | | BUMPER |
| 13 | J015 9947 | 2 | | | SCREW |
| 14 | J027 1166 | 2 | | | NUT |



MODEL CODES:

| | | |
|-----------------------------|-----------------------------|------------------------------|
| 15 = Grand Wagoneer 4 Dr. | 65 = Comanche 4WD-7 Ft. Box | 77 = Cherokee 4WD-2 Dr. |
| 25 = J-10 Pickup-119" W.B. | 66 = Comanche 2WD-7 Ft. Box | 78 = Cherokee 4WD-4 Dr. |
| 26 = J-10 Pickup-131" W.B. | 73 = Cherokee 2WD-2 Dr. | 79 = Cherokee 4WD-4 Dr.-Com |
| 27 = J-20 Pickup-131" W.B. | 74 = Cherokee 2WD-4 Dr. | 81 = Wrangler-93" W.B. |
| 63 = Comanche 4WD-6 Ft. Box | 75 = Wagoneer 4WD-4 Dr. | 82 = Wrangler-103" W.B.-Exp. |
| 64 = Comanche 2WD-6 Ft. Box | | |

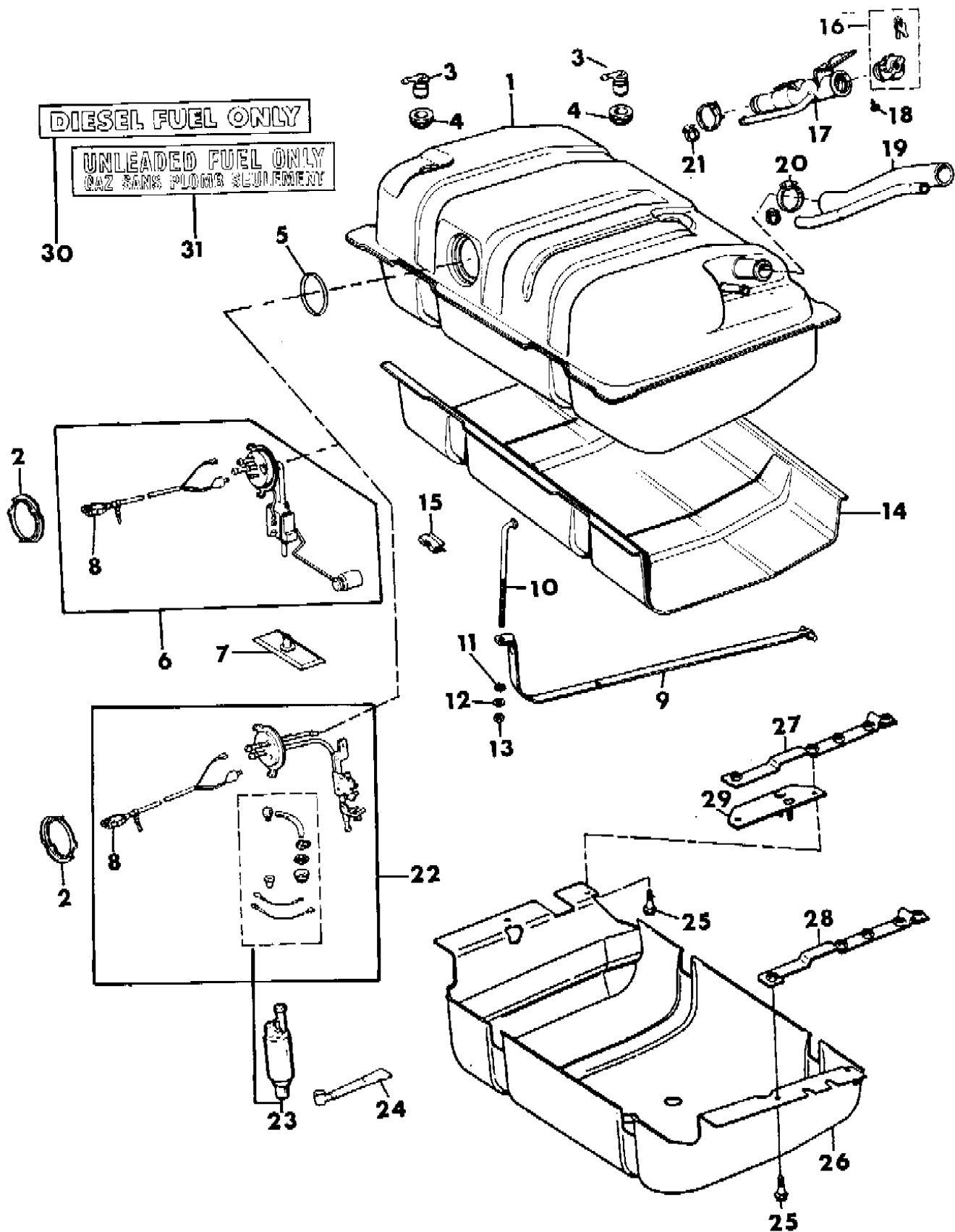
BODY STYLES:

MJ = Comanche Pickup
SJ = Grand Wagoneer Wgn., J-10 & J-20 Pickups
XJ = Cherokee, Wagoneer Limited
YJ = Wrangler

AR = Use as Required - = Non Illustrated Part P.A.R. = Paint as Required

FUEL TANK CHEROKEE AND WAGONEER
Figure 14-4100

8 J 14 4100 B



| ITEM | PART NUMBER | QTY | BODY | MODEL | DESCRIPTION |
|------|-------------|-----|------|-------|--|
| 1 | | | | | TANK, Fuel |
| | 8350 0267 | 1 | | | w/13.5 Gal. Tank w/Carbureted Eng. - also use 53003062 |
| | 8350 2633 | 1 | | | w/13.5 Gal. Tank w/2.5L Eng. - also use 83504484 |
| | 8350 0267 | 1 | | | w/13.5 Gal. Tank w/Diesel Eng. - also use 53003066 |
| | 8350 2633 | 1 | | | w/13.5 Gal. Tank w/4.0L Eng. - also use 83504487 |
| | 8350 0267 | 1 | | | w/20.2 Gal. Tank w/Carbureted Eng. |
| | 8350 2633 | 1 | | | w/20.2 Gal. Tank w/Fuel Injected Eng. |
| | 8350 0267 | 1 | | | w/20.2 Gal. Tank w/Diesel Eng. |
| 2 | 5300 0584 | 1 | | | LOCK |
| 3 | J536 0058 | 2 | | | VALVE, Vent |
| 4 | J536 0059 | 2 | | | SEAL |
| 5 | 5300 0575 | 1 | | | O-RING |
| 6 | | | | | SENDING UNIT, Fuel - w/20.2 Gal. Tank *** |
| | 5200 3647 | 1 | | | w/Carbureted Eng. |
| | 8350 6285 | 1 | | | w/Diesel Eng. |
| 7 | 5300 1248 | 1 | | | FILTER, Fuel - w/Carbureted Eng. |
| 8 | | | | | HARNES, Fuel Tank |
| | 5600 1860 | 1 | | | w/Carbureted or Diesel Eng. |
| | 5600 1859 | 1 | | | w/Fuel Injected Eng. |
| 9 | 5200 0128 | 2 | | | STRAP |
| 10 | J324 0023 | 2 | | | BOLT |
| 11 | S941 8738 | 2 | | | WASHER |
| 12 | J400 1104 | 2 | | | WASHER |
| 13 | S941 8738 | 2 | | | NUT |
| 14 | 5200 0415 | 1 | | | SHIELD, Fuel Tank |
| 15 | 3420 1934 | 6 | | | CLIP |
| 16 | | | | | CAP, Fuel Filler |
| | 5200 3770 | 1 | | | U.S. Non-locking |
| | 5200 3772 | 1 | | | Canada Non-locking |
| | 5200 3774 | 1 | | | Export Non-locking |
| | 8240 0041 | 1 | | | Locking |
| | 3300 0068 | 1 | | | ECE Locking |
| 17 | | | | | TUBE, Fuel Filler |
| | 5200 0132 | 1 | | | w/Unleaded Gas |
| | 5200 0137 | 1 | | | w/Leaded Gas or Diesel |
| 18 | J400 1701 | 4 | | | SCREW |
| 19 | 5200 0623 | 1 | | | HOSE ASSEMBLY |

MODEL CODES:

| | | |
|-----------------------------|-----------------------------|------------------------------|
| 15 = Grand Wagoneer 4 Dr. | 65 = Comanche 4WD-7 Ft. Box | 77 = Cherokee 4WD-2 Dr. |
| 25 = J-10 Pickup-119" W.B. | 66 = Comanche 2WD-7 Ft. Box | 78 = Cherokee 4WD-4 Dr. |
| 26 = J-10 Pickup-131" W.B. | 73 = Cherokee 2WD-2 Dr. | 79 = Cherokee 4WD-4 Dr.-Com |
| 27 = J-20 Pickup-131" W.B. | 74 = Cherokee 2WD-4 Dr. | 81 = Wrangler-93" W.B. |
| 63 = Comanche 4WD-6 Ft. Box | 75 = Wagoneer 4WD-4 Dr. | 82 = Wrangler-103" W.B.-Exp. |
| 64 = Comanche 2WD-6 Ft. Box | | |

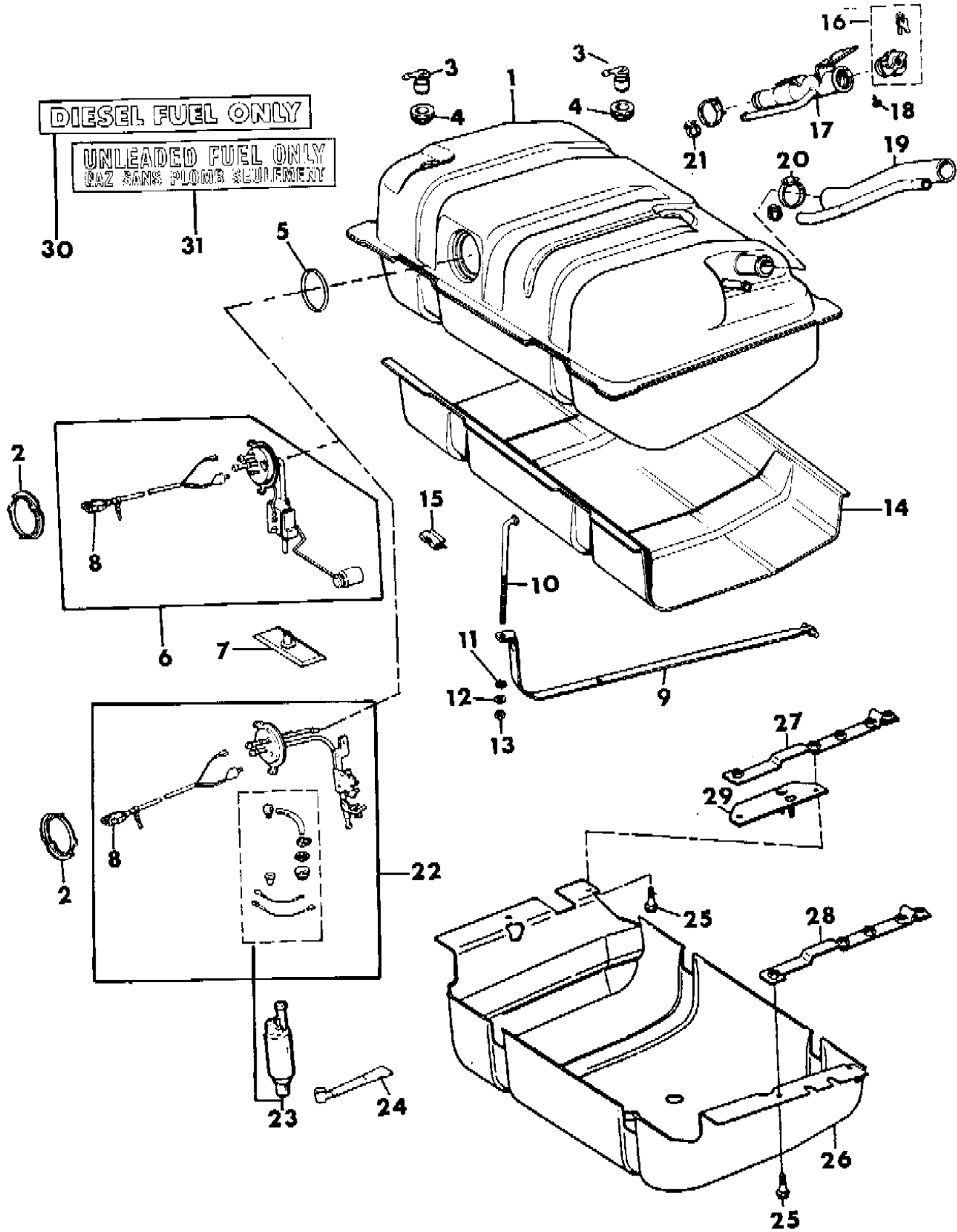
BODY STYLES:

MJ = Comanche Pickup
SJ = Grand Wagoneer Wgn., J-10 & J-20 Pickups
XJ = Cherokee, Wagoneer Limited
YJ = Wrangler

AR = Use as Required - = Non Illustrated Part P.A.R. = Paint as Required

FUEL TANK CHEROKEE AND WAGONEER
Figure 14-4100

8 J 14 4100 B



| ITEM | PART NUMBER | QTY | BODY | MODEL | DESCRIPTION |
|------|-------------|-----|------|-------|---|
| 20 | J320 3078 | 2 | | | CLAMP, Hose |
| 21 | J320 3077 | 2 | | | CLAMP, Hose |
| 22 | 8350 4480 | 1 | | | SENDING UNIT, Fuel - w/Fuel Injected Eng. *** w/13.5 Gal. Tank w/2.5L Eng. |
| | 8350 4488 | 1 | | | w/13.5 Gal. Tank w/4.0L Eng. |
| | 8350 4484 | 1 | | | w/20.2 Gal. Tank w/2.5L Eng. |
| | 8350 4487 | 1 | | | w/20.2 Gal. Tank w/4.0L Eng. |
| 23 | 8350 2751 | 1 | | | PUMP PACKAGE, Fuel - w/Fuel Injected Eng. *** 2.5L Eng. |
| | 4637 192 | 1 | | | 4.0L Eng. |
| 24 | 3300 0184 | 1 | | | FILTER, Fuel - w/Fuel Injected Eng. |
| 25 | 3420 1964 | 4 | | | BOLT |
| 26 | | | | | PLATE, Skid |
| | 5200 0415 | 1 | | | w/o 4x4 Protection Pkg. |
| | 5200 1512 | 1 | | | w/4x4 Protection Pkg. |
| 27 | 5200 1174 | 1 | | | REINFORCEMENT, Sill - Rt. |
| 28 | 5200 1175 | 1 | | | REINFORCEMENT, Sill - Lt. |
| 29 | 5200 1511 | 1 | | | BRACKET ASSEMBLY *** |
| 30 | J546 4900 | 1 | | | LABEL, Diesel Fuel |
| 31 | J369 6393 | 1 | | | LABEL, Unleaded Fuel U.S. |
| | J369 6394 | 1 | | | Canada |

MODEL CODES:

| | | |
|-----------------------------|-----------------------------|------------------------------|
| 15 = Grand Wagoneer 4 Dr. | 65 = Comanche 4WD-7 Ft. Box | 77 = Cherokee 4WD-2 Dr. |
| 25 = J-10 Pickup-119" W.B. | 66 = Comanche 2WD-7 Ft. Box | 78 = Cherokee 4WD-4 Dr. |
| 26 = J-10 Pickup-131" W.B. | 73 = Cherokee 2WD-2 Dr. | 79 = Cherokee 4WD-4 Dr.-Com |
| 27 = J-20 Pickup-131" W.B. | 74 = Cherokee 2WD-4 Dr. | 81 = Wrangler-93" W.B. |
| 63 = Comanche 4WD-6 Ft. Box | 75 = Wagoneer 4WD-4 Dr. | 82 = Wrangler-103" W.B.-Exp. |
| 64 = Comanche 2WD-6 Ft. Box | | |

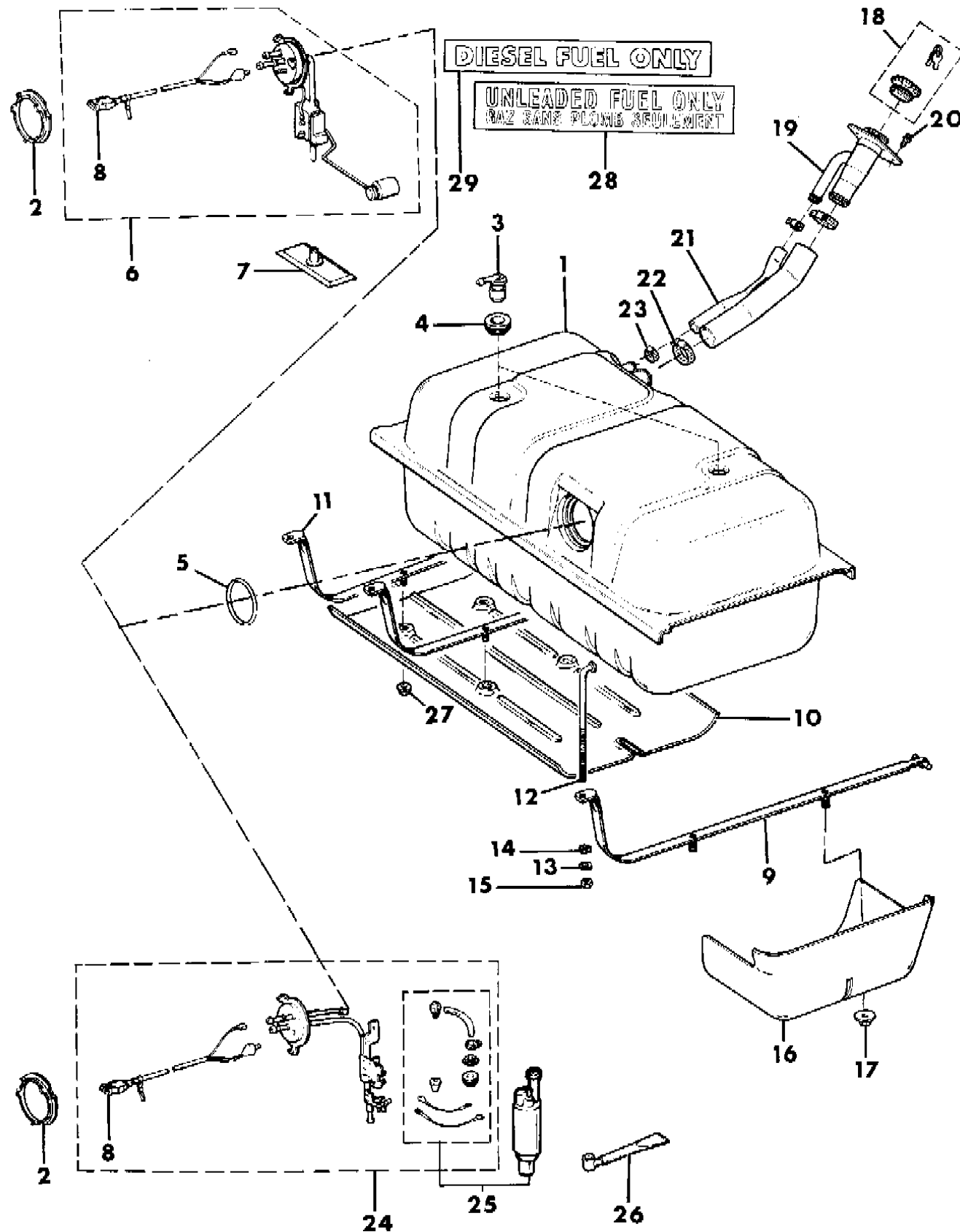
BODY STYLES:

MJ = Comanche Pickup
SJ = Grand Wagoneer Wgn., J-10 & J-20 Pickups
XJ = Cherokee, Wagoneer Limited
YJ = Wrangler

AR = Use as Required - = Non Illustrated Part P.A.R. = Paint as Required

FUEL TANK COMANCHE
Figure 14-4200

8 J144200 A



| ITEM | PART NUMBER | QTY | BODY | MODEL | DESCRIPTION |
|------|-------------|-----|------|-------|--|
| 1 | | | | | TANK, Fuel |
| | 8350 2635 | 1 | | | w/16 Gal. Tank w/Carbureted Eng. - also use 53002492 - 1987-88 |
| | 8350 2632 | 1 | | | w/16 Gal. Tank w/2.5L Eng. EFI - 7 Ft. Box - also use 83504481 - 1988 |
| | 8350 2632 | 1 | | | w/16 Gal. Tank w/EFI Eng. - also use 83502729 - 1987-88 |
| | 8350 2632 | 1 | | | w/16 Gal. Tank w/4.0L EFI Eng. - 7 Ft. Box - also use 83504485 - 1988 |
| | 8350 2635 | 1 | | | w/16 Gal. Tank w/Diesel Eng. - also use 52003644 - 1987-88 |
| | 8350 2635 | 1 | | | w/16 Gal. Tank w/2.5L Eng. Carbureted - 7 Ft. Box - also use 52003652 - 1988 |
| | 8350 3398 | 1 | | | w/18 Gal. Tank - EFI Eng. - 6 Ft. Box |
| | 8350 5282 | 1 | | | w/18 Gal. Tank - Carbureted Eng. - 6 Ft. Box |
| | 8350 2632 | 1 | | | w/23.5 Gal. Tank - EFI Eng. - 7 Ft. Box |
| | 8350 2635 | 1 | | | w/23.5 Gal. Tank - Carbureted or Diesel Eng. - 7 Ft. Box |
| 2 | 5300 0584 | 1 | | | LOCK |
| 3 | J536 0058 | 2 | | | VALVE |
| 4 | J536 0059 | 2 | | | SEAL |
| 5 | 5300 0575 | 1 | | | O-RING |
| 6 | | | | | SENDING UNIT, Fuel *** |
| | 5200 3671 | 1 | | | w/16 Gal. Tank - Carbureted Eng. - 7 Ft. Box - 1988 |
| | 5200 3644 | 1 | | | w/18 Gal. Tank - Carbureted Eng. - 7 Ft. Box |
| | 5200 3652 | 1 | | | w/23.5 Gal. Tank - Carbureted Eng. - 7 Ft. Box |
| | 5200 3644 | 1 | | | w/23.5 Gal. Tank - Diesel Eng. - 7 Ft. Box |
| 7 | 5300 1248 | 1 | | | FILTER, Fuel - w/Carbureted Eng. |
| 8 | | | | | HARNASS, Fuel Tank |
| | 5600 1860 | 1 | | | w/Carbureted Eng. |
| | 5600 1859 | 1 | | | w/EFI Eng. |
| | 5600 1860 | 1 | | | w/Diesel Eng. |
| 9 | | | | | STRAP |
| | 5200 1614 | 2 | | | w/o Skid Plate |
| | 5200 1612 | 2 | | | w/Skid Plate |
| 10 | | | | | EXTENSION, Shield |
| | 5200 2958 | 1 | | | 6 Ft. Box (Modify to Fit) |
| | 5200 2958 | 1 | | | 7 Ft. Box |
| 11 | | | | | STRAP, Rear - 7 Ft. Box |
| | 5200 2986 | 1 | | | w/o Skid Plate |

MODEL CODES:

| | | |
|-----------------------------|-----------------------------|------------------------------|
| 15 = Grand Wagoneer 4 Dr. | 65 = Comanche 4WD-7 Ft. Box | 77 = Cherokee 4WD-2 Dr. |
| 25 = J-10 Pickup-119" W.B. | 66 = Comanche 2WD-7 Ft. Box | 78 = Cherokee 4WD-4 Dr. |
| 26 = J-10 Pickup-131" W.B. | 73 = Cherokee 2WD-2 Dr. | 79 = Cherokee 4WD-4 Dr.-Com |
| 27 = J-20 Pickup-131" W.B. | 74 = Cherokee 2WD-4 Dr. | 81 = Wrangler-93" W.B. |
| 63 = Comanche 4WD-6 Ft. Box | 75 = Wagoneer 4WD-4 Dr. | 82 = Wrangler-103" W.B.-Exp. |
| 64 = Comanche 2WD-6 Ft. Box | | |

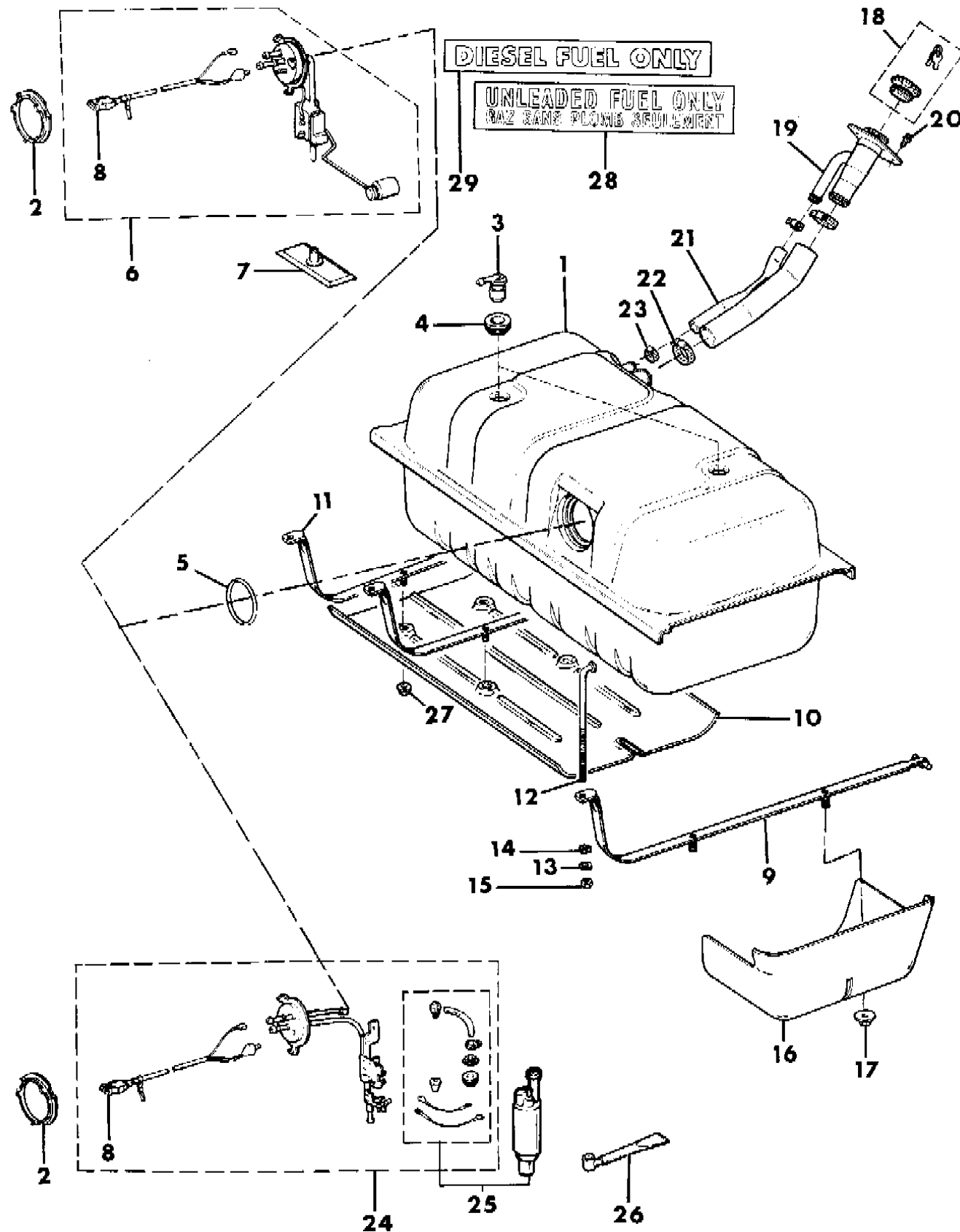
BODY STYLES:

MJ = Comanche Pickup
SJ = Grand Wagoneer Wgn., J-10 & J-20 Pickups
XJ = Cherokee, Wagoneer Limited
YJ = Wrangler

AR = Use as Required - = Non Illustrated Part P.A.R. = Paint as Required

FUEL TANK COMANCHE
Figure 14-4200

8 J144200 A



| ITEM | PART NUMBER | QTY | BODY | MODEL | DESCRIPTION |
|------|-------------|-----|------|-------|---|
| | | | | | w/Skid Plate |
| 12 | 5200 1613 | 1 | | | BOLT |
| 13 | 1150 0273 | AR | | | WASHER, Flat |
| 14 | 1150 0222 | AR | | | WASHER, Lock |
| 15 | 1150 0424 | AR | | | NUT, Hex |
| 16 | 5200 0951 | 1 | | | SHIELD, Tank - w/o Skid Plate |
| 17 | 3420 2123 | 2 | | | NUT, Flange |
| 18 | | | | | CAP, Fuel Filler |
| | 5200 3770 | 1 | | | U.S. Non-locking |
| | 5200 3772 | 1 | | | Canada Non-locking |
| | 5200 3774 | 1 | | | Export Non-locking |
| | 8240 0041 | 1 | | | Locking |
| | 3300 0068 | 1 | | | Export Locking |
| 19 | | | | | TUBE, Fuel Filler |
| | 5200 1814 | 1 | | | U.S. and Canada |
| | 5200 1817 | 1 | | | Export |
| 20 | J400 1701 | AR | | | SCREW |
| 21 | 5200 1595 | 1 | | | HOSE ASSEMBLY |
| 22 | J320 3078 | 2 | | | CLAMP, Hose |
| 23 | J320 3077 | 2 | | | CLAMP, Hose |
| 24 | | | | | SENDING UNIT - EFI Eng. *** |
| | 8350 4483 | 1 | | | w/16 Gal. Tank w/2.5L Eng. EFI - 7 Ft. Box - 1988 |
| | 8350 4486 | 1 | | | w/16 Gal. Tank w/4.0L Eng. EFI - 7 Ft. Box - 1988 |
| | 8350 4481 | 1 | | | w/18 and 23.5 Gal. Tank w/2.5L Eng. EFI - 6 and 7 Ft. Box |
| | 8350 4485 | 1 | | | w/18 and 23.5 Gal. Tank w/4.0L Eng. EFI - 6 and 7 Ft. Box |
| 25 | | | | | PUMP PACKAGE - EFI Eng. *** |
| | 8350 2752 | 1 | | | 2.5L Eng. |
| | 4637 192 | 1 | | | 4.0L Eng. |
| 26 | 3300 0184 | 1 | | | FILTER - EFI Eng. |
| 27 | 1150 3745 | AR | | | NUT, Flange |
| 28 | | | | | LABEL, Unleaded Fuel |
| | J369 6393 | 1 | | | U.S. |
| | J369 6394 | 1 | | | Canada |
| 29 | J546 4900 | 1 | | | LABEL, Diesel Fuel |

MODEL CODES:

| | | |
|-----------------------------|-----------------------------|------------------------------|
| 15 = Grand Wagoneer 4 Dr. | 65 = Comanche 4WD-7 Ft. Box | 77 = Cherokee 4WD-2 Dr. |
| 25 = J-10 Pickup-119" W.B. | 66 = Comanche 2WD-7 Ft. Box | 78 = Cherokee 4WD-4 Dr. |
| 26 = J-10 Pickup-131" W.B. | 73 = Cherokee 2WD-2 Dr. | 79 = Cherokee 4WD-4 Dr.-Com |
| 27 = J-20 Pickup-131" W.B. | 74 = Cherokee 2WD-4 Dr. | 81 = Wrangler-93" W.B. |
| 63 = Comanche 4WD-6 Ft. Box | 75 = Wagoneer 4WD-4 Dr. | 82 = Wrangler-103" W.B.-Exp. |
| 64 = Comanche 2WD-6 Ft. Box | | |

BODY STYLES:

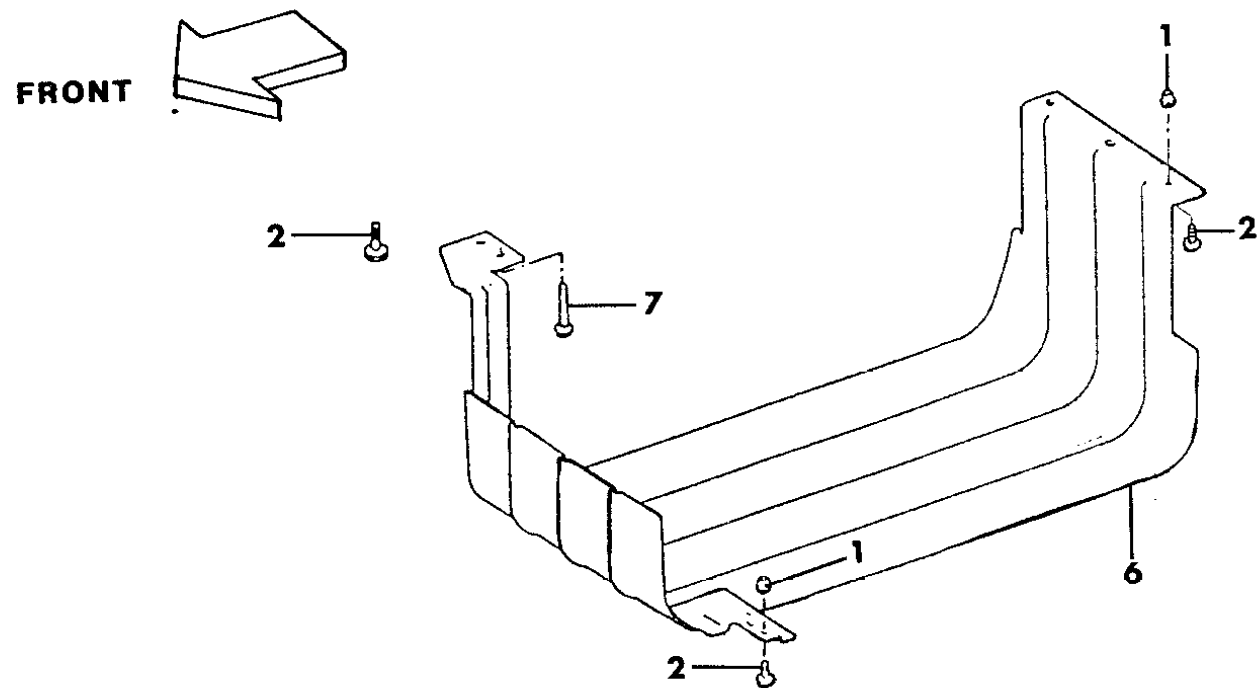
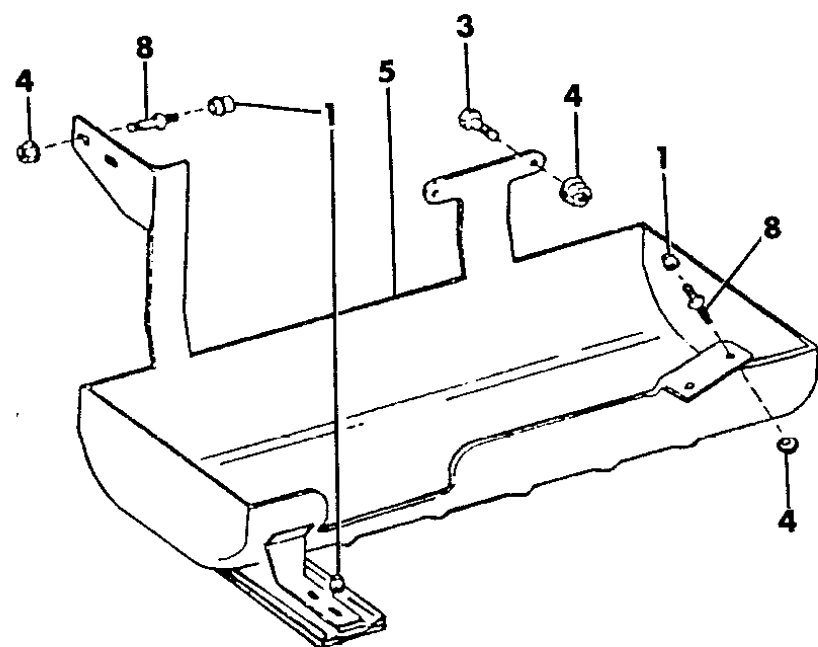
MJ = Comanche Pickup
SJ = Grand Wagoneer Wgn., J-10 & J-20 Pickups
XJ = Cherokee, Wagoneer Limited
YJ = Wrangler

AR = Use as Required - = Non Illustrated Part P.A.R. = Paint as Required

FUEL TANK SKID PLATE COMANCHE
Figure 14-4250

8J14 4250

| ITEM | PART NUMBER | QTY | BODY | MODEL | DESCRIPTION |
|------|-------------|-----|------|-------|-------------------------|
| 1 | 3420 1575 | AR | | | NUTSERT *** |
| 2 | 1150 2605 | AR | | | BOLT |
| 3 | 1150 2850 | AR | | | BOLT |
| 4 | 1150 1889 | AR | | | NUT |
| 5 | 5200 1806 | 1 | | | PLATE, Skid - 7 Ft. Box |
| 6 | 5200 2810 | 1 | | | PLATE, Skid - 6 Ft. Box |
| 7 | 3420 1540 | 2 | | | BOLT |
| 8 | 3420 2347 | 4 | | | STUD |



MODEL CODES:

| | | |
|-----------------------------|-----------------------------|------------------------------|
| 15 = Grand Wagoneer 4 Dr. | 65 = Comanche 4WD-7 Ft. Box | 77 = Cherokee 4WD-2 Dr. |
| 25 = J-10 Pickup-119" W.B. | 66 = Comanche 2WD-7 Ft. Box | 78 = Cherokee 4WD-4 Dr. |
| 26 = J-10 Pickup-131" W.B. | 73 = Cherokee 2WD-2 Dr. | 79 = Cherokee 4WD-4 Dr.-Com |
| 27 = J-20 Pickup-131" W.B. | 74 = Cherokee 2WD-4 Dr. | 81 = Wrangler-93" W.B. |
| 63 = Comanche 4WD-6 Ft. Box | 75 = Wagoneer 4WD-4 Dr. | 82 = Wrangler-103" W.B.-Exp. |
| 64 = Comanche 2WD-6 Ft. Box | | |

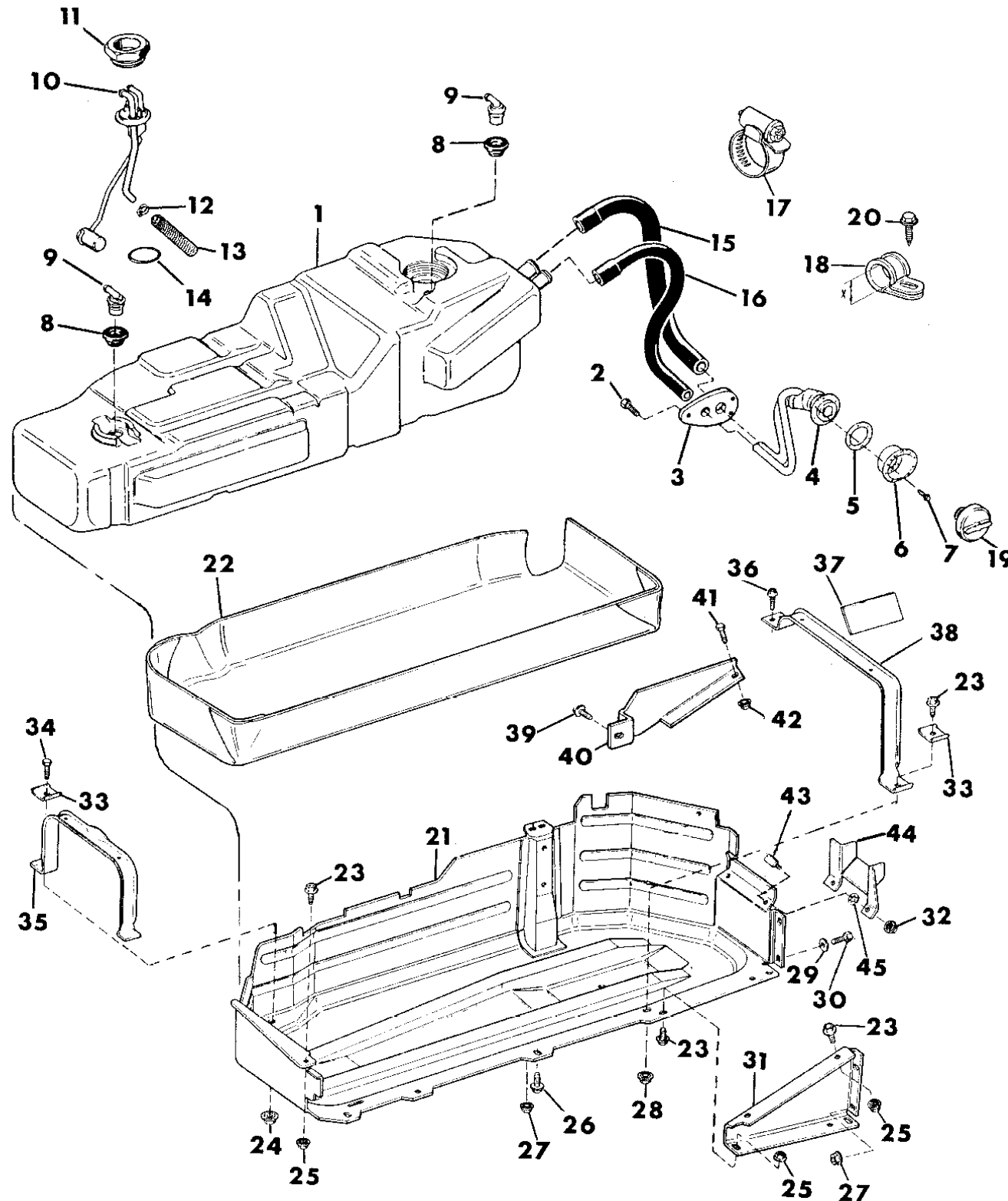
BODY STYLES:

MJ = Comanche Pickup
SJ = Grand Wagoneer Wgn., J-10 & J-20 Pickups
XJ = Cherokee, Wagoneer Limited
YJ = Wrangler

AR = Use as Required - = Non Illustrated Part P.A.R. = Paint as Required

FUEL TANK GRAND WAGONEER
Figure 14-4300

8 J 14 4300



| ITEM | PART NUMBER | QTY | BODY | MODEL | DESCRIPTION |
|------|-------------|-----|------|-------|--------------------------------------|
| 1 | J536 2496 | 1 | | | TANK, Fuel |
| 2 | J812 0056 | 3 | | | SCREW |
| 3 | J535 8610 | 1 | | | GROMMET |
| 4 | J536 4763 | 1 | | | TUBE, Fuel Filler w/Unleaded Fuel |
| | J536 3315 | 1 | | | w/Leaded Fuel |
| 5 | J093 6433 | 1 | | | GASKET |
| 6 | J536 3394 | 1 | | | BEZEL w/Unleaded Fuel |
| | J536 3395 | 1 | | | w/Leaded Fuel |
| 7 | J400 6871 | 6 | | | SCREW |
| 8 | J536 0059 | 2 | | | SEAL |
| 9 | J536 2541 | 2 | | | VALVE |
| 10 | 5300 3099 | 1 | | | SENDING UNIT, Fuel |
| 11 | J537 0014 | 1 | | | LOCK |
| 12 | 3300 0786 | 1 | | | CLAMP, Hose |
| 13 | J536 1389 | 1 | | | FILTER, Fuel |
| 14 | J094 1521 | 1 | | | O-RING |
| 15 | J536 1183 | 1 | | | HOSE, Filler |
| 16 | J536 1184 | 1 | | | HOSE, Vent |
| 17 | J320 3077 | 4 | | | CLAMP, Hose |
| 18 | J400 3838 | 2 | | | CLIP 1.06" |
| | J400 6793 | 1 | | | 1.50" |
| 19 | 5200 3766 | 1 | | | CAP, Fuel Filler Non-locking U.S. |
| | 5200 3767 | 1 | | | Canada |
| | 5200 3768 | 1 | | | NRM |
| 20 | J943 1948 | AR | | | SCREW |
| 21 | J536 1590 | 1 | | | PLATE, Skid |
| 22 | J536 2004 | 1 | | | PAD, Fuel Tank |
| 23 | J027 3773 | 6 | | | BOLT |
| 24 | J400 4005 | 1 | | | NUT, Lock |
| 25 | J400 5895 | 5 | | | NUT |
| 26 | J400 4626 | 3 | | | SCREW |
| 27 | J400 3587 | 4 | | | NUT, Lock |
| 28 | J400 4008 | 1 | | | NUT, Lock |

MODEL CODES:

| | | |
|-----------------------------|-----------------------------|------------------------------|
| 15 = Grand Wagoneer 4 Dr. | 65 = Comanche 4WD-7 Ft. Box | 77 = Cherokee 4WD-2 Dr. |
| 25 = J-10 Pickup-119" W.B. | 66 = Comanche 2WD-7 Ft. Box | 78 = Cherokee 4WD-4 Dr. |
| 26 = J-10 Pickup-131" W.B. | 73 = Cherokee 2WD-2 Dr. | 79 = Cherokee 4WD-4 Dr.-Com |
| 27 = J-20 Pickup-131" W.B. | 74 = Cherokee 2WD-4 Dr. | 81 = Wrangler-93" W.B. |
| 63 = Comanche 4WD-6 Ft. Box | 75 = Wagoneer 4WD-4 Dr. | 82 = Wrangler-103" W.B.-Exp. |
| 64 = Comanche 2WD-6 Ft. Box | | |

BODY STYLES:

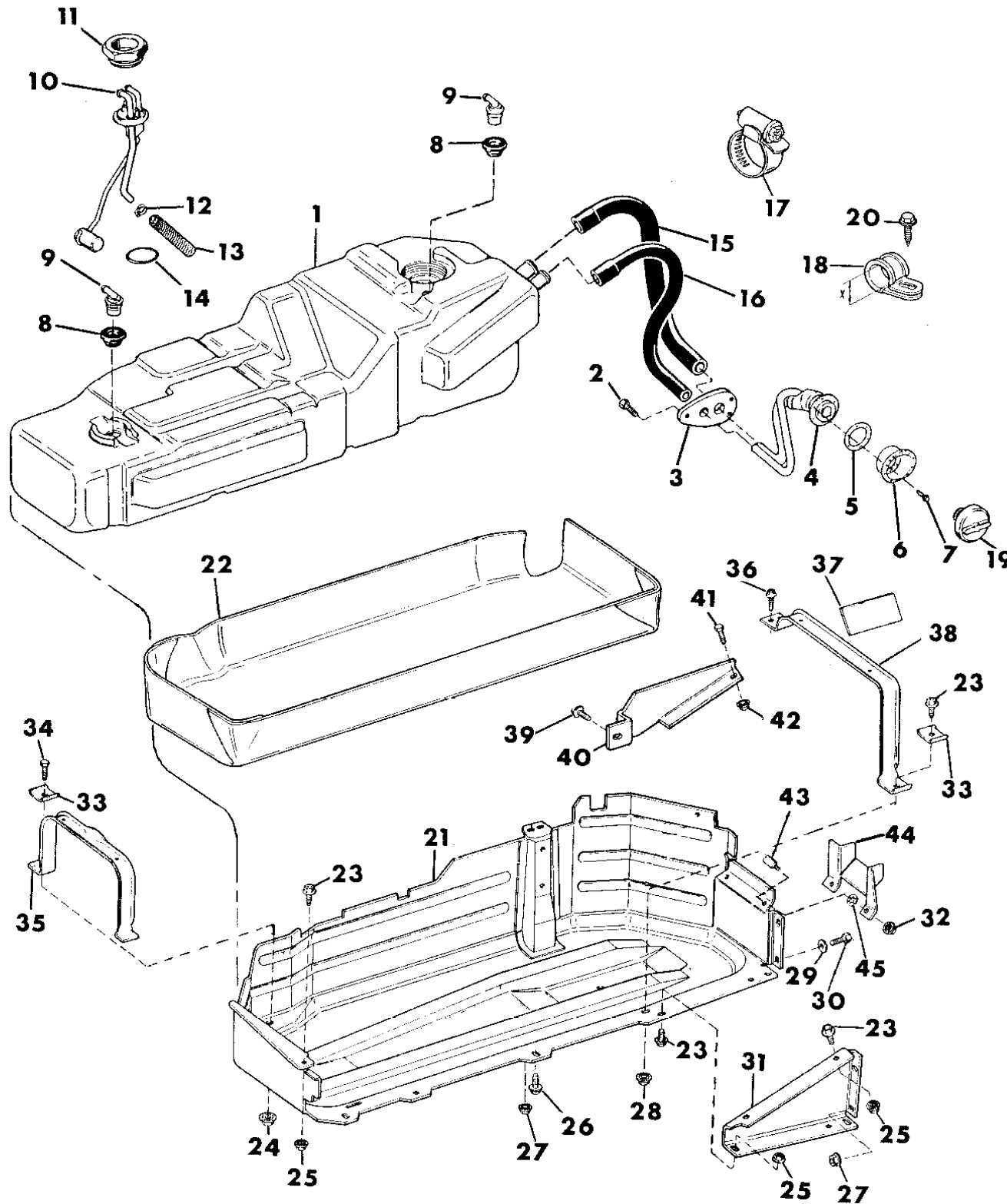
MJ = Comanche Pickup
SJ = Grand Wagoneer Wgn., J-10 & J-20 Pickups
XJ = Cherokee, Wagoneer Limited
YJ = Wrangler

AR = Use as Required - = Non Illustrated Part P.A.R. = Paint as Required

FUEL TANK GRAND WAGONEER
Figure 14-4300

8 J 14 4300

| ITEM | PART NUMBER | QTY | BODY | MODEL | DESCRIPTION |
|------|-------------|-----|------|-------|---------------|
| 29 | J012 0393 | 2 | | | WASHER |
| 30 | S017 9814 | 2 | | | BOLT |
| 31 | J536 1268 | 1 | | | BRACKET |
| 32 | J941 6918 | 2 | | | NUT, Lock |
| 33 | J535 6417 | 2 | | | PLATE |
| 34 | J942 4069 | 1 | | | BOLT |
| 35 | J536 1271 | 1 | | | STRAP, Front |
| 36 | J400 5673 | 2 | | | SCREW |
| 37 | 5200 2895 | 1 | | | PAD, Strap |
| 38 | J536 1269 | 1 | | | STRAP, Rear |
| 39 | J400 5063 | 1 | | | SCREW |
| 40 | J536 1629 | 1 | | | SHIELD |
| 41 | J018 0016 | 1 | | | BOLT |
| 42 | J941 6918 | 1 | | | NUT, Lock |
| 43 | J400 5681 | 2 | | | SCREW, T-Head |
| 44 | J536 1592 | 1 | | | SHIELD |
| 45 | J400 5041 | 2 | | | NUT, Push |



MODEL CODES:

| | | |
|-----------------------------|-----------------------------|------------------------------|
| 15 = Grand Wagoneer 4 Dr. | 65 = Comanche 4WD-7 Ft. Box | 77 = Cherokee 4WD-2 Dr. |
| 25 = J-10 Pickup-119" W.B. | 66 = Comanche 2WD-7 Ft. Box | 78 = Cherokee 4WD-4 Dr. |
| 26 = J-10 Pickup-131" W.B. | 73 = Cherokee 2WD-2 Dr. | 79 = Cherokee 4WD-4 Dr.-Com |
| 27 = J-20 Pickup-131" W.B. | 74 = Cherokee 2WD-4 Dr. | 81 = Wrangler-93" W.B. |
| 63 = Comanche 4WD-6 Ft. Box | 75 = Wagoneer 4WD-4 Dr. | 82 = Wrangler-103" W.B.-Exp. |
| 64 = Comanche 2WD-6 Ft. Box | | |

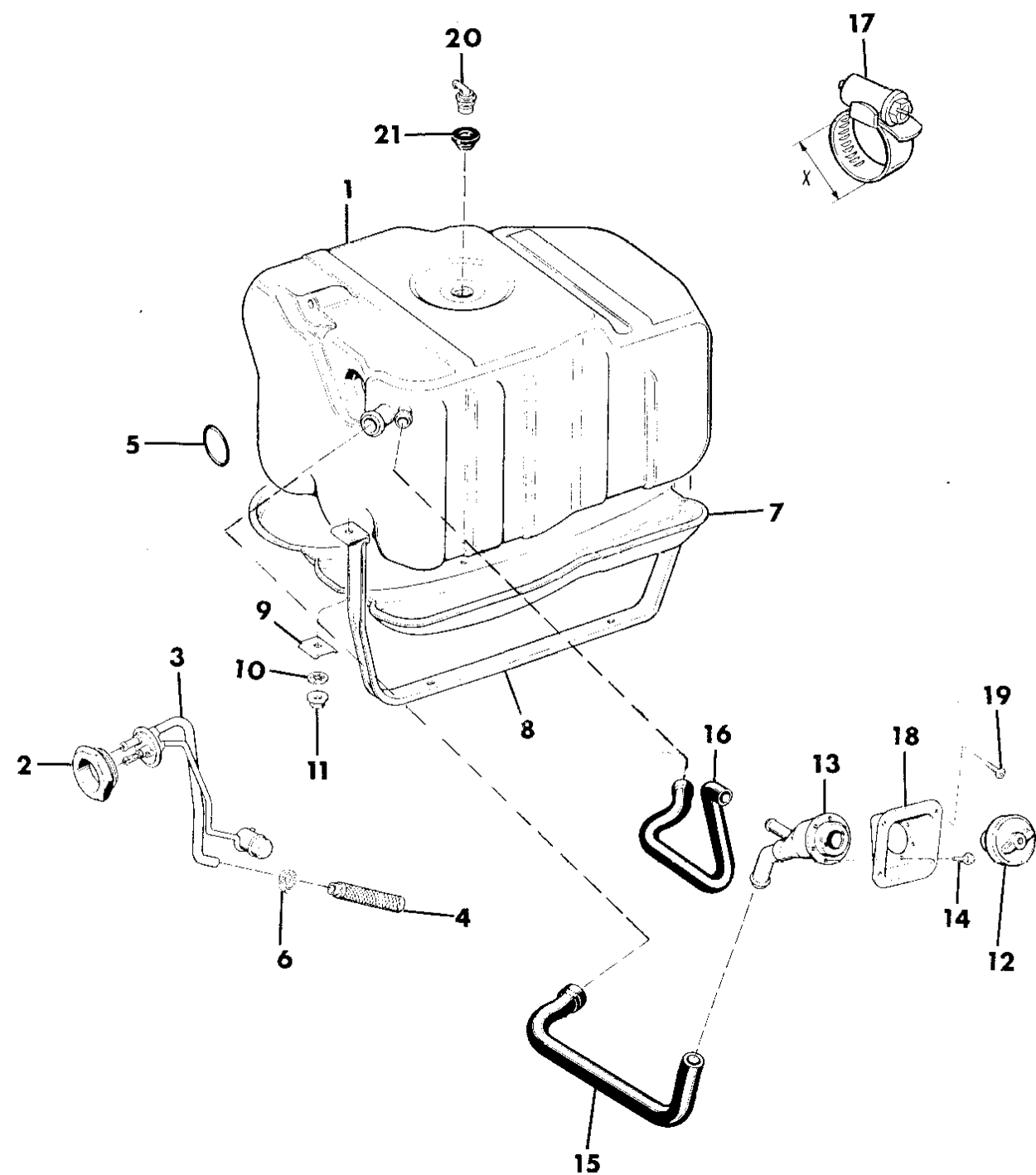
BODY STYLES:

MJ = Comanche Pickup
SJ = Grand Wagoneer Wgn., J-10 & J-20 Pickups
XJ = Cherokee, Wagoneer Limited
YJ = Wrangler

AR = Use as Required - = Non Illustrated Part P.A.R. = Paint as Required

FUEL TANK J10, J20
Figure 14-4400

8 J 144400



| ITEM | PART NUMBER | QTY | BODY | MODEL | DESCRIPTION |
|------|-------------|-----|------|-------|------------------------------|
| 1 | J536 2499 | 1 | | | TANK, Fuel |
| 2 | J537 0014 | 1 | | | LOCK |
| 3 | 5300 3201 | 1 | | | SENDING UNIT |
| 4 | J536 1389 | 1 | | | FILTER, Fuel |
| 5 | J094 1521 | 1 | | | O-RING |
| 6 | 3300 0786 | 1 | | | CLAMP, Hose |
| 7 | J536 1256 | 1 | | | SHIELD, Fuel Tank |
| 8 | J535 9779 | 2 | | | STRAP |
| 9 | J535 9777 | 4 | | | REINFORCEMENT |
| 10 | J400 3084 | 4 | | | NUT, Push |
| 11 | J400 5895 | 4 | | | NUT, Lock |
| 12 | | | | | CAP, Fuel Filler Non-locking |
| | 5200 3766 | 1 | | | U.S. |
| | 5200 3767 | 1 | | | Canada |
| | 5200 3768 | 1 | | | NRM |
| 13 | | | | | TUBE, Fuel Filler |
| | J536 4762 | 1 | | | w/Unleaded Fuel |
| | J535 7893 | 1 | | | w/Leaded Fuel |
| 14 | J812 0054 | 6 | | | SCREW |
| 15 | J536 1182 | 1 | | | HOSE, Filler |
| 16 | J536 1188 | 1 | | | HOSE, Vent |
| 17 | | | | | CLAMP, Hose |
| | J320 3077 | 3 | | | .81" to 1.75" |
| | J320 3079 | 1 | | | 1.81" to 2.75" |
| 18 | | | | | PROTECTOR |
| | J546 3919 | 1 | | | w/Unleaded Fuel |
| | J546 3920 | 1 | | | w/Leaded Fuel |
| 19 | J400 5817 | 4 | | | SCREW |
| 20 | J536 2541 | 1 | | | VALVE |
| 21 | J536 0059 | 1 | | | SEAL |

MODEL CODES:

| | | |
|-----------------------------|-----------------------------|------------------------------|
| 15 = Grand Wagoneer 4 Dr. | 65 = Comanche 4WD-7 Ft. Box | 77 = Cherokee 4WD-2 Dr. |
| 25 = J-10 Pickup-119" W.B. | 66 = Comanche 2WD-7 Ft. Box | 78 = Cherokee 4WD-4 Dr. |
| 26 = J-10 Pickup-131" W.B. | 73 = Cherokee 2WD-2 Dr. | 79 = Cherokee 4WD-4 Dr.-Com |
| 27 = J-20 Pickup-131" W.B. | 74 = Cherokee 2WD-4 Dr. | 81 = Wrangler-93" W.B. |
| 63 = Comanche 4WD-6 Ft. Box | 75 = Wagoneer 4WD-4 Dr. | 82 = Wrangler-103" W.B.-Exp. |
| 64 = Comanche 2WD-6 Ft. Box | | |

BODY STYLES:

MJ = Comanche Pickup
SJ = Grand Wagoneer Wgn., J-10 & J-20 Pickups
XJ = Cherokee, Wagoneer Limited
YJ = Wrangler

AR = Use as Required - = Non Illustrated Part P.A.R. = Paint as Required

GROUP 16 - PROP. SHAFT AND UNIVERSAL JOINT

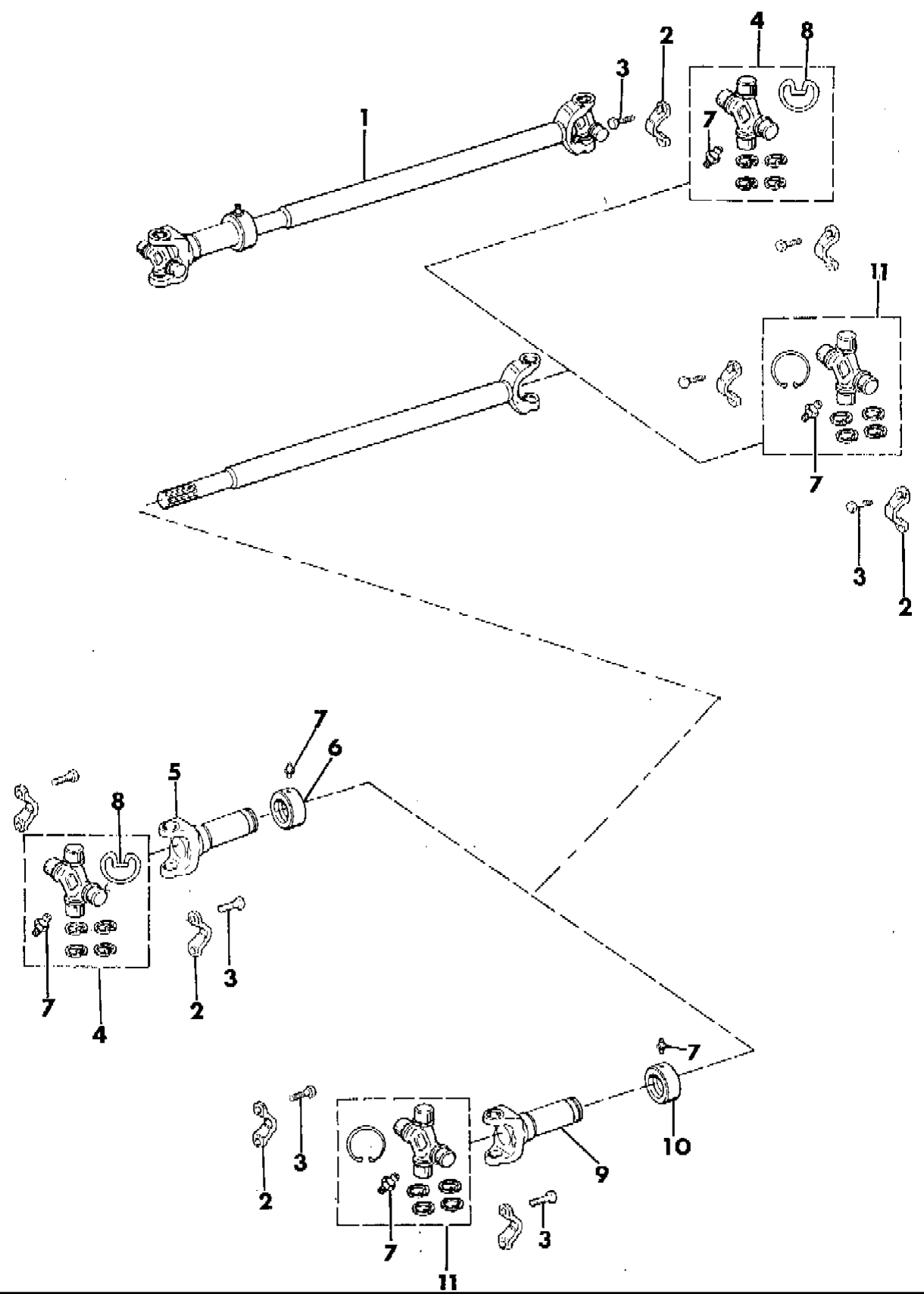
| ILLUSTRATION TITLE | GROUP-FIG. NO. |
|---|-----------------------|
| SHAFT, FRONT, PROPELLER WRANGLER, YJ | Fig. 16-100 |
| SHAFT, REAR, PROPELLER WRANGLER, YJ | Fig. 16-200 |
| SHAFT, FRONT, PROPELLER 4 WHEEL DRIVE CHEROKEE, WAGONEER, COMANCHE | Fig. 16-300 |
| SHAFT, REAR PROPELLER 2 WHEEL DRIVE AND 4 WHEEL DRIVE CHEROKEE, WAGONEER, COMANCHE | Fig. 16-400 |
| SHAFT, FRONT PROPELLER GRAND WAGONEER, TRUCK J10, J20 | Fig. 16-500 |
| SHAFT, REAR, PROPELLER GRAND WAGONEER, TRUCK J10, J20 | Fig. 16-600 |

ILLUSTRATION NOT AVAILABLE AT TIME OF PUBLICATION

SHAFT, FRONT, PROPELLER WRANGLER, YJ
Figure 16-100

8 J16 100 A

| ITEM | PART NUMBER | QTY | BODY | MODEL | DESCRIPTION |
|------|-------------|-----|------|-------|--|
| 1 | | | | | SHAFT ASSEMBLY, Propeller |
| | 5300 4369 | 1 | | | 4 CYL. ENG., With Manual Transmission |
| | 5300 4453 | 1 | | | 6 CYL. ENG., With Manual Transmission, 1987-1988 |
| | 5300 2001 | 1 | | | 6 CYL. ENG., With Manual Transimssion, 1989 |
| | 5300 4369 | 1 | | | 6 CYL. ENG., With Automatic Transmission |
| 2 | J324 0553 | 4 | | | STRAP |
| 3 | J400 6928 | 8 | | | BOLT |
| 4 | J812 6614 | 2 | | | SPIDER PACKAGE |
| 5 | 8350 1594 | 1 | | | YOKE, Slip Front Propeller |
| 6 | 8350 1595 | 1 | | | SEAL |
| 7 | J027 1287 | 3 | | | FITTING |
| 8 | J320 7886 | 4 | | | RING, Snap |
| 9 | 8350 3117 | 1 | | | YOKE, Slip |
| 10 | 8350 3118 | 1 | | | SEAL |
| 11 | 8350 3115 | 2 | | | SPIDER PACKAGE |



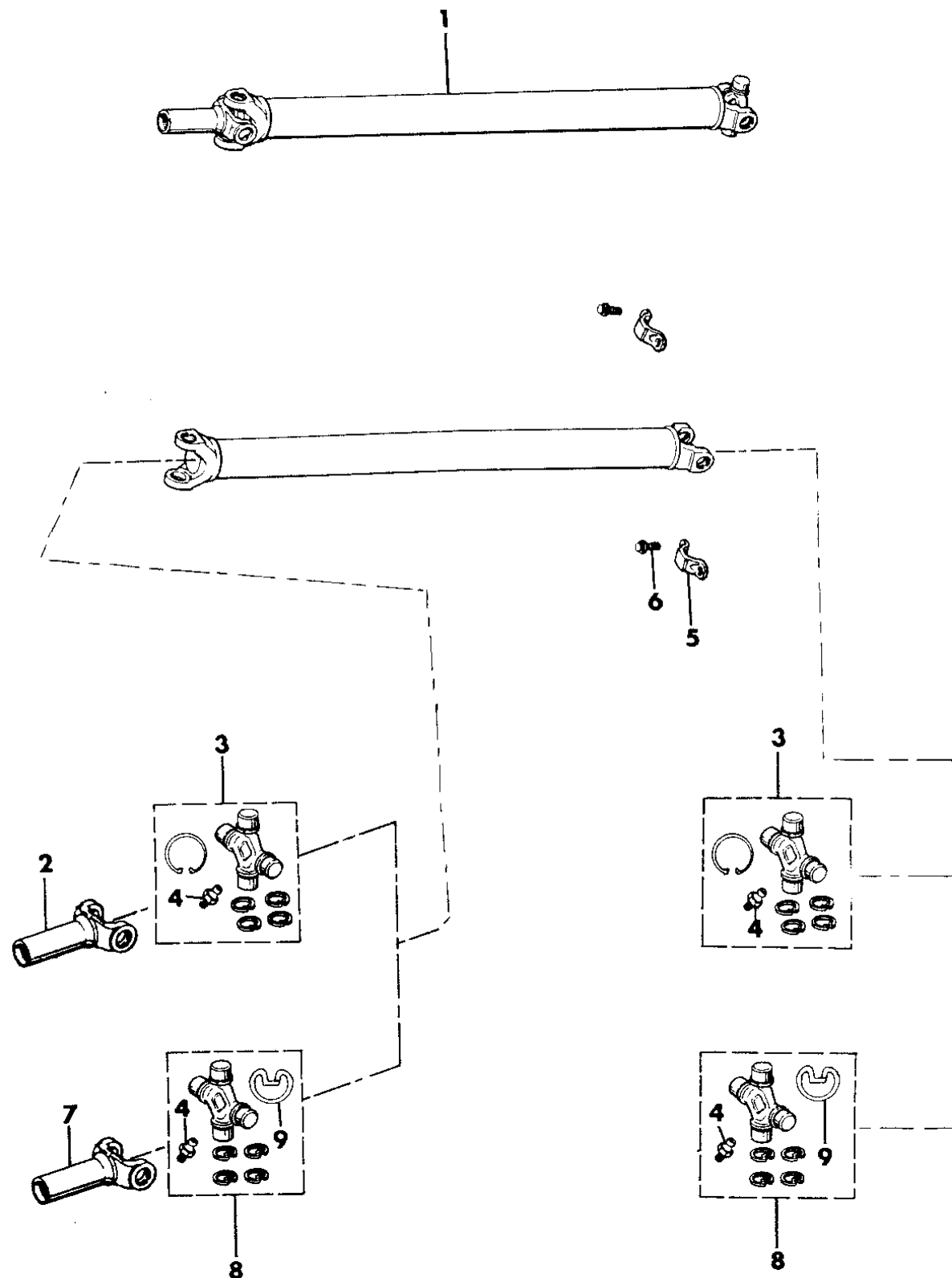
MODEL CODES:
 15 = Grand Wagoneer 4 Dr. 65 = Comanche 4WD-7 Ft. Box 77 = Cherokee 4WD-2 Dr.
 25 = J-10 Pickup-119" W.B. 66 = Comanche 2WD-7 Ft. Box 78 = Cherokee 4WD-4 Dr.
 26 = J-10 Pickup-131" W.B. 73 = Cherokee 2WD-2 Dr. 79 = Cherokee 4WD-4 Dr.-Com
 27 = J-20 Pickup-131" W.B. 74 = Cherokee 2WD-4 Dr. 81 = Wrangler-93" W.B.
 63 = Comanche 4WD-6 Ft. Box 75 = Wagoneer 4WD-4 Dr. 82 = Wrangler-103" W.B.-Exp.
 64 = Comanche 2WD-6 Ft. Box

BODY STYLES:
 MJ = Comanche Pickup
 SJ = Grand Wagoneer Wgn., J-10 & J-20 Pickups
 XJ = Cherokee, Wagoneer Limited
 YJ = Wrangler

AR = Use as Required - = Non Illustrated Part P.A.R. = Paint as Required

SHAFT, REAR, PROPELLER WRANGLER, YJ
Figure 16-200

8J16 200



| ITEM | PART NUMBER | QTY | BODY | MODEL | DESCRIPTION |
|------|-------------|-----|------|-------|--|
| 1 | | | | | SHAFT ASSEMBLY, Propeller Rear |
| | 5300 2002 | 1 | 81 | | 4 CYL. ENG. With Manual Transmission, AM 231 Transfer Case. 1987-1990 |
| | 5300 2003 | 1 | 81 | | 6 CYL. ENG. With Manual Transmission, AM 231 Transfer Case. 1987-1990 |
| | 5300 5397 | 1 | 81 | | 6 CYL. ENG. With Automatic Transmission, AM 231 Transfer Case. 1987-1990 |
| | 5300 5401 | 1 | 82 | | 6 CYL. ENG. With Manual Transmission, Built for KDX. 1988 |
| | 5300 4527 | 1 | | | 4 CYL. ENG. With Manual Transmission, AM 207 Transfer Case. 1987 |
| | 5300 4454 | 1 | | | 4 CYL. ENG. With Manual Transmission, AM 231 Transfer Case. 1987-1990 |
| | 5300 4455 | 1 | | | 6 CYL. ENG. With Manual Transmission, AM 207 Transfer Case, Except Export KDX, 1987 |
| | 5300 4526 | 1 | | | 6 CYL. ENG. With Manual Transmission, AM 231 Transfer Case, Except Export KDX, 1987-1988 |
| | 5300 4454 | 1 | | | 6 CYL. Eng. With Automatic Transmission, AM 207 Transfer Case. 1987-1990 |
| | 5300 4525 | 1 | | | 6 CYL. ENG. With Automatic Transmission, AM 231 Transfer Case, 1987-1988 |
| 2 | 8350 2855 | 1 | | | YOKE, Slip |
| 3 | J812 6614 | 2 | | | SPIDER PACKAGE, Rear Propeller *** |
| 4 | J027 1287 | 2 | | | FITTING |
| 5 | J324 0553 | 2 | | | STRAP |
| 6 | J400 6928 | 4 | | | BOLT |
| 7 | 8350 2855 | 1 | | | YOKE, Slip |
| 8 | J812 6614 | 2 | | | SPIDER PACKAGE *** |
| 9 | J320 7886 | 4 | | | RING, Snap |

MODEL CODES:

| | | |
|-----------------------------|-----------------------------|------------------------------|
| 15 = Grand Wagoneer 4 Dr. | 65 = Comanche 4WD-7 Ft. Box | 77 = Cherokee 4WD-2 Dr. |
| 25 = J-10 Pickup-119" W.B. | 66 = Comanche 2WD-7 Ft. Box | 78 = Cherokee 4WD-4 Dr. |
| 26 = J-10 Pickup-131" W.B. | 73 = Cherokee 2WD-2 Dr. | 79 = Cherokee 4WD-4 Dr.-Com |
| 27 = J-20 Pickup-131" W.B. | 74 = Cherokee 2WD-4 Dr. | 81 = Wrangler-93" W.B. |
| 63 = Comanche 4WD-6 Ft. Box | 75 = Wagoneer 4WD-4 Dr. | 82 = Wrangler-103" W.B.-Exp. |
| 64 = Comanche 2WD-6 Ft. Box | | |

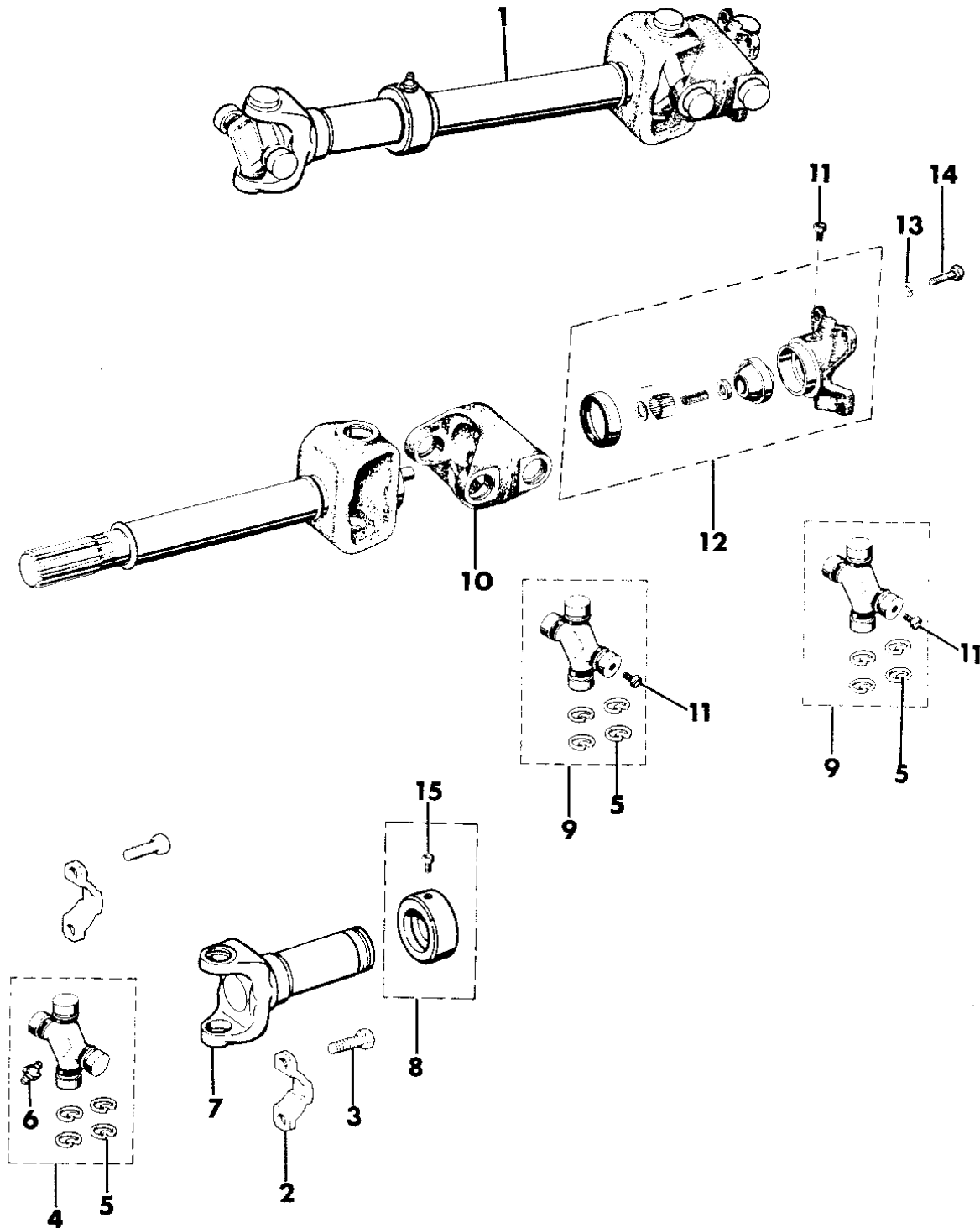
BODY STYLES:

MJ = Comanche Pickup
SJ = Grand Wagoneer Wgn., J-10 & J-20 Pickups
XJ = Cherokee, Wagoneer Limited
YJ = Wrangler

AR = Use as Required - = Non Illustrated Part P.A.R. = Paint as Required

SHAFT, FRONT, PROPELLER 4 WHEEL DRIVE CHEROKEE, WAGONEER, COMANCHE
Figure 16-300

8J16 300



| ITEM | PART NUMBER | QTY | BODY | MODEL | DESCRIPTION |
|------|-------------|-----|------|-------|---|
| 1 | | | | | SHAFT ASSEMBLY, Propeller |
| | | | | | 1987-88 |
| | 5300 3235 | 1 | | | 4 CYL. ENG., With Manual Transmission |
| | 5300 3912 | 1 | | | 4 CYL. ENG., With Automatic Transmission |
| | 5300 5039 | 1 | | | 6 CYL. ENG., With Manual Transmission |
| | 5300 5040 | 1 | | | 6 CYL. ENG., With Automatic Transmission |
| | 5300 3235 | 1 | | | KDX, DIESEL ENG. |
| | 5300 5259 | 1 | | | KDX, 6 CYL. ENG., With Manual Transmission |
| | 5300 5260 | 1 | | | KDX, 6 CYL. ENG., With Automatic Transmission |
| | | | | | 1989-90 |
| | 5300 5541 | 1 | | | 4 CYL. ENG., With Manual Transmission |
| | 5300 5540 | 1 | | | 4 CYL. ENG., With Automatic Transmission |
| | 5300 5543 | 1 | | | 6 CYL. ENG., With Manual Transmission |
| | 5300 5542 | 1 | | | 6 CYL. ENG., With Automatic Transmission |
| | 5300 5541 | 1 | | | DIESEL ENG. |
| | 5300 5544 | 1 | | | KDX, 6 CYL. ENG., With Manual Transmission |
| | 5300 5545 | 1 | | | KDX, 6 CYL. ENG., With Automatic Transmission |
| 2 | J324 0553 | 2 | | | STRAP |
| 3 | J400 6928 | 4 | | | BOLT |
| 4 | J812 6614 | 1 | | | SPIDER PACKAGE *** |
| 5 | J320 7886 | 12 | | | RING, Snap |
| 6 | J027 1287 | 1 | | | FITTING |
| 7 | 8350 1594 | 1 | | | YOKE, Slip |
| 8 | 8350 2812 | 1 | | | SEAL |
| 9 | J813 0750 | 2 | | | SPIDER PACKAGE, Front Propeller *** |
| 10 | J813 0296 | 1 | | | YOKE |
| 11 | J099 4826 | 3 | | | FITTING |
| 12 | J812 6796 | 1 | | | FLANGE, Front Propeller Shaft |
| | | | | | 1987-1988 |
| | 4384 663 | 1 | | | 1989-90 |
| 13 | J012 0214 | 4 | | | WASHER |
| 14 | J018 1613 | 4 | | | BOLT |
| 15 | J813 0300 | 1 | | | FITTING |

MODEL CODES:

| | | |
|-----------------------------|-----------------------------|------------------------------|
| 15 = Grand Wagoneer 4 Dr. | 65 = Comanche 4WD-7 Ft. Box | 77 = Cherokee 4WD-2 Dr. |
| 25 = J-10 Pickup-119" W.B. | 66 = Comanche 2WD-7 Ft. Box | 78 = Cherokee 4WD-4 Dr. |
| 26 = J-10 Pickup-131" W.B. | 73 = Cherokee 2WD-2 Dr. | 79 = Cherokee 4WD-4 Dr.-Com |
| 27 = J-20 Pickup-131" W.B. | 74 = Cherokee 2WD-4 Dr. | 81 = Wrangler-93" W.B. |
| 63 = Comanche 4WD-6 Ft. Box | 75 = Wagoneer 4WD-4 Dr. | 82 = Wrangler-103" W.B.-Exp. |
| 64 = Comanche 2WD-6 Ft. Box | | |

BODY STYLES:

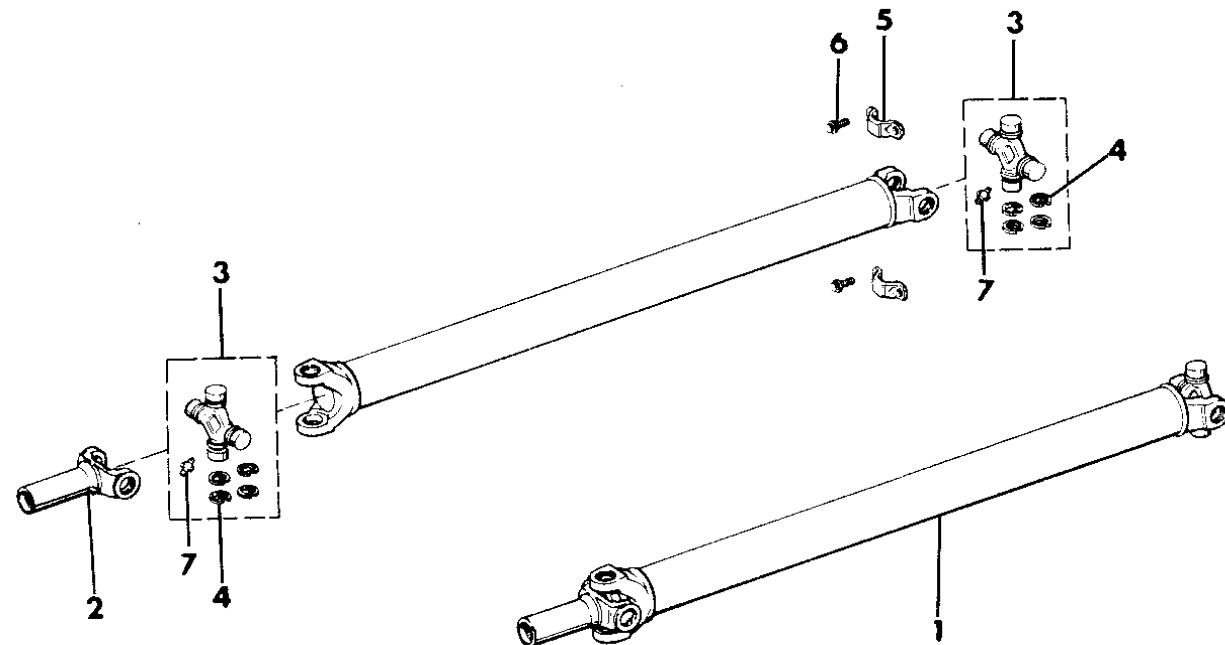
MJ = Comanche Pickup
SJ = Grand Wagoneer Wgn., J-10 & J-20 Pickups
XJ = Cherokee, Wagoneer Limited
YJ = Wrangler

AR = Use as Required - = Non Illustrated Part P.A.R. = Paint as Required

SHAFT, REAR PROPELLER 2 WHEEL DRIVE AND 4 WHEEL DRIVE CHEROKEE, WAGONEER, COMANCHE

Figure 16-400

8 J16 400



| ITEM | PART NUMBER | QTY | BODY | MODEL | DESCRIPTION |
|------|-------------|-----|------|-------|--|
| 1 | | | | | SHAFT - DANA 35 *** |
| | | | XJ | | 2 WHEEL DRIVE |
| | 5300 4950 | 1 | | | 4 CYL. ENG. Manual Transmission |
| | 5300 3913 | 1 | | | 4 CYL. ENG. Automatic Transmission |
| | 5300 3244 | 1 | | | 6 CYL. ENG. Manual Transmission - w/Peupeot 5 Spee d |
| | 5300 4815 | 1 | | | 6 Cyl. Eng. Manual Transmission - w/Aisin 5 Speed |
| | 5300 4815 | 1 | | | 6 CYL. ENG. Automatic Transmission |
| | | | MJ | | 2 WHEEL DRIVE - 6 FOOT BOX |
| | 5300 4661 | 1 | | | 4 CYL. ENG. Manual Transmission |
| | 5300 4666 | 1 | | | 4 CYL. ENG. Automatic Transmission |
| | 5300 4667 | 1 | | | 6 CYL. ENG. Manual Transmission |
| | 5300 4816 | 1 | | | 6 CYL. ENG. Manual Transmission, 1990 |
| | 5300 4816 | 1 | | | 6 CYL. ENG. Automatic Transmission |
| | | | MJ | | 2 WHEEL DRIVE - 7 FOOT BOX |
| | 5300 4659 | 1 | | | 4 CYL. ENG., Diesel, Manual Transmission |
| | 5300 4664 | 1 | | | 4 CYL. ENG. Automatic Transmission |
| | 5300 4658 | 1 | | | 6 CYL. ENG. Manual Transmission |
| | 5300 4814 | 1 | | | 6 CYL. ENG. Automatic Transmission and 5 Speed Aisin Manual Trans. |
| | | | | | SHAFT - DANA 44 *** |
| | | | MJ | | 2 WHEEL DRIVE - 6 FOOT BOX |
| | 5300 5015 | 1 | | | 6 CYL. ENG. Manual Transmission |
| | 5300 5014 | 1 | | | 6 CYL. ENG. Automatic Transmission |
| | | | MJ | | 2 WHEEL DRIVE - 7 FOOT BOX |
| | 5300 4660 | 1 | | | 4 CYL. ENG., Diesel, Manual Transmission |
| | 5300 4661 | 1 | | | 6 CYL. ENG. Manual Transmission |
| | 5300 4813 | 1 | | | 6 CYL. ENG. Automatic Transmission |
| | | | | | SHAFT - DANA 35 *** |
| | | | XJ | | 4 WHEEL DRIVE |
| | 5300 3241 | 1 | | | 4 CYL. ENG., Diesel, Manual Transmission |
| | 5300 3914 | 1 | | | 4 CYL. ENG. Automatic Transmission |
| | 5300 3242 | 1 | | | 6 CYL. ENG. Manual Transmission |
| | 5300 3246 | 1 | | | 6 CYL. ENG. Automatic Transmission |
| | | | | | SHAFT - DANA 44 *** |
| | | | XJ | | 2 WHEEL DRIVE |
| | 5300 5010 | 1 | | | 6 CYL. ENG. Automatic Transmission |
| | 5300 5011 | 1 | | | 6 CYL. ENG. Manual Trasmission |

MODEL CODES:

| | | |
|-----------------------------|-----------------------------|------------------------------|
| 15 = Grand Wagoneer 4 Dr. | 65 = Comanche 4WD-7 Ft. Box | 77 = Cherokee 4WD-2 Dr. |
| 25 = J-10 Pickup-119" W.B. | 66 = Comanche 2WD-7 Ft. Box | 78 = Cherokee 4WD-4 Dr. |
| 26 = J-10 Pickup-131" W.B. | 73 = Cherokee 2WD-2 Dr. | 79 = Cherokee 4WD-4 Dr.-Com |
| 27 = J-20 Pickup-131" W.B. | 74 = Cherokee 2WD-4 Dr. | 81 = Wrangler-93" W.B. |
| 63 = Comanche 4WD-6 Ft. Box | 75 = Wagoneer 4WD-4 Dr. | 82 = Wrangler-103" W.B.-Exp. |
| 64 = Comanche 2WD-6 Ft. Box | | |

BODY STYLES:

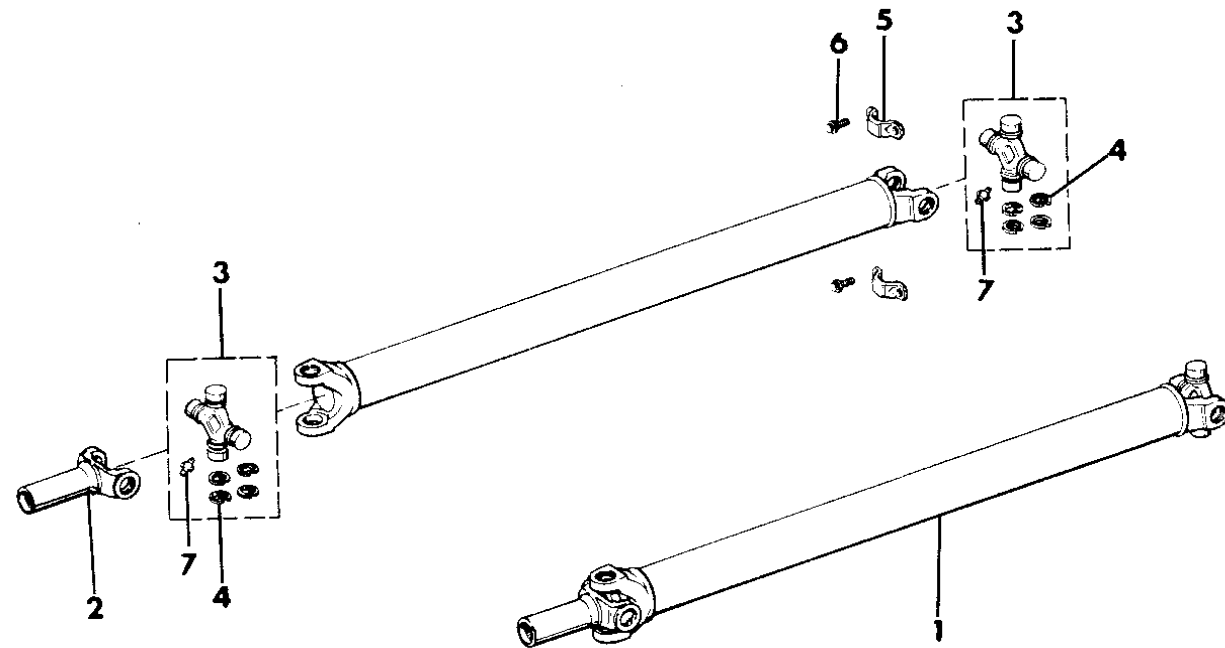
MJ = Comanche Pickup
 SJ = Grand Wagoneer Wgn., J-10 & J-20 Pickups
 XJ = Cherokee, Wagoneer Limited
 YJ = Wrangler

AR = Use as Required - = Non Illustrated Part P.A.R. = Paint as Required

SHAFT, REAR PROPELLER 2 WHEEL DRIVE AND 4 WHEEL DRIVE CHEROKEE, WAGONEER, COMANCHE

Figure 16-400

8 J16 400



| ITEM | PART NUMBER | QTY | BODY | MODEL | DESCRIPTION |
|------|-------------|-----|------|-------|---|
| | | | XJ | | 4 WHEEL DRIVE |
| | 5300 5008 | 1 | | | 6 CYL.ENG.,Automatic Transmission |
| | 5300 5009 | 1 | | | 6 CYL.ENG.,Manual Transmission |
| | | | MJ | | 4 WHEEL DRIVE - 6 FOOT BOX |
| | 5300 4671 | 1 | | | 4 CYL. ENG. Manual Transmission |
| | 5300 4668 | 1 | | | 4 CYL. ENG. Automatic Transmission |
| | 5300 4669 | 1 | | | 6 CYL. ENG. Manual Transmission |
| | 5300 5008 | 1 | | | 6 CYL. ENG.,Automatic Transmission |
| | 5300 5009 | 1 | | | 6 CYL.ENG.,Manual Transmission,44 Axle |
| | 5300 4670 | 1 | | | 6 CYL. ENG. Automatic Transmission |
| | | | MJ | | 4 WHEEL DRIVE - 7 FOOT BOX |
| | 5300 4656 | 1 | | | 4 CYL. ENG. Manual Transmmission |
| | 5300 4655 | 1 | | | 4 CYL. ENG. Automatic Transmission |
| | 5300 4662 | 1 | | | 6 CYL. ENG. Manual Transmission |
| | 5300 4654 | 1 | | | 6 CYL. ENG. Automatic Transmission SHAFT - DANA 44 *** |
| | | | MJ | | 4 WHEEL DRIVE - 6 FOOT BOX |
| | 5300 5013 | 1 | | | 6 CYL. ENG. Manual Transmission |
| | 5300 5012 | 1 | | | 6 CYL. ENG. Automatic Transmission |
| | | | MJ | | 4 WHEEL DRIVE - 7 FOOT BOX |
| | 5300 4657 | 1 | | | 4 CYL.ENG. Manual Transmission |
| | 5300 4665 | 1 | | | 6 CYL. ENG. Manual Transmission |
| | 5300 4663 | 1 | | | 6 CYL. ENG. Automatic Transmission |
| 2 | | | | | YOKE, Slip |
| | 5300 1987 | 1 | | | 2 Wheel Drive,Manual Transmission,21 Splines |
| | 8350 3593 | 1 | | | 2 Wheel Drive, Automatic Transmission,26 Splines |
| | 8350 3574 | 1 | | | 4 Wheel Drive |
| 3 | J812 6614 | 2 | | | SPIDER PACKAGE *** |
| 4 | J320 7886 | 8 | | | RING, Snap |
| 5 | J324 0553 | 2 | | | STRAP |
| 6 | J400 6928 | 4 | | | BOLT |
| 7 | J027 1287 | 2 | | | FITTING |

MODEL CODES:

| | | |
|-----------------------------|-----------------------------|------------------------------|
| 15 = Grand Wagoneer 4 Dr. | 65 = Comanche 4WD-7 Ft. Box | 77 = Cherokee 4WD-2 Dr. |
| 25 = J-10 Pickup-119" W.B. | 66 = Comanche 2WD-7 Ft. Box | 78 = Cherokee 4WD-4 Dr. |
| 26 = J-10 Pickup-131" W.B. | 73 = Cherokee 2WD-2 Dr. | 79 = Cherokee 4WD-4 Dr.-Com |
| 27 = J-20 Pickup-131" W.B. | 74 = Cherokee 2WD-4 Dr. | 81 = Wrangler-93" W.B. |
| 63 = Comanche 4WD-6 Ft. Box | 75 = Wagoneer 4WD-4 Dr. | 82 = Wrangler-103" W.B.-Exp. |
| 64 = Comanche 2WD-6 Ft. Box | | |

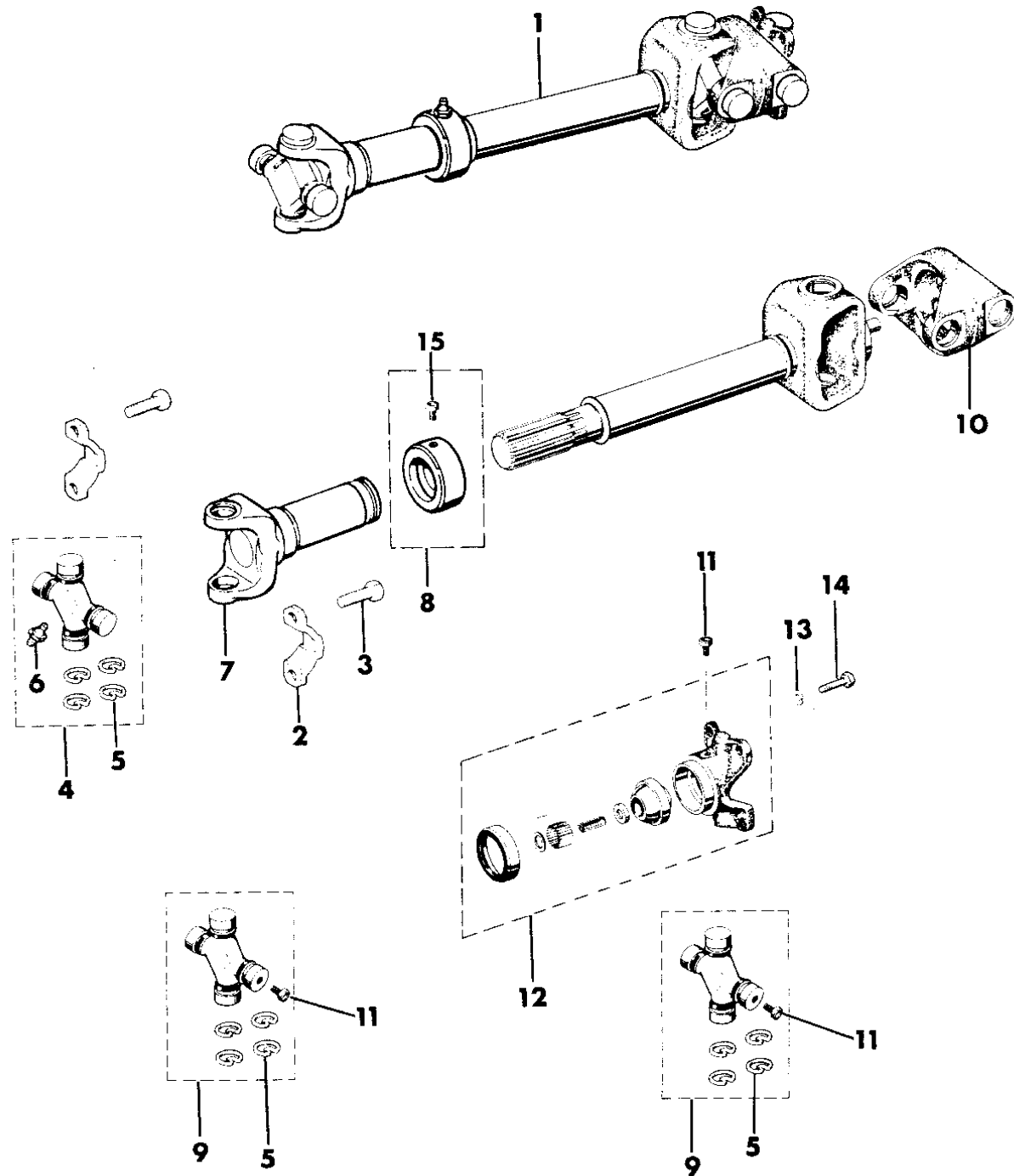
BODY STYLES:

MJ = Comanche Pickup
 SJ = Grand Wagoneer Wgn., J-10 & J-20 Pickups
 XJ = Cherokee, Wagoneer Limited
 YJ = Wrangler

AR = Use as Required - = Non Illustrated Part P.A.R. = Paint as Required

SHAFT, FRONT PROPELLER GRAND WAGONEER, TRUCK J10, J20
Figure 16-500

8J16 500



| ITEM | PART NUMBER | QTY | BODY | MODEL | DESCRIPTION |
|------|-------------|-----|------|-------|---|
| 1 | | | | | SHAFT ASSEMBLY, Propeller |
| | J536 0995 | 1 | 15 | | Manual Transmission |
| | J536 0995 | 1 | 26 | | Manual Transmission |
| | J536 0998 | 1 | 27 | | Manual Transmission |
| | J536 0997 | 1 | | | 6 CYL. ENG. Automatic Transmission |
| | J536 0996 | 1 | | | 8 CYL. ENG. Automatic Transmission, 1987-88 |
| | 5300 5539 | 1 | | | 8 CYL. ENG. Automatic Transmission, 1989-90 |
| 2 | J324 0553 | 2 | | | STRAP |
| 3 | J400 6928 | 4 | | | BOLT |
| 4 | J812 6614 | 1 | | | SPIDER PACKAGE *** |
| 5 | J320 7886 | 12 | | | RING, Snap |
| 6 | J027 1287 | 2 | | | FITTING |
| 7 | 8350 1594 | 1 | | | YOKE, Slip |
| 8 | 8350 1595 | 1 | | | SEAL |
| 9 | J813 0750 | 2 | | | SPIDER PACKAGE *** |
| 10 | J813 0296 | 1 | | | YOKE |
| 11 | J099 4826 | 3 | | | FITTING |
| 12 | | | | | FLANGE ASSEMBLY, Front Propeller Shaft *** |
| | J812 6796 | 1 | | | 1987-88 |
| | 4384 663 | 1 | | | 1989-90 |
| 13 | J012 0214 | 4 | | | WASHER |
| 14 | J018 1613 | 4 | | | BOLT |
| 15 | J813 0300 | 1 | | | FITTING |

MODEL CODES:

| | | |
|-----------------------------|-----------------------------|------------------------------|
| 15 = Grand Wagoneer 4 Dr. | 65 = Comanche 4WD-7 Ft. Box | 77 = Cherokee 4WD-2 Dr. |
| 25 = J-10 Pickup-119" W.B. | 66 = Comanche 2WD-7 Ft. Box | 78 = Cherokee 4WD-4 Dr. |
| 26 = J-10 Pickup-131" W.B. | 73 = Cherokee 2WD-2 Dr. | 79 = Cherokee 4WD-4 Dr.-Com |
| 27 = J-20 Pickup-131" W.B. | 74 = Cherokee 2WD-4 Dr. | 81 = Wrangler-93" W.B. |
| 63 = Comanche 4WD-6 Ft. Box | 75 = Wagoneer 4WD-4 Dr. | 82 = Wrangler-103" W.B.-Exp. |
| 64 = Comanche 2WD-6 Ft. Box | | |

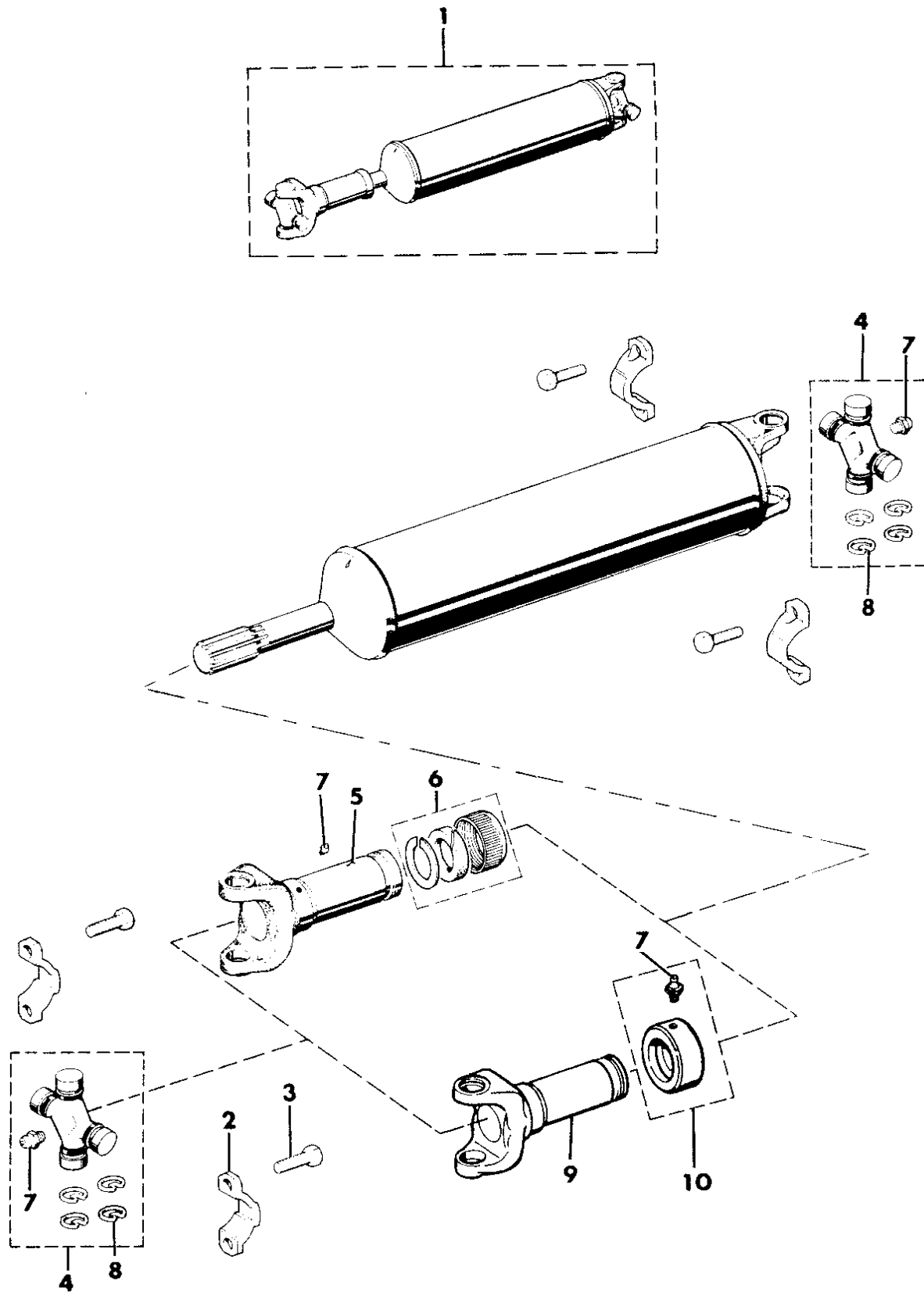
BODY STYLES:

MJ = Comanche Pickup
SJ = Grand Wagoneer Wgn., J-10 & J-20 Pickups
XJ = Cherokee, Wagoneer Limited
YJ = Wrangler

AR = Use as Required - = Non Illustrated Part P.A.R. = Paint as Required

SHAFT, REAR, PROPELLER GRAND WAGONEER, TRUCK J10, J20
Figure 16-600

8 J16 600



| ITEM | PART NUMBER | QTY | BODY | MODEL | DESCRIPTION |
|------|-------------|-----|------|-------|---|
| 1 | | | | | SHAFT ASSEMBLY, Propeller Rear |
| | J536 1007 | 1 | 15 | | Manual Transmission AM208 Transfer Case |
| | J536 1011 | 1 | 15 | | 6 CYL. ENG. Automatic Transmission AM208 Transfer Case. |
| | J536 0999 | 1 | 15 | | 6 CYL. ENG. Automatic Transmission AM229 Transfer Case |
| | J536 1015 | 1 | 15 | | 8 CYL. ENG. Automatic Transmission AM208 Transfer Case. |
| | J536 1003 | 1 | 15 | | 8 CYL. ENG. Automatic Transmission AM229 Transfer Case. |
| | J536 1009 | 1 | 26 | | Manual Transmission AM208 Transfer Case |
| | J536 1013 | 1 | 26 | | 6 CYL. ENG. Automatic Transmission AM208 Transfer Case. |
| | J536 1001 | 1 | 26 | | 6 CYL. ENG. Automatic Transmission AM229 Transfer Case. |
| | J536 1017 | 1 | 26 | | 8 CYL. ENG. Automatic Transmission AM208 Transfer Case. |
| | J536 1005 | 1 | 26 | | 8 CYL. ENG. Automatic Transmission AM229 Transfer Case. |
| | J536 1010 | 1 | 27 | | Manual Transmission |
| | J536 1018 | 1 | 27 | | Automatic Transmission |
| 2 | J324 0553 | 4 | | | STRAP |
| 3 | J400 6698 | 8 | | | BOLT |
| 4 | J812 6614 | 2 | | | SPIDER |
| 5 | J812 7263 | 1 | | | YOKE, Slip Rear Propeller |
| 6 | J812 8447 | 1 | | | SEAL |
| 7 | J027 1287 | 3 | | | FITTING |
| 8 | J320 7886 | 8 | | | RING, Snap |
| 9 | J813 4782 | 1 | | | YOKE, Slip |
| 10 | J813 4783 | 1 | | | SEAL |

MODEL CODES:

| | | |
|-----------------------------|-----------------------------|------------------------------|
| 15 = Grand Wagoneer 4 Dr. | 65 = Comanche 4WD-7 Ft. Box | 77 = Cherokee 4WD-2 Dr. |
| 25 = J-10 Pickup-119" W.B. | 66 = Comanche 2WD-7 Ft. Box | 78 = Cherokee 4WD-4 Dr. |
| 26 = J-10 Pickup-131" W.B. | 73 = Cherokee 2WD-2 Dr. | 79 = Cherokee 4WD-4 Dr.-Com |
| 27 = J-20 Pickup-131" W.B. | 74 = Cherokee 2WD-4 Dr. | 81 = Wrangler-93" W.B. |
| 63 = Comanche 4WD-6 Ft. Box | 75 = Wagoneer 4WD-4 Dr. | 82 = Wrangler-103" W.B.-Exp. |
| 64 = Comanche 2WD-6 Ft. Box | | |

BODY STYLES:

MJ = Comanche Pickup
SJ = Grand Wagoneer Wgn., J-10 & J-20 Pickups
XJ = Cherokee, Wagoneer Limited
YJ = Wrangler

AR = Use as Required - = Non Illustrated Part P.A.R. = Paint as Required

GROUP 17 - REAR SUSPENSION

| ILLUSTRATION TITLE | GROUP-FIG. NO. |
|--|-----------------------|
| SUSPENSION, REAR W/SHOCK ABSORBER WRANGLER, YJ | Fig. 17-100 |
| SUSPENSION, REAR W/SHOCK ABSORBER CHEROKEE, WAGONEER | Fig. 17-200 |
| SUSPENSION, REAR COMANCHE | Fig. 17-300 |
| SUSPENSION, REAR W/SHOCK ABSORBER GRAND WAGONEER, J10, J20 | Fig. 17-400 |

ILLUSTRATION NOT AVAILABLE AT TIME OF PUBLICATION

SUSPENSION, REAR W/SHOCK ABSORBER WRANGLER, YJ
Figure 17-100

8J17 100

| ITEM | PART NUMBER | QTY | BODY | MODEL | DESCRIPTION |
|------|-------------|-----|------|-------|---|
| 1 | | | | | SHOCK ABSORBER |
| | 8350 2867 | 2 | | | Standard Duty, Coded 89 52 040 041 |
| | 8350 2837 | 2 | | | Heavy Duty, Coded 89 52 002 554 or 89 52 002 751, Gas Charged, Off Road Package |
| 2 | J018 1709 | 2 | | | BOLT |
| 3 | J448 8495 | 6 | | | WASHER |
| 4 | J400 4311 | 4 | | | NUT |
| 5 | 1150 2723 | 4 | | | NUT |
| 6 | J448 8495 | 10 | | | WASHER |
| 7 | 3420 1465 | 3 | | | BOLT |
| 8 | 5204 0404 | 1 | | | BAR, Track Rear |
| 9 | 5200 1989 | 2 | | | SPACER |
| 10 | | | | | SPRING ASSEMBLY *** |
| | 5200 3208 | 2 | | | Standard Duty, w/Soft Top, 5 Leaf *** |
| | 5200 3209 | 2 | | | Standard Duty, w/Hard Top, 5 Leaf |
| | 5200 3449 | 2 | | | Heavy Duty, 6 Leaf |
| | 5200 2836 | 2 | | | KDX Egypt, 6 Leaf |
| | 5200 2854 | 2 | | | KDX Venezuela, w/Soft Top, 6 Leaf |
| | 5200 3556 | 2 | | | KDX Venezuela, w/Hard Top, 6 Leaf |
| 11 | J400 5063 | 4 | | | SCREW |
| 12 | 5200 2551 | 2 | | | BUSHING |
| 13 | 5200 2552 | 8 | | | BUSHING |
| 14 | 5200 2553 | 4 | | | SPACER |
| 15 | 5204 0415 | 4 | | | PLATE, Shackle |
| 16 | | | | | PLATE, Rear Spring U-Bolt |
| | 5200 3150 | 2 | | | 1987-89 |
| | 5200 6421 | 2 | | | 1990 |
| 17 | J400 7393 | 4 | | | BOLT |
| 18 | J400 4311 | 12 | | | NUT |
| 19 | J448 8495 | 12 | | | WASHER |
| 20 | J400 7547 | 2 | | | BOLT |
| 21 | J400 3979 | 2 | | | NUT |
| 22 | J400 6884 | 2 | | | WASHER |
| 23 | | | | | U-BOLT |
| | J813 0369 | 4 | | | 1987-89 |
| | 5200 6420 | 4 | | | 1990 |
| 24 | 5200 2658 | 2 | | | BUMPER |

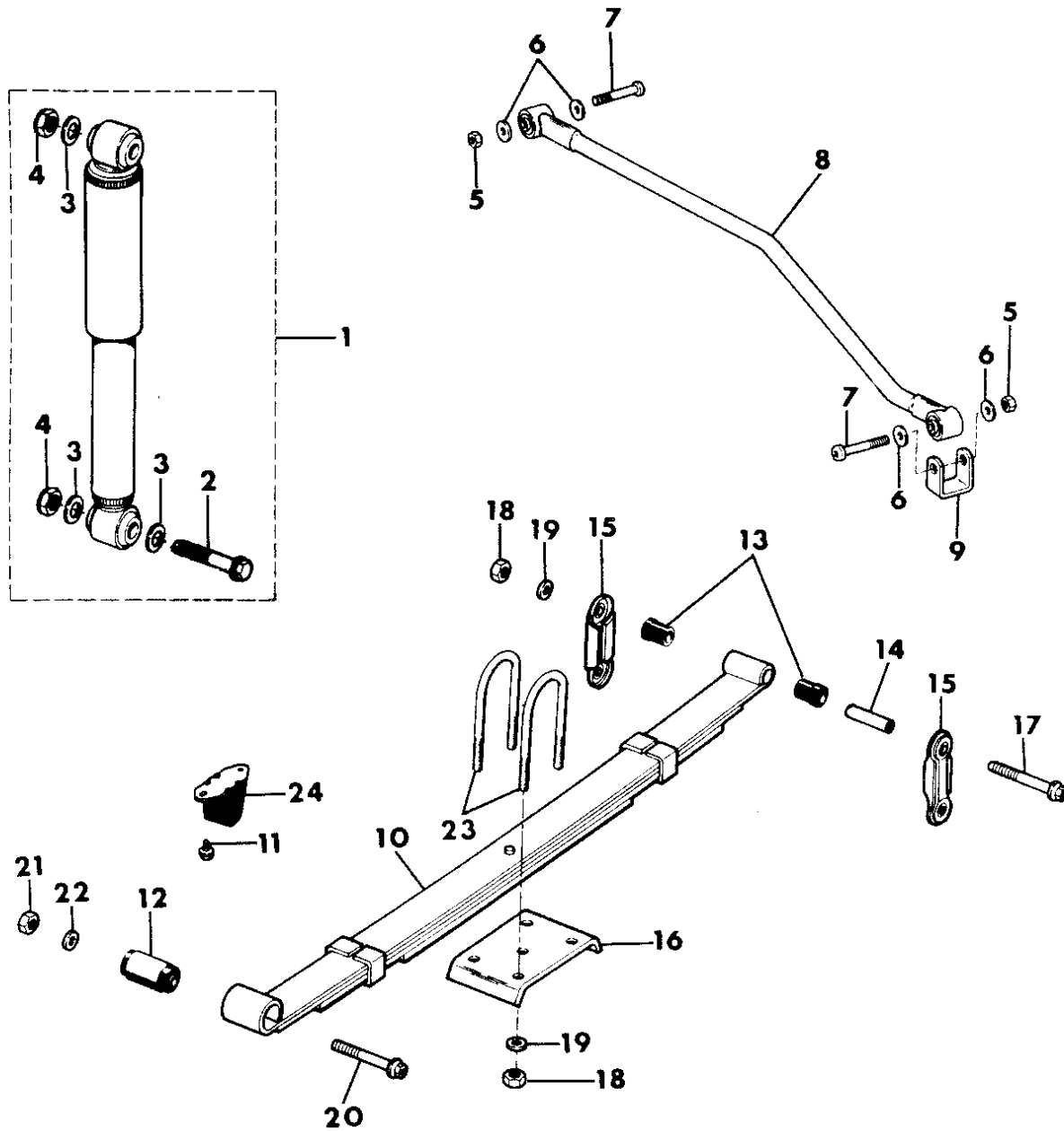
MODEL CODES:

| | | |
|-----------------------------|-----------------------------|------------------------------|
| 15 = Grand Wagoneer 4 Dr. | 65 = Comanche 4WD-7 Ft. Box | 77 = Cherokee 4WD-2 Dr. |
| 25 = J-10 Pickup-119" W.B. | 66 = Comanche 2WD-7 Ft. Box | 78 = Cherokee 4WD-4 Dr. |
| 26 = J-10 Pickup-131" W.B. | 73 = Cherokee 2WD-2 Dr. | 79 = Cherokee 4WD-4 Dr.-Com |
| 27 = J-20 Pickup-131" W.B. | 74 = Cherokee 2WD-4 Dr. | 81 = Wrangler-93" W.B. |
| 63 = Comanche 4WD-6 Ft. Box | 75 = Wagoneer 4WD-4 Dr. | 82 = Wrangler-103" W.B.-Exp. |
| 64 = Comanche 2WD-6 Ft. Box | | |

BODY STYLES:

MJ = Comanche Pickup
 SJ = Grand Wagoneer Wgn., J-10 & J-20 Pickups
 XJ = Cherokee, Wagoneer Limited
 YJ = Wrangler

AR = Use as Required - = Non Illustrated Part P.A.R. = Paint as Required



SUSPENSION, REAR W/SHOCK ABSORBER CHEROKEE, WAGONEER
Figure 17-200

8 J17200

| ITEM | PART NUMBER | QTY | BODY | MODEL | DESCRIPTION |
|------|-------------|-----|------|-------|---|
| 1 | | | | | SHOCK ABSORBER |
| | 8350 1160 | 2 | | | Light Duty, Coded 89 52 001 567 |
| | 8350 1159 | 2 | | | Standard Duty, Coded 89 52 001 565 |
| | 8350 1161 | 2 | | | Heavy Duty, Coded 89 52 001 566 |
| | 8350 2515 | 2 | | | Heavy Duty, Coded 89 52 002 385 |
| | 8350 1160 | 2 | | | Heavy Duty, 1989, Coded 89 52 004 525 |
| | 8350 4212 | 2 | | | Heavy Duty, Off Road Package, Coded 89 52 003 286 |
| | 4637 103 | 2 | | | With Stamping 52037727 *** |
| 2 | J448 8495 | AR | | | WASHER |
| 3 | 1150 0756 | AR | | | NUT |
| 4 | J420 0089 | 4 | | | SCREW |
| 5 | 5200 1135 | 1 | | | STABILIZER *** |
| 6 | 5200 1145 | 4 | | | CUSHION, Stabilizer, Yellow |
| 7 | 5200 1085 | 2 | | | CLAMP |
| 8 | 5200 1094 | 2 | | | LINK |
| 9 | | | | | BRACKET |
| | 5200 3504 | 2 | | | 1987-89 |
| | 5200 6450 | 2 | | | 1990 |
| 10 | 3420 1321 | 4 | | | BOLT |
| 11 | 3420 1756 | 2 | | | BOLT |
| 12 | 1150 5098 | 2 | | | BOLT |
| 13 | 1150 2813 | 2 | | | NUT |
| 14 | | | | | SPRING, Rear |
| | 5200 0050 | 2 | | | Standard Duty, Coded LB |
| | 5200 0051 | 2 | | | Standard Duty, Coded LC, EC |
| | 5200 0706 | 2 | | | Standard Duty, Coded LN, also used on ES |
| | 5200 0544 | 2 | | | Heavy Duty, Coded LK |
| | 5200 0545 | 2 | | | Heavy Duty, Coded LL, EL |
| | 5200 0707 | 2 | | | Heavy Duty, Coded LM |
| | 5200 2390 | 2 | | | Heavy Duty, Coded LS |
| | 5200 2392 | 2 | | | Heavy Duty, Coded LT |
| 15 | | | | | PLATE |
| | 5200 3500 | 2 | | | 1987-89 |
| | 5200 6449 | 2 | | | 1990 |
| 16 | 1150 2813 | 8 | | | NUT |
| 17 | 1150 2814 | 6 | | | NUT |
| 18 | 5200 0503 | 2 | | | BUSHING |

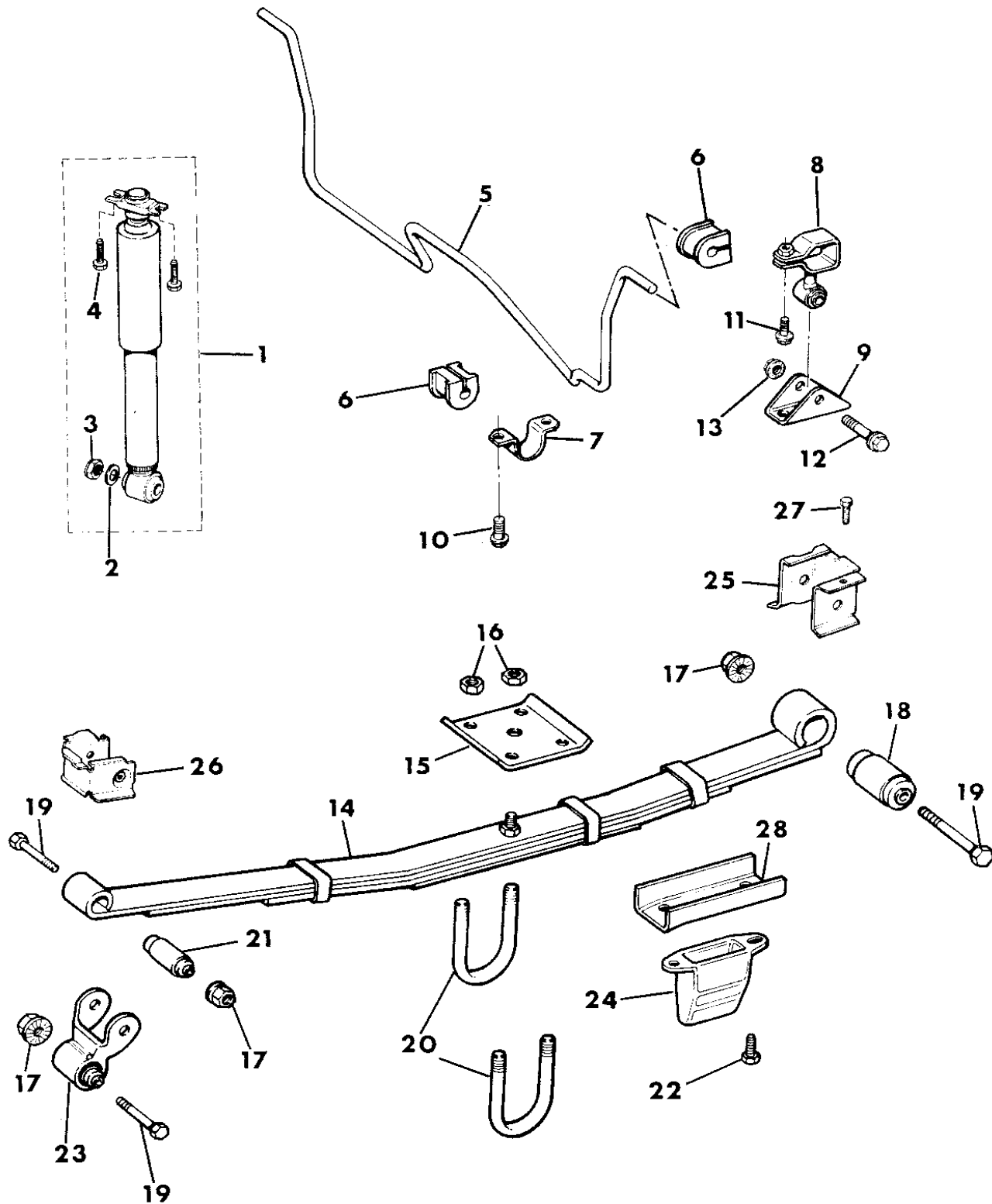
MODEL CODES:

| | | |
|-----------------------------|-----------------------------|------------------------------|
| 15 = Grand Wagoneer 4 Dr. | 65 = Comanche 4WD-7 Ft. Box | 77 = Cherokee 4WD-2 Dr. |
| 25 = J-10 Pickup-119" W.B. | 66 = Comanche 2WD-7 Ft. Box | 78 = Cherokee 4WD-4 Dr. |
| 26 = J-10 Pickup-131" W.B. | 73 = Cherokee 2WD-2 Dr. | 79 = Cherokee 4WD-4 Dr.-Com |
| 27 = J-20 Pickup-131" W.B. | 74 = Cherokee 2WD-4 Dr. | 81 = Wrangler-93" W.B. |
| 63 = Comanche 4WD-6 Ft. Box | 75 = Wagoneer 4WD-4 Dr. | 82 = Wrangler-103" W.B.-Exp. |
| 64 = Comanche 2WD-6 Ft. Box | | |

BODY STYLES:

MJ = Comanche Pickup
 SJ = Grand Wagoneer Wgn., J-10 & J-20 Pickups
 XJ = Cherokee, Wagoneer Limited
 YJ = Wrangler

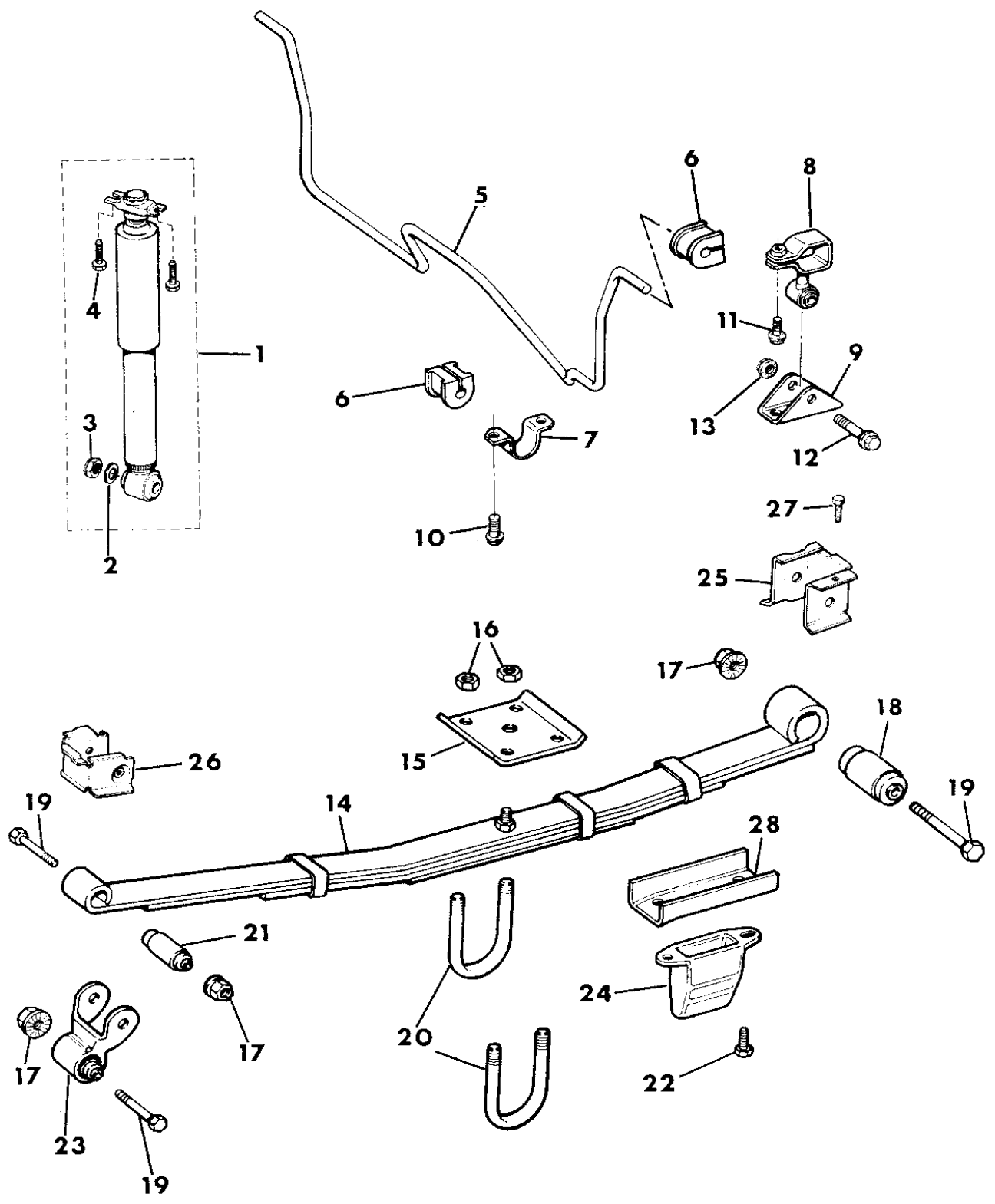
AR = Use as Required - = Non Illustrated Part P.A.R. = Paint as Required



SUSPENSION, REAR W/SHOCK ABSORBER CHEROKEE, WAGONEER
Figure 17-200

8 J17200

| ITEM | PART NUMBER | QTY | BODY | MODEL | DESCRIPTION |
|------|-------------|-----|------|-------|--------------------------|
| 19 | 3420 2118 | 6 | | | BOLT |
| 20 | | | | | U-BOLT |
| | 5200 0232 | 4 | | | Length = 77mm, 1987-89 |
| | 5200 3499 | 4 | | | Length = 83mm, (3") |
| | 5200 6440 | 4 | | | 1990 (2 5/8") |
| 21 | 5200 0504 | 2 | | | BUSHING |
| 22 | | | | | SCREW |
| | 3420 1193 | 4 | | | Length = 25mm |
| | 3420 1771 | 4 | | | Length = 30mm |
| | 3420 1819 | 4 | | | Length = 45mm |
| 23 | 5200 0507 | 2 | | | SHACKLE |
| 24 | | | | | BUMPER, Rear Axle Jounce |
| | 5200 4297 | 2 | | | Height = 74mm |
| | 5200 2393 | 2 | | | Height = 104mm |
| 25 | 5500 1100-1 | 1 | | | BRACKET |
| 26 | 5500 1102-3 | 1 | | | BRACKET |
| 27 | 3420 1559 | 2 | | | BOLT |
| 28 | 5200 2386 | 2 | | | REINFORCEMENT |



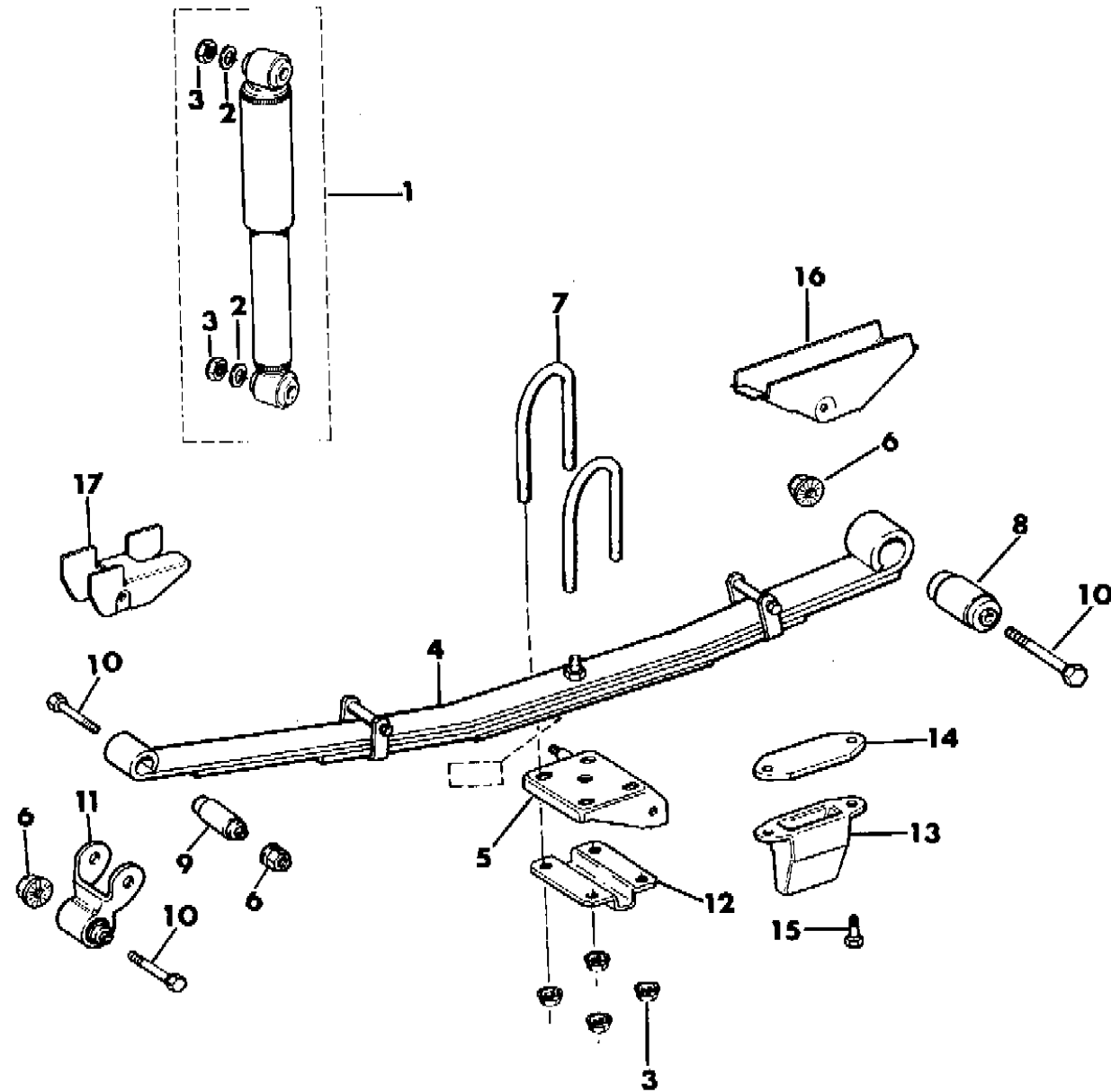
MODEL CODES:
 15 = Grand Wagoneer 4 Dr. 65 = Comanche 4WD-7 Ft. Box 77 = Cherokee 4WD-2 Dr.
 25 = J-10 Pickup-119" W.B. 66 = Comanche 2WD-7 Ft. Box 78 = Cherokee 4WD-4 Dr.
 26 = J-10 Pickup-131" W.B. 73 = Cherokee 2WD-2 Dr. 79 = Cherokee 4WD-4 Dr.-Com
 27 = J-20 Pickup-131" W.B. 74 = Cherokee 2WD-4 Dr. 81 = Wrangler-93" W.B.
 63 = Comanche 4WD-6 Ft. Box 75 = Wagoneer 4WD-4 Dr. 82 = Wrangler-103" W.B.-Exp.
 64 = Comanche 2WD-6 Ft. Box

BODY STYLES:
 MJ = Comanche Pickup
 SJ = Grand Wagoneer Wgn., J-10 & J-20 Pickups
 XJ = Cherokee, Wagoneer Limited
 YJ = Wrangler

AR = Use as Required - = Non Illustrated Part P.A.R. = Paint as Required

SUSPENSION, REAR COMANCHE
Figure 17-300

8J17 300 A



| ITEM | PART NUMBER | QTY | BODY | MODEL | DESCRIPTION |
|------|-------------|-----|------|-------|---|
| 1 | | | | | SHOCK ABSORBER |
| | 8350 2512 | 2 | | | Standard Duty, Coded 89 52 000 950 *** |
| | 8350 2513 | 2 | | | Standard Duty, Coded 89 52 001 237 |
| | 8350 3449 | 2 | | | Standard Duty, Coded 89 52 002 307 |
| | 8350 3450 | 2 | | | Standard Duty, Coded 89 52 002 672 |
| | 8350 2514 | 2 | | | Heavy Duty, Coded 89 52 002 787 or 52 004 408 |
| | 8350 3448 | 2 | | | Heavy Duty, Coded 89 52 003 287 |
| 2 | J448 8495 | AR | | | WASHER |
| 3 | 1150 0756 | AR | | | NUT |
| 4 | | | | | SPRING ASSEMBLY *** |
| | 5200 2312 | 2 | | | Standard Duty, 4 Leaf, Coded RB 1987-89 |
| | 5200 6448 | 2 | | | 1990 |
| | 5200 1240 | 2 | | | Standard Duty, 4 Leaf, Coded RD 1987-89 |
| | 5200 6444 | 2 | | | 1990 |
| | 5200 2351 | 2 | | | Standard Duty, 4 Leaf, Coded RE 1987-89 |
| | 5200 6446 | 2 | | | 1990 |
| | 5200 1824 | 2 | | | Standard Duty, 4 Leaf, Coded RF 1987-89 |
| | 5200 6445 | 2 | | | 1990 |
| | 5200 2350 | 2 | | | Standard Duty, 4 Leaf, Coded RG 1987-89 |
| | 5200 6447 | 2 | | | 1990 |
| | 5200 3676 | 2 | | | Heavy Duty, 5 Leaf, Coded SD |
| 5 | | | | | PLATE |
| | 5200 1832 | 1 | | | Right, w/7 Foot Box 1987-89 |
| | 5200 4844 | 1 | | | 1990 |
| | 5200 1833 | 1 | | | Right, w/6 Foot Box 1987-89 |
| | 5200 4845 | 1 | | | 1990 |
| | 5200 1833 | 1 | | | Left, w/7 Foot Box 1987-89 |
| | 5200 4845 | 1 | | | 1990 |
| | | | | | Left, w/6 Foot Box |

MODEL CODES:

| | | |
|-----------------------------|-----------------------------|------------------------------|
| 15 = Grand Wagoneer 4 Dr. | 65 = Comanche 4WD-7 Ft. Box | 77 = Cherokee 4WD-2 Dr. |
| 25 = J-10 Pickup-119" W.B. | 66 = Comanche 2WD-7 Ft. Box | 78 = Cherokee 4WD-4 Dr. |
| 26 = J-10 Pickup-131" W.B. | 73 = Cherokee 2WD-2 Dr. | 79 = Cherokee 4WD-4 Dr.-Com |
| 27 = J-20 Pickup-131" W.B. | 74 = Cherokee 2WD-4 Dr. | 81 = Wrangler-93" W.B. |
| 63 = Comanche 4WD-6 Ft. Box | 75 = Wagoneer 4WD-4 Dr. | 82 = Wrangler-103" W.B.-Exp. |
| 64 = Comanche 2WD-6 Ft. Box | | |

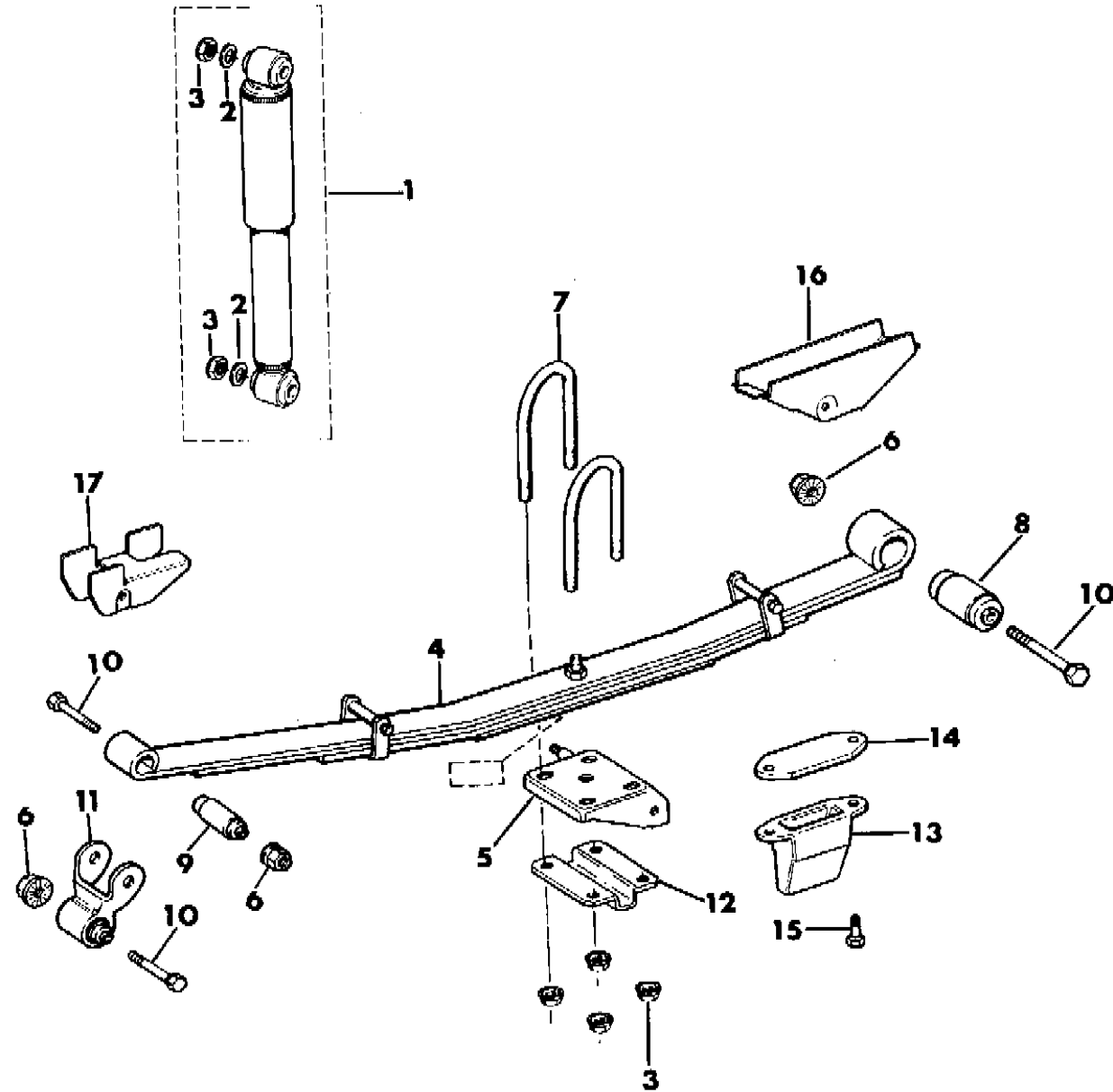
BODY STYLES:

MJ = Comanche Pickup
 SJ = Grand Wagoneer Wgn., J-10 & J-20 Pickups
 XJ = Cherokee, Wagoneer Limited
 YJ = Wrangler

AR = Use as Required - = Non Illustrated Part P.A.R. = Paint as Required

SUSPENSION, REAR COMANCHE
Figure 17-300

8J17 300 A



| ITEM | PART NUMBER | QTY | BODY | MODEL | DESCRIPTION |
|------|-------------|-----|------|-------|----------------------------|
| | 5200 1832 | 1 | | | 1987-89 |
| | 5200 4844 | 1 | | | 1990 |
| 6 | 1150 2814 | 14 | | | NUT |
| 7 | | | | | U-BOLT |
| | 5200 2885 | 4 | | | Standard Duty *** |
| | | | | | Heavy Duty |
| | 5200 2886 | 4 | | | 1987 |
| | 5200 3678 | 4 | | | 1988-89 |
| | 5200 3996 | 4 | | | 1990 |
| 8 | 5200 0876 | 2 | | | BUSHING |
| 9 | 5200 0504 | 2 | | | BUSHING |
| 10 | 3420 2118 | 6 | | | BOLT |
| 11 | 5200 1828 | 2 | | | SHACKLE |
| 12 | | | | | REINFORCEMENT |
| | 5200 2892 | 2 | | | Standard Duty |
| | 5200 2893 | 2 | | | Heavy Duty |
| 13 | | | | | BUMPER, Rear Axle Jounce |
| | 5200 2382 | 2 | | | Height = 74mm |
| | 5200 2381 | 2 | | | Height = 90mm |
| | 5200 2393 | 2 | | | Height = 104mm |
| | 5200 2078 | 2 | | | Height = 117mm |
| 14 | 5200 2383 | 2 | | | SPACER |
| 15 | | | | | SCREW |
| | J420 0089 | 4 | | | Length = 25mm |
| | 3420 1771 | 4 | | | Length = 30mm |
| | 3420 1819 | 4 | | | Length = 45mm |
| 16 | | | | | BRACKET |
| | 5500 6826 | 2 | | | 7 Foot Box |
| | 5500 9170 | 2 | | | 6 Foot Box |
| 17 | | | | | BRACKET |
| | 5500 6824 | 1 | | | Rt. |
| | 5500 6825 | 1 | | | Lt. |
| 18 | 5014 495AA | 4 | | | CLAMP KIT, Leaf Spring *** |

MODEL CODES:

| | | |
|-----------------------------|-----------------------------|------------------------------|
| 15 = Grand Wagoneer 4 Dr. | 65 = Comanche 4WD-7 Ft. Box | 77 = Cherokee 4WD-2 Dr. |
| 25 = J-10 Pickup-119" W.B. | 66 = Comanche 2WD-7 Ft. Box | 78 = Cherokee 4WD-4 Dr. |
| 26 = J-10 Pickup-131" W.B. | 73 = Cherokee 2WD-2 Dr. | 79 = Cherokee 4WD-4 Dr.-Com |
| 27 = J-20 Pickup-131" W.B. | 74 = Cherokee 2WD-4 Dr. | 81 = Wrangler-93" W.B. |
| 63 = Comanche 4WD-6 Ft. Box | 75 = Wagoneer 4WD-4 Dr. | 82 = Wrangler-103" W.B.-Exp. |
| 64 = Comanche 2WD-6 Ft. Box | | |

BODY STYLES:

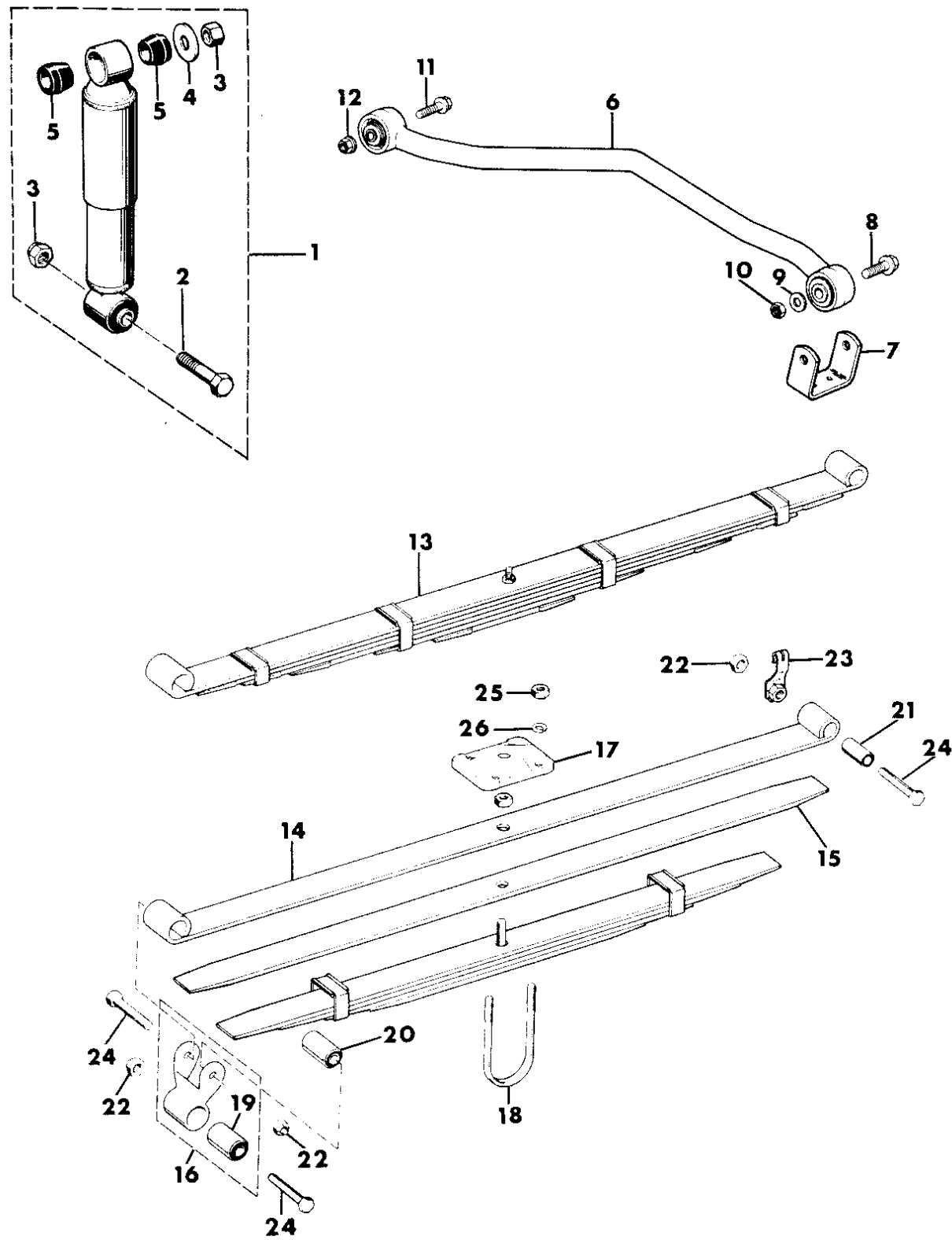
MJ = Comanche Pickup
 SJ = Grand Wagoneer Wgn., J-10 & J-20 Pickups
 XJ = Cherokee, Wagoneer Limited
 YJ = Wrangler

AR = Use as Required - = Non Illustrated Part P.A.R. = Paint as Required

SUSPENSION, REAR W/SHOCK ABSORBER GRAND WAGONEER, J10, J20

Figure 17-400

8J17 400



| ITEM | PART NUMBER | QTY | BODY | MODEL | DESCRIPTION |
|------|-------------|-----|------|--------|---------------------|
| 1 | | | | | SHOCK ABSORBER |
| | 8350 1878 | 2 | | 15 | Standard Duty |
| | 8350 3693 | 2 | | 15 | Heavy Duty |
| | J813 3293 | 2 | | 26, 27 | Heavy Duty |
| 2 | J018 1709 | 2 | | | BOLT |
| 3 | J400 4311 | 4 | | | NUT |
| 4 | J448 8495 | 2 | | | WASHER |
| 5 | J063 7936 | 4 | | | BUSHING |
| 6 | 5200 1990 | 1 | | | BAR, Track |
| 7 | 5200 1989 | 1 | | | SPACER |
| 8 | 3420 1465 | 1 | | | BOLT |
| 9 | J448 8495 | 1 | | | WASHER |
| 10 | 1150 2723 | 1 | | | NUT |
| 11 | S150 4810 | 1 | | | BOLT |
| 12 | 1150 2812 | 1 | | | NUT |
| 13 | | | | | SPRING ASSEMBLY *** |
| | J535 5576 | 2 | | 26 | 4 Leaf |
| | J536 2956 | 2 | | 15 | 5 Leaf |
| | J536 4156 | 2 | | 26, 27 | 6 Leaf |
| | J536 4155 | 2 | | 27 | 9 Leaf |
| 14 | | | | | LEAF, Main *** |
| | J813 4740 | 2 | | | 5 Leaf Assembly |
| | J813 4425 | 2 | | | 9 Leaf Assembly |
| 15 | J813 4426 | 2 | | | LEAF, 9 Leaf *** |
| 16 | | | | | SHACKLE |
| | J535 2863 | 2 | | 15, 26 | |
| | J535 2251 | 2 | | 27 | |
| 17 | | | | | PLATE |
| | J535 2087 | 2 | | 15, 26 | |
| | J535 2091 | 2 | | 27 | |
| 18 | | | | | U-BOLT |
| | J812 9475 | 4 | | | Length = 6.20" |
| | J813 0371 | 4 | | | Length = 6.70" |
| | J536 4244 | 4 | | | Length = 7.70" |
| 19 | J535 2079 | 2 | | | BUSHING |
| 20 | J094 4870 | 2 | | | BUSHING |
| 21 | | | | | BUSHING |

MODEL CODES:

| | | |
|-----------------------------|-----------------------------|------------------------------|
| 15 = Grand Wagoneer 4 Dr. | 65 = Comanche 4WD-7 Ft. Box | 77 = Cherokee 4WD-2 Dr. |
| 25 = J-10 Pickup-119" W.B. | 66 = Comanche 2WD-7 Ft. Box | 78 = Cherokee 4WD-4 Dr. |
| 26 = J-10 Pickup-131" W.B. | 73 = Cherokee 2WD-2 Dr. | 79 = Cherokee 4WD-4 Dr.-Com |
| 27 = J-20 Pickup-131" W.B. | 74 = Cherokee 2WD-4 Dr. | 81 = Wrangler-93" W.B. |
| 63 = Comanche 4WD-6 Ft. Box | 75 = Wagoneer 4WD-4 Dr. | 82 = Wrangler-103" W.B.-Exp. |
| 64 = Comanche 2WD-6 Ft. Box | | |

BODY STYLES:

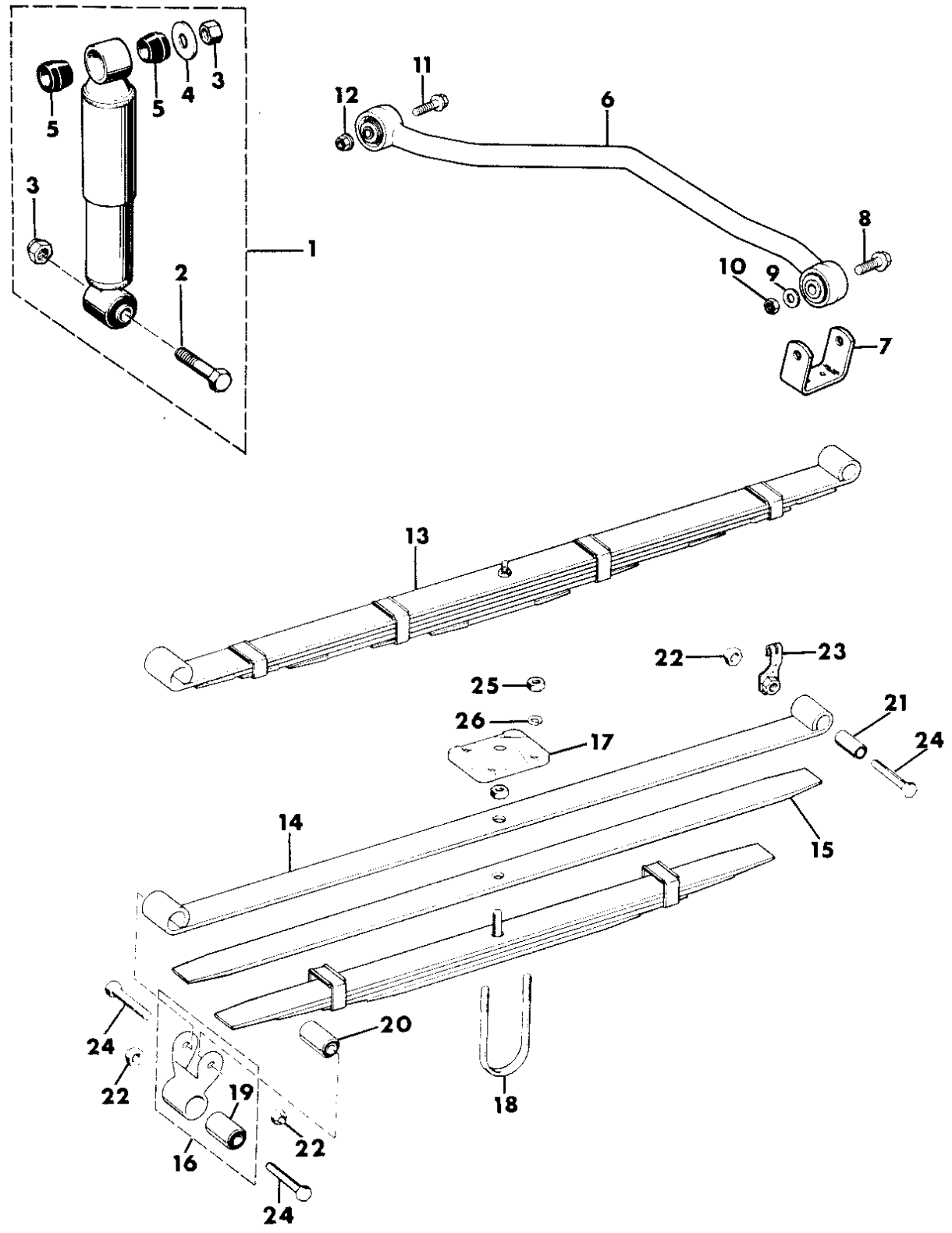
MJ = Comanche Pickup
 SJ = Grand Wagoneer Wgn., J-10 & J-20 Pickups
 XJ = Cherokee, Wagoneer Limited
 YJ = Wrangler

AR = Use as Required - = Non Illustrated Part P.A.R. = Paint as Required

SUSPENSION, REAR W/SHOCK ABSORBER GRAND WAGONEER, J10, J20
Figure 17-400

8J17 400

| ITEM | PART NUMBER | QTY | BODY | MODEL | DESCRIPTION |
|------|-------------|-----|------|--------|-------------|
| | J535 8985 | 2 | | 15 | |
| | J535 5369 | 2 | | 26, 27 | |
| 22 | J400 3979 | 6 | | | NUT |
| 23 | J400 6631 | 1 | | 15 | NUT, Lt. |
| 24 | J400 4120 | 6 | | | BOLT |
| 25 | J942 0350 | 8 | | | NUT |
| 26 | J400 4806 | 8 | | | WASHER |



MODEL CODES:
 15 = Grand Wagoneer 4 Dr. 65 = Comanche 4WD-7 Ft. Box 77 = Cherokee 4WD-2 Dr.
 25 = J-10 Pickup-119" W.B. 66 = Comanche 2WD-7 Ft. Box 78 = Cherokee 4WD-4 Dr.
 26 = J-10 Pickup-131" W.B. 73 = Cherokee 2WD-2 Dr. 79 = Cherokee 4WD-4 Dr.-Com
 27 = J-20 Pickup-131" W.B. 74 = Cherokee 2WD-4 Dr. 81 = Wrangler-93" W.B.
 63 = Comanche 4WD-6 Ft. Box 75 = Wagoneer 4WD-4 Dr. 82 = Wrangler-103" W.B.-Exp.
 64 = Comanche 2WD-6 Ft. Box

BODY STYLES:
 MJ = Comanche Pickup
 SJ = Grand Wagoneer Wgn., J-10 & J-20 Pickups
 XJ = Cherokee, Wagoneer Limited
 YJ = Wrangler

AR = Use as Required - = Non Illustrated Part P.A.R. = Paint as Required

GROUP 19 - STEERING

ILLUSTRATION TITLE

GROUP-FIG. NO.

STEERING WHEELS

WHEEL, STEERING WRANGLER, YJ Fig. 19-100
WHEEL, STEERING - TWO SPOKE CHEROKEE, WAGONEER, COMANCHE Fig. 19-200
WHEEL, STEERING - THREE SPOKE CHEROKEE, WAGONEER, COMANCHE Fig. 19-225
WHEEL, STEERING - TWO SPOKE GRAND WAGONEER, J10, J20 Fig. 19-300
WHEEL, STEERING - THREE SPOKE GRAND WAGONEER, J10, J20 Fig. 19-325

STEERING COLUMNS

COLUMN ASSEMBLY, STEERING WRANGLER, YJ Fig. 19-400
HOUSING STEERING COLUMN UPPER W/FLOOR GEAR SHIFT, W/O TILT WRANGLER, YJ Fig. 19-420
HOUSING STEERING COLUMN LOWER W/FLOOR GEAR SHIFT, W/O TILT WRANGLER, YJ Fig. 19-430
HOUSING STEERING COLUMN UPPER W/FLOOR GEAR SHIFT, W/TILT WRANGLER, YJ Fig. 19-440
HOUSING STEERING COLUMN LOWER W/FLOOR GEAR SHIFT, W/TILT WRANGLER, YJ Fig. 19-450
HOUSING STEERING COLUMN UPPER W/COLUMN GEAR SHIFT, W/TILT WRANGLER, YJ Fig. 19-460
HOUSING STEERING COLUMN LOWER W/COLUMN GEAR SHIFT, W/TILT WRANGLER, YJ Fig. 19-470
COLUMN ASSEMBLY, STEERING W/FLOOR MOUNTED GEAR SHIFT CHEROKEE, WAGONEER,
COMANCHE Fig. 19-500
HOUSING STEERING COLUMN UPPER W/FLOOR GEAR SHIFT, W/O TILT CHEROKEE, WAGONEER,
COMANCHE Fig. 19-510
HOUSING STEERING COLUMN LOWER W/FLOOR GEAR SHIFT, W/O TILT CHEROKEE, WAGONEER,
COMANCHE Fig. 19-520
HOUSING STEERING COLUMN UPPER W/FLOOR GEAR SHIFT, W/TILT CHEROKEE, WAGONEER,
COMANCHE Fig. 19-530
HOUSING STEERING COLUMN LOWER W/FLOOR GEAR SHIFT, W/TILT CHEROKEE, WAGONEER,
COMANCHE Fig. 19-540
COLUMN ASSEMBLY, STEERING W/COLUMN GEAR SHIFT COMANCHE Fig. 19-600
HOUSING STEERING COLUMN UPPER W/COLUMN GEAR SHIFT, W/O TILT COMANCHE Fig. 19-610
HOUSING STEERING COLUMN LOWER W/COLUMN GEAR SHIFT, W/O TILT COMANCHE Fig. 19-620
HOUSING STEERING COLUMN UPPER W/COLUMN GEAR SHIFT, W/TILT COMANCHE Fig. 19-630
HOUSING STEERING COLUMN LOWER W/COLUMN GEAR SHIFT, W/TILT COMANCHE Fig. 19-640
COLUMN ASSY., AND MOUNTING GRAND WAGONEER, J10,20 Fig. 19-700
HOUSING STEERING COLUMN UPPER W/FLOOR GEAR SHIFT, W/O TILT J10, J20 Fig. 19-710
HOUSING STEERING COLUMN LOWER W/FLOOR GEAR SHIFT, W/O TILT J10, J20 Fig. 19-720
HOUSING STEERING COLUMN UPPER W/COLUMN GEAR SHIFT, W/TILT GRAND WAGONEER, J10, J20 Fig. 19-730
HOUSING STEERING COLUMN LOWER W/COLUMN GEAR SHIFT, W/TILT GRAND WAGONEER, J10, J20 Fig. 19-740

ILLUSTRATION NOT AVAILABLE AT TIME OF PUBLICATION

GROUP 19 - STEERING

ILLUSTRATION TITLE

GROUP-FIG. NO.

STEERING GEARS

| | |
|--|--------------|
| GEAR, STEERING W/O POWER STEERING WRANGLER, CHEROKEE, COMANCHE | Fig. 19-1600 |
| GEAR, STEERING W/POWER STEERING WRANGLER, CHEROKEE, WAGONEER, COMANCHE | Fig. 19-1700 |
| GEAR, POWER STEERING GRAND WAGONEER, J10, J20 | Fig. 19-1800 |

STEERING LINKAGE

| | |
|---|--------------|
| LINKAGE AND DAMPER WRANGLER | Fig. 19-1900 |
| LINKAGE AND DAMPER CHEROKEE, WAGONEER, COMANCHE | Fig. 19-2000 |
| LINKAGE AND DAMPER GRAND WAGONEER, J10, J20 | Fig. 19-2100 |

POWER STEERING PUMPS

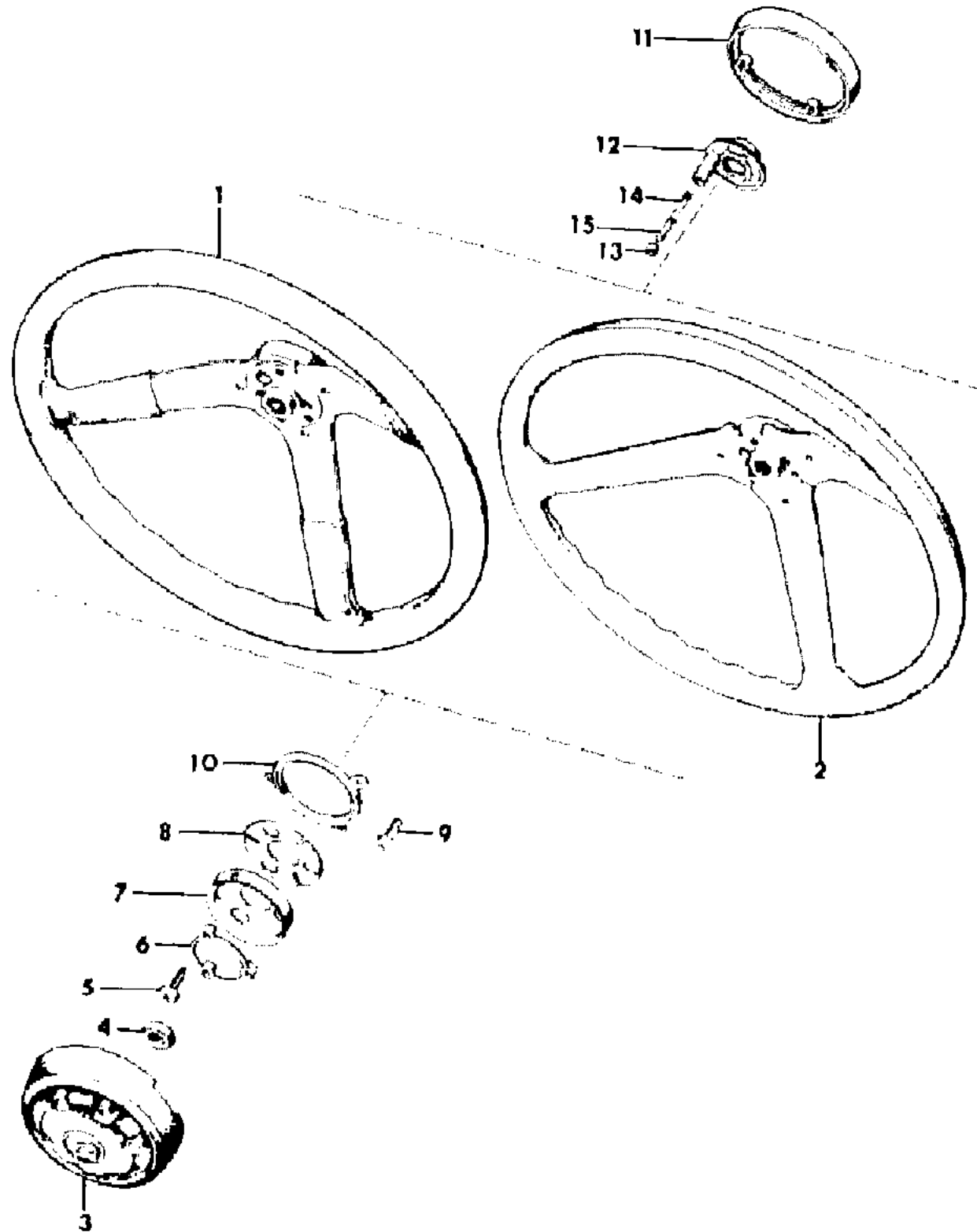
| | |
|--|--------------|
| PUMP, POWER STEERING WRANGLER | Fig. 19-2200 |
| PUMP, POWER STEERING CHEROKEE, WAGONEER, COMANCHE | Fig. 19-2300 |
| PUMP, POWER STEERING GRAND WAGONEER, J10, J20 | Fig. 19-2400 |
| PUMP, POWER STEERING 2.1L DIESEL ENGINE CHEROKEE, WAGONEER | Fig. 19-2500 |

POWER STEERING MOUNTING

| | |
|---|--------------|
| PUMP MOUNTING POWER STEERING WRANGLER | Fig. 19-2600 |
| PUMP MOUNTING POWER STEERING CHEROKEE, WAGONEER, COMANCHE | Fig. 19-2700 |
| PUMP MOUNTING POWER STEERING, 5.7L ENGINE GRAND WAGONEER, J10, J20 | Fig. 19-2800 |
| PUMP MOUNTING POWER STEERING, 4.2L ENGINE J10, J20 | Fig. 19-2900 |
| PUMP MOUNTING POWER STEERING, 2.1L DIESEL ENGINE CHEROKEE, WAGONEER | Fig. 19-3000 |

WHEEL, STEERING WRANGLER, YJ
Figure 19-100

8J19100



| ITEM | PART NUMBER | QTY | BODY | MODEL | DESCRIPTION |
|------|-------------|-----|------|-------|-----------------------------------|
| 1 | | | | | WHEEL, Steering - Leather Wrapped |
| | 8350 2574 | 1 | | | Black |
| | 8350 4869 | 1 | | | Charcoal |
| | 8350 5514 | 1 | | | Dark Sand |
| | 8350 2195 | 1 | | | Honey |
| 2 | 8350 3184 | 1 | | | Tan |
| | | | | | WHEEL, Steering - Soft Feel Sport |
| | 8350 2575 | 1 | | | Black |
| | 8350 4867 | 1 | | | Charcoal |
| | 8350 5515 | 1 | | | Dark Sand |
| 3 | 8350 2195 | 1 | | | Honey |
| | 8350 3185 | 1 | | | Tan |
| | | | | | BUTTON, Steering Wheel |
| | 5200 1889 | 1 | | | Black |
| | 5200 3807 | 1 | | | Charcoal |
| | 5200 3900 | 1 | | | Charcoal, w/(ECE) |
| | 5200 3849 | 1 | | | Dark Sand |
| 4 | 5AC1 5JY6 | 1 | | | Dark Sand, w/(ECE) |
| | 5200 1629 | 1 | | | Honey |
| | 5200 3810 | 1 | | | Tan |
| | J420 0414 | 1 | | | NUT |
| | J400 4167 | 3 | | | SCREW |
| | J318 6964 | 1 | | | BUSHING |
| | J324 2217 | 1 | | | RECEIVER |
| 5 | J318 6965 | 1 | | | SPRING |
| | J812 2359 | 3 | | | SCREW |
| 6 | J321 3915 | 1 | | | INSULATOR |
| | J321 8276 | 1 | | | EXTENTION (Dealer Paint) *** |
| 7 | | | | | CAM, Cancelling |
| | J448 7711 | 1 | | | w/o Tilt Wheel |
| 8 | J448 7816 | 1 | | | w/Tilt Wheel |
| | J318 7257 | 1 | | | RETAINER |
| 9 | J318 7255 | 1 | | | SPRING |
| | J318 7249 | 1 | | | PIN |

MODEL CODES:

| | | |
|-----------------------------|-----------------------------|------------------------------|
| 15 = Grand Wagoneer 4 Dr. | 65 = Comanche 4WD-7 Ft. Box | 77 = Cherokee 4WD-2 Dr. |
| 25 = J-10 Pickup-119" W.B. | 66 = Comanche 2WD-7 Ft. Box | 78 = Cherokee 4WD-4 Dr. |
| 26 = J-10 Pickup-131" W.B. | 73 = Cherokee 2WD-2 Dr. | 79 = Cherokee 4WD-4 Dr.-Com |
| 27 = J-20 Pickup-131" W.B. | 74 = Cherokee 2WD-4 Dr. | 81 = Wrangler-93" W.B. |
| 63 = Comanche 4WD-6 Ft. Box | 75 = Wagoneer 4WD-4 Dr. | 82 = Wrangler-103" W.B.-Exp. |
| 64 = Comanche 2WD-6 Ft. Box | | |

BODY STYLES:

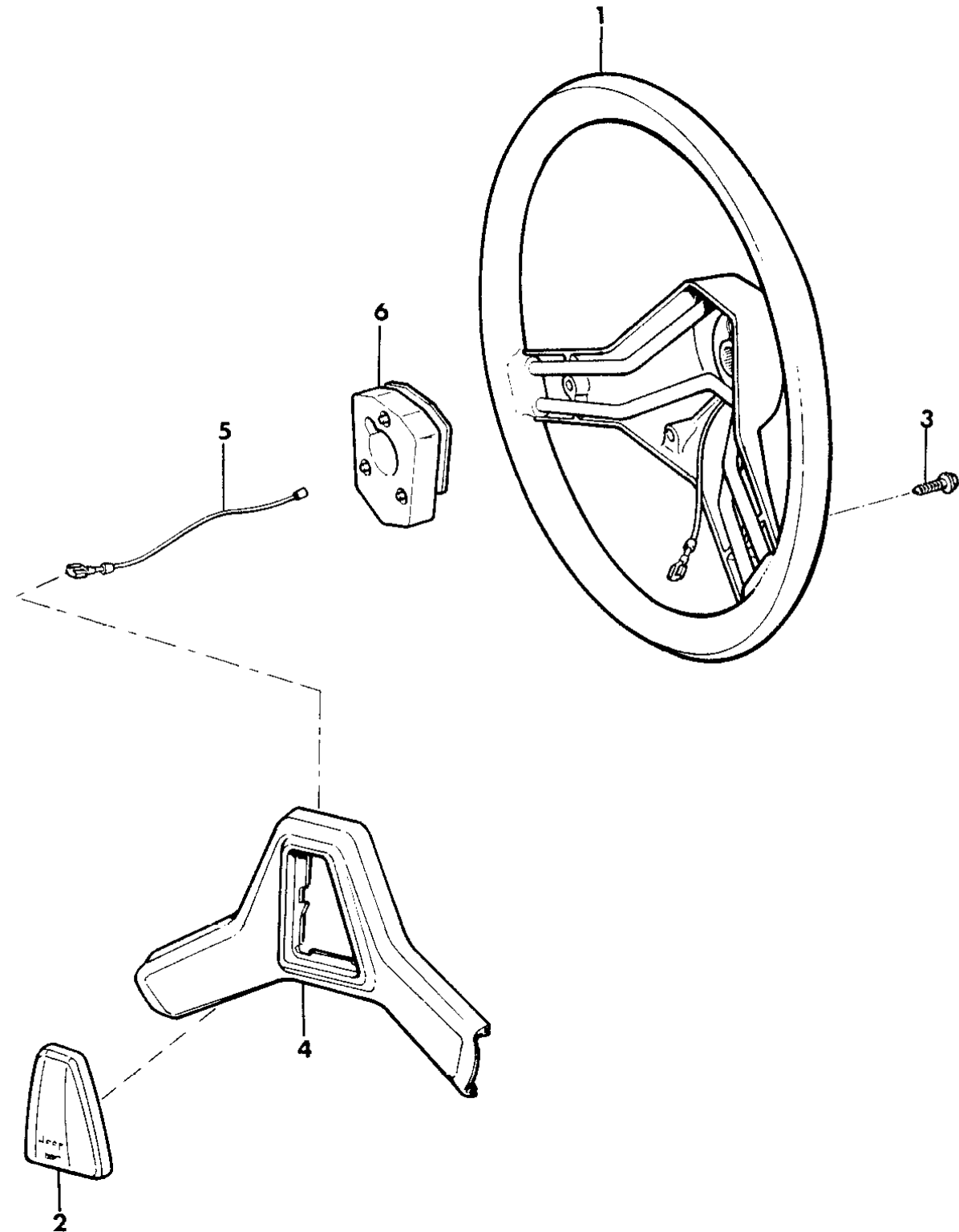
MJ = Comanche Pickup
 SJ = Grand Wagoneer Wgn., J-10 & J-20 Pickups
 XJ = Cherokee, Wagoneer Limited
 YJ = Wrangler

AR = Use as Required - = Non Illustrated Part P.A.R. = Paint as Required

WHEEL, STEERING - TWO SPOKE CHEROKEE, WAGONEER, COMANCHE
Figure 19-200

8J19 200

| ITEM | PART NUMBER | QTY | BODY | MODEL | DESCRIPTION |
|------|-------------|-----|------|-------|-------------------------------|
| 1 | 8350 2809 | 1 | | | WHEEL, Steering (Black) |
| | 8350 2326 | 1 | | | (Med. Blue) |
| | 8350 3460 | 1 | | | (Cordovan) |
| 2 | 5200 3785 | 1 | | | BUTTON, Steering Wheel |
| 3 | 3420 1298 | 3 | | | SCREW |
| 4 | 5200 0562 | 1 | | | COVER, Steering Wheel (Black) |
| | 5200 1884 | 1 | | | (Med. Blue) |
| | 5200 2876 | 1 | | | (Cordovan) |
| 5 | 5200 0745 | 1 | | | WIRE |
| 6 | 5200 3757 | 1 | | | DAMPER |



MODEL CODES:

| | | |
|-----------------------------|-----------------------------|------------------------------|
| 15 = Grand Wagoneer 4 Dr. | 65 = Comanche 4WD-7 Ft. Box | 77 = Cherokee 4WD-2 Dr. |
| 25 = J-10 Pickup-119" W.B. | 66 = Comanche 2WD-7 Ft. Box | 78 = Cherokee 4WD-4 Dr. |
| 26 = J-10 Pickup-131" W.B. | 73 = Cherokee 2WD-2 Dr. | 79 = Cherokee 4WD-4 Dr.-Com |
| 27 = J-20 Pickup-131" W.B. | 74 = Cherokee 2WD-4 Dr. | 81 = Wrangler-93" W.B. |
| 63 = Comanche 4WD-6 Ft. Box | 75 = Wagoneer 4WD-4 Dr. | 82 = Wrangler-103" W.B.-Exp. |
| 64 = Comanche 2WD-6 Ft. Box | | |

BODY STYLES:

MJ = Comanche Pickup
 SJ = Grand Wagoneer Wgn., J-10 & J-20 Pickups
 XJ = Cherokee, Wagoneer Limited
 YJ = Wrangler

AR = Use as Required - = Non Illustrated Part P.A.R. = Paint as Required

WHEEL, STEERING - THREE SPOKE CHEROKEE, WAGONEER, COMANCHE
Figure 19-225

8J19 225

| ITEM | PART NUMBER | QTY | BODY | MODEL | DESCRIPTION |
|------|-----------------------------------|-----------|------|--------------|-------------------------------|
| 1 | WHEEL, Steering - Leather Wrapped | | | | |
| | | 8350 4865 | 1 | | Charcoal, w/Perforations |
| | | 8350 3454 | 1 | | Cordovan |
| | | 8350 5514 | 1 | | Dark Sand, w/o Perforations |
| | | 8350 6329 | 1 | | Dark Sand, w/Perforations |
| | | 8350 4864 | 1 | | Navy |
| | | 8350 3184 | 1 | | Tan |
| | | 8350 2574 | 1 | | (Black) w/o Limited Pkg. 1987 |
| | | 8350 4499 | 1 | | (Black) w/Limited Pkg. 1987 |
| | | 8350 2324 | 1 | | (Med. Blue) 1987 |
| 2 | WHEEL, Steering - Soft Feel Sport | | | | |
| | | 8350 4867 | 1 | | Charcoal |
| | | 8350 3458 | 1 | | Cordovan |
| | | 8350 5515 | 1 | | Dark Sand |
| | | 8350 4866 | 1 | | Navy |
| | | 8350 3185 | 1 | | Tan |
| | | 8350 2575 | 1 | | (Black) 1987 |
| | | 8350 2325 | 1 | | (Med. Blue) 1987 |
| 3 | BUTTON, Steering Wheel | | | | |
| | | 5200 3807 | 1 | | Charcoal |
| | | 5200 3900 | 1 | | Charcoal, w/(ECE) |
| | | 5200 3809 | 1 | | Cordovan |
| | | 5200 3901 | 1 | | Cordovan, w/(ECE) |
| | | 5AC1 5JH9 | 1 | | Cordovan, w/(ECE) 1990 |
| | | 5200 3849 | 1 | | Dark Sand |
| | | 5200 3808 | 1 | | Navy |
| | | 5200 3902 | 1 | | Navy, w/(ECE) |
| | | 5200 3810 | 1 | | Tan |
| | | 5200 1889 | 1 | | (Black) 1987 |
| | | 5200 1887 | 1 | | (Med. Blue) 1987 |
| | 5200 1629 | 1 | | (Honey) 1987 | |
| 4 | J420 0414 | 1 | | | NUT |
| 5 | J400 4167 | 3 | | | SCREW |
| 6 | J318 6964 | 1 | | | BUSHING |
| 7 | J324 2217 | 1 | | | RECEIVER |

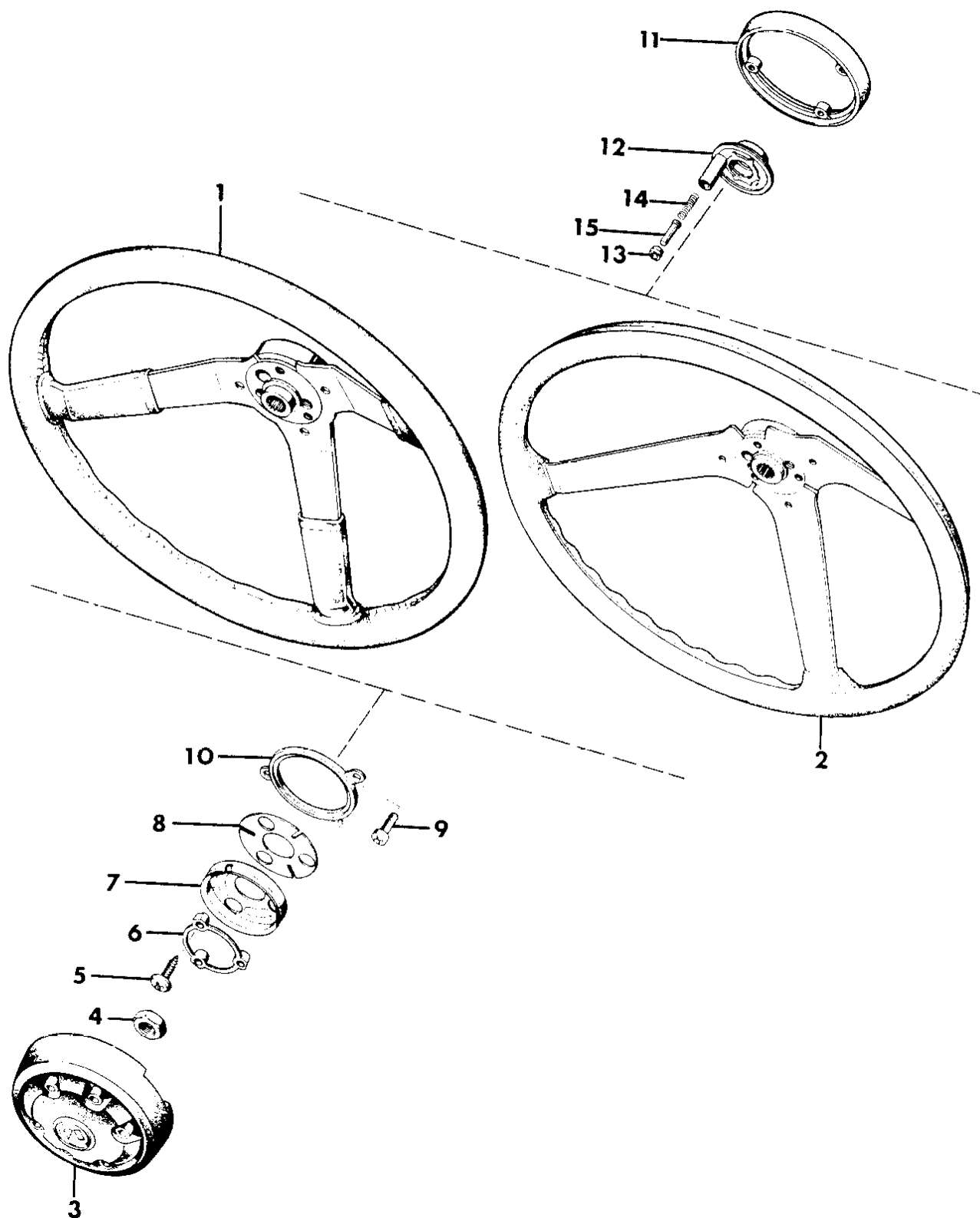
MODEL CODES:

| | | |
|-----------------------------|-----------------------------|------------------------------|
| 15 = Grand Wagoneer 4 Dr. | 65 = Comanche 4WD-7 Ft. Box | 77 = Cherokee 4WD-2 Dr. |
| 25 = J-10 Pickup-119" W.B. | 66 = Comanche 2WD-7 Ft. Box | 78 = Cherokee 4WD-4 Dr. |
| 26 = J-10 Pickup-131" W.B. | 73 = Cherokee 2WD-2 Dr. | 79 = Cherokee 4WD-4 Dr.-Com |
| 27 = J-20 Pickup-131" W.B. | 74 = Cherokee 2WD-4 Dr. | 81 = Wrangler-93" W.B. |
| 63 = Comanche 4WD-6 Ft. Box | 75 = Wagoneer 4WD-4 Dr. | 82 = Wrangler-103" W.B.-Exp. |
| 64 = Comanche 2WD-6 Ft. Box | | |

BODY STYLES:

MJ = Comanche Pickup
 SJ = Grand Wagoneer Wgn., J-10 & J-20 Pickups
 XJ = Cherokee, Wagoneer Limited
 YJ = Wrangler

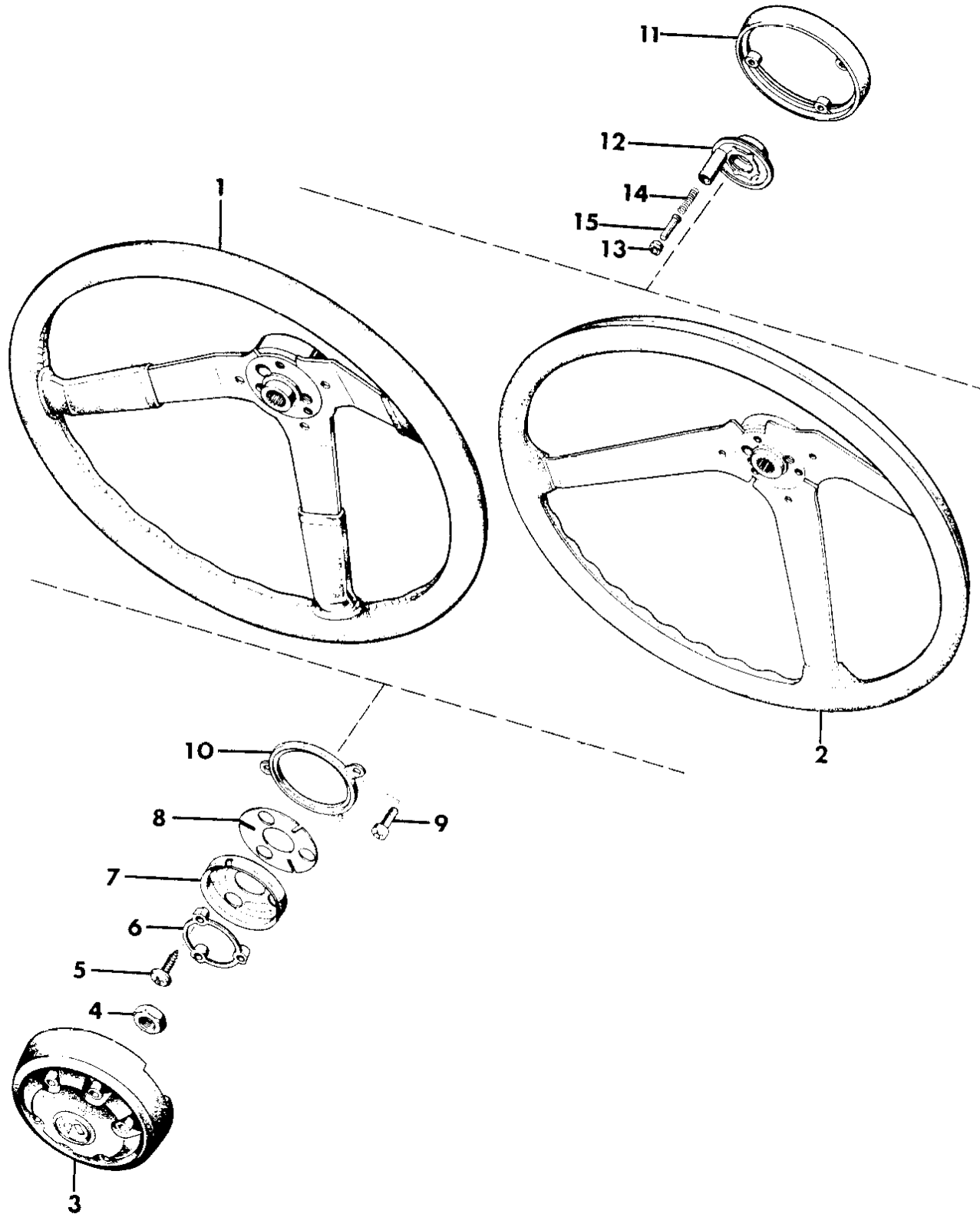
AR = Use as Required - = Non Illustrated Part P.A.R. = Paint as Required



WHEEL, STEERING - THREE SPOKE CHEROKEE, WAGONEER, COMANCHE
Figure 19-225

8J19 225

| ITEM | PART NUMBER | QTY | BODY | MODEL | DESCRIPTION |
|------|-------------|-----|------|-------|-------------------------------|
| 8 | J318 6965 | 1 | | | SPRING |
| 9 | J812 2359 | 3 | | | SCREW |
| 10 | J321 3915 | 1 | | | INSULATOR |
| 11 | J321 8276 | 1 | | | EXTENTION, (Dealer Paint) *** |
| 12 | | | | | CAM, Cancelling |
| | J448 7711 | 1 | | | w/o Tilt Wheel |
| | J448 7816 | 1 | | | w/Tilt Wheel |
| 13 | J318 7257 | 1 | | | RETAINER |
| 14 | J318 7255 | 1 | | | SPRING |
| 15 | J318 7249 | 1 | | | PIN |



MODEL CODES:

| | | |
|-----------------------------|-----------------------------|------------------------------|
| 15 = Grand Wagoneer 4 Dr. | 65 = Comanche 4WD-7 Ft. Box | 77 = Cherokee 4WD-2 Dr. |
| 25 = J-10 Pickup-119" W.B. | 66 = Comanche 2WD-7 Ft. Box | 78 = Cherokee 4WD-4 Dr. |
| 26 = J-10 Pickup-131" W.B. | 73 = Cherokee 2WD-2 Dr. | 79 = Cherokee 4WD-4 Dr.-Com |
| 27 = J-20 Pickup-131" W.B. | 74 = Cherokee 2WD-4 Dr. | 81 = Wrangler-93" W.B. |
| 63 = Comanche 4WD-6 Ft. Box | 75 = Wagoneer 4WD-4 Dr. | 82 = Wrangler-103" W.B.-Exp. |
| 64 = Comanche 2WD-6 Ft. Box | | |

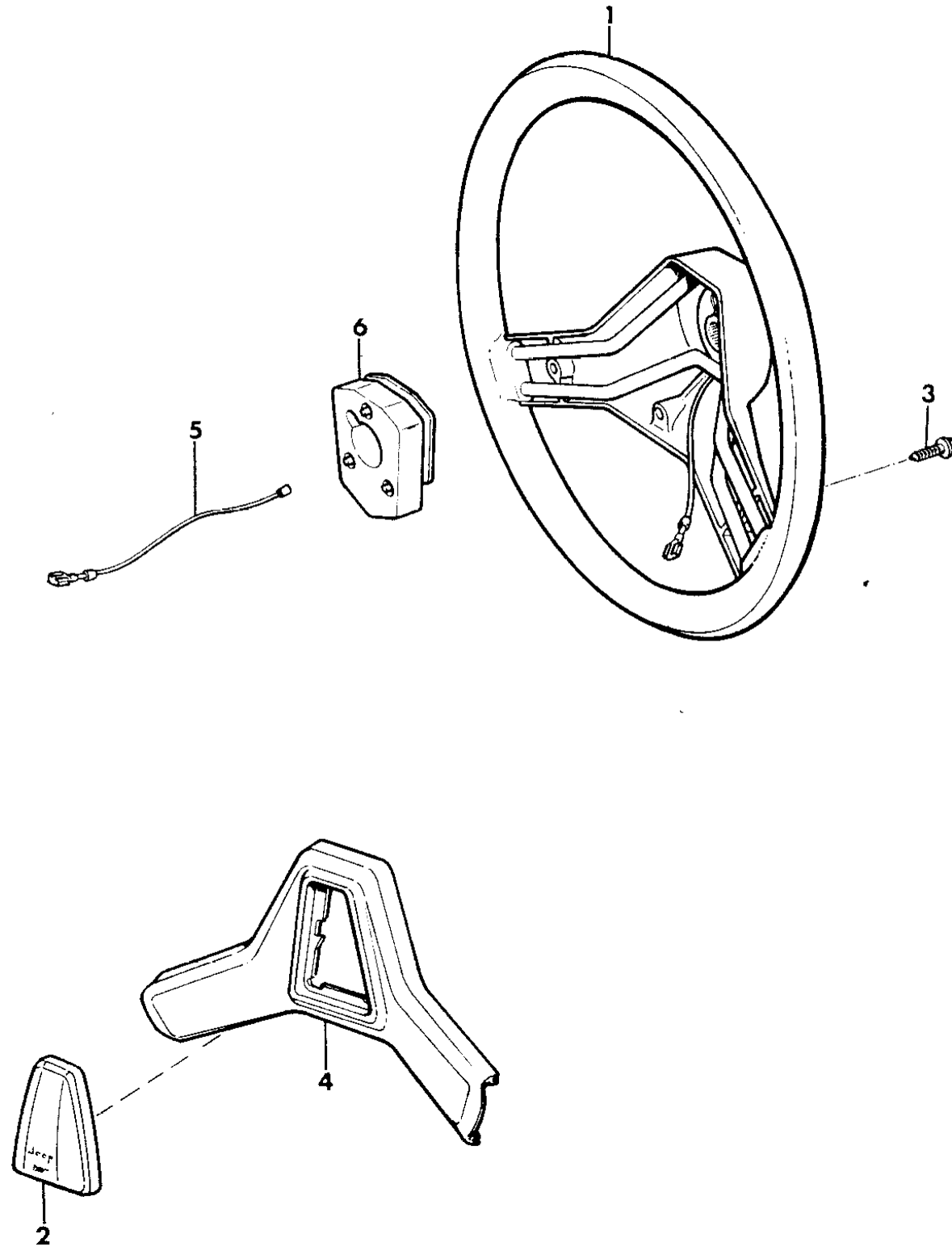
BODY STYLES:

MJ = Comanche Pickup
 SJ = Grand Wagoneer Wgn., J-10 & J-20 Pickups
 XJ = Cherokee, Wagoneer Limited
 YJ = Wrangler

AR = Use as Required - = Non Illustrated Part P.A.R. = Paint as Required

WHEEL, STEERING - TWO SPOKE GRAND WAGONEER, J10, J20
Figure 19-300

8J19 300



| ITEM | PART NUMBER | QTY | BODY | MODEL | DESCRIPTION |
|------|-------------|-----|------|-------|------------------------|
| 1 | | | | | WHEEL, Steering |
| | 8350 3181 | 1 | | | Cordovan |
| | 5AC1 1JH9 | 1 | | | 1987-89 |
| | | | | | 1990 |
| | | | | | Dark Sand |
| | 8350 5580 | 1 | | | 1987-90 |
| | 8350 3182 | 1 | | | Tan |
| 2 | 5200 3785 | 1 | | | BUTTON, Steering Wheel |
| 3 | | | | | COVER, Steering Wheel |
| | 5AC0 7JH9 | 1 | | | Cordovan |
| | 5AC0 7JY6 | 1 | | | Dark Sand |
| | 5200 2871 | 1 | | | Tan |
| 4 | 5200 0745 | 1 | | | WIRE |
| 5 | 3420 1298 | 3 | | | SCREW |
| 6 | 5200 3757 | 2 | | | DAMPER |

MODEL CODES:

| | | |
|-----------------------------|-----------------------------|------------------------------|
| 15 = Grand Wagoneer 4 Dr. | 65 = Comanche 4WD-7 Ft. Box | 77 = Cherokee 4WD-2 Dr. |
| 25 = J-10 Pickup-119" W.B. | 66 = Comanche 2WD-7 Ft. Box | 78 = Cherokee 4WD-4 Dr. |
| 26 = J-10 Pickup-131" W.B. | 73 = Cherokee 2WD-2 Dr. | 79 = Cherokee 4WD-4 Dr.-Com |
| 27 = J-20 Pickup-131" W.B. | 74 = Cherokee 2WD-4 Dr. | 81 = Wrangler-93" W.B. |
| 63 = Comanche 4WD-6 Ft. Box | 75 = Wagoneer 4WD-4 Dr. | 82 = Wrangler-103" W.B.-Exp. |
| 64 = Comanche 2WD-6 Ft. Box | | |

BODY STYLES:

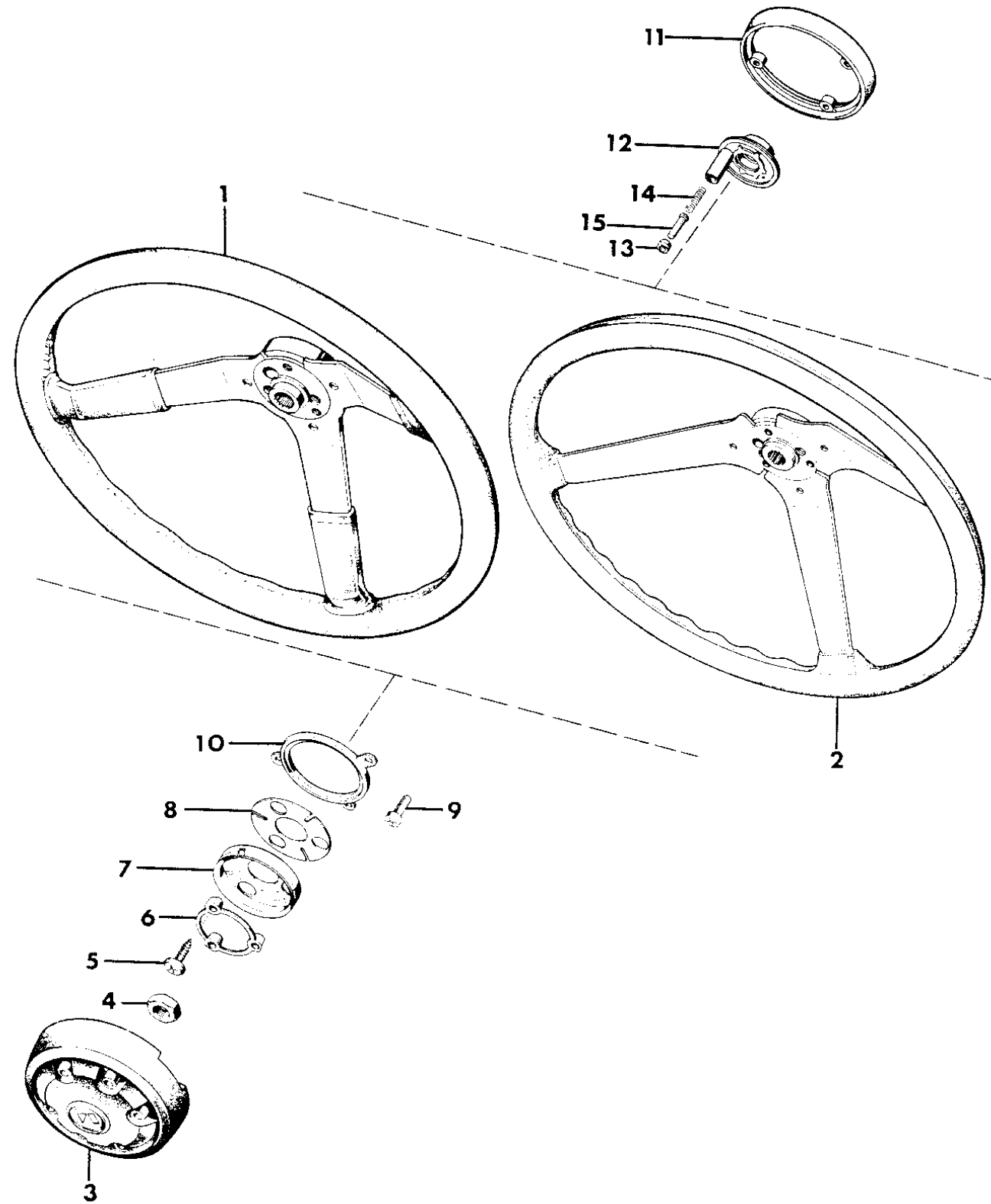
MJ = Comanche Pickup
 SJ = Grand Wagoneer Wgn., J-10 & J-20 Pickups
 XJ = Cherokee, Wagoneer Limited
 YJ = Wrangler

AR = Use as Required - = Non Illustrated Part P.A.R. = Paint as Required

WHEEL, STEERING - THREE SPOKE GRAND WAGONEER, J10, J20
Figure 19-325

8J19 325

| ITEM | PART NUMBER | QTY | BODY | MODEL | DESCRIPTION |
|------|-------------|-----|------|-------|-------------------------------|
| 1 | 8350 3184 | 1 | | | WHEEL, Steering - Tan |
| 2 | 8350 3185 | 1 | | | WHEEL, Steering Tan |
| | 8350 5515 | 1 | | | Dark Sand |
| 3 | | | | | BUTTON, Steering Wheel |
| | 5200 3810 | 1 | | | Tan |
| | 5200 3849 | 1 | | | Dark Sand |
| 4 | J420 0414 | 1 | | | NUT |
| 5 | J400 4167 | 3 | | | SCREW |
| 6 | J318 6964 | 1 | | | BUSHING |
| 7 | J324 2217 | 1 | | | RECEIVER |
| 8 | J318 6965 | 1 | | | SPRING |
| 9 | J812 2359 | 3 | | | SCREW |
| 10 | J321 3915 | 1 | | | INSULATOR |
| 11 | J321 8276 | 1 | | | EXTENTION, (Dealer Paint) *** |
| 12 | | | | | CAM, Cancelling |
| | J448 7711 | 1 | | | w/o Tilt Wheel |
| | J448 7816 | 1 | | | w/Tilt Wheel |
| 13 | J318 7257 | 1 | | | RETAINER |
| 14 | J318 7255 | 1 | | | SPRING |
| 15 | J318 7249 | 1 | | | PIN |



MODEL CODES:

| | | |
|-----------------------------|-----------------------------|------------------------------|
| 15 = Grand Wagoneer 4 Dr. | 65 = Comanche 4WD-7 Ft. Box | 77 = Cherokee 4WD-2 Dr. |
| 25 = J-10 Pickup-119" W.B. | 66 = Comanche 2WD-7 Ft. Box | 78 = Cherokee 4WD-4 Dr. |
| 26 = J-10 Pickup-131" W.B. | 73 = Cherokee 2WD-2 Dr. | 79 = Cherokee 4WD-4 Dr.-Com |
| 27 = J-20 Pickup-131" W.B. | 74 = Cherokee 2WD-4 Dr. | 81 = Wrangler-93" W.B. |
| 63 = Comanche 4WD-6 Ft. Box | 75 = Wagoneer 4WD-4 Dr. | 82 = Wrangler-103" W.B.-Exp. |
| 64 = Comanche 2WD-6 Ft. Box | | |

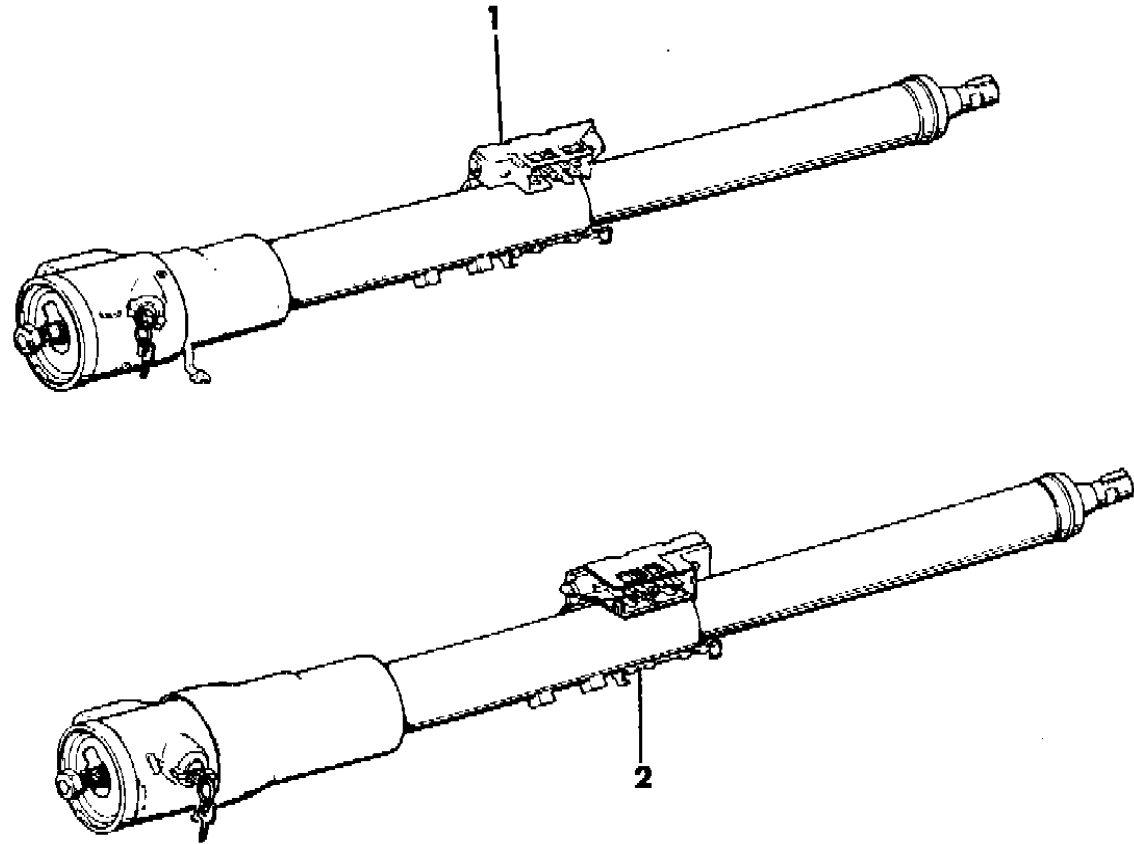
BODY STYLES:

MJ = Comanche Pickup
 SJ = Grand Wagoneer Wgn., J-10 & J-20 Pickups
 XJ = Cherokee, Wagoneer Limited
 YJ = Wrangler

AR = Use as Required - = Non Illustrated Part P.A.R. = Paint as Required

COLUMN ASSEMBLY, STEERING WRANGLER, YJ
Figure 19-400

8J19 400



| ITEM | PART NUMBER | QTY | BODY | MODEL | DESCRIPTION |
|------|-------------|-----|------|-------|---|
| 1 | | | | | COLUMN ASSEMBLY, w/Manual Transmission, w/Floor Gear Shift, w/o Tilt, w/o Intermittent Wipers |
| | 5200 1698 | 1 | | | 1987-88 |
| | 5200 4164 | 1 | | | 1989 |
| | 5200 4673 | 1 | | | 1990 |
| | | | | | COLUMN ASSEMBLY, w/Manual Transmission, w/Floor Gear Shift, w/o Tilt, w/Intermittent Wipers |
| | 5200 1968 | 1 | | | 1987-88 |
| | 5200 4165 | 1 | | | 1989 |
| | 5200 4674 | 1 | | | 1990 |
| 2 | | | | | COLUMN ASSEMBLY, w/Manual Transmission, w/Floor Gear Shift, w/Tilt, w/Intermittent Wipers |
| | 5200 1969 | 1 | | | 1987-88 |
| | 5200 4167 | 1 | | | 1989 |
| | 5200 4664 | 1 | | | 1990 |
| | | | | | COLUMN ASSEMBLY, w/Automatic Transmission, w/Column Gear Shift, w/Tilt, w/Intermittent Wipers |
| | 5200 3177 | 1 | | | 1987-88 |
| | 5200 4166 | 1 | | | 1989 |
| | 5200 4663 | 1 | | | 1990 |

MODEL CODES:

| | | |
|-----------------------------|-----------------------------|------------------------------|
| 15 = Grand Wagoneer 4 Dr. | 65 = Comanche 4WD-7 Ft. Box | 77 = Cherokee 4WD-2 Dr. |
| 25 = J-10 Pickup-119" W.B. | 66 = Comanche 2WD-7 Ft. Box | 78 = Cherokee 4WD-4 Dr. |
| 26 = J-10 Pickup-131" W.B. | 73 = Cherokee 2WD-2 Dr. | 79 = Cherokee 4WD-4 Dr.-Com |
| 27 = J-20 Pickup-131" W.B. | 74 = Cherokee 2WD-4 Dr. | 81 = Wrangler-93" W.B. |
| 63 = Comanche 4WD-6 Ft. Box | 75 = Wagoneer 4WD-4 Dr. | 82 = Wrangler-103" W.B.-Exp. |
| 64 = Comanche 2WD-6 Ft. Box | | |

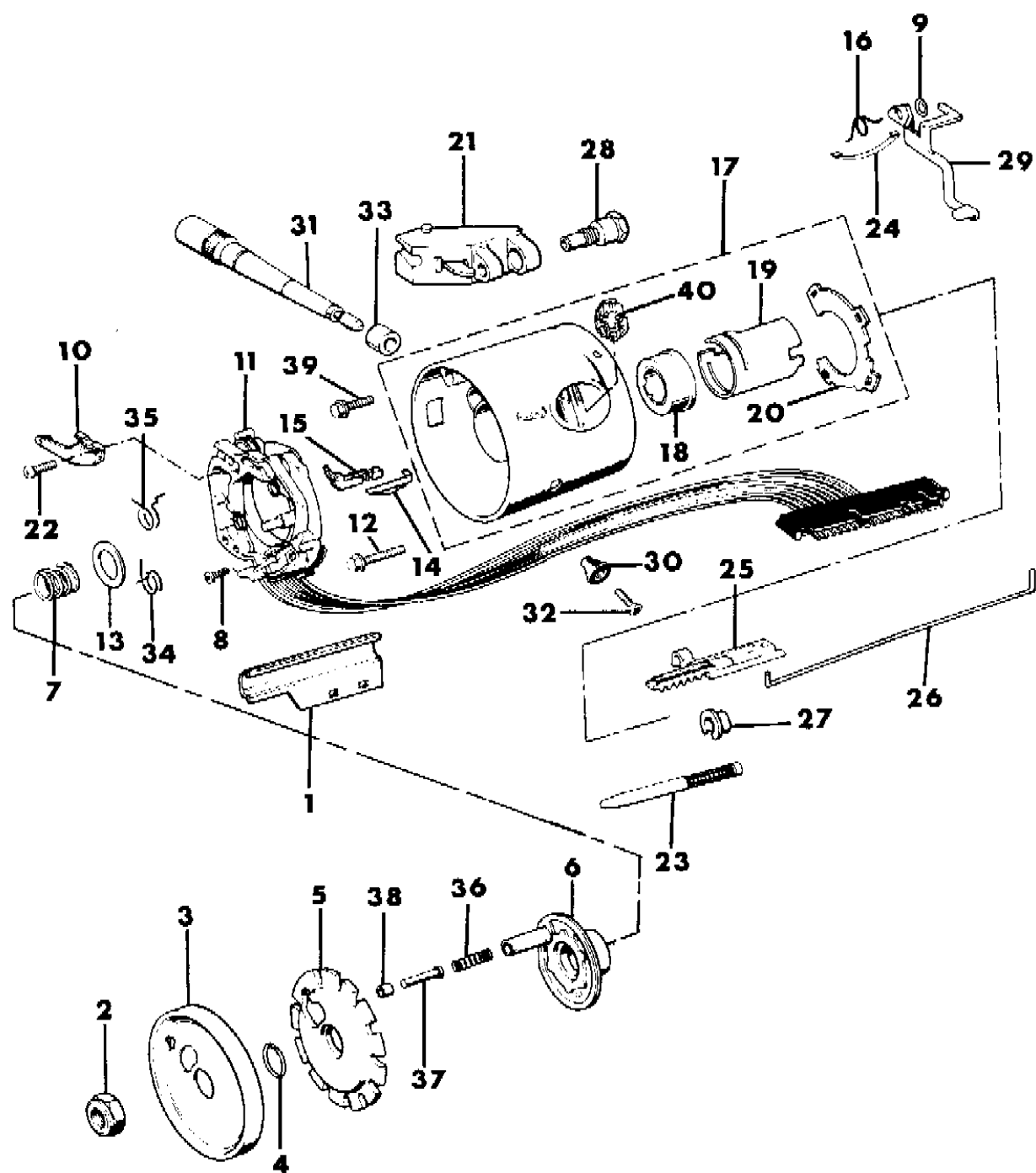
BODY STYLES:

MJ = Comanche Pickup
 SJ = Grand Wagoneer Wgn., J-10 & J-20 Pickups
 XJ = Cherokee, Wagoneer Limited
 YJ = Wrangler

AR = Use as Required - = Non Illustrated Part P.A.R. = Paint as Required

HOUSING STEERING COLUMN UPPER W/FLOOR GEAR SHIFT, W/O TILT WRANGLER, YJ
Figure 19-420

8 J19 420



| ITEM | PART NUMBER | QTY | BODY | MODEL | DESCRIPTION |
|------|-------------|-----|------|-------|---------------------------------------|
| 1 | 8350 2566 | 1 | | | PROTECTOR |
| 2 | J420 0414 | 1 | | | NUT |
| 3 | J322 8743 | 1 | | | COVER, Shift Lock |
| 4 | J320 8377 | 1 | | | RING |
| 5 | J812 7831 | 1 | | | LOCK |
| 6 | J448 7711 | 1 | | | CAM, Cancelling |
| 7 | J448 7765 | 1 | | | SPRING |
| 8 | J448 8301 | 3 | | | SCREW |
| 9 | J812 0186 | 1 | | | WASHER |
| 10 | 8351 0088 | 1 | | | ARM, Switch Actuator |
| 11 | J322 9970 | 1 | | | SWITCH, Turn Signal |
| 12 | J448 7761 | 4 | | | SCREW |
| 13 | J320 8008 | 1 | | | WASHER |
| 14 | J321 1423 | 1 | | | SWITCH, Key Buzzer |
| 15 | J448 7713 | 1 | | | CLIP |
| 16 | J812 0185 | 1 | | | SPRING |
| 17 | J813 4499 | 1 | | | HOUSING ASSEMBLY |
| 18 | J812 7850 | 1 | | | BEARING ASSEMBLY |
| 19 | J813 3537 | 1 | | | BUSHING |
| 20 | J813 4703 | 1 | | | RETAINER |
| 21 | | | | | SWITCH ASSEMBLY, WIPERS |
| | 5600 0031 | 1 | | | w/o Intermittent Wipers |
| | 5600 0032 | 1 | | | w/Intermittent Wipers |
| 22 | J400 1267 | 1 | | | SCREW |
| 23 | J448 7897 | 1 | | | BOLT |
| 24 | J448 7774 | 1 | | | SPRING |
| 25 | J812 1437 | 1 | | | RACK |
| 26 | 8350 2913 | 1 | | | ROD |
| 27 | J448 7777 | 1 | | | WASHER |
| 28 | J813 3538 | 1 | | | PIN |
| 29 | J813 3541 | 1 | | | LEVER |
| 30 | | | | | KNOB, Hazard Warning |
| | 5200 3425 | 1 | | | Except ECE |
| | 5600 3149 | 1 | | | ECE |
| 31 | | | | | LEVER, Turn Signal |
| | 5600 0432 | 1 | | | w/o Intermittent Wipers 1987/88/89 |

MODEL CODES:

| | | |
|-----------------------------|-----------------------------|------------------------------|
| 15 = Grand Wagoneer 4 Dr. | 65 = Comanche 4WD-7 Ft. Box | 77 = Cherokee 4WD-2 Dr. |
| 25 = J-10 Pickup-119" W.B. | 66 = Comanche 2WD-7 Ft. Box | 78 = Cherokee 4WD-4 Dr. |
| 26 = J-10 Pickup-131" W.B. | 73 = Cherokee 2WD-2 Dr. | 79 = Cherokee 4WD-4 Dr.-Com |
| 27 = J-20 Pickup-131" W.B. | 74 = Cherokee 2WD-4 Dr. | 81 = Wrangler-93" W.B. |
| 63 = Comanche 4WD-6 Ft. Box | 75 = Wagoneer 4WD-4 Dr. | 82 = Wrangler-103" W.B.-Exp. |
| 64 = Comanche 2WD-6 Ft. Box | | |

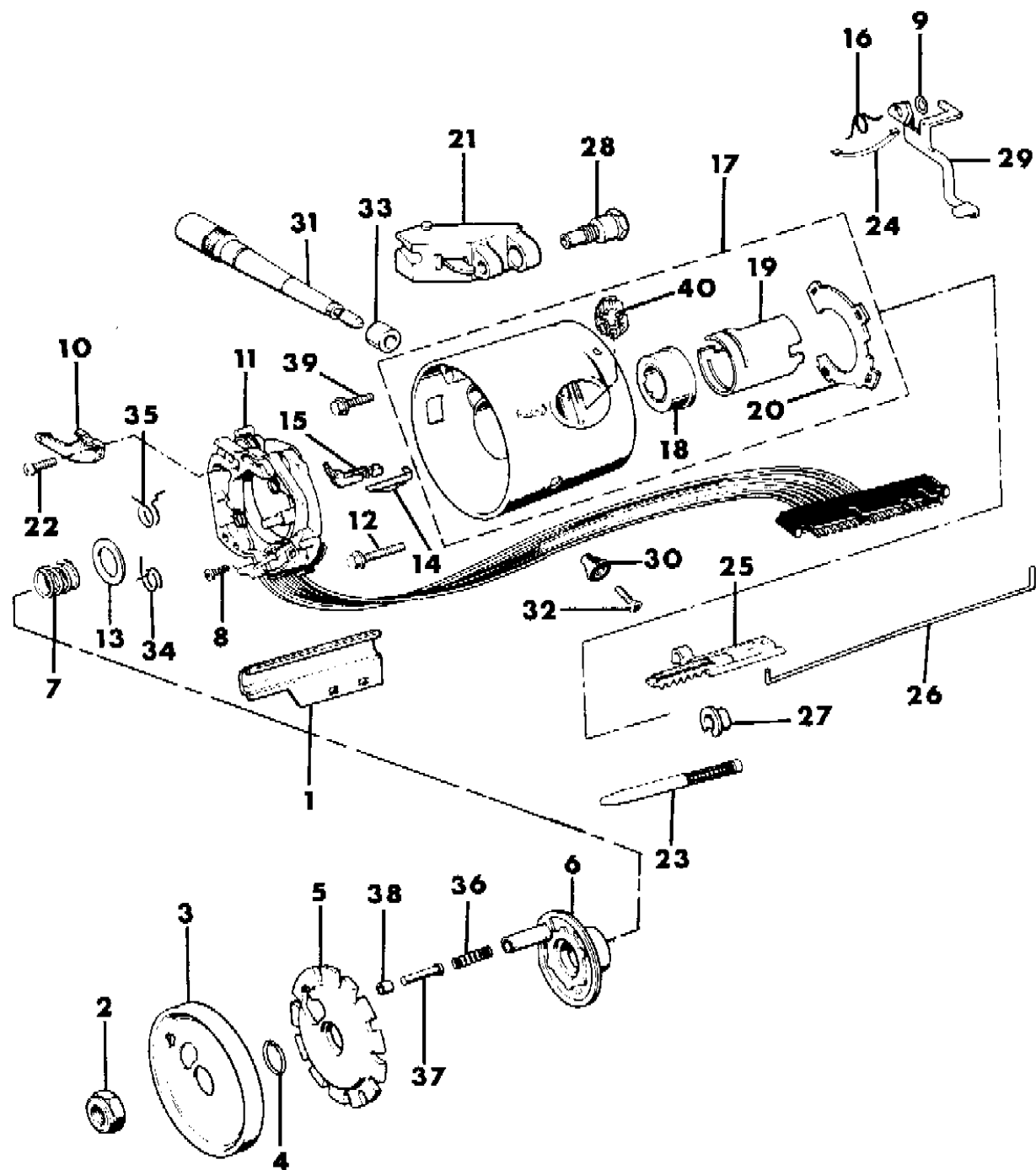
BODY STYLES:

MJ = Comanche Pickup
 SJ = Grand Wagoneer Wgn., J-10 & J-20 Pickups
 XJ = Cherokee, Wagoneer Limited
 YJ = Wrangler

AR = Use as Required - = Non Illustrated Part P.A.R. = Paint as Required

HOUSING STEERING COLUMN UPPER W/FLOOR GEAR SHIFT, W/O TILT WRANGLER, YJ
Figure 19-420

8 J19 420



| ITEM | PART NUMBER | QTY | BODY | MODEL | DESCRIPTION |
|------|-------------|-----|------|-------|---|
| | 5600 3867 | 1 | | | 1990 |
| | | | | | w/o Cruise Control, w/Intermittent Wipers |
| | 5600 0433 | 1 | | | 1987/88/89 |
| | 5600 2951 | 1 | | | 1990 |
| | 5600 2951 | 1 | | | Export |
| | | | | | w/Cruise Control, w/Intermittent Wipers |
| | 5600 0034 | 1 | | | 1987/88/89 (Chrome Stem) |
| | 5600 4595 | 1 | | | 1990 (Black Stem) |
| 32 | 3420 2670 | 1 | | | SCREW |
| 33 | 5600 2285 | 1 | | | INSULATOR |
| 34 | J812 9317 | 1 | | | SPRING, Left Lower |
| 35 | J812 9335 | 1 | | | SPRING, Right Upper |
| 36 | | | | | SPRING |
| | J318 7255 | 1 | | | For vehicles built up to 04-01-89 |
| | 5200 4402 | 1 | | | For vehicles built 04-01-89 and later |
| 37 | J318 7249 | 1 | | | PIN |
| 38 | J318 7257 | 1 | | | RETAINER |
| 39 | 8350 2102 | 1 | | | SCREW |
| 40 | J812 0097 | 1 | | | SECTOR |

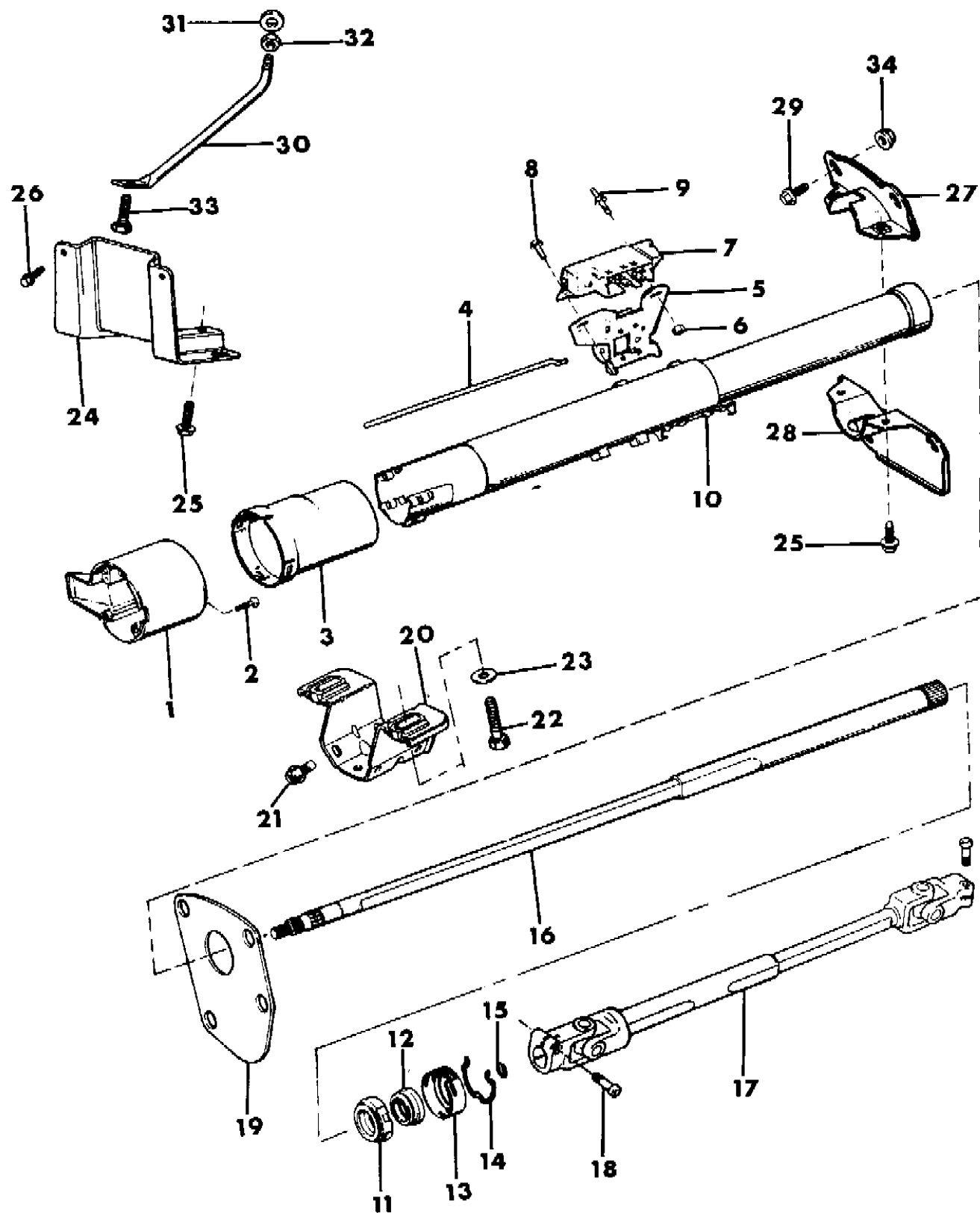
MODEL CODES:
 15 = Grand Wagoneer 4 Dr. 65 = Comanche 4WD-7 Ft. Box 77 = Cherokee 4WD-2 Dr.
 25 = J-10 Pickup-119" W.B. 66 = Comanche 2WD-7 Ft. Box 78 = Cherokee 4WD-4 Dr.
 26 = J-10 Pickup-131" W.B. 73 = Cherokee 2WD-2 Dr. 79 = Cherokee 4WD-4 Dr.-Com
 27 = J-20 Pickup-131" W.B. 74 = Cherokee 2WD-4 Dr. 81 = Wrangler-93" W.B.
 63 = Comanche 4WD-6 Ft. Box 75 = Wagoneer 4WD-4 Dr. 82 = Wrangler-103" W.B.-Exp.
 64 = Comanche 2WD-6 Ft. Box

BODY STYLES:
 MJ = Comanche Pickup
 SJ = Grand Wagoneer Wgn., J-10 & J-20 Pickups
 XJ = Cherokee, Wagoneer Limited
 YJ = Wrangler

AR = Use as Required - = Non Illustrated Part P.A.R. = Paint as Required

HOUSING STEERING COLUMN LOWER W/FLOOR GEAR SHIFT, W/O TILT WRANGLER, YJ
Figure 19-430

8J19 430



| ITEM | PART NUMBER | QTY | BODY | MODEL | DESCRIPTION |
|------|-------------|-----|------|-------|-------------------------------------|
| 1 | J813 4497 | 1 | | | BOWL |
| 2 | J448 8301 | 3 | | | SCREW |
| 3 | 8350 1374 | 1 | | | SHROUD, Bowl |
| 4 | 8350 2912 | 1 | | | ROD, Dimmer Switch Actuator 1987-89 |
| | 8350 2784 | 1 | | | 1990 |
| 5 | | | | | SWITCH, Headlamp Dimmer |
| | J323 9703 | 1 | | | 1987-88 |
| | J813 4498 | 1 | | | 1989 |
| | 5600 3406 | 1 | | | 1990 |
| 6 | J012 0361 | 1 | | | NUT |
| 7 | J325 0576 | 1 | | | SWITCH, Ignition |
| 8 | J448 7772 | 1 | | | SCREW |
| 9 | J813 3546 | 1 | | | STUD |
| 10 | 8350 2906 | 1 | | | JACKET ASSEMBLY |
| 11 | J448 7696 | 1 | | | ADAPTER |
| 12 | J448 6713 | 1 | | | BEARING |
| 13 | J448 7743 | 1 | | | RETAINER |
| 14 | J448 7739 | 1 | | | CLIP |
| 15 | J320 8377 | 1 | | | RING |
| 16 | 8350 2908 | 1 | | | SHAFT, Steering Column Upper |
| 17 | | | | | SHAFT, Steering Column Lower |
| | 5204 0099 | 1 | | | w/Power Steering |
| | 5204 0098 | 1 | | | w/o Power Steering |
| 18 | J420 0400 | 2 | | | BOLT |
| 19 | J319 6896 | 1 | | | SEAL |
| 20 | J535 1229 | 1 | | | BRACKET |
| 21 | 1150 2764 | 4 | | | SCREW |
| 22 | S941 8778 | 2 | | | BOLT |
| 23 | J012 0388 | 2 | | | WASHER |
| 24 | J545 3933 | 1 | | | BRACKET |
| 25 | J027 3573 | 3 | | | SCREW |
| 26 | J400 4991 | 2 | | | SCREW |
| 27 | J536 3488 | 1 | | | PLATE |
| 28 | J319 6897 | 1 | | | PLATE |
| 29 | J400 4520 | 4 | | | SCREW |
| 30 | 5200 2840 | 1 | | | BRACE |
| 31 | J448 8495 | 2 | | | WASHER |

MODEL CODES:

| | | |
|-----------------------------|-----------------------------|------------------------------|
| 15 = Grand Wagoneer 4 Dr. | 65 = Comanche 4WD-7 Ft. Box | 77 = Cherokee 4WD-2 Dr. |
| 25 = J-10 Pickup-119" W.B. | 66 = Comanche 2WD-7 Ft. Box | 78 = Cherokee 4WD-4 Dr. |
| 26 = J-10 Pickup-131" W.B. | 73 = Cherokee 2WD-2 Dr. | 79 = Cherokee 4WD-4 Dr.-Com |
| 27 = J-20 Pickup-131" W.B. | 74 = Cherokee 2WD-4 Dr. | 81 = Wrangler-93" W.B. |
| 63 = Comanche 4WD-6 Ft. Box | 75 = Wagoneer 4WD-4 Dr. | 82 = Wrangler-103" W.B.-Exp. |
| 64 = Comanche 2WD-6 Ft. Box | | |

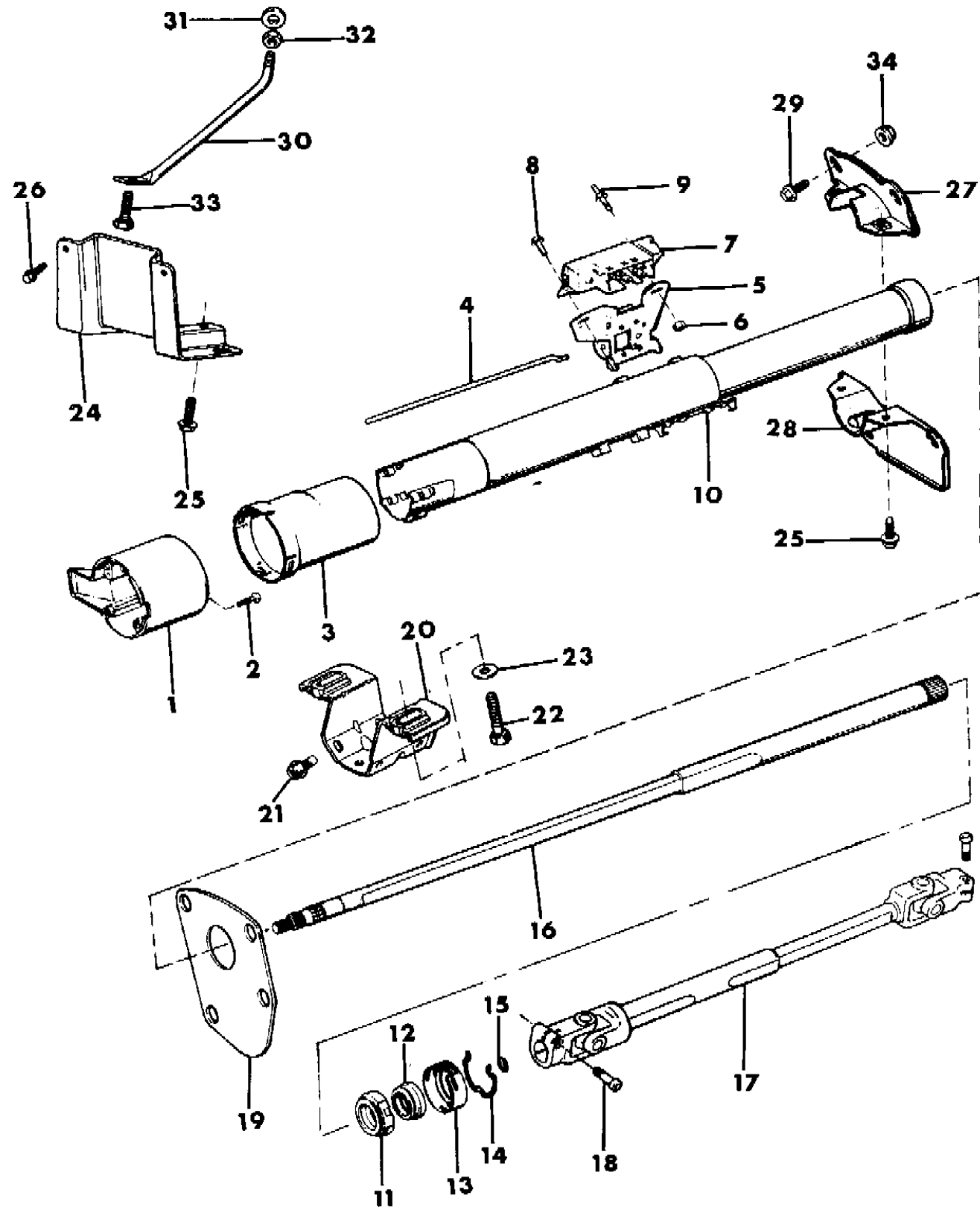
BODY STYLES:

MJ = Comanche Pickup
 SJ = Grand Wagoneer Wgn., J-10 & J-20 Pickups
 XJ = Cherokee, Wagoneer Limited
 YJ = Wrangler

AR = Use as Required - = Non Illustrated Part P.A.R. = Paint as Required

HOUSING STEERING COLUMN LOWER W/FLOOR GEAR SHIFT, W/O TILT WRANGLER, YJ
Figure 19-430

8J19 430



| ITEM | PART NUMBER | QTY | BODY | MODEL | DESCRIPTION |
|------|-------------|-----|------|-------|-------------|
|------|-------------|-----|------|-------|-------------|

| | | | | | |
|----|-----------|---|--|--|------|
| 32 | J400 5098 | 2 | | | NUT |
| 33 | J400 7131 | 1 | | | BOLT |
| 34 | J400 4866 | 4 | | | NUT |

MODEL CODES:

| | | |
|-----------------------------|-----------------------------|------------------------------|
| 15 = Grand Wagoneer 4 Dr. | 65 = Comanche 4WD-7 Ft. Box | 77 = Cherokee 4WD-2 Dr. |
| 25 = J-10 Pickup-119" W.B. | 66 = Comanche 2WD-7 Ft. Box | 78 = Cherokee 4WD-4 Dr. |
| 26 = J-10 Pickup-131" W.B. | 73 = Cherokee 2WD-2 Dr. | 79 = Cherokee 4WD-4 Dr.-Com |
| 27 = J-20 Pickup-131" W.B. | 74 = Cherokee 2WD-4 Dr. | 81 = Wrangler-93" W.B. |
| 63 = Comanche 4WD-6 Ft. Box | 75 = Wagoneer 4WD-4 Dr. | 82 = Wrangler-103" W.B.-Exp. |
| 64 = Comanche 2WD-6 Ft. Box | | |

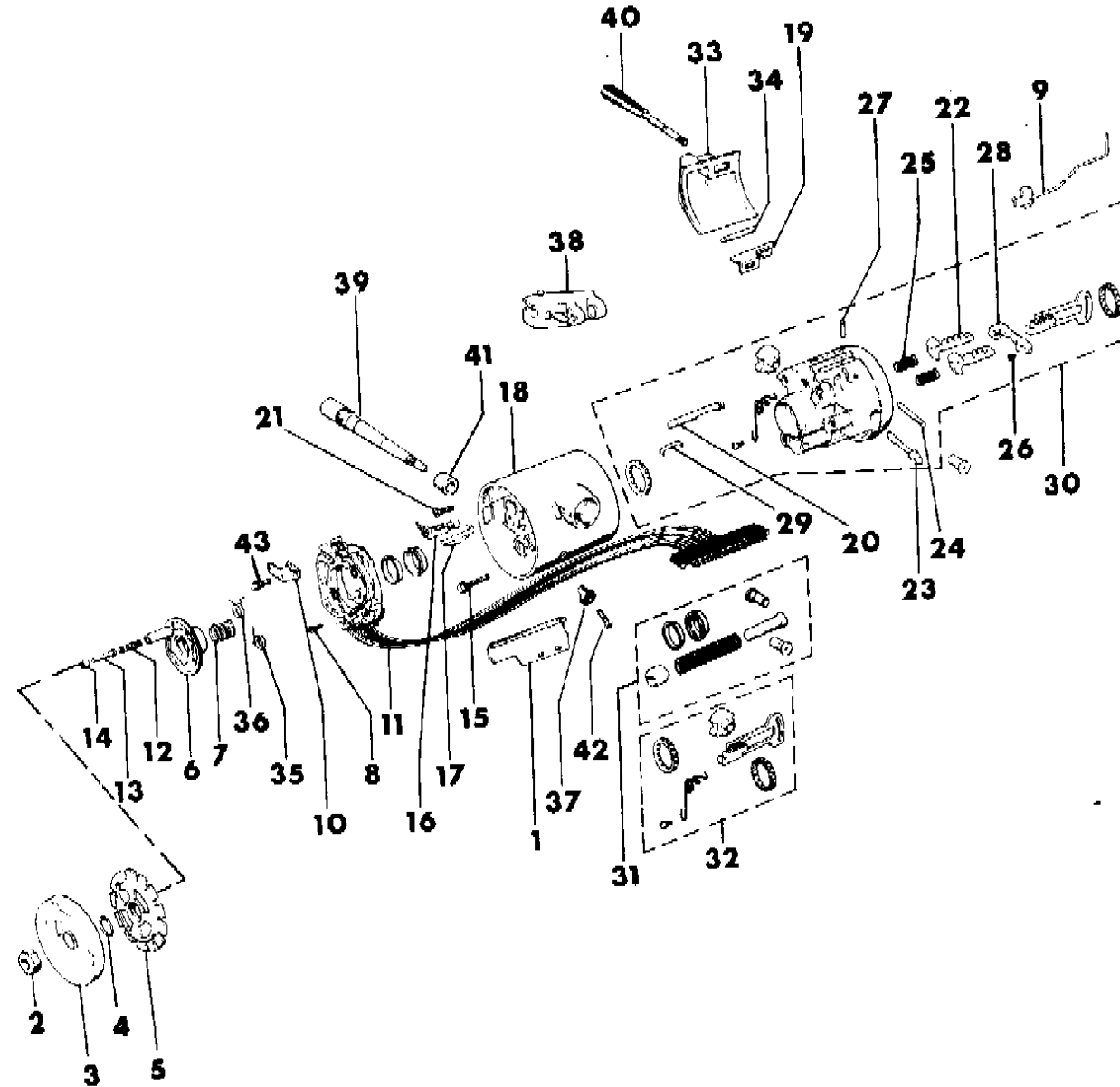
BODY STYLES:

MJ = Comanche Pickup
SJ = Grand Wagoneer Wgn., J-10 & J-20 Pickups
XJ = Cherokee, Wagoneer Limited
YJ = Wrangler

AR = Use as Required - = Non Illustrated Part P.A.R. = Paint as Required

HOUSING STEERING COLUMN UPPER W/FLOOR GEAR SHIFT, W/TILT WRANGLER, YJ
Figure 19-440

8J19 440A



| ITEM | PART NUMBER | QTY | BODY | MODEL | DESCRIPTION |
|------|-------------|-----|------|-------|--|
| 1 | 8350 2566 | 1 | | | PROTECTOR |
| 2 | J420 0414 | 1 | | | NUT |
| 3 | J322 8743 | 1 | | | COVER, Shift Lock |
| 4 | J320 8377 | 1 | | | RING |
| 5 | | | | | LOCK |
| | J812 7874 | 1 | | | 1987-88 |
| | J325 1125 | 1 | | | 1989-90 |
| 6 | J448 7816 | 1 | | | CAM, Cancelling |
| 7 | J812 2485 | 1 | | | SPRING |
| 8 | J448 8301 | 3 | | | SCREW |
| 9 | 8350 2915 | 1 | | | ACTUATOR ASSEMBLY, Ignition Switch *** |
| 10 | 8350 1575 | 1 | | | ARM, Switch Actuator |
| 11 | 5600 2011 | 1 | | | SWITCH, Turn Signal |
| 12 | | | | | SPRING |
| | J318 7255 | 1 | | | (Up To 4-1-89) |
| | 5200 4402 | 1 | | | (After 4-1-89) |
| 13 | J318 7249 | 1 | | | PIN |
| 14 | J318 7257 | 1 | | | RETAINER |
| 15 | J813 3572 | 3 | | | SCREW |
| 16 | J321 1424 | 1 | | | SWITCH, Key Buzzer |
| 17 | J448 7853 | 1 | | | CLIP |
| 18 | 8350 2096 | 1 | | | COVER, Steering Column Housing |
| 19 | J813 3570 | 1 | | | ACTUATOR, Dimmer Switch Rod |
| 20 | 3467 377 | 1 | | | BOLT |
| 21 | 8350 2103 | 1 | | | SCREW |
| 22 | | | | | SHOE |
| | J812 2716 | 1 | | | Left |
| | J448 7828 | 1 | | | Right |
| 23 | J813 4191 | 1 | | | SHAFT |
| 24 | J448 7822 | 1 | | | PIN |
| 25 | J448 7832 | 2 | | | SPRING |
| 26 | J320 8047 | 1 | | | SPRING |
| 27 | J320 8043 | 1 | | | PIN |
| 28 | J813 3567 | 1 | | | LEVER |
| 29 | J448 7831 | 1 | | | SPRING |
| 30 | | | | | HOUSING, Steering Column |
| | 8350 1104 | 1 | | | 1987-90,Federal |

MODEL CODES:

| | | |
|-----------------------------|-----------------------------|------------------------------|
| 15 = Grand Wagoneer 4 Dr. | 65 = Comanche 4WD-7 Ft. Box | 77 = Cherokee 4WD-2 Dr. |
| 25 = J-10 Pickup-119" W.B. | 66 = Comanche 2WD-7 Ft. Box | 78 = Cherokee 4WD-4 Dr. |
| 26 = J-10 Pickup-131" W.B. | 73 = Cherokee 2WD-2 Dr. | 79 = Cherokee 4WD-4 Dr.-Com |
| 27 = J-20 Pickup-131" W.B. | 74 = Cherokee 2WD-4 Dr. | 81 = Wrangler-93" W.B. |
| 63 = Comanche 4WD-6 Ft. Box | 75 = Wagoneer 4WD-4 Dr. | 82 = Wrangler-103" W.B.-Exp. |
| 64 = Comanche 2WD-6 Ft. Box | | |

BODY STYLES:

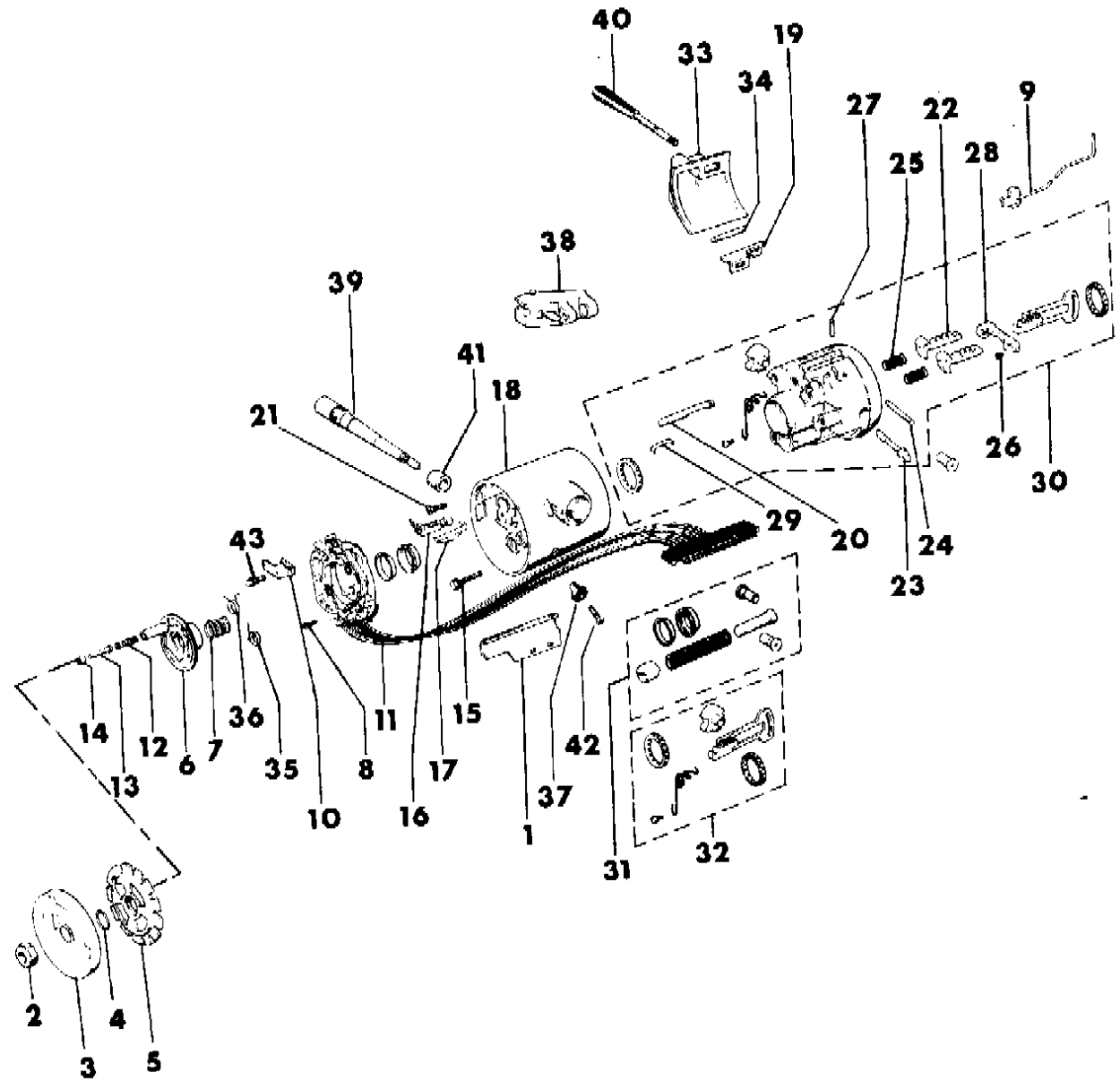
MJ = Comanche Pickup
 SJ = Grand Wagoneer Wgn., J-10 & J-20 Pickups
 XJ = Cherokee, Wagoneer Limited
 YJ = Wrangler

AR = Use as Required - = Non Illustrated Part P.A.R. = Paint as Required

HOUSING STEERING COLUMN UPPER W/FLOOR GEAR SHIFT, W/TILT WRANGLER, YJ
Figure 19-440

8J19 440A

| ITEM | PART NUMBER | QTY | BODY | MODEL | DESCRIPTION |
|------|-------------|-----|------|-------|---|
| | 8350 1107 | 1 | | | 1987-90,Export |
| 31 | 8351 0054 | 1 | | | PARTS PACKAGE |
| 32 | 8351 0055 | 1 | | | RACK PACKAGE |
| 33 | J813 4704 | 1 | | | CAP |
| 34 | J813 3565 | 1 | | | PIN |
| 35 | J812 9317 | 1 | | | SPRING, Left Lower |
| 36 | J812 9335 | 1 | | | SPRING, Right Upper |
| 37 | | | | | KNOB, Hazard Warning |
| | 5200 3425 | 1 | | | w/o ECE |
| | 5600 3149 | 1 | | | w/ECE |
| 38 | 5600 0033 | 1 | | | SWITCH ASSEMBLY, Intermittent Wipers |
| 39 | | | | | LEVER, Turn Signal |
| | 5600 0432 | 1 | | | w/o Intermittent Wipers, w/o Cruise Control |
| | 5600 0433 | 1 | | | w/Intermittent Wipers, w/o Cruise Control |
| | 5600 2951 | 1 | | | 1990 |
| | 5600 2951 | 1 | | | w/Intermittent Wipers, w/o Cruise Control w/ECE |
| | 5600 0034 | 1 | | | w/Intermittent Wipers, w/Cruise Control |
| 40 | 5600 0108 | 1 | | | LEVER, Wheel Release |
| | 3200 1822 | 1 | | | Black 1990 |
| 41 | 5600 2285 | 1 | | | INSULATOR |
| 42 | 3420 2670 | 1 | | | SCREW |
| 43 | J400 1267 | 1 | | | SCREW |



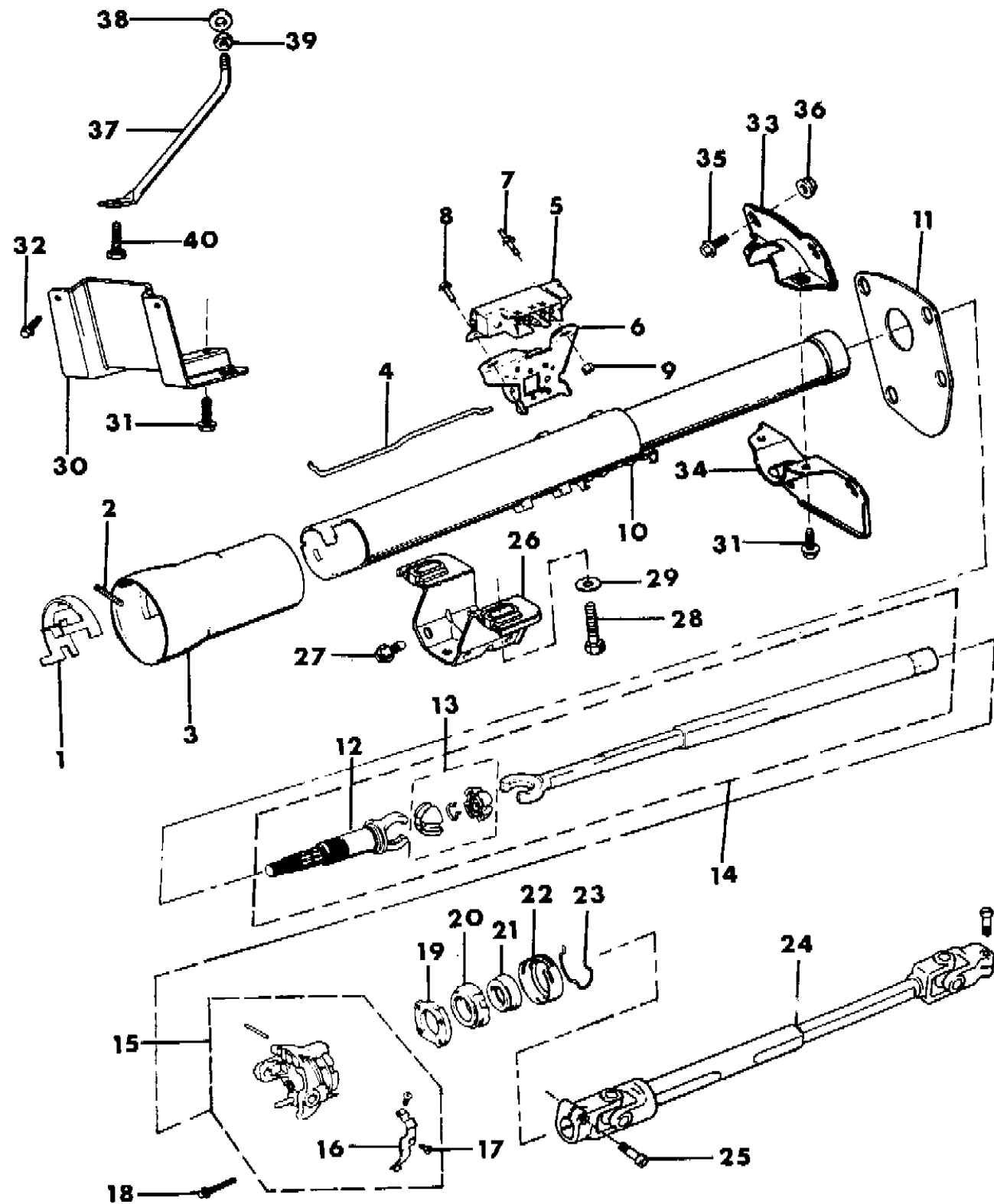
MODEL CODES:
 15 = Grand Wagoneer 4 Dr. 65 = Comanche 4WD-7 Ft. Box 77 = Cherokee 4WD-2 Dr.
 25 = J-10 Pickup-119" W.B. 66 = Comanche 2WD-7 Ft. Box 78 = Cherokee 4WD-4 Dr.
 26 = J-10 Pickup-131" W.B. 73 = Cherokee 2WD-2 Dr. 79 = Cherokee 4WD-4 Dr.-Com
 27 = J-20 Pickup-131" W.B. 74 = Cherokee 2WD-4 Dr. 81 = Wrangler-93" W.B.
 63 = Comanche 4WD-6 Ft. Box 75 = Wagoneer 4WD-4 Dr. 82 = Wrangler-103" W.B.-Exp.
 64 = Comanche 2WD-6 Ft. Box

BODY STYLES:
 MJ = Comanche Pickup
 SJ = Grand Wagoneer Wgn., J-10 & J-20 Pickups
 XJ = Cherokee, Wagoneer Limited
 YJ = Wrangler

AR = Use as Required - = Non Illustrated Part P.A.R. = Paint as Required

HOUSING STEERING COLUMN LOWER W/FLOOR GEAR SHIFT, W/TILT WRANGLER, YJ
Figure 19-450

8 J19 450



| ITEM | PART NUMBER | QTY | BODY | MODEL | DESCRIPTION |
|------|-------------|-----|------|-------|--|
| 1 | J812 8154 | 1 | | | LEVER |
| 2 | J812 8156 | 1 | | | SPRING |
| 3 | 8350 0359 | 1 | | | SHROUD, Shift Bowl |
| 4 | 8350 2911 | 1 | | | ROD, Dimmer Switch Actuator |
| 5 | J325 0575 | 1 | | | SWITCH, Ignition Lock |
| 6 | | | | | SWITCH, Headlamp Dimmer |
| | J323 9703 | 1 | | | 1987-88 |
| | J813 4498 | 1 | | | 1989-90 |
| 7 | J813 3546 | 1 | | | STUD |
| 8 | J448 7772 | 1 | | | SCREW |
| 9 | J012 0361 | 1 | | | NUT |
| 10 | 8350 2905 | 1 | | | JACKET ASSEMBLY |
| 11 | J319 6896 | 1 | | | SEAL |
| 12 | J812 8888 | 1 | | | SHAFT, Steering Column Upper |
| 13 | 8351 0056 | 1 | | | SPHERE |
| 14 | 8350 2907 | 1 | | | SHAFT ASSEMBLY, Steering Column Upper |
| 15 | 8350 1109 | 1 | | | SUPPORT |
| 16 | J813 3569 | 1 | | | PLATE |
| 17 | J320 8210 | 2 | | | SCREW |
| 18 | J448 7867 | 4 | | | SCREW |
| 19 | J448 7860 | 1 | | | PLATE |
| 20 | J448 7696 | 1 | | | ADAPTER |
| 21 | J448 6713 | 1 | | | BEARING |
| 22 | J448 7743 | 1 | | | RETAINER |
| 23 | J448 7739 | 1 | | | CLIP |
| 24 | | | | | SHAFT, Steering Column Lower |
| | 5200 7017 | 1 | | | w/Power Steering,ALSO MUST ORDER 2 OF 06502411 |
| | | | | | BOLTS |
| | 5204 0098 | 1 | | | w/o Power Steering |
| 25 | J420 0400 | 2 | | | BOLT |
| 26 | J535 1229 | 1 | | | BRACKET |
| 27 | 1150 2764 | 4 | | | SCREW |
| 28 | S941 8778 | 2 | | | BOLT |
| 29 | J012 0388 | 2 | | | WASHER |
| 30 | J545 3933 | 1 | | | BRACKET |
| 31 | J027 3573 | 3 | | | SCREW |
| 32 | J400 4991 | 2 | | | SCREW |

MODEL CODES:

| | | |
|-----------------------------|-----------------------------|------------------------------|
| 15 = Grand Wagoneer 4 Dr. | 65 = Comanche 4WD-7 Ft. Box | 77 = Cherokee 4WD-2 Dr. |
| 25 = J-10 Pickup-119" W.B. | 66 = Comanche 2WD-7 Ft. Box | 78 = Cherokee 4WD-4 Dr. |
| 26 = J-10 Pickup-131" W.B. | 73 = Cherokee 2WD-2 Dr. | 79 = Cherokee 4WD-4 Dr.-Com |
| 27 = J-20 Pickup-131" W.B. | 74 = Cherokee 2WD-4 Dr. | 81 = Wrangler-93" W.B. |
| 63 = Comanche 4WD-6 Ft. Box | 75 = Wagoneer 4WD-4 Dr. | 82 = Wrangler-103" W.B.-Exp. |
| 64 = Comanche 2WD-6 Ft. Box | | |

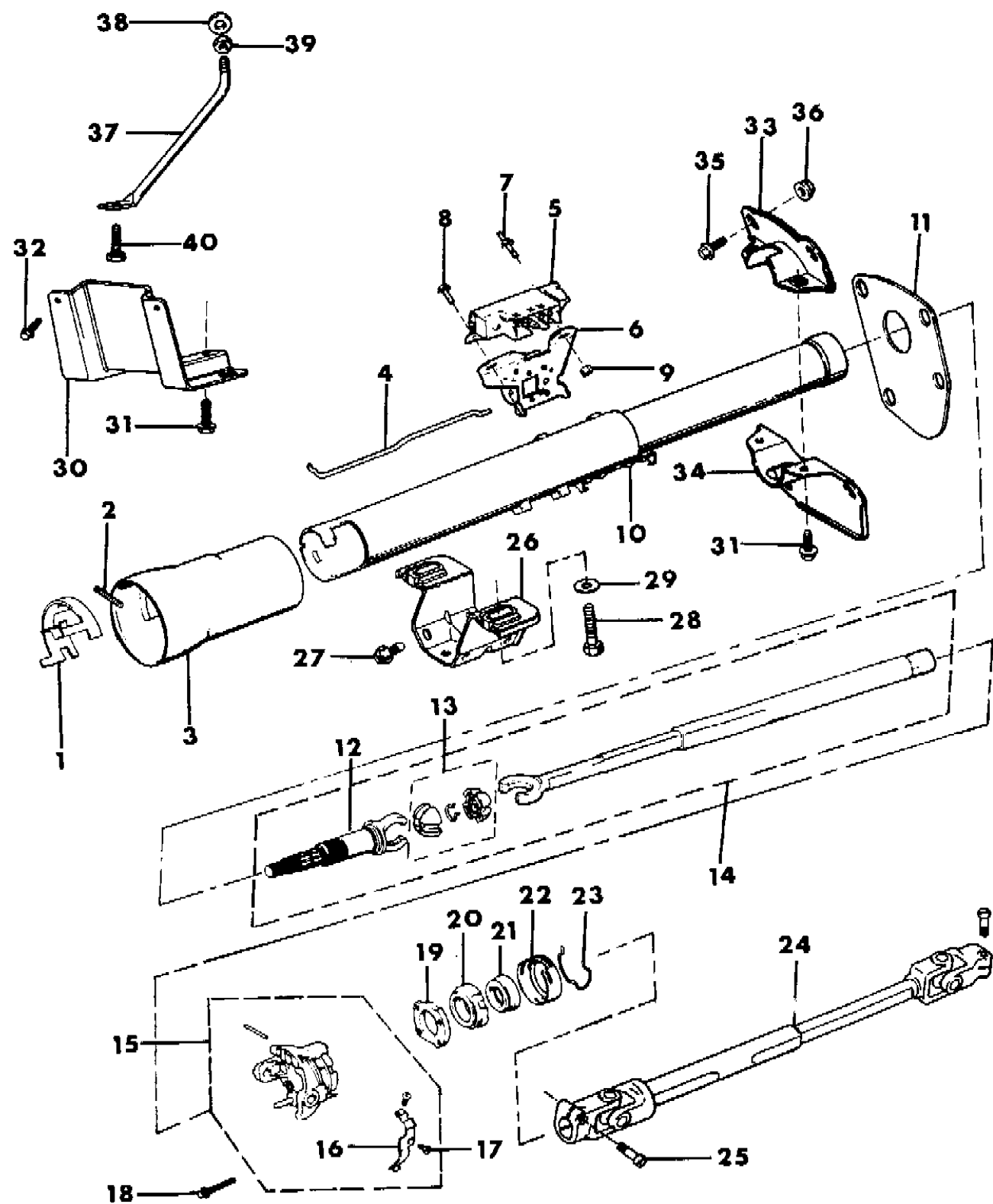
BODY STYLES:

MJ = Comanche Pickup
 SJ = Grand Wagoneer Wgn., J-10 & J-20 Pickups
 XJ = Cherokee, Wagoneer Limited
 YJ = Wrangler

AR = Use as Required - = Non Illustrated Part P.A.R. = Paint as Required

HOUSING STEERING COLUMN LOWER W/FLOOR GEAR SHIFT, W/TILT WRANGLER, YJ
Figure 19-450

8 J19 450



| ITEM | PART NUMBER | QTY | BODY | MODEL | DESCRIPTION |
|------|-------------|-----|------|-------|-------------|
| 33 | J536 3488 | 1 | | | PLATE |
| 34 | J319 6897 | 1 | | | PLATE |
| 35 | J400 4520 | 4 | | | SCREW |
| 36 | J400 4866 | 4 | | | NUT |
| 37 | 5200 2840 | 1 | | | BRACE |
| 38 | J448 8495 | 2 | | | WASHER |
| 39 | J400 5098 | 2 | | | NUT |
| 40 | J400 7131 | 1 | | | BOLT |

MODEL CODES:

| | | |
|-----------------------------|-----------------------------|------------------------------|
| 15 = Grand Wagoneer 4 Dr. | 65 = Comanche 4WD-7 Ft. Box | 77 = Cherokee 4WD-2 Dr. |
| 25 = J-10 Pickup-119" W.B. | 66 = Comanche 2WD-7 Ft. Box | 78 = Cherokee 4WD-4 Dr. |
| 26 = J-10 Pickup-131" W.B. | 73 = Cherokee 2WD-2 Dr. | 79 = Cherokee 4WD-4 Dr.-Com |
| 27 = J-20 Pickup-131" W.B. | 74 = Cherokee 2WD-4 Dr. | 81 = Wrangler-93" W.B. |
| 63 = Comanche 4WD-6 Ft. Box | 75 = Wagoneer 4WD-4 Dr. | 82 = Wrangler-103" W.B.-Exp. |
| 64 = Comanche 2WD-6 Ft. Box | | |

BODY STYLES:

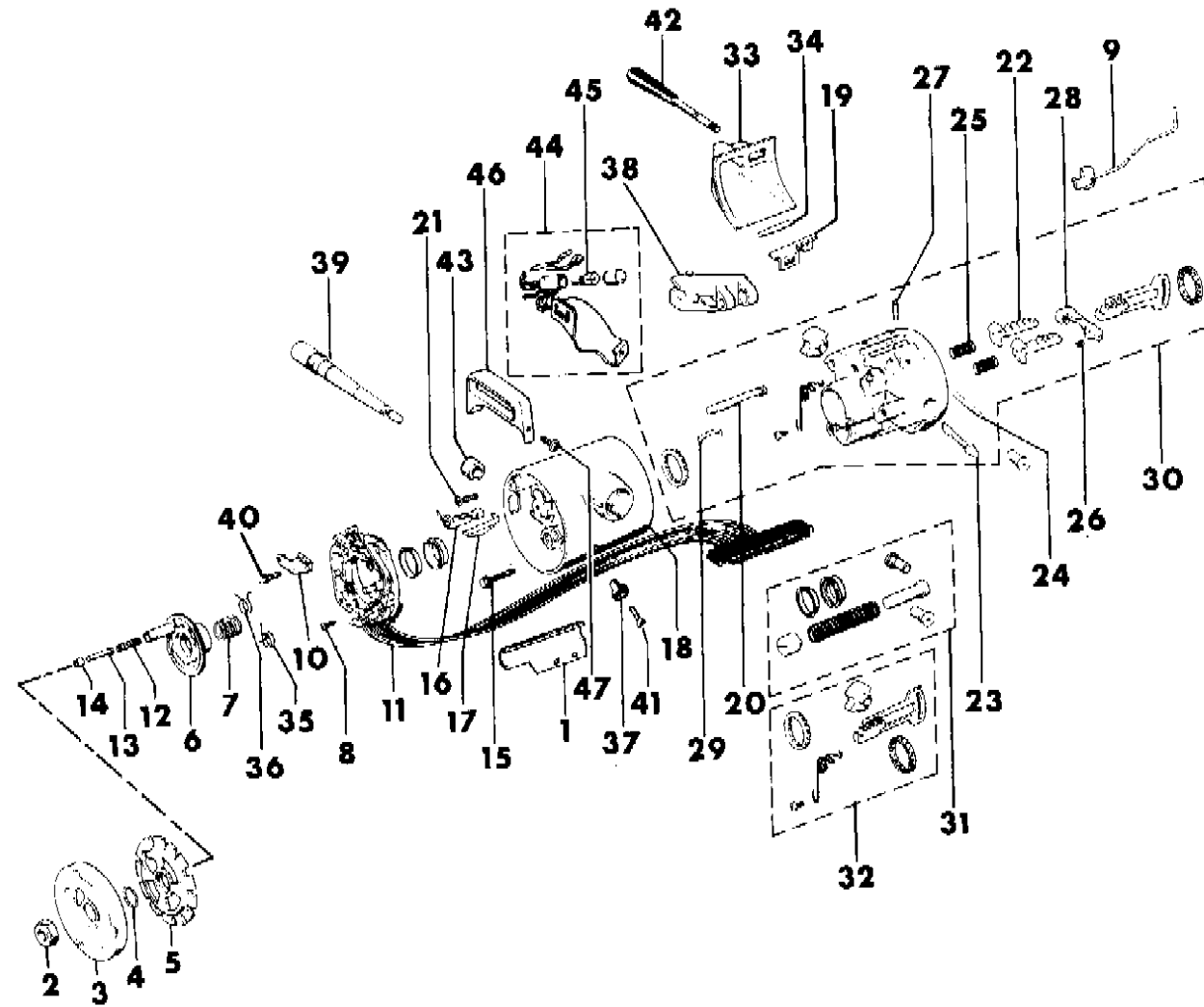
MJ = Comanche Pickup
SJ = Grand Wagoneer Wgn., J-10 & J-20 Pickups
XJ = Cherokee, Wagoneer Limited
YJ = Wrangler

AR = Use as Required - = Non Illustrated Part P.A.R. = Paint as Required

HOUSING STEERING COLUMN UPPER W/COLUMN GEAR SHIFT, W/TILT WRANGLER, YJ
Figure 19-460

8 J19 460A

| ITEM | PART NUMBER | QTY | BODY | MODEL | DESCRIPTION |
|------|-------------|-----|------|-------|--|
| 1 | 8350 2566 | 1 | | | PROTECTOR |
| 2 | J420 0414 | 1 | | | NUT |
| 3 | J322 8743 | 1 | | | COVER, Shift Lock |
| 4 | J320 8377 | 1 | | | RING |
| 5 | J812 7874 | 1 | | | LOCK |
| 6 | J448 7816 | 1 | | | CAM, Cancelling |
| 6 | J812 2485 | 1 | | | SPRING |
| 8 | J448 8301 | 3 | | | SCREW |
| 9 | 8350 2914 | 1 | | | ACTUATOR ASSEMBLY, Ignition Switch *** |
| 10 | 8350 1575 | 1 | | | ARM, Switch Actuator |
| 11 | J322 9970 | 1 | | | SWITCH, Turn Signal |
| 12 | | | | | SPRING |
| | J318 7255 | 1 | | | (Up To 4-1-89) |
| | 5200 4402 | 1 | | | (After 4-1-89) |
| 13 | J318 7249 | 1 | | | PIN |
| 14 | J318 7257 | 1 | | | RETAINER |
| 15 | J813 3572 | 3 | | | SCREW |
| 16 | J321 1424 | 1 | | | SWITCH, Key Buzzer |
| 17 | J448 7853 | 1 | | | CLIP |
| 18 | 8350 4379 | 1 | | | COVER, Steering Column Housing |
| 19 | J813 3570 | 1 | | | ACTUATOR, Dimmer Switch Rod |
| 20 | J448 7819 | 1 | | | BOLT |
| 21 | 8350 2103 | 1 | | | SCREW |
| 22 | | | | | SHOE |
| | 8350 2583 | 1 | | | Lt. |
| | J448 7828 | 1 | | | Rt. |
| 23 | J813 4191 | 1 | | | SHAFT |
| 24 | J448 7822 | 1 | | | PIN |
| 25 | J448 7832 | 2 | | | SPRING |
| 26 | J320 8047 | 1 | | | SPRING |
| 27 | J320 8043 | 1 | | | PIN |
| 28 | J813 3567 | 1 | | | LEVER |
| 29 | J448 7831 | 1 | | | SPRING |
| 30 | 8350 2582 | 1 | | | HOUSING, Steering Column |
| 31 | 8351 0054 | 1 | | | PARTS PACKAGE |
| 32 | 8351 0055 | 1 | | | RACK PACKAGE |
| 33 | J813 4704 | 1 | | | CAP |



MODEL CODES:

| | | |
|-----------------------------|-----------------------------|------------------------------|
| 15 = Grand Wagoneer 4 Dr. | 65 = Comanche 4WD-7 Ft. Box | 77 = Cherokee 4WD-2 Dr. |
| 25 = J-10 Pickup-119" W.B. | 66 = Comanche 2WD-7 Ft. Box | 78 = Cherokee 4WD-4 Dr. |
| 26 = J-10 Pickup-131" W.B. | 73 = Cherokee 2WD-2 Dr. | 79 = Cherokee 4WD-4 Dr.-Com |
| 27 = J-20 Pickup-131" W.B. | 74 = Cherokee 2WD-4 Dr. | 81 = Wrangler-93" W.B. |
| 63 = Comanche 4WD-6 Ft. Box | 75 = Wagoneer 4WD-4 Dr. | 82 = Wrangler-103" W.B.-Exp. |
| 64 = Comanche 2WD-6 Ft. Box | | |

BODY STYLES:

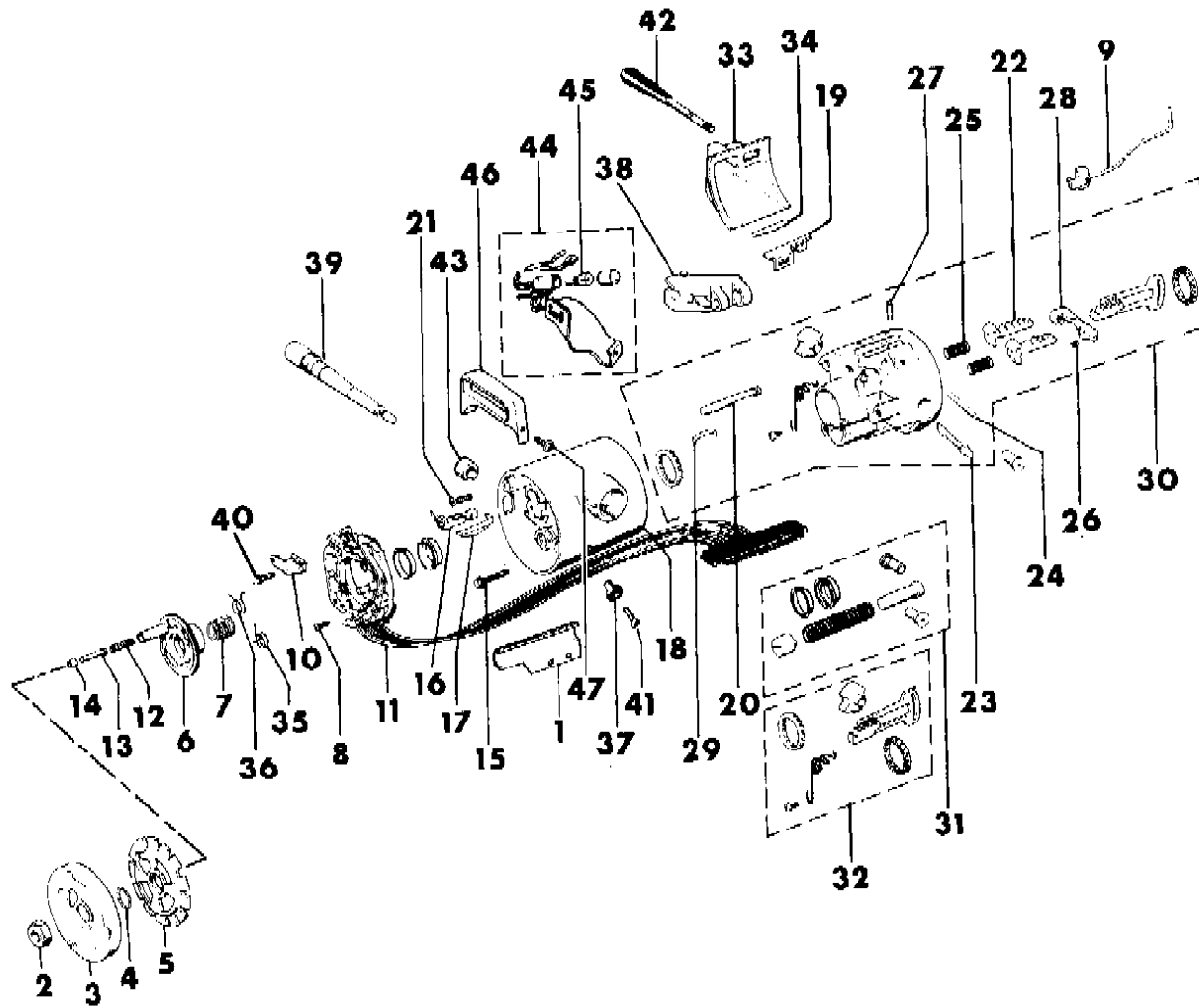
MJ = Comanche Pickup
 SJ = Grand Wagoneer Wgn., J-10 & J-20 Pickups
 XJ = Cherokee, Wagoneer Limited
 YJ = Wrangler

AR = Use as Required - = Non Illustrated Part P.A.R. = Paint as Required

HOUSING STEERING COLUMN UPPER W/COLUMN GEAR SHIFT, W/TILT WRANGLER, YJ
Figure 19-460

8 J19 460A

| ITEM | PART NUMBER | QTY | BODY | MODEL | DESCRIPTION |
|------|-------------|-----|------|-------|--|
| 34 | J813 3565 | 1 | | | PIN |
| 35 | J812 9317 | 1 | | | SPRING, Left Lower |
| 36 | J812 9335 | 1 | | | SPRING, Right Upper |
| 37 | | | | | KNOB, Hazard Warning |
| | 5200 3425 | 1 | | | w/o ECE |
| | 5600 3149 | 1 | | | w/ECE |
| 38 | 5600 0033 | 1 | | | SWITCH ASSEMBLY, Intermittent Wipers |
| 39 | | | | | LEVER, Turn Signal |
| | 5600 0432 | 1 | | | w/o Intermittent Wipers, w/o Cruise Control |
| | 5600 0433 | 1 | | | w/Intermittent Wipers, w/o Cruise Control |
| | 5600 2951 | 1 | | | w/Intermittent Wipers, w/o Cruise Control - Export |
| | 5600 0034 | 1 | | | w/Intermittent Wipers, w/Cruise Control |
| 40 | J400 1267 | 1 | | | SCREW |
| 41 | 3420 2670 | 1 | | | SCREW |
| 42 | 5600 0108 | 1 | | | LEVER, Wheel Release |
| | 3200 1822 | 1 | | | Black 1990 |
| 43 | 5600 2285 | 1 | | | INSULATOR |
| 44 | 8350 2549 | 1 | | | BRACKET |
| 45 | S943 6970 | 1 | | | BULB |
| 46 | 8350 2555 | 1 | | | BEZEL, Gear Selector |
| 47 | J400 4812 | 2 | | | SCREW |



MODEL CODES:

| | | |
|-----------------------------|-----------------------------|------------------------------|
| 15 = Grand Wagoneer 4 Dr. | 65 = Comanche 4WD-7 Ft. Box | 77 = Cherokee 4WD-2 Dr. |
| 25 = J-10 Pickup-119" W.B. | 66 = Comanche 2WD-7 Ft. Box | 78 = Cherokee 4WD-4 Dr. |
| 26 = J-10 Pickup-131" W.B. | 73 = Cherokee 2WD-2 Dr. | 79 = Cherokee 4WD-4 Dr.-Com |
| 27 = J-20 Pickup-131" W.B. | 74 = Cherokee 2WD-4 Dr. | 81 = Wrangler-93" W.B. |
| 63 = Comanche 4WD-6 Ft. Box | 75 = Wagoneer 4WD-4 Dr. | 82 = Wrangler-103" W.B.-Exp. |
| 64 = Comanche 2WD-6 Ft. Box | | |

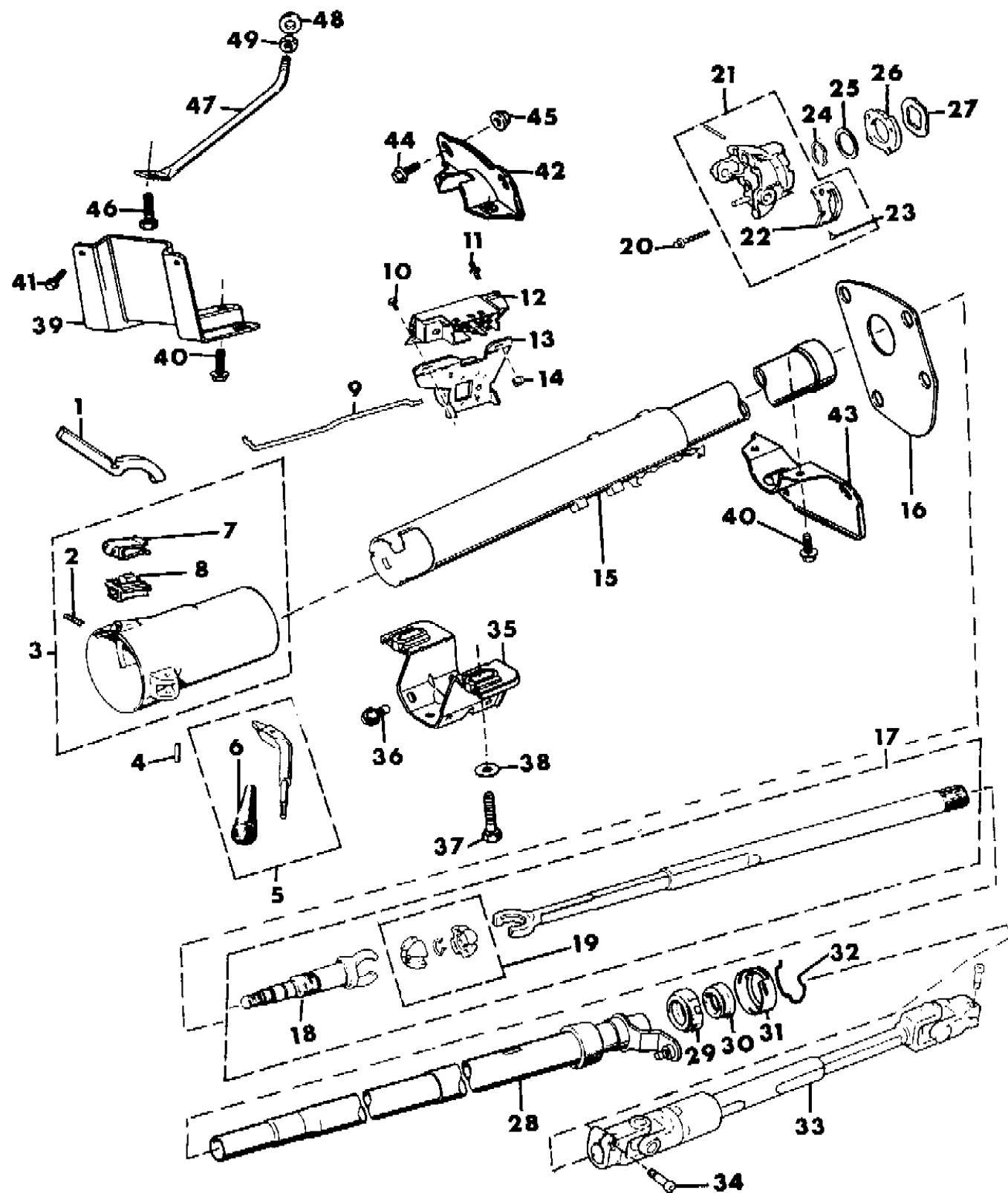
BODY STYLES:

MJ = Comanche Pickup
 SJ = Grand Wagoneer Wgn., J-10 & J-20 Pickups
 XJ = Cherokee, Wagoneer Limited
 YJ = Wrangler

AR = Use as Required - = Non Illustrated Part P.A.R. = Paint as Required

HOUSING STEERING COLUMN LOWER W/COLUMN GEAR SHIFT, W/TILT WRANGLER, YJ
Figure 19-470

8J19 470



| ITEM | PART NUMBER | QTY | BODY | MODEL | DESCRIPTION |
|------|-------------|-----|------|-------|--|
| 1 | 8350 2565 | 1 | | | INDICATOR, Shift *** |
| 2 | J812 0251 | 1 | | | SPRING |
| 3 | 8350 2570 | 1 | | | SHROUD, Bowl |
| 4 | J400 3925 | 1 | | | PIN |
| 5 | 5200 3095 | 1 | | | LEVER, Gear Shift |
| 6 | J321 6462 | 1 | | | KNOB |
| 7 | 8350 2572 | 1 | | | CLIP |
| 8 | 8350 2571 | 1 | | | BRACKET |
| 9 | 8350 2910 | 1 | | | ROD, Dimmer Switch Actuator |
| 10 | J448 7772 | 1 | | | SCREW |
| 11 | J813 3546 | 1 | | | STUD |
| 12 | J325 0575 | 1 | | | SWITCH, Ignition Lock |
| 13 | | | | | SWITCH, Headlamp Dimmer |
| | J323 9703 | 1 | | | 1987-88 |
| | J813 4498 | 1 | | | 1989 |
| | 5600 3406 | 1 | | | 1990 |
| 14 | J012 0361 | 1 | | | NUT, (10-24) |
| 15 | 8350 2904 | 1 | | | JACKET ASSEMBLY |
| 16 | J319 6896 | 1 | | | SEAL |
| 17 | 8350 2907 | 1 | | | SHAFT ASSEMBLY, Steering Column Upper |
| 18 | J812 8888 | 1 | | | SHAFT, Steering Column Upper |
| 19 | 8351 0056 | 1 | | | SPHERE |
| 20 | J448 7867 | 4 | | | SCREW |
| 21 | 8350 2560 | 1 | | | SUPPORT |
| 22 | J319 5616 | 1 | | | GATE |
| 23 | J320 8210 | 2 | | | SCREW |
| 24 | J448 7864 | 1 | | | RING, Shift Tube Retaining |
| 25 | J448 7872 | 1 | | | WASHER, Thrust |
| 26 | J448 7860 | 1 | | | PLATE |
| 27 | J448 7873 | 1 | | | WASHER, Wave |
| 28 | 8350 2909 | 1 | | | TUBE ASSEMBLY, Shift |
| 29 | J448 7896 | 1 | | | ADAPTER |
| 30 | J448 6713 | 1 | | | BEARING |
| 31 | J448 7743 | 1 | | | RETAINER |
| 32 | J448 7739 | 1 | | | CLIP |
| 33 | | | | | SHAFT, Steering Column Lower w/Power Steering |
| | 5204 0099 | 1 | | | |

MODEL CODES:

| | | |
|-----------------------------|-----------------------------|------------------------------|
| 15 = Grand Wagoneer 4 Dr. | 65 = Comanche 4WD-7 Ft. Box | 77 = Cherokee 4WD-2 Dr. |
| 25 = J-10 Pickup-119" W.B. | 66 = Comanche 2WD-7 Ft. Box | 78 = Cherokee 4WD-4 Dr. |
| 26 = J-10 Pickup-131" W.B. | 73 = Cherokee 2WD-2 Dr. | 79 = Cherokee 4WD-4 Dr.-Com |
| 27 = J-20 Pickup-131" W.B. | 74 = Cherokee 2WD-4 Dr. | 81 = Wrangler-93" W.B. |
| 63 = Comanche 4WD-6 Ft. Box | 75 = Wagoneer 4WD-4 Dr. | 82 = Wrangler-103" W.B.-Exp. |
| 64 = Comanche 2WD-6 Ft. Box | | |

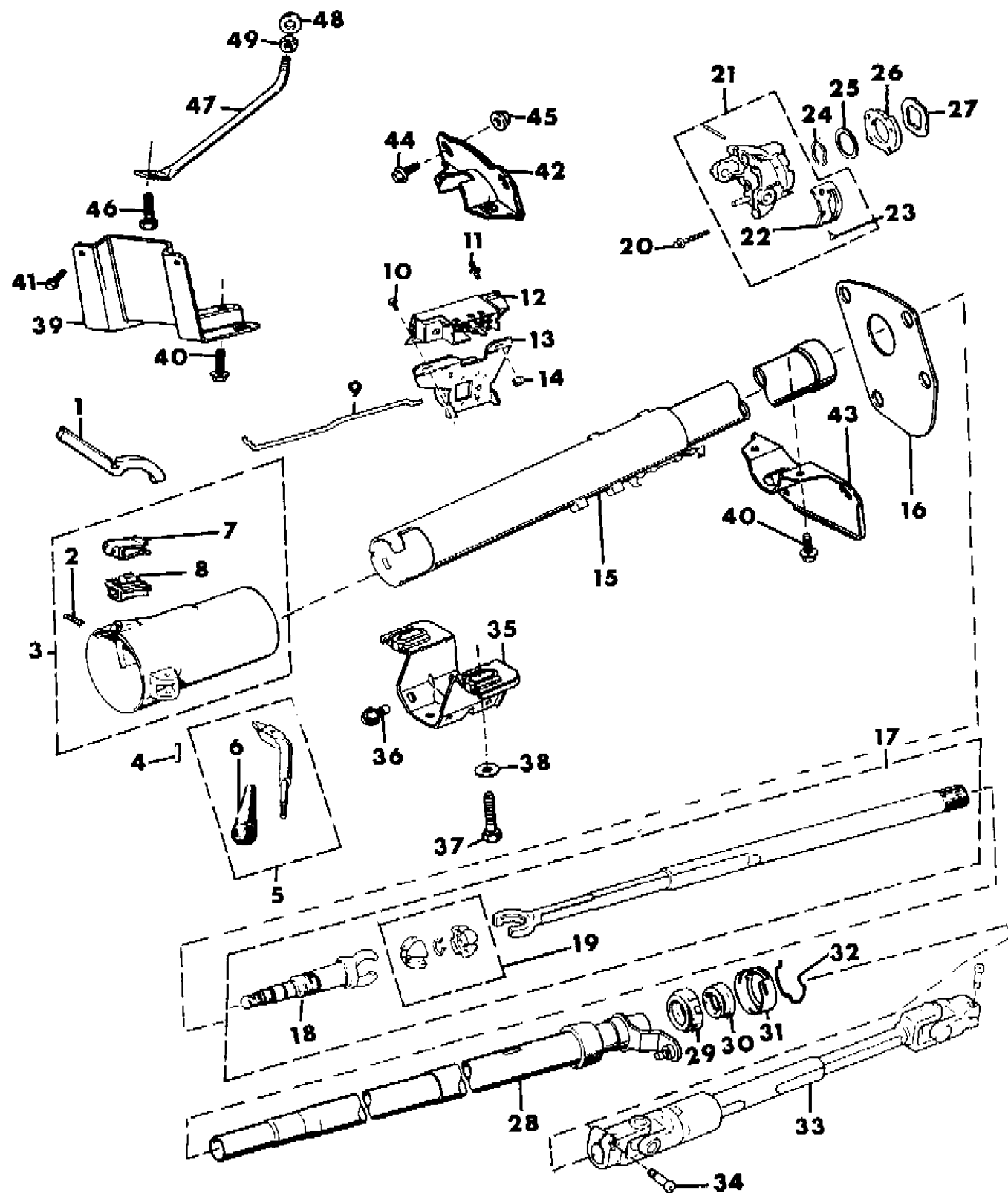
BODY STYLES:

MJ = Comanche Pickup
 SJ = Grand Wagoneer Wgn., J-10 & J-20 Pickups
 XJ = Cherokee, Wagoneer Limited
 YJ = Wrangler

AR = Use as Required - = Non Illustrated Part P.A.R. = Paint as Required

HOUSING STEERING COLUMN LOWER W/COLUMN GEAR SHIFT, W/TILT WRANGLER, YJ
Figure 19-470

8J19 470



| ITEM | PART NUMBER | QTY | BODY | MODEL | DESCRIPTION |
|------|-------------|-----|------|-------|------------------------|
| | 5204 0098 | 1 | | | w/o Power Steering *** |
| 34 | J420 0400 | 2 | | | BOLT |
| 35 | J535 1229 | 1 | | | BRACKET |
| 36 | 1150 2764 | 4 | | | SCREW |
| 37 | S941 8778 | 2 | | | BOLT |
| 38 | J012 0388 | 2 | | | WASHER |
| 39 | J545 3933 | 1 | | | BRACKET |
| 40 | J027 3573 | 3 | | | SCREW |
| 41 | J400 4991 | 2 | | | SCREW |
| 42 | J536 3488 | 1 | | | PLATE |
| 43 | J319 6897 | 1 | | | PLATE |
| 44 | J400 4520 | 4 | | | SCREW |
| 45 | J400 4866 | 4 | | | NUT |
| 46 | J400 7131 | 1 | | | BOLT |
| 47 | 5200 2840 | 1 | | | BRACE |
| 48 | J448 8495 | 2 | | | WASHER |
| 49 | J400 5098 | 2 | | | NUT |

MODEL CODES:

| | | |
|-----------------------------|-----------------------------|------------------------------|
| 15 = Grand Wagoneer 4 Dr. | 65 = Comanche 4WD-7 Ft. Box | 77 = Cherokee 4WD-2 Dr. |
| 25 = J-10 Pickup-119" W.B. | 66 = Comanche 2WD-7 Ft. Box | 78 = Cherokee 4WD-4 Dr. |
| 26 = J-10 Pickup-131" W.B. | 73 = Cherokee 2WD-2 Dr. | 79 = Cherokee 4WD-4 Dr.-Com |
| 27 = J-20 Pickup-131" W.B. | 74 = Cherokee 2WD-4 Dr. | 81 = Wrangler-93" W.B. |
| 63 = Comanche 4WD-6 Ft. Box | 75 = Wagoneer 4WD-4 Dr. | 82 = Wrangler-103" W.B.-Exp. |
| 64 = Comanche 2WD-6 Ft. Box | | |

BODY STYLES:

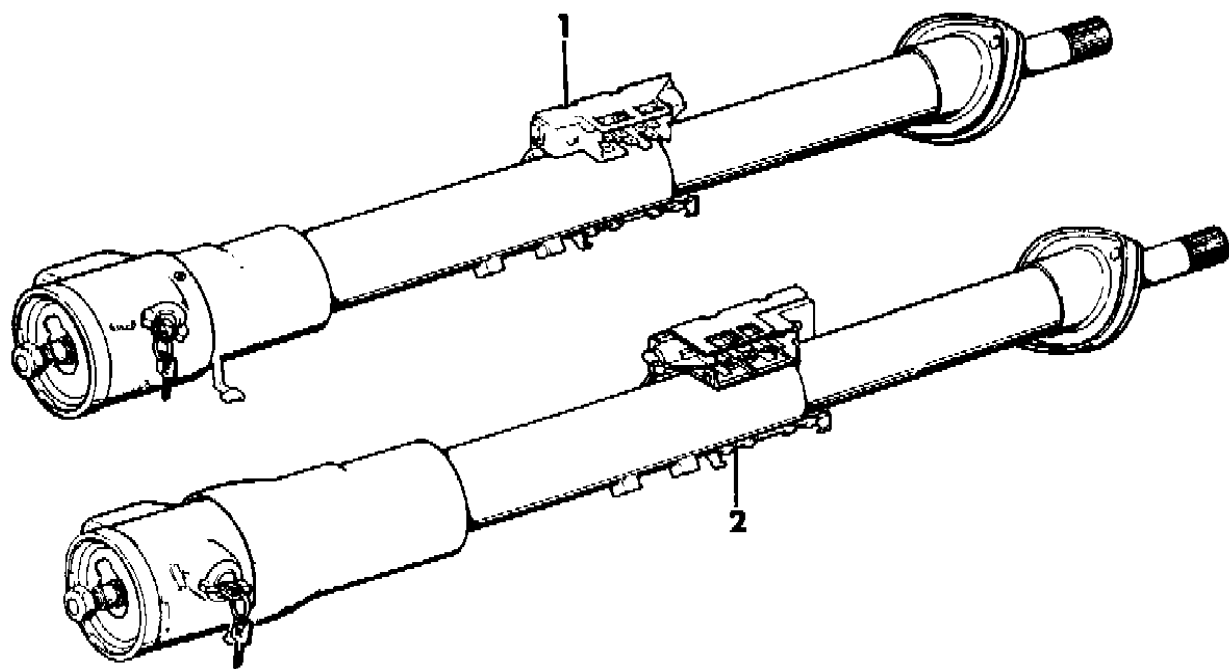
MJ = Comanche Pickup
SJ = Grand Wagoneer Wgn., J-10 & J-20 Pickups
XJ = Cherokee, Wagoneer Limited
YJ = Wrangler

AR = Use as Required - = Non Illustrated Part P.A.R. = Paint as Required

COLUMN ASSEMBLY, STEERING W/FLOOR MOUNTED GEAR SHIFT CHEROKEE, WAGONEER, COMANCHE

Figure 19-500

8 J19 500



| ITEM | PART NUMBER | QTY | BODY | MODEL | DESCRIPTION |
|------|-------------|-----|------|-------|--|
| 1 | | | | | COLUMN ASSEMBLY, w/Manual Transmission, w/o Tilt, w/o Intermittent Wipers |
| | 5200 1951 | 1 | | | 1987-88 |
| | 5200 4155 | 1 | | | 1989 |
| | 5200 4665 | 1 | | | 1990 |
| | | | | | COLUMN ASSEMBLY, w/Automatic Transmission, w/o Tilt, w/o Intermittent Wipers |
| | 5200 1955 | 1 | | | 1987-88 |
| | 5200 4158 | 1 | | | 1989 |
| | 5200 4668 | 1 | | | 1990 |
| | | | | | COLUMN ASSEMBLY, w/Manual Transmission, w/o Tilt, w/ Intermittent Wipers |
| | 5200 1952 | 1 | | | 1987-88 |
| | 5200 4156 | 1 | | | 1989 |
| | 5200 4666 | 1 | | | 1990 |
| | | | | | COLUMN ASSEMBLY, w/Automatic Transmission, w/o Tilt, W/ Intermittent Wipers |
| | 5200 1956 | 1 | | | 1987-88 |
| | 5200 4159 | 1 | | | 1989 |
| | 5200 4669 | 1 | | | 1990 |
| 2 | | | | | COLUMN ASSEMBLY, w/Manual Transmission, w/Tilt, w/ Intermittent Wipers |
| | 5200 1950 | 1 | | | 1987-88 |
| | 5200 4154 | 1 | | | 1989 |
| | 5200 4662 | 1 | | | 1990 |
| | | | | | COLUMN ASSEMBLY, w/Automatic Transmission, w/Tilt, w/ Intermittent Wipers |
| | 5200 1954 | 1 | | | 1987-88 |
| | 5200 4157 | 1 | | | 1989 |
| | 5200 4667 | 1 | | | 1990 |

MODEL CODES:

| | | |
|-----------------------------|-----------------------------|------------------------------|
| 15 = Grand Wagoneer 4 Dr. | 65 = Comanche 4WD-7 Ft. Box | 77 = Cherokee 4WD-2 Dr. |
| 25 = J-10 Pickup-119" W.B. | 66 = Comanche 2WD-7 Ft. Box | 78 = Cherokee 4WD-4 Dr. |
| 26 = J-10 Pickup-131" W.B. | 73 = Cherokee 2WD-2 Dr. | 79 = Cherokee 4WD-4 Dr.-Com |
| 27 = J-20 Pickup-131" W.B. | 74 = Cherokee 2WD-4 Dr. | 81 = Wrangler-93" W.B. |
| 63 = Comanche 4WD-6 Ft. Box | 75 = Wagoneer 4WD-4 Dr. | 82 = Wrangler-103" W.B.-Exp. |
| 64 = Comanche 2WD-6 Ft. Box | | |

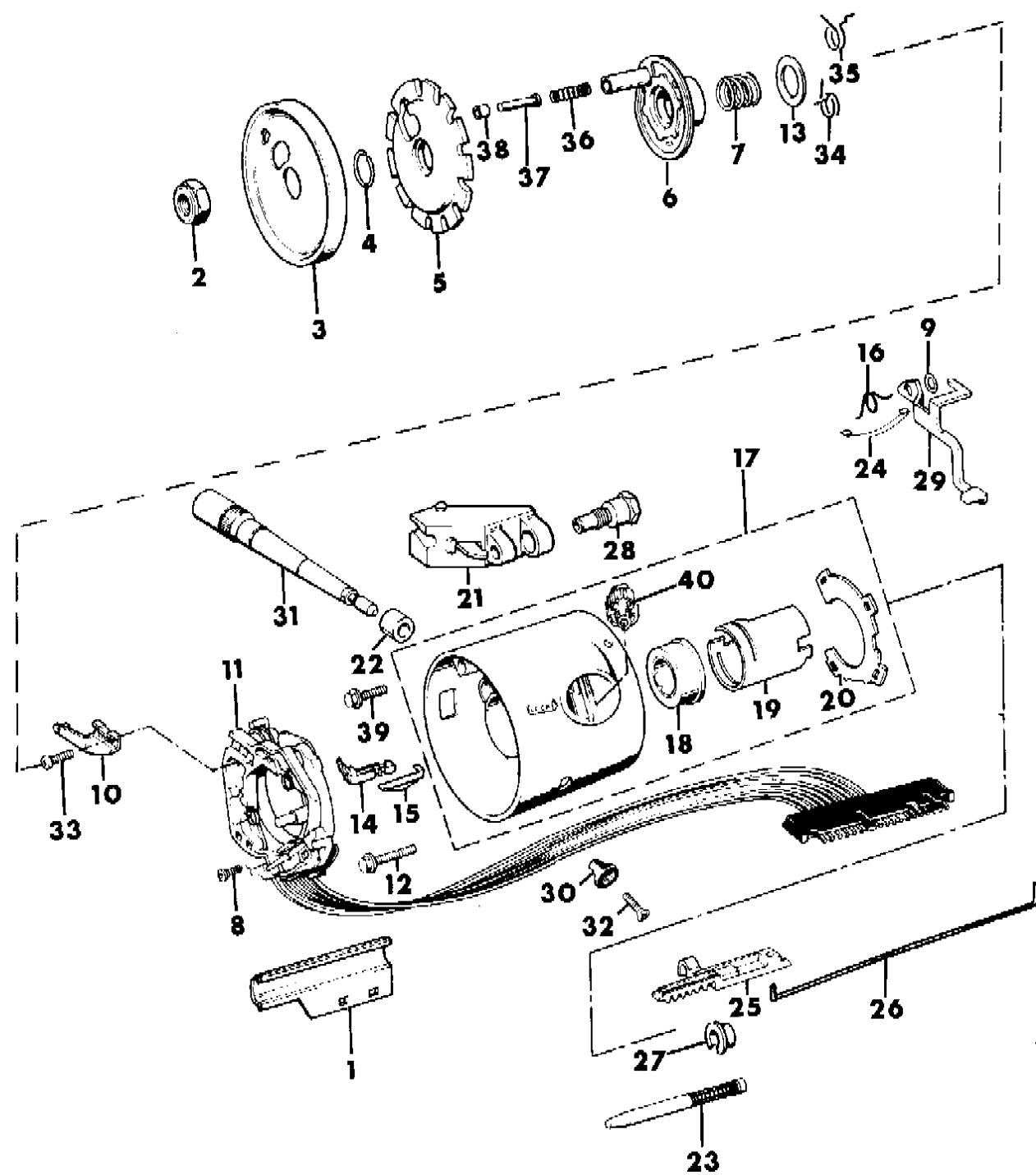
BODY STYLES:

MJ = Comanche Pickup
 SJ = Grand Wagoneer Wgn., J-10 & J-20 Pickups
 XJ = Cherokee, Wagoneer Limited
 YJ = Wrangler

AR = Use as Required - = Non Illustrated Part P.A.R. = Paint as Required

HOUSING STEERING COLUMN UPPER W/FLOOR GEAR SHIFT, W/O TILT CHEROKEE, WAGONEER, COMANCHE
Figure 19-510

8J19 510A



| ITEM | PART NUMBER | QTY | BODY | MODEL | DESCRIPTION |
|------|-------------|-----|------|-------|-------------------------------|
| 1 | 8350 0225 | 1 | | | PROTECTOR |
| 2 | J420 0414 | 1 | | | NUT |
| 3 | J322 8743 | 1 | | | COVER, Shift Lock |
| 4 | J320 8377 | 2 | | | RING |
| 5 | J812 7831 | 1 | | | LOCK |
| 6 | J448 7711 | 1 | | | CAM, Cancelling |
| 7 | J448 7765 | 1 | | | SPRING |
| 8 | J448 8301 | 3 | | | SCREW |
| 9 | J812 0186 | 1 | | | WASHER, w/Manual Transmission |
| 10 | 8351 0088 | 1 | | | ARM, Switch Actuator |
| 11 | J322 9970 | 1 | | | SWITCH, Turn Signal |
| 12 | J448 7761 | 4 | | | SCREW |
| 13 | J320 8008 | 1 | | | WASHER |
| 14 | J321 1423 | 1 | | | SWITCH, Key Buzzer |
| 15 | J448 7713 | 1 | | | clip *** |
| 16 | J812 0185 | 1 | | | SPRING, w/Manual Transmission |
| 17 | J813 4499 | 1 | | | HOUSING ASSEMBLY |
| 18 | J812 7850 | 1 | | | BEARING ASSEMBLY |
| 19 | J813 3537 | 1 | | | BUSHING |
| 20 | J813 4703 | 1 | | | RETAINER |
| 21 | | | | | SWITCH ASSEMBLY, Wipers |
| | 5600 0031 | 1 | | | w/o Intermittent Wipers |
| | 5600 0032 | 1 | | | w/Intermittent Wipers |
| 22 | 5600 2285 | 1 | | | INSULATOR |
| 23 | J448 7897 | 1 | | | BOLT |
| 24 | J448 7774 | 1 | | | SPRING |
| 25 | | | | | RACK |
| | J812 1437 | 1 | | | w/Manual Transmission |
| | 8350 0216 | 1 | | | w/Automatic Transmission |
| 26 | | | | | ROD |
| | 8350 0238 | 1 | | | w/Manual Transmission |
| | 8350 0220 | 1 | | | w/Automatic Transmission |
| 27 | J448 7777 | 1 | | | WASHER |
| 28 | J813 3538 | 1 | | | PIN |
| 29 | J813 3541 | 1 | | | LEVER, w/Manual Transmission |
| 30 | 5200 3425 | 1 | | | KNOB, Hazard Warning |
| 31 | | | | | LEVER, Turn Signal |

MODEL CODES:

| | | |
|-----------------------------|-----------------------------|------------------------------|
| 15 = Grand Wagoneer 4 Dr. | 65 = Comanche 4WD-7 Ft. Box | 77 = Cherokee 4WD-2 Dr. |
| 25 = J-10 Pickup-119" W.B. | 66 = Comanche 2WD-7 Ft. Box | 78 = Cherokee 4WD-4 Dr. |
| 26 = J-10 Pickup-131" W.B. | 73 = Cherokee 2WD-2 Dr. | 79 = Cherokee 4WD-4 Dr.-Com |
| 27 = J-20 Pickup-131" W.B. | 74 = Cherokee 2WD-4 Dr. | 81 = Wrangler-93" W.B. |
| 63 = Comanche 4WD-6 Ft. Box | 75 = Wagoneer 4WD-4 Dr. | 82 = Wrangler-103" W.B.-Exp. |
| 64 = Comanche 2WD-6 Ft. Box | | |

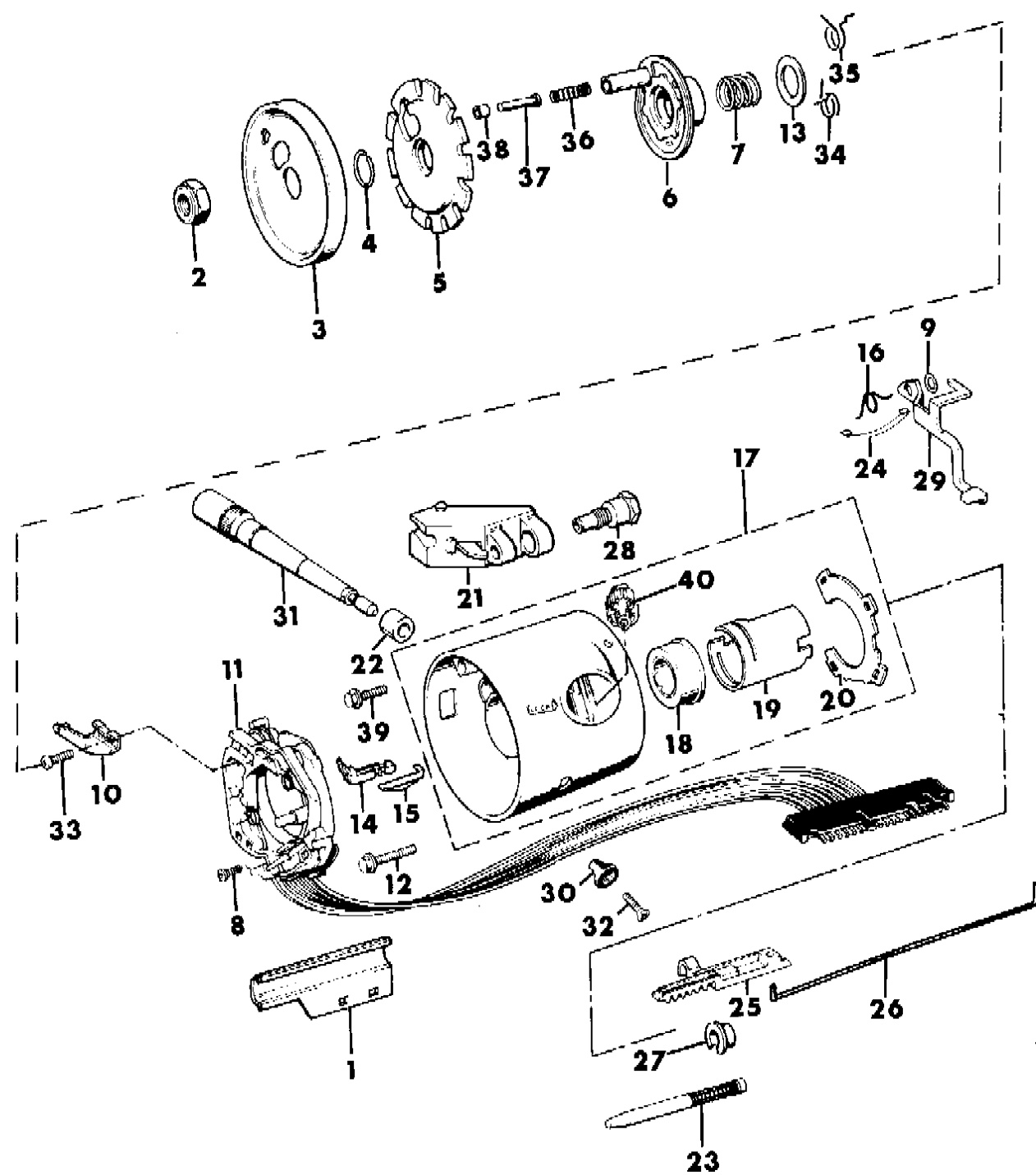
BODY STYLES:

MJ = Comanche Pickup
 SJ = Grand Wagoneer Wgn., J-10 & J-20 Pickups
 XJ = Cherokee, Wagoneer Limited
 YJ = Wrangler

AR = Use as Required - = Non Illustrated Part P.A.R. = Paint as Required

HOUSING STEERING COLUMN UPPER W/FLOOR GEAR SHIFT, W/O TILT CHEROKEE, WAGONEER, COMANCHE
Figure 19-510

8J19 510A



| ITEM | PART NUMBER | QTY | BODY | MODEL | DESCRIPTION |
|------|-------------|-----|------|-------|---|
| | 5600 0432 | 1 | | | w/o Intermittent Wipers, w/o Cruise Control *** |
| | 5600 0433 | 1 | | | w/Intermittent Wipers, w/o Cruise |
| | 5600 0034 | 1 | | | w/Intermittent Wipers, w/Cruise Control |
| 32 | 3420 2670 | 1 | | | SCREW |
| 33 | J400 1267 | 1 | | | SCREW |
| 34 | J812 9317 | 1 | | | SPRING, Left Lower |
| 35 | J812 9335 | 1 | | | SPRING, Right Upper |
| 36 | | | | | SPRING |
| | J318 7255 | 1 | | | (Up To 4-1-89) |
| | 5200 4402 | 1 | | | (After 4-1-89) |
| 37 | J318 7249 | 1 | | | PIN |
| 38 | J318 7257 | 1 | | | RETAINER |
| 39 | 8350 2102 | 1 | | | SCREW |
| 40 | J812 0097 | 1 | | | SECTOR |

MODEL CODES:
 15 = Grand Wagoneer 4 Dr. 65 = Comanche 4WD-7 Ft. Box 77 = Cherokee 4WD-2 Dr.
 25 = J-10 Pickup-119" W.B. 66 = Comanche 2WD-7 Ft. Box 78 = Cherokee 4WD-4 Dr.
 26 = J-10 Pickup-131" W.B. 73 = Cherokee 2WD-2 Dr. 79 = Cherokee 4WD-4 Dr.-Com
 27 = J-20 Pickup-131" W.B. 74 = Cherokee 2WD-4 Dr. 81 = Wrangler-93" W.B.
 63 = Comanche 4WD-6 Ft. Box 75 = Wagoneer 4WD-4 Dr. 82 = Wrangler-103" W.B.-Exp.
 64 = Comanche 2WD-6 Ft. Box

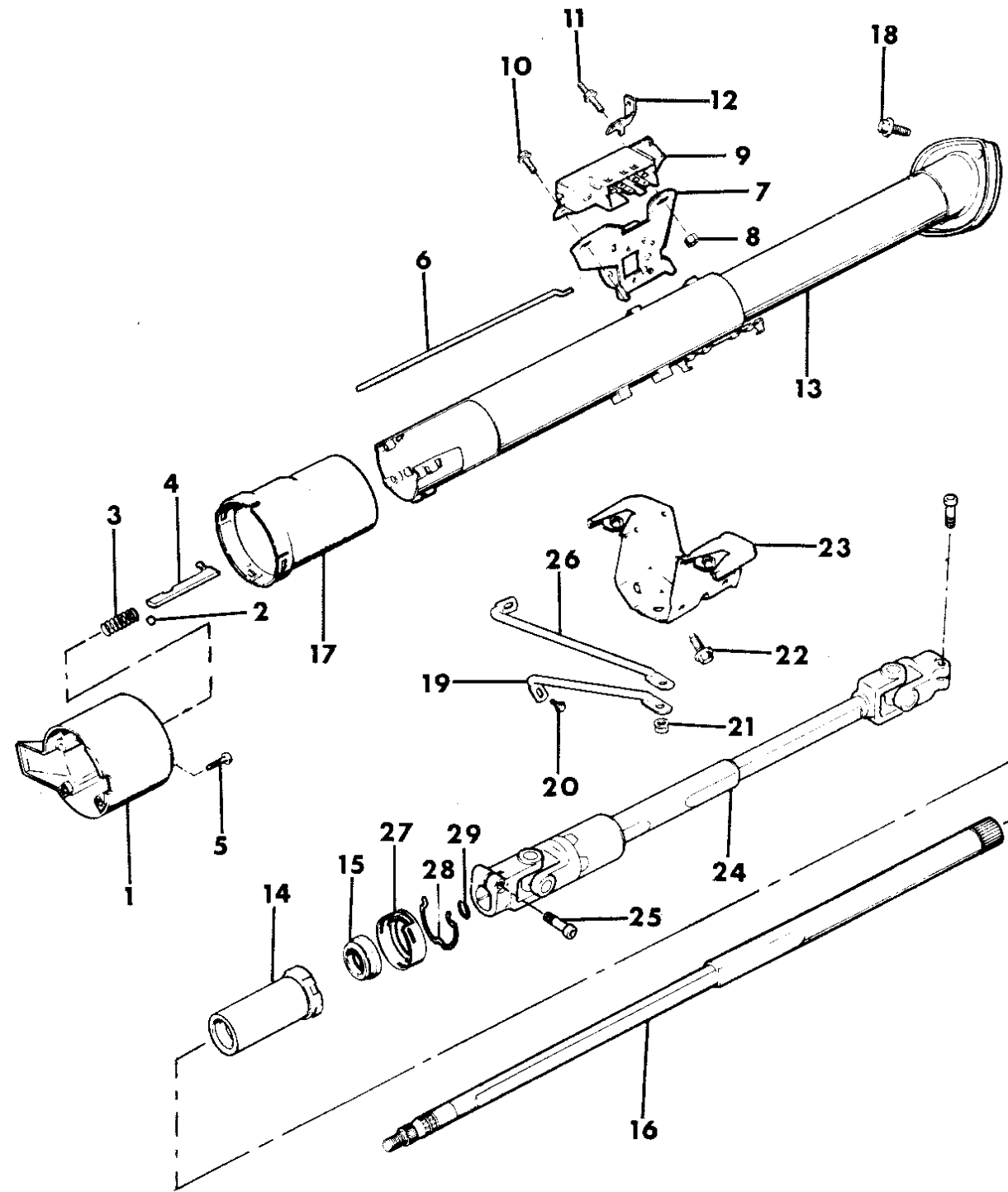
BODY STYLES:
 MJ = Comanche Pickup
 SJ = Grand Wagoneer Wgn., J-10 & J-20 Pickups
 XJ = Cherokee, Wagoneer Limited
 YJ = Wrangler

AR = Use as Required - = Non Illustrated Part P.A.R. = Paint as Required

HOUSING STEERING COLUMN LOWER W/FLOOR GEAR SHIFT, W/O TILT CHEROKEE, WAGONEER, COMANCHE

Figure 19-520

8J19 520



| ITEM | PART NUMBER | QTY | BODY | MODEL | DESCRIPTION |
|------|-------------|-----|------|-------|-----------------------------------|
| 1 | | | | | BOWL, Shift |
| | J813 4497 | 1 | | | w/Manual Transmission |
| | 8350 0218 | 1 | | | w/Automatic Transmission |
| 2 | 8350 0217 | 1 | | | BALL, w/Automatic Transmission |
| 3 | 8350 0237 | 1 | | | SPRING, w/Automatic Transmission |
| 4 | 8350 0219 | 1 | | | PIN, w/Automatic Transmission |
| 5 | J448 8301 | 3 | | | SCREW |
| 6 | 8350 0226 | 1 | | | ROD, Dimmer Switch Actuator |
| 7 | | | | | SWITCH, Headlamp Dimmer |
| | J323 9703 | 1 | | | 1987-88 |
| | J813 4498 | 1 | | | 1989 |
| | 5600 3406 | 1 | | | 1990 |
| 8 | J012 0361 | 1 | | | NUT |
| 9 | J325 0576 | 1 | | | SWITCH, Ignition Lock |
| 10 | J448 7772 | 1 | | | SCREW |
| 11 | J813 3546 | 1 | | | STUD |
| 12 | 8350 0224 | 1 | | | BRACKET, w/Automatic Transmission |
| 13 | 8350 0222 | 1 | | | JACKET ASSEMBLY |
| 14 | J812 9486 | 1 | | | ADAPTER |
| 15 | J448 6713 | 1 | | | BEARING |
| 16 | 8350 2100 | 1 | | | SHAFT, Steering Column (upper) |
| 17 | | | | | SHROUD, Shift Bowl |
| | J813 3542 | 1 | | | w/Manual Transmission |
| | 8350 0221 | 1 | | | w/Automatic Transmission |
| 18 | 3420 1193 | 2 | | | SCREW |
| 19 | 5200 1375 | 1 | | | SUPPORT, Rod (Short) |
| 20 | 1150 2685 | 2 | | | BOLT |
| 21 | 1150 2812 | 2 | | | NUT |
| 22 | 1150 2764 | 4 | | | SCREW |
| 23 | 5200 0399 | 1 | | | BRACKET |
| 24 | | | | | SHAFT, Steering Column (Lower) |
| | 5200 1948 | 1 | | | w/Power Steering |
| | 5200 1947 | 1 | | | w/o Power Steering |
| 25 | J420 0400 | 2 | | | BOLT |
| 26 | 5200 1376 | 1 | | | SUPPORT, Rod (Long) |
| 27 | J448 7743 | 1 | | | RETAINER |
| 28 | J448 7739 | 1 | | | CLIP |

MODEL CODES:

| | | |
|-----------------------------|-----------------------------|------------------------------|
| 15 = Grand Wagoneer 4 Dr. | 65 = Comanche 4WD-7 Ft. Box | 77 = Cherokee 4WD-2 Dr. |
| 25 = J-10 Pickup-119" W.B. | 66 = Comanche 2WD-7 Ft. Box | 78 = Cherokee 4WD-4 Dr. |
| 26 = J-10 Pickup-131" W.B. | 73 = Cherokee 2WD-2 Dr. | 79 = Cherokee 4WD-4 Dr.-Com |
| 27 = J-20 Pickup-131" W.B. | 74 = Cherokee 2WD-4 Dr. | 81 = Wrangler-93" W.B. |
| 63 = Comanche 4WD-6 Ft. Box | 75 = Wagoneer 4WD-4 Dr. | 82 = Wrangler-103" W.B.-Exp. |
| 64 = Comanche 2WD-6 Ft. Box | | |

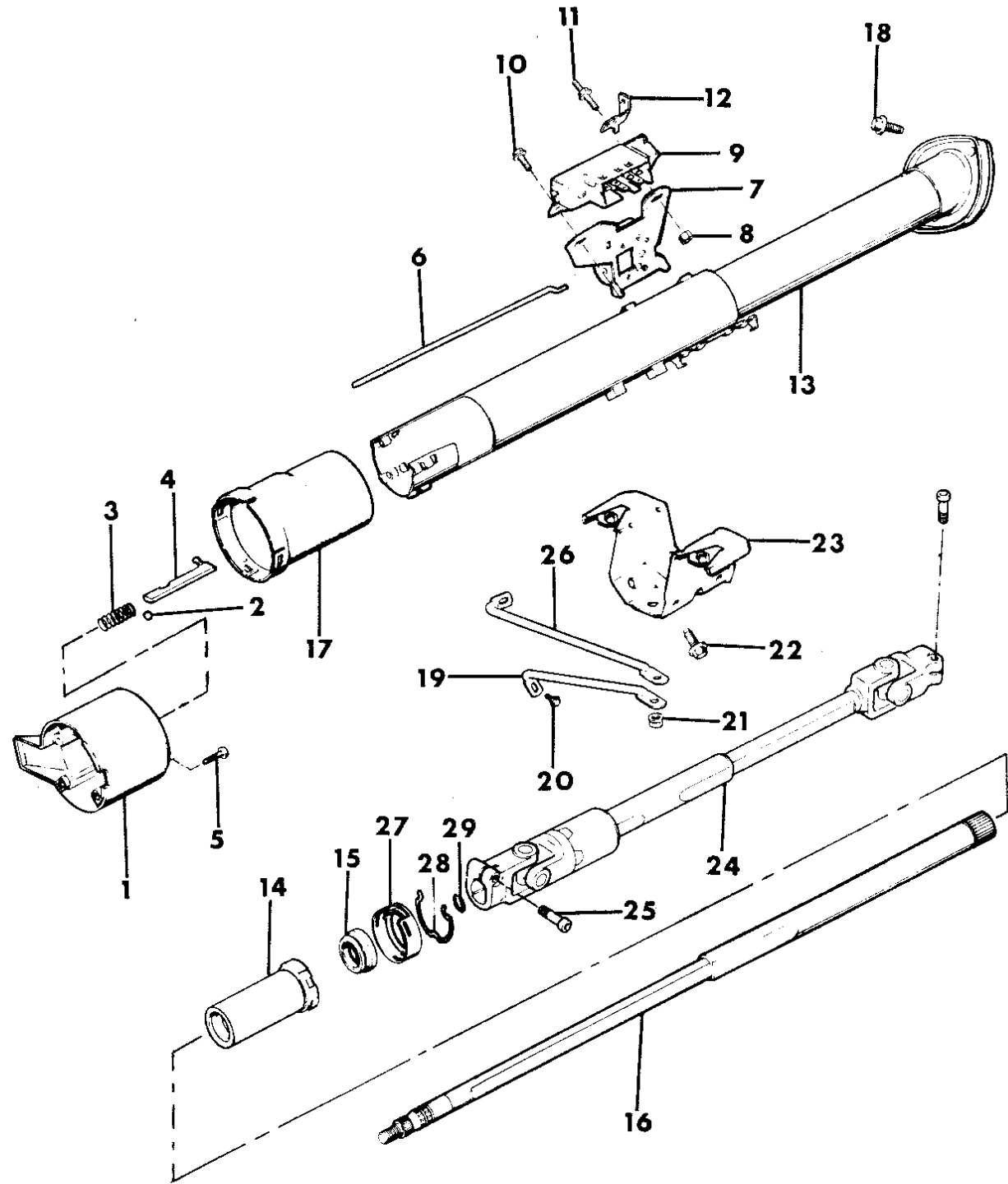
BODY STYLES:

MJ = Comanche Pickup
 SJ = Grand Wagoneer Wgn., J-10 & J-20 Pickups
 XJ = Cherokee, Wagoneer Limited
 YJ = Wrangler

AR = Use as Required - = Non Illustrated Part P.A.R. = Paint as Required

HOUSING STEERING COLUMN LOWER W/FLOOR GEAR SHIFT, W/O TILT CHEROKEE, WAGONEER, COMANCHE
Figure 19-520

8J19 520



| ITEM | PART NUMBER | QTY | BODY | MODEL | DESCRIPTION |
|------|-------------|-----|------|-------|-------------|
| 29 | J320 8377 | 1 | | | RING |

MODEL CODES:

| | | |
|-----------------------------|-----------------------------|------------------------------|
| 15 = Grand Wagoneer 4 Dr. | 65 = Comanche 4WD-7 Ft. Box | 77 = Cherokee 4WD-2 Dr. |
| 25 = J-10 Pickup-119" W.B. | 66 = Comanche 2WD-7 Ft. Box | 78 = Cherokee 4WD-4 Dr. |
| 26 = J-10 Pickup-131" W.B. | 73 = Cherokee 2WD-2 Dr. | 79 = Cherokee 4WD-4 Dr.-Com |
| 27 = J-20 Pickup-131" W.B. | 74 = Cherokee 2WD-4 Dr. | 81 = Wrangler-93" W.B. |
| 63 = Comanche 4WD-6 Ft. Box | 75 = Wagoneer 4WD-4 Dr. | 82 = Wrangler-103" W.B.-Exp. |
| 64 = Comanche 2WD-6 Ft. Box | | |

BODY STYLES:

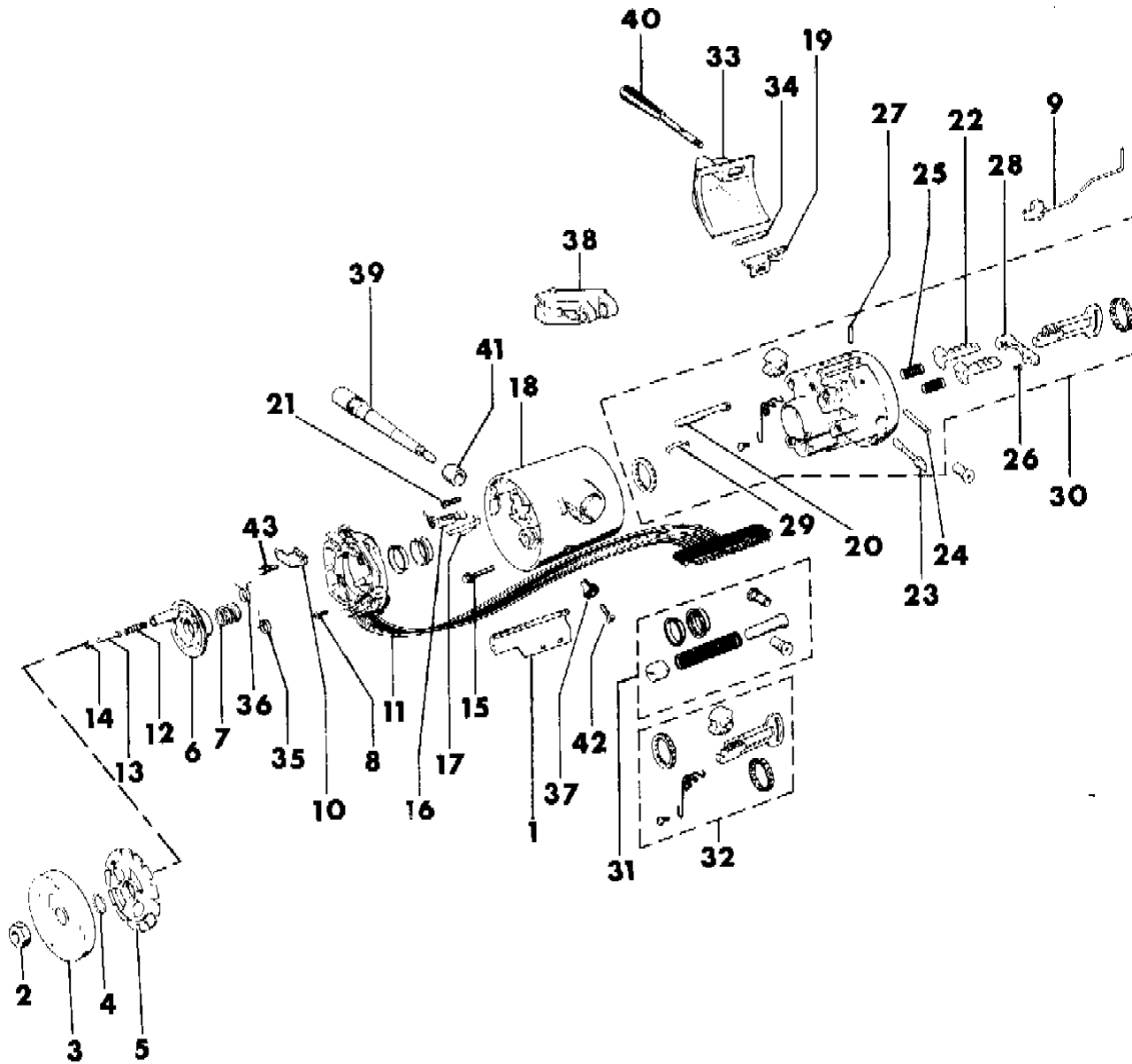
MJ = Comanche Pickup
 SJ = Grand Wagoneer Wgn., J-10 & J-20 Pickups
 XJ = Cherokee, Wagoneer Limited
 YJ = Wrangler

AR = Use as Required - = Non Illustrated Part P.A.R. = Paint as Required

HOUSING STEERING COLUMN UPPER W/FLOOR GEAR SHIFT, W/TILT CHEROKEE, WAGONEER, COMANCHE

Figure 19-530

8J19 530A



| ITEM | PART NUMBER | QTY | BODY | MODEL | DESCRIPTION |
|------|-------------|-----|------|-------|--|
| 1 | 8350 0225 | 1 | | | PROTECTOR |
| 2 | J420 0414 | 1 | | | NUT |
| 3 | J322 8743 | 1 | | | COVER, Shift Lock |
| 4 | J320 8377 | 2 | | | RING |
| 5 | J812 7874 | 1 | | | LOCK |
| 6 | J448 7816 | 1 | | | CAM, Cancelling |
| 7 | J812 2485 | 1 | | | SPRING |
| 8 | J448 8301 | 3 | | | SCREW |
| 9 | | | | | ACTUATOR ASSEMBLY, Ignition Switch *** |
| | 8350 0239 | 1 | | | w/Manual Transmission *** |
| | 8350 0227 | 1 | | | w/Automatic Transmission |
| 10 | J813 3560 | 1 | | | ARM, Switch Actuator |
| 11 | J322 9970 | 1 | | | SWITCH, Turn Signal |
| 12 | | | | | SPRING |
| | J318 7255 | 1 | | | (Up To 4-1-89) |
| | 5200 4402 | 1 | | | (After 4-1-89) |
| 13 | J318 7249 | 1 | | | PIN |
| 14 | J318 7257 | 1 | | | RETAINER |
| 15 | J813 3572 | 3 | | | SCREW |
| 16 | J321 1424 | 1 | | | SWITCH, Key Buzzer |
| 17 | J448 7853 | 1 | | | CLIP |
| 18 | 8350 2096 | 1 | | | COVER, Steering Column Housing |
| 19 | J813 3570 | 1 | | | ACTUATOR, Dimmer Switch Rod |
| 20 | J448 7819 | 1 | | | BOLT |
| 21 | 8350 2103 | 1 | | | SCREW |
| 22 | | | | | SHOE |
| | J448 7828 | 1 | | | Rt. |
| | J812 2716 | 1 | | | Lt. |
| 23 | J813 4191 | 1 | | | SHAFT |
| 24 | J448 7822 | 1 | | | PIN |
| 25 | J448 7832 | 2 | | | SPRING |
| 26 | J320 8047 | 1 | | | SPRING |
| 27 | J320 8043 | 1 | | | PIN |
| 28 | J813 3567 | 1 | | | LEVER |
| 29 | J448 7831 | 1 | | | SPRING |
| 30 | 8350 1104 | 1 | | | HOUSING, Steering Column |
| 31 | 8351 0054 | 1 | | | PARTS PACKAGE |

MODEL CODES:

| | | |
|-----------------------------|-----------------------------|------------------------------|
| 15 = Grand Wagoneer 4 Dr. | 65 = Comanche 4WD-7 Ft. Box | 77 = Cherokee 4WD-2 Dr. |
| 25 = J-10 Pickup-119" W.B. | 66 = Comanche 2WD-7 Ft. Box | 78 = Cherokee 4WD-4 Dr. |
| 26 = J-10 Pickup-131" W.B. | 73 = Cherokee 2WD-2 Dr. | 79 = Cherokee 4WD-4 Dr.-Com |
| 27 = J-20 Pickup-131" W.B. | 74 = Cherokee 2WD-4 Dr. | 81 = Wrangler-93" W.B. |
| 63 = Comanche 4WD-6 Ft. Box | 75 = Wagoneer 4WD-4 Dr. | 82 = Wrangler-103" W.B.-Exp. |
| 64 = Comanche 2WD-6 Ft. Box | | |

BODY STYLES:

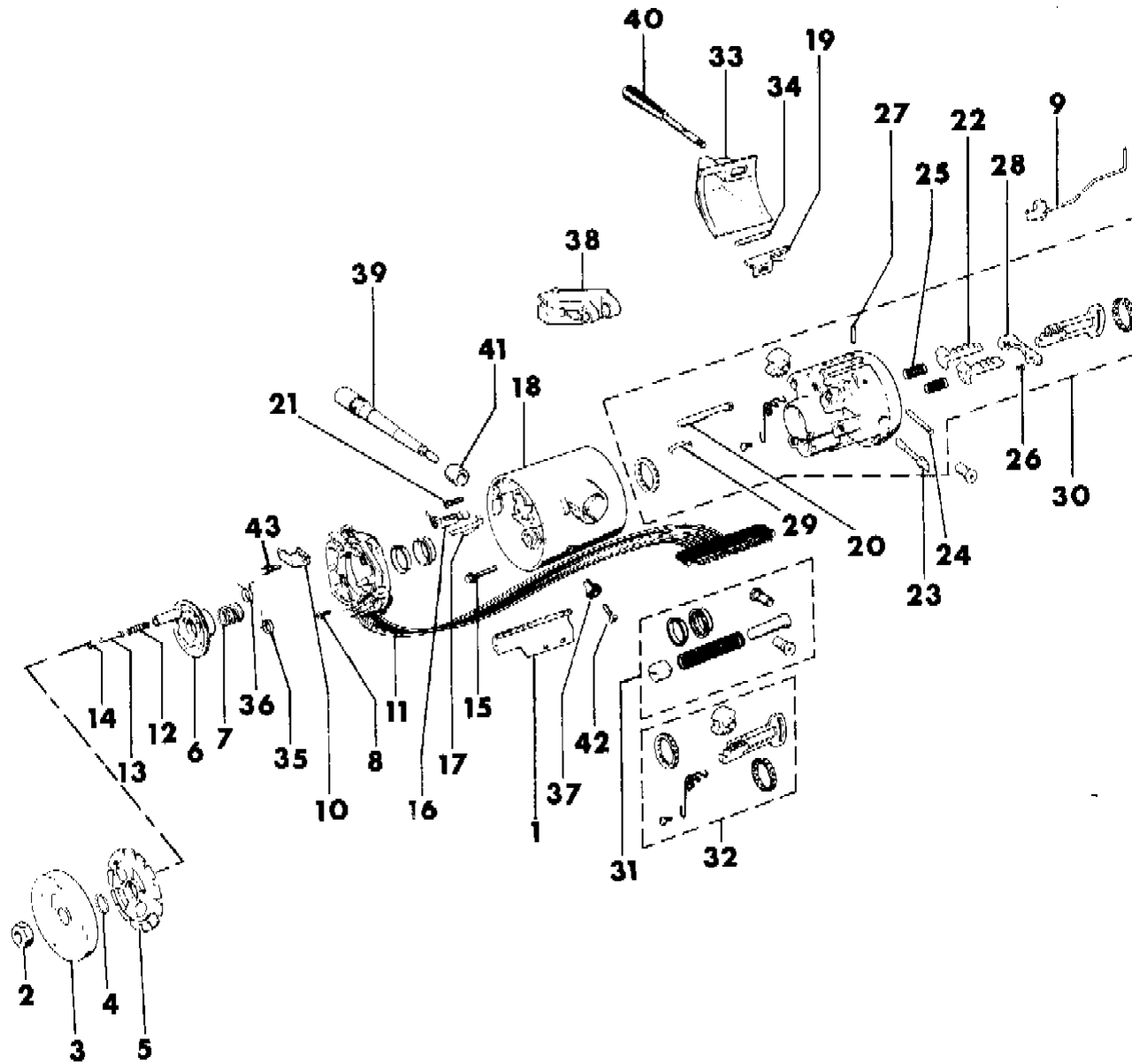
MJ = Comanche Pickup
 SJ = Grand Wagoneer Wgn., J-10 & J-20 Pickups
 XJ = Cherokee, Wagoneer Limited
 YJ = Wrangler

AR = Use as Required - = Non Illustrated Part P.A.R. = Paint as Required

HOUSING STEERING COLUMN UPPER W/FLOOR GEAR SHIFT, W/TILT CHEROKEE, WAGONEER, COMANCHE

Figure 19-530

8J19 530A



| ITEM | PART NUMBER | QTY | BODY | MODEL | DESCRIPTION |
|------|-------------|-----|------|-------|---|
| 32 | 8351 0055 | 1 | | | RACK PACKAGE |
| 33 | J813 4704 | 1 | | | CAP |
| 34 | J813 3565 | 1 | | | PIN |
| 35 | J812 9317 | 1 | | | SPRING, Lt. Lower |
| 36 | J812 9335 | 1 | | | SPRING, Rt. Upper |
| 37 | 5200 3425 | 1 | | | KNOB, Hazard Warning |
| 38 | | | | | SWITCH ASSEMBLY, Wipers |
| | 5600 0431 | 1 | | | w/o Intermittent Wipers |
| | 5600 0033 | 1 | | | w/Intermittent Wipers |
| 39 | | | | | LEVER, Turn Signal |
| | 5600 0432 | 1 | | | w/o Intermittent Wipers, w/o Cruise Control |
| | 5600 3867 | 1 | | | 1990 |
| | 5600 0433 | 1 | | | w/Intermittent Wipers, w/o Cruise Control |
| | 5600 2951 | 1 | | | 1990 |
| | 5600 0034 | 1 | | | w/Intermittent Wipers, w/Cruise Control |
| | 5600 4595 | 1 | | | 1990 |
| 40 | | | | | LEVER, Wheel Release |
| | 5600 0108 | 1 | | | |
| | 3200 1822 | 1 | | | Black 1990 |
| 41 | 5600 2285 | 1 | | | INSULATOR |
| 42 | 3420 2670 | 1 | | | SCREW |
| 43 | J400 1267 | 1 | | | SCREW |

MODEL CODES:

| | | |
|-----------------------------|-----------------------------|------------------------------|
| 15 = Grand Wagoneer 4 Dr. | 65 = Comanche 4WD-7 Ft. Box | 77 = Cherokee 4WD-2 Dr. |
| 25 = J-10 Pickup-119" W.B. | 66 = Comanche 2WD-7 Ft. Box | 78 = Cherokee 4WD-4 Dr. |
| 26 = J-10 Pickup-131" W.B. | 73 = Cherokee 2WD-2 Dr. | 79 = Cherokee 4WD-4 Dr.-Com |
| 27 = J-20 Pickup-131" W.B. | 74 = Cherokee 2WD-4 Dr. | 81 = Wrangler-93" W.B. |
| 63 = Comanche 4WD-6 Ft. Box | 75 = Wagoneer 4WD-4 Dr. | 82 = Wrangler-103" W.B.-Exp. |
| 64 = Comanche 2WD-6 Ft. Box | | |

BODY STYLES:

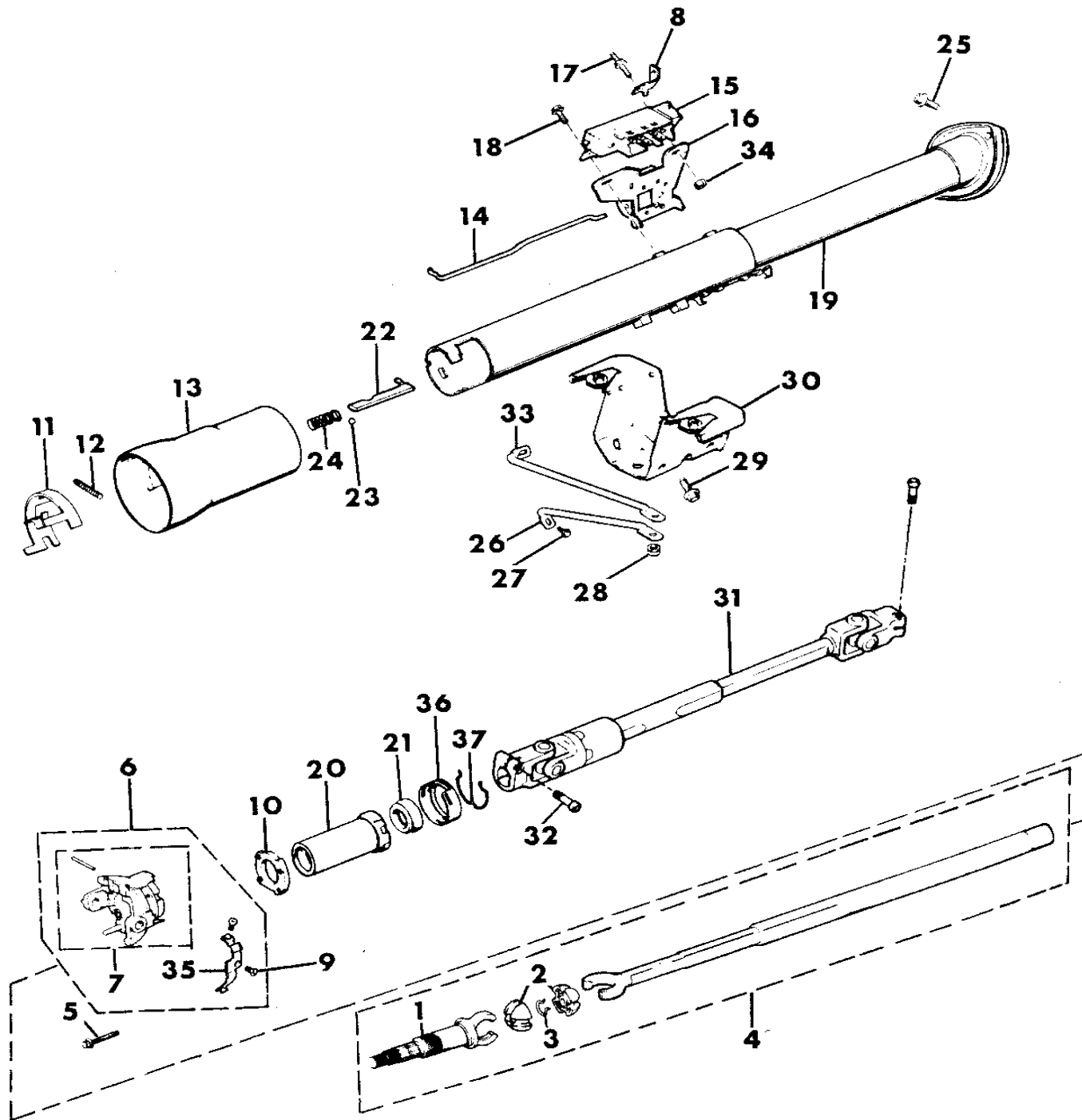
MJ = Comanche Pickup
 SJ = Grand Wagoneer Wgn., J-10 & J-20 Pickups
 XJ = Cherokee, Wagoneer Limited
 YJ = Wrangler

AR = Use as Required - = Non Illustrated Part P.A.R. = Paint as Required

HOUSING STEERING COLUMN LOWER W/FLOOR GEAR SHIFT, W/TILT CHEROKEE, WAGONEER, COMANCHE

Figure 19-540

8J19 540



| ITEM | PART NUMBER | QTY | BODY | MODEL | DESCRIPTION |
|------|-------------|-----|------|-------|---------------------------------------|
| 1 | J812 8888 | 1 | | | SHAFT, Steering Column Upper |
| 2 | J448 7842 | 2 | | | SPHERE |
| 3 | J448 7843 | 1 | | | SPRING |
| 4 | 8350 2101 | 1 | | | SHAFT ASSEMBLY, Steering Column Upper |
| 5 | J448 7867 | 4 | | | SCREW |
| 6 | 8350 1109 | 1 | | | SUPPORT, w/Manual Transmission |
| 7 | 8350 1369 | 1 | | | SUPPORT, w/Automatic Transmission |
| 8 | 8350 0224 | 1 | | | BRACKET, w/Automatic Transmission |
| 9 | J320 8210 | 2 | | | SCREW, w/Manual Transmission |
| 10 | J448 7860 | 1 | | | PLATE |
| 11 | J812 8154 | 1 | | | LEVER |
| 12 | J812 8156 | 1 | | | SPRING, w/Automatic Transmission |
| 13 | | | | | SHROUD, Shift Bowl |
| | 8350 0359 | 1 | | | w/Manual Transmission |
| | 8350 0234 | 1 | | | w/Automatic Transmission |
| 14 | 8350 0233 | 1 | | | ROD, Dimmer Switch Actuator |
| 15 | J325 0575 | 1 | | | SWITCH, Ignition Lock |
| 16 | | | | | SWITCH, Headlamp Dimmer |
| | J323 9703 | 1 | | | 1987-88 |
| | J813 4498 | 1 | | | 1989-90 |
| 17 | J813 3546 | 1 | | | STUD |
| 18 | J448 7772 | 1 | | | SCREW |
| 19 | | | | | JACKET ASSEMBLY |
| | 8350 0240 | 1 | | | w/Manual Transmission *** |
| | 8350 0228 | 1 | | | w/Automatic Transmission |
| 20 | J812 9486 | 1 | | | ADAPTER |
| 21 | J448 6713 | 1 | | | BEARING |
| 22 | 8350 0231 | 1 | | | PIN, w/Automatic Transmission |
| 23 | 8350 0232 | 1 | | | PIN, w/Automatic Transmission |
| 24 | 8350 0235 | 1 | | | SPRING, w/Automatic Transmission |
| 25 | 3420 1193 | 2 | | | SCREW |
| 26 | 5200 1375 | 1 | | | SUPPORT, Rod (Short) |
| 27 | 1150 2685 | 2 | | | BOLT |
| 28 | 1150 2812 | 2 | | | NUT |
| 29 | 1150 2764 | 4 | | | SCREW |
| 30 | 5200 0399 | 1 | | | BRACKET |
| 31 | | | | | SHAFT, Steering Column Lower |

MODEL CODES:

| | | |
|-----------------------------|-----------------------------|------------------------------|
| 15 = Grand Wagoneer 4 Dr. | 65 = Comanche 4WD-7 Ft. Box | 77 = Cherokee 4WD-2 Dr. |
| 25 = J-10 Pickup-119" W.B. | 66 = Comanche 2WD-7 Ft. Box | 78 = Cherokee 4WD-4 Dr. |
| 26 = J-10 Pickup-131" W.B. | 73 = Cherokee 2WD-2 Dr. | 79 = Cherokee 4WD-4 Dr.-Com |
| 27 = J-20 Pickup-131" W.B. | 74 = Cherokee 2WD-4 Dr. | 81 = Wrangler-93" W.B. |
| 63 = Comanche 4WD-6 Ft. Box | 75 = Wagoneer 4WD-4 Dr. | 82 = Wrangler-103" W.B.-Exp. |
| 64 = Comanche 2WD-6 Ft. Box | | |

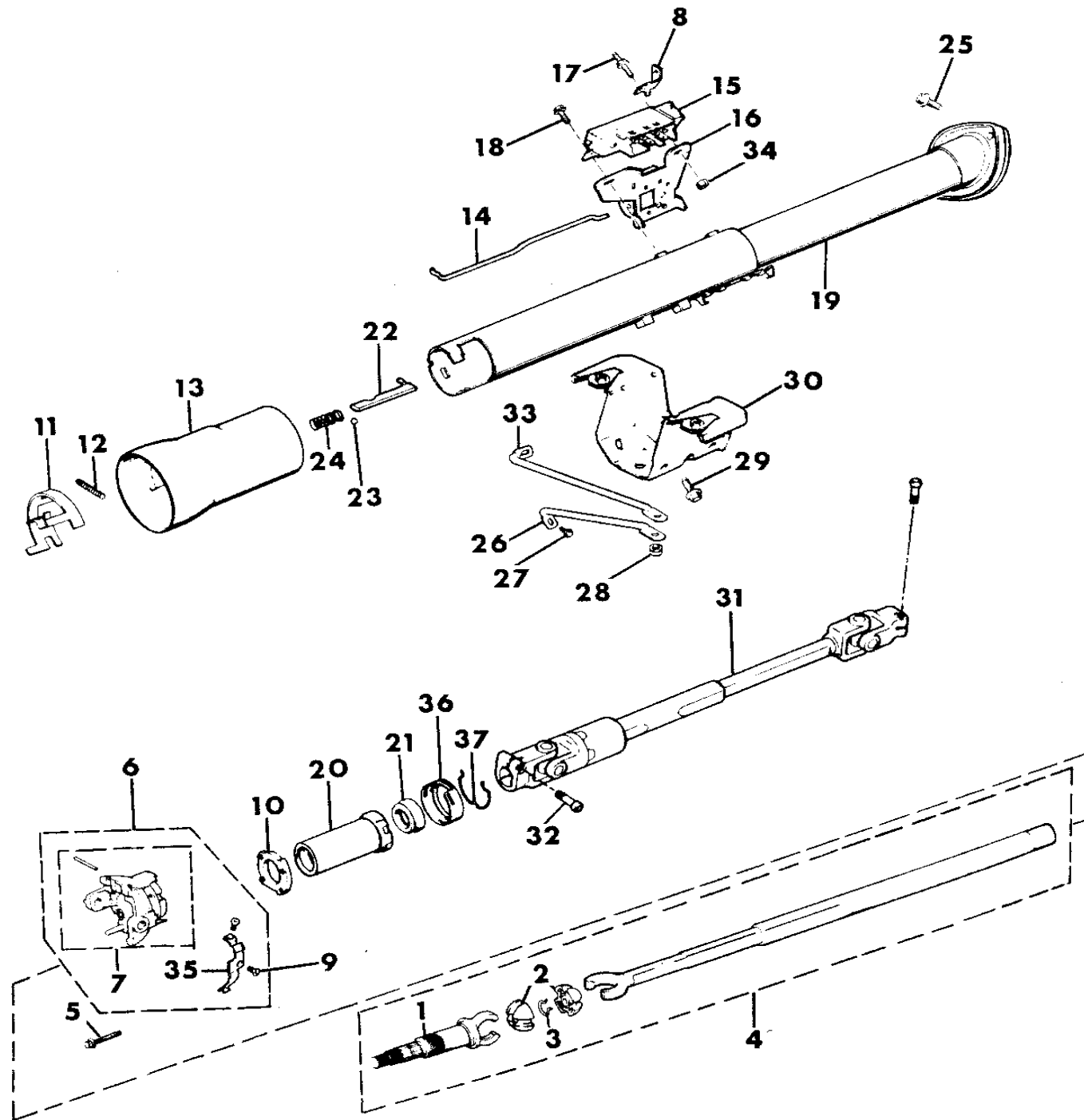
BODY STYLES:

MJ = Comanche Pickup
 SJ = Grand Wagoneer Wgn., J-10 & J-20 Pickups
 XJ = Cherokee, Wagoneer Limited
 YJ = Wrangler

AR = Use as Required - = Non Illustrated Part P.A.R. = Paint as Required

HOUSING STEERING COLUMN LOWER W/FLOOR GEAR SHIFT, W/TILT CHEROKEE, WAGONEER, COMANCHE
Figure 19-540

8J19 540



| ITEM | PART NUMBER | QTY | BODY | MODEL | DESCRIPTION |
|------|-------------|-----|------|-------|--|
| | 5200 7020 | 1 | | | w/Power Steering, PLUS 2 M8x1.25x30.00 Bolts |
| | 5200 1947 | 1 | | | w/o Power Steering |
| 32 | J420 0400 | 2 | | | BOLT |
| 33 | 5200 1376 | 1 | | | SUPPORT, Rod (Long) |
| 34 | J012 0361 | 1 | | | NUT |
| 35 | J813 3569 | 1 | | | PLATE, w/Manual Transmission |
| 36 | J448 7743 | 1 | | | RETAINER |
| 37 | J448 7739 | 1 | | | CLIP |

MODEL CODES:

| | | |
|-----------------------------|-----------------------------|------------------------------|
| 15 = Grand Wagoneer 4 Dr. | 65 = Comanche 4WD-7 Ft. Box | 77 = Cherokee 4WD-2 Dr. |
| 25 = J-10 Pickup-119" W.B. | 66 = Comanche 2WD-7 Ft. Box | 78 = Cherokee 4WD-4 Dr. |
| 26 = J-10 Pickup-131" W.B. | 73 = Cherokee 2WD-2 Dr. | 79 = Cherokee 4WD-4 Dr.-Com |
| 27 = J-20 Pickup-131" W.B. | 74 = Cherokee 2WD-4 Dr. | 81 = Wrangler-93" W.B. |
| 63 = Comanche 4WD-6 Ft. Box | 75 = Wagoneer 4WD-4 Dr. | 82 = Wrangler-103" W.B.-Exp. |
| 64 = Comanche 2WD-6 Ft. Box | | |

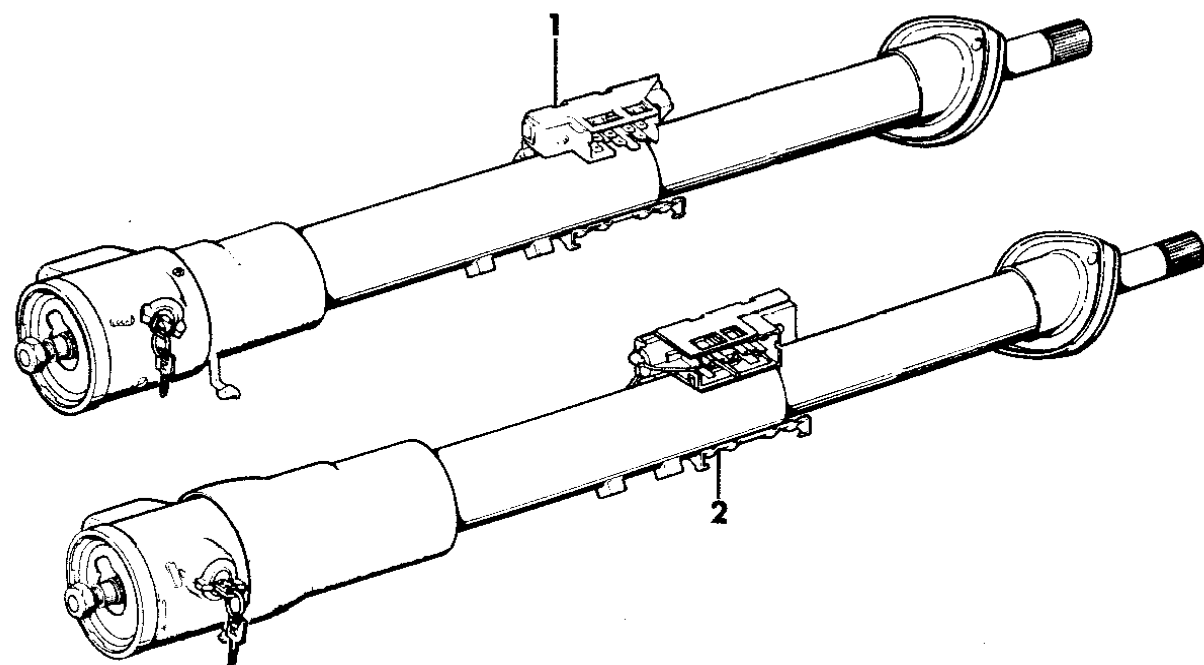
BODY STYLES:

MJ = Comanche Pickup
SJ = Grand Wagoneer Wgn., J-10 & J-20 Pickups
XJ = Cherokee, Wagoneer Limited
YJ = Wrangler

AR = Use as Required - = Non Illustrated Part P.A.R. = Paint as Required

COLUMN ASSEMBLY, STEERING W/COLUMN GEAR SHIFT COMANCHE
Figure 19-600

8J19 600



| ITEM | PART NUMBER | QTY | BODY | MODEL | DESCRIPTION |
|------|-------------|-----|------|-------|--|
| 1 | | | | | COLUMN ASSEMBLY, w/Automatic Transmission, w/o Tilt, w/o Intermittent Wipers |
| | 5200 2587 | 1 | | | 1987-88 |
| | 5200 4162 | 1 | | | 1989 |
| | 5200 4671 | 1 | | | 1990 |
| | | | | | COLUMN ASSEMBLY, w/Automtic Transmission, w/o Tilt, w/ Intermittent Wipers |
| | 5200 2588 | 1 | | | 1987-88 |
| | 5200 4163 | 1 | | | 1989 |
| | 5200 4672 | 1 | | | 1990 |
| 2 | | | | | COLUMN ASSEMBLY, w/Automatic Transmission, w/Tilt, w/ Intermittent Wipers |
| | 5200 2586 | 1 | | | 1987-88 |
| | 5200 4160 | 1 | | | 1989 |
| | 5200 4670 | 1 | | | 1990 |

MODEL CODES:

| | | |
|-----------------------------|-----------------------------|------------------------------|
| 15 = Grand Wagoneer 4 Dr. | 65 = Comanche 4WD-7 Ft. Box | 77 = Cherokee 4WD-2 Dr. |
| 25 = J-10 Pickup-119" W.B. | 66 = Comanche 2WD-7 Ft. Box | 78 = Cherokee 4WD-4 Dr. |
| 26 = J-10 Pickup-131" W.B. | 73 = Cherokee 2WD-2 Dr. | 79 = Cherokee 4WD-4 Dr.-Com |
| 27 = J-20 Pickup-131" W.B. | 74 = Cherokee 2WD-4 Dr. | 81 = Wrangler-93" W.B. |
| 63 = Comanche 4WD-6 Ft. Box | 75 = Wagoneer 4WD-4 Dr. | 82 = Wrangler-103" W.B.-Exp. |
| 64 = Comanche 2WD-6 Ft. Box | | |

BODY STYLES:

MJ = Comanche Pickup
 SJ = Grand Wagoneer Wgn., J-10 & J-20 Pickups
 XJ = Cherokee, Wagoneer Limited
 YJ = Wrangler

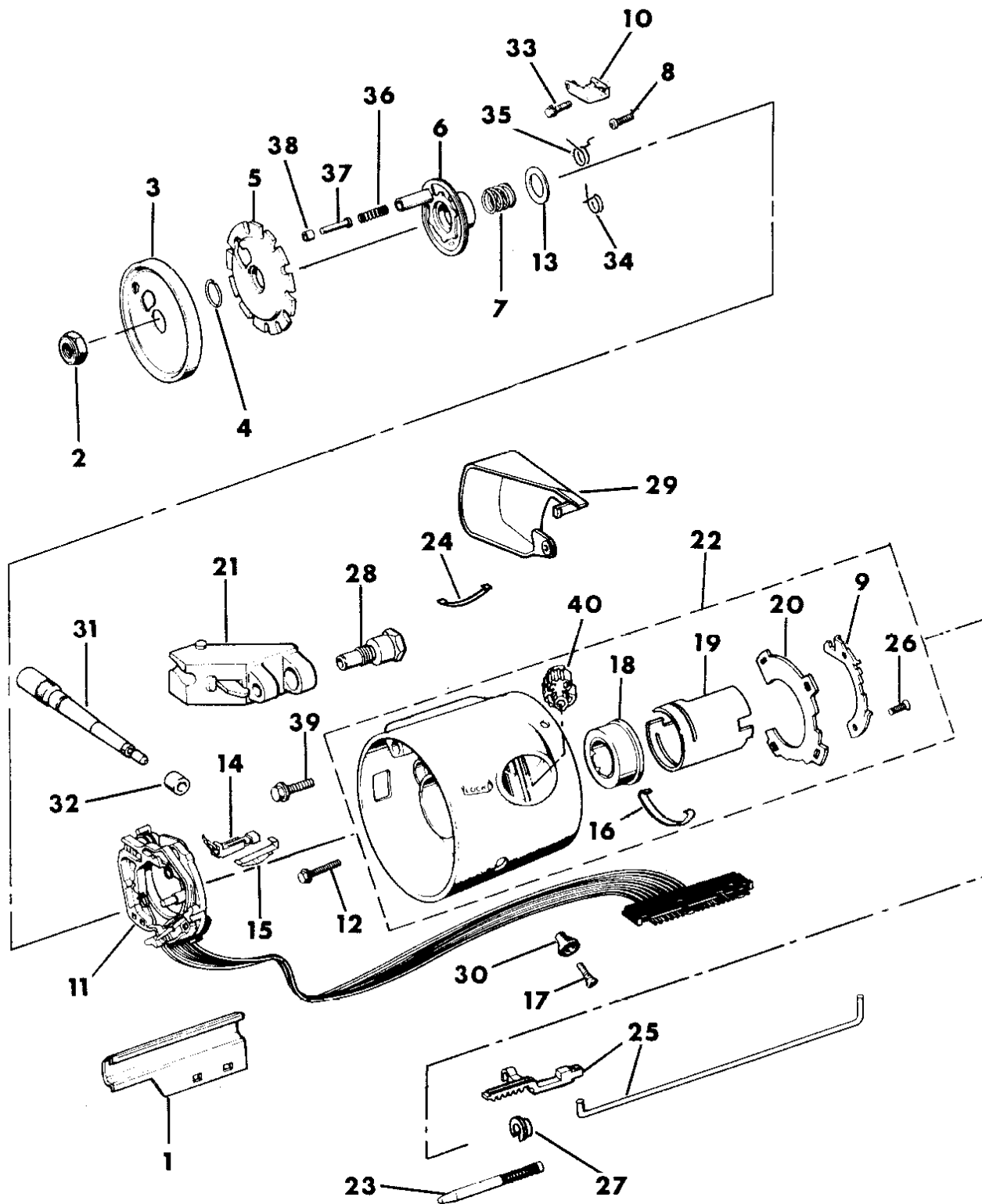
AR = Use as Required - = Non Illustrated Part P.A.R. = Paint as Required

HOUSING STEERING COLUMN UPPER W/COLUMN GEAR SHIFT, W/O TILT COMANCHE

Figure 19-610

8J19 610

| ITEM | PART NUMBER | QTY | BODY | MODEL | DESCRIPTION |
|------|-------------|-----|------|-------|-------------------------------------|
| 1 | 8350 2566 | 1 | | | PROTECTOR |
| 2 | J420 0414 | 1 | | | NUT |
| 3 | J322 8743 | 1 | | | COVER, Shift Lock |
| 4 | J320 8377 | 2 | | | RING |
| 5 | J812 7831 | 1 | | | LOCK |
| 6 | J448 7711 | 1 | | | CAM, CANCELLING |
| 7 | J448 7765 | 1 | | | SPRING |
| 8 | J448 8301 | 3 | | | SCREW |
| 9 | J448 7799 | 1 | | | GATE |
| 10 | 8351 0088 | 1 | | | ARM, Switch Actuator |
| 11 | J322 9970 | 1 | | | SWITCH, Turn Signal |
| 12 | J448 7761 | 4 | | | SCREW |
| 13 | J320 8008 | 1 | | | WASHER |
| 14 | J321 1423 | 1 | | | SWITCH, Key Buzzer |
| 15 | J448 7713 | 1 | | | CLIP |
| 16 | 8350 2552 | 1 | | | CONTACT *** |
| 17 | 3420 2670 | 1 | | | SCREW |
| 18 | J812 7850 | 1 | | | BEARING ASSEMBLY |
| 19 | 8350 2551 | 1 | | | BUSHING |
| 20 | J813 4703 | 1 | | | RETAINER |
| 21 | | | | | SWITCH ASSEMBLY, Wipers |
| | 5600 0031 | 1 | | | w/o Intermittent Wipers |
| | 5600 0032 | 1 | | | w/Intermittent Wipers |
| 22 | 8350 3476 | 1 | | | HOUSING ASSEMBLY |
| 23 | J448 7897 | 1 | | | BOLT |
| 24 | J448 7774 | 1 | | | SPRING |
| 25 | 8350 2610 | 1 | | | RACK PACKAGE |
| 26 | J813 3553 | 2 | | | SCREW |
| 27 | J448 7777 | 1 | | | WASHER |
| 28 | J813 3538 | 1 | | | PIN |
| 29 | 8350 2553 | 1 | | | COVER |
| 30 | 5200 3425 | 1 | | | KNOB, Hazard Warning |
| 31 | | | | | LEVER, Turn Signal |
| | 5600 0432 | 1 | | | w/o Cruise, w/o Intermittent Wipers |
| | 5600 0433 | 1 | | | w/o Cruise, w/Intermittent Wipers |
| | 5600 0034 | 1 | | | w/Cruise, w/Intermittent Wipers |
| 32 | 5600 2285 | 1 | | | INSULATOR |



MODEL CODES:

| | | |
|-----------------------------|-----------------------------|------------------------------|
| 15 = Grand Wagoneer 4 Dr. | 65 = Comanche 4WD-7 Ft. Box | 77 = Cherokee 4WD-2 Dr. |
| 25 = J-10 Pickup-119" W.B. | 66 = Comanche 2WD-7 Ft. Box | 78 = Cherokee 4WD-4 Dr. |
| 26 = J-10 Pickup-131" W.B. | 73 = Cherokee 2WD-2 Dr. | 79 = Cherokee 4WD-4 Dr.-Com |
| 27 = J-20 Pickup-131" W.B. | 74 = Cherokee 2WD-4 Dr. | 81 = Wrangler-93" W.B. |
| 63 = Comanche 4WD-6 Ft. Box | 75 = Wagoneer 4WD-4 Dr. | 82 = Wrangler-103" W.B.-Exp. |
| 64 = Comanche 2WD-6 Ft. Box | | |

BODY STYLES:

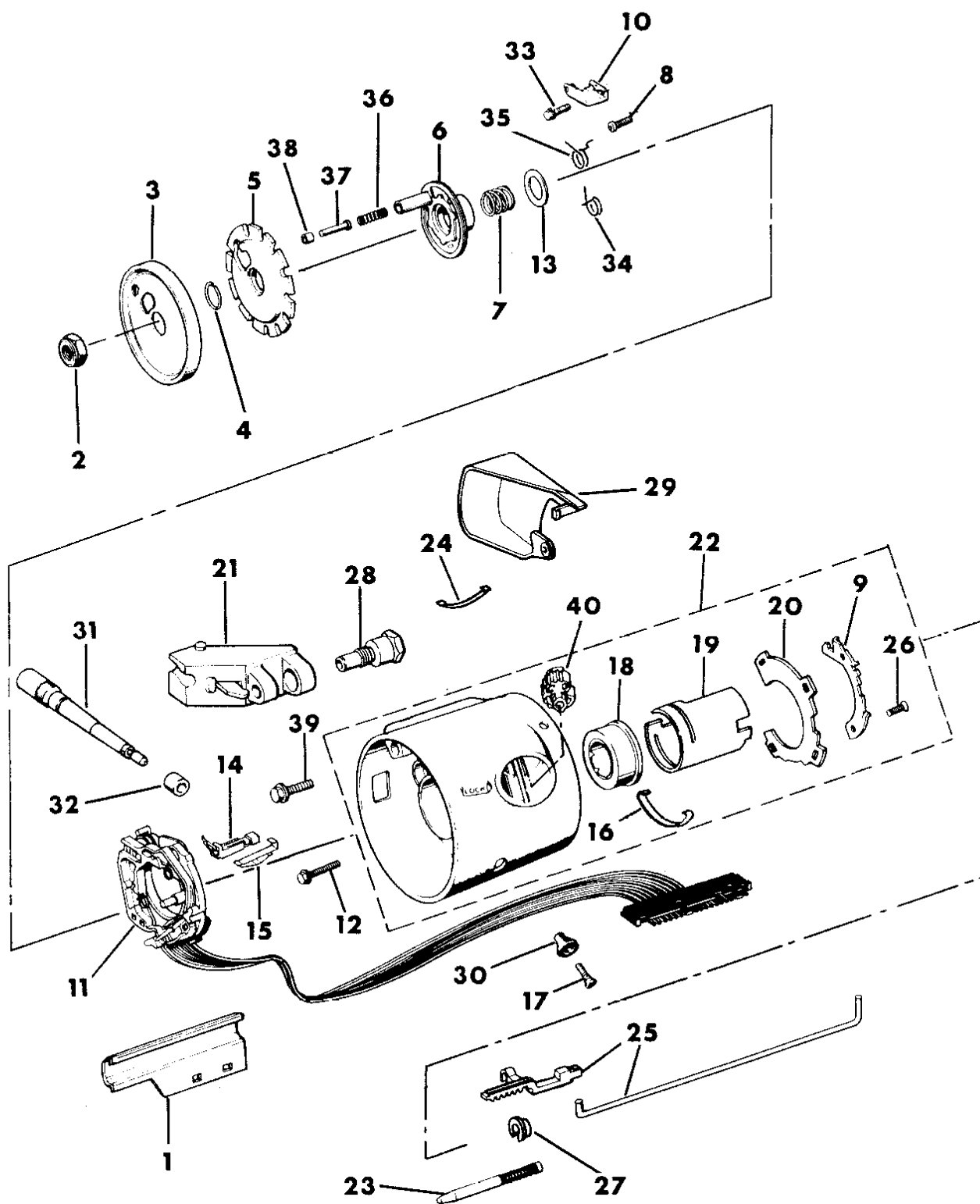
MJ = Comanche Pickup
 SJ = Grand Wagoneer Wgn., J-10 & J-20 Pickups
 XJ = Cherokee, Wagoneer Limited
 YJ = Wrangler

AR = Use as Required - = Non Illustrated Part P.A.R. = Paint as Required

HOUSING STEERING COLUMN UPPER W/COLUMN GEAR SHIFT, W/O TILT COMANCHE
Figure 19-610

8J19 610

| ITEM | PART NUMBER | QTY | BODY | MODEL | DESCRIPTION |
|------|-------------|-----|------|-------|---------------------|
| 33 | J400 1267 | 1 | | | SCREW |
| 34 | J812 9317 | 1 | | | SPRING, Left Lower |
| 35 | J812 9335 | 1 | | | SPRING, Right Upper |
| 36 | | | | | SPRING |
| | J318 7255 | 1 | | | (Up To 4-1-89) |
| | 5200 4402 | 1 | | | (After 4-1-89) |
| 37 | J318 7249 | 1 | | | PIN |
| 38 | J318 7257 | 1 | | | RETAINER |
| 39 | 8350 2102 | 1 | | | SCREW |
| 40 | J812 0097 | 1 | | | SECTOR |



MODEL CODES:

| | | |
|-----------------------------|-----------------------------|------------------------------|
| 15 = Grand Wagoneer 4 Dr. | 65 = Comanche 4WD-7 Ft. Box | 77 = Cherokee 4WD-2 Dr. |
| 25 = J-10 Pickup-119" W.B. | 66 = Comanche 2WD-7 Ft. Box | 78 = Cherokee 4WD-4 Dr. |
| 26 = J-10 Pickup-131" W.B. | 73 = Cherokee 2WD-2 Dr. | 79 = Cherokee 4WD-4 Dr.-Com |
| 27 = J-20 Pickup-131" W.B. | 74 = Cherokee 2WD-4 Dr. | 81 = Wrangler-93" W.B. |
| 63 = Comanche 4WD-6 Ft. Box | 75 = Wagoneer 4WD-4 Dr. | 82 = Wrangler-103" W.B.-Exp. |
| 64 = Comanche 2WD-6 Ft. Box | | |

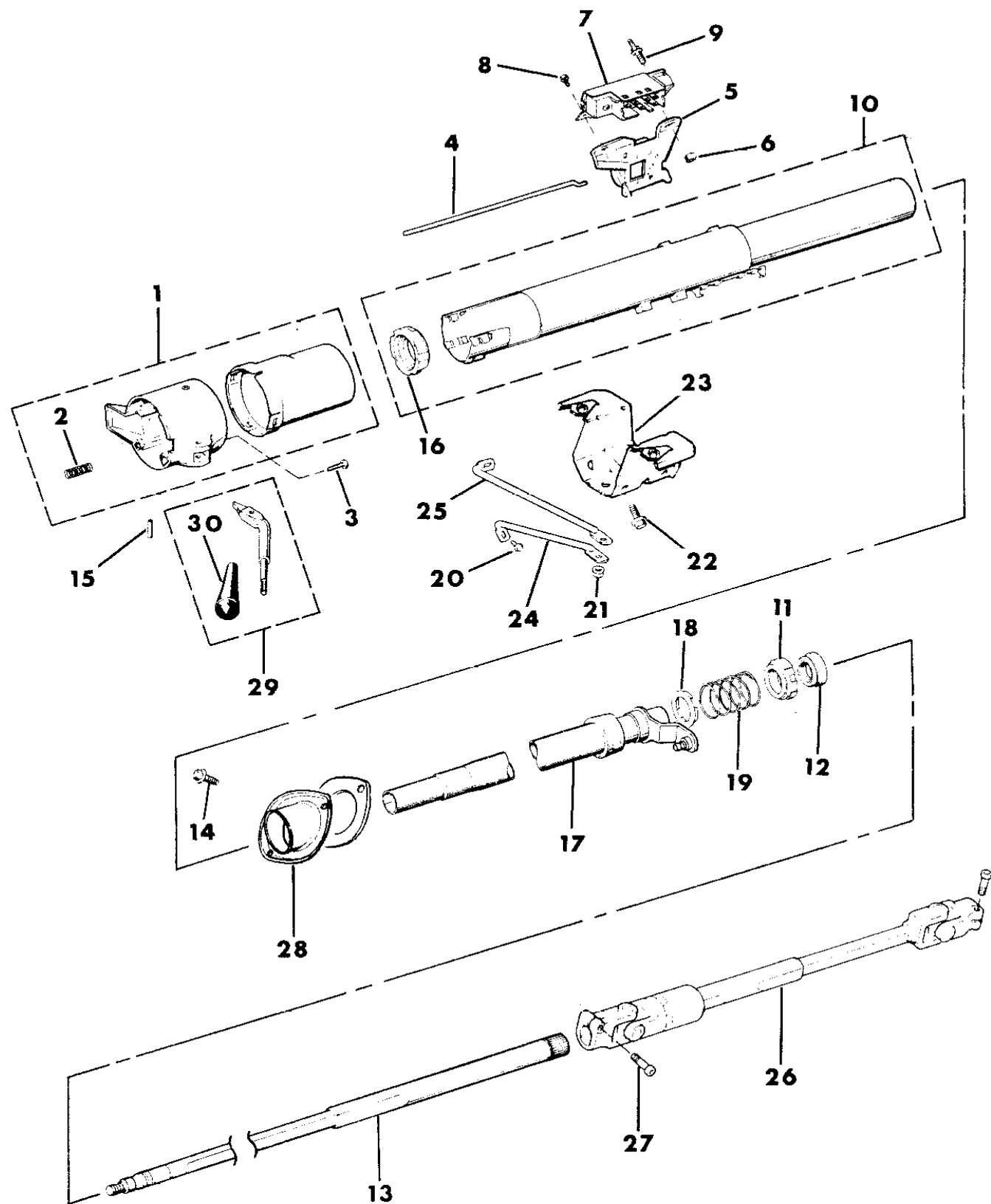
BODY STYLES:

MJ = Comanche Pickup
 SJ = Grand Wagoneer Wgn., J-10 & J-20 Pickups
 XJ = Cherokee, Wagoneer Limited
 YJ = Wrangler

AR = Use as Required - = Non Illustrated Part P.A.R. = Paint as Required

HOUSING STEERING COLUMN LOWER W/COLUMN GEAR SHIFT, W/O TILT COMANCHE
Figure 19-620

8J19 620



| ITEM | PART NUMBER | QTY | BODY | MODEL | DESCRIPTION |
|------|-------------|-----|------|-------|------------------------------|
| 1 | 8350 3472 | 1 | | | BOWL, Shift |
| 2 | J448 7791 | 1 | | | SPRING |
| 3 | J448 8301 | 3 | | | SCREW |
| 4 | 8350 2567 | 1 | | | ROD, Dimmer Switch Actuator |
| 5 | | | | | SWITCH, Headlamp Dimmer |
| | J323 9703 | 1 | | | 1987-88 |
| | J813 4498 | 1 | | | 1989-90 |
| 6 | J012 0361 | 1 | | | NUT |
| 7 | J325 0576 | 1 | | | SWITCH, Ignition Lock |
| 8 | J448 7772 | 1 | | | SCREW |
| 9 | J813 3546 | 1 | | | STUD |
| 10 | 8350 2556 | 1 | | | JACKET ASSEMBLY |
| 11 | 8350 2561 | 1 | | | ADAPTER |
| 12 | J448 6713 | 1 | | | BEARING |
| 13 | 8350 2100 | 1 | | | SHAFT, Steering Column Upper |
| 14 | 3420 1193 | 2 | | | SCREW |
| 15 | J400 3925 | 1 | | | PIN |
| 16 | J813 3557 | 1 | | | BEARING |
| 17 | 8350 2559 | 1 | | | TUBE ASSEMBLY, Shift |
| 18 | J448 7779 | 1 | | | WASHER |
| 19 | 8350 2569 | 1 | | | SPRING |
| 20 | 1150 2685 | 2 | | | BOLT |
| 21 | 1150 2812 | 2 | | | NUT |
| 22 | 1150 2764 | 4 | | | SCREW |
| 23 | 5200 0399 | 1 | | | BRACKET |
| 24 | 5200 1375 | 1 | | | SUPPORT, Rod (Short) |
| 25 | 5200 1376 | 1 | | | SUPPORT, Rod (Long) |
| 26 | | | | | SHAFT, Steering Column Lower |
| | 5200 1947 | 1 | | | w/o Power Steering |
| | 5200 1948 | 1 | | | w/Power Steering |
| 27 | J420 0400 | 2 | | | BOLT |
| 28 | 8350 2563 | 1 | | | PLATE |
| 29 | 5200 3418 | 1 | | | LEVER, Gear Shift |
| 30 | J321 6462 | 1 | | | KNOB |

MODEL CODES:

| | | |
|-----------------------------|-----------------------------|------------------------------|
| 15 = Grand Wagoneer 4 Dr. | 65 = Comanche 4WD-7 Ft. Box | 77 = Cherokee 4WD-2 Dr. |
| 25 = J-10 Pickup-119" W.B. | 66 = Comanche 2WD-7 Ft. Box | 78 = Cherokee 4WD-4 Dr. |
| 26 = J-10 Pickup-131" W.B. | 73 = Cherokee 2WD-2 Dr. | 79 = Cherokee 4WD-4 Dr.-Com |
| 27 = J-20 Pickup-131" W.B. | 74 = Cherokee 2WD-4 Dr. | 81 = Wrangler-93" W.B. |
| 63 = Comanche 4WD-6 Ft. Box | 75 = Wagoneer 4WD-4 Dr. | 82 = Wrangler-103" W.B.-Exp. |
| 64 = Comanche 2WD-6 Ft. Box | | |

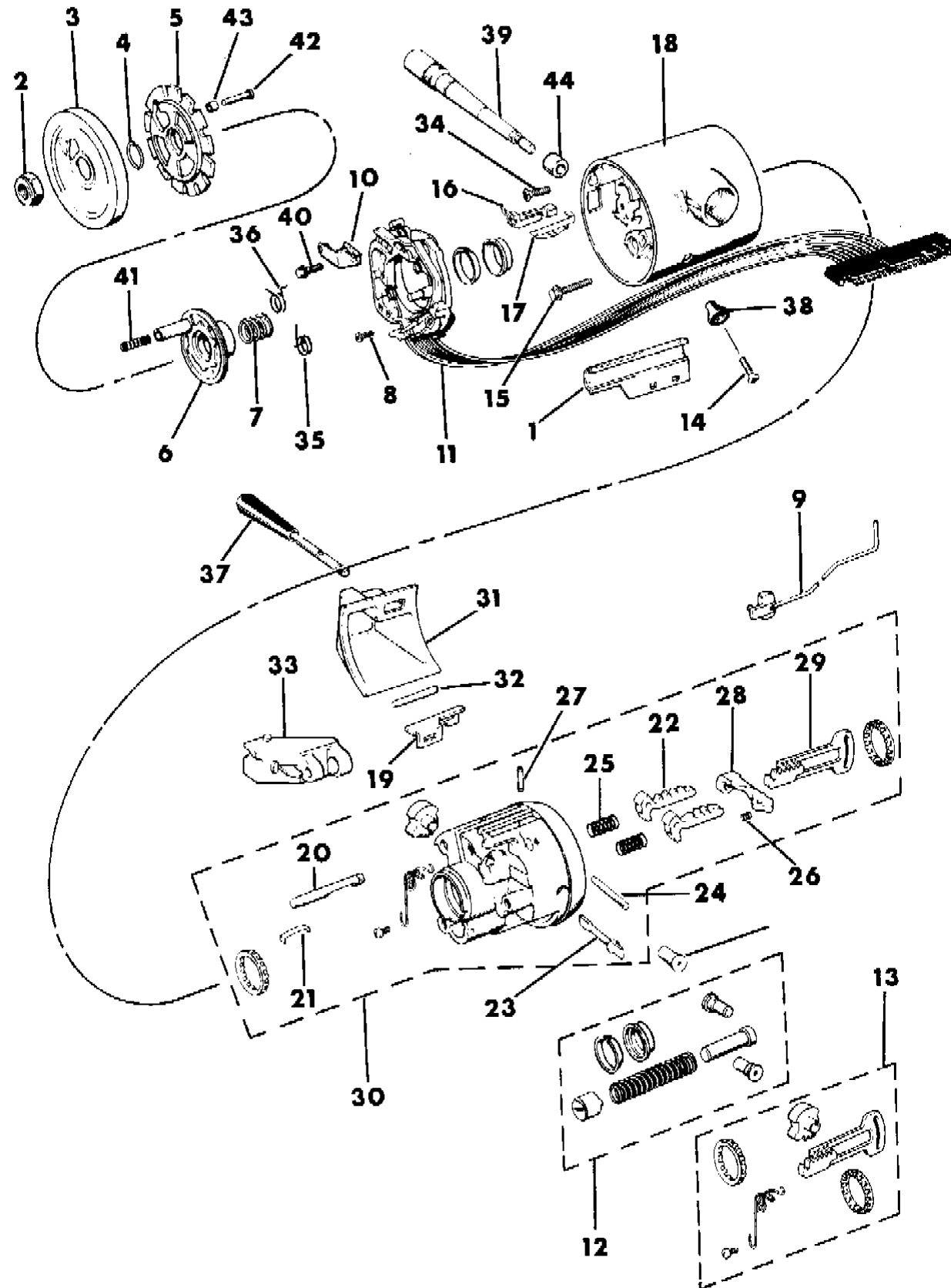
BODY STYLES:

MJ = Comanche Pickup
 SJ = Grand Wagoneer Wgn., J-10 & J-20 Pickups
 XJ = Cherokee, Wagoneer Limited
 YJ = Wrangler

AR = Use as Required - = Non Illustrated Part P.A.R. = Paint as Required

HOUSING STEERING COLUMN UPPER W/COLUMN GEAR SHIFT, W/TILT COMANCHE
Figure 19-630

8J19 630A



| ITEM | PART NUMBER | QTY | BODY | MODEL | DESCRIPTION |
|------|-------------|-----|------|-------|--|
| 1 | 8350 2566 | 1 | | | PROTECTOR |
| 2 | J420 0414 | 1 | | | NUT |
| 3 | J322 8743 | 1 | | | COVER, Shift Lock |
| 4 | J320 8377 | 2 | | | RING |
| 5 | J812 7874 | 1 | | | LOCK |
| 6 | J448 7816 | 1 | | | CAM, Cancelling |
| 7 | J812 2485 | 1 | | | SPTING *** |
| 8 | J448 8301 | 3 | | | SCREW |
| 9 | 8350 2573 | 1 | | | ACTUATOR ASSEMBLY, Ignition Switch *** |
| 10 | 8350 1575 | 1 | | | ARM, Switch Actuator |
| 11 | J322 9970 | 1 | | | SWITCH, Turn Signal |
| 12 | 8351 0054 | 1 | | | PARTS PACKAGE |
| 13 | 8351 0055 | 1 | | | RACK PACKAGE |
| 14 | 3420 2670 | 1 | | | SCREW |
| 15 | J813 3572 | 3 | | | SCREW |
| 16 | J321 1424 | 1 | | | SWITCH, Key Buzzer |
| 17 | J448 7853 | 1 | | | CLIP |
| 18 | 8350 2096 | 1 | | | COVER, Steering Column Housing |
| 19 | J813 3570 | 1 | | | ACTUATOR, Dimmer Switch Rod |
| 20 | J448 7819 | 1 | | | BOLT |
| 21 | J448 7831 | 1 | | | SPRING |
| 22 | | | | | SHOE |
| | 8350 2583 | 1 | | | Lt. |
| | J448 7828 | 1 | | | Rt. |
| 23 | J813 4191 | 1 | | | SHAFT |
| 24 | J448 7822 | 1 | | | PIN |
| 25 | J448 7832 | 2 | | | SPRING |
| 26 | J320 8047 | 1 | | | SPRING *** |
| 27 | J320 8043 | 1 | | | PIN |
| 28 | J813 3567 | 1 | | | LEVER |
| 29 | J812 7870 | 1 | | | RACK |
| 30 | 8350 2582 | 1 | | | HOUSING, Steering Column |
| 31 | J813 4704 | 1 | | | CAP |
| 32 | J813 3565 | 1 | | | PIN |
| 33 | 5600 0033 | 1 | | | SWITCH ASSEMBLY, Intermittent Wipers |
| 34 | 8350 2103 | 1 | | | SCREW |
| 35 | J812 9317 | 1 | | | SPRING, Left Lower |

MODEL CODES:

| | | |
|-----------------------------|-----------------------------|------------------------------|
| 15 = Grand Wagoneer 4 Dr. | 65 = Comanche 4WD-7 Ft. Box | 77 = Cherokee 4WD-2 Dr. |
| 25 = J-10 Pickup-119" W.B. | 66 = Comanche 2WD-7 Ft. Box | 78 = Cherokee 4WD-4 Dr. |
| 26 = J-10 Pickup-131" W.B. | 73 = Cherokee 2WD-2 Dr. | 79 = Cherokee 4WD-4 Dr.-Com |
| 27 = J-20 Pickup-131" W.B. | 74 = Cherokee 2WD-4 Dr. | 81 = Wrangler-93" W.B. |
| 63 = Comanche 4WD-6 Ft. Box | 75 = Wagoneer 4WD-4 Dr. | 82 = Wrangler-103" W.B.-Exp. |
| 64 = Comanche 2WD-6 Ft. Box | | |

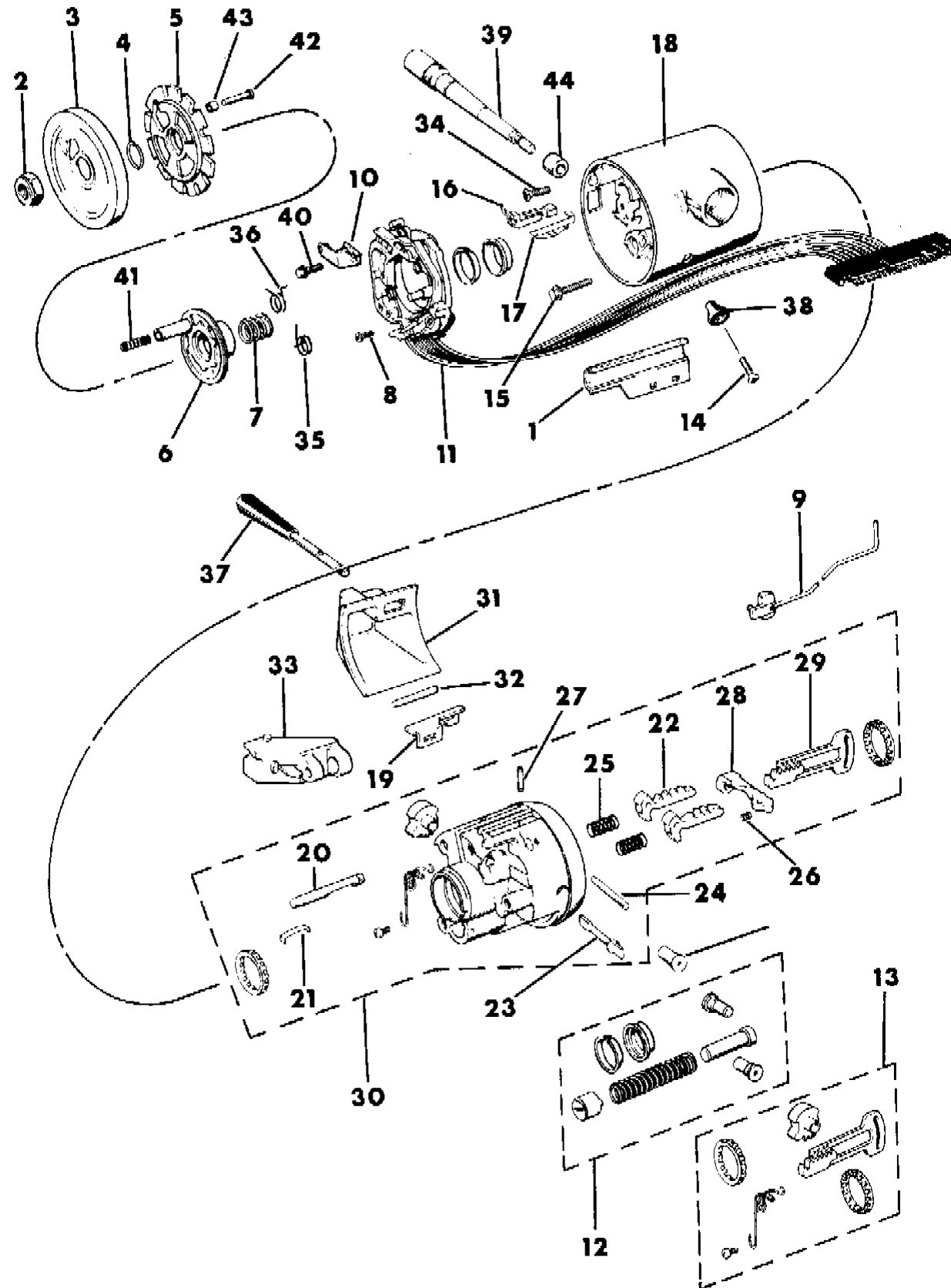
BODY STYLES:

MJ = Comanche Pickup
 SJ = Grand Wagoneer Wgn., J-10 & J-20 Pickups
 XJ = Cherokee, Wagoneer Limited
 YJ = Wrangler

AR = Use as Required - = Non Illustrated Part P.A.R. = Paint as Required

HOUSING STEERING COLUMN UPPER W/COLUMN GEAR SHIFT, W/TILT COMANCHE
Figure 19-630

8J19 630A



| ITEM | PART NUMBER | QTY | BODY | MODEL | DESCRIPTION |
|------|-------------|-----|------|-------|----------------------|
| 36 | J812 9335 | 1 | | | SPRING, Right Upper |
| 37 | 5600 0108 | 1 | | | LEVER, Wheel Release |
| | 3200 1822 | 1 | | | Black 1990 |
| 38 | 5200 3425 | 1 | | | KNOB, Hazard Warning |
| 39 | | | | | LEVER, Turn Signal |
| | 5600 0433 | 1 | | | w/o Cruise Control |
| | 5600 0034 | 1 | | | w/Cruise Control |
| 40 | J400 1267 | 1 | | | SCREW |
| 41 | | | | | SPRING |
| | J318 7255 | 1 | | | (Up To 4-1-89) |
| | 5200 4402 | 1 | | | (After 4-1-89) |
| 42 | J318 7249 | 1 | | | PIN |
| 43 | J318 7257 | 1 | | | RETAINER |
| 44 | 5600 2285 | 1 | | | INSULATOR |

MODEL CODES:

| | | |
|-----------------------------|-----------------------------|------------------------------|
| 15 = Grand Wagoneer 4 Dr. | 65 = Comanche 4WD-7 Ft. Box | 77 = Cherokee 4WD-2 Dr. |
| 25 = J-10 Pickup-119" W.B. | 66 = Comanche 2WD-7 Ft. Box | 78 = Cherokee 4WD-4 Dr. |
| 26 = J-10 Pickup-131" W.B. | 73 = Cherokee 2WD-2 Dr. | 79 = Cherokee 4WD-4 Dr.-Com |
| 27 = J-20 Pickup-131" W.B. | 74 = Cherokee 2WD-4 Dr. | 81 = Wrangler-93" W.B. |
| 63 = Comanche 4WD-6 Ft. Box | 75 = Wagoneer 4WD-4 Dr. | 82 = Wrangler-103" W.B.-Exp. |
| 64 = Comanche 2WD-6 Ft. Box | | |

BODY STYLES:

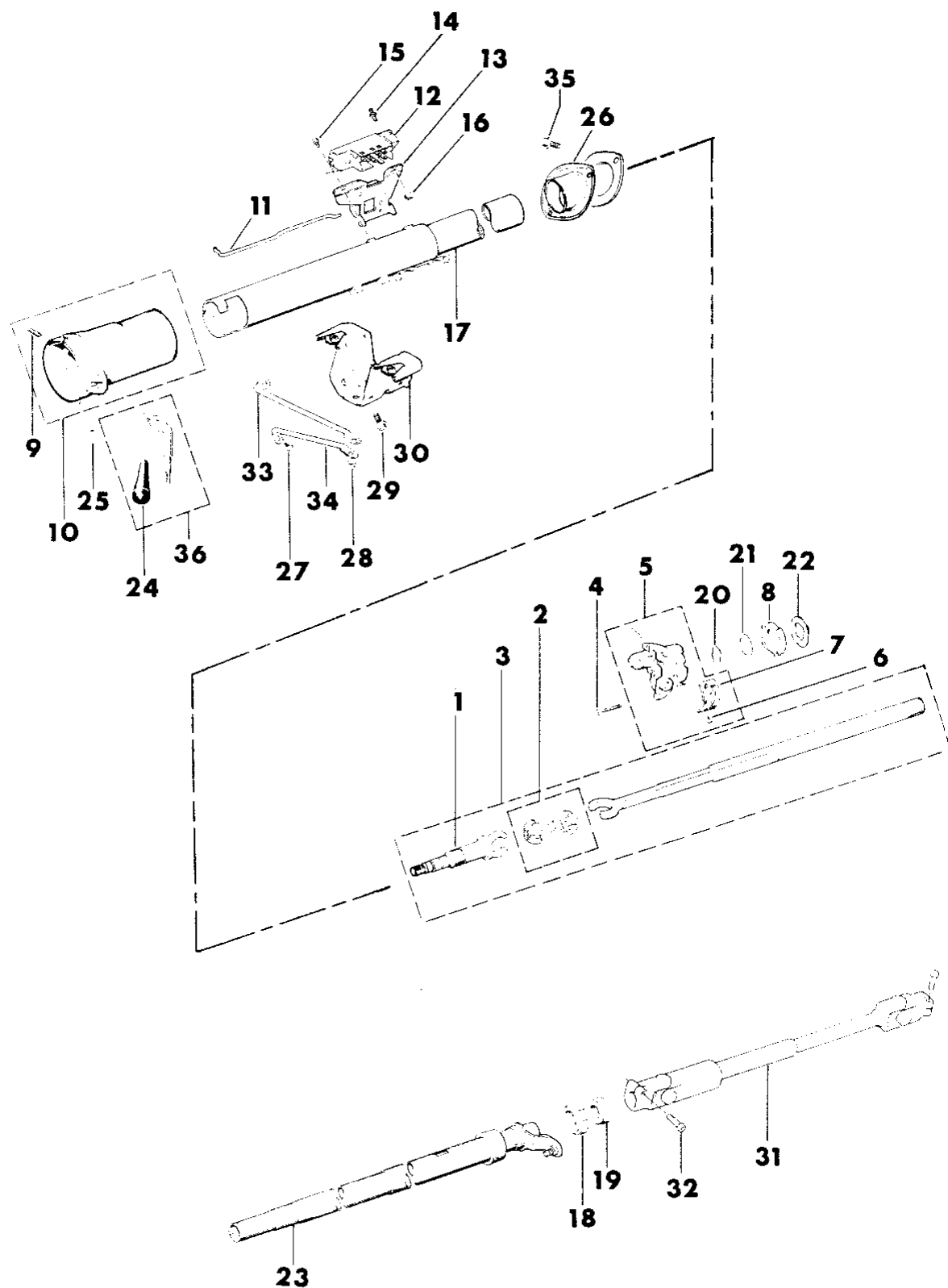
MJ = Comanche Pickup
 SJ = Grand Wagoneer Wgn., J-10 & J-20 Pickups
 XJ = Cherokee, Wagoneer Limited
 YJ = Wrangler

AR = Use as Required - = Non Illustrated Part P.A.R. = Paint as Required

HOUSING STEERING COLUMN LOWER W/COLUMN GEAR SHIFT, W/TILT COMANCHE

Figure 19-640

8J19 640



| ITEM | PART NUMBER | QTY | BODY | MODEL | DESCRIPTION |
|------|-------------|-----|------|---------|---------------------------------------|
| 1 | J812 8888 | 1 | | | SHAFT, Steering Column Upper |
| 2 | 8351 0056 | 1 | | | SPHERE |
| 3 | 8350 2101 | 1 | | | SHAFT ASSEMBLY, Steering Column Upper |
| 4 | J448 7867 | 4 | | | SCREW |
| 5 | 8350 4415 | 1 | | | SUPPORT *** |
| 6 | J320 8210 | 2 | | | SCREW |
| 7 | 8350 4412 | 1 | | | GATE, Shift Lever |
| 8 | J448 7860 | 1 | | | PLATE |
| 9 | J812 0251 | 1 | | | SPRING |
| 10 | 8350 3478 | 1 | | | SHROUD, Shift Bowl |
| 11 | 8350 2568 | 1 | | | ROD, Dimmer Switch Actuator |
| 12 | J325 0575 | 1 | | | SWITCH, Ignition Lock |
| 13 | | | | | SWITCH, Headlamp Dimmer |
| | J323 9703 | 1 | | 1987-88 | |
| | J813 4498 | 1 | | 1989-90 | |
| 14 | J813 3546 | 1 | | | STUD |
| 15 | J448 7772 | 1 | | | SCREW |
| 16 | J012 0361 | 1 | | | NUT |
| 17 | 8350 2557 | 1 | | | JACKET ASSEMBLY |
| 18 | 8350 2561 | 1 | | | ADAPTER |
| 19 | J448 6713 | 1 | | | BEARING |
| 20 | J448 7864 | 1 | | | RING, Shift Tube Retaining |
| 21 | J448 7872 | 1 | | | WASHER, Thrust |
| 22 | J448 7873 | 1 | | | WASHER, WAVE |
| 23 | 8350 2558 | 1 | | | TUBE ASSEMBLY, Shift |
| 24 | J321 6462 | 1 | | | KNOB |
| 25 | J400 3925 | 1 | | | PIN |
| 26 | 8350 2563 | 1 | | | PLATE |
| 27 | 1150 2685 | 2 | | | BOLT |
| 28 | 1150 2812 | 2 | | | NUT |
| 29 | 1150 2764 | 4 | | | SCREW |
| 30 | 5200 0399 | 1 | | | BRACKET |
| 31 | | | | | SHAFT, Steering Column Lower |
| | 5200 1947 | 1 | | | w/o Power Steering |
| | 5200 1948 | 1 | | | w/Power Steering |
| 32 | J420 0400 | 2 | | | BOLT |
| 33 | 5200 1376 | 1 | | | SUPPORT, Rod (Long) |

MODEL CODES:

| | | |
|-----------------------------|-----------------------------|------------------------------|
| 15 = Grand Wagoneer 4 Dr. | 65 = Comanche 4WD-7 Ft. Box | 77 = Cherokee 4WD-2 Dr. |
| 25 = J-10 Pickup-119" W.B. | 66 = Comanche 2WD-7 Ft. Box | 78 = Cherokee 4WD-4 Dr. |
| 26 = J-10 Pickup-131" W.B. | 73 = Cherokee 2WD-2 Dr. | 79 = Cherokee 4WD-4 Dr.-Com |
| 27 = J-20 Pickup-131" W.B. | 74 = Cherokee 2WD-4 Dr. | 81 = Wrangler-93" W.B. |
| 63 = Comanche 4WD-6 Ft. Box | 75 = Wagoneer 4WD-4 Dr. | 82 = Wrangler-103" W.B.-Exp. |
| 64 = Comanche 2WD-6 Ft. Box | | |

BODY STYLES:

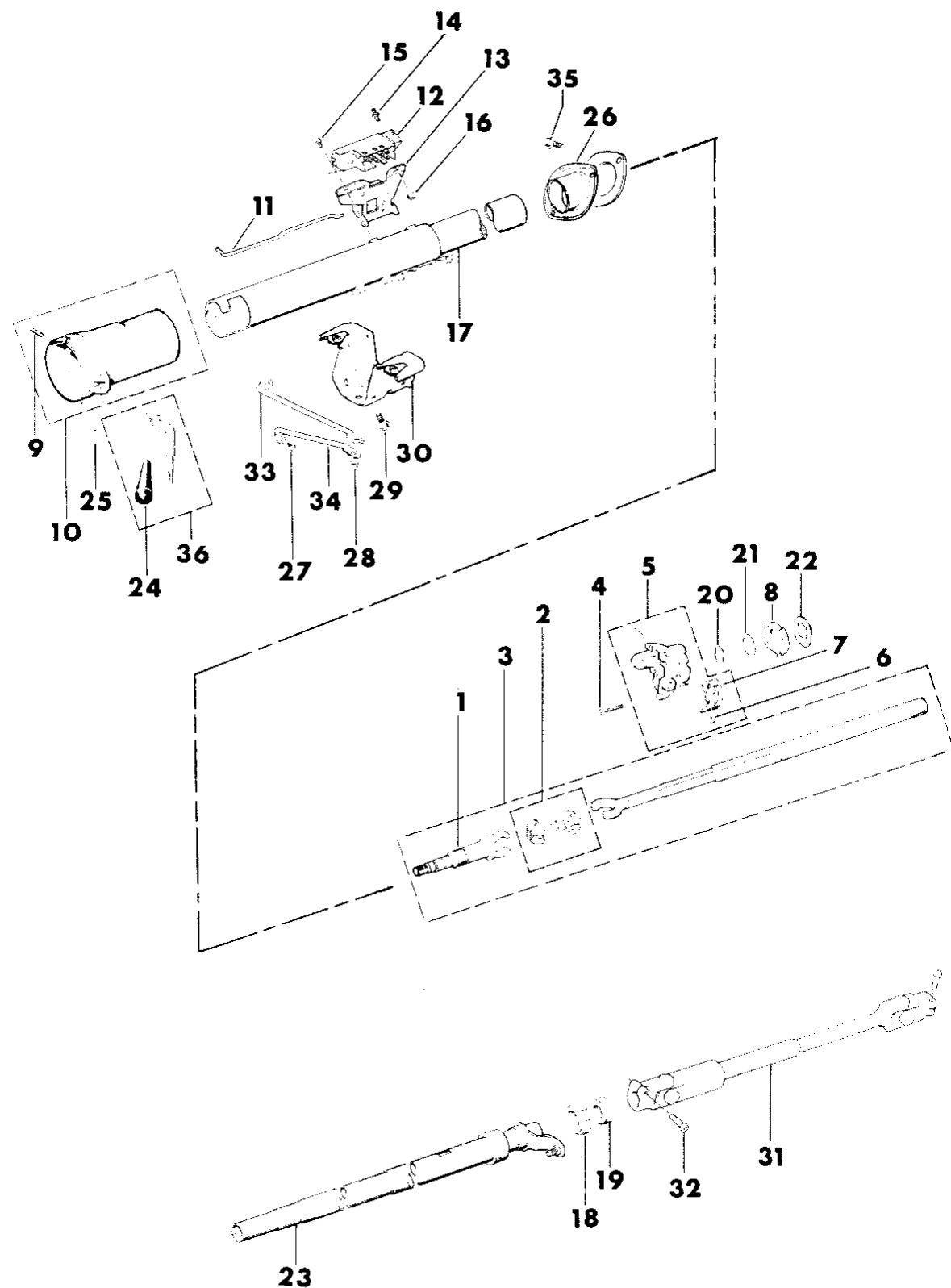
MJ = Comanche Pickup
 SJ = Grand Wagoneer Wgn., J-10 & J-20 Pickups
 XJ = Cherokee, Wagoneer Limited
 YJ = Wrangler

AR = Use as Required - = Non Illustrated Part P.A.R. = Paint as Required

HOUSING STEERING COLUMN LOWER W/COLUMN GEAR SHIFT, W/TILT COMANCHE

Figure 19-640

8J19 640



| ITEM | PART NUMBER | QTY | BODY | MODEL | DESCRIPTION |
|------|-------------|-----|------|-------|-------------|
|------|-------------|-----|------|-------|-------------|

| | | | | | |
|----|-----------|---|--|--|----------------------|
| 34 | 5200 1375 | 1 | | | SUPPORT, Rod (Short) |
| 35 | 3420 1193 | 2 | | | SCREW |
| 36 | 5200 3095 | 1 | | | LEVER, Gear Shift |

MODEL CODES:

| | | |
|-----------------------------|-----------------------------|------------------------------|
| 15 = Grand Wagoneer 4 Dr. | 65 = Comanche 4WD-7 Ft. Box | 77 = Cherokee 4WD-2 Dr. |
| 25 = J-10 Pickup-119" W.B. | 66 = Comanche 2WD-7 Ft. Box | 78 = Cherokee 4WD-4 Dr. |
| 26 = J-10 Pickup-131" W.B. | 73 = Cherokee 2WD-2 Dr. | 79 = Cherokee 4WD-4 Dr.-Com |
| 27 = J-20 Pickup-131" W.B. | 74 = Cherokee 2WD-4 Dr. | 81 = Wrangler-93" W.B. |
| 63 = Comanche 4WD-6 Ft. Box | 75 = Wagoneer 4WD-4 Dr. | 82 = Wrangler-103" W.B.-Exp. |
| 64 = Comanche 2WD-6 Ft. Box | | |

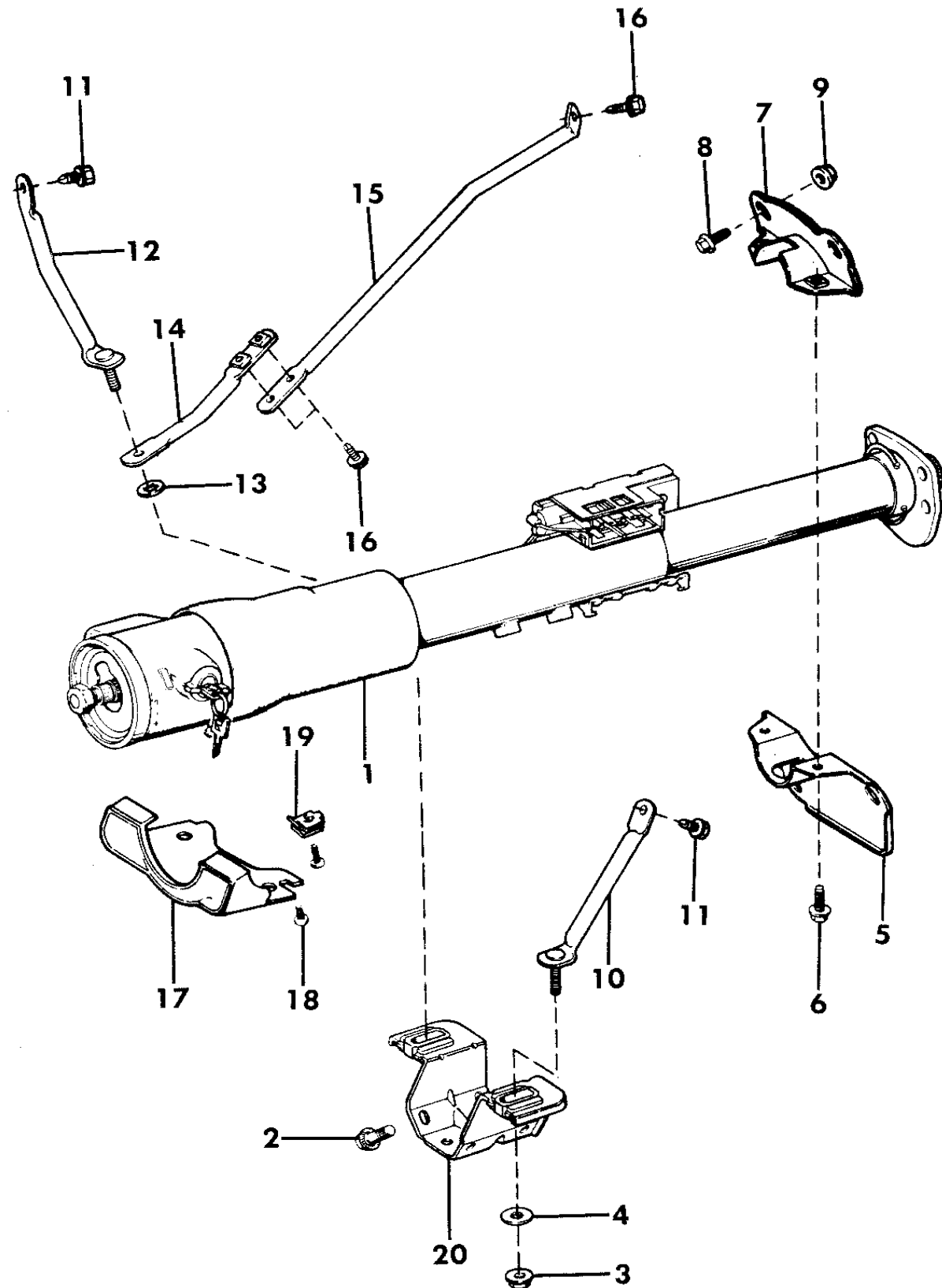
BODY STYLES:

MJ = Comanche Pickup
 SJ = Grand Wagoneer Wgn., J-10 & J-20 Pickups
 XJ = Cherokee, Wagoneer Limited
 YJ = Wrangler

AR = Use as Required - = Non Illustrated Part P.A.R. = Paint as Required

COLUMN ASSY., AND MOUNTING GRAND WAGONEER, J10,20
Figure 19-700

8 J19 700



| ITEM | PART NUMBER | QTY | BODY | MODEL | DESCRIPTION |
|------|-------------|-----|------|-------|---------------------------|
| 1 | | | | | COLUMN ASSEMBLY, Steering |
| | 5200 2374 | 1 | | | w/Floor Shift |
| | 5200 3162 | 1 | | | w/Column Shift, 1987-89 |
| | 5200 6391 | 1 | | | w/Column Shift, 1990 |
| 2 | 1150 2764 | 4 | | | SCREW |
| 3 | J400 4747 | 2 | | | NUT |
| 4 | J012 0391 | 2 | | | WASHER |
| 5 | J319 6897 | 1 | | | PLATE |
| 6 | J027 3573 | 2 | | | SCREW |
| 7 | J536 3488 | 1 | | | PLATE |
| 8 | J400 4520 | 4 | | | SCREW |
| 9 | J400 4866 | 4 | | | NUT |
| 10 | J575 2703 | 1 | | | ROD |
| 11 | J400 5063 | 2 | | | SCREW |
| 12 | J575 2788 | 1 | | | ROD |
| 13 | J400 3084 | 1 | | | NUT, Push |
| 14 | J576 1741 | 1 | | | ROD |
| 15 | J576 1740 | 1 | | | ROD |
| 16 | J400 1933 | 3 | | | SCREW |
| 17 | 5500 9633 | 1 | | | COVER, (Dealer Paint) |
| 18 | 3420 1314 | 4 | | | SCREW |
| 19 | 3420 1820 | 2 | | | NUT |
| 20 | J535 1229 | 1 | | | BRACKET |

MODEL CODES:

| | | |
|-----------------------------|-----------------------------|------------------------------|
| 15 = Grand Wagoneer 4 Dr. | 65 = Comanche 4WD-7 Ft. Box | 77 = Cherokee 4WD-2 Dr. |
| 25 = J-10 Pickup-119" W.B. | 66 = Comanche 2WD-7 Ft. Box | 78 = Cherokee 4WD-4 Dr. |
| 26 = J-10 Pickup-131" W.B. | 73 = Cherokee 2WD-2 Dr. | 79 = Cherokee 4WD-4 Dr.-Com |
| 27 = J-20 Pickup-131" W.B. | 74 = Cherokee 2WD-4 Dr. | 81 = Wrangler-93" W.B. |
| 63 = Comanche 4WD-6 Ft. Box | 75 = Wagoneer 4WD-4 Dr. | 82 = Wrangler-103" W.B.-Exp. |
| 64 = Comanche 2WD-6 Ft. Box | | |

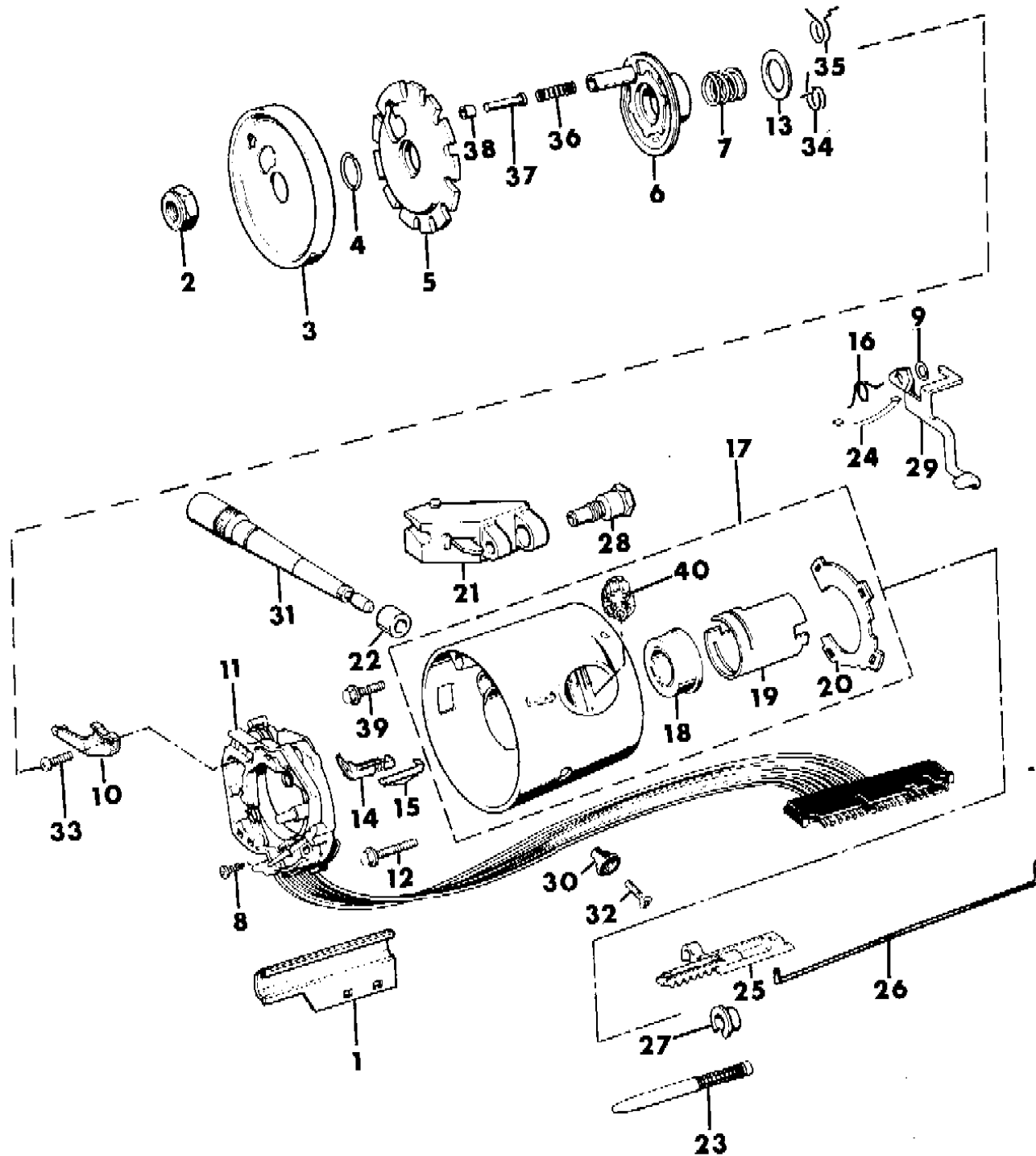
BODY STYLES:

MJ = Comanche Pickup
 SJ = Grand Wagoneer Wgn., J-10 & J-20 Pickups
 XJ = Cherokee, Wagoneer Limited
 YJ = Wrangler

AR = Use as Required - = Non Illustrated Part P.A.R. = Paint as Required

HOUSING STEERING COLUMN UPPER W/FLOOR GEAR SHIFT, W/O TILT J10, J20
Figure 19-710

8J19 710 A



| ITEM | PART NUMBER | QTY | BODY | MODEL | DESCRIPTION |
|------|-------------|-----|------|-------|--------------------------|
| 1 | 8350 2566 | 1 | | | PROTECTOR |
| 2 | J420 0414 | 1 | | | NUT |
| 3 | J322 8743 | 1 | | | COVER, Shift Lock |
| 4 | J320 8377 | 2 | | | RING |
| 5 | J812 7831 | 1 | | | LOCK |
| 6 | J448 7711 | 1 | | | CAM, Cancelling |
| 7 | J448 7765 | 1 | | | SPRING |
| 8 | J448 8301 | 3 | | | SCREW |
| 9 | J812 0186 | 1 | | | WASHER |
| 10 | 8351 0088 | 1 | | | ARM, Switch Actuator |
| 11 | 5600 2011 | 1 | | | SWITCH, Turn Signal |
| 12 | J448 7761 | 4 | | | SCREW |
| 13 | J320 8008 | 1 | | | WASHER |
| 14 | J321 1423 | 1 | | | SWITCH, Key Buzzer |
| 15 | J448 7713 | 1 | | | CLIP *** |
| 16 | J812 0185 | 1 | | | SPRING |
| 17 | J813 4499 | 1 | | | HOUSING ASSEMBLY |
| 18 | J812 7850 | 1 | | | BEARING ASSEMBLY |
| 19 | J813 3537 | 1 | | | BUSHING |
| 20 | J813 4703 | 1 | | | RETAINER |
| 21 | 5600 0031 | 1 | | | SWITCH ASSEMBLY, Wipers |
| 22 | 5600 2285 | 1 | | | INSULATOR |
| 23 | J448 7897 | 1 | | | BOLT |
| 24 | J448 7774 | 1 | | | SPRING |
| 25 | J812 1437 | 1 | | | RACK |
| 26 | 8350 0238 | 1 | | | ROD |
| 27 | J448 7777 | 1 | | | WASHER |
| 28 | J813 3538 | 1 | | | PIN |
| 29 | J813 3541 | 1 | | | LEVER |
| 30 | 5200 3425 | 1 | | | KNOB, Hazard Warning |
| 31 | 5600 0432 | 1 | | | LEVER, Turn Signal |
| 32 | 3420 2670 | 1 | | | SCREW |
| 33 | J400 1267 | 1 | | | SCREW |
| 34 | J812 9317 | 1 | | | SPRING, Left Lower |
| 35 | J812 9335 | 1 | | | SPRING, Right Upper |
| 36 | J318 7255 | 1 | | | SPRING (Up To 4-1-89) |

MODEL CODES:

| | | |
|-----------------------------|-----------------------------|------------------------------|
| 15 = Grand Wagoneer 4 Dr. | 65 = Comanche 4WD-7 Ft. Box | 77 = Cherokee 4WD-2 Dr. |
| 25 = J-10 Pickup-119" W.B. | 66 = Comanche 2WD-7 Ft. Box | 78 = Cherokee 4WD-4 Dr. |
| 26 = J-10 Pickup-131" W.B. | 73 = Cherokee 2WD-2 Dr. | 79 = Cherokee 4WD-4 Dr.-Com |
| 27 = J-20 Pickup-131" W.B. | 74 = Cherokee 2WD-4 Dr. | 81 = Wrangler-93" W.B. |
| 63 = Comanche 4WD-6 Ft. Box | 75 = Wagoneer 4WD-4 Dr. | 82 = Wrangler-103" W.B.-Exp. |
| 64 = Comanche 2WD-6 Ft. Box | | |

BODY STYLES:

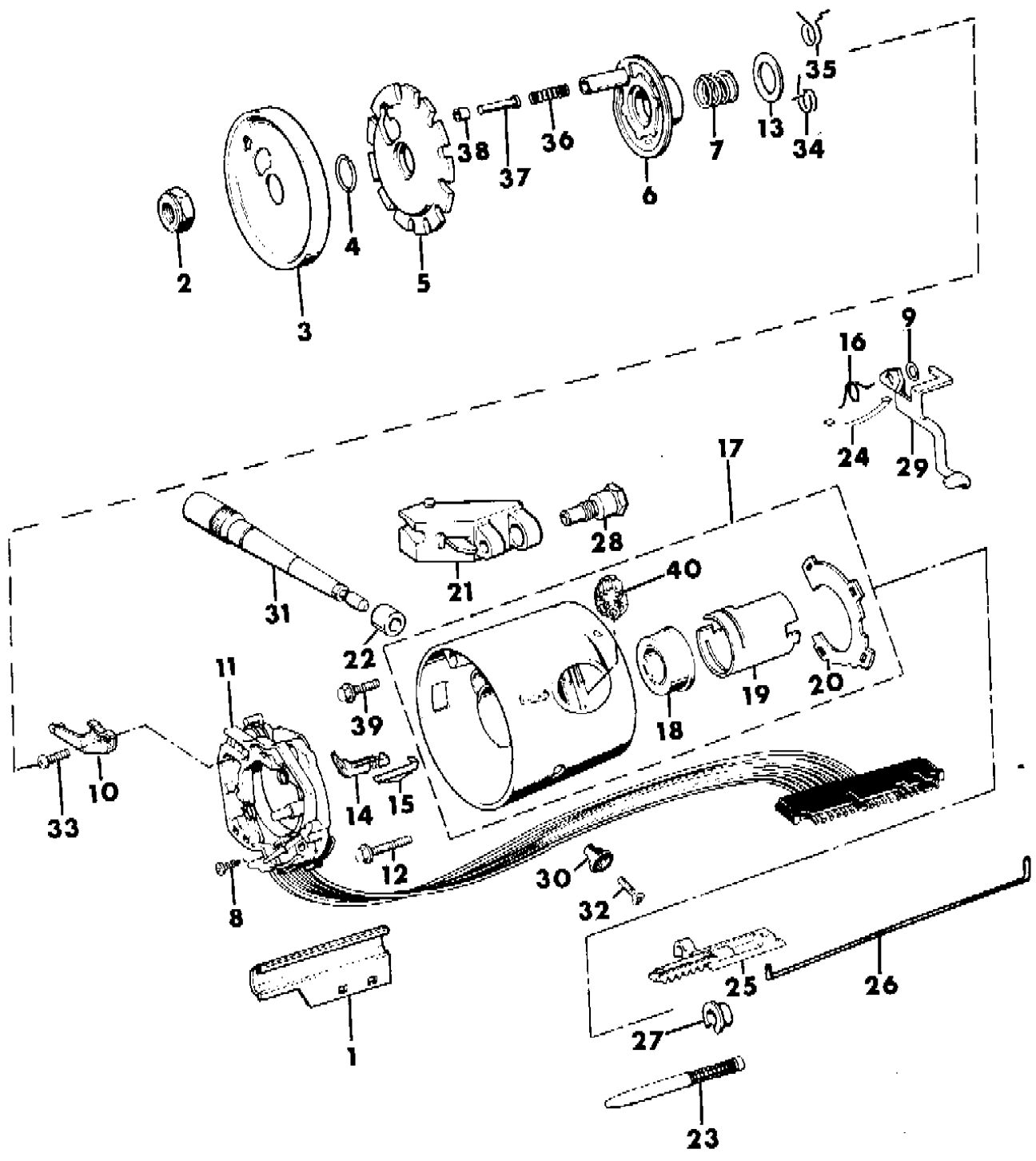
MJ = Comanche Pickup
 SJ = Grand Wagoneer Wgn., J-10 & J-20 Pickups
 XJ = Cherokee, Wagoneer Limited
 YJ = Wrangler

AR = Use as Required - = Non Illustrated Part P.A.R. = Paint as Required

HOUSING STEERING COLUMN UPPER W/FLOOR GEAR SHIFT, W/O TILT J10, J20
Figure 19-710

8J19 710 A

| ITEM | PART NUMBER | QTY | BODY | MODEL | DESCRIPTION |
|------|-------------|-----|------|-------|----------------|
| | 5200 4402 | 1 | | | (After 4-1-89) |
| 37 | J318 7249 | 1 | | | PIN |
| 38 | J318 7257 | 1 | | | RETAINER |
| 39 | 8350 2102 | 1 | | | SCREW |
| 40 | J812 0097 | 1 | | | SECTOR |



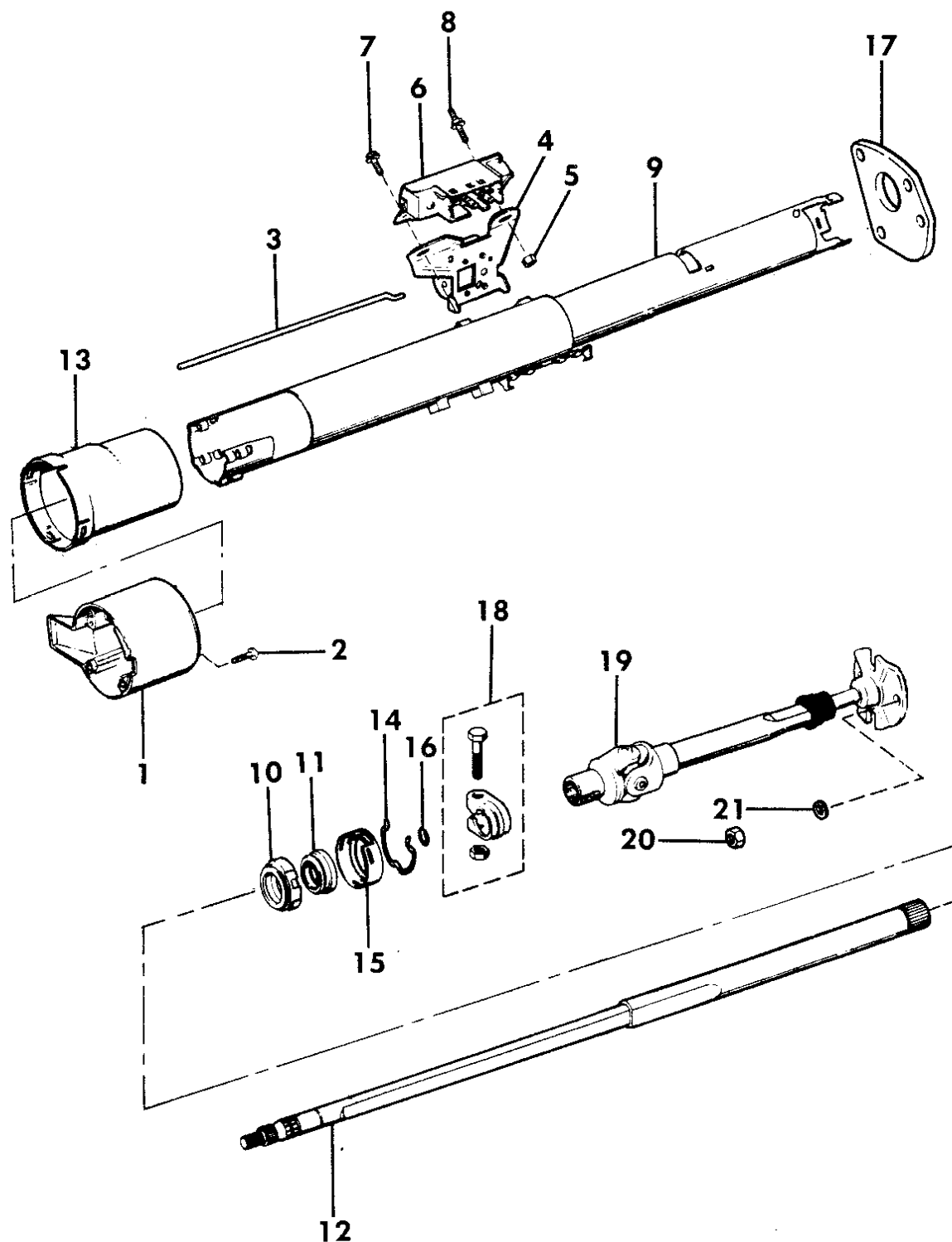
- MODEL CODES:
- | | | |
|-----------------------------|-----------------------------|------------------------------|
| 15 = Grand Wagoneer 4 Dr. | 65 = Comanche 4WD-7 Ft. Box | 77 = Cherokee 4WD-2 Dr. |
| 25 = J-10 Pickup-119" W.B. | 66 = Comanche 2WD-7 Ft. Box | 78 = Cherokee 4WD-4 Dr. |
| 26 = J-10 Pickup-131" W.B. | 73 = Cherokee 2WD-2 Dr. | 79 = Cherokee 4WD-4 Dr.-Com |
| 27 = J-20 Pickup-131" W.B. | 74 = Cherokee 2WD-4 Dr. | 81 = Wrangler-93" W.B. |
| 63 = Comanche 4WD-6 Ft. Box | 75 = Wagoneer 4WD-4 Dr. | 82 = Wrangler-103" W.B.-Exp. |
| 64 = Comanche 2WD-6 Ft. Box | | |

- BODY STYLES:
- MJ = Comanche Pickup
 - SJ = Grand Wagoneer Wgn., J-10 & J-20 Pickups
 - XJ = Cherokee, Wagoneer Limited
 - YJ = Wrangler

AR = Use as Required - = Non Illustrated Part P.A.R. = Paint as Required

HOUSING STEERING COLUMN LOWER FLOOR GEAR SHIFT, W/O TILT J10, J20
Figure 19-720

8J19 720



| ITEM | PART NUMBER | QTY | BODY | MODEL | DESCRIPTION |
|------|-------------|-----|------|-------|-------------------------|
| 1 | J813 4497 | 1 | | | BOWL, Shift |
| 2 | J448 8301 | 3 | | | SCREW |
| 3 | 8350 2786 | 1 | | | ROD |
| 4 | 5600 2125 | 1 | | | SWITCH, Headlamp Dimmer |
| 5 | J012 0361 | 1 | | | NUT |
| 6 | J325 0576 | 1 | | | SWITCH, Ignition Lock |
| 7 | J448 7772 | 1 | | | SCREW |
| 8 | J813 3546 | 1 | | | STUD |
| 9 | 8350 2605 | 1 | | | JACKET ASSEMBLY |
| 10 | J448 7696 | 1 | | | ADAPTER |
| 11 | J448 6713 | 1 | | | BEARING |
| 12 | 8350 2606 | 1 | | | SHAFT, Upper |
| 13 | 8350 2604 | 1 | | | SHROUD, Shift Bowl |
| 14 | J448 7739 | 1 | | | CLIP |
| 15 | J448 7743 | 1 | | | RETAINER |
| 16 | J320 8377 | 1 | | | RING |
| 17 | J319 6896 | 1 | | | SEAL |
| 18 | J320 9606 | 1 | | | CLAMP PACKAGE |
| 19 | J535 5766 | 1 | | | SHAFT, Lower |
| 20 | | | | | NUT |
| | J012 0368 | 1 | | | 5/16" |
| | J012 0369 | 1 | | | 3/8" |
| 21 | | | | | WASHER |
| | J012 0214 | 1 | | | 5/16" |
| | J012 0382 | 1 | | | 3/8" |

MODEL CODES:

| | | |
|-----------------------------|-----------------------------|------------------------------|
| 15 = Grand Wagoneer 4 Dr. | 65 = Comanche 4WD-7 Ft. Box | 77 = Cherokee 4WD-2 Dr. |
| 25 = J-10 Pickup-119" W.B. | 66 = Comanche 2WD-7 Ft. Box | 78 = Cherokee 4WD-4 Dr. |
| 26 = J-10 Pickup-131" W.B. | 73 = Cherokee 2WD-2 Dr. | 79 = Cherokee 4WD-4 Dr.-Com |
| 27 = J-20 Pickup-131" W.B. | 74 = Cherokee 2WD-4 Dr. | 81 = Wrangler-93" W.B. |
| 63 = Comanche 4WD-6 Ft. Box | 75 = Wagoneer 4WD-4 Dr. | 82 = Wrangler-103" W.B.-Exp. |
| 64 = Comanche 2WD-6 Ft. Box | | |

BODY STYLES:

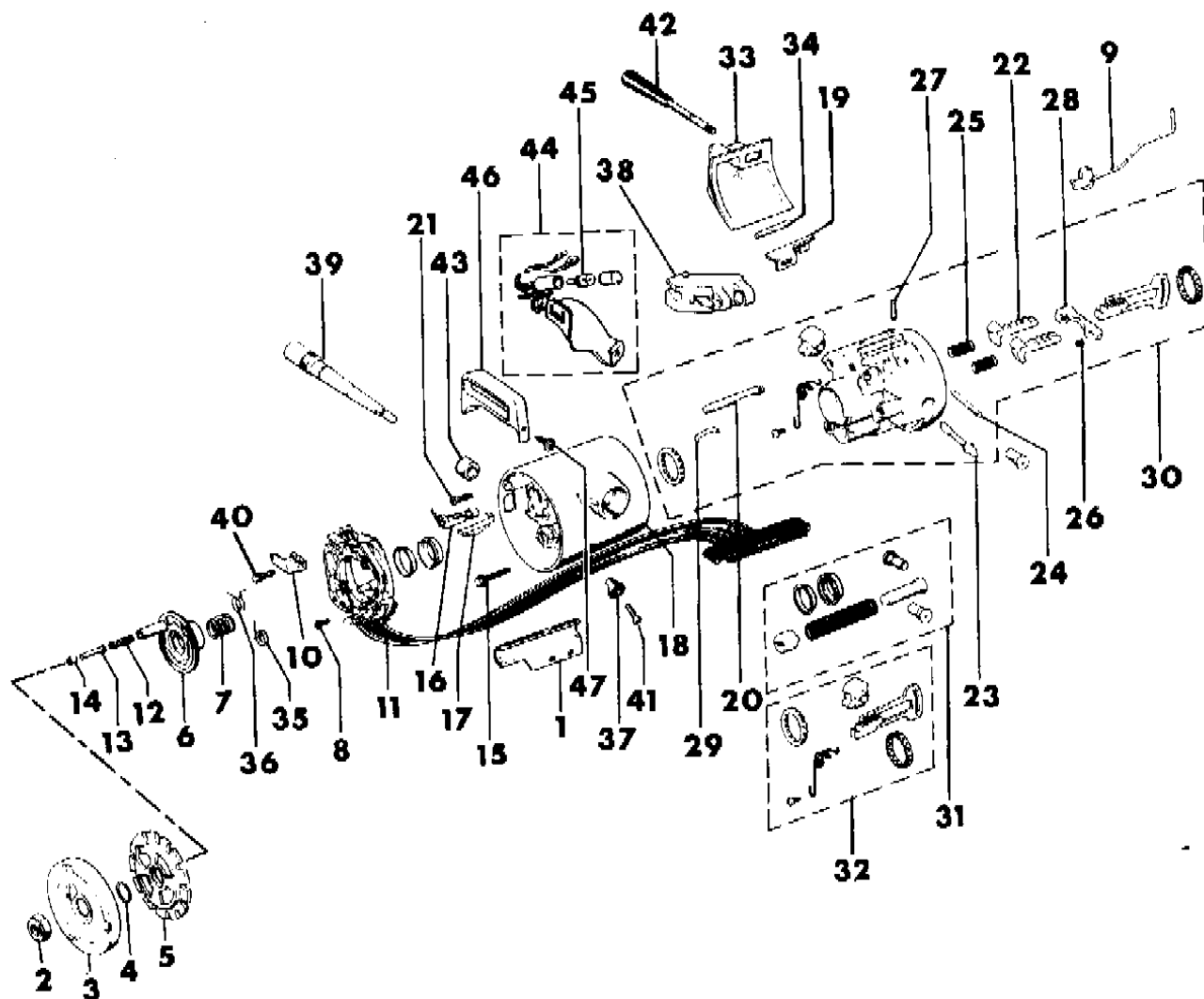
MJ = Comanche Pickup
 SJ = Grand Wagoneer Wgn., J-10 & J-20 Pickups
 XJ = Cherokee, Wagoneer Limited
 YJ = Wrangler

AR = Use as Required - = Non Illustrated Part P.A.R. = Paint as Required

HOUSING STEERING COLUMN UPPER W/COLUMN GEAR SHIFT, W/TILT GRAND WAGONEER, J10, J20

Figure 19-730

8J19 730A



| ITEM | PART NUMBER | QTY | BODY | MODEL | DESCRIPTION |
|------|-------------|-----|------|-------|--|
| 1 | 8350 2566 | 1 | | | PROTECTOR |
| 2 | J420 0414 | 1 | | | NUT |
| 3 | J322 8743 | 1 | | | COVER, Shift Lock |
| 4 | J320 8377 | 1 | | | RING |
| 5 | J812 7874 | 1 | | | LOCK |
| 6 | J448 7816 | 1 | | | CAM, Cancelling |
| 7 | J812 2485 | 1 | | | SPRING |
| 8 | J448 8301 | 3 | | | SCREW |
| 9 | 8350 2573 | 1 | | | ACTUATOR ASSEMBLY, Ignition Switch *** |
| 10 | 8350 1575 | 1 | | | ARM, Switch Actuator |
| 11 | 5600 2011 | 1 | | | SWITCH, Turn Signal |
| 12 | | | | | SPRING |
| | J318 7255 | 1 | | | (Up To 4-1-89) |
| | 5200 4402 | 1 | | | (After 4-1-89) |
| 13 | J318 7249 | 1 | | | PIN |
| 14 | J318 7257 | 1 | | | RETAINER |
| 15 | J813 3572 | 3 | | | SCREW |
| 16 | J321 1424 | 1 | | | SWITCH, Key Buzzer |
| 17 | J448 7853 | 1 | | | CLIP |
| 18 | 8350 4379 | 1 | | | COVER, Steering Column Housing |
| 19 | J813 3570 | 1 | | | ACTUATOR, Dimmer Switch Rod |
| 20 | J448 7819 | 1 | | | BOLT |
| 21 | 8350 2103 | 1 | | | SCREW |
| 22 | | | | | SHOE |
| | 8350 2583 | 1 | | | Lt. |
| | J448 7828 | 1 | | | Rt. |
| 23 | J813 4191 | 1 | | | SHAFT |
| 24 | J448 7822 | 1 | | | PIN |
| 25 | J448 7832 | 2 | | | SPRING |
| 26 | J320 8047 | 1 | | | SPRING |
| 27 | J320 8043 | 1 | | | PIN |
| 28 | J813 3567 | 1 | | | LEVER |
| 29 | J448 7831 | 1 | | | SPRING |
| 30 | 8350 2582 | 1 | | | HOUSING, Steering Column |
| 31 | 8351 0054 | 1 | | | PARTS PACKAGE |
| 32 | 8351 0055 | 1 | | | RACK PACKAGE |
| 33 | J813 4704 | 1 | | | CAP |

MODEL CODES:

| | | |
|-----------------------------|-----------------------------|------------------------------|
| 15 = Grand Wagoneer 4 Dr. | 65 = Comanche 4WD-7 Ft. Box | 77 = Cherokee 4WD-2 Dr. |
| 25 = J-10 Pickup-119" W.B. | 66 = Comanche 2WD-7 Ft. Box | 78 = Cherokee 4WD-4 Dr. |
| 26 = J-10 Pickup-131" W.B. | 73 = Cherokee 2WD-2 Dr. | 79 = Cherokee 4WD-4 Dr.-Com |
| 27 = J-20 Pickup-131" W.B. | 74 = Cherokee 2WD-4 Dr. | 81 = Wrangler-93" W.B. |
| 63 = Comanche 4WD-6 Ft. Box | 75 = Wagoneer 4WD-4 Dr. | 82 = Wrangler-103" W.B.-Exp. |
| 64 = Comanche 2WD-6 Ft. Box | | |

BODY STYLES:

MJ = Comanche Pickup
 SJ = Grand Wagoneer Wgn., J-10 & J-20 Pickups
 XJ = Cherokee, Wagoneer Limited
 YJ = Wrangler

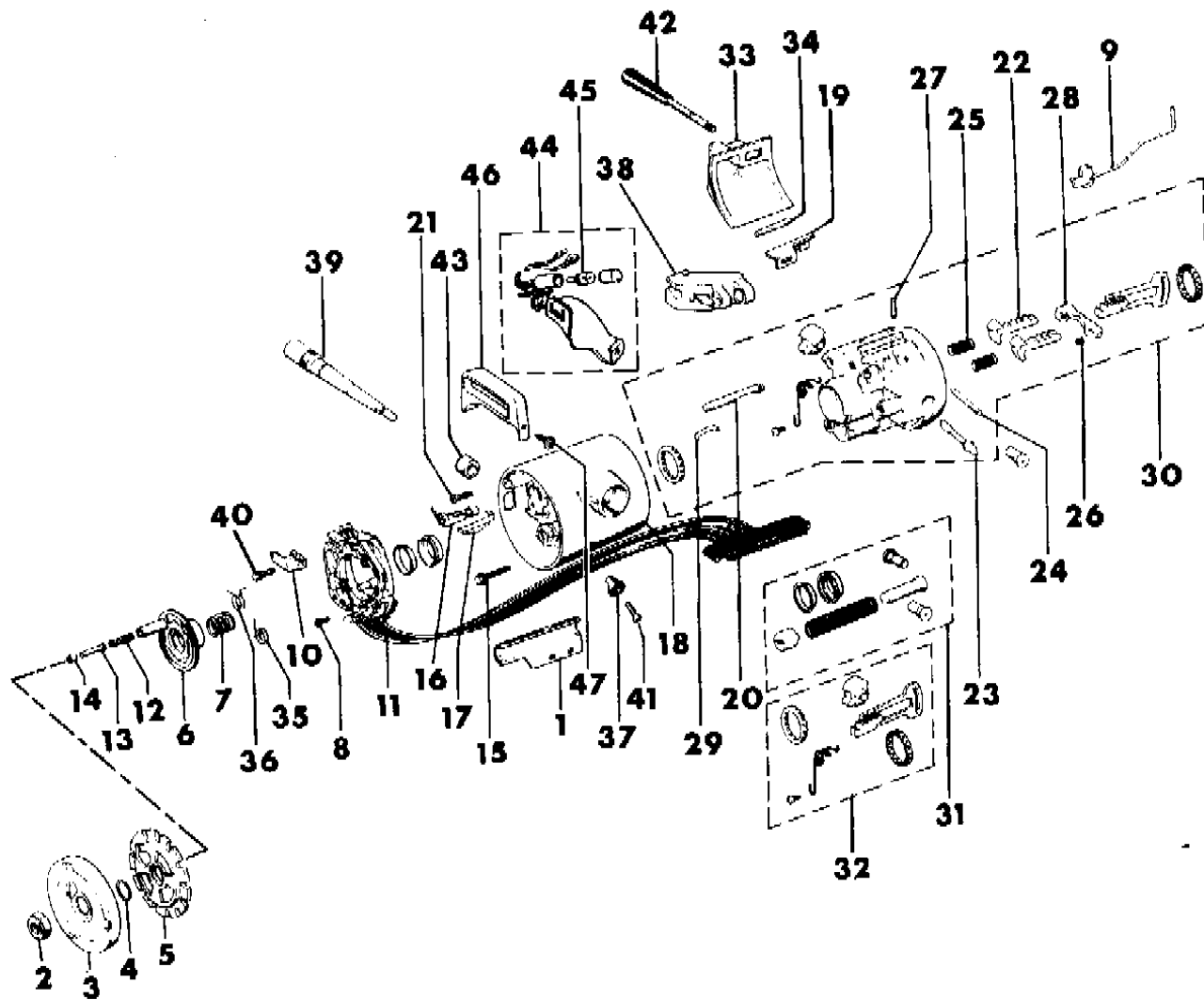
AR = Use as Required - = Non Illustrated Part P.A.R. = Paint as Required

HOUSING STEERING COLUMN UPPER W/COLUMN GEAR SHIFT, W/TILT GRAND WAGONEER, J10, J20

Figure 19-730

8J19 730A

| ITEM | PART NUMBER | QTY | BODY | MODEL | DESCRIPTION |
|------|-------------|-----|------|-------|---|
| 34 | J813 3565 | 1 | | | PIN |
| 35 | J812 9317 | 1 | | | SPRING, Lt. Lower |
| 36 | J812 9335 | 1 | | | SPRING, Rt. Upper |
| 37 | 5200 3425 | 1 | | | KNOB, Hazard Warning |
| 38 | 5600 0033 | 1 | | | SWITCH ASSEMBLY, Intermittent Wipers |
| 39 | | | | | LEVER, Turn Signal |
| | 5600 0433 | 1 | | | w/Intermittent Wipers, w/o Cruise Control |
| | 5600 0034 | 1 | | | w/Intermittent Wipers, w/Cruise Control 1987-89 |
| | 5600 4595 | 1 | | | 1990 |
| 40 | J400 1267 | 1 | | | SCREW |
| 41 | 3420 2670 | 1 | | | SCREW |
| 42 | J323 9880 | 1 | | | LEVER, Wheel Release |
| 43 | 5600 2285 | 1 | | | INSULATOR |
| 44 | 8350 2549 | 1 | | | BRACKET |
| 45 | S943 6970 | 1 | | | BULB |
| 46 | 8350 2555 | 1 | | | BEZEL, Gear Selector |
| 47 | J400 4812 | 2 | | | SCREW |



MODEL CODES:

| | | |
|-----------------------------|-----------------------------|------------------------------|
| 15 = Grand Wagoneer 4 Dr. | 65 = Comanche 4WD-7 Ft. Box | 77 = Cherokee 4WD-2 Dr. |
| 25 = J-10 Pickup-119" W.B. | 66 = Comanche 2WD-7 Ft. Box | 78 = Cherokee 4WD-4 Dr. |
| 26 = J-10 Pickup-131" W.B. | 73 = Cherokee 2WD-2 Dr. | 79 = Cherokee 4WD-4 Dr.-Com |
| 27 = J-20 Pickup-131" W.B. | 74 = Cherokee 2WD-4 Dr. | 81 = Wrangler-93" W.B. |
| 63 = Comanche 4WD-6 Ft. Box | 75 = Wagoneer 4WD-4 Dr. | 82 = Wrangler-103" W.B.-Exp. |
| 64 = Comanche 2WD-6 Ft. Box | | |

BODY STYLES:

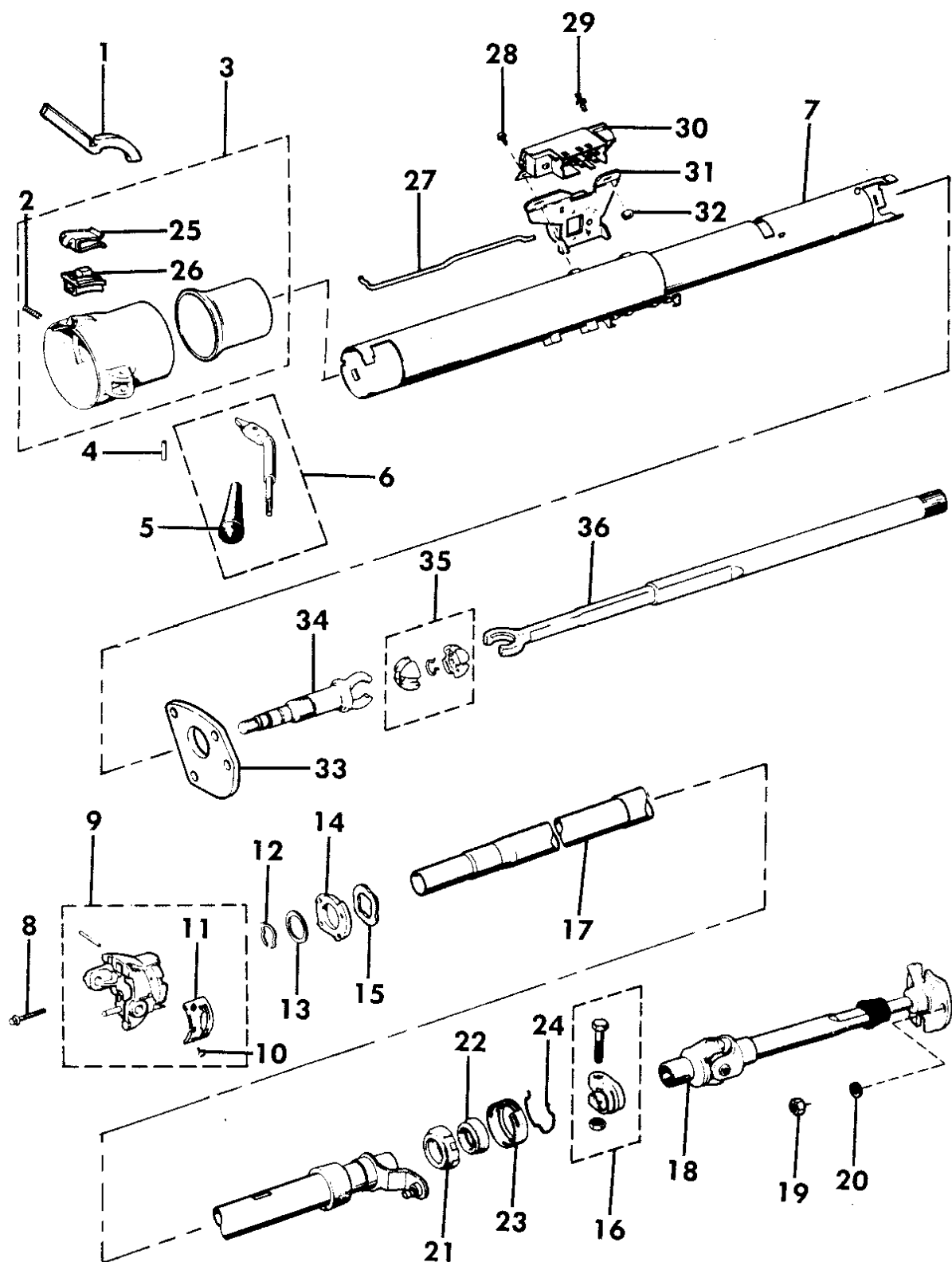
MJ = Comanche Pickup
 SJ = Grand Wagoneer Wgn., J-10 & J-20 Pickups
 XJ = Cherokee, Wagoneer Limited
 YJ = Wrangler

AR = Use as Required - = Non Illustrated Part P.A.R. = Paint as Required

HOUSING STEERING COLUMN LOWER W/COLUMN GEAR SHIFT, W/TILT GRAND WAGONEER, J10, J20

Figure 19-740

3J19 740



| ITEM | PART NUMBER | QTY | BODY | MODEL | DESCRIPTION |
|------|-------------|-----|------|-------|-------------------------|
| 1 | 8350 2565 | 1 | | | POINTER |
| 2 | J812 0251 | 1 | | | SPRING |
| 3 | 8350 2607 | 1 | | | SHROUD, Shift Bowl |
| 4 | J400 3925 | 1 | | | PIN |
| 5 | J321 6462 | 1 | | | KNOB |
| 6 | 5200 3095 | 1 | | | LEVER, Gear Shift |
| 7 | 8350 2608 | 1 | | | JACKET ASSEMBLY |
| 8 | J448 7867 | 4 | | | SCREW |
| 9 | 8350 2560 | 1 | | | SUPPORT |
| 10 | J320 8210 | 2 | | | SCREW |
| 11 | J319 5616 | 1 | | | GATE, Shift Lever |
| 12 | J448 7864 | 1 | | | RING |
| 13 | J448 7872 | 1 | | | WASHER |
| 14 | J448 7860 | 1 | | | PLATE |
| 15 | J448 7873 | 1 | | | WASHER |
| 16 | J320 9606 | 1 | | | CLAMP PACKAGE |
| 17 | 8350 2601 | 1 | | | TUBE ASSEMBLY, Shift |
| 18 | J535 5766 | 1 | | | SHAFT, Lower |
| 19 | | | | | NUT |
| | J012 0368 | 1 | | | 5/16" |
| | J012 0369 | 1 | | | 3/8" |
| 20 | | | | | WASHER |
| | J012 0214 | 1 | | | 5/16" |
| | J012 0382 | 1 | | | 3/8" |
| 21 | J448 7696 | 1 | | | ADAPTER |
| 22 | J448 6713 | 1 | | | BEARING |
| 23 | J448 7743 | 1 | | | RETAINER |
| 24 | J448 7739 | 1 | | | CLIP |
| 25 | 8350 2572 | 1 | | | CLIP |
| 26 | 8350 2571 | 1 | | | BRACKET |
| 27 | 8350 2784 | 1 | | | ROD |
| 28 | J448 7772 | 1 | | | SCREW |
| 29 | J813 3546 | 1 | | | STUD |
| 30 | J325 0575 | 1 | | | SWITCH, Ignition lock |
| 31 | 5600 2125 | 1 | | | SWITCH, Headlamp Dimmer |
| 32 | J012 0361 | 1 | | | NUT |
| 33 | J319 6896 | 1 | | | SEAL |

MODEL CODES:

| | | |
|-----------------------------|-----------------------------|------------------------------|
| 15 = Grand Wagoneer 4 Dr. | 65 = Comanche 4WD-7 Ft. Box | 77 = Cherokee 4WD-2 Dr. |
| 25 = J-10 Pickup-119" W.B. | 66 = Comanche 2WD-7 Ft. Box | 78 = Cherokee 4WD-4 Dr. |
| 26 = J-10 Pickup-131" W.B. | 73 = Cherokee 2WD-2 Dr. | 79 = Cherokee 4WD-4 Dr.-Com |
| 27 = J-20 Pickup-131" W.B. | 74 = Cherokee 2WD-4 Dr. | 81 = Wrangler-93" W.B. |
| 63 = Comanche 4WD-6 Ft. Box | 75 = Wagoneer 4WD-4 Dr. | 82 = Wrangler-103" W.B.-Exp. |
| 64 = Comanche 2WD-6 Ft. Box | | |

BODY STYLES:

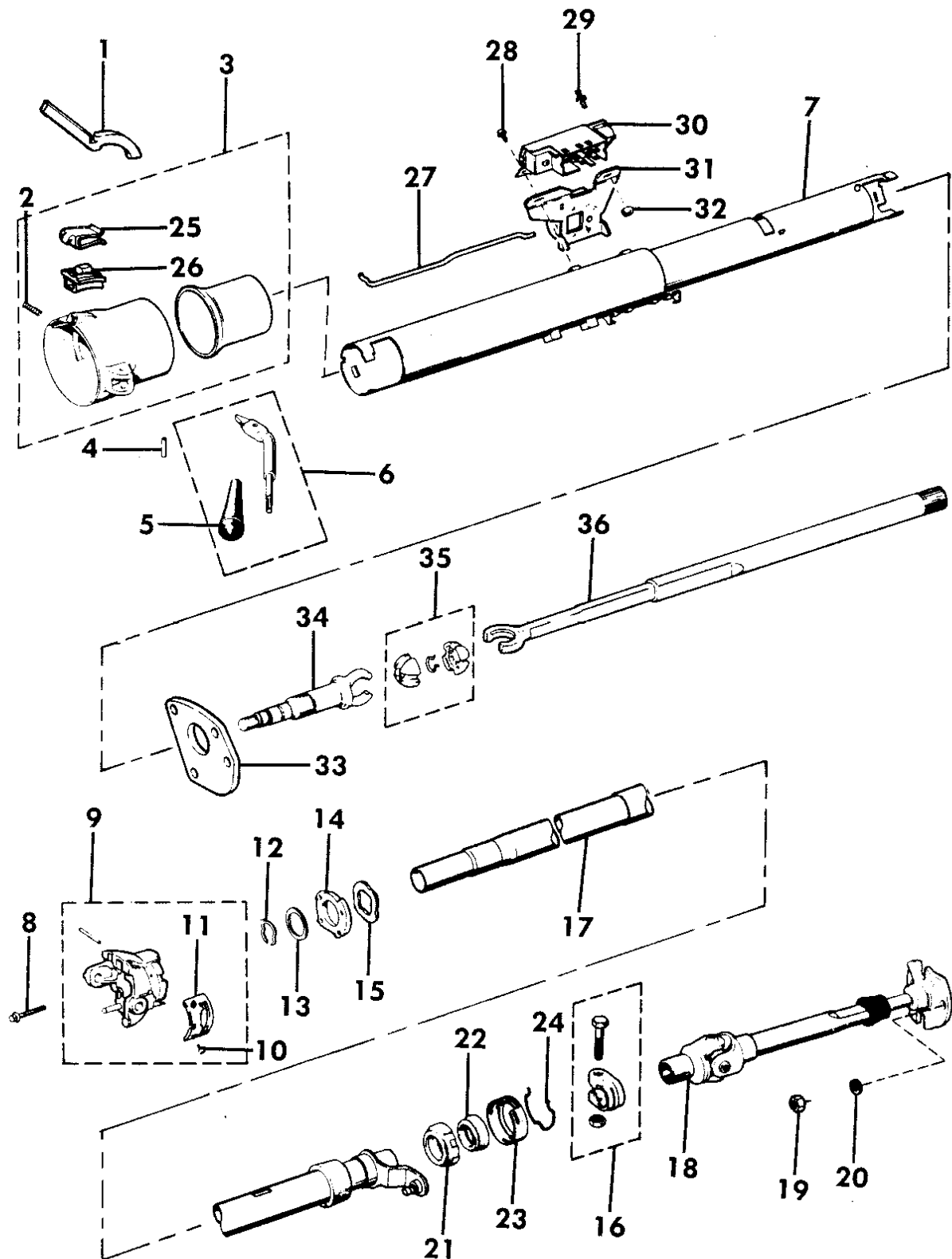
MJ = Comanche Pickup
 SJ = Grand Wagoneer Wgn., J-10 & J-20 Pickups
 XJ = Cherokee, Wagoneer Limited
 YJ = Wrangler

AR = Use as Required - = Non Illustrated Part P.A.R. = Paint as Required

HOUSING STEERING COLUMN LOWER W/COLUMN GEAR SHIFT, W/TILT GRAND WAGONEER, J10, J20

Figure 19-740

3J19 740



| ITEM | PART NUMBER | QTY | BODY | MODEL | DESCRIPTION |
|------|-------------|-----|------|-------|-------------|
|------|-------------|-----|------|-------|-------------|

| | | | | | |
|----|-----------|---|--|--|---------------------|
| 34 | J812 8888 | 1 | | | SHAFT, Upper |
| 35 | 8351 0056 | 1 | | | SPHERE |
| 36 | 8350 2602 | 1 | | | SHAFT, Intermediate |

MODEL CODES:

| | | |
|-----------------------------|-----------------------------|------------------------------|
| 15 = Grand Wagoneer 4 Dr. | 65 = Comanche 4WD-7 Ft. Box | 77 = Cherokee 4WD-2 Dr. |
| 25 = J-10 Pickup-119" W.B. | 66 = Comanche 2WD-7 Ft. Box | 78 = Cherokee 4WD-4 Dr. |
| 26 = J-10 Pickup-131" W.B. | 73 = Cherokee 2WD-2 Dr. | 79 = Cherokee 4WD-4 Dr.-Com |
| 27 = J-20 Pickup-131" W.B. | 74 = Cherokee 2WD-4 Dr. | 81 = Wrangler-93" W.B. |
| 63 = Comanche 4WD-6 Ft. Box | 75 = Wagoneer 4WD-4 Dr. | 82 = Wrangler-103" W.B.-Exp. |
| 64 = Comanche 2WD-6 Ft. Box | | |

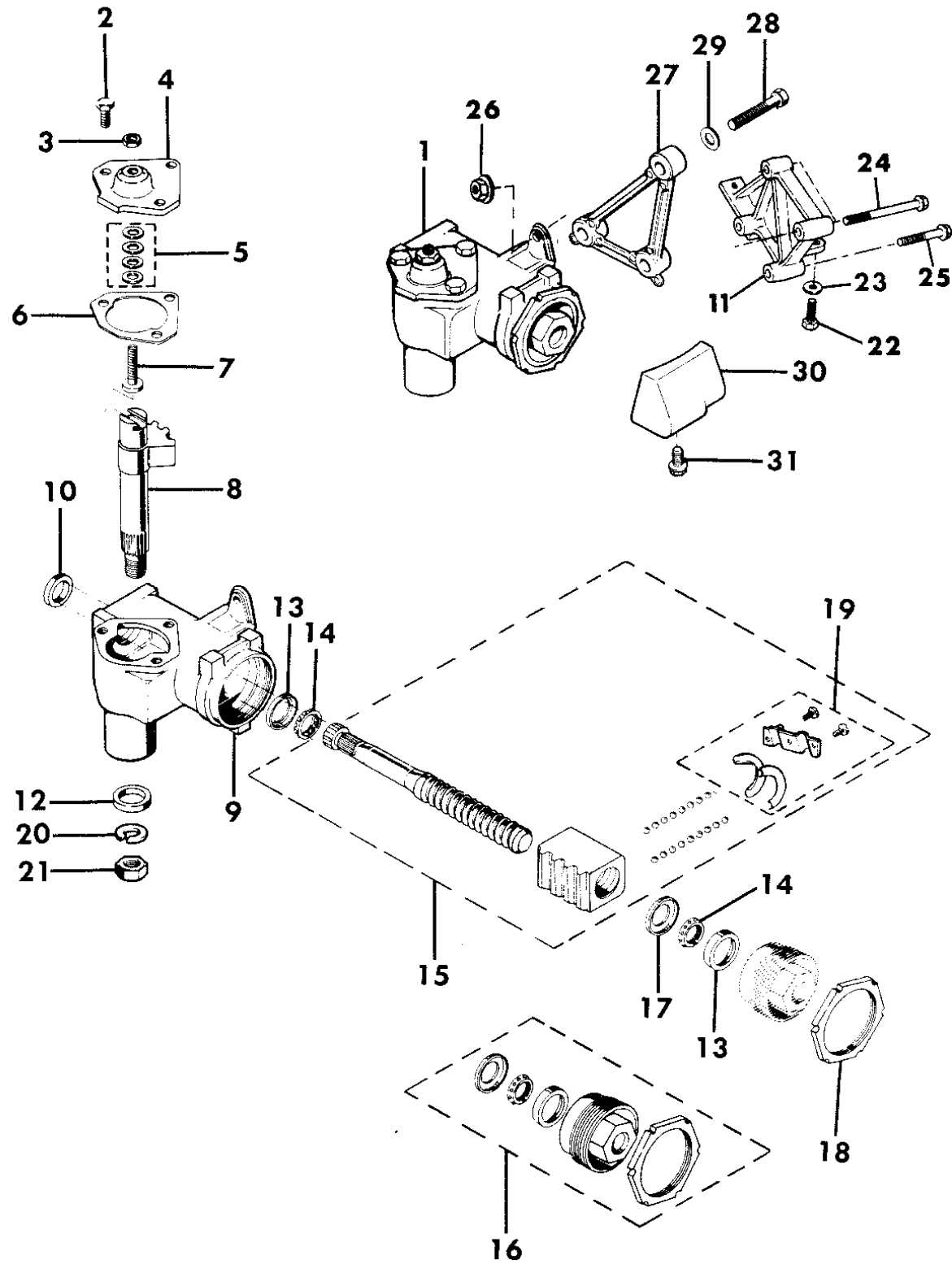
BODY STYLES:

MJ = Comanche Pickup
 SJ = Grand Wagoneer Wgn., J-10 & J-20 Pickups
 XJ = Cherokee, Wagoneer Limited
 YJ = Wrangler

AR = Use as Required - = Non Illustrated Part P.A.R. = Paint as Required

GEAR, STEERING W/O POWER STEERING WRANGLER, CHEROKEE, COMANCHE
Figure 19-1600

8 J19 1600



| ITEM | PART NUMBER | QTY | BODY | MODEL | DESCRIPTION |
|------|-------------|-----|--------|-------|---------------------|
| 1 | 5200 0089 | 1 | | | GEAR, Steering |
| 2 | J099 2295 | 3 | | | BOLT |
| 3 | J999 7938 | 1 | | | NUT |
| 4 | J448 6846 | 1 | | | COVER, Gear |
| 5 | J094 0521 | 1 | | | SHIM PACKAGE |
| 6 | J094 0522 | 1 | | | GASKET |
| 7 | J448 6135 | 1 | | | SCREW |
| 8 | J812 0221 | 1 | | | SHAFT |
| 9 | 8350 2351 | 1 | | | HOUSING |
| 10 | J448 6141 | 1 | | | SEAL |
| 11 | 5204 0103 | 1 | YJ | | BRACKET |
| 12 | J448 6140 | 1 | | | SEAL |
| 13 | J320 0492 | 2 | | | CLIP |
| 14 | J320 0491 | 2 | | | BEARING |
| 15 | 8350 0248 | 1 | | | SHAFT ADJUSTER |
| 16 | 8350 2352 | 1 | | | ADJUSTER |
| 17 | J320 0493 | 1 | | | RETAINER |
| 18 | J094 0533 | 1 | | | NUT |
| 19 | J320 5677 | 1 | | | GUIDE |
| 20 | S010 3336 | 1 | | | WASHER |
| 21 | J320 0501 | 1 | | | NUT |
| 22 | J942 5080 | 2 | YJ | | BOLT |
| 23 | J400 5397 | 2 | YJ | | WASHER |
| 24 | J400 7238 | 1 | YJ | | BOLT 5.0" length |
| | J400 5613 | 1 | YJ | | BOLT 5.5" length |
| 25 | J400 7250 | 2 | YJ | | BOLT |
| 26 | J400 7043 | 1 | | | NUT |
| 27 | 5200 0090 | 1 | XJ, MJ | | ADAPTER |
| 28 | J400 3972 | 3 | XJ, MJ | | BOLT |
| 29 | J400 3926 | 3 | XJ, MJ | | WASHER |
| 30 | 5200 0881 | 1 | XJ, MJ | | BLOCK |
| 31 | 3420 1193 | 1 | XJ, MJ | | SCREW |
| - | 5200 4566 | 2 | YJ | | BUSHING |

MODEL CODES:

| | | |
|-----------------------------|-----------------------------|------------------------------|
| 15 = Grand Wagoneer 4 Dr. | 65 = Comanche 4WD-7 Ft. Box | 77 = Cherokee 4WD-2 Dr. |
| 25 = J-10 Pickup-119" W.B. | 66 = Comanche 2WD-7 Ft. Box | 78 = Cherokee 4WD-4 Dr. |
| 26 = J-10 Pickup-131" W.B. | 73 = Cherokee 2WD-2 Dr. | 79 = Cherokee 4WD-4 Dr.-Com |
| 27 = J-20 Pickup-131" W.B. | 74 = Cherokee 2WD-4 Dr. | 81 = Wrangler-93" W.B. |
| 63 = Comanche 4WD-6 Ft. Box | 75 = Wagoneer 4WD-4 Dr. | 82 = Wrangler-103" W.B.-Exp. |
| 64 = Comanche 2WD-6 Ft. Box | | |

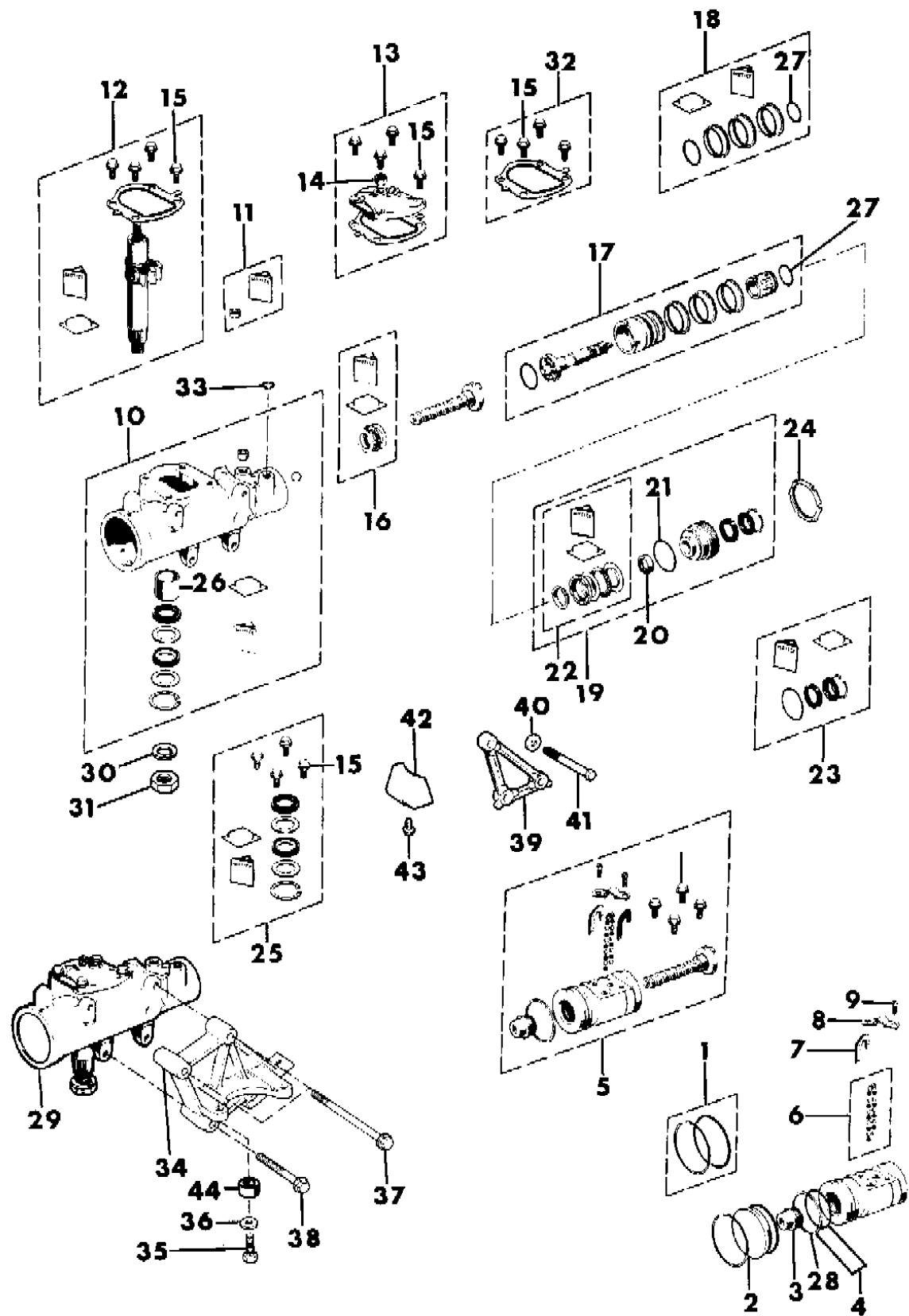
BODY STYLES:

MJ = Comanche Pickup
 SJ = Grand Wagoneer Wgn., J-10 & J-20 Pickups
 XJ = Cherokee, Wagoneer Limited
 YJ = Wrangler

AR = Use as Required - = Non Illustrated Part P.A.R. = Paint as Required

GEAR, STEERING W/POWER STEERING WRANGLER, CHEROKEE, WAGONEER, COMANCHE
Figure 19-1700

8J19 1700A



| ITEM | PART NUMBER | QTY | BODY | MODEL | DESCRIPTION |
|------|-------------|-----|--------|-------|---------------------------------------|
| 1 | J812 5037 | 1 | | | SEAL PACKAGE |
| 2 | 8350 2251 | 1 | | | PLUG |
| 3 | J812 7965 | 1 | | | PLUG |
| 4 | J812 5039 | 1 | | | SEAL PACKAGE |
| 5 | J812 5036 | 1 | | | RACK PACKAGE, Includes Piston 1987-88 |
| | J812 5471 | 1 | | | 1989-90 |
| 6 | J320 4836 | 1 | | | BALL PACKAGE, Rack/Piston |
| 7 | | | | | GUIDE |
| | J448 7887 | 2 | | | 1987-88 |
| | J094 0707 | 1 | | | 1989-90 |
| 8 | J320 4812 | 1 | | | CLAMP |
| 9 | J320 7057 | 2 | | | SCREW |
| 10 | | | | | HOUSING, Steering Gear |
| | J813 2537 | 1 | YJ | | |
| | J813 2579 | 1 | XJ, MJ | | |
| 11 | J813 2538 | 1 | | | VALVE |
| 12 | J812 2958 | 1 | | | SHAFT, 1987-88 |
| | J812 2819 | 1 | | | 1989-90 |
| 13 | J812 5033 | 1 | | | COVER, Gear |
| 14 | J320 4818 | 1 | | | NUT |
| 15 | J812 4191 | 4 | | | BOLT |
| 16 | J812 7645 | 1 | | | BEARING PACKAGE |
| 17 | | | | | VALVE PACKAGE |
| | 8350 2924 | 1 | YJ | | |
| | 8350 2261 | 1 | XJ, MJ | | |
| 18 | J320 4833 | 1 | | | SEAL PACKAGE |
| 19 | J813 0152 | 1 | | | BEARING PACKAGE |
| 20 | J813 0142 | 1 | | | BEARING |
| 21 | J812 6247 | 1 | | | O-RING |
| 22 | J813 0155 | 1 | | | PLUG, Adjusting |
| 23 | J813 0157 | 1 | | | SEAL PACKAGE |
| 24 | J812 8427 | 1 | | | NUT |
| 25 | J813 4568 | 1 | | | SEAL PACKAGE |
| 26 | J448 7154 | 1 | | | BEARING |
| 27 | J812 6250 | 1 | | | O-RING |
| 28 | J320 4814 | 1 | | | RING |
| 29 | | | | | GEAR, STEERING |

MODEL CODES:

| | | |
|-----------------------------|-----------------------------|------------------------------|
| 15 = Grand Wagoneer 4 Dr. | 65 = Comanche 4WD-7 Ft. Box | 77 = Cherokee 4WD-2 Dr. |
| 25 = J-10 Pickup-119" W.B. | 66 = Comanche 2WD-7 Ft. Box | 78 = Cherokee 4WD-4 Dr. |
| 26 = J-10 Pickup-131" W.B. | 73 = Cherokee 2WD-2 Dr. | 79 = Cherokee 4WD-4 Dr.-Com |
| 27 = J-20 Pickup-131" W.B. | 74 = Cherokee 2WD-4 Dr. | 81 = Wrangler-93" W.B. |
| 63 = Comanche 4WD-6 Ft. Box | 75 = Wagoneer 4WD-4 Dr. | 82 = Wrangler-103" W.B.-Exp. |
| 64 = Comanche 2WD-6 Ft. Box | | |

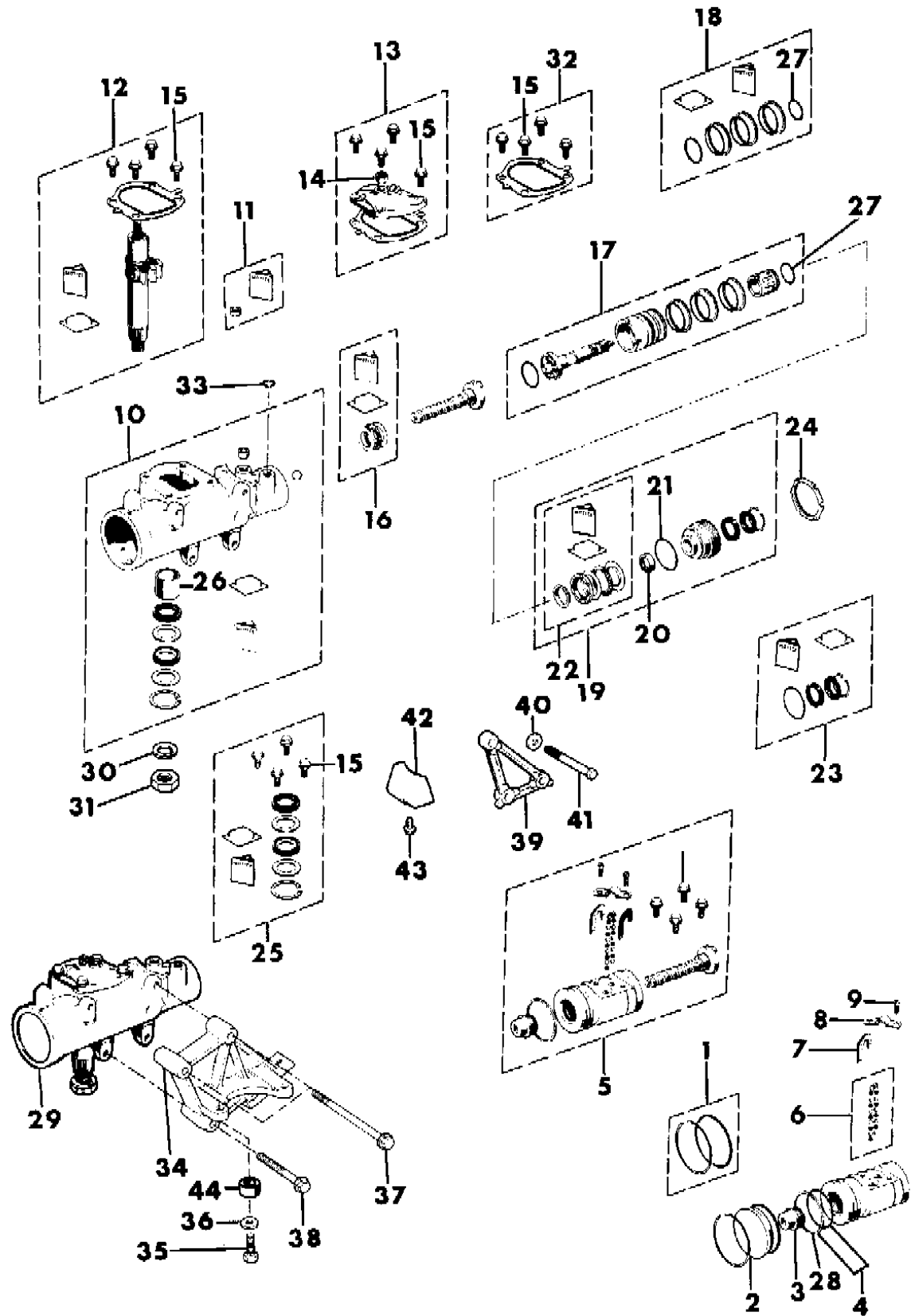
BODY STYLES:

MJ = Comanche Pickup
 SJ = Grand Wagoneer Wgn., J-10 & J-20 Pickups
 XJ = Cherokee, Wagoneer Limited
 YJ = Wrangler

AR = Use as Required - = Non Illustrated Part P.A.R. = Paint as Required

GEAR, STEERING W/POWER STEERING WRANGLER, CHEROKEE, WAGONEER, COMANCHE
Figure 19-1700

8J19 1700A



| ITEM | PART NUMBER | QTY | BODY | MODEL | DESCRIPTION |
|------|-------------|-----|--------|-------|----------------------------|
| | 5204 0101 | 1 | YJ | | w/14 To 1 Ratio w/o Export |
| | 5200 3923 | 1 | YJ | | w/17.5 To 1 Ratio w/Export |
| | 5200 2737 | 1 | XJ, MJ | | |
| 30 | S010 3336 | 1 | | | WASHER |
| 31 | J320 0501 | 1 | | | NUT |
| 32 | J812 5038 | 1 | | | SEAL PACKAGE |
| 33 | J325 1183 | 2 | | | SEAL |
| 34 | 5204 0103 | 1 | YJ | | BRACKET |
| 35 | J942 5080 | 2 | YJ | | BOLT |
| 36 | J400 5397 | 2 | YJ | | WASHER |
| 37 | | | | | BOLT |
| | J400 7238 | 1 | YJ | | 5.0" length |
| | J400 5613 | 1 | YJ | | 5.5" length |
| 38 | J400 7250 | 1 | YJ | | BOLT |
| 39 | 5200 0090 | 1 | XJ, MJ | | ADAPTER |
| 40 | J400 3926 | 3 | XJ, MJ | | WASHER |
| 41 | J400 3972 | 3 | XJ, MJ | | BOLT |
| 42 | 5200 0881 | 1 | XJ, MJ | | BLOCK |
| 43 | 3420 1193 | 1 | XJ, MJ | | SCREW |
| 44 | 5200 4566 | 2 | YJ | | BUSHING |

MODEL CODES:

| | | |
|-----------------------------|-----------------------------|------------------------------|
| 15 = Grand Wagoneer 4 Dr. | 65 = Comanche 4WD-7 Ft. Box | 77 = Cherokee 4WD-2 Dr. |
| 25 = J-10 Pickup-119" W.B. | 66 = Comanche 2WD-7 Ft. Box | 78 = Cherokee 4WD-4 Dr. |
| 26 = J-10 Pickup-131" W.B. | 73 = Cherokee 2WD-2 Dr. | 79 = Cherokee 4WD-4 Dr.-Com |
| 27 = J-20 Pickup-131" W.B. | 74 = Cherokee 2WD-4 Dr. | 81 = Wrangler-93" W.B. |
| 63 = Comanche 4WD-6 Ft. Box | 75 = Wagoneer 4WD-4 Dr. | 82 = Wrangler-103" W.B.-Exp. |
| 64 = Comanche 2WD-6 Ft. Box | | |

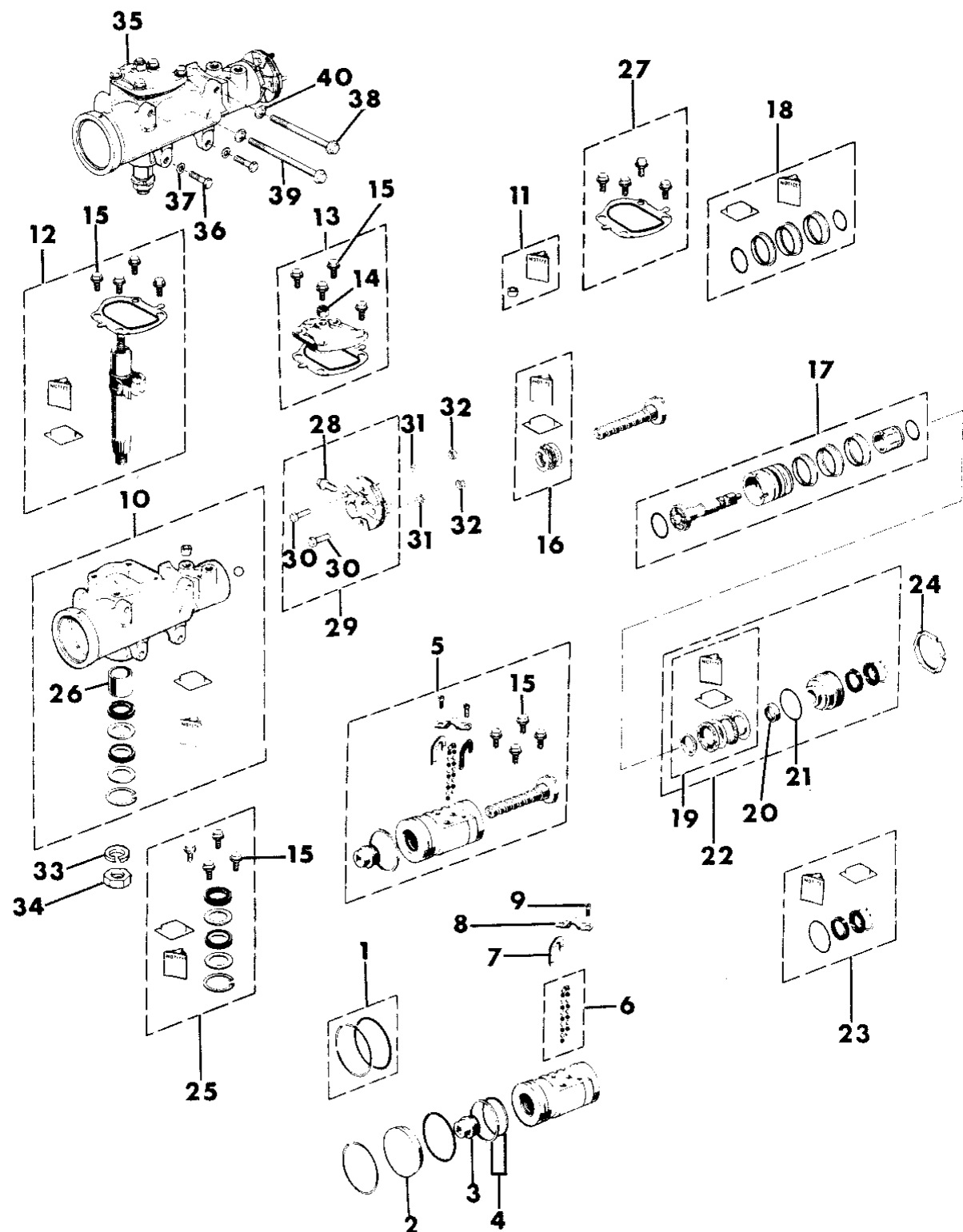
BODY STYLES:

MJ = Comanche Pickup
 SJ = Grand Wagoneer Wgn., J-10 & J-20 Pickups
 XJ = Cherokee, Wagoneer Limited
 YJ = Wrangler

AR = Use as Required - = Non Illustrated Part P.A.R. = Paint as Required

GEAR, POWER STEERING GRAND WAGONEER, J10, J20
Figure 19-1800

8J19 1800



| ITEM | PART NUMBER | QTY | BODY | MODEL | DESCRIPTION |
|------|-------------|-----|------|-------|-------------------------------|
| 1 | J812 5037 | 1 | | | SEAL PACKAGE |
| 2 | | | | | PLUG |
| | 8350 2251 | 1 | | | Stamped EN |
| | J812 7058 | 1 | | | Stamped VH |
| 3 | J812 7965 | 1 | | | PLUG |
| 4 | J812 5039 | 1 | | | SEAL PACKAGE |
| 5 | | | | | RACK PACKAGE, Includes Piston |
| | J812 5036 | 1 | | | Stamped EN |
| | J812 7056 | 1 | | | Stamped VH |
| 6 | J320 4836 | 1 | | | BALL PACKAGE, Rack/Piston |
| 7 | J448 7887 | 2 | | | GUIDE |
| 8 | J320 4812 | 1 | | | CLAMP |
| 9 | J320 7057 | 2 | | | SCREW |
| 10 | | | | | HOUSING |
| | J813 2537 | 1 | | | Stamped EN |
| | J813 2539 | 1 | | | Stamped VH |
| 11 | J813 2538 | 1 | | | VALVE |
| 12 | J812 2958 | 1 | | | SHAFT |
| 13 | J812 5033 | 1 | | | COVER, Gear |
| 14 | J320 4818 | 1 | | | NUT |
| 15 | J812 4191 | 4 | | | BOLT |
| 16 | J812 7645 | 1 | | | BEARING PACKAGE |
| 17 | | | | | VALVE PACKAGE |
| | 8350 2261 | 1 | | | Stamped EN |
| | J813 0144 | 1 | | | Stamped VH |
| 18 | J320 4833 | 1 | | | SEAL PACKAGE |
| 19 | J813 0152 | 1 | | | BEARING PACKAGE |
| 20 | J813 0142 | 1 | | | BEARING |
| 21 | J812 6247 | 1 | | | O-RING |
| 22 | J813 0155 | 1 | | | PLUG, Adjusting |
| 23 | J813 0157 | 1 | | | SEAL PACKAGE |
| 24 | J812 8427 | 1 | | | NUT |
| 25 | J813 4568 | 1 | | | SEAL PACKAGE |
| 26 | J448 7154 | 1 | | | BEARING |
| 27 | J812 5038 | 1 | | | SEAL PACKAGE |
| 28 | J400 3934 | 1 | | | BOLT |
| 29 | J812 7966 | 1 | | | FLANGE |

MODEL CODES:

| | | |
|-----------------------------|-----------------------------|------------------------------|
| 15 = Grand Wagoneer 4 Dr. | 65 = Comanche 4WD-7 Ft. Box | 77 = Cherokee 4WD-2 Dr. |
| 25 = J-10 Pickup-119" W.B. | 66 = Comanche 2WD-7 Ft. Box | 78 = Cherokee 4WD-4 Dr. |
| 26 = J-10 Pickup-131" W.B. | 73 = Cherokee 2WD-2 Dr. | 79 = Cherokee 4WD-4 Dr.-Com |
| 27 = J-20 Pickup-131" W.B. | 74 = Cherokee 2WD-4 Dr. | 81 = Wrangler-93" W.B. |
| 63 = Comanche 4WD-6 Ft. Box | 75 = Wagoneer 4WD-4 Dr. | 82 = Wrangler-103" W.B.-Exp. |
| 64 = Comanche 2WD-6 Ft. Box | | |

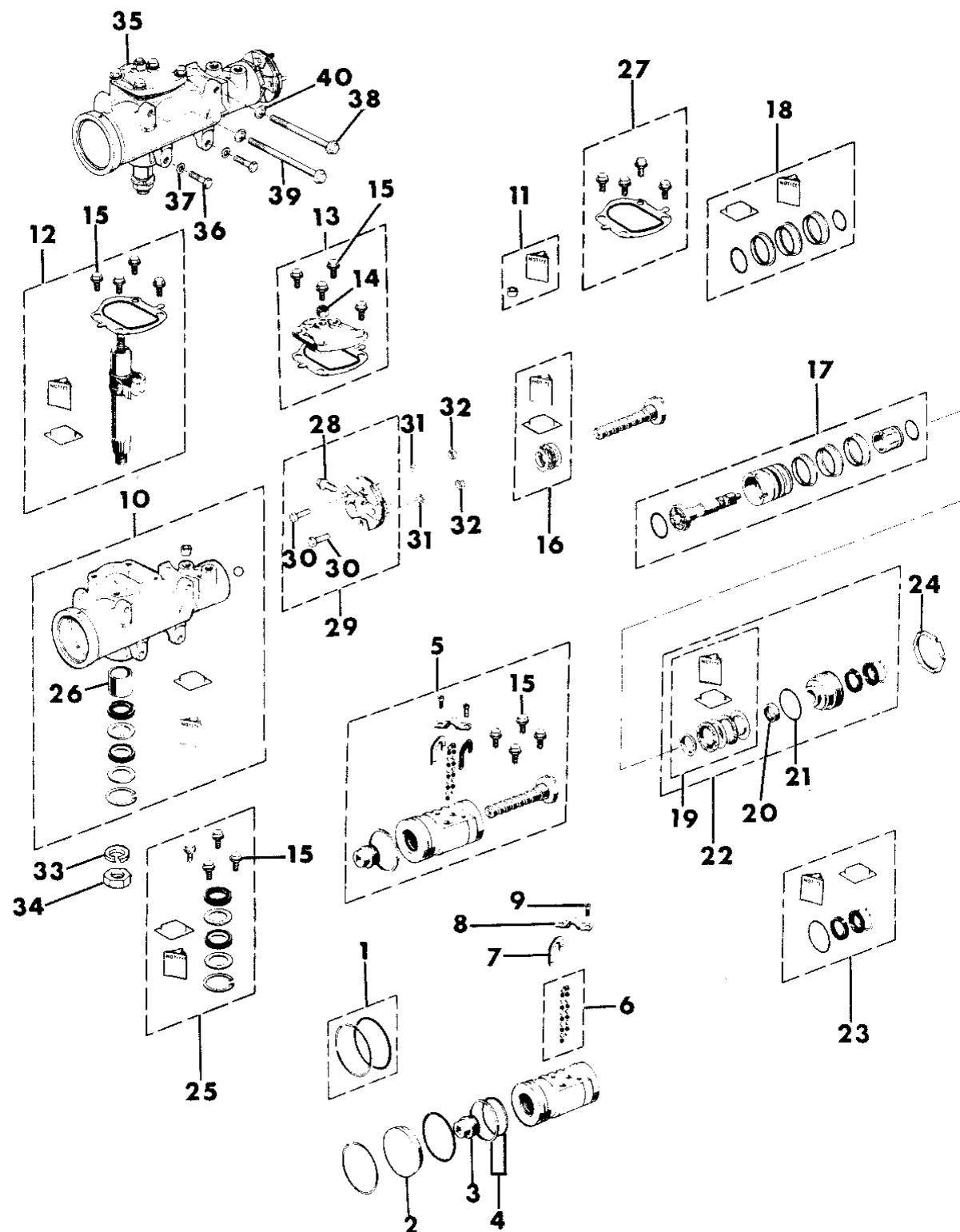
BODY STYLES:

MJ = Comanche Pickup
 SJ = Grand Wagoneer Wgn., J-10 & J-20 Pickups
 XJ = Cherokee, Wagoneer Limited
 YJ = Wrangler

AR = Use as Required - = Non Illustrated Part P.A.R. = Paint as Required

GEAR, POWER STEERING GRAND WAGONEER, J10, J20
Figure 19-1800

8J19 1800



| ITEM | PART NUMBER | QTY | BODY | MODEL | DESCRIPTION |
|------|-------------|-----|------|-------|----------------|
| 30 | | | | | BOLT |
| | J448 6976 | 1 | | | 5/16" |
| | J320 8200 | 1 | | | 3/8" |
| 31 | | | | | WASHER |
| | J012 0214 | 1 | | | 5/16" |
| | J012 0382 | 1 | | | 3/8" |
| 32 | | | | | NUT |
| | J012 0368 | 1 | | | 5/16" |
| | J999 1769 | 1 | | | 3/8" |
| 33 | S010 3336 | 1 | | | WASHER |
| 34 | J320 0501 | 1 | | | NUT |
| 35 | | | | | GEAR, Steering |
| | 5200 2085 | 1 | | | Stamped EN |
| | J536 0094 | 1 | | | Stamped VH |
| 36 | J942 4069 | 2 | | | BOLT |
| 37 | J400 4809 | 2 | | | WASHER |
| 38 | J400 5612 | 1 | | | BOLT |
| 39 | J400 5613 | 1 | | | BOLT |
| 40 | J400 4943 | 2 | | | WASHER |

NOTE: Identification EN or VH stamped on steering gear assembly cover.

MODEL CODES:

| | | |
|-----------------------------|-----------------------------|------------------------------|
| 15 = Grand Wagoneer 4 Dr. | 65 = Comanche 4WD-7 Ft. Box | 77 = Cherokee 4WD-2 Dr. |
| 25 = J-10 Pickup-119" W.B. | 66 = Comanche 2WD-7 Ft. Box | 78 = Cherokee 4WD-4 Dr. |
| 26 = J-10 Pickup-131" W.B. | 73 = Cherokee 2WD-2 Dr. | 79 = Cherokee 4WD-4 Dr.-Com |
| 27 = J-20 Pickup-131" W.B. | 74 = Cherokee 2WD-4 Dr. | 81 = Wrangler-93" W.B. |
| 63 = Comanche 4WD-6 Ft. Box | 75 = Wagoneer 4WD-4 Dr. | 82 = Wrangler-103" W.B.-Exp. |
| 64 = Comanche 2WD-6 Ft. Box | | |

BODY STYLES:

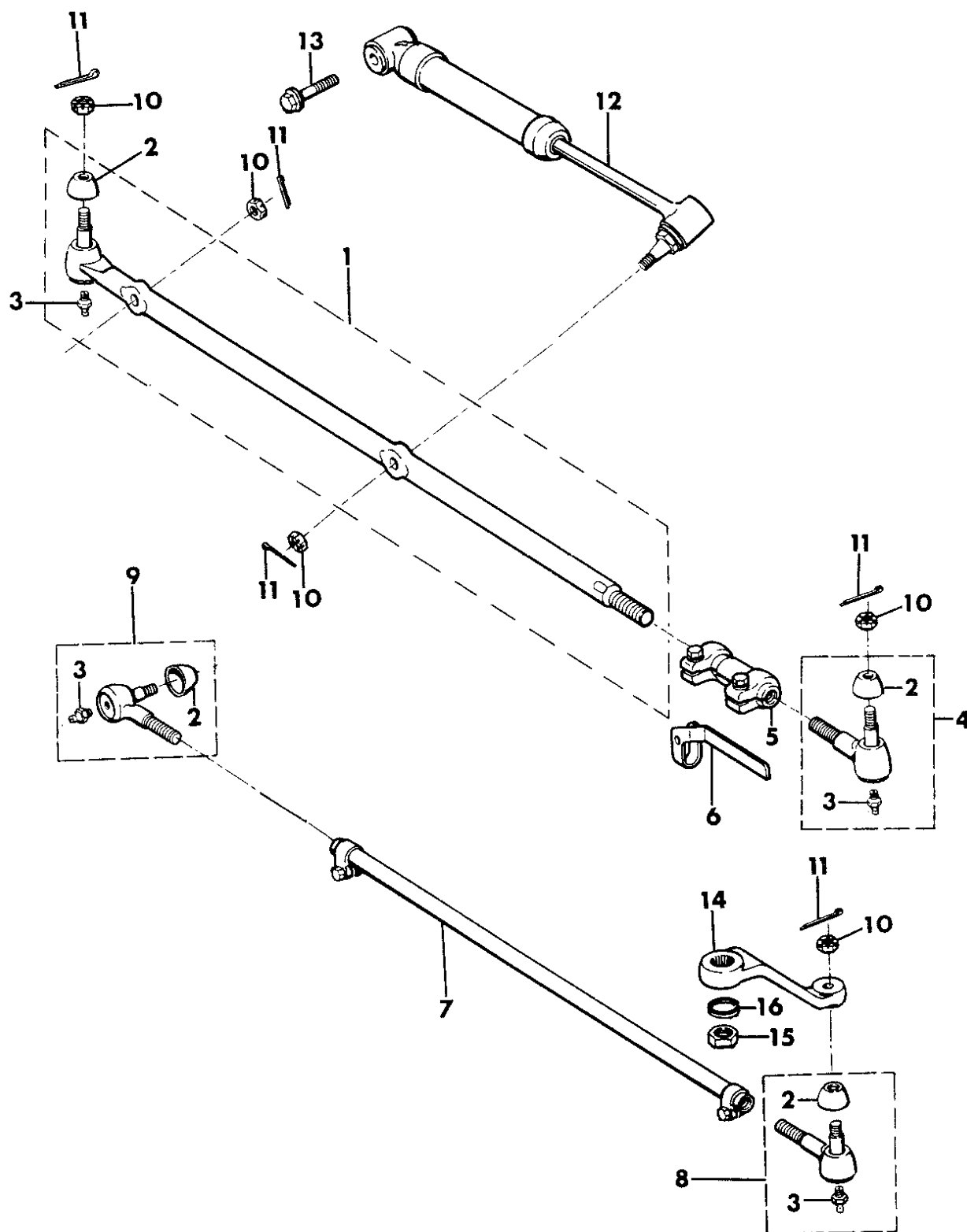
MJ = Comanche Pickup
 SJ = Grand Wagoneer Wgn., J-10 & J-20 Pickups
 XJ = Cherokee, Wagoneer Limited
 YJ = Wrangler

AR = Use as Required - = Non Illustrated Part P.A.R. = Paint as Required

LINKAGE AND DAMPER WRANGLER
Figure 19-1900

8J19 1900

| ITEM | PART NUMBER | QTY | BODY | MODEL | DESCRIPTION |
|------|-------------|-----|------|-------|--------------------|
| 1 | 5200 2540 | 1 | | | END, Tie Rod |
| 2 | 5200 0988 | 4 | | | COVER, Tie Rod End |
| 3 | J027 1287 | 4 | | | FITTING |
| 4 | 5200 2541 | 1 | | | END, Tie Rod |
| 5 | 5200 2544 | 1 | | | TUBE |
| 6 | 5200 2547 | 1 | | | BAR |
| 7 | 5200 2700 | 1 | | | TUBE |
| 8 | 5200 0598 | 1 | | | END, Tie Rod |
| 9 | 5200 0599 | 1 | | | END, Tie Rod |
| 10 | J027 4428 | 4 | | | NUT |
| 11 | J010 3375 | 4 | | | PIN, Cotter |
| 12 | 5200 2739 | 1 | | | DAMPER |
| 13 | J400 7388 | 1 | | | BOLT |
| 14 | | | | | ARM, Pitman |
| | 5204 0112 | 1 | | | w/Power Steering |
| | 5204 0110 | 1 | | | w/o Power Steering |
| 15 | J320 0501 | 1 | | | NUT |
| 16 | S010 3336 | 1 | | | WASHER |



MODEL CODES:

| | | |
|-----------------------------|-----------------------------|------------------------------|
| 15 = Grand Wagoneer 4 Dr. | 65 = Comanche 4WD-7 Ft. Box | 77 = Cherokee 4WD-2 Dr. |
| 25 = J-10 Pickup-119" W.B. | 66 = Comanche 2WD-7 Ft. Box | 78 = Cherokee 4WD-4 Dr. |
| 26 = J-10 Pickup-131" W.B. | 73 = Cherokee 2WD-2 Dr. | 79 = Cherokee 4WD-4 Dr.-Com |
| 27 = J-20 Pickup-131" W.B. | 74 = Cherokee 2WD-4 Dr. | 81 = Wrangler-93" W.B. |
| 63 = Comanche 4WD-6 Ft. Box | 75 = Wagoneer 4WD-4 Dr. | 82 = Wrangler-103" W.B.-Exp. |
| 64 = Comanche 2WD-6 Ft. Box | | |

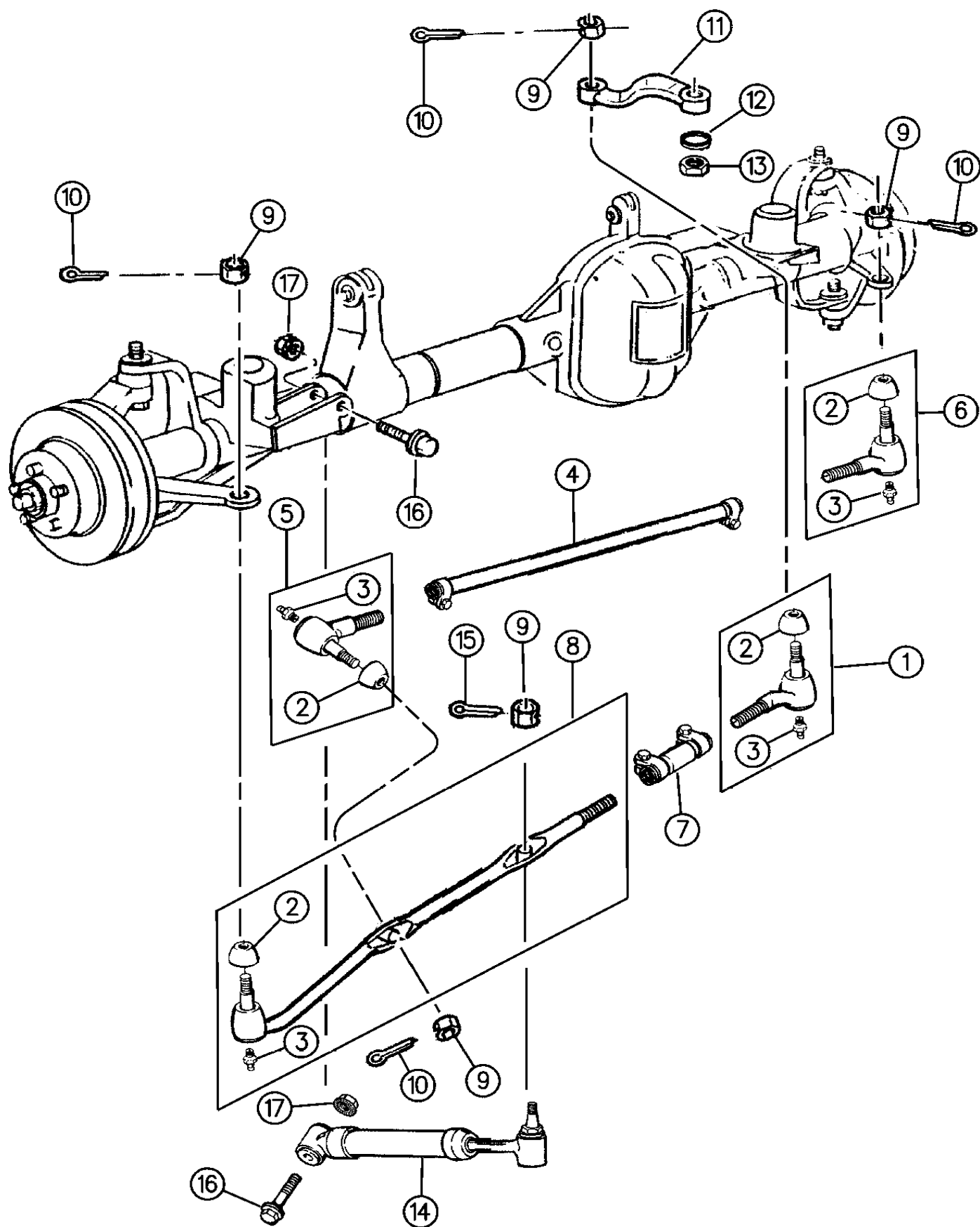
BODY STYLES:

MJ = Comanche Pickup
SJ = Grand Wagoneer Wgn., J-10 & J-20 Pickups
XJ = Cherokee, Wagoneer Limited
YJ = Wrangler

AR = Use as Required - = Non Illustrated Part P.A.R. = Paint as Required

LINKAGE AND DAMPER CHEROKEE, WAGONEER, COMANCHE
Figure 19-2000

8J19 2000B



| ITEM | PART NUMBER | QTY | BODY | MODEL | DESCRIPTION |
|------|-------------|-----|------|-------|------------------------|
| 1 | 5200 0608 | 1 | | | END, Tie Rod |
| 2 | 5200 0988 | 4 | | | COVER, Tie Rod End |
| 3 | J027 1287 | 4 | | | FITTING |
| 4 | 5200 0596 | 1 | | | TUBE |
| 5 | 5200 0599 | 1 | | | END, Tie Rod |
| 6 | 5200 0598 | 1 | | | END, Tie Rod |
| 7 | 5200 1736 | 1 | | | TUBE |
| 8 | 5200 0601 | 1 | | | END, Tie Rod |
| 9 | J027 4428 | 5 | | | NUT |
| 10 | J010 3375 | 4 | | | PIN, Cotter |
| 11 | | | | | ARM, Pitman |
| | 5200 0615 | 1 | | | w/Power Steering |
| | 5200 0616 | 1 | | | w/o Power Steering *** |
| 12 | S010 3336 | 1 | | | WASHER |
| 13 | J320 0501 | 1 | | | NUT |
| 14 | J323 6097 | 1 | | | DAMPER |
| 15 | J012 1224 | 1 | | | PIN, Cotter |
| 16 | 1150 5098 | 1 | | | BOLT |
| 17 | 1150 2813 | 1 | | | NUT |

MODEL CODES:

| | | |
|-----------------------------|-----------------------------|------------------------------|
| 15 = Grand Wagoneer 4 Dr. | 65 = Comanche 4WD-7 Ft. Box | 77 = Cherokee 4WD-2 Dr. |
| 25 = J-10 Pickup-119" W.B. | 66 = Comanche 2WD-7 Ft. Box | 78 = Cherokee 4WD-4 Dr. |
| 26 = J-10 Pickup-131" W.B. | 73 = Cherokee 2WD-2 Dr. | 79 = Cherokee 4WD-4 Dr.-Com |
| 27 = J-20 Pickup-131" W.B. | 74 = Cherokee 2WD-4 Dr. | 81 = Wrangler-93" W.B. |
| 63 = Comanche 4WD-6 Ft. Box | 75 = Wagoneer 4WD-4 Dr. | 82 = Wrangler-103" W.B.-Exp. |
| 64 = Comanche 2WD-6 Ft. Box | | |

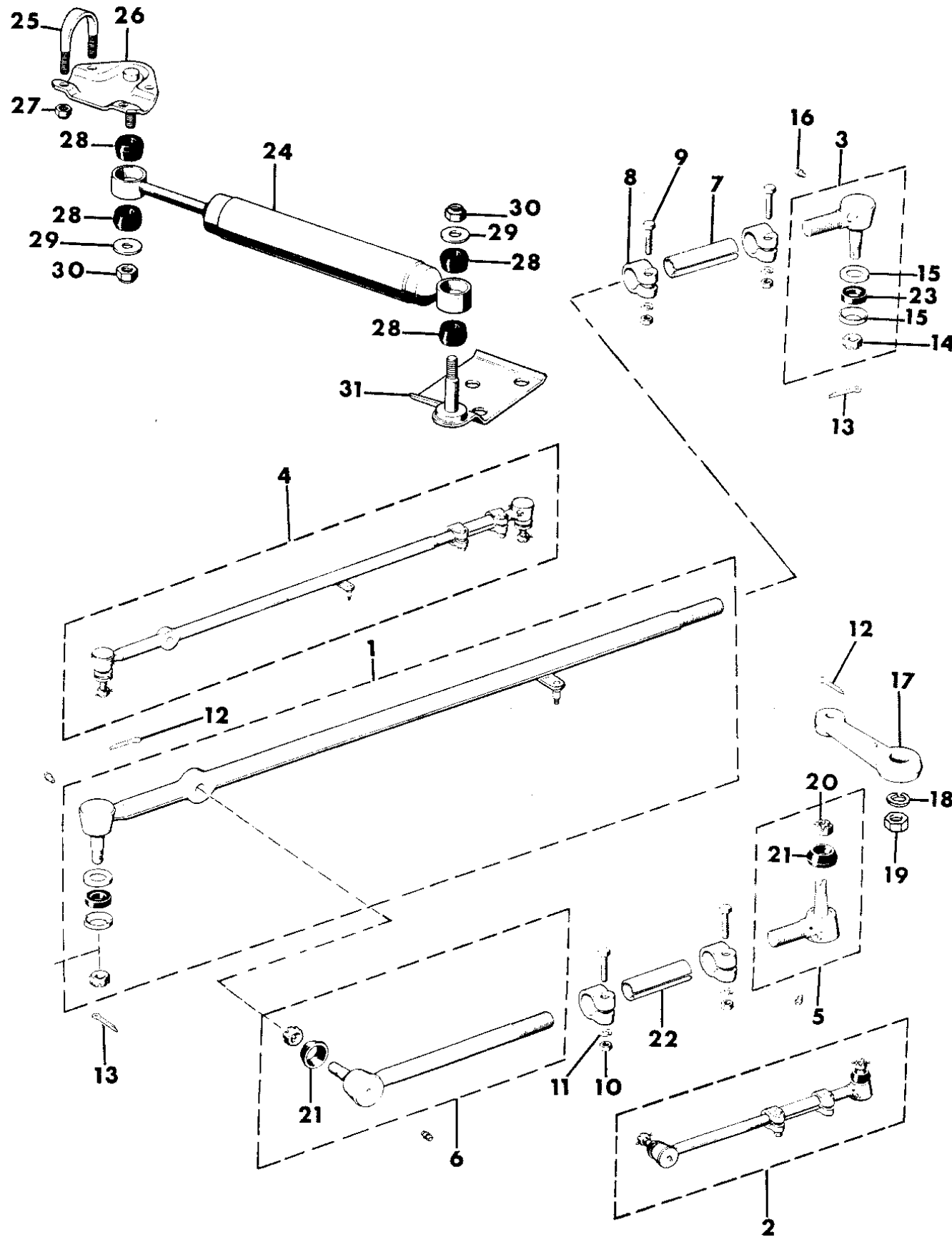
BODY STYLES:

MJ = Comanche Pickup
SJ = Grand Wagoneer Wgn., J-10 & J-20 Pickups
XJ = Cherokee, Wagoneer Limited
YJ = Wrangler

AR = Use as Required - = Non Illustrated Part P.A.R. = Paint as Required

LINKAGE AND DAMPER GRAND WAGONEER, J10, J20
Figure 19-2100

8J19 2100



| ITEM | PART NUMBER | QTY | BODY | MODEL | DESCRIPTION |
|------|-------------|-----|------|-------|--------------------|
| 1 | | | | | END, Tie Rod |
| | J812 4816 | 1 | | 15 | |
| | J812 4823 | 1 | | 26,27 | |
| 2 | | | | | ROD ASSEMBLY |
| | J535 2163 | 1 | | 15 | |
| | J535 2421 | 1 | | 26,27 | |
| 3 | | | | | ROD ASSEMBLY |
| 4 | | | | | END, Tie Rod |
| | J812 4817 | 1 | | | |
| | J535 2665 | 1 | | 15 | |
| | J535 2680 | 1 | | 26,27 | |
| 5 | | | | | END, Tie Rod |
| 6 | | | | | END, Tie Rod |
| | J812 3319 | 1 | | | |
| | J812 3315 | 1 | | 15 | |
| | J812 3316 | 1 | | 26,27 | |
| 7 | | | | | TUBE |
| 8 | | | | | CLAMP |
| 9 | | | | | BOLT |
| 10 | | | | | NUT |
| 11 | | | | | WASHER |
| 12 | | | | | PIN, Cotter |
| 13 | | | | | PIN, Cotter |
| 14 | | | | | NUT |
| 15 | | | | | WASHER |
| 16 | | | | | FITTING |
| 17 | | | | | ARM, Pitman |
| 18 | | | | | WASHER |
| 19 | | | | | NUT |
| 20 | | | | | NUT |
| 21 | | | | | COVER, Tie Rod End |
| 22 | | | | | TUBE |
| 23 | | | | | COVER |
| 24 | | | | | DAMPER |
| 25 | | | | | U-BOLT |
| 26 | | | | | BRACKET |
| 27 | | | | | NUT |
| 28 | | | | | BUSHING |
| 29 | | | | | WASHER |

MODEL CODES:

| | | |
|-----------------------------|-----------------------------|------------------------------|
| 15 = Grand Wagoneer 4 Dr. | 65 = Comanche 4WD-7 Ft. Box | 77 = Cherokee 4WD-2 Dr. |
| 25 = J-10 Pickup-119" W.B. | 66 = Comanche 2WD-7 Ft. Box | 78 = Cherokee 4WD-4 Dr. |
| 26 = J-10 Pickup-131" W.B. | 73 = Cherokee 2WD-2 Dr. | 79 = Cherokee 4WD-4 Dr.-Com |
| 27 = J-20 Pickup-131" W.B. | 74 = Cherokee 2WD-4 Dr. | 81 = Wrangler-93" W.B. |
| 63 = Comanche 4WD-6 Ft. Box | 75 = Wagoneer 4WD-4 Dr. | 82 = Wrangler-103" W.B.-Exp. |
| 64 = Comanche 2WD-6 Ft. Box | | |

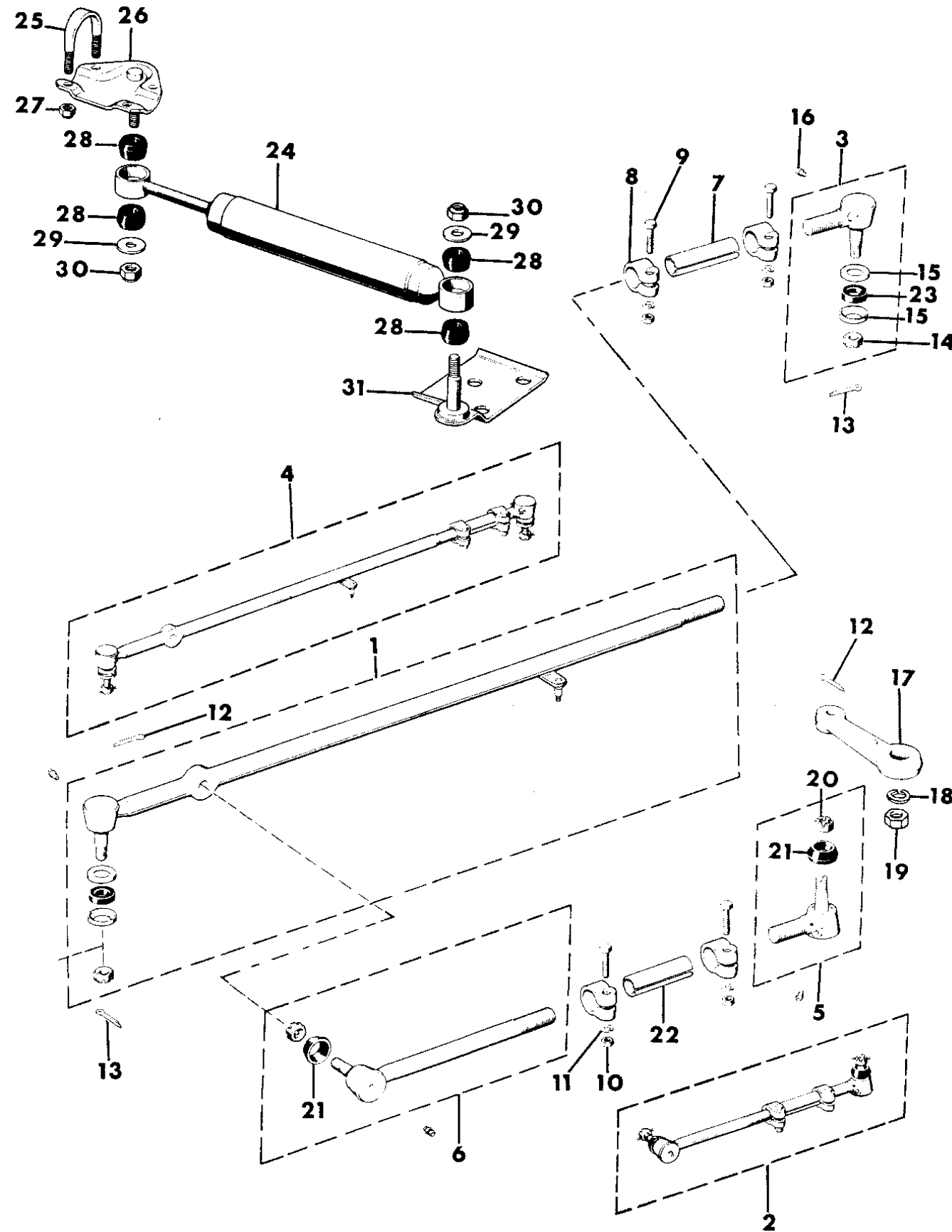
BODY STYLES:

MJ = Comanche Pickup
SJ = Grand Wagoneer Wgn., J-10 & J-20 Pickups
XJ = Cherokee, Wagoneer Limited
YJ = Wrangler

AR = Use as Required - = Non Illustrated Part P.A.R. = Paint as Required

LINKAGE AND DAMPER GRAND WAGONEER, J10, J20
Figure 19-2100

8J19 2100



| ITEM | PART NUMBER | QTY | BODY | MODEL | DESCRIPTION |
|------|-------------|-----|------|-------|-------------|
|------|-------------|-----|------|-------|-------------|

| | | | | | |
|----|-----------|---|--|--|---------|
| 30 | J941 3215 | 2 | | | NUT |
| 31 | J535 9695 | 1 | | | BRACKET |

MODEL CODES:

| | | |
|-----------------------------|-----------------------------|------------------------------|
| 15 = Grand Wagoneer 4 Dr. | 65 = Comanche 4WD-7 Ft. Box | 77 = Cherokee 4WD-2 Dr. |
| 25 = J-10 Pickup-119" W.B. | 66 = Comanche 2WD-7 Ft. Box | 78 = Cherokee 4WD-4 Dr. |
| 26 = J-10 Pickup-131" W.B. | 73 = Cherokee 2WD-2 Dr. | 79 = Cherokee 4WD-4 Dr.-Com |
| 27 = J-20 Pickup-131" W.B. | 74 = Cherokee 2WD-4 Dr. | 81 = Wrangler-93" W.B. |
| 63 = Comanche 4WD-6 Ft. Box | 75 = Wagoneer 4WD-4 Dr. | 82 = Wrangler-103" W.B.-Exp. |
| 64 = Comanche 2WD-6 Ft. Box | | |

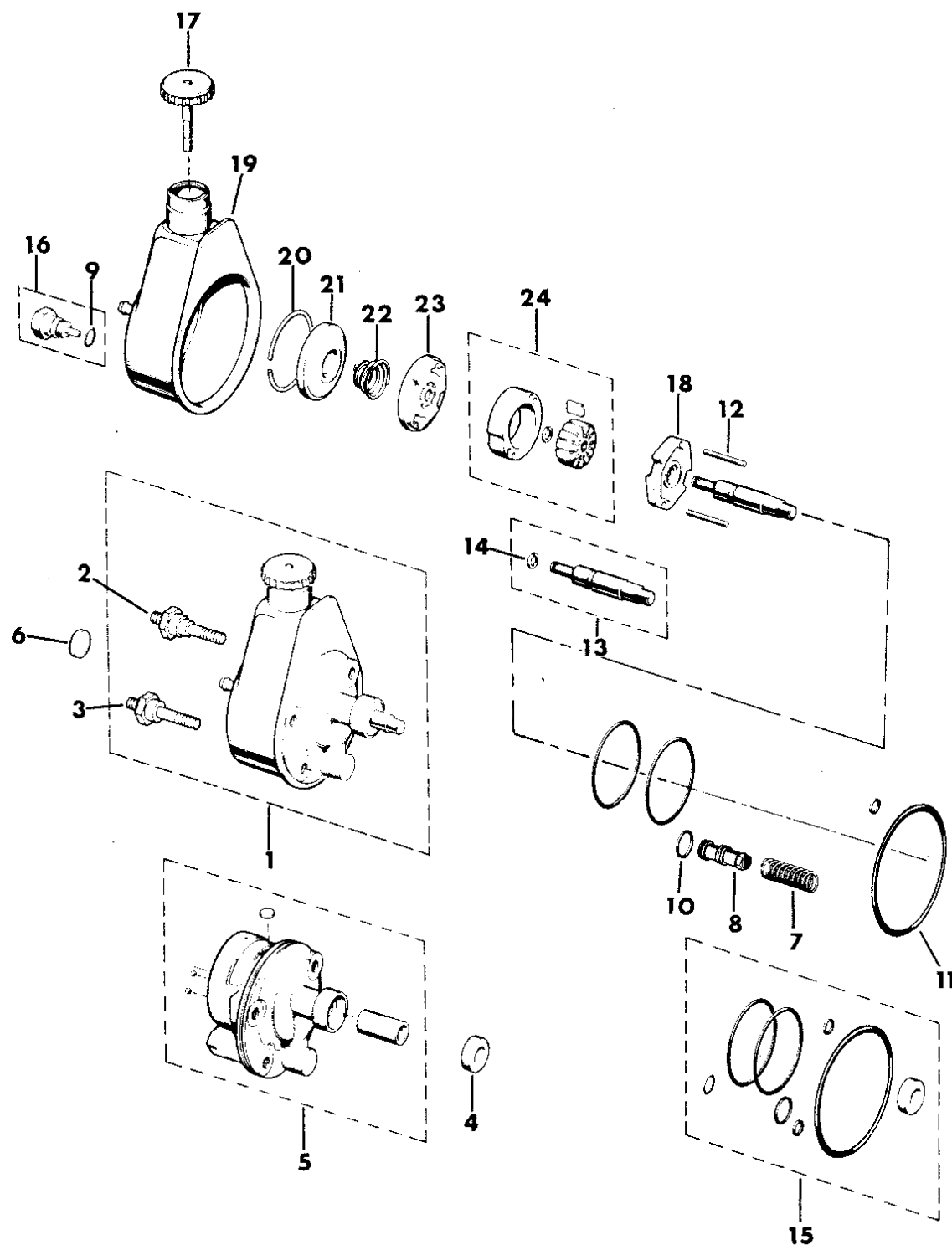
BODY STYLES:

MJ = Comanche Pickup
 SJ = Grand Wagoneer Wgn., J-10 & J-20 Pickups
 XJ = Cherokee, Wagoneer Limited
 YJ = Wrangler

AR = Use as Required - = Non Illustrated Part P.A.R. = Paint as Required

PUMP, POWER STEERING WRANGLER
Figure 19-2200

8 J 19 2200



| ITEM | PART NUMBER | QTY | BODY | MODEL | DESCRIPTION |
|------|-------------|-----|------|-------|----------------------|
| 1 | 3300 1907 | 1 | | | PUMP, Power Steering |
| 2 | J813 2474 | 1 | | | STUD |
| 3 | J813 2475 | 1 | | | STUD |
| 4 | J448 8330 | 1 | | | SEAL |
| 5 | J813 2473 | 1 | | | HOUSING |
| 6 | 8350 0243 | 1 | | | MAGNET |
| 7 | J320 9673 | 1 | | | SPRING |
| 8 | J448 8026 | 1 | | | VALVE |
| 9 | J320 9671 | 1 | | | SEAL |
| 10 | 8350 2151 | 1 | | | SEAL |
| 11 | J320 9669 | 1 | | | SEAL |
| 12 | J320 9660 | 2 | | | PIN |
| 13 | J813 3828 | 1 | | | SHAFT PACKAGE |
| 14 | J813 3827 | 1 | | | RING PACKAGE |
| 15 | 8350 2149 | 1 | | | SEAL PACKAGE |
| 16 | J813 2472 | 1 | | | FITTING |
| 17 | J812 8467 | 1 | | | CAP |
| 18 | 8350 0071 | 1 | | | PLATE |
| 19 | 8350 0244 | 1 | | | RESERVOIR |
| 20 | J320 9664 | 1 | | | RING |
| 21 | J320 9661 | 1 | | | PLATE |
| 22 | J813 3958 | 1 | | | SPRING |
| 23 | J813 3957 | 1 | | | PLATE |
| 24 | J813 3829 | 1 | | | RING PACKAGE |

MODEL CODES:

| | | |
|-----------------------------|-----------------------------|------------------------------|
| 15 = Grand Wagoneer 4 Dr. | 65 = Comanche 4WD-7 Ft. Box | 77 = Cherokee 4WD-2 Dr. |
| 25 = J-10 Pickup-119" W.B. | 66 = Comanche 2WD-7 Ft. Box | 78 = Cherokee 4WD-4 Dr. |
| 26 = J-10 Pickup-131" W.B. | 73 = Cherokee 2WD-2 Dr. | 79 = Cherokee 4WD-4 Dr.-Com |
| 27 = J-20 Pickup-131" W.B. | 74 = Cherokee 2WD-4 Dr. | 81 = Wrangler-93" W.B. |
| 63 = Comanche 4WD-6 Ft. Box | 75 = Wagoneer 4WD-4 Dr. | 82 = Wrangler-103" W.B.-Exp. |
| 64 = Comanche 2WD-6 Ft. Box | | |

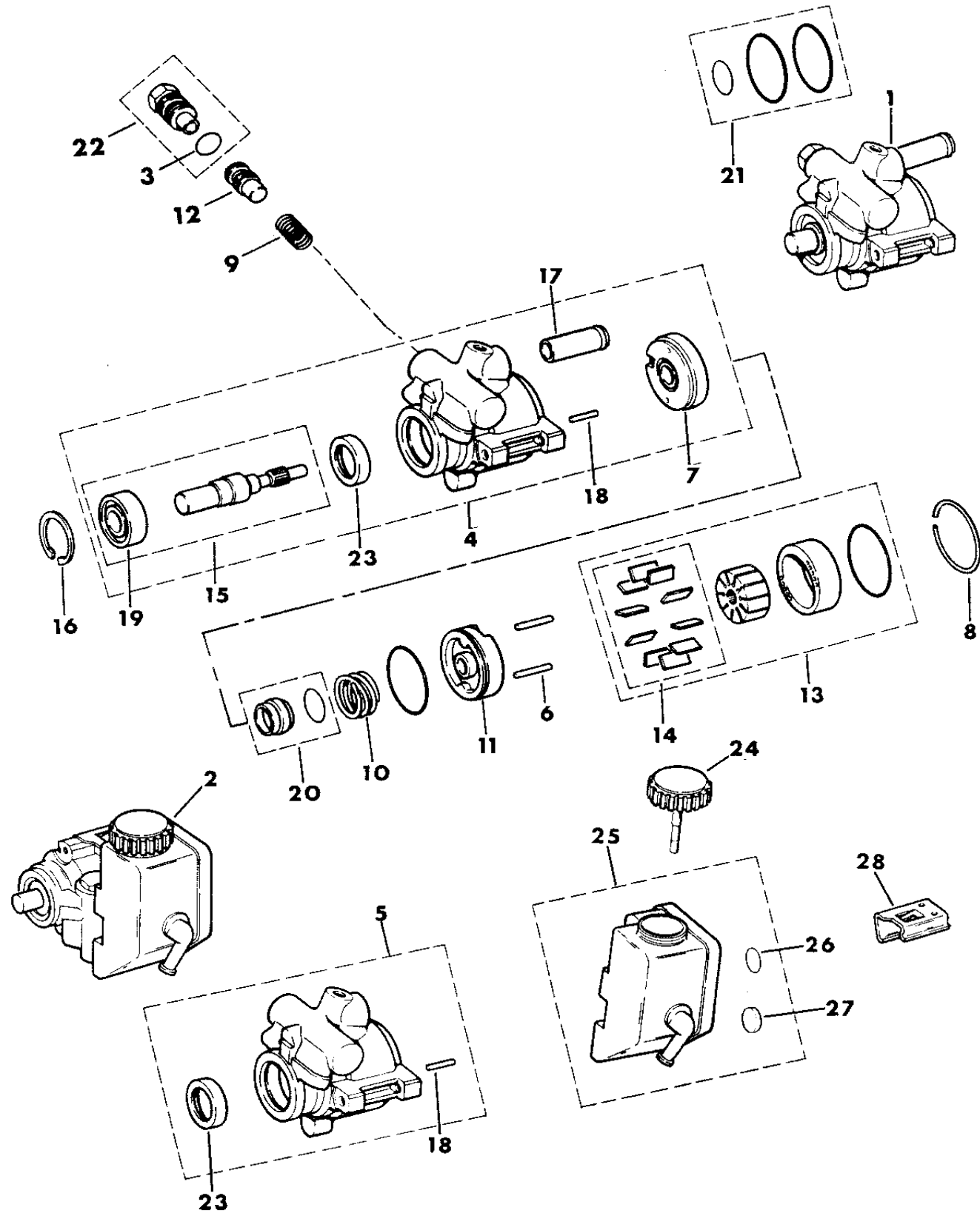
BODY STYLES:

MJ = Comanche Pickup
 SJ = Grand Wagoneer Wgn., J-10 & J-20 Pickups
 XJ = Cherokee, Wagoneer Limited
 YJ = Wrangler

AR = Use as Required - = Non Illustrated Part P.A.R. = Paint as Required

PUMP, POWER STEERING CHEROKEE, WAGONEER, COMANCHE
Figure 19-2300

8 J19 2300



| ITEM | PART NUMBER | QTY | BODY | MODEL | DESCRIPTION |
|------|-------------|-----|------|-------|---------------------------|
| 1 | | | | | PUMP, Power Steering |
| | 5300 5017 | 1 | | | w/2.5L Eng. |
| 2 | | | | | PUMP, Power Steering |
| | 5300 5437 | 1 | | | w/4.0L Eng. |
| | 5300 8448 | 1 | | | 1987-89 |
| | 5300 8448 | 1 | | | 1990 |
| | 5300 5358 | 1 | | | 4.0L Eng. w/ECE |
| | 5300 8449 | 1 | | | 1988-89 |
| | 5300 8449 | 1 | | | 1990 |
| 3 | J320 9671 | 1 | | | SEAL |
| 4 | 8350 3485 | 1 | | | BODY PACKAGE, w/2.5L Eng. |
| 5 | 8350 3491 | 1 | | | BODY PACKAGE, w/4.0L Eng. |
| 6 | 8350 1818 | 2 | | | PIN |
| 7 | 8350 1815 | 1 | | | PLATE |
| 8 | 8350 1821 | 1 | | | RING |
| 9 | J320 9673 | 1 | | | SPRING |
| 10 | 8350 1822 | 1 | | | SPRING |
| 11 | 8350 3488 | 1 | | | PLATE |
| 12 | | | | | VALVE |
| | 8350 4436 | 1 | | | w/2.5L Eng. |
| | 8350 3489 | 1 | | | w/4.0L Eng. |
| | 8350 4436 | 1 | | | w/4.0L Eng. w/ECE |
| 13 | 8350 1824 | 1 | | | RING PACKAGE |
| 14 | 8350 1827 | 1 | | | VANE PACKAGE |
| 15 | 8350 3486 | 1 | | | SHAFT |
| 16 | 8350 1820 | 1 | | | RING |
| 17 | 8350 0266 | 1 | | | TUBE, w/2.5L Eng. |
| 18 | 8350 1828 | 1 | | | PIN |
| 19 | 8350 3487 | 1 | | | BEARING |
| 20 | 8350 1826 | 1 | | | SLEEVE PACKAGE |
| 21 | 8350 1825 | 1 | | | SEAL PACKAGE |
| 22 | | | | | FITTING |
| | 8350 4435 | 1 | | | w/2.5L Eng. |
| | 8350 3484 | 1 | | | w/4.0L Eng. |
| | 8350 5299 | 1 | | | w/4.0L Eng. w/ECE |
| 23 | 8350 1814 | 1 | | | SEAL |
| 24 | 8350 5415 | 1 | | | CAP, w/4.0L Eng. |

MODEL CODES:

| | | |
|-----------------------------|-----------------------------|------------------------------|
| 15 = Grand Wagoneer 4 Dr. | 65 = Comanche 4WD-7 Ft. Box | 77 = Cherokee 4WD-2 Dr. |
| 25 = J-10 Pickup-119" W.B. | 66 = Comanche 2WD-7 Ft. Box | 78 = Cherokee 4WD-4 Dr. |
| 26 = J-10 Pickup-131" W.B. | 73 = Cherokee 2WD-2 Dr. | 79 = Cherokee 4WD-4 Dr.-Com |
| 27 = J-20 Pickup-131" W.B. | 74 = Cherokee 2WD-4 Dr. | 81 = Wrangler-93" W.B. |
| 63 = Comanche 4WD-6 Ft. Box | 75 = Wagoneer 4WD-4 Dr. | 82 = Wrangler-103" W.B.-Exp. |
| 64 = Comanche 2WD-6 Ft. Box | | |

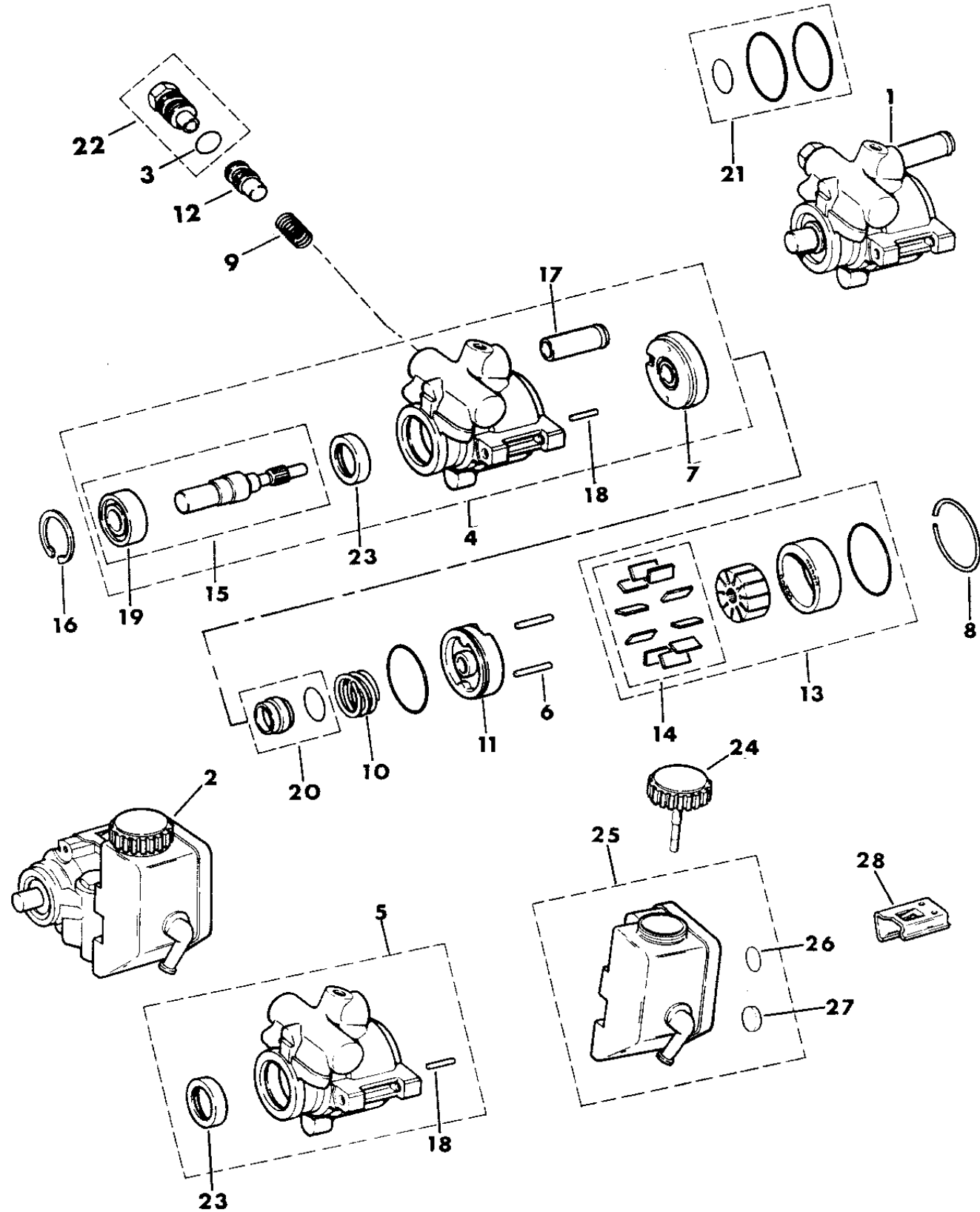
BODY STYLES:

MJ = Comanche Pickup
 SJ = Grand Wagoneer Wgn., J-10 & J-20 Pickups
 XJ = Cherokee, Wagoneer Limited
 YJ = Wrangler

AR = Use as Required - = Non Illustrated Part P.A.R. = Paint as Required

PUMP, POWER STEERING CHEROKEE, WAGONEER, COMANCHE
Figure 19-2300

8 J19 2300



| ITEM | PART NUMBER | QTY | BODY | MODEL | DESCRIPTION |
|------|-------------|-----|------|---------|----------------------------|
| 25 | | | | | RESERVIOR, 4.0L Engine *** |
| | 8350 3495 | 1 | | 1987-89 | |
| | 8350 7075 | 1 | | 1990 | |
| 26 | 8350 4876 | 1 | | | SEAL, w/4.0L Eng. |
| 27 | 8350 0243 | 1 | | | MAGNET, w/4.0L Eng. *** |
| 28 | | | | | CLIP, w/4.0L Eng. |
| | 8350 3492 | 1 | | Rt. | |
| | 8350 3493 | 1 | | Lt. | |

MODEL CODES:

| | | |
|-----------------------------|-----------------------------|------------------------------|
| 15 = Grand Wagoneer 4 Dr. | 65 = Comanche 4WD-7 Ft. Box | 77 = Cherokee 4WD-2 Dr. |
| 25 = J-10 Pickup-119" W.B. | 66 = Comanche 2WD-7 Ft. Box | 78 = Cherokee 4WD-4 Dr. |
| 26 = J-10 Pickup-131" W.B. | 73 = Cherokee 2WD-2 Dr. | 79 = Cherokee 4WD-4 Dr.-Com |
| 27 = J-20 Pickup-131" W.B. | 74 = Cherokee 2WD-4 Dr. | 81 = Wrangler-93" W.B. |
| 63 = Comanche 4WD-6 Ft. Box | 75 = Wagoneer 4WD-4 Dr. | 82 = Wrangler-103" W.B.-Exp. |
| 64 = Comanche 2WD-6 Ft. Box | | |

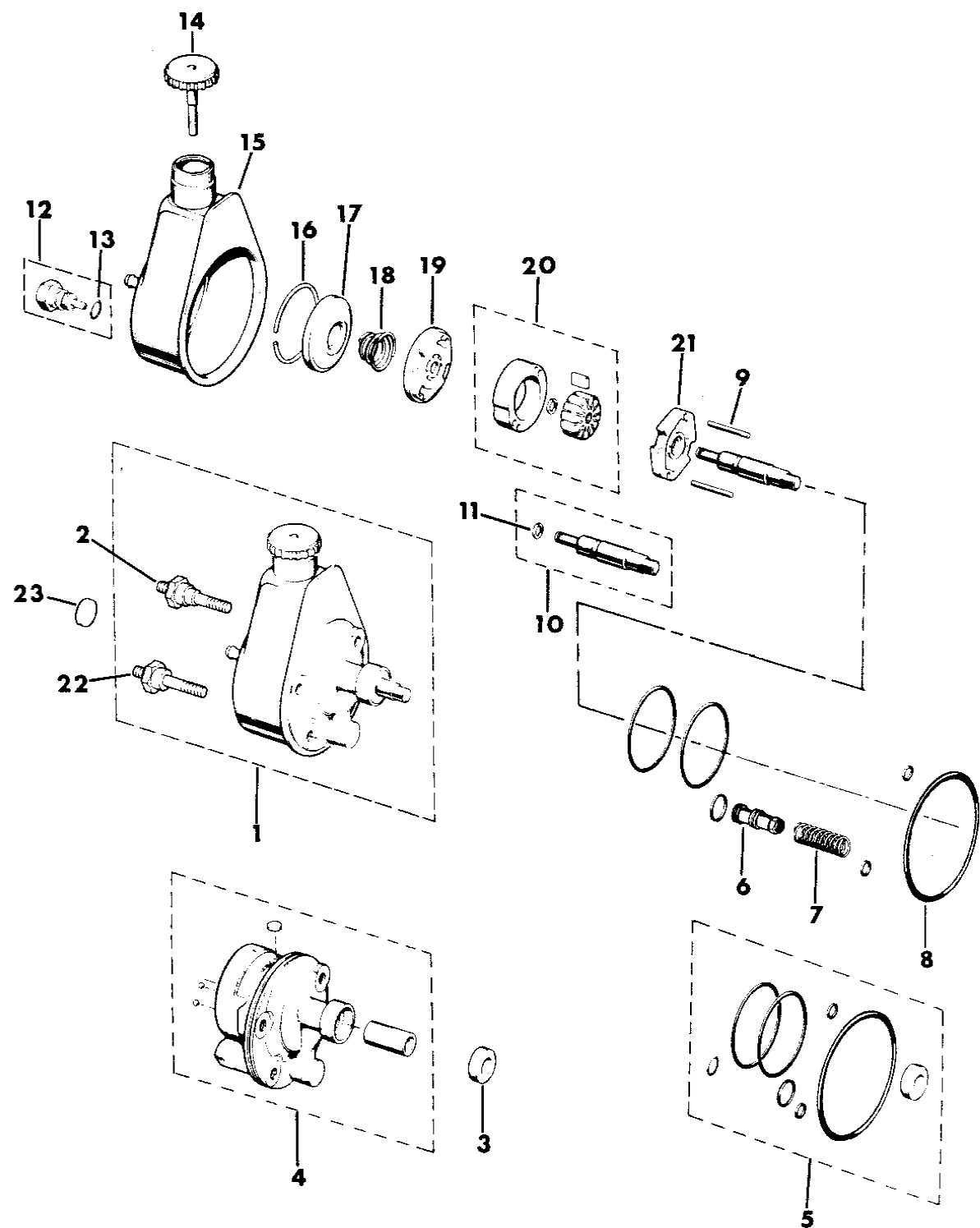
BODY STYLES:

MJ = Comanche Pickup
 SJ = Grand Wagoneer Wgn., J-10 & J-20 Pickups
 XJ = Cherokee, Wagoneer Limited
 YJ = Wrangler

AR = Use as Required - = Non Illustrated Part P.A.R. = Paint as Required

PUMP, POWER STEERING GRAND WAGONEER, J10, J20
Figure 19-2400

8J192400



| ITEM | PART NUMBER | QTY | BODY | MODEL | DESCRIPTION |
|------|-------------|-----|------|-------|----------------------|
| 1 | | | | | PUMP, Power Steering |
| | 5300 2714 | 1 | | 15,26 | |
| | J323 7193 | 1 | | 27 | |
| 2 | J813 2474 | 1 | | | STUD |
| 3 | J448 8330 | 1 | | | SEAL |
| 4 | J813 2473 | 1 | | | HOUSING |
| 5 | 8350 2149 | 1 | | | SEAL PACKAGE |
| 6 | J812 5923 | 1 | | | VALVE |
| 7 | J320 9673 | 1 | | | SPRING |
| 8 | J320 9669 | 1 | | | SEAL |
| 9 | J320 9660 | 2 | | | PIN |
| 10 | J813 3828 | 1 | | | SHAFT PACKAGE |
| 11 | J813 3827 | 1 | | | RING PACKAGE |
| 12 | | | | | FITTING |
| | 8350 2088 | 1 | | 15,26 | |
| | J813 2472 | 1 | | 27 | |
| 13 | J320 9671 | 1 | | | SEAL |
| 14 | J812 8467 | 1 | | | CAP |
| 15 | J812 7369 | 1 | | | RESERVOIR |
| 16 | J320 9664 | 1 | | | RING |
| 17 | J320 9661 | 1 | | | PLATE |
| 18 | J813 3958 | 1 | | | SPRING |
| 19 | J813 3957 | 1 | | | PLATE |
| 20 | J813 3829 | 1 | | | RING PACKAGE |
| 21 | 8350 0071 | 1 | | | PLATE |
| 22 | J813 2475 | 1 | | | STUD |
| 23 | 8350 0243 | 1 | | | MAGNET |

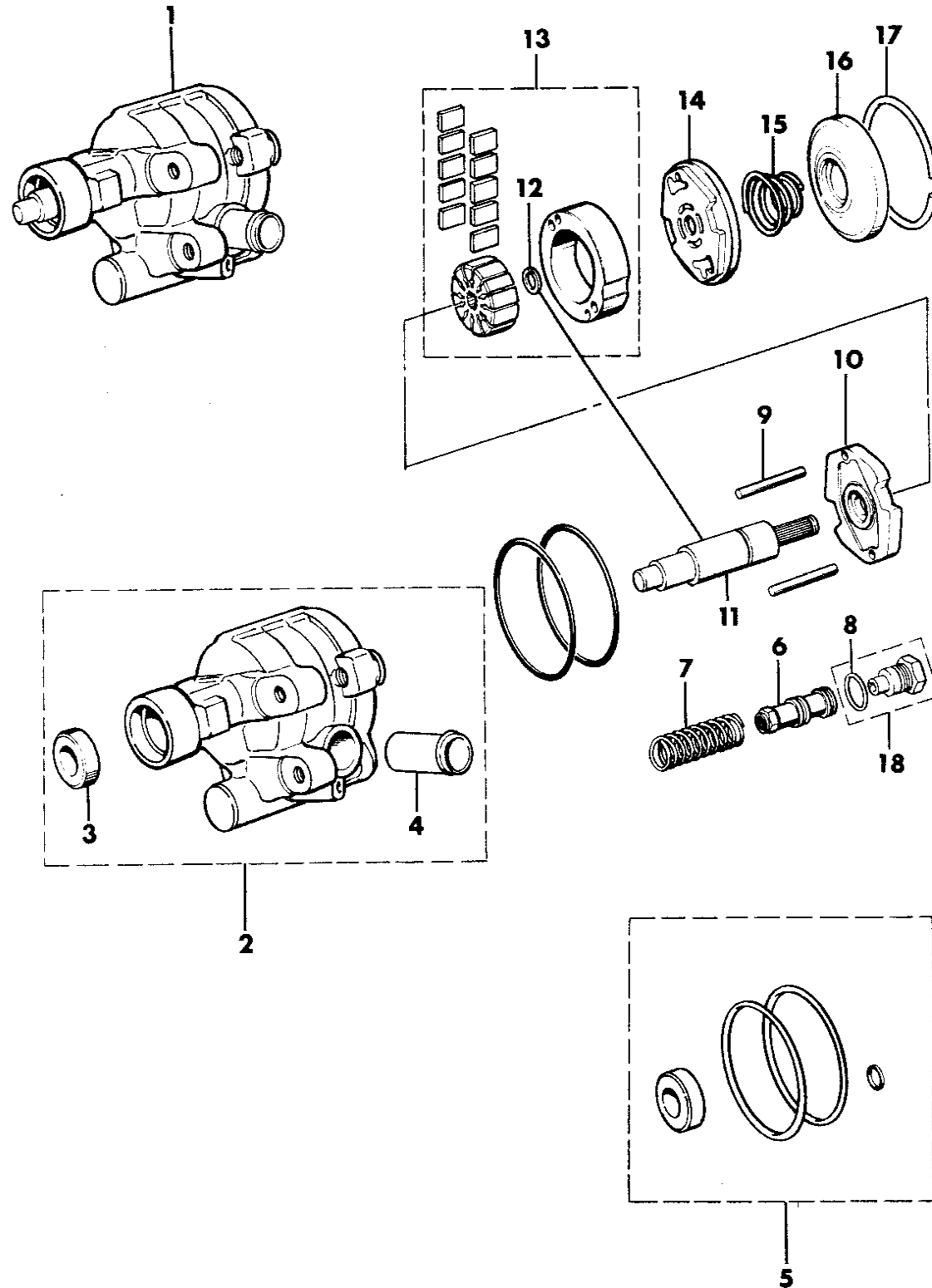
MODEL CODES:
 15 = Grand Wagoneer 4 Dr. 65 = Comanche 4WD-7 Ft. Box 77 = Cherokee 4WD-2 Dr.
 25 = J-10 Pickup-119" W.B. 66 = Comanche 2WD-7 Ft. Box 78 = Cherokee 4WD-4 Dr.
 26 = J-10 Pickup-131" W.B. 73 = Cherokee 2WD-2 Dr. 79 = Cherokee 4WD-4 Dr.-Com
 27 = J-20 Pickup-131" W.B. 74 = Cherokee 2WD-4 Dr. 81 = Wrangler-93" W.B.
 63 = Comanche 4WD-6 Ft. Box 75 = Wagoneer 4WD-4 Dr. 82 = Wrangler-103" W.B.-Exp.
 64 = Comanche 2WD-6 Ft. Box

BODY STYLES:
 MJ = Comanche Pickup
 SJ = Grand Wagoneer Wgn., J-10 & J-20 Pickups
 XJ = Cherokee, Wagoneer Limited
 YJ = Wrangler

AR = Use as Required - = Non Illustrated Part P.A.R. = Paint as Required

PUMP, POWER STEERING 2.1L DIESEL ENGINE CHEROKEE, WAGONEER
Figure 19-2500

19 2500



| ITEM | PART NUMBER | QTY | BODY | MODEL | DESCRIPTION |
|------|-------------|-----|------|-------|----------------------|
| 1 | 5300 5254 | 1 | | | PUMP, Power Steering |
| 2 | 8350 0265 | 1 | | | HOUSING |
| 3 | J448 8330 | 1 | | | SEAL |
| 4 | 8350 0266 | 1 | | | TUBE |
| 5 | 8350 0074 | 1 | | | SEAL PACKAGE |
| 6 | J812 5923 | 1 | | | VALVE |
| 7 | J320 9673 | 1 | | | SPRING |
| 8 | J320 9671 | 1 | | | SEAL |
| 9 | J320 9660 | 1 | | | PIN |
| 10 | 8350 0071 | 1 | | | PLATE |
| 11 | J813 3828 | 1 | | | SHAFT PACKAGE |
| 12 | 8350 0075 | 1 | | | RING PACKAGE |
| 13 | J813 3829 | 1 | | | RING PACKAGE |
| 14 | J813 3957 | 1 | | | PLATE |
| 15 | J813 3958 | 1 | | | SPRING |
| 16 | J320 9661 | 1 | | | PLATE |
| 17 | J320 9664 | 1 | | | RING |
| 18 | 8350 2088 | 1 | | | FITTING |

MODEL CODES:

| | | |
|-----------------------------|-----------------------------|------------------------------|
| 15 = Grand Wagoneer 4 Dr. | 65 = Comanche 4WD-7 Ft. Box | 77 = Cherokee 4WD-2 Dr. |
| 25 = J-10 Pickup-119" W.B. | 66 = Comanche 2WD-7 Ft. Box | 78 = Cherokee 4WD-4 Dr. |
| 26 = J-10 Pickup-131" W.B. | 73 = Cherokee 2WD-2 Dr. | 79 = Cherokee 4WD-4 Dr.-Com |
| 27 = J-20 Pickup-131" W.B. | 74 = Cherokee 2WD-4 Dr. | 81 = Wrangler-93" W.B. |
| 63 = Comanche 4WD-6 Ft. Box | 75 = Wagoneer 4WD-4 Dr. | 82 = Wrangler-103" W.B.-Exp. |
| 64 = Comanche 2WD-6 Ft. Box | | |

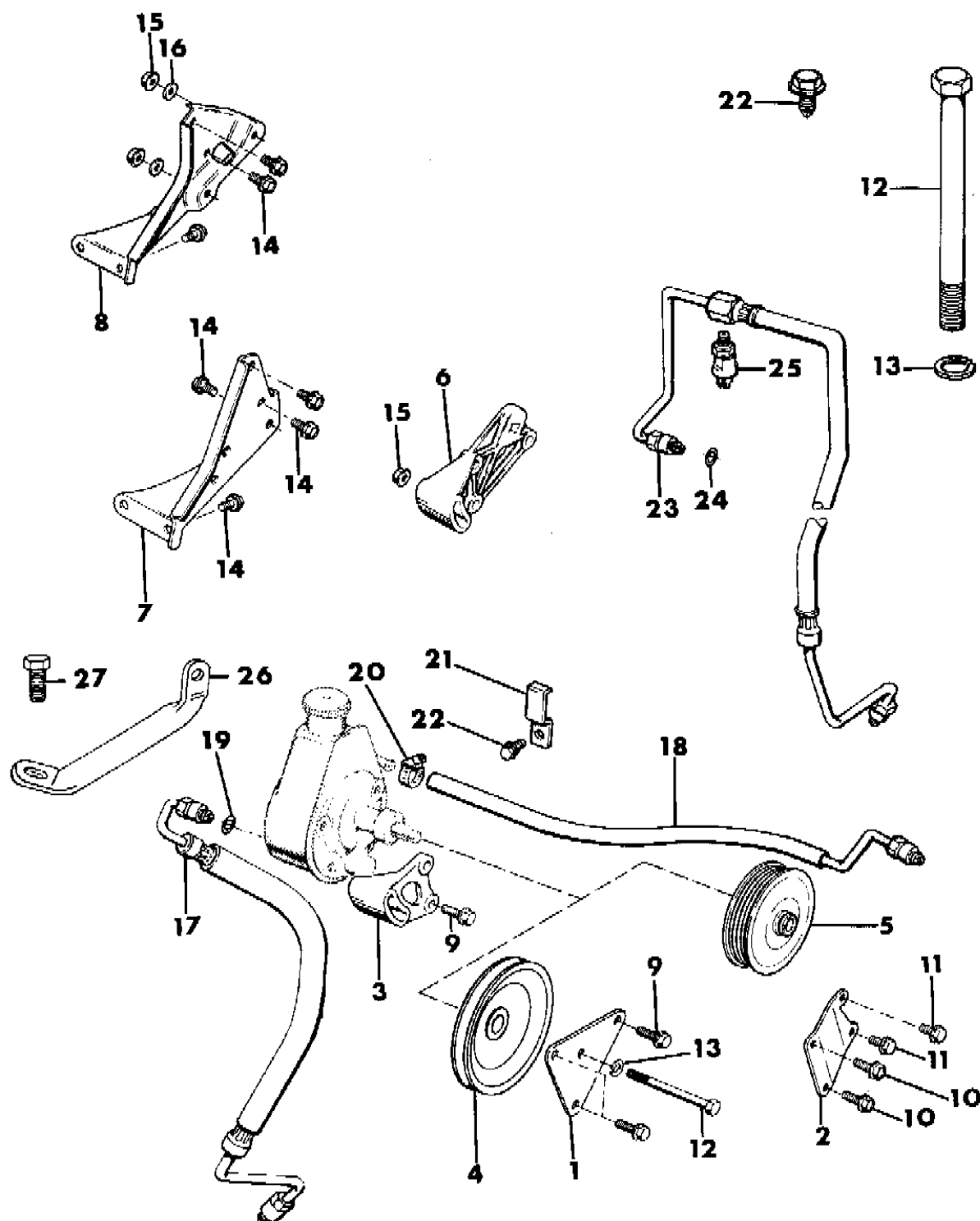
BODY STYLES:

MJ = Comanche Pickup
 SJ = Grand Wagoneer Wgn., J-10 & J-20 Pickups
 XJ = Cherokee, Wagoneer Limited
 YJ = Wrangler

AR = Use as Required - = Non Illustrated Part P.A.R. = Paint as Required

PUMP MOUNTING POWER STEERING WRANGLER
Figure 19-2600

8J19 2600A



| ITEM | PART NUMBER | QTY | BODY | MODEL | DESCRIPTION |
|------|-------------|-----|------|-------|--------------------------------|
| 1 | J323 7232 | 1 | | | BRACKET, w/o Serpentine Belt |
| 2 | 5300 0096 | 1 | | | BRACKET, w/Serpentine Belt |
| 3 | J323 4993 | 1 | | | BRACKET, w/o Serpentine Belt |
| 4 | J322 6937 | 1 | | | PULLEY, w/o Serpentine Belt |
| 5 | J323 8275 | 1 | | | PULLEY, w/Serpentine Belt |
| 6 | J323 8265 | 1 | | | BRACKET, w/o Serpentine Belt |
| 7 | J323 8661 | 1 | | | BRACKET, w/o Serpentine Belt |
| 8 | 3300 1546 | 1 | | | BRACKET, w/Serpentine Belt |
| 9 | 1150 2606 | 2 | | | BOLT |
| 10 | J027 4195 | 2 | | | BOLT |
| 11 | 3420 1868 | 2 | | | BOLT |
| 12 | J018 9295 | 1 | | | BOLT |
| 13 | J400 3803 | 1 | | | WASHER |
| 14 | J027 3773 | AR | | | BOLT |
| 15 | 1150 6007 | 2 | | | NUT |
| 16 | J420 0093 | 2 | | | WASHER |
| 17 | 5200 3687 | 1 | | | HOSE, w/4.0, 4.2L Eng. 1988-90 |
| | 5200 2459 | 1 | | | w/4.0L,4.2L Eng.,1987 |
| 18 | | | | | HOSE |
| | 5200 2460 | 1 | | | w/4.0, 4.2L Eng. |
| | 5204 0125 | 1 | | | w/2.5L Eng. |
| 19 | J325 1183 | 3 | | | SEAL |
| 20 | J320 3076 | 1 | | | CLAMP |
| 21 | J400 4901 | 1 | | | CLIP |
| 22 | J400 2359 | 1 | | | SCREW |
| 23 | 5204 0123 | 1 | | | HOSE, w/2.5L Eng. |
| 24 | J325 1183 | 3 | | | SEAL |
| 25 | 5300 0970 | 1 | | | SWITCH, High Pressure |
| 26 | 5300 6409 | 1 | | | BRACE |
| 27 | J400 6985 | 1 | | | BOLT |

MODEL CODES:

| | | |
|-----------------------------|-----------------------------|------------------------------|
| 15 = Grand Wagoneer 4 Dr. | 65 = Comanche 4WD-7 Ft. Box | 77 = Cherokee 4WD-2 Dr. |
| 25 = J-10 Pickup-119" W.B. | 66 = Comanche 2WD-7 Ft. Box | 78 = Cherokee 4WD-4 Dr. |
| 26 = J-10 Pickup-131" W.B. | 73 = Cherokee 2WD-2 Dr. | 79 = Cherokee 4WD-4 Dr.-Com |
| 27 = J-20 Pickup-131" W.B. | 74 = Cherokee 2WD-4 Dr. | 81 = Wrangler-93" W.B. |
| 63 = Comanche 4WD-6 Ft. Box | 75 = Wagoneer 4WD-4 Dr. | 82 = Wrangler-103" W.B.-Exp. |
| 64 = Comanche 2WD-6 Ft. Box | | |

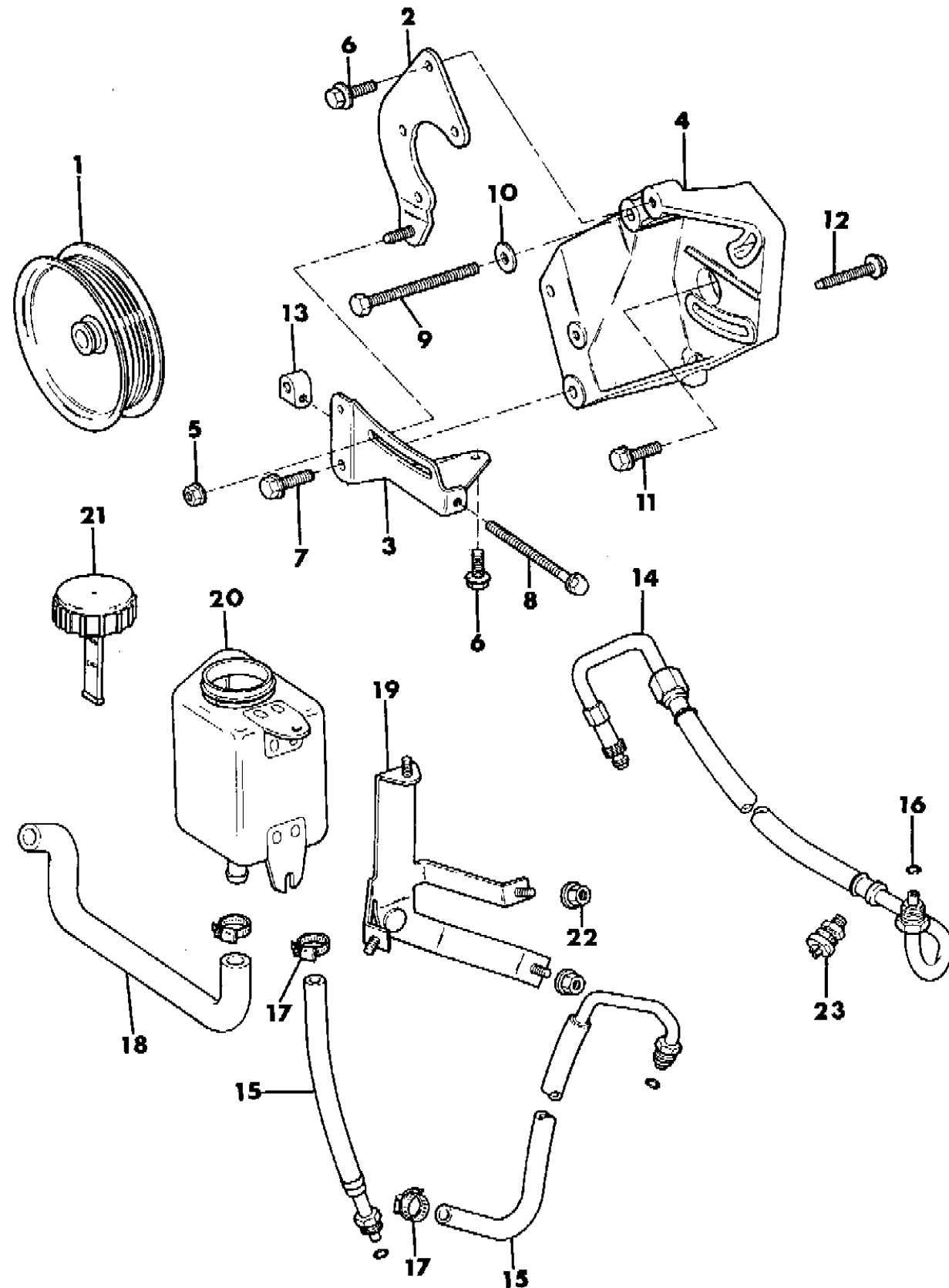
BODY STYLES:

MJ = Comanche Pickup
 SJ = Grand Wagoneer Wgn., J-10 & J-20 Pickups
 XJ = Cherokee, Wagoneer Limited
 YJ = Wrangler

AR = Use as Required - = Non Illustrated Part P.A.R. = Paint as Required

PUMP MOUNTING POWER STEERING CHEROKEE, WAGONEER, COMANCHE
Figure 19-2700

8J19 2700A



| ITEM | PART NUMBER | QTY | BODY | MODEL | DESCRIPTION |
|------|-------------|-----|------|-------|------------------------|
| 1 | | | | | PULLEY |
| | 5300 3805 | 1 | | | w/2.5L Eng. |
| | 5300 2909 | 1 | | | w/4.0L Eng. |
| 2 | 5300 2911 | 1 | | | BRACKET |
| 3 | 5300 2913 | 1 | | | BRACKET |
| 4 | 5300 2910 | 1 | | | BRACKET |
| 5 | 3420 1918 | 1 | | | NUT |
| 6 | | | | | SCREW |
| | 3420 1818 | 1 | | | Length = 25mm |
| | 3420 1586 | 5 | | | Length = 20mm |
| 7 | J400 6995 | 2 | | | BOLT |
| 8 | 3420 2480 | 1 | | | BOLT |
| 9 | J045 6958 | 1 | | | BOLT |
| 10 | J400 1161 | 1 | | | WASHER |
| 11 | J812 5845 | 1 | | | BOLT |
| 12 | 3420 1819 | 2 | | | SCREW |
| 13 | 5300 2915 | 1 | | | COLLAR |
| 14 | | | | | HOSE |
| | 5200 3625 | 1 | | | w/2.5L Eng. |
| | 5200 3627 | 1 | | | w/4.0L Eng. |
| 15 | | | | | HOSE |
| | 5200 3135 | 1 | | | w/2.5L Eng. |
| | 5200 3782 | 1 | | | w/4.0L Eng. |
| | 5300 8450 | 1 | | | w/4.0L Eng. 1990 |
| 16 | J325 1183 | 1 | | | SEAL |
| 17 | J320 3076 | AR | | | CLAMP |
| 18 | 5200 3134 | 1 | | | HOSE, w/2.5L Eng. |
| 19 | 5200 3224 | 1 | | | BRACKET, w/2.5L Eng. |
| 20 | 5200 3130 | 1 | | | RESERVOIR, w/2.5L Eng. |
| 21 | 5200 3132 | 1 | | | CAP, w/2.5L Eng. |
| 22 | | | | | NUT |
| | 1150 2722 | 3 | | | M5x0.8, w/2.5L Eng. |
| | 1150 3745 | 2 | | | M6x1.0, w/2.5L Eng. |
| 23 | 5300 0970 | 1 | | | SWITCH, High Pressure |

MODEL CODES:

| | | |
|-----------------------------|-----------------------------|------------------------------|
| 15 = Grand Wagoneer 4 Dr. | 65 = Comanche 4WD-7 Ft. Box | 77 = Cherokee 4WD-2 Dr. |
| 25 = J-10 Pickup-119" W.B. | 66 = Comanche 2WD-7 Ft. Box | 78 = Cherokee 4WD-4 Dr. |
| 26 = J-10 Pickup-131" W.B. | 73 = Cherokee 2WD-2 Dr. | 79 = Cherokee 4WD-4 Dr.-Com |
| 27 = J-20 Pickup-131" W.B. | 74 = Cherokee 2WD-4 Dr. | 81 = Wrangler-93" W.B. |
| 63 = Comanche 4WD-6 Ft. Box | 75 = Wagoneer 4WD-4 Dr. | 82 = Wrangler-103" W.B.-Exp. |
| 64 = Comanche 2WD-6 Ft. Box | | |

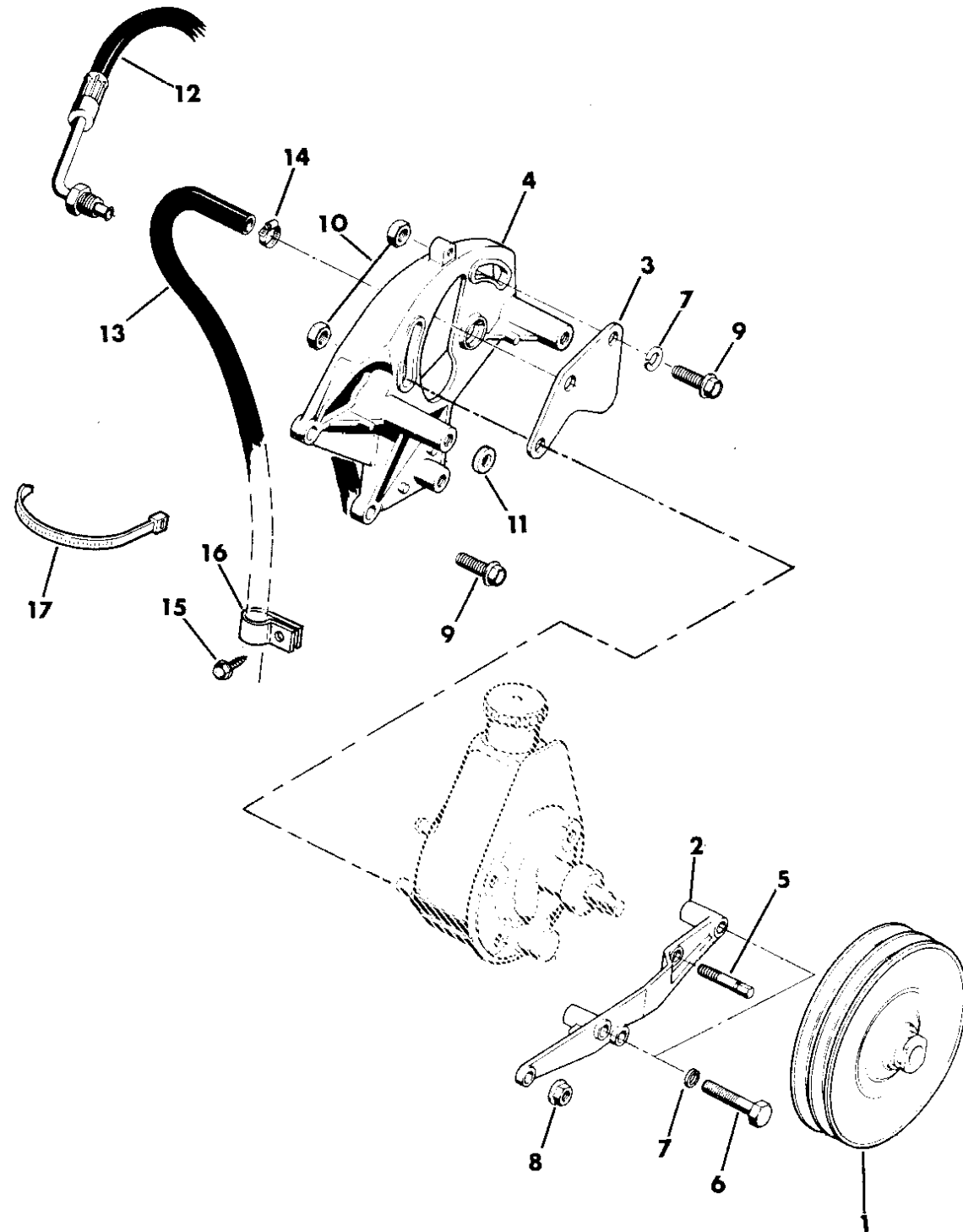
BODY STYLES:

MJ = Comanche Pickup
 SJ = Grand Wagoneer Wgn., J-10 & J-20 Pickups
 XJ = Cherokee, Wagoneer Limited
 YJ = Wrangler

AR = Use as Required - = Non Illustrated Part P.A.R. = Paint as Required

PUMP MOUNTING POWER STEERING, 5.7L ENGINE GRAND WAGONEER, J10, J20
Figure 19-2800

8 J 19 2800



| ITEM | PART NUMBER | QTY | BODY | MODEL | DESCRIPTION |
|------|-------------|-----|------|-------|----------------|
| 1 | J322 7674 | 1 | | | PULLEY |
| 2 | J323 4995 | 1 | | | BRACKET |
| 3 | J323 0990 | 1 | | | BRACKET |
| 4 | J323 4992 | 1 | | | BRACKET |
| 5 | J420 0080 | 1 | | | STUD |
| 6 | J018 0137 | 2 | | | BOLT |
| 7 | J400 3803 | 3 | | | WASHER |
| 8 | J400 3869 | 1 | | | NUT |
| 9 | | | | | BOLT |
| | J400 4010 | 2 | | | Length = 1.12" |
| | J018 0125 | 1 | | | Length = 1.38" |
| 10 | J420 0081 | 2 | | | NUT |
| 11 | J400 1104 | 1 | | | WASHER |
| 12 | 5200 3079 | 1 | | | HOSE |
| 13 | J537 0023 | 1 | | | HOSE |
| 14 | J315 5600 | 1 | | | CLAMP |
| 15 | 1150 1940 | 1 | | | BOLT |
| 16 | J400 4892 | 1 | | | CLIP |
| 17 | J322 3227 | 1 | | | STRAP |

MODEL CODES:

| | | |
|-----------------------------|-----------------------------|------------------------------|
| 15 = Grand Wagoneer 4 Dr. | 65 = Comanche 4WD-7 Ft. Box | 77 = Cherokee 4WD-2 Dr. |
| 25 = J-10 Pickup-119" W.B. | 66 = Comanche 2WD-7 Ft. Box | 78 = Cherokee 4WD-4 Dr. |
| 26 = J-10 Pickup-131" W.B. | 73 = Cherokee 2WD-2 Dr. | 79 = Cherokee 4WD-4 Dr.-Com |
| 27 = J-20 Pickup-131" W.B. | 74 = Cherokee 2WD-4 Dr. | 81 = Wrangler-93" W.B. |
| 63 = Comanche 4WD-6 Ft. Box | 75 = Wagoneer 4WD-4 Dr. | 82 = Wrangler-103" W.B.-Exp. |
| 64 = Comanche 2WD-6 Ft. Box | | |

BODY STYLES:

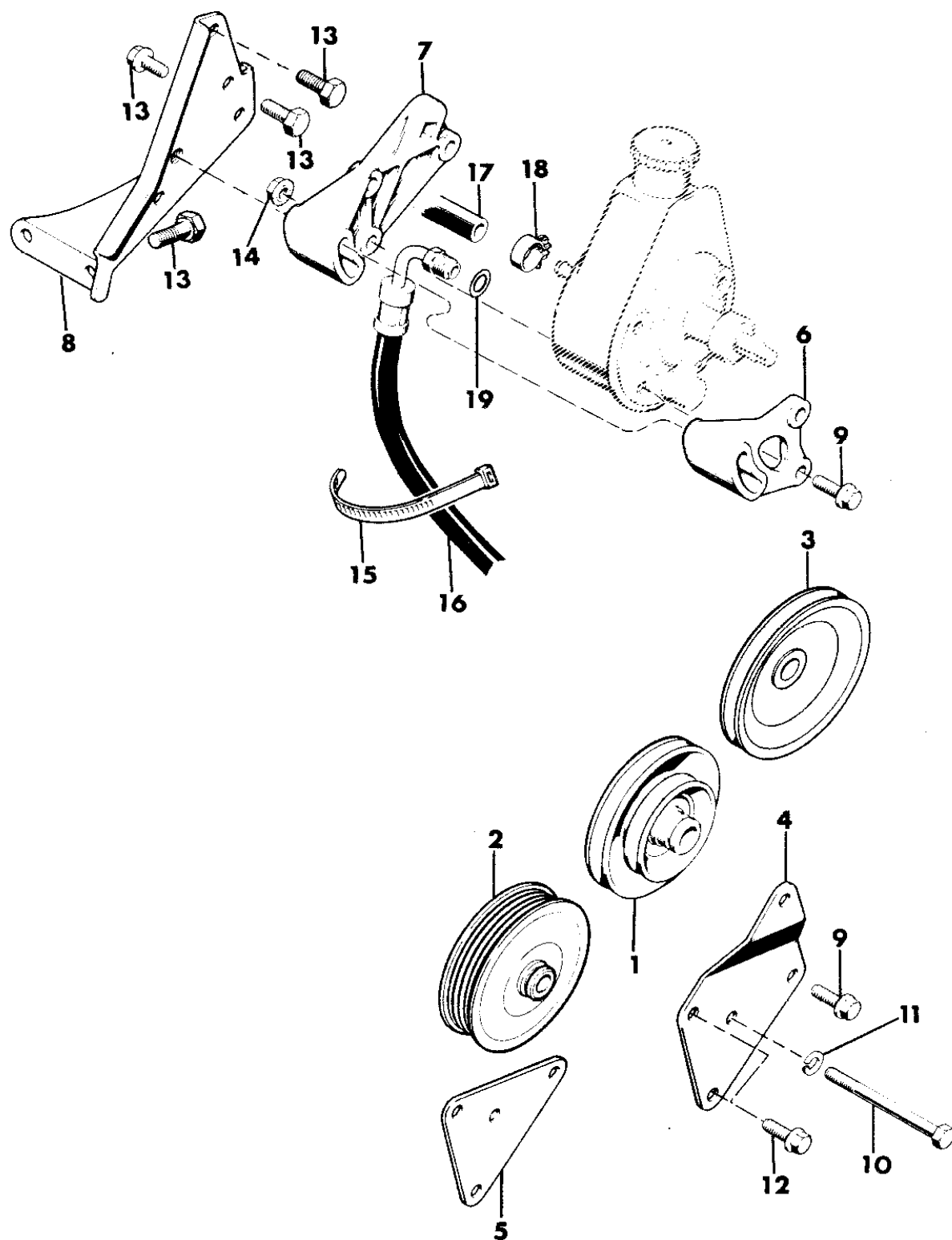
MJ = Comanche Pickup
 SJ = Grand Wagoneer Wgn., J-10 & J-20 Pickups
 XJ = Cherokee, Wagoneer Limited
 YJ = Wrangler

AR = Use as Required - = Non Illustrated Part P.A.R. = Paint as Required

PUMP MOUNTING POWER STEERING, 4.2L ENGINE J10, J20
Figure 19-2900

8J19 2900

| ITEM | PART NUMBER | QTY | BODY | MODEL | DESCRIPTION |
|------|-------------|-----|------|-------|----------------|
| 1 | J322 6937 | 1 | | | PULLEY |
| 2 | J323 8275 | 1 | | | PULLEY |
| 3 | J322 6940 | 1 | | | PULLEY |
| 4 | J323 7571 | 1 | | | BRACKET |
| 5 | J323 7232 | 1 | | | BRACKET |
| 6 | J323 4993 | 1 | | | BRACKET |
| 7 | J323 8265 | 1 | | | BRACKET |
| 8 | J323 8661 | 1 | | | BRACKET |
| 9 | 1150 2606 | 2 | | | BOLT |
| 10 | J018 9295 | 1 | | | BOLT |
| 11 | J400 3803 | 1 | | | WASHER |
| 12 | | | | | SCREW |
| | J027 4195 | 1 | | | Length = 1.00" |
| | J400 6995 | 1 | | | Length = 1.12" |
| 13 | J027 3773 | 6 | | | BOLT |
| 14 | 1150 6007 | 2 | | | NUT |
| 15 | J322 3227 | 1 | | | STRAP |
| 16 | 5200 3769 | 1 | | | HOSE |
| 17 | J537 0025 | 1 | | | HOSE |
| 18 | J315 5600 | 1 | | | CLAMP |
| 19 | J325 1183 | 2 | | | SEAL |



MODEL CODES:

| | | |
|-----------------------------|-----------------------------|------------------------------|
| 15 = Grand Wagoneer 4 Dr. | 65 = Comanche 4WD-7 Ft. Box | 77 = Cherokee 4WD-2 Dr. |
| 25 = J-10 Pickup-119" W.B. | 66 = Comanche 2WD-7 Ft. Box | 78 = Cherokee 4WD-4 Dr. |
| 26 = J-10 Pickup-131" W.B. | 73 = Cherokee 2WD-2 Dr. | 79 = Cherokee 4WD-4 Dr.-Com |
| 27 = J-20 Pickup-131" W.B. | 74 = Cherokee 2WD-4 Dr. | 81 = Wrangler-93" W.B. |
| 63 = Comanche 4WD-6 Ft. Box | 75 = Wagoneer 4WD-4 Dr. | 82 = Wrangler-103" W.B.-Exp. |
| 64 = Comanche 2WD-6 Ft. Box | | |

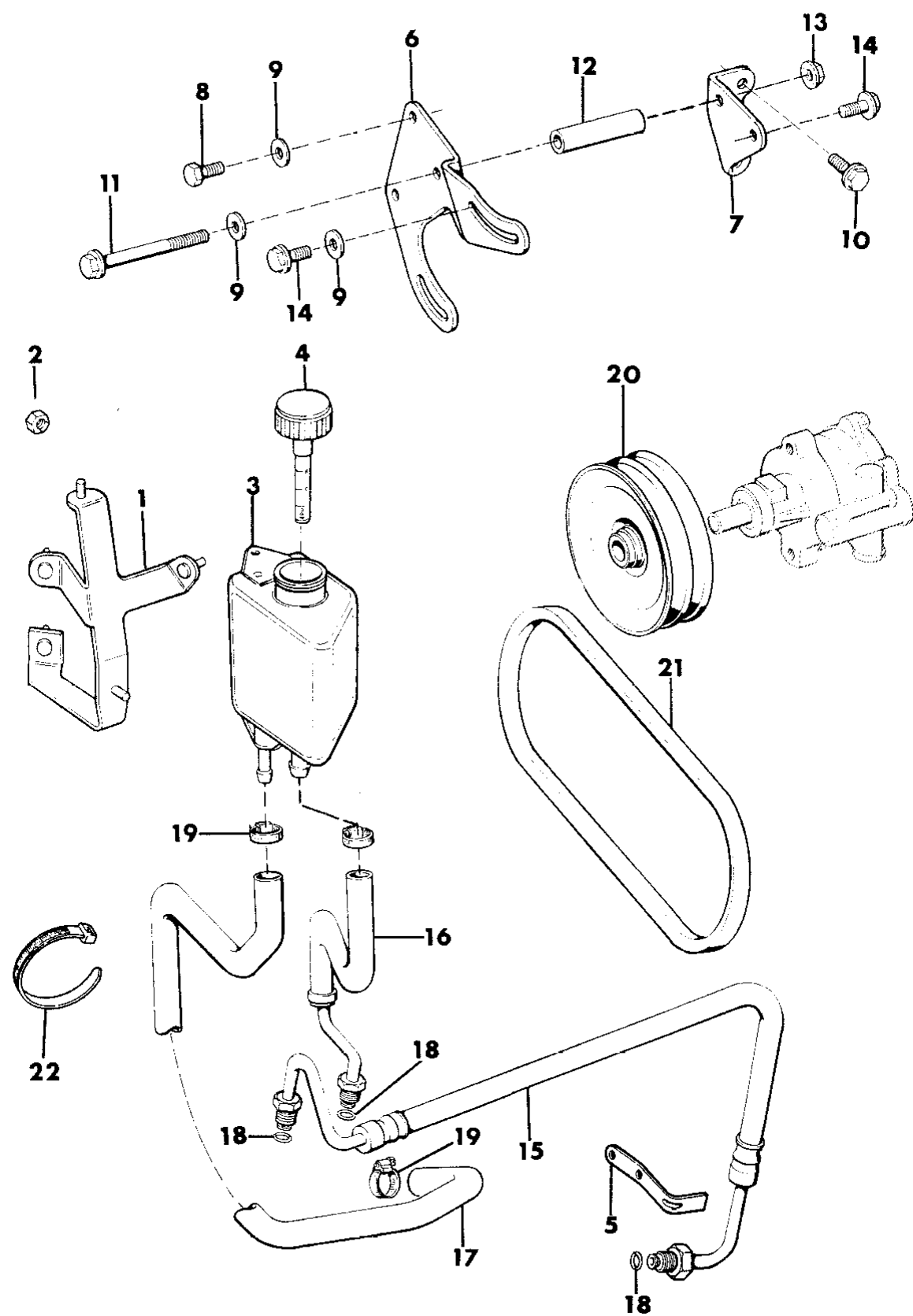
BODY STYLES:

MJ = Comanche Pickup
 SJ = Grand Wagoneer Wgn., J-10 & J-20 Pickups
 XJ = Cherokee, Wagoneer Limited
 YJ = Wrangler

AR = Use as Required - = Non Illustrated Part P.A.R. = Paint as Required

PUMP MOUNTING POWER STEERING, 2.1L DIESEL ENGINE CHEROKEE, WAGONEER
Figure 19-3000

8J19 3000



| ITEM | PART NUMBER | QTY | BODY | MODEL | DESCRIPTION |
|------|-------------|-----|------|-------|------------------|
| 1 | 5200 3225 | 1 | | | BRACKET |
| 2 | 1150 2722 | 3 | | | NUT M5x0.8 |
| | 1150 3745 | 2 | | | M6x1.0 |
| 3 | 5200 3130 | 1 | | | RESERVOIR |
| | 8350 0243 | 1 | | | MAGNET, 1987 *** |
| 4 | 5200 3132 | 1 | | | CAP |
| 5 | 5200 3629 | 1 | | | BRACKET |
| 6 | 5300 1768 | 1 | | | BRACKET |
| 7 | 5300 1769 | 1 | | | BRACKET |
| 8 | S150 0832 | 2 | | | BOLT |
| 9 | J400 1104 | 5 | | | WASHER |
| 10 | 3420 1586 | 2 | | | BOLT |
| 11 | T300 1695 | 1 | | | BOLT |
| 12 | 3420 2052 | 1 | | | SPACER |
| 13 | 1150 2812 | 1 | | | NUT |
| 14 | 3420 1540 | 3 | | | BOLT |
| 15 | 5200 3212 | 1 | | | HOSE |
| 16 | 5200 3140 | 1 | | | HOSE |
| 17 | 5200 3139 | 1 | | | HOSE |
| 18 | J325 1183 | 3 | | | SEAL |
| 19 | J320 3076 | 3 | | | CLAMP |
| 20 | 5300 1767 | 1 | | | PULLEY |
| 21 | 5300 1773 | 1 | | | BELT |
| 22 | J322 3227 | 1 | | | STRAP |

MODEL CODES:

| | | |
|-----------------------------|-----------------------------|------------------------------|
| 15 = Grand Wagoneer 4 Dr. | 65 = Comanche 4WD-7 Ft. Box | 77 = Cherokee 4WD-2 Dr. |
| 25 = J-10 Pickup-119" W.B. | 66 = Comanche 2WD-7 Ft. Box | 78 = Cherokee 4WD-4 Dr. |
| 26 = J-10 Pickup-131" W.B. | 73 = Cherokee 2WD-2 Dr. | 79 = Cherokee 4WD-4 Dr.-Com |
| 27 = J-20 Pickup-131" W.B. | 74 = Cherokee 2WD-4 Dr. | 81 = Wrangler-93" W.B. |
| 63 = Comanche 4WD-6 Ft. Box | 75 = Wagoneer 4WD-4 Dr. | 82 = Wrangler-103" W.B.-Exp. |
| 64 = Comanche 2WD-6 Ft. Box | | |

BODY STYLES:

MJ = Comanche Pickup
 SJ = Grand Wagoneer Wgn., J-10 & J-20 Pickups
 XJ = Cherokee, Wagoneer Limited
 YJ = Wrangler

AR = Use as Required - = Non Illustrated Part P.A.R. = Paint as Required

GROUP 21M - TRANSMISSION, MANUAL

| ILLUSTRATION TITLE | GROUP-FIG. NO. |
|---|----------------|
| MANUAL TRANSMISSION AND TRANSFER CASE ASSEMBLIES ALL MODELS | Fig. 21M-100 |
| TRANSFER CASE ASSEMBLY N.P.G. MODEL 207, KANDA MODEL 87A-K WRANGLER, YJ, CHEROKEE, WAGONEER, COMANCHE | Fig. 21M-150 |
| TRANSMISSION CASE, EXTENSION & MISCELLANEOUS PARTS FOUR CYL. GAS OR DIESEL ENGINE 4 OR 5 SPEED TRANSAISIN MODEL AX4 OR AX5 | Fig. 21M-200 |
| GEAR TRAIN, MANUAL TRANSMISSION FOUR CYL. GAS OR DIESEL ENGINE 4 OR 5 SPEED TRANSAISIN MODEL AX4 OR AX5 | Fig. 21M-300 |
| FORKS, RAILS, SHAFTS, MANUAL TRANSMISSION FOUR CYL. GAS OR DIESEL ENGINE 4 OR 5 SPEED TRANS.AISIN MODEL AX4 OR AX5 | Fig. 21M-400 |
| TRANSMISSION CASE, ADAPTER AND MISC. PARTS SIX CYL. ENG. 4.0L, 4.2L, FIVE SPEED TRANSMISSION PEUGEOT MODEL BA 10/5 | Fig. 21M-500 |
| GEAR TRAIN, MANUAL TRANSMISSION SIX CYL. ENG. 4.0L, 4.2L, FIVE SPEED TRANSMISSION PEUGEOT MODEL BA 10/5 | Fig. 21M-600 |
| FORKS, RAILS, SHIFT MANUAL TRANSMISSION SIX CYL. ENG. 4.0L, 4.2L, FIVE SPEED TRANSMISSION PEUGEOT MODEL BA 10/5 | Fig. 21M-700 |
| CASE, ADAPTER/EXTENSION & MISC. PARTS, MANUAL TRANSIX CYL. ENG. 4.0L, 4.2L, FIVE SPEED TRANSMISSION AISIN MODEL AX 15 | Fig. 21M-800 |
| GEAR TRAIN, MANUAL TRANSMISSION SIX CYLINDER ENGINE 4.0L, 4.2L, FIVE SPEED TRANS AISIN - MODEL AX 15 | Fig. 21M-900 |
| GEAR TRAIN, REVERSE IDLER, MANUAL TRANSMISSION SIX CYLINDER ENGINE 4.0L, 4.2L FIVE SPEED TRANSMISSION - AISIN MODEL AX15 | Fig. 21M-1000 |
| FORKS, RAILS, SHAFTS MANUAL TRANSMISSION SIX CYL. ENG. 4.0L, 4.2L, FIVE SPEED AISIN MODEL AX15 | Fig. 21M-1100 |
| TRANSMISSION CASE, ADAPTER AND MISCELLANEOUS PARTS FOUR SPEED TRANSMISSION MODEL TREMEC T177 TRUCK J10, J20 | Fig. 21M-1300 |
| GEAR TRAIN FOUR SPEED TRANSMISSION MODEL TREMEC T177 TRUCK J10, J20 | Fig. 21M-1400 |
| FORKS, RAILS, SHIFT MANUAL TRANSMISSION FOUR SPEED TRANSMISSION MODEL TREMEC T177 TRUCK J10, J20 | Fig. 21M-1500 |
| CONTROLS, GEARSHIFT FIVE SPEED TRANSMISSION WRANGLER, YJ | Fig. 21M-1600 |
| CONTROLS, GEARSHIFT FOUR OR FIVE SPEED TRANSMISSION CHEROKEE, WAGONEER, COMANCHE | Fig. 21M-1700 |
| CONTROLS, GEARSHIFT FOUR SPEED TRANSMISSION MODEL TREMEC T177 GRAND WAGONEER, TRUCK J10, J20 | Fig. 21M-1800 |
| CASE, EXTENSION AND MISCELLANEOUS PARTS N.P.G. MODEL 231 TRANSFER CASE WRANGLER, YJ, CHEROKEE, COMANCHE | Fig. 21M-1900 |
| GEAR TRAIN N.P.G. MODEL 231 TRANSFER CASE WRANGLER, YJ, CHEROKEE, COMANCHE | Fig. 21M-2000 |
| FORKS, RAILS, MISCELLANEOUS PARTS, SHIFT N.P.G. MODEL 231 TRANSFER CASE WRANGLER, YJ, CHEROKEE, COMANCHE | Fig. 21M-2100 |

ILLUSTRATION NOT AVAILABLE AT TIME OF PUBLICATION

GROUP 21M - TRANSMISSION, MANUAL

GROUP 21M - TRANSMISSION, MANUAL

ILLUSTRATION TITLE

GROUP-FIG. NO.

ILLUSTRATION TITLE

GROUP-FIG. NO.

POWER STEERING MOUNTING (Continued)

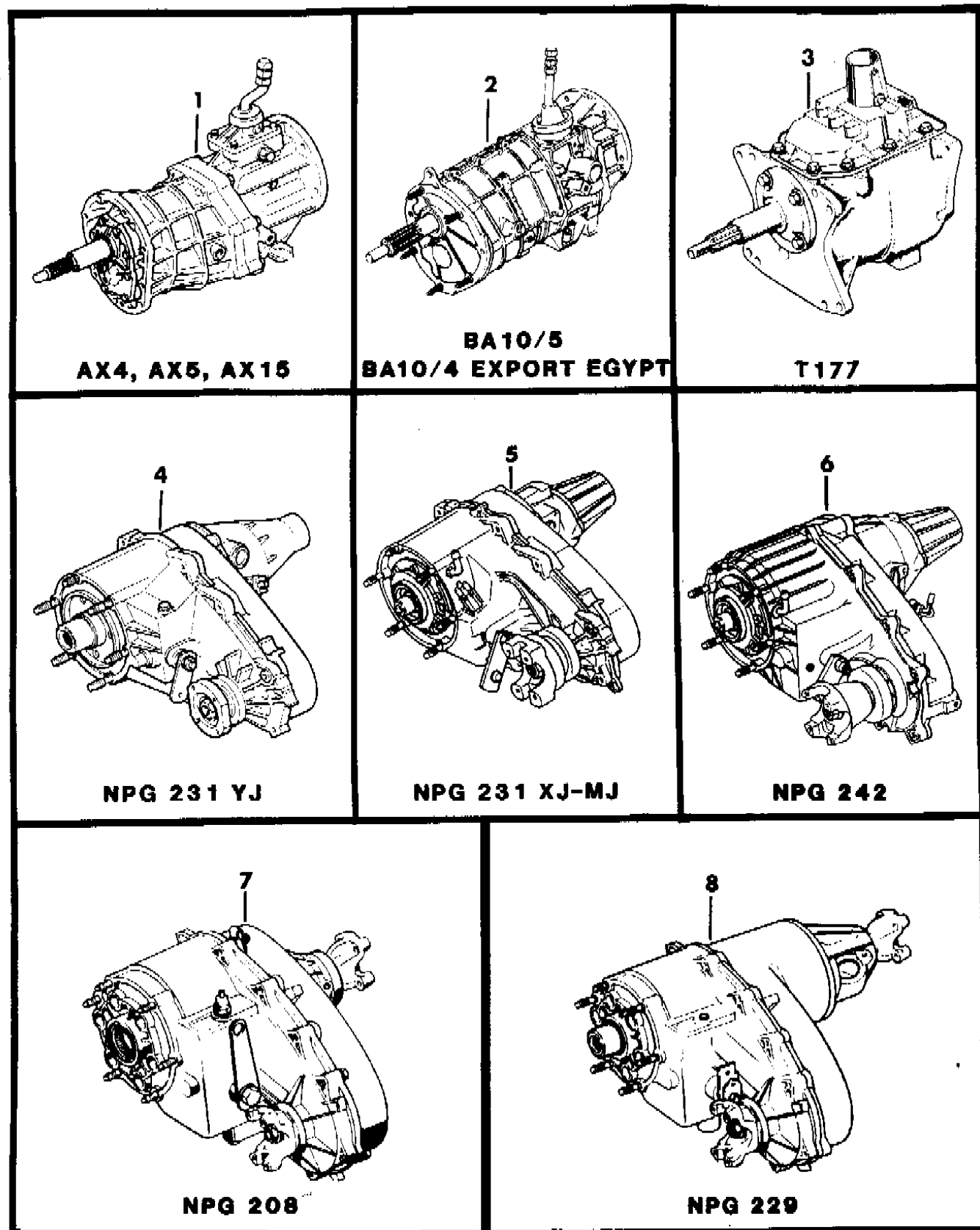
| | |
|--|---------------|
| FORKS, RAILS, MISCELLANEOUS PARTS, SHIFT N.P.G. MODEL 231 TRANSFER CASE WRANGLER, YJ, CHEROKEE, COMANCHE | Fig. 21M-2100 |
| CASE, EXTENSION AND MISCELLANEOUS PARTS N.P.G. MODEL 207 TRANSFER CASE WRANGLER, YJ GEAR TRAIN N.P.G. MODEL 207 TRANSFER CASE WRANGLER, YJ | Fig. 21M-2200 |
| FORKS, RAILS, SHAFTS - SHIFTING N.P.G. MODEL 207 TRANSFER CASE WRANGLER, YJ | Fig. 21M-2300 |
| CASE, EXTENSION AND MISCELLANEOUS PARTS N.P.G. MODEL 242 TRANSFER CASE CHEROKEE, WAGONEER, COMANCHE | Fig. 21M-2400 |
| GEAR TRAIN N.P.G. MODEL 242 TRANSFER CASE CHEROKEE, WAGONEER, COMANCHE | Fig. 21M-2500 |
| FORKS, RAILS - SHIFTING N.P.G. MODEL 242 TRANSFER CASE CHEROKEE, WAGONEER, COMANCHE | Fig. 21M-2600 |
| CASE, EXTENSION AND MISC. PARTS N.P.G. MODEL 208 TRANSFER CASE GRAND WAGONEER, TRUCK J10, J20 | Fig. 21M-2700 |
| GEAR TRAIN N.P.G. MODEL 208 TRANSFER CASE GRAND WAGONEER, TRUCK J10, J20 | Fig. 21M-2800 |
| FORKS, RAILS, SHIFT CONTROLS N.P.G. MODEL 208 TRANSFER CASE GRAND WAGONEER, TRUCK J10, J20 | Fig. 21M-2900 |
| CASE, EXTENSION AND MISC. PARTS N.P.G. MODEL 229 TRANSFER CASE GRAND WAGONEER, TRUCK J10, J20 | Fig. 21M-3000 |
| GEAR TRAIN N.P.G. MODEL 229 TRANSFER CASE GRAND WAGONEER, TRUCK J10, J20 | Fig. 21M-3100 |
| FORKS, RAILS, SHAFTS, SHIFTING N.P.G. MODEL 229 TRANSFER CASE GRAND WAGONEER, TRUCK J10, J20 | Fig. 21M-3200 |
| CASE, EXTENSION AND MISCELLANEOUS PARTS KANDA MODEL 87A-K TRANSFER CASE(CKD) WRANGLER, YJ, CHEROKEE, WAGONEER, COMANCHE | Fig. 21M-3300 |
| GEAR TRAIN KANDA MODEL 87A-K TRANSFER CASE(CKD) WRANGLER, YJ, CHEROKEE, WAGONEER, COMANCHE | Fig. 21M-3325 |
| FORKS, RAILS, MISCELLANEOUS PARTS, SHIFT KANDA MODEL 87A-K TRANSFER CASE(CKD) WRANGLER, YJ, CHEROKEE, WAGONEER, COMANCHE | Fig. 21M-3350 |
| CONTROLS, SHIFT N.P.G. MODEL 231 /KANDA MODEL 87A-K TRANSFER CASE WRANGLER, YJ | Fig. 21M-3375 |
| CONTROLS, SHIFT N.P.G. MODEL 231/KANDA MODEL 87A-K TRANSFER CASE CHEROKEE, WAGONEER, COMANCHE | Fig. 21M-3400 |
| CONTROLS, SHIFT N.P.G. MODEL 242 TRANSFER CASE CHEROKEE, WAGONEER, COMANCHE | Fig. 21M-3500 |
| CONTROLS, TRANSFER CASE SHIFT N.P.G. MODEL 208 WITH MANUAL TRANSMISSION GRAND WAGONEER, TRUCK J10, J20 | Fig. 21M-3600 |
| CONTROLS, TRANSFER CASE SHIFT N.P.G. MODEL 208, 229 WITH AUTOMATIC TRANSMISSION GRAND WAGONEER, TRUCK J10, J20 | Fig. 21M-3700 |
| CONTROLS SWITCH, TRANSFER CASE VACUUM N.P.G. MODEL 229 TYPE 1 GRAND WAGONEER, TRUCK J10, J20 | Fig. 21M-3750 |
| | Fig. 21M-3800 |

POWER STEERING MOUNTING (Continued)

| | |
|--|---------------|
| CONTROLS SWITCH, TRANSFER CASE VACUUM N.P.G. MODEL 229 TYPE 1 GRAND WAGONEER, TRUCK J10, J20 | Fig. 21M-3800 |
| CONTROLS SWITCH, TRANSFER CASE VACUUM N.P.G. MODEL 229 TYPE 2 GRAND WAGONEER, TRUCK J10, J20 | Fig. 21M-3900 |
| CABLE, SPEEDOMETER WITH PINION AND ADAPTER MANUAL TRANSMISSION WRANGLER, YJ | Fig. 21M-4000 |
| CABLE, SPEEDOMETER AND PINION MANUAL TRANSMISSION CHEROKEE, WAGONEER, COMANCHE | Fig. 21M-4100 |
| CABLE, SPEEDOMETER AND PINION MANUAL TRANSMISSION TRUCK J10, J20 | Fig. 21M-4200 |

MANUAL TRANSMISSION AND TRANSFER CASE ASSEMBLIES ALL MODELS
Figure 21M-100

8J21 100 A



| ITEM | PART NUMBER | QTY | BODY | MODEL | DESCRIPTION |
|------|-------------|-----|--------|-------|---|
| 1 | | | | | TRANSMISSION ASSEMBLY |
| | | | | | 4 SPEED |
| | 5300 3023 | 1 | XJ, MJ | | 1987-89: AX4, 4 Cylinder Engine, 2WD, Up to 11/4/88 |
| | 5300 6168 | 1 | XJ, MJ | | 1989-90: AX4, 4 Cylinder Engine, 2WD, After 11/4/88 |
| | 5300 4119 | 1 | XJ, MJ | | 1987-89: AX4, 4 Cylinder Engine, 4WD, Up to 11/8/88 |
| | 5300 6172 | 1 | XJ, MJ | | 1989-90: AX4, 4 Cylinder Engine, After 11/8/88 |
| | | | | | 5 SPEED |
| | 5300 4224 | 1 | YJ | | 1987-89: AX5, 4 Cylinder Engine, 4WD, Up to 10/4/88 |
| | 5300 6176 | 1 | YJ | | 1989-90: AX5, 4 Cylinder Engine, 4WD, After 10/4/88 |
| | 5300 5360 | 1 | YJ | | 1989-90: AX15, 6 Cylinder Engine, 4WD, After 3/3/89 |
| | 5300 3024 | 1 | XJ, MJ | | 1987-89: AX5, 4 Cylinder Engine, 2WD, Up to 10/4/88 |
| | 5300 6169 | 1 | XJ, MJ | | 1989-90: AX5, 4 Cylinder Engine, 2WD, After 10/4/88 |
| | 5300 3388 | 1 | XJ, MJ | | 1987-89: AX5, Diesel Engine, 2WD, Up to 11/1/88 |
| | 5300 6170 | 1 | XJ, MJ | | 1989-90: AX5, Diesel Engine, 2WD, After 11/1/88 |
| | 5300 5386 | 1 | XJ, MJ | | 1989-90: AX15, 6 Cylinder Engine, 2WD, After 3/9/89 |
| | 5300 4358 | 1 | XJ, MJ | | 1987-89: AX5, 4 Cylinder Engine, 4WD, Up to 12/12/88 |
| | 5300 6173 | 1 | XJ, MJ | | 1989-90: AX5, 4 Cylinder Engine, 4WD, After 12/12/88 |
| | 5300 4359 | 1 | XJ, MJ | | 1987-89: AX5, Diesel Engine, 4WD, Up to 11/21/88 |
| | 5300 6174 | 1 | XJ, MJ | | 1989-90: AX5, Diesel Engine, 4WD, After 11/21/88 |
| | 5300 5385 | 1 | XJ, MJ | | 1989-90: AX15, 6 Cylinder Engine, 4WD, After 3/9/89 |
| 2 | | | | | TRANSMISSION ASSEMBLY, Model BA 10/5 Peugeot |
| | 5300 2035 | 1 | YJ | | 1987: 5 Speed, 6 Cylinder Engine, 4WD |
| | 5300 5248 | 1 | YJ | | 1988-89: 5 SPEED, 6 Cylinder Engine, 4WD |
| | 5300 5451 | 1 | YJ | | 1989: 5 SPEED, 6 Cylinder Engine, 4WD, Up to 3/9/89 |
| | 5300 5452 | 1 | YJ | | 1988: 4 SPEED, 6 Cylinder Engine, 4WD, CKD Egypt |
| | 5300 2838 | 1 | XJ, MJ | | 1987: 5 SPEED, 6 Cylinder Engine, 2WD |
| | 5300 5251 | 1 | XJ, MJ | | 1988: 5 SPEED, 6 Cylinder Engine, 2WD, Up to Transmission serial no. 131162 |
| | 5300 5453 | 1 | XJ, MJ | | 1988-89: 5 SPEED, 6 Cylinder Engine, 2WD, After Transmission serial no. 131162. |
| | 5300 3234 | 1 | XJ, MJ | | 1987: 5 SPEED, 6 Cylinder Engine, 4WD |
| | 5300 5252 | 1 | XJ, MJ | | 1988: 5 SPEED, 6 Cylinder Engine, 4WD, Up to Transmission serial no. 131162. |
| | 5300 5454 | 1 | XJ, MJ | | 1988-89: 5 SPEED, 6 Cylinder Engine, 4WD, After Transmission serial no. 131162. |
| 3 | 5300 4993 | 1 | SJ | | TRANSMISSION ASSEMBLY, 4 Speed T177, 4WD |
| 4 | | | | | TRANSFER CASE ASSEMBLY, MODEL NPG 231 |

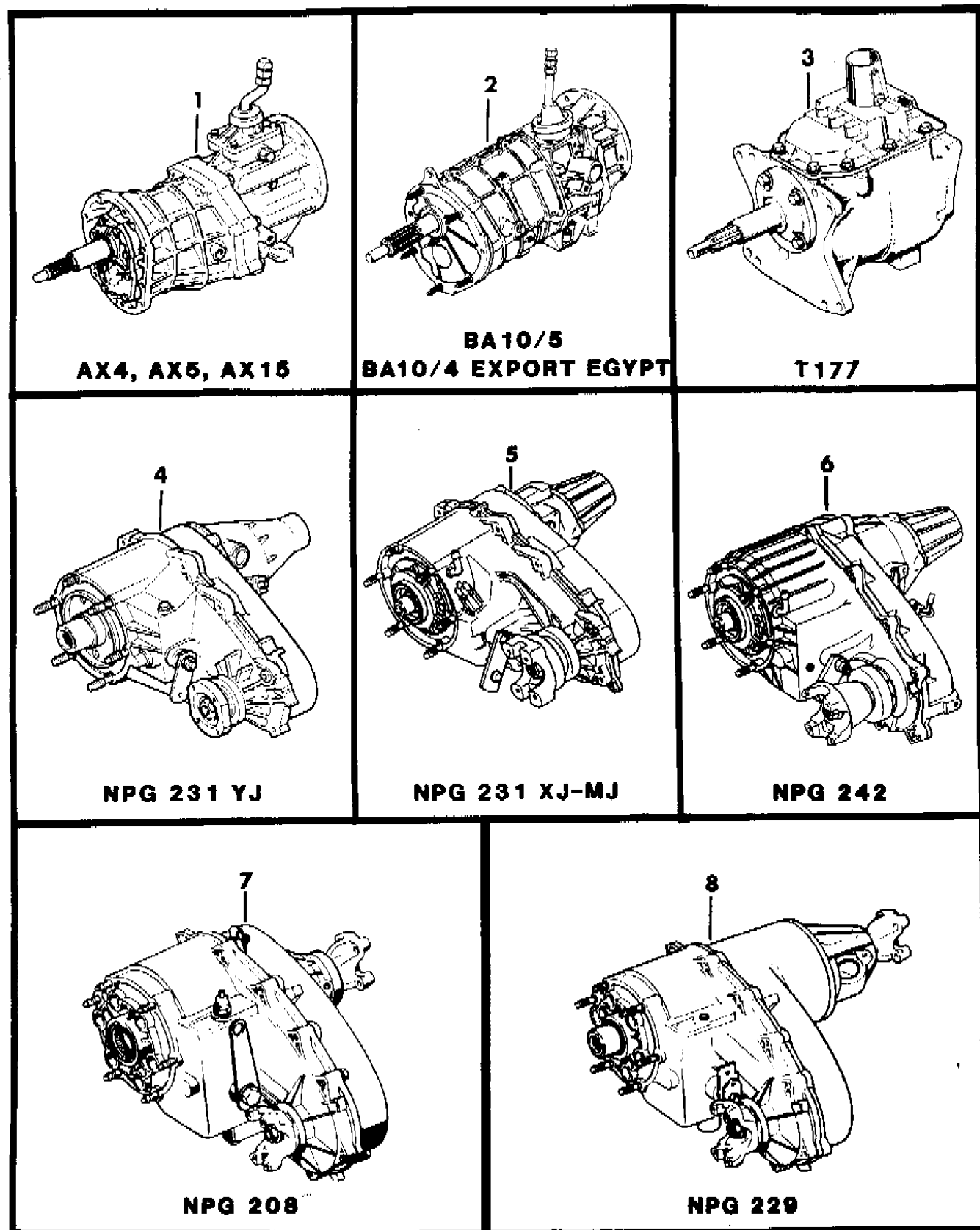
MODEL CODES:
 15 = Grand Wagoneer 4 Dr. 65 = Comanche 4WD-7 Ft. Box 77 = Cherokee 4WD-2 Dr.
 25 = J-10 Pickup-119" W.B. 66 = Comanche 2WD-7 Ft. Box 78 = Cherokee 4WD-4 Dr.
 26 = J-10 Pickup-131" W.B. 73 = Cherokee 2WD-2 Dr. 79 = Cherokee 4WD-4 Dr.-Com
 27 = J-20 Pickup-131" W.B. 74 = Cherokee 2WD-4 Dr. 81 = Wrangler-93" W.B.
 63 = Comanche 4WD-6 Ft. Box 75 = Wagoneer 4WD-4 Dr. 82 = Wrangler-103" W.B.-Exp.
 64 = Comanche 2WD-6 Ft. Box

BODY STYLES:
 MJ = Comanche Pickup
 SJ = Grand Wagoneer Wgn., J-10 & J-20 Pickups
 XJ = Cherokee, Wagoneer Limited
 YJ = Wrangler

AR = Use as Required - = Non Illustrated Part P.A.R. = Paint as Required

MANUAL TRANSMISSION AND TRANSFER CASE ASSEMBLIES ALL MODELS
Figure 21M-100

8J21 100 A



| ITEM | PART NUMBER | QTY | BODY | MODEL | DESCRIPTION |
|------|-------------|-----|--------|-------|---|
| | 5300 4272 | 1 | YJ | | 1987-89: 4 Cylinder Engine, 5 Speed Transmission, Up to 10/18/88 |
| | 5300 6095 | 1 | YJ | | 1989: 4 Cylinder Engine, 5 Speed Transmission, After 10/18/88 |
| | 5300 6095 | 1 | YJ | | 1990: 4 Cylinder Engine, 5 Speed Transmission, Up to 10/9/89 |
| | 5300 8211 | 1 | YJ | | 1990: 4 Cylinder Engine, 5 Speed Transmission, After 10/9/89 |
| | 5300 4328 | 1 | YJ | | 1987-89: 6 Cylinder Engine, 5 Speed Transmission, Up to 10/19/88 |
| | 5300 6191 | 1 | YJ | | 1989: 6 Cylinder Engine, 5 Speed Transmission, After 10/19/88 thru 3/1/89 |
| | 5300 6096 | 1 | YJ | | 1989: 6 Cylinder Engine, 5 Speed Transmission, After 3/1/89 |
| | 5300 6096 | 1 | YJ | | 1990: 6 Cylinder Engine, 5 Speed Transmission, Up to 10/9/89 |
| | 5300 8212 | 1 | YJ | | 1990: 6 Cylinder Engine, 5 Speed Transmission, After 10/9/89 |
| | 5300 4271 | 1 | YJ | | 1987-89: Automatic Transmission, Up to 10/20/89 |
| | 5300 6094 | 1 | YJ | | 1989: Automatic Transmission, After 10/20/88 |
| | 5300 6094 | 1 | YJ | | 1990: Automatic Transmission, Up to 10/9/89 |
| | 5300 8210 | 1 | YJ | | 1990: Automatic Transmission, After 10/9/89 |
| 5 | | | | | TRANSFER CASE ASSEMBLY, MODEL NPG 231 |
| | 5300 3927 | 1 | XJ, MJ | | 1987-89: 4 Cylinder Engine, Manual Transmission, Up to 10/17/88 |
| | 5300 6091 | 1 | XJ, MJ | | 1989: 4 Cylinder Engine, 5 Speed Transmission, After 10/17/88 |
| | 5300 6091 | 1 | XJ, MJ | | 1990: 4 Cylinder Engine, 5 Speed Transmission, Up to 10/2/89 |
| | 5300 8207 | 1 | XJ, MJ | | 1990: 4 Cylinder Engine, 5 Speed Transmission, After 10/2/89 |
| | 5300 4301 | 1 | XJ, MJ | | 1987-89: 6 Cylinder Engine, 5 Speed Transmission, Or Automatic Transmission, Up to 10/18/88 |
| | 5300 6092 | 1 | XJ, MJ | | 1989: 6 Cylinder Engine, 5 Speed Peugeot Transmission, After 10/18/88 |
| | 5300 6092 | 1 | XJ, MJ | | 1990: Up to 10/2/89. |
| | 5300 8208 | 1 | XJ, MJ | | 1990: Automatic Transmission, After 10/2/89 |
| | 5300 6093 | 1 | XJ, MJ | | 1989: 5 Speed Aisin AX15 Transmission, After 3/1/89 |
| | 5300 6093 | 1 | XJ, MJ | | 1990: 5 Speed Aisin AX15 Transmission, Up to 10/2/89 |
| | 5300 8209 | 1 | XJ, MJ | | 1990: 5 Speed Aisin AX15 Transmission, After 10/2/89 |
| 6 | | | | | TRANSFER CASE ASSEMBLY, Model NPG 242, W/Automatic Transmission |
| | 5300 4269 | 1 | XJ, MJ | | 1987-89: 6 Cylinder Engine, Up To 11/2/88 |
| | 5300 6097 | 1 | XJ, MJ | | 1989: After 11/2/88. |
| | 5300 6097 | 1 | XJ, MJ | | 1990: Up to 10/16/89. |
| | 5300 8223 | 1 | XJ, MJ | | 1990: After 10/16/89. |

MODEL CODES:

| | | |
|-----------------------------|-----------------------------|------------------------------|
| 15 = Grand Wagoneer 4 Dr. | 65 = Comanche 4WD-7 Ft. Box | 77 = Cherokee 4WD-2 Dr. |
| 25 = J-10 Pickup-119" W.B. | 66 = Comanche 2WD-7 Ft. Box | 78 = Cherokee 4WD-4 Dr. |
| 26 = J-10 Pickup-131" W.B. | 73 = Cherokee 2WD-2 Dr. | 79 = Cherokee 4WD-4 Dr.-Com |
| 27 = J-20 Pickup-131" W.B. | 74 = Cherokee 2WD-4 Dr. | 81 = Wrangler-93" W.B. |
| 63 = Comanche 4WD-6 Ft. Box | 75 = Wagoneer 4WD-4 Dr. | 82 = Wrangler-103" W.B.-Exp. |
| 64 = Comanche 2WD-6 Ft. Box | | |

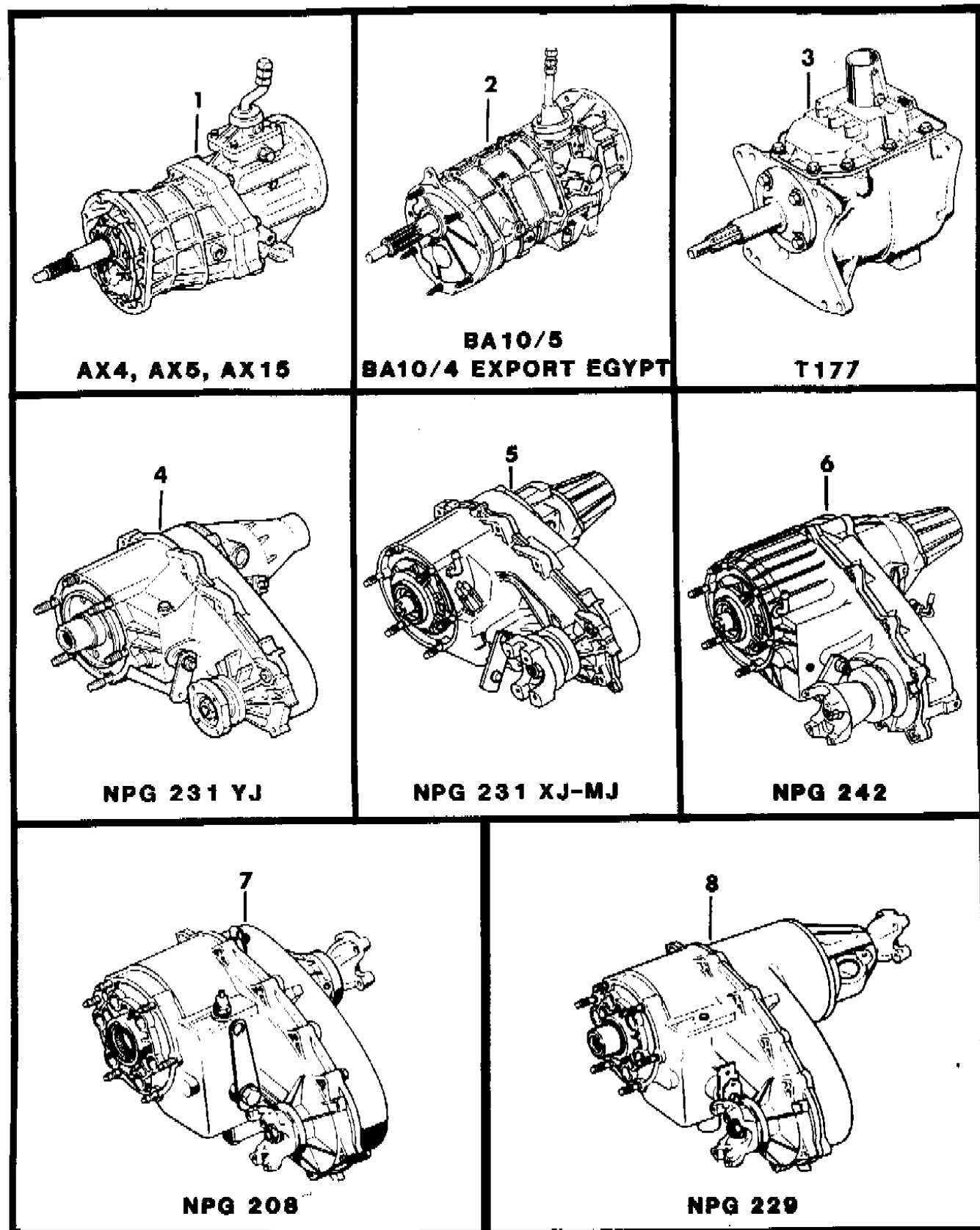
BODY STYLES:

MJ = Comanche Pickup
 SJ = Grand Wagoneer Wgn., J-10 & J-20 Pickups
 XJ = Cherokee, Wagoneer Limited
 YJ = Wrangler

AR = Use as Required - = Non Illustrated Part P.A.R. = Paint as Required

MANUAL TRANSMISSION AND TRANSFER CASE ASSEMBLIES ALL MODELS
Figure 21M-100

8J21 100 A



| ITEM | PART NUMBER | QTY | BODY | MODEL | DESCRIPTION |
|------|-------------|-----|--------|-------|---|
| | 5300 5464 | 1 | XJ, MJ | | 1988-89: ECE, Up to 10/16/88 |
| | 5300 6098 | 1 | XJ, MJ | | 1989: ECE, After 10/16/88. |
| | 5300 6098 | 1 | XJ, MJ | | 1990: ECE, Up to 10/16/89. |
| | 5300 8224 | 1 | XJ, MJ | | 1990: ECE, After 10/16/89. |
| 7 | | | | | TRANSFER CASE ASSEMBLY, Model NPG 208 |
| | 3300 1383 | 1 | SJ | | Manual Transmission or Automatic Transmission |
| | 3300 1384 | 1 | SJ | | Manual Transmission or Automatic Transmission |
| | 3300 1385 | 1 | SJ | | Manual Transmission or Automatic Transmission |
| 8 | 5300 4882 | 1 | SJ | | TRANSFER CASE ASSEMBLY, Model NPG 229, Automatic Transmission |

MODEL CODES:

| | | |
|-----------------------------|-----------------------------|------------------------------|
| 15 = Grand Wagoneer 4 Dr. | 65 = Comanche 4WD-7 Ft. Box | 77 = Cherokee 4WD-2 Dr. |
| 25 = J-10 Pickup-119" W.B. | 66 = Comanche 2WD-7 Ft. Box | 78 = Cherokee 4WD-4 Dr. |
| 26 = J-10 Pickup-131" W.B. | 73 = Cherokee 2WD-2 Dr. | 79 = Cherokee 4WD-4 Dr.-Com |
| 27 = J-20 Pickup-131" W.B. | 74 = Cherokee 2WD-4 Dr. | 81 = Wrangler-93" W.B. |
| 63 = Comanche 4WD-6 Ft. Box | 75 = Wagoneer 4WD-4 Dr. | 82 = Wrangler-103" W.B.-Exp. |
| 64 = Comanche 2WD-6 Ft. Box | | |

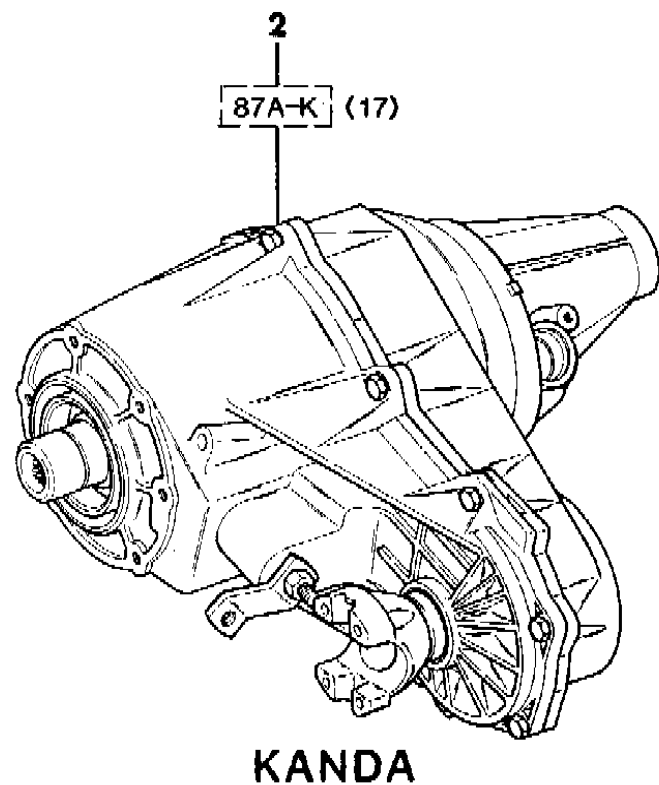
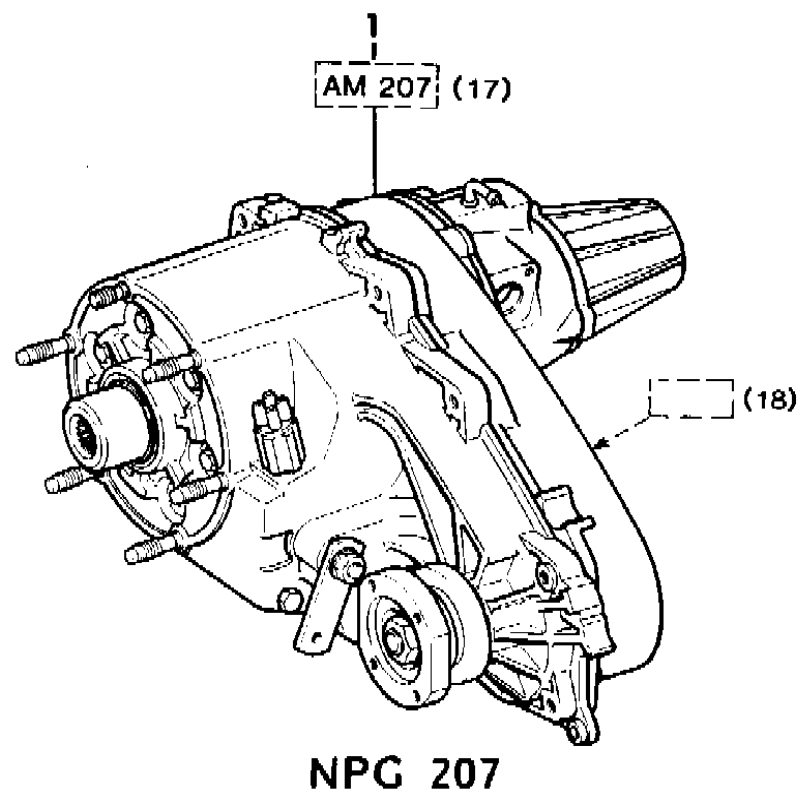
BODY STYLES:

MJ = Comanche Pickup
 SJ = Grand Wagoneer Wgn., J-10 & J-20 Pickups
 XJ = Cherokee, Wagoneer Limited
 YJ = Wrangler

AR = Use as Required - = Non Illustrated Part P.A.R. = Paint as Required

TRANSFER CASE ASSEMBLY N.P.G. MODEL 207, KANDA MODEL 87A-K WRANGLER, YJ, CHEROKEE, WAGONEER, COMANCHE
Figure 21M-150

8J21 150



| ITEM | PART NUMBER | QTY | BODY | MODEL | DESCRIPTION |
|------|-------------|-----|--------|-------|---|
| 1 | | | | YJ | TRANSFER ASSEMBLY, Model NPG 207, 1987 *** |
| | 5300 4205 | 1 | | | 4 CYLINDER ENGINE, W/Man Tran. |
| | 5300 2948 | 1 | | | 6 CYLINDER ENGINE, W/Man Tran. - 3.08 Axle Ratio |
| | 5300 4994 | 1 | | | 6 CYLINDER ENGINE, W/Man Tran. - 3.55 Ratio |
| | 5300 4995 | 1 | | | 6 CYLINDER ENGINE, W/Auto Trans. - 3.08 Ratio |
| | 5300 2363 | 1 | | | 6 CYLINDER ENGINE, W/Auto Trans. - 3.55 Ratio |
| 2 | | | | | TRANSFER CASE ASSEMBLY, KANDA Model 87A-K |
| | 5300 5061 | 1 | YJ | | 1987: Export Vehicle shipped in knock-down form for local assembly. |
| | 5300 5220 | 1 | YJ | | 1988-90: Export vehicles shipped in knockdown form for local assembly in Venezuela. |
| | 5300 5020 | 1 | XJ, MJ | | 1987-90: 4 CYL. ENG., Export Vehicles shipped in knockdown form assembled in Republic of China. |
| | 5300 5219 | 1 | XJ, MJ | | 1988-90: 4 CYL. and DIESEL, Export Vehicle shipped in knockdown form to be assembled in Venezuela and Turkey. |
| | 5300 5387 | 1 | XJ, MJ | | 1989-90: Export vehicles shipped in knockdown form for local assembly(Venezuela). Used with AX15 Manual Transmission. |

MODEL CODES:

| | | |
|-----------------------------|-----------------------------|------------------------------|
| 15 = Grand Wagoneer 4 Dr. | 65 = Comanche 4WD-7 Ft. Box | 77 = Cherokee 4WD-2 Dr. |
| 25 = J-10 Pickup-119" W.B. | 66 = Comanche 2WD-7 Ft. Box | 78 = Cherokee 4WD-4 Dr. |
| 26 = J-10 Pickup-131" W.B. | 73 = Cherokee 2WD-2 Dr. | 79 = Cherokee 4WD-4 Dr.-Com |
| 27 = J-20 Pickup-131" W.B. | 74 = Cherokee 2WD-4 Dr. | 81 = Wrangler-93" W.B. |
| 63 = Comanche 4WD-6 Ft. Box | 75 = Wagoneer 4WD-4 Dr. | 82 = Wrangler-103" W.B.-Exp. |
| 64 = Comanche 2WD-6 Ft. Box | | |

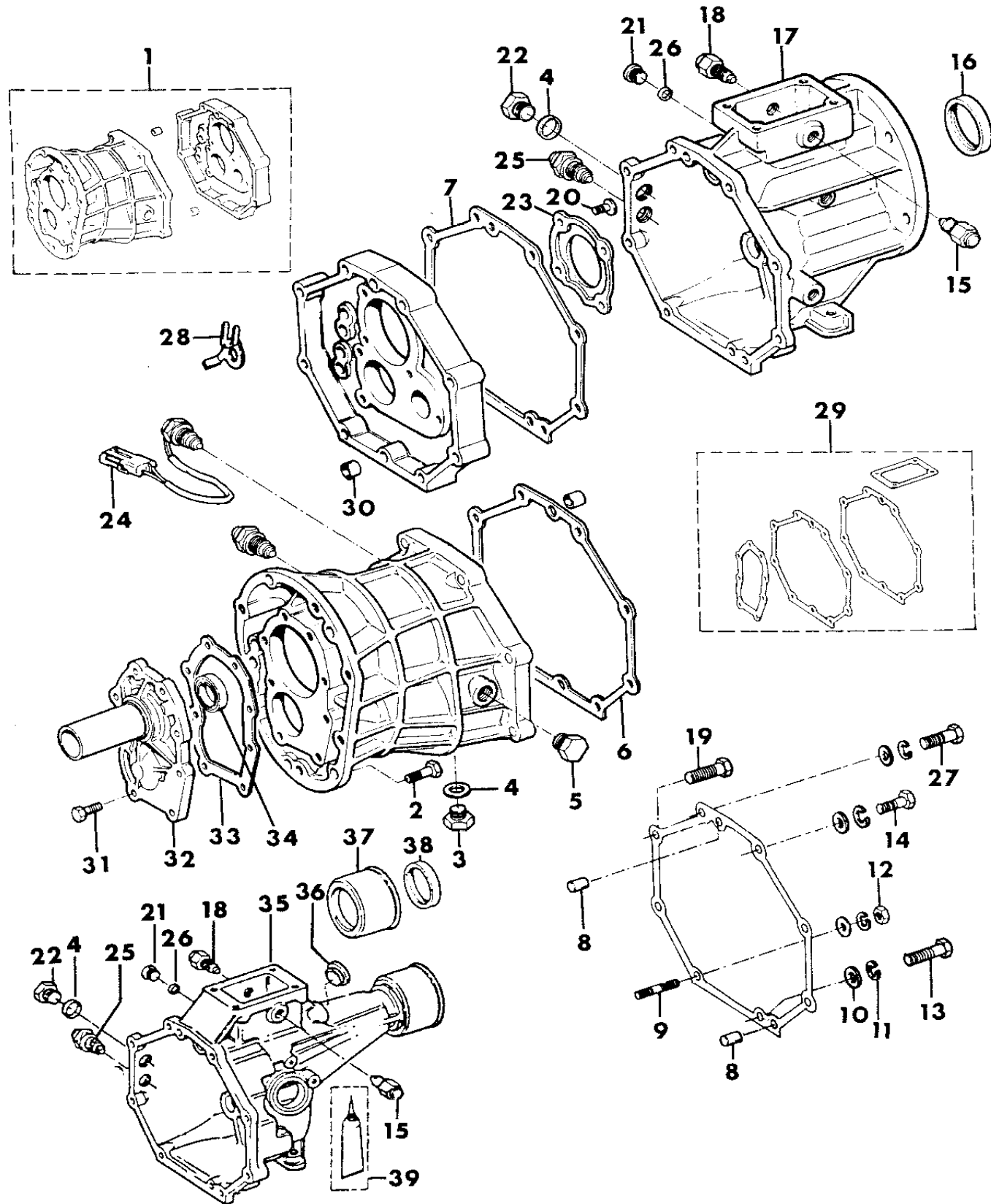
BODY STYLES:

MJ = Comanche Pickup
SJ = Grand Wagoneer Wgn., J-10 & J-20 Pickups
XJ = Cherokee, Wagoneer Limited
YJ = Wrangler

AR = Use as Required - = Non Illustrated Part P.A.R. = Paint as Required

TRANSMISSION CASE, EXTENSION & MISCELLANEOUS PARTS FOUR CYL. GAS OR DIESEL ENGINE 4 OR 5 SPEED TRANSAISIN MODEL AX4 OR AX5
Figure 21M-200

8 J21 200



| ITEM | PART NUMBER | QTY | BODY | MODEL | DESCRIPTION |
|------|-------------|-----|---------|-------|--|
| 1 | | | | | CASE, Transmission |
| | 8350 0634 | 1 | YJ,XJMJ | | With 5 Speed Transmission (C) |
| | 8350 6016 | 1 | YJ,XJMJ | | With 5 Speed Transmission (D) |
| | 8350 0502 | 1 | XJ,MJ | | With 4 Speed Transmission (A) |
| | 8350 6015 | 1 | XJ,MJ | | With 4 Speed Transmission (B) |
| 2 | | | | | BOLT, Case |
| | 3420 1914 | 9 | | | GAS |
| | 3420 2317 | 9 | | | DIESEL |
| 3 | 8350 0512 | 1 | | | PLUG, Drain |
| 4 | 8350 0513 | 2 | | | GASKET, Plug |
| 5 | 8350 0509 | 1 | | | PLUG |
| 6 | 8350 0506 | 1 | | | GASKET, Transmission |
| 7 | 8350 0507 | 1 | | | GASKET, Adapter |
| 8 | 8350 0504 | 4 | | | PIN |
| 9 | 8350 0618 | 1 | | | STUD |
| 10 | 8350 0627 | 1 | | | WASHER |
| 11 | 8350 0626 | 1 | | | WASHER |
| 12 | 8350 0625 | 1 | | | NUT |
| 13 | 8350 3547 | 1 | | | BOLT, With Washer |
| 14 | 8350 3549 | 3 | | | BOLT |
| 15 | | | | | PIN, Reverse Left |
| | 8350 0516 | 1 | | | 1987-89 |
| | 5252 921 | 1 | | | 1990 |
| 16 | 8350 3108 | 1 | | | SEAL, Adapter |
| 17 | | | | | ADAPTER, Transmission |
| | 8350 3111 | 1 | YJ | | With 5 Speed Transmission (E) 4WD |
| | 8350 6039 | 1 | YJ | | With 5 Speed Transmission (F) 4WD |
| | 8350 3629 | 1 | XJ,MJ | | With Four or Five Speed Transmission, 53004119, 53004359 (B) |
| | 8350 3630 | 1 | XJ,MJ | | With Five Speed Transmission 53004358, 2WD |
| | 8350 6038 | 1 | XJ,MJ | | With 5 Speed Transmission (D) 4WD |
| 18 | 8350 0515 | 1 | | | PIN, Reverse, Right |
| 19 | 8350 3548 | 1 | | | BOLT, With Washer |
| 20 | 8350 0511 | 4 | | | SCREW |
| 21 | 8350 0628 | 1 | | | PLUG, Sensor |
| 22 | 8350 0623 | 1 | | | PLUG, Filler |
| 23 | | | | | RETAINER, Countershaft Rear |

MODEL CODES:

| | | |
|-----------------------------|-----------------------------|------------------------------|
| 15 = Grand Wagoneer 4 Dr. | 65 = Comanche 4WD-7 Ft. Box | 77 = Cherokee 4WD-2 Dr. |
| 25 = J-10 Pickup-119" W.B. | 66 = Comanche 2WD-7 Ft. Box | 78 = Cherokee 4WD-4 Dr. |
| 26 = J-10 Pickup-131" W.B. | 73 = Cherokee 2WD-2 Dr. | 79 = Cherokee 4WD-4 Dr.-Com |
| 27 = J-20 Pickup-131" W.B. | 74 = Cherokee 2WD-4 Dr. | 81 = Wrangler-93" W.B. |
| 63 = Comanche 4WD-6 Ft. Box | 75 = Wagoneer 4WD-4 Dr. | 82 = Wrangler-103" W.B.-Exp. |
| 64 = Comanche 2WD-6 Ft. Box | | |

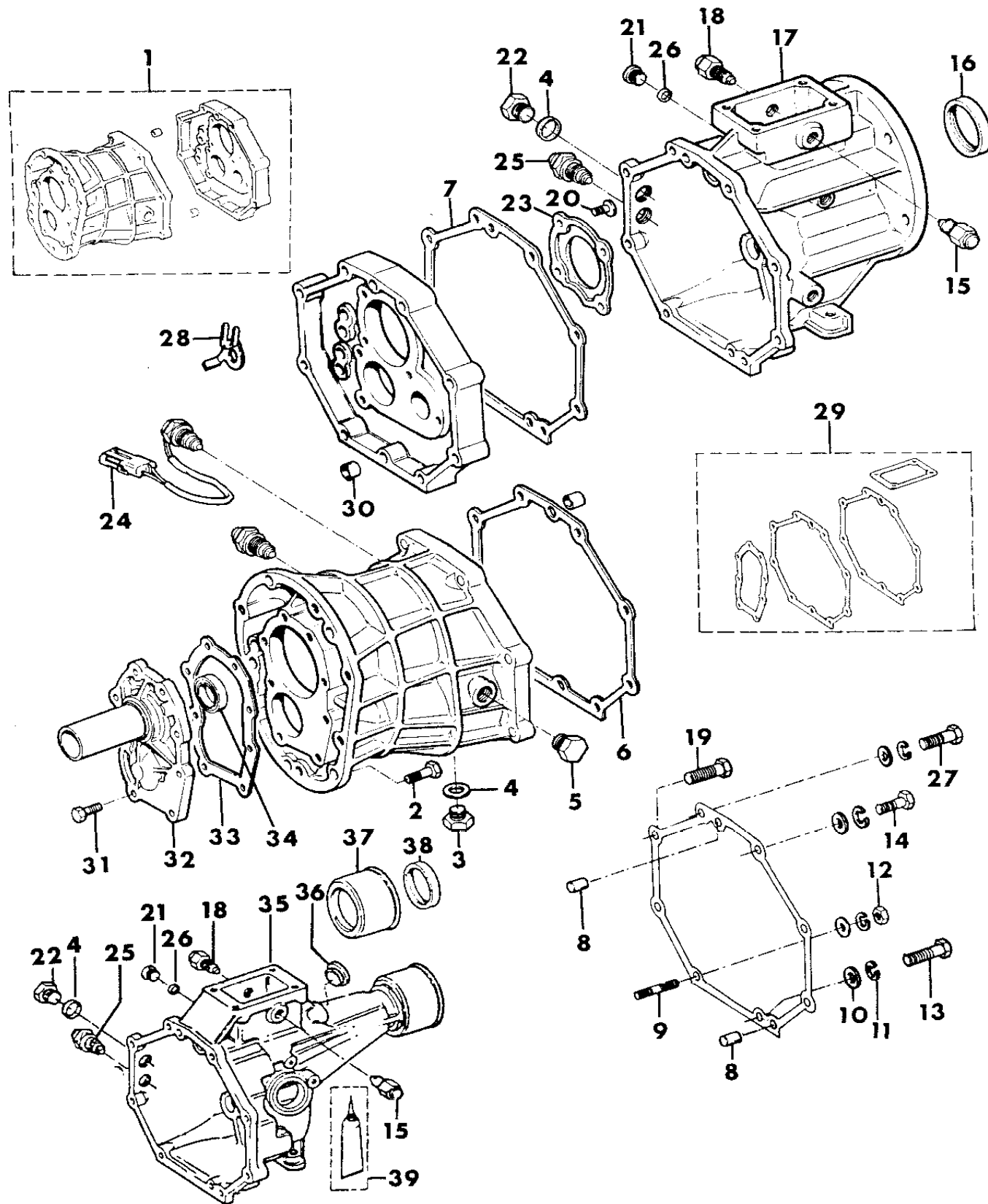
BODY STYLES:

MJ = Comanche Pickup
SJ = Grand Wagoneer Wgn., J-10 & J-20 Pickups
XJ = Cherokee, Wagoneer Limited
YJ = Wrangler

AR = Use as Required - = Non Illustrated Part P.A.R. = Paint as Required

TRANSMISSION CASE, EXTENSION & MISCELLANEOUS PARTS FOUR CYL. GAS OR DIESEL ENGINE 4 OR 5 SPEED TRANSAISIN MODEL AX4 OR AX5
Figure 21M-200

8 J21 200



| ITEM | PART NUMBER | QTY | BODY | MODEL | DESCRIPTION |
|------|-------------|-----|-------|-------|--|
| | 8350 0508 | 1 | | | (C) |
| | 8350 6034 | 1 | | | (D) |
| 24 | 8350 0629 | 1 | | | SWITCH, Back Up Lamp |
| 25 | 5300 2831 | 1 | | | SWITCH, Upshift Lamp |
| 26 | 3300 0322 | 1 | | | GASKET |
| 27 | 8350 0972 | 2 | | | BOLT |
| 28 | 8350 3551 | 1 | | | CLAMP |
| 29 | 8350 0632 | 1 | | | GASKET PACKAGE, Transmission Overhaul |
| 30 | 8350 0539 | 2 | | | PIN |
| 31 | 3420 1818 | 8 | | | BOLT |
| 32 | | | | | RETAINER |
| | 8350 3112 | 1 | | | GAS |
| | 8350 2684 | 1 | | | DIESEL |
| 33 | 8350 0505 | 1 | | | GASKET |
| 34 | | | | | SEAL, Retainer |
| | 8350 0501 | 1 | | | (C) |
| | 8350 6045 | 1 | | | (D) (F) |
| | 8350 2685 | 1 | | | Use With Transmissions: 53003385, 53003387, 53004249 |
| 35 | | | | | HOUSING ASSEMBLY, Extension |
| | 8350 2119 | 1 | XJ,MJ | | With 4 Speed Transmission (A) 2WD |
| | 8350 6013 | 1 | XJ,MJ | | With 4 Speed Transmission (B) 2WD |
| | 8350 6014 | 1 | XJ,MJ | | With 5 Speed Transmission 2WD (C) (I) |
| 36 | 8350 2124 | 1 | | | PLUG 2WD |
| 37 | 8350 2123 | 1 | | | DEFLECTOR 2WD *** |
| 38 | 8350 2118 | 1 | | | SEAL, Extension Housing Assy, 2WD |
| 39 | | | | | SEALER, Gasket-in-a-tube *** |
| | J899 3317 | AR | | | 1987-89 |
| | 4318 025 | 1 | | | 1990 |

(A) For Vehicles Built with Transmissions: 53003023; 53004119.

(B) For Vehicles Built with Transmissions: 53006168; 53006172.

(C) For Vehicles Built With Transmissions: 53003024; 53003386; 53003388; 53004119; 53004224; 53004358; 53004359.

(D) For Vehicles Built With Transmissions: 53006172; 53006173; 53006174.

(E) For Vehicles Built with Transmission: 53004224.

(F) For Vehicles Built with Transmission: 53006176.

(I) For Vehicles Built with Transmissions: 53006168; 53006169; 53006170.

MODEL CODES:

| | | |
|-----------------------------|-----------------------------|------------------------------|
| 15 = Grand Wagoneer 4 Dr. | 65 = Comanche 4WD-7 Ft. Box | 77 = Cherokee 4WD-2 Dr. |
| 25 = J-10 Pickup-119" W.B. | 66 = Comanche 2WD-7 Ft. Box | 78 = Cherokee 4WD-4 Dr. |
| 26 = J-10 Pickup-131" W.B. | 73 = Cherokee 2WD-2 Dr. | 79 = Cherokee 4WD-4 Dr.-Com |
| 27 = J-20 Pickup-131" W.B. | 74 = Cherokee 2WD-4 Dr. | 81 = Wrangler-93" W.B. |
| 63 = Comanche 4WD-6 Ft. Box | 75 = Wagoneer 4WD-4 Dr. | 82 = Wrangler-103" W.B.-Exp. |
| 64 = Comanche 2WD-6 Ft. Box | | |

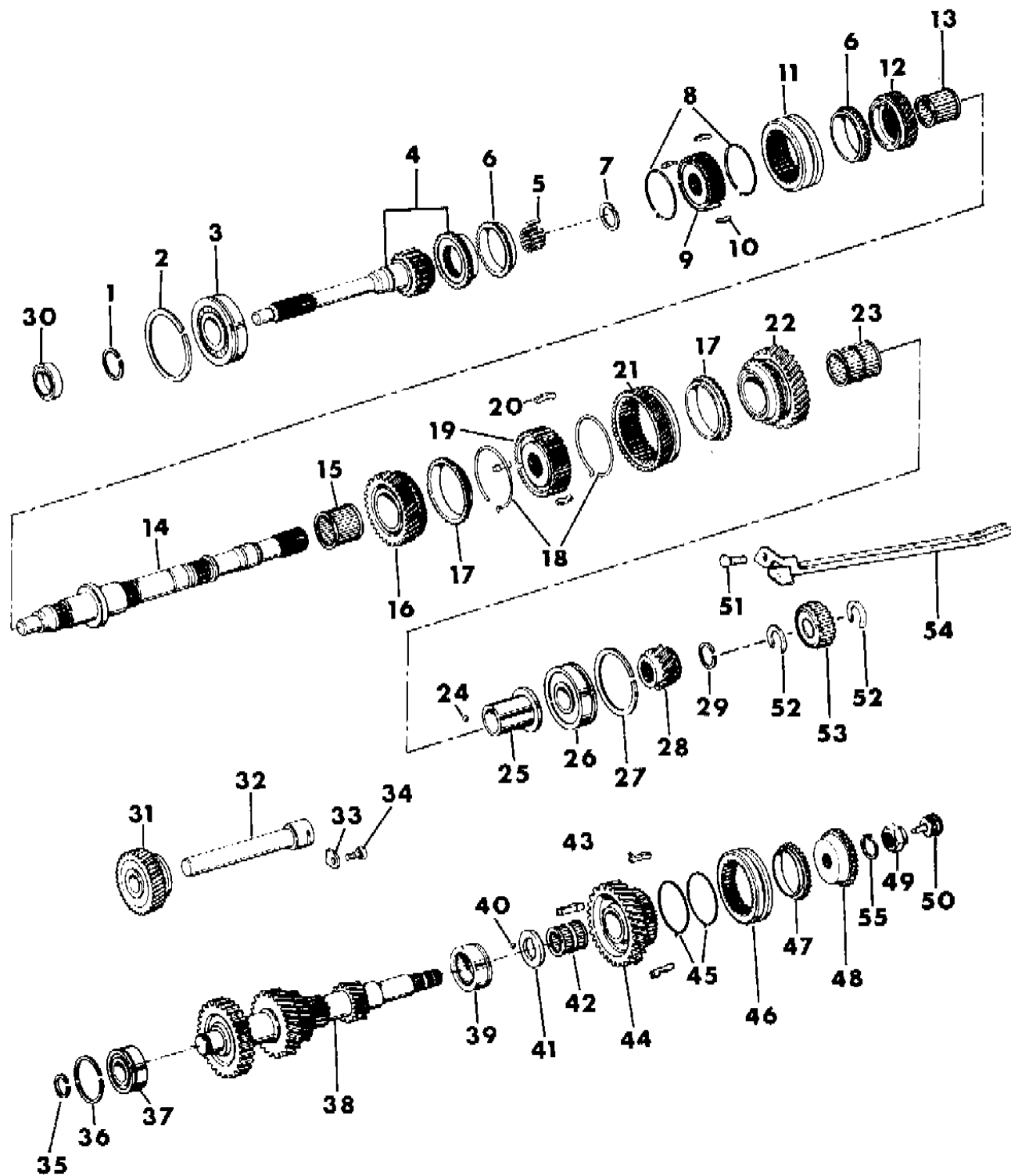
BODY STYLES:

MJ = Comanche Pickup
SJ = Grand Wagoneer Wgn., J-10 & J-20 Pickups
XJ = Cherokee, Wagoneer Limited
YJ = Wrangler

AR = Use as Required - = Non Illustrated Part P.A.R. = Paint as Required

GEAR TRAIN, MANUAL TRANSMISSION FOUR CYL. GAS OR DIESEL ENGINE 4 OR 5 SPEED TRANSAXIS MODEL AX4 OR AX5
Figure 21M-300

8 J 21 300 B



| ITEM | PART NUMBER | QTY | BODY | MODEL | DESCRIPTION |
|------|----------------------------------|-----|------|-------|---------------------------------|
| 1 | 8350 0645 | AR | | | SNAP RING, Gear Train 2.05mm |
| | 8350 0607 | AR | | | 2.10mm |
| | 8350 0608 | AR | | | 2.15mm |
| | 8350 0609 | AR | | | 2.20mm |
| | 8350 0610 | AR | | | 2.25mm |
| 2 | 8350 0611 | AR | | | 2.30mm |
| | 8350 0614 | 1 | | | SNAP RING, Bearing |
| 3 | 8350 2681 | 1 | | | BEARING |
| 4 | SHAFT, Input Manual Transmission | | | | |
| | 8350 2682 | 1 | | | GAS (A) |
| | 8350 6020 | 1 | | | GAS (B) |
| | 8350 2683 | 1 | | | DIESEL (C) |
| | 8350 6021 | 1 | | | DIESEL (D) |
| 5 | 8350 2680 | 13 | | | ROLLER, Input Gear Train |
| 6 | RING, Synchronizer | | | | |
| | 8350 0566 | 3 | | | |
| | SNAP RING, Synchronizer | | | | |
| 7 | 8350 0598 | AR | | | 1.75mm |
| | 8350 0599 | AR | | | 1.80mm |
| | 8350 0602 | AR | | | 1.85mm |
| | 8350 0603 | AR | | | 1.90mm |
| | 8350 0604 | AR | | | 1.95mm |
| | 8350 0605 | AR | | | 2.00mm |
| | 8350 0606 | AR | | | 2.05mm |
| 8 | 8350 0568 | 4 | | | SPRING, Synchronizer |
| 9 | SYNCHRONIZER, 3rd & 4th Gear | | | | |
| | 8350 0562 | 1 | | | (A) |
| 10 | 8350 6027 | 1 | | | (B) |
| | KEY, Synchronizer | | | | |
| 11 | 8350 0565 | 3 | | | (A) |
| | 8350 6029 | 3 | | | (B) |
| | SLEEVE, Synchronizer | | | | |
| 12 | 8350 0563 | 1 | | | (A) |
| | 8350 6028 | 1 | | | (B) |
| 12 | GEAR, Third Speed | | | | |
| | 8350 0552 | 1 | | | (A) |
| | 8350 6019 | 1 | | | (B) |

MODEL CODES:

| | | |
|-----------------------------|-----------------------------|------------------------------|
| 15 = Grand Wagoneer 4 Dr. | 65 = Comanche 4WD-7 Ft. Box | 77 = Cherokee 4WD-2 Dr. |
| 25 = J-10 Pickup-119" W.B. | 66 = Comanche 2WD-7 Ft. Box | 78 = Cherokee 4WD-4 Dr. |
| 26 = J-10 Pickup-131" W.B. | 73 = Cherokee 2WD-2 Dr. | 79 = Cherokee 4WD-4 Dr.-Com |
| 27 = J-20 Pickup-131" W.B. | 74 = Cherokee 2WD-4 Dr. | 81 = Wrangler-93" W.B. |
| 63 = Comanche 4WD-6 Ft. Box | 75 = Wagoneer 4WD-4 Dr. | 82 = Wrangler-103" W.B.-Exp. |
| 64 = Comanche 2WD-6 Ft. Box | | |

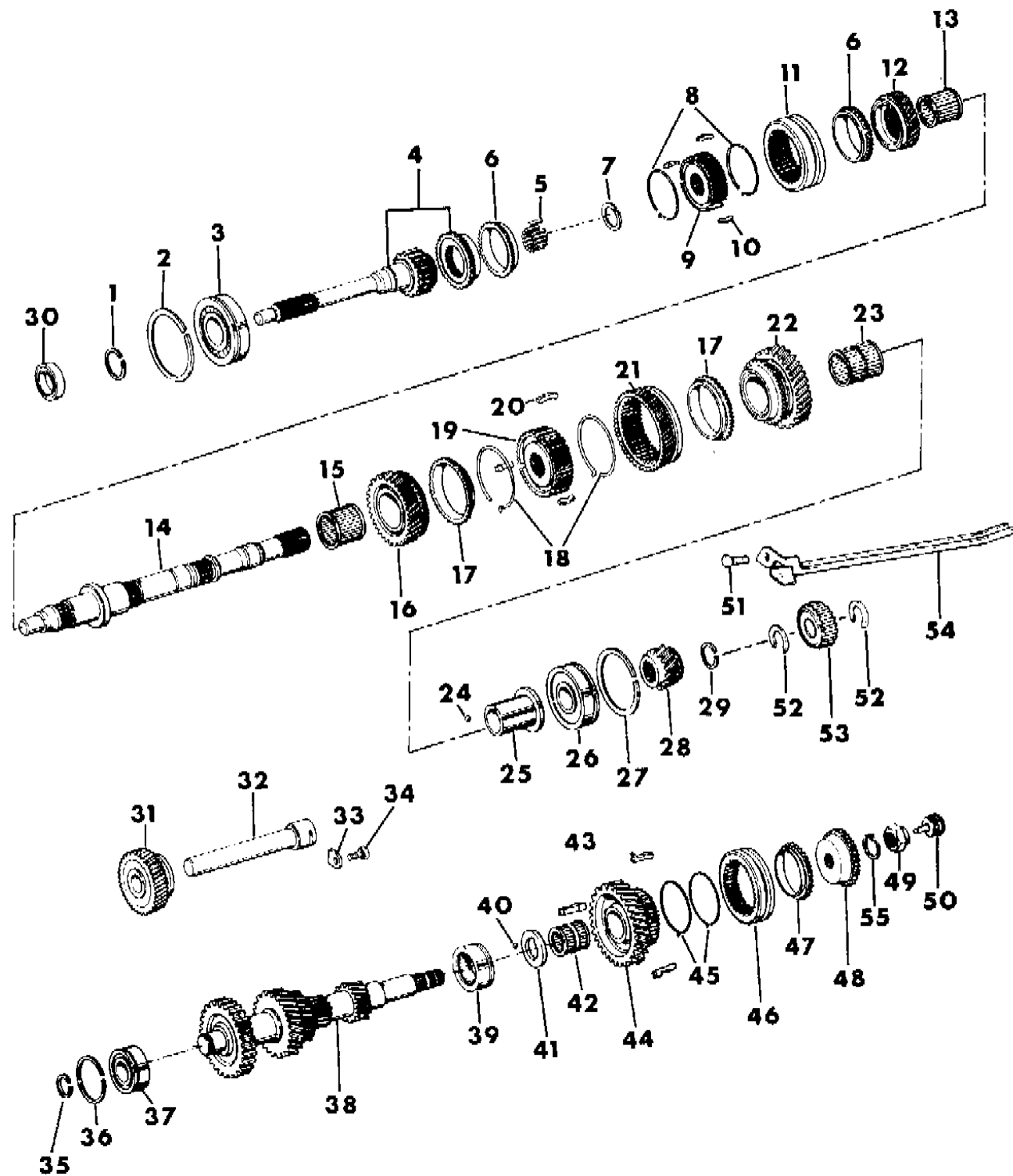
BODY STYLES:

MJ = Comanche Pickup
 SJ = Grand Wagoneer Wgn., J-10 & J-20 Pickups
 XJ = Cherokee, Wagoneer Limited
 YJ = Wrangler

AR = Use as Required - = Non Illustrated Part P.A.R. = Paint as Required

GEAR TRAIN, MANUAL TRANSMISSION FOUR CYL. GAS OR DIESEL ENGINE 4 OR 5 SPEED TRANSAXIS MODEL AX4 OR AX5
Figure 21M-300

8 J 21 300 B



| ITEM | PART NUMBER | QTY | BODY | MODEL | DESCRIPTION |
|------|-------------|-----|------|-------|-------------------------------|
| 13 | 8350 0576 | 1 | | | BEARING |
| 14 | | | | | SHAFT, Output |
| | 8350 2117 | 1 | | | 2 Wheel Drive |
| | 8350 3105 | 1 | | | 4 Wheel Drive |
| 15 | 8350 0577 | 1 | | | BEARING |
| 16 | | | | | GEAR, Second Speed |
| | 8350 0551 | 1 | | | (A) |
| | 8350 6018 | 1 | | | (B) |
| 17 | 8350 0567 | 2 | | | RING, Synchronizer |
| 18 | 8350 0569 | 2 | | | SPRING, Synchronizer |
| 19 | 8350 0561 | 1 | | | SYNCHRONIZER, 1st & 2nd Gear |
| 20 | 8350 0564 | 3 | | | KEY, Synchronizer |
| 21 | 8350 0555 | 1 | | | GEAR, Reverse Manual Tran |
| 22 | | | | | GEAR, First Speed Manual Tran |
| | 8350 0550 | 1 | | | (A) |
| | 8350 6017 | 1 | | | (B) |
| 23 | | | | | BEARING, First Gear |
| | 8350 0578 | 1 | | | (A) |
| | 8350 6031 | 1 | | | (B) |
| 24 | 8350 0573 | 2 | | | BALL, Reverse |
| 25 | | | | | RACE, First Gear |
| | 8350 0560 | 1 | | | (A) |
| | 8350 6026 | 1 | | | (B) |
| 26 | | | | | BEARING |
| | 8350 0575 | 1 | | | (A) |
| | 8350 6030 | 1 | | | (B) |
| 27 | 8350 0613 | 1 | | | SNAP RING |
| 28 | 8350 0971 | 1 | | | GEAR, Fifth Speed Manual Tran |
| 29 | | | | | SNAP RING |
| | 8350 0587 | AR | | | 2.67mm |
| | 8350 0588 | AR | | | 2.73mm |
| | 8350 0589 | AR | | | 2.79mm |
| | 8350 0590 | AR | | | 2.85mm |
| | 8350 0591 | AR | | | 2.91mm |
| | 8350 0592 | AR | | | 2.97mm |
| | 8350 0593 | AR | | | 3.03mm |
| | 8350 0594 | AR | | | 3.09mm |

MODEL CODES:

| | | |
|-----------------------------|-----------------------------|------------------------------|
| 15 = Grand Wagoneer 4 Dr. | 65 = Comanche 4WD-7 Ft. Box | 77 = Cherokee 4WD-2 Dr. |
| 25 = J-10 Pickup-119" W.B. | 66 = Comanche 2WD-7 Ft. Box | 78 = Cherokee 4WD-4 Dr. |
| 26 = J-10 Pickup-131" W.B. | 73 = Cherokee 2WD-2 Dr. | 79 = Cherokee 4WD-4 Dr.-Com |
| 27 = J-20 Pickup-131" W.B. | 74 = Cherokee 2WD-4 Dr. | 81 = Wrangler-93" W.B. |
| 63 = Comanche 4WD-6 Ft. Box | 75 = Wagoneer 4WD-4 Dr. | 82 = Wrangler-103" W.B.-Exp. |
| 64 = Comanche 2WD-6 Ft. Box | | |

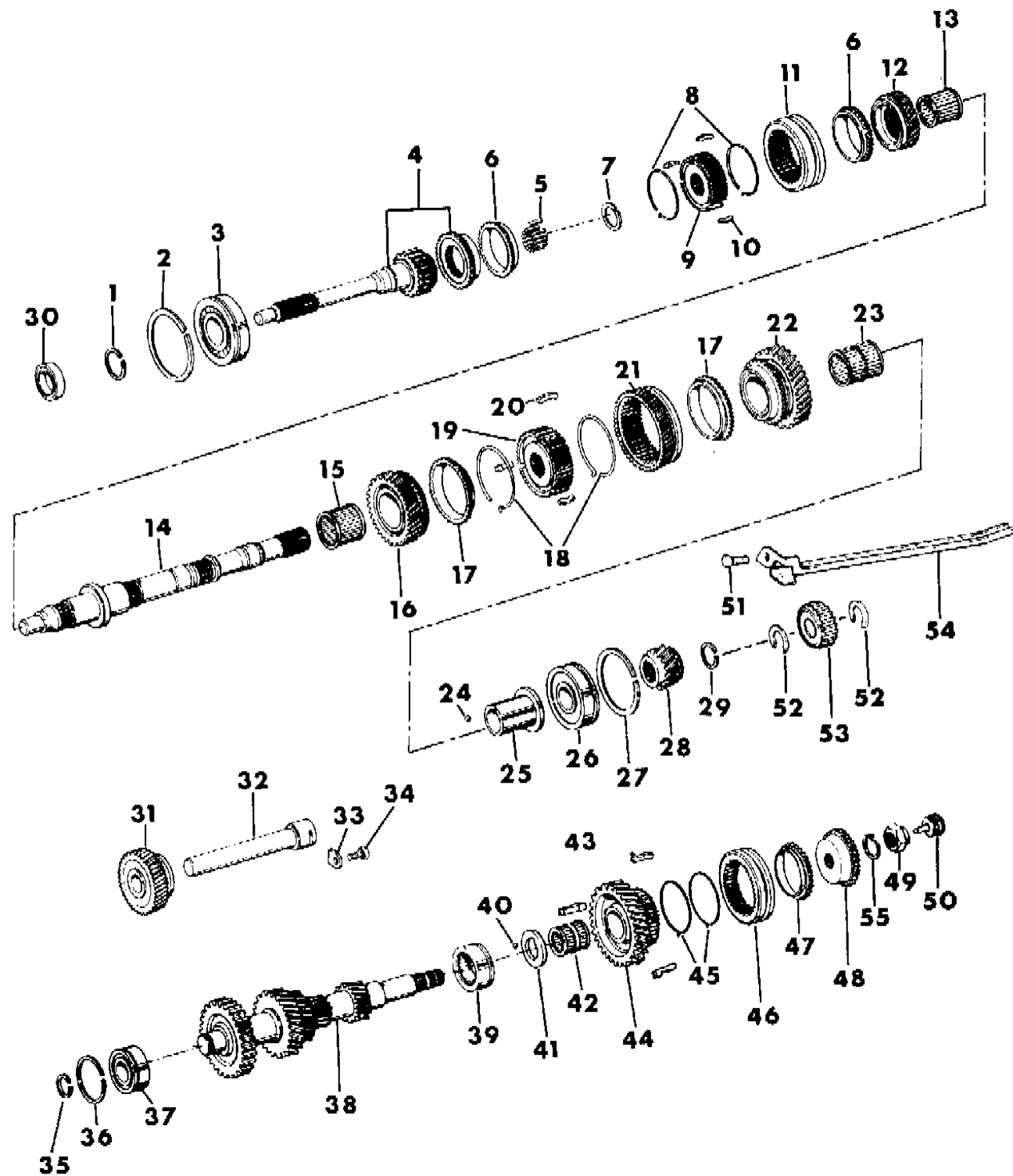
BODY STYLES:

MJ = Comanche Pickup
 SJ = Grand Wagoneer Wgn., J-10 & J-20 Pickups
 XJ = Cherokee, Wagoneer Limited
 YJ = Wrangler

AR = Use as Required - = Non Illustrated Part P.A.R. = Paint as Required

GEAR TRAIN, MANUAL TRANSMISSION FOUR CYL. GAS OR DIESEL ENGINE 4 OR 5 SPEED TRANSAXIS MODEL AX4 OR AX5
Figure 21M-300

8 J 21 300 B



| ITEM | PART NUMBER | QTY | BODY | MODEL | DESCRIPTION |
|------|-------------|-----|------|-------|----------------------------|
| | 8350 0595 | AR | | | 3.15mm |
| | 8350 0596 | AR | | | 3.21mm |
| | 8350 0597 | AR | | | 3.27mm |
| 30 | 8350 6045 | 1 | | | SEAL, Outer |
| 31 | 8350 3555 | 1 | | | GEAR, Reverse Idler Manual |
| 32 | 8350 0570 | 1 | | | SHAFT, Reverse Idler |
| 33 | 8350 0571 | 1 | | | STOPPER, Reverse Idler |
| 34 | 8350 0615 | 1 | | | BOLT, With Washer |
| 35 | | | | | SNAP RING |
| | 8350 0581 | AR | | | 2.05mm |
| | 8350 0582 | AR | | | 2.10mm |
| | 8350 0583 | AR | | | 2.15mm |
| | 8350 0584 | AR | | | 2.20mm |
| | 8350 0585 | AR | | | 2.25mm |
| | 8350 0586 | AR | | | 2.30mm |
| 36 | 8350 0612 | 1 | | | SNAP RING |
| 37 | 8350 6032 | 1 | | | BEARING |
| 38 | | | | | GEAR, Cluster Manual Tran |
| | 8350 0557 | 1 | | | (A) |
| | 8350 6023 | 1 | | | (B) |
| 39 | | | | | BEARING |
| | 8350 0580 | 1 | | | (A) |
| | 8350 6033 | 1 | | | (B) |
| 40 | 8350 0573 | 2 | | | BALL, Reverse |
| 41 | | | | | WASHER |
| | 8350 0640 | 1 | | | (A) |
| | 8350 6025 | 1 | | | (B) |
| 42 | 8350 0644 | 1 | | | BEARING |
| 43 | 8350 0641 | 3 | | | KEY, Synchronizer |
| 44 | 8350 6022 | 1 | | | GEAR, Countershaft Fifth |
| 45 | 8350 0568 | 4 | | | SPRING, Synchronizer |
| 46 | 8350 0642 | 1 | | | SLEEVE, Synchronizer |
| 47 | 8350 0566 | 3 | | | RING, Synchronizer |
| 48 | | | | | SPACER |
| | 8350 0639 | 1 | | | (A) |
| | 8350 6024 | 1 | | | (B) |
| 49 | 8350 0572 | 1 | | | NUT |

MODEL CODES:

| | | |
|-----------------------------|-----------------------------|------------------------------|
| 15 = Grand Wagoneer 4 Dr. | 65 = Comanche 4WD-7 Ft. Box | 77 = Cherokee 4WD-2 Dr. |
| 25 = J-10 Pickup-119" W.B. | 66 = Comanche 2WD-7 Ft. Box | 78 = Cherokee 4WD-4 Dr. |
| 26 = J-10 Pickup-131" W.B. | 73 = Cherokee 2WD-2 Dr. | 79 = Cherokee 4WD-4 Dr.-Com |
| 27 = J-20 Pickup-131" W.B. | 74 = Cherokee 2WD-4 Dr. | 81 = Wrangler-93" W.B. |
| 63 = Comanche 4WD-6 Ft. Box | 75 = Wagoneer 4WD-4 Dr. | 82 = Wrangler-103" W.B.-Exp. |
| 64 = Comanche 2WD-6 Ft. Box | | |

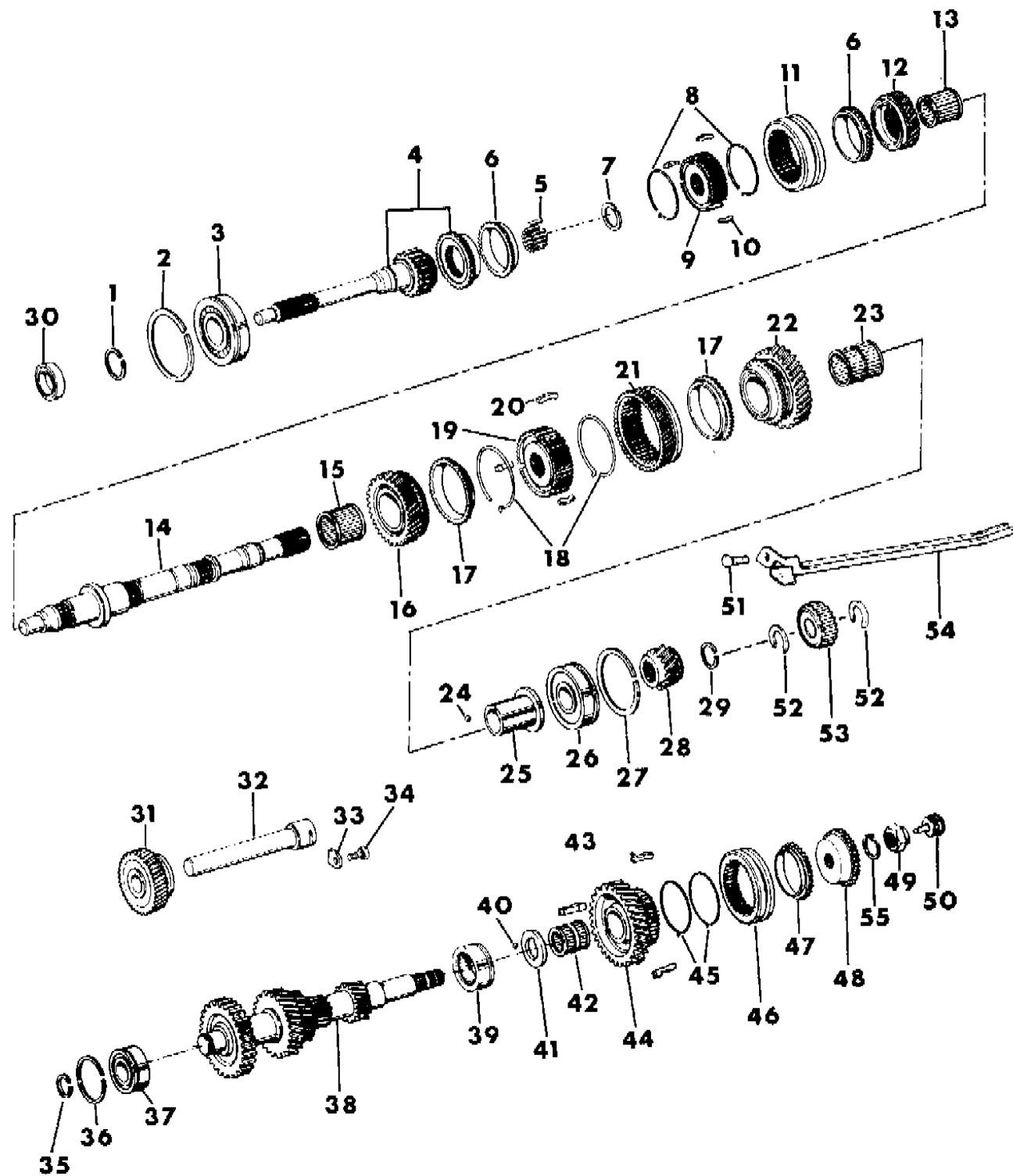
BODY STYLES:

MJ = Comanche Pickup
 SJ = Grand Wagoneer Wgn., J-10 & J-20 Pickups
 XJ = Cherokee, Wagoneer Limited
 YJ = Wrangler

AR = Use as Required - = Non Illustrated Part P.A.R. = Paint as Required

GEAR TRAIN, MANUAL TRANSMISSION FOUR CYL. GAS OR DIESEL ENGINE 4 OR 5 SPEED TRANSAXIS MODEL AX4 OR AX5
Figure 21M-300

8 J 21 300 B



| ITEM | PART NUMBER | QTY | BODY | MODEL | DESCRIPTION |
|------|-------------|-----|-------|-------|------------------------------|
| 50 | 8350 0646 | 1 | | | FILLER, Oil |
| 51 | 8350 2126 | 1 | XJ,MJ | | BOLT, 2WD |
| 52 | 8350 2125 | 2 | XJ,MJ | | RING, SNAP, 2WD |
| 53 | 8350 2121 | 1 | XJ,MJ | | GEAR, Speedometer Drive, 2WD |
| 54 | 8350 2122 | 1 | XJ,MJ | | PIPE, Oil Receiver, 2WD *** |
| 55 | 8350 6035 | 1 | | | RING, Snap Package (B) (E) |

(A) For Vehicles Built with Transmissions: 53003023; 53003024; 53003386; 53003388; 53004119; 53004224; 53004358; 53004359.

(B) For Vehicles Built with Transmissions: 53006168; 53006169; 53006170; 53006172; 53006173; 53006174; 53006176.

(C) For Vehicles Built with Transmissions: 53003388; 53004359.

(D) For Vehicles Built with Transmissions: 53006170; 53006174.

(E) Package contains 7 assorted sizes.

MODEL CODES:

| | | |
|-----------------------------|-----------------------------|------------------------------|
| 15 = Grand Wagoneer 4 Dr. | 65 = Comanche 4WD-7 Ft. Box | 77 = Cherokee 4WD-2 Dr. |
| 25 = J-10 Pickup-119" W.B. | 66 = Comanche 2WD-7 Ft. Box | 78 = Cherokee 4WD-4 Dr. |
| 26 = J-10 Pickup-131" W.B. | 73 = Cherokee 2WD-2 Dr. | 79 = Cherokee 4WD-4 Dr.-Com |
| 27 = J-20 Pickup-131" W.B. | 74 = Cherokee 2WD-4 Dr. | 81 = Wrangler-93" W.B. |
| 63 = Comanche 4WD-6 Ft. Box | 75 = Wagoneer 4WD-4 Dr. | 82 = Wrangler-103" W.B.-Exp. |
| 64 = Comanche 2WD-6 Ft. Box | | |

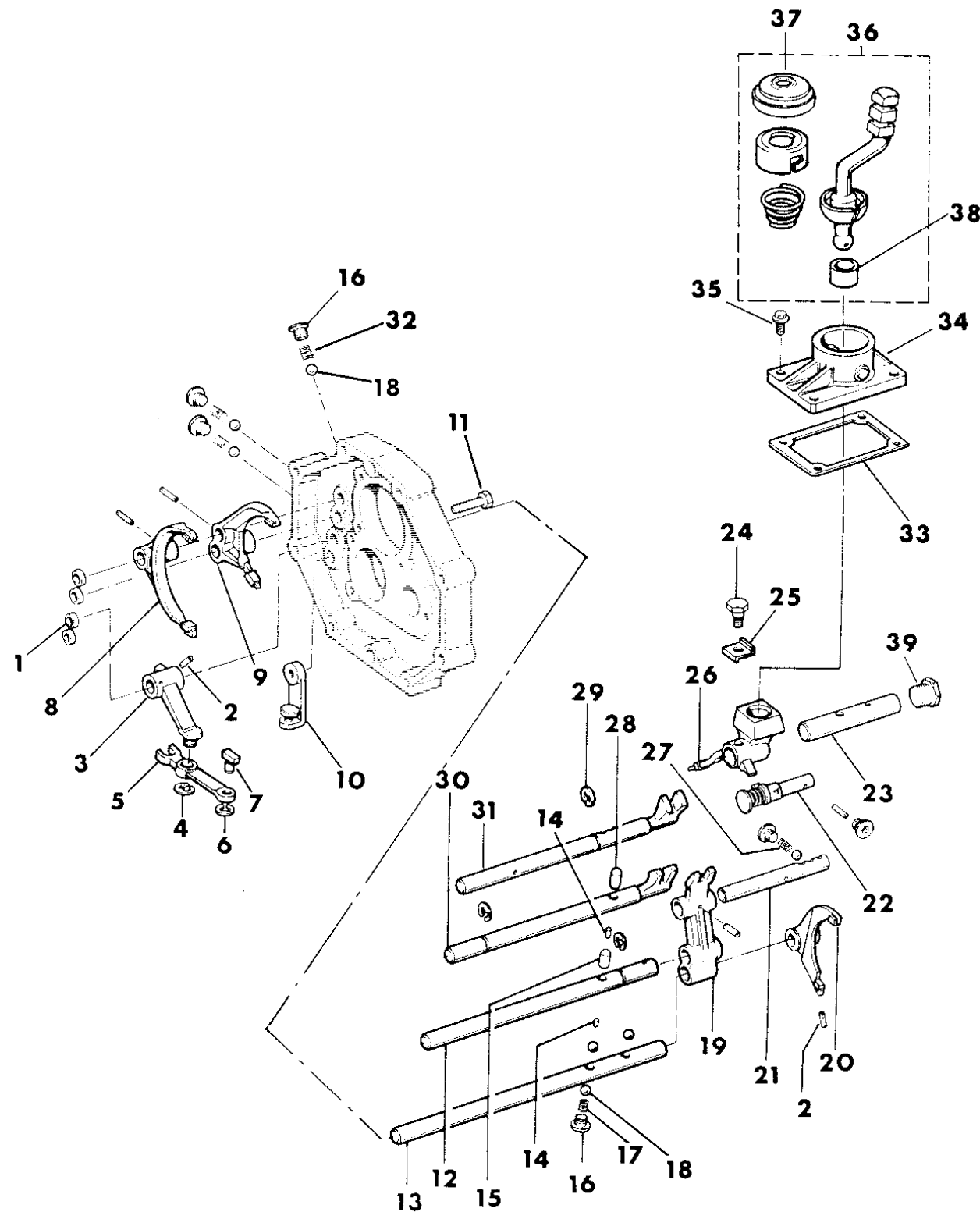
BODY STYLES:

MJ = Comanche Pickup
 SJ = Grand Wagoneer Wgn., J-10 & J-20 Pickups
 XJ = Cherokee, Wagoneer Limited
 YJ = Wrangler

AR = Use as Required - = Non Illustrated Part P.A.R. = Paint as Required

FORKS, RAILS, SHAFTS, MANUAL TRANSMISSION FOUR CYL. GAS OR DIESEL ENGINE 4 OR 5 SPEED TRANS.AISIN MODEL AX4 OR AX5
Figure 21M-400

8J21 400



| ITEM | PART NUMBER | QTY | BODY | MODEL | DESCRIPTION |
|------|-------------|-----|------|-------|-------------------------------------|
| 1 | 8350 0503 | 4 | | | PLUG |
| 2 | 8350 2664 | 6 | | | BOLT, With washer |
| 3 | 8350 0526 | 1 | | | FORK, Reverse |
| 4 | 8350 0548 | 1 | | | RING, Retaining |
| 5 | 8350 0529 | 1 | | | ARM, Reverse Shift |
| 6 | 8350 0547 | 1 | | | RING, Retaining |
| 7 | 8350 3552 | 1 | | | SHOE, Shift Arm |
| 8 | 8350 2665 | 1 | | | FORK, Gearshift No.2 |
| 9 | 8350 2662 | 1 | | | FORK, Gearshift No.1 |
| 10 | 8350 0531 | 1 | | | BRACKET |
| 11 | 8350 0549 | 2 | | | BOLT, With Washer *** |
| 12 | | | | | SHAFT, Gearshift No.3 |
| | 8350 6053 | 1 | | | With 4 Speed Transmission (C) & (D) |
| | 8350 0974 | 1 | | | With 5 Speed Transmission (A) & (C) |
| | 8350 6052 | 1 | | | With 5 Speed Transmission (B) & (D) |
| 13 | 8350 0538 | 1 | | | SHAFT, Gearshift No.4 |
| 14 | 8350 0537 | 4 | | | PIN |
| 15 | 8350 0541 | 1 | | | ROLLER |
| 16 | 8350 3109 | 6 | | | PLUG |
| 17 | 8350 0638 | 1 | | | SPRING |
| 18 | 8350 0542 | 7 | | | BALL |
| 19 | | | | | HEAD, Reverse Shift *** |
| | 8350 0532 | 1 | | | 2 Holes |
| | 8350 3553 | 1 | | | 3 Holes |
| 20 | 8350 0637 | 1 | | | FORK, Gearshift No.3 |
| 21 | 8350 0536 | 1 | | | SHAFT, Gearshift No.5 |
| 22 | 8350 0635 | 1 | | | PIN, Reverse |
| 23 | 8350 0514 | 1 | | | SHAFT, Shift Lever |
| 24 | | | | | BOLT |
| | 8350 0522 | 1 | | | (A) (C) |
| | 8350 6036 | 1 | | | (B) (D) |
| 25 | 8350 0523 | 1 | | | WASHER, Lock |
| 26 | 8350 0636 | 1 | | | HOUSING, Shift |
| 27 | 8350 0544 | 1 | | | SPRING |
| 28 | 8350 0543 | 1 | | | ROLLER |
| 29 | | | | | CLIP, Retaining |
| | 8350 0546 | 3 | | | 1mm Thick (A) (C) |

MODEL CODES:

| | | |
|-----------------------------|-----------------------------|------------------------------|
| 15 = Grand Wagoneer 4 Dr. | 65 = Comanche 4WD-7 Ft. Box | 77 = Cherokee 4WD-2 Dr. |
| 25 = J-10 Pickup-119" W.B. | 66 = Comanche 2WD-7 Ft. Box | 78 = Cherokee 4WD-4 Dr. |
| 26 = J-10 Pickup-131" W.B. | 73 = Cherokee 2WD-2 Dr. | 79 = Cherokee 4WD-4 Dr.-Com |
| 27 = J-20 Pickup-131" W.B. | 74 = Cherokee 2WD-4 Dr. | 81 = Wrangler-93" W.B. |
| 63 = Comanche 4WD-6 Ft. Box | 75 = Wagoneer 4WD-4 Dr. | 82 = Wrangler-103" W.B.-Exp. |
| 64 = Comanche 2WD-6 Ft. Box | | |

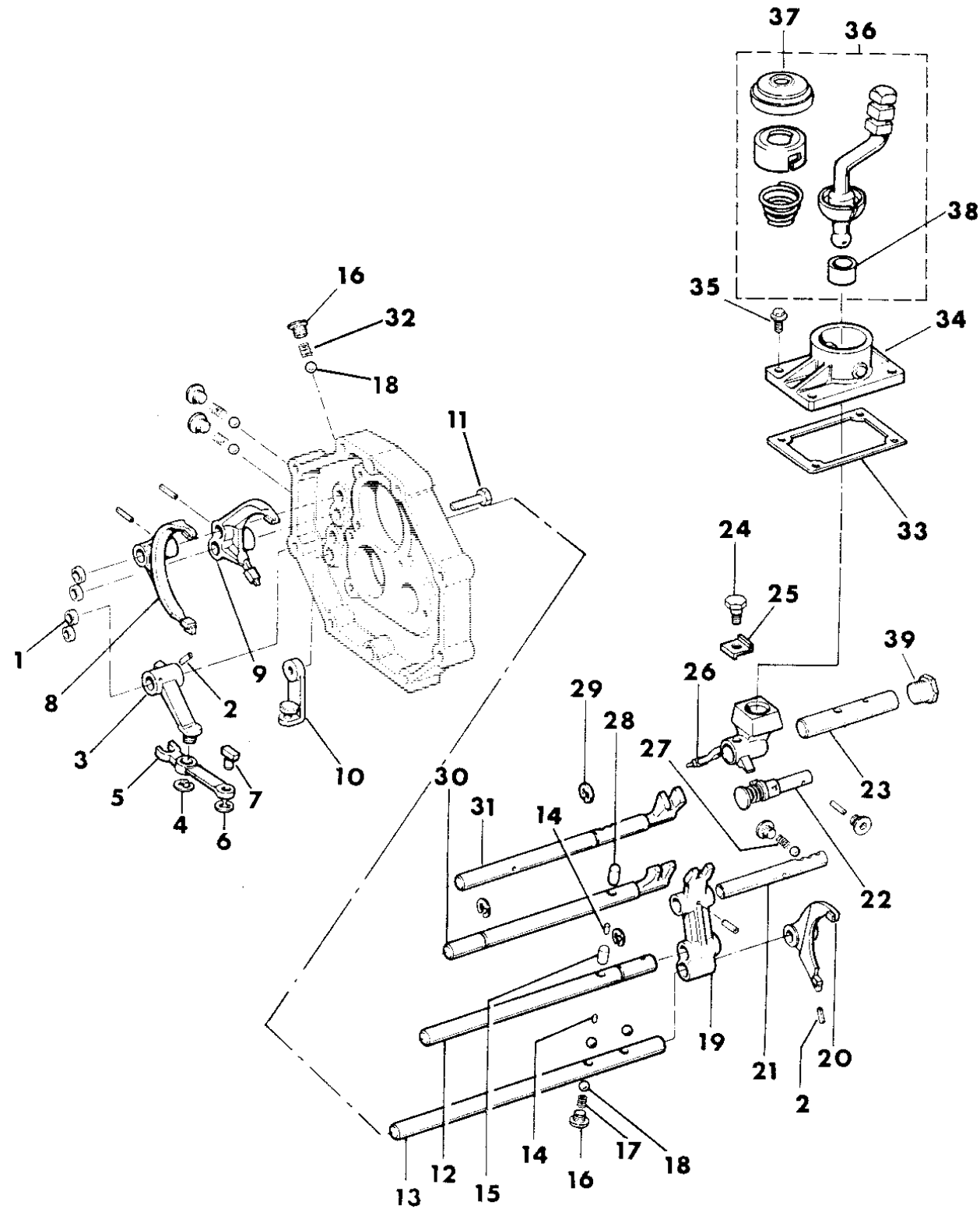
BODY STYLES:

MJ = Comanche Pickup
SJ = Grand Wagoneer Wgn., J-10 & J-20 Pickups
XJ = Cherokee, Wagoneer Limited
YJ = Wrangler

AR = Use as Required - = Non Illustrated Part P.A.R. = Paint as Required

FORKS, RAILS, SHAFTS, MANUAL TRANSMISSION FOUR CYL. GAS OR DIESEL ENGINE 4 OR 5 SPEED TRANS.AISIN MODEL AX4 OR AX5
Figure 21M-400

8J21 400



| ITEM | PART NUMBER | QTY | BODY | MODEL | DESCRIPTION |
|------|-------------|-----|-------|-------|-------------------------------------|
| | 8350 6054 | 3 | | | 1.5mm Thick (B) (D) |
| 30 | 8350 6055 | 1 | | | SHAFT, Gearshift No.1 |
| 31 | | | | | SHAFT, Gearshift No.2 |
| | 8350 2666 | 1 | XJ,MJ | | With 4 Speed Transmission (A) & (C) |
| | 8350 6048 | 1 | XJ,MJ | | With 4 Speed Transmission (B) & (D) |
| | 8350 6047 | 1 | | | With 5 Speed Transmission. |
| 32 | 8350 0545 | 3 | | | SPRING |
| 33 | 8350 0521 | 1 | | | GASKET |
| 34 | | | | | RETAINER, Gearshift Lever |
| | 8350 3106 | | YJ | | |
| 35 | 8350 0517 | 1 | XJ,MJ | | BOLT |
| | 8350 3107 | 4 | YJ | | |
| | 8350 0525 | 4 | XJ,MJ | | |
| 36 | | | | | LEVER, Gearshift |
| | 8350 3110 | 1 | YJ | | |
| | 8350 0518 | 1 | XJ,MJ | | Gas |
| | 8350 1407 | 1 | XJ,MJ | | Diesel |
| 37 | 8350 0520 | 1 | | | BOOT |
| 38 | 8350 0519 | 1 | | | BUSHING |
| 39 | 8350 0619 | 1 | | | PLUG |

(A) For Vehicles Built with Transmissions: 53003024; 53003386; 53003388; 53004224; 53004358; 53004359.

(B) For Vehicles Built with Transmissions: 53006169; 53006170; 53006173; 53006174; 53006176.

(C) For Vehicles Built with Transmissions: 53003023; 53004119.

(D) For Vehicles Built with Transmissions: 53006168; 53006172.

MODEL CODES:

| | | |
|-----------------------------|-----------------------------|------------------------------|
| 15 = Grand Wagoneer 4 Dr. | 65 = Comanche 4WD-7 Ft. Box | 77 = Cherokee 4WD-2 Dr. |
| 25 = J-10 Pickup-119" W.B. | 66 = Comanche 2WD-7 Ft. Box | 78 = Cherokee 4WD-4 Dr. |
| 26 = J-10 Pickup-131" W.B. | 73 = Cherokee 2WD-2 Dr. | 79 = Cherokee 4WD-4 Dr.-Com |
| 27 = J-20 Pickup-131" W.B. | 74 = Cherokee 2WD-4 Dr. | 81 = Wrangler-93" W.B. |
| 63 = Comanche 4WD-6 Ft. Box | 75 = Wagoneer 4WD-4 Dr. | 82 = Wrangler-103" W.B.-Exp. |
| 64 = Comanche 2WD-6 Ft. Box | | |

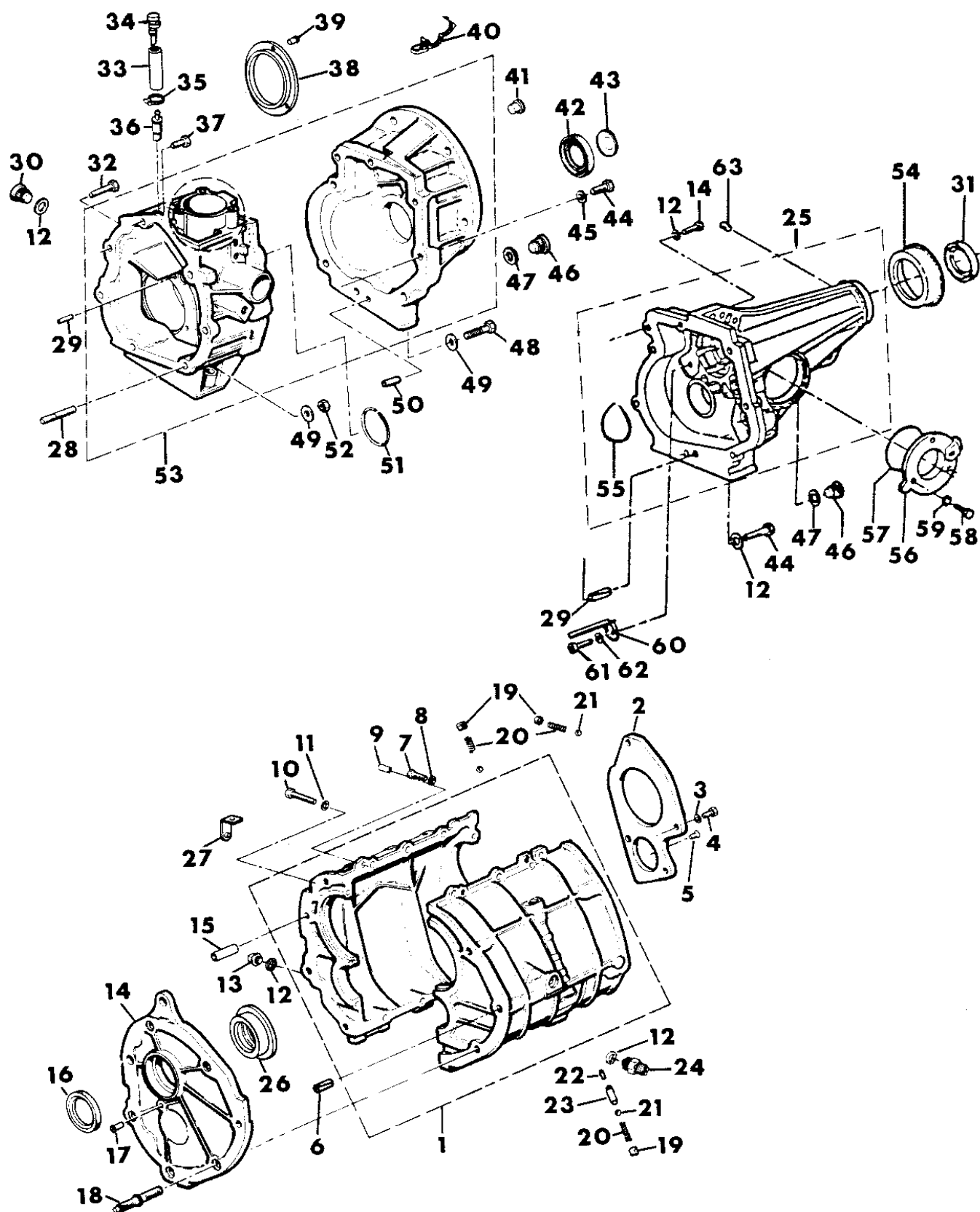
BODY STYLES:

MJ = Comanche Pickup
SJ = Grand Wagoneer Wgn., J-10 & J-20 Pickups
XJ = Cherokee, Wagoneer Limited
YJ = Wrangler

AR = Use as Required - = Non Illustrated Part P.A.R. = Paint as Required

TRANSMISSION CASE, ADAPTER AND MISC. PARTS SIX CYL. ENG. 4.0L, 4.2L, FIVE SPEED TRANSMISSION PEUGEOT MODEL BA 10/5
Figure 21M-500

8 J21500



| ITEM | PART NUMBER | QTY | BODY | MODEL | DESCRIPTION |
|------|-------------|-----|-------|-------|---|
| 1 | | | | | CASE, Manual Transmission BA 10/5 |
| | 8350 3281 | 1 | YJ | | For vehicles built up to trans. serial no. 71788. |
| | 8350 5274 | 1 | YJ | | For vehicles built with trans. serial no. 71788 and higher. |
| | 8350 3281 | 1 | XJ,MJ | | 1987 |
| | 8350 5274 | 1 | XJ,MJ | | 1988: For Vehicles built up to trans. serial no. 131162. |
| | 8350 5446 | 1 | XJ,MJ | | 1988-89: For vehicles built after trans. serial no. 131162. |
| 2 | 8350 3233 | 1 | | | PLATE, Inner Bearing Retainer, For Vehicles built up to trans. serial no. 131162. |
| 3 | 8350 3296 | 4 | | | WASHER |
| 4 | 8350 3295 | 4 | | | BOLT |
| 5 | 8350 3293 | 1 | | | SCREW |
| 6 | 8350 3255 | 1 | | | PIN |
| 7 | 8350 3288 | 6 | | | SCREW |
| 8 | T305 7002 | 6 | | | WASHER |
| 9 | 8350 3291 | 2 | | | PIN |
| 10 | 8350 3287 | 6 | | | SCREW |
| 11 | 8350 3290 | 6 | | | WASHER |
| 12 | T777 7650 | AR | | | SEAL |
| 13 | 8350 3285 | 1 | | | PLUG |
| 14 | | | | | PLATE, Front Bearing Retainer |
| | 8350 4122 | 1 | | | 1987 |
| | 8350 5202 | 1 | | | 1987-88: Except Transmission 8953005330 or 53005330 |
| | 8350 5203 | 1 | | | 1988-89: Used on Transmission 8953005330 or 53005330 only. |
| 15 | 8350 3255 | 1 | | | PIN |
| 16 | 8350 3234 | 1 | | | SEAL, Lip Outer |
| 17 | 8350 3228 | 1 | | | PIN |
| 18 | 8350 3236 | 5 | | | STUD |
| 19 | 8350 3270 | 2 | | | PLUG |
| 20 | 8350 4432 | 3 | | | SPRING |
| 21 | 8350 3272 | 4 | | | BALL |
| 22 | 8350 3271 | 1 | | | NEEDLE |
| 23 | 8350 3225 | 1 | | | LOCK, Finger |
| 24 | 5300 4522 | 1 | | | SWITCH, Back-Up Lamp |
| 25 | | | | | EXTENSION, 2WD |
| | 8350 4418 | 1 | | | 1987 |
| | 8350 5211 | 1 | | | 1988-89 |
| 26 | 8350 5204 | 1 | | | RING, Oil Discharge, Front Bearing Retainer |

MODEL CODES:

| | | |
|-----------------------------|-----------------------------|------------------------------|
| 15 = Grand Wagoneer 4 Dr. | 65 = Comanche 4WD-7 Ft. Box | 77 = Cherokee 4WD-2 Dr. |
| 25 = J-10 Pickup-119" W.B. | 66 = Comanche 2WD-7 Ft. Box | 78 = Cherokee 4WD-4 Dr. |
| 26 = J-10 Pickup-131" W.B. | 73 = Cherokee 2WD-2 Dr. | 79 = Cherokee 4WD-4 Dr.-Com |
| 27 = J-20 Pickup-131" W.B. | 74 = Cherokee 2WD-4 Dr. | 81 = Wrangler-93" W.B. |
| 63 = Comanche 4WD-6 Ft. Box | 75 = Wagoneer 4WD-4 Dr. | 82 = Wrangler-103" W.B.-Exp. |
| 64 = Comanche 2WD-6 Ft. Box | | |

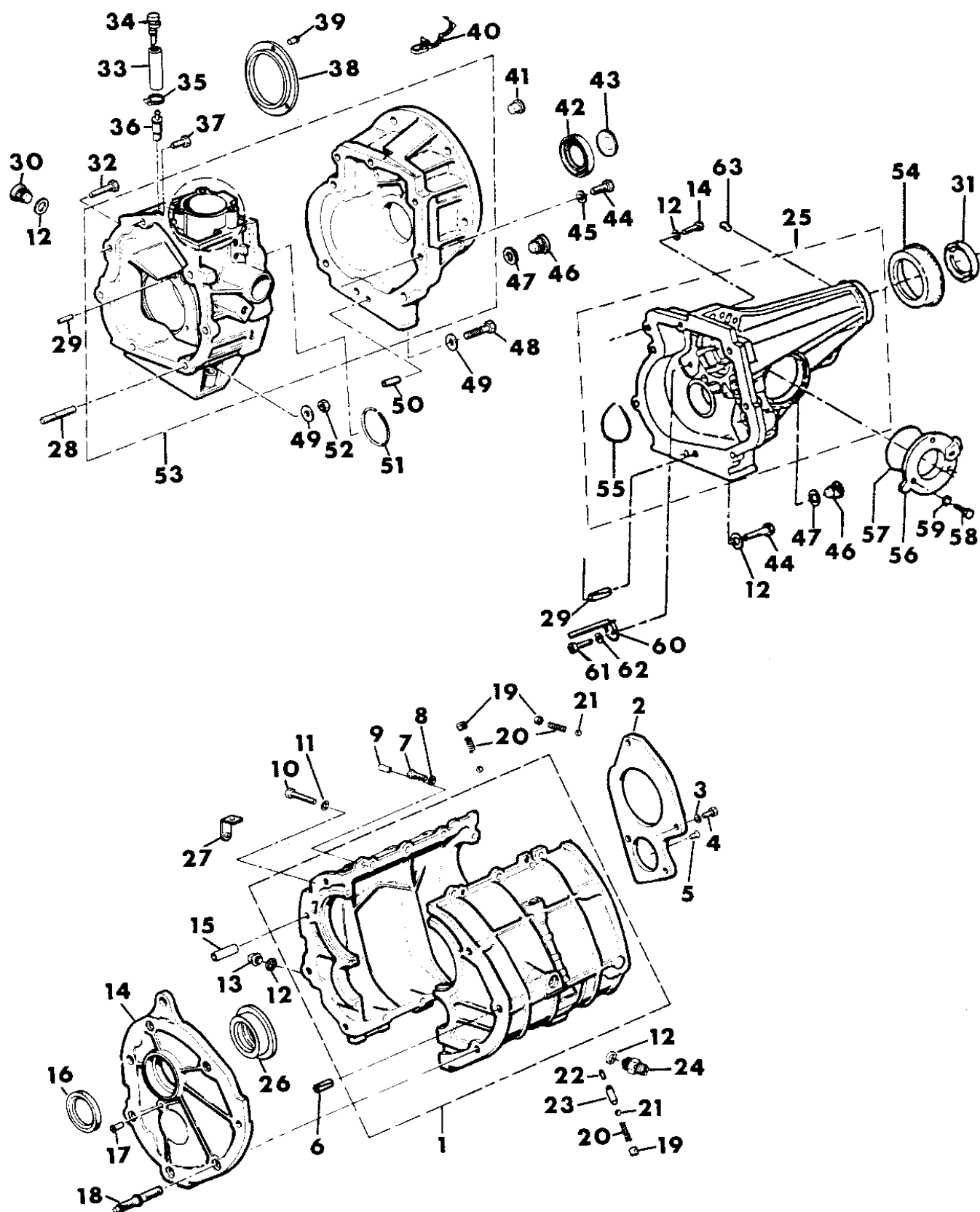
BODY STYLES:

MJ = Comanche Pickup
SJ = Grand Wagoneer Wgn., J-10 & J-20 Pickups
XJ = Cherokee, Wagoneer Limited
YJ = Wrangler

AR = Use as Required - = Non Illustrated Part P.A.R. = Paint as Required

TRANSMISSION CASE, ADAPTER AND MISC. PARTS SIX CYL. ENG. 4.0L, 4.2L, FIVE SPEED TRANSMISSION PEUGEOT MODEL BA 10/5
Figure 21M-500

8 J21500



| ITEM | PART NUMBER | QTY | BODY | MODEL | DESCRIPTION |
|------|-------------|-----|-------|-------|--|
| 27 | 8350 4088 | 1 | | | BRACKET |
| 28 | 8350 3235 | 3 | | | STUD, Rear Case |
| 29 | 8350 3291 | 2 | | | PIN |
| 30 | 8350 3285 | 1 | | | PLUG |
| 31 | 8350 4419 | 1 | | | SEAL, Rear Extension (2WD) |
| 32 | 8350 3289 | 3 | | | SCREW |
| 33 | J812 5823 | AR | | | HOSE 1' Bulk |
| 34 | J535 2955 | 1 | | | CAP |
| 35 | J322 7851 | 1 | | | CLAMP |
| 36 | 8350 3210 | 1 | | | BREATHER, Rear Case |
| 37 | 8350 3292 | 1 | | | SCREW |
| 38 | 8350 4407 | 1 | | | PLATE |
| 39 | 8350 4408 | 3 | | | RIVET |
| 40 | J545 9095 | 1 | | | CLIP |
| 41 | 8350 4871 | 1 | | | PLUG |
| 42 | 8350 3250 | 1 | | | SEAL |
| 43 | 8350 4872 | 1 | | | PLUG |
| 44 | 8350 3289 | 5 | | | SCREW |
| 45 | J305 7005 | 7 | | | WASHER |
| 46 | 8350 3284 | 1 | | | PLUG |
| 47 | T777 7649 | 1 | | | SEAL, Plug |
| 48 | 8350 3277 | 1 | | | SCREW |
| 49 | J305 7005 | 7 | | | WASHER |
| 50 | 8350 3294 | 2 | | | PIN |
| 51 | 8350 3200 | 1 | | | CLIP |
| 52 | 8350 3241 | 3 | | | NUT |
| 53 | | | | | CASE, Rear |
| | 8350 4437 | 1 | YJ | | For Vehicles built up to trans. serial no. 71788 |
| | 8350 5209 | 1 | YJ | | For Vehicles built with trans. serial no. 71788 and higher |
| | 8350 4123 | 1 | XJ,MJ | | 1987 |
| | 8350 5210 | 1 | XJ,MJ | | 1988-89 |
| 54 | 8350 4428 | 1 | XJ,MJ | | PROTECTOR, Rear Seal, 2WD |
| 55 | 8350 3200 | 1 | XJ,MJ | | RING, Snap, 2WD |
| 56 | 8350 4420 | 1 | XJ,MJ | | SPACER, 2WD |
| 57 | 8350 4421 | 1 | XJ,MJ | | O-RING, 2WD |
| 58 | 8350 4422 | 3 | XJ,MJ | | SCREW, 2WD |
| 59 | 8350 4423 | 3 | XJ,MJ | | GASKET, 2WD |

MODEL CODES:

| | | |
|-----------------------------|-----------------------------|------------------------------|
| 15 = Grand Wagoneer 4 Dr. | 65 = Comanche 4WD-7 Ft. Box | 77 = Cherokee 4WD-2 Dr. |
| 25 = J-10 Pickup-119" W.B. | 66 = Comanche 2WD-7 Ft. Box | 78 = Cherokee 4WD-4 Dr. |
| 26 = J-10 Pickup-131" W.B. | 73 = Cherokee 2WD-2 Dr. | 79 = Cherokee 4WD-4 Dr.-Com |
| 27 = J-20 Pickup-131" W.B. | 74 = Cherokee 2WD-4 Dr. | 81 = Wrangler-93" W.B. |
| 63 = Comanche 4WD-6 Ft. Box | 75 = Wagoneer 4WD-4 Dr. | 82 = Wrangler-103" W.B.-Exp. |
| 64 = Comanche 2WD-6 Ft. Box | | |

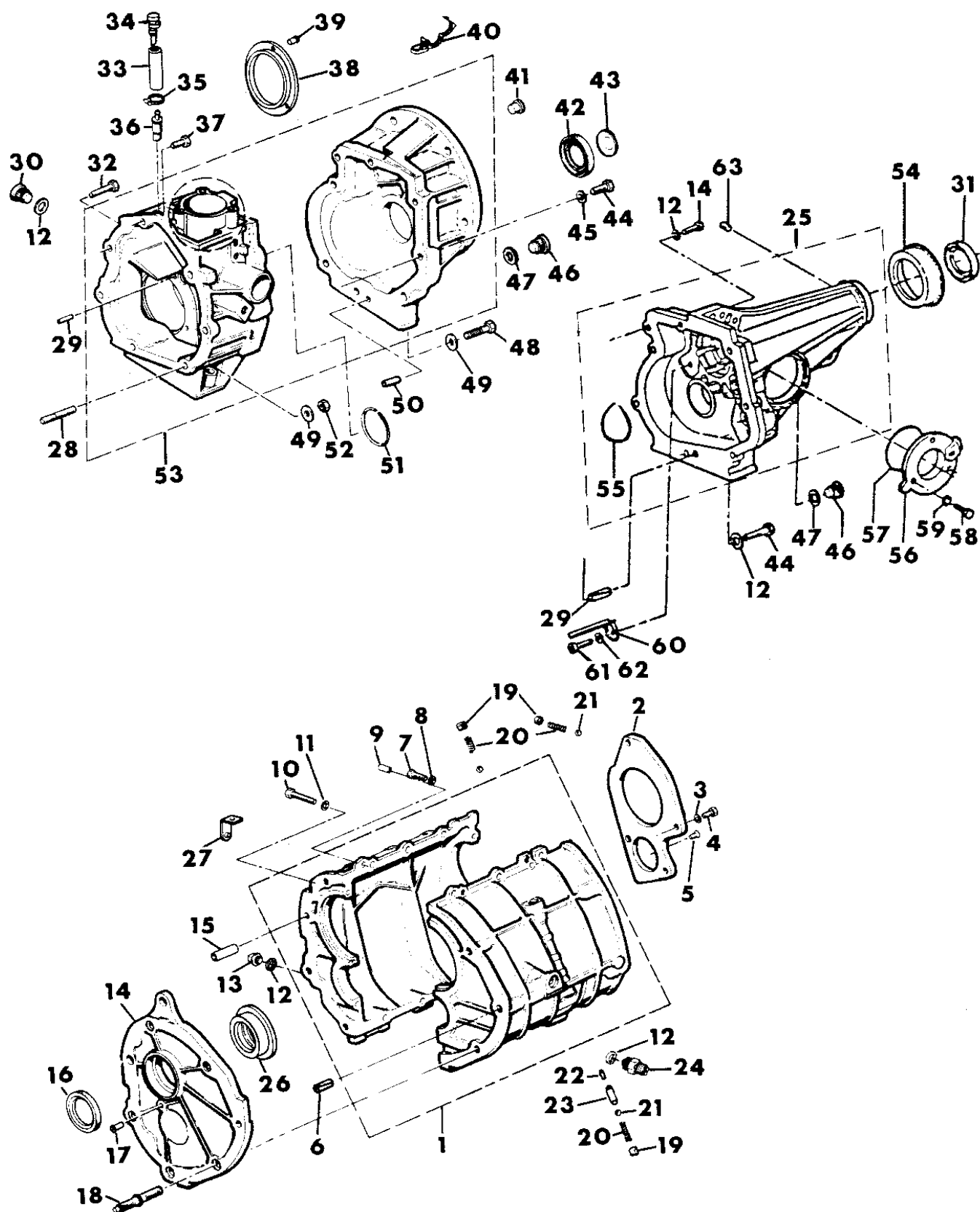
BODY STYLES:

MJ = Comanche Pickup
SJ = Grand Wagoneer Wgn., J-10 & J-20 Pickups
XJ = Cherokee, Wagoneer Limited
YJ = Wrangler

AR = Use as Required - = Non Illustrated Part P.A.R. = Paint as Required

TRANSMISSION CASE, ADAPTER AND MISC. PARTS SIX CYL. ENG. 4.0L, 4.2L, FIVE SPEED TRANSMISSION PEUGEOT MODEL BA 10/5
Figure 21M-500

8 J21500



| ITEM | PART NUMBER | QTY | BODY | MODEL | DESCRIPTION |
|------|-------------|-----|-------|-------|--------------------|
| 60 | 8350 4424 | 1 | XJ,MJ | | DEFLECTOR, 2WD *** |
| 61 | 8350 4425 | 1 | XJ,MJ | | SCREW, 2WD |
| 62 | 8350 4426 | 1 | XJ,MJ | | WASHER, 2WD |
| 63 | 8350 4427 | 1 | XJ,MJ | | PLUG, 2WD |

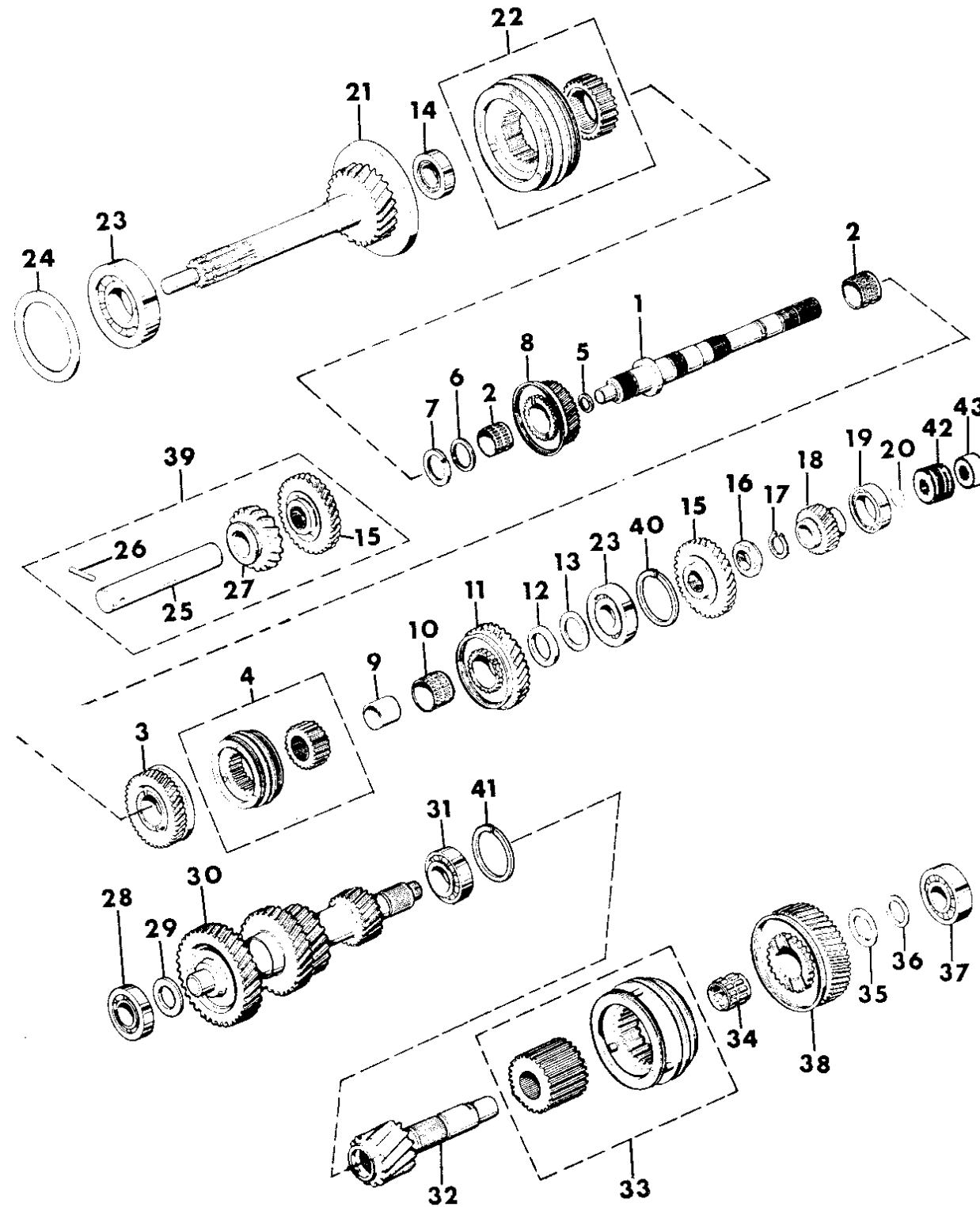
MODEL CODES:
 15 = Grand Wagoneer 4 Dr. 65 = Comanche 4WD-7 Ft. Box 77 = Cherokee 4WD-2 Dr.
 25 = J-10 Pickup-119" W.B. 66 = Comanche 2WD-7 Ft. Box 78 = Cherokee 4WD-4 Dr.
 26 = J-10 Pickup-131" W.B. 73 = Cherokee 2WD-2 Dr. 79 = Cherokee 4WD-4 Dr.-Com
 27 = J-20 Pickup-131" W.B. 74 = Cherokee 2WD-4 Dr. 81 = Wrangler-93" W.B.
 63 = Comanche 4WD-6 Ft. Box 75 = Wagoneer 4WD-4 Dr. 82 = Wrangler-103" W.B.-Exp.
 64 = Comanche 2WD-6 Ft. Box

BODY STYLES:
 MJ = Comanche Pickup
 SJ = Grand Wagoneer Wgn., J-10 & J-20 Pickups
 XJ = Cherokee, Wagoneer Limited
 YJ = Wrangler

AR = Use as Required - = Non Illustrated Part P.A.R. = Paint as Required

GEAR TRAIN, MANUAL TRANSMISSION SIX CYL. ENG. 4.0L, 4.2L, FIVE SPEED TRANSMISSION PEUGEOT MODEL BA 10/5
Figure 21M-600

8J21 600



| ITEM | PART NUMBER | QTY | BODY | MODEL | DESCRIPTION |
|------|-------------|-----|-------|-------|--|
| 1 | | | | | MAINSHAFT |
| | 8350 3219 | 1 | | | 4 Wheel Drive |
| | 8350 4429 | 1 | | | 2 Wheel Drive *** |
| 2 | 8350 3208 | 2 | | | BEARING, Needle |
| 3 | 8350 3218 | 1 | | | GEAR, Second Speed |
| 4 | 8350 4089 | 1 | | | SYNCHRONIZER, 1st & 2nd Gear |
| 5 | 8350 3205 | 1 | | | WASHER, Spring |
| 6 | 8350 4870 | 1 | | | WASHER |
| 7 | 8350 3203 | 1 | | | RING, Stop |
| 8 | 8350 3221 | 1 | | | GEAR, Third Speed |
| 9 | 8350 3213 | 1 | | | SPACER, Bearing |
| 10 | 8350 3231 | 1 | | | BEARING, Needle |
| 11 | | | | | GEAR, First Speed |
| | 8350 3214 | 1 | | | 12 x 34 teeth (A) |
| | 8350 5444 | 1 | | | 12 x 32 teeth (B) |
| 12 | 8350 4622 | 1 | | | SHIM |
| 13 | 8350 3222 | 1 | | | SHIM PACKAGE |
| 14 | 8350 4410 | 1 | | | BEARING, Roller Tapered |
| 15 | 8350 3206 | 1 | | | GEAR, Reverse Driven |
| 16 | 8350 3204 | 1 | | | NUT |
| 17 | 8350 3253 | 1 | | | RING, Locking |
| 18 | | | | | GEAR, Fifth Speed |
| | 8350 4099 | 1 | | | 53 x 27 teeth (A) |
| | 8350 5452 | 1 | | | 51 x 28 teeth (B) |
| 19 | 8350 3249 | 1 | | | BEARING, Roller With Race |
| 20 | 8350 3224 | 1 | | | RING, Retaining |
| 21 | | | | | SHAFT, Input |
| | 8350 3229 | 1 | YJ | | For vehicles built up to trans. serial no 71788. |
| | 8350 5205 | 1 | YJ | | For vehicles built after trans. serial no 71788. |
| | 8350 5205 | 1 | XJ,MJ | | |
| 22 | 8350 4103 | 1 | | | SYNCHRONIZER, 3rd & 4th Gear |
| 23 | | | | | BEARING, Roller Tapered |
| | 8350 3212 | 2 | | | (A) |
| | 8350 5447 | 2 | | | (B) |
| 24 | 8350 3230 | 1 | | | SHIM PACKAGE |
| 25 | | | | | RAIL, Reverse |
| | 8350 3248 | 1 | YJ | | For vehicles built up to trans. serial no 12615. |

MODEL CODES:

| | | |
|-----------------------------|-----------------------------|------------------------------|
| 15 = Grand Wagoneer 4 Dr. | 65 = Comanche 4WD-7 Ft. Box | 77 = Cherokee 4WD-2 Dr. |
| 25 = J-10 Pickup-119" W.B. | 66 = Comanche 2WD-7 Ft. Box | 78 = Cherokee 4WD-4 Dr. |
| 26 = J-10 Pickup-131" W.B. | 73 = Cherokee 2WD-2 Dr. | 79 = Cherokee 4WD-4 Dr.-Com |
| 27 = J-20 Pickup-131" W.B. | 74 = Cherokee 2WD-4 Dr. | 81 = Wrangler-93" W.B. |
| 63 = Comanche 4WD-6 Ft. Box | 75 = Wagoneer 4WD-4 Dr. | 82 = Wrangler-103" W.B.-Exp. |
| 64 = Comanche 2WD-6 Ft. Box | | |

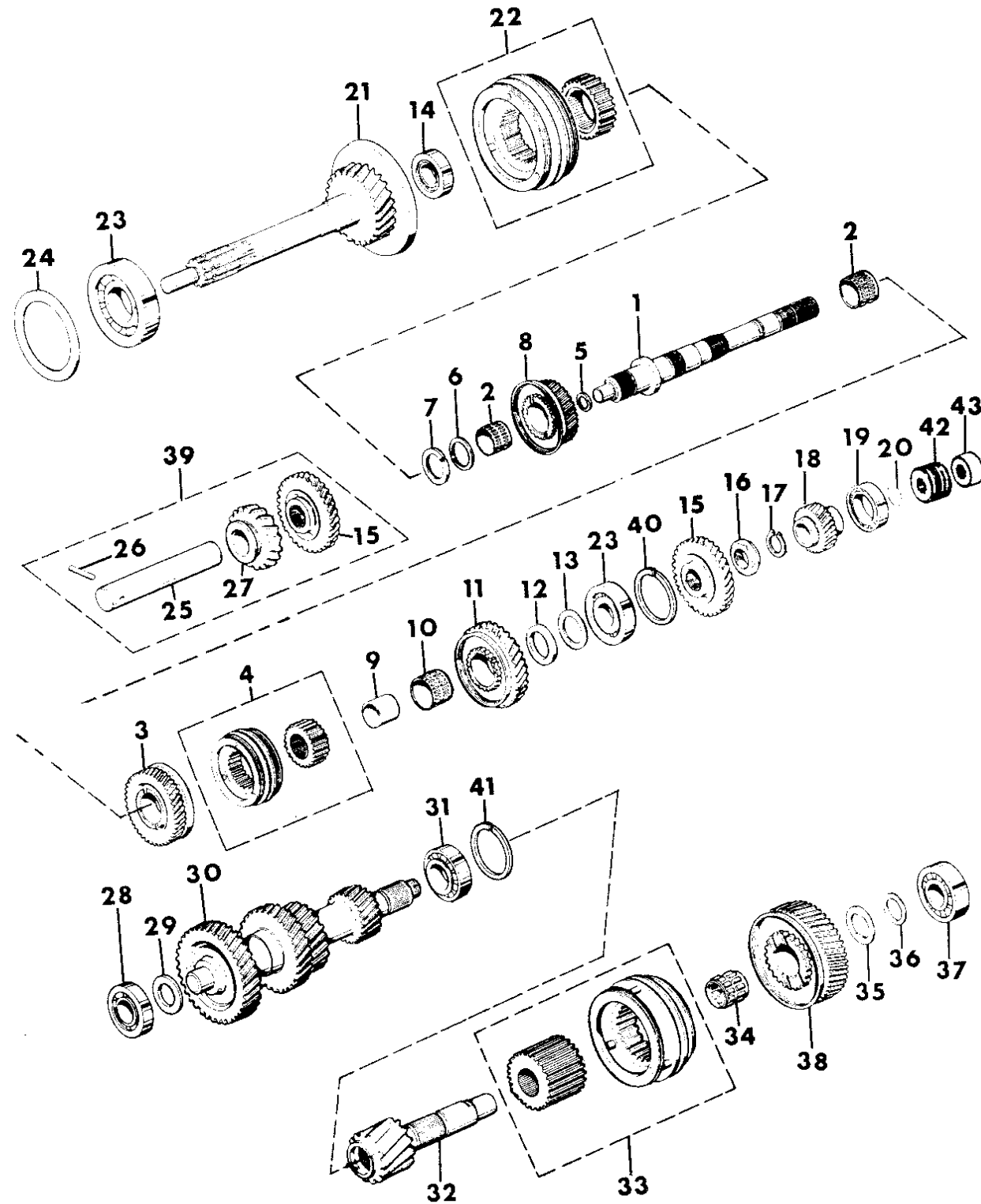
BODY STYLES:

MJ = Comanche Pickup
 SJ = Grand Wagoneer Wgn., J-10 & J-20 Pickups
 XJ = Cherokee, Wagoneer Limited
 YJ = Wrangler

AR = Use as Required - = Non Illustrated Part P.A.R. = Paint as Required

GEAR TRAIN, MANUAL TRANSMISSION SIX CYL. ENG. 4.0L, 4.2L, FIVE SPEED TRANSMISSION PEUGEOT MODEL BA 10/5
Figure 21M-600

8J21 600



| ITEM | PART NUMBER | QTY | BODY | MODEL | DESCRIPTION |
|------|-------------|-----|-------|-------|--|
| | 8350 3262 | 1 | YJ | | For Vehicles built after trans. serial no 12616. |
| | 8350 3262 | 1 | XJ,MJ | | |
| 26 | 8350 3257 | 1 | | | PIN, Reverse |
| 27 | 8350 3259 | 1 | | | GEAR, Reverse Idler |
| 28 | 8350 3209 | 1 | | | BEARING, Roller |
| 29 | 8350 3254 | 1 | | | SHIM PACKAGE |
| 30 | | | | | SHAFT, Intermediate |
| | 8350 3239 | 1 | | | (A) |
| | 8350 5445 | 1 | | | (B) |
| 31 | 8350 5448 | 1 | | | BEARING, Roller |
| 32 | 8350 3242 | 1 | | | GEAR, Fifth Intermediate |
| 33 | 8350 3246 | 1 | | | HUB AND SYNCHRONIZER, Fifth Gear |
| 34 | 8350 3207 | 1 | | | BEARING, Needle |
| 35 | 8350 3247 | 1 | | | SHIM, Spacer |
| 36 | 8350 3237 | 1 | | | SHIM PACKAGE |
| 37 | 8350 3201 | 1 | | | BEARING, Roller |
| 38 | | | | | GEAR, Fifth Intermediate |
| | 8350 3243 | 1 | | | 53 X 27 teeth (A) |
| | 8350 5451 | 1 | | | 51 X 28 teeth (B) |
| 39 | 8350 4500 | 1 | | | GEAR PACKAGE |
| 40 | 8350 5477 | 1 | | | RING, Retaining (B) |
| 41 | 8350 5478 | 1 | | | RING, Retaining (B) |
| 42 | 8350 4430 | 1 | XJ,MJ | | GEAR, Speedometer Drive, 2WD |
| 43 | 8350 4431 | 1 | XJ,MJ | | SEAL, 2WD |

NOTES: (A) YJ For Vehicles Built w/trans. serial no. up to 131001. XJ,MJ For Vehicles Built w/trans. up to serial no. 131163.
 (B) YJ For Vehicles Built w/trans. serial no after 131001. XJ,MJ For Vehicles Built w/trans after serial no. 131163. (A) YJ For Vehicles Built w/trans. serial no. up to 131001. XJ,MJ For Vehicles Built w/trans. up to serial no. 131163.
 (C) For Vehicles Built with trans. serial no. up to 22171. (A) YJ For Vehicles Built w/trans. serial no. up to 131001. XJ,MJ For Vehicles Built w/trans. up to serial no. 131163.
 (D) For Vehicles Built after trans. serial no. 22172. (A) YJ For Vehicles Built w/trans. serial no. up to 131001. XJ,MJ For Vehicles Built w/trans. up to serial no. 131163.

MODEL CODES:

| | | |
|-----------------------------|-----------------------------|------------------------------|
| 15 = Grand Wagoneer 4 Dr. | 65 = Comanche 4WD-7 Ft. Box | 77 = Cherokee 4WD-2 Dr. |
| 25 = J-10 Pickup-119" W.B. | 66 = Comanche 2WD-7 Ft. Box | 78 = Cherokee 4WD-4 Dr. |
| 26 = J-10 Pickup-131" W.B. | 73 = Cherokee 2WD-2 Dr. | 79 = Cherokee 4WD-4 Dr.-Com |
| 27 = J-20 Pickup-131" W.B. | 74 = Cherokee 2WD-4 Dr. | 81 = Wrangler-93" W.B. |
| 63 = Comanche 4WD-6 Ft. Box | 75 = Wagoneer 4WD-4 Dr. | 82 = Wrangler-103" W.B.-Exp. |
| 64 = Comanche 2WD-6 Ft. Box | | |

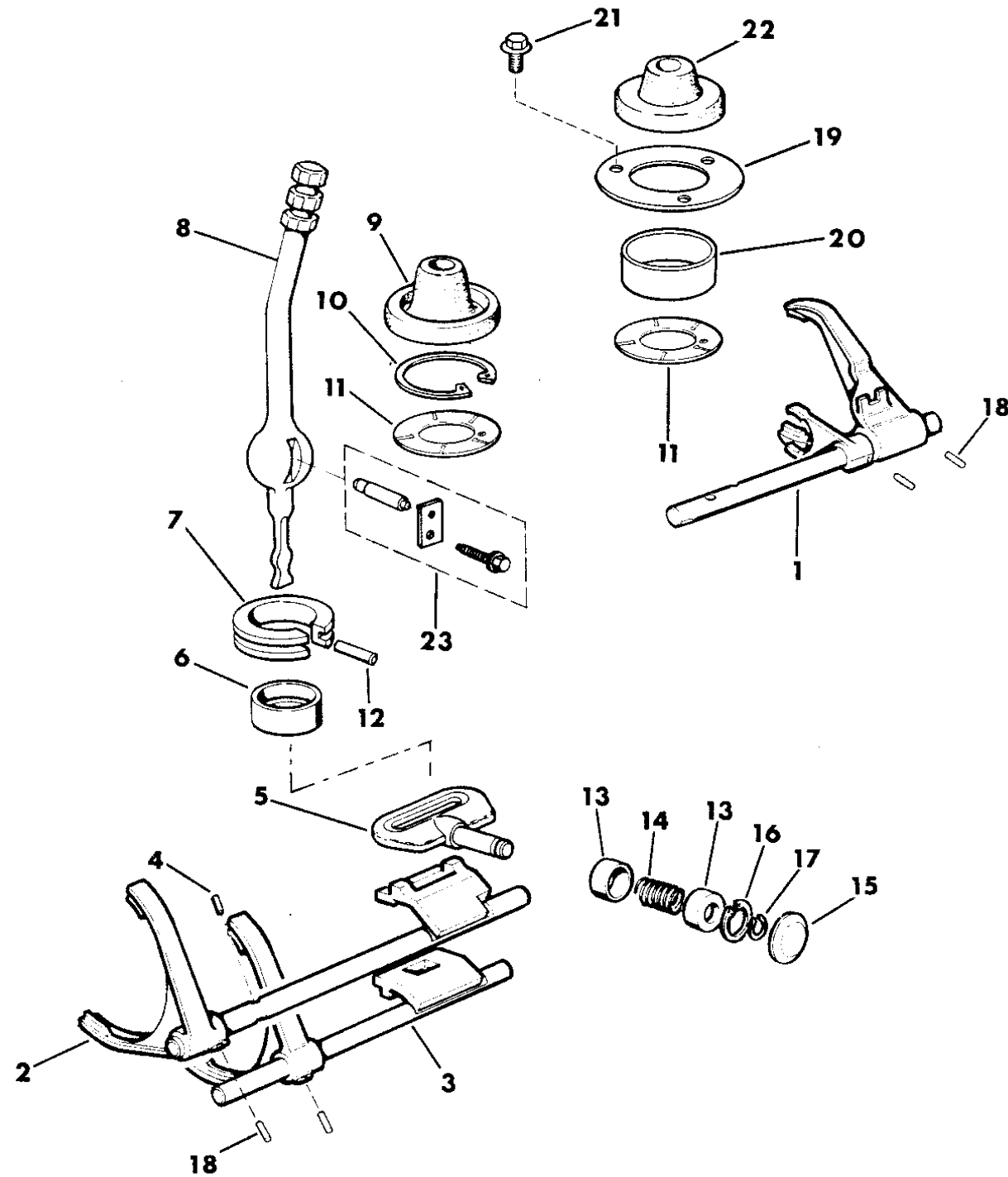
BODY STYLES:

MJ = Comanche Pickup
 SJ = Grand Wagoneer Wgn., J-10 & J-20 Pickups
 XJ = Cherokee, Wagoneer Limited
 YJ = Wrangler

AR = Use as Required - = Non Illustrated Part P.A.R. = Paint as Required

FORKS, RAILS, SHIFT MANUAL TRANSMISSION SIX CYL. ENG. 4.0L, 4.2L, FIVE SPEED TRANSMISSION PEUGEOT MODEL BA 10/5
Figure 21M-700

8 J 21 700



| ITEM | PART NUMBER | QTY | BODY | MODEL | DESCRIPTION |
|------|-------------|-----|-------|-------|---------------------------|
| 1 | | | | | FORK, 5th & Reverse Shift |
| | 8350 3261 | 1 | | | (A) |
| | 8350 5456 | 1 | | | (B) |
| 2 | 8350 3268 | 1 | | | FORK, 1st & 2nd Shift |
| 3 | 8350 3263 | 1 | | | FORK, 3rd & 4th Shift |
| 4 | 8350 3225 | 1 | | | PIN, Locking |
| 5 | 8350 4626 | 1 | | | KEY |
| 6 | | | | | BUSHING, Lower |
| | 8350 3275 | 1 | YJ | | |
| | 8350 4121 | 1 | XJ,MJ | | |
| 7 | 8350 3276 | 1 | | | BUSHING, Upper |
| 8 | | | | | LEVER, Gearshift |
| | 8350 3274 | 1 | YJ | | 9 3/4" Long |
| | 8350 4113 | 1 | XJ,MJ | | 11" Long |
| 9 | | | | | BOOT |
| | 8350 3279 | 1 | YJ | | (C) |
| 10 | 8350 3280 | 1 | YJ | | SNAP RING (C) *** |
| 11 | 8350 3286 | 1 | YJ | | WASHER |
| 12 | 8350 5281 | 1 | | | PIN |
| 13 | 8350 3265 | 2 | | | BUSHING |
| 14 | | | | | SPRING |
| | 8350 4112 | 1 | YJ | | |
| | 8350 4501 | 1 | XJ,MJ | | |
| 15 | 8350 4872 | 1 | | | PLUG |
| 16 | 8350 3273 | 1 | | | RING, Locking |
| 17 | 8350 3252 | 1 | | | RING, Locking |
| 18 | 8350 3260 | 4 | | | PIN |
| 19 | 8350 5273 | 1 | | | COVER |
| 20 | | | | | BUSHING |
| | 8350 4120 | 1 | YJ | | (D) |
| | 8350 4124 | 1 | XJ,MJ | | |
| 21 | 1150 5117 | 3 | | | SCREW |
| 22 | | | | | BOOT |
| | 8350 4621 | 1 | YJ | | (D) |
| | 8350 4621 | 1 | XJ,MJ | | |
| 23 | | | | | PLATE PACKAGE *** |
| | 8350 5281 | 1 | YJ | | (E) |

MODEL CODES:

| | | |
|-----------------------------|-----------------------------|------------------------------|
| 15 = Grand Wagoneer 4 Dr. | 65 = Comanche 4WD-7 Ft. Box | 77 = Cherokee 4WD-2 Dr. |
| 25 = J-10 Pickup-119" W.B. | 66 = Comanche 2WD-7 Ft. Box | 78 = Cherokee 4WD-4 Dr. |
| 26 = J-10 Pickup-131" W.B. | 73 = Cherokee 2WD-2 Dr. | 79 = Cherokee 4WD-4 Dr.-Com |
| 27 = J-20 Pickup-131" W.B. | 74 = Cherokee 2WD-4 Dr. | 81 = Wrangler-93" W.B. |
| 63 = Comanche 4WD-6 Ft. Box | 75 = Wagoneer 4WD-4 Dr. | 82 = Wrangler-103" W.B.-Exp. |
| 64 = Comanche 2WD-6 Ft. Box | | |

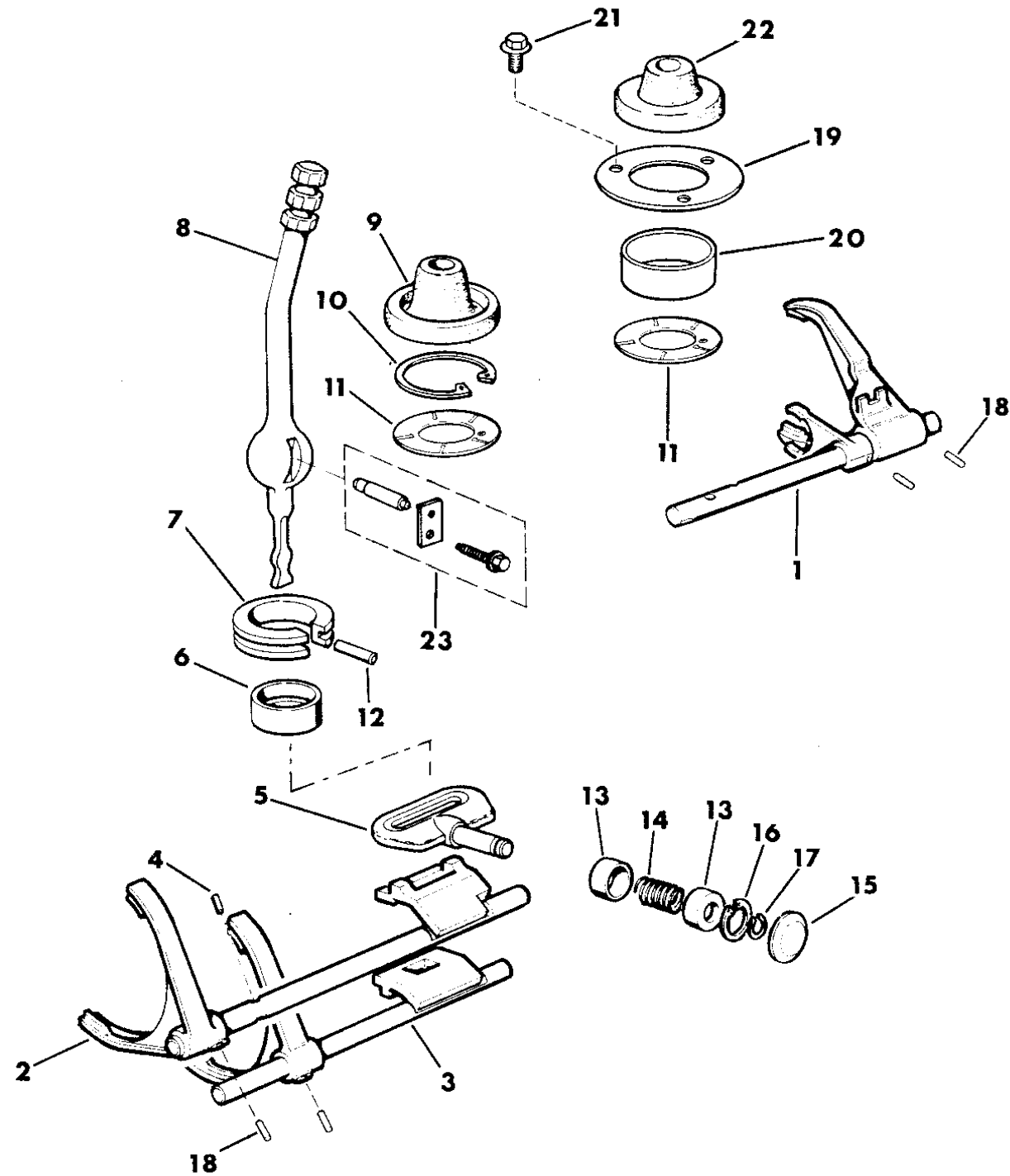
BODY STYLES:

MJ = Comanche Pickup
SJ = Grand Wagoneer Wgn., J-10 & J-20 Pickups
XJ = Cherokee, Wagoneer Limited
YJ = Wrangler

AR = Use as Required - = Non Illustrated Part P.A.R. = Paint as Required

FORKS, RAILS, SHIFT MANUAL TRANSMISSION SIX CYL. ENG. 4.0L, 4.2L, FIVE SPEED TRANSMISSION PEUGEOT MODEL BA 10/5
Figure 21M-700

8 J 21 700



| ITEM | PART NUMBER | QTY | BODY | MODEL | DESCRIPTION |
|------|-------------|-----|------|-------|-------------|
|------|-------------|-----|------|-------|-------------|

| | | | | | |
|-----|-----------|---|-------|--|---|
| | 8350 5281 | 1 | XJ,MJ | | |
| (A) | | | | | For YJ Vehicles Built w/trans. serial no up to 131001. For XJ,MJ Vehicles Built w/trans serial no up to 131162. (A) YJ For Vehicles Built w/trans. serial no. up to 131001. XJ,MJ For Vehicles Built w/trans. up to serial no. 131163. |
| (B) | | | | | For YJ Vehicles Built w/trans. after serial no 131001. For XJ,MJ Vehicles Built w/trans. after serial no 131163. (A) YJ For Vehicles Built w/trans. serial no. up to 131001. XJ,MJ For Vehicles Built w/trans. up to serial no. 131163. |
| (C) | | | | | For Vehicles Built up to transmission serial no. 12616. (A) YJ For Vehicles Built w/trans. serial no. up to 131001. XJ,MJ For Vehicles Built w/trans. up to serial no. 131163. |
| (D) | | | | | For Vehicles Built after transmission serial no. 12616. (A) YJ For Vehicles Built w/trans. serial no. up to 131001. XJ,MJ For Vehicles Built w/trans. up to serial no. 131163. |
| (E) | | | | | For Vehicles Built after transmission serial no. 72072. (A) YJ For Vehicles Built w/trans. serial no. up to 131001. XJ,MJ For Vehicles Built w/trans. up to serial no. 131163. |

MODEL CODES:

| | | |
|-----------------------------|-----------------------------|------------------------------|
| 15 = Grand Wagoneer 4 Dr. | 65 = Comanche 4WD-7 Ft. Box | 77 = Cherokee 4WD-2 Dr. |
| 25 = J-10 Pickup-119" W.B. | 66 = Comanche 2WD-7 Ft. Box | 78 = Cherokee 4WD-4 Dr. |
| 26 = J-10 Pickup-131" W.B. | 73 = Cherokee 2WD-2 Dr. | 79 = Cherokee 4WD-4 Dr.-Com |
| 27 = J-20 Pickup-131" W.B. | 74 = Cherokee 2WD-4 Dr. | 81 = Wrangler-93" W.B. |
| 63 = Comanche 4WD-6 Ft. Box | 75 = Wagoneer 4WD-4 Dr. | 82 = Wrangler-103" W.B.-Exp. |
| 64 = Comanche 2WD-6 Ft. Box | | |

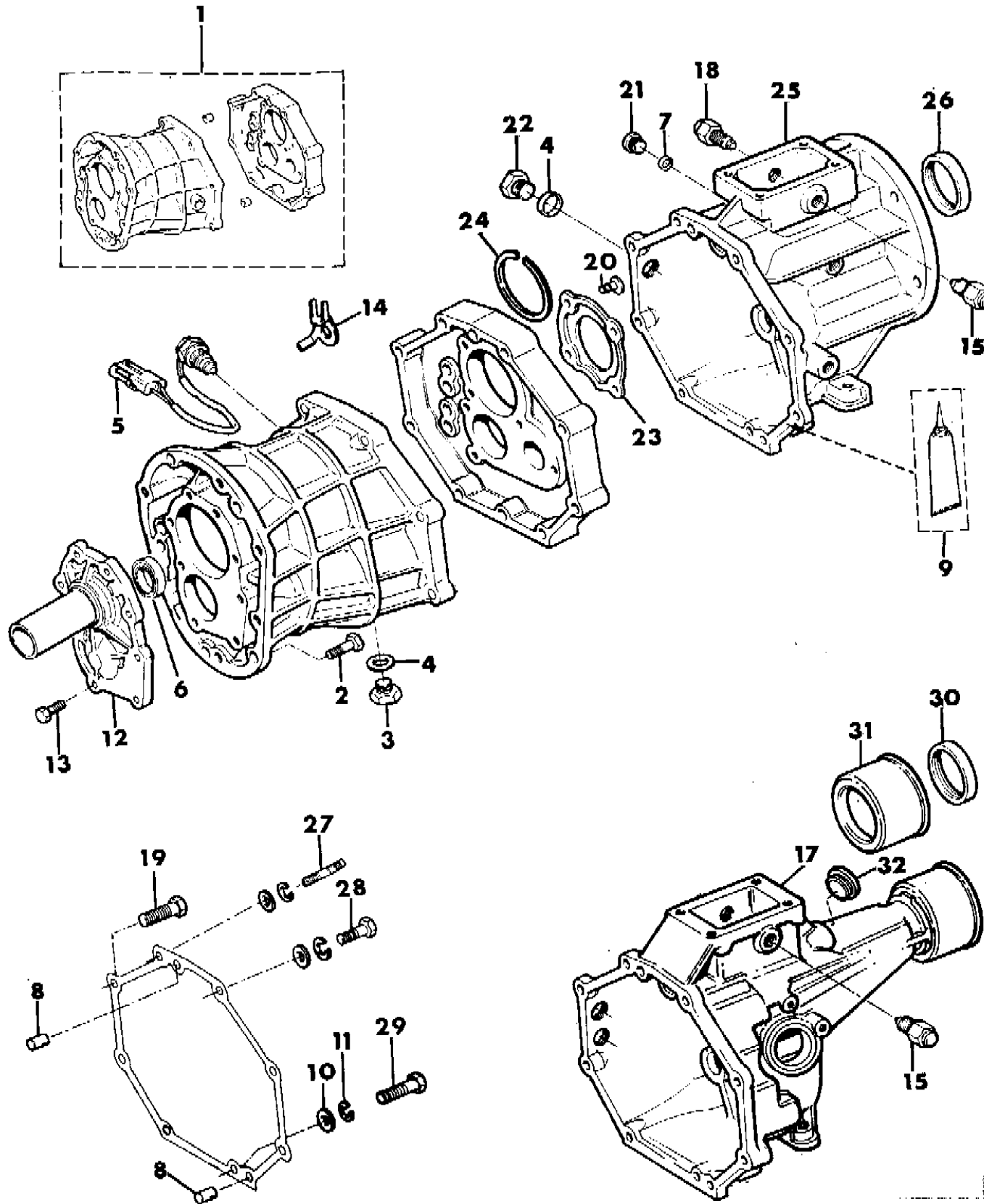
BODY STYLES:

MJ = Comanche Pickup
SJ = Grand Wagoneer Wgn., J-10 & J-20 Pickups
XJ = Cherokee, Wagoneer Limited
YJ = Wrangler

AR = Use as Required - = Non Illustrated Part P.A.R. = Paint as Required

CASE, ADAPTER/EXTENSION & MISC. PARTS, MANUAL TRANSIX CYL. ENG. 4.0L, 4.2L, FIVE SPEED TRANSMISSION AISIN MODEL AX 15
Figure 21M-800

8 J21800 A



| ITEM | PART NUMBER | QTY | BODY | MODEL | DESCRIPTION |
|------|-------------|-----|-------|-------|---------------------------------------|
| 1 | 5252 034 | 1 | | | CASE, Transmission |
| 2 | 3420 1914 | AR | | | BOLT, (M10x1.25x45mm) |
| 3 | 8350 0512 | 1 | | | PLUG, Drain |
| 4 | 8350 0513 | 2 | | | GASKET, Plug |
| 5 | 8350 0629 | 1 | | | SWITCH, Back-up |
| 6 | 5252 053 | 1 | | | SEAL, Retainer |
| 7 | 3300 0322 | 1 | | | GASKET |
| 8 | 8350 0504 | 1 | | | PIN |
| 9 | J899 3317 | AR | | | SEALER, Gasket-in-a-tube *** |
| 10 | 8350 0627 | AR | | | WASHER |
| 11 | 8350 0626 | AR | | | WASHER |
| 12 | 5252 052 | 1 | | | RETAINER, Front Bearing |
| 13 | 3420 1818 | 5 | | | BOLT, (M8x1.25x25mm) |
| 14 | 8350 3551 | 1 | | | CLAMP |
| 15 | | | | | PIN, Reverse |
| | 8350 0516 | 1 | | | 1987-89 |
| | 5252 921 | 1 | | | 1990 |
| 16 | 8350 6227 | 2 | | | BOLT |
| 17 | 8350 6225 | 1 | XJ,MJ | | EXTENSION, Housing, 2WD |
| 18 | 5252 039 | 1 | | | PIN, Reverse |
| 19 | 8350 3548 | 2 | | | BOLT, With Washer |
| 20 | 3420 1818 | 4 | | | BOLT, (M8x1.25x25mm) |
| 21 | 8350 0628 | 1 | | | PLUG, Sensor |
| 22 | 8350 0623 | 1 | | | PLUG, Filler |
| 23 | 5252 036 | 1 | | | RETAINER, Rear |
| 24 | 8350 6221 | 1 | | | RING, Snap |
| 25 | | | | | ADAPTER, 4WD |
| | 8350 6224 | 1 | YJ | | |
| | 8350 6223 | 1 | XJ,MJ | | |
| 26 | 8350 3108 | 1 | | | SEAL, Adapter |
| 27 | 8350 0972 | 2 | | | STUD, (M10x1.25x105mm) |
| 28 | 8350 3549 | 5 | | | BOLT |
| 29 | 8350 3547 | 5 | | | BOLT With washer |
| 30 | 8350 2118 | 1 | | | SEAL, Extension Housing, 2WD |
| 31 | 8350 2123 | 1 | | | DEFLECTOR, Extension Housing, 2WD *** |
| 32 | 8350 2124 | 1 | | | PLUG, 2WD |

MODEL CODES:

| | | |
|-----------------------------|-----------------------------|------------------------------|
| 15 = Grand Wagoneer 4 Dr. | 65 = Comanche 4WD-7 Ft. Box | 77 = Cherokee 4WD-2 Dr. |
| 25 = J-10 Pickup-119" W.B. | 66 = Comanche 2WD-7 Ft. Box | 78 = Cherokee 4WD-4 Dr. |
| 26 = J-10 Pickup-131" W.B. | 73 = Cherokee 2WD-2 Dr. | 79 = Cherokee 4WD-4 Dr.-Com |
| 27 = J-20 Pickup-131" W.B. | 74 = Cherokee 2WD-4 Dr. | 81 = Wrangler-93" W.B. |
| 63 = Comanche 4WD-6 Ft. Box | 75 = Wagoneer 4WD-4 Dr. | 82 = Wrangler-103" W.B.-Exp. |
| 64 = Comanche 2WD-6 Ft. Box | | |

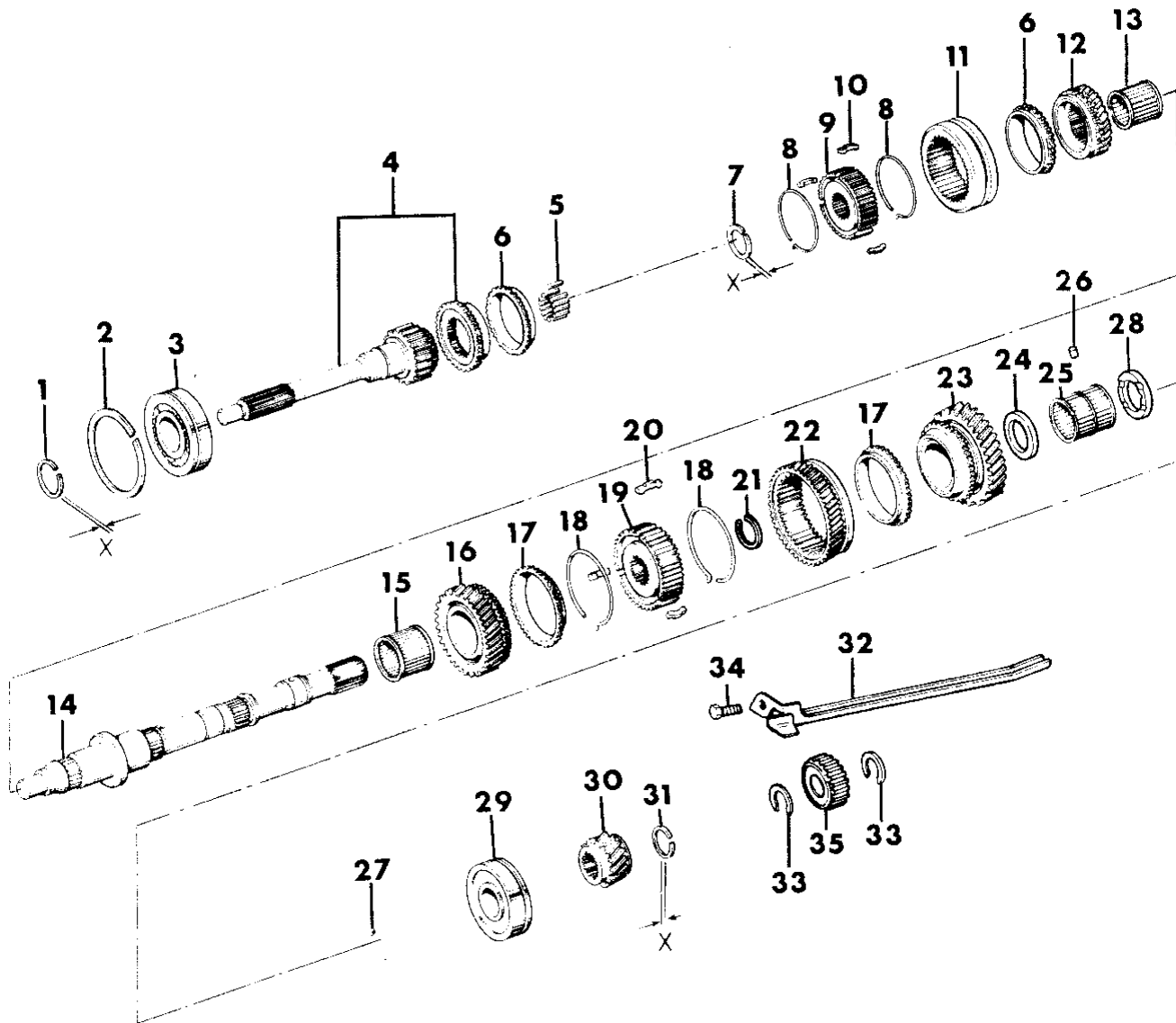
BODY STYLES:

MJ = Comanche Pickup
SJ = Grand Wagoneer Wgn., J-10 & J-20 Pickups
XJ = Cherokee, Wagoneer Limited
YJ = Wrangler

AR = Use as Required - = Non Illustrated Part P.A.R. = Paint as Required

GEAR TRAIN, MANUAL TRANSMISSION SIX CYLINDER ENGINE 4.0L, 4.2L, FIVE SPEED TRANS AISIN - MODEL AX 15
Figure 21M-900

8J21 900



| ITEM | PART NUMBER | QTY | BODY | MODEL | DESCRIPTION |
|------|-------------|-----|------|-------|--|
| 1 | | | | | RING, Snap Input Shaft Bearing |
| | 8350 6099 | AR | | | Stamped A (X=2.10mm) |
| | 8350 6214 | AR | | | Stamped B (X=2.15mm) |
| | 8350 6215 | AR | | | Stamped C (X=2.20mm) |
| | 8350 6216 | AR | | | Stamped D (X=2.25mm) |
| | 8350 6217 | AR | | | Stamped E (X=2.30mm) |
| | 8350 6218 | AR | | | STamped F (X=2.35mm) |
| | 8350 6219 | AR | | | STamped G (X=2.40mm) |
| 2 | 8350 6222 | 1 | | | RING, Snap, Front Bearing |
| 3 | 8350 6074 | 1 | | | BEARING, Input Shaft (92mmODx25.5mm WD) |
| 4 | 5252 081 | 1 | | | SHAFT, Input |
| 5 | 8350 6078 | 1 | | | BEARING, Input, Needle Roller, (36.4mmODx24mmWD) |
| 6 | 8350 6253 | 3 | | | RING, Synchronizer No. 2 |
| 7 | | | | | RING, Snap, Synchronizer No 2 |
| | 8350 6086 | AR | | | Stamped A (X=1.80mm) |
| | 8350 6087 | AR | | | Stamped B (X=1.85mm) |
| | 8350 6088 | AR | | | Stamped C (X=1.90mm) |
| | 8350 6089 | AR | | | Stamped D (X=1.95mm) |
| | 8350 6090 | AR | | | Stamped D (X=2.00mm) |
| | 8350 6091 | AR | | | Stamped F (X=2.05mm) |
| | 8350 6092 | AR | | | Stamped G (X=2.10mm) |
| 8 | | | | | SPRING, Synchronizer No. 3, 5TH Gear |
| | 8350 6255 | AR | | | Up To Transmission Serial No. 00705123 |
| | 4637 534 | AR | | | After Transmission Serial No. 00705123 |
| 9 | 8350 6248 | 1 | | | SYNCHRONIZER, 3rd and 4th Gear |
| 10 | 8350 6251 | 3 | | | KEY, Synchronizer No. 2 |
| 11 | 8350 6249 | 1 | | | SLEEVE, Synchronizer No.2 |
| 12 | 5252 079 | 1 | | | GEAR, Third |
| 13 | 8350 6077 | 1 | | | BEARING, Needle, 3rd Gear, (85mmODx36.2mmWD) |
| 14 | | | | | SHAFT, Output |
| | 8350 6243 | 1 | | | 4WD (16-1/8" Lg) |
| | 8350 6244 | 1 | | | 2WD (22-5/8" Lg) |
| 15 | 8350 6076 | 1 | | | BEARING, Needle, 2nd Gear, (52.8mmODx36mmWD) |
| 16 | 5252 078 | 1 | | | GEAR, Second |
| 17 | 8350 6252 | 2 | | | RING, Synchronizer No. 1 |
| 18 | 8350 6254 | 2 | | | SPRING, Synchronizer |
| 19 | 8350 6247 | 1 | | | SYNCHRONIZER, 1st and 2nd Gear |

MODEL CODES:

| | | |
|-----------------------------|-----------------------------|------------------------------|
| 15 = Grand Wagoneer 4 Dr. | 65 = Comanche 4WD-7 Ft. Box | 77 = Cherokee 4WD-2 Dr. |
| 25 = J-10 Pickup-119" W.B. | 66 = Comanche 2WD-7 Ft. Box | 78 = Cherokee 4WD-4 Dr. |
| 26 = J-10 Pickup-131" W.B. | 73 = Cherokee 2WD-2 Dr. | 79 = Cherokee 4WD-4 Dr.-Com |
| 27 = J-20 Pickup-131" W.B. | 74 = Cherokee 2WD-4 Dr. | 81 = Wrangler-93" W.B. |
| 63 = Comanche 4WD-6 Ft. Box | 75 = Wagoneer 4WD-4 Dr. | 82 = Wrangler-103" W.B.-Exp. |
| 64 = Comanche 2WD-6 Ft. Box | | |

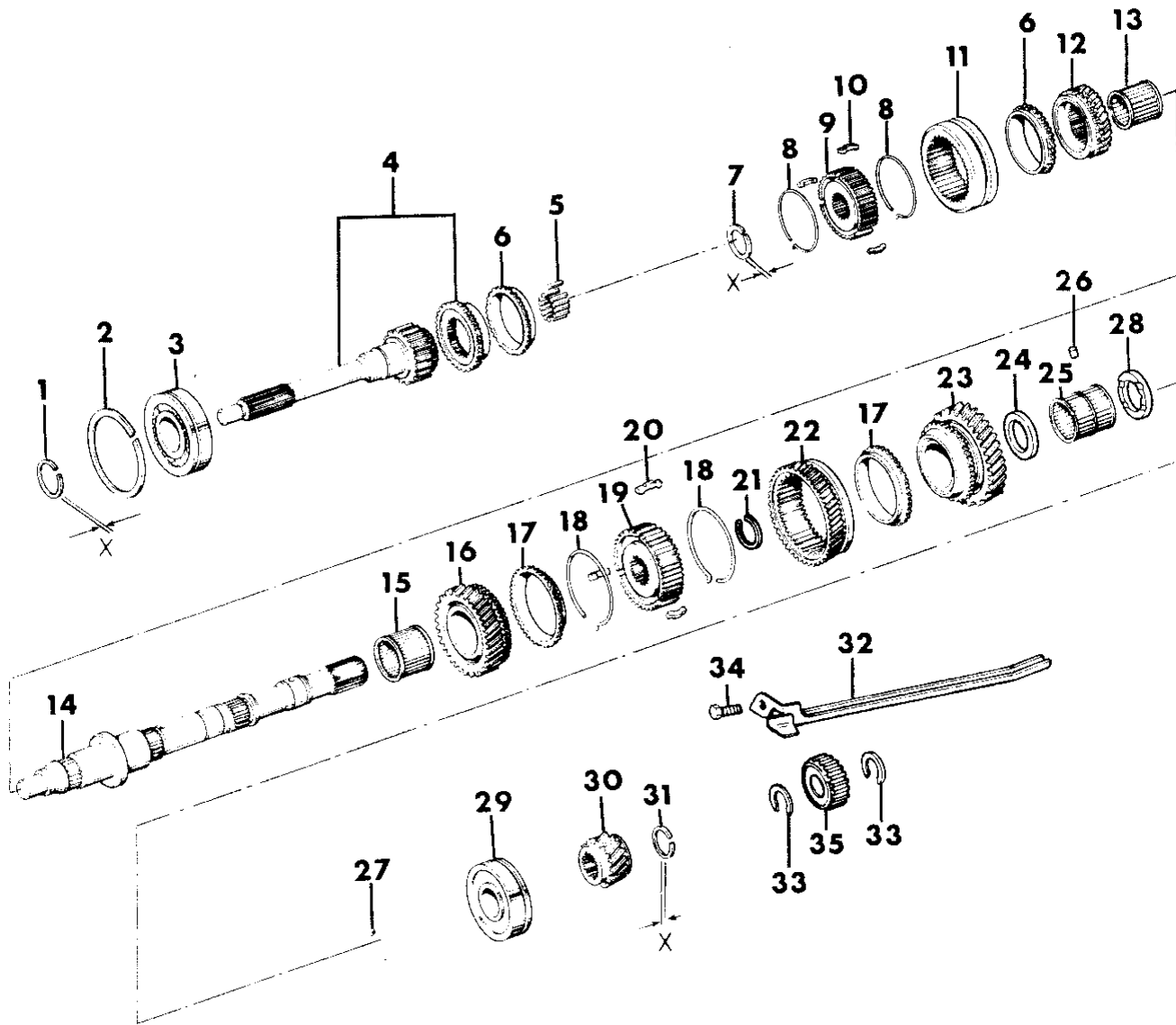
BODY STYLES:

MJ = Comanche Pickup
 SJ = Grand Wagoneer Wgn., J-10 & J-20 Pickups
 XJ = Cherokee, Wagoneer Limited
 YJ = Wrangler

AR = Use as Required - = Non Illustrated Part P.A.R. = Paint as Required

GEAR TRAIN, MANUAL TRANSMISSION SIX CYLINDER ENGINE 4.0L, 4.2L, FIVE SPEED TRANS AISIN - MODEL AX 15
Figure 21M-900

8J21 900



| ITEM | PART NUMBER | QTY | BODY | MODEL | DESCRIPTION |
|------|-------------|-----|-------|-------|--|
| 20 | 8350 6250 | 3 | | | KEY, Synchronizer No. 1 |
| 21 | 8350 6093 | AR | | | RING, Snap Synchronizer Stamped B (X=2.35mm) |
| | 8350 6094 | AR | | | Stamped C (X=2.40mm) |
| | 8350 6095 | AR | | | Stamped D (X=2.45mm) |
| | 8350 6096 | AR | | | Stamped E (X=2.50mm)(|
| | 8350 6097 | AR | | | Stamped F (X=2.55mm) |
| | 8350 6098 | AR | | | Stamped G (X=2.60mm) |
| 22 | 5252 082 | 1 | | | GEAR, Reverse |
| 23 | 5252 077 | 1 | | | GEAR, First |
| 24 | 8350 6280 | 1 | | | SPACER |
| 25 | 8350 6075 | 1 | | | BEARING, Needle, 1st Gear, (45.8mmODx44.5mmWD) |
| 26 | 8350 6008 | 1 | | | PIN |
| 27 | 8350 0573 | 1 | | | BALL, Reverse |
| 28 | 8350 6246 | 1 | | | WASHER, Thrust |
| 29 | 8350 6073 | 1 | | | BEARING, Output (85mmODx23mmWD) (Stamped MSK35TM 05U1) |
| 30 | 5252 083 | 1 | | | GEAR, Fifth |
| 31 | 8350 6268 | AR | | | RING, Snap 5th Gear Stamped A (X=2.75mm) |
| | 8350 6269 | AR | | | Stamped B (X=2.80mm) |
| | 8350 6270 | AR | | | Stamped C (X=2.85mm) |
| | 8350 6271 | AR | | | Stamped D (X=2.90mm) |
| | 8350 6272 | AR | | | Stamped E (X=2.95mm) |
| | 8350 6273 | AR | | | Stamped F (X=3.00mm) |
| | 8350 6274 | AR | | | Stamped G (X=3.05mm) |
| | 8350 6275 | AR | | | Stamped H (X=3.10mm) |
| | 8350 6276 | AR | | | Stamped I (X=3.15mm) |
| | 8350 6277 | AR | | | Stamped J (X=3.20mm) |
| | 8350 6278 | AR | | | Stamped K (X=3.25mm) |
| | 8350 6279 | AR | | | STamped L (X=3.30mm) |
| 32 | 8350 6226 | 1 | XJ,MJ | | PIPE, Oil Receiver, 2WD *** |
| 33 | 8350 6229 | 2 | XJ,MJ | | RING, Snap, 2WD |
| 34 | 8350 6227 | 2 | XJ,MJ | | BOLT, With Washer, 2WD |
| 35 | 8350 6228 | 1 | XJ,MJ | | GEAR, Speedometer Drive, 2WD |

MODEL CODES:

| | | |
|-----------------------------|-----------------------------|------------------------------|
| 15 = Grand Wagoneer 4 Dr. | 65 = Comanche 4WD-7 Ft. Box | 77 = Cherokee 4WD-2 Dr. |
| 25 = J-10 Pickup-119" W.B. | 66 = Comanche 2WD-7 Ft. Box | 78 = Cherokee 4WD-4 Dr. |
| 26 = J-10 Pickup-131" W.B. | 73 = Cherokee 2WD-2 Dr. | 79 = Cherokee 4WD-4 Dr.-Com |
| 27 = J-20 Pickup-131" W.B. | 74 = Cherokee 2WD-4 Dr. | 81 = Wrangler-93" W.B. |
| 63 = Comanche 4WD-6 Ft. Box | 75 = Wagoneer 4WD-4 Dr. | 82 = Wrangler-103" W.B.-Exp. |
| 64 = Comanche 2WD-6 Ft. Box | | |

BODY STYLES:

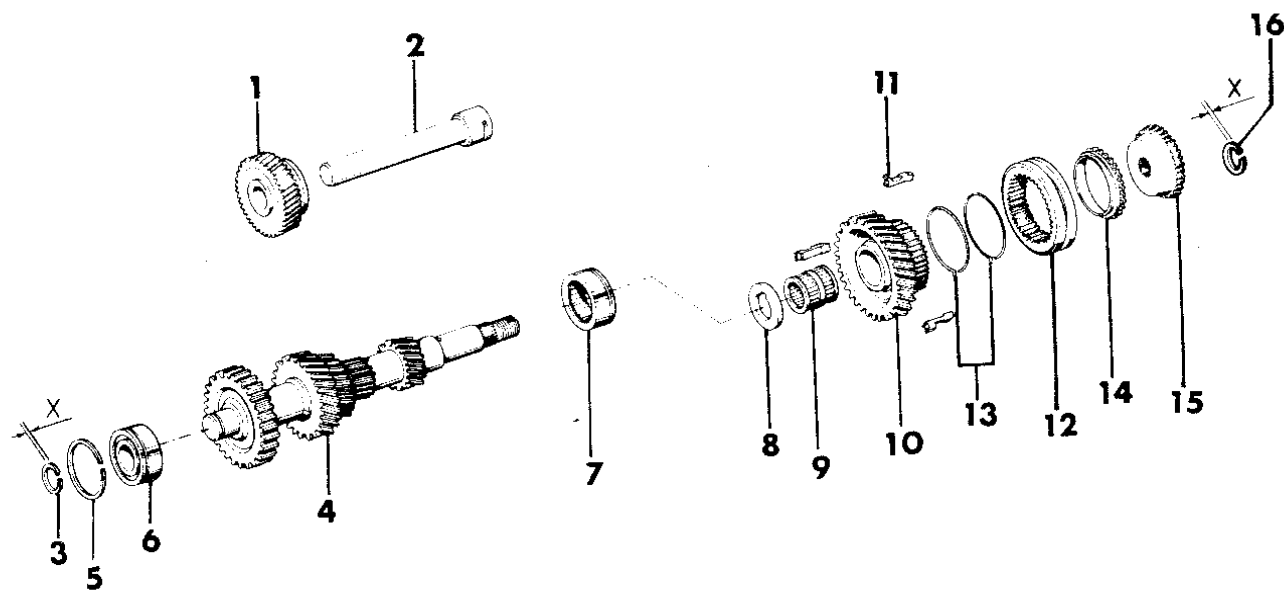
MJ = Comanche Pickup
 SJ = Grand Wagoneer Wgn., J-10 & J-20 Pickups
 XJ = Cherokee, Wagoneer Limited
 YJ = Wrangler

AR = Use as Required - = Non Illustrated Part P.A.R. = Paint as Required

GEAR TRAIN, REVERSE IDLER, MANUAL TRANSMISSION SIX CYLINDER ENGINE 4.0L, 4.2L FIVE SPEED TRANSMISSION - AISIN MODEL AX15

Figure 21M-1000

8 J21 1000



| ITEM | PART NUMBER | QTY | BODY | MODEL | DESCRIPTION |
|------|-------------|-----|------|-------|---|
| 1 | 5252 084 | 1 | | | GEAR, Reverse Idler |
| 2 | 8350 6258 | 1 | | | SHAFT, Reverse Idler |
| 3 | | | | | RING, Snap Cluster Front Bearing |
| | 8350 6081 | AR | | | Stamped A (X=2.00mm) |
| | 8350 6082 | AR | | | Stamped B (X=2.05mm) |
| | 8350 6083 | AR | | | Stamped C (X=2.10mm) |
| | 8350 6084 | AR | | | Stamped D (X=2.15mm) |
| | 8350 6085 | AR | | | Stamped E (X=2.20mm) |
| 4 | 5252 085 | 1 | | | GEAR, Cluster Counter |
| 5 | 8350 6220 | 1 | | | RING, Snap |
| 6 | 8350 6259 | 1 | | | BEARING, Front Roller, (59mmODx24mmWD) |
| 7 | 8350 6080 | 1 | | | BEARING, Rear Countershaft Roller, (64mmODx22mmWD) |
| 8 | 8350 6245 | 1 | | | WASHER, Thrust |
| 9 | 8350 6079 | 1 | | | BEARING, 5th Gear Counter, Needle Roller, (34.85ODx37.5mmWD) |
| 10 | 4637 535 | 1 | | | GEAR PACKAGE, Fifth Gear Counter (Replaces 5252080) *** CONSISTS OF: 1 - 4637527 5th Counter Gear 3 - 4637532 Key #3 1 - 4637533 Ring #3 1 - 4637534 Spring #3 |
| 11 | | | | | KEY, Synchronizer No. 3 |
| | 8350 6256 | 3 | | | Up to Transmission Serial No. 00705123 |
| | 4637 532 | 3 | | | After Transmission Serial No. 00705123 |
| 12 | 8350 6257 | 1 | | | SLEEVE, Synchronizer No. 3 |
| 13 | 8350 6254 | 1 | | | SPRING, Synchronizer No. 3 |
| 14 | | | | | RING, Synchronizer No. 3, 5TH Gear |
| | 8350 6253 | AR | | | Up to Transmission Serial No. 00705123 |
| | 4637 533 | AR | | | After Transmission Serial No. 00705123 |
| 15 | 8350 6242 | 1 | | | SPACER |
| 16 | | | | | RING, Snap 5th Gear |
| | 8350 6260 | AR | | | Stamped A (X=2.80mm) |
| | 8350 6261 | AR | | | Stamped B (X=2.85mm) |
| | 8350 6262 | AR | | | Stamped C (X=2.90mm) |
| | 8350 6263 | AR | | | Stamped D (X=2.95mm) |
| | 8350 6264 | AR | | | Stamped E (X=3.00mm) |
| | 8350 6265 | AR | | | Stamped E (X=3.05mm) |

MODEL CODES:

| | | |
|-----------------------------|-----------------------------|------------------------------|
| 15 = Grand Wagoneer 4 Dr. | 65 = Comanche 4WD-7 Ft. Box | 77 = Cherokee 4WD-2 Dr. |
| 25 = J-10 Pickup-119" W.B. | 66 = Comanche 2WD-7 Ft. Box | 78 = Cherokee 4WD-4 Dr. |
| 26 = J-10 Pickup-131" W.B. | 73 = Cherokee 2WD-2 Dr. | 79 = Cherokee 4WD-4 Dr.-Com |
| 27 = J-20 Pickup-131" W.B. | 74 = Cherokee 2WD-4 Dr. | 81 = Wrangler-93" W.B. |
| 63 = Comanche 4WD-6 Ft. Box | 75 = Wagoneer 4WD-4 Dr. | 82 = Wrangler-103" W.B.-Exp. |
| 64 = Comanche 2WD-6 Ft. Box | | |

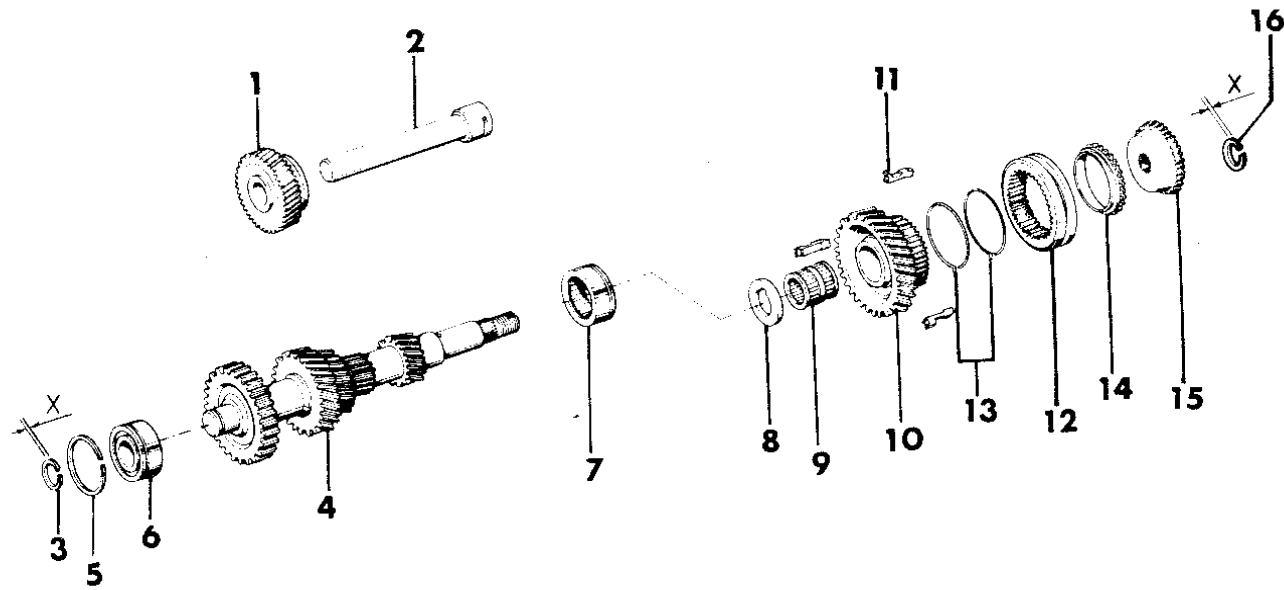
BODY STYLES:

MJ = Comanche Pickup
 SJ = Grand Wagoneer Wgn., J-10 & J-20 Pickups
 XJ = Cherokee, Wagoneer Limited
 YJ = Wrangler

AR = Use as Required - = Non Illustrated Part P.A.R. = Paint as Required

GEAR TRAIN, REVERSE IDLER, MANUAL TRANSMISSION SIX CYLINDER ENGINE 4.0L, 4.2L FIVE SPEED TRANSMISSION - AISIN MODEL AX15
Figure 21M-1000

8 J21 1000



| ITEM | PART NUMBER | QTY | BODY | MODEL | DESCRIPTION |
|------|-------------|-----|------|-------|----------------------|
| | 8350 6266 | AR | | | Stamped G (X=3.10mm) |
| | 8350 6267 | AR | | | Stamped H (X=3.15mm) |

MODEL CODES:

| | | |
|-----------------------------|-----------------------------|------------------------------|
| 15 = Grand Wagoneer 4 Dr. | 65 = Comanche 4WD-7 Ft. Box | 77 = Cherokee 4WD-2 Dr. |
| 25 = J-10 Pickup-119" W.B. | 66 = Comanche 2WD-7 Ft. Box | 78 = Cherokee 4WD-4 Dr. |
| 26 = J-10 Pickup-131" W.B. | 73 = Cherokee 2WD-2 Dr. | 79 = Cherokee 4WD-4 Dr.-Com |
| 27 = J-20 Pickup-131" W.B. | 74 = Cherokee 2WD-4 Dr. | 81 = Wrangler-93" W.B. |
| 63 = Comanche 4WD-6 Ft. Box | 75 = Wagoneer 4WD-4 Dr. | 82 = Wrangler-103" W.B.-Exp. |
| 64 = Comanche 2WD-6 Ft. Box | | |

BODY STYLES:

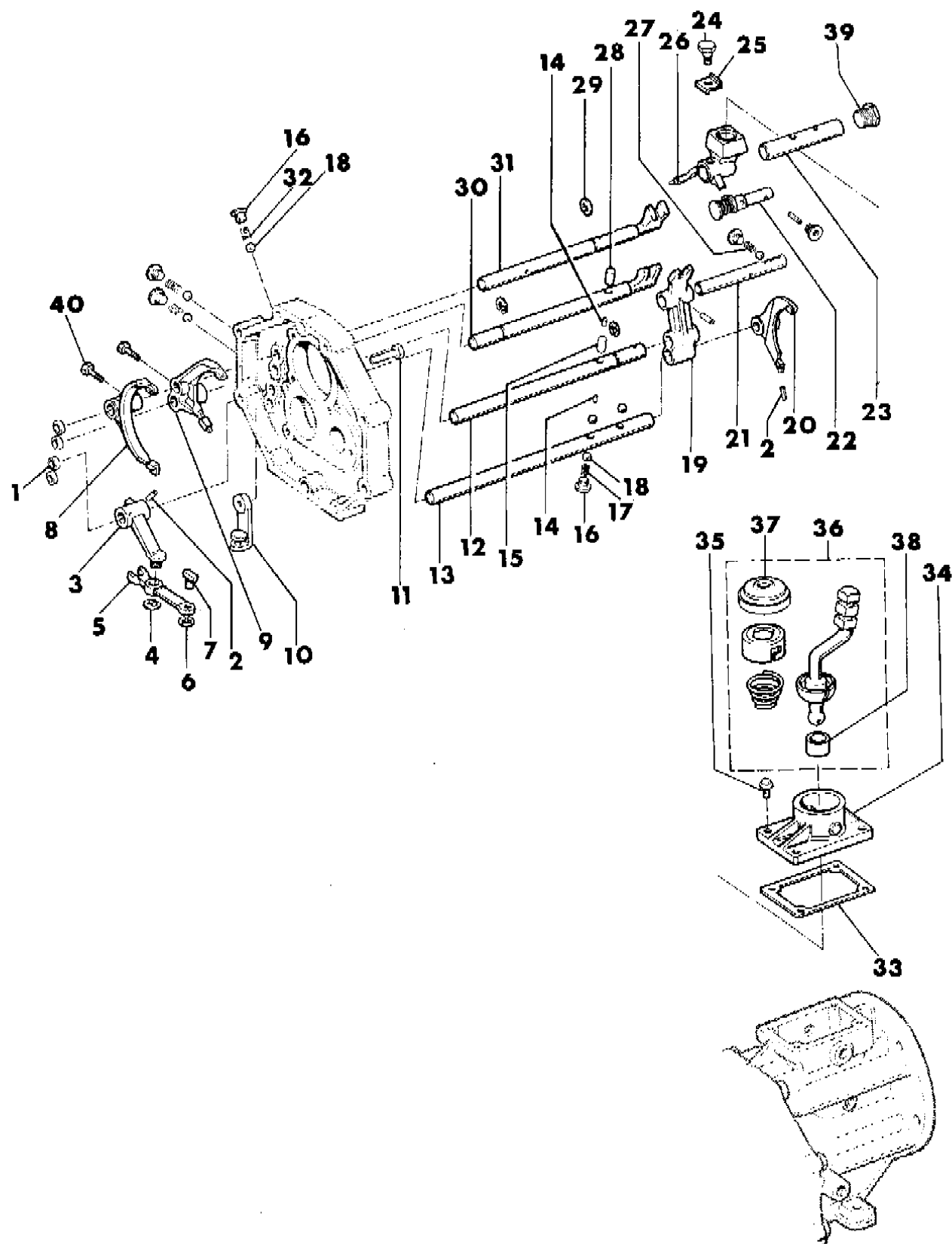
MJ = Comanche Pickup
 SJ = Grand Wagoneer Wgn., J-10 & J-20 Pickups
 XJ = Cherokee, Wagoneer Limited
 YJ = Wrangler

AR = Use as Required - = Non Illustrated Part P.A.R. = Paint as Required

FORKS, RAILS, SHAFTS MANUAL TRANSMISSION SIX CYL. ENG. 4.0L, 4.2L, FIVE SPEED AISIN MODEL AX15

Figure 21M-1100

8J 21 1100 A



| ITEM | PART NUMBER | QTY | BODY | MODEL | DESCRIPTION |
|------|-------------|-----|-------|-------|------------------------------|
| 1 | 8350 0503 | 4 | | | PLUG, Shift Forks |
| 2 | 8350 0540 | AR | | | PIN |
| 3 | 5252 056 | 1 | | | FORK, Reverse, and No. Five |
| 4 | 8350 0548 | 1 | | | RING, Retaining |
| 5 | 5252 060 | 1 | | | ARM, Reverse Shift |
| 6 | 8350 0547 | 1 | | | RING, Retaining |
| 7 | 5252 062 | 1 | | | SHOE, Shift Arm |
| 8 | 5252 058 | 1 | | | FORK, Gear Shift No. 2 |
| 9 | 5252 057 | 1 | | | FORK, Gear Shift No. 1 |
| 10 | 5252 063 | 1 | | | BRACKET, Reverse Shift Arm |
| 11 | 8350 0549 | 2 | | | BOLT, Bearing Retainer |
| 12 | 5252 070 | 1 | | | SHAFT, Gear Shift No. 3 |
| 13 | 5252 071 | 1 | | | SHAFT, Gear Shift No. 4 |
| 14 | 8350 0537 | 4 | | | PIN |
| 15 | 8350 0541 | 1 | | | ROLLER |
| 16 | 8350 3109 | 6 | | | PLUG |
| 17 | 5252 075 | 1 | | | SPRING |
| 18 | 8350 0542 | 7 | | | BALL |
| 19 | 5252 064 | 1 | | | HEAD, Reverse Shift *** |
| 20 | 5252 059 | 1 | | | FORK, Gear Shift No. 3 |
| 21 | 5252 065 | 1 | | | SHAFT, Gear Shift Fork No. 5 |
| 22 | 8350 0635 | 1 | | | PIN, Reverse |
| 23 | 5252 037 | 1 | | | SHAFT, Shift Lever |
| 24 | 3420 1373 | 1 | | | BOLT, Shift Lever |
| 25 | 8350 0523 | 1 | | | WASHER, Lock |
| 26 | 5252 041 | 1 | | | HOUSING, Shift Lever |
| 27 | 8350 0544 | 1 | | | SPRING |
| 28 | 8350 0543 | 1 | | | ROLLER |
| 29 | 5252 076 | 3 | | | RING, Snap |
| 30 | 5252 066 | 1 | | | SHAFT, Gear Shift No. 1 |
| 31 | 5252 068 | 1 | | | SHAFT, Gear Shift No. 2 |
| 32 | 8350 0545 | 3 | | | SPRING |
| 33 | 5252 043 | 1 | | | GASKET |
| 34 | | | | | RETAINER, Control Shift |
| | 5252 054 | 1 | YJ | | |
| | 5252 040 | 1 | XJ,MJ | | |
| 35 | | | | | BOLT, Shift Lever Housing |

MODEL CODES:

| | | |
|-----------------------------|-----------------------------|------------------------------|
| 15 = Grand Wagoneer 4 Dr. | 65 = Comanche 4WD-7 Ft. Box | 77 = Cherokee 4WD-2 Dr. |
| 25 = J-10 Pickup-119" W.B. | 66 = Comanche 2WD-7 Ft. Box | 78 = Cherokee 4WD-4 Dr. |
| 26 = J-10 Pickup-131" W.B. | 73 = Cherokee 2WD-2 Dr. | 79 = Cherokee 4WD-4 Dr.-Com |
| 27 = J-20 Pickup-131" W.B. | 74 = Cherokee 2WD-4 Dr. | 81 = Wrangler-93" W.B. |
| 63 = Comanche 4WD-6 Ft. Box | 75 = Wagoneer 4WD-4 Dr. | 82 = Wrangler-103" W.B.-Exp. |
| 64 = Comanche 2WD-6 Ft. Box | | |

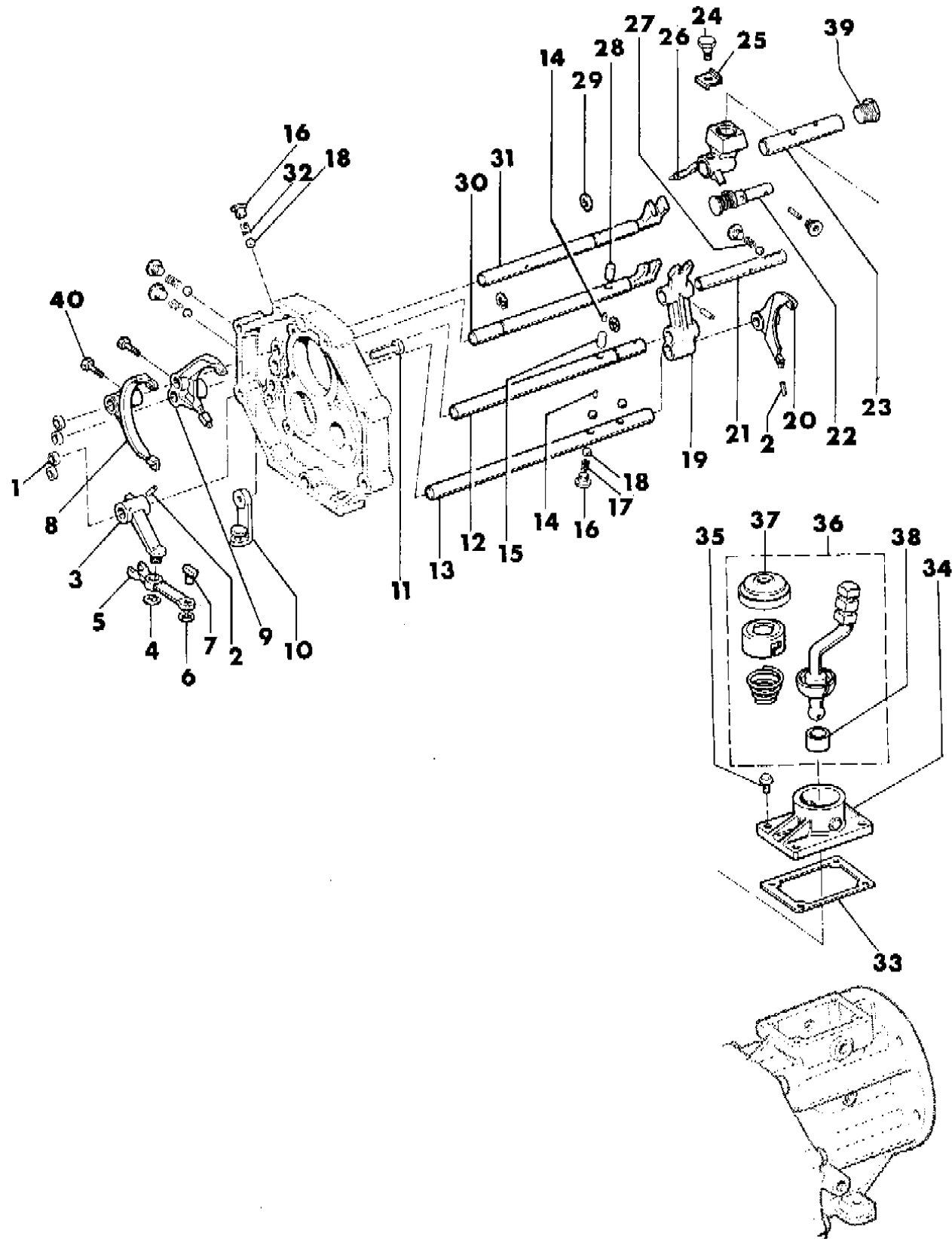
BODY STYLES:

MJ = Comanche Pickup
 SJ = Grand Wagoneer Wgn., J-10 & J-20 Pickups
 XJ = Cherokee, Wagoneer Limited
 YJ = Wrangler

AR = Use as Required - = Non Illustrated Part P.A.R. = Paint as Required

FORKS, RAILS, SHAFTS MANUAL TRANSMISSION SIX CYL. ENG. 4.0L, 4.2L, FIVE SPEED AISIN MODEL AX15
Figure 21M-1100

8J 21 1100 A



| ITEM | PART NUMBER | QTY | BODY | MODEL | DESCRIPTION |
|------|-------------|-----|-------|-------|----------------------------------|
| | 8350 0525 | 2 | YJ | | BOLT, With Washer, Shift Control |
| | 5252 211 | 2 | YJ | | BOLT - STUD, With Washer |
| | 8350 0525 | 4 | XJ | | Bolt, With Washer |
| 36 | | | | | LEVER, Gear Shift |
| | 5252 055 | 1 | YJ | | |
| | 5252 042 | 1 | XJ,MJ | | |
| 37 | 8350 0520 | 1 | | | BOOT, Gear Shift Lever |
| 38 | 8350 0519 | 1 | | | BUSHING |
| 39 | 8350 0619 | 1 | | | PLUG |
| 40 | 5252 214 | 3 | | | BOLT |

MODEL CODES:

| | | |
|-----------------------------|-----------------------------|------------------------------|
| 15 = Grand Wagoneer 4 Dr. | 65 = Comanche 4WD-7 Ft. Box | 77 = Cherokee 4WD-2 Dr. |
| 25 = J-10 Pickup-119" W.B. | 66 = Comanche 2WD-7 Ft. Box | 78 = Cherokee 4WD-4 Dr. |
| 26 = J-10 Pickup-131" W.B. | 73 = Cherokee 2WD-2 Dr. | 79 = Cherokee 4WD-4 Dr.-Com |
| 27 = J-20 Pickup-131" W.B. | 74 = Cherokee 2WD-4 Dr. | 81 = Wrangler-93" W.B. |
| 63 = Comanche 4WD-6 Ft. Box | 75 = Wagoneer 4WD-4 Dr. | 82 = Wrangler-103" W.B.-Exp. |
| 64 = Comanche 2WD-6 Ft. Box | | |

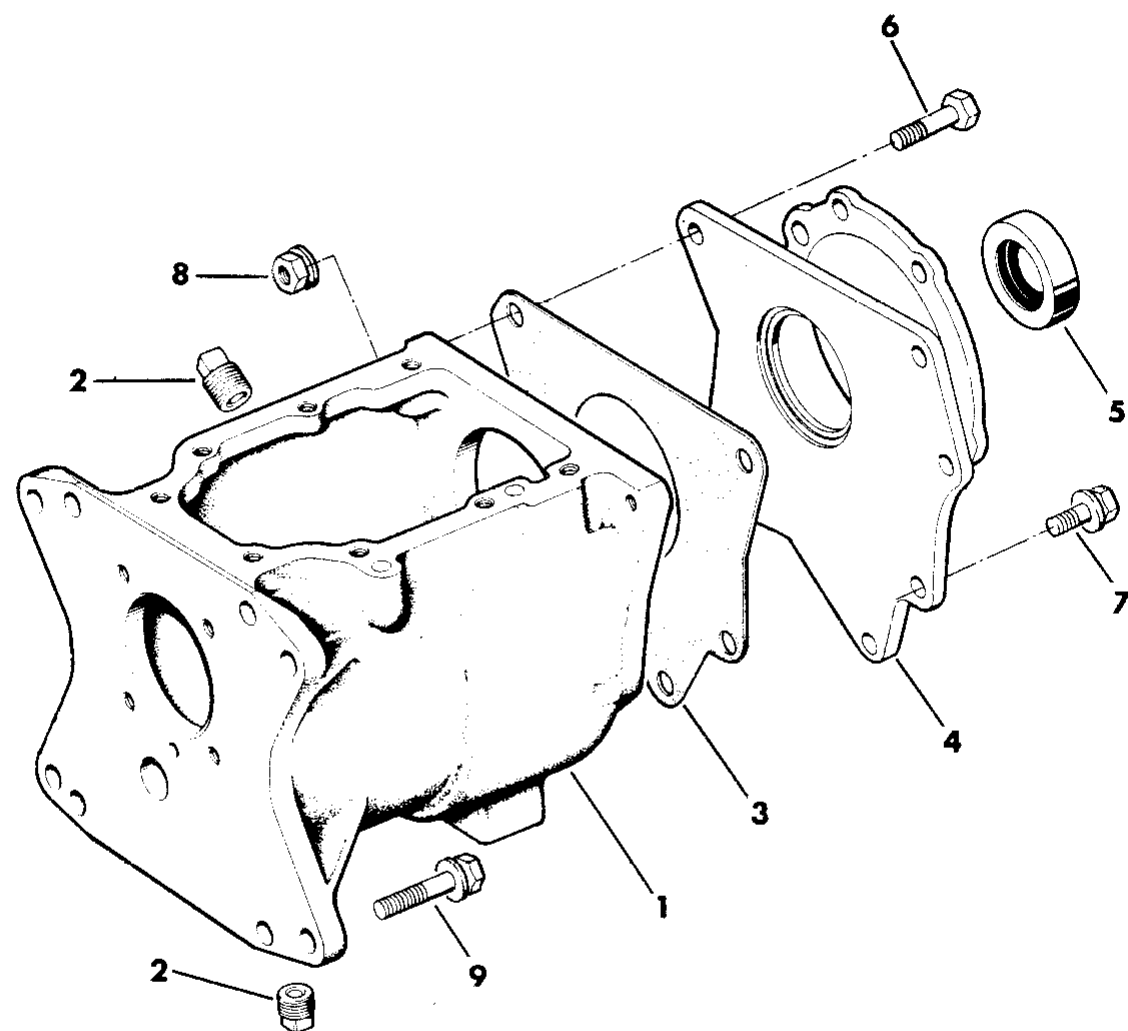
BODY STYLES:

MJ = Comanche Pickup
 SJ = Grand Wagoneer Wgn., J-10 & J-20 Pickups
 XJ = Cherokee, Wagoneer Limited
 YJ = Wrangler

AR = Use as Required - = Non Illustrated Part P.A.R. = Paint as Required

TRANSMISSION CASE, ADAPTER AND MISCELLANEOUS PARTS FOUR SPEED TRANSMISSION MODEL TREMEC T177 TRUCK J10, J20
Figure 21M-1300

8 J 21 1300



| ITEM | PART NUMBER | QTY | BODY | MODEL | DESCRIPTION |
|------|-------------|-----|------|-------|--------------------|
| 1 | J813 2375 | 1 | | | CASE, Transmission |
| 2 | SO44 4588 | 2 | | | PLUG, Drain |
| 3 | J535 9411 | 1 | | | GASKET |
| 4 | J535 9381 | 1 | | | ADAPTER |
| 5 | J535 9457 | 1 | | | SEAL |
| 6 | J018 0137 | 3 | | | BOLT |
| 7 | J400 1884 | 2 | | | BOLT |
| 8 | J400 4747 | 3 | | | NUT |
| 9 | S018 0147 | 4 | | | NUT |

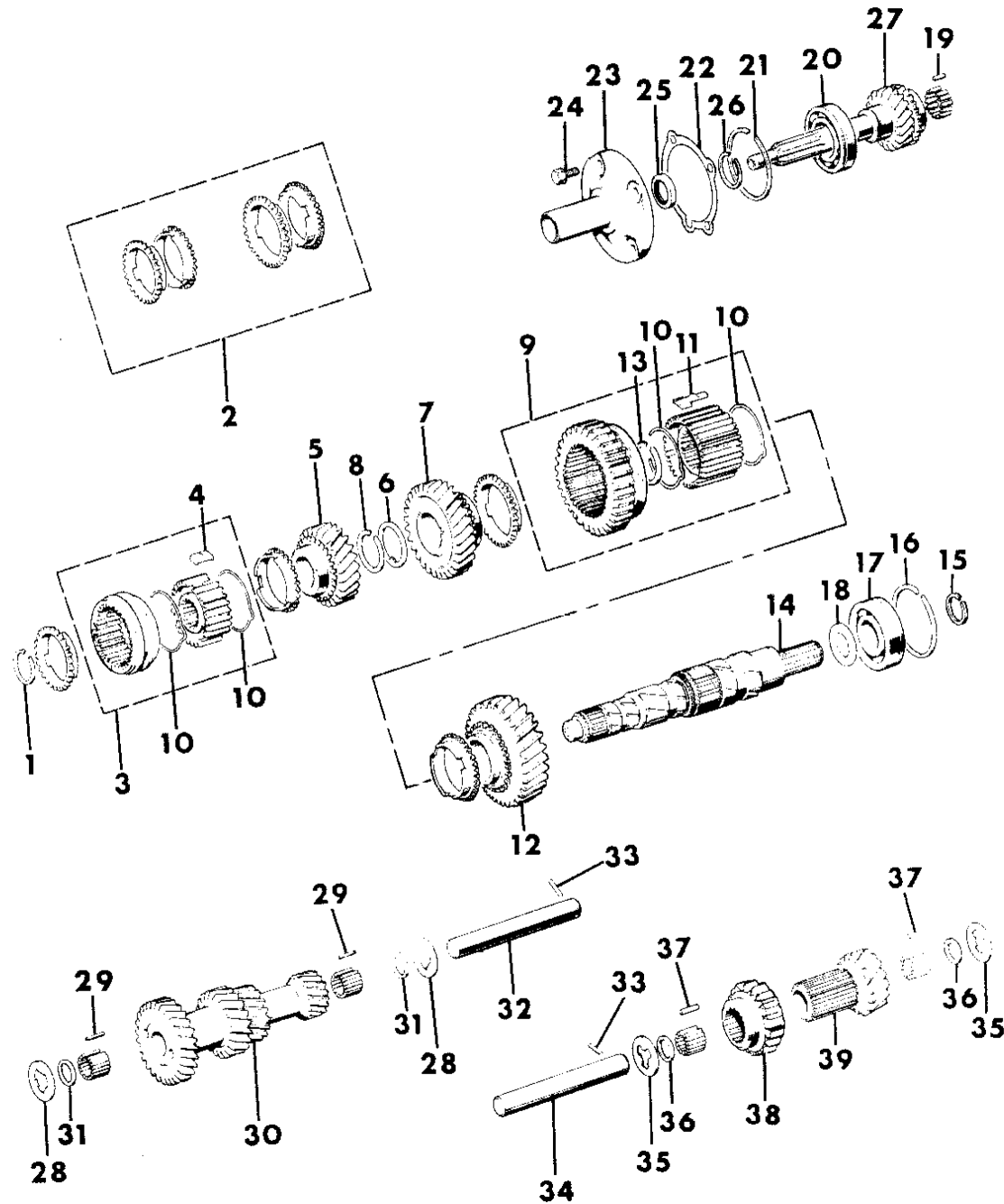
MODEL CODES:
 15 = Grand Wagoneer 4 Dr. 65 = Comanche 4WD-7 Ft. Box 77 = Cherokee 4WD-2 Dr.
 25 = J-10 Pickup-119" W.B. 66 = Comanche 2WD-7 Ft. Box 78 = Cherokee 4WD-4 Dr.
 26 = J-10 Pickup-131" W.B. 73 = Cherokee 2WD-2 Dr. 79 = Cherokee 4WD-4 Dr.-Com
 27 = J-20 Pickup-131" W.B. 74 = Cherokee 2WD-4 Dr. 81 = Wrangler-93" W.B.
 63 = Comanche 4WD-6 Ft. Box 75 = Wagoneer 4WD-4 Dr. 82 = Wrangler-103" W.B.-Exp.
 64 = Comanche 2WD-6 Ft. Box

BODY STYLES:
 MJ = Comanche Pickup
 SJ = Grand Wagoneer Wgn., J-10 & J-20 Pickups
 XJ = Cherokee, Wagoneer Limited
 YJ = Wrangler

AR = Use as Required - = Non Illustrated Part P.A.R. = Paint as Required

GEAR TRAIN FOUR SPEED TRANSMISSION MODEL TREMEC T177 TRUCK J10, J20
Figure 21M-1400

8J21 1400



| ITEM | PART NUMBER | QTY | BODY | MODEL | DESCRIPTION |
|------|-------------|-----|------|-------|--------------------------------------|
| 1 | J813 2388 | 1 | | | RING, SNAP |
| 2 | 8330 0046 | 1 | | | RING PACKAGE, 3rd & 4th Synchronizer |
| 3 | 8350 4095 | 1 | | | SYNCHRONIZER, 3rd & 4th Gear |
| 4 | J812 4895 | 3 | | | PLATE, 3rd & 4th Synchronizer |
| 5 | J813 2429 | 1 | | | GEAR, Third Speed |
| 6 | J812 4936 | 1 | | | WASHER, Thrust |
| 7 | J813 2384 | 1 | | | GEAR, Second Speed |
| 8 | J812 4930 | 1 | | | RING, SNAP |
| 9 | 8350 4096 | 1 | | | SYNCHRONIZER, 1st & 2nd Gear |
| 10 | J813 2377 | 4 | | | SPRING |
| 11 | J813 2387 | 3 | | | PLATE |
| 12 | J813 2389 | 1 | | | GEAR, First Speed |
| 13 | J813 2385 | 1 | | | RING, SNAP |
| 14 | J813 2374 | 1 | | | MAINSHAFT |
| 15 | J812 4883 | 1 | | | RING, SNAP |
| 16 | J813 2430 | 1 | | | RING, Locking |
| 17 | J813 6623 | 1 | | | BEARING, Rear |
| 18 | J813 2390 | 1 | | | WASHER, Thrust |
| 19 | J812 4929 | 15 | | | ROLLER |
| 20 | J813 2426 | 1 | | | BEARING, Front |
| 21 | J813 2425 | 1 | | | RING, Locking |
| 22 | J813 2423 | 1 | | | GASKET |
| 23 | J813 2372 | 1 | | | CAP, Bearing |
| 24 | J813 2424 | 4 | | | BOLT |
| 25 | 8330 0041 | 1 | | | SEAL |
| 26 | J813 2427 | 1 | | | RING, SNAP |
| 27 | J813 2401 | 1 | | | SHAFT, Clutch |
| 28 | J813 2396 | 2 | | | WASHER |
| 29 | J813 2394 | 42 | | | ROLLER |
| 30 | J813 2393 | 1 | | | GEAR, C/Shaft Cluster |
| 31 | J813 2395 | 2 | | | WASHER |
| 32 | J813 2397 | 1 | | | SHAFT |
| 33 | J812 4931 | 2 | | | PIN |
| 34 | J813 2398 | 1 | | | SHAFT, Idler Gear |
| 35 | J813 2405 | 2 | | | WASHER, Thrust |
| 36 | J813 2404 | 2 | | | WASHER, Flat |
| 37 | J813 2403 | 44 | | | ROLLER |

MODEL CODES:

| | | |
|-----------------------------|-----------------------------|------------------------------|
| 15 = Grand Wagoneer 4 Dr. | 65 = Comanche 4WD-7 Ft. Box | 77 = Cherokee 4WD-2 Dr. |
| 25 = J-10 Pickup-119" W.B. | 66 = Comanche 2WD-7 Ft. Box | 78 = Cherokee 4WD-4 Dr. |
| 26 = J-10 Pickup-131" W.B. | 73 = Cherokee 2WD-2 Dr. | 79 = Cherokee 4WD-4 Dr.-Com |
| 27 = J-20 Pickup-131" W.B. | 74 = Cherokee 2WD-4 Dr. | 81 = Wrangler-93" W.B. |
| 63 = Comanche 4WD-6 Ft. Box | 75 = Wagoneer 4WD-4 Dr. | 82 = Wrangler-103" W.B.-Exp. |
| 64 = Comanche 2WD-6 Ft. Box | | |

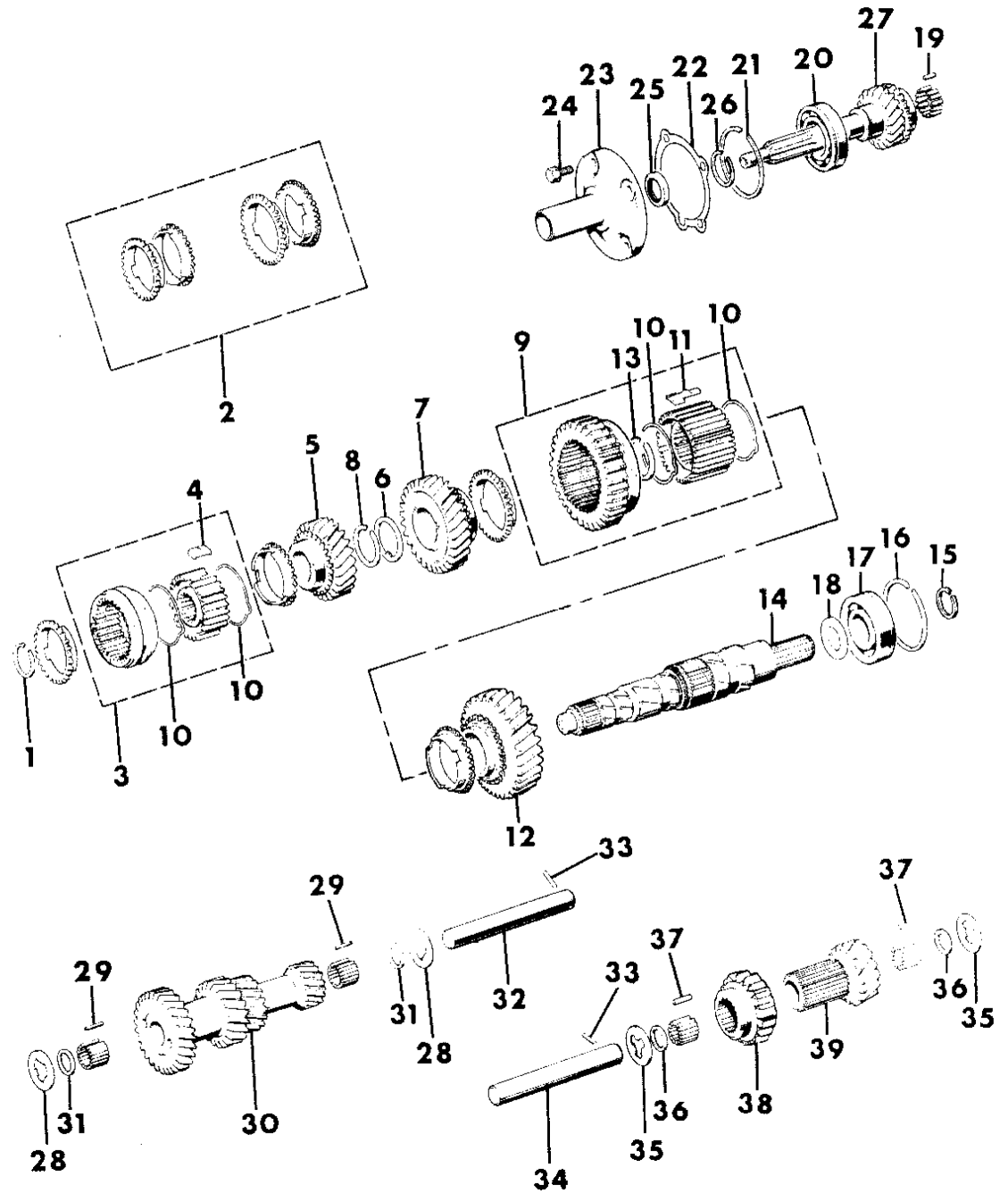
BODY STYLES:

MJ = Comanche Pickup
 SJ = Grand Wagoneer Wgn., J-10 & J-20 Pickups
 XJ = Cherokee, Wagoneer Limited
 YJ = Wrangler

AR = Use as Required - = Non Illustrated Part P.A.R. = Paint as Required

GEAR TRAIN FOUR SPEED TRANSMISSION MODEL TREMEC T177 TRUCK J10, J20
Figure 21M-1400

8J21 1400



| ITEM | PART NUMBER | QTY | BODY | MODEL | DESCRIPTION |
|------|-------------|-----|------|-------|---------------------|
| 38 | J813 2402 | 1 | | | GEAR, Reverse |
| 39 | J813 2399 | 1 | | | GEAR, Reverse Idler |

MODEL CODES:

- | | | |
|-----------------------------|-----------------------------|------------------------------|
| 15 = Grand Wagoneer 4 Dr. | 65 = Comanche 4WD-7 Ft. Box | 77 = Cherokee 4WD-2 Dr. |
| 25 = J-10 Pickup-119" W.B. | 66 = Comanche 2WD-7 Ft. Box | 78 = Cherokee 4WD-4 Dr. |
| 26 = J-10 Pickup-131" W.B. | 73 = Cherokee 2WD-2 Dr. | 79 = Cherokee 4WD-4 Dr.-Com |
| 27 = J-20 Pickup-131" W.B. | 74 = Cherokee 2WD-4 Dr. | 81 = Wrangler-93" W.B. |
| 63 = Comanche 4WD-6 Ft. Box | 75 = Wagoneer 4WD-4 Dr. | 82 = Wrangler-103" W.B.-Exp. |
| 64 = Comanche 2WD-6 Ft. Box | | |

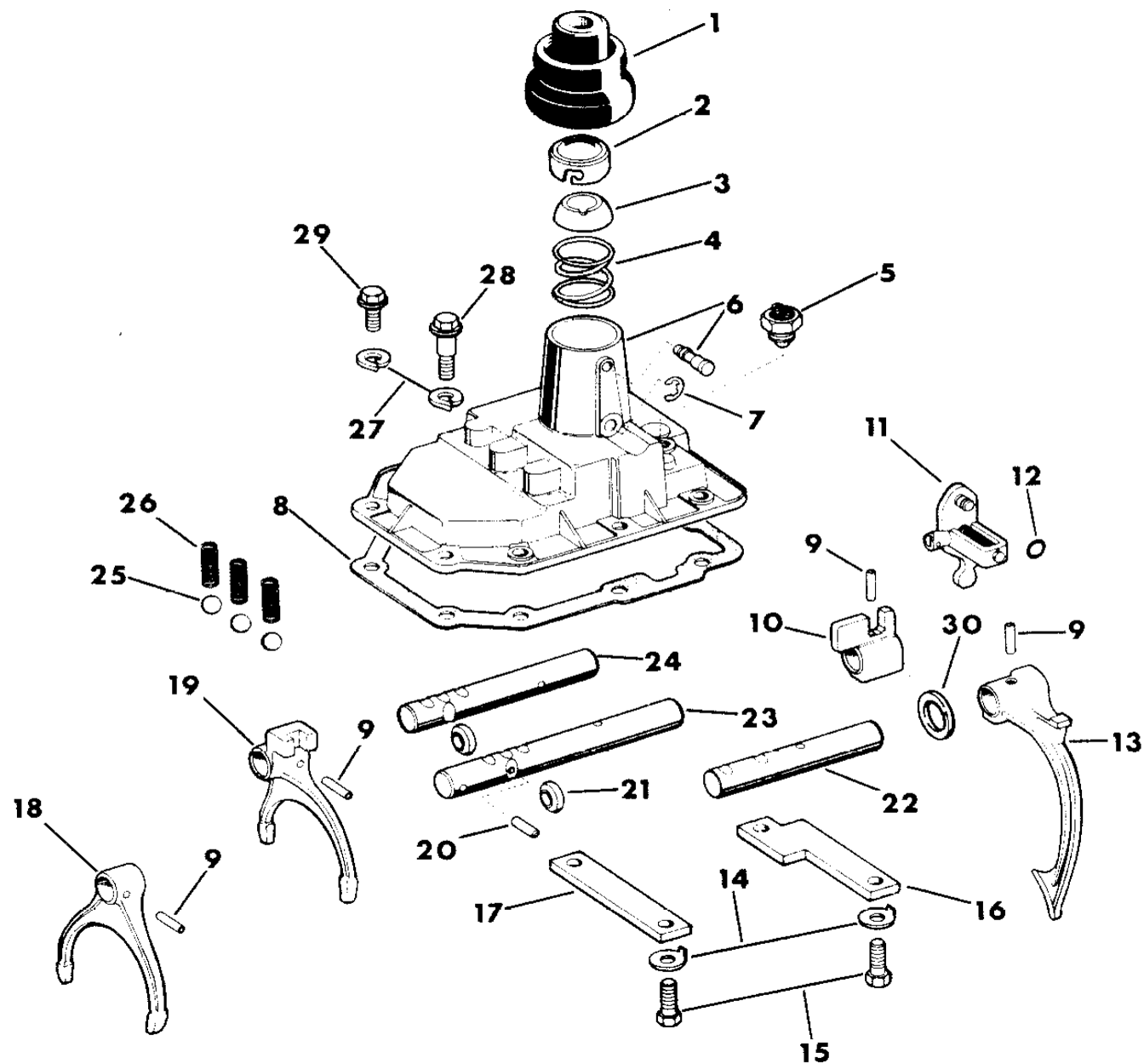
BODY STYLES:

- MJ = Comanche Pickup
- SJ = Grand Wagoneer Wgn., J-10 & J-20 Pickups
- XJ = Cherokee, Wagoneer Limited
- YJ = Wrangler

AR = Use as Required - = Non Illustrated Part P.A.R. = Paint as Required

FORKS, RAILS, SHIFT MANUAL TRANSMISSION FOUR SPEED TRANSMISSION MODEL TREMEC T177 TRUCK J10, J20
Figure 21M-1500

8J21 1500



| ITEM | PART NUMBER | QTY | BODY | MODEL | DESCRIPTION |
|------|-------------|-----|------|-------|--------------------------|
| 1 | J813 2422 | 1 | | | BOOT, Shift Lever |
| 2 | J813 4667 | 1 | | | CAP |
| 3 | J813 2420 | 1 | | | CAP |
| 4 | J812 7059 | 1 | | | SPRING, Lever |
| 5 | J575 1207 | 1 | | | SWITCH |
| 6 | J813 4292 | 1 | | | COVER, Shift |
| 7 | J813 2900 | 1 | | | E-CLIP |
| 8 | J813 2428 | 1 | | | GASKET, Cover |
| 9 | J813 2897 | AR | | | PIN |
| 10 | J813 3794 | 1 | | | LUG |
| 11 | J813 2815 | 1 | | | ARM |
| 12 | J813 2899 | 1 | | | O-RING |
| 13 | J813 2413 | 1 | | | FORK, Reverse |
| 14 | J813 2418 | 2 | | | WASHER, Lock |
| 15 | J813 2417 | 2 | | | SCREW |
| 16 | J813 2416 | 1 | | | PLATE |
| 17 | J813 2415 | 1 | | | PLATE |
| 18 | J813 2412 | 1 | | | FORK, 3rd & 4th Shift |
| 19 | J813 4429 | 1 | | | FORK, 1st & 2nd Shift |
| 20 | J813 2419 | 1 | | | PIN |
| 21 | J813 2371 | 2 | | | RING, Locking |
| 22 | J813 2410 | 1 | | | RAIL, Reverse Shift Fork |
| 23 | J813 2409 | 1 | | | RAIL, 3rd & 4th Shift |
| 24 | J813 2408 | 1 | | | RAIL, 1st & 2nd Shift |
| 25 | J812 6829 | 3 | | | BALL |
| 26 | J812 6828 | 3 | | | SPRING |
| 27 | J400 3803 | 8 | | | WASHER, Lock |
| 28 | J813 4335 | 2 | | | BOLT, Shouldered |
| 29 | J812 6815 | 6 | | | BOLT |
| 30 | J813 4403 | 1 | | | SPACER |

MODEL CODES:

| | | |
|-----------------------------|-----------------------------|------------------------------|
| 15 = Grand Wagoneer 4 Dr. | 65 = Comanche 4WD-7 Ft. Box | 77 = Cherokee 4WD-2 Dr. |
| 25 = J-10 Pickup-119" W.B. | 66 = Comanche 2WD-7 Ft. Box | 78 = Cherokee 4WD-4 Dr. |
| 26 = J-10 Pickup-131" W.B. | 73 = Cherokee 2WD-2 Dr. | 79 = Cherokee 4WD-4 Dr.-Com |
| 27 = J-20 Pickup-131" W.B. | 74 = Cherokee 2WD-4 Dr. | 81 = Wrangler-93" W.B. |
| 63 = Comanche 4WD-6 Ft. Box | 75 = Wagoneer 4WD-4 Dr. | 82 = Wrangler-103" W.B.-Exp. |
| 64 = Comanche 2WD-6 Ft. Box | | |

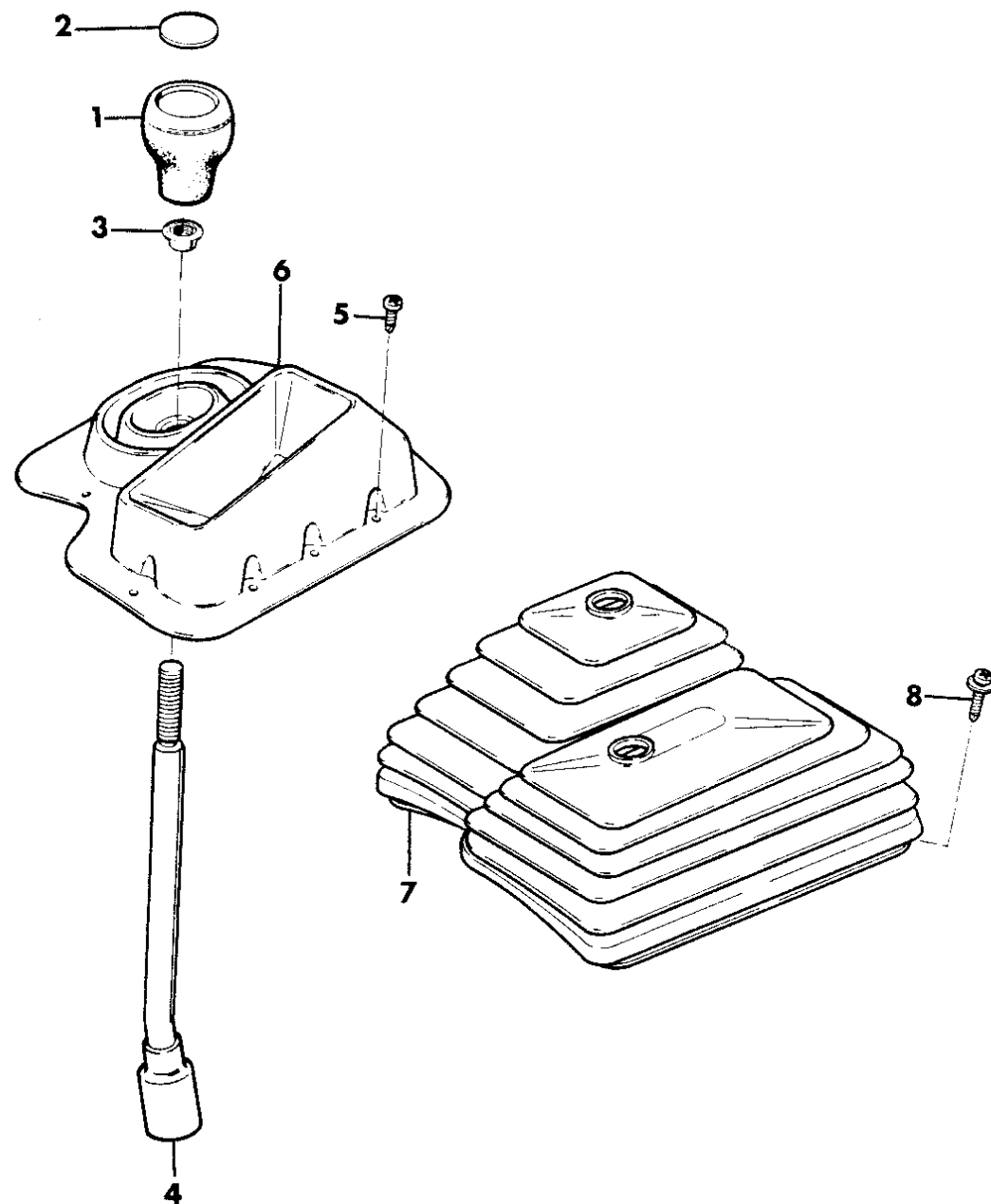
BODY STYLES:

MJ = Comanche Pickup
 SJ = Grand Wagoneer Wgn., J-10 & J-20 Pickups
 XJ = Cherokee, Wagoneer Limited
 YJ = Wrangler

AR = Use as Required - = Non Illustrated Part P.A.R. = Paint as Required

CONTROLS, GEARSHIFT FIVE SPEED TRANSMISSION WRANGLER, YJ
Figure 21M-1600

8J21 1600



| ITEM | PART NUMBER | QTY | BODY | MODEL | DESCRIPTION |
|------|-------------|-----|------|-------|--|
| 1 | J324 1062 | 1 | | | KNOB, Gearshift Lever |
| 2 | J324 1067 | 1 | | | INSERT With Four Speed Transmission |
| | J324 1073 | 1 | | | With Five Speed Transmission |
| 3 | J400 6495 | 1 | | | NUT |
| 4 | 5300 2006 | 1 | | | LEVER, Manual Gearshift |
| 5 | J400 6444 | 3 | | | SCREW, (.62" Lg) |
| 6 | 5300 3041 | 1 | | | BOOT, Inner 1987-89 |
| | 5300 5554 | 1 | | | 1990 |
| 7 | 5300 4539 | 1 | | | BOOT, Outer |
| 8 | J400 6633 | 7 | | | SCREW, (1" Lg.) |

MODEL CODES:

| | | |
|-----------------------------|-----------------------------|------------------------------|
| 15 = Grand Wagoneer 4 Dr. | 65 = Comanche 4WD-7 Ft. Box | 77 = Cherokee 4WD-2 Dr. |
| 25 = J-10 Pickup-119" W.B. | 66 = Comanche 2WD-7 Ft. Box | 78 = Cherokee 4WD-4 Dr. |
| 26 = J-10 Pickup-131" W.B. | 73 = Cherokee 2WD-2 Dr. | 79 = Cherokee 4WD-4 Dr.-Com |
| 27 = J-20 Pickup-131" W.B. | 74 = Cherokee 2WD-4 Dr. | 81 = Wrangler-93" W.B. |
| 63 = Comanche 4WD-6 Ft. Box | 75 = Wagoneer 4WD-4 Dr. | 82 = Wrangler-103" W.B.-Exp. |
| 64 = Comanche 2WD-6 Ft. Box | | |

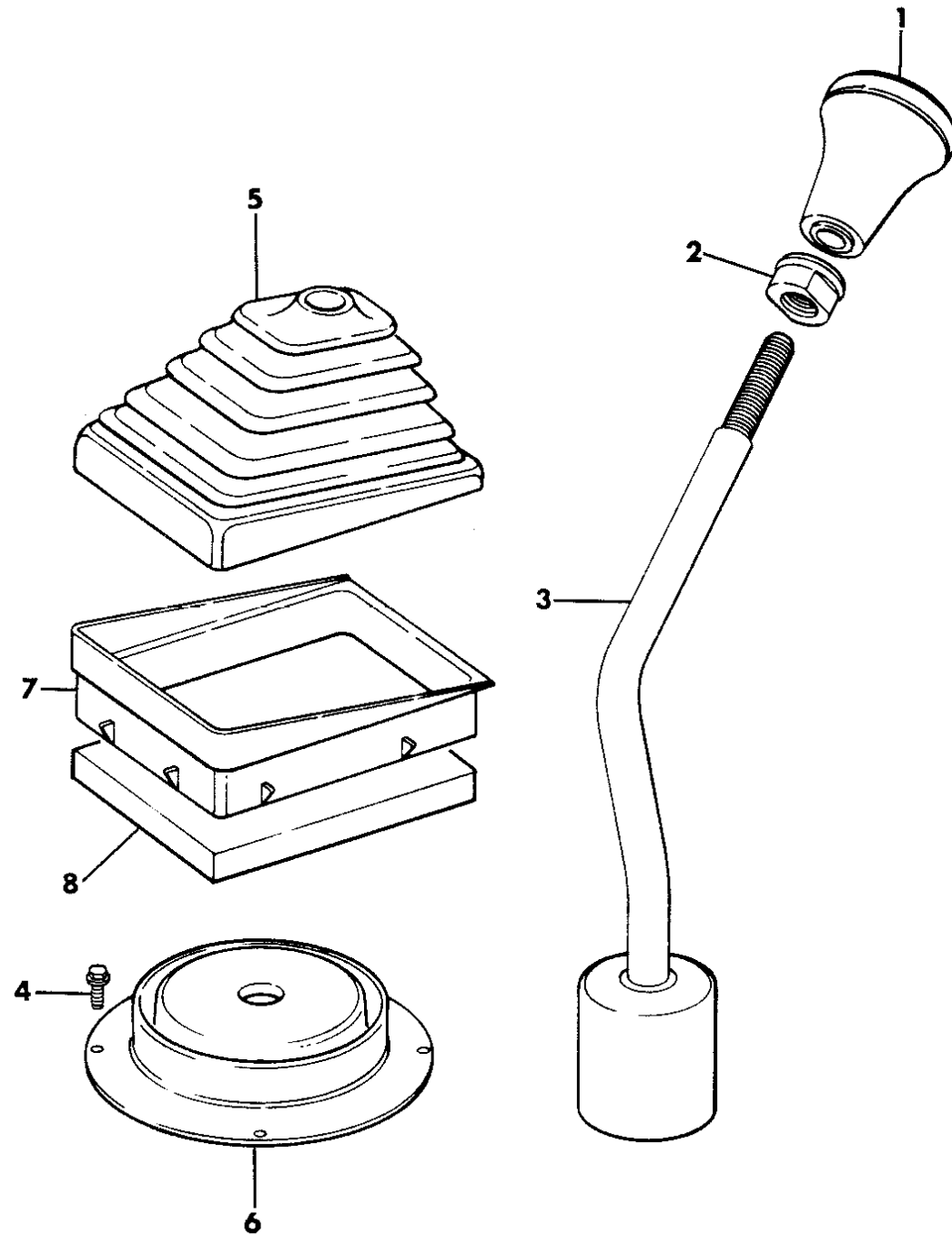
BODY STYLES:

MJ = Comanche Pickup
 SJ = Grand Wagoneer Wgn., J-10 & J-20 Pickups
 XJ = Cherokee, Wagoneer Limited
 YJ = Wrangler

AR = Use as Required - = Non Illustrated Part P.A.R. = Paint as Required

CONTROLS, GEARSHIFT FOUR OR FIVE SPEED TRANSMISSION CHEROKEE, WAGONEER, COMANCHE
Figure 21M-1700

8J211700



| ITEM | PART NUMBER | QTY | BODY | MODEL | DESCRIPTION |
|------|-------------|-----|------|-------|--|
| 1 | | | | | KNOB, Shift |
| | 5300 0604 | 1 | | | With Four Speed Transmission |
| | 5300 0605 | 1 | | | With Five Speed Transmission |
| 2 | 5300 0606 | 1 | | | NUT |
| 3 | | | | | LEVER, Manual Shift |
| | 5300 1480 | 1 | | | With Four Cylinder Engine |
| | | | | | With Six Cylinder Engine |
| | 5300 2863 | 1 | | | 1987-89: Used With Peugeot BA 10/5 5 Speed Transmission. |
| | 5300 1480 | 1 | | | 1989-90: Used with Aisin AX 15, 5 Speed Transmission. |
| 4 | 1150 2843 | 4 | | | SCREW |
| 5 | 5300 4433 | 1 | | | BOOT, Outer |
| 6 | | | | | BOOT, Inner |
| | 5300 1553 | 1 | | | With Four Cylinder Engine |
| | | | | | With Six Cylinder Engine |
| | 5300 2864 | 1 | | | 1987-89 |
| | 5300 5384 | 1 | | | 1990 |
| 7 | 5300 0056 | 1 | | | BEZEL, Shift |
| 8 | 5300 5395 | 1 | | | INSULATOR, With Manual Transmission |

MODEL CODES:

| | | |
|-----------------------------|-----------------------------|------------------------------|
| 15 = Grand Wagoneer 4 Dr. | 65 = Comanche 4WD-7 Ft. Box | 77 = Cherokee 4WD-2 Dr. |
| 25 = J-10 Pickup-119" W.B. | 66 = Comanche 2WD-7 Ft. Box | 78 = Cherokee 4WD-4 Dr. |
| 26 = J-10 Pickup-131" W.B. | 73 = Cherokee 2WD-2 Dr. | 79 = Cherokee 4WD-4 Dr.-Com |
| 27 = J-20 Pickup-131" W.B. | 74 = Cherokee 2WD-4 Dr. | 81 = Wrangler-93" W.B. |
| 63 = Comanche 4WD-6 Ft. Box | 75 = Wagoneer 4WD-4 Dr. | 82 = Wrangler-103" W.B.-Exp. |
| 64 = Comanche 2WD-6 Ft. Box | | |

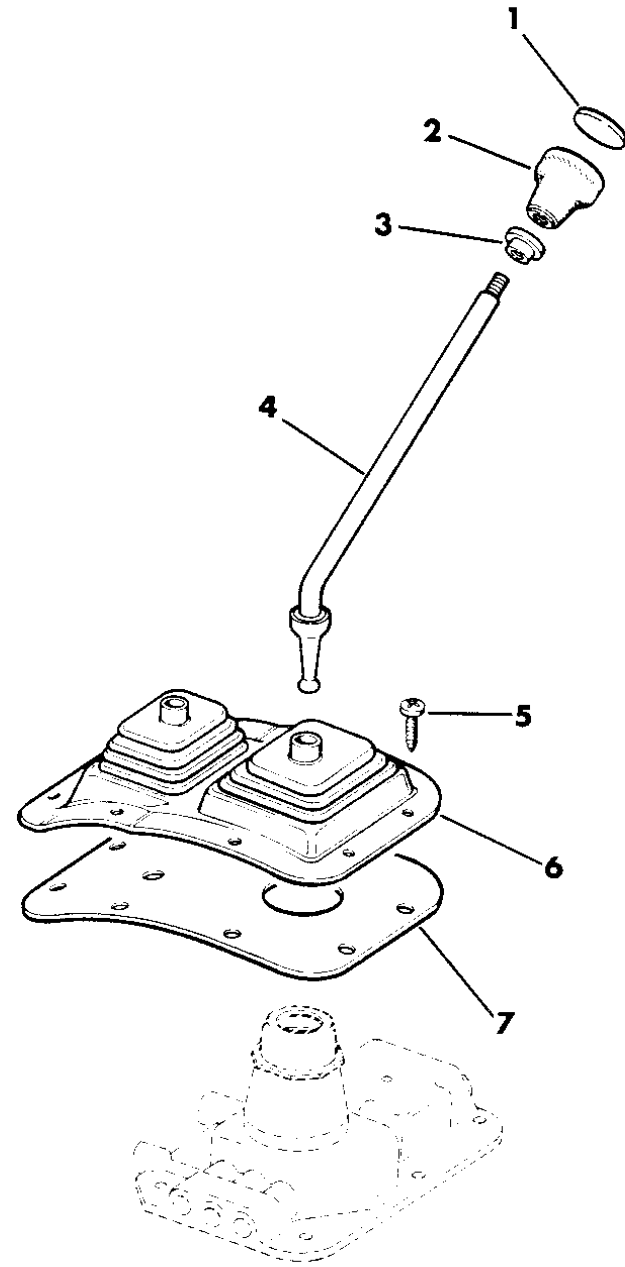
BODY STYLES:

MJ = Comanche Pickup
 SJ = Grand Wagoneer Wgn., J-10 & J-20 Pickups
 XJ = Cherokee, Wagoneer Limited
 YJ = Wrangler

AR = Use as Required - = Non Illustrated Part P.A.R. = Paint as Required

CONTROLS, GEARSHIFT FOUR SPEED TRANSMISSION MODEL TREMEC T177 GRAND WAGONEER, TRUCK J10, J20
Figure 21M-1800

8J 21 1800



| ITEM | PART NUMBER | QTY | BODY | MODEL | DESCRIPTION |
|------|-------------|-----|------|-------|-----------------------------|
| 1 | J324 1428 | 1 | | | INSERT, Shift Knob |
| 2 | J324 1062 | 1 | | | KNOB, Shift Lever |
| 3 | J400 6495 | 1 | | | NUT |
| 4 | J535 9837 | 1 | | | LEVER, Manual Shift |
| 5 | J400 7056 | 8 | | | SCREW |
| 6 | J575 2011 | 1 | | | BOOT, Manual Shift Black |
| | 5501 5248 | 1 | | | Tan |
| 7 | J575 2447 | 1 | | | SEAL |

MODEL CODES:

| | | |
|-----------------------------|-----------------------------|------------------------------|
| 15 = Grand Wagoneer 4 Dr. | 65 = Comanche 4WD-7 Ft. Box | 77 = Cherokee 4WD-2 Dr. |
| 25 = J-10 Pickup-119" W.B. | 66 = Comanche 2WD-7 Ft. Box | 78 = Cherokee 4WD-4 Dr. |
| 26 = J-10 Pickup-131" W.B. | 73 = Cherokee 2WD-2 Dr. | 79 = Cherokee 4WD-4 Dr.-Com |
| 27 = J-20 Pickup-131" W.B. | 74 = Cherokee 2WD-4 Dr. | 81 = Wrangler-93" W.B. |
| 63 = Comanche 4WD-6 Ft. Box | 75 = Wagoneer 4WD-4 Dr. | 82 = Wrangler-103" W.B.-Exp. |
| 64 = Comanche 2WD-6 Ft. Box | | |

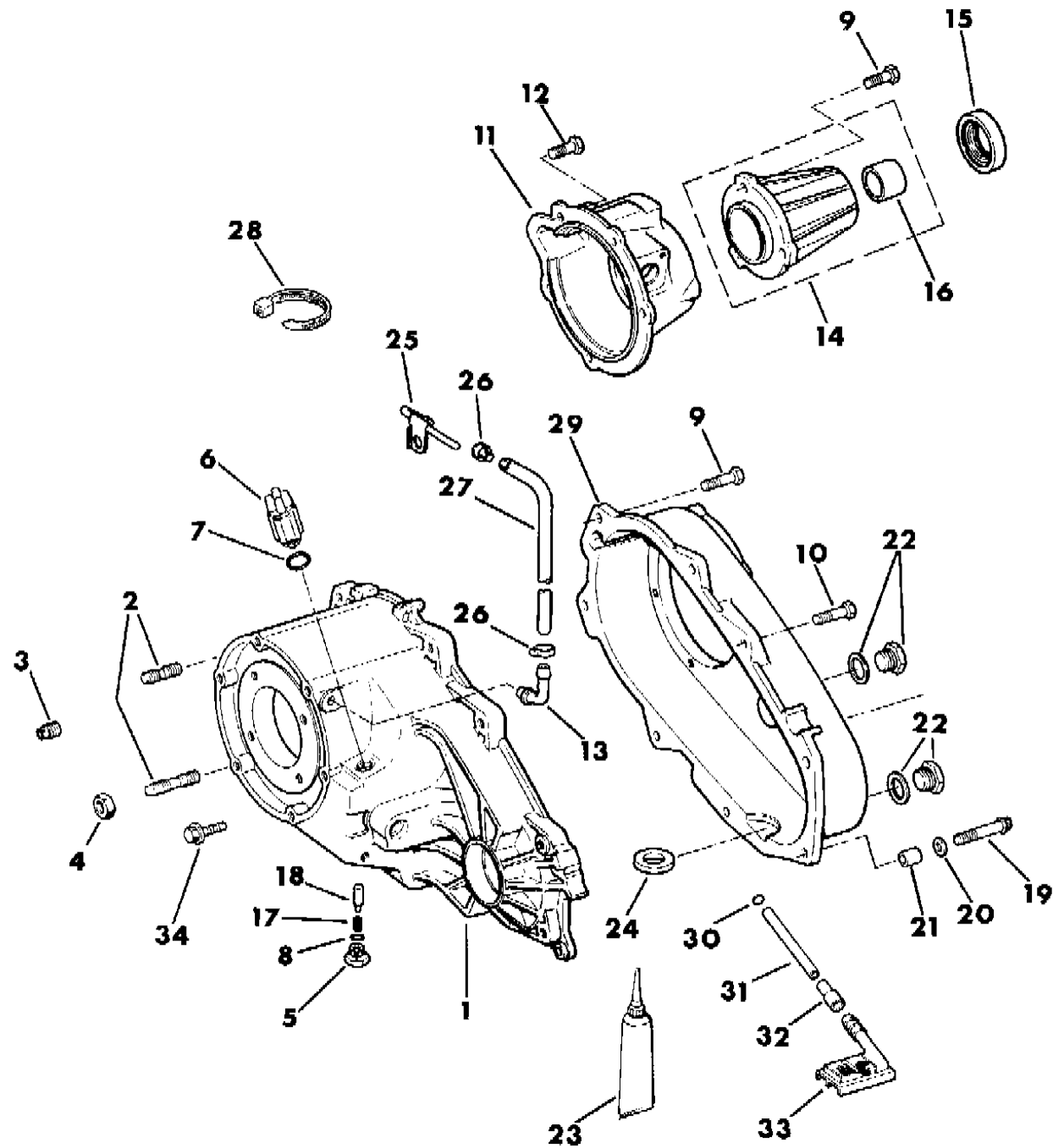
BODY STYLES:

MJ = Comanche Pickup
 SJ = Grand Wagoneer Wgn., J-10 & J-20 Pickups
 XJ = Cherokee, Wagoneer Limited
 YJ = Wrangler

AR = Use as Required - = Non Illustrated Part P.A.R. = Paint as Required

CASE, EXTENSION AND MISCELLANEOUS PARTS N.P.G. MODEL 231 TRANSFER CASE WRANGLER, YJ, CHEROKEE, COMANCHE
Figure 21M-1900

8J21 1900B



| ITEM | PART NUMBER | QTY | BODY | MODEL | DESCRIPTION |
|------|-------------|-----|-------|-------|---|
| 1 | | | | | CASE, Front, (Includes Annulus Gear) |
| | 8350 3572 | 1 | YJ | | 1987-90 (A) (B) (C): (With Vaccum Switch Hole) |
| | 5300 8214 | 1 | YJ | | 1990 (D) |
| | 8350 3121 | 1 | XJ,MJ | | 1987-90 (A) (B) (C): (Without Vacuum Switch Hole) |
| | 5300 8220 | 1 | XJ,MJ | | 1990 (D) |
| 2 | | | | | STUD |
| | 8350 0952 | AR | | | 23mm |
| | | | | | 36mm |
| | J813 0805 | AR | | | 1987-90 (A) (B) (C) |
| | 4505 365 | AR | | | 1990 (D) |
| 3 | 5300 0502 | 1 | | | PLUG |
| 4 | J400 6681 | AR | | | NUT |
| 5 | | | | | SCREW |
| | 8350 3127 | 1 | | | 1987-90: (A) (B) (C) |
| | 5300 8216 | 1 | | | 1990: (D) |
| 6 | 5300 1101 | 1 | | | SWITCH, Vacuum |
| 7 | J813 4485 | 1 | | | SEAL |
| 8 | | | | | SEAL |
| | 8350 3128 | 1 | | | 1987-90: (A) (B) (C) |
| | 4338 956 | 1 | | | 1990: (D) |
| 9 | J813 0984 | 8 | | | BOLT, (M10-1.5x28mm) |
| 10 | J813 0979 | 1 | | | BOLT, (M10-1.5x48mm) |
| 11 | | | | | RETAINER |
| | 8350 3573 | 1 | YJ | | |
| | 8350 3155 | 1 | XJ,MJ | | 1987-90: (A) (B) (C) |
| | 4338 949 | 1 | XJ,MJ | | 1990: (D) |
| 12 | J813 4472 | 5 | | | BOLT |
| 13 | J813 1659 | 1 | | | VENT |
| 14 | 8350 3156 | 1 | | | EXTENSION, Case Rear Housing |
| 15 | 8350 1389 | 1 | | | SEAL, Rear |
| 16 | J813 4490 | 1 | | | BUSHING |
| 17 | | | | | SPRING |
| | 8350 3126 | 1 | | | 1987-90: (A) (B) (C) |
| | 5300 8218 | 1 | | | 1990: (D) |
| 18 | | | | | PLUNGER |
| | 8350 3125 | 1 | | | 1987-90 (A) (B) (C) |
| | 5300 8217 | 1 | | | 1990 (D) |

MODEL CODES:

| | | |
|-----------------------------|-----------------------------|------------------------------|
| 15 = Grand Wagoneer 4 Dr. | 65 = Comanche 4WD-7 Ft. Box | 77 = Cherokee 4WD-2 Dr. |
| 25 = J-10 Pickup-119" W.B. | 66 = Comanche 2WD-7 Ft. Box | 78 = Cherokee 4WD-4 Dr. |
| 26 = J-10 Pickup-131" W.B. | 73 = Cherokee 2WD-2 Dr. | 79 = Cherokee 4WD-4 Dr.-Com |
| 27 = J-20 Pickup-131" W.B. | 74 = Cherokee 2WD-4 Dr. | 81 = Wrangler-93" W.B. |
| 63 = Comanche 4WD-6 Ft. Box | 75 = Wagoneer 4WD-4 Dr. | 82 = Wrangler-103" W.B.-Exp. |
| 64 = Comanche 2WD-6 Ft. Box | | |

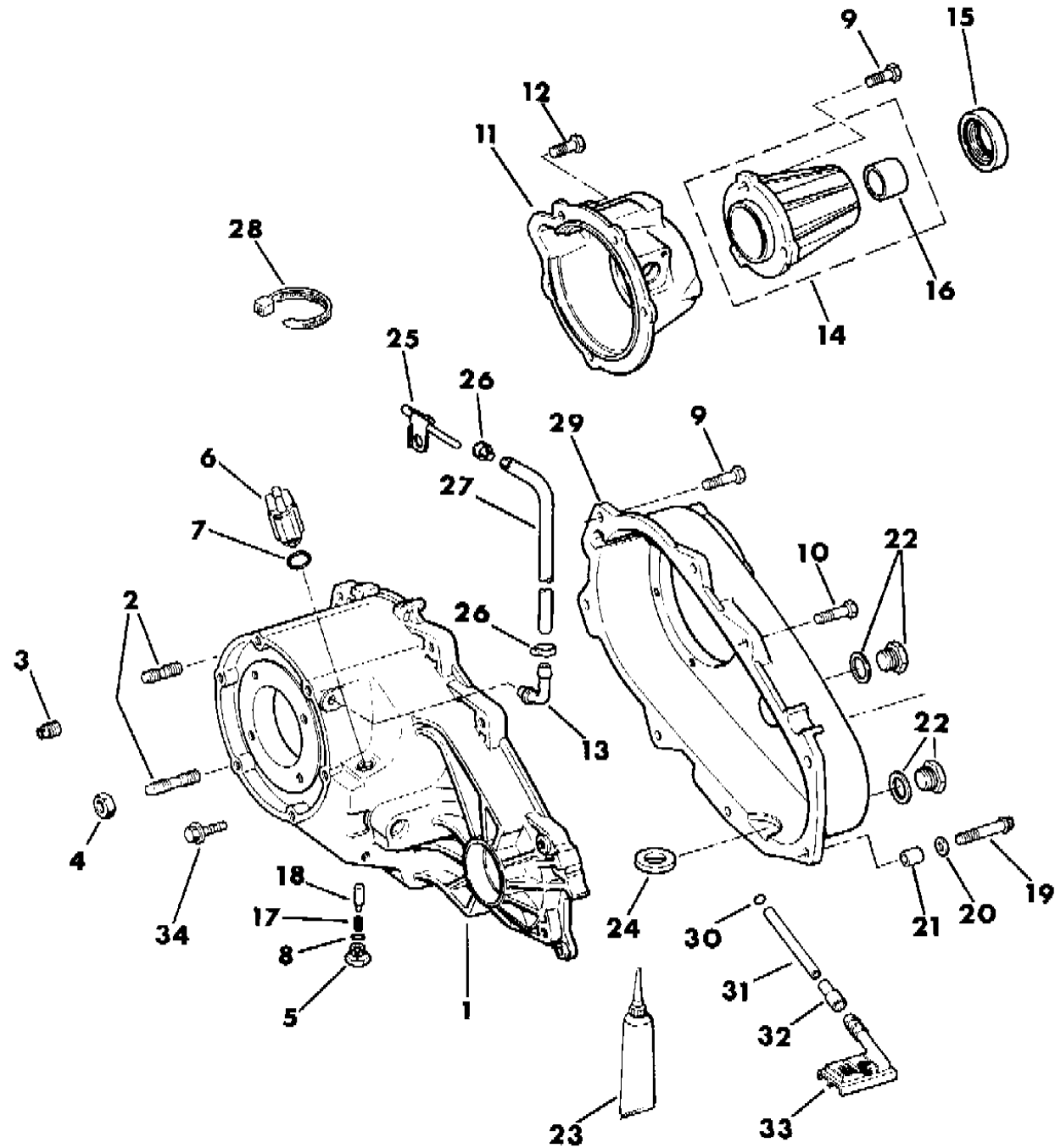
BODY STYLES:

MJ = Comanche Pickup
SJ = Grand Wagoneer Wgn., J-10 & J-20 Pickups
XJ = Cherokee, Wagoneer Limited
YJ = Wrangler

AR = Use as Required - = Non Illustrated Part P.A.R. = Paint as Required

CASE, EXTENSION AND MISCELLANEOUS PARTS N.P.G. MODEL 231 TRANSFER CASE WRANGLER, YJ, CHEROKEE, COMANCHE
Figure 21M-1900

8J21 1900B



| ITEM | PART NUMBER | QTY | BODY | MODEL | DESCRIPTION |
|------|-------------|-----|-------|-------|-------------------------------------|
| 19 | 1150 0831 | 2 | | | BOLT, (M10-1.5x35mm) |
| 20 | J400 1104 | 2 | | | WASHER, (3/8IDx813ODx063THK) |
| 21 | J813 0872 | 2 | | | DOWEL |
| 22 | J813 0824 | 2 | | | PLUG, Drain 1987-90: (A) (B) (C) |
| | 4210 616 | 2 | | | 1990: (D) |
| 23 | J899 3317 | 1 | | | SEALER, Gasket-in-a-Tube |
| 24 | J813 0823 | 1 | | | MAGNET 1987-90: (A) (B) (C) |
| | 3681 601 | 1 | | | 1990: (D) |
| 25 | J535 2955 | 1 | YJ | | TUBE |
| | 5300 0805 | 1 | XJ,MJ | | |
| 26 | J400 6047 | 2 | | | CLAMP |
| 27 | J812 5823 | AR | | | HOSE 1' Bulk |
| 28 | J322 3227 | 1 | | | STRAP |
| 29 | 8350 3153 | 1 | | | CASE, Rear |
| 30 | | | | | SEAL |
| | 8350 3149 | 1 | | | 1987-90: (A) (B) (C) |
| | 4338 942 | 1 | | | 1990: (D) |
| 31 | | | | | TUBE |
| | 8350 3150 | 1 | | | 1987-90: (A) (B) (C) |
| | 4338 941 | 1 | | | 1990: (D) |
| 32 | 4338 944 | 1 | | | CONNECTOR |
| 33 | | | | | SCREEN |
| | 8350 3152 | 1 | | | 1987-90: (A)(B) (C) |
| | 4338 943 | 1 | | | 1990: (D) |
| 34 | J400 6995 | 1 | | | BOLT, (3/8-16x1.25) |

(A) For Vehicles Built with TRANSFER CASES: 53003927; 53004271; 53004272; 53004301; 53004328; 53005355; 53005382. (A) YJ For Vehicles Built w/trans. serial no. up to 131001. XJ,MJ For Vehicles Built w/trans. up to serial no. 131163.
(B) For Vehicles Built with TRANSFER CASES: 53006094; 53006095; 53006096; 53006191. (A) YJ For Vehicles Built w/trans. serial no. up to 131001. XJ,MJ For Vehicles Built w/trans. up to serial no. 131163.
(C) For Vehicles Built With TRANSFER CASES; 53006093; 53006095. (A) YJ For Vehicles Built w/trans. serial no. up to 131001. XJ,MJ For Vehicles Built w/trans. up to serial no. 131163.
(D) For Vehicles Built With TRANSFER CASES: 53008207; 53008208; 53008209; 53008210; 53008211; 53008212. (A) YJ For Vehicles Built w/trans. serial no. up to 131001. XJ,MJ For Vehicles Built w/trans. up to serial no. 131163.

MODEL CODES:

| | | |
|-----------------------------|-----------------------------|------------------------------|
| 15 = Grand Wagoneer 4 Dr. | 65 = Comanche 4WD-7 Ft. Box | 77 = Cherokee 4WD-2 Dr. |
| 25 = J-10 Pickup-119" W.B. | 66 = Comanche 2WD-7 Ft. Box | 78 = Cherokee 4WD-4 Dr. |
| 26 = J-10 Pickup-131" W.B. | 73 = Cherokee 2WD-2 Dr. | 79 = Cherokee 4WD-4 Dr.-Com |
| 27 = J-20 Pickup-131" W.B. | 74 = Cherokee 2WD-4 Dr. | 81 = Wrangler-93" W.B. |
| 63 = Comanche 4WD-6 Ft. Box | 75 = Wagoneer 4WD-4 Dr. | 82 = Wrangler-103" W.B.-Exp. |
| 64 = Comanche 2WD-6 Ft. Box | | |

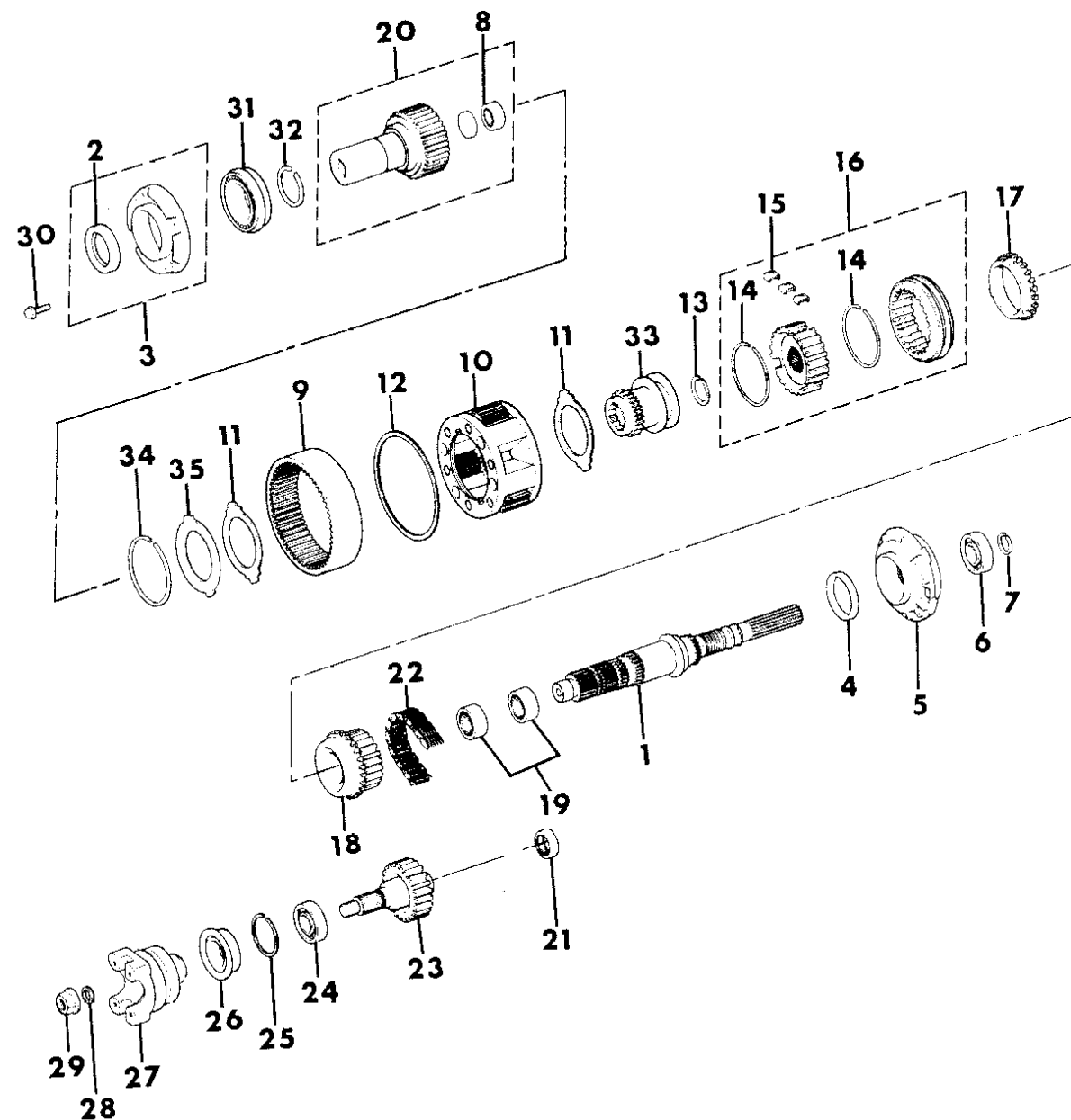
BODY STYLES:

MJ = Comanche Pickup
SJ = Grand Wagoneer Wgn., J-10 & J-20 Pickups
XJ = Cherokee, Wagoneer Limited
YJ = Wrangler

AR = Use as Required - = Non Illustrated Part P.A.R. = Paint as Required

GEAR TRAIN N.P.G. MODEL 231 TRANSFER CASE WRANGLER, YJ, CHEROKEE, COMANCHE
Figure 21M-2000

8J21 2000



| ITEM | PART NUMBER | QTY | BODY | MODEL | DESCRIPTION |
|------|-------------|-----|---------|-------|---|
| 1 | 8350 3141 | 1 | | | SHAFT, Main Drive |
| 2 | J535 9457 | 1 | | | SEAL, Oil 1987-90: (A) (B) (C) |
| | 4167 929 | 1 | | | 1990: (K) |
| 3 | | | | | RETAINER |
| | 8350 3133 | 1 | | | 1987-90: (A) (B) (C) |
| | 4338 972 | 1 | | | 1990: (K) |
| 4 | J813 0982 | 1 | | | SEAL, Oil |
| 5 | | | | | HOUSING, Oil Pump |
| | 8350 3148 | 1 | | | 1987-90: (A) (B) (C) |
| | 4338 936 | 1 | | | 1990: (K) |
| 6 | J813 4445 | 1 | | | BEARING 1987-90: (A) (B) (C) |
| | 4338 892 | 1 | | | 1990: (K) |
| 7 | J813 4488 | 1 | | | RING |
| 8 | J813 4450 | 1 | | | BEARING, Input 1987-90: (A) (B) (C) |
| | 4338 913 | 1 | | | 1990: (K) |
| 9 | 8350 3122 | 1 | | | GEAR, Transfer Case Annulus(Included in Front Case) |
| 10 | | | | | GEAR, Planetary Transfer Case |
| | 8350 3129 | 1 | YJ,XJMJ | | (A) |
| | 5300 6087 | 1 | YJ | | (B) (K) |
| | 5300 6087 | 1 | XJ,MJ | | (C) (K) (H) |
| 11 | | | | | RING, Thrust |
| | 8350 3130 | 2 | | | 1987-90: (A) (B) (C) |
| | 4338 908 | 2 | | | 1990: (K) |
| 12 | J813 4454 | 1 | | | RING, Retaining 1987-90: (A) (B) (C) |
| | 4219 065 | 2 | | | 1990: (K) |
| 13 | 8350 3144 | 1 | | | RING, Retaining |
| 14 | | | | | SPRING |
| | 8350 0991 | 2 | | | 1987-89: (A) (B) (C) |
| | 4329 524 | 2 | | | 1990: (K) |
| 15 | 8350 0990 | 3 | | | STRUT, Synchronizer |
| 16 | 8350 3143 | 1 | | | SYNCHRONIZER, Mode Shift |
| 17 | | | | | RING, Stop |
| | 8350 0992 | 1 | | | 1987-90: (A) (B) (C) (H) |

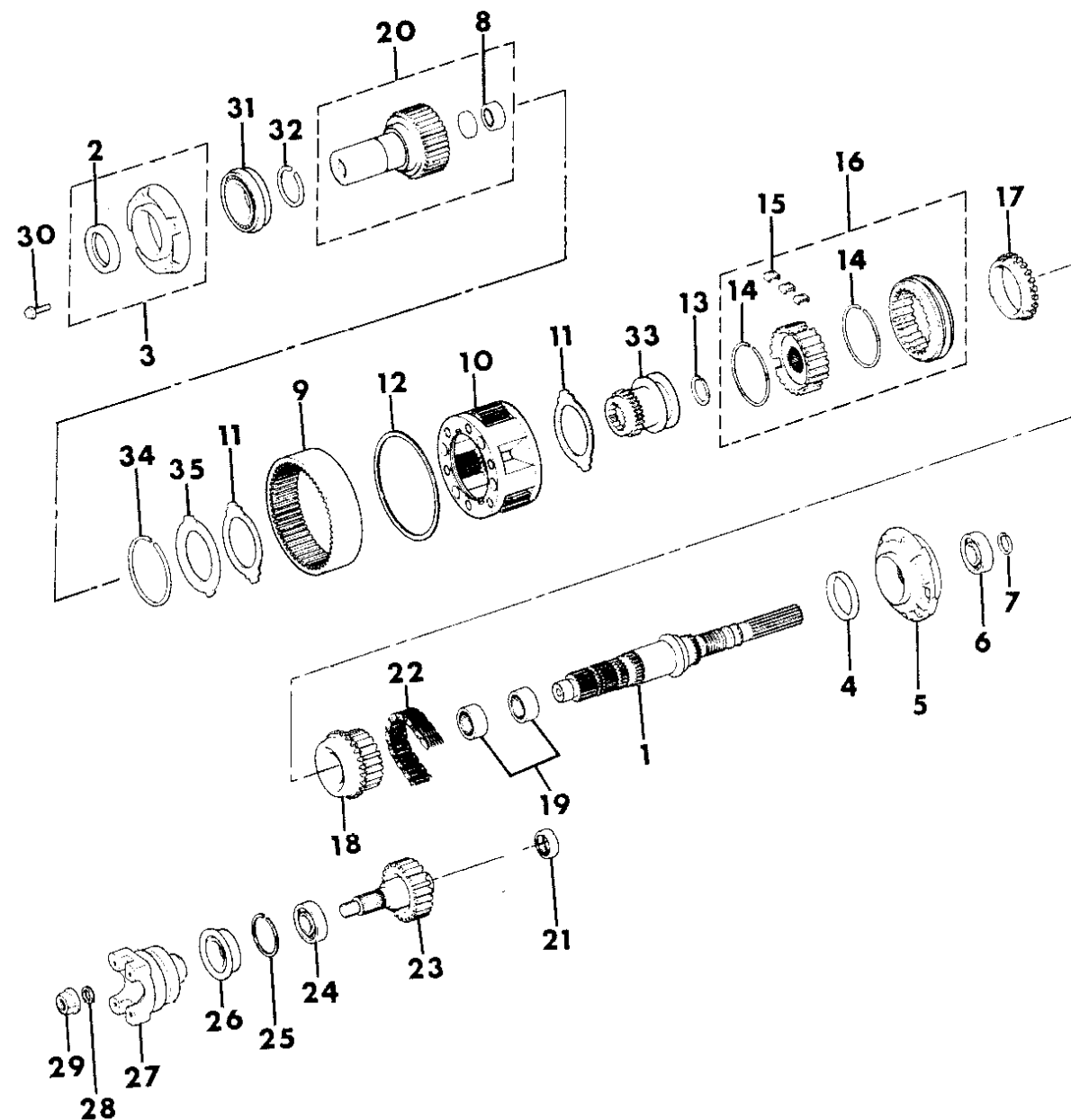
MODEL CODES:
 15 = Grand Wagoneer 4 Dr. 65 = Comanche 4WD-7 Ft. Box 77 = Cherokee 4WD-2 Dr.
 25 = J-10 Pickup-119" W.B. 66 = Comanche 2WD-7 Ft. Box 78 = Cherokee 4WD-4 Dr.
 26 = J-10 Pickup-131" W.B. 73 = Cherokee 2WD-2 Dr. 79 = Cherokee 4WD-4 Dr.-Com
 27 = J-20 Pickup-131" W.B. 74 = Cherokee 2WD-4 Dr. 81 = Wrangler-93" W.B.
 63 = Comanche 4WD-6 Ft. Box 75 = Wagoneer 4WD-4 Dr. 82 = Wrangler-103" W.B.-Exp.
 64 = Comanche 2WD-6 Ft. Box

BODY STYLES:
 MJ = Comanche Pickup
 SJ = Grand Wagoneer Wgn., J-10 & J-20 Pickups
 XJ = Cherokee, Wagoneer Limited
 YJ = Wrangler

AR = Use as Required - = Non Illustrated Part P.A.R. = Paint as Required

GEAR TRAIN N.P.G. MODEL 231 TRANSFER CASE WRANGLER, YJ, CHEROKEE, COMANCHE
Figure 21M-2000

8J21 2000



| ITEM | PART NUMBER | QTY | BODY | MODEL | DESCRIPTION |
|------|-------------|-----|---------|-------|-------------------------------------|
| | 4329 526 | 1 | | | 1990: (K) |
| 18 | 8350 3142 | 1 | | | SPROCKET, Drive |
| | 4338 929 | 1 | | | 1987-90: (A) (B) (C) |
| 19 | J813 0868 | 2 | | | 1990: (K) |
| | 4269 185 | 2 | | | BEARING, Sprocket 231 Transfer Case |
| 20 | 8350 3159 | 1 | YJ,XJMJ | | 1987-90: (A) (B) (C) |
| | 8350 5550 | 1 | YJ | | 1990: (K) |
| | 8350 5553 | 1 | YJ | | GEAR, Input 231 Transfer Case |
| | 5300 6085 | 1 | YJ | | (D) |
| | 8350 6065 | 1 | YJ,XJMJ | | (E) |
| | 5300 6083 | 1 | YJ,XJMJ | | (F) |
| | 5300 6086 | 1 | MJ,XJ | | (G) (N) |
| 21 | 8350 3154 | 1 | | | (H) (M) |
| | 4269 189 | 1 | | | (C) (J) (K) (L) |
| 22 | 8350 3146 | 1 | | | (O) |
| | 4338 935 | 1 | | | BEARING |
| 23 | 8350 3145 | 1 | | | 1987-90: (A) (B) (C) |
| | 4338 934 | 1 | | | 1990: (K) |
| 24 | J813 4445 | 1 | | | CHAIN, Drive Transfer Case |
| | 4338 892 | 1 | | | 1987-90: (A) (B) (C) |
| 25 | J813 4447 | 1 | | | 1990: (K) |
| | 4338 894 | 1 | | | SHAFT, Output 231 Transfer Case |
| 26 | 8350 3147 | 1 | | | 1987-90: (A) (B) (C) |
| | 4338 893 | 1 | | | 1990: (K) |
| 27 | 8350 2829 | 1 | YJ | | BEARING |
| | 8350 3161 | 1 | XJ,MJ | | 1987-90: (A) (B) (C) |
| 28 | J813 4474 | 1 | | | (K) |
| | | | | | RING, Retaining |
| | | | | | 1987-90: (A) (B) (C) |
| | | | | | 1990: (K) |
| | | | | | SEAL, Oil, Front |
| | | | | | 1987-90: (A) (B) (C) |
| | | | | | 1990: (K) |
| | | | | | FLANGE |
| | | | | | 1987-90: (A) (B) (C) |
| | | | | | 1990: (K) |
| | | | | | WASHER |

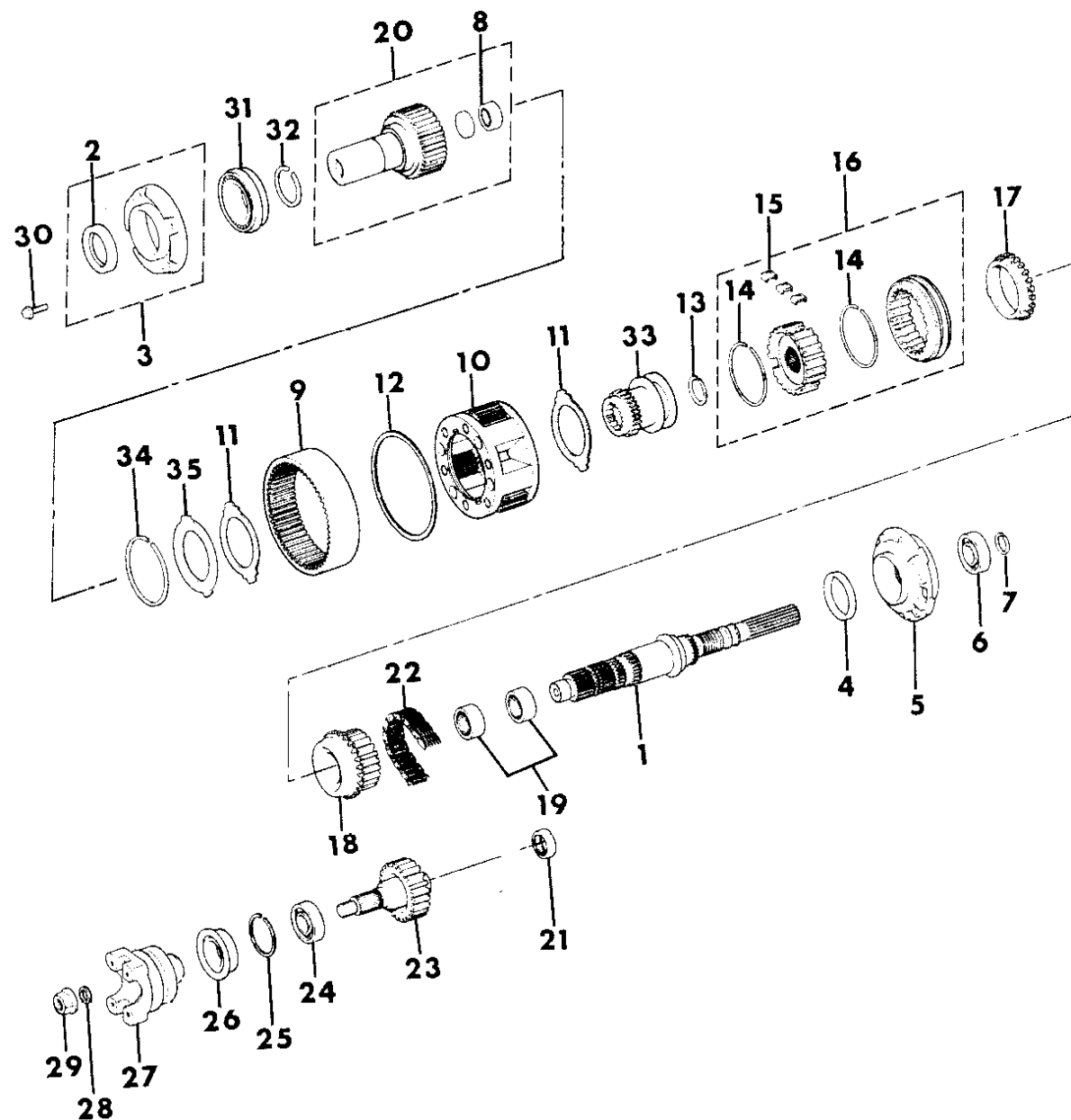
MODEL CODES:
 15 = Grand Wagoneer 4 Dr. 65 = Comanche 4WD-7 Ft. Box 77 = Cherokee 4WD-2 Dr.
 25 = J-10 Pickup-119" W.B. 66 = Comanche 2WD-7 Ft. Box 78 = Cherokee 4WD-4 Dr.
 26 = J-10 Pickup-131" W.B. 73 = Cherokee 2WD-2 Dr. 79 = Cherokee 4WD-4 Dr.-Com
 27 = J-20 Pickup-131" W.B. 74 = Cherokee 2WD-4 Dr. 81 = Wrangler-93" W.B.
 63 = Comanche 4WD-6 Ft. Box 75 = Wagoneer 4WD-4 Dr. 82 = Wrangler-103" W.B.-Exp.
 64 = Comanche 2WD-6 Ft. Box

BODY STYLES:
 MJ = Comanche Pickup
 SJ = Grand Wagoneer Wgn., J-10 & J-20 Pickups
 XJ = Cherokee, Wagoneer Limited
 YJ = Wrangler

AR = Use as Required - = Non Illustrated Part P.A.R. = Paint as Required

GEAR TRAIN N.P.G. MODEL 231 TRANSFER CASE WRANGLER, YJ, CHEROKEE, COMANCHE
Figure 21M-2000

8J21 2000



| ITEM | PART NUMBER | QTY | BODY | MODEL | DESCRIPTION |
|------|-------------|-----|------|-------|-----------------------------|
| 29 | J813 4475 | 1 | | | NUT |
| 30 | | | | | BOLT |
| | 8350 3135 | 5 | | | 1987-90: (A) (B) (C) |
| | 6500 318 | 5 | | | 1990: (K) |
| 31 | | | | | BEARING |
| | 8350 3123 | 1 | | | 1987-90: (A) (B) (C) |
| | 4338 891 | 1 | | | 1990: (K) |
| 32 | | | | | RING, Retaining |
| | 8350 3131 | 1 | | | 1987-90: (A) (B) (C) |
| | 3821 558 | 1 | | | 1990: (K) |
| 33 | | | | | HUB, Range Shift |
| | 8350 3132 | 1 | | | (A) |
| | 8350 6062 | 1 | | | 1988-90: (B), (C), (G), (H) |
| | 5300 6089 | 1 | | | 1990: (K) |
| 34 | | | | | RING, Snap |
| | 8350 3527 | 1 | | | 1987-90: (A) (B) (C) |
| | 4338 910 | 1 | | | 1990: (K) |
| 35 | | | | | RING, Snap |
| | 8350 3526 | 1 | | | 1987-90: (A) (B) (C) |
| | 4338 909 | 1 | | | 1990: (K) |

(A) For Vehicles Built with Transfer Cases: 53003927; 53004271; 53004272; 53004301; 53004328; 53005355; 53005382. (A) YJ For Vehicles Built w/trans. serial no. up to 131001. XJ,MJ For Vehicles Built w/trans. up to serial no. 131163.

(B) For Vehicles Built with Transfer Cases: 53006094; 53006095; 53006096; 53006191. (A) YJ For Vehicles Built w/trans. serial no. up to 131001. XJ,MJ For Vehicles Built w/trans. up to serial no. 131163.

(C) For Vehicles Built with Transfer Cases: 53006091; 53006092. (A) YJ For Vehicles Built w/trans. serial no. up to 131001. XJ,MJ For Vehicles Built w/trans. up to serial no. 131163.

(D) For Vehicles Built with Transfer Cases: 53003927; 53004272; 53004328; 53004301. (A) YJ For Vehicles Built w/trans. serial no. up to 131001. XJ,MJ For Vehicles Built w/trans. up to serial no. 131163.

(E) For Vehicles Built with Transfer Case: 53004271. (A) YJ For Vehicles Built w/trans. serial no. up to 131001. XJ,MJ For Vehicles Built w/trans. up to serial no. 131163.

(F) For Vehicles Built with Transfer Cases: 53005382; 53005355. (A) YJ For Vehicles Built w/trans. serial no. up to 131001. XJ,MJ For Vehicles Built w/trans. up to serial no. 131163.

(G) For Vehicles Built with Transfer Cases: 53006094. (A) YJ For Vehicles Built w/trans. serial no. up to 131001. XJ,MJ For Vehicles Built w/trans. up to serial no. 131163.

(H) For Vehicles Built with Transfer Cases: 53006093; 53006096; (A) YJ For Vehicles Built w/trans. serial no. up to 131001. XJ,MJ For Vehicles Built w/trans. up to serial no. 131163.

MODEL CODES:

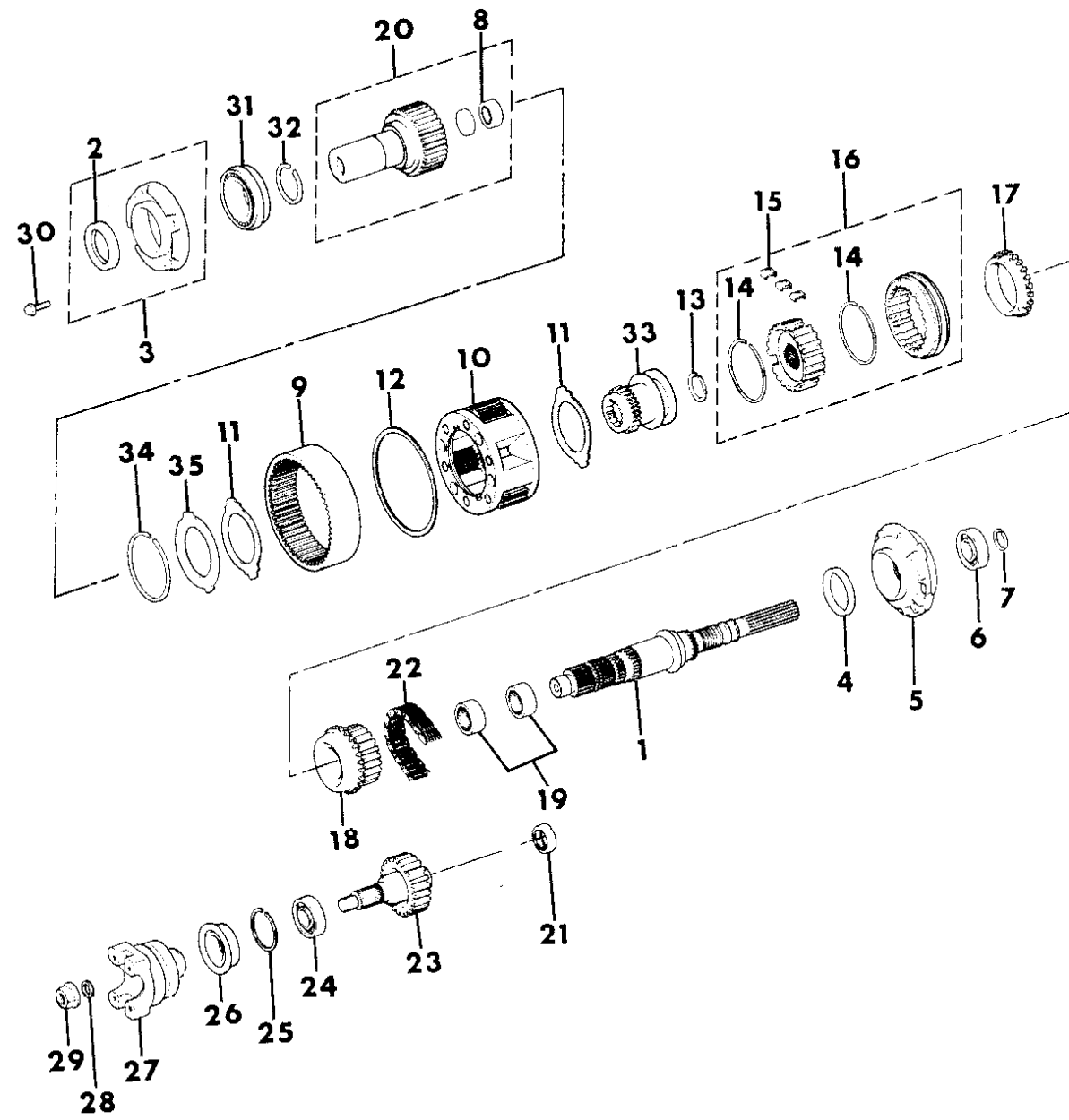
| | | |
|-----------------------------|-----------------------------|------------------------------|
| 15 = Grand Wagoneer 4 Dr. | 65 = Comanche 4WD-7 Ft. Box | 77 = Cherokee 4WD-2 Dr. |
| 25 = J-10 Pickup-119" W.B. | 66 = Comanche 2WD-7 Ft. Box | 78 = Cherokee 4WD-4 Dr. |
| 26 = J-10 Pickup-131" W.B. | 73 = Cherokee 2WD-2 Dr. | 79 = Cherokee 4WD-4 Dr.-Com |
| 27 = J-20 Pickup-131" W.B. | 74 = Cherokee 2WD-4 Dr. | 81 = Wrangler-93" W.B. |
| 63 = Comanche 4WD-6 Ft. Box | 75 = Wagoneer 4WD-4 Dr. | 82 = Wrangler-103" W.B.-Exp. |
| 64 = Comanche 2WD-6 Ft. Box | | |

BODY STYLES:
 MJ = Comanche Pickup
 SJ = Grand Wagoneer Wgn., J-10 & J-20 Pickups
 XJ = Cherokee, Wagoneer Limited
 YJ = Wrangler

AR = Use as Required - = Non Illustrated Part P.A.R. = Paint as Required

Figure 21M-2000

8J21 2000



GEAR TRAIN N.P.G. MODEL 231 TRANSFER CASE WRANGLER, YJ, CHEROKEE, COMANCHE
Figure 21M-2000

| ITEM | PART NUMBER | QTY | BODY | MODEL | DESCRIPTION |
|------|----------------|-----|------|-------|--|
| | | | | | (J) For Vehicles Built with Transfer Cases: 53006095; 53006191. (A) YJ For Vehicles Built w/trans. serial no. up to 131001. XJ,MJ For Vehicles Built w/trans. up to serial no. 131163. |
| | | | | | (K) For Vehicles Built with Transfer Cases: 53008207; 53008208; 53008209; 53008210; 53008211; 53008212. (A) YJ For Vehicles Built w/trans. serial no. up to 131001. XJ,MJ For Vehicles Built w/trans. up to serial no. 131163. |
| | | | | | (L) For Vehicles Built with Transfer Cases: 53008207; 53008208; 53008211. (A) YJ For Vehicles Built w/trans. serial no. up to 131001. XJ,MJ For Vehicles Built w/trans. up to serial no. 131163. |
| | | | | | (M) For Vehicles Built with Transfer Cases: 53008209; 53008212. (A) YJ For Vehicles Built w/trans. serial no. up to 131001. XJ,MJ For Vehicles Built w/trans. up to serial no. 131163. |
| | | | | | (N) For Vehicle Built with Transfer Case: 53008210. (A) YJ For Vehicles Built w/trans. serial no. up to 131001. XJ,MJ For Vehicles Built w/trans. up to serial no. 131163. |
| | | | | | (O) For Vehicle Built with Transfer Case: 53008223. (A) YJ For Vehicles Built w/trans. serial no. up to 131001. XJ,MJ For Vehicles Built w/trans. up to serial no. 131163. |
| | | | | | |
| | | | | | |
| | | | | | |
| | | | | | |
| | | | | | |
| | | | | | |
| | | | | | |
| | | | | | |
| | | | | | |
| | | | | | |
| | | | | | |

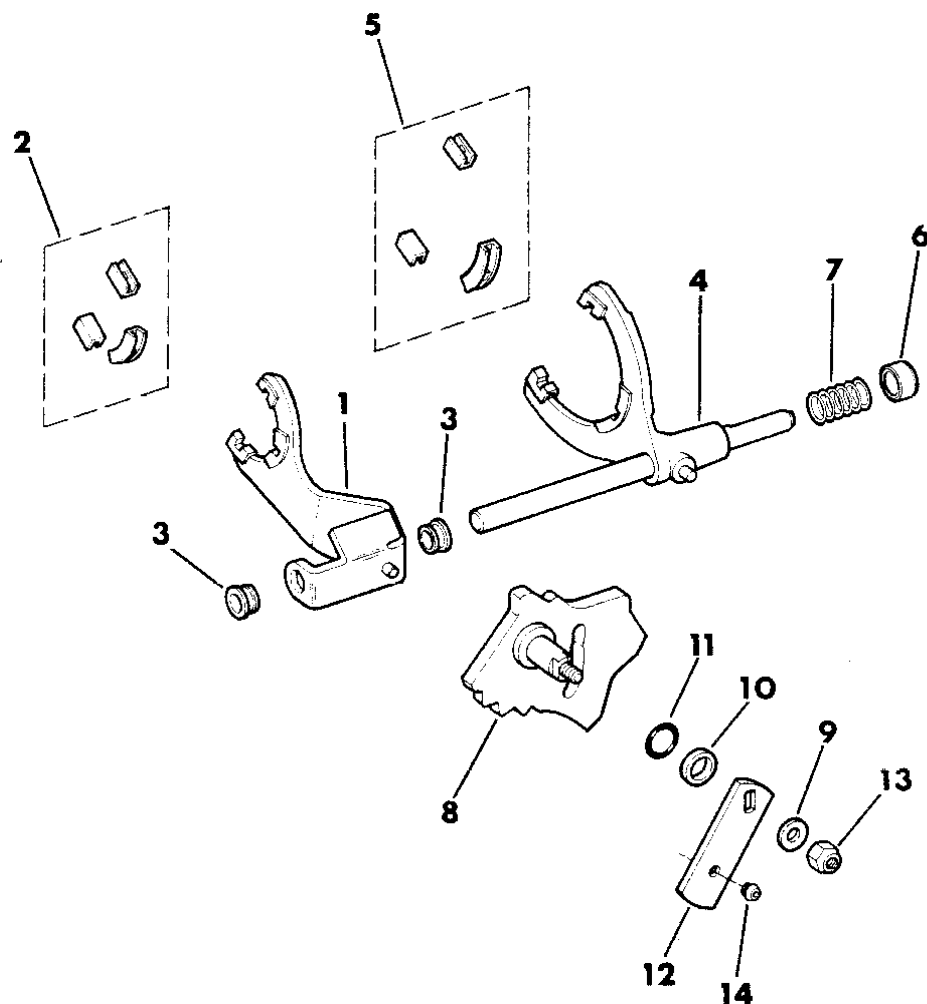
MODEL CODES:
 15 = Grand Wagoneer 4 Dr. 65 = Comanche 4WD-7 Ft. Box 77 = Cherokee 4WD-2 Dr.
 25 = J-10 Pickup-119" W.B. 66 = Comanche 2WD-7 Ft. Box 78 = Cherokee 4WD-4 Dr.
 26 = J-10 Pickup-131" W.B. 73 = Cherokee 2WD-2 Dr. 79 = Cherokee 4WD-4 Dr.-Com
 27 = J-20 Pickup-131" W.B. 74 = Cherokee 2WD-4 Dr. 81 = Wrangler-93" W.B.
 63 = Comanche 4WD-6 Ft. Box 75 = Wagoneer 4WD-4 Dr. 82 = Wrangler-103" W.B.-Exp.
 64 = Comanche 2WD-6 Ft. Box

BODY STYLES:
 MJ = Comanche Pickup
 SJ = Grand Wagoneer Wgn., J-10 & J-20 Pickups
 XJ = Cherokee, Wagoneer Limited
 YJ = Wrangler

AR = Use as Required - = Non Illustrated Part P.A.R. = Paint as Required

FORKS, RAILS, MISCELLANEOUS PARTS, SHIFT N.P.G. MODEL 231 TRANSFER CASE WRANGLER, YJ, CHEROKEE, COMANCHE
Figure 21M-2100

8 J21 2100



| ITEM | PART NUMBER | QTY | BODY | MODEL | DESCRIPTION |
|------|-------------|-----|-------|-------|--|
| 1 | | | | | FORK, Range Shift |
| | 8350 3136 | 1 | | | 1987-90: (A) (B) (C) |
| | 4338 915 | 1 | | | 1990: (D) |
| 2 | 8350 0994 | 1 | | | PAD PACKAGE, Shift Fork |
| 3 | 8350 3137 | 2 | | | BUSHING |
| 4 | | | | | FORK, Mode Shift Transfer Case |
| | 8350 3138 | 1 | | | 1987-90: (A) (B) (C) |
| | 4338 920 | 1 | | | 1990: (D) |
| 5 | | | | | PAD PACKAGE, Shift Fork *** |
| | J813 4279 | 1 | | | 1987-90: (A) (B) (C) |
| | 0 15 866 | 1 | | | 1990: (D) |
| 6 | 8350 3139 | 1 | | | BUSHING |
| 7 | | | | | SPRING, Shifting |
| | 8350 3140 | 1 | | | 1987-90: (A) (B) (C) |
| | 4338 925 | 1 | | | 1990: (D) |
| 8 | | | | | SECTOR, Transfer Case Shifting |
| | 8350 3124 | 1 | | | 1987-90: (A) (B) (C) |
| | 5300 8215 | 1 | | | 1990: (D) |
| 9 | | | | | SPACER, Shift Lever |
| | 8350 3157 | 1 | | | 1987-90: (A) (B) (C) |
| | 0120 394 | 1 | | | 1990: (D) |
| 10 | | | | | SEAL |
| | J813 0853 | 1 | | | 1987-90: (A) (B) (C) |
| | 4167 964 | 1 | | | 1990: (D) |
| 11 | | | | | O-RING |
| | J813 0854 | 1 | | | 1987-90: (A) (B) (C) |
| | 4167 963 | 1 | | | 1990: (D) |
| 12 | | | | | LEVER, Transfer Case Shift |
| | 5300 4421 | 1 | YJ | | 4 CYL. ENG. (A) (B) (C) (F) |
| | 5300 4420 | 1 | YJ | | 6 CYL. ENG. With Manual Transmission (A) (B) (C) (G) |
| | 5300 4409 | 1 | YJ | | 6 CYL. ENG. With Automatic Transmission |
| | 5300 4226 | 1 | XJ,MJ | | With Manual Transmission (A) (B) (C) (E) |
| 13 | | | | | NUT |
| | J813 0813 | 1 | | | 1987/1990: (A) (B) (C) |
| | 0152 345 | 1 | | | 1990: (D) |
| 14 | 5300 4810 | 1 | | | BUSHING |

MODEL CODES:

| | | |
|-----------------------------|-----------------------------|------------------------------|
| 15 = Grand Wagoneer 4 Dr. | 65 = Comanche 4WD-7 Ft. Box | 77 = Cherokee 4WD-2 Dr. |
| 25 = J-10 Pickup-119" W.B. | 66 = Comanche 2WD-7 Ft. Box | 78 = Cherokee 4WD-4 Dr. |
| 26 = J-10 Pickup-131" W.B. | 73 = Cherokee 2WD-2 Dr. | 79 = Cherokee 4WD-4 Dr.-Com |
| 27 = J-20 Pickup-131" W.B. | 74 = Cherokee 2WD-4 Dr. | 81 = Wrangler-93" W.B. |
| 63 = Comanche 4WD-6 Ft. Box | 75 = Wagoneer 4WD-4 Dr. | 82 = Wrangler-103" W.B.-Exp. |
| 64 = Comanche 2WD-6 Ft. Box | | |

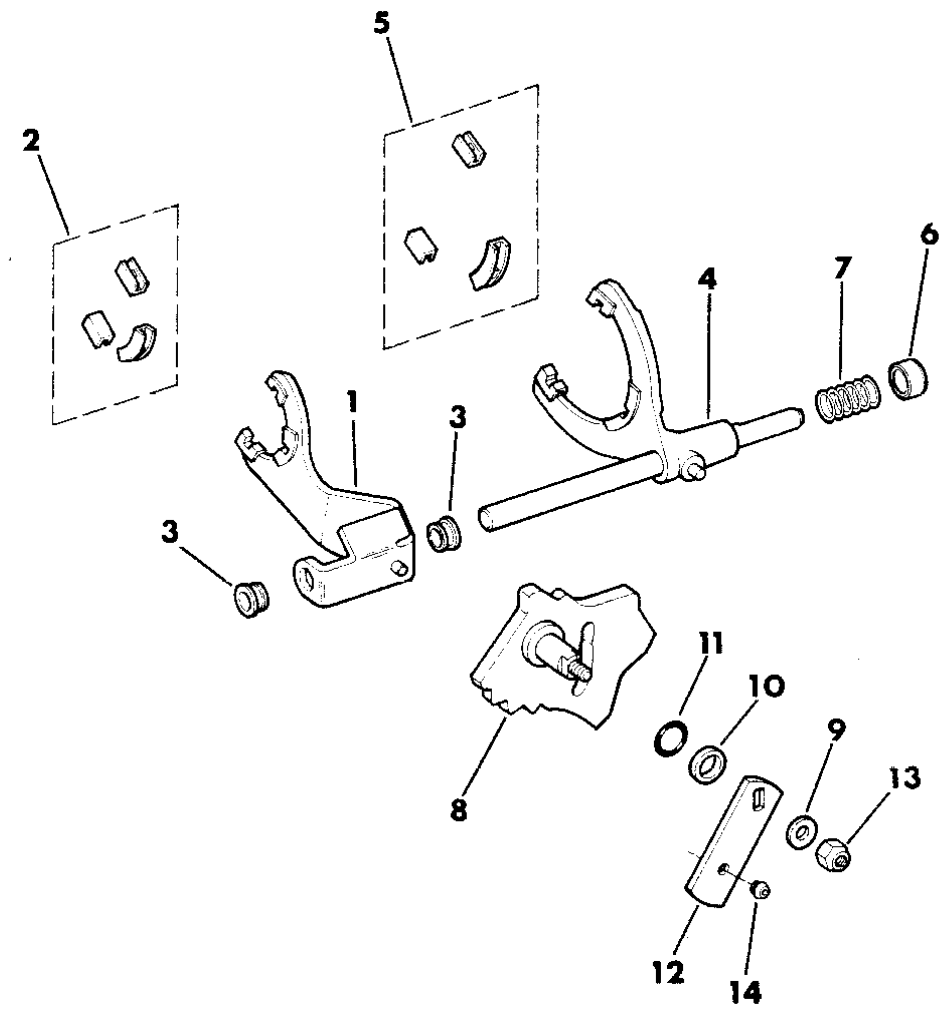
BODY STYLES:

MJ = Comanche Pickup
 SJ = Grand Wagoneer Wgn., J-10 & J-20 Pickups
 XJ = Cherokee, Wagoneer Limited
 YJ = Wrangler

AR = Use as Required - = Non Illustrated Part P.A.R. = Paint as Required

Figure 21M-2100

8 J21 2100



**FORKS, RAILS, MISCELLANEOUS PARTS, SHIFT N.P.G. MODEL 231 TRANSFER CASE WRANGLER, YJ, CHEROKEE, COMANCHE
Figure 21M-2100**

| ITEM | PART NUMBER | QTY | BODY | MODEL | DESCRIPTION |
|------|-------------|-----|------|-------|--|
| | | | | | (A) For Vehicles Built with TRANSFER CASES: 53003927; 53004271; 53004271; 53004272; 53004301; 53004328; 53005355; 53005382. (A) YJ For Vehicles Built w/trans. serial no. up to 131001. XJ,MJ For Vehicles Built w/trans. up to serial no. 131163. |
| | | | | | (B) For Vehicles Built with TRANSFER CASES; 53006094; 53006095; 53006096; 53006191. (A) YJ For Vehicles Built w/trans. serial no. up to 131001. XJ,MJ For Vehicles Built w/trans. up to serial no. 131163. |
| | | | | | (C) For Vehicles Built With TRANSFER CASES: 53006093; 53006095. (A) YJ For Vehicles Built w/trans. serial no. up to 131001. XJ,MJ For Vehicles Built w/trans. up to serial no. 131163. |
| | | | | | (D) For Vehicles Built With TRANSFER CASES: 53008207; 53008208; 53008209; 53008210; 53008211; 53008212. (A) YJ For Vehicles Built w/trans. serial no. up to 131001. XJ,MJ For Vehicles Built w/trans. up to serial no. 131163. |
| | | | | | (E) For Vehicles Built With TRANSFER CASES: 53008207; 53008209; 53008210. (A) YJ For Vehicles Built w/trans. serial no. up to 131001. XJ,MJ For Vehicles Built w/trans. up to serial no. 131163. |
| | | | | | (F) For Vehicles Built With TRANSFER CASES: 53008208; 53008211. (A) YJ For Vehicles Built w/trans. serial no. up to 131001. XJ,MJ For Vehicles Built w/trans. up to serial no. 131163. |
| | | | | | (G) For Vehicles Built With TRANSFER CASE: 53008212. (A) YJ For Vehicles Built w/trans. serial no. up to 131001. XJ,MJ For Vehicles Built w/trans. up to serial no. 131163. |

MODEL CODES:
 15 = Grand Wagoneer 4 Dr. 65 = Comanche 4WD-7 Ft. Box 77 = Cherokee 4WD-2 Dr.
 25 = J-10 Pickup-119" W.B. 66 = Comanche 2WD-7 Ft. Box 78 = Cherokee 4WD-4 Dr.
 26 = J-10 Pickup-131" W.B. 73 = Cherokee 2WD-2 Dr. 79 = Cherokee 4WD-4 Dr.-Com
 27 = J-20 Pickup-131" W.B. 74 = Cherokee 2WD-4 Dr. 81 = Wrangler-93" W.B.
 63 = Comanche 4WD-6 Ft. Box 75 = Wagoneer 4WD-4 Dr. 82 = Wrangler-103" W.B.-Exp.
 64 = Comanche 2WD-6 Ft. Box

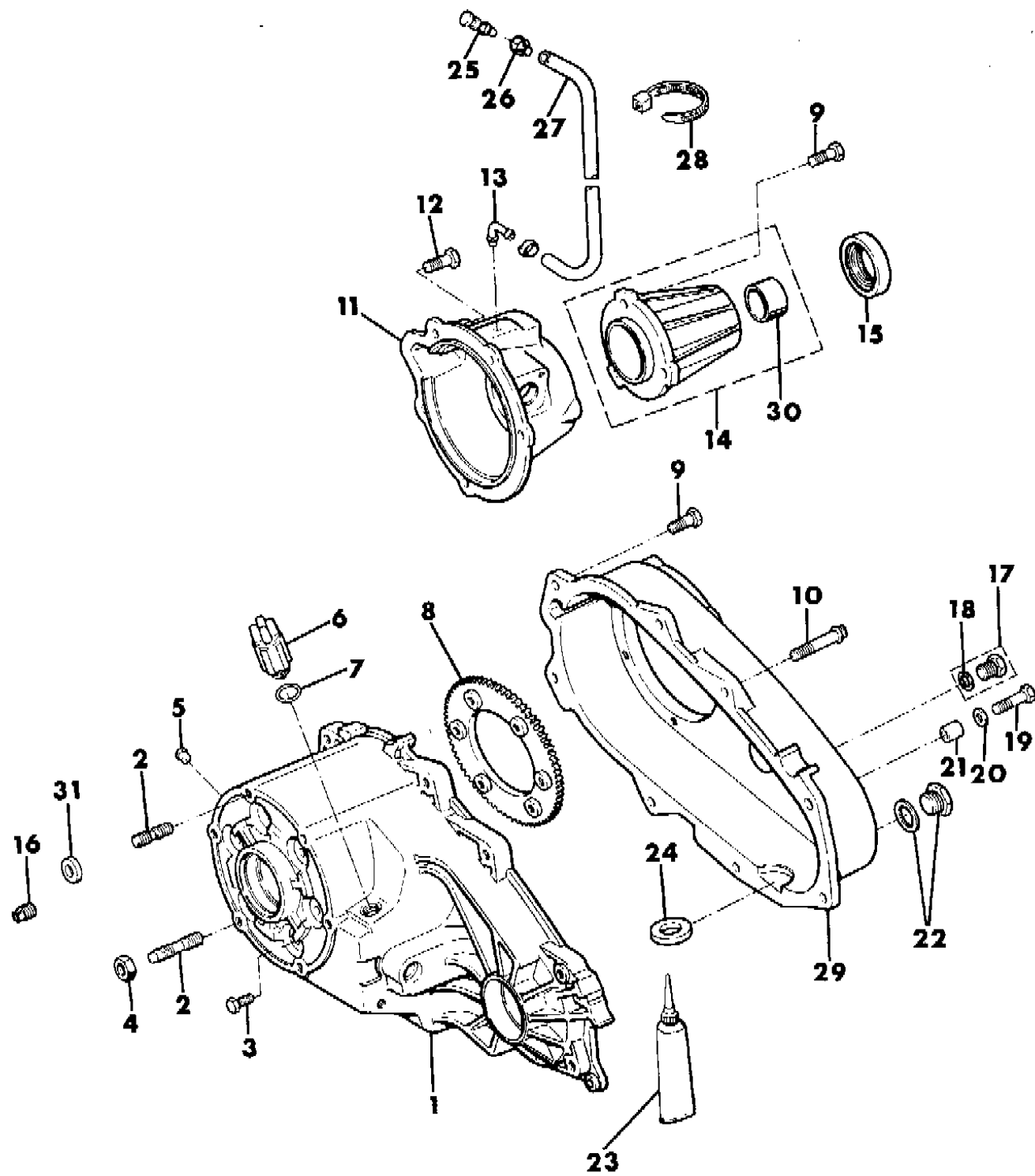
BODY STYLES:
 MJ = Comanche Pickup
 SJ = Grand Wagoneer Wgn., J-10 & J-20 Pickups
 XJ = Cherokee, Wagoneer Limited
 YJ = Wrangler

AR = Use as Required - = Non Illustrated Part P.A.R. = Paint as Required

CASE, EXTENSION AND MISCELLANEOUS PARTS N.P.G. MODEL 207 TRANSFER CASE WRANGLER, YJ
Figure 21M-2200

8J21 2200

| ITEM | PART NUMBER | QTY | BODY | MODEL | DESCRIPTION |
|------|-------------|-----|------|-------|------------------------------------|
| 1 | 8350 0953 | 1 | | | CASE, Front |
| 2 | J813 0805 | AR | | | STUD, Front Case 36mm |
| | 8350 0952 | AR | | | 23mm |
| 3 | J813 0874 | 6 | | | BOLT |
| 4 | J400 6681 | AR | | | NUT, Front Case |
| 5 | J813 1617 | 1 | | | PLUG |
| 6 | 5300 1101 | 1 | | | SWITCH, Vacuum |
| 7 | J813 4485 | 1 | | | GASKET |
| 8 | J813 0873 | 1 | | | PLATE |
| 9 | J813 0984 | 8 | | | BOLT, Rear Extension Case to Front |
| 10 | J813 0979 | 1 | | | BOLT, Front to Rear Case |
| 11 | J813 4487 | 1 | | | RETAINER |
| 12 | J813 4472 | 5 | | | Bolt, Retainer to Case *** |
| 13 | J813 1659 | 1 | | | VENT |
| 14 | J813 4489 | 1 | | | Extension, Case *** |
| 15 | 8350 1389 | 1 | | | SEAL |
| 16 | 5300 0502 | 1 | | | PLUG |
| 17 | 8350 1425 | 1 | | | PLUG |
| 18 | 3300 0322 | 1 | | | SEAL |
| 19 | 1150 0831 | 1 | | | BOLT |
| 20 | J400 1104 | 1 | | | WASHER |
| 21 | J813 0872 | 1 | | | DOWEL |
| 22 | J813 0824 | 1 | | | PLUG, Drain |
| 23 | J899 3317 | AR | | | SEALER, Gasket-in-a-Tube *** |
| 24 | J813 0823 | 1 | | | MAGNET |
| 25 | J535 2955 | 1 | | | VENT |
| 26 | J400 6047 | 2 | | | CLAMP, Vent Hose |
| 27 | J812 5823 | 1 | | | HOSE (Bulk)(1') *** |
| 28 | J322 3227 | 1 | | | STRAP |
| 29 | 8350 1192 | 1 | | | CASE, Rear |
| 30 | J813 4490 | 1 | | | BUSHING |
| 31 | J400 1289 | 1 | | | SPACER |



MODEL CODES:

| | | |
|-----------------------------|-----------------------------|------------------------------|
| 15 = Grand Wagoneer 4 Dr. | 65 = Comanche 4WD-7 Ft. Box | 77 = Cherokee 4WD-2 Dr. |
| 25 = J-10 Pickup-119" W.B. | 66 = Comanche 2WD-7 Ft. Box | 78 = Cherokee 4WD-4 Dr. |
| 26 = J-10 Pickup-131" W.B. | 73 = Cherokee 2WD-2 Dr. | 79 = Cherokee 4WD-4 Dr.-Com |
| 27 = J-20 Pickup-131" W.B. | 74 = Cherokee 2WD-4 Dr. | 81 = Wrangler-93" W.B. |
| 63 = Comanche 4WD-6 Ft. Box | 75 = Wagoneer 4WD-4 Dr. | 82 = Wrangler-103" W.B.-Exp. |
| 64 = Comanche 2WD-6 Ft. Box | | |

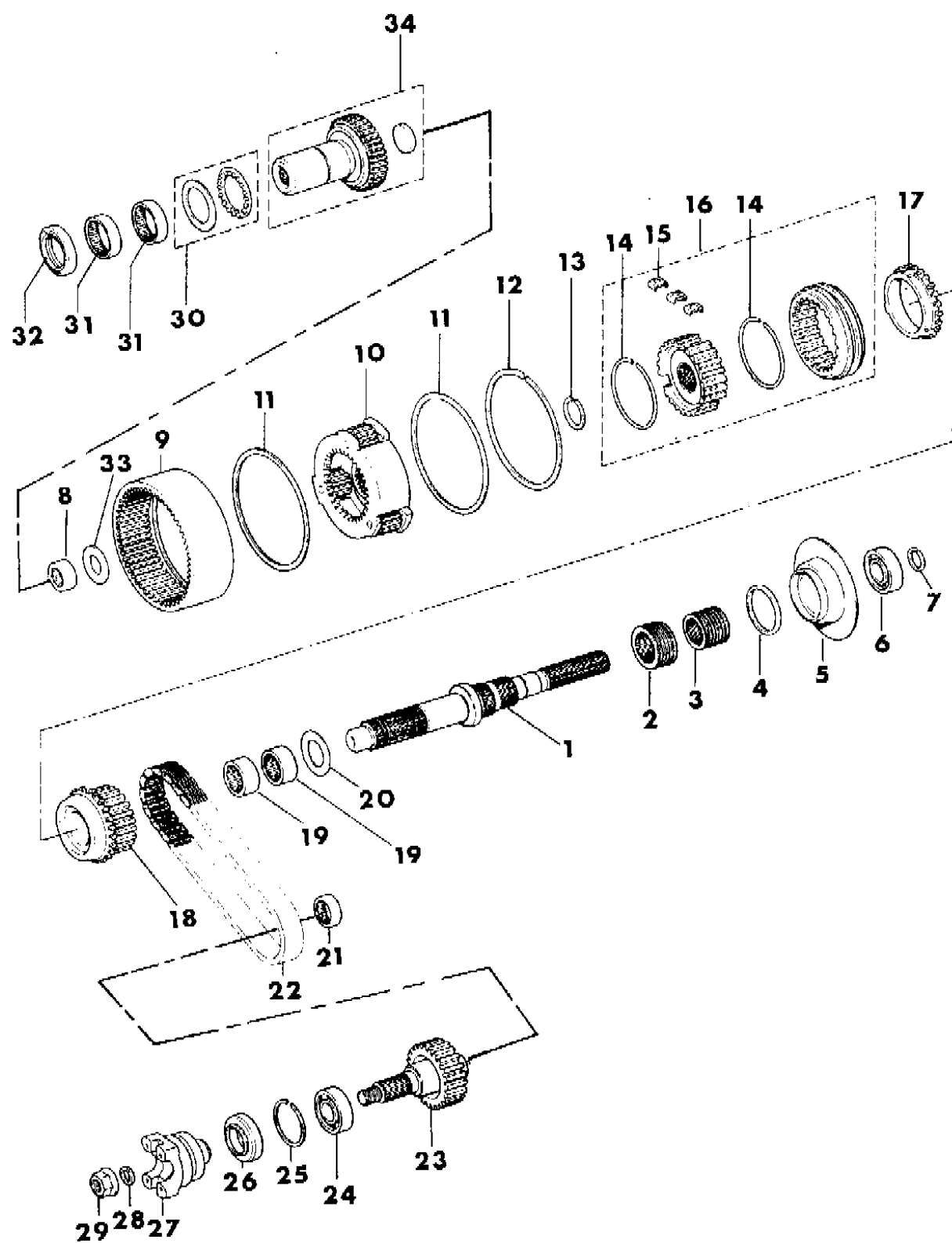
BODY STYLES:

MJ = Comanche Pickup
 SJ = Grand Wagoneer Wgn., J-10 & J-20 Pickups
 XJ = Cherokee, Wagoneer Limited
 YJ = Wrangler

AR = Use as Required - = Non Illustrated Part P.A.R. = Paint as Required

GEAR TRAIN N.P.G. MODEL 207 TRANSFER CASE WRANGLER, YJ
Figure 21M-2300

8J21 2300 A



| ITEM | PART NUMBER | QTY | BODY | MODEL | DESCRIPTION |
|------|-------------|-----|------|-------|---|
| 1 | J813 4467 | 1 | | | SHAFT, Main Drive |
| 2 | J813 3645 | 1 | | | PUMP, Transfer Case Oil |
| 3 | J813 4493 | 1 | | | GEAR, Speedometer Drive |
| | 8350 2828 | 1 | | | 7 Teeth |
| | | | | | 9 Teeth |
| 4 | J813 0982 | 1 | | | SEAL, Oil |
| 5 | J813 4486 | 1 | | | HOUSING, Oil Pump |
| 6 | J813 4445 | 1 | | | BEARING, Ball Front Output |
| 7 | J813 4488 | 1 | | | RING, Retaining |
| 8 | J813 4450 | 1 | | | BEARING, Needle Roller |
| 9 | J813 4452 | 1 | | | GEAR, Transfer Case Annulus |
| 10 | J813 4455 | 1 | | | GEAR, Planetary |
| 11 | 4504 599 | 2 | | | RING, Thrust |
| 12 | J813 4454 | 1 | | | RING, Retaining |
| 13 | J813 4481 | 1 | | | RING, Retaining |
| 14 | 8350 0991 | 2 | | | SPRING, Strut |
| 15 | 8350 0990 | 3 | | | STRUT, Synchronizer |
| 16 | 8350 2485 | 1 | | | SYNCHRONIZER ASSY, Mode Shift *** |
| 17 | 4329 526 | 1 | | | RING, Stop |
| 18 | J813 4468 | 1 | | | SPROCKET, Drive |
| 19 | J813 4469 | 2 | | | BEARING, Needle Roller Sprocket |
| 20 | J813 4470 | 1 | | | WASHER, Thrust |
| 21 | 8350 3119 | 1 | | | BEARING, Needle Roller Output Shaft |
| 22 | J813 4471 | 1 | | | CHAIN, Drive |
| 23 | J813 4482 | 1 | | | SHAFT, Front Output |
| 24 | J813 4445 | 1 | | | BEARING, Ball |
| 25 | J813 4447 | 1 | | | RING, Retaining |
| 26 | J813 4446 | 1 | | | SEAL, Oil Front Output |
| 27 | 8350 2829 | 1 | | | FLANGE, Includes Slinger |
| 28 | J813 4474 | 1 | | | WASHER, Spline Seal |
| 29 | J813 4475 | 1 | | | NUT, Flange Yoke |
| 30 | J813 4451 | 1 | | | BERING KIT, Thrust *** |
| 31 | J813 4444 | 2 | | | BEARING, Needle Roller Input Shaft |
| 32 | J535 9457 | 1 | | | SEAL, Oil |
| 33 | 8350 0993 | 1 | | | WASHER, Thrust |
| 34 | 8350 2830 | 1 | | | GEAR, Input With Manual Transmission |

MODEL CODES:

| | | |
|-----------------------------|-----------------------------|------------------------------|
| 15 = Grand Wagoneer 4 Dr. | 65 = Comanche 4WD-7 Ft. Box | 77 = Cherokee 4WD-2 Dr. |
| 25 = J-10 Pickup-119" W.B. | 66 = Comanche 2WD-7 Ft. Box | 78 = Cherokee 4WD-4 Dr. |
| 26 = J-10 Pickup-131" W.B. | 73 = Cherokee 2WD-2 Dr. | 79 = Cherokee 4WD-4 Dr.-Com |
| 27 = J-20 Pickup-131" W.B. | 74 = Cherokee 2WD-4 Dr. | 81 = Wrangler-93" W.B. |
| 63 = Comanche 4WD-6 Ft. Box | 75 = Wagoneer 4WD-4 Dr. | 82 = Wrangler-103" W.B.-Exp. |
| 64 = Comanche 2WD-6 Ft. Box | | |

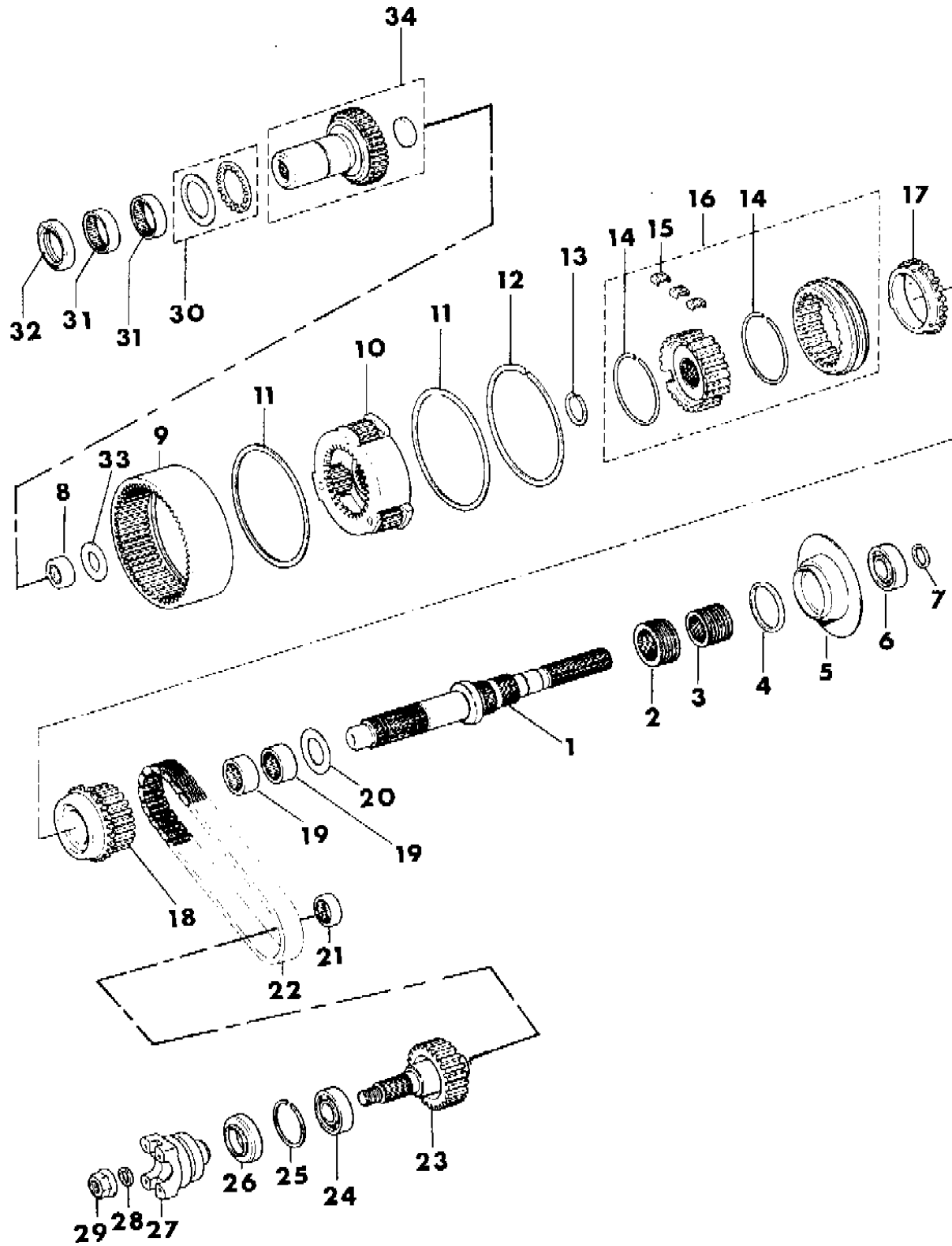
BODY STYLES:

MJ = Comanche Pickup
 SJ = Grand Wagoneer Wgn., J-10 & J-20 Pickups
 XJ = Cherokee, Wagoneer Limited
 YJ = Wrangler

AR = Use as Required - = Non Illustrated Part P.A.R. = Paint as Required

GEAR TRAIN N.P.G. MODEL 207 TRANSFER CASE WRANGLER, YJ
Figure 21M-2300

8J21 2300 A



| ITEM | PART NUMBER | QTY | BODY | MODEL | DESCRIPTION |
|------|-------------|-----|------|-------|-----------------------------|
| | J813 4495 | 1 | | | With Automatic Transmission |

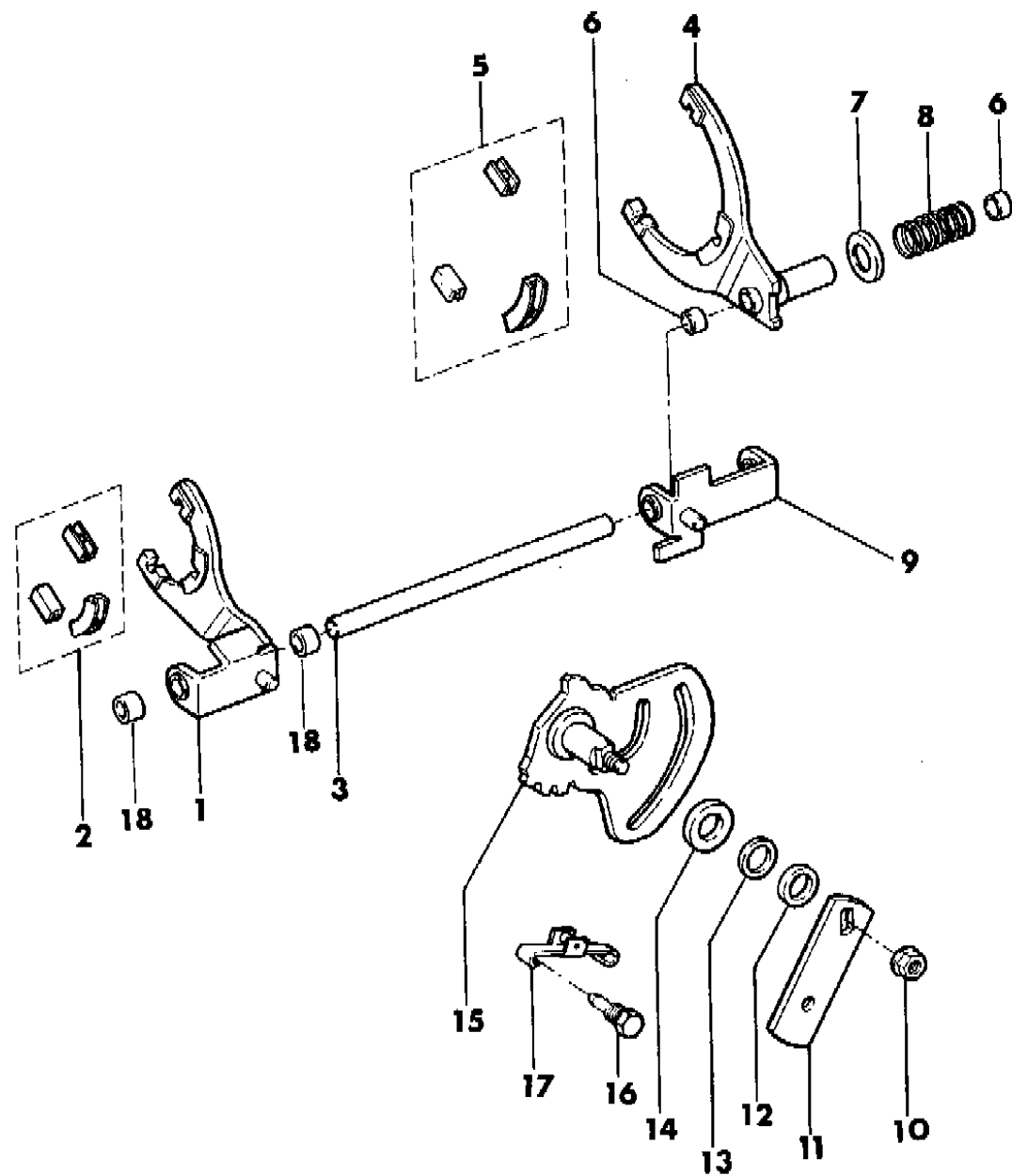
- MODEL CODES:**
- | | | |
|-----------------------------|-----------------------------|------------------------------|
| 15 = Grand Wagoneer 4 Dr. | 65 = Comanche 4WD-7 Ft. Box | 77 = Cherokee 4WD-2 Dr. |
| 25 = J-10 Pickup-119" W.B. | 66 = Comanche 2WD-7 Ft. Box | 78 = Cherokee 4WD-4 Dr. |
| 26 = J-10 Pickup-131" W.B. | 73 = Cherokee 2WD-2 Dr. | 79 = Cherokee 4WD-4 Dr.-Com |
| 27 = J-20 Pickup-131" W.B. | 74 = Cherokee 2WD-4 Dr. | 81 = Wrangler-93" W.B. |
| 63 = Comanche 4WD-6 Ft. Box | 75 = Wagoneer 4WD-4 Dr. | 82 = Wrangler-103" W.B.-Exp. |
| 64 = Comanche 2WD-6 Ft. Box | | |

- BODY STYLES:**
- MJ = Comanche Pickup
 - SJ = Grand Wagoneer Wgn., J-10 & J-20 Pickups
 - XJ = Cherokee, Wagoneer Limited
 - YJ = Wrangler

AR = Use as Required - = Non Illustrated Part P.A.R. = Paint as Required

FORKS, RAILS, SHAFTS - SHIFTING N.P.G. MODEL 207 TRANSFER CASE WRANGLER, YJ
Figure 21M-2400

8J21 2400



| ITEM | PART NUMBER | QTY | BODY | MODEL | DESCRIPTION |
|------|-------------|-----|------|-------|--------------------------------------|
| 1 | J813 4459 | 1 | | | FORK ASSEMBLY, Range Shift |
| 2 | 8350 0994 | 1 | | | PAD PACKAGE, Shift Fork *** |
| 3 | J813 4466 | 1 | | | RAIL, Transfer Case Shift |
| 4 | J813 4461 | 1 | | | FORK ASSEMBLY, Mode Shift |
| 5 | J813 4279 | 1 | | | PAD PACKAGE, Shift Fork *** |
| 6 | J813 4465 | 2 | | | BUSHING, Shift Lever |
| 7 | J813 4464 | 1 | | | CUP |
| 8 | J813 4463 | 1 | | | SPRING, Shifter |
| 9 | J813 4462 | 1 | | | BRACKET ASSEMBLY, Shift |
| 10 | J813 4477 | 1 | | | NUT, Flange Lock |
| 11 | | | | | LEVER, Transfer Case Shift |
| | 5300 4142 | 1 | | | 4 CYLINDER |
| | 5300 3028 | 1 | | | 6 CYLINDER - W/Man Trans |
| | 5300 4141 | 1 | | | 6 CYLINDER - W/Auto Trans |
| 12 | J813 0854 | 1 | | | O-RING |
| 13 | J813 0853 | 1 | | | RETAINER |
| 14 | J813 4458 | 1 | | | SPACER, Shift Shaft |
| 15 | J813 4457 | 1 | | | SECTOR ASSEMBLY, Shifter & Shaft *** |
| 16 | J813 4449 | 1 | | | SCREW, Dog Point |
| 17 | J813 4448 | 1 | | | SPRING, Sector Shift |
| 18 | J813 4460 | 2 | | | BUSHING, Nylon |

MODEL CODES:

| | | |
|-----------------------------|-----------------------------|------------------------------|
| 15 = Grand Wagoneer 4 Dr. | 65 = Comanche 4WD-7 Ft. Box | 77 = Cherokee 4WD-2 Dr. |
| 25 = J-10 Pickup-119" W.B. | 66 = Comanche 2WD-7 Ft. Box | 78 = Cherokee 4WD-4 Dr. |
| 26 = J-10 Pickup-131" W.B. | 73 = Cherokee 2WD-2 Dr. | 79 = Cherokee 4WD-4 Dr.-Com |
| 27 = J-20 Pickup-131" W.B. | 74 = Cherokee 2WD-4 Dr. | 81 = Wrangler-93" W.B. |
| 63 = Comanche 4WD-6 Ft. Box | 75 = Wagoneer 4WD-4 Dr. | 82 = Wrangler-103" W.B.-Exp. |
| 64 = Comanche 2WD-6 Ft. Box | | |

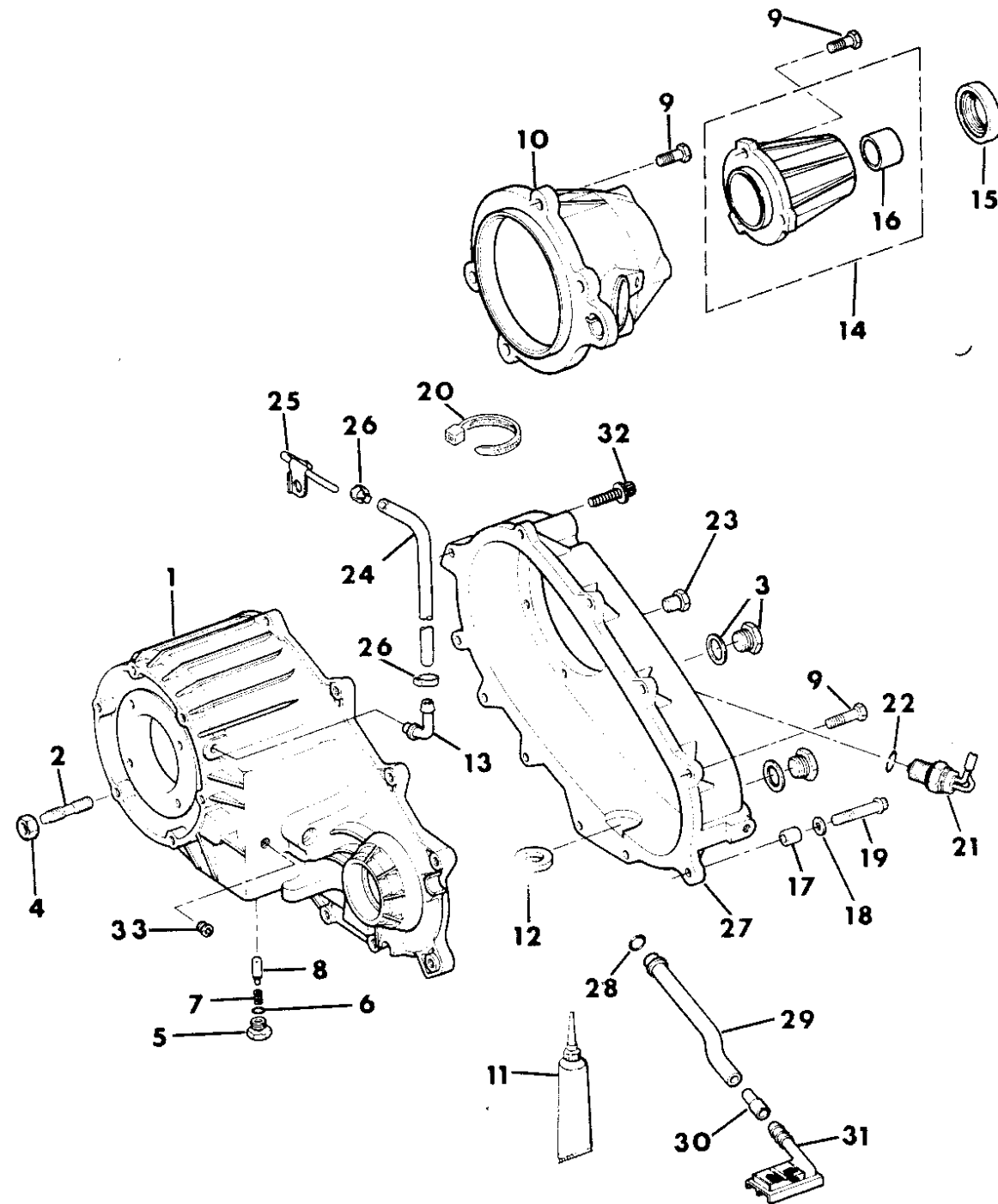
BODY STYLES:

MJ = Comanche Pickup
 SJ = Grand Wagoneer Wgn., J-10 & J-20 Pickups
 XJ = Cherokee, Wagoneer Limited
 YJ = Wrangler

AR = Use as Required - = Non Illustrated Part P.A.R. = Paint as Required

CASE, EXTENSION AND MISCELLANEOUS PARTS N.P.G. MODEL 242 TRANSFER CASE CHEROKEE, WAGONEER, COMANCHE
Figure 21M-2500

8 J212500



| ITEM | PART NUMBER | QTY | BODY | MODEL | DESCRIPTION |
|------|-------------|-----|------|-------|--------------------------------|
| 1 | | | | | CASE, Front |
| | 8350 3500 | 1 | | | 1987-89: (A) |
| | 5300 8225 | 1 | | | 1990: (B) |
| 2 | | | | | STUD |
| | J813 0805 | 1 | | | 1987-89: (A) |
| | 4505 365 | 1 | | | 1990: (B) |
| 3 | J813 0824 | 2 | | | PLUG, Drain |
| 4 | J400 6681 | AR | | | NUT |
| 5 | | 1 | | | SCREW |
| | 8350 3697 | 1 | | | 1987-89: (A) |
| | 5300 8216 | 1 | | | 1990: (B) |
| 6 | 8350 3128 | 1 | | | SEAL |
| 7 | 8350 3126 | 1 | | | SPRING |
| 8 | | | | | PLUNGER |
| | 8350 3125 | 1 | | | 1987-89: (A) |
| | 5300 8217 | 1 | | | 1990: (B) |
| 9 | J813 0984 | 15 | | | BOLT |
| 10 | 8350 3524 | 1 | | | RETAINER |
| 11 | | | | | SEALER, Gasket-in-a-Tube *** |
| | J899 3317 | AR | | | 1987-89 |
| | 4318 025 | 1 | | | 1990 |
| 12 | J813 0823 | 1 | | | MAGNET |
| 13 | J813 1659 | 1 | | | VENT |
| 14 | 8350 3156 | 1 | | | EXTENSION, Case |
| 15 | 8350 1389 | 1 | | | SEAL, Rear |
| 16 | J813 4490 | 1 | | | BUSHING |
| 17 | J813 0872 | 2 | | | DOWEL |
| 18 | 4338 956 | 2 | | | WASHER |
| 19 | 1150 0831 | 2 | | | BOLT |
| 20 | J322 3227 | 1 | | | STRAP |
| 21 | 8350 3525 | 1 | | | SWITCH, 4Wheel Drive Indicator |
| 22 | J813 4485 | 1 | | | SEAL |
| 23 | J813 1617 | 1 | | | PLUG |
| 24 | J812 5823 | AR | | | HOSE |
| 25 | 5300 0805 | 1 | | | TUBE |
| 26 | J400 6047 | 2 | | | CLAMP |
| 27 | 8350 3520 | 1 | | | CASE, Rear |

MODEL CODES:

| | | |
|-----------------------------|-----------------------------|------------------------------|
| 15 = Grand Wagoneer 4 Dr. | 65 = Comanche 4WD-7 Ft. Box | 77 = Cherokee 4WD-2 Dr. |
| 25 = J-10 Pickup-119" W.B. | 66 = Comanche 2WD-7 Ft. Box | 78 = Cherokee 4WD-4 Dr. |
| 26 = J-10 Pickup-131" W.B. | 73 = Cherokee 2WD-2 Dr. | 79 = Cherokee 4WD-4 Dr.-Com |
| 27 = J-20 Pickup-131" W.B. | 74 = Cherokee 2WD-4 Dr. | 81 = Wrangler-93" W.B. |
| 63 = Comanche 4WD-6 Ft. Box | 75 = Wagoneer 4WD-4 Dr. | 82 = Wrangler-103" W.B.-Exp. |
| 64 = Comanche 2WD-6 Ft. Box | | |

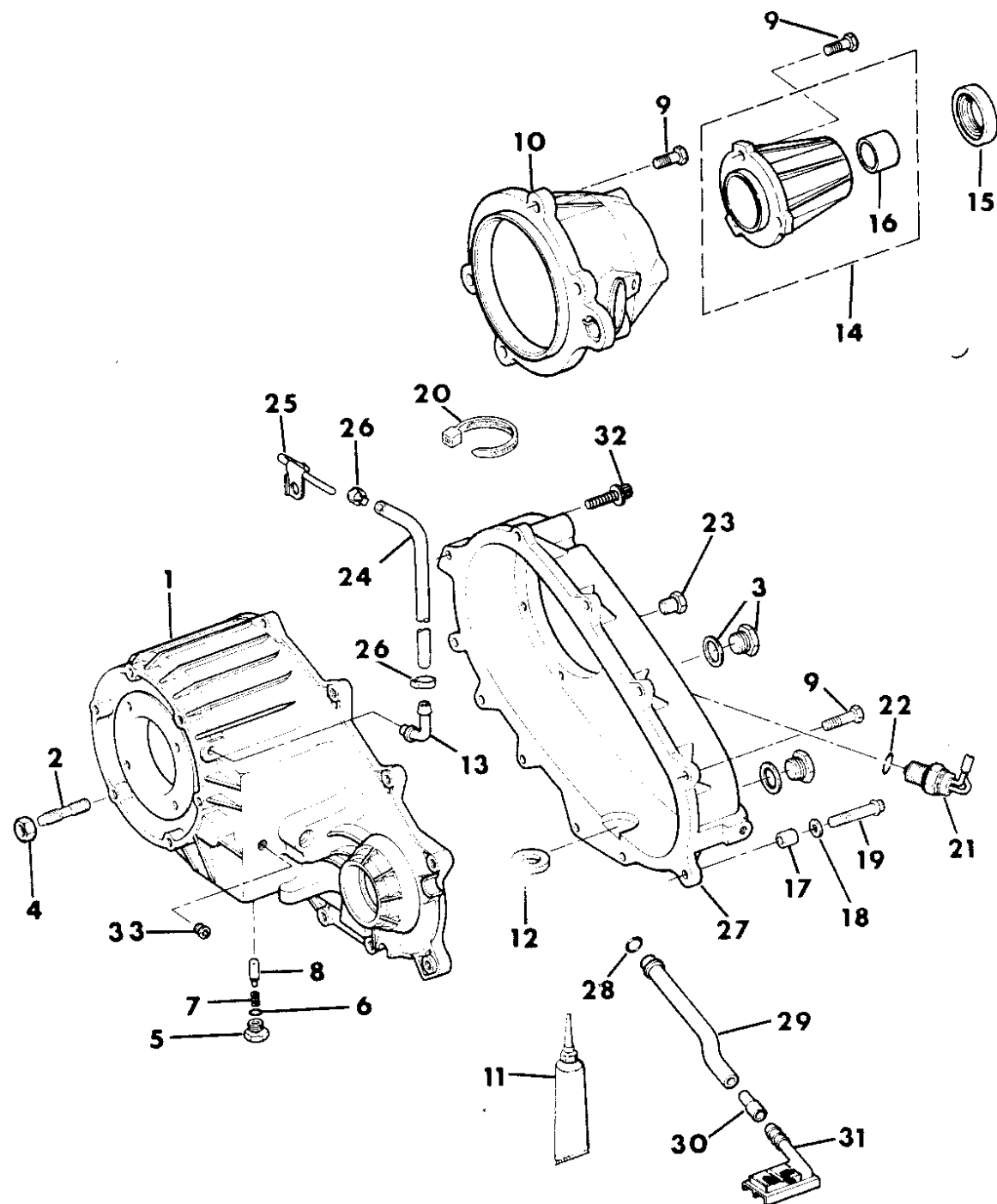
BODY STYLES:

MJ = Comanche Pickup
SJ = Grand Wagoneer Wgn., J-10 & J-20 Pickups
XJ = Cherokee, Wagoneer Limited
YJ = Wrangler

AR = Use as Required - = Non Illustrated Part P.A.R. = Paint as Required

CASE, EXTENSION AND MISCELLANEOUS PARTS N.P.G. MODEL 242 TRANSFER CASE CHEROKEE, WAGONEER, COMANCHE
Figure 21M-2500

8 J212500



| ITEM | PART NUMBER | QTY | BODY | MODEL | DESCRIPTION |
|------|-------------|-----|------|-------|-------------|
| 28 | 8350 3149 | 1 | | | SEAL |
| 29 | 8350 3523 | 1 | | | TUBE |
| 30 | J812 5843 | AR | | | HOSE |
| 31 | 8350 3152 | 1 | | | SCREEN |
| 32 | J813 0979 | 1 | | | BOLT |
| 33 | J813 1617 | 1 | | | PLUG |

NOTES: (A) For Vehicles Built with Transfer Cases: 53004269; 53005464.

(B) For Vehicles Built with Transfer Cases: 53006097; 53006098; 53008223; 53008224. (A) For Vehicles Built with Transfer Cases: 53004269; 53005464.

MODEL CODES:

| | | |
|-----------------------------|-----------------------------|------------------------------|
| 15 = Grand Wagoneer 4 Dr. | 65 = Comanche 4WD-7 Ft. Box | 77 = Cherokee 4WD-2 Dr. |
| 25 = J-10 Pickup-119" W.B. | 66 = Comanche 2WD-7 Ft. Box | 78 = Cherokee 4WD-4 Dr. |
| 26 = J-10 Pickup-131" W.B. | 73 = Cherokee 2WD-2 Dr. | 79 = Cherokee 4WD-4 Dr.-Com |
| 27 = J-20 Pickup-131" W.B. | 74 = Cherokee 2WD-4 Dr. | 81 = Wrangler-93" W.B. |
| 63 = Comanche 4WD-6 Ft. Box | 75 = Wagoneer 4WD-4 Dr. | 82 = Wrangler-103" W.B.-Exp. |
| 64 = Comanche 2WD-6 Ft. Box | | |

BODY STYLES:

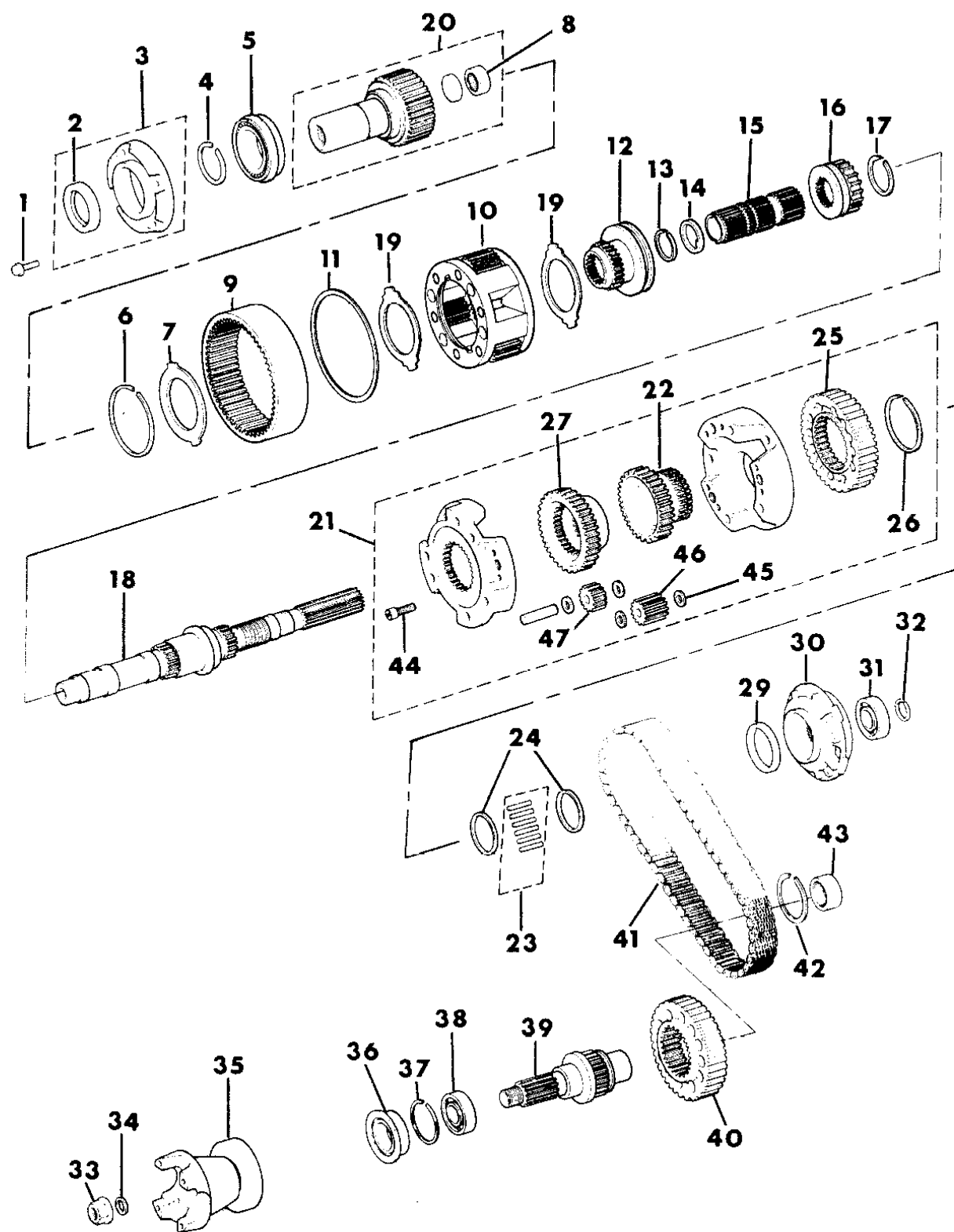
MJ = Comanche Pickup
SJ = Grand Wagoneer Wgn., J-10 & J-20 Pickups
XJ = Cherokee, Wagoneer Limited
YJ = Wrangler

AR = Use as Required - = Non Illustrated Part P.A.R. = Paint as Required

GEAR TRAIN N.P.G. MODEL 242 TRANSFER CASE CHEROKEE, WAGONEER, COMANCHE

Figure 21M-2600

8J21 2600



| ITEM | PART NUMBER | QTY | BODY | MODEL | DESCRIPTION |
|------|-------------|-----|------|-------|--------------------------|
| 1 | | | | | BOLT |
| | 8350 3135 | 4 | | | 1987-89: (A) |
| | 6500 318 | 4 | | | 1989-90: (B) |
| 2 | J535 9457 | 1 | | | SEAL |
| 3 | | | | | RETAINER |
| | 8350 3133 | 1 | | | 1987-89: (A) |
| | 4338 972 | 1 | | | 1989-90: (B) |
| 4 | | | | | RING, Retaining |
| | 8350 3131 | 1 | | | 1987-89: (A) |
| | 3821 558 | 1 | | | 1989-90: (B) |
| 5 | 8350 3123 | 1 | | | BEARING |
| 6 | 8350 3527 | 1 | | | RING, Retaining |
| 7 | 8350 3526 | 1 | | | RING, Retaining |
| 8 | 8350 3507 | 1 | | | BEARING |
| 9 | 8350 3122 | 1 | | | GEAR, Annulus |
| 10 | | | | | GEAR, Planetary |
| | 4338 901 | 1 | | | 1987-89: (A) |
| | 5300 6087 | 1 | | | 1989-90: (B) |
| 11 | J813 4454 | 1 | | | RING, Retaining |
| 12 | | | | | SLEEVE, Range Mode Shift |
| | 8350 3541 | 1 | | | 1987-89: (A) |
| | 5300 6090 | 1 | | | 1989-90: (B) |
| 13 | 8350 3540 | 1 | | | RING, Retaining |
| 14 | 8350 3539 | 1 | | | WASHER |
| 15 | 8350 3538 | 1 | | | SLEEVE, Intermediate |
| 16 | 8350 3542 | 1 | | | SLEEVE, Mode |
| 17 | 8350 3537 | 1 | | | RING, Retaining |
| 18 | 8350 3528 | 1 | | | SHAFT, Main Drive |
| 19 | | | | | WASHER, Thrust |
| | 8350 3130 | 1 | | | 1987-89: (A) |
| | 4338 908 | 1 | | | 1989-90: (B) |
| 20 | | | | | GEAR, Input |
| | 8350 3506 | 1 | | | 1987-89: (A) |
| | 5300 6086 | 1 | | | 1989-90: (B) 21 Teeth |
| 21 | 8350 3529 | 1 | | | DIFFERENTIAL ASSEMBLY |
| 22 | 8350 3530 | 1 | | | SPROCKET |
| 23 | 8350 3543 | 1 | | | BEARING PACKAGE |

MODEL CODES:

| | | |
|-----------------------------|-----------------------------|------------------------------|
| 15 = Grand Wagoneer 4 Dr. | 65 = Comanche 4WD-7 Ft. Box | 77 = Cherokee 4WD-2 Dr. |
| 25 = J-10 Pickup-119" W.B. | 66 = Comanche 2WD-7 Ft. Box | 78 = Cherokee 4WD-4 Dr. |
| 26 = J-10 Pickup-131" W.B. | 73 = Cherokee 2WD-2 Dr. | 79 = Cherokee 4WD-4 Dr.-Com |
| 27 = J-20 Pickup-131" W.B. | 74 = Cherokee 2WD-4 Dr. | 81 = Wrangler-93" W.B. |
| 63 = Comanche 4WD-6 Ft. Box | 75 = Wagoneer 4WD-4 Dr. | 82 = Wrangler-103" W.B.-Exp. |
| 64 = Comanche 2WD-6 Ft. Box | | |

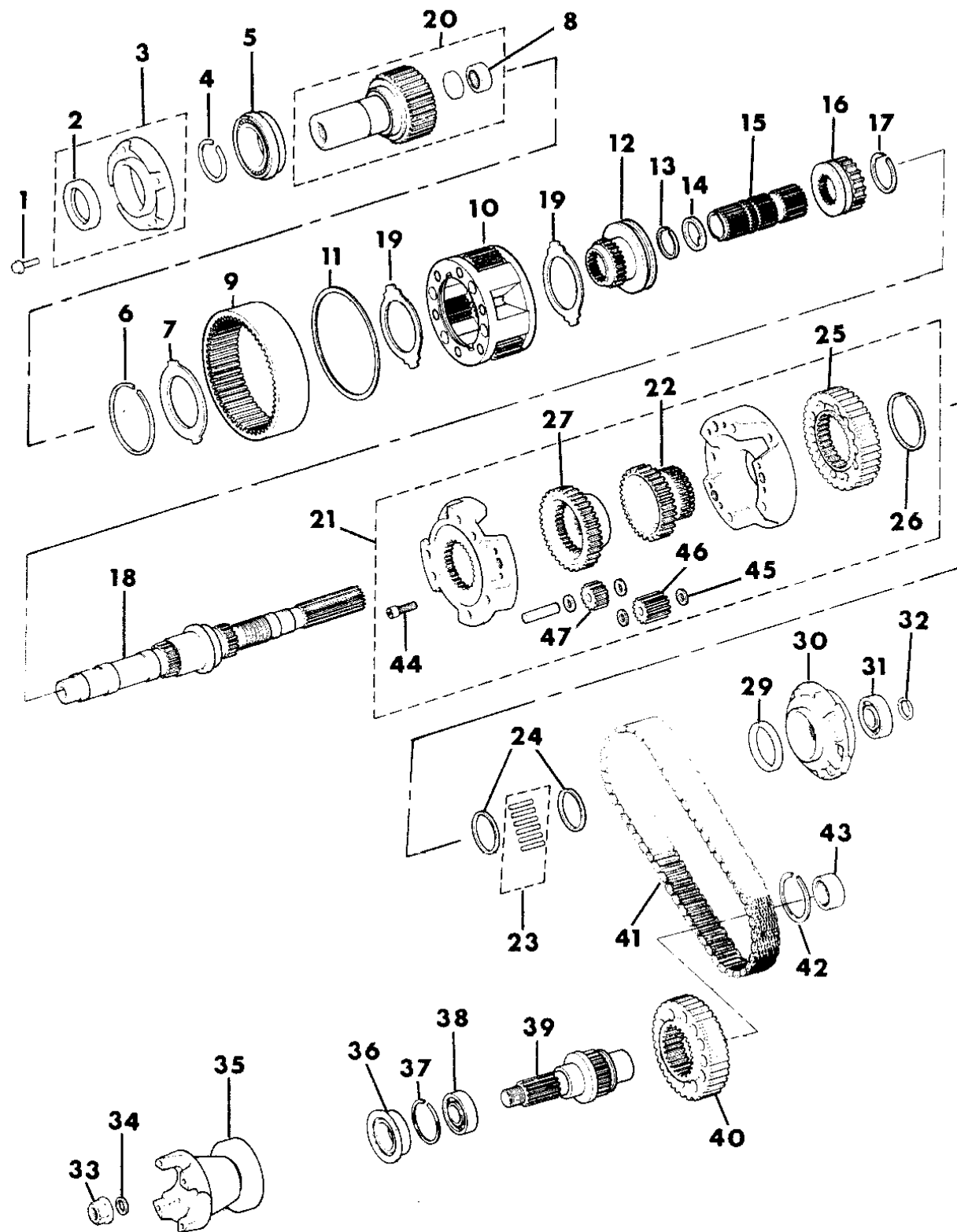
BODY STYLES:

MJ = Comanche Pickup
 SJ = Grand Wagoneer Wgn., J-10 & J-20 Pickups
 XJ = Cherokee, Wagoneer Limited
 YJ = Wrangler

AR = Use as Required - = Non Illustrated Part P.A.R. = Paint as Required

GEAR TRAIN N.P.G. MODEL 242 TRANSFER CASE CHEROKEE, WAGONEER, COMANCHE
Figure 21M-2600

8J21 2600



| ITEM | PART NUMBER | QTY | BODY | MODEL | DESCRIPTION |
|------|-------------|-----|------|-------|-------------------------------------|
| 24 | 8350 3533 | 2 | | | SPACER |
| 25 | 8350 3531 | 1 | | | SPROCKET, Drive |
| 26 | 8350 3532 | 1 | | | RING, Retaining |
| 27 | 8350 3536 | 1 | | | GEAR |
| 28 | 8350 3537 | 1 | | | RING, Retaining |
| 29 | J813 0982 | 1 | | | SEAL |
| 30 | 8350 3148 | 1 | | | PUMP, Oil |
| 31 | | | | | BEARING, Front Output |
| | J813 4445 | 1 | | | 1987-89: (A) |
| | 4338 892 | 1 | | | 1989-90: (B) |
| 32 | J813 4488 | 1 | | | RING, Retaining |
| 33 | J813 0816 | 1 | | | NUT |
| 34 | | | | | WASHER |
| | 8350 2518 | 1 | | | 1987-89: (A) |
| | 4210 973 | 1 | | | 1989-90: (B) |
| 35 | | | | | YOKE, Transfer Case |
| | J813 0818 | 1 | | | 1987-89: (A) |
| | 0 13 776 | 1 | | | 1989-90: (B) |
| 36 | | | | | SEAL, Output, Front |
| | 8350 2508 | 1 | | | Without Lip, (2.75ODx1.875IDx.54WD) |
| | 8350 5290 | 1 | | | With Lip, (2.97ODx1.875IDx.50WD) |
| 37 | 8350 3502 | 1 | | | RING, Snap Bearing Front |
| 38 | 8350 3501 | 1 | | | BEARING, Rear Output |
| 39 | | | | | SHAFT, Front Output |
| | 8350 3517 | 1 | | | 1987-89: (A) |
| | 4338 991 | 1 | | | 1989-90 (B) |
| 40 | 8350 3518 | 1 | | | SPROCKET, Driven |
| 41 | 8350 4575 | 1 | | | CHAIN, Drive |
| 42 | | | | | RING, Retaining |
| | J813 0802 | 1 | | | 1987-89: (A) |
| | 4167 991 | 1 | | | 1989-90: (B) |
| 43 | | | | | BEARING |
| | 8350 3154 | 1 | | | 1987-89: (A) |
| | 4269 189 | 1 | | | 1989-90: (B) |
| 44 | 8350 4167 | 6 | | | BOLT, Transfer Case Differential |
| 45 | 8350 4168 | 12 | | | WASHER |
| 46 | 8350 4169 | 3 | | | GEAR, Transfer Case Differential |

MODEL CODES:

| | | |
|-----------------------------|-----------------------------|------------------------------|
| 15 = Grand Wagoneer 4 Dr. | 65 = Comanche 4WD-7 Ft. Box | 77 = Cherokee 4WD-2 Dr. |
| 25 = J-10 Pickup-119" W.B. | 66 = Comanche 2WD-7 Ft. Box | 78 = Cherokee 4WD-4 Dr. |
| 26 = J-10 Pickup-131" W.B. | 73 = Cherokee 2WD-2 Dr. | 79 = Cherokee 4WD-4 Dr.-Com |
| 27 = J-20 Pickup-131" W.B. | 74 = Cherokee 2WD-4 Dr. | 81 = Wrangler-93" W.B. |
| 63 = Comanche 4WD-6 Ft. Box | 75 = Wagoneer 4WD-4 Dr. | 82 = Wrangler-103" W.B.-Exp. |
| 64 = Comanche 2WD-6 Ft. Box | | |

BODY STYLES:

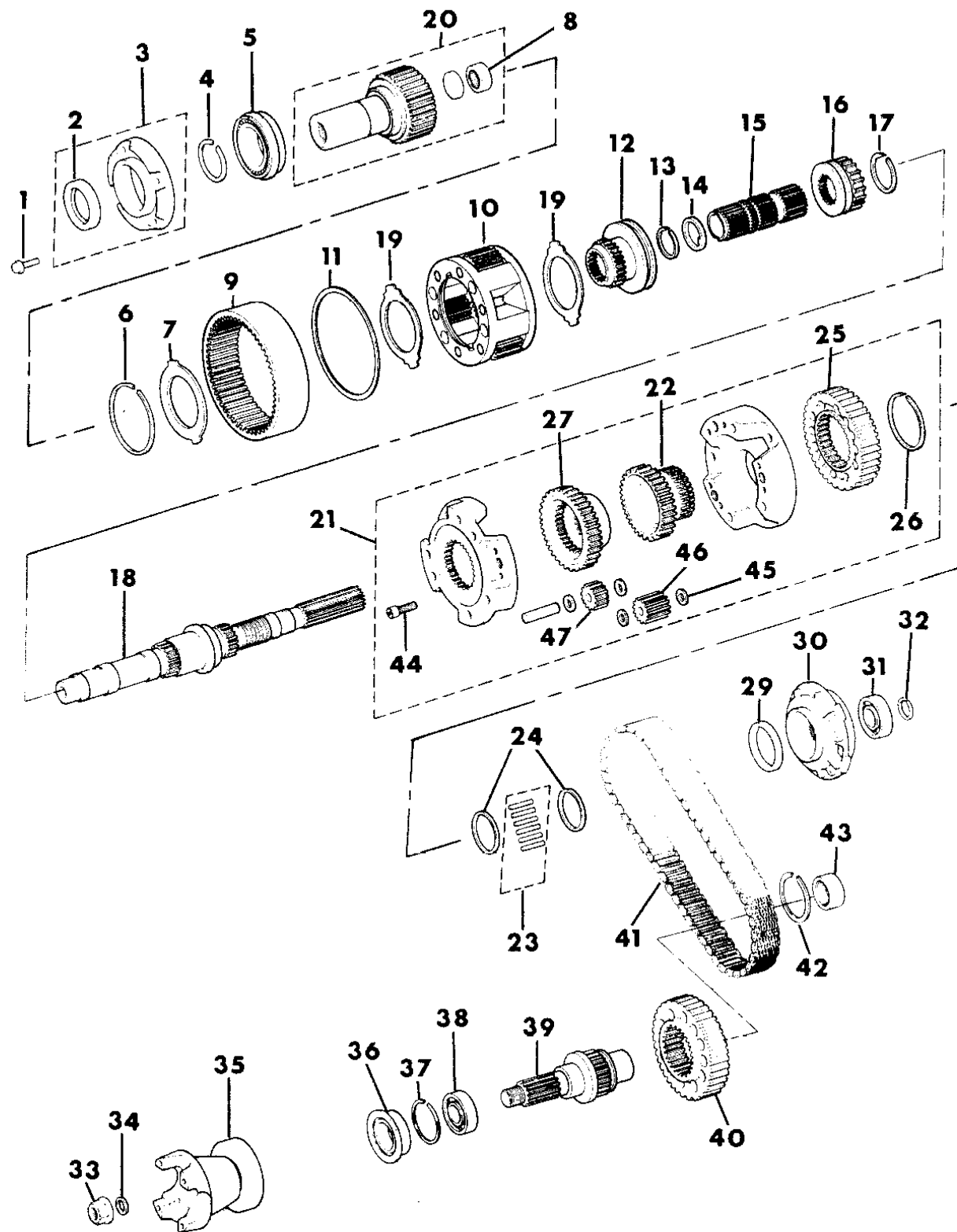
MJ = Comanche Pickup
 SJ = Grand Wagoneer Wgn., J-10 & J-20 Pickups
 XJ = Cherokee, Wagoneer Limited
 YJ = Wrangler

AR = Use as Required - = Non Illustrated Part P.A.R. = Paint as Required

GEAR TRAIN N.P.G. MODEL 242 TRANSFER CASE CHEROKEE, WAGONEER, COMANCHE

Figure 21M-2600

8J21 2600



| ITEM | PART NUMBER | QTY | BODY | MODEL | DESCRIPTION |
|------|-------------|-----|------|-------|-------------|
|------|-------------|-----|------|-------|-------------|

| | | | | | |
|---|-----------|---|--|--|--------------------|
| 47 | 8350 4170 | 3 | | | GEAR, Differential |
| (A) For Vehicles Built with Transfer Cases: 53004269; 53005464. (A) For Vehicles Built with Transfer Cases: 53004269; 53005464. | | | | | |
| (B) For Vehicles Built with Transfer Cases: 53006097; 53006098; 53008223; 53008224. (A) For Vehicles Built with Transfer Cases: 53004269; 53005464. | | | | | |

MODEL CODES:

| | | |
|-----------------------------|-----------------------------|------------------------------|
| 15 = Grand Wagoneer 4 Dr. | 65 = Comanche 4WD-7 Ft. Box | 77 = Cherokee 4WD-2 Dr. |
| 25 = J-10 Pickup-119" W.B. | 66 = Comanche 2WD-7 Ft. Box | 78 = Cherokee 4WD-4 Dr. |
| 26 = J-10 Pickup-131" W.B. | 73 = Cherokee 2WD-2 Dr. | 79 = Cherokee 4WD-4 Dr.-Com |
| 27 = J-20 Pickup-131" W.B. | 74 = Cherokee 2WD-4 Dr. | 81 = Wrangler-93" W.B. |
| 63 = Comanche 4WD-6 Ft. Box | 75 = Wagoneer 4WD-4 Dr. | 82 = Wrangler-103" W.B.-Exp. |
| 64 = Comanche 2WD-6 Ft. Box | | |

BODY STYLES:

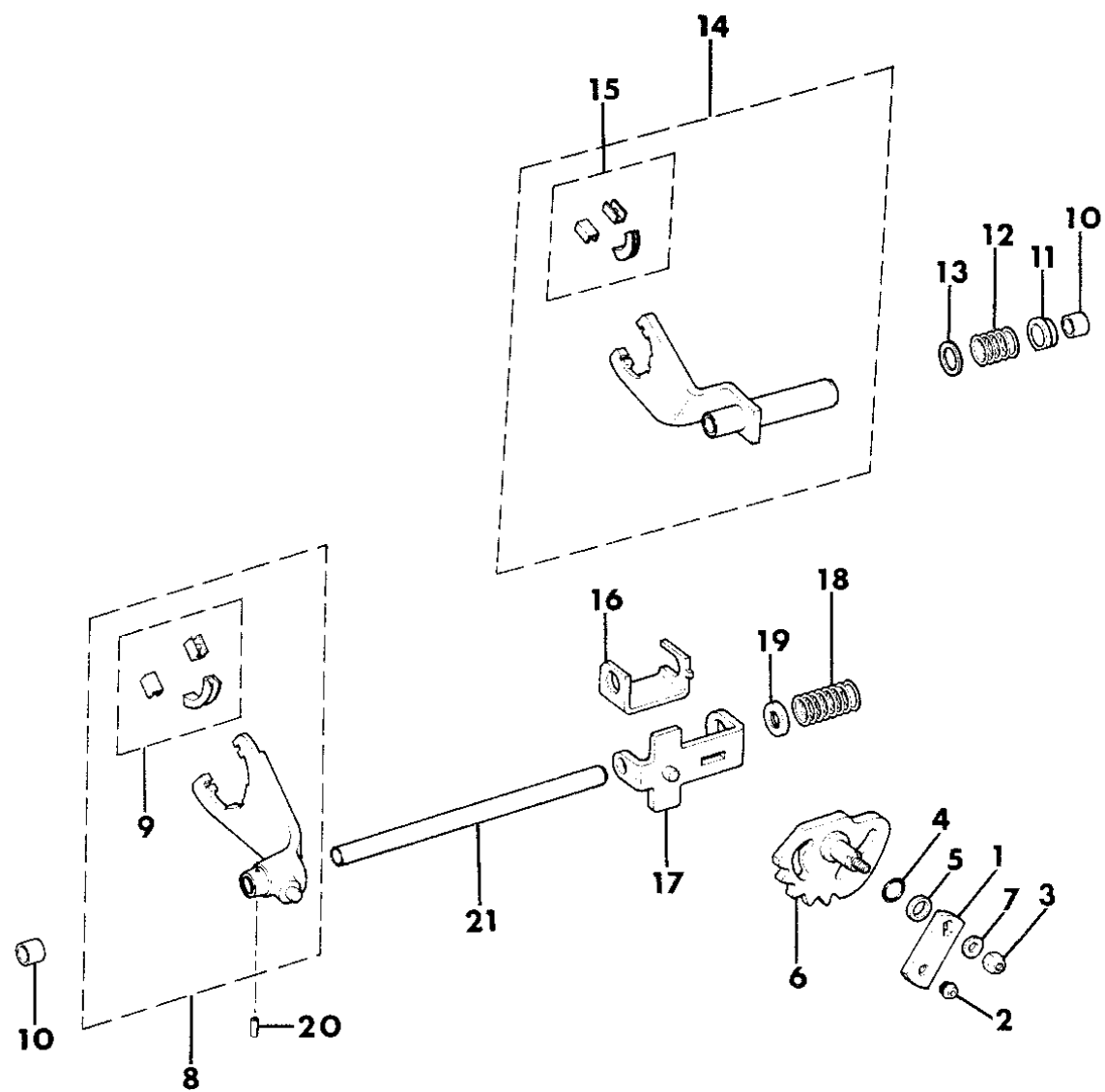
MJ = Comanche Pickup
 SJ = Grand Wagoneer Wgn., J-10 & J-20 Pickups
 XJ = Cherokee, Wagoneer Limited
 YJ = Wrangler

AR = Use as Required - = Non Illustrated Part P.A.R. = Paint as Required

FORKS, RAILS - SHIFTING N.P.G. MODEL 242 TRANSFER CASE CHEROKEE, WAGONEER, COMANCHE

Figure 21M-2700

8J21 2700



| ITEM | PART NUMBER | QTY | BODY | MODEL | DESCRIPTION |
|------|-------------|-----|------|-------|-------------------------|
| 1 | 5300 4227 | 1 | | | LEVER |
| 2 | 5300 4810 | 1 | | | BUSHING |
| 3 | J813 0813 | 1 | | | NUT |
| 4 | J813 0854 | 1 | | | SEAL |
| 5 | J813 0853 | 1 | | | RETAINING |
| 6 | 8350 3503 | 1 | | | SECTOR |
| 7 | J012 0394 | 1 | | | WASHER |
| 8 | 8350 3508 | 1 | | | FORK, Range Shift |
| 9 | J813 4279 | 1 | | | PAD PACKAGE, Shift Fork |
| 10 | 8350 3139 | 2 | | | BUSHING |
| 11 | 8350 3514 | 1 | | | BUSHING |
| 12 | 8350 3513 | 1 | | | SPRING |
| 13 | 8350 3512 | 1 | | | WASHER |
| 14 | 8350 3509 | 1 | | | FORK, Mode Shift |
| 15 | 8350 0994 | 1 | | | PAD PACKAGE, Shift Kit |
| 16 | 8350 3511 | 1 | | | BRACKET, Shift, Inner |
| 17 | 8350 3510 | 1 | | | BRACKET, Shift, Outer |
| 18 | 8350 3516 | 1 | | | SPRING |
| 19 | 8350 3515 | 1 | | | CUP |
| 20 | 1664 355 | 1 | | | PIN |
| 21 | 8350 4469 | 1 | | | RAIL, Shift Fork |

MODEL CODES:

| | | |
|-----------------------------|-----------------------------|------------------------------|
| 15 = Grand Wagoneer 4 Dr. | 65 = Comanche 4WD-7 Ft. Box | 77 = Cherokee 4WD-2 Dr. |
| 25 = J-10 Pickup-119" W.B. | 66 = Comanche 2WD-7 Ft. Box | 78 = Cherokee 4WD-4 Dr. |
| 26 = J-10 Pickup-131" W.B. | 73 = Cherokee 2WD-2 Dr. | 79 = Cherokee 4WD-4 Dr.-Com |
| 27 = J-20 Pickup-131" W.B. | 74 = Cherokee 2WD-4 Dr. | 81 = Wrangler-93" W.B. |
| 63 = Comanche 4WD-6 Ft. Box | 75 = Wagoneer 4WD-4 Dr. | 82 = Wrangler-103" W.B.-Exp. |
| 64 = Comanche 2WD-6 Ft. Box | | |

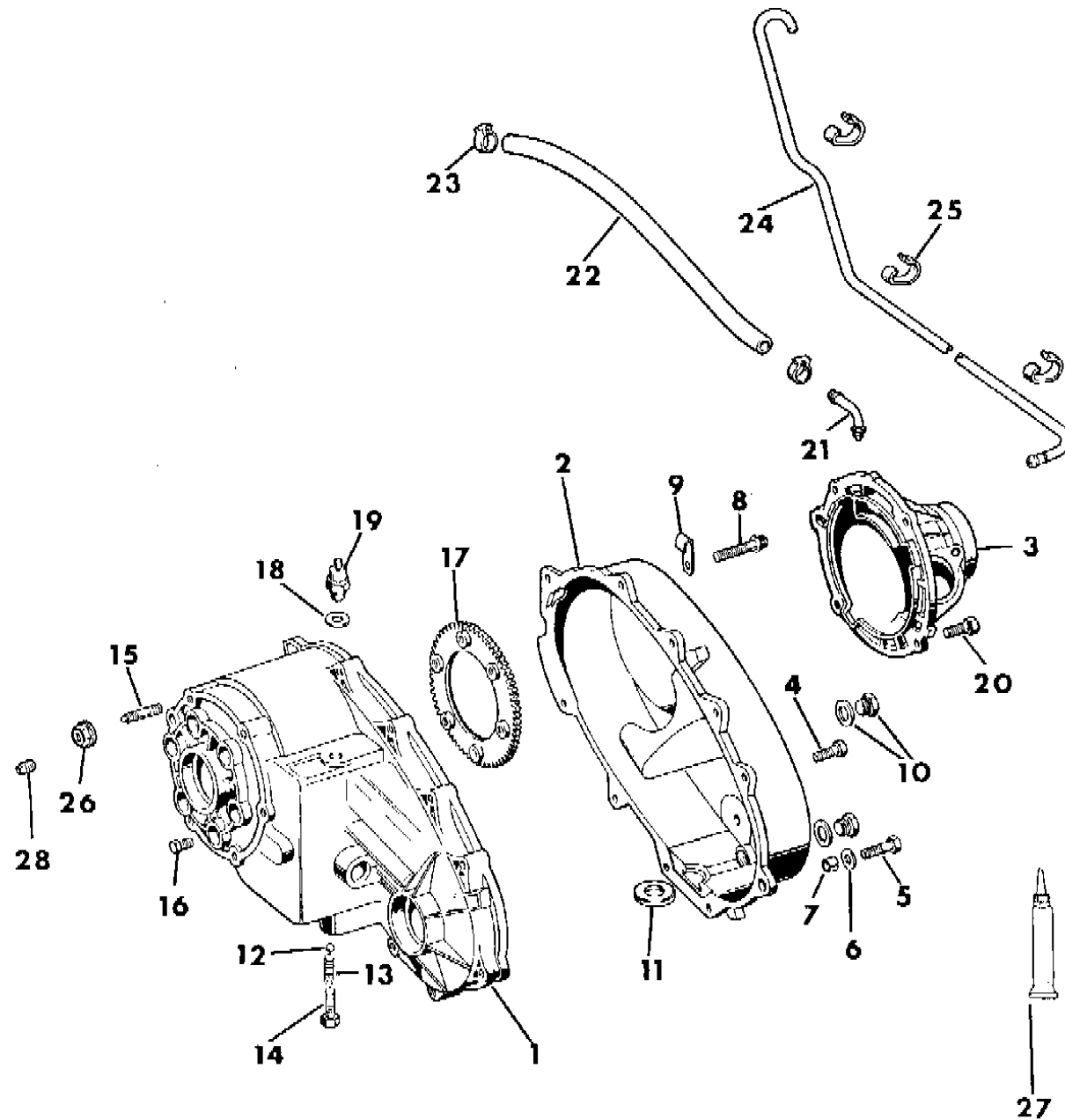
BODY STYLES:

MJ = Comanche Pickup
 SJ = Grand Wagoneer Wgn., J-10 & J-20 Pickups
 XJ = Cherokee, Wagoneer Limited
 YJ = Wrangler

AR = Use as Required - = Non Illustrated Part P.A.R. = Paint as Required

CASE, EXTENSION AND MISC. PARTS N.P.G. MODEL 208 TRANSFER CASE GRAND WAGONEER, TRUCK J10, J20
Figure 21M-2800

8 J21 2800 A



| ITEM | PART NUMBER | QTY | BODY | MODEL | DESCRIPTION |
|------|-------------|-----|------|-------|----------------------------------|
| 1 | J813 0867 | 1 | | | CASE, Front |
| 2 | J813 0978 | 1 | | | CASE, Rear |
| 3 | J813 0983 | 1 | | | RETAINER |
| 4 | J813 0810 | 6 | | | BOLT, (M10-1.5x30mm) |
| 5 | 1150 0831 | 2 | | | BOLT, (M10-1.5x35mm) |
| 6 | J400 1104 | 2 | | | WASHER, (13/32IDx.875ODx.125thk) |
| 7 | J813 0872 | 2 | | | DOWEL |
| 8 | J813 0979 | 1 | | | BOLT, (M10-1.5x48mm) |
| 9 | J813 0980 | 1 | | | CLIP |
| 10 | J813 0824 | 2 | | | PLUG |
| 11 | J813 0823 | 1 | | | MAGNET |
| 12 | 8350 1349 | 1 | | | BALL |
| 13 | J813 0856 | 1 | | | SPRING |
| 14 | J813 0857 | 1 | | | BOLT |
| 15 | J813 0805 | 6 | | | STUD |
| 16 | J813 0874 | 6 | | | BOLT, (M8-1x20mm) |
| 17 | J813 0873 | 1 | | | PLATE |
| 18 | J813 0830 | 1 | | | WASHER |
| 19 | J813 0829 | 1 | | | SWITCH |
| 20 | J813 0984 | 4 | | | BOLT, (M10-1.5x8mm) |
| 21 | J813 1659 | 1 | | | VENT |
| 22 | J812 5823 | AR | | | HOSE 1' Bulk *** |
| 23 | J400 6047 | 2 | | | CLAMP |
| 24 | | | | | TUBE |
| | J536 3389 | 1 | | | 6 CYL. ENG. |
| | J536 1519 | 1 | | | 8 CYL. ENG. |
| 25 | J313 7319 | 3 | | | CUP |
| 26 | J400 6681 | 6 | | | NUT |
| 27 | J899 3317 | AR | | | SEALER, Gasket-in-a-Tube *** |
| 28 | 5300 0502 | 1 | | | PLUG |

MODEL CODES:

| | | |
|-----------------------------|-----------------------------|------------------------------|
| 15 = Grand Wagoneer 4 Dr. | 65 = Comanche 4WD-7 Ft. Box | 77 = Cherokee 4WD-2 Dr. |
| 25 = J-10 Pickup-119" W.B. | 66 = Comanche 2WD-7 Ft. Box | 78 = Cherokee 4WD-4 Dr. |
| 26 = J-10 Pickup-131" W.B. | 73 = Cherokee 2WD-2 Dr. | 79 = Cherokee 4WD-4 Dr.-Com |
| 27 = J-20 Pickup-131" W.B. | 74 = Cherokee 2WD-4 Dr. | 81 = Wrangler-93" W.B. |
| 63 = Comanche 4WD-6 Ft. Box | 75 = Wagoneer 4WD-4 Dr. | 82 = Wrangler-103" W.B.-Exp. |
| 64 = Comanche 2WD-6 Ft. Box | | |

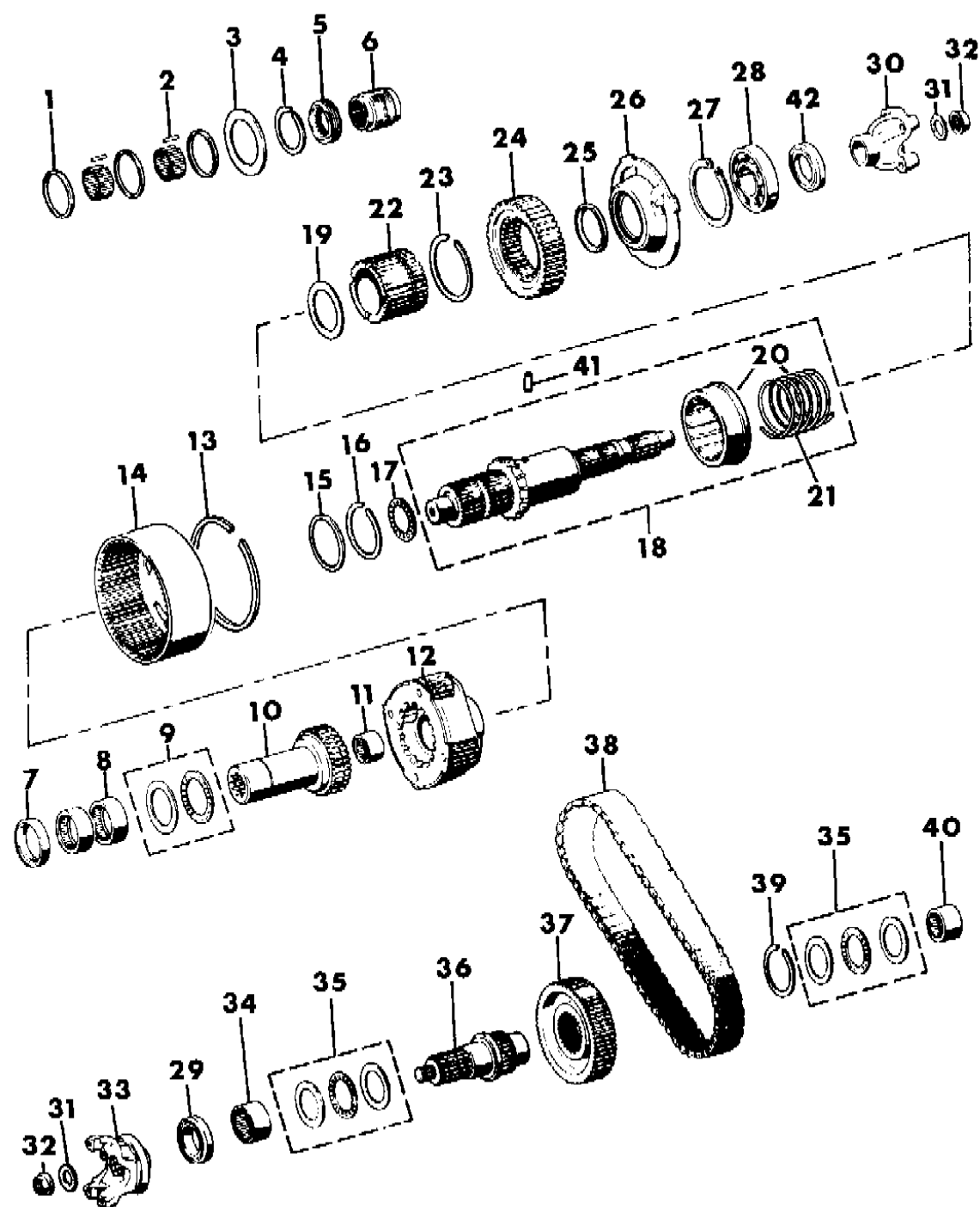
BODY STYLES:

MJ = Comanche Pickup
 SJ = Grand Wagoneer Wgn., J-10 & J-20 Pickups
 XJ = Cherokee, Wagoneer Limited
 YJ = Wrangler

AR = Use as Required - = Non Illustrated Part P.A.R. = Paint as Required

GEAR TRAIN N.P.G. MODEL 208 TRANSFER CASE GRAND WAGONEER, TRUCK J10, J20
Figure 21M-2900

8 J21 2900 A



| ITEM | PART NUMBER | QTY | BODY | MODEL | DESCRIPTION |
|------|-------------|-----|------|-------|-----------------------------|
| 1 | J813 0971 | 3 | | | SPACER |
| 2 | J813 0972 | 1 | | | BEARING |
| 3 | J813 4130 | 1 | | | WASHER, Thrust |
| 4 | J813 0974 | 1 | | | RING, Retaining |
| 5 | J813 0826 | 1 | | | PUMP, Transfer Case, Oil |
| 6 | J813 0827 | 1 | | | GEAR, Speedometer Drive |
| 7 | J535 9457 | 1 | | | SEAL |
| 8 | J813 0868 | 2 | | | BEARING |
| 9 | 8350 2717 | 1 | | | BEARING PACKAGE |
| 10 | | | | | GEAR, Input |
| | J813 0877 | 1 | | | (A) |
| | J813 2818 | 1 | | | (B) |
| | J813 0877 | 1 | | | (C) |
| 11 | J813 0878 | 1 | | | BEARING |
| 12 | J813 0862 | 1 | | | GEAR, Planetary |
| 13 | J813 4454 | 1 | | | RING, Retaining |
| 14 | 8350 0259 | 1 | | | GEAR, Transfer Case Annulus |
| 15 | 8350 0258 | 1 | | | WASHER, Thrust |
| 16 | J813 0866 | 1 | | | RING, Retaining |
| 17 | J813 0879 | 1 | | | BEARING, Thrust |
| 18 | 8351 0093 | 1 | | | SHAFT, Main Drive |
| 19 | J813 0967 | 1 | | | WASHER, Thrust |
| 20 | 8351 0094 | 1 | | | CLUTCH |
| 21 | 8350 1437 | 1 | | | SPRING |
| 22 | J813 4541 | 1 | | | CARRIER, Sprocket *** |
| 23 | J813 0970 | 1 | | | RING, Retaining |
| 24 | J813 0968 | 1 | | | SPROCKET, Drive |
| 25 | J813 0982 | 1 | | | SEAL |
| 26 | J813 0981 | 1 | | | HOUSING, Oil Pump |
| 27 | J813 4411 | 1 | | | RING, Retaining |
| 28 | J813 6626 | 1 | | | BEARING |
| 29 | 8350 5290 | 1 | | | SEAL |
| 30 | 8350 3578 | 1 | | | YOKE |
| 31 | J813 0815 | 1 | | | WASHER, Rubber |
| 32 | J813 0816 | 1 | | | NUT |
| 33 | J813 0818 | 1 | | | YOKE |
| 34 | J813 0869 | 1 | | | BEARING |

MODEL CODES:

| | | |
|-----------------------------|-----------------------------|------------------------------|
| 15 = Grand Wagoneer 4 Dr. | 65 = Comanche 4WD-7 Ft. Box | 77 = Cherokee 4WD-2 Dr. |
| 25 = J-10 Pickup-119" W.B. | 66 = Comanche 2WD-7 Ft. Box | 78 = Cherokee 4WD-4 Dr. |
| 26 = J-10 Pickup-131" W.B. | 73 = Cherokee 2WD-2 Dr. | 79 = Cherokee 4WD-4 Dr.-Com |
| 27 = J-20 Pickup-131" W.B. | 74 = Cherokee 2WD-4 Dr. | 81 = Wrangler-93" W.B. |
| 63 = Comanche 4WD-6 Ft. Box | 75 = Wagoneer 4WD-4 Dr. | 82 = Wrangler-103" W.B.-Exp. |
| 64 = Comanche 2WD-6 Ft. Box | | |

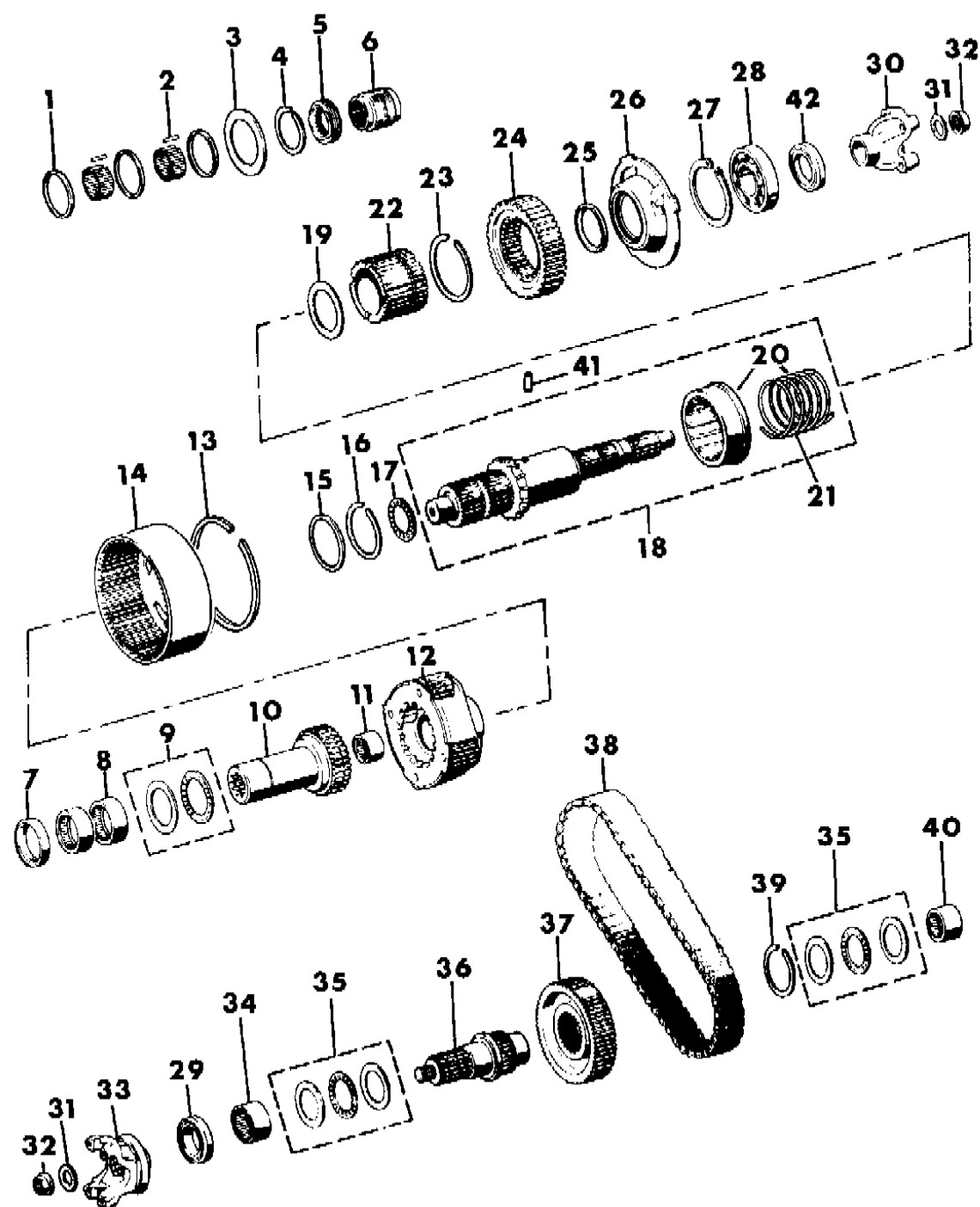
BODY STYLES:

MJ = Comanche Pickup
 SJ = Grand Wagoneer Wgn., J-10 & J-20 Pickups
 XJ = Cherokee, Wagoneer Limited
 YJ = Wrangler

AR = Use as Required - = Non Illustrated Part P.A.R. = Paint as Required

GEAR TRAIN N.P.G. MODEL 208 TRANSFER CASE GRAND WAGONEER, TRUCK J10, J20
Figure 21M-2900

8 J21 2900 A



| ITEM | PART NUMBER | QTY | BODY | MODEL | DESCRIPTION |
|------|-------------|-----|------|-------|------------------|
| 35 | J813 0819 | 1 | | | BEARING PACKAGE |
| 36 | J813 0976 | 1 | | | SHAFT, Output |
| 37 | J813 0975 | 1 | | | SPROCKET, Driven |
| 38 | J813 0977 | 1 | | | CHAIN |
| 39 | J813 0802 | 1 | | | RING, Retaining |
| 40 | J813 0836 | 1 | | | BEARING |
| 41 | 8351 0095 | 1 | | | PIN |
| 42 | 8350 2508 | 1 | | | SEAL |

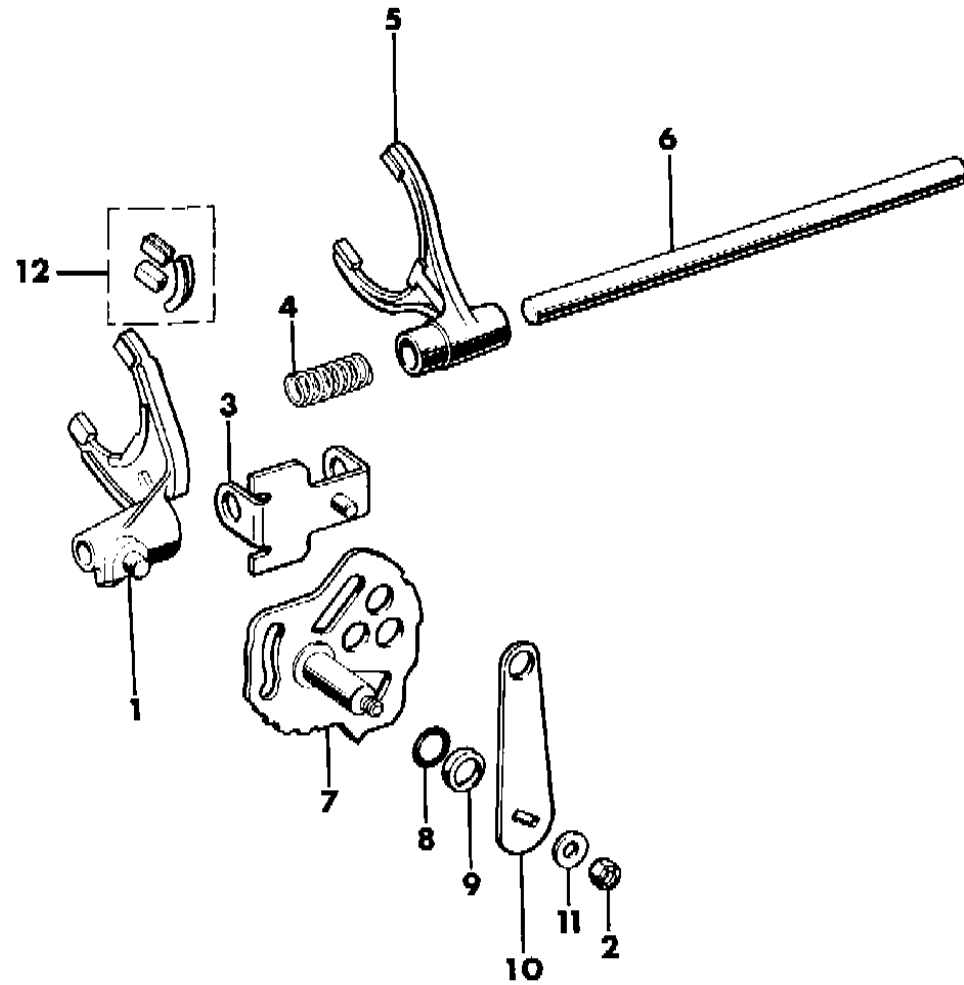
MODEL CODES:
 15 = Grand Wagoneer 4 Dr. 65 = Comanche 4WD-7 Ft. Box 77 = Cherokee 4WD-2 Dr.
 25 = J-10 Pickup-119" W.B. 66 = Comanche 2WD-7 Ft. Box 78 = Cherokee 4WD-4 Dr.
 26 = J-10 Pickup-131" W.B. 73 = Cherokee 2WD-2 Dr. 79 = Cherokee 4WD-4 Dr.-Com
 27 = J-20 Pickup-131" W.B. 74 = Cherokee 2WD-4 Dr. 81 = Wrangler-93" W.B.
 63 = Comanche 4WD-6 Ft. Box 75 = Wagoneer 4WD-4 Dr. 82 = Wrangler-103" W.B.-Exp.
 64 = Comanche 2WD-6 Ft. Box

BODY STYLES:
 MJ = Comanche Pickup
 SJ = Grand Wagoneer Wgn., J-10 & J-20 Pickups
 XJ = Cherokee, Wagoneer Limited
 YJ = Wrangler

AR = Use as Required - = Non Illustrated Part P.A.R. = Paint as Required

FORKS, RAILS, SHIFT CONTROLS N.P.G. MODEL 208 TRANSFER CASE GRAND WAGONEER, TRUCK J10, J20
Figure 21M-3000

8J21 3000 A



| ITEM | PART NUMBER | QTY | BODY | MODEL | DESCRIPTION |
|------|-------------|-----|------|-------|----------------------------|
| 1 | 8350 0260 | 1 | | | FORK, Range Shift |
| 2 | J813 0813 | 1 | | | NUT |
| 3 | J813 0821 | 1 | | | BRACKET, Shift |
| 4 | J813 0876 | 1 | | | SPRING |
| 5 | J813 0851 | 1 | | | FORK, Mode Shift |
| 6 | J813 0822 | 1 | | | RAIL, Transfer Case Shift |
| 7 | J813 0820 | 1 | | | SECTOR |
| 8 | J813 0854 | 1 | | | O-RING |
| 9 | J813 0853 | 1 | | | SEAL |
| 10 | | | | | LEVER, Transfer Case Shift |
| | J536 0185 | 1 | | | (A) |
| | J536 0185 | 1 | | | (B) |
| | J536 0082 | 1 | | | (C) |
| 11 | J400 1104 | 1 | | | WASHER |
| 12 | J813 0859 | 1 | | | PAD PACKAGE *** |

(A) For Vehicles Built with Transfer Case 33001383. (A) For Vehicles Built with Transfer Cases: 53004269; 53005464.
 (B) For Vehicles Built with Transfer Case 33001384. (A) For Vehicles Built with Transfer Cases: 53004269; 53005464.
 (C) For Vehicles Built with Transfer Case 33001385. (A) For Vehicles Built with Transfer Cases: 53004269; 53005464.

MODEL CODES:

| | | |
|-----------------------------|-----------------------------|------------------------------|
| 15 = Grand Wagoneer 4 Dr. | 65 = Comanche 4WD-7 Ft. Box | 77 = Cherokee 4WD-2 Dr. |
| 25 = J-10 Pickup-119" W.B. | 66 = Comanche 2WD-7 Ft. Box | 78 = Cherokee 4WD-4 Dr. |
| 26 = J-10 Pickup-131" W.B. | 73 = Cherokee 2WD-2 Dr. | 79 = Cherokee 4WD-4 Dr.-Com |
| 27 = J-20 Pickup-131" W.B. | 74 = Cherokee 2WD-4 Dr. | 81 = Wrangler-93" W.B. |
| 63 = Comanche 4WD-6 Ft. Box | 75 = Wagoneer 4WD-4 Dr. | 82 = Wrangler-103" W.B.-Exp. |
| 64 = Comanche 2WD-6 Ft. Box | | |

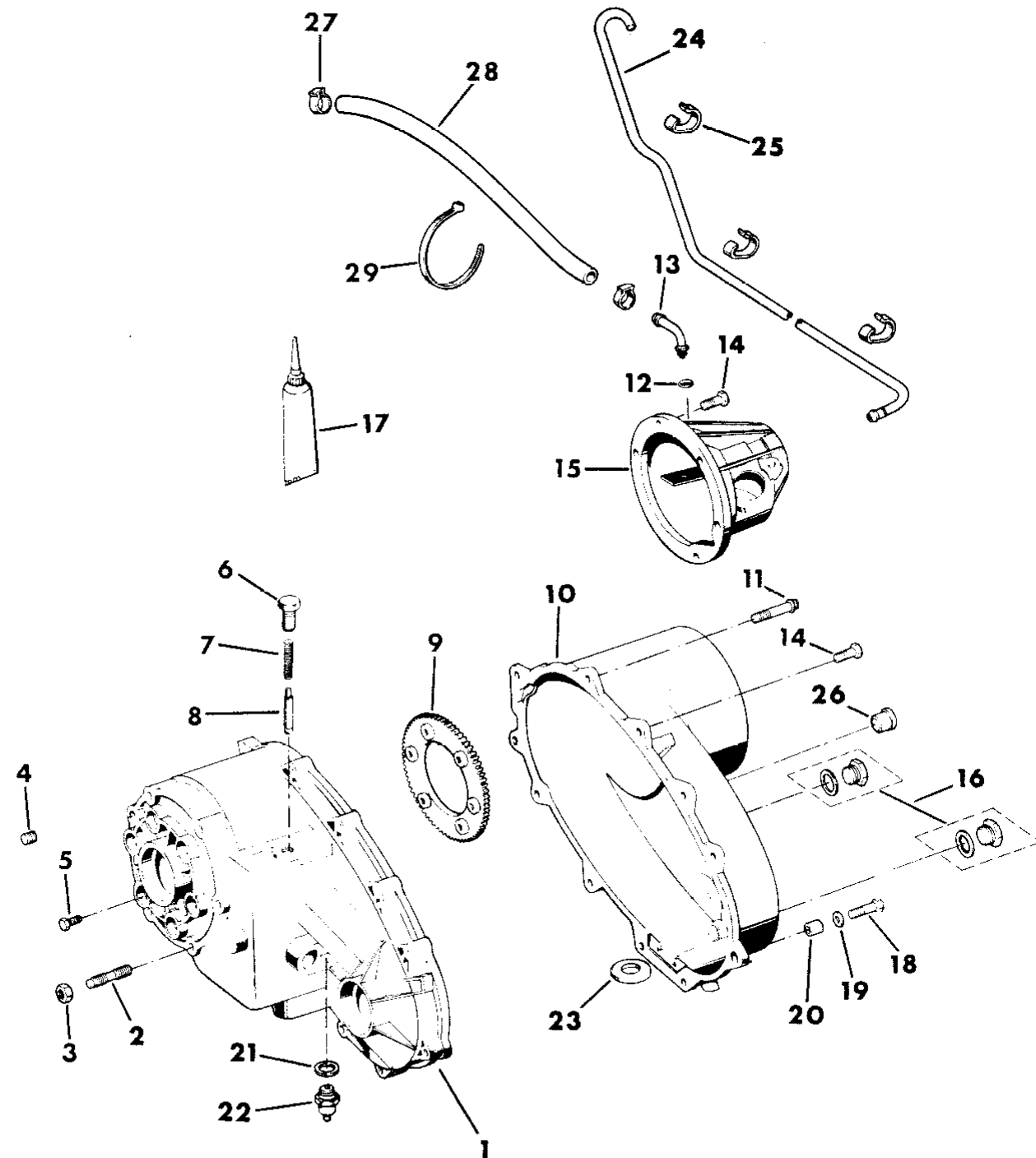
BODY STYLES:

MJ = Comanche Pickup
 SJ = Grand Wagoneer Wgn., J-10 & J-20 Pickups
 XJ = Cherokee, Wagoneer Limited
 YJ = Wrangler

AR = Use as Required - = Non Illustrated Part P.A.R. = Paint as Required

CASE, EXTENSION AND MISC. PARTS N.P.G. MODEL 229 TRANSFER CASE GRAND WAGONEER, TRUCK J10, J20
Figure 21M-3100

8 J 21 3100



| ITEM | PART NUMBER | QTY | BODY | MODEL | DESCRIPTION |
|------|-------------|-----|------|-------|-------------------------------------|
| 1 | 0 15 608 | 1 | | | CASE, Front |
| 2 | J813 0805 | 1 | | | STUD, Front Case 1987-89 |
| | 4505 365 | 1 | | | 1990 |
| 3 | J400 6681 | 6 | | | NUT |
| 4 | 5300 0502 | 1 | | | PLUG |
| 5 | J813 0874 | 6 | | | BOLT |
| 6 | J813 3641 | 1 | | | SCREW |
| 7 | J813 4289 | 1 | | | SPRING |
| 8 | | | | | PLUNGER |
| | J813 4282 | 1 | | | 1989-90 |
| | 4338 071 | 1 | | | 1990 |
| 9 | | | | | PLATE, Front Case |
| | J813 0873 | 1 | | | 1987-89 |
| | 4167 931 | 1 | | | 1990 |
| 10 | 8350 2613 | 1 | | | CASE, Rear |
| 11 | J813 0979 | 1 | | | BOLT |
| 12 | J813 3743 | 1 | | | SEAL |
| 13 | J813 1659 | 1 | | | VENT |
| 14 | | | | | BOLT |
| | J813 0810 | AR | | | 1987-89 |
| | 1150 0830 | AR | | | 1990 |
| 15 | | | | | RETAINER |
| | J813 0806 | 1 | | | 1987-89 |
| | 0 13 693 | 1 | | | 1990 |
| 16 | | | | | PLUG |
| | J813 0824 | 2 | | | 1987-89 |
| | 4210 616 | 2 | | | 1990 |
| 17 | | | | | SEALER, Gasket-in-a-Tube *** |
| | J899 3317 | 1 | | | 1987-89 (Case of 12) |
| | 4318 025 | 1 | | | 1990 (Single Tube) |
| 18 | 1150 0831 | 1 | | | BOLT |
| 19 | J400 1104 | 1 | | | WASHER |
| 20 | J813 0872 | 1 | | | DOWEL |
| 21 | J813 0830 | 1 | | | SEAL |
| 22 | 8350 2652 | 1 | | | SWITCH ASSEMBLY, 4WD Indicator Lamp |
| 23 | | | | | MAGNET |

MODEL CODES:

| | | |
|-----------------------------|-----------------------------|------------------------------|
| 15 = Grand Wagoneer 4 Dr. | 65 = Comanche 4WD-7 Ft. Box | 77 = Cherokee 4WD-2 Dr. |
| 25 = J-10 Pickup-119" W.B. | 66 = Comanche 2WD-7 Ft. Box | 78 = Cherokee 4WD-4 Dr. |
| 26 = J-10 Pickup-131" W.B. | 73 = Cherokee 2WD-2 Dr. | 79 = Cherokee 4WD-4 Dr.-Com |
| 27 = J-20 Pickup-131" W.B. | 74 = Cherokee 2WD-4 Dr. | 81 = Wrangler-93" W.B. |
| 63 = Comanche 4WD-6 Ft. Box | 75 = Wagoneer 4WD-4 Dr. | 82 = Wrangler-103" W.B.-Exp. |
| 64 = Comanche 2WD-6 Ft. Box | | |

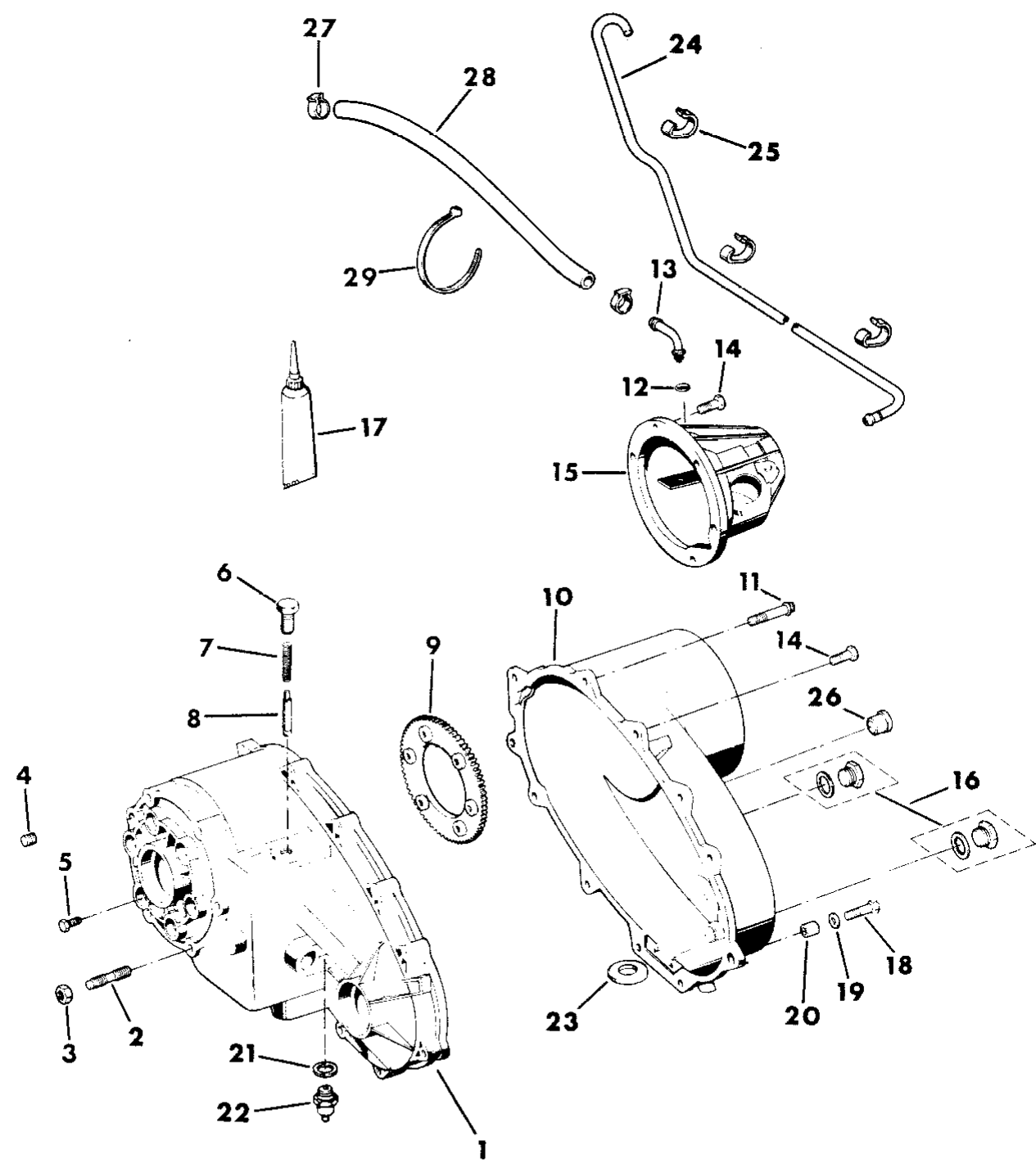
BODY STYLES:

MJ = Comanche Pickup
SJ = Grand Wagoneer Wgn., J-10 & J-20 Pickups
XJ = Cherokee, Wagoneer Limited
YJ = Wrangler

AR = Use as Required - = Non Illustrated Part P.A.R. = Paint as Required

CASE, EXTENSION AND MISC. PARTS N.P.G. MODEL 229 TRANSFER CASE GRAND WAGONEER, TRUCK J10, J20
Figure 21M-3100

8 J 21 3100



| ITEM | PART NUMBER | QTY | BODY | MODEL | DESCRIPTION |
|------|-------------|-----|------|-------|---------------------|
| | J813 0823 | 1 | | | 1987-89 |
| | 3681 601 | 1 | | | 1990 |
| 24 | J536 3389 | 1 | | | TUBE 6 CYL. ENG. |
| | J536 1519 | 1 | | | 8 CYL. ENG. |
| 25 | J313 7319 | 3 | | | CLIP |
| 26 | J813 1617 | 1 | | | PLUG |
| 27 | J400 6047 | 2 | | | CLAMP |
| 28 | J812 5823 | AR | | | TUBE 1' Bulk *** |
| 29 | | | | | STRAP, Plastic |
| | J322 3227 | 1 | | | 1987-89 |
| | 6015 756 | 1 | | | 1990 |

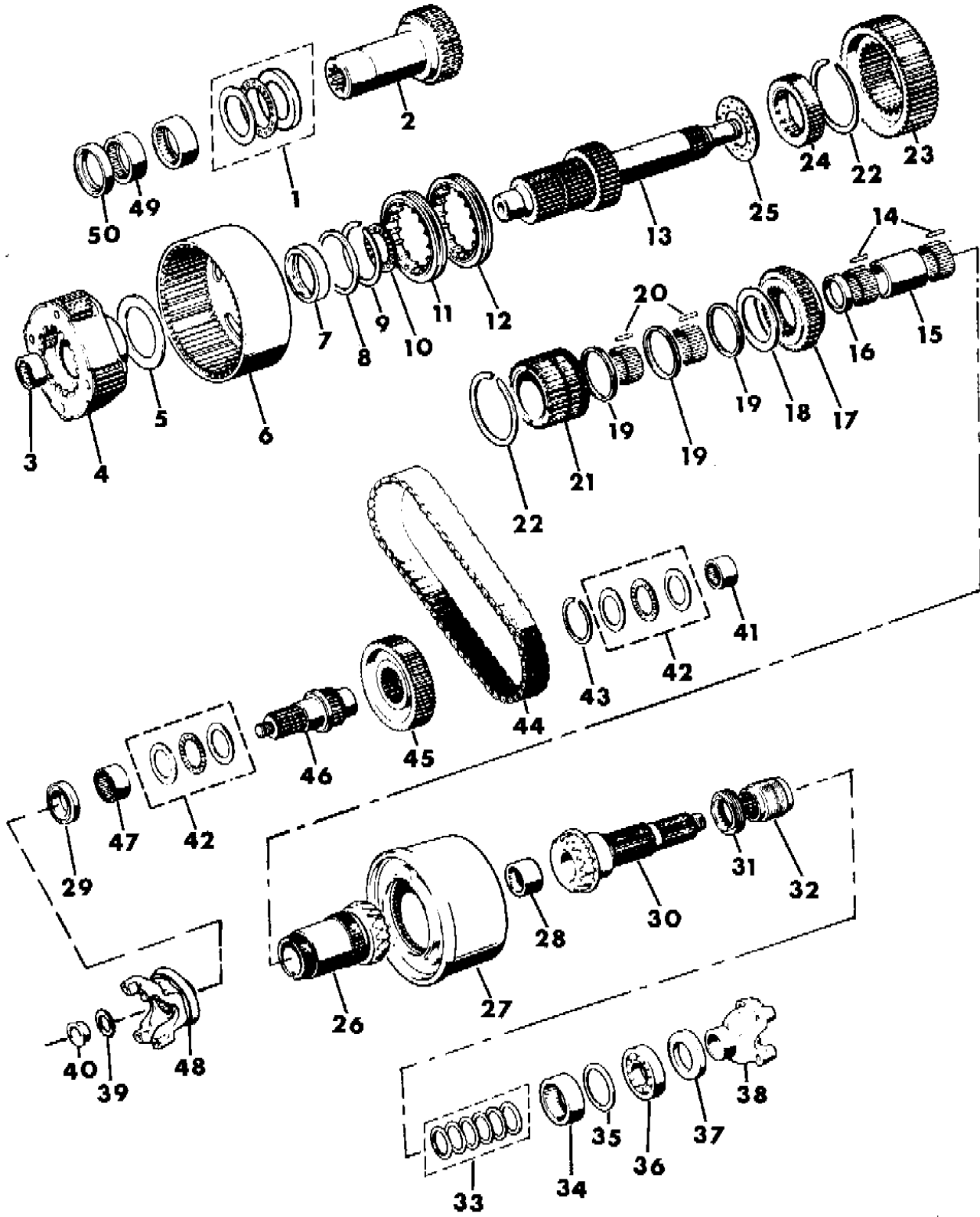
MODEL CODES:
 15 = Grand Wagoneer 4 Dr. 65 = Comanche 4WD-7 Ft. Box 77 = Cherokee 4WD-2 Dr.
 25 = J-10 Pickup-119" W.B. 66 = Comanche 2WD-7 Ft. Box 78 = Cherokee 4WD-4 Dr.
 26 = J-10 Pickup-131" W.B. 73 = Cherokee 2WD-2 Dr. 79 = Cherokee 4WD-4 Dr.-Com
 27 = J-20 Pickup-131" W.B. 74 = Cherokee 2WD-4 Dr. 81 = Wrangler-93" W.B.
 63 = Comanche 4WD-6 Ft. Box 75 = Wagoneer 4WD-4 Dr. 82 = Wrangler-103" W.B.-Exp.
 64 = Comanche 2WD-6 Ft. Box

BODY STYLES:
 MJ = Comanche Pickup
 SJ = Grand Wagoneer Wgn., J-10 & J-20 Pickups
 XJ = Cherokee, Wagoneer Limited
 YJ = Wrangler

AR = Use as Required - = Non Illustrated Part P.A.R. = Paint as Required

GEAR TRAIN N.P.G. MODEL 229 TRANSFER CASE GRAND WAGONEER, TRUCK J10, J20
Figure 21M-3200

8 J21 3200 A



| ITEM | PART NUMBER | QTY | BODY | MODEL | DESCRIPTION |
|------|-------------|-----|------|-------|-----------------------------------|
| 1 | | | | | BEARING PACKAGE, Input Shaft *** |
| | 8350 0382 | 1 | | | 1987-89 |
| | 0 16 027 | 1 | | | 1990 |
| 2 | | | | | SHAFT, Input 229 Transfer Case |
| | 8350 0492 | 1 | | | 1987-89 |
| | 0 15 786 | 1 | | | 1990 |
| 3 | | | | | BEARING, Planetary |
| | J813 0878 | 1 | | | 1987-89 |
| | 4269 187 | 1 | | | 1990 |
| 4 | | | | | GEAR, Planetary 229 Transfer Case |
| | 8350 0383 | 1 | | | 1987-89 |
| | 4329 198 | 1 | | | 1990 |
| 5 | | | | | WASHER, Thrust |
| | J813 0863 | 1 | | | |
| 6 | | | | | GEAR, Transfer Case Annulus |
| | J813 0864 | 1 | | | 1987-89 |
| | 4167 954 | 1 | | | 1990 |
| 7 | | | | | BUSHING, Planetary Gear |
| | J813 3677 | 1 | | | 1987-89 |
| | 0 13 721 | 1 | | | 1990 |
| 8 | | | | | WASHER, Thrust |
| | J813 0865 | 1 | | | 1987-89 |
| | 4167 959 | 1 | | | 1990 |
| 9 | | | | | RING, Retaining |
| | J813 0866 | 1 | | | 1987-89 |
| | 3821 372 | 1 | | | 1990 |
| 10 | | | | | BEARING |
| | J813 0879 | 1 | | | 1987-89 |
| | 4269 182 | 1 | | | 1990 |
| 11 | | | | | COLLAR, Shift |
| | 8350 2611 | 1 | | | 1987-89 |
| | 0 16 112 | 1 | | | 1990 |
| 12 | | | | | COLLAR, Shift |
| | 8350 2516 | 1 | | | 1987-89 |
| | 0 16 111 | 1 | | | 1990 |
| 13 | | | | | SHAFT, Main Drive |
| | J813 4274 | 1 | | | 1987-89 |
| | 0 15 636 | 1 | | | 1990 |

MODEL CODES:

| | | |
|-----------------------------|-----------------------------|------------------------------|
| 15 = Grand Wagoneer 4 Dr. | 65 = Comanche 4WD-7 Ft. Box | 77 = Cherokee 4WD-2 Dr. |
| 25 = J-10 Pickup-119" W.B. | 66 = Comanche 2WD-7 Ft. Box | 78 = Cherokee 4WD-4 Dr. |
| 26 = J-10 Pickup-131" W.B. | 73 = Cherokee 2WD-2 Dr. | 79 = Cherokee 4WD-4 Dr.-Com |
| 27 = J-20 Pickup-131" W.B. | 74 = Cherokee 2WD-4 Dr. | 81 = Wrangler-93" W.B. |
| 63 = Comanche 4WD-6 Ft. Box | 75 = Wagoneer 4WD-4 Dr. | 82 = Wrangler-103" W.B.-Exp. |
| 64 = Comanche 2WD-6 Ft. Box | | |

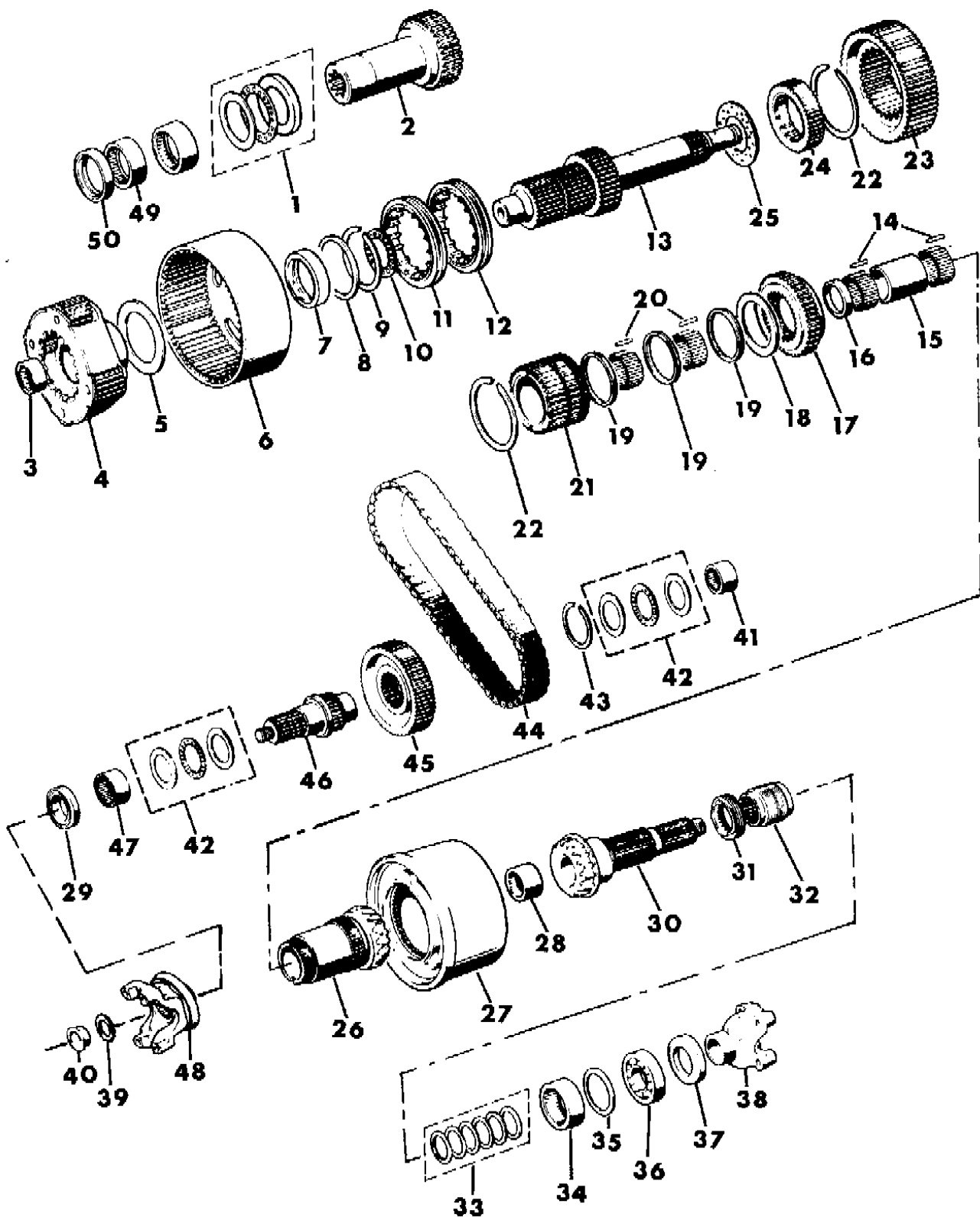
BODY STYLES:

| |
|---|
| MJ = Comanche Pickup |
| SJ = Grand Wagoneer Wgn., J-10 & J-20 Pickups |
| XJ = Cherokee, Wagoneer Limited |
| YJ = Wrangler |

AR = Use as Required - = Non Illustrated Part P.A.R. = Paint as Required

GEAR TRAIN N.P.G. MODEL 229 TRANSFER CASE GRAND WAGONEER, TRUCK J10, J20
Figure 21M-3200

8 J21 3200 A



| ITEM | PART NUMBER | QTY | BODY | MODEL | DESCRIPTION |
|------|-------------|-----|------|-------|--------------------------------------|
| 14 | 8350 0288 | 1 | | | ROLLER PACKAGE (Contains 82 pcs) *** |
| 15 | J813 0847 | 1 | | | SPACER 1987-89 |
| | 0 15 004 | 1 | | | 1990 |
| 16 | | | | | SPACER |
| | J813 0848 | 1 | | | 1987-89 |
| | 3821 366 | 1 | | | 1990 |
| 17 | | | | | GEAR |
| | J813 0801 | 1 | | | 1987-89 |
| | 0 13 854 | 1 | | | 1990 |
| 18 | | | | | WASHER, Thrust |
| | J813 1613 | 1 | | | 1987-89 |
| | 0 13 842 | 1 | | | 1990 |
| 19 | | | | | SPACER |
| | J813 1612 | 2 | | | 1987-89 |
| | 0 13 841 | 2 | | | 1990 |
| 20 | J813 1611 | 1 | | | ROLLER PACKAGE |
| 21 | | | | | CARRIER, Sprocket *** |
| | J813 3632 | 1 | | | 1987-89 |
| | 0 15 285 | 1 | | | 1990 |
| 22 | | | | | RING, Retaining |
| | J813 0970 | 2 | | | 1987-89 |
| | 4167 984 | 2 | | | 1990 |
| 23 | | | | | SPROCKET, Drive |
| | J813 1610 | 1 | | | 1987-89 |
| | 0 15 450 | 1 | | | 1990 |
| 24 | | | | | GEAR, Sprocket Drive |
| | J813 3633 | 1 | | | 1989-89 |
| | 0 15 283 | 1 | | | 1990 |
| 25 | | | | | WASHER, Thrust |
| | J813 0844 | 1 | | | 1987-89 |
| | 0 13 851 | 1 | | | 1990 |
| 26 | | | | | GEAR, Side |
| | J813 1608 | 1 | | | 1987-89 |
| | 0 13 836 | 1 | | | 1990 |
| 27 | | | | | VISCOUS, Drive *** |
| | J813 0800 | 1 | | | 1987-89 |

MODEL CODES:

| | | |
|-----------------------------|-----------------------------|------------------------------|
| 15 = Grand Wagoneer 4 Dr. | 65 = Comanche 4WD-7 Ft. Box | 77 = Cherokee 4WD-2 Dr. |
| 25 = J-10 Pickup-119" W.B. | 66 = Comanche 2WD-7 Ft. Box | 78 = Cherokee 4WD-4 Dr. |
| 26 = J-10 Pickup-131" W.B. | 73 = Cherokee 2WD-2 Dr. | 79 = Cherokee 4WD-4 Dr.-Com |
| 27 = J-20 Pickup-131" W.B. | 74 = Cherokee 2WD-4 Dr. | 81 = Wrangler-93" W.B. |
| 63 = Comanche 4WD-6 Ft. Box | 75 = Wagoneer 4WD-4 Dr. | 82 = Wrangler-103" W.B.-Exp. |
| 64 = Comanche 2WD-6 Ft. Box | | |

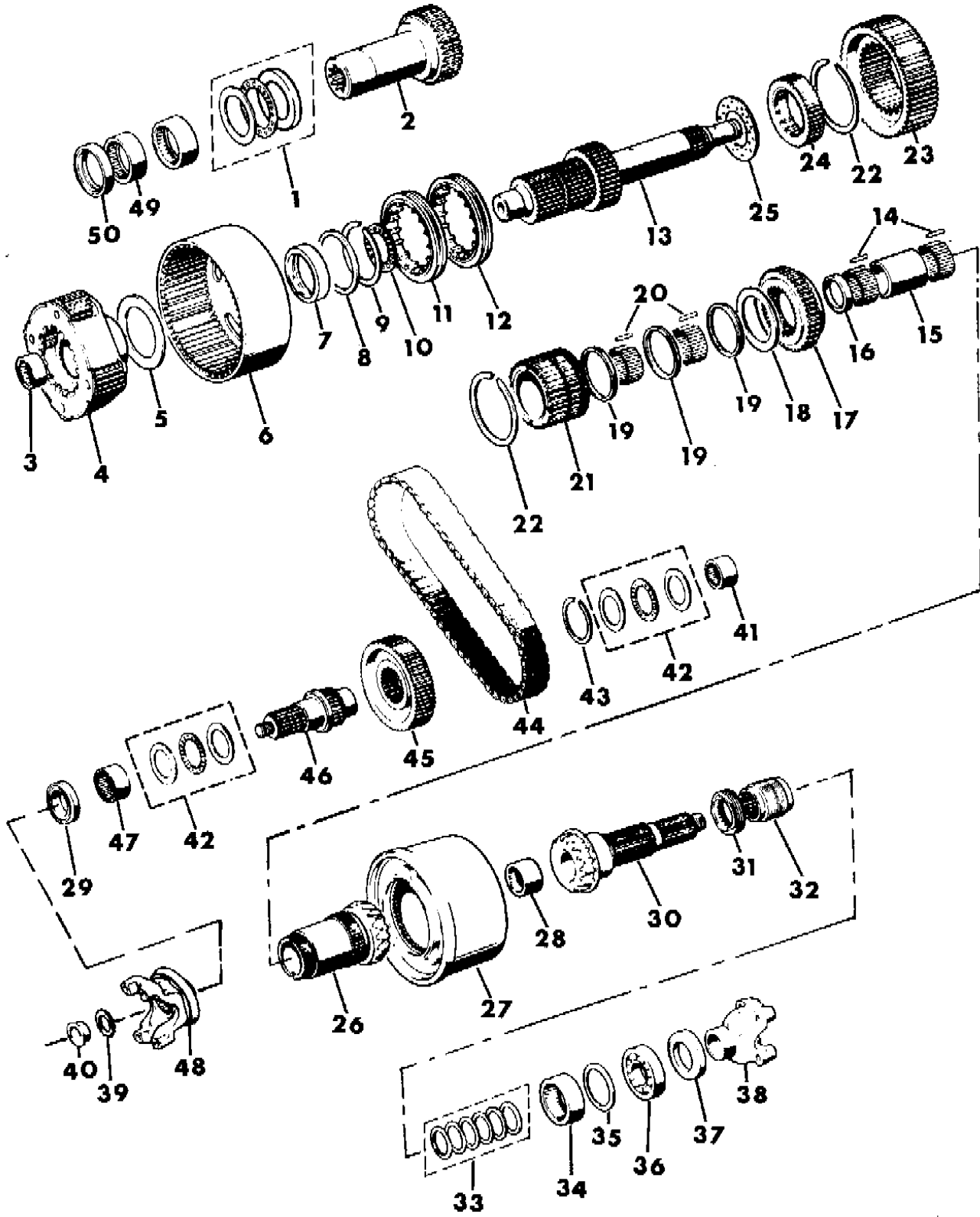
BODY STYLES:

MJ = Comanche Pickup
 SJ = Grand Wagoneer Wgn., J-10 & J-20 Pickups
 XJ = Cherokee, Wagoneer Limited
 YJ = Wrangler

AR = Use as Required - = Non Illustrated Part P.A.R. = Paint as Required

GEAR TRAIN N.P.G. MODEL 229 TRANSFER CASE GRAND WAGONEER, TRUCK J10, J20
Figure 21M-3200

8 J21 3200 A



| ITEM | PART NUMBER | QTY | BODY | MODEL | DESCRIPTION |
|------|-------------|-----|------|-------|----------------------------------|
| | 0 13 855 | 1 | | | 1990 |
| 28 | 8350 3570 | 1 | | | BEARING, Output Shaft |
| 29 | 8350 5290 | 1 | | | SEAL, Output Shaft |
| 30 | | | | | SHAFT, Output |
| | J813 0803 | 1 | | | 1987-89 |
| | 0 13 867 | 1 | | | 1990 |
| 31 | | | | | PUMP, Transfer Case, Oil |
| | J813 3645 | 1 | | | 1987-89 |
| | 4446 463 | 1 | | | 1990 |
| 32 | | | | | GEAR, Speedometer Drive 13 Teeth |
| | J813 3646 | 1 | | | 1987-89 |
| | 0 15 461 | 1 | | | 1990 |
| 33 | | | | | SHIM PACKAGE, Output Shaft *** |
| | J813 0828 | 1 | | | 1987-89 |
| | 0 15 128 | 1 | | | 1990 |
| 34 | | | | | BEARING |
| | J813 3644 | 1 | | | 1987-89 |
| | 0 15 462 | 1 | | | 1990 |
| 35 | J813 0982 | 1 | | | SEAL |
| 36 | J813 6626 | 1 | | | BEARING, Yoke |
| 37 | 8350 2508 | 1 | | | SEAL, Yoke |
| 38 | | | | | YOKE PACKAGE *** |
| | 8350 3578 | 1 | | | 1987-89 |
| | 0 13 775 | 1 | | | 1990 |
| 39 | J813 0815 | 1 | | | WASHER |
| 40 | J813 0816 | 2 | | | NUT, Yoke |
| 41 | | | | | BEARING |
| | J813 0836 | 1 | | | 1987-89 |
| | 4269 189 | 1 | | | 1990 |
| 42 | | | | | BEARING PACKAGE *** |
| | J813 0819 | 1 | | | 1987-89 |
| | 0 15 127 | 1 | | | 1990 |
| 43 | | | | | RING, Retaining |
| | J813 0802 | 1 | | | 1987-89 |
| | 4167 991 | 1 | | | 1990 |
| 44 | J813 0831 | 1 | | | CHAIN, Drive |
| 45 | | | | | SPROCKET, Driven |

MODEL CODES:

| | | |
|-----------------------------|-----------------------------|------------------------------|
| 15 = Grand Wagoneer 4 Dr. | 65 = Comanche 4WD-7 Ft. Box | 77 = Cherokee 4WD-2 Dr. |
| 25 = J-10 Pickup-119" W.B. | 66 = Comanche 2WD-7 Ft. Box | 78 = Cherokee 4WD-4 Dr. |
| 26 = J-10 Pickup-131" W.B. | 73 = Cherokee 2WD-2 Dr. | 79 = Cherokee 4WD-4 Dr.-Com |
| 27 = J-20 Pickup-131" W.B. | 74 = Cherokee 2WD-4 Dr. | 81 = Wrangler-93" W.B. |
| 63 = Comanche 4WD-6 Ft. Box | 75 = Wagoneer 4WD-4 Dr. | 82 = Wrangler-103" W.B.-Exp. |
| 64 = Comanche 2WD-6 Ft. Box | | |

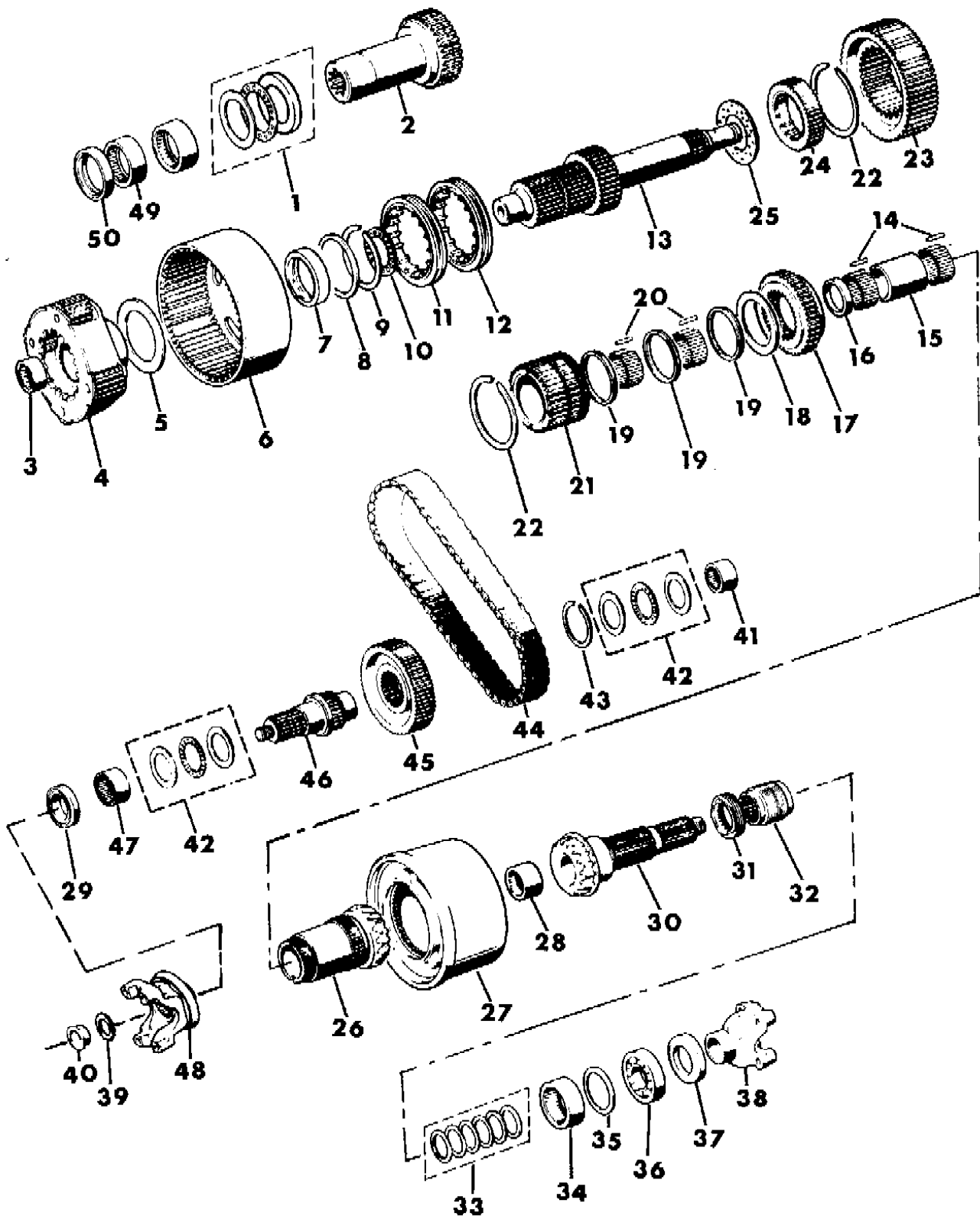
BODY STYLES:

| |
|---|
| MJ = Comanche Pickup |
| SJ = Grand Wagoneer Wgn., J-10 & J-20 Pickups |
| XJ = Cherokee, Wagoneer Limited |
| YJ = Wrangler |

AR = Use as Required - = Non Illustrated Part P.A.R. = Paint as Required

GEAR TRAIN N.P.G. MODEL 229 TRANSFER CASE GRAND WAGONEER, TRUCK J10, J20
Figure 21M-3200

8 J21 3200 A



| ITEM | PART NUMBER | QTY | BODY | MODEL | DESCRIPTION |
|------|-------------|-----|------|-------|-------------|
| | J813 0849 | 1 | | | 1987-89 |
| | 0 15 451 | 1 | | | 1990 |
| 46 | J813 0850 | 1 | | | 1987-89 |
| | 0 15 336 | 1 | | | 1990 |
| 47 | J813 0869 | 1 | | | 1987-89 |
| | 4269 186 | 1 | | | 1990 |
| 48 | J813 0868 | 2 | | | BEARING |
| | J535 9457 | 1 | | | SEAL, Oil |

MODEL CODES:

| | | |
|-----------------------------|-----------------------------|------------------------------|
| 15 = Grand Wagoneer 4 Dr. | 65 = Comanche 4WD-7 Ft. Box | 77 = Cherokee 4WD-2 Dr. |
| 25 = J-10 Pickup-119" W.B. | 66 = Comanche 2WD-7 Ft. Box | 78 = Cherokee 4WD-4 Dr. |
| 26 = J-10 Pickup-131" W.B. | 73 = Cherokee 2WD-2 Dr. | 79 = Cherokee 4WD-4 Dr.-Com |
| 27 = J-20 Pickup-131" W.B. | 74 = Cherokee 2WD-4 Dr. | 81 = Wrangler-93" W.B. |
| 63 = Comanche 4WD-6 Ft. Box | 75 = Wagoneer 4WD-4 Dr. | 82 = Wrangler-103" W.B.-Exp. |
| 64 = Comanche 2WD-6 Ft. Box | | |

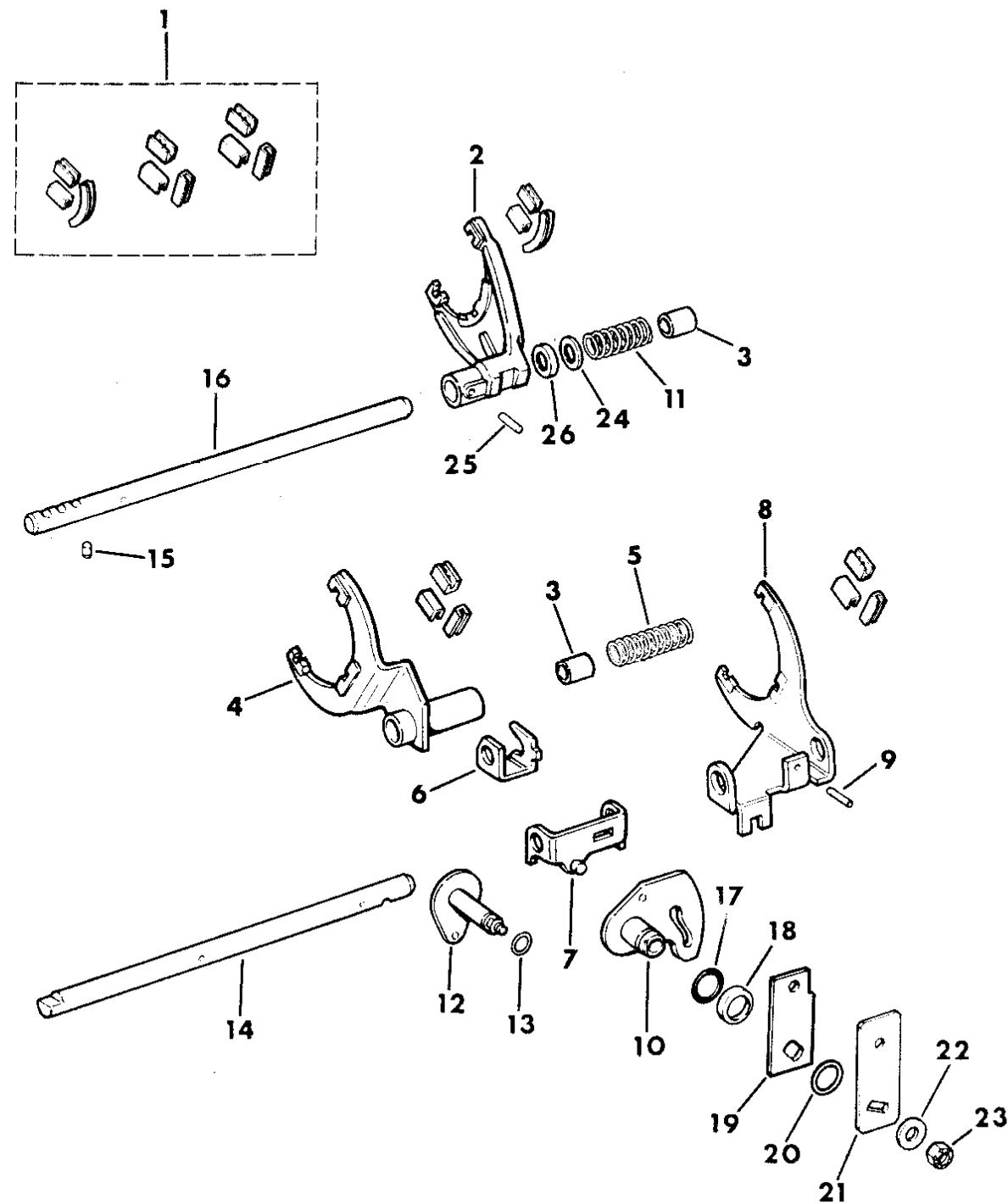
BODY STYLES:

MJ = Comanche Pickup
 SJ = Grand Wagoneer Wgn., J-10 & J-20 Pickups
 XJ = Cherokee, Wagoneer Limited
 YJ = Wrangler

AR = Use as Required - = Non Illustrated Part P.A.R. = Paint as Required

FORKS, RAILS, SHAFTS, SHIFTING N.P.G. MODEL 229 TRANSFER CASE GRAND WAGONEER, TRUCK J10, J20
Figure 21M-3300

8 J21 3300



| ITEM | PART NUMBER | QTY | BODY | MODEL | DESCRIPTION |
|------|-------------|-----|------|-------|----------------------------------|
| 1 | | | | | PAD PACKAGE, Shift Fork *** |
| | J813 4279 | 1 | | | 1987-89 |
| | 0 15 866 | 1 | | | 1990 |
| 2 | | | | | FORK, Range Shift |
| | J813 4276 | 1 | | | 1987-89 |
| | 0 15 618 | 1 | | | 1990 |
| 3 | J813 4291 | 2 | | | BUSHING |
| 4 | | | | | FORK, Locking |
| | J813 4287 | 1 | | | 1987-89 |
| | 0 15 621 | 1 | | | 1990 |
| 5 | J813 4286 | 1 | | | SPRING |
| 6 | | | | | BRACKET |
| | J813 4298 | 1 | | | 1987-89 |
| | 0 15 626 | 1 | | | 1990 |
| 7 | J813 4407 | 1 | | | BRACKET ASSY |
| 8 | J813 4275 | 1 | | | FORK, Mode Shift |
| 9 | J813 4307 | 1 | | | PIN |
| 10 | | | | | SECTOR, Range Shift |
| | J813 4277 | 1 | | | 1987-89 |
| | 0 15 609 | 1 | | | 1990 |
| 11 | J813 4284 | 1 | | | SPRING |
| 12 | | | | | SECTOR, Mode Shift |
| | J813 4288 | 1 | | | 1987-89 |
| | 0015 614 | 1 | | | 1990 |
| 13 | | | | | SEAL |
| | J813 4301 | 1 | | | 1987-89 |
| | 0013 812 | 1 | | | 1990 |
| 14 | 8350 2612 | 1 | | | RAIL, Transfer Case Mode Shift |
| 15 | J813 4283 | 1 | | | PIN |
| 16 | | | | | RAIL, Transfer Case Range Shift |
| | J813 4280 | 1 | | | 1987-89 |
| | 0 15 619 | 1 | | | 1990 |
| 17 | J813 4299 | 1 | | | SEAL |
| 18 | J813 4300 | 1 | | | RETAINER |
| 19 | J813 4305 | 1 | | | LEVER, Transfer Case Range Shift |
| 20 | J813 4304 | 1 | | | SNAP RING |
| 21 | 0 15 640 | 1 | | | LEVER, Transfer Case Mode Shift |

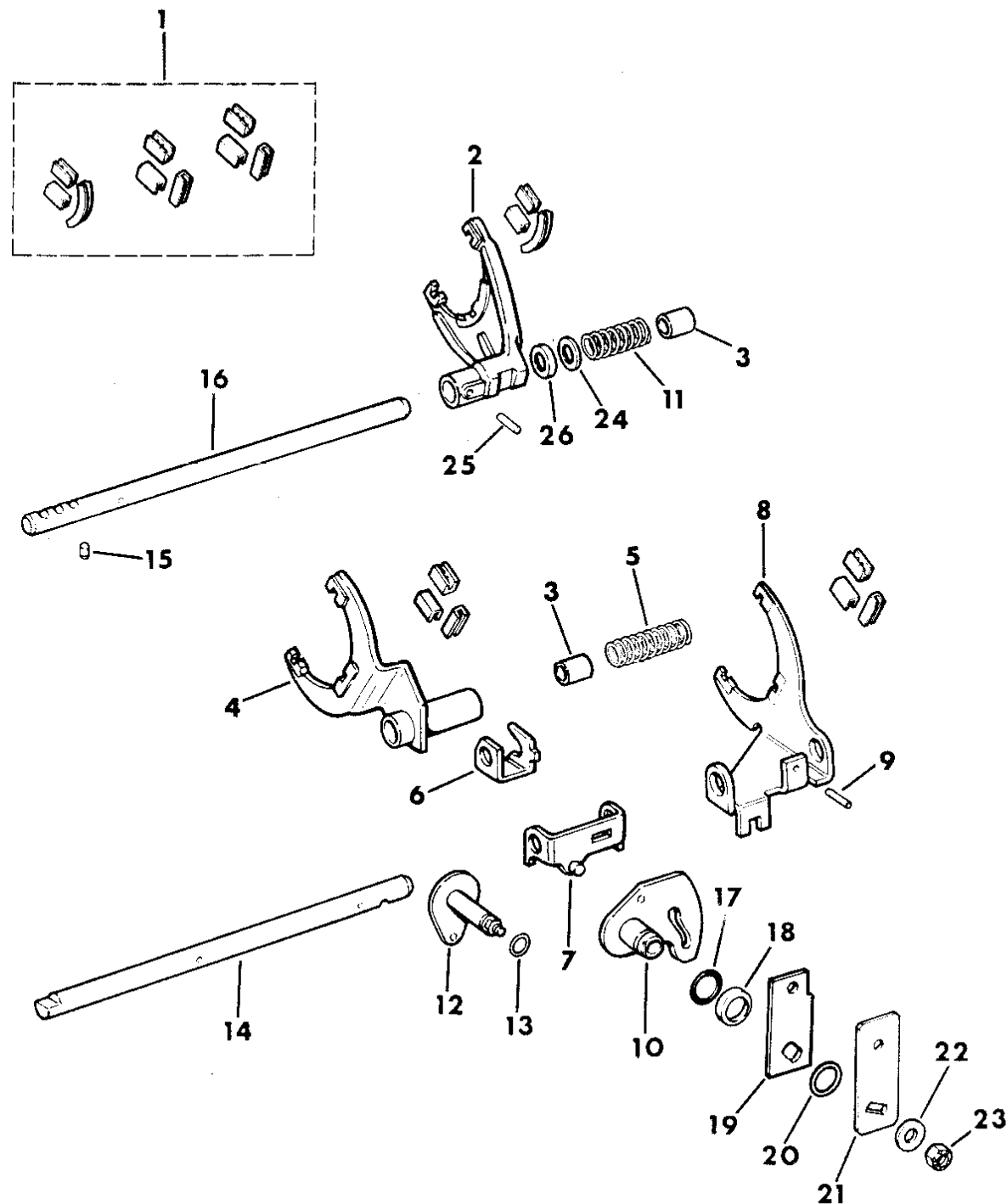
MODEL CODES:
 15 = Grand Wagoneer 4 Dr. 65 = Comanche 4WD-7 Ft. Box 77 = Cherokee 4WD-2 Dr.
 25 = J-10 Pickup-119" W.B. 66 = Comanche 2WD-7 Ft. Box 78 = Cherokee 4WD-4 Dr.
 26 = J-10 Pickup-131" W.B. 73 = Cherokee 2WD-2 Dr. 79 = Cherokee 4WD-4 Dr.-Com
 27 = J-20 Pickup-131" W.B. 74 = Cherokee 2WD-4 Dr. 81 = Wrangler-93" W.B.
 63 = Comanche 4WD-6 Ft. Box 75 = Wagoneer 4WD-4 Dr. 82 = Wrangler-103" W.B.-Exp.
 64 = Comanche 2WD-6 Ft. Box

BODY STYLES:
 MJ = Comanche Pickup
 SJ = Grand Wagoneer Wgn., J-10 & J-20 Pickups
 XJ = Cherokee, Wagoneer Limited
 YJ = Wrangler

AR = Use as Required - = Non Illustrated Part P.A.R. = Paint as Required

FORKS, RAILS, SHAFTS, SHIFTING N.P.G. MODEL 229 TRANSFER CASE GRAND WAGONEER, TRUCK J10, J20
Figure 21M-3300

8J21 3300



| ITEM | PART NUMBER | QTY | BODY | MODEL | DESCRIPTION |
|------|-------------|-----|------|-------|-------------|
| 22 | J012 0393 | 1 | | | WASHER |
| 23 | J813 4302 | 1 | | | NUT |
| 24 | J813 4285 | 1 | | | WASHER |
| 25 | 1664 355 | 1 | | | PIN |
| 26 | 8350 3303 | 1 | | | SPACER |

MODEL CODES:

| | | |
|-----------------------------|-----------------------------|------------------------------|
| 15 = Grand Wagoneer 4 Dr. | 65 = Comanche 4WD-7 Ft. Box | 77 = Cherokee 4WD-2 Dr. |
| 25 = J-10 Pickup-119" W.B. | 66 = Comanche 2WD-7 Ft. Box | 78 = Cherokee 4WD-4 Dr. |
| 26 = J-10 Pickup-131" W.B. | 73 = Cherokee 2WD-2 Dr. | 79 = Cherokee 4WD-4 Dr.-Com |
| 27 = J-20 Pickup-131" W.B. | 74 = Cherokee 2WD-4 Dr. | 81 = Wrangler-93" W.B. |
| 63 = Comanche 4WD-6 Ft. Box | 75 = Wagoneer 4WD-4 Dr. | 82 = Wrangler-103" W.B.-Exp. |
| 64 = Comanche 2WD-6 Ft. Box | | |

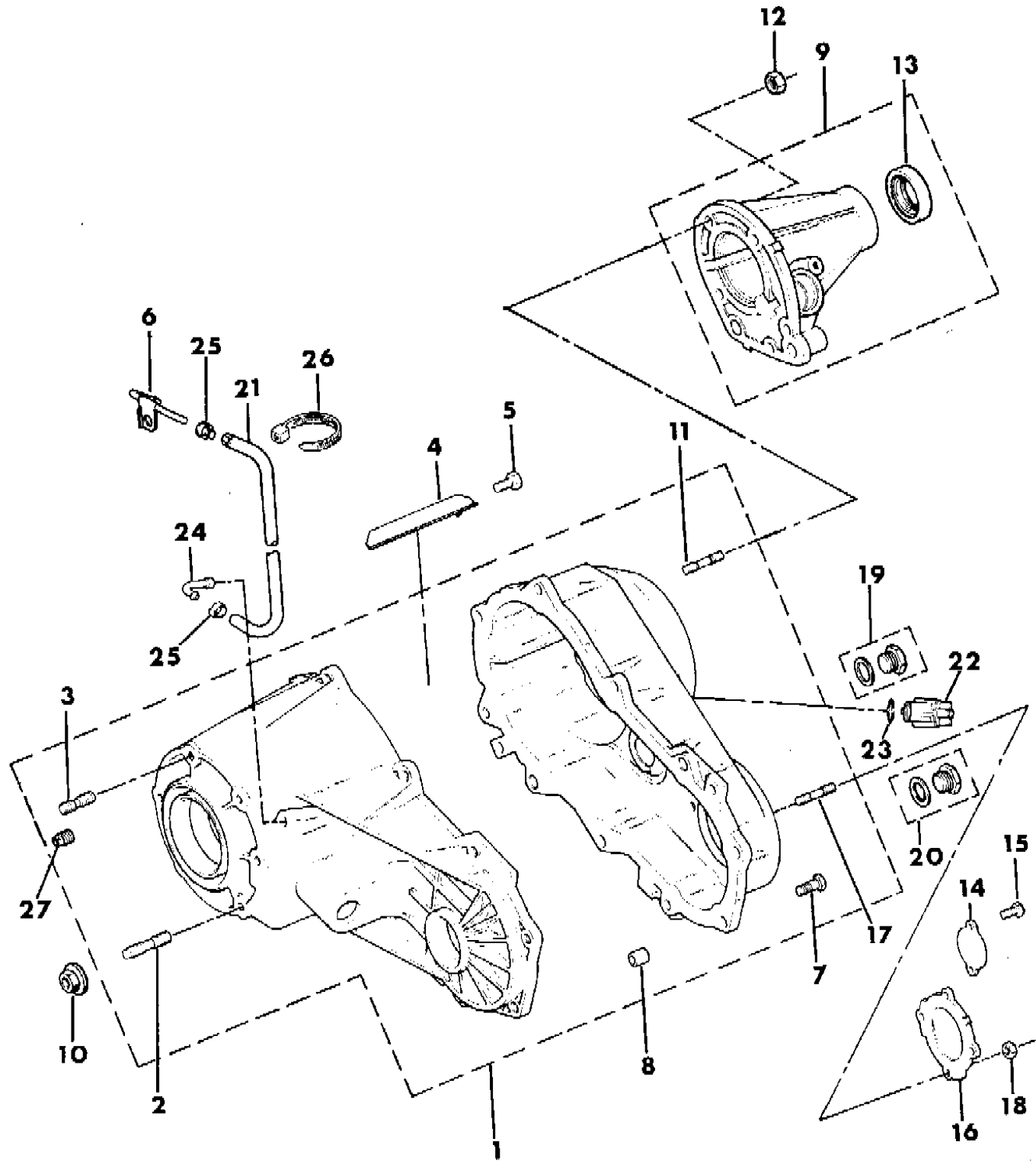
BODY STYLES:

MJ = Comanche Pickup
SJ = Grand Wagoneer Wgn., J-10 & J-20 Pickups
XJ = Cherokee, Wagoneer Limited
YJ = Wrangler

AR = Use as Required - = Non Illustrated Part P.A.R. = Paint as Required

CASE, EXTENSION AND MISCELLANEOUS PARTS KANDA MODEL 87A-K TRANSFER CASE(CKD) WRANGLER, YJ, CHEROKEE, WAGONEER, COMANCHE
Figure 21M-3325

8J21 3325



| ITEM | PART NUMBER | QTY | BODY | MODEL | DESCRIPTION |
|------|-------------|-----|------|-------|--|
| 1 | 8350 4704 | 1 | | | CASE, Front Half |
| 2 | 8350 4713 | 5 | | | STUD, Mounting, (54mm) |
| 3 | 8350 4712 | AR | | | STUD, Mounting, (41mm) |
| 4 | 8350 4723 | 1 | | | TROUGH, Internal *** |
| 5 | 8350 4773 | 1 | | | SCREW, Trough |
| 6 | J535 2955 | 1 | | | BREATHER |
| 7 | 8350 4759 | 2 | | | BOLT, (37mm) |
| 8 | 8350 4760 | 8 | | | BOLT, (26mm) |
| 8 | 8350 4767 | 2 | | | PIN, Transfer Case |
| 9 | 8350 4706 | 1 | | | EXTENSION, Case Rear, Includes Bushing |
| 10 | J400 6681 | 6 | | | NUT |
| 11 | 8350 4779 | 5 | | | STUD |
| 12 | 8350 4780 | 5 | | | NUT |
| 13 | 8350 4708 | 1 | | | SEAL |
| 14 | 8350 4764 | 1 | | | COVER |
| 15 | 8350 4769 | 2 | | | BOLT |
| 16 | 8350 4716 | 1 | | | PLATE, Bearing |
| 17 | 8350 4776 | 4 | | | BOLT |
| 18 | 8350 4777 | 4 | | | NUT |
| 19 | 8350 4718 | 1 | | | PLUG, Filler |
| 20 | 8350 4717 | 1 | | | PLUG, Drain |
| 21 | J812 5823 | AR | | | HOSE |
| 22 | 5300 1101 | 1 | | | SWITCH, Vacuum |
| 23 | J813 4485 | 1 | | | SEAL |
| 24 | J813 1659 | 1 | | | BREATHER |
| 25 | J400 6047 | 2 | | | CLAMP |
| 26 | J322 3227 | 1 | | | STRAP |
| 27 | 5300 0502 | 1 | | | PLUG |

MODEL CODES:

| | | |
|-----------------------------|-----------------------------|------------------------------|
| 15 = Grand Wagoneer 4 Dr. | 65 = Comanche 4WD-7 Ft. Box | 77 = Cherokee 4WD-2 Dr. |
| 25 = J-10 Pickup-119" W.B. | 66 = Comanche 2WD-7 Ft. Box | 78 = Cherokee 4WD-4 Dr. |
| 26 = J-10 Pickup-131" W.B. | 73 = Cherokee 2WD-2 Dr. | 79 = Cherokee 4WD-4 Dr.-Com |
| 27 = J-20 Pickup-131" W.B. | 74 = Cherokee 2WD-4 Dr. | 81 = Wrangler-93" W.B. |
| 63 = Comanche 4WD-6 Ft. Box | 75 = Wagoneer 4WD-4 Dr. | 82 = Wrangler-103" W.B.-Exp. |
| 64 = Comanche 2WD-6 Ft. Box | | |

BODY STYLES:

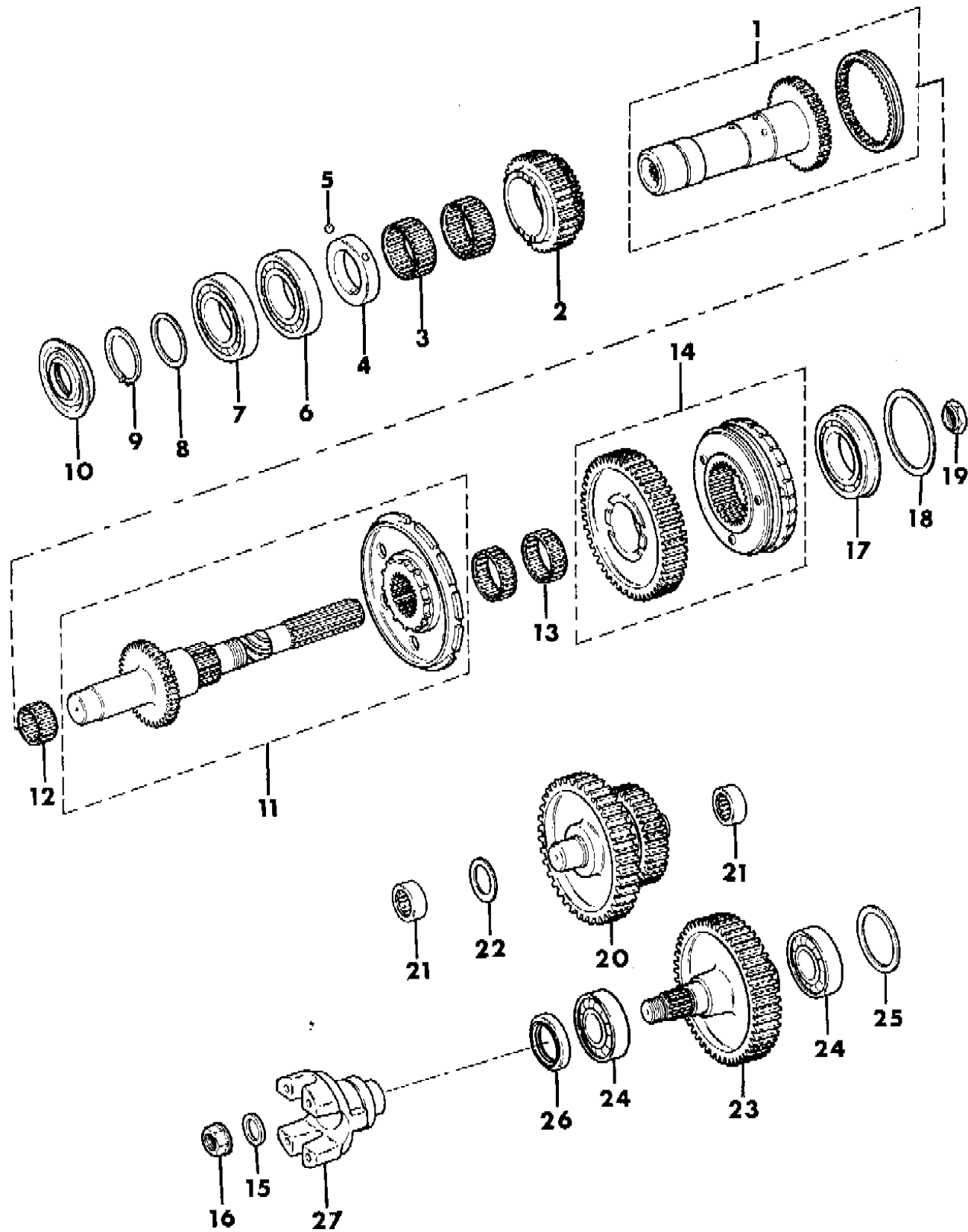
MJ = Comanche Pickup
SJ = Grand Wagoneer Wgn., J-10 & J-20 Pickups
XJ = Cherokee, Wagoneer Limited
YJ = Wrangler

AR = Use as Required - = Non Illustrated Part P.A.R. = Paint as Required

GEAR TRAIN KANDA MODEL 87A-K TRANSFER CASE(CKD) WRANGLER, YJ, CHEROKEE, WAGONEER, COMANCHE

Figure 21M-3350

8J21 3350



| ITEM | PART NUMBER | QTY | BODY | MODEL | DESCRIPTION |
|------|-------------|-----|-------|-------|---|
| 1 | | | | | GEAR, Input |
| | 8350 4714 | 1 | | | Used in all Assemblies except 53005387. |
| | 8350 6204 | 1 | XJ,MJ | | Used in Transfer Case Assembly 53005387 |
| 2 | 8350 4753 | 1 | | | GEAR, Low |
| 3 | 8350 4749 | 2 | | | BEARING |
| 4 | 8350 4752 | 1 | | | SPACER |
| 5 | 8350 4775 | 1 | | | BALL |
| 6 | 8350 4757 | 1 | | | BEARING |
| 7 | 8350 4751 | 1 | | | BEARING |
| 8 | | | | | SHIM |
| | 8350 4736 | AR | | | .1mm |
| | 8350 4737 | AR | | | .2mm |
| | 8350 4738 | AR | | | .3mm |
| | 8350 4739 | AR | | | .4mm |
| | 8350 4740 | AR | | | .5mm |
| 9 | 8350 4750 | 1 | | | RING, Retaining |
| 10 | 8350 4747 | 1 | | | SEAL, Outer Input Gear |
| 11 | | | | | SHAFT, Output |
| | 8350 4715 | 1 | | | Used in Transfer Case Assemblies: 53005061, 53005020. |
| | 8350 5458 | 1 | | | Used in Transfer Case Assemblies: 53005220, 53005319, 53005387. |
| 12 | 8350 4748 | 1 | | | BEARING |
| 13 | 8350 4762 | 2 | | | BEARING |
| 14 | | | | | GEAR, 4 WD |
| | 8350 4761 | 1 | | | Used in Transfer Case Assemblies: 53005061, 53005020. |
| | 8350 5457 | 1 | | | Used in Transfer Case Assemblies: 53005220, 53005319, 53005387. |
| 15 | 8350 4709 | 1 | | | SEAL |
| 16 | 8350 4710 | 1 | | | NUT |
| 17 | 8350 4763 | 1 | | | BEARING |
| 18 | | | | | SHIM |
| | 8350 4733 | AR | | | .1mm |
| | 8350 4734 | AR | | | .2mm |
| | 8350 4735 | AR | | | .3mm |
| 19 | 8350 4765 | 1 | | | NUT, Lock |
| 20 | 8350 4755 | 1 | | | GEAR, Idle |
| 21 | 8350 4766 | 2 | | | BEARING, Idler Gear |

MODEL CODES:

| | | |
|-----------------------------|-----------------------------|------------------------------|
| 15 = Grand Wagoneer 4 Dr. | 65 = Comanche 4WD-7 Ft. Box | 77 = Cherokee 4WD-2 Dr. |
| 25 = J-10 Pickup-119" W.B. | 66 = Comanche 2WD-7 Ft. Box | 78 = Cherokee 4WD-4 Dr. |
| 26 = J-10 Pickup-131" W.B. | 73 = Cherokee 2WD-2 Dr. | 79 = Cherokee 4WD-4 Dr.-Com |
| 27 = J-20 Pickup-131" W.B. | 74 = Cherokee 2WD-4 Dr. | 81 = Wrangler-93" W.B. |
| 63 = Comanche 4WD-6 Ft. Box | 75 = Wagoneer 4WD-4 Dr. | 82 = Wrangler-103" W.B.-Exp. |
| 64 = Comanche 2WD-6 Ft. Box | | |

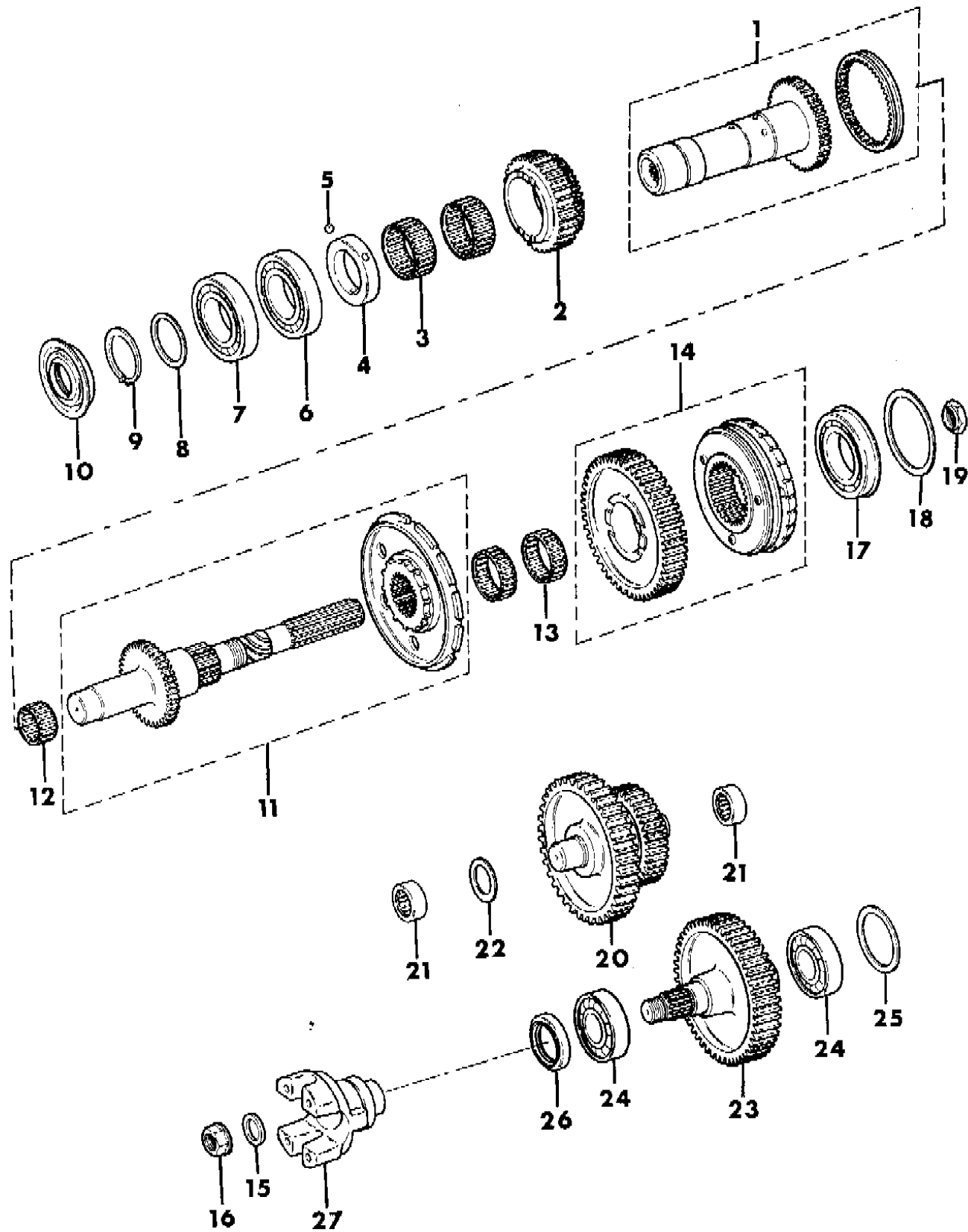
BODY STYLES:

MJ = Comanche Pickup
 SJ = Grand Wagoneer Wgn., J-10 & J-20 Pickups
 XJ = Cherokee, Wagoneer Limited
 YJ = Wrangler

AR = Use as Required - = Non Illustrated Part P.A.R. = Paint as Required

GEAR TRAIN KANDA MODEL 87A-K TRANSFER CASE(CKD) WRANGLER, YJ, CHEROKEE, WAGONEER, COMANCHE
Figure 21M-3350

8J21 3350



| ITEM | PART NUMBER | QTY | BODY | MODEL | DESCRIPTION |
|------|-------------|-----|------|-------|-----------------------|
| 22 | 8350 4756 | 2 | | | WASHER, Thrust |
| 23 | 8350 4711 | 1 | | | SHAFT, Output |
| 24 | 8350 4758 | 2 | | | BEARING, Output Shaft |
| 25 | | | | | SHIM |
| | 8350 4730 | AR | | | .1mm |
| | 8350 4731 | AR | | | .3mm |
| | 8350 4732 | AR | | | .4mm |
| 26 | 8350 4754 | 1 | | | SEAL |
| 27 | 8350 4703 | 1 | | | YOKE |

MODEL CODES:

| | | |
|-----------------------------|-----------------------------|------------------------------|
| 15 = Grand Wagoneer 4 Dr. | 65 = Comanche 4WD-7 Ft. Box | 77 = Cherokee 4WD-2 Dr. |
| 25 = J-10 Pickup-119" W.B. | 66 = Comanche 2WD-7 Ft. Box | 78 = Cherokee 4WD-4 Dr. |
| 26 = J-10 Pickup-131" W.B. | 73 = Cherokee 2WD-2 Dr. | 79 = Cherokee 4WD-4 Dr.-Com |
| 27 = J-20 Pickup-131" W.B. | 74 = Cherokee 2WD-4 Dr. | 81 = Wrangler-93" W.B. |
| 63 = Comanche 4WD-6 Ft. Box | 75 = Wagoneer 4WD-4 Dr. | 82 = Wrangler-103" W.B.-Exp. |
| 64 = Comanche 2WD-6 Ft. Box | | |

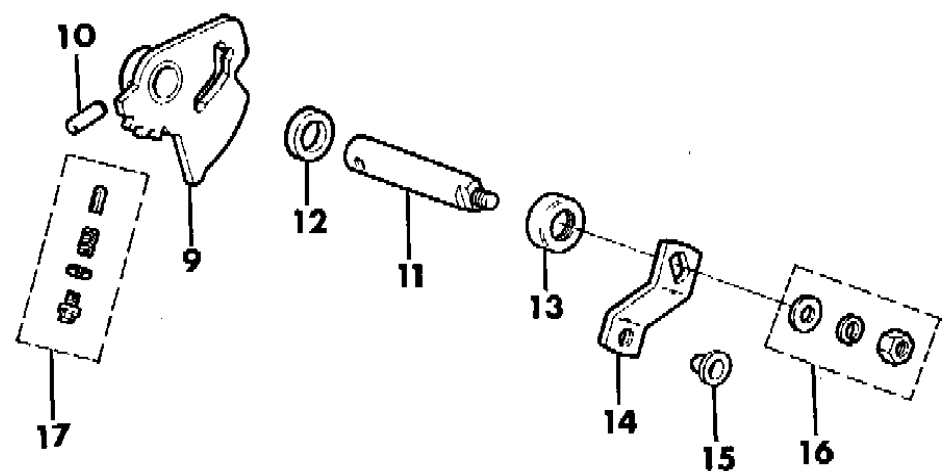
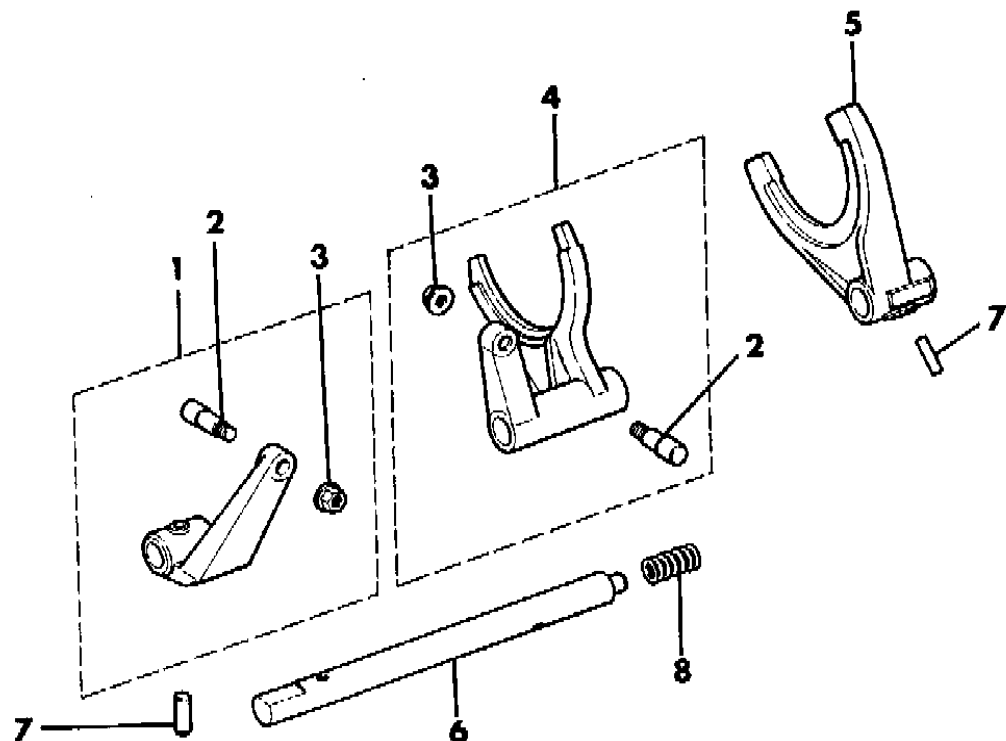
BODY STYLES:

MJ = Comanche Pickup
 SJ = Grand Wagoneer Wgn., J-10 & J-20 Pickups
 XJ = Cherokee, Wagoneer Limited
 YJ = Wrangler

AR = Use as Required - = Non Illustrated Part P.A.R. = Paint as Required

FORKS, RAILS, MISCELLANEOUS PARTS, SHIFT KANDA MODEL 87A-K TRANSFER CASE(CKD) WRANGLER, YJ, CHEROKEE, WAGONEER, COMANCHE
Figure 21M-3375

8J21 3375



| ITEM | PART NUMBER | QTY | BODY | MODEL | DESCRIPTION |
|------|-------------|-----|-------|-------|----------------------|
| 1 | 8350 4720 | 1 | | | LEVER, Rail |
| 2 | 8350 4722 | 2 | | | PIN |
| 3 | 8350 4778 | 2 | | | NUT |
| 4 | 8350 4721 | 1 | | | FORK, Range Shift |
| 5 | 8350 4744 | 1 | | | Fork, Mode Shift *** |
| 6 | 8350 4741 | 1 | | | RAIL, Shift Fork |
| 7 | 8350 4772 | 2 | | | PIN |
| 8 | 8350 4745 | 1 | | | SPRING, Rail |
| 9 | 8350 4719 | 1 | | | SECTOR |
| 10 | 8350 4770 | 1 | | | PIN |
| 11 | 8350 4728 | 1 | | | SHAFT, Sector |
| 12 | 8350 4726 | 1 | | | WASHER |
| 13 | 8350 4727 | 1 | | | SEAL, Shift Shaft |
| 14 | | | | | LEVER, Shift |
| | 8350 4701 | 1 | YJ | | |
| | 8350 4700 | 1 | XJ,MJ | | |
| 15 | J323 8418 | 1 | | | BUSHING |
| 16 | 8350 4774 | 1 | | | NUT PACKAGE *** |
| 17 | 8350 4746 | 1 | | | BOLT PACKAGE *** |

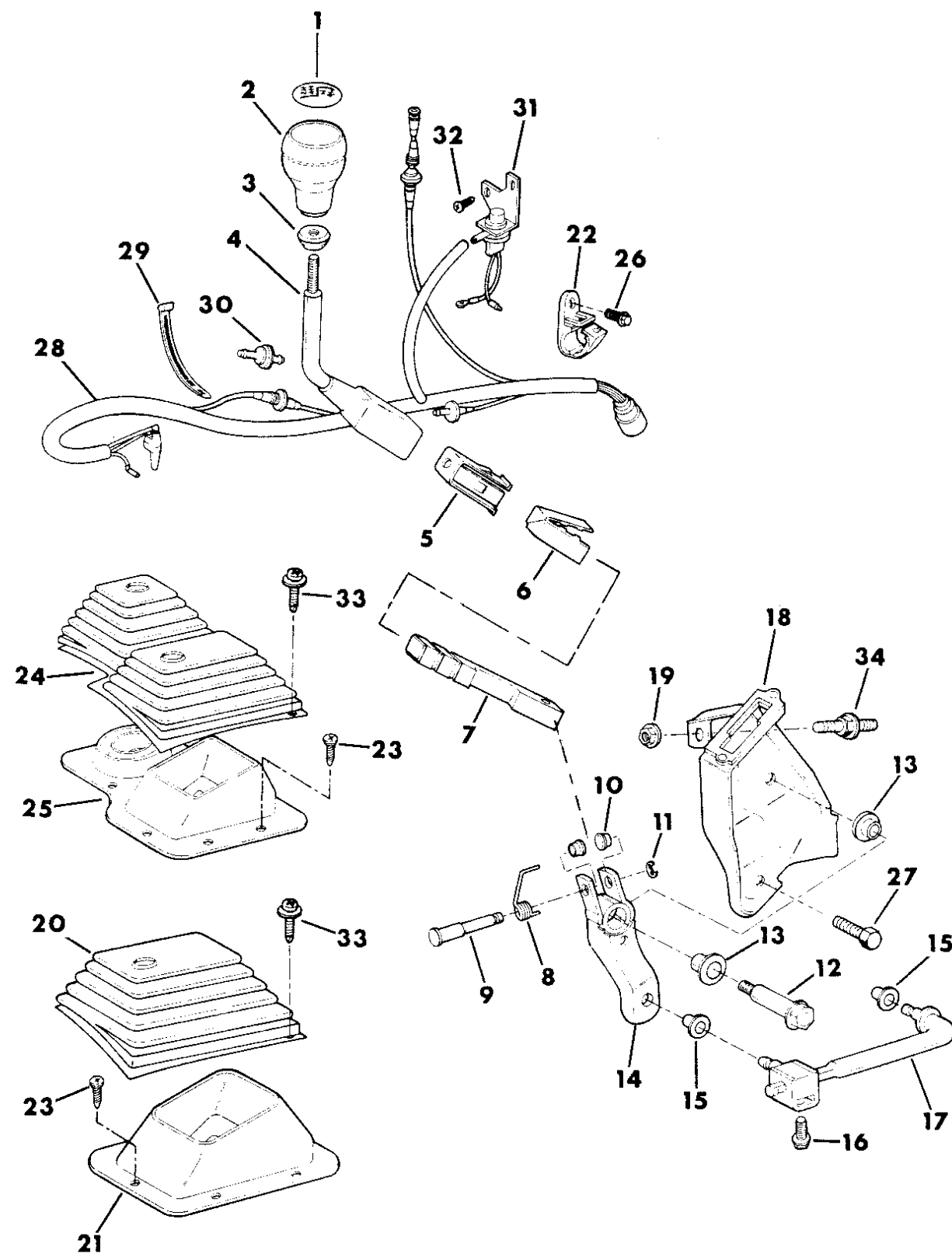
MODEL CODES:
 15 = Grand Wagoneer 4 Dr. 65 = Comanche 4WD-7 Ft. Box 77 = Cherokee 4WD-2 Dr.
 25 = J-10 Pickup-119" W.B. 66 = Comanche 2WD-7 Ft. Box 78 = Cherokee 4WD-4 Dr.
 26 = J-10 Pickup-131" W.B. 73 = Cherokee 2WD-2 Dr. 79 = Cherokee 4WD-4 Dr.-Com
 27 = J-20 Pickup-131" W.B. 74 = Cherokee 2WD-4 Dr. 81 = Wrangler-93" W.B.
 63 = Comanche 4WD-6 Ft. Box 75 = Wagoneer 4WD-4 Dr. 82 = Wrangler-103" W.B.-Exp.
 64 = Comanche 2WD-6 Ft. Box

BODY STYLES:
 MJ = Comanche Pickup
 SJ = Grand Wagoneer Wgn., J-10 & J-20 Pickups
 XJ = Cherokee, Wagoneer Limited
 YJ = Wrangler

AR = Use as Required - = Non Illustrated Part P.A.R. = Paint as Required

CONTROLS, SHIFT N.P.G. MODEL 231 /KANDA MODEL 87A-K TRANSFER CASE WRANGLER, YJ
Figure 21M-3400

8J213400



| ITEM | PART NUMBER | QTY | BODY | MODEL | DESCRIPTION |
|------|-------------|-----|------|-------|--|
| 1 | 5300 4376 | 1 | | | INSERT, Shift Lever |
| 2 | J324 1062 | 1 | | | KNOB, Shift |
| 3 | J400 6495 | 1 | | | NUT |
| 4 | 5300 3031 | 1 | | | LEVER, Transfer Case Shift |
| 5 | J324 1239 | 1 | | | CLIP |
| 6 | J324 1481 | 1 | | | ISOLATOR, Shift Lever *** |
| 7 | 5300 3029 | 1 | | | LEVER |
| 8 | 5300 3030 | 1 | | | SPRING |
| 9 | 5300 4157 | 1 | | | PIN |
| 10 | 5300 3033 | 2 | | | BUSHING |
| 11 | 1150 5398 | 1 | | | CLIP |
| 12 | 5300 3038 | 1 | | | BOLT |
| 13 | 5300 3035 | 2 | | | BUSHING |
| 14 | 5300 2028 | 1 | | | LEVER |
| 15 | J323 8418 | 2 | | | BUSHING |
| 16 | J400 6036 | 1 | | | BOLT |
| 17 | | | | | ROD, Shift |
| | 5300 4146 | 1 | | | Four Cylinder Engine, With Manual Transmission-NPG 207 Transfer Case |
| | 5300 4338 | 1 | | | Four Cylinder Engine, With Manual Transmission-NPG 231 Transfer Case |
| | 5300 3053 | 1 | | | Six Cylinder Engine, With Manual Transmission-NPG 207 Transfer Case |
| | 5300 4405 | 1 | | | Six Cylinder Engine, With Manual Transmission-NPG 231 Transfer Case |
| | 5300 2025 | 1 | | | Six Cylinder Engine, With Automatic Transmissio-NPG 207 Transfer Case |
| | 5300 4407 | 1 | | | Six Cylinder Engine, With Automatic Transmission-NPG 231 Transfer Case |
| | 5300 5277 | 1 | | | Six Cylinder Engine, With Automatic Transmission-KANDA 87A-K Transfer Case |
| 18 | | | | | BRACKET |
| | 5300 4278 | 1 | | | Four Cylinder Engine |
| | 5300 4279 | 1 | | | Six Cylinder Engine - With Manual Transmission |
| | 5300 5371 | 1 | | | With AX5 - Five Speed Transmission |
| | 5300 4280 | 1 | | | Six Cylinder Engine, With Automatic Transmission |

MODEL CODES:

| | | |
|-----------------------------|-----------------------------|------------------------------|
| 15 = Grand Wagoneer 4 Dr. | 65 = Comanche 4WD-7 Ft. Box | 77 = Cherokee 4WD-2 Dr. |
| 25 = J-10 Pickup-119" W.B. | 66 = Comanche 2WD-7 Ft. Box | 78 = Cherokee 4WD-4 Dr. |
| 26 = J-10 Pickup-131" W.B. | 73 = Cherokee 2WD-2 Dr. | 79 = Cherokee 4WD-4 Dr.-Com |
| 27 = J-20 Pickup-131" W.B. | 74 = Cherokee 2WD-4 Dr. | 81 = Wrangler-93" W.B. |
| 63 = Comanche 4WD-6 Ft. Box | 75 = Wagoneer 4WD-4 Dr. | 82 = Wrangler-103" W.B.-Exp. |
| 64 = Comanche 2WD-6 Ft. Box | | |

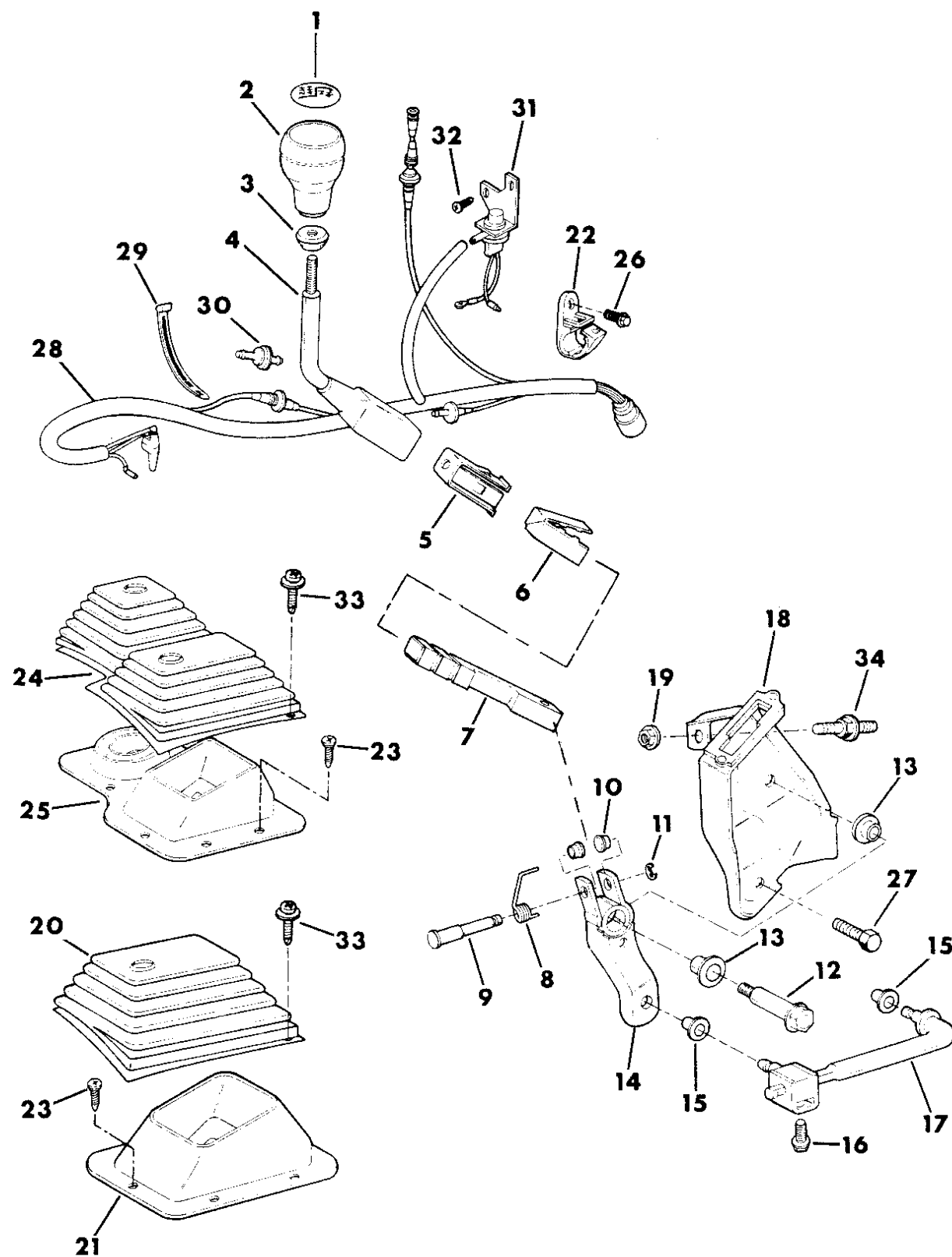
BODY STYLES:

MJ = Comanche Pickup
 SJ = Grand Wagoneer Wgn., J-10 & J-20 Pickups
 XJ = Cherokee, Wagoneer Limited
 YJ = Wrangler

AR = Use as Required - = Non Illustrated Part P.A.R. = Paint as Required

CONTROLS, SHIFT N.P.G. MODEL 231 /KANDA MODEL 87A-K TRANSFER CASE WRANGLER, YJ
Figure 21M-3400

8J213400



| ITEM | PART NUMBER | QTY | BODY | MODEL | DESCRIPTION |
|------|-------------|-----|------|-------|---|
| 19 | J400 6681 | 2 | | | NUT |
| 20 | 5300 4511 | 1 | | | BOOT, Outer With Automatic Transmission |
| 21 | | | | | BOOT, Inner, With Automatic Transmission |
| | 5300 3040 | 1 | | | 1987-89 |
| | 5300 5553 | 1 | | | 1990 |
| 22 | J545 9095 | 1 | | | CLIP |
| 23 | J400 6444 | AR | | | SCREW, (.62") |
| 24 | 5300 4539 | 1 | | | BOOT, Outer With Manual Transmission |
| 25 | | | | | BOOT, Inner, With Manual Transmission |
| | 5300 3041 | 1 | | | 1987-89 |
| | 5300 5554 | 1 | | | 1990 |
| 26 | J942 1073 | 1 | | | SCREW |
| 27 | 1150 2693 | 1 | | | BOLT |
| 28 | | | | | HARNESS, Vacuum *** |
| | 5300 2033 | 1 | | | Except Export Knockdown units |
| | 5300 4775 | 1 | | | Export Knockdown Units |
| 29 | J322 3227 | 1 | | | STRAP |
| 30 | J536 4511 | 1 | | | VALVE, Vacuum |
| 31 | 5300 1102 | 1 | | | SWITCH ASSEMBLY, 4WD Indicator Lamp |
| 32 | J400 6651 | 2 | | | SCREW |
| 33 | J400 6633 | AR | | | SCREW, Pan Head, (10-16x1) |
| 34 | J400 7546 | 2 | | | STUD |
| 35 | 5300 4295 | 1 | | | RETAINER, Transfer Case Boot, With Automatic Transmission |

MODEL CODES:
 15 = Grand Wagoneer 4 Dr. 65 = Comanche 4WD-7 Ft. Box 77 = Cherokee 4WD-2 Dr.
 25 = J-10 Pickup-119" W.B. 66 = Comanche 2WD-7 Ft. Box 78 = Cherokee 4WD-4 Dr.
 26 = J-10 Pickup-131" W.B. 73 = Cherokee 2WD-2 Dr. 79 = Cherokee 4WD-4 Dr.-Com
 27 = J-20 Pickup-131" W.B. 74 = Cherokee 2WD-4 Dr. 81 = Wrangler-93" W.B.
 63 = Comanche 4WD-6 Ft. Box 75 = Wagoneer 4WD-4 Dr. 82 = Wrangler-103" W.B.-Exp.
 64 = Comanche 2WD-6 Ft. Box

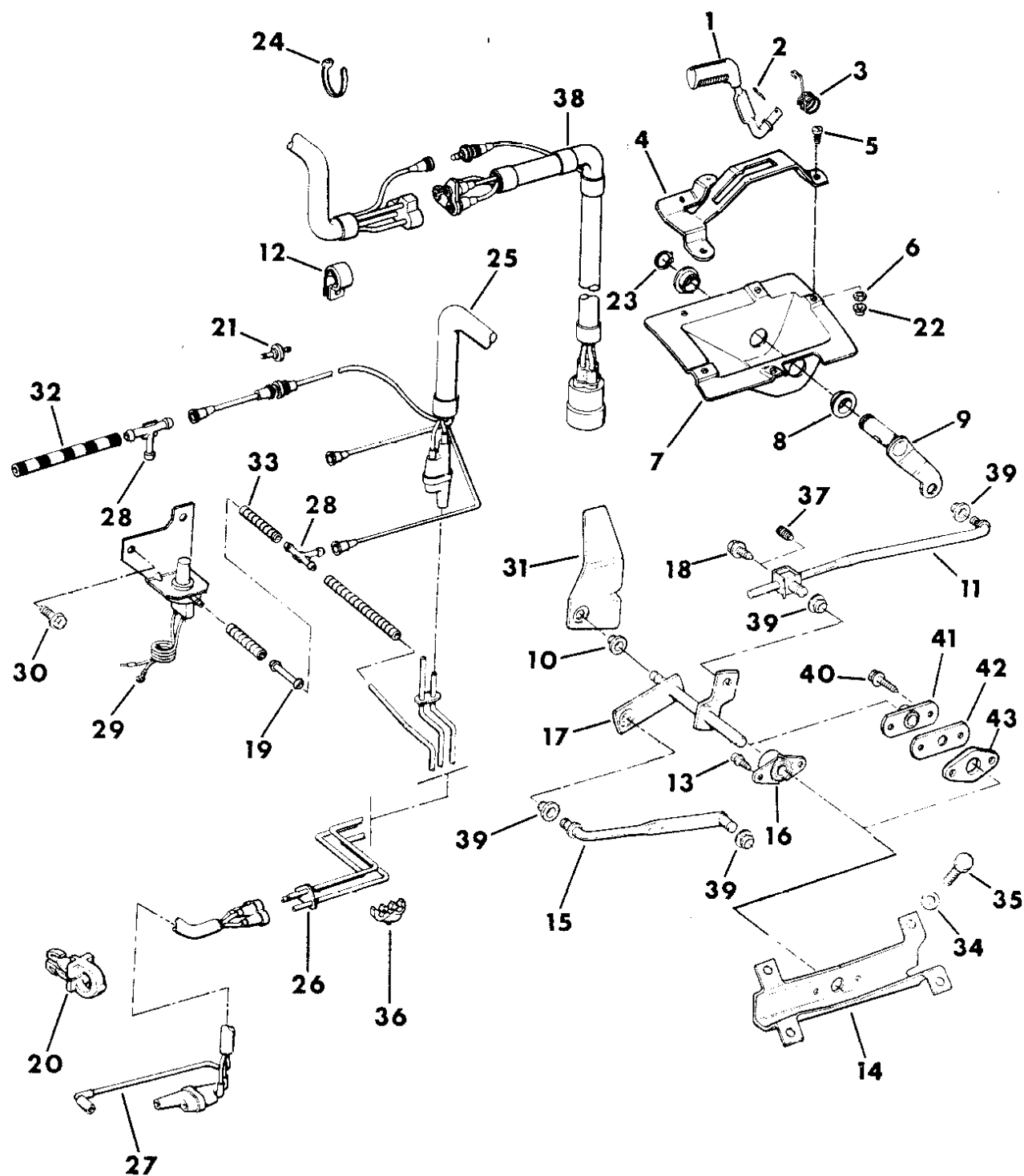
BODY STYLES:
 MJ = Comanche Pickup
 SJ = Grand Wagoneer Wgn., J-10 & J-20 Pickups
 XJ = Cherokee, Wagoneer Limited
 YJ = Wrangler

AR = Use as Required - = Non Illustrated Part P.A.R. = Paint as Required

CONTROLS, SHIFT N.P.G. MODEL 231/KANDA MODEL 87A-K TRANSFER CASE CHEROKEE, WAGONEER, COMANCHE

Figure 21M-3500

8J21 3500



| ITEM | PART NUMBER | QTY | BODY | MODEL | DESCRIPTION |
|------|-------------|-----|------|-------|--|
| 1 | 5300 3354 | 1 | | | HANDLE, Transfer Case Shift |
| 2 | J400 6723 | 1 | | | PIN, Locking |
| 3 | 5300 0809 | 1 | | | SPRING |
| 4 | 5300 4715 | 1 | | | GATE |
| 5 | 3420 1277 | 5 | | | SCREW |
| 6 | 1150 4118 | 2 | | | RETAINER |
| 7 | 5300 1284 | 1 | | | HOUSING, Shift |
| 8 | 5300 0639 | 2 | | | BUSHING |
| 9 | 5300 5150 | 1 | | | LEVER |
| 10 | 5300 4810 | 2 | | | BUSHING |
| 11 | 5300 4863 | 1 | | | SHAFT ASSEMBLY, Rod, Trunion, and Torque Shaft *** FOUR Cylinder Engine |
| | 5300 4863 | 1 | | | SIX Cylinder Engine, With Automatic Transmission |
| | 5300 4863 | 1 | | | SIX Cylinder Engine, With Peugeot Five Speed Transmission |
| | 5300 5552 | 1 | | | SIX Cylinder Engine, With Aisin AX15 Five Speed Transmission |
| | 5300 4957 | 1 | | | DIESEL |
| | 5300 5064 | 1 | | | EXPORT - Used With Kanda Transfer Case |
| 12 | J012 5928 | 1 | | | CLIP, Retaining |
| 13 | 1150 2453 | 2 | | | BOLT |
| 14 | 5300 4956 | 1 | | | BRACKET |
| 15 | 5300 4945 | 1 | | | ROD, Shift DIESEL |
| | 5300 4941 | 1 | | | FOUR Cylinder Engine, Gas, With Manual Transmission |
| | 5300 4944 | 1 | | | FOUR Cylinder Engine, Gas, With Automatic Transmission |
| | 5300 4940 | 1 | | | SIX Cylinder Engine, With Peugeot Five Speed Transmission |
| | 5300 5448 | 1 | | | SIX Cylinder Engine, With Aisin Five Speed Transmission |
| | 5300 4942 | 1 | | | SIX Cylinder Engine, With Automatic Transmission, Except Export |
| | 5300 5065 | 1 | | | SIX Cylinder Engine, With Automatic Transmission, Export |
| 16 | 5300 3355 | 1 | | | BEARING |
| 17 | 5300 5151 | 1 | | | SHAFT ASSY *** Except SIX Cylinder Engine, With Manual Transmission |
| | 5300 5445 | 1 | | | With SIX Cylinder Engine, With Manual Transmission |
| 18 | J400 6036 | 1 | | | BOLT |
| 19 | J322 0180 | 1 | | | CONNECTOR |
| 20 | 3420 1633 | 3 | | | CLIP |
| 21 | J536 4511 | 1 | | | VALVE, Vacuum |

MODEL CODES:

| | | |
|-----------------------------|-----------------------------|------------------------------|
| 15 = Grand Wagoneer 4 Dr. | 65 = Comanche 4WD-7 Ft. Box | 77 = Cherokee 4WD-2 Dr. |
| 25 = J-10 Pickup-119" W.B. | 66 = Comanche 2WD-7 Ft. Box | 78 = Cherokee 4WD-4 Dr. |
| 26 = J-10 Pickup-131" W.B. | 73 = Cherokee 2WD-2 Dr. | 79 = Cherokee 4WD-4 Dr.-Com |
| 27 = J-20 Pickup-131" W.B. | 74 = Cherokee 2WD-4 Dr. | 81 = Wrangler-93" W.B. |
| 63 = Comanche 4WD-6 Ft. Box | 75 = Wagoneer 4WD-4 Dr. | 82 = Wrangler-103" W.B.-Exp. |
| 64 = Comanche 2WD-6 Ft. Box | | |

BODY STYLES:

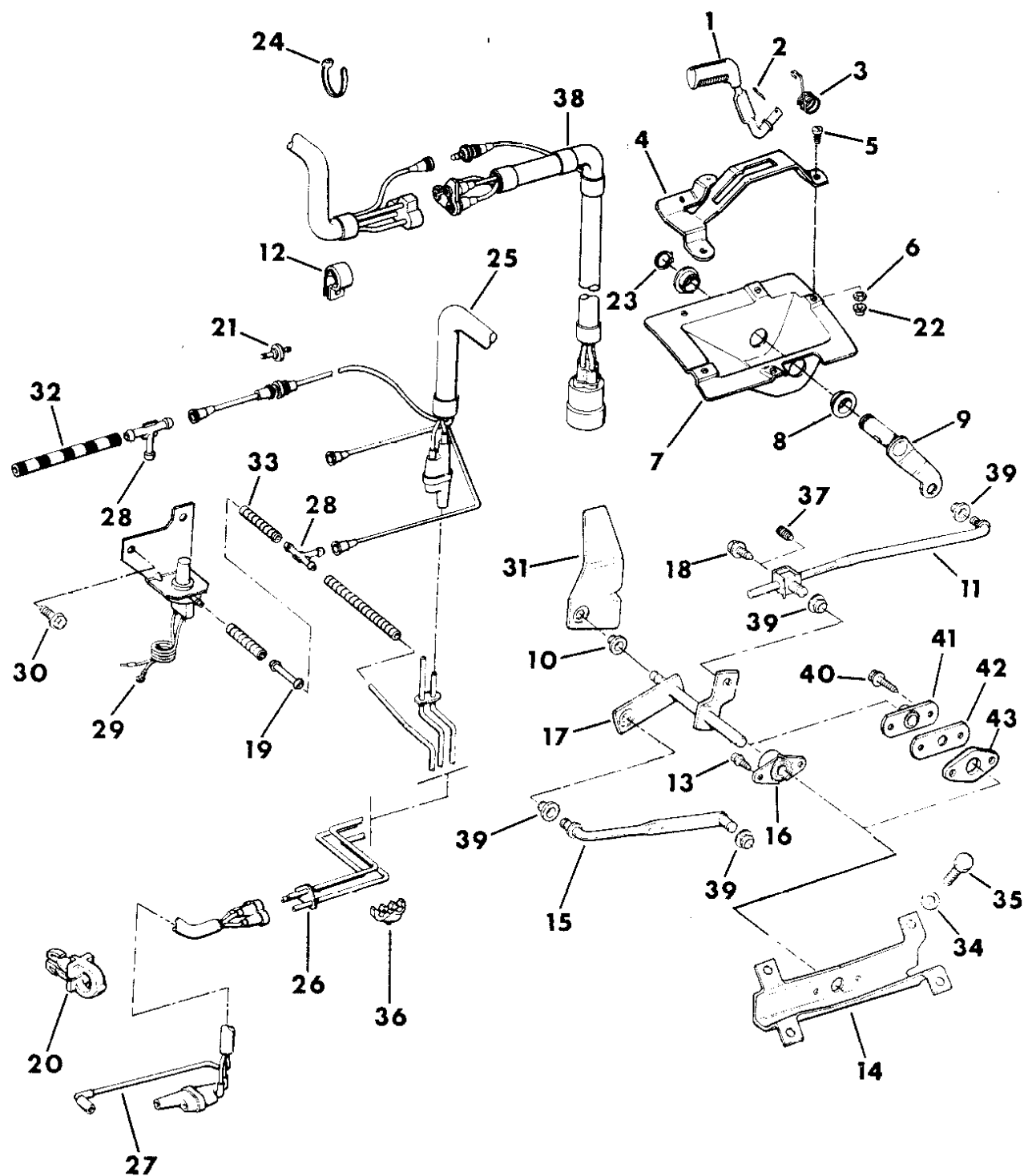
MJ = Comanche Pickup
 SJ = Grand Wagoneer Wgn., J-10 & J-20 Pickups
 XJ = Cherokee, Wagoneer Limited
 YJ = Wrangler

AR = Use as Required - = Non Illustrated Part P.A.R. = Paint as Required

CONTROLS, SHIFT N.P.G. MODEL 231/KANDA MODEL 87A-K TRANSFER CASE CHEROKEE, WAGONEER, COMANCHE

Figure 21M-3500

8J21 3500



| ITEM | PART NUMBER | QTY | BODY | MODEL | DESCRIPTION |
|------|-------------|-----|------|-------|--|
| 22 | 3420 1578 | 5 | | | RIVNUT M5x.8 *** |
| 23 | 1150 5389 | 1 | | | RING, Retaining |
| 24 | J369 3058 | 4 | | | STRAP |
| 25 | 5300 3974 | 1 | | | HARNES, Vacuum *** Except FOUR Cylinder Engine, Gas, Export |
| | 5300 1100 | 1 | | | With FOUR Cylinder Engine, Gas, Export |
| 26 | 5300 1412 | 1 | | | TUBE ASSY, Vacuum |
| 27 | 5300 1408 | 1 | | | HARNES, Vacuum |
| 28 | J323 2982 | 2 | | | TEE |
| 29 | 5300 1102 | 1 | | | SWITCH ASSY, 4WD Indicator Lamp |
| 30 | 1150 2453 | 2 | | | SCREW |
| 31 | 5300 4917 | 1 | | | BRACKET DIESEL |
| | 5300 4917 | 1 | | | FOUR Cylinder Engine, Gas, With Manual Transmission |
| | 5300 5070 | 1 | | | FOUR Cylinder Engine, Gas, With Automatic Transmission |
| | 5300 5072 | 1 | | | SIX Cylinder Engine, With Peugeot Five Speed Transmission |
| | 5300 5457 | 1 | | | SIX Cylinder Engine, With Aisin Five Speed Transmission |
| | 5300 5071 | 1 | | | SIX Cylinder Engine, With Automatic Transmission |
| 32 | 8330 0080 | AR | | | HOSE, Vacuum BULK |
| 33 | J812 5812 | AR | | | HOSE, Vacuum BULK |
| 34 | J044 6188 | 4 | | | WASHER |
| 35 | 3420 2407 | 4 | | | BOLT |
| 36 | 5300 1242 | 2 | | | CLIP, Retaining |
| 37 | J400 7498 | 1 | | | SCREW, Set |
| 38 | 5300 4804 | 1 | | | HARNES, Vacuum *** Except FOUR Cylinder Engine, Gas, Export |
| | 5300 1100 | 1 | | | With FOUR Cylinder Engine, Gas, Export |
| 39 | J323 8418 | 3 | | | BUSHING |
| 40 | 3420 1691 | 2 | | | BOLT |
| 41 | 5300 5094 | 1 | | | BEARING |
| 42 | 5300 5154 | 1 | | | GASKET |
| 43 | 5300 5037 | 1 | | | SPACER |

MODEL CODES:

| | | |
|-----------------------------|-----------------------------|------------------------------|
| 15 = Grand Wagoneer 4 Dr. | 65 = Comanche 4WD-7 Ft. Box | 77 = Cherokee 4WD-2 Dr. |
| 25 = J-10 Pickup-119" W.B. | 66 = Comanche 2WD-7 Ft. Box | 78 = Cherokee 4WD-4 Dr. |
| 26 = J-10 Pickup-131" W.B. | 73 = Cherokee 2WD-2 Dr. | 79 = Cherokee 4WD-4 Dr.-Com |
| 27 = J-20 Pickup-131" W.B. | 74 = Cherokee 2WD-4 Dr. | 81 = Wrangler-93" W.B. |
| 63 = Comanche 4WD-6 Ft. Box | 75 = Wagoneer 4WD-4 Dr. | 82 = Wrangler-103" W.B.-Exp. |
| 64 = Comanche 2WD-6 Ft. Box | | |

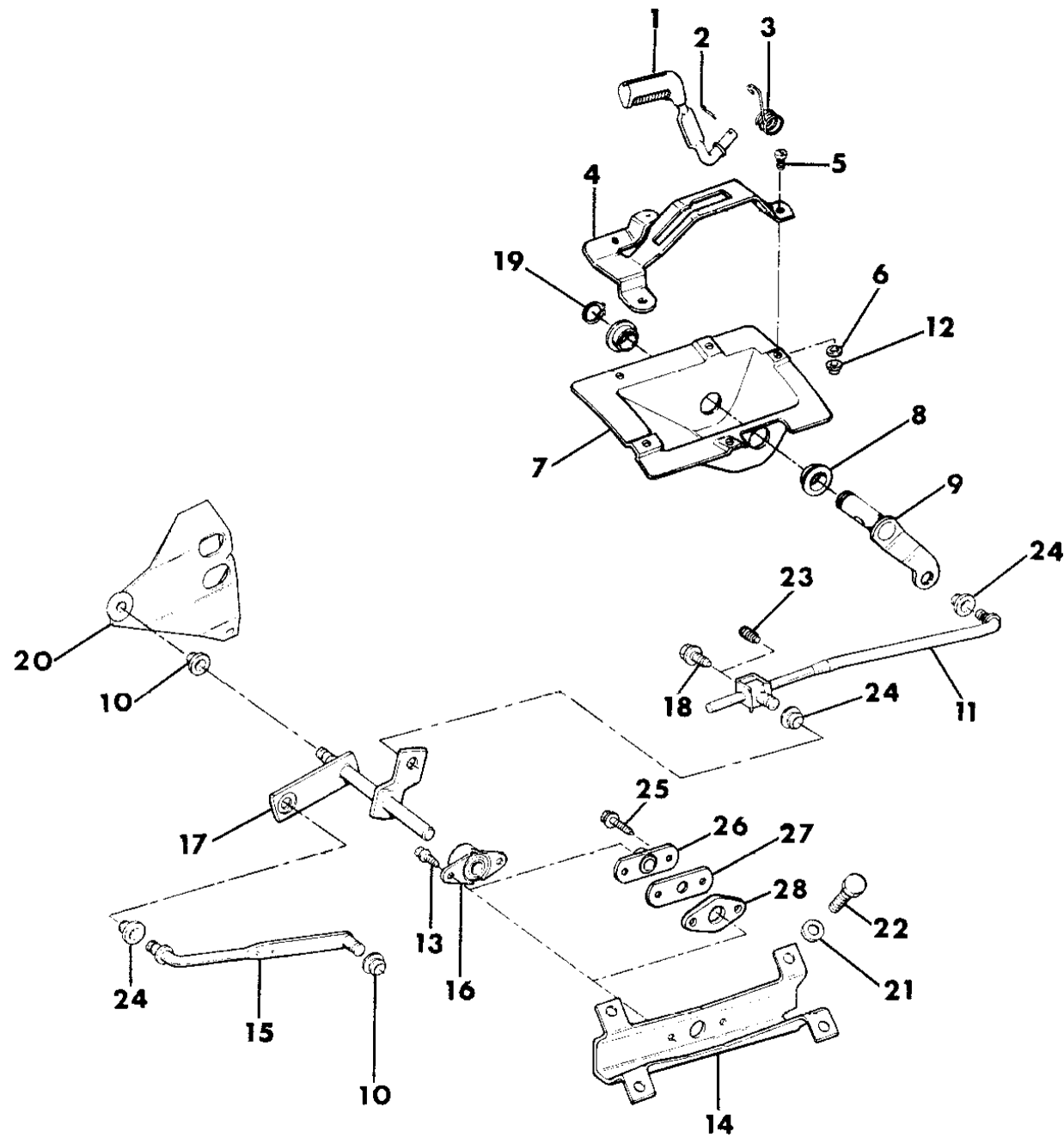
BODY STYLES:

MJ = Comanche Pickup
 SJ = Grand Wagoneer Wgn., J-10 & J-20 Pickups
 XJ = Cherokee, Wagoneer Limited
 YJ = Wrangler

AR = Use as Required - = Non Illustrated Part P.A.R. = Paint as Required

CONTROLS, SHIFT N.P.G. MODEL 242 TRANSFER CASE CHEROKEE, WAGONEER, COMANCHE
Figure 21M-3600

8J21 3600



| ITEM | PART NUMBER | QTY | BODY | MODEL | DESCRIPTION |
|------|-------------|-----|------|-------|-----------------------------|
| 1 | 5300 3354 | 1 | | | HANDLE, Transfer Case Shift |
| 2 | J400 6723 | 1 | | | PIN, Locking |
| 3 | 5300 0809 | 1 | | | SPRING |
| 4 | 5300 3475 | 1 | | | GATE |
| 5 | 3420 1277 | 5 | | | SCREW |
| 6 | 1150 4118 | 2 | | | RETAINER |
| 7 | 5300 1284 | 1 | | | HOUSING, Shift |
| 8 | 5300 0639 | 2 | | | BUSHING |
| 9 | 5300 5150 | 1 | | | LEVER |
| 10 | 5300 4810 | 2 | | | BUSHING |
| 11 | 5300 4863 | 1 | | | ROD, Shift |
| 12 | 3420 1578 | 5 | | | NUTSERT *** |
| 13 | 3420 1895 | 2 | | | BOLT |
| 14 | 5300 4956 | 1 | | | BRACKET |
| 15 | 5300 4943 | 1 | | | ROD, Shift |
| 16 | 5300 3355 | 1 | | | BEARING |
| 17 | 5300 5151 | 1 | | | SHAFT ASSY *** |
| 18 | J400 6036 | 1 | | | BOLT |
| 19 | 1150 5389 | 1 | | | RING, Retaining |
| 20 | 5300 5071 | 1 | | | BRACKET |
| 21 | J044 6188 | 4 | | | WASHER |
| 22 | 3420 2407 | 4 | | | BOLT |
| 23 | J400 7498 | 1 | | | SCREW, Set |
| 24 | J323 8418 | 3 | | | BUSHING |
| 25 | 3420 1691 | 2 | | | BOLT |
| 26 | 5300 5094 | 1 | | | BEARING |
| 27 | 5300 5154 | 1 | | | GASKET |
| 28 | 5300 5037 | 1 | | | SPACER |

MODEL CODES:

| | | |
|-----------------------------|-----------------------------|------------------------------|
| 15 = Grand Wagoneer 4 Dr. | 65 = Comanche 4WD-7 Ft. Box | 77 = Cherokee 4WD-2 Dr. |
| 25 = J-10 Pickup-119" W.B. | 66 = Comanche 2WD-7 Ft. Box | 78 = Cherokee 4WD-4 Dr. |
| 26 = J-10 Pickup-131" W.B. | 73 = Cherokee 2WD-2 Dr. | 79 = Cherokee 4WD-4 Dr.-Com |
| 27 = J-20 Pickup-131" W.B. | 74 = Cherokee 2WD-4 Dr. | 81 = Wrangler-93" W.B. |
| 63 = Comanche 4WD-6 Ft. Box | 75 = Wagoneer 4WD-4 Dr. | 82 = Wrangler-103" W.B.-Exp. |
| 64 = Comanche 2WD-6 Ft. Box | | |

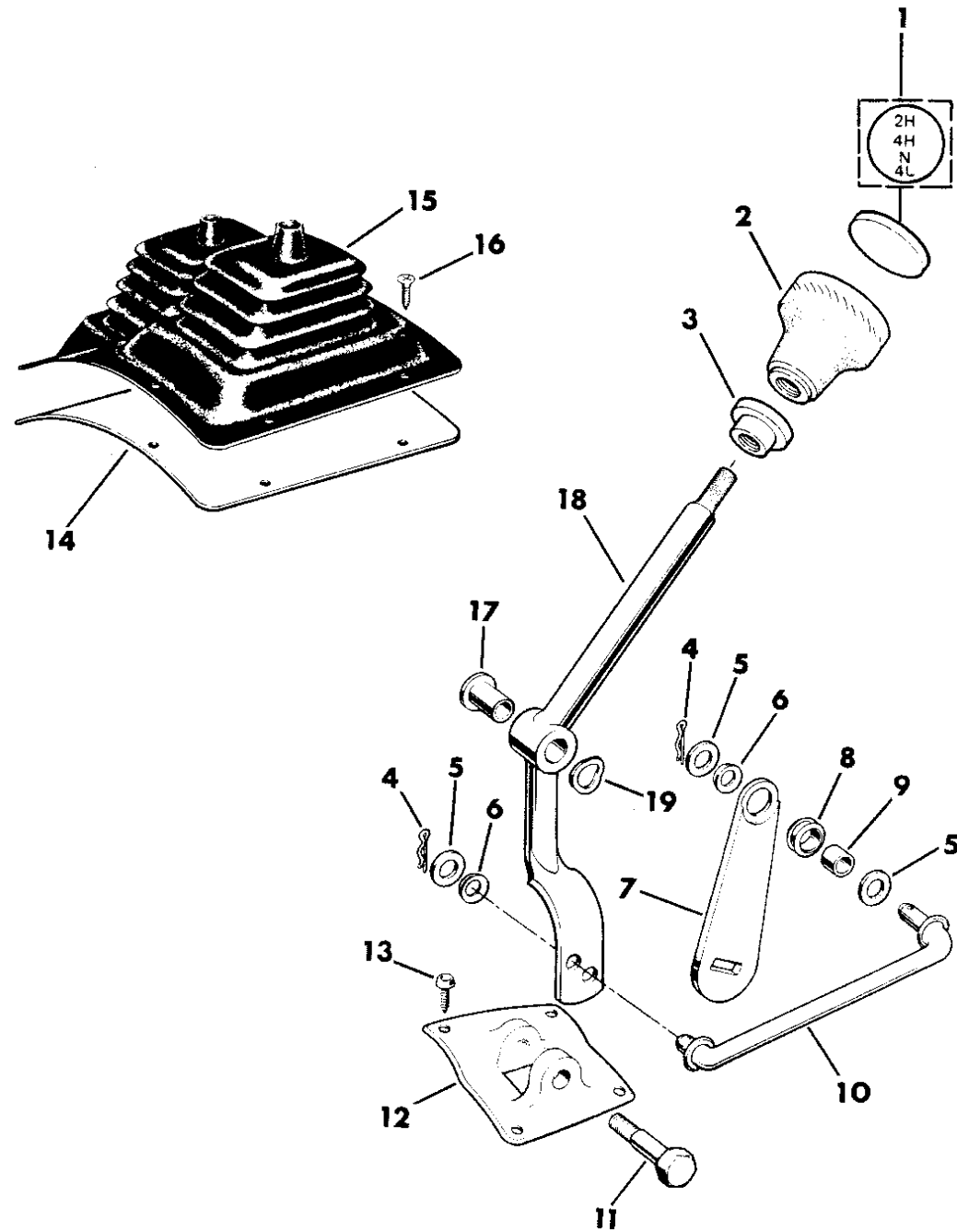
BODY STYLES:

MJ = Comanche Pickup
 SJ = Grand Wagoneer Wgn., J-10 & J-20 Pickups
 XJ = Cherokee, Wagoneer Limited
 YJ = Wrangler

AR = Use as Required - = Non Illustrated Part P.A.R. = Paint as Required

CONTROLS, TRANSFER CASE SHIFT N.P.G. MODEL 208 WITH MANUAL TRANSMISSION GRAND WAGONEER, TRUCK J10, J20
Figure 21M-3700

8 J 21 3700



| ITEM | PART NUMBER | QTY | BODY | MODEL | DESCRIPTION |
|------|-------------|-----|------|-------|----------------|
| 1 | J324 1431 | 1 | | | INSERT |
| 2 | J324 1062 | 1 | | | KNOB, Shift |
| 3 | J400 6495 | 1 | | | NUT |
| 4 | J400 4295 | 2 | | | PIN, Hitch |
| 5 | J094 3961 | 3 | | | WASHER, Flat |
| 6 | J081 5535 | 2 | | | WASHER, Wave |
| 7 | J536 0185 | 1 | | | LEVER |
| 8 | J318 7697 | 1 | | | GROMMET |
| 9 | J318 7696 | 1 | | | BUSHING |
| 10 | | | | | ROD, Shift |
| | J536 0906 | 1 | | | GRAND WAGONEER |
| | J536 0906 | 1 | | | TRUCK J10 |
| | J536 0903 | 1 | | | TRUCK J20 |
| 11 | J400 6490 | 1 | | | BOLT |
| 12 | J536 1066 | 1 | | | BRACKET |
| 13 | J943 1948 | 1 | | | SCREW |
| 14 | J575 2447 | 1 | | | SEAL |
| 15 | | | | | BOOT |
| | J575 2011 | 1 | | | Black |
| | 5501 5248 | 1 | | | Tan |
| 16 | J400 7056 | 8 | | | SCREW |
| 17 | J400 6489 | 1 | | | BUSHING |
| 18 | J536 0197 | 1 | | | LEVER |
| 19 | J400 6483 | 1 | | | WASHER, Wave |

MODEL CODES:

| | | |
|-----------------------------|-----------------------------|------------------------------|
| 15 = Grand Wagoneer 4 Dr. | 65 = Comanche 4WD-7 Ft. Box | 77 = Cherokee 4WD-2 Dr. |
| 25 = J-10 Pickup-119" W.B. | 66 = Comanche 2WD-7 Ft. Box | 78 = Cherokee 4WD-4 Dr. |
| 26 = J-10 Pickup-131" W.B. | 73 = Cherokee 2WD-2 Dr. | 79 = Cherokee 4WD-4 Dr.-Com |
| 27 = J-20 Pickup-131" W.B. | 74 = Cherokee 2WD-4 Dr. | 81 = Wrangler-93" W.B. |
| 63 = Comanche 4WD-6 Ft. Box | 75 = Wagoneer 4WD-4 Dr. | 82 = Wrangler-103" W.B.-Exp. |
| 64 = Comanche 2WD-6 Ft. Box | | |

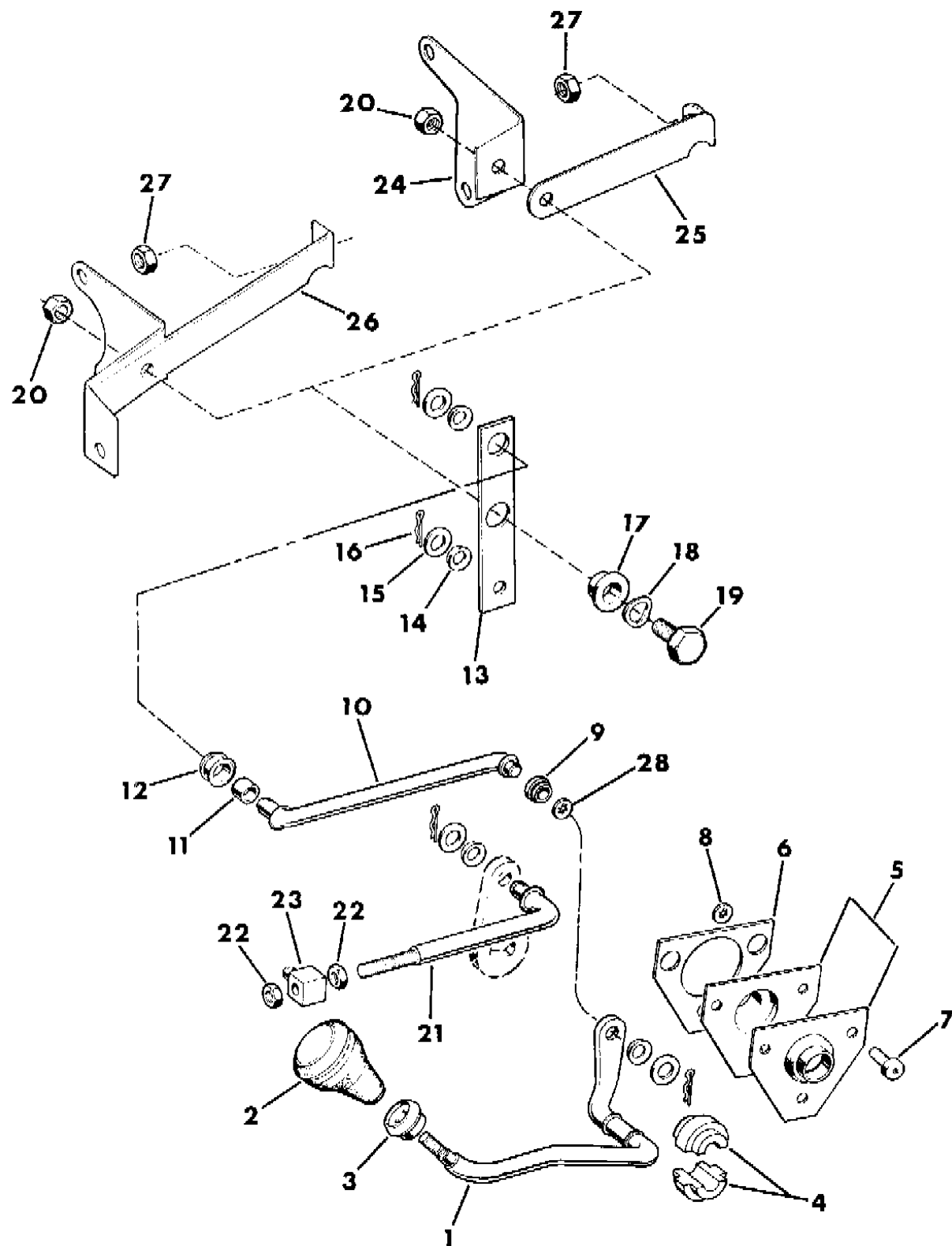
BODY STYLES:

MJ = Comanche Pickup
 SJ = Grand Wagoneer Wgn., J-10 & J-20 Pickups
 XJ = Cherokee, Wagoneer Limited
 YJ = Wrangler

AR = Use as Required - = Non Illustrated Part P.A.R. = Paint as Required

CONTROLS, TRANSFER CASE SHIFT N.P.G. MODEL 208, 229 WITH AUTOMATIC TRANSMISSION GRAND WAGONEER, TRUCK J10, J20
Figure 21M-3750

8 J 21 3750 A



| ITEM | PART NUMBER | QTY | BODY | MODEL | DESCRIPTION |
|------|-------------|-----|------|-------|----------------------------|
| 1 | 8350 2727 | 1 | | | LEVER, Transfer Case Shift |
| 2 | J536 1065 | 1 | | | KNOB, Shift |
| | J536 3530 | 1 | | | 208 Transfer Case |
| | J536 3530 | 1 | | | 229 Transfer Case |
| 3 | J400 6495 | 1 | | | NUT |
| 4 | J400 6487 | 2 | | | BUSHING |
| 5 | J536 0114 | 2 | | | RETAINER |
| 6 | J536 0134 | 1 | | | GASKET |
| 7 | J400 5765 | 1 | | | SCREW |
| 8 | J400 5041 | 1 | | | NUT |
| 9 | J323 8418 | 1 | | | BUSHING |
| 10 | | | | | ROD, Shift |
| | 5300 4306 | 1 | | | SIX CYLINDER ENGINE |
| | 5300 4307 | 1 | | | EIGHT CYLINDER ENGINE |
| 11 | J318 7696 | 1 | | | BUSHING |
| 12 | J318 7697 | 1 | | | GROMMET |
| 13 | | | | | LEVER |
| | J536 0084 | 1 | | | 208 Transfer Case |
| | J536 3526 | 1 | | | 229 Transfer Case |
| 14 | J081 5535 | 3 | | | WASHER, Wave |
| 15 | J094 3961 | 3 | | | WASHER, Plain |
| 16 | J400 4295 | 3 | | | PIN, Hitch |
| 17 | J400 6488 | 1 | | | BUSHING |
| 18 | J400 6483 | 1 | | | WASHER, Wave |
| 19 | J400 6482 | 1 | | | BOLT |
| 20 | J941 3534 | 1 | | | NUT |
| 21 | J536 3528 | 1 | | | ROD, Shift |
| 22 | J012 4824 | 2 | | | NUT |
| 23 | J536 0930 | 1 | | | SWIVEL |
| 24 | J536 0052 | 1 | | | BRACKET |
| 25 | J536 0072 | 1 | | | BRACKET |
| 26 | J536 3522 | 1 | | | BRACKET |
| 27 | J420 0081 | 1 | | | NUT |
| 28 | J098 0363 | 1 | | | NUT |

MODEL CODES:

| | | |
|-----------------------------|-----------------------------|------------------------------|
| 15 = Grand Wagoneer 4 Dr. | 65 = Comanche 4WD-7 Ft. Box | 77 = Cherokee 4WD-2 Dr. |
| 25 = J-10 Pickup-119" W.B. | 66 = Comanche 2WD-7 Ft. Box | 78 = Cherokee 4WD-4 Dr. |
| 26 = J-10 Pickup-131" W.B. | 73 = Cherokee 2WD-2 Dr. | 79 = Cherokee 4WD-4 Dr.-Com |
| 27 = J-20 Pickup-131" W.B. | 74 = Cherokee 2WD-4 Dr. | 81 = Wrangler-93" W.B. |
| 63 = Comanche 4WD-6 Ft. Box | 75 = Wagoneer 4WD-4 Dr. | 82 = Wrangler-103" W.B.-Exp. |
| 64 = Comanche 2WD-6 Ft. Box | | |

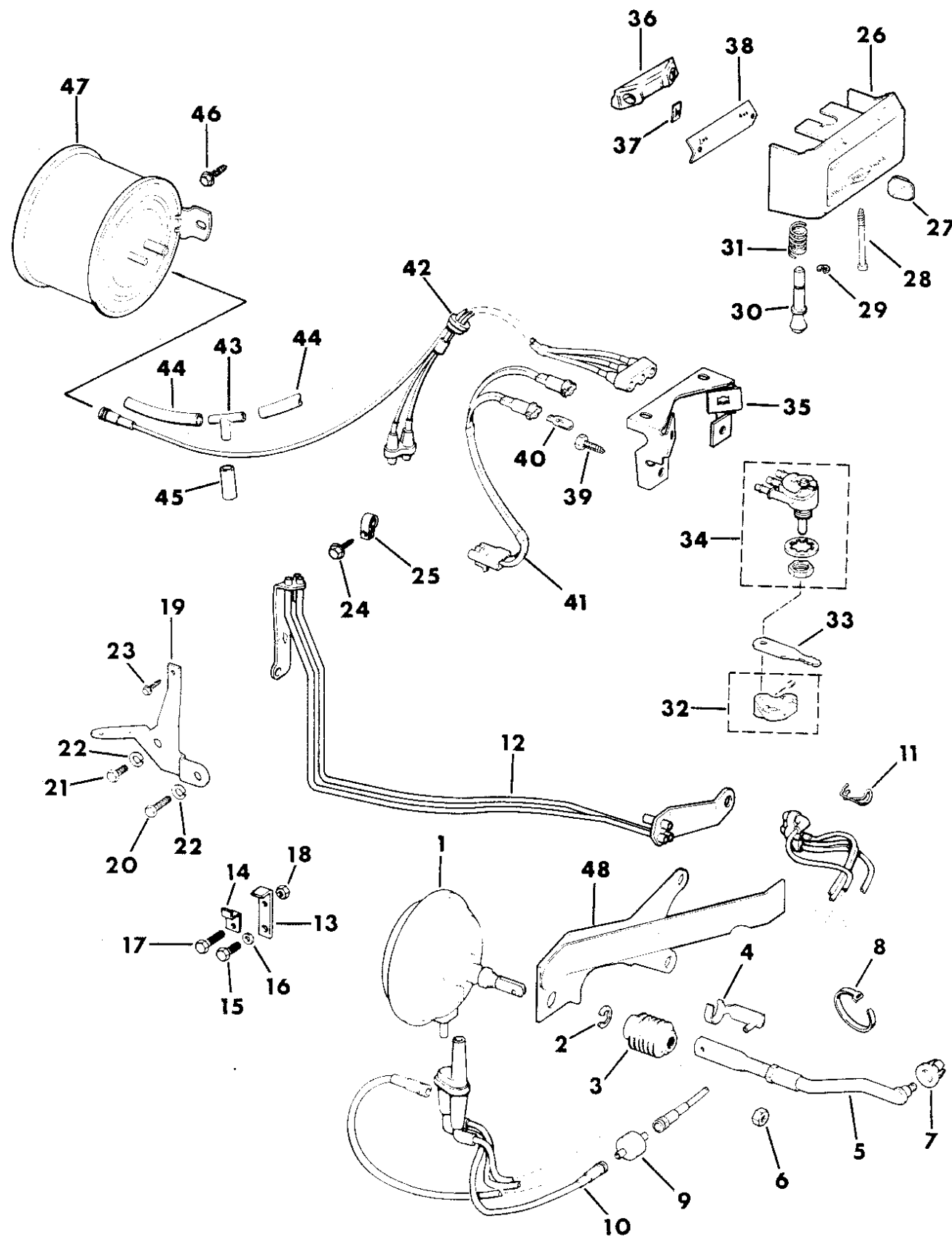
BODY STYLES:

MJ = Comanche Pickup
 SJ = Grand Wagoneer Wgn., J-10 & J-20 Pickups
 XJ = Cherokee, Wagoneer Limited
 YJ = Wrangler

AR = Use as Required - = Non Illustrated Part P.A.R. = Paint as Required

CONTROLS SWITCH, TRANSFER CASE VACUUM N.P.G. MODEL 229 TYPE 1 GRAND WAGONEER, TRUCK J10, J20
Figure 21M-3800

8 J 21 3800



| ITEM | PART NUMBER | QTY | BODY | MODEL | DESCRIPTION |
|------|-------------|-----|------|-------|---|
| 1 | 5300 4596 | 1 | | | MOTOR, Transfer Case Vacuum |
| 2 | J400 6924 | 1 | | | CLIP |
| 3 | J324 0126 | 1 | | | BOOT |
| 4 | J324 1415 | 1 | | | CLIP |
| 5 | J536 3985 | 1 | | | ROD |
| 6 | J012 4824 | 1 | | | NUT |
| 7 | J323 8418 | 1 | | | BUSHING |
| 8 | J322 3227 | 3 | | | STRAP |
| 9 | J536 4511 | 1 | | | VALVE, Vacuum |
| 10 | J536 5166 | 1 | | | HARNESS, Vacuum |
| 11 | J098 7269 | 1 | | | RETAINER |
| 12 | J536 5164 | 1 | | | TUBE ASSY, Shift SIX CYLINDER ENGINE |
| | J536 5165 | 1 | | | EIGHT CYLINDER ENGINE |
| 13 | J536 4338 | 1 | | | BRACKET |
| 14 | J536 4175 | 1 | | | CLIP |
| 15 | J400 6110 | 1 | | | BOLT |
| 16 | J012 0388 | 1 | | | WASHER |
| 17 | S018 0017 | 1 | | | BOLT |
| 18 | J027 1172 | 1 | | | NUT |
| 19 | J536 3932 | 1 | | | BRACKET, SIX Cylinder Engine |
| 20 | S018 0124 | 1 | | | BOLT, SIX Cylinder Engine |
| 21 | J018 0120 | 1 | | | BOLT, SIX Cylinder Engine |
| 22 | J400 3803 | 2 | | | WASHER, SIX Cylinder Engine |
| 23 | J942 6241 | 1 | | | SCREW |
| 24 | J400 5600 | 1 | | | SCREW |
| 25 | S014 0580 | 1 | | | CLIP |
| 26 | J576 6615 | 1 | | | BEZEL Paint as Required |
| 27 | J324 1055 | 1 | | | KNOB |
| 28 | J400 7052 | 2 | | | SCREW |
| 29 | J400 6918 | 1 | | | RING, Retaining |
| 30 | J576 6610 | 1 | | | PIN |
| 31 | J324 0289 | 1 | | | SPRING |
| 32 | J576 6612 | 1 | | | BASE, Vacuum Switch |
| 33 | J324 0211 | 1 | | | LEVER |
| 34 | J324 0218 | 1 | | | SWITCH, Transfer Case Lockout |
| 35 | J576 1732 | 1 | | | BRACKET |

MODEL CODES:

| | | |
|-----------------------------|-----------------------------|------------------------------|
| 15 = Grand Wagoneer 4 Dr. | 65 = Comanche 4WD-7 Ft. Box | 77 = Cherokee 4WD-2 Dr. |
| 25 = J-10 Pickup-119" W.B. | 66 = Comanche 2WD-7 Ft. Box | 78 = Cherokee 4WD-4 Dr. |
| 26 = J-10 Pickup-131" W.B. | 73 = Cherokee 2WD-2 Dr. | 79 = Cherokee 4WD-4 Dr.-Com |
| 27 = J-20 Pickup-131" W.B. | 74 = Cherokee 2WD-4 Dr. | 81 = Wrangler-93" W.B. |
| 63 = Comanche 4WD-6 Ft. Box | 75 = Wagoneer 4WD-4 Dr. | 82 = Wrangler-103" W.B.-Exp. |
| 64 = Comanche 2WD-6 Ft. Box | | |

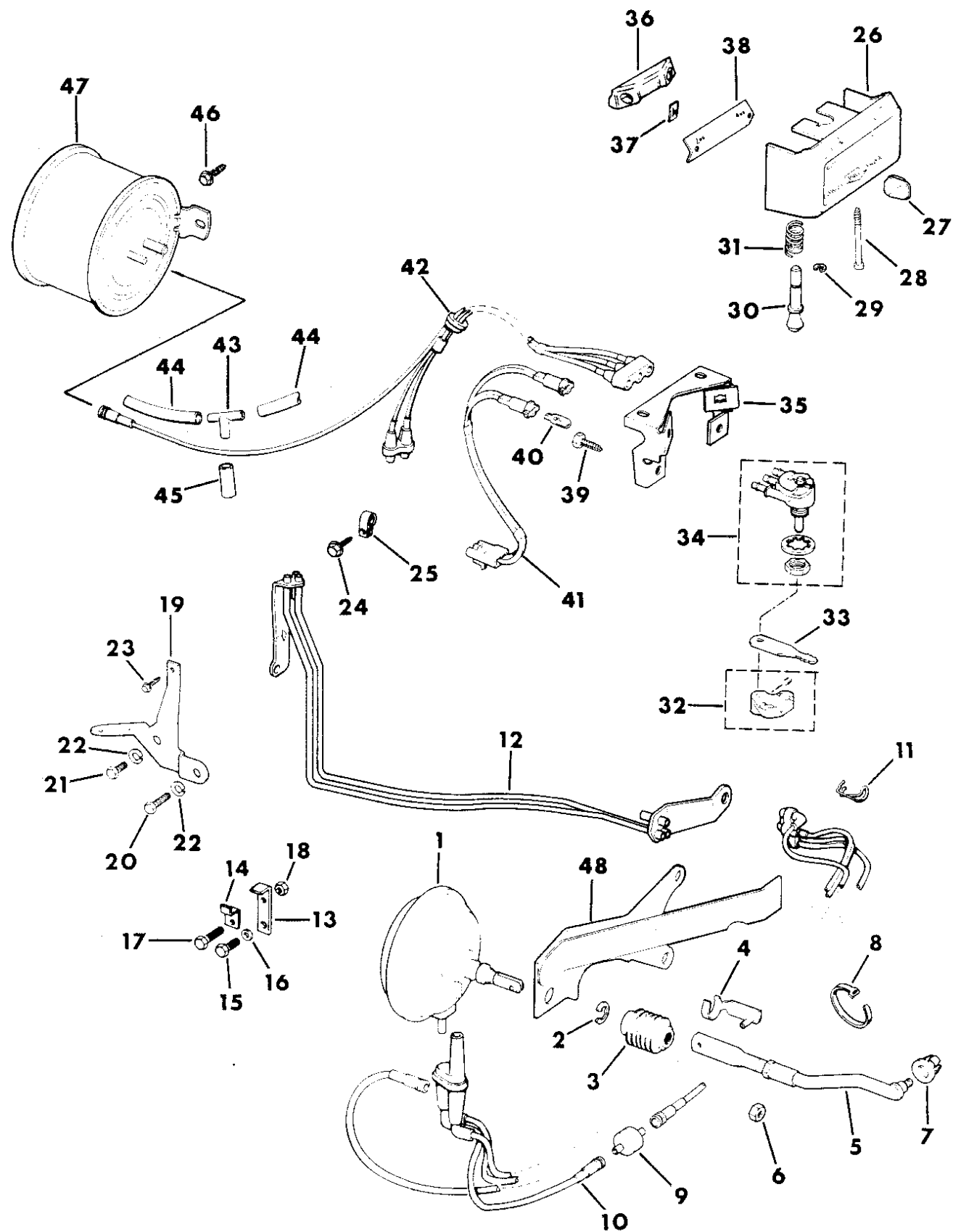
BODY STYLES:

MJ = Comanche Pickup
 SJ = Grand Wagoneer Wgn., J-10 & J-20 Pickups
 XJ = Cherokee, Wagoneer Limited
 YJ = Wrangler

AR = Use as Required - = Non Illustrated Part P.A.R. = Paint as Required

CONTROLS SWITCH, TRANSFER CASE VACUUM N.P.G. MODEL 229 TYPE 1 GRAND WAGONEER, TRUCK J10, J20
Figure 21M-3800

8 J 21 3800



| ITEM | PART NUMBER | QTY | BODY | MODEL | DESCRIPTION |
|------|-------------|-----|------|-------|--|
| 36 | J576 1999 | 1 | | | SHIELD |
| 37 | J400 7069 | 2 | | | NUT |
| 38 | J576 1923 | 1 | | | LENS |
| 39 | J400 5932 | 2 | | | SCREW |
| 40 | J320 9541 | 1 | | | BULB |
| 41 | J576 1733 | 1 | | | WIRE |
| 42 | J536 4138 | 1 | | | HARNESS, Vacuum SIX CYLINDER ENGINE |
| | J536 4137 | 1 | | | EIGHT CYLINDER ENGINE |
| 43 | J323 9827 | 1 | | | TEE |
| 44 | 8330 0080 | AR | | | HOSE, Vacuum BULK |
| 45 | J812 5995 | AR | | | HOSE, Vacuum BULK |
| 46 | J942 6241 | 2 | | | SCREW |
| 47 | J323 2991 | 1 | | | TANK, Vacuum |
| 48 | J536 3522 | 1 | | | BRACKET, Motor |

MODEL CODES:

| | | |
|-----------------------------|-----------------------------|------------------------------|
| 15 = Grand Wagoneer 4 Dr. | 65 = Comanche 4WD-7 Ft. Box | 77 = Cherokee 4WD-2 Dr. |
| 25 = J-10 Pickup-119" W.B. | 66 = Comanche 2WD-7 Ft. Box | 78 = Cherokee 4WD-4 Dr. |
| 26 = J-10 Pickup-131" W.B. | 73 = Cherokee 2WD-2 Dr. | 79 = Cherokee 4WD-4 Dr.-Com |
| 27 = J-20 Pickup-131" W.B. | 74 = Cherokee 2WD-4 Dr. | 81 = Wrangler-93" W.B. |
| 63 = Comanche 4WD-6 Ft. Box | 75 = Wagoneer 4WD-4 Dr. | 82 = Wrangler-103" W.B.-Exp. |
| 64 = Comanche 2WD-6 Ft. Box | | |

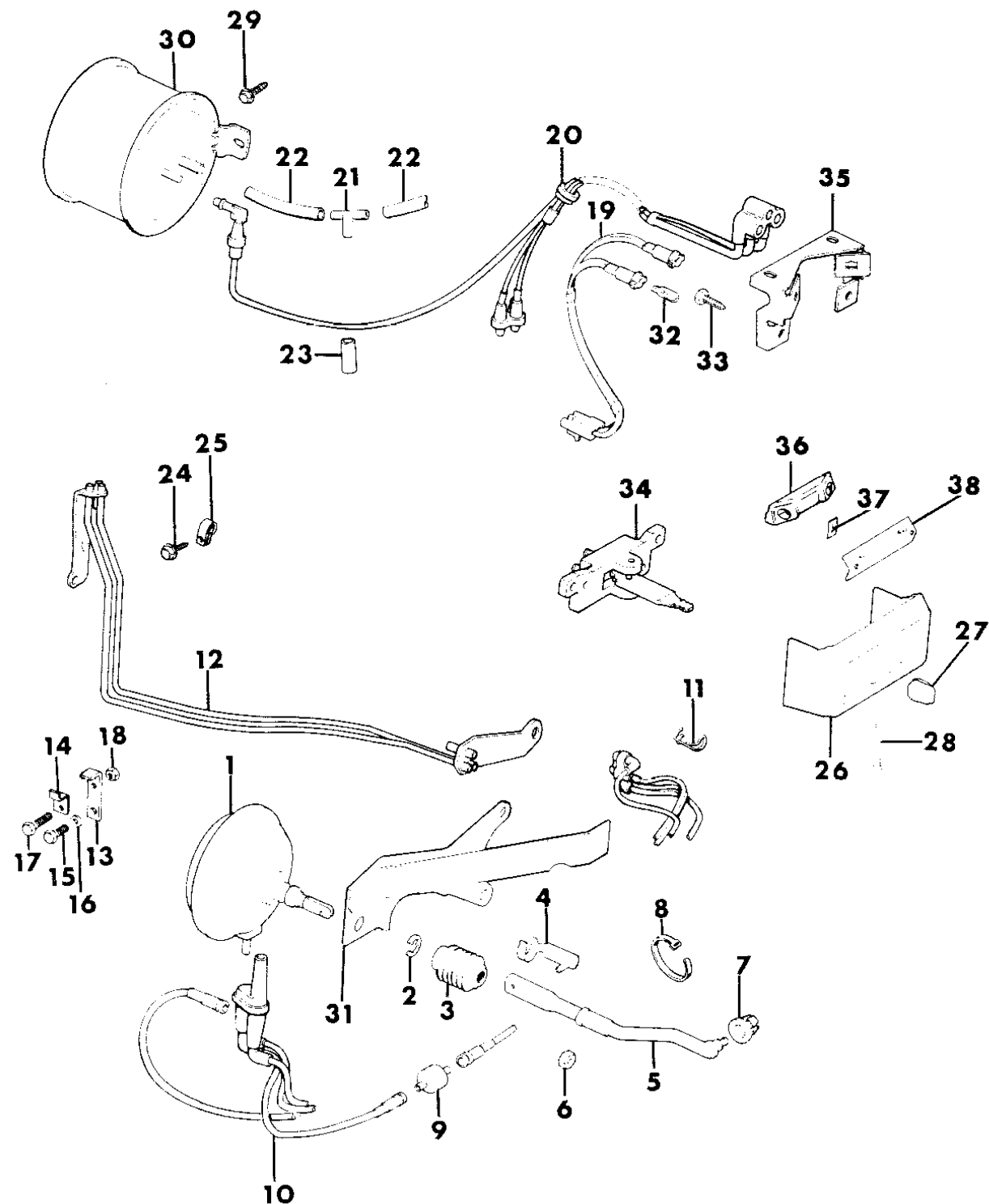
BODY STYLES:

MJ = Comanche Pickup
 SJ = Grand Wagoneer Wgn., J-10 & J-20 Pickups
 XJ = Cherokee, Wagoneer Limited
 YJ = Wrangler

AR = Use as Required - = Non Illustrated Part P.A.R. = Paint as Required

CONTROLS SWITCH, TRANSFER CASE VACUUM N.P.G. MODEL 229 TYPE 2 GRAND WAGONEER, TRUCK J10, J20
Figure 21M-3900

8J21 3900



| ITEM | PART NUMBER | QTY | BODY | MODEL | DESCRIPTION |
|------|-------------|-----|------|-------|-------------------------------|
| 1 | 5300 4596 | 1 | | | MOTOR, Transfer Case Vacuum |
| 2 | J400 6924 | 1 | | | CLIP |
| 3 | J324 0126 | 1 | | | BOOT |
| 4 | J324 1415 | 1 | | | CLIP |
| 5 | J536 3985 | 1 | | | ROD |
| 6 | J012 4824 | 1 | | | NUT |
| 7 | J323 8418 | 1 | | | BUSHING |
| 8 | J322 3227 | 3 | | | STRAP |
| 9 | J536 4511 | 1 | | | VALVE, Vacuum |
| 10 | J536 5166 | 1 | | | HARNESS, Vacuum |
| 11 | J098 7269 | 1 | | | RETAINER |
| 12 | J536 5165 | 1 | | | TUBE ASSY, Shift |
| 13 | J536 4338 | 1 | | | BRACKET |
| 14 | J536 4175 | 1 | | | CLIP |
| 15 | J400 6110 | 1 | | | BOLT |
| 16 | J012 0388 | 1 | | | WASHER |
| 17 | S018 0017 | 1 | | | BOLT |
| 18 | J027 1172 | 1 | | | NUT |
| 19 | J576 1733 | 1 | | | WIRE |
| 20 | 5300 5194 | 1 | | | HARNESS, Vacuum |
| 21 | J323 9827 | 1 | | | TEE |
| 22 | 8330 0080 | AR | | | HOSE, Vacuum Bulk |
| 23 | J812 5995 | AR | | | HOSE, Vacuum Bulk |
| 24 | J400 5600 | 1 | | | SCREW |
| 25 | S014 0580 | 1 | | | CLIP |
| 26 | 5501 9846 | 1 | | | BEZEL Paint as Required *** |
| 27 | J324 1055 | 1 | | | KNOB |
| 28 | J400 7052 | 2 | | | SCREW |
| 29 | J942 6241 | 2 | | | SCREW |
| 30 | J323 2991 | 1 | | | TANK, Vacuum |
| 31 | J536 3522 | 1 | | | BRACKET, Motor |
| 32 | J320 9541 | 1 | | | BULB |
| 33 | J400 5932 | 2 | | | SCREW |
| 34 | 5300 5279 | 1 | | | SWITCH, Transfer Case Lockout |
| 35 | J576 1732 | 1 | | | BRACKET |
| 36 | J576 1999 | 1 | | | SHIELD |
| 37 | J400 7069 | 2 | | | NUT |

MODEL CODES:

| | | |
|-----------------------------|-----------------------------|------------------------------|
| 15 = Grand Wagoneer 4 Dr. | 65 = Comanche 4WD-7 Ft. Box | 77 = Cherokee 4WD-2 Dr. |
| 25 = J-10 Pickup-119" W.B. | 66 = Comanche 2WD-7 Ft. Box | 78 = Cherokee 4WD-4 Dr. |
| 26 = J-10 Pickup-131" W.B. | 73 = Cherokee 2WD-2 Dr. | 79 = Cherokee 4WD-4 Dr.-Com |
| 27 = J-20 Pickup-131" W.B. | 74 = Cherokee 2WD-4 Dr. | 81 = Wrangler-93" W.B. |
| 63 = Comanche 4WD-6 Ft. Box | 75 = Wagoneer 4WD-4 Dr. | 82 = Wrangler-103" W.B.-Exp. |
| 64 = Comanche 2WD-6 Ft. Box | | |

BODY STYLES:

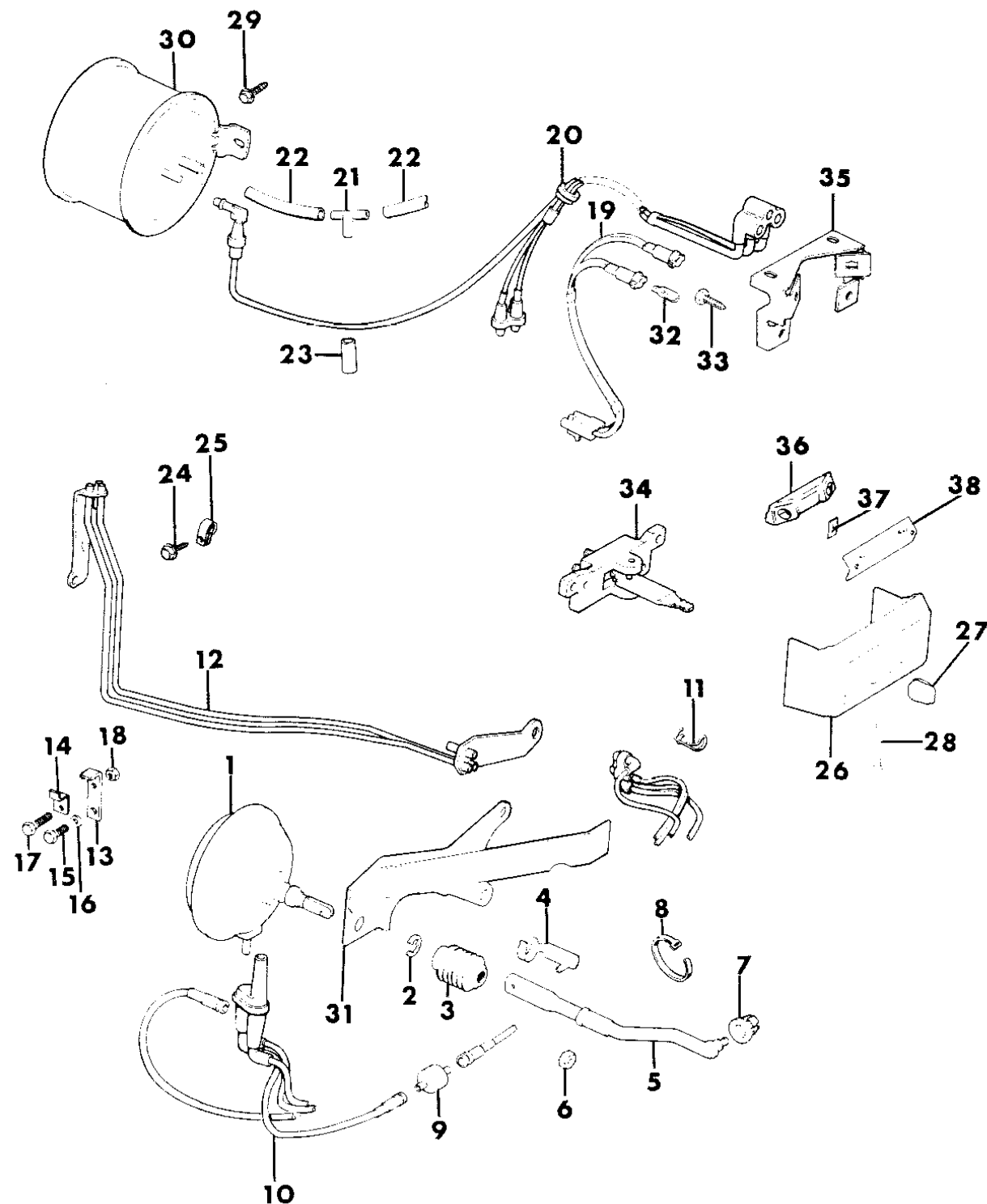
MJ = Comanche Pickup
 SJ = Grand Wagoneer Wgn., J-10 & J-20 Pickups
 XJ = Cherokee, Wagoneer Limited
 YJ = Wrangler

AR = Use as Required - = Non Illustrated Part P.A.R. = Paint as Required

CONTROLS SWITCH, TRANSFER CASE VACUUM N.P.G. MODEL 229 TYPE 2 GRAND WAGONEER, TRUCK J10, J20
Figure 21M-3900

8J21 3900

| ITEM | PART NUMBER | QTY | BODY | MODEL | DESCRIPTION |
|------|-------------|-----|------|-------|-------------|
| 38 | J576 1923 | 1 | | | LENS |



MODEL CODES:

- | | | |
|-----------------------------|-----------------------------|------------------------------|
| 15 = Grand Wagoneer 4 Dr. | 65 = Comanche 4WD-7 Ft. Box | 77 = Cherokee 4WD-2 Dr. |
| 25 = J-10 Pickup-119" W.B. | 66 = Comanche 2WD-7 Ft. Box | 78 = Cherokee 4WD-4 Dr. |
| 26 = J-10 Pickup-131" W.B. | 73 = Cherokee 2WD-2 Dr. | 79 = Cherokee 4WD-4 Dr.-Com |
| 27 = J-20 Pickup-131" W.B. | 74 = Cherokee 2WD-4 Dr. | 81 = Wrangler-93" W.B. |
| 63 = Comanche 4WD-6 Ft. Box | 75 = Wagoneer 4WD-4 Dr. | 82 = Wrangler-103" W.B.-Exp. |
| 64 = Comanche 2WD-6 Ft. Box | | |

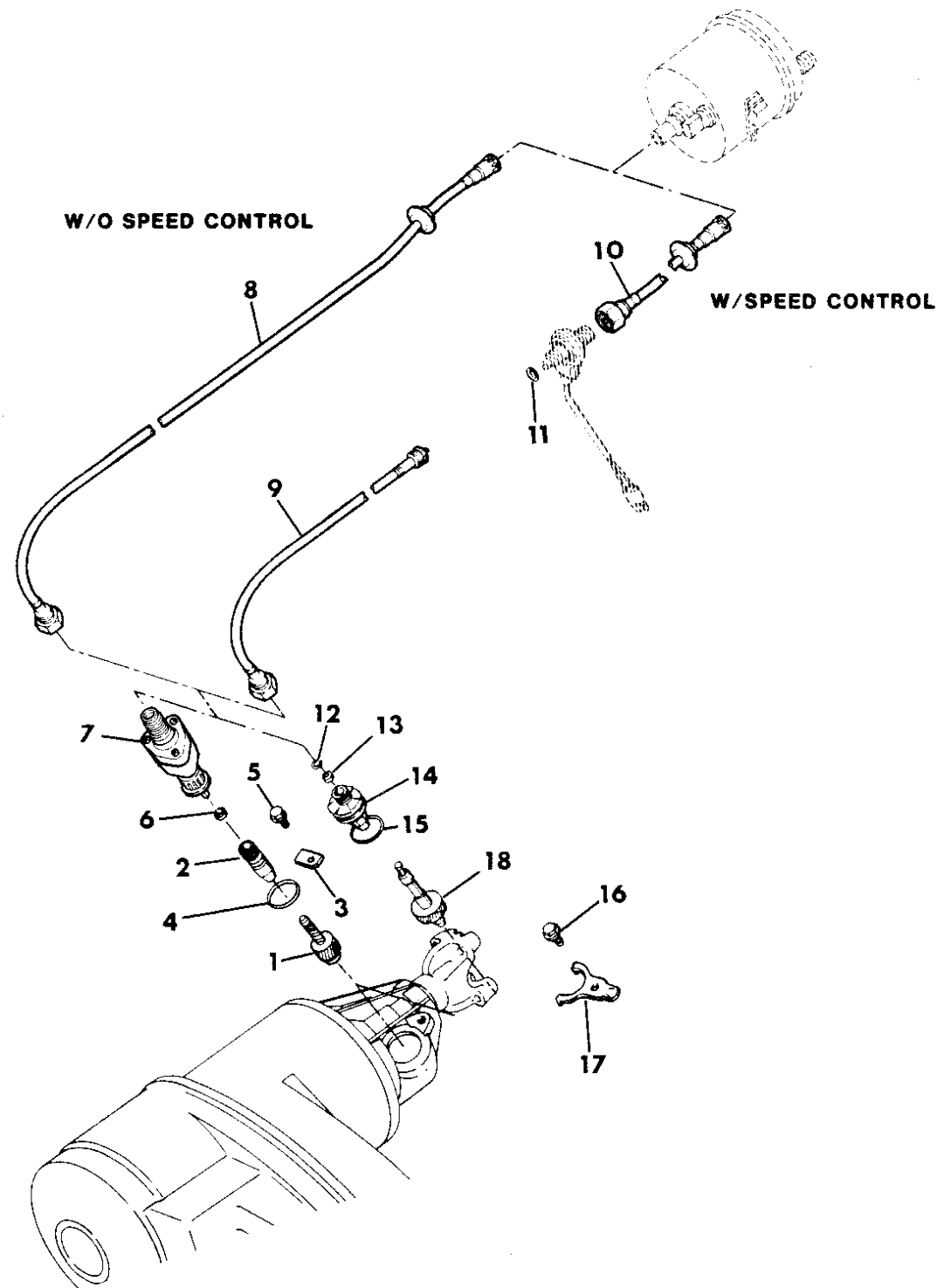
BODY STYLES:

- MJ = Comanche Pickup
 SJ = Grand Wagoneer Wgn., J-10 & J-20 Pickups
 XJ = Cherokee, Wagoneer Limited
 YJ = Wrangler

AR = Use as Required - = Non Illustrated Part P.A.R. = Paint as Required

CABLE, SPEEDOMETER WITH PINION AND ADAPTER MANUAL TRANSMISSION WRANGLER, YJ
Figure 21M-4000

8 J21 4000



| ITEM | PART NUMBER | QTY | BODY | MODEL | DESCRIPTION |
|------|-------------|-----|------|-------|---|
| 1 | | | | | GEAR, Speedometer Driven, .79" Gear Dia. |
| | 5300 1491 | AR | | | 18 Teeth, Yellow |
| | 5300 1492 | AR | | | 19 Teeth, Red |
| | 5300 1493 | AR | | | 20 Teeth, Blue |
| | 5300 3401 | AR | | | 21 Teeth, Green |
| 2 | 5300 1485 | 1 | | | ADAPTER, Speedometer |
| 3 | 5300 1484 | 1 | | | RETAINER |
| 4 | 3420 1877 | 1 | | | O-RING |
| 5 | 3420 1886 | 1 | | | SCREW |
| 6 | 8351 0031 | 1 | | | SEAL |
| 7 | 5300 4152 | 1 | | | ADAPTER, Speedometer, 1.3235 to 1 Ratio |
| 8 | | | | | CABLE, Speedometer |
| | 5300 2506 | 1 | | | 1987 |
| | 5300 5084 | 1 | | | 1988-89: For Vehicles Built up to 2/13/89. |
| | 5300 8988 | 1 | | | 1989-90: For Vehicles Built 2/13/89 and later. |
| 9 | | | | | CABLE, Speedometer, Lower |
| | 5300 5085 | 1 | | | 1987-89: For Vehicles Built up to 2/13/89. |
| | 5300 8990 | 1 | | | 1989-90: For Vehicles Built 2/13/89 and later. |
| 10 | | | | | CABLE, Speedometer, Upper |
| | 5300 4023 | 1 | | | 1987-89: For Vehicles Built up to 2/13/89. |
| | 5300 8989 | 1 | | | 1989-90: For Vehicles Built 2/13 /89 and later. |
| 11 | J400 6555 | 1 | | | O-RING |
| 12 | J321 2846 | 1 | | | RETAINER |
| 13 | J321 2847 | 1 | | | SEAL |
| 14 | J321 2893 | 1 | | | ADAPTER, Speedometer |
| 15 | 6025 752 | 1 | | | O-RING |
| 16 | J027 3573 | 1 | | | SCREW |
| 17 | J321 2844 | 1 | | | CLAMP |
| 18 | | | | | GEAR, Speedometer Driven, 1.42" Gear Dia. |
| | 5300 1492 | AR | | | 19 Teeth, Red |
| | J321 2729 | AR | | | 29 Teeth, Black |
| | J321 2730 | AR | | | 30 Teeth, Yellow |
| | J321 2731 | AR | | | 31 Teeth, Green |
| | J321 2733 | AR | | | 33 Teeth, Yellow |
| | J321 2734 | AR | | | 34 Teeth, Green |
| | J321 2735 | AR | | | 35 Teeth, Orange |
| | J323 0221 | AR | | | 39 Teeth, Green |

MODEL CODES:

| | | |
|-----------------------------|-----------------------------|------------------------------|
| 15 = Grand Wagoneer 4 Dr. | 65 = Comanche 4WD-7 Ft. Box | 77 = Cherokee 4WD-2 Dr. |
| 25 = J-10 Pickup-119" W.B. | 66 = Comanche 2WD-7 Ft. Box | 78 = Cherokee 4WD-4 Dr. |
| 26 = J-10 Pickup-131" W.B. | 73 = Cherokee 2WD-2 Dr. | 79 = Cherokee 4WD-4 Dr.-Com |
| 27 = J-20 Pickup-131" W.B. | 74 = Cherokee 2WD-4 Dr. | 81 = Wrangler-93" W.B. |
| 63 = Comanche 4WD-6 Ft. Box | 75 = Wagoneer 4WD-4 Dr. | 82 = Wrangler-103" W.B.-Exp. |
| 64 = Comanche 2WD-6 Ft. Box | | |

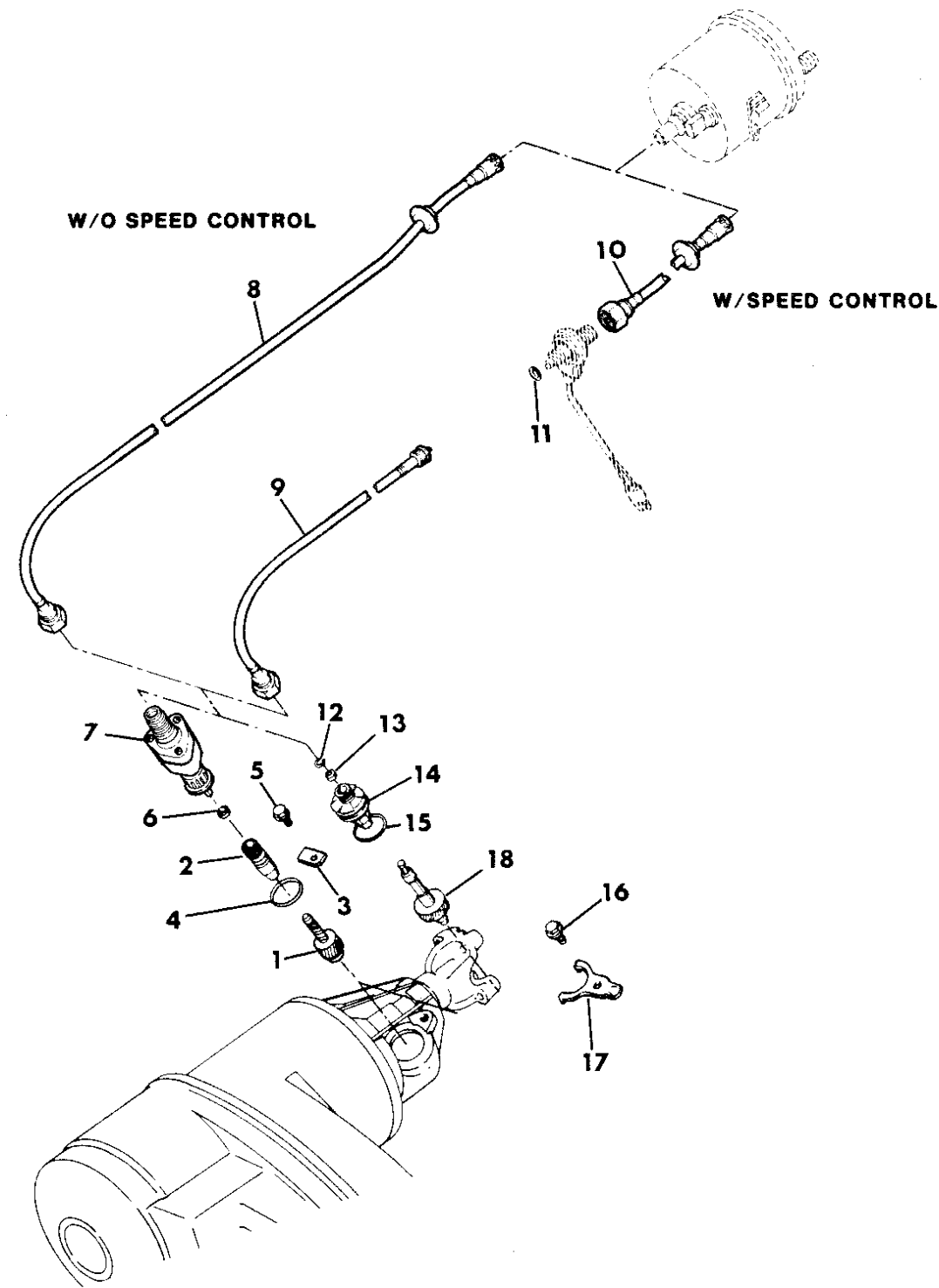
BODY STYLES:

MJ = Comanche Pickup
 SJ = Grand Wagoneer Wgn., J-10 & J-20 Pickups
 XJ = Cherokee, Wagoneer Limited
 YJ = Wrangler

AR = Use as Required - = Non Illustrated Part P.A.R. = Paint as Required

CABLE, SPEEDOMETER WITH PINION AND ADAPTER MANUAL TRANSMISSION WRANGLER, YJ
Figure 21M-4000

8 J21 4000



| ITEM | PART NUMBER | QTY | BODY | MODEL | DESCRIPTION |
|------|-------------|-----|------|-------|------------------|
| | J323 0222 | AR | | | 40 Teeth, Orange |
| | 5300 1488 | AR | | | 41 Teeth, Red |

MODEL CODES:

| | | |
|-----------------------------|-----------------------------|------------------------------|
| 15 = Grand Wagoneer 4 Dr. | 65 = Comanche 4WD-7 Ft. Box | 77 = Cherokee 4WD-2 Dr. |
| 25 = J-10 Pickup-119" W.B. | 66 = Comanche 2WD-7 Ft. Box | 78 = Cherokee 4WD-4 Dr. |
| 26 = J-10 Pickup-131" W.B. | 73 = Cherokee 2WD-2 Dr. | 79 = Cherokee 4WD-4 Dr.-Com |
| 27 = J-20 Pickup-131" W.B. | 74 = Cherokee 2WD-4 Dr. | 81 = Wrangler-93" W.B. |
| 63 = Comanche 4WD-6 Ft. Box | 75 = Wagoneer 4WD-4 Dr. | 82 = Wrangler-103" W.B.-Exp. |
| 64 = Comanche 2WD-6 Ft. Box | | |

BODY STYLES:

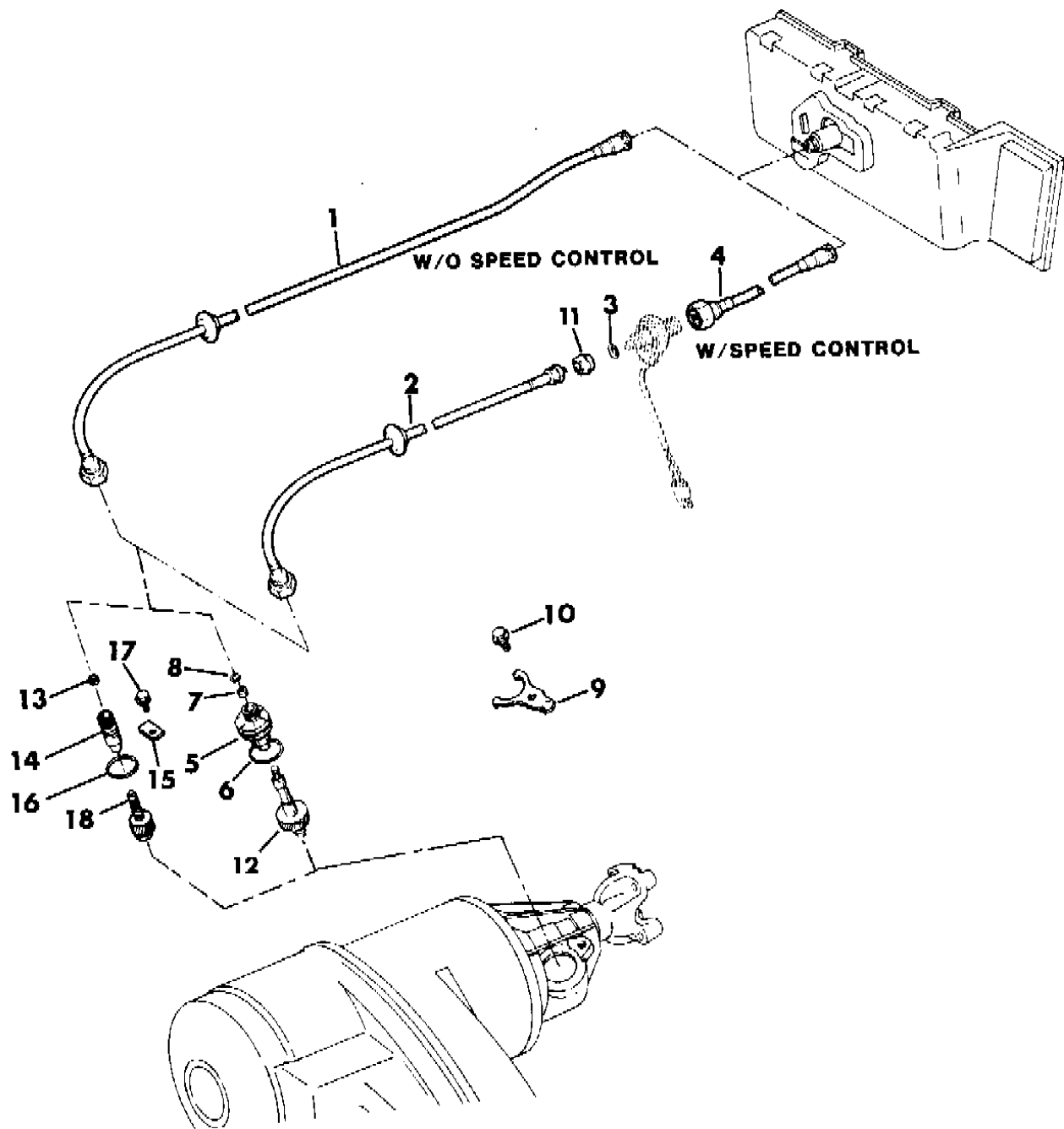
MJ = Comanche Pickup
 SJ = Grand Wagoneer Wgn., J-10 & J-20 Pickups
 XJ = Cherokee, Wagoneer Limited
 YJ = Wrangler

AR = Use as Required - = Non Illustrated Part P.A.R. = Paint as Required

CABLE, SPEEDOMETER AND PINION MANUAL TRANSMISSION CHEROKEE, WAGONEER, COMANCHE

Figure 21M-4100

8 J 21 4100 A



| ITEM | PART NUMBER | QTY | BODY | MODEL | DESCRIPTION |
|------|-------------|-----|------|-------|---|
| 1 | | | | | CABLE, Speedometer |
| | | | | | 2.5L FOUR Cylinder & Diesel |
| | | | | | 2 Wheel Drive |
| | 5300 1990 | 1 | | | 1987: (A) |
| | 5300 4952 | 1 | | | 1987: (B) |
| | 5300 4952 | 1 | | | 1988-89 |
| | 5300 9002 | 1 | | | 1990 |
| | | | | | 4 Wheel Drive |
| | 5300 3900 | 1 | | | 1987: (A) |
| | 5300 4954 | 1 | | | 1987: (B) |
| | 5300 4954 | 1 | | | 1988-89 |
| | 5300 9004 | 1 | | | 1990 |
| | | | | | 4.0L SIX Cylinder Engine |
| | | | | | 2 Wheel Drive |
| | 5300 1990 | 1 | | | 1987 (A) |
| | 5300 4953 | 1 | | | 1987 (B) |
| | 5300 4953 | 1 | | | 1988-89 |
| | 5300 9003 | 1 | | | 1990 |
| | | | | | 4 Wheel Drive |
| | 5300 3900 | 1 | | | 1987 (A) |
| | 5300 4954 | 1 | | | 1987 (B) |
| | 5300 4954 | 1 | | | 1988-89 |
| | 5300 9004 | 1 | | | 1990 |
| 2 | | | | | CABLE, Speedometer |
| | 5300 6186 | 1 | | | 1987-89: SIX Cylinder Engine, 2WD |
| | 5300 9006 | 1 | | | 1990: SIX Cylinder Engine, 2WD |
| | 5300 4892 | 1 | | | 1987-89: FOUR Cylinder Engine & Diesel, 2WD |
| | 5300 9005 | 1 | | | 1990: FOUR Cylinder Engine & Diesel, 2WD |
| | 5300 4894 | 1 | | | 1987-89: 4WD |
| | 5300 9000 | 1 | | | 1990: 4WD |
| 3 | J400 6555 | 1 | | | O-RING |
| 4 | | | | | CABLE, Speedometer, Upper |
| | 5300 3073 | 1 | | | 1987: (A) |
| | 5300 4955 | 1 | | | 1987: (B) |
| | 5300 4955 | 1 | | | 1988-89 |
| | 5300 9001 | 1 | | | 1990 |
| 5 | J321 2893 | 1 | | | ADAPTER, Speedometer |

MODEL CODES:

| | | |
|-----------------------------|-----------------------------|------------------------------|
| 15 = Grand Wagoneer 4 Dr. | 65 = Comanche 4WD-7 Ft. Box | 77 = Cherokee 4WD-2 Dr. |
| 25 = J-10 Pickup-119" W.B. | 66 = Comanche 2WD-7 Ft. Box | 78 = Cherokee 4WD-4 Dr. |
| 26 = J-10 Pickup-131" W.B. | 73 = Cherokee 2WD-2 Dr. | 79 = Cherokee 4WD-4 Dr.-Com |
| 27 = J-20 Pickup-131" W.B. | 74 = Cherokee 2WD-4 Dr. | 81 = Wrangler-93" W.B. |
| 63 = Comanche 4WD-6 Ft. Box | 75 = Wagoneer 4WD-4 Dr. | 82 = Wrangler-103" W.B.-Exp. |
| 64 = Comanche 2WD-6 Ft. Box | | |

BODY STYLES:

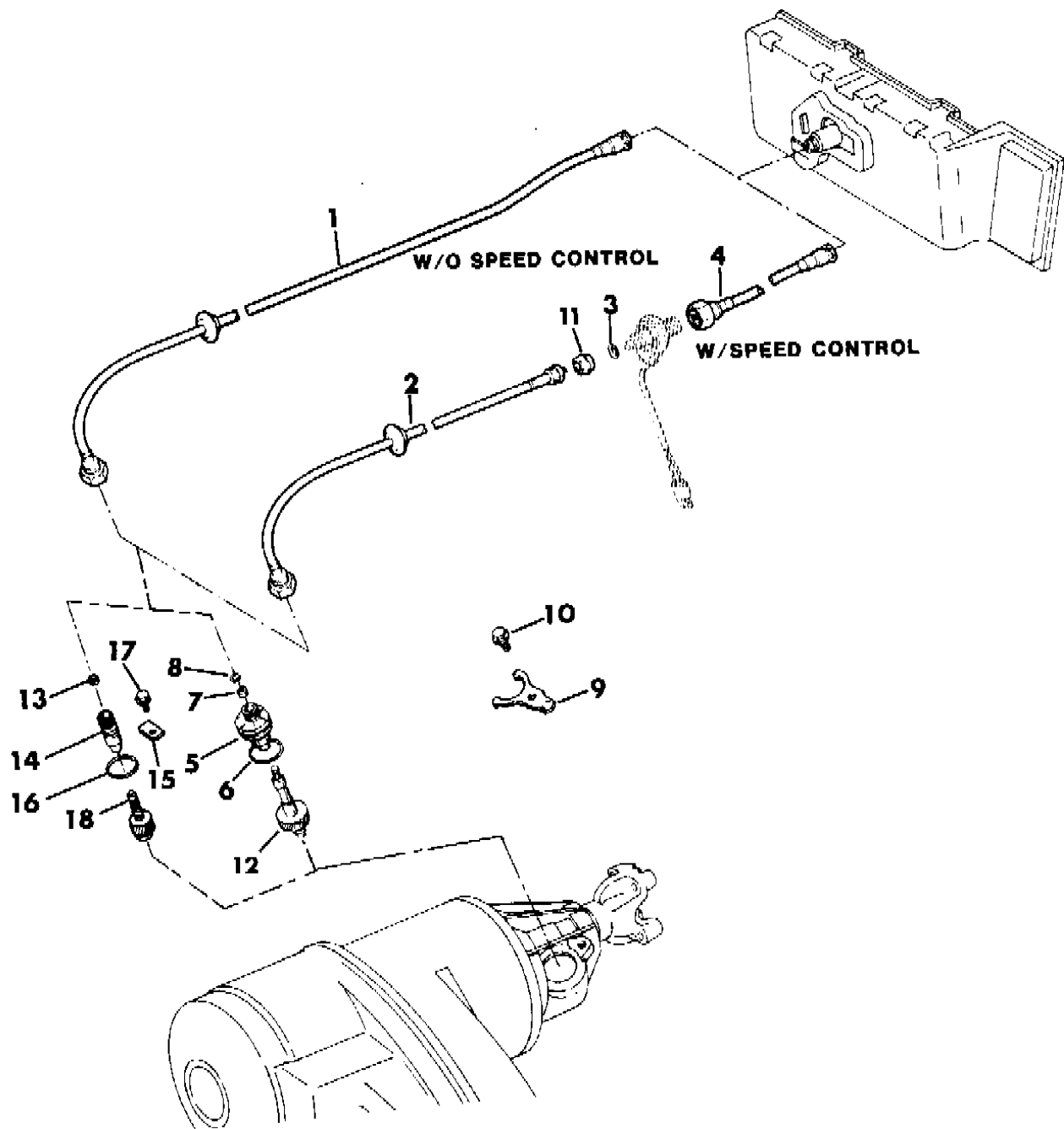
MJ = Comanche Pickup
 SJ = Grand Wagoneer Wgn., J-10 & J-20 Pickups
 XJ = Cherokee, Wagoneer Limited
 YJ = Wrangler

AR = Use as Required - = Non Illustrated Part P.A.R. = Paint as Required

CABLE, SPEEDOMETER AND PINION MANUAL TRANSMISSION CHEROKEE, WAGONEER, COMANCHE

Figure 21M-4100

8 J 21 4100 A



| ITEM | PART NUMBER | QTY | BODY | MODEL | DESCRIPTION |
|------|-------------|-----|------|-------|-----------------------------------|
| 6 | 6025 752 | 1 | | | O-RING |
| 7 | J321 2847 | 1 | | | SEAL |
| 8 | J321 2846 | 1 | | | RETAINER |
| 9 | J321 2844 | 1 | | | CLAMP |
| 10 | J027 3573 | 1 | | | SCREW |
| 11 | J318 7257 | 1 | | | RETAINER |
| 12 | | | | | GEAR, Speedometer Driven, (1.42") |
| | J321 2729 | AR | | | 29 Teeth, Black |
| | J321 2730 | AR | | | 30 Teeth, Yellow |
| | J321 2731 | AR | | | 31 Teeth, Green |
| | J321 2732 | AR | | | 32 Teeth, Black |
| | J321 2733 | AR | | | 33 Teeth, Yellow |
| | J321 2734 | AR | | | 34 Teeth, Green |
| | J321 2735 | AR | | | 35 Teeth, Orange |
| | J321 2736 | AR | | | 36 Teeth, Red |
| | J323 0221 | AR | | | 39 Teeth, Green |
| | J323 0222 | AR | | | 40 Teeth, Orange |
| | 5300 1488 | AR | | | 41 Teeth, Red |
| | 5300 1489 | AR | | | 42 Teeth, White |
| | J323 8143 | AR | | | 43 Teeth, Blue |
| | J323 8144 | AR | | | 44 Teeth, Black |
| | 9200 0065 | AR | | | 45 Teeth, Yellow |
| 13 | 8351 0031 | AR | | | SEAL |
| 14 | 5300 1485 | 1 | | | ADAPTER, Speedometer |
| 15 | 5300 1484 | 1 | | | Retainer *** |
| 16 | 3420 1877 | 1 | | | O-RING |
| 17 | 3420 1866 | 1 | | | SCREW |
| 18 | | | | | GEAR, Speedometer Driven, (.79") |
| | 5300 1491 | AR | | | 18 Teeth, Yellow |
| | 5300 1492 | AR | | | 19 Teeth, Red |
| | 5300 1493 | AR | | | 20 Teeth, Blue |
| | 5300 3401 | AR | | | 21 Teeth, Green |
| | 5300 3419 | AR | | | 22 Teeth, Black |

NOTES: (A) For 1987, two types of instrument clusters were used. On type one, Clusters, the odometer numbers are rounded, the Speedometer face has (2) slotte
d head screws, and the trip odometer numbers are in one long window. (A) For 1987, two types of instrument clusters were used. On type one, Clusters, the odometer numbers are rounded, the Speedometer face has (2) slotte

MODEL CODES:

| | | |
|-----------------------------|-----------------------------|------------------------------|
| 15 = Grand Wagoneer 4 Dr. | 65 = Comanche 4WD-7 Ft. Box | 77 = Cherokee 4WD-2 Dr. |
| 25 = J-10 Pickup-119" W.B. | 66 = Comanche 2WD-7 Ft. Box | 78 = Cherokee 4WD-4 Dr. |
| 26 = J-10 Pickup-131" W.B. | 73 = Cherokee 2WD-2 Dr. | 79 = Cherokee 4WD-4 Dr.-Com |
| 27 = J-20 Pickup-131" W.B. | 74 = Cherokee 2WD-4 Dr. | 81 = Wrangler-93" W.B. |
| 63 = Comanche 4WD-6 Ft. Box | 75 = Wagoneer 4WD-4 Dr. | 82 = Wrangler-103" W.B.-Exp. |
| 64 = Comanche 2WD-6 Ft. Box | | |

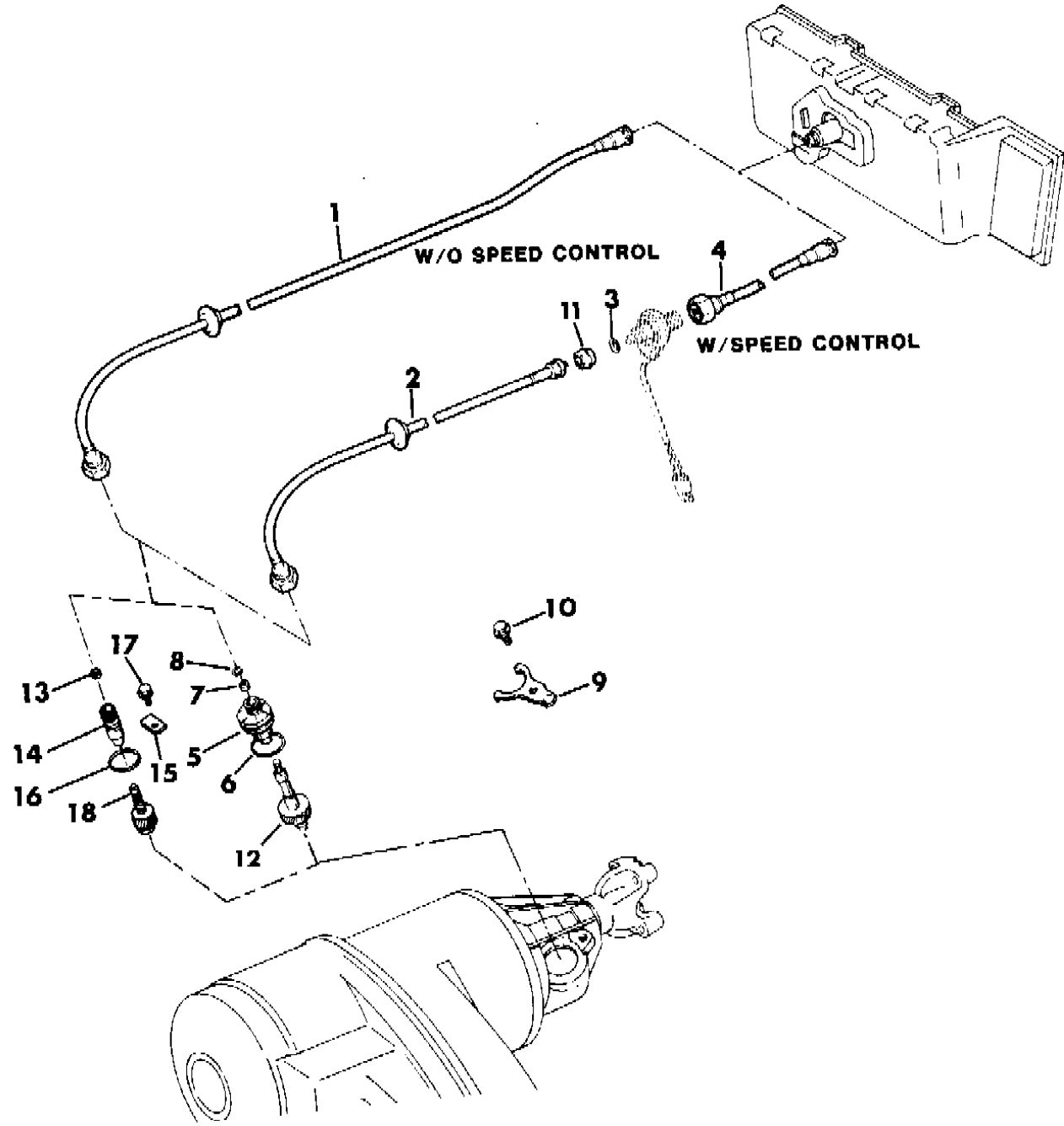
BODY STYLES:

MJ = Comanche Pickup
SJ = Grand Wagoneer Wgn., J-10 & J-20 Pickups
XJ = Cherokee, Wagoneer Limited
YJ = Wrangler

AR = Use as Required - = Non Illustrated Part P.A.R. = Paint as Required

Figure 21M-4100

8 J 21 4100 A



CABLE, SPEEDOMETER AND PINION MANUAL TRANSMISSION CHEROKEE, WAGONEER, COMANCHE

Figure 21M-4100

| ITEM | PART NUMBER | QTY | BODY | MODEL | DESCRIPTION |
|------|-------------|-----|------|-------|-------------|
|------|-------------|-----|------|-------|-------------|

(B) For 1987, two types of instrument Cluster were used. On Type 2 Clusters, the odometer numbers are squared, the Speedometer face has (2) phillip hd (A) For 1987, two types of instrument clusters were used. On type one, Clusters, the odometer numbers screws, and the trip odometers numbers are in four individual windows. The letters NS appear at the bottom. (A) For 1987, two types of instrument clusters were used. On type one, Clusters, the odometer numbers are rounded, the Speedometer face has (2

MODEL CODES:

| | | |
|-----------------------------|-----------------------------|------------------------------|
| 15 = Grand Wagoneer 4 Dr. | 65 = Comanche 4WD-7 Ft. Box | 77 = Cherokee 4WD-2 Dr. |
| 25 = J-10 Pickup-119" W.B. | 66 = Comanche 2WD-7 Ft. Box | 78 = Cherokee 4WD-4 Dr. |
| 26 = J-10 Pickup-131" W.B. | 73 = Cherokee 2WD-2 Dr. | 79 = Cherokee 4WD-4 Dr.-Com |
| 27 = J-20 Pickup-131" W.B. | 74 = Cherokee 2WD-4 Dr. | 81 = Wrangler-93" W.B. |
| 63 = Comanche 4WD-6 Ft. Box | 75 = Wagoneer 4WD-4 Dr. | 82 = Wrangler-103" W.B.-Exp. |
| 64 = Comanche 2WD-6 Ft. Box | | |

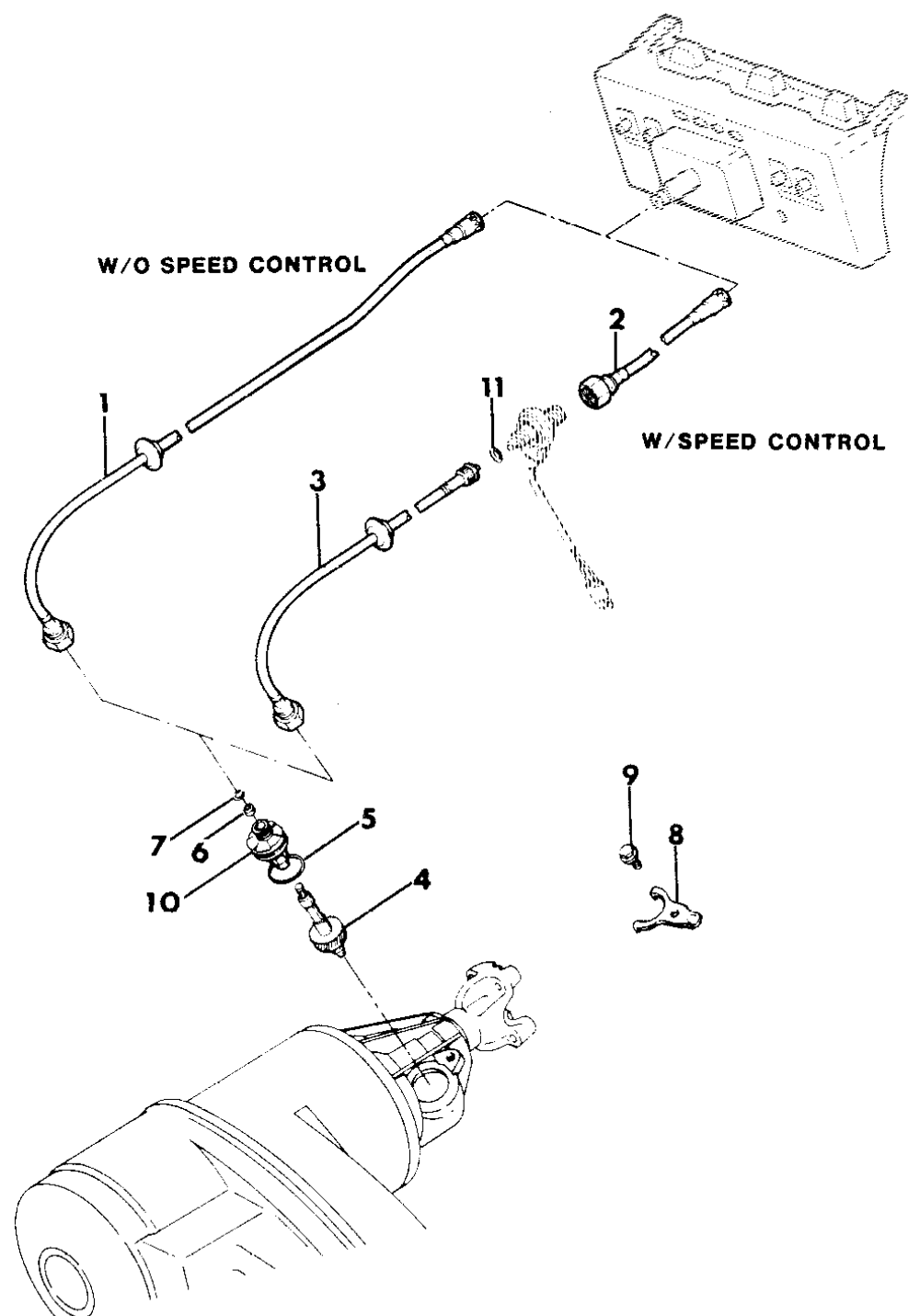
BODY STYLES:

MJ = Comanche Pickup
 SJ = Grand Wagoneer Wgn., J-10 & J-20 Pickups
 XJ = Cherokee, Wagoneer Limited
 YJ = Wrangler

AR = Use as Required - = Non Illustrated Part P.A.R. = Paint as Required

CABLE, SPEEDOMETER AND PINION MANUAL TRANSMISSION TRUCK J10, J20
Figure 21M-4200

8J21 4200



| ITEM | PART NUMBER | QTY | BODY | MODEL | DESCRIPTION |
|------|-------------|-----|------|-------|---|
| 1 | | | | | CABLE, Speedometer |
| | J575 2281 | 1 | | | With Manual Transmission |
| | J575 2282 | 1 | | | With Automatic Transmission, Transfer Case 229. |
| | J575 2281 | 1 | | | With Automatic Transmission, Transfer Case 208. |
| 2 | J575 8491 | 1 | | | CABLE, Speedometer, Upper |
| 3 | | | | | CABLE, Speedometer, Lower |
| | J536 3552 | 1 | | | With Manual Transmission |
| | 5300 8990 | 1 | | | With Automatic Transmission, Transfer Case 229. |
| | J536 3552 | 1 | | | With Automatic Transmission, Transfer Case 208. |
| 4 | | | | | GEAR, Speedometer Driven |
| | J321 2725 | AR | | | 25 Teeth |
| | J321 2726 | AR | | | 26 Teeth |
| | J321 2731 | AR | | | 31 Teeth |
| | J321 2732 | AR | | | 32 Teeth |
| | J321 2733 | AR | | | 33 Teeth |
| | J321 2734 | AR | | | 34 Teeth |
| 5 | 6025 752 | 1 | | | O-RING |
| 6 | J321 2847 | 1 | | | SEAL |
| 7 | J321 2846 | 1 | | | RETAINER |
| 8 | J321 2844 | 1 | | | CLAMP |
| 9 | J027 3573 | 1 | | | SCREW |
| 10 | J321 2893 | 1 | | | ADAPTER |
| 11 | J400 6555 | 1 | | | O-RING |

MODEL CODES:

| | | |
|-----------------------------|-----------------------------|------------------------------|
| 15 = Grand Wagoneer 4 Dr. | 65 = Comanche 4WD-7 Ft. Box | 77 = Cherokee 4WD-2 Dr. |
| 25 = J-10 Pickup-119" W.B. | 66 = Comanche 2WD-7 Ft. Box | 78 = Cherokee 4WD-4 Dr. |
| 26 = J-10 Pickup-131" W.B. | 73 = Cherokee 2WD-2 Dr. | 79 = Cherokee 4WD-4 Dr.-Com |
| 27 = J-20 Pickup-131" W.B. | 74 = Cherokee 2WD-4 Dr. | 81 = Wrangler-93" W.B. |
| 63 = Comanche 4WD-6 Ft. Box | 75 = Wagoneer 4WD-4 Dr. | 82 = Wrangler-103" W.B.-Exp. |
| 64 = Comanche 2WD-6 Ft. Box | | |

BODY STYLES:

MJ = Comanche Pickup
 SJ = Grand Wagoneer Wgn., J-10 & J-20 Pickups
 XJ = Cherokee, Wagoneer Limited
 YJ = Wrangler

AR = Use as Required - = Non Illustrated Part P.A.R. = Paint as Required

GROUP 21A - TRANSMISSION, AUTO.

| ILLUSTRATION TITLE | GROUP-FIG. NO. |
|--|----------------|
| TRANSMISSION ASSEMBLIES, AUTOMATIC TRANSMISSION ALL MODELS | Fig. 21A-100 |
| GASKET AND SEAL PACKAGE, REPAIR AUTOMATIC TRANSMISSION - A999 WRANGLER, YJ | Fig. 21A-200 |
| CASE, ADAPTER AND MISC. PARTS AUTOMATIC TRANSMISSION - A999 WRANGLER, YJ | Fig. 21A-300 |
| PUMP, OIL AND GEAR TRAIN AUTOMATIC TRANSMISSION - A999 WRANGLER, YJ | Fig. 21A-400 |
| GOVERNOR AND PARKING SPRAG AUTOMATIC TRANSMISSION - A999 WRANGLER, YJ | Fig. 21A-500 |
| SERVOS, ACCUMULATOR AND VALVE BODY AUTOMATIC TRANSMISSION - A999 WRANGLER, YJ | Fig. 21A-600 |
| CLUTCH, FRONT AND REAR AUTOMATIC TRANSMISSION - A999 WRANGLER, YJ | Fig. 21A-700 |
| CASE, EXTENSION AND MISC. PARTS AUTOMATIC TRANSMISSION - AW4 CHEROKEE, WAGONEER, COMANCHE | Fig. 21A-800 |
| LOCK, PARKING AUTOMATIC TRANSMISSION - AW4 CHEROKEE, WAGONEER, COMANCHE | Fig. 21A-850 |
| PUMP, OIL AND OVERDRIVE CLUTCH AUTOMATIC TRANSMISSION - AW4 CHEROKEE, WAGONEER, COMANCHE | Fig. 21A-900 |
| CLUTCHES, FORWARD AND DIRECT AUTOMATIC TRANSMISSION - AW4 CHEROKEE, WAGONEER, COMANCHE | Fig. 21A-1000 |
| BRAKE, CLUTCH AND SUN GEAR AUTOMATIC TRANSMISSION - AW4 CHEROKEE, WAGONEER, COMANCHE | Fig. 21A-1100 |
| VALVE BODY AND ELECTRONIC CONTROL AUTOMATIC TRANSMISSION - AW4 CHEROKEE, WAGONEER, COMANCHE | Fig. 21A-1200 |
| GEAR TRAIN AND OUTPUT SHAFT AUTOMATIC TRANSMISSION - AW4 CHEROKEE, WAGONEER, COMANCHE | Fig. 21A-1300 |
| LINKAGE, HARNESS, NEUTRAL SAFETY SWITCH AUTOMATIC TRANSMISSION - AW4 CHEROKEE, WAGONEER, COMANCHE | Fig. 21A-1375 |
| CASE, ADAPTER & MISCELLANEOUS PARTS AUTOMATIC TRANSMISSION - A727 GRAND WAGONEER, TRUCK J20 | Fig. 21A-1400 |
| GASKET AND SEAL PACKAGE, REPAIR AUTOMATIC TRANSMISSION - A727 GRAND WAGONEER, TRUCK J20 | Fig. 21A-1500 |
| OIL PUMP, GEAR TRAIN, OUTPUT SHAFT AUTOMATIC TRANSMISSION - A727 GRAND WAGONEER, TRUCK J20 | Fig. 21A-1600 |
| GOVERNOR CONTROL AUTOMATIC TRANSMISSION - A727 GRAND WAGONEER, TRUCK J20 | Fig. 21A-1700 |
| SERVOS, ACCUMULATOR AND VALVE BODY AUTOMATIC TRANSMISSION - A727 GRAND WAGONEER, TRUCK J20 | Fig. 21A-1800 |
| CLUTCH, FRONT AND REAR AUTOMATIC TRANSMISSION - A727 GRAND WAGONEER, TRUCK J20 | Fig. 21A-1900 |
| CONTROLS, SHIFT, LOWER, COLUMN AUTOMATIC TRANSMISSION WRANGLER, YJ | Fig. 21A-2000 |
| CONTROLS, GEARSHIFT, FLOOR MOUNTED AUTOMATIC TRANSMISSION - AW4 CHEROKEE, WAGONEER, COMANCHE | Fig. 21A-2100 |
| CONTROLS, GEARSHIFT, COLUMN MOUNTED AUTOMATIC TRANSMISSION COMANCHE | Fig. 21A-2200 |
| CONTROLS, SHIFT, LOWER, COLUMN AUTOMATIC TRANSMISSION GRAND WAGONEER, TRUCK J20 | Fig. 21A-2300 |
| CABLE, SPEEDOMETER WITH PINION AND ADAPTER AUTOMATIC TRANSMISSION WRANGLER, YJ | Fig. 21A-2400 |

ILLUSTRATION NOT AVAILABLE AT TIME OF PUBLICATION

GROUP 21A - TRANSMISSION, AUTO.

ILLUSTRATION TITLE

GROUP-FIG. NO.

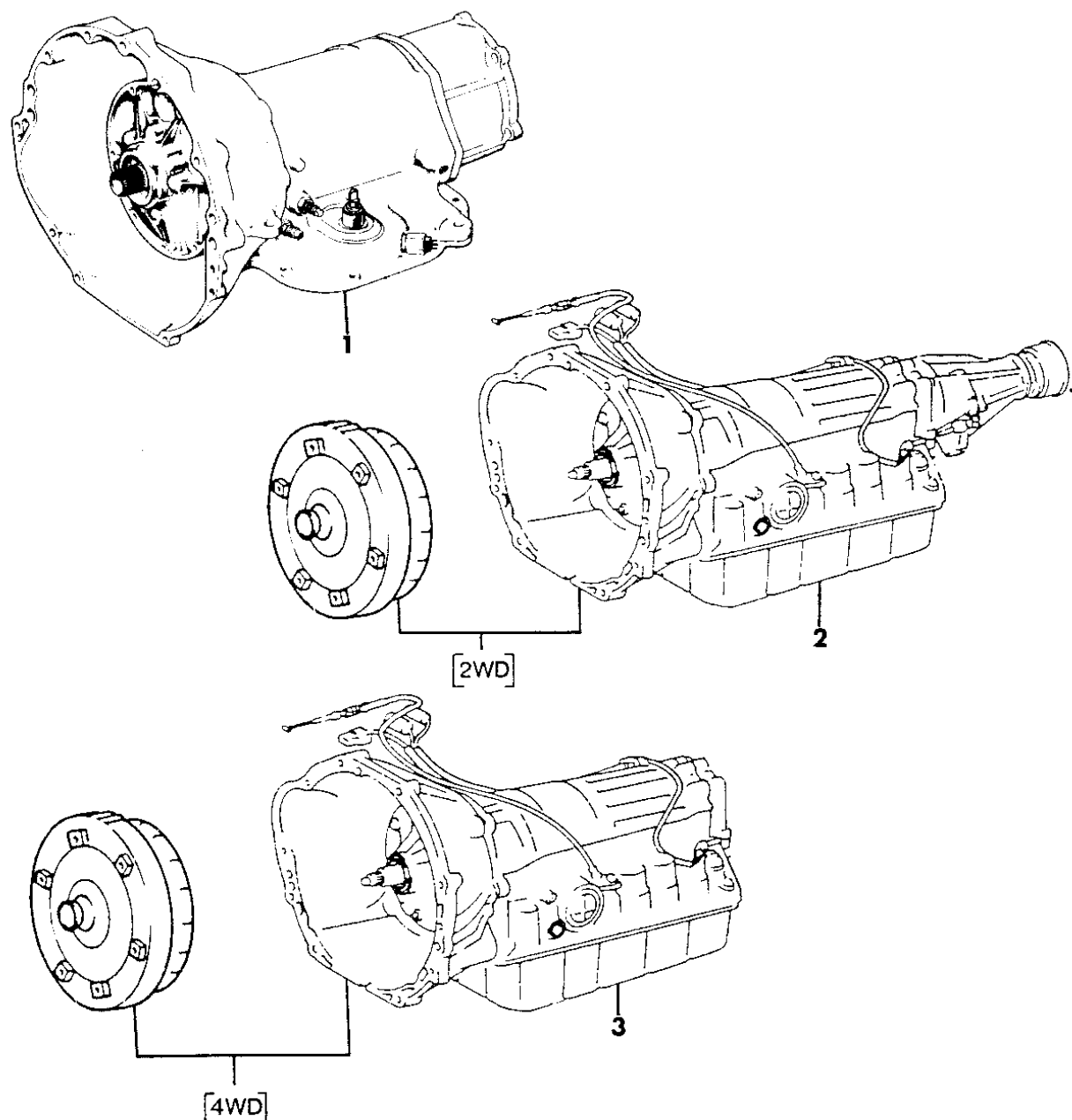
POWER STEERING MOUNTING (Continued)

| | |
|--|---------------|
| CABLE, SPEEDOMETER WITH PINION AND ADAPTER AUTOMATIC TRANSMISSION WRANGLER, YJ . . . | Fig. 21A-2400 |
| CABLE, SPEEDOMETER AND PINION AUTOMATIC TRANSMISSION CHEROKEE, WAGONEER, COMANCHE | Fig. 21A-2500 |
| CABLE, SPEEDOMETER AND PINION AUTOMATIC TRANSMISSION GRAND WAGONEER, TRUCK J20 . . | Fig. 21A-2600 |

TRANSMISSION ASSEMBLIES, AUTOMATIC TRANSMISSION ALL MODELS
Figure 21A-100

8J51 100

| ITEM | PART NUMBER | QTY | BODY | MODEL | DESCRIPTION |
|------|-------------|-----|-------|-------|--|
| 1 | | | | | TRANSMISSION ASSEMBLY, Automatic, 4WD |
| | 5300 3074 | 1 | YJ | | 1987 |
| | 5300 5018 | 1 | YJ | | 1988 |
| | 8350 5558 | 1 | YJ | | 1989, Used For Transmission Tagged 4446106 |
| | 4531 005 | 1 | YJ | | 1990 |
| | 5300 5019 | 1 | SJ | | 1987-89 |
| | 4531 025 | 1 | SJ | | 1990 |
| 2 | | | XJ,MJ | | TRANSMISSION ASSEMBLY, Automatic, 2WD |
| | 5300 3810 | 1 | | | 4 Cyl. Eng., Vehicle Built For Export Market |
| | JR77 5140 | 1 | | | 4 Cyl. Eng., Remanufactured Part U.S. And CANADA |
| | 5300 2840 | 1 | | | 6 Cyl. Eng., Vehicle Built For Export Market |
| | JR77 5142 | 1 | | | 6 Cyl. Eng., Remanufactured Part U.S. And CANADA |
| 3 | | | XJ,MJ | | TRANSMISSION ASSEMBLY, Automatic, 4WD |
| | 5300 3811 | 1 | | | 4 Cyl. Eng., Vehicle Built For Export Market |
| | JR77 5141 | 1 | | | 4 Cyl. Eng., Remanufactured Part U.S. And CANADA |
| | 5300 2839 | 1 | | | 6 Cyl. Eng., Vehicle Built For Export Market |
| | JR77 5143 | 1 | | | 6 Cyl. Eng., Remanufactured Part U.S. And CANADA |



MODEL CODES:

| | | |
|-----------------------------|-----------------------------|------------------------------|
| 15 = Grand Wagoneer 4 Dr. | 65 = Comanche 4WD-7 Ft. Box | 77 = Cherokee 4WD-2 Dr. |
| 25 = J-10 Pickup-119" W.B. | 66 = Comanche 2WD-7 Ft. Box | 78 = Cherokee 4WD-4 Dr. |
| 26 = J-10 Pickup-131" W.B. | 73 = Cherokee 2WD-2 Dr. | 79 = Cherokee 4WD-4 Dr.-Com |
| 27 = J-20 Pickup-131" W.B. | 74 = Cherokee 2WD-4 Dr. | 81 = Wrangler-93" W.B. |
| 63 = Comanche 4WD-6 Ft. Box | 75 = Wagoneer 4WD-4 Dr. | 82 = Wrangler-103" W.B.-Exp. |
| 64 = Comanche 2WD-6 Ft. Box | | |

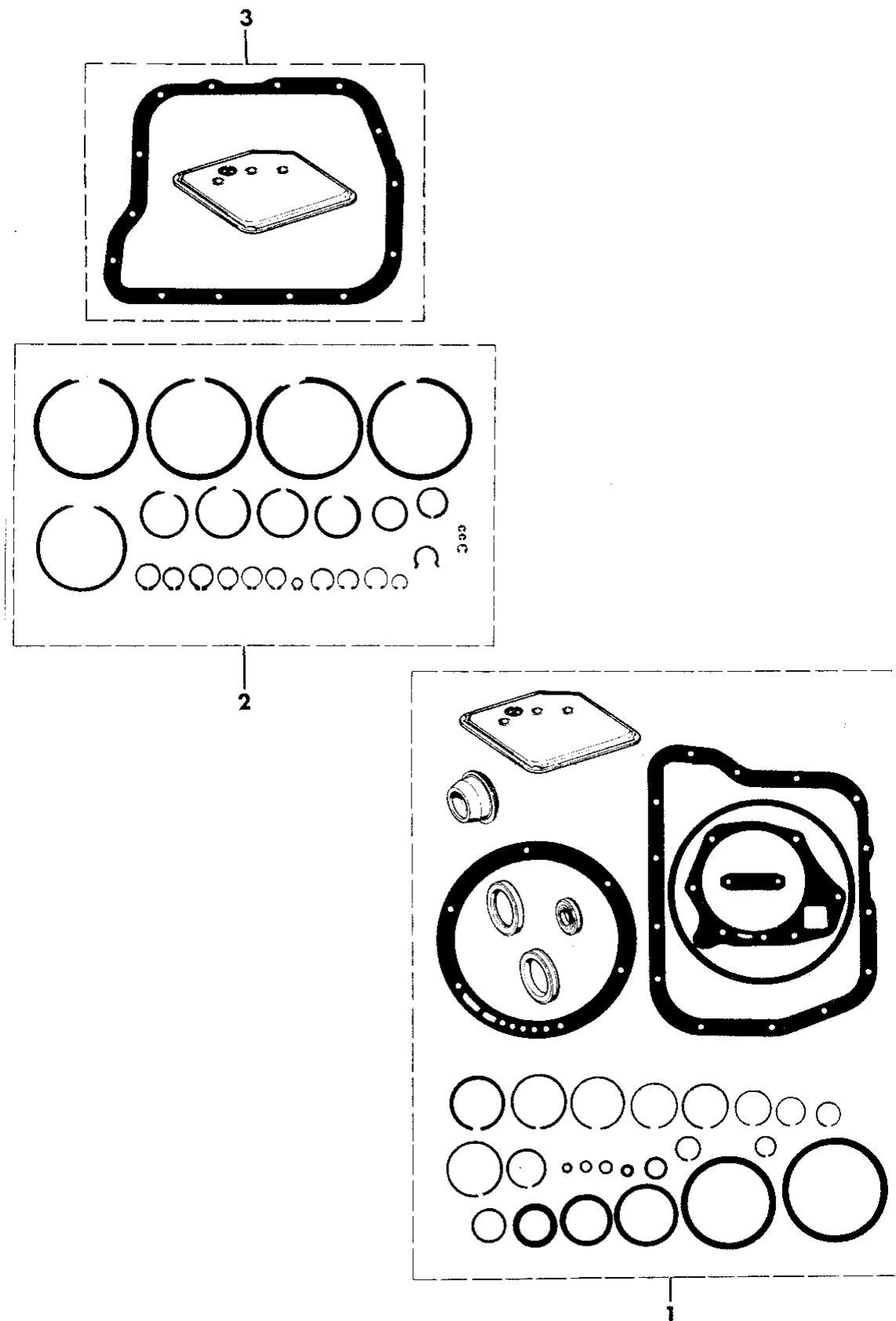
BODY STYLES:

MJ = Comanche Pickup
 SJ = Grand Wagoneer Wgn., J-10 & J-20 Pickups
 XJ = Cherokee, Wagoneer Limited
 YJ = Wrangler

AR = Use as Required - = Non Illustrated Part P.A.R. = Paint as Required

GASKET AND SEAL PACKAGE, REPAIR AUTOMATIC TRANSMISSION - A999 WRANGLER, YJ
Figure 21A-200

8J51 200



| ITEM | PART NUMBER | QTY | BODY | MODEL | DESCRIPTION |
|------|-------------|-----|------|-------|---------------------------------------|
| 1 | J813 4681 | 1 | | | GASKET PACKAGE, Transmission Overhaul |
| 2 | J813 0351 | 1 | | | SNAP RING PACKAGE |
| 3 | | | | | FILTER PACKAGE *** |
| | J812 7652 | 1 | | | 1987-89 |
| | 3515 996 | 1 | | | 1990, (Filter Only) |

MODEL CODES:

| | | |
|-----------------------------|-----------------------------|------------------------------|
| 15 = Grand Wagoneer 4 Dr. | 65 = Comanche 4WD-7 Ft. Box | 77 = Cherokee 4WD-2 Dr. |
| 25 = J-10 Pickup-119" W.B. | 66 = Comanche 2WD-7 Ft. Box | 78 = Cherokee 4WD-4 Dr. |
| 26 = J-10 Pickup-131" W.B. | 73 = Cherokee 2WD-2 Dr. | 79 = Cherokee 4WD-4 Dr.-Com |
| 27 = J-20 Pickup-131" W.B. | 74 = Cherokee 2WD-4 Dr. | 81 = Wrangler-93" W.B. |
| 63 = Comanche 4WD-6 Ft. Box | 75 = Wagoneer 4WD-4 Dr. | 82 = Wrangler-103" W.B.-Exp. |
| 64 = Comanche 2WD-6 Ft. Box | | |

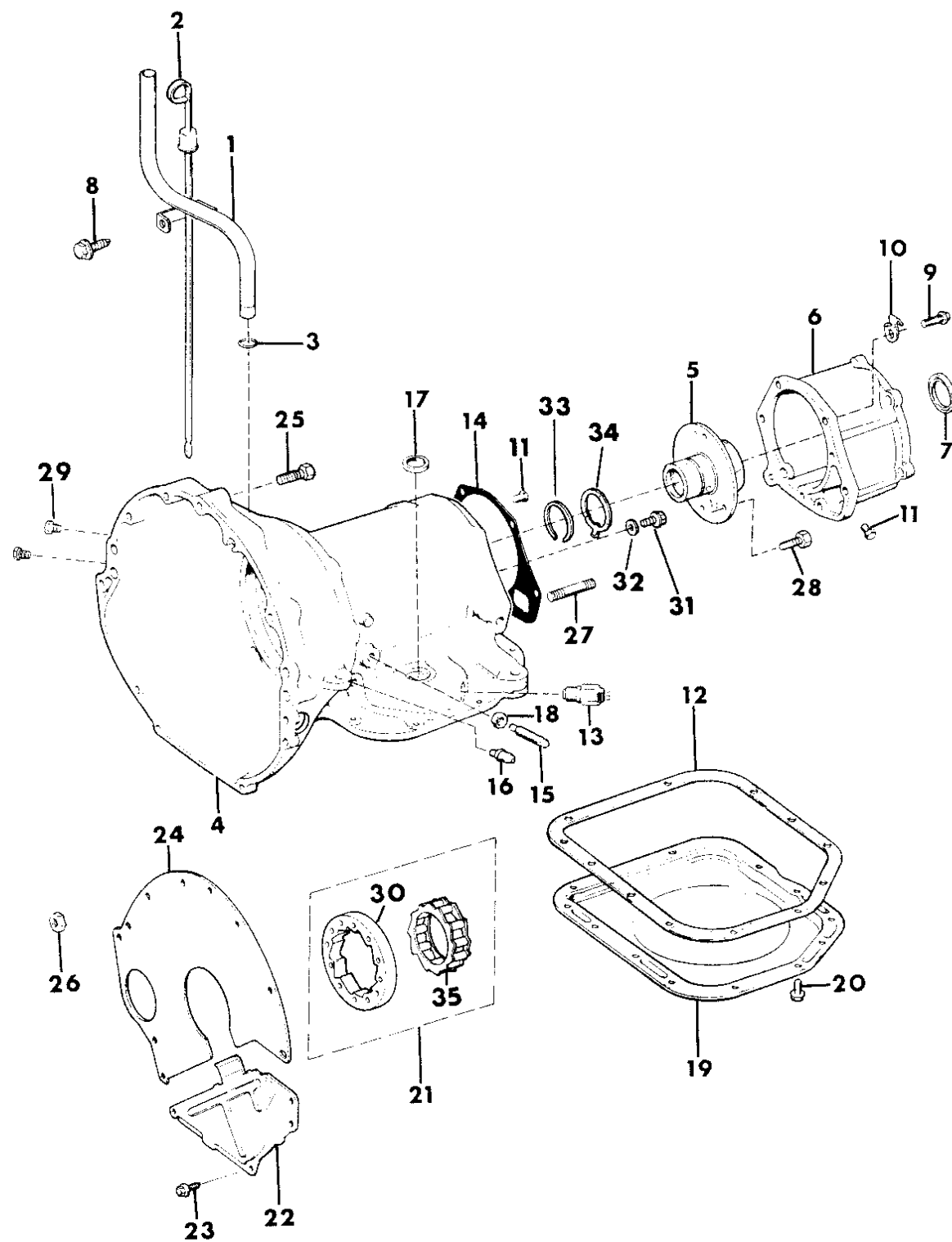
BODY STYLES:

MJ = Comanche Pickup
SJ = Grand Wagoneer Wgn., J-10 & J-20 Pickups
XJ = Cherokee, Wagoneer Limited
YJ = Wrangler

AR = Use as Required - = Non Illustrated Part P.A.R. = Paint as Required

CASE, ADAPTER AND MISC. PARTS AUTOMATIC TRANSMISSION - A999 WRANGLER, YJ
Figure 21A-300

8J51 300



| ITEM | PART NUMBER | QTY | BODY | MODEL | DESCRIPTION |
|------|-------------|-----|------|-------|--|
| 1 | 5300 2009 | 1 | | | TUBE, Oil Indicator |
| 2 | 5300 3661 | 1 | | | INDICATOR, Trans. Oil Level |
| 3 | J321 2885 | 1 | | | O-RING, Oil Indicator Tube |
| 4 | | | | | CASE, Automatic Trans. |
| | J813 0600 | 1 | | | 1987-88, Use w/53003074,53005018 Trans. |
| | 8350 5540 | 1 | | | 1988-89, For Transmission Tagged 4466106, Also Order- J8126794 And 3-83505555 |
| | 5252 208 | 1 | | | 1990 |
| | 3681 601 | 1 | | | MAGNET, Chip Collector (Not Shown) |
| 5 | | | | | SUPPORT, Shaft |
| | J812 0841 | 1 | | | 1987-88, Use w/53003074,53005018 Trans. |
| | 8350 5542 | 1 | | | 1988-89, For Transmission Tagged 4446106, Also Order 1- J8126794 And 3-83505555 |
| | 4431 433 | 1 | | | 1990 6 Hole |
| 6 | | | | | ADAPTER, Automatic Trans. |
| | J813 4760 | 1 | | | 1987-89 |
| | 4505 236 | 1 | | | 1990 |
| 7 | | | | | SEAL, Adapter |
| | J813 4680 | 1 | | | 1987-89 |
| | 4269 956 | 1 | | | 1990 |
| 8 | J400 1701 | 1 | | | SCREW |
| 9 | | | | | BOLT |
| | J813 2505 | 5 | | | 1987-89 |
| | 6030 849 | 5 | | | 1990 |
| 10 | J812 1160 | 1 | | | CLIP |
| 11 | J812 0840 | 2 | | | PLUG, Pressure Check |
| 12 | | | | | GASKET, Pan |
| | J813 6640 | 1 | | | 1987-89 |
| | 4295 875 | 1 | | | 1990 |
| 13 | | | | | SWITCH, Neutral Starter and Back-Up Light Safety |
| | J323 2844 | 1 | | | 1987-89 |
| | 4057 750 | 1 | | | 1990 |
| 14 | | | | | GASKET, Case To Adapter |
| | J812 6785 | 1 | | | 1987-89 |
| | 2466 954 | 1 | | | 1990 |
| 15 | | | | | SCREW, Band Adjusting |
| | J812 1085 | 1 | | | 1987-89 |

MODEL CODES:

| | | |
|-----------------------------|-----------------------------|------------------------------|
| 15 = Grand Wagoneer 4 Dr. | 65 = Comanche 4WD-7 Ft. Box | 77 = Cherokee 4WD-2 Dr. |
| 25 = J-10 Pickup-119" W.B. | 66 = Comanche 2WD-7 Ft. Box | 78 = Cherokee 4WD-4 Dr. |
| 26 = J-10 Pickup-131" W.B. | 73 = Cherokee 2WD-2 Dr. | 79 = Cherokee 4WD-4 Dr.-Com |
| 27 = J-20 Pickup-131" W.B. | 74 = Cherokee 2WD-4 Dr. | 81 = Wrangler-93" W.B. |
| 63 = Comanche 4WD-6 Ft. Box | 75 = Wagoneer 4WD-4 Dr. | 82 = Wrangler-103" W.B.-Exp. |
| 64 = Comanche 2WD-6 Ft. Box | | |

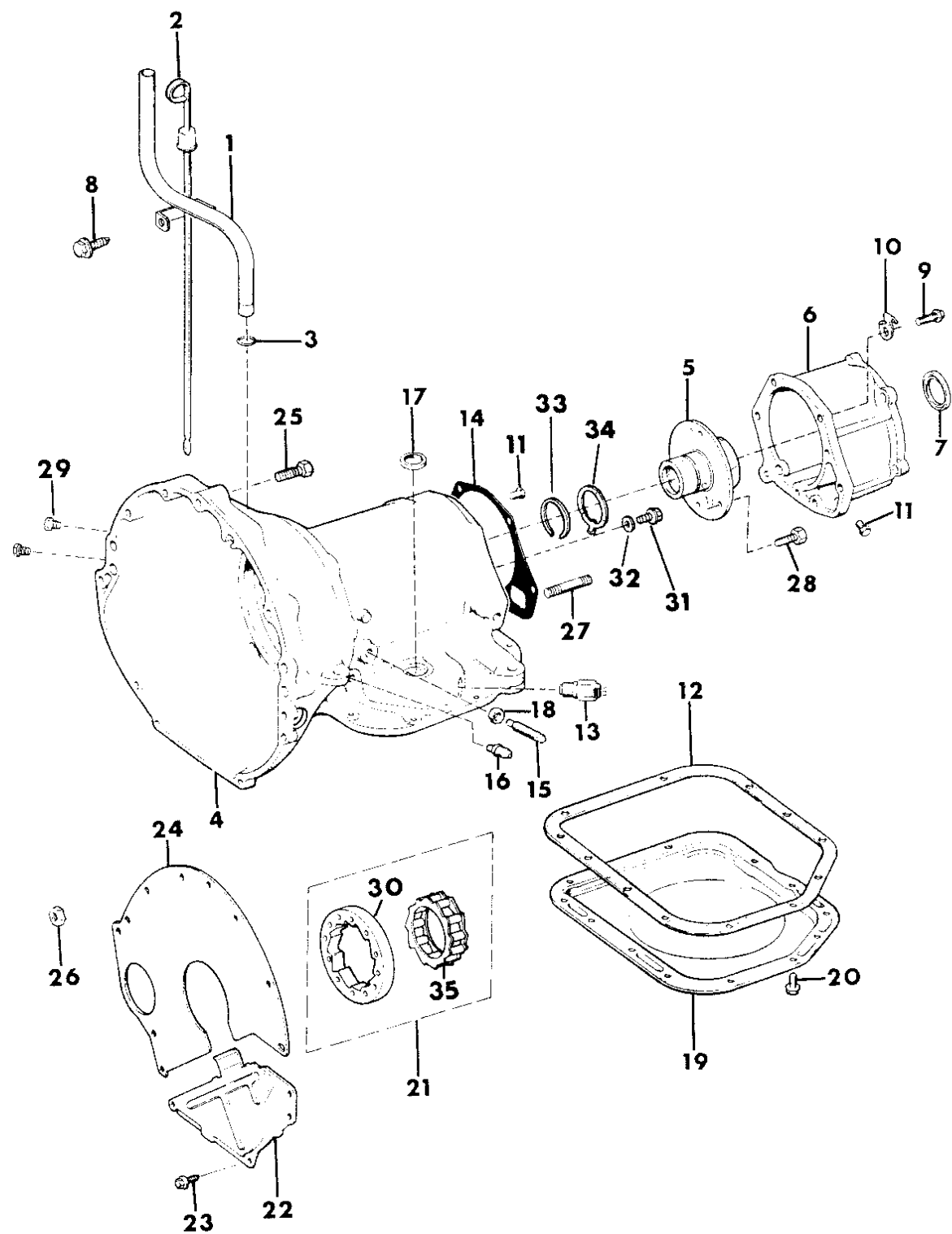
BODY STYLES:

MJ = Comanche Pickup
SJ = Grand Wagoneer Wgn., J-10 & J-20 Pickups
XJ = Cherokee, Wagoneer Limited
YJ = Wrangler

AR = Use as Required - = Non Illustrated Part P.A.R. = Paint as Required

CASE, ADAPTER AND MISC. PARTS AUTOMATIC TRANSMISSION - A999 WRANGLER, YJ
Figure 21A-300

8J51 300



| ITEM | PART NUMBER | QTY | BODY | MODEL | DESCRIPTION |
|------|-------------|-----|------|-------|---|
| | 1942 477 | 1 | | | 1990 |
| 16 | J813 2511 | 1 | | | CONNECTOR, Oil Cooler Tube, 1/4-18 Pipe Thread |
| 17 | J812 6794 | 1 | | | SEAL, Manual Valve Lever Shaft |
| | 4505 098 | 1 | | | 1987-89 |
| | | | | | 1990 |
| 18 | S012 4934 | 1 | | | NUT |
| 19 | J812 8964 | 1 | | | PAN, Trans. Oil |
| | 4202 005 | 1 | | | 1987-89 |
| | | | | | 1990 |
| 20 | 6023 355 | 14 | | | SCREW, 5/16-18 x 5/8" |
| 21 | J812 4585 | 1 | | | CLUTCH PACKAGE, 1988 Overrunning, Use w/53003074, 53005018 Trans. |
| 22 | J321 3744 | 1 | | | COVER |
| 23 | J400 0987 | 4 | | | SCREW, 5/16-18 x 5/8" |
| 24 | J323 7847 | 1 | | | SPACER |
| 25 | J400 1885 | 5 | | | BOLT, 3/8-16 x 2-1/8" |
| | J400 4370 | 2 | | | 7/16-14 x 2-3/4" |
| 26 | J021 9422 | 2 | | | NUT, 3/8-16 |
| 27 | | | | | STUD |
| | 8350 2996 | 1 | | | 1987-89 |
| | 6033 157 | 1 | | | 1990 |
| 28 | | | | | BOLT |
| | J018 0079 | 4 | | | 1987-88 |
| | 8350 5544 | 4 | | | 1989 |
| | 6033 479 | 6 | | | 1990 |
| 29 | 8350 5555 | 3 | | | PLUG, Pressure Check For Trans. Tagged 4446106 |
| 30 | | | | | CAM, Overrunning Clutch |
| | 8350 5541 | 1 | | | 1987-89, For Transmission Tagged 4446106 |
| | 4431 690 | 1 | | | 1990 |
| 31 | | | | | SCREW |
| | J813 3623 | 5 | | | 1987-89, For Transmission Tagged 4446106 |
| | 6033 616 | 5 | | | 1990 |
| 32 | J400 1085 | 5 | | | WASHER, For Transmission Tagged 4446106 |
| 33 | | | | | RING, Retaining For Transmission Tagged 4446106 |
| | 8350 5557 | 1 | | | 1988-89 |
| | 6033 480 | 1 | | | 1990 |
| 34 | 8350 5548 | 1 | | | WASHER, Thrust For Transmission Tagged 4446106 |

MODEL CODES:

| | | |
|-----------------------------|-----------------------------|------------------------------|
| 15 = Grand Wagoneer 4 Dr. | 65 = Comanche 4WD-7 Ft. Box | 77 = Cherokee 4WD-2 Dr. |
| 25 = J-10 Pickup-119" W.B. | 66 = Comanche 2WD-7 Ft. Box | 78 = Cherokee 4WD-4 Dr. |
| 26 = J-10 Pickup-131" W.B. | 73 = Cherokee 2WD-2 Dr. | 79 = Cherokee 4WD-4 Dr.-Com |
| 27 = J-20 Pickup-131" W.B. | 74 = Cherokee 2WD-4 Dr. | 81 = Wrangler-93" W.B. |
| 63 = Comanche 4WD-6 Ft. Box | 75 = Wagoneer 4WD-4 Dr. | 82 = Wrangler-103" W.B.-Exp. |
| 64 = Comanche 2WD-6 Ft. Box | | |

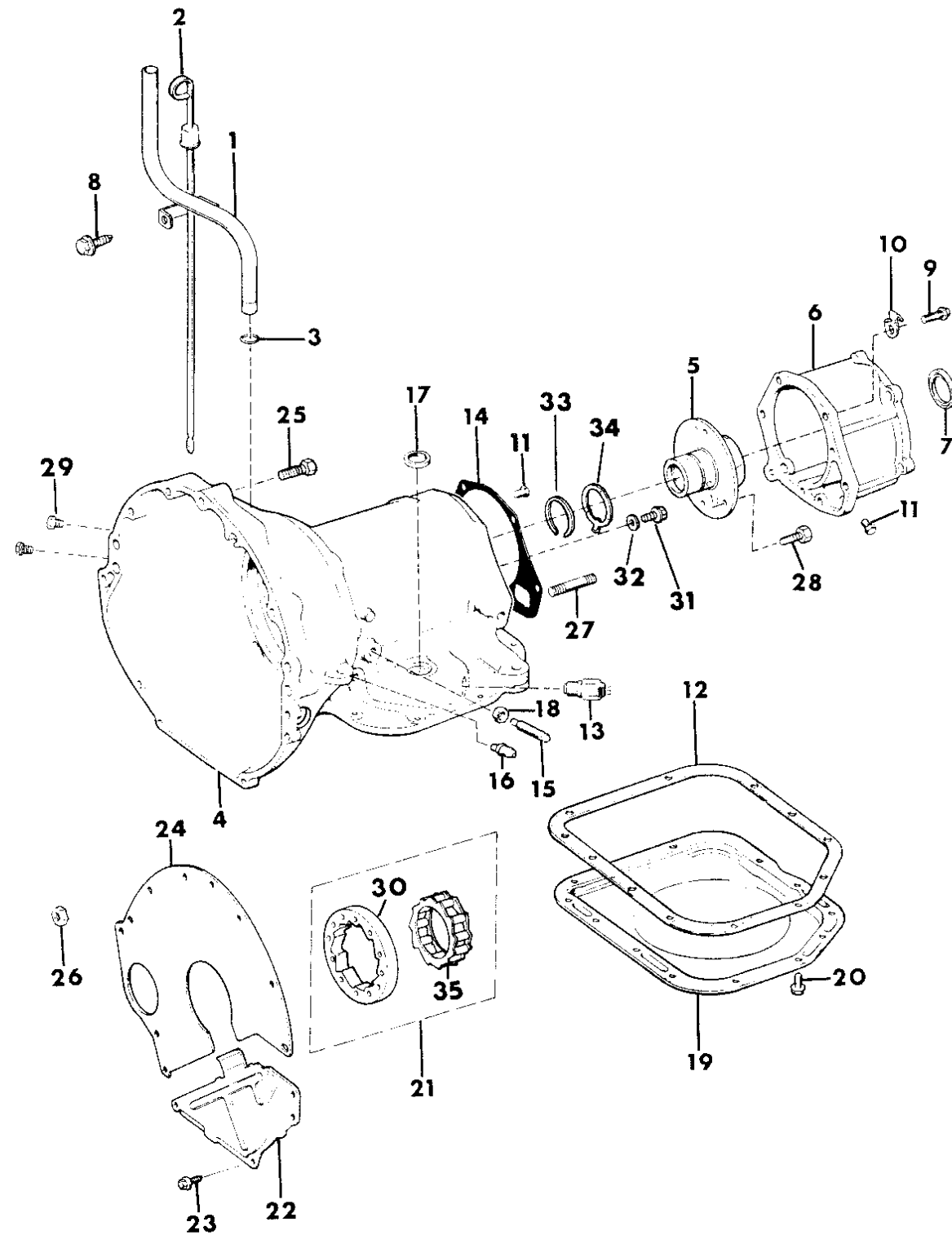
BODY STYLES:

MJ = Comanche Pickup
SJ = Grand Wagoneer Wgn., J-10 & J-20 Pickups
XJ = Cherokee, Wagoneer Limited
YJ = Wrangler

AR = Use as Required - = Non Illustrated Part P.A.R. = Paint as Required

CASE, ADAPTER AND MISC. PARTS AUTOMATIC TRANSMISSION - A999 WRANGLER, YJ
Figure 21A-300

8J51 300



| ITEM | PART NUMBER | QTY | BODY | MODEL | DESCRIPTION |
|------|-------------|-----|------|-------|-------------|
|------|-------------|-----|------|-------|-------------|

| | | | | | |
|----|-----------|---|--|--|--|
| 35 | | | | | CLUTCH ASSEMBLY, Overrunning |
| | 8350 5545 | 1 | | | 1988-89, For Transmission Tagged 4446106 |
| | 4431 432 | 1 | | | 1990 |

MODEL CODES:

| | | |
|-----------------------------|-----------------------------|------------------------------|
| 15 = Grand Wagoneer 4 Dr. | 65 = Comanche 4WD-7 Ft. Box | 77 = Cherokee 4WD-2 Dr. |
| 25 = J-10 Pickup-119" W.B. | 66 = Comanche 2WD-7 Ft. Box | 78 = Cherokee 4WD-4 Dr. |
| 26 = J-10 Pickup-131" W.B. | 73 = Cherokee 2WD-2 Dr. | 79 = Cherokee 4WD-4 Dr.-Com |
| 27 = J-20 Pickup-131" W.B. | 74 = Cherokee 2WD-4 Dr. | 81 = Wrangler-93" W.B. |
| 63 = Comanche 4WD-6 Ft. Box | 75 = Wagoneer 4WD-4 Dr. | 82 = Wrangler-103" W.B.-Exp. |
| 64 = Comanche 2WD-6 Ft. Box | | |

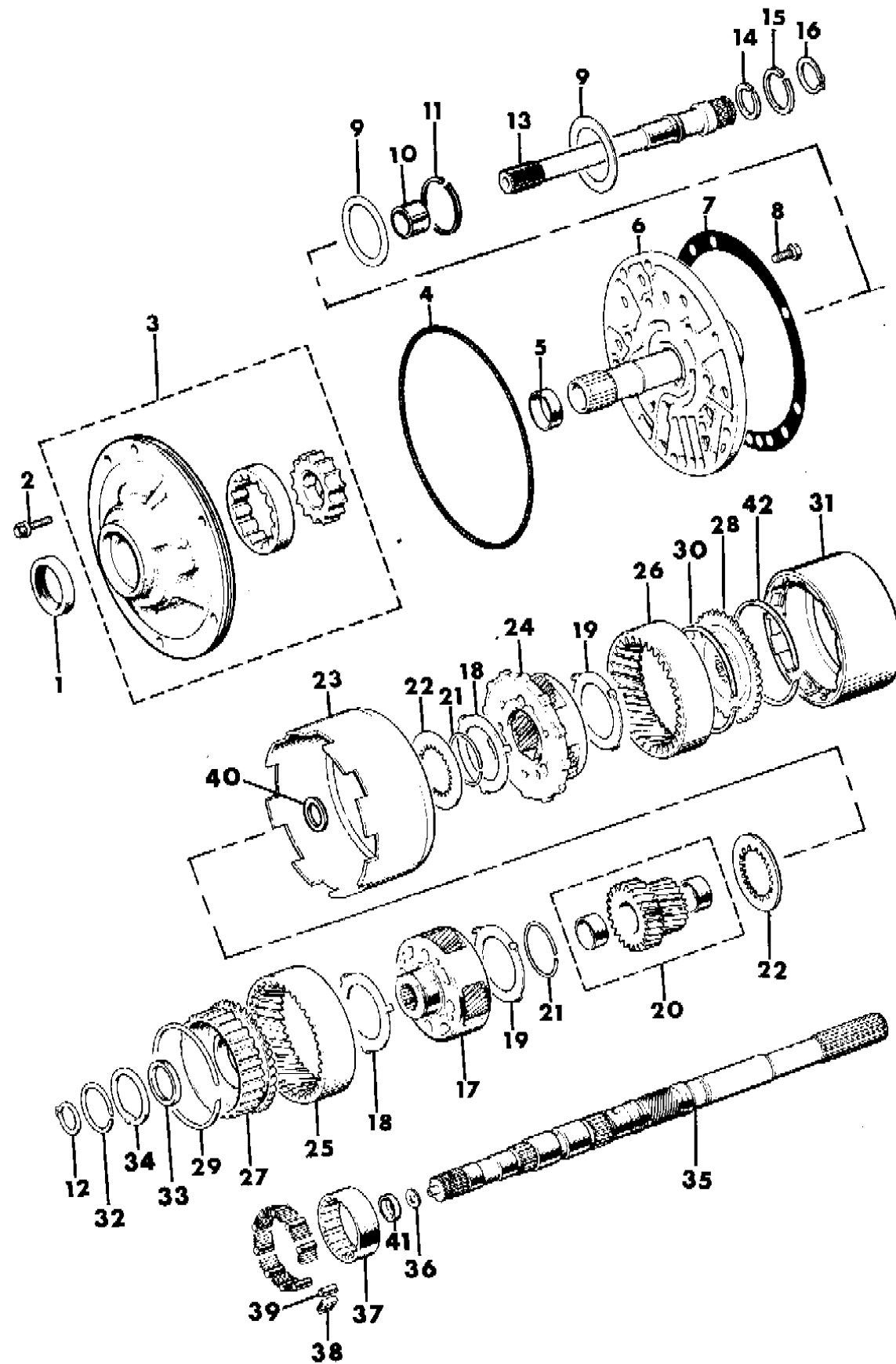
BODY STYLES:

MJ = Comanche Pickup
SJ = Grand Wagoneer Wgn., J-10 & J-20 Pickups
XJ = Cherokee, Wagoneer Limited
YJ = Wrangler

AR = Use as Required - = Non Illustrated Part P.A.R. = Paint as Required

PUMP, OIL AND GEAR TRAIN AUTOMATIC TRANSMISSION - A999 WRANGLER, YJ
Figure 21A-400

8J51 400 A



| ITEM | PART NUMBER | QTY | BODY | MODEL | DESCRIPTION |
|------|-------------|-----|------|-------|----------------------------------|
| 1 | | | | | SEAL, T/Converter Impeller Hub |
| | J813 4675 | 1 | | | 1987-89 |
| | 4269 057 | 1 | | | 1990 |
| 2 | | | | | SCREW, Pump |
| | J812 0871 | 6 | | | 1987-89 |
| | 6023 943 | 6 | | | 1990 |
| 3 | | | | | PUMP, Trans. Oil |
| | J813 0353 | 1 | | | 1987-89 |
| | 4130 192 | 1 | | | 1990 |
| 4 | | | | | SEAL |
| | J812 6789 | 1 | | | 1987-89 |
| | 2204 709 | 1 | | | 1990 |
| 5 | | | | | BUSHING, Oil Pump |
| | J812 0854 | 1 | | | 1987-89 |
| | 2466 796 | 1 | | | 1990 |
| 6 | | | | | SHAFT, Reaction Support |
| | J812 8971 | 1 | | | 1987-89 |
| | 4202 298 | 1 | | | 1990 |
| 7 | | | | | GASKET, Reaction Support |
| | J812 6903 | 1 | | | 1987-89 |
| | 4028 364 | 1 | | | 1990 |
| 8 | | | | | SCREW, Support, 5/16-18 x 11/16" |
| 9 | | | | | WASHER |
| | J812 0835 | 2 | | | 1987-89 |
| | 3410 572 | 2 | | | 1990, 2-5/8" O.D. |
| 10 | | | | | BUSHING |
| | J812 8974 | 1 | | | 1987-89 |
| | 4058 635 | 1 | | | 1990, .968" O.D. |
| 11 | | | | | RING, Reaction Support |
| | J812 6790 | 2 | | | 1987-89 |
| | 4471 874 | 2 | | | 1990, 2-1/16" I.D. |
| 12 | | | | | SNAP RING, Output Shaft |
| | 6026 289 | AR | | | .946" I.D., .040" Thk. |
| | 6030 938 | AR | | | .910" I.D., .062" Thk., Green |
| | 6030 404 | AR | | | .906" I.D., .084" Thk., White |
| 13 | | | | | SHAFT, Input |
| | J813 0344 | 1 | | | 1987-89 |

MODEL CODES:

| | | |
|-----------------------------|-----------------------------|------------------------------|
| 15 = Grand Wagoneer 4 Dr. | 65 = Comanche 4WD-7 Ft. Box | 77 = Cherokee 4WD-2 Dr. |
| 25 = J-10 Pickup-119" W.B. | 66 = Comanche 2WD-7 Ft. Box | 78 = Cherokee 4WD-4 Dr. |
| 26 = J-10 Pickup-131" W.B. | 73 = Cherokee 2WD-2 Dr. | 79 = Cherokee 4WD-4 Dr.-Com |
| 27 = J-20 Pickup-131" W.B. | 74 = Cherokee 2WD-4 Dr. | 81 = Wrangler-93" W.B. |
| 63 = Comanche 4WD-6 Ft. Box | 75 = Wagoneer 4WD-4 Dr. | 82 = Wrangler-103" W.B.-Exp. |
| 64 = Comanche 2WD-6 Ft. Box | | |

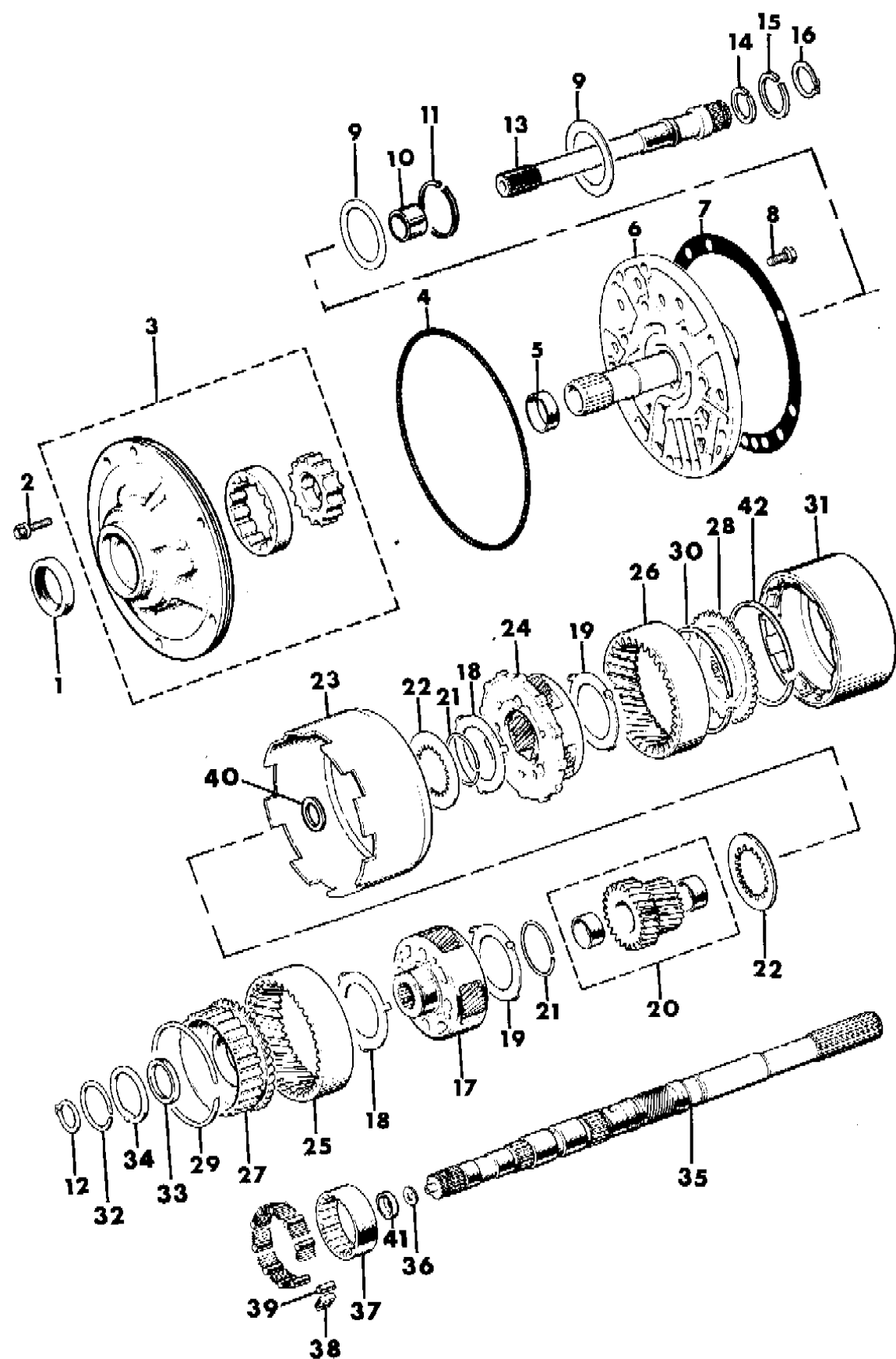
BODY STYLES:

MJ = Comanche Pickup
SJ = Grand Wagoneer Wgn., J-10 & J-20 Pickups
XJ = Cherokee, Wagoneer Limited
YJ = Wrangler

AR = Use as Required - = Non Illustrated Part P.A.R. = Paint as Required

PUMP, OIL AND GEAR TRAIN AUTOMATIC TRANSMISSION - A999 WRANGLER, YJ
Figure 21A-400

8J51 400 A



| ITEM | PART NUMBER | QTY | BODY | MODEL | DESCRIPTION |
|------|-------------|-----|------|-------|---|
| | 4505 190 | 1 | | | 1990 |
| 14 | J812 0910 | 1 | | | RING, Sealing Input Shaft 1987-89 |
| | J812 6778 | 1 | | | 1990 |
| 15 | | | | | SEAL |
| | J812 8981 | 1 | | | 1987-89 |
| | 1401 221 | 1 | | | 1990 |
| 16 | 6022 859 | 1 | | | SNAP RING, Input Shaft, 57/64", .059" Thk. |
| 17 | | | | | CARRIER, Front Planetary *** |
| | J813 3395 | 1 | | | 1987-89 |
| | 4130 514 | 1 | | | 1990 |
| 18 | J813 3394 | 2 | | | WASHER, 2-5/8" I.D., w/4 Tabs I.D. 1987-89 |
| | 4130 518 | 2 | | | 1990 |
| 19 | J812 4320 | 2 | | | WASHER, 2" I.D., w/4 Tabs O.D. 1987-89 |
| | 3681 935 | 2 | | | 1990 |
| 20 | | | | | GEAR ASSEMBLY, Sun w/Bushings |
| | J813 3389 | 1 | | | 1987-89 |
| | 4130 685 | 1 | | | 1990, 38T-28T |
| 21 | | | | | RING, Locking, 1-41/64" O.D. |
| | J812 1024 | 2 | | | 1987-89 |
| | 1942 439 | 1 | | | 1990 |
| 22 | | | | | PLATE |
| | J813 3391 | 2 | | | 1987-89 |
| | 4471 566 | 2 | | | 1990 |
| 23 | | | | | SHELL, Sun Gear |
| | J813 3390 | 1 | | | 1987-89 |
| | 4431 593 | 1 | | | 1990, Also Order 2 Of 4471566 Plate) |
| 24 | | | | | CARRIER ASSEMBLY, Rear Planetary |
| | J812 4325 | 1 | | | 1987-88, Use w/53005018 Trans. |
| | 8350 5546 | 1 | | | 1988-89, For Transmission Tagged 4446106 |
| | 4431 438 | 1 | | | 1990 |
| 25 | | | | | GEAR, Front Annulus |
| | J813 3393 | 1 | | | 1987-89 |
| | 4130 512 | 1 | | | 1990 |
| 26 | | | | | GEAR, Rear Annulus |

MODEL CODES:

| | | |
|-----------------------------|-----------------------------|------------------------------|
| 15 = Grand Wagoneer 4 Dr. | 65 = Comanche 4WD-7 Ft. Box | 77 = Cherokee 4WD-2 Dr. |
| 25 = J-10 Pickup-119" W.B. | 66 = Comanche 2WD-7 Ft. Box | 78 = Cherokee 4WD-4 Dr. |
| 26 = J-10 Pickup-131" W.B. | 73 = Cherokee 2WD-2 Dr. | 79 = Cherokee 4WD-4 Dr.-Com |
| 27 = J-20 Pickup-131" W.B. | 74 = Cherokee 2WD-4 Dr. | 81 = Wrangler-93" W.B. |
| 63 = Comanche 4WD-6 Ft. Box | 75 = Wagoneer 4WD-4 Dr. | 82 = Wrangler-103" W.B.-Exp. |
| 64 = Comanche 2WD-6 Ft. Box | | |

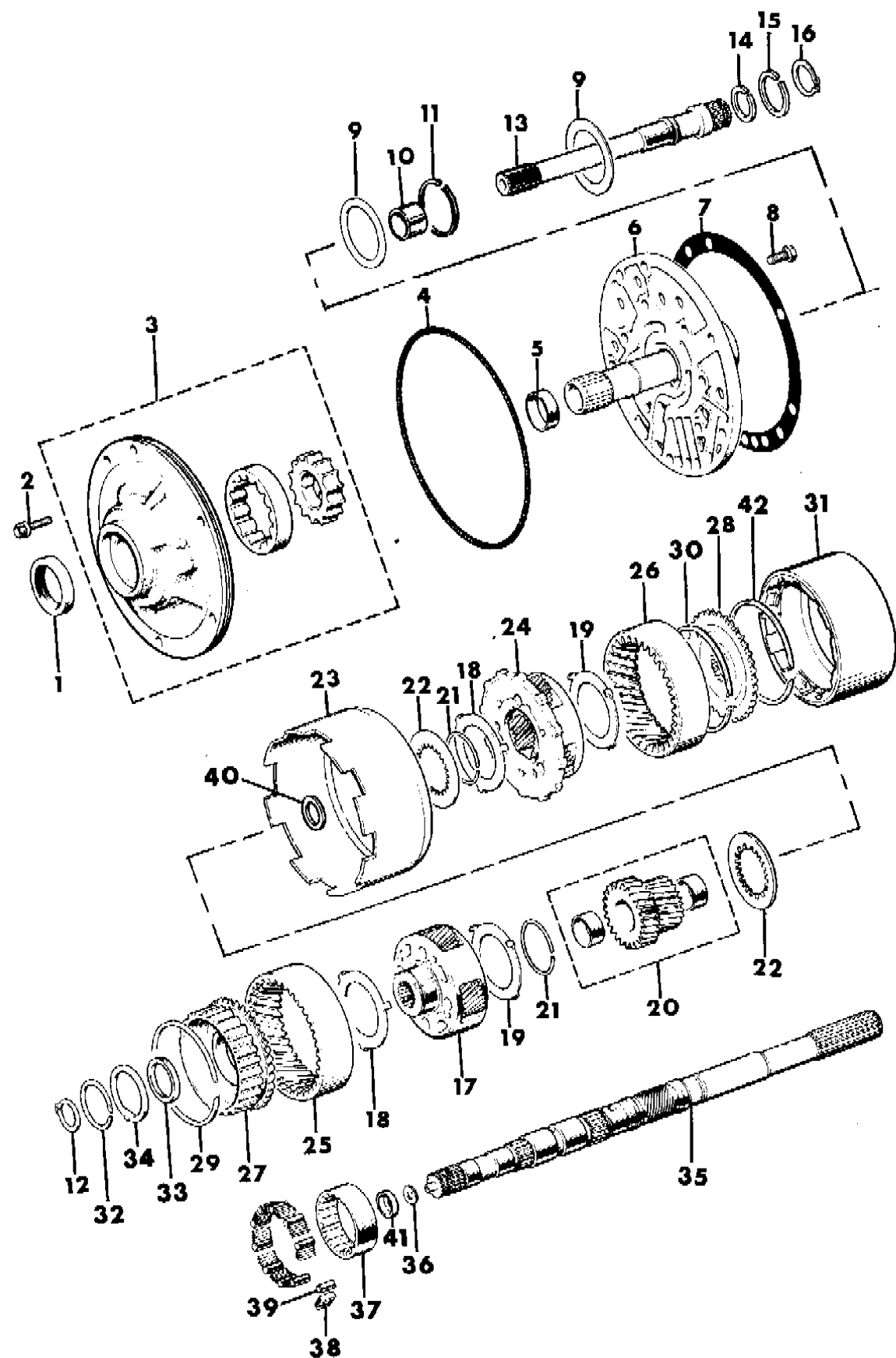
BODY STYLES:

MJ = Comanche Pickup
SJ = Grand Wagoneer Wgn., J-10 & J-20 Pickups
XJ = Cherokee, Wagoneer Limited
YJ = Wrangler

AR = Use as Required - = Non Illustrated Part P.A.R. = Paint as Required

PUMP, OIL AND GEAR TRAIN AUTOMATIC TRANSMISSION - A999 WRANGLER, YJ
Figure 21A-400

8J51 400 A



| ITEM | PART NUMBER | QTY | BODY | MODEL | DESCRIPTION |
|------|-------------|-----|------|-------|---|
| | J812 4159 | 1 | | | 1987-89 |
| | 3743 184 | 1 | | | 1990 |
| 27 | J813 3396 | 1 | | | SUPPORT, Front Annulus Gear |
| | 4130 510 | 1 | | | 1987-89 |
| | | | | | 1990 |
| 28 | J812 1074 | 1 | | | SUPPORT, Rear Annulus Gear |
| | 3515 501 | 1 | | | 1987-89 |
| | | | | | 1990 |
| 29 | J813 3397 | 1 | | | SNAP RING, Front Annulus Gear, 5-5/8" O.D. |
| | 4130 513 | 1 | | | 1987-89 |
| | | | | | 1990 |
| 30 | J812 1014 | 1 | | | SNAP RING, Rear Annulus Gear, 4-1/16" O.D. |
| | 1942 444 | 1 | | | 1987-89 |
| | | | | | 1990 |
| 31 | | | | | DRUM, Reverse |
| | 8350 4126 | 1 | | | 1987-88, Use w/53005018 Trans. |
| | 8350 5547 | 1 | | | 1988-89, Includes Inner Race. For Transmission Tagged 4446106 |
| | | | | | 1990, Includes Inner Race |
| 32 | 4531 208 | 1 | | | SNAP RING, Front Annulus Gear Support |
| | J812 4583 | 1 | | | 1987-89 |
| | 6030 576 | 1 | | | 1990 |
| 33 | J812 4860 | 1 | | | BUSHING |
| 34 | | | | | WASHER, Front Annulus Thrust |
| | J812 4582 | 1 | | | 1987-89 |
| | 3681 969 | 1 | | | 1990 |
| 35 | | | | | SHAFT, Output |
| | J813 2490 | 1 | | | 1987-89 |
| | 4505 245 | 1 | | | 1990 |
| 36 | | | | | WASHER, Thrust Output Shaft |
| | 4505 185 | AR | | | .053" Thk. |
| | 4505 186 | AR | | | .069" Thk. |
| | 4505 187 | AR | | | .084" Thk. |
| 37 | J812 0849 | 1 | | | RACE PACKAGE, Overrunning Clutch, Use w/53003074, 53005018 Trans. |
| 38 | J812 0845 | 10 | | | SPRING, w/53003074,53005018 Trans. |
| 39 | J812 0847 | 10 | | | ROLLER, Clutch, w/53003074,53005018 Trans. |

MODEL CODES:

| | | |
|-----------------------------|-----------------------------|------------------------------|
| 15 = Grand Wagoneer 4 Dr. | 65 = Comanche 4WD-7 Ft. Box | 77 = Cherokee 4WD-2 Dr. |
| 25 = J-10 Pickup-119" W.B. | 66 = Comanche 2WD-7 Ft. Box | 78 = Cherokee 4WD-4 Dr. |
| 26 = J-10 Pickup-131" W.B. | 73 = Cherokee 2WD-2 Dr. | 79 = Cherokee 4WD-4 Dr.-Com |
| 27 = J-20 Pickup-131" W.B. | 74 = Cherokee 2WD-4 Dr. | 81 = Wrangler-93" W.B. |
| 63 = Comanche 4WD-6 Ft. Box | 75 = Wagoneer 4WD-4 Dr. | 82 = Wrangler-103" W.B.-Exp. |
| 64 = Comanche 2WD-6 Ft. Box | | |

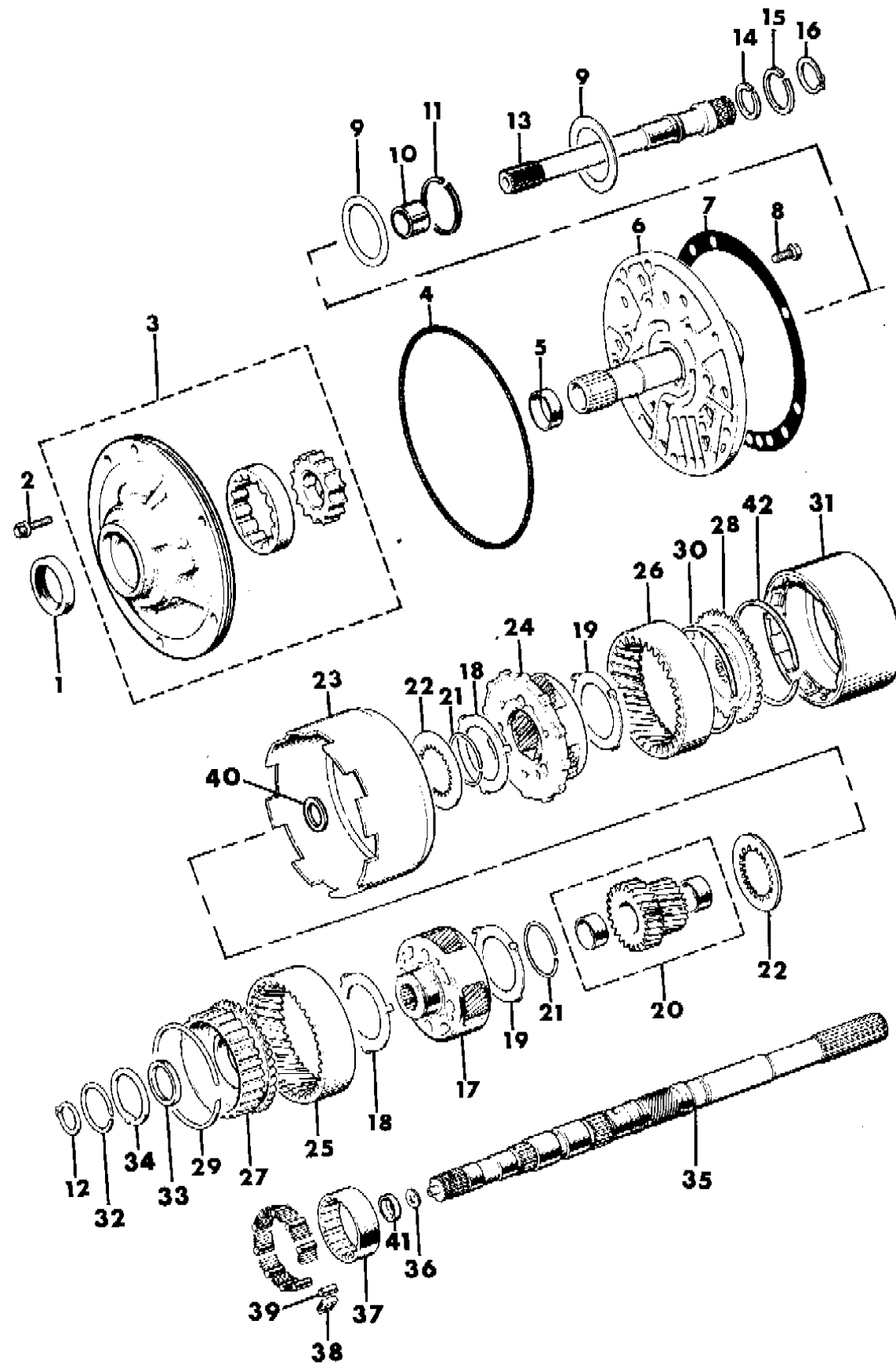
BODY STYLES:

MJ = Comanche Pickup
SJ = Grand Wagoneer Wgn., J-10 & J-20 Pickups
XJ = Cherokee, Wagoneer Limited
YJ = Wrangler

AR = Use as Required - = Non Illustrated Part P.A.R. = Paint as Required

PUMP, OIL AND GEAR TRAIN AUTOMATIC TRANSMISSION - A999 WRANGLER, YJ
Figure 21A-400

8J51 400 A



| ITEM | PART NUMBER | QTY | BODY | MODEL | DESCRIPTION |
|------|-------------|-----|------|-------|------------------------------|
| 40 | | | | | SPACER, Sun Gear |
| | J813 3392 | 1 | | | 1987-89 |
| | 4130 736 | 1 | | | 1990, 4 Inner Teeth, 2" O.D. |
| 41 | | | | | PLATE |
| | 4058 982 | 1 | | | 1987-89 |
| | 4505 188 | 1 | | | 1990 |
| 42 | | | | | RING, Reverse Drum Retaining |
| | 8350 5557 | 1 | | | 1987-89 |
| | 6033 480 | 1 | | | 1990 |

MODEL CODES:

| | | |
|-----------------------------|-----------------------------|------------------------------|
| 15 = Grand Wagoneer 4 Dr. | 65 = Comanche 4WD-7 Ft. Box | 77 = Cherokee 4WD-2 Dr. |
| 25 = J-10 Pickup-119" W.B. | 66 = Comanche 2WD-7 Ft. Box | 78 = Cherokee 4WD-4 Dr. |
| 26 = J-10 Pickup-131" W.B. | 73 = Cherokee 2WD-2 Dr. | 79 = Cherokee 4WD-4 Dr.-Com |
| 27 = J-20 Pickup-131" W.B. | 74 = Cherokee 2WD-4 Dr. | 81 = Wrangler-93" W.B. |
| 63 = Comanche 4WD-6 Ft. Box | 75 = Wagoneer 4WD-4 Dr. | 82 = Wrangler-103" W.B.-Exp. |
| 64 = Comanche 2WD-6 Ft. Box | | |

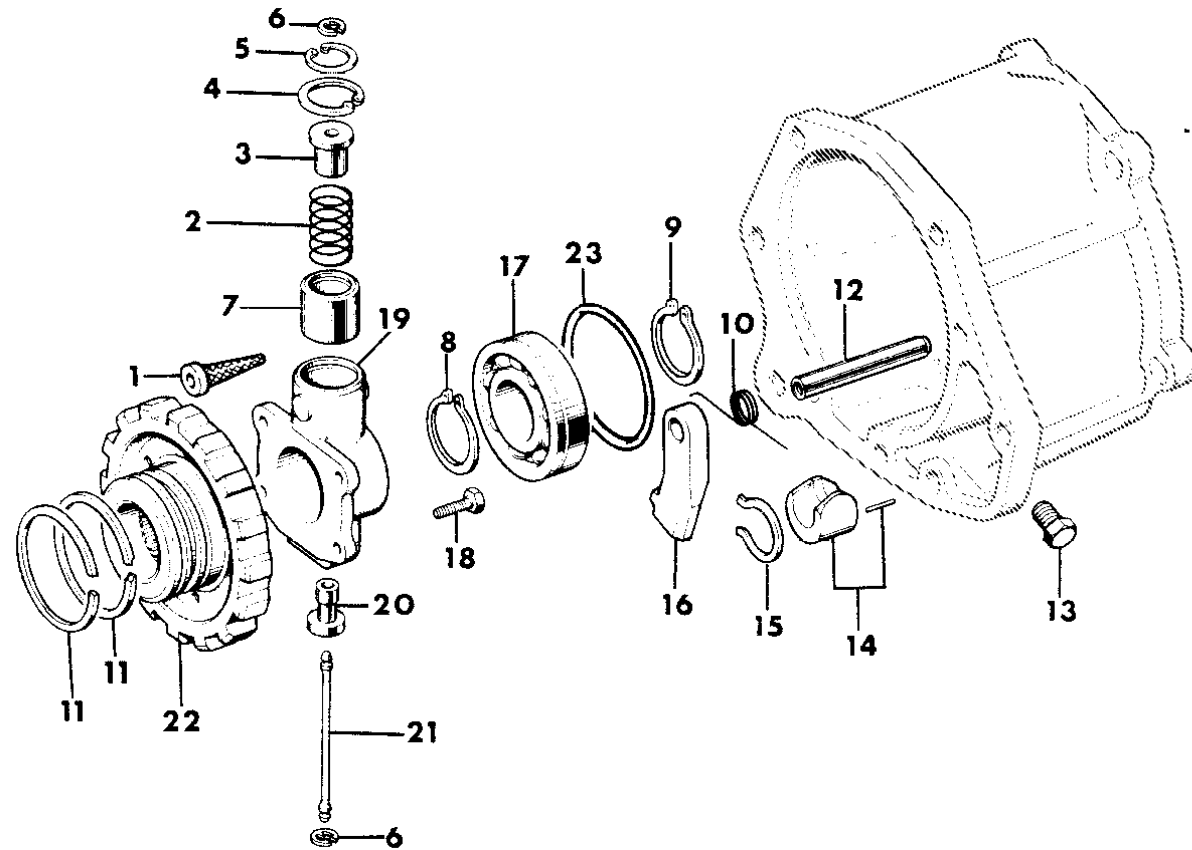
BODY STYLES:

MJ = Comanche Pickup
SJ = Grand Wagoneer Wgn., J-10 & J-20 Pickups
XJ = Cherokee, Wagoneer Limited
YJ = Wrangler

AR = Use as Required - = Non Illustrated Part P.A.R. = Paint as Required

GOVERNOR AND PARKING SPRAG AUTOMATIC TRANSMISSION - A999 WRANGLER, YJ
Figure 21A-500

8J51 500



| ITEM | PART NUMBER | QTY | BODY | MODEL | DESCRIPTION |
|------|-----------------------|--------|------|-------|--|
| | 4186 874 | 1 | | | BODY PACKAGE, Governor Consists Of: 1 - 4446151 BODY, Governor 1 - 3743519 FILTER, Gov. 2 - 1942109 SEAL RING, Support 4 - 6031613 BOLT, Body 1 - 6027271 SNAP RING, Gov. Body 1 - 6025031 SNAP RING, Weight, Outer 1 - 3515479 VALVE, Governor 1 - 1556082 SHAFT, Gov. Valve 2 - 1638461 SNAP RING, Valve Shaft |
| | 4202 658 | 1 | | | WEIGHT PACKAGE, Governor Consists Of: 1 - 3515482 WEIGHT, Inner 1 - 4130851 WEIGHT, Outer 1 - 4130140 SPRING, 4.5 Lb. Spring Load 1 - 1636464 SNAP RING, Weight, Inner |
| 1 | J812 4464 3743 519 | 1 1 | | | FILTER, Governor 1987-89 1990 |
| 2 | J813 3858 | 1 | | | SPRING, Weight 1987-89 1990, (Serviced in Weight Pkg. 4202658) |
| 3 | J812 1130 | 1 | | | WEIGHT, Governor, Inner 1987-89 1990, (Serviced in Weight Pkg. 4202658) |
| 4 | J813 0335 6025 031 | 1 1 | | | SNAP RING, Weight, Outer 1987-89 1990 |
| 5 | J812 1058 1636 464 | 1 1 | | | SNAP RING, Weight, Inner 1987-89 1990 |
| 6 | J812 1059 1638 461 | 2 2 | | | SNAP RING, Valve Shaft 1987-89 1990 |
| 7 | J813 2497 | 1 | | | WEIGHT, Governor, Outer 1987-89 |

MODEL CODES:

| | | |
|-----------------------------|-----------------------------|------------------------------|
| 15 = Grand Wagoneer 4 Dr. | 65 = Comanche 4WD-7 Ft. Box | 77 = Cherokee 4WD-2 Dr. |
| 25 = J-10 Pickup-119" W.B. | 66 = Comanche 2WD-7 Ft. Box | 78 = Cherokee 4WD-4 Dr. |
| 26 = J-10 Pickup-131" W.B. | 73 = Cherokee 2WD-2 Dr. | 79 = Cherokee 4WD-4 Dr.-Com |
| 27 = J-20 Pickup-131" W.B. | 74 = Cherokee 2WD-4 Dr. | 81 = Wrangler-93" W.B. |
| 63 = Comanche 4WD-6 Ft. Box | 75 = Wagoneer 4WD-4 Dr. | 82 = Wrangler-103" W.B.-Exp. |
| 64 = Comanche 2WD-6 Ft. Box | | |

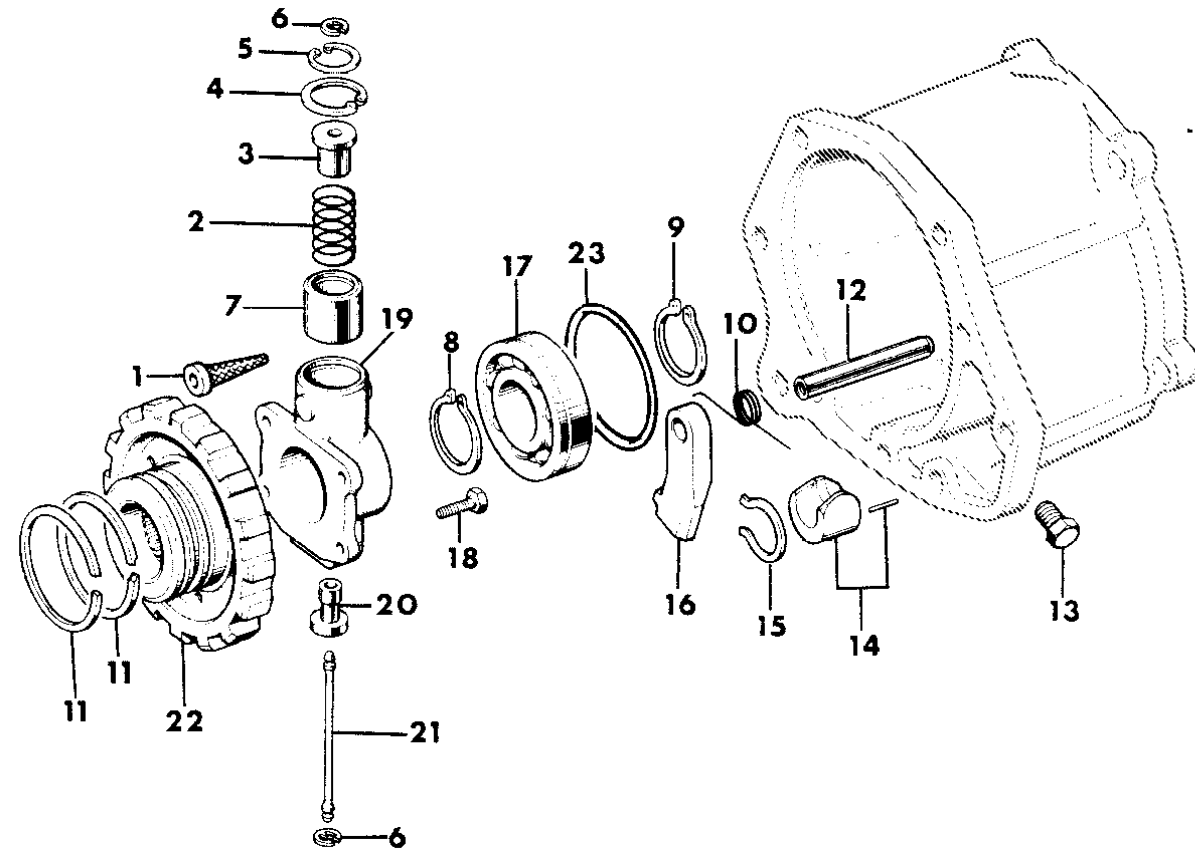
BODY STYLES:

MJ = Comanche Pickup
 SJ = Grand Wagoneer Wgn., J-10 & J-20 Pickups
 XJ = Cherokee, Wagoneer Limited
 YJ = Wrangler

AR = Use as Required - = Non Illustrated Part P.A.R. = Paint as Required

GOVERNOR AND PARKING SPRAG AUTOMATIC TRANSMISSION - A999 WRANGLER, YJ
Figure 21A-500

8J51500



| ITEM | PART NUMBER | QTY | BODY | MODEL | DESCRIPTION |
|------|-------------|-----|------|-------|---|
| | | 1 | | | 1990, (Serviced in Weight Pkg. 4202658) |
| 8 | J812 1056 | 1 | | | SNAP RING, Governor Body |
| | 6027 271 | 1 | | | 1987-89 |
| | | | | | 1990 |
| 9 | | | | | SNAP RING, Output Shaft Bearing |
| | J813 2500 | 1 | | | 1987-89 |
| | 6025 668 | 1 | | | 1990, 1.15" I.D. |
| 10 | | | | | SPRING |
| | J812 1158 | 1 | | | 1987-89 |
| | 2466 909 | 1 | | | 1990 |
| 11 | | | | | RING, Gov. Suppt. Front Seal |
| | J812 0976 | 2 | | | 1987-89 |
| | 1942 109 | 2 | | | 1990 |
| 12 | | | | | SHAFT |
| | J812 1159 | 1 | | | 1987-89 |
| | 2466 892 | 1 | | | 1990 |
| 13 | | | | | PLUG, Pressure Check |
| | J812 0840 | 1 | | | 1987-89 |
| | | 1 | | | 1990, (Not Serviced) |
| 14 | | | | | PLUG, Parking Sprag Reaction |
| | J812 1185 | 1 | | | 1987-89 |
| | 2538 042 | 1 | | | 1990 |
| 15 | | | | | SNAP RING, Parking Sprag Reaction Plug |
| | J812 1063 | 1 | | | 1987-89 |
| | 2538 034 | 1 | | | 1990 |
| 16 | | | | | SPRAG, Park |
| | J812 1157 | 1 | | | 1987-89 |
| | 4471 415 | 1 | | | 1990 |
| 17 | | | | | BEARING, Output Shaft |
| | 4130 537 | 1 | | | |
| 18 | | | | | BOLT, Governor Body |
| | J813 2816 | 4 | | | 1987-89 |
| | 6031 613 | 4 | | | 1990 |
| 19 | | | | | BODY, Governor |
| | J813 2495 | 1 | | | 1987-89 |
| | | 1 | | | 1990, (Serviced in Body Pkg. 4186874) |
| 20 | | | | | VALVE, Governor |
| | J812 1149 | 1 | | | 1987-89 |

MODEL CODES:

| | | |
|-----------------------------|-----------------------------|------------------------------|
| 15 = Grand Wagoneer 4 Dr. | 65 = Comanche 4WD-7 Ft. Box | 77 = Cherokee 4WD-2 Dr. |
| 25 = J-10 Pickup-119" W.B. | 66 = Comanche 2WD-7 Ft. Box | 78 = Cherokee 4WD-4 Dr. |
| 26 = J-10 Pickup-131" W.B. | 73 = Cherokee 2WD-2 Dr. | 79 = Cherokee 4WD-4 Dr.-Com |
| 27 = J-20 Pickup-131" W.B. | 74 = Cherokee 2WD-4 Dr. | 81 = Wrangler-93" W.B. |
| 63 = Comanche 4WD-6 Ft. Box | 75 = Wagoneer 4WD-4 Dr. | 82 = Wrangler-103" W.B.-Exp. |
| 64 = Comanche 2WD-6 Ft. Box | | |

BODY STYLES:

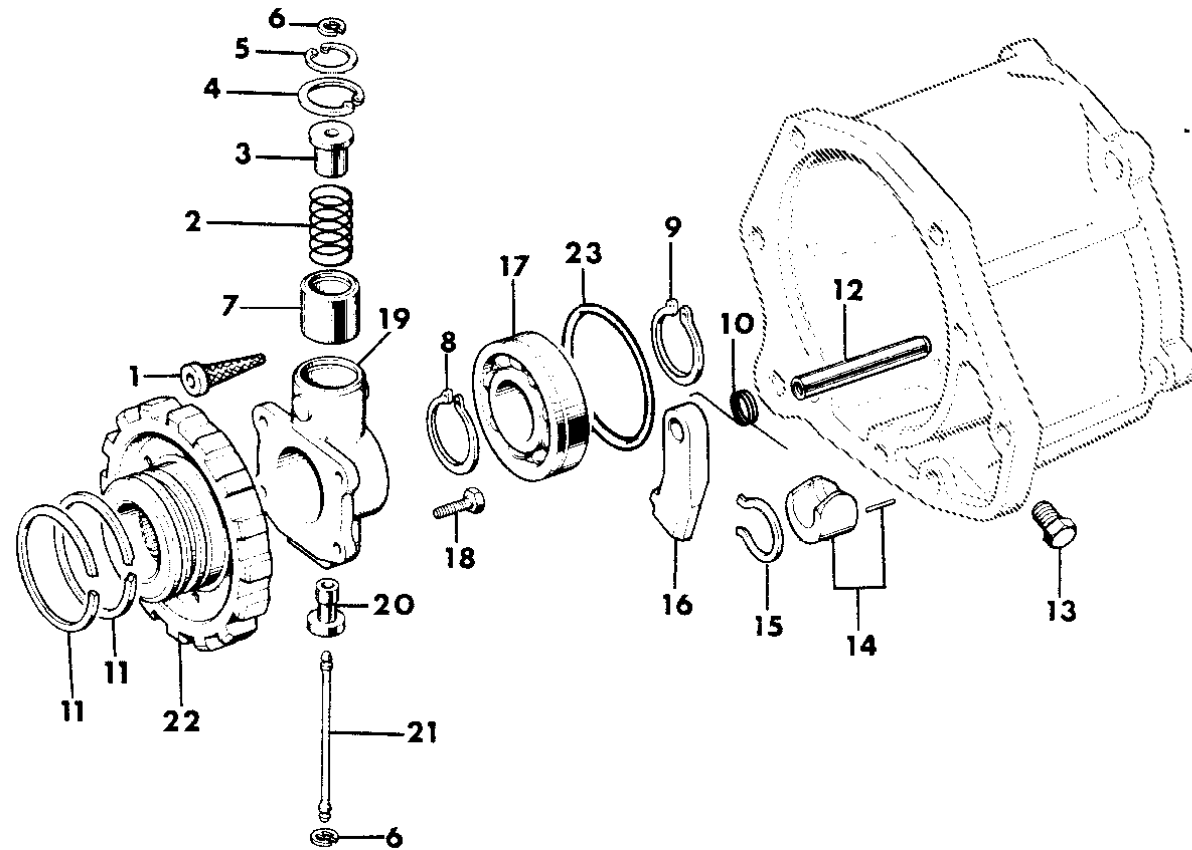
MJ = Comanche Pickup
 SJ = Grand Wagoneer Wgn., J-10 & J-20 Pickups
 XJ = Cherokee, Wagoneer Limited
 YJ = Wrangler

AR = Use as Required - = Non Illustrated Part P.A.R. = Paint as Required

GOVERNOR AND PARKING SPRAG AUTOMATIC TRANSMISSION - A999 WRANGLER, YJ
Figure 21A-500

8J51 500

| ITEM | PART NUMBER | QTY | BODY | MODEL | DESCRIPTION |
|------|-------------|-----|------|---------|------------------------------|
| | 3515 479 | 1 | | 1990 | |
| 21 | J812 1150 | 1 | | 1987-89 | SHAFT, Governor Valve |
| | 1556 082 | 1 | | 1990 | |
| 22 | J812 4461 | 1 | | 1987-89 | SUPPORT, Trans. Governor |
| | 3743 518 | 1 | | 1990 | |
| 23 | 6032 739 | 1 | | | O-RING, Output Shaft Bearing |



MODEL CODES:

| | | |
|-----------------------------|-----------------------------|------------------------------|
| 15 = Grand Wagoneer 4 Dr. | 65 = Comanche 4WD-7 Ft. Box | 77 = Cherokee 4WD-2 Dr. |
| 25 = J-10 Pickup-119" W.B. | 66 = Comanche 2WD-7 Ft. Box | 78 = Cherokee 4WD-4 Dr. |
| 26 = J-10 Pickup-131" W.B. | 73 = Cherokee 2WD-2 Dr. | 79 = Cherokee 4WD-4 Dr.-Com |
| 27 = J-20 Pickup-131" W.B. | 74 = Cherokee 2WD-4 Dr. | 81 = Wrangler-93" W.B. |
| 63 = Comanche 4WD-6 Ft. Box | 75 = Wagoneer 4WD-4 Dr. | 82 = Wrangler-103" W.B.-Exp. |
| 64 = Comanche 2WD-6 Ft. Box | | |

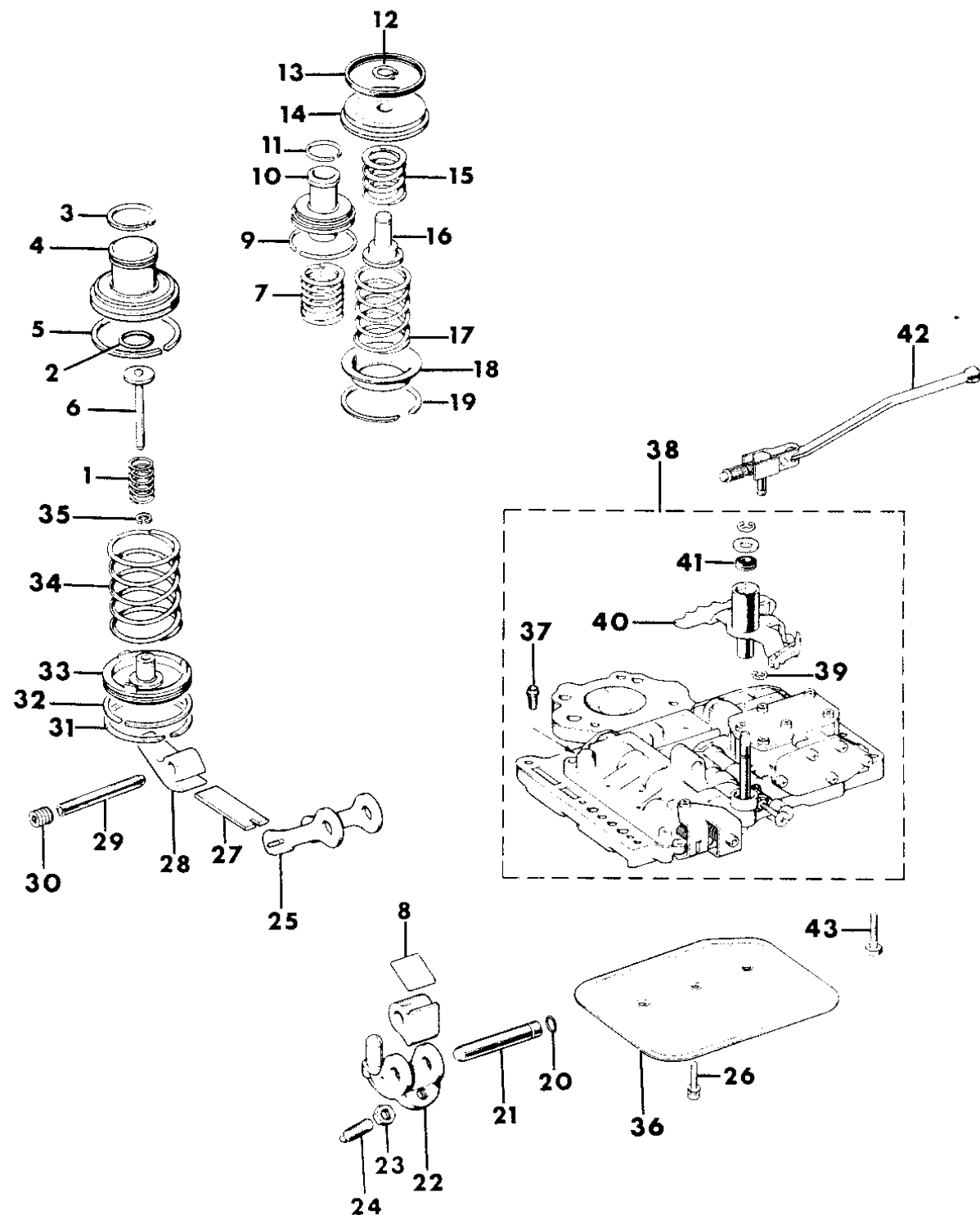
BODY STYLES:

MJ = Comanche Pickup
 SJ = Grand Wagoneer Wgn., J-10 & J-20 Pickups
 XJ = Cherokee, Wagoneer Limited
 YJ = Wrangler

AR = Use as Required - = Non Illustrated Part P.A.R. = Paint as Required

SERVOS, ACCUMULATOR AND VALVE BODY AUTOMATIC TRANSMISSION - A999 WRANGLER, YJ
Figure 21A-600

8J51 600



| ITEM | PART NUMBER | QTY | BODY | MODEL | DESCRIPTION |
|------|-------------|-----|------|-------|---|
| 1 | J812 1099 | 1 | | | SPRING |
| 2 | J812 4870 | 1 | | | O-RING, Kickdown Inner Piston |
| | 6028 864 | 1 | | | 1987-89 |
| | | | | | 1990 |
| 3 | | | | | RING, Kickdown Servo Piston Seal, 1" O.D. |
| | J812 0987 | 1 | | | 1987-89 |
| | 4443 190 | 1 | | | 1990 |
| 4 | | | | | PISTON, Kickdown Servo |
| | J812 8989 | 1 | | | 1987-89 |
| | 4058 777 | 1 | | | 1990 |
| 5 | 4295 966 | 1 | | | RING, Kickdown Servo Piston Seal, 2-3/8" O.D. |
| 6 | | | | | ROD, Kickdown Servo |
| | J812 8990 | 1 | | | 1987-89 |
| | 4058 780 | 1 | | | 1990 |
| 7 | | | | | SPRING |
| | 8350 0428 | 1 | | | 1987-89 |
| | 3515 079 | 1 | | | 1990 |
| 8 | | | | | STRUT, Reverse Band |
| | J812 3484 | 1 | | | 1987-89 |
| | 3515 589 | 1 | | | 1990 |
| 9 | | | | | RING, Accumulator Piston Seal, Large |
| | J812 0982 | 1 | | | 1987-89 |
| | 3743 013 | 1 | | | 1990 |
| 10 | | | | | PISTON, Accumulator |
| | J812 1054 | 1 | | | 1987-89 |
| | 3743 650 | 1 | | | 1990 |
| 11 | | | | | RING, Accumulator Piston Seal, Small |
| | 8350 1941 | 1 | | | 1987-89 |
| | 3743 010 | 1 | | | 1990 |
| 12 | | | | | SNAP RING, Reverse Servo Plug |
| | J812 1174 | 1 | | | 1987-89 |
| | 6027 153 | 1 | | | 1990 |
| 13 | | | | | SEAL, Reverse Servo Piston |
| | J813 6634 | 1 | | | 1987-89 |
| | 4202 864 | 1 | | | 1990 |
| 14 | | | | | PISTON, Reverse Servo |
| | J812 1180 | 1 | | | 1987-89 |

MODEL CODES:

| | | |
|-----------------------------|-----------------------------|------------------------------|
| 15 = Grand Wagoneer 4 Dr. | 65 = Comanche 4WD-7 Ft. Box | 77 = Cherokee 4WD-2 Dr. |
| 25 = J-10 Pickup-119" W.B. | 66 = Comanche 2WD-7 Ft. Box | 78 = Cherokee 4WD-4 Dr. |
| 26 = J-10 Pickup-131" W.B. | 73 = Cherokee 2WD-2 Dr. | 79 = Cherokee 4WD-4 Dr.-Com |
| 27 = J-20 Pickup-131" W.B. | 74 = Cherokee 2WD-4 Dr. | 81 = Wrangler-93" W.B. |
| 63 = Comanche 4WD-6 Ft. Box | 75 = Wagoneer 4WD-4 Dr. | 82 = Wrangler-103" W.B.-Exp. |
| 64 = Comanche 2WD-6 Ft. Box | | |

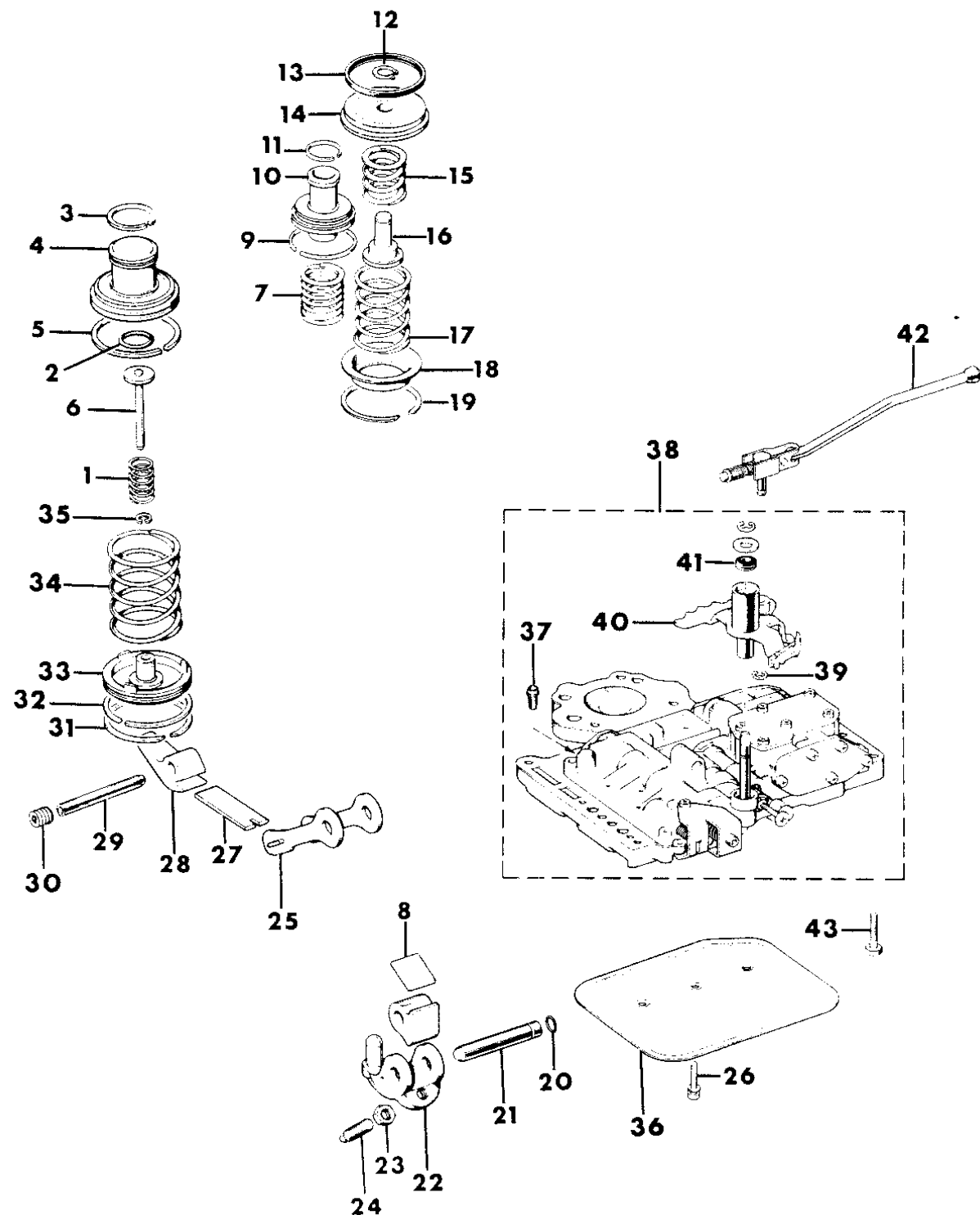
BODY STYLES:

MJ = Comanche Pickup
 SJ = Grand Wagoneer Wgn., J-10 & J-20 Pickups
 XJ = Cherokee, Wagoneer Limited
 YJ = Wrangler

AR = Use as Required - = Non Illustrated Part P.A.R. = Paint as Required

SERVOS, ACCUMULATOR AND VALVE BODY AUTOMATIC TRANSMISSION - A999 WRANGLER, YJ
Figure 21A-600

8J51 600



| ITEM | PART NUMBER | QTY | BODY | MODEL | DESCRIPTION |
|------|-------------|-----|------|-------|---------------------------|
| | 2801 271 | 1 | | | 1990 |
| 15 | J813 0603 | 1 | | | 1987-89 |
| | 4130 824 | 1 | | | 1990 |
| 16 | | | | | PLUG, Reverse Sevo Piston |
| | J812 4497 | 1 | | | 1987-89 |
| | 3743 353 | 1 | | | 1990 |
| 17 | J812 1172 | 1 | | | 1987-89 |
| | 2801 274 | 1 | | | 1990 |
| 18 | J812 1170 | 1 | | | 1987-89 |
| | 2464 463 | | | | 1990 |
| 19 | J812 6968 | 1 | | | 1987-89 |
| | 2464 464 | 1 | | | 1990 |
| 20 | | | | | SEAL |
| | J812 0989 | 1 | | | 1987-89 |
| | 6030 657 | 1 | | | 1990 |
| 21 | J812 1183 | 1 | | | 1987-89 |
| | 3410 102 | 1 | | | 1990 |
| 22 | 8350 2802 | 1 | | | 1987-89 |
| | 4202 764 | 1 | | | 1990 |
| 23 | J400 1239 | 1 | | | NUT |
| 24 | J812 1188 | 1 | | | 1987-89 |
| | 2538 472 | 1 | | | 1990 |
| 25 | J812 1048 | 1 | | | 1987-89 |
| | 2464 439 | 1 | | | 1990 |
| 26 | | | | | SCREW |
| | J812 6893 | 3 | | | 1987-89 |
| | 6033 826 | 3 | | | 1990 |
| 27 | J812 1087 | 1 | | | 1987-89 |

MODEL CODES:

| | | |
|-----------------------------|-----------------------------|------------------------------|
| 15 = Grand Wagoneer 4 Dr. | 65 = Comanche 4WD-7 Ft. Box | 77 = Cherokee 4WD-2 Dr. |
| 25 = J-10 Pickup-119" W.B. | 66 = Comanche 2WD-7 Ft. Box | 78 = Cherokee 4WD-4 Dr. |
| 26 = J-10 Pickup-131" W.B. | 73 = Cherokee 2WD-2 Dr. | 79 = Cherokee 4WD-4 Dr.-Com |
| 27 = J-20 Pickup-131" W.B. | 74 = Cherokee 2WD-4 Dr. | 81 = Wrangler-93" W.B. |
| 63 = Comanche 4WD-6 Ft. Box | 75 = Wagoneer 4WD-4 Dr. | 82 = Wrangler-103" W.B.-Exp. |
| 64 = Comanche 2WD-6 Ft. Box | | |

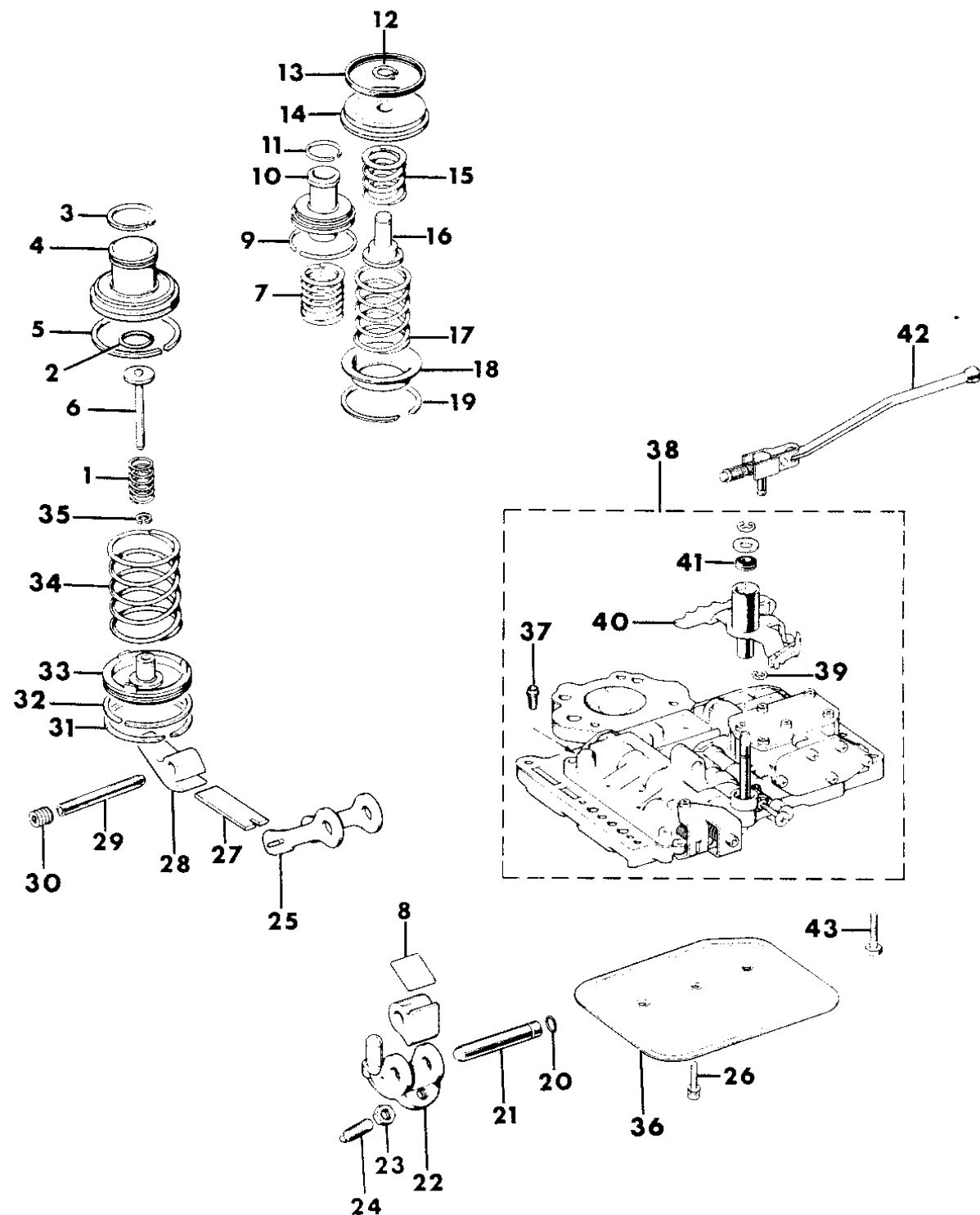
BODY STYLES:

MJ = Comanche Pickup
 SJ = Grand Wagoneer Wgn., J-10 & J-20 Pickups
 XJ = Cherokee, Wagoneer Limited
 YJ = Wrangler

AR = Use as Required - = Non Illustrated Part P.A.R. = Paint as Required

SERVOS, ACCUMULATOR AND VALVE BODY AUTOMATIC TRANSMISSION - A999 WRANGLER, YJ
Figure 21A-600

8J51 600



| ITEM | PART NUMBER | QTY | BODY | MODEL | DESCRIPTION |
|------|-------------|-----|------|-------|--|
| | 3515 084 | 1 | | | 1990 |
| 28 | J812 1088 | 1 | | | LEVER, Kickdown Band 1987-89 |
| | 2125 067 | 1 | | | 1990 |
| 29 | | | | | SHAFT |
| | J812 1109 | 1 | | | 1987-89 |
| | 4531 181 | 1 | | | 1990 |
| 30 | J812 1104 | 1 | | | PLUG |
| 31 | | | | | SNAP RING, Kickdown Servo |
| | J812 1052 | 1 | | | 1987-89 |
| | 6028 863 | 1 | | | 1990 |
| 32 | | | | | RING, Kickdown Servo Guide Seal, 2-3/8" O.D. |
| | J812 0972 | 1 | | | 1987-89 |
| | 4295 966 | 1 | | | 1990 |
| 33 | | | | | GUIDE |
| | J812 1106 | 1 | | | 1987-89 |
| | 3410 332 | 1 | | | 1990 |
| 34 | | | | | SPRING |
| | J812 7837 | 1 | | | 1987-89 |
| | 4058 885 | 1 | | | 1990 |
| 35 | | | | | SNAP RING |
| | J812 1050 | 1 | | | 1987-89 |
| | 6024 336 | 1 | | | 1990 |
| 36 | | | | | FILTER, Trans. Oil |
| | J812 7652 | 1 | | | 1987-89 |
| | 3515 996 | 1 | | | 1990 |
| 37 | J812 4863 | 1 | | | FILTER, Regulator Valve |
| 38 | 4348 765 | 1 | | | BODY ASSEMBLY, Valve *** |
| 39 | | | | | E-RING, Retainer |
| | J812 1239 | 1 | | | 1987-89 |
| | 1626 749 | 1 | | | 1990 |
| 40 | | | | | LEVER |
| | 3410 484 | 1 | | | 1987-89 |
| | 4531 159 | 1 | | | 1990 |
| 41 | | | | | SEAL |
| | J812 4862 | 1 | | | 1987-89 |
| | 2466 548 | 1 | | | 1990 |

MODEL CODES:

| | | |
|-----------------------------|-----------------------------|------------------------------|
| 15 = Grand Wagoneer 4 Dr. | 65 = Comanche 4WD-7 Ft. Box | 77 = Cherokee 4WD-2 Dr. |
| 25 = J-10 Pickup-119" W.B. | 66 = Comanche 2WD-7 Ft. Box | 78 = Cherokee 4WD-4 Dr. |
| 26 = J-10 Pickup-131" W.B. | 73 = Cherokee 2WD-2 Dr. | 79 = Cherokee 4WD-4 Dr.-Com |
| 27 = J-20 Pickup-131" W.B. | 74 = Cherokee 2WD-4 Dr. | 81 = Wrangler-93" W.B. |
| 63 = Comanche 4WD-6 Ft. Box | 75 = Wagoneer 4WD-4 Dr. | 82 = Wrangler-103" W.B.-Exp. |
| 64 = Comanche 2WD-6 Ft. Box | | |

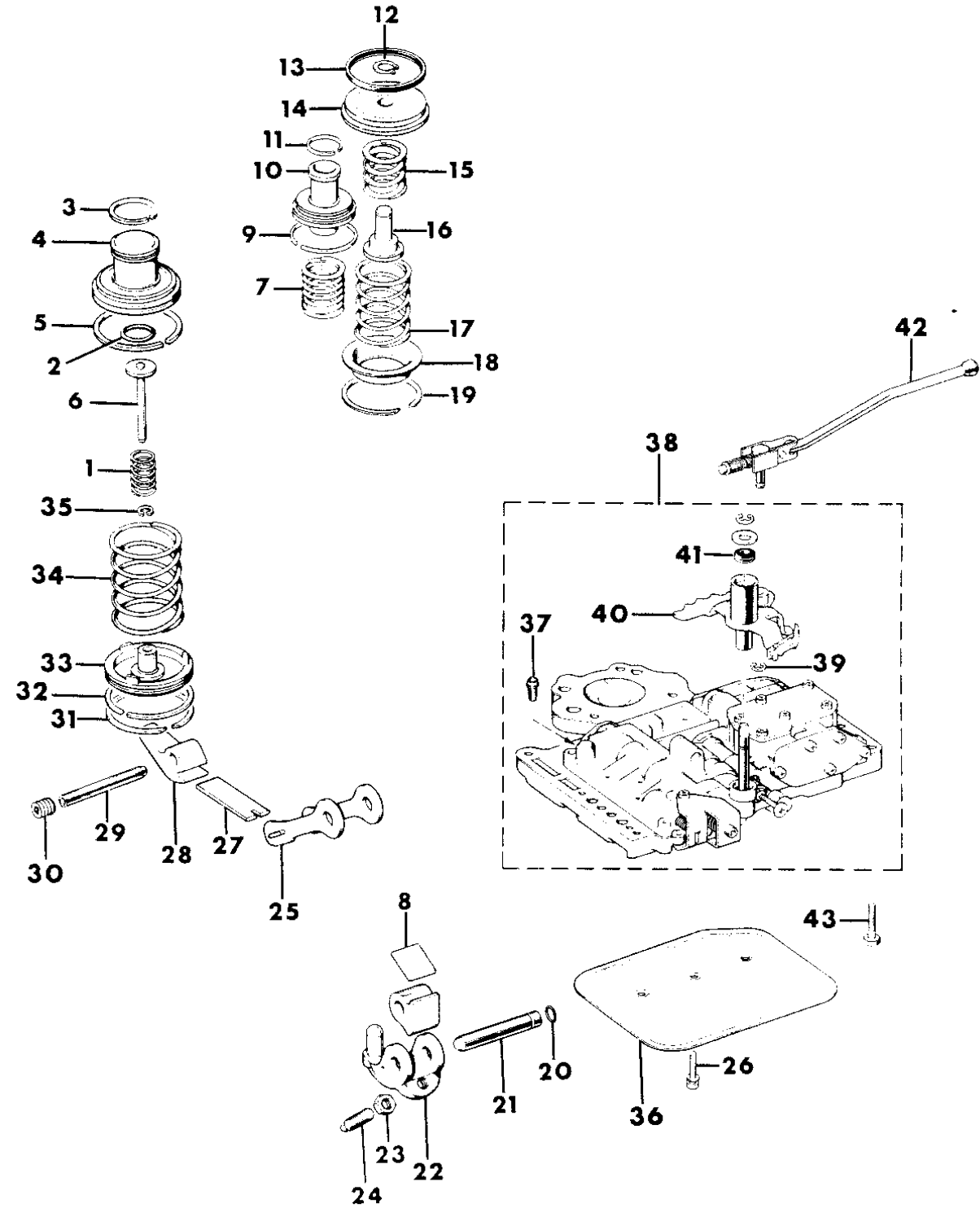
BODY STYLES:

MJ = Comanche Pickup
 SJ = Grand Wagoneer Wgn., J-10 & J-20 Pickups
 XJ = Cherokee, Wagoneer Limited
 YJ = Wrangler

AR = Use as Required - = Non Illustrated Part P.A.R. = Paint as Required

SERVOS, ACCUMULATOR AND VALVE BODY AUTOMATIC TRANSMISSION - A999 WRANGLER, YJ
Figure 21A-600

8J51 600



| ITEM | PART NUMBER | QTY | BODY | MODEL | DESCRIPTION |
|------|-------------|-----|------|-------|-------------|
| 42 | | | | | ROD |
| | J812 1163 | 1 | | | 1987-89 |
| | 2466 906 | 1 | | | 1990 |
| 43 | J017 9798 | 10 | | | BOLT |

MODEL CODES:

| | | |
|-----------------------------|-----------------------------|------------------------------|
| 15 = Grand Wagoneer 4 Dr. | 65 = Comanche 4WD-7 Ft. Box | 77 = Cherokee 4WD-2 Dr. |
| 25 = J-10 Pickup-119" W.B. | 66 = Comanche 2WD-7 Ft. Box | 78 = Cherokee 4WD-4 Dr. |
| 26 = J-10 Pickup-131" W.B. | 73 = Cherokee 2WD-2 Dr. | 79 = Cherokee 4WD-4 Dr.-Com |
| 27 = J-20 Pickup-131" W.B. | 74 = Cherokee 2WD-4 Dr. | 81 = Wrangler-93" W.B. |
| 63 = Comanche 4WD-6 Ft. Box | 75 = Wagoneer 4WD-4 Dr. | 82 = Wrangler-103" W.B.-Exp. |
| 64 = Comanche 2WD-6 Ft. Box | | |

BODY STYLES:
 MJ = Comanche Pickup
 SJ = Grand Wagoneer Wgn., J-10 & J-20 Pickups
 XJ = Cherokee, Wagoneer Limited
 YJ = Wrangler

AR = Use as Required - = Non Illustrated Part P.A.R. = Paint as Required

CLUTCH, FRONT AND REAR AUTOMATIC TRANSMISSION - A999 WRANGLER, YJ
Figure 21A-700

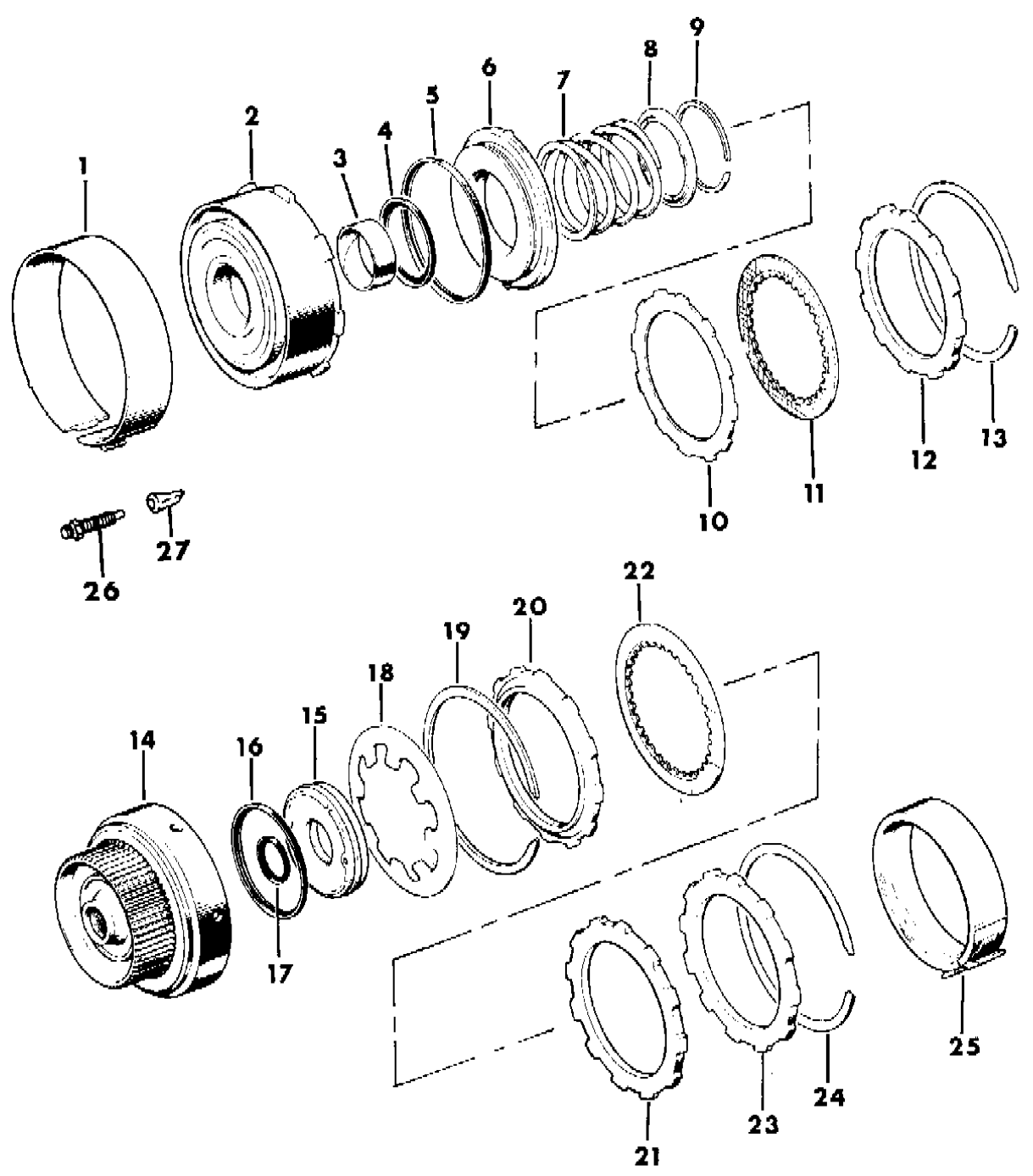
8 J 51 700 A

| ITEM | PART NUMBER | QTY | BODY | MODEL | DESCRIPTION |
|------|-------------|-----|------|-------|---|
| 1 | 4419 646 | 1 | | | BAND, Kickdown |
| 2 | J813 2483 | 1 | | | RETAINER, Front Clutch 1987-89 |
| | 3743 382 | 1 | | | 1990 |
| 3 | J812 0896 | 1 | | | BUSHING, Front Clutch 1987-89 |
| | 2801 727 | 1 | | | 1990 |
| 4 | J812 0881 | 1 | | | SEAL, Front Clutch Piston, Inner 1987-89 |
| | 3515 176 | 1 | | | 1990 |
| 5 | J813 2510 | 1 | | | SEAL, Front Clutch Piston, Outer 1987-89 |
| | 4058 487 | 1 | | | 1990 |
| 6 | J813 2484 | 1 | | | PISTON, Front Clutch 1987-89 |
| | 3743 384 | 1 | | | 1990 |
| 7 | J812 6888 | 1 | | | SPRING 1987-89 |
| | 3515 054 | 1 | | | 1990 |
| 8 | J812 0885 | 1 | | | RETAINER, Front Clutch Piston Spring 1987-89 |
| | 1942 399 | 1 | | | 1990 |
| 9 | J812 0887 | 1 | | | SNAP RING, Front Clutch Inner 1987-89 |
| | 1942 400 | 1 | | | 1990 |
| 10 | J813 6610 | 4 | | | PLATE, Front Clutch 1987-89 |
| | 1942 403 | 5 | | | 1990 |
| 11 | 8350 1953 | 4 | | | DISC, Front Clutch Driven 1987-89 |
| | 4329 805 | 5 | | | 1990 |
| 12 | J812 0932 | 1 | | | PLATE, Pressure 1987-89 |
| | 2801 969 | 1 | | | 1990 |
| 13 | J812 0894 | 1 | | | SNAP RING, Front Clutch, Outer 1987-89 |
| | 3410 571 | 1 | | | 1990 |

MODEL CODES:
 15 = Grand Wagoneer 4 Dr. 65 = Comanche 4WD-7 Ft. Box 77 = Cherokee 4WD-2 Dr.
 25 = J-10 Pickup-119" W.B. 66 = Comanche 2WD-7 Ft. Box 78 = Cherokee 4WD-4 Dr.
 26 = J-10 Pickup-131" W.B. 73 = Cherokee 2WD-2 Dr. 79 = Cherokee 4WD-4 Dr.-Com
 27 = J-20 Pickup-131" W.B. 74 = Cherokee 2WD-4 Dr. 81 = Wrangler-93" W.B.
 63 = Comanche 4WD-6 Ft. Box 75 = Wagoneer 4WD-4 Dr. 82 = Wrangler-103" W.B.-Exp.
 64 = Comanche 2WD-6 Ft. Box

BODY STYLES:
 MJ = Comanche Pickup
 SJ = Grand Wagoneer Wgn., J-10 & J-20 Pickups
 XJ = Cherokee, Wagoneer Limited
 YJ = Wrangler

AR = Use as Required - = Non Illustrated Part P.A.R. = Paint as Required



CLUTCH, FRONT AND REAR AUTOMATIC TRANSMISSION - A999 WRANGLER, YJ
Figure 21A-700

8 J 51 700 A

| ITEM | PART NUMBER | QTY | BODY | MODEL | DESCRIPTION |
|------|-------------|-----|------|-------|---|
| 14 | | | | | RETAINER, Rear Clutch |
| | J813 2485 | 1 | | | 1987-89 |
| | 4505 199 | 1 | | | 1990 |
| 15 | | | | | PISTON ASSEMBLY, Rear Clutch |
| | J812 0912 | 1 | | | 1987-89 |
| | 3515 716 | 1 | | | 1990 |
| 16 | | | | | SEAL, Rear Clutch Piston Outer |
| | J812 0917 | 1 | | | 1987-89 |
| | 2538 695 | 1 | | | 1990 |
| 17 | | | | | SEAL, Rear Clutch Piston Inner |
| | J812 0915 | 1 | | | 1987-89 |
| | 2538 510 | 1 | | | 1990 |
| 18 | | | | | SPRING |
| | J812 0919 | 1 | | | 1987-89 |
| | 1942 414 | 1 | | | 1990 |
| 19 | | | | | SPRING, Clutch Wave |
| | J812 0922 | 1 | | | 1987-89 |
| | 2466 283 | 1 | | | 1990 |
| 20 | | | | | PLATE, Clutch |
| | J812 0926 | 1 | | | 1987-89 |
| | 2466 281 | 1 | | | 1990 |
| 21 | 1942 403 | 3 | | | PLATE, Drive Rear Clutch |
| 22 | | | | | DISC, Driven |
| | J812 0928 | 4 | | | 1987-89 |
| | 4539 178 | 4 | | | 1990 |
| 23 | | | | | PLATE, Rear Clutch Pressure |
| | J812 0932 | 1 | | | 1987-89 |
| | 2801 969 | 1 | | | 1990 |
| 24 | | | | | SNAP RING, Rear Clutch Retaining, 5-11/32" O.D. |
| | | | | | .060" Thk. |
| | J813 2487 | AR | | | 1987-89 |
| | 4130 761 | AR | | | 1990 |
| | | | | | .074" Thk. |
| | J813 2488 | AR | | | 1987-89 |
| | 4130 762 | AR | | | 1990 |
| | | | | | .098" Thk. |
| | J813 2489 | AR | | | 1987-89 |

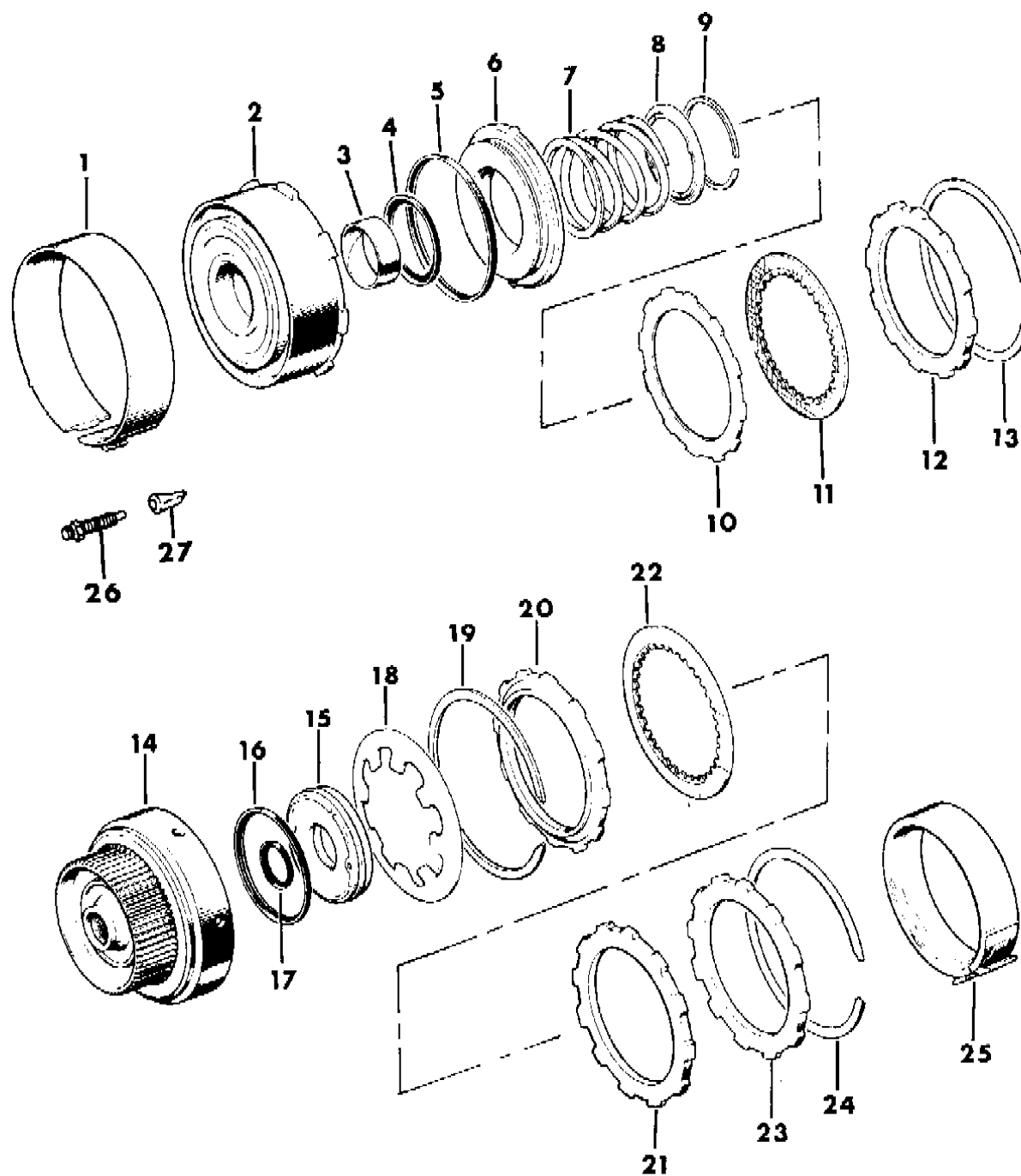
MODEL CODES:

| | | |
|-----------------------------|-----------------------------|------------------------------|
| 15 = Grand Wagoneer 4 Dr. | 65 = Comanche 4WD-7 Ft. Box | 77 = Cherokee 4WD-2 Dr. |
| 25 = J-10 Pickup-119" W.B. | 66 = Comanche 2WD-7 Ft. Box | 78 = Cherokee 4WD-4 Dr. |
| 26 = J-10 Pickup-131" W.B. | 73 = Cherokee 2WD-2 Dr. | 79 = Cherokee 4WD-4 Dr.-Com |
| 27 = J-20 Pickup-131" W.B. | 74 = Cherokee 2WD-4 Dr. | 81 = Wrangler-93" W.B. |
| 63 = Comanche 4WD-6 Ft. Box | 75 = Wagoneer 4WD-4 Dr. | 82 = Wrangler-103" W.B.-Exp. |
| 64 = Comanche 2WD-6 Ft. Box | | |

BODY STYLES:

MJ = Comanche Pickup
SJ = Grand Wagoneer Wgn., J-10 & J-20 Pickups
XJ = Cherokee, Wagoneer Limited
YJ = Wrangler

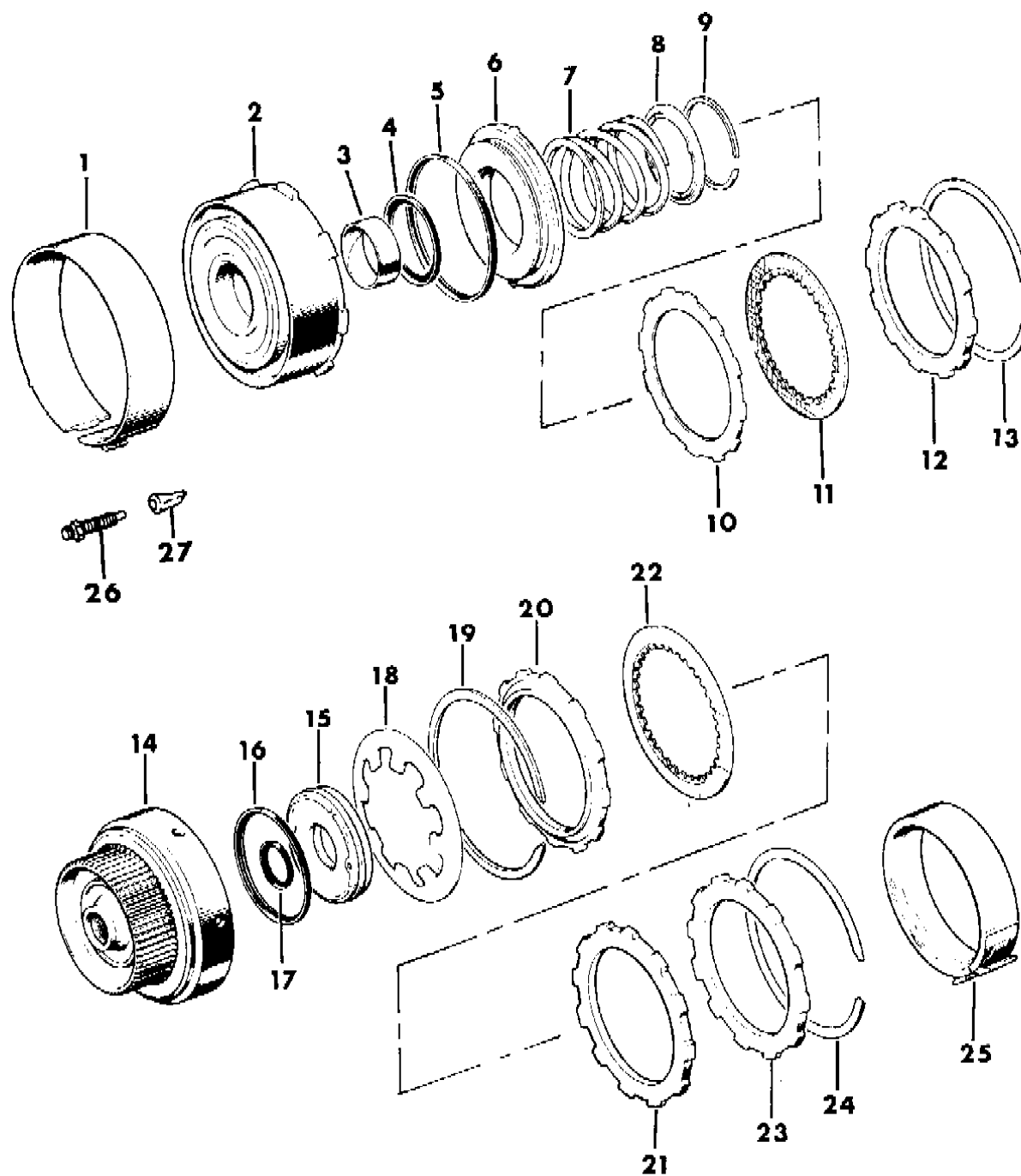
AR = Use as Required - = Non Illustrated Part P.A.R. = Paint as Required



CLUTCH, FRONT AND REAR AUTOMATIC TRANSMISSION - A999 WRANGLER, YJ
Figure 21A-700

8 J 51 700 A

| ITEM | PART NUMBER | QTY | BODY | MODEL | DESCRIPTION |
|------|-------------|-----|------|---------|-----------------------------------|
| | 4130 763 | AR | | 1990 | |
| 25 | | | | | BAND, Reverse |
| | 8350 4129 | 1 | | 1987-89 | |
| | 4443 187 | 1 | | 1990 | |
| 26 | | | | | SCREW, Kickdown Band Adjusting |
| | J812 1085 | 1 | | 1987-89 | |
| | 1942 477 | 1 | | 1990 | |
| 27 | | 1 | | | NUT, Kickdown Band (Not Serviced) |



MODEL CODES:

| | | |
|-----------------------------|-----------------------------|------------------------------|
| 15 = Grand Wagoneer 4 Dr. | 65 = Comanche 4WD-7 Ft. Box | 77 = Cherokee 4WD-2 Dr. |
| 25 = J-10 Pickup-119" W.B. | 66 = Comanche 2WD-7 Ft. Box | 78 = Cherokee 4WD-4 Dr. |
| 26 = J-10 Pickup-131" W.B. | 73 = Cherokee 2WD-2 Dr. | 79 = Cherokee 4WD-4 Dr.-Com |
| 27 = J-20 Pickup-131" W.B. | 74 = Cherokee 2WD-4 Dr. | 81 = Wrangler-93" W.B. |
| 63 = Comanche 4WD-6 Ft. Box | 75 = Wagoneer 4WD-4 Dr. | 82 = Wrangler-103" W.B.-Exp. |
| 64 = Comanche 2WD-6 Ft. Box | | |

BODY STYLES:

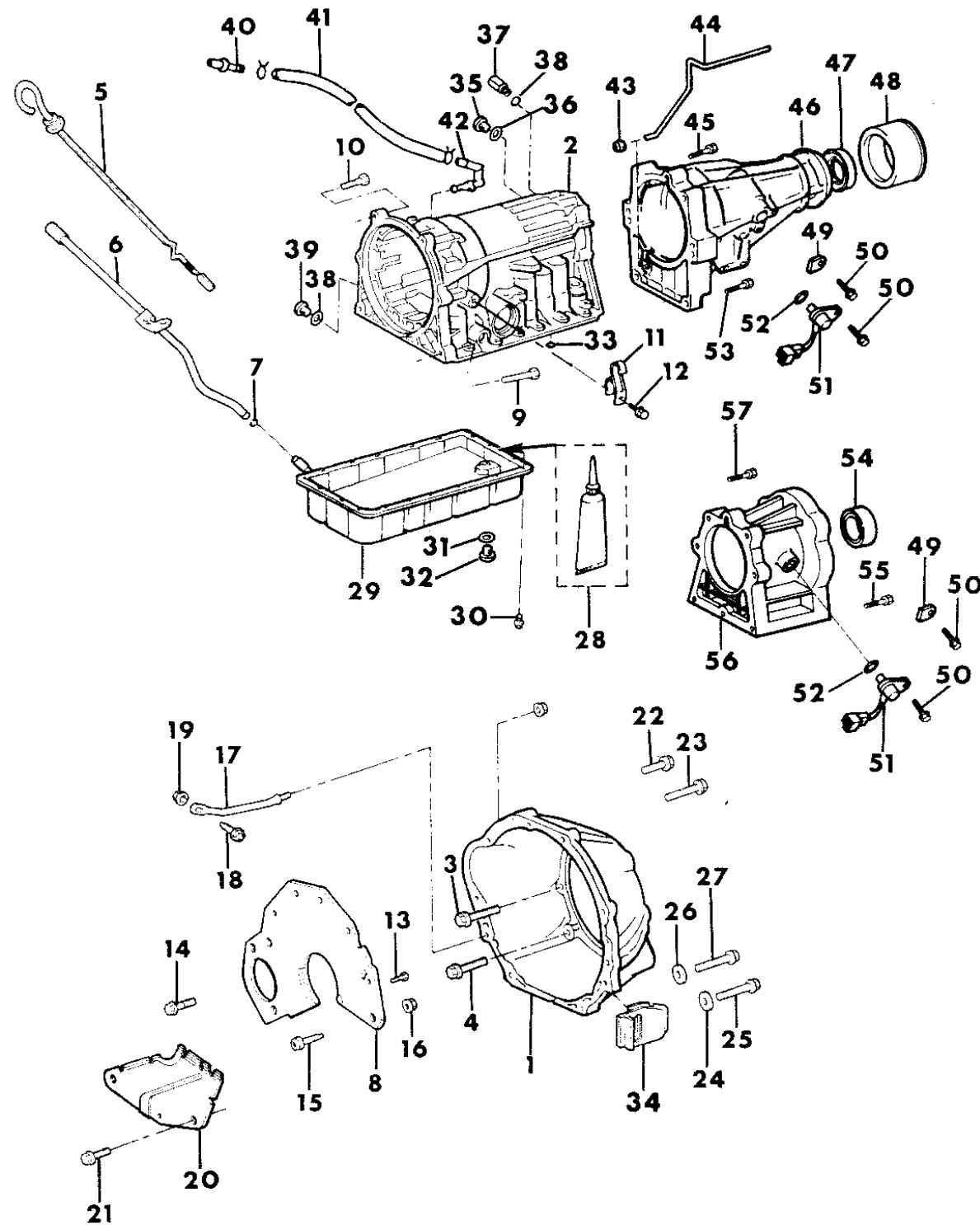
MJ = Comanche Pickup
SJ = Grand Wagoneer Wgn., J-10 & J-20 Pickups
XJ = Cherokee, Wagoneer Limited
YJ = Wrangler

AR = Use as Required - = Non Illustrated Part P.A.R. = Paint as Required

CASE, EXTENSION AND MISC. PARTS AUTOMATIC TRANSMISSION - AW4 CHEROKEE, WAGONEER, COMANCHE

Figure 21A-800

8J51 800



| ITEM | PART NUMBER | QTY | BODY | MODEL | DESCRIPTION |
|------|-------------|-----|------|-------|---|
| 1 | | | | | HOUSING, Torque converter |
| | 8350 3706 | 1 | | | 4 Cyl. Eng. |
| | 8350 4062 | 1 | | | 6 Cyl. Eng. |
| 2 | 8350 3745 | 1 | | | CASE, Transmission |
| 3 | 8350 3747 | 4 | | | BOLT, w/Washer, M10x1.5x35mm |
| 4 | 8350 4057 | 2 | | | BOLT, w/Washer, M10x1.5x100mm |
| 5 | 5300 3976 | 1 | | | INDICATOR, Oil Level |
| 6 | | | | | TUBE, Oil Indicator |
| | 5300 3921 | 1 | | | 4 Cyl. Eng. |
| | 5300 2870 | 1 | | | 6 Cyl. Eng. |
| 7 | 5300 3977 | 1 | | | SEAL |
| 8 | 5300 4907 | 1 | | | SPACER, 6 Cyl. Eng. |
| 9 | 8350 3746 | 2 | | | BOLT, w/Washer, M12x1.75x45mm |
| 10 | 8350 3747 | 3 | | | BOLT, w/Washer, M10x1.5x35mm |
| 11 | 8350 3715 | 1 | | | CLAMP |
| 12 | 8350 3716 | 1 | | | BOLT, w/Washer, M6x1x12mm |
| 13 | J942 8638 | 1 | | | BOLT, 6 Cyl. Eng., 3/8-16x.62 |
| 14 | 1150 2850 | 3 | | | BOLT, 6 Cyl. Eng, M8x1.25x20mm |
| 15 | 1150 4922 | 2 | | | BOLT, 6 Cyl. Eng., M12x1.75x50mm |
| 16 | 1150 2723 | 2 | | | NUT, 6 Cyl. Eng., M12x1.75 |
| 17 | 5300 1595 | 1 | | | ROD, Brace, 4 Cyl. Eng. |
| 18 | 3420 1848 | 1 | | | BOLT, 4 Cyl. Eng, M12x1.75x35 |
| 19 | 1150 2813 | 2 | | | NUT, 4 Cyl. Eng., M12x1.75x13mm |
| 20 | | | | | COVER, Torque Converter |
| | 5300 3950 | 1 | | | 4 Cyl. Eng. |
| | 5300 4908 | 1 | | | 6 Cyl. Eng. |
| 21 | 1150 2628 | 3 | | | BOLT, 4 Cyl. Eng, M8x1.25x30mm |
| 22 | 1150 4922 | 4 | | | BOLT, 4 Cyl. Eng., M12x1.75x50mm |
| 23 | 3420 1837 | 2 | | | BOLT, 4 Cyl. Eng., M12x1.75x90mm |
| 24 | S044 6363 | 2 | | | WASHER, 6 Cyl. Eng., 3/8IDx7/8ODx.078 |
| 25 | J018 0129 | 2 | | | BOLT, 6 Cyl. Eng., 3/8-16x1.875 |
| 26 | J400 5397 | 2 | | | WASHER, 6 Cyl. Eng., 7/16IDx.875ODx.135 |
| 27 | J942 7626 | 2 | | | BOLT, 6 Cyl. Eng., 7/16-14x3.125 |
| 28 | J899 3317 | 1 | | | SEALER, RTV *** |
| 29 | 8350 4037 | 1 | | | PAN |
| 30 | 8350 4039 | 19 | | | BOLT |
| 31 | 8350 4040 | 1 | | | GASKET |

MODEL CODES:

| | | |
|-----------------------------|-----------------------------|------------------------------|
| 15 = Grand Wagoneer 4 Dr. | 65 = Comanche 4WD-7 Ft. Box | 77 = Cherokee 4WD-2 Dr. |
| 25 = J-10 Pickup-119" W.B. | 66 = Comanche 2WD-7 Ft. Box | 78 = Cherokee 4WD-4 Dr. |
| 26 = J-10 Pickup-131" W.B. | 73 = Cherokee 2WD-2 Dr. | 79 = Cherokee 4WD-4 Dr.-Com |
| 27 = J-20 Pickup-131" W.B. | 74 = Cherokee 2WD-4 Dr. | 81 = Wrangler-93" W.B. |
| 63 = Comanche 4WD-6 Ft. Box | 75 = Wagoneer 4WD-4 Dr. | 82 = Wrangler-103" W.B.-Exp. |
| 64 = Comanche 2WD-6 Ft. Box | | |

BODY STYLES:

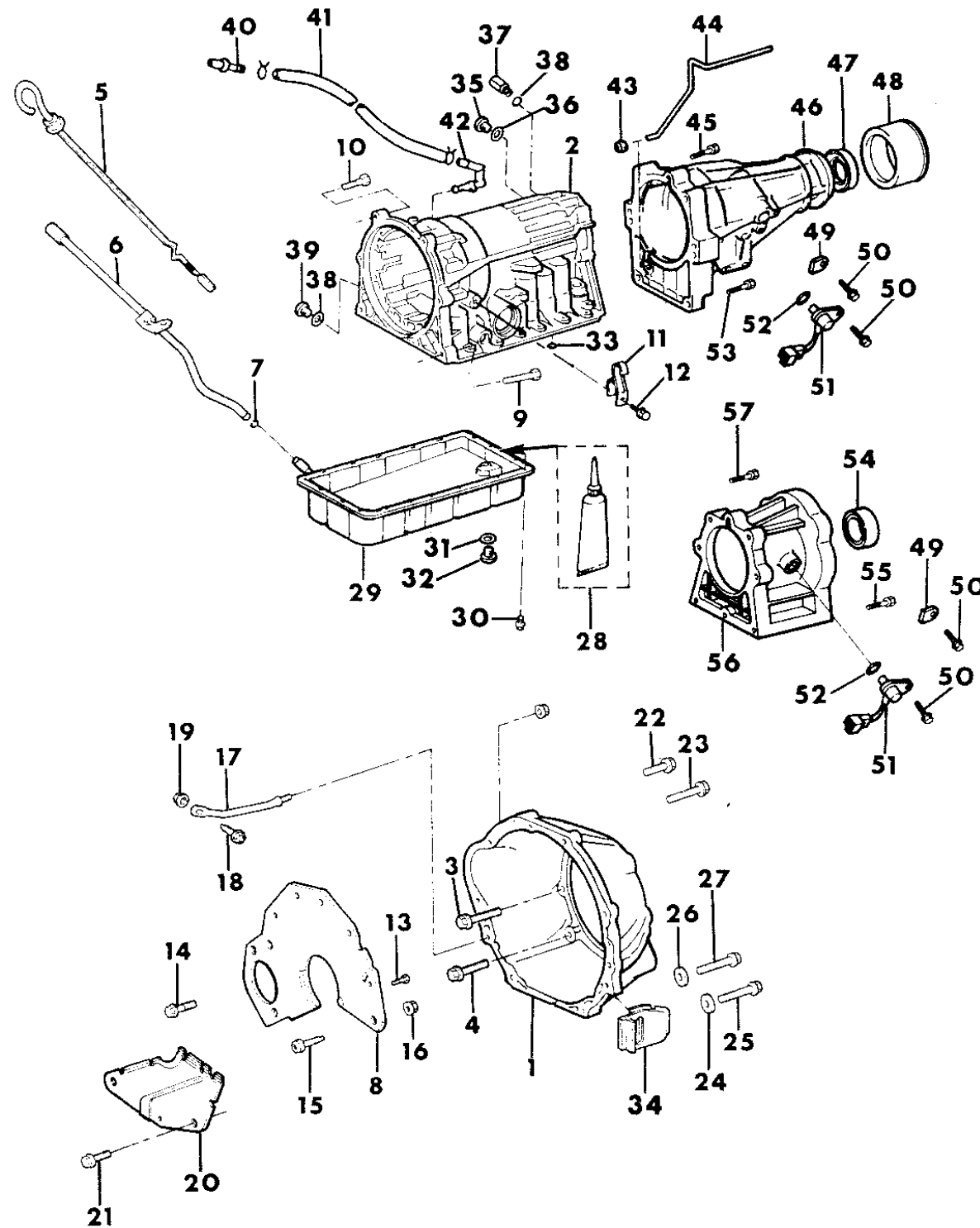
MJ = Comanche Pickup
 SJ = Grand Wagoneer Wgn., J-10 & J-20 Pickups
 XJ = Cherokee, Wagoneer Limited
 YJ = Wrangler

AR = Use as Required - = Non Illustrated Part P.A.R. = Paint as Required

CASE, EXTENSION AND MISC. PARTS AUTOMATIC TRANSMISSION - AW4 CHEROKEE, WAGONEER, COMANCHE

Figure 21A-800

8J51 800



| ITEM | PART NUMBER | QTY | BODY | MODEL | DESCRIPTION |
|------|-------------|-----|------|-------|------------------------------|
| 32 | 8350 4041 | 1 | | | PLUG, Drain |
| 33 | | | | | GASKET |
| | 8350 4060 | 1 | | | 1987-89 |
| | 5252 444 | 1 | | | 1990 |
| 34 | | | | | GROMMET |
| | 5300 9045 | 1 | | | 4 Cyl. Eng. |
| | 5300 4909 | 1 | | | 6 Cyl. Eng., 1987-89 |
| | 5300 5129 | 1 | | | 1990 |
| 35 | 8350 3749 | 2 | | | PLUG |
| 36 | 8350 3750 | 2 | | | O-RING |
| 37 | 8350 3728 | 2 | | | UNION |
| 38 | 8350 3727 | 2 | | | O-RING |
| 39 | 8350 3726 | 1 | | | PLUG |
| 40 | | | | | BREATHER *** |
| | 8350 3729 | 1 | | | 2WD |
| | 8350 3737 | 1 | | | 4WD |
| 41 | 8350 3720 | 1 | | | HOSE |
| 42 | 8350 3738 | 1 | | | ADAPTER |
| 43 | 8350 4052 | 1 | | 2WD | GASKET |
| 44 | 8350 4053 | 1 | | 2WD | TUBE |
| 45 | 8350 4051 | 4 | | 2WD | BOLT |
| 46 | 8350 4046 | 1 | | 2WD | EXTENSION |
| 47 | 8350 4048 | 1 | | 2WD | SEAL, Oil Lip, Extension |
| 48 | 8350 4050 | 1 | | 2WD | DEFLECTOR, Dust *** |
| 49 | 8350 3721 | 1 | | | PLATE |
| 50 | | | | | BOLT |
| | 8350 3709 | 2 | | | 1987-89 |
| | 3420 1808 | 2 | | | 1990, M6x1x16mm |
| 51 | 8350 3722 | 1 | | | SENSOR, Speed |
| 52 | 8350 3723 | 1 | | | O-RING |
| 53 | 8350 3747 | 3 | | | BOLT |
| 54 | 8350 4055 | 1 | | 4WD | SEAL, Oil Lip, Adapter |
| 55 | 8350 4057 | 2 | | 4WD | BOLT |
| 56 | 8350 4056 | 1 | | 4WD | ADAPTER |
| 57 | 8350 4058 | 5 | | 4WD | BOLT, w/Washer, M10x1.5x40mm |

MODEL CODES:

| | | |
|-----------------------------|-----------------------------|------------------------------|
| 15 = Grand Wagoneer 4 Dr. | 65 = Comanche 4WD-7 Ft. Box | 77 = Cherokee 4WD-2 Dr. |
| 25 = J-10 Pickup-119" W.B. | 66 = Comanche 2WD-7 Ft. Box | 78 = Cherokee 4WD-4 Dr. |
| 26 = J-10 Pickup-131" W.B. | 73 = Cherokee 2WD-2 Dr. | 79 = Cherokee 4WD-4 Dr.-Com |
| 27 = J-20 Pickup-131" W.B. | 74 = Cherokee 2WD-4 Dr. | 81 = Wrangler-93" W.B. |
| 63 = Comanche 4WD-6 Ft. Box | 75 = Wagoneer 4WD-4 Dr. | 82 = Wrangler-103" W.B.-Exp. |
| 64 = Comanche 2WD-6 Ft. Box | | |

BODY STYLES:

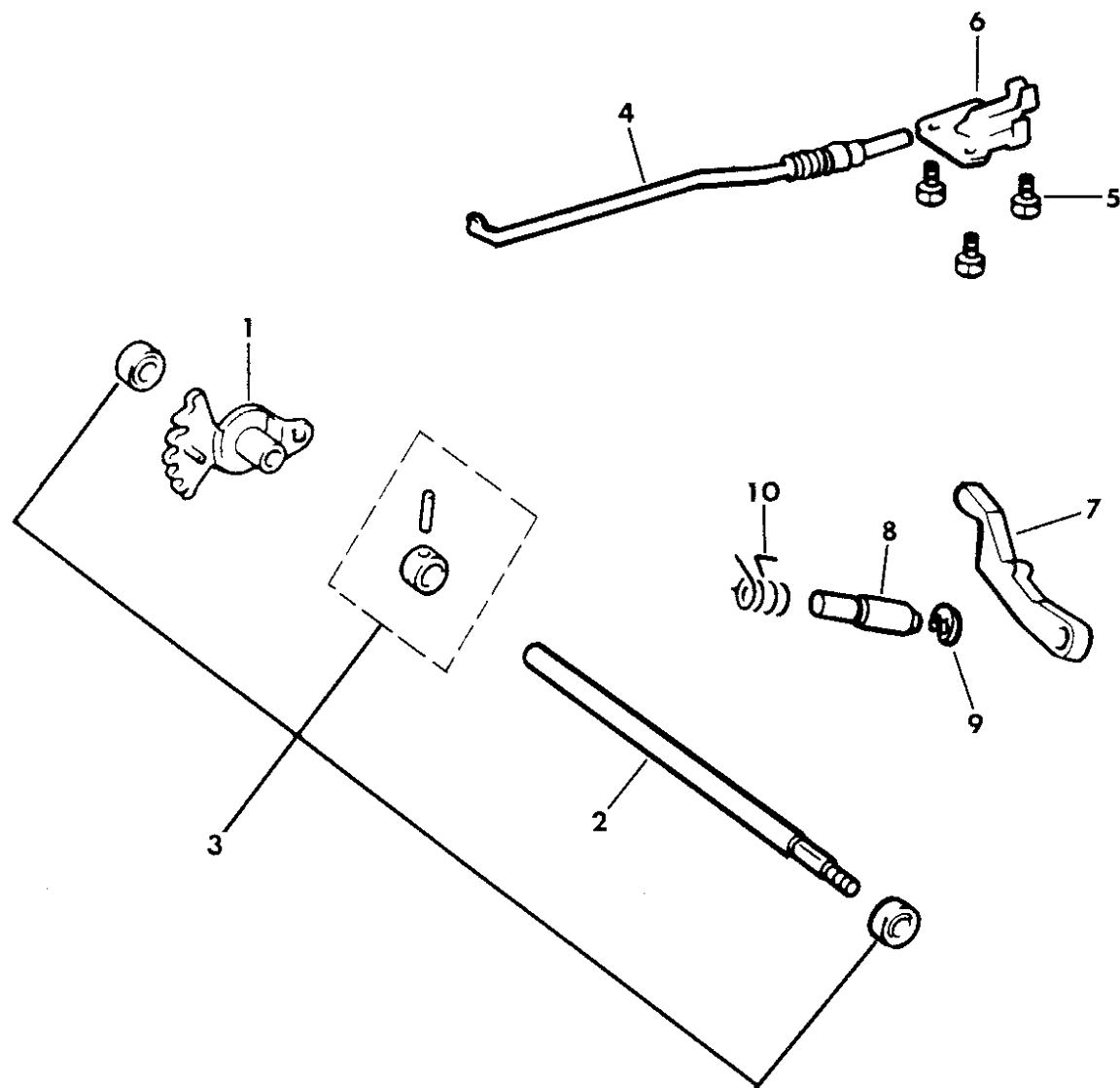
MJ = Comanche Pickup
 SJ = Grand Wagoneer Wgn., J-10 & J-20 Pickups
 XJ = Cherokee, Wagoneer Limited
 YJ = Wrangler

AR = Use as Required - = Non Illustrated Part P.A.R. = Paint as Required

LOCK, PARKING AUTOMATIC TRANSMISSION - AW4 CHEROKEE, WAGONEER, COMANCHE
Figure 21A-850

8J51 850

| ITEM | PART NUMBER | QTY | BODY | MODEL | DESCRIPTION |
|------|-------------|-----|------|-------|---------------------|
| 1 | 8350 3774 | 1 | | | LEVER, Manual Valve |
| 2 | 8350 3725 | 1 | | | SHAFT |
| 3 | 8350 4332 | 1 | | | REPAIR PACKAGE |
| 4 | 8350 3781 | 1 | | | ROD, Park Lock |
| 5 | 8350 3783 | 3 | | | BOLT, M6x1.0x14mm |
| 6 | 8350 3780 | 1 | | | BRACKET |
| 7 | 8350 3779 | 1 | | | PAWL |
| 8 | 8350 3777 | 1 | | | SHAFT |
| 9 | 8350 3776 | 1 | | | E-RING |
| 10 | 8350 3778 | 1 | | | SPRING |



MODEL CODES:
 15 = Grand Wagoneer 4 Dr. 65 = Comanche 4WD-7 Ft. Box 77 = Cherokee 4WD-2 Dr.
 25 = J-10 Pickup-119" W.B. 66 = Comanche 2WD-7 Ft. Box 78 = Cherokee 4WD-4 Dr.
 26 = J-10 Pickup-131" W.B. 73 = Cherokee 2WD-2 Dr. 79 = Cherokee 4WD-4 Dr.-Com
 27 = J-20 Pickup-131" W.B. 74 = Cherokee 2WD-4 Dr. 81 = Wrangler-93" W.B.
 63 = Comanche 4WD-6 Ft. Box 75 = Wagoneer 4WD-4 Dr. 82 = Wrangler-103" W.B.-Exp.
 64 = Comanche 2WD-6 Ft. Box

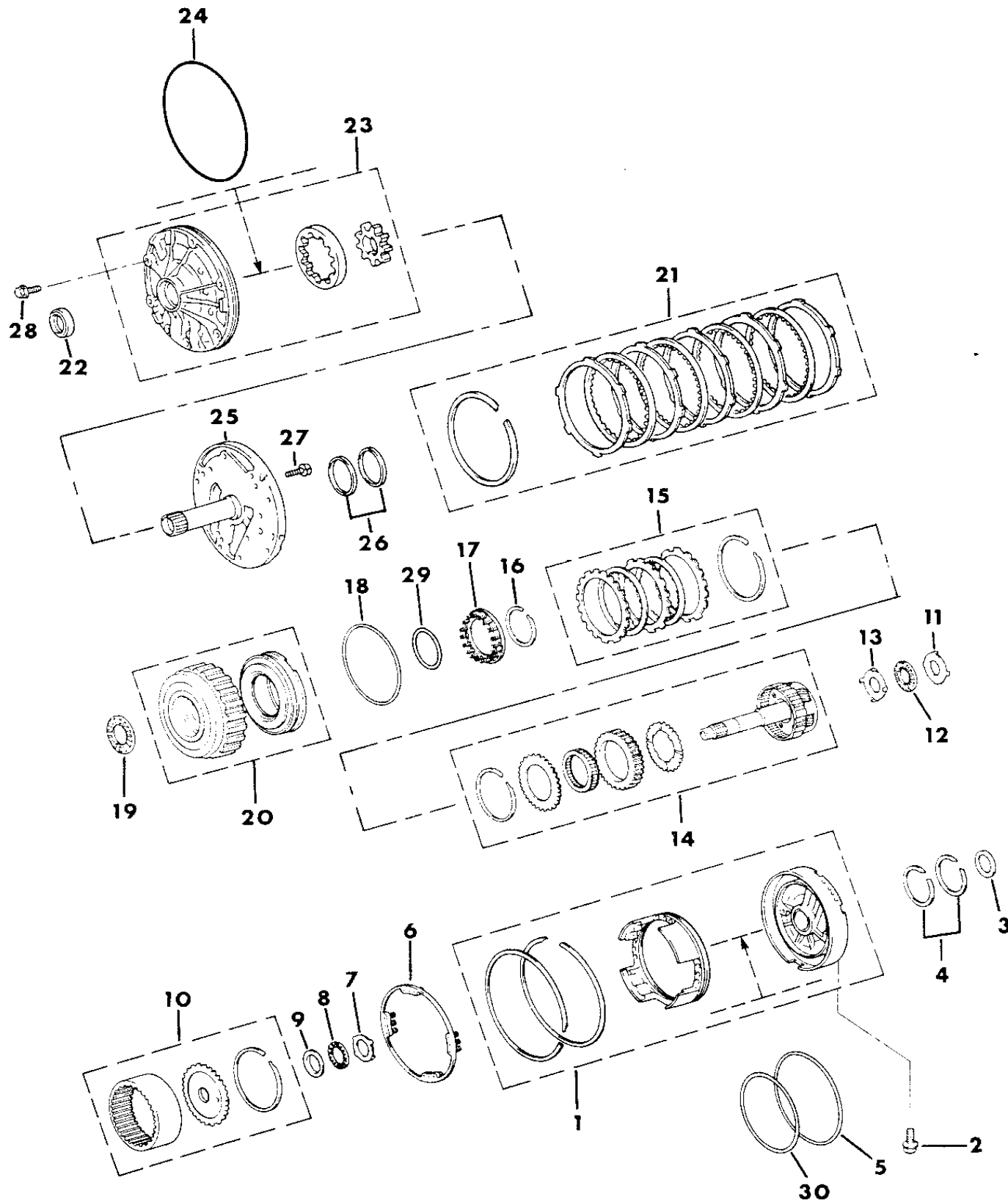
BODY STYLES:
 MJ = Comanche Pickup
 SJ = Grand Wagoneer Wgn., J-10 & J-20 Pickups
 XJ = Cherokee, Wagoneer Limited
 YJ = Wrangler

AR = Use as Required - = Non Illustrated Part P.A.R. = Paint as Required

PUMP, OIL AND OVERDRIVE CLUTCH AUTOMATIC TRANSMISSION - AW4 CHEROKEE, WAGONEER, COMANCHE

Figure 21A-900

8 J 51 900



| ITEM | PART NUMBER | QTY | BODY | MODEL | DESCRIPTION |
|------|-------------|-----|------|-------|-----------------------------------|
| 1 | | | | | REPAIR PACKAGE, Overdrive Support |
| | 8350 4291 | 1 | | | 4 Cyl. Eng. |
| | 8350 4292 | 1 | | | 6 Cyl. Eng. |
| 2 | 8350 3898 | 2 | | | BOLT, Flange, M8x1.25x45mm |
| 3 | 8350 3784 | 1 | | | RACE, Bearing |
| 4 | 8350 3757 | 2 | | | RING |
| 5 | 8350 3902 | 1 | | | O-RING |
| 6 | 8350 3904 | 1 | | | SPRING |
| 7 | 8350 3873 | 1 | | | RACE, Bearing |
| 8 | 8350 3874 | 1 | | | BEARING |
| 9 | 8350 3917 | 1 | | | RACE, Bearing |
| 10 | 8350 4290 | 1 | | | REPAIR PACKAGE |
| 11 | 8350 3916 | 1 | | | RACE, Bearing |
| 12 | 8350 3802 | 1 | | | BEARING |
| 13 | 8350 3915 | 1 | | | RACE, Bearing |
| 14 | 8350 4288 | 1 | | | REPAIR PACKAGE, Planetary Gear |
| 15 | 8350 4287 | 1 | | | REPAIR PACKAGE, Direct Clutch |
| 16 | 8350 3810 | 1 | | | RING |
| 17 | 8350 3928 | 1 | | | SPRING |
| 18 | 8350 3926 | 1 | | | O-RING |
| 19 | 8350 3939 | 1 | | | BEARING ASSEMBLY |
| 20 | 8350 4289 | 1 | | | CLUTCH ASSEMBLY, Overdrive |
| 21 | | | | | PLATE SET, Overdrive Clutch |
| | 8350 4293 | 1 | | | 4 Cyl. Eng. |
| | 8350 4294 | 1 | | | 6 Cyl. Eng. |
| 22 | 8350 3752 | 1 | | | OIL SEAL |
| 23 | 8350 4283 | 1 | | | PUMP ASSEMBLY |
| 24 | 8350 3758 | 1 | | | O-RING |
| 25 | 8350 3755 | 1 | | | STATOR |
| 26 | 8350 3757 | 2 | | | OIL SEAL |
| 27 | 8350 3756 | 13 | | | BOLT, Flange, M6x1.0x16mm |
| 28 | 8350 3759 | 7 | | | BOLT, w/Washer, M8x1.25x35mm |
| 29 | 8350 3811 | 1 | | | O-RING |
| 30 | 8350 3901 | 1 | | | O-RING |

MODEL CODES:

| | | |
|-----------------------------|-----------------------------|------------------------------|
| 15 = Grand Wagoneer 4 Dr. | 65 = Comanche 4WD-7 Ft. Box | 77 = Cherokee 4WD-2 Dr. |
| 25 = J-10 Pickup-119" W.B. | 66 = Comanche 2WD-7 Ft. Box | 78 = Cherokee 4WD-4 Dr. |
| 26 = J-10 Pickup-131" W.B. | 73 = Cherokee 2WD-2 Dr. | 79 = Cherokee 4WD-4 Dr.-Com |
| 27 = J-20 Pickup-131" W.B. | 74 = Cherokee 2WD-4 Dr. | 81 = Wrangler-93" W.B. |
| 63 = Comanche 4WD-6 Ft. Box | 75 = Wagoneer 4WD-4 Dr. | 82 = Wrangler-103" W.B.-Exp. |
| 64 = Comanche 2WD-6 Ft. Box | | |

BODY STYLES:

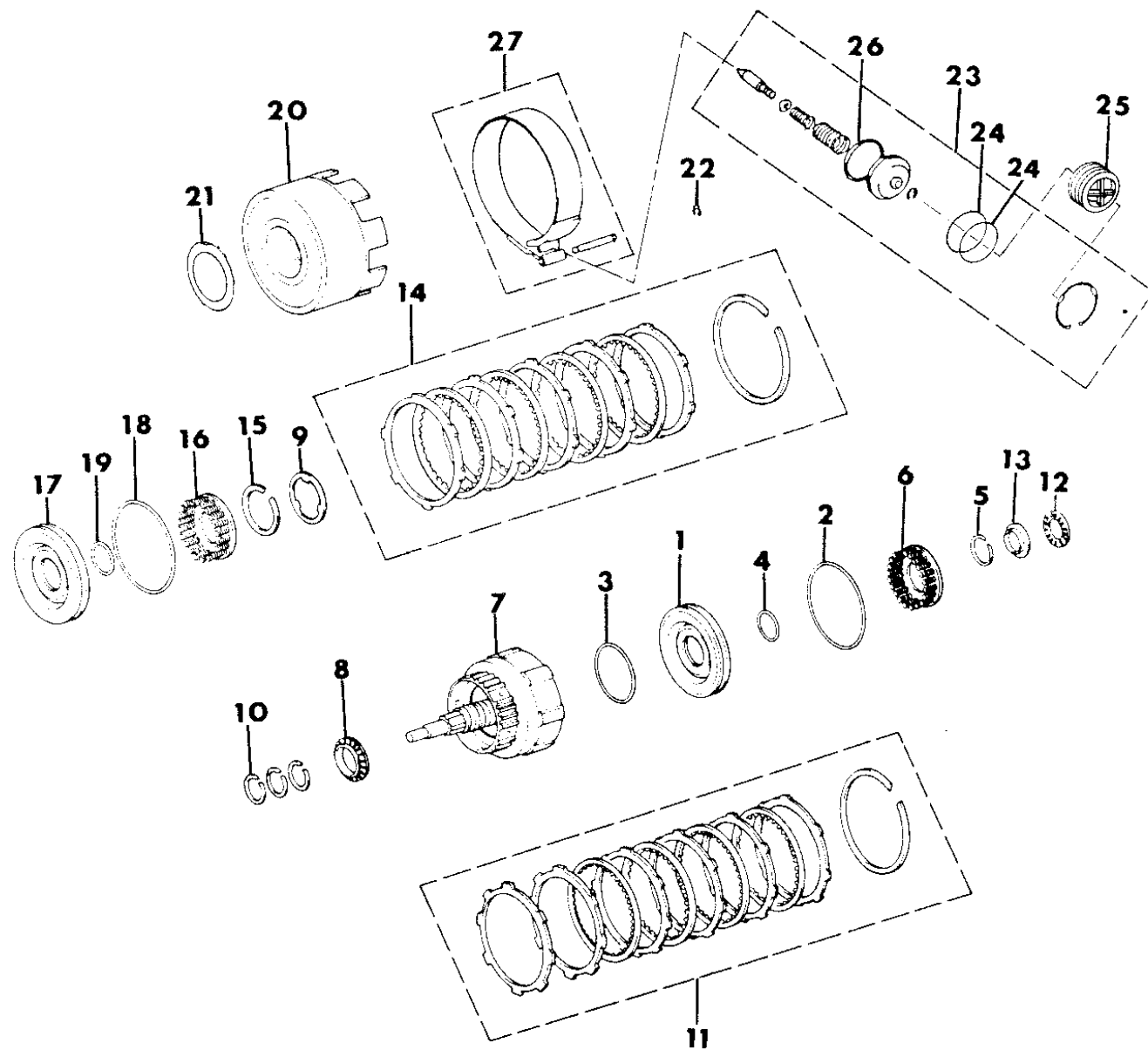
MJ = Comanche Pickup
 SJ = Grand Wagoneer Wgn., J-10 & J-20 Pickups
 XJ = Cherokee, Wagoneer Limited
 YJ = Wrangler

AR = Use as Required - = Non Illustrated Part P.A.R. = Paint as Required

CLUTCHES, FORWARD AND DIRECT AUTOMATIC TRANSMISSION - AW4 CHEROKEE, WAGONEER, COMANCHE

Figure 21A-1000

8J51 1000



| ITEM | PART NUMBER | QTY | BODY | MODEL | DESCRIPTION |
|------|-------------|-----|------|-------|------------------------------------|
| 1 | | | | | PISTON, Front Clutch |
| | 8350 3791 | 1 | | | 4 Cyl. Eng. |
| | 4636 671 | 1 | | | 4 Cyl. Eng., w/53003810 Trans. |
| | 8350 3803 | 1 | | | 6 Cyl. Eng. |
| | 4636 683 | 1 | | | 6 Cyl. Eng., w/53002840 Trans. |
| 2 | 8350 3789 | 1 | | | O-RING |
| 3 | 8350 3788 | 1 | | | O-RING |
| 4 | 8350 3790 | 1 | | | O-RING |
| 5 | 8350 3792 | 1 | | | SNAP RING |
| 6 | 8350 3793 | 1 | | | SPRING |
| 7 | 8350 3786 | 1 | | | SHAFT, Input |
| 8 | 8350 3785 | 1 | | | BEARING |
| 9 | 8350 3825 | 1 | | | WASHER, Thrust |
| 10 | 8350 3799 | 3 | | | SEAL RING |
| 11 | | | | | REPAIR PACKAGE, Forward Clutch *** |
| | 8350 4296 | 1 | | | 4 Cyl. Eng. |
| | 8350 4300 | 1 | | | 6 Cyl. Eng. |
| 12 | 8350 3802 | 1 | | | BEARING |
| 13 | 8350 3800 | 1 | | | RACE |
| 14 | | | | | REPAIR PACKAGE, Direct Clutch *** |
| | 8350 4297 | 1 | | | 4 Cyl. Eng. |
| | 8350 4298 | 1 | | | 6 Cyl. Eng. |
| 15 | 8350 3810 | 1 | | | SNAP RING |
| 16 | 8350 3813 | 1 | | | SPRING ASSEMBLY *** |
| 17 | 8350 3812 | 1 | | | PISTON ASSEMBLY |
| 18 | 8350 3789 | 1 | | | O-RING |
| 19 | 8350 3811 | 1 | | | O-RING |
| 20 | | | | | DRUM ASSEMBLY |
| | 8350 3809 | 1 | | | 4 Cyl. Eng. |
| | 8350 3826 | 1 | | | 6 Cyl. Eng. |
| 21 | 8350 3825 | 1 | | | WASHER |
| 22 | 8350 3851 | 1 | | | SPRING |
| 23 | 8350 4299 | 1 | | | BRAKE ASSEMBLY, 2nd Coast |
| 24 | 8350 3855 | 2 | | | O-RING |
| 25 | 8350 3853 | 1 | | | COVER, 2nd Coast Brake |
| 26 | 8350 3849 | 1 | | | SEAL |
| 27 | 8350 4311 | 1 | | | REPAIR PACKAGE, 2nd Band *** |

MODEL CODES:

| | | |
|-----------------------------|-----------------------------|------------------------------|
| 15 = Grand Wagoneer 4 Dr. | 65 = Comanche 4WD-7 Ft. Box | 77 = Cherokee 4WD-2 Dr. |
| 25 = J-10 Pickup-119" W.B. | 66 = Comanche 2WD-7 Ft. Box | 78 = Cherokee 4WD-4 Dr. |
| 26 = J-10 Pickup-131" W.B. | 73 = Cherokee 2WD-2 Dr. | 79 = Cherokee 4WD-4 Dr.-Com |
| 27 = J-20 Pickup-131" W.B. | 74 = Cherokee 2WD-4 Dr. | 81 = Wrangler-93" W.B. |
| 63 = Comanche 4WD-6 Ft. Box | 75 = Wagoneer 4WD-4 Dr. | 82 = Wrangler-103" W.B.-Exp. |
| 64 = Comanche 2WD-6 Ft. Box | | |

BODY STYLES:

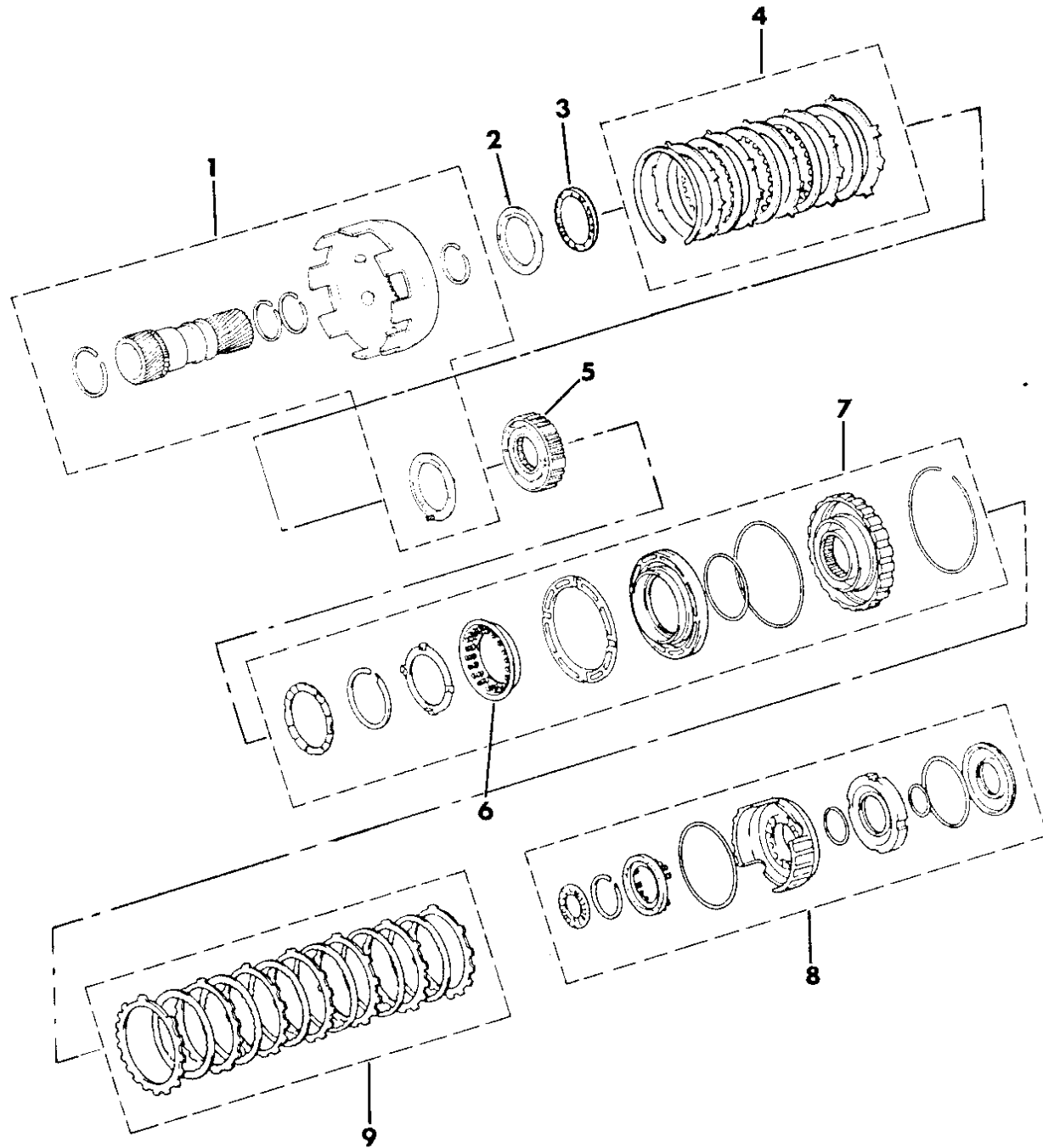
MJ = Comanche Pickup
 SJ = Grand Wagoneer Wgn., J-10 & J-20 Pickups
 XJ = Cherokee, Wagoneer Limited
 YJ = Wrangler

AR = Use as Required - = Non Illustrated Part P.A.R. = Paint as Required

BRAKE, CLUTCH AND SUN GEAR AUTOMATIC TRANSMISSION - AW4 CHEROKEE, WAGONEER, COMANCHE

Figure 21A-1100

8 J 51 1100



| ITEM | PART NUMBER | QTY | BODY | MODEL | DESCRIPTION |
|------|-------------|-----|------|-------|---|
| 1 | 8350 4313 | 1 | | | REPAIR PACKAGE, Sun Gear *** |
| 2 | 8350 3886 | 1 | | | RACE, Bearing |
| 3 | 8350 3885 | 1 | | | BEARING |
| 4 | 8350 4318 | 1 | | | REPAIR PACKAGE, 2nd Brake Clutch *** 4 Cyl. Eng. |
| | 8350 4319 | 1 | | | 6 Cyl. Eng. |
| 5 | 8350 3846 | 1 | | | CLUTCH, One Way |
| 6 | 8350 3837 | 1 | | | SPRING ASSEMBLY *** |
| 7 | 8350 4320 | 1 | | | REPAIR PACKAGE, 2nd Brake Piston |
| 8 | 8350 4321 | 1 | | | REPAIR PACKAGE, 1st And Reverse *** 4 Cyl. Eng. |
| | 8350 4323 | 1 | | | 6 Cyl. Eng. |
| 9 | 8350 4322 | 1 | | | REPAIR PACKAGE, Disc And Plate *** 4 Cyl. Eng. |
| | 8350 4324 | 1 | | | 6 Cyl. Eng. |

MODEL CODES:

| | | |
|-----------------------------|-----------------------------|------------------------------|
| 15 = Grand Wagoneer 4 Dr. | 65 = Comanche 4WD-7 Ft. Box | 77 = Cherokee 4WD-2 Dr. |
| 25 = J-10 Pickup-119" W.B. | 66 = Comanche 2WD-7 Ft. Box | 78 = Cherokee 4WD-4 Dr. |
| 26 = J-10 Pickup-131" W.B. | 73 = Cherokee 2WD-2 Dr. | 79 = Cherokee 4WD-4 Dr.-Com |
| 27 = J-20 Pickup-131" W.B. | 74 = Cherokee 2WD-4 Dr. | 81 = Wrangler-93" W.B. |
| 63 = Comanche 4WD-6 Ft. Box | 75 = Wagoneer 4WD-4 Dr. | 82 = Wrangler-103" W.B.-Exp. |
| 64 = Comanche 2WD-6 Ft. Box | | |

BODY STYLES:

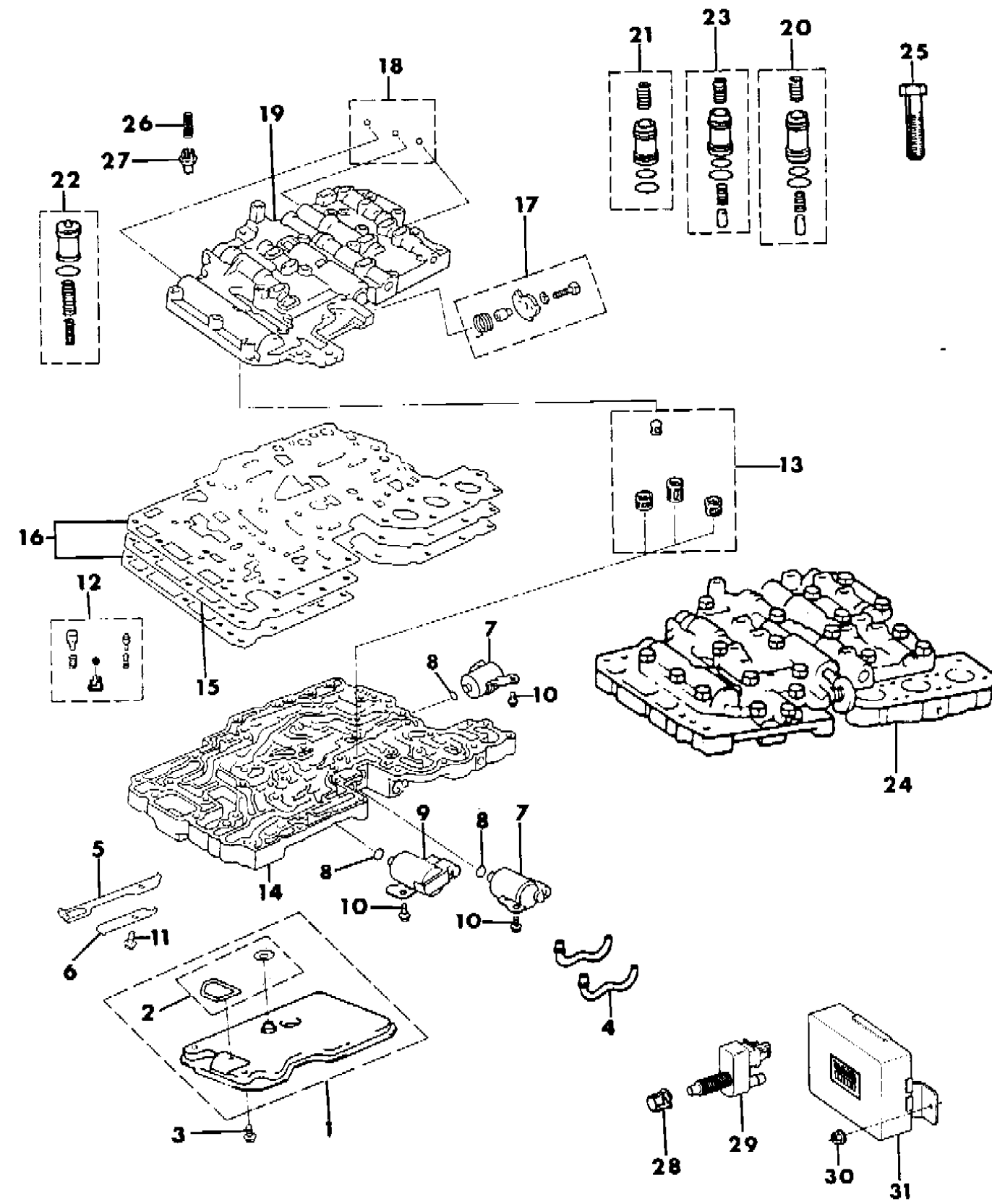
MJ = Comanche Pickup
 SJ = Grand Wagoneer Wgn., J-10 & J-20 Pickups
 XJ = Cherokee, Wagoneer Limited
 YJ = Wrangler

AR = Use as Required - = Non Illustrated Part P.A.R. = Paint as Required

VALVE BODY AND ELECTRONIC CONTROL AUTOMATIC TRANSMISSION - AW4 CHEROKEE, WAGONEER, COMANCHE

Figure 21A-1200

8 J51 1200



| ITEM | PART NUMBER | QTY | BODY | MODEL | DESCRIPTION |
|------|-------------|-----|------|-------|---|
| 1 | 8350 4032 | 1 | | | FILTER ASSEMBLY *** |
| 2 | 8350 4333 | 1 | | | GASKET PACKAGE, Oil Filter |
| 3 | 8350 4031 | 4 | | | BOLT, Flange, M6x1.0x12mm |
| 4 | 8350 4334 | 2 | | | TUBE |
| 5 | 8350 4016 | 1 | | | SPRING, Manual Detent |
| 6 | 8350 4015 | 1 | | | COVER, Detent |
| 7 | 8350 4043 | 2 | | | SOLENOID |
| 8 | 8350 4065 | 3 | | | O-RING |
| 9 | 8350 4044 | 1 | | | SOLENOID |
| 10 | 8350 4031 | 3 | | | BOLT, Flange Head, M6x1.0x12mm |
| 11 | 8350 4014 | 1 | | | BOLT, Flange, M6x1.0x16mm |
| 12 | 8350 4335 | 1 | | | VALVE PACKAGE, Check & Pressure Relief *** |
| 13 | 8350 4336 | 1 | | | STRAINER PACKAGE |
| 14 | 8350 4356 | 1 | | | BODY, Lower Valve |
| 15 | 8350 3770 | 1 | | | PLATE, Stamped with no.5 |
| 16 | 8350 4337 | 1 | | | GASKET PACKAGE |
| 17 | 8350 4338 | 1 | | | CAM PACKAGE, Throttle Valve |
| 18 | 8350 4339 | 1 | | | BALL PACKAGE, Check *** |
| 19 | 8350 4355 | 1 | | | BODY, Upper Valve |
| 20 | 8350 4340 | 1 | | | ACCUMULATOR PACKAGE, B-2 *** 4 Cyl. Eng. |
| | 8350 4341 | 1 | | | 6 Cyl. Eng. |
| 21 | 8350 4342 | 1 | | | ACCUMULATOR PACKAGE, B-0 *** |
| 22 | 8350 4343 | 1 | | | ACCUMULATOR PACKAGE, C-2 *** |
| 23 | 8350 4344 | 1 | | | ACCUMULATOR PACKAGE, C-2 *** 4 Cyl. Eng. |
| | 8350 4345 | 1 | | | 6 Cyl. Eng. |
| 24 | 8350 3760 | 1 | | | VALVE ASSEMBLY |
| 25 | 8350 4031 | 6 | | | BOLT M6x1.0x12mm |
| | 8350 4014 | 1 | | | M6x1.0x16mm |
| | 8350 4011 | 9 | | | M5x0.8x20mm |
| | 8350 4133 | 5 | | | M6x1.0x23mm |
| | 8350 4012 | 3 | | | M5x0.8x28mm |
| | 8350 4134 | 12 | | | M6x1.0x32mm |
| | 8350 4013 | 13 | | | M5x0.8x38mm |
| 26 | 8350 4036 | 1 | | | SPRING |

MODEL CODES:

| | | |
|-----------------------------|-----------------------------|------------------------------|
| 15 = Grand Wagoneer 4 Dr. | 65 = Comanche 4WD-7 Ft. Box | 77 = Cherokee 4WD-2 Dr. |
| 25 = J-10 Pickup-119" W.B. | 66 = Comanche 2WD-7 Ft. Box | 78 = Cherokee 4WD-4 Dr. |
| 26 = J-10 Pickup-131" W.B. | 73 = Cherokee 2WD-2 Dr. | 79 = Cherokee 4WD-4 Dr.-Com |
| 27 = J-20 Pickup-131" W.B. | 74 = Cherokee 2WD-4 Dr. | 81 = Wrangler-93" W.B. |
| 63 = Comanche 4WD-6 Ft. Box | 75 = Wagoneer 4WD-4 Dr. | 82 = Wrangler-103" W.B.-Exp. |
| 64 = Comanche 2WD-6 Ft. Box | | |

BODY STYLES:

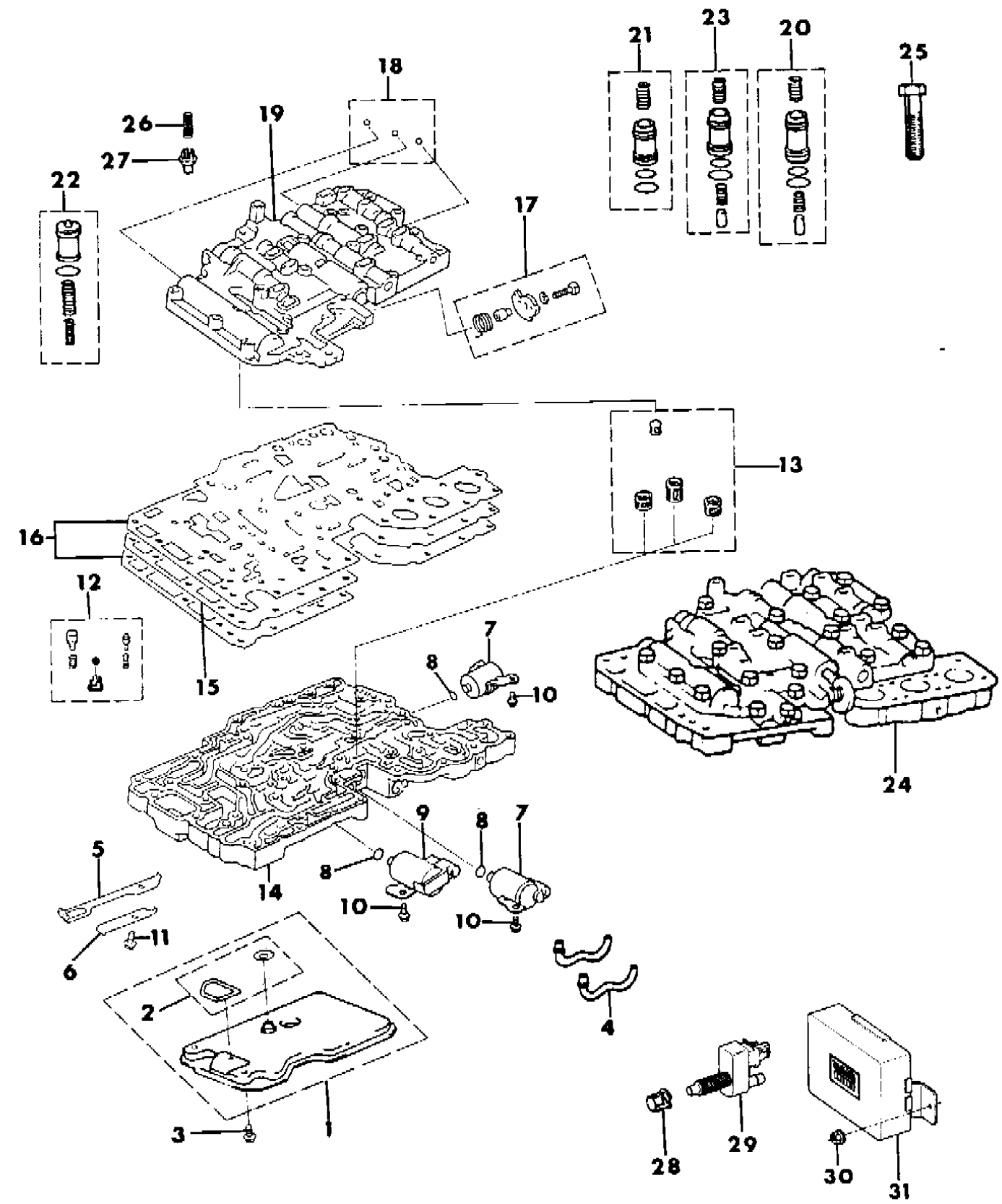
MJ = Comanche Pickup
 SJ = Grand Wagoneer Wgn., J-10 & J-20 Pickups
 XJ = Cherokee, Wagoneer Limited
 YJ = Wrangler

AR = Use as Required - = Non Illustrated Part P.A.R. = Paint as Required

VALVE BODY AND ELECTRONIC CONTROL AUTOMATIC TRANSMISSION - AW4 CHEROKEE, WAGONEER, COMANCHE

Figure 21A-1200

8 J51 1200



| ITEM | PART NUMBER | QTY | BODY | MODEL | DESCRIPTION |
|------|-------------|-----|------|-------|----------------------------------|
| 27 | 8350 4042 | 1 | | | BODY, Check Ball |
| 28 | J400 6789 | 1 | | | NUT |
| 29 | 5600 2281 | 1 | | | SWITCH, Trans. Converter Cut-Out |
| 30 | 1150 2702 | 2 | | | NUT |
| 31 | | | | | MODULE, Transmission |
| | 5300 5101 | 1 | | | 4 Cyl. Eng. |
| | 5300 5305 | 1 | | | 6 Cyl. Eng. |

MODEL CODES:
 15 = Grand Wagoneer 4 Dr. 65 = Comanche 4WD-7 Ft. Box 77 = Cherokee 4WD-2 Dr.
 25 = J-10 Pickup-119" W.B. 66 = Comanche 2WD-7 Ft. Box 78 = Cherokee 4WD-4 Dr.
 26 = J-10 Pickup-131" W.B. 73 = Cherokee 2WD-2 Dr. 79 = Cherokee 4WD-4 Dr.-Com
 27 = J-20 Pickup-131" W.B. 74 = Cherokee 2WD-4 Dr. 81 = Wrangler-93" W.B.
 63 = Comanche 4WD-6 Ft. Box 75 = Wagoneer 4WD-4 Dr. 82 = Wrangler-103" W.B.-Exp.
 64 = Comanche 2WD-6 Ft. Box

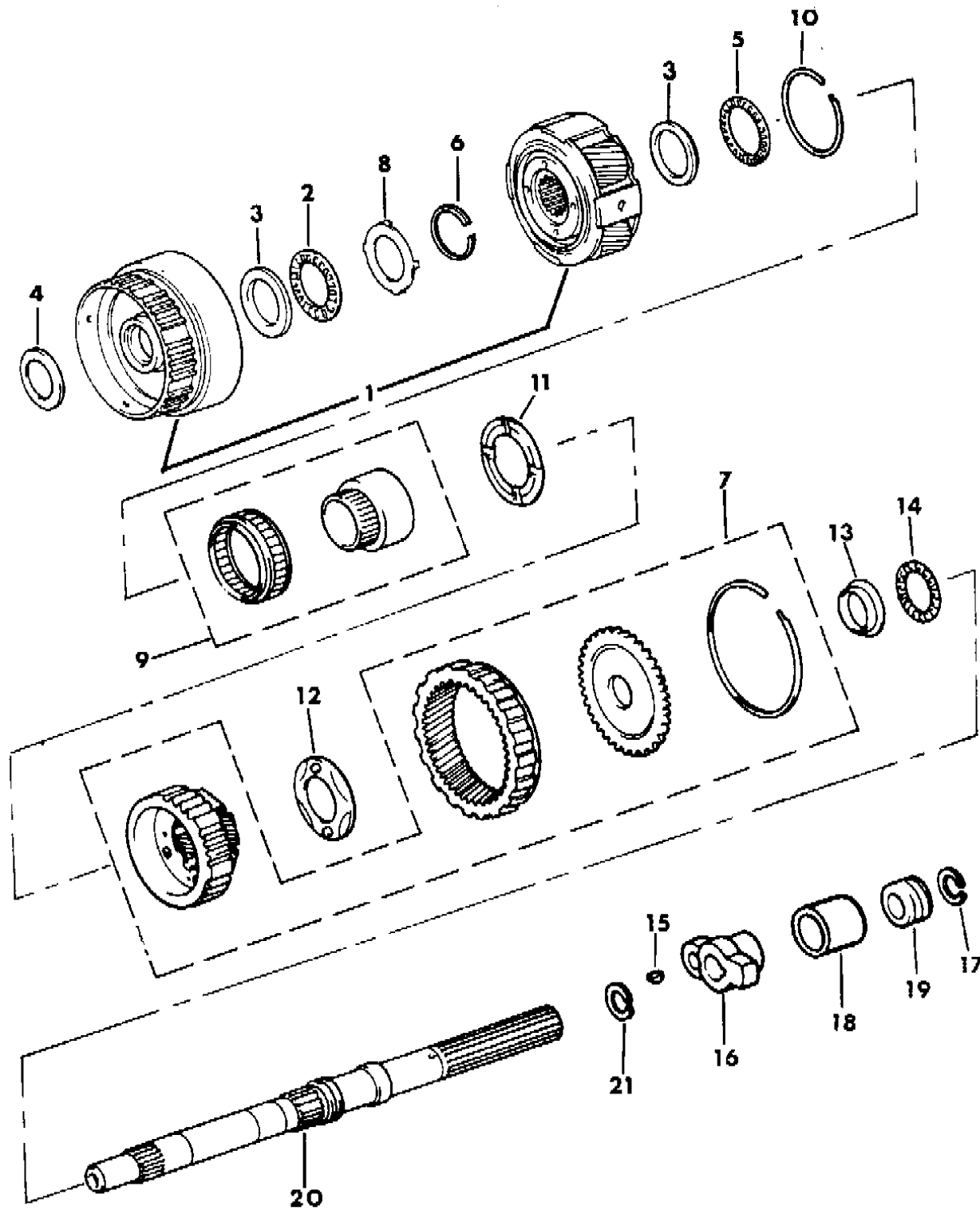
BODY STYLES:
 MJ = Comanche Pickup
 SJ = Grand Wagoneer Wgn., J-10 & J-20 Pickups
 XJ = Cherokee, Wagoneer Limited
 YJ = Wrangler

AR = Use as Required - = Non Illustrated Part P.A.R. = Paint as Required

GEAR TRAIN AND OUTPUT SHAFT AUTOMATIC TRANSMISSION - AW4 CHEROKEE, WAGONEER, COMANCHE

Figure 21A-1300

8 J 51 1300



| ITEM | PART NUMBER | QTY | BODY | MODEL | DESCRIPTION |
|------|-------------|-----|------|-------|--------------------------------|
| 1 | 8350 4326 | 1 | | | GEAR, Front Planetary |
| 2 | 8350 3874 | 1 | | | BEARING |
| 3 | 8350 3872 | 1 | | | RACE, Thrust Bearing, Front |
| 4 | 8350 3877 | 1 | | | Thrust Bearing, Rear |
| 5 | 8350 3801 | 1 | | | RACE |
| 6 | 8350 3878 | 1 | | | BEARING |
| 7 | 8350 3879 | 1 | | | SNAP RING |
| 8 | 8350 4327 | 1 | | | GEAR, Rear Planetary |
| 9 | 8350 3873 | 1 | | | RACE, Thrust Bearing, w/4 Tabs |
| 10 | 8350 4328 | 1 | | | CLUTCH, One Way No. 2 |
| 11 | 8350 3890 | 1 | | | SNAP RING |
| 12 | 8350 3891 | 1 | | | WASHER |
| 13 | 8350 3893 | 1 | | | WASHER |
| 14 | 8350 3887 | 1 | | | RACE |
| 15 | 8350 3897 | 1 | | | BEARING |
| 16 | 8350 3947 | 1 | | | KEY, Sensor |
| 17 | 8350 3946 | 1 | | | ROTOR, Sensor |
| | 8350 3945 | 1 | | | SEAL RING |
| | 8350 3943 | 1 | | | 2WD |
| | 8350 3944 | 1 | | | 4WD |
| 18 | 8350 3705 | 1 | | | SPACER, 2WD |
| 19 | 8350 3704 | 1 | | | GEAR, Speedometer Drive, 2WD |
| 20 | 8350 3944 | 1 | | | SHAFT, Output |
| | 8350 3941 | 1 | | | 2WD |
| | 8350 3941 | 1 | | | 4WD |
| 21 | 8350 5652 | 1 | | | SEAL, Oil Ring |

MODEL CODES:

| | | |
|-----------------------------|-----------------------------|------------------------------|
| 15 = Grand Wagoneer 4 Dr. | 65 = Comanche 4WD-7 Ft. Box | 77 = Cherokee 4WD-2 Dr. |
| 25 = J-10 Pickup-119" W.B. | 66 = Comanche 2WD-7 Ft. Box | 78 = Cherokee 4WD-4 Dr. |
| 26 = J-10 Pickup-131" W.B. | 73 = Cherokee 2WD-2 Dr. | 79 = Cherokee 4WD-4 Dr.-Com |
| 27 = J-20 Pickup-131" W.B. | 74 = Cherokee 2WD-4 Dr. | 81 = Wrangler-93" W.B. |
| 63 = Comanche 4WD-6 Ft. Box | 75 = Wagoneer 4WD-4 Dr. | 82 = Wrangler-103" W.B.-Exp. |
| 64 = Comanche 2WD-6 Ft. Box | | |

BODY STYLES:

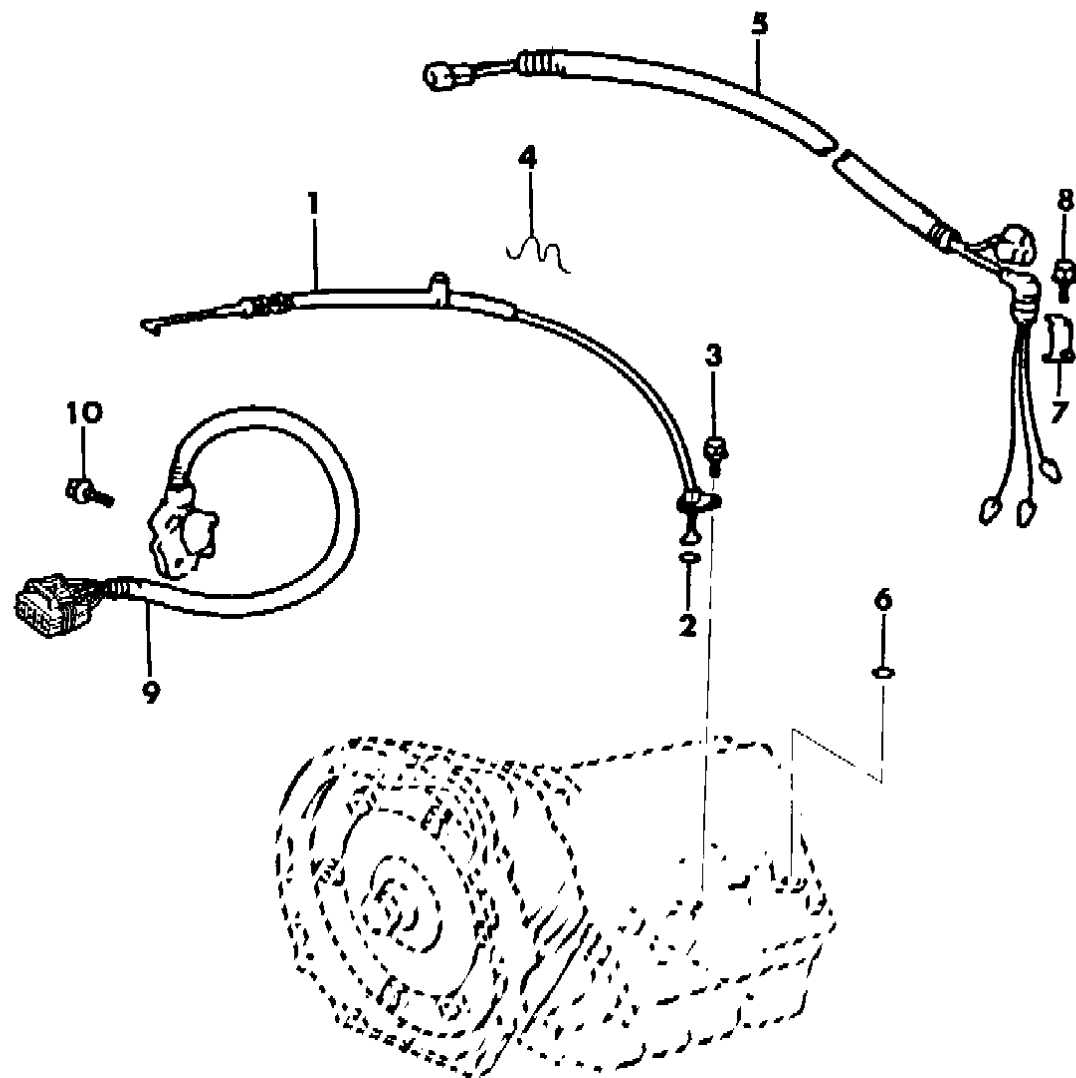
MJ = Comanche Pickup
 SJ = Grand Wagoneer Wgn., J-10 & J-20 Pickups
 XJ = Cherokee, Wagoneer Limited
 YJ = Wrangler

AR = Use as Required - = Non Illustrated Part P.A.R. = Paint as Required

LINKAGE, HARNESS, NEUTRAL SAFETY SWITCH AUTOMATIC TRANSMISSION - AW4 CHEROKEE, WAGONEER, COMANCHE

Figure 21A-1375

8 J 51 1375



| ITEM | PART NUMBER | QTY | BODY | MODEL | DESCRIPTION |
|------|-------------|-----|------|-------|--|
| 1 | | | | | CABLE, Throttle Control |
| | 8350 3707 | 1 | | | 4 Cyl. Eng. |
| | 8350 3741 | 1 | | | 6 Cyl. Eng. |
| 2 | 8350 3708 | 1 | | | O-RING, Cable Seal |
| 3 | | | | | BOLT, Cable |
| | 8350 3709 | 1 | | | 1987-89 |
| | 3420 1808 | 1 | | | 1990 |
| 4 | 8350 3710 | 1 | | | CLAMP, Cable Retention |
| 5 | | | | | HARNESS, Trans. Solenoids and Module |
| | 8350 3718 | 1 | | | 2WD |
| | 8350 3740 | 1 | | | 4 Cyl. Eng., 4WD |
| | 8350 3843 | 1 | | | 6 Cyl. Eng., 4WD |
| 6 | 8350 3719 | 1 | | | O-RING |
| 7 | 8350 3717 | 1 | | | PLATE, Lock |
| 8 | 8350 3716 | 1 | | | BOLT, w/Washer, M6x1.0x12mm |
| 9 | 8350 3712 | 1 | | | SWITCH, Neutral Starter and Back-Up Light Safety |
| 10 | 8350 3714 | 1 | | | BOLT, M8x1.25x30mm |

MODEL CODES:

| | | |
|-----------------------------|-----------------------------|------------------------------|
| 15 = Grand Wagoneer 4 Dr. | 65 = Comanche 4WD-7 Ft. Box | 77 = Cherokee 4WD-2 Dr. |
| 25 = J-10 Pickup-119" W.B. | 66 = Comanche 2WD-7 Ft. Box | 78 = Cherokee 4WD-4 Dr. |
| 26 = J-10 Pickup-131" W.B. | 73 = Cherokee 2WD-2 Dr. | 79 = Cherokee 4WD-4 Dr.-Com |
| 27 = J-20 Pickup-131" W.B. | 74 = Cherokee 2WD-4 Dr. | 81 = Wrangler-93" W.B. |
| 63 = Comanche 4WD-6 Ft. Box | 75 = Wagoneer 4WD-4 Dr. | 82 = Wrangler-103" W.B.-Exp. |
| 64 = Comanche 2WD-6 Ft. Box | | |

BODY STYLES:

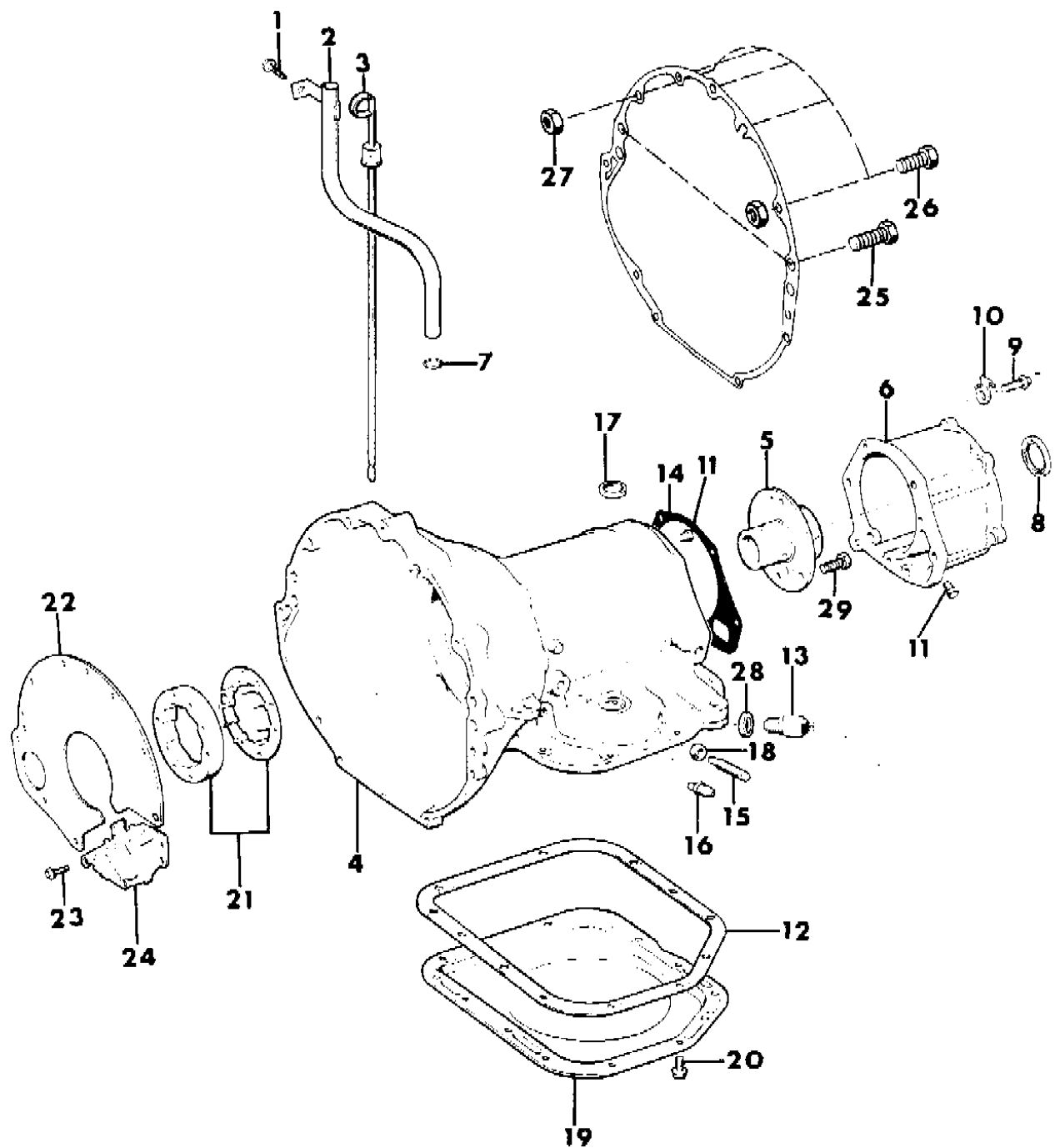
MJ = Comanche Pickup
 SJ = Grand Wagoneer Wgn., J-10 & J-20 Pickups
 XJ = Cherokee, Wagoneer Limited
 YJ = Wrangler

AR = Use as Required - = Non Illustrated Part P.A.R. = Paint as Required

CASE, ADAPTER & MISCELLANEOUS PARTS AUTOMATIC TRANSMISSION - A727 GRAND WAGONEER, TRUCK J20

Figure 21A-1400

8J51 1400



| ITEM | PART NUMBER | QTY | BODY | MODEL | DESCRIPTION |
|------|-------------|-----|------|-------|--|
| 1 | J018 0132 | 1 | | | BOLT |
| 2 | J536 1276 | 1 | | | TUBE, Oil Indicator |
| 3 | J536 3757 | 1 | | | INDICATOR, Oil Level |
| 4 | | | | | CASE, Transmission |
| | J813 3385 | 1 | | | 1987-89 |
| | 4505 117 | 1 | | | 1990 |
| 5 | 3681 601 | 1 | | | MAGNET, Case Chip Collector |
| | 2466 882 | 1 | | | 1987-89 |
| | 4505 118 | 1 | | | 1990 |
| 6 | | | | | ADAPTER |
| | J813 4761 | 1 | | | 1987-89 |
| | 4505 240 | 1 | | | 1990 |
| 7 | J321 2885 | 1 | | | SEAL |
| 8 | | | | | SEAL, Adapter |
| | J813 4680 | 1 | | | 1987-89 |
| | 4269 956 | 1 | | | 1990 |
| 9 | | | | | BOLT |
| | J813 2505 | 6 | | | 1987-89 |
| | 6030 849 | 6 | | | 1990 |
| 10 | J812 1160 | 1 | | | CLIP |
| 11 | J812 0840 | 2 | | | PLUG, Pressure Check |
| 12 | | | | | GASKET, Pan |
| | J812 0984 | 1 | | | 1987-89 |
| | 2464 324 | 1 | | | 1990 |
| 13 | 4057 750 | 1 | | | SWITCH, Neutral Starter and Back-Up Light Safety |
| 14 | | | | | GASKET, Adapter |
| | J812 6785 | 1 | | | 1987-89 |
| | 2466 954 | 1 | | | 1990 |
| 15 | | | | | SCREW, Band Adjusting |
| | J812 1086 | 1 | | | 1987-89 |
| | 2400 389 | 1 | | | 1990 |
| 16 | | | | | FITTING |
| | J813 2511 | 1 | | | 1987-89, 1/4-18 Pipe Thread |
| | 6033 970 | 1 | | | 1990, 1/4-18 Pipe Thread |
| 17 | | | | | SEAL |
| | J812 6794 | 1 | | | 1987-89 |

MODEL CODES:

| | | |
|-----------------------------|-----------------------------|------------------------------|
| 15 = Grand Wagoneer 4 Dr. | 65 = Comanche 4WD-7 Ft. Box | 77 = Cherokee 4WD-2 Dr. |
| 25 = J-10 Pickup-119" W.B. | 66 = Comanche 2WD-7 Ft. Box | 78 = Cherokee 4WD-4 Dr. |
| 26 = J-10 Pickup-131" W.B. | 73 = Cherokee 2WD-2 Dr. | 79 = Cherokee 4WD-4 Dr.-Com |
| 27 = J-20 Pickup-131" W.B. | 74 = Cherokee 2WD-4 Dr. | 81 = Wrangler-93" W.B. |
| 63 = Comanche 4WD-6 Ft. Box | 75 = Wagoneer 4WD-4 Dr. | 82 = Wrangler-103" W.B.-Exp. |
| 64 = Comanche 2WD-6 Ft. Box | | |

BODY STYLES:

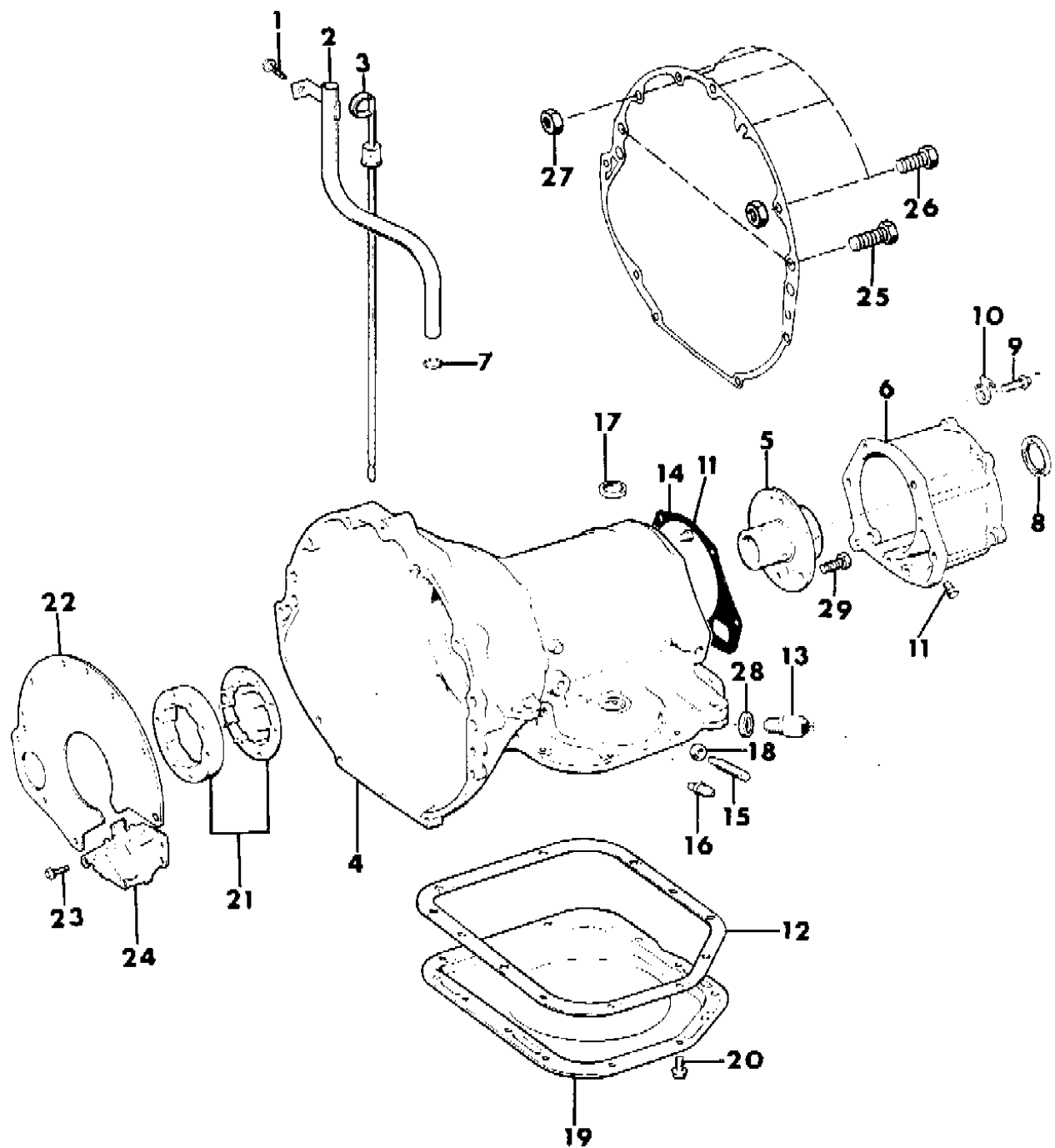
MJ = Comanche Pickup
 SJ = Grand Wagoneer Wgn., J-10 & J-20 Pickups
 XJ = Cherokee, Wagoneer Limited
 YJ = Wrangler

AR = Use as Required - = Non Illustrated Part P.A.R. = Paint as Required

CASE, ADAPTER & MISCELLANEOUS PARTS AUTOMATIC TRANSMISSION - A727 GRAND WAGONEER, TRUCK J20

Figure 21A-1400

8J51 1400



| ITEM | PART NUMBER | QTY | BODY | MODEL | DESCRIPTION |
|------|-------------|-----|------|-------|---------------------------------------|
| | 4505 098 | 1 | | | 1990 |
| 18 | S012 4934 | 1 | | | NUT |
| 19 | | | | | PAN, Transmission Oil |
| | J812 8965 | 1 | | | 1987-89 |
| | 4531 198 | 1 | | | 1990 |
| 20 | | | | | SCREW, Trans. Oil Pan |
| | J812 1145 | 14 | | | 1987-89 |
| | 6023 355 | 14 | | | 1990, 5/16-18 x 5/8" |
| 21 | | | | | CLUTCH PACKAGE |
| | J812 2438 | 1 | | | 1987-89 |
| | 1942 095 | 1 | | | 1990 |
| 22 | J321 3743 | 1 | | | SPACER |
| 23 | J400 0987 | 2 | | | BOLT, Hex Hd w/Washer, 5/16-18 x 5/8" |
| 24 | J321 3744 | 1 | | | COVER |
| 25 | J400 4370 | AR | | | BOLT, 7/16-14 x 2-3/4" |
| 26 | J400 1885 | AR | | | BOLT, 3/8-16 x 2-1/8" |
| 27 | J021 9422 | 1 | | | NUT |
| 28 | | | | | SEAL |
| | J812 1142 | 1 | | | 1987-89 |
| | 2408 143 | 1 | | | 1990 |
| 29 | | | | | SCREW, Output Shaft Support |
| | J018 0079 | 4 | | | 1987-89 |
| | 6033 479 | 4 | | | 1990 |

MODEL CODES:
 15 = Grand Wagoneer 4 Dr. 65 = Comanche 4WD-7 Ft. Box 77 = Cherokee 4WD-2 Dr.
 25 = J-10 Pickup-119" W.B. 66 = Comanche 2WD-7 Ft. Box 78 = Cherokee 4WD-4 Dr.
 26 = J-10 Pickup-131" W.B. 73 = Cherokee 2WD-2 Dr. 79 = Cherokee 4WD-4 Dr.-Com
 27 = J-20 Pickup-131" W.B. 74 = Cherokee 2WD-4 Dr. 81 = Wrangler-93" W.B.
 63 = Comanche 4WD-6 Ft. Box 75 = Wagoneer 4WD-4 Dr. 82 = Wrangler-103" W.B.-Exp.
 64 = Comanche 2WD-6 Ft. Box

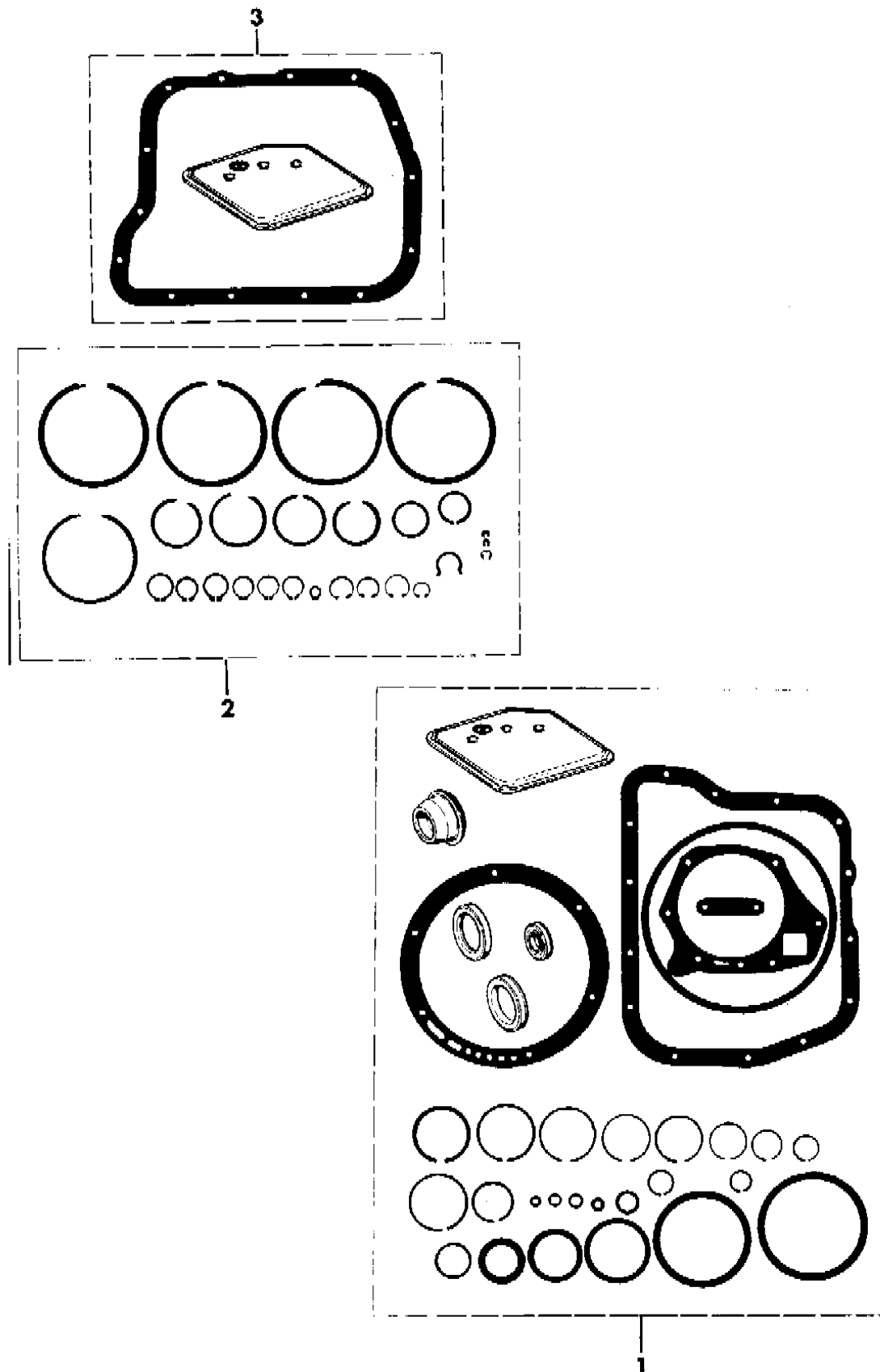
BODY STYLES:
 MJ = Comanche Pickup
 SJ = Grand Wagoneer Wgn., J-10 & J-20 Pickups
 XJ = Cherokee, Wagoneer Limited
 YJ = Wrangler

AR = Use as Required - = Non Illustrated Part P.A.R. = Paint as Required

GASKET AND SEAL PACKAGE, REPAIR AUTOMATIC TRANSMISSION - A727 GRAND WAGONEER, TRUCK J20

Figure 21A-1500

8J51 1500



| ITEM | PART NUMBER | QTY | BODY | MODEL | DESCRIPTION |
|------|-------------|-----|------|-------|---------------------------------------|
| 1 | J813 4763 | 1 | | | GASKET PACKAGE, Transmission Overhaul |
| 2 | 4637 240 | 1 | | | SNAP RING PACKAGE *** |
| 3 | | | | | FILTER PACKAGE *** |
| | J812 7652 | 1 | | | 1987-89 |
| | 3515 996 | 1 | | | 1990, (Filter Only) |

MODEL CODES:

| | | |
|-----------------------------|-----------------------------|------------------------------|
| 15 = Grand Wagoneer 4 Dr. | 65 = Comanche 4WD-7 Ft. Box | 77 = Cherokee 4WD-2 Dr. |
| 25 = J-10 Pickup-119" W.B. | 66 = Comanche 2WD-7 Ft. Box | 78 = Cherokee 4WD-4 Dr. |
| 26 = J-10 Pickup-131" W.B. | 73 = Cherokee 2WD-2 Dr. | 79 = Cherokee 4WD-4 Dr.-Com |
| 27 = J-20 Pickup-131" W.B. | 74 = Cherokee 2WD-4 Dr. | 81 = Wrangler-93" W.B. |
| 63 = Comanche 4WD-6 Ft. Box | 75 = Wagoneer 4WD-4 Dr. | 82 = Wrangler-103" W.B.-Exp. |
| 64 = Comanche 2WD-6 Ft. Box | | |

BODY STYLES:

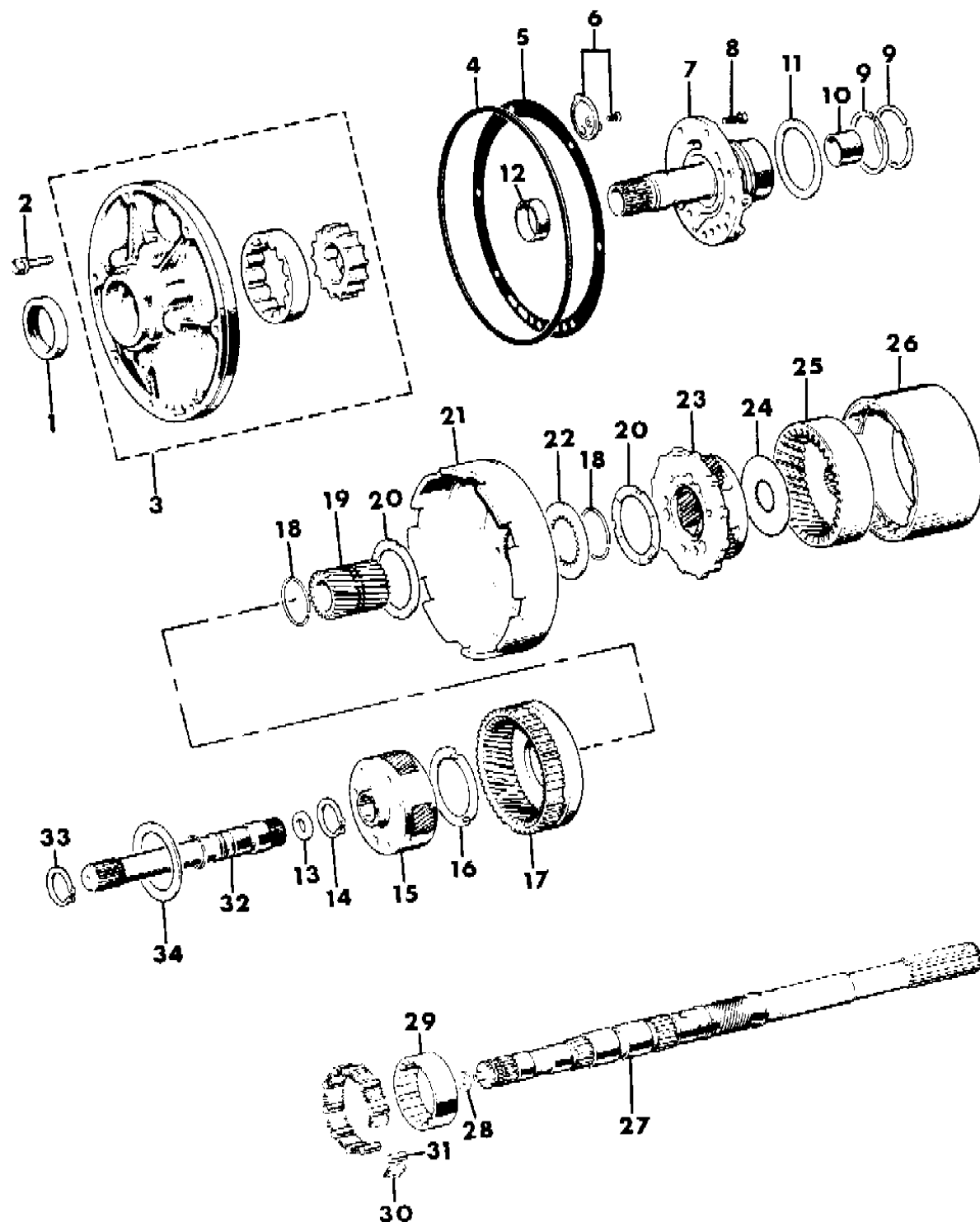
MJ = Comanche Pickup
 SJ = Grand Wagoneer Wgn., J-10 & J-20 Pickups
 XJ = Cherokee, Wagoneer Limited
 YJ = Wrangler

AR = Use as Required - = Non Illustrated Part P.A.R. = Paint as Required

OIL PUMP, GEAR TRAIN, OUTPUT SHAFT AUTOMATIC TRANSMISSION - A727 GRAND WAGONEER, TRUCK J20

Figure 21A-1600

8J51 1600



| ITEM | PART NUMBER | QTY | BODY | MODEL | DESCRIPTION |
|------|-------------|-----|------|-------|--|
| 1 | | | | | SEAL, Pump Shaft |
| | J812 6792 | 1 | | | 1987-89 |
| | 3515 137 | 1 | | | 1990 |
| 2 | | | | | SCREW, w/Washer, Housing |
| | J812 0871 | 7 | | | 1987-89 |
| | 6023 943 | 7 | | | 1990, 5/16-18 x 1-3/8" |
| 3 | | | | | PUMP ASSEMBLY, Trans. Oil |
| | 4130 193 | 1 | | | 1987-89 |
| | 4531 166 | 1 | | | 1990 |
| 4 | | | | | SEAL, Front Pump Housing |
| | J812 0859 | 1 | | | 1987-89 |
| | 1942 021 | 1 | | | 1990 |
| 5 | | | | | GASKET |
| 6 | | | | | BAFFLE |
| | J812 0857 | 1 | | | 1987-89 |
| | 3420 087 | 1 | | | 1990 |
| 7 | | | | | SHAFT, w/Support Reaction |
| 8 | | | | | BOLT, 5/16-18 x 11/16" |
| 9 | | | | | RING, Reaction Shaft Support Seal |
| | J812 0867 | 2 | | | 1987-89 |
| | 3743 689 | 2 | | | 1990 |
| 10 | | | | | BUSHING, Reaction Shaft, 1.30" O.D., 1987-89 |
| | J812 0865 | 1 | | | 1990 |
| | 2801 348 | 1 | | | |
| 11 | | | | | WASHER |
| | | | | | .062" |
| | J812 0898 | AR | | | 1987-89 |
| | 2204 622 | AR | | | 1990 |
| | | | | | .085" |
| | J812 0899 | AR | | | 1987-89 |
| | 2204 623 | AR | | | 1990 |
| | | | | | .103" |
| | J812 0900 | AR | | | 1987-89 |
| | 2400 284 | AR | | | 1990 |
| 12 | | | | | BUSHING, Oil Pump Housing |
| | J812 0855 | 1 | | | |
| 13 | | | | | WASHER |
| | | | | | 1987-89 |
| | 4428 222 | 1 | | | |
| | 4505 186 | 1 | | | 1990 |

MODEL CODES:

| | | |
|-----------------------------|-----------------------------|------------------------------|
| 15 = Grand Wagoneer 4 Dr. | 65 = Comanche 4WD-7 Ft. Box | 77 = Cherokee 4WD-2 Dr. |
| 25 = J-10 Pickup-119" W.B. | 66 = Comanche 2WD-7 Ft. Box | 78 = Cherokee 4WD-4 Dr. |
| 26 = J-10 Pickup-131" W.B. | 73 = Cherokee 2WD-2 Dr. | 79 = Cherokee 4WD-4 Dr.-Com |
| 27 = J-20 Pickup-131" W.B. | 74 = Cherokee 2WD-4 Dr. | 81 = Wrangler-93" W.B. |
| 63 = Comanche 4WD-6 Ft. Box | 75 = Wagoneer 4WD-4 Dr. | 82 = Wrangler-103" W.B.-Exp. |
| 64 = Comanche 2WD-6 Ft. Box | | |

BODY STYLES:

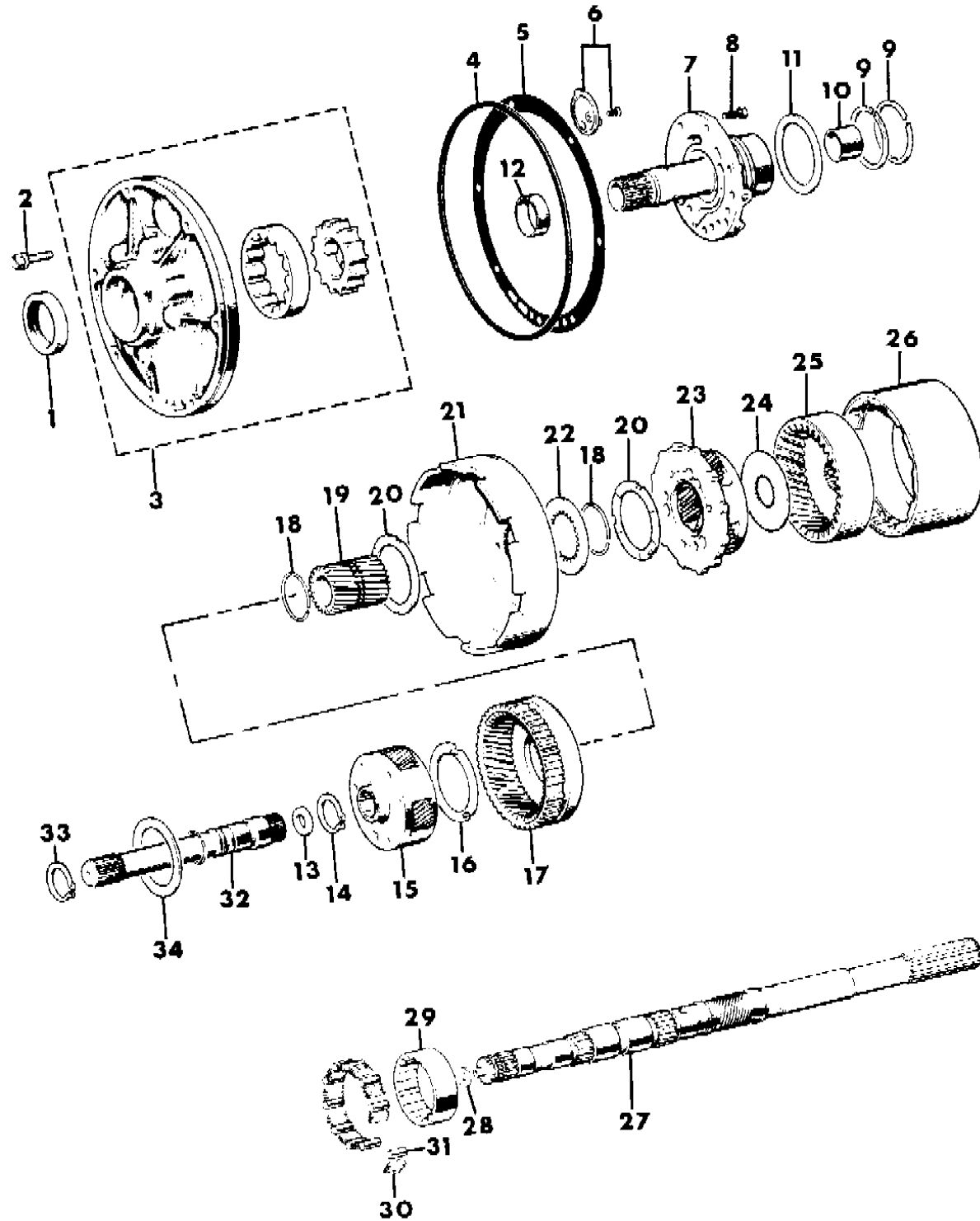
MJ = Comanche Pickup
 SJ = Grand Wagoneer Wgn., J-10 & J-20 Pickups
 XJ = Cherokee, Wagoneer Limited
 YJ = Wrangler

AR = Use as Required - = Non Illustrated Part P.A.R. = Paint as Required

OIL PUMP, GEAR TRAIN, OUTPUT SHAFT AUTOMATIC TRANSMISSION - A727 GRAND WAGONEER, TRUCK J20

Figure 21A-1600

8J51 1600



| ITEM | PART NUMBER | QTY | BODY | MODEL | DESCRIPTION |
|------|-------------|-----|------|-------|-----------------------------------|
| 14 | | | | | SNAP RING, Output Shaft |
| | | | | | .048" |
| | J812 0914 | AR | | | 1987-89 |
| | 6030 982 | AR | | | 1990 |
| | | | | | .055" |
| | J812 1005 | AR | | | 1987-89 |
| | 6024 311 | AR | | | 1990 |
| | | | | | .062" |
| | J812 1007 | AR | | | 1987-89 |
| | 6024 312 | AR | | | 1990 |
| 15 | | | | | CARRIER ASSEMBLY, Front Planetary |
| | J812 6582 | 1 | | | 1987-89 |
| | 4428 224 | 1 | | | 1990 4 Pinion |
| 16 | J812 1072 | 2 | | | WASHER, Front Carrier, Thrust |
| 17 | | | | | GEAR, Front Annulus |
| | J812 1015 | 1 | | | 1987-89 |
| | 2892 656 | 1 | | | 1990 |
| 18 | | | | | RING, Locking |
| | J812 1028 | 2 | | | 1987-89 |
| | 1736 521 | 2 | | | 1990 |
| 19 | | | | | GEAR, w/Bushing, Sun |
| | J812 1285 | 1 | | | 1987-89 |
| | 2801 311 | 1 | | | 1990 |
| 20 | J812 1072 | 1 | | | WASHER |
| 21 | | | | | SHELL, Sun Gear |
| | J812 1026 | 1 | | | 1987-89 |
| | 2400 662 | 1 | | | 1990 |
| 22 | | | | | PLATE |
| | J812 1027 | 1 | | | 1987-89 |
| | 1942 080 | 1 | | | 1990 |
| 23 | | | | | CARRIER ASSEMBLY, Rear Planetary |
| | J812 1070 | 1 | | | 1987-89 |
| | 2466 539 | 1 | | | 1990 |
| 24 | | | | | PLATE |
| | J812 1076 | 1 | | | 1987-89 |
| | 2400 580 | 1 | | | 1990 |
| 25 | | | | | GEAR, Rear Annulus |

MODEL CODES:

| | | |
|-----------------------------|-----------------------------|------------------------------|
| 15 = Grand Wagoneer 4 Dr. | 65 = Comanche 4WD-7 Ft. Box | 77 = Cherokee 4WD-2 Dr. |
| 25 = J-10 Pickup-119" W.B. | 66 = Comanche 2WD-7 Ft. Box | 78 = Cherokee 4WD-4 Dr. |
| 26 = J-10 Pickup-131" W.B. | 73 = Cherokee 2WD-2 Dr. | 79 = Cherokee 4WD-4 Dr.-Com |
| 27 = J-20 Pickup-131" W.B. | 74 = Cherokee 2WD-4 Dr. | 81 = Wrangler-93" W.B. |
| 63 = Comanche 4WD-6 Ft. Box | 75 = Wagoneer 4WD-4 Dr. | 82 = Wrangler-103" W.B.-Exp. |
| 64 = Comanche 2WD-6 Ft. Box | | |

BODY STYLES:

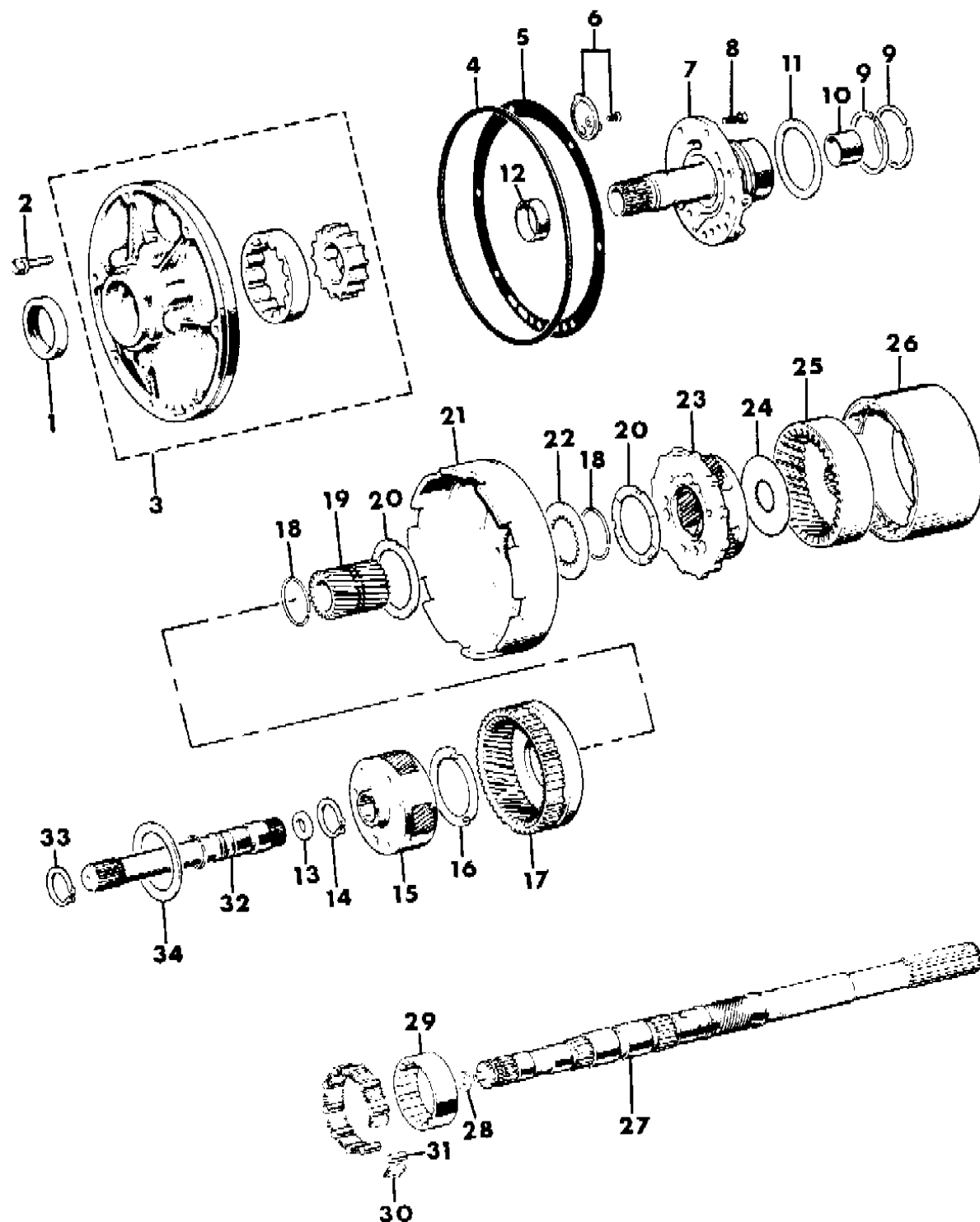
MJ = Comanche Pickup
 SJ = Grand Wagoneer Wgn., J-10 & J-20 Pickups
 XJ = Cherokee, Wagoneer Limited
 YJ = Wrangler

AR = Use as Required - = Non Illustrated Part P.A.R. = Paint as Required

OIL PUMP, GEAR TRAIN, OUTPUT SHAFT AUTOMATIC TRANSMISSION - A727 GRAND WAGONEER, TRUCK J20

Figure 21A-1600

8J51 1600



| ITEM | PART NUMBER | QTY | BODY | MODEL | DESCRIPTION |
|------|-------------|-----|------|-------|---|
| | J812 1075 | 1 | | | 1987-89 |
| | 2538 185 | 1 | | | 1990 |
| 26 | | | | | DRUM, Reverse |
| | 8350 4125 | 1 | | | 1987-89 |
| | 4505 095 | 1 | | | 1990 |
| 27 | | | | | SHAFT, Output |
| | J813 2491 | 1 | | | 1987-89 |
| | 4531 043 | 1 | | | 1990 |
| 28 | 4428 222 | 1 | | | WASHER, Thrust |
| 29 | 3420 100 | 1 | | | RACE PACKAGE, w/Rollers and Springs, "O" Running Clutch |
| 30 | J812 0846 | 12 | | | SPRING, Clutch, 1987-89 |
| | 2808 673 | 1 | | | ROLLER And SPRING PACKAGE, "O" Running Clutch, 1990 *** |
| 31 | J812 0848 | 12 | | | ROLLER, Clutch, 1987-89 |
| | | 1 | | | 1990, (Served in 2808673 Pkg.) |
| 32 | | | | | SHAFT, Input |
| | J812 8977 | 1 | | | 1987-89 |
| | 4505 223 | 1 | | | 1990 |
| 33 | | | | | SNAP RING, Rear Clutch Piston Retainer |
| | J812 0908 | 1 | | | 1987-89 |
| | 2124 872 | 1 | | | 1990 |
| 34 | | | | | WASHER |
| | J812 0898 | 1 | | | 1987-89 |
| | 2204 622 | 1 | | | 1990 |

MODEL CODES:
 15 = Grand Wagoneer 4 Dr. 65 = Comanche 4WD-7 Ft. Box 77 = Cherokee 4WD-2 Dr.
 25 = J-10 Pickup-119" W.B. 66 = Comanche 2WD-7 Ft. Box 78 = Cherokee 4WD-4 Dr.
 26 = J-10 Pickup-131" W.B. 73 = Cherokee 2WD-2 Dr. 79 = Cherokee 4WD-4 Dr.-Com
 27 = J-20 Pickup-131" W.B. 74 = Cherokee 2WD-4 Dr. 81 = Wrangler-93" W.B.
 63 = Comanche 4WD-6 Ft. Box 75 = Wagoneer 4WD-4 Dr. 82 = Wrangler-103" W.B.-Exp.
 64 = Comanche 2WD-6 Ft. Box

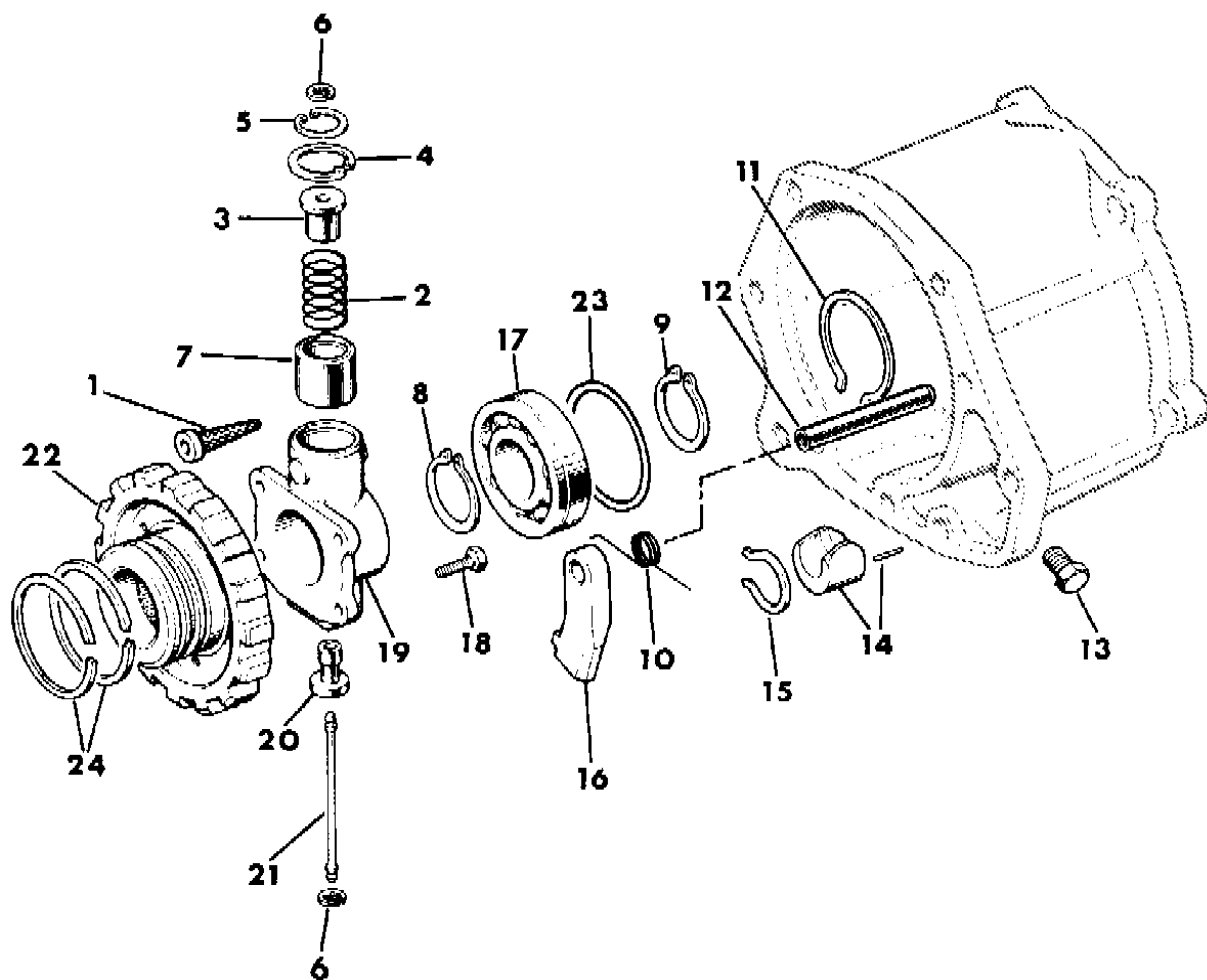
BODY STYLES:
 MJ = Comanche Pickup
 SJ = Grand Wagoneer Wgn., J-10 & J-20 Pickups
 XJ = Cherokee, Wagoneer Limited
 YJ = Wrangler

AR = Use as Required - = Non Illustrated Part P.A.R. = Paint as Required

GOVERNOR CONTROL AUTOMATIC TRANSMISSION - A727 GRAND WAGONEER, TRUCK J20
Figure 21A-1700

8 J 51 1700

| ITEM | PART NUMBER | QTY | BODY | MODEL | DESCRIPTION |
|------|-------------|-----|------|-------|---|
| | 4186 875 | 1 | | | BODY PACKAGE, Governor - A727, 1990 Consists Of: 1 - 4446152 BODY, Governor 1 - 3743519 FILTER, Gov. 2 - 1942109 SEAL RING, Support 4 - 6031613 BOLT, Body 1 - 6025031 SNAP RING, Weight, Outer 1 - 3515479 VALVE, Governor 1 - 1556082 SHAFT, Gov. Valve |
| | 4130 891 | 1 | | | WEIGHT PACKAGE, Governor - A727, 1990 Consists Of: 1 - 3515482 WEIGHT, Inner 1 - 4130851 WEIGHT, Outer 1 - 4202043 SPRING, 3.0 Lb. Spring Load 1 - 1636464 SNAP RING, Weight, Inner |
| 1 | 3743 519 | 1 | | | FILTER, Governor |
| 2 | J813 2498 | 1 | | | SPRING 1987-89 1990, (Served in 4130891 Wt. Pkg.) |
| 3 | J812 1130 | 1 | | | WEIGHT 1987-89 1990, (Served in 4130891 Wt. Pkg.) |
| 4 | J813 0335 | 1 | | | SNAP RING 1987-89 |
| | 6025 031 | 1 | | | 1990 |
| 5 | J812 1058 | 1 | | | SNAP RING 1987-89 |
| | 1636 464 | 1 | | | 1990 |
| 6 | J812 1059 | 2 | | | SNAP RING 1987-89 |
| | 1638 461 | 2 | | | 1990 |
| 7 | J813 2497 | 1 | | | WEIGHT, Governor 1987-89 1990, (Served in 4130891 Wt. Pkg.) |
| | | 1 | | | |
| 8 | J812 1057 | 1 | | | SNAP RING 1987-89 |



MODEL CODES:

| | | |
|-----------------------------|-----------------------------|------------------------------|
| 15 = Grand Wagoneer 4 Dr. | 65 = Comanche 4WD-7 Ft. Box | 77 = Cherokee 4WD-2 Dr. |
| 25 = J-10 Pickup-119" W.B. | 66 = Comanche 2WD-7 Ft. Box | 78 = Cherokee 4WD-4 Dr. |
| 26 = J-10 Pickup-131" W.B. | 73 = Cherokee 2WD-2 Dr. | 79 = Cherokee 4WD-4 Dr.-Com |
| 27 = J-20 Pickup-131" W.B. | 74 = Cherokee 2WD-4 Dr. | 81 = Wrangler-93" W.B. |
| 63 = Comanche 4WD-6 Ft. Box | 75 = Wagoneer 4WD-4 Dr. | 82 = Wrangler-103" W.B.-Exp. |
| 64 = Comanche 2WD-6 Ft. Box | | |

BODY STYLES:

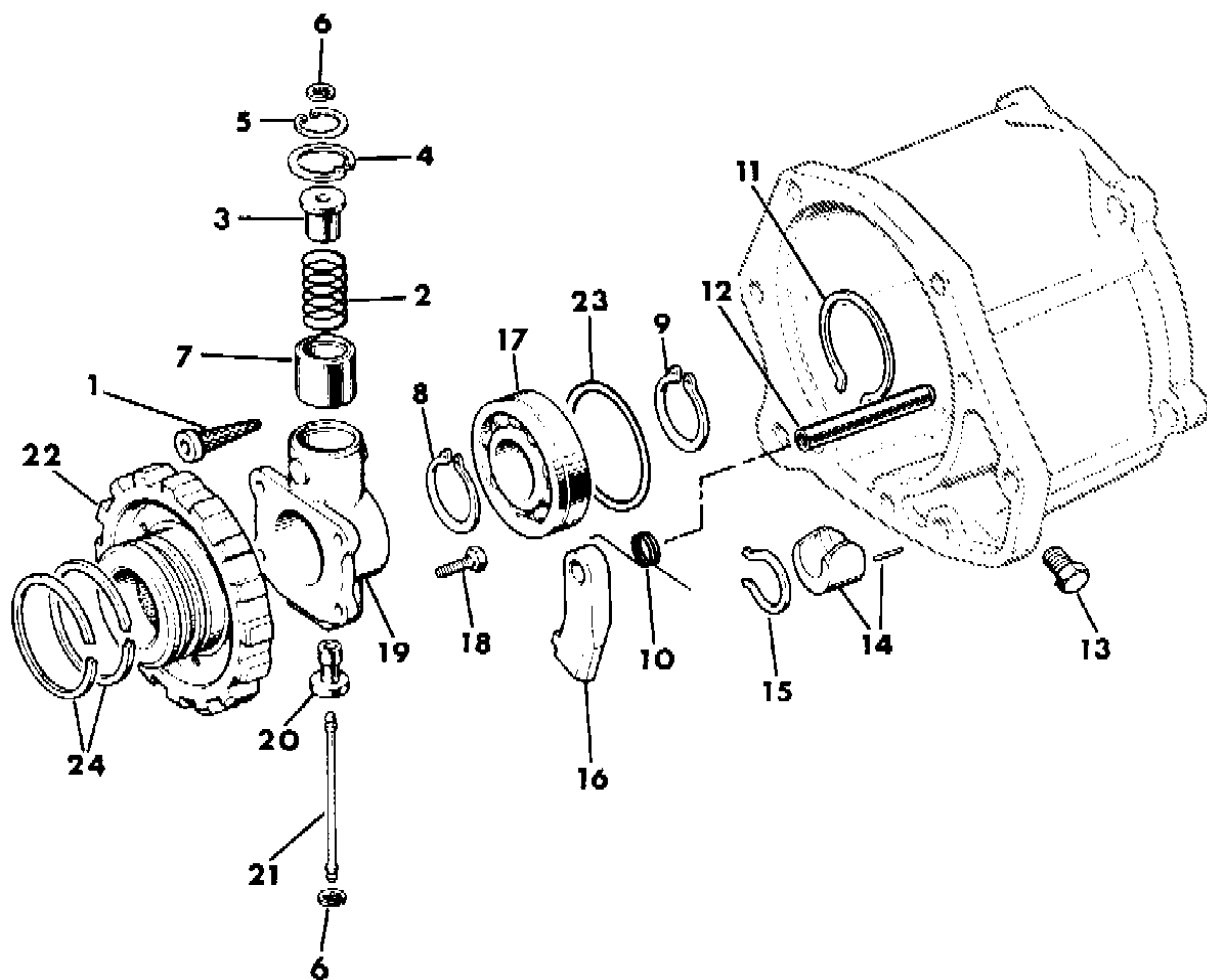
MJ = Comanche Pickup
 SJ = Grand Wagoneer Wgn., J-10 & J-20 Pickups
 XJ = Cherokee, Wagoneer Limited
 YJ = Wrangler

AR = Use as Required - = Non Illustrated Part P.A.R. = Paint as Required

GOVERNOR CONTROL AUTOMATIC TRANSMISSION - A727 GRAND WAGONEER, TRUCK J20
Figure 21A-1700

8 J 51 1700

| ITEM | PART NUMBER | QTY | BODY | MODEL | DESCRIPTION |
|------|-------------|-----|------|-------|--|
| | 6022 817 | 1 | | | 1990 |
| 9 | 6025 570 | 1 | | | SNAP RING |
| 10 | J812 1158 | 1 | | | 1987-89 |
| | 2466 909 | 1 | | | 1990 |
| 11 | J812 1062 | 1 | | | SNAP RING |
| 12 | J812 1159 | 1 | | | 1987-89 |
| | 2466 892 | 1 | | | 1990 |
| 13 | J812 0840 | 4 | | | PLUG, Pressure Check |
| 14 | J812 1185 | 1 | | | 1987-89 |
| | 2538 042 | 1 | | | 1990 |
| 15 | 2538 034 | 1 | | | SNAP RING |
| 16 | J812 1157 | 1 | | | 1987-88 |
| | 4446 726 | 1 | | | 1989 |
| | 4471 415 | 1 | | | 1990 |
| 17 | J812 1078 | 1 | | | 1987-89 |
| | 2466 224 | 1 | | | 1990 |
| 18 | 6031 613 | 4 | | | BOLT, Governor Body |
| 19 | J813 2496 | 1 | | | BODY, Governor (Serviced in 4186875 Body Pkg.) |
| 20 | J812 1149 | 1 | | | 1987-89 |
| | 3515 479 | 1 | | | 1990 |
| 21 | 1556 082 | 1 | | | SHAFT, Governor |
| 22 | J812 4498 | 1 | | | 1987-89 |
| | 3743 517 | 1 | | | 1990 |
| 23 | 6032 739 | 1 | | | O-RING, Bearing |
| 24 | J812 0976 | 1 | | | 1987-89 |
| | 1942 109 | 2 | | | 1990 |



MODEL CODES:

| | | |
|-----------------------------|-----------------------------|------------------------------|
| 15 = Grand Wagoneer 4 Dr. | 65 = Comanche 4WD-7 Ft. Box | 77 = Cherokee 4WD-2 Dr. |
| 25 = J-10 Pickup-119" W.B. | 66 = Comanche 2WD-7 Ft. Box | 78 = Cherokee 4WD-4 Dr. |
| 26 = J-10 Pickup-131" W.B. | 73 = Cherokee 2WD-2 Dr. | 79 = Cherokee 4WD-4 Dr.-Com |
| 27 = J-20 Pickup-131" W.B. | 74 = Cherokee 2WD-4 Dr. | 81 = Wrangler-93" W.B. |
| 63 = Comanche 4WD-6 Ft. Box | 75 = Wagoneer 4WD-4 Dr. | 82 = Wrangler-103" W.B.-Exp. |
| 64 = Comanche 2WD-6 Ft. Box | | |

BODY STYLES:

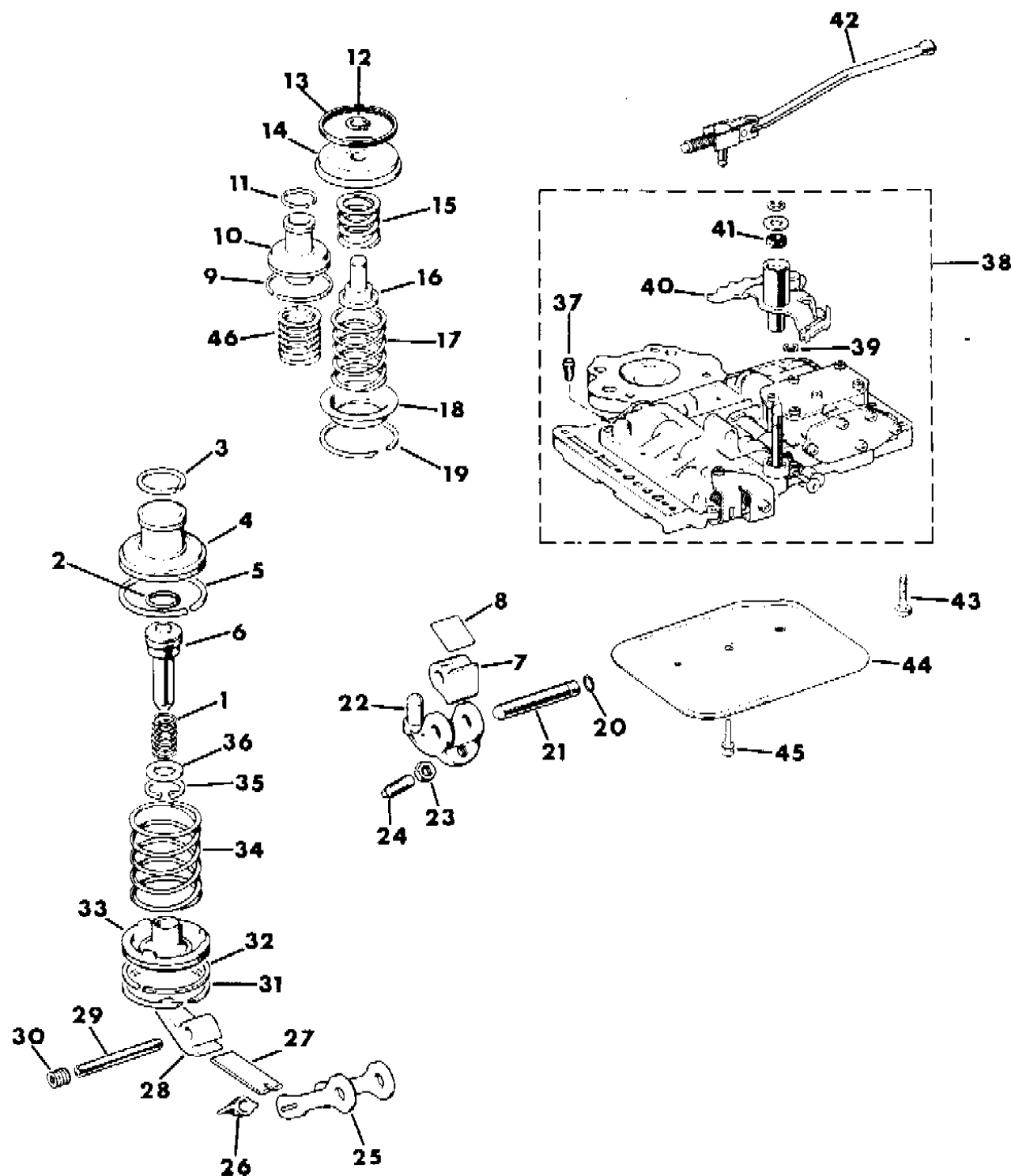
MJ = Comanche Pickup
 SJ = Grand Wagoneer Wgn., J-10 & J-20 Pickups
 XJ = Cherokee, Wagoneer Limited
 YJ = Wrangler

AR = Use as Required - = Non Illustrated Part P.A.R. = Paint as Required

SERVOS, ACCUMULATOR AND VALVE BODY AUTOMATIC TRANSMISSION - A727 GRAND WAGONEER, TRUCK J20

Figure 21A-1800

8 J 51 1800



| ITEM | PART NUMBER | QTY | BODY | MODEL | DESCRIPTION |
|------|-------------|-----|------|-------|---|
| 1 | | | | | SPRING |
| | J812 1096 | 1 | | | 1987-89 |
| | 3410 444 | 1 | | | 1990 |
| 2 | | | | | SEAL |
| | J812 4870 | 1 | | | 1987-89 |
| | 6028 864 | 1 | | | 1990 |
| 3 | | | | | RING, Kickdown Servo Piston Seal, Small |
| | J812 0987 | 1 | | | 1987-89 |
| | 4443 190 | 1 | | | 1990 |
| 4 | | | | | PISTON, Kickdown Servo |
| | J812 1094 | 1 | | | 1987-89 |
| | 3410 440 | 1 | | | 1990 |
| 5 | | | | | RING, Seal |
| | J812 0988 | 1 | | | 1987-89 |
| | 1942 123 | 1 | | | 1990 |
| 6 | | | | | ROD, Kickdown Servo |
| | J812 1095 | 1 | | | 1987-89 |
| | 3410 445 | 1 | | | 1990 |
| 7 | | | | | LEVER, Kickdown Servo |
| | J812 1191 | 1 | | | 1987-89 |
| | 2892 233 | 1 | | | 1990 |
| 8 | | | | | STRUT, Reverse Band |
| | J812 1122 | 1 | | | 1987-89 |
| | 4505 092 | 1 | | | 1990 |
| 9 | | | | | RING, Accumulator Seal |
| | J812 0982 | 1 | | | 1987-89 |
| | 3743 013 | 1 | | | 1990 |
| 10 | | | | | PISTON, Accumulator |
| | J812 1054 | 1 | | | 1987-89 |
| | 3743 650 | 1 | | | 1990 |
| 11 | | | | | RING, Accumulator Piston Seal, Small |
| | J812 6786 | 1 | | | 1987-89 |
| | 3743 010 | 1 | | | 1990 |
| 12 | | | | | RING |
| | J812 1174 | 1 | | | 1987-89 |
| | 6027 153 | 1 | | | 1990 |
| 13 | | | | | SEAL, Reverse Servo Piston |

MODEL CODES:

| | | |
|-----------------------------|-----------------------------|------------------------------|
| 15 = Grand Wagoneer 4 Dr. | 65 = Comanche 4WD-7 Ft. Box | 77 = Cherokee 4WD-2 Dr. |
| 25 = J-10 Pickup-119" W.B. | 66 = Comanche 2WD-7 Ft. Box | 78 = Cherokee 4WD-4 Dr. |
| 26 = J-10 Pickup-131" W.B. | 73 = Cherokee 2WD-2 Dr. | 79 = Cherokee 4WD-4 Dr.-Com |
| 27 = J-20 Pickup-131" W.B. | 74 = Cherokee 2WD-4 Dr. | 81 = Wrangler-93" W.B. |
| 63 = Comanche 4WD-6 Ft. Box | 75 = Wagoneer 4WD-4 Dr. | 82 = Wrangler-103" W.B.-Exp. |
| 64 = Comanche 2WD-6 Ft. Box | | |

BODY STYLES:

MJ = Comanche Pickup
 SJ = Grand Wagoneer Wgn., J-10 & J-20 Pickups
 XJ = Cherokee, Wagoneer Limited
 YJ = Wrangler

AR = Use as Required - = Non Illustrated Part P.A.R. = Paint as Required

SERVOS, ACCUMULATOR AND VALVE BODY AUTOMATIC TRANSMISSION - A727 GRAND WAGONEER, TRUCK J20

Figure 21A-1800

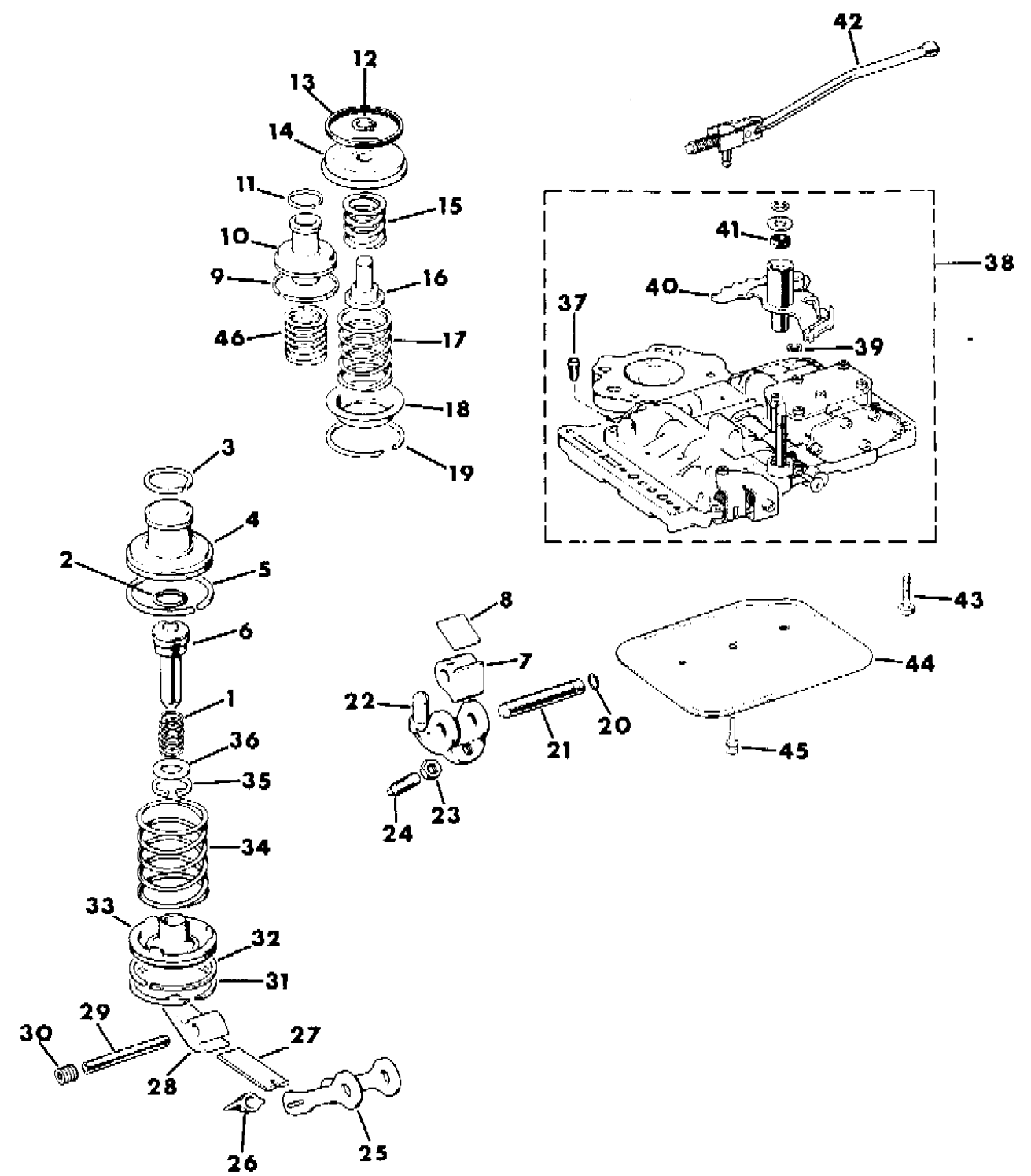
8 J 51 1800

| ITEM | PART NUMBER | QTY | BODY | MODEL | DESCRIPTION |
|------|-------------|-----|------|-------|-------------------------------|
| | J812 9044 | 1 | | | 1987-89 |
| | 4058 741 | 1 | | | 1990 |
| 14 | J812 1181 | 1 | | | PISTON, Reverse Servo |
| | 2801 281 | 1 | | | 1987-89 |
| | | | | | 1990 |
| 15 | J812 4581 | 1 | | | SPRING, Reverse Servo Cushion |
| | 3743 580 | 1 | | | 1987-89 |
| | | | | | 1990 |
| 16 | | | | | PLUG |
| | J812 4497 | 1 | | | 1987-89 |
| | 3743 353 | 1 | | | 1990 |
| 17 | J812 1173 | 1 | | | SPRING, Reverse Servo Piston |
| | 2801 241 | 1 | | | 1987-89 |
| | | | | | 1990 |
| 18 | J812 1171 | 1 | | | RETAINER |
| | 1942 150 | 1 | | | 1987-89 |
| | | | | | 1990 |
| 19 | J812 1055 | 1 | | | SNAP RING, Spring Retainer |
| | 1942 130 | 1 | | | 1987-89 |
| | | | | | 1990 |
| 20 | J812 0990 | 1 | | | SEAL, Reverse Band Shaft |
| | 6030 910 | 1 | | | 1987-89 |
| | | | | | 1990 |
| 21 | J812 1184 | 1 | | | SHAFT, Band Lever |
| | 2124 857 | 1 | | | 1987-89 |
| | | | | | 1990 |
| 22 | J812 1194 | 1 | | | LEVER, Reverse Band |
| | 1942 137 | 1 | | | 1987-89 |
| | | | | | 1990 |
| 23 | 0271 506 | 1 | | | NUT, Adj. Screw Lock, 7/16-20 |
| 24 | J812 1189 | 1 | | | SCREW, Reverse Band Adjusting |
| | 1942 141 | 1 | | | 1987-89 |
| | | | | | 1990 |
| 25 | J812 1120 | 1 | | | LINK, Reverse Band |
| | 4505 093 | 1 | | | 1987-89 |
| | | | | | 1990 |
| 26 | | | | | ANCHOR, Kickdown Band |

MODEL CODES:
 15 = Grand Wagoneer 4 Dr. 65 = Comanche 4WD-7 Ft. Box 77 = Cherokee 4WD-2 Dr.
 25 = J-10 Pickup-119" W.B. 66 = Comanche 2WD-7 Ft. Box 78 = Cherokee 4WD-4 Dr.
 26 = J-10 Pickup-131" W.B. 73 = Cherokee 2WD-2 Dr. 79 = Cherokee 4WD-4 Dr.-Com
 27 = J-20 Pickup-131" W.B. 74 = Cherokee 2WD-4 Dr. 81 = Wrangler-93" W.B.
 63 = Comanche 4WD-6 Ft. Box 75 = Wagoneer 4WD-4 Dr. 82 = Wrangler-103" W.B.-Exp.
 64 = Comanche 2WD-6 Ft. Box

BODY STYLES:
 MJ = Comanche Pickup
 SJ = Grand Wagoneer Wgn., J-10 & J-20 Pickups
 XJ = Cherokee, Wagoneer Limited
 YJ = Wrangler

AR = Use as Required - = Non Illustrated Part P.A.R. = Paint as Required



SERVOS, ACCUMULATOR AND VALVE BODY AUTOMATIC TRANSMISSION - A727 GRAND WAGONEER, TRUCK J20

Figure 21A-1800

8 J 51 1800

| ITEM | PART NUMBER | QTY | BODY | MODEL | DESCRIPTION |
|------|-------------|-----|------|-------|-------------------|
| | J812 4775 | 1 | | | 1987-89 |
| | 3743 338 | 1 | | | 1990 |
| 27 | J812 1103 | 1 | | | 1987-89 |
| | 2124 848 | 1 | | | 1990 |
| 28 | J812 1090 | 1 | | | 1987-89 |
| | 2204 952 | 1 | | | 1990 |
| 29 | J812 1109 | 1 | | | 1987-89 |
| | 4531 181 | 1 | | | 1990 |
| 30 | J812 1104 | 1 | | | PLUG |
| 31 | J812 1055 | 1 | | | 1987-89 |
| | 1942 130 | 1 | | | 1990 |
| 32 | J812 0988 | 1 | | | 1987-89 |
| | 1942 123 | 1 | | | 1990 |
| 33 | J812 1107 | 1 | | | 1987-89 |
| | 3410 441 | 1 | | | 1990 |
| 34 | J812 1101 | 1 | | | 1987-89 |
| | 3410 518 | 1 | | | 1990 |
| 35 | J812 1050 | 1 | | | 1987-89 |
| | 6024 336 | 1 | | | 1990, 1-1/8" I.D. |
| 36 | J812 1097 | 1 | | | 1987-89 |
| | 3410 437 | 1 | | | 1990 |
| 37 | J812 4863 | 1 | | | 1987-89 |
| | 3878 313 | 1 | | | 1990 |
| 38 | 8350 2738 | 1 | | | 1987-89 |
| | 4531 019 | 1 | | | 1990 |
| 39 | | | | | E-RING |

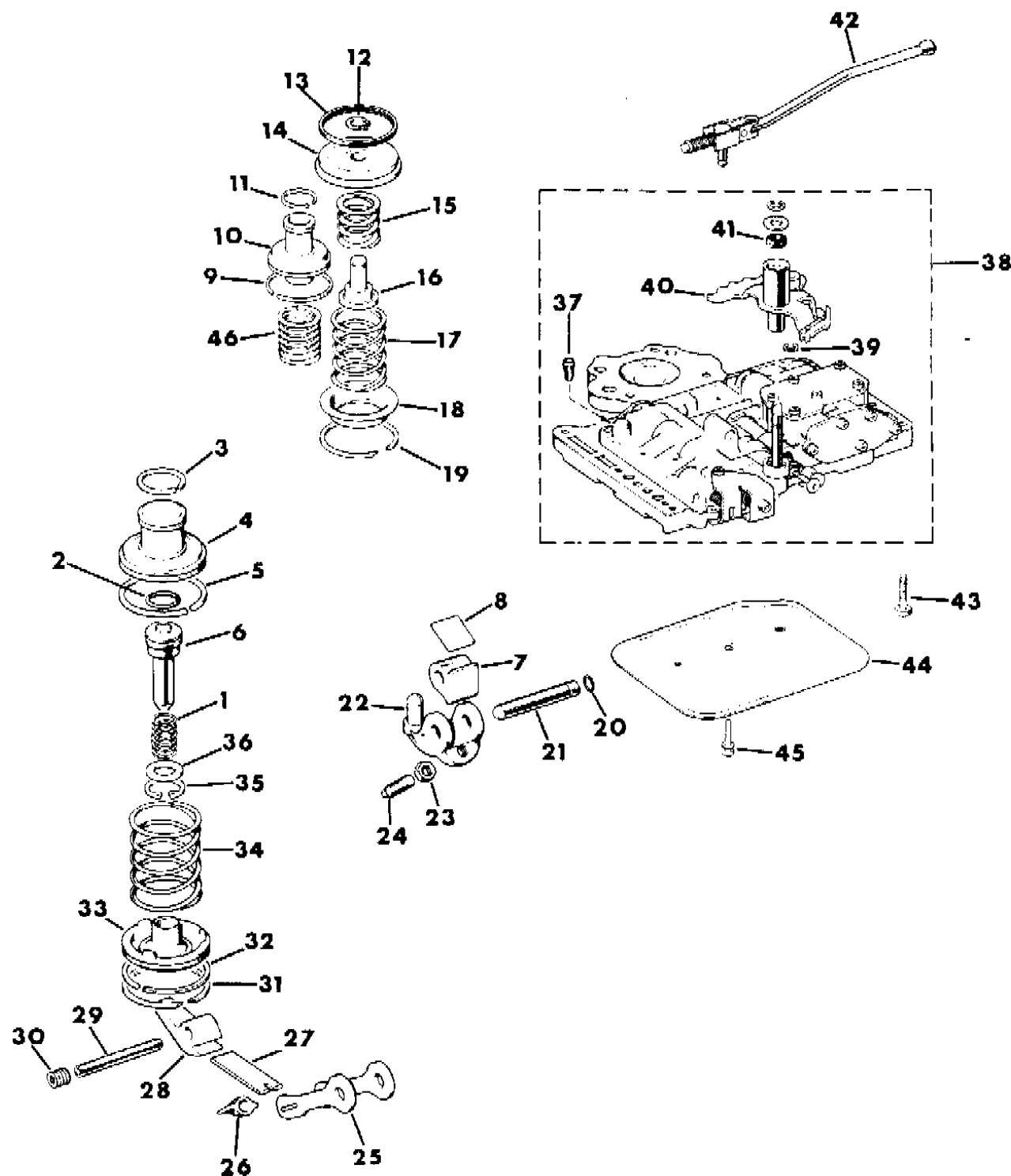
MODEL CODES:

| | | |
|-----------------------------|-----------------------------|------------------------------|
| 15 = Grand Wagoneer 4 Dr. | 65 = Comanche 4WD-7 Ft. Box | 77 = Cherokee 4WD-2 Dr. |
| 25 = J-10 Pickup-119" W.B. | 66 = Comanche 2WD-7 Ft. Box | 78 = Cherokee 4WD-4 Dr. |
| 26 = J-10 Pickup-131" W.B. | 73 = Cherokee 2WD-2 Dr. | 79 = Cherokee 4WD-4 Dr.-Com |
| 27 = J-20 Pickup-131" W.B. | 74 = Cherokee 2WD-4 Dr. | 81 = Wrangler-93" W.B. |
| 63 = Comanche 4WD-6 Ft. Box | 75 = Wagoneer 4WD-4 Dr. | 82 = Wrangler-103" W.B.-Exp. |
| 64 = Comanche 2WD-6 Ft. Box | | |

BODY STYLES:

MJ = Comanche Pickup
 SJ = Grand Wagoneer Wgn., J-10 & J-20 Pickups
 XJ = Cherokee, Wagoneer Limited
 YJ = Wrangler

AR = Use as Required - = Non Illustrated Part P.A.R. = Paint as Required

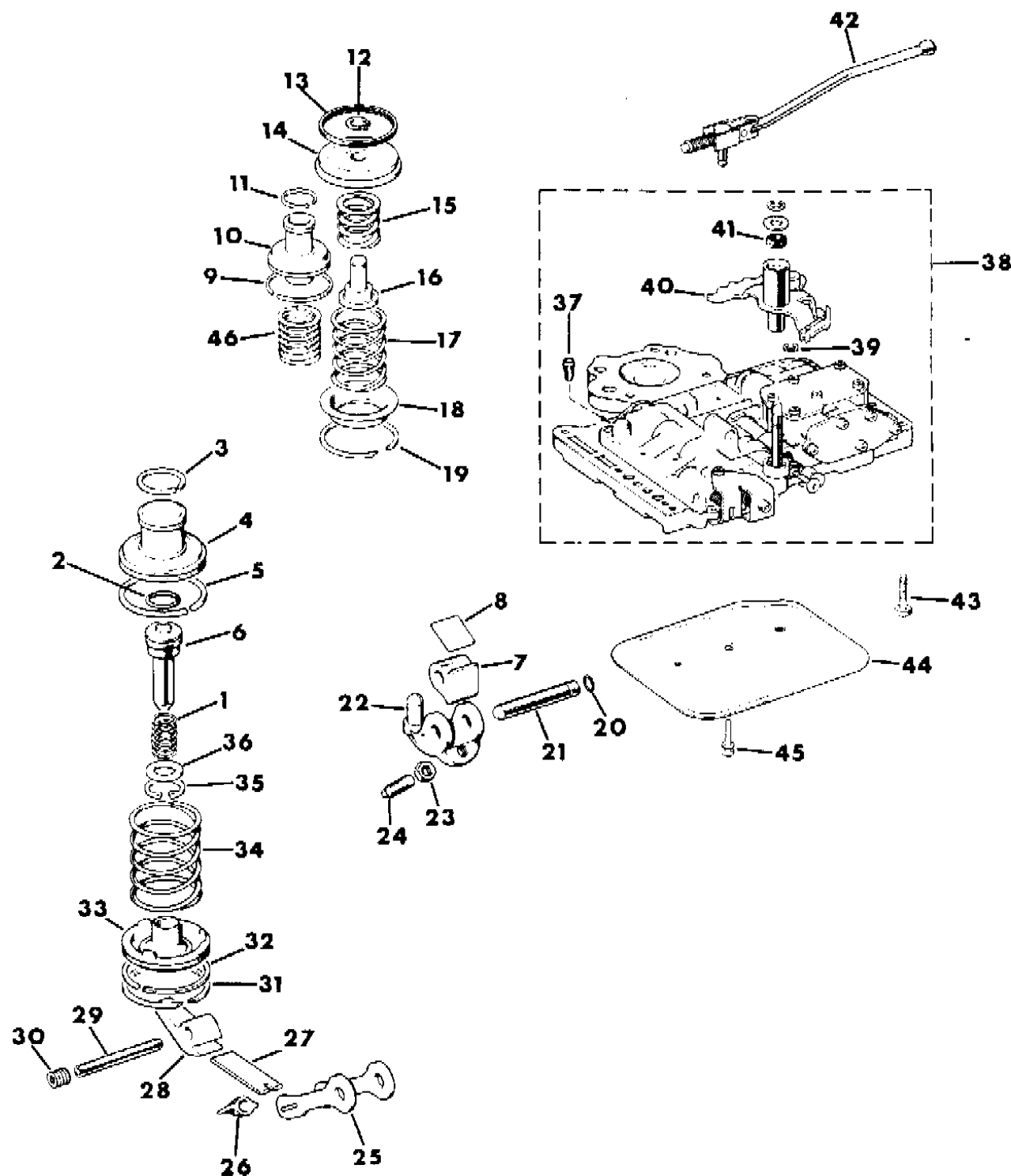


SERVOS, ACCUMULATOR AND VALVE BODY AUTOMATIC TRANSMISSION - A727 GRAND WAGONEER, TRUCK J20

Figure 21A-1800

8 J 51 1800

| ITEM | PART NUMBER | QTY | BODY | MODEL | DESCRIPTION |
|------|-------------|-----|------|-------|--------------------|
| | J812 1239 | 1 | | | 1987-89 |
| | 1626 749 | 1 | | | 1990 |
| 40 | | | | | LEVER |
| | 3410 484 | 1 | | | 1987-89 |
| | 4531 159 | 1 | | | 1990 |
| 41 | | | | | SEAL |
| | J812 4862 | 1 | | | 1987-89 |
| | 2466 548 | 1 | | | 1990 |
| 42 | | | | | ROD |
| | J812 1164 | 1 | | | 1987-89 |
| | 2466 894 | 1 | | | 1990 |
| 43 | J017 9798 | 10 | | | BOLT |
| 44 | | | | | FILTER, Valve Body |
| | J812 7652 | 1 | | | 1987-89 |
| | 3515 996 | 1 | | | 1990 |
| 45 | J812 6893 | 3 | | | SCREW |
| 46 | | | | | SPRING |
| | J813 2508 | 1 | | | 1987-89 |
| | 3515 079 | 1 | | | 1990 |



MODEL CODES:

| | | |
|-----------------------------|-----------------------------|------------------------------|
| 15 = Grand Wagoneer 4 Dr. | 65 = Comanche 4WD-7 Ft. Box | 77 = Cherokee 4WD-2 Dr. |
| 25 = J-10 Pickup-119" W.B. | 66 = Comanche 2WD-7 Ft. Box | 78 = Cherokee 4WD-4 Dr. |
| 26 = J-10 Pickup-131" W.B. | 73 = Cherokee 2WD-2 Dr. | 79 = Cherokee 4WD-4 Dr.-Com |
| 27 = J-20 Pickup-131" W.B. | 74 = Cherokee 2WD-4 Dr. | 81 = Wrangler-93" W.B. |
| 63 = Comanche 4WD-6 Ft. Box | 75 = Wagoneer 4WD-4 Dr. | 82 = Wrangler-103" W.B.-Exp. |
| 64 = Comanche 2WD-6 Ft. Box | | |

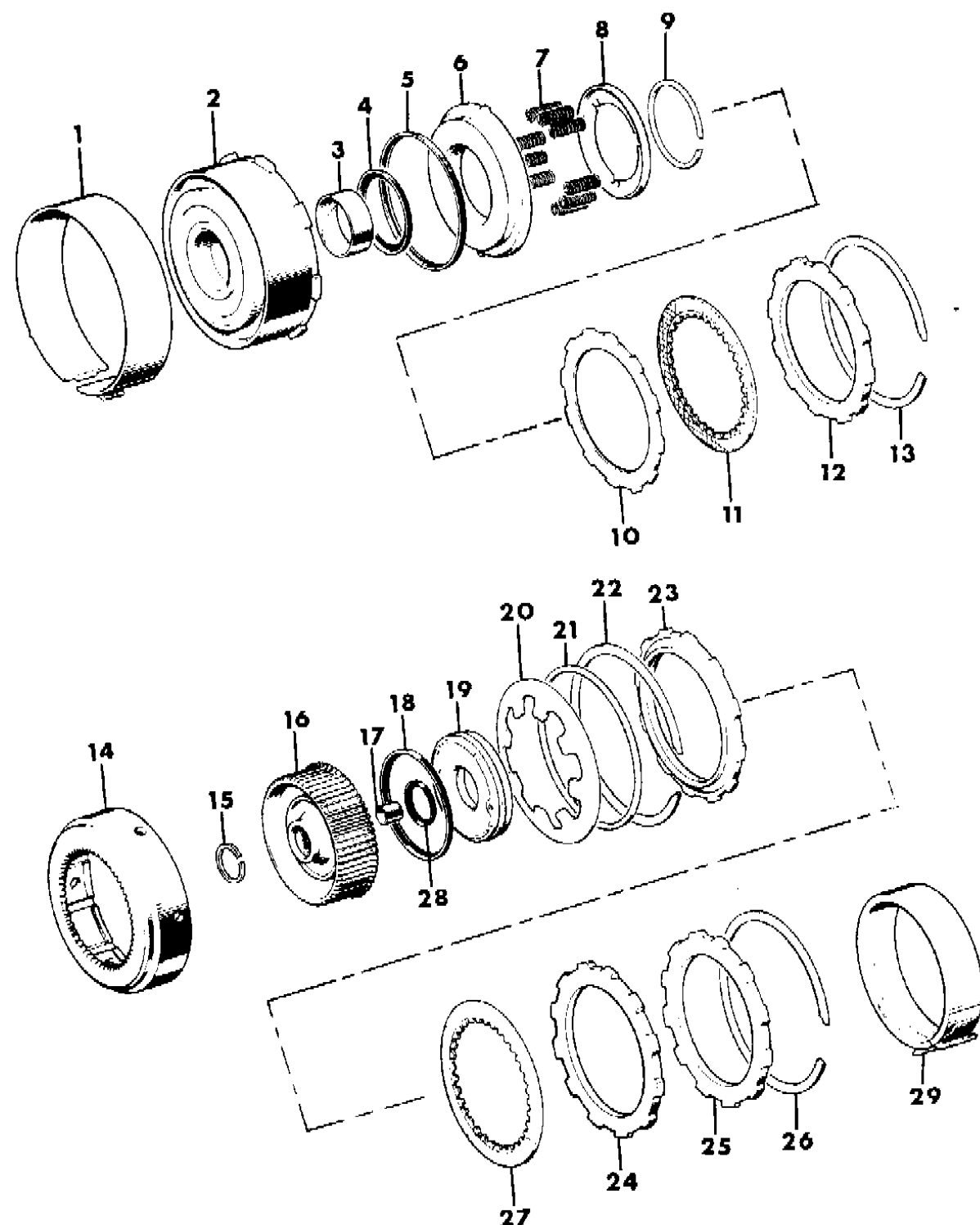
BODY STYLES:

MJ = Comanche Pickup
 SJ = Grand Wagoneer Wgn., J-10 & J-20 Pickups
 XJ = Cherokee, Wagoneer Limited
 YJ = Wrangler

AR = Use as Required - = Non Illustrated Part P.A.R. = Paint as Required

CLUTCH, FRONT AND REAR AUTOMATIC TRANSMISSION - A727 GRAND WAGONEER, TRUCK J20
Figure 21A-1900

8J51 1900



| ITEM | PART NUMBER | QTY | BODY | MODEL | DESCRIPTION |
|------|-------------|-----|------|-------|---|
| 1 | 8350 1956 | 1 | | | BAND, Kickdown |
| 2 | J812 8969 | 1 | | | RETAINER, Front Clutch 1987-89 |
| | 4058 648 | 1 | | | 1990 |
| 3 | | | | | BUSHING |
| | J812 8970 | 1 | | | 1987-89 |
| | 4058 647 | 1 | | | 1990 |
| 4 | J812 0882 | 1 | | | SEAL, Front Clutch Piston, Inner 1987-89 |
| | 3410 226 | 1 | | | 1990 |
| 5 | J812 0884 | 1 | | | SEAL, Front Clutch Piston, Outer 1987-89 |
| | 4058 484 | 1 | | | 1990 |
| 6 | J812 0880 | 1 | | | PISTON, Front Clutch 1987-89 |
| | 2464 651 | 1 | | | 1990 |
| 7 | | | | | SPRING, Front Clutch Piston |
| | J812 0966 | 11 | | | 1987-89 |
| | 2801 243 | 11 | | | 1990 |
| 8 | 2801 949 | 1 | | | RETAINER, Piston Spring |
| 9 | | | | | SNAP RING, Piston Spring Retaining |
| | J812 0888 | 1 | | | 1987-89 |
| | 2124 824 | 1 | | | 1990 |
| 10 | | | | | PLATE, Front Clutch |
| | J813 6611 | 4 | | | 1987-89 |
| | 2124 826 | 4 | | | 1990 |
| 11 | | | | | DISC, Front Clutch |
| | J812 0889 | 4 | | | 1987-88 |
| | 8350 1955 | 4 | | | 1989 |
| | 4329 846 | 4 | | | 1990 |
| 12 | | | | | PLATE, Pressure |
| | J812 0933 | 1 | | | 1987-89 |
| | 2801 961 | 1 | | | 1990 |
| 13 | 3410 570 | 1 | | | SNAP RING, Front Clutch, .050" Thk., 7-8/64" O.D. |
| 14 | | | | | RETAINER, Rear Clutch |
| | J812 4733 | 1 | | | 1987 |
| | 3743 622 | 1 | | | 1989-90 |

MODEL CODES:

| | | |
|-----------------------------|-----------------------------|------------------------------|
| 15 = Grand Wagoneer 4 Dr. | 65 = Comanche 4WD-7 Ft. Box | 77 = Cherokee 4WD-2 Dr. |
| 25 = J-10 Pickup-119" W.B. | 66 = Comanche 2WD-7 Ft. Box | 78 = Cherokee 4WD-4 Dr. |
| 26 = J-10 Pickup-131" W.B. | 73 = Cherokee 2WD-2 Dr. | 79 = Cherokee 4WD-4 Dr.-Com |
| 27 = J-20 Pickup-131" W.B. | 74 = Cherokee 2WD-4 Dr. | 81 = Wrangler-93" W.B. |
| 63 = Comanche 4WD-6 Ft. Box | 75 = Wagoneer 4WD-4 Dr. | 82 = Wrangler-103" W.B.-Exp. |
| 64 = Comanche 2WD-6 Ft. Box | | |

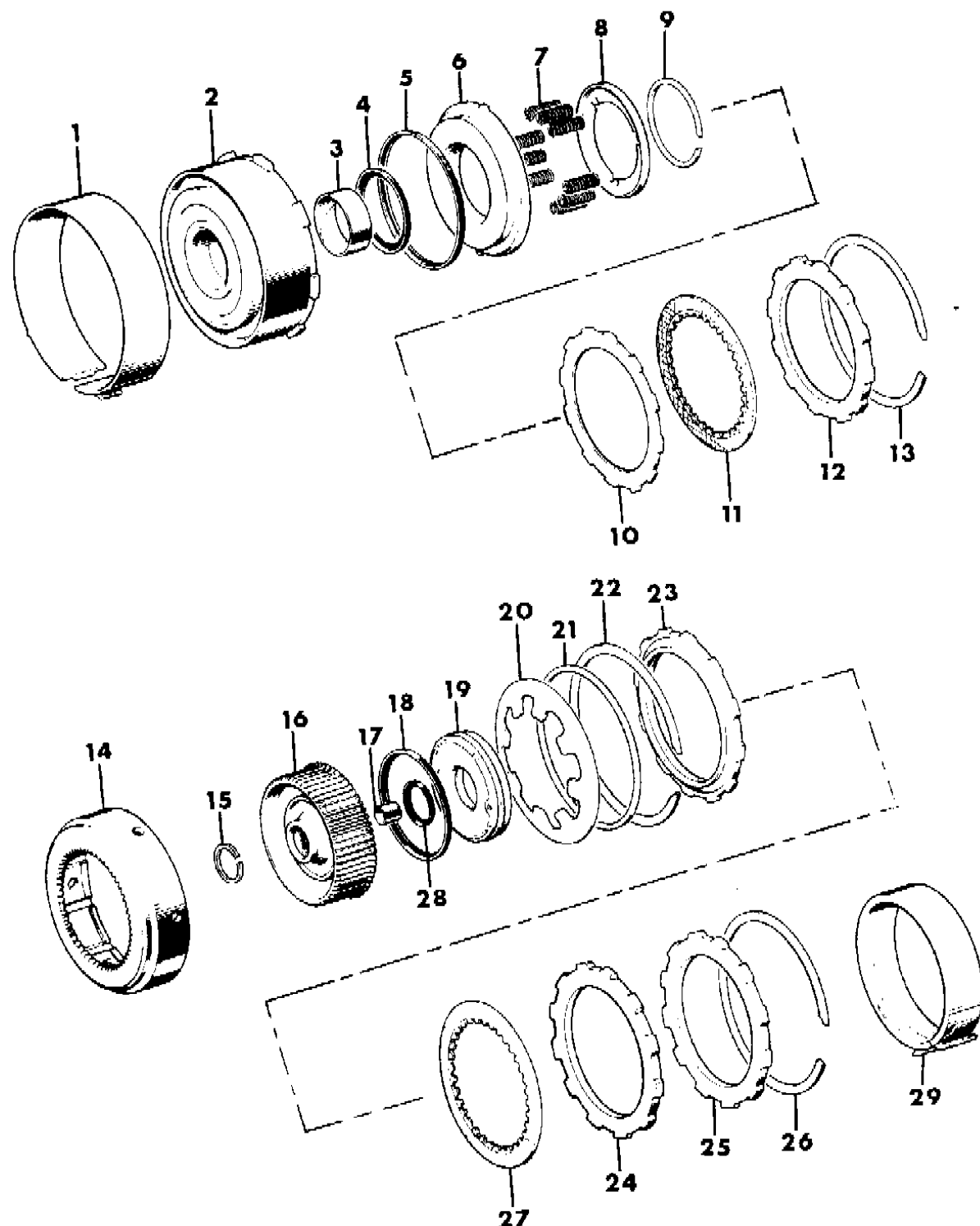
BODY STYLES:

MJ = Comanche Pickup
 SJ = Grand Wagoneer Wgn., J-10 & J-20 Pickups
 XJ = Cherokee, Wagoneer Limited
 YJ = Wrangler

AR = Use as Required - = Non Illustrated Part P.A.R. = Paint as Required

CLUTCH, FRONT AND REAR AUTOMATIC TRANSMISSION - A727 GRAND WAGONEER, TRUCK J20
Figure 21A-1900

8 J51 1900



| ITEM | PART NUMBER | QTY | BODY | MODEL | DESCRIPTION |
|------|-------------|-----|------|-------|--|
| 15 | | | | | RING, Rear Clutch Piston Retainer Seal |
| | J812 8982 | 1 | | | 1987-89 |
| | 4058 443 | 1 | | | 1990 |
| 16 | | | | | RETAINER, Rear Clutch Piston |
| | J812 8980 | 1 | | | 1987-89 |
| | 4505 224 | 1 | | | 1990 |
| 17 | J812 3200 | 1 | | | BUSHING |
| 18 | | | | | SEAL, Rear Clutch Piston, Outer |
| | J812 0918 | 1 | | | 1987-89 |
| | 2124 835 | 1 | | | 1990 |
| 19 | | | | | PISTON, Rear Clutch |
| | J812 4732 | 1 | | | 1987-89 |
| | 3743 624 | 1 | | | 1990 |
| 20 | | | | | SPRING, Rear Clutch Piston |
| | J812 4734 | 1 | | | 1987-89 |
| | 3743 621 | 1 | | | 1990 |
| 21 | | | | | SPACER |
| | J812 1155 | 1 | | | 1987-89 |
| | 3515 077 | 1 | | | 1990, 6-13/16" O.D. |
| 22 | | | | | SPRING, Rear Clutch Wave |
| | J812 0924 | 1 | | | 1987-89 |
| | 2466 806 | 1 | | | 1990 |
| 23 | | | | | PLATE, Rear Clutch Pressure, Front |
| | J812 0927 | 1 | | | 1987-89 |
| | 2466 803 | 1 | | | 1990 |
| 24 | | | | | PLATE, Drive |
| | J813 6611 | 3 | | | 1987-89 |
| | 2124 826 | 3 | | | 1990 |
| 25 | | | | | PLATE, Rear Clutch Reaction |
| | J812 0933 | 1 | | | 1987-89 |
| | 2801 961 | 1 | | | 1990 |
| 26 | | | | | SNAP RING, Rear Clutch Retainer, 7" O.D. |
| | | | | | .060" Thk. |
| | J812 0940 | AR | | | 1987-89 |
| | 1942 063 | AR | | | 1990 |
| | | | | | .074" Thk. |
| | J812 0939 | AR | | | 1987-89 |

MODEL CODES:

| | | |
|-----------------------------|-----------------------------|------------------------------|
| 15 = Grand Wagoneer 4 Dr. | 65 = Comanche 4WD-7 Ft. Box | 77 = Cherokee 4WD-2 Dr. |
| 25 = J-10 Pickup-119" W.B. | 66 = Comanche 2WD-7 Ft. Box | 78 = Cherokee 4WD-4 Dr. |
| 26 = J-10 Pickup-131" W.B. | 73 = Cherokee 2WD-2 Dr. | 79 = Cherokee 4WD-4 Dr.-Com |
| 27 = J-20 Pickup-131" W.B. | 74 = Cherokee 2WD-4 Dr. | 81 = Wrangler-93" W.B. |
| 63 = Comanche 4WD-6 Ft. Box | 75 = Wagoneer 4WD-4 Dr. | 82 = Wrangler-103" W.B.-Exp. |
| 64 = Comanche 2WD-6 Ft. Box | | |

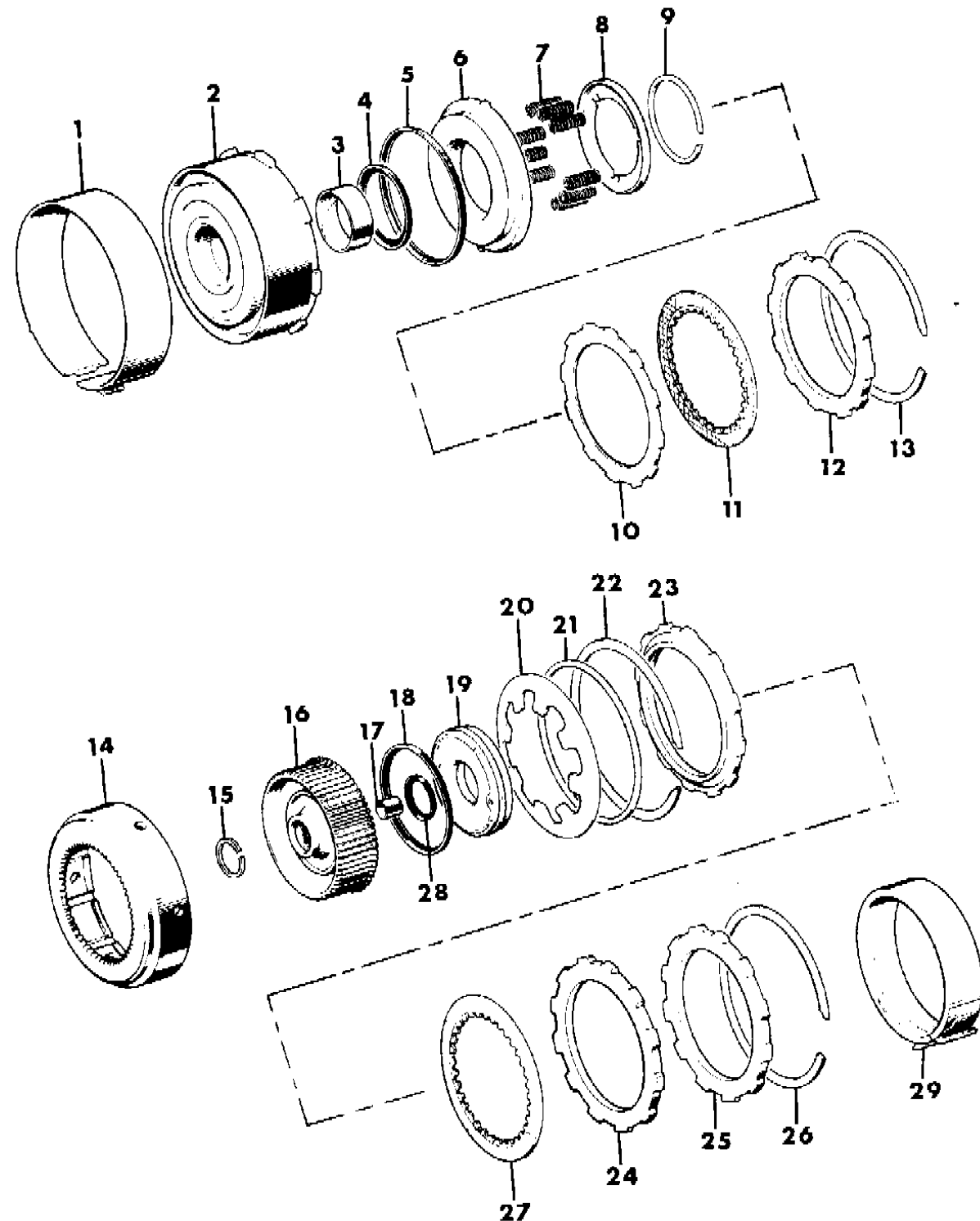
BODY STYLES:

MJ = Comanche Pickup
 SJ = Grand Wagoneer Wgn., J-10 & J-20 Pickups
 XJ = Cherokee, Wagoneer Limited
 YJ = Wrangler

AR = Use as Required - = Non Illustrated Part P.A.R. = Paint as Required

CLUTCH, FRONT AND REAR AUTOMATIC TRANSMISSION - A727 GRAND WAGONEER, TRUCK J20
Figure 21A-1900

8 J51 1900



| ITEM | PART NUMBER | QTY | BODY | MODEL | DESCRIPTION |
|------|-------------|-----|------|-------|---------------------------------|
| | 1942 064 | AR | | | 1990 |
| | | | | | .088" Thk. |
| | J812 0937 | AR | | | 1987-89 |
| | 1942 065 | AR | | | 1990 |
| | | | | | .106" Thk. |
| | J812 0935 | AR | | | 1987-89 |
| 27 | 2466 811 | AR | | | 1990 |
| | | | | | DISC, Driven |
| | J812 0929 | 4 | | | 1987-89 |
| 28 | 5252 259 | 1 | | | 1990, (Disc Package) |
| | | | | | SEAL, Rear Clutch Piston, Inner |
| | J812 0916 | 1 | | | 1987-89 |
| | 1942 054 | 1 | | | 1990 |
| 29 | | | | | BAND, Reverse |
| | 4443 185 | 1 | | | 1987-89 |
| | 4505 091 | 1 | | | 1990 |

MODEL CODES:

| | | |
|-----------------------------|-----------------------------|------------------------------|
| 15 = Grand Wagoneer 4 Dr. | 65 = Comanche 4WD-7 Ft. Box | 77 = Cherokee 4WD-2 Dr. |
| 25 = J-10 Pickup-119" W.B. | 66 = Comanche 2WD-7 Ft. Box | 78 = Cherokee 4WD-4 Dr. |
| 26 = J-10 Pickup-131" W.B. | 73 = Cherokee 2WD-2 Dr. | 79 = Cherokee 4WD-4 Dr.-Com |
| 27 = J-20 Pickup-131" W.B. | 74 = Cherokee 2WD-4 Dr. | 81 = Wrangler-93" W.B. |
| 63 = Comanche 4WD-6 Ft. Box | 75 = Wagoneer 4WD-4 Dr. | 82 = Wrangler-103" W.B.-Exp. |
| 64 = Comanche 2WD-6 Ft. Box | | |

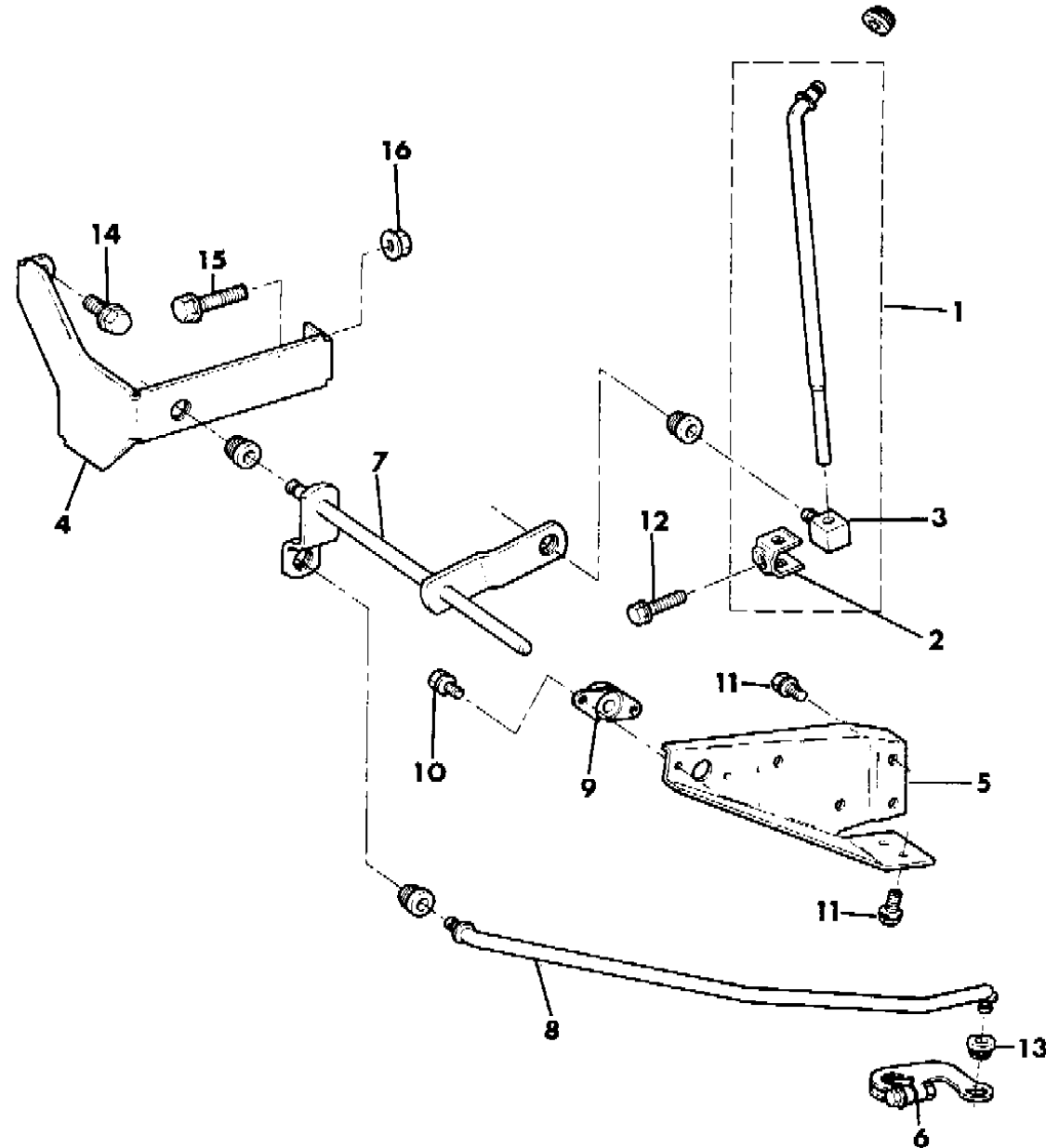
BODY STYLES:

MJ = Comanche Pickup
 SJ = Grand Wagoneer Wgn., J-10 & J-20 Pickups
 XJ = Cherokee, Wagoneer Limited
 YJ = Wrangler

AR = Use as Required - = Non Illustrated Part P.A.R. = Paint as Required

CONTROLS, SHIFT, LOWER, COLUMN AUTOMATIC TRANSMISSION WRANGLER, YJ
Figure 21A-2000

8J51 2000



| ITEM | PART NUMBER | QTY | BODY | MODEL | DESCRIPTION |
|------|-------------|-----|------|-------|----------------------|
| 1 | 5204 0190 | 1 | | | ROD, Shift |
| 2 | J323 4757 | 1 | | | CLAMP |
| 3 | J323 8417 | 1 | | | TRUNNION |
| 4 | 5300 2022 | 1 | | | BRACKET |
| 5 | 5300 2020 | 1 | | | BRACKET |
| 6 | 5300 2026 | 1 | | | LEVER |
| 7 | 5300 2023 | 1 | | | SHAFT |
| 8 | 5300 3734 | 1 | | | ROD |
| 9 | 5300 3355 | 1 | | | BEARING |
| 10 | J942 6241 | 2 | | | SCREW |
| 11 | J400 5063 | 4 | | | SCREW |
| 12 | J400 6036 | 1 | | | BOLT, 5/16-18 x 1/2" |
| 13 | J323 8418 | 5 | | | BUSHING |
| 14 | J400 7155 | 2 | | | BOLT |
| 15 | J941 9076 | 1 | | | BOLT |
| 16 | J400 4005 | 1 | | | NUT |

MODEL CODES:

| | | |
|-----------------------------|-----------------------------|------------------------------|
| 15 = Grand Wagoneer 4 Dr. | 65 = Comanche 4WD-7 Ft. Box | 77 = Cherokee 4WD-2 Dr. |
| 25 = J-10 Pickup-119" W.B. | 66 = Comanche 2WD-7 Ft. Box | 78 = Cherokee 4WD-4 Dr. |
| 26 = J-10 Pickup-131" W.B. | 73 = Cherokee 2WD-2 Dr. | 79 = Cherokee 4WD-4 Dr.-Com |
| 27 = J-20 Pickup-131" W.B. | 74 = Cherokee 2WD-4 Dr. | 81 = Wrangler-93" W.B. |
| 63 = Comanche 4WD-6 Ft. Box | 75 = Wagoneer 4WD-4 Dr. | 82 = Wrangler-103" W.B.-Exp. |
| 64 = Comanche 2WD-6 Ft. Box | | |

BODY STYLES:

MJ = Comanche Pickup
SJ = Grand Wagoneer Wgn., J-10 & J-20 Pickups
XJ = Cherokee, Wagoneer Limited
YJ = Wrangler

AR = Use as Required - = Non Illustrated Part P.A.R. = Paint as Required

CONTROLS, GEARSHIFT, FLOOR MOUNTED AUTOMATIC TRANSMISSION - AW4 CHEROKEE, WAGONEER, COMANCHE

Figure 21A-2100

8 J51 2100

| ITEM | PART NUMBER | QTY | BODY | MODEL | DESCRIPTION |
|------|-------------|-----|------|-------|---|
| 1 | 5300 0675 | 1 | | | HANDLE, Lever |
| 2 | 5300 0211 | 1 | | | BUTTON |
| 3 | 5300 0865 | 1 | | | LEVER |
| 4 | 5300 0866 | 1 | | | SPRING |
| 5 | 5300 0867 | 1 | | | CAP |
| 6 | 5300 0868 | 1 | | | CAP |
| 7 | 5300 4120 | 1 | | | BEZEL, Shift, For Vehicles Built Up To 9-14-88 |
| | 5502 2195 | 1 | | | BEZEL, Shift, For Vehicles Built After 9-14-88 |
| 8 | 5300 4560 | 1 | | | CABLE, Gearshift Park Lock |
| 9 | 5300 0659 | 1 | | | SEAL, Shift Housing |
| 10 | 5300 4551 | 1 | | | HOUSING AND LEVER, Assy., Shift, For Vehicles Built Up To 9-14-88 *** |
| | 5300 5470 | 1 | | | From 9-14-88 Thru 5-3-90 |
| | 5300 9223 | 1 | | | After 5-3-90 |
| 11 | 5300 4561 | 1 | | | CABLE, Gearshift Lever |
| 12 | J012 5924 | 1 | | | CLIP |
| 13 | J400 3084 | 1 | | | NUT |
| 14 | 3420 1788 | 1 | | | STRAP |
| 15 | 5300 4563 | 1 | | | BRACKET |
| 16 | 1150 2605 | 2 | | | BOLT, M8x1.25x18 |
| 17 | 5300 4564 | 1 | | | LEVER, (For Seal at End of Lever Use 83504332) |
| 18 | J420 0046 | 1 | | | NUT |
| 19 | 5300 3350 | 1 | | | SPRING |
| 20 | | | | | BOLT, M8x1.25x18 |
| | 3420 1033 | 4 | | | 1987-89 |
| | 1150 4284 | 4 | | | 1990 |
| 21 | 5502 2192 | 1 | | | SHIELD, Hsg. & Lever Assy. |

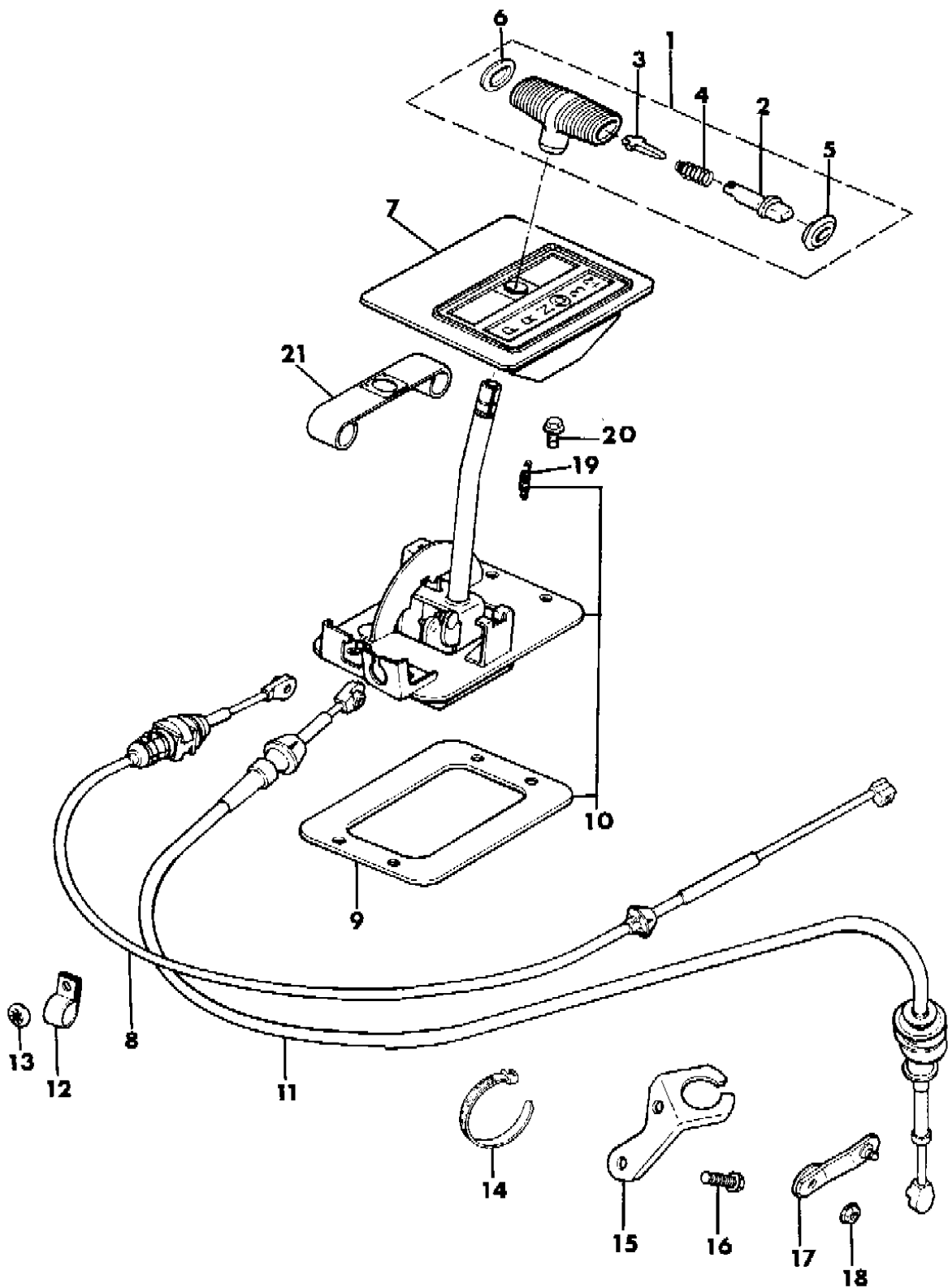
MODEL CODES:

| | | |
|-----------------------------|-----------------------------|------------------------------|
| 15 = Grand Wagoneer 4 Dr. | 65 = Comanche 4WD-7 Ft. Box | 77 = Cherokee 4WD-2 Dr. |
| 25 = J-10 Pickup-119" W.B. | 66 = Comanche 2WD-7 Ft. Box | 78 = Cherokee 4WD-4 Dr. |
| 26 = J-10 Pickup-131" W.B. | 73 = Cherokee 2WD-2 Dr. | 79 = Cherokee 4WD-4 Dr.-Com |
| 27 = J-20 Pickup-131" W.B. | 74 = Cherokee 2WD-4 Dr. | 81 = Wrangler-93" W.B. |
| 63 = Comanche 4WD-6 Ft. Box | 75 = Wagoneer 4WD-4 Dr. | 82 = Wrangler-103" W.B.-Exp. |
| 64 = Comanche 2WD-6 Ft. Box | | |

BODY STYLES:

MJ = Comanche Pickup
 SJ = Grand Wagoneer Wgn., J-10 & J-20 Pickups
 XJ = Cherokee, Wagoneer Limited
 YJ = Wrangler

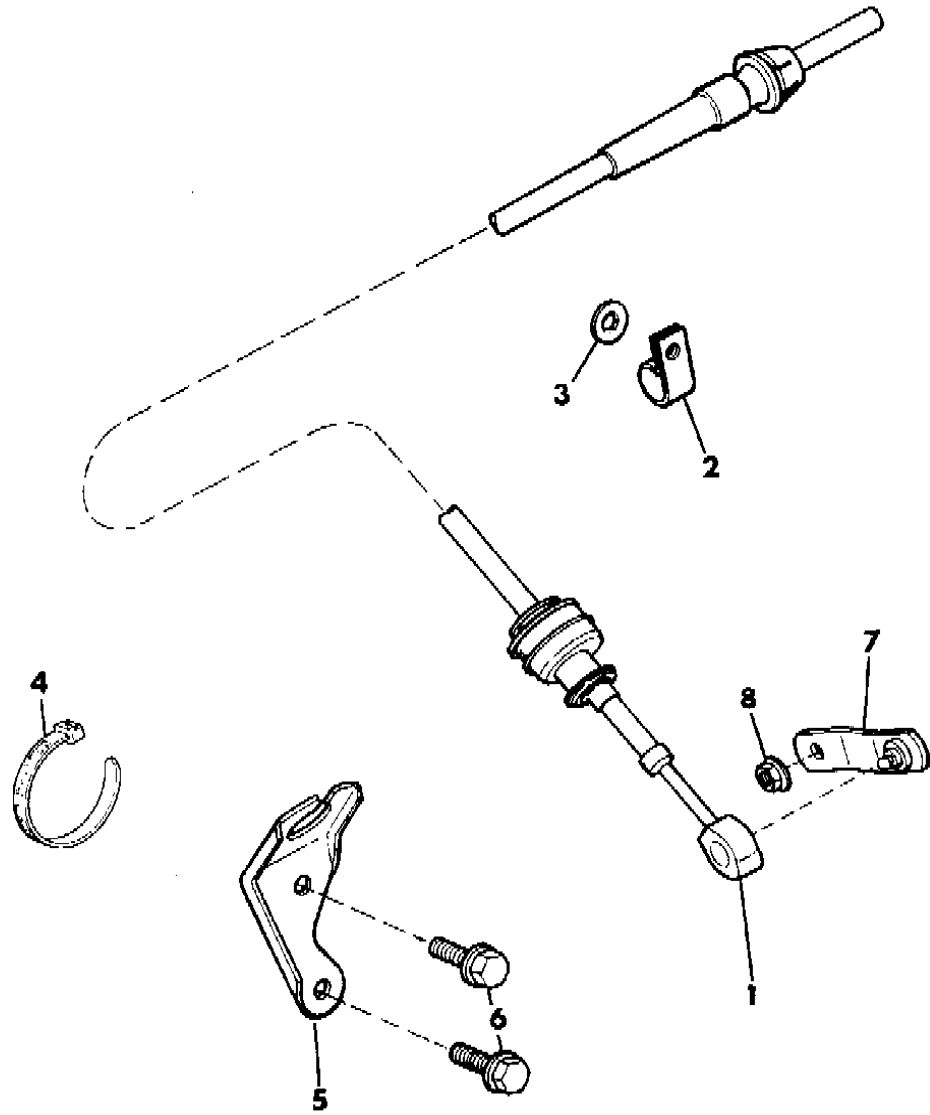
AR = Use as Required - = Non Illustrated Part P.A.R. = Paint as Required



CONTROLS, GEARSHIFT, COLUMN MOUNTED AUTOMATIC TRANSMISSION COMANCHE
Figure 21A-2200

8 J51 2200

| ITEM | PART NUMBER | QTY | BODY | MODEL | DESCRIPTION |
|------|-------------|-----|------|-------|--|
| 1 | 5300 4562 | 1 | | | CABLE |
| 2 | J012 5924 | 1 | | | CLIP |
| 3 | J400 3084 | 1 | | | NUT |
| 4 | 3420 1788 | 1 | | | STRAP |
| 5 | 5300 4563 | 1 | | | BRACKET |
| 6 | 1150 2605 | 2 | | | BOLT, M8x1.25x25 |
| 7 | 5300 4564 | 1 | | | LEVER, Manual Valve Shaft (Shaft Seals See Illus. 850) |
| 8 | J420 0046 | 1 | | | NUT, M8x1.25 |



MODEL CODES:

| | | |
|-----------------------------|-----------------------------|------------------------------|
| 15 = Grand Wagoneer 4 Dr. | 65 = Comanche 4WD-7 Ft. Box | 77 = Cherokee 4WD-2 Dr. |
| 25 = J-10 Pickup-119" W.B. | 66 = Comanche 2WD-7 Ft. Box | 78 = Cherokee 4WD-4 Dr. |
| 26 = J-10 Pickup-131" W.B. | 73 = Cherokee 2WD-2 Dr. | 79 = Cherokee 4WD-4 Dr.-Com |
| 27 = J-20 Pickup-131" W.B. | 74 = Cherokee 2WD-4 Dr. | 81 = Wrangler-93" W.B. |
| 63 = Comanche 4WD-6 Ft. Box | 75 = Wagoneer 4WD-4 Dr. | 82 = Wrangler-103" W.B.-Exp. |
| 64 = Comanche 2WD-6 Ft. Box | | |

BODY STYLES:

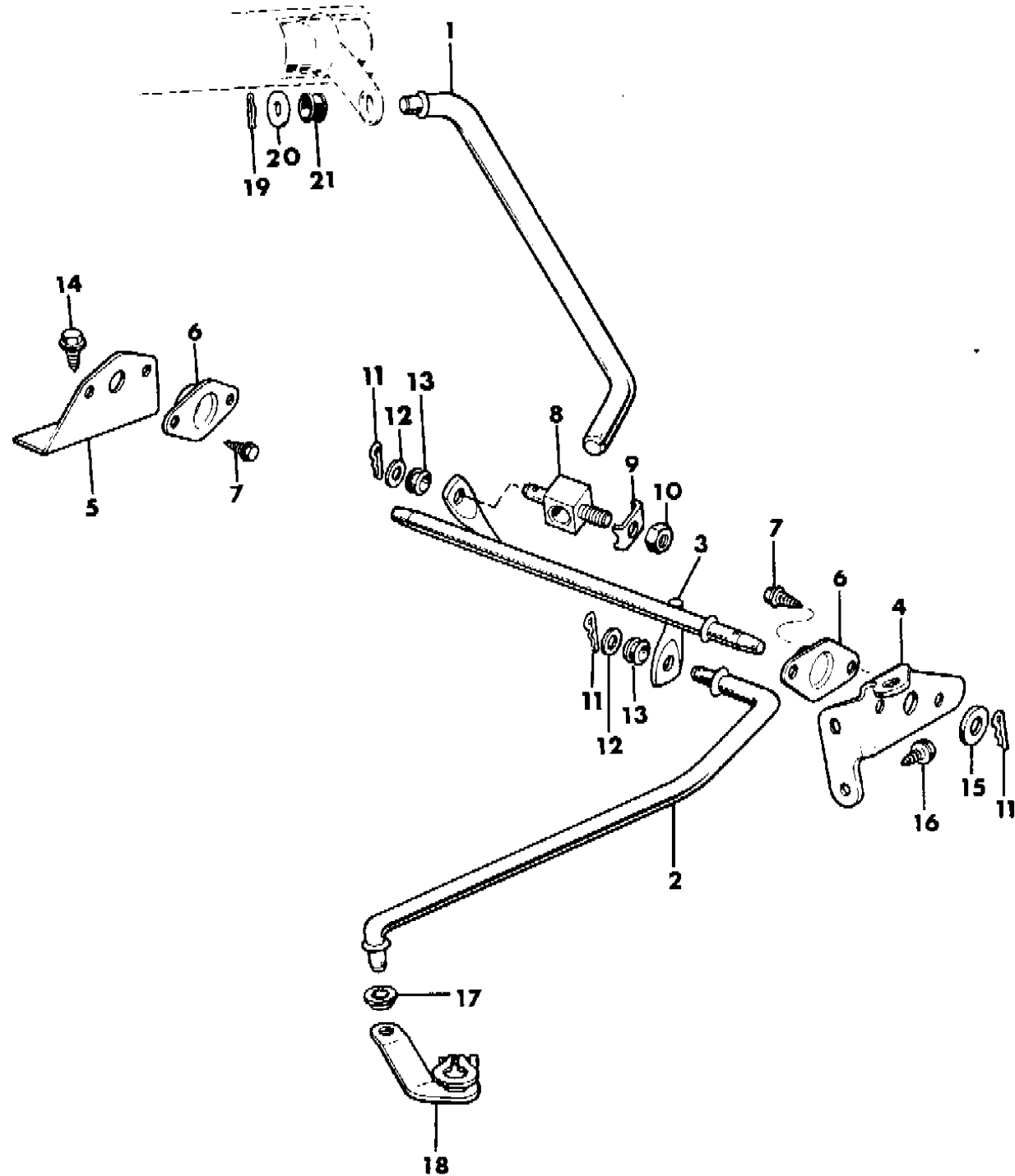
MJ = Comanche Pickup
 SJ = Grand Wagoneer Wgn., J-10 & J-20 Pickups
 XJ = Cherokee, Wagoneer Limited
 YJ = Wrangler

AR = Use as Required - = Non Illustrated Part P.A.R. = Paint as Required

CONTROLS, SHIFT, LOWER, COLUMN AUTOMATIC TRANSMISSION GRAND WAGONEER, TRUCK J20

Figure 21A-2300

8J51 2300



| ITEM | PART NUMBER | QTY | BODY | MODEL | DESCRIPTION |
|------|-------------|-----|------|-------|-----------------------|
| 1 | | | | | ROD, Shift |
| | J536 0067 | 1 | | | Grand Wagoneer |
| | J536 0068 | 1 | | | Truck J20 |
| 2 | J536 3103 | 1 | | | ROD, Shift, Lower |
| 3 | J536 0071 | 1 | | | BELLCRANK |
| 4 | J536 0066 | 1 | | | BRACKET |
| 5 | J536 0117 | 1 | | | BRACKET |
| 6 | J535 2589 | 2 | | | BEARING |
| 7 | J942 6241 | 4 | | | SCREW |
| 8 | J536 0178 | 1 | | | TRUNNION |
| 9 | J094 8180 | 1 | | | CLIP |
| 10 | J941 6531 | 1 | | | NUT |
| 11 | J400 4295 | 3 | | | COTTER PIN |
| 12 | J400 1091 | 2 | | | WASHER |
| 13 | J321 2549 | 2 | | | BUSHING |
| 14 | S942 4824 | 2 | | | SCREW |
| 15 | J012 0388 | 1 | | | WASHER |
| 16 | J400 6297 | 2 | | | SCREW, 5/16-18 x 3/4" |
| 17 | J323 8418 | 1 | | | BUSHING |
| 18 | J536 3106 | 1 | | | LEVER |
| 19 | J400 6486 | 1 | | | COTTER PIN |
| 20 | J400 1102 | 1 | | | WASHER |
| 21 | J319 4672 | 1 | | | BUSHING |

MODEL CODES:

| | | |
|-----------------------------|-----------------------------|------------------------------|
| 15 = Grand Wagoneer 4 Dr. | 65 = Comanche 4WD-7 Ft. Box | 77 = Cherokee 4WD-2 Dr. |
| 25 = J-10 Pickup-119" W.B. | 66 = Comanche 2WD-7 Ft. Box | 78 = Cherokee 4WD-4 Dr. |
| 26 = J-10 Pickup-131" W.B. | 73 = Cherokee 2WD-2 Dr. | 79 = Cherokee 4WD-4 Dr.-Com |
| 27 = J-20 Pickup-131" W.B. | 74 = Cherokee 2WD-4 Dr. | 81 = Wrangler-93" W.B. |
| 63 = Comanche 4WD-6 Ft. Box | 75 = Wagoneer 4WD-4 Dr. | 82 = Wrangler-103" W.B.-Exp. |
| 64 = Comanche 2WD-6 Ft. Box | | |

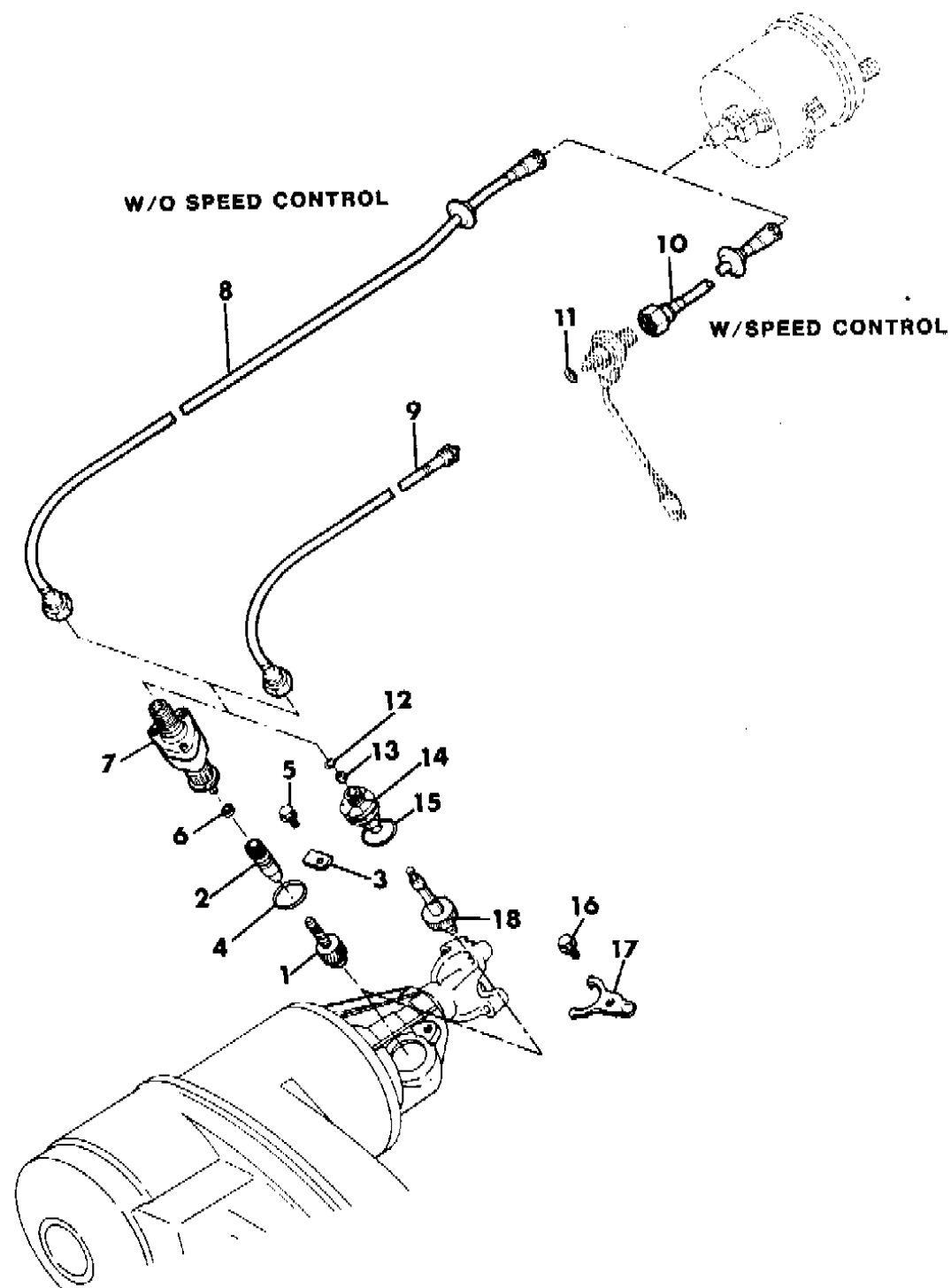
BODY STYLES:

MJ = Comanche Pickup
 SJ = Grand Wagoneer Wgn., J-10 & J-20 Pickups
 XJ = Cherokee, Wagoneer Limited
 YJ = Wrangler

AR = Use as Required - = Non Illustrated Part P.A.R. = Paint as Required

CABLE, SPEEDOMETER WITH PINION AND ADAPTER AUTOMATIC TRANSMISSION WRANGLER, YJ
Figure 21A-2400

8J51 2400



| ITEM | PART NUMBER | QTY | BODY | MODEL | DESCRIPTION |
|------|-------------|-----|------|-------|---|
| 1 | 5300 1491 | AR | | | GEAR, Speedometer Driven, .79" Dia. 18 Teeth - Yellow |
| | 5300 1492 | AR | | | 19 Teeth - Red |
| | 5300 1493 | AR | | | 20 Teeth - Blue |
| | 5300 3401 | AR | | | 21 Teeth - Green |
| 2 | 5300 1485 | 1 | | | ADAPTER, Speedometer |
| 3 | 5300 1484 | 1 | | | RETAINER |
| 4 | 3420 1877 | 1 | | | O-RING |
| 5 | 3420 1886 | 1 | | | SCREW |
| 6 | 8351 0031 | 1 | | | SEAL |
| 7 | 5300 4154 | AR | | | ADAPTER, Speedometer, w/Automatic Trans. 1.1111 to 1 Ratio |
| | 5300 4155 | AR | | | 1.1765 to 1 Ratio |
| | 5300 4151 | AR | | | 1.25 to 1 Ratio |
| 8 | 5300 2506 | 1 | | | CABLE, Speedometer 1987 |
| | 5300 5084 | 1 | | | 1988-89, For Vehicles Built Up To 2-13-89 |
| | 5300 8988 | 1 | | | 1989, For Vehicles Built After 2-13-89 |
| | 5300 8988 | 1 | | | 1990 |
| 9 | | 1 | | | CABLE, Speedometer, Lower |
| | J575 8490 | 1 | | | 1987 |
| | 5300 5085 | 1 | | | 1988-89, For Vehicles Built up to 2-13-89 |
| 10 | 5300 8990 | 1 | | | 1989, For Vehicles Built After 2-13-89 |
| | 5300 8990 | 1 | | | 1990 |
| | | 1 | | | CABLE, Speedometer, Upper |
| 11 | 5300 4023 | 1 | | | 1988-89, For Vehicles Built up to 2-13-89 |
| | 5300 8989 | 1 | | | 1989, For Vehicles Built After 2-13-89 |
| | 5300 8989 | 1 | | | 1990 |
| 12 | J400 6555 | 1 | | | O-RING |
| 13 | J321 2846 | 1 | | | RETAINER |
| 14 | J321 2847 | 1 | | | SEAL |
| 15 | J321 2893 | 1 | | | ADAPTER, Speedometer |
| 16 | 6025 752 | 1 | | | O-RING |
| 17 | J027 3573 | 1 | | | SCREW |
| 18 | J321 2844 | 1 | | | CLAMP |
| 18 | J321 2729 | AR | | | GEAR, Speedometer Driven, 1.42" Dia. 29 Teeth - Black |

MODEL CODES:

| | | |
|-----------------------------|-----------------------------|------------------------------|
| 15 = Grand Wagoneer 4 Dr. | 65 = Comanche 4WD-7 Ft. Box | 77 = Cherokee 4WD-2 Dr. |
| 25 = J-10 Pickup-119" W.B. | 66 = Comanche 2WD-7 Ft. Box | 78 = Cherokee 4WD-4 Dr. |
| 26 = J-10 Pickup-131" W.B. | 73 = Cherokee 2WD-2 Dr. | 79 = Cherokee 4WD-4 Dr.-Com |
| 27 = J-20 Pickup-131" W.B. | 74 = Cherokee 2WD-4 Dr. | 81 = Wrangler-93" W.B. |
| 63 = Comanche 4WD-6 Ft. Box | 75 = Wagoneer 4WD-4 Dr. | 82 = Wrangler-103" W.B.-Exp. |
| 64 = Comanche 2WD-6 Ft. Box | | |

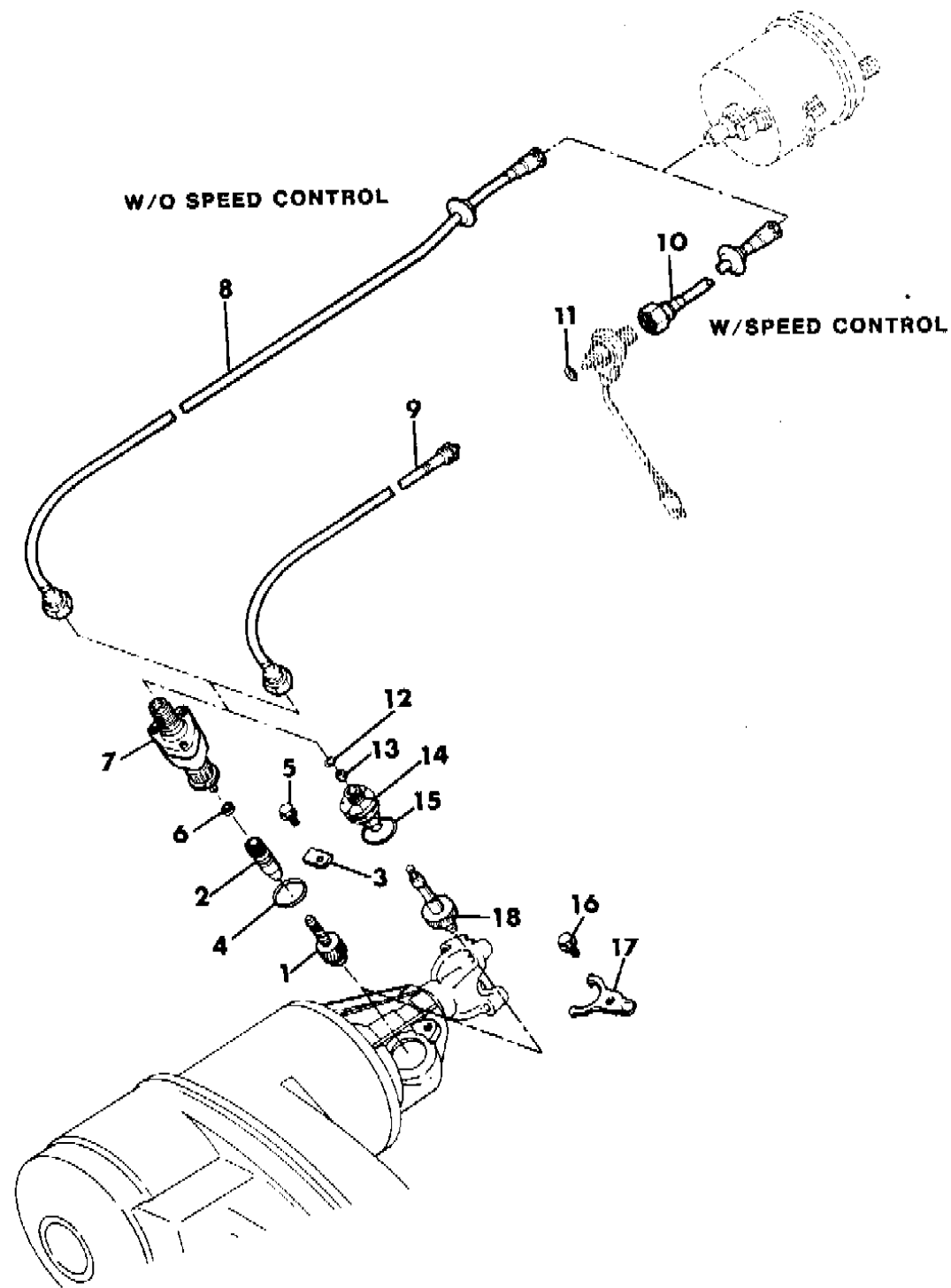
BODY STYLES:

MJ = Comanche Pickup
 SJ = Grand Wagoneer Wgn., J-10 & J-20 Pickups
 XJ = Cherokee, Wagoneer Limited
 YJ = Wrangler

AR = Use as Required - = Non Illustrated Part P.A.R. = Paint as Required

CABLE, SPEEDOMETER WITH PINION AND ADAPTER AUTOMATIC TRANSMISSION WRANGLER, YJ
Figure 21A-2400

8J51 2400



| ITEM | PART NUMBER | QTY | BODY | MODEL | DESCRIPTION |
|------|-------------|-----|------|-------|-------------------|
| | J321 2730 | AR | | | 30 Teeth - Yellow |
| | J321 2733 | AR | | | 33 Teeth - Yellow |
| | J321 2734 | AR | | | 34 Teeth - Green |
| | J321 2735 | AR | | | 35 Teeth - Orange |
| | J323 0221 | AR | | | 39 Teeth - Green |
| | J323 0222 | AR | | | 40 Teeth - Orange |
| | 5300 1488 | AR | | | 41 Teeth - Red |
| | 5300 1491 | AR | | | 41 Teeth - Yellow |

MODEL CODES:

| | | |
|-----------------------------|-----------------------------|------------------------------|
| 15 = Grand Wagoneer 4 Dr. | 65 = Comanche 4WD-7 Ft. Box | 77 = Cherokee 4WD-2 Dr. |
| 25 = J-10 Pickup-119" W.B. | 66 = Comanche 2WD-7 Ft. Box | 78 = Cherokee 4WD-4 Dr. |
| 26 = J-10 Pickup-131" W.B. | 73 = Cherokee 2WD-2 Dr. | 79 = Cherokee 4WD-4 Dr.-Com |
| 27 = J-20 Pickup-131" W.B. | 74 = Cherokee 2WD-4 Dr. | 81 = Wrangler-93" W.B. |
| 63 = Comanche 4WD-6 Ft. Box | 75 = Wagoneer 4WD-4 Dr. | 82 = Wrangler-103" W.B.-Exp. |
| 64 = Comanche 2WD-6 Ft. Box | | |

BODY STYLES:

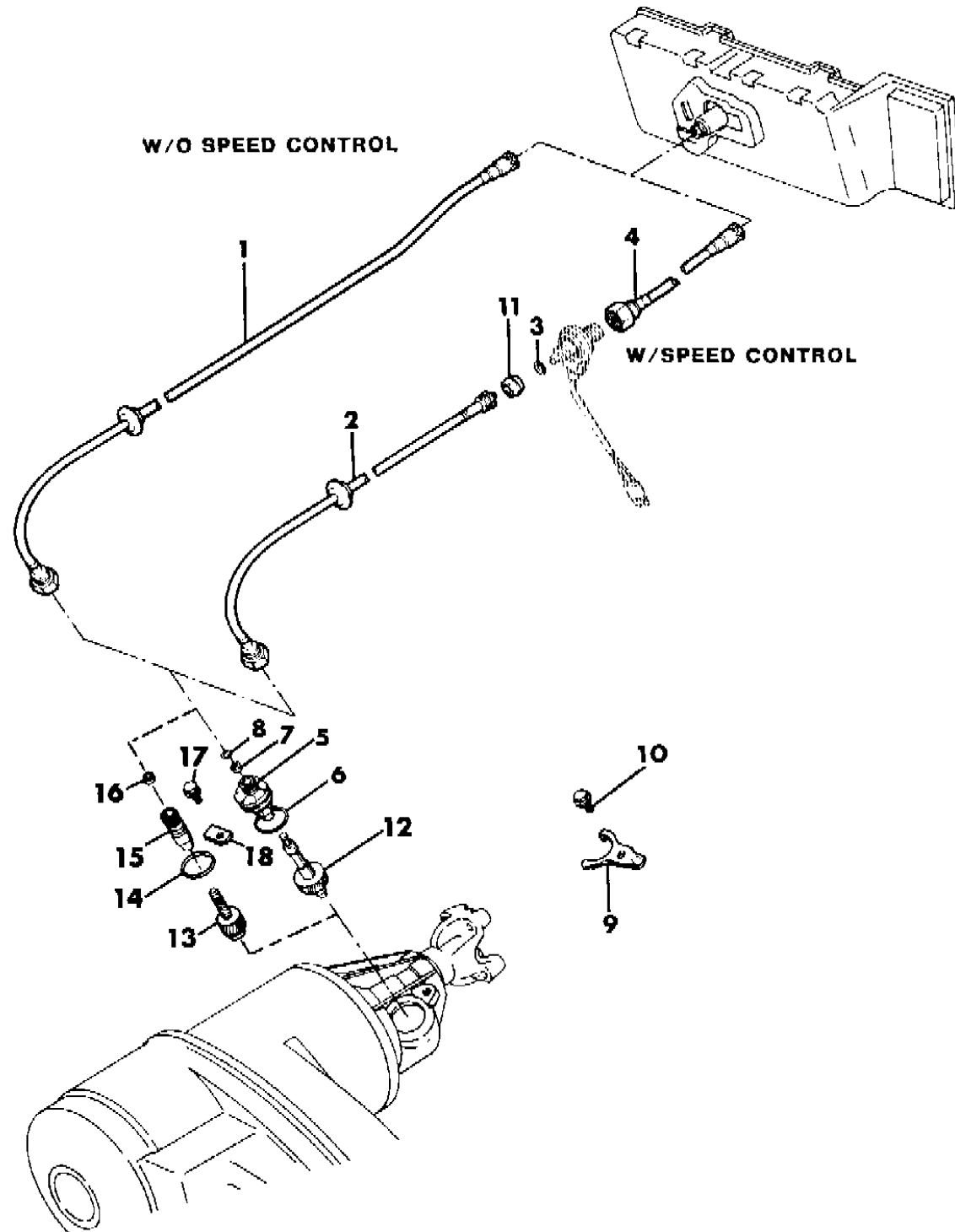
MJ = Comanche Pickup
 SJ = Grand Wagoneer Wgn., J-10 & J-20 Pickups
 XJ = Cherokee, Wagoneer Limited
 YJ = Wrangler

AR = Use as Required - = Non Illustrated Part P.A.R. = Paint as Required

CABLE, SPEEDOMETER AND PINION AUTOMATIC TRANSMISSION CHEROKEE, WAGONEER, COMANCHE

Figure 21A-2500

8 J51 2500 A



| ITEM | PART NUMBER | QTY | BODY | MODEL | DESCRIPTION |
|------|-------------|-----|------|-------|--|
| 1 | | | | | CABLE, Speedometer |
| | | | | | 4 Cyl. Eng. |
| | 5300 1990 | 1 | | 2WD | 1987, Type One Cluster (Speedometer Face Has (2) Slotted Head Screws) |
| | 5300 4953 | 1 | | 2WD | 1987, Type Two Cluster (Speedometer Face Has (2) Phillips Head Screws) |
| | 5300 3900 | 1 | | 4WD | 1987, Type One Cluster (Speedometer Face Has (2) Slotted Head Screws) |
| | 5300 4954 | 1 | | 4WD | 1987, Type Two Cluster (Speedometer Face Has (2) Phillips Head Screws) |
| | 5300 4952 | 1 | | 2WD | 1988-89 |
| | 5300 9002 | 1 | | 2WD | 1990, 59-3/4" Lg. |
| | | | | | 6 Cyl. Eng. |
| | 5300 1990 | 1 | | 2WD | 1987, Type One Cluster (Speedometer Face Has (2) Slotted Head Screws) |
| | 5300 4953 | 1 | | 2WD | 1987, Type Two Cluster (Speedometer Face Has (2) Phillips Head Screws) |
| | 5300 3900 | 1 | | 4WD | 1987, Type One Cluster (Speedometer Face Has (2) Slotted Head Screws) |
| | 5300 4954 | 1 | | 4WD | 1987, Type Two Cluster (Speedometer Face Has (2) Phillips Head Screws) |
| | 5300 4953 | 1 | | 2WD | 1988-89 |
| | 5300 9003 | 1 | | 2WD | 1990, 69-1/2" Lg. |
| | 5300 4954 | 1 | | 4WD | 1988-89 |
| | 5300 9004 | 1 | | 4WD | 1990, 76-3/4" Lg. |
| 2 | | | | | CABLE, Speedometer, Lower |
| | | | | | 4 Cyl. Eng. |
| | 5300 4892 | 1 | | 2WD | 1987-89 |
| | 5300 9005 | 1 | | 2WD | 1990, 49" Lg. |
| | | | | | 6 Cyl. Eng. |
| | 5300 2871 | 1 | | 2WD | 1987-89 |
| | 5300 9006 | 1 | | 2WD | 1990, 58-3/4" Lg. |
| | 5300 4894 | 1 | | 4WD | 1987-89 |
| | 5300 9000 | 1 | | 4WD | 1990, 68" Lg. |
| 3 | J400 6555 | 1 | | | O-RING |
| 4 | | | | | CABLE, Speedometer, Upper |

MODEL CODES:

| | | |
|-----------------------------|-----------------------------|------------------------------|
| 15 = Grand Wagoneer 4 Dr. | 65 = Comanche 4WD-7 Ft. Box | 77 = Cherokee 4WD-2 Dr. |
| 25 = J-10 Pickup-119" W.B. | 66 = Comanche 2WD-7 Ft. Box | 78 = Cherokee 4WD-4 Dr. |
| 26 = J-10 Pickup-131" W.B. | 73 = Cherokee 2WD-2 Dr. | 79 = Cherokee 4WD-4 Dr.-Com |
| 27 = J-20 Pickup-131" W.B. | 74 = Cherokee 2WD-4 Dr. | 81 = Wrangler-93" W.B. |
| 63 = Comanche 4WD-6 Ft. Box | 75 = Wagoneer 4WD-4 Dr. | 82 = Wrangler-103" W.B.-Exp. |
| 64 = Comanche 2WD-6 Ft. Box | | |

BODY STYLES:

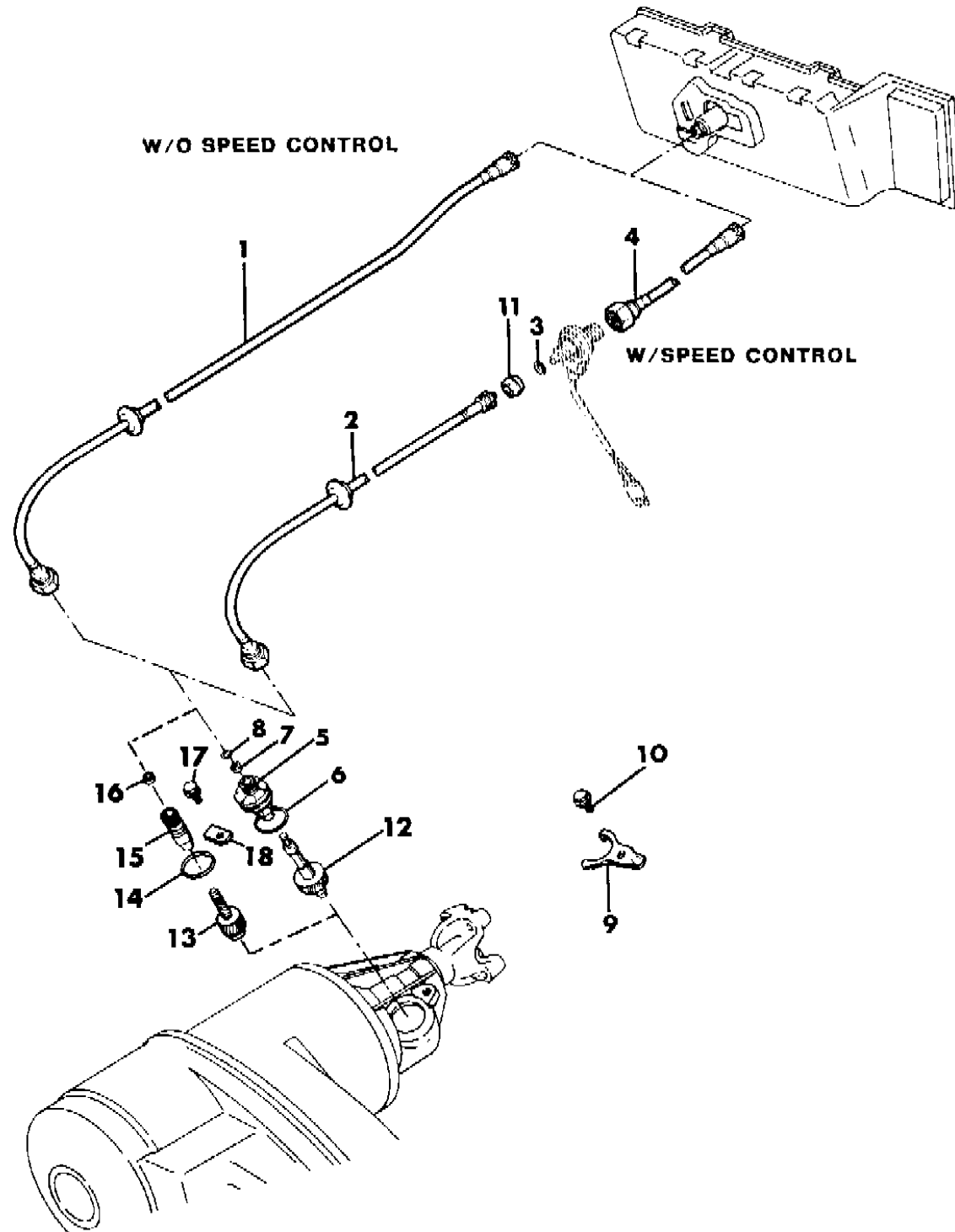
| |
|---|
| MJ = Comanche Pickup |
| SJ = Grand Wagoneer Wgn., J-10 & J-20 Pickups |
| XJ = Cherokee, Wagoneer Limited |
| YJ = Wrangler |

AR = Use as Required - = Non Illustrated Part P.A.R. = Paint as Required

CABLE, SPEEDOMETER AND PINION AUTOMATIC TRANSMISSION CHEROKEE, WAGONEER, COMANCHE

Figure 21A-2500

8J51 2500 A



| ITEM | PART NUMBER | QTY | BODY | MODEL | DESCRIPTION |
|------|-------------|-----|------|-------|---|
| | 5300 3073 | 1 | | | 1987, Type One Cluster (Speedometer Face Has (2) Slotted Head Screws |
| | 5300 4955 | 1 | | | 1987, Type Two Cluster (Speedometer Face Has (2) Phillips Head Screws |
| | 5300 4955 | 1 | | | 1988-89 |
| | 5300 9001 | 1 | | | 1990 |
| 5 | J321 2893 | 1 | | | ADAPTER, Speedometer |
| 6 | 6025 752 | 1 | | | O-RING |
| 7 | J321 2847 | 1 | | | SEAL |
| 8 | J321 2846 | 1 | | | RETAINER |
| 9 | J321 2844 | 1 | | | CLAMP |
| 10 | J027 3573 | 1 | | | SCREW |
| 11 | J318 7257 | 1 | | | RETAINER |
| 12 | | | | | PINION, Speedometer Drive, 1.42" Dia. |
| | J321 2729 | AR | | | 29 Teeth - Black |
| | J321 2730 | AR | | | 30 Teeth - Yellow |
| | J321 2731 | AR | | | 31 Teeth - Green |
| | J321 2732 | AR | | | 32 Teeth - Black |
| | J321 2733 | AR | | | 33 Teeth - Yellow |
| | J321 2734 | AR | | | 34 Teeth - Green |
| | J321 2735 | AR | | | 35 Teeth - Orange |
| | J321 2736 | AR | | | 36 Teeth - Red |
| | J323 0221 | AR | | | 39 Teeth - Green |
| | J323 0222 | AR | | | 40 Teeth - Orange |
| | 5300 1488 | AR | | | 41 Teeth - Red |
| | 5300 1489 | AR | | | 42 Teeth - White |
| | J323 8143 | AR | | | 43 Teeth - Blue |
| | J323 8144 | AR | | | 44 Teeth - Black |
| | 9200 0065 | AR | | | 45 Teeth - Yellow |
| 13 | | | | | PINION, Speedometer Drive, .79" Dia., 1987 |
| | 5300 1491 | AR | | | 18 Teeth - Yellow |
| | 5300 1492 | AR | | | 19 Teeth - Red |
| | 5300 1493 | AR | | | 20 Teeth - Blue |
| | 5300 3401 | AR | | | 21 Teeth - Green |
| | 5300 3419 | AR | | | 22 Teeth - Black |
| 14 | 3420 1877 | 1 | | | O-RING, 1987 |
| 15 | 5300 1485 | 1 | | | ADAPTER, Speedometer, 1987 |

MODEL CODES:

| | | |
|-----------------------------|-----------------------------|------------------------------|
| 15 = Grand Wagoneer 4 Dr. | 65 = Comanche 4WD-7 Ft. Box | 77 = Cherokee 4WD-2 Dr. |
| 25 = J-10 Pickup-119" W.B. | 66 = Comanche 2WD-7 Ft. Box | 78 = Cherokee 4WD-4 Dr. |
| 26 = J-10 Pickup-131" W.B. | 73 = Cherokee 2WD-2 Dr. | 79 = Cherokee 4WD-4 Dr.-Com |
| 27 = J-20 Pickup-131" W.B. | 74 = Cherokee 2WD-4 Dr. | 81 = Wrangler-93" W.B. |
| 63 = Comanche 4WD-6 Ft. Box | 75 = Wagoneer 4WD-4 Dr. | 82 = Wrangler-103" W.B.-Exp. |
| 64 = Comanche 2WD-6 Ft. Box | | |

BODY STYLES:

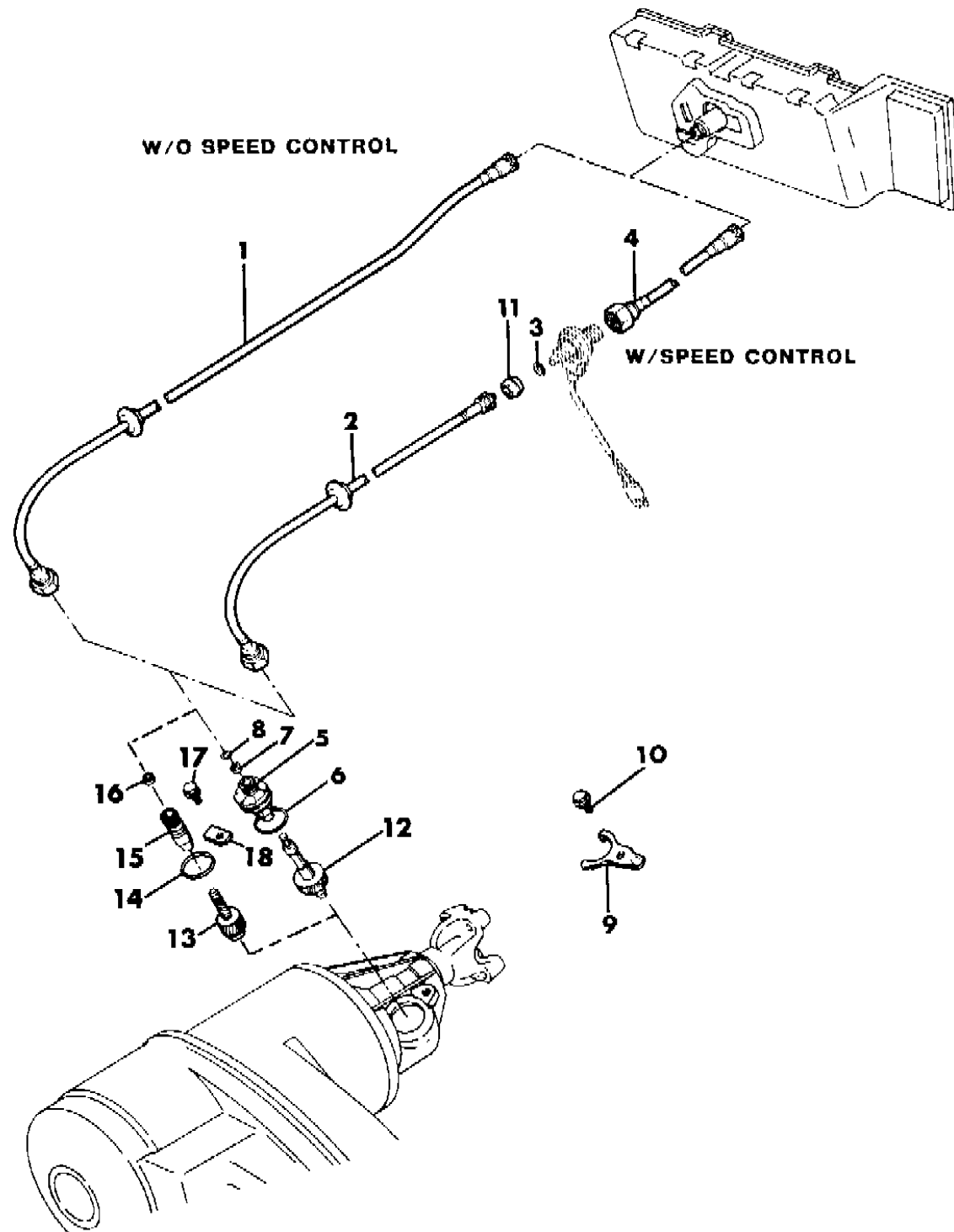
| |
|---|
| MJ = Comanche Pickup |
| SJ = Grand Wagoneer Wgn., J-10 & J-20 Pickups |
| XJ = Cherokee, Wagoneer Limited |
| YJ = Wrangler |

AR = Use as Required - = Non Illustrated Part P.A.R. = Paint as Required

CABLE, SPEEDOMETER AND PINION AUTOMATIC TRANSMISSION CHEROKEE, WAGONEER, COMANCHE

Figure 21A-2500

8J51 2500 A



| ITEM | PART NUMBER | QTY | BODY | MODEL | DESCRIPTION |
|------|-------------|-----|------|-------|----------------|
| 16 | 8351 0031 | 1 | | | SEAL, 1987 |
| 17 | 3420 1886 | 1 | | | SCREW, 1987 |
| 18 | 5300 1484 | 1 | | | RETAINER, 1987 |

MODEL CODES:

| | | |
|-----------------------------|-----------------------------|------------------------------|
| 15 = Grand Wagoneer 4 Dr. | 65 = Comanche 4WD-7 Ft. Box | 77 = Cherokee 4WD-2 Dr. |
| 25 = J-10 Pickup-119" W.B. | 66 = Comanche 2WD-7 Ft. Box | 78 = Cherokee 4WD-4 Dr. |
| 26 = J-10 Pickup-131" W.B. | 73 = Cherokee 2WD-2 Dr. | 79 = Cherokee 4WD-4 Dr.-Com |
| 27 = J-20 Pickup-131" W.B. | 74 = Cherokee 2WD-4 Dr. | 81 = Wrangler-93" W.B. |
| 63 = Comanche 4WD-6 Ft. Box | 75 = Wagoneer 4WD-4 Dr. | 82 = Wrangler-103" W.B.-Exp. |
| 64 = Comanche 2WD-6 Ft. Box | | |

BODY STYLES:

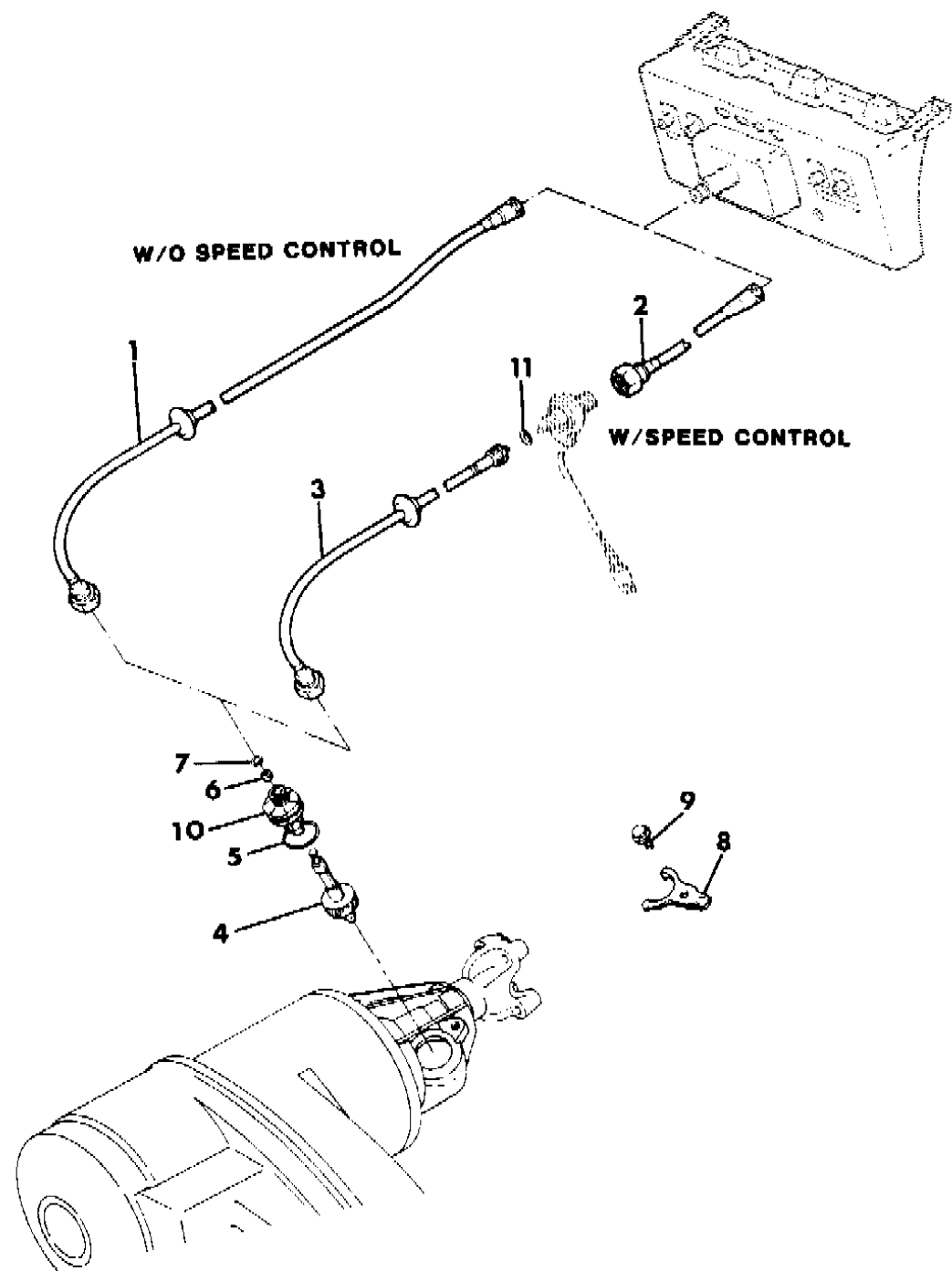
MJ = Comanche Pickup
 SJ = Grand Wagoneer Wgn., J-10 & J-20 Pickups
 XJ = Cherokee, Wagoneer Limited
 YJ = Wrangler

AR = Use as Required - = Non Illustrated Part P.A.R. = Paint as Required

CABLE, SPEEDOMETER AND PINION AUTOMATIC TRANSMISSION GRAND WAGONEER, TRUCK J20

Figure 21A-2600

8J51 2600



| ITEM | PART NUMBER | QTY | BODY | MODEL | DESCRIPTION |
|------|-------------|-----|------|-------|---------------------------|
| 1 | | | | | CABLE, Speedometer |
| | J575 2281 | 1 | | | w/Model 208 Transfer Case |
| | J575 2282 | 1 | | | w/Model 229 Transfer Case |
| 2 | J575 8491 | 1 | | | CABLE, Speedometer, Upper |
| 3 | | | | | CABLE, Speedometer, Lower |
| | J536 3552 | 1 | | | w/Model 208 Transfer Case |
| | 5300 5085 | 1 | | | 1988 |
| | 5300 8990 | 1 | | | 1989-90 |
| 4 | | | | | PINION, Speedometer Drive |
| | J321 2725 | AR | | | 25 Teeth |
| | J321 2726 | AR | | | 26 Teeth |
| | J321 2731 | AR | | | 31 Teeth |
| | J321 2732 | AR | | | 32 Teeth |
| | J321 2733 | AR | | | 33 Teeth |
| | J321 2734 | AR | | | 34 Teeth |
| 5 | 6025 752 | 1 | | | O-RING |
| 6 | J321 2847 | 1 | | | SEAL |
| 7 | J321 2846 | 1 | | | RETAINER |
| 8 | J321 2844 | 1 | | | CLAMP |
| 9 | J027 3573 | 1 | | | SCREW |
| 10 | J321 2893 | 1 | | | ADAPTER |
| 11 | J400 6555 | 1 | | | O-RING |

MODEL CODES:

| | | |
|-----------------------------|-----------------------------|------------------------------|
| 15 = Grand Wagoneer 4 Dr. | 65 = Comanche 4WD-7 Ft. Box | 77 = Cherokee 4WD-2 Dr. |
| 25 = J-10 Pickup-119" W.B. | 66 = Comanche 2WD-7 Ft. Box | 78 = Cherokee 4WD-4 Dr. |
| 26 = J-10 Pickup-131" W.B. | 73 = Cherokee 2WD-2 Dr. | 79 = Cherokee 4WD-4 Dr.-Com |
| 27 = J-20 Pickup-131" W.B. | 74 = Cherokee 2WD-4 Dr. | 81 = Wrangler-93" W.B. |
| 63 = Comanche 4WD-6 Ft. Box | 75 = Wagoneer 4WD-4 Dr. | 82 = Wrangler-103" W.B.-Exp. |
| 64 = Comanche 2WD-6 Ft. Box | | |

BODY STYLES:

MJ = Comanche Pickup
 SJ = Grand Wagoneer Wgn., J-10 & J-20 Pickups
 XJ = Cherokee, Wagoneer Limited
 YJ = Wrangler

AR = Use as Required - = Non Illustrated Part P.A.R. = Paint as Required

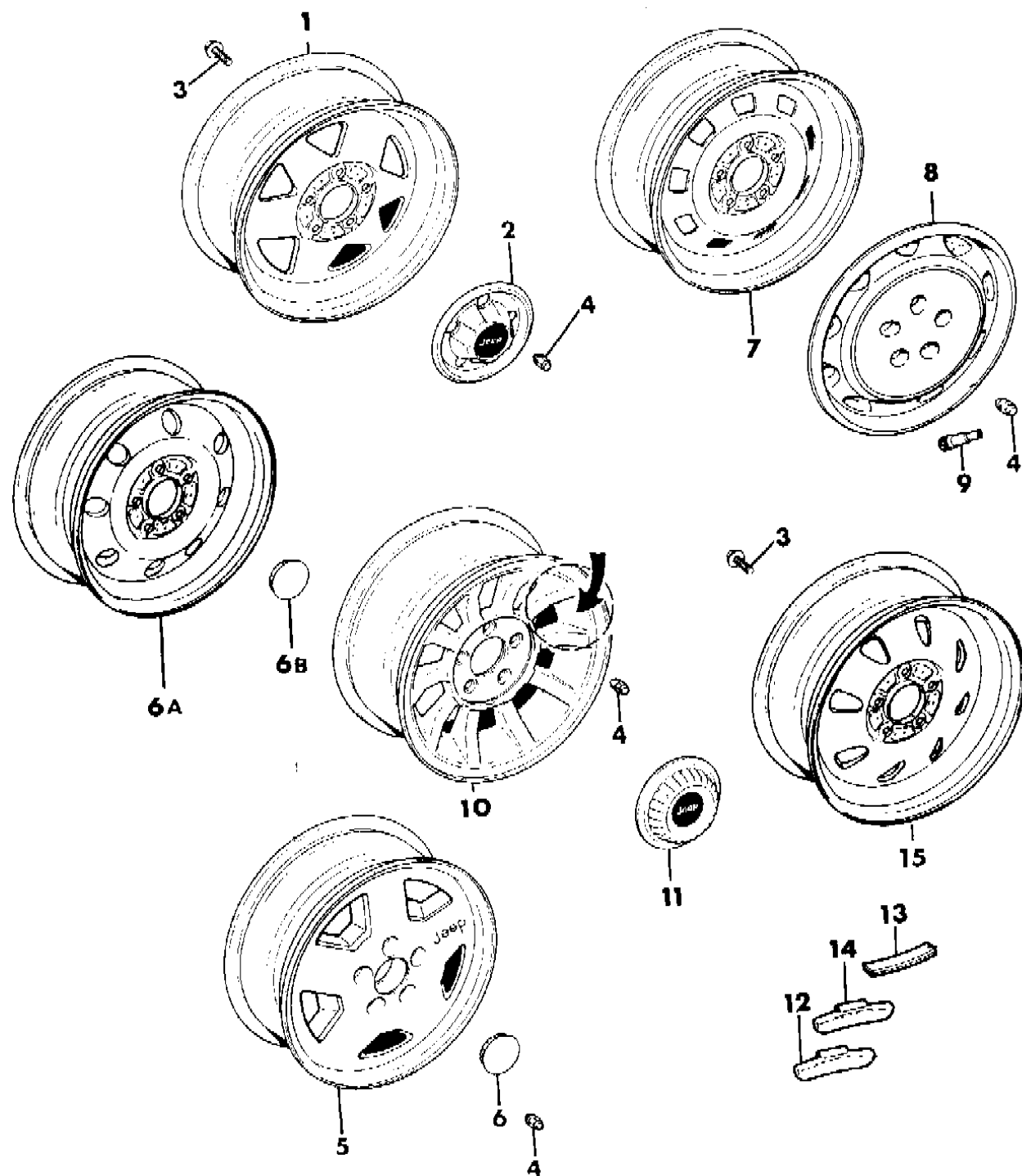
GROUP 22 - WHEELS

| ILLUSTRATION TITLE | GROUP-FIG. NO. |
|---|-----------------------|
| WHEEL, CAP, COVER AND WEIGHTS WRANGLER, YJ | Fig. 22-100 |
| WHEEL, SPARE TAILGATE MOUNTING WRANGLER, YJ | Fig. 22-200 |
| WHEEL, SPARE MOUNTING WRANGLER, KDX | Fig. 22-250 |
| JACK AND MOUNTING UNDER HOOD, 1987-89 WRANGLER YJ | Fig. 22-300 |
| JACK AND MOUNTING WRANGLER, YJ 1990 | Fig. 22-325 |
| WHEEL, CAP, COVER, AND WEIGHTS CHEROKEE, WAGONEER, COMANCHE | Fig. 22-400 |
| WHEEL, SPARE INSIDE MOUNTING CHEROKEE, WAGONEER | Fig. 22-500 |
| WHEEL, SPARE - 1987-89 OUTSIDE MOUNTING CHEROKEE, WAGONEER | Fig. 22-600 |
| WHEEL, SPARE - 1990 OUTSIDE MOUNTING, SWING AWAY CHEROKEE, WAGONEER | Fig. 22-650 |
| WHEEL, SPARE MOUNTING COMANCHE | Fig. 22-700 |
| JACK AND MOUNTING CHEROKEE, WAGONEER, COMANCHE | Fig. 22-750 |
| WHEELS, CAPS COVERS AND WEIGHTS GRAND WAGONEER, J10, J20 | Fig. 22-800 |
| WHEEL, SPARE INTERIOR MOUNTING GRAND WAGONEER | Fig. 22-900 |
| WHEEL, SPARE UNDERBODY MOUNTING GRAND WAGONEER, J10, J20 | Fig. 22-1000 |
| JACK AND STORAGE BAG GRAND WAGONEER, J10, J20 | Fig. 22-1100 |

ILLUSTRATION NOT AVAILABLE AT TIME OF PUBLICATION

WHEEL, CAP, COVER AND WEIGHTS WRANGLER, YJ
Figure 22-100

8J22100 B



| ITEM | PART NUMBER | QTY | BODY | MODEL | DESCRIPTION |
|------|-------------|-----|------|-------|---------------------------------------|
| 1 | | | | | WHEEL, Styled Steel |
| | 5200 3309 | AR | | | Pearl White - 88J17, 1988 |
| | 5200 3714 | AR | | | Khaki - 87J77 |
| | 5200 3938 | AR | | | Sterling Metallic - 3D |
| | 5200 3616 | AR | | | Snow White (77R31) 6 Spoke, 1987 |
| 2 | | | | | CAP, Hub |
| | 5200 0476 | 4 | | | Chrome/Black |
| | 5200 1179 | 4 | | | Black |
| 3 | | | | | SCREW |
| | 3420 1489 | 12 | | | 1987-88 |
| | 3420 2523 | 12 | | | 1989 |
| 4 | J400 6956 | 20 | | | NUT, Lug |
| 5 | 5200 3368 | AR | | | WHEEL, Aluminum |
| 6 | 5200 2971 | 4 | | | CAP, Hub |
| 6A | 5200 4765 | AR | | | WHEEL, 16x6.0, KDX |
| 6B | 5200 4766 | 4 | | | CAP, Hub |
| 7 | | | | | WHEEL, Steel |
| | 5200 0022 | AR | | | Silver |
| | 5200 3897 | AR | | | Khaki |
| | 5200 0022 | 1 | | | Silver, Spare |
| 8 | J324 2730 | 4 | | | COVER, Wheel |
| 9 | J323 6449 | 4 | | | EXTENSION, Valve |
| 10 | | | | | WHEEL, Aluminum |
| | 5200 0025 | AR | | | Dull, Rough Finish in Circle Area |
| | 5200 2735 | AR | | | Smooth, Glossy Finish in Circled Area |
| 11 | | | | | CAP, Hub |
| 12 | | | | | WEIGHT, Wheel |
| | J316 5949 | AR | | | 1/2oz. |
| | J313 1615 | AR | | | 1oz. |
| | J316 5783 | AR | | | 1-1/2oz. |
| | J312 3943 | AR | | | 2oz. |
| | J316 5784 | AR | | | 2-1/1oz. |
| 13 | | | | | WEIGHT, Wheel |
| | J322 6926 | AR | | | 1/2oz. |
| | J322 6925 | AR | | | 1oz. |
| | J322 6924 | AR | | | 1-1/2oz. |
| | J322 6923 | AR | | | 2oz. |

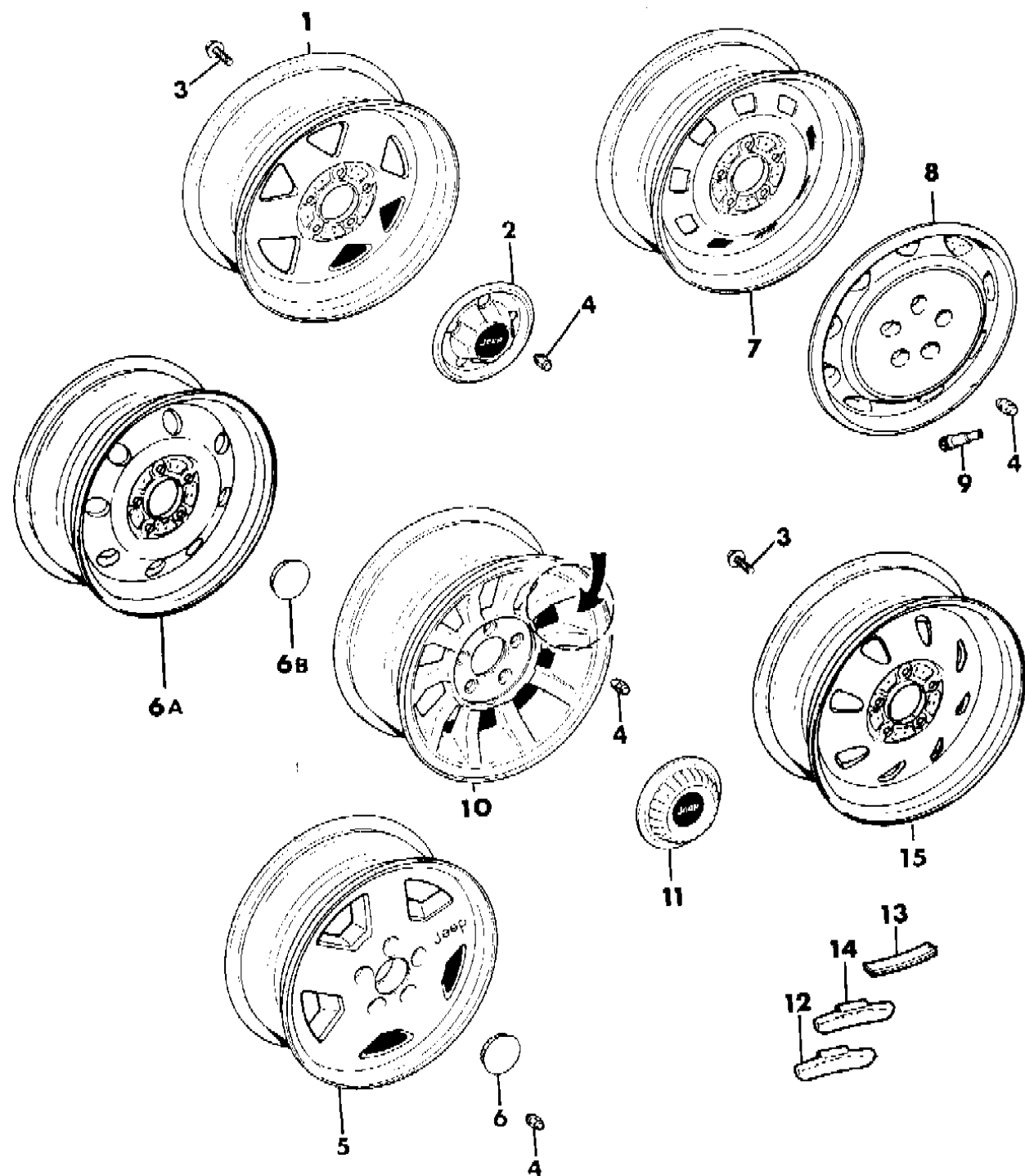
MODEL CODES:
 15 = Grand Wagoneer 4 Dr. 65 = Comanche 4WD-7 Ft. Box 77 = Cherokee 4WD-2 Dr.
 25 = J-10 Pickup-119" W.B. 66 = Comanche 2WD-7 Ft. Box 78 = Cherokee 4WD-4 Dr.
 26 = J-10 Pickup-131" W.B. 73 = Cherokee 2WD-2 Dr. 79 = Cherokee 4WD-4 Dr.-Com
 27 = J-20 Pickup-131" W.B. 74 = Cherokee 2WD-4 Dr. 81 = Wrangler-93" W.B.
 63 = Comanche 4WD-6 Ft. Box 75 = Wagoneer 4WD-4 Dr. 82 = Wrangler-103" W.B.-Exp.
 64 = Comanche 2WD-6 Ft. Box

BODY STYLES:
 MJ = Comanche Pickup
 SJ = Grand Wagoneer Wgn., J-10 & J-20 Pickups
 XJ = Cherokee, Wagoneer Limited
 YJ = Wrangler

AR = Use as Required - = Non Illustrated Part P.A.R. = Paint as Required

WHEEL, CAP, COVER AND WEIGHTS WRANGLER, YJ
Figure 22-100

8J22100 B



| ITEM | PART NUMBER | QTY | BODY | MODEL | DESCRIPTION |
|------|-------------|-----|------|-------|--|
| | J322 6922 | AR | | | 2-1/2oz. |
| | J322 6921 | AR | | | 3oz. |
| | J322 6920 | AR | | | 3-1/2oz. |
| | J322 6919 | AR | | | 4oz. |
| 14 | | | | | WEIGHT, Wheel (Not Serviced) |
| 15 | 5200 2569 | AR | | | WHEEL, Styled Steel, Olympic White (79B) 8 Spoke Holes, 1987 |

MODEL CODES:

| | | |
|-----------------------------|-----------------------------|------------------------------|
| 15 = Grand Wagoneer 4 Dr. | 65 = Comanche 4WD-7 Ft. Box | 77 = Cherokee 4WD-2 Dr. |
| 25 = J-10 Pickup-119" W.B. | 66 = Comanche 2WD-7 Ft. Box | 78 = Cherokee 4WD-4 Dr. |
| 26 = J-10 Pickup-131" W.B. | 73 = Cherokee 2WD-2 Dr. | 79 = Cherokee 4WD-4 Dr.-Com |
| 27 = J-20 Pickup-131" W.B. | 74 = Cherokee 2WD-4 Dr. | 81 = Wrangler-93" W.B. |
| 63 = Comanche 4WD-6 Ft. Box | 75 = Wagoneer 4WD-4 Dr. | 82 = Wrangler-103" W.B.-Exp. |
| 64 = Comanche 2WD-6 Ft. Box | | |

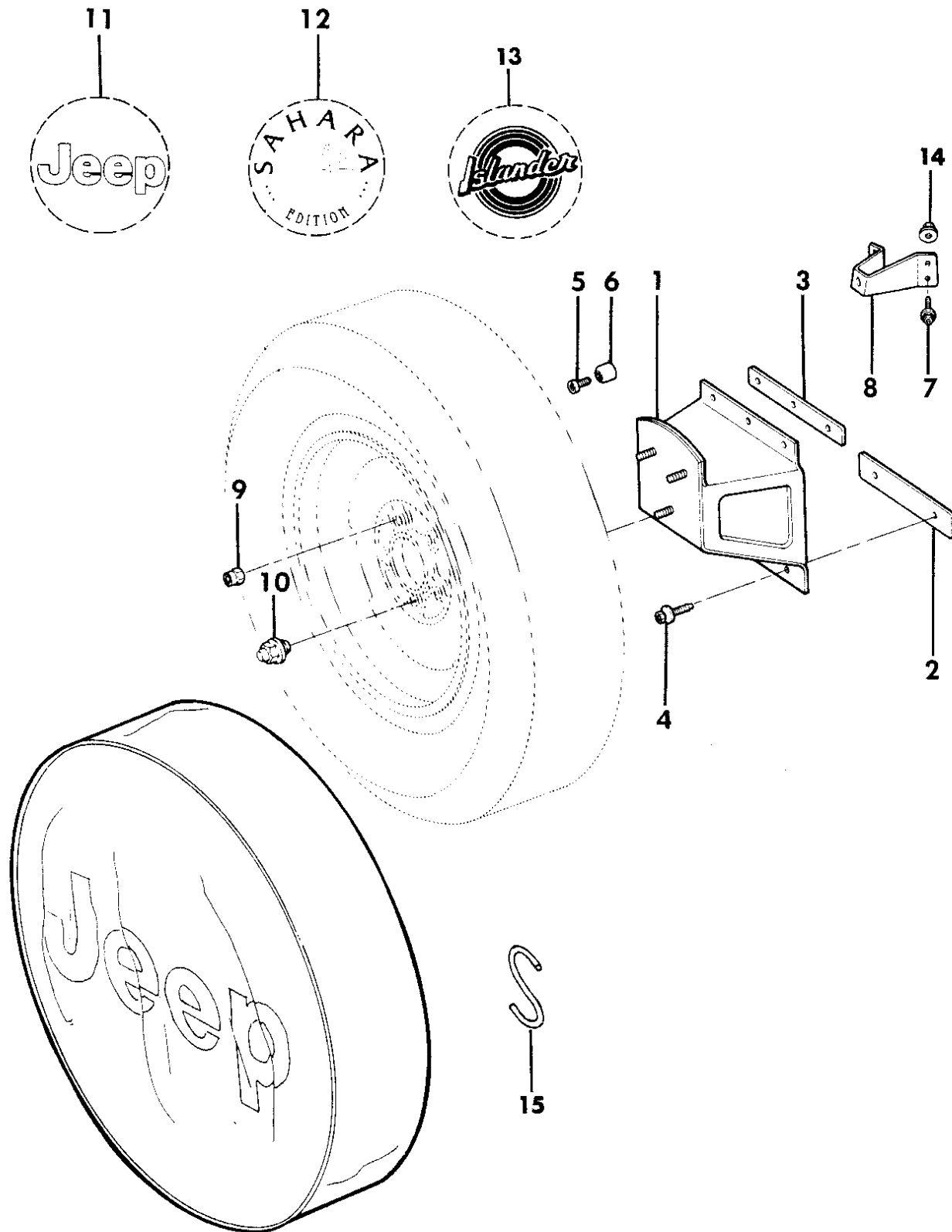
BODY STYLES:

MJ = Comanche Pickup
 SJ = Grand Wagoneer Wgn., J-10 & J-20 Pickups
 XJ = Cherokee, Wagoneer Limited
 YJ = Wrangler

AR = Use as Required - = Non Illustrated Part P.A.R. = Paint as Required

WHEEL, SPARE TAILGATE MOUNTING WRANGLER, YJ
Figure 22-200

8J22 200



| ITEM | PART NUMBER | QTY | BODY | MODEL | DESCRIPTION |
|------|-------------|-----|------|-------|------------------------------------|
| 1 | | | | | BRACKET, Mounting |
| | 5500 8243 | 1 | | | w/ECE |
| | 5501 5857 | 1 | | | |
| 2 | 5501 0928 | 1 | | | GASKET |
| 3 | 5501 0841 | 1 | | | GASKET |
| 4 | J400 7319 | 5 | | | SCREW |
| 5 | J400 7355 | 4 | | | SCREW |
| 6 | | | | | BUMPER |
| | 5500 8263 | 4 | | | Length = 1.22" |
| | 5501 3350 | 4 | | | Length = 1.62" |
| 7 | J400 6850 | 4 | | | SCREW |
| 8 | 5500 8244 | 1 | | | BRACKET |
| | 5501 7478 | 1 | | | BRACKET w/Blackout Lamps - Export |
| 9 | J400 7186 | 1 | | | LOCK PACKAGE, Spare Wheel (McGARD) |
| | | | | | Consists Of: |
| | | | | | 1 - Locknut |
| | | | | | 1 - Key |
| | | | | | 1 - Poly Bag |
| | | | | | 1 - Registration Card |
| | | | | | 1 - Label |
| 10 | J400 6956 | 2 | | | NUT |
| 11 | | | | | COVER, Spare Tire, Logo Jeep |
| | | | | | Black |
| | 5501 9699 | 1 | | | 1988-89, Poly Spare |
| | 5AF1 6JX7 | 1 | | | 1990, Space Saver |
| | 5501 6592 | 1 | | | Charcoal 1988-89 |
| | 5501 5949 | 1 | | | Tan 1988 |
| | 5502 1251 | 1 | | | Sand 1989, Poly Spare |
| | 5AF1 6JY6 | 1 | | | Dark Sand 1990 |
| | 5501 5393 | 1 | | | Honey, 1987 |
| 12 | | | | | COVER, Spare Tire, Logo Sahara |
| | | | | | Khaki |
| | 5501 9298 | 1 | | | 1988 *** |
| | 5502 2210 | 1 | | | 1989 |
| | 5AF6 8JJ5 | 1 | | | 1990 |
| 13 | | | | | COVER, Spare Tire, Logo Islander |
| | | | | | Charcoal |

MODEL CODES:

| | | |
|-----------------------------|-----------------------------|------------------------------|
| 15 = Grand Wagoneer 4 Dr. | 65 = Comanche 4WD-7 Ft. Box | 77 = Cherokee 4WD-2 Dr. |
| 25 = J-10 Pickup-119" W.B. | 66 = Comanche 2WD-7 Ft. Box | 78 = Cherokee 4WD-4 Dr. |
| 26 = J-10 Pickup-131" W.B. | 73 = Cherokee 2WD-2 Dr. | 79 = Cherokee 4WD-4 Dr.-Com |
| 27 = J-20 Pickup-131" W.B. | 74 = Cherokee 2WD-4 Dr. | 81 = Wrangler-93" W.B. |
| 63 = Comanche 4WD-6 Ft. Box | 75 = Wagoneer 4WD-4 Dr. | 82 = Wrangler-103" W.B.-Exp. |
| 64 = Comanche 2WD-6 Ft. Box | | |

BODY STYLES:

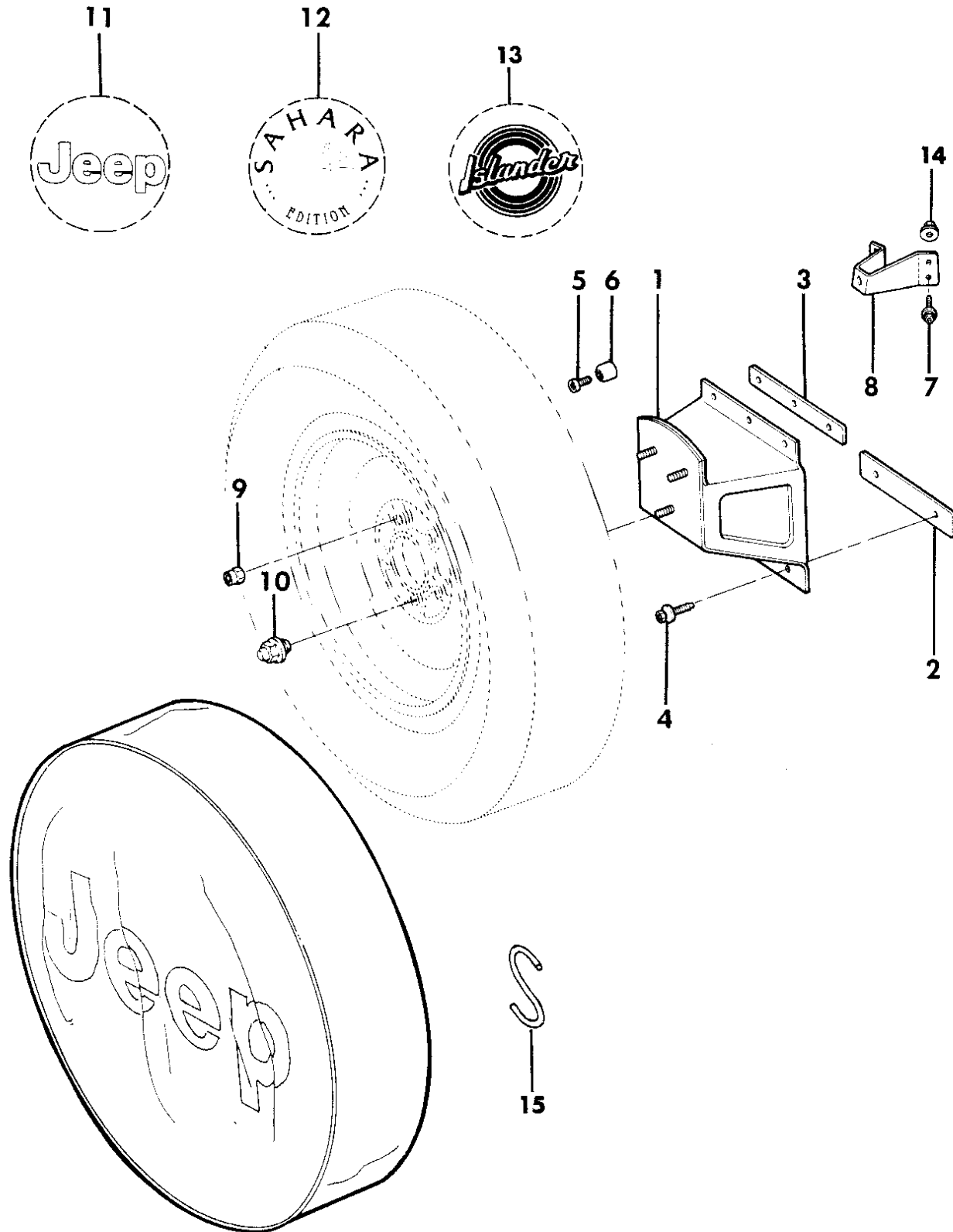
MJ = Comanche Pickup
 SJ = Grand Wagoneer Wgn., J-10 & J-20 Pickups
 XJ = Cherokee, Wagoneer Limited
 YJ = Wrangler

AR = Use as Required - = Non Illustrated Part P.A.R. = Paint as Required

WHEEL, SPARE TAILGATE MOUNTING WRANGLER, YJ
Figure 22-200

8J22 200

| ITEM | PART NUMBER | QTY | BODY | MODEL | DESCRIPTION |
|------|-------------|-----|------|-------|------------------------|
| | 5AH0 0JS1 | 1 | | | 1990, Charcoal, w/Jeep |
| 14 | J941 6918 | 4 | | | NUT Export |
| 15 | J546 0441 | 1 | | | HOOK, Spare Tire Cover |



MODEL CODES:

| | | |
|-----------------------------|-----------------------------|------------------------------|
| 15 = Grand Wagoneer 4 Dr. | 65 = Comanche 4WD-7 Ft. Box | 77 = Cherokee 4WD-2 Dr. |
| 25 = J-10 Pickup-119" W.B. | 66 = Comanche 2WD-7 Ft. Box | 78 = Cherokee 4WD-4 Dr. |
| 26 = J-10 Pickup-131" W.B. | 73 = Cherokee 2WD-2 Dr. | 79 = Cherokee 4WD-4 Dr.-Com |
| 27 = J-20 Pickup-131" W.B. | 74 = Cherokee 2WD-4 Dr. | 81 = Wrangler-93" W.B. |
| 63 = Comanche 4WD-6 Ft. Box | 75 = Wagoneer 4WD-4 Dr. | 82 = Wrangler-103" W.B.-Exp. |
| 64 = Comanche 2WD-6 Ft. Box | | |

BODY STYLES:

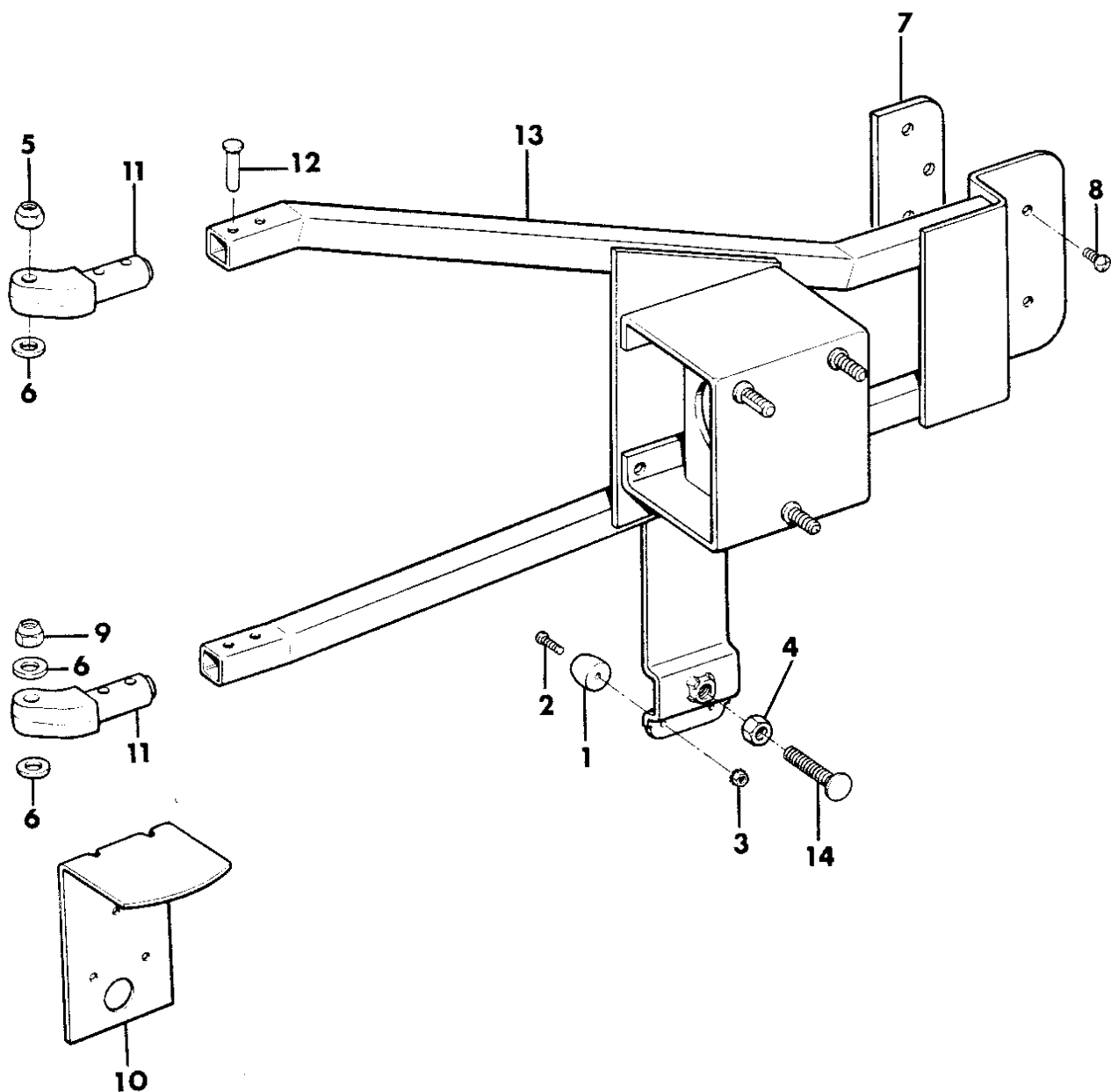
MJ = Comanche Pickup
 SJ = Grand Wagoneer Wgn., J-10 & J-20 Pickups
 XJ = Cherokee, Wagoneer Limited
 YJ = Wrangler

AR = Use as Required - = Non Illustrated Part P.A.R. = Paint as Required

WHEEL, SPARE MOUNTING WRANGLER, KDX
Figure 22-250

8J22 250

| ITEM | PART NUMBER | QTY | BODY | MODEL | DESCRIPTION |
|------|-------------|-----|------|-------|---------------|
| 1 | J096 8734 | 2 | | | BUMPER |
| 2 | J015 9947 | 2 | | | SCREW |
| 3 | J027 1166 | 2 | | | NUT |
| 4 | J012 0238 | 1 | | | NUT |
| 5 | J805 2458 | 2 | | | NUT |
| 6 | J400 7070 | 4 | | | WASHER |
| 7 | J805 2220 | 1 | | | PLATE |
| 8 | J400 6986 | 2 | | | SCREW |
| 9 | J400 5739 | 2 | | | NUT |
| 10 | J805 2261 | 1 | | | BRACKET |
| 11 | J805 2197 | 2 | | | ARM |
| 12 | J805 3204 | 4 | | | RIVET |
| 13 | 5502 0098 | 1 | | | CARRIER, Tire |
| 14 | J097 2773 | 1 | | | BOLT |



MODEL CODES:

| | | |
|-----------------------------|-----------------------------|------------------------------|
| 15 = Grand Wagoneer 4 Dr. | 65 = Comanche 4WD-7 Ft. Box | 77 = Cherokee 4WD-2 Dr. |
| 25 = J-10 Pickup-119" W.B. | 66 = Comanche 2WD-7 Ft. Box | 78 = Cherokee 4WD-4 Dr. |
| 26 = J-10 Pickup-131" W.B. | 73 = Cherokee 2WD-2 Dr. | 79 = Cherokee 4WD-4 Dr.-Com |
| 27 = J-20 Pickup-131" W.B. | 74 = Cherokee 2WD-4 Dr. | 81 = Wrangler-93" W.B. |
| 63 = Comanche 4WD-6 Ft. Box | 75 = Wagoneer 4WD-4 Dr. | 82 = Wrangler-103" W.B.-Exp. |
| 64 = Comanche 2WD-6 Ft. Box | | |

BODY STYLES:

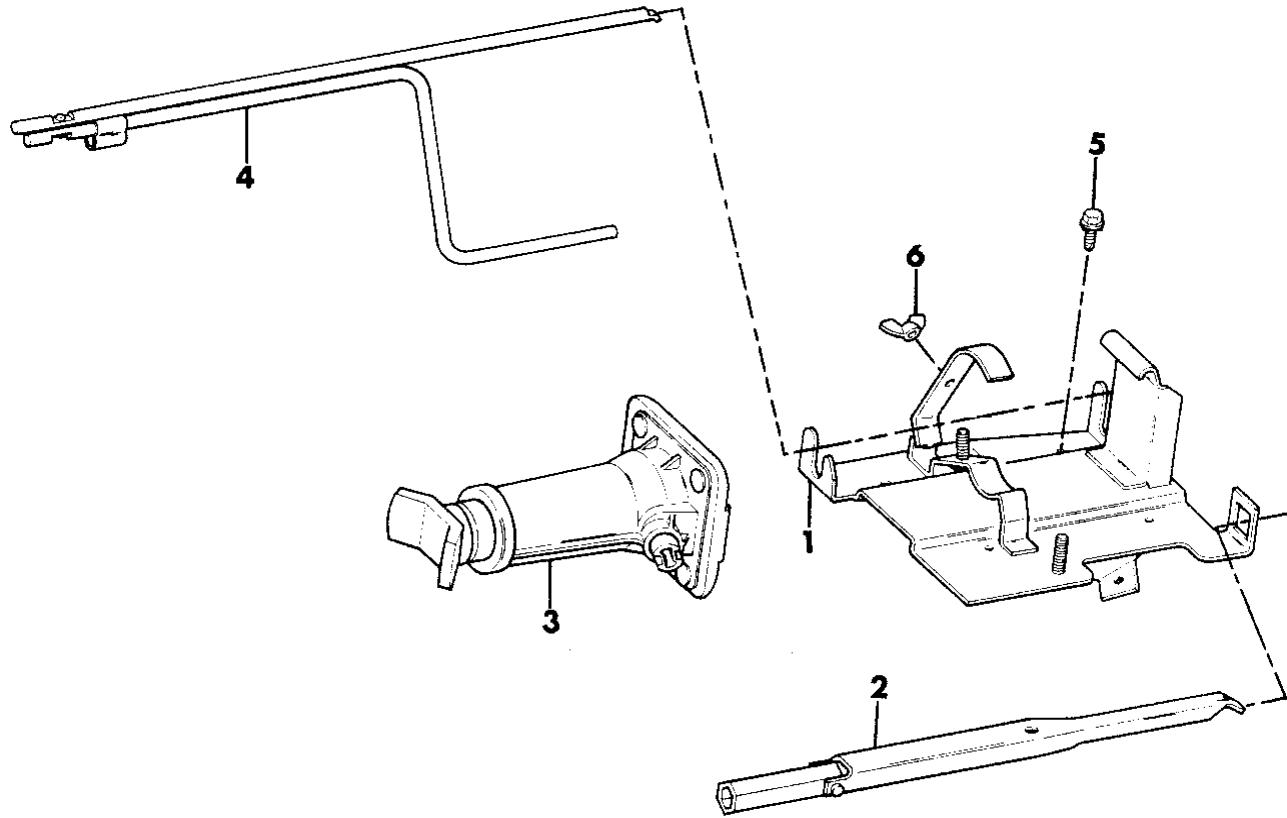
MJ = Comanche Pickup
 SJ = Grand Wagoneer Wgn., J-10 & J-20 Pickups
 XJ = Cherokee, Wagoneer Limited
 YJ = Wrangler

AR = Use as Required - = Non Illustrated Part P.A.R. = Paint as Required

JACK AND MOUNTING UNDER HOOD, 1987-89 WRANGLER YJ
Figure 22-300

8 J22300

| ITEM | PART NUMBER | QTY | BODY | MODEL | DESCRIPTION |
|------|-------------|-----|------|-------|-------------------------|
| 1 | 5200 2486 | 1 | | | BRACKET |
| 2 | 5200 3583 | 1 | | | WRENCH, Lug |
| 3 | 5200 3584 | 1 | | | JACK |
| 4 | 5200 3582 | 1 | | | HANDLE, Jack |
| 5 | J400 4801 | 3 | | | SCREW |
| 6 | S014 2745 | 1 | | | NUT, Wing |
| - | 8350 5024 | 1 | | | LABEL, Jack Instruction |



MODEL CODES:

| | | |
|-----------------------------|-----------------------------|------------------------------|
| 15 = Grand Wagoneer 4 Dr. | 65 = Comanche 4WD-7 Ft. Box | 77 = Cherokee 4WD-2 Dr. |
| 25 = J-10 Pickup-119" W.B. | 66 = Comanche 2WD-7 Ft. Box | 78 = Cherokee 4WD-4 Dr. |
| 26 = J-10 Pickup-131" W.B. | 73 = Cherokee 2WD-2 Dr. | 79 = Cherokee 4WD-4 Dr.-Com |
| 27 = J-20 Pickup-131" W.B. | 74 = Cherokee 2WD-4 Dr. | 81 = Wrangler-93" W.B. |
| 63 = Comanche 4WD-6 Ft. Box | 75 = Wagoneer 4WD-4 Dr. | 82 = Wrangler-103" W.B.-Exp. |
| 64 = Comanche 2WD-6 Ft. Box | | |

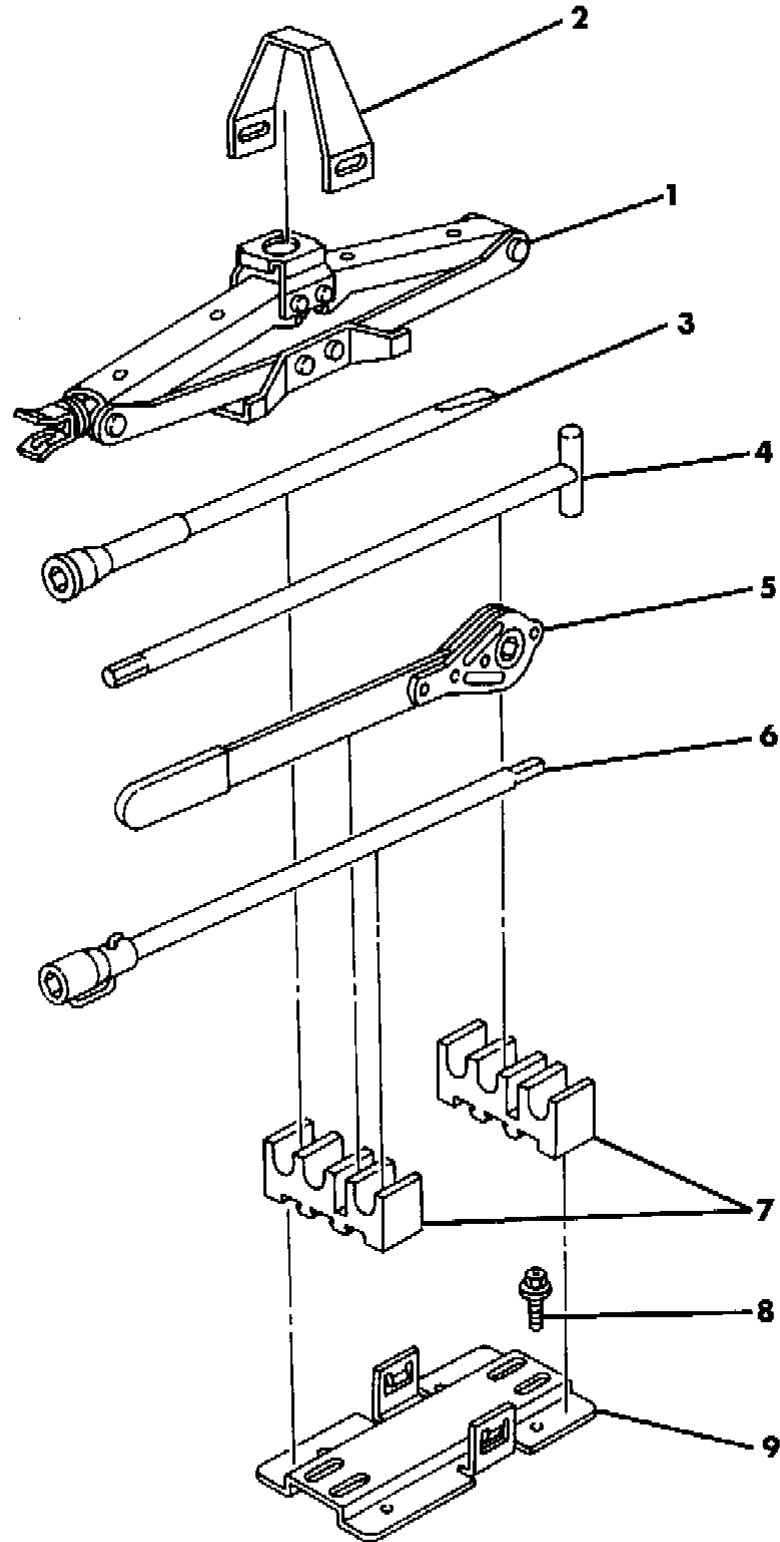
BODY STYLES:

MJ = Comanche Pickup
 SJ = Grand Wagoneer Wgn., J-10 & J-20 Pickups
 XJ = Cherokee, Wagoneer Limited
 YJ = Wrangler

AR = Use as Required - = Non Illustrated Part P.A.R. = Paint as Required

JACK AND MOUNTING WRANGLER, YJ 1990
Figure 22-325

8 J22325



| ITEM | PART NUMBER | QTY | BODY | MODEL | DESCRIPTION |
|------|-------------|-----|------|-------|-------------------------------------|
| 1 | 5200 6166 | 1 | | | JACK ASSEMBLY, Scissor Type *** |
| 2 | 4352 217 | 1 | | | BRACKET, In Cab Jack Stowage, Upper |
| 3 | 5502 2737 | 1 | | | WRENCH, Wheel |
| 4 | 5200 6170 | 1 | | | T/BAR, Jack Handle *** |
| 5 | 4522 119 | 1 | | | CRANK, Jack Handle |
| 6 | 5200 6169 | 1 | | | EXTENSION, Jack Handle |
| 7 | 5200 6171 | 2 | | | SPACER *** |
| 8 | J400 6850 | 3 | | | SCREW & WASHER ASSEMBLY *** |
| 9 | 5200 6167 | 1 | | | BRACKET, In Cab Jack Stowage, Lower |

MODEL CODES:

| | | |
|-----------------------------|-----------------------------|------------------------------|
| 15 = Grand Wagoneer 4 Dr. | 65 = Comanche 4WD-7 Ft. Box | 77 = Cherokee 4WD-2 Dr. |
| 25 = J-10 Pickup-119" W.B. | 66 = Comanche 2WD-7 Ft. Box | 78 = Cherokee 4WD-4 Dr. |
| 26 = J-10 Pickup-131" W.B. | 73 = Cherokee 2WD-2 Dr. | 79 = Cherokee 4WD-4 Dr.-Com |
| 27 = J-20 Pickup-131" W.B. | 74 = Cherokee 2WD-4 Dr. | 81 = Wrangler-93" W.B. |
| 63 = Comanche 4WD-6 Ft. Box | 75 = Wagoneer 4WD-4 Dr. | 82 = Wrangler-103" W.B.-Exp. |
| 64 = Comanche 2WD-6 Ft. Box | | |

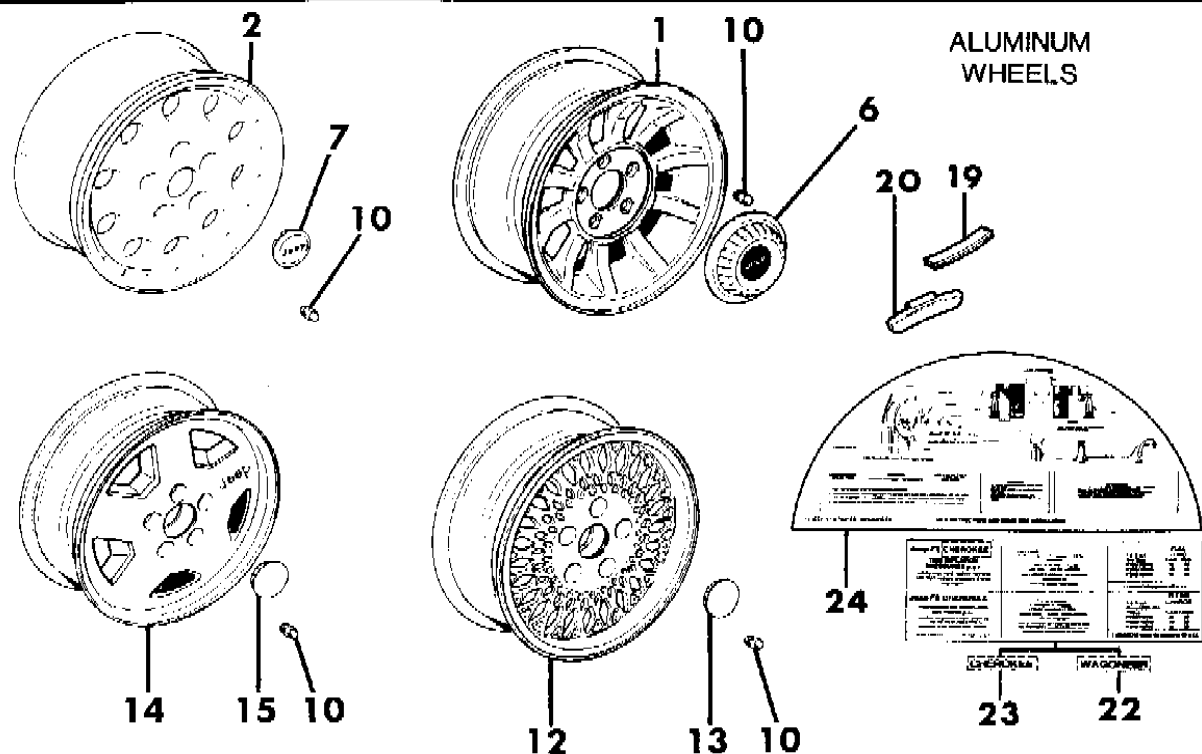
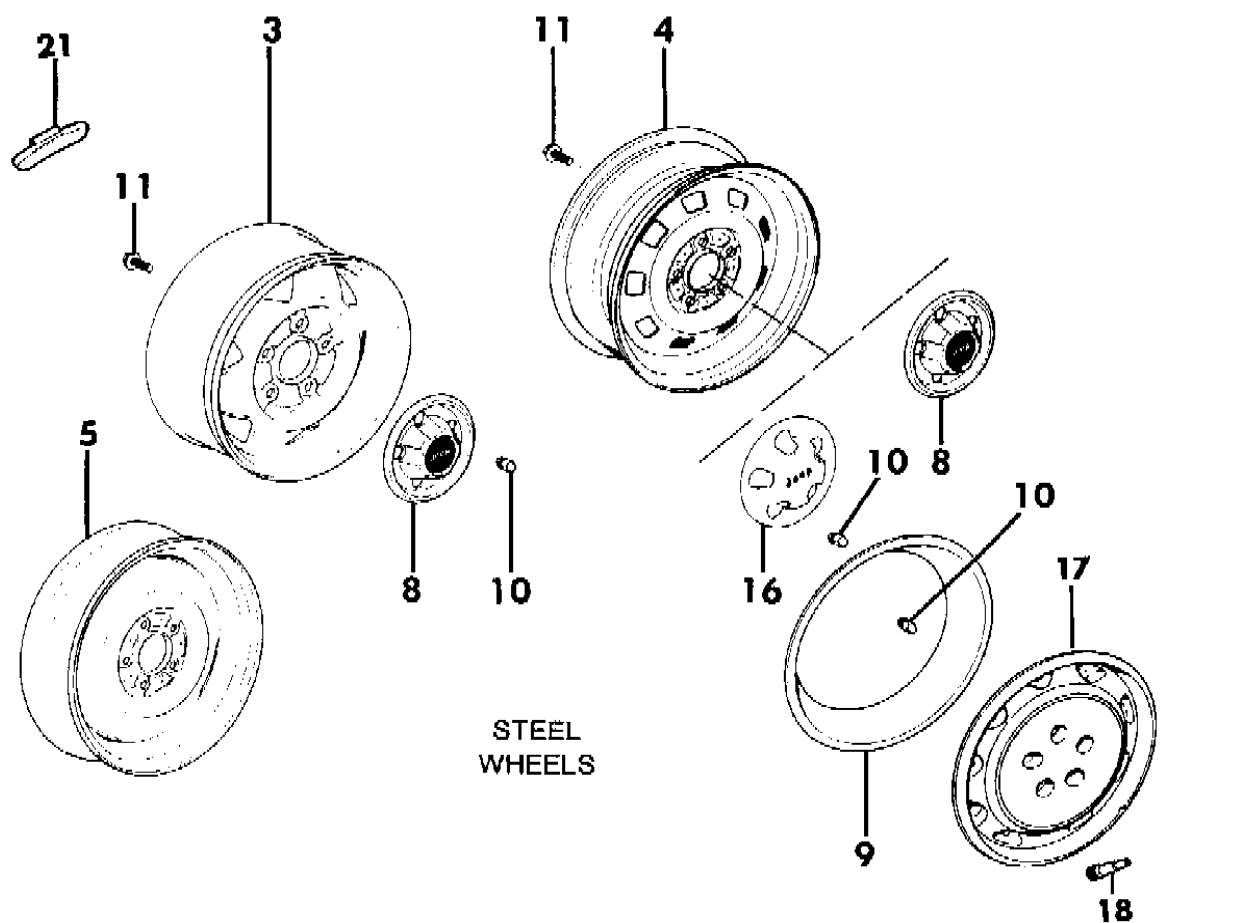
BODY STYLES:

MJ = Comanche Pickup
SJ = Grand Wagoneer Wgn., J-10 & J-20 Pickups
XJ = Cherokee, Wagoneer Limited
YJ = Wrangler

AR = Use as Required - = Non Illustrated Part P.A.R. = Paint as Required

WHEEL, CAP, COVER, AND WEIGHTS CHEROKEE, WAGONEER, COMANCHE
Figure 22-400

8J22400A



| ITEM | PART NUMBER | QTY | BODY | MODEL | DESCRIPTION |
|------|-------------|-----|------|-------|--|
| 1 | 5200 0025 | AR | | | WHEEL, Aluminum |
| 2 | 5200 3758 | AR | | | WHEEL, Aluminum |
| 3 | 5200 3309 | AR | | | WHEEL, Styled Steel Pearl White - 88J17 |
| | 5200 3938 | AR | | | Sterling Metallic - 3D |
| 4 | 5200 0022 | AR | | | WHEEL, Steel |
| 5 | 5200 0019 | 1 | | | WHEEL, Compact Spare, 16x4JJ |
| 6 | 5200 0452 | 4 | | | CAP, Hub |
| 7 | 5200 3759 | 4 | | | CAP, Hub, Jeep Written in Silver |
| 8 | | | | | CAP, Hub |
| | 5200 0476 | 4 | | | Chrome/Black *** |
| | 5200 1179 | 4 | | | Black *** |
| 9 | 5200 1805 | 4 | | | RING |
| 10 | J400 6956 | 20 | | | NUT, Lug |
| 11 | | | | | SCREW |
| | 3420 1489 | 20 | | | 1987-1988 |
| | 3420 2523 | 12 | | | 1989 |
| 12 | 5200 3620 | AR | | | WHEEL, Aluminum - Gold |
| 13 | 5200 3621 | 4 | | | CAP, Hub, Gold |
| 14 | 5200 3403 | AR | | | WHEEL, Aluminum |
| 15 | 5200 2971 | 4 | | | CAP, Hub |
| 16 | 5200 3763 | 4 | | | CAP, Hub |
| 17 | J324 2730 | 4 | | | COVER, Wheel |
| 18 | J323 6449 | 4 | | | EXTENSION, Valve |
| 19 | | | | | WEIGHT, Wheel |
| | J322 6926 | AR | | | 1/2 oz. |
| | J322 6925 | AR | | | 1oz. |
| | J322 6924 | AR | | | 1-1/2 oz. |
| | J322 6923 | AR | | | 2 oz. |
| | J322 6922 | AR | | | 2-1/2 oz. |
| | J322 6921 | AR | | | 3 oz. |
| | J322 6920 | AR | | | 3-1/2 oz. |
| | J322 6919 | AR | | | 4 oz. |
| 20 | | | | | WEIGHT, Wheel |
| | 3200 0610 | AR | | | 1/2 oz. |
| | 3200 0611 | AR | | | 1 oz. |
| | 3200 0612 | AR | | | 1-1/2 oz. |

MODEL CODES:

| | | |
|-----------------------------|-----------------------------|------------------------------|
| 15 = Grand Wagoneer 4 Dr. | 65 = Comanche 4WD-7 Ft. Box | 77 = Cherokee 4WD-2 Dr. |
| 25 = J-10 Pickup-119" W.B. | 66 = Comanche 2WD-7 Ft. Box | 78 = Cherokee 4WD-4 Dr. |
| 26 = J-10 Pickup-131" W.B. | 73 = Cherokee 2WD-2 Dr. | 79 = Cherokee 4WD-4 Dr.-Com |
| 27 = J-20 Pickup-131" W.B. | 74 = Cherokee 2WD-4 Dr. | 81 = Wrangler-93" W.B. |
| 63 = Comanche 4WD-6 Ft. Box | 75 = Wagoneer 4WD-4 Dr. | 82 = Wrangler-103" W.B.-Exp. |
| 64 = Comanche 2WD-6 Ft. Box | | |

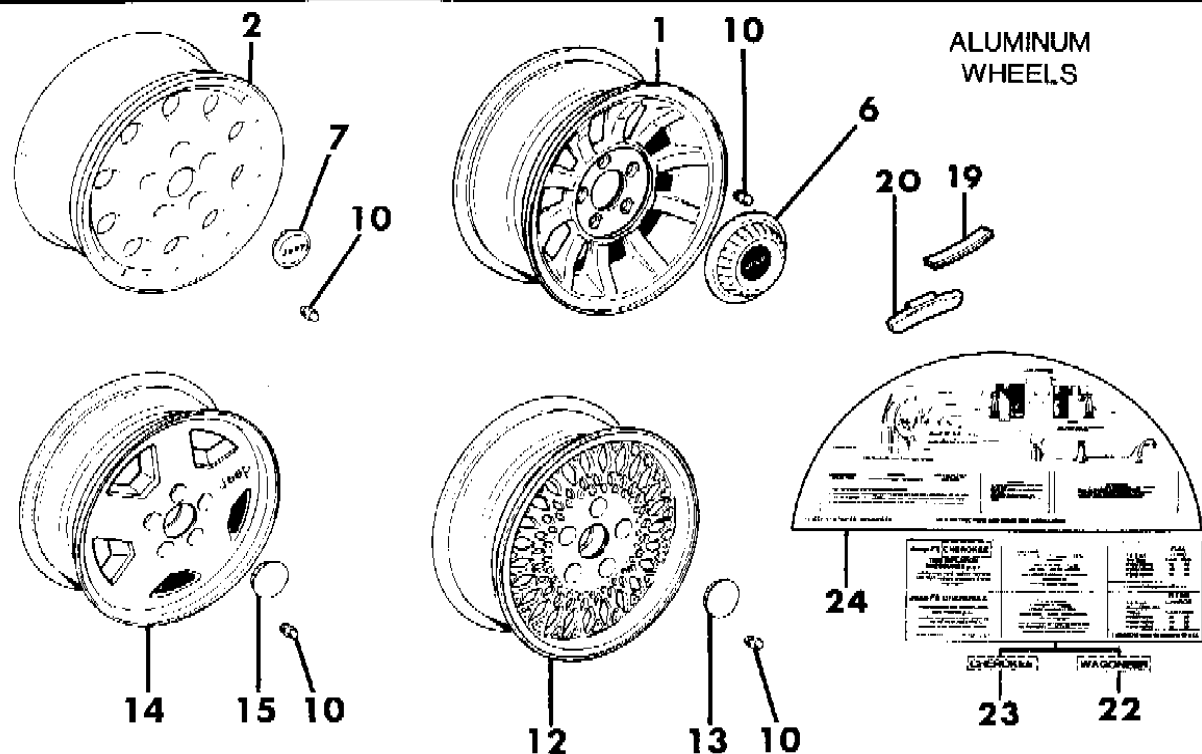
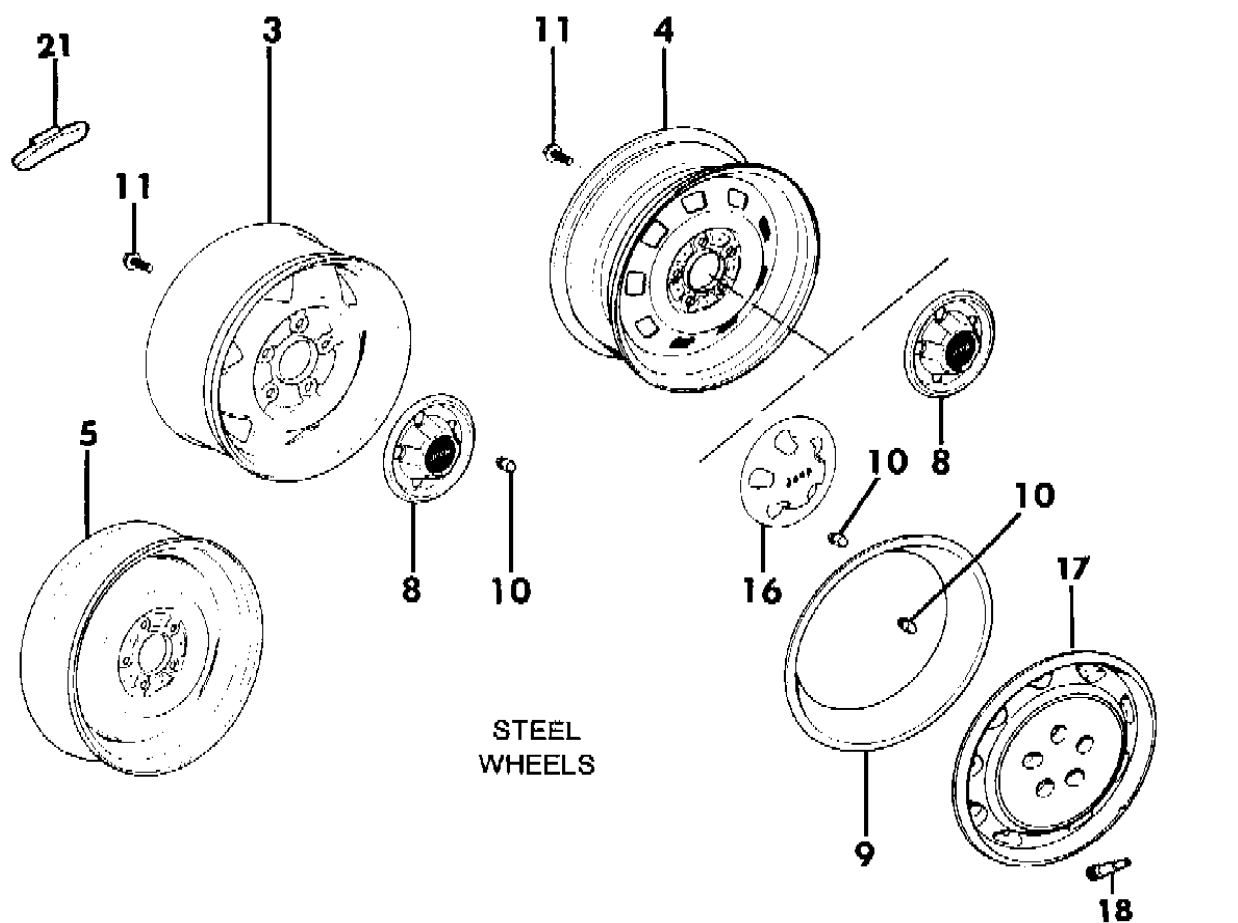
BODY STYLES:

MJ = Comanche Pickup
 SJ = Grand Wagoneer Wgn., J-10 & J-20 Pickups
 XJ = Cherokee, Wagoneer Limited
 YJ = Wrangler

AR = Use as Required - = Non Illustrated Part P.A.R. = Paint as Required

WHEEL, CAP, COVER, AND WEIGHTS CHEROKEE, WAGONEER, COMANCHE
Figure 22-400

8J22400A



| ITEM | PART NUMBER | QTY | BODY | MODEL | DESCRIPTION |
|------|-------------|-----|------|-------|---------------------------|
| | 3200 0613 | AR | | | 2 oz. |
| | 3200 0614 | AR | | | 2-1/2 oz. |
| | 3200 0615 | AR | | | 3 oz. |
| 21 | | | | | WEIGHT, Wheel |
| | J316 5949 | AR | | | 1/2 oz. |
| | J313 1615 | AR | | | 1 oz. |
| | J316 5783 | AR | | | 1-1/2 oz. |
| | J312 3943 | AR | | | 2 oz. |
| | J316 5784 | AR | | | 2-1/2 oz. |
| 22 | 5200 1401 | 1 | | | LABEL, Tire Pressure |
| 23 | 5200 2797 | 1 | | | LABEL, Tire Pressure |
| 24 | 5200 1189 | 1 | | | LABEL, Spare Tire, U.S. |
| | 5200 1190 | 1 | | | LABEL, Spare Tire, Canada |

MODEL CODES:

| | | |
|-----------------------------|-----------------------------|------------------------------|
| 15 = Grand Wagoneer 4 Dr. | 65 = Comanche 4WD-7 Ft. Box | 77 = Cherokee 4WD-2 Dr. |
| 25 = J-10 Pickup-119" W.B. | 66 = Comanche 2WD-7 Ft. Box | 78 = Cherokee 4WD-4 Dr. |
| 26 = J-10 Pickup-131" W.B. | 73 = Cherokee 2WD-2 Dr. | 79 = Cherokee 4WD-4 Dr.-Com |
| 27 = J-20 Pickup-131" W.B. | 74 = Cherokee 2WD-4 Dr. | 81 = Wrangler-93" W.B. |
| 63 = Comanche 4WD-6 Ft. Box | 75 = Wagoneer 4WD-4 Dr. | 82 = Wrangler-103" W.B.-Exp. |
| 64 = Comanche 2WD-6 Ft. Box | | |

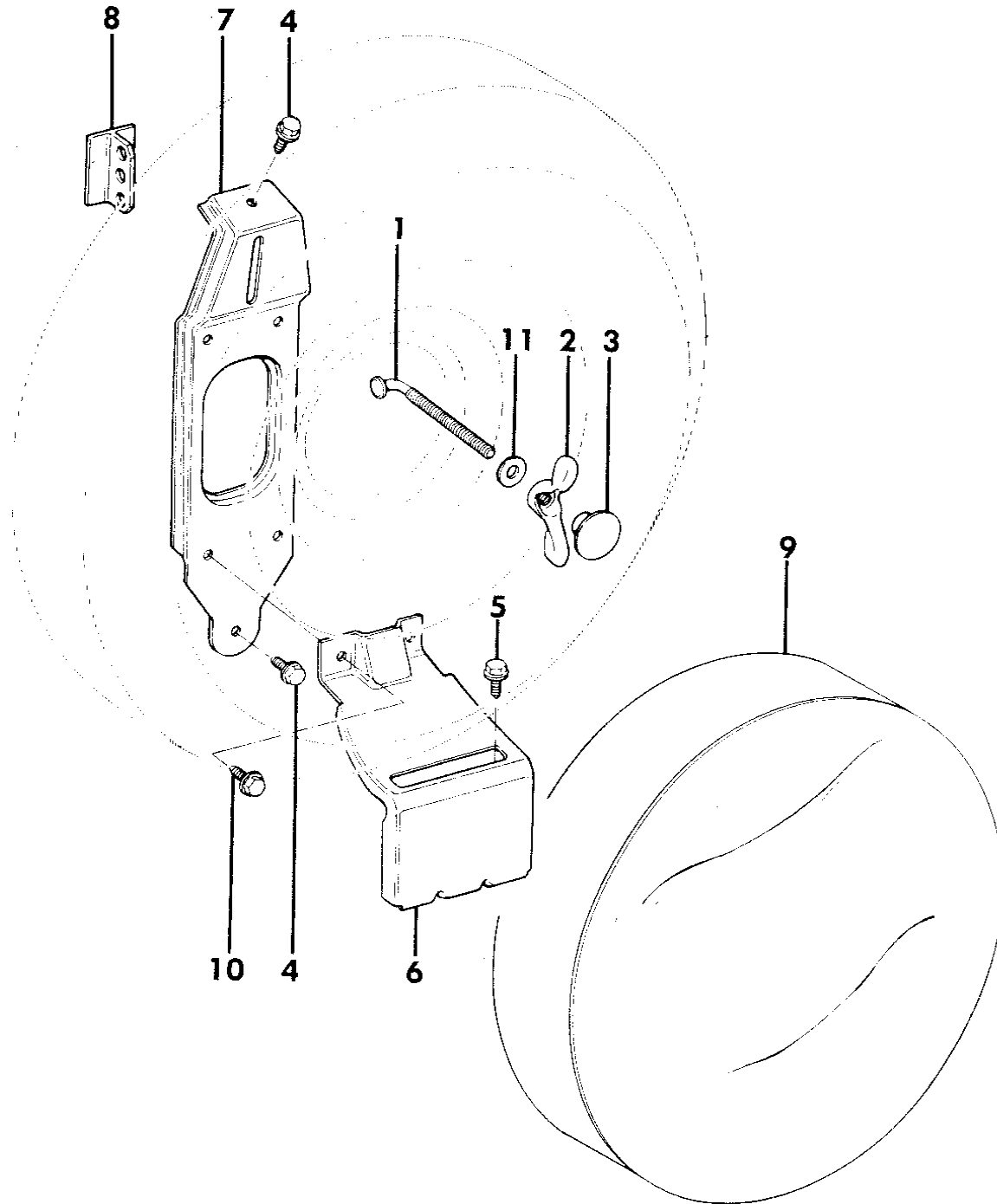
BODY STYLES:

MJ = Comanche Pickup
 SJ = Grand Wagoneer Wgn., J-10 & J-20 Pickups
 XJ = Cherokee, Wagoneer Limited
 YJ = Wrangler

AR = Use as Required - = Non Illustrated Part P.A.R. = Paint as Required

WHEEL, SPARE INSIDE MOUNTING CHEROKEE, WAGONEER
Figure 22-500

8J22500



| ITEM | PART NUMBER | QTY | BODY | MODEL | DESCRIPTION |
|------|-------------|-----|------|-------|--------------------------|
| 1 | | | | | ROD, Tire Hold Down |
| | 5200 0731 | 1 | | | Length = 125mm |
| | 5200 2705 | 1 | | | Length = 174mm |
| 2 | 5200 1643 | 1 | | | NUT |
| 3 | 5200 0733 | 1 | | | CAP, Rod |
| 4 | 3420 1408 | 6 | | | BOLT |
| 5 | 1150 0100 | 2 | | | BOLT |
| 6 | 5500 0859 | 1 | | | BRACKET |
| 7 | 5500 2009 | 1 | | | BRACE |
| 8 | 5500 3494 | 1 | | | BRACKET |
| 9 | | | | | COVER, Spare Tire |
| | | | | | Tires Coded T125 |
| | 5AJ7 5JY6 | 1 | | | Sand Carpet |
| | 5502 1181 | 1 | | | Charcoal Carpet |
| | 5502 1180 | 1 | | | Charcoal Vinyl |
| | 5502 1185 | 1 | | | Cordovan Vinyl |
| | 5502 1183 | 1 | | | Navy Vinyl |
| | 5501 8802 | 1 | | | Black Carpet, 1987 |
| | 5500 8076 | 1 | | | Black Vinyl, 1987 |
| | 5500 8077 | 1 | | | Blue Med. Vinyl, 1987 |
| | 5502 1106 | 1 | | | Sand Vinyl |
| | 5502 1184 | 1 | | | Tan Vinyl |
| | | | | | Tires Coded P195 or P205 |
| | 5502 1186 | 1 | | | Charcoal Vinyl |
| | 5502 1189 | 1 | | | Cordovan Vinyl |
| | 5502 1187 | 1 | | | Navy Vinyl |
| | 5501 3180 | 1 | | | Blue Med. Vinyl, 1987 |
| | 5502 1107 | 1 | | | Sand Vinyl |
| | 5500 8078 | 1 | | | Blue Med. Vinyl, 1987 |
| | 5502 1188 | 1 | | | Tan Vinyl |
| | 5500 8079 | 1 | | | Black Vinyl, 1987 |
| | | | | | Tires Coded P215 or P225 |
| | 5AJ7 6JY6 | 1 | | | Sand Carpet |
| | 5502 1182 | 1 | | | Charcoal Carpet |
| | 5502 1190 | 1 | | | Charcoal Vinyl |
| | 5502 1193 | 1 | | | Cordovan Vinyl |
| | 5502 1191 | 1 | | | Navy Vinyl |

MODEL CODES:

| | | |
|-----------------------------|-----------------------------|------------------------------|
| 15 = Grand Wagoneer 4 Dr. | 65 = Comanche 4WD-7 Ft. Box | 77 = Cherokee 4WD-2 Dr. |
| 25 = J-10 Pickup-119" W.B. | 66 = Comanche 2WD-7 Ft. Box | 78 = Cherokee 4WD-4 Dr. |
| 26 = J-10 Pickup-131" W.B. | 73 = Cherokee 2WD-2 Dr. | 79 = Cherokee 4WD-4 Dr.-Com |
| 27 = J-20 Pickup-131" W.B. | 74 = Cherokee 2WD-4 Dr. | 81 = Wrangler-93" W.B. |
| 63 = Comanche 4WD-6 Ft. Box | 75 = Wagoneer 4WD-4 Dr. | 82 = Wrangler-103" W.B.-Exp. |
| 64 = Comanche 2WD-6 Ft. Box | | |

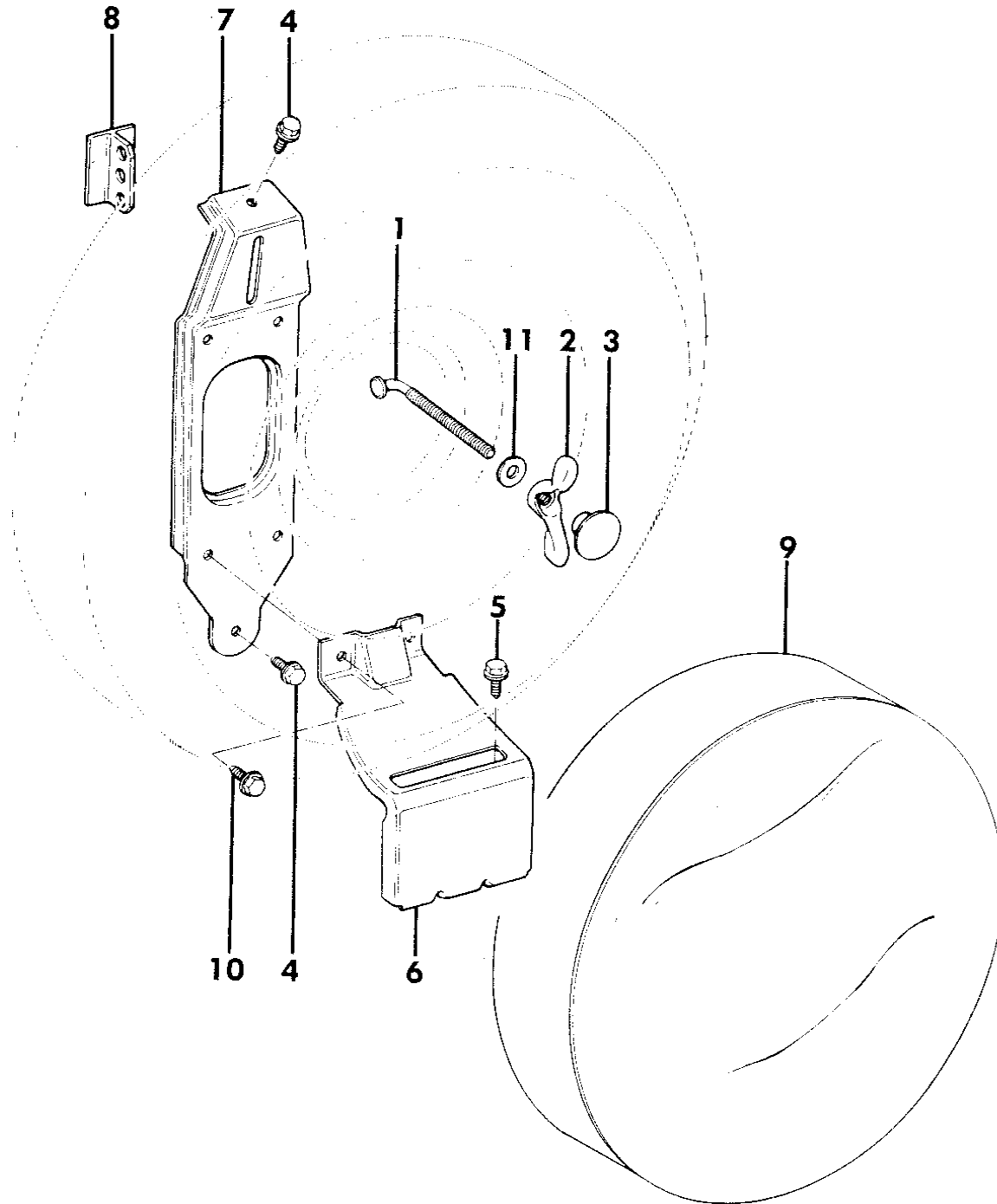
BODY STYLES:

MJ = Comanche Pickup
 SJ = Grand Wagoneer Wgn., J-10 & J-20 Pickups
 XJ = Cherokee, Wagoneer Limited
 YJ = Wrangler

AR = Use as Required - = Non Illustrated Part P.A.R. = Paint as Required

WHEEL, SPARE INSIDE MOUNTING CHEROKEE, WAGONEER
Figure 22-500

8J22500



| ITEM | PART NUMBER | QTY | BODY | MODEL | DESCRIPTION |
|------|-------------|-----|------|-------|-----------------------|
| | 5501 3180 | 1 | | | Blue Med. Vinyl, 1987 |
| | 5502 0693 | 1 | | | Sand Vinyl |
| | 5501 3181 | 1 | | | Black Vinyl, 1987 |
| | 5502 1192 | 1 | | | Tan Vinyl |
| | 5501 8803 | 1 | | | Black Carpet, 1987 |
| 10 | 3420 1610 | 2 | | | SCREW |
| 11 | J400 6404 | 1 | | | WASHER |

MODEL CODES:

| | | |
|-----------------------------|-----------------------------|------------------------------|
| 15 = Grand Wagoneer 4 Dr. | 65 = Comanche 4WD-7 Ft. Box | 77 = Cherokee 4WD-2 Dr. |
| 25 = J-10 Pickup-119" W.B. | 66 = Comanche 2WD-7 Ft. Box | 78 = Cherokee 4WD-4 Dr. |
| 26 = J-10 Pickup-131" W.B. | 73 = Cherokee 2WD-2 Dr. | 79 = Cherokee 4WD-4 Dr.-Com |
| 27 = J-20 Pickup-131" W.B. | 74 = Cherokee 2WD-4 Dr. | 81 = Wrangler-93" W.B. |
| 63 = Comanche 4WD-6 Ft. Box | 75 = Wagoneer 4WD-4 Dr. | 82 = Wrangler-103" W.B.-Exp. |
| 64 = Comanche 2WD-6 Ft. Box | | |

BODY STYLES:

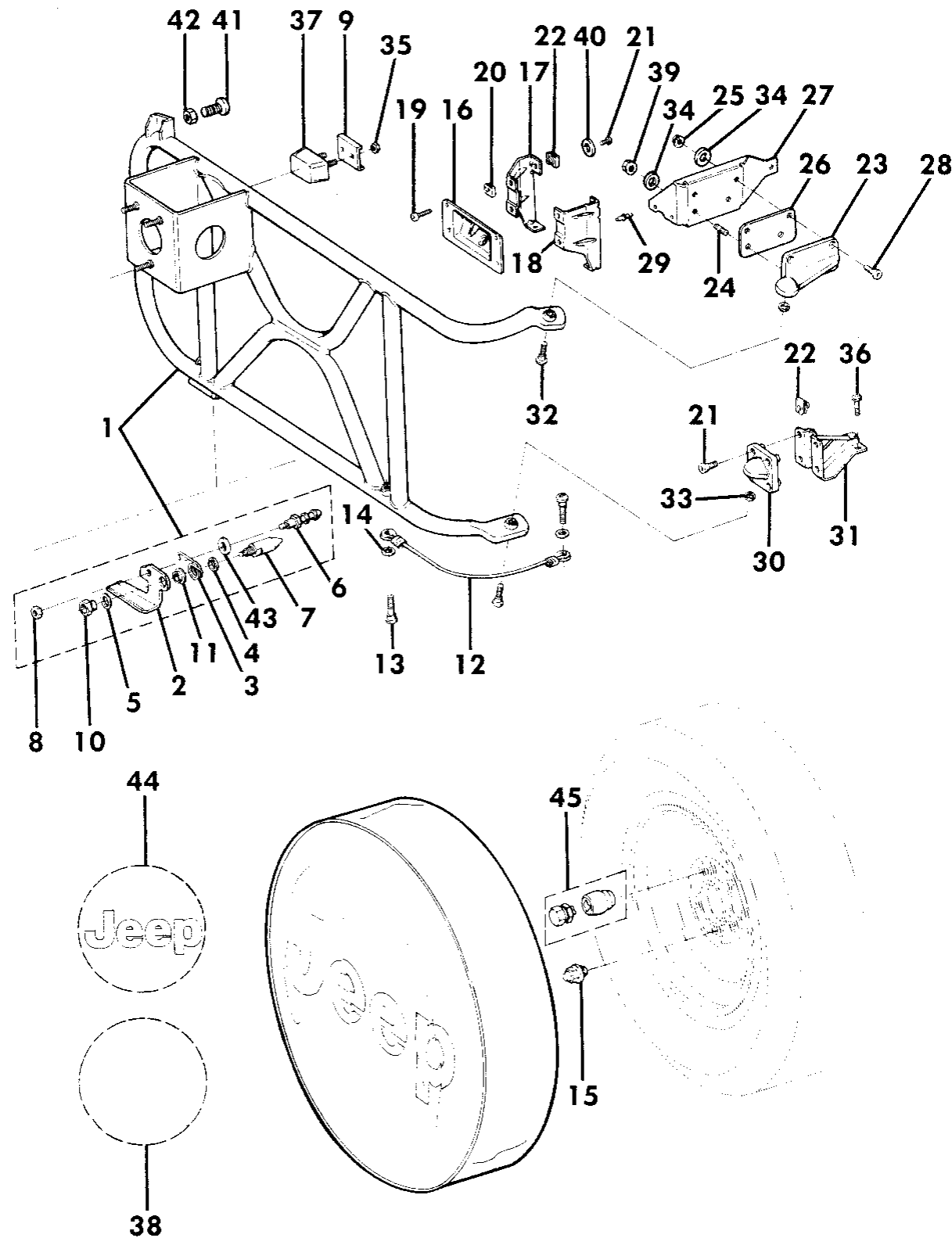
MJ = Comanche Pickup
 SJ = Grand Wagoneer Wgn., J-10 & J-20 Pickups
 XJ = Cherokee, Wagoneer Limited
 YJ = Wrangler

AR = Use as Required - = Non Illustrated Part P.A.R. = Paint as Required

WHEEL, SPARE - 1987-89 OUTSIDE MOUNTING CHEROKEE, WAGONEER

Figure 22-600

8J22600



| ITEM | PART NUMBER | QTY | BODY | MODEL | DESCRIPTION |
|------|-------------|-----|------|-------|-----------------|
| 1 | 5200 0207 | 1 | | | CARRIER |
| 2 | 5200 0635 | 1 | | | LEVER, Lock |
| 3 | 5200 0633 | 3 | | | SPRING, Lever |
| 4 | 5200 0636 | 1 | | | BUSHING, Lever |
| 5 | 5200 0634 | 2 | | | SPACER, Lever |
| 6 | 5200 0344 | 1 | | | LATCH, Lock Pin |
| 7 | 5200 3084 | 1 | | | PIN, Lock Pilot |
| 8 | 3420 1580 | 1 | | | NUT |
| 9 | 5500 2000 | 1 | | | REINFORCEMENT |
| 10 | 5200 0926 | 1 | | | RETAINER, Lever |
| 11 | 5200 0927 | 1 | | | SLEEVE, Lever |
| 12 | 5200 1414 | 1 | | | CABLE, Carrier |
| 13 | | | | | BOLT |
| | 3420 1583 | 1 | | | Diameter = M10 |
| | 3420 2583 | 1 | | | Diameter = M12 |
| 14 | 1150 0324 | 2 | | | WASHER |
| 15 | J400 6956 | 2 | | | NUT, Lug |
| 16 | 5200 0343 | 1 | | | PLATE, Latch |
| 17 | 5200 0341 | 1 | | | REINFORCEMENT |
| 18 | 5200 0340 | 1 | | | REINFORCEMENT |
| 19 | 3420 2183 | 4 | | | BOLT |
| 20 | 1150 3714 | 4 | | | NUT |
| 21 | 3420 1596 | 6 | | | BOLT |
| 22 | 1150 0660 | AR | | | NUT |
| 23 | 5200 0337 | 1 | | | BRACKET, Hinge |
| 24 | 3420 1623 | 2 | | | STUD |
| 25 | J303 4037 | 2 | | | NUT |
| 26 | 5200 0686 | 1 | | | GASKET |
| 27 | 5500 3345 | 1 | | | REINFORCEMENT |
| 28 | 3420 1620 | 2 | | | BOLT |
| 29 | 3420 1035 | 3 | | | RIVET |
| 30 | 5200 0338 | 1 | | | BRACKET, Hinge |
| 31 | 5200 0649 | 1 | | | REINFORCEMENT |
| 32 | 3420 1779 | 2 | | | BOLT |
| 33 | 5200 0985 | AR | | | SHIM |
| 34 | J400 6826 | 4 | | | WASHER |
| 35 | 1150 2702 | 2 | | | NUT |

MODEL CODES:

| | | |
|-----------------------------|-----------------------------|------------------------------|
| 15 = Grand Wagoneer 4 Dr. | 65 = Comanche 4WD-7 Ft. Box | 77 = Cherokee 4WD-2 Dr. |
| 25 = J-10 Pickup-119" W.B. | 66 = Comanche 2WD-7 Ft. Box | 78 = Cherokee 4WD-4 Dr. |
| 26 = J-10 Pickup-131" W.B. | 73 = Cherokee 2WD-2 Dr. | 79 = Cherokee 4WD-4 Dr.-Com |
| 27 = J-20 Pickup-131" W.B. | 74 = Cherokee 2WD-4 Dr. | 81 = Wrangler-93" W.B. |
| 63 = Comanche 4WD-6 Ft. Box | 75 = Wagoneer 4WD-4 Dr. | 82 = Wrangler-103" W.B.-Exp. |
| 64 = Comanche 2WD-6 Ft. Box | | |

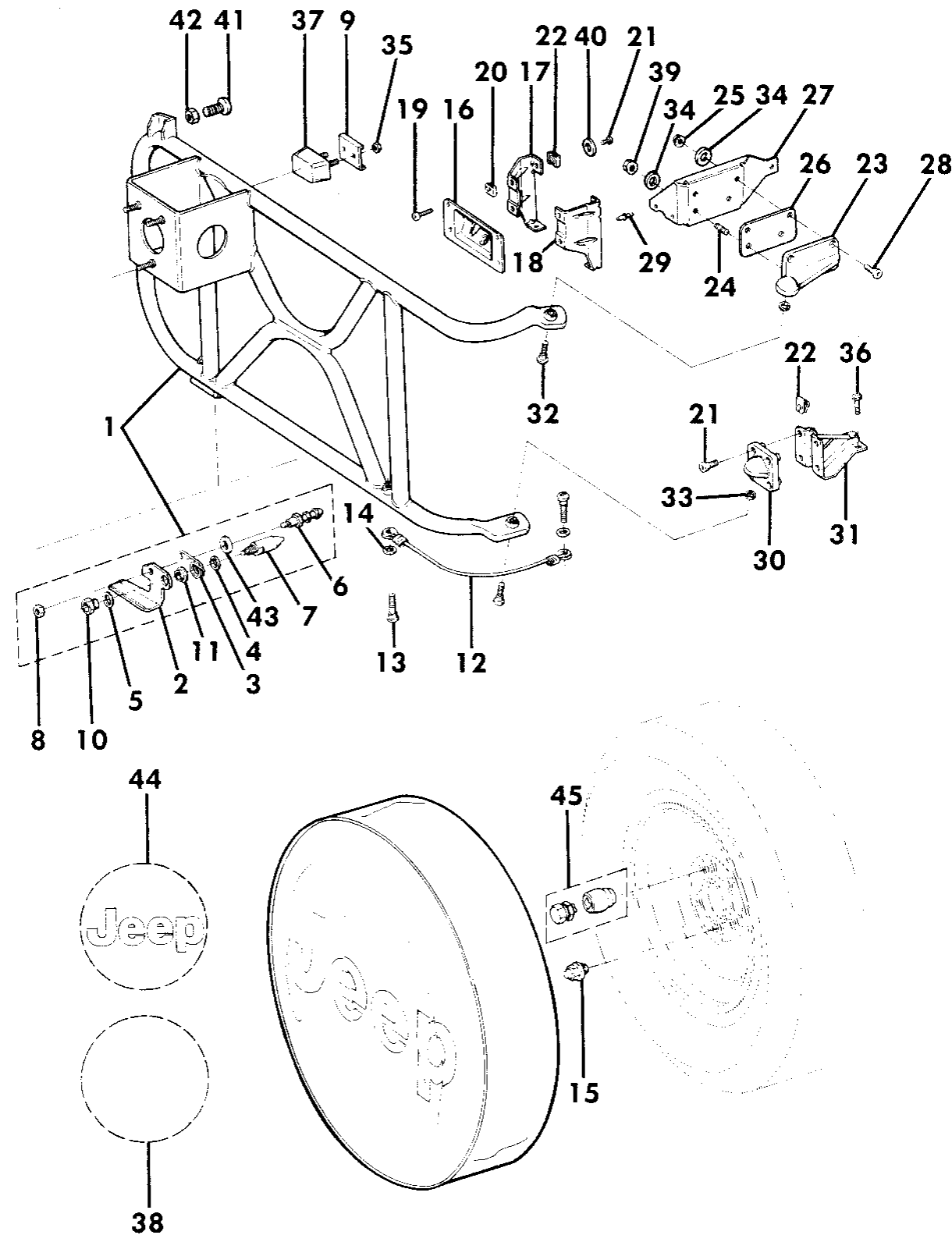
BODY STYLES:

MJ = Comanche Pickup
 SJ = Grand Wagoneer Wgn., J-10 & J-20 Pickups
 XJ = Cherokee, Wagoneer Limited
 YJ = Wrangler

AR = Use as Required - = Non Illustrated Part P.A.R. = Paint as Required

WHEEL, SPARE - 1987-89 OUTSIDE MOUNTING CHEROKEE, WAGONEER
Figure 22-600

8J22600



| ITEM | PART NUMBER | QTY | BODY | MODEL | DESCRIPTION |
|------|-------------|-----|------|-------|---|
| 36 | 3420 1766 | 4 | | | SCREW |
| 37 | 5500 2002 | 1 | | | BUMPER, Carrier |
| 38 | | | | | COVER, Spare Tire |
| | 5500 3387 | 1 | | | Tire Coded "P195" or "P205" |
| | 8220 0151 | 1 | | | Tire Coded "P215" |
| 39 | 1150 2729 | 2 | | | NUT |
| 40 | 1150 0323 | 2 | | | WASHER |
| 41 | | | | | SCREW |
| | 3420 1900 | 1 | | | 1987 |
| | J096 0139 | 1 | | | SCREW, 1988-1989 |
| | 3420 1900 | 1 | | | 1987 |
| 42 | 1150 0749 | 1 | | | NUT |
| 43 | J013 1016 | 1 | | | WASHER |
| 44 | 5501 6126 | 1 | | | COVER, Spare Tire, Tire Coded "P205" - Jeep |
| 45 | 8350 1152 | 1 | | | LOCK, Spare Wheel |

MODEL CODES:

| | | |
|-----------------------------|-----------------------------|------------------------------|
| 15 = Grand Wagoneer 4 Dr. | 65 = Comanche 4WD-7 Ft. Box | 77 = Cherokee 4WD-2 Dr. |
| 25 = J-10 Pickup-119" W.B. | 66 = Comanche 2WD-7 Ft. Box | 78 = Cherokee 4WD-4 Dr. |
| 26 = J-10 Pickup-131" W.B. | 73 = Cherokee 2WD-2 Dr. | 79 = Cherokee 4WD-4 Dr.-Com |
| 27 = J-20 Pickup-131" W.B. | 74 = Cherokee 2WD-4 Dr. | 81 = Wrangler-93" W.B. |
| 63 = Comanche 4WD-6 Ft. Box | 75 = Wagoneer 4WD-4 Dr. | 82 = Wrangler-103" W.B.-Exp. |
| 64 = Comanche 2WD-6 Ft. Box | | |

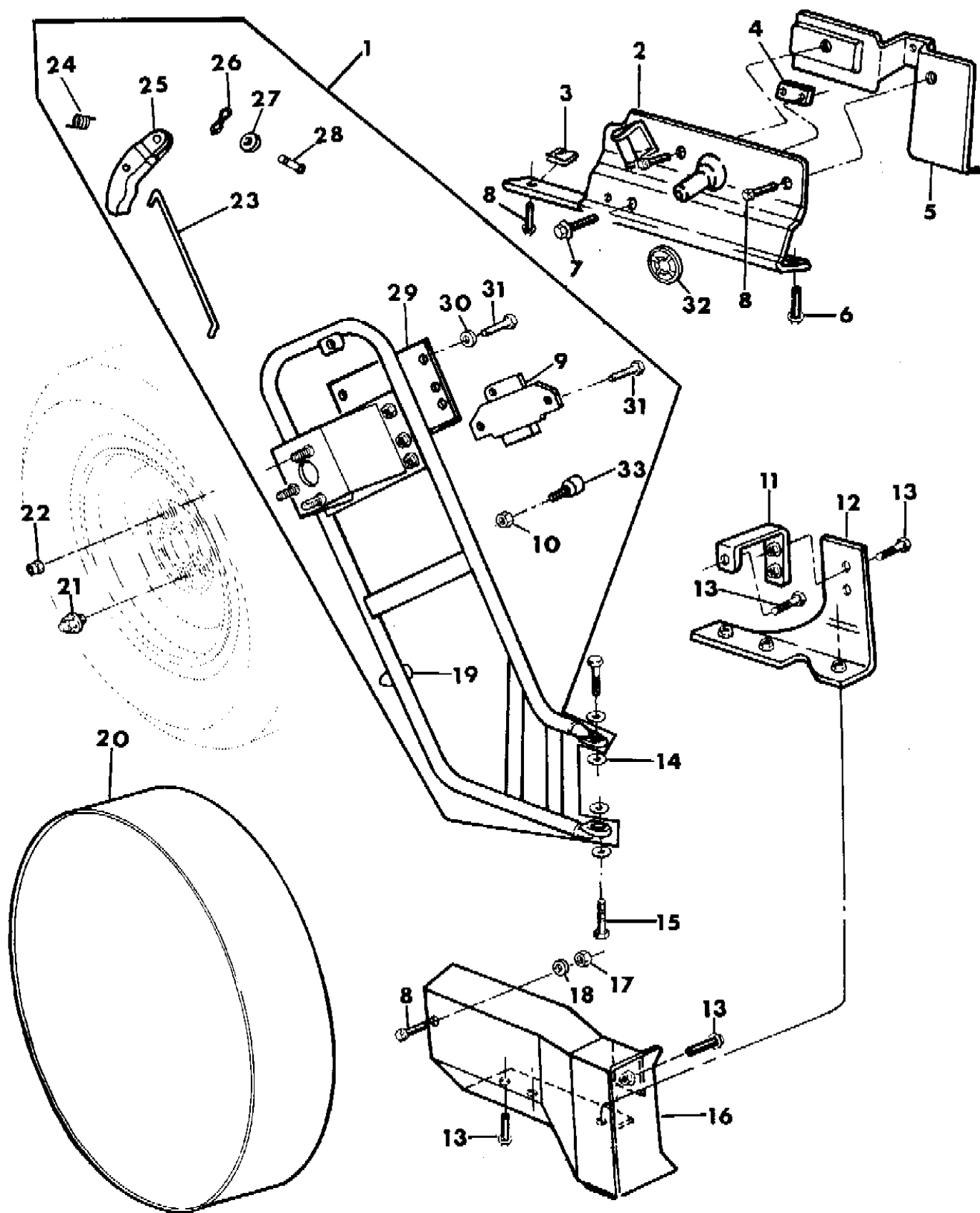
BODY STYLES:

MJ = Comanche Pickup
SJ = Grand Wagoneer Wgn., J-10 & J-20 Pickups
XJ = Cherokee, Wagoneer Limited
YJ = Wrangler

AR = Use as Required - = Non Illustrated Part P.A.R. = Paint as Required

WHEEL, SPARE - 1990 OUTSIDE MOUNTING, SWING AWAY CHEROKEE, WAGONEER
Figure 22-650

8 J 22 650 C



| ITEM | PART NUMBER | QTY | BODY | MODEL | DESCRIPTION |
|------|-------------|-----|------|-------|--------------------------------|
| 1 | 5502 5329 | 1 | | | CARRIER ASSEMBLY *** |
| 2 | 5502 6244 | 1 | | | REINFORCEMENT |
| 3 | 6101 283 | 1 | | | U-NUT |
| 4 | 5502 6245 | 1 | | | BRACKET |
| 5 | 5502 6243 | 1 | | | REINFORCEMENT |
| 6 | #6502 334 | 1 | | | BOLT, Torx |
| 7 | 3420 2452 | 1 | | | SCREW and WASHER ASSEMBLY *** |
| 8 | 3420 1596 | 5 | | | BOLT, Pan Head Torx |
| 9 | #5200 5822 | 1 | | | MECHANISM, Lock *** |
| 10 | 6100 219 | 1 | | | NUT, Jam |
| 11 | 5502 6247 | 1 | | | REINFORCEMENT |
| 12 | 5502 6246 | 1 | | | REINFORCEMENT |
| 13 | 3420 2467 | 6 | | | BOLT |
| 14 | 8350 7112 | 1 | | | BUSHING PACKAGE *** |
| 15 | #6004 504 | 2 | | | BOLT, Carrier Pivot |
| 16 | #5200 5823 | 1 | | | BRACKET ASSEMBLY *** |
| 17 | 6101 467 | 1 | | | NUT |
| 18 | 6501 000 | 1 | | | WASHER, Flat |
| 19 | #5200 5825 | 1 | | | BUMPER, Lower |
| 20 | 5501 6126 | 1 | | | COVER |
| 21 | J400 6956 | 2 | | | NUT, Accorn |
| 22 | J400 7186 | 1 | | | NUT, Lock |
| 23 | #5200 5821 | 1 | | | ROD, Handle |
| 24 | 5523 4511 | 1 | | | SPRING, Handle Return |
| 25 | #5200 5820 | 1 | | | HANDLE |
| 26 | 5523 4514 | 1 | | | CLIP |
| 27 | 5523 4513 | 1 | | | WASHER |
| 28 | 5523 4512 | 1 | | | PIN, Handle to Weldment |
| 29 | 5523 4515 | 1 | | | PLATE, Adjuster |
| 30 | 5523 4510 | 4 | | | WASHER, Adjuster Plate |
| 31 | 5523 4517 | 4 | | | BOLT, Adjuster Plate and Latch |
| 32 | 5523 4516 | 1 | | | SLEEVE, Latch Pin |
| 33 | #5200 5826 | 1 | | | BUMPER, Upper |

MODEL CODES:

| | | |
|-----------------------------|-----------------------------|------------------------------|
| 15 = Grand Wagoneer 4 Dr. | 65 = Comanche 4WD-7 Ft. Box | 77 = Cherokee 4WD-2 Dr. |
| 25 = J-10 Pickup-119" W.B. | 66 = Comanche 2WD-7 Ft. Box | 78 = Cherokee 4WD-4 Dr. |
| 26 = J-10 Pickup-131" W.B. | 73 = Cherokee 2WD-2 Dr. | 79 = Cherokee 4WD-4 Dr.-Com |
| 27 = J-20 Pickup-131" W.B. | 74 = Cherokee 2WD-4 Dr. | 81 = Wrangler-93" W.B. |
| 63 = Comanche 4WD-6 Ft. Box | 75 = Wagoneer 4WD-4 Dr. | 82 = Wrangler-103" W.B.-Exp. |
| 64 = Comanche 2WD-6 Ft. Box | | |

BODY STYLES:

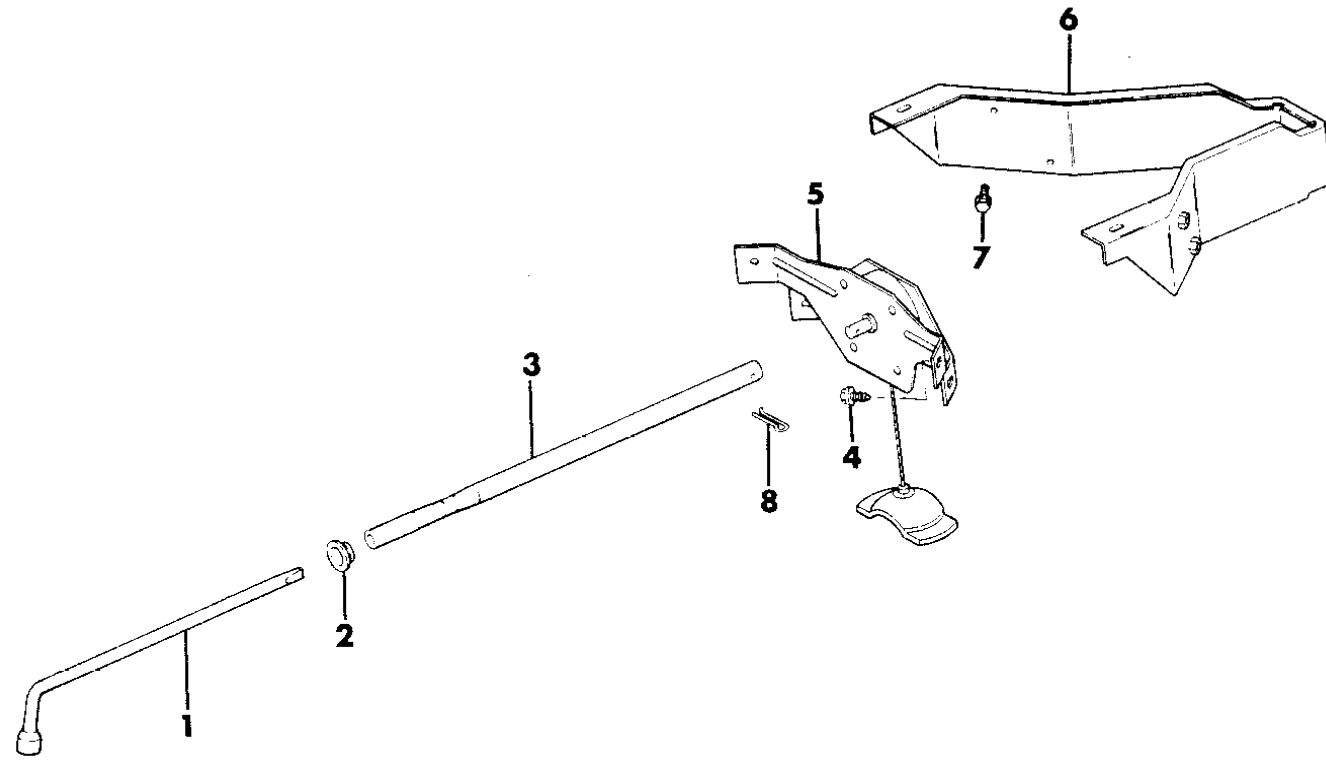
MJ = Comanche Pickup
 SJ = Grand Wagoneer Wgn., J-10 & J-20 Pickups
 XJ = Cherokee, Wagoneer Limited
 YJ = Wrangler

AR = Use as Required - = Non Illustrated Part P.A.R. = Paint as Required

WHEEL, SPARE MOUNTING COMANCHE
Figure 22-700

8J22 700

| ITEM | PART NUMBER | QTY | BODY | MODEL | DESCRIPTION |
|------|-------------|-----|------|-------|---------------------------------------|
| 1 | J535 4991 | 1 | | | WRENCH, Lug |
| 2 | J400 7520 | 1 | | | BUSHING |
| 3 | | | | | TUBE, Winch |
| | 5200 3128 | 1 | | | 6 Foot Box |
| | 5200 1286 | 1 | | | 7 Foot Box |
| 4 | 3420 1257 | 4 | | | SCREW |
| 5 | 5200 1859 | 1 | | | HOIST, Spare Tire *** |
| 6 | 5200 3075 | 1 | | | BRACKET 6 Foot Box |
| 7 | 3420 1257 | 4 | | | BOLT 6 Foot Box |
| 8 | | 1 | | | PIN, Cotter 5mm X 45mm (Not Serviced) |



MODEL CODES:

| | | |
|-----------------------------|-----------------------------|------------------------------|
| 15 = Grand Wagoneer 4 Dr. | 65 = Comanche 4WD-7 Ft. Box | 77 = Cherokee 4WD-2 Dr. |
| 25 = J-10 Pickup-119" W.B. | 66 = Comanche 2WD-7 Ft. Box | 78 = Cherokee 4WD-4 Dr. |
| 26 = J-10 Pickup-131" W.B. | 73 = Cherokee 2WD-2 Dr. | 79 = Cherokee 4WD-4 Dr.-Com |
| 27 = J-20 Pickup-131" W.B. | 74 = Cherokee 2WD-4 Dr. | 81 = Wrangler-93" W.B. |
| 63 = Comanche 4WD-6 Ft. Box | 75 = Wagoneer 4WD-4 Dr. | 82 = Wrangler-103" W.B.-Exp. |
| 64 = Comanche 2WD-6 Ft. Box | | |

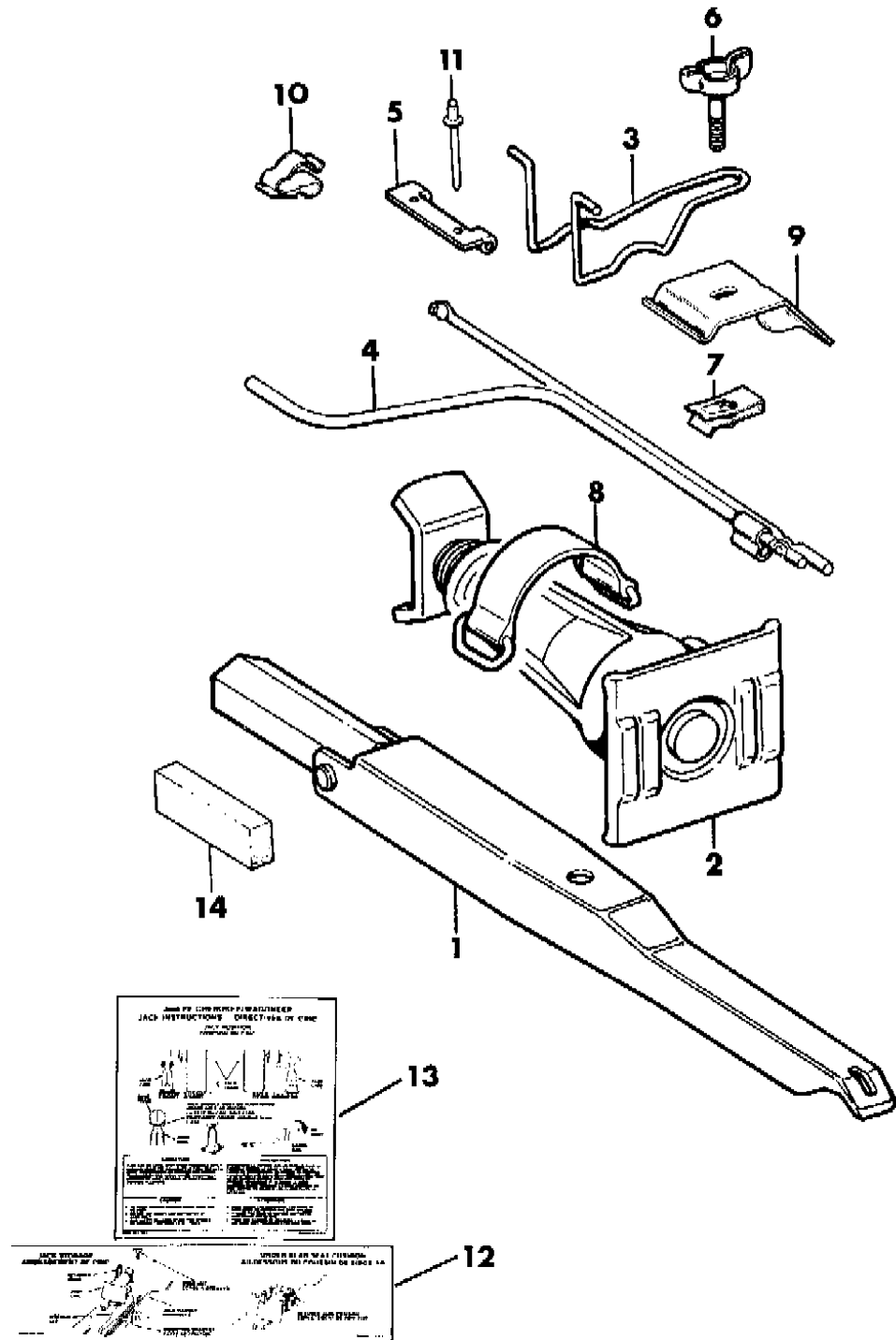
BODY STYLES:

MJ = Comanche Pickup
 SJ = Grand Wagoneer Wgn., J-10 & J-20 Pickups
 XJ = Cherokee, Wagoneer Limited
 YJ = Wrangler

AR = Use as Required - = Non Illustrated Part P.A.R. = Paint as Required

JACK AND MOUNTING CHEROKEE, WAGONEER, COMANCHE
Figure 22-750

8J22 750B



| ITEM | PART NUMBER | QTY | BODY | MODEL | DESCRIPTION |
|------|-------------|-----|------|-------|----------------------------------|
| 1 | | | | | WRENCH, Lug |
| | 5200 3583 | 1 | XJ | | |
| | J535 4991 | 1 | MJ | | |
| 2 | 5200 3584 | 1 | | | JACK |
| 3 | | | | | BRACKET, Jack |
| | 5200 3474 | 1 | XJ | | 1988-90 |
| | 5200 1186 | 1 | XJ | | 1987 |
| | 5200 1186 | 1 | XJ | | China KDX |
| 4 | | | | | HANDLE, Jack |
| | 5200 3582 | 1 | XJ | | |
| | 5200 1316 | 1 | MJ | | |
| 5 | 5200 1202 | 1 | XJ | | CLIP, Handle |
| 6 | 5200 0354 | 1 | | | STUD |
| 7 | 1150 0660 | 1 | MJ | | NUT |
| 8 | 5200 2077 | 1 | MJ | | STRAP, Hold Down |
| 9 | 5200 1317 | 1 | MJ | | BRACKET, Jack |
| 10 | 3420 2362 | 1 | MJ | | CLIP |
| 11 | 3420 1684 | 2 | XJ | | RIVET |
| 12 | 5200 1187 | 1 | | | LABEL, Jack Storage, Wagon, U.S. |
| | 5200 1188 | 1 | | | Canada |
| 13 | 5200 1200 | 1 | | | LABEL, Jack, Wagon, U.S. |
| | 5200 1201 | 1 | | | Canada |
| 14 | 5200 3169 | 1 | | | PAD |

MODEL CODES:

| | | |
|-----------------------------|-----------------------------|------------------------------|
| 15 = Grand Wagoneer 4 Dr. | 65 = Comanche 4WD-7 Ft. Box | 77 = Cherokee 4WD-2 Dr. |
| 25 = J-10 Pickup-119" W.B. | 66 = Comanche 2WD-7 Ft. Box | 78 = Cherokee 4WD-4 Dr. |
| 26 = J-10 Pickup-131" W.B. | 73 = Cherokee 2WD-2 Dr. | 79 = Cherokee 4WD-4 Dr.-Com |
| 27 = J-20 Pickup-131" W.B. | 74 = Cherokee 2WD-4 Dr. | 81 = Wrangler-93" W.B. |
| 63 = Comanche 4WD-6 Ft. Box | 75 = Wagoneer 4WD-4 Dr. | 82 = Wrangler-103" W.B.-Exp. |
| 64 = Comanche 2WD-6 Ft. Box | | |

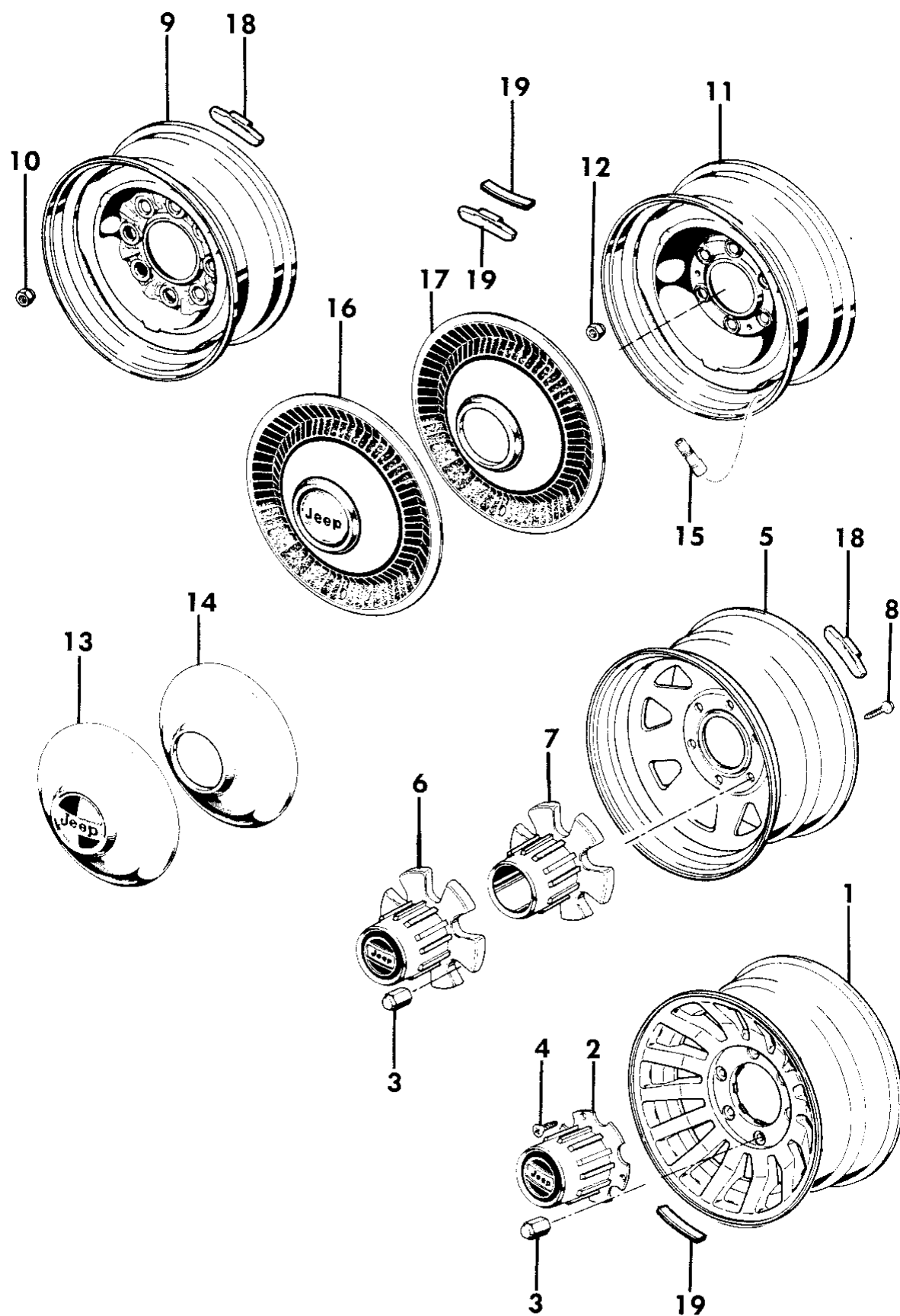
BODY STYLES:

MJ = Comanche Pickup
 SJ = Grand Wagoneer Wgn., J-10 & J-20 Pickups
 XJ = Cherokee, Wagoneer Limited
 YJ = Wrangler

AR = Use as Required - = Non Illustrated Part P.A.R. = Paint as Required

WHEELS, CAPS COVERS AND WEIGHTS GRAND WAGONEER, J10, J20
Figure 22-800

8J22800



| ITEM | PART NUMBER | QTY | BODY | MODEL | DESCRIPTION |
|------|-------------|-----|------|-------|---------------------|
| 1 | | | | | WHEEL |
| | 5200 3473 | AR | | | Gray |
| | J536 5093 | AR | | | Gold |
| 2 | | | | | CAP, Hub |
| | 5200 3046 | 4 | | | Gray |
| | J536 5094 | 4 | | | Gold |
| 3 | J400 4844 | 20 | | | NUT, Lug |
| 4 | J400 4867 | 12 | | | SCREW |
| 5 | J536 1397 | AR | | | WHEEL, Styled Steel |
| 6 | J536 4409 | AR | | | CAP, Hub |
| 7 | J536 4408 | AR | | | CAP, Hub |
| 8 | J400 7001 | 12 | | | SCREW |
| 9 | J535 2639 | AR | | | WHEEL, Steel |
| 10 | J400 4836 | 32 | | | NUT, Lug |
| 11 | | | | | WHEEL, Steel |
| | J590 2518 | AR | | | 16" |
| | J535 9101 | AR | 15 | | 15" Compact Spare |
| | J535 9101 | AR | 26 | | 15" |
| 12 | J400 4837 | 24 | | | NUT, Lug |
| 13 | J535 2672 | AR | | | CAP, Hub |
| 14 | J535 2267 | AR | | | CAP, Hub |
| 15 | J535 5858 | AR | | | EXTENSION, Valve |
| 16 | J535 4752 | AR | | | COVER, Wheel |
| 17 | J535 8281 | AR | | | COVER, Wheel |
| 18 | | | | | WEIGHT |
| | J316 5949 | AR | | | 1/2 oz. |
| | J313 1615 | AR | | | 1 oz. |
| | J316 5783 | AR | | | 1-1/2 oz. |
| | J312 3943 | AR | | | 2 oz. |
| | J312 3943 | AR | | | 2 oz. |
| | J316 5784 | AR | | | 2-1/2 oz. |
| | J535 6329 | AR | | | 4 oz. |
| 19 | | | | | WEIGHT |
| | J322 6926 | AR | | | 1/2 oz. |
| | J322 6925 | AR | | | 1 oz. |
| | J322 6924 | AR | | | 1-1/2 oz. |
| | J322 6923 | AR | | | 2 oz. |

MODEL CODES:

| | | |
|-----------------------------|-----------------------------|------------------------------|
| 15 = Grand Wagoneer 4 Dr. | 65 = Comanche 4WD-7 Ft. Box | 77 = Cherokee 4WD-2 Dr. |
| 25 = J-10 Pickup-119" W.B. | 66 = Comanche 2WD-7 Ft. Box | 78 = Cherokee 4WD-4 Dr. |
| 26 = J-10 Pickup-131" W.B. | 73 = Cherokee 2WD-2 Dr. | 79 = Cherokee 4WD-4 Dr.-Com |
| 27 = J-20 Pickup-131" W.B. | 74 = Cherokee 2WD-4 Dr. | 81 = Wrangler-93" W.B. |
| 63 = Comanche 4WD-6 Ft. Box | 75 = Wagoneer 4WD-4 Dr. | 82 = Wrangler-103" W.B.-Exp. |
| 64 = Comanche 2WD-6 Ft. Box | | |

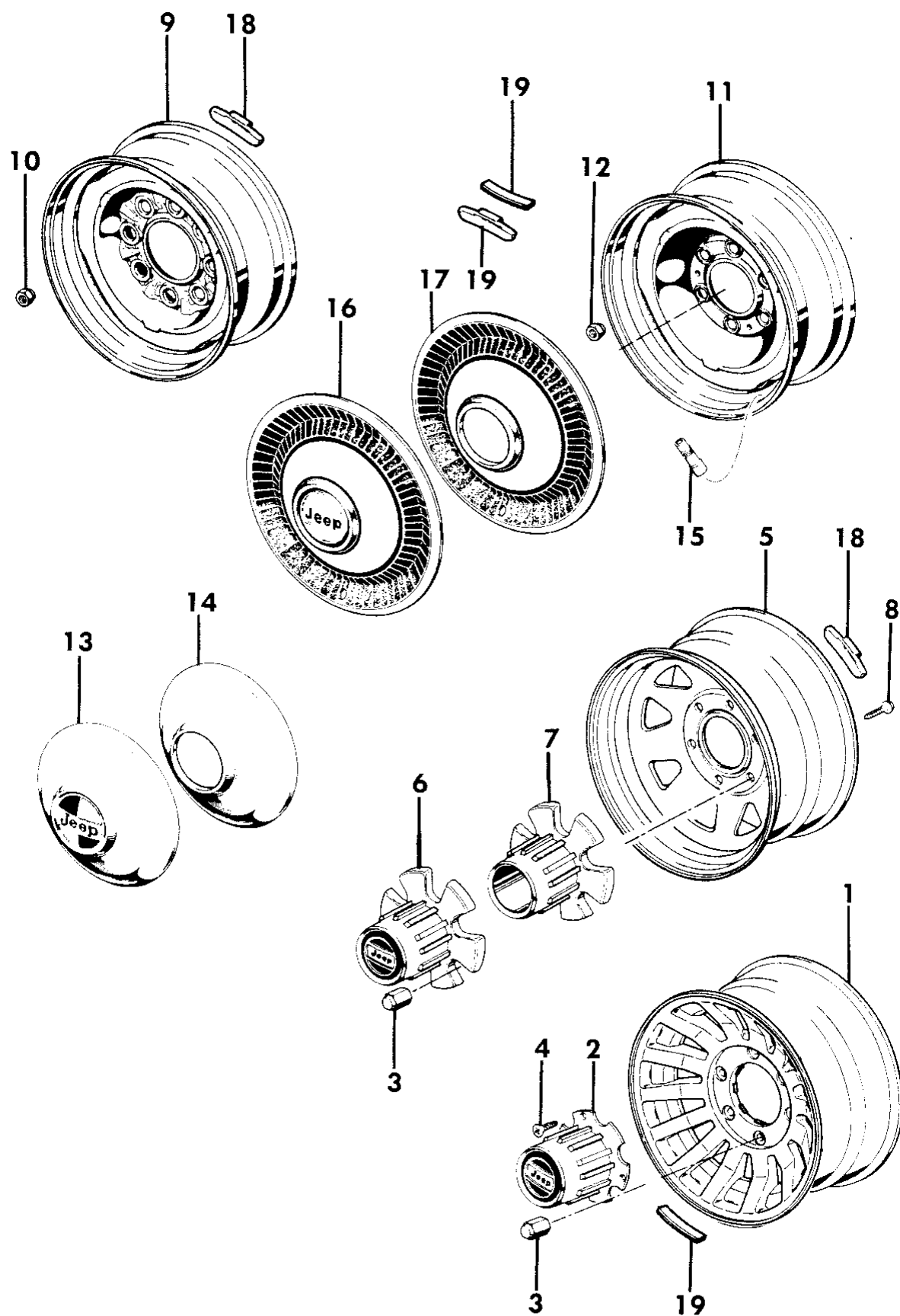
BODY STYLES:

MJ = Comanche Pickup
 SJ = Grand Wagoneer Wgn., J-10 & J-20 Pickups
 XJ = Cherokee, Wagoneer Limited
 YJ = Wrangler

AR = Use as Required - = Non Illustrated Part P.A.R. = Paint as Required

WHEELS, CAPS COVERS AND WEIGHTS GRAND WAGONEER, J10, J20
Figure 22-800

8J22800



| ITEM | PART NUMBER | QTY | BODY | MODEL | DESCRIPTION |
|------|-------------|-----|------|-------|-------------|
| | J322 6922 | AR | | | 2-1/2 oz. |
| | J322 6921 | AR | | | 3 oz. |
| | J322 6920 | AR | | | 3-1/2 oz. |
| | J322 6919 | AR | | | 4 oz. |

MODEL CODES:
 15 = Grand Wagoneer 4 Dr. 65 = Comanche 4WD-7 Ft. Box 77 = Cherokee 4WD-2 Dr.
 25 = J-10 Pickup-119" W.B. 66 = Comanche 2WD-7 Ft. Box 78 = Cherokee 4WD-4 Dr.
 26 = J-10 Pickup-131" W.B. 73 = Cherokee 2WD-2 Dr. 79 = Cherokee 4WD-4 Dr.-Com
 27 = J-20 Pickup-131" W.B. 74 = Cherokee 2WD-4 Dr. 81 = Wrangler-93" W.B.
 63 = Comanche 4WD-6 Ft. Box 75 = Wagoneer 4WD-4 Dr. 82 = Wrangler-103" W.B.-Exp.
 64 = Comanche 2WD-6 Ft. Box

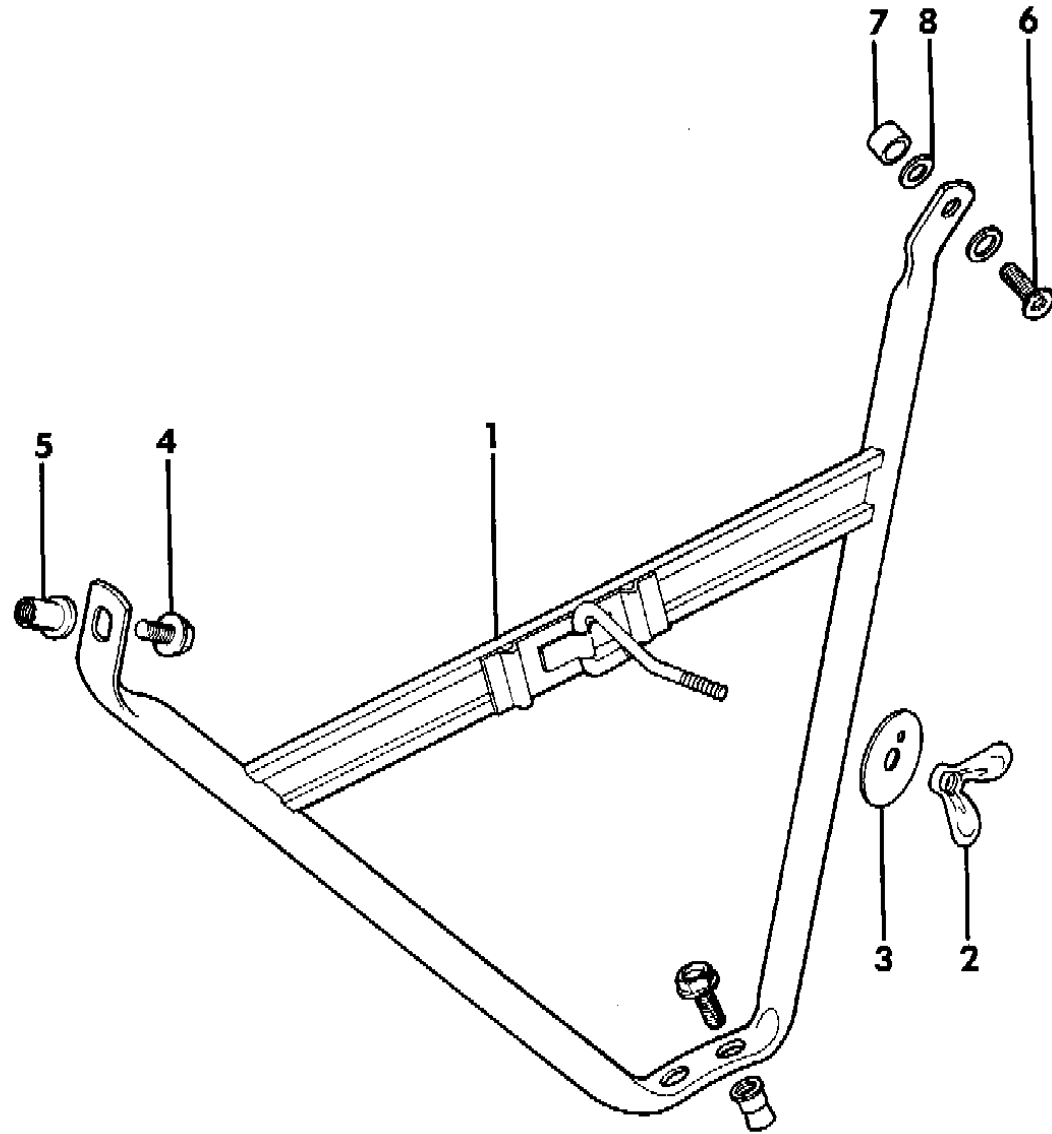
BODY STYLES:
 MJ = Comanche Pickup
 SJ = Grand Wagoneer Wgn., J-10 & J-20 Pickups
 XJ = Cherokee, Wagoneer Limited
 YJ = Wrangler

AR = Use as Required - = Non Illustrated Part P.A.R. = Paint as Required

WHEEL, SPARE INTERIOR MOUNTING GRAND WAGONEER

Figure 22-900

8J22 900 A



| ITEM | PART NUMBER | QTY | BODY | MODEL | DESCRIPTION |
|------|-------------|-----|------|-------|-------------|
| 1 | J546 0123 | 1 | | | FRAME |
| 2 | J097 3780 | 1 | | | NUT, Wing |
| 3 | J066 4277 | 1 | | | PLATE |
| 4 | J400 3556 | 3 | | | SCREW |
| 5 | J400 5818 | 3 | | | NUT, Push |
| 6 | J400 5507 | 1 | | | BOLT |
| 7 | J097 6555 | 1 | | | SPACER |
| 8 | S012 0390 | 2 | | | WASHER |

MODEL CODES:

| | | |
|-----------------------------|-----------------------------|------------------------------|
| 15 = Grand Wagoneer 4 Dr. | 65 = Comanche 4WD-7 Ft. Box | 77 = Cherokee 4WD-2 Dr. |
| 25 = J-10 Pickup-119" W.B. | 66 = Comanche 2WD-7 Ft. Box | 78 = Cherokee 4WD-4 Dr. |
| 26 = J-10 Pickup-131" W.B. | 73 = Cherokee 2WD-2 Dr. | 79 = Cherokee 4WD-4 Dr.-Com |
| 27 = J-20 Pickup-131" W.B. | 74 = Cherokee 2WD-4 Dr. | 81 = Wrangler-93" W.B. |
| 63 = Comanche 4WD-6 Ft. Box | 75 = Wagoneer 4WD-4 Dr. | 82 = Wrangler-103" W.B.-Exp. |
| 64 = Comanche 2WD-6 Ft. Box | | |

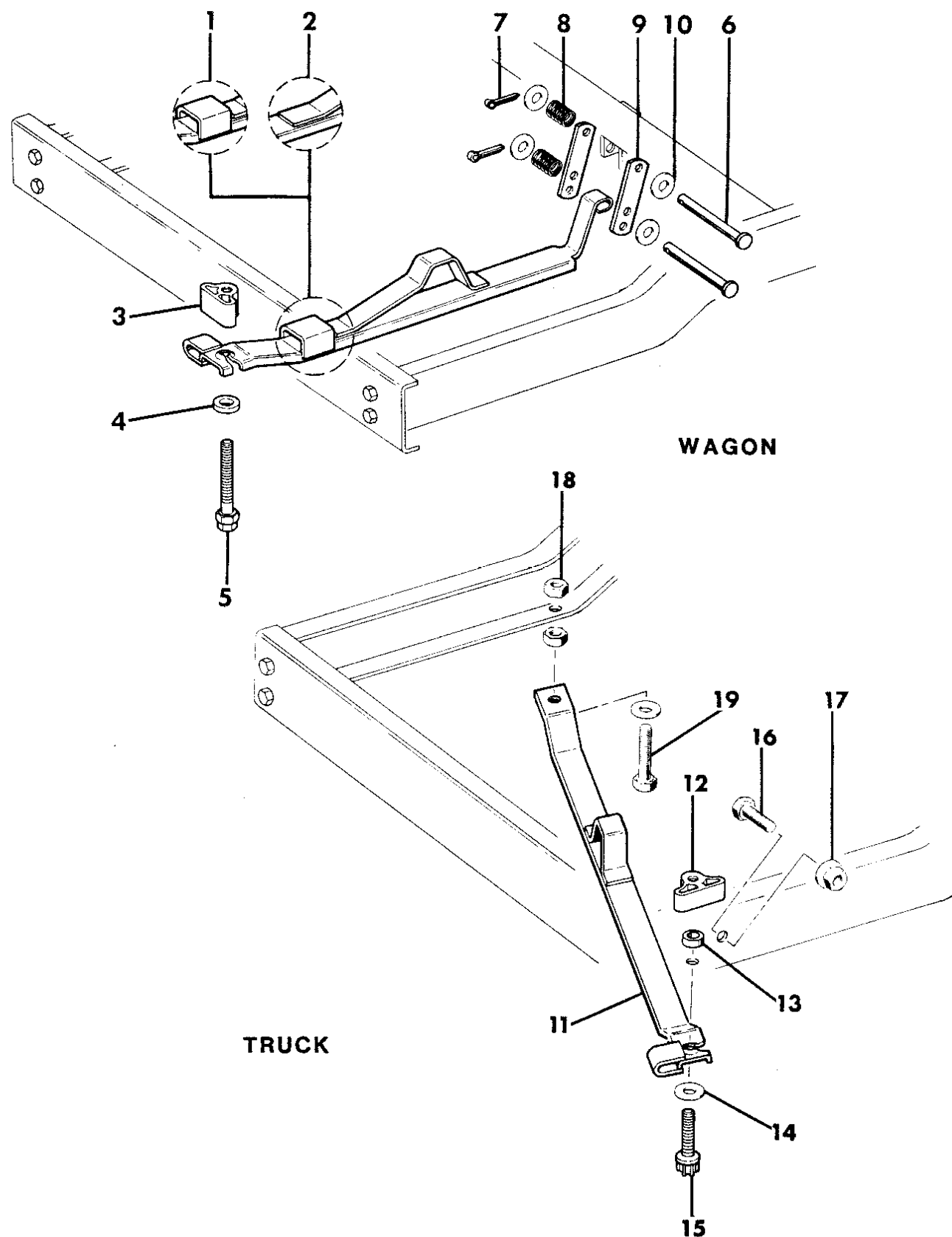
BODY STYLES:

MJ = Comanche Pickup
 SJ = Grand Wagoneer Wgn., J-10 & J-20 Pickups
 XJ = Cherokee, Wagoneer Limited
 YJ = Wrangler

AR = Use as Required - = Non Illustrated Part P.A.R. = Paint as Required

WHEEL, SPARE UNDERBODY MOUNTING GRAND WAGONEER, J10, J20
Figure 22-1000

8J22 1000



| ITEM | PART NUMBER | QTY | BODY | MODEL | DESCRIPTION |
|------|-------------|-----|------|-------|--|
| 1 | 5200 3366 | 1 | | | BAR, Mounting Class I Trailer Hitch |
| | J536 4910 | 1 | | | Class III Trailer Hitch |
| 2 | J535 4018 | 1 | | | BAR, Mounting Class I Trailer Hitch |
| | J535 4018 | 1 | | | w/o Trailer Hitch |
| 3 | J099 4719 | 1 | | | NUT |
| 4 | J012 1458 | AR | | | WASHER Thickness = .09" |
| | J099 8036 | AR | | | SPACER Thickness = .38" |
| 5 | J400 4982 | AR | | | BOLT "P225" Tire, Length = 5.5" |
| | J400 4983 | AR | | | "P235" Tire, Length = 7.0" |
| 6 | J091 2217 | 2 | | | PIN, Clevis |
| | J012 1222 | 2 | | | PIN, Cotter |
| 8 | J080 3356 | 2 | | | SPRING |
| 9 | J535 7938 | 2 | | | PLATE |
| 10 | J012 0394 | 4 | | | WASHER |
| 11 | J535 3485 | 1 | | | BAR |
| 12 | J099 4719 | 1 | | | NUT |
| 13 | J099 8036 | 1 | | | SPACER |
| 14 | J012 1458 | 2 | | | WASHER Thickness = .09" |
| 15 | J400 4983 | 1 | | | BOLT Length = 7.0" |
| 16 | J018 0145 | 1 | | | BOLT |
| 17 | J400 3956 | 1 | | | NUT |
| 18 | J012 4843 | 2 | | | NUT |
| 19 | J012 2630 | 1 | | | BOLT Length = 3.0" |
| | J043 3022 | 1 | | | Length = 4.7" |

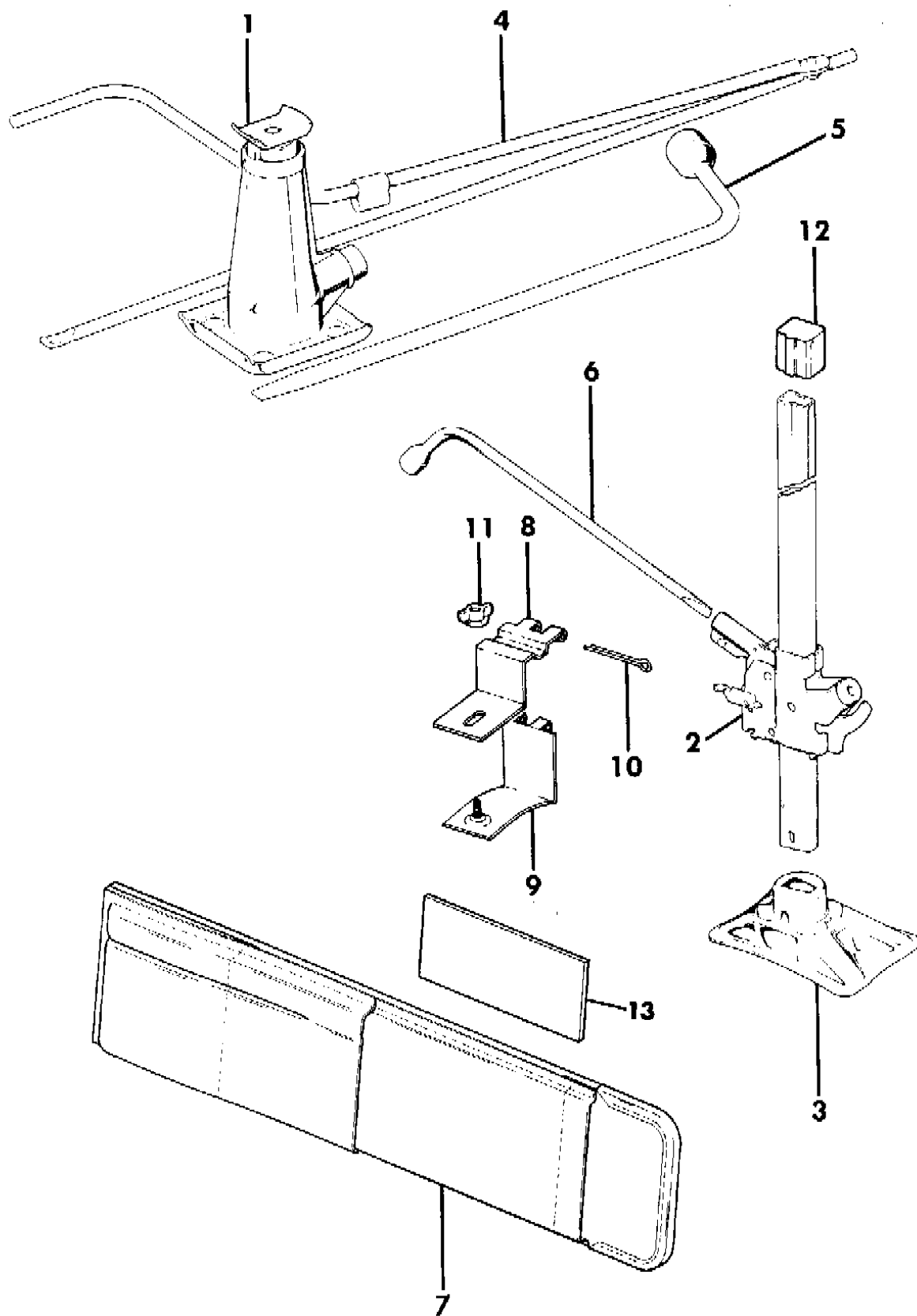
MODEL CODES:
 15 = Grand Wagoneer 4 Dr. 65 = Comanche 4WD-7 Ft. Box 77 = Cherokee 4WD-2 Dr.
 25 = J-10 Pickup-119" W.B. 66 = Comanche 2WD-7 Ft. Box 78 = Cherokee 4WD-4 Dr.
 26 = J-10 Pickup-131" W.B. 73 = Cherokee 2WD-2 Dr. 79 = Cherokee 4WD-4 Dr.-Com
 27 = J-20 Pickup-131" W.B. 74 = Cherokee 2WD-4 Dr. 81 = Wrangler-93" W.B.
 63 = Comanche 4WD-6 Ft. Box 75 = Wagoneer 4WD-4 Dr. 82 = Wrangler-103" W.B.-Exp.
 64 = Comanche 2WD-6 Ft. Box

BODY STYLES:
 MJ = Comanche Pickup
 SJ = Grand Wagoneer Wgn., J-10 & J-20 Pickups
 XJ = Cherokee, Wagoneer Limited
 YJ = Wrangler

AR = Use as Required - = Non Illustrated Part P.A.R. = Paint as Required

JACK AND STORAGE BAG GRAND WAGONEER, J10, J20
Figure 22-1100

8J221100 A



| ITEM | PART NUMBER | QTY | BODY | MODEL | DESCRIPTION |
|------|-------------|-----|-------|-------|--------------|
| 1 | | | | | JACK |
| | J535 4439 | 1 | 26 | | |
| | J535 4012 | 1 | 27 | | |
| 2 | J535 8904 | 1 | 15 | | JACK |
| 3 | J535 5009 | 1 | 15 | | BASE, Jack |
| 4 | J535 4665 | 1 | 26,27 | | HANDLE, Jack |
| 5 | J535 2730 | 1 | 26,27 | | WRENCH, Lug |
| 6 | J535 4991 | 1 | 15,26 | | WRENCH, Lug |
| 7 | | | | | BAG, Jack |
| | J576 0188 | 1 | 26,27 | | |
| | 5502 0270 | 1 | 15 | | |
| 8 | 5501 9522 | 1 | 15 | | BRACKET |
| 9 | 5501 9523 | 1 | 15 | | BRACKET |
| 10 | J013 7214 | 1 | 15 | | PIN |
| 11 | J014 8312 | 1 | 15 | | NUT |
| 12 | 5501 9524 | 1 | | | CAP |
| 13 | J576 6468 | 1 | | | INSULATOR |

MODEL CODES:

| | | |
|-----------------------------|-----------------------------|------------------------------|
| 15 = Grand Wagoneer 4 Dr. | 65 = Comanche 4WD-7 Ft. Box | 77 = Cherokee 4WD-2 Dr. |
| 25 = J-10 Pickup-119" W.B. | 66 = Comanche 2WD-7 Ft. Box | 78 = Cherokee 4WD-4 Dr. |
| 26 = J-10 Pickup-131" W.B. | 73 = Cherokee 2WD-2 Dr. | 79 = Cherokee 4WD-4 Dr.-Com |
| 27 = J-20 Pickup-131" W.B. | 74 = Cherokee 2WD-4 Dr. | 81 = Wrangler-93" W.B. |
| 63 = Comanche 4WD-6 Ft. Box | 75 = Wagoneer 4WD-4 Dr. | 82 = Wrangler-103" W.B.-Exp. |
| 64 = Comanche 2WD-6 Ft. Box | | |

BODY STYLES:

MJ = Comanche Pickup
 SJ = Grand Wagoneer Wgn., J-10 & J-20 Pickups
 XJ = Cherokee, Wagoneer Limited
 YJ = Wrangler

AR = Use as Required - = Non Illustrated Part P.A.R. = Paint as Required

GROUP 23 - BODY - EXTERIOR ORNAMENTATION

| ILLUSTRATION TITLE | GROUP-FIG. NO. |
|--|----------------|
| WRANGLER, YJ | |
| NAMEPLATES WRANGLER | Fig. 23-100 |
| EXTENSIONS FENDER AND REAR QUARTER WRANGLER, YJ | Fig. 23-110 |
| DECALS, EXTERIOR BASE, U.S., CANADA WRANGLER, YJ | Fig. 23-200 |
| DECALS, EXTERIOR BASE, E.C.E., 1988-90 WRANGLER | Fig. 23-300 |
| DECALS, EXTERIOR SAHARA, 1988-90 WRANGLER, YJ | Fig. 23-400 |
| DECALS, EXTERIOR ISLANDER, 1989-90 WRANGLER, YJ | Fig. 23-500 |
| DECALS, EXTERIOR SPORT, U.S., 1987-88 WRANGLER | Fig. 23-600 |
| DECALS, EXTERIOR SPORT, CANADA, 1987-88 YJ | Fig. 23-700 |
| DECALS, EXTERIOR SPORT, EXPORT, 1988 WRANGLER | Fig. 23-800 |
| DECALS, EXTERIOR LAREDO, 1987-90 WRANGLER, YJ | Fig. 23-900 |
| DECALS, EXTERIOR LAREDO, E.C.E. WRANGLER | Fig. 23-1000 |
| DECALS, EXTERIOR OLYMPIC, 1988 WRANGLER | Fig. 23-1100 |
| CHEROKEE, 4 DOOR, XJ | |
| NAMEPLATES CHEROKEE 4 DOOR | Fig. 23-1200 |
| MOULDINGS, EXTERIOR, UPPER CHEROKEE 4 DOOR | Fig. 23-1300 |
| MOULDINGS, EXTERIOR, LOWER CHEROKEE 4 DOOR | Fig. 23-1400 |
| DECALS, EXTERIOR PIONEER CHEROKEE 4 DOOR | Fig. 23-1500 |
| DECALS, EXTERIOR 2 TONE, 1987 CHEROKEE 4 DOOR | Fig. 23-1590 |
| DECALS, EXTERIOR 2 TONE, 1988 CHEROKEE 4 DOOR | Fig. 23-1600 |
| DECALS, EXTERIOR CHIEF, U.S., CANADA, 1987-89, VENEZUELA, 1989 CHEROKEE 4 DOOR | Fig. 23-1700 |
| DECALS, EXTERIOR CHIEF, E.C.E., 1987-88 CHEROKEE 4 DOOR | Fig. 23-1800 |
| DECALS, EXTERIOR LAREDO, 1987 CHEROKEE 4 DOOR | Fig. 23-2000 |
| DECALS, EXTERIOR LAREDO AND ECE TYPE 1, 1988 CHEROKEE 4 DOOR | Fig. 23-2100 |
| DECALS, EXTERIOR LAREDO AND ECE TYPE 2 1988, 1989/90 CHEROKEE 4 DOOR | Fig. 23-2200 |
| DECALS, EXTERIOR LIMITED CHEROKEE 4 DOOR | Fig. 23-2300 |
| DECALS, EXTERIOR OLYMPIC, 1988 CHEROKEE 4 DOOR | Fig. 23-2400 |
| CHEROKEE, XJ, 2 DOOR | |
| NAMEPLATES CHEROKEE 2 DOOR | Fig. 23-2500 |
| MOULDINGS, EXTERIOR, UPPER CHEROKEE 2 DOOR | Fig. 23-2600 |
| MOULDINGS, EXTERIOR, LOWER CHEROKEE 2 DOOR | Fig. 23-2700 |
| DECALS, EXTERIOR PIONEER CHEROKEE 2 DOOR | Fig. 23-2800 |
| DECALS, EXTERIOR 2 TONE, 1987 TYPE 1 CHEROKEE 2 DOOR | Fig. 23-2890 |
| DECALS, EXTERIOR 2 TONE, 1987 TYPE 2 AND 1988 CHEROKEE 2 DOOR | Fig. 23-2900 |
| DECALS, EXTERIOR CHIEF - U.S. OR CANADA, 1987-89 CHEROKEE 2 DOOR | Fig. 23-3000 |

ILLUSTRATION NOT AVAILABLE AT TIME OF PUBLICATION

GROUP 23 - BODY - EXTERIOR ORNAMENTATION

GROUP 23 - BODY - EXTERIOR ORNAMENTATION

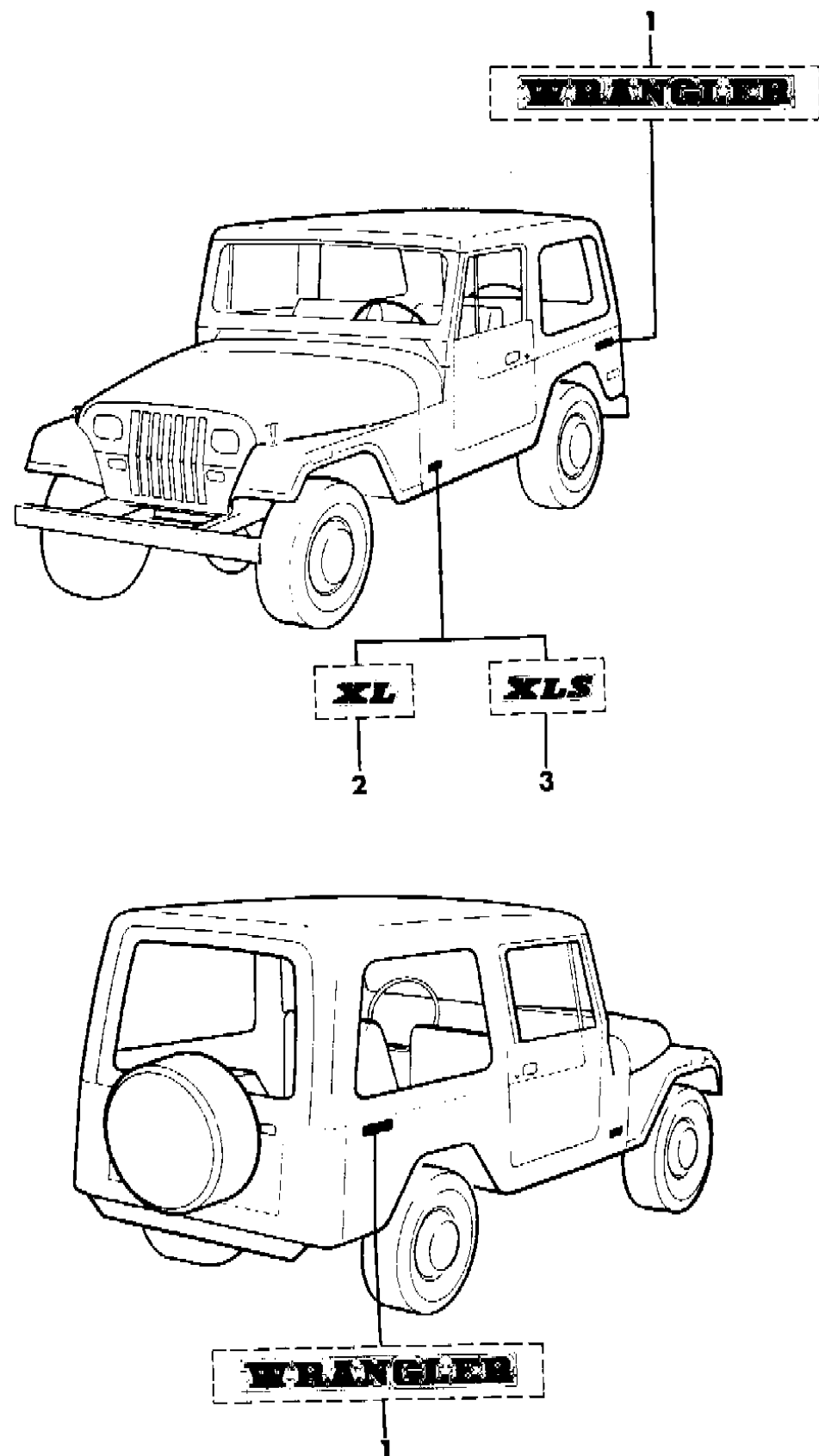
| ILLUSTRATION TITLE | GROUP-FIG. NO. |
|--|----------------|
| CHEROKEE, XJ, 2 DOOR (Continued) | |
| DECALS, EXTERIOR CHIEF - U.S. OR CANADA, 1987-89 CHEROKEE 2 DOOR | Fig. 23-3000 |
| DECALS, EXTERIOR CHIEF - E.C.E., 1987-89 CHEROKEE 2 DOOR | Fig. 23-3100 |
| DECALS, EXTERIOR LAREDO, 1987 CHEROKEE 2 DOOR | Fig. 23-3290 |
| DECALS, EXTERIOR LAREDO AND ECE TYPE 1, 1988 CHEROKEE 2 DOOR | Fig. 23-3300 |
| DECALS, EXTERIOR LAREDO AND ECE TYPE 2, 1988 1989-90 CHEROKEE 2 DOOR | Fig. 23-3400 |
| DECALS, EXTERIOR LIMITED, 1988-90 CHEROKEE 2 DOOR | Fig. 23-3500 |
| DECALS, EXTERIOR OLYMPIC, 1988 CHEROKEE 2 DOOR | Fig. 23-3600 |
| DECALS, EXTERIOR SPORT, 1988-90 CHEROKEE 2 DOOR | Fig. 23-3700 |
| WAGONEER, XJ | |
| NAMEPLATES WAGONEER | Fig. 23-3800 |
| MOULDINGS, EXTERIOR, UPPER WAGONEER | Fig. 23-3900 |
| MOULDINGS, EXTERIOR, LOWER WAGONEER LIMITED | Fig. 23-4000 |
| DECALS, EXTERIOR 2-TONE, 1987 WAGONEER | Fig. 23-4080 |
| DECALS, EXTERIOR PINSTRIPE, 1987 WAGONEER | Fig. 23-4090 |
| DECALS, EXTERIOR WOODGRAIN WAGONEER LIMITED | Fig. 23-4100 |
| COMANCHE, MJ | |
| NAMEPLATES COMANCHE | Fig. 23-4200 |
| MOULDINGS, EXTERIOR, UPPER COMANCHE | Fig. 23-4300 |
| MOULDINGS, EXTERIOR, LOWER COMANCHE | Fig. 23-4400 |
| DECALS, EXTERIOR BASE COMANCHE | Fig. 23-4500 |
| DECALS, EXTERIOR CHIEF, 1987-89 COMANCHE | Fig. 23-4600 |
| DECALS, EXTERIOR, LONG BED CHIEF-EXPORT, VENEZUELA, 1988-89 COMANCHE | Fig. 23-4700 |
| DECALS, EXTERIOR ELIMINATOR, 1988-90 COMANCHE | Fig. 23-4800 |
| DECALS, EXTERIOR LAREDO, 1987 COMANCHE | Fig. 23-4890 |
| DECALS, EXTERIOR LAREDO, 1988 COMANCHE | Fig. 23-4900 |
| DECALS, EXTERIOR OLYMPIC, 1988 COMANCHE | Fig. 23-5000 |
| DECALS, EXTERIOR PIONEER, 1988-90 COMANCHE | Fig. 23-5100 |
| DECALS, EXTERIOR SPORT, 1987 COMANCHE | Fig. 23-5190 |
| DECALS, EXTERIOR SPORTRUCK COMANCHE | Fig. 23-5200 |
| DECALS, EXTERIOR SPORT 2 TONE, 1987-88 COMANCHE | Fig. 23-5300 |
| DECALS, EXTERIOR PREMIUM 2 TONE, 1987-88 COMANCHE | Fig. 23-5400 |
| GRAND WAGONEER, SJ | |
| NAMEPLATES WAGON | Fig. 23-5500 |
| MOULDINGS, EXTERIOR, UPPER WAGON | Fig. 23-5600 |

| ILLUSTRATION TITLE | GROUP-FIG. NO. |
|---|----------------|
| GRAND WAGONEER, SJ (Continued) | |
| MOULDINGS, EXTERIOR, UPPER WAGON | Fig. 23-5600 |
| MOULDINGS, EXTERIOR, LOWER LESS WOODGRAIN DECALS WAGON, 1987-88 | Fig. 23-5700 |
| MOULDINGS, EXTERIOR, LOWER WITH WOODGRAIN DECALS WAGON | Fig. 23-5800 |
| DECALS, EXTERIOR WAGON | Fig. 23-5900 |
| J10, J20 | |
| NAMEPLATES 1987-88 J10, J20 | Fig. 23-6000 |
| MOULDINGS, EXTERIOR, UPPER 1987-88 J10, J20 | Fig. 23-6100 |
| MOULDINGS, EXTERIOR, LOWER 1987-88 J10, J20 | Fig. 23-6200 |
| DECALS, EXTERIOR 1987-88 J10, J20 | Fig. 23-6300 |

NAMEPLATES WRANGLER

Figure 23-100

8J68 100



| ITEM | PART NUMBER | QTY | BODY | MODEL | DESCRIPTION |
|------|-------------|-----|------|-------|-------------------------|
| 1 | 5501 0768 | 2 | | | NAMEPLATE, "Wrangler" |
| 2 | 5500 6529 | 2 | | | NAMEPLATE, "XL" Export |
| 3 | 5500 9128 | 2 | | | NAMEPLATE, "XLS" Export |

MODEL CODES:

| | | |
|-----------------------------|-----------------------------|------------------------------|
| 15 = Grand Wagoneer 4 Dr. | 65 = Comanche 4WD-7 Ft. Box | 77 = Cherokee 4WD-2 Dr. |
| 25 = J-10 Pickup-119" W.B. | 66 = Comanche 2WD-7 Ft. Box | 78 = Cherokee 4WD-4 Dr. |
| 26 = J-10 Pickup-131" W.B. | 73 = Cherokee 2WD-2 Dr. | 79 = Cherokee 4WD-4 Dr.-Com |
| 27 = J-20 Pickup-131" W.B. | 74 = Cherokee 2WD-4 Dr. | 81 = Wrangler-93" W.B. |
| 63 = Comanche 4WD-6 Ft. Box | 75 = Wagoneer 4WD-4 Dr. | 82 = Wrangler-103" W.B.-Exp. |
| 64 = Comanche 2WD-6 Ft. Box | | |

BODY STYLES:

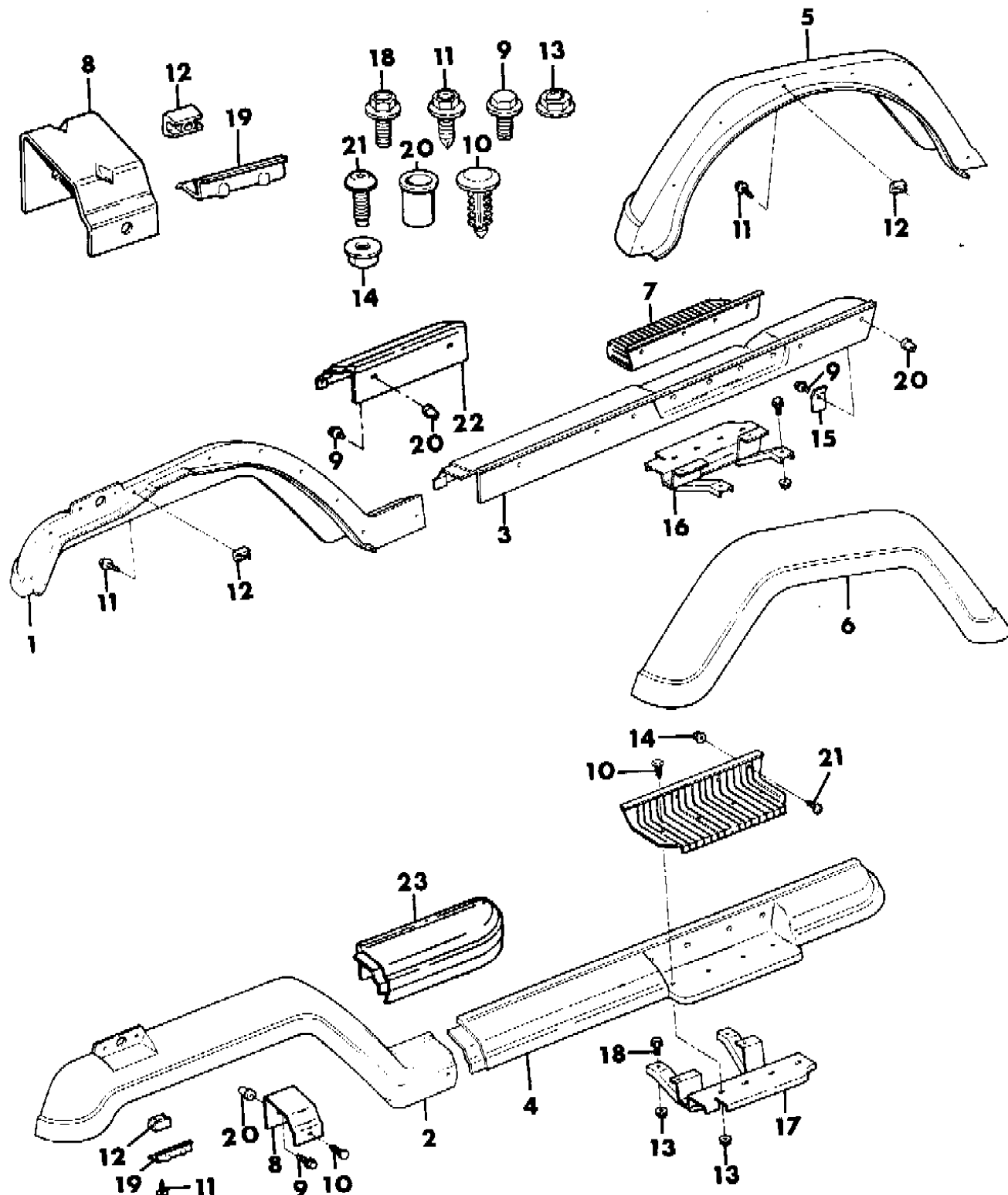
MJ = Comanche Pickup
 SJ = Grand Wagoneer Wgn., J-10 & J-20 Pickups
 XJ = Cherokee, Wagoneer Limited
 YJ = Wrangler

AR = Use as Required - = Non Illustrated Part P.A.R. = Paint as Required

EXTENSIONS FENDER AND REAR QUARTER WRANGLER, YJ

Figure 23-110

8J68 110



| ITEM | PART NUMBER | QTY | BODY | MODEL | DESCRIPTION |
|-------|-------------|-----|------|-------|----------------------------------|
| 1 | | | | | EXTENSION, Fender, Right, P.A.R. |
| | 5505 0054 | 1 | | | 1987-89 |
| | 5AF8 6JW7 | 1 | | | 1990 |
| 2 | | | | | EXTENSION, Fender, Left, P.A.R. |
| | 5505 0053 | 1 | | | 1987-89 |
| | 5AF8 7JW7 | 1 | | | 1990 |
| 3-4 | | | | | MOULDING, Body Side Step |
| | 5500 7678-9 | 1 | | | P.A.R., 1987-89 |
| | 5AF94-5 JX9 | 1 | | | Flat Black, 1990 |
| | 5AF94-5 JCB | 1 | | | Navy Blue, 1990 |
| | 5AF94-5 JQ4 | 1 | | | Pacific Blue, 1990 |
| | 5AF94-5 JJ6 | 1 | | | Khaki Metallic, 1990 |
| | 5AF94-5 JR5 | 1 | | | Graphic Red, 1990 |
| | 5AF94-5 JW7 | 1 | | | Bright White, 1990 |
| | 5AF94-5 JJ2 | 1 | | | Malibu Yellow, 1990 |
| 5 | | | | | EXTENSION, Rear Quarter, Right |
| | 5505 0056 | 1 | 81 | | P.A.R., 1987-89 |
| | J575 7020 | 1 | 82 | | Export, CKD, P.A.R. |
| | 5AF8 8JW7 | 1 | | | P.A.R., 1990 |
| 6 | | | | | EXTENSION, Rear Quarter, Left |
| | 5505 0055 | 1 | 81 | | P.A.R., 1987-89 |
| | J575 7021 | 1 | 82 | | Export, CKD, P.A.R. |
| | 5AF8 9JW7 | 1 | | | P.A.R., 1990 |
| 7 | 5501 7500 | 2 | | | APPLIQUE, Body Side Step |
| - | 5501 0048 | 2 | | | STRIP, Skid, Adhesive *** |
| 8 | 5500 8582 | 2 | | | BRACKET, Mounting |
| 9 | J400 6906 | 14 | | | SCREW |
| 10 | J400 4919 | AR | | | FASTENER |
| 11 | J941 6223 | 32 | | | SCREW |
| 12 | J400 4868 | 32 | | | NUT |
| 13 | 1150 2507 | AR | | | NUT |
| 14 | J400 4588 | AR | | | NUT |
| 15 | 5500 8583 | 2 | | | BRACKET |
| 16-17 | | | | | SUPPORT, Body Side Step |
| | 5500 9130-1 | 1 | | | w/4 Mounting Holes |
| | 8350 4798-9 | 1 | | | w/3 Mounting Holes |
| 18 | J400 5822 | 8 | | | SCREW |

MODEL CODES:

| | | |
|-----------------------------|-----------------------------|------------------------------|
| 15 = Grand Wagoneer 4 Dr. | 65 = Comanche 4WD-7 Ft. Box | 77 = Cherokee 4WD-2 Dr. |
| 25 = J-10 Pickup-119" W.B. | 66 = Comanche 2WD-7 Ft. Box | 78 = Cherokee 4WD-4 Dr. |
| 26 = J-10 Pickup-131" W.B. | 73 = Cherokee 2WD-2 Dr. | 79 = Cherokee 4WD-4 Dr.-Com |
| 27 = J-20 Pickup-131" W.B. | 74 = Cherokee 2WD-4 Dr. | 81 = Wrangler-93" W.B. |
| 63 = Comanche 4WD-6 Ft. Box | 75 = Wagoneer 4WD-4 Dr. | 82 = Wrangler-103" W.B.-Exp. |
| 64 = Comanche 2WD-6 Ft. Box | | |

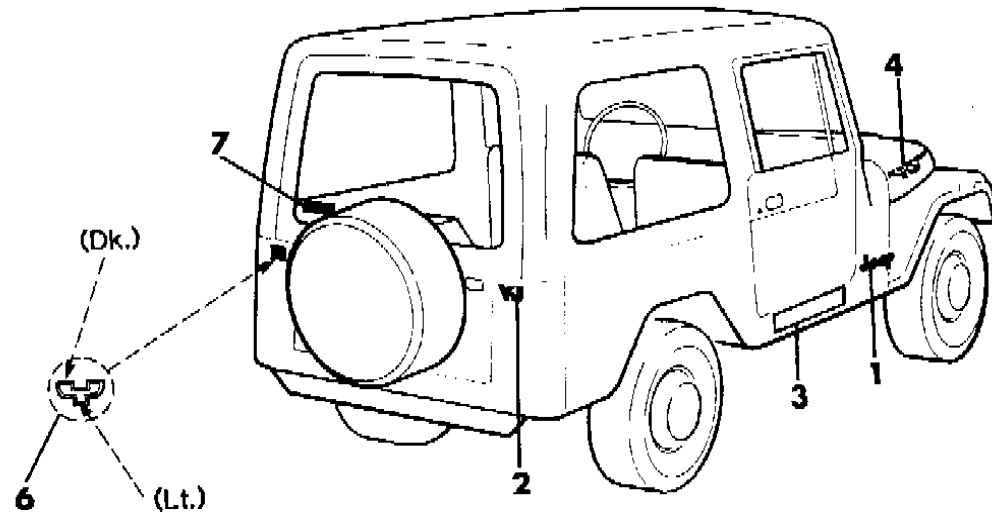
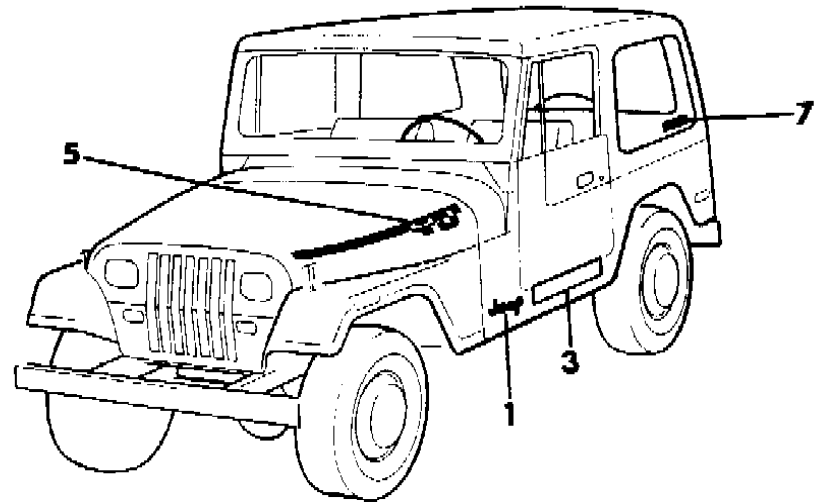
BODY STYLES:

MJ = Comanche Pickup
 SJ = Grand Wagoneer Wgn., J-10 & J-20 Pickups
 XJ = Cherokee, Wagoneer Limited
 YJ = Wrangler

AR = Use as Required - = Non Illustrated Part P.A.R. = Paint as Required

DECALS, EXTERIOR BASE, U.S., CANADA WRANGLER, YJ
Figure 23-200

8J68 200



| ITEM | PART NUMBER | QTY | BODY | MODEL | DESCRIPTION |
|------|-------------|-----|------|-------|------------------------------------|
| 1 | | | | | DECAL, "Jeep" |
| | J546 1682 | 2 | | | Black, 1987-89 |
| | 5AS1 5JX9 | 2 | | | Black, 1990 |
| | J576 6780 | 2 | | | White, 1987 |
| | 5502 0244 | 2 | | | White, 1988 |
| | 5AS1 5JW4 | 2 | | | White, 1990 |
| 2 | 5501 5321 | 1 | | | DECAL, "YJ" Canada, Black, 1987-88 |
| 3 | J576 5270 | 2 | | | PROTECTOR, Scuff, Clear |
| 4-5 | | | | | DECAL, Hood, Canada |
| | 5502 1374-5 | 1 | | | Sand, 1989 |
| | 5AS30-1 JK8 | 1 | | | Sand, 1990 |
| | 5501 7516-7 | 1 | | | Silver, 1987-89 |
| | 5AS30-1 JA9 | 1 | | | Silver, 1990 |
| | 5501 7518-9 | 1 | | | Tan, 1987-88 |
| 6 | | | | | DECAL, "YJ" Canada |
| | 5502 1373 | 1 | | | Sand, 1989 |
| | 5AS3 2JAZ | 1 | | | Sand, 1990 |
| | 5501 8574 | 1 | | | Silver, 1987-89 |
| | 5AS3 2JAV | 1 | | | Silver, 1990 |
| | 5501 7513 | 1 | | | Tan, 1987-88 |
| 7 | 5502 0568 | 1 | | | DECAL, "Olympic" 1988 |

MODEL CODES:

| | | |
|-----------------------------|-----------------------------|------------------------------|
| 15 = Grand Wagoneer 4 Dr. | 65 = Comanche 4WD-7 Ft. Box | 77 = Cherokee 4WD-2 Dr. |
| 25 = J-10 Pickup-119" W.B. | 66 = Comanche 2WD-7 Ft. Box | 78 = Cherokee 4WD-4 Dr. |
| 26 = J-10 Pickup-131" W.B. | 73 = Cherokee 2WD-2 Dr. | 79 = Cherokee 4WD-4 Dr.-Com |
| 27 = J-20 Pickup-131" W.B. | 74 = Cherokee 2WD-4 Dr. | 81 = Wrangler-93" W.B. |
| 63 = Comanche 4WD-6 Ft. Box | 75 = Wagoneer 4WD-4 Dr. | 82 = Wrangler-103" W.B.-Exp. |
| 64 = Comanche 2WD-6 Ft. Box | | |

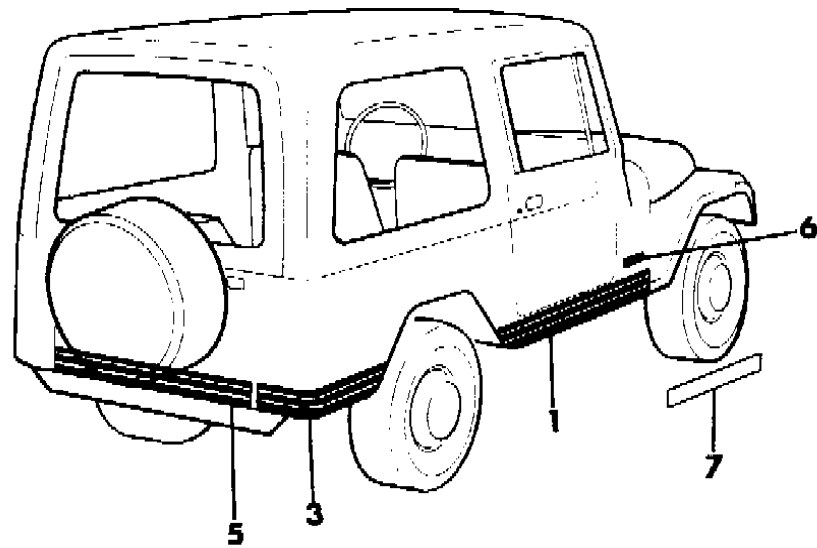
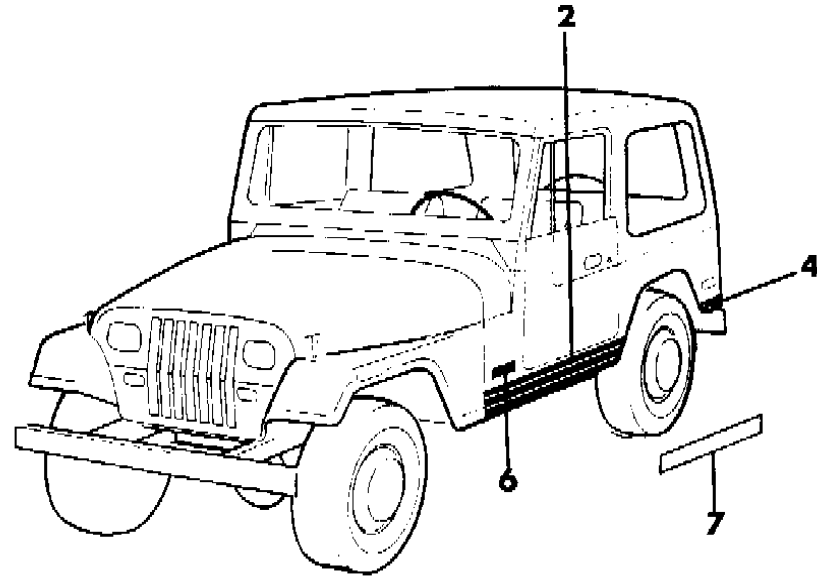
BODY STYLES:

MJ = Comanche Pickup
 SJ = Grand Wagoneer Wgn., J-10 & J-20 Pickups
 XJ = Cherokee, Wagoneer Limited
 YJ = Wrangler

AR = Use as Required - = Non Illustrated Part P.A.R. = Paint as Required

DECALS, EXTERIOR BASE, E.C.E., 1988-90 WRANGLER
Figure 23-300

8 J 68 300



| ITEM | PART NUMBER | QTY | BODY | MODEL | DESCRIPTION |
|------|-------------|-----|------|-------|---------------------------------|
| 1-2 | | | | | DECAL, Body Side, 1988 |
| | 5501 8578-9 | 1 | | | Dark Silver/Light Medium Silver |
| | 5501 3482-3 | 1 | | | Dark Tan/Medium Tan/Light Tan |
| 3-4 | | | | | DECAL, Rear Quarter, 1988 |
| | 5501 8576-7 | 1 | | | Dark Silver/Light Medium Silver |
| | 5501 3486-7 | 1 | | | Dark Tan/Medium Tan/Light Tan |
| 5 | | | | | DECAL, Rear Lower, 1988 |
| | 5501 8575 | 1 | | | Dark Silver/Light Medium Silver |
| | 5501 3479 | 1 | | | Dark Tan/Medium Tan/Light Tan |
| 6 | | | | | DECAL, "Jeep" |
| | J546 1682 | 2 | | | Black, 1989 |
| | 5AS1 5JX9 | 2 | | | Black, 1990 |
| | 5501 8584 | 2 | | | Silver, 1988 |
| | 5501 3469 | 2 | | | Tan, 1988 |
| | 5502 0244 | 2 | | | White, 1989 |
| | 5AS1 5JW4 | 2 | | | White, 1990 |
| 7 | J576 5270 | 2 | | | PROTECTOR, Scuff, Clear |

(ECE) Emission Controlled European. (A) For 1987, two types of instrument clusters were used. On type one, Clusters, the odometer numbers are rounded, the Speedometer face has (2) slotte

MODEL CODES:

| | | |
|-----------------------------|-----------------------------|------------------------------|
| 15 = Grand Wagoneer 4 Dr. | 65 = Comanche 4WD-7 Ft. Box | 77 = Cherokee 4WD-2 Dr. |
| 25 = J-10 Pickup-119" W.B. | 66 = Comanche 2WD-7 Ft. Box | 78 = Cherokee 4WD-4 Dr. |
| 26 = J-10 Pickup-131" W.B. | 73 = Cherokee 2WD-2 Dr. | 79 = Cherokee 4WD-4 Dr.-Com |
| 27 = J-20 Pickup-131" W.B. | 74 = Cherokee 2WD-4 Dr. | 81 = Wrangler-93" W.B. |
| 63 = Comanche 4WD-6 Ft. Box | 75 = Wagoneer 4WD-4 Dr. | 82 = Wrangler-103" W.B.-Exp. |
| 64 = Comanche 2WD-6 Ft. Box | | |

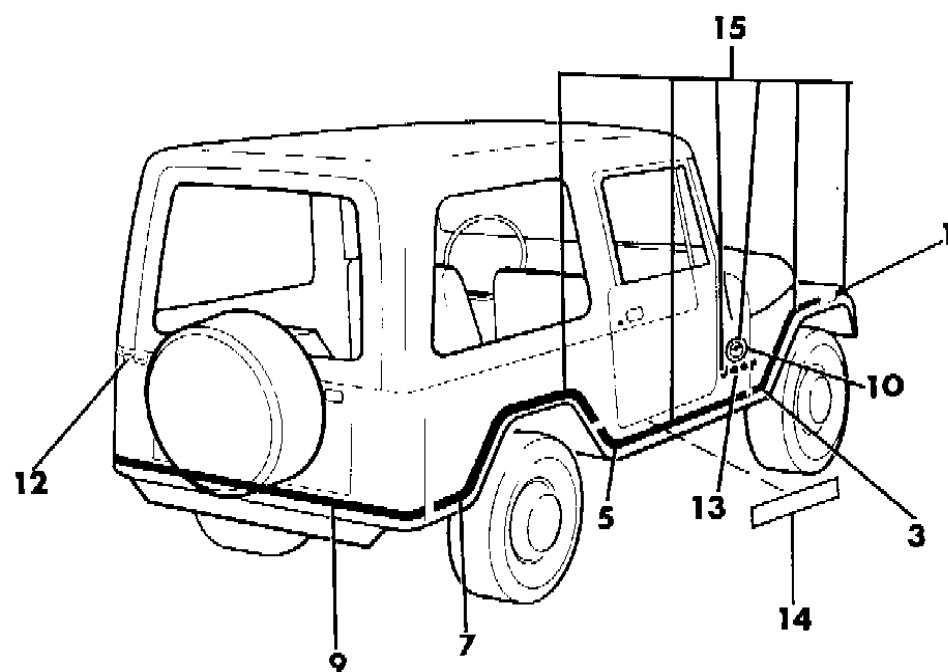
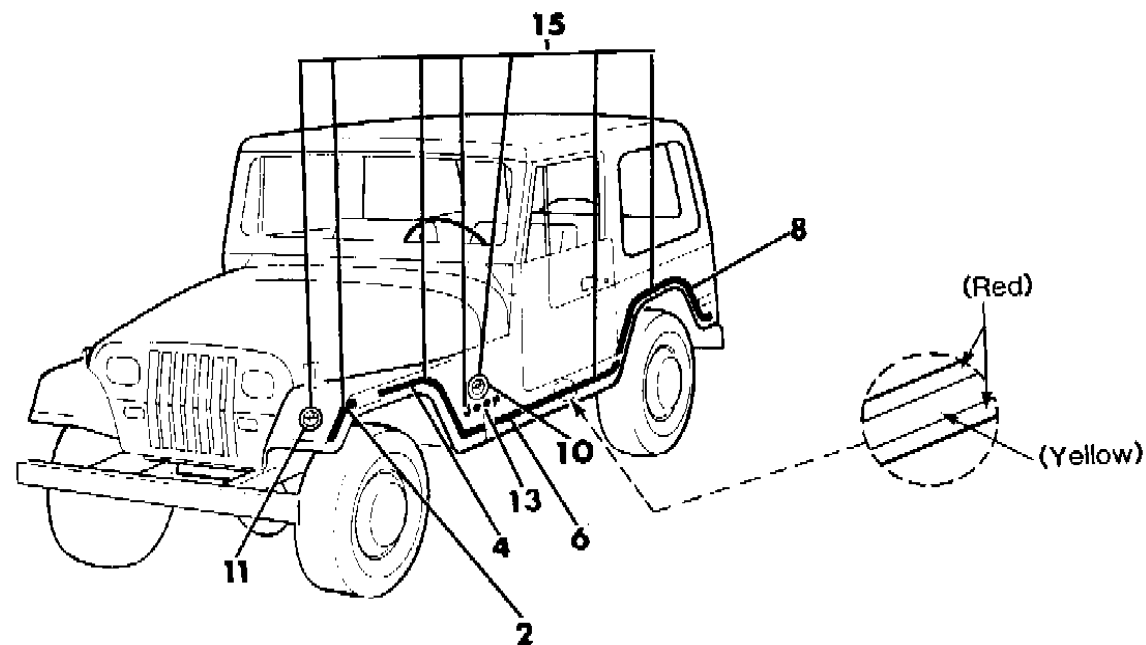
BODY STYLES:

MJ = Comanche Pickup
SJ = Grand Wagoneer Wgn., J-10 & J-20 Pickups
XJ = Cherokee, Wagoneer Limited
YJ = Wrangler

AR = Use as Required - = Non Illustrated Part P.A.R. = Paint as Required

DECALS, EXTERIOR SAHARA, 1988-90 WRANGLER, YJ
Figure 23-400

8J68 400 A



| ITEM | PART NUMBER | QTY | BODY | MODEL | DESCRIPTION |
|------|-------------|-----|------|-------|--|
| 1-2 | | | | | DECAL, Fender, Front, Red/Yellow, Except (ECE) |
| | 5501 9338-9 | 1 | | | 1988-89 |
| | 5AS42-3 JAP | 1 | | | 1990 |
| 3-4 | | | | | DECAL, Fender, Rear, Red/Yellow |
| | 5501 9340-1 | 1 | | | 1988-89 |
| | 5AS44-5 JAP | 1 | | | 1990 |
| 5-6 | | | | | DECAL, Body Side, Red/Yellow |
| | 5501 9342-3 | 1 | | | 1988-89 |
| | 5AS46-7 JAP | 1 | | | 1990 |
| 7-8 | | | | | DECAL, Rear Quarter, Red/Yellow |
| | 5502 0000-1 | 1 | | | 1988-89 |
| | 5AS48-9 JAP | 1 | | | 1990 |
| 9 | | | | | DECAL, Rear Lower, Red/Yellow |
| | 5501 9344 | 1 | | | 1988-89 |
| | 5AS5 0JAP | 1 | | | 1990 |
| 10 | | | | | DECAL, Body Side, Red/Yellow |
| | 5501 9345 | 2 | | | 1988-89 |
| | 5AS6 0JAP | 2 | | | 1990 |
| 11 | | | | | DECAL, Fender, Red/Yellow |
| | 5501 9998 | 1 | | | 1988-89 |
| | 5AS6 1JAP | 1 | | | 1990 |
| 12 | | | | | DECAL, "YJ" Canada |
| | 5501 9346 | 1 | | | Yellow/Red, 1988-89 |
| | 5AS3 2JAP | 1 | | | Red/Yellow, 1990 |
| 13 | | | | | DECAL, "Jeep" |
| | 5501 9250 | 2 | | | Yellow, 1988-89 |
| | 5AS1 5JY3 | 2 | | | Yellow, 1990 |
| | 5AS1 5JR3 | 2 | | | Red, 1990 |
| 14 | J576 5270 | 2 | | | PROTECTOR, Scuff, Clear |
| 15 | | | | | TAPESTRIPE PACKAGE, Bodyside, 1990 *** |
| | 4636 086 | 1 | | | Right, includes items 1,3,5,7,10, and 13. |
| | 4636 087 | 1 | | | Left, includes items 2,4,6,8,10,11, and 13. |

MODEL CODES:

| | | |
|-----------------------------|-----------------------------|------------------------------|
| 15 = Grand Wagoneer 4 Dr. | 65 = Comanche 4WD-7 Ft. Box | 77 = Cherokee 4WD-2 Dr. |
| 25 = J-10 Pickup-119" W.B. | 66 = Comanche 2WD-7 Ft. Box | 78 = Cherokee 4WD-4 Dr. |
| 26 = J-10 Pickup-131" W.B. | 73 = Cherokee 2WD-2 Dr. | 79 = Cherokee 4WD-4 Dr.-Com |
| 27 = J-20 Pickup-131" W.B. | 74 = Cherokee 2WD-4 Dr. | 81 = Wrangler-93" W.B. |
| 63 = Comanche 4WD-6 Ft. Box | 75 = Wagoneer 4WD-4 Dr. | 82 = Wrangler-103" W.B.-Exp. |
| 64 = Comanche 2WD-6 Ft. Box | | |

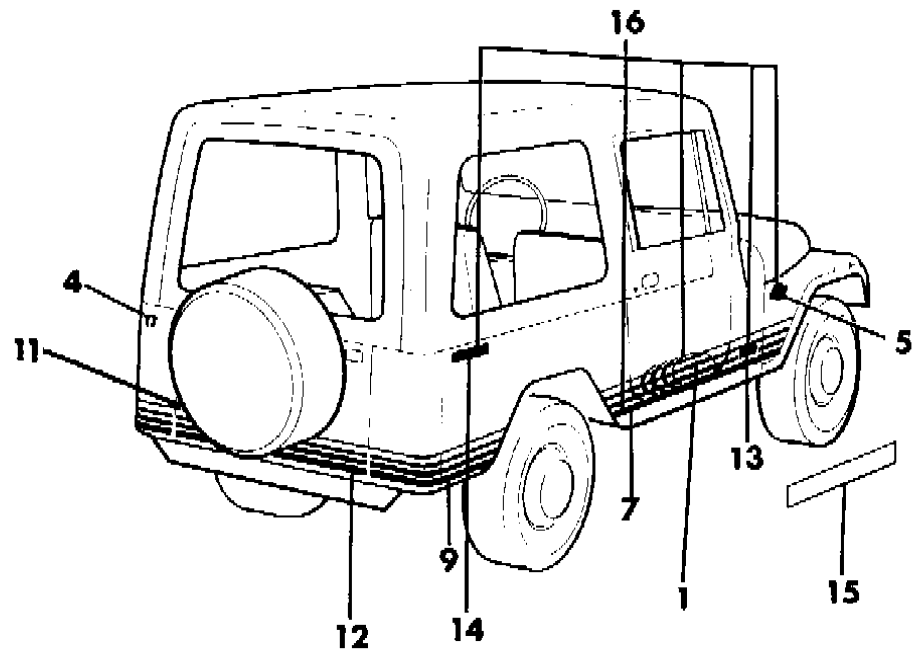
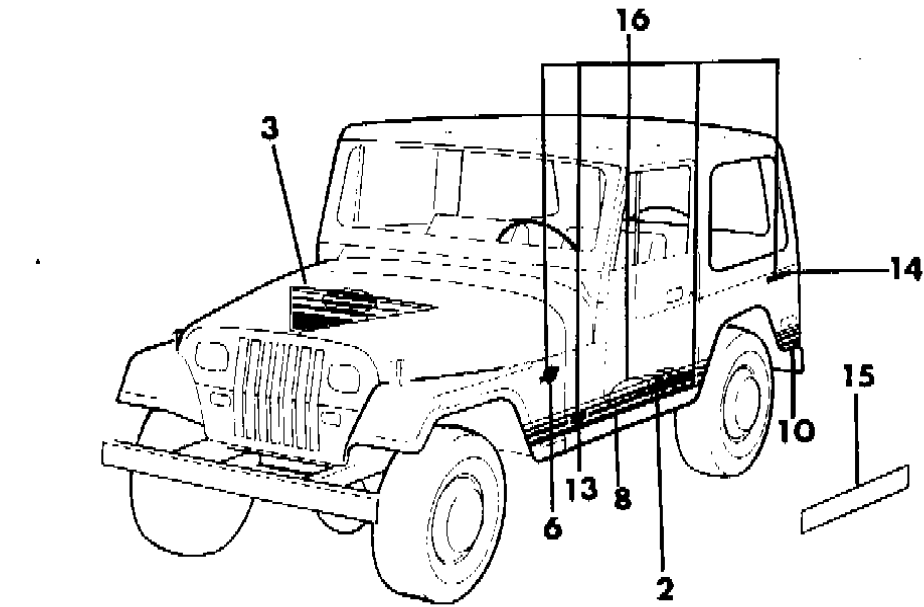
BODY STYLES:

MJ = Comanche Pickup
 SJ = Grand Wagoneer Wgn., J-10 & J-20 Pickups
 XJ = Cherokee, Wagoneer Limited
 YJ = Wrangler

AR = Use as Required - = Non Illustrated Part P.A.R. = Paint as Required

DECALS, EXTERIOR ISLANDER, 1989-90 WRANGLER, YJ
Figure 23-500

8J68 500 A



| ITEM | PART NUMBER | QTY | BODY | MODEL | DESCRIPTION |
|------|-------------|-----|------|-------|---|
| 1-2 | | | | | DECAL, Door Orange Red/Yellow Orange/Blue Metallic |
| | 5502 4440-1 | 1 | | | 1989 |
| | 5AS26-7 JAN | 1 | | | 1990 |
| 3 | | | | | DECAL, Hood Orange Red/Yellow Orange/Blue Metallic |
| | 5502 2124 | 1 | | | 1989 |
| | 5AS1 7JAN | 1 | | | 1990 |
| 4 | | | | | DECAL, "YJ" Canada Blue Metallic/Orange Red |
| | 5502 2133 | 1 | | | 1989 |
| | 5AS6 2JBD | 1 | | | 1990 |
| 5-6 | | | | | DECAL, "Islander" Blue Metallic/Yellow Orange |
| | 5502 2130-1 | 1 | | | 1989 |
| | 5AS22-3 JAP | 1 | | | 1990 |
| 7-8 | | | | | DECAL, Body Side, Blue Metallic |
| | 5502 2126-7 | 1 | | | 1989 |
| | 5AS18-9 JAN | 1 | | | 1990 |
| 9-10 | | | | | DECAL, Rear Quarter, Blue Metallic |
| | 5502 4442-3 | 1 | | | 1989 |
| | 5AS28-9 JAN | 1 | | | 1990 |
| 11 | | | | | DECAL, Tailgate Upper, Left, Blue Metallic |
| | 5502 4439 | 1 | | | 1989 |
| | 5AS2 5JAN | 1 | | | 1990 |
| 12 | | | | | DECAL, Rear Lower, Blue Metallic |
| | 5502 2128 | 1 | | | 1989 |
| | 5AS2 0JAN | 1 | | | 1990 |
| 13 | | | | | DECAL, "Jeep" |
| | 5502 2132 | 2 | | | 1989 |
| | 5AS1 5JQ9 | 2 | | | 1990 |
| 14 | | | | | DECAL, "Wrangler" |
| | 5502 2129 | 2 | | | 1989 |
| | 5AS2 1JAN | 2 | | | 1990 |
| 15 | J576 5270 | 2 | | | PROTECTOR, Scuff, Clear |
| 16 | 4636 090 | 1 | | | TAPESTRIPE PACKAGE, Bodyside, 1990 *** U.S., Right, includes items 1,5,7,13, and 14. |

MODEL CODES:

| | | |
|-----------------------------|-----------------------------|------------------------------|
| 15 = Grand Wagoneer 4 Dr. | 65 = Comanche 4WD-7 Ft. Box | 77 = Cherokee 4WD-2 Dr. |
| 25 = J-10 Pickup-119" W.B. | 66 = Comanche 2WD-7 Ft. Box | 78 = Cherokee 4WD-4 Dr. |
| 26 = J-10 Pickup-131" W.B. | 73 = Cherokee 2WD-2 Dr. | 79 = Cherokee 4WD-4 Dr.-Com |
| 27 = J-20 Pickup-131" W.B. | 74 = Cherokee 2WD-4 Dr. | 81 = Wrangler-93" W.B. |
| 63 = Comanche 4WD-6 Ft. Box | 75 = Wagoneer 4WD-4 Dr. | 82 = Wrangler-103" W.B.-Exp. |
| 64 = Comanche 2WD-6 Ft. Box | | |

BODY STYLES:

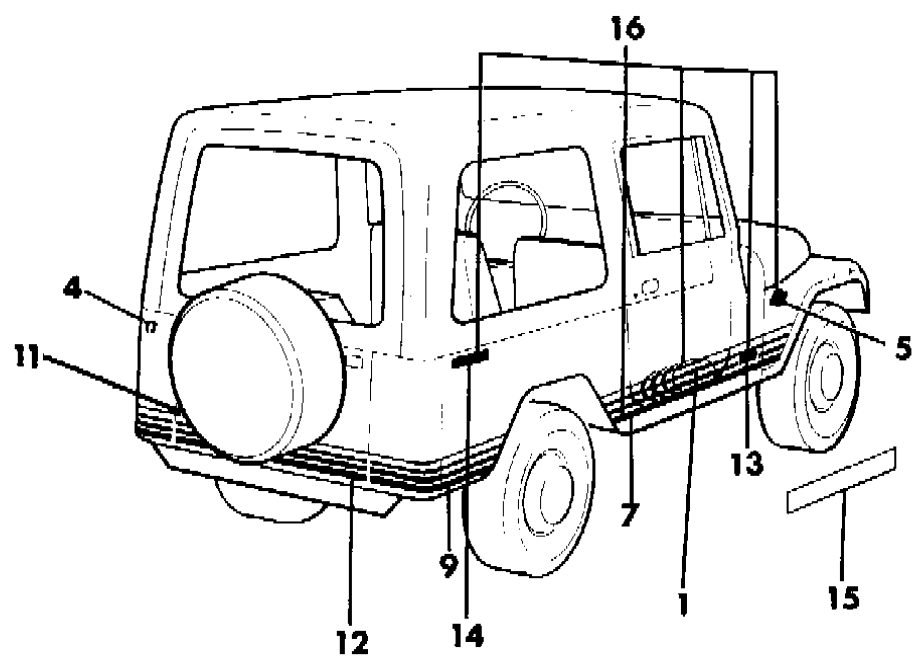
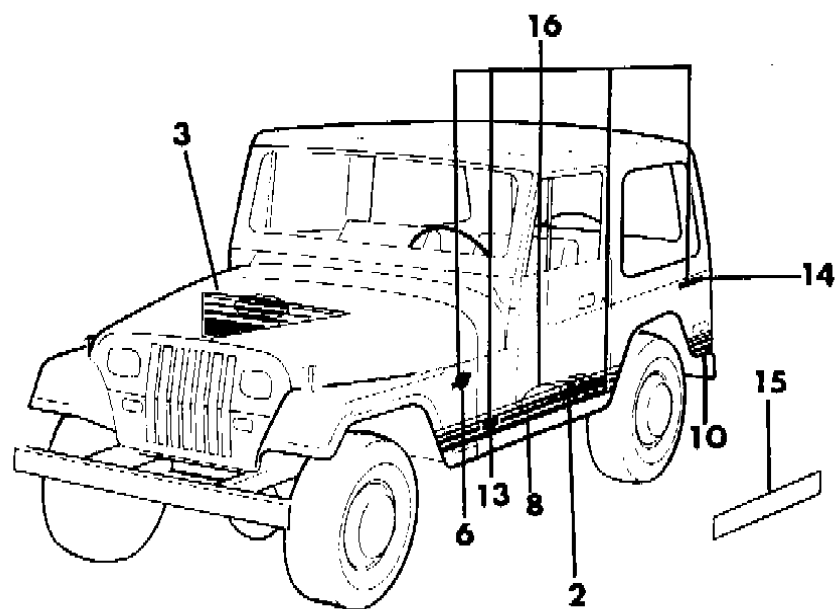
MJ = Comanche Pickup
SJ = Grand Wagoneer Wgn., J-10 & J-20 Pickups
XJ = Cherokee, Wagoneer Limited
YJ = Wrangler

AR = Use as Required - = Non Illustrated Part P.A.R. = Paint as Required

DECALS, EXTERIOR ISLANDER, 1989-90 WRANGLER, YJ
Figure 23-500

8J68 500 A

| ITEM | PART NUMBER | QTY | BODY | MODEL | DESCRIPTION |
|------|-------------|-----|------|-------|--|
| | 4636 091 | 1 | | | U.S., Left, includes items 2,6,8,13 and 14 |
| | 4636 092 | 1 | | | Canada, Right, includes items 1,5,7 and 13. |
| | 4636 093 | 1 | | | Canada, Left, includes items 2,6,8 and 13. |
| 17 | 4636 095 | 1 | | | TAPESTRIPE PACKAGE, Rear End, 1990, includes items 9,10, 11, and 12. *** |



MODEL CODES:

| | | |
|-----------------------------|-----------------------------|------------------------------|
| 15 = Grand Wagoneer 4 Dr. | 65 = Comanche 4WD-7 Ft. Box | 77 = Cherokee 4WD-2 Dr. |
| 25 = J-10 Pickup-119" W.B. | 66 = Comanche 2WD-7 Ft. Box | 78 = Cherokee 4WD-4 Dr. |
| 26 = J-10 Pickup-131" W.B. | 73 = Cherokee 2WD-2 Dr. | 79 = Cherokee 4WD-4 Dr.-Com |
| 27 = J-20 Pickup-131" W.B. | 74 = Cherokee 2WD-4 Dr. | 81 = Wrangler-93" W.B. |
| 63 = Comanche 4WD-6 Ft. Box | 75 = Wagoneer 4WD-4 Dr. | 82 = Wrangler-103" W.B.-Exp. |
| 64 = Comanche 2WD-6 Ft. Box | | |

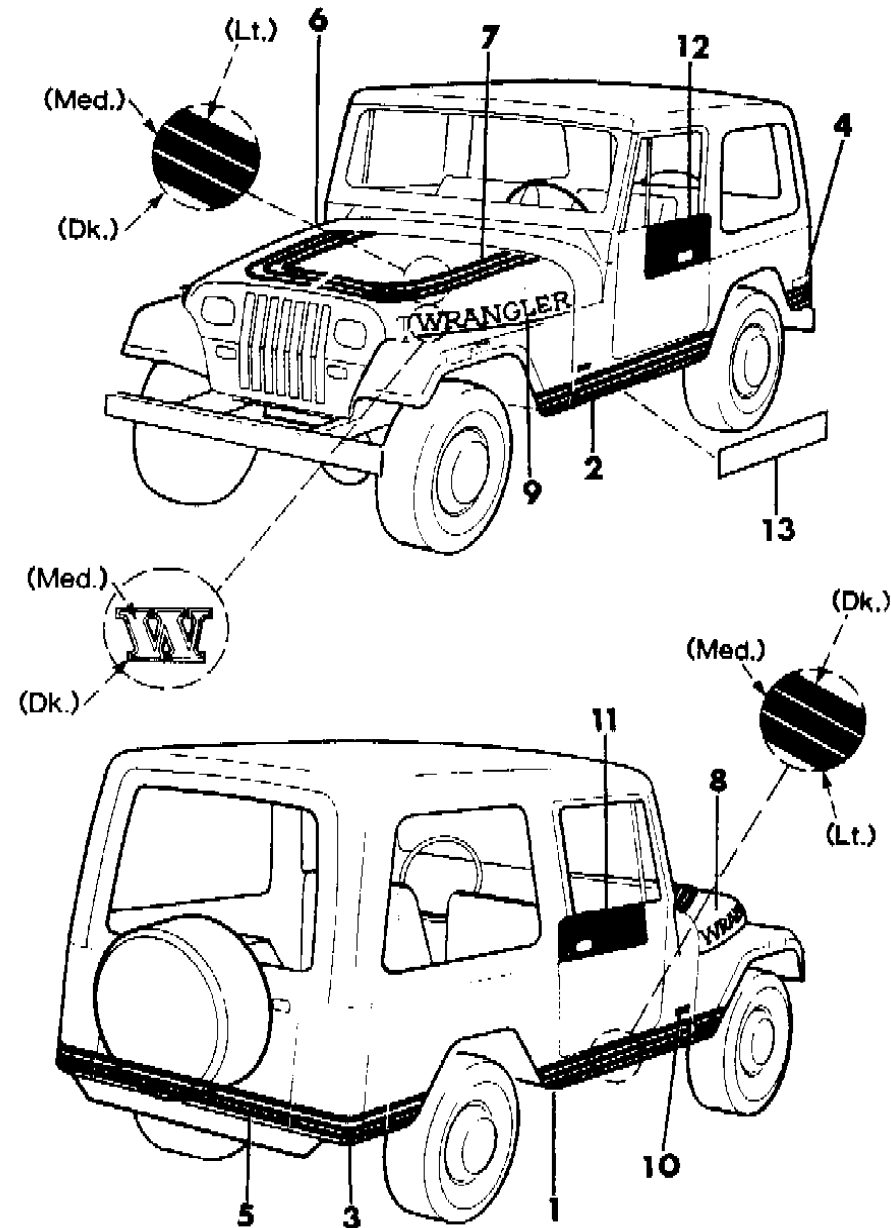
BODY STYLES:

MJ = Comanche Pickup
SJ = Grand Wagoneer Wgn., J-10 & J-20 Pickups
XJ = Cherokee, Wagoneer Limited
YJ = Wrangler

AR = Use as Required - = Non Illustrated Part P.A.R. = Paint as Required

DECALS, EXTERIOR SPORT, U.S., 1987-88 WRANGLER
Figure 23-600

8 J 68 600



| ITEM | PART NUMBER | QTY | BODY | MODEL | DESCRIPTION |
|-------|-------------|-----|------|-------|---|
| 1-2 | | | | | DECAL, Body Side |
| | 5501 3480-1 | 1 | | | Dark Silver/Medium Silver/Light Silver, 1987 |
| | 5501 8578-9 | 1 | | | Dark Silver/Light Medium Silver, 1988 |
| | 5501 3482-3 | 1 | | | Dark Tan/Medium Tan/Light Tan, 1987-88 |
| 3-4 | | | | | DECAL, Rear Quarter |
| | 5501 3484-5 | 1 | | | Dark Silver/Medium Silver/Light Silver, 1987 |
| | 5501 8576-7 | 1 | | | Dark Silver/Light Medium Silver, 1988 |
| | 5501 3486-7 | 1 | | | Dark Tan/Medium Tan/Light Tan, 1987-88 |
| 5 | | | | | DECAL, Rear Lower |
| | 5501 3478 | 1 | | | Dark Silver/Medium Silver/ Light Silver, 1987 |
| | 5501 8575 | 1 | | | Dark Silver/Light Medium Silver, 1988 |
| | 5501 3479 | 1 | | | Dark Tan/Medium Tan/Light Tan, 1987-88 |
| 6-7 | | | | | DECAL, Hood |
| | 5501 3474-5 | 1 | | | Dark Silver/Medium Silver/Light Silver, 1987 |
| | 5501 8580-1 | 1 | | | Light Medium Silver/Dark Silver, 1988 |
| | 5501 3476-7 | 1 | | | Light Tan/Medium Tan/Dark Tan, 1987-88 |
| 8-9 | | | | | DECAL, Hood, U.S. |
| | 5501 3470-1 | 1 | | | Dark Silver/Medium Silver, 1987 |
| | 5501 8582-3 | 1 | | | Dark Silver, 1988 |
| | 5501 3472-3 | 1 | | | Dark Tan/Medium Tan, 1987-88 |
| 10 | | | | | DECAL, "Jeep" |
| | J546 1682 | 2 | | | Black, 1987 |
| | 5501 3468 | 2 | | | Silver, 1987 |
| | 5501 8584 | 2 | | | Silver, 1988 |
| | 5501 3469 | 2 | | | Tan, 1987-88 |
| 11-12 | | | | | DECAL, Door, modification required |
| | J576 4570-1 | 1 | | | Black |
| | J576 5504-5 | 1 | | | Honey |
| | J576 4568-9 | 1 | | | White |
| 13 | J576 5270 | 2 | | | PROTECTOR, Scuff, Clear |

MODEL CODES:

| | | |
|-----------------------------|-----------------------------|------------------------------|
| 15 = Grand Wagoneer 4 Dr. | 65 = Comanche 4WD-7 Ft. Box | 77 = Cherokee 4WD-2 Dr. |
| 25 = J-10 Pickup-119" W.B. | 66 = Comanche 2WD-7 Ft. Box | 78 = Cherokee 4WD-4 Dr. |
| 26 = J-10 Pickup-131" W.B. | 73 = Cherokee 2WD-2 Dr. | 79 = Cherokee 4WD-4 Dr.-Com |
| 27 = J-20 Pickup-131" W.B. | 74 = Cherokee 2WD-4 Dr. | 81 = Wrangler-93" W.B. |
| 63 = Comanche 4WD-6 Ft. Box | 75 = Wagoneer 4WD-4 Dr. | 82 = Wrangler-103" W.B.-Exp. |
| 64 = Comanche 2WD-6 Ft. Box | | |

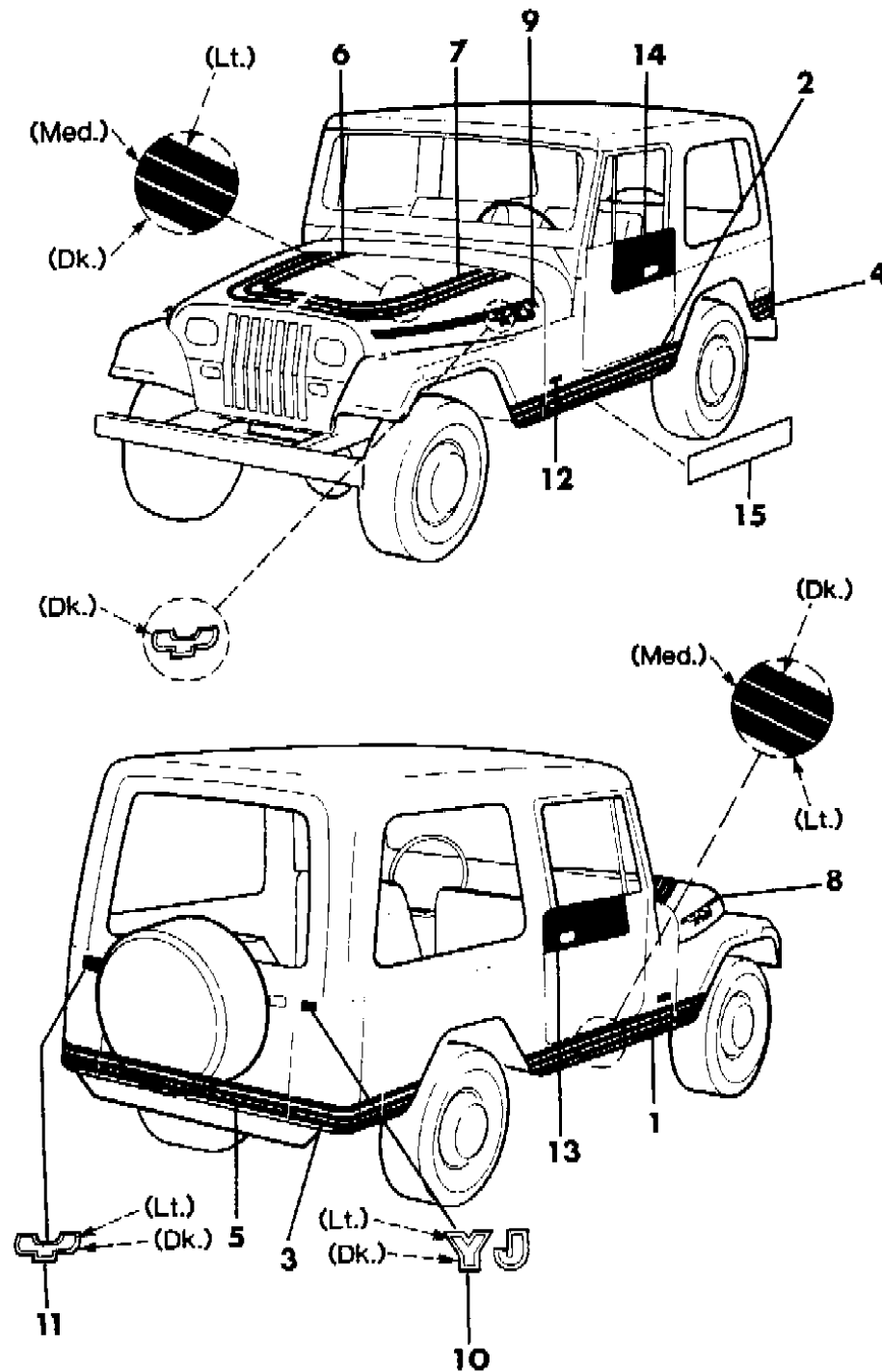
BODY STYLES:

MJ = Comanche Pickup
 SJ = Grand Wagoneer Wgn., J-10 & J-20 Pickups
 XJ = Cherokee, Wagoneer Limited
 YJ = Wrangler

AR = Use as Required - = Non Illustrated Part P.A.R. = Paint as Required

DECALS, EXTERIOR SPORT, CANADA, 1987-88 YJ
Figure 23-700

8J68 700



| ITEM | PART NUMBER | QTY | BODY | MODEL | DESCRIPTION |
|-------|-------------|-----|------|-------|---|
| 1-2 | | | | | DECAL, Body Side |
| | 5501 3480-1 | 1 | | | Dark Silver/Medium Silver/ Light Silver, 1987 |
| | 5501 8578-9 | 1 | | | Dark Silver/Light Medium Silver, 1988 |
| | 5501 3482-3 | 1 | | | Dark Tan/Medium Tan/Light Tan, 1987-88 |
| 3-4 | | | | | DECAL, Rear Quarter |
| | 5501 3484-5 | 1 | | | Dark Silver/Medium Silver/Light Silver, 1987 |
| | 5501 8576-7 | 1 | | | Dark Silver/Light Medium Silver, 1988 |
| | 5501 3486-7 | 1 | | | Dark Tan/Medium Tan/Light Tan, 1987-88 |
| 5 | | | | | DECAL, Rear Lower |
| | 5501 3478 | 1 | | | Dark Silver/Medium Silver/Light Silver, 1987 |
| | 5501 8575 | 1 | | | Dark Silver/Light Medium Silver, 1988 |
| | 5501 3479 | 1 | | | Dark Tan/Medium Tan/Light Tan, 1987-88 |
| 6-7 | | | | | DECAL, Hood |
| | 5501 3474-5 | 1 | | | Light Silver/Medium Silver/Dark Silver, 1987 |
| | 5501 8580-1 | 1 | | | Light Medium Silver/Dark Silver, 1988 |
| | 5501 3476-7 | 1 | | | Light Tan/Medium Tan/Dark Tan, 1987-88 |
| 8-9 | | | | | DECAL, Hood |
| | 5501 7516-7 | 1 | | | Dark Silver, 1987-88 |
| | 5501 7518-9 | 1 | | | Dark Tan, 1987-88 |
| 10 | | | | | DECAL, "YJ" |
| | 5501 5318 | 1 | | | Dark Silver/Light Silver, 1987 |
| | 5501 5320 | 1 | | | Dark Tan/Light Tan, 1988 |
| 11 | | | | | DECAL, "YJ" |
| | 5501 7512 | 1 | | | Dark Silver/Light Silver, 1987 |
| | 5501 8574 | 1 | | | Dark Silver, 1988 |
| | 5501 7513 | 1 | | | Dark Tan/Light Tan, 1987-88 |
| 12 | | | | | DECAL, "Jeep" |
| | J546 1682 | 2 | | | Black, 1987 |
| | 5501 3468 | 2 | | | Silver, 1987 |
| | 5501 8584 | 2 | | | Silver, 1988 |
| | 5501 3469 | 2 | | | Tan, 1987-88 |
| 13-14 | | | | | DECAL, Door, modification required |
| | J576 4570-1 | 1 | | | Black |
| | J576 5504-5 | 1 | | | Honey |
| | J576 4568-9 | 1 | | | White |
| 15 | J576 5270 | 2 | | | PROTECTOR, Scuff, Clear |

MODEL CODES:

| | | |
|-----------------------------|-----------------------------|------------------------------|
| 15 = Grand Wagoneer 4 Dr. | 65 = Comanche 4WD-7 Ft. Box | 77 = Cherokee 4WD-2 Dr. |
| 25 = J-10 Pickup-119" W.B. | 66 = Comanche 2WD-7 Ft. Box | 78 = Cherokee 4WD-4 Dr. |
| 26 = J-10 Pickup-131" W.B. | 73 = Cherokee 2WD-2 Dr. | 79 = Cherokee 4WD-4 Dr.-Com |
| 27 = J-20 Pickup-131" W.B. | 74 = Cherokee 2WD-4 Dr. | 81 = Wrangler-93" W.B. |
| 63 = Comanche 4WD-6 Ft. Box | 75 = Wagoneer 4WD-4 Dr. | 82 = Wrangler-103" W.B.-Exp. |
| 64 = Comanche 2WD-6 Ft. Box | | |

BODY STYLES:

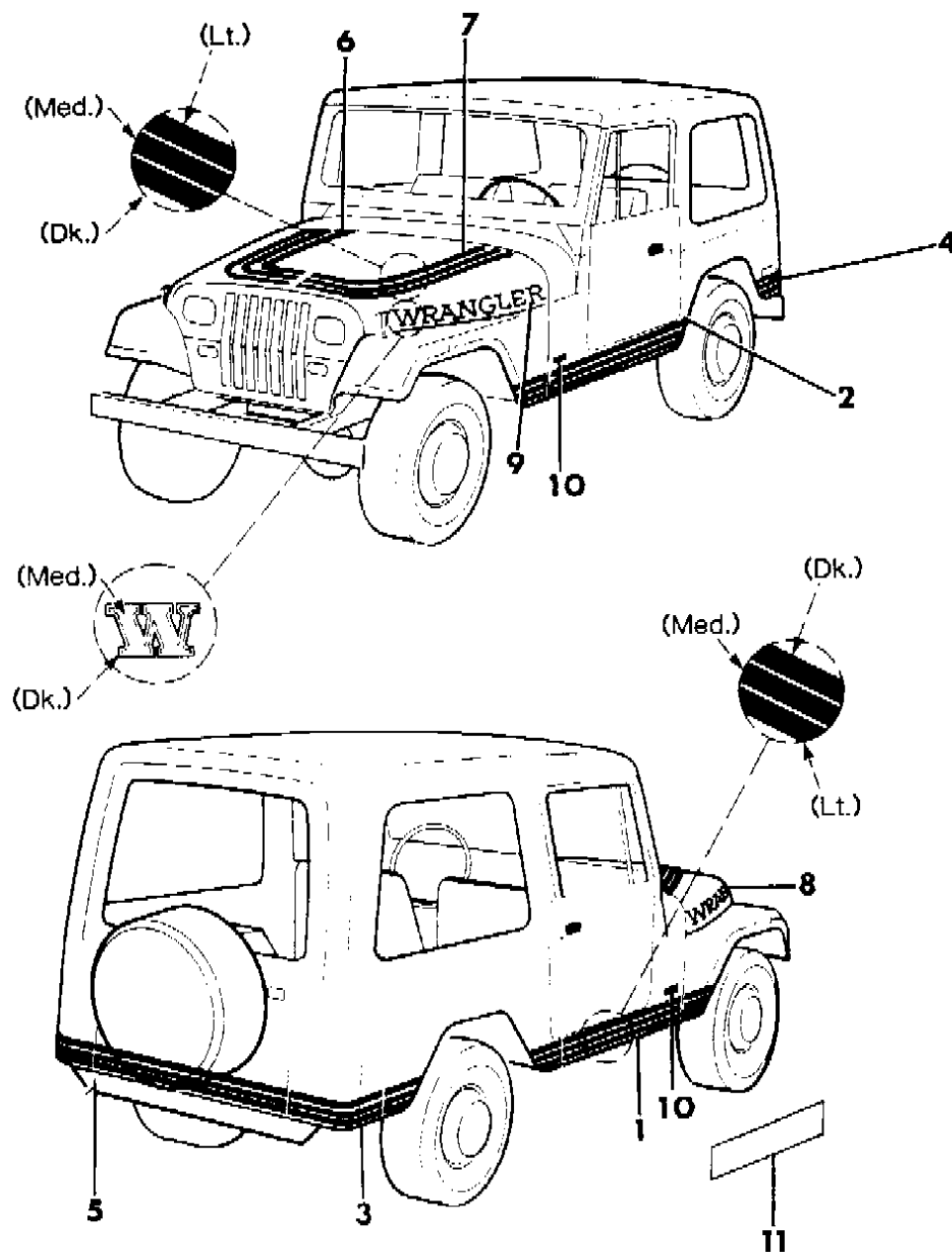
MJ = Comanche Pickup
 SJ = Grand Wagoneer Wgn., J-10 & J-20 Pickups
 XJ = Cherokee, Wagoneer Limited
 YJ = Wrangler

AR = Use as Required - = Non Illustrated Part P.A.R. = Paint as Required

DECALS, EXTERIOR SPORT, EXPORT, 1988 WRANGLER
Figure 23-800

8J68 800

| ITEM | PART NUMBER | QTY | BODY | MODEL | DESCRIPTION |
|------|-------------|-----|------|-------|---|
| 1-2 | 5502 0402-3 | 1 | | | DECAL, Body Side, Dark Tan/Medium Tan/Light Tan |
| 3-4 | 5502 0404-5 | 1 | | | DECAL, Rear Quarter, Dark Tan/Med Tan/Light Tan |
| 5 | 5501 3479 | 1 | | | DECAL, Rear Lower, Dark Tan/Med Tan/Light Tan |
| 6-7 | 5501 3476-7 | 1 | | | DECAL, Hood, Light Tan/Medium Tan/Dark Tan |
| 8-9 | 5501 3472-3 | 1 | | | DECAL, Hood, Dark Tan/Medium Tan |
| 10 | 5501 3469 | 2 | | | DECAL, "Jeep", Tan |
| 11 | J576 5270 | 2 | | | PROTECTOR, Scuff, Clear |



MODEL CODES:

| | | |
|-----------------------------|-----------------------------|------------------------------|
| 15 = Grand Wagoneer 4 Dr. | 65 = Comanche 4WD-7 Ft. Box | 77 = Cherokee 4WD-2 Dr. |
| 25 = J-10 Pickup-119" W.B. | 66 = Comanche 2WD-7 Ft. Box | 78 = Cherokee 4WD-4 Dr. |
| 26 = J-10 Pickup-131" W.B. | 73 = Cherokee 2WD-2 Dr. | 79 = Cherokee 4WD-4 Dr.-Com |
| 27 = J-20 Pickup-131" W.B. | 74 = Cherokee 2WD-4 Dr. | 81 = Wrangler-93" W.B. |
| 63 = Comanche 4WD-6 Ft. Box | 75 = Wagoneer 4WD-4 Dr. | 82 = Wrangler-103" W.B.-Exp. |
| 64 = Comanche 2WD-6 Ft. Box | | |

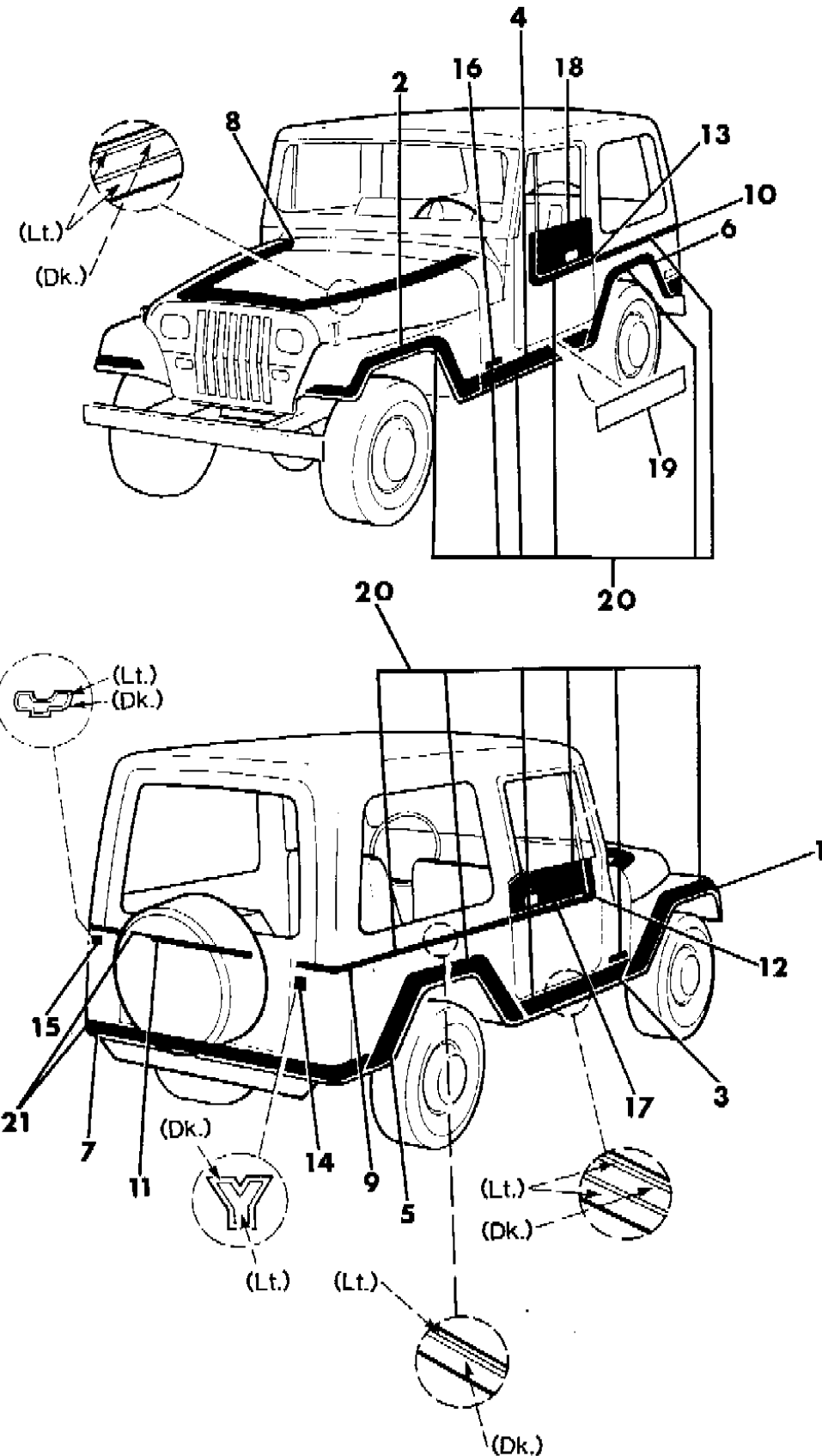
BODY STYLES:

MJ = Comanche Pickup
 SJ = Grand Wagoneer Wgn., J-10 & J-20 Pickups
 XJ = Cherokee, Wagoneer Limited
 YJ = Wrangler

AR = Use as Required - = Non Illustrated Part P.A.R. = Paint as Required

DECALS, EXTERIOR LAREDO, 1987-90 WRANGLER, YJ
Figure 23-900

8J68 900A



| ITEM | PART NUMBER | QTY | BODY | MODEL | DESCRIPTION |
|------|-------------|-----|------|-------|--|
| 1-2 | | | | | DECAL, Fender |
| | 5501 4420-1 | 1 | | | Light Brown/Medium Brown/Light Brown, 1987-88 |
| | 5502 1518-9 | 1 | | | Light Sand/Dark Sand/Light Sand, 1989 |
| | 5AS02-3 JAZ | 1 | | | Sand, 1990 |
| | 5501 4404-5 | 1 | | | Light Silver/Dark Silver/Light Silver, 1987 |
| | 5501 6184-5 | 1 | | | Medium Silver/Dark Silver/Medium Silver, 1987-89 |
| | 5AS02-3 JAV | 1 | | | Silver, 1990 |
| 3-4 | | | | | DECAL, Body Side |
| | 5501 4422-3 | 1 | | | Light Brown/Medium Brown/Light Brown, 1987-88 |
| | 5502 1520-1 | 1 | | | Light Sand/Dark Sand/Light Sand, 1989 |
| | 5AS04-5 JAZ | 1 | | | Sand, 1990 |
| | 5501 4406-7 | 1 | | | Light Silver/Dark Silver/Light Silver, 1987 |
| | 5501 6186-7 | 1 | | | Medium Silver/Dark Silver/Medium Silver, 1987-89 |
| | 5AS04-5 JAV | 1 | | | Silver, 1990 |
| 5-6 | | | | | DECAL, Rear Quarter |
| | 5501 4424-5 | 1 | | | Light Brown/Medium Brown/Light Brown, 1987-88 |
| | 5502 1522-3 | 1 | | | Light Sand/Dark Sand/Light Sand, 1989 |
| | 5AS06-7 JAZ | 1 | | | Sand, 1990 |
| | 5501 4408-9 | 1 | | | Light Silver/Dark Silver/Light Silver, 1987 |
| | 5501 6188-9 | 1 | | | Medium Silver/Dark Silver/Medium Silver, 1987-89 |
| | 5AS06-7 JAV | 1 | | | Silver, 1990 |
| 7 | | | | | DECAL, Rear Lower |
| | 5501 4431 | 1 | | | Light Brown/Medium Brown/Light Brown, 1987-88 |
| | 5502 1529 | 1 | | | Light Sand/Dark Sand/Light Sand, 1989 |
| | 5AS1 3JAZ | 1 | | | Sand, 1990 |
| | 5501 4410 | 1 | | | Light Silver/Dark Silver/Light Silver, 1987 |
| | 5501 6194 | 1 | | | Medium Silver/Dark Silver/Medium Silver, 1987-89 |
| | 5AS1 3JAV | 1 | | | Silver, 1990 |
| 8 | | | | | DECAL, Hood |
| | 5501 4432 | 1 | | | Light Brown/Medium Brown/Light Brown, 1987-88 |
| | 5502 1530 | 1 | | | Light Sand/Dark Sand/Light Sand, 1989 |
| | 5AS1 4JAZ | 1 | | | Sand, 1990 |
| | 5501 4418 | 1 | | | Light Silver/Dark Silver/Light Silver, 1987 |
| | 5501 6195 | 1 | | | Medium Silver/Dark Silver/Medium Silver, 1987-89 |
| | 5AS1 4JAV | 1 | | | Silver, 1990 |
| 9-10 | | | | | DECAL, Body Side |
| | 5501 4428-9 | 1 | | | Light Brown/Medium Brown, 1987-88 |

MODEL CODES:

| | | |
|-----------------------------|-----------------------------|------------------------------|
| 15 = Grand Wagoneer 4 Dr. | 65 = Comanche 4WD-7 Ft. Box | 77 = Cherokee 4WD-2 Dr. |
| 25 = J-10 Pickup-119" W.B. | 66 = Comanche 2WD-7 Ft. Box | 78 = Cherokee 4WD-4 Dr. |
| 26 = J-10 Pickup-131" W.B. | 73 = Cherokee 2WD-2 Dr. | 79 = Cherokee 4WD-4 Dr.-Com |
| 27 = J-20 Pickup-131" W.B. | 74 = Cherokee 2WD-4 Dr. | 81 = Wrangler-93" W.B. |
| 63 = Comanche 4WD-6 Ft. Box | 75 = Wagoneer 4WD-4 Dr. | 82 = Wrangler-103" W.B.-Exp. |
| 64 = Comanche 2WD-6 Ft. Box | | |

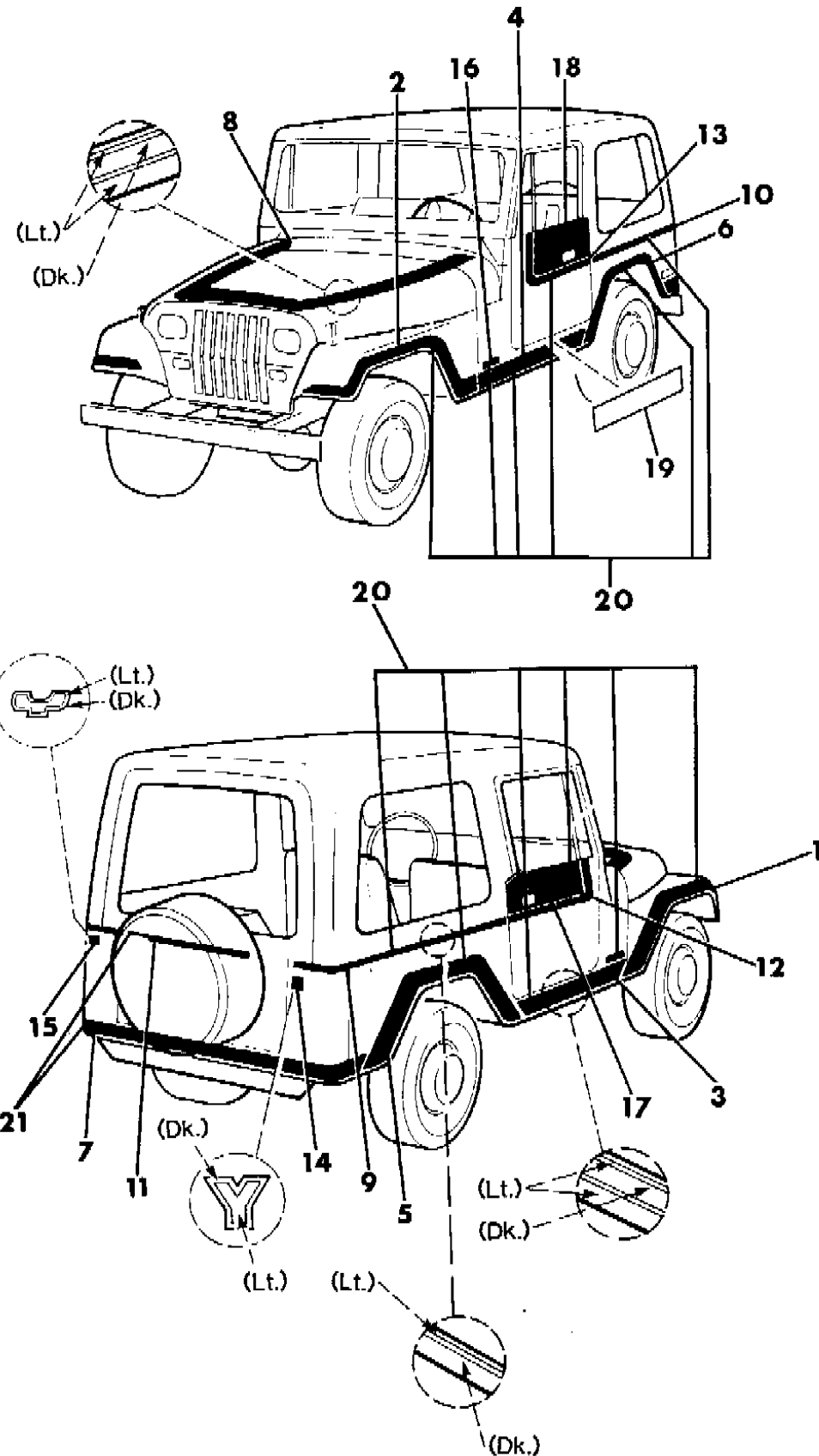
BODY STYLES:

MJ = Comanche Pickup
 SJ = Grand Wagoneer Wgn., J-10 & J-20 Pickups
 XJ = Cherokee, Wagoneer Limited
 YJ = Wrangler

AR = Use as Required - = Non Illustrated Part P.A.R. = Paint as Required

DECALS, EXTERIOR LAREDO, 1987-90 WRANGLER, YJ
Figure 23-900

8J68 900A



| ITEM | PART NUMBER | QTY | BODY | MODEL | DESCRIPTION |
|-------|-------------|-----|------|-------|---|
| | 5502 1526-7 | 1 | | | Light Sand/Dark Sand, 1989 |
| | 5AS10-1 JAZ | 1 | | | Sand, 1990 |
| | 5501 4414-5 | 1 | | | Light Silver/Dark Silver, 1987 |
| | 5501 6192-3 | 1 | | | Medium Silver/Dark Silver, 1987-89 |
| | 5AS10-1 JAV | 1 | | | Silver, 1990 *** |
| 11 | | | | | DECAL, Lift Door |
| | 5501 4430 | 1 | | | Light Brown/Medium Brown, 1987-88 |
| | 5502 1528 | 1 | | | Light Sand/Dark Sand, 1989 |
| | 5AS1 2JAZ | 1 | | | Sand, 1990 |
| | 5501 4411 | 1 | | | Light Silver/Dark Silver, 1987 |
| | 5501 6183 | 1 | | | Medium Silver/Dark Silver, 1987-89 |
| | 5AS1 2JAV | 1 | | | Silver, 1990 |
| 12-13 | | | | | DECAL, Door |
| | 5501 4426-7 | 1 | | | Light Brown/Medium Brown, 1987-88 |
| | 5502 1524-5 | 1 | | | Light Sand/Dark Sand, 1989 |
| | 5AS08-9 JAZ | 1 | | | Sand, 1990 |
| | 5501 4412-3 | 1 | | | Light Silver/Dark Silver, 1987 |
| | 5501 6190-1 | 1 | | | Medium Silver/Dark Silver, 1987-89 |
| | 5AS08-9 JAV | 1 | | | Silver, 1990 |
| 14 | | | | | DECAL, "YJ" Canada |
| | 5501 5319 | 1 | | | Medium Brown/Light Brown, 1987-88 |
| | 5501 5318 | 1 | | | Dark Silver/Light Silver, 1987-89 |
| 15 | | | | | DECAL, "YJ" Canada |
| | 5501 7513 | 1 | | | Medium Brown/Light Brown, 1987-88 |
| | 5502 1373 | 1 | | | Dark Sand/Light Sand, 1989 |
| | 5AS3 2JAZ | 1 | | | Light Sand/Dark Sand, 1990 |
| | 5501 8574 | 1 | | | Dark Silver/Light Silver, 1987 |
| | 5501 7512 | 1 | | | Dark Silver/Light Silver, 1987-89 |
| | 5AS3 2JAV | 1 | | | Light Silver/Dark Silver, 1989-90 |
| 16 | | | | | DECAL, "Jeep" |
| | J546 1682 | 2 | | | Black, 1987-89 |
| | 5AS1 5JX9 | 2 | | | Black, 1990 |
| | J576 5389 | 2 | | | Light Brown, 1987-88 |
| | 5502 1531 | 2 | | | Sand, 1989 |
| | 5AS1 5JK2 | 2 | | | Sand, 1990 |
| | 5501 4419 | 2 | | | Light Silver/Dark Silver/Light Silver, 1987 |
| | 5501 6196 | 2 | | | Medium Silver, 1987-89 |

MODEL CODES:

| | | |
|-----------------------------|-----------------------------|------------------------------|
| 15 = Grand Wagoneer 4 Dr. | 65 = Comanche 4WD-7 Ft. Box | 77 = Cherokee 4WD-2 Dr. |
| 25 = J-10 Pickup-119" W.B. | 66 = Comanche 2WD-7 Ft. Box | 78 = Cherokee 4WD-4 Dr. |
| 26 = J-10 Pickup-131" W.B. | 73 = Cherokee 2WD-2 Dr. | 79 = Cherokee 4WD-4 Dr.-Com |
| 27 = J-20 Pickup-131" W.B. | 74 = Cherokee 2WD-4 Dr. | 81 = Wrangler-93" W.B. |
| 63 = Comanche 4WD-6 Ft. Box | 75 = Wagoneer 4WD-4 Dr. | 82 = Wrangler-103" W.B.-Exp. |
| 64 = Comanche 2WD-6 Ft. Box | | |

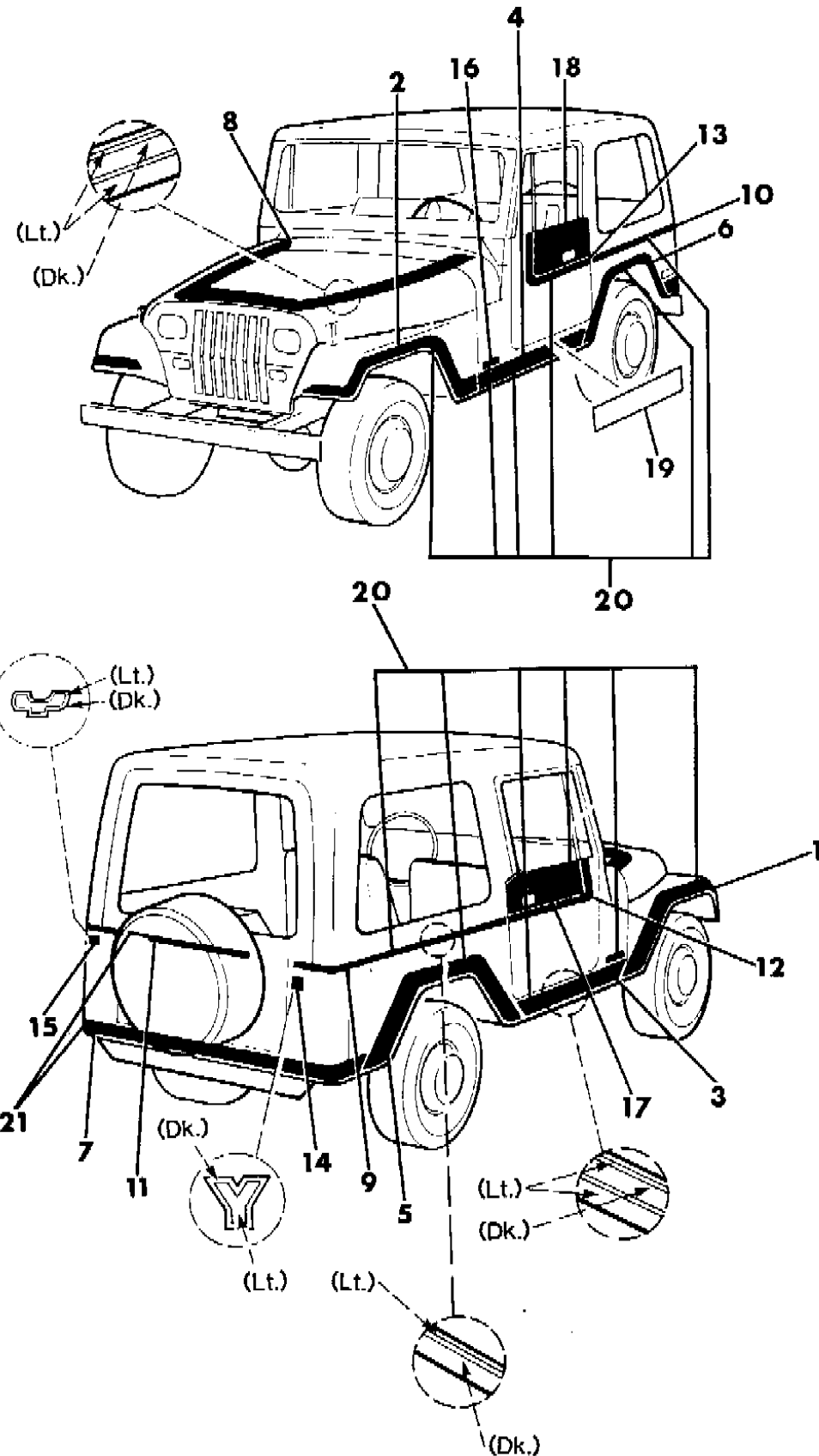
BODY STYLES:

MJ = Comanche Pickup
 SJ = Grand Wagoneer Wgn., J-10 & J-20 Pickups
 XJ = Cherokee, Wagoneer Limited
 YJ = Wrangler

AR = Use as Required - = Non Illustrated Part P.A.R. = Paint as Required

DECALS, EXTERIOR LAREDO, 1987-90 WRANGLER, YJ
Figure 23-900

8J68 900 A



| ITEM | PART NUMBER | QTY | BODY | MODEL | DESCRIPTION |
|---|-------------|-----|------|-------|--|
| | 5AS1 5JA3 | 2 | | | Silver, 1990 |
| 17-18 | | | | | DECAL, Door, modification required |
| NOTE: This part may require heat so it can be stretched to fit. (A) For 1987, two types of instrument clusters were used. On type one, Clusters, the odometer numbers are rounded, the Speedometer face has (2) slotte | | | | | |
| | J576 4570-1 | 1 | | | Black |
| | J576 5504-5 | 1 | | | Honey |
| | J576 4568-9 | 1 | | | White |
| 19 | J576 5270 | 2 | | | PROTECTOR, Scuff, Clear |
| 20 | | | | | TAPESTRIPE PACKAGE, Bodyside, 1990 *** |
| | | | | | Right, includes items 1,3,5,9 and 12 |
| | 4636 080 | 1 | | | Sand |
| | 4636 078 | 1 | | | Silver |
| | | | | | Left, includes items 2,4,6,10 and 13 |
| | 4636 081 | 1 | | | Sand |
| | 4636 079 | 1 | | | Silver |
| NOTE: Item 16 has been removed from this bodyside tape package. (not as illustrated) (A) For 1987, two types of instrument clusters were used. On type one, Clusters, the odometer numbers are rounded, the Speedometer face has (2) slotte | | | | | |
| 21 | | | | | TAPESTRIPE PACKAGE, Tailgate and Lower Rear Panel, 1990, includes items 7 and 11 *** |
| | 4636 094 | 1 | | | Sand |
| | 4636 075 | 1 | | | Silver |

MODEL CODES:

| | | |
|-----------------------------|-----------------------------|------------------------------|
| 15 = Grand Wagoneer 4 Dr. | 65 = Comanche 4WD-7 Ft. Box | 77 = Cherokee 4WD-2 Dr. |
| 25 = J-10 Pickup-119" W.B. | 66 = Comanche 2WD-7 Ft. Box | 78 = Cherokee 4WD-4 Dr. |
| 26 = J-10 Pickup-131" W.B. | 73 = Cherokee 2WD-2 Dr. | 79 = Cherokee 4WD-4 Dr.-Com |
| 27 = J-20 Pickup-131" W.B. | 74 = Cherokee 2WD-4 Dr. | 81 = Wrangler-93" W.B. |
| 63 = Comanche 4WD-6 Ft. Box | 75 = Wagoneer 4WD-4 Dr. | 82 = Wrangler-103" W.B.-Exp. |
| 64 = Comanche 2WD-6 Ft. Box | | |

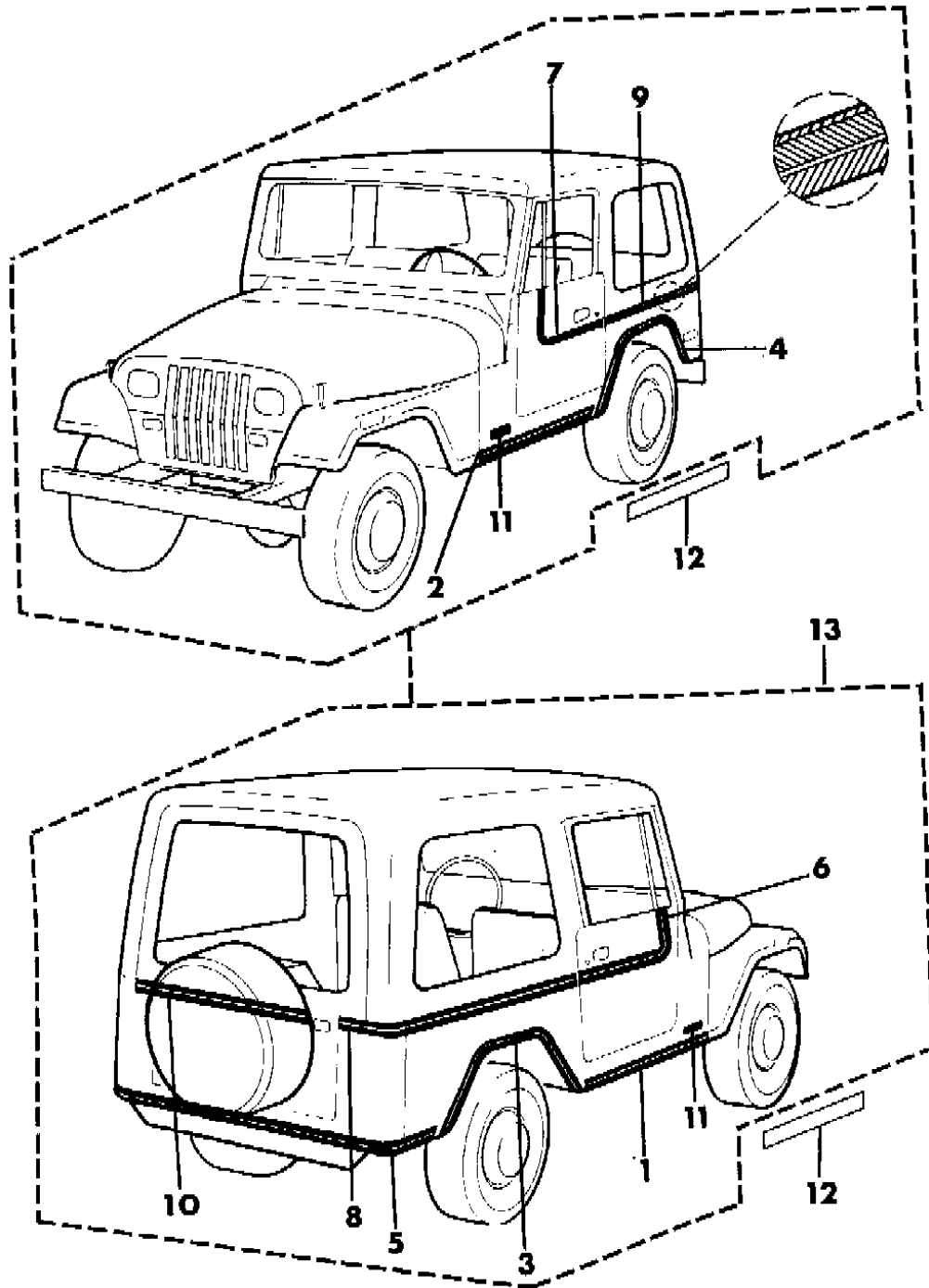
BODY STYLES:

MJ = Comanche Pickup
SJ = Grand Wagoneer Wgn., J-10 & J-20 Pickups
XJ = Cherokee, Wagoneer Limited
YJ = Wrangler

AR = Use as Required - = Non Illustrated Part P.A.R. = Paint as Required

DECALS, EXTERIOR LAREDO, E.C.E. WRANGLER
Figure 23-1000

8J 68 1000 A



| ITEM | PART NUMBER | QTY | BODY | MODEL | DESCRIPTION |
|------|-------------|-----|------|-------|--|
| 1-2 | | | | | DECAL, Body Side |
| | 5501 4422-3 | 1 | | | Light Brown/Medium Brown/Light Brown, 1988 |
| | 5502 1520-1 | 1 | | | Light Sand/Dark Sand/Light Sand, 1989 |
| | 5AS04-5 JAZ | 1 | | | Sand, 1990 |
| | 5501 6186-7 | 1 | | | Medium Silver/Dark Silver/Medium Silver, 1988-89 |
| | 5AS04-5 JAV | 1 | | | Silver, 1990 |
| 3-4 | | | | | DECAL, Rear Quarter |
| | 5501 4424-5 | 1 | | | Light Brown/Medium Brown/Light Brown, 1988 |
| | 5502 1522-3 | 1 | | | Light Sand/Dark Sand/Light Sand, 1989 |
| | 5AS06-7 JAZ | 1 | | | Sand, 1990 |
| | 5501 6188-9 | 1 | | | Medium Silver/Dark Silver/Medium Silver, 1988-89 |
| | 5AS06-7 JAV | 1 | | | Silver, 1990 |
| 5 | | | | | DECAL, Rear Lower |
| | 5501 4431 | 1 | | | Light Brown/Medium Brown/Light Brown, 1988 |
| | 5502 1529 | 1 | | | Light Sand/Dark Sand/Light Sand, 1989 |
| | 5AS1 3JAZ | 1 | | | Sand, 1990 |
| | 5501 6194 | 1 | | | Medium Silver/Dark Silver/Medium Silver, 1988-89 |
| | 5AS1 3JAV | 1 | | | Silver, 1990 |
| 6-7 | | | | | DECAL, Door |
| | 5501 4426-7 | 1 | | | Light Brown/Medium Brown, 1988 |
| | 5502 1524-5 | 1 | | | Light Sand/Dark Sand, 1989 |
| | 5AS08-9 JAZ | 1 | | | Sand, 1990 |
| | 5501 6190-1 | 1 | | | Medium Silver/Dark Silver, 1988-89 |
| | 5AS08-9 JAV | 1 | | | Silver, 1990 |
| 8-9 | | | | | DECAL, Body Side |
| | 5501 4428-9 | 1 | | | Light Brown/Medium Brown, 1988 |
| | 5502 1526-7 | 1 | | | Light Sand/Dark Sand, 1989 |
| | 5AS10-1 JAZ | 1 | | | Sand, 1990 |
| | 5501 6192-3 | 1 | | | Medium Silver/Dark Silver, 1988-89 |
| | 5AS10-1 JAV | 1 | | | Silver, 1990 |
| 10 | | | | | DECAL, Lift Door |
| | 5501 4430 | 1 | | | Light Brown/Medium Brown, 1988 |
| | 5502 1528 | 1 | | | Light Sand/Dark Sand, 1989 |
| | 5AS1 2JAZ | 1 | | | Sand, 1990 |
| | 5501 6183 | 1 | | | Medium Silver/Dark Silver, 1988-89 |
| | 5AS1 2JAV | 1 | | | Silver, 1990 |
| 11 | | | | | DECAL, "Jeep" |

MODEL CODES:

| | | |
|-----------------------------|-----------------------------|------------------------------|
| 15 = Grand Wagoneer 4 Dr. | 65 = Comanche 4WD-7 Ft. Box | 77 = Cherokee 4WD-2 Dr. |
| 25 = J-10 Pickup-119" W.B. | 66 = Comanche 2WD-7 Ft. Box | 78 = Cherokee 4WD-4 Dr. |
| 26 = J-10 Pickup-131" W.B. | 73 = Cherokee 2WD-2 Dr. | 79 = Cherokee 4WD-4 Dr.-Com |
| 27 = J-20 Pickup-131" W.B. | 74 = Cherokee 2WD-4 Dr. | 81 = Wrangler-93" W.B. |
| 63 = Comanche 4WD-6 Ft. Box | 75 = Wagoneer 4WD-4 Dr. | 82 = Wrangler-103" W.B.-Exp. |
| 64 = Comanche 2WD-6 Ft. Box | | |

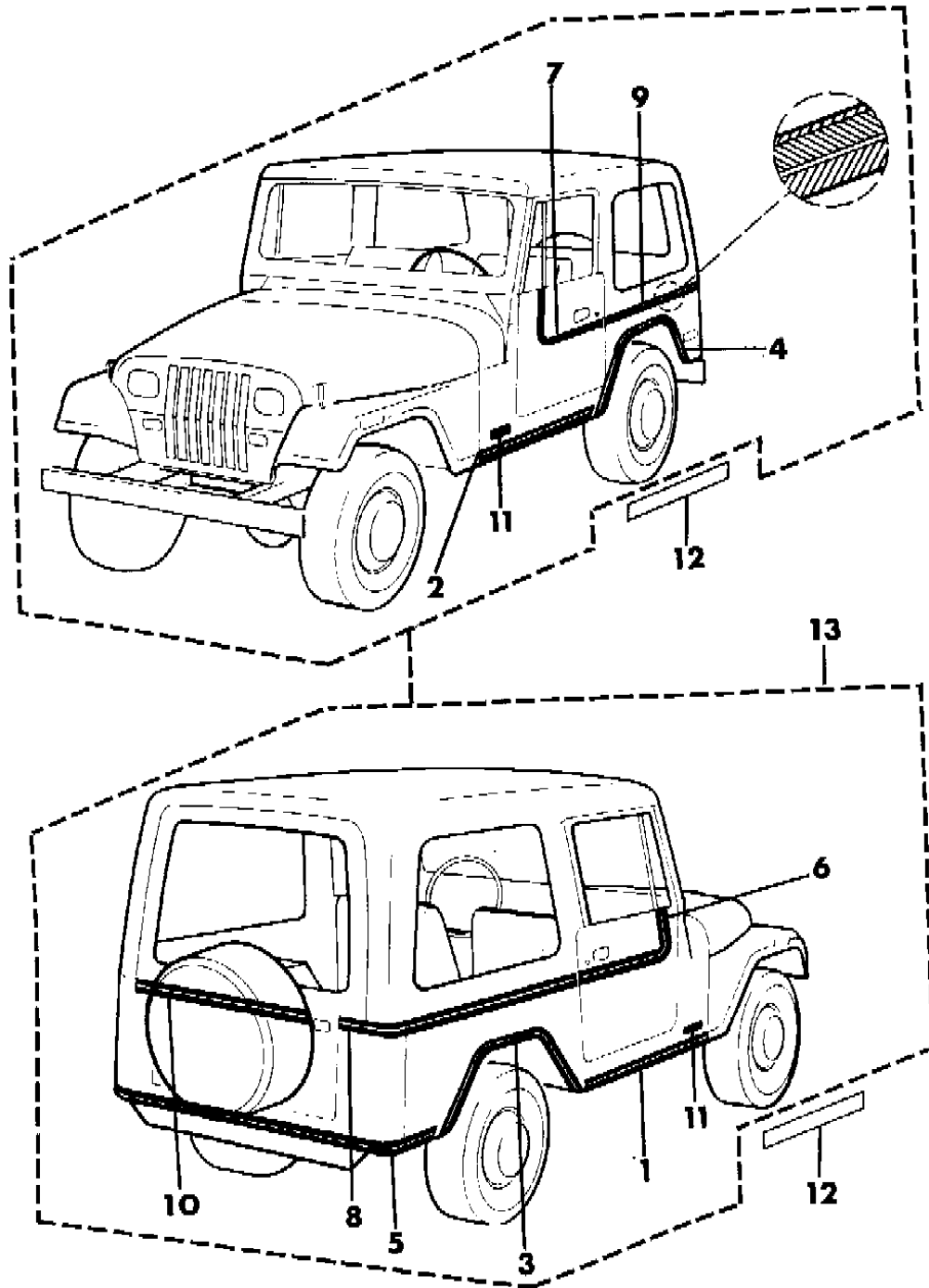
BODY STYLES:

MJ = Comanche Pickup
SJ = Grand Wagoneer Wgn., J-10 & J-20 Pickups
XJ = Cherokee, Wagoneer Limited
YJ = Wrangler

AR = Use as Required - = Non Illustrated Part P.A.R. = Paint as Required

DECALS, EXTERIOR LAREDO, E.C.E. WRANGLER
Figure 23-1000

8J 68 1000 A



| ITEM | PART NUMBER | QTY | BODY | MODEL | DESCRIPTION |
|------|-------------|-----|------|-------|------------------------|
| | J576 5389 | 2 | | | Light Brown, 1988 |
| | 5502 1531 | 2 | | | Sand, 1989 |
| | 5AS1 5JK2 | 2 | | | Sand, 1990 |
| | 5501 6196 | 2 | | | Medium Silver, 1988-89 |
| | 5AS1 5JA3 | 2 | | | Silver, 1990 |
| 12 | J576 5270 | 2 | | | PROTECTOR, Scuff |
| 13 | | | | | DECAL KIT, Laredo *** |
| | 5AS0 1JAZ | 1 | | | Sand, 1990 |
| | 5AS0 1JAV | 1 | | | Silver, 1990 |

NEW TAPE PACKAGES. These packages may be used in place of items that have been exhausted. (A) For 1987, two types of instrument clusters were used. On type one, Clusters, the odometer numbers are rounded, the Speedometer face has (2) slotte
TAPE PACKAGE, Bodyside

| | | | | | |
|---|------------|---|--|--|------------------------|
| - | 4637 872-3 | 1 | | | Silver |
| - | 4637 874-5 | 1 | | | Sand |
| | | | | | TAPE PACKAGE, Tailgate |
| - | 4636 075 | 1 | | | Silver |
| - | 4636 094 | 1 | | | Sand |

(ECE) Emission Controlled European (A) For 1987, two types of instrument clusters were used. On type one, Clusters, the odometer numbers are rounded, the Speedometer face has (2) slotte

- MODEL CODES:
- | | | |
|-----------------------------|-----------------------------|------------------------------|
| 15 = Grand Wagoneer 4 Dr. | 65 = Comanche 4WD-7 Ft. Box | 77 = Cherokee 4WD-2 Dr. |
| 25 = J-10 Pickup-119" W.B. | 66 = Comanche 2WD-7 Ft. Box | 78 = Cherokee 4WD-4 Dr. |
| 26 = J-10 Pickup-131" W.B. | 73 = Cherokee 2WD-2 Dr. | 79 = Cherokee 4WD-4 Dr.-Com |
| 27 = J-20 Pickup-131" W.B. | 74 = Cherokee 2WD-4 Dr. | 81 = Wrangler-93" W.B. |
| 63 = Comanche 4WD-6 Ft. Box | 75 = Wagoneer 4WD-4 Dr. | 82 = Wrangler-103" W.B.-Exp. |
| 64 = Comanche 2WD-6 Ft. Box | | |

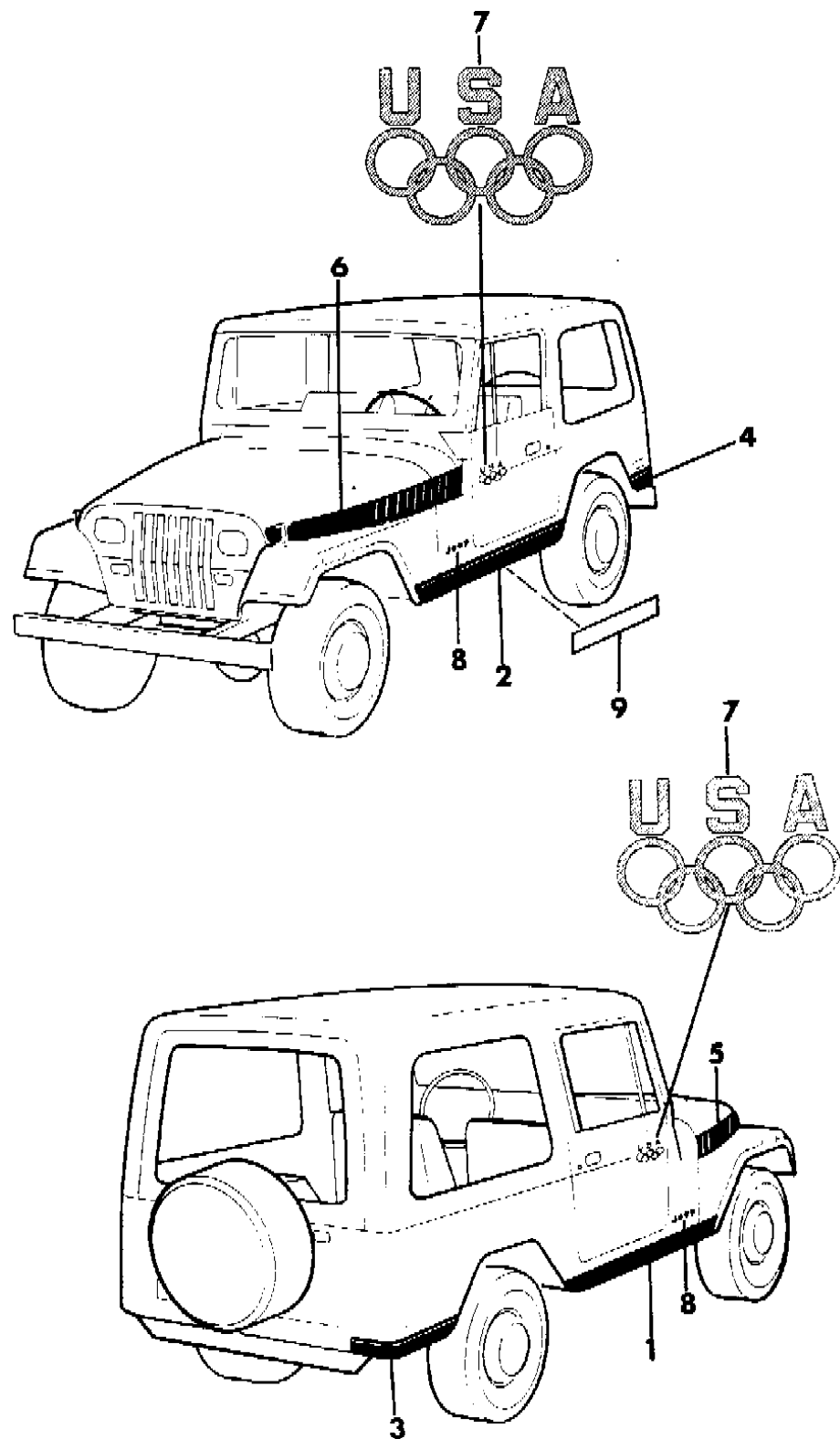
- BODY STYLES:
- MJ = Comanche Pickup
 - SJ = Grand Wagoneer Wgn., J-10 & J-20 Pickups
 - XJ = Cherokee, Wagoneer Limited
 - YJ = Wrangler

AR = Use as Required - = Non Illustrated Part P.A.R. = Paint as Required

DECALS, EXTERIOR OLYMPIC, 1988 WRANGLER
Figure 23-1100

8J68 1100

| ITEM | PART NUMBER | QTY | BODY | MODEL | DESCRIPTION |
|------|-------------|-----|------|-------|---------------------------|
| 1-2 | 5502 1396-7 | 1 | | | DECAL, Body Side, Gold |
| 3-4 | 5502 1398-9 | 1 | | | DECAL, Rear Quarter, Gold |
| 5-6 | 5502 1394-5 | 1 | | | DECAL, Hood, Gold |
| 7 | 5502 1400 | 2 | | | DECAL, "Olympic", Gold |
| 8 | 5502 1401 | 2 | | | DECAL, "Jeep", Gold |
| 9 | J576 5270 | 2 | | | PROTECTOR, Scuff, Clear |



MODEL CODES:

| | | |
|-----------------------------|-----------------------------|------------------------------|
| 15 = Grand Wagoneer 4 Dr. | 65 = Comanche 4WD-7 Ft. Box | 77 = Cherokee 4WD-2 Dr. |
| 25 = J-10 Pickup-119" W.B. | 66 = Comanche 2WD-7 Ft. Box | 78 = Cherokee 4WD-4 Dr. |
| 26 = J-10 Pickup-131" W.B. | 73 = Cherokee 2WD-2 Dr. | 79 = Cherokee 4WD-4 Dr.-Com |
| 27 = J-20 Pickup-131" W.B. | 74 = Cherokee 2WD-4 Dr. | 81 = Wrangler-93" W.B. |
| 63 = Comanche 4WD-6 Ft. Box | 75 = Wagoneer 4WD-4 Dr. | 82 = Wrangler-103" W.B.-Exp. |
| 64 = Comanche 2WD-6 Ft. Box | | |

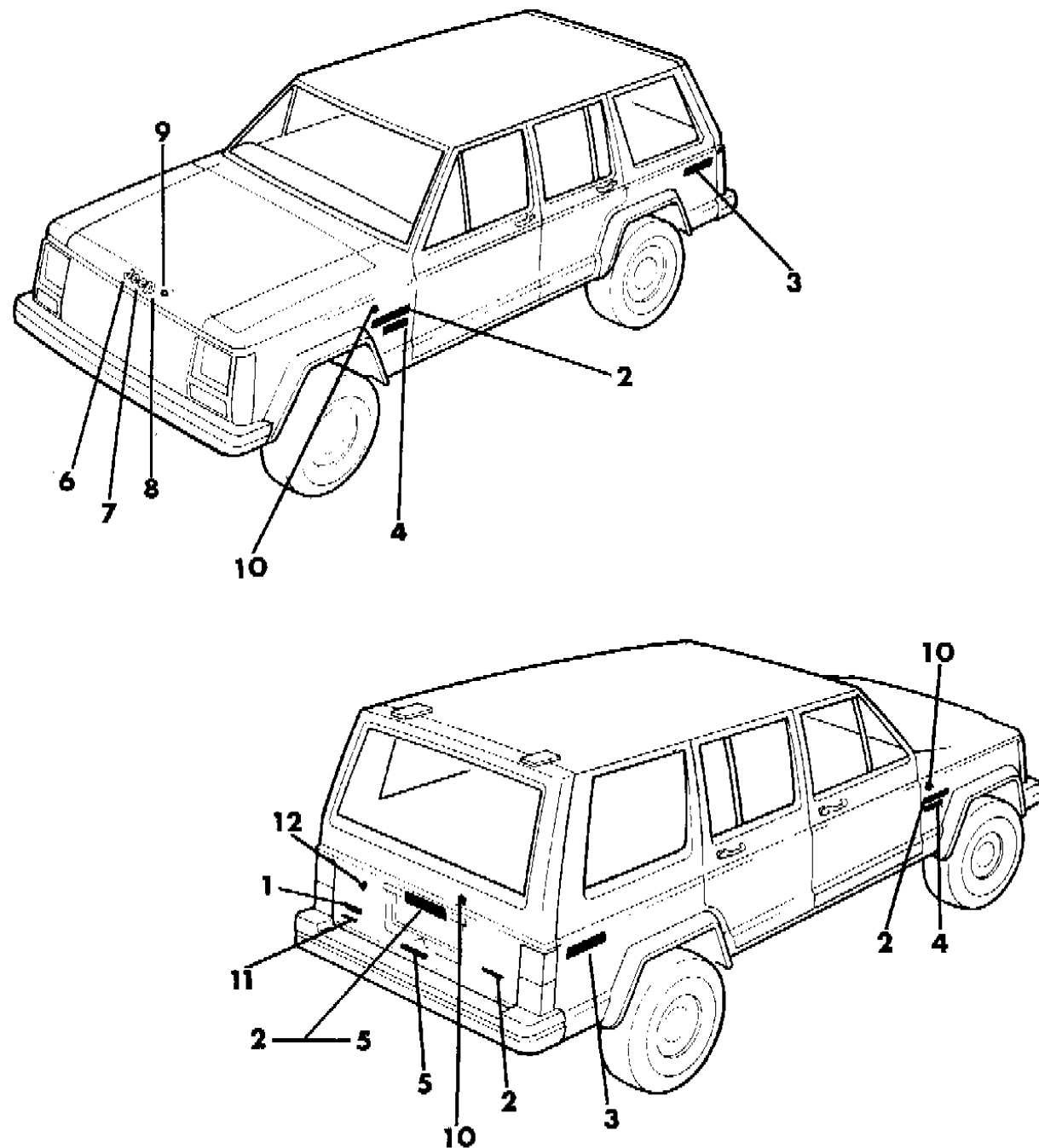
BODY STYLES:

MJ = Comanche Pickup
 SJ = Grand Wagoneer Wgn., J-10 & J-20 Pickups
 XJ = Cherokee, Wagoneer Limited
 YJ = Wrangler

AR = Use as Required - = Non Illustrated Part P.A.R. = Paint as Required

NAMEPLATES CHEROKEE 4 DOOR
Figure 23-1200

8J68 1200 A



| ITEM | PART NUMBER | QTY | BODY | MODEL | DESCRIPTION | |
|------|-------------|-----------|-----------|-------|------------------------------------|------------|
| 1 | | | | | NAMEPLATE | |
| | | | | | "4.0 Litre" | |
| | | 5501 0037 | 1 | | Chrome | |
| | | 5501 8683 | 1 | | Gold | |
| | | | | | "Turbo Diesel" | |
| | | 5501 0895 | 1 | | Chrome | |
| | | 5502 1078 | 1 | | Gold, Emission Controlled European | |
| | | 5501 0893 | 1 | | "2.5 Litre", 1987 | |
| | 2 | | | | | NAMEPLATE |
| | | | | | | "Cherokee" |
| | | | 5501 0897 | AR | | Chrome |
| | | 5501 8678 | AR | | Gold | |
| 3 | | | | | NAMEPLATE | |
| | | | | | "4X4" | |
| | | 5500 7817 | 2 | | Chrome | |
| 4 | | | | | NAMEPLATE | |
| | | | | | "Laredo" | |
| | | 5501 0898 | 2 | | "Pioneer" | |
| 5 | | | | | NAMEPLATE, "Jeep" | |
| | | | | | Chrome | |
| | | 5501 8682 | 1 | | Gold | |
| 6 | | | | | NAMEPLATE, "J" | |
| | | 5501 0901 | 1 | | Chrome | |
| 7 | | | | | NAMEPLATE, "e" | |
| | | 5501 0902 | 2 | | Chrome | |
| 8 | | | | | NAMEPLATE, "p" | |
| | | | | | Chrome | |
| | | 5501 8681 | 1 | | Gold | |
| 9 | | | | | NUT | |
| | | 1150 2557 | 4 | | | |
| 10 | | | | | CLIP | |
| | | J400 1335 | AR | | | |
| 11 | 5500 8338 | 1 | | | NAMEPLATE, "Fuel Injection", 1987 | |

MODEL CODES:
15 = Grand Wagoneer 4 Dr. 65 = Comanche 4WD-7 Ft. Box 77 = Cherokee 4WD-2 Dr.
25 = J-10 Pickup-119" W.B. 66 = Comanche 2WD-7 Ft. Box 78 = Cherokee 4WD-4 Dr.
26 = J-10 Pickup-131" W.B. 73 = Cherokee 2WD-2 Dr. 79 = Cherokee 4WD-4 Dr.-Com
27 = J-20 Pickup-131" W.B. 74 = Cherokee 2WD-4 Dr. 81 = Wrangler-93" W.B.
63 = Comanche 4WD-6 Ft. Box 75 = Wagoneer 4WD-4 Dr. 82 = Wrangler-103" W.B.-Exp.
64 = Comanche 2WD-6 Ft. Box

BODY STYLES:
MJ = Comanche Pickup
SJ = Grand Wagoneer Wgn., J-10 & J-20 Pickups
XJ = Cherokee, Wagoneer Limited
YJ = Wrangler

AR = Use as Required - = Non Illustrated Part P.A.R. = Paint as Required

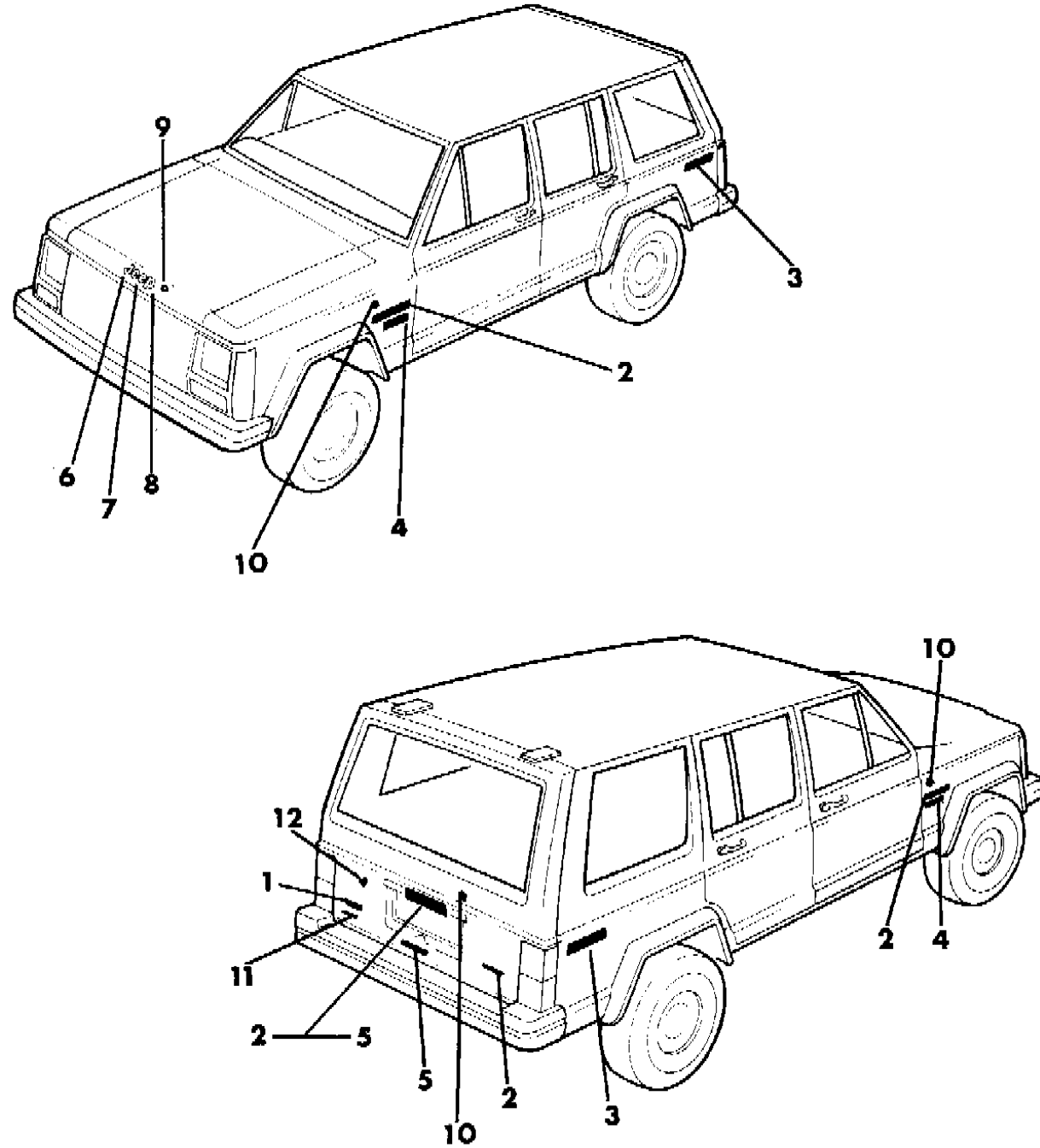
NAMEPLATES CHEROKEE 4 DOOR
Figure 23-1200

8J68 1200 A

| ITEM | PART NUMBER | QTY | BODY | MODEL | DESCRIPTION |
|------|-------------|-----|------|-------|-------------|
|------|-------------|-----|------|-------|-------------|

| | | | | | |
|----|-----------|---|--|--|------------|
| 12 | J400 3657 | 2 | | | CLIP, 1987 |
|----|-----------|---|--|--|------------|

This illustration represents four model years, and the nameplate locations have varied from year to year. (A) For 1987, two types of instrument clusters were used. On type one, Clusters, the odometer numbers are rounded, the Speedometer face has (2) slotted



MODEL CODES:

| | | |
|-----------------------------|-----------------------------|------------------------------|
| 15 = Grand Wagoneer 4 Dr. | 65 = Comanche 4WD-7 Ft. Box | 77 = Cherokee 4WD-2 Dr. |
| 25 = J-10 Pickup-119" W.B. | 66 = Comanche 2WD-7 Ft. Box | 78 = Cherokee 4WD-4 Dr. |
| 26 = J-10 Pickup-131" W.B. | 73 = Cherokee 2WD-2 Dr. | 79 = Cherokee 4WD-4 Dr.-Com |
| 27 = J-20 Pickup-131" W.B. | 74 = Cherokee 2WD-4 Dr. | 81 = Wrangler-93" W.B. |
| 63 = Comanche 4WD-6 Ft. Box | 75 = Wagoneer 4WD-4 Dr. | 82 = Wrangler-103" W.B.-Exp. |
| 64 = Comanche 2WD-6 Ft. Box | | |

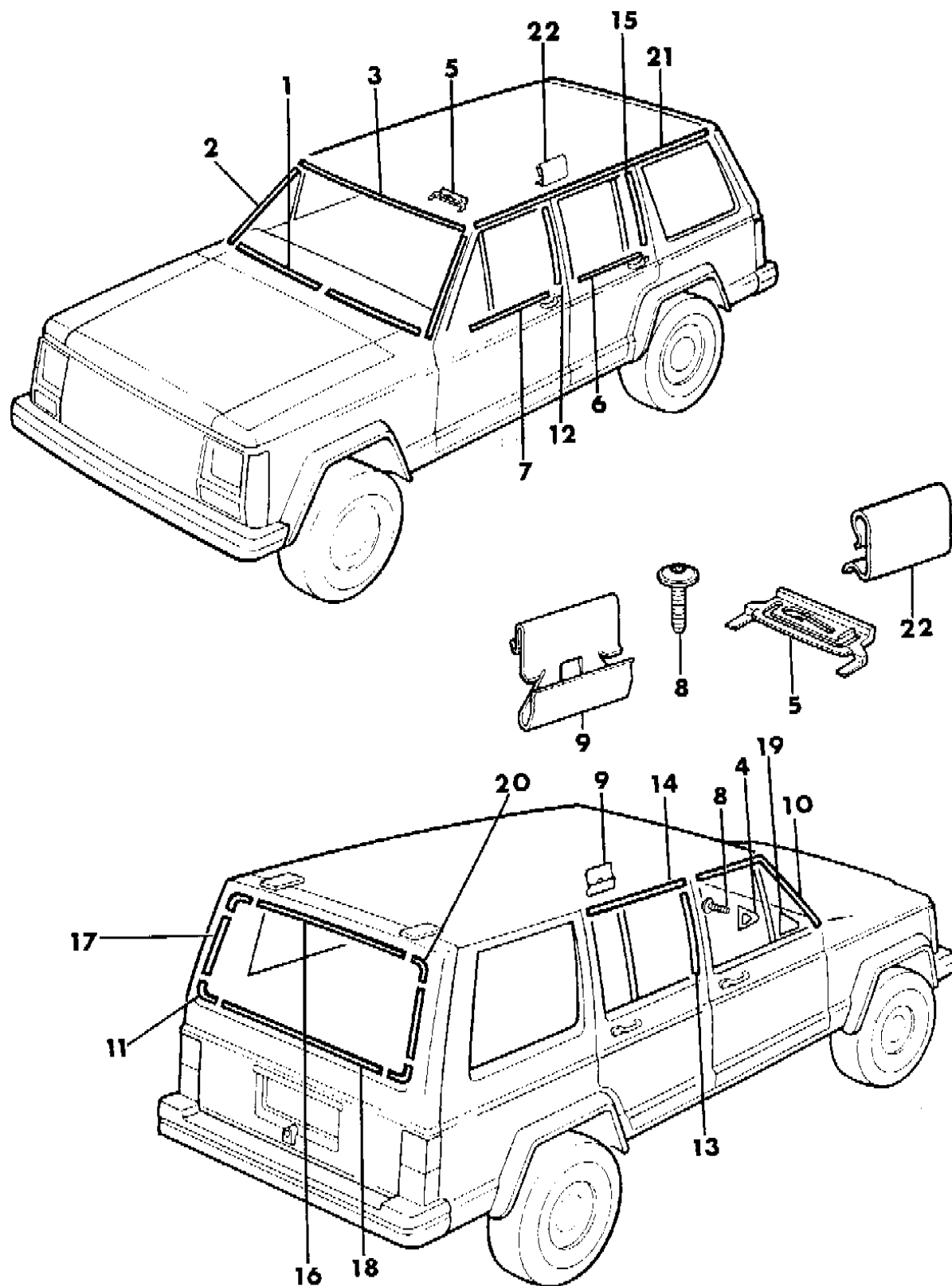
BODY STYLES:

MJ = Comanche Pickup
SJ = Grand Wagoneer Wgn., J-10 & J-20 Pickups
XJ = Cherokee, Wagoneer Limited
YJ = Wrangler

AR = Use as Required - = Non Illustrated Part P.A.R. = Paint as Required

MOULDINGS, EXTERIOR, UPPER CHEROKEE 4 DOOR
Figure 23-1300

8J68 1300



| ITEM | PART NUMBER | QTY | BODY | MODEL | DESCRIPTION |
|------|-------------|-----|------|-------|-------------------------|
| 1 | | | | | MOULDING, Windshield |
| | | | | | Bright, up to 12/18/89 |
| | 5500 6380 | 1 | | | Right |
| | 5500 2509 | 1 | | | Left |
| 2 | 5502 6726-7 | 1 | | | Bright, after 12/18/89 |
| | 5502 6724-5 | 1 | | | Black |
| 3 | 5500 0538-9 | 1 | | | MOULDING, Windshield |
| | 5500 0546-7 | 1 | | | Black |
| 4 | 5500 0536 | 1 | | | MOULDING, Windshield |
| | 5500 0544 | 1 | | | Black |
| 5 | 5500 5430-1 | 1 | | | Bright |
| 6 | 5500 5430-1 | 1 | | | GASKET |
| 7 | J400 6211 | 26 | | | CLIP |
| 8 | 5500 5294 | 2 | | | MOULDING, Door |
| 9 | 5500 5284-5 | 1 | | | MOULDING, Door |
| 10 | 3420 1957 | 4 | | | SCREW |
| | 5500 5384 | 4 | | | CLIP |
| | 5500 5383 | AR | | | height = 24mm |
| 11 | 5500 5278-9 | 1 | | | height = 27mm |
| | 5500 5278-9 | 1 | | | MOULDING, Door |
| 12 | 5500 5334 | 2 | | | CAP, Lower Moulding |
| 13 | 5500 5282-3 | 1 | | | MOULDING, Door |
| 14 | 5500 5290-1 | 1 | | | MOULDING, Door |
| 15 | 5500 5292-3 | 1 | | | MOULDING, Door |
| 16 | 5500 5288-9 | 1 | | | MOULDING, Door |
| 17 | 5500 5331 | 1 | | | MOULDING, Lift Door |
| 18 | 5500 5308 | 2 | | | MOULDING, Lift Door *** |
| 19 | 5500 5332 | 1 | | | MOULDING, Lift Door |
| 20 | 5500 5312-3 | 1 | | | COVER (LESS MIRROR) *** |
| 21 | 5500 5333 | 2 | | | CAP, Upper Moulding |
| | 5501 5886-7 | 1 | | | MOULDING, Drip Rail |
| 22 | 5501 3656-7 | 1 | | | Black |
| | 3500 2115 | AR | | | Bright |
| | | | | | CLIP |

MODEL CODES:

| | | |
|-----------------------------|-----------------------------|------------------------------|
| 15 = Grand Wagoneer 4 Dr. | 65 = Comanche 4WD-7 Ft. Box | 77 = Cherokee 4WD-2 Dr. |
| 25 = J-10 Pickup-119" W.B. | 66 = Comanche 2WD-7 Ft. Box | 78 = Cherokee 4WD-4 Dr. |
| 26 = J-10 Pickup-131" W.B. | 73 = Cherokee 2WD-2 Dr. | 79 = Cherokee 4WD-4 Dr.-Com |
| 27 = J-20 Pickup-131" W.B. | 74 = Cherokee 2WD-4 Dr. | 81 = Wrangler-93" W.B. |
| 63 = Comanche 4WD-6 Ft. Box | 75 = Wagoneer 4WD-4 Dr. | 82 = Wrangler-103" W.B.-Exp. |
| 64 = Comanche 2WD-6 Ft. Box | | |

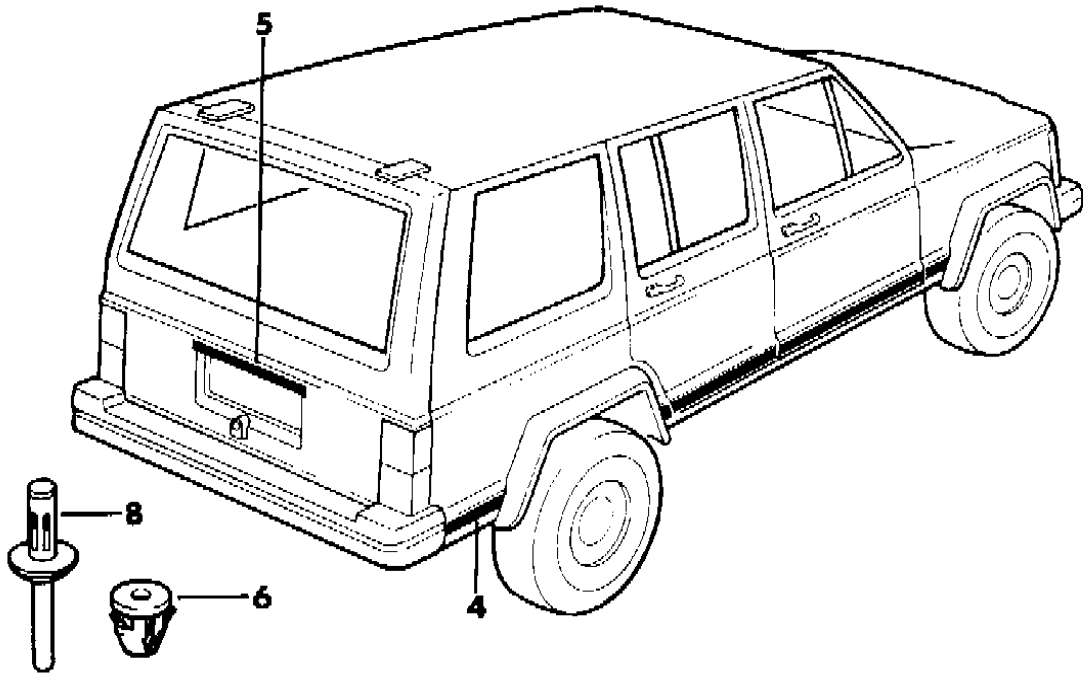
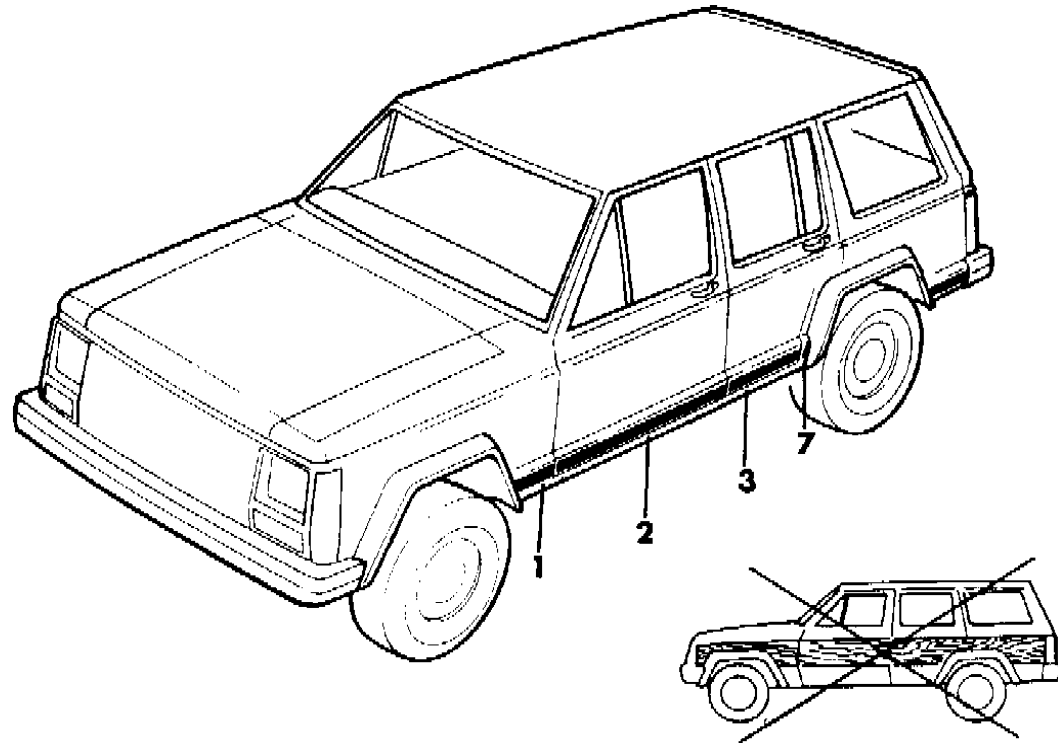
BODY STYLES:

MJ = Comanche Pickup
SJ = Grand Wagoneer Wgn., J-10 & J-20 Pickups
XJ = Cherokee, Wagoneer Limited
YJ = Wrangler

AR = Use as Required - = Non Illustrated Part P.A.R. = Paint as Required

MOULDINGS, EXTERIOR, LOWER CHEROKEE 4 DOOR
Figure 23-1400

8J68 1400



| ITEM | PART NUMBER | QTY | BODY | MODEL | DESCRIPTION |
|------|-------------|-----|------|-------|------------------------|
| 1 | | | | | MOULDING, Fender |
| | | | | | Argent |
| | 5502 1784-5 | 1 | | | 1988-90 |
| | | | | | Black/Chrome |
| | 5500 3166-7 | 1 | | | 1987-89 |
| | 5AJ52-3 JXZ | 1 | | | 1990 |
| 2 | | | | | MOULDING, Door |
| | | | | | Argent |
| | 5501 5528-9 | 1 | | | 1988-90 |
| | | | | | Black/Chrome |
| | 5500 3168-9 | 1 | | | 1987-89 |
| | 5AJ58-9 JXZ | 1 | | | 1990 |
| 3 | | | | | MOULDING, Door |
| | | | | | Argent |
| | 5501 8688-9 | 1 | | | 1987-89 |
| | 5AJ58-9 JXY | 1 | | | 1990 |
| | | | | | Black/Chrome |
| | 5500 3170-1 | 1 | | | 1987-89 |
| 4 | | | | | MOULDING, Rear Quarter |
| | | | | | Argent |
| | 5501 8690-1 | 1 | | | 1987-89 |
| | 5AJ60-1 JXZ | 1 | | | 1990 |
| | | | | | Black/Chrome |
| | 5500 3172-3 | 1 | | | 1987-89 |
| 5 | | | | | OVERLAY, License Plate |
| | | | | | Argent |
| | 5501 3411 | 1 | | | 1988-90 |
| | | | | | Black/Chrome |
| | 5500 3172-3 | 1 | | | 1987-89 |
| | 5AJ62-3 JXZ | 1 | | | 1990 |

MODEL CODES:

| | | |
|-----------------------------|-----------------------------|------------------------------|
| 15 = Grand Wagoneer 4 Dr. | 65 = Comanche 4WD-7 Ft. Box | 77 = Cherokee 4WD-2 Dr. |
| 25 = J-10 Pickup-119" W.B. | 66 = Comanche 2WD-7 Ft. Box | 78 = Cherokee 4WD-4 Dr. |
| 26 = J-10 Pickup-131" W.B. | 73 = Cherokee 2WD-2 Dr. | 79 = Cherokee 4WD-4 Dr.-Com |
| 27 = J-20 Pickup-131" W.B. | 74 = Cherokee 2WD-4 Dr. | 81 = Wrangler-93" W.B. |
| 63 = Comanche 4WD-6 Ft. Box | 75 = Wagoneer 4WD-4 Dr. | 82 = Wrangler-103" W.B.-Exp. |
| 64 = Comanche 2WD-6 Ft. Box | | |

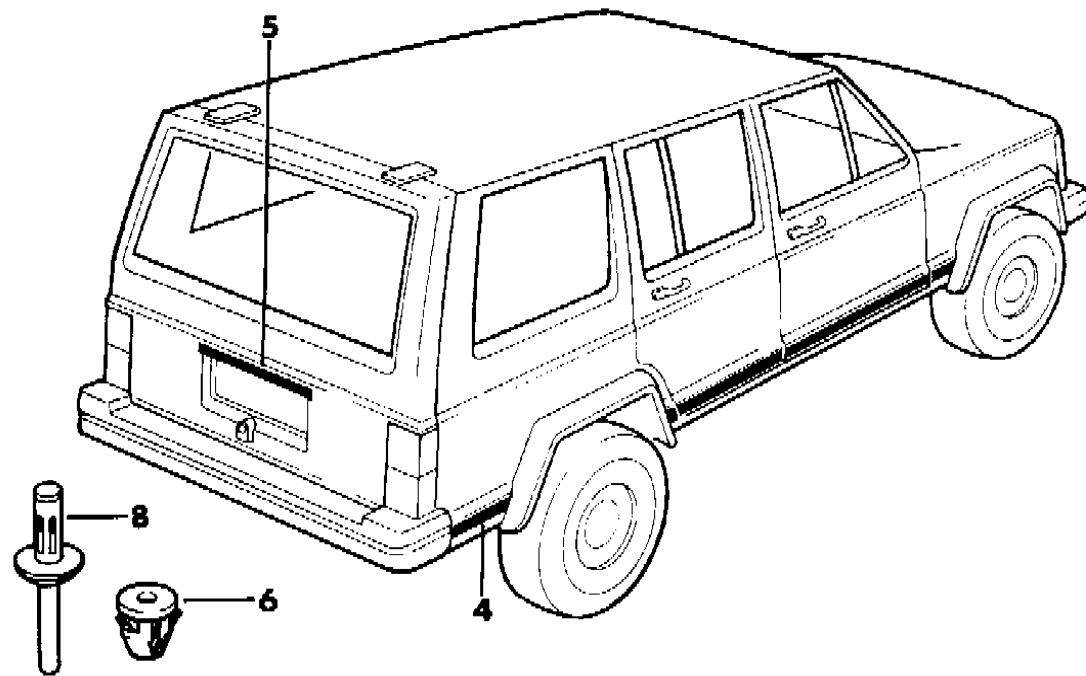
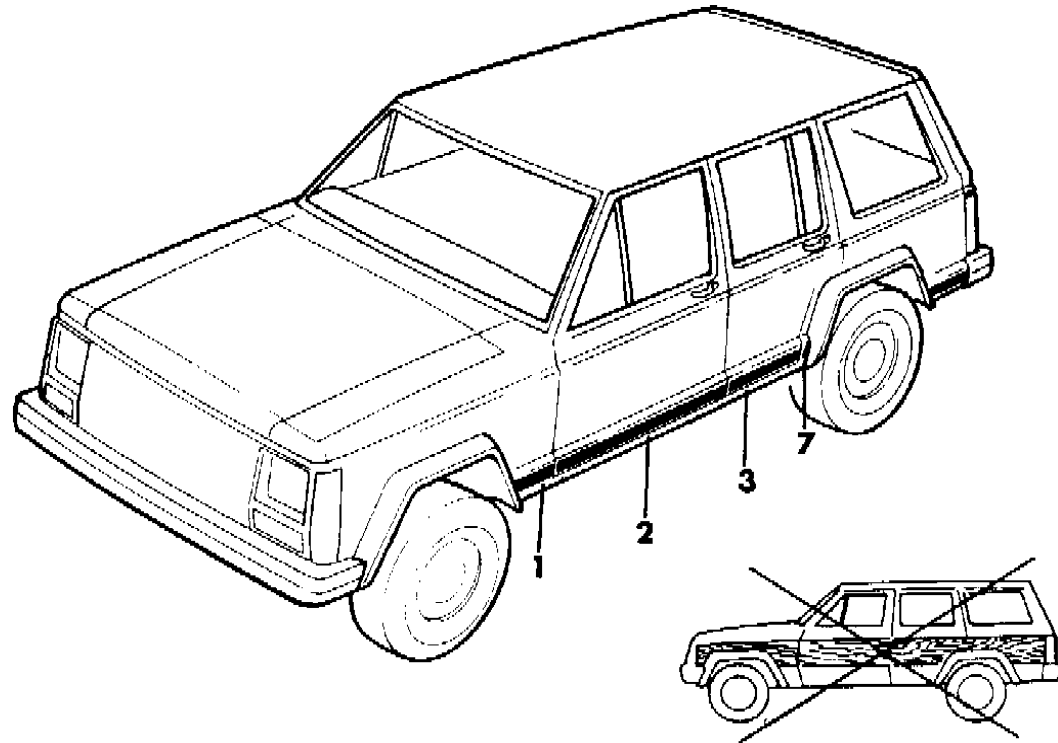
BODY STYLES:

MJ = Comanche Pickup
 SJ = Grand Wagoneer Wgn., J-10 & J-20 Pickups
 XJ = Cherokee, Wagoneer Limited
 YJ = Wrangler

AR = Use as Required - = Non Illustrated Part P.A.R. = Paint as Required

MOULDINGS, EXTERIOR, LOWER CHEROKEE 4 DOOR
Figure 23-1400

8J68 1400



| ITEM | PART NUMBER | QTY | BODY | MODEL | DESCRIPTION |
|------|-------------|-----|------|-------|------------------------|
| | 5502 1383 | 1 | | | Argent, Euro Pkg. |
| | 5502 1384 | 1 | | | Gold, ECE Limited |
| | 5501 7644 | 1 | | | Export, 1987-88 |
| 6 | J400 1335 | 2 | | | CLIP |
| 7 | | | | | MOULDING, Rear Quarter |
| | 5502 1788-9 | 1 | | | Argent 1988-90 |
| 8 | 3420 1631 | 2 | | | RIVET ECE |
| | 3420 1684 | 2 | | | Except ECE |

(ECE) Emission Controlled European. (A) For 1987, two types of instrument clusters were used. On type one, Clusters, the odometer numbers are rounded, the Speedometer face has (2) slotte

MODEL CODES:

| | | |
|-----------------------------|-----------------------------|------------------------------|
| 15 = Grand Wagoneer 4 Dr. | 65 = Comanche 4WD-7 Ft. Box | 77 = Cherokee 4WD-2 Dr. |
| 25 = J-10 Pickup-119" W.B. | 66 = Comanche 2WD-7 Ft. Box | 78 = Cherokee 4WD-4 Dr. |
| 26 = J-10 Pickup-131" W.B. | 73 = Cherokee 2WD-2 Dr. | 79 = Cherokee 4WD-4 Dr.-Com |
| 27 = J-20 Pickup-131" W.B. | 74 = Cherokee 2WD-4 Dr. | 81 = Wrangler-93" W.B. |
| 63 = Comanche 4WD-6 Ft. Box | 75 = Wagoneer 4WD-4 Dr. | 82 = Wrangler-103" W.B.-Exp. |
| 64 = Comanche 2WD-6 Ft. Box | | |

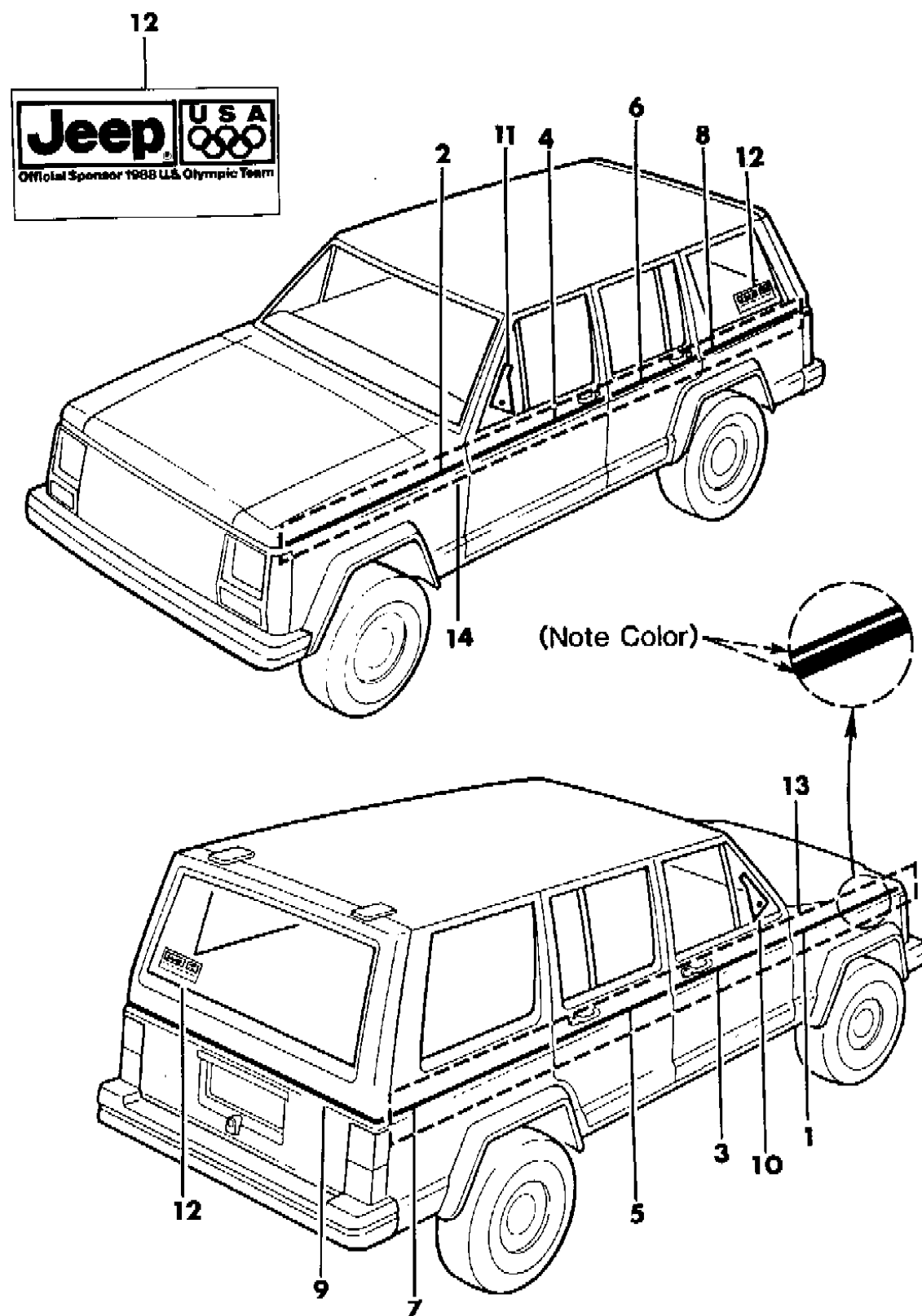
BODY STYLES:

MJ = Comanche Pickup
 SJ = Grand Wagoneer Wgn., J-10 & J-20 Pickups
 XJ = Cherokee, Wagoneer Limited
 YJ = Wrangler

AR = Use as Required - = Non Illustrated Part P.A.R. = Paint as Required

DECALS, EXTERIOR PIONEER CHEROKEE 4 DOOR
Figure 23-1500

8J68 1500 A



| ITEM | PART NUMBER | QTY | BODY | MODEL | DESCRIPTION |
|------|-------------|-----|------|-------|--------------------------------|
| 1-2 | | | | | DECAL, Fender |
| | 5501 4768-9 | 1 | | | Almond, 1988 |
| | 5501 6826-7 | 1 | | | Dark Baltic, 1988-89 |
| | 5500 5972-3 | 1 | | | Dark Red, 1987-89 |
| | 5501 0088-9 | 1 | | | Light Blue, Med. Blue, 1987 |
| | 5501 0094-5 | 1 | | | Orange, Red, 1987 |
| | 5501 4752-3 | 1 | | | Silver, 1987 |
| | 5501 6056-7 | 1 | | | Sterling Silver, 1988-89 |
| | 5502 1682-3 | 1 | | | Sand Tan, 1989 |
| 3-4 | | | | | DECAL, Door |
| | 5501 4776 | 2 | | | Almond, 1987-88, (MR) |
| | 5501 6832 | 2 | | | Dark Baltic, 1988-89, (MR) |
| | 5500 5967 | 2 | | | Dark Red, 1987-89, (MR) |
| | 5501 0106-7 | 1 | | | Light Blue, Med. Blue, 1987 |
| | 5501 0096-7 | 1 | | | Orange, Red, 1987 |
| | 5501 4762 | 2 | | | Silver, 1987, (MR) |
| | 5501 6816 | 2 | | | Sterling Silver, 1988-89, (MR) |
| | 5502 1681 | 2 | | | Sand Tan, 1989, (MR) |
| 5-6 | | | | | DECAL, Door |
| | 5501 4776 | 2 | | | Almond, 1987-88, (MR) |
| | 5501 6832 | 2 | | | Dark Baltic, 1988-89, (MR) |
| | 5500 5967 | 2 | | | Dark Red, 1987-89, (MR) |
| | 5501 0108-9 | 1 | | | Light Blue, Med. Blue, 1987 |
| | 5501 0098-9 | 1 | | | Orange, Red, 1987 |
| | 5501 4762 | 2 | | | Silver, 1987, (MR) |
| | 5501 6816 | 2 | | | Sterling Silver, 1988-89, (MR) |
| | 5502 1681 | 2 | | | Sand Tan, 1989, (MR) |
| 7-8 | | | | | DECAL, Rear Quarter |
| | 5501 4776 | 2 | | | Almond, 1987-88, (MR) |
| | 5501 6832 | 2 | | | Dark Baltic, 1988-89, (MR) |
| | 5500 5967 | 2 | | | Dark Red, 1987-89, (MR) |
| | 5501 0110-1 | 1 | | | Light Blue, Med. Blue, 1987 |
| | 5501 0100-1 | 1 | | | Orange, Red, 1987 |
| | 5501 4762 | 2 | | | Silver, 1987, (MR) |
| | 5501 6816 | 2 | | | Sterling Silver, 1988-89, (MR) |
| | 5502 1681 | 2 | | | Sand Tan, 1989, (MR) |
| 9 | | | | | DECAL, Lift Door |

MODEL CODES:

| | | |
|-----------------------------|-----------------------------|------------------------------|
| 15 = Grand Wagoneer 4 Dr. | 65 = Comanche 4WD-7 Ft. Box | 77 = Cherokee 4WD-2 Dr. |
| 25 = J-10 Pickup-119" W.B. | 66 = Comanche 2WD-7 Ft. Box | 78 = Cherokee 4WD-4 Dr. |
| 26 = J-10 Pickup-131" W.B. | 73 = Cherokee 2WD-2 Dr. | 79 = Cherokee 4WD-4 Dr.-Com |
| 27 = J-20 Pickup-131" W.B. | 74 = Cherokee 2WD-4 Dr. | 81 = Wrangler-93" W.B. |
| 63 = Comanche 4WD-6 Ft. Box | 75 = Wagoneer 4WD-4 Dr. | 82 = Wrangler-103" W.B.-Exp. |
| 64 = Comanche 2WD-6 Ft. Box | | |

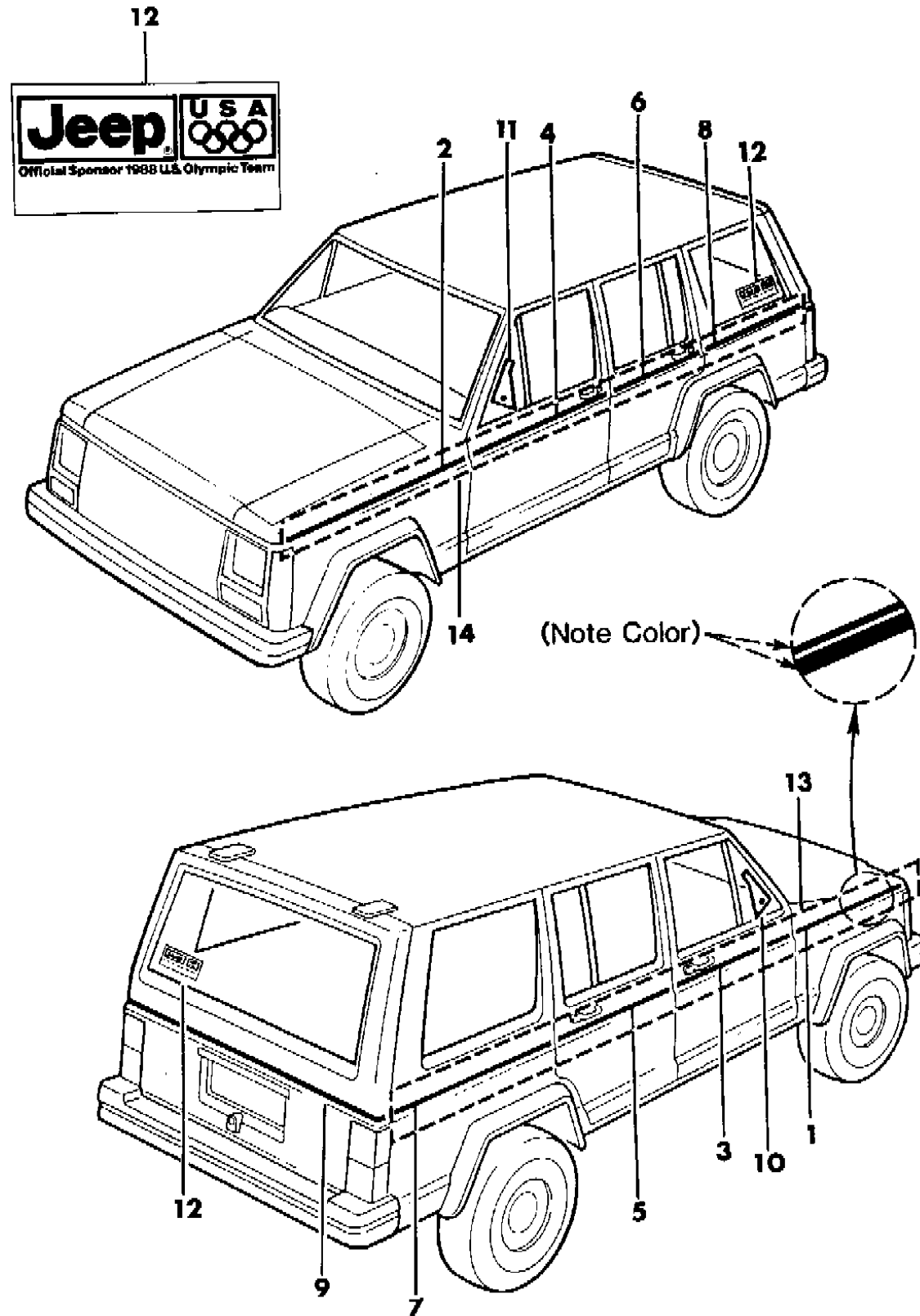
BODY STYLES:

MJ = Comanche Pickup
SJ = Grand Wagoneer Wgn., J-10 & J-20 Pickups
XJ = Cherokee, Wagoneer Limited
YJ = Wrangler

AR = Use as Required - = Non Illustrated Part P.A.R. = Paint as Required

DECALS, EXTERIOR PIONEER CHEROKEE 4 DOOR
Figure 23-1500

8J68 1500 A



| ITEM | PART NUMBER | QTY | BODY | MODEL | DESCRIPTION |
|-------|-------------|-----|------|-------|-----------------------------|
| | 5501 4776 | 1 | | | Almond, 1987-88 |
| | 5501 6832 | 1 | | | Dark Baltic, 1988-89 |
| | 5500 5967 | 1 | | | Dark Red, 1987-89 |
| | 5AL5 8JR7 | 1 | | | Dark Red, 1990 |
| | 5501 0087 | 1 | | | Light Blue, Med. Blue, 1987 |
| | 5501 0112 | 1 | | | Orange, Red, 1987 |
| | 5501 4762 | 1 | | | Silver, 1987 |
| | 5501 6816 | 1 | | | Sterling Silver, 1988-89 |
| | 5AL5 8JA2 | 1 | | | Sterling Silver, 1990 |
| | 5502 1681 | 1 | | | Sand Tan, 1989 |
| | 5AL5 8JK2 | 1 | | | Sand Tan, 1990 |
| 10-11 | 5500 6220-1 | 1 | | | DECAL, Door, Black |
| 12 | 5502 0568 | 1 | | | DECAL, "Olympic" 1988 |
| 13-14 | | | | | DECAL KIT, Body Side *** |
| | 5252 790-1 | 1 | | | Dark Red, 1990 |
| | 5252 788-9 | 1 | | | Sterling Silver, 1990 |
| | 5252 792-3 | 1 | | | Light Sand, 1990 |

(MR) Modification Required. (A) For 1987, two types of instrument clusters were used. On type one, Clusters, the odometer numbers are rounded, the Speedometer face has (2) slotte

MODEL CODES:

| | | |
|-----------------------------|-----------------------------|------------------------------|
| 15 = Grand Wagoneer 4 Dr. | 65 = Comanche 4WD-7 Ft. Box | 77 = Cherokee 4WD-2 Dr. |
| 25 = J-10 Pickup-119" W.B. | 66 = Comanche 2WD-7 Ft. Box | 78 = Cherokee 4WD-4 Dr. |
| 26 = J-10 Pickup-131" W.B. | 73 = Cherokee 2WD-2 Dr. | 79 = Cherokee 4WD-4 Dr.-Com |
| 27 = J-20 Pickup-131" W.B. | 74 = Cherokee 2WD-4 Dr. | 81 = Wrangler-93" W.B. |
| 63 = Comanche 4WD-6 Ft. Box | 75 = Wagoneer 4WD-4 Dr. | 82 = Wrangler-103" W.B.-Exp. |
| 64 = Comanche 2WD-6 Ft. Box | | |

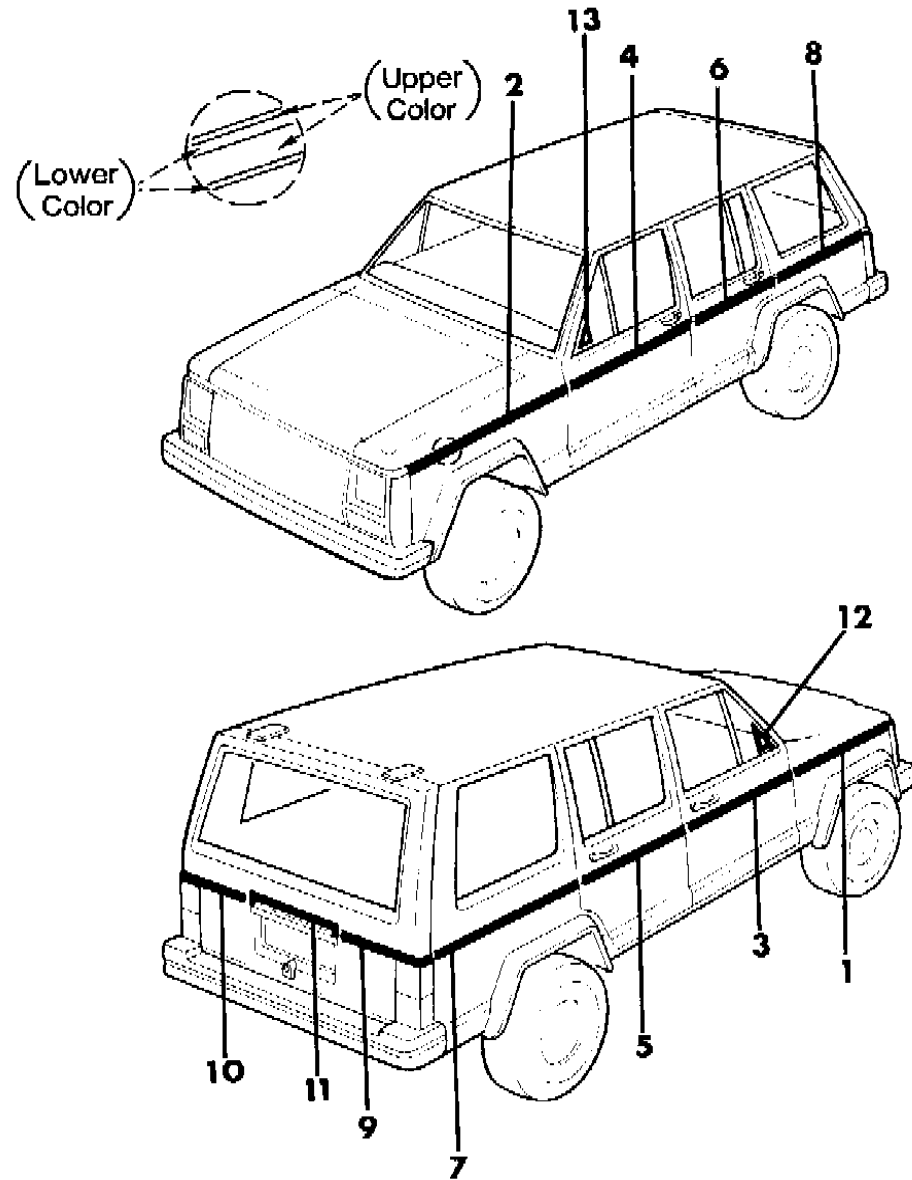
BODY STYLES:

MJ = Comanche Pickup
SJ = Grand Wagoneer Wgn., J-10 & J-20 Pickups
XJ = Cherokee, Wagoneer Limited
YJ = Wrangler

AR = Use as Required - = Non Illustrated Part P.A.R. = Paint as Required

DECALS, EXTERIOR 2 TONE, 1987 CHEROKEE 4 DOOR
Figure 23-1590

8J68 1590



| ITEM | PART NUMBER | QTY | BODY | MODEL | DESCRIPTION |
|---|-------------|-----|------|-------|---------------------------------------|
| 1-2 | | | | | DECAL, Fender |
| | 5501 4634-5 | 1 | | | Beige/Briarwood/Beige/Briarwood |
| | 5501 4622-3 | 1 | | | Sterling/Charcoal/Sterling/Charcoal |
| | 5501 4810-1 | 1 | | | Sterling/Grenadine/Sterling/Grenadine |
| | 5501 4646-7 | 1 | | | White/Med. Blue/White/Med. Blue |
| 3-4 | | | | | DECAL, Door, (MR) |
| | 5501 4634-5 | 1 | | | Beige/Briarwood/Beige/Briarwood |
| | 5501 4622-3 | 1 | | | Sterling/Charcoal/Sterling/Charcoal |
| | 5501 4810-1 | 1 | | | Sterling/Grenadine/Sterling/Grenadine |
| | 5501 4646-7 | 1 | | | White/Med. Blue/White/Med. Blue |
| 5-6 | | | | | DECAL, Door, (MR) |
| | 5501 4634-5 | 1 | | | Beige/Briarwood/Beige/Briarwood |
| | 5501 4622-3 | 1 | | | Sterling/Charcoal/Sterling/Charcoal |
| | 5501 4810-1 | 1 | | | Sterling/Grenadine/Sterling/Grenadine |
| | 5501 4646-7 | 1 | | | White/Med. Blue/White/Med. Blue |
| 7-8 | | | | | DECAL, Rear Quarter, (MR) |
| | 5501 4634-5 | 1 | | | Beige/Briarwood/Beige/Briarwood |
| | 5501 4622-3 | 1 | | | Sterling/Charcoal/Sterling/Charcoal |
| | 5501 4810-1 | 1 | | | Sterling/Grenadine/Sterling/Grenadine |
| | 5501 4646-7 | 1 | | | White/Med. Blue/White/Med. Blue |
| 9-10 | | | | | DECAL, Lift Door |
| | 5501 4638-9 | 1 | | | Beige/Briarwood/Beige/Briarwood |
| | 5501 4626-7 | 1 | | | Sterling/Charcoal/Sterling/Charcoal |
| | 5501 4500-1 | 1 | | | Sterling/Grenadine/Sterling/Grenadine |
| | 5501 4650-1 | 1 | | | White/Med. Blue/White/Med. Blue |
| 11 | | | | | DECAL, Lift Door |
| This decal is one solid color, it is used with the following color combinations. (A) For 1987, two types of instrument clusters were used. On type one, Clusters, the odometer numbers are rounded, the Speedometer face has (2) slotte | | | | | |
| | 5501 4636 | 1 | | | Beige/Briarwood/Beige/Briarwood |
| | 5501 4624 | 1 | | | Sterling/Charcoal/Sterling/Charcoal |
| | 5501 4498 | 1 | | | Sterling/Grenadine/Sterling/Grenadine |
| | 5501 4648 | 1 | | | White/Med. Blue/White/Med. Blue |
| 12-13 | 5500 6220-1 | 1 | | | DECAL, Door, Black |

MODEL CODES:

| | | |
|-----------------------------|-----------------------------|------------------------------|
| 15 = Grand Wagoneer 4 Dr. | 65 = Comanche 4WD-7 Ft. Box | 77 = Cherokee 4WD-2 Dr. |
| 25 = J-10 Pickup-119" W.B. | 66 = Comanche 2WD-7 Ft. Box | 78 = Cherokee 4WD-4 Dr. |
| 26 = J-10 Pickup-131" W.B. | 73 = Cherokee 2WD-2 Dr. | 79 = Cherokee 4WD-4 Dr.-Com |
| 27 = J-20 Pickup-131" W.B. | 74 = Cherokee 2WD-4 Dr. | 81 = Wrangler-93" W.B. |
| 63 = Comanche 4WD-6 Ft. Box | 75 = Wagoneer 4WD-4 Dr. | 82 = Wrangler-103" W.B.-Exp. |
| 64 = Comanche 2WD-6 Ft. Box | | |

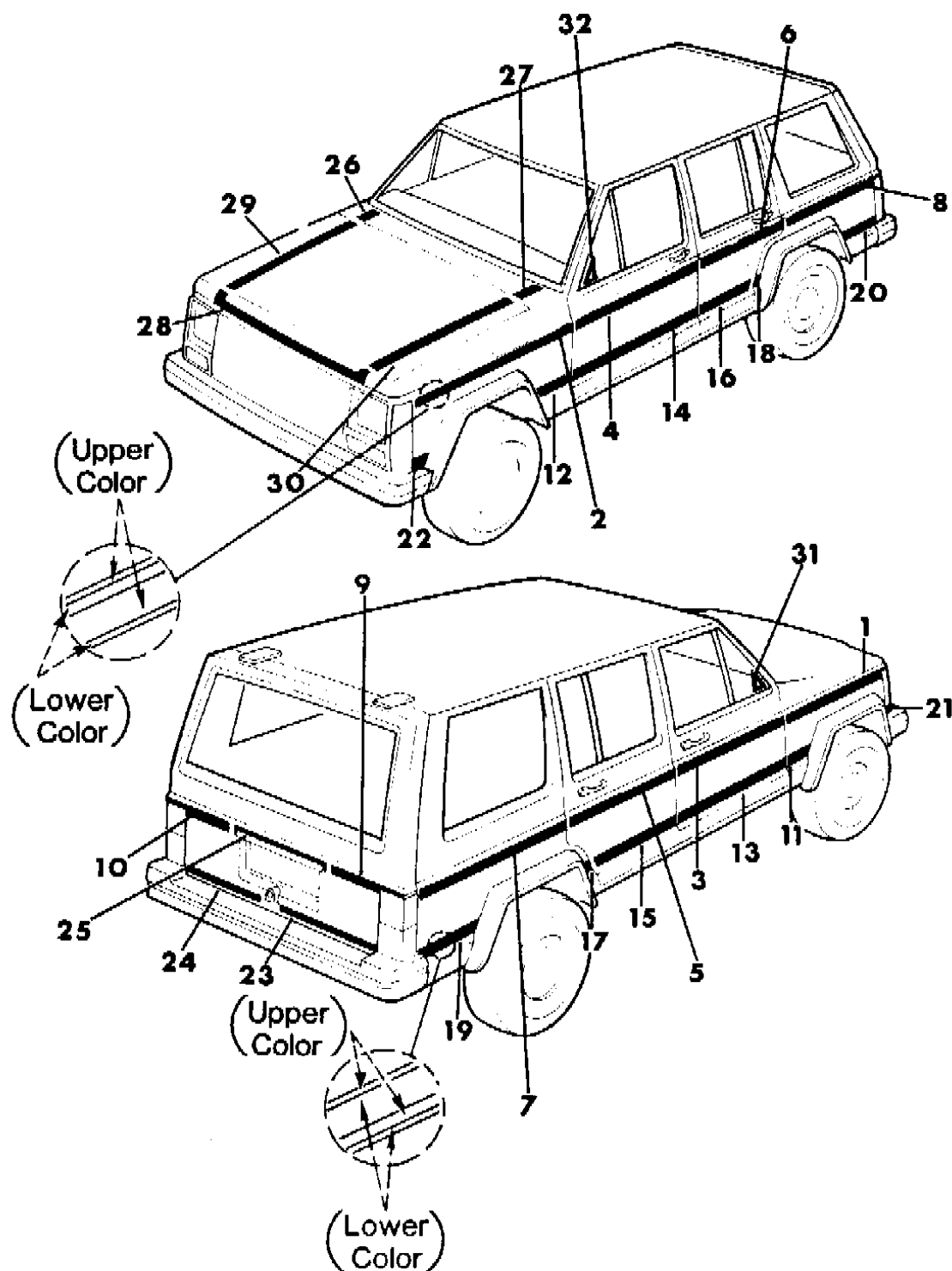
BODY STYLES:

MJ = Comanche Pickup
SJ = Grand Wagoneer Wgn., J-10 & J-20 Pickups
XJ = Cherokee, Wagoneer Limited
YJ = Wrangler

AR = Use as Required - = Non Illustrated Part P.A.R. = Paint as Required

DECALS, EXTERIOR 2 TONE, 1988 CHEROKEE 4 DOOR
Figure 23-1600

8J68 1600



| ITEM | PART NUMBER | QTY | BODY | MODEL | DESCRIPTION |
|-------|-------------|-----|------|-------|---|
| 1-2 | | | | | DECAL, Fender, (MR) |
| | 5501 6646-7 | 1 | | | Black/Dover Grey/Black/Dover Grey |
| | 5501 6694-5 | 1 | | | Briarwood/Bronze/Briarwood/Bronze |
| | 5501 6682-3 | 1 | | | Dark Baltic/Sterling/Dark Baltic/Sterling |
| | 5501 6658-9 | 1 | | | Dover Grey/Sterling/Dover Grey/Sterling |
| | 5501 9876-7 | 1 | | | Grenadine/Sterling/Grenadine/Sterling |
| | 5501 6706-7 | 1 | | | Pearl White/Coffee/Pearl White/Coffee |
| 3-4 | | | | | DECAL, Door, (MR) |
| | 5501 6646-7 | 1 | | | Black/Dover Grey/Black/Dover Grey |
| | 5501 6694-5 | 1 | | | Briarwood/Bronze/Briarwood/Bronze |
| | 5501 6682-3 | 1 | | | Dark Baltic/Sterling/Dark Baltic/Sterling |
| | 5501 6658-9 | 1 | | | Dover Grey/Sterling/Dover Grey/Sterling |
| | 5501 9876-7 | 1 | | | Grenadine/Sterling/Grenadine/Sterling |
| | 5501 6706-7 | 1 | | | Pearl White/Coffee/Pearl White/Coffee |
| 5-6 | | | | | DECAL, Door, (MR) |
| | 5501 6646-7 | 1 | | | Black/Dover Grey/Black/Dover Grey |
| | 5501 6694-5 | 1 | | | Briarwood/Bronze/Briarwood/Bronze |
| | 5501 6682-3 | 1 | | | Dark Baltic/Sterling/Dark Baltic/Sterling |
| | 5501 6658-9 | 1 | | | Dover Grey/Sterling/Dover Grey/Sterling |
| | 5501 9876-7 | 1 | | | Grenadine/Sterling/Grenadine/Sterling |
| | 5501 6706-7 | 1 | | | Pearl White/Coffee/Pearl White/Coffee |
| 7-8 | | | | | DECAL, Rear Quarter, (MR) |
| | 5501 6646-7 | 1 | | | Black/Dover Grey/Black/Dover Grey |
| | 5501 6694-5 | 1 | | | Briarwood/Bronze/Briarwood/Bronze |
| | 5501 6682-3 | 1 | | | Dark Baltic/Sterling/Dark Baltic/Sterling |
| | 5501 6658-9 | 1 | | | Dover Grey/Sterling/Dover Grey/Sterling |
| | 5501 9876-7 | 1 | | | Grenadine/Sterling/Grenadine/Sterling |
| | 5501 6706-7 | 1 | | | Pearl White/Coffee/Pearl White/Coffee |
| 9-10 | | | | | DECAL, Lift Door |
| | 5501 6648-9 | 1 | | | Black/Dover Grey/Black/Dover Grey |
| | 5501 6696-7 | 1 | | | Briarwood/Bronze/Briarwood/Bronze |
| | 5501 6684-5 | 1 | | | Dark Baltic/Sterling/Dark Baltic/Sterling |
| | 5501 6660-1 | 1 | | | Dover Grey/Sterling/Dover Grey/Sterling |
| | 5501 8482-3 | 1 | | | Grenadine/Sterling/Grenadine/Sterling |
| | 5501 6708-9 | 1 | | | Pearl White/Coffee/Pearl White/Coffee |
| 11-12 | | | | | DECAL, Fender, (MR) |
| | 5502 0316-7 | 1 | | | Dover Grey/Black/Dover Grey/Black |

MODEL CODES:

| | | |
|-----------------------------|-----------------------------|------------------------------|
| 15 = Grand Wagoneer 4 Dr. | 65 = Comanche 4WD-7 Ft. Box | 77 = Cherokee 4WD-2 Dr. |
| 25 = J-10 Pickup-119" W.B. | 66 = Comanche 2WD-7 Ft. Box | 78 = Cherokee 4WD-4 Dr. |
| 26 = J-10 Pickup-131" W.B. | 73 = Cherokee 2WD-2 Dr. | 79 = Cherokee 4WD-4 Dr.-Com |
| 27 = J-20 Pickup-131" W.B. | 74 = Cherokee 2WD-4 Dr. | 81 = Wrangler-93" W.B. |
| 63 = Comanche 4WD-6 Ft. Box | 75 = Wagoneer 4WD-4 Dr. | 82 = Wrangler-103" W.B.-Exp. |
| 64 = Comanche 2WD-6 Ft. Box | | |

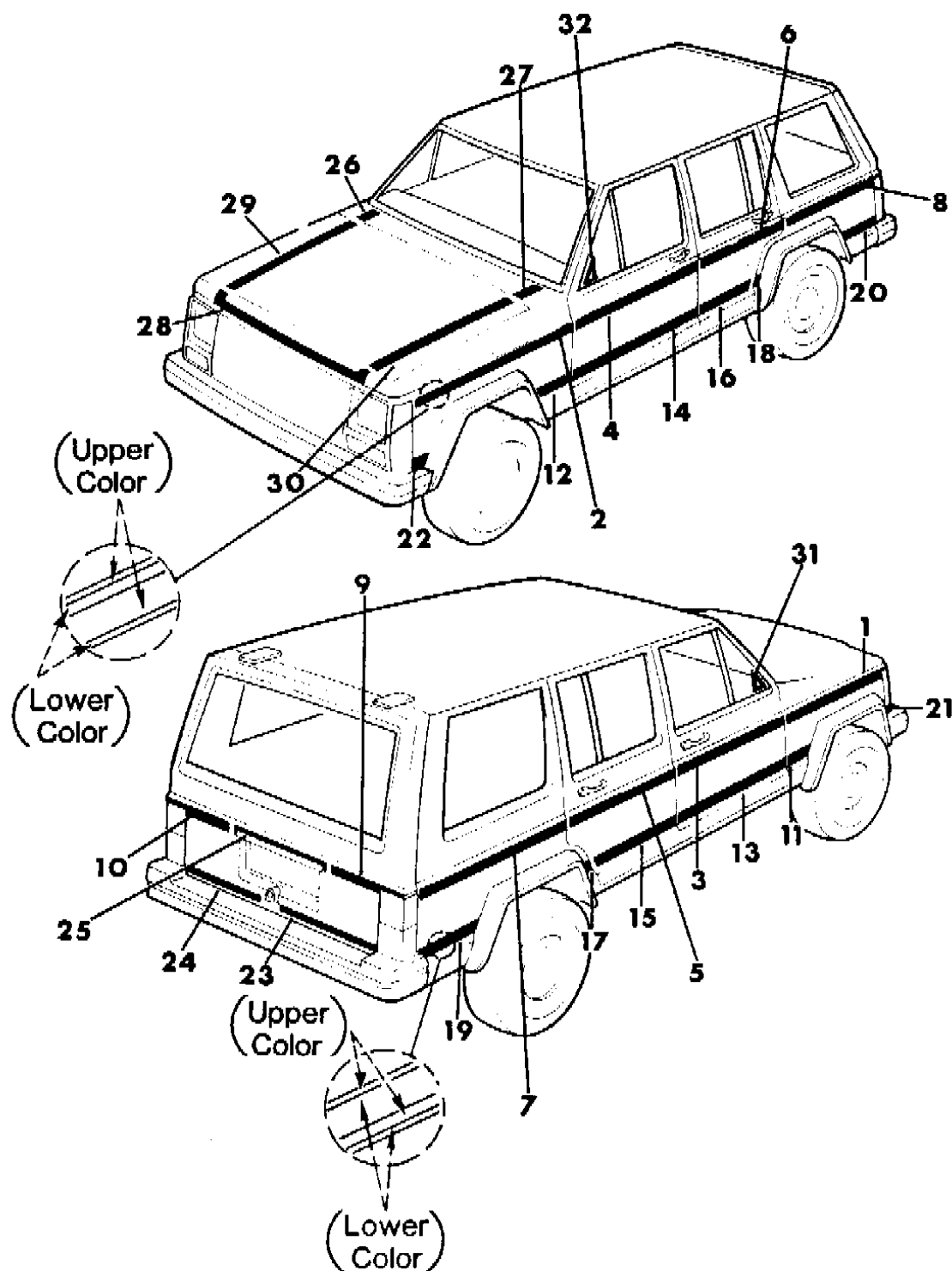
BODY STYLES:

MJ = Comanche Pickup
SJ = Grand Wagoneer Wgn., J-10 & J-20 Pickups
XJ = Cherokee, Wagoneer Limited
YJ = Wrangler

AR = Use as Required - = Non Illustrated Part P.A.R. = Paint as Required

DECALS, EXTERIOR 2 TONE, 1988 CHEROKEE 4 DOOR
Figure 23-1600

8J68 1600



| ITEM | PART NUMBER | QTY | BODY | MODEL | DESCRIPTION |
|-------|-------------|-----|------|-------|---|
| | 5502 0324-5 | 1 | | | Bronze/Briarwood/Bronze/Briarwood |
| | 5502 0322-3 | 1 | | | Sterling/Dark Baltic/Sterling/Dark Baltic |
| | 5502 0318-9 | 1 | | | Sterling/Dover Grey/Sterling/Dover Grey |
| | 5502 0320-1 | 1 | | | Sterling/Grenadine/Sterling/Grenadine |
| | 5502 0326-7 | 1 | | | Coffee/Pearl White/Coffee/Pearl White |
| 13-14 | | | | | DECAL, Door, |
| | 5502 0316-7 | 1 | | | Dover Grey/Black/Dover Grey/Black |
| | 5502 0324-5 | 1 | | | Bronze/Briarwood/Bronze/Briarwood |
| | 5502 0322-3 | 1 | | | Sterling/Dark Baltic/Sterling/Dark Baltic |
| | 5502 0318-9 | 1 | | | Sterling/Dover Grey/Sterling/Dover Grey |
| | 5501 4512-3 | 1 | | | Sterling/Grenadine/Sterling/Grenadine |
| | 5502 0326-7 | 1 | | | Coffee/Pearl White/Coffee/Pearl White |
| 15-16 | | | | | DECAL, Door, (MR) |
| | 5502 0316-7 | 1 | | | Dover Grey/Black/Dover Grey/Black |
| | 5502 0324-5 | 1 | | | Bronze/Briarwood/Bronze/Briarwood |
| | 5502 0322-3 | 1 | | | Sterling/Dark Baltic/Sterling/Dark Baltic |
| | 5502 0318-9 | 1 | | | Sterling/Dover Grey/Sterling/Dover Grey |
| | 5502 0320-1 | 1 | | | Sterling/Grenadine/Sterling/Grenadine |
| | 5502 0326-7 | 1 | | | Coffee/Pearl White/Coffee/Pearl White |
| 17-18 | | | | | DECAL, Rear Quarter, (MR) |
| | 5502 0316-7 | 1 | | | Dover Grey/Black/Dover Grey/Black |
| | 5502 0324-5 | 1 | | | Bronze/Briarwood/Bronze/Briarwood |
| | 5502 0322-3 | 1 | | | Sterling/Dark Baltic/Sterling/Dark Baltic |
| | 5502 0318-9 | 1 | | | Sterling/Dover Grey/Sterling/Dover Grey |
| | 5502 0320-1 | 1 | | | Sterling/Grenadine/Sterling/Grenadine |
| | 5502 0326-7 | 1 | | | Coffee/Pearl White/Coffee/Pearl White |
| 19-20 | | | | | DECAL, Rear Quarter, (MR) |
| | 5502 0316-7 | 1 | | | Dover Grey/Black/Dover Grey/Black |
| | 5502 0324-5 | 1 | | | Bronze/Briarwood/Bronze/Briarwood |
| | 5502 0322-3 | 1 | | | Sterling/Dark Baltic/Sterling/Dark Baltic |
| | 5502 0318-9 | 1 | | | Sterling/Dover Grey/Sterling/Dover Grey |
| | 5502 0320-1 | 1 | | | Sterling/Grenadine/Sterling/Grenadine |
| | 5502 0326-7 | 1 | | | Coffee/Pearl White/Coffee/Pearl White |
| 21-22 | | | | | DECAL, Fender, (MR) |
| | 5502 0316-7 | 1 | | | Dover Grey/Black/Dover Grey/Black |
| | 5502 0324-5 | 1 | | | Bronze/Briarwood/Bronze/Briarwood |
| | 5502 0322-3 | 1 | | | Sterling/Dark Baltic/Sterling/Dark Baltic |

MODEL CODES:

| | | |
|-----------------------------|-----------------------------|------------------------------|
| 15 = Grand Wagoneer 4 Dr. | 65 = Comanche 4WD-7 Ft. Box | 77 = Cherokee 4WD-2 Dr. |
| 25 = J-10 Pickup-119" W.B. | 66 = Comanche 2WD-7 Ft. Box | 78 = Cherokee 4WD-4 Dr. |
| 26 = J-10 Pickup-131" W.B. | 73 = Cherokee 2WD-2 Dr. | 79 = Cherokee 4WD-4 Dr.-Com |
| 27 = J-20 Pickup-131" W.B. | 74 = Cherokee 2WD-4 Dr. | 81 = Wrangler-93" W.B. |
| 63 = Comanche 4WD-6 Ft. Box | 75 = Wagoneer 4WD-4 Dr. | 82 = Wrangler-103" W.B.-Exp. |
| 64 = Comanche 2WD-6 Ft. Box | | |

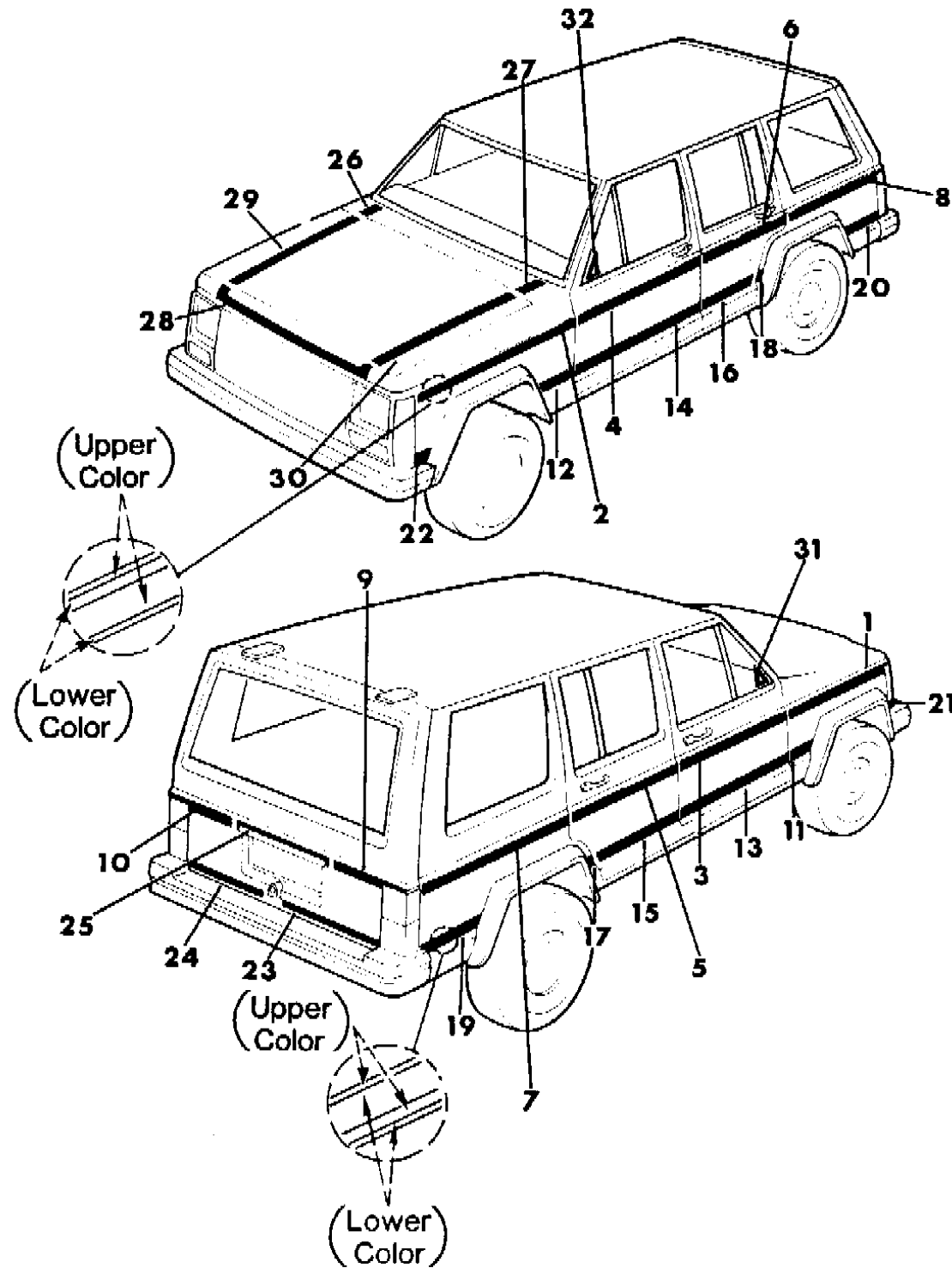
BODY STYLES:

MJ = Comanche Pickup
SJ = Grand Wagoneer Wgn., J-10 & J-20 Pickups
XJ = Cherokee, Wagoneer Limited
YJ = Wrangler

AR = Use as Required - = Non Illustrated Part P.A.R. = Paint as Required

DECALS, EXTERIOR 2 TONE, 1988 CHEROKEE 4 DOOR
Figure 23-1600

8J68 1600



| ITEM | PART NUMBER | QTY | BODY | MODEL | DESCRIPTION |
|-------|-------------|-----|------|-------|---|
| | 5502 0318-9 | 1 | | | Sterling/Dover Grey/Sterling/Dover Grey |
| | 5502 0320-1 | 1 | | | Sterling/Grenadine/Sterling/Grenadine |
| | 5502 0326-7 | 1 | | | Coffee/Pearl White/Coffee/Pearl White |
| 23-24 | | | | | DECAL, Lift Door |
| | 5501 7172-3 | 1 | | | Dover Grey/Black/Dover Grey/Black |
| | 5501 8860-1 | 1 | | | Bronze/Briarwood/Bronze/Briarwood |
| | 5501 6746-7 | 1 | | | Sterling/Dark Baltic/Sterling/Dark Baltic |
| | 5501 8858-9 | 1 | | | Sterling/Dover Grey/Sterling/Dover Grey |
| | 5501 4506-7 | 1 | | | Sterling/Grenadine/Sterling/Grenadine |
| 25 | | | | | DECAL, Lift Door |
| | 5501 8862-3 | 1 | | | Coffee/Pearl White/Coffee/Pearl White |
| | 5501 6650 | 1 | | | Dover Grey |
| | 5501 6698 | 1 | | | Bronze |
| | 5501 6686 | 1 | | | Sterling, use with Sterling/Dark Baltic decals. |
| | 5501 6662 | 1 | | | Sterling, use with Sterling/Dover Grey decals. |
| | 5501 8480 | 1 | | | Sterling, use with Sterling/Grenadine decals. |
| | 5501 6710 | 1 | | | Coffee |
| 26-27 | | | | | DECAL, Cowl |
| | 5501 8840-1 | 1 | | | Dover Grey |
| | 5501 8876-7 | 1 | | | Bronze |
| | 5501 6602-3 | 1 | | | Sterling |
| | 5501 8882-3 | 1 | | | Coffee |
| 28 | | | | | DECAL, Grille Panel |
| | 5501 8842 | 1 | | | Dover Grey |
| | 5501 8878 | 1 | | | Bronze |
| | 5501 6595 | 1 | | | Sterling |
| | 5501 8879 | 1 | | | Coffee |
| 29-30 | | | | | DECAL, Hood |
| | 5501 8838-9 | 1 | | | Dover Grey |
| | 5501 8874-5 | 1 | | | Bronze |
| | 5501 6598-9 | 1 | | | Sterling |
| | 5501 8880-1 | 1 | | | Coffee |
| 31-32 | 5500 6220-1 | 1 | | | DECAL, Door, Black |

(MR) Modification Required. (A) For 1987, two types of instrument clusters were used. On type one, Clusters, the odometer numbers are rounded, the Speedometer face has (2) slotte

MODEL CODES:

| | | |
|-----------------------------|-----------------------------|------------------------------|
| 15 = Grand Wagoneer 4 Dr. | 65 = Comanche 4WD-7 Ft. Box | 77 = Cherokee 4WD-2 Dr. |
| 25 = J-10 Pickup-119" W.B. | 66 = Comanche 2WD-7 Ft. Box | 78 = Cherokee 4WD-4 Dr. |
| 26 = J-10 Pickup-131" W.B. | 73 = Cherokee 2WD-2 Dr. | 79 = Cherokee 4WD-4 Dr.-Com |
| 27 = J-20 Pickup-131" W.B. | 74 = Cherokee 2WD-4 Dr. | 81 = Wrangler-93" W.B. |
| 63 = Comanche 4WD-6 Ft. Box | 75 = Wagoneer 4WD-4 Dr. | 82 = Wrangler-103" W.B.-Exp. |
| 64 = Comanche 2WD-6 Ft. Box | | |

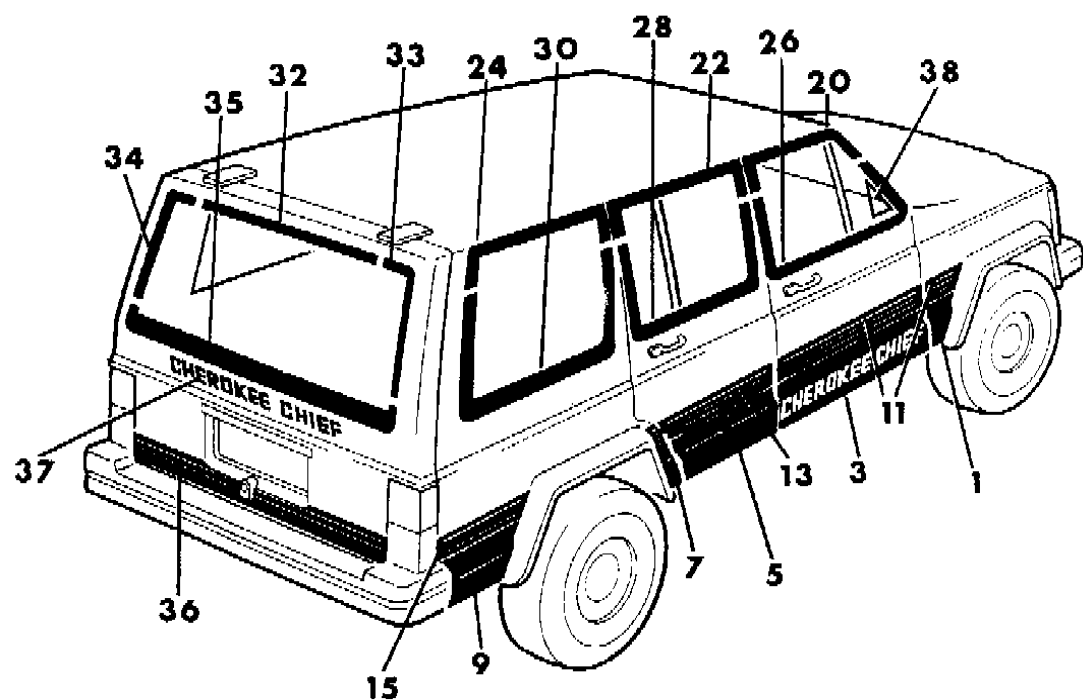
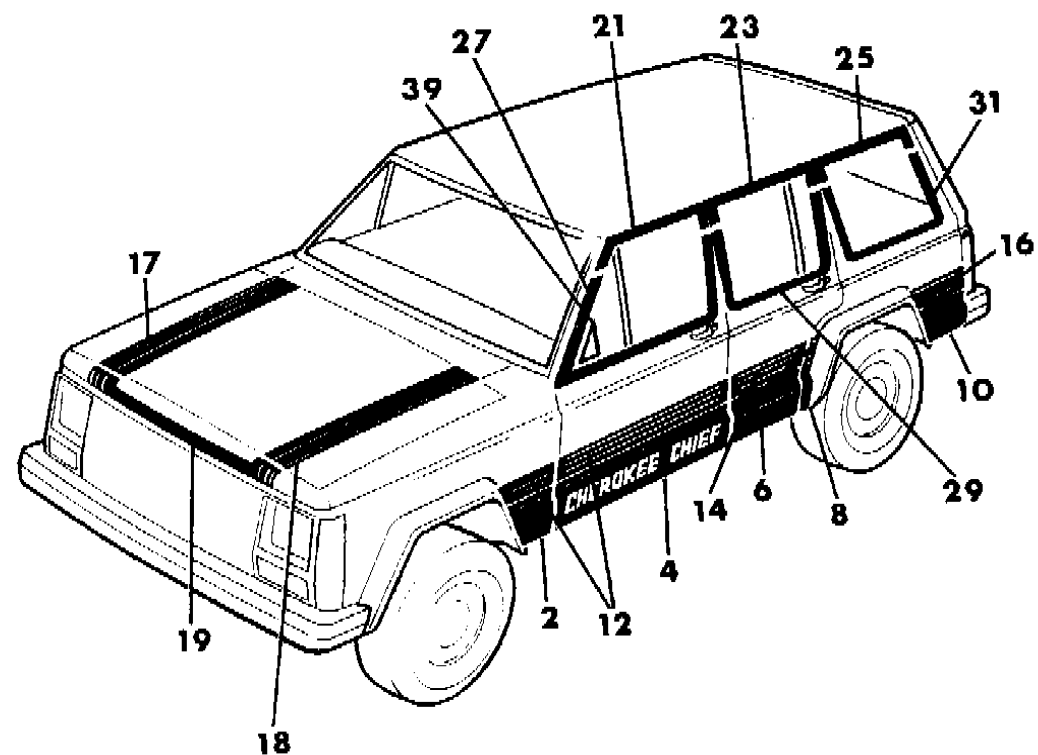
BODY STYLES:

MJ = Comanche Pickup
SJ = Grand Wagoneer Wgn., J-10 & J-20 Pickups
XJ = Cherokee, Wagoneer Limited
YJ = Wrangler

AR = Use as Required - = Non Illustrated Part P.A.R. = Paint as Required

DECALS, EXTERIOR CHIEF, U.S., CANADA, 1987-89, VENEZUELA, 1989 CHEROKEE 4 DOOR
Figure 23-1700

8J68 1700



| ITEM | PART NUMBER | QTY | BODY | MODEL | DESCRIPTION |
|-------|-------------|-----|------|-------|--------------------------------|
| 1-2 | 5501 5428-9 | 1 | | | DECAL, Fender, Black |
| 3-4 | 5501 5444-5 | 1 | | | DECAL, Door, Black |
| 5-6 | 5501 5446-7 | 1 | | | DECAL, Door, Black |
| 7-8 | 5501 5448-9 | 1 | | | DECAL, Rear Quarter, Black |
| 9-10 | 5501 5434-5 | 1 | | | DECAL, Rear Quarter, Black |
| 11-12 | 5501 5870-1 | 1 | | | DECAL, Door And Fender, Black |
| 13-14 | 5501 5872-3 | 1 | | | DECAL, Door And Quarter, Black |
| 15-16 | 5501 5874-5 | 1 | | | DECAL, Rear Quarter, Black |
| 17-18 | 5501 5426-7 | 1 | | | DECAL, Hood, Black |
| 19 | 5501 5425 | 1 | | | DECAL, Grille Panel, Black |
| 20-21 | 5500 6800-1 | 1 | | | DECAL, Door Frame, Black |
| 22-23 | 5500 6804-5 | 1 | | | DECAL, Door Frame, Black |
| 24-25 | 5500 6808-9 | 1 | | | DECAL, Rear Quarter, Black |
| 26-27 | 5500 6798-9 | 1 | | | DECAL, Door Frame, Black |
| 28-29 | 5500 6802-3 | 1 | | | DECAL, Door Frame, Black |
| 30-31 | 5500 6806-7 | 1 | | | DECAL, Rear Quarter, Black |
| 32 | 5500 6814 | 1 | | | DECAL, Lift Door, Black |
| 33-34 | 5500 6810-1 | 1 | | | DECAL, Lift Door, Black |
| 35 | 5500 6812 | 1 | | | DECAL, Lift Door, Black |
| 36 | 5501 5437 | 1 | | | DECAL, Lift Door, Black |
| 37 | 5501 5436 | 1 | | | DECAL, Lift Door, Black |
| 38-39 | 5500 6220-1 | 1 | | | DECAL, Door, Black |

MODEL CODES:

| | | |
|-----------------------------|-----------------------------|------------------------------|
| 15 = Grand Wagoneer 4 Dr. | 65 = Comanche 4WD-7 Ft. Box | 77 = Cherokee 4WD-2 Dr. |
| 25 = J-10 Pickup-119" W.B. | 66 = Comanche 2WD-7 Ft. Box | 78 = Cherokee 4WD-4 Dr. |
| 26 = J-10 Pickup-131" W.B. | 73 = Cherokee 2WD-2 Dr. | 79 = Cherokee 4WD-4 Dr.-Com |
| 27 = J-20 Pickup-131" W.B. | 74 = Cherokee 2WD-4 Dr. | 81 = Wrangler-93" W.B. |
| 63 = Comanche 4WD-6 Ft. Box | 75 = Wagoneer 4WD-4 Dr. | 82 = Wrangler-103" W.B.-Exp. |
| 64 = Comanche 2WD-6 Ft. Box | | |

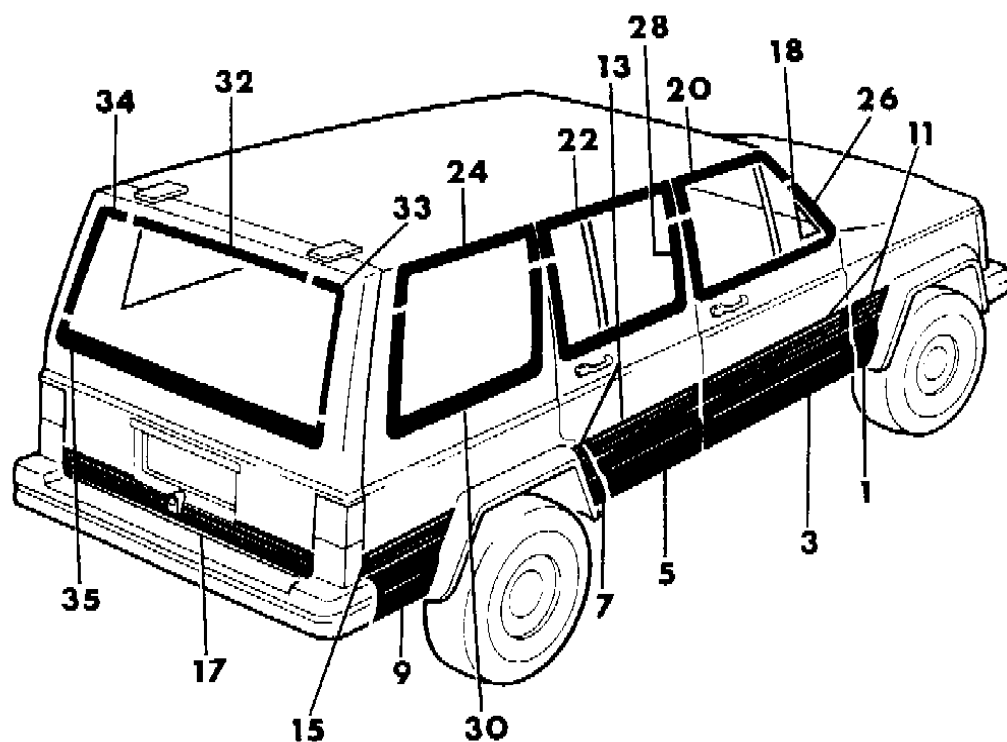
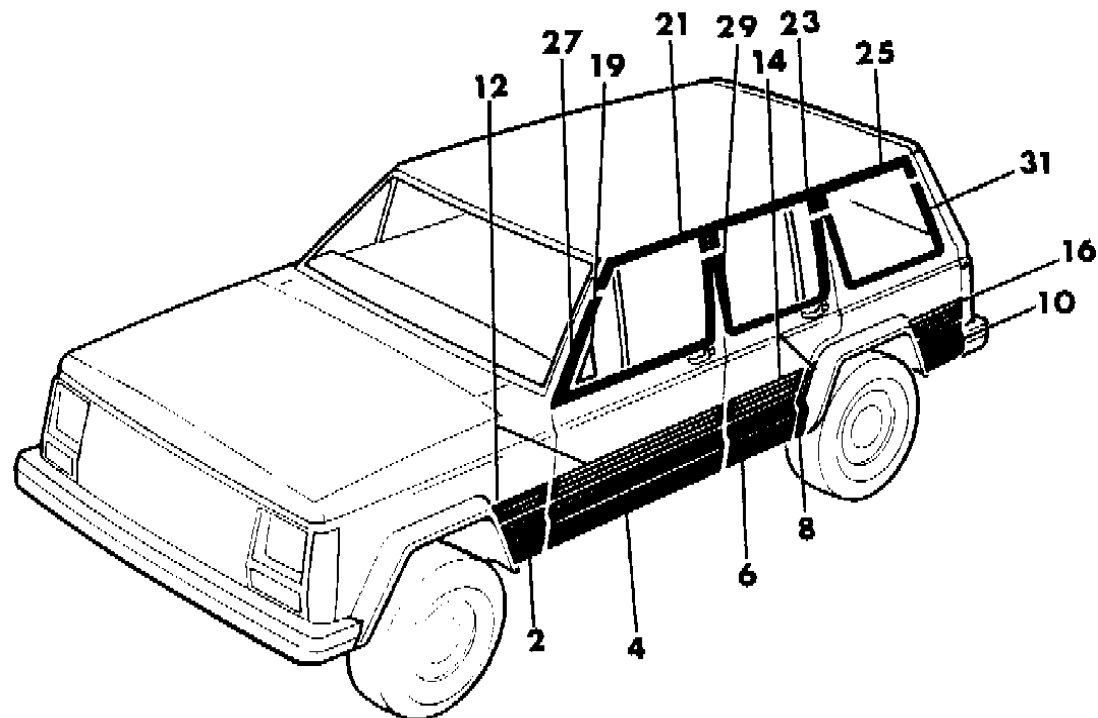
BODY STYLES:

MJ = Comanche Pickup
 SJ = Grand Wagoneer Wgn., J-10 & J-20 Pickups
 XJ = Cherokee, Wagoneer Limited
 YJ = Wrangler

AR = Use as Required - = Non Illustrated Part P.A.R. = Paint as Required

DECALS, EXTERIOR CHIEF, E.C.E., 1987-88 CHEROKEE 4 DOOR
Figure 23-1800

8J68 1800



| ITEM | PART NUMBER | QTY | BODY | MODEL | DESCRIPTION |
|-------|-------------|-----|------|-------|--------------------------------|
| 1-2 | 5501 5428-9 | 1 | | | DECAL, Fender, Black |
| 3-4 | 5501 7690-1 | 1 | | | DECAL, Door, Black |
| 5-6 | 5501 5446-7 | 1 | | | DECAL, Door, Black |
| 7-8 | 5501 5448-9 | 1 | | | DECAL, Rear Quarter, Black |
| 9-10 | 5501 5434-5 | 1 | | | DECAL, Rear Quarter, Black |
| 11-12 | 5501 5870-1 | 1 | | | DECAL, Door And Fender, Black |
| 13-14 | 5501 5872-3 | 1 | | | DECAL, Door And Quarter, Black |
| 15-16 | 5501 5874-5 | 1 | | | DECAL, Rear Quarter, Black |
| 17 | 5501 5437 | 1 | | | DECAL, Lift Door, Black |
| 18-19 | 5500 6220-1 | 1 | | | DECAL, Door, Black |
| 20-21 | 5500 6800-1 | 1 | | | DECAL, Door Frame, Black |
| 22-23 | 5500 6804-5 | 1 | | | DECAL, Door Frame, Black |
| 24-25 | 5500 6808-9 | 1 | | | DECAL, Rear Quarter, Black |
| 26-27 | 5500 6798-9 | 1 | | | DECAL, Door Frame, Black |
| 28-29 | 5500 6802-3 | 1 | | | DECAL, Door Frame, Bright |
| 30-31 | 5500 6806-7 | 1 | | | DECAL, Rear Quarter, Black |
| 32 | 5500 6814 | 1 | | | DECAL, Lift Door, Black |
| 33-34 | 5500 6810-1 | 1 | | | DECAL, Lift Door, Black |
| 35 | 5500 6812 | 1 | | | DECAL, Lift Door, Black |

MODEL CODES:

| | | |
|-----------------------------|-----------------------------|------------------------------|
| 15 = Grand Wagoneer 4 Dr. | 65 = Comanche 4WD-7 Ft. Box | 77 = Cherokee 4WD-2 Dr. |
| 25 = J-10 Pickup-119" W.B. | 66 = Comanche 2WD-7 Ft. Box | 78 = Cherokee 4WD-4 Dr. |
| 26 = J-10 Pickup-131" W.B. | 73 = Cherokee 2WD-2 Dr. | 79 = Cherokee 4WD-4 Dr.-Com |
| 27 = J-20 Pickup-131" W.B. | 74 = Cherokee 2WD-4 Dr. | 81 = Wrangler-93" W.B. |
| 63 = Comanche 4WD-6 Ft. Box | 75 = Wagoneer 4WD-4 Dr. | 82 = Wrangler-103" W.B.-Exp. |
| 64 = Comanche 2WD-6 Ft. Box | | |

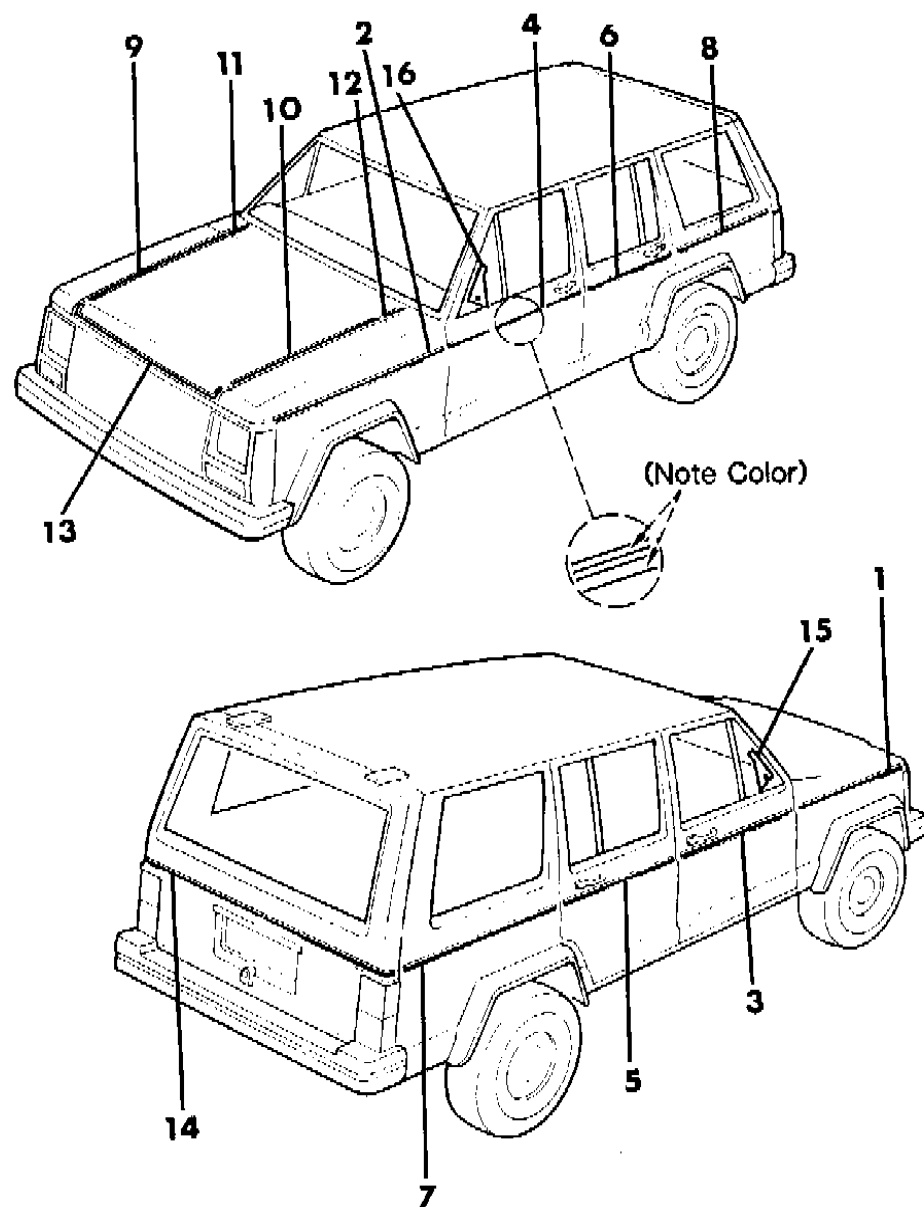
BODY STYLES:

MJ = Comanche Pickup
 SJ = Grand Wagoneer Wgn., J-10 & J-20 Pickups
 XJ = Cherokee, Wagoneer Limited
 YJ = Wrangler

AR = Use as Required - = Non Illustrated Part P.A.R. = Paint as Required

DECALS, EXTERIOR LAREDO, 1987 CHEROKEE 4 DOOR
Figure 23-2000

8J68 2000



| ITEM | PART NUMBER | QTY | BODY | MODEL | DESCRIPTION |
|-------|-------------|-----|------|-------|---------------------------|
| 1-2 | | | | | DECAL, Fender |
| | 5500 5972-3 | 1 | | | Dark Red |
| | 5501 4768-9 | 1 | | | Almond |
| 3-4 | | | | | DECAL, Door, (MR) |
| | 5500 5967 | 2 | | | Dark Red |
| | 5501 4776 | 2 | | | Almond |
| 5-6 | | | | | DECAL, Door, (MR) |
| | 5500 5967 | 2 | | | Dark Red |
| | 5501 4776 | 2 | | | Almond |
| 7-8 | | | | | DECAL, Rear Quarter, (MR) |
| | 5500 5967 | 2 | | | Dark Red |
| | 5501 4776 | 2 | | | Almond |
| 9-10 | | | | | DECAL, Hood, (MR) |
| | 5500 5967 | 2 | | | Dark Red |
| | 5501 4776 | 2 | | | Almond |
| 11-12 | | | | | DECAL, Cowl |
| | 5500 5970-1 | 1 | | | Dark Red |
| | 5501 4766-7 | 1 | | | Almond |
| 13 | | | | | DECAL, Grille Panel |
| | 5500 5966 | 1 | | | Dark Red |
| | 5501 4763 | 1 | | | Almond |
| 14 | | | | | DECAL, Lift Door |
| | 5500 5967 | 1 | | | Dark Red |
| | 5501 4776 | 1 | | | Almond |
| 15-16 | 5500 6220-1 | 1 | | | DECAL, Door, (Black) |

MODEL CODES:

| | | |
|-----------------------------|-----------------------------|------------------------------|
| 15 = Grand Wagoneer 4 Dr. | 65 = Comanche 4WD-7 Ft. Box | 77 = Cherokee 4WD-2 Dr. |
| 25 = J-10 Pickup-119" W.B. | 66 = Comanche 2WD-7 Ft. Box | 78 = Cherokee 4WD-4 Dr. |
| 26 = J-10 Pickup-131" W.B. | 73 = Cherokee 2WD-2 Dr. | 79 = Cherokee 4WD-4 Dr.-Com |
| 27 = J-20 Pickup-131" W.B. | 74 = Cherokee 2WD-4 Dr. | 81 = Wrangler-93" W.B. |
| 63 = Comanche 4WD-6 Ft. Box | 75 = Wagoneer 4WD-4 Dr. | 82 = Wrangler-103" W.B.-Exp. |
| 64 = Comanche 2WD-6 Ft. Box | | |

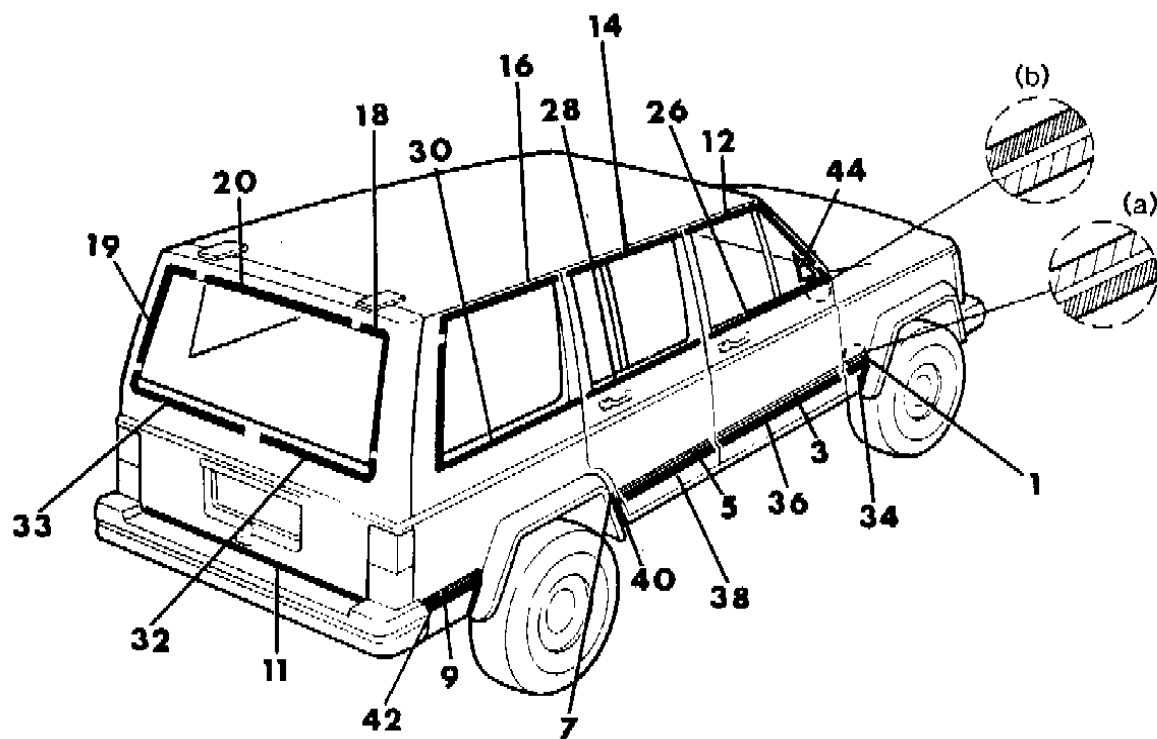
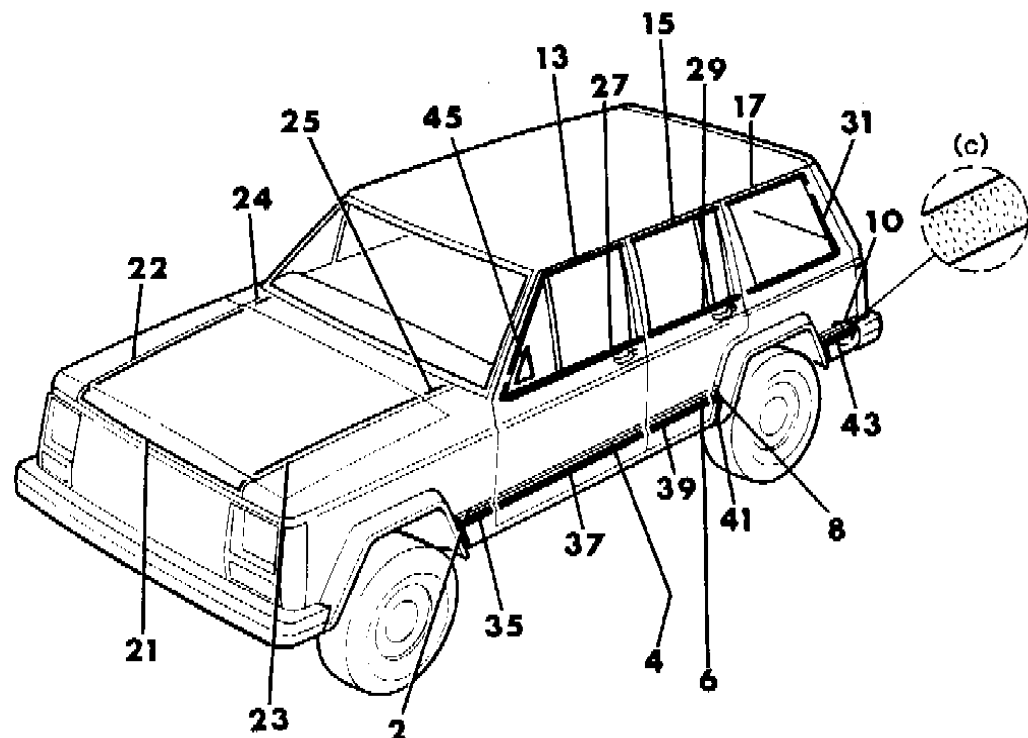
BODY STYLES:

MJ = Comanche Pickup
 SJ = Grand Wagoneer Wgn., J-10 & J-20 Pickups
 XJ = Cherokee, Wagoneer Limited
 YJ = Wrangler

AR = Use as Required - = Non Illustrated Part P.A.R. = Paint as Required

DECALS, EXTERIOR LAREDO AND ECE TYPE 1, 1988 CHEROKEE 4 DOOR
Figure 23-2100

8 J 68 2100



| ITEM | PART NUMBER | QTY | BODY | MODEL | DESCRIPTION |
|-------|-------------|-----|------|-------|--|
| 1-2 | 5501 9410-1 | 1 | | | DECAL, Fender, Light Silver/Argent, (MR) |
| 3-4 | 5501 9410-1 | 1 | | | DECAL, Door, Right, Light Silver/Argent, (MR) |
| 5-6 | 5501 9410-1 | 1 | | | DECAL, Door, Right, Light Silver/Argent, (MR) |
| 7-8 | 5501 9410-1 | 1 | | | DECAL, Rear Quarter, Light Silver/Argent, (MR) |
| 9-10 | 5501 9410-1 | 1 | | | DECAL, Rear Quarter, Light Silver/Argent, (MR) |
| 11 | 5501 9420 | 1 | | | DECAL, Lift Door, Light Silver/Argent |
| 12-13 | 5501 9446-7 | 1 | | | DECAL, Door Frame, Light Silver/Argent |
| 14-15 | 5501 9450-1 | 1 | | | DECAL, Door Frame, Light Silver/Argent |
| 16-17 | 5501 9458-9 | 1 | | | DECAL, Rear Quarter, Light Silver/Argent |
| 18-19 | 5501 9464-5 | 1 | | | DECAL, Lift Door, Light Silver/Argent |
| 20 | 5501 9468 | 1 | | | DECAL, Lift Door, Light Silver/Argent |
| 21 | 5501 6926 | 1 | | | DECAL, Grille Panel, Argent/Light Silver, Except ECE |
| 22-23 | 5501 6928-9 | 1 | | | DECAL, Hood, Argent/Light Silver, Except ECE |
| 24-25 | 5501 6930-1 | 1 | | | DECAL, Cowl, Argent/Light Silver, Except ECE |
| 26-27 | 5501 9448-9 | 1 | | | DECAL, Door Frame, Argent/Light Silver |
| 28-29 | 5501 9452-3 | 1 | | | DECAL, Door Frame, Argent/Light Silver |
| 30-31 | 5501 9460-1 | 1 | | | DECAL, Rear Quarter, Argent/Light Silver |
| 32-33 | 5501 9466-7 | 1 | | | DECAL, Lift Door, Argent/Light Silver |
| 34-35 | 5501 9422-3 | 1 | | | DECAL, Fender, Grey Textured |
| 36-37 | 5501 9426-7 | 1 | | | DECAL, Door, Grey Textured |
| 38-39 | 5501 9428-9 | 1 | | | DECAL, Door, Grey Textured |
| 40-41 | 5501 9432-3 | 1 | | | DECAL, Rear Quarter, Grey Textured |
| 42-43 | 5501 9438-9 | 1 | | | DECAL, Rear Quarter, Grey Textured |
| 44-45 | 5500 6220-1 | 1 | | | DECAL, Door, Black |

(MR) Modification Required. (A) For 1987, two types of instrument clusters were used. On type one, Clusters, the odometer numbers are rounded, the Speedometer face has (2) slotte

MODEL CODES:

| | | |
|-----------------------------|-----------------------------|------------------------------|
| 15 = Grand Wagoneer 4 Dr. | 65 = Comanche 4WD-7 Ft. Box | 77 = Cherokee 4WD-2 Dr. |
| 25 = J-10 Pickup-119" W.B. | 66 = Comanche 2WD-7 Ft. Box | 78 = Cherokee 4WD-4 Dr. |
| 26 = J-10 Pickup-131" W.B. | 73 = Cherokee 2WD-2 Dr. | 79 = Cherokee 4WD-4 Dr.-Com |
| 27 = J-20 Pickup-131" W.B. | 74 = Cherokee 2WD-4 Dr. | 81 = Wrangler-93" W.B. |
| 63 = Comanche 4WD-6 Ft. Box | 75 = Wagoneer 4WD-4 Dr. | 82 = Wrangler-103" W.B.-Exp. |
| 64 = Comanche 2WD-6 Ft. Box | | |

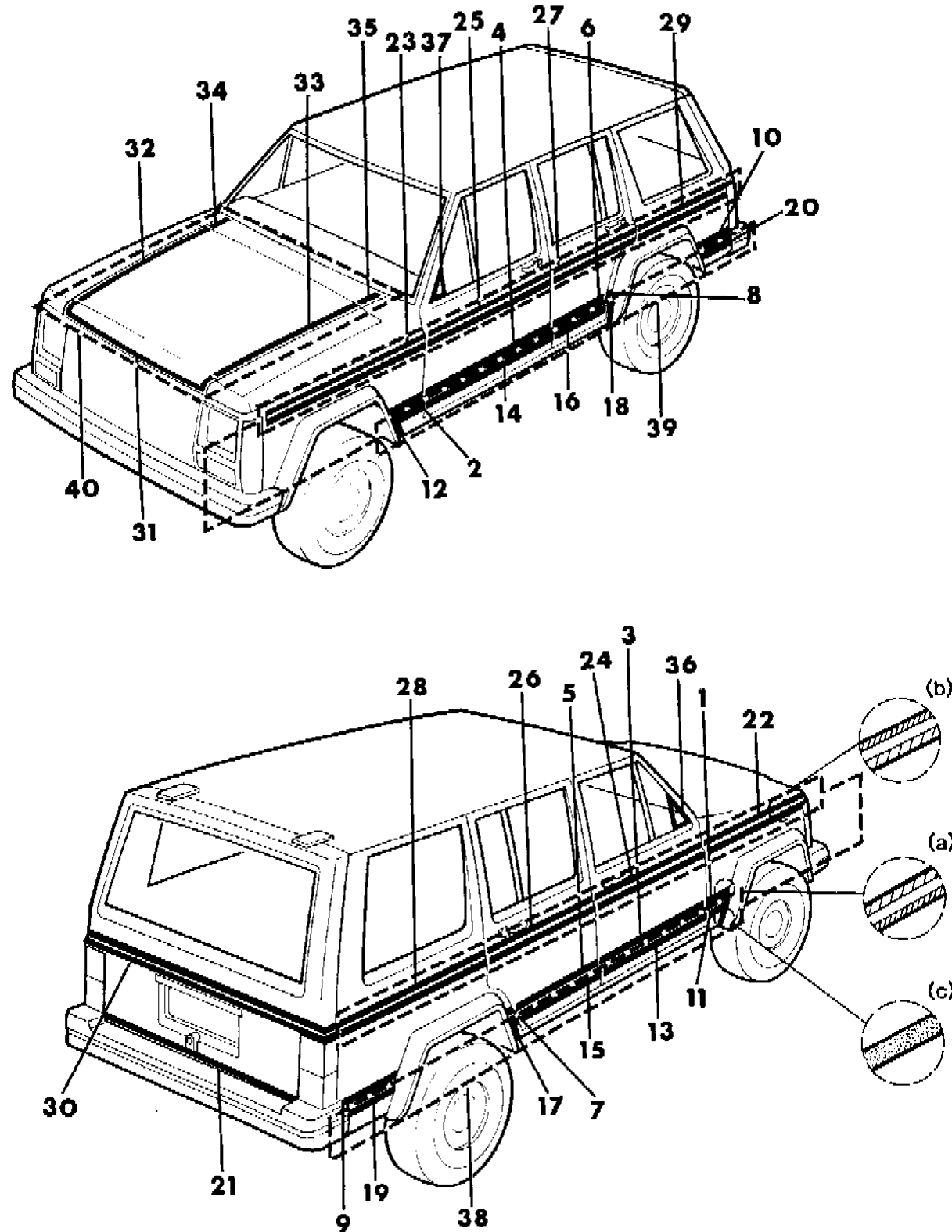
BODY STYLES:

MJ = Comanche Pickup
SJ = Grand Wagoneer Wgn., J-10 & J-20 Pickups
XJ = Cherokee, Wagoneer Limited
YJ = Wrangler

AR = Use as Required - = Non Illustrated Part P.A.R. = Paint as Required

DECALS, EXTERIOR LAREDO AND ECE TYPE 2 1988, 1989/90 CHEROKEE 4 DOOR
Figure 23-2200

8J68 2200 A



| ITEM | PART NUMBER | QTY | BODY | MODEL | DESCRIPTION |
|-------|-------------|-----|------|-------|---|
| 1-2 | 5501 9410-1 | 1 | | | DECAL, Fender, Light Silver/Argent, (MR), 1988-89 |
| 3-4 | 5501 9410-1 | 1 | | | DECAL, Door, Light Silver/Argent, (MR), 1988-89 |
| 5-6 | 5501 9410-1 | 1 | | | DECAL, Door, Light Silver/Argent, (MR), 1988-89 |
| 7-8 | 5501 9410-1 | 1 | | | DECAL, Rear Quarter, Light Silver/Argent, (MR) |
| 9-10 | 5501 9410-1 | 1 | | | DECAL, Rear Quarter, Light Silver/Argent, (MR), 1988-89 |
| 11-12 | 5501 9422-3 | 1 | | | DECAL, Fender, Grey Textured, 1988-89 |
| 13-14 | 5501 9426-7 | 1 | | | DECAL, Door, Grey Textured, 1988-89 |
| 15-16 | 5501 9428-9 | 1 | | | DECAL, Door, Grey Textured, 1988-89 |
| 17-18 | 5501 9432-3 | 1 | | | DECAL, Rear Quarter, Grey Textured, 1988-89 |
| 19-20 | 5501 9438-9 | 1 | | | DECAL, Rear Quarter, Grey Textured, 1988-89 |
| 21 | 5501 9420 | 1 | | | DECAL, Lift Door, Light Silver/Argent |
| 22-23 | | | | | DECAL, Fender, (MR) |
| | 5252 069 | 2 | | | Narrow Silver/Thick Argent, 1988-89 up to 12/1/88 |
| | 5502 1498 | 2 | | | Narrow Argent/Thick Silver, 1989 after 12/1/88 |
| 24-25 | | | | | DECAL, Door, (MR) |
| | 5252 069 | 2 | | | Narrow Silver/Thick Argent, 1988-89 up to 12/1/88 |
| | 5502 1498 | 2 | | | Narrow Argent/Thick Silver, 1989 after 12/1/88 |
| 26-27 | | | | | DECAL, Door, (MR) |
| | 5252 069 | 2 | | | Narrow Silver/Thick Argent, 1988-89 up to 12/1/88 |
| | 5502 1498 | 2 | | | Narrow Argent/Thick Silver, 1989 after 12/1/88 |
| 28-29 | | | | | DECAL, Rear Quarter, (MR) |
| | 5252 069 | 2 | | | Narrow Silver/Thick Argent, 1988-89 up to 12/1/90 |
| | 5502 1498 | 2 | | | Narrow Argent/Thick Silver, 1989 after 12/1/88 |
| 30 | | | | | DECAL, Lift Door |
| | 5252 069 | 1 | | | Narrow Silver/Thick Argent, 1988-89 up to 12/1/88 |
| | 5502 1498 | 1 | | | Narrow Argent/Thick Silver, 1989 after 12/1/88 |
| | 5AL5 8JAT | 1 | | | Narrow Argent/Thick Silver, 1990 |
| 31 | | | | | DECAL, Grille Panel, Except ECE |
| | 5501 6926 | 1 | | | Argent/Light Silver, 1988-89 |
| 32-33 | | | | | DECAL, Hood, Except ECE |
| | 5501 6928-9 | 1 | | | Argent/Light Silver, 1988-89 |
| 34-35 | | | | | DECAL, Cowl, Except ECE |
| | 5501 6930-1 | 1 | | | Argent/Light Silver, 1988-89 |
| 36-37 | 5500 6220-1 | 1 | | | DECAL, Door, Black |
| 38-39 | 5252 760-1 | 1 | | | DECAL KIT, Body Side, Argent Textured Lower, Narrow Argent/ Thick Silver Upper, 1990 *** |

MODEL CODES:

| | | |
|-----------------------------|-----------------------------|------------------------------|
| 15 = Grand Wagoneer 4 Dr. | 65 = Comanche 4WD-7 Ft. Box | 77 = Cherokee 4WD-2 Dr. |
| 25 = J-10 Pickup-119" W.B. | 66 = Comanche 2WD-7 Ft. Box | 78 = Cherokee 4WD-4 Dr. |
| 26 = J-10 Pickup-131" W.B. | 73 = Cherokee 2WD-2 Dr. | 79 = Cherokee 4WD-4 Dr.-Com |
| 27 = J-20 Pickup-131" W.B. | 74 = Cherokee 2WD-4 Dr. | 81 = Wrangler-93" W.B. |
| 63 = Comanche 4WD-6 Ft. Box | 75 = Wagoneer 4WD-4 Dr. | 82 = Wrangler-103" W.B.-Exp. |
| 64 = Comanche 2WD-6 Ft. Box | | |

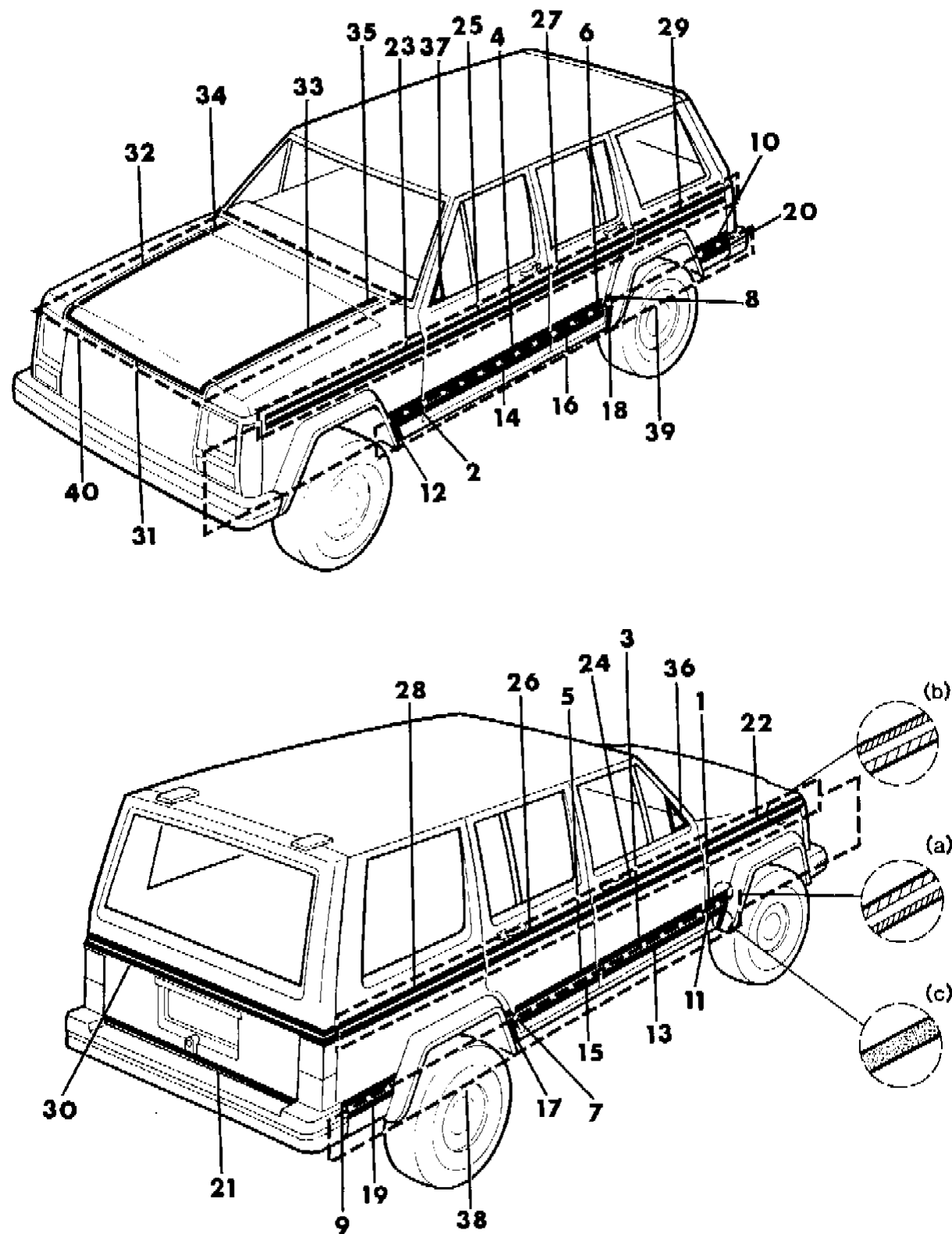
BODY STYLES:

MJ = Comanche Pickup
SJ = Grand Wagoneer Wgn., J-10 & J-20 Pickups
XJ = Cherokee, Wagoneer Limited
YJ = Wrangler

AR = Use as Required - = Non Illustrated Part P.A.R. = Paint as Required

DECALS, EXTERIOR LAREDO AND ECE TYPE 2 1988, 1989/90 CHEROKEE 4 DOOR
Figure 23-2200

8J68 2200 A



| ITEM | PART NUMBER | QTY | BODY | MODEL | DESCRIPTION |
|------|-------------|-----|------|-------|-------------|
|------|-------------|-----|------|-------|-------------|

| | | | | | |
|----|----------|---|--|--|---|
| 40 | 5252 774 | 1 | | | Decal Kit, Hood, Cowl, Grille Opening Panel (Thin Silver Wide Argent) *** |
|----|----------|---|--|--|---|

(MR) Modification Required. (A) For 1987, two types of instrument clusters were used. On type one, Clusters, the odometer numbers are rounded, the Speedometer face has (2) slotte

MODEL CODES:

| | | |
|-----------------------------|-----------------------------|------------------------------|
| 15 = Grand Wagoneer 4 Dr. | 65 = Comanche 4WD-7 Ft. Box | 77 = Cherokee 4WD-2 Dr. |
| 25 = J-10 Pickup-119" W.B. | 66 = Comanche 2WD-7 Ft. Box | 78 = Cherokee 4WD-4 Dr. |
| 26 = J-10 Pickup-131" W.B. | 73 = Cherokee 2WD-2 Dr. | 79 = Cherokee 4WD-4 Dr.-Com |
| 27 = J-20 Pickup-131" W.B. | 74 = Cherokee 2WD-4 Dr. | 81 = Wrangler-93" W.B. |
| 63 = Comanche 4WD-6 Ft. Box | 75 = Wagoneer 4WD-4 Dr. | 82 = Wrangler-103" W.B.-Exp. |
| 64 = Comanche 2WD-6 Ft. Box | | |

BODY STYLES:

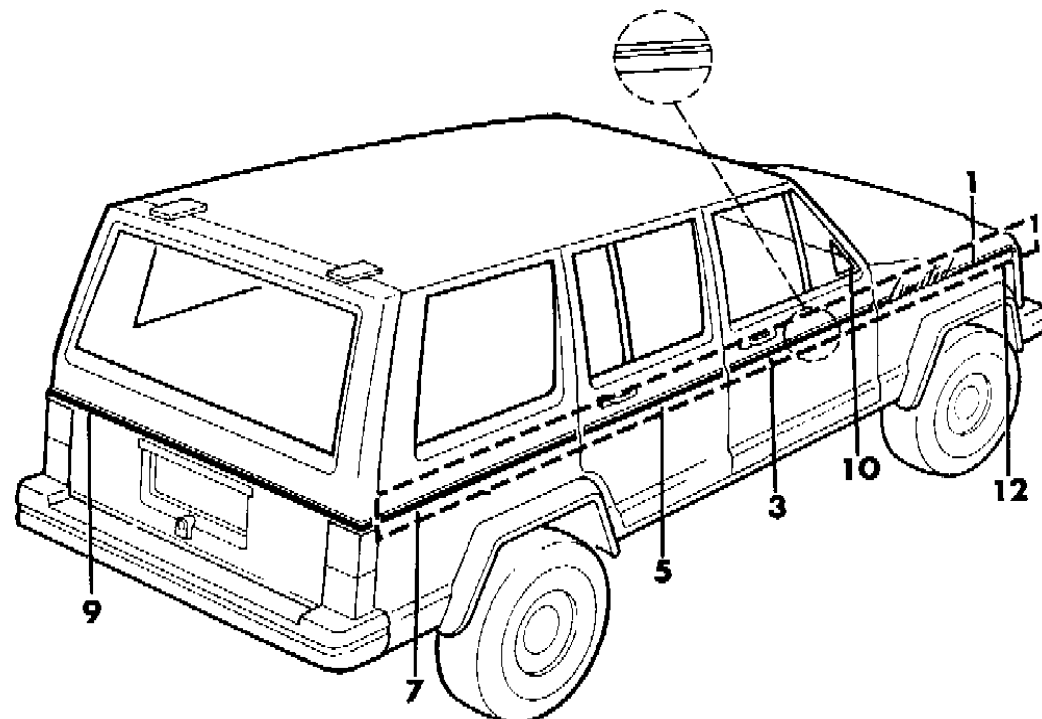
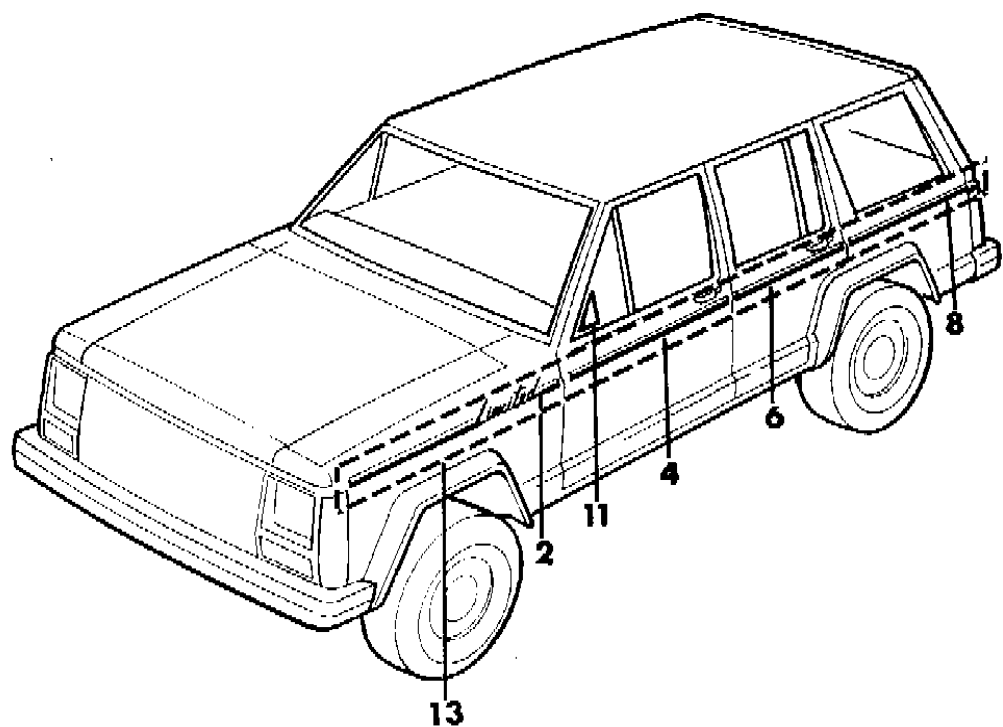
MJ = Comanche Pickup
SJ = Grand Wagoneer Wgn., J-10 & J-20 Pickups
XJ = Cherokee, Wagoneer Limited
YJ = Wrangler

AR = Use as Required - = Non Illustrated Part P.A.R. = Paint as Required

DECALS, EXTERIOR LIMITED CHEROKEE 4 DOOR
Figure 23-2300

8 J 68 2300 A

| ITEM | PART NUMBER | QTY | BODY | MODEL | DESCRIPTION |
|-------|-------------|-----|------|-------|---|
| 1-2 | 5252 746-7 | 1 | | | DECAL, Fender, Gold, 1987-89 |
| 3-4 | 5501 9292-3 | 1 | | | DECAL, Door, Gold, 1987-89 |
| 5-6 | 5501 9294-5 | 1 | | | DECAL, Door, Gold, 1987-89 |
| 7-8 | 5501 9296-7 | 1 | | | DECAL, Rear Quarter, Gold, 1987-89 |
| 9 | | | | | DECAL, Lift Door |
| | 5501 9289 | 1 | | | Gold, 1987-89 |
| | 5AM1 8JY2 | 1 | | | Gold, 1990 |
| 10-11 | 5500 6220-1 | 1 | | | DECAL, Door, Black |
| 12-13 | 5252 746-7 | 1 | | | DECAL KIT, Body Side, Gold, 1987-90 *** |



MODEL CODES:
 15 = Grand Wagoneer 4 Dr. 65 = Comanche 4WD-7 Ft. Box 77 = Cherokee 4WD-2 Dr.
 25 = J-10 Pickup-119" W.B. 66 = Comanche 2WD-7 Ft. Box 78 = Cherokee 4WD-4 Dr.
 26 = J-10 Pickup-131" W.B. 73 = Cherokee 2WD-2 Dr. 79 = Cherokee 4WD-4 Dr.-Com
 27 = J-20 Pickup-131" W.B. 74 = Cherokee 2WD-4 Dr. 81 = Wrangler-93" W.B.
 63 = Comanche 4WD-6 Ft. Box 75 = Wagoneer 4WD-4 Dr. 82 = Wrangler-103" W.B.-Exp.
 64 = Comanche 2WD-6 Ft. Box

BODY STYLES:
 MJ = Comanche Pickup
 SJ = Grand Wagoneer Wgn., J-10 & J-20 Pickups
 XJ = Cherokee, Wagoneer Limited
 YJ = Wrangler

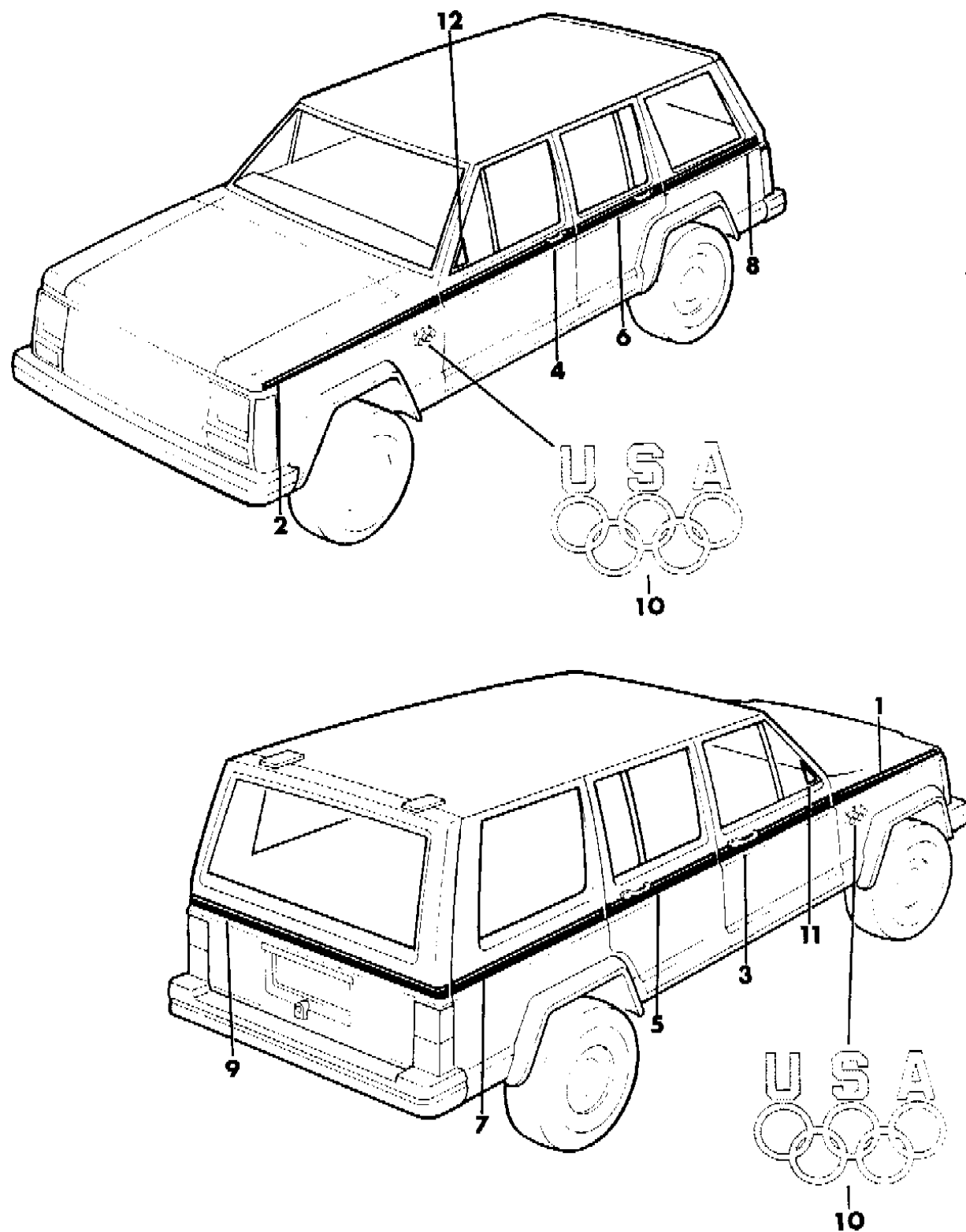
AR = Use as Required - = Non Illustrated Part P.A.R. = Paint as Required

DECALS, EXTERIOR OLYMPIC, 1988 CHEROKEE 4 DOOR
Figure 23-2400

8J68 2400

| ITEM | PART NUMBER | QTY | BODY | MODEL | DESCRIPTION |
|-------|-------------|-----|------|-------|---------------------------------|
| 1-2 | 5502 1418-9 | 1 | | | DECAL, Fender, Gold |
| 3-4 | 5502 1417 | 2 | | | DECAL, Door, Gold, (MR) |
| 5-6 | 5502 1417 | 2 | | | DECAL, Door, Gold, (MR) |
| 7-8 | 5502 1417 | 2 | | | DECAL, Rear Quarter, Gold, (MR) |
| 9 | 5502 1417 | 1 | | | DECAL, Lift Door, Gold |
| 10 | 5502 1413 | 2 | | | DECAL, "Olympic", Gold |
| 11-12 | 5500 6220-1 | 1 | | | DECAL, Door, Black |

(MR) Modification Required. (A) For 1987, two types of instrument clusters were used. On type one, Clusters, the odometer numbers are rounded, the Speedometer face has (2) slotte



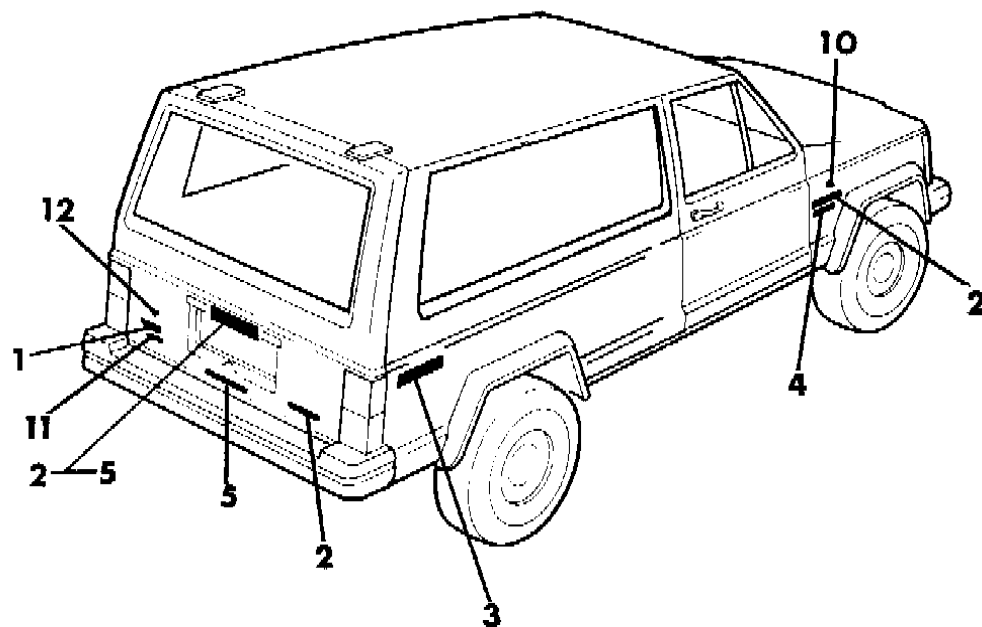
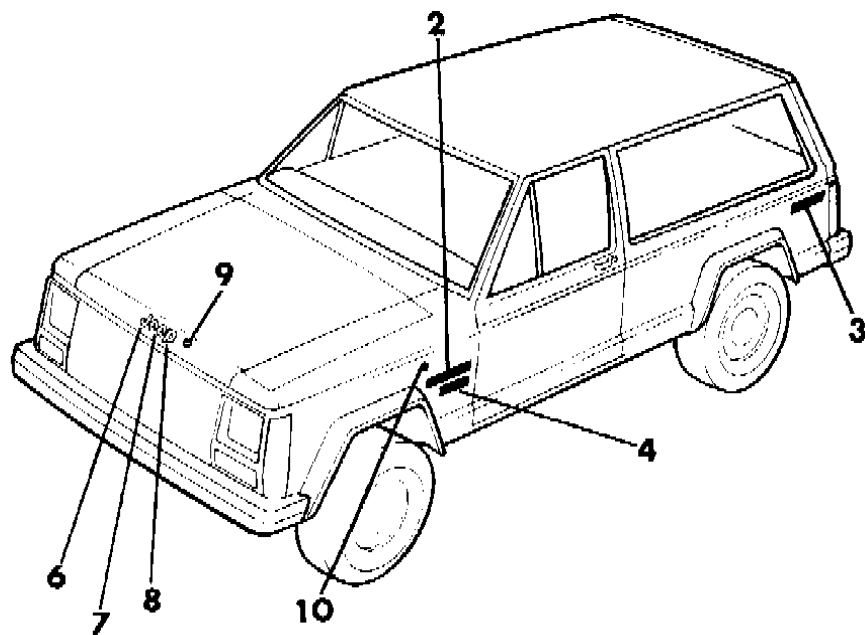
- MODEL CODES:
- | | | |
|-----------------------------|-----------------------------|------------------------------|
| 15 = Grand Wagoneer 4 Dr. | 65 = Comanche 4WD-7 Ft. Box | 77 = Cherokee 4WD-2 Dr. |
| 25 = J-10 Pickup-119" W.B. | 66 = Comanche 2WD-7 Ft. Box | 78 = Cherokee 4WD-4 Dr. |
| 26 = J-10 Pickup-131" W.B. | 73 = Cherokee 2WD-2 Dr. | 79 = Cherokee 4WD-4 Dr.-Com |
| 27 = J-20 Pickup-131" W.B. | 74 = Cherokee 2WD-4 Dr. | 81 = Wrangler-93" W.B. |
| 63 = Comanche 4WD-6 Ft. Box | 75 = Wagoneer 4WD-4 Dr. | 82 = Wrangler-103" W.B.-Exp. |
| 64 = Comanche 2WD-6 Ft. Box | | |

- BODY STYLES:
- MJ = Comanche Pickup
 - SJ = Grand Wagoneer Wgn., J-10 & J-20 Pickups
 - XJ = Cherokee, Wagoneer Limited
 - YJ = Wrangler

AR = Use as Required - = Non Illustrated Part P.A.R. = Paint as Required

NAMEPLATES CHEROKEE 2 DOOR
Figure 23-2500

8J68 2500 A



| ITEM | PART NUMBER | QTY | BODY | MODEL | DESCRIPTION |
|------|-------------|-----------|------|-------|------------------------------------|
| 1 | | | | | NAMEPLATE |
| | | | | | "4.0 Litre" |
| | | 5501 0037 | 1 | | Chrome |
| | | 5501 8683 | 1 | | Gold |
| | | | | | "Turbo Diesel" |
| | | 5501 0895 | 1 | | Chrome |
| 2 | | | | | NAMEPLATE, "Cherokee" |
| | | 5502 1078 | 1 | | Gold, Emission Controlled European |
| | | 5501 0893 | 1 | | "2.5 Liter", 1987 |
| 3 | | | | | NAMEPLATE, "Cherokee" |
| | | 5501 0897 | AR | | Chrome |
| | | 5501 8678 | AR | | Gold |
| 4 | | | | | NAMEPLATE, "Cherokee" |
| | | 5500 8339 | 1 | | "Command Trac", 1987 |
| | | | | | NAMEPLATE |
| 5 | | | | | NAMEPLATE |
| | | 5500 7817 | 2 | | "4X4" |
| | | 5501 0896 | 2 | | Chrome |
| 6 | | | | | NAMEPLATE |
| | | 5501 8684 | 2 | | Gold |
| | | 5501 0899 | 2 | | "Selec Trac", 1987 |
| 7 | | | | | NAMEPLATE |
| | | 5501 0898 | 2 | | "Laredo" |
| | | 5501 0904 | 2 | | "Pioneer" |
| 8 | | | | | NAMEPLATE |
| | | 5501 0900 | 2 | | "Limited" |
| | | 5501 0899 | 2 | | "Laredo" |
| 9 | | | | | NAMEPLATE, "Jeep" |
| | | 5500 8340 | 1 | | Chrome |
| 10 | | | | | NAMEPLATE, "Jeep" |
| | | 5501 8682 | 1 | | Gold |
| 11 | | | | | NAMEPLATE, "J" |
| | | 5501 0901 | 1 | | Chrome |
| 12 | | | | | NAMEPLATE, "J" |
| | | 5501 8679 | 1 | | Gold |
| 13 | | | | | NAMEPLATE, "e" |
| | | 5501 0902 | 2 | | Chrome |
| 14 | | | | | NAMEPLATE, "e" |
| | | 5501 8680 | 2 | | Gold |
| 15 | | | | | NAMEPLATE, "p" |
| | | 5501 0903 | 1 | | Chrome |
| 16 | | | | | NAMEPLATE, "p" |
| | | 5501 8681 | 1 | | Gold |
| 17 | 1150 2557 | 4 | | | NUT |
| 18 | J400 1335 | AR | | | CLIP |
| 19 | 5500 8338 | 1 | | | NAMEPLATE, "Fuel Injection", 1987 |
| 20 | J400 3657 | 2 | | | CLIP, 1987 |

MODEL CODES:

| | | |
|-----------------------------|-----------------------------|------------------------------|
| 15 = Grand Wagoneer 4 Dr. | 65 = Comanche 4WD-7 Ft. Box | 77 = Cherokee 4WD-2 Dr. |
| 25 = J-10 Pickup-119" W.B. | 66 = Comanche 2WD-7 Ft. Box | 78 = Cherokee 4WD-4 Dr. |
| 26 = J-10 Pickup-131" W.B. | 73 = Cherokee 2WD-2 Dr. | 79 = Cherokee 4WD-4 Dr.-Com |
| 27 = J-20 Pickup-131" W.B. | 74 = Cherokee 2WD-4 Dr. | 81 = Wrangler-93" W.B. |
| 63 = Comanche 4WD-6 Ft. Box | 75 = Wagoneer 4WD-4 Dr. | 82 = Wrangler-103" W.B.-Exp. |
| 64 = Comanche 2WD-6 Ft. Box | | |

BODY STYLES:

MJ = Comanche Pickup
 SJ = Grand Wagoneer Wgn., J-10 & J-20 Pickups
 XJ = Cherokee, Wagoneer Limited
 YJ = Wrangler

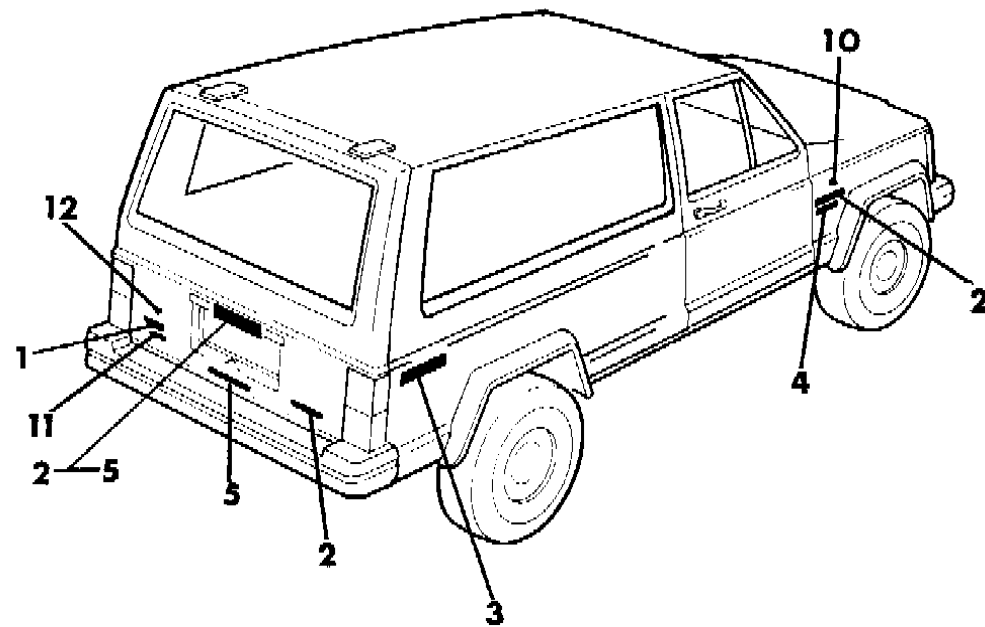
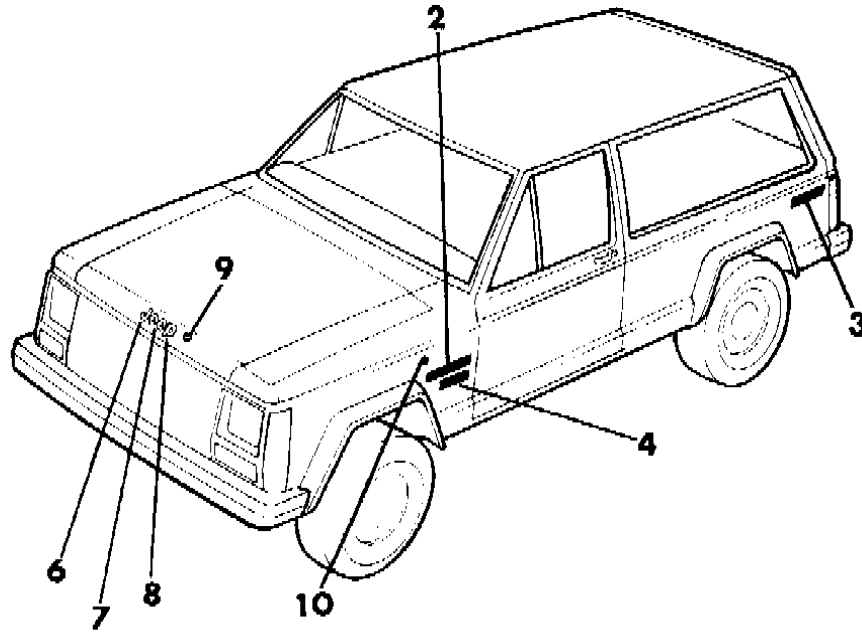
AR = Use as Required - = Non Illustrated Part P.A.R. = Paint as Required

NAMEPLATES CHEROKEE 2 DOOR
Figure 23-2500

8J68 2500 A

| ITEM | PART NUMBER | QTY | BODY | MODEL | DESCRIPTION |
|------|-------------|-----|------|-------|-------------|
|------|-------------|-----|------|-------|-------------|

This illustration represents four model years, and the nameplate locations have varied from year to year. (A) For 1987, two types of instrument clusters were used. On type one, Clusters, the odometer numbers are rounded, the Speedometer face has (2) slotted



MODEL CODES:

| | | |
|-----------------------------|-----------------------------|------------------------------|
| 15 = Grand Wagoneer 4 Dr. | 65 = Comanche 4WD-7 Ft. Box | 77 = Cherokee 4WD-2 Dr. |
| 25 = J-10 Pickup-119" W.B. | 66 = Comanche 2WD-7 Ft. Box | 78 = Cherokee 4WD-4 Dr. |
| 26 = J-10 Pickup-131" W.B. | 73 = Cherokee 2WD-2 Dr. | 79 = Cherokee 4WD-4 Dr.-Com |
| 27 = J-20 Pickup-131" W.B. | 74 = Cherokee 2WD-4 Dr. | 81 = Wrangler-93" W.B. |
| 63 = Comanche 4WD-6 Ft. Box | 75 = Wagoneer 4WD-4 Dr. | 82 = Wrangler-103" W.B.-Exp. |
| 64 = Comanche 2WD-6 Ft. Box | | |

BODY STYLES:

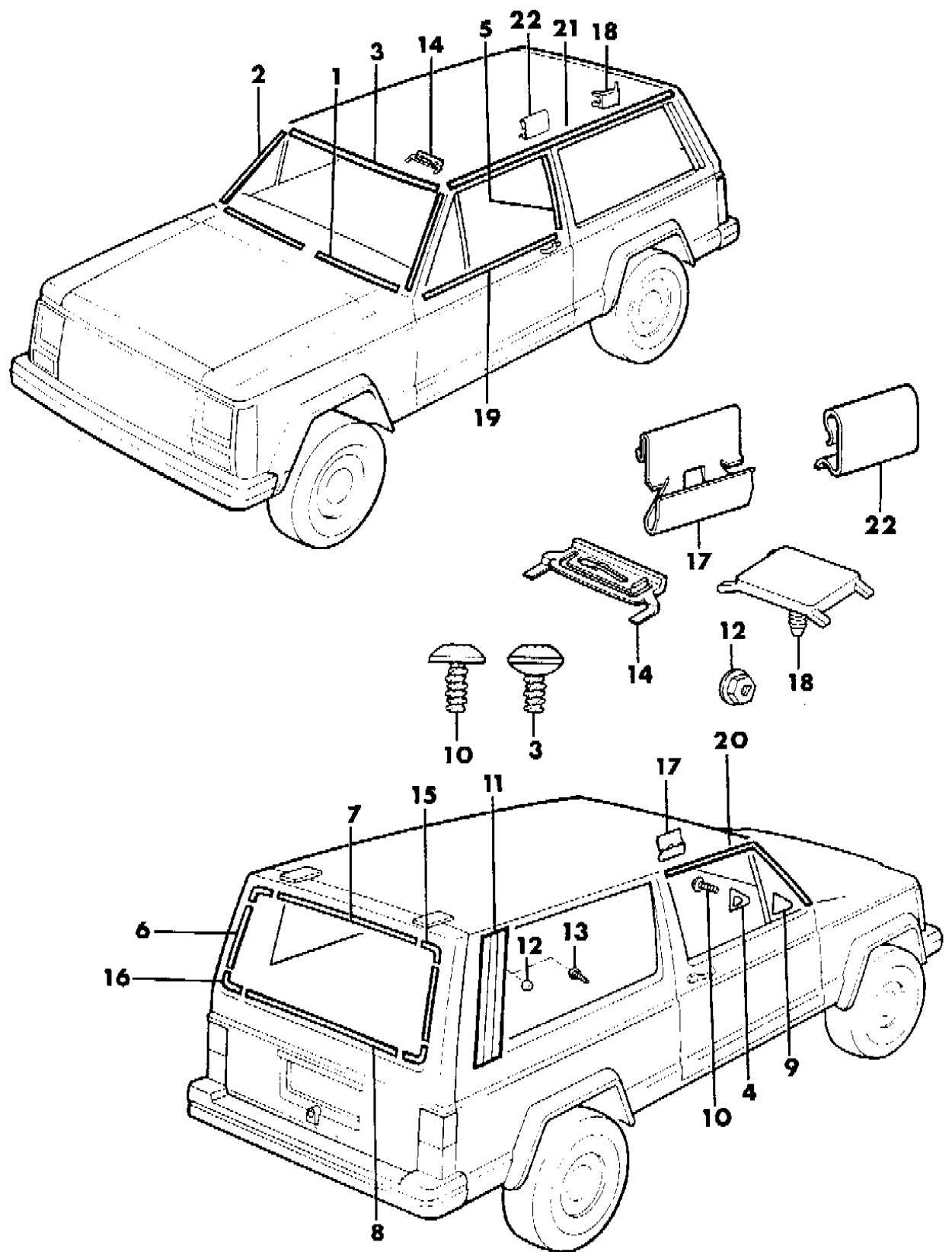
MJ = Comanche Pickup
SJ = Grand Wagoneer Wgn., J-10 & J-20 Pickups
XJ = Cherokee, Wagoneer Limited
YJ = Wrangler

AR = Use as Required - = Non Illustrated Part P.A.R. = Paint as Required

MOULDINGS, EXTERIOR, UPPER CHEROKEE 2 DOOR
Figure 23-2600

8J68 2600

| ITEM | PART NUMBER | QTY | BODY | MODEL | DESCRIPTION |
|------|-------------|-------------|------|--------------------------------|------------------------|
| 1 | | | | | MOULDING, Windshield |
| | | | | | Bright, up to 12/18/89 |
| | | 5500 6380 | 1 | | Right |
| | | 5500 2509 | 1 | | Left |
| 2 | | | | | Bright, after 12/18/89 |
| | | 5502 6726-7 | 1 | | Black |
| | | 5502 6724-5 | 1 | | MOULDING, Windshield |
| 3 | | | | | Black |
| | | 5500 0538-9 | 1 | | Bright |
| 4 | | | | | MOULDING, Windshield |
| | | 5500 0546-7 | 1 | | Black |
| 5 | | | | | Bright |
| | | 5500 0536 | 1 | | MOULDING, Windshield |
| 6 | | | | | Black |
| | | 5500 0544 | 1 | | Bright |
| 7 | 5500 5430-1 | 1 | | GASKET | |
| 8 | 5500 5282-3 | 1 | | MOULDING, Door | |
| 9 | 5500 5308 | 2 | | MOULDING, Lift Door | |
| 10 | 5500 5331 | 1 | | MOULDING, Lift Door | |
| 11 | 5500 5332 | 1 | | MOULDING, Lift Door | |
| 12 | 5500 5312-3 | 1 | | COVER, (LESS MIRROR) | |
| 13 | 3420 1957 | 4 | | SCREW | |
| 14 | 5500 4460-1 | 1 | | APPLIQUE, Rear Quarter, P.A.R. | |
| 15 | 5502 5788-9 | 1 | | 1987-89 | |
| 16 | | | | 1990 | |
| 17 | 1150 1854 | AR | | NUT | |
| 18 | 3420 2426 | 6 | | 1987-90 | |
| 19 | J400 6211 | 26 | | SCREW, 1987-89 | |
| 20 | 5500 5333 | 2 | | CLIP | |
| 21 | 5500 5334 | 2 | | CAP, Upper Moulding | |
| 22 | | | | CAP, Lower Moulding | |
| | | | | CLIP | |
| | 5500 5384 | 2 | | height = 24mm | |
| | 5500 5383 | AR | | height = 27mm | |
| 18 | J400 6530 | 6 | | RETAINER | |
| 19 | 5500 5286-7 | 1 | | MOULDING, Door | |
| 20 | 5500 5280-1 | 1 | | MOULDING, Door | |
| 21 | | | | MOULDING, Drip Rail | |
| | 5501 5886-7 | 1 | | Black | |
| | 5501 3656-7 | 1 | | Bright | |



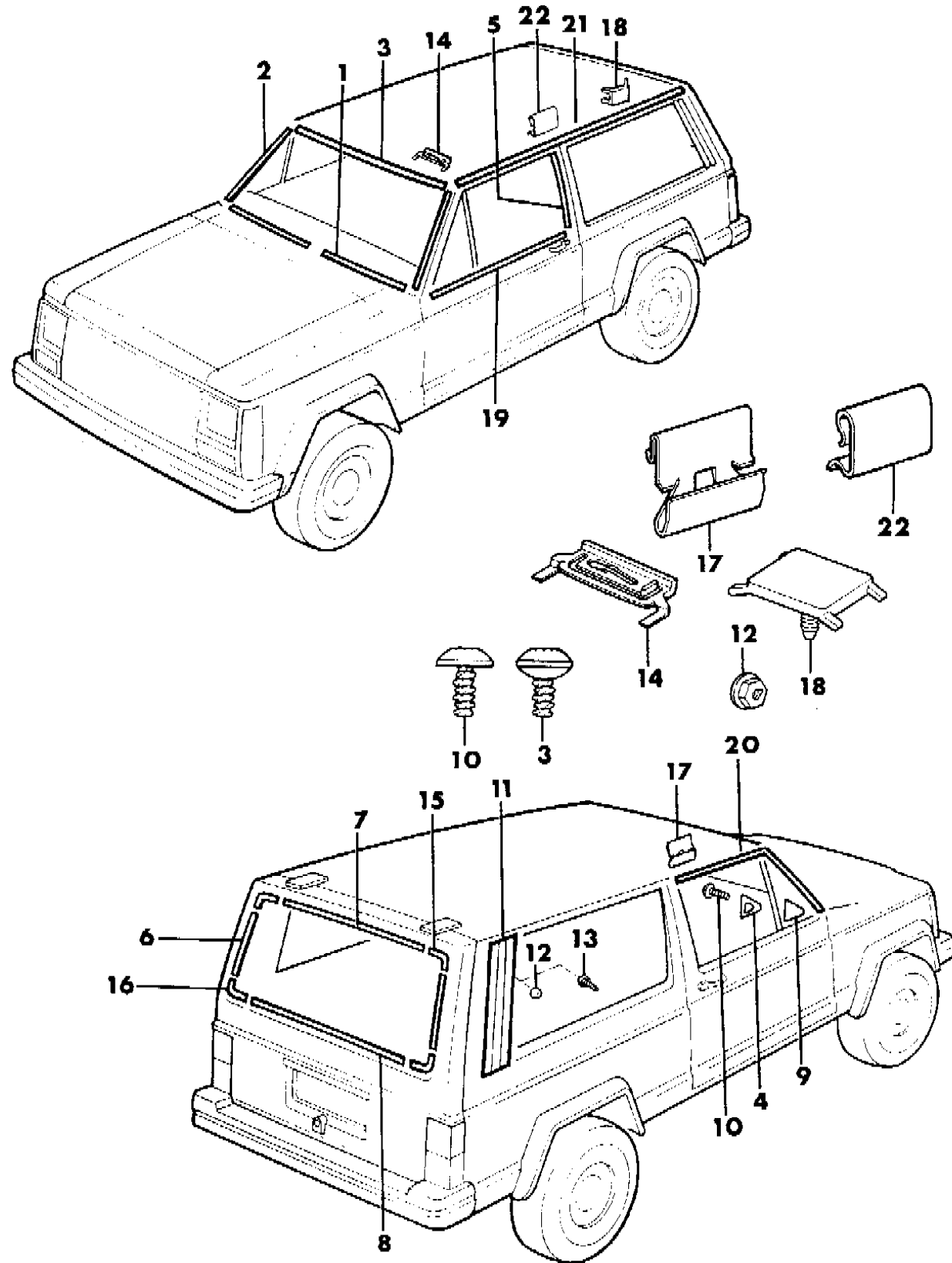
MODEL CODES:
15 = Grand Wagoneer 4 Dr. 65 = Comanche 4WD-7 Ft. Box 77 = Cherokee 4WD-2 Dr.
25 = J-10 Pickup-119" W.B. 66 = Comanche 2WD-7 Ft. Box 78 = Cherokee 4WD-4 Dr.
26 = J-10 Pickup-131" W.B. 73 = Cherokee 2WD-2 Dr. 79 = Cherokee 4WD-4 Dr.-Com
27 = J-20 Pickup-131" W.B. 74 = Cherokee 2WD-4 Dr. 81 = Wrangler-93" W.B.
63 = Comanche 4WD-6 Ft. Box 75 = Wagoneer 4WD-4 Dr. 82 = Wrangler-103" W.B.-Exp.
64 = Comanche 2WD-6 Ft. Box

BODY STYLES:
MJ = Comanche Pickup
SJ = Grand Wagoneer Wgn., J-10 & J-20 Pickups
XJ = Cherokee, Wagoneer Limited
YJ = Wrangler

AR = Use as Required - = Non Illustrated Part P.A.R. = Paint as Required

MOULDINGS, EXTERIOR, UPPER CHEROKEE 2 DOOR
Figure 23-2600

8J68 2600



| ITEM | PART NUMBER | QTY | BODY | MODEL | DESCRIPTION |
|------|-------------|-----|------|-------|-------------|
| 22 | 3500 2115 | AR | | | CLIP |

MODEL CODES:

| | | |
|-----------------------------|-----------------------------|------------------------------|
| 15 = Grand Wagoneer 4 Dr. | 65 = Comanche 4WD-7 Ft. Box | 77 = Cherokee 4WD-2 Dr. |
| 25 = J-10 Pickup-119" W.B. | 66 = Comanche 2WD-7 Ft. Box | 78 = Cherokee 4WD-4 Dr. |
| 26 = J-10 Pickup-131" W.B. | 73 = Cherokee 2WD-2 Dr. | 79 = Cherokee 4WD-4 Dr.-Com |
| 27 = J-20 Pickup-131" W.B. | 74 = Cherokee 2WD-4 Dr. | 81 = Wrangler-93" W.B. |
| 63 = Comanche 4WD-6 Ft. Box | 75 = Wagoneer 4WD-4 Dr. | 82 = Wrangler-103" W.B.-Exp. |
| 64 = Comanche 2WD-6 Ft. Box | | |

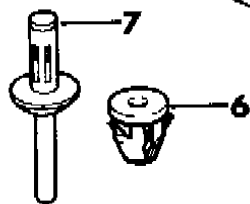
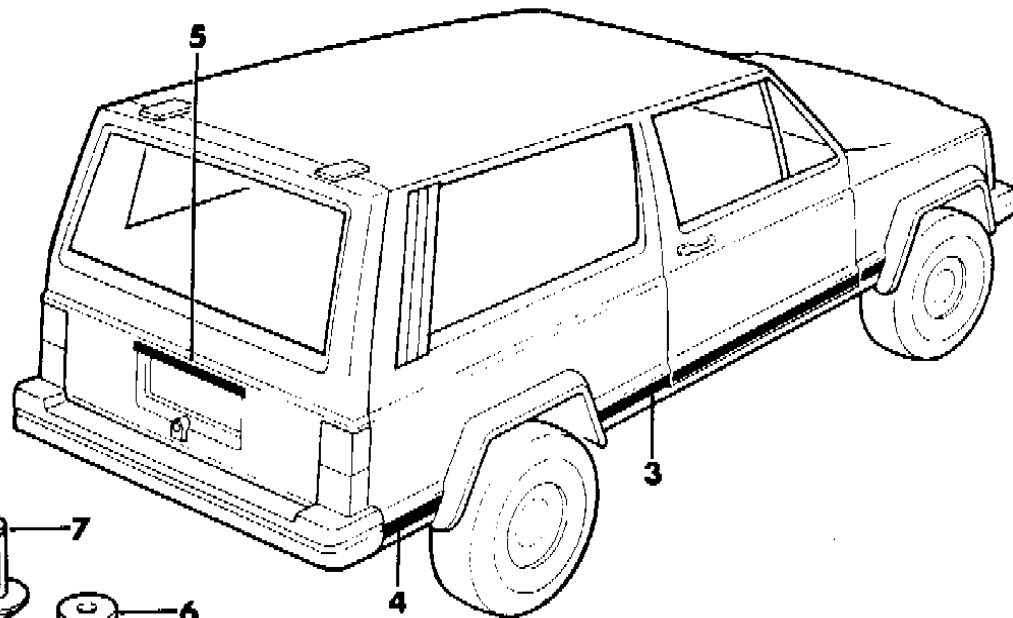
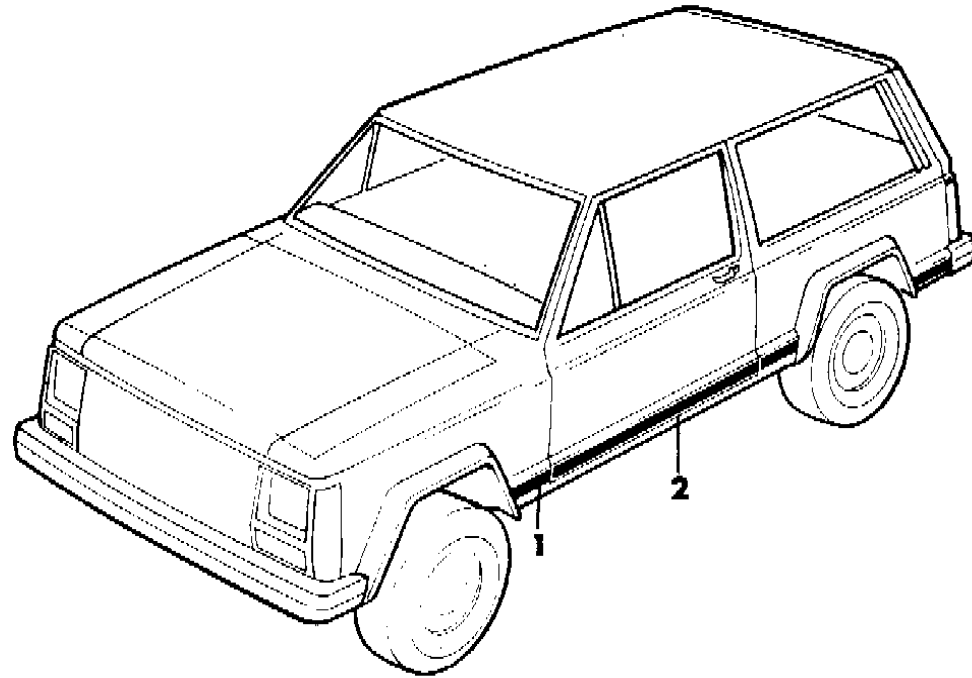
BODY STYLES:

MJ = Comanche Pickup
SJ = Grand Wagoneer Wgn., J-10 & J-20 Pickups
XJ = Cherokee, Wagoneer Limited
YJ = Wrangler

AR = Use as Required - = Non Illustrated Part P.A.R. = Paint as Required

MOULDINGS, EXTERIOR, LOWER CHEROKEE 2 DOOR
Figure 23-2700

8 J 68 2700



| ITEM | PART NUMBER | QTY | BODY | MODEL | DESCRIPTION |
|------|-------------|-----|------|-------|---|
| 1 | 5502 1784-5 | 1 | | | MOULDING, Fender Argent, 1988-90 |
| | 5500 3166-7 | 1 | | | Black/Chrome 1987-89 |
| | 5AJ52-3 JXZ | 1 | | | 1990 |
| 2 | 5501 8686-7 | 1 | | | Black/Gold 1988-89 |
| | 5AJ52-3 JXY | 1 | | | 1990 |
| | 5501 5534-5 | 1 | | | MOULDING, Door Argent, 1988-90 |
| 3 | 5500 7396-7 | 1 | | | Black/Chrome 1987-89 |
| | 5AJ54-5 JXZ | 1 | | | 1990 |
| | 5501 9582-3 | 1 | | | Black/Gold 1988-89 |
| 4 | 5AJ54-5 JXY | 1 | | | 1990 |
| | 5501 5552-3 | 1 | | | MOULDING, Rear Quarter Argent |
| | 5502 1786-7 | 1 | | | 1988-89 |
| 5 | 5500 7398-9 | 1 | | | Black/Chrome 1987-89 |
| | 5AJ56-7 JXZ | 1 | | | 1990 |
| | 5501 9584-5 | 1 | | | Black/Gold 1988-89 |
| 6 | 5AJ56-7 JXY | 1 | | | 1990 |
| | 5502 1790-1 | 1 | | | MOULDING, Rear Quarter Argent, 1988-90 |
| | 5500 3172-3 | 1 | | | Black/Chrome 1987-89 |
| 7 | 5AJ62-3 JXZ | 1 | | | 1990 |
| | 5501 8692-3 | 1 | | | Black/Gold 1988-89 |
| | 5AJ62-3 JXY | 1 | | | 1990 |
| 8 | 5501 3411 | 1 | | | OVERLAY, License Plate Chrome |
| | 5502 1383 | 1 | | | Argent, for ECE "Euro Pkg" model |

MODEL CODES:

| | | |
|-----------------------------|-----------------------------|------------------------------|
| 15 = Grand Wagoneer 4 Dr. | 65 = Comanche 4WD-7 Ft. Box | 77 = Cherokee 4WD-2 Dr. |
| 25 = J-10 Pickup-119" W.B. | 66 = Comanche 2WD-7 Ft. Box | 78 = Cherokee 4WD-4 Dr. |
| 26 = J-10 Pickup-131" W.B. | 73 = Cherokee 2WD-2 Dr. | 79 = Cherokee 4WD-4 Dr.-Com |
| 27 = J-20 Pickup-131" W.B. | 74 = Cherokee 2WD-4 Dr. | 81 = Wrangler-93" W.B. |
| 63 = Comanche 4WD-6 Ft. Box | 75 = Wagoneer 4WD-4 Dr. | 82 = Wrangler-103" W.B.-Exp. |
| 64 = Comanche 2WD-6 Ft. Box | | |

BODY STYLES:

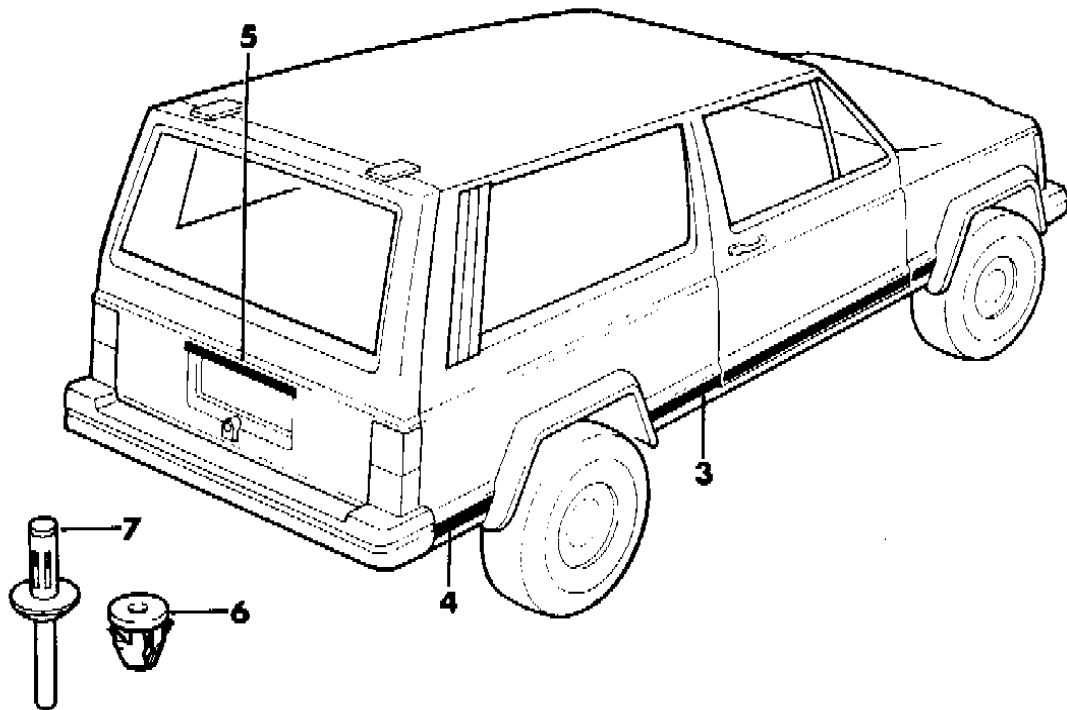
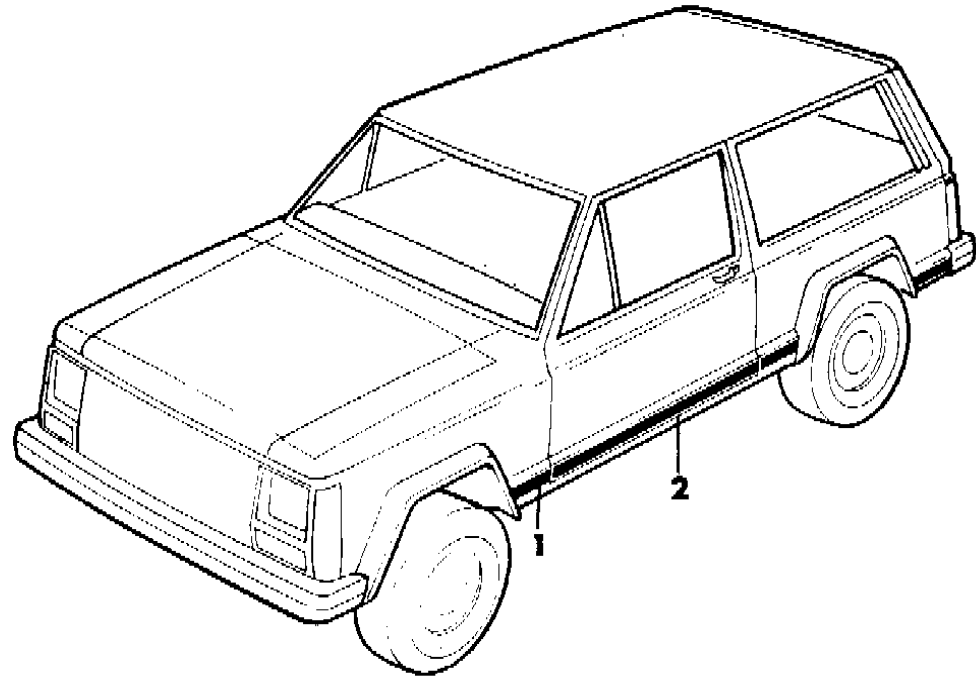
MJ = Comanche Pickup
 SJ = Grand Wagoneer Wgn., J-10 & J-20 Pickups
 XJ = Cherokee, Wagoneer Limited
 YJ = Wrangler

AR = Use as Required - = Non Illustrated Part P.A.R. = Paint as Required

MOULDINGS, EXTERIOR, LOWER CHEROKEE 2 DOOR
Figure 23-2700

8 J 68 2700

| ITEM | PART NUMBER | QTY | BODY | MODEL | DESCRIPTION |
|------|-------------|-----|------|-------|-------------------------------|
| | 5502 1384 | 1 | | | Gold, for ECE "Limited" model |
| | 5501 7644 | 1 | | | Export, 1987-88 |
| 6 | J400 1335 | 2 | | | CLIP |
| 7 | 3420 1631 | 2 | | | RIVET |



MODEL CODES:

- | | | |
|-----------------------------|-----------------------------|------------------------------|
| 15 = Grand Wagoneer 4 Dr. | 65 = Comanche 4WD-7 Ft. Box | 77 = Cherokee 4WD-2 Dr. |
| 25 = J-10 Pickup-119" W.B. | 66 = Comanche 2WD-7 Ft. Box | 78 = Cherokee 4WD-4 Dr. |
| 26 = J-10 Pickup-131" W.B. | 73 = Cherokee 2WD-2 Dr. | 79 = Cherokee 4WD-4 Dr.-Com |
| 27 = J-20 Pickup-131" W.B. | 74 = Cherokee 2WD-4 Dr. | 81 = Wrangler-93" W.B. |
| 63 = Comanche 4WD-6 Ft. Box | 75 = Wagoneer 4WD-4 Dr. | 82 = Wrangler-103" W.B.-Exp. |
| 64 = Comanche 2WD-6 Ft. Box | | |

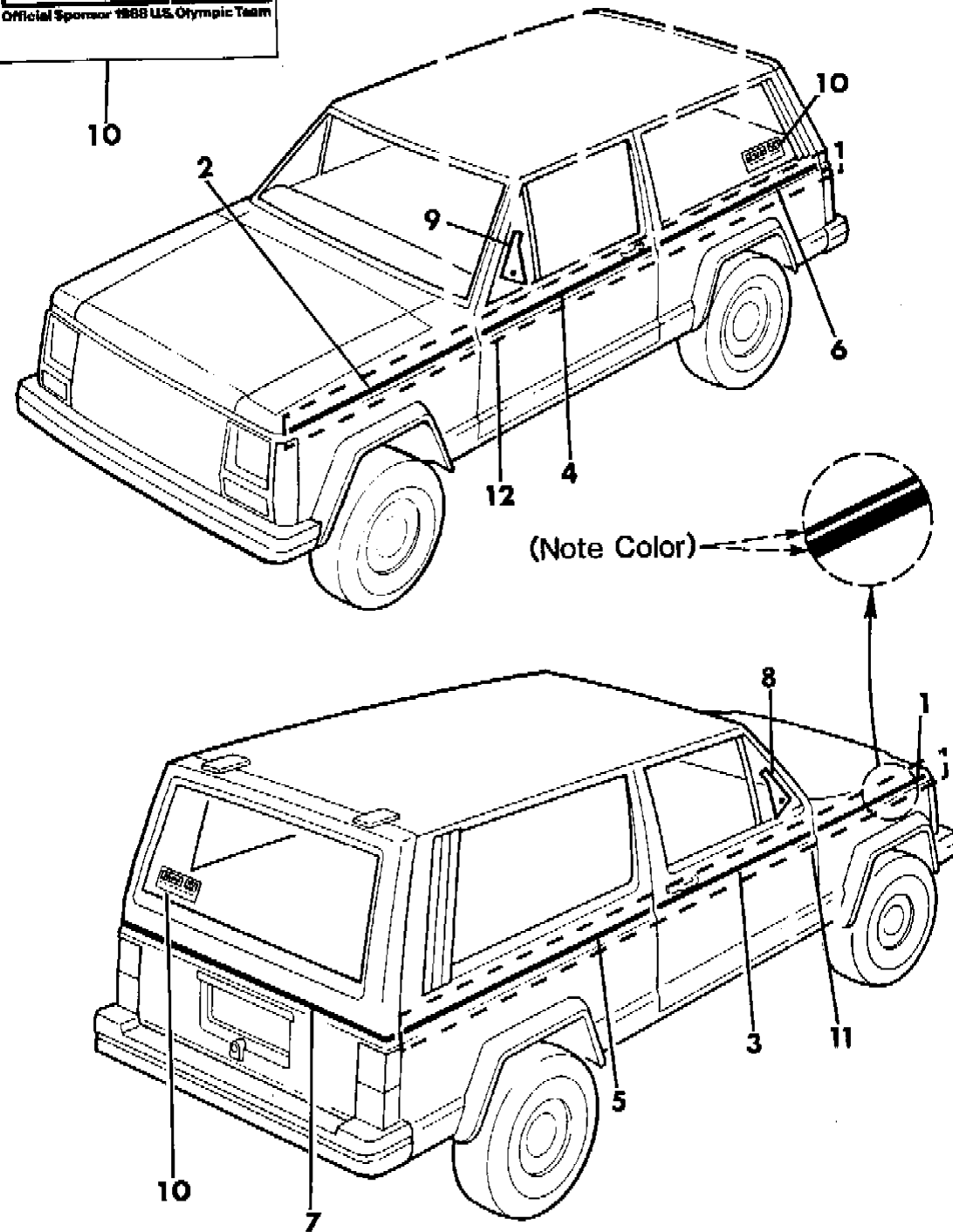
BODY STYLES:

- MJ = Comanche Pickup
 SJ = Grand Wagoneer Wgn., J-10 & J-20 Pickups
 XJ = Cherokee, Wagoneer Limited
 YJ = Wrangler

AR = Use as Required - = Non Illustrated Part P.A.R. = Paint as Required

DECALS, EXTERIOR PIONEER CHEROKEE 2 DOOR
Figure 23-2800

8J68 2800 A



| ITEM | PART NUMBER | QTY | BODY | MODEL | DESCRIPTION |
|------|-------------|-----|------|-------|--------------------------------|
| 1-2 | | | | | FENDER, Front *** |
| | 5501 4768-9 | 1 | | | Almond, 1987-88 |
| | 5501 6826-7 | 1 | | | Dark Baltic, 1988-89 |
| | 5500 5972-3 | 1 | | | Dark Red, 1988-89 |
| | 5501 0088-9 | 1 | | | Light Blue, Med. Blue, 1987 |
| | 5501 0094-5 | 1 | | | Orange, Red, 1987 |
| | 5501 4752-3 | 1 | | | Silver, 1987 |
| | 5501 6056-7 | 1 | | | Sterling Silver, 1988-89 |
| | 5502 1682-3 | 1 | | | Sand Tan, 1989 |
| 3-4 | | | | | DECAL, Door, |
| | 5501 4776 | 2 | | | Almond, 1987-88, (MR) |
| | 5501 6832 | 2 | | | Dark Baltic, 1988-89, (MR) |
| | 5500 5967 | 2 | | | Dark Red, 1987-89, (MR) |
| | 5501 0090-1 | 1 | | | Light Blue, Med. Blue, 1987 |
| | 5501 0102-3 | 1 | | | Orange, Red, 1987 |
| | 5501 4762 | 2 | | | Silver, 1987, (MR) |
| | 5501 6816 | 2 | | | Sterling Silver, 1988-89, (MR) |
| | 5502 1681 | 2 | | | Sand Tan, 1989, (MR) |
| 5-6 | | | | | DECAL, Rear Quarter |
| | 5501 4776 | 2 | | | Almond, 1987-88, (MR) |
| | 5501 6832 | 2 | | | Dark Baltic, 1988-89 |
| | 5500 5967 | 2 | | | Dark Red, 1987-89, (MR) |
| | 5501 0092-3 | 1 | | | Light Blue, Med. Blue, 1987 |
| | 5501 0104-5 | 1 | | | Orange, Red, 1987 |
| | 5501 4762 | 2 | | | Silver, 1987, (MR) |
| | 5501 6816 | 2 | | | Sterling Silver, 1988-89, (MR) |
| | 5502 1681 | 2 | | | Sand Tan, 1989, (MR) |
| 7 | | | | | DECAL, Lift Door |
| | 5501 4776 | 1 | | | Almond, 1987-88 |
| | 5501 6832 | 1 | | | Dark Baltic, 1988-89 |
| | 5500 5967 | 1 | | | Dark Red, 1987-89 |
| | 5AL5 8JR7 | 1 | | | Dark Red, 1990 |
| | 5501 0087 | 1 | | | Light Blue, Med. Blue, 1987 |
| | 5501 0112 | 1 | | | Orange, Red, 1987 |
| | 5501 4762 | 1 | | | Silver, 1987 |
| | 5501 6816 | 1 | | | Sterling Silver, 1988-89 |
| | 5AL5 8JA2 | 1 | | | Sterling Silver, 1990 |

MODEL CODES:

| | | |
|-----------------------------|-----------------------------|------------------------------|
| 15 = Grand Wagoneer 4 Dr. | 65 = Comanche 4WD-7 Ft. Box | 77 = Cherokee 4WD-2 Dr. |
| 25 = J-10 Pickup-119" W.B. | 66 = Comanche 2WD-7 Ft. Box | 78 = Cherokee 4WD-4 Dr. |
| 26 = J-10 Pickup-131" W.B. | 73 = Cherokee 2WD-2 Dr. | 79 = Cherokee 4WD-4 Dr.-Com |
| 27 = J-20 Pickup-131" W.B. | 74 = Cherokee 2WD-4 Dr. | 81 = Wrangler-93" W.B. |
| 63 = Comanche 4WD-6 Ft. Box | 75 = Wagoneer 4WD-4 Dr. | 82 = Wrangler-103" W.B.-Exp. |
| 64 = Comanche 2WD-6 Ft. Box | | |

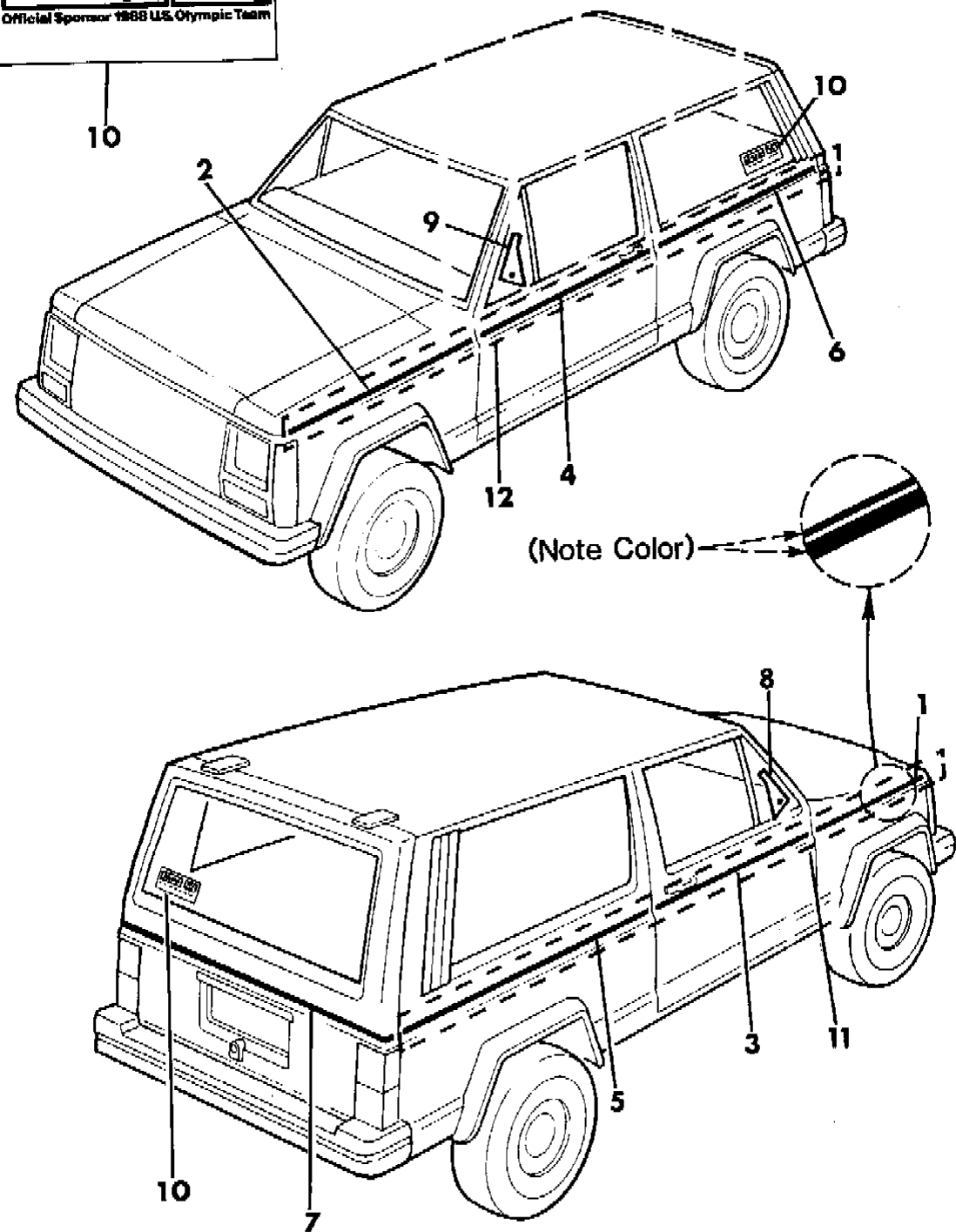
BODY STYLES:

MJ = Comanche Pickup
SJ = Grand Wagoneer Wgn., J-10 & J-20 Pickups
XJ = Cherokee, Wagoneer Limited
YJ = Wrangler

AR = Use as Required - = Non Illustrated Part P.A.R. = Paint as Required

DECALS, EXTERIOR PIONEER CHEROKEE 2 DOOR
Figure 23-2800

8J68 2800 A



| ITEM | PART NUMBER | QTY | BODY | MODEL | DESCRIPTION |
|-------|-------------|-----|------|-------|--------------------------|
| | 5502 1681 | 1 | | | Sand Tan, 1989 |
| | 5AL5 8JK2 | 1 | | | Sand Tan, 1990 |
| 8-9 | 5500 6220-1 | 1 | | | DECAL, Door, Black |
| 10 | 5502 0568 | 1 | | | DECAL, "Olympic" |
| 11-12 | | | | | DECAL KIT, Body Side *** |
| | 5252 784-5 | 1 | | | Dark Red, 1990 |
| | 5252 782-3 | 1 | | | Sterling Silver, 1990 |
| | 5252 786-7 | 1 | | | Light Sand, 1990 |

(MR) Modification Required. (A) For 1987, two types of instrument clusters were used. On type one, Clusters, the odometer numbers are rounded, the Speedometer face has (2) slotte

MODEL CODES:

| | | |
|-----------------------------|-----------------------------|------------------------------|
| 15 = Grand Wagoneer 4 Dr. | 65 = Comanche 4WD-7 Ft. Box | 77 = Cherokee 4WD-2 Dr. |
| 25 = J-10 Pickup-119" W.B. | 66 = Comanche 2WD-7 Ft. Box | 78 = Cherokee 4WD-4 Dr. |
| 26 = J-10 Pickup-131" W.B. | 73 = Cherokee 2WD-2 Dr. | 79 = Cherokee 4WD-4 Dr.-Com |
| 27 = J-20 Pickup-131" W.B. | 74 = Cherokee 2WD-4 Dr. | 81 = Wrangler-93" W.B. |
| 63 = Comanche 4WD-6 Ft. Box | 75 = Wagoneer 4WD-4 Dr. | 82 = Wrangler-103" W.B.-Exp. |
| 64 = Comanche 2WD-6 Ft. Box | | |

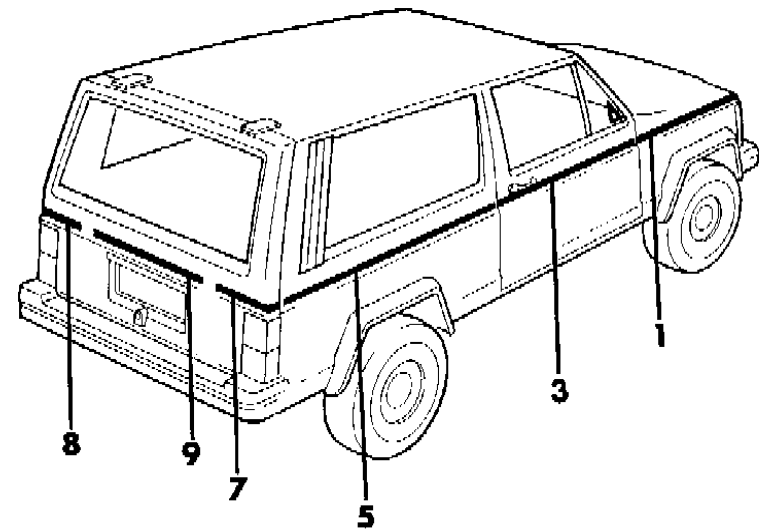
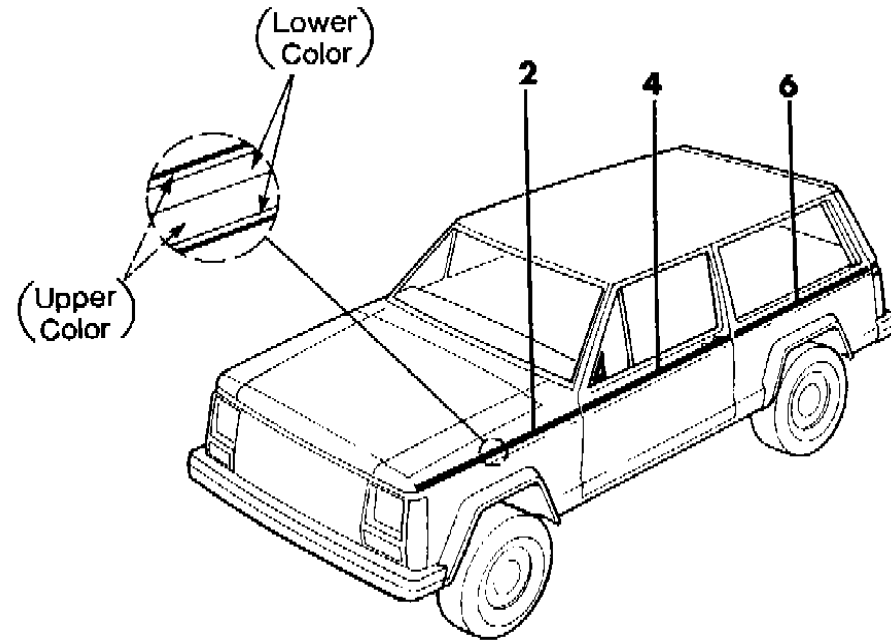
BODY STYLES:

MJ = Comanche Pickup
SJ = Grand Wagoneer Wgn., J-10 & J-20 Pickups
XJ = Cherokee, Wagoneer Limited
YJ = Wrangler

AR = Use as Required - = Non Illustrated Part P.A.R. = Paint as Required

DECALS, EXTERIOR 2 TONE, 1987 TYPE 1 CHEROKEE 2 DOOR
Figure 23-2890

8J68 2890



| ITEM | PART NUMBER | QTY | BODY | MODEL | DESCRIPTION |
|------|-------------|-----|------|-------|---------------------------------------|
| 1-2 | | | | | DECAL, Fender, (MR) |
| | 5501 6250-1 | 1 | | | Beige/Briarwood/Beige/Briarwood |
| | 5501 6240-1 | 1 | | | Sterling/Charcoal/Sterling/Charcoal |
| | 5501 6222-3 | 1 | | | Sterling/Grenadine/Sterling/Grenadine |
| | 5501 6232-3 | 1 | | | White/Med. Blue/White/Med. Blue |
| 3-4 | | | | | DECAL, Door, (MR) |
| | 5501 6250-1 | 1 | | | Beige/Briarwood/Beige/Briarwood |
| | 5501 6240-1 | 1 | | | Sterling/Charcoal/Sterling/Charcoal |
| | 5501 6222-3 | 1 | | | Sterling/Grenadine/Sterling/Grenadine |
| | 5501 6232-3 | 1 | | | White/Med. Blue/White/Med. Blue |
| 5-6 | | | | | DECAL, Rear Quarter |
| | 5501 6250-1 | 1 | | | Beige/Briarwood/Beige/Briarwood |
| | 5501 6240-1 | 1 | | | Sterling/Charcoal/Sterling/Charcoal |
| | 5501 6222-3 | 1 | | | Sterling/Grenadine/Sterling/Grenadine |
| | 5501 6232-3 | 1 | | | White/Med. Blue/White/Med. Blue |
| 7-8 | | | | | DECAL, Lift Door |
| | 5501 6252-3 | 1 | | | Beige/Briarwood/Beige/Briarwood |
| | 5501 6242-3 | 1 | | | Sterling/Charcoal/Sterling/Charcoal |
| | 5501 6224-5 | 1 | | | Sterling/Grenadine/Sterling/Grenadine |
| | 5501 6234-5 | 1 | | | White/Med. Blue/White/Med. Blue |
| 9 | | | | | DECAL, Lift Door |
| | 5501 6245 | 1 | | | Beige |
| | 5501 6244 | 1 | | | Sterling |
| | 5501 6226 | 1 | | | Grenadine |
| | 5501 6227 | 1 | | | White |

MODEL CODES:

| | | |
|-----------------------------|-----------------------------|------------------------------|
| 15 = Grand Wagoneer 4 Dr. | 65 = Comanche 4WD-7 Ft. Box | 77 = Cherokee 4WD-2 Dr. |
| 25 = J-10 Pickup-119" W.B. | 66 = Comanche 2WD-7 Ft. Box | 78 = Cherokee 4WD-4 Dr. |
| 26 = J-10 Pickup-131" W.B. | 73 = Cherokee 2WD-2 Dr. | 79 = Cherokee 4WD-4 Dr.-Com |
| 27 = J-20 Pickup-131" W.B. | 74 = Cherokee 2WD-4 Dr. | 81 = Wrangler-93" W.B. |
| 63 = Comanche 4WD-6 Ft. Box | 75 = Wagoneer 4WD-4 Dr. | 82 = Wrangler-103" W.B.-Exp. |
| 64 = Comanche 2WD-6 Ft. Box | | |

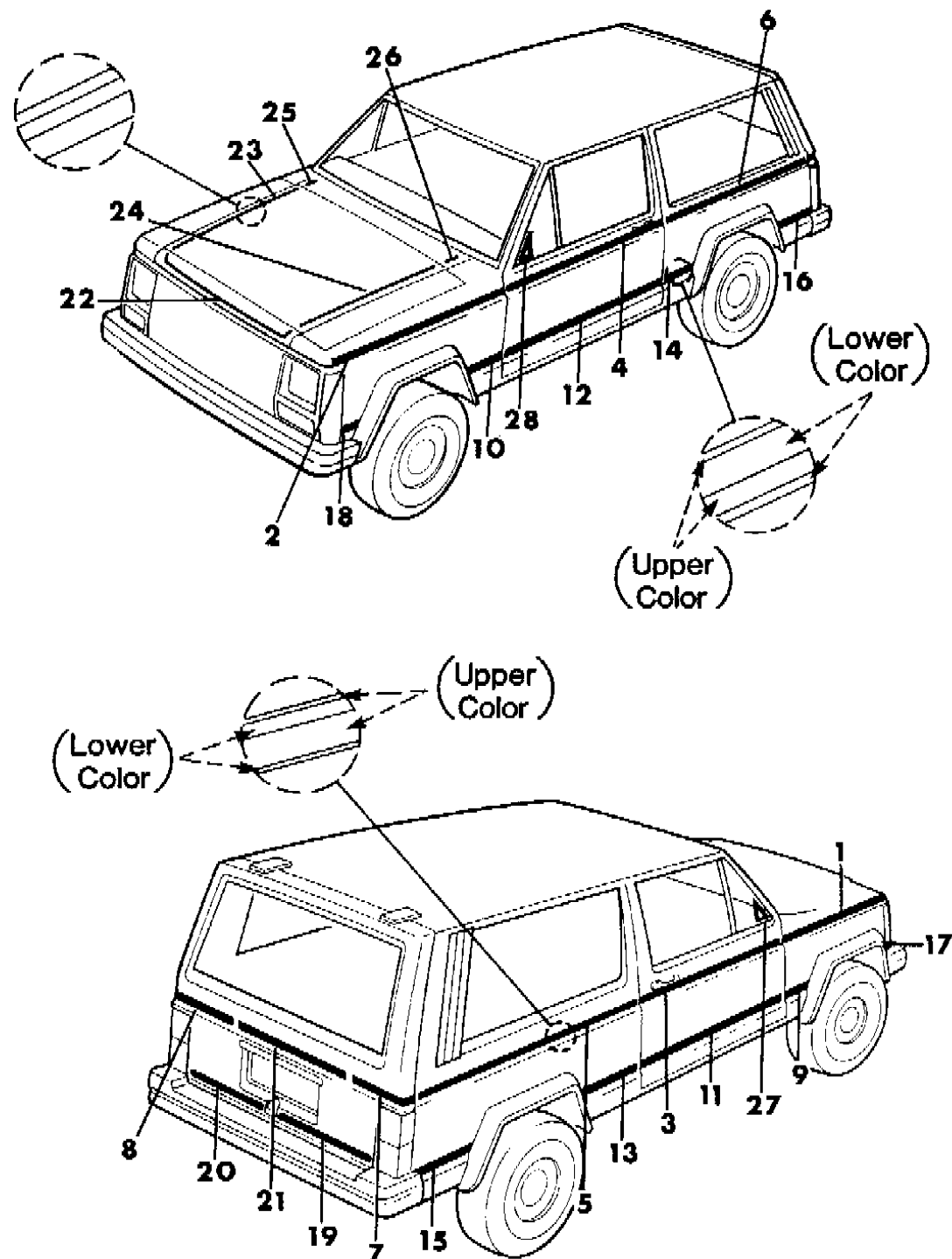
BODY STYLES:

MJ = Comanche Pickup
 SJ = Grand Wagoneer Wgn., J-10 & J-20 Pickups
 XJ = Cherokee, Wagoneer Limited
 YJ = Wrangler

AR = Use as Required - = Non Illustrated Part P.A.R. = Paint as Required

DECALS, EXTERIOR 2 TONE, 1987 TYPE 2 AND 1988 CHEROKEE 2 DOOR
Figure 23-2900

8J 68 2900



| ITEM | PART NUMBER | QTY | BODY | MODEL | DESCRIPTION |
|-------|-------------|-----|------|-------|---|
| 1-2 | | | | | DECAL, Fender, (MR) |
| | 5501 6646-7 | 1 | | | Black/Dover Grey/Black/Dover Grey |
| | 5501 6694-5 | 1 | | | Briarwood/Bronze/Briarwood/Bronze |
| | 5501 6682-3 | 1 | | | Dark Baltic/Sterling/Dark Baltic/Sterling |
| | 5501 6658-9 | 1 | | | Dover Grey/Sterling/Dover Grey/Sterling |
| | 5501 9876-7 | 1 | | | Grenadine/Sterling/Grenadine/Sterling |
| | 5501 6706-7 | 1 | | | Pearl White/Coffee/Pearl White/Coffee |
| 3-4 | | | | | DECAL, Door, (MR) |
| | 5501 6646-7 | 1 | | | Black/Dover Grey/Black/Dover Grey |
| | 5501 6694-5 | 1 | | | Briarwood/Bronze/Briarwood/Bronze |
| | 5501 6682-3 | 1 | | | Dark Baltic/Sterling/Dark Baltic/Sterling |
| | 5501 6658-9 | 1 | | | Dover Grey/Sterling/Dover Grey/Sterling |
| | 5501 9876-7 | 1 | | | Grenadine/Sterling/Grenadine/Sterling |
| | 5501 6706-7 | 1 | | | Pearl White/Coffee/Pearl White/Coffee |
| 5-6 | | | | | DECAL, Rear Quarter, |
| | 5501 6646-7 | 1 | | | Black/Dover Grey/Black/Dover Grey |
| | 5501 6694-5 | 1 | | | Briarwood/Bronze/Briarwood/Bronze |
| | 5501 6682-3 | 1 | | | Dark Baltic/Sterling/Dark Baltic/Sterling |
| | 5501 6658-9 | 1 | | | Dover Grey/Sterling/Dover Grey/Sterling |
| | 5501 9876-7 | 1 | | | Grenadine/Sterling/Grenadine/Sterling |
| | 5501 6706-7 | 1 | | | Pearl White/Coffee/Pearl White/Coffee |
| 7-8 | | | | | DECAL, Lift Door |
| | 5501 6648-9 | 1 | | | Black/Dover Grey/Black/Dover Grey |
| | 5501 6696-7 | 1 | | | Briarwood/Bronze/Briarwood/Bronze |
| | 5501 6684-5 | 1 | | | Dark Baltic/Sterling/Dark Baltic/Sterling |
| | 5501 6660-1 | 1 | | | Dover Grey/Sterling/Dover Grey/Sterling |
| | 5501 9880-1 | 1 | | | Grenadine/Sterling/Grenadine/Sterling |
| | 5501 6708-9 | 1 | | | Pearl White/Coffee/Pearl White/Coffee |
| 9-10 | | | | | DECAL, Fender, (MR) |
| | 5502 0316-7 | 1 | | | Dover Grey/Black/Dover Grey/Black |
| | 5502 0324-5 | 1 | | | Bronze/Briarwood/Bronze/Briarwood |
| | 5502 0322-3 | 1 | | | Sterling/Dark Baltic/Sterling/Dark Baltic |
| | 5502 0318-9 | 1 | | | Sterling/Dover Grey/Sterling/Dover Grey |
| | 5502 0320-1 | 1 | | | Sterling/Grenadine/Sterling/Grenadine |
| | 5502 0326-7 | 1 | | | Coffee/Pearl White/Coffee/Pearl White |
| 11-12 | | | | | DECAL, Door |
| | 5502 0316-7 | 1 | | | Dover Grey/Black/Dover Grey/Black |

MODEL CODES:

| | | |
|-----------------------------|-----------------------------|------------------------------|
| 15 = Grand Wagoneer 4 Dr. | 65 = Comanche 4WD-7 Ft. Box | 77 = Cherokee 4WD-2 Dr. |
| 25 = J-10 Pickup-119" W.B. | 66 = Comanche 2WD-7 Ft. Box | 78 = Cherokee 4WD-4 Dr. |
| 26 = J-10 Pickup-131" W.B. | 73 = Cherokee 2WD-2 Dr. | 79 = Cherokee 4WD-4 Dr.-Com |
| 27 = J-20 Pickup-131" W.B. | 74 = Cherokee 2WD-4 Dr. | 81 = Wrangler-93" W.B. |
| 63 = Comanche 4WD-6 Ft. Box | 75 = Wagoneer 4WD-4 Dr. | 82 = Wrangler-103" W.B.-Exp. |
| 64 = Comanche 2WD-6 Ft. Box | | |

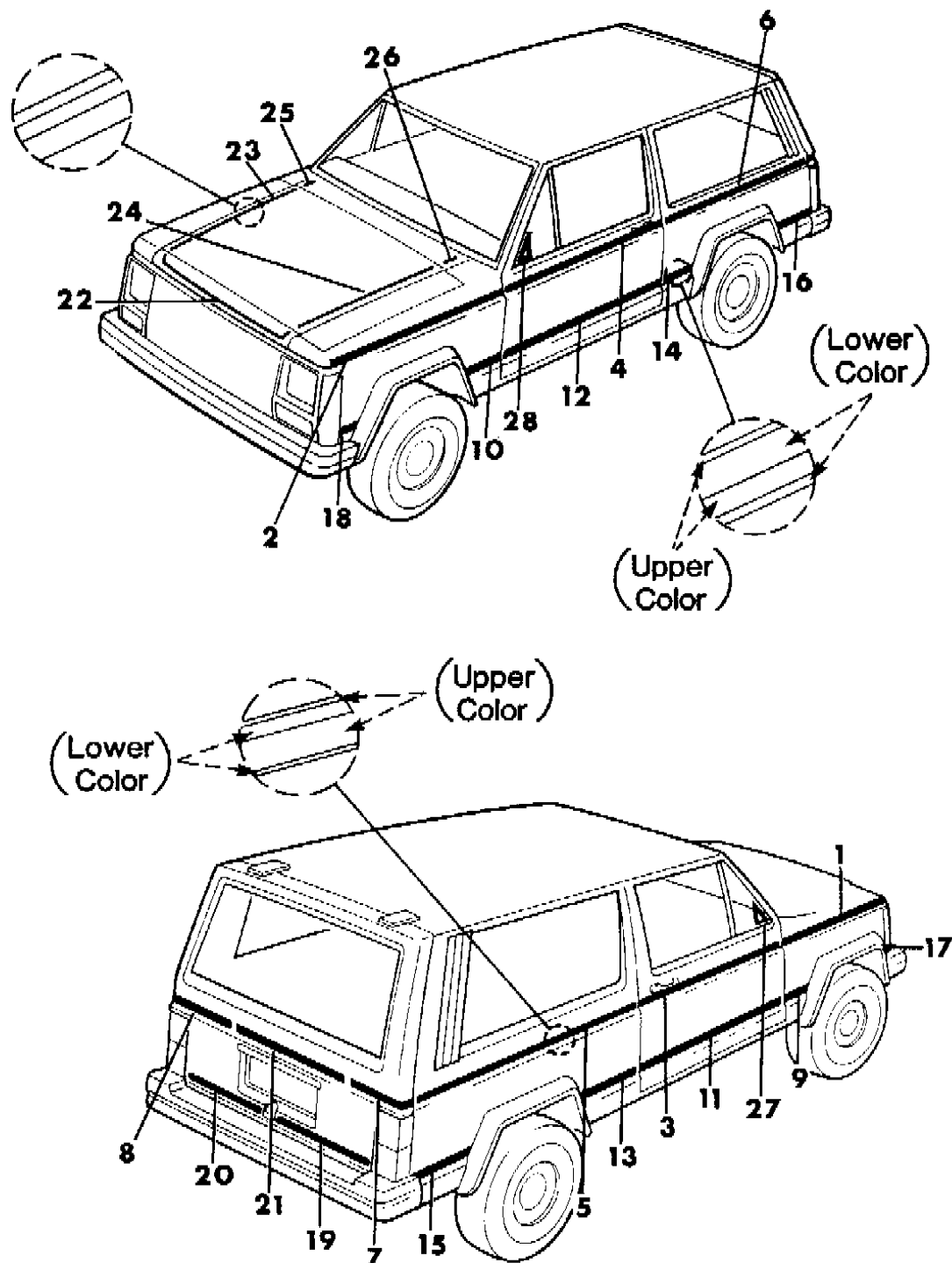
BODY STYLES:

MJ = Comanche Pickup
SJ = Grand Wagoneer Wgn., J-10 & J-20 Pickups
XJ = Cherokee, Wagoneer Limited
YJ = Wrangler

AR = Use as Required - = Non Illustrated Part P.A.R. = Paint as Required

DECALS, EXTERIOR 2 TONE, 1987 TYPE 2 AND 1988 CHEROKEE 2 DOOR
Figure 23-2900

8J 68 2900



| ITEM | PART NUMBER | QTY | BODY | MODEL | DESCRIPTION |
|-------|-------------|-----|------|-------|---|
| | 5502 0324-5 | 1 | | | Bronze/Briarwood/Bronze/Briarwood |
| | 5502 0322-3 | 1 | | | Sterling/Dark Baltic/Sterling/Dark Baltic |
| | 5502 0318-9 | 1 | | | Sterling/Dover Grey/Sterling/Dover Grey |
| | 5502 0320-1 | 1 | | | Sterling/Grenadine/Sterling/Grenadine |
| | 5502 0326-7 | 1 | | | Coffee/Pearl White/Coffee/Pearl White |
| 13-14 | | | | | DECAL, Rear Quarter, (MR) |
| | 5502 0316-7 | 1 | | | Dover Grey/Black/Dover Grey/Black |
| | 5502 0324-5 | 1 | | | Bronze/Briarwood/Bronze/Briarwood |
| | 5502 0322-3 | 1 | | | Sterling/Dark Baltic/Sterling/Dark Baltic |
| | 5502 0318-9 | 1 | | | Sterling/Dover Grey/Sterling/Dover Grey |
| | 5502 0320-1 | 1 | | | Sterling/Grenadine/Sterling/Grenadine |
| | 5502 0326-7 | 1 | | | Coffee/Pearl White/Coffee/Pearl White |
| 15-16 | | | | | DECAL, Rear Quarter, (MR) |
| | 5502 0316-7 | 1 | | | Dover Grey/Black/Dover Grey/Black |
| | 5502 0324-5 | 1 | | | Bronze/Briarwood/Bronze/Briarwood |
| | 5502 0322-3 | 1 | | | Sterling/Dark Baltic/Sterling/Dark Baltic |
| | 5502 0318-9 | 1 | | | Sterling/Dover Grey/Sterling/Dover Grey |
| | 5502 0320-1 | 1 | | | Sterling/Grenadine/Sterling/Grenadine |
| | 5502 0326-7 | 1 | | | Coffee/Pearl White/Coffee/Pearl White |
| 17-18 | | | | | DECAL, Fender, (MR) |
| | 5502 0316-7 | 1 | | | Dover Grey/Black/Dover Grey/Black |
| | 5502 0324-5 | 1 | | | Bronze/Briarwood/Bronze/Briarwood |
| | 5502 0322-3 | 1 | | | Sterling/Dark Baltic/Sterling/Dark Baltic |
| | 5502 0318-9 | 1 | | | Sterling/Dover Grey/Sterling/Dover Grey |
| | 5502 0320-1 | 1 | | | Sterling/Grenadine/Sterling/Grenadine |
| | 5502 0326-7 | 1 | | | Coffee/Pearl White/Coffee/Pearl White |
| 19-20 | | | | | DECAL, Lift Door |
| | 5501 7172-3 | 1 | | | Dover Grey/Black/Dover Grey/Black |
| | 5501 8860-1 | 1 | | | Bronze/Briarwood/Bronze/Briarwood |
| | 5501 6746-7 | 1 | | | Sterling/Dark Baltic/Sterling/Dark Baltic |
| | 5501 8858-9 | 1 | | | Sterling/Dover Grey/Sterling/Dover Grey |
| | 5501 4506-7 | 1 | | | Sterling/Grenadine/Sterling/Grenadine |
| | 5501 8862-3 | 1 | | | Coffee/Pearl White/Coffee/Pearl White |
| 21 | | | | | DECAL, Lift Door |
| | 5501 6650 | 1 | | | Dover Grey |
| | 5501 6698 | 1 | | | Bronze |
| | 5501 6686 | 1 | | | Sterling, used with Sterling and Dark Baltic decals |

MODEL CODES:

| | | |
|-----------------------------|-----------------------------|------------------------------|
| 15 = Grand Wagoneer 4 Dr. | 65 = Comanche 4WD-7 Ft. Box | 77 = Cherokee 4WD-2 Dr. |
| 25 = J-10 Pickup-119" W.B. | 66 = Comanche 2WD-7 Ft. Box | 78 = Cherokee 4WD-4 Dr. |
| 26 = J-10 Pickup-131" W.B. | 73 = Cherokee 2WD-2 Dr. | 79 = Cherokee 4WD-4 Dr.-Com |
| 27 = J-20 Pickup-131" W.B. | 74 = Cherokee 2WD-4 Dr. | 81 = Wrangler-93" W.B. |
| 63 = Comanche 4WD-6 Ft. Box | 75 = Wagoneer 4WD-4 Dr. | 82 = Wrangler-103" W.B.-Exp. |
| 64 = Comanche 2WD-6 Ft. Box | | |

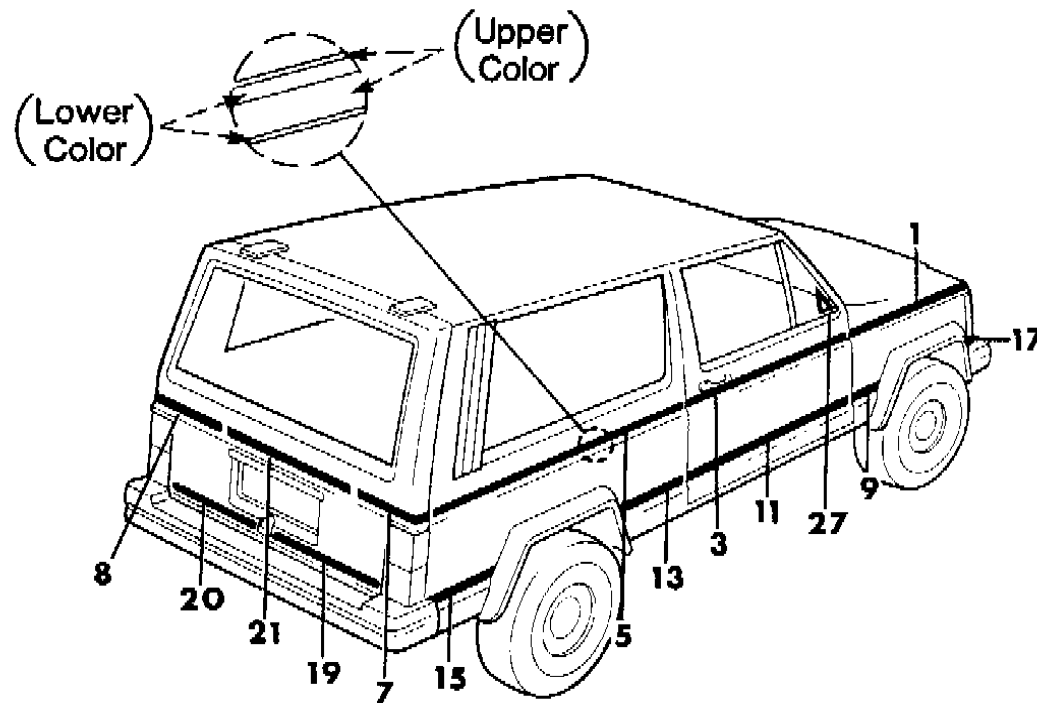
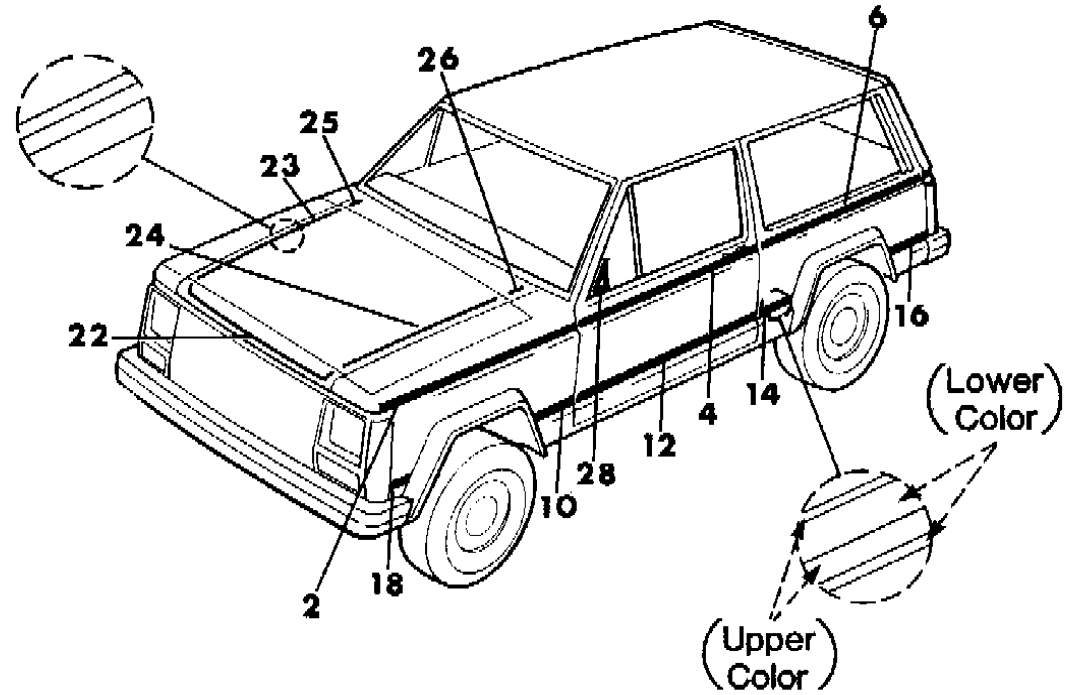
BODY STYLES:

MJ = Comanche Pickup
SJ = Grand Wagoneer Wgn., J-10 & J-20 Pickups
XJ = Cherokee, Wagoneer Limited
YJ = Wrangler

AR = Use as Required - = Non Illustrated Part P.A.R. = Paint as Required

DECALS, EXTERIOR 2 TONE, 1987 TYPE 2 AND 1988 CHEROKEE 2 DOOR
Figure 23-2900

8J 68 2900



| ITEM | PART NUMBER | QTY | BODY | MODEL | DESCRIPTION |
|-------|-------------|-----|------|-------|--|
| | 5501 6662 | 1 | | | Sterling, used with Sterling and Dover Grey decals |
| | 5501 9867 | 1 | | | Sterling, used with Sterling and Grenadine decals |
| | 5501 6710 | 1 | | | Coffee |
| 22 | | | | | DECAL, Grille Panel |
| | 5501 8842 | 1 | | | Dover Grey |
| | 5501 8878 | 1 | | | Bronze |
| | 5501 6595 | 1 | | | Sterling |
| | 5501 8879 | 1 | | | Coffee |
| 23-24 | | | | | DECAL, Hood |
| | 5501 8838-9 | 1 | | | Dover Grey |
| | 5501 8874-5 | 1 | | | Bronze |
| | 5501 6598-9 | 1 | | | Sterling |
| | 5501 8880-1 | 1 | | | Coffee |
| 25-26 | | | | | DECAL, Cowl |
| | 5501 8840-1 | 1 | | | Dover Grey |
| | 5501 8876-7 | 1 | | | Bronze |
| | 5501 6602-3 | 1 | | | Sterling |
| | 5501 8882-3 | 1 | | | Coffee |
| 27-28 | 5500 6220-1 | 1 | | | DECAL, Door |

(MR) Modification required. (A) For 1987, two types of instrument clusters were used. On type one, Clusters, the odometer numbers are rounded, the Speedometer face has (2) slotte

MODEL CODES:

| | | |
|-----------------------------|-----------------------------|------------------------------|
| 15 = Grand Wagoneer 4 Dr. | 65 = Comanche 4WD-7 Ft. Box | 77 = Cherokee 4WD-2 Dr. |
| 25 = J-10 Pickup-119" W.B. | 66 = Comanche 2WD-7 Ft. Box | 78 = Cherokee 4WD-4 Dr. |
| 26 = J-10 Pickup-131" W.B. | 73 = Cherokee 2WD-2 Dr. | 79 = Cherokee 4WD-4 Dr.-Com |
| 27 = J-20 Pickup-131" W.B. | 74 = Cherokee 2WD-4 Dr. | 81 = Wrangler-93" W.B. |
| 63 = Comanche 4WD-6 Ft. Box | 75 = Wagoneer 4WD-4 Dr. | 82 = Wrangler-103" W.B.-Exp. |
| 64 = Comanche 2WD-6 Ft. Box | | |

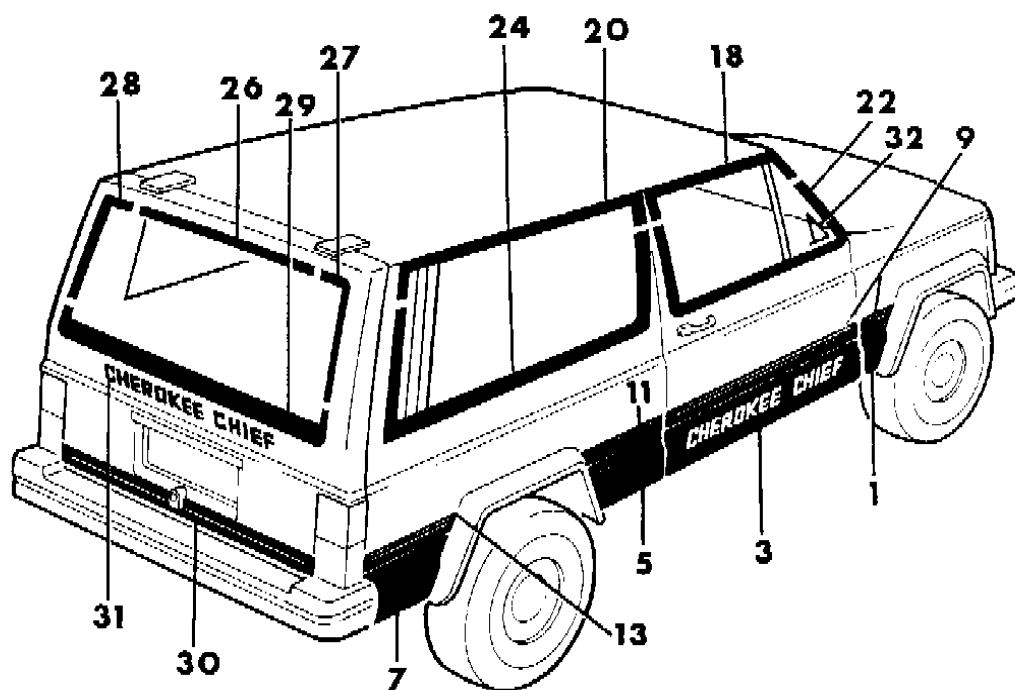
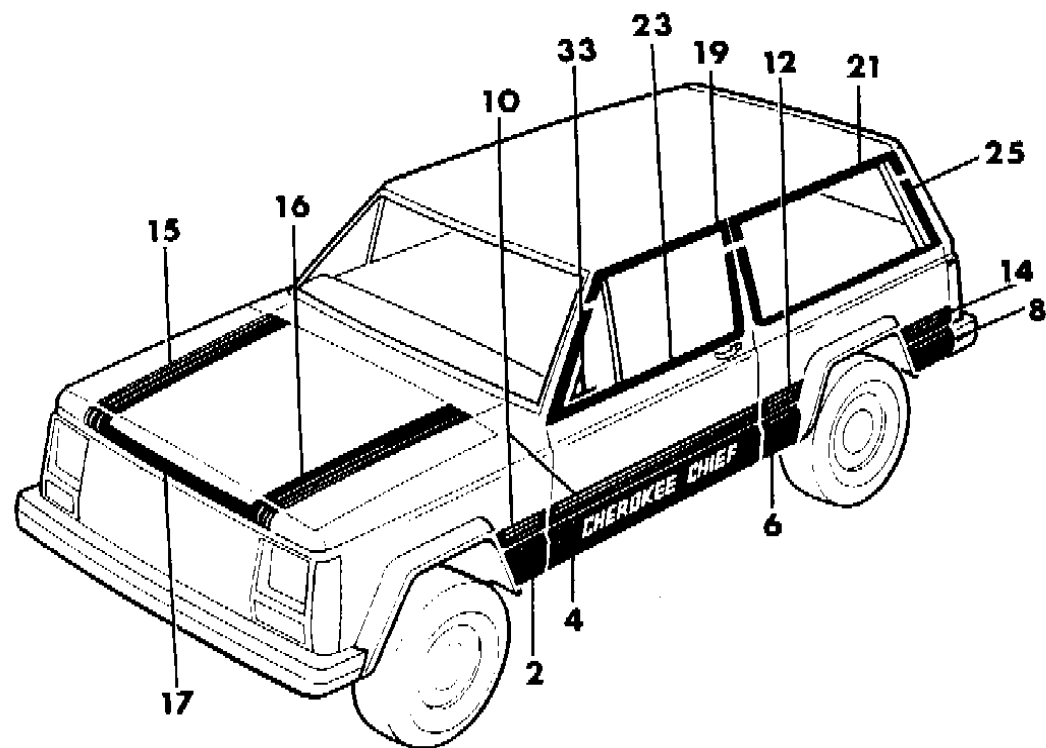
BODY STYLES:

MJ = Comanche Pickup
SJ = Grand Wagoneer Wgn., J-10 & J-20 Pickups
XJ = Cherokee, Wagoneer Limited
YJ = Wrangler

AR = Use as Required - = Non Illustrated Part P.A.R. = Paint as Required

DECALS, EXTERIOR CHIEF - U.S. OR CANADA, 1987-89 CHEROKEE 2 DOOR
Figure 23-3000

8J68 3000



| ITEM | PART NUMBER | QTY | BODY | MODEL | DESCRIPTION |
|-------|-------------|-----|------|-------|-------------------------------|
| 1-2 | 5501 5428-9 | 1 | | | DECAL, Fender, Black |
| 3-4 | 5501 5430-1 | 1 | | | DECAL, Door, Black |
| 5-6 | 5501 5432-3 | 1 | | | DECAL, Rear Quarter, Black |
| 7-8 | 5501 5434-5 | 1 | | | DECAL, Rear Quarter, Black |
| 9-10 | 5501 5876-7 | 1 | | | DECAL, Door And Fender, Black |
| 11-12 | 5501 5878-9 | 1 | | | DECAL, Rear Quarter, Black |
| 13-14 | 5501 5880-1 | 1 | | | DECAL, Rear Quarter, Black |
| 15-16 | 5501 5426-7 | 1 | | | DECAL, Hood, Black |
| 17 | 5501 5425 | 1 | | | DECAL, Grille Panel, Black |
| 18-19 | 5500 6784-5 | 1 | | | DECAL, Door Frame, Black |
| 20-21 | 5500 6788-9 | 1 | | | DECAL, Rear Quarter, Black |
| 22-23 | 5500 6782-3 | 1 | | | DECAL, Door Frame, Black |
| 24-25 | 5500 6786-7 | 1 | | | DECAL, Rear Quarter, Black |
| 26 | 5500 6814 | 1 | | | DECAL, Lift Door, Black |
| 27-28 | 5500 6810-1 | 1 | | | DECAL, Lift Door, Black |
| 29 | 5500 6812 | 1 | | | DECAL, Lift Door, Black |
| 30 | 5501 5437 | 1 | | | DECAL, Lift Door, Black |
| 31 | 5501 5436 | 1 | | | DECAL, Lift Door, Black |
| 32-33 | 5500 6220-1 | 1 | | | DECAL, Door, Black |

MODEL CODES:

| | | |
|-----------------------------|-----------------------------|------------------------------|
| 15 = Grand Wagoneer 4 Dr. | 65 = Comanche 4WD-7 Ft. Box | 77 = Cherokee 4WD-2 Dr. |
| 25 = J-10 Pickup-119" W.B. | 66 = Comanche 2WD-7 Ft. Box | 78 = Cherokee 4WD-4 Dr. |
| 26 = J-10 Pickup-131" W.B. | 73 = Cherokee 2WD-2 Dr. | 79 = Cherokee 4WD-4 Dr.-Com |
| 27 = J-20 Pickup-131" W.B. | 74 = Cherokee 2WD-4 Dr. | 81 = Wrangler-93" W.B. |
| 63 = Comanche 4WD-6 Ft. Box | 75 = Wagoneer 4WD-4 Dr. | 82 = Wrangler-103" W.B.-Exp. |
| 64 = Comanche 2WD-6 Ft. Box | | |

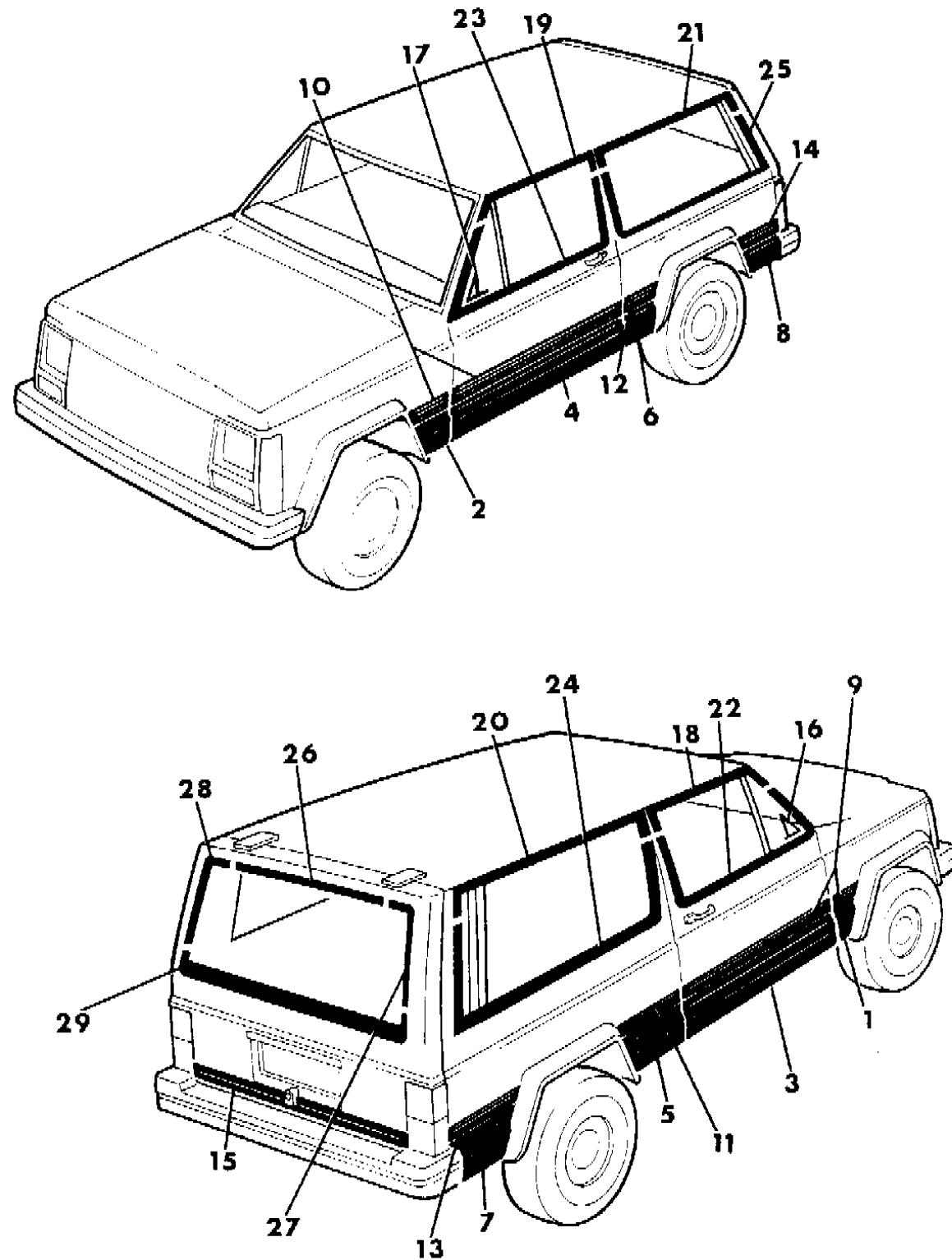
BODY STYLES:

MJ = Comanche Pickup
SJ = Grand Wagoneer Wgn., J-10 & J-20 Pickups
XJ = Cherokee, Wagoneer Limited
YJ = Wrangler

AR = Use as Required - = Non Illustrated Part P.A.R. = Paint as Required

DECALS, EXTERIOR CHIEF - E.C.E., 1987-89 CHEROKEE 2 DOOR
Figure 23-3100

8J68 3100



| ITEM | PART NUMBER | QTY | BODY | MODEL | DESCRIPTION |
|-------|-------------|-----|------|-------|-------------------------------|
| 1-2 | 5501 5428-9 | 1 | | | DECAL, Fender, Black |
| 3-4 | 5501 7694-5 | 1 | | | DECAL, Door, Black |
| 5-6 | 5501 5432-3 | 1 | | | DECAL, Rear Quarter, Black |
| 7-8 | 5501 5434-5 | 1 | | | DECAL, Rear Quarter, Black |
| 9-10 | 5501 5876-7 | 1 | | | DECAL, Door And Fender, Black |
| 11-12 | 5501 5878-9 | 1 | | | DECAL, Rear Quarter, Black |
| 13-14 | 5501 5880-1 | 1 | | | DECAL, Rear Quarter, Black |
| 15 | 5501 5437 | 1 | | | DECAL, Lift Door, Black |
| 16-17 | 5500 6220-1 | 1 | | | DECAL, Door, Black |
| 18-19 | 5500 6784-5 | 1 | | | DECAL, Door Frame, Black |
| 20-21 | 5500 6788-9 | 1 | | | DECAL, Rear Quarter, Black |
| 22-23 | 5500 6782-3 | 1 | | | DECAL, Door Frame, Black |
| 24-25 | 5500 6786-7 | 1 | | | DECAL, Rear Quarter, Black |
| 26 | 5500 6814 | 1 | | | DECAL, Lift Door, Black |
| 27-28 | 5500 6810-1 | 1 | | | DECAL, Lift Door, Black |
| 29 | 5500 6812 | 1 | | | DECAL, Lift Door, Black |

MODEL CODES:

| | | |
|-----------------------------|-----------------------------|------------------------------|
| 15 = Grand Wagoneer 4 Dr. | 65 = Comanche 4WD-7 Ft. Box | 77 = Cherokee 4WD-2 Dr. |
| 25 = J-10 Pickup-119" W.B. | 66 = Comanche 2WD-7 Ft. Box | 78 = Cherokee 4WD-4 Dr. |
| 26 = J-10 Pickup-131" W.B. | 73 = Cherokee 2WD-2 Dr. | 79 = Cherokee 4WD-4 Dr.-Com |
| 27 = J-20 Pickup-131" W.B. | 74 = Cherokee 2WD-4 Dr. | 81 = Wrangler-93" W.B. |
| 63 = Comanche 4WD-6 Ft. Box | 75 = Wagoneer 4WD-4 Dr. | 82 = Wrangler-103" W.B.-Exp. |
| 64 = Comanche 2WD-6 Ft. Box | | |

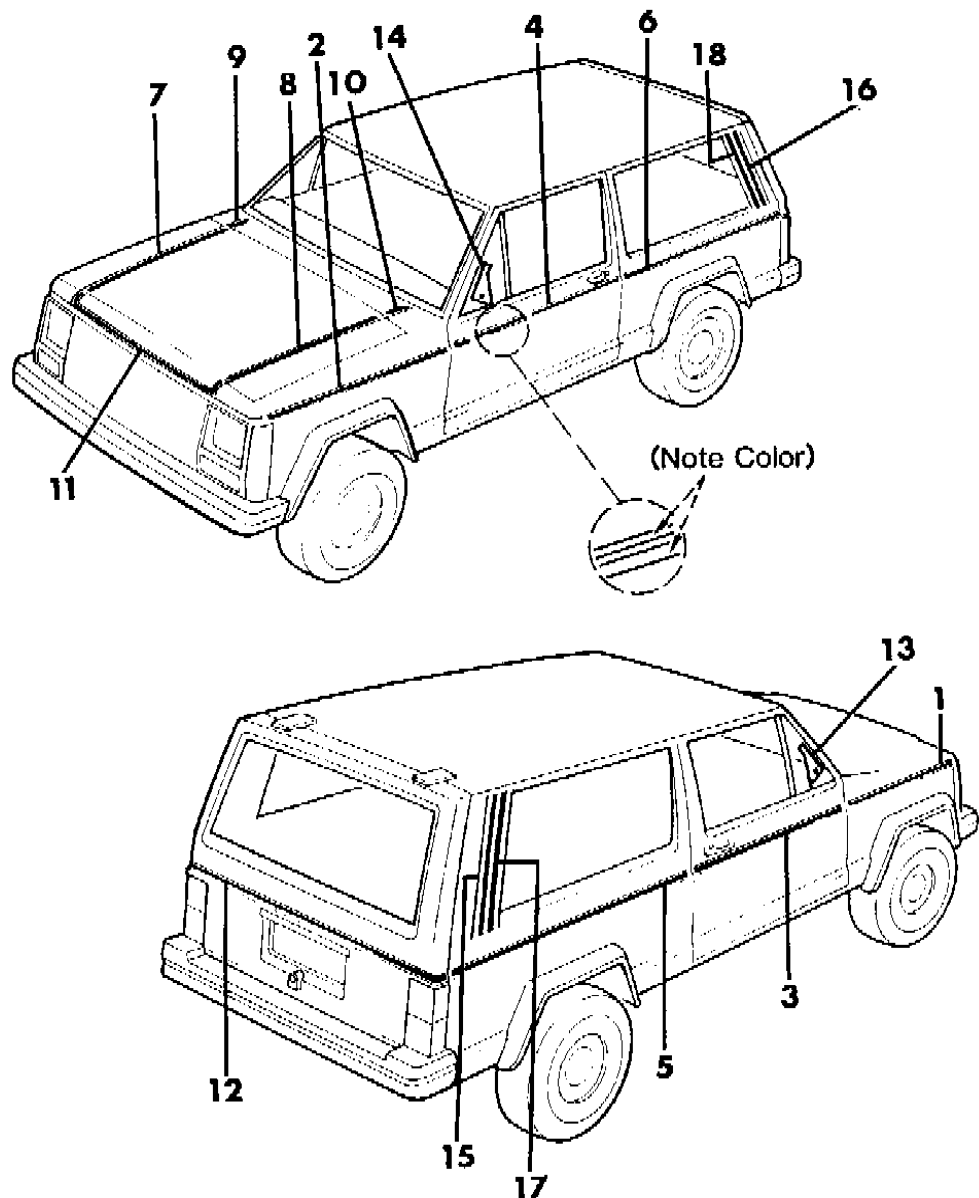
BODY STYLES:

MJ = Comanche Pickup
SJ = Grand Wagoneer Wgn., J-10 & J-20 Pickups
XJ = Cherokee, Wagoneer Limited
YJ = Wrangler

AR = Use as Required - = Non Illustrated Part P.A.R. = Paint as Required

DECALS, EXTERIOR LAREDO, 1987 CHEROKEE 2 DOOR
Figure 23-3290

8J68 3290



| ITEM | PART NUMBER | QTY | BODY | MODEL | DESCRIPTION |
|-------|-------------|-----|------|-------|----------------------------|
| 1-2 | | | | | DECAL, Fender |
| | 5500 5972-3 | 1 | | | Dark Red |
| | 5501 4768-9 | 1 | | | Almond |
| 3-4 | | | | | DECAL, Door, (MR) |
| | 5500 5967 | 2 | | | Dark Red |
| | 5501 4776 | 2 | | | Almond |
| 5-6 | | | | | DECAL, Rear Quarter, (MR) |
| | 5500 5967 | 2 | | | Dark Red |
| | 5501 4776 | 2 | | | Almond |
| 7-8 | | | | | DECAL, Hood, (MR) |
| | 5500 5967 | 2 | | | Dark Red |
| | 5501 4776 | 2 | | | Almond |
| 9-10 | | | | | DECAL, Cowl |
| | 5500 5970-1 | 1 | | | Dark Red |
| | 5501 4766-7 | 1 | | | Almond |
| 11 | | | | | DECAL, Grille Panel |
| | 5500 5966 | 1 | | | Dark Red |
| | 5501 4763 | 1 | | | Almond |
| 12 | | | | | DECAL, Lift Door |
| | 5500 5967 | 1 | | | Dark Red |
| | 5501 4776 | 1 | | | Almond |
| 13-14 | 5500 6220-1 | 1 | | | DECAL, Door, Black |
| 15-16 | 5500 3646-7 | 1 | | | DECAL, Rear Quarter, Black |
| 17-18 | 5500 3644-5 | 1 | | | DECAL, Rear Quarter, Black |

(MR) = Modification Required

MODEL CODES:

| | | |
|-----------------------------|-----------------------------|------------------------------|
| 15 = Grand Wagoneer 4 Dr. | 65 = Comanche 4WD-7 Ft. Box | 77 = Cherokee 4WD-2 Dr. |
| 25 = J-10 Pickup-119" W.B. | 66 = Comanche 2WD-7 Ft. Box | 78 = Cherokee 4WD-4 Dr. |
| 26 = J-10 Pickup-131" W.B. | 73 = Cherokee 2WD-2 Dr. | 79 = Cherokee 4WD-4 Dr.-Com |
| 27 = J-20 Pickup-131" W.B. | 74 = Cherokee 2WD-4 Dr. | 81 = Wrangler-93" W.B. |
| 63 = Comanche 4WD-6 Ft. Box | 75 = Wagoneer 4WD-4 Dr. | 82 = Wrangler-103" W.B.-Exp. |
| 64 = Comanche 2WD-6 Ft. Box | | |

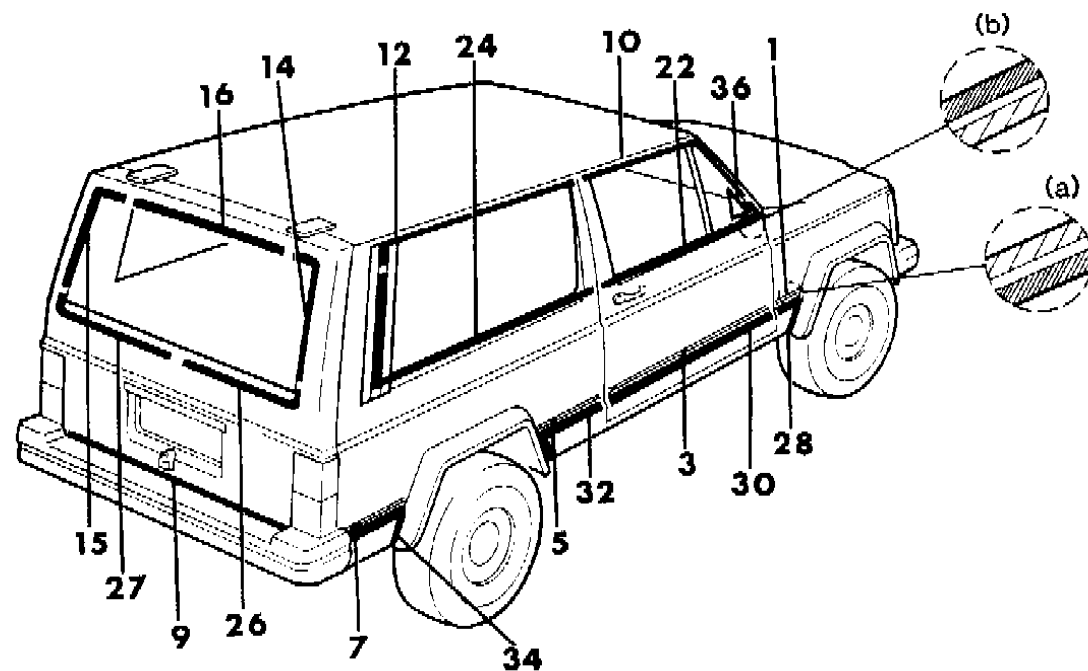
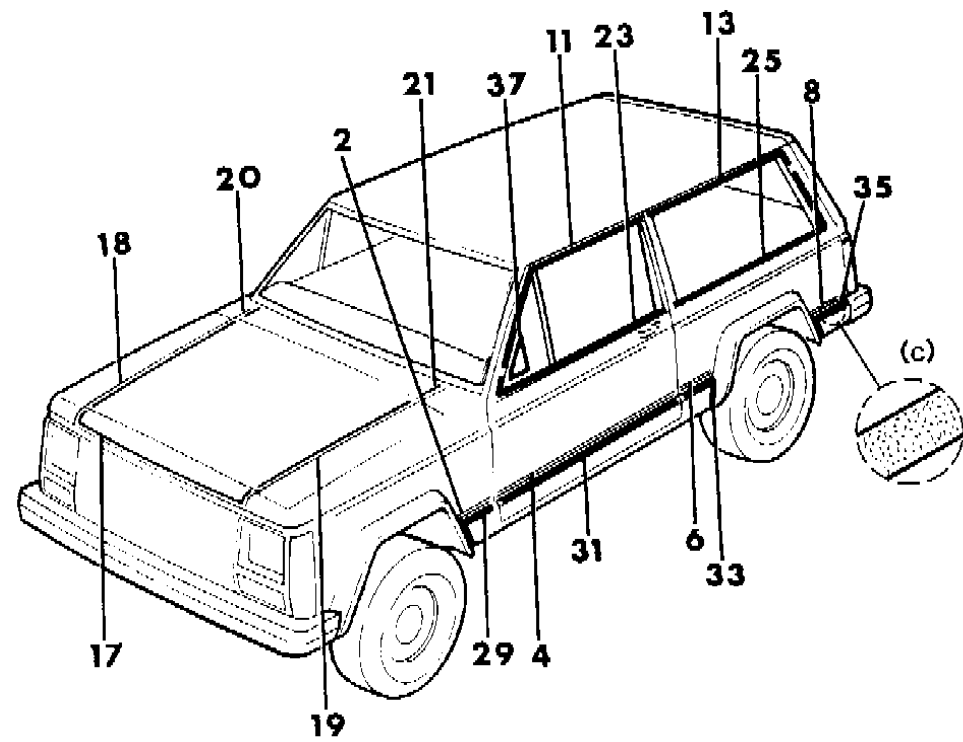
BODY STYLES:

MJ = Comanche Pickup
SJ = Grand Wagoneer Wgn., J-10 & J-20 Pickups
XJ = Cherokee, Wagoneer Limited
YJ = Wrangler

AR = Use as Required - = Non Illustrated Part P.A.R. = Paint as Required

DECALS, EXTERIOR LAREDO AND ECE TYPE 1, 1988 CHEROKEE 2 DOOR
Figure 23-3300

8J68 3300



| ITEM | PART NUMBER | QTY | BODY | MODEL | DESCRIPTION |
|-------|-------------|-----|------|-------|--|
| 1-2 | 5501 9410-1 | 1 | | | DECAL, Fender, Light Silver/Argent, (MR) |
| 3-4 | 5501 9410-1 | 1 | | | DECAL, Door, Light Silver/Argent |
| 5-6 | 5501 9410-1 | 1 | | | DECAL, Rear Quarter, Light Silver/Argent, (MR) |
| 7-8 | 5501 9410-1 | 1 | | | DECAL, Rear Quarter, Light Silver/Argent, (MR) |
| 9 | 5501 9420 | 1 | | | DECAL, Lift Door, Light Silver/Argent |
| 10-11 | 5501 9442-3 | 1 | | | DECAL, Door Frame, Light Silver/Argent |
| 12-13 | 5501 9454-5 | 1 | | | DECAL, Rear Quarter, Light Silver/Argent |
| 14-15 | 5501 9464-5 | 1 | | | DECAL, Lift Door, Light Silver/Argent |
| 16 | 5501 9468 | 1 | | | DECAL, Lift Door, Light Silver/Argent |
| 17 | 5501 6926 | 1 | | | DECAL, Grille Panel, Argent/Light Silver, Except ECE |
| 18-19 | 5501 6928-9 | 1 | | | DECAL, Hood, Argent/Light Silver, Except ECE |
| 20-21 | 5501 6930-1 | 1 | | | DECAL, Cowl, Argent/Light Silver, Except ECE |
| 22-23 | 5501 9444-5 | 1 | | | DECAL, Door Frame, Argent/Light Silver |
| 24-25 | 5501 9456-7 | 1 | | | DECAL, Rear Quarter, Argent/Light Silver |
| 26-27 | 5501 9466-7 | 1 | | | DECAL, Lift Door, Argent/Light Silver |
| 28-29 | 5501 9422-3 | 1 | | | DECAL, Fender, Grey Textured |
| 30-31 | 5501 9424-5 | 1 | | | DECAL, Door, Grey Textured |
| 32-33 | 5501 9430-1 | 1 | | | DECAL, Rear Quarter, Grey Textured |
| 34-35 | 5501 9438-9 | 1 | | | DECAL, Rear Quarter, Grey Textured |
| 36-37 | 5500 6220-1 | 1 | | | DECAL, Door, Black |

(MR) Modification Required. (A) For 1987, two types of instrument clusters were used. On type one, Clusters, the odometer numbers are rounded, the Speedometer face has (2) slotte

MODEL CODES:

| | | |
|-----------------------------|-----------------------------|------------------------------|
| 15 = Grand Wagoneer 4 Dr. | 65 = Comanche 4WD-7 Ft. Box | 77 = Cherokee 4WD-2 Dr. |
| 25 = J-10 Pickup-119" W.B. | 66 = Comanche 2WD-7 Ft. Box | 78 = Cherokee 4WD-4 Dr. |
| 26 = J-10 Pickup-131" W.B. | 73 = Cherokee 2WD-2 Dr. | 79 = Cherokee 4WD-4 Dr.-Com |
| 27 = J-20 Pickup-131" W.B. | 74 = Cherokee 2WD-4 Dr. | 81 = Wrangler-93" W.B. |
| 63 = Comanche 4WD-6 Ft. Box | 75 = Wagoneer 4WD-4 Dr. | 82 = Wrangler-103" W.B.-Exp. |
| 64 = Comanche 2WD-6 Ft. Box | | |

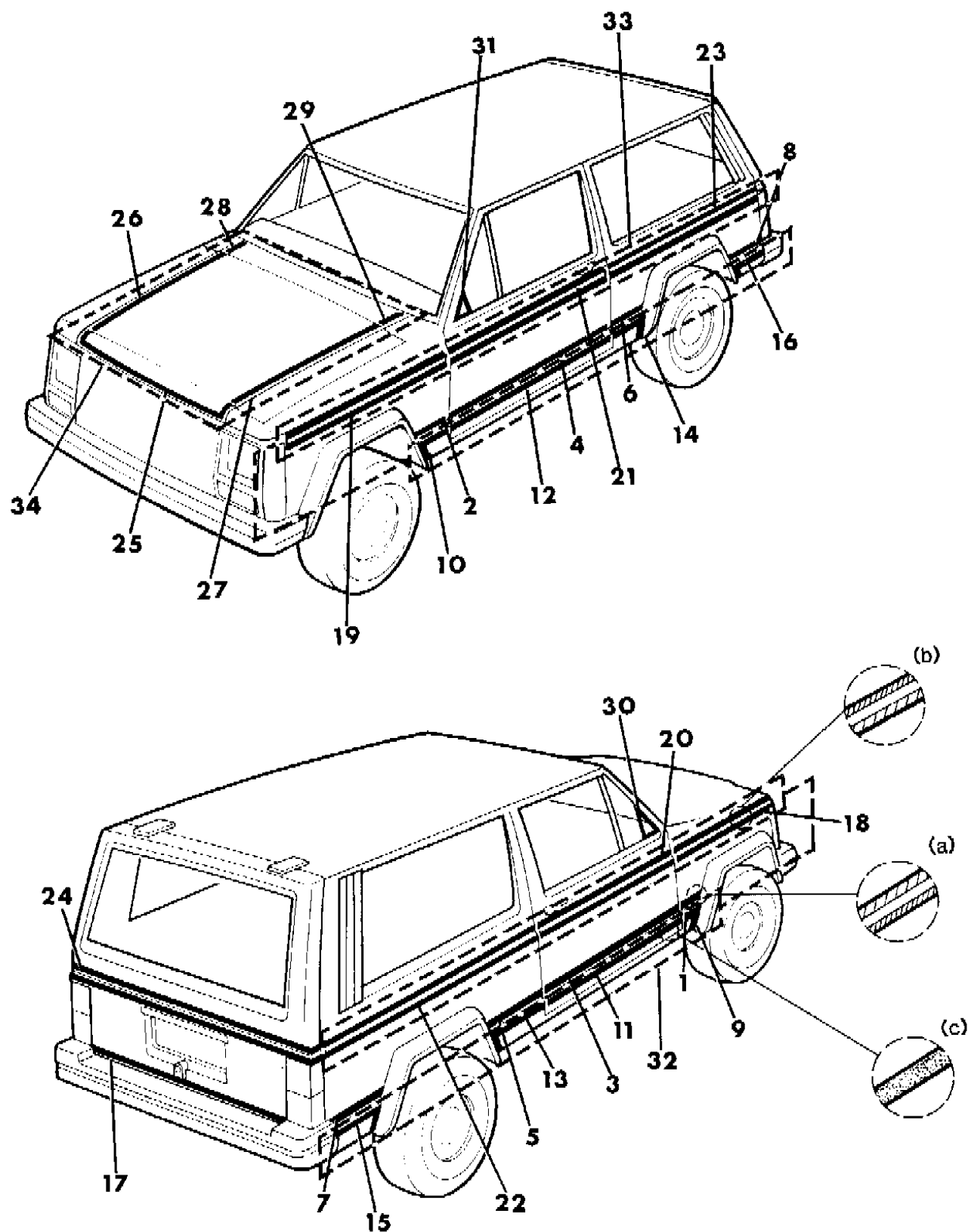
BODY STYLES:

MJ = Comanche Pickup
SJ = Grand Wagoneer Wgn., J-10 & J-20 Pickups
XJ = Cherokee, Wagoneer Limited
YJ = Wrangler

AR = Use as Required - = Non Illustrated Part P.A.R. = Paint as Required

DECALS, EXTERIOR LAREDO AND ECE TYPE 2, 1988 1989-90 CHEROKEE 2 DOOR
Figure 23-3400

8J68 3400 A



| ITEM | PART NUMBER | QTY | BODY | MODEL | DESCRIPTION |
|-------|-------------|-----|------|-------|---|
| 1-2 | 5501 9410-1 | 1 | | | DECAL, Fender, Light Silver/Argent, 1988-89, (MR) |
| 3-4 | 5501 9410-1 | 1 | | | DECAL, Door, Light Silver/Argent, 1988-89 |
| 5-6 | 5501 9410-1 | 1 | | | DECAL, Rear Quarter, Light Silver/Argent, 1988-89, (MR) |
| 7-8 | 5501 9410-1 | 1 | | | DECAL, Rear Quarter, Light Silver/Argent, 1988-89, (MR) |
| 9-10 | 5501 9422-3 | 1 | | | DECAL, Fender, Grey Textured, 1988-89 |
| 11-12 | 5501 9424-5 | 1 | | | DECAL, Door, Grey Textured, 1988-89 |
| 13-14 | 5501 9430-1 | 1 | | | DECAL, Rear Quarter, Grey Textured, 1988-89 |
| 15-16 | 5501 9438-9 | 1 | | | DECAL, Rear Quarter, Grey Textured, 1988-89 |
| 17 | 5501 9420 | 1 | | | DECAL, Lift Door, Light Silver/Argent, 1988-89 |
| 18-19 | | | | | DECAL, Fender, (MR) |
| | 5252 069 | 2 | | | Narrow Silver/Thick Argent, 1988-89 up to 12/1/88 |
| | 5502 1498 | 2 | | | Narrow Argent/Thick Silver, 1989 after 12/1/88 |
| 20-21 | | | | | DECAL, Door, (MR) |
| | 5252 069 | 2 | | | Narrow Silver/Thick Argent, 1988-89 up to 12/1/88 |
| | 5502 1498 | 2 | | | Narrow Argent/Thick Silver, 1989 after 12/1/89 |
| 22-23 | | | | | DECAL, Rear Quarter, (MR) |
| | 5252 069 | 2 | | | Narrow Silver/Thick Argent, 1988-89 up to 12/1/88 |
| | 5502 1498 | 2 | | | Narrow Argent/Thick Silver, 1989 after 12/1/88 |
| 24 | | | | | DECAL, Lift Door |
| | 5252 069 | 1 | | | Narrow Silver/Thick Argent, 1988-89 up to 12/1/88 |
| | 5502 1498 | 1 | | | Narrow Argent/Thick Silver, 1989 after 12/1/88 |
| | 5AL5 8JAT | 1 | | | Narrow Argent/Thick Silver, 1990 |
| 25 | 5501 6926 | 1 | | | DECAL, Grille Panel, Argent/Silver, Except ECE |
| 26-27 | 5501 6928-9 | 1 | | | DECAL, Hood, Argent/Light Silver, 1988-89, Except ECE |
| 28-29 | 5501 6930-1 | 1 | | | DECAL, Cowl, Argent/Silver, 1988-89, Except ECE |
| 30-31 | 5500 6220-1 | 1 | | | DECAL, Door, Black |
| 32-33 | | | | | DECAL KIT, Body Side, 1990 *** |
| | 5252 758-9 | 1 | | | Argent Textured Lower, Argent/Silver Upper |
| 34 | | | | | DECAL KIT, Hood, Cowl, Grille Opening Panel, 1990 *** |
| | 5252 774 | 1 | | | Thin Silver/Wide Argent |

(MR) Modification Required. (A) For 1987, two types of instrument clusters were used. On type one, Clusters, the odometer numbers are rounded, the Speedometer face has (2) slotte

MODEL CODES:

| | | |
|-----------------------------|-----------------------------|------------------------------|
| 15 = Grand Wagoneer 4 Dr. | 65 = Comanche 4WD-7 Ft. Box | 77 = Cherokee 4WD-2 Dr. |
| 25 = J-10 Pickup-119" W.B. | 66 = Comanche 2WD-7 Ft. Box | 78 = Cherokee 4WD-4 Dr. |
| 26 = J-10 Pickup-131" W.B. | 73 = Cherokee 2WD-2 Dr. | 79 = Cherokee 4WD-4 Dr.-Com |
| 27 = J-20 Pickup-131" W.B. | 74 = Cherokee 2WD-4 Dr. | 81 = Wrangler-93" W.B. |
| 63 = Comanche 4WD-6 Ft. Box | 75 = Wagoneer 4WD-4 Dr. | 82 = Wrangler-103" W.B.-Exp. |
| 64 = Comanche 2WD-6 Ft. Box | | |

BODY STYLES:

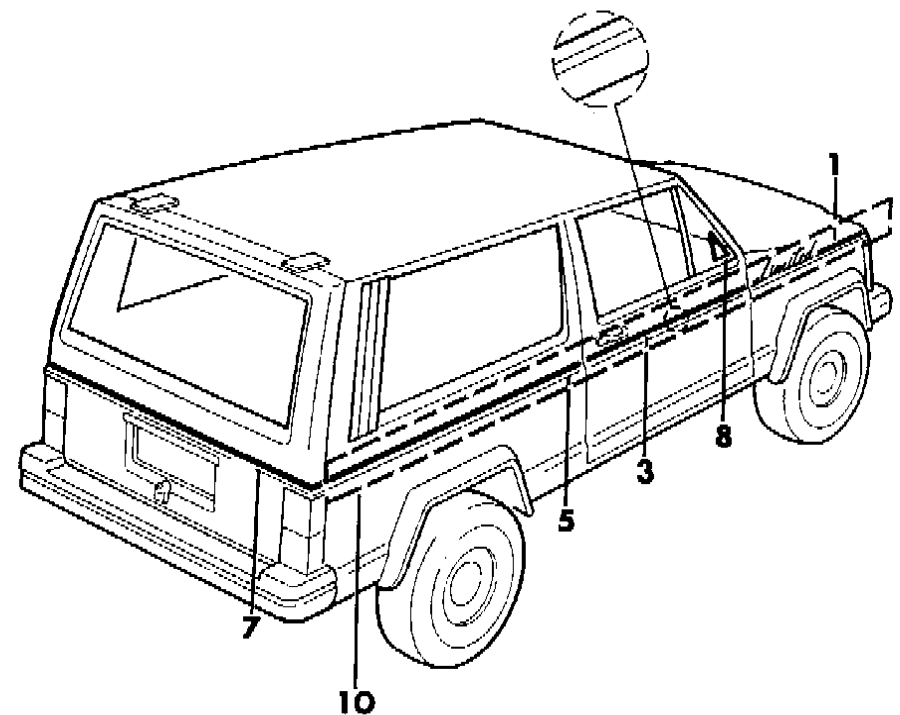
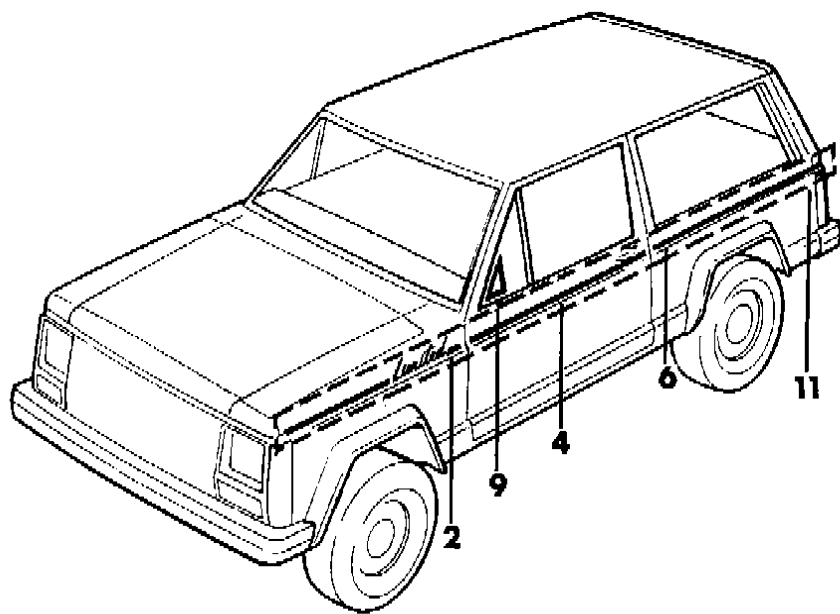
MJ = Comanche Pickup
SJ = Grand Wagoneer Wgn., J-10 & J-20 Pickups
XJ = Cherokee, Wagoneer Limited
YJ = Wrangler

AR = Use as Required - = Non Illustrated Part P.A.R. = Paint as Required

DECALS, EXTERIOR LIMITED, 1988-90 CHEROKEE 2 DOOR
Figure 23-3500

8J68 3500 A

| ITEM | PART NUMBER | QTY | BODY | MODEL | DESCRIPTION |
|-------|-------------|-----|------|-------|--------------------------------------|
| 1-2 | 5252 742-3 | 1 | | | DECAL, Fender, Gold, 1988-89 |
| 3-4 | 5501 9692-3 | 1 | | | DECAL, Door, Gold, 1988-89 |
| 5-6 | 5501 9694-5 | 1 | | | DECAL, Rear Quarter, Gold, 1988-89 |
| 7 | | | | | DECAL, Lift Door |
| | 5501 9289 | 1 | | | Gold, 1988-89 |
| | 5AM1 8JY2 | 1 | | | Gold, 1990 |
| 8-9 | 5500 6220-1 | 1 | | | DECAL, Door, Black |
| 10-11 | #5252 742-3 | 1 | | | DECAL KIT, Body Side, Gold, 1990 *** |



- MODEL CODES:
- | | | |
|-----------------------------|-----------------------------|------------------------------|
| 15 = Grand Wagoneer 4 Dr. | 65 = Comanche 4WD-7 Ft. Box | 77 = Cherokee 4WD-2 Dr. |
| 25 = J-10 Pickup-119" W.B. | 66 = Comanche 2WD-7 Ft. Box | 78 = Cherokee 4WD-4 Dr. |
| 26 = J-10 Pickup-131" W.B. | 73 = Cherokee 2WD-2 Dr. | 79 = Cherokee 4WD-4 Dr.-Com |
| 27 = J-20 Pickup-131" W.B. | 74 = Cherokee 2WD-4 Dr. | 81 = Wrangler-93" W.B. |
| 63 = Comanche 4WD-6 Ft. Box | 75 = Wagoneer 4WD-4 Dr. | 82 = Wrangler-103" W.B.-Exp. |
| 64 = Comanche 2WD-6 Ft. Box | | |

- BODY STYLES:
- MJ = Comanche Pickup
 - SJ = Grand Wagoneer Wgn., J-10 & J-20 Pickups
 - XJ = Cherokee, Wagoneer Limited
 - YJ = Wrangler

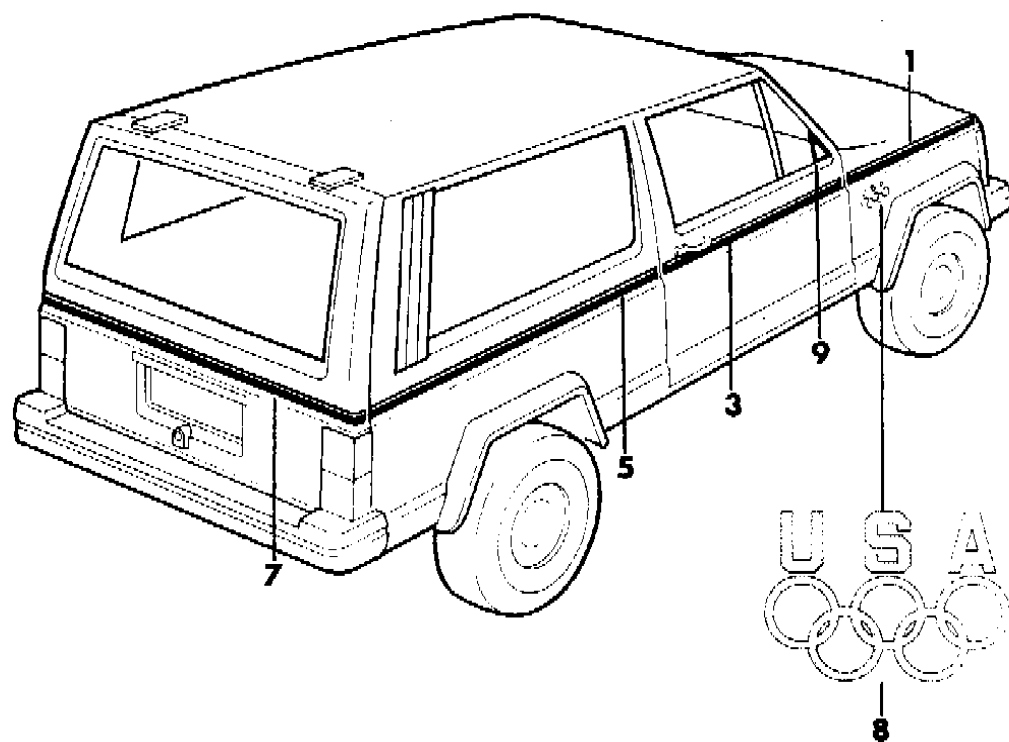
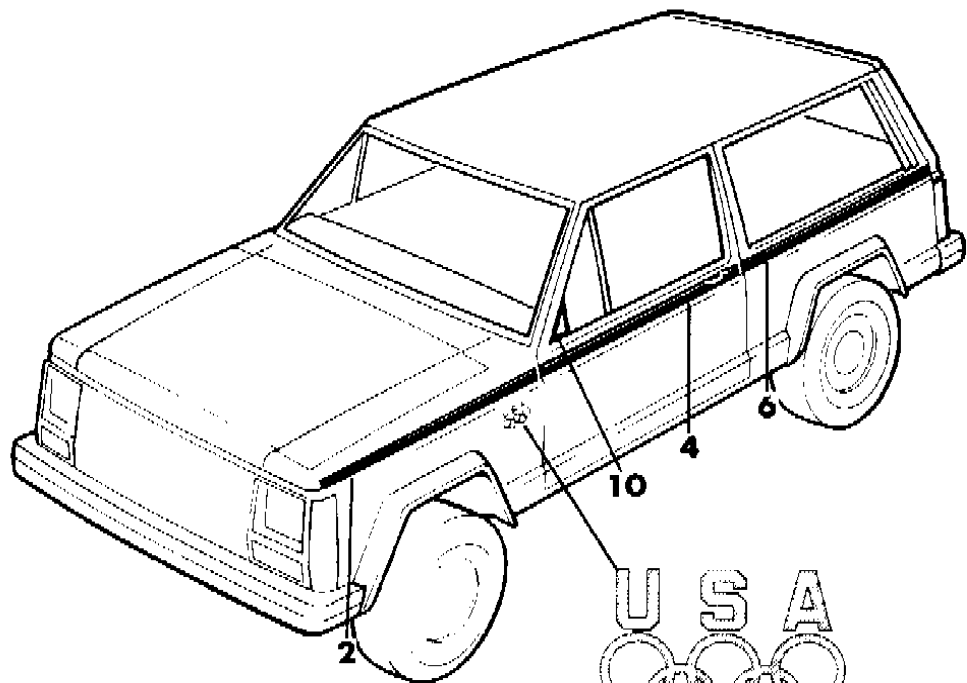
AR = Use as Required - = Non Illustrated Part P.A.R. = Paint as Required

DECALS, EXTERIOR OLYMPIC, 1988 CHEROKEE 2 DOOR
Figure 23-3600

8J68 3600

| ITEM | PART NUMBER | QTY | BODY | MODEL | DESCRIPTION |
|------|-------------|-----|------|-------|---------------------------------|
| 1-2 | 5502 1418-9 | 1 | | | DECAL, Fender, Gold |
| 3-4 | 5502 1417 | 2 | | | DECAL, Door, Gold, (MR) |
| 5-6 | 5502 1417 | 2 | | | DECAL, Rear Quarter, Gold, (MR) |
| 7 | 5502 1417 | 1 | | | DECAL, Lift Door, Gold |
| 8 | 5502 1413 | 2 | | | DECAL, "Olympic", Gold |
| 9-10 | 5500 6220-1 | 1 | | | DECAL, Door, Black |

(MR) Modification Required. (A) For 1987, two types of instrument clusters were used. On type one, Clusters, the odometer numbers are rounded, the Speedometer face has (2) slotte



MODEL CODES:

| | | |
|-----------------------------|-----------------------------|------------------------------|
| 15 = Grand Wagoneer 4 Dr. | 65 = Comanche 4WD-7 Ft. Box | 77 = Cherokee 4WD-2 Dr. |
| 25 = J-10 Pickup-119" W.B. | 66 = Comanche 2WD-7 Ft. Box | 78 = Cherokee 4WD-4 Dr. |
| 26 = J-10 Pickup-131" W.B. | 73 = Cherokee 2WD-2 Dr. | 79 = Cherokee 4WD-4 Dr.-Com |
| 27 = J-20 Pickup-131" W.B. | 74 = Cherokee 2WD-4 Dr. | 81 = Wrangler-93" W.B. |
| 63 = Comanche 4WD-6 Ft. Box | 75 = Wagoneer 4WD-4 Dr. | 82 = Wrangler-103" W.B.-Exp. |
| 64 = Comanche 2WD-6 Ft. Box | | |

BODY STYLES:

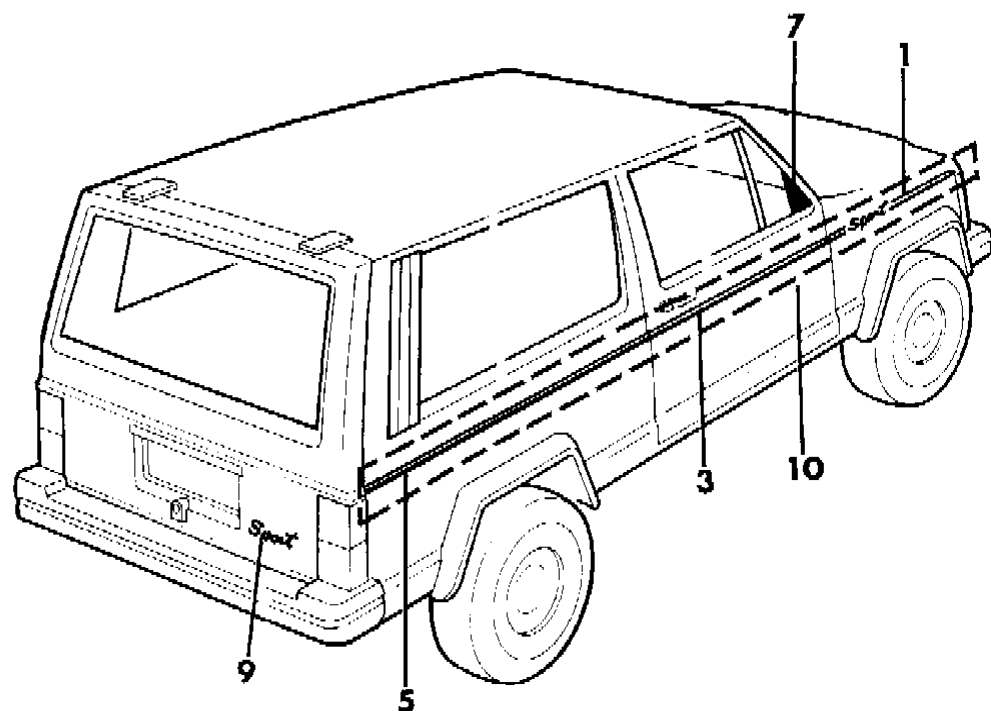
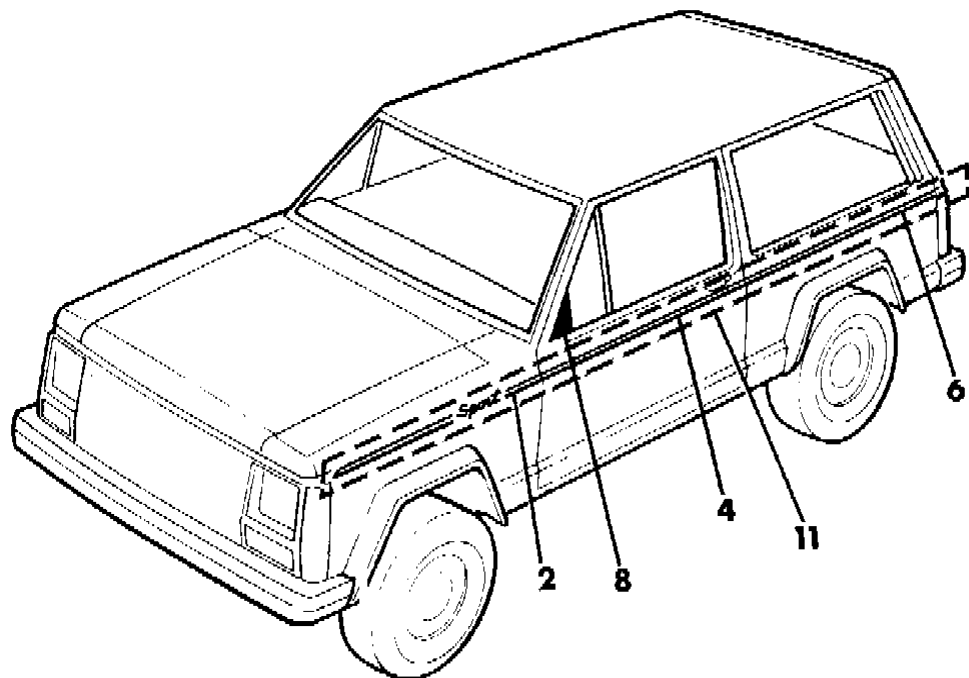
MJ = Comanche Pickup
SJ = Grand Wagoneer Wgn., J-10 & J-20 Pickups
XJ = Cherokee, Wagoneer Limited
YJ = Wrangler

AR = Use as Required - = Non Illustrated Part P.A.R. = Paint as Required

DECALS, EXTERIOR SPORT, 1988-90 CHEROKEE 2 DOOR
Figure 23-3700

8J68 3700 A

| ITEM | PART NUMBER | QTY | BODY | MODEL | DESCRIPTION |
|-------|-------------|-----|------|-------|--|
| 1-2 | | | | | DECAL, Fender |
| | 5502 2862-3 | 1 | | | Red, 1988-89 |
| | 5502 4282-3 | 1 | | | Red/Silver/Dark Silver, 1989 |
| | 5AL66-7 JBD | 1 | | | Red/Silver/Dark Silver, 1990 |
| 3-4 | | | | | DECAL, Door |
| | 5502 2864-5 | 1 | | | Red, 1988-89 |
| | 5502 4284-5 | 1 | | | Red/Silver/Dark Silver, 1989 |
| | 5AL68-9 JBD | 1 | | | Red/Silver/Dark Silver, 1990 |
| 5-6 | | | | | DECAL, Rear Quarter |
| | 5502 2866-7 | 1 | | | Red, 1988-89 |
| | 5502 4286-7 | 1 | | | Red/Silver/Dark Silver, 1989 |
| | 5AL70-1 JBD | 1 | | | Red/Silver/Dark Silver, 1990 |
| 7-8 | 5500 6220-1 | 1 | | | DECAL, Door, Black |
| 9 | | | | | DECAL, Lift Door |
| | 5502 2868 | 1 | | | Red, 1988-89 |
| | 5502 4288 | 1 | | | Red/Silver/Dark Silver, 1989 |
| | 5AL7 2JBD | 1 | | | Red/Silver/Dark Silver, 1990 |
| 10-11 | #5252 638-9 | 1 | | | DECAL KIT, Body Side, Red/Silver/Dark Silver, 1990 *** |



MODEL CODES:

| | | |
|-----------------------------|-----------------------------|------------------------------|
| 15 = Grand Wagoneer 4 Dr. | 65 = Comanche 4WD-7 Ft. Box | 77 = Cherokee 4WD-2 Dr. |
| 25 = J-10 Pickup-119" W.B. | 66 = Comanche 2WD-7 Ft. Box | 78 = Cherokee 4WD-4 Dr. |
| 26 = J-10 Pickup-131" W.B. | 73 = Cherokee 2WD-2 Dr. | 79 = Cherokee 4WD-4 Dr.-Com |
| 27 = J-20 Pickup-131" W.B. | 74 = Cherokee 2WD-4 Dr. | 81 = Wrangler-93" W.B. |
| 63 = Comanche 4WD-6 Ft. Box | 75 = Wagoneer 4WD-4 Dr. | 82 = Wrangler-103" W.B.-Exp. |
| 64 = Comanche 2WD-6 Ft. Box | | |

BODY STYLES:

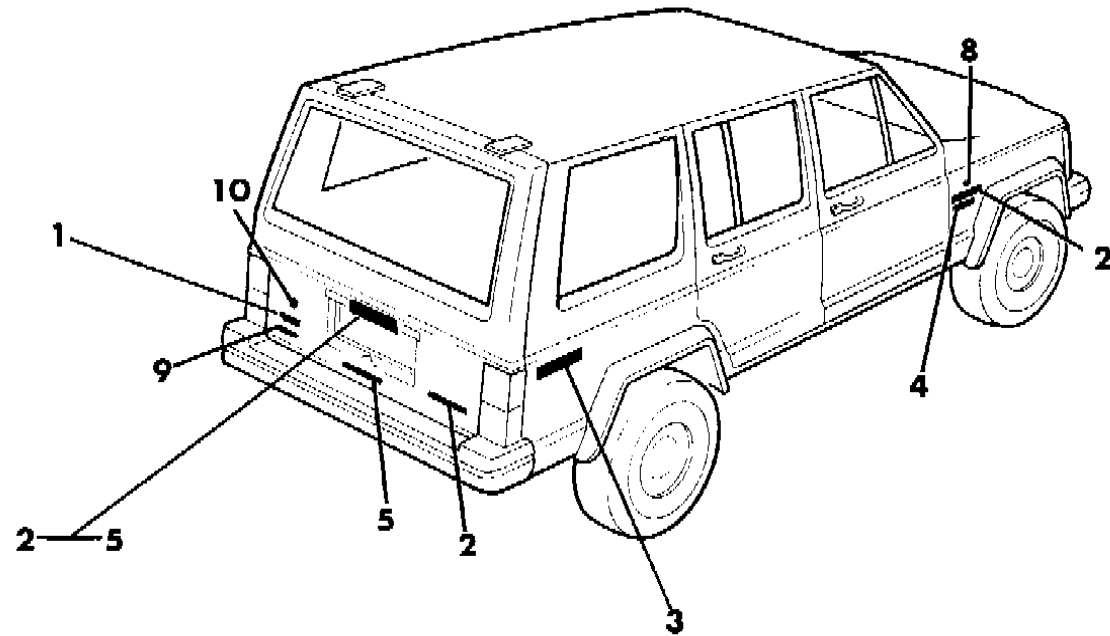
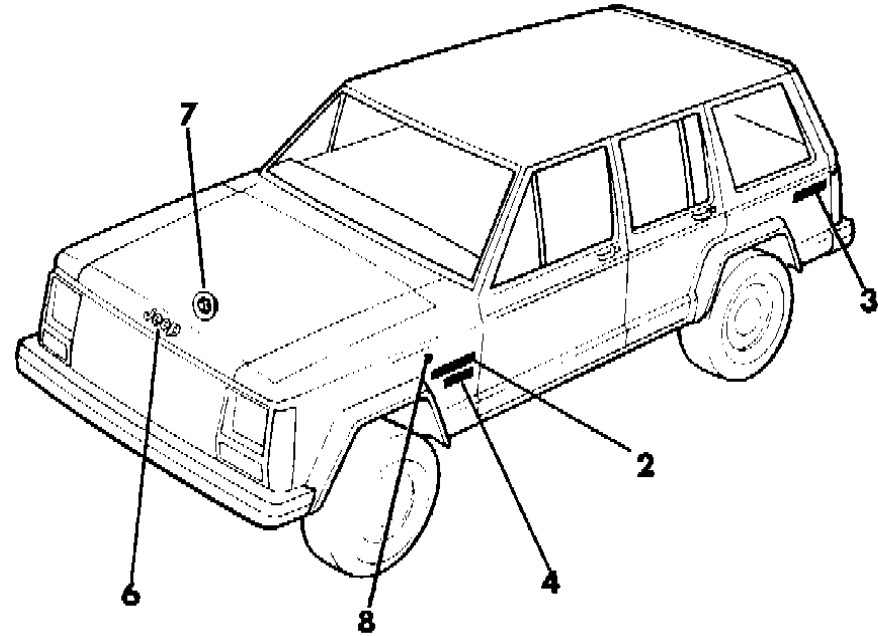
MJ = Comanche Pickup
SJ = Grand Wagoneer Wgn., J-10 & J-20 Pickups
XJ = Cherokee, Wagoneer Limited
YJ = Wrangler

AR = Use as Required - = Non Illustrated Part P.A.R. = Paint as Required

NAMEPLATES WAGONEER

Figure 23-3800

8J68 3800 B



| ITEM | PART NUMBER | QTY | BODY | MODEL | DESCRIPTION |
|------|-------------|-----|------|-------|-----------------------------------|
| 1 | | | | | NAMEPLATE |
| | 5501 0037 | 1 | | | "4.0 Litre" |
| | 5501 0893 | 1 | | | "2.5 Litre" |
| | 5501 0895 | 1 | | | "Turbo Diesel" |
| 2 | | | | | NAMEPLATE |
| | 5501 0892 | AR | | | "Wagoneer" |
| | 5500 8339 | 1 | | | "Command Trac", 1987 |
| | 5501 3411 | 1 | | | OVERLAY, License Plate, "Jeep" |
| 3 | | | | | NAMEPLATE |
| | 5500 7817 | 2 | | | "4X4" |
| | 5501 0896 | 2 | | | "Selec Trac", 1987 |
| 4 | 5501 0904 | 2 | | | NAMEPLATE, "Limited" |
| 5 | 5500 8340 | 1 | | | NAMEPLATE, "Jeep" |
| 6 | 5501 2986 | 1 | | | NAMEPLATE, "Jeep" |
| 7 | 1150 2557 | 2 | | | NUT |
| 8 | J400 1335 | AR | | | CLIP |
| 9 | 5500 8338 | 1 | | | NAMEPLATE, "Fuel Injection", 1987 |
| 10 | J400 3657 | 2 | | | CLIP, 1987 |

This illustration represents four model years, and the nameplate locations have varied from year to year. (A) For 1987, two types of instrument clusters were used. On type one, Clusters, the odometer numbers are rounded, the Speedometer face has (2) slotte

MODEL CODES:

| | | |
|-----------------------------|-----------------------------|------------------------------|
| 15 = Grand Wagoneer 4 Dr. | 65 = Comanche 4WD-7 Ft. Box | 77 = Cherokee 4WD-2 Dr. |
| 25 = J-10 Pickup-119" W.B. | 66 = Comanche 2WD-7 Ft. Box | 78 = Cherokee 4WD-4 Dr. |
| 26 = J-10 Pickup-131" W.B. | 73 = Cherokee 2WD-2 Dr. | 79 = Cherokee 4WD-4 Dr.-Com |
| 27 = J-20 Pickup-131" W.B. | 74 = Cherokee 2WD-4 Dr. | 81 = Wrangler-93" W.B. |
| 63 = Comanche 4WD-6 Ft. Box | 75 = Wagoneer 4WD-4 Dr. | 82 = Wrangler-103" W.B.-Exp. |
| 64 = Comanche 2WD-6 Ft. Box | | |

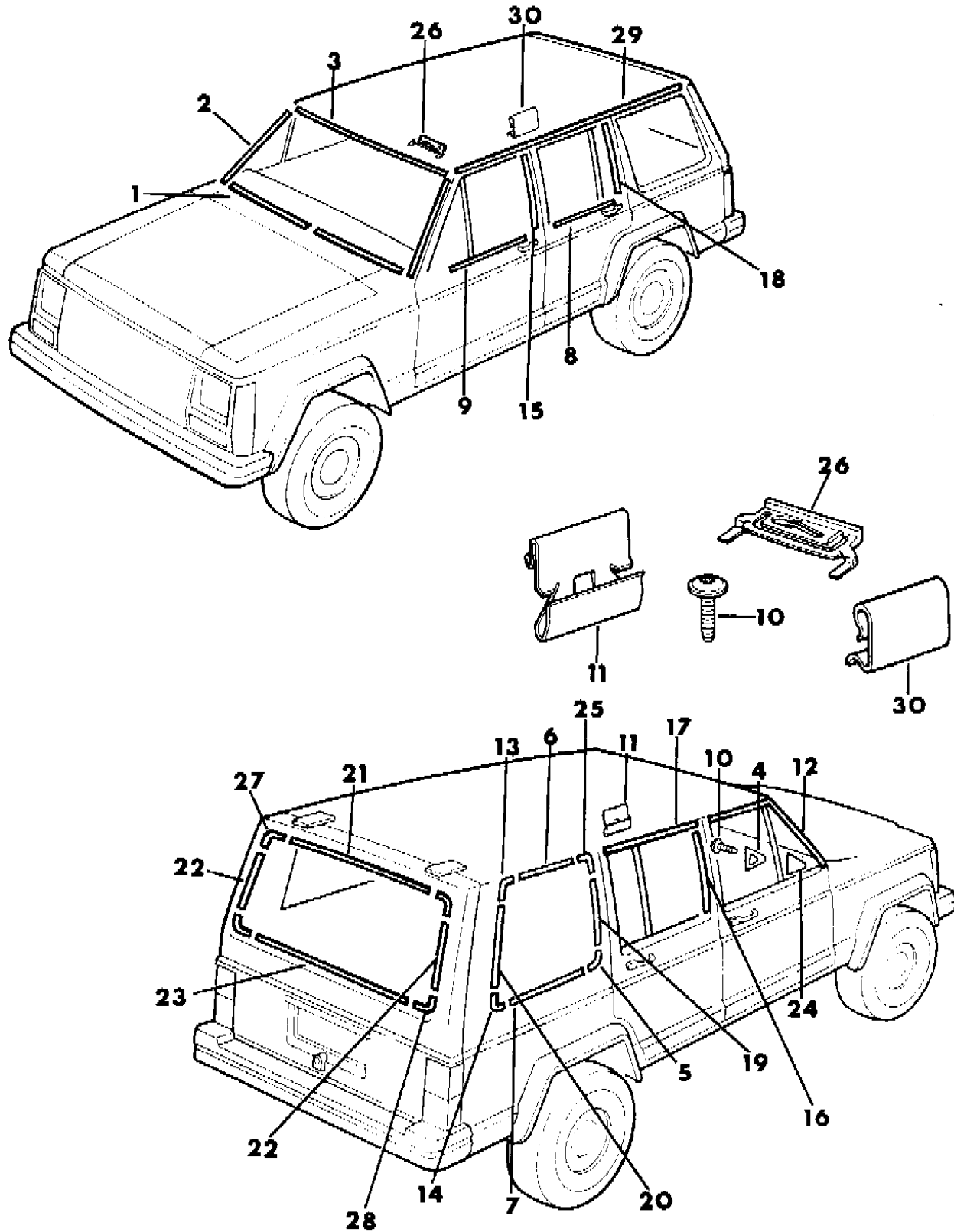
BODY STYLES:

MJ = Comanche Pickup
 SJ = Grand Wagoneer Wgn., J-10 & J-20 Pickups
 XJ = Cherokee, Wagoneer Limited
 YJ = Wrangler

AR = Use as Required - = Non Illustrated Part P.A.R. = Paint as Required

MOULDINGS, EXTERIOR, UPPER WAGONEER
Figure 23-3900

8J68 3900



| ITEM | PART NUMBER | QTY | BODY | MODEL | DESCRIPTION |
|------|-------------|-----|------|-------|-------------------------|
| 1 | | | | | MOULDING, Windshield |
| | | | | | 1987-90, up to 12/18/89 |
| | 5500 6380 | 1 | | | Right |
| | 5500 2509 | 1 | | | Left |
| | 5502 6726-7 | 1 | | | 1990, after 12/18/89 |
| 2 | 5500 0546-7 | 1 | | | MOULDING, Windshield |
| 3 | 5500 0544 | 1 | | | MOULDING, Windshield |
| 4 | 5500 5430-1 | 1 | | | GASKET |
| 5 | 5500 5374 | 2 | | | CAP, Moulding |
| 6 | 5500 5371 | 2 | | | MOULDING, Rear Quarter |
| 7 | 5500 5300 | 2 | | | MOULDING, Rear Quarter |
| 8 | 5500 5382 | 2 | | | MOULDING, Door |
| 9 | 5500 5270-1 | 1 | | | MOULDING, Door |
| 10 | 3420 1957 | 4 | | | SCREW |
| 11 | | | | | CLIP |
| | 5500 5384 | 4 | | | height = 24mm |
| | 5500 5383 | AR | | | height = 27mm |
| 12 | 5500 5320-1 | 1 | | | MOULDING, Door |
| 13 | 5500 5375 | 2 | | | CAP, Moulding |
| 14 | 5500 5376 | 2 | | | CAP, Moulding |
| 15 | 5500 5324-5 | 1 | | | MOULDING, Door |
| 16 | 5500 5274-5 | 1 | | | MOULDING, Door |
| 17 | 5500 5276-7 | 1 | | | MOULDING, Door |
| 18 | 5500 5272-3 | 1 | | | MOULDING, Door |
| 19 | 5500 5296 | 2 | | | MOULDING, Rear Quarter |
| 20 | 5500 5298 | 2 | | | MOULDING, Rear Quarter |
| 21 | 5500 5331 | 1 | | | MOULDING, Lift Door |
| 22 | 5500 5308 | 2 | | | MOULDING, Lift Door |
| 23 | 5500 5332 | 1 | | | MOULDING, Lift Door |
| 24 | 5500 5312-3 | 1 | | | COVER (LESS MIRROR) *** |
| 25 | 5500 5373 | 2 | | | CAP, Moulding |
| 26 | J400 6211 | 26 | | | CLIP |
| 27 | 5500 5333 | 2 | | | CAP, Upper Moulding |
| 28 | 5500 5334 | 2 | | | CAP, Lower Moulding |
| 29 | 5501 3656-7 | 1 | | | MOULDING, Drip |
| 30 | 3500 2115 | AR | | | CLIP |

MODEL CODES:

| | | |
|-----------------------------|-----------------------------|------------------------------|
| 15 = Grand Wagoneer 4 Dr. | 65 = Comanche 4WD-7 Ft. Box | 77 = Cherokee 4WD-2 Dr. |
| 25 = J-10 Pickup-119" W.B. | 66 = Comanche 2WD-7 Ft. Box | 78 = Cherokee 4WD-4 Dr. |
| 26 = J-10 Pickup-131" W.B. | 73 = Cherokee 2WD-2 Dr. | 79 = Cherokee 4WD-4 Dr.-Com |
| 27 = J-20 Pickup-131" W.B. | 74 = Cherokee 2WD-4 Dr. | 81 = Wrangler-93" W.B. |
| 63 = Comanche 4WD-6 Ft. Box | 75 = Wagoneer 4WD-4 Dr. | 82 = Wrangler-103" W.B.-Exp. |
| 64 = Comanche 2WD-6 Ft. Box | | |

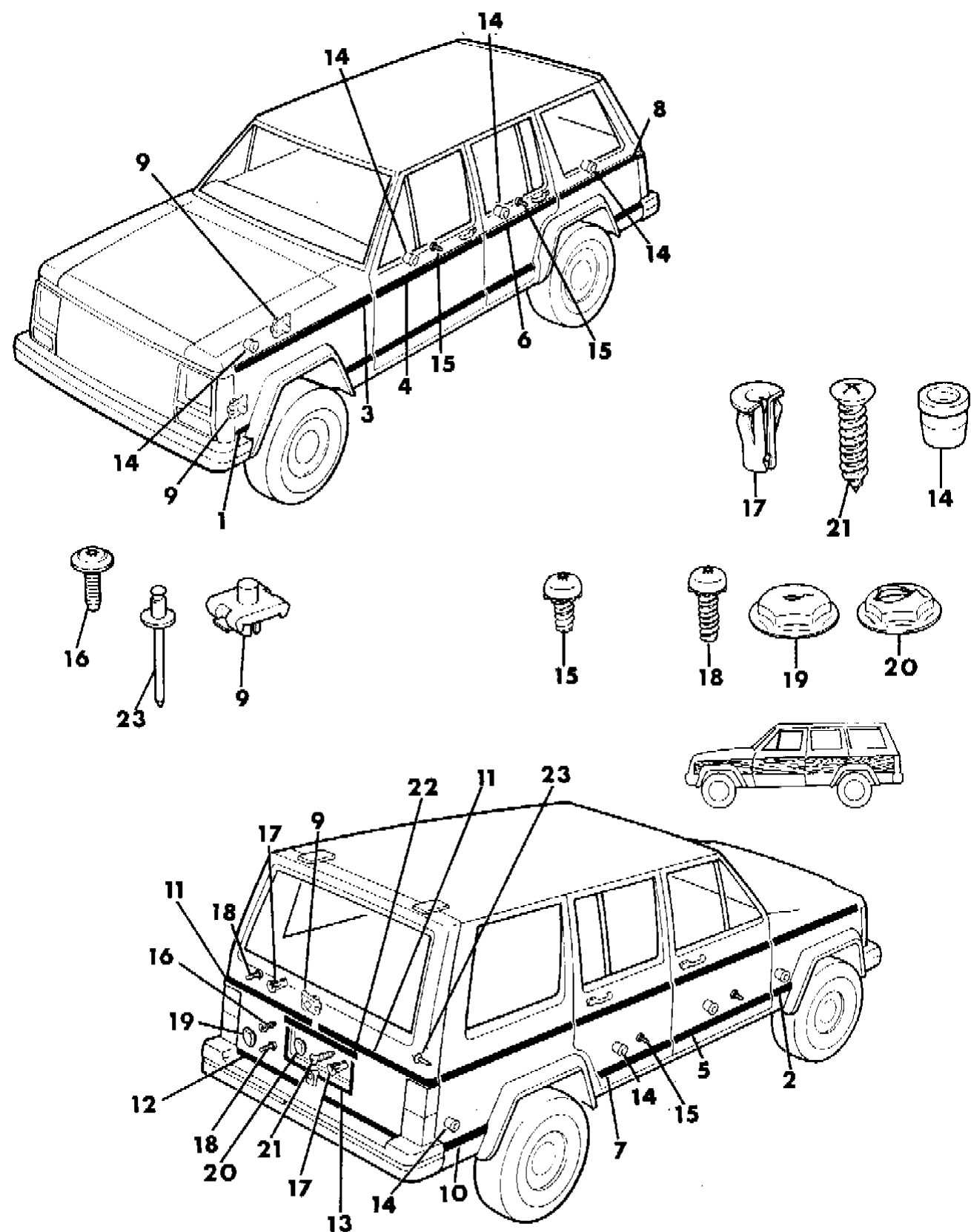
BODY STYLES:

MJ = Comanche Pickup
 SJ = Grand Wagoneer Wgn., J-10 & J-20 Pickups
 XJ = Cherokee, Wagoneer Limited
 YJ = Wrangler

AR = Use as Required - = Non Illustrated Part P.A.R. = Paint as Required

MOULDINGS, EXTERIOR, LOWER WAGONEER LIMITED
Figure 23-4000

8J68 4000 A



| ITEM | PART NUMBER | QTY | BODY | MODEL | DESCRIPTION |
|------|-------------|-----|------|-------|--|
| 1 | 5500 3802-3 | 1 | | | MOULDING, Fender |
| 2 | 5500 3806-7 | 1 | | | MOULDING, Fender |
| 3 | 5500 3840-1 | 1 | | | MOULDING, Fender |
| 4 | 5500 3852-3 | 1 | | | MOULDING, Door |
| 5 | 5500 3854-5 | 1 | | | MOULDING, Door |
| 6 | 5500 3860-1 | 1 | | | MOULDING, Door |
| 7 | 5500 3844-5 | 1 | | | MOULDING, Door |
| 8 | 5500 3848 | 2 | | | MOULDING, Rear Quarter |
| 9 | | | | | RETAINER |
| | J097 2422 | AR | | | 1987-89 |
| | 6004 002 | AR | | | 1990 |
| 10 | 5500 3810-1 | 1 | | | MOULDING, Rear Quarter |
| 11 | 5500 3820-1 | 1 | | | MOULDING, Lift Door |
| 12 | 5500 3815 | 2 | | | MOULDING, Lift Door |
| 13 | 5500 3828-9 | 1 | | | MOULDING, License |
| 14 | 3420 1767 | 52 | | | CLIP |
| 15 | 3420 1797 | 12 | | | SCREW |
| 16 | 3420 2005 | 1 | | | SCREW |
| 17 | 3420 1782 | AR | | | CLIP |
| 18 | 3420 1798 | 6 | | | SCREW |
| 19 | 1150 1855 | 2 | | | NUT |
| 20 | 1150 1047 | 2 | | | NUT |
| 21 | 1150 2796 | 2 | | | SCREW |
| 22 | 5501 3411 | 1 | | | OVERLAY, License Plate |
| | J400 1335 | 2 | | | CLIP, tubular seal attaching overlay to liftgate |
| 23 | 3420 2204 | 2 | | | RIVET |

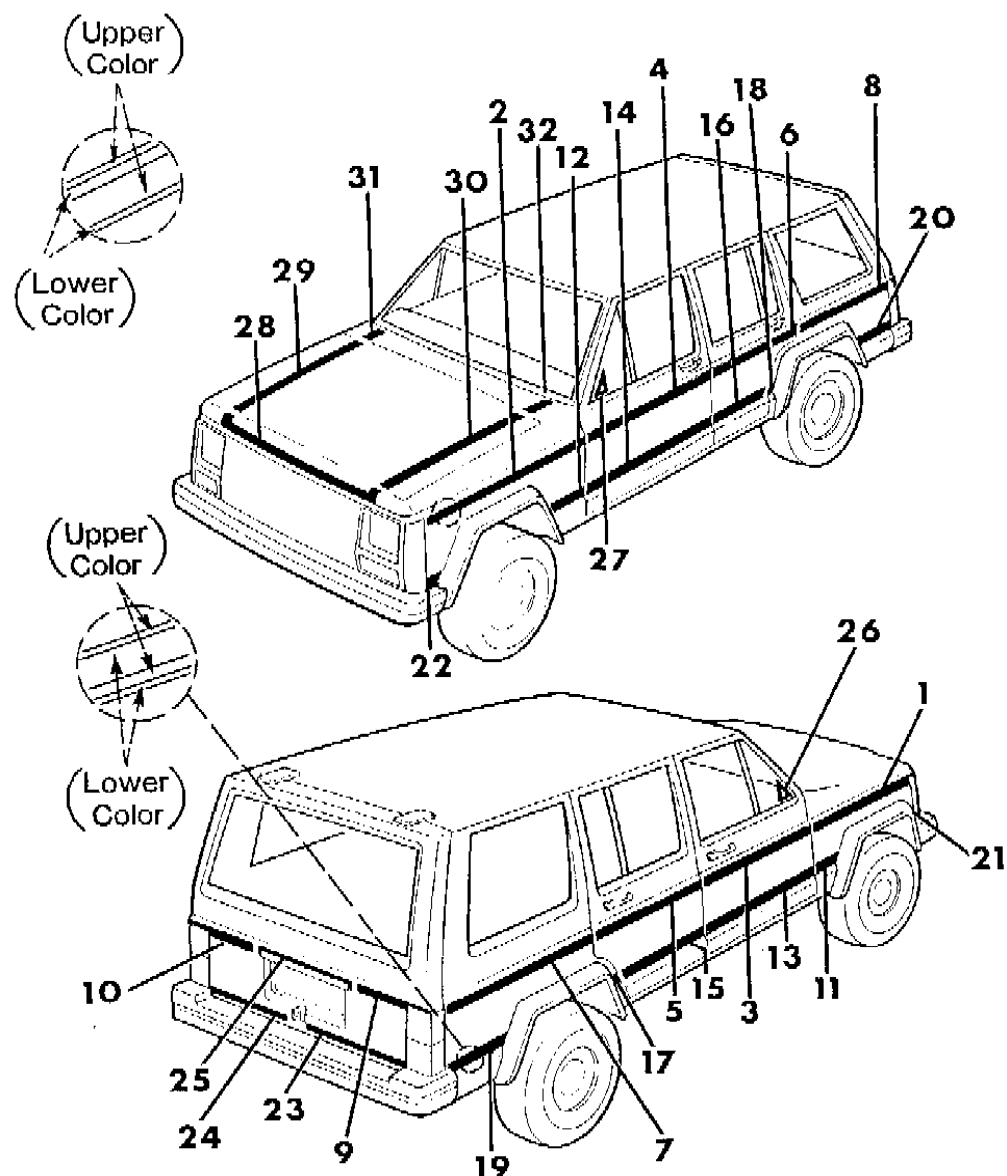
MODEL CODES:
 15 = Grand Wagoneer 4 Dr. 65 = Comanche 4WD-7 Ft. Box 77 = Cherokee 4WD-2 Dr.
 25 = J-10 Pickup-119" W.B. 66 = Comanche 2WD-7 Ft. Box 78 = Cherokee 4WD-4 Dr.
 26 = J-10 Pickup-131" W.B. 73 = Cherokee 2WD-2 Dr. 79 = Cherokee 4WD-4 Dr.-Com
 27 = J-20 Pickup-131" W.B. 74 = Cherokee 2WD-4 Dr. 81 = Wrangler-93" W.B.
 63 = Comanche 4WD-6 Ft. Box 75 = Wagoneer 4WD-4 Dr. 82 = Wrangler-103" W.B.-Exp.
 64 = Comanche 2WD-6 Ft. Box

BODY STYLES:
 MJ = Comanche Pickup
 SJ = Grand Wagoneer Wgn., J-10 & J-20 Pickups
 XJ = Cherokee, Wagoneer Limited
 YJ = Wrangler

AR = Use as Required - = Non Illustrated Part P.A.R. = Paint as Required

DECALS, EXTERIOR 2-TONE, 1987 WAGONEER
Figure 23-4080

8J68 4080



| ITEM | PART NUMBER | QTY | BODY | MODEL | DESCRIPTION |
|-------|-------------|-----|------|-------|---|
| 1-2 | | | | | DECAL, Fender |
| | 5501 4574-5 | 1 | | | Beige/Briarwood/Beige/Briarwood |
| | 5501 4548-9 | 1 | | | Black/Grenadine/Black/Grenadine |
| | 5501 4522-3 | 1 | | | Black/Sterling/Black/Sterling |
| | 5501 4600-1 | 1 | | | Champagne/Briarwood/Champagne/Briarwood |
| | 5501 4496-7 | 1 | | | Grenadine/Sterling/Grenadine/Sterling |
| | 5501 2642-3 | 1 | | | Sterling/Charcoal/Sterling/Charcoal |
| 3-4 | | | | | DECAL, Door, (MR) |
| | 5501 4574-5 | 1 | | | Beige/Briarwood/Beige/Briarwood |
| | 5501 4548-9 | 1 | | | Black/Grenadine/Black/Grenadine |
| | 5501 4522-3 | 1 | | | Black/Sterling/Black/Sterling |
| | 5501 4600-1 | 1 | | | Champagne/Briarwood/Champagne/Briarwood |
| | 5501 4496-7 | 1 | | | Grenadine/Sterling/Grenadine/Sterling |
| | 5501 2634-5 | 1 | | | Sterling/Charcoal/Sterling/Charcoal |
| 5-6 | | | | | DECAL, Door, (MR) |
| | 5501 4574-5 | 1 | | | Beige/Briarwood/Beige/Briarwood |
| | 5501 4548-9 | 1 | | | Black/Grenadine/Black/Grenadine |
| | 5501 4522-3 | 1 | | | Black/Sterling/Black/Sterling |
| | 5501 4600-1 | 1 | | | Champagne/Briarwood/Champagne/Briarwood |
| | 5501 4496-7 | 1 | | | Grenadine/Sterling/Grenadine/Sterling |
| | 5501 2762-3 | 1 | | | Sterling/Charcoal/Sterling/Charcoal |
| 7-8 | | | | | DECAL, Rear Quarter, (MR) |
| | 5501 4574-5 | 1 | | | Beige/Briarwood/Beige/Briarwood |
| | 5501 4548-9 | 1 | | | Black/Grenadine/Black/Grenadine |
| | 5501 4522-3 | 1 | | | Black/Sterling/Black/Sterling |
| | 5501 4600-1 | 1 | | | Champagne/Briarwood/Champagne/Briarwood |
| | 5501 4496-7 | 1 | | | Grenadine/Sterling/Grenadine/Sterling |
| | 5501 2754-5 | 1 | | | Sterling/Charcoal/Sterling/Charcoal |
| 9-10 | | | | | DECAL, Lift Door |
| | 5501 4578-9 | 1 | | | Beige/Briarwood/Beige/Briarwood |
| | 5501 4552-3 | 1 | | | Black/Grenadine/Black/Grenadine |
| | 5501 4526-7 | 1 | | | Black/Sterling/Black/Sterling |
| | 5501 4604-5 | 1 | | | Champagne/Briarwood/Champagne/Briarwood |
| | 5501 8482-3 | 1 | | | Grenadine/Sterling/Grenadine/Sterling |
| | 5501 2704-5 | 1 | | | Sterling/Charcoal/Sterling/Charcoal |
| 11-12 | | | | | DECAL, Fender, (MR) |
| | 5501 4590-1 | 1 | | | Briarwood/Beige/Briarwood/Beige |

MODEL CODES:

| | | |
|-----------------------------|-----------------------------|------------------------------|
| 15 = Grand Wagoneer 4 Dr. | 65 = Comanche 4WD-7 Ft. Box | 77 = Cherokee 4WD-2 Dr. |
| 25 = J-10 Pickup-119" W.B. | 66 = Comanche 2WD-7 Ft. Box | 78 = Cherokee 4WD-4 Dr. |
| 26 = J-10 Pickup-131" W.B. | 73 = Cherokee 2WD-2 Dr. | 79 = Cherokee 4WD-4 Dr.-Com |
| 27 = J-20 Pickup-131" W.B. | 74 = Cherokee 2WD-4 Dr. | 81 = Wrangler-93" W.B. |
| 63 = Comanche 4WD-6 Ft. Box | 75 = Wagoneer 4WD-4 Dr. | 82 = Wrangler-103" W.B.-Exp. |
| 64 = Comanche 2WD-6 Ft. Box | | |

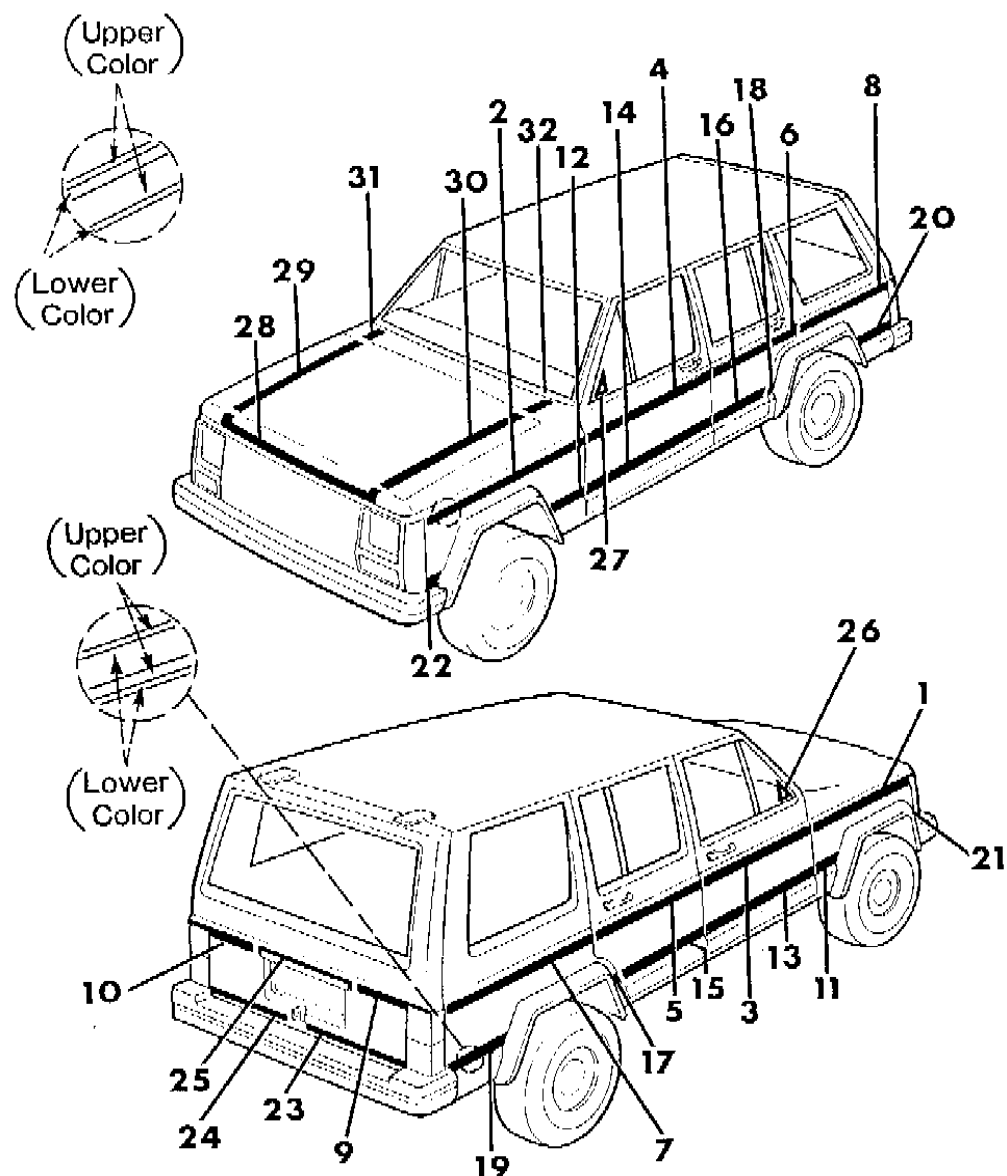
BODY STYLES:

MJ = Comanche Pickup
 SJ = Grand Wagoneer Wgn., J-10 & J-20 Pickups
 XJ = Cherokee, Wagoneer Limited
 YJ = Wrangler

AR = Use as Required - = Non Illustrated Part P.A.R. = Paint as Required

DECALS, EXTERIOR 2-TONE, 1987 WAGONEER
Figure 23-4080

8J68 4080



| ITEM | PART NUMBER | QTY | BODY | MODEL | DESCRIPTION |
|-------|-------------|-----|------|-------|---|
| | 5501 4564-5 | 1 | | | Grenadine/Black/Grenadine/Black |
| | 5501 9212-3 | 1 | | | Sterling/Black/Sterling/Black |
| | 5501 4616-7 | 1 | | | Briarwood/Champagne/Briarwood/Champagne |
| | 5501 4512-3 | 1 | | | Sterling/Grenadine/Sterling/Grenadine |
| | 5501 3362-3 | 1 | | | Charcoal/Sterling/Charcoal/Sterling |
| 13-14 | | | | | DECAL, Door |
| | 5501 4590-1 | 1 | | | Briarwood/Beige/Briarwood/Beige |
| | 5501 4564-5 | 1 | | | Grenadine/Black/Grenadine/Black |
| | 5501 9212-3 | 1 | | | Sterling/Black/Sterling/Black |
| | 5501 4616-7 | 1 | | | Briarwood/Champagne/Briarwood/Champagne |
| | 5501 4512-3 | 1 | | | Grenadine/Sterling/Grenadine/Sterling |
| | 5501 3316-7 | 1 | | | Charcoal/Sterling/Charcoal/Sterling |
| 15-16 | | | | | DECAL, Door, (MR) |
| | 5501 4590-1 | 1 | | | Briarwood/Beige/Briarwood/Beige |
| | 5501 4564-5 | 1 | | | Grenadine/Black/Grenadine/Black |
| | 5501 9212-3 | 1 | | | Sterling/Black/Sterling/Black |
| | 5501 4616-7 | 1 | | | Briarwood/Champagne/Briarwood/Champagne |
| | 5501 4512-3 | 1 | | | Sterling/Grenadine/Sterling/Grenadine |
| | 5501 3314-5 | 1 | | | Charcoal/Sterling/Charcoal/Sterling |
| 17-18 | | | | | DECAL, Rear Quarter, (MR) |
| | 5501 4590-1 | 1 | | | Briarwood/Beige/Briarwood/Beige |
| | 5501 4564-5 | 1 | | | Grenadine/Black/Grenadine/Black |
| | 5501 9212-3 | 1 | | | Sterling/Black/Sterling/Black |
| | 5501 4616-7 | 1 | | | Briarwood/Champagne/Briarwood/Champagne |
| | 5501 4512-3 | 1 | | | Sterling/Grenadine/Sterling/Grenadine |
| | 5501 2770-1 | 1 | | | Charcoal/Sterling/Charcoal/Sterling |
| 19-20 | | | | | DECAL, Rear Quarter, (MR) |
| | 5501 4590-1 | 1 | | | Briarwood/Beige/Briarwood/Beige |
| | 5501 4564-5 | 1 | | | Grenadine/Black/Grenadine/Black |
| | 5501 9212-3 | 1 | | | Sterling/Black/Sterling/Black |
| | 5501 4616-7 | 1 | | | Briarwood/Champagne/Briarwood/Champagne |
| | 5501 4512-3 | 1 | | | Sterling/Grenadine/Sterling/Grenadine |
| | 5501 3370-1 | 1 | | | Charcoal/Sterling/Charcoal/Sterling |
| 21-22 | | | | | DECAL, Fender, (MR) |
| | 5501 4590-1 | 1 | | | Briarwood/Beige/Briarwood/Beige |
| | 5501 4564-5 | 1 | | | Grenadine/Black/Grenadine/Black |
| | 5501 9212-3 | 1 | | | Sterling/Black/Sterling/Black |

MODEL CODES:

| | | |
|-----------------------------|-----------------------------|------------------------------|
| 15 = Grand Wagoneer 4 Dr. | 65 = Comanche 4WD-7 Ft. Box | 77 = Cherokee 4WD-2 Dr. |
| 25 = J-10 Pickup-119" W.B. | 66 = Comanche 2WD-7 Ft. Box | 78 = Cherokee 4WD-4 Dr. |
| 26 = J-10 Pickup-131" W.B. | 73 = Cherokee 2WD-2 Dr. | 79 = Cherokee 4WD-4 Dr.-Com |
| 27 = J-20 Pickup-131" W.B. | 74 = Cherokee 2WD-4 Dr. | 81 = Wrangler-93" W.B. |
| 63 = Comanche 4WD-6 Ft. Box | 75 = Wagoneer 4WD-4 Dr. | 82 = Wrangler-103" W.B.-Exp. |
| 64 = Comanche 2WD-6 Ft. Box | | |

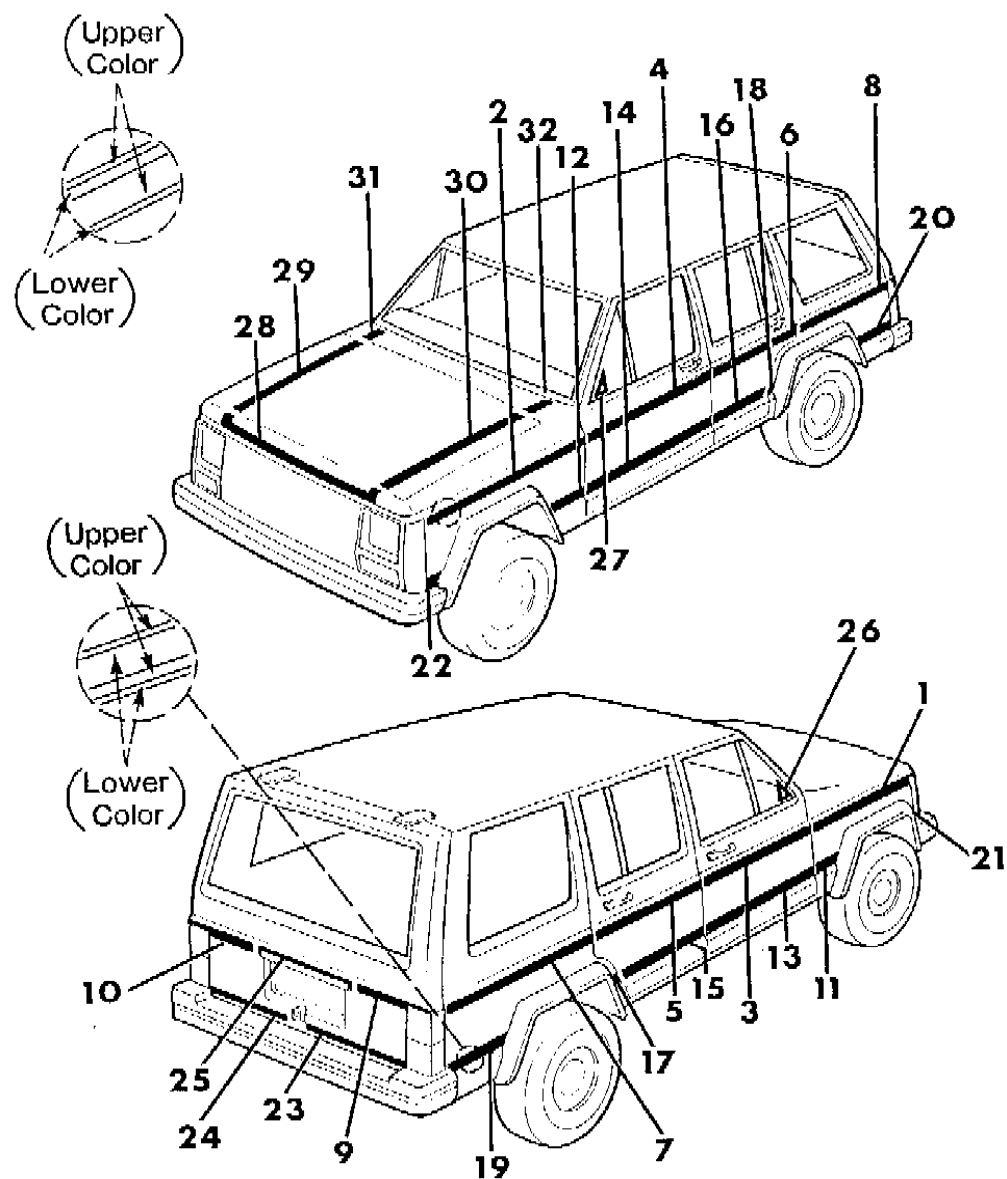
BODY STYLES:

MJ = Comanche Pickup
 SJ = Grand Wagoneer Wgn., J-10 & J-20 Pickups
 XJ = Cherokee, Wagoneer Limited
 YJ = Wrangler

AR = Use as Required - = Non Illustrated Part P.A.R. = Paint as Required

DECALS, EXTERIOR 2-TONE, 1987 WAGONEER
Figure 23-4080

8J68 4080



| ITEM | PART NUMBER | QTY | BODY | MODEL | DESCRIPTION |
|---|-------------|-----|------|-------|---|
| | 5501 4616-7 | 1 | | | Briarwood/Champagne/Briarwood/Champagne |
| | 5501 4512-3 | 1 | | | Sterling/Grenadine/Sterling/Grenadine |
| | 5501 2626-7 | 1 | | | Charcoal/Sterling/Charcoal/Sterling |
| 23-24 | | | | | DECAL, Lift Door |
| | 5501 4584-5 | 1 | | | Briarwood/Beige/Briarwood/Beige |
| | 5501 4558-9 | 1 | | | Grenadine/Black/Grenadine/Black |
| | 5501 4532-3 | 1 | | | Sterling/Black/Sterling/Black |
| | 5501 4610-1 | 1 | | | Briarwood/Champagne/Briarwood/Champagne |
| | 5501 4506-7 | 1 | | | Sterling/Grenadine/Sterling/Grenadine |
| | 5501 3312-3 | 1 | | | Charcoal/Sterling/Charcoal/Sterling |
| 25 | | | | | DECAL, Lift Door |
| This decal is one solid color, it is used with the following color combinations. (A) For 1987, two types of instrument clusters were used. On type one, Clusters, the odometer numbers are rounded, the Speedometer face has (2) slotte | | | | | |
| | 5501 4576 | 1 | | | Briarwood/Beige/Briarwood/Beige |
| | 5501 4550 | 1 | | | Grenadine/Black/Grenadine/Black |
| | 5501 4524 | 1 | | | Sterling/Black/Sterling/Black |
| | 5501 4602 | 1 | | | Briarwood/Champagne/Briarwood/Champagne |
| | 5501 8480 | 1 | | | Sterling/Grenadine/Sterling/Grenadine |
| | 5501 2748 | 1 | | | Charcoal/Sterling/Charcoal/Sterling |
| 26-27 | 5500 6220-1 | 1 | | | DECAL, Door (Black) |
| 28 | | | | | DECAL, Grille Panel |
| | 5501 8425 | 1 | | | Grenadine |
| | 5501 6596 | 1 | | | Briarwood |
| | 5501 6595 | 1 | | | Sterling |
| | 5501 8424 | 1 | | | Charcoal |
| 29-30 | | | | | DECAL, Hood |
| | 5501 8430-1 | 1 | | | Grenadine |
| | 5501 6600-1 | 1 | | | Briarwood |
| | 5501 6598-9 | 1 | | | Sterling |
| | 5501 8426-7 | 1 | | | Charcoal |
| 31-32 | | | | | DECAL, Cowl |
| | 5501 8432-3 | 1 | | | Grenadine |
| | 5501 6604-5 | 1 | | | Briarwood |
| | 5501 6602-3 | 1 | | | Sterling |
| | 5501 8428-9 | 1 | | | Charcoal |

MODEL CODES:

| | | |
|-----------------------------|-----------------------------|------------------------------|
| 15 = Grand Wagoneer 4 Dr. | 65 = Comanche 4WD-7 Ft. Box | 77 = Cherokee 4WD-2 Dr. |
| 25 = J-10 Pickup-119" W.B. | 66 = Comanche 2WD-7 Ft. Box | 78 = Cherokee 4WD-4 Dr. |
| 26 = J-10 Pickup-131" W.B. | 73 = Cherokee 2WD-2 Dr. | 79 = Cherokee 4WD-4 Dr.-Com |
| 27 = J-20 Pickup-131" W.B. | 74 = Cherokee 2WD-4 Dr. | 81 = Wrangler-93" W.B. |
| 63 = Comanche 4WD-6 Ft. Box | 75 = Wagoneer 4WD-4 Dr. | 82 = Wrangler-103" W.B.-Exp. |
| 64 = Comanche 2WD-6 Ft. Box | | |

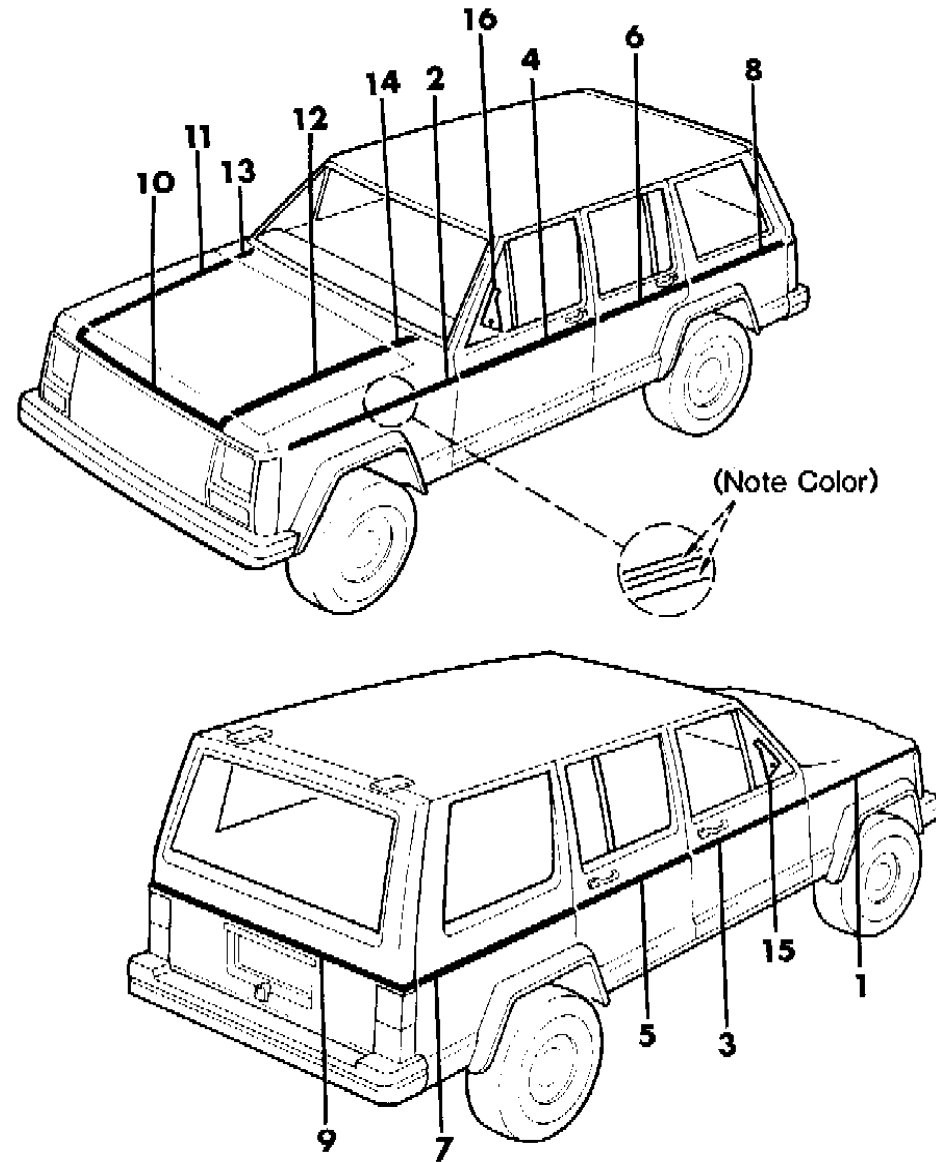
BODY STYLES:

MJ = Comanche Pickup
SJ = Grand Wagoneer Wgn., J-10 & J-20 Pickups
XJ = Cherokee, Wagoneer Limited
YJ = Wrangler

AR = Use as Required - = Non Illustrated Part P.A.R. = Paint as Required

DECALS, EXTERIOR PINSTRIPE, 1987 WAGONEER
Figure 23-4090

8J68 4090



| ITEM | PART NUMBER | QTY | BODY | MODEL | DESCRIPTION |
|-------|-------------|-----|------|-------|---------------------------|
| 1-2 | | | | | DECAL, Fender |
| | 5500 5972-3 | 1 | | | Dark Red |
| | 5500 5952-3 | 1 | | | Gold |
| | 5501 4768-9 | 1 | | | Almond |
| | 5501 4752-3 | 1 | | | Silver |
| 3-4 | | | | | DECAL, Door, (MR) |
| | 5500 5967 | 2 | | | Dark Red |
| | 5500 5947 | 2 | | | Gold |
| | 5501 4776 | 2 | | | Almond |
| | 5501 4762 | 2 | | | Silver |
| 5-6 | | | | | DECAL, Door, (MR) |
| | 5500 5967 | 2 | | | Dark Red |
| | 5500 5947 | 2 | | | Gold |
| | 5501 4776 | 2 | | | Almond |
| | 5501 4762 | 2 | | | Silver |
| 7-8 | | | | | DECAL, Rear Quarter, (MR) |
| | 5500 5967 | 2 | | | Dark Red |
| | 5500 5947 | 2 | | | Gold |
| | 5501 4776 | 2 | | | Almond |
| | 5501 4762 | 2 | | | Silver |
| 9 | | | | | DECAL, Lift Door |
| | 5500 5967 | 1 | | | Dark Red |
| | 5500 5947 | 1 | | | Gold |
| | 5501 4776 | 1 | | | Almond |
| | 5501 4762 | 1 | | | Silver |
| 10 | | | | | DECAL, Grille Panel |
| | 5500 5966 | 1 | | | Dark Red |
| | 5500 5946 | 1 | | | Gold |
| | 5501 4763 | 1 | | | Almond |
| | 5501 4747 | 1 | | | Silver |
| 11-12 | | | | | DECAL, Hood, (MR) |
| | 5500 5967 | 2 | | | Dark Red |
| | 5500 5947 | 2 | | | Gold |
| | 5501 4776 | 2 | | | Almond |
| | 5501 4762 | 2 | | | Silver |
| 13-14 | | | | | DECAL, Cowl |
| | 5500 5970-1 | 1 | | | Dark Red |

MODEL CODES:

| | | |
|-----------------------------|-----------------------------|------------------------------|
| 15 = Grand Wagoneer 4 Dr. | 65 = Comanche 4WD-7 Ft. Box | 77 = Cherokee 4WD-2 Dr. |
| 25 = J-10 Pickup-119" W.B. | 66 = Comanche 2WD-7 Ft. Box | 78 = Cherokee 4WD-4 Dr. |
| 26 = J-10 Pickup-131" W.B. | 73 = Cherokee 2WD-2 Dr. | 79 = Cherokee 4WD-4 Dr.-Com |
| 27 = J-20 Pickup-131" W.B. | 74 = Cherokee 2WD-4 Dr. | 81 = Wrangler-93" W.B. |
| 63 = Comanche 4WD-6 Ft. Box | 75 = Wagoneer 4WD-4 Dr. | 82 = Wrangler-103" W.B.-Exp. |
| 64 = Comanche 2WD-6 Ft. Box | | |

BODY STYLES:

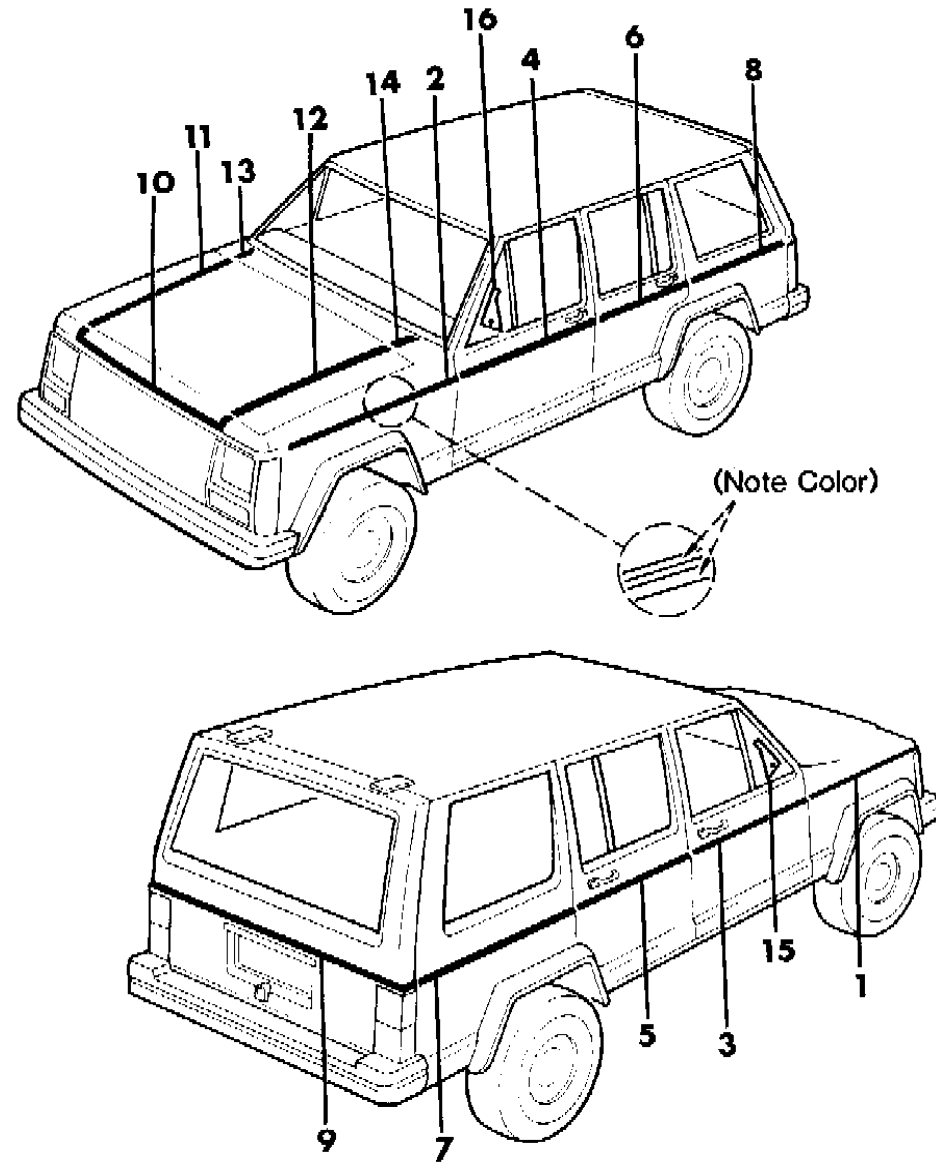
MJ = Comanche Pickup
 SJ = Grand Wagoneer Wgn., J-10 & J-20 Pickups
 XJ = Cherokee, Wagoneer Limited
 YJ = Wrangler

AR = Use as Required - = Non Illustrated Part P.A.R. = Paint as Required

DECALS, EXTERIOR PINSTRIPE, 1987 WAGONEER
Figure 23-4090

8J68 4090

| ITEM | PART NUMBER | QTY | BODY | MODEL | DESCRIPTION |
|-------|-------------|-----|------|-------|---------------------|
| | 5500 5950-1 | 1 | | | Gold |
| | 5501 4766-7 | 1 | | | Almond |
| | 5501 4750-1 | 1 | | | Silver |
| 15-16 | 5500 6220-1 | 1 | | | DECAL, Door (Black) |



MODEL CODES:

| | | |
|-----------------------------|-----------------------------|------------------------------|
| 15 = Grand Wagoneer 4 Dr. | 65 = Comanche 4WD-7 Ft. Box | 77 = Cherokee 4WD-2 Dr. |
| 25 = J-10 Pickup-119" W.B. | 66 = Comanche 2WD-7 Ft. Box | 78 = Cherokee 4WD-4 Dr. |
| 26 = J-10 Pickup-131" W.B. | 73 = Cherokee 2WD-2 Dr. | 79 = Cherokee 4WD-4 Dr.-Com |
| 27 = J-20 Pickup-131" W.B. | 74 = Cherokee 2WD-4 Dr. | 81 = Wrangler-93" W.B. |
| 63 = Comanche 4WD-6 Ft. Box | 75 = Wagoneer 4WD-4 Dr. | 82 = Wrangler-103" W.B.-Exp. |
| 64 = Comanche 2WD-6 Ft. Box | | |

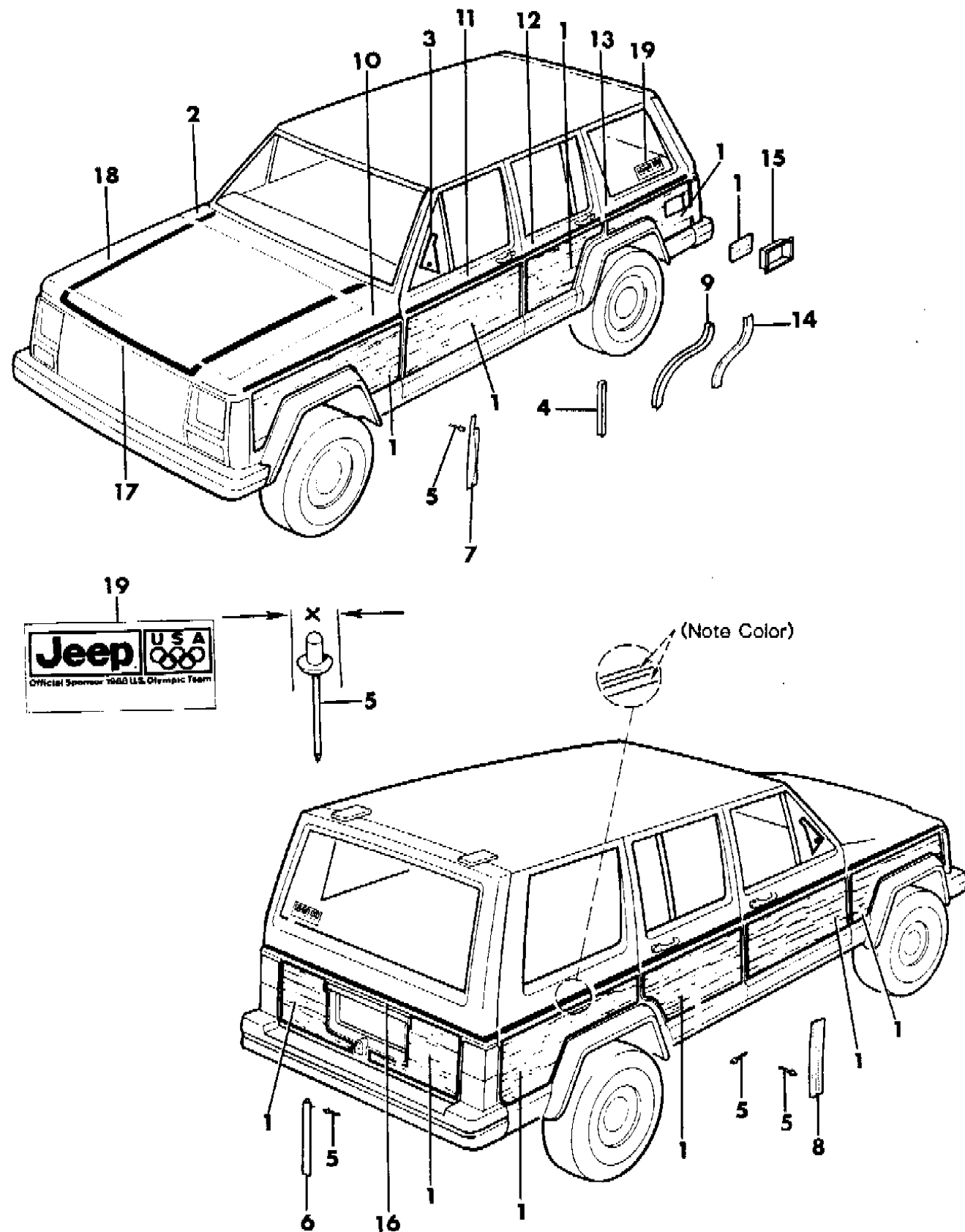
BODY STYLES:

MJ = Comanche Pickup
 SJ = Grand Wagoneer Wgn., J-10 & J-20 Pickups
 XJ = Cherokee, Wagoneer Limited
 YJ = Wrangler

AR = Use as Required - = Non Illustrated Part P.A.R. = Paint as Required

DECALS, EXTERIOR WOODGRAIN WAGONEER LIMITED
Figure 23-4100

8J68 4100



| ITEM | PART NUMBER | QTY | BODY | MODEL | DESCRIPTION |
|------|-------------|-----|------|-------|------------------------------|
| 1 | 8350 3186 | 11 | | | DECAL, Woodgrain (MR) |
| 2 | | | | | DECAL, Cowl |
| | 5501 4766-7 | 1 | | | Almond, 1988-90 |
| | 5500 5950-1 | 1 | | | Gold, 1987 |
| 3 | 5500 6220-1 | 1 | | | DECAL, Door, Black |
| 4 | | | | | MOULDING, Door, P.A.R. |
| | 5500 3831 | 2 | | | 1987 |
| | 5501 7612 | 2 | | | 1988-90 |
| 5 | 3420 2204 | AR | | | RIVET (8.5mm long) *** |
| | 3420 2200 | 12 | | | RIVET (6.6mm long), 1987 *** |
| 6 | 5500 4808 | 2 | | | RETAINER |
| 7 | 5500 4804-5 | 1 | | | RETAINER |
| 8 | 5500 4806-7 | 1 | | | RETAINER |
| 9 | | | | | MOULDING, Door, P.A.R. |
| | 5500 4796-7 | 1 | | | 1987 |
| | 5501 7614-5 | 1 | | | 1988-90 |
| 10 | | | | | DECAL, Fender |
| | 5501 4768-9 | 1 | | | Almond, 1988-90 |
| | 5500 5952-3 | 1 | | | Gold, 1987 |
| 11 | | | | | DECAL, Door |
| | 5501 4776 | 2 | | | Almond, 1988, (MR) |
| | 5500 5954-5 | 1 | | | Gold, 1987 |
| 12 | | | | | DECAL, Door |
| | 5501 4776 | 2 | | | Almond, 1988-90, (MR) |
| | 5500 5956-7 | 1 | | | Gold, 1987 |
| 13 | | | | | DECAL, Rear Quarter |
| | 5501 4776 | 2 | | | Almond, 1988-90, (MR) |
| | 5500 5958-9 | 1 | | | Gold, 1987 |
| 14 | 5505 2530-1 | 1 | | | RETAINER |
| 15 | 5505 2532 | 1 | | | RETAINER, P.A.R. |
| 16 | | | | | DECAL, Lift Door |
| | 5501 4776 | 1 | | | Almond, 1988-90 |
| | 5500 5947 | 1 | | | Gold, 1987 |
| 17 | | | | | DECAL, Grille Panel |
| | 5501 4763 | 1 | | | Almond, 1988-90 |
| | 5500 5946 | 1 | | | Gold, 1987 |
| 18 | | | | | DECAL, Hood |

MODEL CODES:

| | | |
|-----------------------------|-----------------------------|------------------------------|
| 15 = Grand Wagoneer 4 Dr. | 65 = Comanche 4WD-7 Ft. Box | 77 = Cherokee 4WD-2 Dr. |
| 25 = J-10 Pickup-119" W.B. | 66 = Comanche 2WD-7 Ft. Box | 78 = Cherokee 4WD-4 Dr. |
| 26 = J-10 Pickup-131" W.B. | 73 = Cherokee 2WD-2 Dr. | 79 = Cherokee 4WD-4 Dr.-Com |
| 27 = J-20 Pickup-131" W.B. | 74 = Cherokee 2WD-4 Dr. | 81 = Wrangler-93" W.B. |
| 63 = Comanche 4WD-6 Ft. Box | 75 = Wagoneer 4WD-4 Dr. | 82 = Wrangler-103" W.B.-Exp. |
| 64 = Comanche 2WD-6 Ft. Box | | |

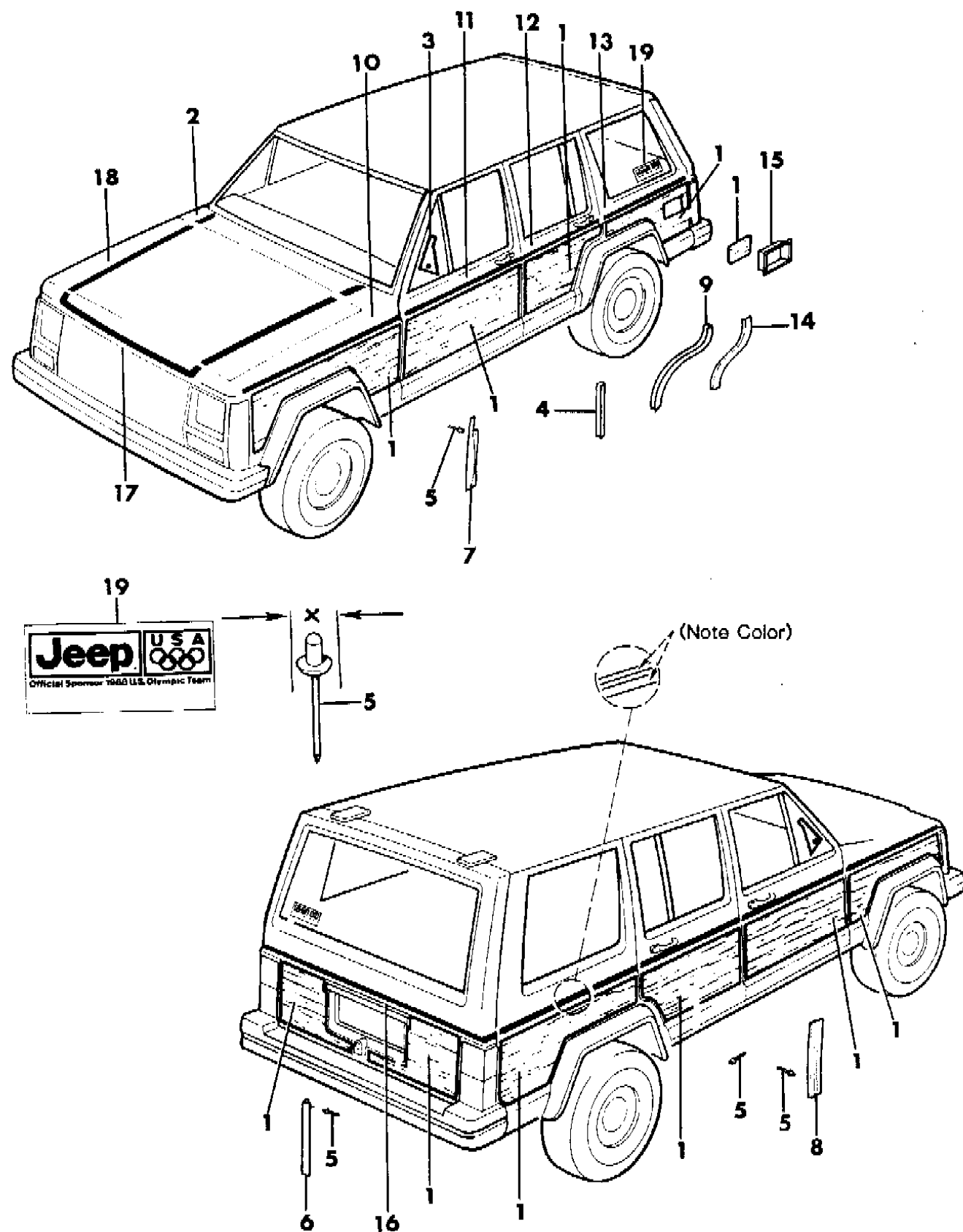
BODY STYLES:

MJ = Comanche Pickup
SJ = Grand Wagoneer Wgn., J-10 & J-20 Pickups
XJ = Cherokee, Wagoneer Limited
YJ = Wrangler

AR = Use as Required - = Non Illustrated Part P.A.R. = Paint as Required

DECALS, EXTERIOR WOODGRAIN WAGONEER LIMITED
Figure 23-4100

8J68 4100



| ITEM | PART NUMBER | QTY | BODY | MODEL | DESCRIPTION |
|------|-------------|-----|------|-------|-----------------------|
| | 5501 4776 | 2 | | | Almond, 1988-90, (MR) |
| | 5500 5948-9 | 1 | | | Gold, 1987 |
| 19 | 5502 0568 | 1 | | | DECAL, "Olympic" 1988 |

(MR) Modification Required. (A) For 1987, two types of instrument clusters were used. On type one, Clusters, the odometer numbers are rounded, the Speedometer face has (2) slotte

MODEL CODES:

| | | |
|-----------------------------|-----------------------------|------------------------------|
| 15 = Grand Wagoneer 4 Dr. | 65 = Comanche 4WD-7 Ft. Box | 77 = Cherokee 4WD-2 Dr. |
| 25 = J-10 Pickup-119" W.B. | 66 = Comanche 2WD-7 Ft. Box | 78 = Cherokee 4WD-4 Dr. |
| 26 = J-10 Pickup-131" W.B. | 73 = Cherokee 2WD-2 Dr. | 79 = Cherokee 4WD-4 Dr.-Com |
| 27 = J-20 Pickup-131" W.B. | 74 = Cherokee 2WD-4 Dr. | 81 = Wrangler-93" W.B. |
| 63 = Comanche 4WD-6 Ft. Box | 75 = Wagoneer 4WD-4 Dr. | 82 = Wrangler-103" W.B.-Exp. |
| 64 = Comanche 2WD-6 Ft. Box | | |

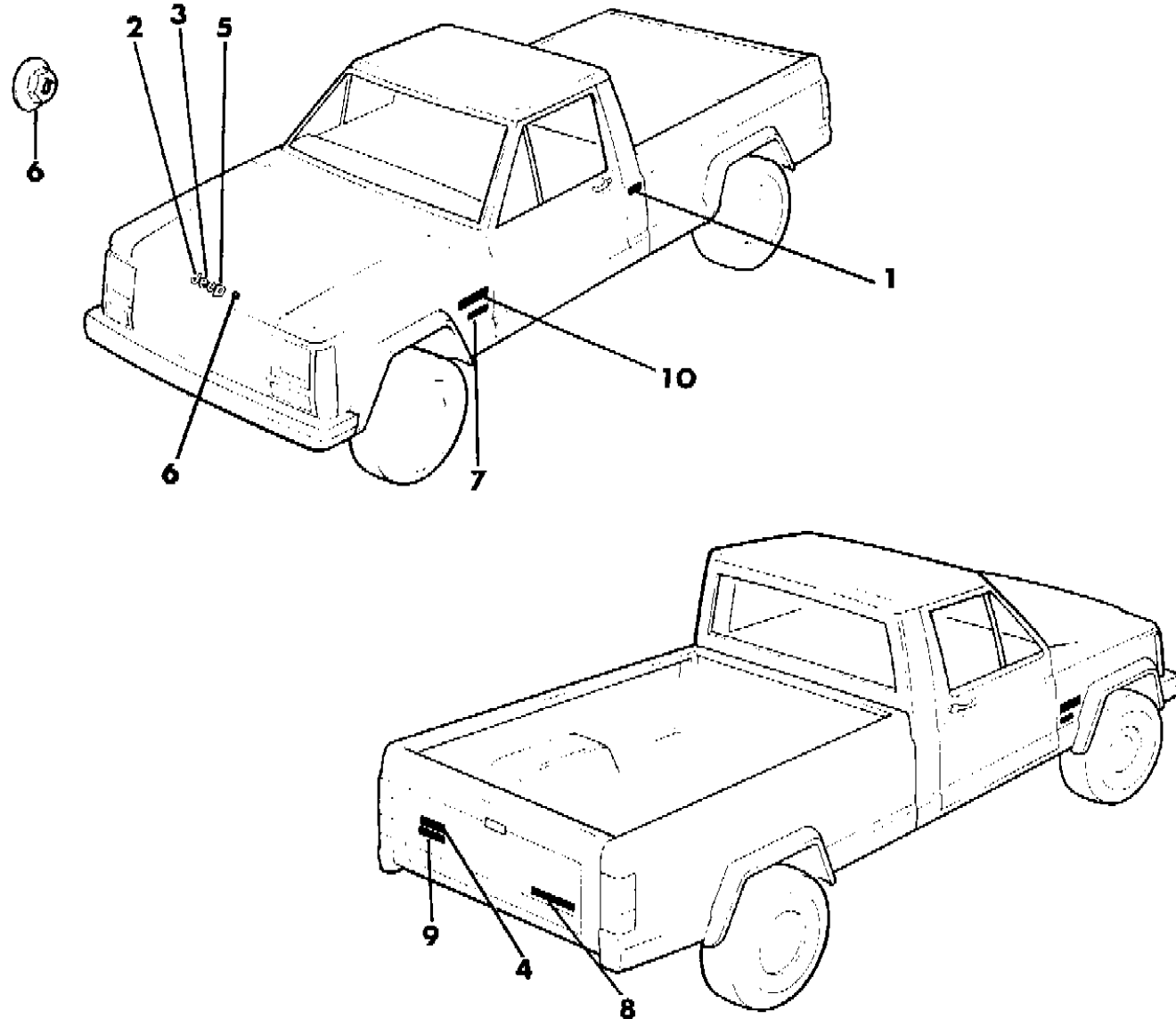
BODY STYLES:

MJ = Comanche Pickup
SJ = Grand Wagoneer Wgn., J-10 & J-20 Pickups
XJ = Cherokee, Wagoneer Limited
YJ = Wrangler

AR = Use as Required - = Non Illustrated Part P.A.R. = Paint as Required

NAMEPLATES COMANCHE
Figure 23-4200

8 J68 4200 A



| ITEM | PART NUMBER | QTY | BODY | MODEL | DESCRIPTION |
|------|-------------|-----|------|-------|-----------------------------|
| 1 | 5500 7817 | 2 | | | NAMEPLATE, "4x4" |
| 2 | 5501 0901 | 1 | | | NAMEPLATE, "J" |
| 3 | 5501 0902 | 2 | | | NAMEPLATE, "e" |
| 4 | | | | | NAMEPLATE |
| | 5501 0895 | 1 | | | "Turbo Diesel", 1987-90 |
| | 5501 0037 | 1 | | | "4.0 Litre", 1987-90 |
| | 5501 0893 | 1 | | | "2.5 Litre", 1987 |
| 5 | 5501 0903 | 1 | | | NAMEPLATE, "p" |
| 6 | 1150 2557 | 4 | | | NUT |
| 7 | | | | | NAMEPLATE |
| | 5501 0899 | 2 | | | "Laredo", 1987-89 |
| | 5501 0898 | 2 | | | "Pioneer", 1987-89 |
| | 5500 9128 | 2 | | | "XLS", 1987-88 |
| 8 | | | | | NAMEPLATE |
| | 5501 3576 | 1 | | | "Metric Ton", 1987-90 |
| | 5500 8339 | 1 | | | "Command Trac", 1987 |
| | 5501 0896 | 1 | | | "Selec Trac", 1987 |
| 9 | 5500 8338 | 1 | | | NAMEPLATE, "Fuel Injection" |
| 10 | 5501 4472 | 1 | | | NAMEPLATE, "Comanche" |

MODEL CODES:

| | | |
|-----------------------------|-----------------------------|------------------------------|
| 15 = Grand Wagoneer 4 Dr. | 65 = Comanche 4WD-7 Ft. Box | 77 = Cherokee 4WD-2 Dr. |
| 25 = J-10 Pickup-119" W.B. | 66 = Comanche 2WD-7 Ft. Box | 78 = Cherokee 4WD-4 Dr. |
| 26 = J-10 Pickup-131" W.B. | 73 = Cherokee 2WD-2 Dr. | 79 = Cherokee 4WD-4 Dr.-Com |
| 27 = J-20 Pickup-131" W.B. | 74 = Cherokee 2WD-4 Dr. | 81 = Wrangler-93" W.B. |
| 63 = Comanche 4WD-6 Ft. Box | 75 = Wagoneer 4WD-4 Dr. | 82 = Wrangler-103" W.B.-Exp. |
| 64 = Comanche 2WD-6 Ft. Box | | |

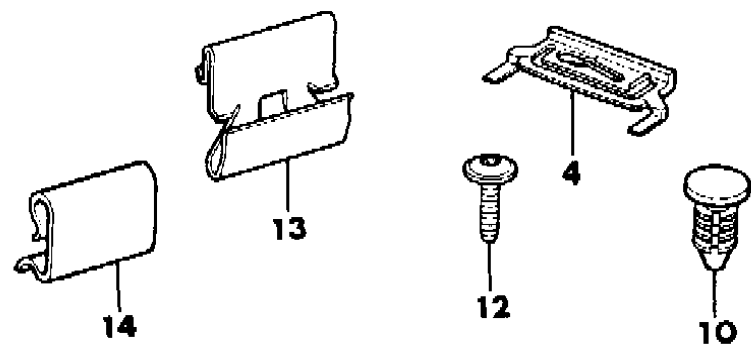
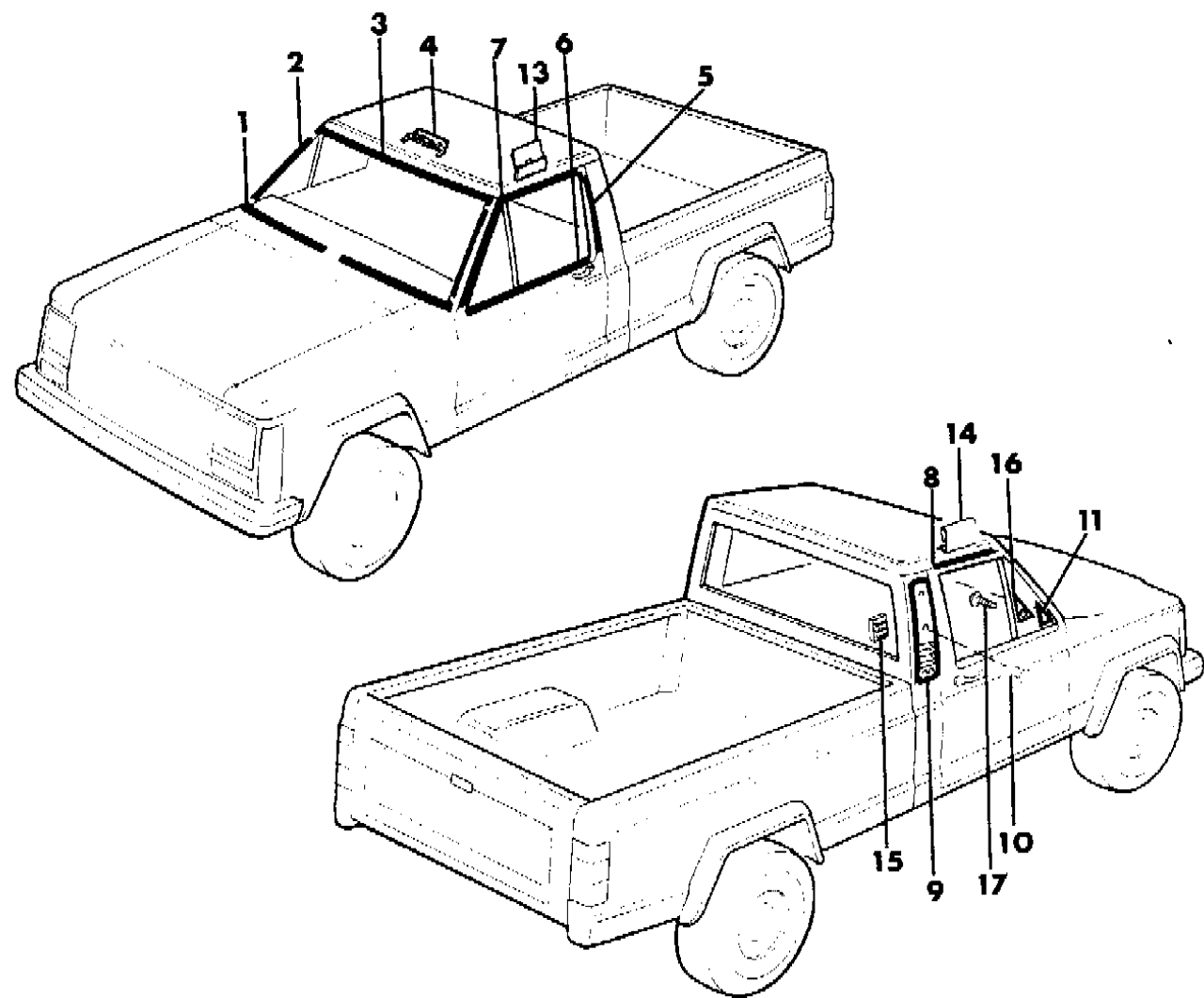
BODY STYLES:

MJ = Comanche Pickup
 SJ = Grand Wagoneer Wgn., J-10 & J-20 Pickups
 XJ = Cherokee, Wagoneer Limited
 YJ = Wrangler

AR = Use as Required - = Non Illustrated Part P.A.R. = Paint as Required

MOULDINGS, EXTERIOR, UPPER COMANCHE
Figure 23-4300

8J68 4300



| ITEM | PART NUMBER | QTY | BODY | MODEL | DESCRIPTION |
|------|-------------|-------------|------|--------|----------------------------|
| 1 | | | | | MOULDING, Windshield |
| | | | | | Bright, up to 12/18/89 |
| | | 5500 6380 | 1 | | Right |
| | | 5500 2509 | 1 | | Left |
| | | 5502 6726-7 | 1 | | Bright, after 12/18/89 |
| 2 | | | | | MOULDING, Windshield |
| | | 5500 0538-9 | 1 | | Black |
| | | 5500 0546-7 | 1 | | Bright |
| 3 | | | | | MOULDING, Windshield |
| | | 5500 0536 | 1 | | Black |
| | | 5500 0544 | 1 | | Bright |
| 4 | J400 6211 | 26 | | | CLIP |
| 5 | | | | | MOULDING, Door |
| | | 5500 5282-3 | 1 | | Black |
| | | 5500 5324-5 | 1 | | Bright, 1987-88 |
| 6 | | | | | MOULDING, Door |
| | | 5500 5284-5 | 1 | | Black |
| | | 5500 5270-1 | 1 | | Bright, 1987-88 |
| 7 | | | | | MOULDING, Door |
| | | 5500 5278-9 | 1 | | Black |
| | | 5500 5320-1 | 1 | | Bright, 1987-88 |
| 8 | | | | | MOULDING, Drip |
| | | 5501 5914-5 | 1 | | Black |
| | 5501 3670-1 | 1 | | Bright | |
| 9 | 5500 9294-5 | 1 | | | APPLIQUE, Cab Rear Quarter |
| 10 | 3420 2335 | 8 | | | FASTENER |
| 11 | 5500 5312-3 | 1 | | | COVER (LESS MIRROR) *** |
| 12 | | | | | SCREW |
| | | 3420 1957 | 4 | | |
| 13 | | | | | CLIP |
| | | 5500 5384 | AR | | height = 24mm |
| | | 5500 5383 | AR | | height = 27mm |
| 14 | 3500 2115 | AR | | | CLIP |
| 15 | 5500 7673 | 2 | | | EXHAUSTER, Air |
| 16 | 5500 5430-1 | 1 | | | GASKET |
| 17 | 3420 1957 | 2 | | | SCREW |

MODEL CODES:

| | | |
|-----------------------------|-----------------------------|------------------------------|
| 15 = Grand Wagoneer 4 Dr. | 65 = Comanche 4WD-7 Ft. Box | 77 = Cherokee 4WD-2 Dr. |
| 25 = J-10 Pickup-119" W.B. | 66 = Comanche 2WD-7 Ft. Box | 78 = Cherokee 4WD-4 Dr. |
| 26 = J-10 Pickup-131" W.B. | 73 = Cherokee 2WD-2 Dr. | 79 = Cherokee 4WD-4 Dr.-Com |
| 27 = J-20 Pickup-131" W.B. | 74 = Cherokee 2WD-4 Dr. | 81 = Wrangler-93" W.B. |
| 63 = Comanche 4WD-6 Ft. Box | 75 = Wagoneer 4WD-4 Dr. | 82 = Wrangler-103" W.B.-Exp. |
| 64 = Comanche 2WD-6 Ft. Box | | |

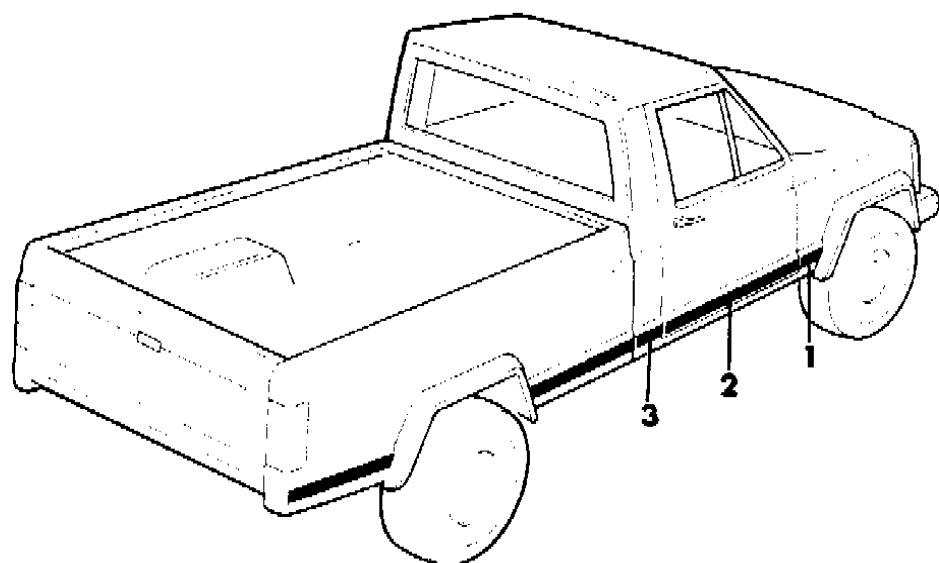
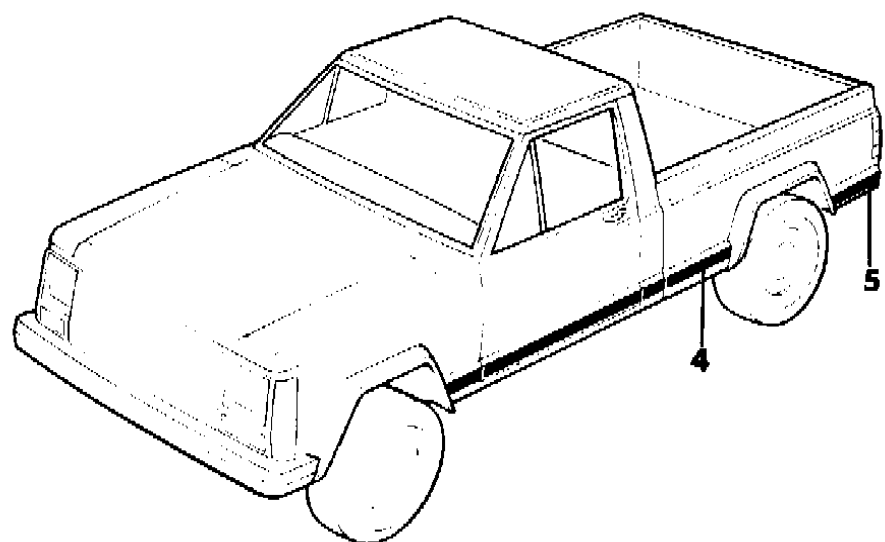
BODY STYLES:

MJ = Comanche Pickup
 SJ = Grand Wagoneer Wgn., J-10 & J-20 Pickups
 XJ = Cherokee, Wagoneer Limited
 YJ = Wrangler

AR = Use as Required - = Non Illustrated Part P.A.R. = Paint as Required

MOULDINGS, EXTERIOR, LOWER COMANCHE
Figure 23-4400

8J68 4400



| ITEM | PART NUMBER | QTY | BODY | MODEL | DESCRIPTION |
|-------------|-------------|-----|------|---------------------------------------|--|
| 1 | | | | | MOULDING, Fender |
| | 5502 1784-5 | 1 | | | Argent, 1988 |
| | 5500 3048-9 | 1 | | | Black, 1987-89 |
| | 5AY68-9 JX9 | 1 | | | Black, 1990 |
| | 5500 3166-7 | 1 | | | Black/Chrome, 1987-89 |
| 2 | 5AJ52-3 JXZ | 1 | | | Black/Chrome, 1990 |
| | | | | | MOULDING, Door |
| | 5501 5528-9 | 1 | | | Argent, 1988 |
| | 5500 3050-1 | 1 | | | Black, 1987-89 |
| | 5AY70-1 JX9 | 1 | | | Black, 1990 |
| 3 | 5500 3168-9 | 1 | | | Black/Chrome, 1987-89 |
| | 5AJ58-9 JXZ | 1 | | | Black/Chrome, 1990 |
| | | | | | MOULDING, Cab Rear Quarter |
| | 5501 5570-1 | 1 | | | Argent, 1988 |
| | 5500 6164-5 | 1 | | | Black, 1987-89 |
| 4 | 5AY72-3 JX9 | 1 | | | Black, 1990 |
| | 5500 6166-7 | 1 | | | Black/Chrome, 1987-89 |
| | 5AJ64-5 JXZ | 1 | | | Black/Chrome, 1990 |
| | | | | | MOULDING, Cargo Box Side w/7 ft. pickup box |
| | 5501 5576-7 | 1 | | | Argent, 1988 |
| | 5500 6168-9 | 1 | | | Black, 1987-89 |
| | 5AY74-5 JX9 | 1 | | | Black, 1990 |
| | 5500 6170-1 | 1 | | | Black/Chrome, 1987-89 |
| | 5AJ66-7 JXZ | 1 | | | Black/Chrome, 1990 |
| | | | | | w/6 ft. pickup box |
| 5500 6168-9 | 1 | | | Black, 1987-89, modification required | |
| 5AY74-5 JX9 | 1 | | | Black, 1990, modification required | |
| 5500 9152-3 | 1 | | | Black/Chrome, 1987-89 | |
| 5AJ70-1 JXZ | 1 | | | Black/Chrome, 1990 | |
| 5 | | | | | MOULDING, Cargo Box Side w/7 ft. pickup box |
| | 5501 5582-3 | 1 | | | Argent, 1988 |
| | 5500 6172-3 | 1 | | | Black, 1987-89 |
| | 5AY76-7 JX9 | 1 | | | Black, 1990 |
| | 5500 6174-5 | 1 | | | Black/Chrome, 1987-89 |
| 5AJ68-9 JXZ | 1 | | | Black/Chrome, 1990 | |

MODEL CODES:

| | | |
|-----------------------------|-----------------------------|------------------------------|
| 15 = Grand Wagoneer 4 Dr. | 65 = Comanche 4WD-7 Ft. Box | 77 = Cherokee 4WD-2 Dr. |
| 25 = J-10 Pickup-119" W.B. | 66 = Comanche 2WD-7 Ft. Box | 78 = Cherokee 4WD-4 Dr. |
| 26 = J-10 Pickup-131" W.B. | 73 = Cherokee 2WD-2 Dr. | 79 = Cherokee 4WD-4 Dr.-Com |
| 27 = J-20 Pickup-131" W.B. | 74 = Cherokee 2WD-4 Dr. | 81 = Wrangler-93" W.B. |
| 63 = Comanche 4WD-6 Ft. Box | 75 = Wagoneer 4WD-4 Dr. | 82 = Wrangler-103" W.B.-Exp. |
| 64 = Comanche 2WD-6 Ft. Box | | |

BODY STYLES:

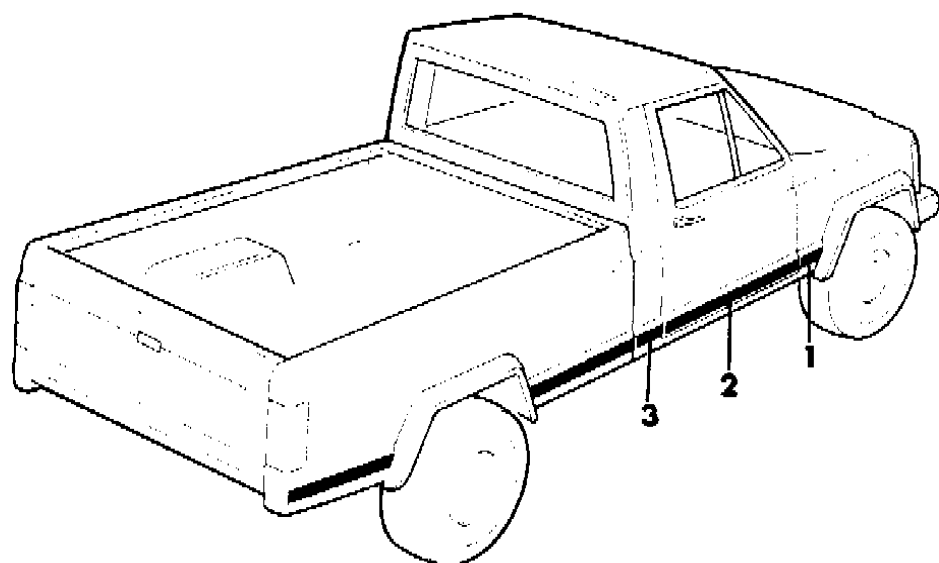
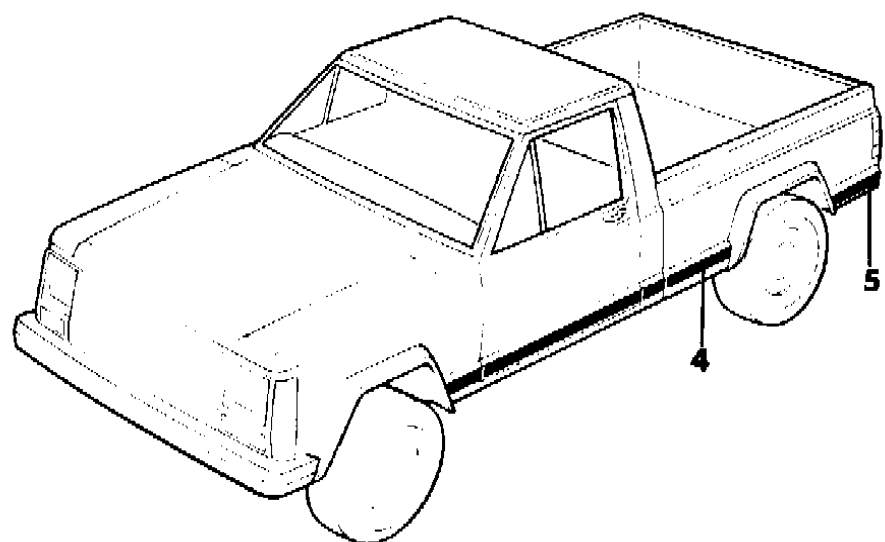
MJ = Comanche Pickup
 SJ = Grand Wagoneer Wgn., J-10 & J-20 Pickups
 XJ = Cherokee, Wagoneer Limited
 YJ = Wrangler

AR = Use as Required - = Non Illustrated Part P.A.R. = Paint as Required

MOULDINGS, EXTERIOR, LOWER COMANCHE
Figure 23-4400

8J68 4400

| ITEM | PART NUMBER | QTY | BODY | MODEL | DESCRIPTION |
|------|-------------|-----|------|-------|---------------------------------------|
| | | | | | w/6 ft. pickup box |
| | 5500 6172-3 | 1 | | | Black, 1987/89, modification required |
| | 5AY76-7 JX9 | 1 | | | Black, 1990, modification required |
| | 5500 9154-5 | 1 | | | Black/Chrome, 1987-89 |
| | 5AJ72-3 JXZ | 1 | | | Black/Chrome, 1990 |



- MODEL CODES:**
- | | | |
|-----------------------------|-----------------------------|------------------------------|
| 15 = Grand Wagoneer 4 Dr. | 65 = Comanche 4WD-7 Ft. Box | 77 = Cherokee 4WD-2 Dr. |
| 25 = J-10 Pickup-119" W.B. | 66 = Comanche 2WD-7 Ft. Box | 78 = Cherokee 4WD-4 Dr. |
| 26 = J-10 Pickup-131" W.B. | 73 = Cherokee 2WD-2 Dr. | 79 = Cherokee 4WD-4 Dr.-Com |
| 27 = J-20 Pickup-131" W.B. | 74 = Cherokee 2WD-4 Dr. | 81 = Wrangler-93" W.B. |
| 63 = Comanche 4WD-6 Ft. Box | 75 = Wagoneer 4WD-4 Dr. | 82 = Wrangler-103" W.B.-Exp. |
| 64 = Comanche 2WD-6 Ft. Box | | |

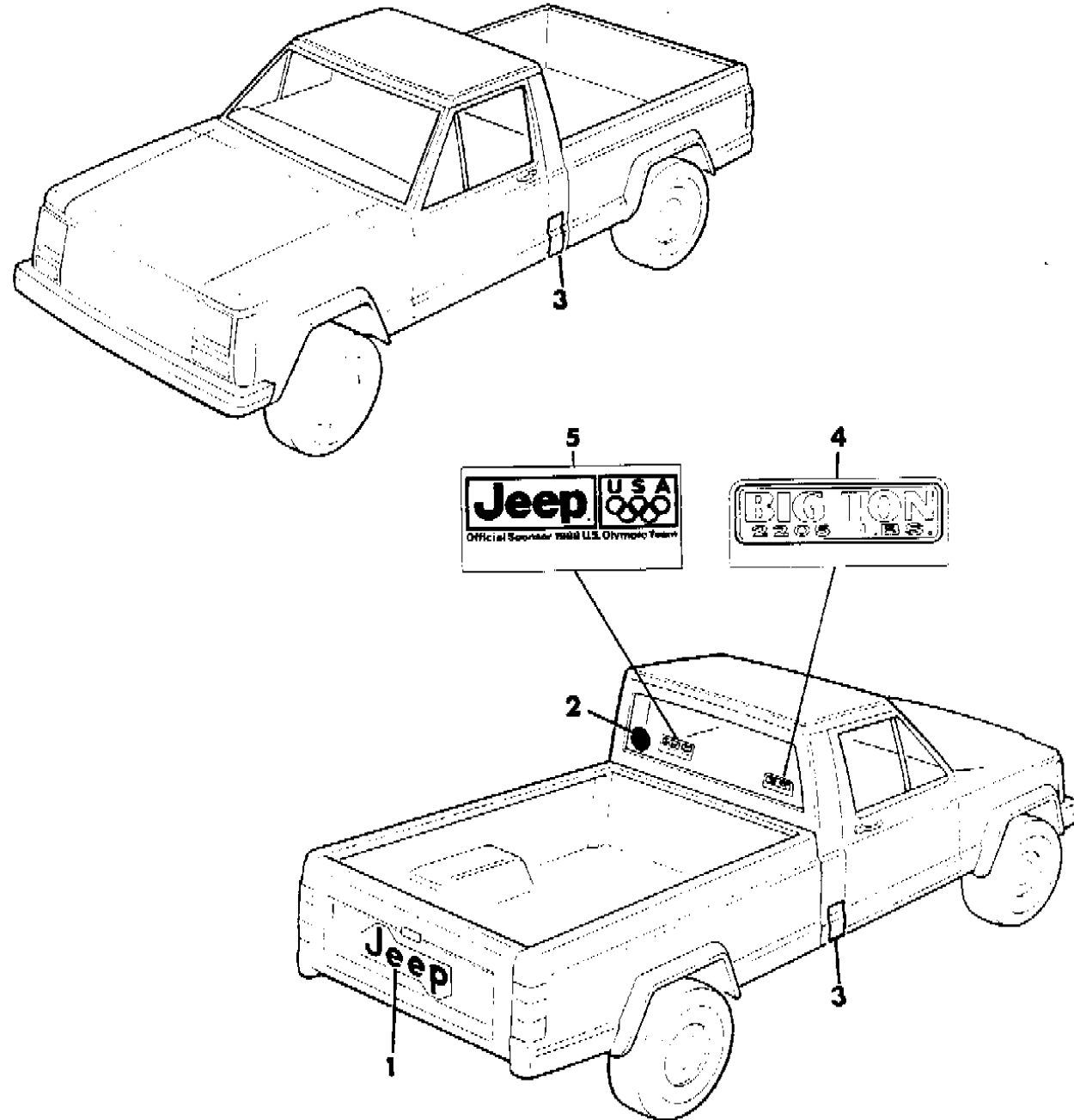
- BODY STYLES:**
- MJ = Comanche Pickup
 - SJ = Grand Wagoneer Wgn., J-10 & J-20 Pickups
 - XJ = Cherokee, Wagoneer Limited
 - YJ = Wrangler

AR = Use as Required - = Non Illustrated Part P.A.R. = Paint as Required

DECALS, EXTERIOR BASE COMANCHE
Figure 23-4500

8 J 68 4500

| ITEM | PART NUMBER | QTY | BODY | MODEL | DESCRIPTION |
|------|-------------|-----|------|-------|----------------------------|
| 1 | | | | | DECAL, Tailgate |
| | 5500 6262 | 1 | | | Black, 1987-89 |
| | 5AE8 9JX9 | 1 | | | Black, 1990 |
| | 5501 7112 | 1 | | | Pearl White, 1988-89 |
| | 5AE8 9JW4 | 1 | | | Pearl White, 1990 |
| 2 | 5501 6564 | 1 | | | DECAL, "Off Road Package" |
| 3 | 3501 9114-5 | 1 | | | APPLIQUE, Cab Rear Quarter |
| 4 | 5502 1150 | 1 | | | DECAL, "Big Ton" |
| 5 | 5502 0568 | 1 | | | DECAL, "Olympic" 1988 |



MODEL CODES:

| | | |
|-----------------------------|-----------------------------|------------------------------|
| 15 = Grand Wagoneer 4 Dr. | 65 = Comanche 4WD-7 Ft. Box | 77 = Cherokee 4WD-2 Dr. |
| 25 = J-10 Pickup-119" W.B. | 66 = Comanche 2WD-7 Ft. Box | 78 = Cherokee 4WD-4 Dr. |
| 26 = J-10 Pickup-131" W.B. | 73 = Cherokee 2WD-2 Dr. | 79 = Cherokee 4WD-4 Dr.-Com |
| 27 = J-20 Pickup-131" W.B. | 74 = Cherokee 2WD-4 Dr. | 81 = Wrangler-93" W.B. |
| 63 = Comanche 4WD-6 Ft. Box | 75 = Wagoneer 4WD-4 Dr. | 82 = Wrangler-103" W.B.-Exp. |
| 64 = Comanche 2WD-6 Ft. Box | | |

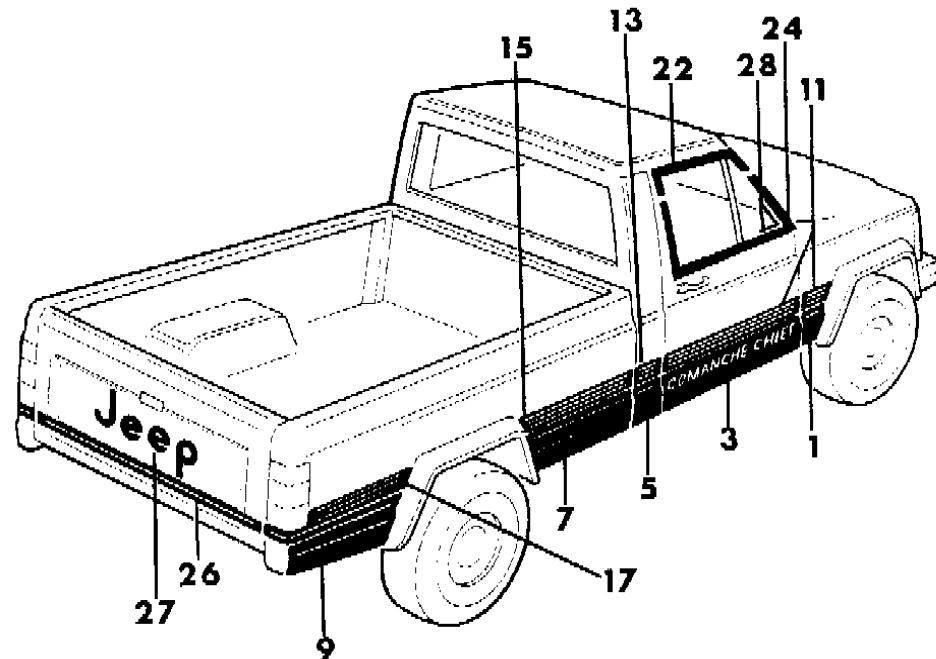
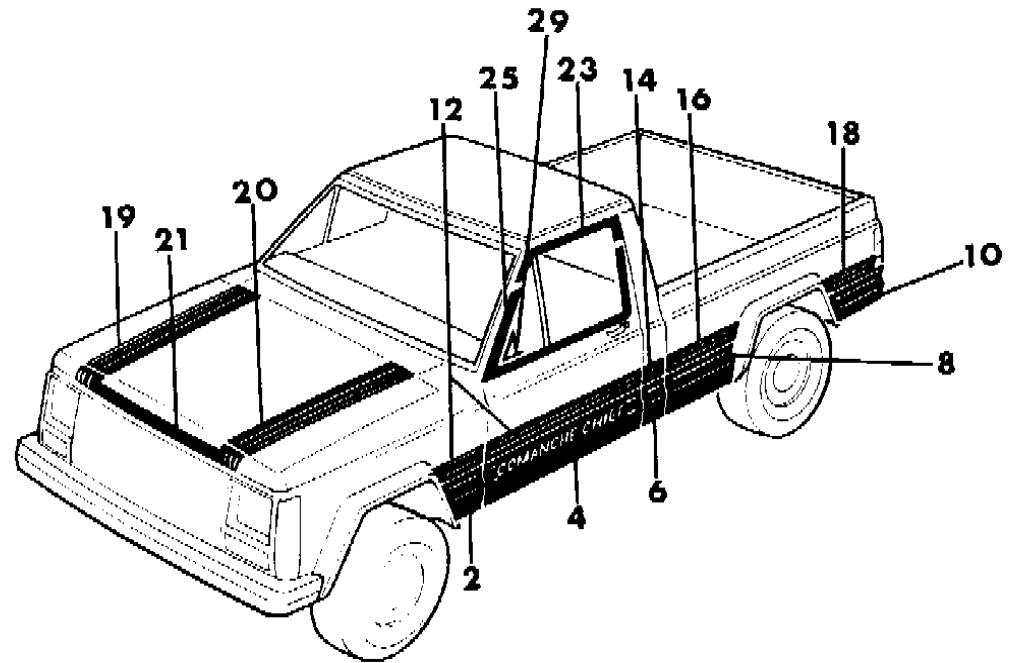
BODY STYLES:

MJ = Comanche Pickup
SJ = Grand Wagoneer Wgn., J-10 & J-20 Pickups
XJ = Cherokee, Wagoneer Limited
YJ = Wrangler

AR = Use as Required - = Non Illustrated Part P.A.R. = Paint as Required

DECALS, EXTERIOR CHIEF, 1987-89 COMANCHE
Figure 23-4600

8J68 4600



| ITEM | PART NUMBER | QTY | BODY | MODEL | DESCRIPTION |
|-------|-------------|-----|------|-------|--------------------------------|
| 1-2 | 5501 5428-9 | 1 | | | DECAL, Fender, Black |
| 3-4 | 5501 5808-9 | 1 | | | DECAL, Door, Black |
| 5-6 | 5501 5810-1 | 1 | | | DECAL, Cab Rear Quarter, Black |
| 7-8 | 5501 5812-3 | 1 | | | DECAL, Cargo Box Side, Black |
| 9-10 | 5501 5818-9 | 1 | | | DECAL, Cargo Box Side, Black |
| 11-12 | 5501 5804-5 | 1 | | | DECAL, Door, Black |
| 13-14 | 5501 5822-3 | 1 | | | DECAL, Cab Rear Quarter, Black |
| 15-16 | 5501 5814-5 | 1 | | | DECAL, Cargo Box Side, Black |
| 17-18 | 5501 5816-7 | 1 | | | DECAL, Cargo Box Side, Black |
| 19-20 | 5501 5426-7 | 1 | | | DECAL, Hood, Black |
| 21 | 5501 5425 | 1 | | | DECAL, Grille Panel, Black |
| 22-23 | 5500 6800-1 | 1 | | | DECAL, Door Frame, Black |
| 24-25 | 5500 6798-9 | 1 | | | DECAL, Door Frame, Black |
| 26 | 5501 5820 | 1 | | | DECAL, Tailgate, Black |
| 27 | 5501 5868 | 1 | | | DECAL, Tailgate, Black |
| 28-29 | 5500 6220-1 | 1 | | | DECAL, Door, Black |

MODEL CODES:

| | | |
|-----------------------------|-----------------------------|------------------------------|
| 15 = Grand Wagoneer 4 Dr. | 65 = Comanche 4WD-7 Ft. Box | 77 = Cherokee 4WD-2 Dr. |
| 25 = J-10 Pickup-119" W.B. | 66 = Comanche 2WD-7 Ft. Box | 78 = Cherokee 4WD-4 Dr. |
| 26 = J-10 Pickup-131" W.B. | 73 = Cherokee 2WD-2 Dr. | 79 = Cherokee 4WD-4 Dr.-Com |
| 27 = J-20 Pickup-131" W.B. | 74 = Cherokee 2WD-4 Dr. | 81 = Wrangler-93" W.B. |
| 63 = Comanche 4WD-6 Ft. Box | 75 = Wagoneer 4WD-4 Dr. | 82 = Wrangler-103" W.B.-Exp. |
| 64 = Comanche 2WD-6 Ft. Box | | |

BODY STYLES:

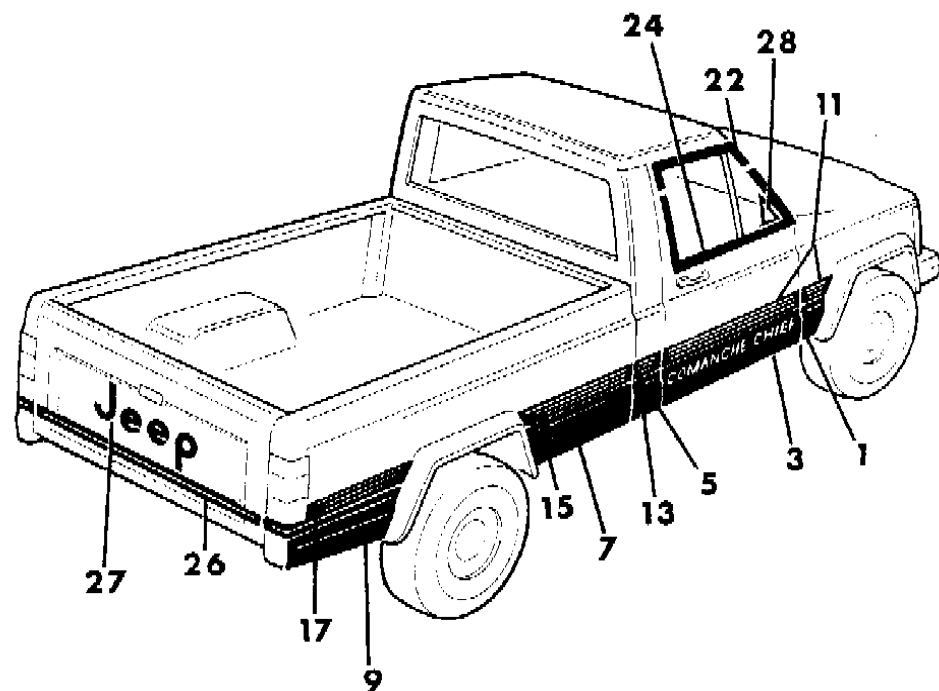
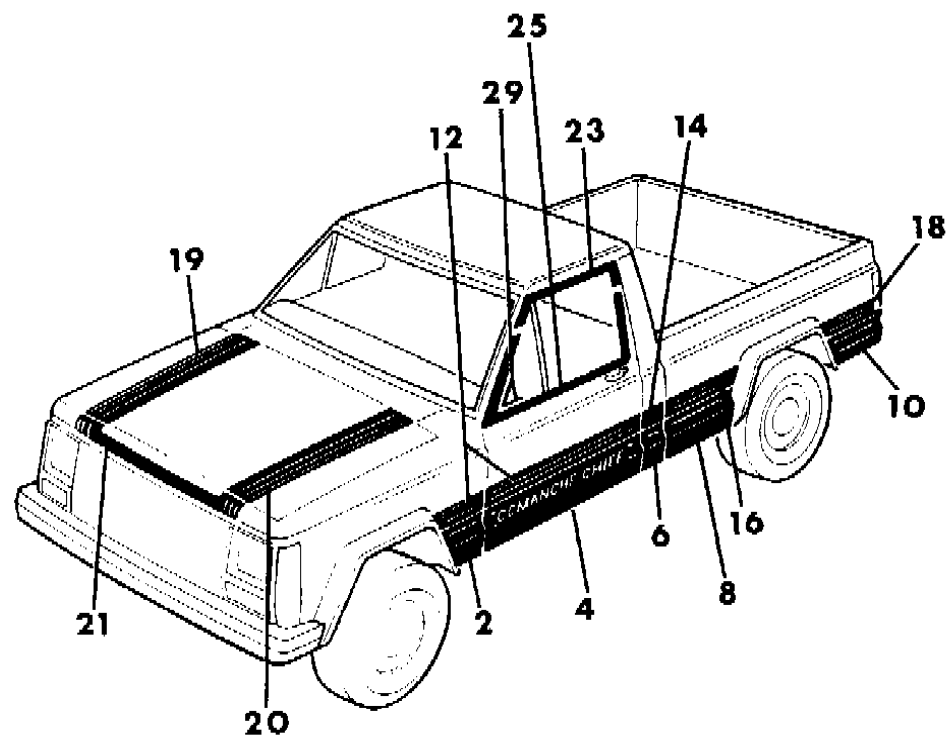
MJ = Comanche Pickup
 SJ = Grand Wagoneer Wgn., J-10 & J-20 Pickups
 XJ = Cherokee, Wagoneer Limited
 YJ = Wrangler

AR = Use as Required - = Non Illustrated Part P.A.R. = Paint as Required

DECALS, EXTERIOR, LONG BED CHIEF-EXPORT, VENEZUELA, 1988-89 COMANCHE
Figure 23-4700

8J68 4700

| ITEM | PART NUMBER | QTY | BODY | MODEL | DESCRIPTION |
|-------|-------------|-----|------|-------|--------------------------------|
| 1-2 | 5501 5428-9 | 1 | | | DECAL, Fender, Black |
| 3-4 | 5501 5808-9 | 1 | | | DECAL, Door, Black |
| 5-6 | 5501 5810-1 | 1 | | | DECAL, Cab Rear Quarter, Black |
| 7-8 | 5502 0544-5 | 1 | | | DECAL, Cargo Box Side, Black |
| 9-10 | 5502 0548-9 | 1 | | | DECAL, Cargo Box Side, Black |
| 11-12 | 5501 5804-5 | 1 | | | DECAL, Door, Black |
| 13-14 | 5501 5822-3 | 1 | | | DECAL, Cab Rear Quarter, Black |
| 15-16 | 5502 0542-3 | 1 | | | DECAL, Cargo Box Side, Black |
| 17-18 | 5502 0546-7 | 1 | | | DECAL, Cargo Box Side, Black |
| 19-20 | 5501 5426-7 | 1 | | | DECAL, Hood, Black |
| 21 | 5501 5425 | 1 | | | DECAL, Grille Panel, Black |
| 22-23 | 5500 6800-1 | 1 | | | DECAL, Door Frame, Black |
| 24-25 | 5500 6798-9 | 1 | | | DECAL, Door Frame, Black |
| 26 | 5501 5820 | 1 | | | DECAL, Tailgate, Black |
| 27 | 5501 5868 | 1 | | | DECAL, Tailgate, Black |
| 28-29 | 5500 6220-1 | 1 | | | DECAL, Door, Black |



MODEL CODES:

- | | | |
|-----------------------------|-----------------------------|------------------------------|
| 15 = Grand Wagoneer 4 Dr. | 65 = Comanche 4WD-7 Ft. Box | 77 = Cherokee 4WD-2 Dr. |
| 25 = J-10 Pickup-119" W.B. | 66 = Comanche 2WD-7 Ft. Box | 78 = Cherokee 4WD-4 Dr. |
| 26 = J-10 Pickup-131" W.B. | 73 = Cherokee 2WD-2 Dr. | 79 = Cherokee 4WD-4 Dr.-Com |
| 27 = J-20 Pickup-131" W.B. | 74 = Cherokee 2WD-4 Dr. | 81 = Wrangler-93" W.B. |
| 63 = Comanche 4WD-6 Ft. Box | 75 = Wagoneer 4WD-4 Dr. | 82 = Wrangler-103" W.B.-Exp. |
| 64 = Comanche 2WD-6 Ft. Box | | |

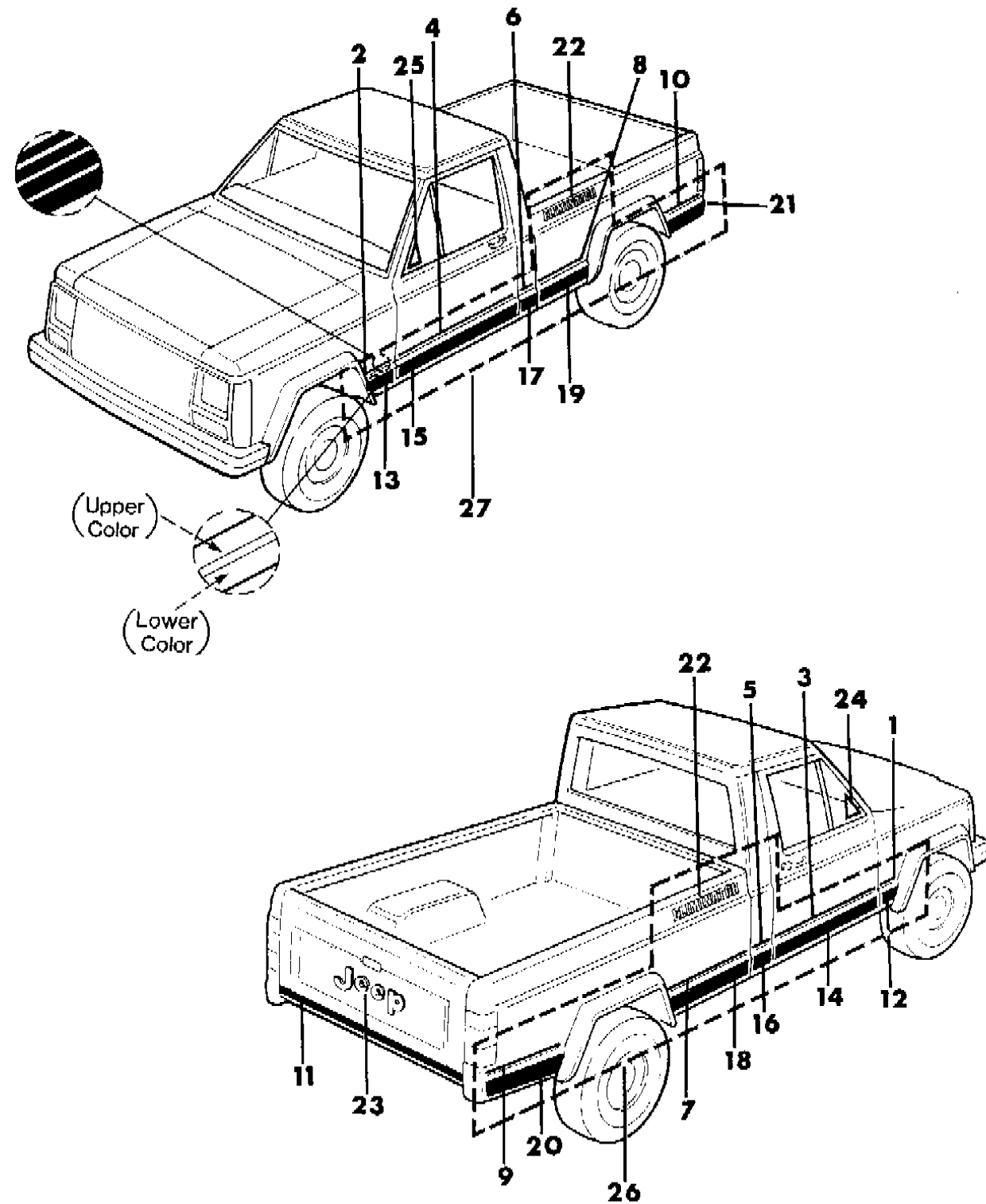
BODY STYLES:

- MJ = Comanche Pickup
- SJ = Grand Wagoneer Wgn., J-10 & J-20 Pickups
- XJ = Cherokee, Wagoneer Limited
- YJ = Wrangler

AR = Use as Required - = Non Illustrated Part P.A.R. = Paint as Required

DECALS, EXTERIOR ELIMINATOR, 1988-90 COMANCHE
Figure 23-4800

8J68 4800 A



| ITEM | PART NUMBER | QTY | BODY | MODEL | DESCRIPTION |
|-------|-------------|-----|------|-------|---|
| 1-2 | 5502 0036-7 | 1 | | | DECAL, Fender, Silver, 1988-89 |
| 3-4 | 5502 0040-1 | 1 | | | DECAL, Door, Silver, 1988-89 |
| 5-6 | 5502 0044-5 | 1 | | | DECAL, Cab Rear Quarter, Silver, 1988-89 |
| 7-8 | 5502 0048-9 | 1 | | | DECAL, Cargo Box Side, Silver, 1988-89 |
| 9-10 | 5502 0052-3 | 1 | | | DECAL, Cargo Box Side, Silver, 1988-89 |
| 11 | | | | | DECAL, Tailgate |
| | 5502 0058 | 1 | | | Silver, 1988-89 |
| | 5AM6 4JAU | 1 | | | Silver Metallic/Silver, 1990 |
| 12-13 | 5502 0038-9 | 1 | | | DECAL, Fender, Silver/Sterling, 1988-89 |
| 14-15 | 5502 0042-3 | 1 | | | DECAL, Door, Silver/Sterling, 1988-89 |
| 16-17 | 5502 0046-7 | 1 | | | DECAL, Cab Rear Quarter, Silver/Sterling, 1988-89 |
| 18-19 | 5502 0050-1 | 1 | | | DECAL, Cargo Box Side, Silver/Sterling, 1988-89 |
| 20-21 | 5502 0054-5 | 1 | | | DECAL, Cargo Box Side, Silver/Sterling, 1988-89 |
| 22 | 5502 0056 | 1 | | | DECAL, Cargo Box Side, Silver, 1988-89 |
| 23 | | | | | DECAL, "Jeep" |
| | 5501 3102 | 1 | | | Sterling, 1988-89 |
| | 5AE8 9JA2 | 1 | | | Sterling, 1990 |
| 24-25 | 5500 6220-1 | 1 | | | DECAL, Door, Black |
| 26-27 | 5252 756-7 | 1 | | | DECAL KIT, Body Side, Silver/Metalic Silver, 1990 *** |

MODEL CODES:

| | | |
|-----------------------------|-----------------------------|------------------------------|
| 15 = Grand Wagoneer 4 Dr. | 65 = Comanche 4WD-7 Ft. Box | 77 = Cherokee 4WD-2 Dr. |
| 25 = J-10 Pickup-119" W.B. | 66 = Comanche 2WD-7 Ft. Box | 78 = Cherokee 4WD-4 Dr. |
| 26 = J-10 Pickup-131" W.B. | 73 = Cherokee 2WD-2 Dr. | 79 = Cherokee 4WD-4 Dr.-Com |
| 27 = J-20 Pickup-131" W.B. | 74 = Cherokee 2WD-4 Dr. | 81 = Wrangler-93" W.B. |
| 63 = Comanche 4WD-6 Ft. Box | 75 = Wagoneer 4WD-4 Dr. | 82 = Wrangler-103" W.B.-Exp. |
| 64 = Comanche 2WD-6 Ft. Box | | |

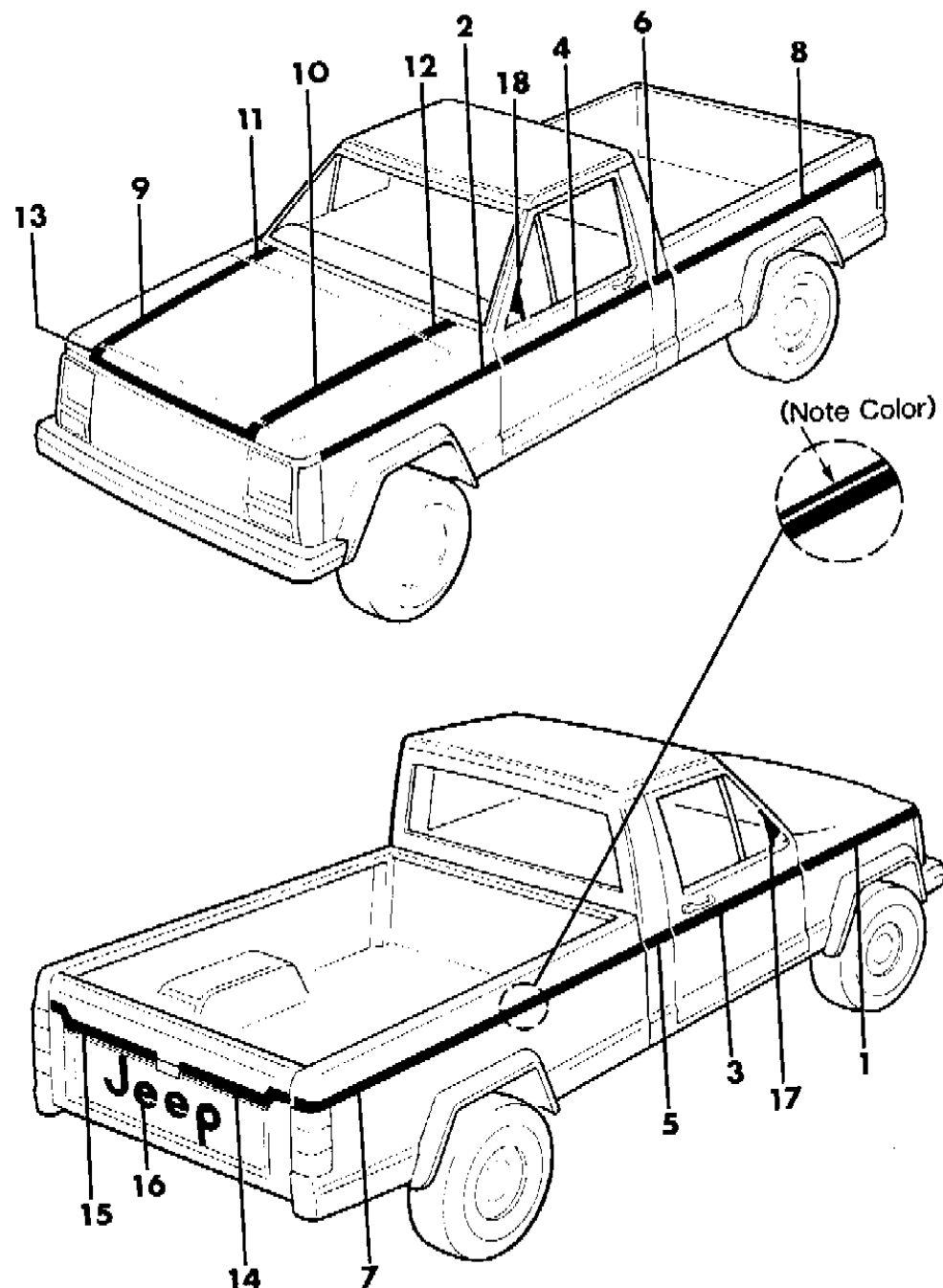
BODY STYLES:

MJ = Comanche Pickup
 SJ = Grand Wagoneer Wgn., J-10 & J-20 Pickups
 XJ = Cherokee, Wagoneer Limited
 YJ = Wrangler

AR = Use as Required - = Non Illustrated Part P.A.R. = Paint as Required

DECALS, EXTERIOR LAREDO, 1987 COMANCHE
Figure 23-4890

8J68 4890



| ITEM | PART NUMBER | QTY | BODY | MODEL | DESCRIPTION |
|-------|-------------|-----|------|-------|-------------------------|
| 1-2 | | | | | DECAL, Fender |
| | 5500 5972-3 | 1 | | | Dark Red |
| | 5501 4768-9 | 1 | | | Almond |
| | 5501 4752-3 | 1 | | | Silver |
| 3-4 | | | | | DECAL, Door, (MR) |
| | 5501 0446-7 | 1 | | | Dark Red |
| | 5501 4922-3 | 1 | | | Almond |
| | 5501 4914-5 | 1 | | | Silver |
| 5-6 | | | | | DECAL, Cab Rear Quarter |
| | 5501 0440-1 | 1 | | | Dark Red |
| | 5501 4920-1 | 1 | | | Almond |
| | 5501 4912-3 | 1 | | | Silver |
| 7-8 | | | | | DECAL, Cargo Box Side |
| | 5501 0446-7 | 1 | | | Dark Red |
| | 5501 4922-3 | 1 | | | Almond |
| | 5501 4914-5 | 1 | | | Silver |
| 9-10 | | | | | DECAL, Hood, (MR) |
| | 5501 0446-7 | 1 | | | Dark Red |
| | 5501 4922-3 | 1 | | | Almond |
| | 5501 4914-5 | 1 | | | Silver |
| 11-12 | | | | | DECAL, Cowl |
| | 5500 5970-1 | 1 | | | Dark Red |
| | 5501 4766-7 | 1 | | | Almond |
| | 5501 4750-1 | 1 | | | Silver |
| 13 | | | | | DECAL, Grille Panel |
| | 5500 5966 | 1 | | | Dark Red |
| | 5501 4763 | 1 | | | Almond |
| | 5501 4747 | 1 | | | Silver |
| 14-15 | | | | | DECAL, Tailgate |
| | 5501 3638-9 | 1 | | | Dark Red |
| | 5501 4924-5 | 1 | | | Almond |
| | 5501 4916-7 | 1 | | | Silver |
| 16 | | | | | DECAL, Jeep |
| | 5501 0455 | 1 | | | Dark Red |
| | 5501 4926 | 1 | | | Almond |
| | 5501 4918 | 1 | | | Silver |
| 17-18 | 5500 6220-1 | 1 | | | DECAL, Door (Black) |

MODEL CODES:

| | | |
|-----------------------------|-----------------------------|------------------------------|
| 15 = Grand Wagoneer 4 Dr. | 65 = Comanche 4WD-7 Ft. Box | 77 = Cherokee 4WD-2 Dr. |
| 25 = J-10 Pickup-119" W.B. | 66 = Comanche 2WD-7 Ft. Box | 78 = Cherokee 4WD-4 Dr. |
| 26 = J-10 Pickup-131" W.B. | 73 = Cherokee 2WD-2 Dr. | 79 = Cherokee 4WD-4 Dr.-Com |
| 27 = J-20 Pickup-131" W.B. | 74 = Cherokee 2WD-4 Dr. | 81 = Wrangler-93" W.B. |
| 63 = Comanche 4WD-6 Ft. Box | 75 = Wagoneer 4WD-4 Dr. | 82 = Wrangler-103" W.B.-Exp. |
| 64 = Comanche 2WD-6 Ft. Box | | |

BODY STYLES:

MJ = Comanche Pickup
 SJ = Grand Wagoneer Wgn., J-10 & J-20 Pickups
 XJ = Cherokee, Wagoneer Limited
 YJ = Wrangler

AR = Use as Required - = Non Illustrated Part P.A.R. = Paint as Required

DECALS, EXTERIOR LAREDO, 1988 COMANCHE
Figure 23-4900

8J68 4900

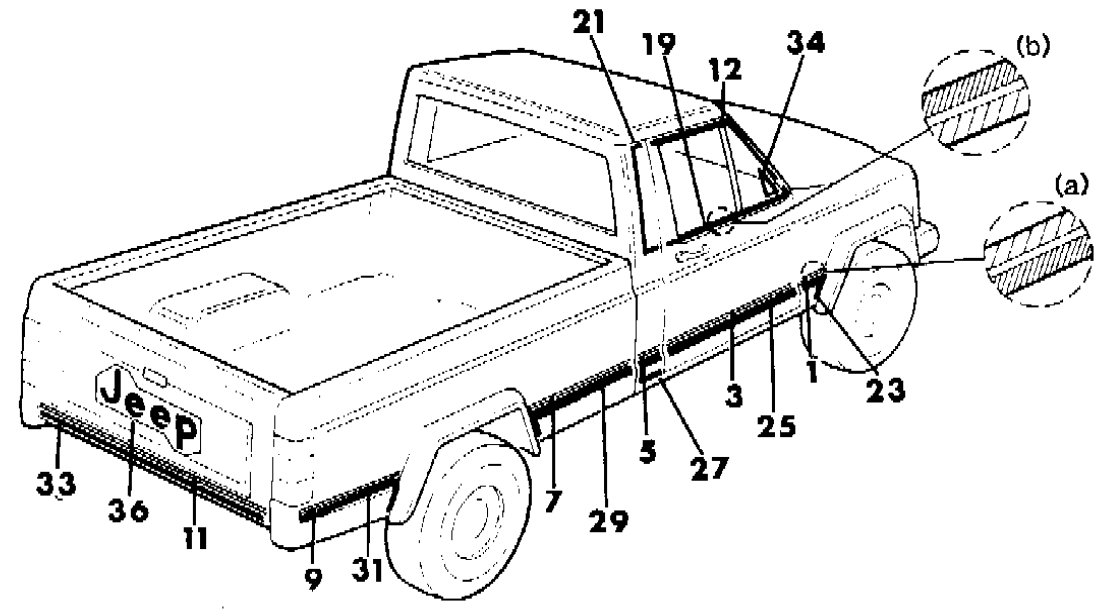
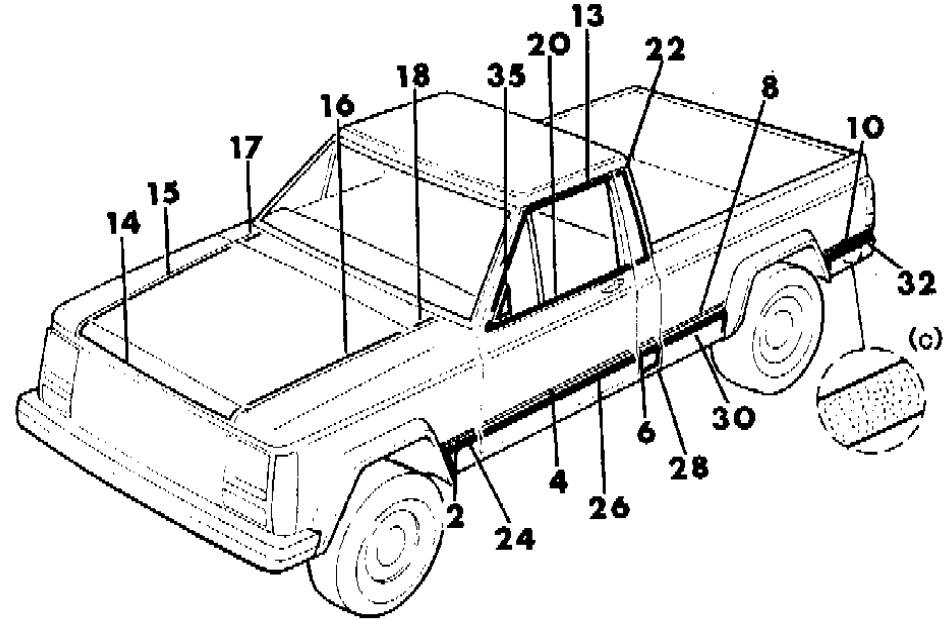
| ITEM | PART NUMBER | QTY | BODY | MODEL | DESCRIPTION |
|-------|-------------|-----|------|-------|--|
| 1-2 | 5501 9410-1 | 1 | | | DECAL, Fender, Light Silver/Argent, (MR) |
| 3-4 | 5501 9410-1 | 1 | | | DECAL, Door, Light Silver/Argent, (MR) |
| 5-6 | 5501 9410-1 | 1 | | | DECAL, Cab Rear Quarter, Light Silver/Argent, (MR) |
| 7-8 | 5501 9410-1 | 1 | | | DECAL, Cargo Box Side, Light Silver/Argent, (MR) |
| 9-10 | 5501 6940-1 | 1 | | | DECAL, Cargo Box Side, Light Silver/Argent, (MR) |
| 11 | 5501 6942 | 1 | | | DECAL, Tailgate, Light Silver/Argent |
| 12-13 | 5501 9446-7 | 1 | | | DECAL, Door Frame, Light Silver/Argent |
| 14 | 5501 6926 | 1 | | | DECAL, Grille Panel, Argent/Light Silver |
| 15-16 | 5501 6928-9 | 1 | | | DECAL, Hood, Argent/Light Silver |
| 17-18 | 5501 6930-1 | 1 | | | DECAL, Cowl, Argent/Light Silver |
| 19-20 | 5501 9448-9 | 1 | | | DECAL, Door Frame, Argent/Light Silver |
| 21-22 | 5501 9462-3 | 1 | | | DECAL, Cab Rear Quarter, Argent/Light Silver |
| 23-24 | 5501 9422-3 | 1 | | | DECAL, Fender, Grey Textured |
| 25-26 | 5501 9426-7 | 1 | | | DECAL, Fender, Grey Textured |
| 27-28 | 5501 9434-5 | 1 | | | DECAL, Cab Rear Quarter, Grey Textured |
| 29-30 | 5501 9436-7 | 1 | | | DECAL, Cargo Box Side, Grey Textured |
| 31-32 | 5501 9440-1 | 1 | | | DECAL, Cargo Box Side, Grey Textured |
| 33 | 5501 9421 | 1 | | | DECAL, Tailgate, Grey Textured |
| 34-35 | 5500 6220-1 | 1 | | | DECAL, Door, Black |
| 36 | 5501 3102 | 1 | | | DECAL, "Jeep", Sterling |

(MR) Modification Required. (A) For 1987, two types of instrument clusters were used. On type one, Clusters, the odometer numbers are rounded, the Speedometer face has (2) slotte

- MODEL CODES:
- | | | |
|-----------------------------|-----------------------------|------------------------------|
| 15 = Grand Wagoneer 4 Dr. | 65 = Comanche 4WD-7 Ft. Box | 77 = Cherokee 4WD-2 Dr. |
| 25 = J-10 Pickup-119" W.B. | 66 = Comanche 2WD-7 Ft. Box | 78 = Cherokee 4WD-4 Dr. |
| 26 = J-10 Pickup-131" W.B. | 73 = Cherokee 2WD-2 Dr. | 79 = Cherokee 4WD-4 Dr.-Com |
| 27 = J-20 Pickup-131" W.B. | 74 = Cherokee 2WD-4 Dr. | 81 = Wrangler-93" W.B. |
| 63 = Comanche 4WD-6 Ft. Box | 75 = Wagoneer 4WD-4 Dr. | 82 = Wrangler-103" W.B.-Exp. |
| 64 = Comanche 2WD-6 Ft. Box | | |

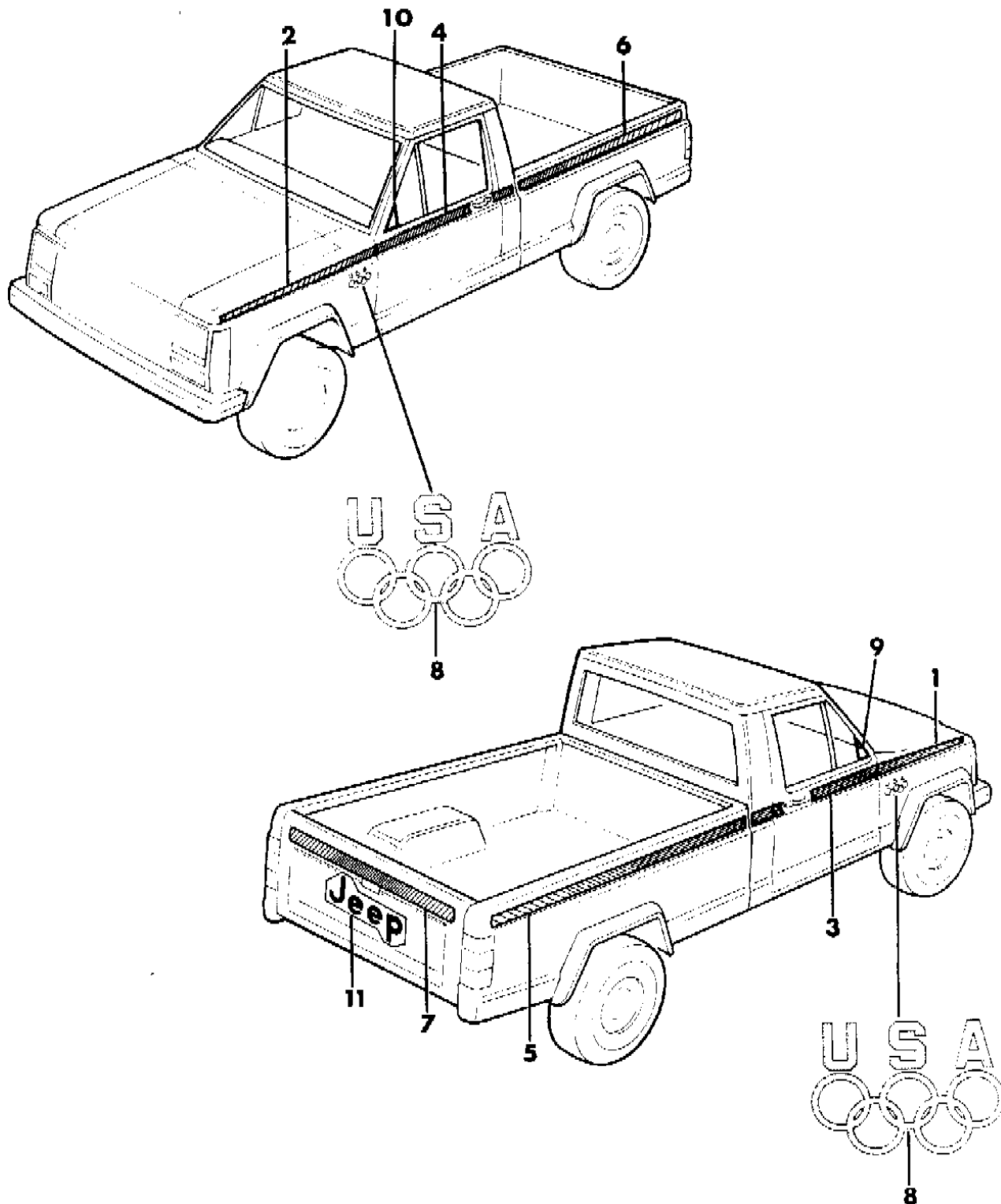
- BODY STYLES:
- MJ = Comanche Pickup
 - SJ = Grand Wagoneer Wgn., J-10 & J-20 Pickups
 - XJ = Cherokee, Wagoneer Limited
 - YJ = Wrangler

AR = Use as Required - = Non Illustrated Part P.A.R. = Paint as Required



DECALS, EXTERIOR OLYMPIC, 1988 COMANCHE
Figure 23-5000

8J68 5000



| ITEM | PART NUMBER | QTY | BODY | MODEL | DESCRIPTION |
|------|-------------|-----|------|-------|--|
| 1-2 | 5502 1406-7 | 1 | | | DECAL, Fender, Gold |
| 3-4 | 5502 1408-9 | 1 | | | DECAL, Door And Quarter, Gold |
| 5-6 | 5502 1410-1 | 1 | | | DECAL, Cargo Box Side, Gold, (MR) for 6' pickup box applications |
| 7 | 5502 1412 | 1 | | | DECAL, Tailgate, Gold |
| 8 | 5502 1413 | 2 | | | DECAL, "Olympic", Gold |
| 9-10 | 5500 6220-1 | 1 | | | DECAL, Door, Black |
| 11 | 5502 1414 | 1 | | | DECAL, "Jeep", Gold |

(MR) Modification Required. (A) For 1987, two types of instrument clusters were used. On type one, Clusters, the odometer numbers are rounded, the Speedometer face has (2) slotte

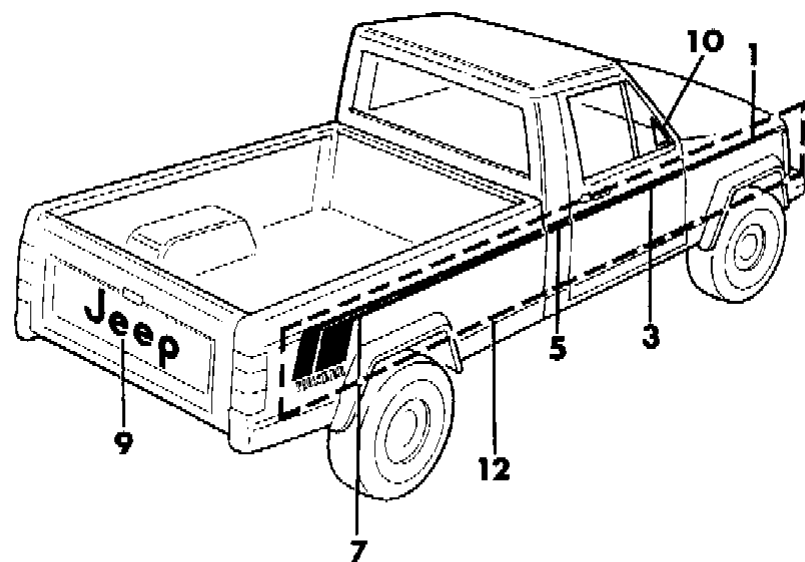
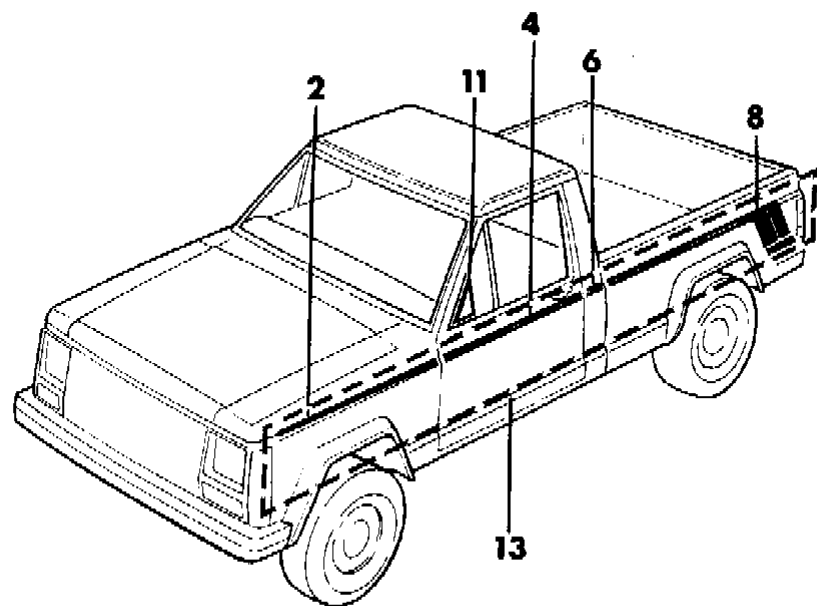
MODEL CODES:
 15 = Grand Wagoneer 4 Dr. 65 = Comanche 4WD-7 Ft. Box 77 = Cherokee 4WD-2 Dr.
 25 = J-10 Pickup-119" W.B. 66 = Comanche 2WD-7 Ft. Box 78 = Cherokee 4WD-4 Dr.
 26 = J-10 Pickup-131" W.B. 73 = Cherokee 2WD-2 Dr. 79 = Cherokee 4WD-4 Dr.-Com
 27 = J-20 Pickup-131" W.B. 74 = Cherokee 2WD-4 Dr. 81 = Wrangler-93" W.B.
 63 = Comanche 4WD-6 Ft. Box 75 = Wagoneer 4WD-4 Dr. 82 = Wrangler-103" W.B.-Exp.
 64 = Comanche 2WD-6 Ft. Box

BODY STYLES:
 MJ = Comanche Pickup
 SJ = Grand Wagoneer Wgn., J-10 & J-20 Pickups
 XJ = Cherokee, Wagoneer Limited
 YJ = Wrangler

AR = Use as Required - = Non Illustrated Part P.A.R. = Paint as Required

DECALS, EXTERIOR PIONEER, 1988-90 COMANCHE
Figure 23-5100

8J68 5100 A



| ITEM | PART NUMBER | QTY | BODY | MODEL | DESCRIPTION |
|-------|-------------|-----|------|-------|---|
| 1-2 | | | | | DECAL, Fender |
| | 5501 9954-5 | 1 | | | Red/Dark Red, 1988-89 |
| | 5501 9934-5 | 1 | | | Light Silver/Dark Silver, 1988-89 |
| | 5501 9944-5 | 1 | | | Light Tan/Dark Tan, 1988 |
| | 5502 1700-1 | 1 | | | Light Sand Tan/Dark Sand Tan, 1989 |
| 3-4 | | | | | DECAL, Door |
| | 5501 9956-7 | 1 | | | Red/Dark Red, 1988-89 |
| | 5501 9936-7 | 1 | | | Light Silver/Dark Silver, 1988-89 |
| | 5501 9946-7 | 1 | | | Light Tan/Dark Tan, 1988 |
| | 5502 1702-3 | 1 | | | Light Sand Tan/Dark Sand Tan, 1989 |
| 5-6 | | | | | DECAL, Cab Rear Quarter |
| | 5501 9958-9 | 1 | | | Red/Dark Red, 1988-89 |
| | 5501 9938-9 | 1 | | | Light Silver/Dark Silver, 1988-89 |
| | 5501 9948-9 | 1 | | | Light Tan/Dark Tan, 1988 |
| | 5502 1704-5 | 1 | | | Light Sand Tan/Dark Sand Tan, 1989 |
| 7-8 | | | | | DECAL, Cargo Box Side, w/6 ft. pickup box |
| | 5501 9960-1 | 1 | | | Red/Dark Red, 1988-89 |
| | 5501 9940-1 | 1 | | | Light Silver/Dark Silver, 1988-89 |
| | 5501 9950-1 | 1 | | | Light Tan/Dark Tan, 1988 |
| | 5502 1706-7 | 1 | | | Light Sand Tan/Dark Sand Tan, 1989 |
| | | | | | DECAL, Cargo Box Side, w/7 ft. pickup box |
| | 5501 9962-3 | 1 | | | Red/Dark Red, 1988-89 |
| | 5501 9942-3 | 1 | | | Light Silver/Dark Silver, 1988-89 |
| | 5501 9952-3 | 1 | | | Light Tan/Dark Tan, 1988 |
| | 5502 1708-9 | 1 | | | Light Sand Tan/Dark Sand Tan, 1989 |
| 9 | | | | | DECAL, "Jeep" |
| | | | | | Red |
| | 5501 9159 | 1 | | | 1988-89 |
| | 5AE8 9JR4 | 1 | | | 1990 |
| | | | | | Medium Silver |
| | 5501 5498 | 1 | | | 1988-89 |
| | 5AE8 9JA5 | 1 | | | 1990 |
| | 5501 5499 | 1 | | | Tan, 1988 |
| | | | | | Sand |
| | 5502 1699 | 1 | | | 1989 |
| | 5AE8 9JK2 | 1 | | | 1990 |
| 10-11 | 5500 6220-1 | 1 | | | DECAL, Door, Black |

MODEL CODES:

| | | |
|-----------------------------|-----------------------------|------------------------------|
| 15 = Grand Wagoneer 4 Dr. | 65 = Comanche 4WD-7 Ft. Box | 77 = Cherokee 4WD-2 Dr. |
| 25 = J-10 Pickup-119" W.B. | 66 = Comanche 2WD-7 Ft. Box | 78 = Cherokee 4WD-4 Dr. |
| 26 = J-10 Pickup-131" W.B. | 73 = Cherokee 2WD-2 Dr. | 79 = Cherokee 4WD-4 Dr.-Com |
| 27 = J-20 Pickup-131" W.B. | 74 = Cherokee 2WD-4 Dr. | 81 = Wrangler-93" W.B. |
| 63 = Comanche 4WD-6 Ft. Box | 75 = Wagoneer 4WD-4 Dr. | 82 = Wrangler-103" W.B.-Exp. |
| 64 = Comanche 2WD-6 Ft. Box | | |

BODY STYLES:

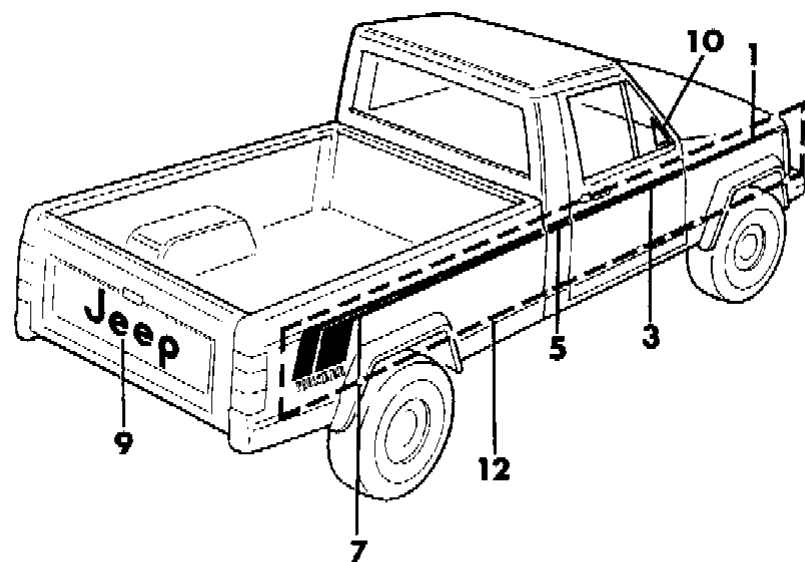
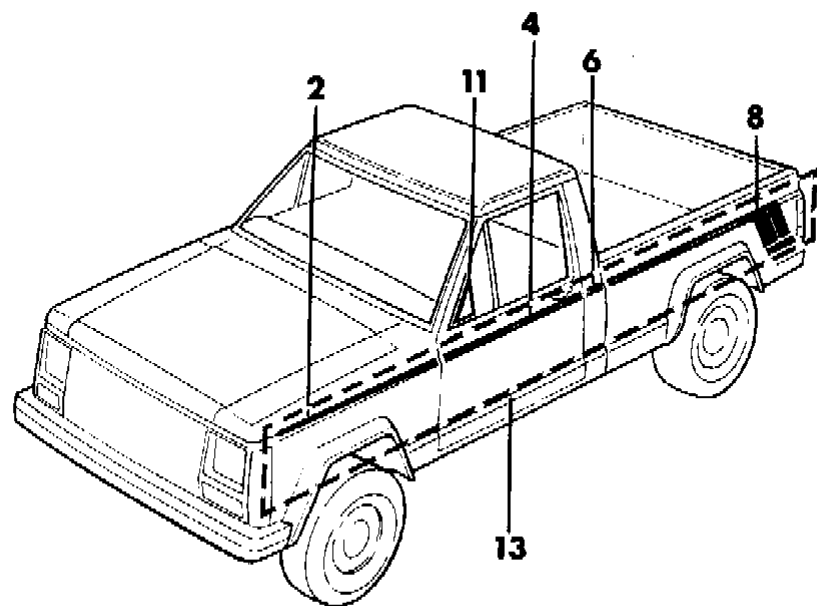
MJ = Comanche Pickup
 SJ = Grand Wagoneer Wgn., J-10 & J-20 Pickups
 XJ = Cherokee, Wagoneer Limited
 YJ = Wrangler

AR = Use as Required - = Non Illustrated Part P.A.R. = Paint as Required

DECALS, EXTERIOR PIONEER, 1988-90 COMANCHE
Figure 23-5100

8J68 5100 A

| ITEM | PART NUMBER | QTY | BODY | MODEL | DESCRIPTION |
|-------|-------------|-----|------|-------|--------------------------|
| 12-13 | | | | | DECAL KIT, Body Side *** |
| | | | | | Red/Dark Red |
| | 5252 798-9 | 1 | | | 1990 with 6 foot box |
| | 5252 804-5 | 1 | | | 1990 with 7 foot box |
| | | | | | Light Silver/Dark Silver |
| | 5252 794-5 | 1 | | | 1990 with 6 foot box |
| | 5252 540-1 | 1 | | | 1990 with 7 foot box |
| | | | | | Light Sand/Dark Sand |
| | 5252 796-7 | 1 | | | 1990 with 6 foot box |
| | 5252 634-5 | 1 | | | 1990 with 7 foot box |



MODEL CODES:

| | | |
|-----------------------------|-----------------------------|------------------------------|
| 15 = Grand Wagoneer 4 Dr. | 65 = Comanche 4WD-7 Ft. Box | 77 = Cherokee 4WD-2 Dr. |
| 25 = J-10 Pickup-119" W.B. | 66 = Comanche 2WD-7 Ft. Box | 78 = Cherokee 4WD-4 Dr. |
| 26 = J-10 Pickup-131" W.B. | 73 = Cherokee 2WD-2 Dr. | 79 = Cherokee 4WD-4 Dr.-Com |
| 27 = J-20 Pickup-131" W.B. | 74 = Cherokee 2WD-4 Dr. | 81 = Wrangler-93" W.B. |
| 63 = Comanche 4WD-6 Ft. Box | 75 = Wagoneer 4WD-4 Dr. | 82 = Wrangler-103" W.B.-Exp. |
| 64 = Comanche 2WD-6 Ft. Box | | |

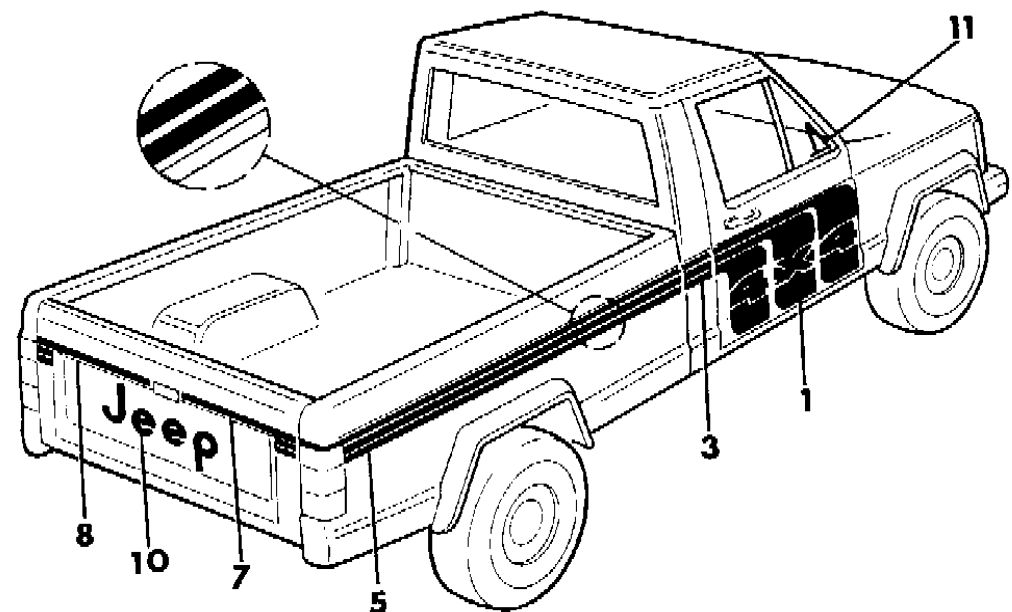
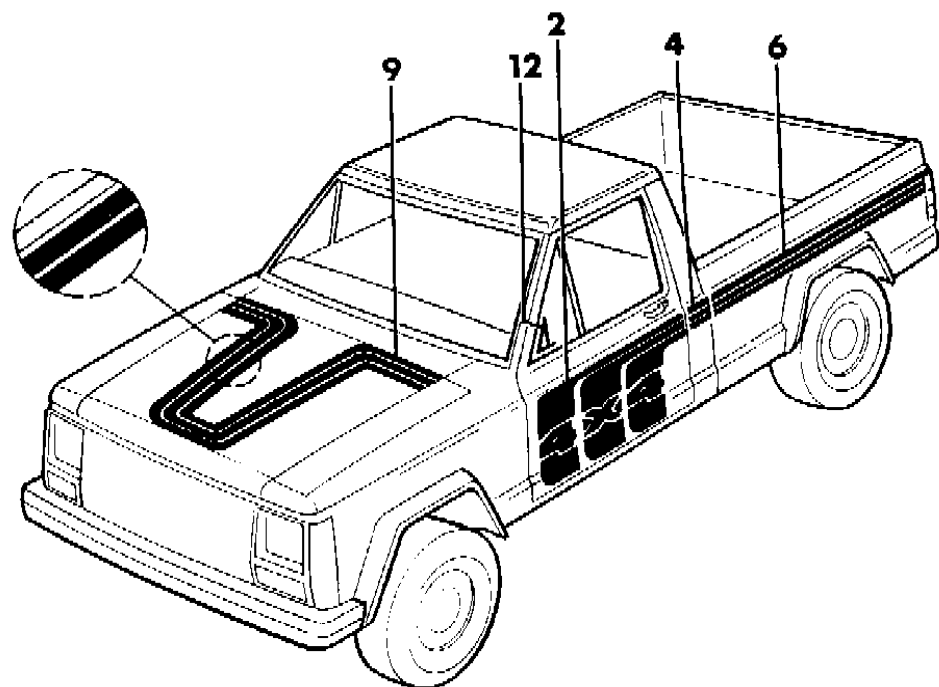
BODY STYLES:

MJ = Comanche Pickup
SJ = Grand Wagoneer Wgn., J-10 & J-20 Pickups
XJ = Cherokee, Wagoneer Limited
YJ = Wrangler

AR = Use as Required - = Non Illustrated Part P.A.R. = Paint as Required

DECALS, EXTERIOR SPORT, 1987 COMANCHE
Figure 23-5190

8J68 5190



| ITEM | PART NUMBER | QTY | BODY | MODEL | DESCRIPTION |
|-------|-------------|-----|------|-------|--|
| 1-2 | | | | | DECAL, Door |
| | 5501 5490-1 | 1 | | | Dark Red/Medium Blue/Light Red |
| | 5501 5468-9 | 1 | | | Dark Silver/Medium Silver/Light Silver |
| | 5501 5480-1 | 1 | | | Dark Tan/Medium Tan/Light Tan |
| 3-4 | | | | | DECAL, Cab Rear Quarter |
| | 5501 5492-3 | 1 | | | Dark Red/Medium Red/Light Red |
| | 5501 5470-1 | 1 | | | Dark Silver/Medium Silver/Light Silver |
| | 5501 5482-3 | 1 | | | Dark Tan/Medium Tan/Light Tan |
| 5-6 | | | | | DECAL, Cargo Box Side |
| | 5501 5494-5 | 1 | | | Dark Red/Medium Red/Light Red |
| | 5501 5472-3 | 1 | | | Dark Silver/Medium Silver/Light Silver |
| | 5501 5484-5 | 1 | | | Dark Tan/Medium Tan/Light Tan |
| 7-8 | | | | | DECAL, Tailgate |
| | 5501 5496-7 | 1 | | | Dark Red/Medium Red/Light Red |
| | 5501 5474-5 | 1 | | | Dark Silver/Medium Silver/Light Silver |
| | 5501 5486-7 | 1 | | | Dark Tan/Medium Tan/Light Tan |
| 9 | | | | | DECAL, Hood |
| | 5501 5488 | 1 | | | Light Red/Medium Red/Dark Red |
| | 5501 5466 | 1 | | | Light Silver/Medium Silver/Dark Silver |
| | 5501 5478 | 1 | | | Light Tan/Medium Tan/Dark Tan |
| 10 | | | | | DECAL, Tailgate |
| | 5501 5500 | 1 | | | Light Orange |
| | 5501 5498 | 1 | | | Light Silver |
| | 5501 5499 | 1 | | | Light Tan |
| 11-12 | 5500 6220-1 | 1 | | | DECAL, Door (Black) |

MODEL CODES:

| | | |
|-----------------------------|-----------------------------|------------------------------|
| 15 = Grand Wagoneer 4 Dr. | 65 = Comanche 4WD-7 Ft. Box | 77 = Cherokee 4WD-2 Dr. |
| 25 = J-10 Pickup-119" W.B. | 66 = Comanche 2WD-7 Ft. Box | 78 = Cherokee 4WD-4 Dr. |
| 26 = J-10 Pickup-131" W.B. | 73 = Cherokee 2WD-2 Dr. | 79 = Cherokee 4WD-4 Dr.-Com |
| 27 = J-20 Pickup-131" W.B. | 74 = Cherokee 2WD-4 Dr. | 81 = Wrangler-93" W.B. |
| 63 = Comanche 4WD-6 Ft. Box | 75 = Wagoneer 4WD-4 Dr. | 82 = Wrangler-103" W.B.-Exp. |
| 64 = Comanche 2WD-6 Ft. Box | | |

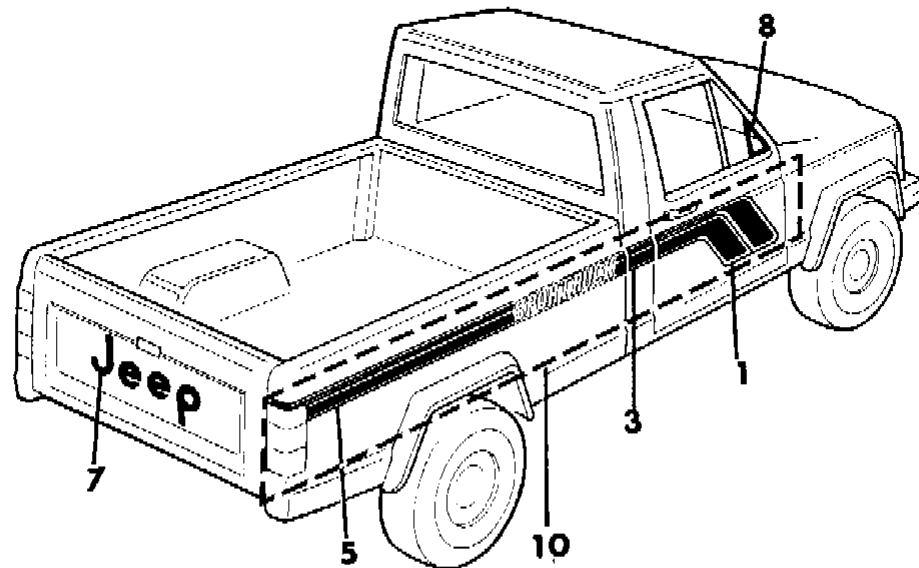
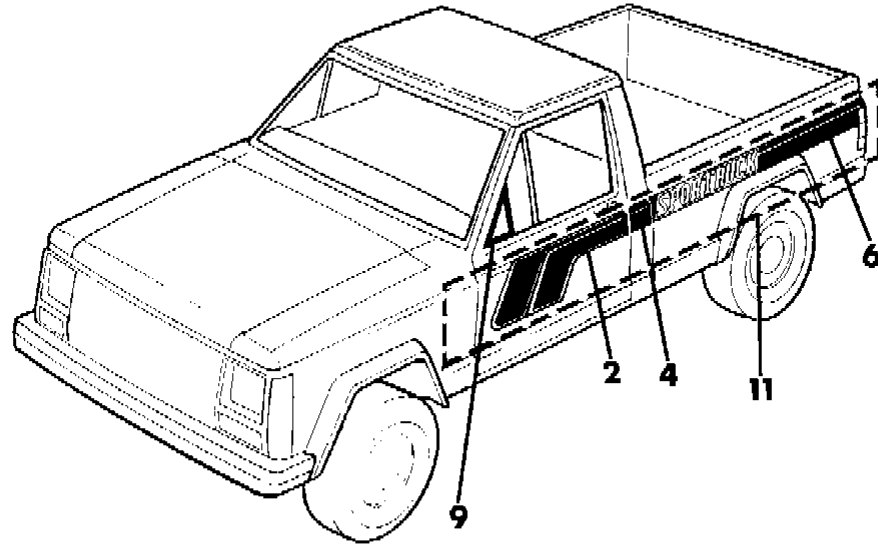
BODY STYLES:

MJ = Comanche Pickup
 SJ = Grand Wagoneer Wgn., J-10 & J-20 Pickups
 XJ = Cherokee, Wagoneer Limited
 YJ = Wrangler

AR = Use as Required - = Non Illustrated Part P.A.R. = Paint as Required

DECALS, EXTERIOR SPORTRUCK COMANCHE
Figure 23-5200

8J68 5200 A



| ITEM | PART NUMBER | QTY | BODY | MODEL | DESCRIPTION |
|-------|-------------|-----|------|-------|--------------------------|
| 1-2 | | | | | DECAL, Door |
| | 5501 7660-1 | 1 | | | Black, 1987-89 |
| | 5502 0136-7 | 1 | | | Gold, 1988 |
| | 5502 0144-5 | 1 | | | Red, 1988-89 |
| | 5501 7654-5 | 1 | | | Silver, 1987-89 |
| | 5502 1710-1 | 1 | | | Sand Tan, 1989 |
| 3-4 | | | | | DECAL, Cab Rear Quarter |
| | 5501 7662-3 | 1 | | | Black, 1987-89 |
| | 5502 0138-9 | 1 | | | Gold, 1988 |
| | 5502 0146-7 | 1 | | | Red, 1988-89 |
| | 5501 7656-7 | 1 | | | Silver, 1987-89 |
| | 5502 1712-3 | 1 | | | Sand Tan, 1989 |
| 5-6 | | | | | DECAL, Cargo Box Side |
| | 5501 7664-5 | 1 | | | Black, 1987-89 |
| | 5502 0140-1 | 1 | | | Gold, 1988 |
| | 5502 0148-9 | 1 | | | Red, 1988-89 |
| | 5501 7658-9 | 1 | | | Silver, 1987-89 |
| | 5502 1714-5 | 1 | | | Sand Tan, 1989 |
| 7 | | | | | DECAL, Tailgate |
| | 5501 5868 | 1 | | | Black, 1987-89 |
| | 5AE8 9JX3 | 1 | | | Black, 1990 |
| | 5502 0142 | 1 | | | Gold, 1988 |
| | 5502 0143 | 1 | | | Red, 1988-89 |
| | 5AE8 9JR7 | 1 | | | Dark Red, 1990 |
| | 5501 3102 | 1 | | | Silver, 1987-89 |
| | 5AE8 9JA2 | 1 | | | Sterling Silver, 1990 |
| | 5502 1699 | 1 | | | Sand Tan, 1989 |
| | 5AE8 9JK2 | 1 | | | Light Sand, 1990 |
| 8-9 | 5500 6220-1 | 1 | | | DECAL, Door, Black |
| 10-11 | | | | | DECAL KIT, Body Side *** |
| | 5252 748-9 | 1 | | | Black, 1990 |
| | 5252 754-5 | 1 | | | Dark Red, 1990 |
| | 5252 750-1 | 1 | | | Sterling Silver, 1990 |
| | 5252 752-3 | 1 | | | Light Sand, 1990 |

MODEL CODES:

| | | |
|-----------------------------|-----------------------------|------------------------------|
| 15 = Grand Wagoneer 4 Dr. | 65 = Comanche 4WD-7 Ft. Box | 77 = Cherokee 4WD-2 Dr. |
| 25 = J-10 Pickup-119" W.B. | 66 = Comanche 2WD-7 Ft. Box | 78 = Cherokee 4WD-4 Dr. |
| 26 = J-10 Pickup-131" W.B. | 73 = Cherokee 2WD-2 Dr. | 79 = Cherokee 4WD-4 Dr.-Com |
| 27 = J-20 Pickup-131" W.B. | 74 = Cherokee 2WD-4 Dr. | 81 = Wrangler-93" W.B. |
| 63 = Comanche 4WD-6 Ft. Box | 75 = Wagoneer 4WD-4 Dr. | 82 = Wrangler-103" W.B.-Exp. |
| 64 = Comanche 2WD-6 Ft. Box | | |

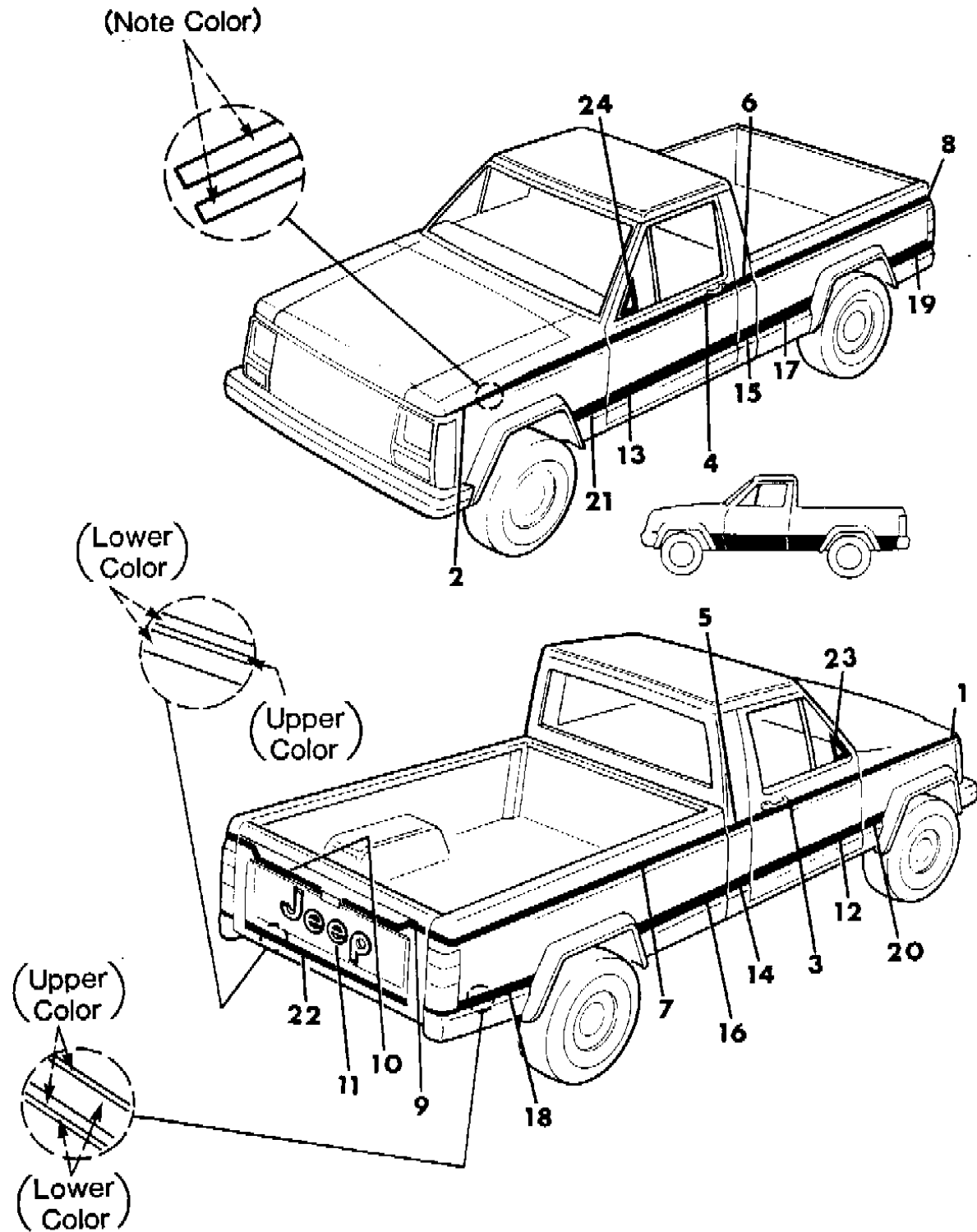
BODY STYLES:

MJ = Comanche Pickup
SJ = Grand Wagoneer Wgn., J-10 & J-20 Pickups
XJ = Cherokee, Wagoneer Limited
YJ = Wrangler

AR = Use as Required - = Non Illustrated Part P.A.R. = Paint as Required

DECALS, EXTERIOR SPORT 2 TONE, 1987-88 COMANCHE
Figure 23-5300

8 J68 5300



| ITEM | PART NUMBER | QTY | BODY | MODEL | DESCRIPTION |
|------|-------------|-----|------|-------|-------------------------------------|
| 1-2 | | | | | DECAL, Fender |
| | 5501 6098-9 | 1 | | | Briarwood, 1987 |
| | 5501 6118-9 | 1 | | | Medium Blue, 1987 |
| | 5501 7132-3 | 1 | | | Dover Grey, 1988 |
| | 5501 7292-3 | 1 | | | Bronze, 1988 |
| | 5501 6056-7 | 1 | | | Sterling, 1987-88 |
| | 5501 7332-3 | 1 | | | Coffee, 1988 |
| 3-4 | | | | | DECAL, Door, (MR) |
| | 5501 6104-5 | 1 | | | Briarwood, 1987 |
| | 5501 6124-5 | 1 | | | Medium Blue, 1987 |
| | 5501 7132-3 | 1 | | | Dover Grey, 1988 |
| | 5501 7292-3 | 1 | | | Bronze, 1988 |
| | 5501 6056-7 | 1 | | | Sterling, 1987-88 |
| | 5501 7332-3 | 1 | | | Coffee, 1988 |
| 5 | | | | | DECAL, Cab Rear Quarter, Right (MR) |
| | 5501 6099 | 1 | | | Briarwood, 1987 |
| | 5501 6119 | 1 | | | Medium Blue, 1987 |
| | 5501 7133 | 1 | | | Dover Grey, 1988 |
| | 5501 7293 | 1 | | | Bronze, 1988 |
| | 5501 6057 | 1 | | | Sterling, 1987-88 |
| | 5501 7333 | 1 | | | Coffee, 1988 |
| 6 | | | | | DECAL, Cab Rear Quarter, Left (MR) |
| | 5501 6098 | 1 | | | Briarwood, 1987 |
| | 5501 6118 | 1 | | | Medium Blue, 1987 |
| | 5501 7132 | 1 | | | Dover Grey, 1988 |
| | 5501 7292 | 1 | | | Bronze, 1988 |
| | 5501 6056 | 1 | | | Sterling, 1987-88 |
| | 5501 7332 | 1 | | | Coffee, 1988 |
| 7-8 | | | | | DECAL, Cargo Box Side |
| | 5501 6104-5 | 1 | | | Briarwood, 1987 |
| | 5501 6124-5 | 1 | | | Medium Blue, 1987 |
| | 5501 7138-9 | 1 | | | Dover Grey, 1988 |
| | 5501 7298-9 | 1 | | | Bronze, 1988 |
| | 5501 6062-3 | 1 | | | Sterling, 1987-88 |
| | 5501 7338-9 | 1 | | | Coffee, 1988 |
| 9-10 | | | | | DECAL, Tailgate |
| | 5501 6096-7 | 1 | | | Briarwood, 1987 |

MODEL CODES:

| | | |
|-----------------------------|-----------------------------|------------------------------|
| 15 = Grand Wagoneer 4 Dr. | 65 = Comanche 4WD-7 Ft. Box | 77 = Cherokee 4WD-2 Dr. |
| 25 = J-10 Pickup-119" W.B. | 66 = Comanche 2WD-7 Ft. Box | 78 = Cherokee 4WD-4 Dr. |
| 26 = J-10 Pickup-131" W.B. | 73 = Cherokee 2WD-2 Dr. | 79 = Cherokee 4WD-4 Dr.-Com |
| 27 = J-20 Pickup-131" W.B. | 74 = Cherokee 2WD-4 Dr. | 81 = Wrangler-93" W.B. |
| 63 = Comanche 4WD-6 Ft. Box | 75 = Wagoneer 4WD-4 Dr. | 82 = Wrangler-103" W.B.-Exp. |
| 64 = Comanche 2WD-6 Ft. Box | | |

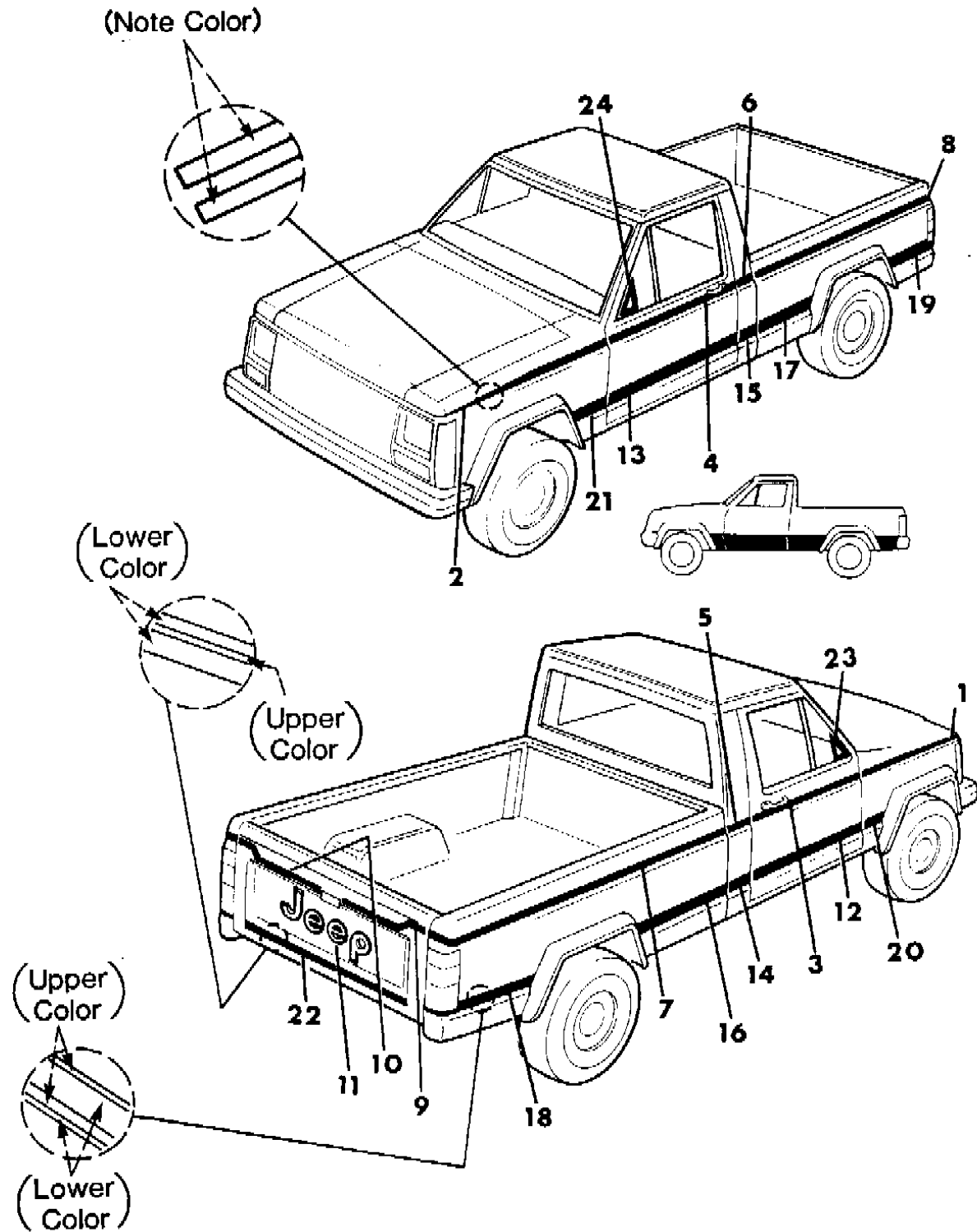
BODY STYLES:

MJ = Comanche Pickup
 SJ = Grand Wagoneer Wgn., J-10 & J-20 Pickups
 XJ = Cherokee, Wagoneer Limited
 YJ = Wrangler

AR = Use as Required - = Non Illustrated Part P.A.R. = Paint as Required

DECALS, EXTERIOR SPORT 2 TONE, 1987-88 COMANCHE
Figure 23-5300

8 J68 5300



| ITEM | PART NUMBER | QTY | BODY | MODEL | DESCRIPTION |
|-------|-------------|-----|------|-------|--|
| | 5501 6116-7 | 1 | | | Medium Blue, 1987 |
| | 5501 7140-1 | 1 | | | Dover Grey, 1988 |
| | 5501 7300-1 | 1 | | | Bronze, 1988 |
| | 5501 6054-5 | 1 | | | Sterling, 1987-88 |
| | 5501 7340-1 | 1 | | | Coffee, 1988 |
| 11 | | | | | DECAL, "Jeep" |
| | 5501 4800 | 1 | | | Briarwood, 1987 |
| | 5501 3101 | 1 | | | Medium Blue, 1987 |
| | 5501 6998 | 1 | | | Dover Grey, 1988 |
| | 5501 7302 | 1 | | | Bronze, 1988 |
| | 5501 3102 | 1 | | | Sterling, 1987-88 |
| | 5501 7342 | 1 | | | Coffee, 1988 |
| 12-13 | | | | | DECAL, Door |
| | 5501 6092-3 | 1 | | | Beige/Briarwood/Beige/Briarwood, 1987 |
| | 5501 6050-1 | 1 | | | Charcoal/Sterling/Charcoal/Sterling, 1987 |
| | 5501 6112-3 | 1 | | | White/Medium Blue/White/Medium Blue, 1987 |
| | 5501 7124-5 | 1 | | | Black/Dover Grey/Black/Dover Grey, 1988 |
| | 5501 7284-5 | 1 | | | Briarwood/Bronze/Briarwood/Bronze, 1988 |
| | 5501 7224-5 | 1 | | | Dk. Baltic/Sterling/Dk. Baltic/Sterling, 1988 |
| | 5501 7154-5 | 1 | | | Dover Grey/Sterling/Dover Grey/Sterling, 1988 |
| | 5501 6068-9 | 1 | | | Grenadine/Sterling/Grenadine/Sterling, 1987-88 |
| | 5501 7324-5 | 1 | | | Pearl White/Coffee/Pearl White/Coffee, 1988 |
| 14-15 | | | | | DECAL, Cab Rear Quarter, (MR) |
| | 5501 6092-3 | 1 | | | Beige/Briarwood/Beige/Briarwood, 1987 |
| | 5501 6050-1 | 1 | | | Charcoal/Sterling/Charcoal/Sterling, 1987 |
| | 5501 6112-3 | 1 | | | White/Medium Blue/White/Medium Blue, 1987 |
| | 5501 7124-5 | 1 | | | Black/Dover Grey/Black/Dover Grey, 1988 |
| | 5501 7284-5 | 1 | | | Briarwood/Bronze/Briarwood/Bronze, 1988 |
| | 5501 7224-5 | 1 | | | Dk. Baltic/Sterling/Dk. Baltic/Sterling, 1988 |
| | 5501 7154-5 | 1 | | | Dover Grey/Sterling/Dover Grey/Sterling, 1988 |
| | 5501 6068-9 | 1 | | | Grenadine/Sterling/Grenadine/Sterling, 1987-88 |
| | 5501 7324-5 | 1 | | | Pearl White/Coffee/Pearl White/Coffee, 1988 |
| 16-17 | | | | | DECAL, Cargo Box Side, (MR) |
| | 5501 6092-3 | 1 | | | Beige/Briarwood/Beige/Briarwood, 1987 |
| | 5501 6050-1 | 1 | | | Charcoal/Sterling/Charcoal/Sterling, 1987 |
| | 5501 6112-3 | 1 | | | White/Medium Blue/White/Medium Blue, 1987 |
| | 5501 7124-5 | 1 | | | Black/Dover Grey/Black/Dover Grey, 1988 |

MODEL CODES:

| | | |
|-----------------------------|-----------------------------|------------------------------|
| 15 = Grand Wagoneer 4 Dr. | 65 = Comanche 4WD-7 Ft. Box | 77 = Cherokee 4WD-2 Dr. |
| 25 = J-10 Pickup-119" W.B. | 66 = Comanche 2WD-7 Ft. Box | 78 = Cherokee 4WD-4 Dr. |
| 26 = J-10 Pickup-131" W.B. | 73 = Cherokee 2WD-2 Dr. | 79 = Cherokee 4WD-4 Dr.-Com |
| 27 = J-20 Pickup-131" W.B. | 74 = Cherokee 2WD-4 Dr. | 81 = Wrangler-93" W.B. |
| 63 = Comanche 4WD-6 Ft. Box | 75 = Wagoneer 4WD-4 Dr. | 82 = Wrangler-103" W.B.-Exp. |
| 64 = Comanche 2WD-6 Ft. Box | | |

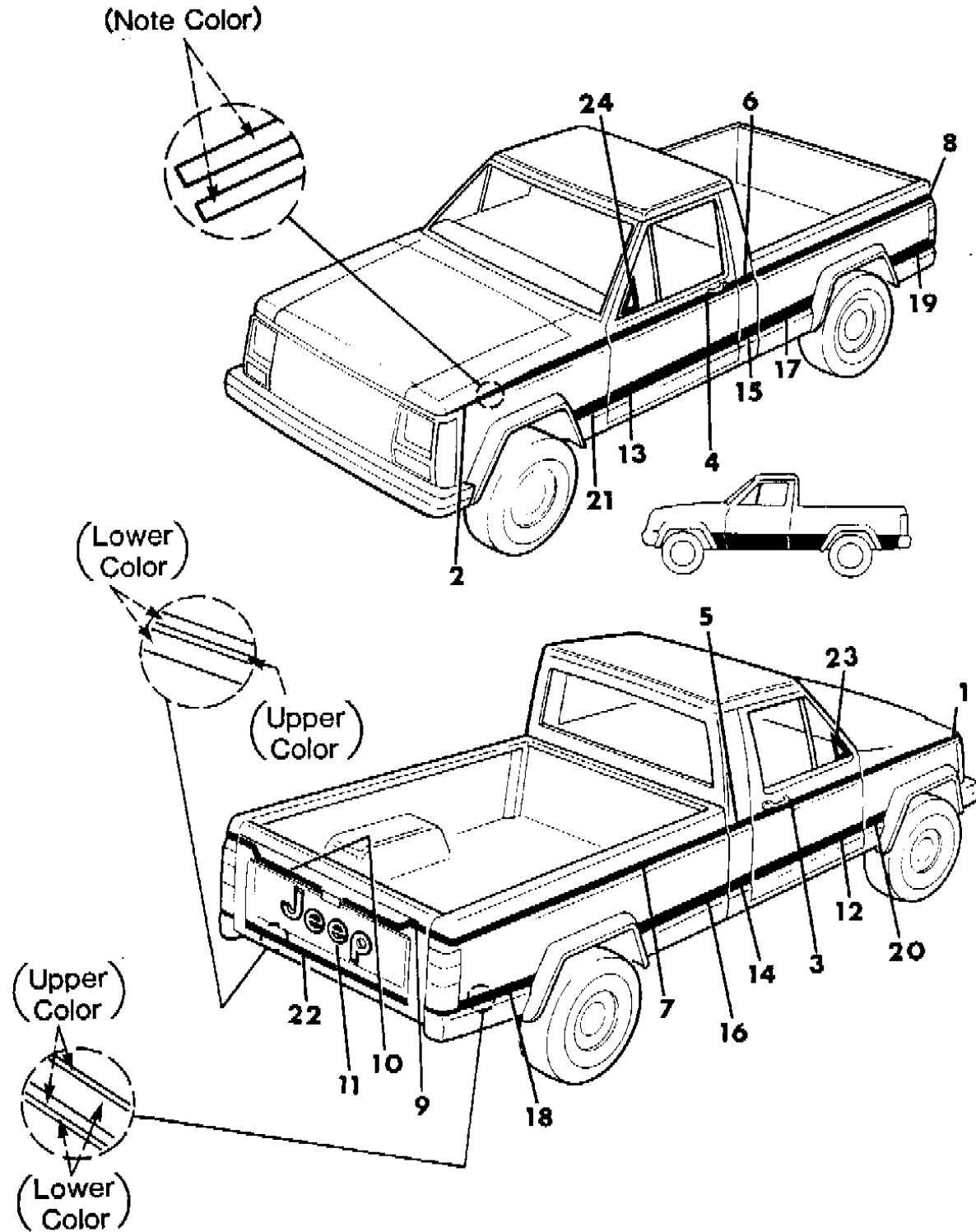
BODY STYLES:

MJ = Comanche Pickup
SJ = Grand Wagoneer Wgn., J-10 & J-20 Pickups
XJ = Cherokee, Wagoneer Limited
YJ = Wrangler

AR = Use as Required - = Non Illustrated Part P.A.R. = Paint as Required

DECALS, EXTERIOR SPORT 2 TONE, 1987-88 COMANCHE
Figure 23-5300

8 J68 5300



| ITEM | PART NUMBER | QTY | BODY | MODEL | DESCRIPTION |
|-------|-------------|-----|------|-------|--|
| | 5501 7284-5 | 1 | | | Briarwood/Bronze/Briarwood/Bronze, 1988 |
| | 5501 7224-5 | 1 | | | Dk. Baltic/Sterling/Dk. Baltic/Sterling, 1988 |
| | 5501 7154-5 | 1 | | | Dover Grey/Sterling/Dover Grey/Sterling, 1988 |
| | 5501 6068-9 | 1 | | | Grenadine/Sterling/Grenadine/Sterling, 1987-88 |
| | 5501 7324-5 | 1 | | | Pearl White/Coffee/Pearl White/Coffee, 1988 |
| 18-19 | | | | | DECAL, Cargo Box Side |
| | 5501 6088-9 | 1 | | | Beige/Briarwood/Beige/Briarwood, 1987 |
| | 5501 6046-7 | 1 | | | Charcoal/Sterling/Charcoal/Sterling, 1987 |
| | 5501 6110-1 | 1 | | | White/Medium Blue/White/Medium Blue, 1987 |
| | 5501 7130-1 | 1 | | | Black/Dover Grey/Black/Dover Grey, 1988 |
| | 5501 7290-1 | 1 | | | Briarwood/Bronze/Briarwood/Bronze, 1988 |
| | 5501 7230-1 | 1 | | | Dk. Baltic/Sterling/Dk. Baltic/Sterling, 1988 |
| | 5501 7160-1 | 1 | | | Dover Grey/Sterling/Dover Grey/Sterling, 1988 |
| | 5501 6082-3 | 1 | | | Grenadine/Sterling/Grenadine/Sterling, 1987-88 |
| | 5501 7330-1 | 1 | | | Pearl White/Coffee/Pearl White/Coffee, 1988 |
| 20-21 | | | | | DECAL, Fender, (MR) |
| | 5501 6092-3 | 1 | | | Beige/Briarwood/Beige/Briarwood, 1987 |
| | 5501 6050-1 | 1 | | | Charcoal/Sterling/Charcoal/Sterling, 1987 |
| | 5501 6112-3 | 1 | | | White/Medium Blue/White/Medium Blue, 1987 |
| | 5501 7124-5 | 1 | | | Black/Dover Grey/Black/Dover Grey, 1988 |
| | 5501 7284-5 | 1 | | | Briarwood/Bronze/Briarwood/Bronze, 1988 |
| | 5501 7224-5 | 1 | | | Dk. Baltic/Sterling/Dk. Baltic/Sterling, 1988 |
| | 5501 7154-5 | 1 | | | Dover Grey/Sterling/Dover Grey/Sterling, 1988 |
| | 5501 6068-9 | 1 | | | Grenadine/Sterling/Grenadine/Sterling, 1987-88 |
| | 5501 7324-5 | 1 | | | Pearl White/Coffee/Pearl White/Coffee, 1988 |
| 22 | | | | | DECAL, Tailgate |
| | 5501 6090 | 1 | | | Beige/Briarwood/Beige/Briarwood, 1987 |
| | 5501 6048 | 1 | | | Charcoal/Sterling/Charcoal/Sterling, 1987 |
| | 5501 6091 | 1 | | | White/Medium Blue/White/Medium Blue, 1987 |
| | 5501 7144 | 1 | | | Black/Dover Grey/Black/Dover Grey, 1988 |
| | 5501 7304 | 1 | | | Briarwood/Bronze/Briarwood/Bronze, 1988 |
| | 5501 7244 | 1 | | | Dk. Baltic/Sterling/Dk. Baltic/Sterling, 1988 |
| | 5501 7174 | 1 | | | Dover Grey/Sterling/Dover Grey/Sterling, 1988 |
| | 5501 6049 | 1 | | | Grenadine/Sterling/Grenadine/Sterling, 1987-88 |
| | 5501 7344 | 1 | | | Pearl White/Coffee/Pearl White/Coffee, 1988 |
| 23-24 | 5500 6220-1 | 1 | | | DECAL, Door, Black |

MODEL CODES:

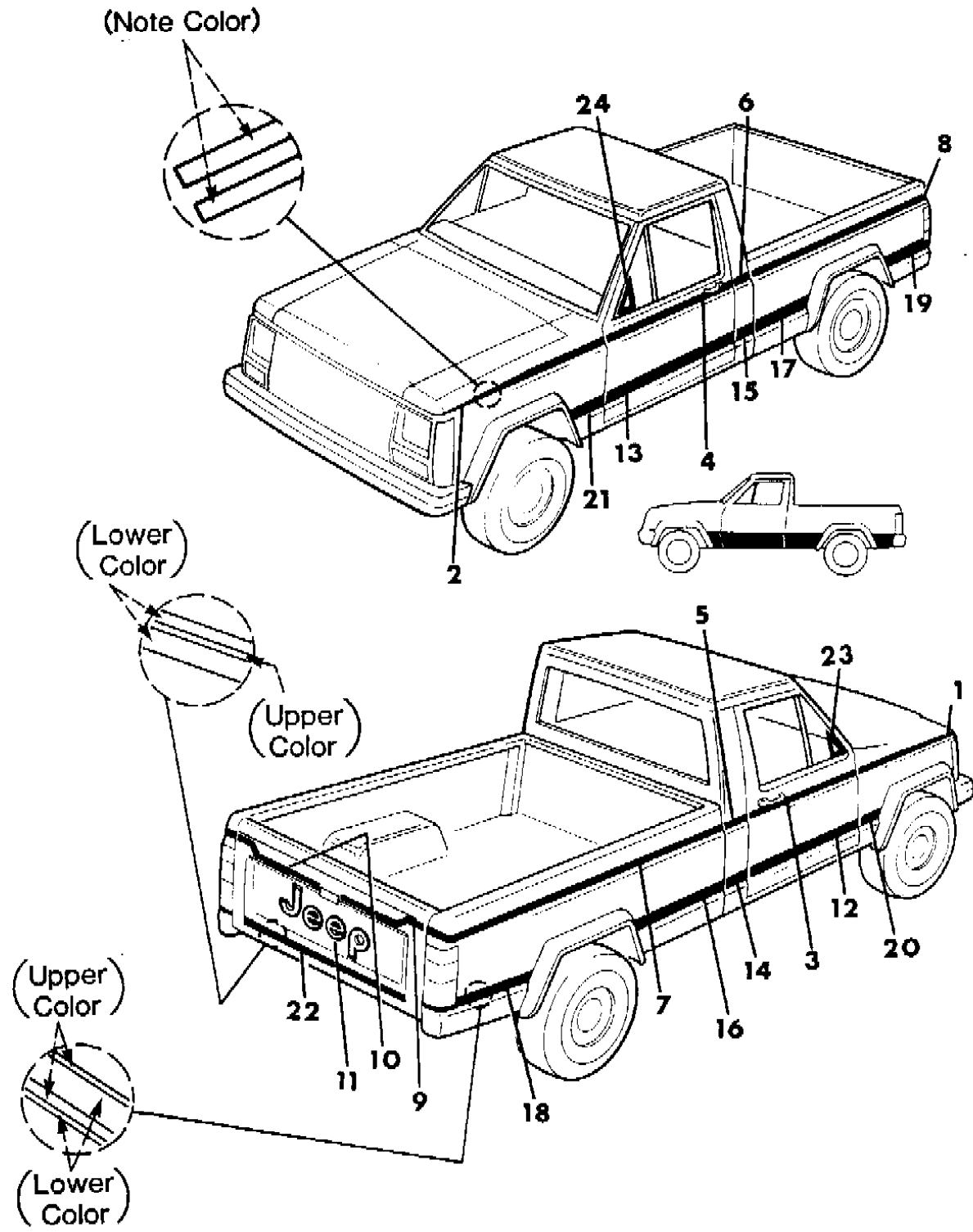
| | | |
|-----------------------------|-----------------------------|------------------------------|
| 15 = Grand Wagoneer 4 Dr. | 65 = Comanche 4WD-7 Ft. Box | 77 = Cherokee 4WD-2 Dr. |
| 25 = J-10 Pickup-119" W.B. | 66 = Comanche 2WD-7 Ft. Box | 78 = Cherokee 4WD-4 Dr. |
| 26 = J-10 Pickup-131" W.B. | 73 = Cherokee 2WD-2 Dr. | 79 = Cherokee 4WD-4 Dr.-Com |
| 27 = J-20 Pickup-131" W.B. | 74 = Cherokee 2WD-4 Dr. | 81 = Wrangler-93" W.B. |
| 63 = Comanche 4WD-6 Ft. Box | 75 = Wagoneer 4WD-4 Dr. | 82 = Wrangler-103" W.B.-Exp. |
| 64 = Comanche 2WD-6 Ft. Box | | |

BODY STYLES:

MJ = Comanche Pickup
SJ = Grand Wagoneer Wgn., J-10 & J-20 Pickups
XJ = Cherokee, Wagoneer Limited
YJ = Wrangler

AR = Use as Required - = Non Illustrated Part P.A.R. = Paint as Required

8 J68 5300



DECALS, EXTERIOR SPORT 2 TONE, 1987-88 COMANCHE
Figure 23-5300

| ITEM | PART NUMBER | QTY | BODY | MODEL | DESCRIPTION |
|------|-------------|-----|------|-------|-------------|
|------|-------------|-----|------|-------|-------------|

(MR) Modification Required. (A) For 1987, two types of instrument clusters were used. On type one, Clusters, the odometer numbers are rounded, the Speedometer face has (2) slotte

MODEL CODES:

| | | |
|-----------------------------|-----------------------------|------------------------------|
| 15 = Grand Wagoneer 4 Dr. | 65 = Comanche 4WD-7 Ft. Box | 77 = Cherokee 4WD-2 Dr. |
| 25 = J-10 Pickup-119" W.B. | 66 = Comanche 2WD-7 Ft. Box | 78 = Cherokee 4WD-4 Dr. |
| 26 = J-10 Pickup-131" W.B. | 73 = Cherokee 2WD-2 Dr. | 79 = Cherokee 4WD-4 Dr.-Com |
| 27 = J-20 Pickup-131" W.B. | 74 = Cherokee 2WD-4 Dr. | 81 = Wrangler-93" W.B. |
| 63 = Comanche 4WD-6 Ft. Box | 75 = Wagoneer 4WD-4 Dr. | 82 = Wrangler-103" W.B.-Exp. |
| 64 = Comanche 2WD-6 Ft. Box | | |

BODY STYLES:

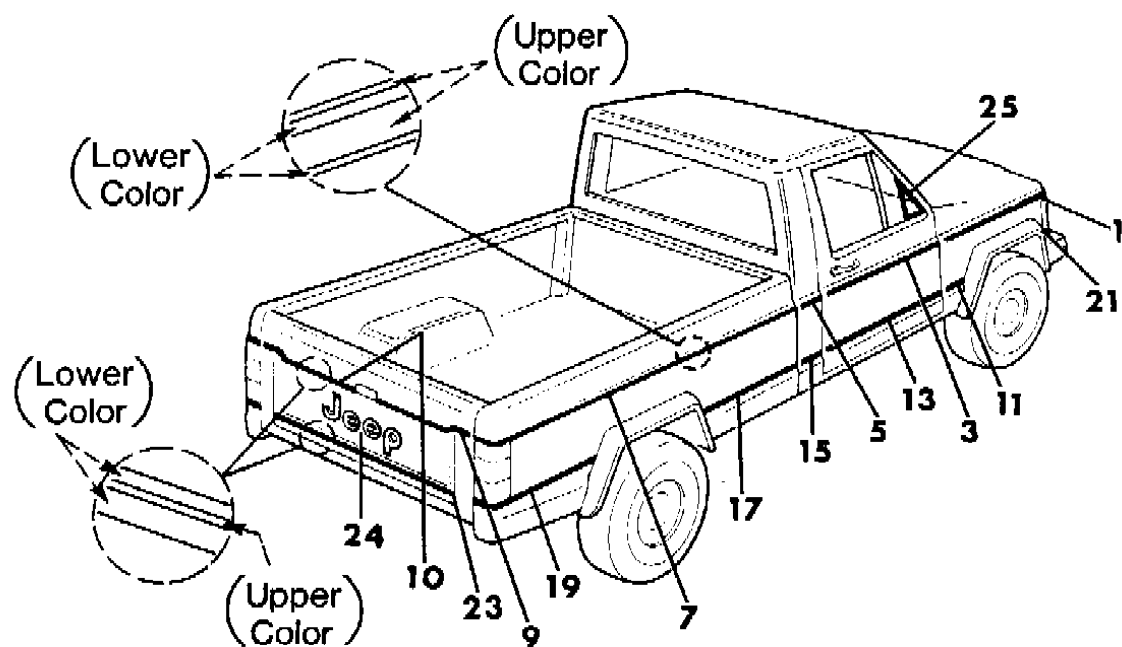
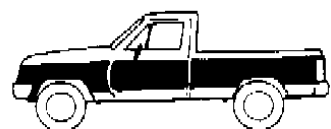
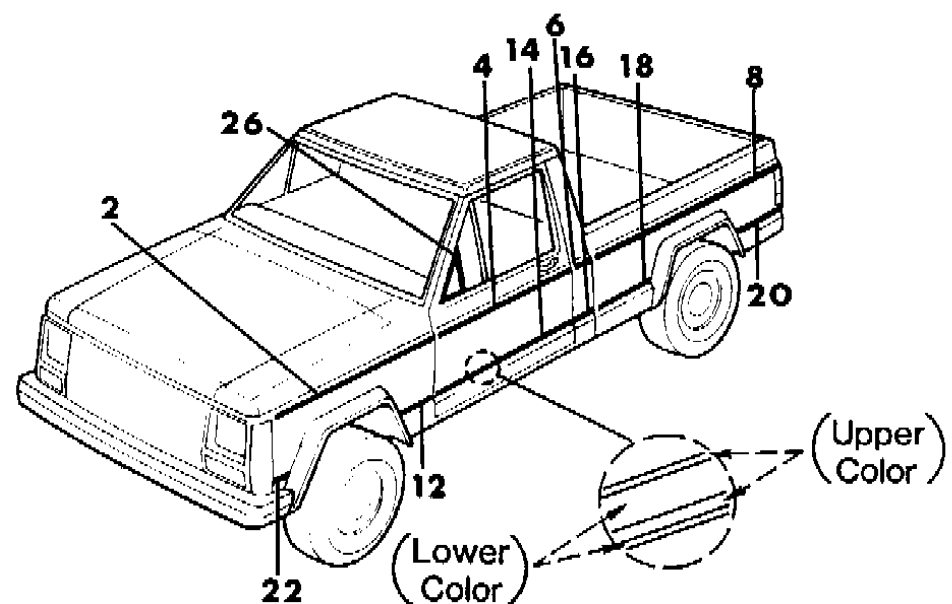
MJ = Comanche Pickup
 SJ = Grand Wagoneer Wgn., J-10 & J-20 Pickups
 XJ = Cherokee, Wagoneer Limited
 YJ = Wrangler

AR = Use as Required - = Non Illustrated Part P.A.R. = Paint as Required

DECALS, EXTERIOR PREMIUM 2 TONE, 1987-88 COMANCHE
Figure 23-5400

8J68 5400

| ITEM | PART NUMBER | QTY | BODY | MODEL | DESCRIPTION |
|------|-------------|-----|------|-------|---|
| 1-2 | | | | | DECAL, Fender, (MR) |
| | | | | | 1987 |
| | 5501 4574-5 | 1 | | | Beige/Briarwood/Beige/Briarwood |
| | 5501 2642-3 | 1 | | | Sterling/Charcoal/Sterling/Charcoal |
| | 5501 5976-7 | 1 | | | Sterling/Grenadine/Sterling/Grenadine |
| | 5501 5998-9 | 1 | | | White/Medium Blue/White/Medium Blue |
| | | | | | 1988 |
| | 5501 6646-7 | 1 | | | Black/Dover Grey/Black/Dover Grey |
| | 5501 6694-5 | 1 | | | Briarwood/Bronze/Briarwood/Bronze |
| | 5501 6682-3 | 1 | | | Dark Baltic/Sterling/Dark Baltic/Sterling |
| | 5501 6658-9 | 1 | | | Dover Grey/Sterling/Dover Grey/Sterling |
| | 5501 9876-7 | 1 | | | Grenadine/Sterling/Grenadine/Sterling |
| | 5501 6706-7 | 1 | | | Pearl White/Coffee/Pearl White/Coffee |
| 3-4 | | | | | DECAL, Door, (MR) |
| | | | | | 1987 |
| | 5501 4574-5 | 1 | | | Beige/Briarwood/Beige/Briarwood |
| | 5501 2634-5 | 1 | | | Sterling/Charcoal/Sterling/Charcoal |
| | 5501 5976-7 | 1 | | | Sterling/Grenadine/Sterling/Grenadine |
| | 5501 5998-9 | 1 | | | White/Medium Blue/White/Medium Blue |
| | | | | | 1988 |
| | 5501 6646-7 | 1 | | | Black/Dover Grey/Black/Dover Grey |
| | 5501 6694-5 | 1 | | | Briarwood/Bronze/Briarwood/Bronze |
| | 5501 6682-3 | 1 | | | Dark Baltic/Sterling/Dark Baltic/Sterling |
| | 5501 6658-9 | 1 | | | Dover Grey/Sterling/Dover Grey/Sterling |
| | 5501 9876-7 | 1 | | | Grenadine/Sterling/Grenadine/Sterling |
| | 5501 6706-7 | 1 | | | Pearl White/Coffee/Pearl White/Coffee |
| 5-6 | | | | | DECAL, Cab Rear Quarter, (MR) |
| | | | | | 1987 |
| | 5501 4574-5 | 1 | | | Beige/Briarwood/Beige/Briarwood |
| | 5501 2660-1 | 1 | | | Sterling/Charcoal/Sterling/Charcoal |
| | 5501 5976-7 | 1 | | | Sterling/Grenadine/Sterling/Grenadine |
| | 5501 5998-9 | 1 | | | White/Medium Blue/White/Medium Blue |
| | | | | | 1988 |
| | 5501 6646-7 | 1 | | | Black/Dover Grey/Black/Dover Grey |
| | 5501 6694-5 | 1 | | | Briarwood/Bronze/Briarwood/Bronze |
| | 5501 6682-3 | 1 | | | Dark Baltic/Sterling/Dark Baltic/Sterling |
| | 5501 6658-9 | 1 | | | Dover Grey/Sterling/Dover Grey/Sterling |



MODEL CODES:

| | | |
|-----------------------------|-----------------------------|------------------------------|
| 15 = Grand Wagoneer 4 Dr. | 65 = Comanche 4WD-7 Ft. Box | 77 = Cherokee 4WD-2 Dr. |
| 25 = J-10 Pickup-119" W.B. | 66 = Comanche 2WD-7 Ft. Box | 78 = Cherokee 4WD-4 Dr. |
| 26 = J-10 Pickup-131" W.B. | 73 = Cherokee 2WD-2 Dr. | 79 = Cherokee 4WD-4 Dr.-Com |
| 27 = J-20 Pickup-131" W.B. | 74 = Cherokee 2WD-4 Dr. | 81 = Wrangler-93" W.B. |
| 63 = Comanche 4WD-6 Ft. Box | 75 = Wagoneer 4WD-4 Dr. | 82 = Wrangler-103" W.B.-Exp. |
| 64 = Comanche 2WD-6 Ft. Box | | |

BODY STYLES:

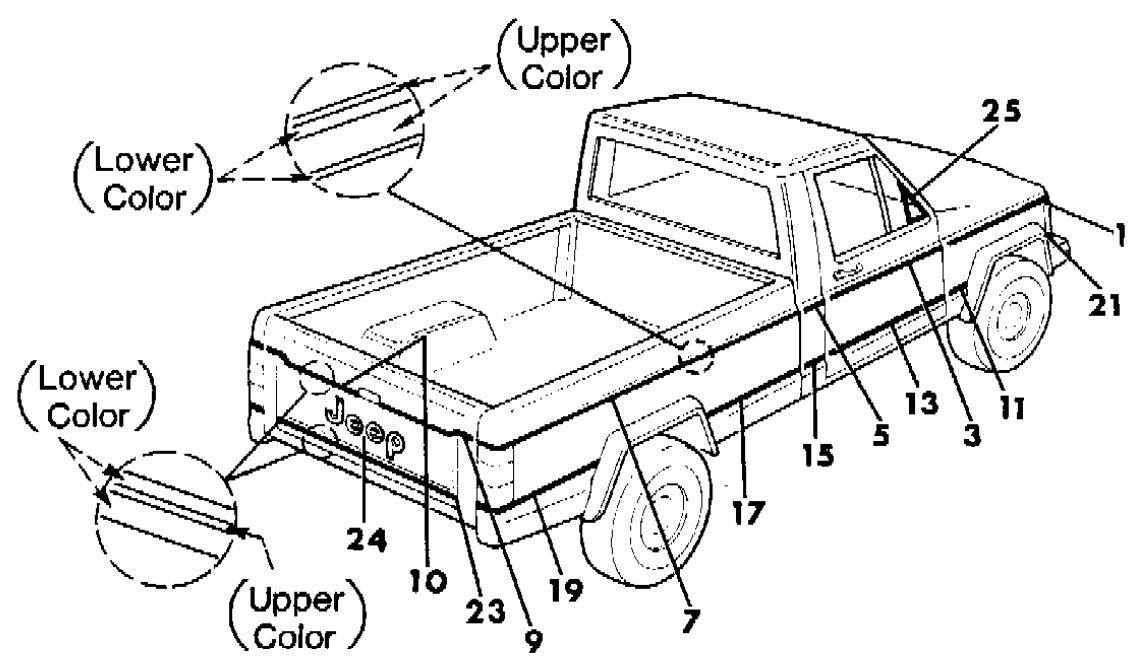
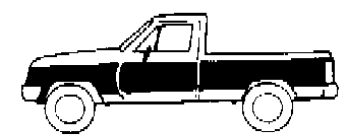
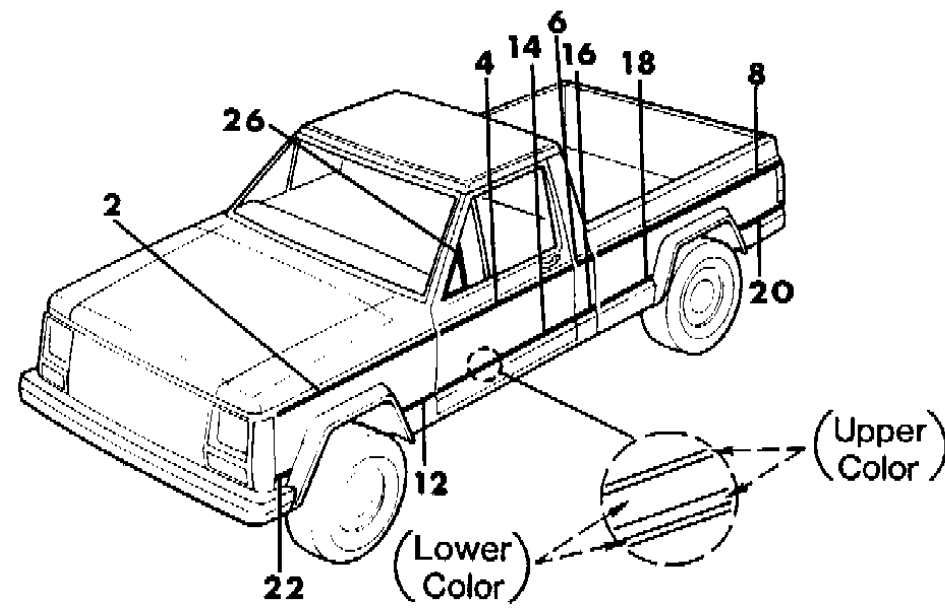
MJ = Comanche Pickup
SJ = Grand Wagoneer Wgn., J-10 & J-20 Pickups
XJ = Cherokee, Wagoneer Limited
YJ = Wrangler

AR = Use as Required - = Non Illustrated Part P.A.R. = Paint as Required

DECALS, EXTERIOR PREMIUM 2 TONE, 1987-88 COMANCHE
Figure 23-5400

8J68 5400

| ITEM | PART NUMBER | QTY | BODY | MODEL | DESCRIPTION |
|-------|-------------|-----|------|-------|--|
| | 5501 9876-7 | 1 | | | Grenadine/Sterling/Grenadine/Sterling |
| | 5501 6706-7 | 1 | | | Pearl White/Coffee/Pearl White/Coffee |
| 7-8 | | | | | DECAL, Cargo Box Side 1987 |
| | 5501 4794-5 | 1 | | | Beige/Briarwood/Beige/Briarwood |
| | 5501 2652-3 | 1 | | | Sterling/Charcoal/Sterling/Charcoal |
| | 5501 5954-5 | 1 | | | Sterling/Grenadine/Sterling/Grenadine |
| | 5501 5978-9 | 1 | | | White/Medium Blue/White/Medium Blue 1988 |
| | 5501 6960-1 | 1 | | | Black/Dover Grey/Black/Dover Grey |
| | 5501 7074-5 | 1 | | | Briarwood/Bronze/Briarwood/Bronze |
| | 5501 7046-7 | 1 | | | Dark Baltic/Sterling/Dark Baltic/Sterling |
| | 5501 6988-9 | 1 | | | Dover Grey/Sterling/Dover Grey/Sterling |
| | 5501 9904-5 | 1 | | | Grenadine/Sterling/Grenadine/Sterling |
| 9-10 | 5501 7102-3 | 1 | | | Pearl White/Coffee/Pearl White/Coffee DECAL, Tailgate 1987 |
| | 5501 4798-9 | 1 | | | Beige/Briarwood/Beige/Briarwood |
| | 5501 3528-9 | 1 | | | Sterling/Charcoal/Sterling/Charcoal |
| | 5501 5958-9 | 1 | | | Sterling/Grenadine/Sterling/Grenadine |
| | 5501 5982-3 | 1 | | | White/Medium Blue/White/Medium Blue 1988 |
| | 5501 6966-7 | 1 | | | Black/Dover Grey/Black/Dover Grey |
| | 5501 7080-1 | 1 | | | Briarwood/Bronze/Briarwood/Bronze |
| | 5501 7052-3 | 1 | | | Dark Baltic/Sterling/Dark Baltic/Sterling |
| | 5501 6994-5 | 1 | | | Dover Grey/Sterling/Dover Grey/Sterling |
| | 5501 9910-1 | 1 | | | Grenadine/Sterling/Grenadine/Sterling |
| | 5501 7108-9 | 1 | | | Pearl White/Coffee/Pearl White/Coffee |
| 11-12 | | | | | DECAL, Fender, (MR) 1987 |
| | 5501 4590-1 | 1 | | | Briarwood/Beige/Briarwood/Beige |
| | 5501 3362-3 | 1 | | | Charcoal/Sterling/Charcoal/Sterling |
| | 5501 5968-9 | 1 | | | Grenadine/Sterling/Grenadine/Sterling |
| | 5501 5990-1 | 1 | | | Medium Blue/White/Medium Blue/White 1988 |
| | 5502 0316-7 | 1 | | | Dover Grey/Black/Dover Grey/Black |
| | 5501 7068-9 | 1 | | | Bronze/Briarwood/Bronze/Briarwood |



MODEL CODES:
 15 = Grand Wagoneer 4 Dr. 65 = Comanche 4WD-7 Ft. Box 77 = Cherokee 4WD-2 Dr.
 25 = J-10 Pickup-119" W.B. 66 = Comanche 2WD-7 Ft. Box 78 = Cherokee 4WD-4 Dr.
 26 = J-10 Pickup-131" W.B. 73 = Cherokee 2WD-2 Dr. 79 = Cherokee 4WD-4 Dr.-Com
 27 = J-20 Pickup-131" W.B. 74 = Cherokee 2WD-4 Dr. 81 = Wrangler-93" W.B.
 63 = Comanche 4WD-6 Ft. Box 75 = Wagoneer 4WD-4 Dr. 82 = Wrangler-103" W.B.-Exp.
 64 = Comanche 2WD-6 Ft. Box

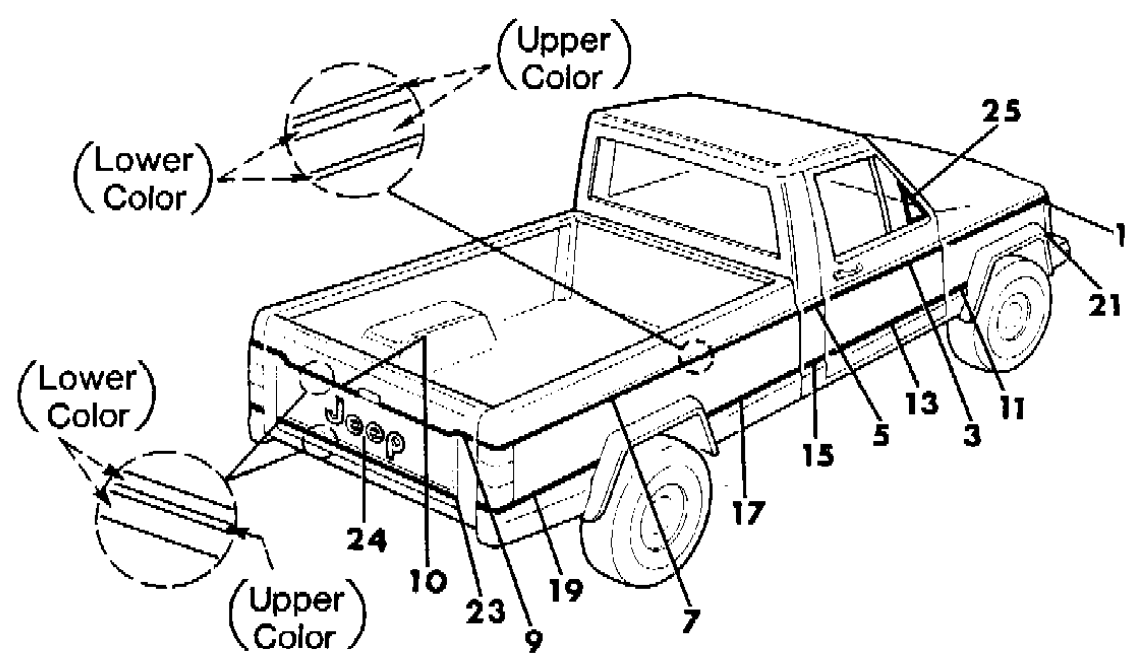
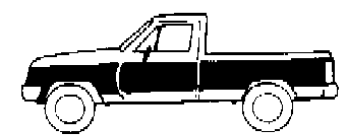
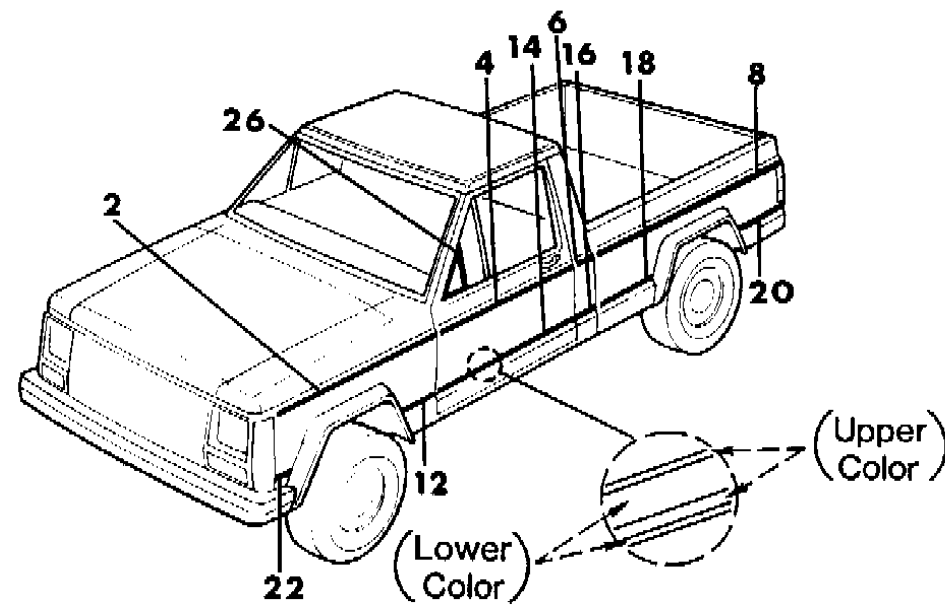
BODY STYLES:
 MJ = Comanche Pickup
 SJ = Grand Wagoneer Wgn., J-10 & J-20 Pickups
 XJ = Cherokee, Wagoneer Limited
 YJ = Wrangler

AR = Use as Required - = Non Illustrated Part P.A.R. = Paint as Required

DECALS, EXTERIOR PREMIUM 2 TONE, 1987-88 COMANCHE
Figure 23-5400

8J68 5400

| ITEM | PART NUMBER | QTY | BODY | MODEL | DESCRIPTION |
|-------|-------------|-----|------|-------|---|
| | 5502 0322-3 | 1 | | | Sterling/Dark Baltic/Sterling/Dark Baltic |
| | 5501 6982-3 | 1 | | | Sterling/Dover Grey/Sterling/Dover Grey |
| | 5501 9886-7 | 1 | | | Sterling/Grenadine/Sterling/Grenadine |
| | 5501 7096-7 | 1 | | | Coffee/Pearl White/Coffee/Pearl White |
| 13-14 | | | | | DECAL, Door, (MR) |
| | | | | | 1987 |
| | 5501 4590-1 | 1 | | | Briarwood/Beige/Briarwood/Beige |
| | 5501 3316-7 | 1 | | | Charcoal/Sterling/Charcoal/Sterling |
| | 5501 5968-9 | 1 | | | Grenadine/Sterling/Grenadine/Sterling |
| | 5501 5990-1 | 1 | | | Medium Blue/White/Medium Blue/White |
| | | | | | 1988 |
| | 5502 0316-7 | 1 | | | Dover Grey/Black/Dover Grey/Black |
| | 5501 7068-9 | 1 | | | Bronze/Briarwood/Bronze/Briarwood |
| | 5502 0322-3 | 1 | | | Sterling/Dark Baltic/Sterling/Dark Baltic |
| | 5501 6982-3 | 1 | | | Sterling/Dover Grey/Sterling/Dover Grey |
| | 5501 9886-7 | 1 | | | Sterling/Grenadine/Sterling/Grenadine |
| | 5501 7096-7 | 1 | | | Coffee/Pearl White/Coffee/Pearl White |
| 15-16 | | | | | DECAL, Cab Rear Quarter, (MR) |
| | | | | | 1987 |
| | 5501 4590-1 | 1 | | | Briarwood/Beige/Briarwood/Beige |
| | 5501 3376-7 | 1 | | | Charcoal/Sterling/Charcoal/Sterling |
| | 5501 9886-7 | 1 | | | Grenadine/Sterling/Grenadine/Sterling |
| | 5501 5990-1 | 1 | | | Medium Blue/White/Medium Blue/White |
| | | | | | 1988 |
| | 5502 0316-7 | 1 | | | Dover Grey/Black/Dover Grey/Black |
| | 5501 7068-9 | 1 | | | Bronze/Briarwood/Bronze/Briarwood |
| | 5502 0322-3 | 1 | | | Sterling/Dark Baltic/Sterling/Dark Baltic |
| | 5501 6982-3 | 1 | | | Sterling/Dover Grey/Sterling/Dover Grey |
| | 5501 9886-7 | 1 | | | Sterling/Grenadine/Sterling/Grenadine |
| | 5501 7096-7 | 1 | | | Coffee/Pearl White/Coffee/Pearl White |
| 17-18 | | | | | DECAL, Cargo Box Side, (MR) |
| | | | | | 1987 |
| | 5501 4590-1 | 1 | | | Briarwood/Beige/Briarwood/Beige |
| | 5501 3384-5 | 1 | | | Charcoal/Sterling/Charcoal/Sterling |
| | 5501 5968-9 | 1 | | | Grenadine/Sterling/Grenadine/Sterling |
| | 5501 5990-1 | 1 | | | Medium Blue/White/Medium Blue/White |
| | | | | | 1988 |



MODEL CODES:
 15 = Grand Wagoneer 4 Dr. 65 = Comanche 4WD-7 Ft. Box 77 = Cherokee 4WD-2 Dr.
 25 = J-10 Pickup-119" W.B. 66 = Comanche 2WD-7 Ft. Box 78 = Cherokee 4WD-4 Dr.
 26 = J-10 Pickup-131" W.B. 73 = Cherokee 2WD-2 Dr. 79 = Cherokee 4WD-4 Dr.-Com
 27 = J-20 Pickup-131" W.B. 74 = Cherokee 2WD-4 Dr. 81 = Wrangler-93" W.B.
 63 = Comanche 4WD-6 Ft. Box 75 = Wagoneer 4WD-4 Dr. 82 = Wrangler-103" W.B.-Exp.
 64 = Comanche 2WD-6 Ft. Box

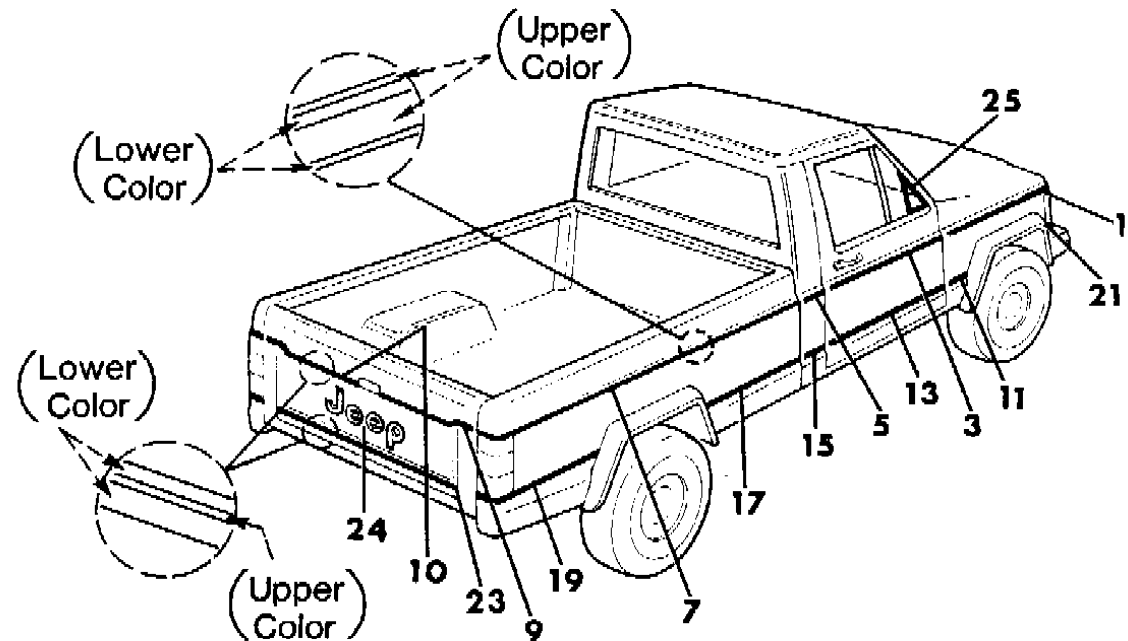
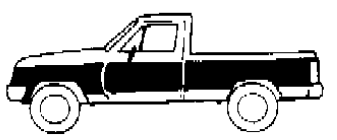
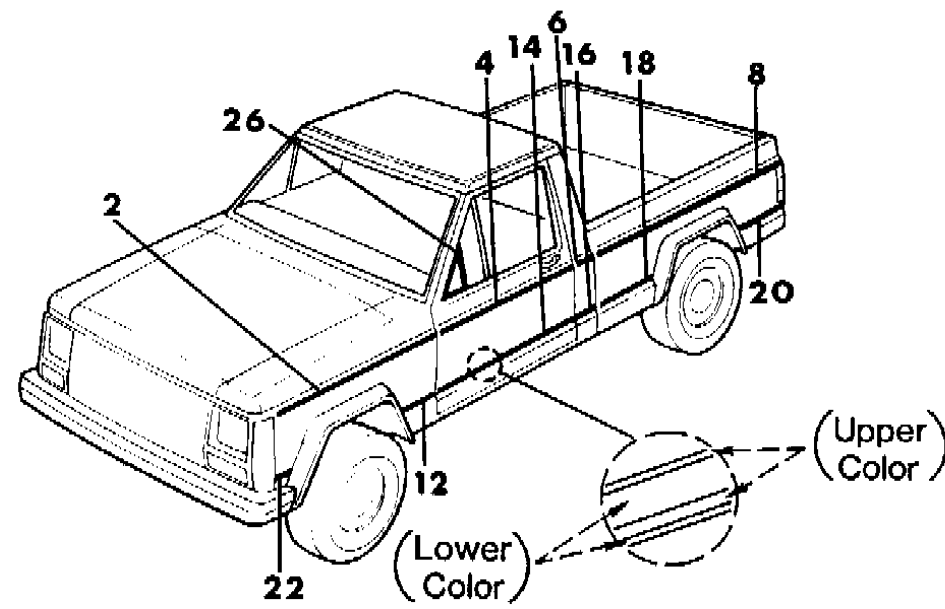
BODY STYLES:
 MJ = Comanche Pickup
 SJ = Grand Wagoneer Wgn., J-10 & J-20 Pickups
 XJ = Cherokee, Wagoneer Limited
 YJ = Wrangler

AR = Use as Required - = Non Illustrated Part P.A.R. = Paint as Required

DECALS, EXTERIOR PREMIUM 2 TONE, 1987-88 COMANCHE
Figure 23-5400

8J68 5400

| ITEM | PART NUMBER | QTY | BODY | MODEL | DESCRIPTION |
|-------|-------------|-----|------|-------|---|
| | 5502 0316-7 | 1 | | | Dover Grey/Black/Dover Grey/Black |
| | 5501 7068-9 | 1 | | | Bronze/Briarwood/Bronze/Briarwood |
| | 5502 0322-3 | 1 | | | Sterling/Dark Baltic/Sterling/Dark Baltic |
| | 5501 6982-3 | 1 | | | Sterling/Dover Grey/Sterling/Dover Grey |
| | 5501 9886-7 | 1 | | | Sterling/Grenadine/Sterling/Grenadine |
| | 5501 7096-7 | 1 | | | Coffee/Pearl White/Coffee/Pearl White |
| 19-20 | | | | | DECAL, Cargo Box Side 1987 |
| | 5501 4900-1 | 1 | | | Briarwood/Beige/Briarwood/Beige |
| | 5501 3392-3 | 1 | | | Sterling/Charcoal/Sterling/Charcoal |
| | 5501 5964-5 | 1 | | | Grenadine/Sterling/Grenadine/Sterling |
| | 5501 5988-9 | 1 | | | Medium Blue/White/Medium Blue/White 1988 |
| | 5502 0316-7 | 1 | | | Dover Grey/Black/Dover Grey/Black |
| | 5501 7078-9 | 1 | | | Bronze/Briarwood/Bronze/Briarwood |
| | 5501 7050-1 | 1 | | | Sterling/Dark Baltic/Sterling/Dark Baltic |
| | 5501 6992-3 | 1 | | | Sterling/Dover Grey/Sterling/Dover Grey |
| | 5501 9908-9 | 1 | | | Sterling/Grenadine/Sterling/Grenadine |
| | 5501 7106-7 | 1 | | | Coffee/Pearl White/Coffee/Pearl White |
| 21-22 | | | | | DECAL, Fender, (MR) 1987 |
| | 5501 4590-1 | 1 | | | Briarwood/Beige/Briarwood/Beige |
| | 5501 2626-7 | 1 | | | Charcoal/Sterling/Charcoal/Sterling |
| | 5501 5968-9 | 1 | | | Grenadine/Sterling/Grenadine/Sterling |
| | 5501 5990-1 | 1 | | | Medium Blue/White/Medium Blue/White 1988 |
| | 5502 0316-7 | 1 | | | Dover Grey/Black/Dover Grey/Black |
| | 5501 7068-9 | 1 | | | Bronze/Briarwood/Bronze/Briarwood |
| | 5502 0322-3 | 1 | | | Sterling/Dark Baltic/Sterling/Dark Baltic |
| | 5501 6982-3 | 1 | | | Sterling/Dover Grey/Sterling/Dover Grey |
| | 5501 9886-7 | 1 | | | Sterling/Grenadine/Sterling/Grenadine |
| | 5501 7096-7 | 1 | | | Coffee/Pearl White/Coffee/Pearl White |
| 23 | | | | | DECAL, Tailgate 1987 |
| | 5501 4902 | 1 | | | Briarwood/Beige/Briarwood/Beige |
| | 5501 3398 | 1 | | | Charcoal/Sterling/Charcoal/Sterling |
| | 5501 5966 | 1 | | | Grenadine/Sterling/Grenadine/Sterling |



MODEL CODES:
 15 = Grand Wagoneer 4 Dr. 65 = Comanche 4WD-7 Ft. Box 77 = Cherokee 4WD-2 Dr.
 25 = J-10 Pickup-119" W.B. 66 = Comanche 2WD-7 Ft. Box 78 = Cherokee 4WD-4 Dr.
 26 = J-10 Pickup-131" W.B. 73 = Cherokee 2WD-2 Dr. 79 = Cherokee 4WD-4 Dr.-Com
 27 = J-20 Pickup-131" W.B. 74 = Cherokee 2WD-4 Dr. 81 = Wrangler-93" W.B.
 63 = Comanche 4WD-6 Ft. Box 75 = Wagoneer 4WD-4 Dr. 82 = Wrangler-103" W.B.-Exp.
 64 = Comanche 2WD-6 Ft. Box

BODY STYLES:
 MJ = Comanche Pickup
 SJ = Grand Wagoneer Wgn., J-10 & J-20 Pickups
 XJ = Cherokee, Wagoneer Limited
 YJ = Wrangler

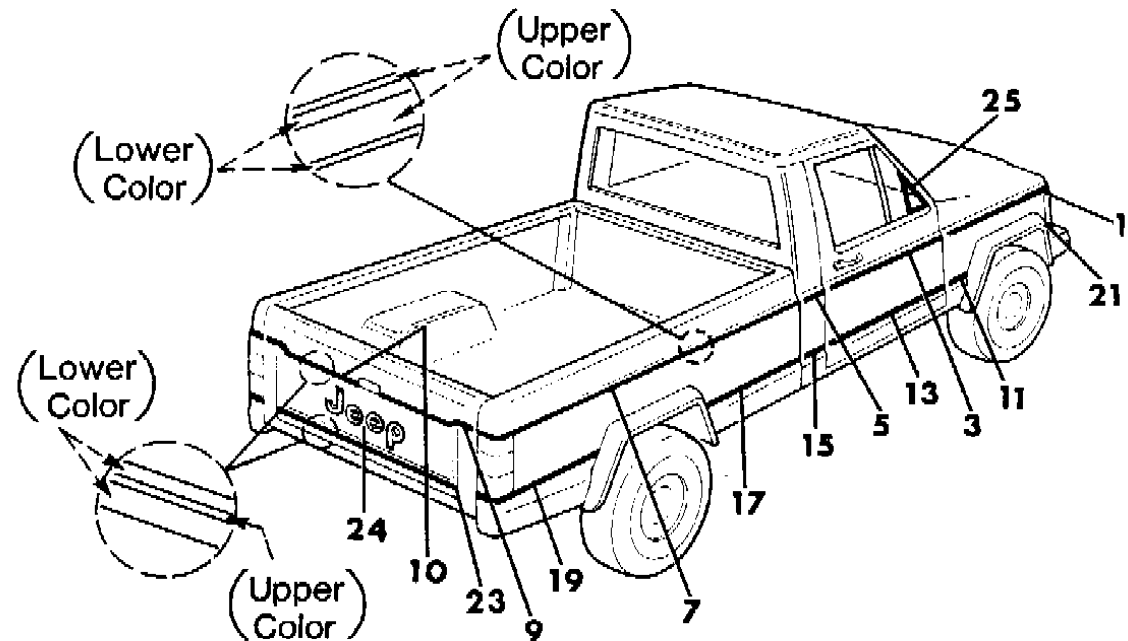
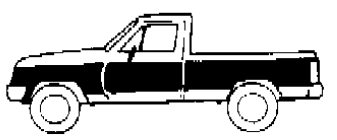
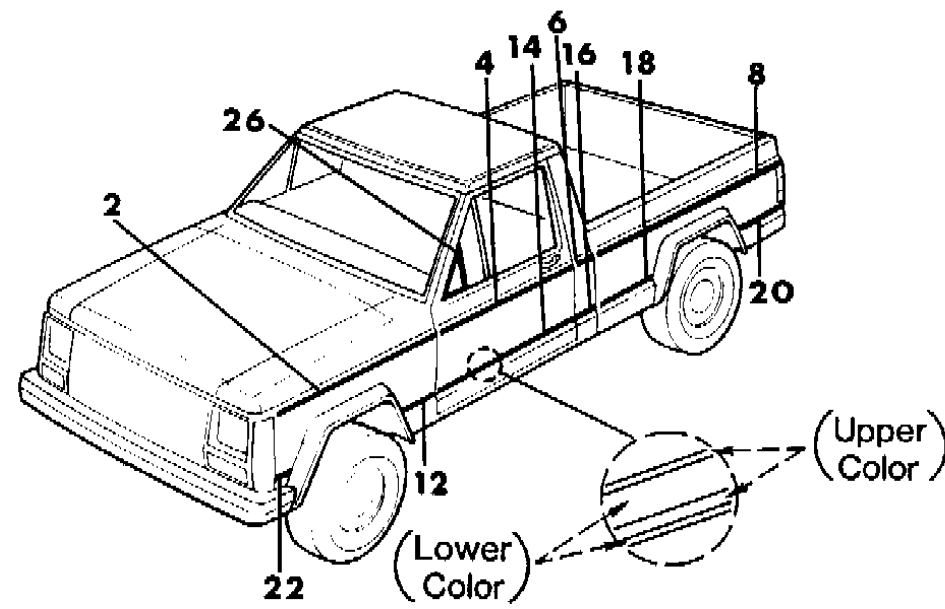
AR = Use as Required - = Non Illustrated Part P.A.R. = Paint as Required

DECALS, EXTERIOR PREMIUM 2 TONE, 1987-88 COMANCHE
Figure 23-5400

8J68 5400

| ITEM | PART NUMBER | QTY | BODY | MODEL | DESCRIPTION |
|-------|-------------|-----|------|-------|---|
| | 5501 5967 | 1 | | | Medium Blue/White/Medium Blue/White 1988 |
| | 5501 6968 | 1 | | | Dover Grey/Black/Dover Grey/Black |
| | 5501 7082 | 1 | | | Bronze/Briarwood/Bronze/Briarwood |
| | 5501 7054 | 1 | | | Sterling/Dark Baltic/Sterling/Dark Baltic |
| | 5501 6996 | 1 | | | Sterling/Dover Grey/Sterling/Dover Grey |
| | 5501 9912 | 1 | | | Sterling/Grenadine/Sterling/Grenadine |
| | 5501 7110 | 1 | | | Coffee/Pearl White/Coffee/Pearl White |
| 24 | | | | | DECAL, "Jeep" |
| | 5500 6262 | 1 | | | Black |
| | 5501 4800 | 1 | | | Briarwood |
| | 5501 7056 | 1 | | | Dk. Baltic |
| | 5501 6998 | 1 | | | Dover Grey |
| | 5501 4889 | 1 | | | Grenadine |
| | 5501 3101 | 1 | | | Medium Blue |
| | 5501 7112 | 1 | | | Pearl White |
| | 5501 3102 | 1 | | | Sterling |
| 25-26 | 5500 6220-1 | 1 | | | DECAL, Door, Black |

(MR) Modification Required. (A) For 1987, two types of instrument clusters were used. On type one, Clusters, the odometer numbers are rounded, the Speedometer face has (2) slotte



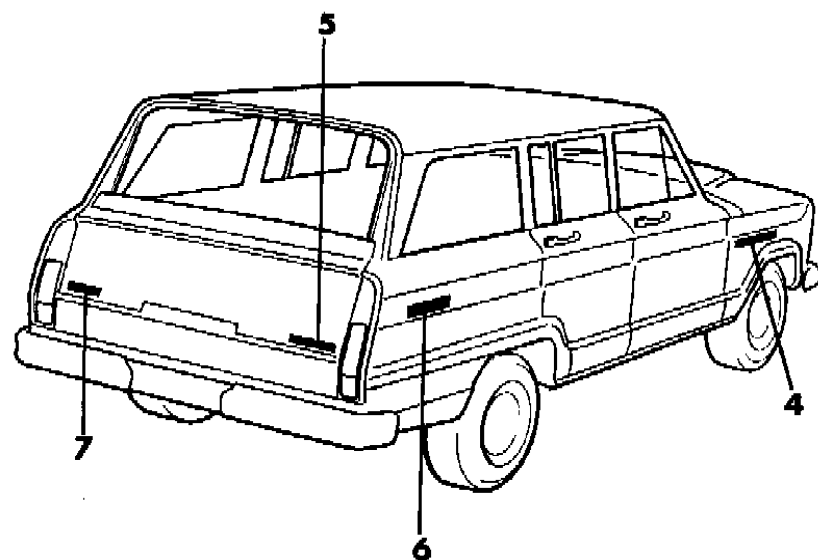
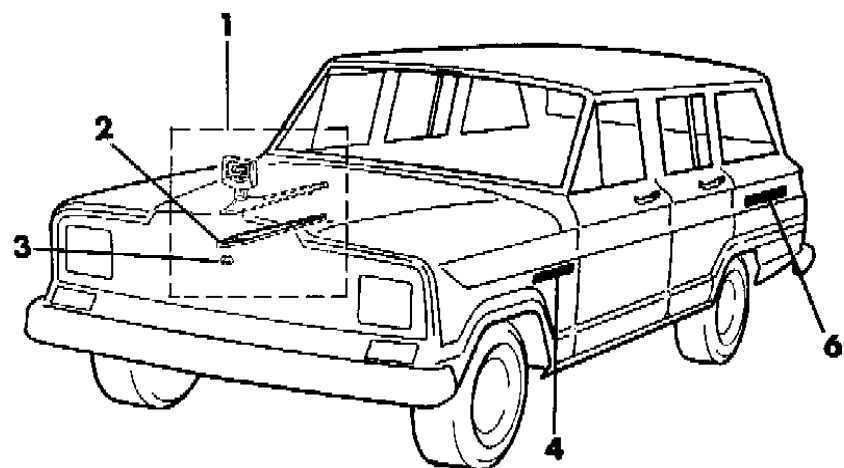
- MODEL CODES:
- | | | |
|-----------------------------|-----------------------------|------------------------------|
| 15 = Grand Wagoneer 4 Dr. | 65 = Comanche 4WD-7 Ft. Box | 77 = Cherokee 4WD-2 Dr. |
| 25 = J-10 Pickup-119" W.B. | 66 = Comanche 2WD-7 Ft. Box | 78 = Cherokee 4WD-4 Dr. |
| 26 = J-10 Pickup-131" W.B. | 73 = Cherokee 2WD-2 Dr. | 79 = Cherokee 4WD-4 Dr.-Com |
| 27 = J-20 Pickup-131" W.B. | 74 = Cherokee 2WD-4 Dr. | 81 = Wrangler-93" W.B. |
| 63 = Comanche 4WD-6 Ft. Box | 75 = Wagoneer 4WD-4 Dr. | 82 = Wrangler-103" W.B.-Exp. |
| 64 = Comanche 2WD-6 Ft. Box | | |

- BODY STYLES:
- MJ = Comanche Pickup
 - SJ = Grand Wagoneer Wgn., J-10 & J-20 Pickups
 - XJ = Cherokee, Wagoneer Limited
 - YJ = Wrangler

AR = Use as Required - = Non Illustrated Part P.A.R. = Paint as Required

NAMEPLATES WAGON
Figure 23-5500

8J68 5500 A



| ITEM | PART NUMBER | QTY | BODY | MODEL | DESCRIPTION |
|------|-------------|-----|------|-------|---|
| 1 | 8350 2503 | 1 | | | ORNAMENT KIT, Hood |
| 2 | 5501 0384 | 1 | | | GASKET |
| 3 | J942 0287 | 2 | | | NUT |
| 4 | J545 1637 | 2 | | | NAMEPLATE "Wagoneer" Base Wagon, 1987-89 |
| 5 | 5501 3577 | 2 | | | NAMEPLATE "Grand Wagoneer" |
| | 5501 3577 | 1 | | | "Grand Wagoneer" |
| | J545 1627 | 1 | | | "Jeep", 1987-89, base wagon *** |
| 6 | 5500 7817 | 2 | | | NAMEPLATE, "4x4" |
| 7 | 5501 3578 | 1 | | | NAMEPLATE, "V8" |

MODEL CODES:

| | | |
|-----------------------------|-----------------------------|------------------------------|
| 15 = Grand Wagoneer 4 Dr. | 65 = Comanche 4WD-7 Ft. Box | 77 = Cherokee 4WD-2 Dr. |
| 25 = J-10 Pickup-119" W.B. | 66 = Comanche 2WD-7 Ft. Box | 78 = Cherokee 4WD-4 Dr. |
| 26 = J-10 Pickup-131" W.B. | 73 = Cherokee 2WD-2 Dr. | 79 = Cherokee 4WD-4 Dr.-Com |
| 27 = J-20 Pickup-131" W.B. | 74 = Cherokee 2WD-4 Dr. | 81 = Wrangler-93" W.B. |
| 63 = Comanche 4WD-6 Ft. Box | 75 = Wagoneer 4WD-4 Dr. | 82 = Wrangler-103" W.B.-Exp. |
| 64 = Comanche 2WD-6 Ft. Box | | |

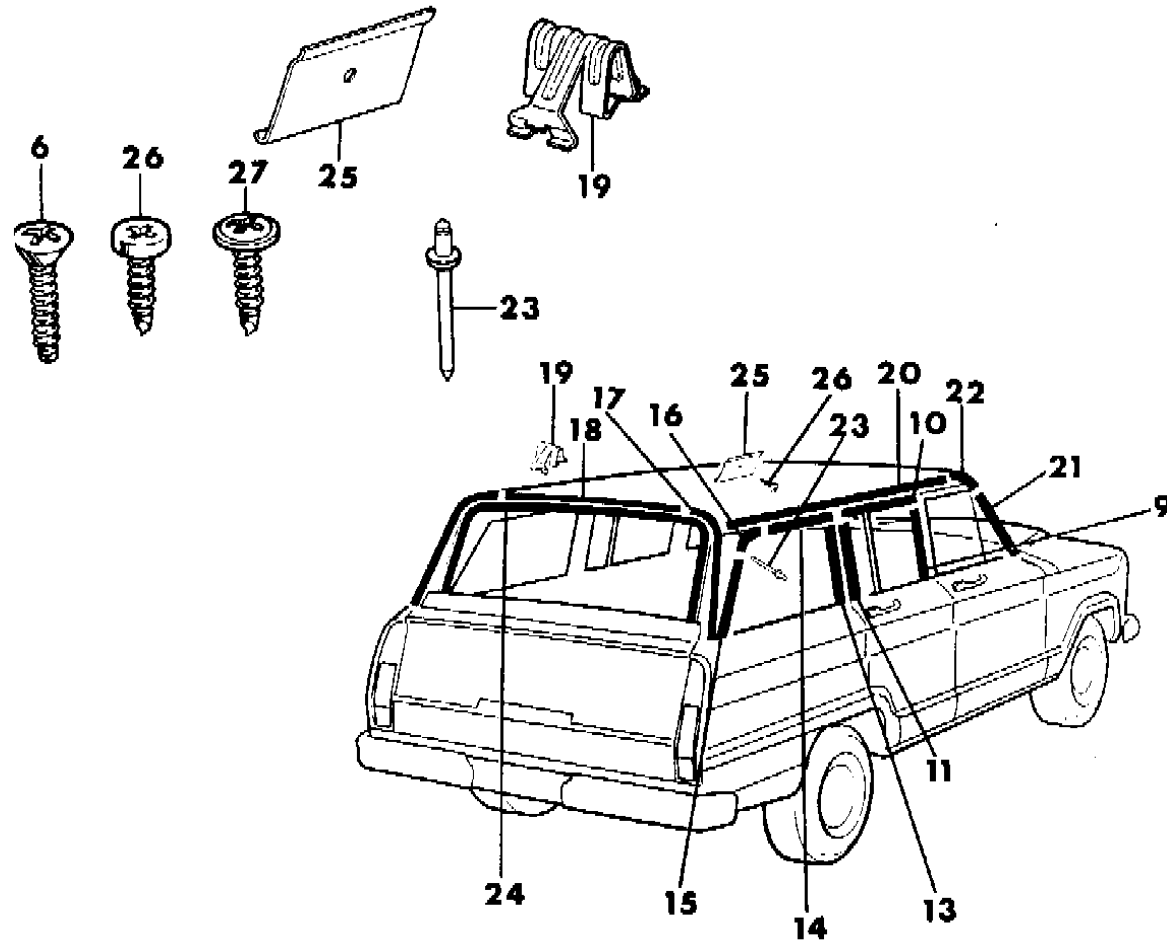
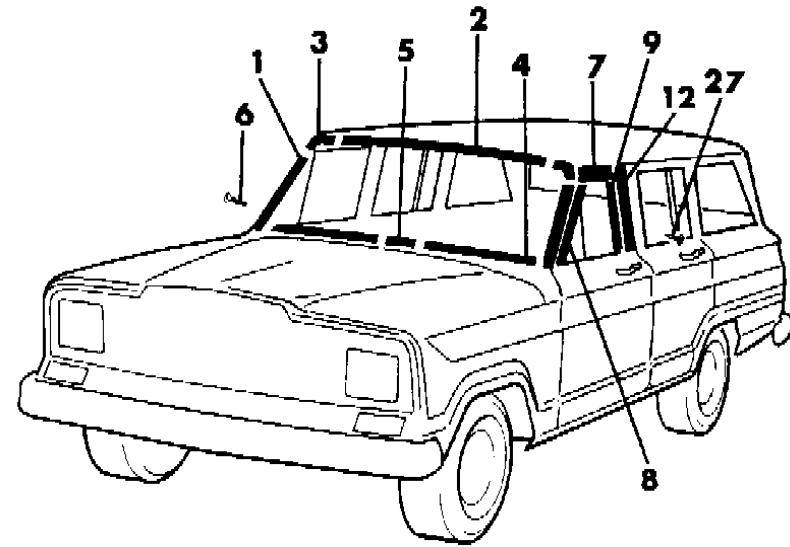
BODY STYLES:

MJ = Comanche Pickup
 SJ = Grand Wagoneer Wgn., J-10 & J-20 Pickups
 XJ = Cherokee, Wagoneer Limited
 YJ = Wrangler

AR = Use as Required - = Non Illustrated Part P.A.R. = Paint as Required

MOULDINGS, EXTERIOR, UPPER WAGON
Figure 23-5600

8J68 5600



| ITEM | PART NUMBER | QTY | BODY | MODEL | DESCRIPTION |
|------|-------------|-----|------|-------|---|
| 1 | J096 8348 | 1 | | | MOULDING, Windshield Right |
| | J096 8347 | 1 | | | Left |
| 2 | J096 0057 | 1 | | | MOULDING, Windshield CAP, Molding |
| 3 | J096 8350 | 1 | | | Right |
| | J096 8349 | 1 | | | Left |
| 4 | J096 1178 | 1 | | | MOULDING, Windshield Right |
| | J096 1177 | 1 | | | Left |
| 5 | J096 1240 | 1 | | | CAP, Moulding |
| 6 | J400 6409 | AR | | | SCREW |
| 7 | J575 8506 | 1 | | | MOULDING, Door Right |
| | J575 8507 | 1 | | | Left |
| 8 | J096 0658 | 1 | | | MOULDING, Door Right |
| | J096 0657 | 1 | | | Left |
| 9 | J096 0834 | 2 | | | MOULDING, Door, front and rear Right |
| | J096 0833 | 2 | | | Left |
| 10 | J575 8508 | 2 | | | MOULDING, Door |
| 11 | J096 0954 | 1 | | | MOULDING, Door Right |
| | J096 0953 | 1 | | | Left |
| 12 | J546 0017 | 2 | | | MOULDING, "B" Pillar |
| 13 | J576 6440 | 1 | | | MOULDING, Rear Quarter Right |
| | J576 6439 | 1 | | | Left |
| 14 | J096 0952 | 1 | | | MOULDING, Rear Quarter Right |
| | J096 0951 | 1 | | | Left |
| 15 | J096 0873 | 2 | | | MOULDING, Rear Quarter |
| 16 | J096 1032 | 2 | | | CAP, Molding |
| 17 | J096 5620 | 1 | | | MOULDING, Rear Quarter Right |
| | J096 5619 | 1 | | | Left |

MODEL CODES:

| | | |
|-----------------------------|-----------------------------|------------------------------|
| 15 = Grand Wagoneer 4 Dr. | 65 = Comanche 4WD-7 Ft. Box | 77 = Cherokee 4WD-2 Dr. |
| 25 = J-10 Pickup-119" W.B. | 66 = Comanche 2WD-7 Ft. Box | 78 = Cherokee 4WD-4 Dr. |
| 26 = J-10 Pickup-131" W.B. | 73 = Cherokee 2WD-2 Dr. | 79 = Cherokee 4WD-4 Dr.-Com |
| 27 = J-20 Pickup-131" W.B. | 74 = Cherokee 2WD-4 Dr. | 81 = Wrangler-93" W.B. |
| 63 = Comanche 4WD-6 Ft. Box | 75 = Wagoneer 4WD-4 Dr. | 82 = Wrangler-103" W.B.-Exp. |
| 64 = Comanche 2WD-6 Ft. Box | | |

BODY STYLES:

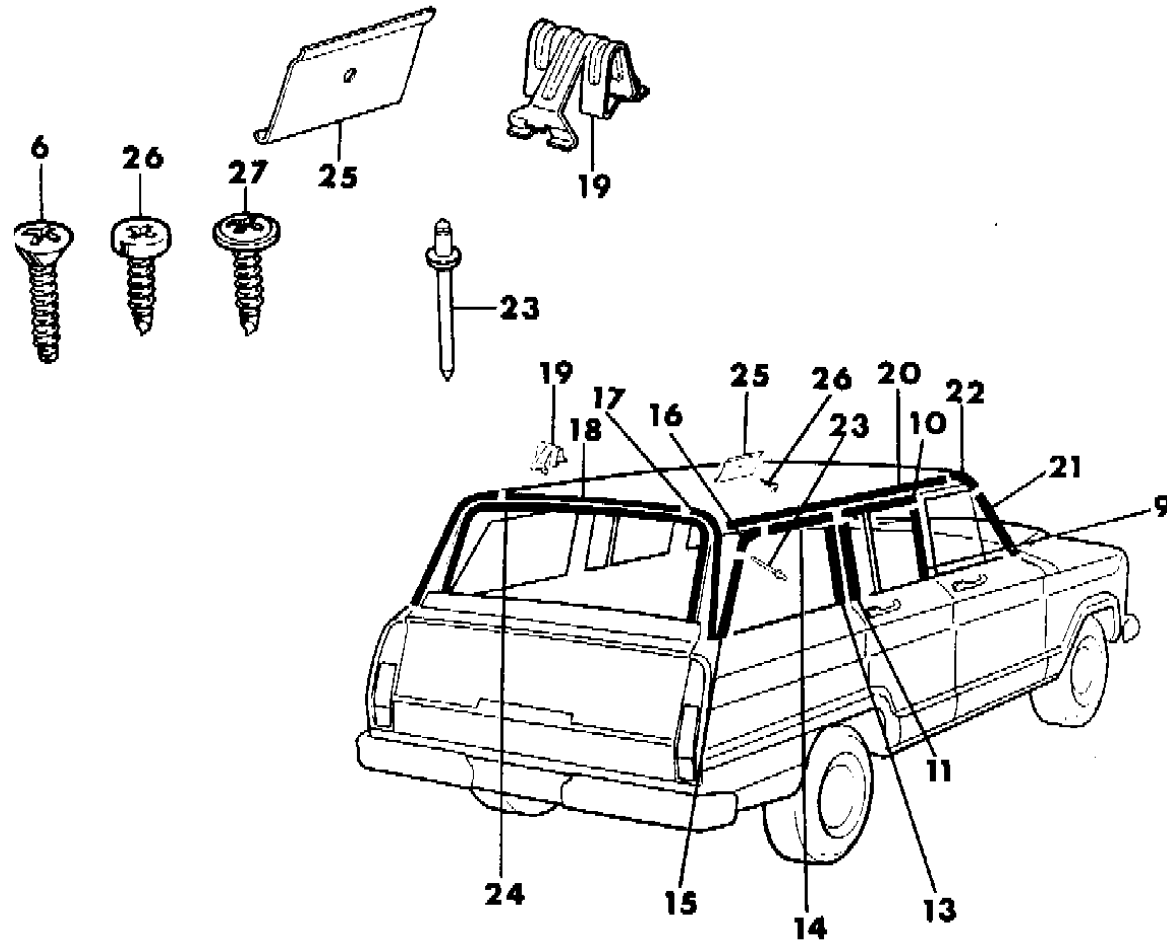
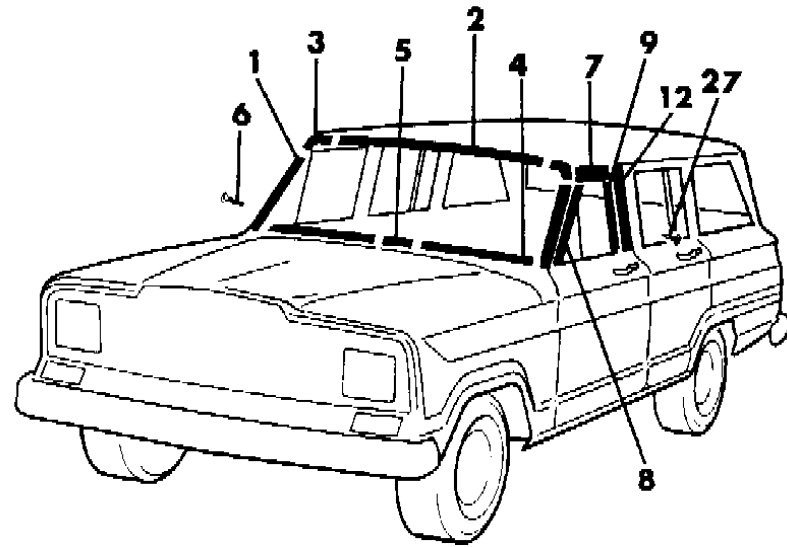
MJ = Comanche Pickup
 SJ = Grand Wagoneer Wgn., J-10 & J-20 Pickups
 XJ = Cherokee, Wagoneer Limited
 YJ = Wrangler

AR = Use as Required - = Non Illustrated Part P.A.R. = Paint as Required

MOULDINGS, EXTERIOR, UPPER WAGON
Figure 23-5600

8J68 5600

| ITEM | PART NUMBER | QTY | BODY | MODEL | DESCRIPTION |
|------|-------------|-----|------|-------|-----------------------|
| 18 | J096 5623 | 1 | | | MOULDING, Roof |
| 19 | J400 6693 | AR | | | CLIP |
| 20 | J576 0634 | 2 | | | MOULDING, Drip |
| 21 | J576 0635 | 2 | | | MOULDING, Drip |
| 22 | J575 0560 | 2 | | | CAP, Molding |
| 23 | J400 4962 | AR | | | RIVET |
| 24 | J575 4191 | 1 | | | MOULDING, Rear Window |
| 25 | J096 0882 | AR | | | TRACK, Moulding |
| 26 | J400 4924 | 10 | | | SCREW |
| 27 | J400 5407 | AR | | | SCREW |



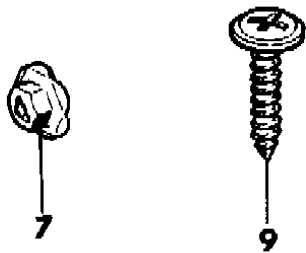
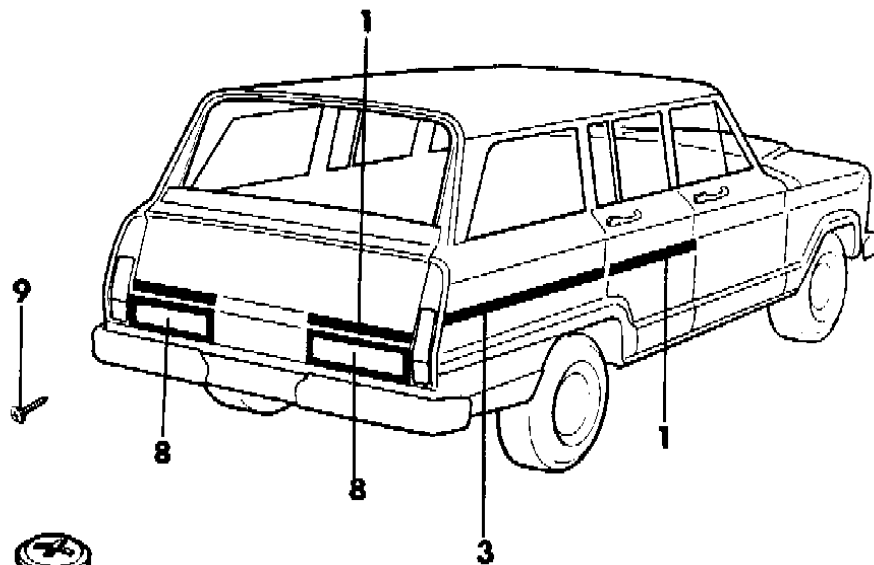
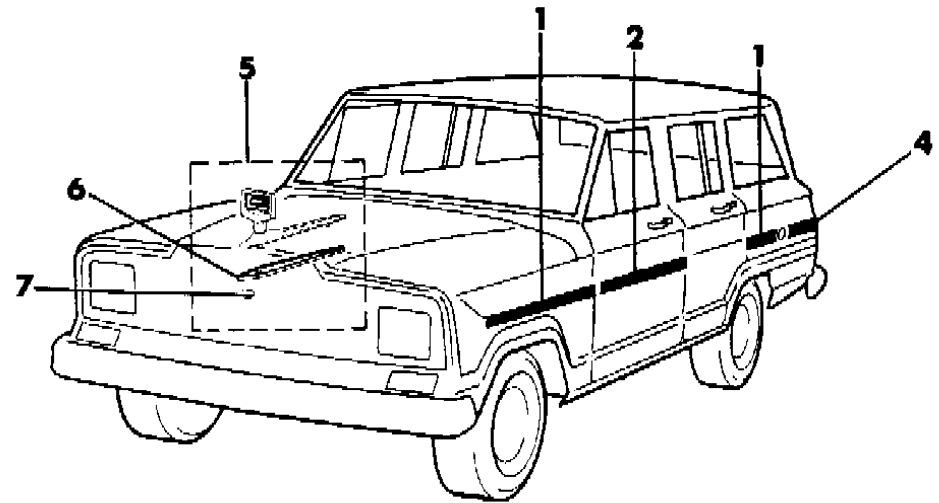
MODEL CODES:
 15 = Grand Wagoneer 4 Dr. 65 = Comanche 4WD-7 Ft. Box 77 = Cherokee 4WD-2 Dr.
 25 = J-10 Pickup-119" W.B. 66 = Comanche 2WD-7 Ft. Box 78 = Cherokee 4WD-4 Dr.
 26 = J-10 Pickup-131" W.B. 73 = Cherokee 2WD-2 Dr. 79 = Cherokee 4WD-4 Dr.-Com
 27 = J-20 Pickup-131" W.B. 74 = Cherokee 2WD-4 Dr. 81 = Wrangler-93" W.B.
 63 = Comanche 4WD-6 Ft. Box 75 = Wagoneer 4WD-4 Dr. 82 = Wrangler-103" W.B.-Exp.
 64 = Comanche 2WD-6 Ft. Box

BODY STYLES:
 MJ = Comanche Pickup
 SJ = Grand Wagoneer Wgn., J-10 & J-20 Pickups
 XJ = Cherokee, Wagoneer Limited
 YJ = Wrangler

AR = Use as Required - = Non Illustrated Part P.A.R. = Paint as Required

MOULDINGS, EXTERIOR, LOWER LESS WOODGRAIN DECALS WAGON, 1987-88
Figure 23-5700

8J68 5700



| ITEM | PART NUMBER | QTY | BODY | MODEL | DESCRIPTION |
|------|-------------|-----|------|-------|----------------------------|
| 1 | | | | | MOULDING, (MR) |
| | J576 4530 | AR | | | Silver |
| 2 | | | | | MOULDING, Door |
| | J576 4530 | 2 | | | Silver |
| 3 | | | | | MOULDING, Rear Quarter |
| | J576 3376 | 1 | | | Silver |
| 4 | | | | | MOULDING, Rear Quarter |
| | J576 3377 | 1 | | | Silver |
| 5 | 8350 2503 | 1 | | | ORNAMENT PACKAGE, Hood *** |
| 6 | 5501 0384 | 1 | | | GASKET |
| 7 | J942 0287 | 2 | | | NUT |
| 8 | | | | | OVERLAY |
| | J575 4800 | 1 | | | Right |
| | J575 4799 | 1 | | | Left |
| 9 | J400 4812 | 14 | | | SCREW |

(MR) = Modification Required. (A) For 1987, two types of instrument clusters were used. On type one, Clusters, the odometer numbers are rounded, the Speedometer face has (2) slotte

MODEL CODES:

| | | |
|-----------------------------|-----------------------------|------------------------------|
| 15 = Grand Wagoneer 4 Dr. | 65 = Comanche 4WD-7 Ft. Box | 77 = Cherokee 4WD-2 Dr. |
| 25 = J-10 Pickup-119" W.B. | 66 = Comanche 2WD-7 Ft. Box | 78 = Cherokee 4WD-4 Dr. |
| 26 = J-10 Pickup-131" W.B. | 73 = Cherokee 2WD-2 Dr. | 79 = Cherokee 4WD-4 Dr.-Com |
| 27 = J-20 Pickup-131" W.B. | 74 = Cherokee 2WD-4 Dr. | 81 = Wrangler-93" W.B. |
| 63 = Comanche 4WD-6 Ft. Box | 75 = Wagoneer 4WD-4 Dr. | 82 = Wrangler-103" W.B.-Exp. |
| 64 = Comanche 2WD-6 Ft. Box | | |

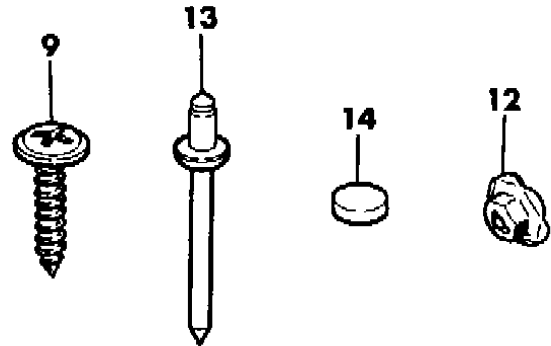
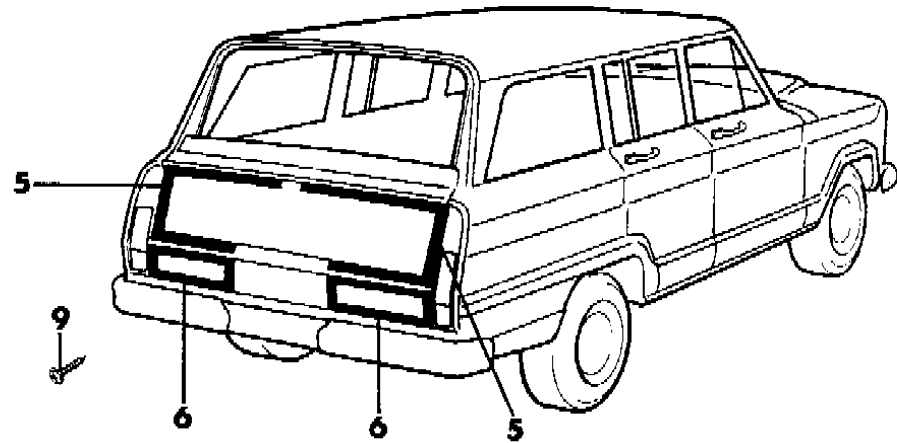
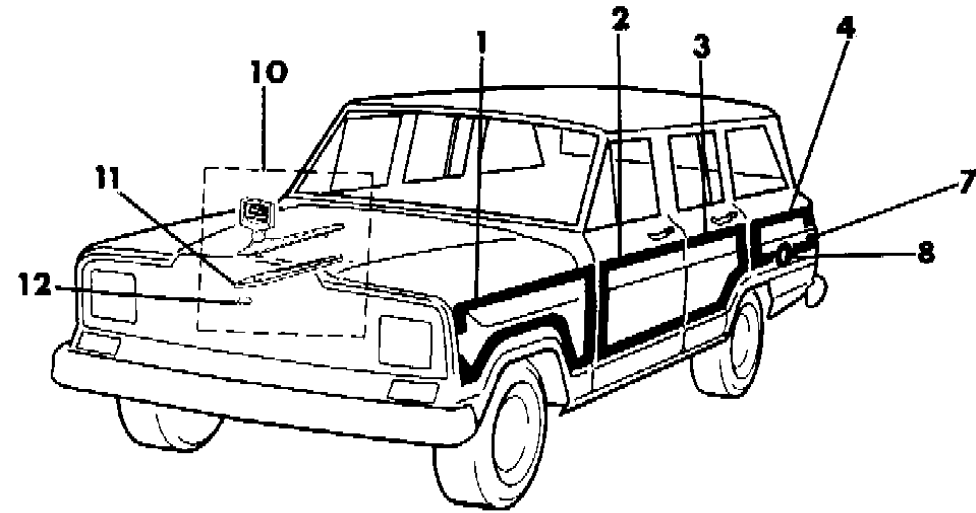
BODY STYLES:

MJ = Comanche Pickup
 SJ = Grand Wagoneer Wgn., J-10 & J-20 Pickups
 XJ = Cherokee, Wagoneer Limited
 YJ = Wrangler

AR = Use as Required - = Non Illustrated Part P.A.R. = Paint as Required

MOULDINGS, EXTERIOR, LOWER WITH WOODGRAIN DECALS WAGON
Figure 23-5800

8J68 5800



| ITEM | PART NUMBER | QTY | BODY | MODEL | DESCRIPTION |
|------|-------------|-----------|------|-------|------------------------|
| 1 | | | | | MOULDING, Fender |
| | | | | | Right |
| | | 5505 2654 | 1 | | 1987-90, up to 1/15/90 |
| | | 5502 5744 | 1 | | 1990, after 1/15/90 |
| 2 | | | | | Left |
| | | 5505 2653 | 1 | | 1987-90, up to 1/15/90 |
| | | 5502 5745 | 1 | | 1990, after 1/15/90 |
| | | | | | MOULDING, Door |
| 3 | | | | | Right |
| | | 5505 2656 | 1 | | 1987-90, up to 1/15/90 |
| | | 5502 5746 | 1 | | 1990, after 1/15/90 |
| | | | | | Left |
| 4 | | | | | 1987-90, up to 1/15/90 |
| | | 5502 5747 | 1 | | 1990, after 1/15/90 |
| | | | | | MOULDING, Door |
| | | | | | Right |
| 5 | | | | | 1987-90, up to 1/15/90 |
| | | 5502 5748 | 1 | | 1990, after 1/15/90 |
| | | | | | Left |
| | | 5505 2657 | 1 | | 1987-90, up to 1/15/90 |
| 6 | | | | | 1990, after 1/15/90 |
| | | 5502 5749 | 1 | | 1990, after 1/15/90 |
| | | | | | MOULDING, Rear Quarter |
| | | | | | Right |
| 7 | | | | | 1987-90, up to 1/15/90 |
| | | 5502 5750 | 1 | | 1990, after 1/15/90 |
| | | | | | Left |
| | | 5505 2659 | 1 | | 1987-90, up to 1/15/90 |
| 8 | | | | | 1990, after 1/15/90 |
| | | 5502 5751 | 1 | | 1990, after 1/15/90 |
| | | | | | MOULDING, Tailgate |
| | | | | | Right |
| 9 | | | | | 1987-90, up to 1/15/90 |
| | | 5502 5752 | 1 | | 1990, after 1/15/90 |
| | | | | | Left |
| | | 5505 2661 | 1 | | 1987-90, up to 1/15/90 |
| 10 | | | | | 1990, after 1/15/90 |
| | | 5502 5753 | 1 | | 1990, after 1/15/90 |
| | | | | | OVERLAY |
| | | | | | Right |
| 11 | | | | | |
| | | J575 4800 | 1 | | |

MODEL CODES:

| | | |
|-----------------------------|-----------------------------|------------------------------|
| 15 = Grand Wagoneer 4 Dr. | 65 = Comanche 4WD-7 Ft. Box | 77 = Cherokee 4WD-2 Dr. |
| 25 = J-10 Pickup-119" W.B. | 66 = Comanche 2WD-7 Ft. Box | 78 = Cherokee 4WD-4 Dr. |
| 26 = J-10 Pickup-131" W.B. | 73 = Cherokee 2WD-2 Dr. | 79 = Cherokee 4WD-4 Dr.-Com |
| 27 = J-20 Pickup-131" W.B. | 74 = Cherokee 2WD-4 Dr. | 81 = Wrangler-93" W.B. |
| 63 = Comanche 4WD-6 Ft. Box | 75 = Wagoneer 4WD-4 Dr. | 82 = Wrangler-103" W.B.-Exp. |
| 64 = Comanche 2WD-6 Ft. Box | | |

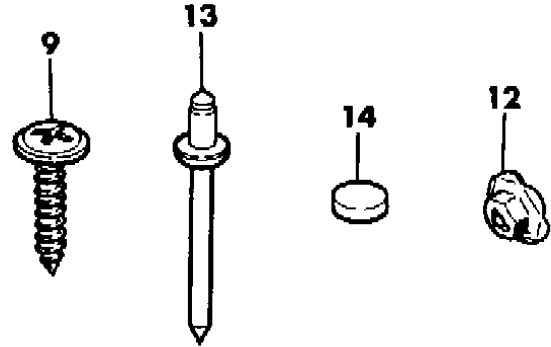
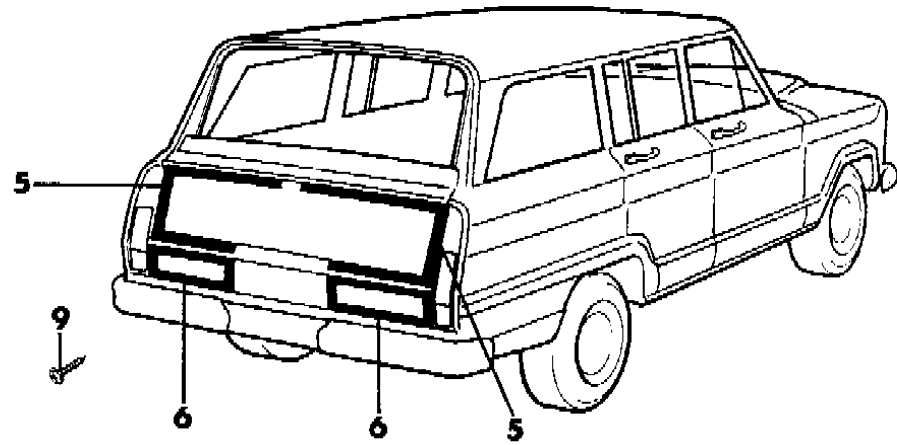
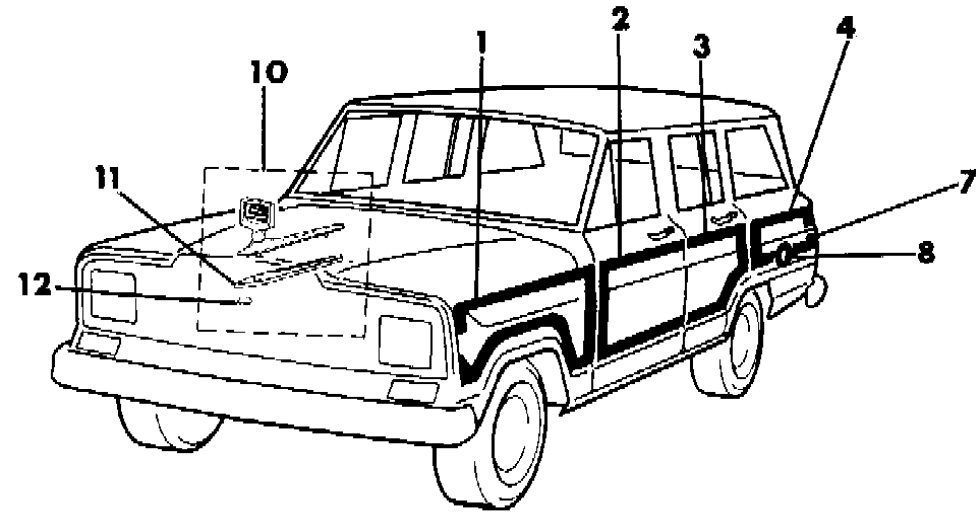
BODY STYLES:

MJ = Comanche Pickup
 SJ = Grand Wagoneer Wgn., J-10 & J-20 Pickups
 XJ = Cherokee, Wagoneer Limited
 YJ = Wrangler

AR = Use as Required - = Non Illustrated Part P.A.R. = Paint as Required

MOULDINGS, EXTERIOR, LOWER WITH WOODGRAIN DECALS WAGON
Figure 23-5800

8J68 5800



| ITEM | PART NUMBER | QTY | BODY | MODEL | DESCRIPTION |
|------|-------------|-----|------|-------|----------------------------|
| | J575 4799 | 1 | | | Left |
| 7 | | | | | MOULDING, Rear Quarter |
| | J576 6465 | 1 | | | Left |
| | 5502 5743 | 1 | | | 1987-89 |
| | | | | | 1990 |
| 8 | J545 6634 | 1 | | | RING, Trim |
| 9 | J400 4812 | AR | | | SCREW |
| 10 | 8350 2503 | 1 | | | ORNAMENT PACKAGE, Hood *** |
| 11 | 5501 0384 | 1 | | | GASKET |
| 12 | J942 0287 | 2 | | | NUT |
| 13 | J400 4962 | AR | | | RIVET |
| 14 | | | | | PLUG |
| | J575 5503 | AR | | | 1987-89 |
| | 5252 124 | AR | | | 1990 |

MODEL CODES:

| | | |
|-----------------------------|-----------------------------|------------------------------|
| 15 = Grand Wagoneer 4 Dr. | 65 = Comanche 4WD-7 Ft. Box | 77 = Cherokee 4WD-2 Dr. |
| 25 = J-10 Pickup-119" W.B. | 66 = Comanche 2WD-7 Ft. Box | 78 = Cherokee 4WD-4 Dr. |
| 26 = J-10 Pickup-131" W.B. | 73 = Cherokee 2WD-2 Dr. | 79 = Cherokee 4WD-4 Dr.-Com |
| 27 = J-20 Pickup-131" W.B. | 74 = Cherokee 2WD-4 Dr. | 81 = Wrangler-93" W.B. |
| 63 = Comanche 4WD-6 Ft. Box | 75 = Wagoneer 4WD-4 Dr. | 82 = Wrangler-103" W.B.-Exp. |
| 64 = Comanche 2WD-6 Ft. Box | | |

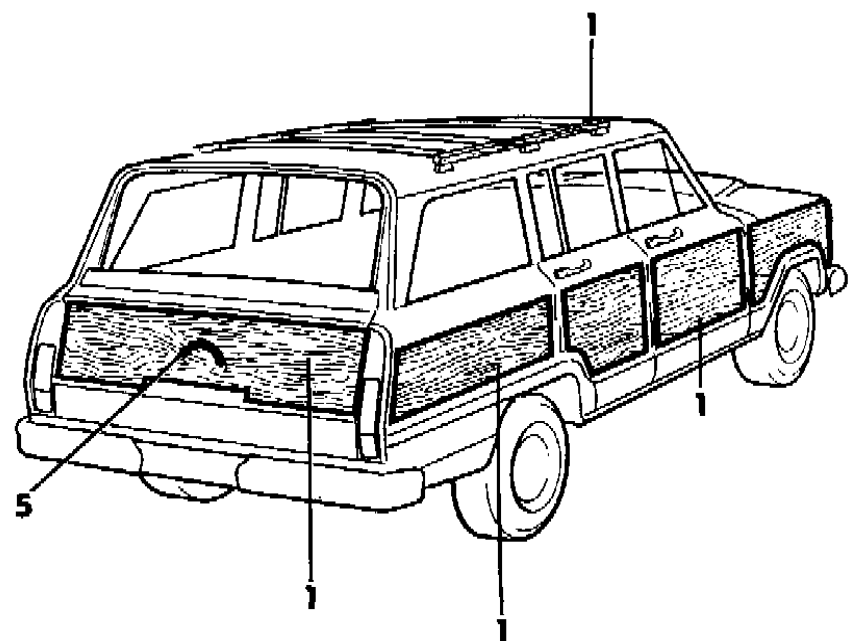
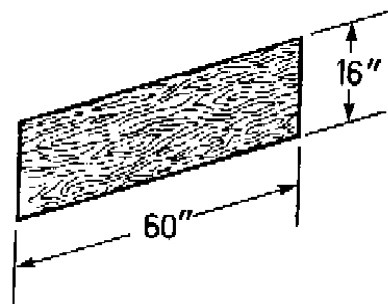
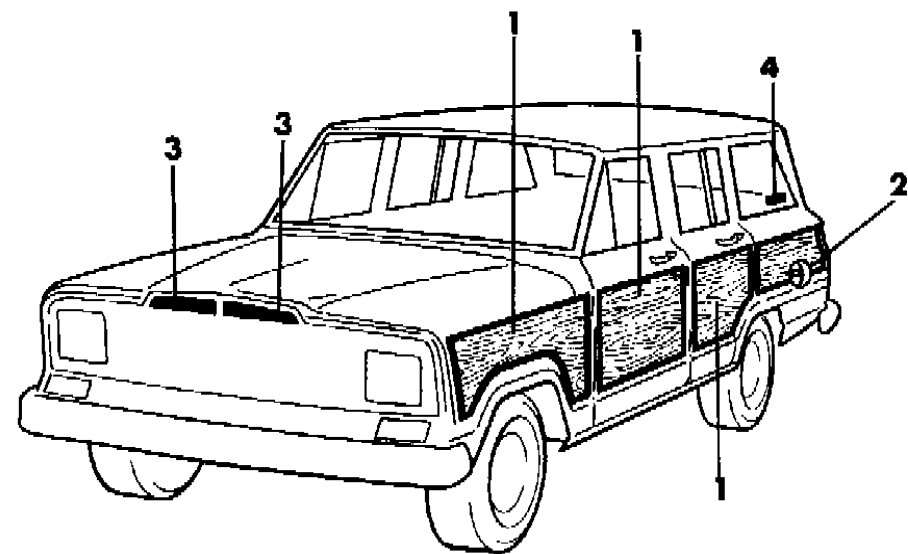
BODY STYLES:

MJ = Comanche Pickup
 SJ = Grand Wagoneer Wgn., J-10 & J-20 Pickups
 XJ = Cherokee, Wagoneer Limited
 YJ = Wrangler

AR = Use as Required - = Non Illustrated Part P.A.R. = Paint as Required

DECALS, EXTERIOR WAGON
Figure 23-5900

8J68 5900 C



| ITEM | PART NUMBER | QTY | BODY | MODEL | DESCRIPTION |
|------|-------------|-----|------|-------|---|
| 1 | 8350 3186 | AR | | | DECAL, Woodgrain |
| 2 | J536 3394 | 1 | | | RING, Retaining Vehicles Equipped To Use Unleaded Fuel |
| | J536 3395 | 1 | | | Vehicles Equipped To Use Leaded Fuel |
| 3 | | | | | DECAL, Grille Panel |
| | 5501 2578 | 1 | | | Right |
| | 5501 2579 | 1 | | | Left |
| 4 | 5502 0568 | 2 | | | DECAL, "Olympic" 1988 |
| 5 | 5502 2196 | 1 | | | DECAL, "ALWAYS REMOVE KEY" |

MODEL CODES:

| | | |
|-----------------------------|-----------------------------|------------------------------|
| 15 = Grand Wagoneer 4 Dr. | 65 = Comanche 4WD-7 Ft. Box | 77 = Cherokee 4WD-2 Dr. |
| 25 = J-10 Pickup-119" W.B. | 66 = Comanche 2WD-7 Ft. Box | 78 = Cherokee 4WD-4 Dr. |
| 26 = J-10 Pickup-131" W.B. | 73 = Cherokee 2WD-2 Dr. | 79 = Cherokee 4WD-4 Dr.-Com |
| 27 = J-20 Pickup-131" W.B. | 74 = Cherokee 2WD-4 Dr. | 81 = Wrangler-93" W.B. |
| 63 = Comanche 4WD-6 Ft. Box | 75 = Wagoneer 4WD-4 Dr. | 82 = Wrangler-103" W.B.-Exp. |
| 64 = Comanche 2WD-6 Ft. Box | | |

BODY STYLES:

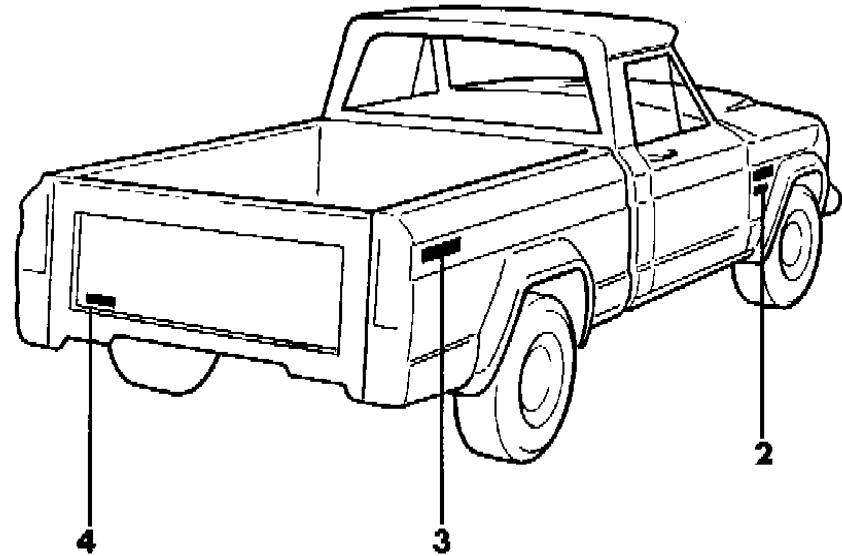
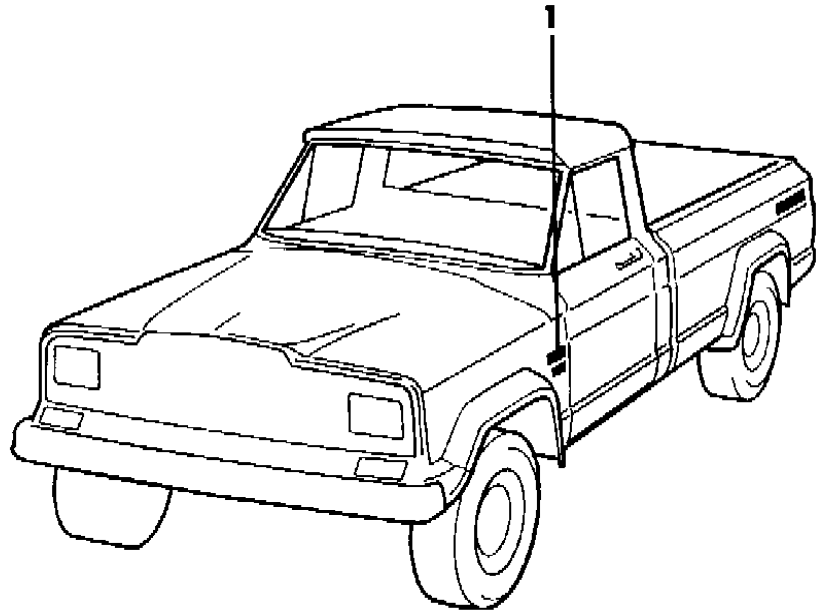
MJ = Comanche Pickup
SJ = Grand Wagoneer Wgn., J-10 & J-20 Pickups
XJ = Cherokee, Wagoneer Limited
YJ = Wrangler

AR = Use as Required - = Non Illustrated Part P.A.R. = Paint as Required

NAMEPLATES 1987-88 J10, J20
Figure 23-6000

8J68 6000 A

| ITEM | PART NUMBER | QTY | BODY | MODEL | DESCRIPTION |
|------|-------------|-----|------|-------|----------------------|
| 1 | | | | | NAMEPLATE |
| | J545 2020 | 2 | | | "J10" |
| | J545 2021 | 2 | | | "J20" |
| 2 | 5501 0898 | 2 | | | NAMEPLATE, "Pioneer" |
| 3 | 5500 7817 | 2 | | | NAMEPLATE, "4x4" |
| 4 | 5501 3578 | 1 | | | NAMEPLATE, "V8" |



MODEL CODES:

| | | |
|-----------------------------|-----------------------------|------------------------------|
| 15 = Grand Wagoneer 4 Dr. | 65 = Comanche 4WD-7 Ft. Box | 77 = Cherokee 4WD-2 Dr. |
| 25 = J-10 Pickup-119" W.B. | 66 = Comanche 2WD-7 Ft. Box | 78 = Cherokee 4WD-4 Dr. |
| 26 = J-10 Pickup-131" W.B. | 73 = Cherokee 2WD-2 Dr. | 79 = Cherokee 4WD-4 Dr.-Com |
| 27 = J-20 Pickup-131" W.B. | 74 = Cherokee 2WD-4 Dr. | 81 = Wrangler-93" W.B. |
| 63 = Comanche 4WD-6 Ft. Box | 75 = Wagoneer 4WD-4 Dr. | 82 = Wrangler-103" W.B.-Exp. |
| 64 = Comanche 2WD-6 Ft. Box | | |

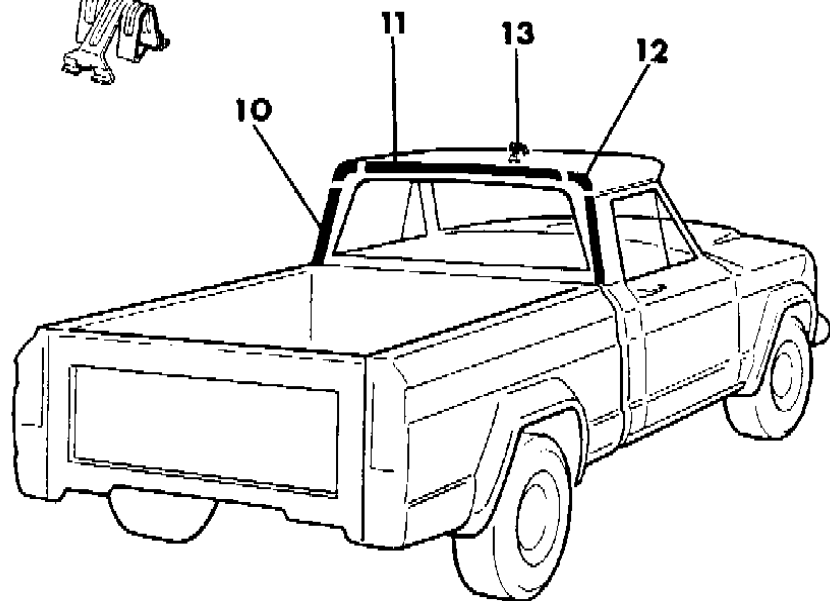
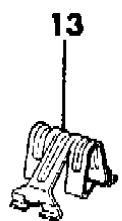
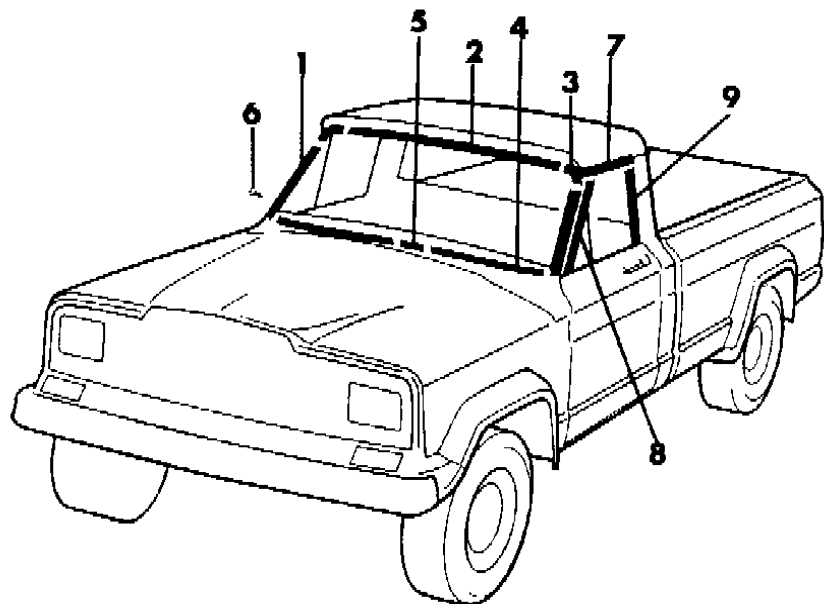
BODY STYLES:

MJ = Comanche Pickup
 SJ = Grand Wagoneer Wgn., J-10 & J-20 Pickups
 XJ = Cherokee, Wagoneer Limited
 YJ = Wrangler

AR = Use as Required - = Non Illustrated Part P.A.R. = Paint as Required

MOULDINGS, EXTERIOR, UPPER 1987-88 J10, J20
Figure 23-6100

8J68 6100



| ITEM | PART NUMBER | QTY | BODY | MODEL | DESCRIPTION |
|------|-------------|-----|------|-------|----------------------------|
| 1 | | | | | MOULDING, Windshield |
| | J096 8348 | 1 | | | Right |
| | J096 8347 | 1 | | | Left |
| 2 | J096 0057 | 1 | | | MOULDING, Windshield |
| 3 | | | | | CAP, Moulding |
| | J096 8350 | 1 | | | Right |
| | J096 8349 | 1 | | | Left |
| 4 | | | | | MOULDING, Windshield |
| | J096 1178 | 1 | | | Right |
| | J096 1177 | 1 | | | Left |
| 5 | J096 1240 | 1 | | | CAP, Moulding |
| 6 | J400 6409 | AR | | | SCREW |
| 7 | | | | | MOULDING, Door |
| | J575 8506 | 1 | | | Right |
| | J575 8507 | 1 | | | Left |
| 8 | | | | | MOULDING, Door |
| | J096 0658 | 1 | | | Right |
| | J096 0657 | 1 | | | Left |
| 9 | | | | | MOULDING, Door |
| | J096 0834 | 1 | | | Right |
| | J096 0833 | 1 | | | Left |
| 10 | | | | | MOULDING, Cab Rear Quarter |
| | J095 7808 | 1 | | | Right |
| | J095 7807 | 1 | | | Left |
| 11 | J095 7811 | 1 | | | MOULDING, Roof |
| 12 | J096 1930 | 2 | | | CAP, Moulding |
| 13 | J400 6693 | AR | | | CLIP |

MODEL CODES:

| | | |
|-----------------------------|-----------------------------|------------------------------|
| 15 = Grand Wagoneer 4 Dr. | 65 = Comanche 4WD-7 Ft. Box | 77 = Cherokee 4WD-2 Dr. |
| 25 = J-10 Pickup-119" W.B. | 66 = Comanche 2WD-7 Ft. Box | 78 = Cherokee 4WD-4 Dr. |
| 26 = J-10 Pickup-131" W.B. | 73 = Cherokee 2WD-2 Dr. | 79 = Cherokee 4WD-4 Dr.-Com |
| 27 = J-20 Pickup-131" W.B. | 74 = Cherokee 2WD-4 Dr. | 81 = Wrangler-93" W.B. |
| 63 = Comanche 4WD-6 Ft. Box | 75 = Wagoneer 4WD-4 Dr. | 82 = Wrangler-103" W.B.-Exp. |
| 64 = Comanche 2WD-6 Ft. Box | | |

BODY STYLES:

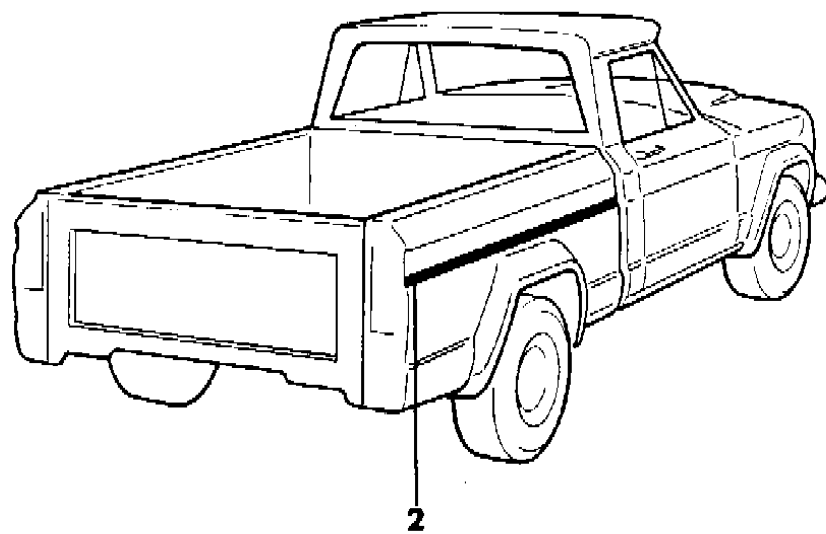
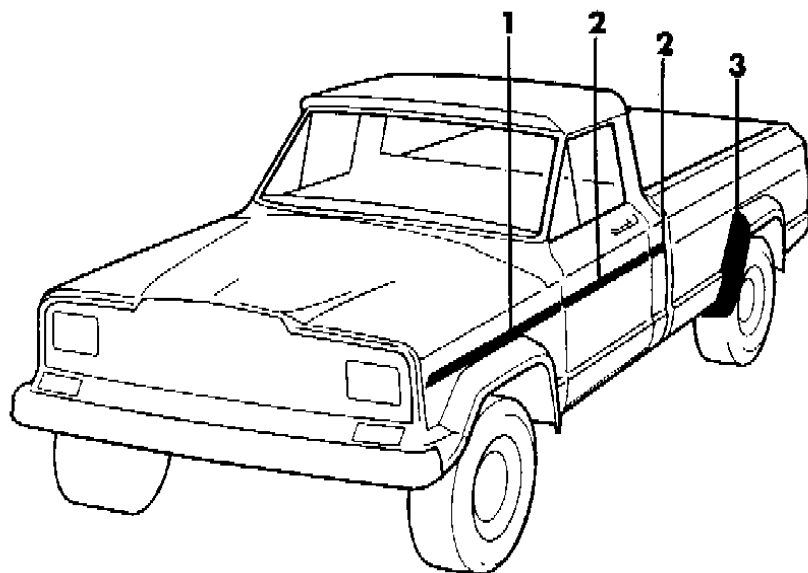
MJ = Comanche Pickup
 SJ = Grand Wagoneer Wgn., J-10 & J-20 Pickups
 XJ = Cherokee, Wagoneer Limited
 YJ = Wrangler

AR = Use as Required - = Non Illustrated Part P.A.R. = Paint as Required

MOULDINGS, EXTERIOR, LOWER 1987-88 J10, J20
Figure 23-6200

8J68 6200

| ITEM | PART NUMBER | QTY | BODY | MODEL | DESCRIPTION |
|------|-------------|-----|------|-------|------------------|
| 1 | | | | | MOULDING |
| | 8350 2094 | 1 | | | Right |
| | 8350 2095 | 1 | | | Left |
| 2 | 8350 2093 | AR | | | MOULDING |
| 3 | | | | | PROTECTOR, Scuff |
| | J576 2182 | 1 | | | Right |
| | J576 2183 | 1 | | | Left |



MODEL CODES:

| | | |
|-----------------------------|-----------------------------|------------------------------|
| 15 = Grand Wagoneer 4 Dr. | 65 = Comanche 4WD-7 Ft. Box | 77 = Cherokee 4WD-2 Dr. |
| 25 = J-10 Pickup-119" W.B. | 66 = Comanche 2WD-7 Ft. Box | 78 = Cherokee 4WD-4 Dr. |
| 26 = J-10 Pickup-131" W.B. | 73 = Cherokee 2WD-2 Dr. | 79 = Cherokee 4WD-4 Dr.-Com |
| 27 = J-20 Pickup-131" W.B. | 74 = Cherokee 2WD-4 Dr. | 81 = Wrangler-93" W.B. |
| 63 = Comanche 4WD-6 Ft. Box | 75 = Wagoneer 4WD-4 Dr. | 82 = Wrangler-103" W.B.-Exp. |
| 64 = Comanche 2WD-6 Ft. Box | | |

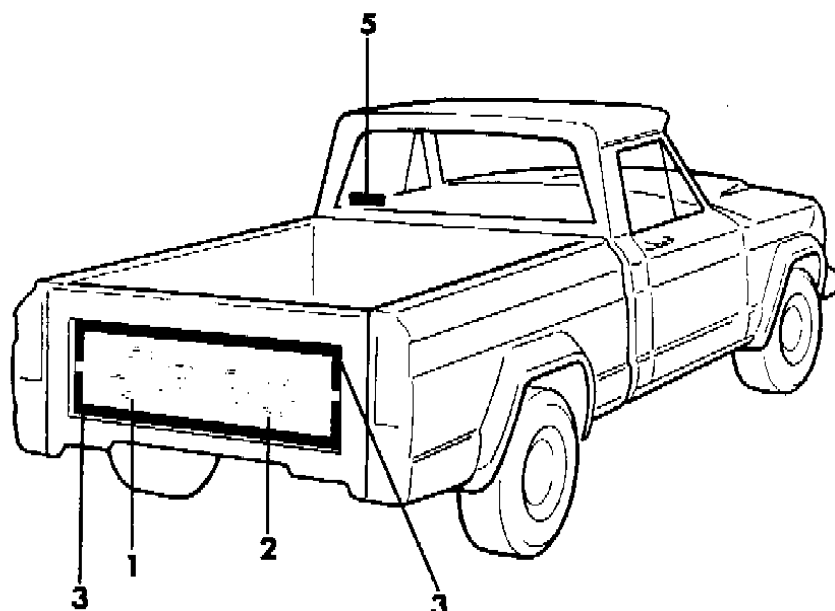
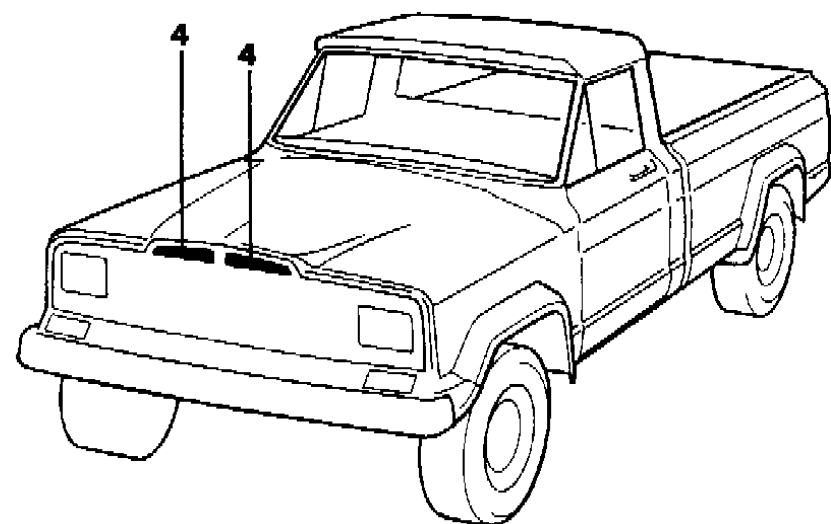
BODY STYLES:

MJ = Comanche Pickup
 SJ = Grand Wagoneer Wgn., J-10 & J-20 Pickups
 XJ = Cherokee, Wagoneer Limited
 YJ = Wrangler

AR = Use as Required - = Non Illustrated Part P.A.R. = Paint as Required

DECALS, EXTERIOR 1987-88 J10, J20
Figure 23-6300

8J68 6300



| ITEM | PART NUMBER | QTY | BODY | MODEL | DESCRIPTION |
|------|-------------|-----|------|-------|---------------------|
| 1 | | | | | DECAL, Tailgate |
| | 5501 4356 | 1 | | | Tan |
| 2 | | | | | DECAL, Tailgate |
| | 5501 4357 | 1 | | | Tan |
| 3 | | | | | DECAL, Tailgate |
| | 5501 4355 | 1 | | | Tan |
| 4 | | | | | DECAL, Grille Panel |
| | 5501 2578 | 1 | | | Right, Black |
| | 5501 2579 | 1 | | | Left, Black |
| 5 | | | | | DECAL, "Olympic" |
| | 5502 0568 | 1 | | | |

MODEL CODES:

| | | |
|-----------------------------|-----------------------------|------------------------------|
| 15 = Grand Wagoneer 4 Dr. | 65 = Comanche 4WD-7 Ft. Box | 77 = Cherokee 4WD-2 Dr. |
| 25 = J-10 Pickup-119" W.B. | 66 = Comanche 2WD-7 Ft. Box | 78 = Cherokee 4WD-4 Dr. |
| 26 = J-10 Pickup-131" W.B. | 73 = Cherokee 2WD-2 Dr. | 79 = Cherokee 4WD-4 Dr.-Com |
| 27 = J-20 Pickup-131" W.B. | 74 = Cherokee 2WD-4 Dr. | 81 = Wrangler-93" W.B. |
| 63 = Comanche 4WD-6 Ft. Box | 75 = Wagoneer 4WD-4 Dr. | 82 = Wrangler-103" W.B.-Exp. |
| 64 = Comanche 2WD-6 Ft. Box | | |

BODY STYLES:

MJ = Comanche Pickup
 SJ = Grand Wagoneer Wgn., J-10 & J-20 Pickups
 XJ = Cherokee, Wagoneer Limited
 YJ = Wrangler

AR = Use as Required - = Non Illustrated Part P.A.R. = Paint as Required

GROUP 23A - BODY - SHEET METAL EXCEPT DOORS

ILLUSTRATION TITLE **GROUP-FIG. NO.**

WRANGLER, YJ

PAN, FLOOR FRONT AND REAR WRANGLER, YJ Fig. 23A-100
 FENDERS, FRONT WRANGLER, YJ Fig. 23A-200
 HOOD, LOCK AND CATCHES WRANGLER, YJ Fig. 23A-300
 PANELS, COWL DASH WRANGLER, YJ Fig. 23A-350
 WINDSHIELD FRAME AND HINGES WRANGLER, YJ Fig. 23A-400
 GLASS, MIRROR, INSIDE REAR VIEW LESS WORLD CAB WRANGLER, YJ Fig. 23A-500
 GLASS WITH WORLD CAB, EXPORT WRANGLER, YJ Fig. 23A-600
 SEALS, WINDOW WRANGLER, YJ Fig. 23A-700
 TOP ENCLOSURE, HARD WRANGLER, YJ Fig. 23A-800
 PANELS, BODY SIDE WRANGLER, YJ Fig. 23A-900
 TAILGATE WRANGLER, YJ Fig. 23A-1000
 HINGES, TAILGATE WRANGLER, YJ Fig. 23A-1100
 SPORT BAR WRANGLER, YJ Fig. 23A-1200
 SOFT TOP HARDWARE WITH HALF DOORS WRANGLER, YJ Fig. 23A-1300
 SOFT TOP AND WINDOWS WITH HALF DOORS WRANGLER, YJ Fig. 23A-1400
 SOFT TOP HARDWARE WITH FULL HARD DOORS WRANGLER, YJ Fig. 23A-1500
 SOFT TOP AND WINDOWS WITH FULL HARD DOORS WRANGLER, YJ Fig. 23A-1600
 SOFT TOP, FULL SOFT DOORS AND WINDOWS NON REGULATED MARKETS Fig. 23A-1700
 LIFT DOOR, LATCH AND HINGES WITH HARD TOP ENCLOSURE WRANGLER, YJ Fig. 23A-1800
 LATCH AND STRIKER, TAILGATE WRANGLER, YJ Fig. 23A-1900

WAGONEER & CHEROKEE AND COMANCHE

PANS, FLOOR CHEROKEE, WAGONEER Fig. 23A-2000
 PAN, FLOOR COMANCHE Fig. 23A-2100
 PLATES, UNDERBODY SKID CHEROKEE, WAGONEER Fig. 23A-2200
 PLATES, UNDERBODY SKID COMANCHE Fig. 23A-2300
 PLUGS, BODY CHEROKEE, WAGONEER, COMANCHE Fig. 23A-2400
 PANELS, FRONT END INNER AND WHEELHOUSE CHEROKEE, WAGONEER, COMANCHE Fig. 23A-2500
 FENDERS, FRONT CHEROKEE, WAGONEER, COMANCHE Fig. 23A-2600
 HOOD, LATCH AND HINGES CHEROKEE, WAGONEER, COMANCHE Fig. 23A-2700
 PANELS, COWL AND DASH CHEROKEE, WAGONEER, COMANCHE Fig. 23A-2800
 MIRROR INSIDE REAR VIEW CHEROKEE, WAGONEER, COMANCHE Fig. 23A-2900
 PANELS, BODY SIDE CHEROKEE 2 DOOR Fig. 23A-3000
 PANELS, BODY SIDE CHEROKEE, WAGONEER 4 DOOR Fig. 23A-3100
 PANELS, BODY SIDE AND REAR COMANCHE Fig. 23A-3200
 PANELS, REAR QUARTER CHEROKEE 2 DOOR Fig. 23A-3300

ILLUSTRATION NOT AVAILABLE AT TIME OF PUBLICATION

GROUP 23A - BODY - SHEET METAL EXCEPT DOORS

GROUP 23A - BODY - SHEET METAL EXCEPT DOORS

ILLUSTRATION TITLE

GROUP-FIG. NO.

ILLUSTRATION TITLE

GROUP-FIG. NO.

WAGONEER & CHEROKEE AND COMANCHE (Continued)

| | |
|---|---------------|
| PANELS, REAR QUARTER CHEROKEE 2 DOOR | Fig. 23A-3300 |
| PANELS, REAR QUARTER CHEROKEE, WAGONEER 4 DOOR | Fig. 23A-3400 |
| APPLIQUES, REAR QUARTER PANEL CHEROKEE, WAGONEER, COMANCHE | Fig. 23A-3500 |
| PANELS, LOAD BARRIER AND AUXILIARY FLOOR CHEROKEE 2 DOOR, 79, FRENCH COMMERCIAL PACKAGE | Fig. 23A-3600 |
| TAILGATE, LATCHES AND HINGES COMANCHE | Fig. 23A-3700 |
| BOX, PICKUP COMANCHE | Fig. 23A-3800 |
| LIFT DOOR, LATCH AND HINGES CHEROKEE, WAGONEER | Fig. 23A-3900 |
| SPORT BAR COMANCHE | Fig. 23A-4000 |
| RACK, ROOF LUGGAGE (TYPE 1) CHEROKEE, WAGONEER | Fig. 23A-4100 |
| RACK, ROOF LUGGAGE, TYPE 2 CHEROKEE, WAGONEER | Fig. 23A-4200 |
| SUNROOF, POP-UP CHEROKEE, WAGONEER | Fig. 23A-4300 |
| PANELS, ROOF CHEROKEE, WAGONEER, COMANCHE | Fig. 23A-4400 |
| GLASS COMANCHE | Fig. 23A-4500 |
| SEAL, WINDOW COMANCHE | Fig. 23A-4600 |
| GLASS, REAR QUARTER FIXED CHEROKEE 2 DOOR | Fig. 23A-4700 |
| SEAL LIFT DOOR CHEROKEE, WAGONEER | Fig. 23A-4800 |
| SEALS WINDOW CHEROKEE 2 DOOR | Fig. 23A-4900 |
| GLASS, STATIONARY WINDSHIELD, QUARTER AND LIFT DOOR CHEROKEE 2 DOOR | Fig. 23A-5000 |
| GLASS, STATIONARY WINDSHIELD, QUARTER, AND LIFT DOOR CHEROKEE 4 DOOR, WAGONEER ... | Fig. 23A-5100 |
| SEALS QUARTER AND LIFT DOOR WINDOW CHEROKEE 4 DOOR, WAGONEER | Fig. 23A-5200 |

GRAND WAGONEER & J10-AND-J20-TRUCK

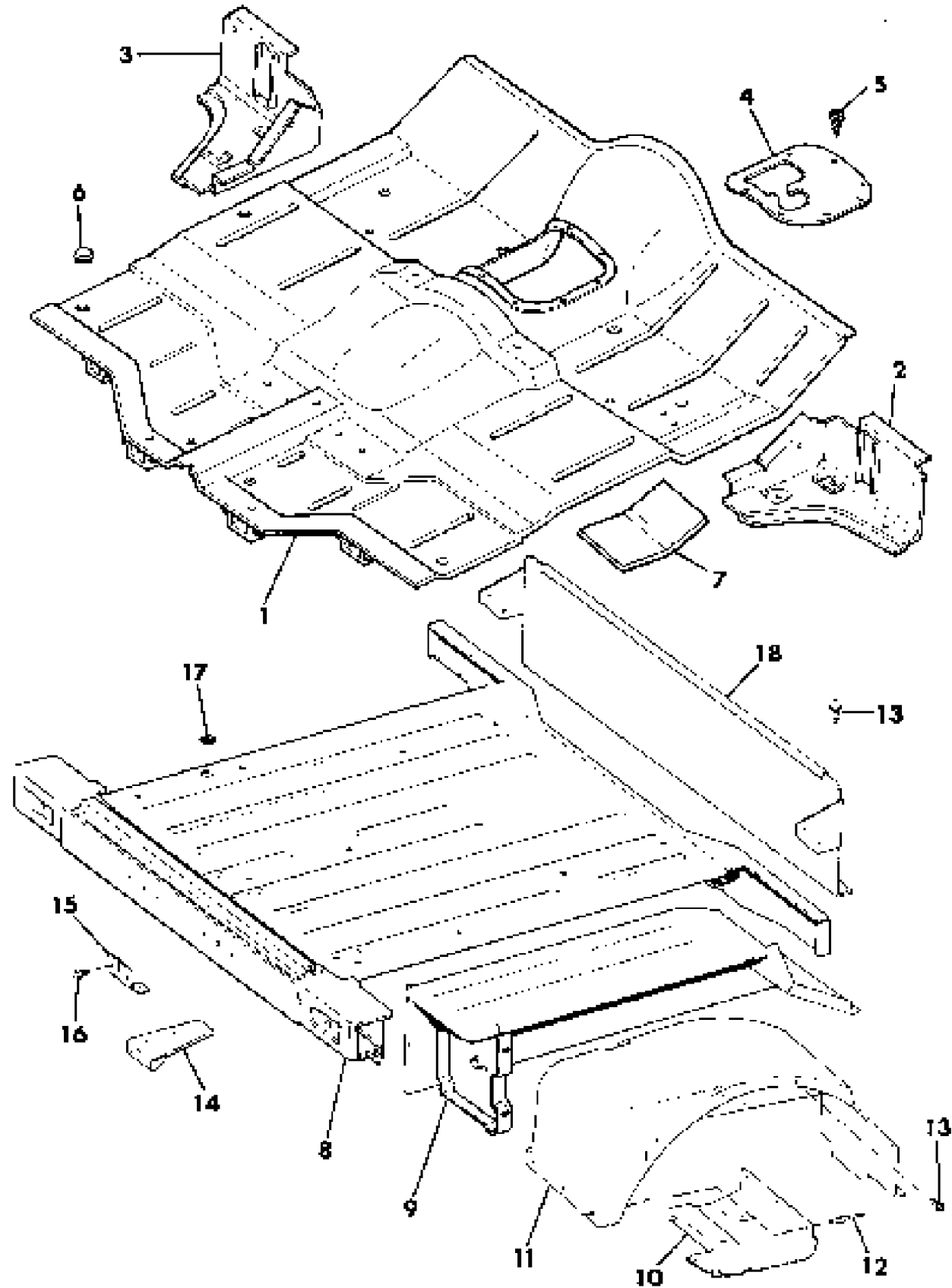
| | |
|---|---------------|
| PAN, FLOOR GRAND WAGONEER | Fig. 23A-5300 |
| PAN, FLOOR 1987-88 J10, J20 | Fig. 23A-5400 |
| SEALS AND PLUGS, BODY GRAND WAGONEER, J10, J20 | Fig. 23A-5500 |
| FENDERS, FRONT GRAND WAGONEER, J10, J20 | Fig. 23A-5600 |
| HOOD AND HINGES GRAND WAGONEER, J10, J20 | Fig. 23A-5700 |
| LOCK AND RELEASE, HOOD GRAND WAGONEER, J10, J20 | Fig. 23A-5800 |
| PANELS, COWL AND DASH GRAND WAGONEER, J10, J20 | Fig. 23A-5900 |
| MIRROR, INSIDE REAR VIEW GRAND WAGONEER, J10, J20 | Fig. 23A-6000 |
| PANELS, BODY SIDE GRAND WAGONEER | Fig. 23A-6100 |
| PANELS, REAR QUARTER GRAND WAGONEER | Fig. 23A-6200 |
| TAILGATE AND HINGES GRAND WAGONEER | Fig. 23A-6300 |
| LATCHES, TAILGATE GRAND WAGONEER | Fig. 23A-6400 |
| REGULATOR, TAILGATE GLASS MANUAL GRAND WAGONEER | Fig. 23A-6500 |

GRAND WAGONEER & J10-AND-J20-TRUCK (Continued)

| | |
|--|---------------|
| REGULATOR, TAILGATE GLASS MANUAL GRAND WAGONEER | Fig. 23A-6500 |
| REGULATOR, TAILGATE GLASS ELECTRIC GRAND WAGONEER | Fig. 23A-6600 |
| PANELS, BODY SIDE AND REAR 1987-88 J10, J20 | Fig. 23A-6700 |
| PANELS, ROOF GRAND WAGONEER, J10, J20 | Fig. 23A-6800 |
| SEALS & GLASS TINTED WINDSHIELD, QUARTER AND TAILGATE GRAND WAGONEER | Fig. 23A-6900 |
| GLASS, SEALS WINDSHIELD AND REAR WINDOW J10, J20 | Fig. 23A-7000 |
| RACK--ROOF LUGGAGE GRAND WAGONEER 1987 | Fig. 23A-7050 |
| RACK--ROOF LUGGAGE GRAND WAGONEER 1988-90 | Fig. 23A-7100 |
| SUNROOF TRACK AND ELECTRICAL GRAND WAGONEER | Fig. 23A-7200 |
| SUNROOF--SLIDING GRAND WAGONEER--1987 | Fig. 23A-7250 |
| SUNROOF SLIDING GLASS AND HOUSING GRAND WAGONEER | Fig. 23A-7300 |
| BOX, PICKUP 1987-1988 J10, J20 | Fig. 23A-7400 |
| MOUNTING HARDWARE, PICKUP BOX 1987-1988 J10, J20 | Fig. 23A-7500 |
| TAILGATE, LATCH AND HINGES 1987-1988 J10, J20 | Fig. 23A-7600 |

PAN, FLOOR FRONT AND REAR WRANGLER, YJ
Figure 23A-100

BJ69100



| ITEM | PART NUMBER | QTY | BODY | MODEL | DESCRIPTION |
|------|-------------|-----|------|-------|-------------------------|
| 1 | 5505 0016 | 1 | | | PAN, Front Floor |
| 2-3 | 5501 0914-5 | 1 | | | BRACKET, Body |
| 4 | | | | | COVER, Floor Pan |
| | 5505 0141 | 1 | | | w/Auto. Trans. |
| | 5505 0142 | 1 | | | w/Manual Trans. |
| 5 | J400 6444 | 7 | | | SCREW |
| 6 | 5500 6578 | 11 | | | PLUG |
| 7 | 5501 5268 | 1 | | | SHIELD, Heat |
| 8 | 5505 0021 | 1 | | | PAN, Rear Floor |
| 9 | | | | | WHEELHOUSE ASSEMBLY *** |
| | 5501 0578 | 1 | | | Right |
| | 5501 0579 | 1 | | | Left 1987-88 |
| | 5502 0523 | 1 | | | Left 1989-90 |
| 10 | 5500 9592-3 | 1 | | | SHIELD, Splash |
| 11 | 5500 9590-1 | 1 | | | PANEL, Inner Protection |
| 12 | 3420 1631 | AR | | | RIVET |
| 13 | J943 1948 | AR | | | SCREW |
| 14 | 5500 6578 | 2 | | | PLUG |
| 15 | 5502 5238 | 1 | | | PANEL, Load Barrier ECE |

(ECE) Emission Controlled European. (A) For 1987, two types of instrument clusters were used. On type one, Clusters, the odometer numbers are rounded, the Speedometer face has (2) slotte

MODEL CODES:

| | | |
|-----------------------------|-----------------------------|------------------------------|
| 15 = Grand Wagoneer 4 Dr. | 65 = Comanche 4WD-7 Ft. Box | 77 = Cherokee 4WD-2 Dr. |
| 25 = J-10 Pickup-119" W.B. | 66 = Comanche 2WD-7 Ft. Box | 78 = Cherokee 4WD-4 Dr. |
| 26 = J-10 Pickup-131" W.B. | 73 = Cherokee 2WD-2 Dr. | 79 = Cherokee 4WD-4 Dr.-Com |
| 27 = J-20 Pickup-131" W.B. | 74 = Cherokee 2WD-4 Dr. | 81 = Wrangler-93" W.B. |
| 63 = Comanche 4WD-6 Ft. Box | 75 = Wagoneer 4WD-4 Dr. | 82 = Wrangler-103" W.B.-Exp. |
| 64 = Comanche 2WD-6 Ft. Box | | |

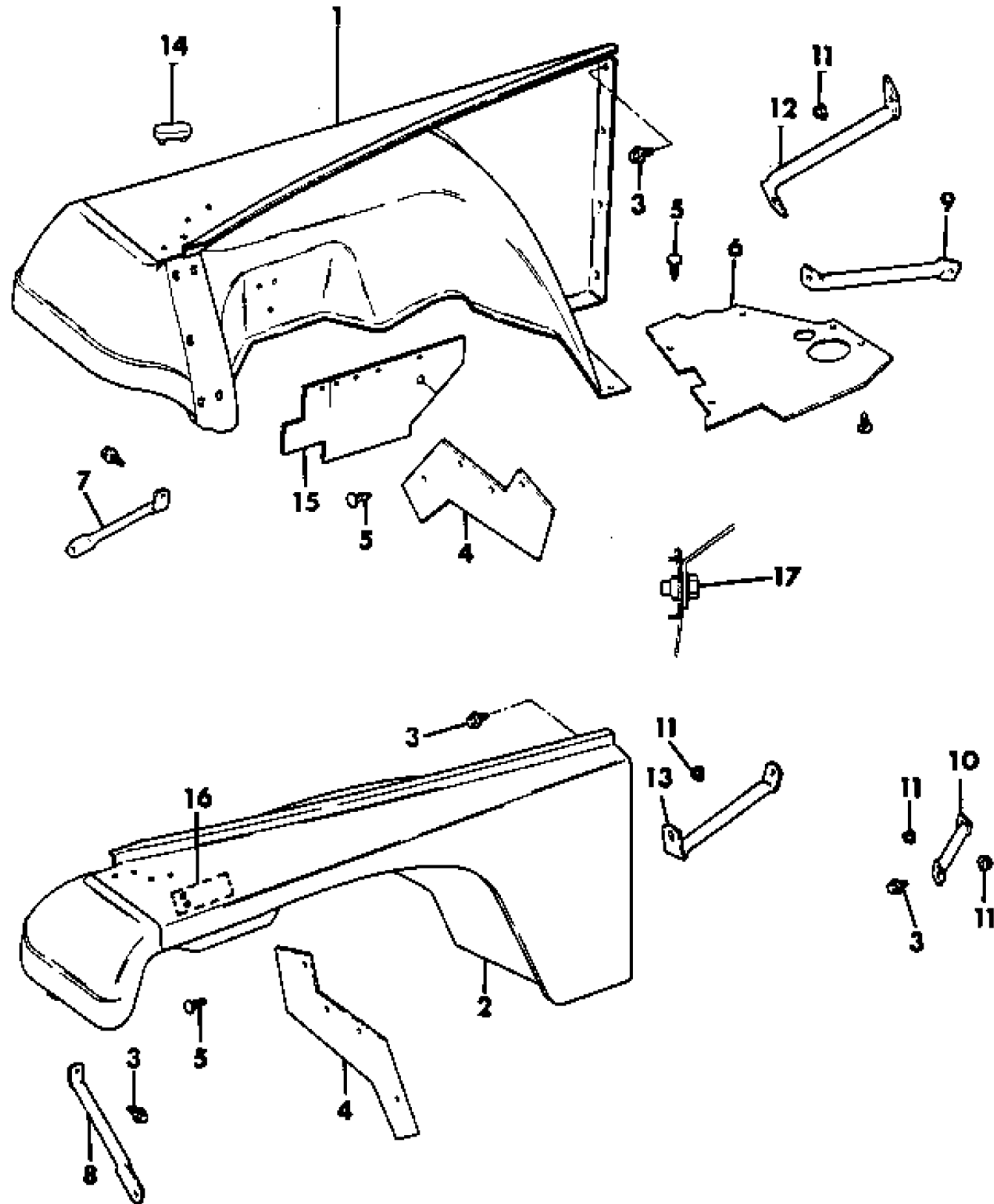
BODY STYLES:

MJ = Comanche Pickup
SJ = Grand Wagoneer Wgn., J-10 & J-20 Pickups
XJ = Cherokee, Wagoneer Limited
YJ = Wrangler

AR = Use as Required - = Non Illustrated Part P.A.R. = Paint as Required

FENDERS, FRONT WRANGLER, YJ
Figure 23A-200

8J69 2008



| ITEM | PART NUMBER | QTY | BODY | MODEL | DESCRIPTION |
|------|-------------|-----|------|-------|-------------------------------------|
| 1-2 | | | | | FENDER |
| | 5501 3514-5 | 1 | | | 1987-89 |
| | 5502 7294-5 | 1 | | | 1990 |
| 3 | J400 4455 | AR | | | SCREW |
| 4 | 5501 0840 | 2 | | | SHIELD, Splash |
| 5 | J400 4919 | AR | | | FASTENER |
| 6 | 5501 0838 | 2 | | | SHIELD, Splash |
| 7-8 | | | | | SUPPORT |
| | 5505 0146-7 | 1 | | | 1987-89 |
| | 5502 6584-5 | 1 | | | 1990 |
| 9-10 | 5505 0050-1 | 1 | | | SUPPORT |
| 11 | J012 0376 | AR | | | NUT |
| 12 | 5505 0052 | 1 | | | SUPPORT, Right |
| 13 | 5505 0049 | 1 | | | SUPPORT, Left |
| 14 | J400 7541 | 2 | | | BUMPER |
| 15 | 5501 9470 | 2 | | | SHIELD, Splash |
| 16 | 5501 0948 | 1 | | | PLATE, Horn Bracket |
| 17 | 5501 3193 | 1 | | | REINFORCEMENT, Battery Tray Support |

MODEL CODES:

| | | |
|-----------------------------|-----------------------------|------------------------------|
| 15 = Grand Wagoneer 4 Dr. | 65 = Comanche 4WD-7 Ft. Box | 77 = Cherokee 4WD-2 Dr. |
| 25 = J-10 Pickup-119" W.B. | 66 = Comanche 2WD-7 Ft. Box | 78 = Cherokee 4WD-4 Dr. |
| 26 = J-10 Pickup-131" W.B. | 73 = Cherokee 2WD-2 Dr. | 79 = Cherokee 4WD-4 Dr.-Com |
| 27 = J-20 Pickup-131" W.B. | 74 = Cherokee 2WD-4 Dr. | 81 = Wrangler-93" W.B. |
| 63 = Comanche 4WD-6 Ft. Box | 75 = Wagoneer 4WD-4 Dr. | 82 = Wrangler-103" W.B.-Exp. |
| 64 = Comanche 2WD-6 Ft. Box | | |

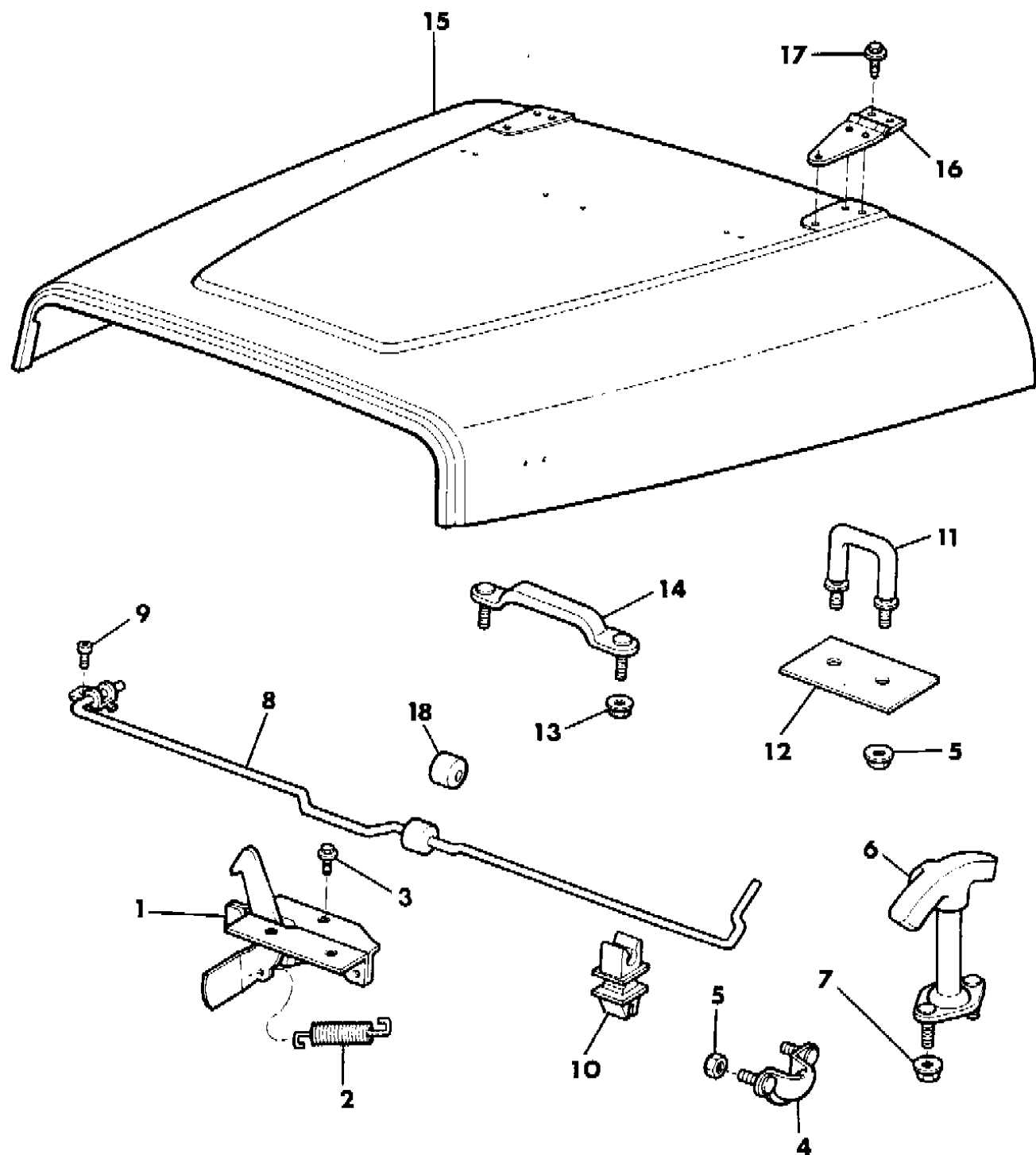
BODY STYLES:

MJ = Comanche Pickup
 SJ = Grand Wagoneer Wgn., J-10 & J-20 Pickups
 XJ = Cherokee, Wagoneer Limited
 YJ = Wrangler

AR = Use as Required - = Non Illustrated Part P.A.R. = Paint as Required

HOOD, LOCK AND CATCHES WRANGLER, YJ
Figure 23A-300

8J69 300



| ITEM | PART NUMBER | QTY | BODY | MODEL | DESCRIPTION |
|------|-------------|-----|------|---------|--------------------------|
| 1 | 5500 6868 | 1 | | | LOCK ASSEMBLY, Hood *** |
| 2 | J097 8984 | 1 | | | SPRING |
| 3 | J400 6393 | 3 | | | SCREW |
| 4 | 5500 9343 | 2 | | | BRACKET |
| 5 | J027 1172 | 8 | | | NUT |
| 6 | 5500 9428 | 2 | | | CATCH |
| 7 | J400 4588 | 4 | | | NUT |
| 8 | 5505 0155 | 1 | | | ROD |
| 9 | J400 5969 | 2 | | | SCREW |
| 10 | J400 7456 | 1 | | | RETAINER |
| 11 | J813 4315 | 2 | | | BUMPER |
| 12 | J068 9294 | 2 | | | REINFORCEMENT |
| 13 | | | | | NUT |
| | J400 7630 | 2 | | 1987-89 | |
| | 6025 001 | 2 | | 1990 | |
| 14 | 5500 9342 | 1 | | | LOOP, Footman |
| 15 | 5501 3508 | 1 | | | HOOD |
| 16 | | | | | HINGE, Hood |
| | 5501 6588 | 2 | | 1987-89 | |
| | 5503 3954 | 2 | | 1990 | |
| 17 | J400 7530 | 10 | | | SCREW |
| 18 | 5500 2258 | 1 | | | BUMPER, Hood Support Rod |

MODEL CODES:

| | | |
|-----------------------------|-----------------------------|------------------------------|
| 15 = Grand Wagoneer 4 Dr. | 65 = Comanche 4WD-7 Ft. Box | 77 = Cherokee 4WD-2 Dr. |
| 25 = J-10 Pickup-119" W.B. | 66 = Comanche 2WD-7 Ft. Box | 78 = Cherokee 4WD-4 Dr. |
| 26 = J-10 Pickup-131" W.B. | 73 = Cherokee 2WD-2 Dr. | 79 = Cherokee 4WD-4 Dr.-Com |
| 27 = J-20 Pickup-131" W.B. | 74 = Cherokee 2WD-4 Dr. | 81 = Wrangler-93" W.B. |
| 63 = Comanche 4WD-6 Ft. Box | 75 = Wagoneer 4WD-4 Dr. | 82 = Wrangler-103" W.B.-Exp. |
| 64 = Comanche 2WD-6 Ft. Box | | |

BODY STYLES:

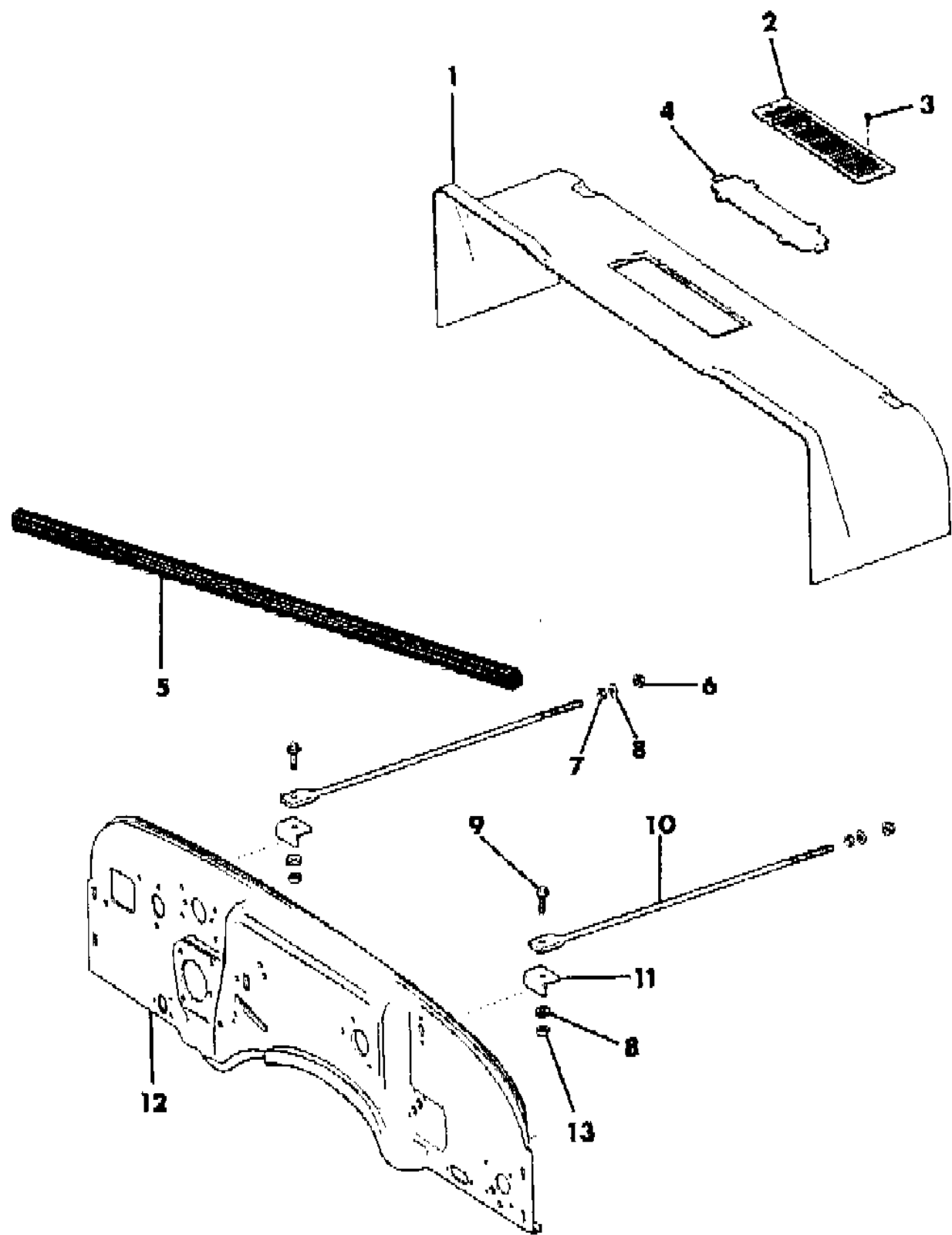
MJ = Comanche Pickup
 SJ = Grand Wagoneer Wgn., J-10 & J-20 Pickups
 XJ = Cherokee, Wagoneer Limited
 YJ = Wrangler

AR = Use as Required - = Non Illustrated Part P.A.R. = Paint as Required

PANELS, COWL DASH WRANGLER, YJ
Figure 23A-350

8J69 350

| ITEM | PART NUMBER | QTY | BODY | MODEL | DESCRIPTION |
|------|-------------|-----|------|-------|------------------|
| 1 | 5700 1485 | 1 | | | PANEL, Cowl |
| 2 | J546 2438 | 1 | | | GRILLE, Cowl Top |
| 3 | J812 3288 | 6 | | | SCREW |
| 4 | 5501 6164 | 1 | | | SCREEN, Grille |
| 5 | 5500 8119 | 1 | | | WEATHERSEAL *** |
| 6 | J012 0369 | 2 | | | NUT, Hex |
| 7 | J400 6681 | 2 | | | NUT |
| 8 | J400 1104 | 4 | | | WASHER |
| 9 | J080 8319 | 2 | | | BOLT |
| 10 | 5505 0119 | 2 | | | ROD |
| 11 | J098 7066 | 2 | | | BRACKET |
| 12 | | | | | PANEL, Dash |
| | 5505 0012 | 1 | | | 1987-89 |
| | 5502 6903 | 1 | | | 1990 |
| 13 | J012 0368 | 2 | | | NUT, Hex |



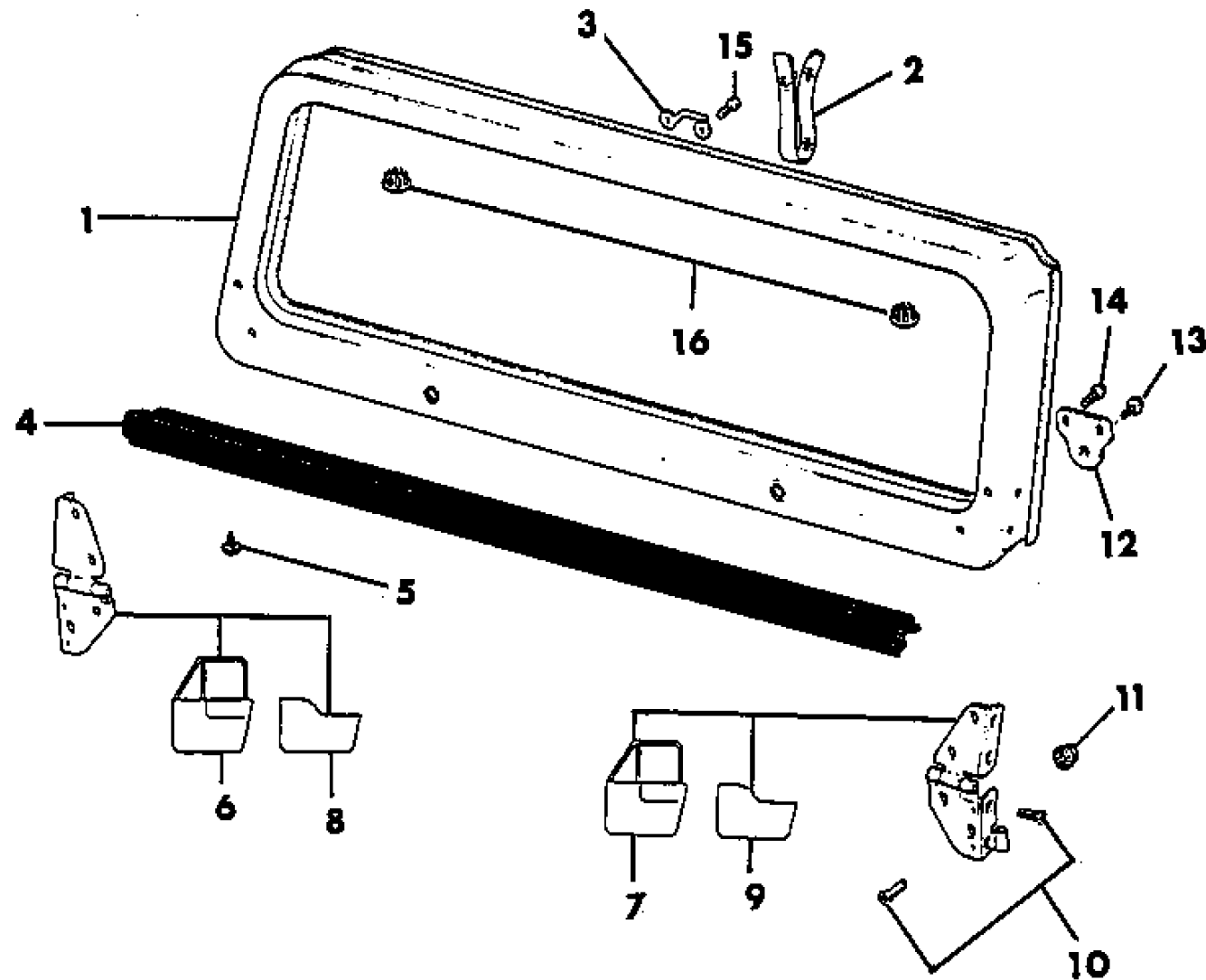
MODEL CODES:
 15 = Grand Wagoneer 4 Dr. 65 = Comanche 4WD-7 Ft. Box 77 = Cherokee 4WD-2 Dr.
 25 = J-10 Pickup-119" W.B. 66 = Comanche 2WD-7 Ft. Box 78 = Cherokee 4WD-4 Dr.
 26 = J-10 Pickup-131" W.B. 73 = Cherokee 2WD-2 Dr. 79 = Cherokee 4WD-4 Dr.-Com
 27 = J-20 Pickup-131" W.B. 74 = Cherokee 2WD-4 Dr. 81 = Wrangler-93" W.B.
 63 = Comanche 4WD-6 Ft. Box 75 = Wagoneer 4WD-4 Dr. 82 = Wrangler-103" W.B.-Exp.
 64 = Comanche 2WD-6 Ft. Box

BODY STYLES:
 MJ = Comanche Pickup
 SJ = Grand Wagoneer Wgn., J-10 & J-20 Pickups
 XJ = Cherokee, Wagoneer Limited
 YJ = Wrangler

AR = Use as Required - = Non Illustrated Part P.A.R. = Paint as Required

WINDSHIELD FRAME AND HINGES WRANGLER, YJ
Figure 23A-400

8 J 69 400 A



| ITEM | PART NUMBER | QTY | BODY | MODEL | DESCRIPTION |
|------|-------------|-----|------|-------|------------------------------------|
| 1 | 5502 3067 | 1 | | | FRAME, Windshield |
| | J805 2278 | 1 | | | w/World Cab, Export (Not Serv.) |
| 2 | J545 8890 | 2 | | | STRAP, Windshield |
| 3 | | | | | LOOP, Footman |
| | 5501 3666 | 1 | | | Black |
| | 5501 3667 | 1 | | | Chrome |
| 4 | J545 3950 | 1 | | | SEAL, Windshield To Cowl |
| 5 | J400 4171 | 9 | | | SCREW |
| 6-7 | 5501 6586-7 | | | | HINGE, Windshield and Door |
| 8-9 | | | | | HINGE, Windshield and Door |
| | 5501 7510-1 | 1 | | | w/windshield hinge mounted mirror |
| | 5501 6586-7 | 1 | | | w/upper dooor hinge mounted mirror |
| 10 | J400 4956 | 16 | | | SCREW |
| 11 | J012 0376 | 8 | | | NUT |
| 12 | J545 3945 | 2 | | | BRACKET, Windshield Hold Down |
| 13 | J400 7481 | 2 | | | SCREW |
| 14 | J400 7220 | 4 | | | SCREW |
| 15 | | | | | SCREW |
| | J400 4995 | 2 | | | 1987-89 |
| | J400 4969 | 2 | | | 1990 |
| 16 | J043 2453 | 2 | | | PLUG |

MODEL CODES:

| | | |
|-----------------------------|-----------------------------|------------------------------|
| 15 = Grand Wagoneer 4 Dr. | 65 = Comanche 4WD-7 Ft. Box | 77 = Cherokee 4WD-2 Dr. |
| 25 = J-10 Pickup-119" W.B. | 66 = Comanche 2WD-7 Ft. Box | 78 = Cherokee 4WD-4 Dr. |
| 26 = J-10 Pickup-131" W.B. | 73 = Cherokee 2WD-2 Dr. | 79 = Cherokee 4WD-4 Dr.-Com |
| 27 = J-20 Pickup-131" W.B. | 74 = Cherokee 2WD-4 Dr. | 81 = Wrangler-93" W.B. |
| 63 = Comanche 4WD-6 Ft. Box | 75 = Wagoneer 4WD-4 Dr. | 82 = Wrangler-103" W.B.-Exp. |
| 64 = Comanche 2WD-6 Ft. Box | | |

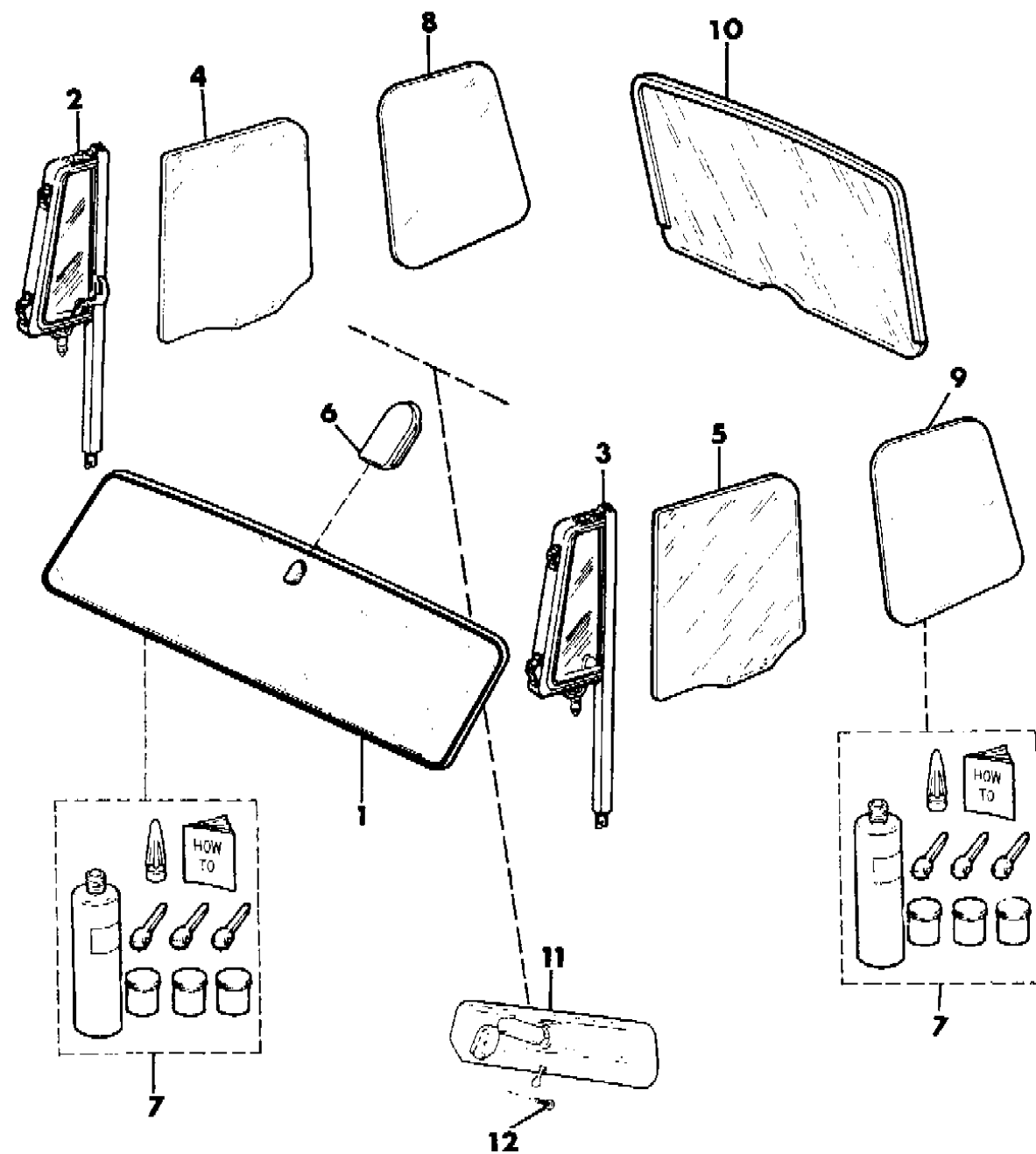
BODY STYLES:

MJ = Comanche Pickup
 SJ = Grand Wagoneer Wgn., J-10 & J-20 Pickups
 XJ = Cherokee, Wagoneer Limited
 YJ = Wrangler

AR = Use as Required - = Non Illustrated Part P.A.R. = Paint as Required

GLASS, MIRROR, INSIDE REAR VIEW LESS WORLD CAB WRANGLER, YJ
Figure 23A-500

8J69 500



| ITEM | PART NUMBER | QTY | BODY | MODEL | DESCRIPTION |
|------|-------------|-----|------|-------|---|
| 1 | 5501 0619 | 1 | | | GLASS, Windshield w/tinted glass |
| 2-3 | 5501 2914-5 | 1 | | | VENT, Pivoting w/tinted glass |
| 4-5 | 5502 2404-5 | 1 | | | GLASS, Door Tinted |
| 6 | J365 7374 | 1 | | | SUPPORT, Inside Rear View Mirror Mounting (a) |
| 7 | 8310 0051 | 1 | | | MOUNTING PACKAGE, Windshield *** |
| 8-9 | | | | | GLASS, Quarter w/tinted glass |
| | 5500 8266-7 | 1 | | | Green |
| | 5500 8270-1 | 1 | | | Gray |
| | 5500 8268-9 | 1 | | | Bronze |
| 10 | | | | | GLASS, Lift Door w/tinted glass |
| | 8350 2987 | 1 | | | w/o Rear Window Defogger |
| | 8350 2988 | 1 | | | w/ Rear Window Defogger |
| 11 | 5500 9784 | 1 | | | MIRROR, Inside Rear View |
| 12 | J400 5766 | 1 | | | SCREW |

(a) The Mirror Support is replacing Mirror Mounting Kit. When installing a Mirror Support, use Mounting Repair Kit 4293039. (A) For 1987, two types of instrument clusters were used. On type one, Clusters, the odometer numbers are rounded, the Speedometer

MODEL CODES:

| | | |
|-----------------------------|-----------------------------|------------------------------|
| 15 = Grand Wagoneer 4 Dr. | 65 = Comanche 4WD-7 Ft. Box | 77 = Cherokee 4WD-2 Dr. |
| 25 = J-10 Pickup-119" W.B. | 66 = Comanche 2WD-7 Ft. Box | 78 = Cherokee 4WD-4 Dr. |
| 26 = J-10 Pickup-131" W.B. | 73 = Cherokee 2WD-2 Dr. | 79 = Cherokee 4WD-4 Dr.-Com |
| 27 = J-20 Pickup-131" W.B. | 74 = Cherokee 2WD-4 Dr. | 81 = Wrangler-93" W.B. |
| 63 = Comanche 4WD-6 Ft. Box | 75 = Wagoneer 4WD-4 Dr. | 82 = Wrangler-103" W.B.-Exp. |
| 64 = Comanche 2WD-6 Ft. Box | | |

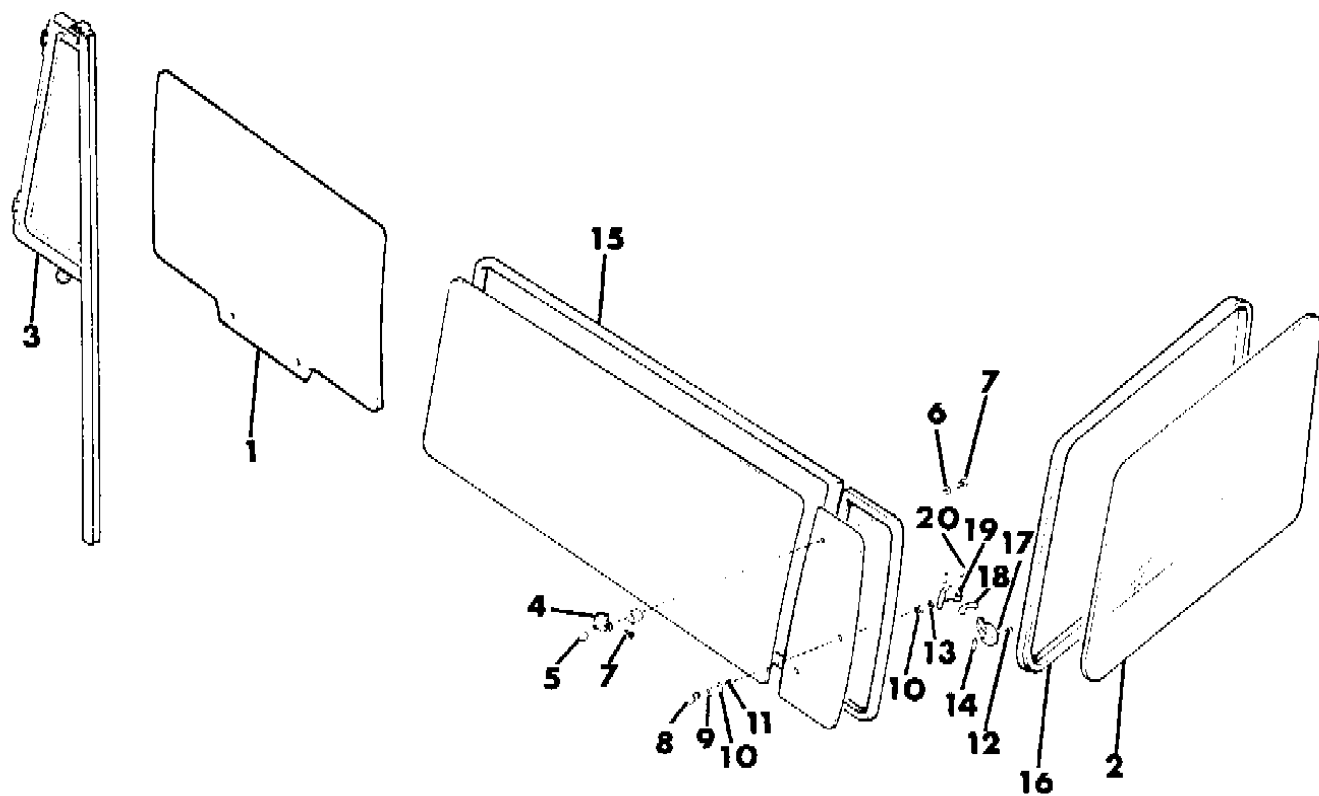
BODY STYLES:

MJ = Comanche Pickup
 SJ = Grand Wagoneer Wgn., J-10 & J-20 Pickups
 XJ = Cherokee, Wagoneer Limited
 YJ = Wrangler

AR = Use as Required - = Non Illustrated Part P.A.R. = Paint as Required

GLASS WITH WORLD CAB, EXPORT WRANGLER, YJ
Figure 23A-600

8J69 600



| ITEM | PART NUMBER | QTY | BODY | MODEL | DESCRIPTION |
|------|-------------|-----|------|-------|--|
| 1 | | | | | GLASS, Door |
| | J556 7898 | 1 | | | Right |
| | J556 7897 | 1 | | | Left |
| 2 | J805 2574 | 1 | | | GLASS, Door |
| 3 | J576 2326-7 | 1 | | | VENT, Pivoting |
| 4 | 9500 0617 | 4 | | | HINGE |
| 5 | J805 2419 | 4 | | | BUSHING |
| 6 | J805 2417 | 4 | | | CAP |
| 7 | J805 2457 | 8 | | | SCREW |
| 8 | J364 6215 | 2 | | | STUD |
| 9 | J400 3578 | 2 | | | WASHER, Wave |
| 10 | J364 6217 | 8 | | | WASHER |
| 11 | J364 6218 | 2 | | | WASHER |
| 12 | J805 2418 | 4 | | | SCREW |
| 13 | J400 4570 | 2 | | | NUT |
| 14 | J812 0648 | 2 | | | PIN, Spring |
| 15 | | | | | WEATHERSTRIP, Quarter Glass |
| | J805 2187 | 1 | | 81 | Vehicles with 93" wheelbase (Not Serv.) |
| | J805 2163 | 1 | | 82 | Vehicles with 103" wheelbase (Not Serv.) |
| 16 | J805 2122 | 1 | | | WEATHERSTRIP, Fixed Glass |
| 17 | J805 2439 | 1 | | | BRACKET, Flipper Window |
| 18 | J364 6461 | 1 | | | LINK, Flipper Window |
| 19 | J364 6460 | 1 | | | HANDLE, Flipper Window |
| 20 | J812 0648 | 2 | | | PIN |

MODEL CODES:

| | | |
|-----------------------------|-----------------------------|------------------------------|
| 15 = Grand Wagoneer 4 Dr. | 65 = Comanche 4WD-7 Ft. Box | 77 = Cherokee 4WD-2 Dr. |
| 25 = J-10 Pickup-119" W.B. | 66 = Comanche 2WD-7 Ft. Box | 78 = Cherokee 4WD-4 Dr. |
| 26 = J-10 Pickup-131" W.B. | 73 = Cherokee 2WD-2 Dr. | 79 = Cherokee 4WD-4 Dr.-Com |
| 27 = J-20 Pickup-131" W.B. | 74 = Cherokee 2WD-4 Dr. | 81 = Wrangler-93" W.B. |
| 63 = Comanche 4WD-6 Ft. Box | 75 = Wagoneer 4WD-4 Dr. | 82 = Wrangler-103" W.B.-Exp. |
| 64 = Comanche 2WD-6 Ft. Box | | |

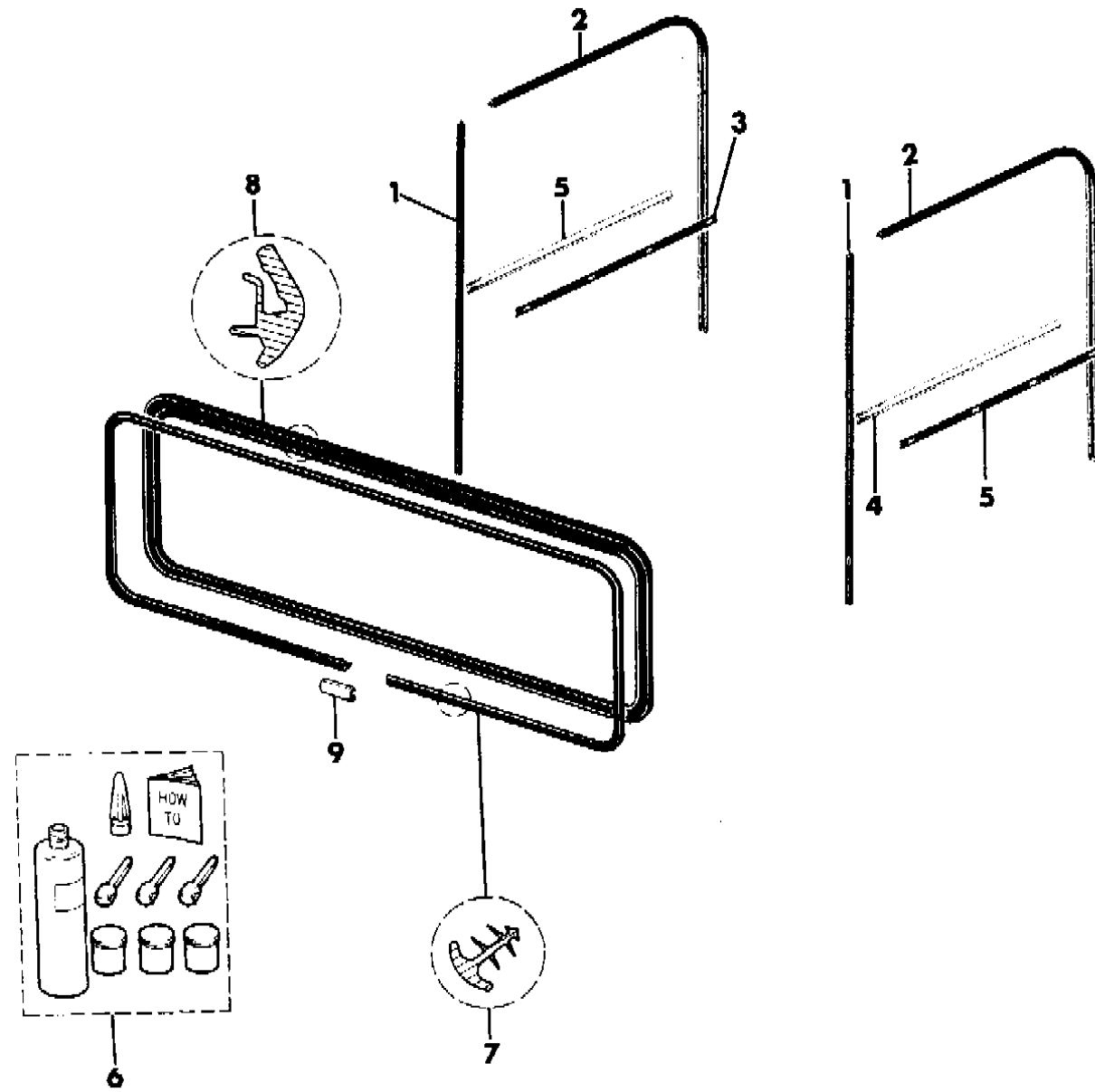
BODY STYLES:

MJ = Comanche Pickup
 SJ = Grand Wagoneer Wgn., J-10 & J-20 Pickups
 XJ = Cherokee, Wagoneer Limited
 YJ = Wrangler

AR = Use as Required - = Non Illustrated Part P.A.R. = Paint as Required

SEALS, WINDOW WRANGLER, YJ
Figure 23A-700

8J69 700



| ITEM | PART NUMBER | QTY | BODY | MODEL | DESCRIPTION |
|------|-------------|-----|------|-------|----------------------------------|
| 1 | J813 4851 | 2 | | | WEATHERSTRIP, Glass Run |
| 2 | J545 7057 | 2 | | | CHANNEL, Glass Run |
| | J556 8181 | 2 | | | w/Full Metal Cab, Export |
| 3 | J576 2384 | 1 | | | WEATHERSTRIP, Inner |
| 4 | J576 2385 | 1 | | | WEATHERSTRIP, Inner |
| 5 | 5502 4254-5 | 1 | | | WEATHERSTRIP |
| 6 | 8310 0051 | AR | | | MOUNTING PACKAGE, Windshield *** |
| 7 | 5501 0655 | 1 | | | MOULDING, Windshield Reveal |
| 8 | 5501 9988 | 1 | | | MOULDING, Garnish |
| 9 | 5500 9625 | 1 | | | CAP |

MODEL CODES:

| | | |
|-----------------------------|-----------------------------|------------------------------|
| 15 = Grand Wagoneer 4 Dr. | 65 = Comanche 4WD-7 Ft. Box | 77 = Cherokee 4WD-2 Dr. |
| 25 = J-10 Pickup-119" W.B. | 66 = Comanche 2WD-7 Ft. Box | 78 = Cherokee 4WD-4 Dr. |
| 26 = J-10 Pickup-131" W.B. | 73 = Cherokee 2WD-2 Dr. | 79 = Cherokee 4WD-4 Dr.-Com |
| 27 = J-20 Pickup-131" W.B. | 74 = Cherokee 2WD-4 Dr. | 81 = Wrangler-93" W.B. |
| 63 = Comanche 4WD-6 Ft. Box | 75 = Wagoneer 4WD-4 Dr. | 82 = Wrangler-103" W.B.-Exp. |
| 64 = Comanche 2WD-6 Ft. Box | | |

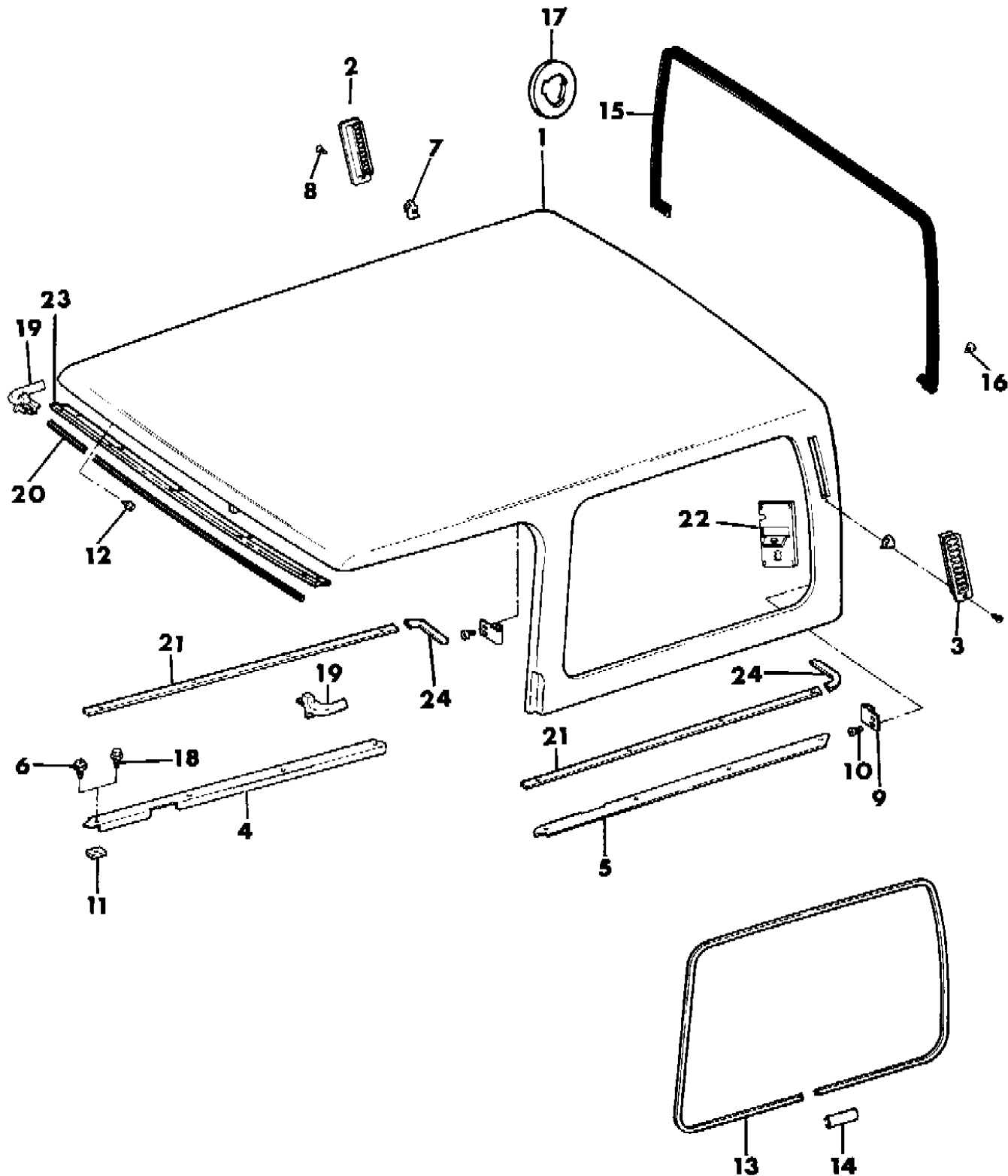
BODY STYLES:

MJ = Comanche Pickup
SJ = Grand Wagoneer Wgn., J-10 & J-20 Pickups
XJ = Cherokee, Wagoneer Limited
YJ = Wrangler

AR = Use as Required - = Non Illustrated Part P.A.R. = Paint as Required

TOP ENCLOSURE, HARD WRANGLER, YJ
Figure 23A-800

8J69 800C



| ITEM | PART NUMBER | QTY | BODY | MODEL | DESCRIPTION |
|------|-------------|-----|------|-------|--|
| 1 | | | | | TOP ENCLOSURE, Hard *** |
| | 5500 8545 | 1 | | | Black 1987-89 |
| | 5AR4 OJCX | 1 | | | Black 1990 |
| | 5501 6544 | 1 | | | Charcoal 1988-89 |
| | 5AR4 OJS2 | 1 | | | Charcoal 1990 |
| | 5500 8547 | 1 | | | Honey, 1987 |
| | 5502 1259 | 1 | | | Sand 1989 |
| | 5AR4 OJY8 | 1 | | | Sand 1990 |
| | 5501 6418 | 1 | | | Tan 1988 |
| | 5500 8546 | 1 | | | White, 1987 |
| 2-3 | 5500 8540-1 | 1 | | | EXHAUSTER, Air *** |
| 4-5 | 5501 5798-9 | 1 | | | MOULDING, Rear Quarter |
| 6 | J400 7007 | 8 | | | SCREW |
| 7 | J400 6402 | 2 | | | NUT, Spring |
| 8 | J400 2809 | 2 | | | SCREW |
| 9 | 5501 7502 | 2 | | | STRIKER, Lift Door |
| 10 | J400 4648 | 4 | | | SCREW |
| 11 | J096 8155 | 8 | | | PLATE, Tapping |
| 12 | J400 1701 | 5 | | | SCREW |
| 13 | 5500 9396 | 2 | | | MOULDING, Quarter Window |
| 14 | 5500 9625 | 2 | | | CAP, End |
| 15 | 5501 0064 | 1 | | | WEATHERSTRIP, Lift Door Glass |
| 16 | J400 2461 | 4 | | | SCREW |
| 17 | J400 5677 | AR | | | SHIM, .04" Thick |
| | J400 5678 | AR | | | SHIM, .09" Thick *** |
| 18 | J400 4520 | 8 | | | SCREW |
| 19 | J576 6638-9 | 1 | | | SEAL, 1987-89 |
| | 5502 5164-5 | 1 | | | 1990 |
| 20 | 5505 2607 | 1 | | | SEAL, Windshield |
| 21 | J545 9582-3 | 1 | | | SEAL |
| 22 | 5600 3696 | 1 | | | PLATE, Hardtop Disconnect, 1990 |
| 23 | 5534 4543 | 1 | | | PLATE, Hardtop Header Attach to W/SHLD, 1990 |
| 24 | | 1 | | | SEAL |
| | J546 3864 | | | | Right |
| | J546 3863 | | | | Left |

MODEL CODES:

| | | |
|-----------------------------|-----------------------------|------------------------------|
| 15 = Grand Wagoneer 4 Dr. | 65 = Comanche 4WD-7 Ft. Box | 77 = Cherokee 4WD-2 Dr. |
| 25 = J-10 Pickup-119" W.B. | 66 = Comanche 2WD-7 Ft. Box | 78 = Cherokee 4WD-4 Dr. |
| 26 = J-10 Pickup-131" W.B. | 73 = Cherokee 2WD-2 Dr. | 79 = Cherokee 4WD-4 Dr.-Com |
| 27 = J-20 Pickup-131" W.B. | 74 = Cherokee 2WD-4 Dr. | 81 = Wrangler-93" W.B. |
| 63 = Comanche 4WD-6 Ft. Box | 75 = Wagoneer 4WD-4 Dr. | 82 = Wrangler-103" W.B.-Exp. |
| 64 = Comanche 2WD-6 Ft. Box | | |

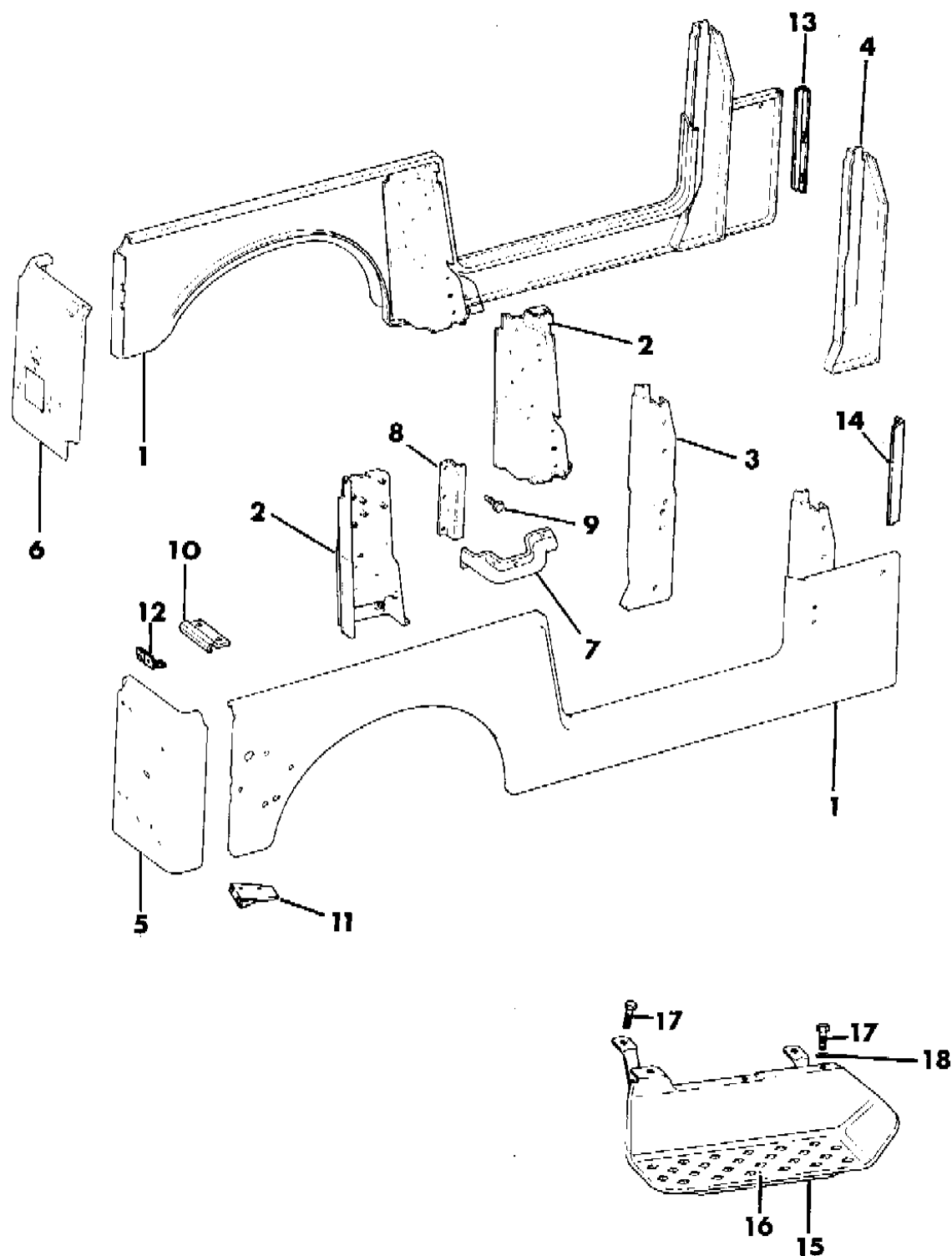
BODY STYLES:

MJ = Comanche Pickup
SJ = Grand Wagoneer Wgn., J-10 & J-20 Pickups
XJ = Cherokee, Wagoneer Limited
YJ = Wrangler

AR = Use as Required - = Non Illustrated Part P.A.R. = Paint as Required

PANELS, BODY SIDE WRANGLER, YJ
Figure 23A-900

8 J 69 900 B



| ITEM | PART NUMBER | QTY | BODY | MODEL | DESCRIPTION |
|------|-------------|-----|------|-------|---|
| 1 | 8350 2940-1 | 1 | | | PANEL, Side |
| 2 | 5501 5006-7 | 1 | | | SUPPORT, Side Panel 1987-89 |
| | 5502 7368-9 | 1 | | | 1990 |
| 3 | J545 3806 | 1 | | | PILLAR, Cowl Right |
| 4 | J545 3805 | 1 | | | PILLAR, Cowl Left |
| 5 | 5505 0036 | 1 | | | PANEL, Right |
| 6 | 8350 3579 | 1 | | | PANEL, Left |
| 7 | J576 0997 | 1 | | | COVER, 1987-89 |
| 8 | J575 8728 | 1 | | | COVER, 1987-89 |
| 9 | 3420 1261 | 6 | | | SCREW, 1987-89 |
| 10 | 5600 2062 | 3 | | | COVER, 1987-88 |
| 11 | 5500 9132 | 1 | | | REINFORCEMENT, Tailgate Hinge Lower |
| 12 | 5500 8262 | 1 | | | REINFORCEMENT, Tailgate Hinge Upper |
| 13 | J068 3529 | 1 | | | REINFORCEMENT, Side Panel, Left |
| 14 | J068 3530 | 1 | | | REINFORCEMENT, Side Panel, Right |
| 15 | J575 8122-3 | 1 | | | STEP ASSEMBLY, 1990, KDX Egypt, Venezuela *** |
| 16 | J576 1538-9 | 1 | | | TREAD, Step, 1990, KDX - Egypt, Venezuela *** |
| 17 | J018 0122 | 4 | | | BOLT, 1990, KDX - Egypt, Venezuela |
| 18 | J400 4711 | 4 | | | WASHER, 1990, KDX - Egypt, Venezuela |

MODEL CODES:

| | | |
|-----------------------------|-----------------------------|------------------------------|
| 15 = Grand Wagoneer 4 Dr. | 65 = Comanche 4WD-7 Ft. Box | 77 = Cherokee 4WD-2 Dr. |
| 25 = J-10 Pickup-119" W.B. | 66 = Comanche 2WD-7 Ft. Box | 78 = Cherokee 4WD-4 Dr. |
| 26 = J-10 Pickup-131" W.B. | 73 = Cherokee 2WD-2 Dr. | 79 = Cherokee 4WD-4 Dr.-Com |
| 27 = J-20 Pickup-131" W.B. | 74 = Cherokee 2WD-4 Dr. | 81 = Wrangler-93" W.B. |
| 63 = Comanche 4WD-6 Ft. Box | 75 = Wagoneer 4WD-4 Dr. | 82 = Wrangler-103" W.B.-Exp. |
| 64 = Comanche 2WD-6 Ft. Box | | |

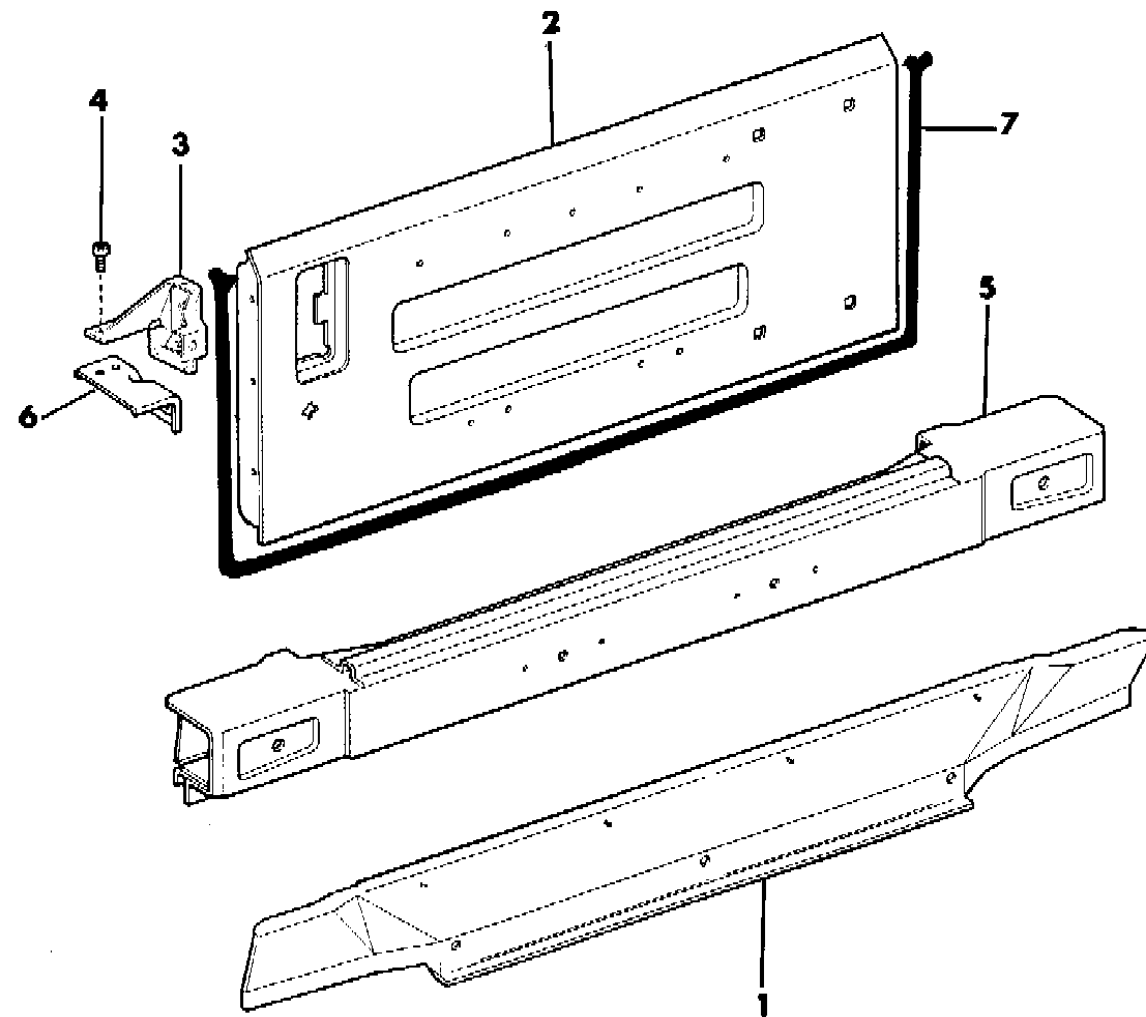
BODY STYLES:

MJ = Comanche Pickup
SJ = Grand Wagoneer Wgn., J-10 & J-20 Pickups
XJ = Cherokee, Wagoneer Limited
YJ = Wrangler

AR = Use as Required - = Non Illustrated Part P.A.R. = Paint as Required

TAILGATE WRANGLER, YJ
Figure 23A-1000

8 J 69 1000 A



| ITEM | PART NUMBER | QTY | BODY | MODEL | DESCRIPTION |
|------|-------------|-----|------|-------|---------------|
| 1 | J546 0669 | 1 | | | PANEL |
| 2 | 5700 1412 | 1 | | | TAILGATE |
| 3 | 5501 5904 | 1 | | | BRACKET |
| 4 | J400 4648 | 9 | | | SCREW |
| 5 | 5505 0024 | 1 | | | PANEL, Lower |
| 6 | 5501 5903 | 1 | | | REINFORCEMENT |
| 7 | 5500 9742 | 1 | | | WEATHERSTRIP |

MODEL CODES:

| | | |
|-----------------------------|-----------------------------|------------------------------|
| 15 = Grand Wagoneer 4 Dr. | 65 = Comanche 4WD-7 Ft. Box | 77 = Cherokee 4WD-2 Dr. |
| 25 = J-10 Pickup-119" W.B. | 66 = Comanche 2WD-7 Ft. Box | 78 = Cherokee 4WD-4 Dr. |
| 26 = J-10 Pickup-131" W.B. | 73 = Cherokee 2WD-2 Dr. | 79 = Cherokee 4WD-4 Dr.-Com |
| 27 = J-20 Pickup-131" W.B. | 74 = Cherokee 2WD-4 Dr. | 81 = Wrangler-93" W.B. |
| 63 = Comanche 4WD-6 Ft. Box | 75 = Wagoneer 4WD-4 Dr. | 82 = Wrangler-103" W.B.-Exp. |
| 64 = Comanche 2WD-6 Ft. Box | | |

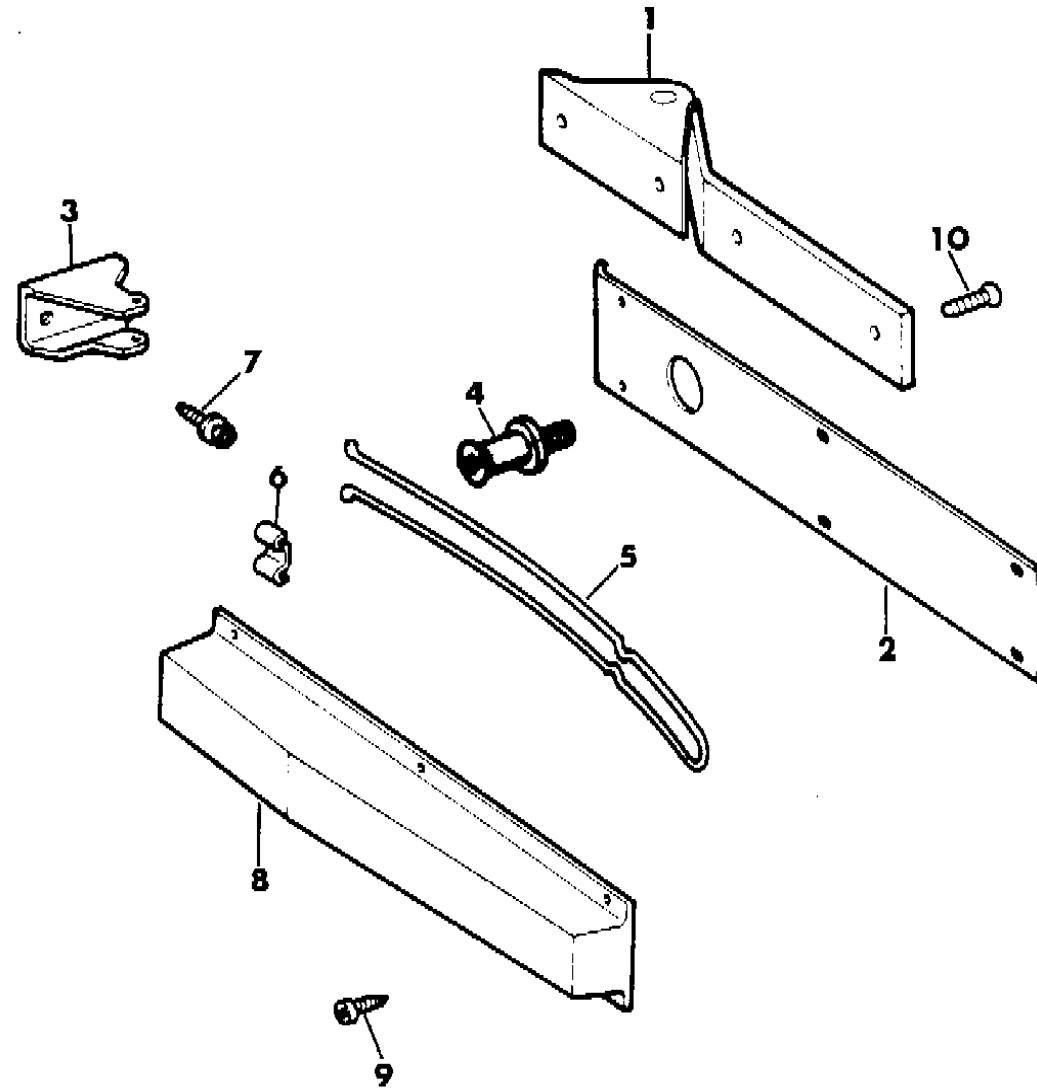
BODY STYLES:

MJ = Comanche Pickup
SJ = Grand Wagoneer Wgn., J-10 & J-20 Pickups
XJ = Cherokee, Wagoneer Limited
YJ = Wrangler

AR = Use as Required - = Non Illustrated Part P.A.R. = Paint as Required

HINGES, TAILGATE WRANGLER, YJ
Figure 23A-1100

8J69 1100



| ITEM | PART NUMBER | QTY | BODY | MODEL | DESCRIPTION |
|------|-------------|-----|------|-------|-----------------------|
| 1 | | | | | HINGE, Tailgate |
| | 5501 6590 | 2 | | | Except Export |
| | 5502 1074 | 2 | | | w/Pintle Hook, Export |
| 2 | 5500 9445 | 1 | | | SHIELD |
| 3 | 5500 9448 | 1 | | | BRACKET |
| 4 | 5500 9447 | 1 | | | PIN |
| 5 | 5500 9446 | 1 | | | ROD |
| 6 | 5500 9440 | 1 | | | CLAMP |
| 7 | J400 4455 | 2 | | | SCREW |
| 8 | 5500 9444 | 1 | | | COVER |
| 9 | J812 0052 | 6 | | | SCREW |
| 10 | J400 4956 | AR | | | SCREW |

MODEL CODES:

| | | |
|-----------------------------|-----------------------------|------------------------------|
| 15 = Grand Wagoneer 4 Dr. | 65 = Comanche 4WD-7 Ft. Box | 77 = Cherokee 4WD-2 Dr. |
| 25 = J-10 Pickup-119" W.B. | 66 = Comanche 2WD-7 Ft. Box | 78 = Cherokee 4WD-4 Dr. |
| 26 = J-10 Pickup-131" W.B. | 73 = Cherokee 2WD-2 Dr. | 79 = Cherokee 4WD-4 Dr.-Com |
| 27 = J-20 Pickup-131" W.B. | 74 = Cherokee 2WD-4 Dr. | 81 = Wrangler-93" W.B. |
| 63 = Comanche 4WD-6 Ft. Box | 75 = Wagoneer 4WD-4 Dr. | 82 = Wrangler-103" W.B.-Exp. |
| 64 = Comanche 2WD-6 Ft. Box | | |

BODY STYLES:

MJ = Comanche Pickup
 SJ = Grand Wagoneer Wgn., J-10 & J-20 Pickups
 XJ = Cherokee, Wagoneer Limited
 YJ = Wrangler

AR = Use as Required - = Non Illustrated Part P.A.R. = Paint as Required

SPORT BAR WRANGLER, YJ
Figure 23A-1200

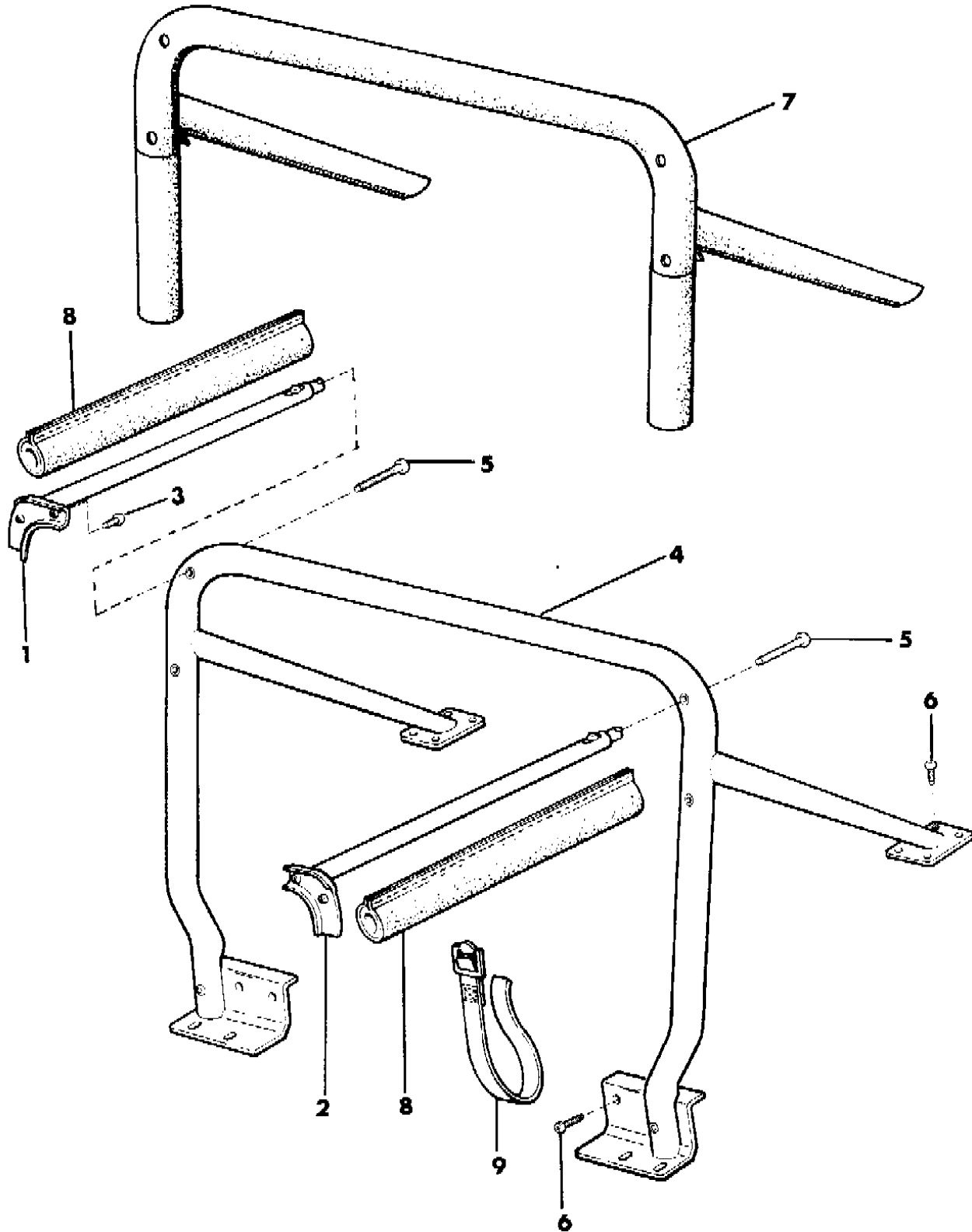
8 J 69 1200

| ITEM | PART NUMBER | QTY | BODY | MODEL | DESCRIPTION |
|------|-------------|-----|------|-------|------------------------|
| 1-2 | 5501 0600-1 | 1 | | | SIDE BAR *** |
| 3 | J400 4956 | 4 | | | SCREW |
| 4 | | | | | SPORT BAR |
| | 5501 0621 | 1 | | | 1987-90 |
| | 5501 6542 | 1 | | 82 | w/103" Wheelbase, 1988 |
| 5 | J400 7446 | 2 | | | BOLT |
| 6 | J400 7073 | 16 | | | SCREW |
| 7 | | | | | COVER, Sport Bar |
| | 5501 8831 | 1 | | | Black, 1987 |
| | 5501 6395 | 1 | | | Charcoal 1988-89 |
| | 5AF3 9JS1 | 1 | | | 1990 |
| | 5501 8832 | 1 | | | Honey, 1987 |
| | 5AF3 9JY6 | 1 | | | Dk. Sand 1989-90 |
| | 5501 6396 | 1 | | | Tan, 1988 |
| 8 | | | | | COVER, Side Bar |
| | 5501 3522 | 2 | | | Black, 1987 |
| | 5501 6397 | 2 | | | Charcoal, 1988-89 |
| | 5AE9 9JS1 | 2 | | | 1990 |
| | 5501 3523 | 2 | | | Honey, 1987 |
| | 5AE9 9JY6 | 2 | | | Dk. Sand 1989-90 |
| | 5501 6398 | 2 | | | Tan, 1988 |
| 9 | 5501 5916 | 4 | | | STRAP |

MODEL CODES:
 15 = Grand Wagoneer 4 Dr. 65 = Comanche 4WD-7 Ft. Box 77 = Cherokee 4WD-2 Dr.
 25 = J-10 Pickup-119" W.B. 66 = Comanche 2WD-7 Ft. Box 78 = Cherokee 4WD-4 Dr.
 26 = J-10 Pickup-131" W.B. 73 = Cherokee 2WD-2 Dr. 79 = Cherokee 4WD-4 Dr.-Com
 27 = J-20 Pickup-131" W.B. 74 = Cherokee 2WD-4 Dr. 81 = Wrangler-93" W.B.
 63 = Comanche 4WD-6 Ft. Box 75 = Wagoneer 4WD-4 Dr. 82 = Wrangler-103" W.B.-Exp.
 64 = Comanche 2WD-6 Ft. Box

BODY STYLES:
 MJ = Comanche Pickup
 SJ = Grand Wagoneer Wgn., J-10 & J-20 Pickups
 XJ = Cherokee, Wagoneer Limited
 YJ = Wrangler

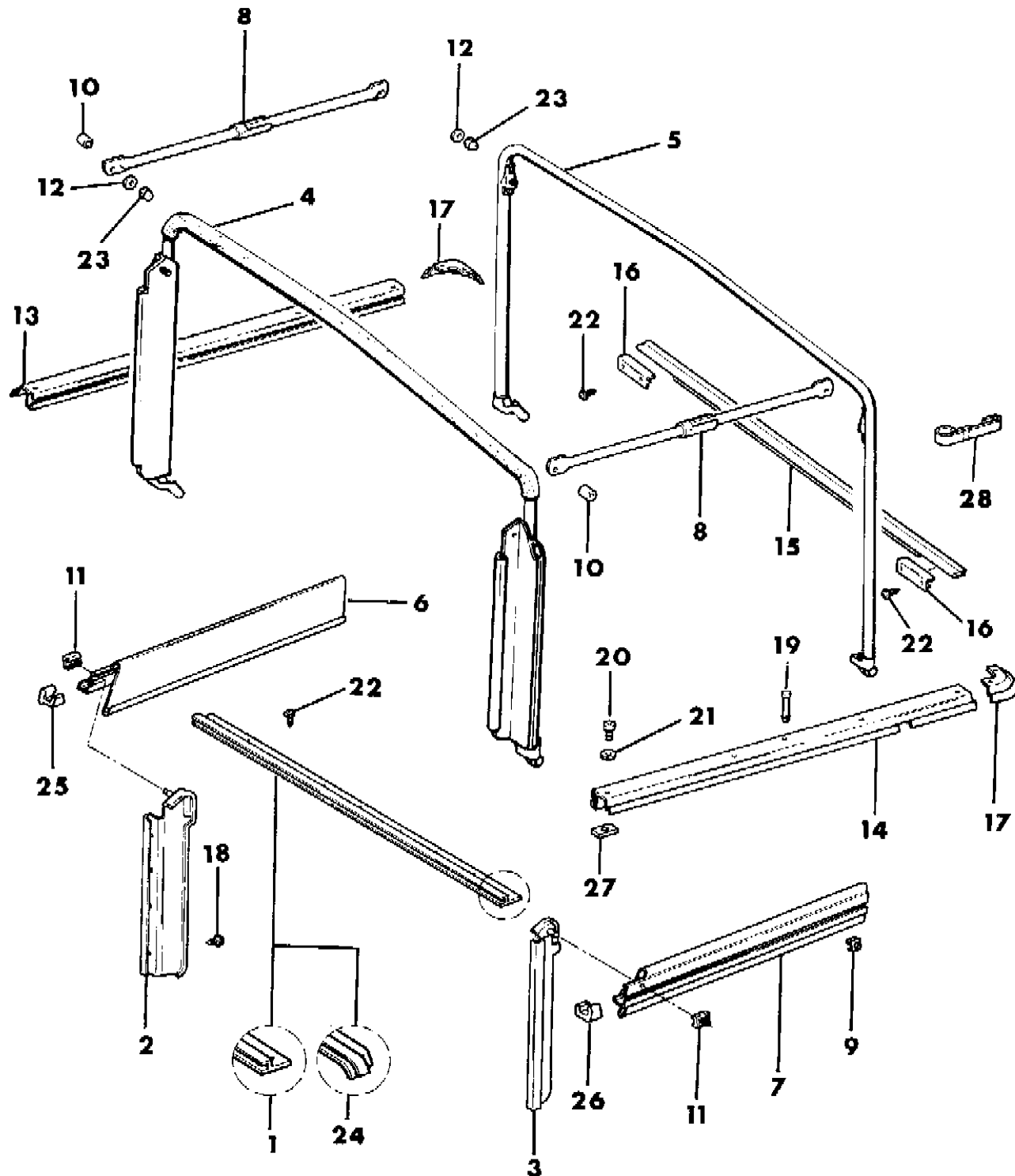
AR = Use as Required - = Non Illustrated Part P.A.R. = Paint as Required



SOFT TOP HARDWARE WITH HALF DOORS WRANGLER, YJ
Figure 23A-1300

8 J 69 1300 B

| ITEM | PART NUMBER | QTY | BODY | MODEL | DESCRIPTION |
|-------|-------------|-----|------|-------|------------------------------------|
| 1 | 8220 0599 | 1 | | | RETAINER, Windshield |
| 2-3 | 5501 3678-9 | 1 | | | FLANGE, Door Sealing Front *** |
| 4 | | | | | BOW ASSEMBLY, Front Roof *** |
| | 8350 3382 | 1 | | | 1987 |
| | 8350 5252 | 1 | | | 1988-90, KDX |
| 5 | 8350 3381 | 1 | | | BOW ASSEMBLY, Rear Roof *** |
| 6-7 | 5501 0744-5 | 1 | | | RAIL, Upper Door Drip |
| 8 | 5501 5100 | 2 | | | BAR, Spreader |
| 9 | 5501 5378 | 10 | | | STUD, (Includes Clip) |
| 10 | 5501 5108 | 2 | | | SPACER, Spreader Bar |
| 11 | 5501 3673 | 2 | | | SLIDER, Drip Rail Lock |
| 12 | J400 7015 | 4 | | | WASHER |
| 13-14 | | | | | RETAINER, Side Belt Rail |
| | 5501 5110-1 | 1 | | | 1987 |
| | 5502 0532-3 | 1 | 81 | | 1988-90 w/93" W.B. |
| | 5501 8024-5 | 1 | 82 | | Front, KDX w/103" W.B. |
| | 5501 8028-9 | 1 | 82 | | Rear, KDX, w/103" W.B. |
| 15 | 5501 0754 | 1 | | | RETAINER, Tailgate Opening, w/Seal |
| 16 | | | | | CLIP, Tailgate Retainer |
| | 5501 0849 | 2 | | | 1987 |
| | 5502 0534-5 | 2 | | | 1988-90 |
| 17 | 5501 0734 | 2 | | | RETAINER, Rear Corner Belt Rail |
| 18 | J400 3671 | 8 | | | SCREW |
| 19 | 5501 5114 | 4 | | | PIN |
| 20 | J400 6986 | 12 | | | BOLT |
| 21 | J012 0393 | 12 | | | WASHER |
| 22 | J400 7487 | 17 | | | SCREW |
| 23 | 8350 4132 | 4 | | | NUT, Acorn |
| 24 | 8220 0921 | 1 | | | RETAINER, Windshield |
| 25-26 | 5501 8718-9 | 1 | | | CAP, End |
| 27 | J096 8155 | 12 | | | PLATE, Tapping |
| 28 | 5501 6035 | 1 | | | STRAP, Bow Tie Down |



MODEL CODES:

| | | |
|-----------------------------|-----------------------------|------------------------------|
| 15 = Grand Wagoneer 4 Dr. | 65 = Comanche 4WD-7 Ft. Box | 77 = Cherokee 4WD-2 Dr. |
| 25 = J-10 Pickup-119" W.B. | 66 = Comanche 2WD-7 Ft. Box | 78 = Cherokee 4WD-4 Dr. |
| 26 = J-10 Pickup-131" W.B. | 73 = Cherokee 2WD-2 Dr. | 79 = Cherokee 4WD-4 Dr.-Com |
| 27 = J-20 Pickup-131" W.B. | 74 = Cherokee 2WD-4 Dr. | 81 = Wrangler-93" W.B. |
| 63 = Comanche 4WD-6 Ft. Box | 75 = Wagoneer 4WD-4 Dr. | 82 = Wrangler-103" W.B.-Exp. |
| 64 = Comanche 2WD-6 Ft. Box | | |

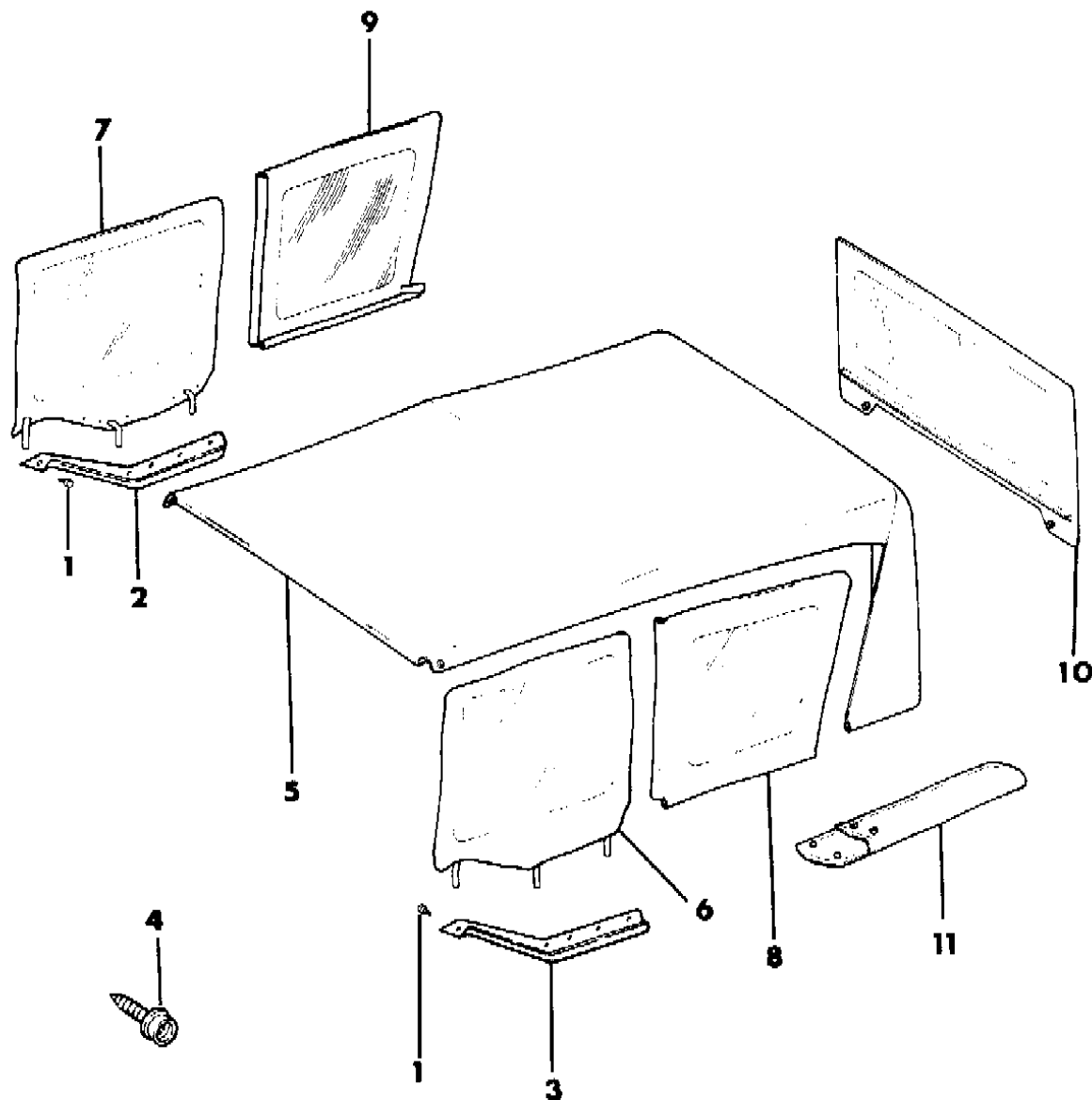
BODY STYLES:

MJ = Comanche Pickup
 SJ = Grand Wagoneer Wgn., J-10 & J-20 Pickups
 XJ = Cherokee, Wagoneer Limited
 YJ = Wrangler

AR = Use as Required - = Non Illustrated Part P.A.R. = Paint as Required

SOFT TOP AND WINDOWS WITH HALF DOORS WRANGLER, YJ
Figure 23A-1400

8J 69 1400



| ITEM | PART NUMBER | QTY | BODY | MODEL | DESCRIPTION |
|------|-------------|-----|------|-------|--|
| 1 | J400 7487 | 12 | | | SCREW |
| 2-3 | 5501 7744-5 | 1 | | | RETAINER, Door |
| 4 | J400 7545 | 12 | | | SCREW, Snap Head |
| 5 | | | | | TOP, Soft |
| | 5501 1009 | 1 | | | Black, w/Snap 1987 |
| | 5501 7620 | 1 | | | Black, w/o Snap 1987 |
| | 5501 8813 | 1 | | | Black Denim 1988-89 |
| | 5AE8 3JS1 | 1 | | | Charcoal 1988-90 |
| | 5501 1011 | 1 | | | Honey, w/Snap 1987 |
| | 5501 7624 | 1 | | | Honey, w/o Snap 1987 |
| | 5501 9256 | 1 | | | Khaki 1988-89 |
| | 5501 8564 | 1 | | | Olive Drab, Canada Military w/o Snap 1987-88 |
| | 5AE8 3JY6 | 1 | | | Sand 1989-90 |
| | 5501 6430 | 1 | | | Tan 1988 |
| | 5501 1502 | 1 | | | White w/Snap 1987 |
| | 5501 7622 | 1 | | | White, w/o Snap 1987 1990 |
| | 5AE8 3JX7 | 1 | | | Black |
| | 5AE8 3JJ5 | 1 | | | Khaki |
| 6-7 | | | | | DOOR, Upper Soft |
| | 5501 2584-5 | 1 | | | Black, 1987 |
| | 5501 9542-3 | 1 | | | Black Denim, (Up To 11-15-88) 1988-89 |
| | 5BA10-1 JX7 | 1 | | | Black Denim, (Aft. 11-15-88) |
| | 5501 9544-5 | 1 | | | Charcoal, (Up To 11-15-88) 1988-89 |
| | 5BA10-1 JS1 | 1 | | | Charcoal, (Aft. To 11-15-88) |
| | 5501 2588-9 | 1 | | | Honey, 1987 |
| | 5501 9550-1 | 1 | | | Khaki, (Up To 11-15-88) 1988-89 |
| | 5BA10-1 JJ5 | 1 | | | Khaki, (Aft. 11-15-88) |
| | 5501 8004-5 | 1 | | | Olive Drab, Canada Military 1987 |
| | 5501 9548-9 | 1 | | | Olive Drab, Canada Military 1988 |
| | 5502 1268-9 | 1 | | | Sand, (Up To 11-15-88) 1989 |
| | 5BA10-1 JY6 | 1 | | | Sand, (Aft. To 11-15-88) |
| | 5501 9546-7 | 1 | | | Tan, 1988 |
| | 5501 2586-7 | 1 | | | White, 1987 |
| 8-9 | | | | | GLASS, Quarter |
| | 5501 0976-7 | 1 | | 81 | Black, w/ 93" W.B. 1987 |
| | 5502 1436-7 | 1 | | 81 | Black Denim, w/ 93" W.B. 1988-89 |

MODEL CODES:

| | | |
|-----------------------------|-----------------------------|------------------------------|
| 15 = Grand Wagoneer 4 Dr. | 65 = Comanche 4WD-7 Ft. Box | 77 = Cherokee 4WD-2 Dr. |
| 25 = J-10 Pickup-119" W.B. | 66 = Comanche 2WD-7 Ft. Box | 78 = Cherokee 4WD-4 Dr. |
| 26 = J-10 Pickup-131" W.B. | 73 = Cherokee 2WD-2 Dr. | 79 = Cherokee 4WD-4 Dr.-Com |
| 27 = J-20 Pickup-131" W.B. | 74 = Cherokee 2WD-4 Dr. | 81 = Wrangler-93" W.B. |
| 63 = Comanche 4WD-6 Ft. Box | 75 = Wagoneer 4WD-4 Dr. | 82 = Wrangler-103" W.B.-Exp. |
| 64 = Comanche 2WD-6 Ft. Box | | |

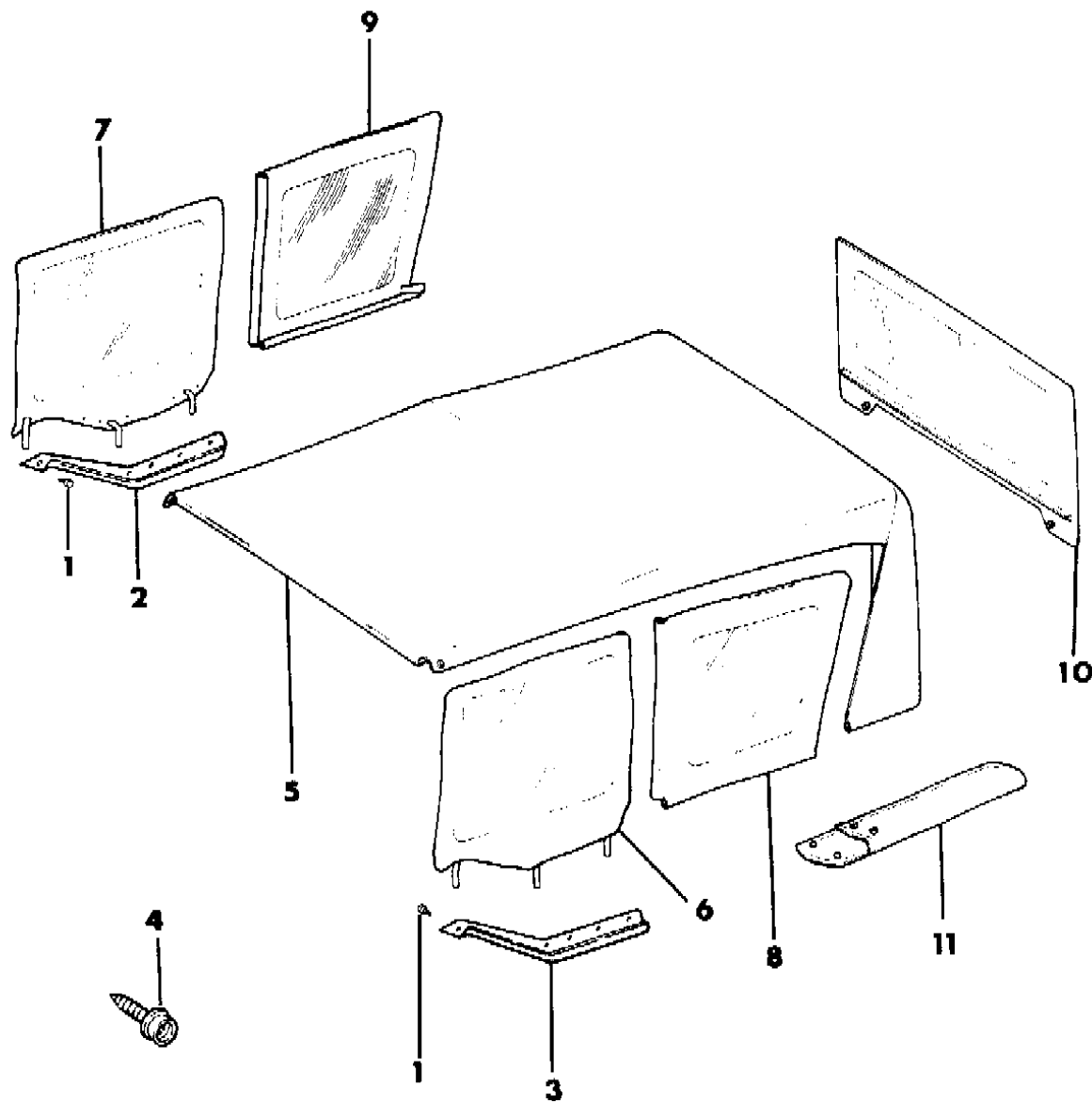
BODY STYLES:

MJ = Comanche Pickup
 SJ = Grand Wagoneer Wgn., J-10 & J-20 Pickups
 XJ = Cherokee, Wagoneer Limited
 YJ = Wrangler

AR = Use as Required - = Non Illustrated Part P.A.R. = Paint as Required

SOFT TOP AND WINDOWS WITH HALF DOORS WRANGLER, YJ
Figure 23A-1400

8J 69 1400



| ITEM | PART NUMBER | QTY | BODY | MODEL | DESCRIPTION |
|------|-------------|-----|------|-------|---|
| | 5502 0506-7 | 1 | | 82 | Black Denim, w/ 103" W.B. 1988-89 (Export) |
| | 5AF78-9 JS1 | 1 | | 81 | Charcoal, w/ 93" W.B. |
| | 5501 0980-1 | 1 | | 81 | Honey, w/ 93" W.B. 1987 |
| | 5502 1450-1 | 1 | | 81 | Khaki, w/ 93" W.B. 1988-89 |
| | 5502 1442-3 | 1 | | 81 | Olive Drab, Canada Military, w/ 93" W.B. 1987-88 |
| | 5501 7996-7 | 1 | | 82 | Olive Drab, Canada Military, w/ 103" W.B. (Export) 1988 |
| | 5502 1272-3 | 1 | | 81 | Sand, w/ 93" W.B. 1989 |
| | 5502 1440-1 | 1 | | 81 | Tan, w/ 93" W.B. 1988 |
| | 5502 0508-9 | 1 | | 82 | Tan, w/ 103" W.B. (Export) 1988 |
| | 5501 1496-7 | 1 | | 81 | White, w/ 93" W.B. 1987 |
| | | | | | 1990 |
| | 5AF78-9 JX7 | 1 | | | Black |
| | 5AF78-9 JJ5 | 1 | | | Khaki |
| | 5AF78-9 JY6 | 1 | | | Sand |
| 10 | | | | | GLASS, Tailgate |
| | | | | | Snap Type |
| | 5501 0991 | 1 | | | Black, 1987 |
| | 5501 8814 | 1 | | | Black Denim, 1987 |
| | 5501 6550 | 1 | | | Charcoal, 1987 |
| | 5501 0993 | 1 | | | Honey, 1987 |
| | 5501 9255 | 1 | | | Khaki, 1987 |
| | 5502 1447 | 1 | | | Olive Drab, Canada Military 1987 |
| | 5501 1498 | 1 | | | White, 1987 |
| | | | | | Plastic Retainer Type (Slides into Groove in Tailgate) |
| | 5502 1446 | 1 | | | Tan, 1988 |
| | 5AF7 7JY6 | 1 | | | Dark Sand, 1989-90 |
| | 5AF7 7JS1 | 1 | | | Charcoal or Silver, 1988-90 |
| | 5AF7 7JJ5 | 1 | | | Khaki, 1988-90 |
| | 5AF7 7JX7 | 1 | | | Black, 1988-90 |
| 11 | | | | | BAG, Window Stowage |
| | 5501 0995 | 2 | | | Black, 1987 |
| | 5501 8815 | 2 | | | Black Denim, 1988-89 |
| | 5501 6551 | 2 | | | Charcoal, 1988-89 |
| | 5501 0997 | 2 | | | Honey, 1987 |
| | 5501 9257 | 2 | | | Khaki, 1988-89 |
| | 5501 0995 | 2 | | | Olive Drab, Canada Military 1987-88 (Use Black) |
| | 5502 1275 | 2 | | | Sand, 1989 |

MODEL CODES:

| | | |
|-----------------------------|-----------------------------|------------------------------|
| 15 = Grand Wagoneer 4 Dr. | 65 = Comanche 4WD-7 Ft. Box | 77 = Cherokee 4WD-2 Dr. |
| 25 = J-10 Pickup-119" W.B. | 66 = Comanche 2WD-7 Ft. Box | 78 = Cherokee 4WD-4 Dr. |
| 26 = J-10 Pickup-131" W.B. | 73 = Cherokee 2WD-2 Dr. | 79 = Cherokee 4WD-4 Dr.-Com |
| 27 = J-20 Pickup-131" W.B. | 74 = Cherokee 2WD-4 Dr. | 81 = Wrangler-93" W.B. |
| 63 = Comanche 4WD-6 Ft. Box | 75 = Wagoneer 4WD-4 Dr. | 82 = Wrangler-103" W.B.-Exp. |
| 64 = Comanche 2WD-6 Ft. Box | | |

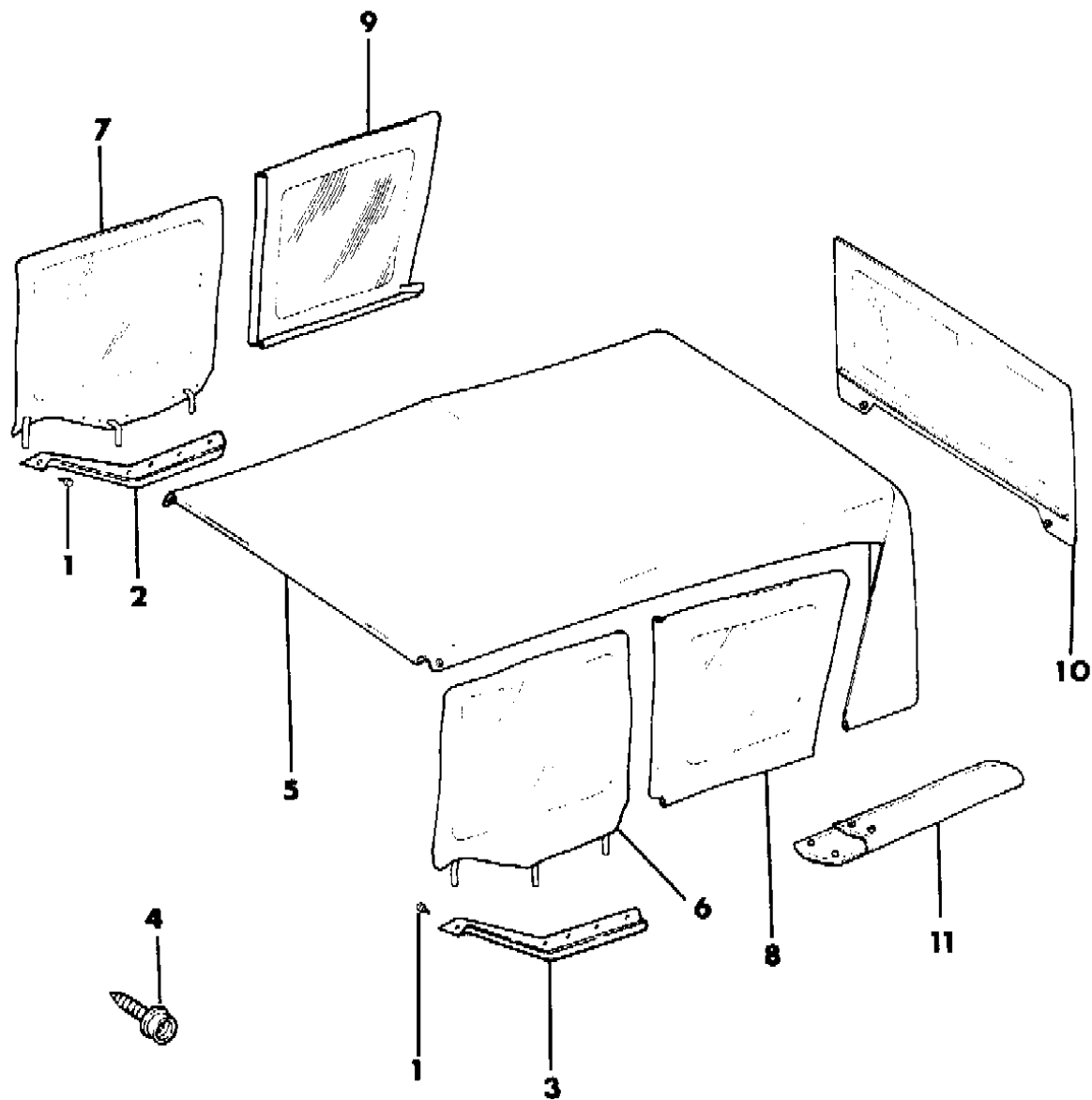
BODY STYLES:

MJ = Comanche Pickup
SJ = Grand Wagoneer Wgn., J-10 & J-20 Pickups
XJ = Cherokee, Wagoneer Limited
YJ = Wrangler

AR = Use as Required - = Non Illustrated Part P.A.R. = Paint as Required

SOFT TOP AND WINDOWS WITH HALF DOORS WRANGLER, YJ
Figure 23A-1400

8J 69 1400



| ITEM | PART NUMBER | QTY | BODY | MODEL | DESCRIPTION |
|------|-------------|-----|------|-------|---------------------|
| | 5501 6425 | 2 | | | Tan, 1988 |
| | 5501 1495 | 2 | | | White, 1987 1990 |
| | 5AE8 2JX7 | 2 | | | Black |
| | 5AE8 2JJ5 | 2 | | | Khaki |

MODEL CODES:

| | | |
|-----------------------------|-----------------------------|------------------------------|
| 15 = Grand Wagoneer 4 Dr. | 65 = Comanche 4WD-7 Ft. Box | 77 = Cherokee 4WD-2 Dr. |
| 25 = J-10 Pickup-119" W.B. | 66 = Comanche 2WD-7 Ft. Box | 78 = Cherokee 4WD-4 Dr. |
| 26 = J-10 Pickup-131" W.B. | 73 = Cherokee 2WD-2 Dr. | 79 = Cherokee 4WD-4 Dr.-Com |
| 27 = J-20 Pickup-131" W.B. | 74 = Cherokee 2WD-4 Dr. | 81 = Wrangler-93" W.B. |
| 63 = Comanche 4WD-6 Ft. Box | 75 = Wagoneer 4WD-4 Dr. | 82 = Wrangler-103" W.B.-Exp. |
| 64 = Comanche 2WD-6 Ft. Box | | |

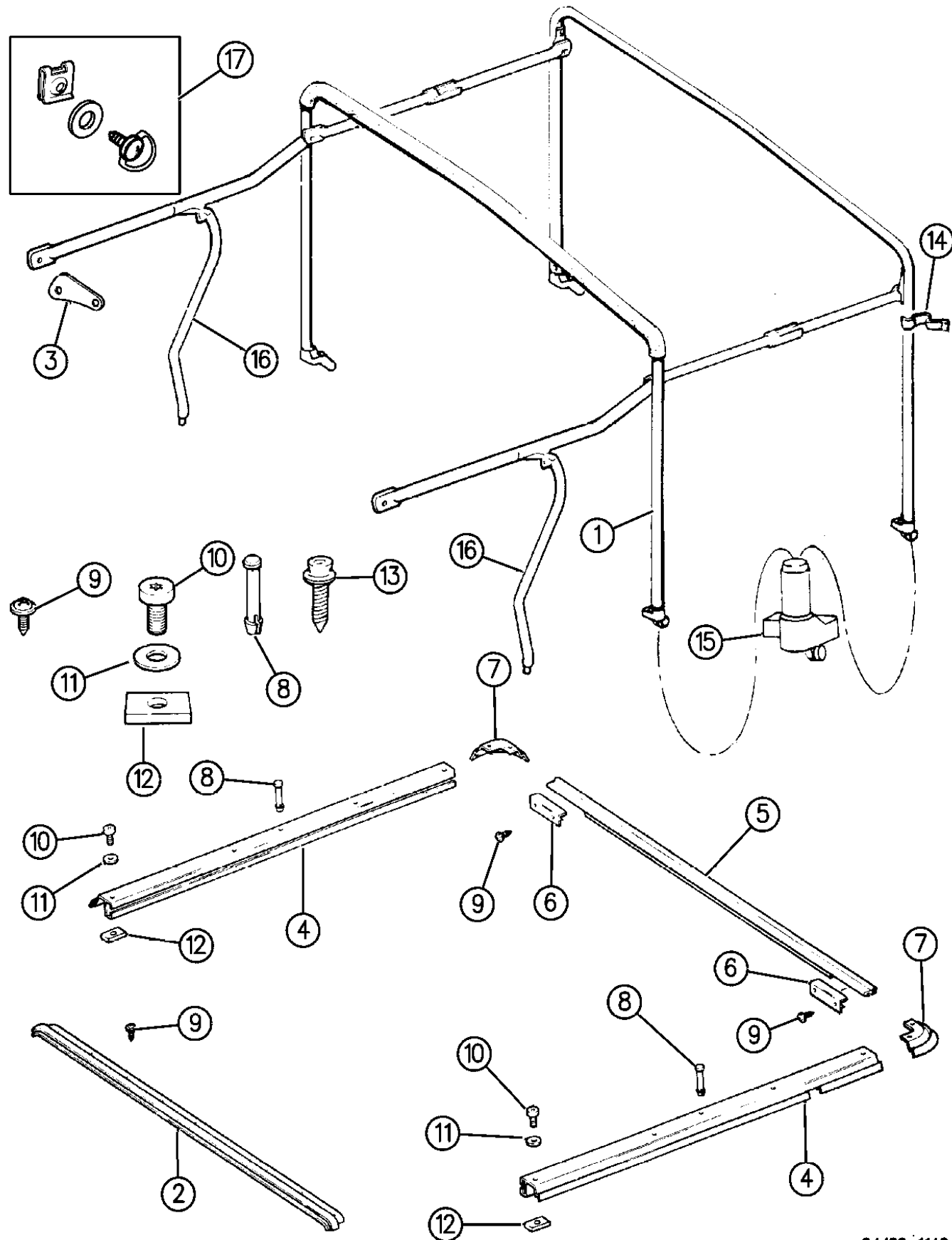
BODY STYLES:

MJ = Comanche Pickup
SJ = Grand Wagoneer Wgn., J-10 & J-20 Pickups
XJ = Cherokee, Wagoneer Limited
YJ = Wrangler

AR = Use as Required - = Non Illustrated Part P.A.R. = Paint as Required

SOFT TOP HARDWARE WITH FULL HARD DOORS WRANGLER, YJ
Figure 23A-1500

8J69 1500D



| ITEM | PART NUMBER | QTY | BODY | MODEL | DESCRIPTION |
|------|-------------|-----|------|-------|---|
| 1 | | | | | BOW AND DOOR FRAME ASSEMBLY *** |
| | 8350 5016 | 1 | | | 1987-89 |
| | 5252 835 | 1 | | | 1990, (Does not include verticle door supports item 16) |
| 2 | 8220 0921 | 1 | | | RETAINER, Windshield |
| 3 | 8350 5014-5 | 1 | | | BRACKET, Windshield |
| 4 | | | | | RETAINER, Side Belt Rail |
| | 8350 5018 | 1 | | | Right |
| | 8350 5017 | 1 | | | Left |
| 5 | 5501 0754 | 1 | | | RETAINER, Tailgate Opening |
| 6 | 5501 0849 | 2 | | | CLIP, Tailgate Retainer |
| 7 | 5501 0734 | 2 | | | RETAINER, Rear Corner Belt Rail |
| 8 | 5501 5114 | 4 | | | PIN |
| 9 | J400 7487 | 15 | | | SCREW, .38" Long *** |
| | J400 3671 | 15 | | | SCREW, .625" Long *** |
| 10 | J400 7484 | 12 | | | BOLT |
| 11 | J012 0393 | 12 | | | WASHER |
| 12 | J096 8155 | 12 | | | PLATE, Tapping |
| 13 | J400 7545 | 2 | | | SCREW, Snap Head |
| 14 | 5501 6035 | 1 | | | STRAP, Bow Tie Down |
| 15 | | | | | SLIDE, included in bow and door frame assy. |
| 16 | 5252 355 | 1 | | | SUPPORT |
| 17 | 4773 633 | 1 | | | SCREW PACKAGE, Attach Windshield Bracket to Support *** |

MODEL CODES:

| | | |
|-----------------------------|-----------------------------|------------------------------|
| 15 = Grand Wagoneer 4 Dr. | 65 = Comanche 4WD-7 Ft. Box | 77 = Cherokee 4WD-2 Dr. |
| 25 = J-10 Pickup-119" W.B. | 66 = Comanche 2WD-7 Ft. Box | 78 = Cherokee 4WD-4 Dr. |
| 26 = J-10 Pickup-131" W.B. | 73 = Cherokee 2WD-2 Dr. | 79 = Cherokee 4WD-4 Dr.-Com |
| 27 = J-20 Pickup-131" W.B. | 74 = Cherokee 2WD-4 Dr. | 81 = Wrangler-93" W.B. |
| 63 = Comanche 4WD-6 Ft. Box | 75 = Wagoneer 4WD-4 Dr. | 82 = Wrangler-103" W.B.-Exp. |
| 64 = Comanche 2WD-6 Ft. Box | | |

BODY STYLES:

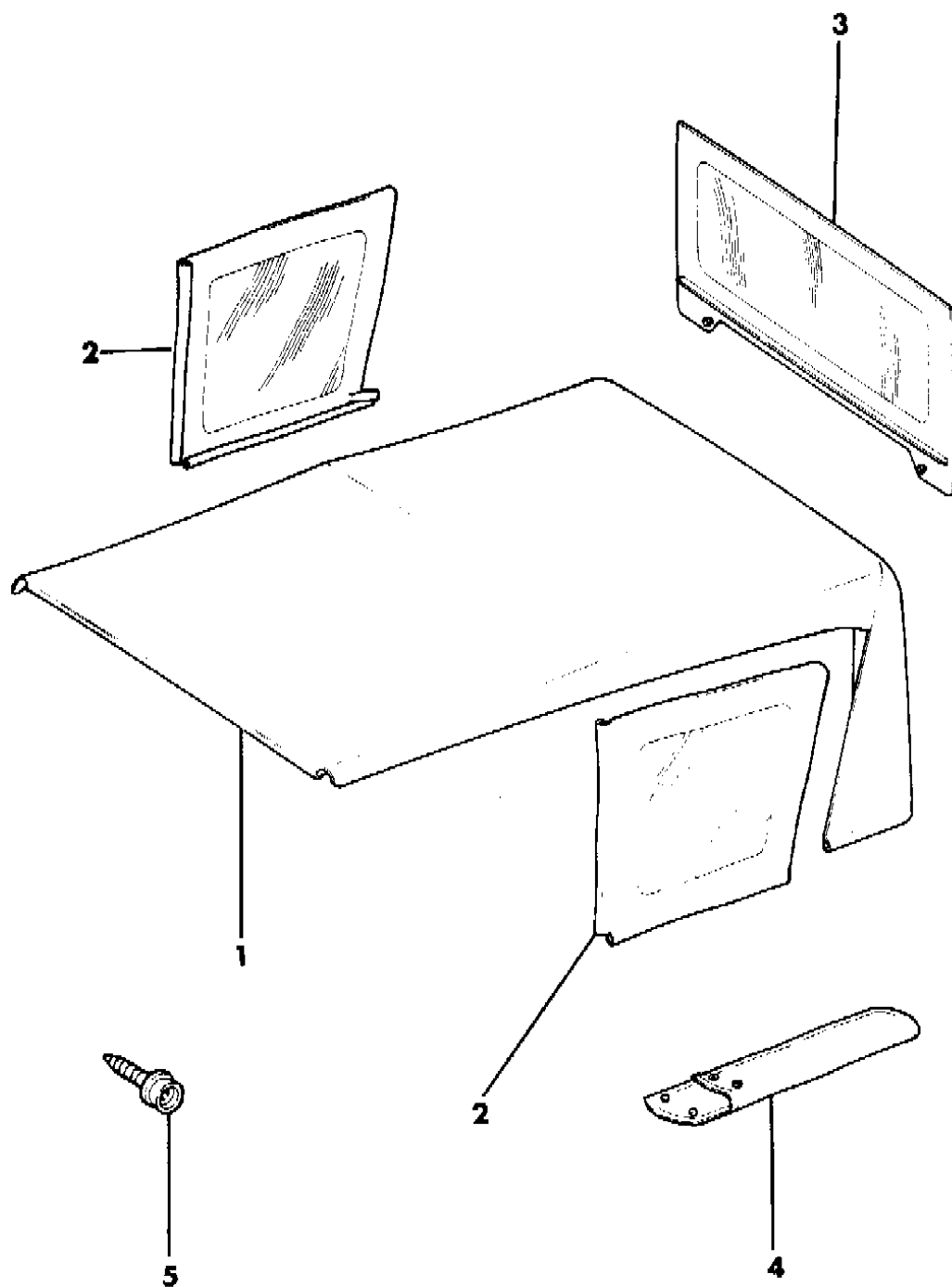
MJ = Comanche Pickup
SJ = Grand Wagoneer Wgn., J-10 & J-20 Pickups
XJ = Cherokee, Wagoneer Limited
YJ = Wrangler

94J69 1140

AR = Use as Required - = Non Illustrated Part P.A.R. = Paint as Required

SOFT TOP AND WINDOWS WITH FULL HARD DOORS WRANGLER, YJ
Figure 23A-1600

8 J 69 1600



| ITEM | PART NUMBER | QTY | BODY | MODEL | DESCRIPTION |
|------|-------------|-----|------|-------|--|
| 1 | | | | | TOP, Soft |
| | 8350 5005 | 1 | | | Black, 1987 |
| | 8350 5031 | 1 | | | Black Denim, 1988-90 |
| | 8350 5029 | 1 | | | Charcoal, 1988-90 |
| | 8350 5006 | 1 | | | Honey, 1987 |
| | 8350 5030 | 1 | | | Khaki, 1988-90 |
| | 8350 5559 | 1 | | | Sand, 1989-90 |
| | 8350 5028 | 1 | | | Tan, 1988 |
| | 8350 5007 | 1 | | | White, 1987 |
| 2 | | | | | WINDOW, Quarter *** |
| | 8350 5008-9 | 1 | | | Black, 1987 |
| | 8350 5034-5 | 1 | | | Black Denim, 1988-90 |
| | 8350 5036-7 | 1 | | | Charcoal, 1988,90 |
| | 8350 5010-1 | 1 | | | Honey, 1987 |
| | 8350 5038-9 | 1 | | | Khaki, 1988,90 |
| | 8350 5560-1 | 1 | | | Sand, 1989-90 |
| | 8350 5032-3 | 1 | | | Tan, 1988 |
| | 8350 5012-3 | 1 | | | White, 1987 |
| 3 | | | | | WINDOW, Tailgate *** |
| | | | | | Snap Type |
| | 5501 0991 | 1 | | | Black, 1987 |
| | 5501 8814 | 1 | | | Black Denim, 1987 |
| | 5501 6550 | 1 | | | Charcoal, 1987 |
| | 5501 9255 | 1 | | | Khaki, 1987 |
| | 5501 0993 | 1 | | | Honey, 1987 |
| | 5501 1498 | 1 | | | White, 1987 |
| | | | | | Plastic Retainer Type (Slides into Groove in Tailgate) |
| | 5502 1446 | 1 | | | Tan, 1988 |
| | 5AF7 7JY6 | 1 | | | Dark Sand, 1989-90 |
| | 5AF7 7JJ5 | 1 | | | Khaki, 1988-90 |
| | 5AF7 7JS1 | 1 | | | Charcoal or Silver, 1988-90 |
| | 5AF7 7JX7 | 1 | | | Black, 1988-90 |
| 4 | | | | | BAG, Window Stowage |
| | 5501 0995 | 2 | | | Black, 1987 |
| | 5501 8815 | 2 | | | Black Denim, 1988-89 |
| | 5501 6551 | 2 | | | Charcoal, 1988,89 |
| | 5501 0997 | 2 | | | Honey, 1987 |

MODEL CODES:

| | | |
|-----------------------------|-----------------------------|------------------------------|
| 15 = Grand Wagoneer 4 Dr. | 65 = Comanche 4WD-7 Ft. Box | 77 = Cherokee 4WD-2 Dr. |
| 25 = J-10 Pickup-119" W.B. | 66 = Comanche 2WD-7 Ft. Box | 78 = Cherokee 4WD-4 Dr. |
| 26 = J-10 Pickup-131" W.B. | 73 = Cherokee 2WD-2 Dr. | 79 = Cherokee 4WD-4 Dr.-Com |
| 27 = J-20 Pickup-131" W.B. | 74 = Cherokee 2WD-4 Dr. | 81 = Wrangler-93" W.B. |
| 63 = Comanche 4WD-6 Ft. Box | 75 = Wagoneer 4WD-4 Dr. | 82 = Wrangler-103" W.B.-Exp. |
| 64 = Comanche 2WD-6 Ft. Box | | |

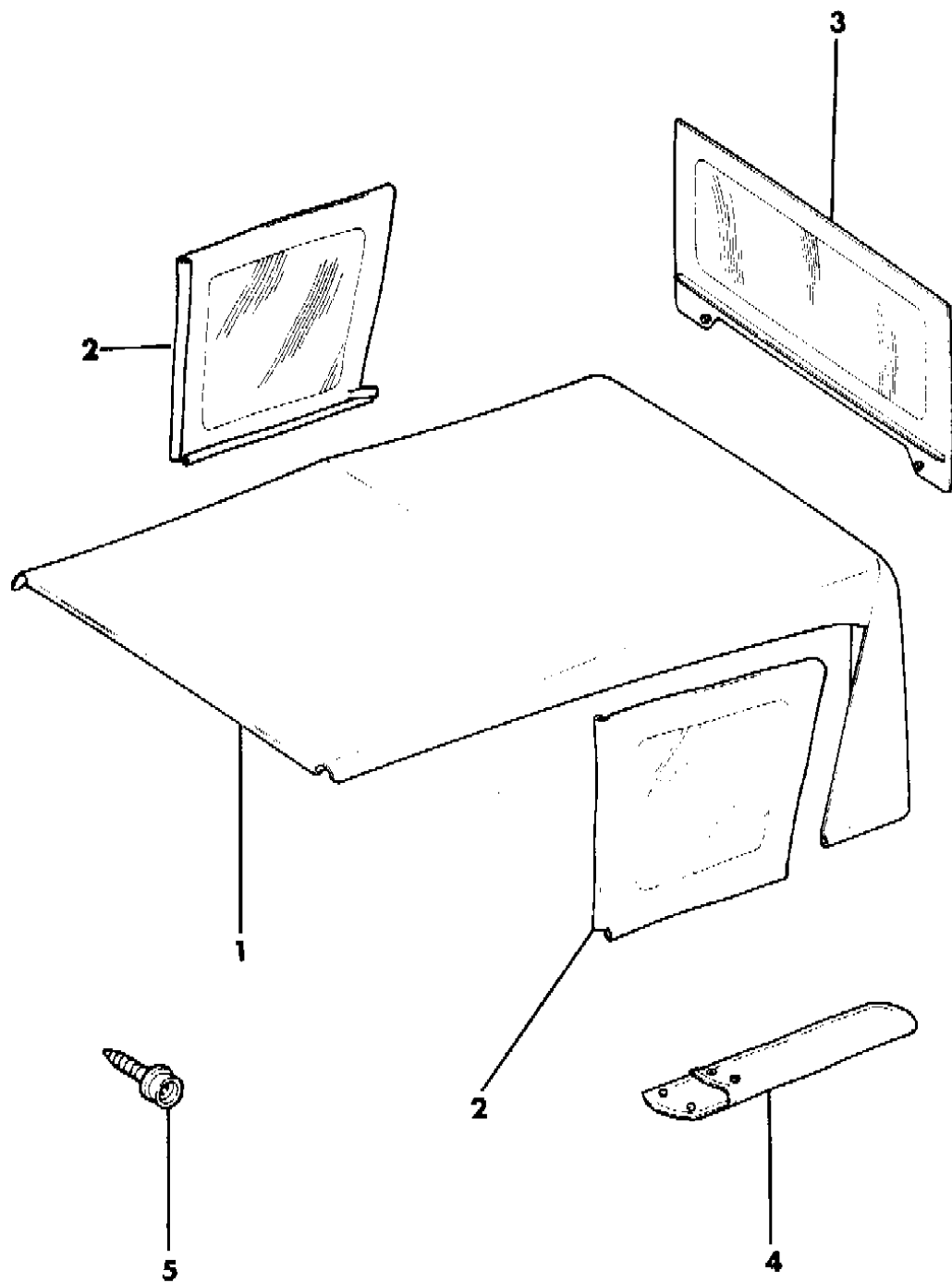
BODY STYLES:

MJ = Comanche Pickup
 SJ = Grand Wagoneer Wgn., J-10 & J-20 Pickups
 XJ = Cherokee, Wagoneer Limited
 YJ = Wrangler

AR = Use as Required - = Non Illustrated Part P.A.R. = Paint as Required

SOFT TOP AND WINDOWS WITH FULL HARD DOORS WRANGLER, YJ
Figure 23A-1600

8 J 69 1600



| ITEM | PART NUMBER | QTY | BODY | MODEL | DESCRIPTION |
|------|-------------|-----|------|-------|---------------------|
| | 5501 9257 | 2 | | | Khaki, 1988-89 |
| | 5502 1275 | 2 | | | Sand, 1989 |
| | 5501 6425 | 2 | | | Tan, 1988 |
| | 5501 1495 | 2 | | | White, 1987 1990 |
| | 5AE8 2JX7 | 2 | | | Black |
| | 5AE8 2JJ5 | 2 | | | Khaki |
| 5 | J400 7545 | 2 | | | SCREW |

MODEL CODES:

| | | |
|-----------------------------|-----------------------------|------------------------------|
| 15 = Grand Wagoneer 4 Dr. | 65 = Comanche 4WD-7 Ft. Box | 77 = Cherokee 4WD-2 Dr. |
| 25 = J-10 Pickup-119" W.B. | 66 = Comanche 2WD-7 Ft. Box | 78 = Cherokee 4WD-4 Dr. |
| 26 = J-10 Pickup-131" W.B. | 73 = Cherokee 2WD-2 Dr. | 79 = Cherokee 4WD-4 Dr.-Com |
| 27 = J-20 Pickup-131" W.B. | 74 = Cherokee 2WD-4 Dr. | 81 = Wrangler-93" W.B. |
| 63 = Comanche 4WD-6 Ft. Box | 75 = Wagoneer 4WD-4 Dr. | 82 = Wrangler-103" W.B.-Exp. |
| 64 = Comanche 2WD-6 Ft. Box | | |

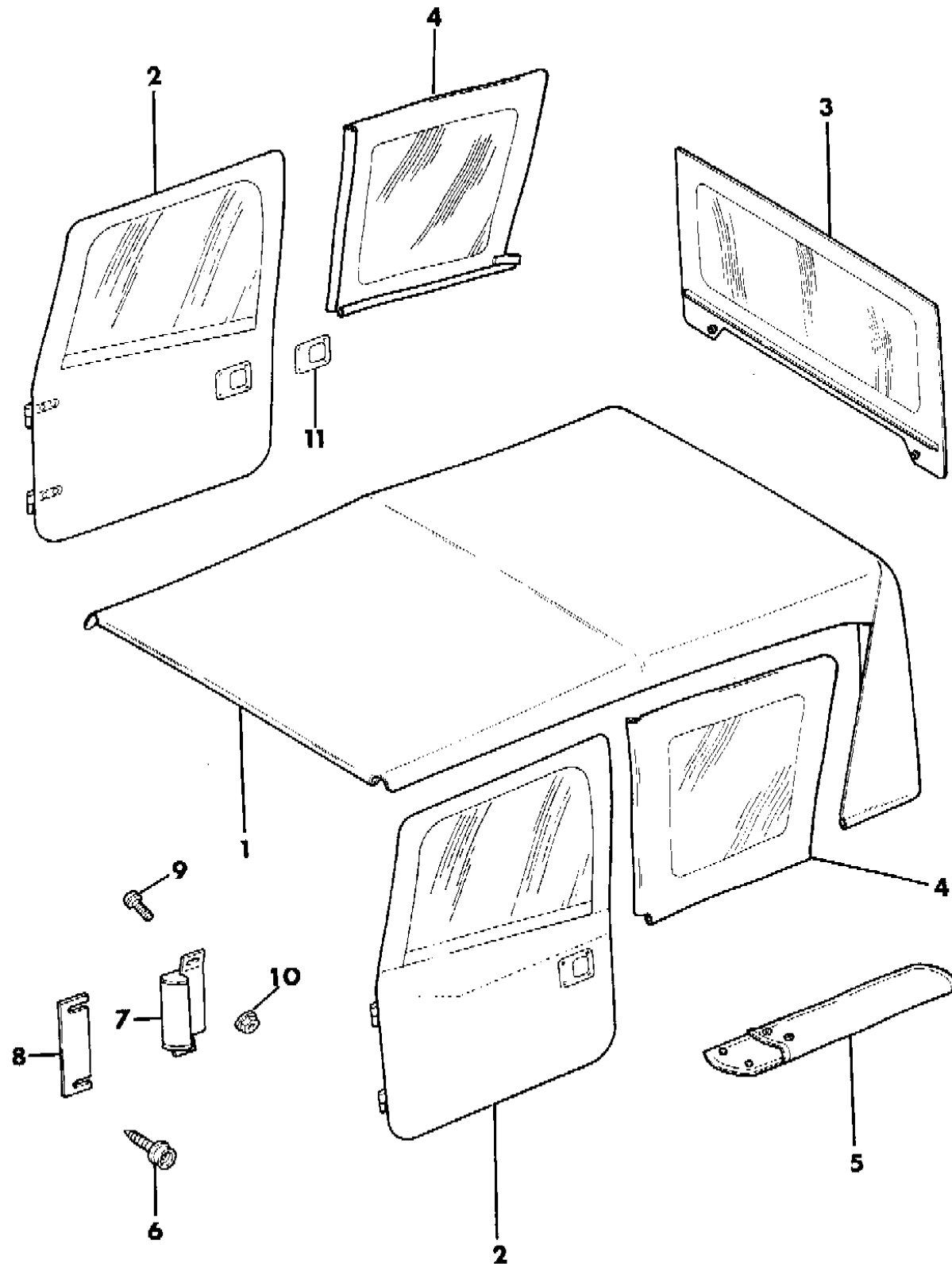
BODY STYLES:

MJ = Comanche Pickup
 SJ = Grand Wagoneer Wgn., J-10 & J-20 Pickups
 XJ = Cherokee, Wagoneer Limited
 YJ = Wrangler

AR = Use as Required - = Non Illustrated Part P.A.R. = Paint as Required

SOFT TOP, FULL SOFT DOORS AND WINDOWS NON REGULATED MARKETS
Figure 23A-1700

8J 69 1700A



| ITEM | PART NUMBER | QTY | BODY | MODEL | DESCRIPTION |
|------|-------------|-----|------|-------|---------------------|
| 1 | #5BN7 9JX7 | 1 | | | TOP, Soft, Black |
| 2 | 5AF32-3 JX7 | 1 | | | DOOR, Soft, Black |
| 3 | | | | | GLASS, Tailgate |
| | 5501 8814 | 1 | | | Black Denim |
| | 5501 7984 | 1 | | | Olive Drab |
| 4 | | | | | GLASS, Quarter |
| | 5501 8816-7 | 1 | | | Black Denim |
| | 5501 7986-7 | 1 | | | Olive Drab |
| 5 | | | | | BAG, Window Stowage |
| | 5501 8815 | 2 | | | Black Denim |
| | 5501 7998 | 2 | | | Olive Drab |
| 6 | J400 7545 | 12 | | | SCREW, Snap Head |
| 7 | 5502 0252-3 | 1 | | | STRIKER, Door |
| 8 | 5502 1820 | AR | | | SHIM |
| 9 | J400 6189 | 4 | | | SCREW |
| 10 | J027 1166 | 4 | | | NUT |
| 11 | 5501 8786 | 2 | | | HANDLE ASSEMBLY |

MODEL CODES:

| | | |
|-----------------------------|-----------------------------|------------------------------|
| 15 = Grand Wagoneer 4 Dr. | 65 = Comanche 4WD-7 Ft. Box | 77 = Cherokee 4WD-2 Dr. |
| 25 = J-10 Pickup-119" W.B. | 66 = Comanche 2WD-7 Ft. Box | 78 = Cherokee 4WD-4 Dr. |
| 26 = J-10 Pickup-131" W.B. | 73 = Cherokee 2WD-2 Dr. | 79 = Cherokee 4WD-4 Dr.-Com |
| 27 = J-20 Pickup-131" W.B. | 74 = Cherokee 2WD-4 Dr. | 81 = Wrangler-93" W.B. |
| 63 = Comanche 4WD-6 Ft. Box | 75 = Wagoneer 4WD-4 Dr. | 82 = Wrangler-103" W.B.-Exp. |
| 64 = Comanche 2WD-6 Ft. Box | | |

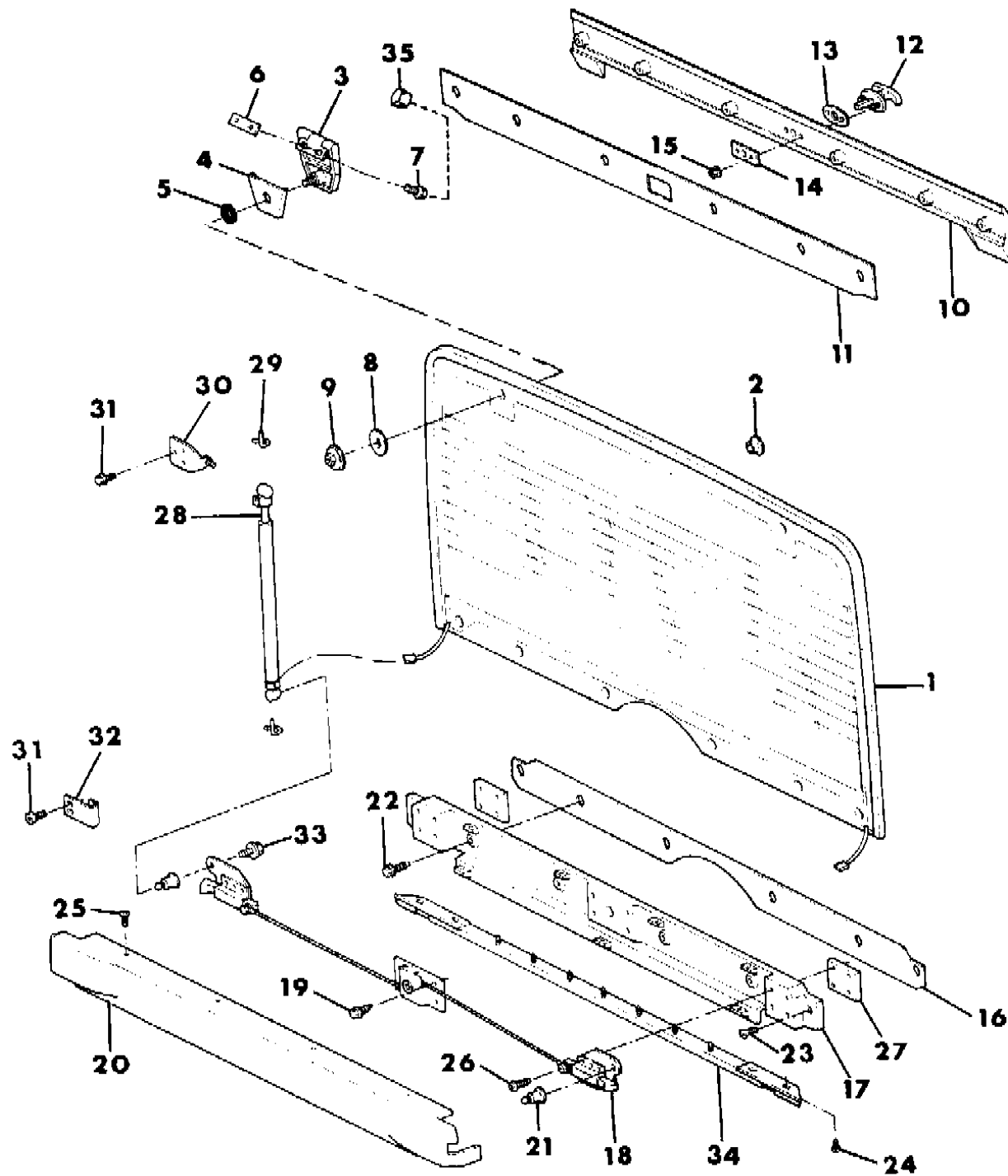
BODY STYLES:

MJ = Comanche Pickup
SJ = Grand Wagoneer Wgn., J-10 & J-20 Pickups
XJ = Cherokee, Wagoneer Limited
YJ = Wrangler

AR = Use as Required - = Non Illustrated Part P.A.R. = Paint as Required

LIFT DOOR, LATCH AND HINGES WITH HARD TOP ENCLOSURE WRANGLER, YJ
Figure 23A-1800

8J691800



| ITEM | PART NUMBER | QTY | BODY | MODEL | DESCRIPTION |
|------|-------------|-----|------|-------|----------------------------------|
| 1 | | | | | GLASS, Lift Door |
| | 8350 2988 | 1 | | | Tinted, w/ rear window defogger |
| | 8350 2987 | 1 | | | Tinted, w/o rear window defogger |
| 2 | | | | | PLUG *** |
| | J400 7473 | 2 | | | w/ rear window defogger |
| | J400 7443 | 2 | | | w/o rear window defogger |
| 3 | 5500 8136 | 2 | | | HINGE, Lift Door |
| 4 | 5500 9433 | 2 | | | GASKET |
| 5 | 5500 9788 | 2 | | | SEAL |
| 6 | 5500 9432 | 2 | | | GASKET |
| 7 | J400 6906 | 4 | | | SCREW |
| 8 | 5500 9434 | 2 | | | BUSHING |
| 9 | J400 7384 | 2 | | | NUT |
| 10 | | 1 | | | MOULDING, Lift Door |
| | 5500 8530 | 1 | | | P.A.R. (1987-89) |
| | 5AB3 2JCX | 1 | | | Black, 1990 |
| | 5AB3 2JS2 | 1 | | | Charcoal, 1990 |
| | 5AB3 2JY8 | 1 | | | Sand, 1990 |
| | 4370 528 | 1 | | | White, 1990, ECE |
| 11 | 5500 9576 | 1 | | | GASKET |
| 12 | 5500 9857 | 1 | | | HANDLE ASSEMBLY, Outside *** |
| 13 | J095 3289 | 1 | | | GASKET |
| 14 | 5500 9858 | 1 | | | REINFORCEMENT |
| 15 | S027 4741 | 2 | | | NUT |
| 16 | 5500 9577 | 1 | | | GASKET |
| 17 | 5500 8531 | 1 | | | PANEL, Lift Door Lower |
| 18 | 5500 8148 | 1 | | | LATCH, Lift Door |
| 19 | J400 4042 | 4 | | | SCREW |
| 20 | 5500 8532 | 1 | | | MOULDING, Lift Door |
| 21 | J400 6230 | 2 | | | NUT |
| 22 | J400 7378 | 4 | | | SCREW |
| 23 | J400 7379 | 2 | | | SCREW |
| 24 | | | | | SCREW |
| | J400 2461 | 4 | | | .625" long |
| | J400 2465 | 4 | | | .750" long |
| 25 | J400 4112 | 7 | | | SCREW |
| 26 | J400 7387 | 8 | | | SCREW |

MODEL CODES:

| | | |
|-----------------------------|-----------------------------|------------------------------|
| 15 = Grand Wagoneer 4 Dr. | 65 = Comanche 4WD-7 Ft. Box | 77 = Cherokee 4WD-2 Dr. |
| 25 = J-10 Pickup-119" W.B. | 66 = Comanche 2WD-7 Ft. Box | 78 = Cherokee 4WD-4 Dr. |
| 26 = J-10 Pickup-131" W.B. | 73 = Cherokee 2WD-2 Dr. | 79 = Cherokee 4WD-4 Dr.-Com |
| 27 = J-20 Pickup-131" W.B. | 74 = Cherokee 2WD-4 Dr. | 81 = Wrangler-93" W.B. |
| 63 = Comanche 4WD-6 Ft. Box | 75 = Wagoneer 4WD-4 Dr. | 82 = Wrangler-103" W.B.-Exp. |
| 64 = Comanche 2WD-6 Ft. Box | | |

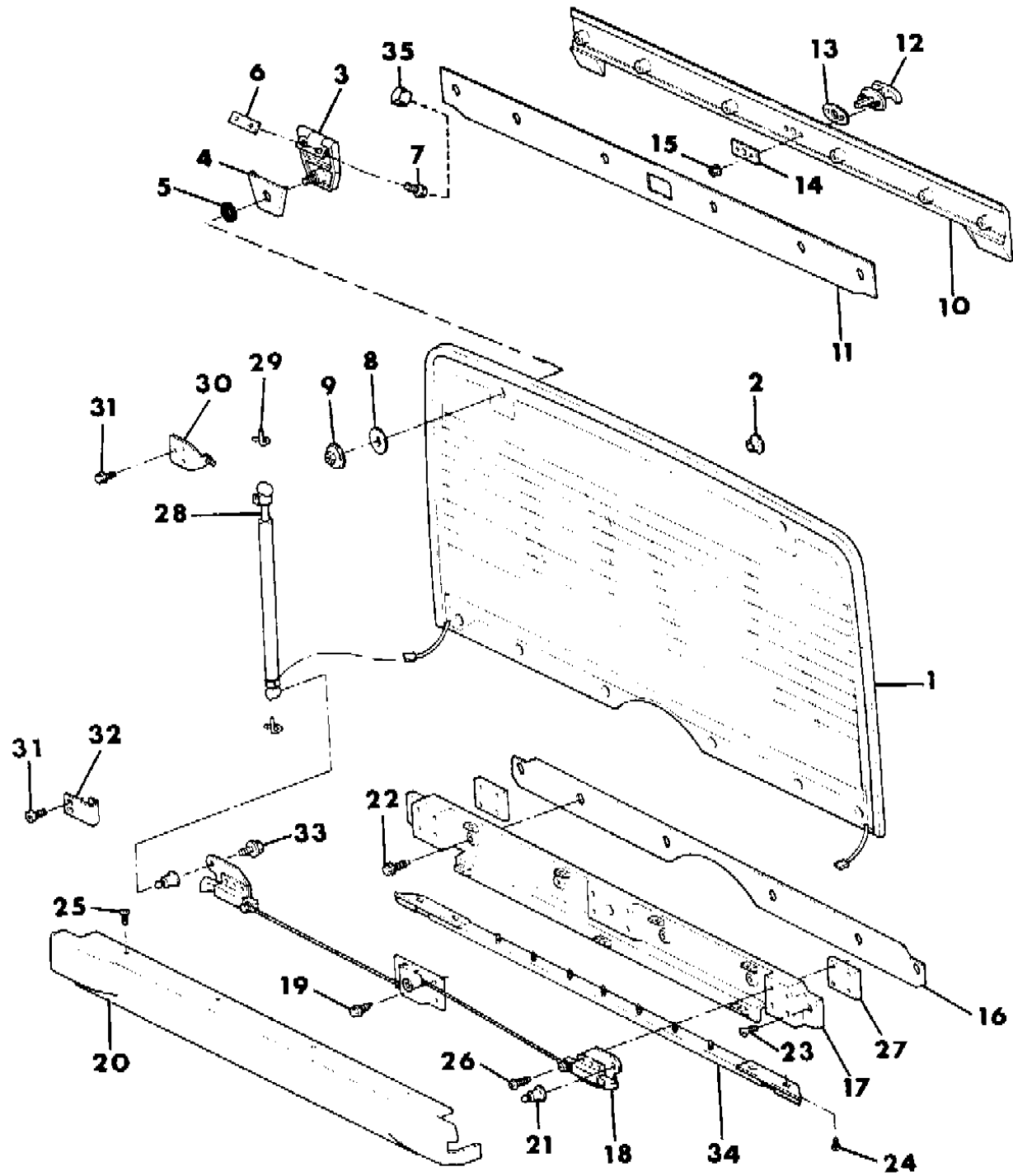
BODY STYLES:

MJ = Comanche Pickup
SJ = Grand Wagoneer Wgn., J-10 & J-20 Pickups
XJ = Cherokee, Wagoneer Limited
YJ = Wrangler

AR = Use as Required - = Non Illustrated Part P.A.R. = Paint as Required

LIFT DOOR, LATCH AND HINGES WITH HARD TOP ENCLOSURE WRANGLER, YJ
Figure 23A-1800

8J691800



| ITEM | PART NUMBER | QTY | BODY | MODEL | DESCRIPTION |
|------|-------------|-----|------|-------|---|
| 27 | 5500 9868 | 2 | | | PLATE, Tapping |
| 28 | | | | | SUPPORT, Lift Door |
| | 5500 9866 | 2 | | | w/ rear window defogger |
| | 5500 7272 | 2 | | | w/o rear window defogger |
| 29 | J367 9830 | 4 | | | CLIP |
| 30 | 5500 9992 | 2 | | | BRACKET |
| | J369 6930 | 2 | | | BALL STUD, (Included in 55009992 Bracket) *** |
| 31 | S943 2476 | AR | | | BOLT |
| 32 | 5501 7502 | 2 | | | STRIKER, Lift Door |
| 33 | J400 7382 | 2 | | | SCREW |
| 34 | 5500 9398 | 1 | | | WEATHERSTRIP |
| 35 | 5501 9378 | 1 | | | CAP, Protective |

MODEL CODES:

| | | |
|-----------------------------|-----------------------------|------------------------------|
| 15 = Grand Wagoneer 4 Dr. | 65 = Comanche 4WD-7 Ft. Box | 77 = Cherokee 4WD-2 Dr. |
| 25 = J-10 Pickup-119" W.B. | 66 = Comanche 2WD-7 Ft. Box | 78 = Cherokee 4WD-4 Dr. |
| 26 = J-10 Pickup-131" W.B. | 73 = Cherokee 2WD-2 Dr. | 79 = Cherokee 4WD-4 Dr.-Com |
| 27 = J-20 Pickup-131" W.B. | 74 = Cherokee 2WD-4 Dr. | 81 = Wrangler-93" W.B. |
| 63 = Comanche 4WD-6 Ft. Box | 75 = Wagoneer 4WD-4 Dr. | 82 = Wrangler-103" W.B.-Exp. |
| 64 = Comanche 2WD-6 Ft. Box | | |

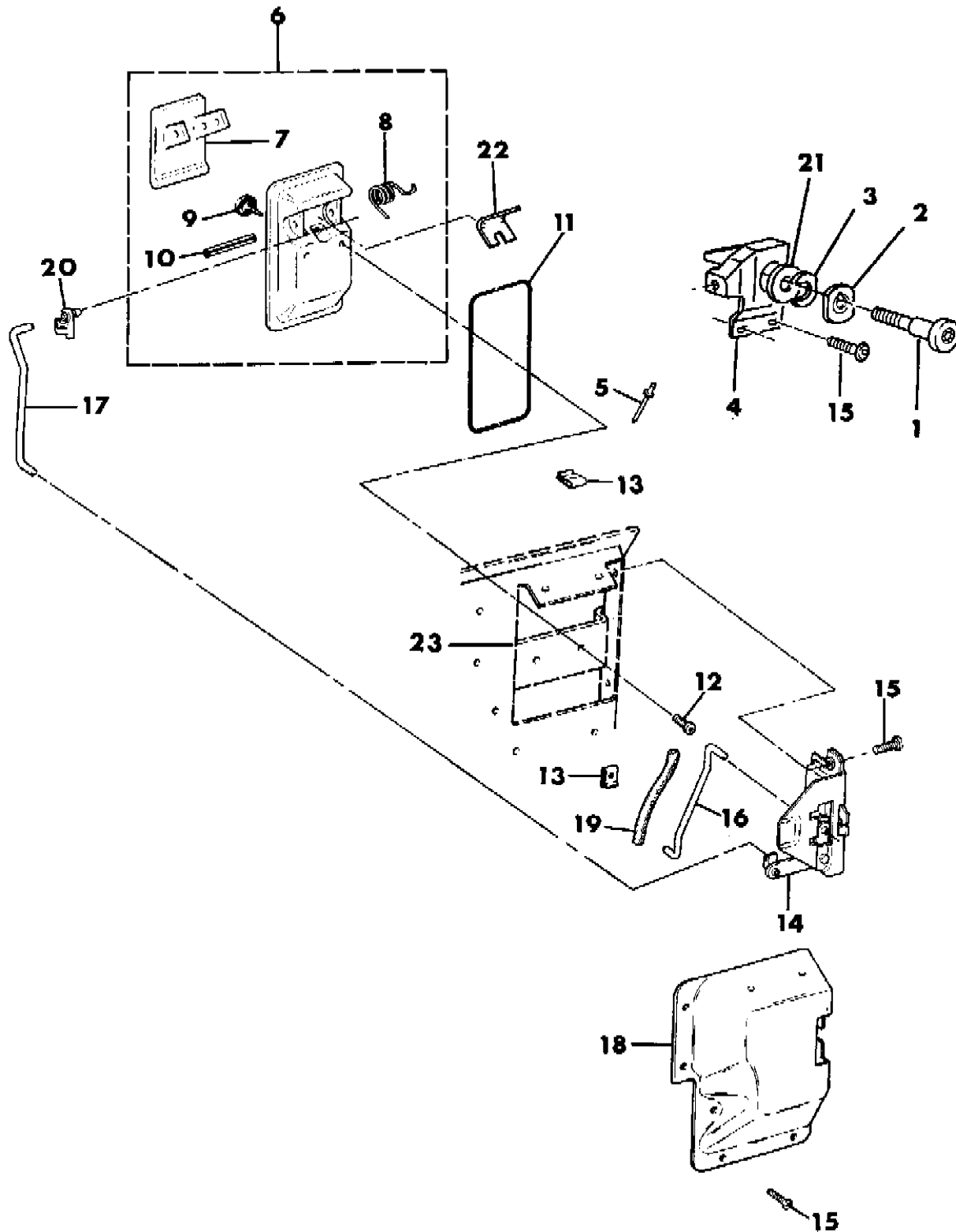
BODY STYLES:

MJ = Comanche Pickup
SJ = Grand Wagoneer Wgn., J-10 & J-20 Pickups
XJ = Cherokee, Wagoneer Limited
YJ = Wrangler

AR = Use as Required - = Non Illustrated Part P.A.R. = Paint as Required

LATCH AND STRIKER, TAILGATE WRANGLER, YJ
Figure 23A-1900

8J691900 A



| ITEM | PART NUMBER | QTY | BODY | MODEL | DESCRIPTION |
|------|-------------|-----|------|-------|----------------------------------|
| 1 | J575 8191 | 1 | | | STRIKER, Tailgate 1987-89 |
| | 5502 4904 | 1 | | | 1990 |
| 2 | J575 8192 | 1 | | | PLATE, Mounting 1987-89 |
| | 5502 4905 | 1 | | | 1990 |
| 3 | J575 8193 | AR | | | SHIM |
| 4 | 5500 9515 | 1 | | | COVER, Striker |
| 5 | 3420 2200 | 3 | | | RIVET |
| 6 | 5500 8895 | 1 | | | HANDLE, Tailgate |
| 7 | 5500 8902 | 1 | | | HANDLE |
| 8 | J363 1218 | 1 | | | SPRING, Return |
| 9 | J400 3110 | 1 | | | BUMPER, Door Handle |
| 10 | S045 5313 | 1 | | | PIN, Spring |
| 11 | J374 3608 | 1 | | | SEAL, Door Handle |
| 12 | J400 5969 | 2 | | | SCREW |
| 13 | S149 4250 | 3 | | | NUT |
| 14 | 5500 8126 | 1 | | | LATCH, Tailgate |
| 15 | J400 7536 | 10 | | | SCREW |
| 16 | 5500 8921 | 1 | | | ROD, Lock Cylinder |
| 17 | 5500 8127 | 1 | | | ROD, Tailgate Latch |
| 18 | 5501 5300 | 1 | | | COVER, Latch |
| 19 | J372 1174 | 1 | | | SLEEVE, 27" Long *** |
| 20 | J400 3672 | 1 | | | RETAINER |
| 21 | J941 5543 | 1 | | | WASHER |
| 22 | 5502 0076 | 1 | | | SEAL |
| 23 | 5500 8273 | 1 | | | BRACKET, Tailgate Latch Mounting |

MODEL CODES:

| | | |
|-----------------------------|-----------------------------|------------------------------|
| 15 = Grand Wagoneer 4 Dr. | 65 = Comanche 4WD-7 Ft. Box | 77 = Cherokee 4WD-2 Dr. |
| 25 = J-10 Pickup-119" W.B. | 66 = Comanche 2WD-7 Ft. Box | 78 = Cherokee 4WD-4 Dr. |
| 26 = J-10 Pickup-131" W.B. | 73 = Cherokee 2WD-2 Dr. | 79 = Cherokee 4WD-4 Dr.-Com |
| 27 = J-20 Pickup-131" W.B. | 74 = Cherokee 2WD-4 Dr. | 81 = Wrangler-93" W.B. |
| 63 = Comanche 4WD-6 Ft. Box | 75 = Wagoneer 4WD-4 Dr. | 82 = Wrangler-103" W.B.-Exp. |
| 64 = Comanche 2WD-6 Ft. Box | | |

BODY STYLES:

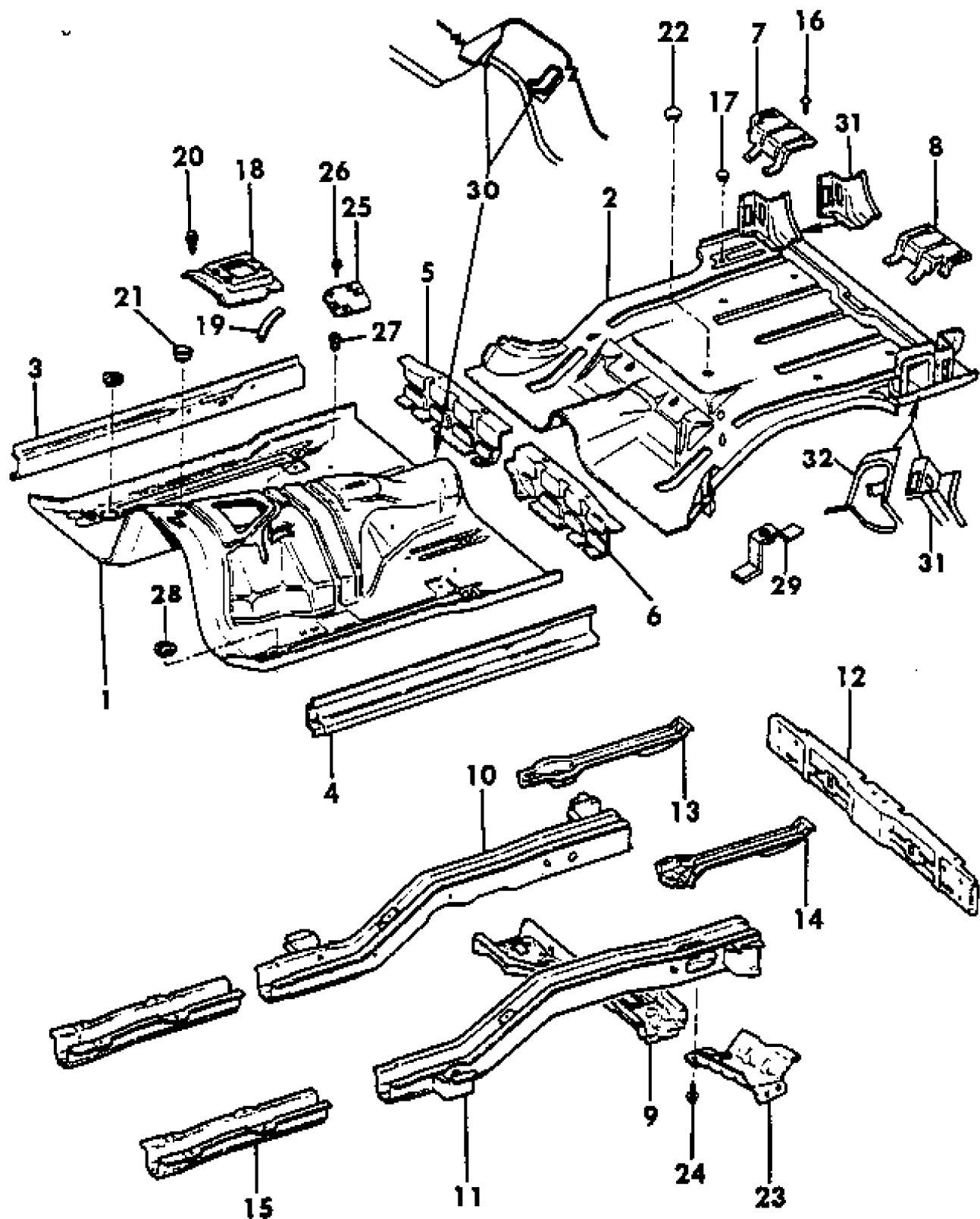
MJ = Comanche Pickup
SJ = Grand Wagoneer Wgn., J-10 & J-20 Pickups
XJ = Cherokee, Wagoneer Limited
YJ = Wrangler

AR = Use as Required - = Non Illustrated Part P.A.R. = Paint as Required

PANS, FLOOR CHEROKEE, WAGONEER

Figure 23A-2000

8J69 2000B



| ITEM | PART NUMBER | QTY | BODY | MODEL | DESCRIPTION |
|-------|-------------|-----|------|-------|--|
| 1 | 5700 1712 | 1 | | | PAN, Front Floor |
| 2 | 5700 1713 | 1 | | | PAN, Rear Floor |
| 3-4 | 5700 0012-3 | 1 | | | SILL, Front Pan |
| 5 | 5500 0008 | 1 | | | CROSSMEMBER, Seat Right 1987-90 |
| 6 | 5500 0009 | 1 | | | CROSSMEMBER, Seat Left 1987-89 |
| | 5502 6393 | 1 | | | Left 1990 |
| 7-8 | 5500 2230-1 | 1 | | | COVER, Floor Pan |
| 9 | 5700 0020 | 1 | | | CROSSMEMBER, Shock |
| 10-11 | | | | | SILL, Rear Side |
| | 5700 0014-5 | 1 | | | 1988-89 |
| | 5502 6216-7 | 1 | | | 1990 |
| 12 | 5700 0007 | 1 | | | SILL, Rear Cross |
| 13 | 5700 0022 | 1 | | | SUPPORT, Fuel Tank Right |
| 14 | 5500 2935 | 1 | | | SUPPORT, Fuel Tank Left |
| 15 | 5500 1206 | 2 | | | SILL, Center |
| 16 | 3420 2035 | 6 | | | SCREW, 1987-90 |
| 17 | 5500 6578 | 10 | | | PLUG, Drain |
| 18 | | | | | COVER, Transmission |
| | 5300 0580 | 1 | | | 4 Cyl. Engine w/Manual Trans. |
| | 5300 4436 | 1 | | | 6 Cyl.Engine w/5 Speed Trans. 1987 |
| | 5300 5141 | 1 | | | 6 Cyl. Engine w/Manual Trans. 1988-90 |
| | 5300 0580 | 1 | | | Diesel Engine w/Manual Trans. |
| | 5300 0704 | 1 | | | w/Floor Mounted Gear Shift, w/Auto. Trans. |
| 19 | 5500 4690 | 1 | | | SEAL, Cover w/Auto. Trans. |
| 20 | J400 1701 | AR | | | SCREW |
| 21 | J400 0499 | 1 | | | PLUG |
| 22 | 5500 6579 | 5 | | | PLUG |
| 23 | 5500 3285 | 1 | | | SHIELD, Splash |
| 24 | 1150 2453 | 4 | | | SCREW, 1987-89 |
| | 3420 1895 | 4 | | | 1990 |
| 25 | 5501 0460 | 1 | | | COVER, Transfer Case 2WD |
| 26 | 3420 1277 | 5 | | | SCREW, 2WD |
| 27 | 3420 1578 | 5 | | | NUT, 2WD |
| 28 | 3420 1275 | 2 | | | PLUG, 1987 |
| | 3420 2136 | 2 | | | 1988-89 |
| 29 | 5500 1903 | 1 | | | BRACKET, Jack |
| 30 | 5500 5177 | 2 | | | BRACKET, Hand Brake Cable Mounting |

MODEL CODES:

| | | |
|-----------------------------|-----------------------------|------------------------------|
| 15 = Grand Wagoneer 4 Dr. | 65 = Comanche 4WD-7 Ft. Box | 77 = Cherokee 4WD-2 Dr. |
| 25 = J-10 Pickup-119" W.B. | 66 = Comanche 2WD-7 Ft. Box | 78 = Cherokee 4WD-4 Dr. |
| 26 = J-10 Pickup-131" W.B. | 73 = Cherokee 2WD-2 Dr. | 79 = Cherokee 4WD-4 Dr.-Com |
| 27 = J-20 Pickup-131" W.B. | 74 = Cherokee 2WD-4 Dr. | 81 = Wrangler-93" W.B. |
| 63 = Comanche 4WD-6 Ft. Box | 75 = Wagoneer 4WD-4 Dr. | 82 = Wrangler-103" W.B.-Exp. |
| 64 = Comanche 2WD-6 Ft. Box | | |

BODY STYLES:

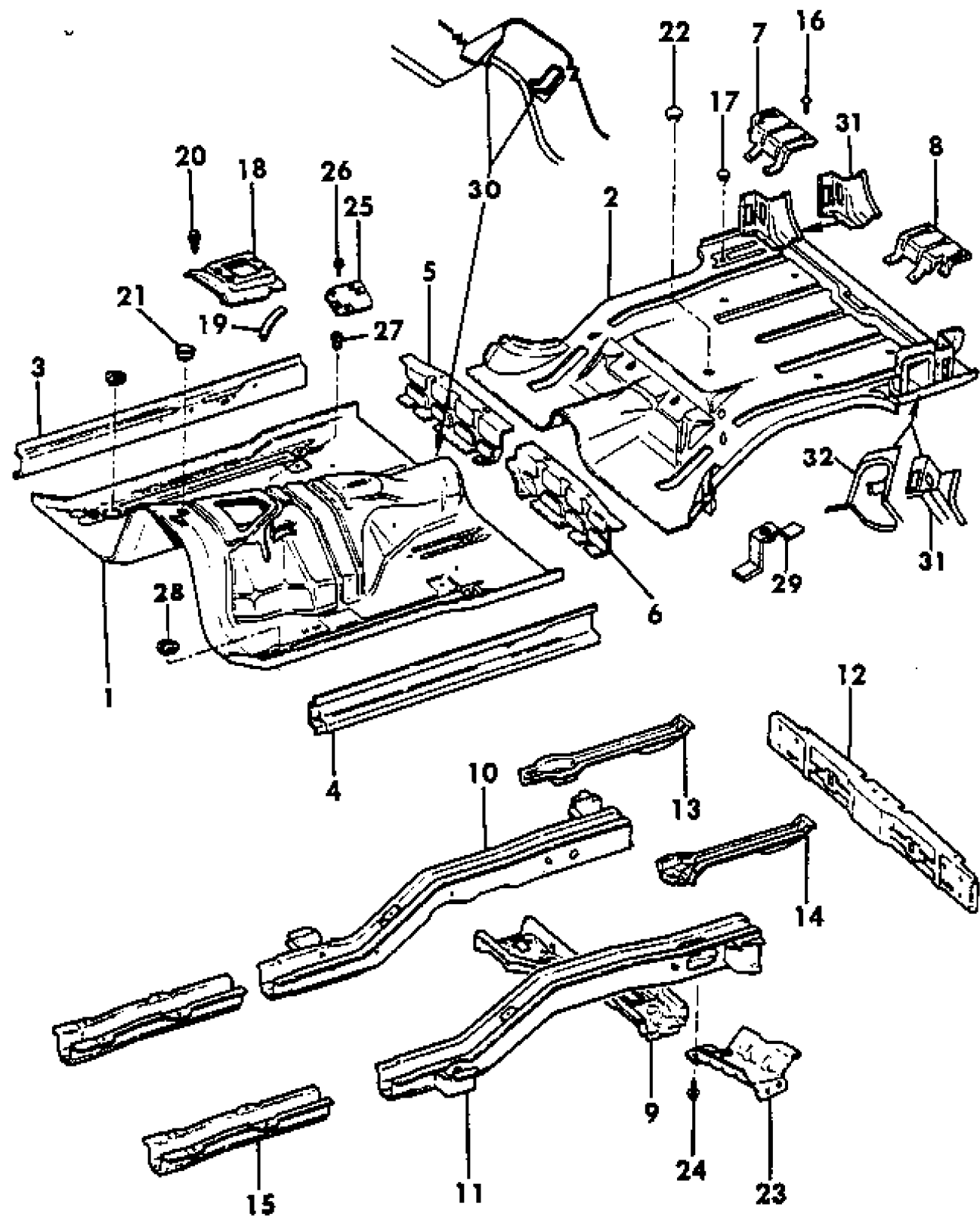
MJ = Comanche Pickup
 SJ = Grand Wagoneer Wgn., J-10 & J-20 Pickups
 XJ = Cherokee, Wagoneer Limited
 YJ = Wrangler

AR = Use as Required - = Non Illustrated Part P.A.R. = Paint as Required

PANS, FLOOR CHEROKEE, WAGONEER

Figure 23A-2000

8J69 2000B



| ITEM | PART NUMBER | QTY | BODY | MODEL | DESCRIPTION |
|------|-------------|-----|------|-------|-------------|
|------|-------------|-----|------|-------|-------------|

| | | | | | |
|----|-------------|---|--|--|----------------------|
| 31 | 5500 0864-5 | 1 | | | GUSSET |
| 32 | 5700 0193 | 1 | | | HOUSING, Fuel Filler |

MODEL CODES:

| | | |
|-----------------------------|-----------------------------|------------------------------|
| 15 = Grand Wagoneer 4 Dr. | 65 = Comanche 4WD-7 Ft. Box | 77 = Cherokee 4WD-2 Dr. |
| 25 = J-10 Pickup-119" W.B. | 66 = Comanche 2WD-7 Ft. Box | 78 = Cherokee 4WD-4 Dr. |
| 26 = J-10 Pickup-131" W.B. | 73 = Cherokee 2WD-2 Dr. | 79 = Cherokee 4WD-4 Dr.-Com |
| 27 = J-20 Pickup-131" W.B. | 74 = Cherokee 2WD-4 Dr. | 81 = Wrangler-93" W.B. |
| 63 = Comanche 4WD-6 Ft. Box | 75 = Wagoneer 4WD-4 Dr. | 82 = Wrangler-103" W.B.-Exp. |
| 64 = Comanche 2WD-6 Ft. Box | | |

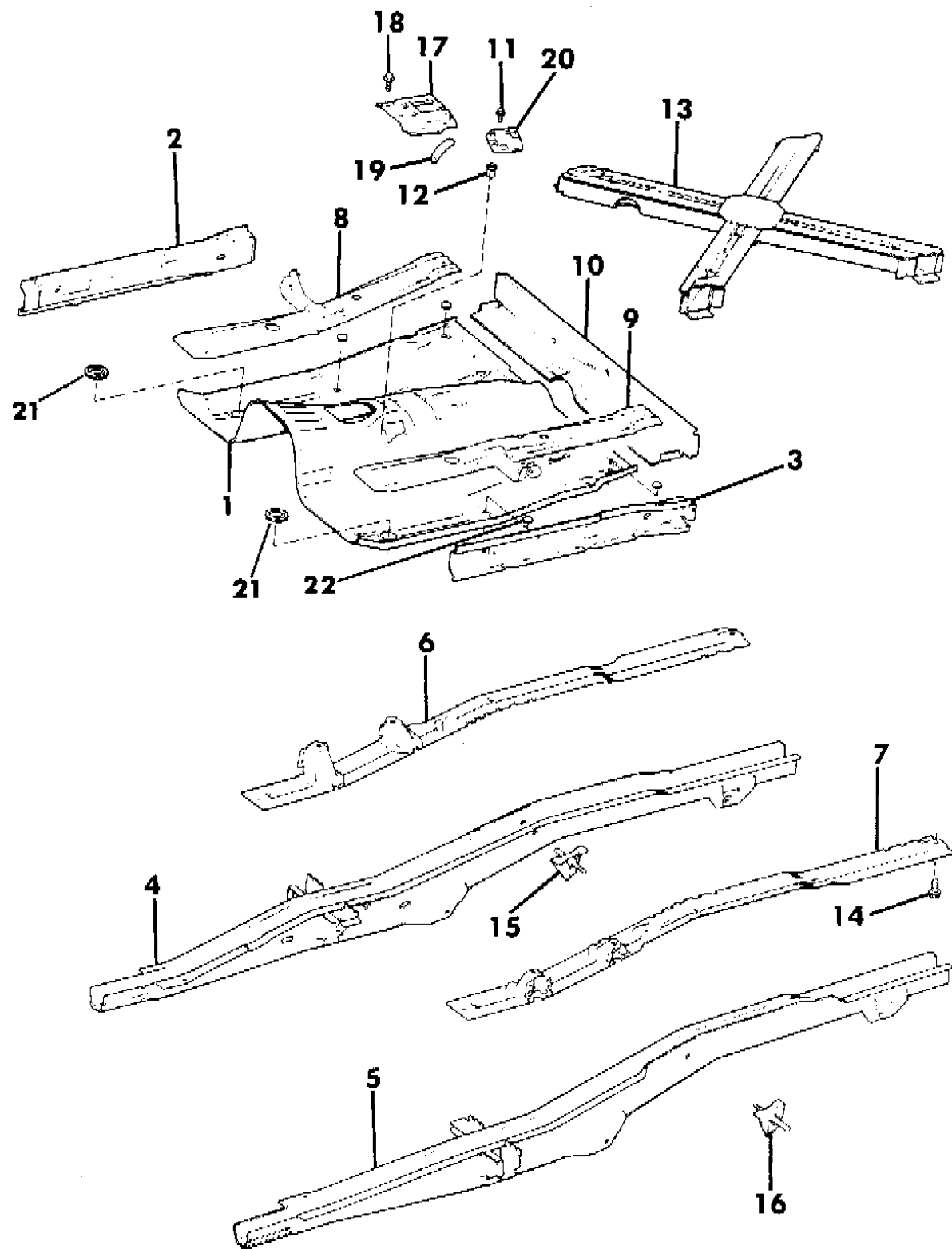
BODY STYLES:

MJ = Comanche Pickup
 SJ = Grand Wagoneer Wgn., J-10 & J-20 Pickups
 XJ = Cherokee, Wagoneer Limited
 YJ = Wrangler

AR = Use as Required - = Non Illustrated Part P.A.R. = Paint as Required

PAN, FLOOR COMANCHE
Figure 23A-2100

8J69 2100



| ITEM | PART NUMBER | QTY | BODY | MODEL | DESCRIPTION |
|-------|-------------|-----|------|-------|--|
| 1 | 5700 2183 | 1 | | | PAN, Cab Floor |
| 2-3 | 5700 0896-7 | 1 | | | SILL, Body Side |
| 4-5 | | | | | RAIL, Cab and Pickup Box |
| | 5700 2178-9 | 1 | | | w/7 ft. pickup box |
| | 5700 0946-7 | 1 | | | w/6 ft. pickup box |
| 6-7 | | | | | REINFORCEMENT, Rail Frame |
| | 5700 0902-3 | 1 | | | w/7 ft. pickup box |
| | 5700 0938-9 | 1 | | | w/6 ft. pickup box |
| 8-9 | | | | | REINFORCEMENT, Cab Floor |
| | 5700 0894-5 | 1 | | | 1988-89 |
| | 5700 2184-5 | 1 | | | 1990 |
| 10 | 5500 3470 | 1 | | | CROSSMEMBER, Rear Cab Floor |
| 11 | 3420 1277 | 1 | | | SCREW, 2WD |
| 12 | 3420 1578 | 5 | | | NUT, Sert 2WD |
| 13 | | | | | CROSSMEMBER, Rear Rail |
| | 5700 0917 | 1 | | | w/7 ft. pickup box |
| | 5700 0935 | 1 | | | w/6 ft. pickup box |
| 14 | 1150 2606 | 6 | | | BOLT |
| 15-16 | 5501 5400-1 | 1 | | | BRACKET, Shock Absorber |
| 17 | | | | | COVER, Transmission |
| | 5300 0580 | 1 | | | 4 Cyl. Engine w/Manual Trans. |
| | 5300 5141 | 1 | | | 6 Cyl. Engine w/Manual Trans. |
| | 5300 0704 | 1 | | | w/Auto. Trans., w/Floor Mounted Gear Shift |
| | 5500 9171 | 1 | | | 4WD, w/Column Mounted Gear Shift |
| | 5500 7376 | 1 | | | 2WD, w/Column Mounted Gear Shift |
| | 5300 4436 | 1 | | | 6 Cyl. W / 5 speed trans. 1987 |
| 18 | J400 1701 | 9 | | | SCREW |
| 19 | 5500 4690 | 1 | | | SEAL, Cover, w/Auto. Trans. |
| 20 | 5501 0460 | 1 | | | COVER, Transfer Case 2WD |
| 21 | 3420 2136 | 2 | | | PLUG |
| 22 | 5500 6578 | 4 | | | PLUG |

MODEL CODES:

| | | |
|-----------------------------|-----------------------------|------------------------------|
| 15 = Grand Wagoneer 4 Dr. | 65 = Comanche 4WD-7 Ft. Box | 77 = Cherokee 4WD-2 Dr. |
| 25 = J-10 Pickup-119" W.B. | 66 = Comanche 2WD-7 Ft. Box | 78 = Cherokee 4WD-4 Dr. |
| 26 = J-10 Pickup-131" W.B. | 73 = Cherokee 2WD-2 Dr. | 79 = Cherokee 4WD-4 Dr.-Com |
| 27 = J-20 Pickup-131" W.B. | 74 = Cherokee 2WD-4 Dr. | 81 = Wrangler-93" W.B. |
| 63 = Comanche 4WD-6 Ft. Box | 75 = Wagoneer 4WD-4 Dr. | 82 = Wrangler-103" W.B.-Exp. |
| 64 = Comanche 2WD-6 Ft. Box | | |

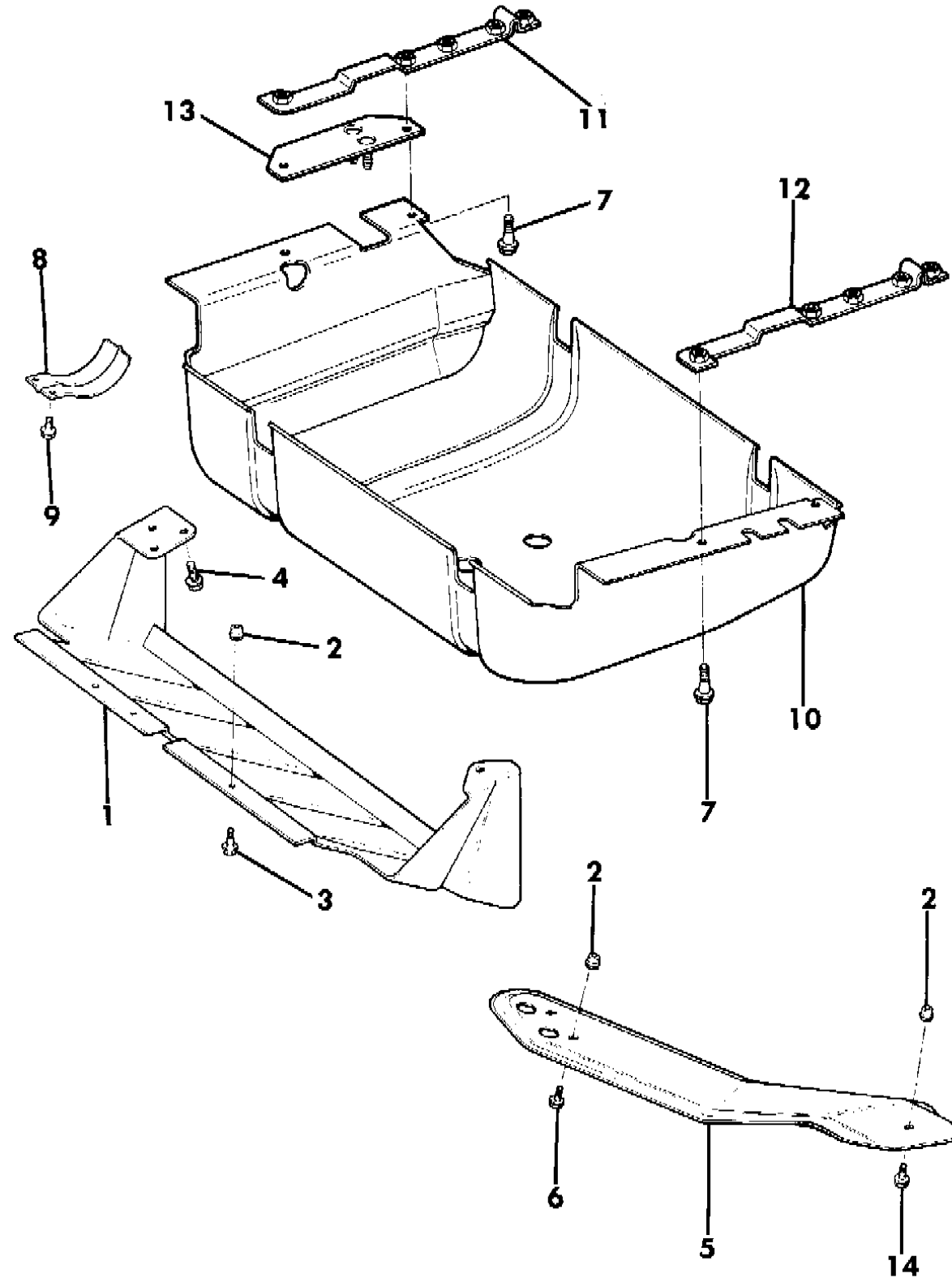
BODY STYLES:

MJ = Comanche Pickup
SJ = Grand Wagoneer Wgn., J-10 & J-20 Pickups
XJ = Cherokee, Wagoneer Limited
YJ = Wrangler

AR = Use as Required - = Non Illustrated Part P.A.R. = Paint as Required

PLATES, UNDERBODY SKID CHEROKEE, WAGONEER
Figure 23A-2200

8J692200



| ITEM | PART NUMBER | QTY | BODY | MODEL | DESCRIPTION |
|-------|-------------|-----|------|-------|----------------------|
| 1 | 8220 0613 | 1 | | | PLATE, Skid 1987-89 |
| 2 | 3420 1575 | 6 | | | NUTSERT |
| 3 | 1150 2605 | 3 | | | BOLT, 1987-89 |
| | 3420 1871 | 3 | | | 1990 |
| 4 | 3420 1540 | 3 | | | BOLT |
| 5 | 8220 0616 | 1 | | | PLATE, Skid 1987-89 |
| 6 | 1150 2850 | 2 | | | BOLT, 20 m.m.Long |
| 7 | 3420 1964 | 4 | | | BOLT, 1987-89 |
| | 1150 4922 | 4 | | | 1990 |
| 8 | 5300 0739 | 1 | | | PLATE, Skid |
| 9 | 3420 1033 | 2 | | | BOLT, 1987-89 |
| | 1150 4284 | 2 | | | 1990 |
| 10 | 5200 1512 | 1 | | | PLATE, Skid |
| 11-12 | 5200 1174-5 | 1 | | | REINFORCEMENT, Sill |
| 13 | 5200 1511 | 1 | | | BRACKET ASSEMBLY *** |
| 14 | 3420 1936 | 1 | | | BOLT, 35mm Long |

MODEL CODES:

| | | |
|-----------------------------|-----------------------------|------------------------------|
| 15 = Grand Wagoneer 4 Dr. | 65 = Comanche 4WD-7 Ft. Box | 77 = Cherokee 4WD-2 Dr. |
| 25 = J-10 Pickup-119" W.B. | 66 = Comanche 2WD-7 Ft. Box | 78 = Cherokee 4WD-4 Dr. |
| 26 = J-10 Pickup-131" W.B. | 73 = Cherokee 2WD-2 Dr. | 79 = Cherokee 4WD-4 Dr.-Com |
| 27 = J-20 Pickup-131" W.B. | 74 = Cherokee 2WD-4 Dr. | 81 = Wrangler-93" W.B. |
| 63 = Comanche 4WD-6 Ft. Box | 75 = Wagoneer 4WD-4 Dr. | 82 = Wrangler-103" W.B.-Exp. |
| 64 = Comanche 2WD-6 Ft. Box | | |

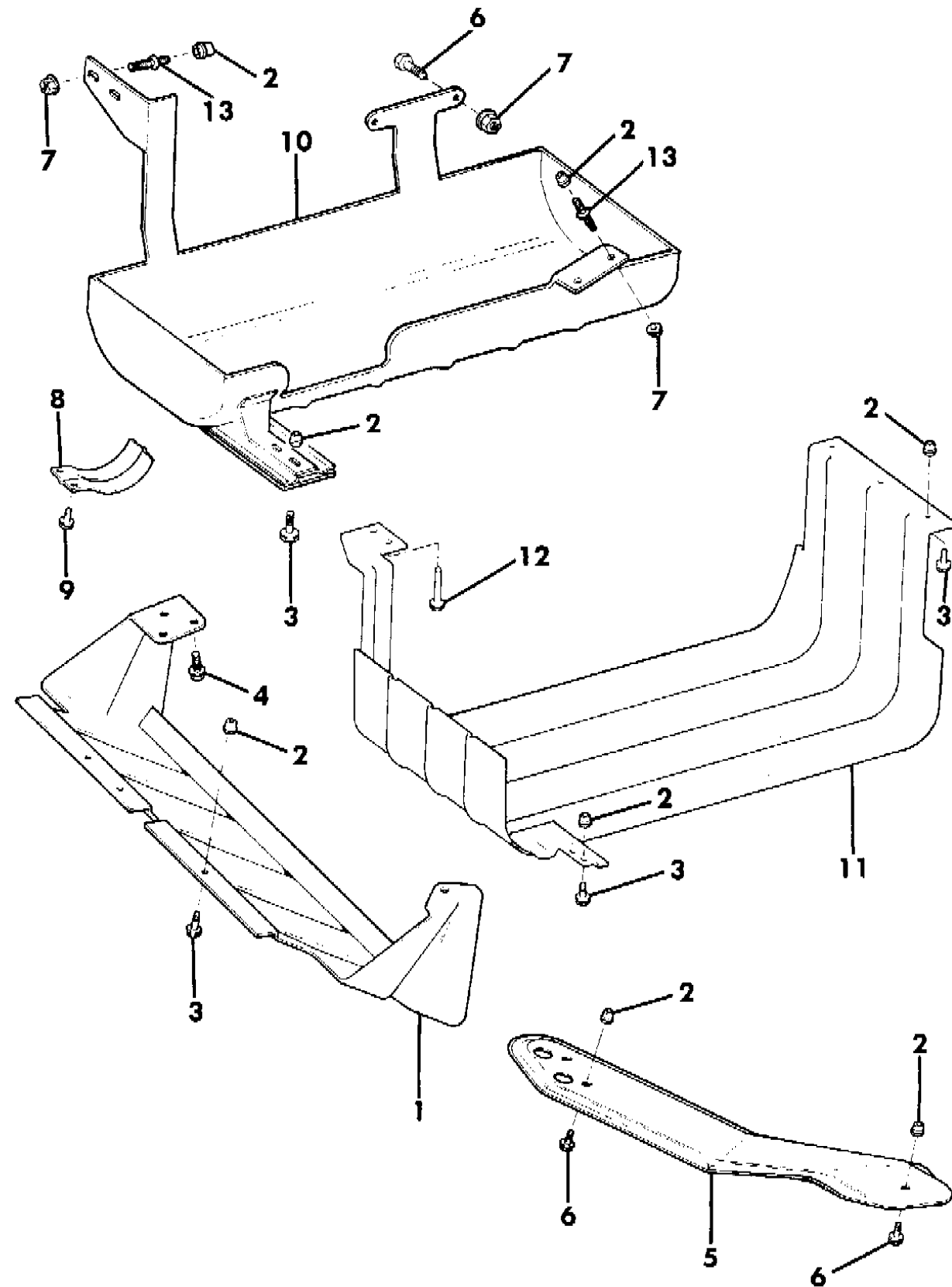
BODY STYLES:

MJ = Comanche Pickup
SJ = Grand Wagoneer Wgn., J-10 & J-20 Pickups
XJ = Cherokee, Wagoneer Limited
YJ = Wrangler

AR = Use as Required - = Non Illustrated Part P.A.R. = Paint as Required

PLATES, UNDERBODY SKID COMANCHE
Figure 23A-2300

8 J 69 2300



| ITEM | PART NUMBER | QTY | BODY | MODEL | DESCRIPTION |
|------|-------------|-----|------|-------|---------------------------------|
| 1 | 8220 0613 | 1 | | | PLATE, Skid 1987-90 |
| 2 | 3420 1575 | AR | | | NUTSERT |
| 3 | 1150 2605 | AR | | | BOLT, 1987-89 |
| | 3420 1871 | AR | | | 1990 |
| 4 | 3420 1540 | 3 | | | BOLT |
| 5 | 8220 0616 | 1 | | | PLATE, Skid |
| 6 | 1150 2850 | AR | | | BOLT |
| 7 | 1150 1889 | AR | | | NUT |
| 8 | 5300 0739 | 1 | | | PLATE, Skid |
| 9 | 3420 1033 | 2 | | | BOLT, 1987-89 |
| | 1150 4284 | 2 | | | 1990 |
| 10 | 5200 1806 | 1 | | | PLATE, Skid, w/7 ft. pickup box |
| 11 | 5200 2810 | 1 | | | PLATE, Skid, w/6 ft. pickup box |
| 12 | 3420 1559 | 2 | | | BOLT |
| 13 | 3420 2347 | 4 | | | STUD |

MODEL CODES:

| | | |
|-----------------------------|-----------------------------|------------------------------|
| 15 = Grand Wagoneer 4 Dr. | 65 = Comanche 4WD-7 Ft. Box | 77 = Cherokee 4WD-2 Dr. |
| 25 = J-10 Pickup-119" W.B. | 66 = Comanche 2WD-7 Ft. Box | 78 = Cherokee 4WD-4 Dr. |
| 26 = J-10 Pickup-131" W.B. | 73 = Cherokee 2WD-2 Dr. | 79 = Cherokee 4WD-4 Dr.-Com |
| 27 = J-20 Pickup-131" W.B. | 74 = Cherokee 2WD-4 Dr. | 81 = Wrangler-93" W.B. |
| 63 = Comanche 4WD-6 Ft. Box | 75 = Wagoneer 4WD-4 Dr. | 82 = Wrangler-103" W.B.-Exp. |
| 64 = Comanche 2WD-6 Ft. Box | | |

BODY STYLES:

MJ = Comanche Pickup
 SJ = Grand Wagoneer Wgn., J-10 & J-20 Pickups
 XJ = Cherokee, Wagoneer Limited
 YJ = Wrangler

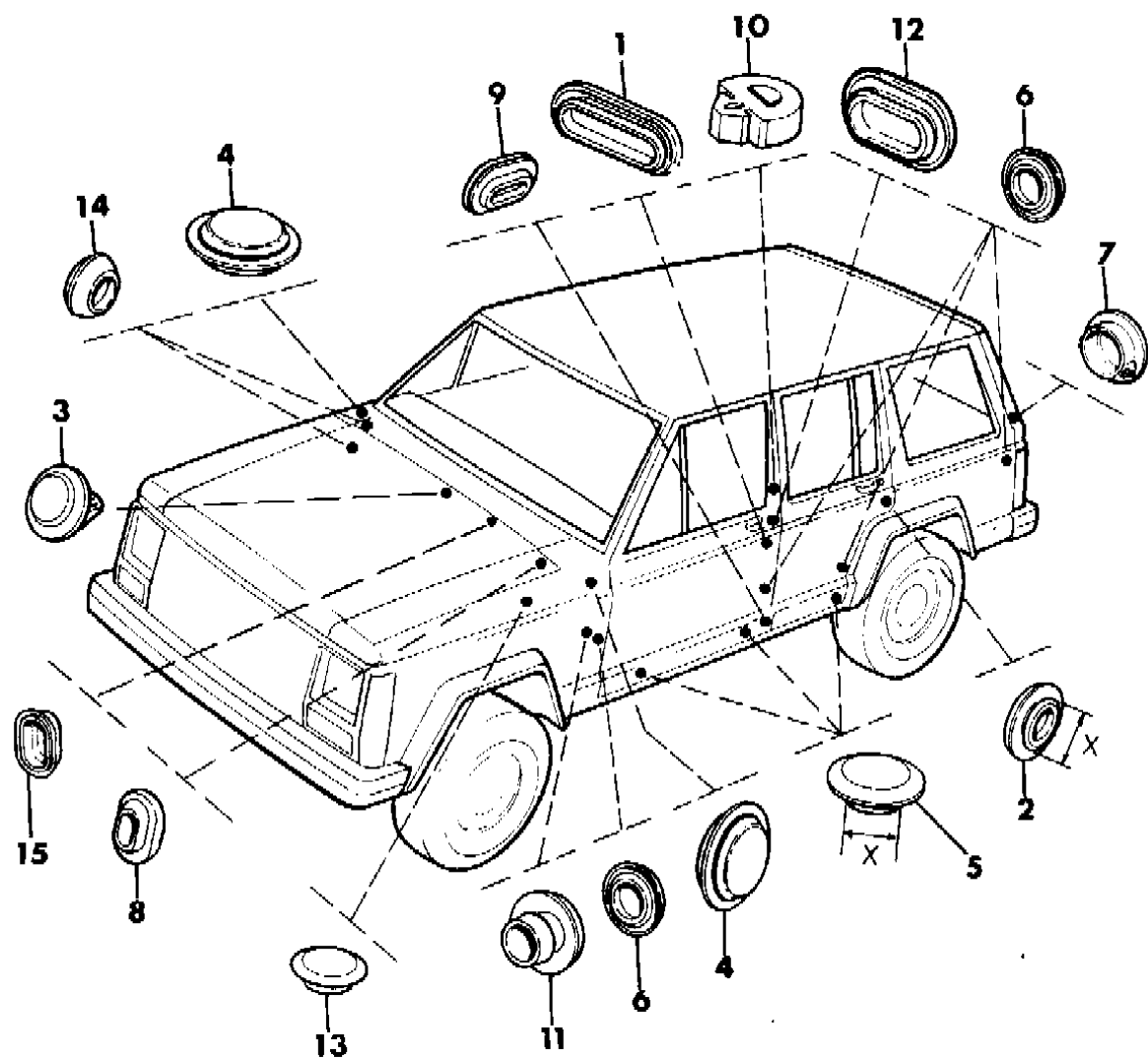
AR = Use as Required - = Non Illustrated Part P.A.R. = Paint as Required

PLUGS, BODY CHEROKEE, WAGONEER, COMANCHE

Figure 23A-2400

8 J69 2400 A

| ITEM | PART NUMBER | QTY | BODY | MODEL | DESCRIPTION |
|------|-------------|-----|------|-------|-------------------------------------|
| 1 | 5500 2368 | 2 | | | PLUG |
| 2 | 3420 2049 | 2 | | | PLUG, for 16mm hole |
| 3 | 5500 6578 | 2 | | | PLUG, less factory air conditioning |
| 4 | J400 4649 | 4 | | | PLUG |
| 5 | | | | | PLUG |
| | 3420 1532 | 6 | | | 19.05mm Hole |
| | 3420 1973 | 12 | | | 6.3mm Hole |
| 6 | 5500 2367 | 8 | | | PLUG |
| 7 | J400 6481 | 10 | | | PLUG |
| 8 | 5500 5400 | 2 | | | PLUG |
| 9 | 3420 1613 | 2 | | | PLUG |
| 10 | J363 1398 | 6 | | | BUMPER, Door |
| 11 | 3420 1614 | 2 | | | PLUG |
| 12 | 5500 5259 | 4 | | | PLUG |
| 13 | J400 5015 | 2 | | | PLUG |
| 14 | J400 0377 | 2 | | | PLUG |
| 15 | 3420 2215 | 1 | | | PLUG |



MODEL CODES:

| | | |
|-----------------------------|-----------------------------|------------------------------|
| 15 = Grand Wagoneer 4 Dr. | 65 = Comanche 4WD-7 Ft. Box | 77 = Cherokee 4WD-2 Dr. |
| 25 = J-10 Pickup-119" W.B. | 66 = Comanche 2WD-7 Ft. Box | 78 = Cherokee 4WD-4 Dr. |
| 26 = J-10 Pickup-131" W.B. | 73 = Cherokee 2WD-2 Dr. | 79 = Cherokee 4WD-4 Dr.-Com |
| 27 = J-20 Pickup-131" W.B. | 74 = Cherokee 2WD-4 Dr. | 81 = Wrangler-93" W.B. |
| 63 = Comanche 4WD-6 Ft. Box | 75 = Wagoneer 4WD-4 Dr. | 82 = Wrangler-103" W.B.-Exp. |
| 64 = Comanche 2WD-6 Ft. Box | | |

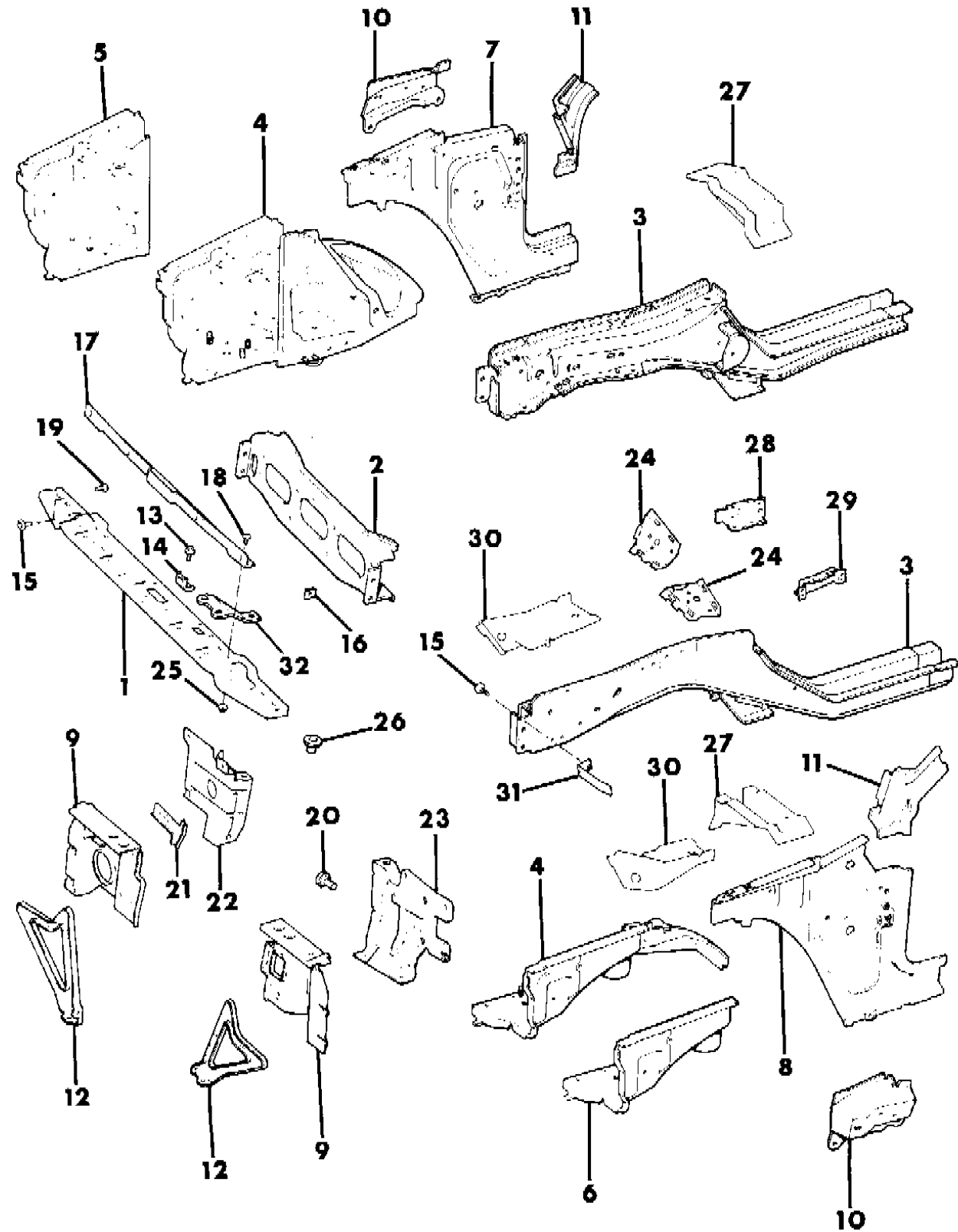
BODY STYLES:

MJ = Comanche Pickup
 SJ = Grand Wagoneer Wgn., J-10 & J-20 Pickups
 XJ = Cherokee, Wagoneer Limited
 YJ = Wrangler

AR = Use as Required - = Non Illustrated Part P.A.R. = Paint as Required

PANELS, FRONT END INNER AND WHEELHOUSE CHEROKEE, WAGONEER, COMANCHE
Figure 23A-2500

8J69 2500 A



| ITEM | PART NUMBER | QTY | BODY | MODEL | DESCRIPTION |
|------|-------------|-----|------|-------|--|
| 1 | | | | | CROSSMEMBER, Radiator |
| | 8350 4652 | 1 | | | Gas Engine |
| | 5501 1035 | 1 | | | Diesel Engine |
| 2 | 5500 9789 | 1 | | | CROSSMEMBER, Front Sill |
| 3 | | | | | SILL, Body Side |
| | 5700 1758-9 | 1 | | | 1987-89 |
| | 5700 2532-3 | 1 | | | 1990 |
| 4 | 5700 1662-3 | 1 | | | WHEELHOUSE, Assembly |
| 5 | | | | | WHEELHOUSE, Right |
| | 5500 9204 | 1 | | | 1987-89 |
| | 5502 5948 | 1 | | | 1990 |
| 6 | 5502 4355 | 1 | | | WHEELHOUSE |
| 7 | | | | | PANEL, Cowl Side, Right |
| | 5700 0016 | 1 | | | 1987-89 |
| | 5700 2536 | 1 | | | 1990 |
| 8 | 5700 1290 | 1 | | | PANEL, Cowl Side, Left |
| 9 | 5700 0936-7 | 1 | | | BAFFLE, Radiator |
| 10 | 5500 4564-5 | 1 | | | REINFORCEMENT, Cowl |
| 11 | 5700 0202-3 | 1 | | | REINFORCEMENT, Pillar |
| 12 | 5501 3176-7 | 1 | | | BRACE, Side Sill |
| 13 | 3420 1809 | 8 | | | SCREW |
| 14 | 5500 9473 | 1 | | | BRACKET |
| 15 | 3420 1808 | 5 | | | SCREW |
| 16 | 1150 3714 | 7 | | | NUT |
| 17 | 5501 0074 | 1 | | | BRACKET |
| 18 | 3420 1450 | 4 | | | SCREW |
| 19 | 3420 2399 | 2 | | | SCREW |
| 20 | J400 3110 | 2 | | | BUMPER, Baffle |
| 21 | 5501 4304 | 1 | | | REINFORCEMENT, Diesel, 1987 |
| 22 | 5500 9188 | 1 | | | SUPPORT, Radiator 4 Cyl. or Diesel Engine, Right |
| 23 | 5500 9187 | 1 | | | SUPPORT, Radiator 4 Cyl. or Diesel Engine, Left |
| 24 | 5500 6948-9 | 1 | | | REINFORCEMENT, Inner Sill |
| 25 | 3420 1246 | 4 | | | NUT, Hex |
| 26 | 3420 1348 | 2 | | | NUT, Well |
| 27 | 5500 5008 | 2 | MJ | | SUPPORT, Cab |
| 28 | 5501 1056 | 1 | MJ | | BRACKET, Engine, Rear |
| 29 | 5501 1057 | 1 | MJ | | BRACKET, Engine, Rear |

MODEL CODES:

| | | |
|-----------------------------|-----------------------------|------------------------------|
| 15 = Grand Wagoneer 4 Dr. | 65 = Comanche 4WD-7 Ft. Box | 77 = Cherokee 4WD-2 Dr. |
| 25 = J-10 Pickup-119" W.B. | 66 = Comanche 2WD-7 Ft. Box | 78 = Cherokee 4WD-4 Dr. |
| 26 = J-10 Pickup-131" W.B. | 73 = Cherokee 2WD-2 Dr. | 79 = Cherokee 4WD-4 Dr.-Com |
| 27 = J-20 Pickup-131" W.B. | 74 = Cherokee 2WD-4 Dr. | 81 = Wrangler-93" W.B. |
| 63 = Comanche 4WD-6 Ft. Box | 75 = Wagoneer 4WD-4 Dr. | 82 = Wrangler-103" W.B.-Exp. |
| 64 = Comanche 2WD-6 Ft. Box | | |

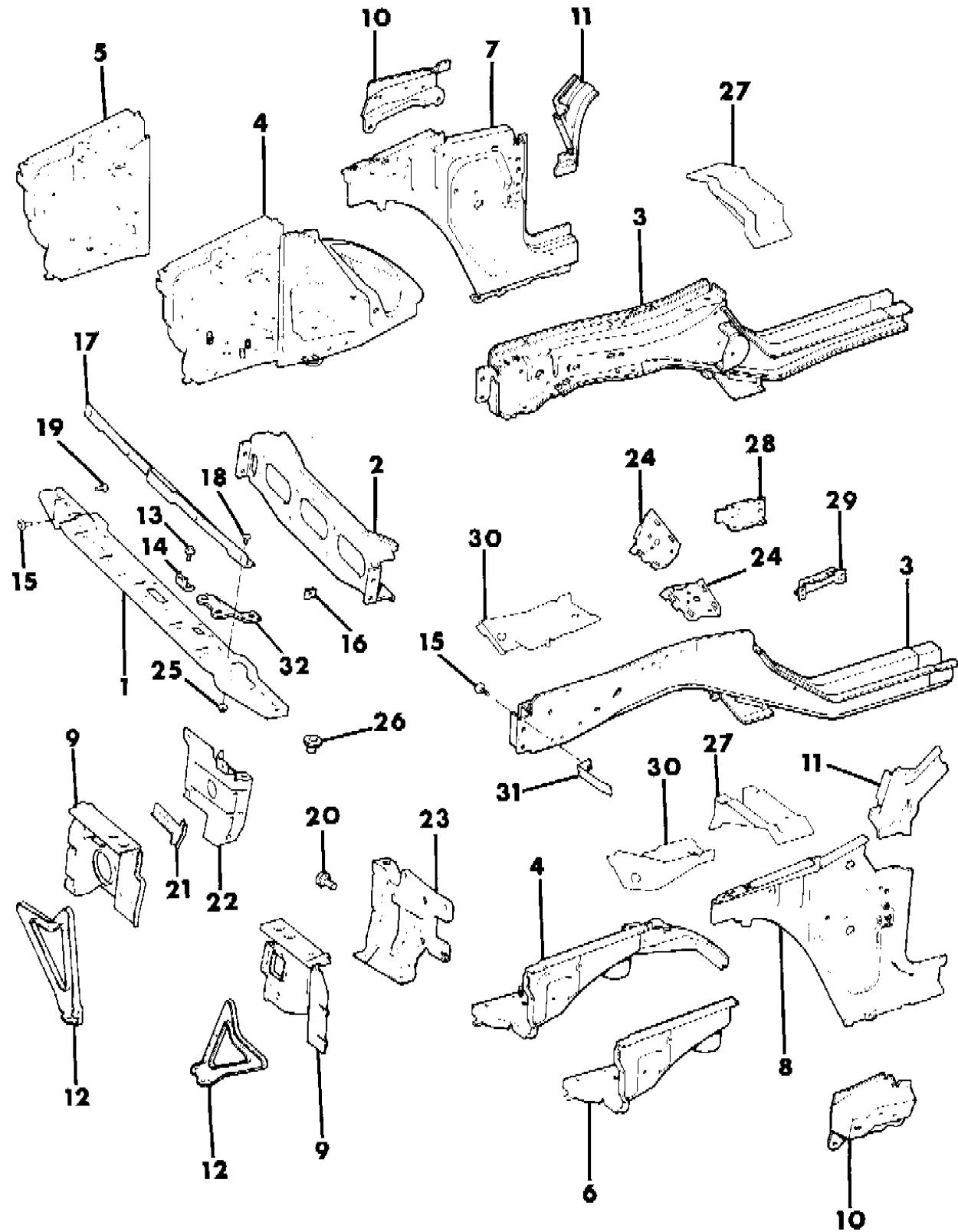
BODY STYLES:

MJ = Comanche Pickup
SJ = Grand Wagoneer Wgn., J-10 & J-20 Pickups
XJ = Cherokee, Wagoneer Limited
YJ = Wrangler

AR = Use as Required - = Non Illustrated Part P.A.R. = Paint as Required

PANELS, FRONT END INNER AND WHEELHOUSE CHEROKEE, WAGONEER, COMANCHE
Figure 23A-2500

8J69 2500 A



| ITEM | PART NUMBER | QTY | BODY | MODEL | DESCRIPTION |
|------|-------------|-----|------|-------|--------------------------|
| 30 | 5500 5148-9 | 1 | MJ | | REINFORCEMENT, Side Sill |
| 31 | 5501 9221 | 2 | | | REINFORCEMENT |
| 32 | 5501 9697 | 1 | | | BRACE |

MODEL CODES:

| | | |
|-----------------------------|-----------------------------|------------------------------|
| 15 = Grand Wagoneer 4 Dr. | 65 = Comanche 4WD-7 Ft. Box | 77 = Cherokee 4WD-2 Dr. |
| 25 = J-10 Pickup-119" W.B. | 66 = Comanche 2WD-7 Ft. Box | 78 = Cherokee 4WD-4 Dr. |
| 26 = J-10 Pickup-131" W.B. | 73 = Cherokee 2WD-2 Dr. | 79 = Cherokee 4WD-4 Dr.-Com |
| 27 = J-20 Pickup-131" W.B. | 74 = Cherokee 2WD-4 Dr. | 81 = Wrangler-93" W.B. |
| 63 = Comanche 4WD-6 Ft. Box | 75 = Wagoneer 4WD-4 Dr. | 82 = Wrangler-103" W.B.-Exp. |
| 64 = Comanche 2WD-6 Ft. Box | | |

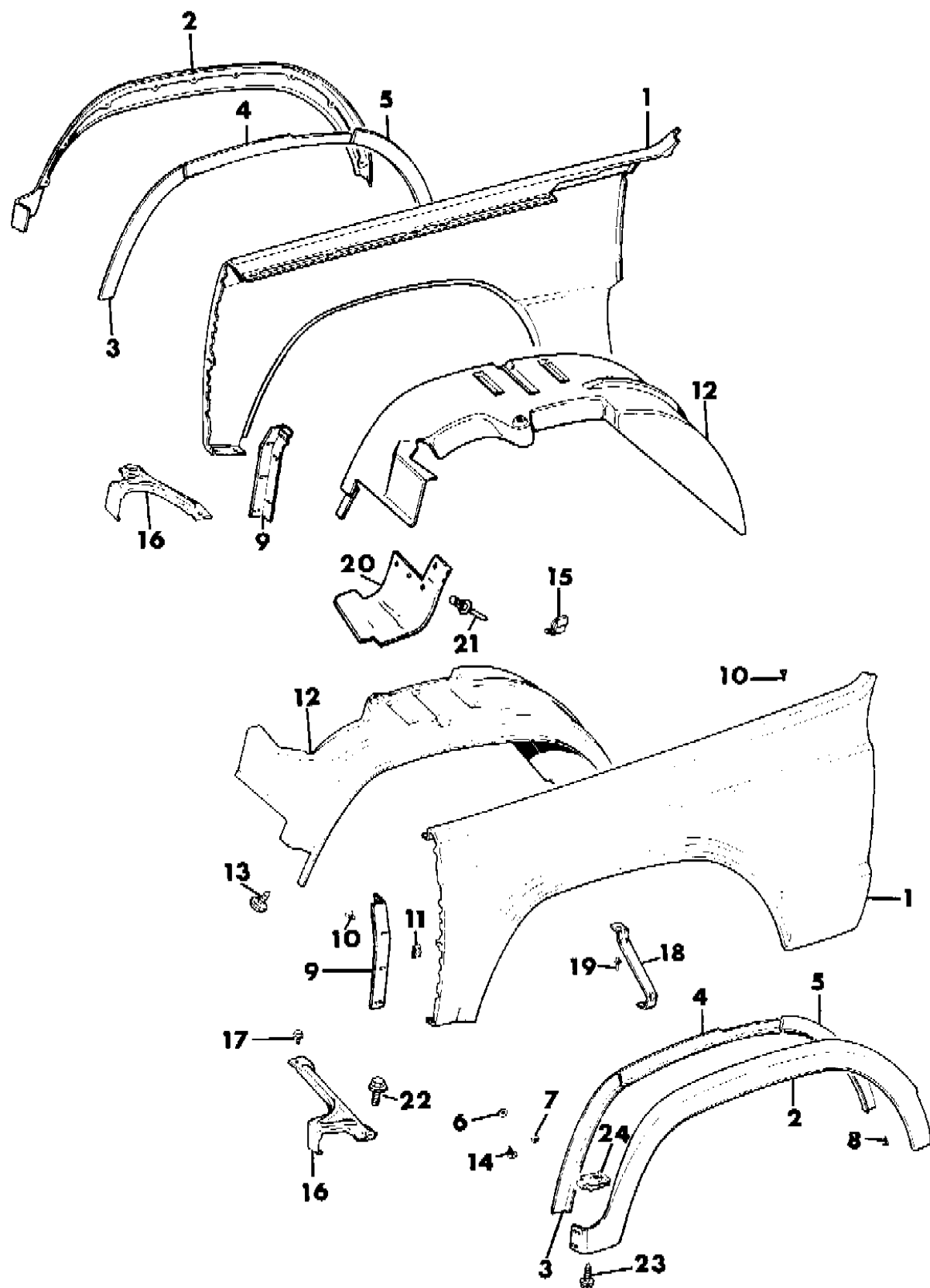
BODY STYLES:

MJ = Comanche Pickup
SJ = Grand Wagoneer Wgn., J-10 & J-20 Pickups
XJ = Cherokee, Wagoneer Limited
YJ = Wrangler

AR = Use as Required - = Non Illustrated Part P.A.R. = Paint as Required

FENDERS, FRONT CHEROKEE, WAGONEER, COMANCHE
Figure 23A-2600

8J69 2600 A



| ITEM | PART NUMBER | QTY | BODY | MODEL | DESCRIPTION |
|------|-------------|-----|------|-------|--------------------------|
| 1 | | | | | FENDER |
| | 5700 0066-7 | 1 | | 75 | Modification Required |
| | 5700 0066-7 | 1 | | | Cherokee, Comanche |
| 2 | | | | | APPLIQUE, Fender, P.A.R. |
| | 5501 3610-1 | 1 | | | 1987-89 |
| | 5AG08-9 JX8 | 1 | | | Black, 1990 |
| | 5AG30-1 JX9 | 1 | | | Flat Black, 1990 |
| 3 | 5500 3232-3 | 1 | | | RETAINER, Applique |
| 4 | 5500 3234 | 2 | | | RETAINER, Applique |
| 5 | 5500 3236-7 | 1 | | | RETAINER, Applique |
| 6 | J420 0408 | 18 | | | NUT |
| 7 | S150 4122 | AR | | | NUT |
| 8 | 1150 2843 | 4 | | | SCREW |
| 9 | 5500 1112-3 | 1 | | | SUPPORT |
| 10 | 3420 1661 | AR | | | SCREW |
| 11 | 1150 3714 | AR | | | NUT |
| 12 | 5500 1890-1 | 1 | | | PANEL, Inner Protective |
| 13 | J400 4919 | 16 | | | FASTENER |
| 14 | J400 7117 | 14 | | | SCREW |
| 15 | J368 9548 | 2 | | | BUMPER, Hood |
| 16 | 5500 4222-3 | 1 | | | BRACE |
| 17 | 1150 2453 | 2 | | | SCREW, 1987 |
| | 3420 2575 | 2 | | | 1988-90 |
| 18 | 5500 3652 | 2 | | | BRACE |
| 19 | 3420 1208 | 2 | | | RIVET |
| 20 | 5500 6274 | 2 | | | SEAL |
| 21 | 3420 1631 | 8 | | | RIVET |
| 22 | 3420 1790 | 2 | | | SCREW, 1987 |
| | 3420 1895 | 2 | | | 1988-90 |
| 23 | 3420 2358 | 4 | | | SCREW |
| 24 | J044 5446 | 2 | | | NUT |

MODEL CODES:

| | | |
|-----------------------------|-----------------------------|------------------------------|
| 15 = Grand Wagoneer 4 Dr. | 65 = Comanche 4WD-7 Ft. Box | 77 = Cherokee 4WD-2 Dr. |
| 25 = J-10 Pickup-119" W.B. | 66 = Comanche 2WD-7 Ft. Box | 78 = Cherokee 4WD-4 Dr. |
| 26 = J-10 Pickup-131" W.B. | 73 = Cherokee 2WD-2 Dr. | 79 = Cherokee 4WD-4 Dr.-Com |
| 27 = J-20 Pickup-131" W.B. | 74 = Cherokee 2WD-4 Dr. | 81 = Wrangler-93" W.B. |
| 63 = Comanche 4WD-6 Ft. Box | 75 = Wagoneer 4WD-4 Dr. | 82 = Wrangler-103" W.B.-Exp. |
| 64 = Comanche 2WD-6 Ft. Box | | |

BODY STYLES:

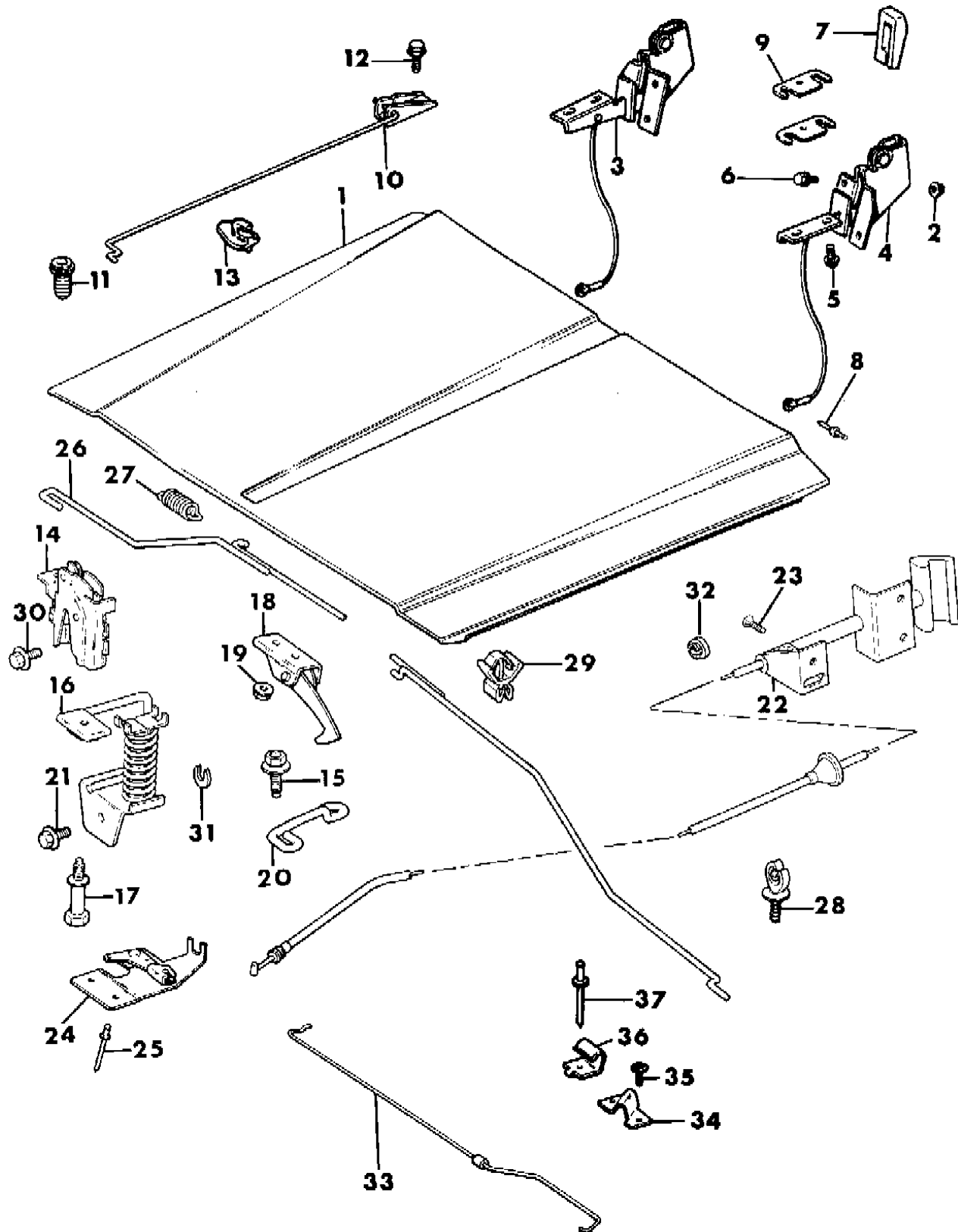
MJ = Comanche Pickup
SJ = Grand Wagoneer Wgn., J-10 & J-20 Pickups
XJ = Cherokee, Wagoneer Limited
YJ = Wrangler

AR = Use as Required - = Non Illustrated Part P.A.R. = Paint as Required

HOOD, LATCH AND HINGES CHEROKEE, WAGONEER, COMANCHE

Figure 23A-2700

8J69 2700 A



| ITEM | PART NUMBER | QTY | BODY | MODEL | DESCRIPTION |
|------|-------------|-----|------|-------|---------------------|
| 1 | 5700 1769 | 1 | | | HOOD |
| 2 | 3420 1246 | 6 | | | NUT |
| 3-4 | 5500 0738-9 | 1 | | | HINGE, Hood |
| 5 | 3420 1818 | 4 | | | SCREW |
| 6 | 3420 1358 | 6 | | | SCREW |
| 7 | 5500 1982 | 2 | | | SEAL |
| 8 | J400 5791 | 2 | | | RIVET |
| 9 | J068 0435 | 4 | | | SHIM |
| 10 | 5501 7480 | 1 | | | ROD |
| 11 | 3420 1347 | 2 | | | STOP, Hood |
| 12 | | | | | SCREW |
| | 3420 1726 | 1 | | | 1987 |
| | 3420 2205 | 2 | | | 1988-89 |
| | 3420 1807 | 2 | | | 1990 |
| 13 | | | | | CLIP, Hood Prop Rod |
| | 3420 2710 | 1 | | | 1987-89 |
| | 5502 7404 | 1 | | | 1990 |
| 14 | 5500 9172 | 2 | | | LOCK ASSEMBLY, Hood |
| 15 | | | | | SCREW |
| | 3420 1769 | 2 | | | 1987 |
| | 3420 1970 | 2 | | | 1988-90 |
| 16 | 5500 9994 | 2 | | | STRIKER, Latch |
| 17 | 3420 2679 | 2 | | | BOLT |
| 18 | 5500 9998 | 1 | | | LOCK ASSEMBLY, Hood |
| 19 | 1150 3750 | 2 | | | NUT |
| 20 | 5500 9999 | 1 | | | STRIKER, Latch |
| 21 | 3420 2338 | 2 | | | SCREW |
| 22 | 5502 6030 | 1 | | | CABLE, Hood Release |
| 23 | 3420 1453 | 3 | | | SCREW |
| 24 | 5501 3354 | 1 | | | BELLCRANK ASSEMBLY |
| 25 | 3420 1208 | 2 | | | RIVET |
| 26 | 5500 9995 | 1 | | | ROD, Hood Latch |
| 27 | J501 6028 | 1 | | | SPRING |
| 28 | 3200 0404 | 2 | | | CLIP |
| 29 | 3420 2688 | 2 | | | CLIP |
| 30 | 3420 2005 | 2 | | | SCREW |
| 31 | 3420 2581 | AR | | | SHIM |

MODEL CODES:

| | | |
|-----------------------------|-----------------------------|------------------------------|
| 15 = Grand Wagoneer 4 Dr. | 65 = Comanche 4WD-7 Ft. Box | 77 = Cherokee 4WD-2 Dr. |
| 25 = J-10 Pickup-119" W.B. | 66 = Comanche 2WD-7 Ft. Box | 78 = Cherokee 4WD-4 Dr. |
| 26 = J-10 Pickup-131" W.B. | 73 = Cherokee 2WD-2 Dr. | 79 = Cherokee 4WD-4 Dr.-Com |
| 27 = J-20 Pickup-131" W.B. | 74 = Cherokee 2WD-4 Dr. | 81 = Wrangler-93" W.B. |
| 63 = Comanche 4WD-6 Ft. Box | 75 = Wagoneer 4WD-4 Dr. | 82 = Wrangler-103" W.B.-Exp. |
| 64 = Comanche 2WD-6 Ft. Box | | |

BODY STYLES:

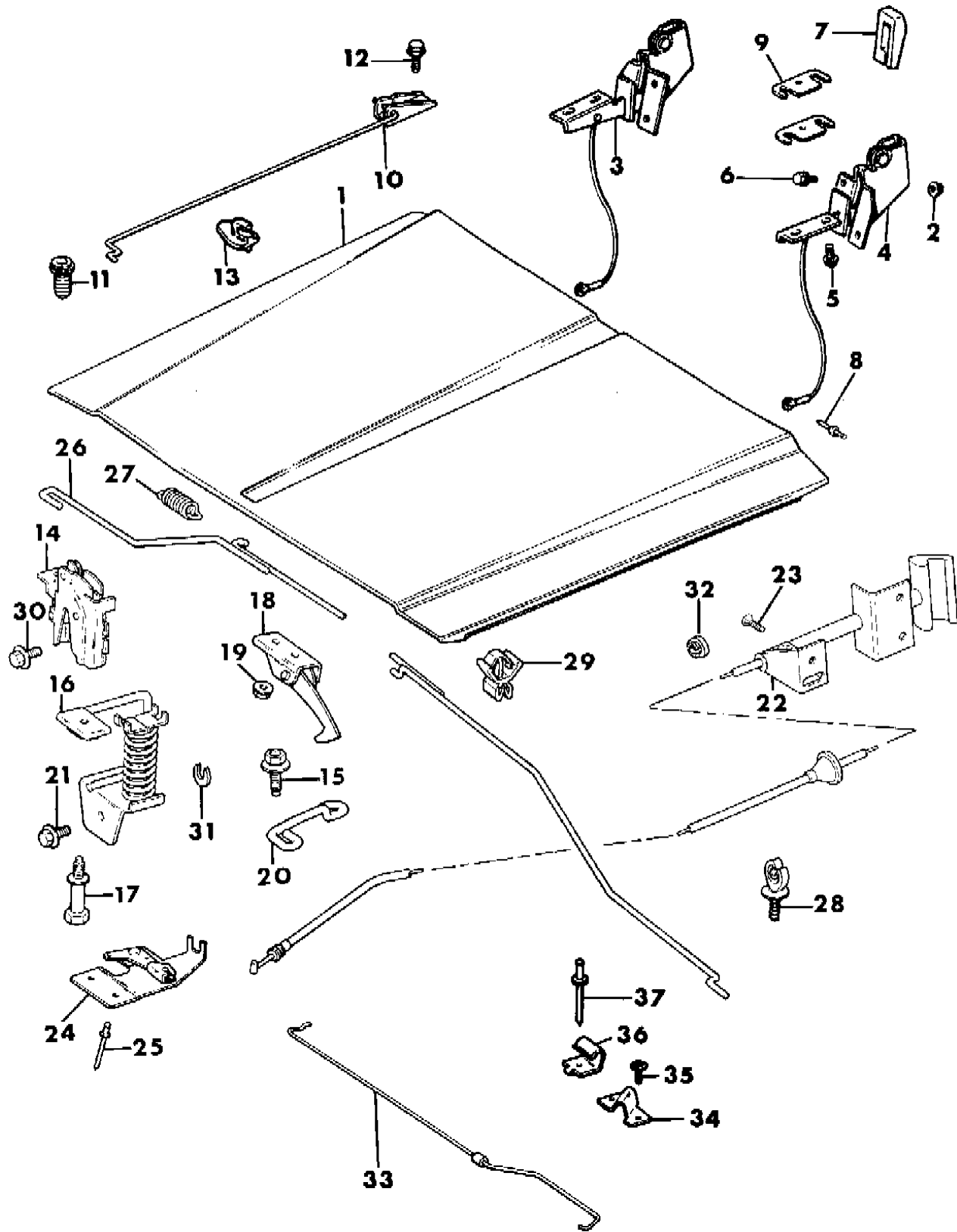
MJ = Comanche Pickup
 SJ = Grand Wagoneer Wgn., J-10 & J-20 Pickups
 XJ = Cherokee, Wagoneer Limited
 YJ = Wrangler

AR = Use as Required - = Non Illustrated Part P.A.R. = Paint as Required

HOOD, LATCH AND HINGES CHEROKEE, WAGONEER, COMANCHE
Figure 23A-2700

8J69 2700 A

| ITEM | PART NUMBER | QTY | BODY | MODEL | DESCRIPTION |
|------|-------------|-----|------|-------|------------------------------|
| 32 | J400 5281 | 1 | | | GROMMET |
| 33 | 5501 0848 | 1 | | | ROD, 1987 |
| 34 | 5501 0558 | 1 | | | BRACKET, Hood Prop Rod, 1987 |
| 35 | 3420 2399 | 2 | | | SCREW, 1987 |
| 36 | 5501 0658 | 2 | | | CLIP, Hood Prop Rod, 1987 |
| 37 | 3420 2389 | 1 | | | RIVET, 1987 |



MODEL CODES:

| | | |
|-----------------------------|-----------------------------|------------------------------|
| 15 = Grand Wagoneer 4 Dr. | 65 = Comanche 4WD-7 Ft. Box | 77 = Cherokee 4WD-2 Dr. |
| 25 = J-10 Pickup-119" W.B. | 66 = Comanche 2WD-7 Ft. Box | 78 = Cherokee 4WD-4 Dr. |
| 26 = J-10 Pickup-131" W.B. | 73 = Cherokee 2WD-2 Dr. | 79 = Cherokee 4WD-4 Dr.-Com |
| 27 = J-20 Pickup-131" W.B. | 74 = Cherokee 2WD-4 Dr. | 81 = Wrangler-93" W.B. |
| 63 = Comanche 4WD-6 Ft. Box | 75 = Wagoneer 4WD-4 Dr. | 82 = Wrangler-103" W.B.-Exp. |
| 64 = Comanche 2WD-6 Ft. Box | | |

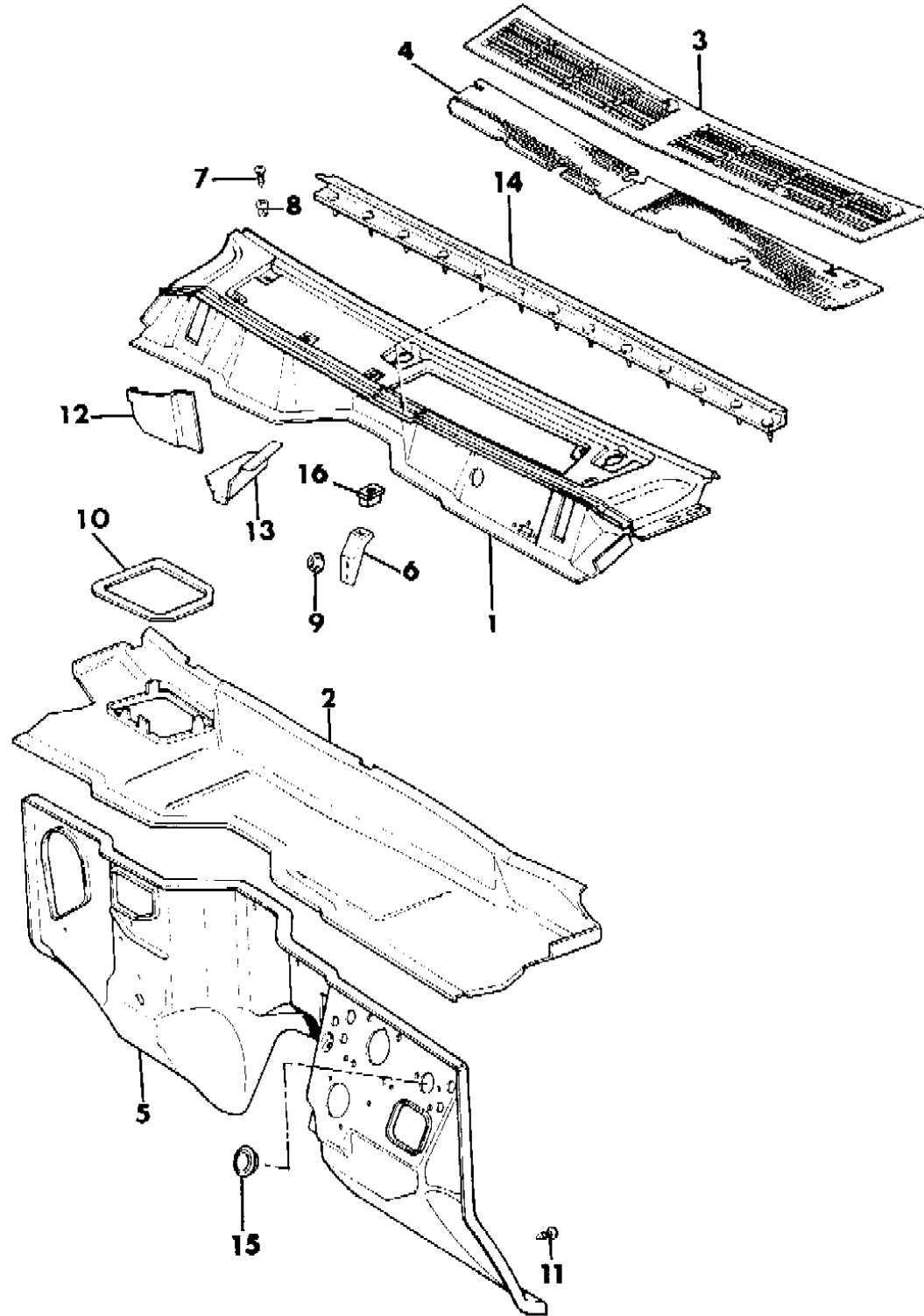
BODY STYLES:

MJ = Comanche Pickup
 SJ = Grand Wagoneer Wgn., J-10 & J-20 Pickups
 XJ = Cherokee, Wagoneer Limited
 YJ = Wrangler

AR = Use as Required - = Non Illustrated Part P.A.R. = Paint as Required

PANELS, COWL AND DASH CHEROKEE, WAGONEER, COMANCHE
Figure 23A-2800

8 J69 2800 A



| ITEM | PART NUMBER | QTY | BODY | MODEL | DESCRIPTION |
|------|-------------|-----|------|-------|----------------------|
| 1 | | | | | PANEL, Cowl Top |
| | 5700 1352 | 1 | | | 1987-89 |
| | 5700 2540 | 1 | | | 1990 |
| 2 | 5700 1724 | 1 | | | PANEL, Air Chamber |
| 3 | 5500 8832 | 1 | | | GRILLE, Cowl Top |
| 4 | 5500 8833 | 1 | | | SCREEN, Grille |
| 5 | 5700 1160 | 1 | | | PANEL, Dash |
| 6 | 5500 4869 | 1 | | | BRACKET, Extension |
| 7 | 3420 1230 | 8 | | | SCREW |
| 8 | J400 5242 | 6 | | | NUT |
| 9 | 3420 1358 | 2 | | | NUT |
| 10 | 5500 1008 | 1 | | | SEAL, Heater Opening |
| 11 | J400 7117 | 6 | | | FASTENER |
| 12 | 5500 6544 | 1 | | | SHIELD, Plenum Drain |
| 13 | 5500 4918 | 1 | | | SHIELD, Cowl Top |
| 14 | 5500 2649 | 1 | | | SEAL, Cowl Top |
| 15 | J400 0334 | 1 | | | PLUG |
| 16 | 3420 1872 | 1 | | | NUT |

MODEL CODES:

| | | |
|-----------------------------|-----------------------------|------------------------------|
| 15 = Grand Wagoneer 4 Dr. | 65 = Comanche 4WD-7 Ft. Box | 77 = Cherokee 4WD-2 Dr. |
| 25 = J-10 Pickup-119" W.B. | 66 = Comanche 2WD-7 Ft. Box | 78 = Cherokee 4WD-4 Dr. |
| 26 = J-10 Pickup-131" W.B. | 73 = Cherokee 2WD-2 Dr. | 79 = Cherokee 4WD-4 Dr.-Com |
| 27 = J-20 Pickup-131" W.B. | 74 = Cherokee 2WD-4 Dr. | 81 = Wrangler-93" W.B. |
| 63 = Comanche 4WD-6 Ft. Box | 75 = Wagoneer 4WD-4 Dr. | 82 = Wrangler-103" W.B.-Exp. |
| 64 = Comanche 2WD-6 Ft. Box | | |

BODY STYLES:

MJ = Comanche Pickup
SJ = Grand Wagoneer Wgn., J-10 & J-20 Pickups
XJ = Cherokee, Wagoneer Limited
YJ = Wrangler

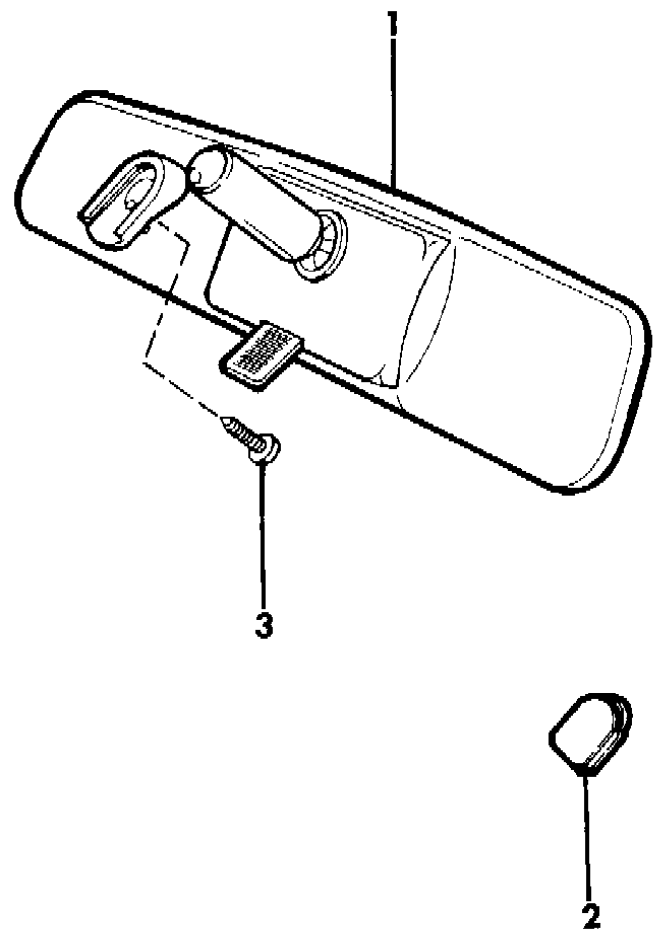
AR = Use as Required - = Non Illustrated Part P.A.R. = Paint as Required

**MIRROR INSIDE REAR VIEW CHEROKEE, WAGONEER, COMANCHE
Figure 23A-2900**

8 J 69 2900

| ITEM | PART NUMBER | QTY | BODY | MODEL | DESCRIPTION |
|------|-------------|-----|------|-------|---|
| 1 | 3500 7638 | 1 | | | MIRROR, Inside Rear View |
| 2 | J365 7374 | 1 | | | SUPPORT, Inside Rear View Mirror (See note a) |
| 3 | J400 5766 | 1 | | | SCREW |

(a) The Mirror Support is Replacing Mirror Mounting Kit. When installing a Mirror Support, Use Loctite #312 Adhesive and the Accelerator. (A) For 1987, two types of instrument clusters were used. On type one, Clusters, the odometer numbers are rounded



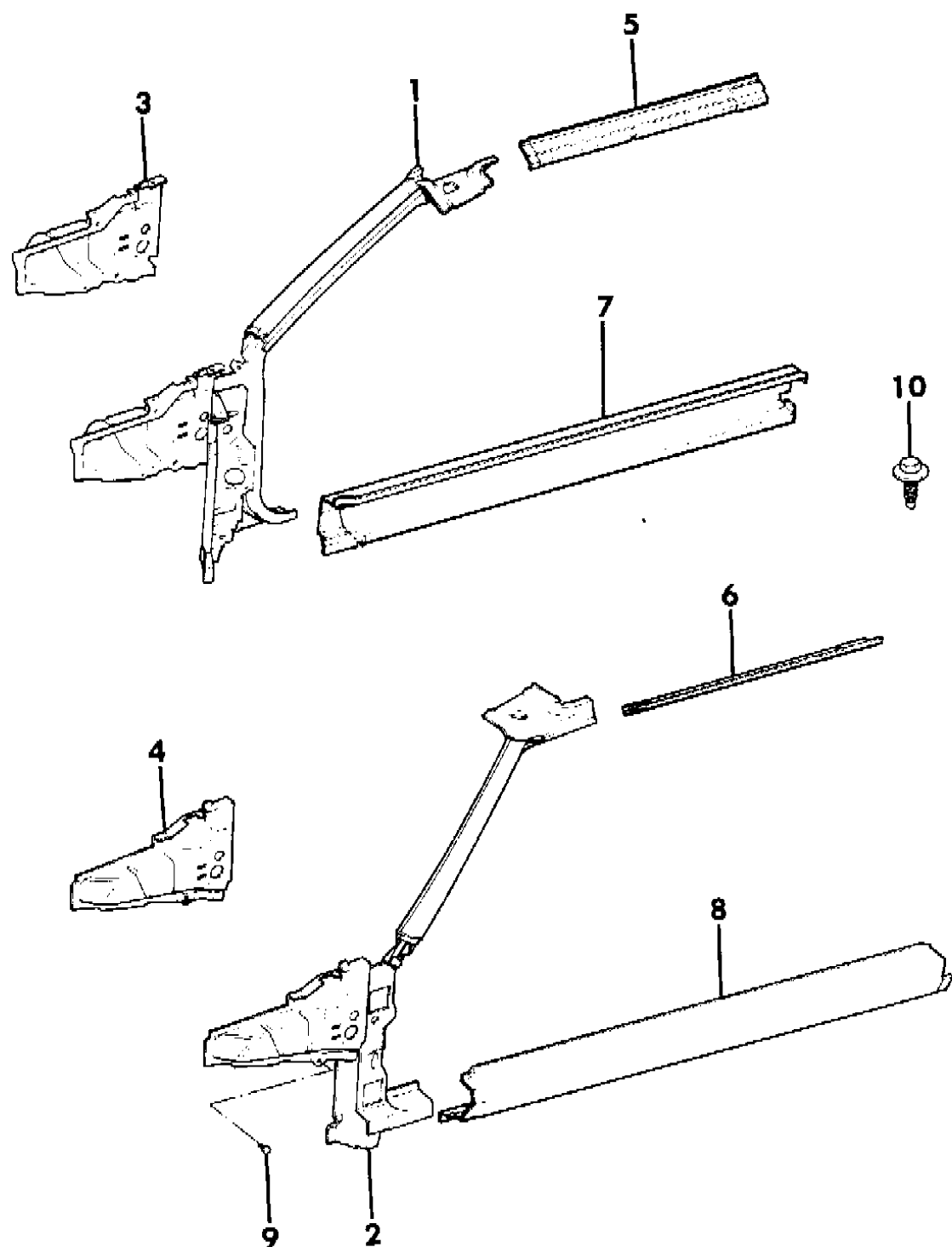
- MODEL CODES:
- | | | |
|-----------------------------|-----------------------------|------------------------------|
| 15 = Grand Wagoneer 4 Dr. | 65 = Comanche 4WD-7 Ft. Box | 77 = Cherokee 4WD-2 Dr. |
| 25 = J-10 Pickup-119" W.B. | 66 = Comanche 2WD-7 Ft. Box | 78 = Cherokee 4WD-4 Dr. |
| 26 = J-10 Pickup-131" W.B. | 73 = Cherokee 2WD-2 Dr. | 79 = Cherokee 4WD-4 Dr.-Com |
| 27 = J-20 Pickup-131" W.B. | 74 = Cherokee 2WD-4 Dr. | 81 = Wrangler-93" W.B. |
| 63 = Comanche 4WD-6 Ft. Box | 75 = Wagoneer 4WD-4 Dr. | 82 = Wrangler-103" W.B.-Exp. |
| 64 = Comanche 2WD-6 Ft. Box | | |

- BODY STYLES:
- MJ = Comanche Pickup
 - SJ = Grand Wagoneer Wgn., J-10 & J-20 Pickups
 - XJ = Cherokee, Wagoneer Limited
 - YJ = Wrangler

AR = Use as Required - = Non Illustrated Part P.A.R. = Paint as Required

PANELS, BODY SIDE CHEROKEE 2 DOOR
Figure 23A-3000

8J69 3000



| ITEM | PART NUMBER | QTY | BODY | MODEL | DESCRIPTION |
|------|-------------|-----|------|-------|----------------------|
| 1 | | | | | PILLAR, Hinge, Right |
| | 5700 0993 | 1 | | | 1987-89 |
| | 8350 7060 | 1 | | | 1990 |
| 2 | | | | | PILLAR, Hinge, Left |
| | 5700 0996 | 1 | | | 1987-89 |
| | 8350 7061 | 1 | | | 1990 |
| 3-4 | 5500 0848-9 | 1 | | | PANEL, Cowl Side |
| 5-6 | 5500 1006-7 | 1 | | | RAIL, Roof Side |
| 7-8 | 5500 1274-5 | 1 | | | PANEL, Rocker |
| 9 | J400 7117 | 4 | | | FASTENER, Cowl Panel |
| 10 | 3420 1768 | 2 | | | SCREW |

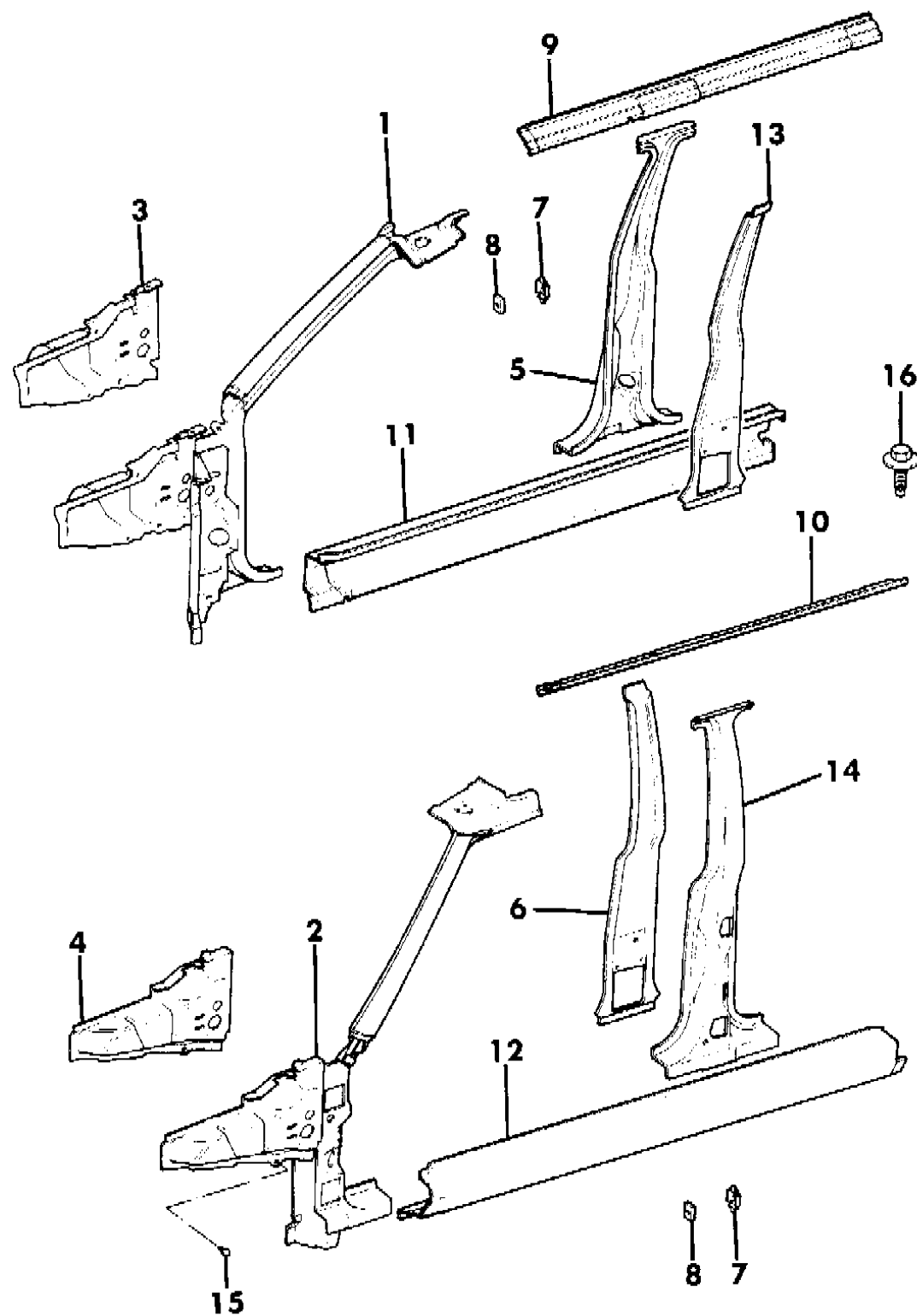
MODEL CODES:
 15 = Grand Wagoneer 4 Dr. 65 = Comanche 4WD-7 Ft. Box 77 = Cherokee 4WD-2 Dr.
 25 = J-10 Pickup-119" W.B. 66 = Comanche 2WD-7 Ft. Box 78 = Cherokee 4WD-4 Dr.
 26 = J-10 Pickup-131" W.B. 73 = Cherokee 2WD-2 Dr. 79 = Cherokee 4WD-4 Dr.-Com
 27 = J-20 Pickup-131" W.B. 74 = Cherokee 2WD-4 Dr. 81 = Wrangler-93" W.B.
 63 = Comanche 4WD-6 Ft. Box 75 = Wagoneer 4WD-4 Dr. 82 = Wrangler-103" W.B.-Exp.
 64 = Comanche 2WD-6 Ft. Box

BODY STYLES:
 MJ = Comanche Pickup
 SJ = Grand Wagoneer Wgn., J-10 & J-20 Pickups
 XJ = Cherokee, Wagoneer Limited
 YJ = Wrangler

AR = Use as Required - = Non Illustrated Part P.A.R. = Paint as Required

PANELS, BODY SIDE CHEROKEE, WAGONEER 4 DOOR
Figure 23A-3100

8 J69 3100



| ITEM | PART NUMBER | QTY | BODY | MODEL | DESCRIPTION |
|-------|-------------|-----|------|-------|--|
| 1 | | | | | PILLAR, Hinge, Right |
| | 5700 0993 | 1 | | | 1987-89 |
| | 8350 7060 | 1 | | | 1990 |
| 2 | | | | | PILLAR, Hinge, Left |
| | 5700 0996 | 1 | | | 1987-89 |
| | 8350 7061 | 1 | | | 1990 |
| 3-4 | 5500 0848-9 | 1 | | | PANEL, Cowl Side |
| 5 | 5700 0126 | 1 | | | PANEL, Center Pillar, Right |
| 6 | 5534 4717 | 1 | | | REINFORCEMENT, Left, (Modify Hole For Dome Switch Mounting) |
| 7 | 5500 1284 | 2 | | | RETAINER, Striker |
| 8 | 5500 1286 | 2 | | | PLATE, Striker |
| 9-10 | 5500 0846-7 | 1 | | | RAIL, Roof Side |
| 11-12 | 5500 0174-5 | 1 | | | PANEL, Rocker |
| 13 | 5500 0104 | 1 | | | REINFORCEMENT, Right |
| 14 | 5700 0127 | 1 | | | PANEL, Center Pillar, Left |
| 15 | J400 7117 | 4 | | | FASTENER, Cowl Panel |
| 16 | 3420 1768 | 6 | | | SCREW |

MODEL CODES:

| | | |
|-----------------------------|-----------------------------|------------------------------|
| 15 = Grand Wagoneer 4 Dr. | 65 = Comanche 4WD-7 Ft. Box | 77 = Cherokee 4WD-2 Dr. |
| 25 = J-10 Pickup-119" W.B. | 66 = Comanche 2WD-7 Ft. Box | 78 = Cherokee 4WD-4 Dr. |
| 26 = J-10 Pickup-131" W.B. | 73 = Cherokee 2WD-2 Dr. | 79 = Cherokee 4WD-4 Dr.-Com |
| 27 = J-20 Pickup-131" W.B. | 74 = Cherokee 2WD-4 Dr. | 81 = Wrangler-93" W.B. |
| 63 = Comanche 4WD-6 Ft. Box | 75 = Wagoneer 4WD-4 Dr. | 82 = Wrangler-103" W.B.-Exp. |
| 64 = Comanche 2WD-6 Ft. Box | | |

BODY STYLES:

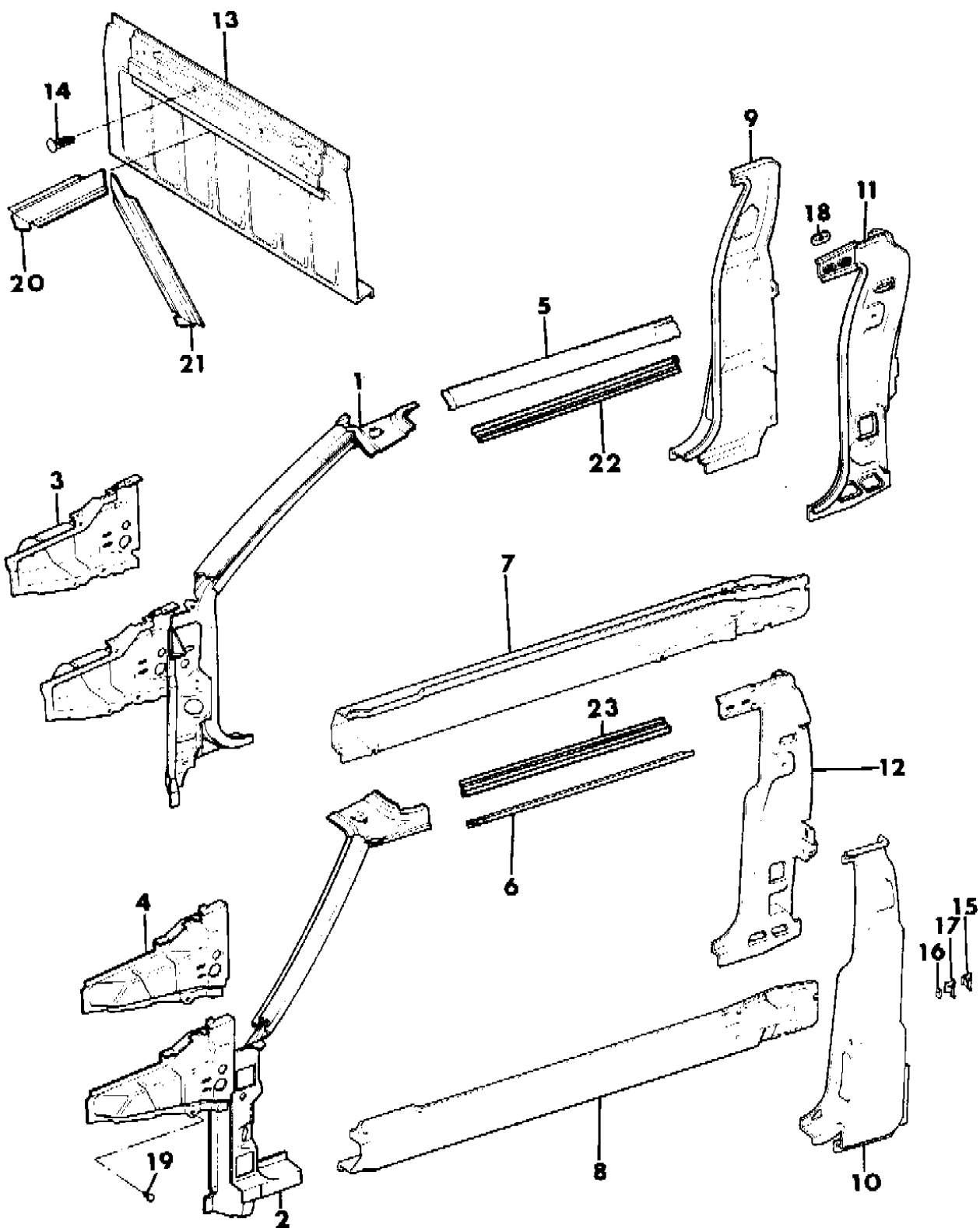
MJ = Comanche Pickup
SJ = Grand Wagoneer Wgn., J-10 & J-20 Pickups
XJ = Cherokee, Wagoneer Limited
YJ = Wrangler

AR = Use as Required - = Non Illustrated Part P.A.R. = Paint as Required

PANELS, BODY SIDE AND REAR COMANCHE
Figure 23A-3200

8J69 3200

| ITEM | PART NUMBER | QTY | BODY | MODEL | DESCRIPTION |
|-------|-------------|-----|------|-------|---------------------------------|
| 1 | 5700 0993 | 1 | | | PILLAR, Hinge, Right 1987-89 |
| | 8350 7060 | 1 | | | 1990 |
| 2 | 5700 0996 | 1 | | | PILLAR, Hinge, Left 1987-89 |
| | 8350 7061 | 1 | | | 1990 |
| 3-4 | 5500 0848-9 | 1 | | | PANEL, Cowl Side |
| 5-6 | 5500 3420-1 | 1 | | | RAIL, Roof Side |
| 7-8 | 5700 0856-7 | 1 | | | PANEL, Rocker |
| 9-10 | 5700 0858-9 | 1 | | | PANEL, Rear Quarter |
| 11-12 | 5700 0852-3 | 1 | | | REINFORCEMENT, Lock Pillar |
| 13 | 5700 0923 | 1 | | | PANEL, Cab Rear |
| 14 | J400 4919 | 2 | | | FASTENER |
| 15 | 5700 0160 | 2 | | | PLATE ASSEMBLY, Striker *** |
| 16 | 5500 1286 | 1 | | | PLATE, Striker |
| 17 | 5500 1284 | 2 | | | RETAINER, Striker |
| 18 | 5500 2816 | 2 | | | PLATE, Shoulder Harness |
| 19 | J400 7117 | 4 | | | FASTENER, Cowl Panel |
| 20-21 | 5501 7970-1 | 1 | | | REINFORCEMENT, Panel |
| 22-23 | 5500 3422-3 | 1 | | | RAIL, Roof Side Inner |



MODEL CODES:

| | | |
|-----------------------------|-----------------------------|------------------------------|
| 15 = Grand Wagoneer 4 Dr. | 65 = Comanche 4WD-7 Ft. Box | 77 = Cherokee 4WD-2 Dr. |
| 25 = J-10 Pickup-119" W.B. | 66 = Comanche 2WD-7 Ft. Box | 78 = Cherokee 4WD-4 Dr. |
| 26 = J-10 Pickup-131" W.B. | 73 = Cherokee 2WD-2 Dr. | 79 = Cherokee 4WD-4 Dr.-Com |
| 27 = J-20 Pickup-131" W.B. | 74 = Cherokee 2WD-4 Dr. | 81 = Wrangler-93" W.B. |
| 63 = Comanche 4WD-6 Ft. Box | 75 = Wagoneer 4WD-4 Dr. | 82 = Wrangler-103" W.B.-Exp. |
| 64 = Comanche 2WD-6 Ft. Box | | |

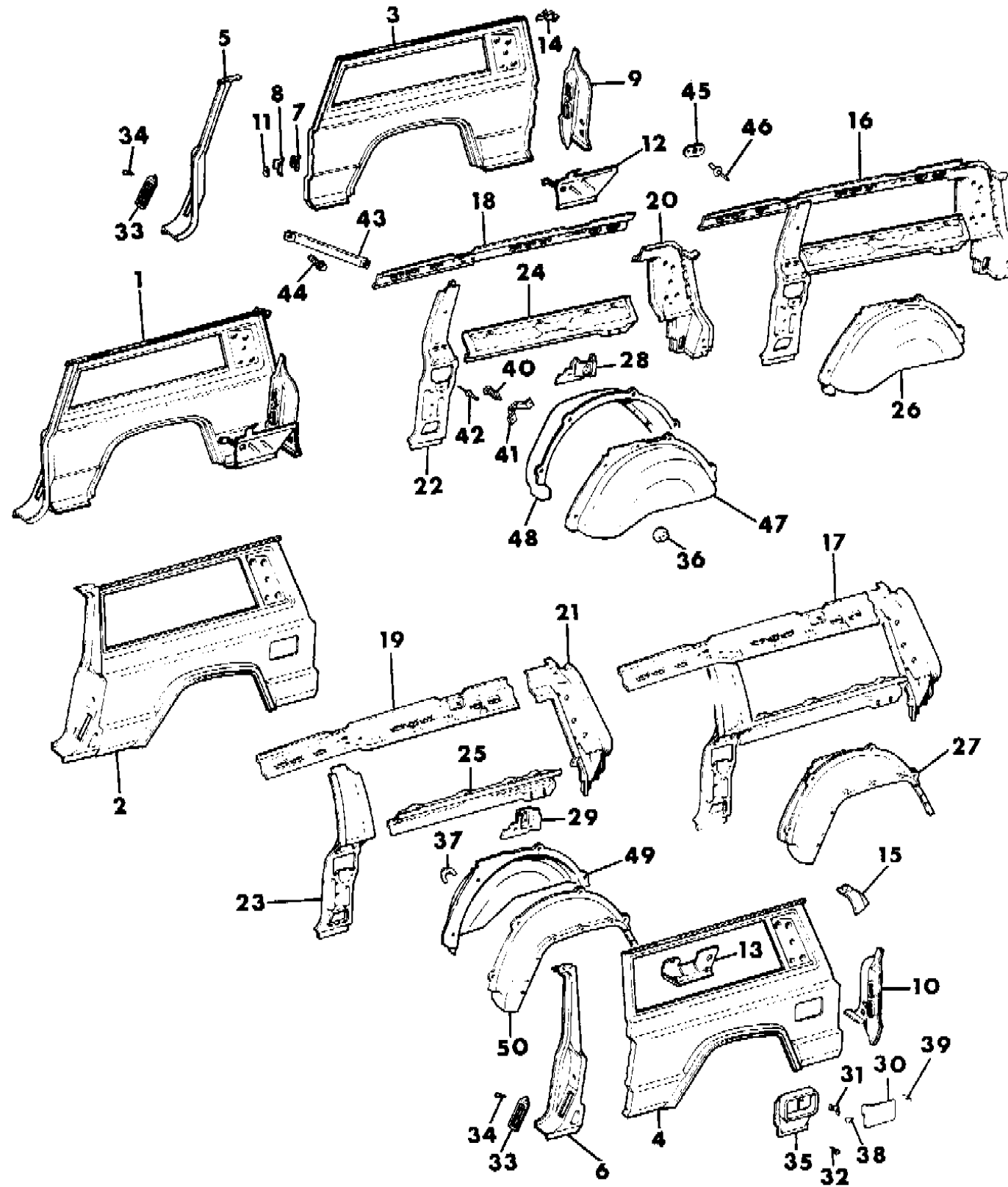
BODY STYLES:

MJ = Comanche Pickup
 SJ = Grand Wagoneer Wgn., J-10 & J-20 Pickups
 XJ = Cherokee, Wagoneer Limited
 YJ = Wrangler

AR = Use as Required - = Non Illustrated Part P.A.R. = Paint as Required

PANELS, REAR QUARTER CHEROKEE 2 DOOR
Figure 23A-3300

8J69 3300



| ITEM | PART NUMBER | QTY | BODY | MODEL | DESCRIPTION |
|------|-------------|-----|------|-------|------------------------------|
| 1 | 5700 0150-1 | 1 | | | PANEL ASSEMBLY, Rear Quarter |
| 2 | | | | | PANEL, Rear Quarter |
| | 5500 0160-1 | 1 | | | 1987-89 |
| | 5502 5790-1 | 1 | | | 1990 |
| 3 | 5500 0866-7 | 1 | | | PILLAR, Lock |
| 4 | 5700 0576 | 2 | | | PLATE ASSEMBLY, Striker *** |
| 5 | 5500 1284 | 2 | | | RETAINER, Striker |
| 6 | 5500 4112-3 | 1 | | | PANEL, Taillamp |
| 7 | 5500 1286 | 2 | | | PLATE, Striker |
| 8 | 5500 0026-7 | 1 | | | PANEL, Side Extension |
| 9 | 5500 1014-5 | 1 | | | EXTENSION, Panel |
| 10 | 5700 0174-5 | 1 | | | PANEL, Rear Quarter Inner |
| 11 | | | | | RAIL, Roof Side |
| | 5500 0156-7 | 1 | | | 1987-89 |
| | 5502 5564-5 | 1 | | | 1990 |
| 12 | 5700 0156-7 | 1 | | | PILLAR, Lift Door Opening |
| 13 | 5700 0158-9 | 1 | | | REINFORCEMENT |
| 14 | | | | | RAIL, Rear Quarter Belt |
| | 5500 0162-3 | 1 | | | 1987-89 |
| | 5502 5568-9 | 1 | | | 1990 |
| 15 | 5500 0146-7 | 1 | | | PANEL, Wheelhouse Inner |
| 16 | 5500 0144-5 | 1 | | | PANEL, Wheelhouse Outer |
| 17 | 5500 2120-1 | 1 | | | BRACKET, Seat Latch |
| 18 | 5500 0819 | 1 | | | DOOR, Fuel Filler |
| 19 | 5500 4206 | 1 | | | SPRING, Door |
| 20 | T308 8001 | 2 | | | SCREW, 1987 (Not Serv.) |
| | 3420 2399 | 2 | | | 1988-90 |
| 21 | 5500 1980 | 2 | | | EXHAUSTER, Air *** |
| 22 | J400 1724 | 2 | | | SCREW |
| 23 | 5700 0177 | 1 | | | HOUSING, Fuel Filler |
| 24 | 5500 1231 | 1 | | | BRACKET, Hinge Pivot |
| 25 | 5500 0413 | 1 | | | BRACKET, Hinge Pivot |
| 26 | J063 5787 | 1 | | | BUMPER, Door |
| 27 | 3420 1812 | 1 | | | BUMPER, Door |
| 28 | J400 7117 | 2 | | | FASTENER |
| 29 | 5500 2662 | 4 | | | BRACKET, Body |
| 30 | 3420 1032 | 8 | | | RIVET |

MODEL CODES:

| | | |
|-----------------------------|-----------------------------|------------------------------|
| 15 = Grand Wagoneer 4 Dr. | 65 = Comanche 4WD-7 Ft. Box | 77 = Cherokee 4WD-2 Dr. |
| 25 = J-10 Pickup-119" W.B. | 66 = Comanche 2WD-7 Ft. Box | 78 = Cherokee 4WD-4 Dr. |
| 26 = J-10 Pickup-131" W.B. | 73 = Cherokee 2WD-2 Dr. | 79 = Cherokee 4WD-4 Dr.-Com |
| 27 = J-20 Pickup-131" W.B. | 74 = Cherokee 2WD-4 Dr. | 81 = Wrangler-93" W.B. |
| 63 = Comanche 4WD-6 Ft. Box | 75 = Wagoneer 4WD-4 Dr. | 82 = Wrangler-103" W.B.-Exp. |
| 64 = Comanche 2WD-6 Ft. Box | | |

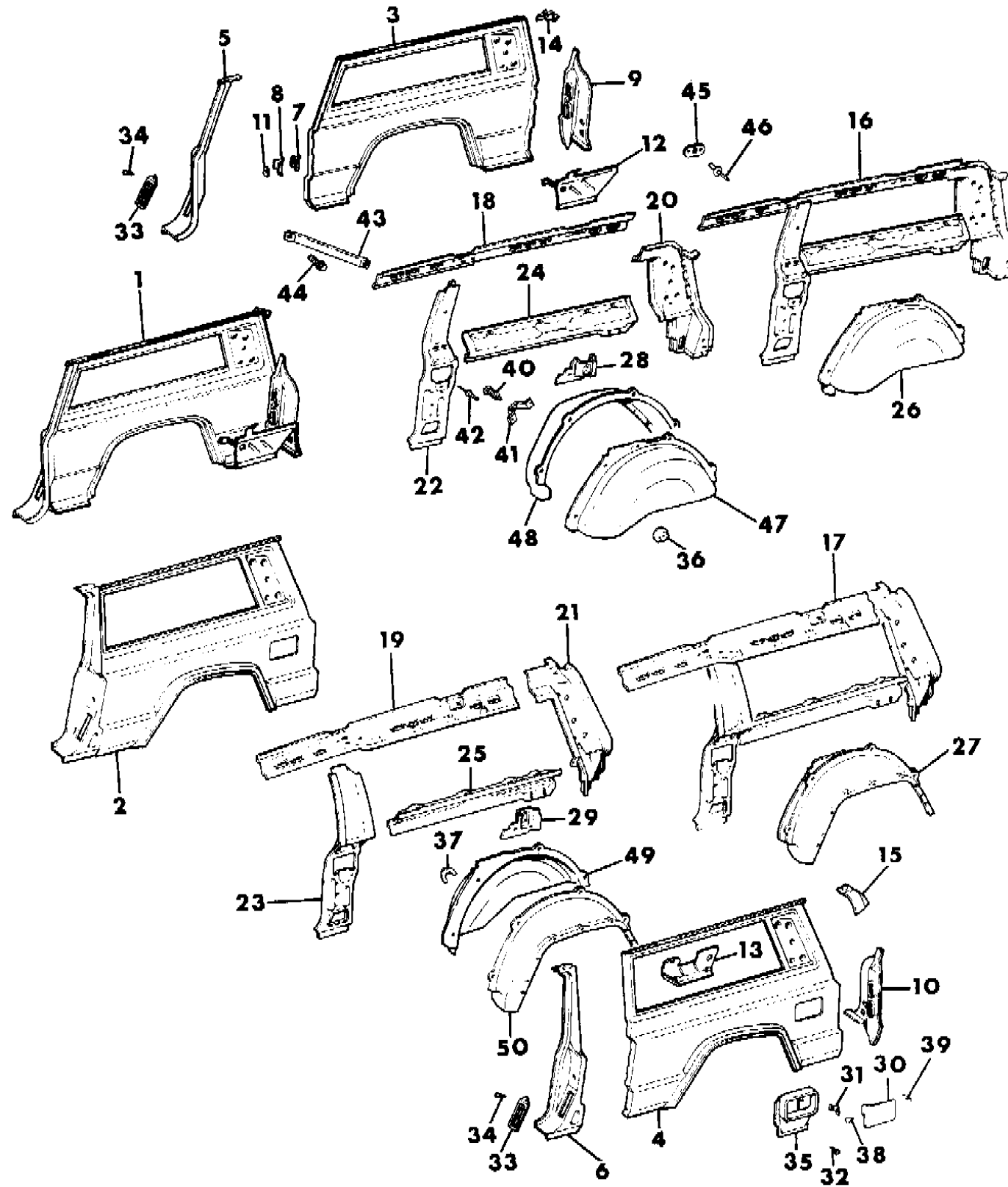
BODY STYLES:

MJ = Comanche Pickup
SJ = Grand Wagoneer Wgn., J-10 & J-20 Pickups
XJ = Cherokee, Wagoneer Limited
YJ = Wrangler

AR = Use as Required - = Non Illustrated Part P.A.R. = Paint as Required

PANELS, REAR QUARTER CHEROKEE 2 DOOR
Figure 23A-3300

8J69 3300



| ITEM | PART NUMBER | QTY | BODY | MODEL | DESCRIPTION |
|------|-------------|-----|------|-------|----------------------------------|
| 31 | 5500 6218 | 2 | | | BRACE, Door Lock Striker |
| 32 | 3420 2036 | 4 | | | SCREW |
| 33 | 5500 2816 | 2 | | | PLATE, Shoulder Harness (Export) |
| 34 | 3420 1353 | 4 | | | RIVET, (Export) |

MODEL CODES:

| | | |
|-----------------------------|-----------------------------|------------------------------|
| 15 = Grand Wagoneer 4 Dr. | 65 = Comanche 4WD-7 Ft. Box | 77 = Cherokee 4WD-2 Dr. |
| 25 = J-10 Pickup-119" W.B. | 66 = Comanche 2WD-7 Ft. Box | 78 = Cherokee 4WD-4 Dr. |
| 26 = J-10 Pickup-131" W.B. | 73 = Cherokee 2WD-2 Dr. | 79 = Cherokee 4WD-4 Dr.-Com |
| 27 = J-20 Pickup-131" W.B. | 74 = Cherokee 2WD-4 Dr. | 81 = Wrangler-93" W.B. |
| 63 = Comanche 4WD-6 Ft. Box | 75 = Wagoneer 4WD-4 Dr. | 82 = Wrangler-103" W.B.-Exp. |
| 64 = Comanche 2WD-6 Ft. Box | | |

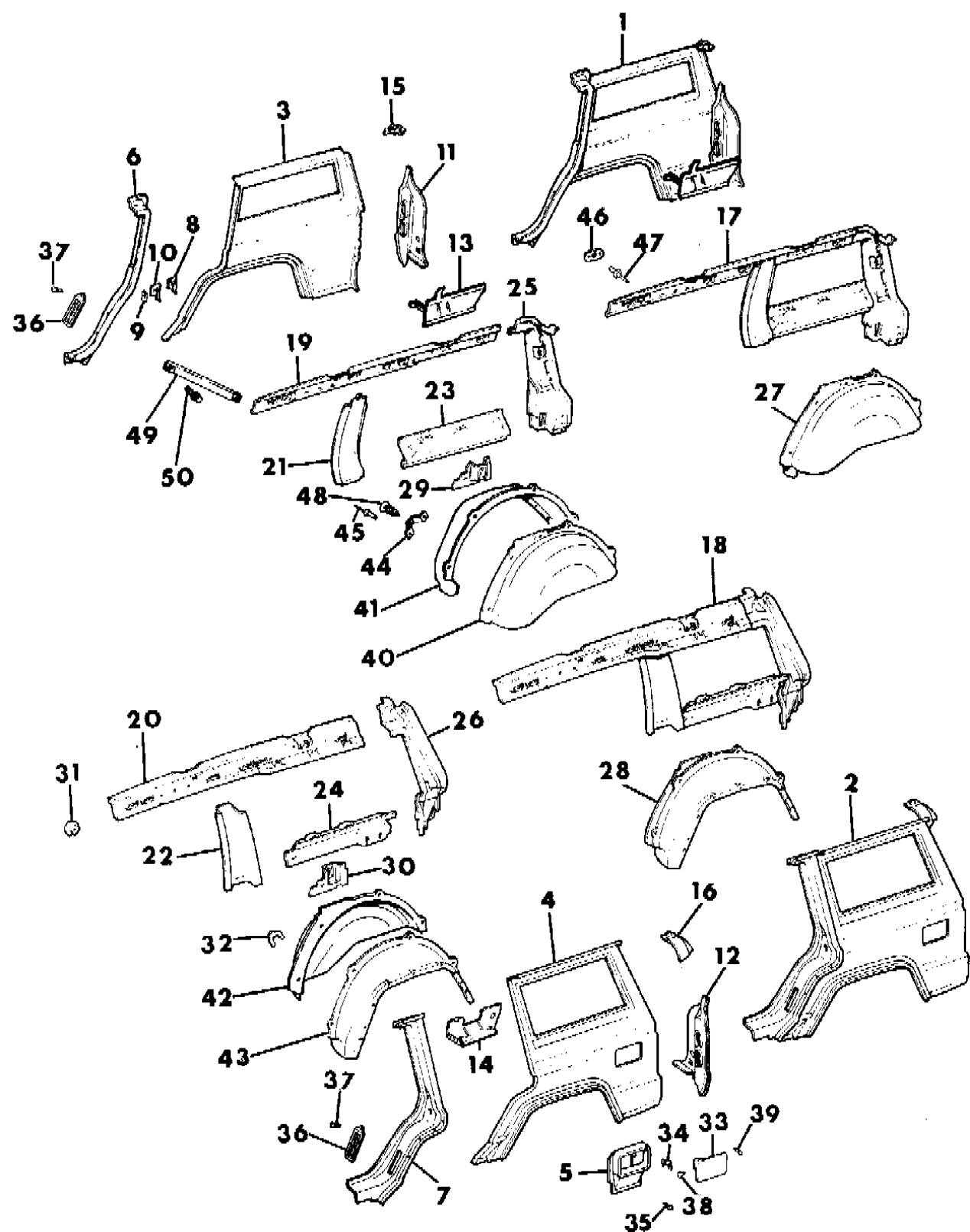
BODY STYLES:

MJ = Comanche Pickup
SJ = Grand Wagoneer Wgn., J-10 & J-20 Pickups
XJ = Cherokee, Wagoneer Limited
YJ = Wrangler

AR = Use as Required - = Non Illustrated Part P.A.R. = Paint as Required

PANELS, REAR QUARTER CHEROKEE, WAGONEER 4 DOOR
Figure 23A-3400

8J69 3400 A



| ITEM | PART NUMBER | QTY | BODY | MODEL | DESCRIPTION |
|------|-------------|-----|------|-------|------------------------------|
| 1 | 5700 0130-1 | 1 | | | PANEL ASSEMBLY, Rear Quarter |
| 2 | 5500 0094-5 | 1 | | | PANEL, Rear Quarter |
| 3 | 5700 0177 | 1 | | | HOUSING, Fuel Filler |
| 4 | 5500 0844-5 | 1 | | | PILLAR, Lock |
| 5 | 5700 0160 | 2 | | | PLATE ASSEMBLY, Striker *** |
| 6 | 5500 1286 | 2 | | | PLATE, Striker |
| 7 | 5500 1284 | 2 | | | RETAINER, Striker |
| 8 | 5500 4112-3 | 1 | | | PANEL, Taillamp |
| 9 | 5500 0026-7 | 1 | | | PANEL, Side Extension |
| 10 | 5500 1014-5 | 1 | | | EXTENSION, Panel |
| 11 | 5700 0142-3 | 1 | | | PANEL, Rear Quarter Inner |
| 12 | | | | | RAIL, Roof Side |
| | 5500 0092-3 | 1 | | | 1987-89 |
| | 5502 5562-3 | 1 | | | 1990 |
| 13 | 5500 0116-7 | 1 | | | REINFORCEMENT |
| 14 | | | | | RAIL, Rear Quarter Belt |
| | 5500 0130-1 | 1 | | | 1987-89 |
| | 5502 5566-7 | 1 | | | 1990 |
| 15 | 5700 0136-7 | 1 | | | PILLAR, Lift Door Opening |
| 16 | 5500 6218 | 2 | | | BRACE, Door Lock Striker |
| 17 | 3420 2036 | 4 | | | Screw *** |
| 18 | 5500 2120-1 | 1 | | | BRACKET, Seat Latch |
| 19 | 5500 1231 | 1 | | | BRACKET, Hinge Pivot |
| 20 | 5500 0413 | 1 | | | BRACKET, Hinge Pivot |
| 21 | 5500 0819 | 1 | | | DOOR, Fuel Filler |
| 22 | 5500 4206 | 1 | | | SPRING, Door |
| 23 | | | | | SCREW |
| | T300 8001 | 2 | | | 1987 |
| | 3420 2399 | 2 | | | 1988-90 |
| 24 | 5500 1980 | 2 | | | EXHAUSTER, Air *** |
| 25 | J400 1724 | 2 | | | SCREW |
| 26 | J063 5787 | 1 | | | BUMPER, Door |
| 27 | 3420 1812 | 1 | | | BUMPER, Door |
| 28 | 5500 0146-7 | 1 | | | PANEL, Wheelhouse Inner |
| 29 | 5500 0144-5 | 1 | | | PANEL, Wheelhouse Outer |
| 30 | 5500 2662 | 4 | | | BRACKET, Body |
| 31 | 3420 1032 | 8 | | | RIVET |

MODEL CODES:

| | | |
|-----------------------------|-----------------------------|------------------------------|
| 15 = Grand Wagoneer 4 Dr. | 65 = Comanche 4WD-7 Ft. Box | 77 = Cherokee 4WD-2 Dr. |
| 25 = J-10 Pickup-119" W.B. | 66 = Comanche 2WD-7 Ft. Box | 78 = Cherokee 4WD-4 Dr. |
| 26 = J-10 Pickup-131" W.B. | 73 = Cherokee 2WD-2 Dr. | 79 = Cherokee 4WD-4 Dr.-Com |
| 27 = J-20 Pickup-131" W.B. | 74 = Cherokee 2WD-4 Dr. | 81 = Wrangler-93" W.B. |
| 63 = Comanche 4WD-6 Ft. Box | 75 = Wagoneer 4WD-4 Dr. | 82 = Wrangler-103" W.B.-Exp. |
| 64 = Comanche 2WD-6 Ft. Box | | |

BODY STYLES:

MJ = Comanche Pickup
SJ = Grand Wagoneer Wgn., J-10 & J-20 Pickups
XJ = Cherokee, Wagoneer Limited
YJ = Wrangler

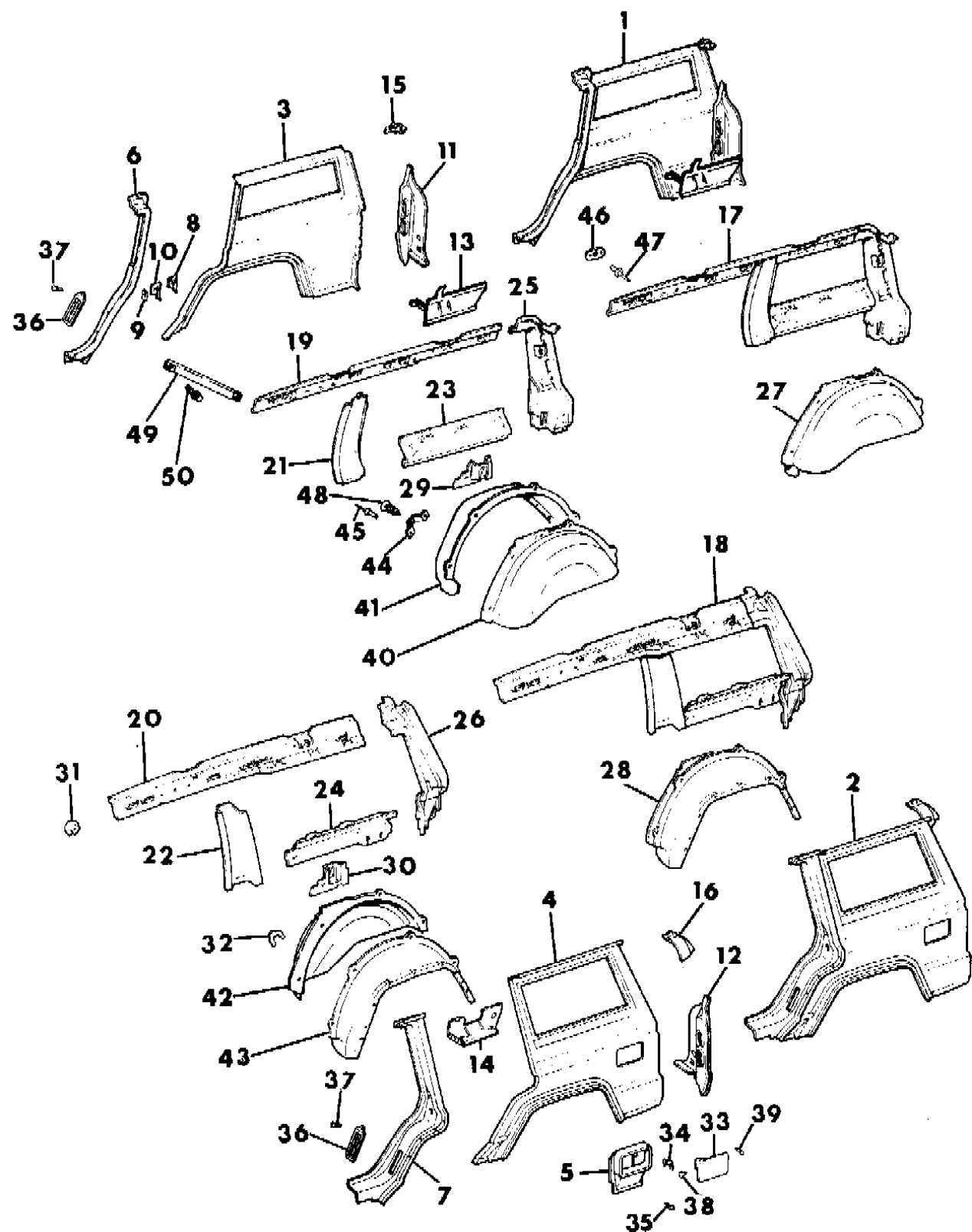
AR = Use as Required - = Non Illustrated Part P.A.R. = Paint as Required

PANELS, REAR QUARTER CHEROKEE, WAGONEER 4 DOOR
Figure 23A-3400

8J69 3400 A

| ITEM | PART NUMBER | QTY | BODY | MODEL | DESCRIPTION |
|------|-------------|-----|------|-------|-------------|
|------|-------------|-----|------|-------|-------------|

| | | | | | |
|----|-----------|---|--|--|-------------------------|
| 32 | 5500 2816 | 2 | | | PLATE, Shoulder Harness |
| 33 | 3420 1353 | 4 | | | RIVET |
| 34 | J400 7117 | 2 | | | FASTENER, 1987 |



MODEL CODES:

| | | |
|-----------------------------|-----------------------------|------------------------------|
| 15 = Grand Wagoneer 4 Dr. | 65 = Comanche 4WD-7 Ft. Box | 77 = Cherokee 4WD-2 Dr. |
| 25 = J-10 Pickup-119" W.B. | 66 = Comanche 2WD-7 Ft. Box | 78 = Cherokee 4WD-4 Dr. |
| 26 = J-10 Pickup-131" W.B. | 73 = Cherokee 2WD-2 Dr. | 79 = Cherokee 4WD-4 Dr.-Com |
| 27 = J-20 Pickup-131" W.B. | 74 = Cherokee 2WD-4 Dr. | 81 = Wrangler-93" W.B. |
| 63 = Comanche 4WD-6 Ft. Box | 75 = Wagoneer 4WD-4 Dr. | 82 = Wrangler-103" W.B.-Exp. |
| 64 = Comanche 2WD-6 Ft. Box | | |

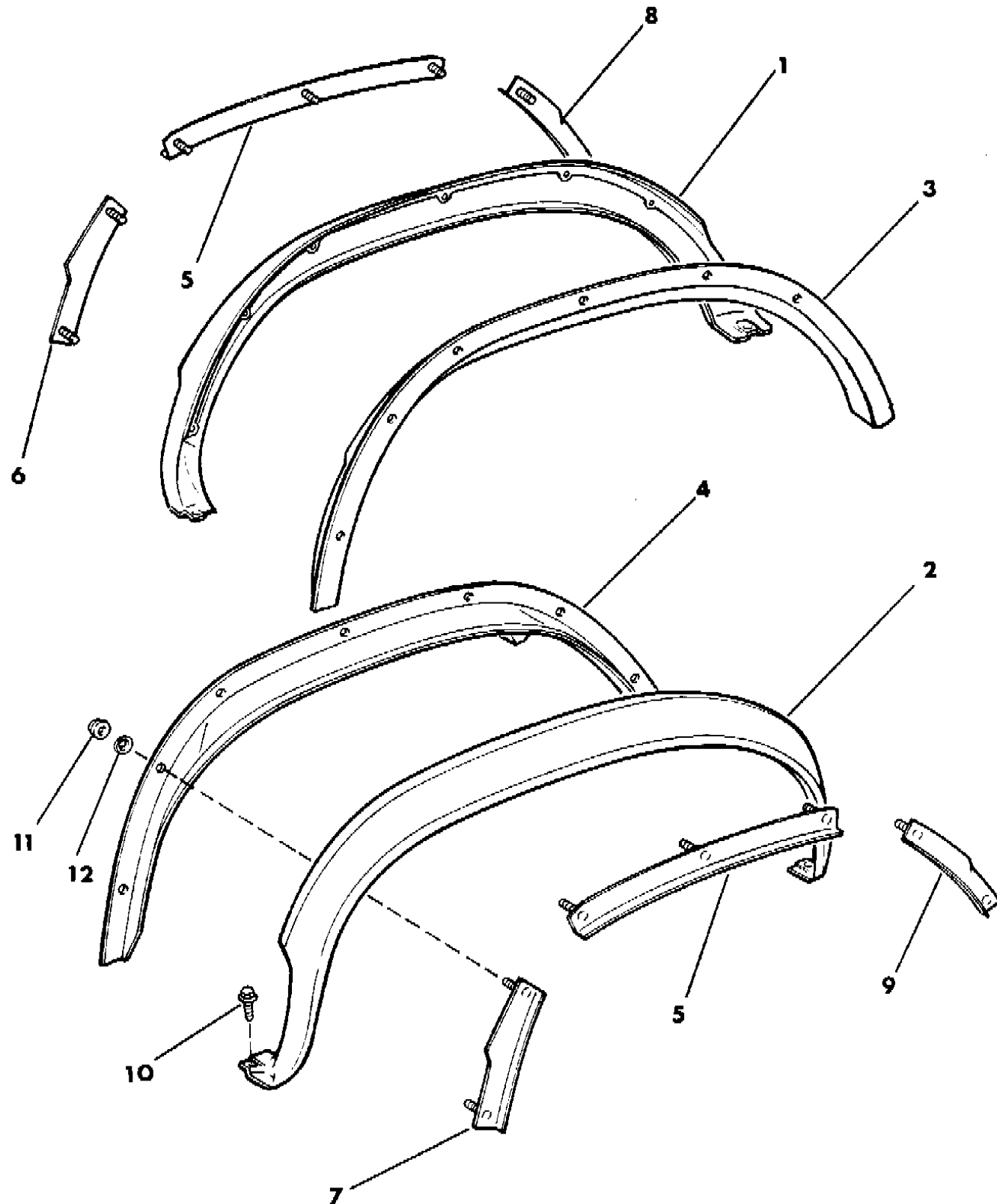
BODY STYLES:

MJ = Comanche Pickup
SJ = Grand Wagoneer Wgn., J-10 & J-20 Pickups
XJ = Cherokee, Wagoneer Limited
YJ = Wrangler

AR = Use as Required - = Non Illustrated Part P.A.R. = Paint as Required

APPLIQUES, REAR QUARTER PANEL CHEROKEE, WAGONEER, COMANCHE
Figure 23A-3500

8 J 69 3500



| ITEM | PART NUMBER | QTY | BODY | MODEL | DESCRIPTION |
|------|-------------|-----|------|-------|--------------------------------|
| 1-2 | | | | | APPLIQUE, Rear Quarter, P.A.R. |
| | 5501 3612-3 | 1 | XJ | | 1987-89 |
| | 5AG24-5 JX9 | 1 | XJ | | 1990, Flat Black, P.A.R. |
| | 5AG18-9 JX8 | 1 | XJ | | 1990, Gloss Black |
| | 5501 3614-5 | 1 | MJ | | 1987-89 |
| | 5AG28-9 JX9 | 1 | MJ | | 1990, Flat Black, P.A.R. |
| | 5AG26-7 JX8 | 1 | MJ | | 1990, Gloss Black |
| 3-4 | | | | | PANEL, Inner Protective |
| | 5500 4032-3 | 1 | XJ | | |
| | 5500 6176-7 | 1 | MJ | | |
| 5 | | | | | RETAINER, Applique |
| | 5500 3240 | 2 | XJ | | |
| | 5500 4991 | 2 | MJ | | |
| 6-7 | | | | | RETAINER, Applique |
| | 5500 3238-9 | 1 | XJ | | |
| | 5500 4994 | 1 | MJ | | Right Front |
| | 5500 4995 | 1 | MJ | | Left Front |
| 8-9 | | | | | RETAINER, Applique |
| | 5500 3242-3 | 1 | XJ | | |
| | 5500 4994 | 1 | MJ | | Left Rear |
| | 5500 4995 | 1 | MJ | | Right Rear |
| 10 | 1150 2843 | 4 | | | SCREW |
| 11 | J420 0408 | AR | | | NUT |
| 12 | J400 6866 | AR | | | NUT |

MODEL CODES:

| | | |
|-----------------------------|-----------------------------|------------------------------|
| 15 = Grand Wagoneer 4 Dr. | 65 = Comanche 4WD-7 Ft. Box | 77 = Cherokee 4WD-2 Dr. |
| 25 = J-10 Pickup-119" W.B. | 66 = Comanche 2WD-7 Ft. Box | 78 = Cherokee 4WD-4 Dr. |
| 26 = J-10 Pickup-131" W.B. | 73 = Cherokee 2WD-2 Dr. | 79 = Cherokee 4WD-4 Dr.-Com |
| 27 = J-20 Pickup-131" W.B. | 74 = Cherokee 2WD-4 Dr. | 81 = Wrangler-93" W.B. |
| 63 = Comanche 4WD-6 Ft. Box | 75 = Wagoneer 4WD-4 Dr. | 82 = Wrangler-103" W.B.-Exp. |
| 64 = Comanche 2WD-6 Ft. Box | | |

BODY STYLES:

MJ = Comanche Pickup
 SJ = Grand Wagoneer Wgn., J-10 & J-20 Pickups
 XJ = Cherokee, Wagoneer Limited
 YJ = Wrangler

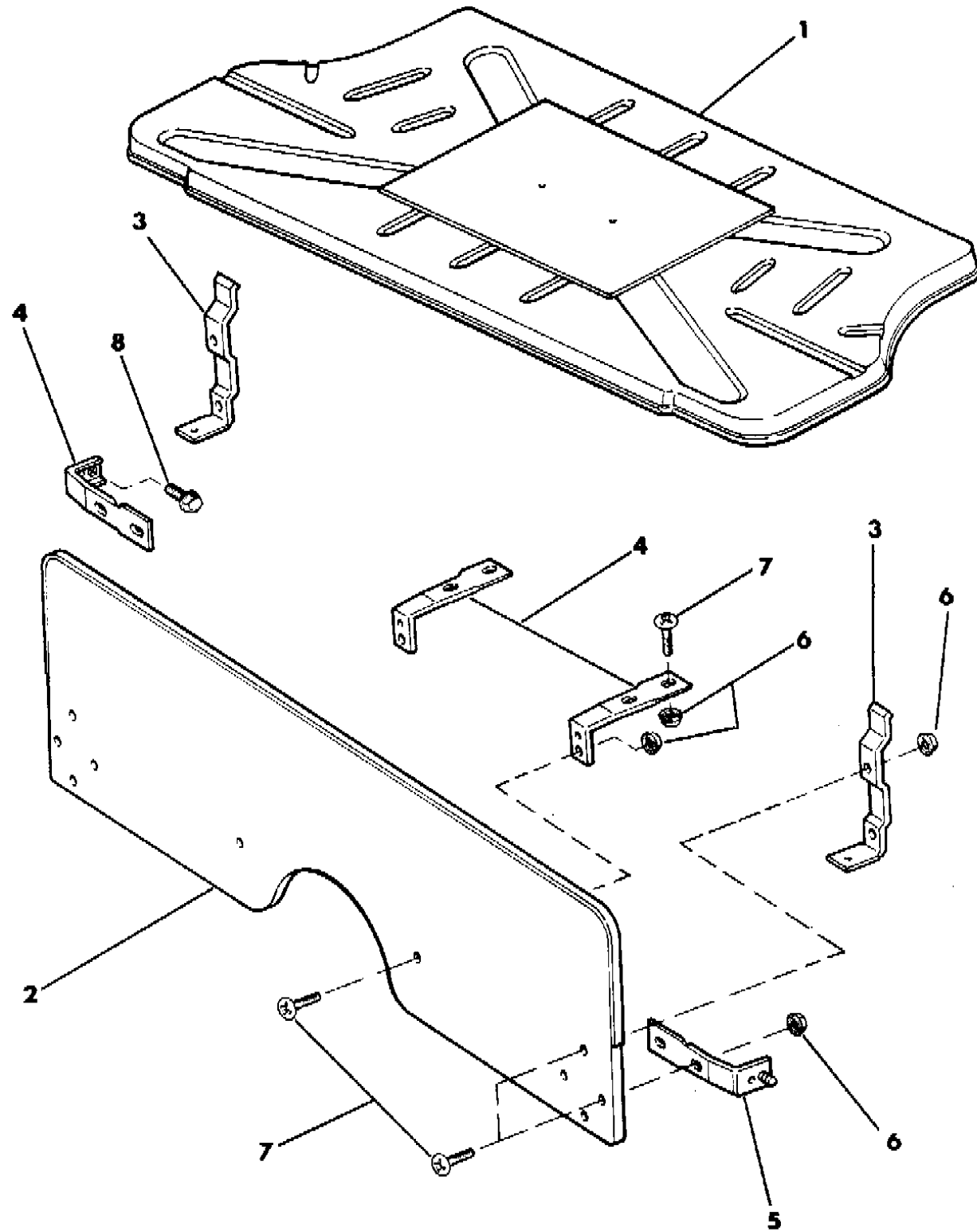
AR = Use as Required - = Non Illustrated Part P.A.R. = Paint as Required

PANELS, LOAD BARRIER AND AUXILIARY FLOOR CHEROKEE 2 DOOR, 79, FRENCH COMMERCIAL PACKAGE

Figure 23A-3600

8 J 69 3600

| ITEM | PART NUMBER | QTY | BODY | MODEL | DESCRIPTION |
|------|-------------|-----|------|-------|------------------------------------|
| 1 | 5500 6958 | 1 | | | PANEL, Floor |
| 2 | 5500 8798 | 1 | | | PANEL, Load Barrier Med. Blue 1987 |
| | 5501 5361 | 1 | | | PANEL, Load Barrier Cordovan |
| 3 | 5500 8799 | 2 | | | BRACKET, Floor P.A.R |
| 4 | | | | | BRACKET, Sill |
| | 5501 5367 | AR | | | P.A.R. ,1987-89 |
| | 5AD7 6JH9 | AR | | | 1990 |
| 5 | | | | | BRACKET, Sill |
| | 5500 8801 | 1 | | | P.A.R. ,1987-89 |
| | 5AK4 8JH9 | 1 | | | 1990 |
| 6 | J400 3909 | 4 | | | NUT |
| 7 | J400 5651 | 4 | | | SCREW |
| 8 | 3420 1749 | 1 | | | BOLT |



MODEL CODES:

| | | |
|-----------------------------|-----------------------------|------------------------------|
| 15 = Grand Wagoneer 4 Dr. | 65 = Comanche 4WD-7 Ft. Box | 77 = Cherokee 4WD-2 Dr. |
| 25 = J-10 Pickup-119" W.B. | 66 = Comanche 2WD-7 Ft. Box | 78 = Cherokee 4WD-4 Dr. |
| 26 = J-10 Pickup-131" W.B. | 73 = Cherokee 2WD-2 Dr. | 79 = Cherokee 4WD-4 Dr.-Com |
| 27 = J-20 Pickup-131" W.B. | 74 = Cherokee 2WD-4 Dr. | 81 = Wrangler-93" W.B. |
| 63 = Comanche 4WD-6 Ft. Box | 75 = Wagoneer 4WD-4 Dr. | 82 = Wrangler-103" W.B.-Exp. |
| 64 = Comanche 2WD-6 Ft. Box | | |

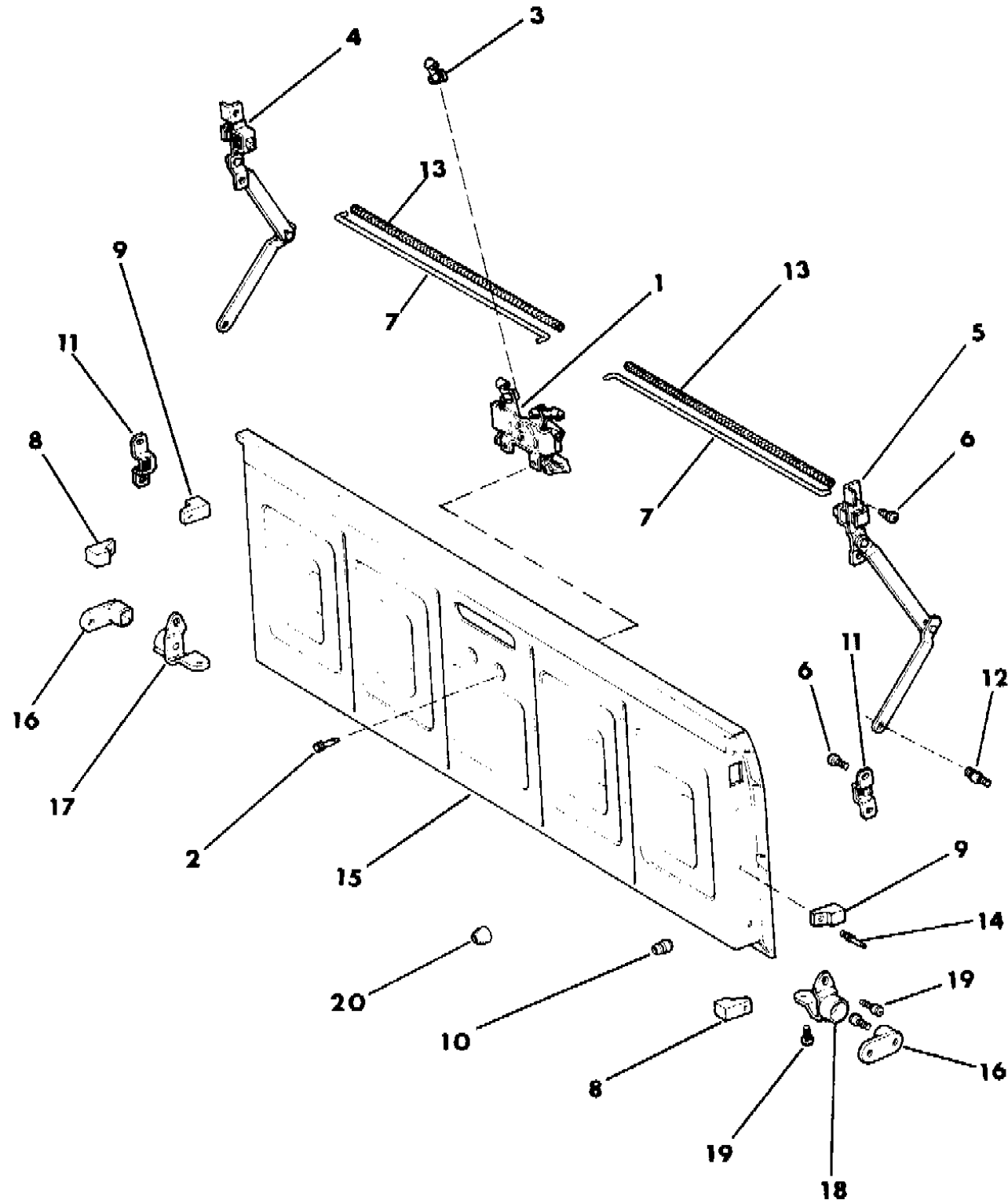
BODY STYLES:

MJ = Comanche Pickup
 SJ = Grand Wagoneer Wgn., J-10 & J-20 Pickups
 XJ = Cherokee, Wagoneer Limited
 YJ = Wrangler

AR = Use as Required - = Non Illustrated Part P.A.R. = Paint as Required

TAILGATE, LATCHES AND HINGES COMANCHE
Figure 23A-3700

8 J 69 3700



| ITEM | PART NUMBER | QTY | BODY | MODEL | DESCRIPTION |
|------|-------------|-----|------|-------|------------------------|
| 1 | | | | | HANDLE, Tailgate |
| | 5500 8103 | 1 | | | Black |
| | 5500 4890 | 1 | | | Chrome |
| 2 | 3420 1886 | 3 | | | SCREW |
| 3 | J400 4532 | 2 | | | CLIP |
| 4 | 5500 4886 | 1 | | | LATCH, (INCL. LINKAGE) |
| 5 | 5500 4887 | 1 | | | LATCH, (INCL. LINKAGE) |
| 6 | 3420 1655 | 6 | | | SCREW |
| 7 | 5500 4889 | 2 | | | ROD, Latch Release |
| 8 | 5500 4883 | 2 | | | BUMPER, Body Half |
| 9 | 5500 4888 | 2 | | | BUMPER, Tailgate Half |
| 10 | 5500 4885 | 4 | | | BUMPER, Tailgate Latch |
| 11 | 5500 4892 | 2 | | | STRIKER, Latch |
| 12 | 3420 2113 | 2 | | | SCREW |
| 13 | J372 1174 | 2 | | | SLEEVE, 27" *** |
| 14 | | | | | RIVET |
| | 3420 1980 | 4 | | | 1987-89 |
| | J400 6543 | 4 | | | 1990 |
| 15 | 5700 0890 | 1 | | | TAILGATE, Pickup Box |
| 16 | 5500 4884 | 2 | | | HINGE, Tailgate |
| 17 | 5500 4318 | 1 | | | HINGE, Tailgate |
| 18 | 5500 4319 | 1 | | | HINGE, Tailgate |
| 19 | 3420 1596 | 8 | | | BOLT |
| 20 | J400 0282 | 2 | | | BUMPER |

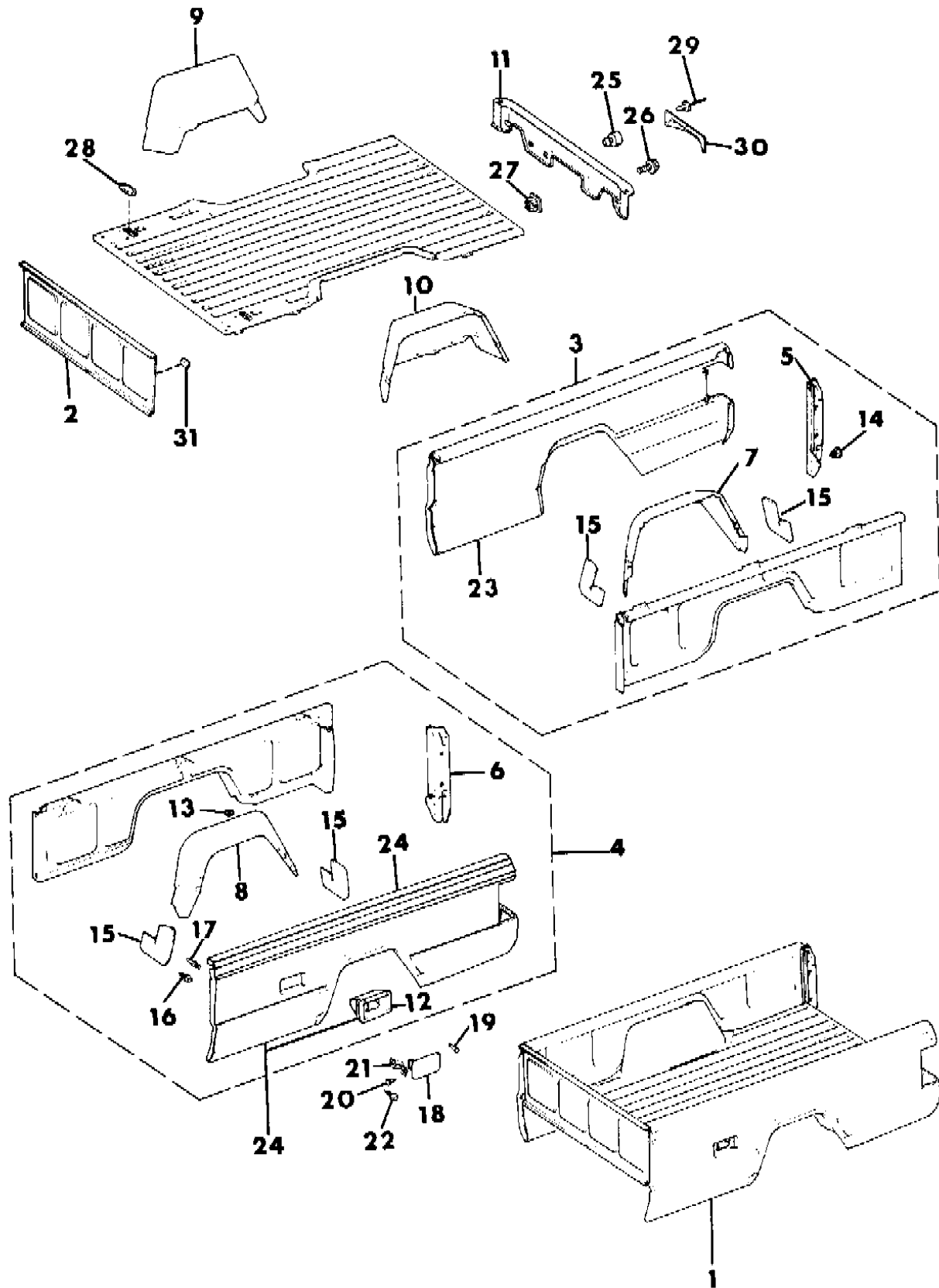
MODEL CODES:
 15 = Grand Wagoneer 4 Dr. 65 = Comanche 4WD-7 Ft. Box 77 = Cherokee 4WD-2 Dr.
 25 = J-10 Pickup-119" W.B. 66 = Comanche 2WD-7 Ft. Box 78 = Cherokee 4WD-4 Dr.
 26 = J-10 Pickup-131" W.B. 73 = Cherokee 2WD-2 Dr. 79 = Cherokee 4WD-4 Dr.-Com
 27 = J-20 Pickup-131" W.B. 74 = Cherokee 2WD-4 Dr. 81 = Wrangler-93" W.B.
 63 = Comanche 4WD-6 Ft. Box 75 = Wagoneer 4WD-4 Dr. 82 = Wrangler-103" W.B.-Exp.
 64 = Comanche 2WD-6 Ft. Box

BODY STYLES:
 MJ = Comanche Pickup
 SJ = Grand Wagoneer Wgn., J-10 & J-20 Pickups
 XJ = Cherokee, Wagoneer Limited
 YJ = Wrangler

AR = Use as Required - = Non Illustrated Part P.A.R. = Paint as Required

BOX, PICKUP COMANCHE
Figure 23A-3800

8J693800A



| ITEM | PART NUMBER | QTY | BODY | MODEL | DESCRIPTION |
|------|-------------|-----|------|-------|---|
| 1 | 5700 1325 | 1 | | | BOX, Pickup w/7 ft. pick box *** |
| | 5700 1330 | 1 | | | BOX, Pickup w/6 ft. pickup box *** |
| 2 | 5700 0880 | 1 | | | PANEL, Pickup Box, Front |
| 3 | 5700 0884 | 1 | | | PANEL, Pickup Box Side, Right, w/7 ft. pickup box |
| | 5700 1992 | 1 | | | PANEL, Pickup Box Side, Right, w/6 ft. pickup box |
| 4 | 5700 0885 | 1 | | | PANEL, Pickup Box Side, Left w/7 ft. pickup box |
| | 5700 1993 | 1 | | | PANEL, Pickup Box Side, Left w/6 ft. pickup box |
| 5 | 5700 0876 | 1 | | | PILLAR, Pickup Box Rear, Right |
| 6 | 5700 0877 | 1 | | | PILLAR, Pickup Box Rear, Left |
| 7 | 5500 4042 | 1 | | | FENDER, Pickup Box, Right |
| 8 | 5500 4043 | 1 | | | FENDER, Pickup Box, Left |
| 9 | 5500 4040 | 1 | | | PANEL, Wheelhouse Rear, Right |
| 10 | 5500 4041 | 1 | | | PANEL, Wheelhouse Rear, Left |
| 11 | 5700 0872 | 1 | | | CROSSMEMBER, Rear w/7 ft. pickup box |
| | 5700 1991 | 1 | | | CROSSMEMBER, Rear w/6 ft. pickup box |
| 12 | 5500 8888 | 1 | | | HOUSING, Fuel Filler |
| 13 | 5500 6578 | 2 | | | PLUG, Drain |
| 14 | J400 4919 | 2 | | | FASTENER |
| 15 | 5500 6178 | 4 | | | GUARD, Splash |
| 16 | J400 6917 | 18 | | | SCREW |
| 17 | 3420 1631 | 2 | | | RIVET |
| 18 | 5500 0819 | 1 | | | DOOR, Fuel Filler |
| 19 | 3420 1812 | 1 | | | BUMPER, Door |
| 20 | J063 5787 | 1 | | | BUMPER, Door |
| 21 | 5500 4206 | 1 | | | SPRING, Door |
| 22 | 3420 2399 | 2 | | | SCREW |
| 23 | 5500 3542 | 1 | | | PANEL, Side, Right w/7 ft. pickup box |
| | 5500 9136 | 1 | | | PANEL, Side Right w/6 ft. pickup box |
| 24 | 5700 0875 | 1 | | | PANEL, Side Left w/7 ft. pickup box |
| | 5700 1999 | 1 | | | PANEL, Side Left w/6 ft. pickup box |
| 25 | 3420 1202 | 2 | | | BUMPER |
| 26 | 3420 2091 | 2 | | | SCREW |
| 27 | 3420 1263 | 2 | | | NUT |
| 28 | 5500 9399 | 2 | | | PLUG |
| 29 | 3420 1208 | 5 | | | RIVET |
| 30 | 5500 9144 | 1 | | | COVER |
| 31 | 3420 1409 | 2 | | | PLUG, 1987 |

MODEL CODES:

| | | |
|-----------------------------|-----------------------------|------------------------------|
| 15 = Grand Wagoneer 4 Dr. | 65 = Comanche 4WD-7 Ft. Box | 77 = Cherokee 4WD-2 Dr. |
| 25 = J-10 Pickup-119" W.B. | 66 = Comanche 2WD-7 Ft. Box | 78 = Cherokee 4WD-4 Dr. |
| 26 = J-10 Pickup-131" W.B. | 73 = Cherokee 2WD-2 Dr. | 79 = Cherokee 4WD-4 Dr.-Com |
| 27 = J-20 Pickup-131" W.B. | 74 = Cherokee 2WD-4 Dr. | 81 = Wrangler-93" W.B. |
| 63 = Comanche 4WD-6 Ft. Box | 75 = Wagoneer 4WD-4 Dr. | 82 = Wrangler-103" W.B.-Exp. |
| 64 = Comanche 2WD-6 Ft. Box | | |

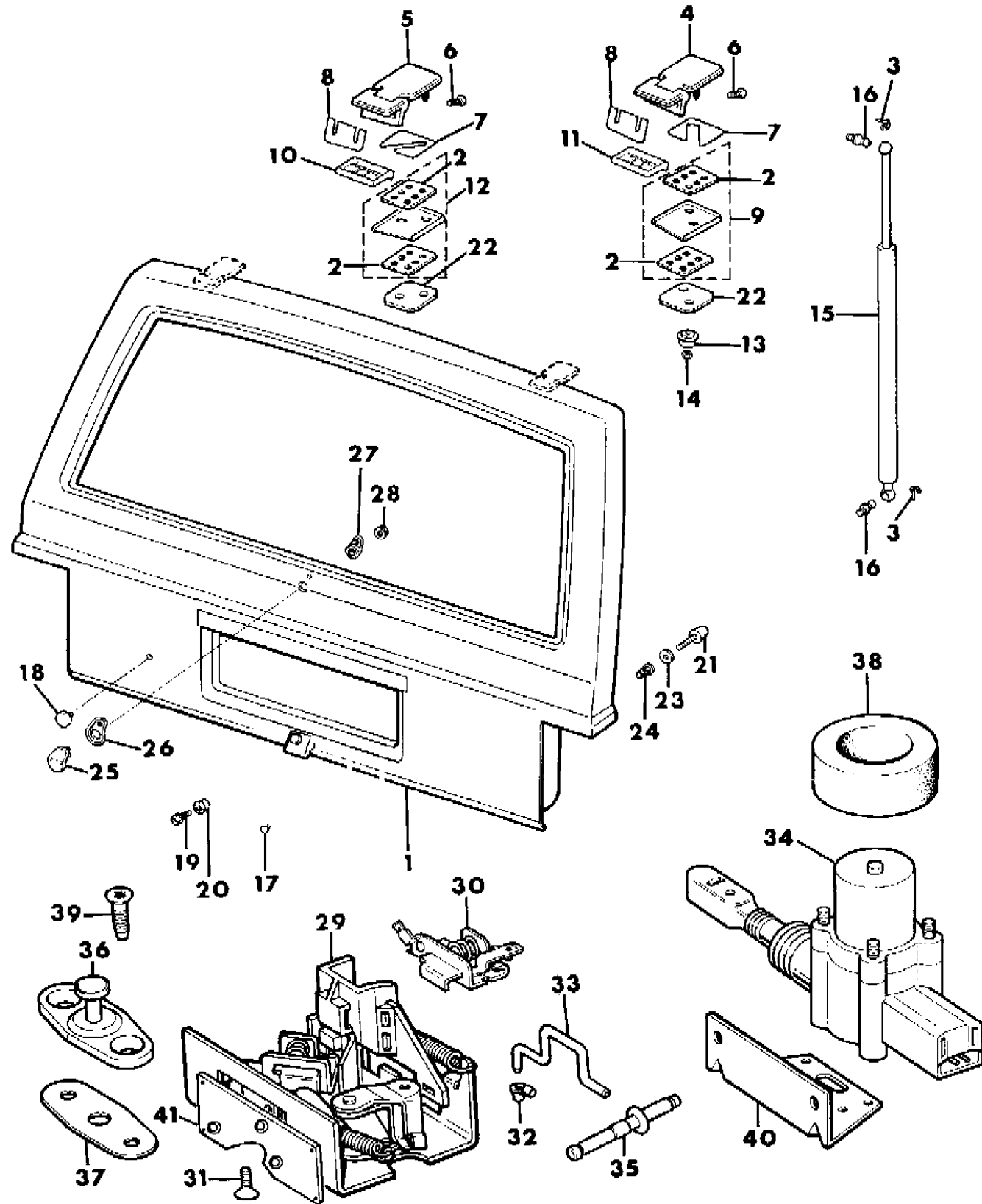
BODY STYLES:

MJ = Comanche Pickup
 SJ = Grand Wagoneer Wgn., J-10 & J-20 Pickups
 XJ = Cherokee, Wagoneer Limited
 YJ = Wrangler

AR = Use as Required - = Non Illustrated Part P.A.R. = Paint as Required

LIFT DOOR, LATCH AND HINGES CHEROKEE, WAGONEER
Figure 23A-3900

8 J 69 3900A



| ITEM | PART NUMBER | QTY | BODY | MODEL | DESCRIPTION |
|------|-------------|-----|------|-------|---------------------------|
| 1 | 5500 9255 | 1 | | | DOOR, Lift |
| | 8350 7029 | 1 | | | PACKAGE, Anti Rattle |
| 2 | 5500 9756 | 4 | | | SEAL, Hinge |
| 3 | J367 9830 | 4 | | | CLIP |
| 4-5 | 5500 1984-5 | 1 | | | HINGE, Lift Door |
| 6 | 3420 1925 | 4 | | | SCREW |
| 7 | 5500 0431 | 2 | | | SHIM |
| 8 | 5500 0432 | 2 | | | SHIM |
| 9 | 5501 0056 | 1 | | | GASKET, Right *** |
| 10 | 5500 1993 | 1 | | | GASKET, Hinge, Left |
| 11 | 5500 1992 | 1 | | | GASKET, Hinge, Right |
| 12 | 5501 0057 | 1 | | | GASKET, Left |
| 13 | 5500 1994 | 4 | | | WASHER, Hinge |
| 14 | 3420 2144 | 4 | | | NUT |
| 15 | 5500 0630 | 2 | | | SUPPORT, Lift Door |
| 16 | 5500 1430 | 4 | | | STUD, Ball |
| 17 | J400 4227 | 2 | | | BUMPER, License |
| 18 | J323 4895 | 2 | | | BUMPER, License |
| 19 | 3420 1287 | 2 | | | SCREW |
| 20 | 3420 1672 | 2 | | | NUT |
| 21 | 5500 5608 | 2 | | | STOP, Lift Door |
| 22 | 5500 6492 | 2 | | | SHIM |
| 23 | 5500 6770 | 2 | | | SHIM |
| 24 | 3420 1977 | 2 | | | NUT |
| 25 | 5500 6292 | 1 | | | PLUG |
| 26 | 5500 6293 | 1 | | | GASKET |
| 27 | 5500 6294 | 1 | | | SPACER |
| 28 | 1150 2507 | 1 | | | NUT |
| 29 | | | | | LATCH, Lift Door |
| | 5500 6865 | 1 | | | w/ Cargo Lamp Switch |
| | 5500 6864 | 1 | | | w/o Cargo Lamp Switch |
| 30 | 5600 0479 | 1 | | | SWITCH, Cargo Lamp |
| 31 | 3420 1996 | 3 | | | SCREW |
| 32 | J400 4532 | 1 | | | CLIP, (INCLUDING BUSHING) |
| 33 | 5500 0730 | 1 | | | ROD, Lock Actuator |
| 34 | J813 4627 | 1 | | | ACTUATOR, Power Lock |
| 35 | 3420 1353 | 2 | | | RIVET |

MODEL CODES:

| | | |
|-----------------------------|-----------------------------|------------------------------|
| 15 = Grand Wagoneer 4 Dr. | 65 = Comanche 4WD-7 Ft. Box | 77 = Cherokee 4WD-2 Dr. |
| 25 = J-10 Pickup-119" W.B. | 66 = Comanche 2WD-7 Ft. Box | 78 = Cherokee 4WD-4 Dr. |
| 26 = J-10 Pickup-131" W.B. | 73 = Cherokee 2WD-2 Dr. | 79 = Cherokee 4WD-4 Dr.-Com |
| 27 = J-20 Pickup-131" W.B. | 74 = Cherokee 2WD-4 Dr. | 81 = Wrangler-93" W.B. |
| 63 = Comanche 4WD-6 Ft. Box | 75 = Wagoneer 4WD-4 Dr. | 82 = Wrangler-103" W.B.-Exp. |
| 64 = Comanche 2WD-6 Ft. Box | | |

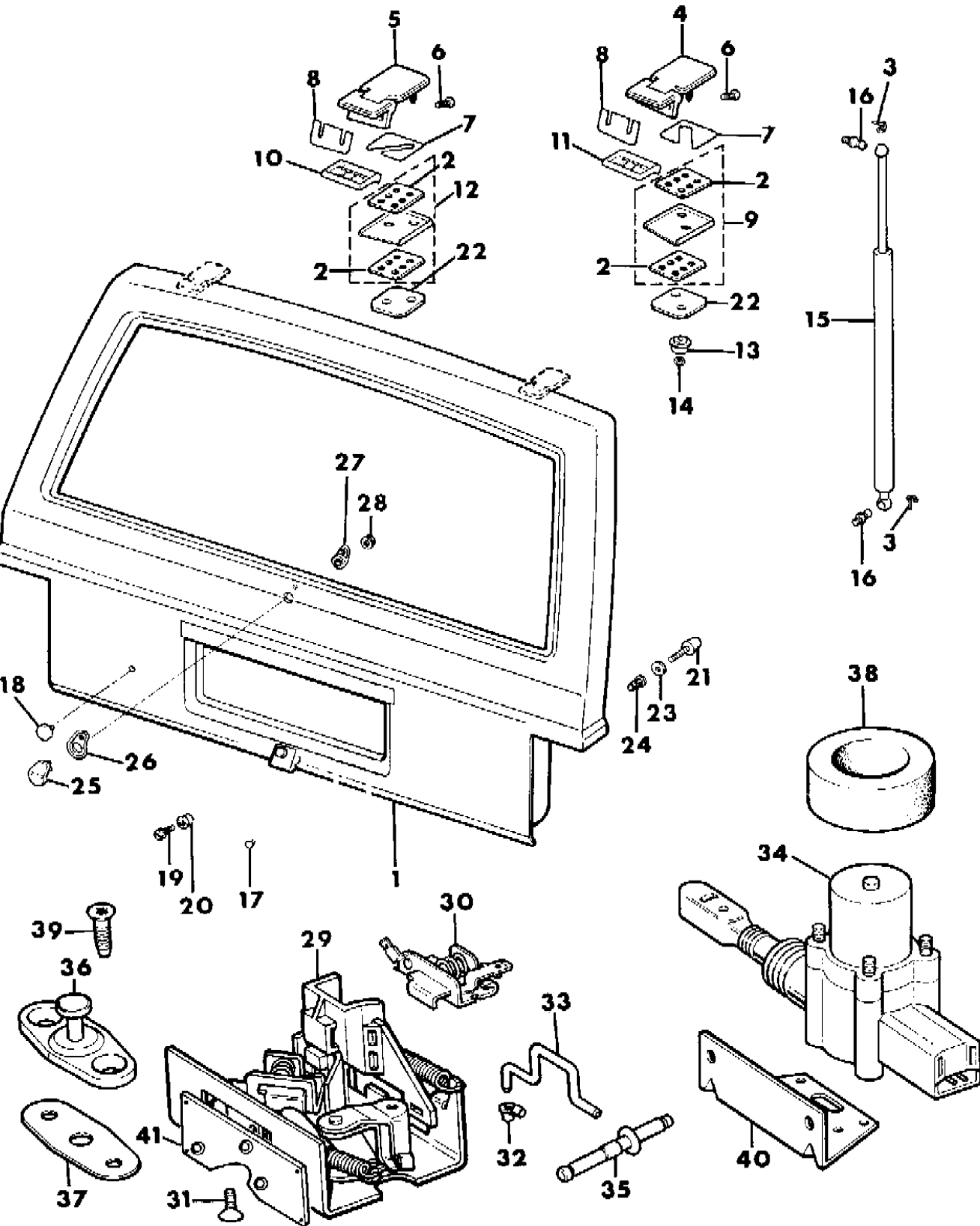
BODY STYLES:

MJ = Comanche Pickup
SJ = Grand Wagoneer Wgn., J-10 & J-20 Pickups
XJ = Cherokee, Wagoneer Limited
YJ = Wrangler

AR = Use as Required - = Non Illustrated Part P.A.R. = Paint as Required

LIFT DOOR, LATCH AND HINGES CHEROKEE, WAGONEER
Figure 23A-3900

8 J 69 3900A



| ITEM | PART NUMBER | QTY | BODY | MODEL | DESCRIPTION |
|------|-------------|-----|------|-------|-----------------------|
| 36 | 5500 2748 | 1 | | | STRIKER, Latch |
| 37 | 5500 2756 | AR | | | SHIM |
| 38 | 5600 1242 | 1 | | | INSULATOR |
| 39 | 3420 1516 | 2 | | | SCREW |
| 40 | J371 9474 | 1 | | | BRACKET, Actuator |
| 41 | 5501 5398 | 1 | | | PLATE, Liftgate Latch |

MODEL CODES:

| | | |
|-----------------------------|-----------------------------|------------------------------|
| 15 = Grand Wagoneer 4 Dr. | 65 = Comanche 4WD-7 Ft. Box | 77 = Cherokee 4WD-2 Dr. |
| 25 = J-10 Pickup-119" W.B. | 66 = Comanche 2WD-7 Ft. Box | 78 = Cherokee 4WD-4 Dr. |
| 26 = J-10 Pickup-131" W.B. | 73 = Cherokee 2WD-2 Dr. | 79 = Cherokee 4WD-4 Dr.-Com |
| 27 = J-20 Pickup-131" W.B. | 74 = Cherokee 2WD-4 Dr. | 81 = Wrangler-93" W.B. |
| 63 = Comanche 4WD-6 Ft. Box | 75 = Wagoneer 4WD-4 Dr. | 82 = Wrangler-103" W.B.-Exp. |
| 64 = Comanche 2WD-6 Ft. Box | | |

BODY STYLES:

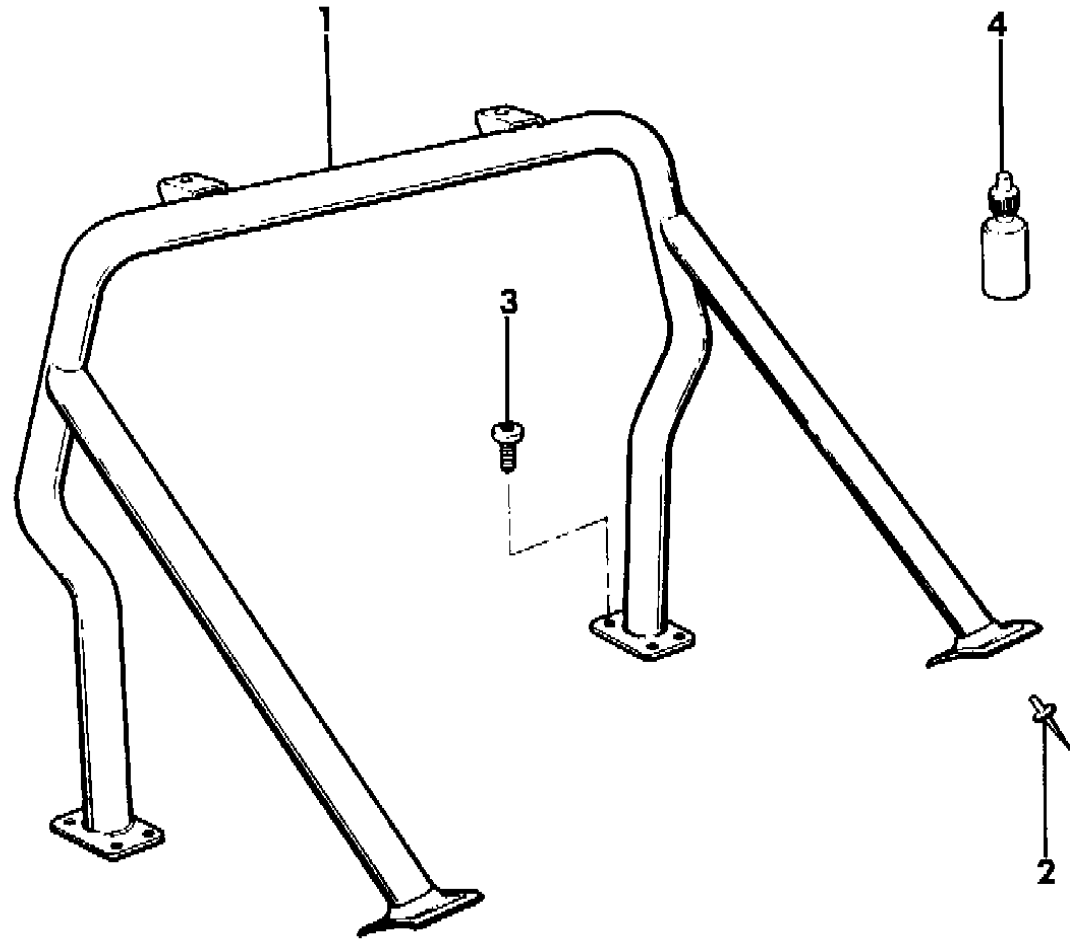
MJ = Comanche Pickup
SJ = Grand Wagoneer Wgn., J-10 & J-20 Pickups
XJ = Cherokee, Wagoneer Limited
YJ = Wrangler

AR = Use as Required - = Non Illustrated Part P.A.R. = Paint as Required

SPORT BAR COMANCHE
Figure 23A-4000

8J69 4000

| ITEM | PART NUMBER | QTY | BODY | MODEL | DESCRIPTION |
|------|-------------|-----|------|-------|-----------------------------------|
| 1 | 8220 0359 | 1 | | | SPORT BAR, w/7 ft. pickup box *** |
| | 8220 0522 | 1 | | | SPORT BAR, w/6 ft. pickup box *** |
| 2 | 3420 1208 | 4 | | | RIVET |
| 3 | 3420 2158 | 26 | | | BOLT |
| 4 | J812 9800 | 1 | | | SEALER, Bolt |



MODEL CODES:

| | | |
|-----------------------------|-----------------------------|------------------------------|
| 15 = Grand Wagoneer 4 Dr. | 65 = Comanche 4WD-7 Ft. Box | 77 = Cherokee 4WD-2 Dr. |
| 25 = J-10 Pickup-119" W.B. | 66 = Comanche 2WD-7 Ft. Box | 78 = Cherokee 4WD-4 Dr. |
| 26 = J-10 Pickup-131" W.B. | 73 = Cherokee 2WD-2 Dr. | 79 = Cherokee 4WD-4 Dr.-Com |
| 27 = J-20 Pickup-131" W.B. | 74 = Cherokee 2WD-4 Dr. | 81 = Wrangler-93" W.B. |
| 63 = Comanche 4WD-6 Ft. Box | 75 = Wagoneer 4WD-4 Dr. | 82 = Wrangler-103" W.B.-Exp. |
| 64 = Comanche 2WD-6 Ft. Box | | |

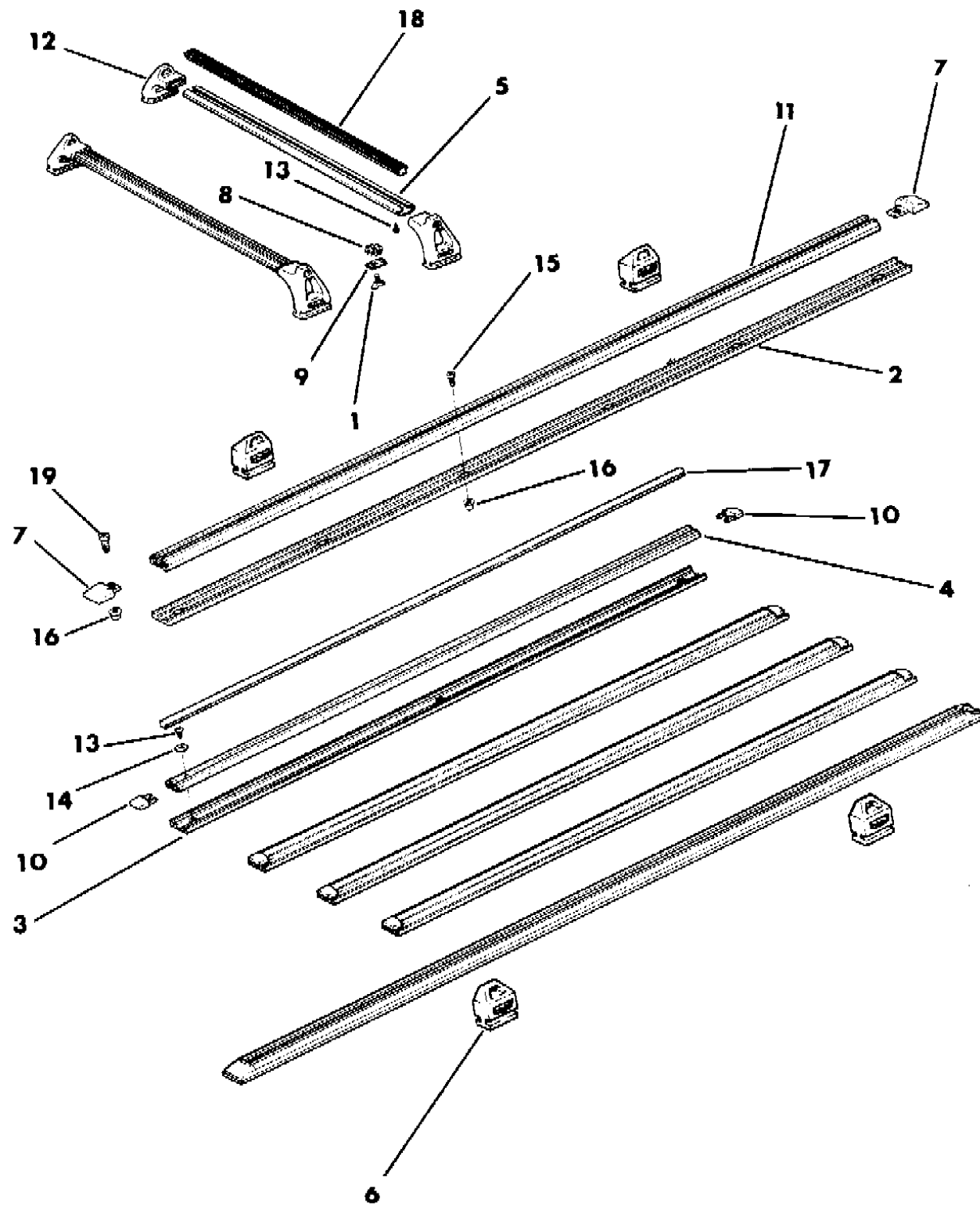
BODY STYLES:

MJ = Comanche Pickup
 SJ = Grand Wagoneer Wgn., J-10 & J-20 Pickups
 XJ = Cherokee, Wagoneer Limited
 YJ = Wrangler

AR = Use as Required - = Non Illustrated Part P.A.R. = Paint as Required

RACK, ROOF LUGGAGE (TYPE 1) CHEROKEE, WAGONEER
Figure 23A-4100

8J69 4100



| ITEM | PART NUMBER | QTY | BODY | MODEL | DESCRIPTION |
|------|-------------|-----|------|-------|---|
| 1 | J374 5222 | 4 | | | KEY, Adjustment |
| 2 | 5500 0222 | 2 | | | PAD, Slide Rail |
| 3 | 5500 0224 | 4 | | | PAD, Skid Strip |
| 4 | 5500 0216 | 4 | | | STRIP, Skid |
| 5 | 5500 0228 | 2 | | | RAIL, Cross |
| 6 | 5500 6284 | 4 | | | SUPPORT, Tie Down |
| 7 | 3500 1249 | 4 | | | END, Slide, Closed *** |
| 8 | 3500 1250 | 4 | | | WHEEL, Adjustment |
| 9 | 3500 1251 | 4 | | | LOCK, Adjustment Wheel |
| 10 | 5500 2864 | 8 | | | END, Skid Strip |
| 11 | 5500 2866 | 2 | | | RAIL, Slide |
| 12 | 3500 1253 | 4 | | | SUPPORT, Cross Rail |
| 13 | J374 5243 | 16 | | | SCREW |
| 14 | J400 7015 | 12 | | | WASHER |
| 15 | 3420 1609 | 10 | | | SCREW |
| 16 | 3420 1672 | 12 | | | NUT, Plastic Coated, (J4003120 Rubber Coated Nut) |
| 17 | 5500 2865 | 4 | | | INSERT, Skid Strip |
| 18 | 5500 0229 | 2 | | | INSERT, Cross Rail |
| 19 | 3420 1627 | 2 | | | SCREW |

MODEL CODES:

| | | |
|-----------------------------|-----------------------------|------------------------------|
| 15 = Grand Wagoneer 4 Dr. | 65 = Comanche 4WD-7 Ft. Box | 77 = Cherokee 4WD-2 Dr. |
| 25 = J-10 Pickup-119" W.B. | 66 = Comanche 2WD-7 Ft. Box | 78 = Cherokee 4WD-4 Dr. |
| 26 = J-10 Pickup-131" W.B. | 73 = Cherokee 2WD-2 Dr. | 79 = Cherokee 4WD-4 Dr.-Com |
| 27 = J-20 Pickup-131" W.B. | 74 = Cherokee 2WD-4 Dr. | 81 = Wrangler-93" W.B. |
| 63 = Comanche 4WD-6 Ft. Box | 75 = Wagoneer 4WD-4 Dr. | 82 = Wrangler-103" W.B.-Exp. |
| 64 = Comanche 2WD-6 Ft. Box | | |

BODY STYLES:

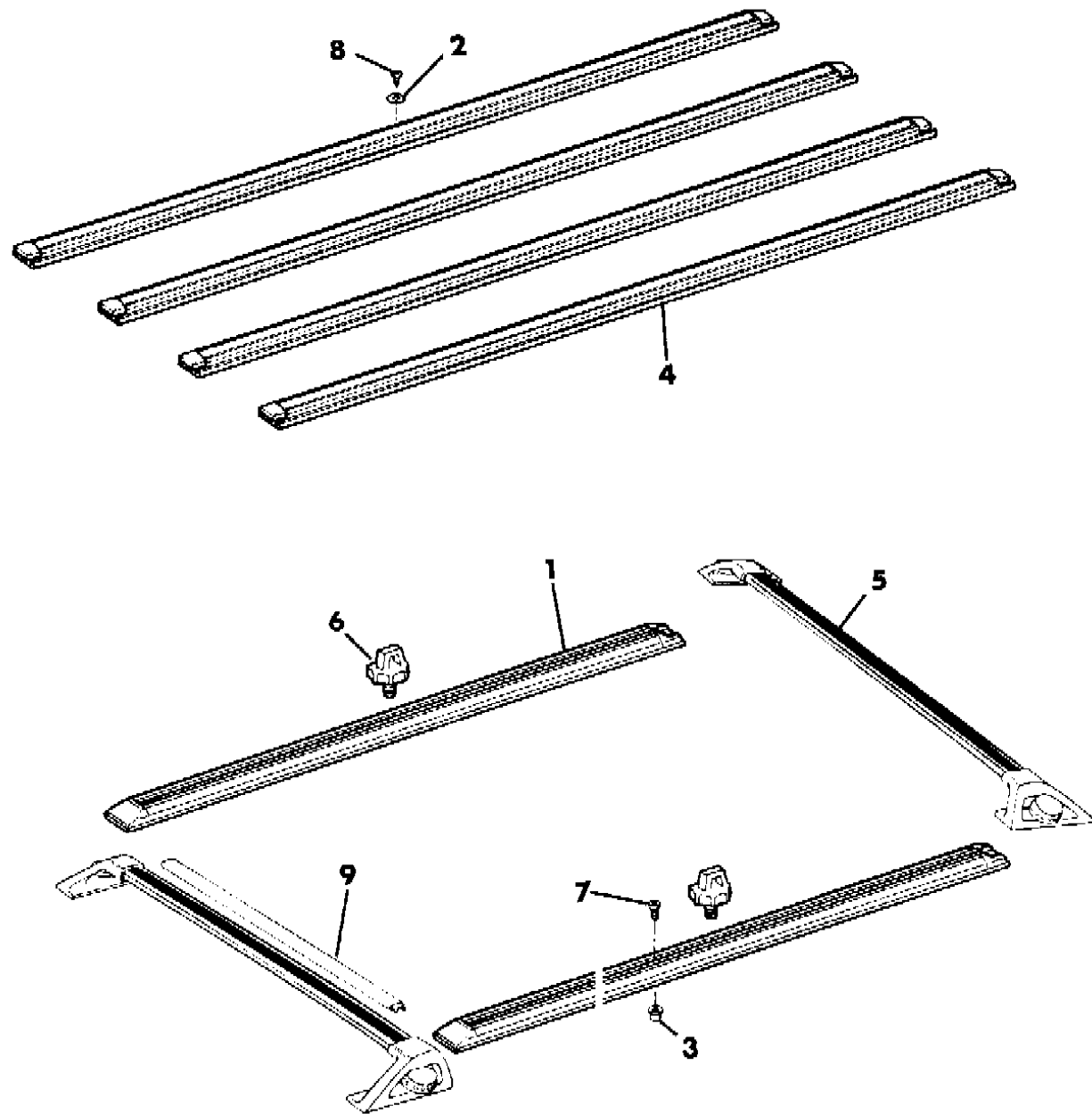
MJ = Comanche Pickup
SJ = Grand Wagoneer Wgn., J-10 & J-20 Pickups
XJ = Cherokee, Wagoneer Limited
YJ = Wrangler

AR = Use as Required - = Non Illustrated Part P.A.R. = Paint as Required

RACK, ROOF LUGGAGE, TYPE 2 CHEROKEE, WAGONEER
Figure 23A-4200

8J69 4200

| ITEM | PART NUMBER | QTY | BODY | MODEL | DESCRIPTION |
|------|-------------|-----|------|-------|---------------------------|
| 1 | | | | | RAIL, Slide |
| | 5501 8890 | 2 | | | Black |
| | 5502 5571 | 2 | | | Bright |
| 2 | J400 7015 | 12 | | | WASHER |
| 3 | | | | | NUT |
| | 3420 1293 | 12 | | | 1987-89 |
| | 6502 340 | 12 | | | 1990 |
| 4 | | | | | STRIP, Skid |
| | 5502 0240 | 4 | | | Black, 1988-89 |
| | 5502 5573 | 4 | | | Bright, 1989 |
| | 5502 5797 | 4 | | | Stick on type, 1990 |
| 5 | | | | | RAIL, Cross |
| | 5501 8702 | 2 | | | Black |
| | 5502 5572 | 2 | | | Bright |
| | 4728 425 | 1 | | | KNOB, Luggage Rack |
| 6 | 5501 8710 | 4 | | | SUPPORT, Tie Down |
| 7 | | | | | SCREW |
| | 3420 1609 | 12 | | | 1987-89 |
| | 6502 376 | 12 | | | 1990 |
| 8 | J400 5821 | 12 | | | SCREW |
| 9 | 5502 2140 | 2 | | | INSERT, Cross Bar Sunroof |



MODEL CODES:

| | | |
|-----------------------------|-----------------------------|------------------------------|
| 15 = Grand Wagoneer 4 Dr. | 65 = Comanche 4WD-7 Ft. Box | 77 = Cherokee 4WD-2 Dr. |
| 25 = J-10 Pickup-119" W.B. | 66 = Comanche 2WD-7 Ft. Box | 78 = Cherokee 4WD-4 Dr. |
| 26 = J-10 Pickup-131" W.B. | 73 = Cherokee 2WD-2 Dr. | 79 = Cherokee 4WD-4 Dr.-Com |
| 27 = J-20 Pickup-131" W.B. | 74 = Cherokee 2WD-4 Dr. | 81 = Wrangler-93" W.B. |
| 63 = Comanche 4WD-6 Ft. Box | 75 = Wagoneer 4WD-4 Dr. | 82 = Wrangler-103" W.B.-Exp. |
| 64 = Comanche 2WD-6 Ft. Box | | |

BODY STYLES:

MJ = Comanche Pickup
SJ = Grand Wagoneer Wgn., J-10 & J-20 Pickups
XJ = Cherokee, Wagoneer Limited
YJ = Wrangler

AR = Use as Required - = Non Illustrated Part P.A.R. = Paint as Required

SUNROOF, POP-UP CHEROKEE, WAGONEER
Figure 23A-4300

8J69 4300

| ITEM | PART NUMBER | QTY | BODY | MODEL | DESCRIPTION |
|------|-------------|-----|------|-------|---------------------------|
| 1 | 8350 2073 | 1 | | | FRAME KIT, Sunroof *** |
| 2 | 8350 1043 | 2 | | | HINGE KIT |
| 3 | 8350 2075 | 2 | | | RETAINER |
| 4 | 8350 2076 | 2 | | | RETAINER |
| 5 | 8350 1046 | 30 | | | SCREW |
| 6 | 8350 1049 | 1 | | | SEAL, Sunroof Flange |
| 7 | 8350 2074 | 1 | | | GLASS KIT, Sunroof *** |
| 8 | 8350 2078 | 1 | | | SEAL, Sunroof Inner |
| 9 | 8350 1054 | 1 | | | LATCH KIT |
| 10 | 8350 1055 | 1 | | | LATCH KIT |
| 11 | S016 2457 | 8 | | | SCREW |
| 12 | 8350 1061 | 1 | | | PLATE, Handle |
| 13 | 8350 1062 | 1 | | | HANDLE |
| 14 | 8350 1063 | 1 | | | ADJUSTER KIT, Sunroof *** |
| 15 | 5500 7626 | 2 | | | TUBE KIT, Drain |
| 16 | 5501 3668 | 2 | | | LOOP, Footman |
| 17 | 5500 9582 | 1 | | | COVER, Sunroof Glass |
| 18 | J400 2809 | 4 | | | SCREW |
| 19 | 3420 2491 | 1 | | | SCREW |
| 20 | 8350 2077 | 4 | | | RETAINER |
| 21 | 5500 7976 | 2 | | | TUBE, Drain |
| 22 | J322 7850 | 2 | | | CLAMP |
| 23 | 5500 7632 | 1 | | | REINFORCEMENT |
| 24 | 3420 1893 | 4 | | | SCREW |

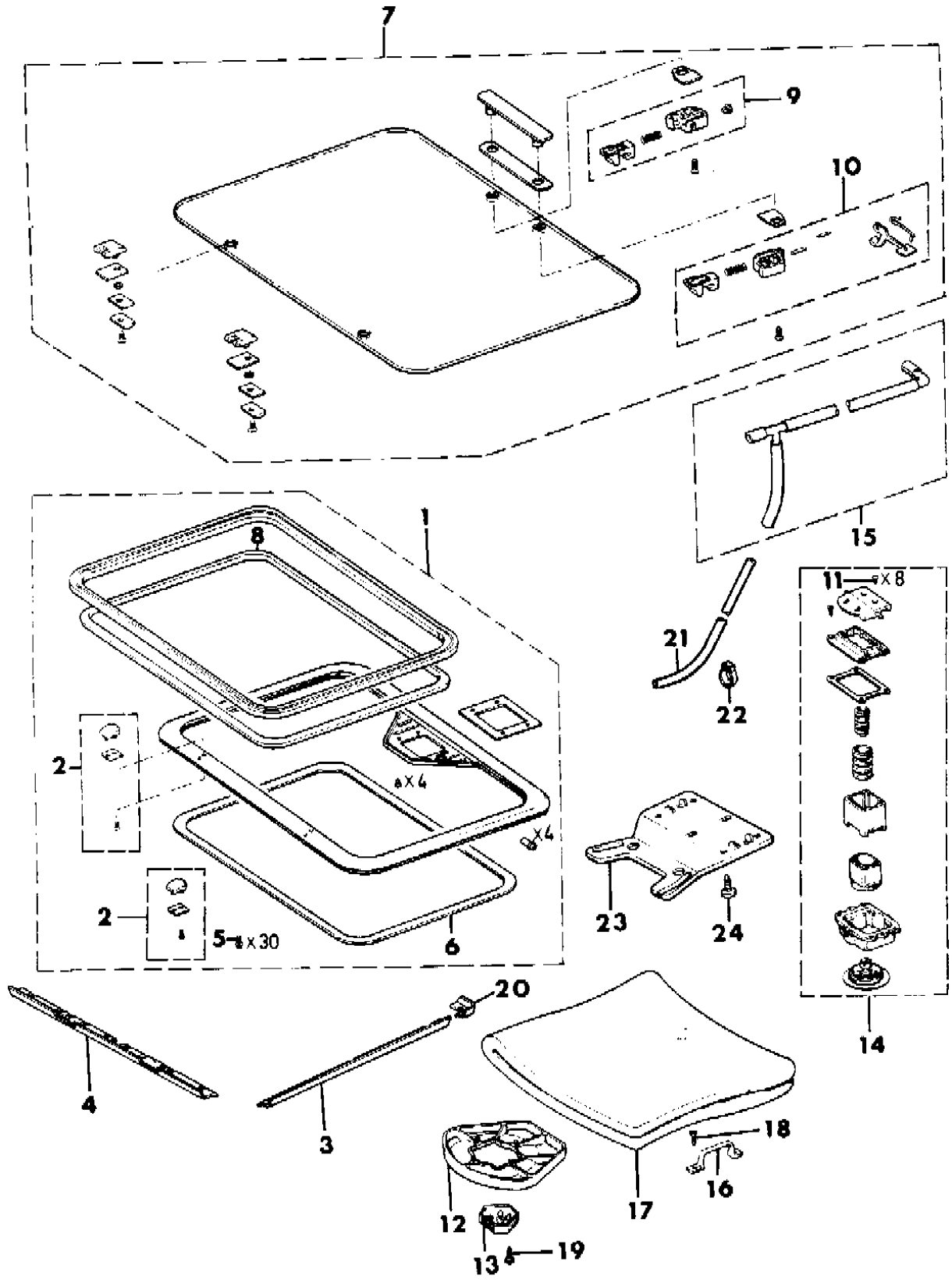
MODEL CODES:

| | | |
|-----------------------------|-----------------------------|------------------------------|
| 15 = Grand Wagoneer 4 Dr. | 65 = Comanche 4WD-7 Ft. Box | 77 = Cherokee 4WD-2 Dr. |
| 25 = J-10 Pickup-119" W.B. | 66 = Comanche 2WD-7 Ft. Box | 78 = Cherokee 4WD-4 Dr. |
| 26 = J-10 Pickup-131" W.B. | 73 = Cherokee 2WD-2 Dr. | 79 = Cherokee 4WD-4 Dr.-Com |
| 27 = J-20 Pickup-131" W.B. | 74 = Cherokee 2WD-4 Dr. | 81 = Wrangler-93" W.B. |
| 63 = Comanche 4WD-6 Ft. Box | 75 = Wagoneer 4WD-4 Dr. | 82 = Wrangler-103" W.B.-Exp. |
| 64 = Comanche 2WD-6 Ft. Box | | |

BODY STYLES:

MJ = Comanche Pickup
SJ = Grand Wagoneer Wgn., J-10 & J-20 Pickups
XJ = Cherokee, Wagoneer Limited
YJ = Wrangler

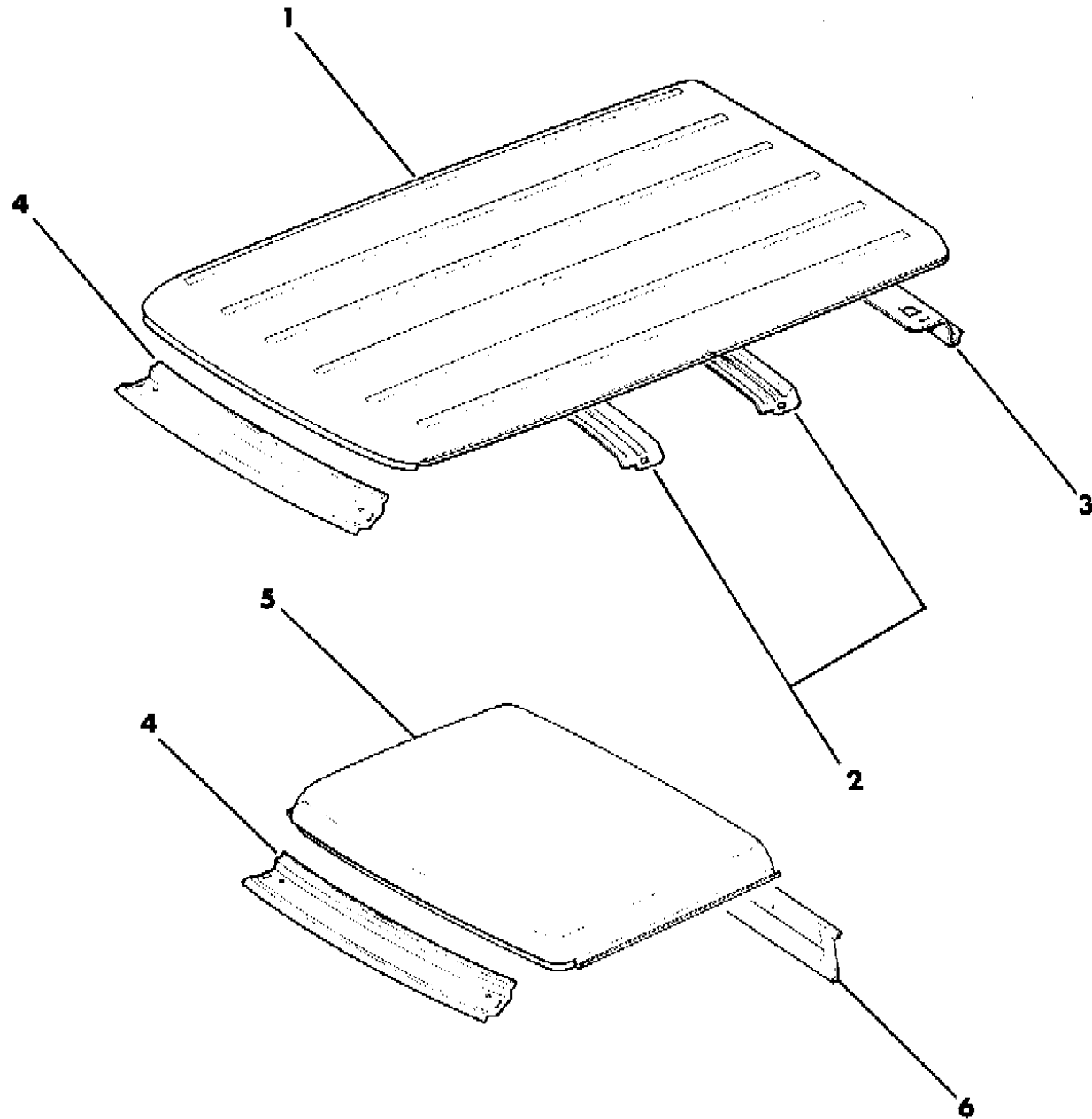
AR = Use as Required - = Non Illustrated Part P.A.R. = Paint as Required



PANELS, ROOF CHEROKEE, WAGONEER, COMANCHE
Figure 23A-4400

8 J 69 4400

| ITEM | PART NUMBER | QTY | BODY | MODEL | DESCRIPTION |
|------|-------------|-----|------|-------|-------------------|
| 1 | | | | | PANEL, Roof |
| | 5500 0142 | 1 | XJ | | w/o Sunroof |
| | 5501 0629 | 1 | XJ | | w/Sunroof |
| | 5500 2389 | 1 | XJ | | 1987-89 |
| | | | | | 1990 |
| 2 | 5500 0138 | 2 | XJ | | SUPPORT, Roof |
| 3 | 5700 2012 | 1 | XJ | | HEADER, Door *** |
| 4 | | | | | HEADER, Front *** |
| | 5500 0108 | 1 | | | 1987-89 |
| | 5502 7632 | 1 | | | 1990 |
| 5 | 5500 3424 | 1 | MJ | | PANEL, Roof |
| 6 | 5500 3432 | 1 | MJ | | PANEL, Cab Header |



MODEL CODES:

| | | |
|-----------------------------|-----------------------------|------------------------------|
| 15 = Grand Wagoneer 4 Dr. | 65 = Comanche 4WD-7 Ft. Box | 77 = Cherokee 4WD-2 Dr. |
| 25 = J-10 Pickup-119" W.B. | 66 = Comanche 2WD-7 Ft. Box | 78 = Cherokee 4WD-4 Dr. |
| 26 = J-10 Pickup-131" W.B. | 73 = Cherokee 2WD-2 Dr. | 79 = Cherokee 4WD-4 Dr.-Com |
| 27 = J-20 Pickup-131" W.B. | 74 = Cherokee 2WD-4 Dr. | 81 = Wrangler-93" W.B. |
| 63 = Comanche 4WD-6 Ft. Box | 75 = Wagoneer 4WD-4 Dr. | 82 = Wrangler-103" W.B.-Exp. |
| 64 = Comanche 2WD-6 Ft. Box | | |

BODY STYLES:

MJ = Comanche Pickup
SJ = Grand Wagoneer Wgn., J-10 & J-20 Pickups
XJ = Cherokee, Wagoneer Limited
YJ = Wrangler

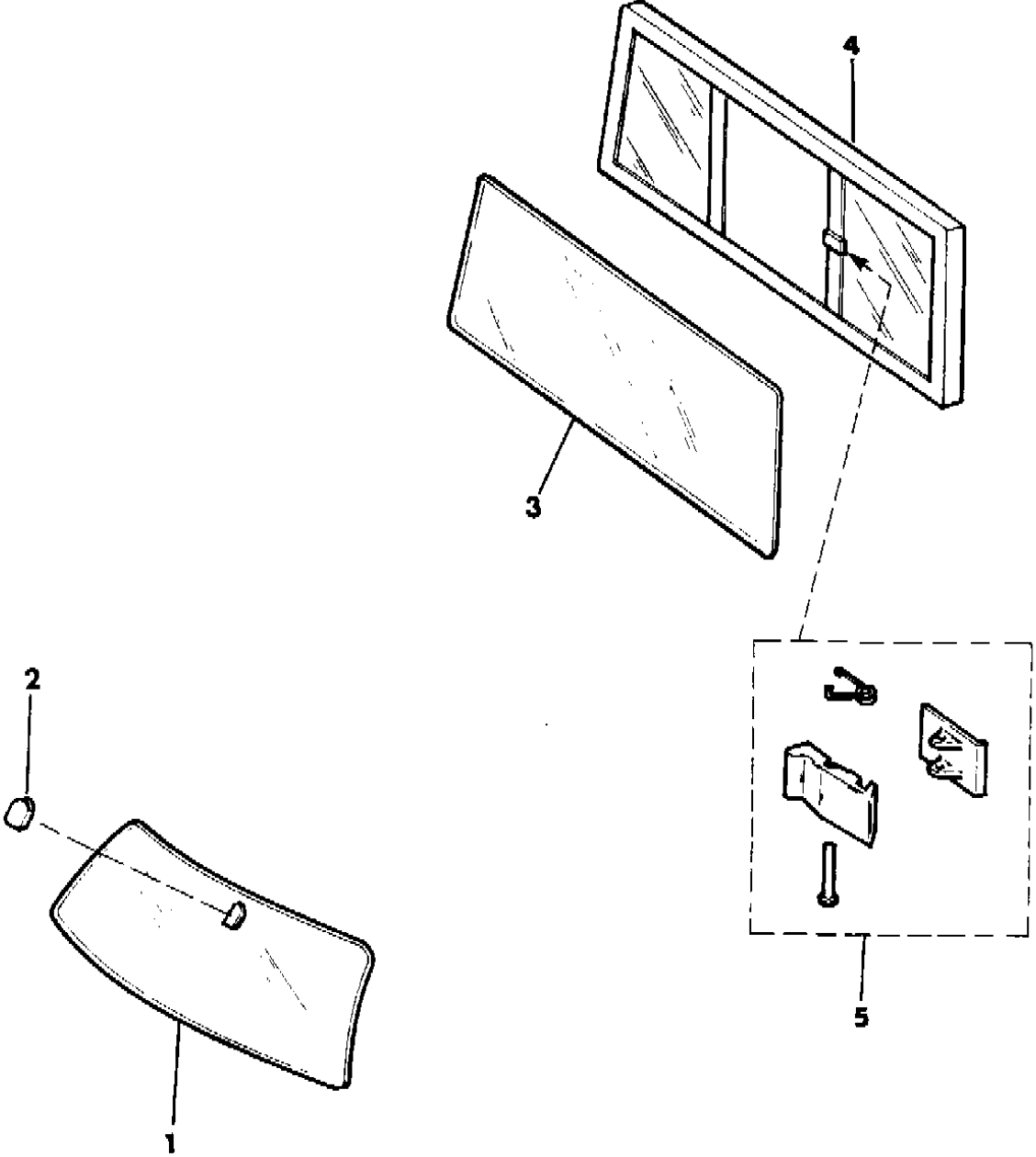
AR = Use as Required - = Non Illustrated Part P.A.R. = Paint as Required

GLASS COMANCHE
Figure 23A-4500

8J69 4500

| ITEM | PART NUMBER | QTY | BODY | MODEL | DESCRIPTION |
|------|-------------|-----|------|-------|---|
| 1 | | | | | GLASS, Windshield |
| | 5500 0552 | 1 | | | Clear |
| | 5500 0553 | 1 | | | Tinted |
| 2 | J365 7374 | 1 | | | SUPPORT, Inside Rear View Mirror (See note a) |
| 3 | 5500 4338 | 1 | | | GLASS, Fixed Tinted |
| 4 | 5500 4224 | 1 | | | GLASS, Sliding Tinted |
| 5 | 8350 3323 | 1 | | | LOCK KIT |

(a) The Mirror Support is Replacing Mirror Mounting Kit. When Installing a Mirror Support, use Locktite #312 and the Accelerator. (A)
For 1987, two types of instrument clusters were used. On type one, Clusters, the odometer numbers are rounded, the



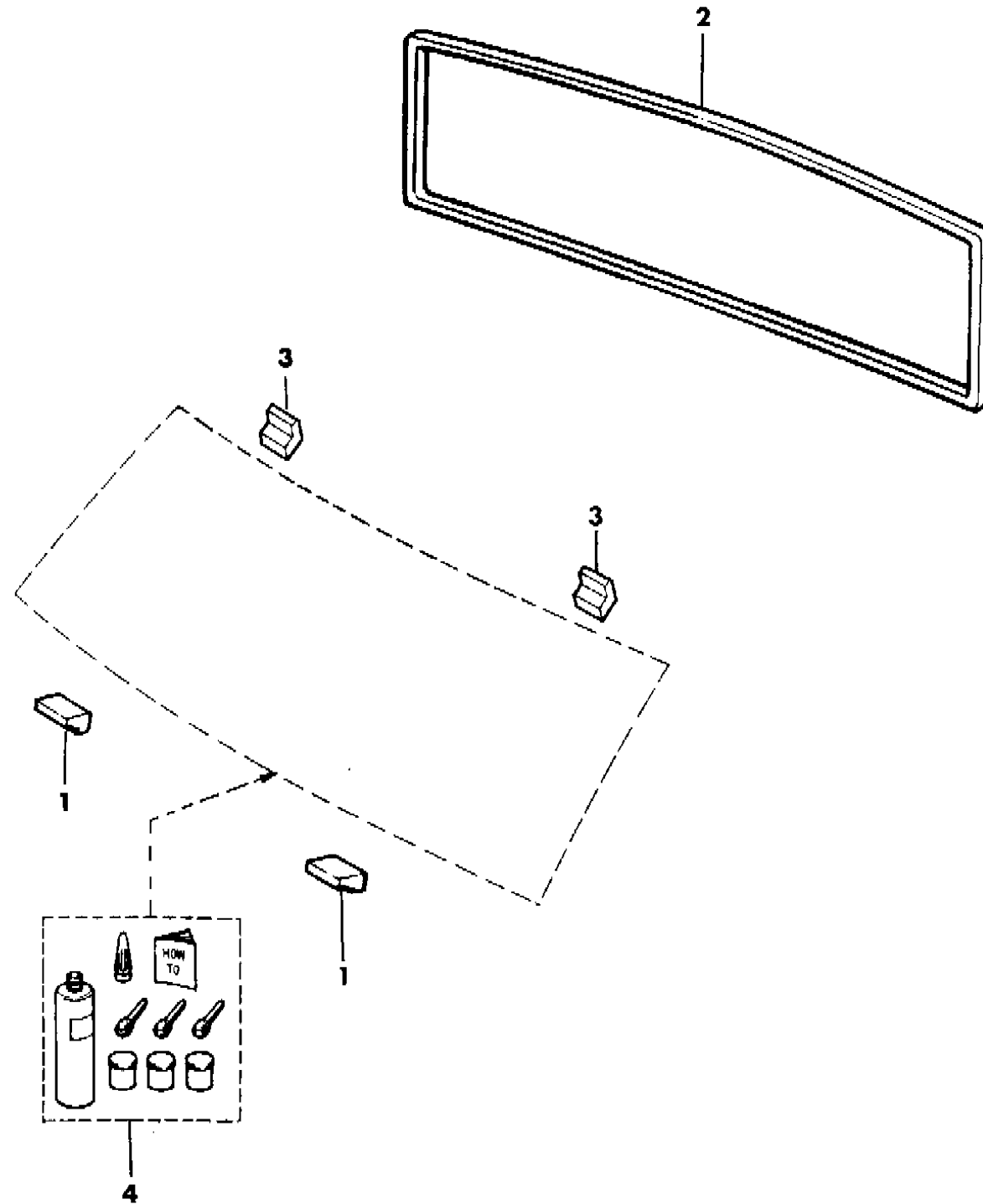
- MODEL CODES:
- | | | |
|-----------------------------|-----------------------------|------------------------------|
| 15 = Grand Wagoneer 4 Dr. | 65 = Comanche 4WD-7 Ft. Box | 77 = Cherokee 4WD-2 Dr. |
| 25 = J-10 Pickup-119" W.B. | 66 = Comanche 2WD-7 Ft. Box | 78 = Cherokee 4WD-4 Dr. |
| 26 = J-10 Pickup-131" W.B. | 73 = Cherokee 2WD-2 Dr. | 79 = Cherokee 4WD-4 Dr.-Com |
| 27 = J-20 Pickup-131" W.B. | 74 = Cherokee 2WD-4 Dr. | 81 = Wrangler-93" W.B. |
| 63 = Comanche 4WD-6 Ft. Box | 75 = Wagoneer 4WD-4 Dr. | 82 = Wrangler-103" W.B.-Exp. |
| 64 = Comanche 2WD-6 Ft. Box | | |

- BODY STYLES:
- MJ = Comanche Pickup
 - SJ = Grand Wagoneer Wgn., J-10 & J-20 Pickups
 - XJ = Cherokee, Wagoneer Limited
 - YJ = Wrangler

AR = Use as Required - = Non Illustrated Part P.A.R. = Paint as Required

SEAL, WINDOW COMANCHE
Figure 23A-4600

8 J 69 4600



| ITEM | PART NUMBER | QTY | BODY | MODEL | DESCRIPTION |
|------|-------------|-----|------|-------|------------------------------------|
| 1 | 5500 2604 | 2 | | | SPACER, Windshield Bottom, Soluble |
| 2 | 5500 7123 | 1 | | | SEAL, Rear Window |
| 3 | 5505 2617 | 2 | | | SPACER, Windshield Top, Soluble |
| 4 | 8310 0051 | AR | | | MOUNTING KIT, Windshield |

MODEL CODES:

| | | |
|-----------------------------|-----------------------------|------------------------------|
| 15 = Grand Wagoneer 4 Dr. | 65 = Comanche 4WD-7 Ft. Box | 77 = Cherokee 4WD-2 Dr. |
| 25 = J-10 Pickup-119" W.B. | 66 = Comanche 2WD-7 Ft. Box | 78 = Cherokee 4WD-4 Dr. |
| 26 = J-10 Pickup-131" W.B. | 73 = Cherokee 2WD-2 Dr. | 79 = Cherokee 4WD-4 Dr.-Com |
| 27 = J-20 Pickup-131" W.B. | 74 = Cherokee 2WD-4 Dr. | 81 = Wrangler-93" W.B. |
| 63 = Comanche 4WD-6 Ft. Box | 75 = Wagoneer 4WD-4 Dr. | 82 = Wrangler-103" W.B.-Exp. |
| 64 = Comanche 2WD-6 Ft. Box | | |

BODY STYLES:

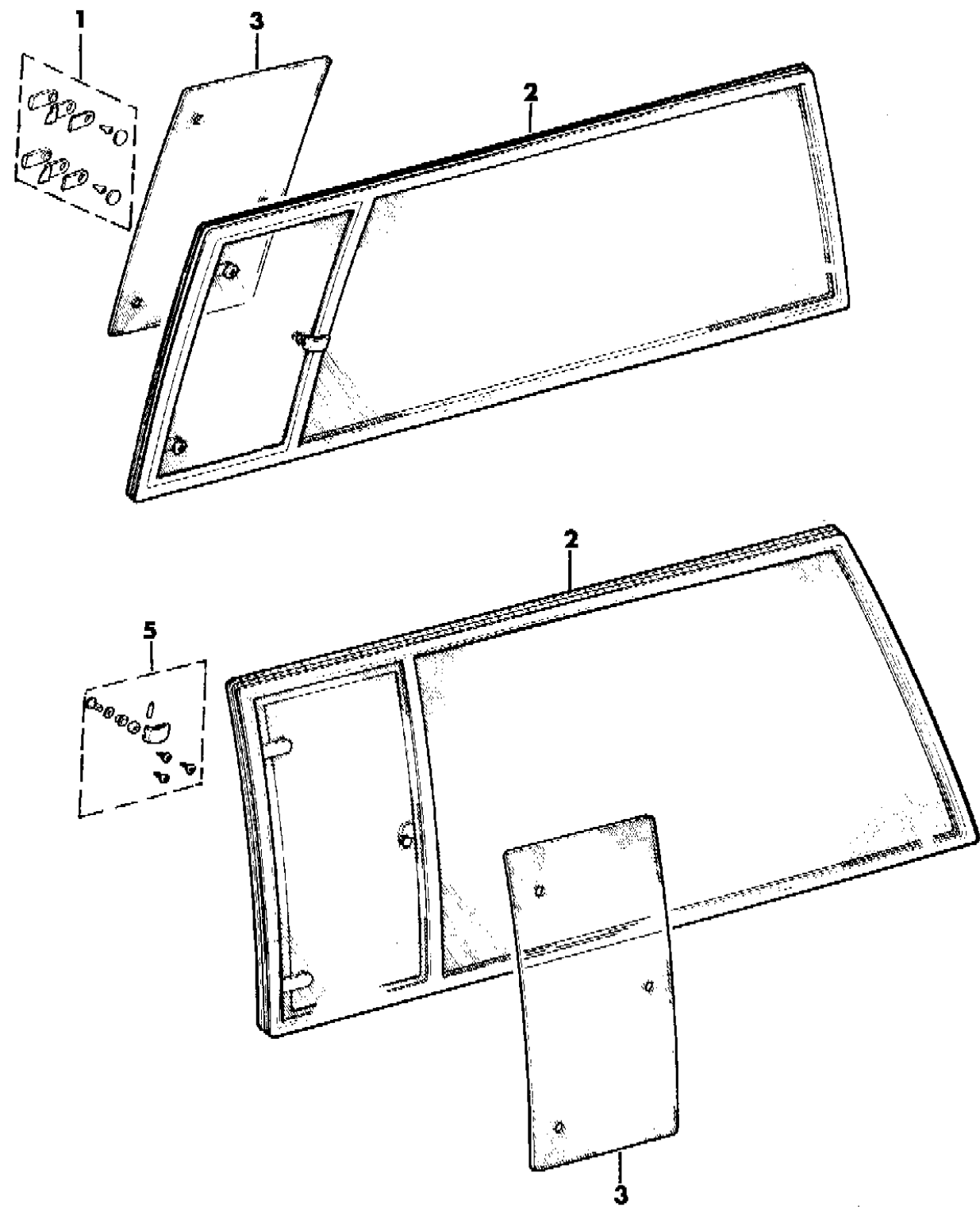
MJ = Comanche Pickup
SJ = Grand Wagoneer Wgn., J-10 & J-20 Pickups
XJ = Cherokee, Wagoneer Limited
YJ = Wrangler

AR = Use as Required - = Non Illustrated Part P.A.R. = Paint as Required

GLASS, REAR QUARTER FIXED CHEROKEE 2 DOOR
Figure 23A-4700

8 J 69 4700 A

| ITEM | PART NUMBER | QTY | BODY | MODEL | DESCRIPTION |
|------|-------------|-----|------|-------|-------------------------------------|
| 1 | 8350 2274-5 | 1 | | | HINGE KIT *** |
| 2 | | | | | GLASS ASSEMBLY, Quarter Tinted |
| | 5500 7980-1 | 1 | | | Easy Eye |
| | 5500 7982-3 | 1 | | | Bronze |
| | 5501 9748-9 | 1 | | | Gray |
| 3 | | | | | GLASS, Quarter Vent Tinted |
| | 5500 7994-5 | 1 | | | Easy Eye |
| | 5500 7996-7 | 1 | | | Bronze |
| | 5501 9744-5 | 1 | | | Gray |
| 4 | 8350 2272 | 2 | | | HANDLE KIT, Quarter Window Vent *** |



MODEL CODES:
 15 = Grand Wagoneer 4 Dr. 65 = Comanche 4WD-7 Ft. Box 77 = Cherokee 4WD-2 Dr.
 25 = J-10 Pickup-119" W.B. 66 = Comanche 2WD-7 Ft. Box 78 = Cherokee 4WD-4 Dr.
 26 = J-10 Pickup-131" W.B. 73 = Cherokee 2WD-2 Dr. 79 = Cherokee 4WD-4 Dr.-Com
 27 = J-20 Pickup-131" W.B. 74 = Cherokee 2WD-4 Dr. 81 = Wrangler-93" W.B.
 63 = Comanche 4WD-6 Ft. Box 75 = Wagoneer 4WD-4 Dr. 82 = Wrangler-103" W.B.-Exp.
 64 = Comanche 2WD-6 Ft. Box

BODY STYLES:
 MJ = Comanche Pickup
 SJ = Grand Wagoneer Wgn., J-10 & J-20 Pickups
 XJ = Cherokee, Wagoneer Limited
 YJ = Wrangler

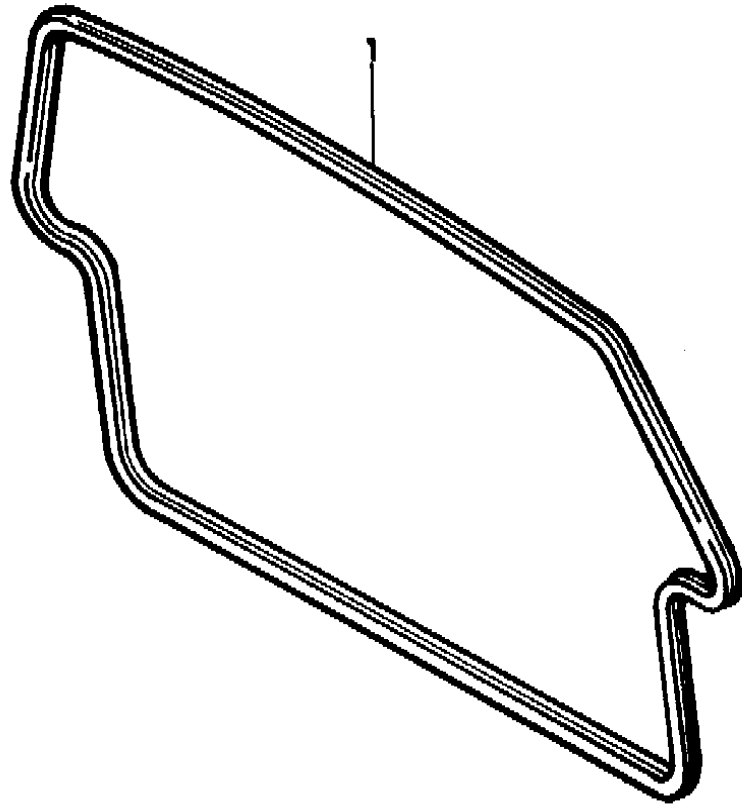
AR = Use as Required - = Non Illustrated Part P.A.R. = Paint as Required

SEAL LIFT DOOR CHEROKEE, WAGONEER
Figure 23A-4800

8 J 69 4800

| ITEM | PART NUMBER | QTY | BODY | MODEL | DESCRIPTION |
|------|-------------|-----|------|-------|-------------|
|------|-------------|-----|------|-------|-------------|

| | | | | | |
|---|-----------|---|--|--|-----------------|
| 1 | 5501 5783 | 1 | | | SEAL, Lift Door |
| | | | | | |
| | | | | | |
| | | | | | |
| | | | | | |
| | | | | | |
| | | | | | |
| | | | | | |
| | | | | | |
| | | | | | |
| | | | | | |
| | | | | | |
| | | | | | |
| | | | | | |
| | | | | | |
| | | | | | |
| | | | | | |
| | | | | | |
| | | | | | |
| | | | | | |
| | | | | | |
| | | | | | |



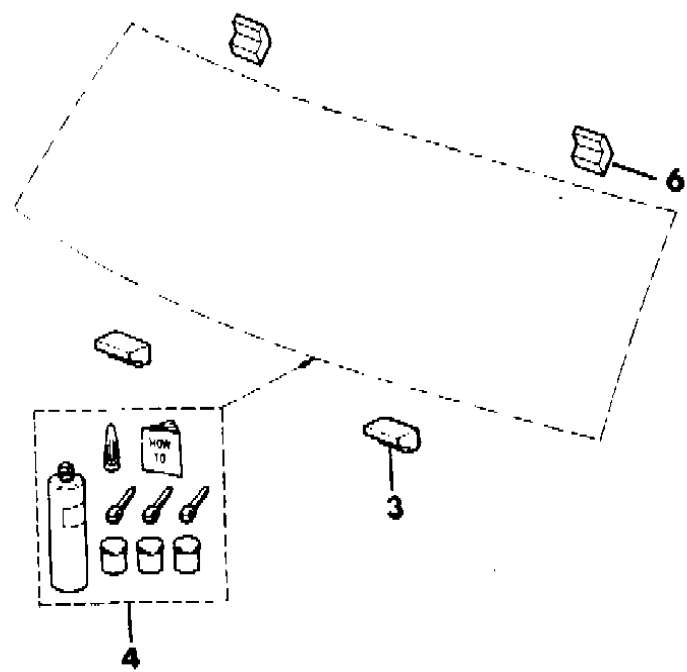
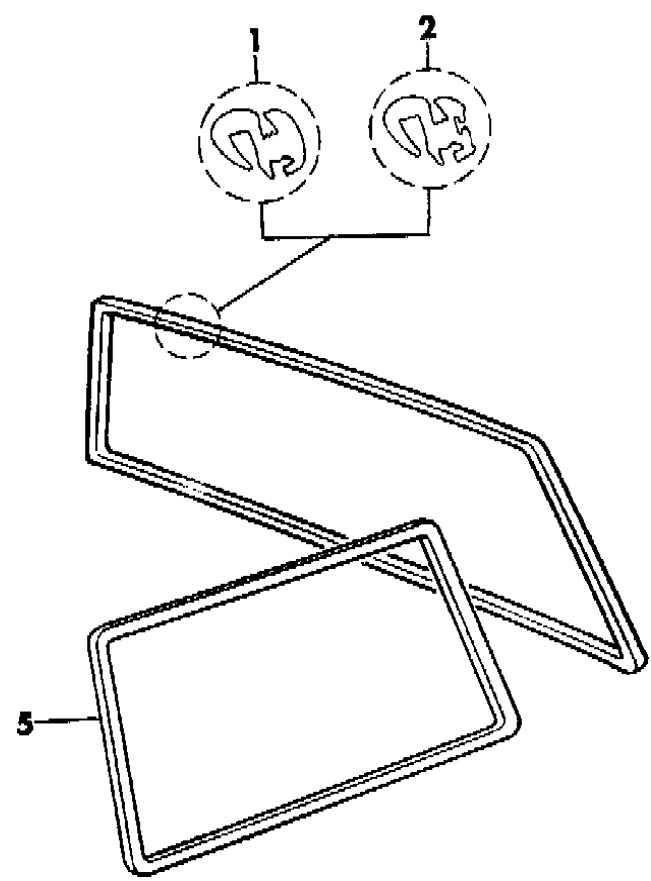
- MODEL CODES:**
- | | | |
|-----------------------------|-----------------------------|------------------------------|
| 15 = Grand Wagoneer 4 Dr. | 65 = Comanche 4WD-7 Ft. Box | 77 = Cherokee 4WD-2 Dr. |
| 25 = J-10 Pickup-119" W.B. | 66 = Comanche 2WD-7 Ft. Box | 78 = Cherokee 4WD-4 Dr. |
| 26 = J-10 Pickup-131" W.B. | 73 = Cherokee 2WD-2 Dr. | 79 = Cherokee 4WD-4 Dr.-Com |
| 27 = J-20 Pickup-131" W.B. | 74 = Cherokee 2WD-4 Dr. | 81 = Wrangler-93" W.B. |
| 63 = Comanche 4WD-6 Ft. Box | 75 = Wagoneer 4WD-4 Dr. | 82 = Wrangler-103" W.B.-Exp. |
| 64 = Comanche 2WD-6 Ft. Box | | |
- BODY STYLES:**
- MJ = Comanche Pickup
 - SJ = Grand Wagoneer Wgn., J-10 & J-20 Pickups
 - XJ = Cherokee, Wagoneer Limited
 - YJ = Wrangler

AR = Use as Required - = Non Illustrated Part P.A.R. = Paint as Required

SEALS WINDOW CHEROKEE 2 DOOR
Figure 23A-4900

8 J 69 4900

| ITEM | PART NUMBER | QTY | BODY | MODEL | DESCRIPTION |
|------|-------------|-----|------|-------|--------------------------------|
| 1 | 5500 7134 | 1 | | | SEAL, Lift Door Glass |
| 2 | 5500 7135 | 1 | | | SEAL, Lift Door Glass, w/Mldg. |
| 3 | 5500 2604 | 2 | | | SPACER, Windshield Bottom |
| 4 | 8310 0051 | AR | | | MOUNTING KIT, Windshield |
| 5 | 5500 7130-1 | 1 | | | SEAL, Quarter Window |
| 6 | 5505 2617 | 2 | | | SPACER, Windshield Top |



MODEL CODES:

| | | |
|-----------------------------|-----------------------------|------------------------------|
| 15 = Grand Wagoneer 4 Dr. | 65 = Comanche 4WD-7 Ft. Box | 77 = Cherokee 4WD-2 Dr. |
| 25 = J-10 Pickup-119" W.B. | 66 = Comanche 2WD-7 Ft. Box | 78 = Cherokee 4WD-4 Dr. |
| 26 = J-10 Pickup-131" W.B. | 73 = Cherokee 2WD-2 Dr. | 79 = Cherokee 4WD-4 Dr.-Com |
| 27 = J-20 Pickup-131" W.B. | 74 = Cherokee 2WD-4 Dr. | 81 = Wrangler-93" W.B. |
| 63 = Comanche 4WD-6 Ft. Box | 75 = Wagoneer 4WD-4 Dr. | 82 = Wrangler-103" W.B.-Exp. |
| 64 = Comanche 2WD-6 Ft. Box | | |

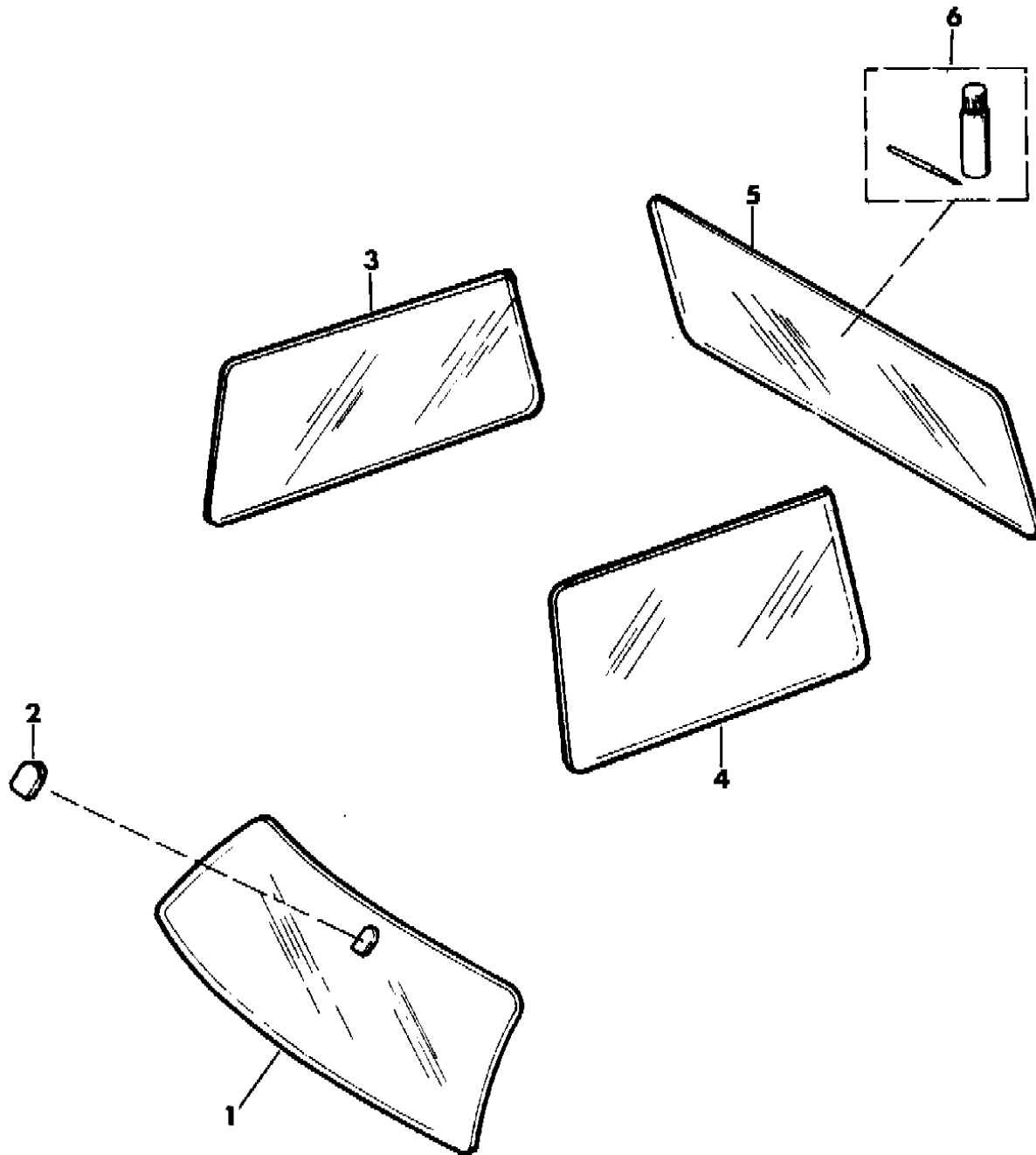
BODY STYLES:

MJ = Comanche Pickup
 SJ = Grand Wagoneer Wgn., J-10 & J-20 Pickups
 XJ = Cherokee, Wagoneer Limited
 YJ = Wrangler

AR = Use as Required - = Non Illustrated Part P.A.R. = Paint as Required

GLASS, STATIONARY WINDSHIELD, QUARTER AND LIFT DOOR CHEROKEE 2 DOOR
Figure 23A-5000

8 J 69 5000



| ITEM | PART NUMBER | QTY | BODY | MODEL | DESCRIPTION |
|------|-------------|-----|------|-------|--------------------------------------|
| 1 | | | | | GLASS, Windshield |
| | 5500 0552 | 1 | | | Clear |
| | 5500 0553 | 1 | | | Tinted |
| 2 | J365 7374 | 1 | | | SUPPORT, Inside Rear View Mirror (a) |
| 3-4 | | | | | GLASS, Quarter |
| | 5500 0184-5 | 1 | | | Clear, 1987 |
| | 5500 0186-7 | 1 | | | Tinted |
| 5 | | | | | GLASS, Liftgate |
| | 5500 9768 | 1 | | | Clear, 1987 |
| | 5500 9769 | 1 | | | Green |
| | 5500 9770 | 1 | | | Green, w/rear window defogger |
| | 5501 8738 | 1 | | | Grey, w/rear window defogger |
| 6 | J812 3332 | 1 | | | REPAIR KIT |

(a) The Mirror Support is Replacing Mirror Mounting Kit. When Installing a Mirror Support, Use Locktite #321 Adhesive, and the Accelerator for Locktite #312.

MODEL CODES:

| | | |
|-----------------------------|-----------------------------|------------------------------|
| 15 = Grand Wagoneer 4 Dr. | 65 = Comanche 4WD-7 Ft. Box | 77 = Cherokee 4WD-2 Dr. |
| 25 = J-10 Pickup-119" W.B. | 66 = Comanche 2WD-7 Ft. Box | 78 = Cherokee 4WD-4 Dr. |
| 26 = J-10 Pickup-131" W.B. | 73 = Cherokee 2WD-2 Dr. | 79 = Cherokee 4WD-4 Dr.-Com |
| 27 = J-20 Pickup-131" W.B. | 74 = Cherokee 2WD-4 Dr. | 81 = Wrangler-93" W.B. |
| 63 = Comanche 4WD-6 Ft. Box | 75 = Wagoneer 4WD-4 Dr. | 82 = Wrangler-103" W.B.-Exp. |
| 64 = Comanche 2WD-6 Ft. Box | | |

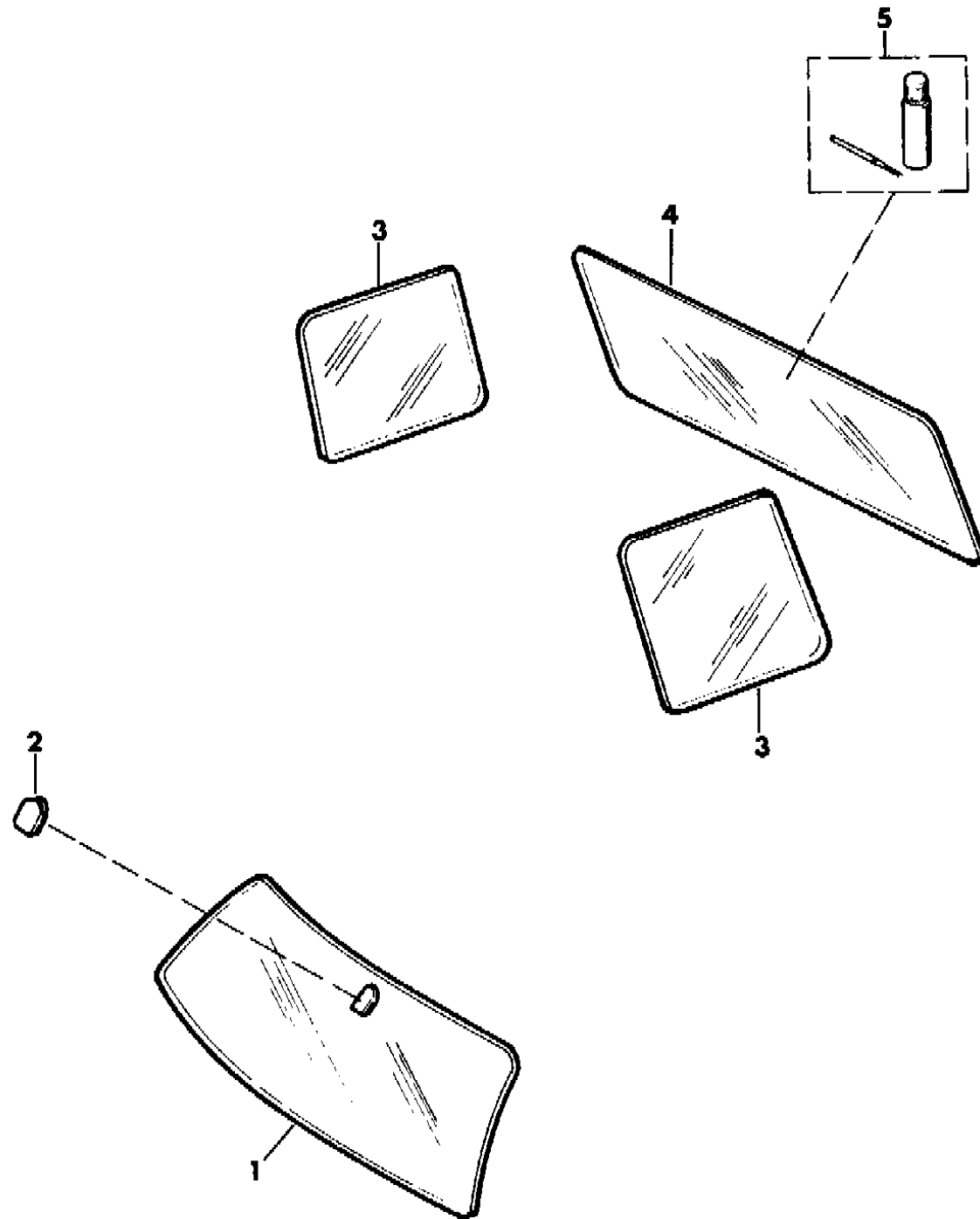
BODY STYLES:

MJ = Comanche Pickup
 SJ = Grand Wagoneer Wgn., J-10 & J-20 Pickups
 XJ = Cherokee, Wagoneer Limited
 YJ = Wrangler

AR = Use as Required - = Non Illustrated Part P.A.R. = Paint as Required

GLASS, STATIONARY WINDSHIELD, QUARTER, AND LIFT DOOR CHEROKEE 4 DOOR, WAGONEER
Figure 23A-5100

8 J 69 5100 A



| ITEM | PART NUMBER | QTY | BODY | MODEL | DESCRIPTION |
|------|-------------|-----|------|-------|---|
| 1 | | | | | GLASS, Windshield |
| | 5500 0552 | 1 | | | Clear |
| | 5500 0553 | 1 | | | Tinted |
| 2 | J365 7374 | 1 | | | SUPPORT, Inside Rear View Mirror Mounting (a) |
| 3 | | | | | GLASS, Quarter |
| | 5500 0700-1 | 1 | | | Green |
| | 5501 8654-5 | 1 | | | Grey |
| 4 | | | | | GLASS, Lift Door |
| | 5500 9768 | 1 | | | Clear, 1987 |
| | 5500 9769 | 1 | | | Green |
| | 5500 9770 | 1 | | | Green, w/rear window defogger |
| | 5501 8738 | 1 | | | Grey, w/rear window defogger |
| 5 | J812 3332 | 1 | | | REPAIR KIT, Grid *** |

(a) The Mirror Support is Replacing Mirror Mounting Kit. When Installing a Mirror, Support, Use Locktite #312 Adhesive and the Accelerator for Locktite #312.

MODEL CODES:

| | | |
|-----------------------------|-----------------------------|------------------------------|
| 15 = Grand Wagoneer 4 Dr. | 65 = Comanche 4WD-7 Ft. Box | 77 = Cherokee 4WD-2 Dr. |
| 25 = J-10 Pickup-119" W.B. | 66 = Comanche 2WD-7 Ft. Box | 78 = Cherokee 4WD-4 Dr. |
| 26 = J-10 Pickup-131" W.B. | 73 = Cherokee 2WD-2 Dr. | 79 = Cherokee 4WD-4 Dr.-Com |
| 27 = J-20 Pickup-131" W.B. | 74 = Cherokee 2WD-4 Dr. | 81 = Wrangler-93" W.B. |
| 63 = Comanche 4WD-6 Ft. Box | 75 = Wagoneer 4WD-4 Dr. | 82 = Wrangler-103" W.B.-Exp. |
| 64 = Comanche 2WD-6 Ft. Box | | |

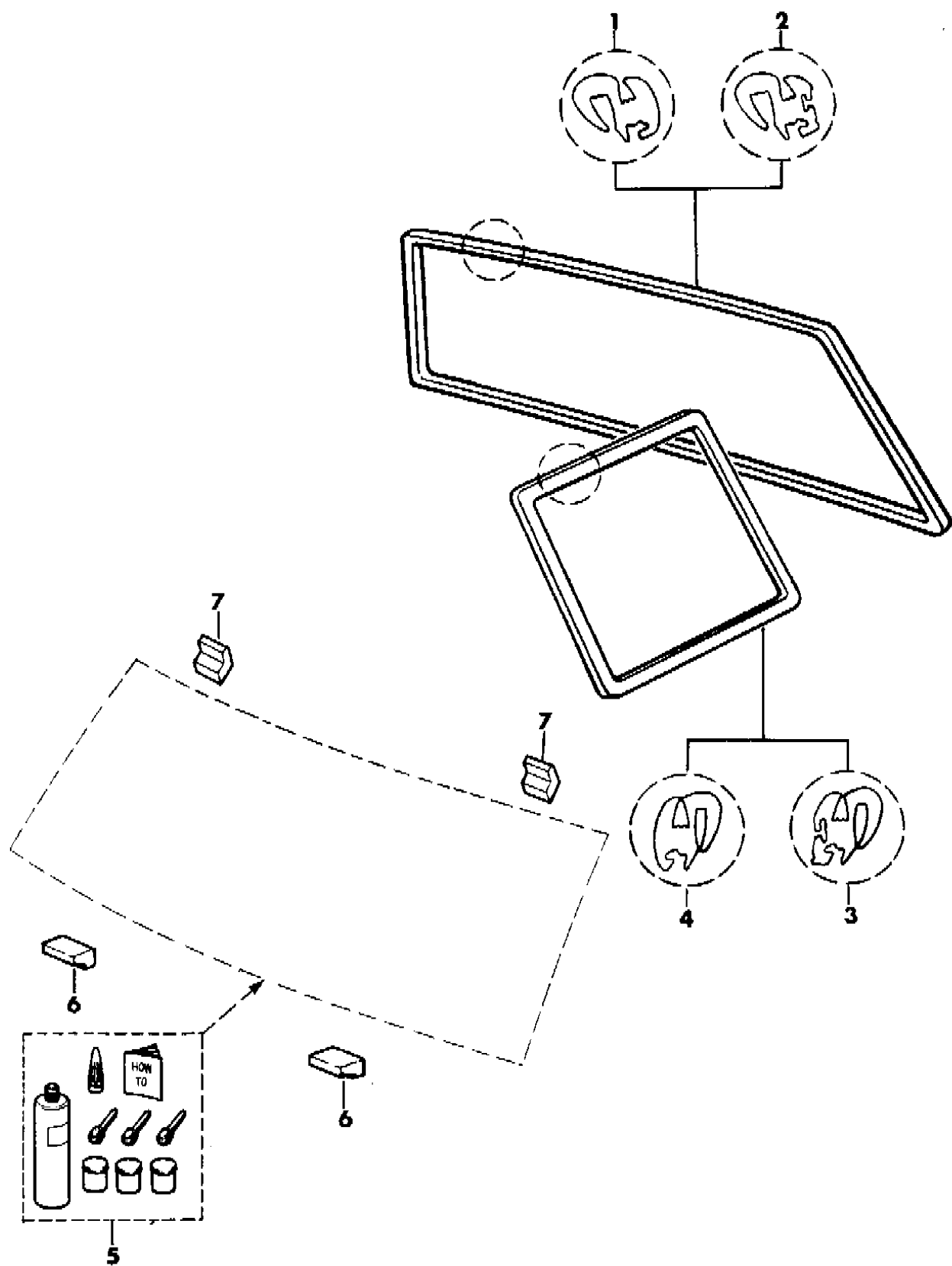
BODY STYLES:

MJ = Comanche Pickup
 SJ = Grand Wagoneer Wgn., J-10 & J-20 Pickups
 XJ = Cherokee, Wagoneer Limited
 YJ = Wrangler

AR = Use as Required - = Non Illustrated Part P.A.R. = Paint as Required

SEALS QUARTER AND LIFT DOOR WINDOW CHEROKEE 4 DOOR, WAGONEER
Figure 23A-5200

8J 69 5200



| ITEM | PART NUMBER | QTY | BODY | MODEL | DESCRIPTION |
|------|-------------|-----|------|--------|--------------------------------|
| 1 | | | | | SEAL, Lift Door Glass |
| | 5500 7134 | 1 | | | 1987-89 |
| | 5502 5250 | 1 | | | 1990 |
| 2 | 5500 7135 | 1 | | | SEAL, Lift Door Glass, w/Mldg. |
| 3 | 5500 7132-3 | 1 | | 75 | SEAL, Quarter Window |
| 4 | 5500 7128-9 | 1 | | 74, 78 | SEAL, Quarter Window |
| 5 | 8310 0051 | 1 | | | MOUNTING KIT |
| 6 | 5500 2604 | 2 | | | SPACER, Windshield Bottom |
| 7 | 5505 2617 | 2 | | | SPACER, Windshield Top |

MODEL CODES:

| | | |
|-----------------------------|-----------------------------|------------------------------|
| 15 = Grand Wagoneer 4 Dr. | 65 = Comanche 4WD-7 Ft. Box | 77 = Cherokee 4WD-2 Dr. |
| 25 = J-10 Pickup-119" W.B. | 66 = Comanche 2WD-7 Ft. Box | 78 = Cherokee 4WD-4 Dr. |
| 26 = J-10 Pickup-131" W.B. | 73 = Cherokee 2WD-2 Dr. | 79 = Cherokee 4WD-4 Dr.-Com |
| 27 = J-20 Pickup-131" W.B. | 74 = Cherokee 2WD-4 Dr. | 81 = Wrangler-93" W.B. |
| 63 = Comanche 4WD-6 Ft. Box | 75 = Wagoneer 4WD-4 Dr. | 82 = Wrangler-103" W.B.-Exp. |
| 64 = Comanche 2WD-6 Ft. Box | | |

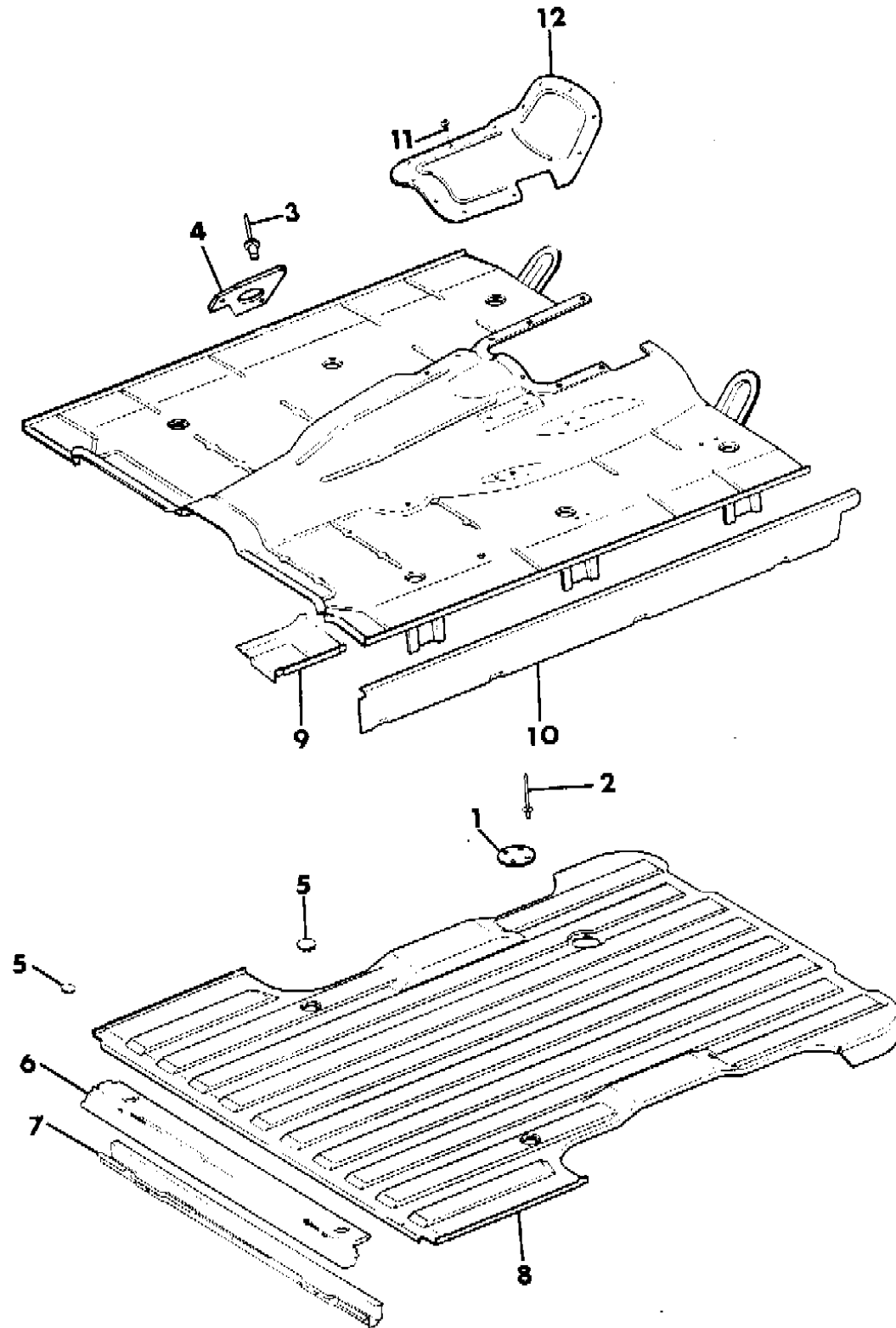
BODY STYLES:

MJ = Comanche Pickup
SJ = Grand Wagoneer Wgn., J-10 & J-20 Pickups
XJ = Cherokee, Wagoneer Limited
YJ = Wrangler

AR = Use as Required - = Non Illustrated Part P.A.R. = Paint as Required

PAN, FLOOR GRAND WAGONEER
Figure 23A-5300

8J69 5300



| ITEM | PART NUMBER | QTY | BODY | MODEL | DESCRIPTION |
|------|-------------|-----|------|-------|-----------------------|
| 1 | J575 2636 | 1 | | | PLATE |
| 2 | J400 5899 | 4 | | | RIVET |
| 3 | J400 5300 | 2 | | | RIVET |
| 4 | J575 1826 | 1 | | | PLATE, Tapping |
| 5 | J400 6453 | AR | | | PLUG |
| 6 | J545 1015 | 1 | | | SILL, Rear Cross |
| 7 | | | | | REINFORCEMENT, Sill |
| | J575 8348 | 1 | | | 1987-89 |
| | 5502 4906 | 1 | | | 1990 |
| 8 | | | | | PANEL, Rear Floor |
| | J575 8349 | 1 | | | 1987-89 |
| | 5502 4907 | 1 | | | 1990 |
| 9 | | | | | PANEL, Side Extension |
| | J545 1552 | 1 | | | Right |
| | J545 1551 | 1 | | | Left |
| 10 | | | | | SILL, Body Side |
| | J546 5032 | 1 | | | Right |
| | J546 5031 | 1 | | | Left |
| 11 | J067 3600 | 12 | | | SCREW |
| 12 | J576 1124 | 1 | | | COVER, Floor Pan |

MODEL CODES:

| | | |
|-----------------------------|-----------------------------|------------------------------|
| 15 = Grand Wagoneer 4 Dr. | 65 = Comanche 4WD-7 Ft. Box | 77 = Cherokee 4WD-2 Dr. |
| 25 = J-10 Pickup-119" W.B. | 66 = Comanche 2WD-7 Ft. Box | 78 = Cherokee 4WD-4 Dr. |
| 26 = J-10 Pickup-131" W.B. | 73 = Cherokee 2WD-2 Dr. | 79 = Cherokee 4WD-4 Dr.-Com |
| 27 = J-20 Pickup-131" W.B. | 74 = Cherokee 2WD-4 Dr. | 81 = Wrangler-93" W.B. |
| 63 = Comanche 4WD-6 Ft. Box | 75 = Wagoneer 4WD-4 Dr. | 82 = Wrangler-103" W.B.-Exp. |
| 64 = Comanche 2WD-6 Ft. Box | | |

BODY STYLES:

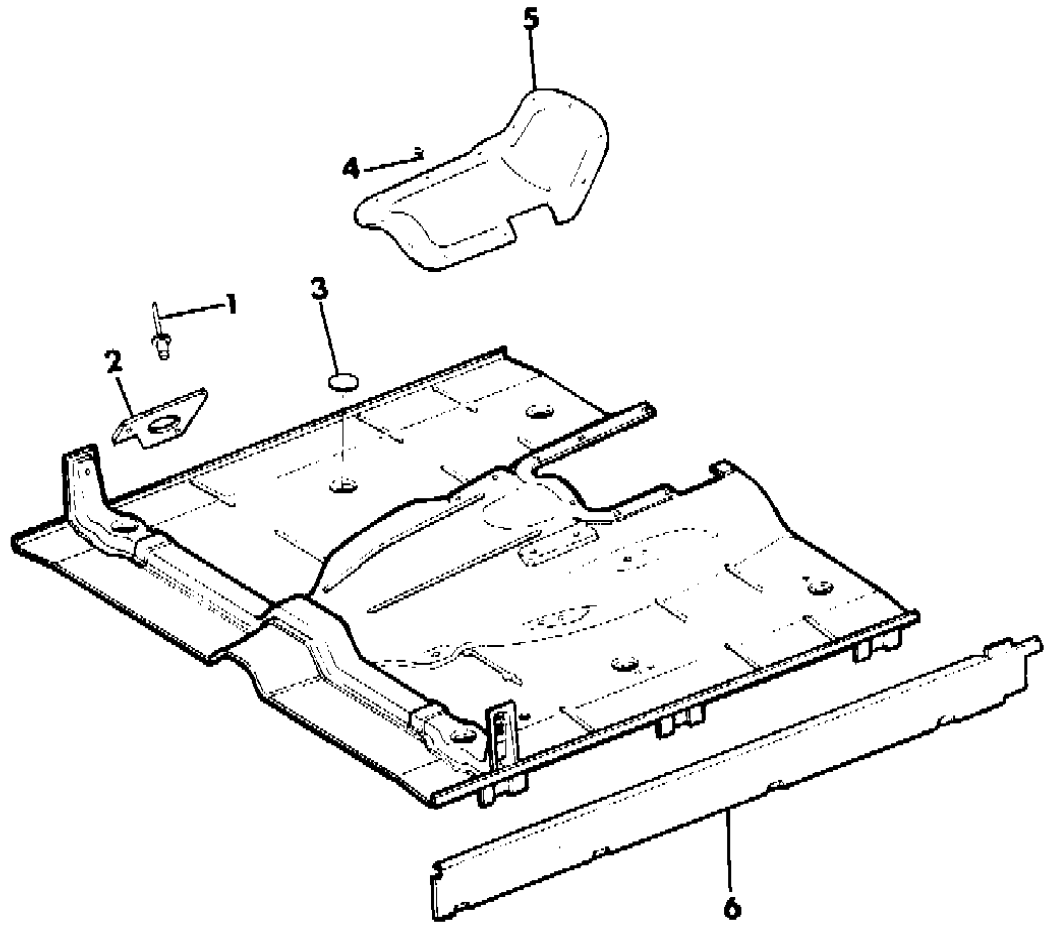
MJ = Comanche Pickup
SJ = Grand Wagoneer Wgn., J-10 & J-20 Pickups
XJ = Cherokee, Wagoneer Limited
YJ = Wrangler

AR = Use as Required - = Non Illustrated Part P.A.R. = Paint as Required

PAN, FLOOR 1987-88 J10, J20
Figure 23A-5400

8J69 5400

| ITEM | PART NUMBER | QTY | BODY | MODEL | DESCRIPTION |
|------|-------------|-----|------|-------|----------------------------------|
| 1 | J400 5300 | 2 | | | RIVET |
| 2 | J575 1826 | 1 | | | PLATE, Tapping w/Auto. Trans. |
| | J575 1841 | 1 | | | w/Manual Trans. |
| 3 | J400 6453 | 4 | | | PLUG |
| 4 | J067 3600 | AR | | | SCREW |
| 5 | | | | | COVER, Floor Pan |
| | J576 1124 | 1 | | | w/Auto. Trans. |
| | J576 1125 | 1 | | | w/Manual Trans. |
| 6 | J546 5034 | 1 | | | SILL, Body Side Right |
| | J546 5033 | 1 | | | Left |



MODEL CODES:

| | | |
|-----------------------------|-----------------------------|------------------------------|
| 15 = Grand Wagoneer 4 Dr. | 65 = Comanche 4WD-7 Ft. Box | 77 = Cherokee 4WD-2 Dr. |
| 25 = J-10 Pickup-119" W.B. | 66 = Comanche 2WD-7 Ft. Box | 78 = Cherokee 4WD-4 Dr. |
| 26 = J-10 Pickup-131" W.B. | 73 = Cherokee 2WD-2 Dr. | 79 = Cherokee 4WD-4 Dr.-Com |
| 27 = J-20 Pickup-131" W.B. | 74 = Cherokee 2WD-4 Dr. | 81 = Wrangler-93" W.B. |
| 63 = Comanche 4WD-6 Ft. Box | 75 = Wagoneer 4WD-4 Dr. | 82 = Wrangler-103" W.B.-Exp. |
| 64 = Comanche 2WD-6 Ft. Box | | |

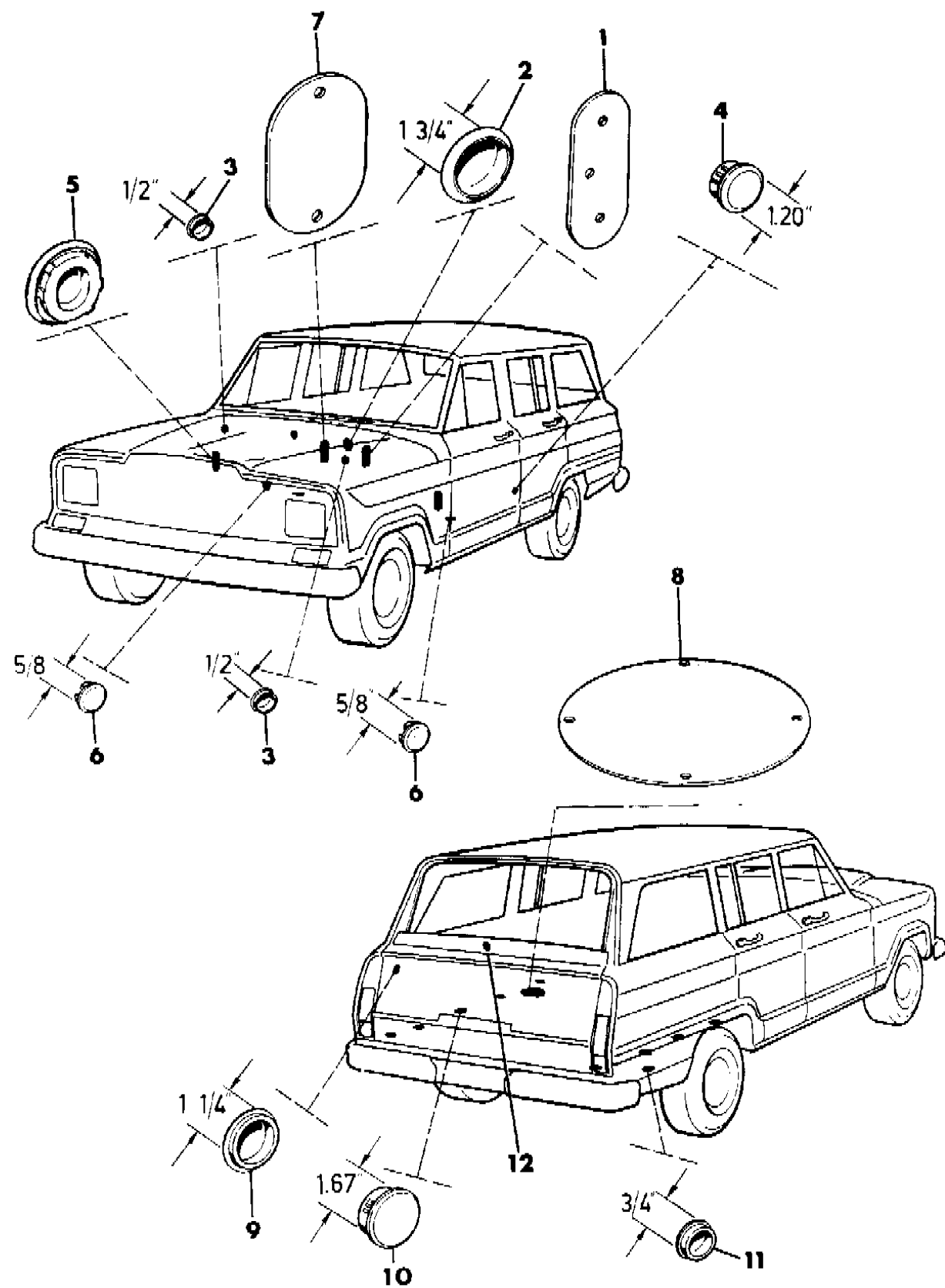
BODY STYLES:

MJ = Comanche Pickup
 SJ = Grand Wagoneer Wgn., J-10 & J-20 Pickups
 XJ = Cherokee, Wagoneer Limited
 YJ = Wrangler

AR = Use as Required - = Non Illustrated Part P.A.R. = Paint as Required

SEALS AND PLUGS, BODY GRAND WAGONEER, J10, J20
Figure 23A-5500

8J69 5500



| ITEM | PART NUMBER | QTY | BODY | MODEL | DESCRIPTION |
|------|-------------|-----|------|-------|----------------------------------|
| 1 | J535 1625 | 1 | | | PLATE |
| 2 | J400 0534 | 1 | 15 | | PLUG, 1.75" diameter hole |
| 3 | J400 1716 | 2 | | | PLUG, .50" diameter hole |
| 4 | J400 6481 | 2 | 15 | | PLUG, 1" diameter hole |
| 5 | J400 6392 | 2 | | | PLUG, 1.50" x 2.32" hole |
| 6 | J400 4888 | AR | | | PLUG, .625" diameter hole |
| 7 | J545 3638 | 1 | | 26,27 | PLATE |
| 8 | J575 2636 | 1 | 15 | | COVER |
| 9 | J400 4649 | 1 | 15 | | PLUG, 1.25" diameter hole |
| 10 | J400 6453 | AR | | | PLUG, 1.50" diameter hole |
| 11 | J400 0333 | 2 | 15 | | PLUG, 3/4" diameter hole |
| 12 | 5501 7818 | 1 | 15 | | PLUG, used w/o rear window wiper |

MODEL CODES:

| | | |
|-----------------------------|-----------------------------|------------------------------|
| 15 = Grand Wagoneer 4 Dr. | 65 = Comanche 4WD-7 Ft. Box | 77 = Cherokee 4WD-2 Dr. |
| 25 = J-10 Pickup-119" W.B. | 66 = Comanche 2WD-7 Ft. Box | 78 = Cherokee 4WD-4 Dr. |
| 26 = J-10 Pickup-131" W.B. | 73 = Cherokee 2WD-2 Dr. | 79 = Cherokee 4WD-4 Dr.-Com |
| 27 = J-20 Pickup-131" W.B. | 74 = Cherokee 2WD-4 Dr. | 81 = Wrangler-93" W.B. |
| 63 = Comanche 4WD-6 Ft. Box | 75 = Wagoneer 4WD-4 Dr. | 82 = Wrangler-103" W.B.-Exp. |
| 64 = Comanche 2WD-6 Ft. Box | | |

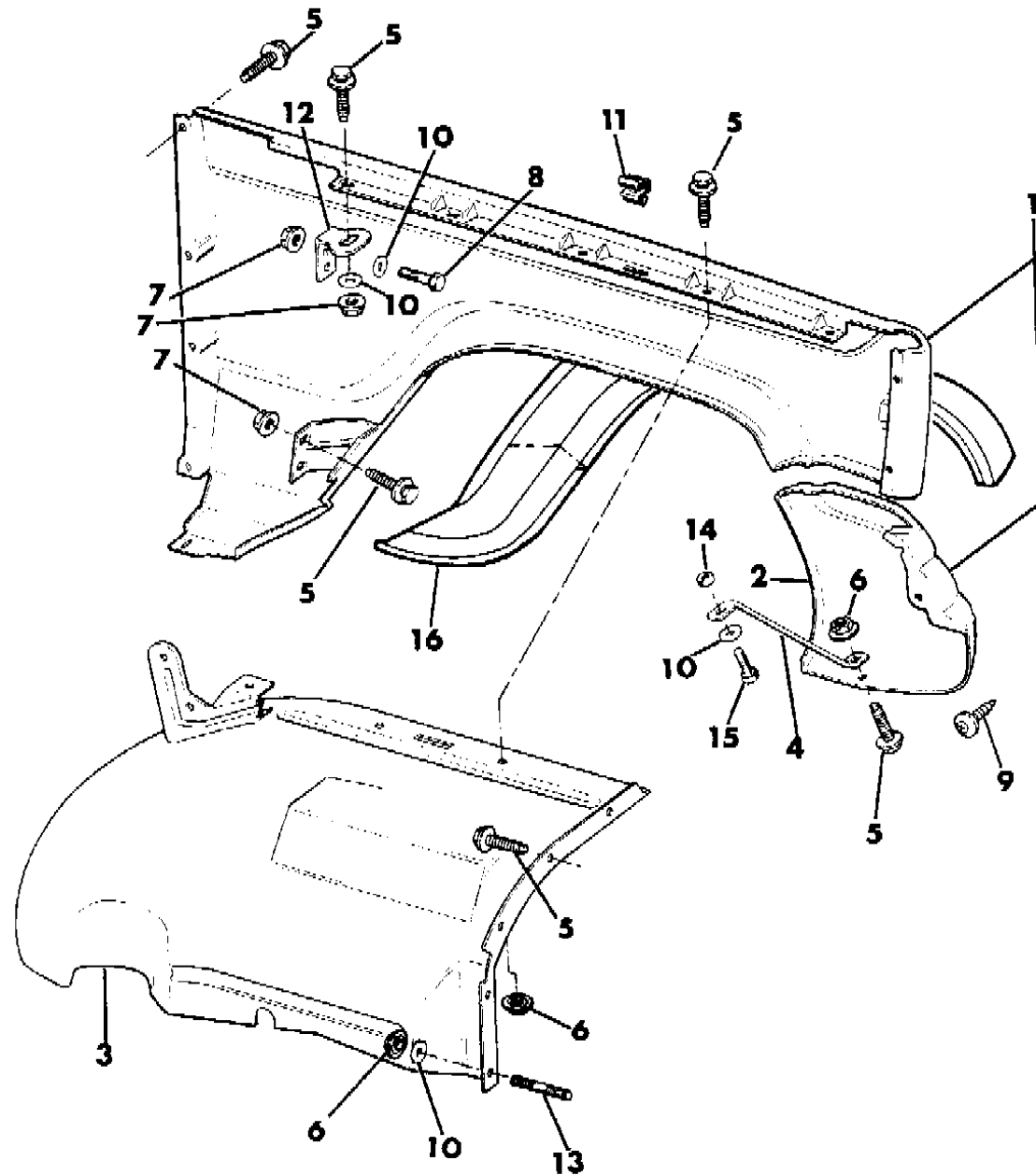
BODY STYLES:

MJ = Comanche Pickup
SJ = Grand Wagoneer Wgn., J-10 & J-20 Pickups
XJ = Cherokee, Wagoneer Limited
YJ = Wrangler

AR = Use as Required - = Non Illustrated Part P.A.R. = Paint as Required

FENDERS, FRONT GRAND WAGONEER, J10, J20
Figure 23A-5600

8J69 5600



| ITEM | PART NUMBER | QTY | BODY | MODEL | DESCRIPTION |
|------|-------------|-----|------|-------|--------------------------------------|
| 1 | | | | | FENDER |
| | J546 5038 | 1 | | 15 | Right |
| | J546 5037 | 1 | | 15 | Left |
| | J546 5040 | 1 | | 26,27 | Right, Modification Required 1987-88 |
| | J546 5039 | 1 | | 26,27 | Left, Modification Required 1987-88 |
| 2 | | | | | EXTENSION |
| | J095 6730 | 1 | | 15 | Right |
| | J095 6729 | 1 | | 15 | Left |
| | J095 6738 | 1 | | 26,27 | Right 1987-88 |
| | J095 6737 | 1 | | 26,27 | Left 1987-88 |
| 3 | | | | | PANEL, Splash |
| | 5502 7372 | 1 | | | Right, 8 Cyl. Eng. 1988-89 |
| | J575 8242 | 1 | | | 1987 |
| | 5502 7372 | 1 | | | 1990 |
| | J546 2768 | 1 | | | Right, 6 Cyl. Eng. |
| | 5502 0171 | 1 | | | Left, w/Rear Wiper 1987-89 |
| | 5502 7373 | 1 | | | 1990 |
| | J575 8369 | 1 | | | Left, w/o Rear Wiper |
| 4 | | | | | BRACE |
| | J095 9692 | 2 | | 15 | |
| | J095 9697 | 2 | | 26,27 | 1987-88 |
| 5 | J400 4455 | AR | | | SCREW, 1.12" Long |
| 6 | J400 7045 | AR | | | NUT |
| 7 | J400 4866 | AR | | | NUT |
| 8 | J400 1933 | AR | | | SCREW, .88" Long |
| | J400 4455 | AR | | | SCREW, 1.1" long |
| 9 | J400 5690 | 2 | | | SCREW, .56" Long |
| 10 | S044 6363 | AR | | | WASHER |
| 11 | J096 3331 | 4 | | | BUMPER |
| 12 | J095 7407 | 2 | | | BRACKET |
| 13 | J095 8166 | 2 | | | STUD |
| 14 | J096 1069 | 2 | | | NUT |
| 15 | J096 2398 | 2 | | | SCREW, .75" Long |
| 16 | | | | | EXTENSION |
| | J095 6735 | 1 | | 26,27 | Left, 1987-88 P.A.R. |
| | J095 6736 | 1 | | 26,27 | Right, 1987-88 P.A.R. |

MODEL CODES:

| | | |
|-----------------------------|-----------------------------|------------------------------|
| 15 = Grand Wagoneer 4 Dr. | 65 = Comanche 4WD-7 Ft. Box | 77 = Cherokee 4WD-2 Dr. |
| 25 = J-10 Pickup-119" W.B. | 66 = Comanche 2WD-7 Ft. Box | 78 = Cherokee 4WD-4 Dr. |
| 26 = J-10 Pickup-131" W.B. | 73 = Cherokee 2WD-2 Dr. | 79 = Cherokee 4WD-4 Dr.-Com |
| 27 = J-20 Pickup-131" W.B. | 74 = Cherokee 2WD-4 Dr. | 81 = Wrangler-93" W.B. |
| 63 = Comanche 4WD-6 Ft. Box | 75 = Wagoneer 4WD-4 Dr. | 82 = Wrangler-103" W.B.-Exp. |
| 64 = Comanche 2WD-6 Ft. Box | | |

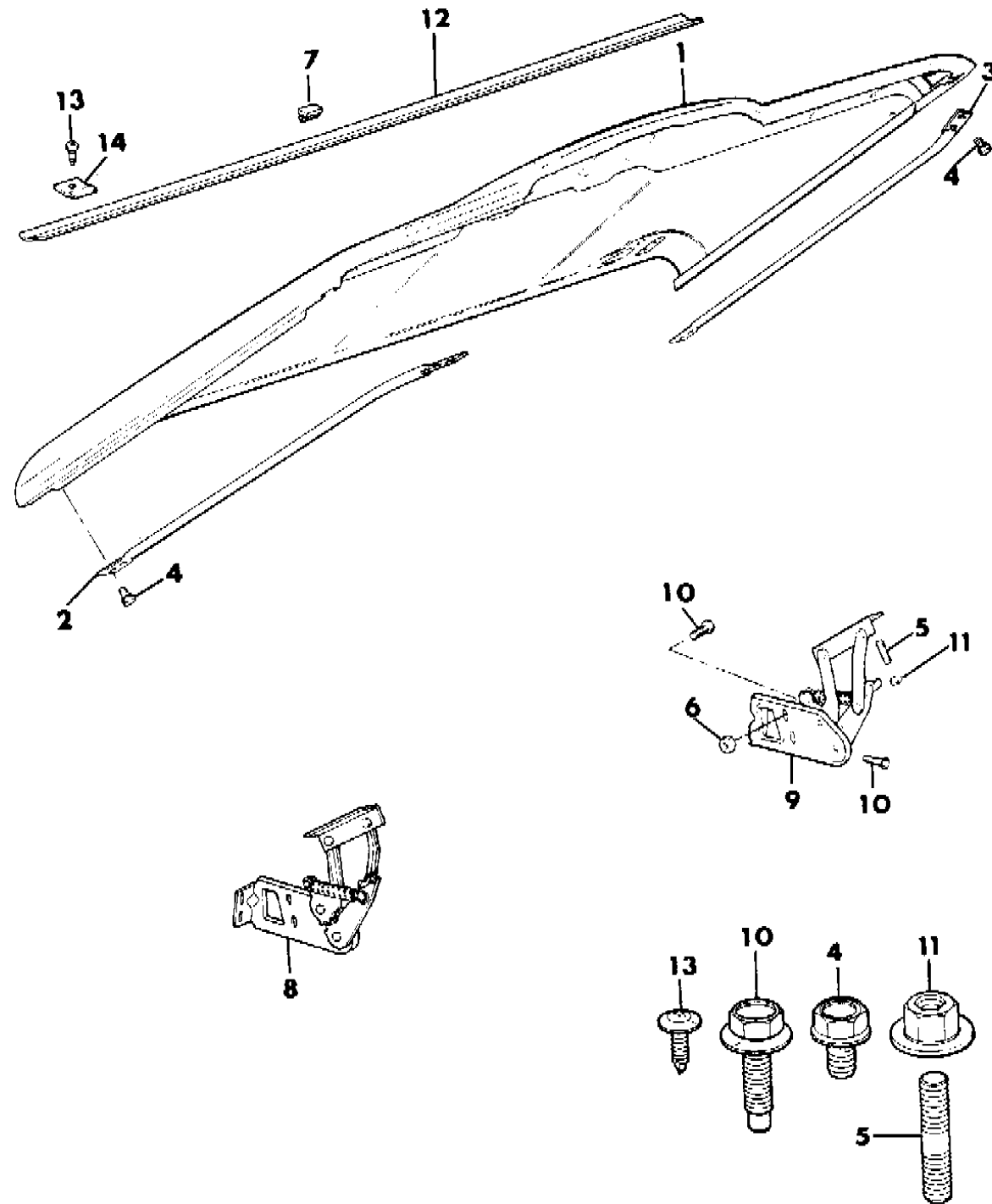
BODY STYLES:

MJ = Comanche Pickup
SJ = Grand Wagoneer Wgn., J-10 & J-20 Pickups
XJ = Cherokee, Wagoneer Limited
YJ = Wrangler

AR = Use as Required - = Non Illustrated Part P.A.R. = Paint as Required

HOOD AND HINGES GRAND WAGONEER, J10, J20
Figure 23A-5700

8J69 5700



| ITEM | PART NUMBER | QTY | BODY | MODEL | DESCRIPTION |
|------|-------------|-----|------|-------|-----------------------------|
| 1 | 5501 3208 | 1 | | | HOOD, modification required |
| 2 | J098 5174 | 1 | | | CROSSMEMBER, Right *** |
| 3 | J098 5173 | 1 | | | CROSSMEMBER, Left *** |
| 4 | J400 3915 | 8 | | | SCREW |
| 5 | J095 8166 | 4 | | | STUD |
| 6 | J400 7045 | 4 | | | NUT |
| 7 | J096 4703 | 1 | | | BUMPER, Hood |
| 8 | J095 6964 | 1 | | | HINGE, Hood Right |
| 9 | J095 6963 | 1 | | | HINGE, Hood Left |
| 10 | J400 4455 | AR | | | SCREW |
| 11 | J400 4866 | AR | | | NUT |
| 12 | J545 9613 | 1 | | | WEATHERSTRIP |
| 13 | J400 5690 | AR | | | SCREW |
| 14 | J090 8834 | 4 | | | CLAMP |

MODEL CODES:

| | | |
|-----------------------------|-----------------------------|------------------------------|
| 15 = Grand Wagoneer 4 Dr. | 65 = Comanche 4WD-7 Ft. Box | 77 = Cherokee 4WD-2 Dr. |
| 25 = J-10 Pickup-119" W.B. | 66 = Comanche 2WD-7 Ft. Box | 78 = Cherokee 4WD-4 Dr. |
| 26 = J-10 Pickup-131" W.B. | 73 = Cherokee 2WD-2 Dr. | 79 = Cherokee 4WD-4 Dr.-Com |
| 27 = J-20 Pickup-131" W.B. | 74 = Cherokee 2WD-4 Dr. | 81 = Wrangler-93" W.B. |
| 63 = Comanche 4WD-6 Ft. Box | 75 = Wagoneer 4WD-4 Dr. | 82 = Wrangler-103" W.B.-Exp. |
| 64 = Comanche 2WD-6 Ft. Box | | |

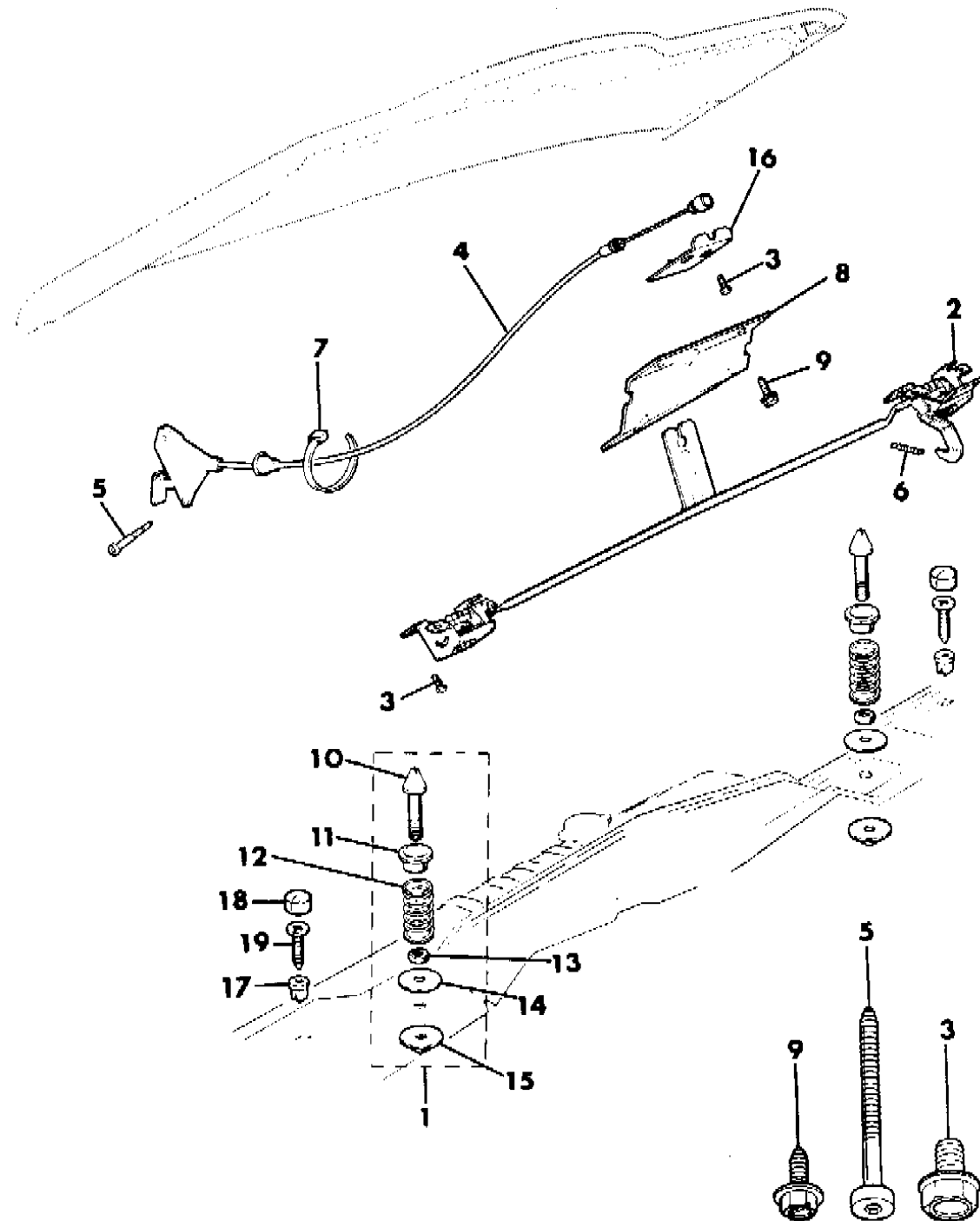
BODY STYLES:

MJ = Comanche Pickup
 SJ = Grand Wagoneer Wgn., J-10 & J-20 Pickups
 XJ = Cherokee, Wagoneer Limited
 YJ = Wrangler

AR = Use as Required - = Non Illustrated Part P.A.R. = Paint as Required

LOCK AND RELEASE, HOOD GRAND WAGONEER, J10, J20
Figure 23A-5800

8J69 5800



| ITEM | PART NUMBER | QTY | BODY | MODEL | DESCRIPTION |
|------|-------------|-----|------|-------|---------------------|
| 1 | J095 6418 | 2 | | | LOCK ASSEMBLY, Hood |
| 2 | J575 8026 | 1 | | | LOCK ASSEMBLY, Hood |
| 3 | J400 3915 | AR | | | SCREW |
| 4 | J575 8027 | 1 | | | CABLE, Hood Release |
| 5 | J400 7478 | 2 | | | SCREW |
| 6 | J097 2970 | 1 | | | SPRING |
| 7 | J322 3227 | 2 | | | STRAP |
| 8 | J575 8029 | 1 | | | SHIELD |
| 9 | J812 0054 | 2 | | | SCREW |
| 10 | J096 3338 | 2 | | | LOCK |
| 11 | J096 3339 | 2 | | | RETAINER |
| 12 | J096 3336 | 2 | | | SPRING |
| 13 | S012 4934 | 2 | | | NUT |
| 14 | J096 6112 | 2 | | | WASHER |
| 15 | J096 3337 | 2 | | | NUT |
| 16 | J575 8028 | 1 | | | BRACKET |
| 17 | J095 8557 | 2 | | | NUT |
| 18 | J095 8556 | 2 | | | BUMPER, Hood |
| 19 | J096 0139 | 2 | | | SCREW |

MODEL CODES:

| | | |
|-----------------------------|-----------------------------|------------------------------|
| 15 = Grand Wagoneer 4 Dr. | 65 = Comanche 4WD-7 Ft. Box | 77 = Cherokee 4WD-2 Dr. |
| 25 = J-10 Pickup-119" W.B. | 66 = Comanche 2WD-7 Ft. Box | 78 = Cherokee 4WD-4 Dr. |
| 26 = J-10 Pickup-131" W.B. | 73 = Cherokee 2WD-2 Dr. | 79 = Cherokee 4WD-4 Dr.-Com |
| 27 = J-20 Pickup-131" W.B. | 74 = Cherokee 2WD-4 Dr. | 81 = Wrangler-93" W.B. |
| 63 = Comanche 4WD-6 Ft. Box | 75 = Wagoneer 4WD-4 Dr. | 82 = Wrangler-103" W.B.-Exp. |
| 64 = Comanche 2WD-6 Ft. Box | | |

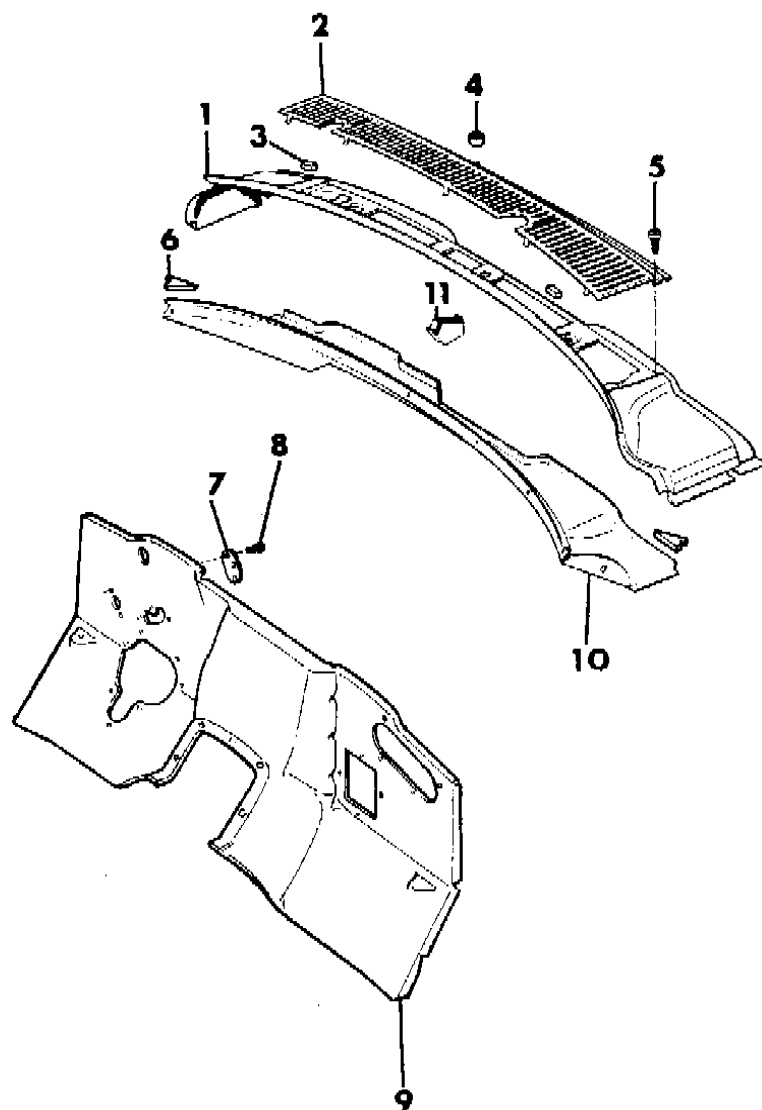
BODY STYLES:

MJ = Comanche Pickup
SJ = Grand Wagoneer Wgn., J-10 & J-20 Pickups
XJ = Cherokee, Wagoneer Limited
YJ = Wrangler

AR = Use as Required - = Non Illustrated Part P.A.R. = Paint as Required

PANELS, COWL AND DASH GRAND WAGONEER, J10, J20
Figure 23A-5900

8J69 5900



| ITEM | PART NUMBER | QTY | BODY | MODEL | DESCRIPTION |
|------|-------------|-----|------|-------|-----------------------------|
| 1 | J545 1063 | 1 | | | PANEL, Cowl Top |
| 2 | J095 2573 | 1 | | | GRILLE, Cowl Top |
| 3 | J095 9739 | 9 | | | SPACER |
| 4 | J096 4703 | 1 | | | BUMPER, Hood |
| 5 | J400 5690 | 7 | | | SCREW |
| 6 | J545 7194 | 2 | | | SPACER |
| 7 | J535 1625 | 1 | | | PLATE, Cover w/Auto. Trans. |
| 8 | S045 1824 | 2 | | | SCREW |
| 9 | | | | | PANEL, Dash |
| | 5505 2600 | 1 | | | 1987-89 |
| | 5502 5709 | 1 | | | 1990 |
| 10 | J575 2844 | 1 | | | PANEL, Cowl |
| 11 | J098 1310 | 1 | | | SUPPORT |

MODEL CODES:

| | | |
|-----------------------------|-----------------------------|------------------------------|
| 15 = Grand Wagoneer 4 Dr. | 65 = Comanche 4WD-7 Ft. Box | 77 = Cherokee 4WD-2 Dr. |
| 25 = J-10 Pickup-119" W.B. | 66 = Comanche 2WD-7 Ft. Box | 78 = Cherokee 4WD-4 Dr. |
| 26 = J-10 Pickup-131" W.B. | 73 = Cherokee 2WD-2 Dr. | 79 = Cherokee 4WD-4 Dr.-Com |
| 27 = J-20 Pickup-131" W.B. | 74 = Cherokee 2WD-4 Dr. | 81 = Wrangler-93" W.B. |
| 63 = Comanche 4WD-6 Ft. Box | 75 = Wagoneer 4WD-4 Dr. | 82 = Wrangler-103" W.B.-Exp. |
| 64 = Comanche 2WD-6 Ft. Box | | |

BODY STYLES:

MJ = Comanche Pickup
 SJ = Grand Wagoneer Wgn., J-10 & J-20 Pickups
 XJ = Cherokee, Wagoneer Limited
 YJ = Wrangler

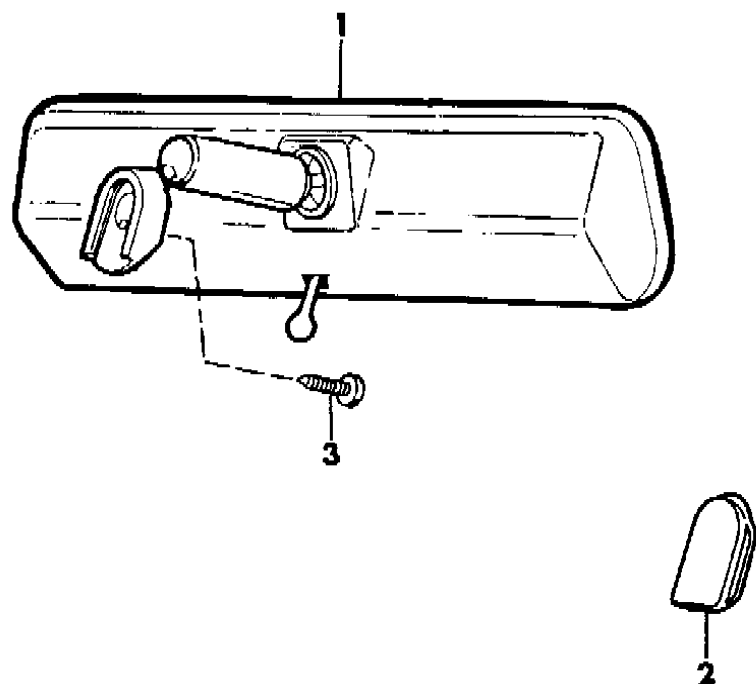
AR = Use as Required - = Non Illustrated Part P.A.R. = Paint as Required

MIRROR, INSIDE REAR VIEW GRAND WAGONEER, J10, J20
Figure 23A-6000

8J69 6000

| ITEM | PART NUMBER | QTY | BODY | MODEL | DESCRIPTION |
|------|-------------|-----|------|-------|--|
| 1 | 5500 9783 | 1 | | | MIRROR, Inside Rear View |
| 2 | J365 7374 | 1 | | | SUPPORT, Inside Rear View Mirror Mounting, (a) |
| 3 | J400 5766 | 1 | | | SCREW |

Note:(a) The Mirror Support is Replacing Mirror Mounting Kit. When installing a Mirror Support, use Adhesive Repair Kit 4293039. Use #312.



MODEL CODES:

| | | |
|-----------------------------|-----------------------------|------------------------------|
| 15 = Grand Wagoneer 4 Dr. | 65 = Comanche 4WD-7 Ft. Box | 77 = Cherokee 4WD-2 Dr. |
| 25 = J-10 Pickup-119" W.B. | 66 = Comanche 2WD-7 Ft. Box | 78 = Cherokee 4WD-4 Dr. |
| 26 = J-10 Pickup-131" W.B. | 73 = Cherokee 2WD-2 Dr. | 79 = Cherokee 4WD-4 Dr.-Com |
| 27 = J-20 Pickup-131" W.B. | 74 = Cherokee 2WD-4 Dr. | 81 = Wrangler-93" W.B. |
| 63 = Comanche 4WD-6 Ft. Box | 75 = Wagoneer 4WD-4 Dr. | 82 = Wrangler-103" W.B.-Exp. |
| 64 = Comanche 2WD-6 Ft. Box | | |

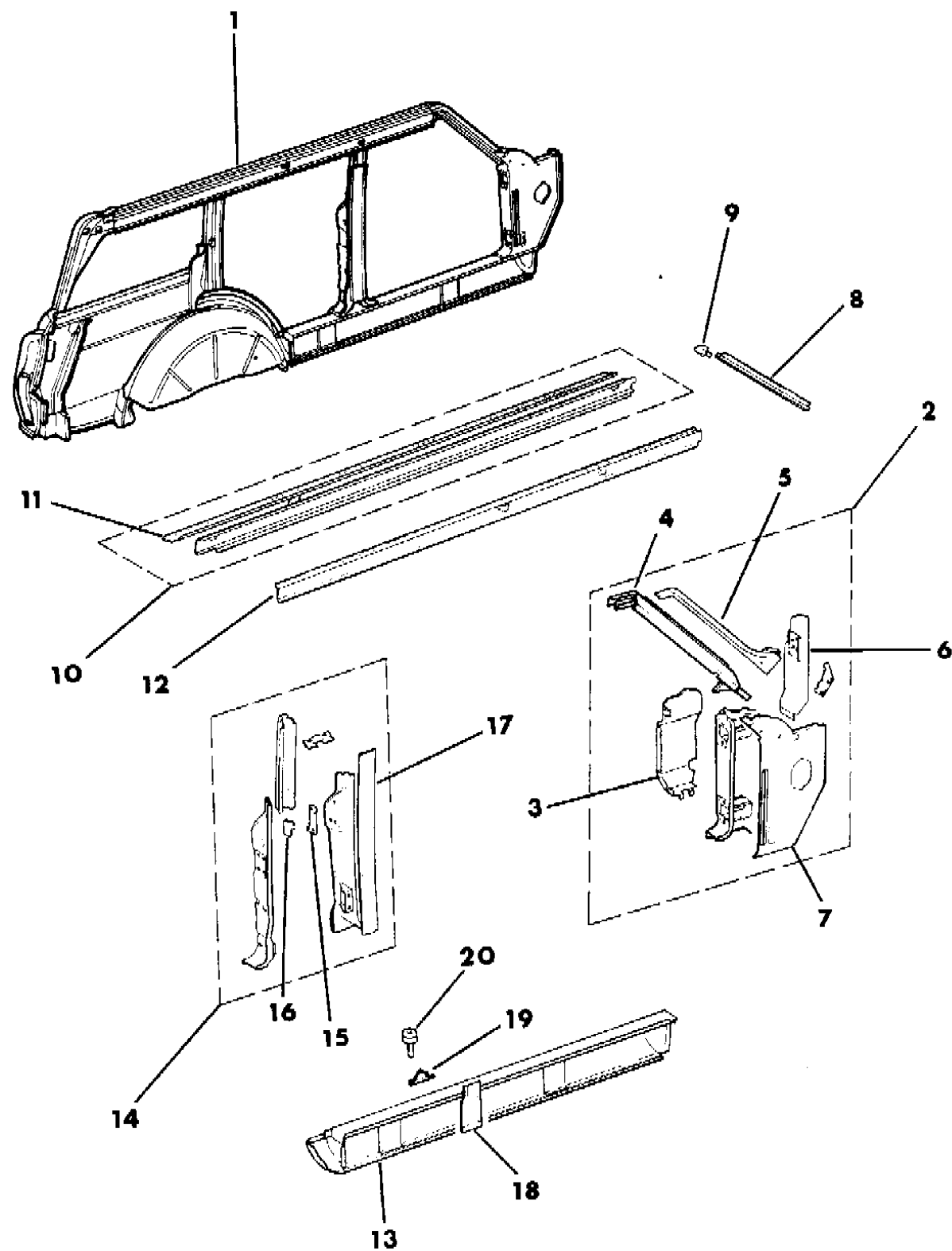
BODY STYLES:

MJ = Comanche Pickup
SJ = Grand Wagoneer Wgn., J-10 & J-20 Pickups
XJ = Cherokee, Wagoneer Limited
YJ = Wrangler

AR = Use as Required - = Non Illustrated Part P.A.R. = Paint as Required

PANELS, BODY SIDE GRAND WAGONEER
Figure 23A-6100

8J 69 6100



| ITEM | PART NUMBER | QTY | BODY | MODEL | DESCRIPTION |
|------|-------------|-----|------|-------|--------------------------|
| 1 | J576 4252-3 | 1 | | | PANEL, Side |
| 2 | J575 7492-3 | 1 | | | PILLAR, Hinge 1987-89 |
| | 5502 6534-5 | 1 | | | 1990 |
| 3 | | | | | PANEL, Cowl Side |
| | J095 6636 | 1 | | | Right |
| | J095 6635 | 1 | | | Left |
| 4 | | | | | PILLAR, Body |
| | J095 6778 | 1 | | | Right |
| | J095 6777 | 1 | | | Left |
| 5 | | | | | REINFORCEMENT, Pillar |
| | J095 6644 | 1 | | | Right |
| | J095 6643 | 1 | | | Left |
| 6 | | | | | PANEL, Cowl Side |
| | J095 7468 | 1 | | | Right |
| | J545 0135 | 1 | | | Left |
| 7 | | | | | PANEL, Inner |
| | J575 1926 | 1 | | | Right |
| | J575 8033 | 1 | | | Left |
| 8 | | | | | MOLDING, Drip |
| | J096 8210 | 1 | | | Right |
| | J096 8209 | 1 | | | Left |
| 9 | J096 8201 | 2 | | | CAP, Molding |
| 10 | | | | | RAIL, Roof |
| | J096 5552 | 1 | | | Right |
| | 5502 1759 | 1 | | | Left |
| 11 | | | | | MOLDING, Drip |
| | J096 5540 | 1 | | | Right |
| | J096 5539 | 1 | | | Left |
| 12 | | | | | RAIL, Roof Inner |
| | J545 4864 | 1 | | | Right |
| | J546 1047 | 1 | | | Left, 1987-88 |
| | 5502 1769 | 1 | | | Left, 1989-90 |
| 13 | | | | | PANEL, Rocker |
| | J546 5046 | 1 | | | Right |
| | J546 5045 | 1 | | | Left |
| 14 | | | | | PILLAR, Center |

MODEL CODES:

| | | |
|-----------------------------|-----------------------------|------------------------------|
| 15 = Grand Wagoneer 4 Dr. | 65 = Comanche 4WD-7 Ft. Box | 77 = Cherokee 4WD-2 Dr. |
| 25 = J-10 Pickup-119" W.B. | 66 = Comanche 2WD-7 Ft. Box | 78 = Cherokee 4WD-4 Dr. |
| 26 = J-10 Pickup-131" W.B. | 73 = Cherokee 2WD-2 Dr. | 79 = Cherokee 4WD-4 Dr.-Com |
| 27 = J-20 Pickup-131" W.B. | 74 = Cherokee 2WD-4 Dr. | 81 = Wrangler-93" W.B. |
| 63 = Comanche 4WD-6 Ft. Box | 75 = Wagoneer 4WD-4 Dr. | 82 = Wrangler-103" W.B.-Exp. |
| 64 = Comanche 2WD-6 Ft. Box | | |

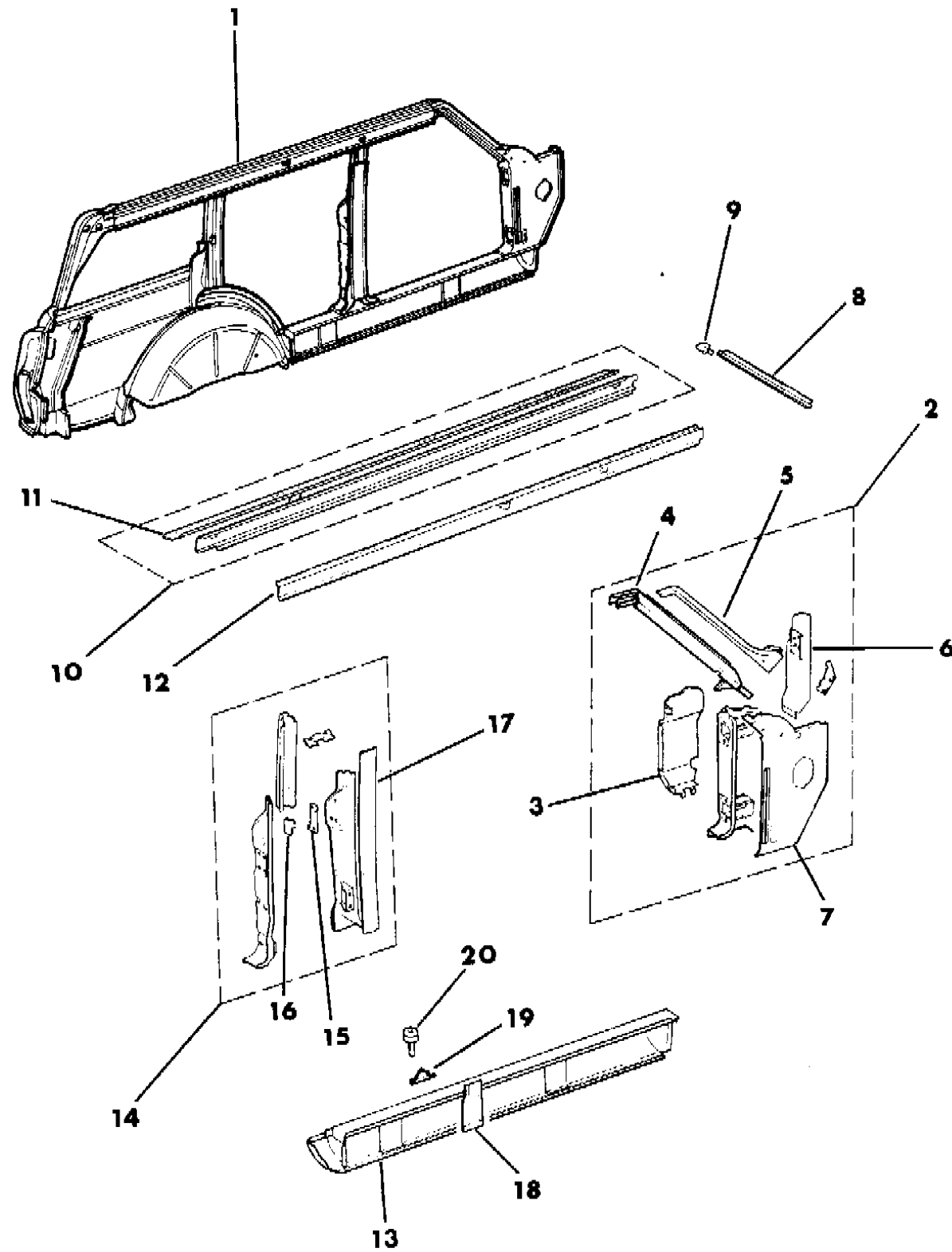
BODY STYLES:

MJ = Comanche Pickup
SJ = Grand Wagoneer Wgn., J-10 & J-20 Pickups
XJ = Cherokee, Wagoneer Limited
YJ = Wrangler

AR = Use as Required - = Non Illustrated Part P.A.R. = Paint as Required

PANELS, BODY SIDE GRAND WAGONEER
Figure 23A-6100

8J 69 6100



| ITEM | PART NUMBER | QTY | BODY | MODEL | DESCRIPTION |
|------|-------------|-----|------|-------|-------------------------|
| | J575 1716 | 1 | | | Right |
| | J575 1715 | 1 | | | Left, 1987-88 |
| | 5502 1763 | 1 | | | Left, 1989-90 |
| 15 | J575 0091 | 2 | | | PLATE, Tapping |
| 16 | J575 0092 | 2 | | | RETAINER, Tapping Plate |
| 17 | | | | | PANEL, Lock Pillar |
| | J545 8188 | 1 | | | Right |
| | J546 5781 | 1 | | | Left, 1987-88 |
| | 5502 1765 | 1 | | | Left, 1989-90 |
| 18 | J575 6106-7 | 1 | | | PANEL, Lock Pillar |
| 19 | | | | | PANEL, Lower Finish |
| | J095 8568 | 1 | | | Right |
| | J095 8567 | 1 | | | Left |
| 20 | J097 4764 | 2 | | | SCREW |

MODEL CODES:

| | | |
|-----------------------------|-----------------------------|------------------------------|
| 15 = Grand Wagoneer 4 Dr. | 65 = Comanche 4WD-7 Ft. Box | 77 = Cherokee 4WD-2 Dr. |
| 25 = J-10 Pickup-119" W.B. | 66 = Comanche 2WD-7 Ft. Box | 78 = Cherokee 4WD-4 Dr. |
| 26 = J-10 Pickup-131" W.B. | 73 = Cherokee 2WD-2 Dr. | 79 = Cherokee 4WD-4 Dr.-Com |
| 27 = J-20 Pickup-131" W.B. | 74 = Cherokee 2WD-4 Dr. | 81 = Wrangler-93" W.B. |
| 63 = Comanche 4WD-6 Ft. Box | 75 = Wagoneer 4WD-4 Dr. | 82 = Wrangler-103" W.B.-Exp. |
| 64 = Comanche 2WD-6 Ft. Box | | |

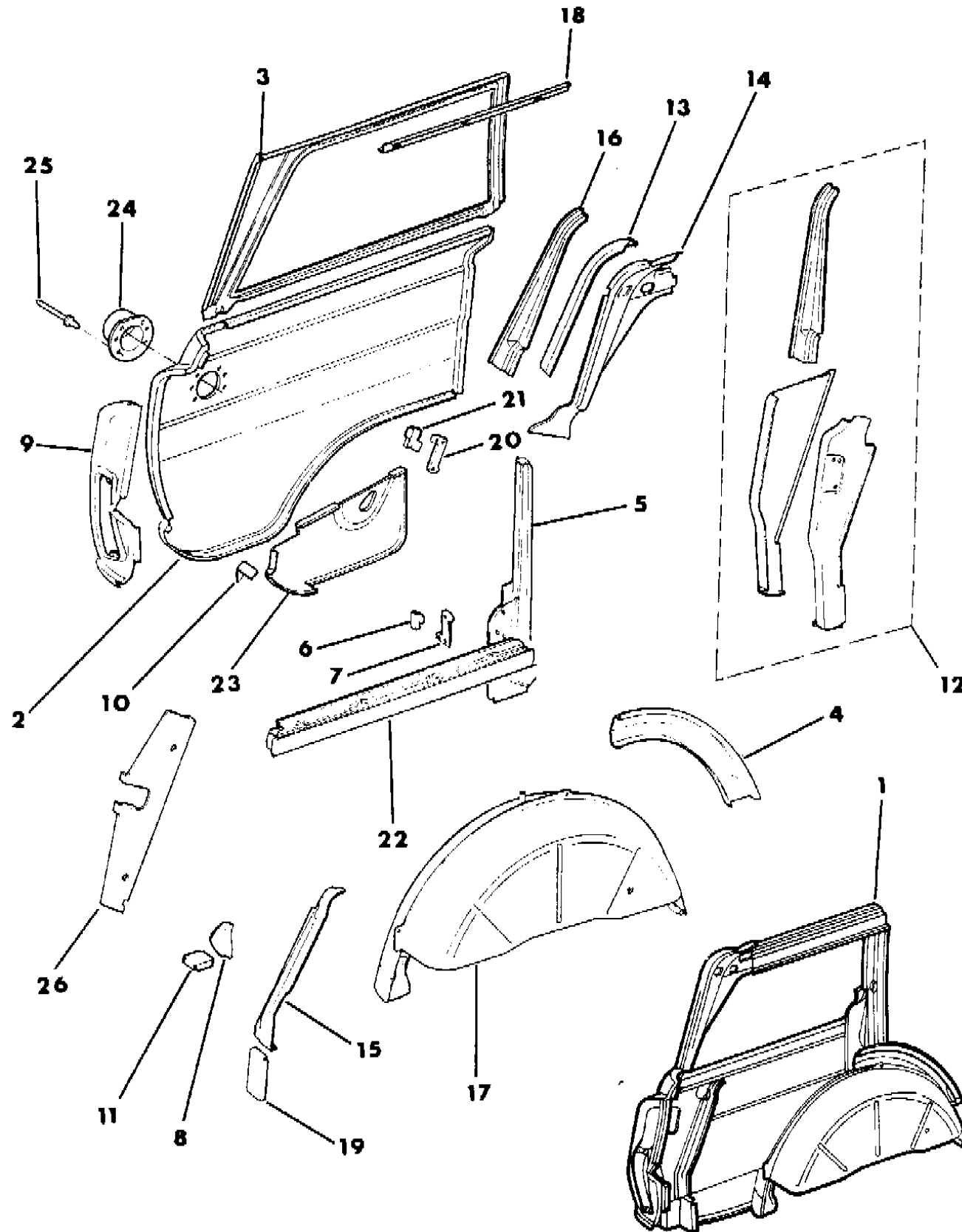
BODY STYLES:

MJ = Comanche Pickup
SJ = Grand Wagoneer Wgn., J-10 & J-20 Pickups
XJ = Cherokee, Wagoneer Limited
YJ = Wrangler

AR = Use as Required - = Non Illustrated Part P.A.R. = Paint as Required

PANELS, REAR QUARTER GRAND WAGONEER
Figure 23A-6200

8J 69 6200



| ITEM | PART NUMBER | QTY | BODY | MODEL | DESCRIPTION |
|------|-------------|-----|------|-------|--|
| 1 | | | | | FRAME, Quarter Window, 1988 (Item #2 Not Included) |
| | 5700 2310 | 1 | | | Right |
| | J575 1721 | 1 | | | Left |
| 2 | J576 4254-5 | 1 | | | PANEL, Rear Quarter |
| 3 | | | | | PANEL, Quarter Upper |
| | J096 5548 | 1 | | | Right |
| | J096 5547 | 1 | | | Left |
| 4 | | | | | EXTENSION, Panel |
| | J095 6688 | 1 | | | Right |
| | J095 6687 | 1 | | | Left |
| 5 | | | | | PILLAR, Lock |
| | J575 0133 | 1 | | | Right |
| | J575 0127 | 1 | | | Left |
| 6 | J575 0092 | 2 | | | RETAINER, Tapping Plate |
| 7 | J575 0091 | 2 | | | PLATE, Tapping |
| 8 | | | | | FILLER, Panel |
| | J095 6632 | 1 | | | Right |
| | J095 6631 | 1 | | | Left |
| 9 | | | | | PANEL, Taillamp |
| | J545 0456 | 1 | | | Right |
| | J545 0455 | 1 | | | Left |
| 10 | | | | | BRACKET, Extension |
| | J096 0162 | 1 | | | Right |
| | J096 0161 | 1 | | | Left |
| 11 | J098 1426 | 2 | | | FILLER |
| 12 | | | | | PILLAR, Body |
| | 5502 0274 | 1 | | | Right, w/Rear Wiper |
| | J575 0110 | 1 | | | Left |
| 13 | | | | | EXTENSION, Pillar |
| | J095 9410 | 1 | | | Right |
| | J095 9409 | 1 | | | Left |
| 14 | | | | | PILLAR, Body |
| | J545 1144 | 1 | | | Right |
| | J545 1143 | 1 | | | Left |
| 15 | | | | | PANEL, Side |
| | J545 1164 | 1 | | | Right |
| | J545 1163 | 1 | | | Left |

MODEL CODES:

| | | |
|-----------------------------|-----------------------------|------------------------------|
| 15 = Grand Wagoneer 4 Dr. | 65 = Comanche 4WD-7 Ft. Box | 77 = Cherokee 4WD-2 Dr. |
| 25 = J-10 Pickup-119" W.B. | 66 = Comanche 2WD-7 Ft. Box | 78 = Cherokee 4WD-4 Dr. |
| 26 = J-10 Pickup-131" W.B. | 73 = Cherokee 2WD-2 Dr. | 79 = Cherokee 4WD-4 Dr.-Com |
| 27 = J-20 Pickup-131" W.B. | 74 = Cherokee 2WD-4 Dr. | 81 = Wrangler-93" W.B. |
| 63 = Comanche 4WD-6 Ft. Box | 75 = Wagoneer 4WD-4 Dr. | 82 = Wrangler-103" W.B.-Exp. |
| 64 = Comanche 2WD-6 Ft. Box | | |

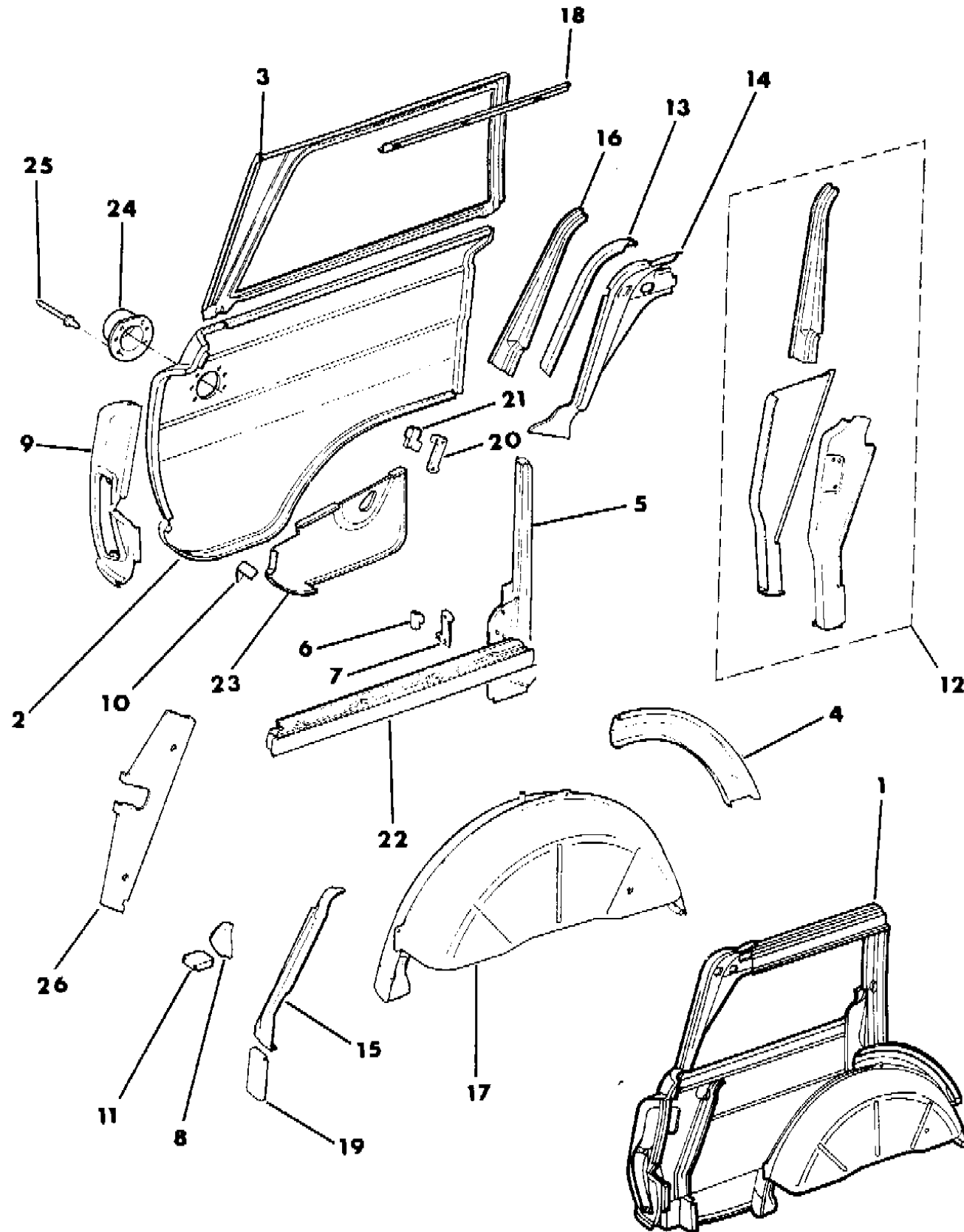
BODY STYLES:

MJ = Comanche Pickup
SJ = Grand Wagoneer Wgn., J-10 & J-20 Pickups
XJ = Cherokee, Wagoneer Limited
YJ = Wrangler

AR = Use as Required - = Non Illustrated Part P.A.R. = Paint as Required

PANELS, REAR QUARTER GRAND WAGONEER
Figure 23A-6200

8J 69 6200



| ITEM | PART NUMBER | QTY | BODY | MODEL | DESCRIPTION |
|------|-------------|-----|------|-------|--------------------------------|
| 16 | | | | | PILLAR, Body |
| | J095 6650 | 1 | | | Right, w/o Rear Wiper, 1987-88 |
| | 5501 8474 | 1 | | | Right, w/Rear Wiper 1989-90 |
| | J095 6649 | 1 | | | Left |
| 17 | | | | | PANEL, Wheelhouse |
| | 5502 1658 | 1 | | | Right |
| | J546 3613 | 1 | | | Left |
| 18 | | | | | FRAME, Quarter Window |
| | J095 6670 | 1 | | | Right |
| | J095 6669 | 1 | | | Left |
| 19 | | | | | PANEL, Side |
| | J095 8618 | 1 | | | Right |
| | J095 8617 | 1 | | | Left |
| 20 | J575 0363 | 2 | | | PLATE, Tapping |
| 21 | J545 2448 | 2 | | | RETAINER, Tapping |
| 22 | | | | | FRAME, Window |
| | J096 0930 | 1 | | | Right |
| | J546 4215 | 1 | | | Left |
| 23 | | | | | PANEL, Extension |
| | J095 7702 | 1 | | | Right 1987-88 |
| | 5501 9976 | 1 | | | 1989-90 |
| | J546 2799 | 1 | | | Left |
| 24 | J536 3396 | 1 | | | RETAINER, Filler |
| 25 | J400 4962 | 6 | | | RIVET |
| 26 | J576 1914 | 1 | | | BRACKET, Calif., 8 Cyl. Eng. |

NOTE: Item 1 contains items 12, 13, 14, 16, 17, 18, 20, 21, 22, 23. te #312.

MODEL CODES:

| | | |
|-----------------------------|-----------------------------|------------------------------|
| 15 = Grand Wagoneer 4 Dr. | 65 = Comanche 4WD-7 Ft. Box | 77 = Cherokee 4WD-2 Dr. |
| 25 = J-10 Pickup-119" W.B. | 66 = Comanche 2WD-7 Ft. Box | 78 = Cherokee 4WD-4 Dr. |
| 26 = J-10 Pickup-131" W.B. | 73 = Cherokee 2WD-2 Dr. | 79 = Cherokee 4WD-4 Dr.-Com |
| 27 = J-20 Pickup-131" W.B. | 74 = Cherokee 2WD-4 Dr. | 81 = Wrangler-93" W.B. |
| 63 = Comanche 4WD-6 Ft. Box | 75 = Wagoneer 4WD-4 Dr. | 82 = Wrangler-103" W.B.-Exp. |
| 64 = Comanche 2WD-6 Ft. Box | | |

BODY STYLES:

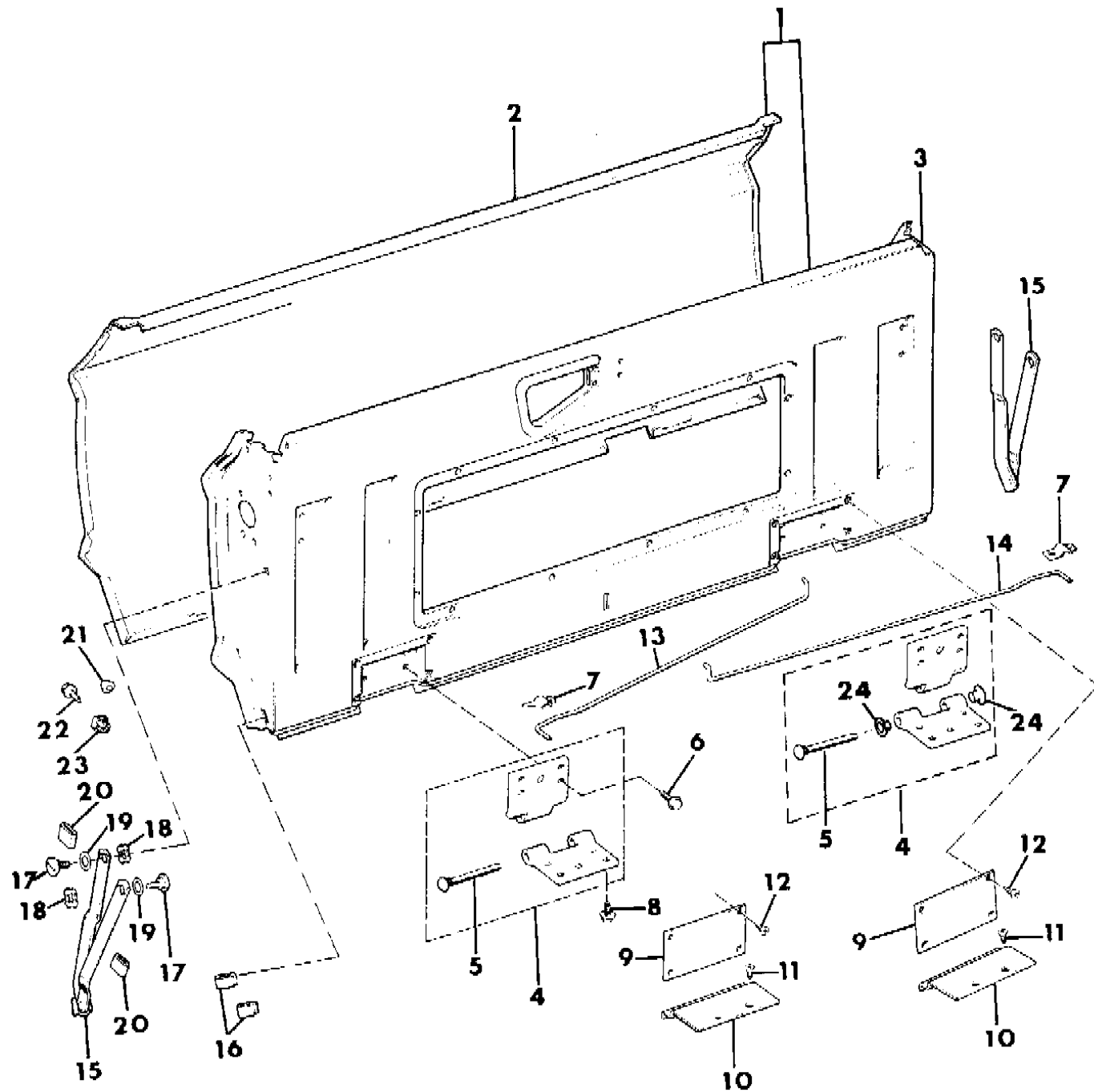
MJ = Comanche Pickup
SJ = Grand Wagoneer Wgn., J-10 & J-20 Pickups
XJ = Cherokee, Wagoneer Limited
YJ = Wrangler

AR = Use as Required - = Non Illustrated Part P.A.R. = Paint as Required

TAILGATE AND HINGES GRAND WAGONEER

Figure 23A-6300

8 J 69 6300 A



| ITEM | PART NUMBER | QTY | BODY | MODEL | DESCRIPTION |
|------|-------------|-----|------|-------|-----------------------------|
| 1 | 5501 8793 | 1 | | | TAILGATE, w/Rear Wiper |
| 2 | 5501 8794 | 1 | | | PANEL, Quarter w/Rear Wiper |
| 3 | 5501 8796 | 1 | | | PANEL, Inner w/Rear Wiper |
| 4 | J575 1937 | 2 | | | HINGE, Tailgate |
| 5 | J576 4063 | 2 | | | PIN, Hinge |
| 6 | J400 3069 | 8 | | | BOLT |
| 7 | J575 8338-9 | 1 | | | BRACKET, Rod |
| 8 | J400 4455 | 8 | | | BOLT |
| 9 | J545 1413 | 2 | | | COVER, Hinge |
| 10 | J545 1437 | 2 | | | COVER, Hinge |
| 11 | S016 3470 | 8 | | | SCREW |
| 12 | J400 1477 | 8 | | | SCREW |
| 13 | J545 1577 | 1 | | | ROD, Hinge Torque Left |
| 14 | J545 1578 | 1 | | | ROD, Hinge Torque Right |
| 15 | | 1 | | | ARM, Tailgate Support |
| | 5501 2988-9 | | | | 1987-89 |
| | 5502 5234-5 | | | | 1990 |
| 16 | J096 4504 | 1 | | | BUMPER |
| 17 | J095 7717 | 4 | | | BOLT |
| 18 | J400 4711 | 4 | | | WASHER |
| 19 | J095 8649 | 4 | | | WASHER, Spring |
| 20 | J096 1095 | 4 | | | SLEEVE |
| 21 | J400 4156 | 1 | | | BUMPER, License |
| 22 | J812 0054 | 2 | | | SCREW |
| 23 | J400 0141 | 2 | | | NUT |
| 24 | J575 0918 | 2 | | | BUSHING |

MODEL CODES:

| | | |
|-----------------------------|-----------------------------|------------------------------|
| 15 = Grand Wagoneer 4 Dr. | 65 = Comanche 4WD-7 Ft. Box | 77 = Cherokee 4WD-2 Dr. |
| 25 = J-10 Pickup-119" W.B. | 66 = Comanche 2WD-7 Ft. Box | 78 = Cherokee 4WD-4 Dr. |
| 26 = J-10 Pickup-131" W.B. | 73 = Cherokee 2WD-2 Dr. | 79 = Cherokee 4WD-4 Dr.-Com |
| 27 = J-20 Pickup-131" W.B. | 74 = Cherokee 2WD-4 Dr. | 81 = Wrangler-93" W.B. |
| 63 = Comanche 4WD-6 Ft. Box | 75 = Wagoneer 4WD-4 Dr. | 82 = Wrangler-103" W.B.-Exp. |
| 64 = Comanche 2WD-6 Ft. Box | | |

BODY STYLES:

MJ = Comanche Pickup
 SJ = Grand Wagoneer Wgn., J-10 & J-20 Pickups
 XJ = Cherokee, Wagoneer Limited
 YJ = Wrangler

AR = Use as Required - = Non Illustrated Part P.A.R. = Paint as Required

LATCHES, TAILGATE GRAND WAGONEER
Figure 23A-6400

8J69 6400

| ITEM | PART NUMBER | QTY | BODY | MODEL | DESCRIPTION |
|------|-------------|-----|------|-------|--|
| 1 | J095 2567 | 1 | | | COVER |
| 2 | J098 4755 | 1 | | | GASKET, Cover |
| 3 | J096 6227 | 12 | | | SCREW, .75" long |
| 4 | J096 6217 | 12 | | | NUT |
| 5 | | | | | BRACKET, Glass Stop |
| | J095 7743 | 2 | | | used w/o tailgate window wiper *** used w/tailgate window wiper *** |
| | 5501 7816 | 1 | | | Right |
| | 5501 7817 | 1 | | | Left |
| 6 | J097 6665 | 2 | | | BUMPER, Stop |
| 7 | J027 2475 | 4 | | | SCREW, .50" long |
| 8 | J095 6374 | 1 | | | HANDLE, Inside |
| 9 | J096 0212 | 1 | | | SCREW, .38" long |
| 10 | | | | | CAP, End |
| | J545 2498 | 1 | | | Right |
| | J545 2497 | 1 | | | Left |
| 11 | J400 4962 | 2 | | | RIVET |
| 12 | J545 1569 | 2 | | | PLATE |
| 13 | J400 5884 | 2 | | | STUD |
| 14 | J400 4866 | 2 | | | NUT |
| 15 | J400 6404 | 6 | | | WASHER, Bite |
| 16 | J400 6406 | 2 | | | STRIKER, Tailgate |
| 17 | J545 1600 | 2 | | | RECEPTACLE, Dovetail Mounting |
| 18 | J400 3794 | 4 | | | SCREW |
| 19 | J546 4444 | 2 | | | INSERT |
| 20 | J018 8749 | 4 | | | SCREW |
| 21 | J027 3333 | 4 | | | SCREW |
| 22 | | | | | LATCH, Tailgate |
| | J575 0068 | 1 | | | Right |
| | J575 0067 | 1 | | | Left |
| 23 | J400 7032 | 6 | | | SCREW |
| 24 | J096 1995 | 1 | | | CONTROL, Tailgate Remote |

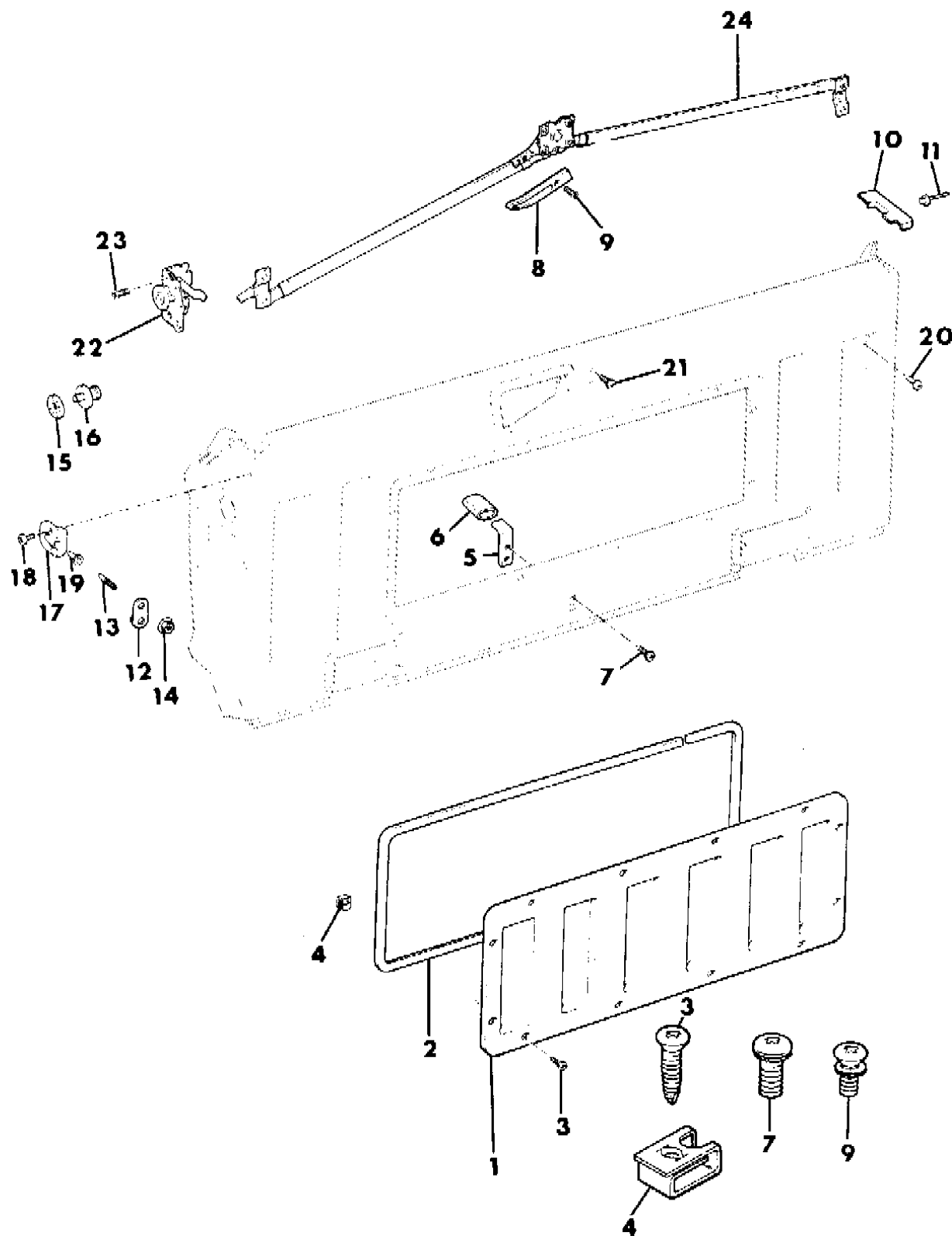
MODEL CODES:

| | | |
|-----------------------------|-----------------------------|------------------------------|
| 15 = Grand Wagoneer 4 Dr. | 65 = Comanche 4WD-7 Ft. Box | 77 = Cherokee 4WD-2 Dr. |
| 25 = J-10 Pickup-119" W.B. | 66 = Comanche 2WD-7 Ft. Box | 78 = Cherokee 4WD-4 Dr. |
| 26 = J-10 Pickup-131" W.B. | 73 = Cherokee 2WD-2 Dr. | 79 = Cherokee 4WD-4 Dr.-Com |
| 27 = J-20 Pickup-131" W.B. | 74 = Cherokee 2WD-4 Dr. | 81 = Wrangler-93" W.B. |
| 63 = Comanche 4WD-6 Ft. Box | 75 = Wagoneer 4WD-4 Dr. | 82 = Wrangler-103" W.B.-Exp. |
| 64 = Comanche 2WD-6 Ft. Box | | |

BODY STYLES:

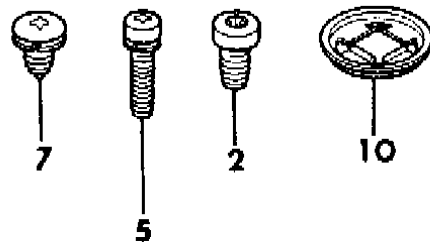
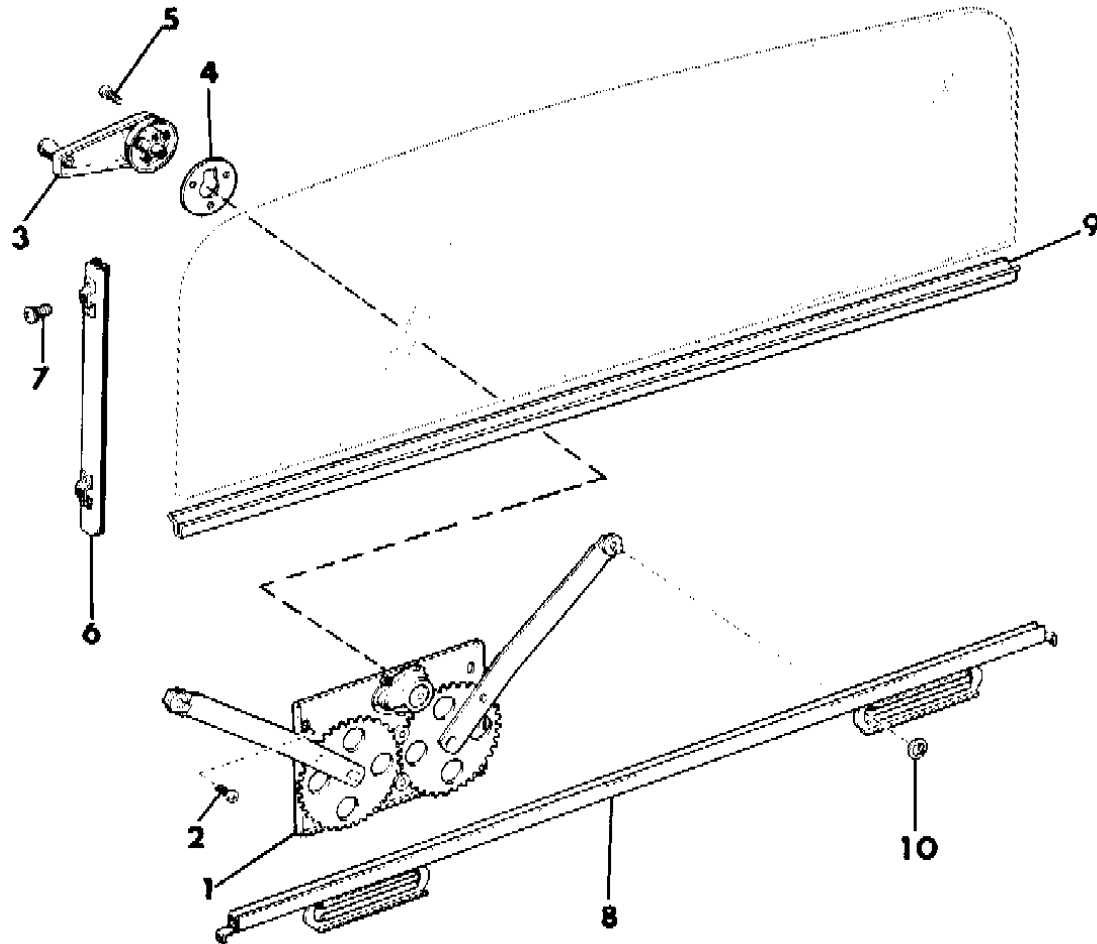
MJ = Comanche Pickup
SJ = Grand Wagoneer Wgn., J-10 & J-20 Pickups
XJ = Cherokee, Wagoneer Limited
YJ = Wrangler

AR = Use as Required - = Non Illustrated Part P.A.R. = Paint as Required



REGULATOR, TAILGATE GLASS MANUAL GRAND WAGONEER
Figure 23A-6500

8 J69 6500



| ITEM | PART NUMBER | QTY | BODY | MODEL | DESCRIPTION |
|------|-------------|-----|------|-------|--------------------------|
| 1 | J097 4016 | 1 | | | REGULATOR, Glass |
| 2 | J400 3794 | 6 | | | SCREW, .38" Long |
| 3 | J575 1929 | 1 | | | HANDLE, Tailgate |
| 4 | J096 0205 | 1 | | | GASKET |
| 5 | S045 5694 | 3 | | | SCREW, .75" long 1987-88 |
| | J400 0640 | 3 | | | 1989-90 |
| 6 | J546 5084 | 2 | | | CHANNEL, Window Guide |
| 7 | J097 9925 | 4 | | | SCREW, .31" Long |
| 8 | J813 0454 | 1 | | | CHANNEL, Glass |
| 9 | J546 9605 | 1 | | | SEAL, Glass Lower |
| 10 | J098 0363 | 2 | | | RETAINER |

MODEL CODES:

| | | |
|-----------------------------|-----------------------------|------------------------------|
| 15 = Grand Wagoneer 4 Dr. | 65 = Comanche 4WD-7 Ft. Box | 77 = Cherokee 4WD-2 Dr. |
| 25 = J-10 Pickup-119" W.B. | 66 = Comanche 2WD-7 Ft. Box | 78 = Cherokee 4WD-4 Dr. |
| 26 = J-10 Pickup-131" W.B. | 73 = Cherokee 2WD-2 Dr. | 79 = Cherokee 4WD-4 Dr.-Com |
| 27 = J-20 Pickup-131" W.B. | 74 = Cherokee 2WD-4 Dr. | 81 = Wrangler-93" W.B. |
| 63 = Comanche 4WD-6 Ft. Box | 75 = Wagoneer 4WD-4 Dr. | 82 = Wrangler-103" W.B.-Exp. |
| 64 = Comanche 2WD-6 Ft. Box | | |

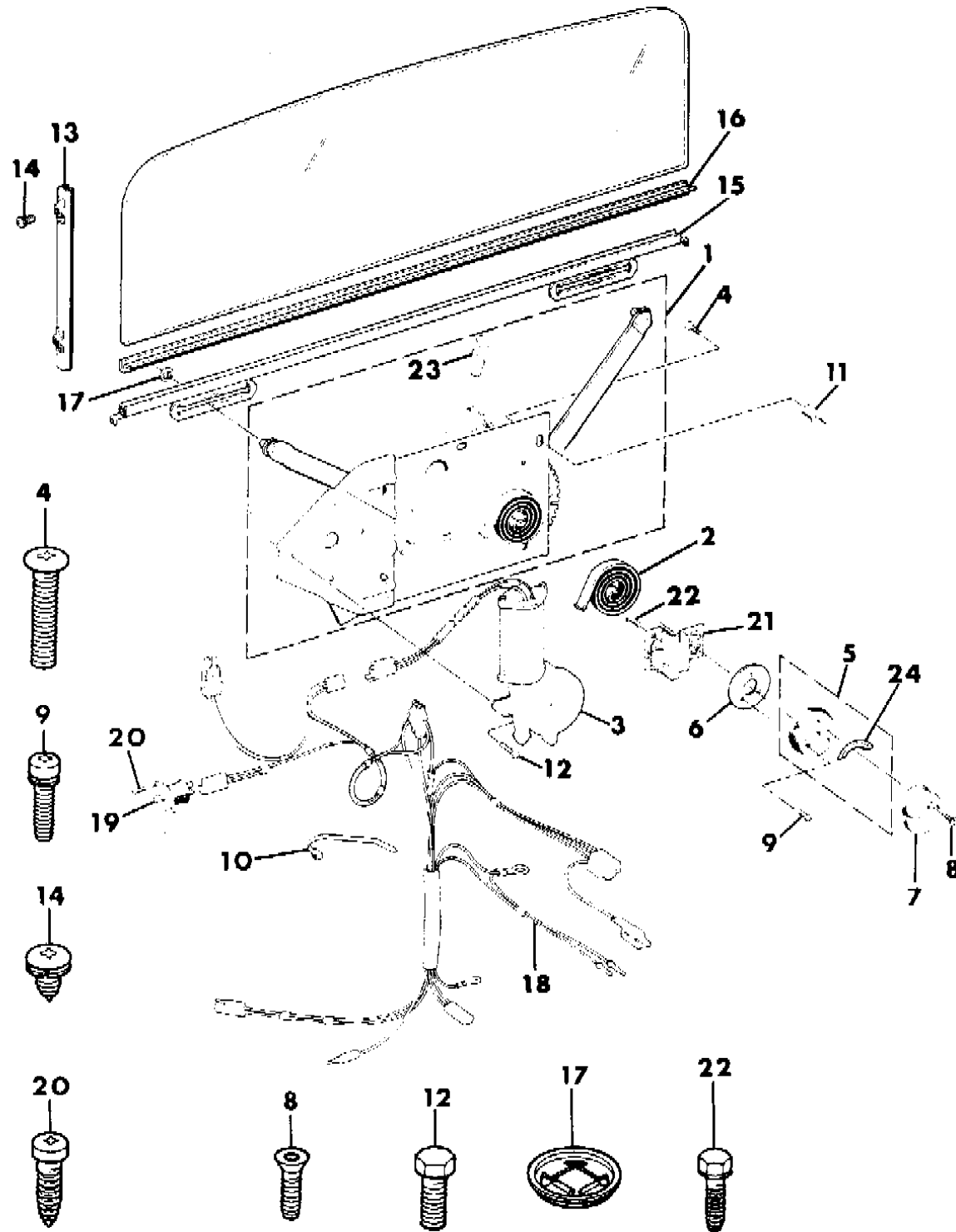
BODY STYLES:

MJ = Comanche Pickup
 SJ = Grand Wagoneer Wgn., J-10 & J-20 Pickups
 XJ = Cherokee, Wagoneer Limited
 YJ = Wrangler

AR = Use as Required - = Non Illustrated Part P.A.R. = Paint as Required

REGULATOR, TAILGATE GLASS ELECTRIC GRAND WAGONEER
Figure 23A-6600

8J69 6600



| ITEM | PART NUMBER | QTY | BODY | MODEL | DESCRIPTION |
|------|-------------|-----|------|-------|---------------------------|
| 1 | | | | | REGULATOR, Glass |
| | J813 3035 | 1 | | | w/o Rear Wipe and Washer |
| | 8350 4949 | 1 | | | w/Rear Wipe and Washer |
| 2 | J812 9551 | 1 | | | SPRING |
| 3 | 8350 3429 | 1 | | | MOTOR, Electric Window |
| 4 | J812 6447 | 6 | | | SCREW |
| 5 | 5502 2220 | 1 | | | BASE, Regulator Switch |
| 6 | J096 0205 | 1 | | | GASKET |
| 7 | J545 1502 | 1 | | | COVER |
| 8 | J400 4969 | 2 | | | SCREW |
| 9 | J400 0640 | 3 | | | SCREW |
| 10 | J322 3227 | 3 | | | STRAP |
| 11 | J812 5586 | 6 | | | SPACER |
| 12 | J812 5585 | 3 | | | SCREW, (Not Serv.) |
| 13 | J546 5084 | 2 | | | CHANNEL, Window Guide |
| 14 | J097 9925 | 4 | | | SCREW |
| 15 | J813 0454 | 1 | | | CHANNEL, Glass Lifter |
| 16 | J546 9605 | 1 | | | SEAL, Glass Lower |
| 17 | J098 0363 | 2 | | | RETAINER |
| 18 | 5600 2656 | 1 | | | WIRING |
| 19 | J575 0087 | 1 | | | SWITCH, Safety |
| 20 | J016 2077 | 2 | | | SCREW |
| 21 | 5600 3167 | 1 | | | SWITCH, Tailgate Glass |
| 22 | J400 5559 | 2 | | | SCREW |
| 23 | 5600 3694 | 1 | | | SWITCH, Regulator Lockout |
| 24 | 5502 2196 | 1 | | | DECAL, Key Removal |

MODEL CODES:

| | | |
|-----------------------------|-----------------------------|------------------------------|
| 15 = Grand Wagoneer 4 Dr. | 65 = Comanche 4WD-7 Ft. Box | 77 = Cherokee 4WD-2 Dr. |
| 25 = J-10 Pickup-119" W.B. | 66 = Comanche 2WD-7 Ft. Box | 78 = Cherokee 4WD-4 Dr. |
| 26 = J-10 Pickup-131" W.B. | 73 = Cherokee 2WD-2 Dr. | 79 = Cherokee 4WD-4 Dr.-Com |
| 27 = J-20 Pickup-131" W.B. | 74 = Cherokee 2WD-4 Dr. | 81 = Wrangler-93" W.B. |
| 63 = Comanche 4WD-6 Ft. Box | 75 = Wagoneer 4WD-4 Dr. | 82 = Wrangler-103" W.B.-Exp. |
| 64 = Comanche 2WD-6 Ft. Box | | |

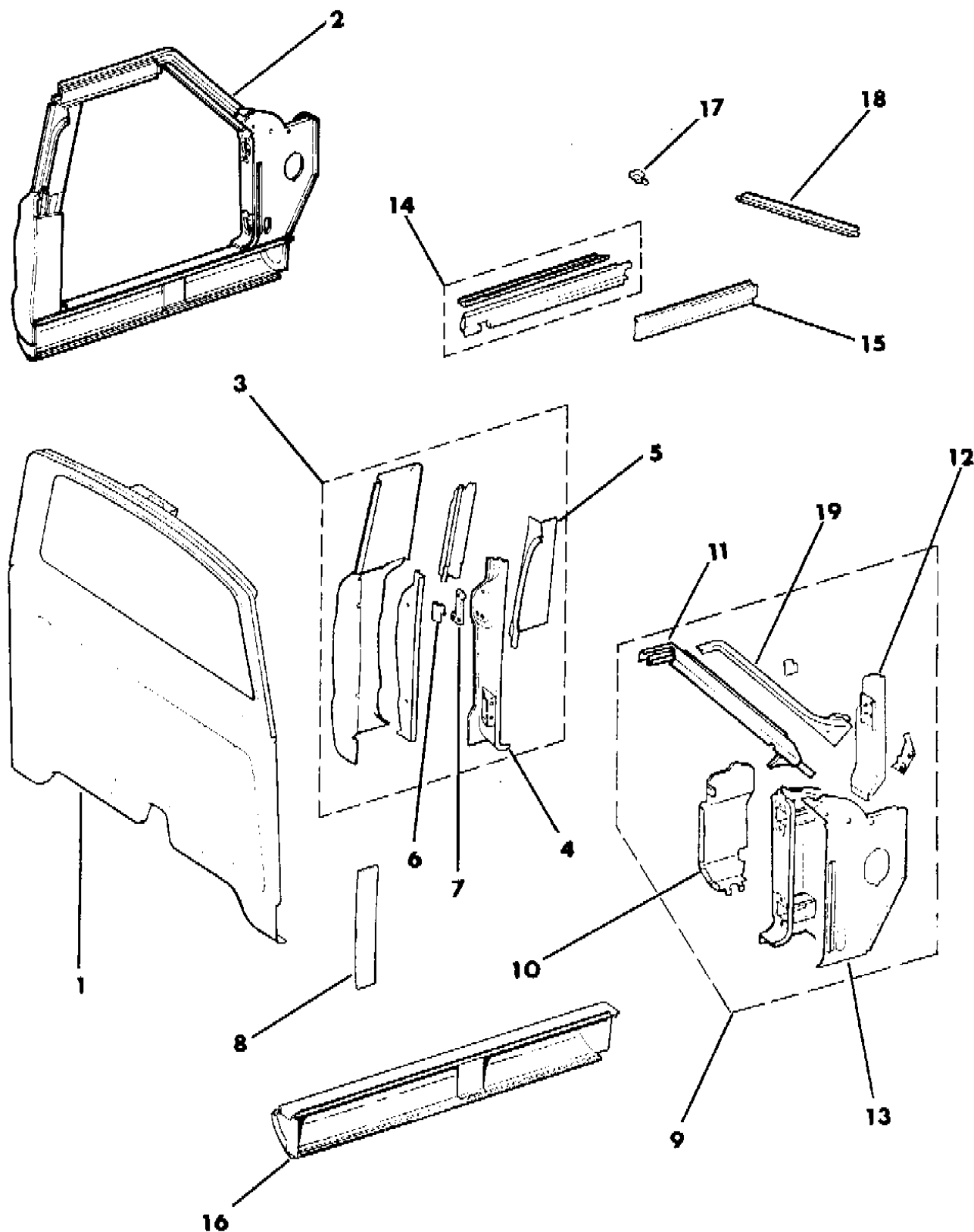
BODY STYLES:

MJ = Comanche Pickup
 SJ = Grand Wagoneer Wgn., J-10 & J-20 Pickups
 XJ = Cherokee, Wagoneer Limited
 YJ = Wrangler

AR = Use as Required - = Non Illustrated Part P.A.R. = Paint as Required

PANELS, BODY SIDE AND REAR 1987-88 J10, J20
Figure 23A-6700

8J69 6700



| ITEM | PART NUMBER | QTY | BODY | MODEL | DESCRIPTION |
|------|-------------|-----|------|-------|-----------------------------|
| 1 | J546 1576 | 1 | | | PANEL, Cab Rear |
| 2 | J575 8036-7 | 1 | | | PANEL, Side |
| 3 | J575 0140 | 1 | | | PANEL, Lock Pillar Right |
| 4 | J575 0137 | 1 | | | Left |
| | J575 0139 | 1 | | | PILLAR, Lock Right |
| | J575 0136 | 1 | | | Left |
| 5 | J546 1574 | 1 | | | PANEL, Side Inner Right |
| | J546 1573 | 1 | | | Left |
| 6 | J575 0092 | 2 | | | RETAINER, Tapping Plate |
| 7 | J575 0091 | 2 | | | PLATE, Tapping |
| 8 | J575 1733 | 2 | | | PANEL, Lower Finish |
| 9 | J575 7492-3 | 1 | | | PILLAR, Hinge |
| 10 | J095 6636 | 1 | | | PANEL, Cowl Side Right |
| | J095 6635 | 1 | | | Left |
| 11 | J095 6778 | 1 | | | PILLAR, Body Right |
| | J095 6777 | 1 | | | Left |
| 12 | J095 7468 | 1 | | | PANEL, Cowl Side Right |
| | J545 0135 | 1 | | | Left |
| 13 | J575 1926 | 1 | | | PANEL, Inner Right |
| | J575 8033 | 1 | | | Left |
| 14 | J575 7304 | 1 | | | RAIL, Roof Outer Right |
| | J575 7305 | 1 | | | Left |
| 15 | J545 2426 | 1 | | | RAIL, Roof Inner Right |
| | J545 2425 | 1 | | | Left |
| 16 | J546 5048 | 1 | | | PANEL, Rocker Right |
| | J546 5047 | 1 | | | Left |

MODEL CODES:

| | | |
|-----------------------------|-----------------------------|------------------------------|
| 15 = Grand Wagoneer 4 Dr. | 65 = Comanche 4WD-7 Ft. Box | 77 = Cherokee 4WD-2 Dr. |
| 25 = J-10 Pickup-119" W.B. | 66 = Comanche 2WD-7 Ft. Box | 78 = Cherokee 4WD-4 Dr. |
| 26 = J-10 Pickup-131" W.B. | 73 = Cherokee 2WD-2 Dr. | 79 = Cherokee 4WD-4 Dr.-Com |
| 27 = J-20 Pickup-131" W.B. | 74 = Cherokee 2WD-4 Dr. | 81 = Wrangler-93" W.B. |
| 63 = Comanche 4WD-6 Ft. Box | 75 = Wagoneer 4WD-4 Dr. | 82 = Wrangler-103" W.B.-Exp. |
| 64 = Comanche 2WD-6 Ft. Box | | |

BODY STYLES:

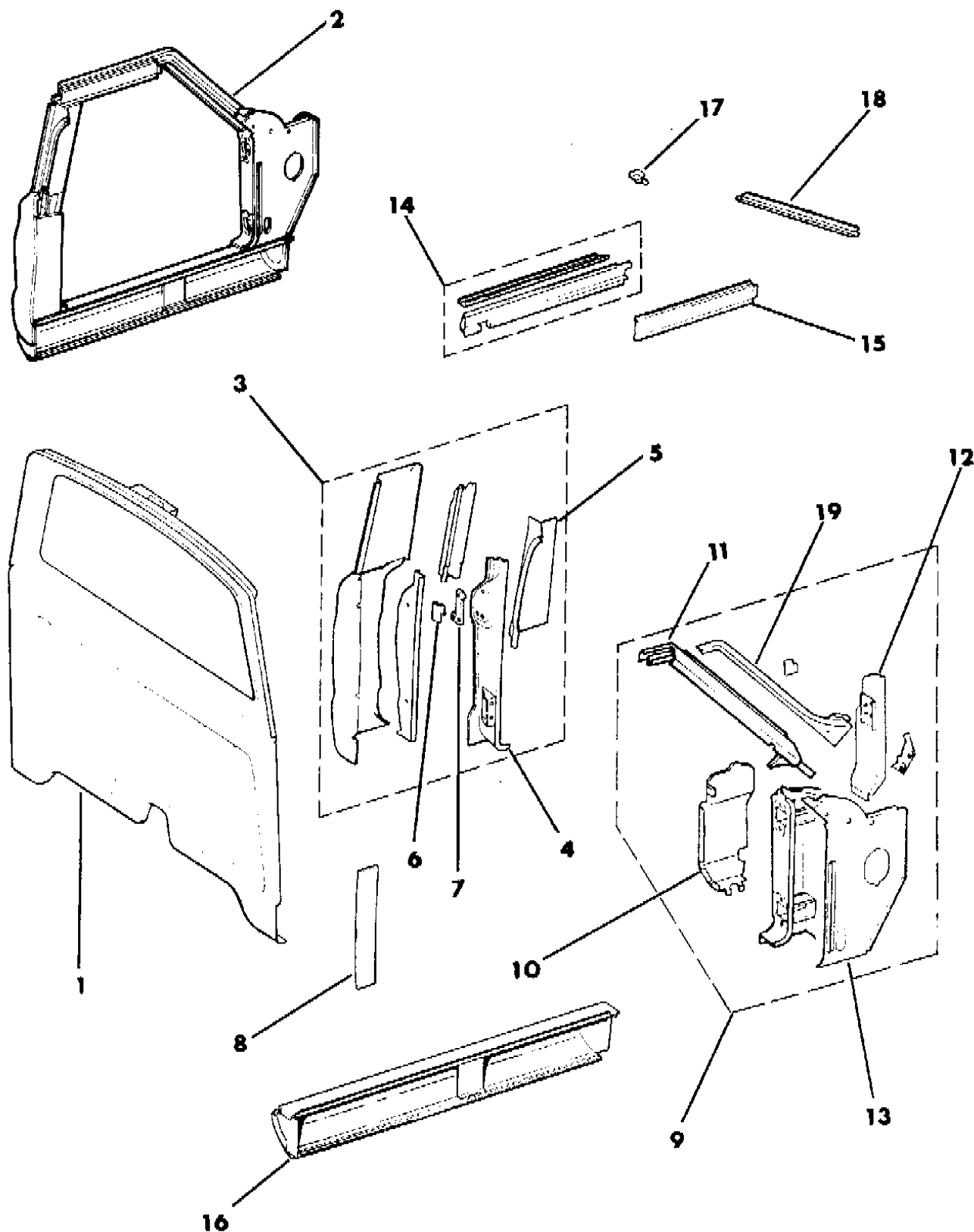
MJ = Comanche Pickup
SJ = Grand Wagoneer Wgn., J-10 & J-20 Pickups
XJ = Cherokee, Wagoneer Limited
YJ = Wrangler

AR = Use as Required - = Non Illustrated Part P.A.R. = Paint as Required

PANELS, BODY SIDE AND REAR 1987-88 J10, J20
Figure 23A-6700

8J69 6700

| ITEM | PART NUMBER | QTY | BODY | MODEL | DESCRIPTION |
|------|-------------|-----|------|-------|--------------------------------|
| 17 | J096 8201 | 2 | | | CAP, Molding |
| 18 | J096 8210 | 1 | | | MOLDING, Drip Right |
| | J096 8209 | 1 | | | Left |
| | | | | | |
| 19 | J095 6644 | 1 | | | REINFORCEMENT, Pillar Right |
| | J095 6643 | 1 | | | Left |
| | | | | | |



MODEL CODES:

| | | |
|-----------------------------|-----------------------------|------------------------------|
| 15 = Grand Wagoneer 4 Dr. | 65 = Comanche 4WD-7 Ft. Box | 77 = Cherokee 4WD-2 Dr. |
| 25 = J-10 Pickup-119" W.B. | 66 = Comanche 2WD-7 Ft. Box | 78 = Cherokee 4WD-4 Dr. |
| 26 = J-10 Pickup-131" W.B. | 73 = Cherokee 2WD-2 Dr. | 79 = Cherokee 4WD-4 Dr.-Com |
| 27 = J-20 Pickup-131" W.B. | 74 = Cherokee 2WD-4 Dr. | 81 = Wrangler-93" W.B. |
| 63 = Comanche 4WD-6 Ft. Box | 75 = Wagoneer 4WD-4 Dr. | 82 = Wrangler-103" W.B.-Exp. |
| 64 = Comanche 2WD-6 Ft. Box | | |

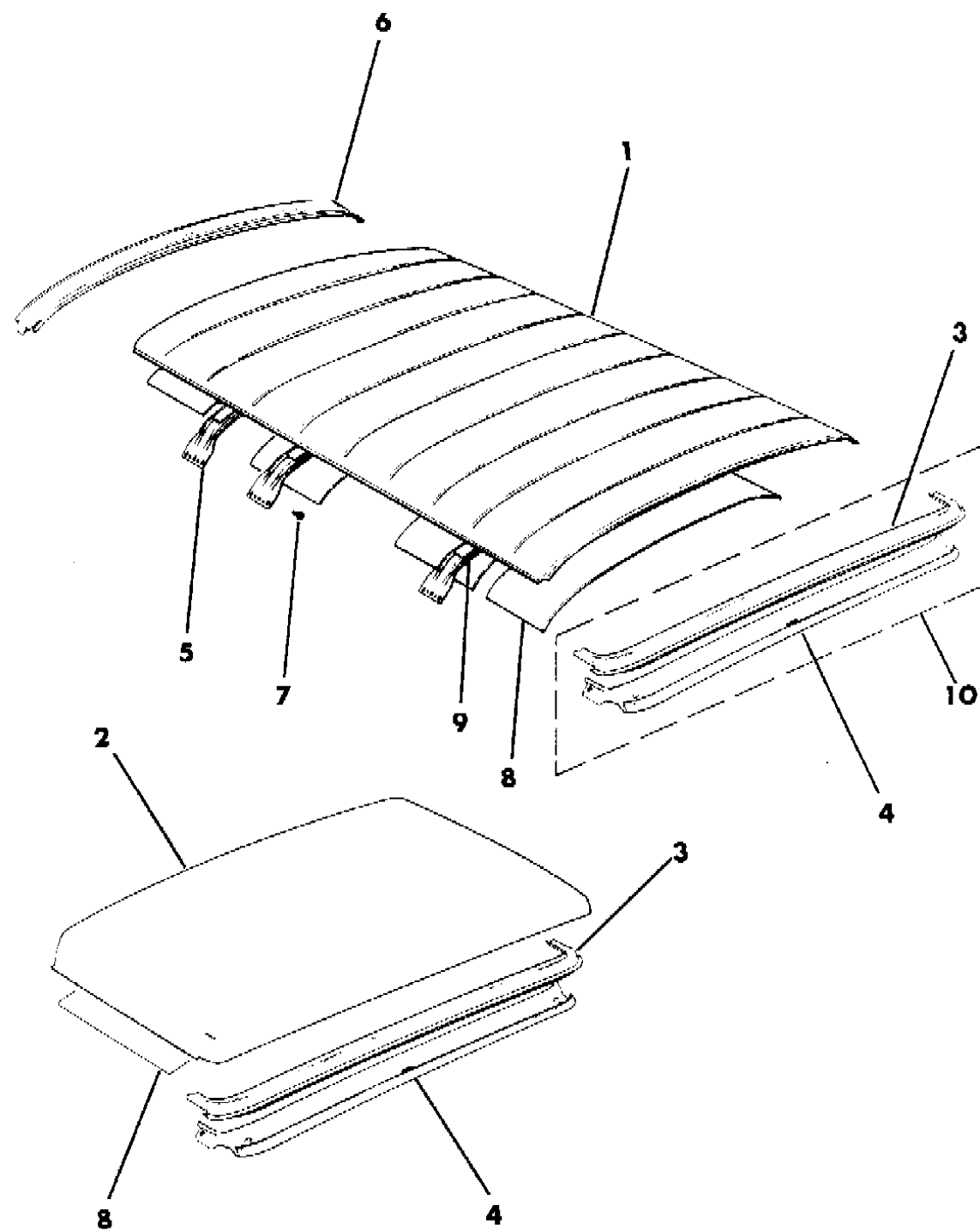
BODY STYLES:

MJ = Comanche Pickup
SJ = Grand Wagoneer Wgn., J-10 & J-20 Pickups
XJ = Cherokee, Wagoneer Limited
YJ = Wrangler

AR = Use as Required - = Non Illustrated Part P.A.R. = Paint as Required

PANELS, ROOF GRAND WAGONEER, J10, J20
Figure 23A-6800

8J 69 6800



| ITEM | PART NUMBER | QTY | BODY | MODEL | DESCRIPTION |
|------|-------------|-----|------|-------|---------------------------------------|
| 1 | | | | | PANEL, Roof |
| | J096 5537 | 1 | | 15 | w/o Sunroof |
| | 8350 5255 | 1 | | 15 | w/Sunroof Electric |
| 2 | J575 2418 | 1 | | 26,27 | PANEL, Roof 1987-88 |
| 3 | | | | | HEADER, Front Upper *** |
| | J095 5332 | 1 | | 26,27 | 1987-88 |
| | 5502 1773 | 1 | | 15 | 1989-90 |
| 4 | | | | | HEADER, Front Lower *** |
| | J545 1430 | 1 | | 26,27 | 1987-88 |
| | 5502 1774 | 1 | | 15 | 1989-90 |
| 5 | J546 9863 | 3 | | 15 | SUPPORT, Roof (Modification Required) |
| 6 | J545 5370 | 1 | | 15 | HEADER, Rear *** |
| 7 | J400 4884 | 12 | | 15 | SCREW |
| 8 | J546 6338 | AR | | | SILENCER |
| 9 | J545 4867 | 3 | | 15 | PAD |
| 10 | 5502 1772 | 1 | | 15 | HEADER, Front, 1987-90 *** |

MODEL CODES:

| | | |
|-----------------------------|-----------------------------|------------------------------|
| 15 = Grand Wagoneer 4 Dr. | 65 = Comanche 4WD-7 Ft. Box | 77 = Cherokee 4WD-2 Dr. |
| 25 = J-10 Pickup-119" W.B. | 66 = Comanche 2WD-7 Ft. Box | 78 = Cherokee 4WD-4 Dr. |
| 26 = J-10 Pickup-131" W.B. | 73 = Cherokee 2WD-2 Dr. | 79 = Cherokee 4WD-4 Dr.-Com |
| 27 = J-20 Pickup-131" W.B. | 74 = Cherokee 2WD-4 Dr. | 81 = Wrangler-93" W.B. |
| 63 = Comanche 4WD-6 Ft. Box | 75 = Wagoneer 4WD-4 Dr. | 82 = Wrangler-103" W.B.-Exp. |
| 64 = Comanche 2WD-6 Ft. Box | | |

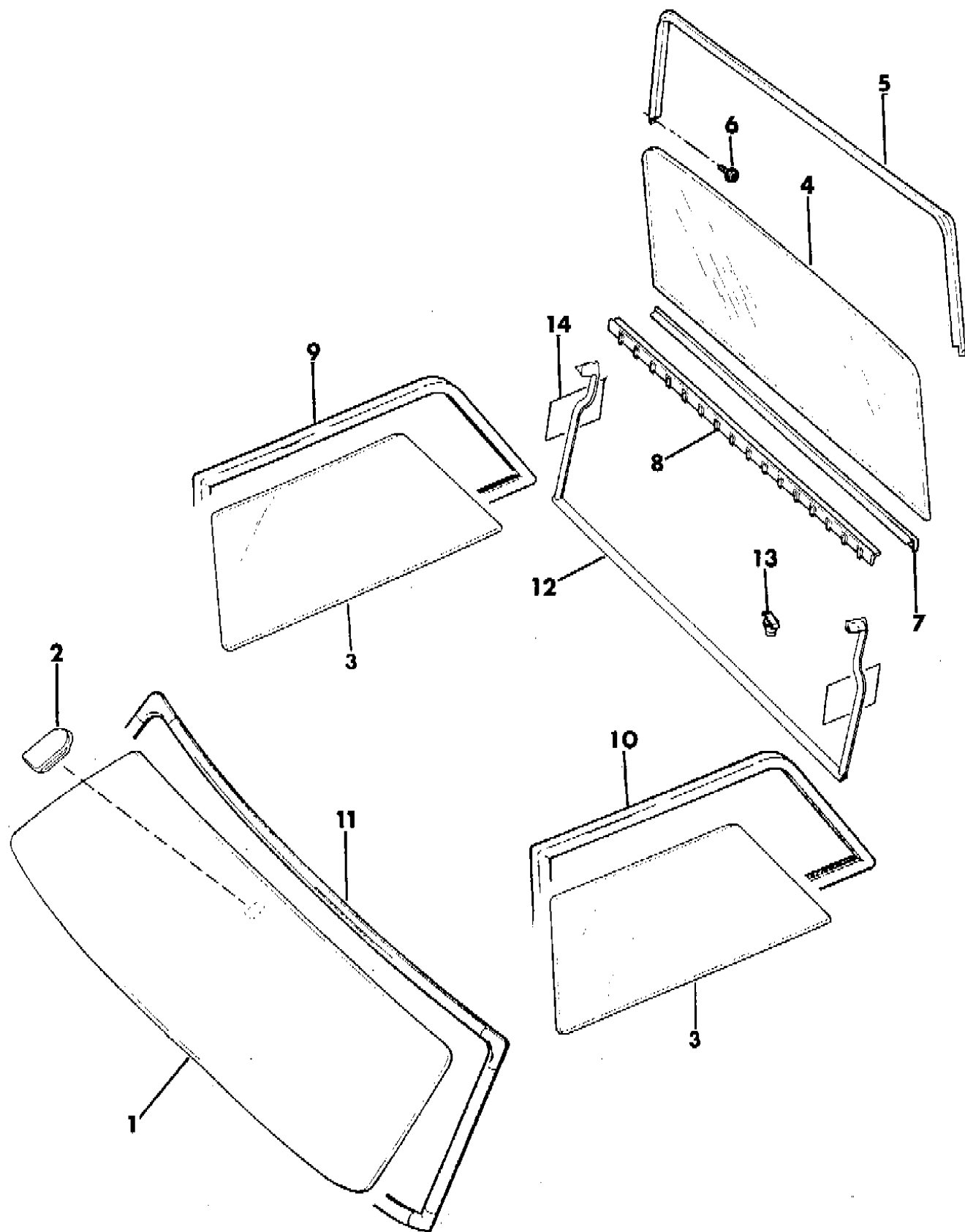
BODY STYLES:

MJ = Comanche Pickup
SJ = Grand Wagoneer Wgn., J-10 & J-20 Pickups
XJ = Cherokee, Wagoneer Limited
YJ = Wrangler

AR = Use as Required - = Non Illustrated Part P.A.R. = Paint as Required

SEALS & GLASS TINTED WINDSHIELD, QUARTER AND TAILGATE GRAND WAGONEER
Figure 23A-6900

8J696900 A



| ITEM | PART NUMBER | QTY | BODY | MODEL | DESCRIPTION |
|------|-------------|-----|------|-------|---|
| 1 | J546 9500 | 1 | | | GLASS, Windshield |
| 2 | J365 7374 | 1 | | | SUPPORT, Inside Rear View Mirror (a) |
| 3 | J546 9536 | 2 | | | GLASS, Quarter |
| 4 | J546 9610 | 1 | | | GLASS, Tailgate w/o rear window defogger |
| | J575 2859 | 1 | | | w/rear window defogger |
| 5 | J545 5966 | 1 | | | CHANNEL, Glass |
| 6 | J400 4171 | 2 | | | SCREW |
| 7 | 5505 2566 | 1 | | | WEATHERSTRIP, Tailgate Outer |
| 8 | J546 2332 | 1 | | | WEATHERSTRIP, Tailgate Inner |
| 9 | J546 9532 | 1 | | | SEAL, Quarter Window |
| 10 | J546 9531 | 1 | | | SEAL, Quarter Window |
| 11 | J546 9504 | 1 | | | SEAL, Windshield |
| 12 | J545 1573 | 1 | | | SEAL, Tailgate Lower |
| 13 | J400 1916 | 11 | | | FASTENER |
| 14 | 5502 5166 | 2 | | | WATERDAM, Tailgate Latch *** |

(a) The Mirror Support is Replacing Mirror mounting Kit. When Installing a Mirror Support, Use Locktite #312 Adhesive and the Accelerator for Locktite #312.

MODEL CODES:

| | | |
|-----------------------------|-----------------------------|------------------------------|
| 15 = Grand Wagoneer 4 Dr. | 65 = Comanche 4WD-7 Ft. Box | 77 = Cherokee 4WD-2 Dr. |
| 25 = J-10 Pickup-119" W.B. | 66 = Comanche 2WD-7 Ft. Box | 78 = Cherokee 4WD-4 Dr. |
| 26 = J-10 Pickup-131" W.B. | 73 = Cherokee 2WD-2 Dr. | 79 = Cherokee 4WD-4 Dr.-Com |
| 27 = J-20 Pickup-131" W.B. | 74 = Cherokee 2WD-4 Dr. | 81 = Wrangler-93" W.B. |
| 63 = Comanche 4WD-6 Ft. Box | 75 = Wagoneer 4WD-4 Dr. | 82 = Wrangler-103" W.B.-Exp. |
| 64 = Comanche 2WD-6 Ft. Box | | |

BODY STYLES:

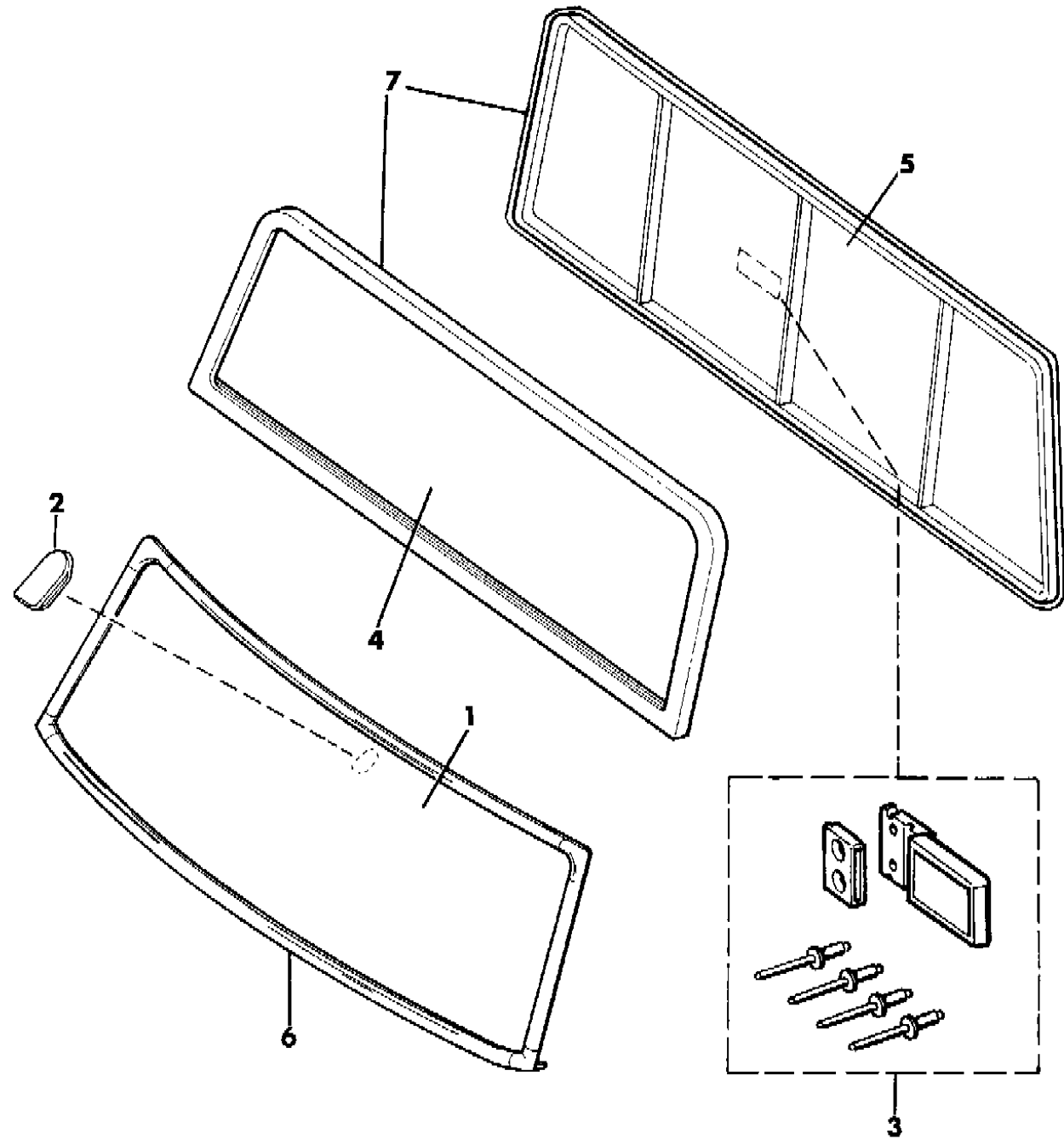
MJ = Comanche Pickup
SJ = Grand Wagoneer Wgn., J-10 & J-20 Pickups
XJ = Cherokee, Wagoneer Limited
YJ = Wrangler

AR = Use as Required - = Non Illustrated Part P.A.R. = Paint as Required

GLASS, SEALS WINDSHIELD AND REAR WINDOW J10, J20
Figure 23A-7000

8J69 7000A

| ITEM | PART NUMBER | QTY | BODY | MODEL | DESCRIPTION |
|------|-------------|-----|------|-------|--------------------------------------|
| 1 | J546 9500 | 1 | | | GLASS, Windshield |
| 2 | J365 7374 | 1 | | | SUPPORT, Mirror (Use locktite) |
| 3 | J812 9269 | 1 | | | LOCK KIT |
| 4 | J546 9602 | 1 | | | GLASS, Rear Window Tinted |
| | J575 6177 | 1 | | | Tinted, Export |
| 5 | J899 7259 | 1 | | | GLASS, Rear Window, Sliding Clear |
| | J575 7311 | 1 | | | Clear, Export |
| 6 | J546 9504 | 1 | | | SEAL, Windshield |
| 7 | J546 9603 | 1 | | | SEAL, Rear Window |



MODEL CODES:

| | | |
|-----------------------------|-----------------------------|------------------------------|
| 15 = Grand Wagoneer 4 Dr. | 65 = Comanche 4WD-7 Ft. Box | 77 = Cherokee 4WD-2 Dr. |
| 25 = J-10 Pickup-119" W.B. | 66 = Comanche 2WD-7 Ft. Box | 78 = Cherokee 4WD-4 Dr. |
| 26 = J-10 Pickup-131" W.B. | 73 = Cherokee 2WD-2 Dr. | 79 = Cherokee 4WD-4 Dr.-Com |
| 27 = J-20 Pickup-131" W.B. | 74 = Cherokee 2WD-4 Dr. | 81 = Wrangler-93" W.B. |
| 63 = Comanche 4WD-6 Ft. Box | 75 = Wagoneer 4WD-4 Dr. | 82 = Wrangler-103" W.B.-Exp. |
| 64 = Comanche 2WD-6 Ft. Box | | |

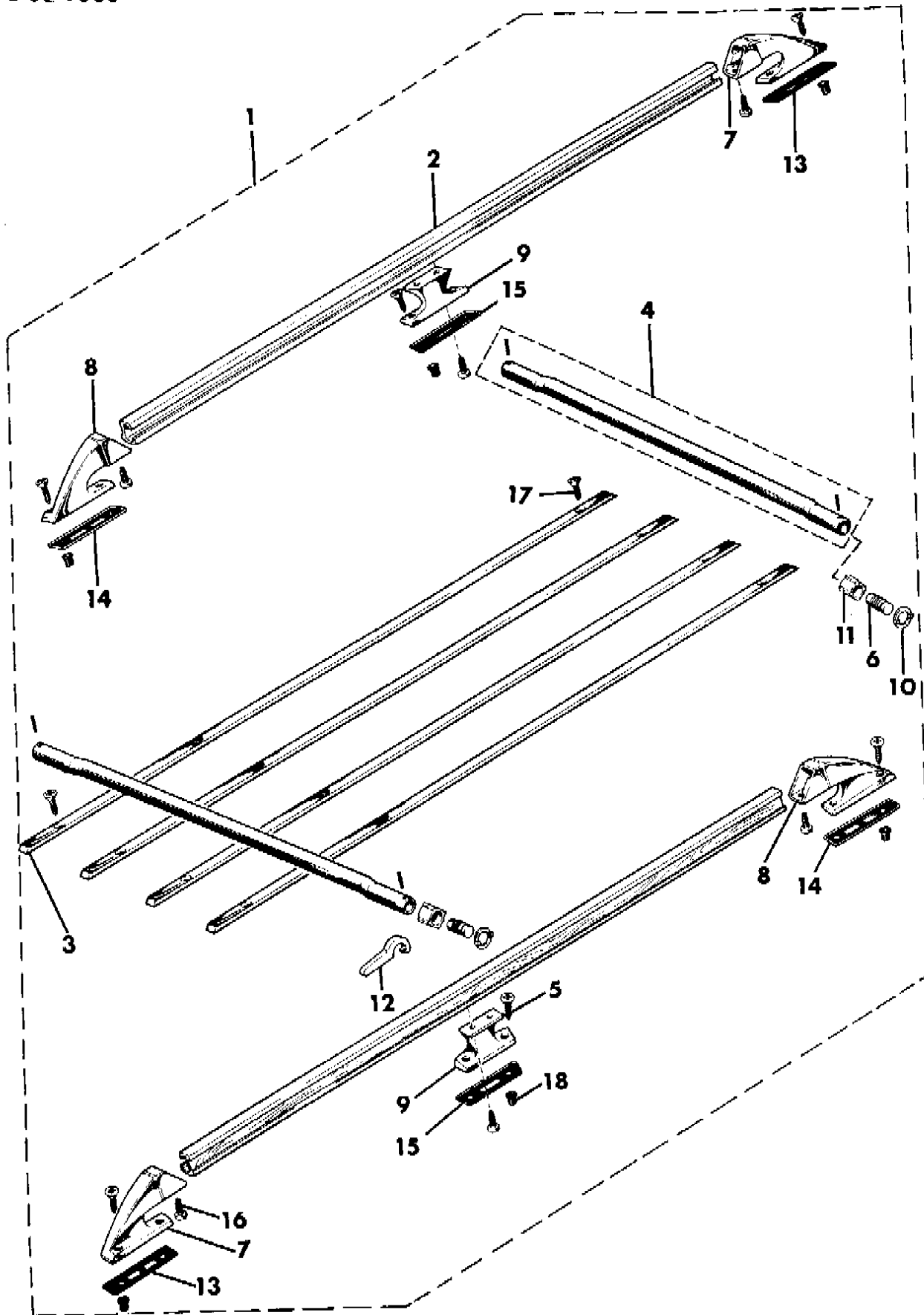
BODY STYLES:

MJ = Comanche Pickup
 SJ = Grand Wagoneer Wgn., J-10 & J-20 Pickups
 XJ = Cherokee, Wagoneer Limited
 YJ = Wrangler

AR = Use as Required - = Non Illustrated Part P.A.R. = Paint as Required

RACK--ROOF LUGGAGE GRAND WAGONEER 1987
Figure 23A-7050

8 J 69 7050



| ITEM | PART NUMBER | QTY | BODY | MODEL | DESCRIPTION |
|------|-------------|-----|------|-------|----------------------------------|
| 1 | J899 7039 | 1 | | | RACK PACKAGE, (Not Serv.) *** |
| 2 | J546 9360 | 2 | | | RAIL, Side |
| 3 | 5505 2610 | 4 | | | STRIP, Skid |
| 4 | J546 5669 | 2 | | | RAIL, Cross |
| 5 | S941 6343 | 12 | | | SCREW |
| 6 | J546 5670 | 4 | | | STUD |
| 7 | J546 5663 | 2 | | | SUPPORT, Side Rail |
| 8 | J546 5664 | 2 | | | SUPPORT, Side Rail |
| 9 | J546 5675 | 2 | | | SUPPORT, Center |
| 10 | J546 5667 | 4 | | | WASHER |
| 11 | J546 5671 | 4 | | | NUT |
| 12 | J546 5672 | 1 | | | WRENCH, Cross Rail Adjusting *** |
| 13 | J546 5666 | 2 | | | PAD |
| 14 | J546 5665 | 2 | | | PAD |
| 15 | J546 5676 | 2 | | | PAD |
| 16 | J812 0052 | 8 | | | SCREW |
| 17 | J400 6401 | 12 | | | SCREW |
| 18 | J400 3120 | 12 | | | NUT, Well |

MODEL CODES:

| | | |
|-----------------------------|-----------------------------|------------------------------|
| 15 = Grand Wagoneer 4 Dr. | 65 = Comanche 4WD-7 Ft. Box | 77 = Cherokee 4WD-2 Dr. |
| 25 = J-10 Pickup-119" W.B. | 66 = Comanche 2WD-7 Ft. Box | 78 = Cherokee 4WD-4 Dr. |
| 26 = J-10 Pickup-131" W.B. | 73 = Cherokee 2WD-2 Dr. | 79 = Cherokee 4WD-4 Dr.-Com |
| 27 = J-20 Pickup-131" W.B. | 74 = Cherokee 2WD-4 Dr. | 81 = Wrangler-93" W.B. |
| 63 = Comanche 4WD-6 Ft. Box | 75 = Wagoneer 4WD-4 Dr. | 82 = Wrangler-103" W.B.-Exp. |
| 64 = Comanche 2WD-6 Ft. Box | | |

BODY STYLES:

MJ = Comanche Pickup
SJ = Grand Wagoneer Wgn., J-10 & J-20 Pickups
XJ = Cherokee, Wagoneer Limited
YJ = Wrangler

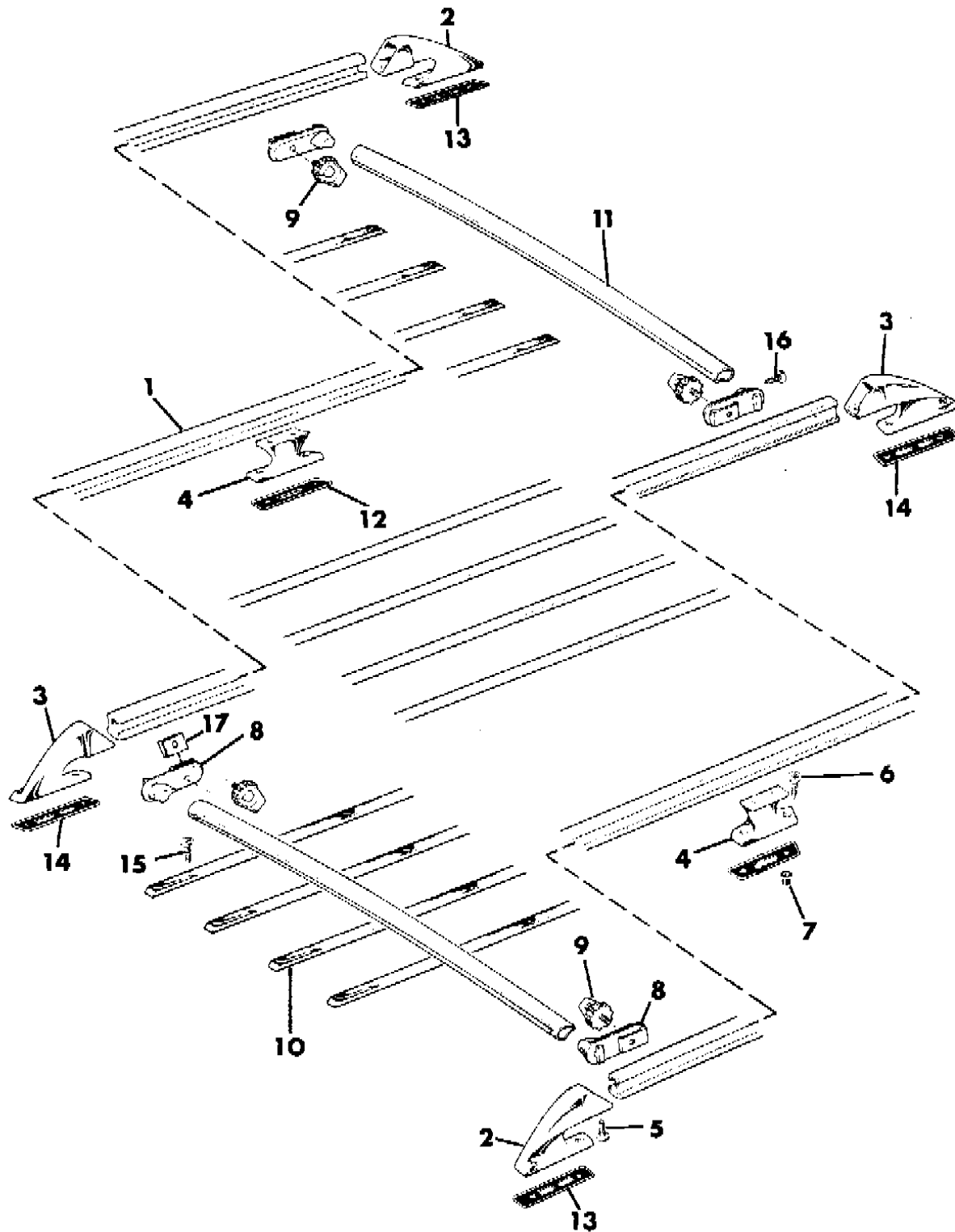
AR = Use as Required - = Non Illustrated Part P.A.R. = Paint as Required

RACK--ROOF LUGGAGE GRAND WAGONEER 1988-90

Figure 23A-7100

8J69 7100

| ITEM | PART NUMBER | QTY | BODY | MODEL | DESCRIPTION |
|------|-------------|-----|------|-------|--|
| 1 | J546 9360 | 2 | | | RAIL, Side |
| 2 | J546 5663 | 2 | | | SUPPORT, Side Rail Left Front and Right Rear |
| 3 | J546 5664 | 2 | | | SUPPORT, Side Rail Right Front and Left Rear |
| 4 | J546 5675 | 2 | | | SUPPORT, Center |
| 5 | J812 0052 | 8 | | | SCREW |
| 6 | S941 6343 | 12 | | | SCREW |
| 7 | J400 3120 | 12 | | | NUT, Well |
| 8 | | | | | SLIDE, Side Rail |
| | 5501 9486 | 2 | | | Right |
| | 8350 5569 | 2 | | | Left |
| 9 | 3502 2075 | 4 | | | LOOP, Cargo Tie Down |
| 10 | 5505 2610 | 4 | | | STRIP, Skid |
| 11 | 5501 9382 | 2 | | | RAIL, Cross |
| 12 | J546 5676 | 2 | | | PAD |
| 13 | J546 5666 | 2 | | | PAD, Left Front and Right Rear *** |
| 14 | J546 5665 | 2 | | | PAD, Right Front and Left Rear *** |
| 15 | J400 6401 | 12 | | | SCREW |
| 16 | J016 3162 | 4 | | | SCREW |
| 17 | 5501 9490 | 4 | | | PLATE, Tapping |



MODEL CODES:

| | | |
|-----------------------------|-----------------------------|------------------------------|
| 15 = Grand Wagoneer 4 Dr. | 65 = Comanche 4WD-7 Ft. Box | 77 = Cherokee 4WD-2 Dr. |
| 25 = J-10 Pickup-119" W.B. | 66 = Comanche 2WD-7 Ft. Box | 78 = Cherokee 4WD-4 Dr. |
| 26 = J-10 Pickup-131" W.B. | 73 = Cherokee 2WD-2 Dr. | 79 = Cherokee 4WD-4 Dr.-Com |
| 27 = J-20 Pickup-131" W.B. | 74 = Cherokee 2WD-4 Dr. | 81 = Wrangler-93" W.B. |
| 63 = Comanche 4WD-6 Ft. Box | 75 = Wagoneer 4WD-4 Dr. | 82 = Wrangler-103" W.B.-Exp. |
| 64 = Comanche 2WD-6 Ft. Box | | |

BODY STYLES:

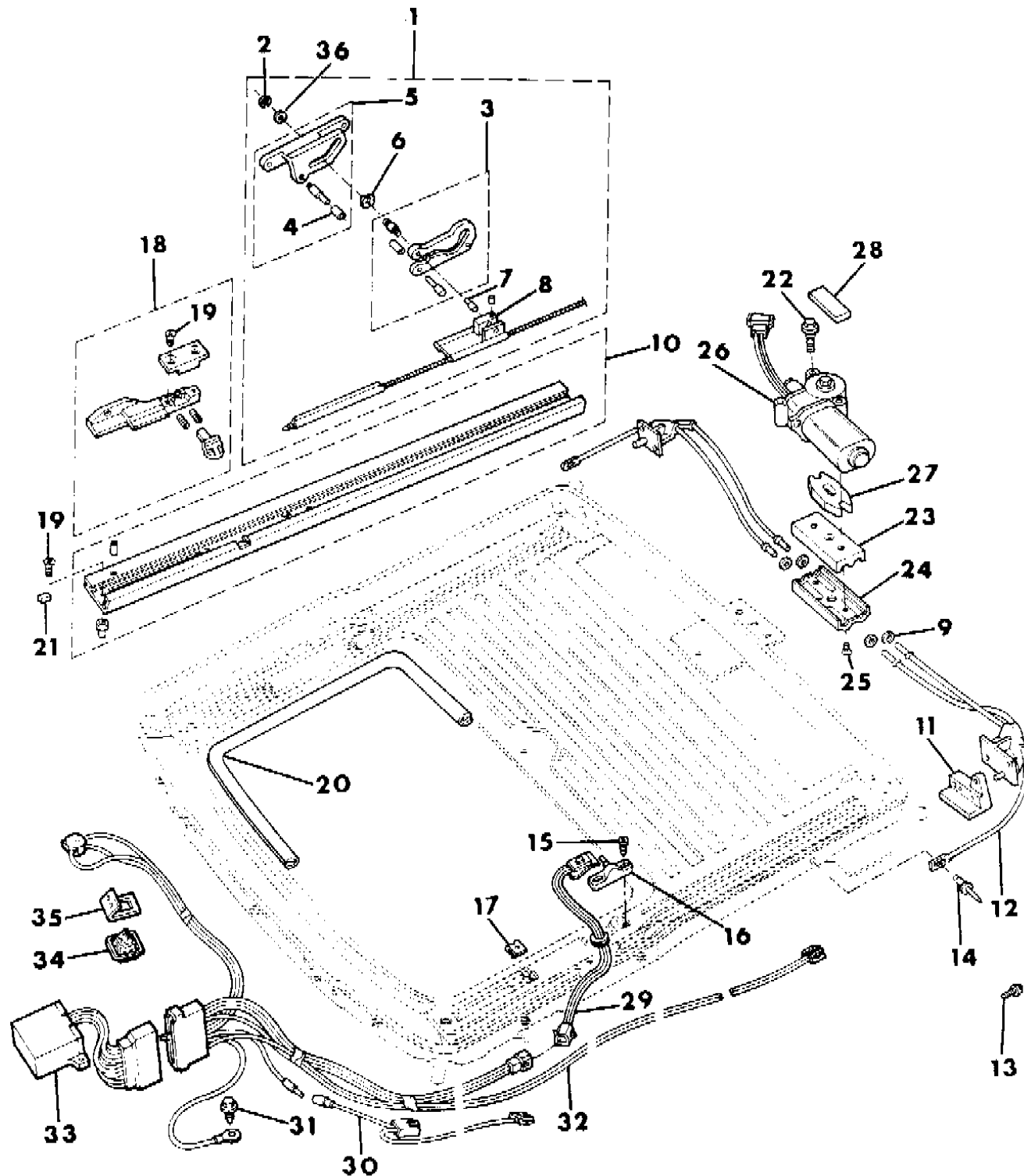
MJ = Comanche Pickup
 SJ = Grand Wagoneer Wgn., J-10 & J-20 Pickups
 XJ = Cherokee, Wagoneer Limited
 YJ = Wrangler

AR = Use as Required - = Non Illustrated Part P.A.R. = Paint as Required

SUNROOF TRACK AND ELECTRICAL GRAND WAGONEER

Figure 23A-7200

8J69 7200



| ITEM | PART NUMBER | QTY | BODY | MODEL | DESCRIPTION |
|------|-------------|-----|------|-------|----------------------------|
| 1 | | | | | GUIDE ASSEMBLY |
| | | | | | 1988 |
| | 8350 5329 | 1 | | | Right |
| | 8350 5330 | 1 | | | Left |
| | 8350 5644-5 | 1 | | | 1989-90 |
| 2 | 8350 5339 | 2 | | | RETAINER |
| 3 | | | | | LINK ASSEMBLY *** |
| | 8350 5336-7 | 1 | | | 1988-89 |
| | 4467 931 | 2 | | | 1990 |
| 4 | | | | | SLEEVE |
| | 8350 5335 | AR | | | 1988-89 |
| | 4467 925 | AR | | | 1990 |
| 5 | | | | | BLOCK PACKAGE, Sunroof *** |
| | 8350 5386-7 | 1 | | | 1988-89 |
| | 4467 928-9 | 1 | | | 1990 |
| 6 | 8350 5341 | 2 | | | WASHER, Wave |
| 7 | | | | | PIN |
| | 8350 5340 | 2 | | | 1988-89 |
| | 4467 932 | 2 | | | 1990 |
| 8 | | | | | GUIDE ASSEMBLY |
| | | | | | Right |
| | 8350 5331 | 1 | | | 1988 |
| | 8350 5642 | 1 | | | 1989-90 |
| | | | | | Left |
| | 8350 5332 | 1 | | | 1988 |
| | 8350 5643 | 1 | | | 1989-90 |
| 9 | | | | | SEAL |
| | 8350 5320 | AR | | | 1988-89 |
| | 4467 920 | AR | | | 1990 |
| 10 | 8350 5312-3 | 1 | | | TRACK ASSEMBLY *** |
| 11 | 8350 5318-9 | 1 | | | RETAINER |
| 12 | 8350 5316-7 | 1 | | | TUBE ASSEMBLY, Cable *** |
| 13 | 8350 5380 | AR | | | BOLT |
| 14 | 8350 5321 | 1 | | | RIVET |
| 15 | 8350 5345 | 2 | | | SCREW |
| 16 | | | | | ACTUATOR |
| | 8350 5344 | 1 | | | 1988-89 |

MODEL CODES:

| | | |
|-----------------------------|-----------------------------|------------------------------|
| 15 = Grand Wagoneer 4 Dr. | 65 = Comanche 4WD-7 Ft. Box | 77 = Cherokee 4WD-2 Dr. |
| 25 = J-10 Pickup-119" W.B. | 66 = Comanche 2WD-7 Ft. Box | 78 = Cherokee 4WD-4 Dr. |
| 26 = J-10 Pickup-131" W.B. | 73 = Cherokee 2WD-2 Dr. | 79 = Cherokee 4WD-4 Dr.-Com |
| 27 = J-20 Pickup-131" W.B. | 74 = Cherokee 2WD-4 Dr. | 81 = Wrangler-93" W.B. |
| 63 = Comanche 4WD-6 Ft. Box | 75 = Wagoneer 4WD-4 Dr. | 82 = Wrangler-103" W.B.-Exp. |
| 64 = Comanche 2WD-6 Ft. Box | | |

BODY STYLES:

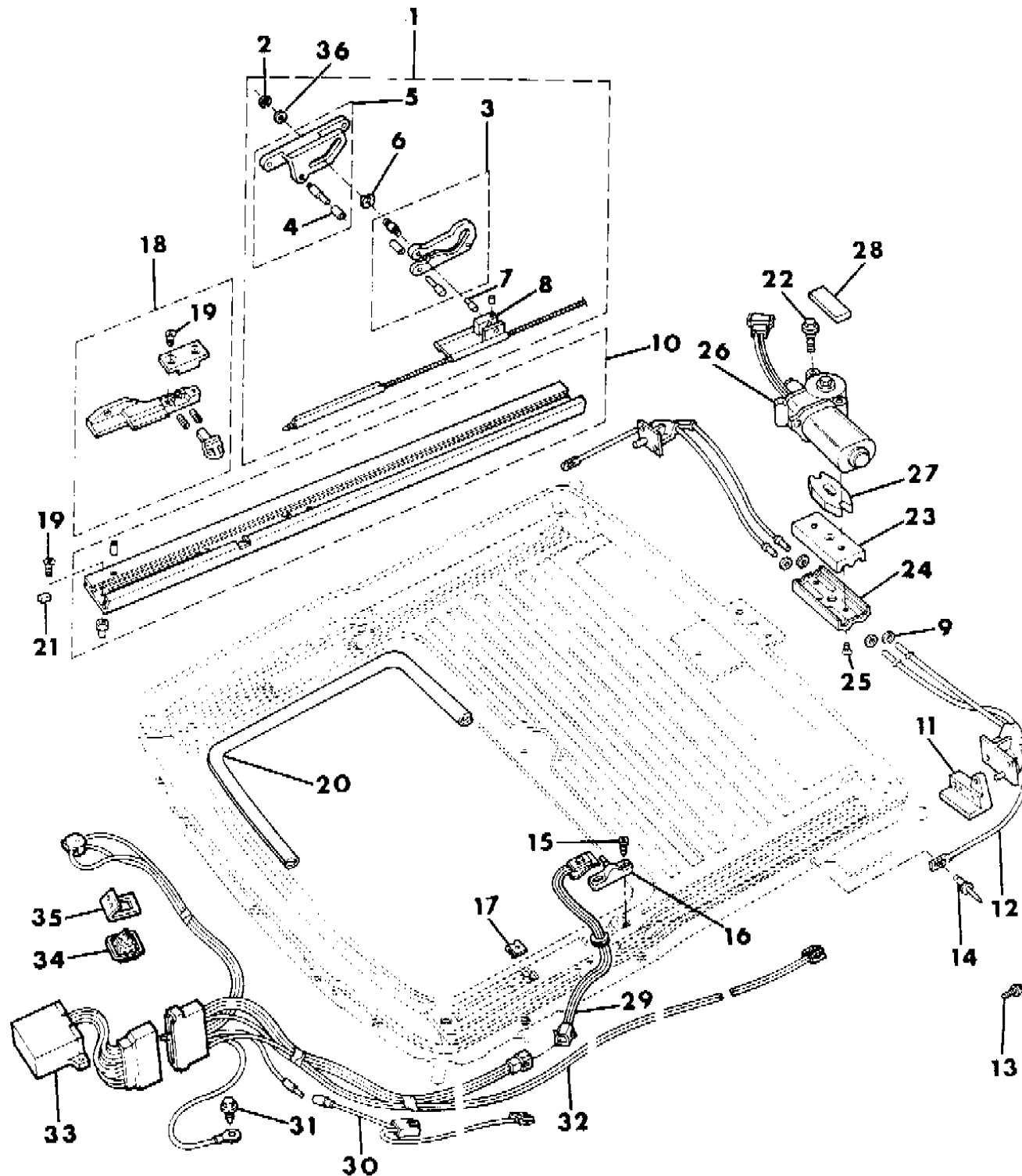
MJ = Comanche Pickup
 SJ = Grand Wagoneer Wgn., J-10 & J-20 Pickups
 XJ = Cherokee, Wagoneer Limited
 YJ = Wrangler

AR = Use as Required - = Non Illustrated Part P.A.R. = Paint as Required

SUNROOF TRACK AND ELECTRICAL GRAND WAGONEER

Figure 23A-7200

8J69 7200



| ITEM | PART NUMBER | QTY | BODY | MODEL | DESCRIPTION |
|------|-------------|-----|------|-------|-----------------------|
| | 4467 933 | 1 | | 1990 | |
| 17 | 8350 5311 | AR | | | NUT |
| 18 | | | | | GUIDE ASSEMBLY |
| | 8350 5342-3 | 1 | | | 1988 |
| | 8350 5634-5 | 1 | | | 1989-90 |
| 19 | 8350 5309 | AR | | | SCREW |
| 20 | | | | | WELT |
| | J813 3205 | 1 | | | Black |
| | 5252 621 | 1 | | | Cordovan |
| | 5252 620 | 1 | | | Sand |
| 21 | | | | | PLUG |
| | 8350 5314 | 2 | | | 1988-89 |
| | 4467 911 | 2 | | | 1990 |
| 22 | 8350 5327 | 2 | | | SCREW |
| 23 | | | | | RETAINER, Cable Lower |
| | 8350 5322 | 1 | | | 1988 |
| | 8350 5646 | 1 | | | 1989-90 |
| 24 | | | | | COVER |
| | 8350 5323 | 1 | | | 1988-89 |
| | 4467 922 | 1 | | | 1990 |
| 25 | 8350 5324 | 2 | | | SCREW |
| 26 | | | | | MOTOR |
| | 8350 5325 | 1 | | | 1988-89 |
| | 4467 968 | 1 | | | 1990 |
| 27 | | | | | SPACER |
| | 8350 5326 | 1 | | | 1988-89 |
| | 4172 243 | 1 | | | 1990 |
| 28 | | | | | PAD |
| | 8350 5328 | 1 | | | 1988-89 |
| | 4467 918 | 1 | | | 1990 |
| 29 | 8350 5315 | 1 | | | SWITCH |
| 30 | 8350 5373 | 1 | | | WIRE, Jumper |
| 31 | 8350 5383 | 1 | | | SCREW |
| 32 | 8350 5372 | 1 | | | HARNESS, Wire |
| 33 | | | | | MODULE |
| | 8350 5371 | 1 | | | 1988-89 |
| | 4467 948 | 1 | | | 1990 |

MODEL CODES:

| | | |
|-----------------------------|-----------------------------|------------------------------|
| 15 = Grand Wagoneer 4 Dr. | 65 = Comanche 4WD-7 Ft. Box | 77 = Cherokee 4WD-2 Dr. |
| 25 = J-10 Pickup-119" W.B. | 66 = Comanche 2WD-7 Ft. Box | 78 = Cherokee 4WD-4 Dr. |
| 26 = J-10 Pickup-131" W.B. | 73 = Cherokee 2WD-2 Dr. | 79 = Cherokee 4WD-4 Dr.-Com |
| 27 = J-20 Pickup-131" W.B. | 74 = Cherokee 2WD-4 Dr. | 81 = Wrangler-93" W.B. |
| 63 = Comanche 4WD-6 Ft. Box | 75 = Wagoneer 4WD-4 Dr. | 82 = Wrangler-103" W.B.-Exp. |
| 64 = Comanche 2WD-6 Ft. Box | | |

BODY STYLES:

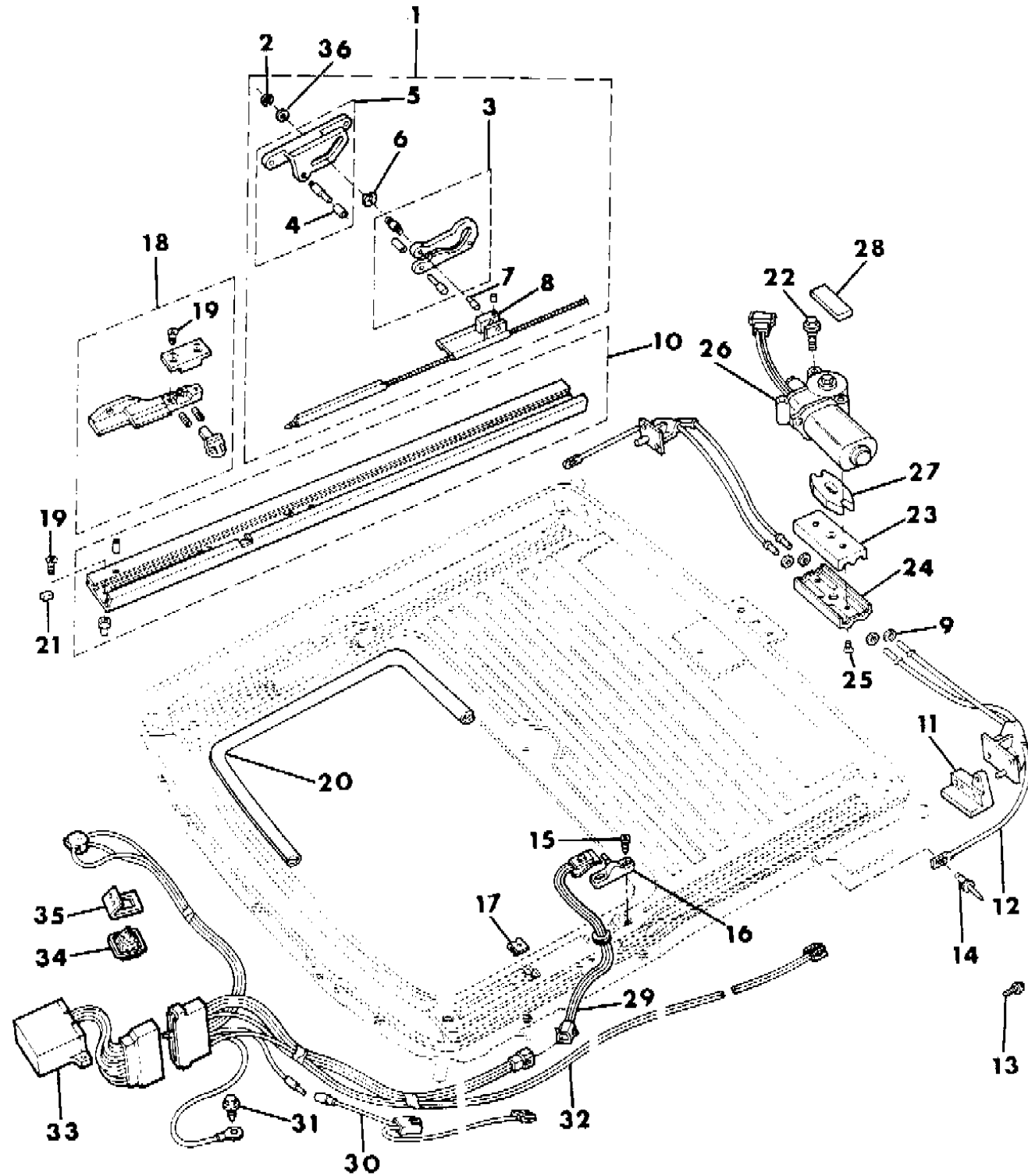
MJ = Comanche Pickup
 SJ = Grand Wagoneer Wgn., J-10 & J-20 Pickups
 XJ = Cherokee, Wagoneer Limited
 YJ = Wrangler

AR = Use as Required - = Non Illustrated Part P.A.R. = Paint as Required

SUNROOF TRACK AND ELECTRICAL GRAND WAGONEER
Figure 23A-7200

8J69 7200

| ITEM | PART NUMBER | QTY | BODY | MODEL | DESCRIPTION |
|------|-------------|-----|------|-------|-------------------------|
| 34 | 8350 5370 | 1 | | | SWITCH, Sunroof |
| 35 | 8350 5369 | 1 | | | BRACKET |
| 36 | 8350 5338 | 2 | | | WASHER |
| 37 | 8350 5374 | 1 | | | CONNECTOR, Wire Harness |



- MODEL CODES:
- | | | |
|-----------------------------|-----------------------------|------------------------------|
| 15 = Grand Wagoneer 4 Dr. | 65 = Comanche 4WD-7 Ft. Box | 77 = Cherokee 4WD-2 Dr. |
| 25 = J-10 Pickup-119" W.B. | 66 = Comanche 2WD-7 Ft. Box | 78 = Cherokee 4WD-4 Dr. |
| 26 = J-10 Pickup-131" W.B. | 73 = Cherokee 2WD-2 Dr. | 79 = Cherokee 4WD-4 Dr.-Com |
| 27 = J-20 Pickup-131" W.B. | 74 = Cherokee 2WD-4 Dr. | 81 = Wrangler-93" W.B. |
| 63 = Comanche 4WD-6 Ft. Box | 75 = Wagoneer 4WD-4 Dr. | 82 = Wrangler-103" W.B.-Exp. |
| 64 = Comanche 2WD-6 Ft. Box | | |

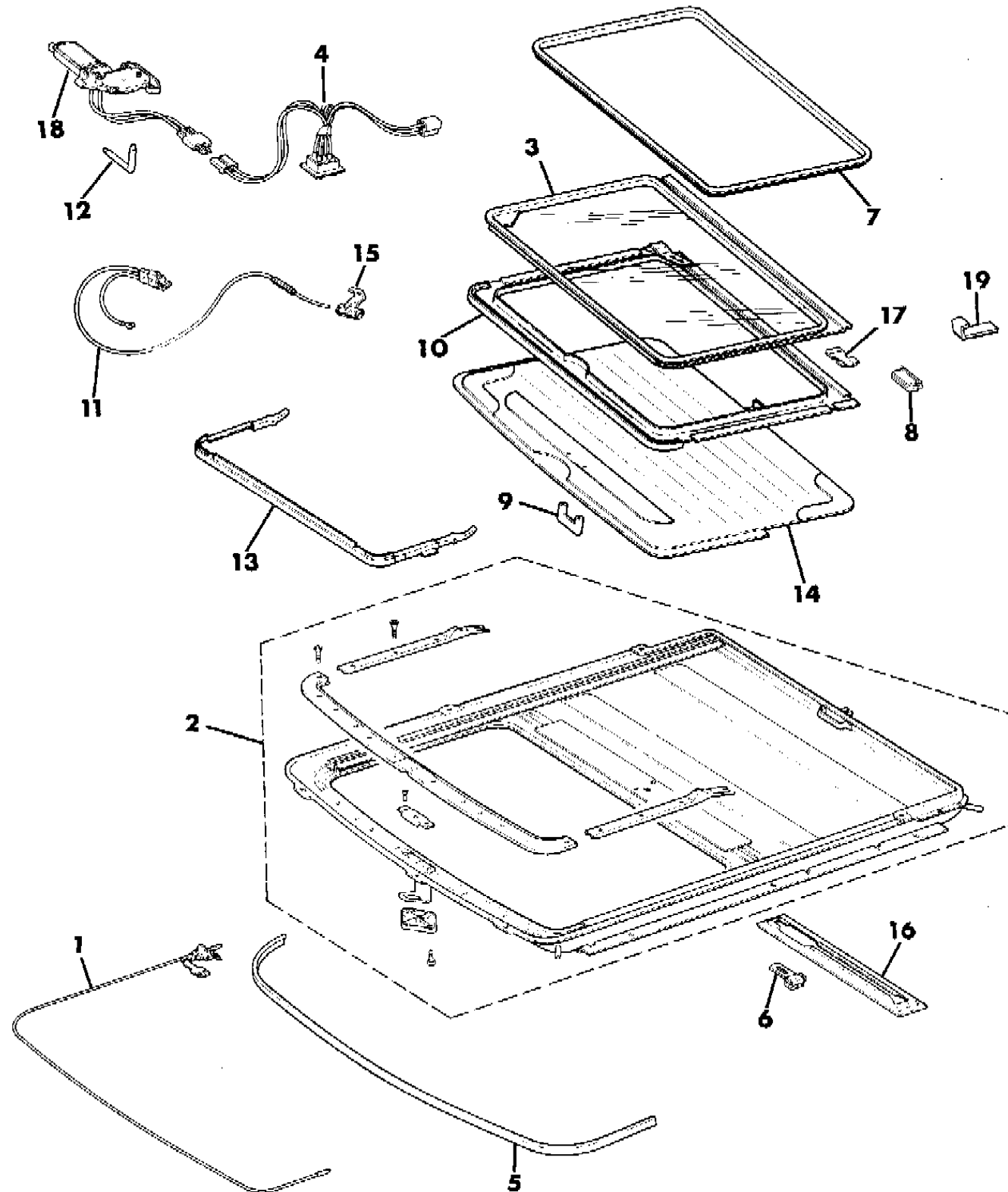
- BODY STYLES:
- MJ = Comanche Pickup
 - SJ = Grand Wagoneer Wgn., J-10 & J-20 Pickups
 - XJ = Cherokee, Wagoneer Limited
 - YJ = Wrangler

AR = Use as Required - = Non Illustrated Part P.A.R. = Paint as Required

SUNROOF--SLIDING GRAND WAGONEER--1987

Figure 23A-7250

8 J69 7250



| ITEM | PART NUMBER | QTY | BODY | MODEL | DESCRIPTION |
|------|-------------|-----|------|-------|-----------------------------|
| 1 | J813 3198-9 | 1 | | | CABLE |
| 2 | 8350 3304 | 1 | | | HOUSING ASSEMBLY |
| 3 | 8350 3305 | 1 | | | GLASS, (Silver) |
| 4 | 8350 2850 | 1 | | | SWITCH |
| 5 | 8350 3306 | 1 | | | SEAL |
| 6 | J813 3204 | 2 | | | GUIDE |
| 7 | 8350 2852 | 1 | | | MOULDING |
| 8 | J813 3208 | 2 | | | CATCH |
| 9 | 8350 2161 | 1 | | | HANDLE, Sun Screen (P.A.R.) |
| 10 | J813 3210 | 1 | | | HALO |
| 11 | J813 3211 | 1 | | | WIRE |
| 12 | J813 3212 | 1 | | | HANDLE |
| 13 | 8350 2851 | 1 | | | DEFLECTOR, Air |
| 14 | | | | | SUNSCREEN *** |
| | 8350 4517 | 1 | | | (Cordovan) |
| | 8350 4516 | 1 | | | (Tan) |
| 15 | J318 6888 | AR | | | CONNECTOR, Splice |
| 16 | J813 3215 | 1 | | | BRACKET |
| 17 | J813 3335 | 2 | | | RETAINER |
| 18 | J813 3219 | 1 | | | MOTOR |
| 19 | 8350 5583 | 2 | | | CLIP |

MODEL CODES:

| | | |
|-----------------------------|-----------------------------|------------------------------|
| 15 = Grand Wagoneer 4 Dr. | 65 = Comanche 4WD-7 Ft. Box | 77 = Cherokee 4WD-2 Dr. |
| 25 = J-10 Pickup-119" W.B. | 66 = Comanche 2WD-7 Ft. Box | 78 = Cherokee 4WD-4 Dr. |
| 26 = J-10 Pickup-131" W.B. | 73 = Cherokee 2WD-2 Dr. | 79 = Cherokee 4WD-4 Dr.-Com |
| 27 = J-20 Pickup-131" W.B. | 74 = Cherokee 2WD-4 Dr. | 81 = Wrangler-93" W.B. |
| 63 = Comanche 4WD-6 Ft. Box | 75 = Wagoneer 4WD-4 Dr. | 82 = Wrangler-103" W.B.-Exp. |
| 64 = Comanche 2WD-6 Ft. Box | | |

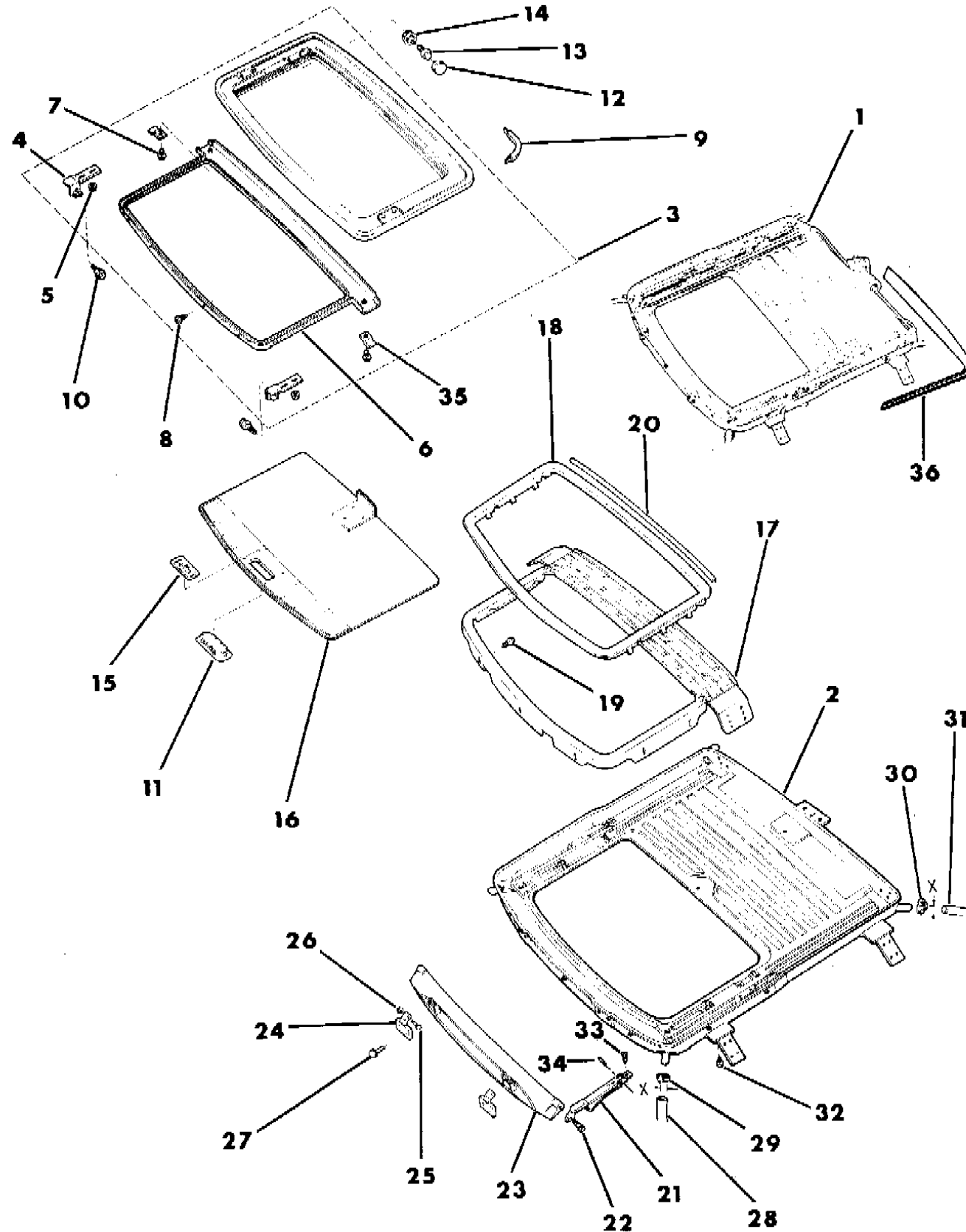
BODY STYLES:

MJ = Comanche Pickup
 SJ = Grand Wagoneer Wgn., J-10 & J-20 Pickups
 XJ = Cherokee, Wagoneer Limited
 YJ = Wrangler

AR = Use as Required - = Non Illustrated Part P.A.R. = Paint as Required

SUNROOF SLIDING GLASS AND HOUSING GRAND WAGONEER
Figure 23A-7300

8J697300



| ITEM | PART NUMBER | QTY | BODY | MODEL | DESCRIPTION |
|------|-------------|-----|------|-------|--------------------------------|
| 1 | 8350 5300 | 1 | | | HOUSING ASSEMBLY, Complete *** |
| 2 | 8350 5382 | 1 | | | HOUSING ASSEMBLY *** |
| 3 | 8350 5348 | 1 | | | GLASS PACKAGE, Sunroof *** |
| 4 | | | | | BRACKET ASSEMBLY *** |
| | | | | | 1988-89 |
| | 8350 5349 | 1 | | | Right |
| | 8350 5350 | 1 | | | Left |
| | | | | | 1990 |
| | 4467 940-1 | 1 | | | |
| 5 | 8350 5351 | 4 | | | NUT |
| 6 | 8350 5353 | 1 | | | BEZEL |
| 7 | 8350 5354 | 2 | | | SCREW |
| 8 | J045 7002 | AR | | | SCREW |
| 9 | 4467 939 | 1 | | | INSERT, Bulk |
| 10 | | | | | BOLT |
| | 8350 5352 | AR | | | 1988-89 |
| | 4467 942 | AR | | | 1990 |
| 11 | 8350 5357 | 1 | | | HANDLE, Sun Screen |
| 12 | | | | | CAP |
| | 8350 5378 | 2 | | | 1988-89 |
| | 4467 953 | 2 | | | 1990 |
| 13 | 8350 5347 | 2 | | | BOLT |
| 14 | | | | | RETAINER |
| | 8350 5346 | 2 | | | 1988-89 |
| | 4467 937 | 2 | | | 1990 |
| 15 | 8350 5358 | 1 | | | BEZEL |
| 16 | | | | | SUNSCREEN *** |
| | 8350 5356 | 1 | | | Cordovan |
| | 5252 178 | 1 | | | Sand |
| | 8350 5355 | 1 | | | Tan, 1988 |
| 17 | 8350 5359 | 1 | | | REINFORCEMENT |
| 18 | 8350 5360 | 1 | | | MOLDING |
| 19 | | | | | BOLT |
| | 8350 5377 | AR | | | 1988-89 |
| | 4467 951 | AR | | | 1990 |
| 20 | 8350 5361 | 1 | | | SHIM |
| 21 | 8350 5307 | 2 | | | ARM ASSEMBLY, Pivot *** |

MODEL CODES:

| | | |
|-----------------------------|-----------------------------|------------------------------|
| 15 = Grand Wagoneer 4 Dr. | 65 = Comanche 4WD-7 Ft. Box | 77 = Cherokee 4WD-2 Dr. |
| 25 = J-10 Pickup-119" W.B. | 66 = Comanche 2WD-7 Ft. Box | 78 = Cherokee 4WD-4 Dr. |
| 26 = J-10 Pickup-131" W.B. | 73 = Cherokee 2WD-2 Dr. | 79 = Cherokee 4WD-4 Dr.-Com |
| 27 = J-20 Pickup-131" W.B. | 74 = Cherokee 2WD-4 Dr. | 81 = Wrangler-93" W.B. |
| 63 = Comanche 4WD-6 Ft. Box | 75 = Wagoneer 4WD-4 Dr. | 82 = Wrangler-103" W.B.-Exp. |
| 64 = Comanche 2WD-6 Ft. Box | | |

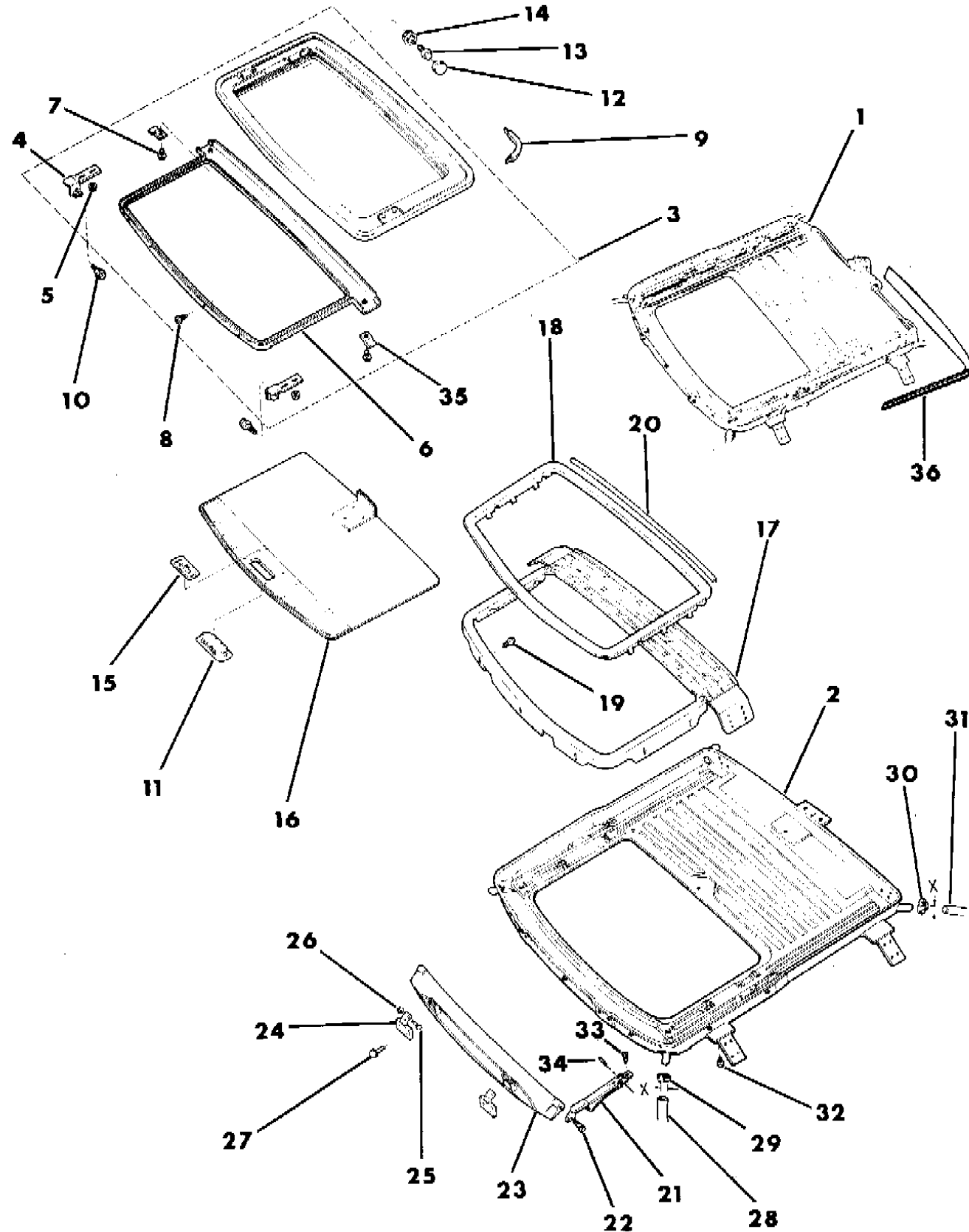
BODY STYLES:

MJ = Comanche Pickup
 SJ = Grand Wagoneer Wgn., J-10 & J-20 Pickups
 XJ = Cherokee, Wagoneer Limited
 YJ = Wrangler

AR = Use as Required - = Non Illustrated Part P.A.R. = Paint as Required

SUNROOF SLIDING GLASS AND HOUSING GRAND WAGONEER
Figure 23A-7300

8J697300



| ITEM | PART NUMBER | QTY | BODY | MODEL | DESCRIPTION |
|------|-------------|-----|------|-------|-------------------------------|
| 22 | 8350 5308 | 2 | | | BOLT |
| 23 | | | | | DEFLECTOR, Air |
| | 8350 5302 | 1 | | | 1988 |
| | 8350 5632 | 1 | | | 1989-90 |
| 24 | | | | | BRACKET |
| | 8350 5303 | 1 | | | Right |
| | 8350 5304 | 1 | | | Left |
| 25 | 8350 5305 | 2 | | | PIN |
| 26 | 8350 5306 | 2 | | | RETAINER |
| 27 | 8350 5301 | 4 | | | SCREW (Not Serv.) *** |
| 28 | 8350 5367 | 2 | | | HOSE, Drain |
| 29 | 8350 5375 | 2 | | | CLAMP, Hose, 14.5-16.5mm Dia. |
| 30 | 8350 5376 | 2 | | | CLAMP, Hose, 21.5mm Dia. |
| 31 | 8350 5368 | 2 | | | HOSE, Drain |
| 32 | 8350 5383 | AR | | | SCREW |
| 33 | | AR | | | SCREW (8-18x.438) (Not Serv.) |
| 34 | 6100 642 | 2 | | | PIN, Spring Slotted Heavy |
| 35 | 4467 945 | 2 | | | GUIDE, Drain Though |
| 36 | 8350 5366 | 1 | | | SEAL, Dust |

MODEL CODES:

| | | |
|-----------------------------|-----------------------------|------------------------------|
| 15 = Grand Wagoneer 4 Dr. | 65 = Comanche 4WD-7 Ft. Box | 77 = Cherokee 4WD-2 Dr. |
| 25 = J-10 Pickup-119" W.B. | 66 = Comanche 2WD-7 Ft. Box | 78 = Cherokee 4WD-4 Dr. |
| 26 = J-10 Pickup-131" W.B. | 73 = Cherokee 2WD-2 Dr. | 79 = Cherokee 4WD-4 Dr.-Com |
| 27 = J-20 Pickup-131" W.B. | 74 = Cherokee 2WD-4 Dr. | 81 = Wrangler-93" W.B. |
| 63 = Comanche 4WD-6 Ft. Box | 75 = Wagoneer 4WD-4 Dr. | 82 = Wrangler-103" W.B.-Exp. |
| 64 = Comanche 2WD-6 Ft. Box | | |

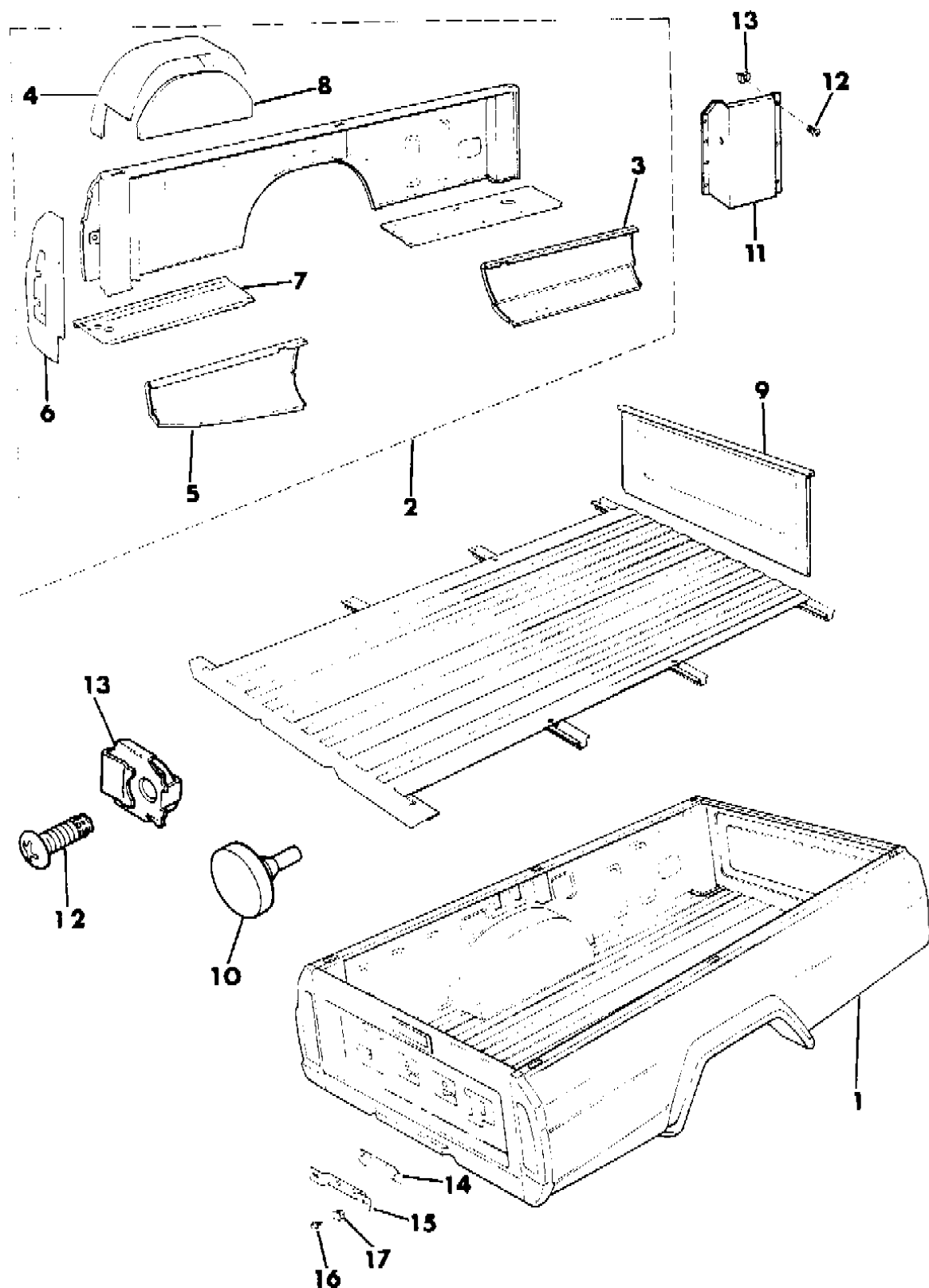
BODY STYLES:

MJ = Comanche Pickup
 SJ = Grand Wagoneer Wgn., J-10 & J-20 Pickups
 XJ = Cherokee, Wagoneer Limited
 YJ = Wrangler

AR = Use as Required - = Non Illustrated Part P.A.R. = Paint as Required

BOX, PICKUP 1987-1988 J10, J20
Figure 23A-7400

8J69 7400



| ITEM | PART NUMBER | QTY | BODY | MODEL | DESCRIPTION |
|------|-------------|-----|------|-------|------------------------------------|
| 1 | J575 1163 | 1 | | | BOX, Pickup |
| 2 | J545 9773 | 1 | | | PANEL, Side Right |
| | J546 3935 | 1 | | | Left |
| 3 | | | | | SHIELD, Front Right (Not Serv.) |
| | J098 1320 | 1 | | | Left |
| 4 | J095 7183 | 2 | | | FENDER, Pickup Box |
| 5 | | | | | SHIELD, Rear Right |
| | J095 7232 | 1 | | | Left |
| 6 | | | | | PANEL, Rear Right |
| | J545 9746 | 1 | | | Left |
| 7 | | | | | EXTENSION, Floor Right |
| | J098 8814 | 1 | | | Left |
| 8 | J095 7180 | 2 | | | PANEL, Wheelhouse Inner |
| 9 | J095 7697 | 1 | | | PANEL, Pickup Box Front |
| 10 | J096 8072 | 2 | | | BUMPER, Stop |
| 11 | J546 5051 | 1 | | | COVER, Fuel Tank Hose |
| 12 | S941 5482 | 7 | | | SCREW |
| 13 | J097 2619 | 4 | | | RETAINER |
| 14 | J093 1389 | 1 | | | BRACKET |
| 15 | J575 8832 | 1 | | | HINGE |
| 16 | J400 5466 | 2 | | | SCREW |
| 17 | J400 0141 | 2 | | | NUT |

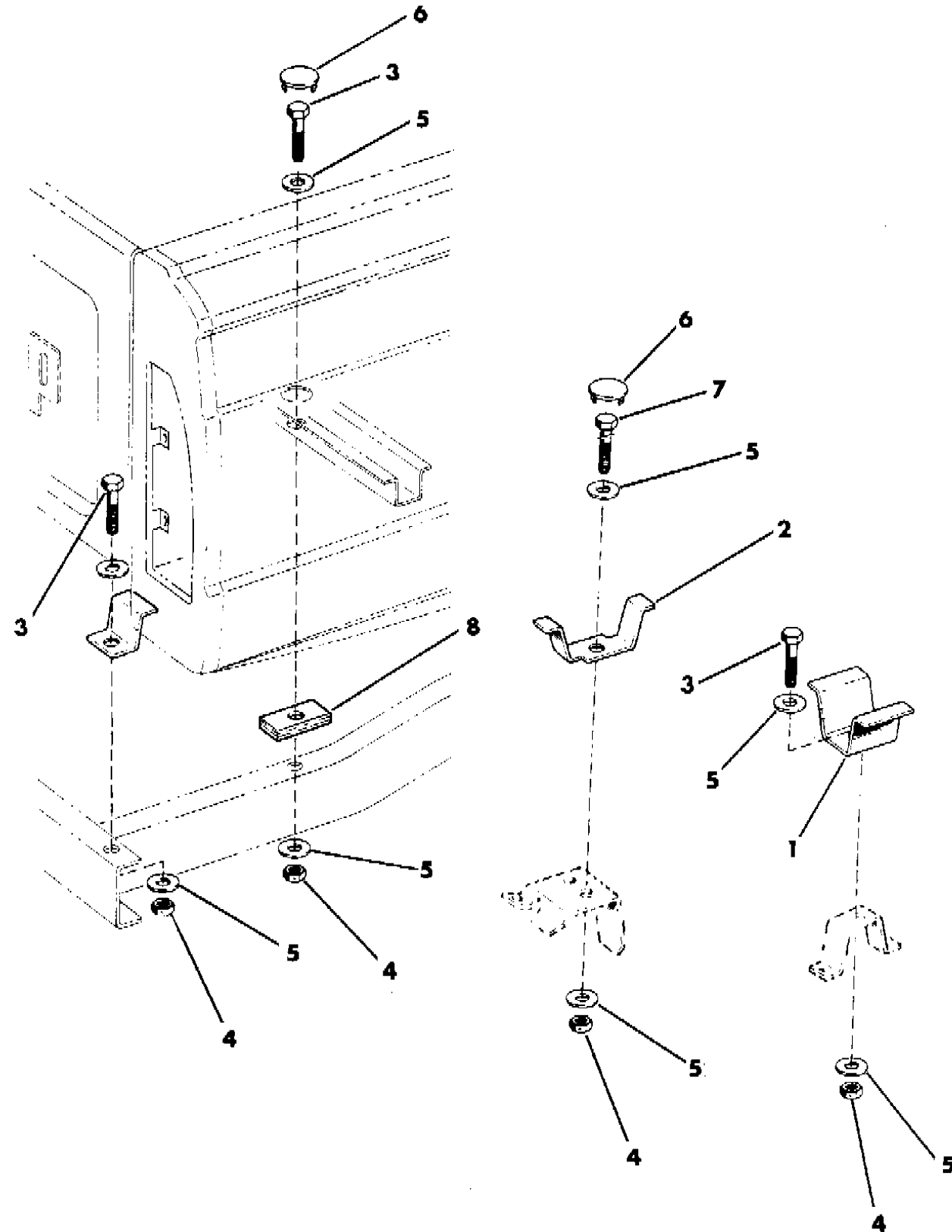
MODEL CODES:
 15 = Grand Wagoneer 4 Dr. 65 = Comanche 4WD-7 Ft. Box 77 = Cherokee 4WD-2 Dr.
 25 = J-10 Pickup-119" W.B. 66 = Comanche 2WD-7 Ft. Box 78 = Cherokee 4WD-4 Dr.
 26 = J-10 Pickup-131" W.B. 73 = Cherokee 2WD-2 Dr. 79 = Cherokee 4WD-4 Dr.-Com
 27 = J-20 Pickup-131" W.B. 74 = Cherokee 2WD-4 Dr. 81 = Wrangler-93" W.B.
 63 = Comanche 4WD-6 Ft. Box 75 = Wagoneer 4WD-4 Dr. 82 = Wrangler-103" W.B.-Exp.
 64 = Comanche 2WD-6 Ft. Box

BODY STYLES:
 MJ = Comanche Pickup
 SJ = Grand Wagoneer Wgn., J-10 & J-20 Pickups
 XJ = Cherokee, Wagoneer Limited
 YJ = Wrangler

AR = Use as Required - = Non Illustrated Part P.A.R. = Paint as Required

MOUNTING HARDWARE, PICKUP BOX 1987-1988 J10, J20
Figure 23A-7500

8 J 69 7500



| ITEM | PART NUMBER | QTY | BODY | MODEL | DESCRIPTION |
|------|-------------|-----|------|-------|------------------|
| 1 | J095 7538 | 2 | | | BRACKET |
| 2 | J095 9359 | 2 | | | BRACKET |
| 3 | J941 9105 | 2 | | | BOLT, Hex Flange |
| 4 | J400 4025 | 2 | | | NUT, Lock |
| 5 | S012 0390 | 8 | | | WASHER, Flat |
| 6 | J400 6453 | 4 | | | PLUG, Button |
| 7 | J400 4935 | 2 | | | SCREW |
| 8 | J067 0540 | 2 | | | PAD |

MODEL CODES:

| | | |
|-----------------------------|-----------------------------|------------------------------|
| 15 = Grand Wagoneer 4 Dr. | 65 = Comanche 4WD-7 Ft. Box | 77 = Cherokee 4WD-2 Dr. |
| 25 = J-10 Pickup-119" W.B. | 66 = Comanche 2WD-7 Ft. Box | 78 = Cherokee 4WD-4 Dr. |
| 26 = J-10 Pickup-131" W.B. | 73 = Cherokee 2WD-2 Dr. | 79 = Cherokee 4WD-4 Dr.-Com |
| 27 = J-20 Pickup-131" W.B. | 74 = Cherokee 2WD-4 Dr. | 81 = Wrangler-93" W.B. |
| 63 = Comanche 4WD-6 Ft. Box | 75 = Wagoneer 4WD-4 Dr. | 82 = Wrangler-103" W.B.-Exp. |
| 64 = Comanche 2WD-6 Ft. Box | | |

BODY STYLES:

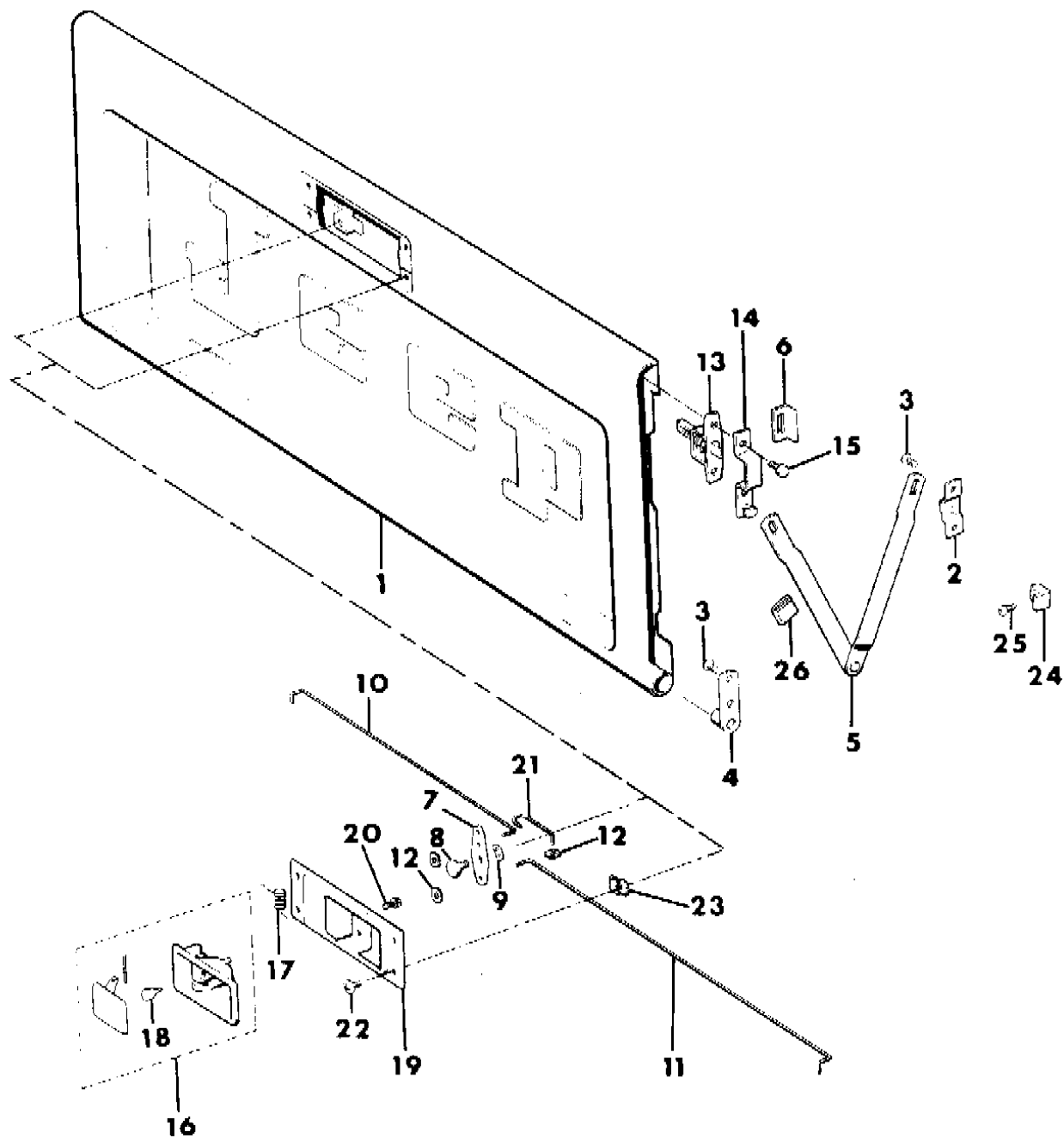
MJ = Comanche Pickup
SJ = Grand Wagoneer Wgn., J-10 & J-20 Pickups
XJ = Cherokee, Wagoneer Limited
YJ = Wrangler

AR = Use as Required - = Non Illustrated Part P.A.R. = Paint as Required

TAILGATE, LATCH AND HINGES 1987-1988 J10, J20
Figure 23A-7600

8J69 7600

| ITEM | PART NUMBER | QTY | BODY | MODEL | DESCRIPTION |
|------|-------------|-----|------|-------|--------------------------|
| 1 | J098 7818 | 1 | | | TAILGATE, Pickup Box |
| 2 | J098 9434 | 1 | | | BRACKET, Support |
| 3 | J400 4956 | 8 | | | SCREW |
| 4 | J098 9017 | 1 | | | HINGE, Tailgate Right |
| | J098 7811 | 1 | | | Left |
| 5 | J098 7829 | 2 | | | ARM, Tailgate Support |
| 6 | J575 2451 | 2 | | | STRIKER, Latch |
| 7 | J098 9216 | 1 | | | BELLCRANK |
| 8 | J098 9217 | 1 | | | BOLT, Shoulder |
| 9 | J095 8629 | 1 | | | WASHER, Spring |
| 10 | J098 7825 | 1 | | | ROD, Latch Release Left |
| 11 | J098 9218 | 1 | | | ROD, Latch Release Right |
| 12 | J097 0738 | 3 | | | NUT, Push |
| 13 | J098 7824 | 2 | | | LATCH |
| 14 | J098 9349 | 2 | | | BRACKET, Support |
| 15 | J400 4455 | 4 | | | SCREW |
| 16 | J363 1162 | 1 | | | HANDLE, Tailgate |
| 17 | J363 1218 | 1 | | | SPRING, Handle |
| 18 | J400 3110 | 1 | | | BUMPER |
| 19 | J545 0001 | 1 | | | PLATE, Latch |
| 20 | J098 9963 | 2 | | | SCREW |
| 21 | J098 9221 | 1 | | | ROD |
| 22 | J545 0283 | 4 | | | SCREW |
| 23 | J097 2619 | 4 | | | RETAINER |
| 24 | J545 4927 | 2 | | | BUMPER |
| 25 | J400 4590 | 2 | | | SCREW |
| 26 | J096 1095 | 2 | | | SLEEVE |



MODEL CODES:

| | | |
|-----------------------------|-----------------------------|------------------------------|
| 15 = Grand Wagoneer 4 Dr. | 65 = Comanche 4WD-7 Ft. Box | 77 = Cherokee 4WD-2 Dr. |
| 25 = J-10 Pickup-119" W.B. | 66 = Comanche 2WD-7 Ft. Box | 78 = Cherokee 4WD-4 Dr. |
| 26 = J-10 Pickup-131" W.B. | 73 = Cherokee 2WD-2 Dr. | 79 = Cherokee 4WD-4 Dr.-Com |
| 27 = J-20 Pickup-131" W.B. | 74 = Cherokee 2WD-4 Dr. | 81 = Wrangler-93" W.B. |
| 63 = Comanche 4WD-6 Ft. Box | 75 = Wagoneer 4WD-4 Dr. | 82 = Wrangler-103" W.B.-Exp. |
| 64 = Comanche 2WD-6 Ft. Box | | |

BODY STYLES:

MJ = Comanche Pickup
 SJ = Grand Wagoneer Wgn., J-10 & J-20 Pickups
 XJ = Cherokee, Wagoneer Limited
 YJ = Wrangler

AR = Use as Required - = Non Illustrated Part P.A.R. = Paint as Required

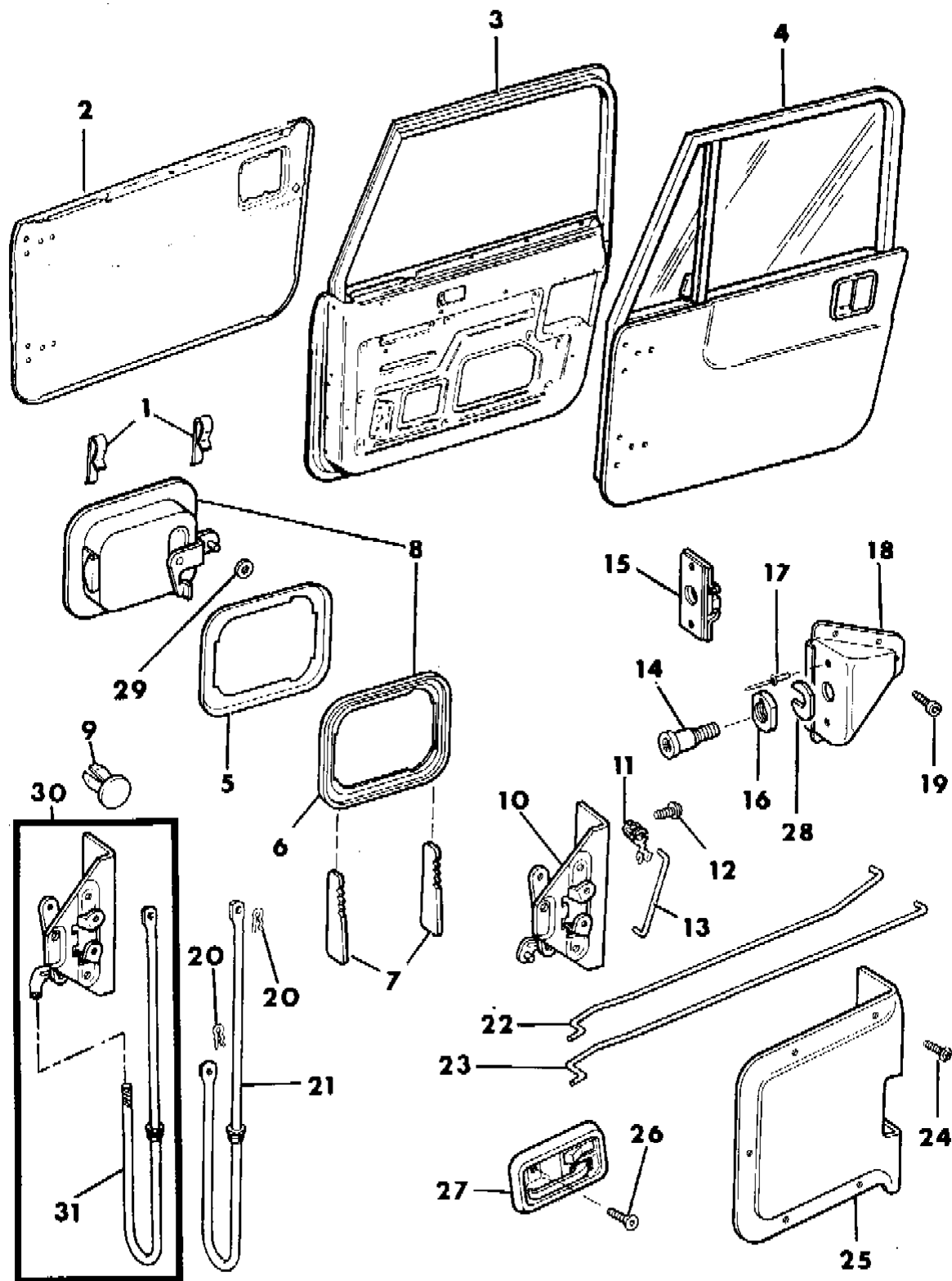
GROUP 23C - BODY - DOORS AND RELATED PARTS

| ILLUSTRATION TITLE | GROUP-FIG. NO. |
|---|----------------|
| WRANGLER, YJ | |
| DOORS, FULL, FRONT HANDLES, LATCHES, RODS WRANGLER, YJ | Fig. 23C-100 |
| DOOR, HALF HANDLES, LATCHES AND RODS WRANGLER, YJ | Fig. 23C-250 |
| DOOR, FULL GLASS AND REGULATOR WRANGLER, YJ | Fig. 23C-300 |
| WEATHERSTRIPS, DOOR WRANGLER, YJ | Fig. 23C-400 |
| HINGES, DOOR WRANGLER, YJ | Fig. 23C-500 |
| MIRRORS, EXTERIOR WRANGLER, YJ | Fig. 23C-600 |
| DOOR, REAR, HANDLES AND LATCHES WORLD CAB, EXPORT WRANGLER, YJ | Fig. 23C-700 |
| HINGES, REAR DOOR WORLD CAB EXPORT WRANGLER, YJ | Fig. 23C-800 |
| CHEROKEE, WAGONEER, COMANCHE | |
| DOOR, FRONT TWO DOOR WAGON CHEROKEE | Fig. 23C-900 |
| DOORS, FRONT AND REAR FOUR DOOR CHEROKEE, WAGONEER | Fig. 23C-1000 |
| DOOR, FRONT COMANCHE | Fig. 23C-1100 |
| HINGES, DOOR FRONT AND REAR CHEROKEE, WAGONEER, COMANCHE | Fig. 23C-1200 |
| DOOR, HANDLES AND ACTUATORS CHEROKEE, WAGONEER, COMANCHE | Fig. 23C-1300 |
| DOOR, HANDLES AND CONTROLS CHEROKEE, WAGONEER, COMANCHE | Fig. 23C-1400 |
| GLASS, DOOR FRONT AND REAR CHEROKEE, WAGONEER, COMANCHE | Fig. 23C-1500 |
| REGULATOR, DOOR GLASS MANUAL CHEROKEE, WAGONEER, COMANCHE | Fig. 23C-1600 |
| REGULATORS, DOOR ELECTRIC CHEROKEE, WAGONEER | Fig. 23C-1700 |
| WEATHERSTRIPS, DOOR FRONT AND REAR CHEROKEE, WAGONEER, COMANCHE | Fig. 23C-1800 |
| MIRRORS, EXTERIOR MANUAL CHEROKEE, WAGONEER, COMANCHE | Fig. 23C-1900 |
| MIRRORS, EXTERIOR LOW PROFILE CHEROKEE, WAGONEER, COMANCHE | Fig. 23C-2000 |
| MIRRORS, EXTERIOR REMOTE CONTROL CHEROKEE, WAGONEER, COMANCHE | Fig. 23C-2100 |
| MIRRORS, EXTERIOR ELECTRIC CHEROKEE, WAGONEER, COMANCHE | Fig. 23C-2200 |
| GRAND WAGONEER, J10, J20 | |
| DOORS FRONT AND REAR GRAND WAGONEER, J10, J20 | Fig. 23C-2300 |
| DOOR, LATCHES AND RODS FRONT AND REAR GRAND WAGONEER, J10, J20 | Fig. 23C-2400 |
| DOOR, CONTROLS GRAND WAGONEER, J10,J20 | Fig. 23C-2500 |
| DOOR, GLASS REGULATOR MANUAL GRAND WAGONEER, J10, J20 | Fig. 23C-2600 |
| REGULATOR, DOOR GLASS ELECTRIC, FLEXRACK GRAND WAGONEER, J10, J20 | Fig. 23C-2700 |
| REGULATOR, DOOR GLASS ELECTRIC, CABLE OPERATED GRAND WAGONEER, J10, J20 | Fig. 23C-2750 |
| GLASS, DOOR FRONT AND REAR GRAND WAGONEER, J10, J20 | Fig. 23C-2800 |
| DOOR, WEATHERSTRIPS FRONT AND REAR GRAND WAGONEER, J10, J20 | Fig. 23C-2900 |
| MIRRORS, OUTSIDE ELECTRIC, MANUAL GRAND WAGONEER, J10, J20 | Fig. 23C-3000 |

ILLUSTRATION NOT AVAILABLE AT TIME OF PUBLICATION

DOORS, FULL, FRONT HANDLES, LATCHES, RODS WRANGLER, YJ
Figure 23C-100

8J71 100 A



| ITEM | PART NUMBER | QTY | BODY | MODEL | DESCRIPTION |
|------|-------------|-----|------|-------|--|
| 1 | 8350 2268 | 4 | | | CLIP |
| 2 | 5501 3172-3 | 1 | | | PANEL, Door Outer w/o World Cab |
| | J576 1130-1 | 1 | | | w/World Cab, Export |
| 3 | | | | | SHELL, Door |
| | 5501 3174-5 | 1 | | | w/o World Cab, 1987-90 |
| | J556 8055 | 1 | | | Right, w/World Cab, Export, 1990 |
| | J556 8054 | 1 | | | Left, w/World Cab, Export, 1990 |
| 4 | 8350 3686-7 | 1 | | | DOOR, w/Glass, Weatherstrip and Hardware |
| 5 | J575 8898 | 2 | | | BEZEL, Door Trim |
| 6 | J575 8174 | 2 | | | GASKET |
| 7 | J575 8175 | 4 | | | KEEPER |
| 8 | J575 8172-3 | 1 | | | HANDLE, Exterior |
| 9 | J400 4949 | 4 | | | PLUG |
| 10 | | | | | LATCH, Door |
| | J575 8176-7 | 1 | | | 1987-89 |
| 11 | J400 4532 | 2 | | | CLIP, w/Bushing |
| 12 | J400 6874 | 4 | | | SCREW |
| 13 | J575 8190 | 2 | | | ROD, Lock Cylinder |
| 14 | J575 8191 | 2 | | | STRIKER, Door |
| 15 | J575 8194 | 2 | | | PLATE, Tapping |
| 16 | J575 8192 | 2 | | | PLATE, Striker |
| 17 | J400 6878 | 4 | | | RIVET |
| 18 | J575 8468-9 | 1 | | | COVER, Striker |
| 19 | J400 5817 | AR | | | SCREW |
| 20 | J400 5122 | AR | | | PIN, Hitch |
| 21 | | | | | ROD, Latch Release |
| | J576 5376-7 | 1 | | | 1987-89 |
| 22 | | | | | ROD, Locking |
| | J575 8948-9 | 1 | | | 1987-89 |
| | 5502 5618-9 | 1 | | | 1990 |
| 23 | | | | | ROD, Remote Control |
| | J575 8950-1 | 1 | | | 1987-89 |
| | 5502 5616-7 | 1 | | | 1990 |
| 24 | J400 4812 | AR | | | SCREW |
| 25 | J575 8170-1 | 1 | | | COVER, Latch |
| 26 | J400 6870 | 2 | | | SCREW |

MODEL CODES:

| | | |
|-----------------------------|-----------------------------|------------------------------|
| 15 = Grand Wagoneer 4 Dr. | 65 = Comanche 4WD-7 Ft. Box | 77 = Cherokee 4WD-2 Dr. |
| 25 = J-10 Pickup-119" W.B. | 66 = Comanche 2WD-7 Ft. Box | 78 = Cherokee 4WD-4 Dr. |
| 26 = J-10 Pickup-131" W.B. | 73 = Cherokee 2WD-2 Dr. | 79 = Cherokee 4WD-4 Dr.-Com |
| 27 = J-20 Pickup-131" W.B. | 74 = Cherokee 2WD-4 Dr. | 81 = Wrangler-93" W.B. |
| 63 = Comanche 4WD-6 Ft. Box | 75 = Wagoneer 4WD-4 Dr. | 82 = Wrangler-103" W.B.-Exp. |
| 64 = Comanche 2WD-6 Ft. Box | | |

BODY STYLES:

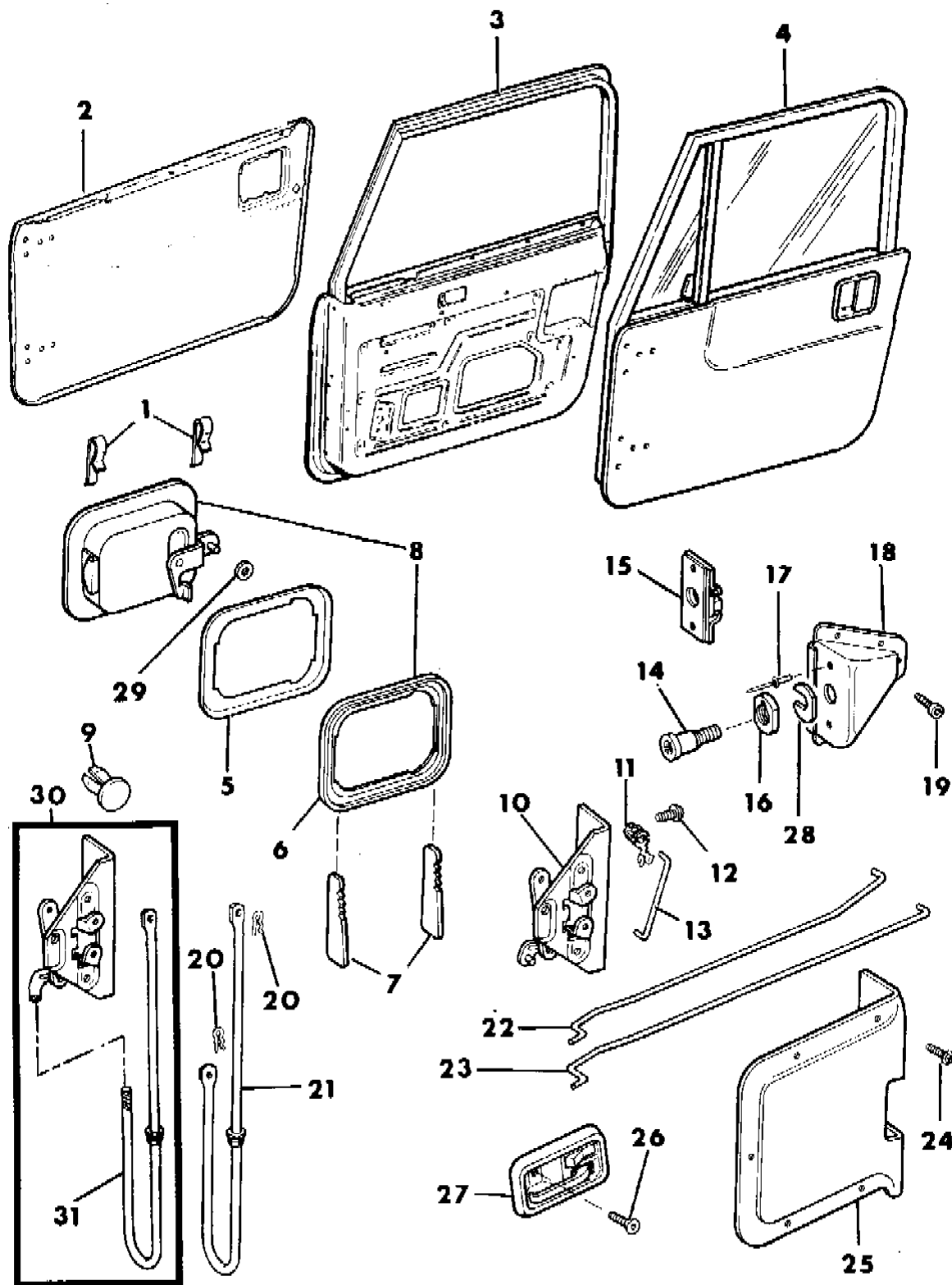
MJ = Comanche Pickup
 SJ = Grand Wagoneer Wgn., J-10 & J-20 Pickups
 XJ = Cherokee, Wagoneer Limited
 YJ = Wrangler

AR = Use as Required - = Non Illustrated Part P.A.R. = Paint as Required

DOORS, FULL, FRONT HANDLES, LATCHES, RODS WRANGLER, YJ
Figure 23C-100

8J71 100 A

| ITEM | PART NUMBER | QTY | BODY | MODEL | DESCRIPTION |
|------|-------------|-----|------|-------|-------------------------|
| 27 | | | | | HANDLE, Remote Control |
| | T065 0261 | 1 | | | Right, 1988-89 |
| | T065 0326 | 1 | | | Left, 1988-89 |
| | 5502 9578-9 | 1 | | | 1990 |
| 28 | J575 8193 | 4 | | | SHIM |
| 29 | 3420 1846 | 2 | | | WASHER |
| 30 | | | | | LATCH PACKAGE, 1990 *** |
| | 8350 7028 | 1 | | | Right |
| | 8350 7027 | 1 | | | Left |
| 31 | 5502 6592-3 | 1 | | | ROD, Latch Remote 1990 |



MODEL CODES:

| | | |
|-----------------------------|-----------------------------|------------------------------|
| 15 = Grand Wagoneer 4 Dr. | 65 = Comanche 4WD-7 Ft. Box | 77 = Cherokee 4WD-2 Dr. |
| 25 = J-10 Pickup-119" W.B. | 66 = Comanche 2WD-7 Ft. Box | 78 = Cherokee 4WD-4 Dr. |
| 26 = J-10 Pickup-131" W.B. | 73 = Cherokee 2WD-2 Dr. | 79 = Cherokee 4WD-4 Dr.-Com |
| 27 = J-20 Pickup-131" W.B. | 74 = Cherokee 2WD-4 Dr. | 81 = Wrangler-93" W.B. |
| 63 = Comanche 4WD-6 Ft. Box | 75 = Wagoneer 4WD-4 Dr. | 82 = Wrangler-103" W.B.-Exp. |
| 64 = Comanche 2WD-6 Ft. Box | | |

BODY STYLES:

MJ = Comanche Pickup
SJ = Grand Wagoneer Wgn., J-10 & J-20 Pickups
XJ = Cherokee, Wagoneer Limited
YJ = Wrangler

AR = Use as Required - = Non Illustrated Part P.A.R. = Paint as Required

DOOR, HALF HANDLES, LATCHES AND RODS WRANGLER, YJ
Figure 23C-250

8J71 250

| ITEM | PART NUMBER | QTY | BODY | MODEL | DESCRIPTION |
|------|-------------|-----|------|-------|---|
| 1 | | | | | PANEL, Outer |
| | 5700 1422-3 | 1 | | | 1987 |
| | 5700 2194-5 | 1 | | | 1988-90, w/o Lock Cylinder Hole |
| | 5502 5776-7 | 1 | | | 1990, w/Lock Cylinder Hole |
| 2 | 8350 6007 | 1 | | | DOOR, Kit for Converting to 1/2 Hard Doors from Full Doors. Includes Right and Left Doors, w/Handles, Latches, Mirrors, Hinges, Seals and Hardware. |
| 3 | | | | | SHELL, Door |
| | 5700 1428-9 | 1 | | | w/Six Glass Retainers, 1987-89 |
| | 5700 2192-3 | 1 | | | w/One Piece Retainer, 1987-89 |
| | 5502 5778-9 | 1 | | | 1990 |
| 4 | | | | | HANDLE, Exterior |
| | 5500 8902 | 1 | | | Right |
| | 5501 5315 | 1 | | | Left |
| 5 | J400 3110 | 2 | | | BUMPER, Handle |
| 6 | S045 5313 | 2 | | | PIN, Spring |
| 7 | J149 4251 | 2 | | | NUT |
| 8 | J400 6870 | 2 | | | SCREW |
| 9 | 5502 5604-5 | 1 | | | HANDLE, Remote Control |
| 10 | J374 3608 | 2 | | | SEAL, Door Handle |
| 11 | J363 1218-9 | 1 | | | SPRING, Return |
| 12 | J400 5969 | 4 | | | SCREW |
| 13 | 5502 6072-3 | 1 | | | Rod, Remote Control to Latch *** |
| 14 | 5502 6070-1 | 1 | | | ROD, Locking to Latch |
| 15 | | | | | RETAINER, Rod End |
| | J400 3673 | AR | | | Black |
| | J400 3672 | AR | | | White |
| 16 | 5502 5614-5 | 1 | | | ROD, Exterior Handle to Latch |
| 17 | 5502 5606-7 | 1 | | | LATCH, Door |
| 18 | J400 6874 | 6 | | | SCREW |
| 19 | J575 8194 | 2 | | | PLATE, Tapping |
| 20 | 5502 4904 | 2 | | | STRIKER, Door |
| 21 | 5503 3620 | AR | | | WASHER |
| 22 | J400 5817 | 8 | | | SCREW |
| 23 | J575 8468-9 | 1 | | | COVER, Striker |
| 24 | J400 2185 | 4 | | | RIVET |
| 25 | | | | | HANDLE, Exterior |

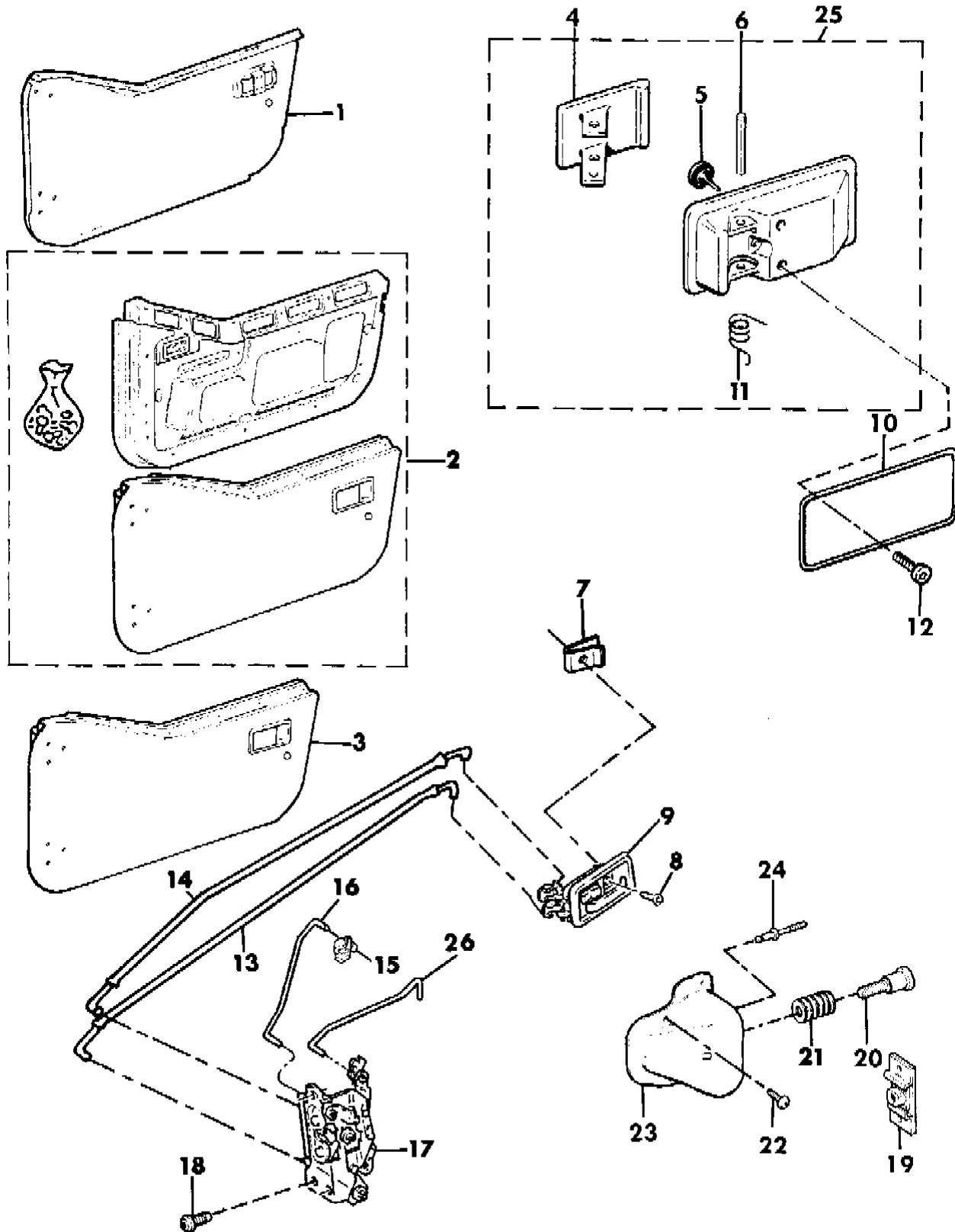
MODEL CODES:

| | | |
|-----------------------------|-----------------------------|------------------------------|
| 15 = Grand Wagoneer 4 Dr. | 65 = Comanche 4WD-7 Ft. Box | 77 = Cherokee 4WD-2 Dr. |
| 25 = J-10 Pickup-119" W.B. | 66 = Comanche 2WD-7 Ft. Box | 78 = Cherokee 4WD-4 Dr. |
| 26 = J-10 Pickup-131" W.B. | 73 = Cherokee 2WD-2 Dr. | 79 = Cherokee 4WD-4 Dr.-Com |
| 27 = J-20 Pickup-131" W.B. | 74 = Cherokee 2WD-4 Dr. | 81 = Wrangler-93" W.B. |
| 63 = Comanche 4WD-6 Ft. Box | 75 = Wagoneer 4WD-4 Dr. | 82 = Wrangler-103" W.B.-Exp. |
| 64 = Comanche 2WD-6 Ft. Box | | |

BODY STYLES:

MJ = Comanche Pickup
 SJ = Grand Wagoneer Wgn., J-10 & J-20 Pickups
 XJ = Cherokee, Wagoneer Limited
 YJ = Wrangler

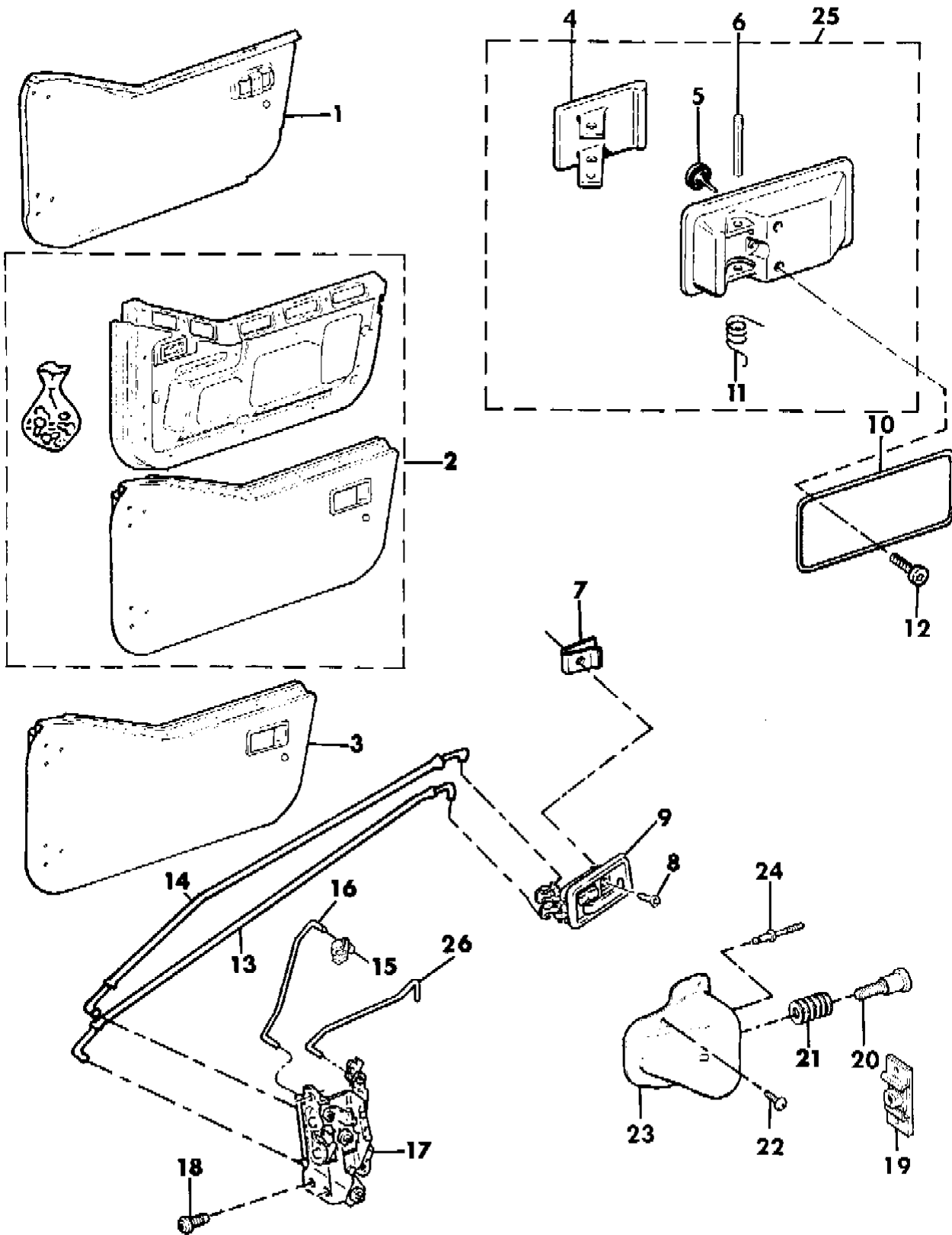
AR = Use as Required - = Non Illustrated Part P.A.R. = Paint as Required



DOOR, HALF HANDLES, LATCHES AND RODS WRANGLER, YJ
Figure 23C-250

8J71 250

| ITEM | PART NUMBER | QTY | BODY | MODEL | DESCRIPTION |
|------|-------------|-----|------|-------|------------------------|
| | 5500 8895 | 1 | | | Right |
| | 5501 5311 | 1 | | | Left |
| 26 | 5502 6852-3 | 1 | | | ROD, Cylinder to Latch |



- MODEL CODES:**
- | | | |
|-----------------------------|-----------------------------|------------------------------|
| 15 = Grand Wagoneer 4 Dr. | 65 = Comanche 4WD-7 Ft. Box | 77 = Cherokee 4WD-2 Dr. |
| 25 = J-10 Pickup-119" W.B. | 66 = Comanche 2WD-7 Ft. Box | 78 = Cherokee 4WD-4 Dr. |
| 26 = J-10 Pickup-131" W.B. | 73 = Cherokee 2WD-2 Dr. | 79 = Cherokee 4WD-4 Dr.-Com |
| 27 = J-20 Pickup-131" W.B. | 74 = Cherokee 2WD-4 Dr. | 81 = Wrangler-93" W.B. |
| 63 = Comanche 4WD-6 Ft. Box | 75 = Wagoneer 4WD-4 Dr. | 82 = Wrangler-103" W.B.-Exp. |
| 64 = Comanche 2WD-6 Ft. Box | | |

- BODY STYLES:**
- MJ = Comanche Pickup
 - SJ = Grand Wagoneer Wgn., J-10 & J-20 Pickups
 - XJ = Cherokee, Wagoneer Limited
 - YJ = Wrangler

AR = Use as Required - = Non Illustrated Part P.A.R. = Paint as Required

DOOR, FULL GLASS AND REGULATOR WRANGLER, YJ
Figure 23C-300

8J71 300

| ITEM | PART NUMBER | QTY | BODY | MODEL | DESCRIPTION |
|------|-------------|-----|------|-------|--|
| 1 | J813 4852-3 | 1 | | | HANDLE, Vent |
| 2 | 5501 2914-5 | 1 | | | VENT, Pivoting w/o World Cab |
| | J576 2326-7 | 1 | | | w/World Cab, Export |
| 3 | J045 7002 | AR | | | SCREW |
| 4 | J813 4851 | 2 | | | WEATHERSTRIP, Glass Run |
| 5 | J012 0386 | 2 | | | WASHER |
| 6 | J016 4487 | 2 | | | SCREW |
| 7 | | | | | FRAME, Door Glass |
| | J576 1134-5 | 1 | | | w/o World Cab |
| | J556 8056-7 | 1 | | | w/World Cab, Export |
| 8 | | | | | CHANNEL, Glass Run w/o World Cab |
| | J545 7057 | 2 | | | w/World Cab, Export |
| 9 | J576 2384-5 | 1 | | | WEATHERSTRIP, Inner |
| 10 | 5502 4254-5 | 1 | | | WEATHERSTRIP, Outer |
| 11 | J400 0424 | 4 | | | SCREW |
| 12 | J400 3706 | 4 | | | GROMMET |
| 13 | J045 5683 | AR | | | SCREW |
| 14 | J545 7300 | 2 | | | BRACKET, Division Bar Mounting |
| 15 | J019 1985 | AR | | | SCREW |
| 16 | J576 4621 | 2 | | | BUMPER, Stop |
| 17 | J813 4422 | AR | | | KNOB, Handle |
| 18 | J400 5969 | 2 | | | SCREW |
| 19 | J367 8907 | 2 | | | HANDLE, Regulator |
| 20 | J361 3467 | 2 | | | WASHER |
| 21 | | | | | REGULATOR, Glass |
| | J545 4146 | 1 | | | Right |
| | J545 4145 | 1 | | | Left |
| 22 | | | | | GLASS, Door |
| | 5501 2904-5 | 1 | | | Domestic, Emission Controlled European, European Economic Community |
| | J556 7898 | 1 | | | Right, With World Cab, Export |
| | J556 7897 | 1 | | | Left, w/World Cab, Export |
| 23 | J545 4156 | 2 | | | GUIDE, Door Glass |

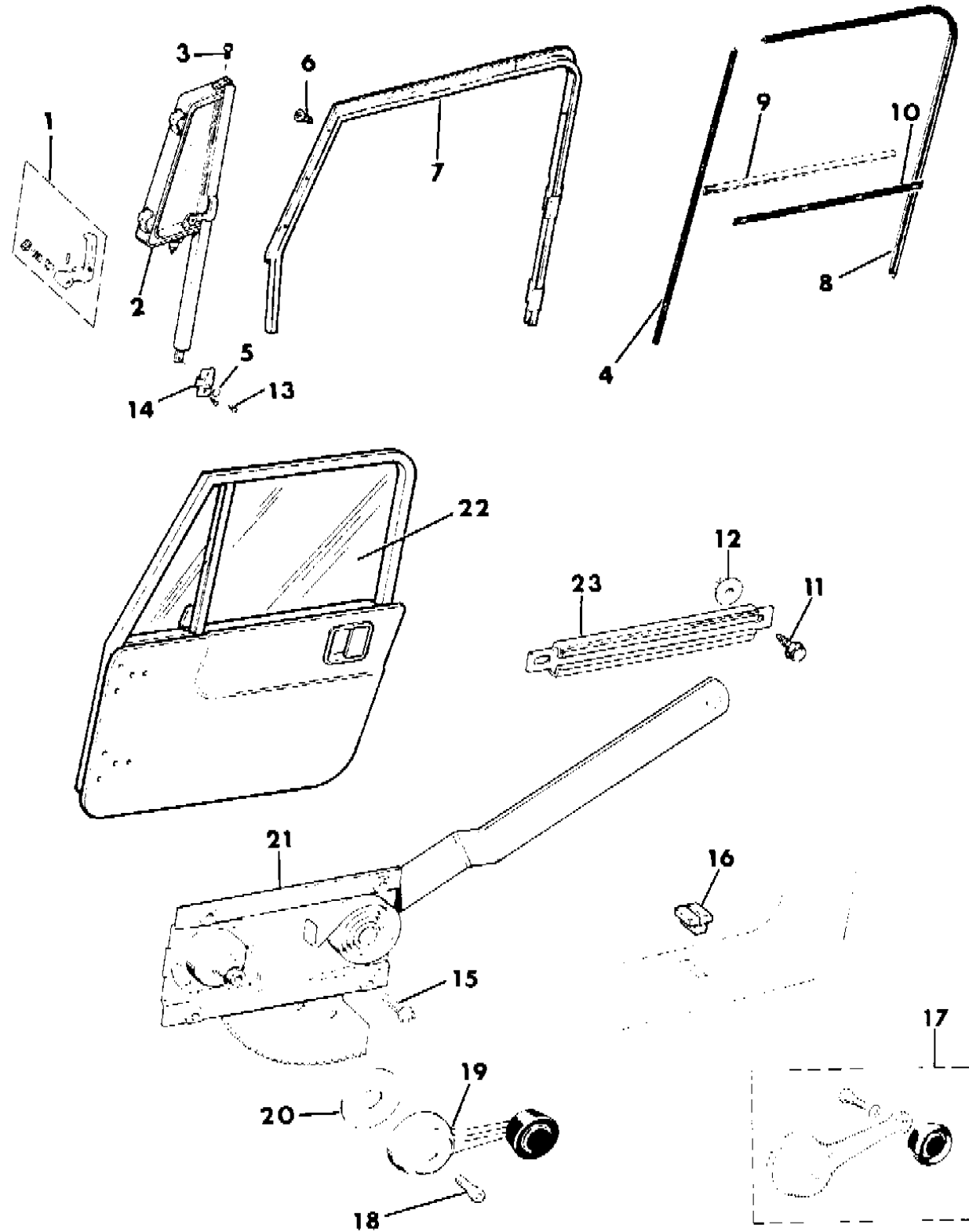
MODEL CODES:

| | | |
|-----------------------------|-----------------------------|------------------------------|
| 15 = Grand Wagoneer 4 Dr. | 65 = Comanche 4WD-7 Ft. Box | 77 = Cherokee 4WD-2 Dr. |
| 25 = J-10 Pickup-119" W.B. | 66 = Comanche 2WD-7 Ft. Box | 78 = Cherokee 4WD-4 Dr. |
| 26 = J-10 Pickup-131" W.B. | 73 = Cherokee 2WD-2 Dr. | 79 = Cherokee 4WD-4 Dr.-Com |
| 27 = J-20 Pickup-131" W.B. | 74 = Cherokee 2WD-4 Dr. | 81 = Wrangler-93" W.B. |
| 63 = Comanche 4WD-6 Ft. Box | 75 = Wagoneer 4WD-4 Dr. | 82 = Wrangler-103" W.B.-Exp. |
| 64 = Comanche 2WD-6 Ft. Box | | |

BODY STYLES:

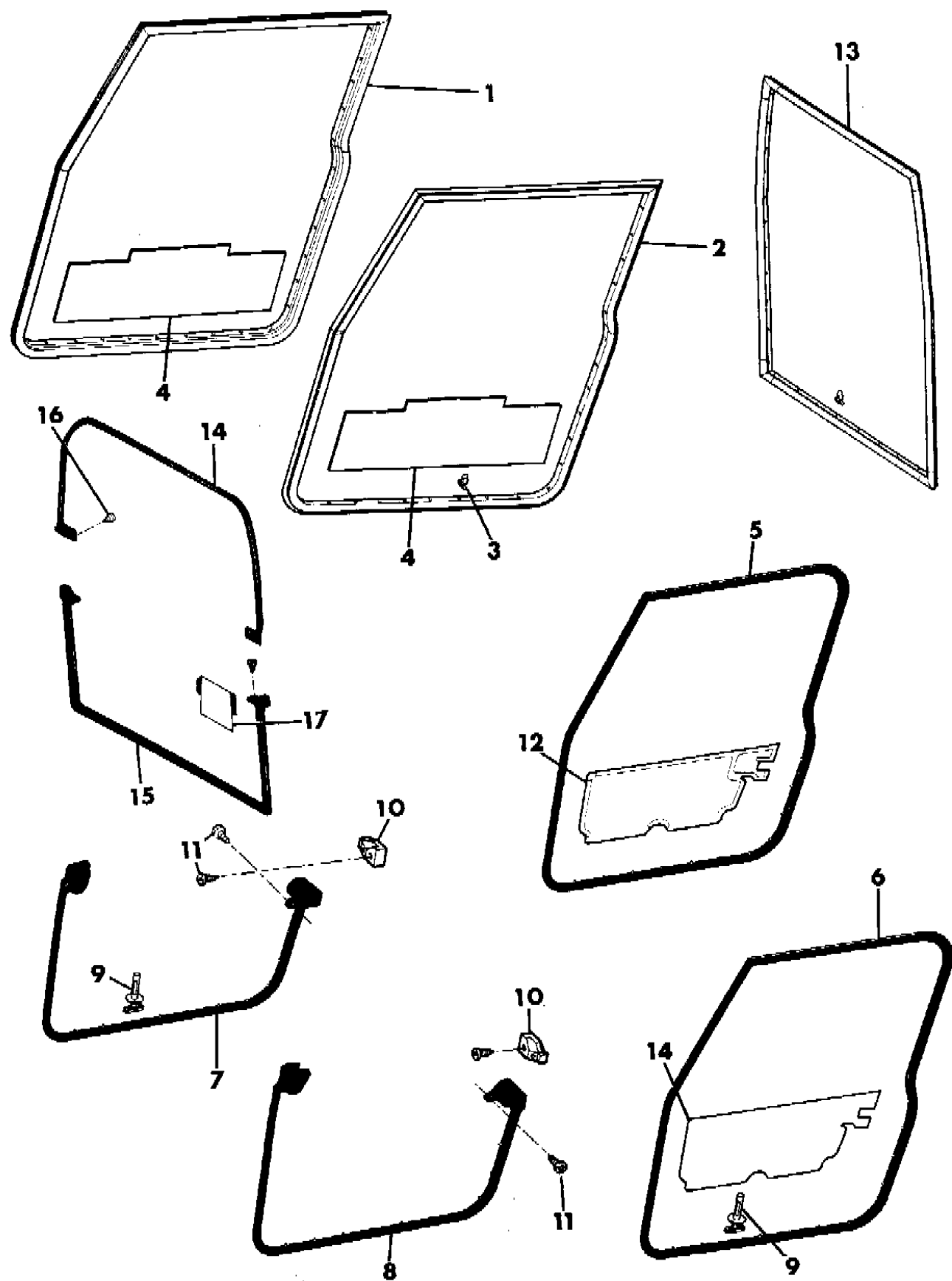
MJ = Comanche Pickup
SJ = Grand Wagoneer Wgn., J-10 & J-20 Pickups
XJ = Cherokee, Wagoneer Limited
YJ = Wrangler

AR = Use as Required - = Non Illustrated Part P.A.R. = Paint as Required



WEATHERSTRIPS, DOOR WRANGLER, YJ
Figure 23C-400

8 J71400 A



| ITEM | PART NUMBER | QTY | BODY | MODEL | DESCRIPTION |
|------|-------------|-----|------|-------|-------------------------------------|
| 1 | | | | | WEATHERSTRIP, w/World Cab, Export |
| | J805 3259 | 1 | | | Right |
| | J805 3258 | 1 | | | Left |
| 2 | J400 1916 | AR | | | FASTENER |
| 3 | J576 6604 | 4 | | | WATERDAM, w/World Cab, Export *** |
| 4 | | | | | WEATHERSTRIP, w/o World Cab, Export |
| | J576 6416 | 1 | | | Right |
| | J576 6415 | 1 | | | Left |
| 5 | J400 1916 | AR | | | FASTENER |
| 6 | 5500 9828-9 | 1 | | | WEATHERSTRIP, w/o World Cab, Export |
| 7 | 5500 9838-9 | 1 | | | SEAL, w/o World Cab, Export |
| 8 | 3420 1467 | AR | | | SCREW |
| 9 | 5505 2556-7 | 1 | | | WATERDAM, w/o World Cab, Export *** |

MODEL CODES:

| | | |
|-----------------------------|-----------------------------|------------------------------|
| 15 = Grand Wagoneer 4 Dr. | 65 = Comanche 4WD-7 Ft. Box | 77 = Cherokee 4WD-2 Dr. |
| 25 = J-10 Pickup-119" W.B. | 66 = Comanche 2WD-7 Ft. Box | 78 = Cherokee 4WD-4 Dr. |
| 26 = J-10 Pickup-131" W.B. | 73 = Cherokee 2WD-2 Dr. | 79 = Cherokee 4WD-4 Dr.-Com |
| 27 = J-20 Pickup-131" W.B. | 74 = Cherokee 2WD-4 Dr. | 81 = Wrangler-93" W.B. |
| 63 = Comanche 4WD-6 Ft. Box | 75 = Wagoneer 4WD-4 Dr. | 82 = Wrangler-103" W.B.-Exp. |
| 64 = Comanche 2WD-6 Ft. Box | | |

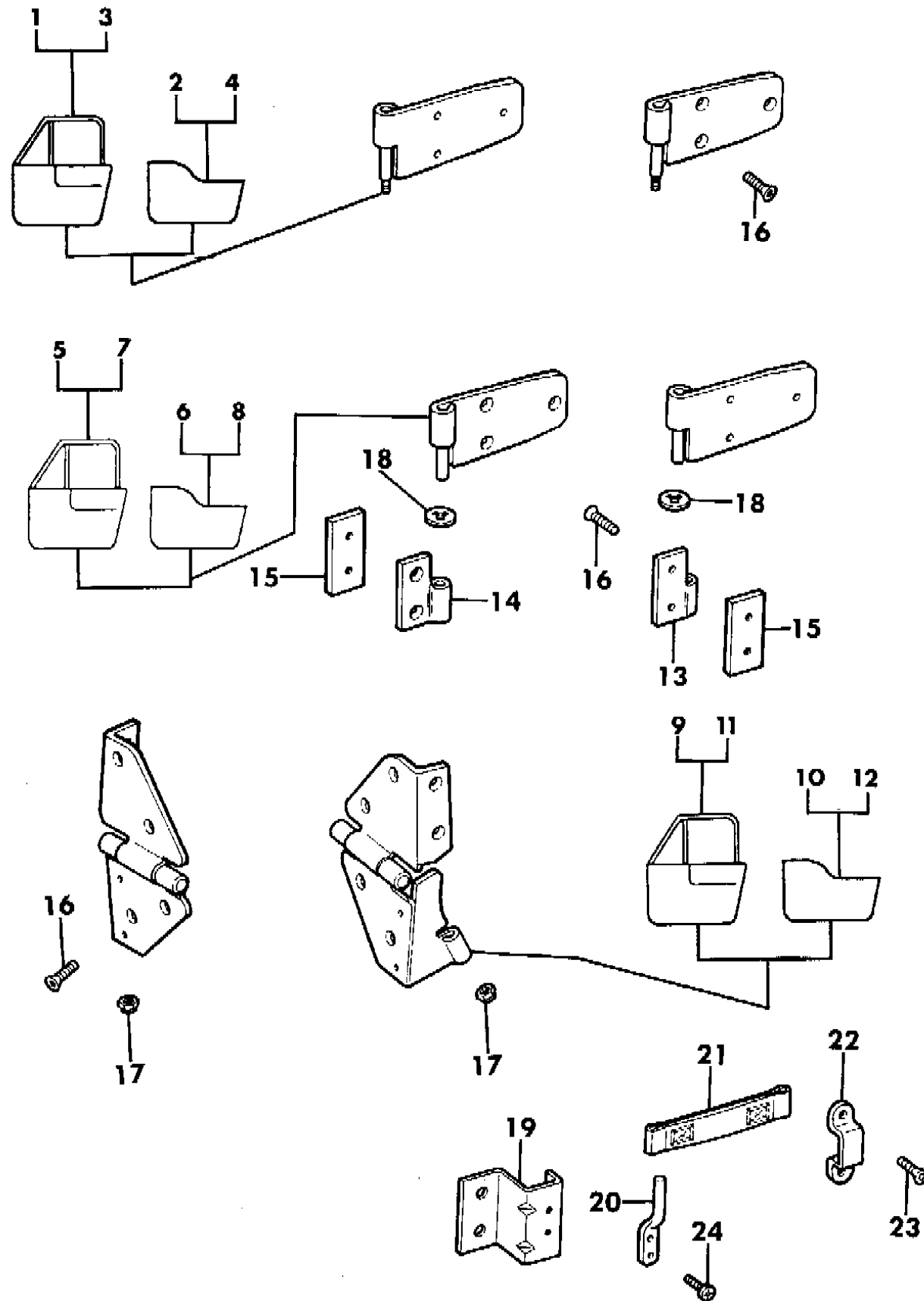
BODY STYLES:

MJ = Comanche Pickup
SJ = Grand Wagoneer Wgn., J-10 & J-20 Pickups
XJ = Cherokee, Wagoneer Limited
YJ = Wrangler

AR = Use as Required - = Non Illustrated Part P.A.R. = Paint as Required

HINGES, DOOR WRANGLER, YJ
Figure 23C-500

8J71 500A



| ITEM | PART NUMBER | QTY | BODY | MODEL | DESCRIPTION |
|------|-------------|-----|------|-------|--|
| 1 | 5501 6580 | 1 | | | HINGE, Upper Door Half, Right |
| 2 | 5501 6576 | 1 | | | HINGE, Upper Door Half, Right Windshield Hinge Mounted Mirror |
| | 5501 8910 | 1 | | | Door Hinge Mounted Mirror |
| 3 | 5501 6581 | 1 | | | HINGE, Upper Door Half, Left |
| 4 | 5501 6577 | 1 | | | HINGE, Upper Door Half, Left Windshield Hinge Mounted Mirror |
| | 5501 8911 | 1 | | | Door Hinge Mounted Mirror |
| 5 | 5501 6582 | 1 | | | HINGE, Lower Door Half, Right |
| 6 | 5501 6578 | 1 | | | HINGE, Lower Door Half, Right |
| 7 | 5501 6583 | 1 | | | HINGE, Lower Door Half, Left |
| 8 | 5501 6579 | 1 | | | HINGE, Lower Door Half, Left |
| 9 | 5501 6586 | 1 | | | HINGE, Upper Body Half, Right |
| 10 | 5501 7510 | 1 | | | HINGE, Upper Body Half, Right Windshield Hinge Mounted Mirror |
| | 5501 6586 | 1 | | | Door Hinge Mounted Mirror |
| 11 | 5501 6587 | 1 | | | HINGE, Upper Body Half, Left |
| 12 | 5501 7511 | 1 | | | HINGE, Upper Body Half, Left Windshield Hinge Mounted Mirror |
| | 5501 6587 | 1 | | | Door Hinge Mounted Mirror |
| 13 | 5501 6584 | 1 | | | HINGE, Lower Body Half, Right |
| 14 | 5501 6585 | 1 | | | HINGE, Lower Body Half, Left |
| 15 | J545 9281 | 2 | | | PLATE, Tapping |
| 16 | J400 4956 | AR | | | SCREW |
| 17 | J400 5755 | 2 | | | NUT, Lock |
| 18 | J400 5678 | 4 | | | SHIM w/o Hard Top |
| | J400 5677 | 4 | | | w/Hard Top |
| 19 | J545 9280 | 2 | | | BRACKET |
| 20 | J545 9286 | 2 | | | PIN, Hook |
| 21 | J545 9207 | 2 | | | STRAP |
| 22 | 5501 3668 | 2 | | | LOOP, Footman *** |
| 23 | J400 4995 | 2 | | | SCREW |
| 24 | J400 6455 | 4 | | | SCREW |

MODEL CODES:

| | | |
|-----------------------------|-----------------------------|------------------------------|
| 15 = Grand Wagoneer 4 Dr. | 65 = Comanche 4WD-7 Ft. Box | 77 = Cherokee 4WD-2 Dr. |
| 25 = J-10 Pickup-119" W.B. | 66 = Comanche 2WD-7 Ft. Box | 78 = Cherokee 4WD-4 Dr. |
| 26 = J-10 Pickup-131" W.B. | 73 = Cherokee 2WD-2 Dr. | 79 = Cherokee 4WD-4 Dr.-Com |
| 27 = J-20 Pickup-131" W.B. | 74 = Cherokee 2WD-4 Dr. | 81 = Wrangler-93" W.B. |
| 63 = Comanche 4WD-6 Ft. Box | 75 = Wagoneer 4WD-4 Dr. | 82 = Wrangler-103" W.B.-Exp. |
| 64 = Comanche 2WD-6 Ft. Box | | |

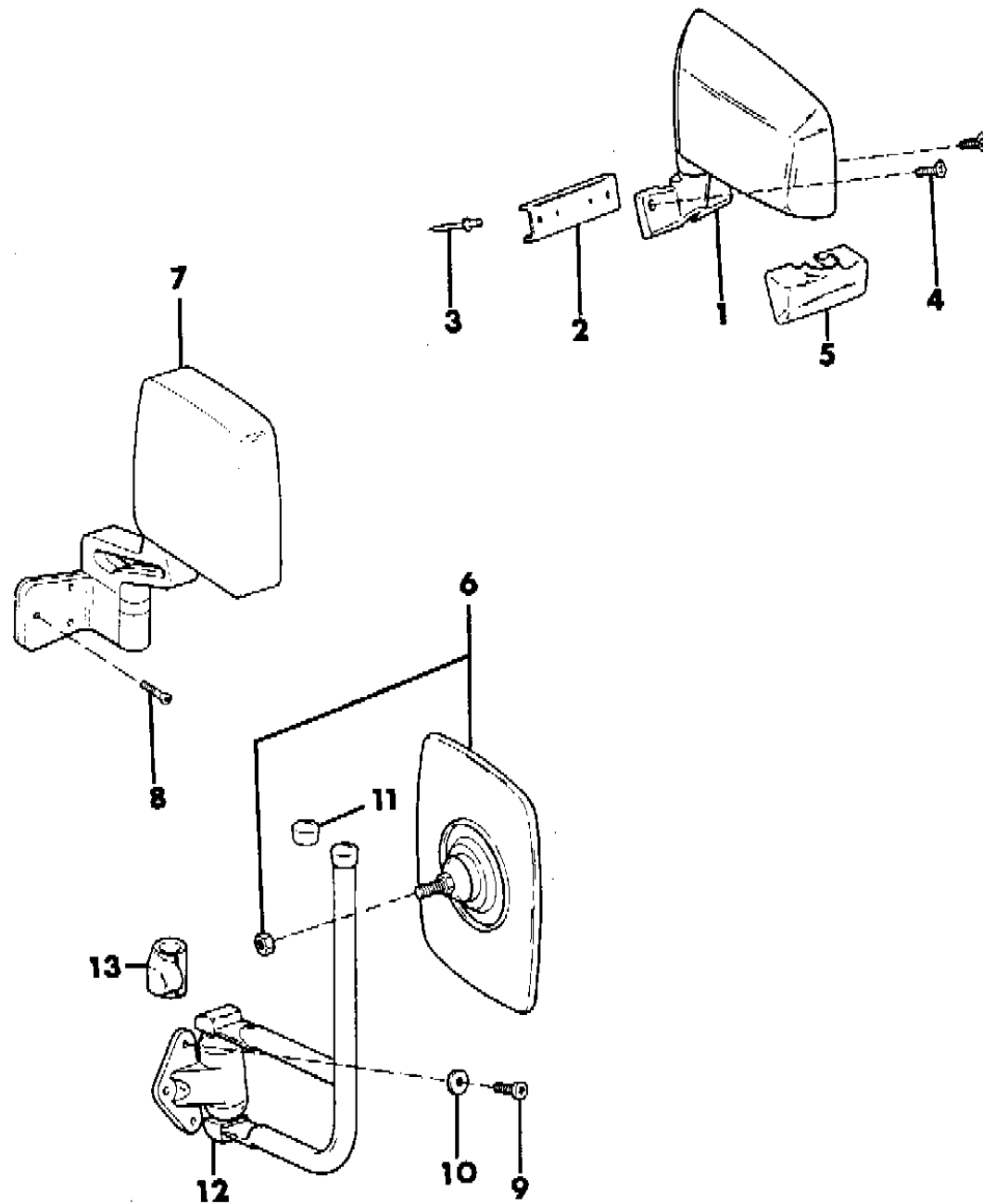
BODY STYLES:

MJ = Comanche Pickup
SJ = Grand Wagoneer Wgn., J-10 & J-20 Pickups
XJ = Cherokee, Wagoneer Limited
YJ = Wrangler

AR = Use as Required - = Non Illustrated Part P.A.R. = Paint as Required

MIRRORS, EXTERIOR WRANGLER, YJ
Figure 23C-600

8J71 600A



| ITEM | PART NUMBER | QTY | BODY | MODEL | DESCRIPTION |
|------|-------------|-----|------|-------|-----------------------|
| 1 | | | | | MIRROR |
| | | | | | LEFT |
| | 5502 4249 | 1 | | | 1987-89 |
| | 5502 7207 | 1 | | | 1990 |
| | | | | | RIGHT |
| | 5501 6210 | 1 | | | 1987-89 |
| | 5502 7208 | 1 | | | 1990 (Exc. ECE) |
| | 5502 7209 | 1 | | | 1990, (ECE) |
| 2 | J576 1776 | 2 | | | REINFORCEMENT, Mirror |
| 3 | J400 4962 | 4 | | | RIVET |
| 4 | J420 0323 | 4 | | | SCREW |
| 5 | | | | | COVER |
| | J067 4896 | 2 | | | 1988-89 |
| | 5502 7210 | 2 | | | 1990 |
| 6 | 5501 2570-1 | 1 | | | MIRROR |
| | 5501 2573 | 2 | | | HEAD, Mirror |
| 7 | | | | | MIRROR |
| | 8220 0834 | 1 | | | Right, 1987-89 |
| | 8220 0833 | 1 | | | Left, 1987-89 |
| | 5502 1076-7 | 1 | | | ECE |
| 8 | | | | | SCREW |
| | J400 7580 | AR | | | 1987-89 |
| | 6034 120 | AR | | | 1990 |
| 9 | J400 5657 | AR | | | SCREW |
| 10 | J012 0392 | AR | | | WASHER |
| 11 | 8350 4073 | 2 | | | CAP |
| 12 | 5501 2574-5 | 1 | | | ARM, Mirror |
| 13 | 5501 2576 | 2 | | | CAP, Protection |

(ECE) Emission Controlled European of Europe e #312.

MODEL CODES:

| | | |
|-----------------------------|-----------------------------|------------------------------|
| 15 = Grand Wagoneer 4 Dr. | 65 = Comanche 4WD-7 Ft. Box | 77 = Cherokee 4WD-2 Dr. |
| 25 = J-10 Pickup-119" W.B. | 66 = Comanche 2WD-7 Ft. Box | 78 = Cherokee 4WD-4 Dr. |
| 26 = J-10 Pickup-131" W.B. | 73 = Cherokee 2WD-2 Dr. | 79 = Cherokee 4WD-4 Dr.-Com |
| 27 = J-20 Pickup-131" W.B. | 74 = Cherokee 2WD-4 Dr. | 81 = Wrangler-93" W.B. |
| 63 = Comanche 4WD-6 Ft. Box | 75 = Wagoneer 4WD-4 Dr. | 82 = Wrangler-103" W.B.-Exp. |
| 64 = Comanche 2WD-6 Ft. Box | | |

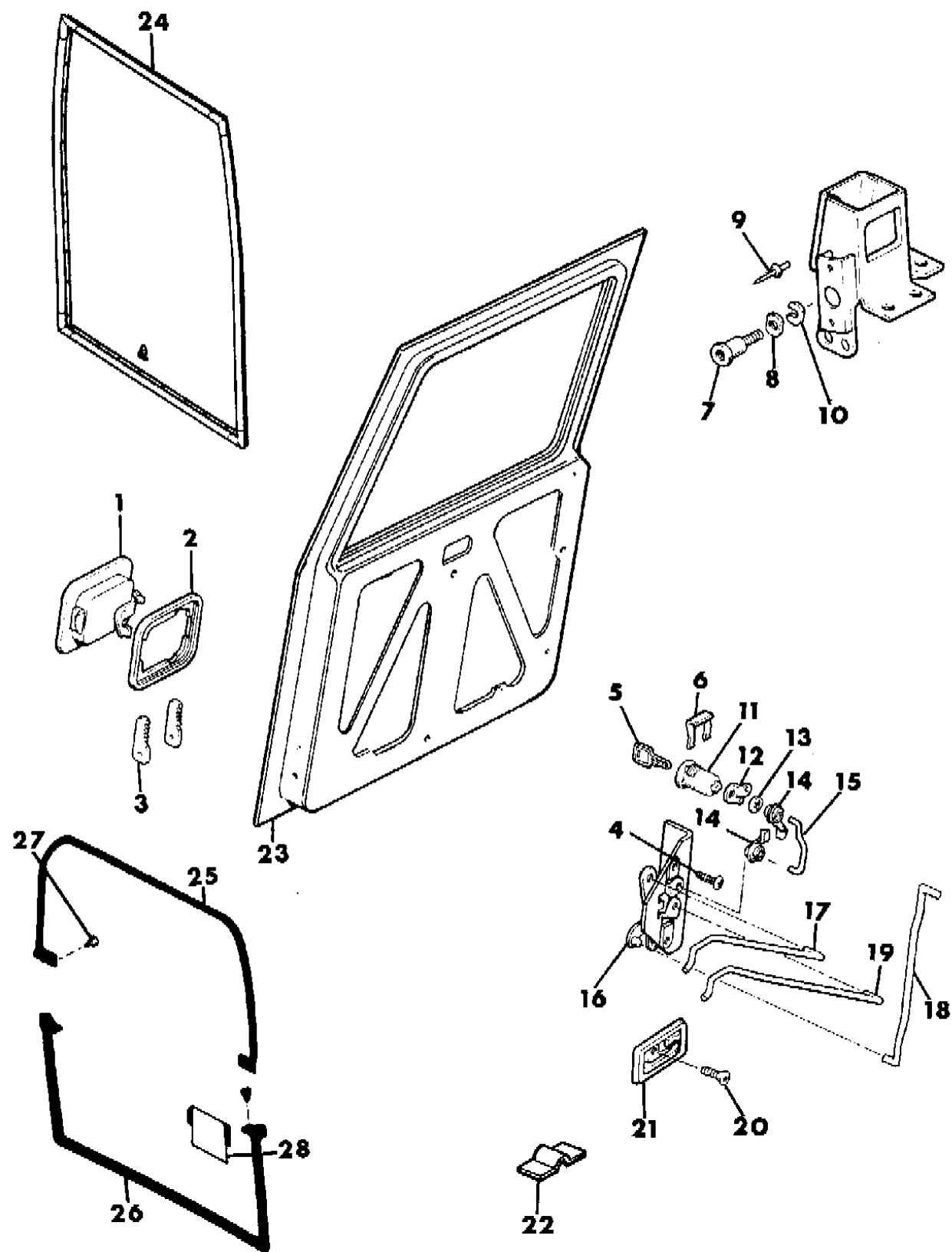
BODY STYLES:

MJ = Comanche Pickup
SJ = Grand Wagoneer Wgn., J-10 & J-20 Pickups
XJ = Cherokee, Wagoneer Limited
YJ = Wrangler

AR = Use as Required - = Non Illustrated Part P.A.R. = Paint as Required

DOOR, REAR, HANDLES AND LATCHES WORLD CAB, EXPORT WRANGLER, YJ
Figure 23C-700

8J71 700 A



| ITEM | PART NUMBER | QTY | BODY | MODEL | DESCRIPTION |
|------|-------------|-----|------|-------|--------------------------|
| 1 | J805 2561 | 1 | | | HANDLE, Exterior |
| 2 | J575 8174 | 1 | | | GASKET |
| 3 | J575 8175 | 2 | | | KEEPER *** |
| 4 | J018 0020 | 4 | | | SCREW |
| 5 | 5502 5852 | 1 | | | KEY |
| 6 | J351 6003 | 1 | | | RETAINER, Lock |
| 7 | J575 8191 | 1 | | | STRIKER, Door |
| 8 | J575 8192 | 1 | | | PLATE, Striker |
| 9 | J400 6990 | 2 | | | RIVET |
| 10 | J575 8193 | 1 | | | SHIM |
| 11 | | 1 | | | CYLINDER, See 23D |
| 12 | J805 2472 | 1 | | | LEVER |
| 13 | J400 2250 | 1 | | | RETAINER, Lock |
| 14 | J400 4532 | 2 | | | CLIP, w/Bushing |
| 15 | J805 2459 | 1 | | | ROD, Cylinder |
| 16 | J805 2563 | 1 | | | LATCH, Door |
| 17 | J805 2461 | 1 | | | ROD, Locking |
| 18 | 8350 1148 | 1 | | | ROD, Latch Release |
| 19 | J805 2463 | 1 | | | ROD, Remote Control |
| 20 | J400 6870 | 1 | | | SCREW |
| 21 | T065 0261 | 1 | | | HANDLE, Remote Control |
| 22 | J805 3241 | 2 | | | CLIP, Drain |
| 23 | | 1 | | | SHELL, Purchased Locally |
| 24 | J805 2124 | 1 | | | WEATHERSTRIP |
| 25 | 5501 0064 | 1 | | | WEATHERSTRIP |
| 26 | 5500 9742 | 1 | | | WEATHERSTRIP |
| 27 | J400 2461 | AR | | | SCREW |
| 28 | 5502 5280 | 1 | | | WATERSHIELD, Latch |

MODEL CODES:

| | | |
|-----------------------------|-----------------------------|------------------------------|
| 15 = Grand Wagoneer 4 Dr. | 65 = Comanche 4WD-7 Ft. Box | 77 = Cherokee 4WD-2 Dr. |
| 25 = J-10 Pickup-119" W.B. | 66 = Comanche 2WD-7 Ft. Box | 78 = Cherokee 4WD-4 Dr. |
| 26 = J-10 Pickup-131" W.B. | 73 = Cherokee 2WD-2 Dr. | 79 = Cherokee 4WD-4 Dr.-Com |
| 27 = J-20 Pickup-131" W.B. | 74 = Cherokee 2WD-4 Dr. | 81 = Wrangler-93" W.B. |
| 63 = Comanche 4WD-6 Ft. Box | 75 = Wagoneer 4WD-4 Dr. | 82 = Wrangler-103" W.B.-Exp. |
| 64 = Comanche 2WD-6 Ft. Box | | |

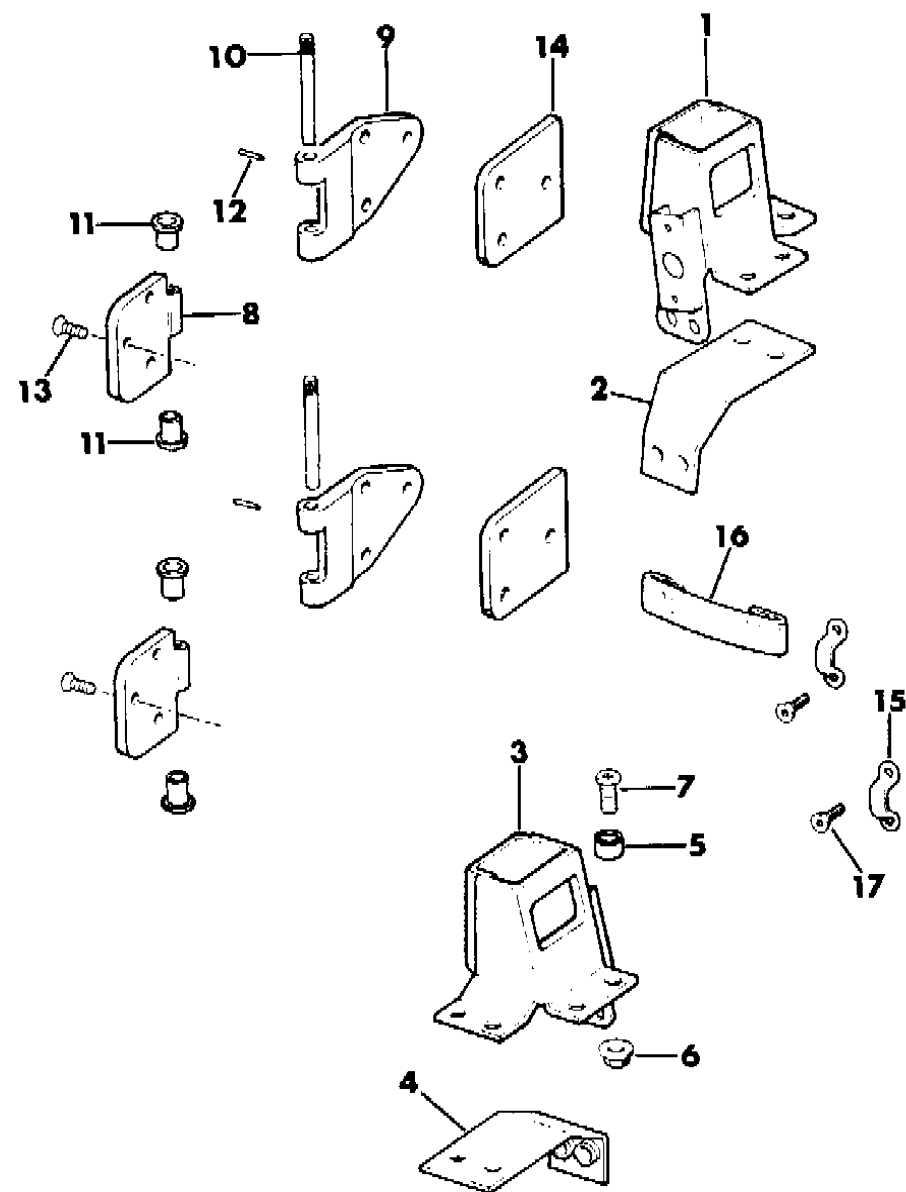
BODY STYLES:

MJ = Comanche Pickup
SJ = Grand Wagoneer Wgn., J-10 & J-20 Pickups
XJ = Cherokee, Wagoneer Limited
YJ = Wrangler

AR = Use as Required - = Non Illustrated Part P.A.R. = Paint as Required

HINGES, REAR DOOR WORLD CAB EXPORT WRANGLER, YJ
Figure 23C-800

8J71 800



| ITEM | PART NUMBER | QTY | BODY | MODEL | DESCRIPTION |
|------|-------------|-----|------|-------|-----------------------|
| 1 | 8350 0183 | 1 | | | BRACKET, Striker Mtg. |
| 2 | J805 2409 | 1 | | | REINFORCEMENT |
| 3 | J805 2568 | 1 | | | REINFORCEMENT |
| 4 | J805 2408 | 1 | | | REINFORCEMENT |
| 5 | J400 6826 | 1 | | | WASHER |
| 6 | J400 4747 | 1 | | | NUT |
| 7 | J400 5651 | 8 | | | BOLT |
| 8 | J805 2160 | 2 | | | HINGE |
| 9 | J805 2161 | 2 | | | HINGE |
| 10 | J805 2194 | 2 | | | PIN |
| 11 | J805 2193 | 4 | | | BEARING |
| 12 | J027 3936 | 2 | | | PIN |
| 13 | J400 5831 | 6 | | | SCREW |
| 14 | J805 2037 | 2 | | | PLATE, Tapping |
| 15 | 5501 3666 | 2 | | | LOOP *** |
| 16 | J545 9207 | 1 | | | STRAP |
| 17 | J400 7088 | 4 | | | SCREW |

MODEL CODES:

| | | |
|-----------------------------|-----------------------------|------------------------------|
| 15 = Grand Wagoneer 4 Dr. | 65 = Comanche 4WD-7 Ft. Box | 77 = Cherokee 4WD-2 Dr. |
| 25 = J-10 Pickup-119" W.B. | 66 = Comanche 2WD-7 Ft. Box | 78 = Cherokee 4WD-4 Dr. |
| 26 = J-10 Pickup-131" W.B. | 73 = Cherokee 2WD-2 Dr. | 79 = Cherokee 4WD-4 Dr.-Com |
| 27 = J-20 Pickup-131" W.B. | 74 = Cherokee 2WD-4 Dr. | 81 = Wrangler-93" W.B. |
| 63 = Comanche 4WD-6 Ft. Box | 75 = Wagoneer 4WD-4 Dr. | 82 = Wrangler-103" W.B.-Exp. |
| 64 = Comanche 2WD-6 Ft. Box | | |

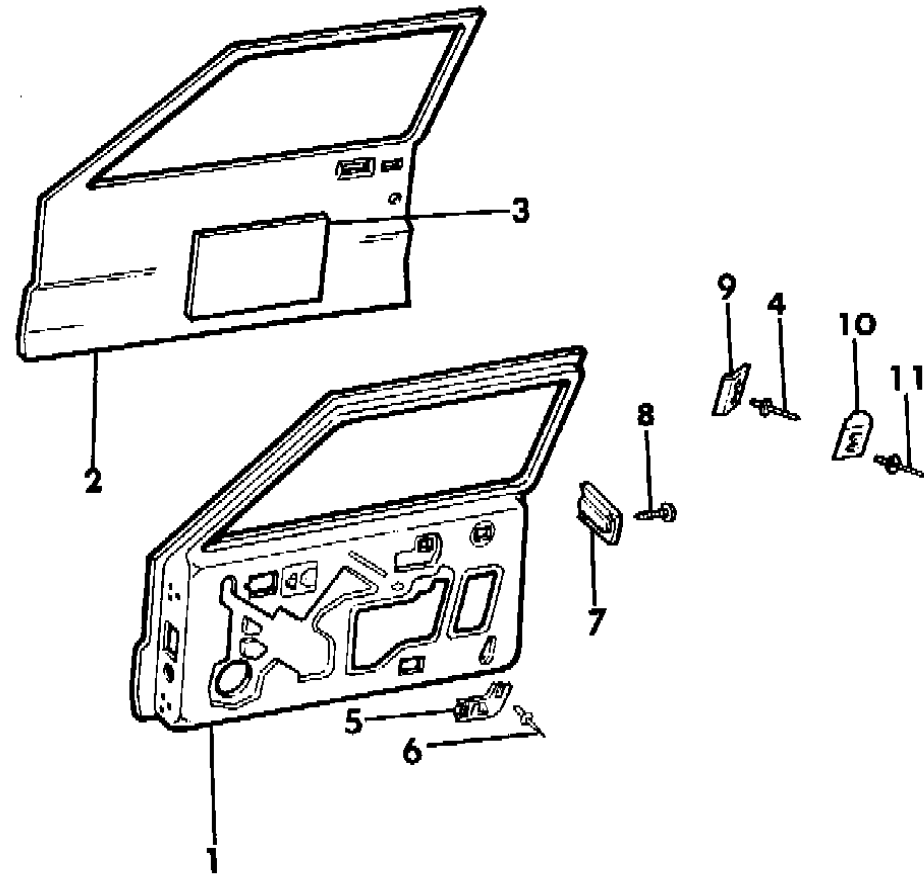
BODY STYLES:

MJ = Comanche Pickup
 SJ = Grand Wagoneer Wgn., J-10 & J-20 Pickups
 XJ = Cherokee, Wagoneer Limited
 YJ = Wrangler

AR = Use as Required - = Non Illustrated Part P.A.R. = Paint as Required

DOOR, FRONT TWO DOOR WAGON CHEROKEE
Figure 23C-900

8J71 900 A



| ITEM | PART NUMBER | QTY | BODY | MODEL | DESCRIPTION |
|------|-------------|-----|------|-------|------------------|
| 1 | | | | | SHELL, Door |
| | 5700 0110-1 | 1 | | | 1987-88 |
| | 5700 2436-7 | 1 | | | 1989 |
| | 5502 5894-5 | 1 | | | 1990 |
| 2 | 8351 0196-7 | 1 | | | PANEL, Repair |
| 3 | 5500 1254 | 2 | | | PAD, Silencer |
| 4 | 3420 1684 | 2 | | | RIVET |
| 5 | 5500 1278-9 | 1 | | | BRACKET, Armrest |
| 6 | 3420 1353 | 4 | | | RIVET |
| 7 | 5500 6224-5 | 1 | | | SPACER |
| 8 | 1150 0055 | 4 | | | SCREW |
| 9 | 5500 6216 | 2 | | | REINFORCEMENT |
| 10 | 5500 6214-5 | 1 | | | SPACER |
| 11 | J400 6543 | 4 | | | RIVET |

MODEL CODES:

| | | |
|-----------------------------|-----------------------------|------------------------------|
| 15 = Grand Wagoneer 4 Dr. | 65 = Comanche 4WD-7 Ft. Box | 77 = Cherokee 4WD-2 Dr. |
| 25 = J-10 Pickup-119" W.B. | 66 = Comanche 2WD-7 Ft. Box | 78 = Cherokee 4WD-4 Dr. |
| 26 = J-10 Pickup-131" W.B. | 73 = Cherokee 2WD-2 Dr. | 79 = Cherokee 4WD-4 Dr.-Com |
| 27 = J-20 Pickup-131" W.B. | 74 = Cherokee 2WD-4 Dr. | 81 = Wrangler-93" W.B. |
| 63 = Comanche 4WD-6 Ft. Box | 75 = Wagoneer 4WD-4 Dr. | 82 = Wrangler-103" W.B.-Exp. |
| 64 = Comanche 2WD-6 Ft. Box | | |

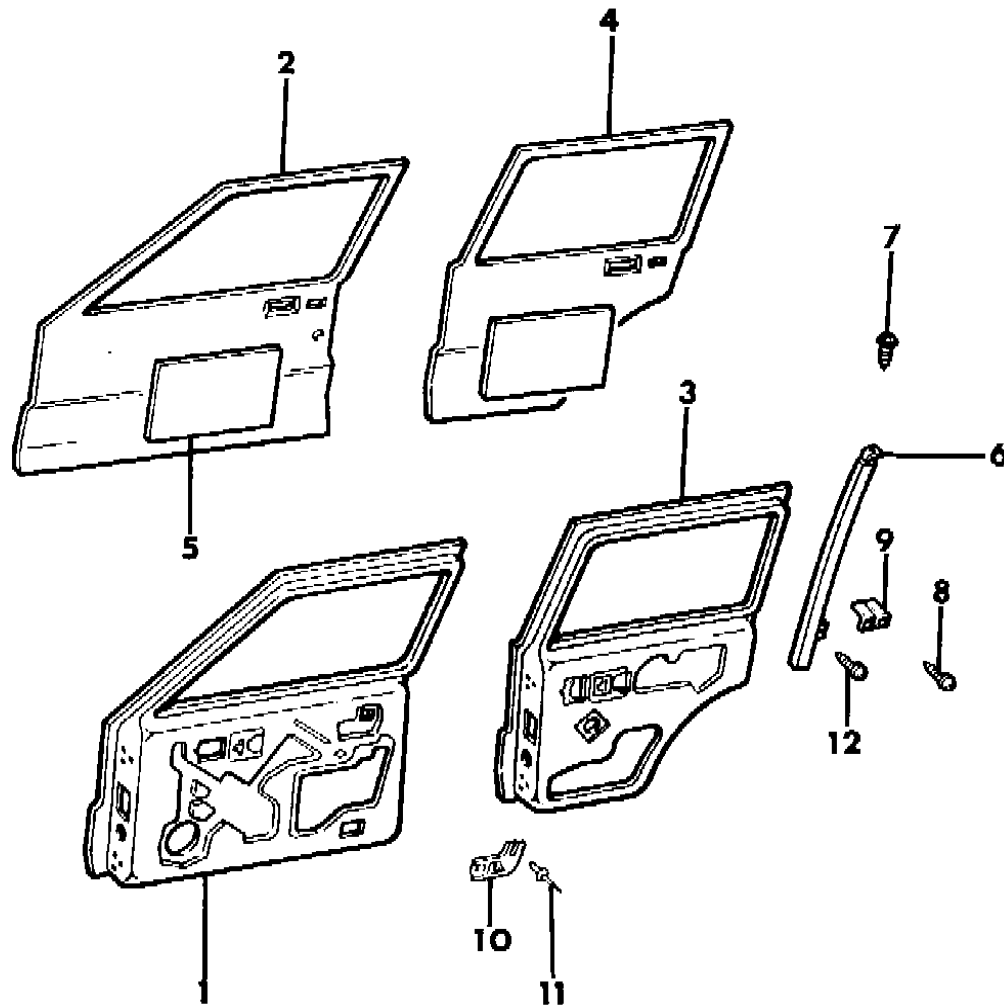
BODY STYLES:

MJ = Comanche Pickup
 SJ = Grand Wagoneer Wgn., J-10 & J-20 Pickups
 XJ = Cherokee, Wagoneer Limited
 YJ = Wrangler

AR = Use as Required - = Non Illustrated Part P.A.R. = Paint as Required

DOORS, FRONT AND REAR FOUR DOOR CHEROKEE, WAGONEER
Figure 23C-1000

8 J71 1000 A



| ITEM | PART NUMBER | QTY | BODY | MODEL | DESCRIPTION |
|------|-------------|-----|------|-------|------------------|
| 1 | | | | | SHELL, Door |
| | 5700 0108-9 | 1 | | | 1987-88 |
| | 5700 2428-9 | 1 | | | 1989 |
| | 5502 6400-1 | 1 | | | 1990 |
| 2 | 8351 0194-5 | 1 | | | PANEL, Repair |
| 3 | | | | | SHELL, Door |
| | 5700 0112-3 | 1 | | | 1987-88 |
| | 5700 2446-7 | 1 | | | 1989 |
| | 5502 6402-3 | 1 | | | 1990 |
| 4 | 5503 3976-7 | 1 | | | PANEL, Repair |
| 5 | 5500 1254 | 4 | | | PAD, Silencer |
| 6 | 5500 2350-1 | 1 | | | BAR, Division |
| 7 | 3420 2035 | 2 | | | SCREW |
| 8 | 3420 1450 | 4 | | | SCREW |
| 9 | 5500 3650 | 2 | | | RETAINER |
| 10 | 5500 1278-9 | 1 | | | BRACKET, Armrest |
| 11 | 3420 1353 | 4 | | | RIVET |
| 12 | 3420 1301 | 2 | | | SCREW |
| | J400 3089 | 2 | | | WASHER |

MODEL CODES:

| | | |
|-----------------------------|-----------------------------|------------------------------|
| 15 = Grand Wagoneer 4 Dr. | 65 = Comanche 4WD-7 Ft. Box | 77 = Cherokee 4WD-2 Dr. |
| 25 = J-10 Pickup-119" W.B. | 66 = Comanche 2WD-7 Ft. Box | 78 = Cherokee 4WD-4 Dr. |
| 26 = J-10 Pickup-131" W.B. | 73 = Cherokee 2WD-2 Dr. | 79 = Cherokee 4WD-4 Dr.-Com |
| 27 = J-20 Pickup-131" W.B. | 74 = Cherokee 2WD-4 Dr. | 81 = Wrangler-93" W.B. |
| 63 = Comanche 4WD-6 Ft. Box | 75 = Wagoneer 4WD-4 Dr. | 82 = Wrangler-103" W.B.-Exp. |
| 64 = Comanche 2WD-6 Ft. Box | | |

BODY STYLES:

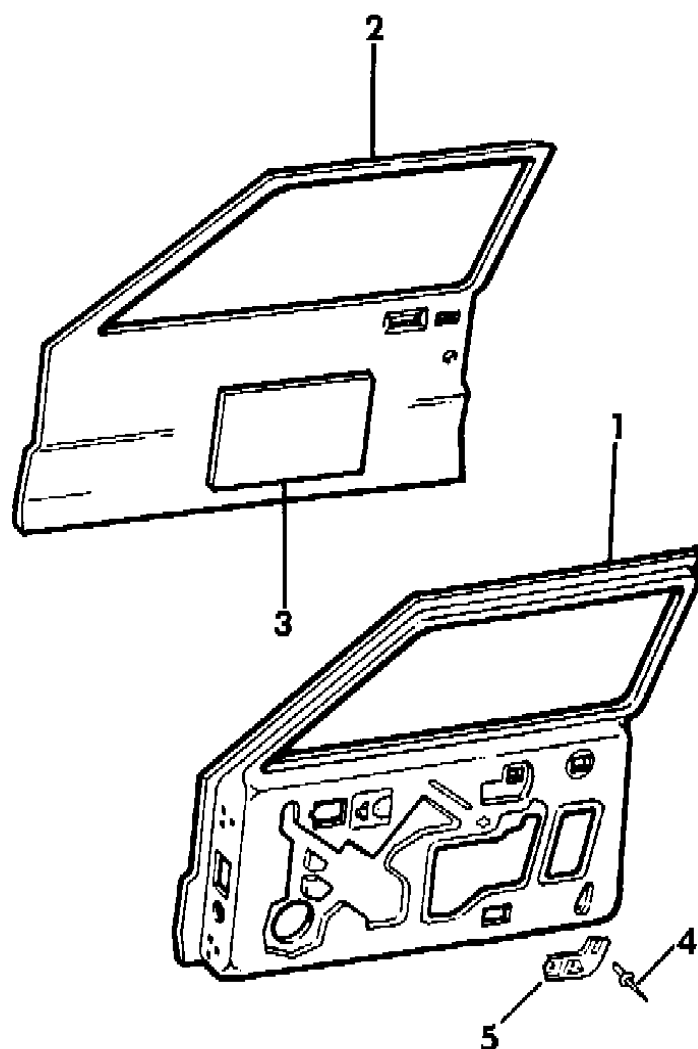
MJ = Comanche Pickup
SJ = Grand Wagoneer Wgn., J-10 & J-20 Pickups
XJ = Cherokee, Wagoneer Limited
YJ = Wrangler

AR = Use as Required - = Non Illustrated Part P.A.R. = Paint as Required

DOOR, FRONT COMANCHE
Figure 23C-1100

8J71 1100 A

| ITEM | PART NUMBER | QTY | BODY | MODEL | DESCRIPTION |
|------|-------------|-----|------|-------|------------------|
| 1 | | | | | SHELL, Door |
| | 5700 0108-9 | 1 | | | 1987-88 |
| | 5700 2428-9 | 1 | | | 1989 |
| | 5502 6400-1 | 1 | | | 1990 |
| 2 | 8351 0194-5 | 1 | | | PANEL, Repair |
| 3 | 5500 1254 | 2 | | | PAD, Silencer |
| 4 | 3420 1353 | 4 | | | RIVET |
| 5 | 5500 1278-9 | 1 | | | BRACKET, Armrest |



MODEL CODES:

| | | |
|-----------------------------|-----------------------------|------------------------------|
| 15 = Grand Wagoneer 4 Dr. | 65 = Comanche 4WD-7 Ft. Box | 77 = Cherokee 4WD-2 Dr. |
| 25 = J-10 Pickup-119" W.B. | 66 = Comanche 2WD-7 Ft. Box | 78 = Cherokee 4WD-4 Dr. |
| 26 = J-10 Pickup-131" W.B. | 73 = Cherokee 2WD-2 Dr. | 79 = Cherokee 4WD-4 Dr.-Com |
| 27 = J-20 Pickup-131" W.B. | 74 = Cherokee 2WD-4 Dr. | 81 = Wrangler-93" W.B. |
| 63 = Comanche 4WD-6 Ft. Box | 75 = Wagoneer 4WD-4 Dr. | 82 = Wrangler-103" W.B.-Exp. |
| 64 = Comanche 2WD-6 Ft. Box | | |

BODY STYLES:

MJ = Comanche Pickup
SJ = Grand Wagoneer Wgn., J-10 & J-20 Pickups
XJ = Cherokee, Wagoneer Limited
YJ = Wrangler

AR = Use as Required - = Non Illustrated Part P.A.R. = Paint as Required

HINGES, DOOR FRONT AND REAR CHEROKEE, WAGONEER, COMANCHE
Figure 23C-1200

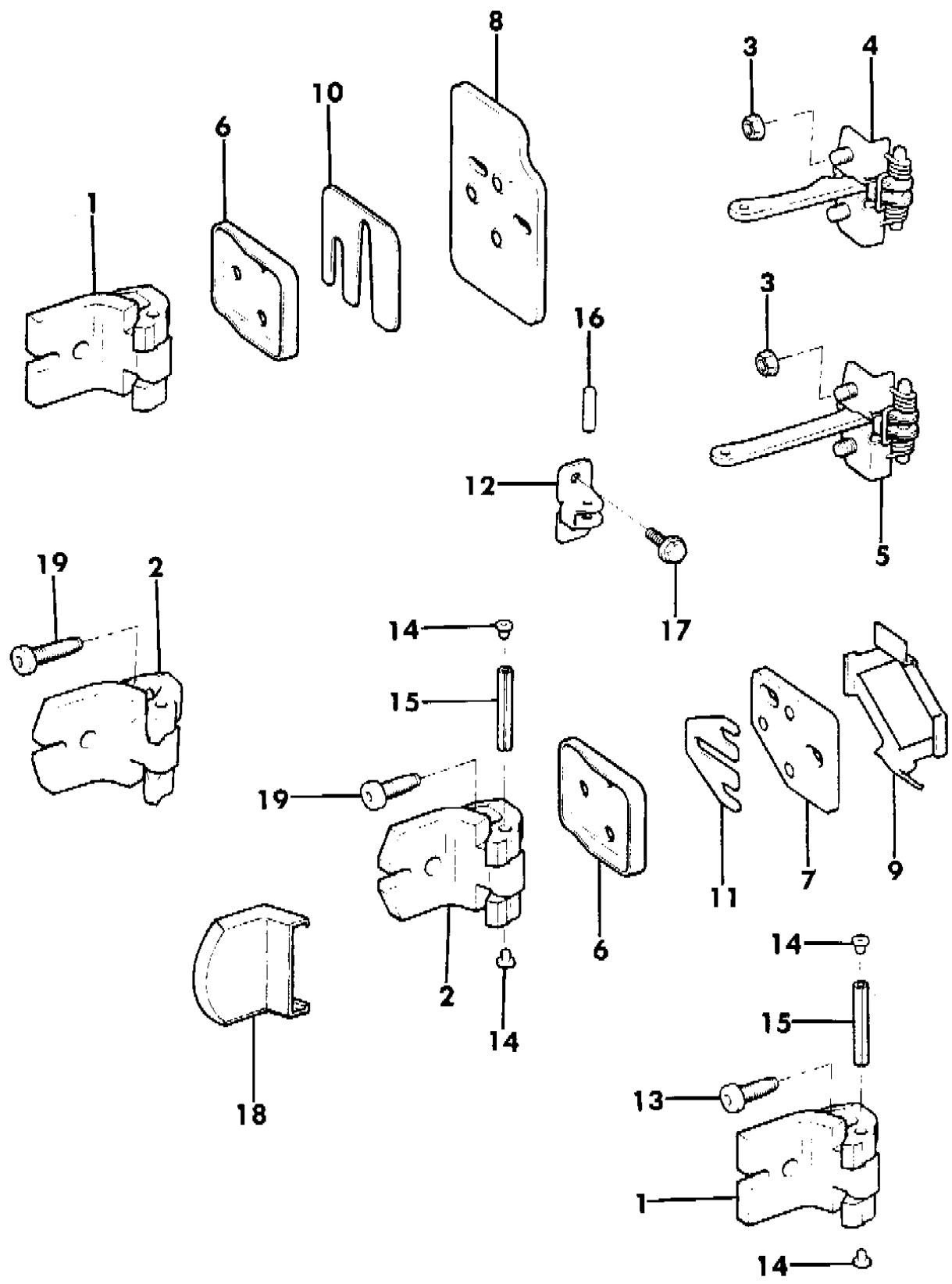
8J71 1200

| ITEM | PART NUMBER | QTY | BODY | MODEL | DESCRIPTION |
|------|-------------|-----|------|-------|-------------------------|
| 1 | 5500 4626 | 4 | | | HINGE, Front Door |
| 2 | 5500 0762 | 4 | | | HINGE, Rear Door |
| 3 | 3420 1866 | 8 | | | NUT |
| 4 | 5500 0783 | 2 | | | ARM, Door Check |
| 5 | 5500 0818 | 2 | | | ARM, Door Check |
| 6 | 5500 4597 | 8 | | | PLATE, Shim |
| 7 | 5500 0248-9 | 1 | | | PLATE, Hinge Mtg. |
| 8 | 5500 4600-1 | 1 | | | PLATE, Hinge Mtg. |
| | 5500 4600 | 1 | | | Right |
| | 5500 4601 | 1 | | | Left |
| 9 | 5500 0264 | 4 | | | RETAINER, Tapping Plate |
| 10 | | | | | SHIM |
| | 5500 4920 | AR | | | 1.4mm |
| | 5500 5658 | AR | | | .65mm |
| 11 | 5500 1223 | AR | | | SHIM, Hinge |
| 12 | 5500 2361 | 4 | | | BRACKET, Check Arm |
| 13 | | | | | BOLT |
| | 3420 1771 | 18 | | | 30mm |
| | 3420 1987 | 18 | | | 36mm |
| 14 | 3420 2314 | 16 | | | PLUG, Hinge Pin |
| 15 | 5500 8099 | 8 | | | PIN, Hinge |
| 16 | 5501 2900 | 4 | | | PIN, Check Arm |
| 17 | 3420 1756 | 8 | | | SCREW |
| 18 | 5500 6643 | 4 | | | COVER, Rear Hinge |
| 19 | 3420 1987 | 12 | | | BOLT |

MODEL CODES:
 15 = Grand Wagoneer 4 Dr. 65 = Comanche 4WD-7 Ft. Box 77 = Cherokee 4WD-2 Dr.
 25 = J-10 Pickup-119" W.B. 66 = Comanche 2WD-7 Ft. Box 78 = Cherokee 4WD-4 Dr.
 26 = J-10 Pickup-131" W.B. 73 = Cherokee 2WD-2 Dr. 79 = Cherokee 4WD-4 Dr.-Com
 27 = J-20 Pickup-131" W.B. 74 = Cherokee 2WD-4 Dr. 81 = Wrangler-93" W.B.
 63 = Comanche 4WD-6 Ft. Box 75 = Wagoneer 4WD-4 Dr. 82 = Wrangler-103" W.B.-Exp.
 64 = Comanche 2WD-6 Ft. Box

BODY STYLES:
 MJ = Comanche Pickup
 SJ = Grand Wagoneer Wgn., J-10 & J-20 Pickups
 XJ = Cherokee, Wagoneer Limited
 YJ = Wrangler

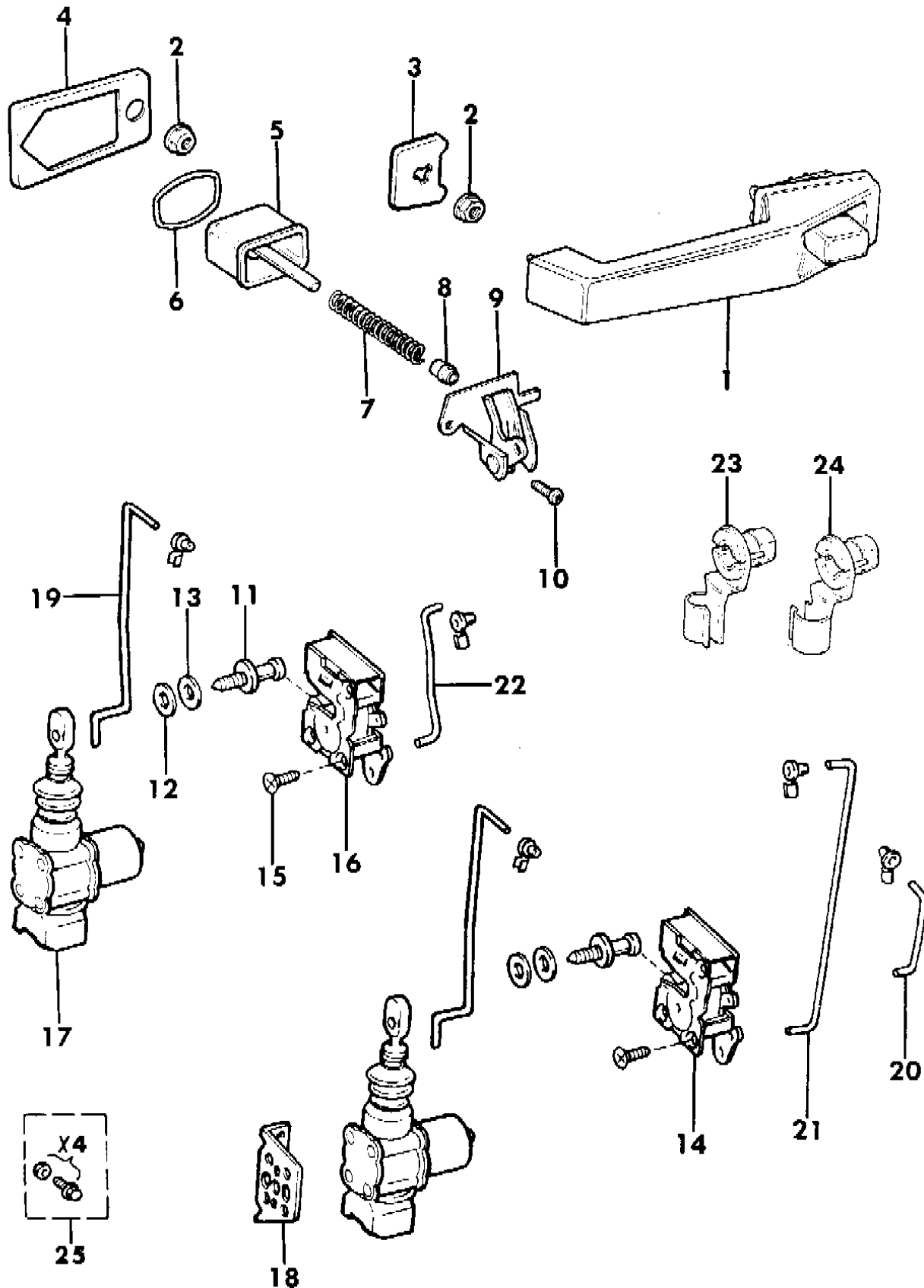
AR = Use as Required - = Non Illustrated Part P.A.R. = Paint as Required



DOOR, HANDLES AND ACTUATORS CHEROKEE, WAGONEER, COMANCHE

Figure 23C-1300

8J71 1300



| ITEM | PART NUMBER | QTY | BODY | MODEL | DESCRIPTION |
|------|-------------|-----|------|-------|---------------------------|
| 1 | | | | | HANDLE, Exterior |
| | 5500 7466-7 | AR | | | 1987-89 |
| | 5502 4926-7 | AR | | | 1990 |
| | 5500 0560-1 | AR | | | Chrome |
| 2 | J420 0306 | AR | | | NUT |
| 3 | 5500 2180 | AR | | | GASKET, Front of Handle |
| 4 | 5500 2181 | AR | | | GASKET, Rear of Handle |
| 5 | | | | | BUTTON, Push |
| | 5500 7469 | AR | | | Black, Plastic |
| | 5500 2173 | AR | | | Chrome |
| 6 | 5500 2176 | AR | | | GASKET |
| 7 | 5500 2177 | AR | | | SPRING |
| 8 | 5500 2178 | AR | | | BUSHING |
| 9 | 5500 2188-9 | 1 | | | BELLCRANK |
| 10 | 3420 1339 | AR | | | SCREW |
| 11 | 5500 2371 | AR | | | STRIKER |
| 12 | J400 2073 | AR | | | WASHER |
| 13 | J400 2057 | AR | | | WASHER |
| 14 | 5500 0766-7 | 1 | | | LATCH, Front Door |
| 15 | 3420 1755 | AR | | | SCREW |
| 16 | 5500 0570-1 | 1 | | | LATCH, Rear Door |
| 17 | J813 4627 | AR | | | ACTUATOR, Door Lock |
| 18 | J371 9474 | AR | | | BRACKET |
| 19 | | | | | ROD, Actuator |
| | 5500 0780-1 | 2 | | | Four Door and Truck |
| | 5500 0836-7 | 1 | | | Two Door |
| 20 | | | | | ROD, Lock Cylinder |
| | 5500 2004-5 | 1 | | | Four Door Wagon and Truck |
| | 5500 0832-3 | 1 | | | Two Door Wagon |
| 21 | | | | | ROD |
| | 5500 1954-5 | 1 | | | Four Door and Truck |
| | 5500 0563 | 2 | | | Two Door |
| 22 | 5500 1968 | 2 | | | ROD, Rear Door |
| 23 | J400 4532 | AR | | | CLIP, w/Bushing |
| 24 | J400 4533 | AR | | | CLIP, w/Bushing |
| 25 | J813 0358 | AR | | | KIT, Fastener |

MODEL CODES:

| | | |
|-----------------------------|-----------------------------|------------------------------|
| 15 = Grand Wagoneer 4 Dr. | 65 = Comanche 4WD-7 Ft. Box | 77 = Cherokee 4WD-2 Dr. |
| 25 = J-10 Pickup-119" W.B. | 66 = Comanche 2WD-7 Ft. Box | 78 = Cherokee 4WD-4 Dr. |
| 26 = J-10 Pickup-131" W.B. | 73 = Cherokee 2WD-2 Dr. | 79 = Cherokee 4WD-4 Dr.-Com |
| 27 = J-20 Pickup-131" W.B. | 74 = Cherokee 2WD-4 Dr. | 81 = Wrangler-93" W.B. |
| 63 = Comanche 4WD-6 Ft. Box | 75 = Wagoneer 4WD-4 Dr. | 82 = Wrangler-103" W.B.-Exp. |
| 64 = Comanche 2WD-6 Ft. Box | | |

BODY STYLES:

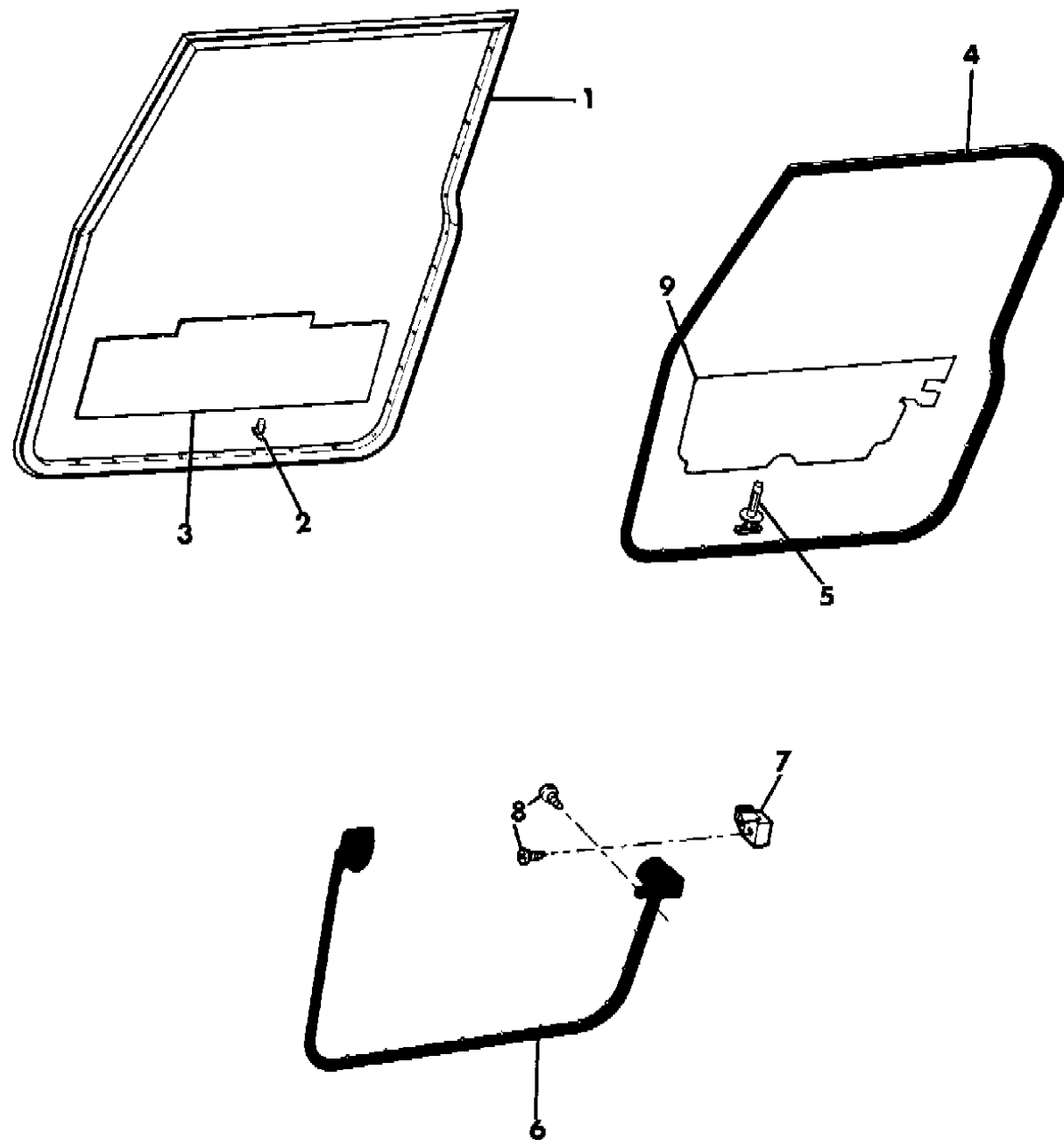
MJ = Comanche Pickup
 SJ = Grand Wagoneer Wgn., J-10 & J-20 Pickups
 XJ = Cherokee, Wagoneer Limited
 YJ = Wrangler

AR = Use as Required - = Non Illustrated Part P.A.R. = Paint as Required

DOOR, HANDLES AND CONTROLS CHEROKEE, WAGONEER, COMANCHE

Figure 23C-1400

8 J71400 B



| ITEM | PART NUMBER | QTY | BODY | MODEL | DESCRIPTION |
|------|-------------|-----|------|-------|-----------------------------|
| 1 | 5500 0870-1 | 1 | | | HANDLE ASSEMBLY, Remote *** |
| 2 | 5500 2182-3 | 1 | | | HANDLE |
| 3 | 5500 2154-5 | 2 | | | CUP |
| 4 | 5500 2184 | 4 | | | SPRING |
| 5 | 5500 2873 | 4 | | | PIN |
| 6 | 5500 2186-7 | 2 | | | BUTTON |
| 7 | 1150 0654 | 4 | | | NUT |
| 8 | S150 0405 | 4 | | | SCREW, P.A.R. |
| 9 | | | | | ROD, Remote Control |
| | 5500 1958-9 | 1 | | | Four Door and Truck |
| | 5500 1952-3 | 1 | | | Two Door |
| 10 | | | | | SLEEVE |
| | J372 1174 | AR | | | 1987-88 |
| | 3502 3988 | AR | | | 1989-90 |
| 11 | 5505 2523 | 2 | | | SILENCER |
| 12 | | | | | ROD, Locking |
| | 5500 1962-3 | 1 | | | Four Door and Truck |
| | 5500 1956-7 | 1 | | | Two Door |
| 13 | J400 4532-3 | 1 | | | CLIP, w/Bushing |
| 14 | | | | | CLIP, w/Bushing |
| | J400 4533 | 2 | | | Right |
| | J400 4532 | 2 | | | Left |
| 15 | 3420 1197 | 4 | | | RIVET |
| 16 | 5500 2083 | 4 | | | RETAINER |
| 17 | 5500 1966-7 | 1 | | | ROD, Remote Control |
| 18 | 5500 1970-1 | 1 | | | ROD, Locking |

MODEL CODES:

| | | |
|-----------------------------|-----------------------------|------------------------------|
| 15 = Grand Wagoneer 4 Dr. | 65 = Comanche 4WD-7 Ft. Box | 77 = Cherokee 4WD-2 Dr. |
| 25 = J-10 Pickup-119" W.B. | 66 = Comanche 2WD-7 Ft. Box | 78 = Cherokee 4WD-4 Dr. |
| 26 = J-10 Pickup-131" W.B. | 73 = Cherokee 2WD-2 Dr. | 79 = Cherokee 4WD-4 Dr.-Com |
| 27 = J-20 Pickup-131" W.B. | 74 = Cherokee 2WD-4 Dr. | 81 = Wrangler-93" W.B. |
| 63 = Comanche 4WD-6 Ft. Box | 75 = Wagoneer 4WD-4 Dr. | 82 = Wrangler-103" W.B.-Exp. |
| 64 = Comanche 2WD-6 Ft. Box | | |

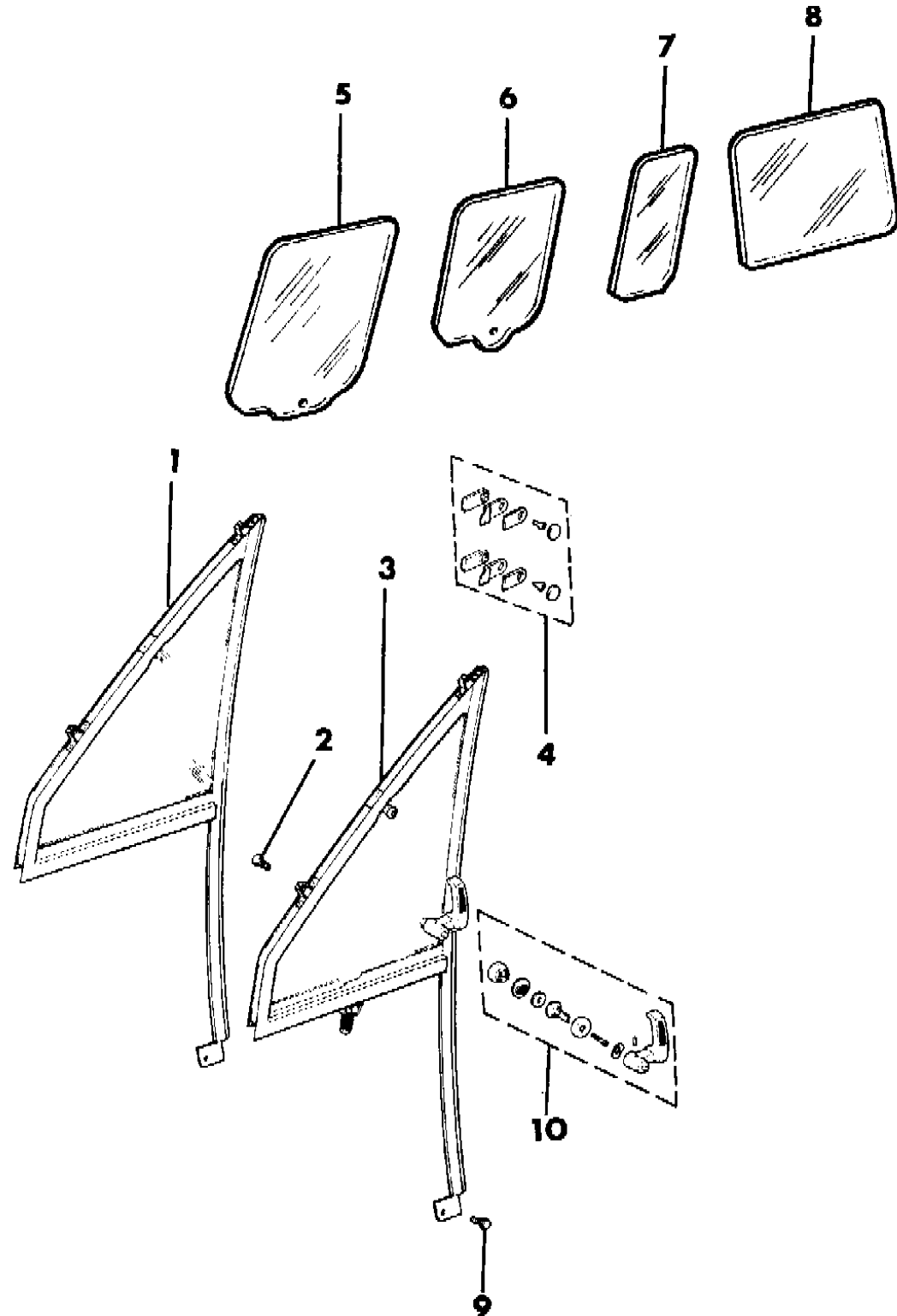
BODY STYLES:

MJ = Comanche Pickup
 SJ = Grand Wagoneer Wgn., J-10 & J-20 Pickups
 XJ = Cherokee, Wagoneer Limited
 YJ = Wrangler

AR = Use as Required - = Non Illustrated Part P.A.R. = Paint as Required

GLASS, DOOR FRONT AND REAR CHEROKEE, WAGONEER, COMANCHE
Figure 23C-1500

8 J 71 1500 B



| ITEM | PART NUMBER | QTY | BODY | MODEL | DESCRIPTION |
|------|-------------|-----|------|-------|---------------------------------|
| 1 | 5500 2346-7 | 1 | | | VENT, Fixed |
| 2 | 3420 2035 | 4 | | | SCREW |
| 3 | | | | | VENT, Pivoting |
| | 5501 5736-7 | 1 | | | 1987-89 |
| | 5502 4294-5 | 1 | | | 1990 |
| 4 | 8350 2274-5 | 1 | | | PACKAGE, Hinge Qtr. Vent Glass |
| 5 | | | | | GLASS, Door, Front |
| | 5500 0574-5 | 1 | MJ | | Clear |
| | 5500 0576-7 | 1 | MJ | | Tinted |
| | 5500 0576-7 | 1 | XJ | | Tinted, Four Door |
| | 5500 0578-9 | 1 | XJ | | 1987, Tinted, Two Door |
| | 5500 0580-1 | 1 | XJ | | 1988-90, Tinted, Two Door |
| 6 | | | | | GLASS, Rear Door |
| | 5500 0590-1 | 1 | XJ | | Green, Standard Tint, Four Door |
| | 5501 8650-1 | 1 | XJ | | Gray, Privacy, Four Door |
| 7 | | | | | GLASS, Fixed, Rear Door |
| | 5500 0620-1 | 1 | XJ | | Green, Standard Tint, Four Door |
| | 5501 8652-3 | 1 | XJ | | Gray, Privacy, Four Door |
| | 5500 7983 | 1 | | XJ | Bronze, Left |
| | 5500 7982 | 1 | | XJ | Bronze, Right |
| 8 | | | | | GLASS, Quarter, See Group 23A |
| 9 | 3420 1301 | 2 | | | SCREW |
| 10 | | | | | HANDLE, Vent |
| | 8350 4102 | 1 | | | Right |
| | 8350 4101 | 1 | | | Left |

MODEL CODES:

| | | |
|-----------------------------|-----------------------------|------------------------------|
| 15 = Grand Wagoneer 4 Dr. | 65 = Comanche 4WD-7 Ft. Box | 77 = Cherokee 4WD-2 Dr. |
| 25 = J-10 Pickup-119" W.B. | 66 = Comanche 2WD-7 Ft. Box | 78 = Cherokee 4WD-4 Dr. |
| 26 = J-10 Pickup-131" W.B. | 73 = Cherokee 2WD-2 Dr. | 79 = Cherokee 4WD-4 Dr.-Com |
| 27 = J-20 Pickup-131" W.B. | 74 = Cherokee 2WD-4 Dr. | 81 = Wrangler-93" W.B. |
| 63 = Comanche 4WD-6 Ft. Box | 75 = Wagoneer 4WD-4 Dr. | 82 = Wrangler-103" W.B.-Exp. |
| 64 = Comanche 2WD-6 Ft. Box | | |

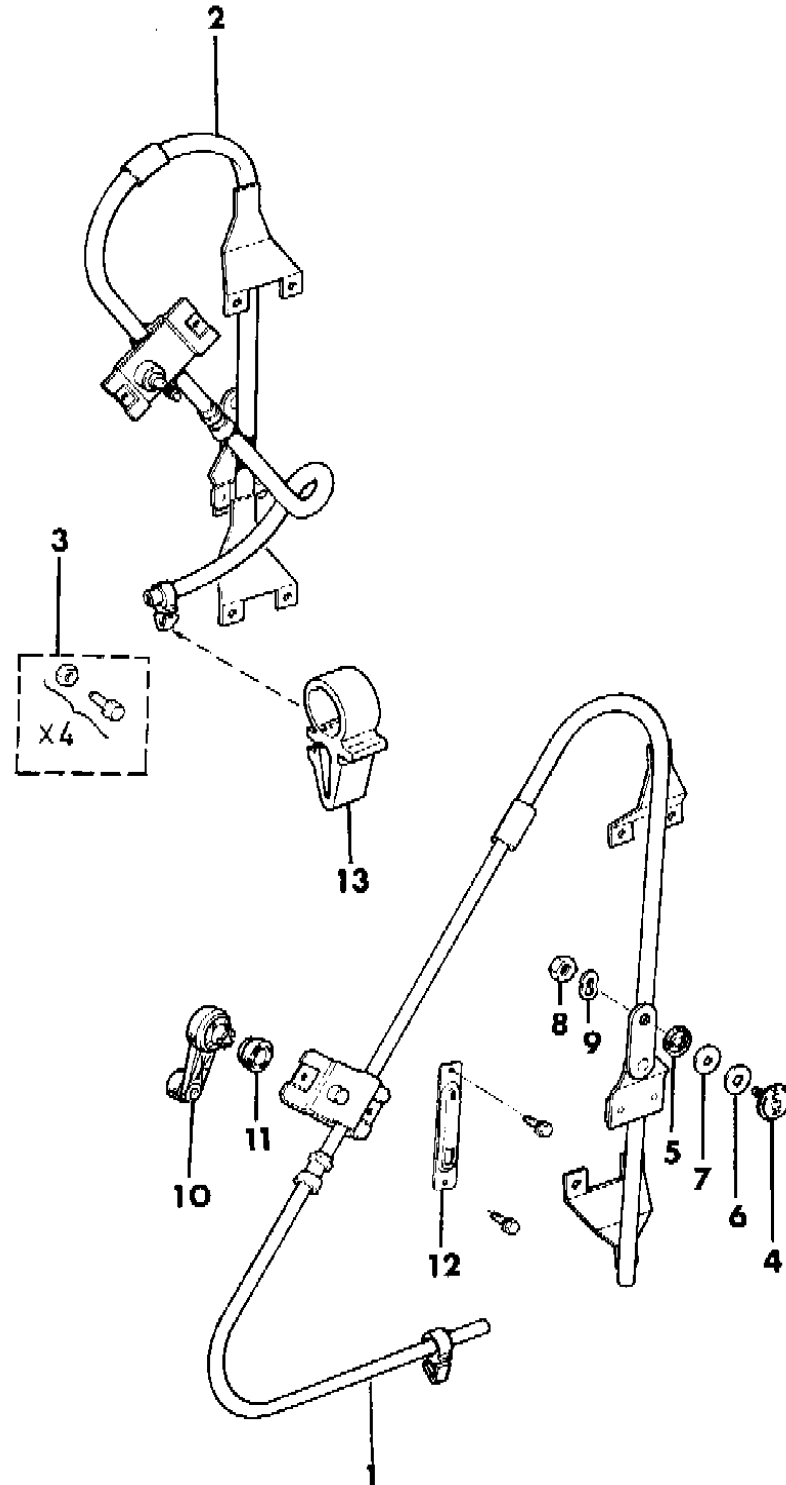
BODY STYLES:

MJ = Comanche Pickup
 SJ = Grand Wagoneer Wgn., J-10 & J-20 Pickups
 XJ = Cherokee, Wagoneer Limited
 YJ = Wrangler

AR = Use as Required - = Non Illustrated Part P.A.R. = Paint as Required

REGULATOR, DOOR GLASS MANUAL CHEROKEE, WAGONEER, COMANCHE
Figure 23C-1600

8J71 1600A



| ITEM | PART NUMBER | QTY | BODY | MODEL | DESCRIPTION |
|------|-------------|-----|------|-------|-------------------------|
| 1 | 5500 0586-7 | 1 | | | REGULATOR, Glass, Front |
| 2 | 5500 0594-5 | 1 | | | REGULATOR, Glass, Rear |
| | 5500 0594 | 1 | | | Right |
| | 5500 0595 | 1 | | | Left |
| 3 | J813 0358 | AR | | | PACKAGE, Fastener |
| 4 | | | | | BOLT, Spanner |
| | 5500 2432 | AR | | | Up to 3-2-90 |
| | 5515 4511 | AR | | | After 3-2-90 |
| 5 | 5500 2433 | AR | | | NUT, Spanner |
| 6 | 5500 2434 | AR | | | BUSHING, Spanner |
| 7 | J363 2958 | AR | | | WASHER |
| 8 | 3420 1514 | AR | | | NUT |
| 9 | J400 4616 | AR | | | WASHER |
| 10 | | | | | HANDLE, Regulator |
| | 3502 5104 | AR | | | Black |
| | 8350 5118 | AR | | | Med. Blue |
| | 3502 5098 | AR | | | Navy Blue |
| | 3502 5107 | AR | | | Charcoal |
| | 3502 5101 | AR | | | Cordovan |
| | 3502 5369 | AR | | | Sand |
| | 3502 5110 | AR | | | Tan |
| 11 | 3500 0573 | AR | | | SPACER, Handle |
| 12 | 5500 5444 | 2 | | | STRAP, Support |
| 13 | J400 5701 | 4 | | | CLIP |

MODEL CODES:

| | | |
|-----------------------------|-----------------------------|------------------------------|
| 15 = Grand Wagoneer 4 Dr. | 65 = Comanche 4WD-7 Ft. Box | 77 = Cherokee 4WD-2 Dr. |
| 25 = J-10 Pickup-119" W.B. | 66 = Comanche 2WD-7 Ft. Box | 78 = Cherokee 4WD-4 Dr. |
| 26 = J-10 Pickup-131" W.B. | 73 = Cherokee 2WD-2 Dr. | 79 = Cherokee 4WD-4 Dr.-Com |
| 27 = J-20 Pickup-131" W.B. | 74 = Cherokee 2WD-4 Dr. | 81 = Wrangler-93" W.B. |
| 63 = Comanche 4WD-6 Ft. Box | 75 = Wagoneer 4WD-4 Dr. | 82 = Wrangler-103" W.B.-Exp. |
| 64 = Comanche 2WD-6 Ft. Box | | |

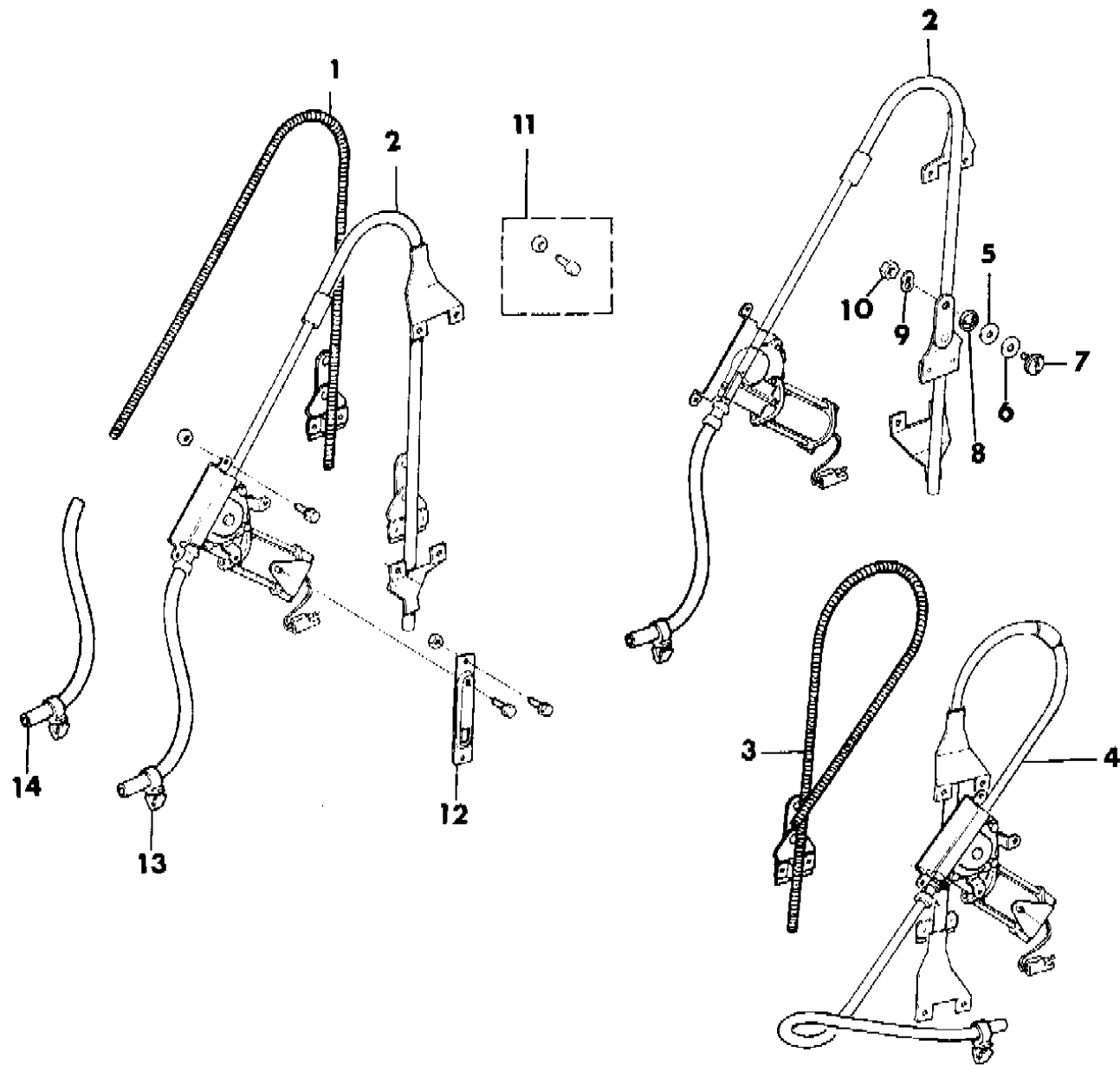
BODY STYLES:

MJ = Comanche Pickup
 SJ = Grand Wagoneer Wgn., J-10 & J-20 Pickups
 XJ = Cherokee, Wagoneer Limited
 YJ = Wrangler

AR = Use as Required - = Non Illustrated Part P.A.R. = Paint as Required

REGULATORS, DOOR ELECTRIC CHEROKEE, WAGONEER
Figure 23C-1700

8J71 1700 A



| ITEM | PART NUMBER | QTY | BODY | MODEL | DESCRIPTION |
|------|-------------|-----|------|-------|-----------------------------|
| 1 | 8350 2178 | 2 | | | CABLE, Drive |
| 2 | 5501 5076-7 | 1 | | | REGULATOR, Front Door Glass |
| 3 | 8350 2179 | 2 | | | CABLE, Drive |
| 4 | 5501 8442-3 | 1 | | | REGULATOR, Rear Door Glass |
| 5 | J363 2958 | AR | | | WASHER |
| 6 | 5500 2434 | AR | | | BUSHING |
| 7 | 5500 2432 | AR | | | BOLT |
| 8 | 5500 2433 | AR | | | NUT |
| 9 | J400 4616 | AR | | | WASHER |
| 10 | 3420 1514 | AR | | | NUT |
| 11 | J813 0358 | AR | | | PACKAGE, Fastener |
| 12 | 5500 5444 | 2 | | | STRAP, Support |
| 13 | J400 5701 | 4 | | | CLIP |
| | 5500 9757 | 4 | | | CLIP, 1987 |
| 14 | 8350 2180 | 4 | | | HOSE |

MODEL CODES:

| | | |
|-----------------------------|-----------------------------|------------------------------|
| 15 = Grand Wagoneer 4 Dr. | 65 = Comanche 4WD-7 Ft. Box | 77 = Cherokee 4WD-2 Dr. |
| 25 = J-10 Pickup-119" W.B. | 66 = Comanche 2WD-7 Ft. Box | 78 = Cherokee 4WD-4 Dr. |
| 26 = J-10 Pickup-131" W.B. | 73 = Cherokee 2WD-2 Dr. | 79 = Cherokee 4WD-4 Dr.-Com |
| 27 = J-20 Pickup-131" W.B. | 74 = Cherokee 2WD-4 Dr. | 81 = Wrangler-93" W.B. |
| 63 = Comanche 4WD-6 Ft. Box | 75 = Wagoneer 4WD-4 Dr. | 82 = Wrangler-103" W.B.-Exp. |
| 64 = Comanche 2WD-6 Ft. Box | | |

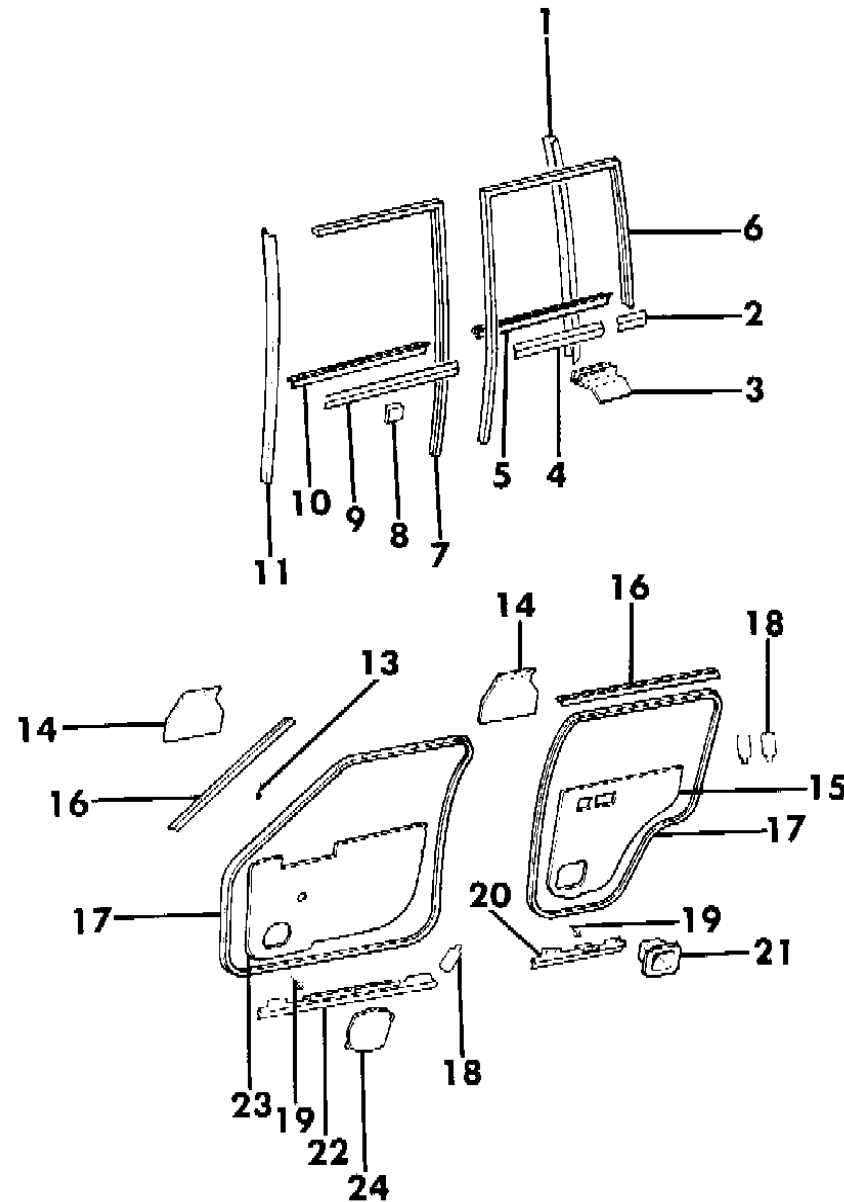
BODY STYLES:

MJ = Comanche Pickup
 SJ = Grand Wagoneer Wgn., J-10 & J-20 Pickups
 XJ = Cherokee, Wagoneer Limited
 YJ = Wrangler

AR = Use as Required - = Non Illustrated Part P.A.R. = Paint as Required

WEATHERSTRIPS, DOOR FRONT AND REAR CHEROKEE, WAGONEER, COMANCHE
Figure 23C-1800

8J71 1800 A



| ITEM | PART NUMBER | QTY | BODY | MODEL | DESCRIPTION |
|------|-------------|-----|------|-------|--|
| 1 | 5500 5666 | 2 | | | WEATHERSTRIP, Glass Run |
| 2 | 5500 5377 | 2 | | | WEATHERSTRIP, Outer |
| 3 | 5500 6518 | 2 | | | DEFLECTOR, Water |
| 4 | 5500 5304 | 2 | | | WEATHERSTRIP, Outer |
| 5 | 5500 5532-3 | 1 | | | WEATHERSTRIP, Inner |
| 6 | 5500 5316-7 | 1 | | | CHANNEL, Glass Run |
| 7 | | | | | CHANNEL, Glass Run |
| | 5500 5318-9 | 1 | | | Two Door |
| | 5500 5314-5 | 1 | | | Four Door and Truck |
| 8 | 5500 5383 | AR | | | CLIP |
| 9 | | | | | WEATHERSTRIP, Outer |
| | 5500 5306-7 | 1 | | | Two Door |
| | 5500 5302-3 | 1 | | | Four Door and Truck |
| 10 | | | | | WEATHERSTRIP, Inner |
| | 5500 5530-1 | 1 | | | Two Door |
| | 5500 5528-9 | 1 | | | Four Door and Truck |
| 11 | 5500 2337 | 1 | | | WEATHERSTRIP, Glass Run |
| 12 | | | | | SPACER, See Group 23A |
| 13 | 3420 2855 | AR | | | RIVET |
| | 3420 2035 | 2 | | | SCREW |
| 14 | 5500 5060 | AR | | | SHIELD, Switch |
| 15 | 5500 3626-7 | 1 | | | WATERDAM, Door *** |
| 16 | 5500 5012-3 | 1 | | | SEAL, Secondary |
| 17 | | | | | SEAL, Door (Modification Required for Truck and Four Door Wagon) |
| | 5501 5782 | AR | | | Up to 11-13-89 |
| | 5502 5514 | AR | | | After 11-13-89 |
| 18 | 5500 6632 | AR | | | WATERDAM, Hole Cover |
| 19 | 3420 1495 | AR | | | RIVET |
| 20 | 5500 7014-5 | 1 | | | SEAL, Door |
| 21 | 5500 5178 | 2 | | | POCKET, Ash Tray |
| 22 | | | | | SEAL, Door |
| | 5500 7006-7 | 1 | | | Two Door |
| | 5500 7010-1 | 1 | | | Four Door and Truck |
| 23 | | | | | WATERDAM, Door |
| | 5500 3622-3 | 1 | | | Two Door |
| | 5500 3624-5 | 1 | | | Four Door and Truck |

MODEL CODES:

| | | |
|-----------------------------|-----------------------------|------------------------------|
| 15 = Grand Wagoneer 4 Dr. | 65 = Comanche 4WD-7 Ft. Box | 77 = Cherokee 4WD-2 Dr. |
| 25 = J-10 Pickup-119" W.B. | 66 = Comanche 2WD-7 Ft. Box | 78 = Cherokee 4WD-4 Dr. |
| 26 = J-10 Pickup-131" W.B. | 73 = Cherokee 2WD-2 Dr. | 79 = Cherokee 4WD-4 Dr.-Com |
| 27 = J-20 Pickup-131" W.B. | 74 = Cherokee 2WD-4 Dr. | 81 = Wrangler-93" W.B. |
| 63 = Comanche 4WD-6 Ft. Box | 75 = Wagoneer 4WD-4 Dr. | 82 = Wrangler-103" W.B.-Exp. |
| 64 = Comanche 2WD-6 Ft. Box | | |

BODY STYLES:

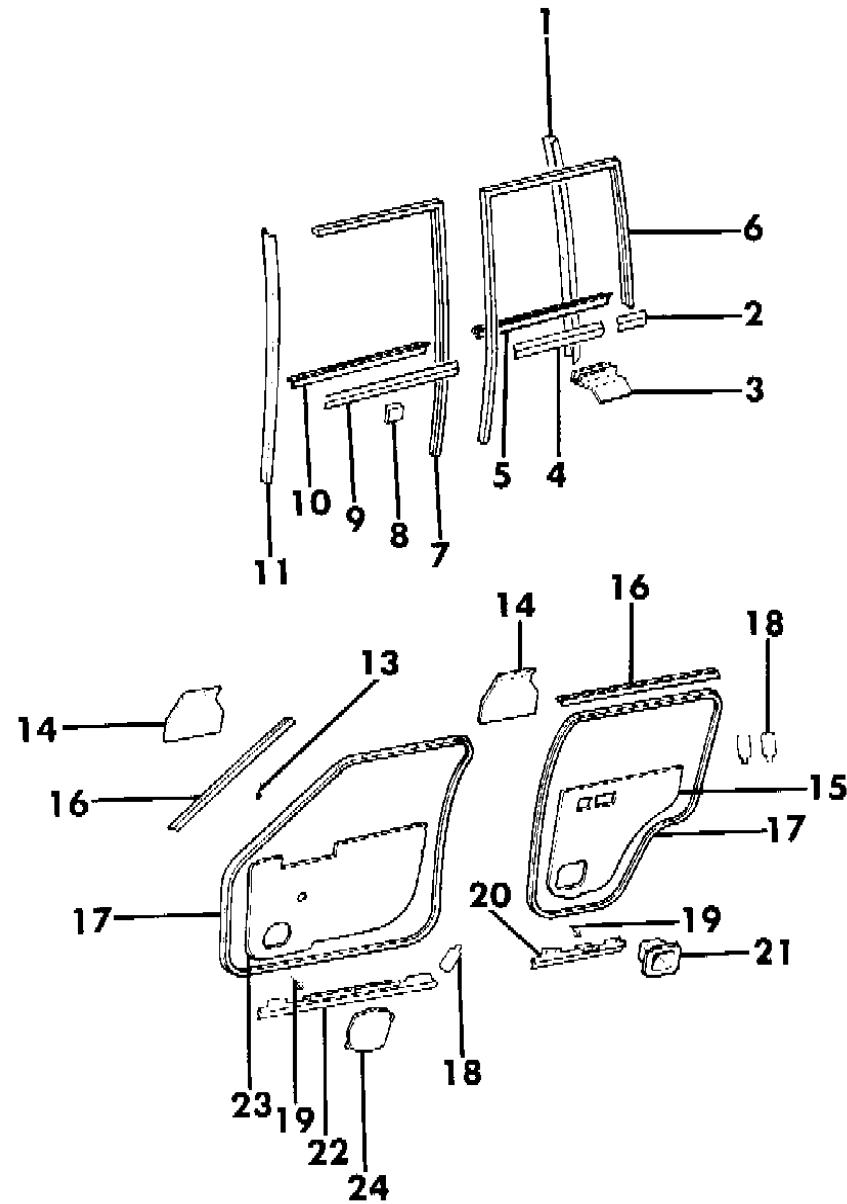
MJ = Comanche Pickup
 SJ = Grand Wagoneer Wgn., J-10 & J-20 Pickups
 XJ = Cherokee, Wagoneer Limited
 YJ = Wrangler

AR = Use as Required - = Non Illustrated Part P.A.R. = Paint as Required

WEATHERSTRIPS, DOOR FRONT AND REAR CHEROKEE, WAGONEER, COMANCHE
Figure 23C-1800

8J71 1800 A

| ITEM | PART NUMBER | QTY | BODY | MODEL | DESCRIPTION |
|------|-------------|-----|------|-------|-------------------|
| 24 | 5500 3628 | 2 | | | WATERDAM, Speaker |



MODEL CODES:

| | | |
|-----------------------------|-----------------------------|------------------------------|
| 15 = Grand Wagoneer 4 Dr. | 65 = Comanche 4WD-7 Ft. Box | 77 = Cherokee 4WD-2 Dr. |
| 25 = J-10 Pickup-119" W.B. | 66 = Comanche 2WD-7 Ft. Box | 78 = Cherokee 4WD-4 Dr. |
| 26 = J-10 Pickup-131" W.B. | 73 = Cherokee 2WD-2 Dr. | 79 = Cherokee 4WD-4 Dr.-Com |
| 27 = J-20 Pickup-131" W.B. | 74 = Cherokee 2WD-4 Dr. | 81 = Wrangler-93" W.B. |
| 63 = Comanche 4WD-6 Ft. Box | 75 = Wagoneer 4WD-4 Dr. | 82 = Wrangler-103" W.B.-Exp. |
| 64 = Comanche 2WD-6 Ft. Box | | |

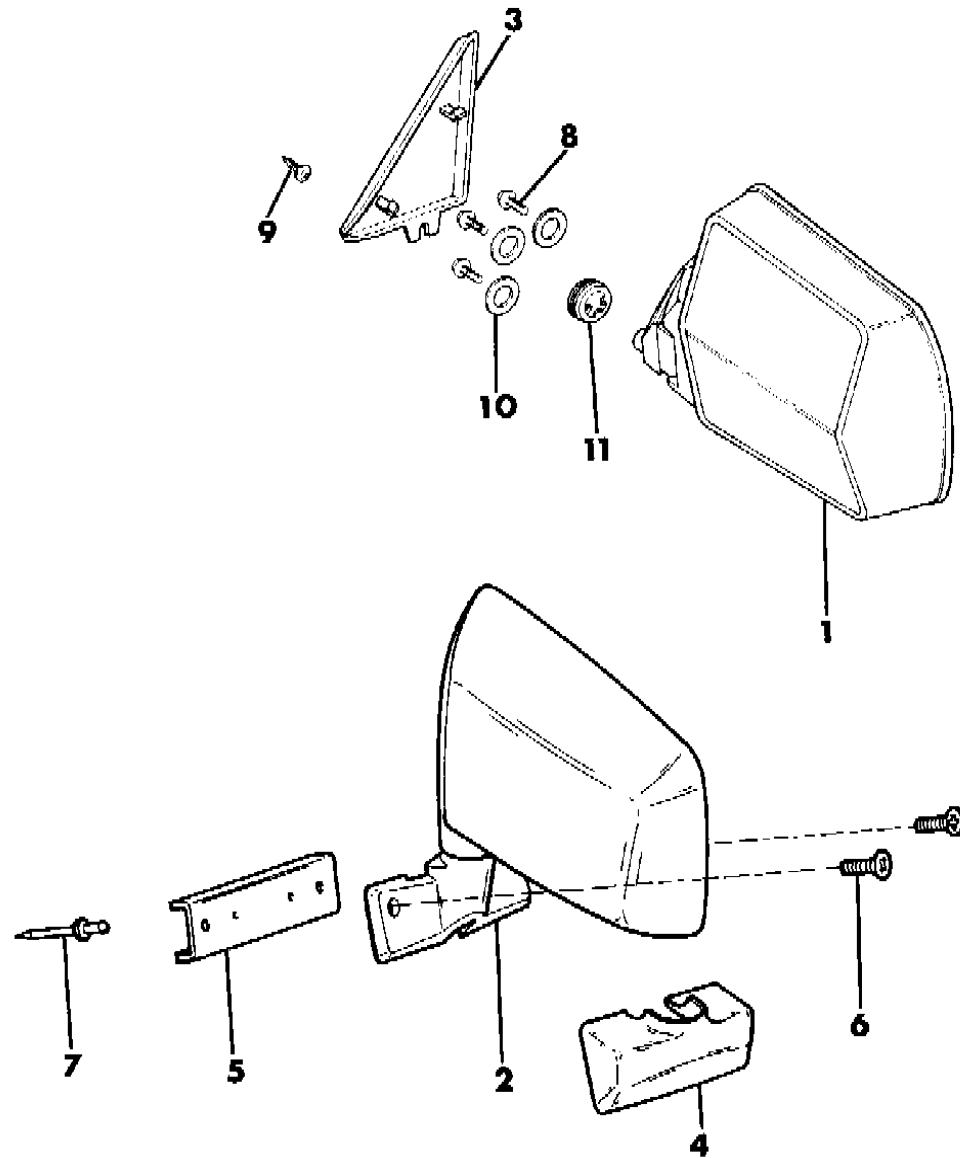
BODY STYLES:

MJ = Comanche Pickup
SJ = Grand Wagoneer Wgn., J-10 & J-20 Pickups
XJ = Cherokee, Wagoneer Limited
YJ = Wrangler

AR = Use as Required - = Non Illustrated Part P.A.R. = Paint as Required

MIRRORS, EXTERIOR MANUAL CHEROKEE, WAGONEER, COMANCHE
Figure 23C-1900

8J71 1900 A



| ITEM | PART NUMBER | QTY | BODY | MODEL | DESCRIPTION |
|------|-------------|-----|------|-------|-----------------------|
| 1 | | | | | MIRROR |
| | | | | | Left |
| | 5500 0289 | 1 | | | Up to 10/16/89, Black |
| | 5503 4131 | 1 | | | After 10/16/89, BLack |
| | 5500 2891 | 1 | | | Chrome |
| | 8220 0314 | 1 | | | Right (Truck) Black |
| | 8220 0315 | 1 | | | Right (Truck) Bright |
| 2 | | | | | MIRROR |
| | | | | | Left |
| | 5502 4249 | 1 | | | Up to 10/16/89, Black |
| | 5502 7207 | 1 | | | After 10/16/89, Black |
| | 5501 6210 | 1 | | | Right, Black |
| 3 | 5500 8030-1 | 1 | | | COVER |
| 4 | | | | | COVER |
| | J067 4896 | 2 | | | Up to 10/16/89 |
| | 5502 7210 | 2 | | | After 10/16/89 |
| 5 | J576 1776 | 2 | | | REINFORCEMENT, Mirror |
| 6 | J420 0323 | 4 | | | SCREW |
| 7 | J400 4962 | 4 | | | RIVET |
| 8 | | | | | SCREW |
| | 3420 2005 | 6 | | | Up to 10/16/89 |
| | J400 4648 | 6 | | | After 10/16/89 |
| 9 | 3420 1314 | 2 | | | SCREW |
| 10 | 5500 5025 | 6 | | | O-RING |
| 11 | 5500 6488 | 2 | | | GROMMET |

MODEL CODES:

| | | |
|-----------------------------|-----------------------------|------------------------------|
| 15 = Grand Wagoneer 4 Dr. | 65 = Comanche 4WD-7 Ft. Box | 77 = Cherokee 4WD-2 Dr. |
| 25 = J-10 Pickup-119" W.B. | 66 = Comanche 2WD-7 Ft. Box | 78 = Cherokee 4WD-4 Dr. |
| 26 = J-10 Pickup-131" W.B. | 73 = Cherokee 2WD-2 Dr. | 79 = Cherokee 4WD-4 Dr.-Com |
| 27 = J-20 Pickup-131" W.B. | 74 = Cherokee 2WD-4 Dr. | 81 = Wrangler-93" W.B. |
| 63 = Comanche 4WD-6 Ft. Box | 75 = Wagoneer 4WD-4 Dr. | 82 = Wrangler-103" W.B.-Exp. |
| 64 = Comanche 2WD-6 Ft. Box | | |

BODY STYLES:

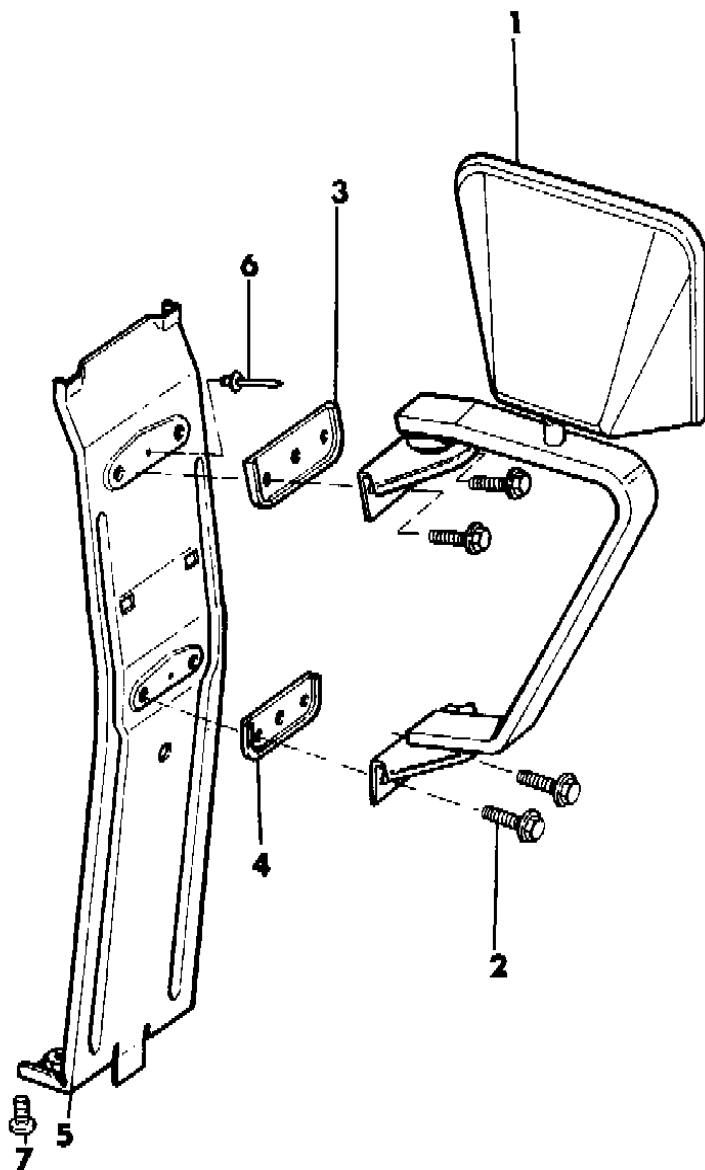
MJ = Comanche Pickup
SJ = Grand Wagoneer Wgn., J-10 & J-20 Pickups
XJ = Cherokee, Wagoneer Limited
YJ = Wrangler

AR = Use as Required - = Non Illustrated Part P.A.R. = Paint as Required

MIRRORS, EXTERIOR LOW PROFILE CHEROKEE, WAGONEER, COMANCHE
Figure 23C-2000

8 J71 2000 A

| ITEM | PART NUMBER | QTY | BODY | MODEL | DESCRIPTION |
|------|-------------|-----|------|-------|---------------|
| 1 | 5500 0534 | 2 | | | MIRROR |
| 2 | 3420 1604 | AR | | | BOLT |
| 3 | 5500 1948 | 2 | | | GASKET |
| 4 | 5500 1949 | 2 | | | GASKET |
| 5 | 5500 4966 | 2 | | | REINFORCEMENT |
| 6 | 3420 1684 | 4 | | | RIVET |
| 7 | 3420 1808 | 4 | | | SCREW |



MODEL CODES:

| | | |
|-----------------------------|-----------------------------|------------------------------|
| 15 = Grand Wagoneer 4 Dr. | 65 = Comanche 4WD-7 Ft. Box | 77 = Cherokee 4WD-2 Dr. |
| 25 = J-10 Pickup-119" W.B. | 66 = Comanche 2WD-7 Ft. Box | 78 = Cherokee 4WD-4 Dr. |
| 26 = J-10 Pickup-131" W.B. | 73 = Cherokee 2WD-2 Dr. | 79 = Cherokee 4WD-4 Dr.-Com |
| 27 = J-20 Pickup-131" W.B. | 74 = Cherokee 2WD-4 Dr. | 81 = Wrangler-93" W.B. |
| 63 = Comanche 4WD-6 Ft. Box | 75 = Wagoneer 4WD-4 Dr. | 82 = Wrangler-103" W.B.-Exp. |
| 64 = Comanche 2WD-6 Ft. Box | | |

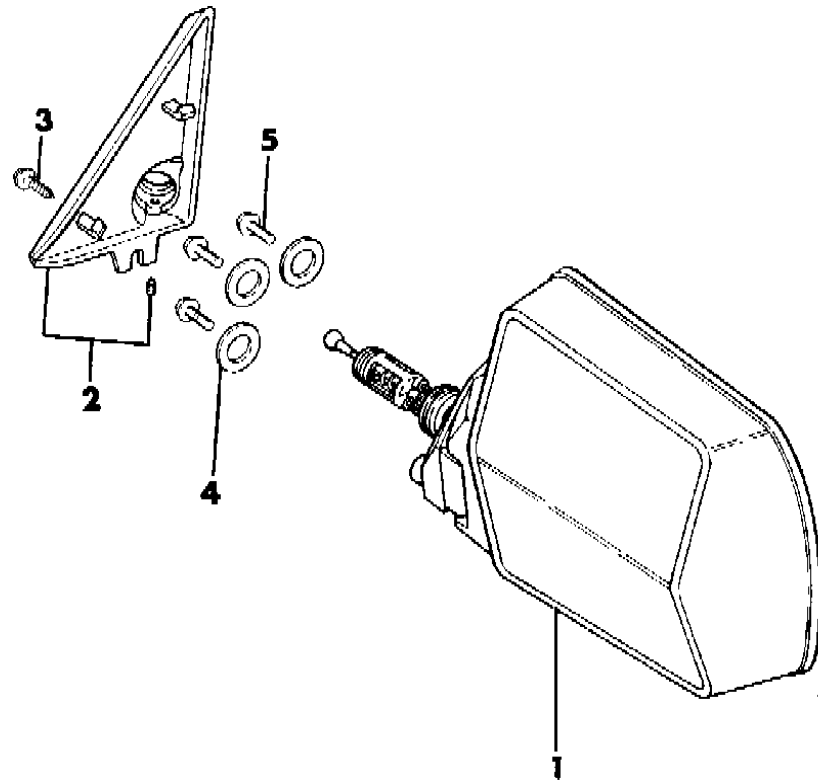
BODY STYLES:

MJ = Comanche Pickup
SJ = Grand Wagoneer Wgn., J-10 & J-20 Pickups
XJ = Cherokee, Wagoneer Limited
YJ = Wrangler

AR = Use as Required - = Non Illustrated Part P.A.R. = Paint as Required

MIRRORS, EXTERIOR REMOTE CONTROL CHEROKEE, WAGONEER, COMANCHE
Figure 23C-2100

8 J71 2100 A



| ITEM | PART NUMBER | QTY | BODY | MODEL | DESCRIPTION |
|------|-------------|-----|------|-------|------------------------|
| 1 | | | | | MIRROR |
| | | | | | Black |
| | 5500 0530-1 | 1 | | | Up to 10/16/89, Black |
| | 5503 4122-3 | 1 | | | AFTER 10/16/89, Black |
| | 5500 1874-5 | 1 | | | Up to 10/16/89, Bright |
| | 5503 4120-1 | 1 | | | After 10/16/89, Bright |
| | | | | | ECE |
| | 5500 6993 | 1 | | | Up to 10/16/89, Left |
| | 5503 4125 | 1 | | | After 10/16/89, Left |
| | 5500 6994 | 1 | | | Up to 10-16-89, Right |
| | 5503 4124 | 1 | | | After 10-16-89, Right |
| 2 | 5500 8034-5 | 1 | | | COVER, Mirror |
| 3 | 3420 1314 | 2 | | | SCREW |
| 4 | 5500 5025 | 6 | | | O-RING |
| 5 | | | | | SCREW |
| | 3420 2005 | 6 | | | Up to 10/16/89 |
| | J400 4648 | 6 | | | After 10/16/89 |

(ECE) Emission Controlled of Europe e #312.

MODEL CODES:

| | | |
|-----------------------------|-----------------------------|------------------------------|
| 15 = Grand Wagoneer 4 Dr. | 65 = Comanche 4WD-7 Ft. Box | 77 = Cherokee 4WD-2 Dr. |
| 25 = J-10 Pickup-119" W.B. | 66 = Comanche 2WD-7 Ft. Box | 78 = Cherokee 4WD-4 Dr. |
| 26 = J-10 Pickup-131" W.B. | 73 = Cherokee 2WD-2 Dr. | 79 = Cherokee 4WD-4 Dr.-Com |
| 27 = J-20 Pickup-131" W.B. | 74 = Cherokee 2WD-4 Dr. | 81 = Wrangler-93" W.B. |
| 63 = Comanche 4WD-6 Ft. Box | 75 = Wagoneer 4WD-4 Dr. | 82 = Wrangler-103" W.B.-Exp. |
| 64 = Comanche 2WD-6 Ft. Box | | |

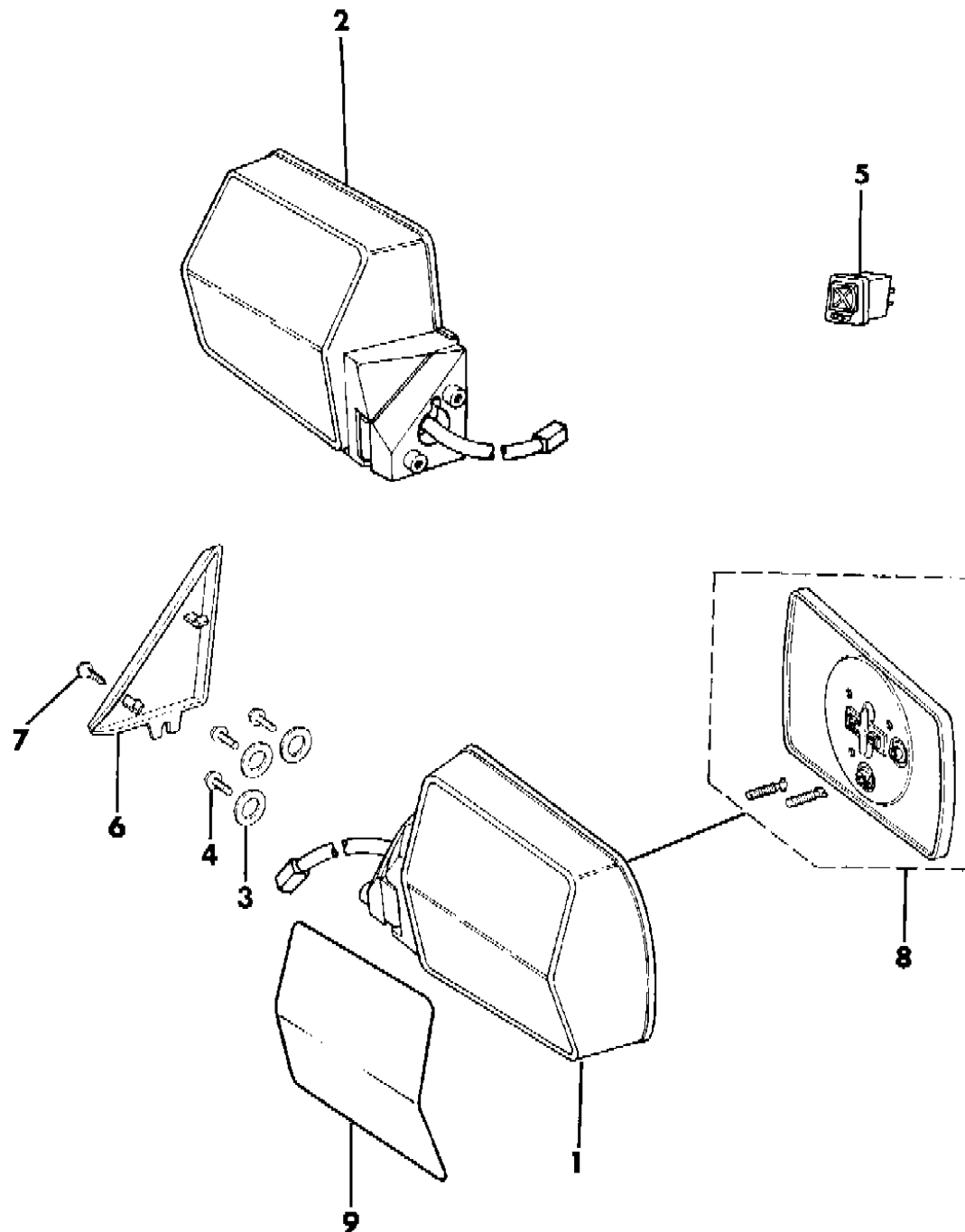
BODY STYLES:

MJ = Comanche Pickup
 SJ = Grand Wagoneer Wgn., J-10 & J-20 Pickups
 XJ = Cherokee, Wagoneer Limited
 YJ = Wrangler

AR = Use as Required - = Non Illustrated Part P.A.R. = Paint as Required

MIRRORS, EXTERIOR ELECTRIC CHEROKEE, WAGONEER, COMANCHE
Figure 23C-2200

8 J 71 2200 A



| ITEM | PART NUMBER | QTY | BODY | MODEL | DESCRIPTION |
|------|-------------|-----|------|-------|--------------------------------|
| 1 | | | | | MIRROR, Remote, Electric, Left |
| | 5500 6997 | 1 | | | Black (ECE) 1988 |
| | 5501 5041 | 1 | | | Black (ECE) 1989-90 |
| | 5503 4129 | 1 | | | Up to 10/16/89 |
| | | | | | After 10/16/89 |
| | 5501 5039 | 1 | | | BRIGHT |
| | 5503 4127 | 1 | | | Up to 10/16/89 |
| | | | | | After 10/16/89 |
| | | | | | PRIMED |
| | 5501 5287 | 1 | | | Up to 10/16/89 |
| | 5BD2 3J3X | 1 | | | After 10/16/89 |
| 2 | | | | | MIRROR, Electric, Right |
| | 5500 6998 | 1 | | | Black (ECE) 1988 |
| | | | | | Black (ECE) 1989-90 |
| | 5501 5040 | 1 | | | Up to 10/16/89 |
| | 5503 4128 | 1 | | | After 10/16/89 |
| | | | | | BRIGHT |
| | 5501 5038 | 1 | | | Up to 10/16/89 |
| | 5503 4126 | 1 | | | After 10/16/89 |
| | | | | | PRIMED |
| | 5501 5286 | 1 | | | Up to 10/16/89 |
| | 5BD2 2J3X | 1 | | | After 10/16/89 |
| 3 | 5500 5025 | 6 | | | O-RING |
| 4 | | | | | SCREW |
| | 3420 2005 | 6 | | | Up to 10-16-89 |
| | J400 4648 | 6 | | | After 10/16/89 |
| 5 | 5600 0911 | 1 | | | SWITCH, Mirror |
| 6 | 5500 8030-1 | 1 | | | COVER, Mirror |
| 7 | 3420 1314 | 2 | | | SCREW |
| 8 | | | | | GLASS, Mirror |
| | 8350 3628 | 1 | | | Right |
| | 8350 3627 | 1 | | | Left |
| 9 | | | | | DECAL, Mirror |
| | 8350 6356-7 | 1 | | | Black Cherry |
| | 8350 6358-9 | 1 | | | Bright White |
| | 8350 5200-1 | 1 | | | Charcoal |
| | 8350 5196-7 | 1 | | | Colorado Red |

MODEL CODES:

| | | |
|-----------------------------|-----------------------------|------------------------------|
| 15 = Grand Wagoneer 4 Dr. | 65 = Comanche 4WD-7 Ft. Box | 77 = Cherokee 4WD-2 Dr. |
| 25 = J-10 Pickup-119" W.B. | 66 = Comanche 2WD-7 Ft. Box | 78 = Cherokee 4WD-4 Dr. |
| 26 = J-10 Pickup-131" W.B. | 73 = Cherokee 2WD-2 Dr. | 79 = Cherokee 4WD-4 Dr.-Com |
| 27 = J-20 Pickup-131" W.B. | 74 = Cherokee 2WD-4 Dr. | 81 = Wrangler-93" W.B. |
| 63 = Comanche 4WD-6 Ft. Box | 75 = Wagoneer 4WD-4 Dr. | 82 = Wrangler-103" W.B.-Exp. |
| 64 = Comanche 2WD-6 Ft. Box | | |

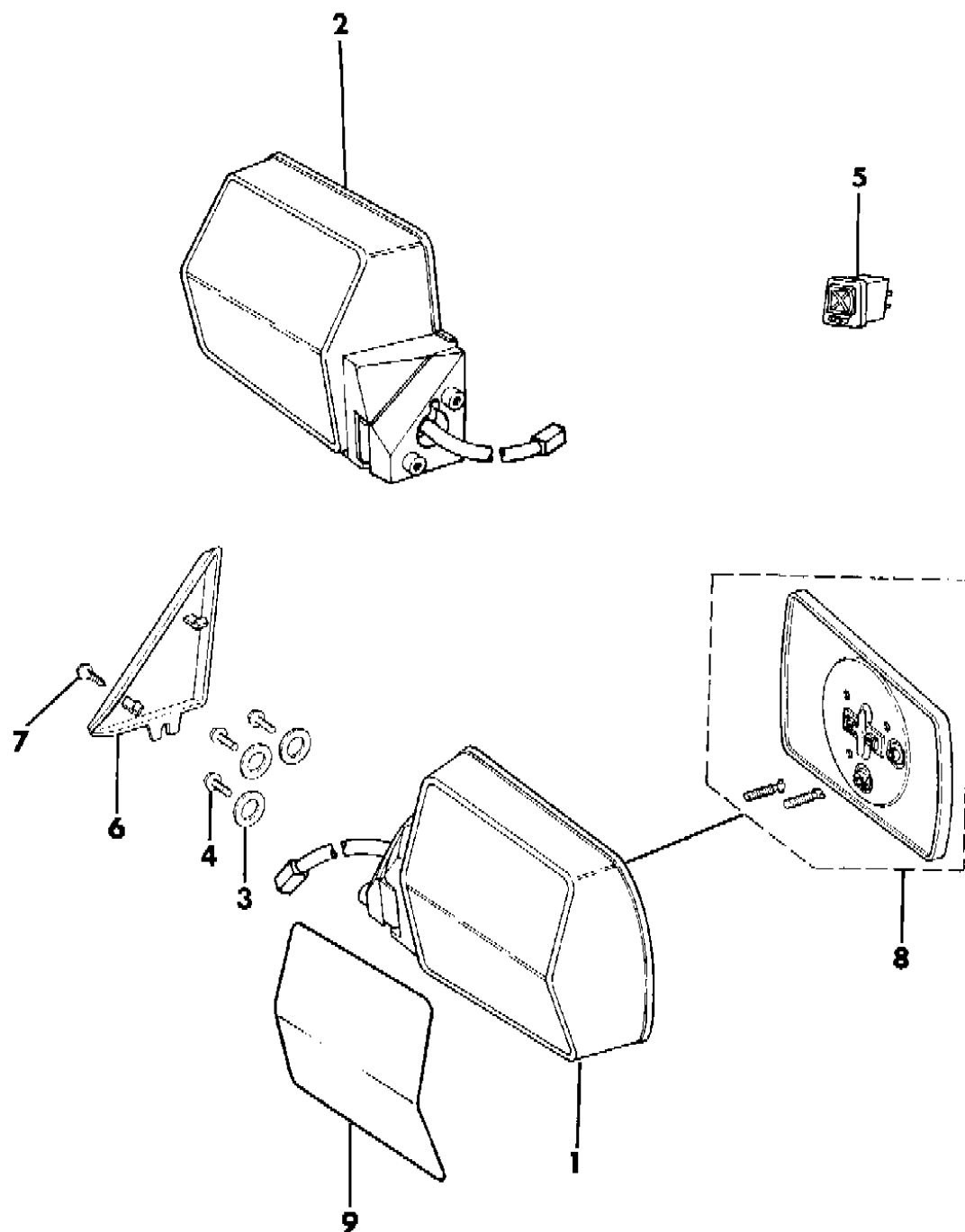
BODY STYLES:

MJ = Comanche Pickup
SJ = Grand Wagoneer Wgn., J-10 & J-20 Pickups
XJ = Cherokee, Wagoneer Limited
YJ = Wrangler

AR = Use as Required - = Non Illustrated Part P.A.R. = Paint as Required

MIRRORS, EXTERIOR ELECTRIC CHEROKEE, WAGONEER, COMANCHE
Figure 23C-2200

8 J 71 2200 A



| ITEM | PART NUMBER | QTY | BODY | MODEL | DESCRIPTION |
|------|-------------|-----|------|-------|------------------------|
| | 8350 5496-7 | 1 | | | Dark Vivid Red |
| | 8350 5198-9 | 1 | | | Dover Gray |
| | 8350 5194-5 | 1 | | | Grenadine |
| | 8350 6360-1 | 1 | | | Midnight Blue Metallic |
| | 8350 6001 | 1 | | | Pearl White, Left |
| | 8350 6002 | 1 | | | Pearl White, Right |

(ECE) Emission Controlled of Europe e #312.

MODEL CODES:

| | | |
|-----------------------------|-----------------------------|------------------------------|
| 15 = Grand Wagoneer 4 Dr. | 65 = Comanche 4WD-7 Ft. Box | 77 = Cherokee 4WD-2 Dr. |
| 25 = J-10 Pickup-119" W.B. | 66 = Comanche 2WD-7 Ft. Box | 78 = Cherokee 4WD-4 Dr. |
| 26 = J-10 Pickup-131" W.B. | 73 = Cherokee 2WD-2 Dr. | 79 = Cherokee 4WD-4 Dr.-Com |
| 27 = J-20 Pickup-131" W.B. | 74 = Cherokee 2WD-4 Dr. | 81 = Wrangler-93" W.B. |
| 63 = Comanche 4WD-6 Ft. Box | 75 = Wagoneer 4WD-4 Dr. | 82 = Wrangler-103" W.B.-Exp. |
| 64 = Comanche 2WD-6 Ft. Box | | |

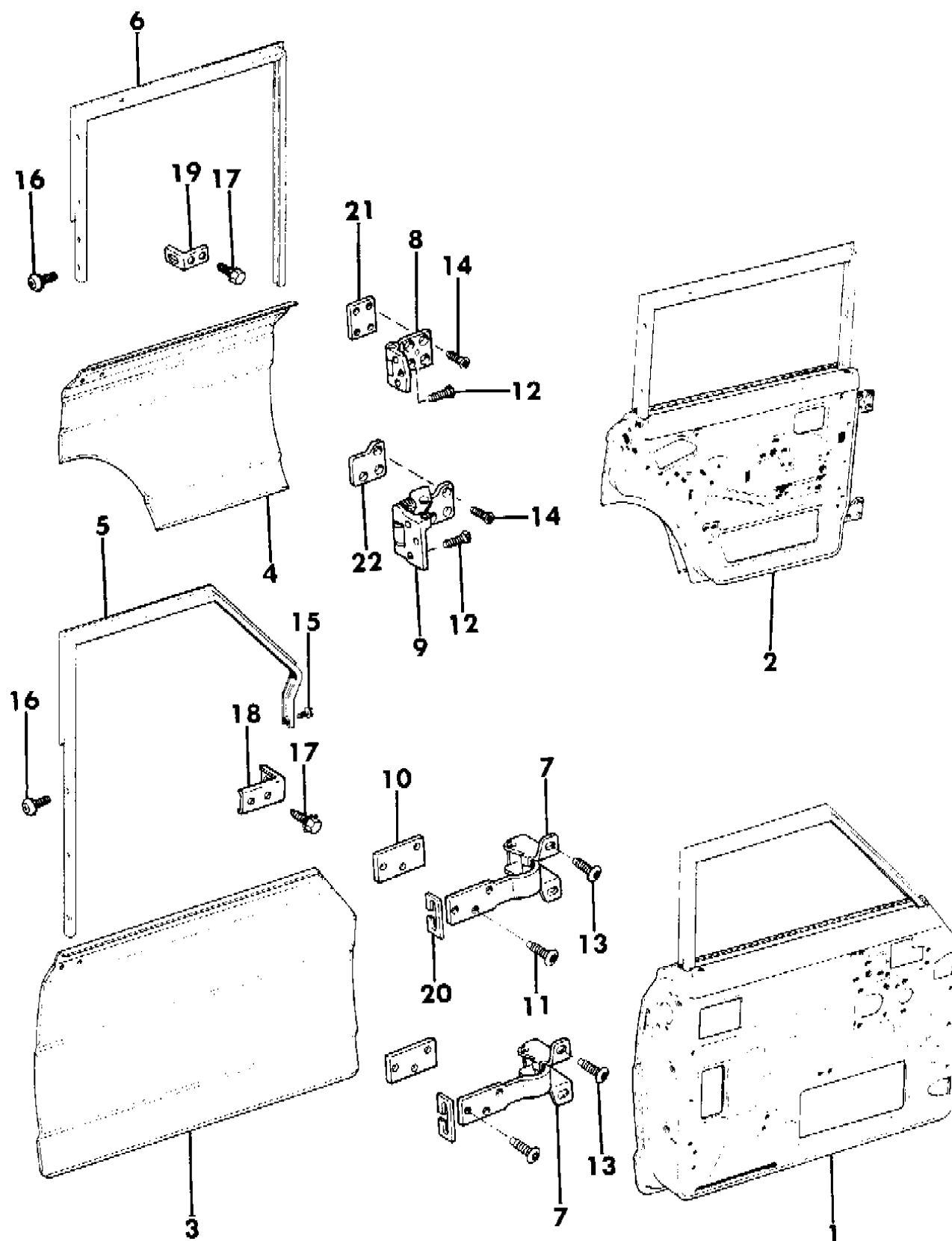
BODY STYLES:

MJ = Comanche Pickup
SJ = Grand Wagoneer Wgn., J-10 & J-20 Pickups
XJ = Cherokee, Wagoneer Limited
YJ = Wrangler

AR = Use as Required - = Non Illustrated Part P.A.R. = Paint as Required

DOORS FRONT AND REAR GRAND WAGONEER, J10, J20
Figure 23C-2300

8J71 2300



| ITEM | PART NUMBER | QTY | BODY | MODEL | DESCRIPTION |
|------|-------------|-----|------|-------|----------------------------|
| 1 | J576 1250-1 | 1 | | | SHELL, Door |
| 2 | J576 1254-5 | 1 | | | SHELL, Door |
| 3 | | | | | PANEL, Front Repair |
| | J575 0388 | 1 | | | Right |
| | J575 0387 | 1 | | | Left |
| 4 | | | | | PANEL, Rear Repair |
| | J095 7362 | 1 | | | Right |
| | J095 7361 | 1 | | | Left |
| 5 | J575 8502-3 | 1 | | | FRAME, Window |
| 6 | J575 8496-7 | 1 | | | FRAME, Window |
| 7 | J575 8134-5 | 1 | | | HINGE, Front Door |
| 8 | | | | | HINGE, Rear Door Upper |
| | J545 5208 | 1 | | | Right |
| | J545 5207 | 1 | | | Left |
| 9 | | | | | HINGE, Rear Door Lower |
| | J545 5206 | 1 | | | Right |
| | J545 5205 | 1 | | | Left |
| 10 | J095 2621 | 4 | | | PLATE, Tapping |
| 11 | J400 6194 | AR | | | SCREW |
| 12 | J400 7003 | AR | | | SCREW |
| 13 | J400 7073 | AR | | | SCREW |
| 14 | J400 5831 | AR | | | SCREW |
| 15 | J400 3069 | 2 | | | SCREW |
| 16 | J097 9925 | AR | | | SCREW |
| 17 | J400 4801 | AR | | | BOLT |
| 18 | J095 7719 | 2 | | | BRACKET, Division Bar Mtg. |
| 19 | J095 7757 | 2 | | | BRACKET, Division Bar Mtg. |
| 20 | J545 5354 | 4 | | | SEAL, Hinge |
| 21 | J095 8699 | 2 | | | SHIM, Hinge |
| 22 | J095 8682 | 2 | | | SHIM, Hinge |

MODEL CODES:

| | | |
|-----------------------------|-----------------------------|------------------------------|
| 15 = Grand Wagoneer 4 Dr. | 65 = Comanche 4WD-7 Ft. Box | 77 = Cherokee 4WD-2 Dr. |
| 25 = J-10 Pickup-119" W.B. | 66 = Comanche 2WD-7 Ft. Box | 78 = Cherokee 4WD-4 Dr. |
| 26 = J-10 Pickup-131" W.B. | 73 = Cherokee 2WD-2 Dr. | 79 = Cherokee 4WD-4 Dr.-Com |
| 27 = J-20 Pickup-131" W.B. | 74 = Cherokee 2WD-4 Dr. | 81 = Wrangler-93" W.B. |
| 63 = Comanche 4WD-6 Ft. Box | 75 = Wagoneer 4WD-4 Dr. | 82 = Wrangler-103" W.B.-Exp. |
| 64 = Comanche 2WD-6 Ft. Box | | |

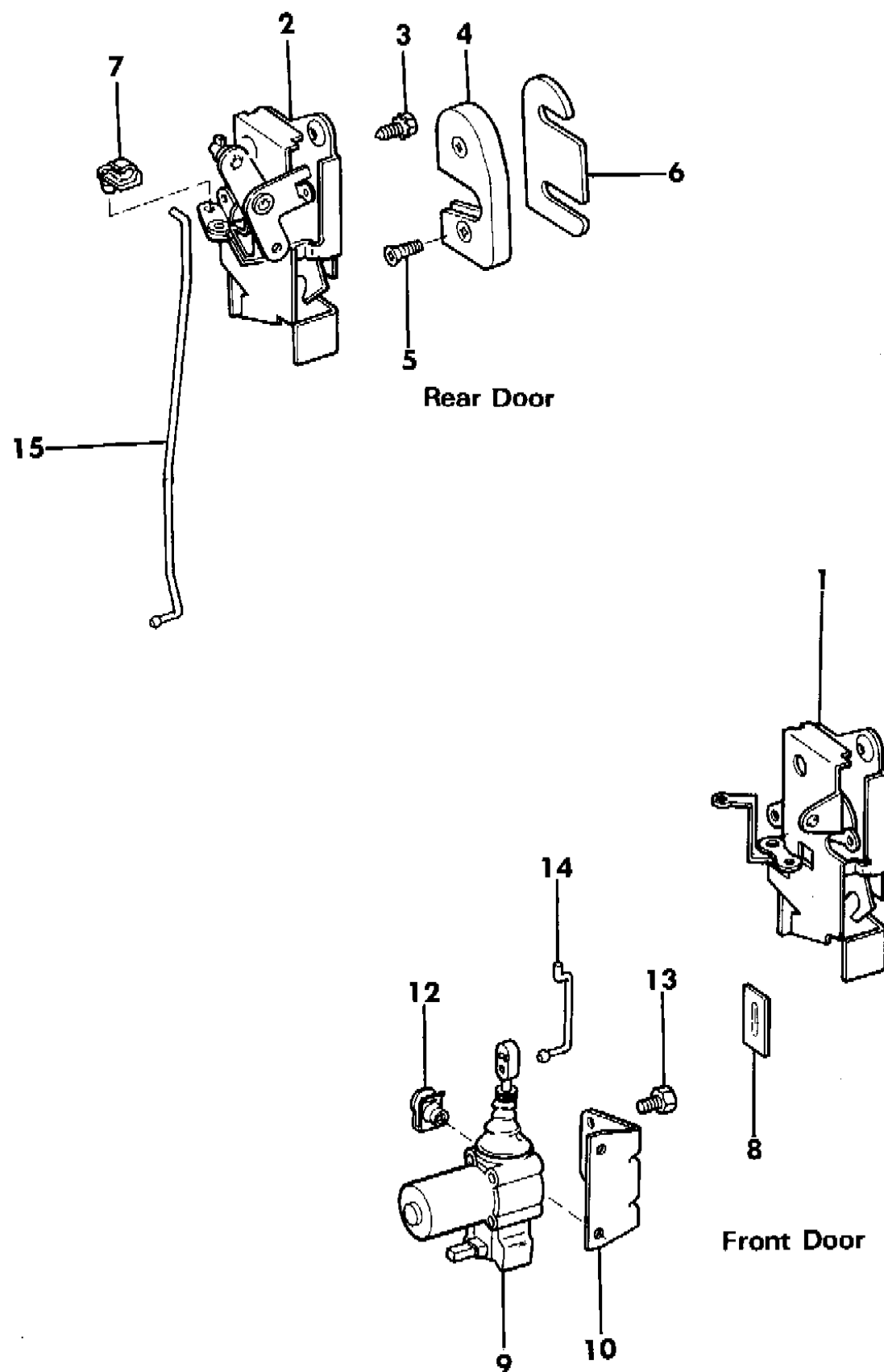
BODY STYLES:

MJ = Comanche Pickup
SJ = Grand Wagoneer Wgn., J-10 & J-20 Pickups
XJ = Cherokee, Wagoneer Limited
YJ = Wrangler

AR = Use as Required - = Non Illustrated Part P.A.R. = Paint as Required

DOOR, LATCHES AND RODS FRONT AND REAR GRAND WAGONEER, J10, J20
Figure 23C-2400

8 J71 2400 A



| ITEM | PART NUMBER | QTY | BODY | MODEL | DESCRIPTION |
|------|-------------|-----|------|-------|---------------------------|
| 1 | | | | | LATCH, Front Door |
| | J575 0018 | 1 | | | Right |
| | J575 0017 | 1 | | | Left |
| 2 | | | | | LATCH, Rear Door |
| | J575 0020 | 1 | | | Right |
| | J575 0019 | 1 | | | Left |
| 3 | J400 7032 | AR | | | SCREW |
| 4 | | | | | STRIKER, Door Front, Rear |
| | J575 0082 | 2 | | | Right |
| | J575 0081 | 2 | | | Left |
| 5 | J400 6434 | AR | | | SCREW |
| 6 | J575 0093 | AR | | | SHIM, Door, Front, Rear |
| 7 | J400 3672 | 2 | | | RETAINER |
| 8 | J576 6754 | 2 | | | SEAL, Dust |
| 9 | J813 4627 | 4 | | | ACTUATOR, Door Lock |
| 10 | J813 4628 | 4 | | | BRACKET, Actuator |
| 11 | J400 2203 | AR | | | SCREW |
| 12 | J400 4201 | AR | | | NUT |
| 13 | J813 4670 | AR | | | SCREW |
| 14 | J575 1074 | 2 | | | ROD, Actuator Front Door |
| 15 | J576 4668-9 | 1 | | | ROD, Actuator Rear Door |

MODEL CODES:

| | | |
|-----------------------------|-----------------------------|------------------------------|
| 15 = Grand Wagoneer 4 Dr. | 65 = Comanche 4WD-7 Ft. Box | 77 = Cherokee 4WD-2 Dr. |
| 25 = J-10 Pickup-119" W.B. | 66 = Comanche 2WD-7 Ft. Box | 78 = Cherokee 4WD-4 Dr. |
| 26 = J-10 Pickup-131" W.B. | 73 = Cherokee 2WD-2 Dr. | 79 = Cherokee 4WD-4 Dr.-Com |
| 27 = J-20 Pickup-131" W.B. | 74 = Cherokee 2WD-4 Dr. | 81 = Wrangler-93" W.B. |
| 63 = Comanche 4WD-6 Ft. Box | 75 = Wagoneer 4WD-4 Dr. | 82 = Wrangler-103" W.B.-Exp. |
| 64 = Comanche 2WD-6 Ft. Box | | |

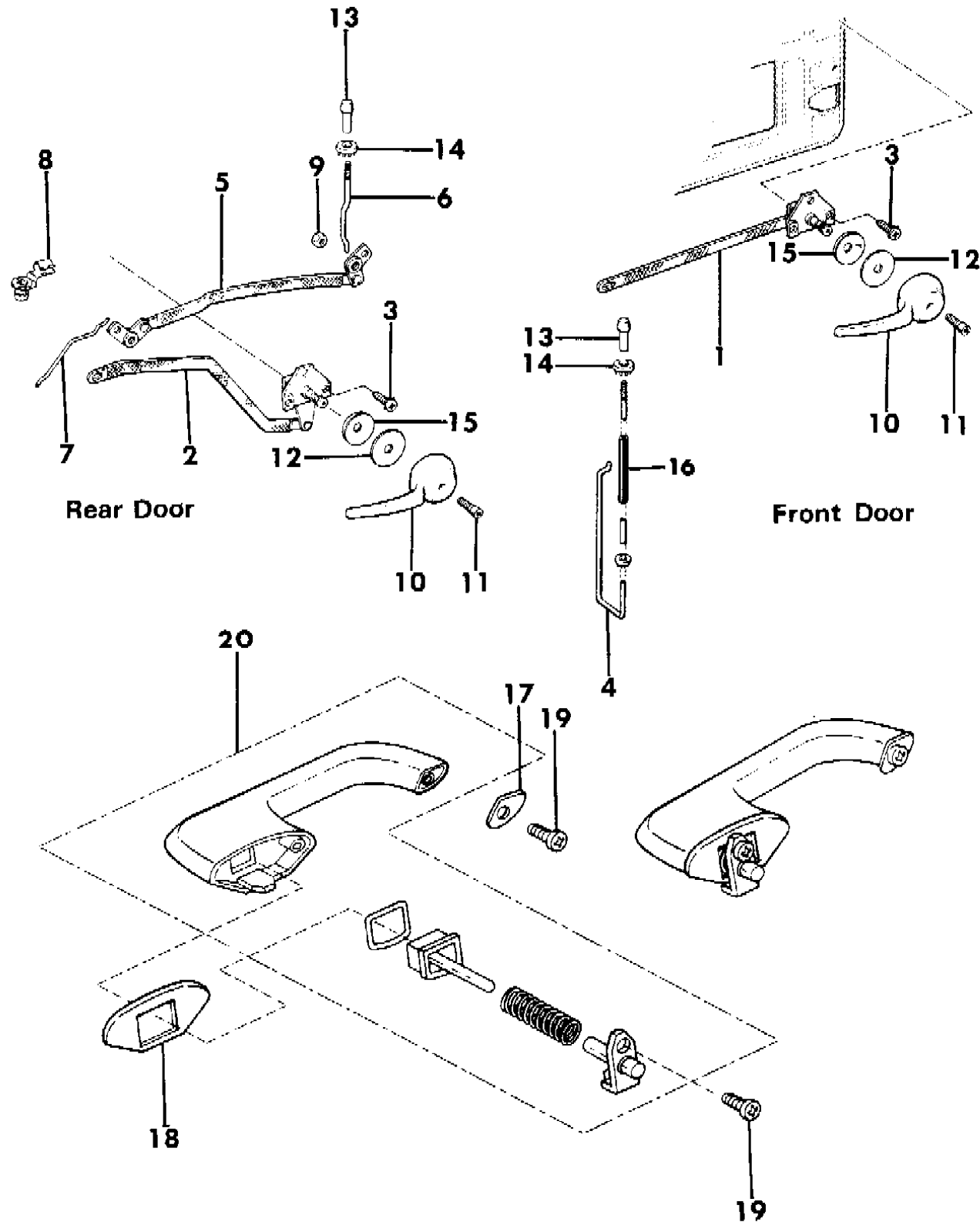
BODY STYLES:

MJ = Comanche Pickup
 SJ = Grand Wagoneer Wgn., J-10 & J-20 Pickups
 XJ = Cherokee, Wagoneer Limited
 YJ = Wrangler

AR = Use as Required - = Non Illustrated Part P.A.R. = Paint as Required

DOOR, CONTROLS GRAND WAGONEER, J10,J20
Figure 23C-2500

8J71 2500



| ITEM | PART NUMBER | QTY | BODY | MODEL | DESCRIPTION |
|------|-------------|-----|------|-------|-----------------------------------|
| 1 | J545 5998-9 | 1 | | | CONTROL, Remote |
| 2 | J545 5894 | 1 | | | CONTROL, Door Remote *** Right |
| | J545 5893 | 1 | | | Left |
| 3 | J098 1780 | 12 | | | SCREW |
| 4 | J575 1980 | 1 | | | LEVER, Lock Rod Right |
| | J575 1979 | 1 | | | Left |
| 5 | J576 1990-1 | 1 | | | BELLCRANK, Locking |
| 6 | J575 2018 | 1 | | | ROD, Locking Right |
| | J575 2017 | 1 | | | Left |
| 7 | J575 1988 | 2 | | | ROD, Lock Actuator |
| 8 | J400 4532 | 2 | | | CLIP, w/Bushing |
| 9 | J027 1166 | 4 | | | NUT, Hex |
| 10 | J545 5997 | 4 | | | HANDLE, Remote |
| 11 | J097 3442 | 4 | | | SCREW |
| 12 | J098 7527 | 4 | | | WASHER |
| 13 | J098 9957 | 4 | | | BUTTON, Lock |
| 14 | J097 2848 | 4 | | | GROMMET, Lock Button |
| 15 | J095 6346 | 4 | | | ESCUTCHEON |
| 16 | J096 1848 | 2 | | | INSULATION |
| 17 | J096 0394 | 2 | | | GASKET, Front Right *** |
| | J096 0393 | 2 | | | Left *** |
| 18 | J096 0388 | 2 | | | GASKET, Rear Right *** |
| | J096 0387 | 2 | | | Left *** |
| 19 | J098 1780 | 8 | | | SCREW *** |
| 20 | J095 6856 | 2 | | | HANDLE ASSY *** Right *** |
| | J095 6855 | 2 | | | Left |

MODEL CODES:

| | | |
|-----------------------------|-----------------------------|------------------------------|
| 15 = Grand Wagoneer 4 Dr. | 65 = Comanche 4WD-7 Ft. Box | 77 = Cherokee 4WD-2 Dr. |
| 25 = J-10 Pickup-119" W.B. | 66 = Comanche 2WD-7 Ft. Box | 78 = Cherokee 4WD-4 Dr. |
| 26 = J-10 Pickup-131" W.B. | 73 = Cherokee 2WD-2 Dr. | 79 = Cherokee 4WD-4 Dr.-Com |
| 27 = J-20 Pickup-131" W.B. | 74 = Cherokee 2WD-4 Dr. | 81 = Wrangler-93" W.B. |
| 63 = Comanche 4WD-6 Ft. Box | 75 = Wagoneer 4WD-4 Dr. | 82 = Wrangler-103" W.B.-Exp. |
| 64 = Comanche 2WD-6 Ft. Box | | |

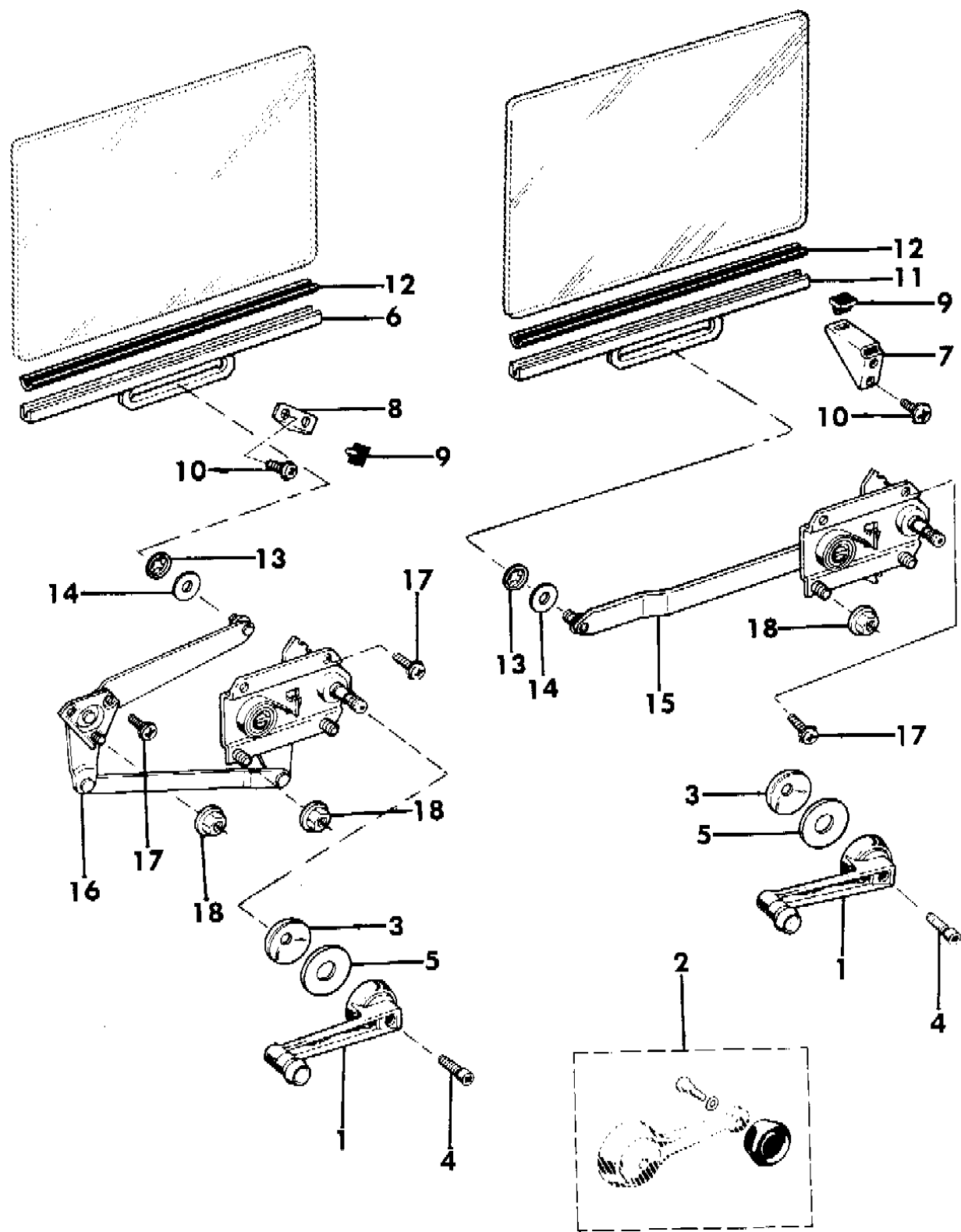
BODY STYLES:

MJ = Comanche Pickup
SJ = Grand Wagoneer Wgn., J-10 & J-20 Pickups
XJ = Cherokee, Wagoneer Limited
YJ = Wrangler

AR = Use as Required - = Non Illustrated Part P.A.R. = Paint as Required

DOOR, GLASS REGULATOR MANUAL GRAND WAGONEER, J10, J20
Figure 23C-2600

8 J71 2600



| ITEM | PART NUMBER | QTY | BODY | MODEL | DESCRIPTION |
|------|-------------|-----|------|-------|-------------------------|
| 1 | J367 8907 | 4 | | | HANDLE, Regulator |
| 2 | J813 4422 | AR | | | PACKAGE, Knob |
| 3 | J095 6346 | 4 | | | ESCUTCHEON |
| 4 | J097 3442 | 4 | | | SCREW |
| 5 | J361 3467 | 4 | | | WASHER |
| 6 | J575 1070-1 | 1 | | | CHANNEL, Glass |
| 7 | J095 7720 | 2 | | | BRACKET, Glass Stop |
| 8 | J095 9614 | 2 | | | BRACKET, Glass Stop |
| 9 | J095 7728 | 4 | | | BUMPER, Stop |
| 10 | S045 4542 | 8 | | | SCREW |
| 11 | J095 7854 | 1 | | | CHANNEL, Glass Right |
| | J095 7853 | 1 | | | Left |
| 12 | J546 9513 | 4 | | | SEAL, Glass Lower |
| 13 | J098 0363 | 4 | | | RETAINER |
| 14 | J400 2086 | 4 | | | WASHER |
| 15 | J545 6004-5 | 1 | | | REGULATOR |
| 16 | J545 6002-3 | 1 | | | REGULATOR |
| 17 | J098 1780 | AR | | | SCREW |
| 18 | J400 5699 | AR | | | NUT |

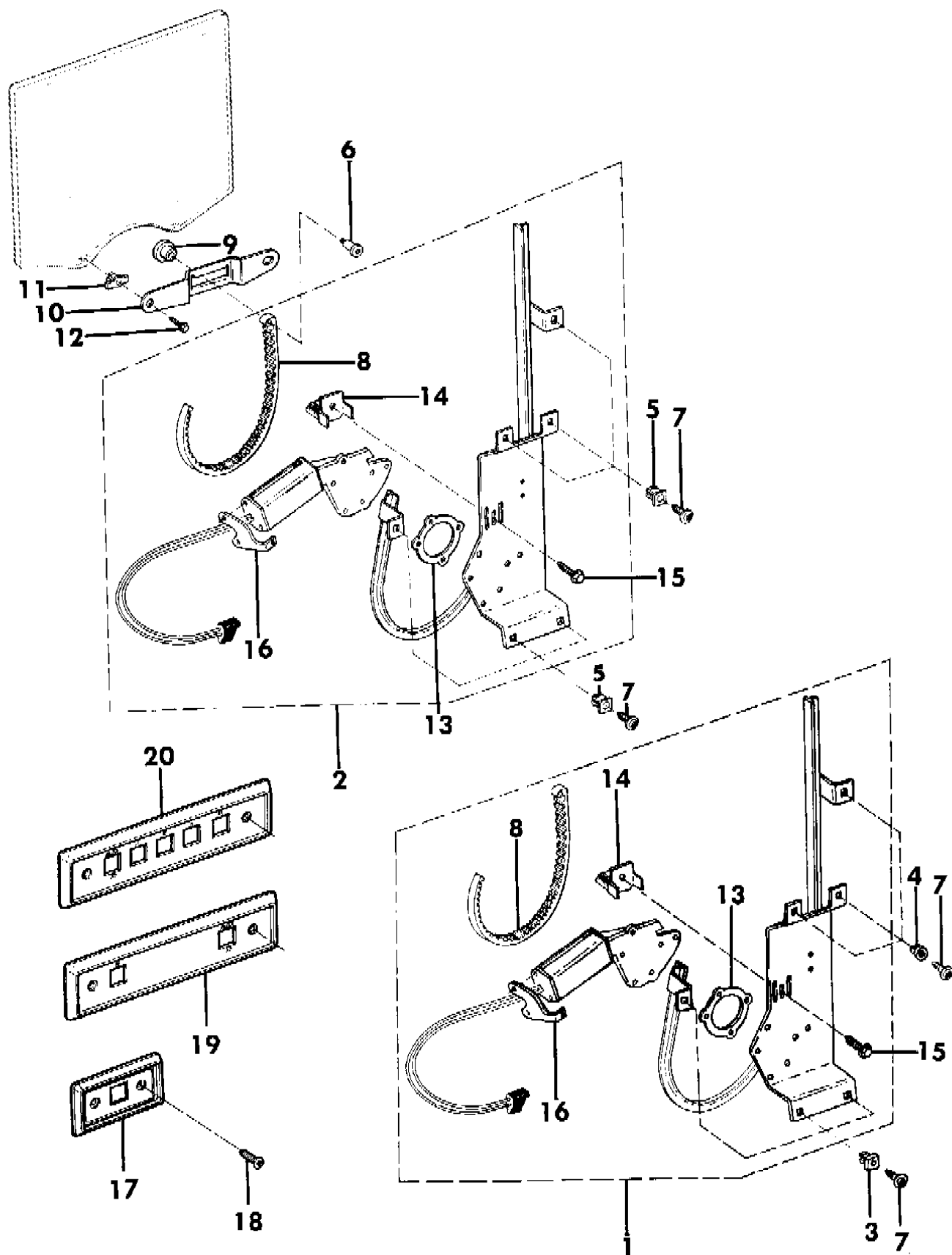
MODEL CODES:
 15 = Grand Wagoneer 4 Dr. 65 = Comanche 4WD-7 Ft. Box 77 = Cherokee 4WD-2 Dr.
 25 = J-10 Pickup-119" W.B. 66 = Comanche 2WD-7 Ft. Box 78 = Cherokee 4WD-4 Dr.
 26 = J-10 Pickup-131" W.B. 73 = Cherokee 2WD-2 Dr. 79 = Cherokee 4WD-4 Dr.-Com
 27 = J-20 Pickup-131" W.B. 74 = Cherokee 2WD-4 Dr. 81 = Wrangler-93" W.B.
 63 = Comanche 4WD-6 Ft. Box 75 = Wagoneer 4WD-4 Dr. 82 = Wrangler-103" W.B.-Exp.
 64 = Comanche 2WD-6 Ft. Box

BODY STYLES:
 MJ = Comanche Pickup
 SJ = Grand Wagoneer Wgn., J-10 & J-20 Pickups
 XJ = Cherokee, Wagoneer Limited
 YJ = Wrangler

AR = Use as Required - = Non Illustrated Part P.A.R. = Paint as Required

REGULATOR, DOOR GLASS ELECTRIC, FLEXRACK GRAND WAGONEER, J10, J20
Figure 23C-2700

8J71 2700 A



| ITEM | PART NUMBER | QTY | BODY | MODEL | DESCRIPTION |
|------|-------------|-----|------|-------|---------------------------|
| 1 | 5600 2416-7 | 1 | | | REGULATOR, Rear Door |
| 2 | 5600 2418-9 | 1 | | | REGULATOR, Front Door |
| 3 | J400 7029 | AR | | | NUT, Push |
| 4 | J400 7030 | AR | | | NUT, Push |
| 5 | J400 0141 | AR | | | NUT |
| 6 | J400 7341 | 4 | | | BOLT |
| 7 | J400 5789 | AR | | | SCREW |
| 8 | 8350 2152-3 | 2 | | | FLEXRACK *** |
| 9 | 5600 1615 | 4 | | | RETAINER |
| 10 | J576 1101 | 4 | | | BRACKET, Glass Lift |
| 11 | J400 3706 | 8 | | | GROMMET |
| 12 | J400 0424 | 8 | | | SCREW |
| 13 | J813 4854 | 4 | | | GASKET |
| 14 | J813 4241 | 4 | | | BRACKET, Glass Stop |
| 15 | J400 2203 | 4 | | | SCREW |
| 16 | J813 4836 | 1 | | | BRACKET, Support Right |
| | J813 4835 | 1 | | | Left |
| 17 | 5501 1081 | 2 | | | BEZEL, Switch |
| 18 | J941 6327 | AR | | | SCREW |
| 19 | 5501 1084 | 1 | | | BEZEL, Switch |
| 20 | 5501 1085 | 1 | | | BEZEL, Switch |

MODEL CODES:

| | | |
|-----------------------------|-----------------------------|------------------------------|
| 15 = Grand Wagoneer 4 Dr. | 65 = Comanche 4WD-7 Ft. Box | 77 = Cherokee 4WD-2 Dr. |
| 25 = J-10 Pickup-119" W.B. | 66 = Comanche 2WD-7 Ft. Box | 78 = Cherokee 4WD-4 Dr. |
| 26 = J-10 Pickup-131" W.B. | 73 = Cherokee 2WD-2 Dr. | 79 = Cherokee 4WD-4 Dr.-Com |
| 27 = J-20 Pickup-131" W.B. | 74 = Cherokee 2WD-4 Dr. | 81 = Wrangler-93" W.B. |
| 63 = Comanche 4WD-6 Ft. Box | 75 = Wagoneer 4WD-4 Dr. | 82 = Wrangler-103" W.B.-Exp. |
| 64 = Comanche 2WD-6 Ft. Box | | |

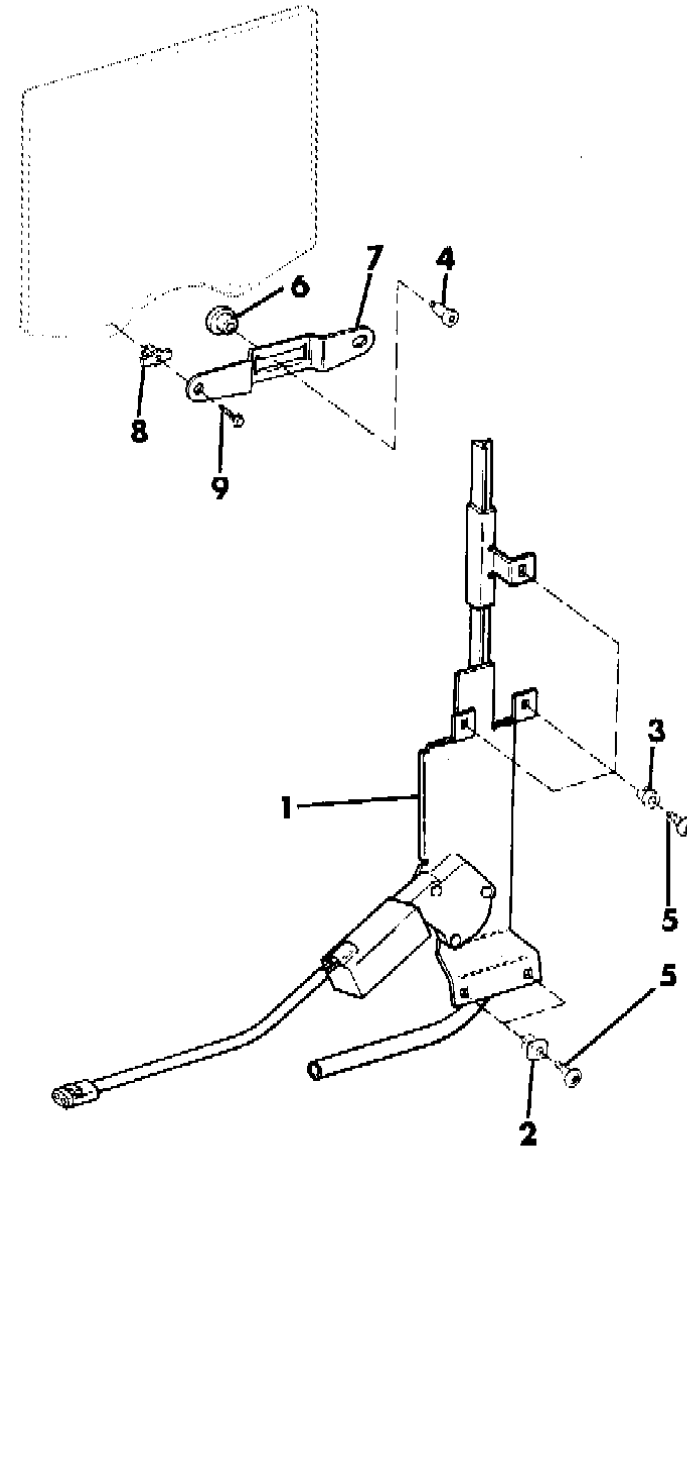
BODY STYLES:

MJ = Comanche Pickup
 SJ = Grand Wagoneer Wgn., J-10 & J-20 Pickups
 XJ = Cherokee, Wagoneer Limited
 YJ = Wrangler

AR = Use as Required - = Non Illustrated Part P.A.R. = Paint as Required

REGULATOR, DOOR GLASS ELECTRIC, CABLE OPERATED GRAND WAGONEER, J10, J20
Figure 23C-2750

8J71 2750



| ITEM | PART NUMBER | QTY | BODY | MODEL | DESCRIPTION |
|------|-------------|-----|------|-------|---|
| 1 | | | | | REGULATOR ASSY *** |
| | 5600 3112-3 | 1 | | | Front |
| | 5600 3114-5 | 1 | | | Rear |
| | 5600 3114 | 1 | | | Right |
| | 5600 3115 | 1 | | | Left |
| 2 | | | | | NUT, Push |
| | J400 0141 | AR | | | Front Doors |
| | J400 7029 | AR | | | Rear Doors |
| 3 | | | | | NUT, Push |
| | J400 0141 | AR | | | Front Doors |
| | J400 7030 | AR | | | Rear Doors |
| 4 | J400 7341 | 4 | | | BOLT, Shoulder |
| 5 | J400 5789 | 20 | | | SCREW |
| 6 | 5600 1615 | 4 | | | RETAINER |
| 7 | J576 1101 | 4 | | | BRACKET, Window Lifter |
| 8 | J400 3706 | 8 | | | GROMMET |
| 9 | J400 0424 | 8 | | | SCREW |
| 10 | 5501 1081 | 2 | | | BEZEL, Rear Window Switch |
| 11 | J941 6327 | AR | | | SCREW |
| 12 | 5501 1084 | 1 | | | BEZEL, Electric Windows and Door Locks, Right |
| 13 | 5501 1085 | 1 | | | BEZEL, Electric Window and Door Locks, Left |

MODEL CODES:

| | | |
|-----------------------------|-----------------------------|------------------------------|
| 15 = Grand Wagoneer 4 Dr. | 65 = Comanche 4WD-7 Ft. Box | 77 = Cherokee 4WD-2 Dr. |
| 25 = J-10 Pickup-119" W.B. | 66 = Comanche 2WD-7 Ft. Box | 78 = Cherokee 4WD-4 Dr. |
| 26 = J-10 Pickup-131" W.B. | 73 = Cherokee 2WD-2 Dr. | 79 = Cherokee 4WD-4 Dr.-Com |
| 27 = J-20 Pickup-131" W.B. | 74 = Cherokee 2WD-4 Dr. | 81 = Wrangler-93" W.B. |
| 63 = Comanche 4WD-6 Ft. Box | 75 = Wagoneer 4WD-4 Dr. | 82 = Wrangler-103" W.B.-Exp. |
| 64 = Comanche 2WD-6 Ft. Box | | |

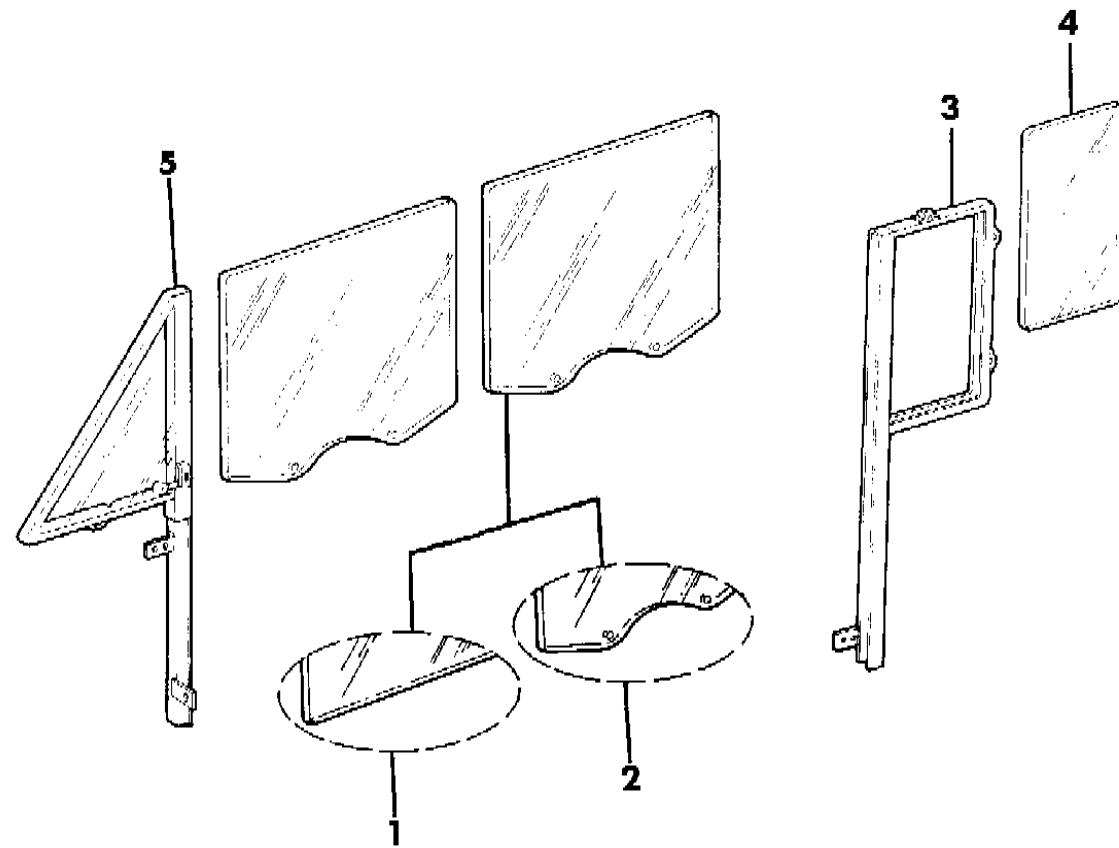
BODY STYLES:

MJ = Comanche Pickup
 SJ = Grand Wagoneer Wgn., J-10 & J-20 Pickups
 XJ = Cherokee, Wagoneer Limited
 YJ = Wrangler

AR = Use as Required - = Non Illustrated Part P.A.R. = Paint as Required

GLASS, DOOR FRONT AND REAR GRAND WAGONEER, J10, J20
Figure 23C-2800

8J71 2800A



| ITEM | PART NUMBER | QTY | BODY | MODEL | DESCRIPTION |
|------|-------------|-----|------|-------|-----------------------------|
| 1 | J546 9510 | 4 | | | GLASS, w/Manual Regulator |
| 2 | J576 1295 | 4 | | | GLASS, w/Electric Regulator |
| 3 | J575 2756-7 | 1 | | | GLASS, w/Frame |
| 4 | J546 9520 | 2 | | | GLASS, Fixed |
| 5 | J813 4378-9 | 1 | | | VENT, Pivoting |

MODEL CODES:

| | | |
|-----------------------------|-----------------------------|------------------------------|
| 15 = Grand Wagoneer 4 Dr. | 65 = Comanche 4WD-7 Ft. Box | 77 = Cherokee 4WD-2 Dr. |
| 25 = J-10 Pickup-119" W.B. | 66 = Comanche 2WD-7 Ft. Box | 78 = Cherokee 4WD-4 Dr. |
| 26 = J-10 Pickup-131" W.B. | 73 = Cherokee 2WD-2 Dr. | 79 = Cherokee 4WD-4 Dr.-Com |
| 27 = J-20 Pickup-131" W.B. | 74 = Cherokee 2WD-4 Dr. | 81 = Wrangler-93" W.B. |
| 63 = Comanche 4WD-6 Ft. Box | 75 = Wagoneer 4WD-4 Dr. | 82 = Wrangler-103" W.B.-Exp. |
| 64 = Comanche 2WD-6 Ft. Box | | |

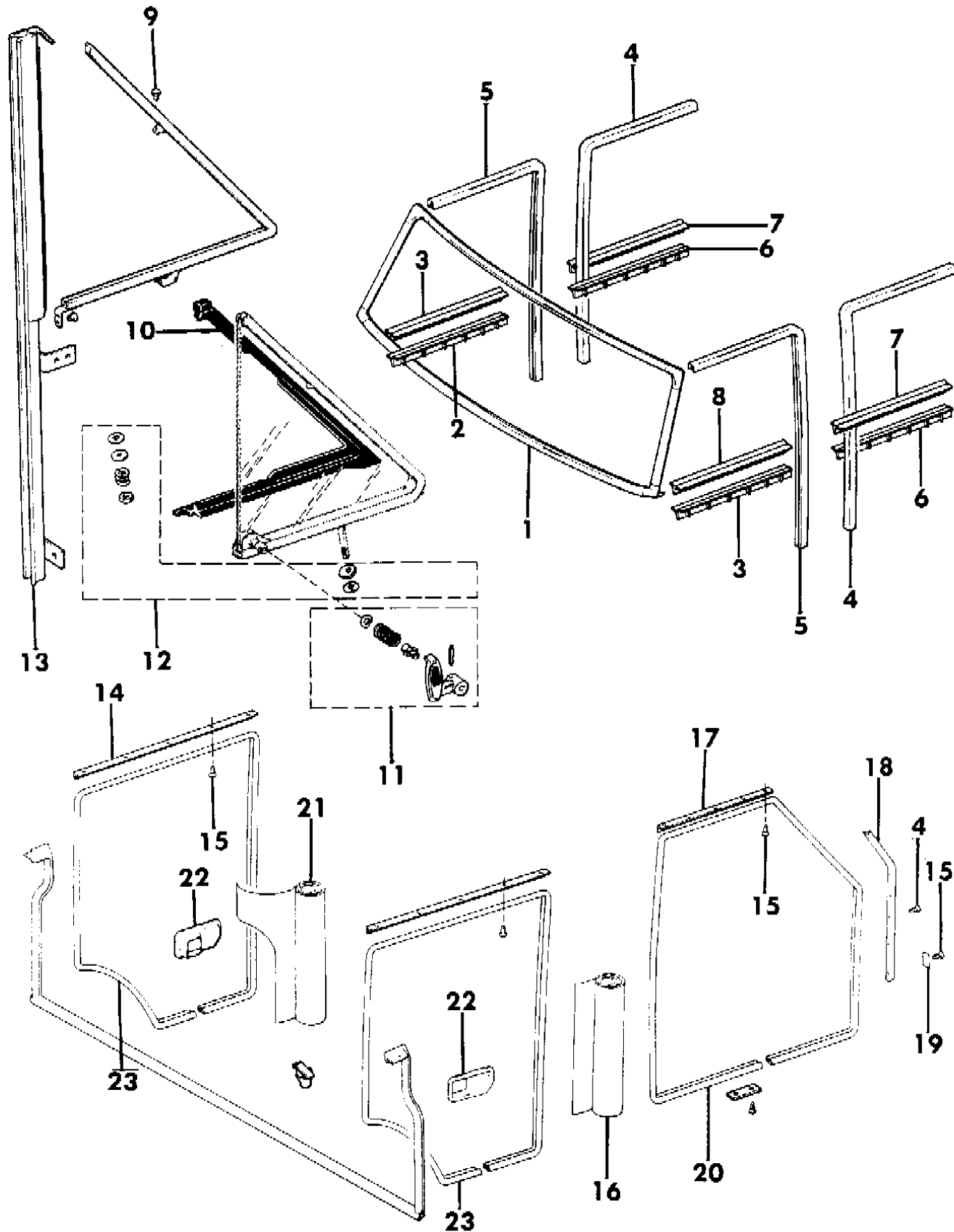
BODY STYLES:

MJ = Comanche Pickup
 SJ = Grand Wagoneer Wgn., J-10 & J-20 Pickups
 XJ = Cherokee, Wagoneer Limited
 YJ = Wrangler

AR = Use as Required - = Non Illustrated Part P.A.R. = Paint as Required

DOOR, WEATHERSTRIPS FRONT AND REAR GRAND WAGONEER, J10, J20
Figure 23C-2900

8J 71 2900



| ITEM | PART NUMBER | QTY | BODY | MODEL | DESCRIPTION |
|------|-------------|-----|------|-------|---------------------------|
| 1 | | | | | SEAL, Windshield, See 23A |
| 2 | J576 1986 | 1 | | | WEATHERSTRIP, Inner |
| 3 | J576 1982 | 2 | | | WEATHERSTRIP, Outer |
| 4 | J546 9514 | 2 | | | CHANNEL, Glass Run |
| 5 | J546 9507 | 2 | | | CHANNEL, Glass Run |
| 6 | J576 1984 | 2 | | | WEATHERSTRIP, Inner |
| 7 | J576 1983 | 2 | | | WEATHERSTRIP, Outer |
| 8 | J576 1985 | 1 | | | WEATHERSTRIP, Inner |
| 9 | J941 7282 | AR | | | SCREW |
| 10 | J546 5718-9 | 1 | | | WEATHERSTRIP, Vent |
| 11 | J812 8926-7 | 1 | | | PACKAGE, Vent Handle |
| 12 | J812 8928 | 1 | | | PACKAGE, Spring |
| 13 | J575 2750-1 | 1 | | | BAR, Division |
| 14 | J098 5015 | 2 | | | SHIELD |
| 15 | J400 6637 | AR | | | RIVET |
| 16 | J575 2678 | 2 | | | WATERDAM, Door *** |
| 17 | J098 5014 | 2 | | | SHIELD |
| 18 | 5505 2554-5 | 1 | | | SHIELD |
| 19 | J400 7269 | 2 | | | WASHER |
| 20 | | | | | SEAL, Door |
| | 5505 2550 | 1 | | | Right |
| | 5505 2549 | 1 | | | Left |
| 21 | J575 2679 | 2 | | | WATERDAM, Door *** |
| 22 | J575 4522-3 | 1 | | | WATERDAM, Switch *** |
| 23 | | | | | SEAL, Door |
| | 5505 2552 | 1 | | | Right |
| | 5505 2551 | 1 | | | Left |

MODEL CODES:

| | | |
|-----------------------------|-----------------------------|------------------------------|
| 15 = Grand Wagoneer 4 Dr. | 65 = Comanche 4WD-7 Ft. Box | 77 = Cherokee 4WD-2 Dr. |
| 25 = J-10 Pickup-119" W.B. | 66 = Comanche 2WD-7 Ft. Box | 78 = Cherokee 4WD-4 Dr. |
| 26 = J-10 Pickup-131" W.B. | 73 = Cherokee 2WD-2 Dr. | 79 = Cherokee 4WD-4 Dr.-Com |
| 27 = J-20 Pickup-131" W.B. | 74 = Cherokee 2WD-4 Dr. | 81 = Wrangler-93" W.B. |
| 63 = Comanche 4WD-6 Ft. Box | 75 = Wagoneer 4WD-4 Dr. | 82 = Wrangler-103" W.B.-Exp. |
| 64 = Comanche 2WD-6 Ft. Box | | |

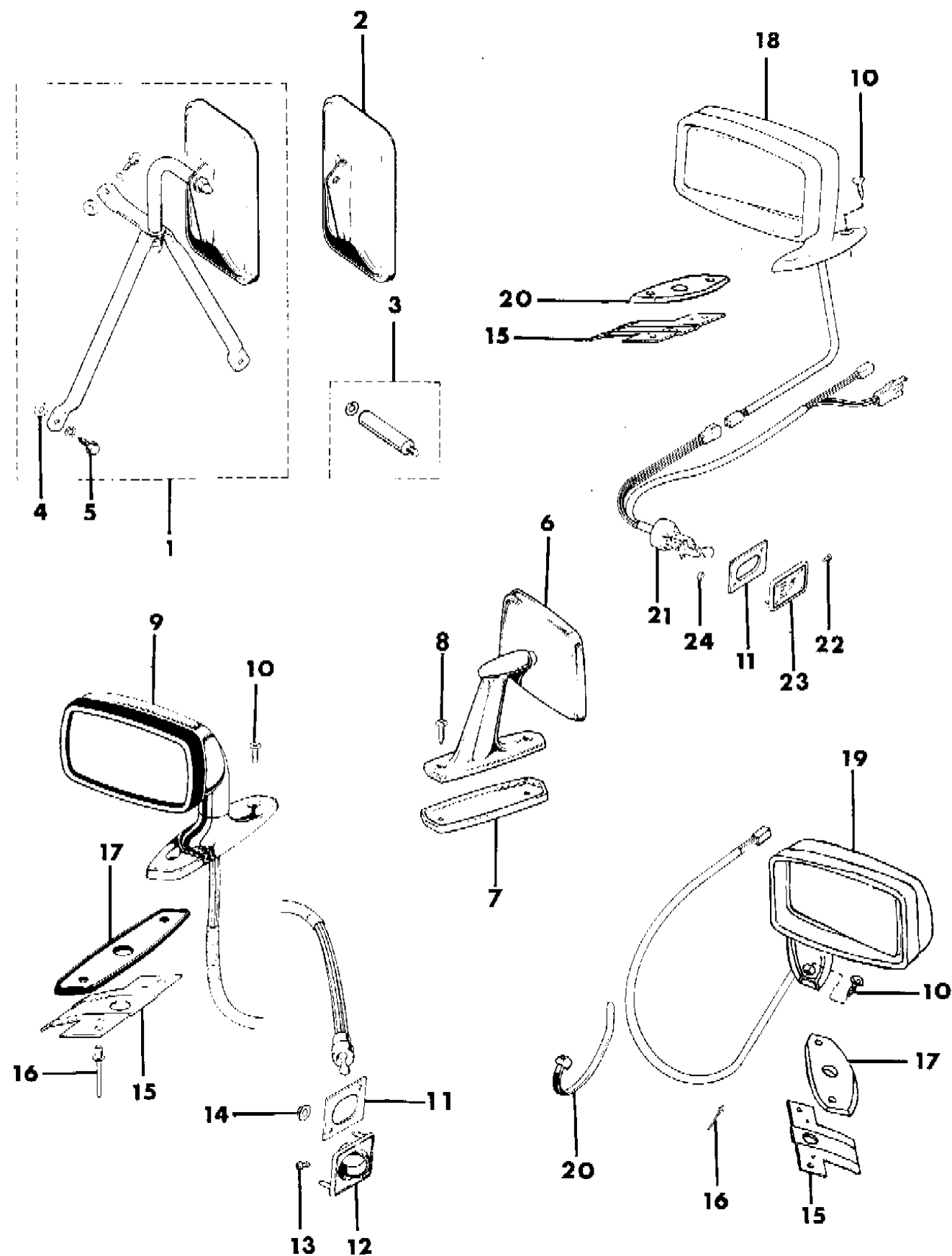
BODY STYLES:

MJ = Comanche Pickup
 SJ = Grand Wagoneer Wgn., J-10 & J-20 Pickups
 XJ = Cherokee, Wagoneer Limited
 YJ = Wrangler

AR = Use as Required - = Non Illustrated Part P.A.R. = Paint as Required

MIRRORS, OUTSIDE ELECTRIC, MANUAL GRAND WAGONEER, J10, J20
Figure 23C-3000

8J71 3000 A



| ITEM | PART NUMBER | QTY | BODY | MODEL | DESCRIPTION |
|------|-------------|-----|------|-------|---------------------------|
| 1 | J812 2824 | 2 | | | MIRROR, Low Profile |
| 2 | J812 2825 | 2 | | | MIRROR, Low Profile |
| 3 | J545 6152 | 1 | | | EXTENSION KIT, Mirror *** |
| 4 | J400 3120 | AR | | | NUT, Well |
| 5 | J400 6106 | AR | | | SCREW |
| 6 | J097 7877 | 2 | | | MIRROR, Manual |
| 7 | J097 7705 | 2 | | | GASKET, Mirror |
| 8 | J400 2807 | 4 | | | SCREW |
| 9 | | | | | MIRROR, Remote |
| | J575 1990 | 1 | | | Right |
| | J575 1989 | 1 | | | Left |
| 10 | J420 0317 | AR | | | SCREW |
| 11 | J575 2278 | 2 | | | RETAINER, Switch |
| 12 | J373 2132 | 2 | | | ESCUTCHEON |
| 13 | J420 0085 | 2 | | | SCREW |
| 14 | J400 6866 | 4 | | | NUT, Push |
| 15 | J575 1974 | AR | | | REINFORCEMENT, Mirror |
| 16 | J400 4962 | AR | | | RIVET |
| 17 | J575 1960 | AR | | | GASKET, Mirror |
| 18 | J575 2987 | 1 | | | MIRROR, Remote, Left |
| 19 | J575 2986 | 1 | | | MIRROR, Remote, Right |
| 20 | J322 3227 | 2 | | | STRAP |
| 21 | J575 6932 | 1 | | | SWITCH, Remote Mirror |
| 22 | J420 0322 | 1 | | | SCREW |
| 23 | J374 0893 | 1 | | | ESCUTCHEON |
| 24 | J400 7022 | 2 | | | NUT |

MODEL CODES:

| | | |
|-----------------------------|-----------------------------|------------------------------|
| 15 = Grand Wagoneer 4 Dr. | 65 = Comanche 4WD-7 Ft. Box | 77 = Cherokee 4WD-2 Dr. |
| 25 = J-10 Pickup-119" W.B. | 66 = Comanche 2WD-7 Ft. Box | 78 = Cherokee 4WD-4 Dr. |
| 26 = J-10 Pickup-131" W.B. | 73 = Cherokee 2WD-2 Dr. | 79 = Cherokee 4WD-4 Dr.-Com |
| 27 = J-20 Pickup-131" W.B. | 74 = Cherokee 2WD-4 Dr. | 81 = Wrangler-93" W.B. |
| 63 = Comanche 4WD-6 Ft. Box | 75 = Wagoneer 4WD-4 Dr. | 82 = Wrangler-103" W.B.-Exp. |
| 64 = Comanche 2WD-6 Ft. Box | | |

BODY STYLES:

MJ = Comanche Pickup
 SJ = Grand Wagoneer Wgn., J-10 & J-20 Pickups
 XJ = Cherokee, Wagoneer Limited
 YJ = Wrangler

AR = Use as Required - = Non Illustrated Part P.A.R. = Paint as Required

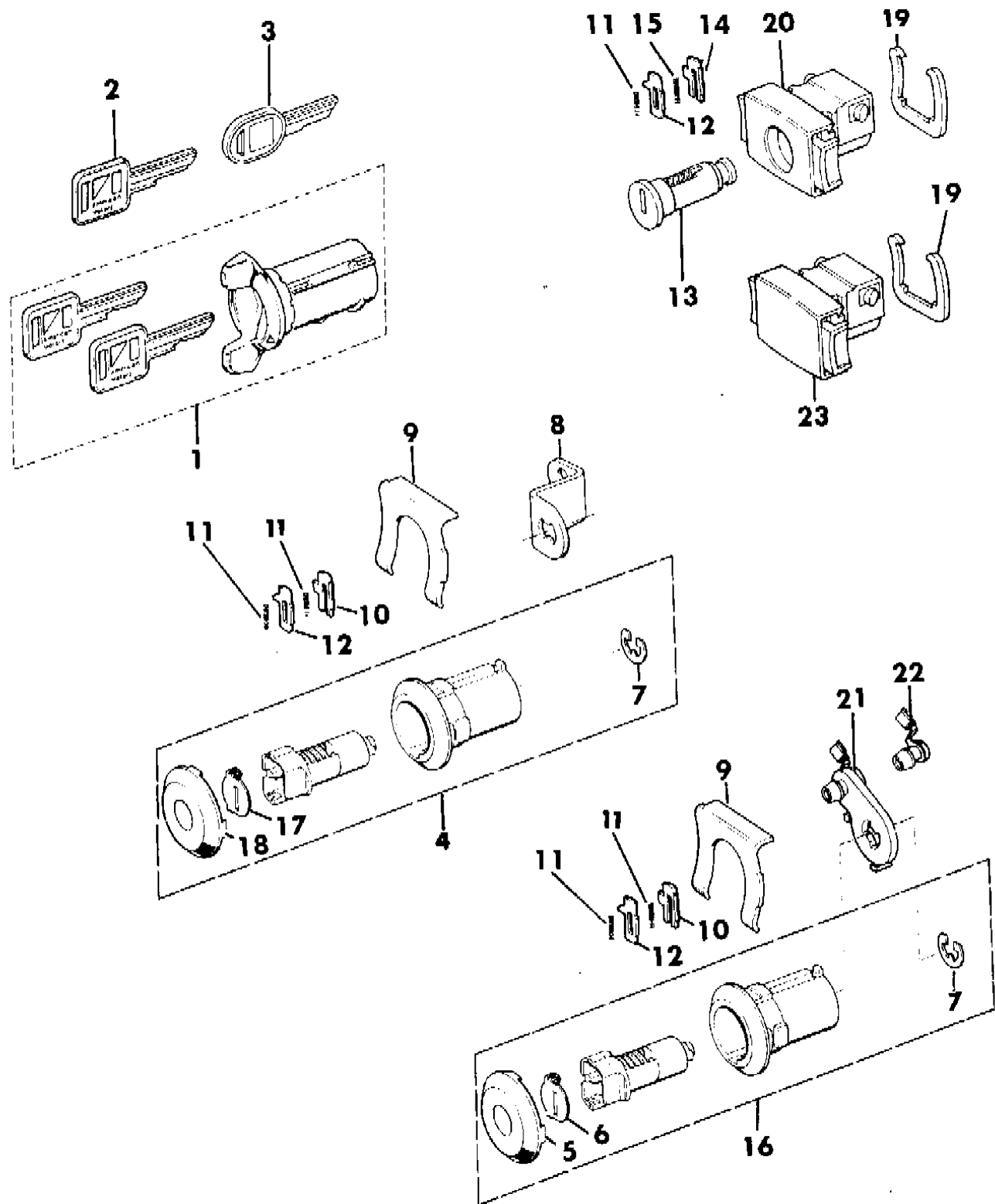
GROUP 23D - WIPER & WASHER AND CYLINDER & KEYS

| ILLUSTRATION TITLE | GROUP-FIG. NO. |
|--|-----------------------|
| CYLINDER AND KEYS | |
| CYLINDERS & KEYS WRANGLER, YJ | Fig. 23D-100 |
| CYLINDERS & KEYS CHEROKEE, WAGONEER, COMANCHE | Fig. 23D-200 |
| CYLINDERS & KEYS GRAND WAGONEER, J10, J20 | Fig. 23D-300 |
| WIPER AND WASHER SYSTEMS | |
| WIPER, WINDSHIELD WRANGLER, YJ | Fig. 23D-400 |
| WIPER, REAR WITH HARD TOP WRANGLER, YJ 1990 | Fig. 23D-425 |
| WASHER SYSTEM WINDSHIELD, AND/OR REAR WINDOW WRANGLER, YJ | Fig. 23D-450 |
| WIPER, WINDSHIELD CHEROKEE, WAGONEER, COMANCHE | Fig. 23D-500 |
| WIPER, LIFTGATE CHEROKEE, WAGONEER | Fig. 23D-600 |
| WASHER, WINDSHIELD AND REAR WINDOW CHEROKEE, WAGONEER | Fig. 23D-650 |
| WASHER, WINDSHIELD AND REAR GLASS CHEROKEE, WAGONEER 1987 EXPORT | Fig. 23D-660 |
| WINDSHIELD WIPER AND WASHER GRAND WAGONEER, J10, J20 | Fig. 23D-700 |
| WIPER MOTOR COMPONENTS FOR MOTOR LABELED 8956002420 GRAND WAGONEER | Fig. 23D-750 |
| TAILGATE WIPER AND WASHER SYSTEM GRAND WAGONEER | Fig. 23D-800 |

ILLUSTRATION NOT AVAILABLE AT TIME OF PUBLICATION

CYLINDERS & KEYS WRANGLER, YJ
Figure 23D-100

8J72 100A



| ITEM | PART NUMBER | QTY | BODY | MODEL | DESCRIPTION |
|------|-------------|-----|------|-------|-------------------------------|
| 1 | | | | | CYLINDER, Ignition Lock |
| | 8350 1971 | 1 | | | 1987-89 |
| | 5502 6014 | 1 | | | 1990 |
| 2 | | | | | KEY, Ignition Lock Uncoded |
| | 8350 1972 | AR | | | 1987-89 |
| | 8350 6298 | AR | | | 1990 |
| 3 | | | | | KEY, Uncoded |
| | J364 1913 | 2 | | | 1987-89 |
| | 5502 5852 | 2 | | | 1990 |
| 4 | | | | | CYLINDER, Door Lock, Uncoded |
| | 8350 5067 | 2 | | | 1990, w/Half Hard Doors |
| | J812 2874 | 2 | | | U.S. Canada w/Full Hard Doors |
| | J812 2874 | 3 | | | Export, w/World Cab |
| 5 | J812 7677 | 2 | | | CAP, Cylinder, Bright |
| 6 | J813 3585 | 2 | | | SHUTTER, Lock, Bright *** |
| 7 | J400 2250 | 2 | | | RETAINER, Lock |
| 8 | J576 2370 | 2 | | | LEVER |
| 9 | J351 6003 | 3 | | | RETAINER, Lock |
| 10 | J812 2875 | 1 | | | RETAINER, Tumbler |
| 11 | J812 2881 | AR | | | SPRING |
| 12 | | | | | TUMBLER, Lock |
| | J812 2876 | AR | | | 1 |
| | J812 2877 | AR | | | 2 |
| | J812 2878 | AR | | | 3 |
| | J812 2879 | AR | | | 4 |
| | J812 2880 | AR | | | 5 |
| 13 | 8350 0485 | 1 | | | CYLINDER, Glovebox, Uncoded |
| 14 | 8350 0486 | 1 | | | TUMBLER, Anti-Rattle |
| 15 | 8350 0487 | 1 | | | SPRING, Anti-Rattle |
| 16 | 8350 2969 | 1 | | | CYLINDER, Tailgate, Uncoded |
| 17 | 8350 2997 | 1 | | | SHUTTER, Lock, Black *** |
| 18 | 8350 2998 | 1 | | | CAP, Cylinder, Black |
| 19 | 5500 6506 | 1 | | | RETAINER, Lock |
| 20 | 5500 7800 | 1 | | | LATCH, Glovebox, Black |
| 21 | 8350 2999 | 1 | | | LEVER |
| 22 | J400 4533 | 1 | | | CLIP, w/Bushing |
| 23 | 5501 6168 | 1 | | | LATCH, Glovebox |

MODEL CODES:

| | | |
|-----------------------------|-----------------------------|------------------------------|
| 15 = Grand Wagoneer 4 Dr. | 65 = Comanche 4WD-7 Ft. Box | 77 = Cherokee 4WD-2 Dr. |
| 25 = J-10 Pickup-119" W.B. | 66 = Comanche 2WD-7 Ft. Box | 78 = Cherokee 4WD-4 Dr. |
| 26 = J-10 Pickup-131" W.B. | 73 = Cherokee 2WD-2 Dr. | 79 = Cherokee 4WD-4 Dr.-Com |
| 27 = J-20 Pickup-131" W.B. | 74 = Cherokee 2WD-4 Dr. | 81 = Wrangler-93" W.B. |
| 63 = Comanche 4WD-6 Ft. Box | 75 = Wagoneer 4WD-4 Dr. | 82 = Wrangler-103" W.B.-Exp. |
| 64 = Comanche 2WD-6 Ft. Box | | |

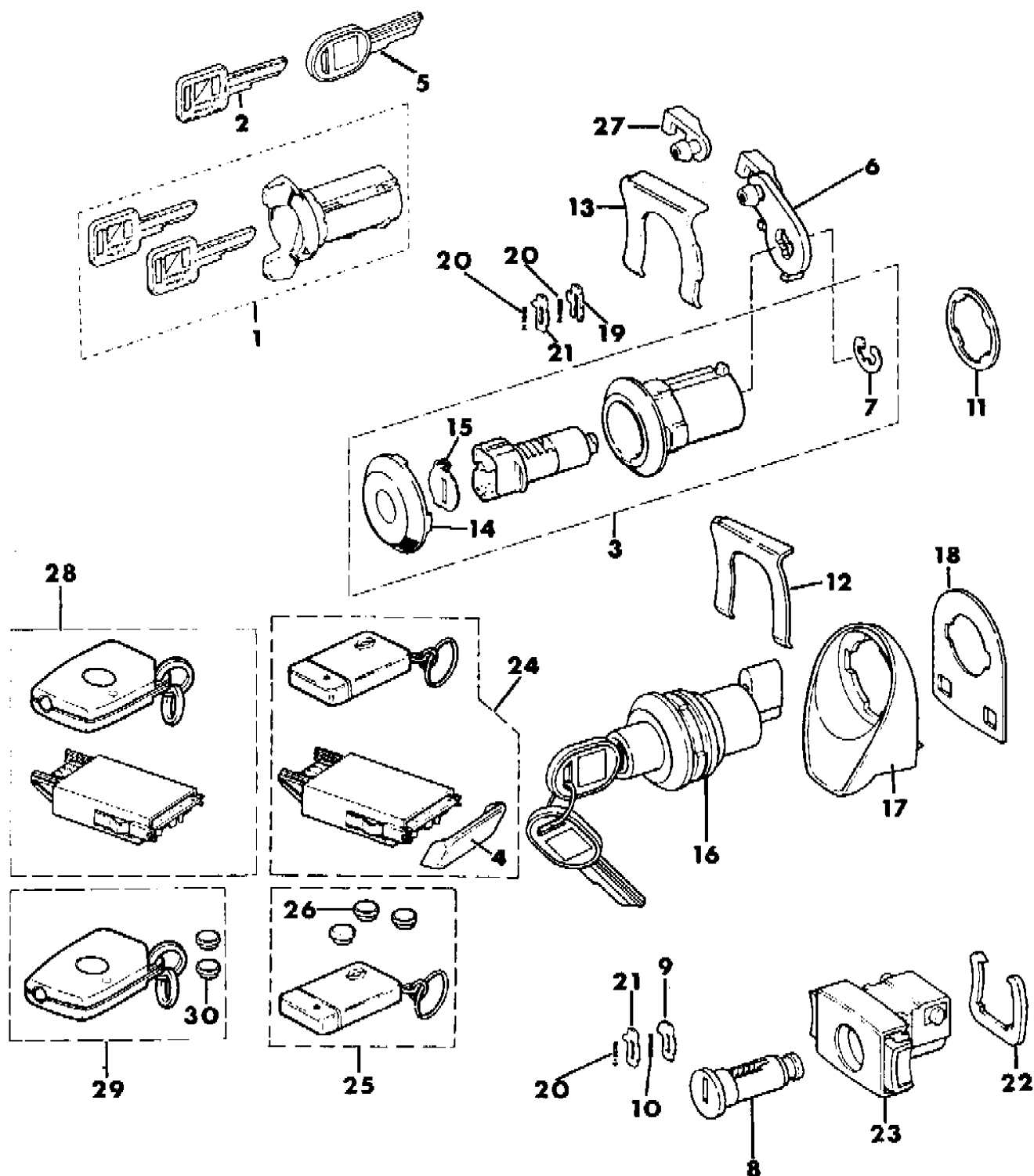
BODY STYLES:

MJ = Comanche Pickup
 SJ = Grand Wagoneer Wgn., J-10 & J-20 Pickups
 XJ = Cherokee, Wagoneer Limited
 YJ = Wrangler

AR = Use as Required - = Non Illustrated Part P.A.R. = Paint as Required

CYLINDERS & KEYS CHEROKEE, WAGONEER, COMANCHE
Figure 23D-200

8J72 200A



| ITEM | PART NUMBER | QTY | BODY | MODEL | DESCRIPTION |
|------|-------------|-----|------|-------|------------------------------|
| 1 | | | | | CYLINDER, Ignition Lock |
| | 8350 1971 | 1 | | | 1987-89 |
| | 5502 6014 | 1 | | | 1990 |
| 2 | | | | | KEY, Uncoded |
| | 8350 1972 | AR | | | 1987-89 |
| | 8350 6298 | AR | | | 1990 |
| 3 | | | | | CYLINDER, Door |
| | 8350 5067 | 2 | | | Black |
| | J812 2874 | 2 | | | Bright |
| 4 | T103 0528 | 1 | | | LENS, Keyless Entry Receiver |
| 5 | 5502 5852 | 1 | | | KEY, Uncoded |
| 6 | | | | | LEVER |
| | 8350 5069 | 1 | | | Right |
| | 8350 2999 | 1 | | | Left |
| 7 | J400 2250 | 2 | | | RETAINER, Lock |
| 8 | 8350 0485 | 1 | | | CYLINDER, Glovebox, Uncoded |
| 9 | 8350 0486 | 1 | | | TUMBLER, Anti-Rattle |
| 10 | 8350 0487 | 1 | | | SPRING, Anti-Rattle |
| 11 | J373 2585 | 2 | | | GASKET |
| 12 | J367 9995 | 1 | | | RETAINER, Lock |
| 13 | J351 6003 | 2 | | | RETAINER, Lock |
| 14 | | | | | CAP |
| | 8350 2998 | 2 | | | Black |
| | J812 7677 | 2 | | | Bright |
| 15 | | | | | SHUTTER, Lock |
| | 8350 2997 | 2 | | | Black |
| | J813 3585 | 2 | | | Bright |
| 16 | | | | | CYLINDER, Liftgate |
| | 8350 5068 | 1 | | | Black |
| | 8351 0179 | 1 | | | Bright |
| 17 | 5500 1135 | 1 | | | HANDLE |
| 18 | 5500 5162 | 1 | | | GASKET |
| 19 | J812 2875 | 1 | | | RETAINER, Tumbler |
| 20 | J812 2881 | AR | | | SPRING |
| 21 | | | | | TUMBLER |
| | J812 2876 | AR | | | 1 |
| | J812 2877 | AR | | | 2 |

MODEL CODES:

| | | |
|-----------------------------|-----------------------------|------------------------------|
| 15 = Grand Wagoneer 4 Dr. | 65 = Comanche 4WD-7 Ft. Box | 77 = Cherokee 4WD-2 Dr. |
| 25 = J-10 Pickup-119" W.B. | 66 = Comanche 2WD-7 Ft. Box | 78 = Cherokee 4WD-4 Dr. |
| 26 = J-10 Pickup-131" W.B. | 73 = Cherokee 2WD-2 Dr. | 79 = Cherokee 4WD-4 Dr.-Com |
| 27 = J-20 Pickup-131" W.B. | 74 = Cherokee 2WD-4 Dr. | 81 = Wrangler-93" W.B. |
| 63 = Comanche 4WD-6 Ft. Box | 75 = Wagoneer 4WD-4 Dr. | 82 = Wrangler-103" W.B.-Exp. |
| 64 = Comanche 2WD-6 Ft. Box | | |

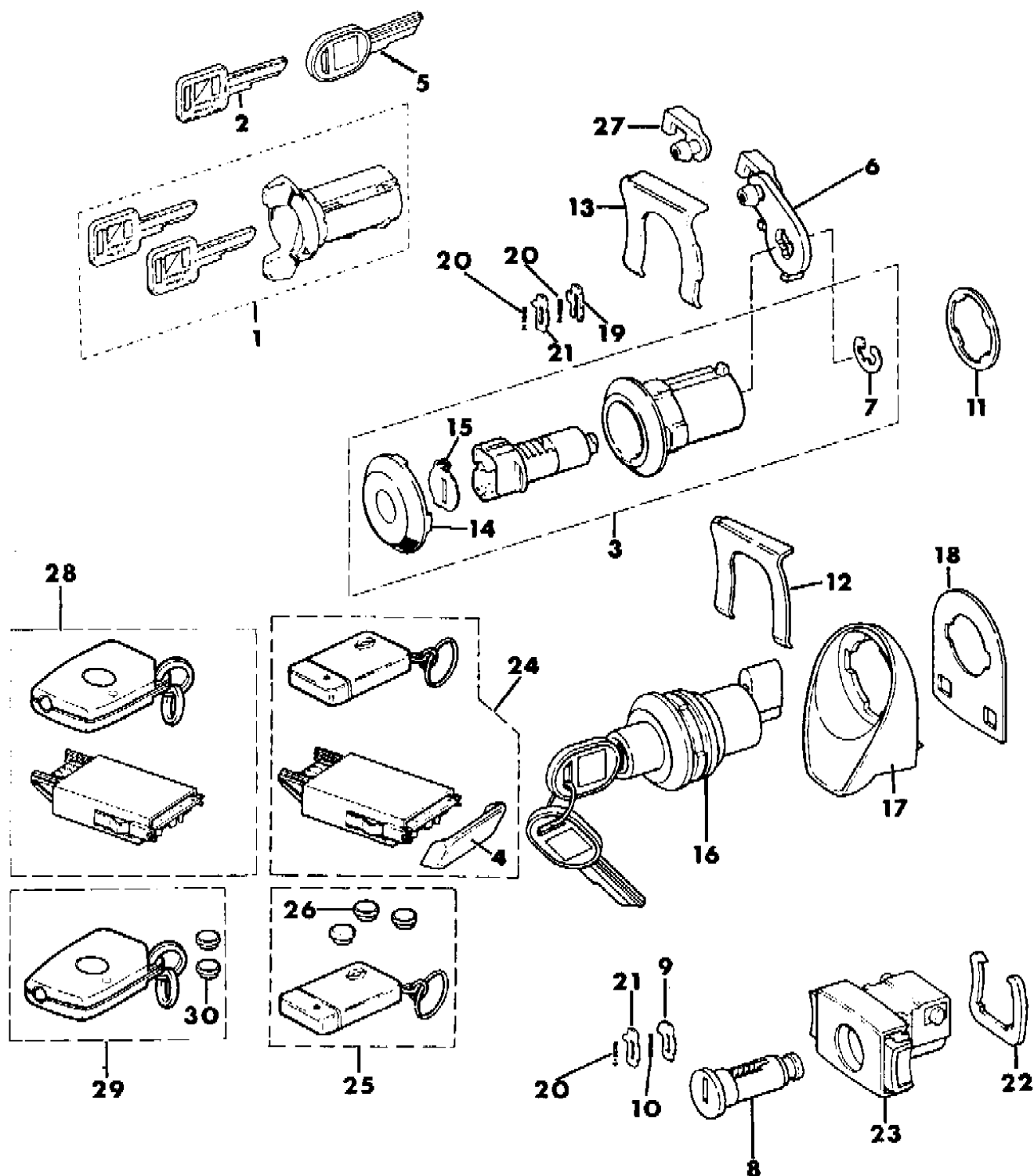
BODY STYLES:

MJ = Comanche Pickup
 SJ = Grand Wagoneer Wgn., J-10 & J-20 Pickups
 XJ = Cherokee, Wagoneer Limited
 YJ = Wrangler

AR = Use as Required - = Non Illustrated Part P.A.R. = Paint as Required

CYLINDERS & KEYS CHEROKEE, WAGONEER, COMANCHE
Figure 23D-200

8J72 200A



| ITEM | PART NUMBER | QTY | BODY | MODEL | DESCRIPTION |
|------|-------------|-----|------|-------|---|
| | J812 2878 | AR | | | 3 |
| | J812 2879 | AR | | | 4 |
| | J812 2880 | AR | | | 5 |
| 22 | 5500 6506 | 1 | | | RETAINER, Lock |
| 23 | | | | | LATCH |
| | 5AC8 3JA8 | 1 | | | Charcoal |
| | 5501 0846 | 1 | | | Cordovan |
| | 5501 5406 | 1 | | | Blue |
| | 3501 1603 | 1 | | | Tan |
| | 5500 7800 | 1 | | | Black |
| | 5500 7111 | 1 | | | Blue |
| 24 | T136 6133 | 1 | | | PACKAGE, Receiver Three Battery Keyless Entry |
| 25 | T103 0867 | 1 | | | TRANSMITTER, Three Battery Keyless Entry *** |
| 26 | 8350 2283 | 3 | | | BATTERY, Transmitter |
| 27 | | | | | CLIP |
| | J400 3672 | 1 | | | Right |
| | J400 3673 | 1 | | | Left |
| 28 | | | | | PACKAGE, Receiver Two Battery Keyless Entry |
| | 5600 3465 | 1 | | | w/Out Overhead Console |
| | 5600 5590 | 1 | | | w/Overhead Console |
| 29 | 8350 4801 | 1 | | | TRANSMITTER, Two Battery Keyless Entry *** |
| 30 | 8350 4802 | 2 | | | BATTERY |

MODEL CODES:

| | | |
|-----------------------------|-----------------------------|------------------------------|
| 15 = Grand Wagoneer 4 Dr. | 65 = Comanche 4WD-7 Ft. Box | 77 = Cherokee 4WD-2 Dr. |
| 25 = J-10 Pickup-119" W.B. | 66 = Comanche 2WD-7 Ft. Box | 78 = Cherokee 4WD-4 Dr. |
| 26 = J-10 Pickup-131" W.B. | 73 = Cherokee 2WD-2 Dr. | 79 = Cherokee 4WD-4 Dr.-Com |
| 27 = J-20 Pickup-131" W.B. | 74 = Cherokee 2WD-4 Dr. | 81 = Wrangler-93" W.B. |
| 63 = Comanche 4WD-6 Ft. Box | 75 = Wagoneer 4WD-4 Dr. | 82 = Wrangler-103" W.B.-Exp. |
| 64 = Comanche 2WD-6 Ft. Box | | |

BODY STYLES:

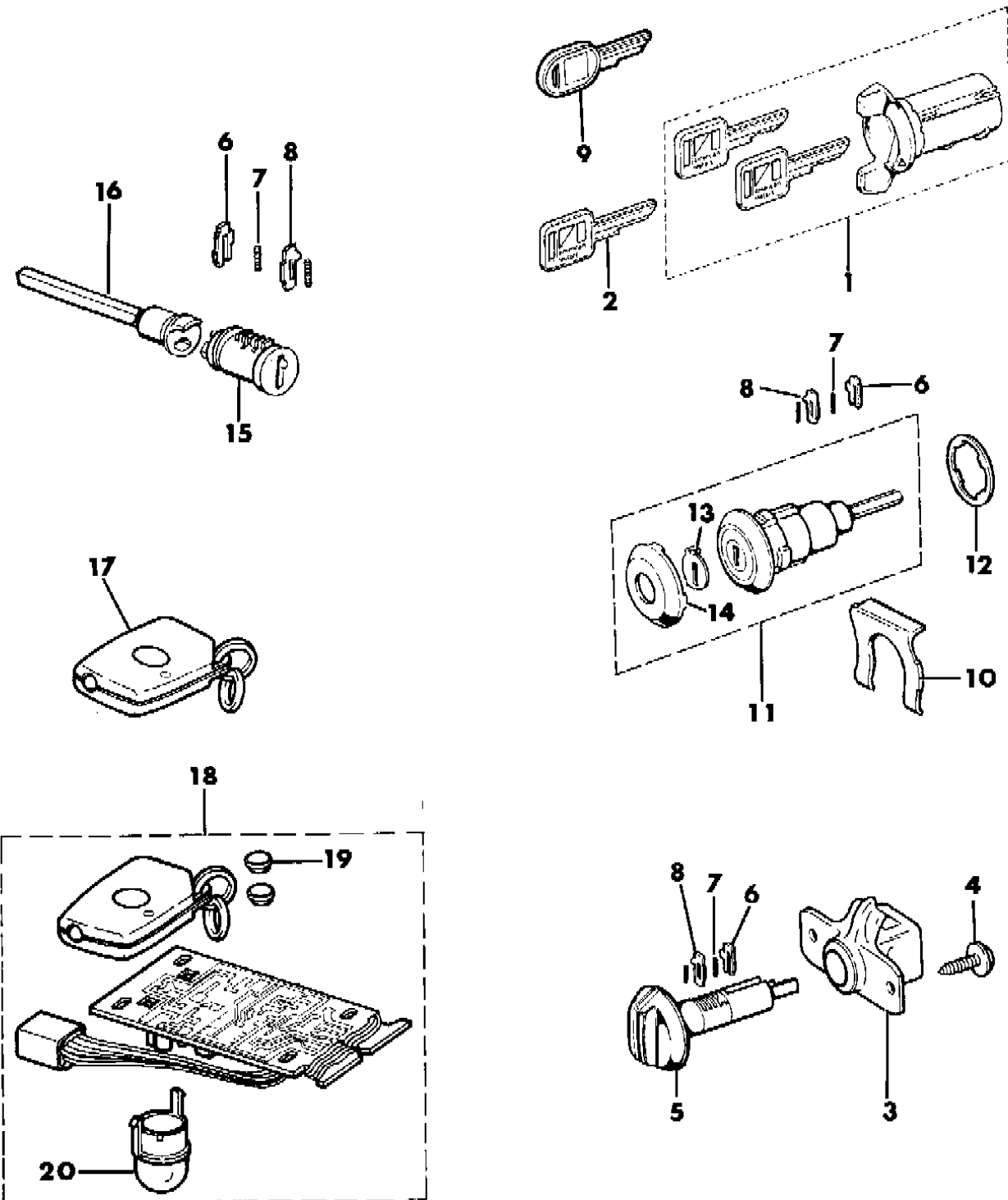
MJ = Comanche Pickup
 SJ = Grand Wagoneer Wgn., J-10 & J-20 Pickups
 XJ = Cherokee, Wagoneer Limited
 YJ = Wrangler

AR = Use as Required - = Non Illustrated Part P.A.R. = Paint as Required

CYLINDERS & KEYS GRAND WAGONEER, J10, J20
Figure 23D-300

8J72 300 A

| ITEM | PART NUMBER | QTY | BODY | MODEL | DESCRIPTION |
|------|-------------|-----|------|-------|---------------------------------------|
| 1 | | | | | CYLINDER, Ignition Lock |
| | 8350 1971 | 1 | | | 1987-89 |
| | 5502 6014 | 1 | | | 1990 |
| 2 | | | | | KEY, Uncoded |
| | 8350 1972 | AR | | | 1987-89 |
| | 8350 6298 | AR | | | 1990 |
| 3 | 5501 5376 | 1 | | | HOUSING, Glove Box Lock |
| 4 | J400 3671 | 2 | | | SCREW |
| 5 | J812 5764 | 1 | | | CYLINDER, Glove Box |
| 6 | J812 2875 | 1 | | | RETAINER, Tumbler |
| 7 | J812 2881 | AR | | | SPRING |
| 8 | | | | | TUMBLER, Lock *** |
| | J812 2876 | AR | | | 1 |
| | J812 2877 | AR | | | 2 |
| | J812 2878 | AR | | | 3 |
| | J812 2879 | AR | | | 4 |
| | J812 2880 | AR | | | 5 |
| 9 | 5502 5852 | AR | | | KEY, Uncoded |
| 10 | J098 7269 | 2 | | | RETAINER, Lock |
| 11 | J812 8289 | 2 | | | CYLINDER, Door Lock, Uncoded |
| 12 | J098 7272 | 2 | | | GASKET |
| 13 | J813 3585 | 2 | | | SHUTTER, Lock |
| 14 | J812 7677 | 2 | | | CAP |
| 15 | | | | | CYLINDER, Tailgate |
| | J812 2971 | 1 | | | w/o Electric Regulator |
| | 8350 5385 | 1 | | | w/Electric Regulator |
| 16 | J096 2048 | 1 | | | SHAFT, Cylinder, w/Electric Regulator |
| 17 | 8350 4801 | 1 | | | TRANSMITTER, Keyless Entry |
| 18 | 5600 5590 | 1 | | | PACKAGE, Receiver |
| 19 | 8350 4802 | 2 | | | BATTERY |
| 20 | 8350 5263 | 1 | | | LENS |



MODEL CODES:

| | | |
|-----------------------------|-----------------------------|------------------------------|
| 15 = Grand Wagoneer 4 Dr. | 65 = Comanche 4WD-7 Ft. Box | 77 = Cherokee 4WD-2 Dr. |
| 25 = J-10 Pickup-119" W.B. | 66 = Comanche 2WD-7 Ft. Box | 78 = Cherokee 4WD-4 Dr. |
| 26 = J-10 Pickup-131" W.B. | 73 = Cherokee 2WD-2 Dr. | 79 = Cherokee 4WD-4 Dr.-Com |
| 27 = J-20 Pickup-131" W.B. | 74 = Cherokee 2WD-4 Dr. | 81 = Wrangler-93" W.B. |
| 63 = Comanche 4WD-6 Ft. Box | 75 = Wagoneer 4WD-4 Dr. | 82 = Wrangler-103" W.B.-Exp. |
| 64 = Comanche 2WD-6 Ft. Box | | |

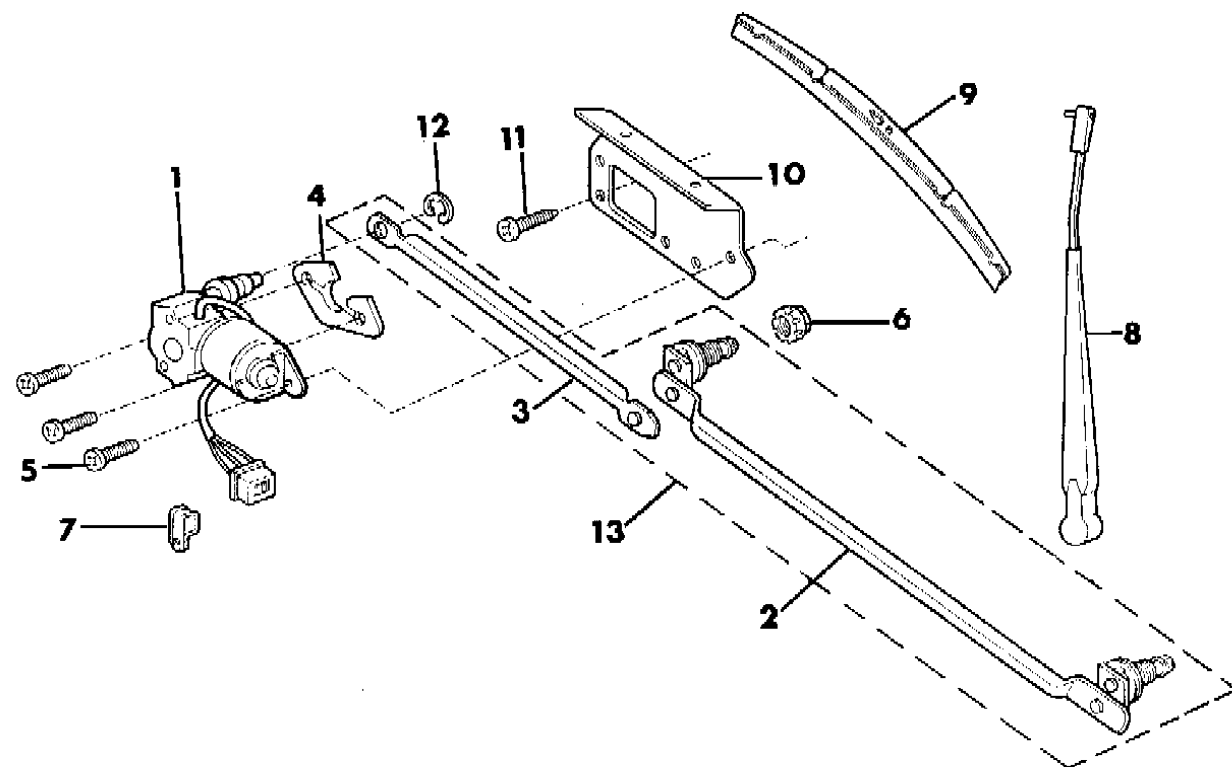
BODY STYLES:

MJ = Comanche Pickup
 SJ = Grand Wagoneer Wgn., J-10 & J-20 Pickups
 XJ = Cherokee, Wagoneer Limited
 YJ = Wrangler

AR = Use as Required - = Non Illustrated Part P.A.R. = Paint as Required

WIPER, WINDSHIELD WRANGLER, YJ
Figure 23D-400

8J72 400



| ITEM | PART NUMBER | QTY | BODY | MODEL | DESCRIPTION |
|------|-------------|-----|------|-------|----------------------|
| 1 | 5603 0005 | 1 | | | MOTOR, Wiper |
| 2 | | | | | PIVOT, Wiper |
| | 5600 2517 | 1 | | | 1987 |
| | 5600 3535 | 1 | | | 1988-90 |
| 3 | | | | | ARM, Drive |
| | 5600 2518 | 1 | | | 1987 |
| | 5600 3536 | 1 | | | 1988-90 |
| 4 | 5603 0015 | 1 | | | GASKET, Motor |
| 5 | J400 5765 | 3 | | | SCREW |
| 6 | 3600 0269 | 2 | | | NUT |
| 7 | J400 5669 | 1 | | | CLAMP |
| 8 | 5603 0012 | 2 | | | ARM, Wiper |
| 9 | 8350 5425 | 2 | | | REFILL, Wiper |
| 10 | 5501 0554 | 1 | | | PLATE |
| 11 | J400 4710 | 2 | | | SCREW |
| 12 | 1150 5398 | 1 | | | RING, Retaining |
| 13 | 4494 573 | 1 | | | PACKAGE, Arm 1988-90 |

MODEL CODES:

| | | |
|-----------------------------|-----------------------------|------------------------------|
| 15 = Grand Wagoneer 4 Dr. | 65 = Comanche 4WD-7 Ft. Box | 77 = Cherokee 4WD-2 Dr. |
| 25 = J-10 Pickup-119" W.B. | 66 = Comanche 2WD-7 Ft. Box | 78 = Cherokee 4WD-4 Dr. |
| 26 = J-10 Pickup-131" W.B. | 73 = Cherokee 2WD-2 Dr. | 79 = Cherokee 4WD-4 Dr.-Com |
| 27 = J-20 Pickup-131" W.B. | 74 = Cherokee 2WD-4 Dr. | 81 = Wrangler-93" W.B. |
| 63 = Comanche 4WD-6 Ft. Box | 75 = Wagoneer 4WD-4 Dr. | 82 = Wrangler-103" W.B.-Exp. |
| 64 = Comanche 2WD-6 Ft. Box | | |

BODY STYLES:

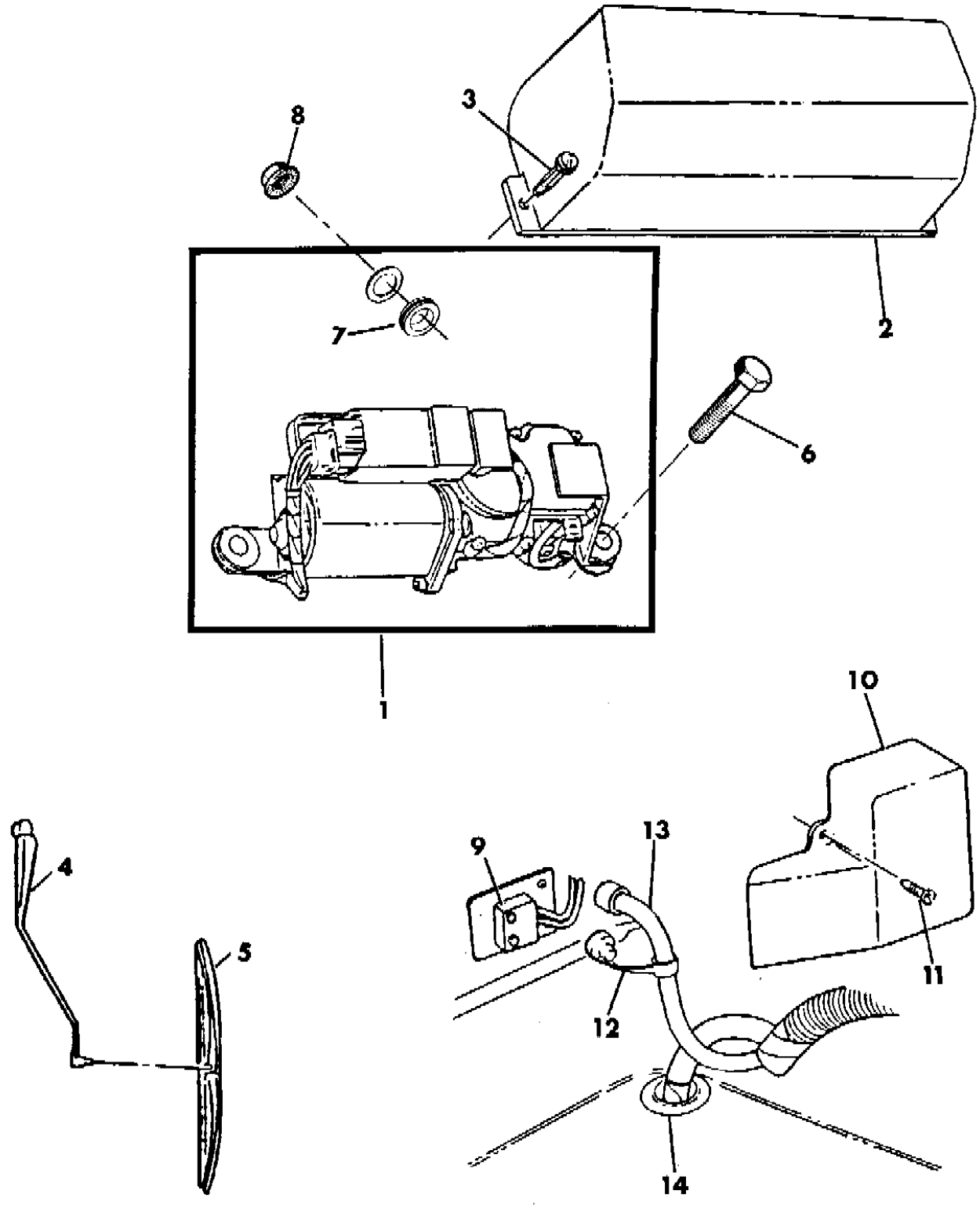
MJ = Comanche Pickup
 SJ = Grand Wagoneer Wgn., J-10 & J-20 Pickups
 XJ = Cherokee, Wagoneer Limited
 YJ = Wrangler

AR = Use as Required - = Non Illustrated Part P.A.R. = Paint as Required

WIPER, REAR WITH HARD TOP WRANGLER, YJ 1990
Figure 23D-425

8J72 425A

| ITEM | PART NUMBER | QTY | BODY | MODEL | DESCRIPTION |
|------|-------------|-----|------|-------|------------------|
| 1 | 5252 223 | 1 | | | MOTOR, Wiper |
| 2 | 5502 1594 | 1 | | | COVER |
| 3 | 6033 969 | 2 | | | RETAINER |
| 4 | 5600 4848 | 1 | | | ARM ASSY *** |
| 5 | 4389 063 | 1 | | | BLADE |
| 6 | 3420 2733 | 2 | | | SCREW |
| 7 | 5600 3681 | 1 | | | SEAL |
| 8 | 5600 3682 | 1 | | | NUT |
| 9 | 5600 4566 | 1 | | | SWITCH, Lockout |
| 10 | 5502 5390 | 1 | | | COVER, Switch |
| 11 | #6033 969 | 1 | | | SCREW |
| 12 | 5600 3982 | 1 | | | TETHER, Plug *** |
| 13 | #4439 003 | AR | | | HOSE |
| 14 | 5600 3075 | 1 | | | GROMMET |



MODEL CODES:

| | | |
|-----------------------------|-----------------------------|------------------------------|
| 15 = Grand Wagoneer 4 Dr. | 65 = Comanche 4WD-7 Ft. Box | 77 = Cherokee 4WD-2 Dr. |
| 25 = J-10 Pickup-119" W.B. | 66 = Comanche 2WD-7 Ft. Box | 78 = Cherokee 4WD-4 Dr. |
| 26 = J-10 Pickup-131" W.B. | 73 = Cherokee 2WD-2 Dr. | 79 = Cherokee 4WD-4 Dr.-Com |
| 27 = J-20 Pickup-131" W.B. | 74 = Cherokee 2WD-4 Dr. | 81 = Wrangler-93" W.B. |
| 63 = Comanche 4WD-6 Ft. Box | 75 = Wagoneer 4WD-4 Dr. | 82 = Wrangler-103" W.B.-Exp. |
| 64 = Comanche 2WD-6 Ft. Box | | |

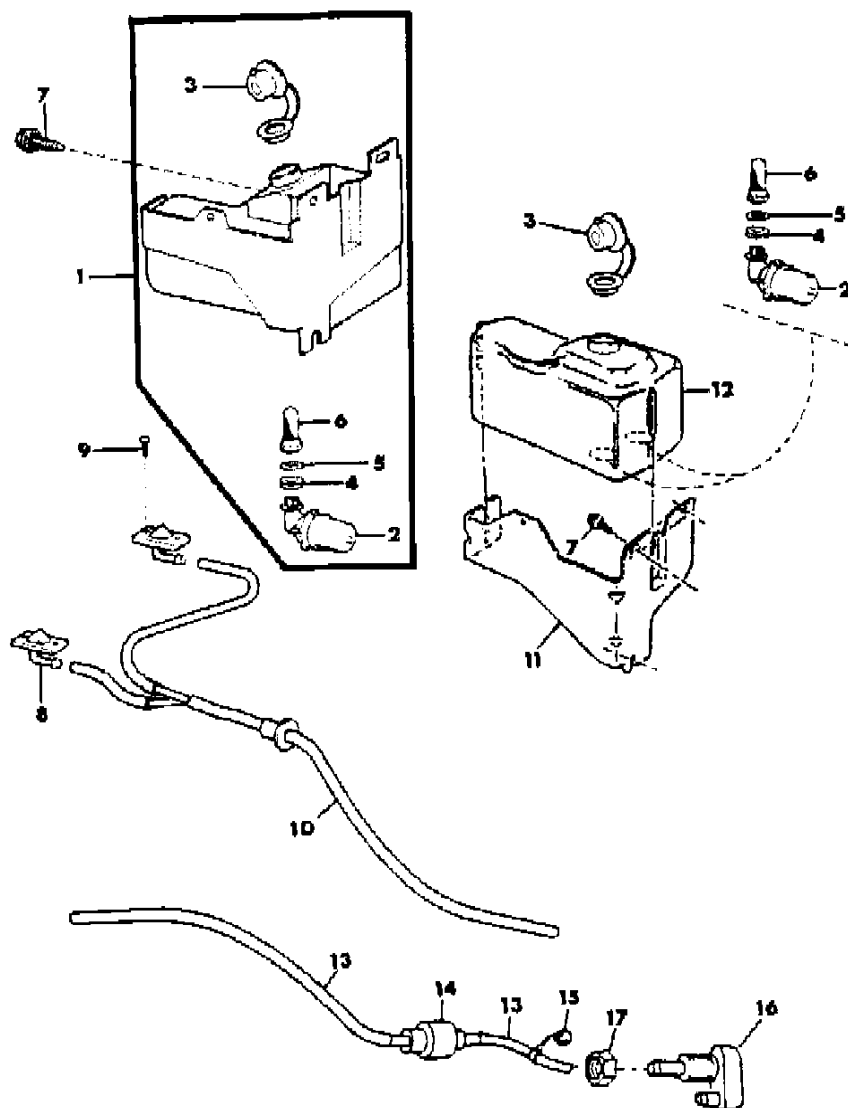
BODY STYLES:

MJ = Comanche Pickup
SJ = Grand Wagoneer Wgn., J-10 & J-20 Pickups
XJ = Cherokee, Wagoneer Limited
YJ = Wrangler

AR = Use as Required - = Non Illustrated Part P.A.R. = Paint as Required

WASHER SYSTEM WINDSHIELD, AND/OR REAR WINDOW WRANGLER, YJ
Figure 23D-450

8372 450



| ITEM | PART NUMBER | QTY | BODY | MODEL | DESCRIPTION |
|------|-------------|-----|------|-------|---|
| 1 | 5603 0016 | 1 | | | RESERVOIR ASSY, Washer, 1987/89 *** |
| 2 | 5600 2053 | 1 | | | Pump, Washer *** |
| | 5252 217 | 1 | | | 1987-89 |
| | 5600 2054 | 1 | | | 1990, includes wiring assy |
| 3 | 5600 2054 | 1 | | | CAP, Reservoir |
| 4 | 5600 0592 | AR | | | SEAL |
| 5 | 5600 0594 | AR | | | WASHER |
| 6 | 5600 0593 | AR | | | NUT, Filter |
| 7 | J400 4801 | 3 | | | SCREW |
| 8 | 5600 1759 | 2 | | | NOZZLE, Windshield Washer |
| 9 | J400 3096 | 4 | | | SCREW |
| 10 | 3600 1628 | 1 | | | HOSE ASSY *** |
| 11 | 5600 4765 | 1 | | | BRACKET ASSY *** |
| 12 | 5252 216 | 1 | | | RESERVOIR, 1990, modification may be required |
| 13 | 4439 003 | AR | | | HOSE, Bulk |
| 14 | 5600 3064 | 1 | | | VALVE, Check, rear window washer |
| 15 | 5600 3982 | 1 | | | PLUG, Teather |
| 16 | 5600 4849 | 1 | | | NOZZLE, rear window washer |
| 17 | 6100 798 | 1 | | | NUT, Nozzle mtg. |

MODEL CODES:

| | | |
|-----------------------------|-----------------------------|------------------------------|
| 15 = Grand Wagoneer 4 Dr. | 65 = Comanche 4WD-7 Ft. Box | 77 = Cherokee 4WD-2 Dr. |
| 25 = J-10 Pickup-119" W.B. | 66 = Comanche 2WD-7 Ft. Box | 78 = Cherokee 4WD-4 Dr. |
| 26 = J-10 Pickup-131" W.B. | 73 = Cherokee 2WD-2 Dr. | 79 = Cherokee 4WD-4 Dr.-Com |
| 27 = J-20 Pickup-131" W.B. | 74 = Cherokee 2WD-4 Dr. | 81 = Wrangler-93" W.B. |
| 63 = Comanche 4WD-6 Ft. Box | 75 = Wagoneer 4WD-4 Dr. | 82 = Wrangler-103" W.B.-Exp. |
| 64 = Comanche 2WD-6 Ft. Box | | |

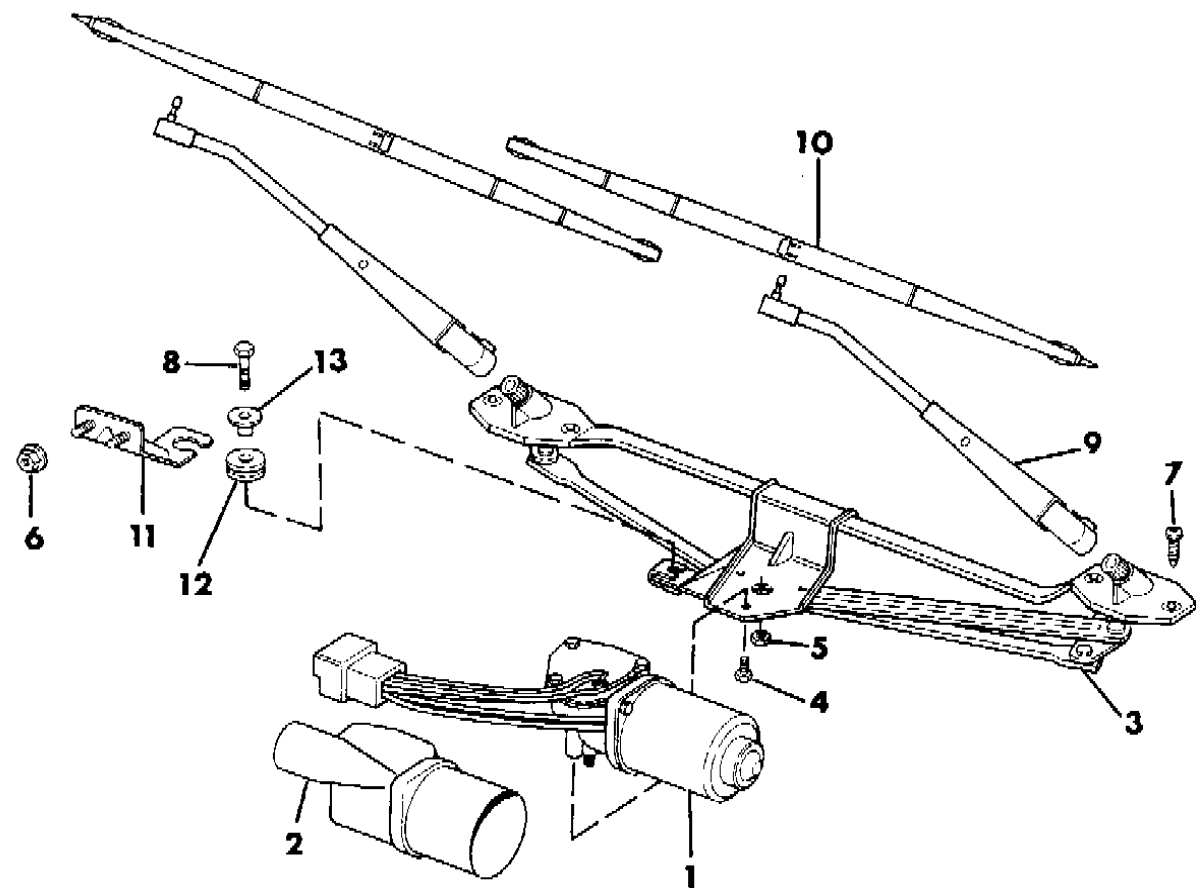
BODY STYLES:

MJ = Comanche Pickup
SJ = Grand Wagoneer Wgn., J-10 & J-20 Pickups
XJ = Cherokee, Wagoneer Limited
YJ = Wrangler

AR = Use as Required - = Non Illustrated Part P.A.R. = Paint as Required

WIPER, WINDSHIELD CHEROKEE, WAGONEER, COMANCHE
Figure 23D-500

8J72 500



| ITEM | PART NUMBER | QTY | BODY | MODEL | DESCRIPTION |
|------|-------------|-----|------|-------|-------------------|
| 1 | 5600 1402 | 1 | | | MOTOR, Wiper |
| 2 | 5600 0901 | 1 | | | COVER, Motor |
| 3 | 8350 0660 | 1 | | | LINKAGE, Wiper |
| 4 | 1150 3876 | 3 | | | BOLT |
| 5 | 3420 1866 | 1 | | | NUT |
| 6 | 3420 1358 | 2 | | | NUT |
| 7 | 3420 1496 | 4 | | | SCREW |
| 8 | 3420 1686 | 1 | | | BOLT |
| 9 | 5600 1132 | 2 | | | ARM, Wiper |
| 10 | 5600 1133 | 2 | | | REFILL, Wiper |
| 11 | 5500 3036 | 1 | | | BRACKET, Mounting |
| 12 | 5500 5397 | 1 | | | GROMMET |
| 13 | 5500 5398 | 1 | | | SPACER, Eyelet |

MODEL CODES:

| | | |
|-----------------------------|-----------------------------|------------------------------|
| 15 = Grand Wagoneer 4 Dr. | 65 = Comanche 4WD-7 Ft. Box | 77 = Cherokee 4WD-2 Dr. |
| 25 = J-10 Pickup-119" W.B. | 66 = Comanche 2WD-7 Ft. Box | 78 = Cherokee 4WD-4 Dr. |
| 26 = J-10 Pickup-131" W.B. | 73 = Cherokee 2WD-2 Dr. | 79 = Cherokee 4WD-4 Dr.-Com |
| 27 = J-20 Pickup-131" W.B. | 74 = Cherokee 2WD-4 Dr. | 81 = Wrangler-93" W.B. |
| 63 = Comanche 4WD-6 Ft. Box | 75 = Wagoneer 4WD-4 Dr. | 82 = Wrangler-103" W.B.-Exp. |
| 64 = Comanche 2WD-6 Ft. Box | | |

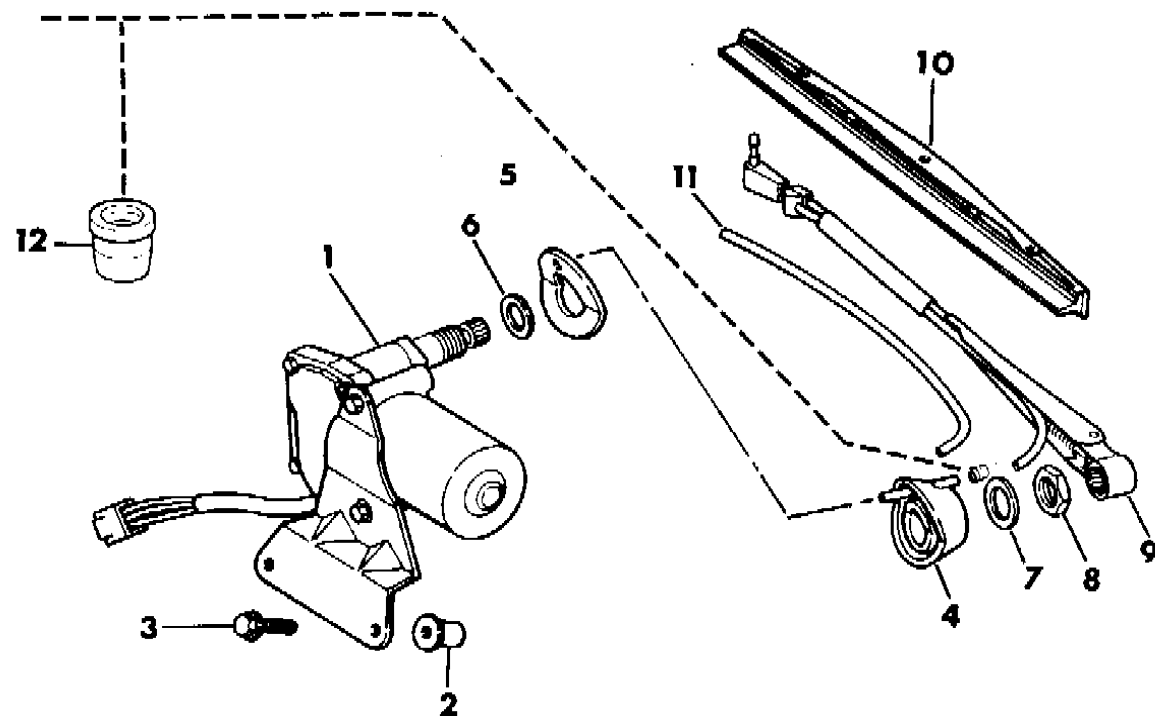
BODY STYLES:

MJ = Comanche Pickup
 SJ = Grand Wagoneer Wgn., J-10 & J-20 Pickups
 XJ = Cherokee, Wagoneer Limited
 YJ = Wrangler

AR = Use as Required - = Non Illustrated Part P.A.R. = Paint as Required

**WIPER, LIFTGATE CHEROKEE, WAGONEER
Figure 23D-600**

8J72 600



| ITEM | PART NUMBER | QTY | BODY | MODEL | DESCRIPTION |
|------|-------------|-----|------|-------|---------------|
| 1 | 5600 0701 | 1 | | | MOTOR, Wiper |
| 2 | 3420 1589 | 2 | | | NUT, Well |
| 3 | 3420 1686 | 2 | | | SCREW |
| 4 | 5500 0302 | 1 | | | BEZEL, Wiper |
| 5 | 5500 5024 | 1 | | | GASKET |
| 6 | 5500 5126 | 1 | | | SEAL |
| 7 | 3420 1542 | 1 | | | WASHER |
| 8 | 3420 1543 | 1 | | | NUT |
| 9 | 5600 0598 | 1 | | | ARM, Wiper |
| 10 | 5500 0299 | 1 | | | REFILL, Wiper |
| 11 | 3600 0423 | AR | | | HOSE |
| 12 | 3420 1767 | 12 | | | CLIP |

MODEL CODES:

| | | |
|-----------------------------|-----------------------------|------------------------------|
| 15 = Grand Wagoneer 4 Dr. | 65 = Comanche 4WD-7 Ft. Box | 77 = Cherokee 4WD-2 Dr. |
| 25 = J-10 Pickup-119" W.B. | 66 = Comanche 2WD-7 Ft. Box | 78 = Cherokee 4WD-4 Dr. |
| 26 = J-10 Pickup-131" W.B. | 73 = Cherokee 2WD-2 Dr. | 79 = Cherokee 4WD-4 Dr.-Com |
| 27 = J-20 Pickup-131" W.B. | 74 = Cherokee 2WD-4 Dr. | 81 = Wrangler-93" W.B. |
| 63 = Comanche 4WD-6 Ft. Box | 75 = Wagoneer 4WD-4 Dr. | 82 = Wrangler-103" W.B.-Exp. |
| 64 = Comanche 2WD-6 Ft. Box | | |

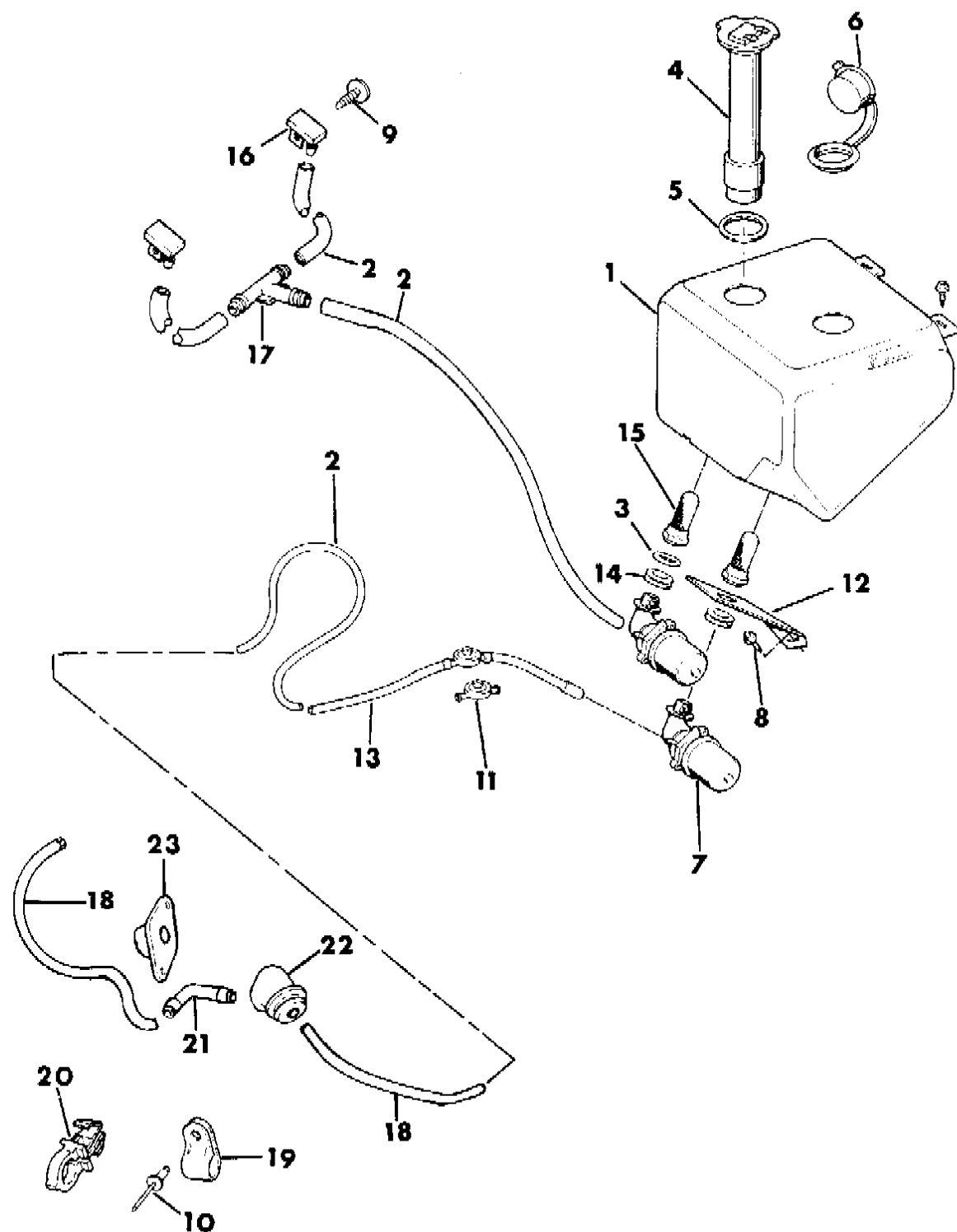
BODY STYLES:

MJ = Comanche Pickup
 SJ = Grand Wagoneer Wgn., J-10 & J-20 Pickups
 XJ = Cherokee, Wagoneer Limited
 YJ = Wrangler

AR = Use as Required - = Non Illustrated Part P.A.R. = Paint as Required

WASHER, WINDSHIELD AND REAR WINDOW CHEROKEE, WAGONEER
Figure 23D-650

8J72 650A



| ITEM | PART NUMBER | QTY | BODY | MODEL | DESCRIPTION |
|------|-------------|-----|------|-------|---|
| 1 | | | | | RESERVOIR, Washer |
| | 8350 5040 | 1 | | | w/Rear Wipe/Wash |
| | 8350 5041 | 1 | | | w/o Rear Wipe/Wash (Modify for Sensor Hole) |
| 2 | 8350 1071 | AR | | | HOSE |
| 3 | 5600 0594 | 1 | | | WASHER |
| 4 | 5600 0873 | 1 | | | SENSOR, Fluid Level |
| 5 | 5600 0595 | 1 | | | GASKET, Sensor |
| 6 | 5600 0699 | 1 | | | CAP, Reservoir |
| 7 | 3600 1132 | AR | | | PUMP, Washer |
| 8 | 3420 1784 | 3 | | | SCREW |
| 9 | J400 4262 | 2 | | | FASTENER *** |
| 10 | 3420 1197 | 1 | | | RIVET |
| 11 | 5600 3064 | 1 | | | VALVE, Check |
| 12 | 5600 0870 | 1 | | | BRACKET, Reservoir |
| 13 | 5600 1442 | 1 | | | HOSE, w/Check Valve (Modification Required) |
| 14 | 5600 0592 | AR | | | SEAL, Filter Nut |
| 15 | 5600 0593 | AR | | | NUT, Filter |
| 16 | 5600 1601 | 2 | | | NOZZEL, Washer *** |
| 17 | J321 0891 | 1 | | | CONNECTOR, Tee |
| 18 | 4439 003 | AR | | | HOSE, Liftgate Washer |
| 19 | 3420 1904 | 1 | | | CLIP |
| 20 | J400 6550 | 20 | | | CLIP, Nylon |
| 21 | J323 4225 | 1 | | | CONNECTOR, 90 Degree |
| 22 | J417 0917 | 1 | | | GROMMET, Tube |
| 23 | J417 0317 | 1 | | | GROMMET, Wire |

MODEL CODES:

| | | |
|-----------------------------|-----------------------------|------------------------------|
| 15 = Grand Wagoneer 4 Dr. | 65 = Comanche 4WD-7 Ft. Box | 77 = Cherokee 4WD-2 Dr. |
| 25 = J-10 Pickup-119" W.B. | 66 = Comanche 2WD-7 Ft. Box | 78 = Cherokee 4WD-4 Dr. |
| 26 = J-10 Pickup-131" W.B. | 73 = Cherokee 2WD-2 Dr. | 79 = Cherokee 4WD-4 Dr.-Com |
| 27 = J-20 Pickup-131" W.B. | 74 = Cherokee 2WD-4 Dr. | 81 = Wrangler-93" W.B. |
| 63 = Comanche 4WD-6 Ft. Box | 75 = Wagoneer 4WD-4 Dr. | 82 = Wrangler-103" W.B.-Exp. |
| 64 = Comanche 2WD-6 Ft. Box | | |

BODY STYLES:

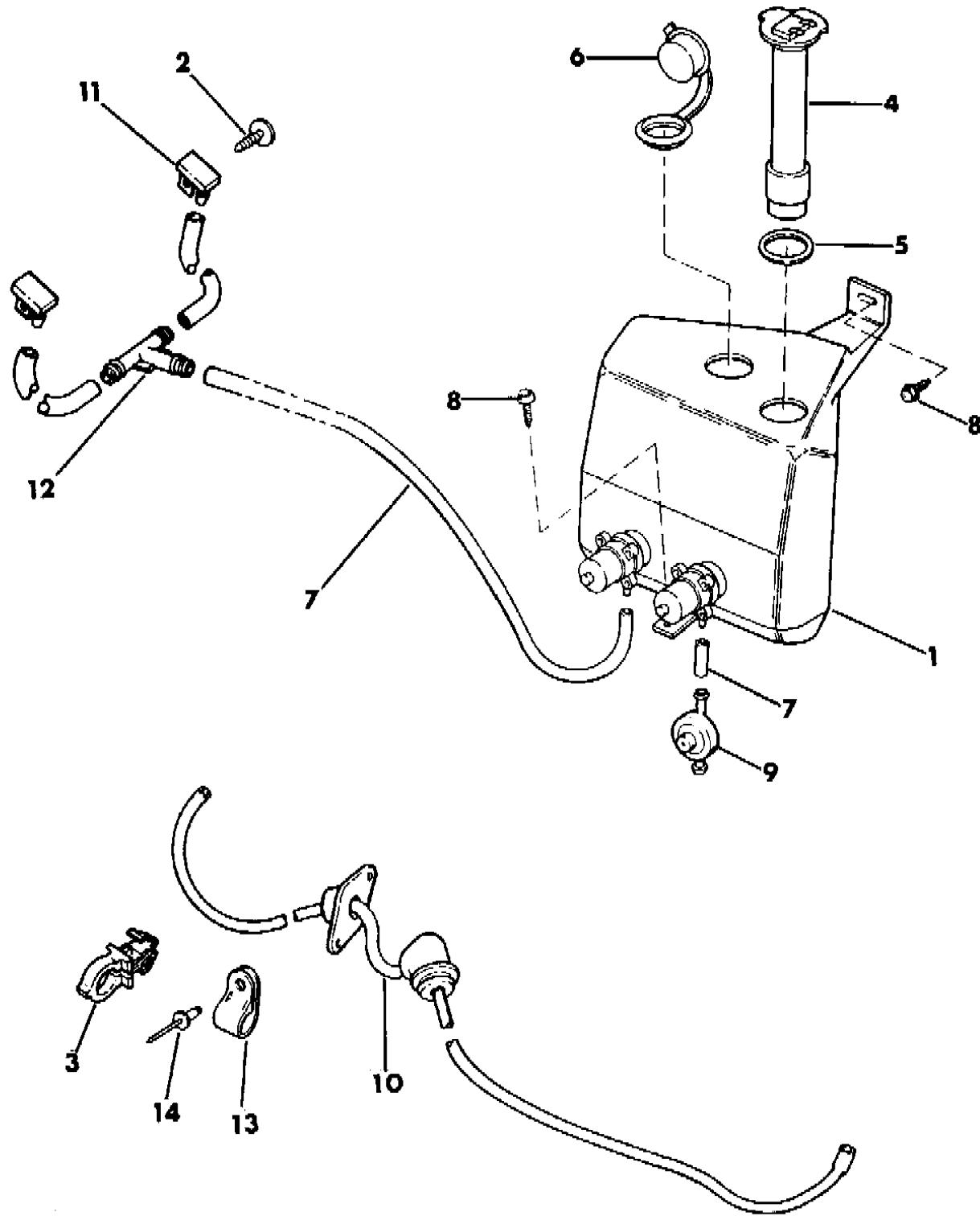
MJ = Comanche Pickup
SJ = Grand Wagoneer Wgn., J-10 & J-20 Pickups
XJ = Cherokee, Wagoneer Limited
YJ = Wrangler

AR = Use as Required - = Non Illustrated Part P.A.R. = Paint as Required

WASHER, WINDSHIELD AND REAR GLASS CHEROKEE, WAGONEER 1987 EXPORT
Figure 23D-660

8J72 660

| ITEM | PART NUMBER | QTY | BODY | MODEL | DESCRIPTION |
|------|-------------|-----|------|-------|-----------------------|
| 1 | | | | | RESERVOIR |
| | 8351 0016 | 1 | | | w/Rear Wiper/Washer |
| | 8351 0018 | 1 | | | w/o Rear Wiper/Washer |
| 2 | J400 4262 | 2 | | | FASTENER |
| 3 | J400 6550 | 1 | | | CLIP |
| 4 | 5600 0698 | 1 | | | SENSOR, Fluid |
| 5 | 5600 0595 | 1 | | | GASKET, Sensor |
| 6 | 5600 0699 | 1 | | | CAP, Reservoir |
| 7 | 8350 1071 | 1 | | | HOSE |
| 8 | 3420 1784 | 2 | | | SCREW |
| 9 | 5600 3064 | 1 | | | VALVE, Check |
| 10 | 5600 3537 | 1 | | | HOSE, Washer |
| 11 | 5600 1601 | 2 | | | NOZZLE, Washer |
| 12 | J321 0891 | 1 | | | CONNECTOR, Tee |
| 13 | 3420 1904 | 1 | | | CLIP |
| 14 | 3420 1197 | 1 | | | RIVET |



MODEL CODES:

| | | |
|-----------------------------|-----------------------------|------------------------------|
| 15 = Grand Wagoneer 4 Dr. | 65 = Comanche 4WD-7 Ft. Box | 77 = Cherokee 4WD-2 Dr. |
| 25 = J-10 Pickup-119" W.B. | 66 = Comanche 2WD-7 Ft. Box | 78 = Cherokee 4WD-4 Dr. |
| 26 = J-10 Pickup-131" W.B. | 73 = Cherokee 2WD-2 Dr. | 79 = Cherokee 4WD-4 Dr.-Com |
| 27 = J-20 Pickup-131" W.B. | 74 = Cherokee 2WD-4 Dr. | 81 = Wrangler-93" W.B. |
| 63 = Comanche 4WD-6 Ft. Box | 75 = Wagoneer 4WD-4 Dr. | 82 = Wrangler-103" W.B.-Exp. |
| 64 = Comanche 2WD-6 Ft. Box | | |

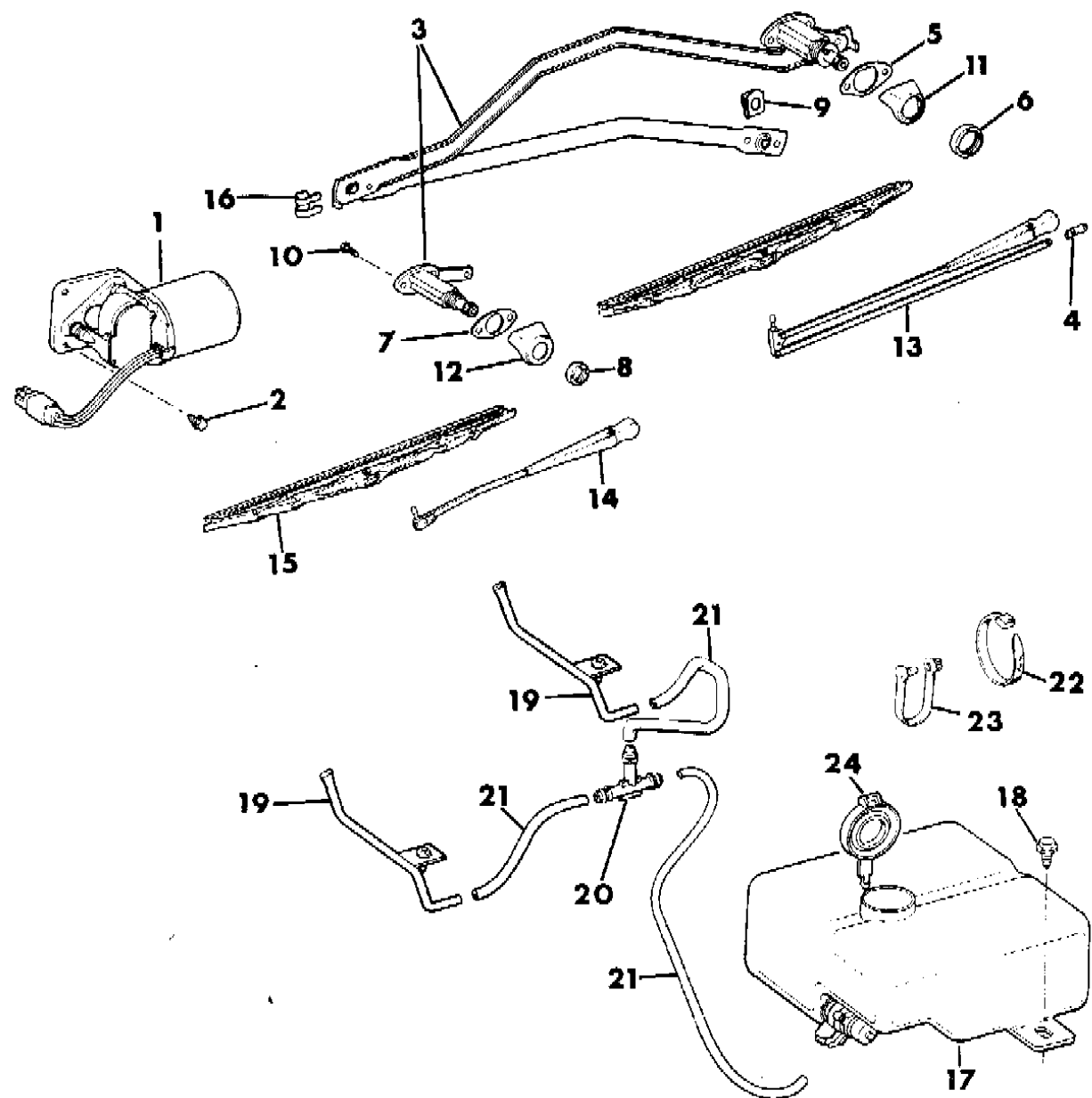
BODY STYLES:

MJ = Comanche Pickup
 SJ = Grand Wagoneer Wgn., J-10 & J-20 Pickups
 XJ = Cherokee, Wagoneer Limited
 YJ = Wrangler

AR = Use as Required - = Non Illustrated Part P.A.R. = Paint as Required

WINDSHIELD WIPER AND WASHER GRAND WAGONEER, J10, J20
Figure 23D-700

8J72 700



| ITEM | PART NUMBER | QTY | BODY | MODEL | DESCRIPTION |
|------|-------------|-----|------|-------|--------------------|
| 1 | 5600 2909 | 1 | | | MOTOR, w/Drive Arm |
| | 5600 2913 | 1 | | | GASKET, Motor Seal |
| 2 | J400 6455 | 3 | | | SCREW |
| 3 | J575 8474 | 1 | | | LINKAGE, Wiper |
| 4 | J812 8491 | 2 | | | CLIP |
| 5 | J546 2415 | 1 | | | GASKET |
| 6 | J400 6450 | 1 | | | NUT |
| 7 | J095 7871 | 1 | | | GASKET |
| 8 | J400 6452 | 1 | | | NUT |
| 9 | J366 5764 | 1 | | | CLIP |
| 10 | J400 7001 | 4 | | | SCREW |
| 11 | J575 1149 | 1 | | | ESCUTCHEON |
| 12 | J575 1144 | 1 | | | ESCUTCHEON |
| 13 | J575 8475 | 1 | | | ARM, Wiper |
| 14 | J575 1155 | 1 | | | ARM, Wiper |
| 15 | 5600 2292 | 2 | | | REFILL, Wiper |
| 16 | J095 7868 | 2 | | | CLIP |
| 17 | J545 4940 | 1 | | | RESERVOIR, Washer |
| 18 | J400 5466 | 2 | | | SCREW |
| 19 | J545 8180 | 2 | | | NOZZLE, Washer |
| 20 | J321 0891 | 1 | | | TEE |
| 21 | 8350 1071 | AR | | | HOSE |
| 22 | J322 3227 | 2 | | | STRAP |
| 23 | J400 1712 | 1 | | | CLIP, Cable |
| 24 | J448 9483 | 1 | | | CAP, Reservoir |

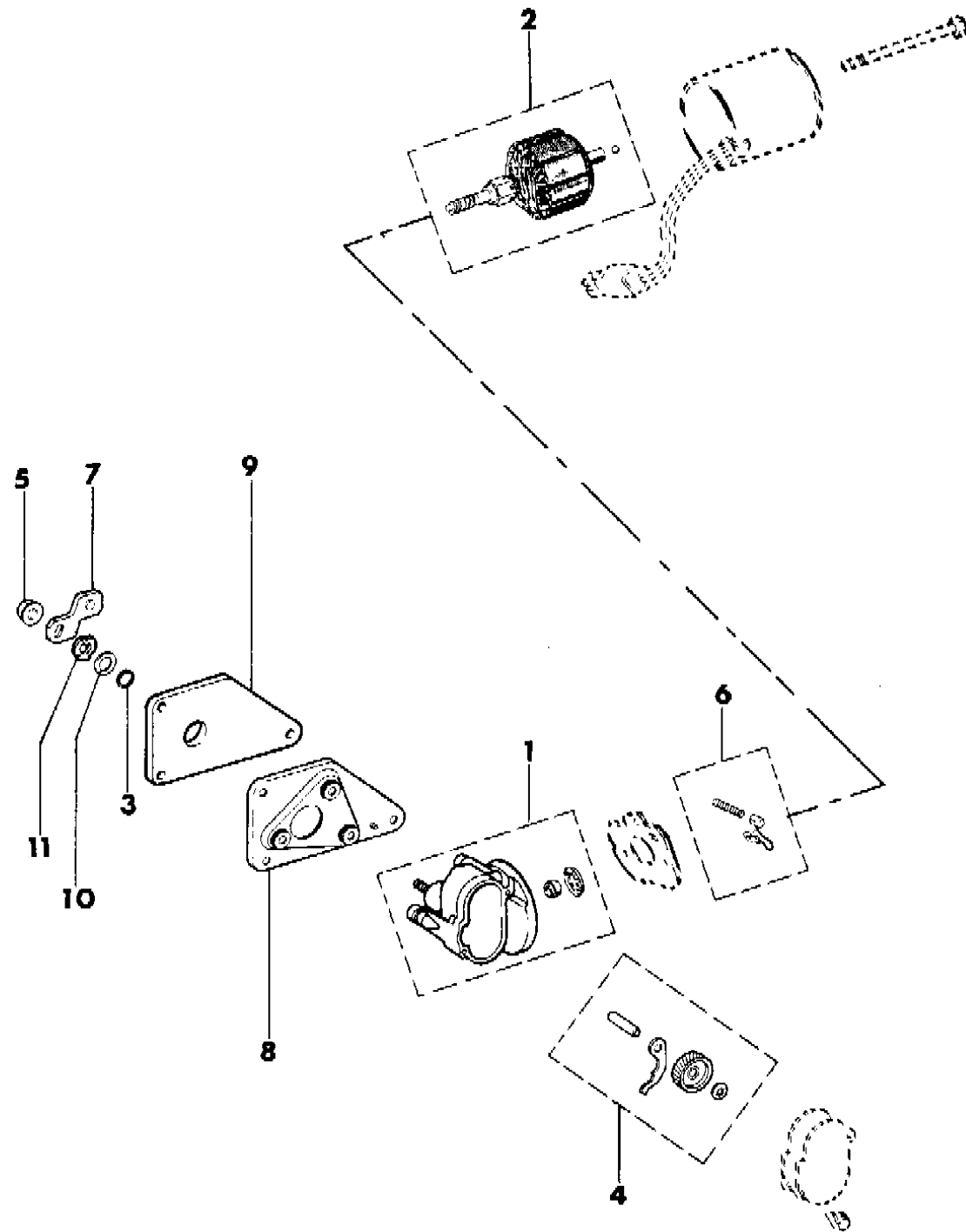
MODEL CODES:
 15 = Grand Wagoneer 4 Dr. 65 = Comanche 4WD-7 Ft. Box 77 = Cherokee 4WD-2 Dr.
 25 = J-10 Pickup-119" W.B. 66 = Comanche 2WD-7 Ft. Box 78 = Cherokee 4WD-4 Dr.
 26 = J-10 Pickup-131" W.B. 73 = Cherokee 2WD-2 Dr. 79 = Cherokee 4WD-4 Dr.-Com
 27 = J-20 Pickup-131" W.B. 74 = Cherokee 2WD-4 Dr. 81 = Wrangler-93" W.B.
 63 = Comanche 4WD-6 Ft. Box 75 = Wagoneer 4WD-4 Dr. 82 = Wrangler-103" W.B.-Exp.
 64 = Comanche 2WD-6 Ft. Box

BODY STYLES:
 MJ = Comanche Pickup
 SJ = Grand Wagoneer Wgn., J-10 & J-20 Pickups
 XJ = Cherokee, Wagoneer Limited
 YJ = Wrangler

AR = Use as Required - = Non Illustrated Part P.A.R. = Paint as Required

WIPER MOTOR COMPONENTS FOR MOTOR LABELED 8956002420 GRAND WAGONEER
Figure 23D-750

8J72 750



| ITEM | PART NUMBER | QTY | BODY | MODEL | DESCRIPTION |
|------|-------------|-----|------|-------|----------------------------|
| 1 | J812 2833 | 1 | | | HOUSING, Gear |
| 2 | J812 2830 | 1 | | | ARMATURE, Wiper *** |
| 3 | J812 2906 | 1 | | | SEAL |
| 4 | J812 3096 | 1 | | | GEAR, Wiper Motor *** |
| 5 | J812 2748 | 1 | | | NUT |
| 6 | J812 2831 | 1 | | | PACKAGE, Wiper Motor Brush |
| 7 | J575 8466 | 1 | | | ARM, Wiper Motor Drive |
| 8 | J546 9997 | 1 | | | BRACKET *** |
| 9 | J546 9998 | 1 | | | GASKET |
| 10 | J812 2750 | 1 | | | WASHER, Flat |
| 11 | J812 2749 | 1 | | | WASHER, Spring |

MODEL CODES:

| | | |
|-----------------------------|-----------------------------|------------------------------|
| 15 = Grand Wagoneer 4 Dr. | 65 = Comanche 4WD-7 Ft. Box | 77 = Cherokee 4WD-2 Dr. |
| 25 = J-10 Pickup-119" W.B. | 66 = Comanche 2WD-7 Ft. Box | 78 = Cherokee 4WD-4 Dr. |
| 26 = J-10 Pickup-131" W.B. | 73 = Cherokee 2WD-2 Dr. | 79 = Cherokee 4WD-4 Dr.-Com |
| 27 = J-20 Pickup-131" W.B. | 74 = Cherokee 2WD-4 Dr. | 81 = Wrangler-93" W.B. |
| 63 = Comanche 4WD-6 Ft. Box | 75 = Wagoneer 4WD-4 Dr. | 82 = Wrangler-103" W.B.-Exp. |
| 64 = Comanche 2WD-6 Ft. Box | | |

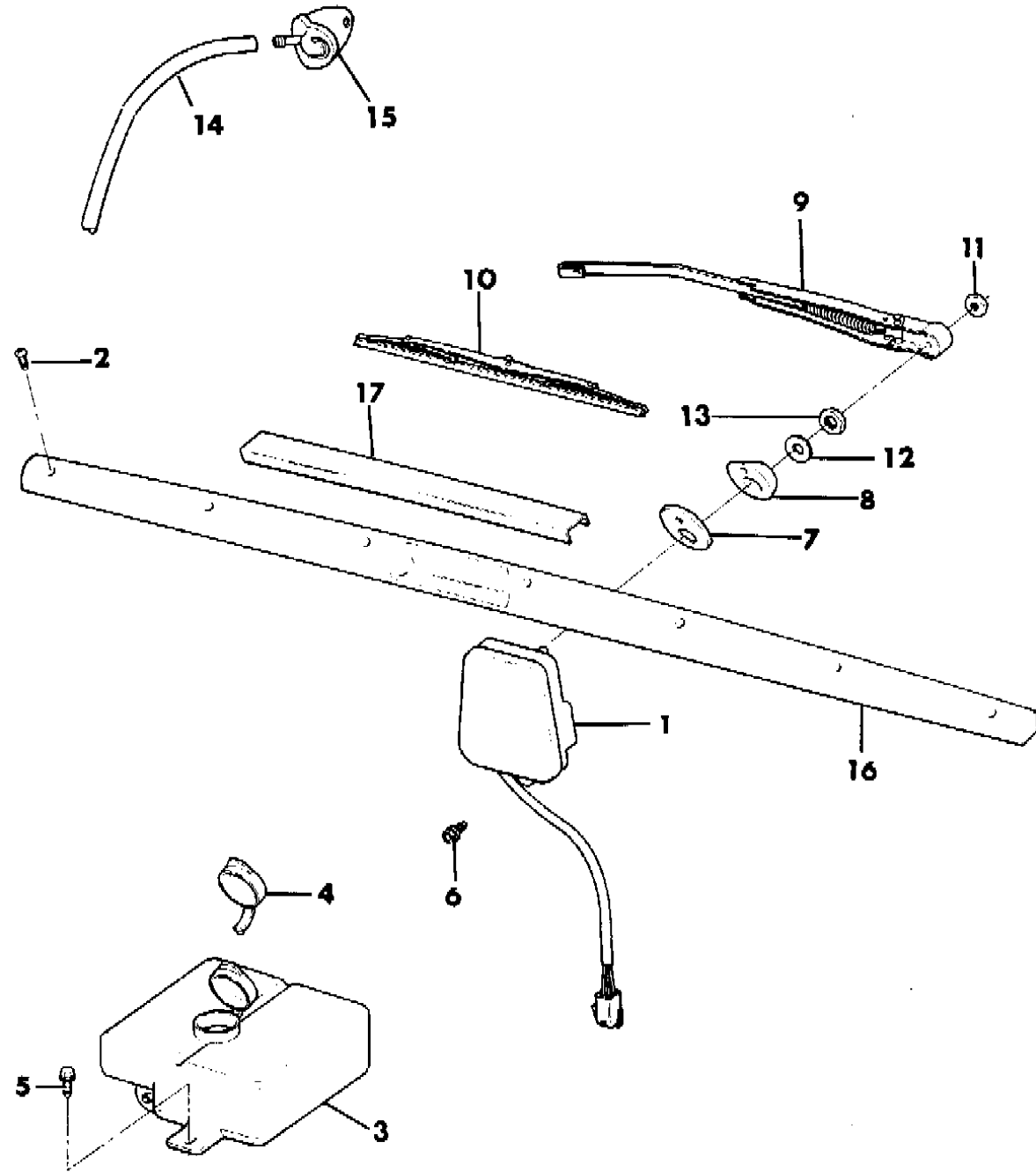
BODY STYLES:

MJ = Comanche Pickup
SJ = Grand Wagoneer Wgn., J-10 & J-20 Pickups
XJ = Cherokee, Wagoneer Limited
YJ = Wrangler

AR = Use as Required - = Non Illustrated Part P.A.R. = Paint as Required

TAILGATE WIPER AND WASHER SYSTEM GRAND WAGONEER
Figure 23D-800

8J72 800



| ITEM | PART NUMBER | QTY | BODY | MODEL | DESCRIPTION |
|------|-------------|-----|------|-------|-------------------|
| 1 | 5600 2636 | 1 | | | MOTOR, Wiper |
| 2 | J400 2461 | 7 | | | SCREW |
| 3 | J545 4940 | 1 | | | RESERVOIR, Washer |
| 4 | J448 9483 | 1 | | | CAP, Reservoir |
| 5 | J400 5466 | 1 | | | SCREW |
| 6 | J400 2203 | 1 | | | SCREW |
| 7 | 5600 2721 | 1 | | | SEAL |
| 8 | 5600 2640 | 1 | | | BEZEL |
| 9 | 5600 2641 | 1 | | | ARM, w/Head Cover |
| 10 | 5600 2642 | 1 | | | REFILL, Wiper |
| 11 | 3420 2838 | 1 | | | NUT |
| 12 | 3420 2666 | 1 | | | WASHER |
| 13 | 3420 2678 | 1 | | | NUT |
| 14 | 8350 1071 | AR | | | HOSE |
| 15 | 5600 2650 | 1 | | | NOZZLE, Washer |
| 16 | | | | | PROTECTOR, Glass |
| | 5501 9732 | 1 | | | Tan |
| | 5501 9733 | 1 | | | Cordovan |
| | 5AF3 8JY1 | 1 | | | Sand |
| 17 | 5502 1468 | 1 | | | PROTECTOR, Vinyl |

MODEL CODES:

| | | |
|-----------------------------|-----------------------------|------------------------------|
| 15 = Grand Wagoneer 4 Dr. | 65 = Comanche 4WD-7 Ft. Box | 77 = Cherokee 4WD-2 Dr. |
| 25 = J-10 Pickup-119" W.B. | 66 = Comanche 2WD-7 Ft. Box | 78 = Cherokee 4WD-4 Dr. |
| 26 = J-10 Pickup-131" W.B. | 73 = Cherokee 2WD-2 Dr. | 79 = Cherokee 4WD-4 Dr.-Com |
| 27 = J-20 Pickup-131" W.B. | 74 = Cherokee 2WD-4 Dr. | 81 = Wrangler-93" W.B. |
| 63 = Comanche 4WD-6 Ft. Box | 75 = Wagoneer 4WD-4 Dr. | 82 = Wrangler-103" W.B.-Exp. |
| 64 = Comanche 2WD-6 Ft. Box | | |

BODY STYLES:

MJ = Comanche Pickup
 SJ = Grand Wagoneer Wgn., J-10 & J-20 Pickups
 XJ = Cherokee, Wagoneer Limited
 YJ = Wrangler

AR = Use as Required - = Non Illustrated Part P.A.R. = Paint as Required

GROUP 24 - HEATER AND AIR CONDITIONING

| ILLUSTRATION TITLE | GROUP-FIG. NO. |
|---|-----------------------|
| HEATER CONTROLS | |
| CONTROLS, HEATER AND FRESH AIR WRANGLER, YJ | Fig. 24-100 |
| HEATER UNIT | |
| HEATER UNIT WRANGLER, YJ | Fig. 24-200 |
| HOUSING AND CORE, HEATER CHEROKEE, WAGONEER, COMANCHE | Fig. 24-300 |
| CORE AND BLOWER MOTOR, HEATER GRAND WAGONEER | Fig. 24-400 |
| HEATER PLUMBING | |
| PLUMBING, HEATER WRANGLER, YJ | Fig. 24-500 |
| HOSES, HEATER 2.5L GAS ENGINE AND DIESEL ENGINE CHEROKEE, WAGONEER, COMANCHE | Fig. 24-600 |
| HOSES, HEATER 4.0L ENGINE CHEROKEE, WAGONEER, COMANCHE | Fig. 24-700 |
| HOSES, HEATER GRAND WAGONEER, J10, J20 | Fig. 24-800 |
| AIR CONDITIONING CONTROLS | |
| CONTROLS, HEATER AND AIR CONDITIONING CHEROKEE, WAGONEER, COMANCHE | Fig. 24-900 |
| CONTROLS, HEATER AND AIR CONDITIONING GRAND WAGONEER, J10, J20 | Fig. 24-1000 |
| AIR CONDITIONING AND HEATER UNIT | |
| EVAPORATOR AND BLOWER, AIR CONDITIONING WRANGLER, YJ | Fig. 24-1100 |
| BLOWER MOTOR AND HOUSING HEATER AND AIR CONDITIONING CHEROKEE, WAGONEER, COMANCHE | Fig. 24-1200 |
| CORE, EVAPORATOR CHEROKEE, WAGONEER, COMANCHE | Fig. 24-1300 |
| AIR CONDITIONING UNIT GRAND WAGONEER, J10, J20 | Fig. 24-1400 |
| AIR CONDITIONING AND HEATER PLUMBING | |
| RECEIVER/DRIER AND HOSES W/FACTORY INSTALLED AIR CONDITIONING WRANGLER, YJ | Fig. 24-1500 |
| RECEIVER/DRIER AND HOSES W/AMERICAN AIR CONDITIONING WRANGLER, YJ | Fig. 24-1600 |
| RECEIVER/DRIER, CONDENSER AND HOSES 4 CYLINDER ENGINE W/FACTORY AIR CONDITIONING CHEROKEE, WAGONEER, COMANCHE | Fig. 24-1700 |
| RECEIVER/DRIER, CONDENSER AND HOSES 4 CYLINDER ENGINE W/AMERICAN AIR CONDITIONING CHEROKEE, WAGONEER, COMANCHE | Fig. 24-1800 |
| RECEIVER/DRIER, CONDENSER AND HOSES 6 CYLINDER ENGINE W/FACTORY AIR CONDITIONING CHEROKEE, WAGONEER, COMANCHE | Fig. 24-1900 |
| RECEIVER/DRIER, CONDENSER AND HOSES 6 CYLINDER ENGINE W/AMERICAN AIR CONDITIONING CHEROKEE, WAGONEER, COMANCHE | Fig. 24-2000 |
| RECEIVER/DRIER, CONDENSER AND HOSES DIESEL ENGINE W/FACTORY AIR CONDITIONING CHEROKEE, WAGONEER, COMANCHE | Fig. 24-2100 |

ILLUSTRATION NOT AVAILABLE AT TIME OF PUBLICATION

GROUP 24 - HEATER AND AIR CONDITIONING

ILLUSTRATION TITLE

GROUP-FIG. NO.

AIR CONDITIONING AND HEATER PLUMBING (Continued)

| | |
|--|--------------|
| RECEIVER/DRIER, CONDENSER AND HOSES DIESEL ENGINE W/FACTORY AIR CONDITIONING CHEROKEE, WAGONEER, COMANCHE | Fig. 24-2100 |
| LINES, HEATER AND AIR CONDITIONING VACUUM CHEROKEE, WAGONEER, COMANCHE | Fig. 24-2200 |
| RECEIVER/DRIER, CONDENSER AND HOSES W/AIR CONDITIONING GRAND WAGONEER, J10, J20 ... | Fig. 24-2300 |

AIR COMPRESSOR AND MOUNTING

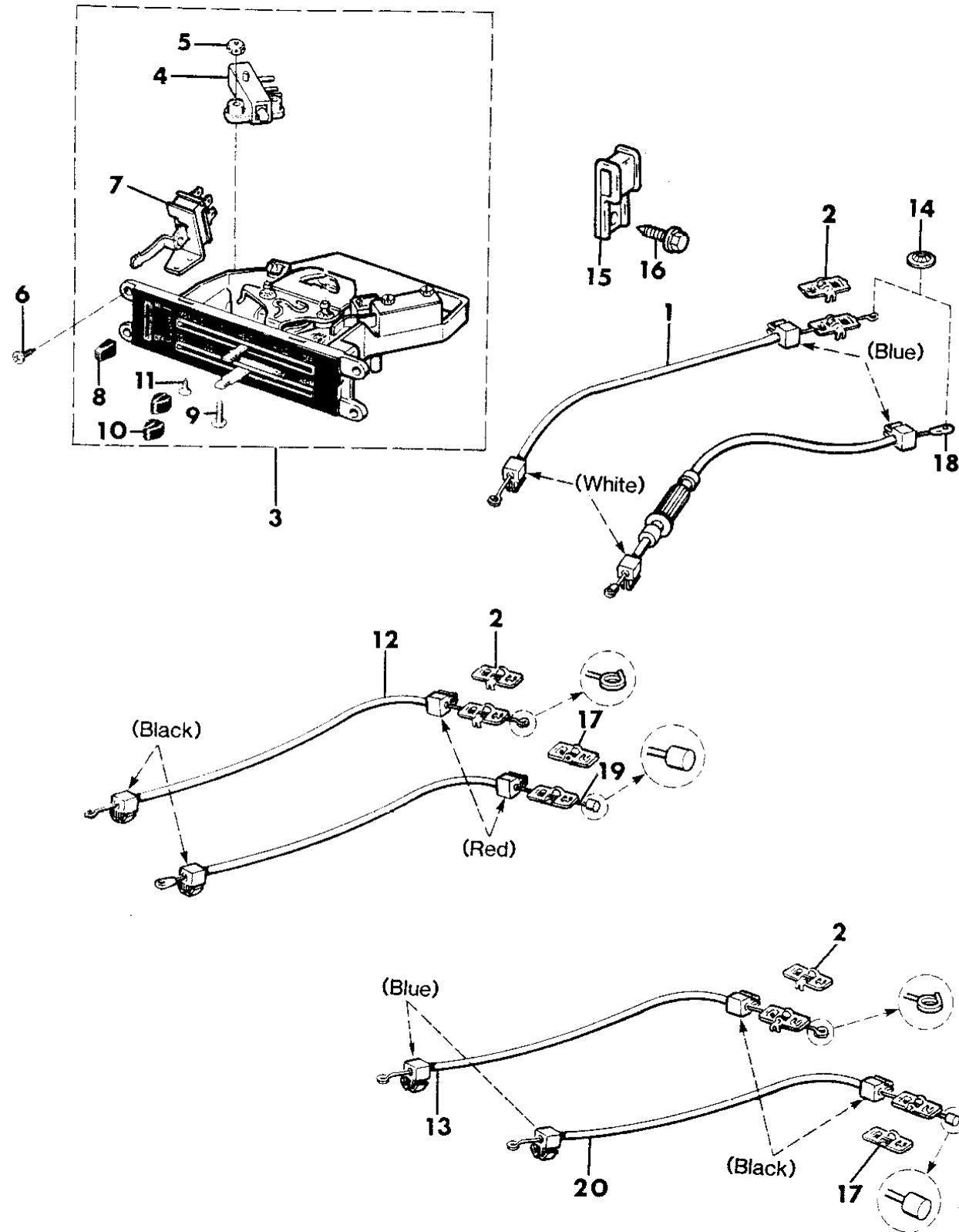
| | |
|--|--------------|
| COMPRESSOR 6 CYLINDER ENGINE W/FACTORY AIR CONDITIONING WRANGLER, YJ | Fig. 24-2400 |
| COMPRESSOR, W/AMERICAN AIR CONDITIONING WRANGLER, YJ | Fig. 24-2500 |
| COMPRESSOR, AIR CONDITIONING CHEROKEE, WAGONEER, COMANCHE | Fig. 24-2600 |
| COMPRESSOR, AIR CONDITIONING 6 CYLINDER ENGINE GRAND WAGONEER, J10, J20 | Fig. 24-2700 |
| COMPRESSOR, AIR CONDITIONING, YORK EIGHT CYLINDER GRAND WAGONEER, J10, J20 | Fig. 24-2800 |
| COMPRESSOR, AIR CONDITIONING, SANDEN 8 CYLINDER ENGINE GRAND WAGONEER | Fig. 24-2900 |
| COMPRESSOR, W/AMERICAN AIR CONDITIONING WRANGLER, YJ | Fig. 24-3000 |
| COMPRESSOR MOUNTING W/AMERICAN AIR CONDITIONING 4 CYLINDER AND 6 CYLINDER ENGINE WRANGLER, YJ | Fig. 24-3100 |
| COMPRESSOR MOUNTING W/FACTORY AIR CONDITIONING CHEROKEE, WAGONEER, COMANCHE .. | Fig. 24-3200 |
| COMPRESSOR MOUNTING, AIR CONDITIONING 6 CYLINDER ENGINE GRAND WAGONEER, J10, J20 .. | Fig. 24-3300 |
| COMPRESSOR MOUNTING, AIR CONDITIONING 8 CYLINDER ENGINE GRAND WAGONEER, J10, J20 .. | Fig. 24-3400 |

AIR DUCTS AND OUTLETS

| | |
|---|--------------|
| AIR DISTRIBUTION DUCTS, FRESH AIR WRANGLER, YJ | Fig. 24-3500 |
| AIR DUCT AND OUTLET, FRESH AIR W/O HEATER EXPORT WRANGLER | Fig. 24-3600 |
| AIR DUCTS AND OUTLETS CHEROKEE, WAGONEER, COMANCHE | Fig. 24-3700 |
| AIR DUCT, HEATING AND DEFROSTING GRAND WAGONEER | Fig. 24-3800 |
| AIR DUCTS AND OUTLETS, FRESH AIR INTAKE GRAND WAGONEER | Fig. 24-3900 |

CONTROLS, HEATER AND FRESH AIR WRANGLER, YJ
Figure 24-100

8J24100



| ITEM | PART NUMBER | QTY | BODY | MODEL | DESCRIPTION |
|------|-------------|-----|------|-------|---|
| 1 | 5600 1934 | 1 | | | CABLE, Air Vent |
| 2 | J400 5761 | 1 | | | CLIP, part must be modified to fit this application |
| 3 | 5603 0034 | 1 | | | CONTROL, Heater |
| 4 | J369 3112 | 1 | | | SWITCH, Vacuum |
| 5 | J400 3625 | 2 | | | NUT |
| 6 | J400 3671 | 4 | | | SCREW |
| 7 | 8350 4250 | 1 | | | SWITCH, Heater |
| 8 | J322 2059 | 1 | | | KNOB, Heater Blower Switch |
| 9 | J400 1267 | 2 | | | SCREW |
| 10 | J322 2060 | 2 | | | KNOB, Heater Control |
| 11 | J812 2837 | 2 | | | SCREW |
| 12 | 5600 2696 | 1 | | | CABLE, Defroster Control |
| 13 | 5600 2699 | 1 | | | CABLE, Temperature Control |
| 14 | J400 1714 | AR | | | NUT |
| 15 | J400 5669 | 1 | | | CLAMP |
| 16 | J942 1073 | 1 | | | SCREW |
| 17 | 5600 2700 | AR | | | CLIP |
| 18 | 5600 2698 | 1 | | | CABLE, Air Vent |
| 19 | 5600 2696 | 1 | | | CABLE, Defroster Control |
| 20 | 5600 2699 | 1 | | | CABLE, Temperature Control |

MODEL CODES:

| | | |
|-----------------------------|-----------------------------|------------------------------|
| 15 = Grand Wagoneer 4 Dr. | 65 = Comanche 4WD-7 Ft. Box | 77 = Cherokee 4WD-2 Dr. |
| 25 = J-10 Pickup-119" W.B. | 66 = Comanche 2WD-7 Ft. Box | 78 = Cherokee 4WD-4 Dr. |
| 26 = J-10 Pickup-131" W.B. | 73 = Cherokee 2WD-2 Dr. | 79 = Cherokee 4WD-4 Dr.-Com |
| 27 = J-20 Pickup-131" W.B. | 74 = Cherokee 2WD-4 Dr. | 81 = Wrangler-93" W.B. |
| 63 = Comanche 4WD-6 Ft. Box | 75 = Wagoneer 4WD-4 Dr. | 82 = Wrangler-103" W.B.-Exp. |
| 64 = Comanche 2WD-6 Ft. Box | | |

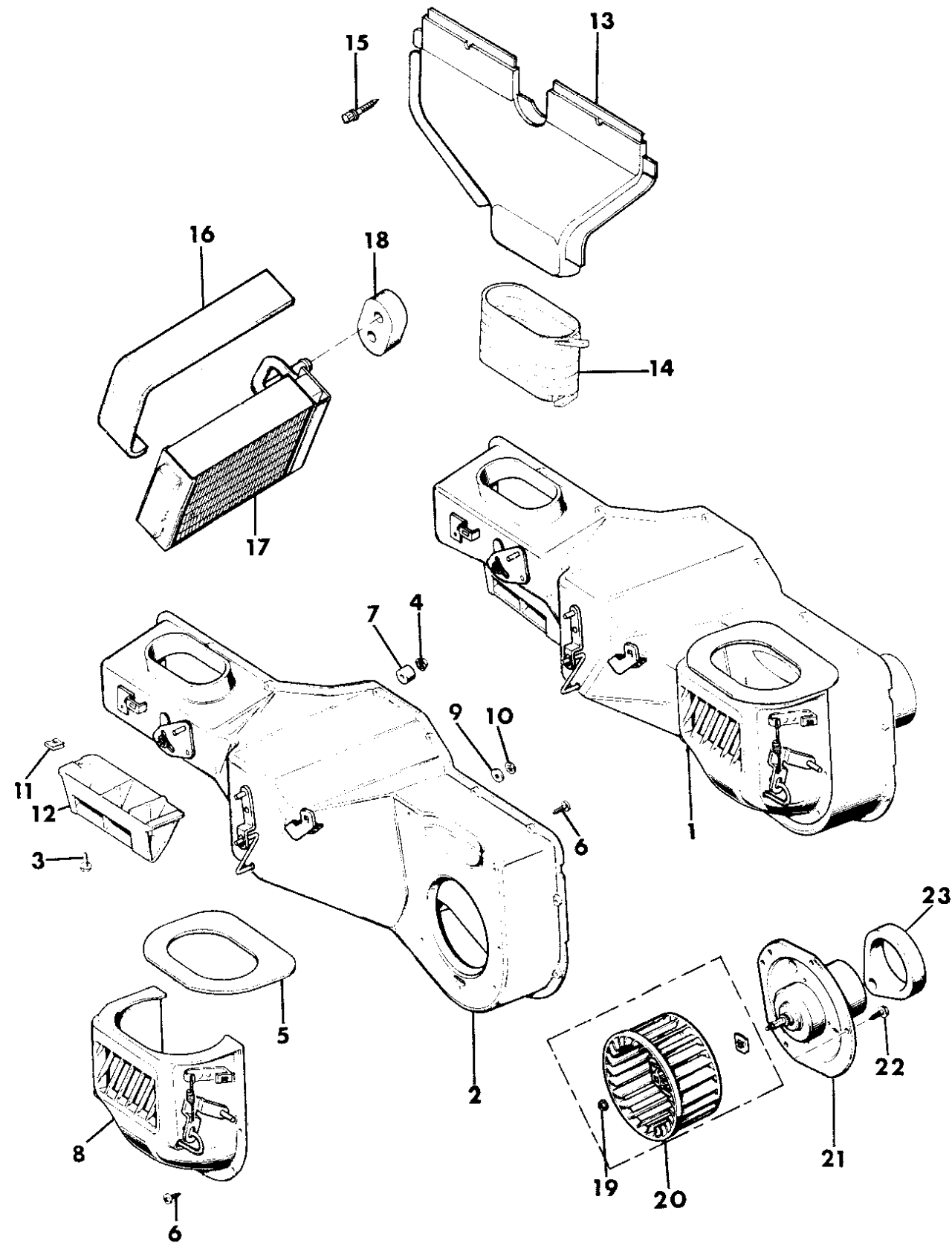
BODY STYLES:

MJ = Comanche Pickup
SJ = Grand Wagoneer Wgn., J-10 & J-20 Pickups
XJ = Cherokee, Wagoneer Limited
YJ = Wrangler

AR = Use as Required - = Non Illustrated Part P.A.R. = Paint as Required

HEATER UNIT WRANGLER, YJ
Figure 24-200

8J24 200



| ITEM | PART NUMBER | QTY | BODY | MODEL | DESCRIPTION |
|------|-------------|-----|------|-------|-------------------------|
| 1 | 5603 0133 | 1 | | | HEATER ASSEMBLY *** |
| 2 | 8350 2934 | 1 | | | HOUSING, Heater |
| 3 | J400 0774 | 1 | | | SCREW |
| 4 | J027 1172 | 4 | | | NUT |
| 5 | J546 3794 | 1 | | | SEAL |
| 6 | J400 4566 | AR | | | SCREW |
| 7 | J546 2713 | 4 | | | SPACER |
| 8 | 5600 1465 | 1 | | | HOUSING, Damper |
| 9 | J400 3089 | 1 | | | WASHER |
| 10 | J400 1714 | 1 | | | NUT, Push |
| 11 | J400 5843 | 1 | | | NUT, U-Type |
| 12 | J546 1575 | 1 | | | ADAPTER, Heater Outlet |
| 13 | 5500 7298 | 1 | | | DUCT, Defroster |
| 14 | 5600 1477 | 1 | | | HOSE |
| 15 | 3420 1688 | 2 | | | SCREW |
| 16 | J546 2704 | 1 | | | SEAL, Heater Core |
| 17 | 5600 1459 | 1 | | | CORE, Heater |
| 18 | J546 2711 | 1 | | | SEAL, Heater Core Tubes |
| 19 | J420 0306 | 1 | | | NUT |
| 20 | J812 2174 | 1 | | | WHEEL, Blower |
| 21 | 5600 1449 | 1 | | | MOTOR, Blower |
| 22 | J812 0054 | 5 | | | SCREW |
| 23 | J546 2710 | 1 | | | SEAL |

MODEL CODES:

| | | |
|-----------------------------|-----------------------------|------------------------------|
| 15 = Grand Wagoneer 4 Dr. | 65 = Comanche 4WD-7 Ft. Box | 77 = Cherokee 4WD-2 Dr. |
| 25 = J-10 Pickup-119" W.B. | 66 = Comanche 2WD-7 Ft. Box | 78 = Cherokee 4WD-4 Dr. |
| 26 = J-10 Pickup-131" W.B. | 73 = Cherokee 2WD-2 Dr. | 79 = Cherokee 4WD-4 Dr.-Com |
| 27 = J-20 Pickup-131" W.B. | 74 = Cherokee 2WD-4 Dr. | 81 = Wrangler-93" W.B. |
| 63 = Comanche 4WD-6 Ft. Box | 75 = Wagoneer 4WD-4 Dr. | 82 = Wrangler-103" W.B.-Exp. |
| 64 = Comanche 2WD-6 Ft. Box | | |

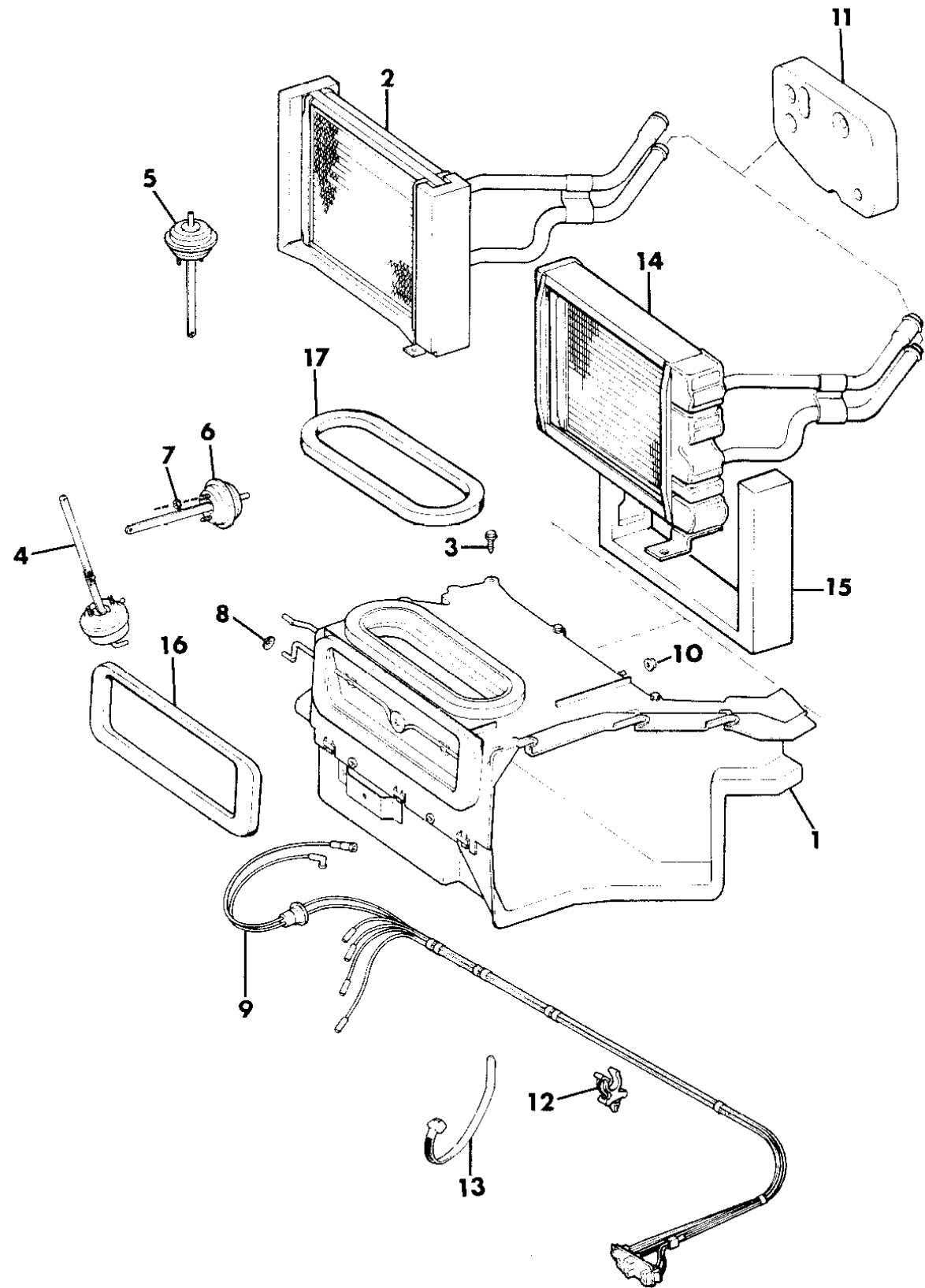
BODY STYLES:

MJ = Comanche Pickup
SJ = Grand Wagoneer Wgn., J-10 & J-20 Pickups
XJ = Cherokee, Wagoneer Limited
YJ = Wrangler

AR = Use as Required - = Non Illustrated Part P.A.R. = Paint as Required

HOUSING AND CORE, HEATER CHEROKEE, WAGONEER, COMANCHE
Figure 24-300

8 J24 300



| ITEM | PART NUMBER | QTY | BODY | MODEL | DESCRIPTION |
|------|-------------|-----|------|-------|--|
| 1 | | | | | HOUSING, Heater |
| | 8350 0957 | 1 | | | w/o Air Cond. |
| | 8350 0959 | 1 | | | w/Air Cond. |
| 2 | 5600 0049 | 1 | | | CORE, Heater, w/Gas Engine |
| 3 | 3420 1366 | 3 | | | SCREW |
| 4 | 5600 0043 | 1 | | | MOTOR, Heater Vacuum, Defroster |
| 5 | 5600 0044 | 1 | | | MOTOR, Heater Vacuum |
| 6 | 5600 0198 | 1 | | | MOTOR, Heater Vacuum, Inst. Panel Outlet |
| 7 | 3420 1001 | AR | | | NUT |
| 8 | J400 0369 | AR | | | NUT, Push |
| 9 | | | | | HOSE, Vacuum |
| | 5600 1772 | 1 | | | w/o Air Cond. |
| | 5600 1771 | 1 | | | w/Air Cond. |
| 10 | 3420 1358 | 2 | | | NUT |
| 11 | 5600 1268 | 1 | | | SEAL, w/o Air Cond. |
| 12 | 5600 1280 | 1 | | | CLIP |
| 13 | J322 3227 | 1 | | | STRAP |
| 14 | 5600 1321 | 1 | | | CORE, Heater, w/Diesel Engine |
| 15 | 5600 1322 | 1 | | | SEAL, Heater Core, w/Diesel Engine |
| 16 | 5600 0533 | 1 | | | SEAL |
| 17 | 5600 0513 | 1 | | | SEAL |

MODEL CODES:

| | | |
|-----------------------------|-----------------------------|------------------------------|
| 15 = Grand Wagoneer 4 Dr. | 65 = Comanche 4WD-7 Ft. Box | 77 = Cherokee 4WD-2 Dr. |
| 25 = J-10 Pickup-119" W.B. | 66 = Comanche 2WD-7 Ft. Box | 78 = Cherokee 4WD-4 Dr. |
| 26 = J-10 Pickup-131" W.B. | 73 = Cherokee 2WD-2 Dr. | 79 = Cherokee 4WD-4 Dr.-Com |
| 27 = J-20 Pickup-131" W.B. | 74 = Cherokee 2WD-4 Dr. | 81 = Wrangler-93" W.B. |
| 63 = Comanche 4WD-6 Ft. Box | 75 = Wagoneer 4WD-4 Dr. | 82 = Wrangler-103" W.B.-Exp. |
| 64 = Comanche 2WD-6 Ft. Box | | |

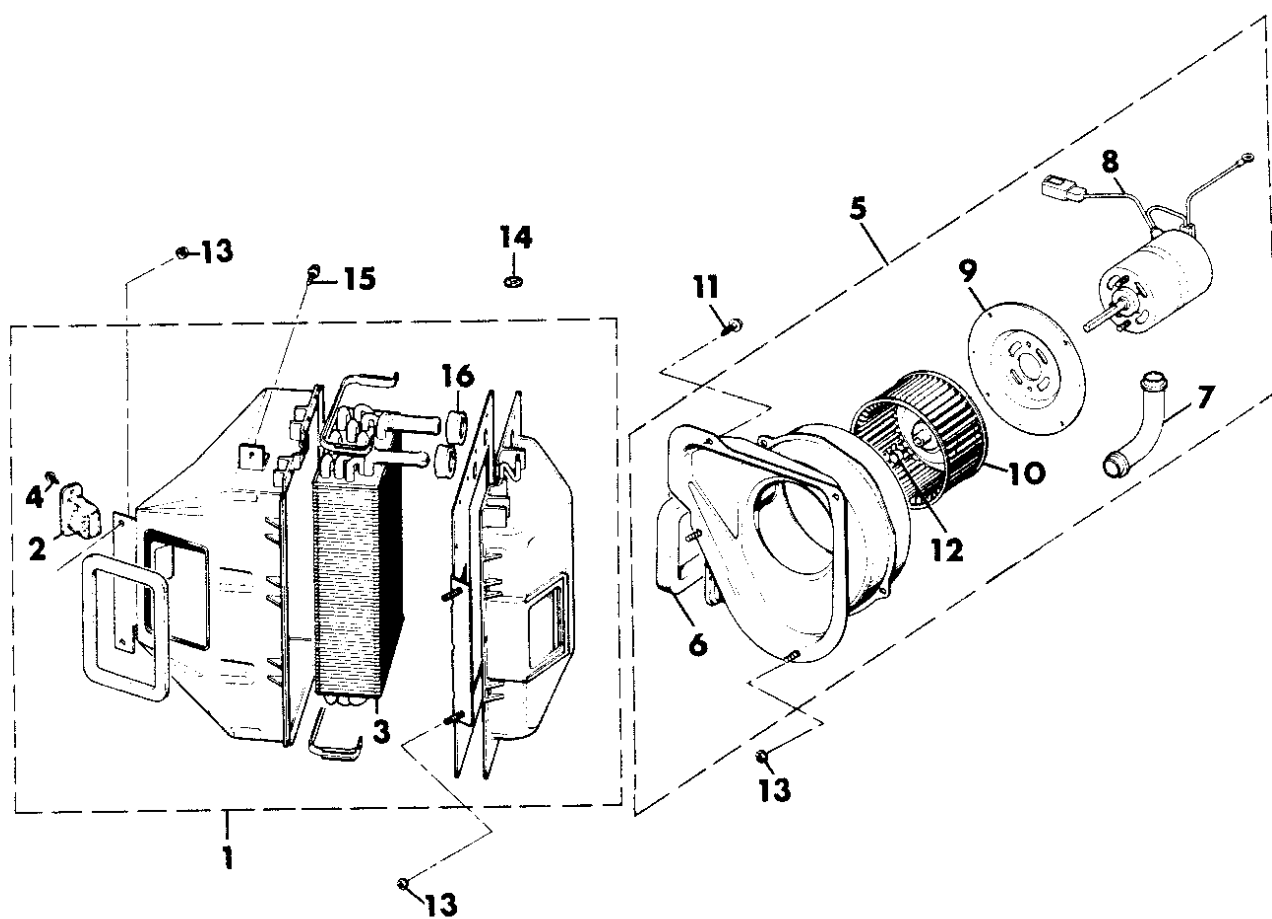
BODY STYLES:

MJ = Comanche Pickup
 SJ = Grand Wagoneer Wgn., J-10 & J-20 Pickups
 XJ = Cherokee, Wagoneer Limited
 YJ = Wrangler

AR = Use as Required - = Non Illustrated Part P.A.R. = Paint as Required

CORE AND BLOWER MOTOR, HEATER GRAND WAGONEER
Figure 24-400

8J24 400



| ITEM | PART NUMBER | QTY | BODY | MODEL | DESCRIPTION |
|------|-------------|-----|------|-------|------------------------------|
| 1 | | | | | HEATER |
| | 5600 1493 | 1 | | | 1987-89 |
| | 5600 3915 | 1 | | | 1990 |
| 2 | | | | | RESISTOR |
| | 5600 1516 | 1 | | | Up to 10-2-89 |
| | 5600 3913 | 1 | | | After 10-2-89 |
| 3 | J812 8784 | 1 | | | CORE, Heater |
| 4 | J812 0054 | 2 | | | SCREW |
| 5 | J546 4398 | 1 | | | BLOWER, Heater 1988/90 |
| 6 | J546 4395 | 1 | | | GASKET |
| 7 | J322 0580 | 1 | | | TUBE, Cooling |
| 8 | J812 8778 | 1 | | | MOTOR, Blower |
| 9 | J546 4439 | 1 | | | PLATE, Blower Motor Mounting |
| 10 | J322 0588 | 1 | | | WHEEL, Blower |
| 11 | J942 3952 | 2 | | | SCREW |
| 12 | | | | | CLAMP |
| | J093 4246 | 1 | | | 1987-89 |
| | J318 1643 | 1 | | | 1990 |
| 13 | J027 1172 | AR | | | NUT |
| 14 | J400 6866 | 1 | | | NUT, Push |
| 15 | J812 0052 | 1 | | | SCREW |
| 16 | J546 4422 | 2 | | | SEAL |

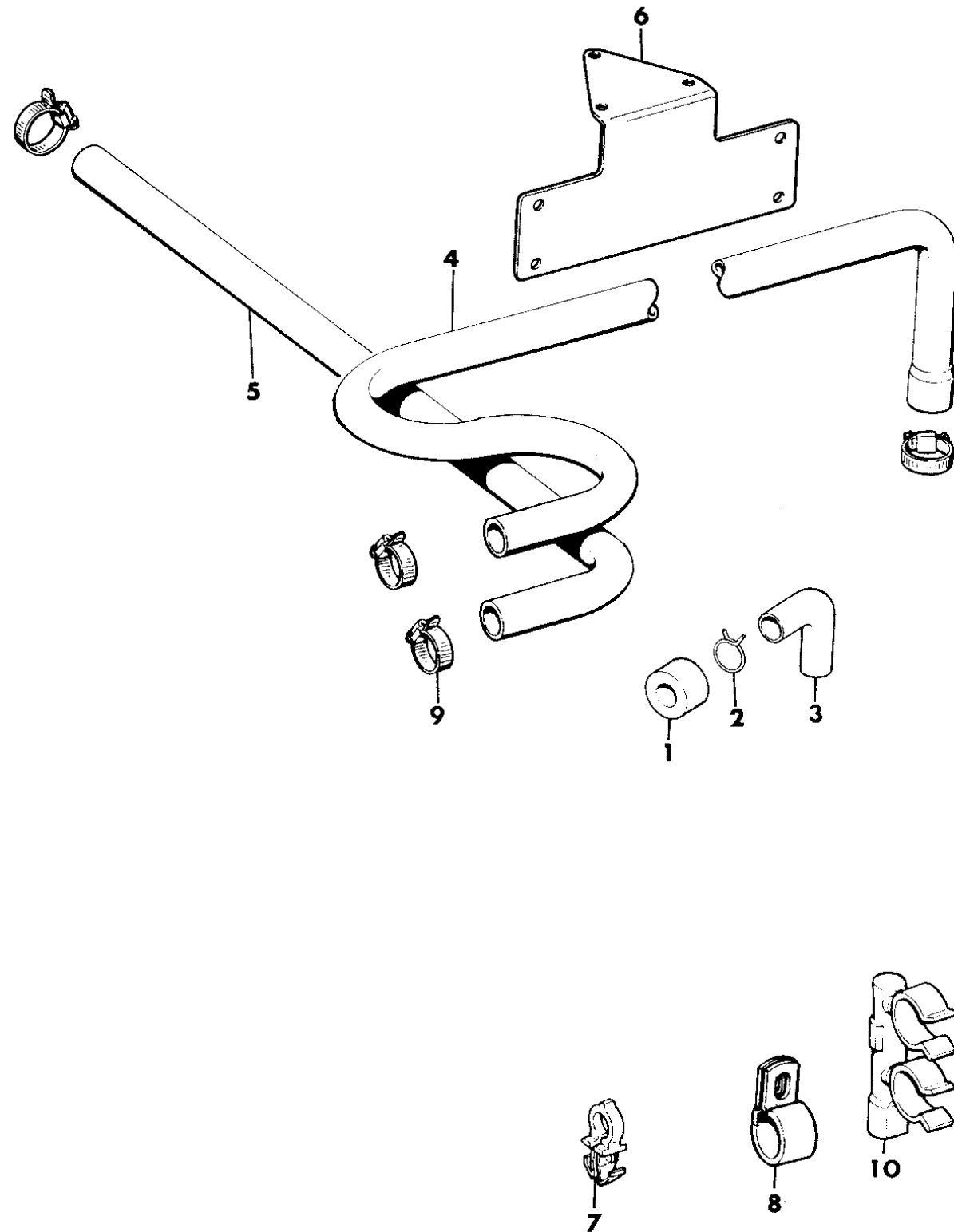
MODEL CODES:
 15 = Grand Wagoneer 4 Dr. 65 = Comanche 4WD-7 Ft. Box 77 = Cherokee 4WD-2 Dr.
 25 = J-10 Pickup-119" W.B. 66 = Comanche 2WD-7 Ft. Box 78 = Cherokee 4WD-4 Dr.
 26 = J-10 Pickup-131" W.B. 73 = Cherokee 2WD-2 Dr. 79 = Cherokee 4WD-4 Dr.-Com
 27 = J-20 Pickup-131" W.B. 74 = Cherokee 2WD-4 Dr. 81 = Wrangler-93" W.B.
 63 = Comanche 4WD-6 Ft. Box 75 = Wagoneer 4WD-4 Dr. 82 = Wrangler-103" W.B.-Exp.
 64 = Comanche 2WD-6 Ft. Box

BODY STYLES:
 MJ = Comanche Pickup
 SJ = Grand Wagoneer Wgn., J-10 & J-20 Pickups
 XJ = Cherokee, Wagoneer Limited
 YJ = Wrangler

AR = Use as Required - = Non Illustrated Part P.A.R. = Paint as Required

PLUMBING, HEATER WRANGLER, YJ
Figure 24-500

8J24 500



| ITEM | PART NUMBER | QTY | BODY | MODEL | DESCRIPTION |
|------|-------------|-----|------|-------|-------------------------------|
| 1 | J546 2712 | 1 | | | SEAL |
| 2 | S027 2844 | 1 | | | CLAMP, Hose |
| 3 | J546 3814 | 1 | | | HOSE, Drain |
| 4 | | | | | HOSE, Core to Pump |
| | 5200 3912 | 1 | | | 2.5L Engine |
| | 5200 3907 | 1 | | | 4.2L Engine |
| 5 | | | | | HOSE, Manifold to Heater Core |
| | 5200 3841 | 1 | | | 2.5L Engine |
| | 5200 3909 | 1 | | | 4.2L Engine |
| 6 | 5200 2985 | 1 | | | BRACKET, Hose Mounting |
| 7 | 3420 2510 | 2 | | | CLIP, Hose Support |
| 8 | J372 8064 | 2 | | | CLIP, Wire |
| 9 | J320 3077 | 4 | | | CLAMP, Hose |
| 10 | 3300 1640 | 1 | | | BRACKET, Support |

MODEL CODES:

| | | |
|-----------------------------|-----------------------------|------------------------------|
| 15 = Grand Wagoneer 4 Dr. | 65 = Comanche 4WD-7 Ft. Box | 77 = Cherokee 4WD-2 Dr. |
| 25 = J-10 Pickup-119" W.B. | 66 = Comanche 2WD-7 Ft. Box | 78 = Cherokee 4WD-4 Dr. |
| 26 = J-10 Pickup-131" W.B. | 73 = Cherokee 2WD-2 Dr. | 79 = Cherokee 4WD-4 Dr.-Com |
| 27 = J-20 Pickup-131" W.B. | 74 = Cherokee 2WD-4 Dr. | 81 = Wrangler-93" W.B. |
| 63 = Comanche 4WD-6 Ft. Box | 75 = Wagoneer 4WD-4 Dr. | 82 = Wrangler-103" W.B.-Exp. |
| 64 = Comanche 2WD-6 Ft. Box | | |

BODY STYLES:

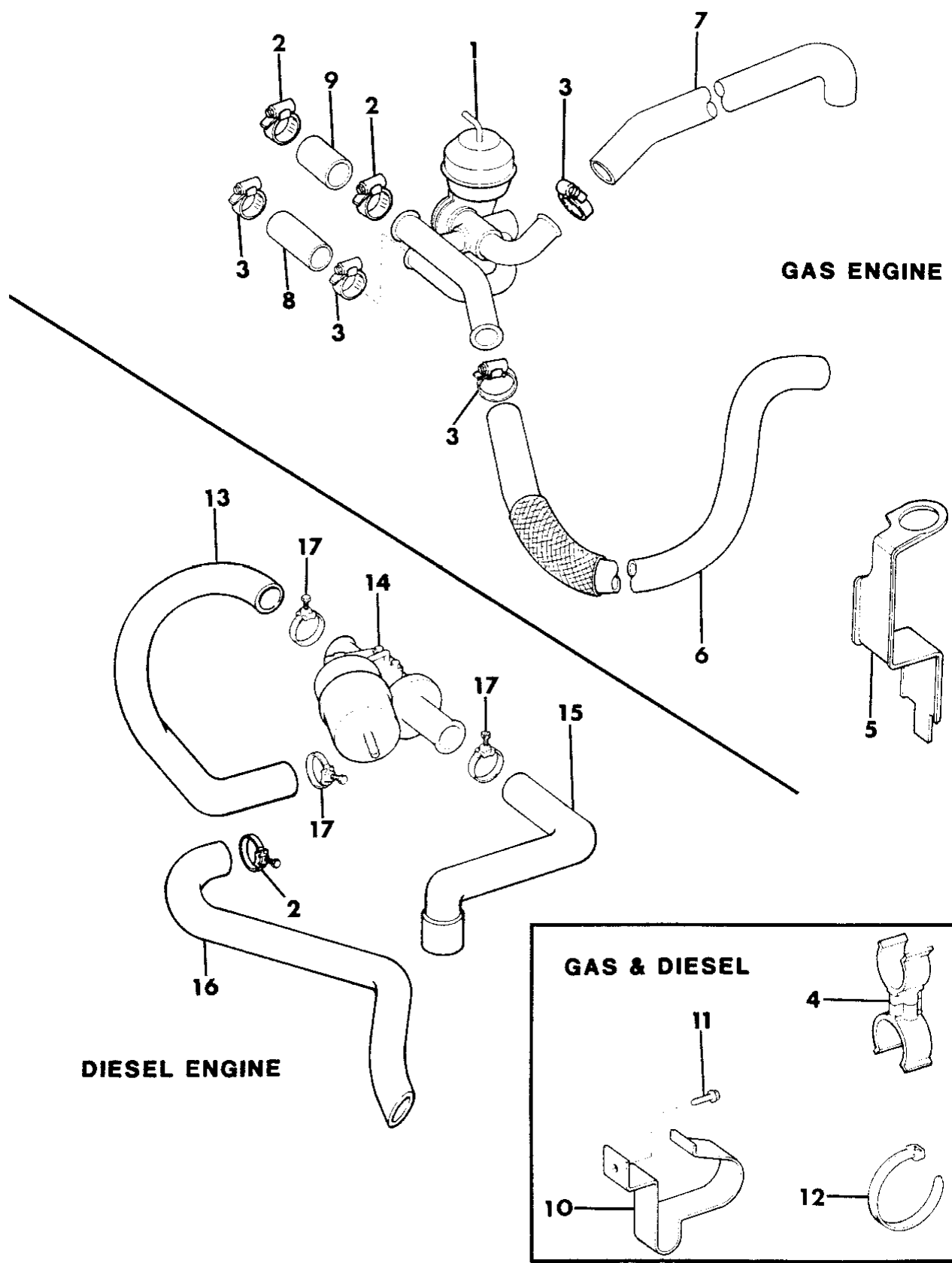
MJ = Comanche Pickup
SJ = Grand Wagoneer Wgn., J-10 & J-20 Pickups
XJ = Cherokee, Wagoneer Limited
YJ = Wrangler

AR = Use as Required - = Non Illustrated Part P.A.R. = Paint as Required

HOSES, HEATER 2.5L GAS ENGINE AND DIESEL ENGINE CHEROKEE, WAGONEER, COMANCHE
Figure 24-600

8J24 600

| ITEM | PART NUMBER | QTY | BODY | MODEL | DESCRIPTION |
|------|-------------|-----|------|-------|---|
| 1 | 5600 2522 | 1 | | | VALVE, Water, Gas Engine |
| 2 | J320 3077 | AR | | | CLAMP, Hose, 13/16" to 1 3/4" |
| 3 | J320 3076 | AR | | | CLAMP, Hose, 9/16" to 1 1/16" |
| 4 | | | | | CLIP |
| | 5600 1786 | 1 | | | Gas Engine |
| | 5200 1603 | 1 | | | Diesel Engine |
| 5 | 5500 9747 | 1 | | | CLIP, Gas Engine |
| 6 | | | | | HOSE |
| | 5200 3603 | 1 | | | w/o Factory Air Cond., Core to Pump, Gas Engine |
| | 5200 3917 | 1 | | | w/Factory Air Cond., Valve to Pump, Gas Engine |
| 7 | | | | | HOSE |
| | 5200 3840 | 1 | | | U.S. and Canada, Gas Engine |
| | 5600 1254 | 1 | | | Non Regulated Markets, Gas Engine |
| 8 | J320 3739 | 1 | | | Hose, Valve to Heater Inlet, Gas Engine, 15.9mm I.D. (serv. in 50 ft. roll) *** |
| 9 | 5200 3887 | 1 | | | HOSE, Valve to Heater Outlet, Gas Engine |
| 10 | 5600 0712 | 1 | | | BRACKET |
| 11 | 3420 1489 | 1 | | | SCREW |
| 12 | J322 3227 | AR | | | STRAP |
| 13 | 5600 1265 | 1 | | | HOSE, Diesel Engine |
| 14 | J322 2290 | 1 | | | VALVE, Heater, Diesel Engine |
| 15 | 5600 1277 | 1 | | | HOSE, Diesel Engine |
| 16 | 5600 1696 | 1 | | | HOSE, Diesel Engine |
| 17 | J320 3076 | AR | | | CLAMP, Hose, Diesel Engine |



MODEL CODES:
 15 = Grand Wagoneer 4 Dr. 65 = Comanche 4WD-7 Ft. Box 77 = Cherokee 4WD-2 Dr.
 25 = J-10 Pickup-119" W.B. 66 = Comanche 2WD-7 Ft. Box 78 = Cherokee 4WD-4 Dr.
 26 = J-10 Pickup-131" W.B. 73 = Cherokee 2WD-2 Dr. 79 = Cherokee 4WD-4 Dr.-Com
 27 = J-20 Pickup-131" W.B. 74 = Cherokee 2WD-4 Dr. 81 = Wrangler-93" W.B.
 63 = Comanche 4WD-6 Ft. Box 75 = Wagoneer 4WD-4 Dr. 82 = Wrangler-103" W.B.-Exp.
 64 = Comanche 2WD-6 Ft. Box

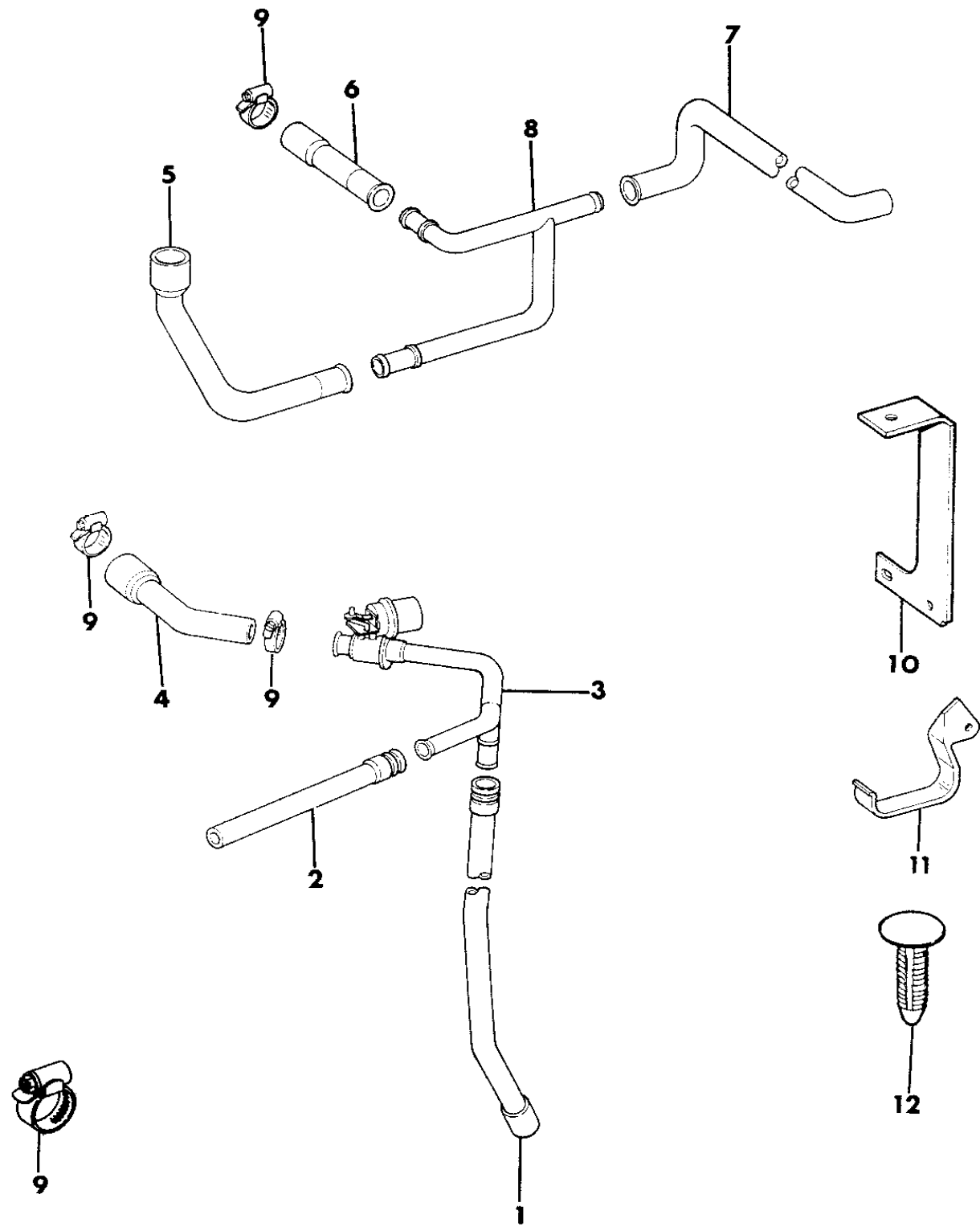
BODY STYLES:
 MJ = Comanche Pickup
 SJ = Grand Wagoneer Wgn., J-10 & J-20 Pickups
 XJ = Cherokee, Wagoneer Limited
 YJ = Wrangler

AR = Use as Required - = Non Illustrated Part P.A.R. = Paint as Required

HOSES, HEATER 4.0L ENGINE CHEROKEE, WAGONEER, COMANCHE
Figure 24-700

8 J24 700

| ITEM | PART NUMBER | QTY | BODY | MODEL | DESCRIPTION |
|------|-------------|-----|------|-------|-------------------------------|
| 1 | 5200 3880 | 1 | | | HOSE, Water Pump to Valve Tee |
| 2 | 5200 3881 | 1 | | | HOSE, Bottle to Valve Tee |
| 3 | 5200 3226 | 1 | | | VALVE, Heater |
| 4 | 5200 3882 | 1 | | | HOSE, Valve to Heater |
| 5 | 5200 3876 | 1 | | | HOSE, Bottle to Tee |
| 6 | 5200 3877 | 1 | | | HOSE, Heater to Tee |
| 7 | 5200 3878 | 1 | | | HOSE, Tee to Pump |
| 8 | 5200 3248 | 1 | | | TEE |
| 9 | | | | | CLAMP, Hose |
| | J320 3076 | AR | | | 9/16" to 1-1/16" |
| | J320 3077 | AR | | | 13/16" to 1-3/4" |
| 10 | 5200 3030 | 1 | | | BRACKET, Hose Mounting |
| 11 | 5200 3241 | 1 | | | BRACKET, Hose Mounting |
| 12 | 3420 1942 | AR | | | FASTENER |



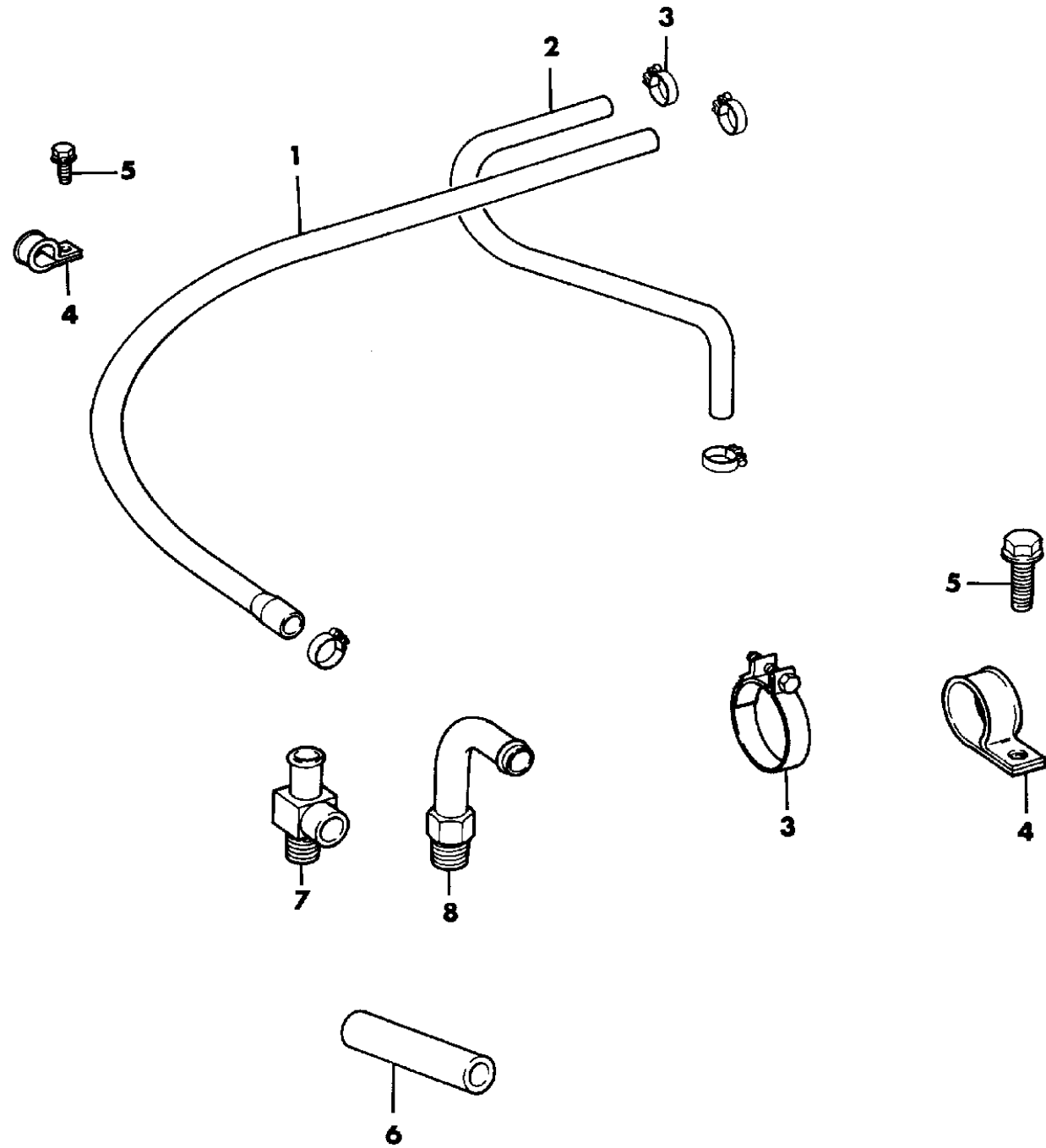
MODEL CODES:
 15 = Grand Wagoneer 4 Dr. 65 = Comanche 4WD-7 Ft. Box 77 = Cherokee 4WD-2 Dr.
 25 = J-10 Pickup-119" W.B. 66 = Comanche 2WD-7 Ft. Box 78 = Cherokee 4WD-4 Dr.
 26 = J-10 Pickup-131" W.B. 73 = Cherokee 2WD-2 Dr. 79 = Cherokee 4WD-4 Dr.-Com
 27 = J-20 Pickup-131" W.B. 74 = Cherokee 2WD-4 Dr. 81 = Wrangler-93" W.B.
 63 = Comanche 4WD-6 Ft. Box 75 = Wagoneer 4WD-4 Dr. 82 = Wrangler-103" W.B.-Exp.
 64 = Comanche 2WD-6 Ft. Box

BODY STYLES:
 MJ = Comanche Pickup
 SJ = Grand Wagoneer Wgn., J-10 & J-20 Pickups
 XJ = Cherokee, Wagoneer Limited
 YJ = Wrangler

AR = Use as Required - = Non Illustrated Part P.A.R. = Paint as Required

HOSES, HEATER GRAND WAGONEER, J10, J20
Figure 24-800

8J24 800



| ITEM | PART NUMBER | QTY | BODY | MODEL | DESCRIPTION |
|------|-------------|-----|------|-------|---|
| 1 | J576 5301 | 1 | | | HOSE, Core to Pump |
| 2 | J576 4195 | 1 | | | HOSE, Manifold to Heater Core |
| | 1315 466 | 1 | | | 8 Cyl. Engine |
| | | | | | 6 Cyl. Engine, 15.9mm I.D. (serv. in 50 ft. roll) |
| 3 | S044 3632 | AR | | | CLAMP |
| 4 | J400 3838 | 1 | | | CLIP |
| 5 | J400 1814 | 1 | | | SCREW, 8 Cyl. Engine |
| 6 | J535 4540 | 1 | | | PROTECTOR, Hose, 8 Cyl. Engine |
| 7 | J322 3227 | 1 | | | STRAP, 6 Cyl. Engine |
| 8 | 5300 0680 | 1 | | | FITTING, 90 Degree, 8 Cyl. Engine |
| 9 | J321 9631 | 1 | | | NIPPLE, Manifold, 8 Cyl. Engine |
| 10 | J576 4086 | 1 | | | BRACKET, Hose Mounting, 6 Cyl. Engine |

MODEL CODES:

| | | |
|-----------------------------|-----------------------------|------------------------------|
| 15 = Grand Wagoneer 4 Dr. | 65 = Comanche 4WD-7 Ft. Box | 77 = Cherokee 4WD-2 Dr. |
| 25 = J-10 Pickup-119" W.B. | 66 = Comanche 2WD-7 Ft. Box | 78 = Cherokee 4WD-4 Dr. |
| 26 = J-10 Pickup-131" W.B. | 73 = Cherokee 2WD-2 Dr. | 79 = Cherokee 4WD-4 Dr.-Com |
| 27 = J-20 Pickup-131" W.B. | 74 = Cherokee 2WD-4 Dr. | 81 = Wrangler-93" W.B. |
| 63 = Comanche 4WD-6 Ft. Box | 75 = Wagoneer 4WD-4 Dr. | 82 = Wrangler-103" W.B.-Exp. |
| 64 = Comanche 2WD-6 Ft. Box | | |

BODY STYLES:

MJ = Comanche Pickup
SJ = Grand Wagoneer Wgn., J-10 & J-20 Pickups
XJ = Cherokee, Wagoneer Limited
YJ = Wrangler

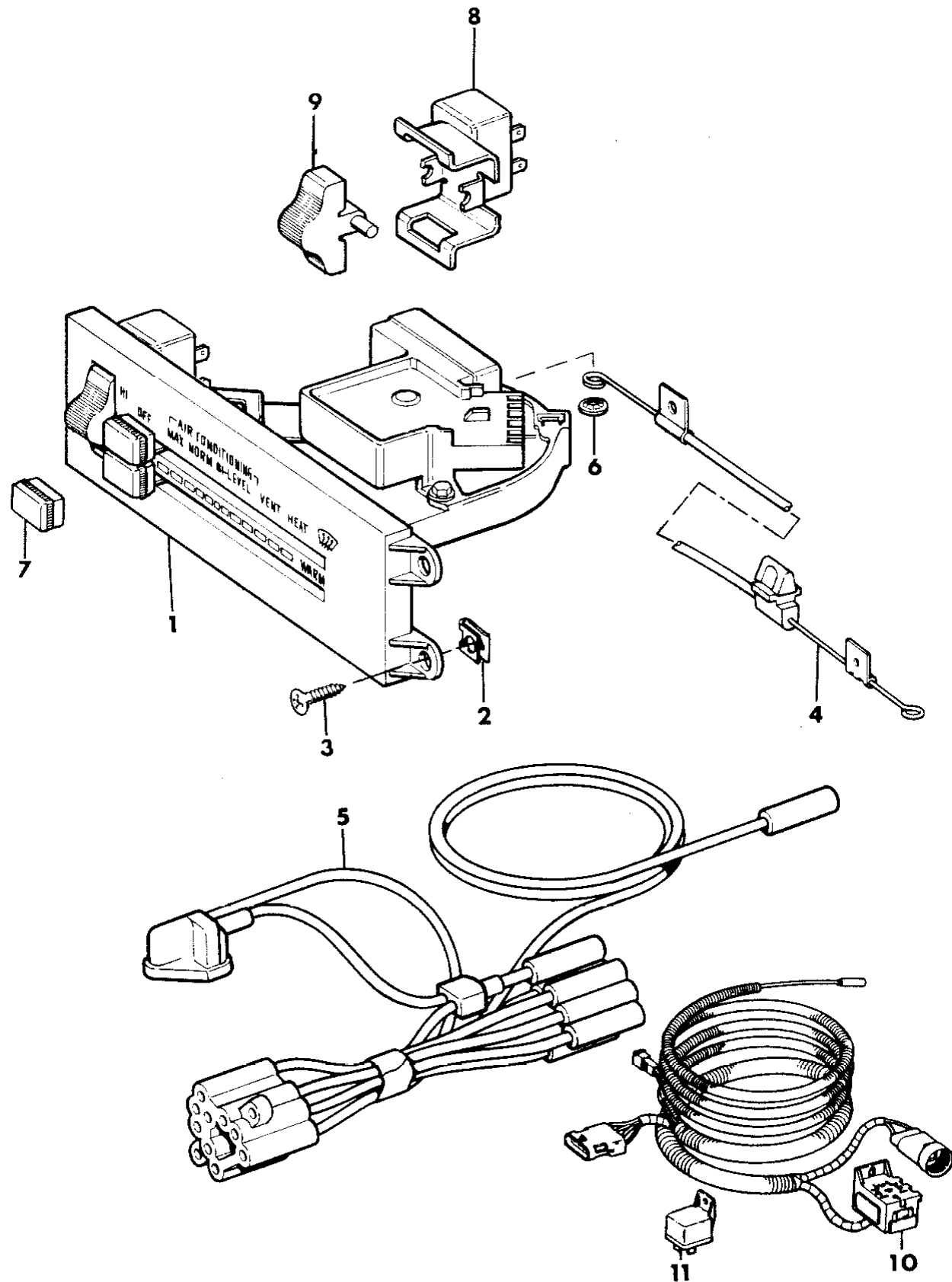
AR = Use as Required - = Non Illustrated Part P.A.R. = Paint as Required

CONTROLS, HEATER AND AIR CONDITIONING CHEROKEE, WAGONEER, COMANCHE

Figure 24-900

8 J24 900

| ITEM | PART NUMBER | QTY | BODY | MODEL | DESCRIPTION |
|------|-------------|-----|------|-------|--|
| 1 | | | | | CONTROL, Heater |
| | 5600 1761 | 1 | | | w/o Air Cond. |
| | 5600 1762 | 1 | | | w/Air Cond. |
| 2 | J400 4223 | 4 | | | NUT |
| 3 | J400 2461 | 4 | | | SCREW |
| 4 | 5600 3542 | 1 | | | CABLE, Blend Air Door |
| 5 | 8350 4357 | 1 | | | HARNESSES, Vacuum, w/Field Installed American Air Conditioning |
| 6 | J400 6866 | 1 | | | NUT |
| 7 | 8350 2718 | 2 | | | KNOB |
| 8 | 8350 2719 | 1 | | | SWITCH, Blower |
| 9 | 8350 2721 | 1 | | | WHEEL, Thumb |
| 10 | 8350 5538 | 1 | | | HARNESSES, Jumper, w/Field Installed American Air Conditioning |
| 11 | 3300 1776 | 1 | | | RELAY, w/Field Installed American Air Conditioning |



MODEL CODES:

| | | |
|-----------------------------|-----------------------------|------------------------------|
| 15 = Grand Wagoneer 4 Dr. | 65 = Comanche 4WD-7 Ft. Box | 77 = Cherokee 4WD-2 Dr. |
| 25 = J-10 Pickup-119" W.B. | 66 = Comanche 2WD-7 Ft. Box | 78 = Cherokee 4WD-4 Dr. |
| 26 = J-10 Pickup-131" W.B. | 73 = Cherokee 2WD-2 Dr. | 79 = Cherokee 4WD-4 Dr.-Com |
| 27 = J-20 Pickup-131" W.B. | 74 = Cherokee 2WD-4 Dr. | 81 = Wrangler-93" W.B. |
| 63 = Comanche 4WD-6 Ft. Box | 75 = Wagoneer 4WD-4 Dr. | 82 = Wrangler-103" W.B.-Exp. |
| 64 = Comanche 2WD-6 Ft. Box | | |

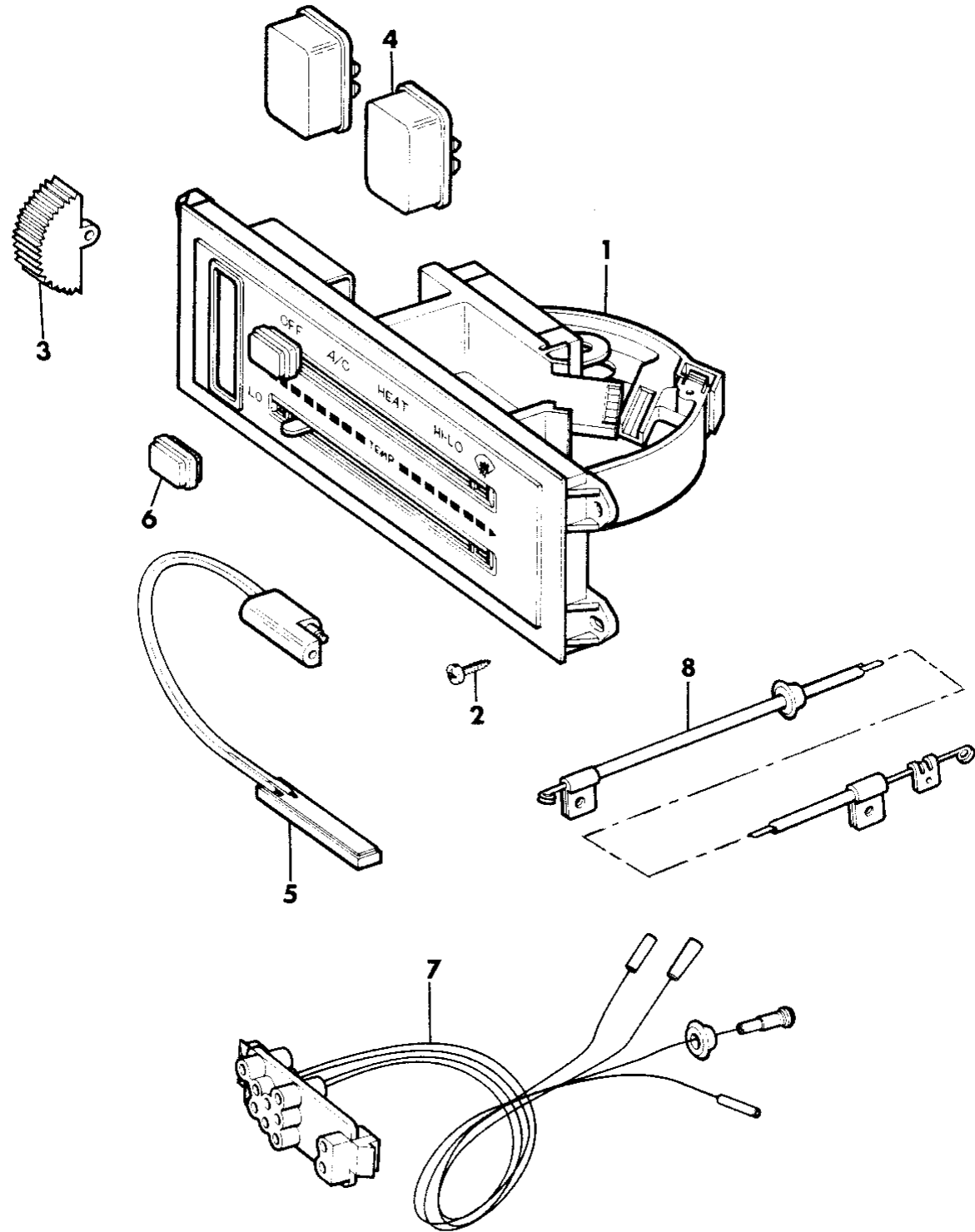
BODY STYLES:

MJ = Comanche Pickup
 SJ = Grand Wagoneer Wgn., J-10 & J-20 Pickups
 XJ = Cherokee, Wagoneer Limited
 YJ = Wrangler

AR = Use as Required - = Non Illustrated Part P.A.R. = Paint as Required

CONTROLS, HEATER AND AIR CONDITIONING GRAND WAGONEER, J10, J20
Figure 24-1000

8 J24 1000



| ITEM | PART NUMBER | QTY | BODY | MODEL | DESCRIPTION |
|------|-------------|-----|------|-------|---|
| 1 | | | | | CONTROL, Heater w/o Factory Air Cond. |
| | 5600 1688 | 1 | | | 1987-89 |
| | 5600 1492 | 1 | | | 1990 |
| | 5600 1492 | 1 | | | w/Factory Air Cond. |
| 2 | T301 6024 | 4 | | | SCREW |
| 3 | 8350 2721 | 1 | | | WHEEL, Thumb |
| 4 | | | | | SWITCH, Heater |
| | 8350 2719 | 1 | | | w/o Factory Air Cond. |
| | 8350 2720 | 1 | | | w/Factory Air Cond. |
| 5 | 8350 2722 | 1 | | | POTENTIOMETER, w/Factory Air Cond. *** |
| 6 | 8350 2718 | 2 | | | KNOB, Heater and Air Conditioning Control |
| 7 | | | | | HARNES, Vacuum |
| | 5600 1506 | 1 | | | 1987-89 |
| | 5600 4190 | 1 | | | 1990 |
| 8 | 5600 3524 | 1 | | | CABLE, Temperature Control |

MODEL CODES:

| | | |
|-----------------------------|-----------------------------|------------------------------|
| 15 = Grand Wagoneer 4 Dr. | 65 = Comanche 4WD-7 Ft. Box | 77 = Cherokee 4WD-2 Dr. |
| 25 = J-10 Pickup-119" W.B. | 66 = Comanche 2WD-7 Ft. Box | 78 = Cherokee 4WD-4 Dr. |
| 26 = J-10 Pickup-131" W.B. | 73 = Cherokee 2WD-2 Dr. | 79 = Cherokee 4WD-4 Dr.-Com |
| 27 = J-20 Pickup-131" W.B. | 74 = Cherokee 2WD-4 Dr. | 81 = Wrangler-93" W.B. |
| 63 = Comanche 4WD-6 Ft. Box | 75 = Wagoneer 4WD-4 Dr. | 82 = Wrangler-103" W.B.-Exp. |
| 64 = Comanche 2WD-6 Ft. Box | | |

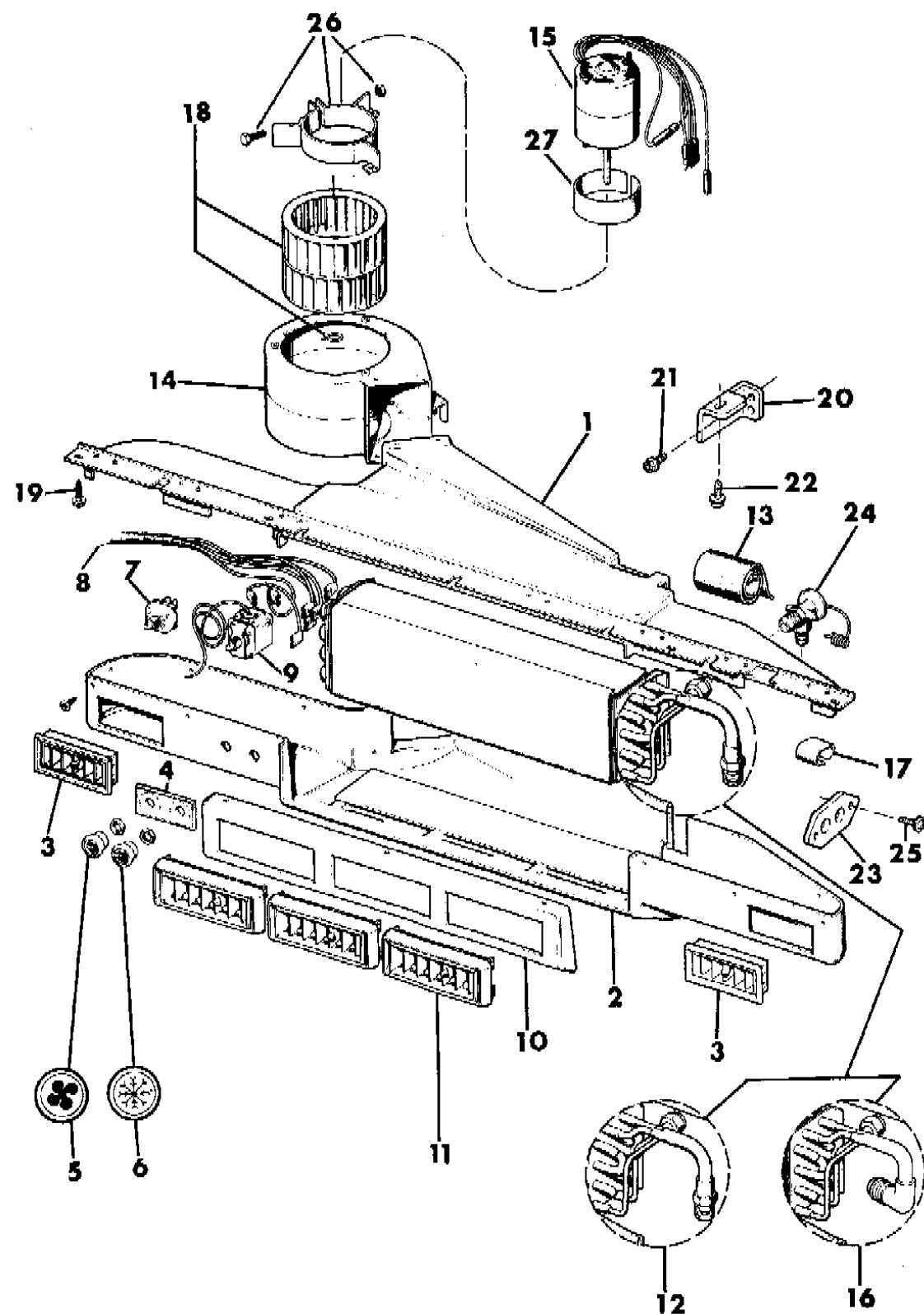
BODY STYLES:

MJ = Comanche Pickup
 SJ = Grand Wagoneer Wgn., J-10 & J-20 Pickups
 XJ = Cherokee, Wagoneer Limited
 YJ = Wrangler

AR = Use as Required - = Non Illustrated Part P.A.R. = Paint as Required

EVAPORATOR AND BLOWER, AIR CONDITIONING WRANGLER, YJ
Figure 24-1100

8 J24 1100 A



| ITEM | PART NUMBER | QTY | BODY | MODEL | DESCRIPTION |
|------|-------------|-----|------|-------|----------------------------------|
| 1 | 8350 2974 | 1 | | | HOUSING, Upper |
| 2 | 8350 2975 | 1 | | | HOUSING, Lower |
| 3 | | | | | OUTLET, Air |
| | J812 8135 | 2 | | | Silver and Black |
| | 4638 164 | 2 | | | Black |
| 4 | | | | | PLATE |
| | J812 8133 | 1 | | | Silver and Black |
| | 4638 165 | 1 | | | Black |
| 5 | J813 3710 | 1 | | | KNOB, Blower Switch |
| 6 | J813 3711 | 1 | | | KNOB, Temperature Control |
| 7 | J812 9018 | 1 | | | SWITCH, Air Conditioning Blower |
| 8 | J813 2666 | 1 | | | HARNES |
| 9 | J812 1840 | 1 | | | THERMOSTAT |
| 10 | | | | | PANEL, Outlet Mounting |
| | J812 8129 | 1 | | | 1987-89 |
| | 5600 4733 | 1 | | | 1990 |
| 11 | | | | | OUTLET, Air |
| | J812 8134 | 3 | | | Silver and Black |
| | 4638 166 | 3 | | | Black |
| 12 | J812 8124 | 1 | | | CORE, Evaporator, w/Type 1 Hoses |
| 13 | J369 3126 | 1 | | | TAPE, Insulation |
| 14 | J812 8128 | 1 | | | HOUSING, Blower/Evaporator |
| 15 | J812 8125 | 1 | | | MOTOR, Blower |
| 16 | | | | | CORE, Evaporator |
| | 5600 4686 | 1 | | | Factory A/C |
| | 5600 3040 | 1 | | | American A/C |
| 17 | J812 1901 | 1 | | | CLAMP, Expansion Valve Bulb |
| 18 | J812 6991 | 1 | | | WHEEL, Blower |
| 19 | J812 0054 | 4 | | | SCREW |
| 20 | J576 3697 | 1 | | | BRACKET, Support |
| 21 | J400 4077 | 2 | | | SCREW |
| 22 | J400 1701 | 1 | | | SCREW |
| 23 | J318 5484 | 1 | | | GROMMET |
| 24 | | | | | VALVE, Expansion |
| | J812 1823 | 1 | | | 1987-89 |
| | 5600 4689 | 1 | | | 1990 |
| 25 | J400 4642 | 2 | | | SCREW |

MODEL CODES:

| | | |
|-----------------------------|-----------------------------|------------------------------|
| 15 = Grand Wagoneer 4 Dr. | 65 = Comanche 4WD-7 Ft. Box | 77 = Cherokee 4WD-2 Dr. |
| 25 = J-10 Pickup-119" W.B. | 66 = Comanche 2WD-7 Ft. Box | 78 = Cherokee 4WD-4 Dr. |
| 26 = J-10 Pickup-131" W.B. | 73 = Cherokee 2WD-2 Dr. | 79 = Cherokee 4WD-4 Dr.-Com |
| 27 = J-20 Pickup-131" W.B. | 74 = Cherokee 2WD-4 Dr. | 81 = Wrangler-93" W.B. |
| 63 = Comanche 4WD-6 Ft. Box | 75 = Wagoneer 4WD-4 Dr. | 82 = Wrangler-103" W.B.-Exp. |
| 64 = Comanche 2WD-6 Ft. Box | | |

BODY STYLES:

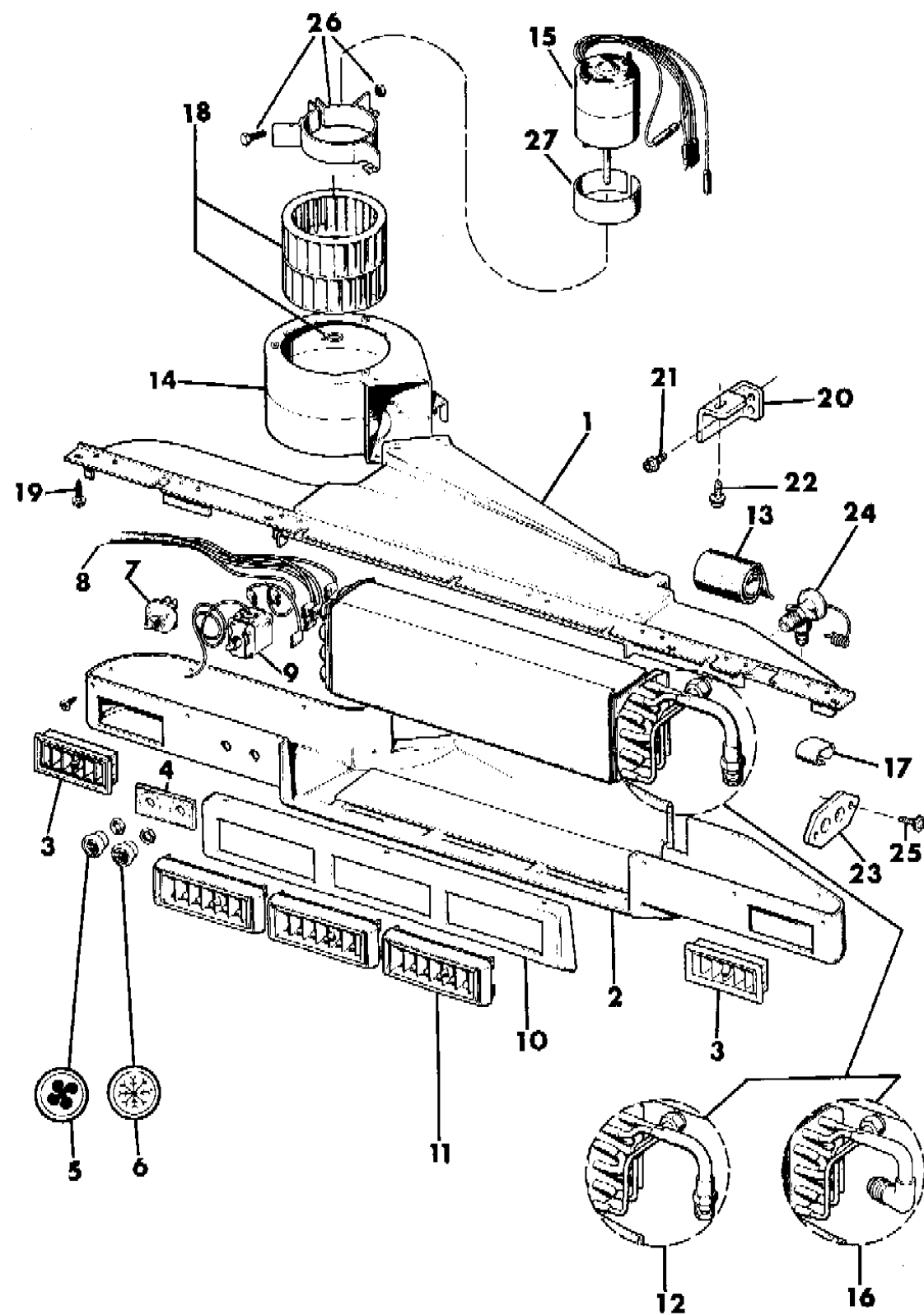
MJ = Comanche Pickup
 SJ = Grand Wagoneer Wgn., J-10 & J-20 Pickups
 XJ = Cherokee, Wagoneer Limited
 YJ = Wrangler

AR = Use as Required - = Non Illustrated Part P.A.R. = Paint as Required

EVAPORATOR AND BLOWER, AIR CONDITIONING WRANGLER, YJ
Figure 24-1100

8 J24 1100 A

| ITEM | PART NUMBER | QTY | BODY | MODEL | DESCRIPTION |
|------|-------------|-----|------|-------|--------------------------------|
| 26 | J812 6989 | 1 | | | BRACKET, Blower Motor Mounting |
| 27 | J812 6993 | 1 | | | INSULATION |



- MODEL CODES:**
- | | | |
|-----------------------------|-----------------------------|------------------------------|
| 15 = Grand Wagoneer 4 Dr. | 65 = Comanche 4WD-7 Ft. Box | 77 = Cherokee 4WD-2 Dr. |
| 25 = J-10 Pickup-119" W.B. | 66 = Comanche 2WD-7 Ft. Box | 78 = Cherokee 4WD-4 Dr. |
| 26 = J-10 Pickup-131" W.B. | 73 = Cherokee 2WD-2 Dr. | 79 = Cherokee 4WD-4 Dr.-Com |
| 27 = J-20 Pickup-131" W.B. | 74 = Cherokee 2WD-4 Dr. | 81 = Wrangler-93" W.B. |
| 63 = Comanche 4WD-6 Ft. Box | 75 = Wagoneer 4WD-4 Dr. | 82 = Wrangler-103" W.B.-Exp. |
| 64 = Comanche 2WD-6 Ft. Box | | |

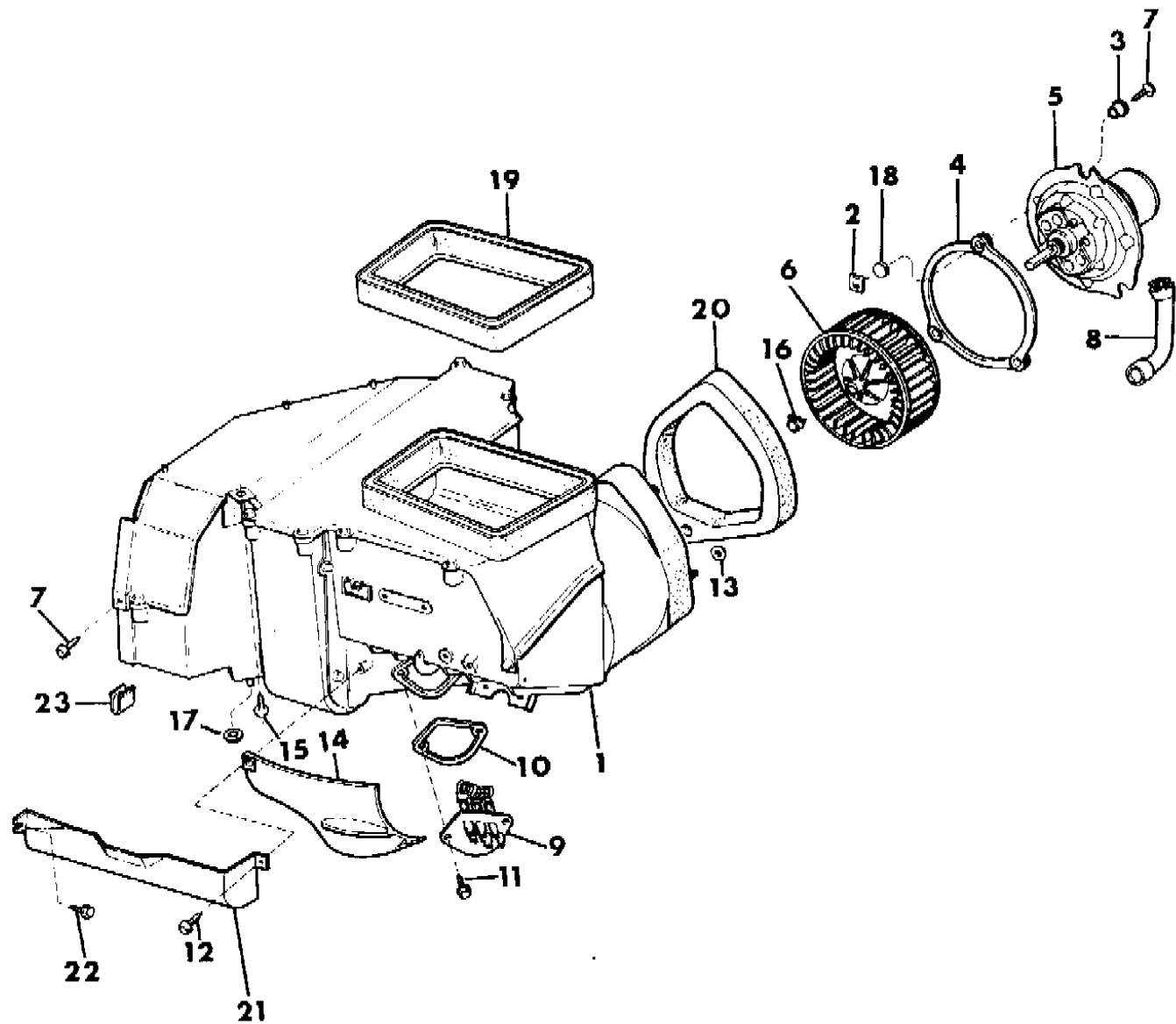
- BODY STYLES:**
- MJ = Comanche Pickup
 - SJ = Grand Wagoneer Wgn., J-10 & J-20 Pickups
 - XJ = Cherokee, Wagoneer Limited
 - YJ = Wrangler

AR = Use as Required - = Non Illustrated Part P.A.R. = Paint as Required

BLOWER MOTOR AND HOUSING HEATER AND AIR CONDITIONING CHEROKEE, WAGONEER, COMANCHE

Figure 24-1200

8J24 1200 A



| ITEM | PART NUMBER | QTY | BODY | MODEL | DESCRIPTION |
|------|-------------|-----|------|-------|--|
| 1 | | | | | HOUSING, Blower |
| | 8350 0958 | 1 | | | 2.5L and 4.0L Engine w/o Air Cond. |
| | 8350 0960 | 1 | | | 2.5 and 4.0L Engine w/Factory Installed Air Cond. (part modification required) |
| | 8350 1869 | 1 | | | Diesel Engine, w/o Factory Installed Air Cond. |
| | 8350 1868 | 1 | | | Diesel Engine, w/Factory Installed Air Cond. (part modification required) |
| | 8350 0960 | 1 | | | w/Dealer Installed American Air Cond. |
| 2 | 3420 1363 | 3 | | | NUT, U-type |
| 3 | 5600 0176 | 3 | | | SPACER |
| 4 | 5600 0171 | 1 | | | GASKET |
| 5 | | | | | MOTOR, Blower |
| | 5600 0173 | 1 | | | 1987 |
| | 5600 2858 | 1 | | | 1988-90 |
| 6 | 5600 0174 | 1 | | | WHEEL, Blower |
| 7 | J812 4425 | 5 | | | SCREW |
| 8 | 5600 0178 | 1 | | | TUBE, Cooling |
| 9 | | | | | RESISTOR |
| | 5600 0522 | 1 | | | w/ or w/o Factory Installed Air Cond. |
| | 5600 0177 | 1 | | | w/Dealer Installed American Air Cond. |
| 10 | 5600 0682 | 1 | | | SEAL |
| 11 | 3420 1366 | 2 | | | SCREW |
| 12 | 3420 1365 | 1 | | | SCREW (ECE) |
| 13 | 3420 1358 | 3 | | | NUT |
| 14 | 5600 0622 | 1 | | | COVER, Resistor |
| 15 | 3420 2344 | 1 | | | SCREW |
| 16 | J318 0753 | 1 | | | CLAMP |
| 17 | J400 6866 | 1 | | | NUT, Push |
| 18 | 5600 1195 | 3 | | | SEAL |
| 19 | 5600 1196 | 1 | | | SEAL |
| 20 | 5600 1295 | 1 | | | SEAL |
| 21 | 5600 2634 | 1 | | | COVER, Blend Air Cable, (ECE) |
| 22 | J941 7855 | 1 | | | SCREW (ECE) |
| 23 | J400 6391 | 1 | | | CLIP |

MODEL CODES:

| | | |
|-----------------------------|-----------------------------|------------------------------|
| 15 = Grand Wagoneer 4 Dr. | 65 = Comanche 4WD-7 Ft. Box | 77 = Cherokee 4WD-2 Dr. |
| 25 = J-10 Pickup-119" W.B. | 66 = Comanche 2WD-7 Ft. Box | 78 = Cherokee 4WD-4 Dr. |
| 26 = J-10 Pickup-131" W.B. | 73 = Cherokee 2WD-2 Dr. | 79 = Cherokee 4WD-4 Dr.-Com |
| 27 = J-20 Pickup-131" W.B. | 74 = Cherokee 2WD-4 Dr. | 81 = Wrangler-93" W.B. |
| 63 = Comanche 4WD-6 Ft. Box | 75 = Wagoneer 4WD-4 Dr. | 82 = Wrangler-103" W.B.-Exp. |
| 64 = Comanche 2WD-6 Ft. Box | | |

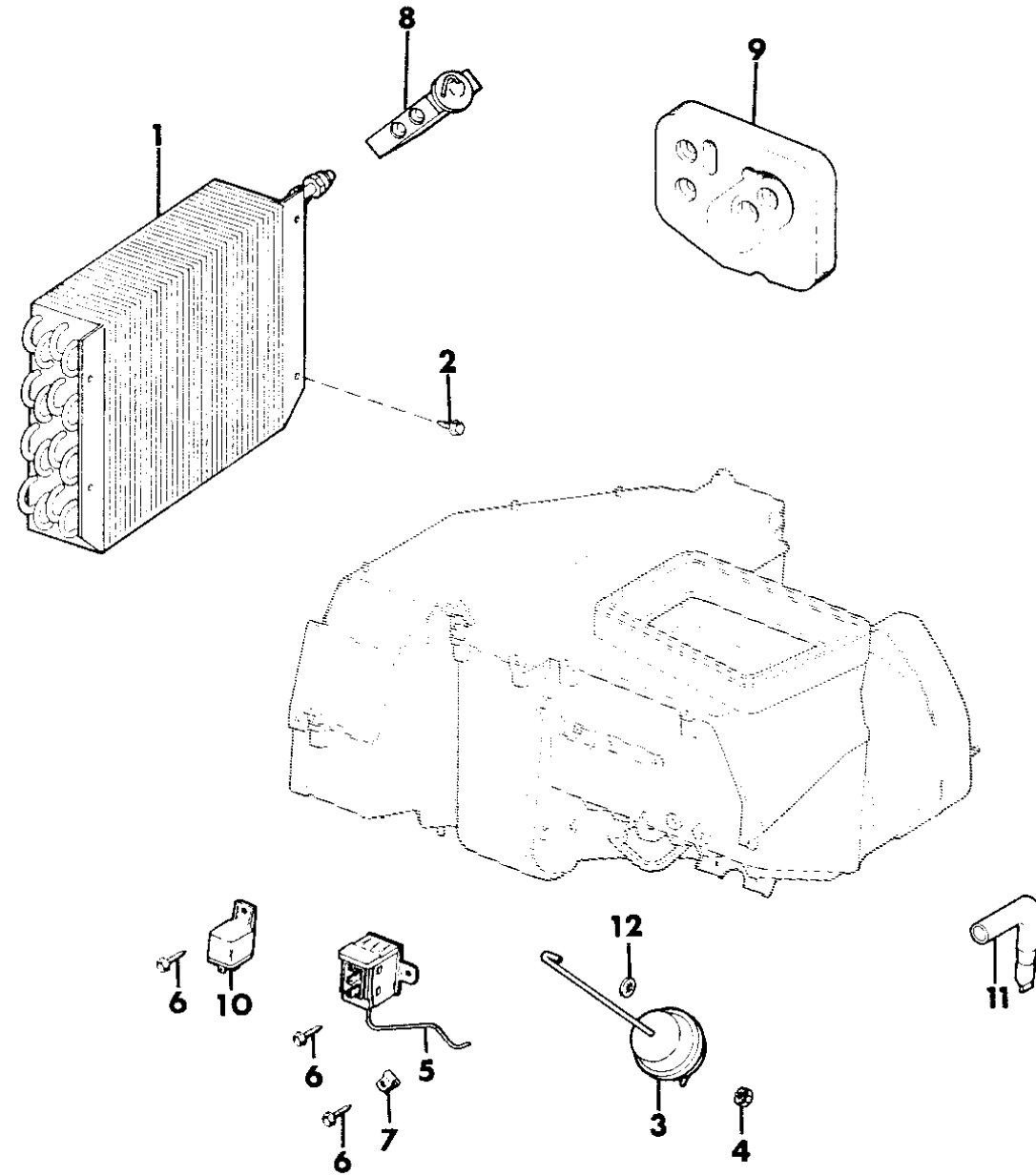
BODY STYLES:

MJ = Comanche Pickup
 SJ = Grand Wagoneer Wgn., J-10 & J-20 Pickups
 XJ = Cherokee, Wagoneer Limited
 YJ = Wrangler

AR = Use as Required - = Non Illustrated Part P.A.R. = Paint as Required

CORE, EVAPORATOR CHEROKEE, WAGONEER, COMANCHE
Figure 24-1300

8J24 1300



| ITEM | PART NUMBER | QTY | BODY | MODEL | DESCRIPTION |
|------|-------------|-----|------|-------|---------------------------------------|
| 1 | | | | | CORE, Evaporator |
| | 5600 2568 | 1 | | | w/Factory Installed Air Cond. |
| | 8350 4893 | 1 | | | w/Dealer Installed American Air Cond. |
| 2 | 1150 2843 | 4 | | | SCREW |
| 3 | 5600 0208 | 1 | | | MOTOR, Evaporator Vacuum |
| 4 | 3420 1001 | 2 | | | NUT |
| 5 | | | | | CONTROL, Thermostat |
| | 5600 2688 | 1 | | | w/Factory Installed Air Cond. |
| | 5600 0222 | 1 | | | w/Dealer Installed American Air Cond. |
| 6 | 3420 1366 | 4 | | | SCREW |
| 7 | J317 7100 | 1 | | | CLIP |
| 8 | | | | | VALVE, Expansion |
| | 5600 3173 | 1 | | | w/Factory Installed Air Cond. |
| | 8350 1907 | 1 | | | w/Dealer Installed American Air Cond. |
| 9 | 5600 1286 | 1 | | | SEAL |
| 10 | | | | | RELAY, Evaporator |
| | 3300 1776 | 1 | | | w/Factory Installed Air Cond. |
| | 8350 0154 | 1 | | | w/Dealer Installed American Air Cond. |
| 11 | 5600 0726 | 1 | | | TUBE, Drain |
| 12 | J400 0369 | 1 | | | NUT, Push |

MODEL CODES:

| | | |
|-----------------------------|-----------------------------|------------------------------|
| 15 = Grand Wagoneer 4 Dr. | 65 = Comanche 4WD-7 Ft. Box | 77 = Cherokee 4WD-2 Dr. |
| 25 = J-10 Pickup-119" W.B. | 66 = Comanche 2WD-7 Ft. Box | 78 = Cherokee 4WD-4 Dr. |
| 26 = J-10 Pickup-131" W.B. | 73 = Cherokee 2WD-2 Dr. | 79 = Cherokee 4WD-4 Dr.-Com |
| 27 = J-20 Pickup-131" W.B. | 74 = Cherokee 2WD-4 Dr. | 81 = Wrangler-93" W.B. |
| 63 = Comanche 4WD-6 Ft. Box | 75 = Wagoneer 4WD-4 Dr. | 82 = Wrangler-103" W.B.-Exp. |
| 64 = Comanche 2WD-6 Ft. Box | | |

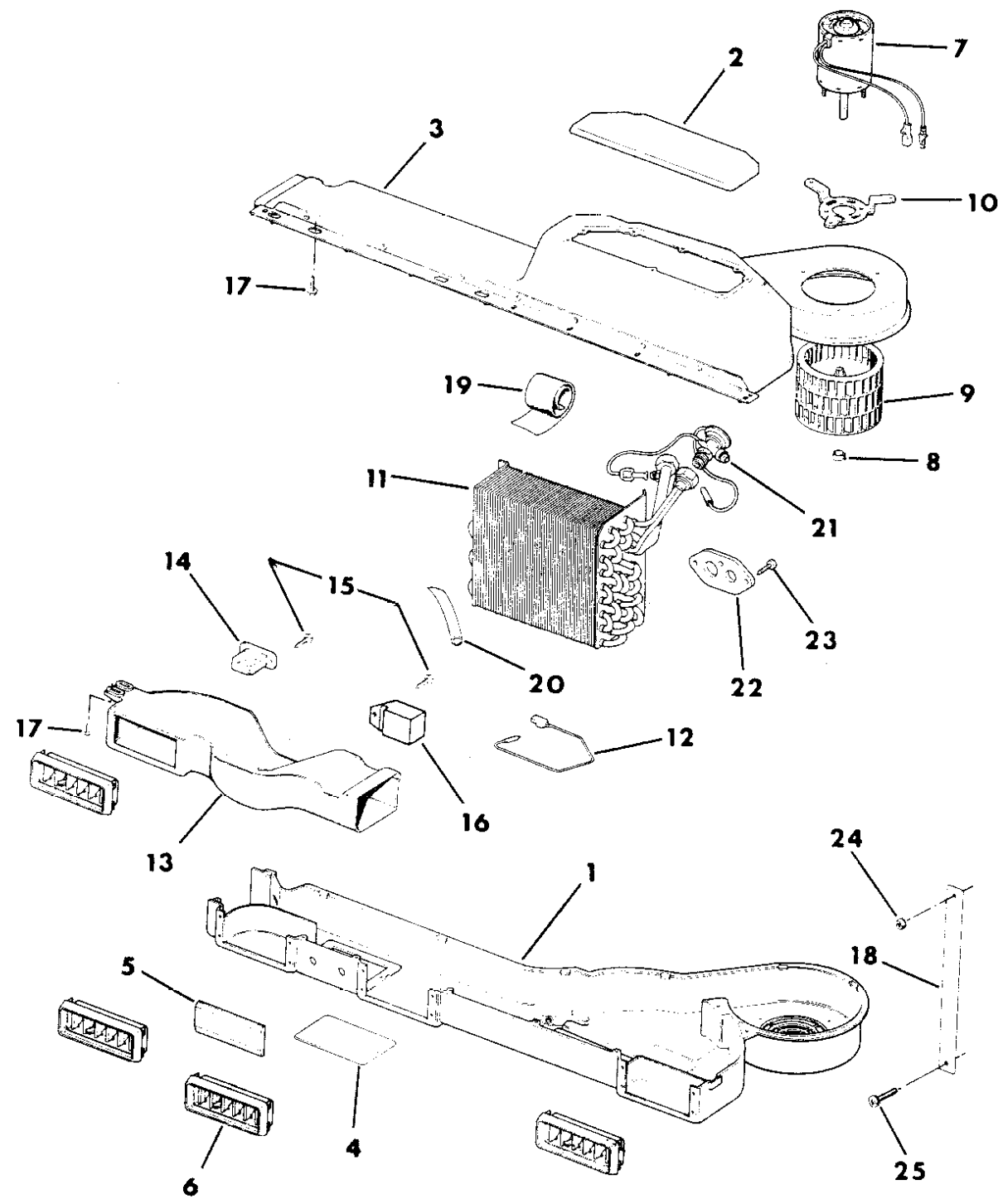
BODY STYLES:

MJ = Comanche Pickup
 SJ = Grand Wagoneer Wgn., J-10 & J-20 Pickups
 XJ = Cherokee, Wagoneer Limited
 YJ = Wrangler

AR = Use as Required - = Non Illustrated Part P.A.R. = Paint as Required

AIR CONDITIONING UNIT GRAND WAGONEER, J10, J20
Figure 24-1400

8J24 1400



| ITEM | PART NUMBER | QTY | BODY | MODEL | DESCRIPTION |
|------|-------------|-----|------|-------|------------------------------|
| 1 | | | | | HOUSING, Lower, (P.A.R.) |
| | 5600 1789 | 1 | | | 1987-89 |
| | 5AJ9 0JY6 | 1 | | | 1990 |
| 2 | | | | | COVER, Housing, (P.A.R.) |
| | J546 9262 | 1 | | | 1987-89 |
| | 5AA5 5JY6 | 1 | | | 1990 |
| 3 | | | | | HOUSING, Upper, (P.A.R.) |
| | J546 9266 | 1 | | | 1987-89 |
| | 5AA5 4JY6 | 1 | | | 1990 |
| 4 | | | | | PLATE, (P.A.R.) |
| | J546 9270 | 1 | | | 1987-89 |
| | 5AA5 6JY6 | 1 | | | 1990 |
| 5 | | | | | PLATE, Cover, (P.A.R.) |
| | 5600 1515 | 1 | | | 1987-89 |
| | 5AJ8 9JY6 | 1 | | | 1990 |
| 6 | | | | | OUTLET, Air, (P.A.R.) |
| | J546 9288 | 1 | | | 1987-89 |
| | 5AA8 2JY6 | 1 | | | 1990 |
| 7 | 5600 2007 | 1 | | | MOTOR, Blower |
| 8 | J318 1643 | 1 | | | CLAMP |
| 9 | J575 1934 | 1 | | | WHEEL, Blower |
| 10 | J546 3811 | 1 | | | BRACKET, Motor Mounting |
| 11 | 5600 1962 | 1 | | | CORE, Evaporator |
| 12 | 5600 2728 | 1 | | | THERMISTOR |
| 13 | 8350 2636 | 1 | | | HOUSING, Extension, (P.A.R.) |
| 14 | | | | | RESISTOR |
| | 5600 1516 | 1 | | | Up to 10-2-89 |
| | 5600 3913 | 1 | | | After 10-2-89 |
| 15 | J400 4566 | 4 | | | SCREW |
| 16 | 5600 1959 | 1 | | | THERMOSTAT |
| 17 | J400 2311 | AR | | | SCREW |
| 18 | J545 5069 | 1 | | | BRACKET |
| 19 | J369 3126 | 1 | | | INSULATION |
| 20 | J575 2862 | 1 | | | TUBE, Drain |
| 21 | J546 4379 | 1 | | | VALVE, Expansion |
| 22 | J318 5484 | 1 | | | GROMMET |
| 23 | J448 9487 | 2 | | | SCREW |

MODEL CODES:

| | | |
|-----------------------------|-----------------------------|------------------------------|
| 15 = Grand Wagoneer 4 Dr. | 65 = Comanche 4WD-7 Ft. Box | 77 = Cherokee 4WD-2 Dr. |
| 25 = J-10 Pickup-119" W.B. | 66 = Comanche 2WD-7 Ft. Box | 78 = Cherokee 4WD-4 Dr. |
| 26 = J-10 Pickup-131" W.B. | 73 = Cherokee 2WD-2 Dr. | 79 = Cherokee 4WD-4 Dr.-Com |
| 27 = J-20 Pickup-131" W.B. | 74 = Cherokee 2WD-4 Dr. | 81 = Wrangler-93" W.B. |
| 63 = Comanche 4WD-6 Ft. Box | 75 = Wagoneer 4WD-4 Dr. | 82 = Wrangler-103" W.B.-Exp. |
| 64 = Comanche 2WD-6 Ft. Box | | |

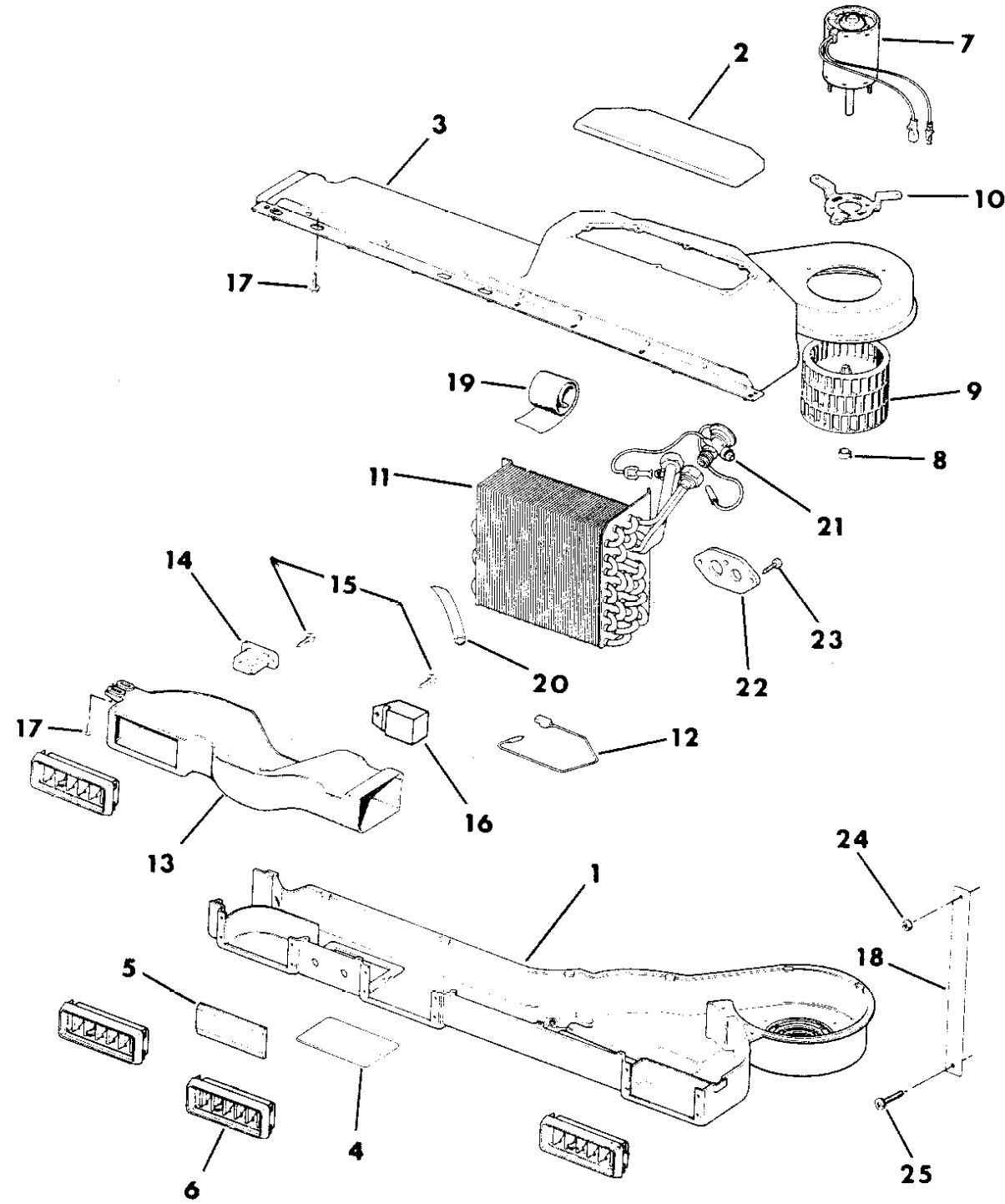
BODY STYLES:

MJ = Comanche Pickup
 SJ = Grand Wagoneer Wgn., J-10 & J-20 Pickups
 XJ = Cherokee, Wagoneer Limited
 YJ = Wrangler

AR = Use as Required - = Non Illustrated Part P.A.R. = Paint as Required

AIR CONDITIONING UNIT GRAND WAGONEER, J10, J20
Figure 24-1400

8J24 1400



| ITEM | PART NUMBER | QTY | BODY | MODEL | DESCRIPTION |
|------|-------------|-----|------|-------|-------------|
|------|-------------|-----|------|-------|-------------|

| | | | | | |
|----|-----------|---|--|--|-------|
| 24 | J027 1172 | 1 | | | NUT |
| 25 | J045 6334 | 1 | | | SCREW |

NOTE: (P.A.R.) - Paint as Required e #312.

MODEL CODES:

| | | |
|-----------------------------|-----------------------------|------------------------------|
| 15 = Grand Wagoneer 4 Dr. | 65 = Comanche 4WD-7 Ft. Box | 77 = Cherokee 4WD-2 Dr. |
| 25 = J-10 Pickup-119" W.B. | 66 = Comanche 2WD-7 Ft. Box | 78 = Cherokee 4WD-4 Dr. |
| 26 = J-10 Pickup-131" W.B. | 73 = Cherokee 2WD-2 Dr. | 79 = Cherokee 4WD-4 Dr.-Com |
| 27 = J-20 Pickup-131" W.B. | 74 = Cherokee 2WD-4 Dr. | 81 = Wrangler-93" W.B. |
| 63 = Comanche 4WD-6 Ft. Box | 75 = Wagoneer 4WD-4 Dr. | 82 = Wrangler-103" W.B.-Exp. |
| 64 = Comanche 2WD-6 Ft. Box | | |

BODY STYLES:

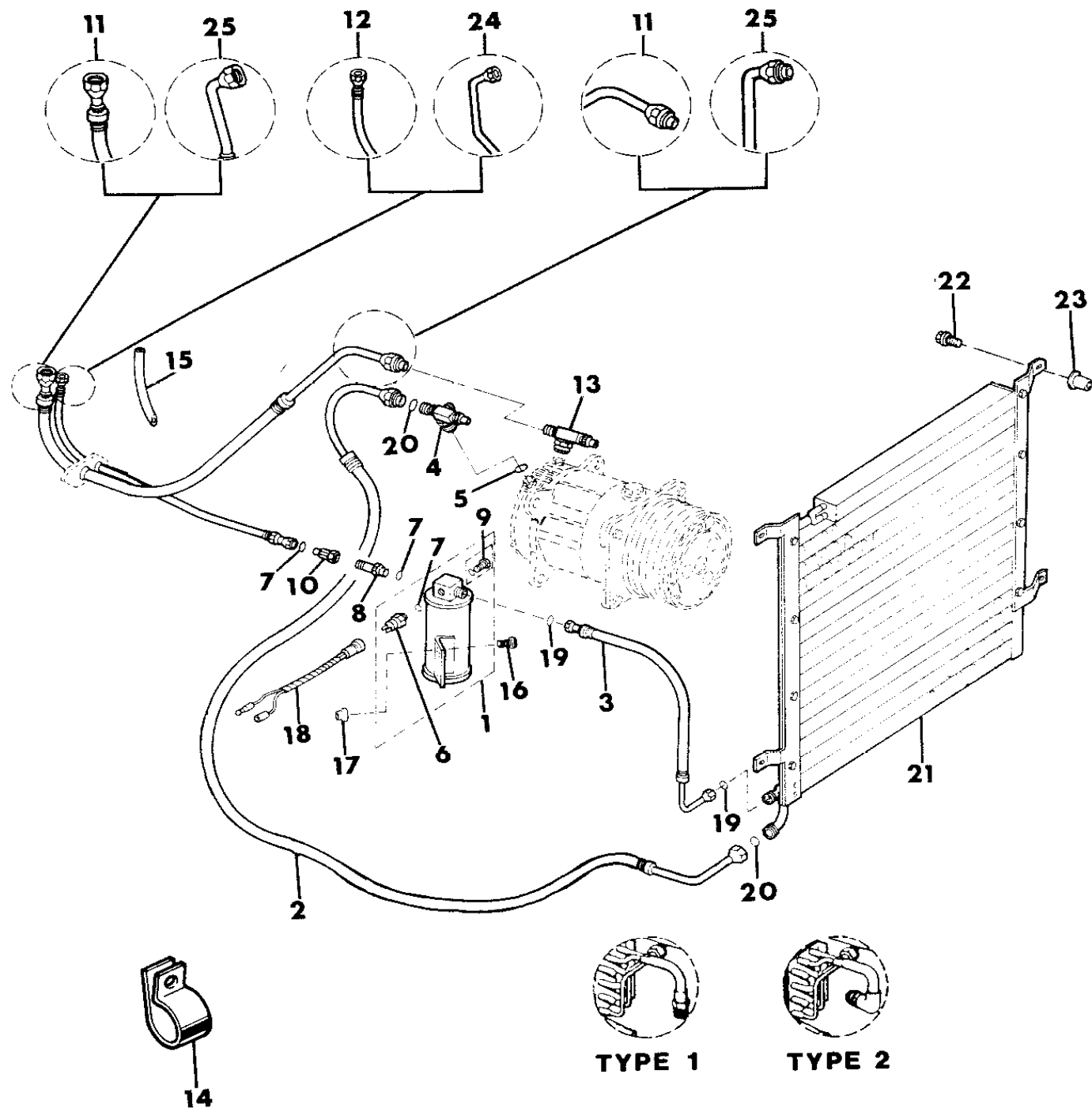
MJ = Comanche Pickup
 SJ = Grand Wagoneer Wgn., J-10 & J-20 Pickups
 XJ = Cherokee, Wagoneer Limited
 YJ = Wrangler

AR = Use as Required - = Non Illustrated Part P.A.R. = Paint as Required

RECEIVER/DRIER AND HOSES W/FACTORY INSTALLED AIR CONDITIONING WRANGLER, YJ

Figure 24-1500

8J24 1500



| ITEM | PART NUMBER | QTY | BODY | MODEL | DESCRIPTION |
|------|-------------|-----|------|-------|---|
| 1 | 5600 1485 | 1 | | | RECIEVER/DRIER *** |
| 2 | 5600 1486 | 1 | | | HOSE, Compressor to Condenser |
| 3 | 5600 1487 | 1 | | | HOSE, Condenser to Receiver |
| 4 | 3200 0262 | 1 | | | VALVE, Discharge |
| 5 | J322 2353 | 1 | | | O-RING |
| 6 | J374 1260 | 1 | | | SWITCH, Low Pressure Cut Off |
| 7 | J317 1788 | AR | | | O-RING |
| 8 | J317 1794 | 1 | | | COUPLING, Male |
| 9 | J369 2994 | 1 | | | VALVE PACKAGE, Relief *** |
| 10 | J317 1795 | 1 | | | COUPLING, Female |
| 11 | 8350 2976 | 1 | | | HOSE, Evaporator to Compressor w/Type 1 Evaporator Core |
| 12 | 8350 2977 | 1 | | | HOSE, Receiver to Evaporator w/Type 1 Evaporator Core |
| 13 | 5600 0879 | 1 | | | VALVE, Suction |
| 14 | S012 0530 | 1 | | | CLIP |
| 15 | J576 2368 | 1 | | | HOSE, Drain |
| 16 | J941 4428 | 3 | | | SCREW |
| 17 | J400 5237 | 3 | | | NUT, Well |
| 18 | J576 3596 | 1 | | | WIRE, Low Freon |
| 19 | J321 2113 | 2 | | | O-RING |
| 20 | J321 2112 | 2 | | | O-RING |
| 21 | 5600 1484 | 1 | | | CORE, Condenser, 6 Cyl. Engine |
| 22 | J400 6906 | 4 | | | SCREW |
| 23 | J400 3120 | 4 | | | NUT, Well |
| 24 | #5600 4688 | 1 | | | HOSE, Reciever To Evaporator w/Type 2 Evaporator Core |
| 25 | #5600 4687 | 1 | | | HOSE, Evaporator To Compressor w/Type 2 Evaoprator Core |

MODEL CODES:

| | | |
|-----------------------------|-----------------------------|------------------------------|
| 15 = Grand Wagoneer 4 Dr. | 65 = Comanche 4WD-7 Ft. Box | 77 = Cherokee 4WD-2 Dr. |
| 25 = J-10 Pickup-119" W.B. | 66 = Comanche 2WD-7 Ft. Box | 78 = Cherokee 4WD-4 Dr. |
| 26 = J-10 Pickup-131" W.B. | 73 = Cherokee 2WD-2 Dr. | 79 = Cherokee 4WD-4 Dr.-Com |
| 27 = J-20 Pickup-131" W.B. | 74 = Cherokee 2WD-4 Dr. | 81 = Wrangler-93" W.B. |
| 63 = Comanche 4WD-6 Ft. Box | 75 = Wagoneer 4WD-4 Dr. | 82 = Wrangler-103" W.B.-Exp. |
| 64 = Comanche 2WD-6 Ft. Box | | |

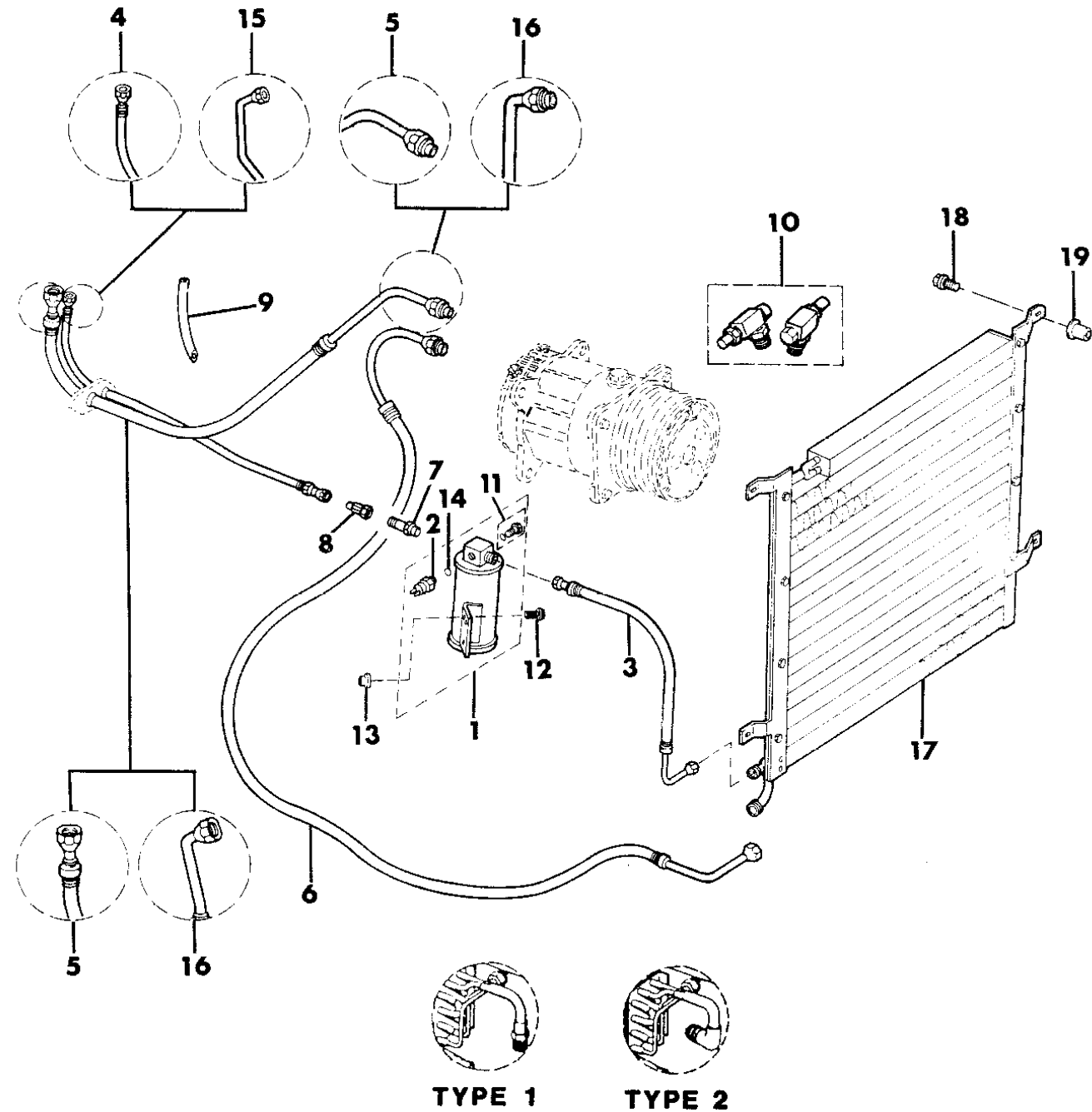
BODY STYLES:

MJ = Comanche Pickup
 SJ = Grand Wagoneer Wgn., J-10 & J-20 Pickups
 XJ = Cherokee, Wagoneer Limited
 YJ = Wrangler

AR = Use as Required - = Non Illustrated Part P.A.R. = Paint as Required

RECEIVER/DRIER AND HOSES W/AMERICAN AIR CONDITIONING WRANGLER, YJ
Figure 24-1600

8J24 1600



| ITEM | PART NUMBER | QTY | BODY | MODEL | DESCRIPTION |
|------|-------------|-----|------|-------|--|
| 1 | 5600 1485 | 1 | | | RECEIVER/DRIER *** |
| 2 | J813 4555 | 1 | | | SWITCH, Low Pressure Cut-Out |
| 3 | 5600 1487 | 1 | | | HOSE, Condenser To Receiver |
| 4 | 8350 2977 | 1 | | | HOSE, Receiver To Evaporator w/Type 1 Evaporator Core |
| 5 | | | | | Hose, Evaporator To Compressor w/Type 1 Evaporator Core *** |
| | 8350 3351 | 1 | | | 4 Cyl. Engine |
| | 8350 2976 | 1 | | | 6 Cyl. Engine w/Serpentine Belt Drive |
| | 8350 3345 | 1 | | | 6 Cyl. Engine w/o Serpentine Belt Drive |
| 6 | | | | | HOSE, Compressor To Condenser |
| | 8350 3352 | 1 | | | 4 Cyl. Engine |
| | 5600 1486 | 1 | | | 6 Cyl. Engine w/Serpentine Belt Drive |
| | 8350 3346 | 1 | | | 6 Cyl. Engine w/o Serpentine Belt Drive |
| 7 | J317 1794 | 1 | | | COUPLING, Male *** |
| 8 | J317 1795 | 1 | | | COUPLING, Female *** |
| 9 | J576 2368 | 1 | | | HOSE, Drain |
| 10 | 8350 3358 | 1 | | | VALVE PACKAGE, Suction and Discharge, 6 Cyl. Engine w/ Serpentine Belt Drive *** |
| 11 | J369 2994 | 1 | | | VALVE PACKAGE, Relief *** |
| 12 | J941 4428 | 3 | | | SCREW |
| 13 | J400 5237 | 3 | | | NUT, Well |
| 14 | J317 1788 | AR | | | O-RING |
| 15 | 5600 3042 | 1 | | | HOSE, Receiver To Evaporator w/Type 2 Evaporator Core |
| 16 | | | | | HOSE, Evaporator To Compressor w/Type 2 Evaporator Core |
| | 8350 5609 | 1 | | | 4 Cyl. Engine |
| | 8350 5608 | 1 | | | 6 Cyl. Engine w/Serpentine Belt Drive |
| | 8350 5607 | 1 | | | 6 Cyl. Engine w/o Serpentine Belt Drive |
| 17 | 5600 1484 | 1 | | | CORE, Condenser |
| 18 | J400 6906 | 4 | | | SCREW |
| 19 | J400 3120 | 4 | | | NUT, Well |

MODEL CODES:

| | | |
|-----------------------------|-----------------------------|------------------------------|
| 15 = Grand Wagoneer 4 Dr. | 65 = Comanche 4WD-7 Ft. Box | 77 = Cherokee 4WD-2 Dr. |
| 25 = J-10 Pickup-119" W.B. | 66 = Comanche 2WD-7 Ft. Box | 78 = Cherokee 4WD-4 Dr. |
| 26 = J-10 Pickup-131" W.B. | 73 = Cherokee 2WD-2 Dr. | 79 = Cherokee 4WD-4 Dr.-Com |
| 27 = J-20 Pickup-131" W.B. | 74 = Cherokee 2WD-4 Dr. | 81 = Wrangler-93" W.B. |
| 63 = Comanche 4WD-6 Ft. Box | 75 = Wagoneer 4WD-4 Dr. | 82 = Wrangler-103" W.B.-Exp. |
| 64 = Comanche 2WD-6 Ft. Box | | |

BODY STYLES:

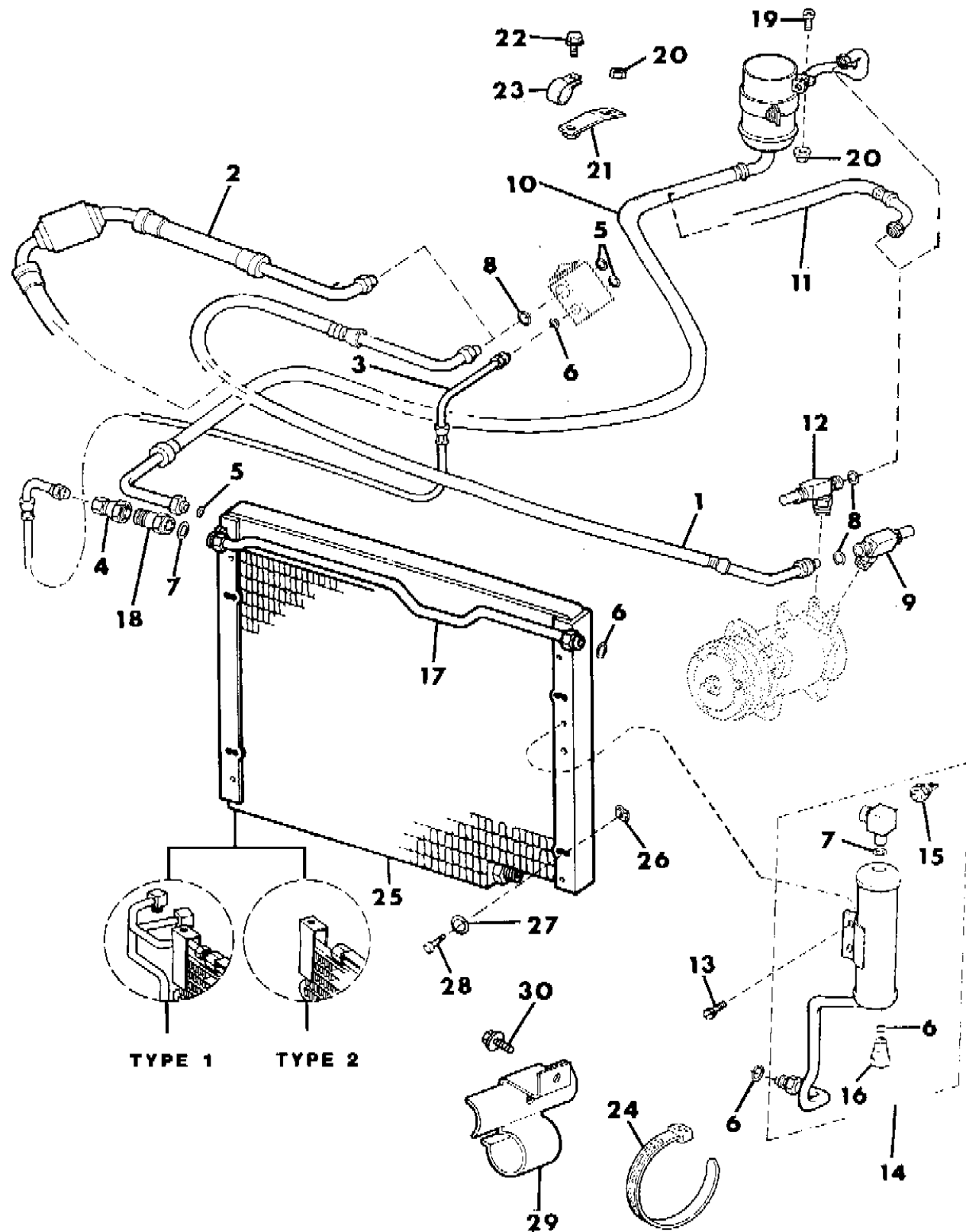
MJ = Comanche Pickup
SJ = Grand Wagoneer Wgn., J-10 & J-20 Pickups
XJ = Cherokee, Wagoneer Limited
YJ = Wrangler

AR = Use as Required - = Non Illustrated Part P.A.R. = Paint as Required

RECEIVER/DRIER, CONDENSER AND HOSES 4 CYLINDER ENGINE W/FACTORY AIR CONDITIONING CHEROKEE, WAGONEER, COMANCHE

Figure 24-1700

8J24 1700 A



| ITEM | PART NUMBER | QTY | BODY | MODEL | DESCRIPTION |
|------|-------------|-----|------|-------|--|
| 1 | 5600 1781 | 1 | | | HOSE, Evaporator to Compressor, w/o Muffler |
| 2 | 5600 2950 | 1 | | | HOSE, Evaporator to Compressor, w/Muffler |
| 3 | 5600 2196 | 1 | | | HOSE, Receiver to Evaporator |
| 4 | J317 1795 | 1 | | | COUPLING, Female |
| 5 | J321 2112 | AR | | | O-RING |
| 6 | J321 2113 | AR | | | O-RING |
| 7 | J317 1788 | AR | | | O-RING |
| 8 | J322 2353 | AR | | | O-RING |
| 9 | | | | | VALVE, Suction |
| | 3600 0454 | 1 | | | Carbureted Engine |
| | 5600 0879 | 1 | | | Fuel Inj. Engine |
| 10 | 5300 1438 | 1 | | | HOSE, Compressor to Conditioner, w/Muffler |
| 11 | 5600 2947 | 1 | | | HOSE, Compressor to Conditioner, w/o Muffler |
| 12 | 3200 0262 | 1 | | | VALVE, Discharge |
| 13 | J812 0054 | 2 | | | SCREW |
| 14 | 5600 1938 | 1 | | | DRIER, Receiver |
| 15 | J374 1260 | 1 | | | SWITCH, Cut-Off |
| 16 | J369 2994 | 1 | | | VALVE PACKAGE, Relief *** |
| 17 | 5600 2191 | 1 | | | TUBE, Receiver |
| 18 | J317 1794 | 1 | | | COUPLING, Male |
| 19 | J420 0446 | 1 | | | BOLT |
| 20 | 1150 6007 | 2 | | | NUT |
| 21 | J324 2927 | 1 | | | STRAP, Hose Support |
| 22 | 3420 1897 | 1 | | | BOLT |
| 23 | J372 8150 | 1 | | | CLIP |
| 24 | J322 3227 | 1 | | | STRAP |
| 25 | 5600 2190 | 1 | | | CORE, Condenser |
| 26 | 1150 0660 | 4 | | | NUT |
| 27 | 1150 0323 | 4 | | | WASHER |
| 28 | 1150 5066 | 4 | | | SCREW |
| 29 | 5600 1275 | 1 | | | BRACKET, Hose Support |
| 30 | 3420 1489 | 1 | | | SCREW |

MODEL CODES:

| | | |
|-----------------------------|-----------------------------|------------------------------|
| 15 = Grand Wagoneer 4 Dr. | 65 = Comanche 4WD-7 Ft. Box | 77 = Cherokee 4WD-2 Dr. |
| 25 = J-10 Pickup-119" W.B. | 66 = Comanche 2WD-7 Ft. Box | 78 = Cherokee 4WD-4 Dr. |
| 26 = J-10 Pickup-131" W.B. | 73 = Cherokee 2WD-2 Dr. | 79 = Cherokee 4WD-4 Dr.-Com |
| 27 = J-20 Pickup-131" W.B. | 74 = Cherokee 2WD-4 Dr. | 81 = Wrangler-93" W.B. |
| 63 = Comanche 4WD-6 Ft. Box | 75 = Wagoneer 4WD-4 Dr. | 82 = Wrangler-103" W.B.-Exp. |
| 64 = Comanche 2WD-6 Ft. Box | | |

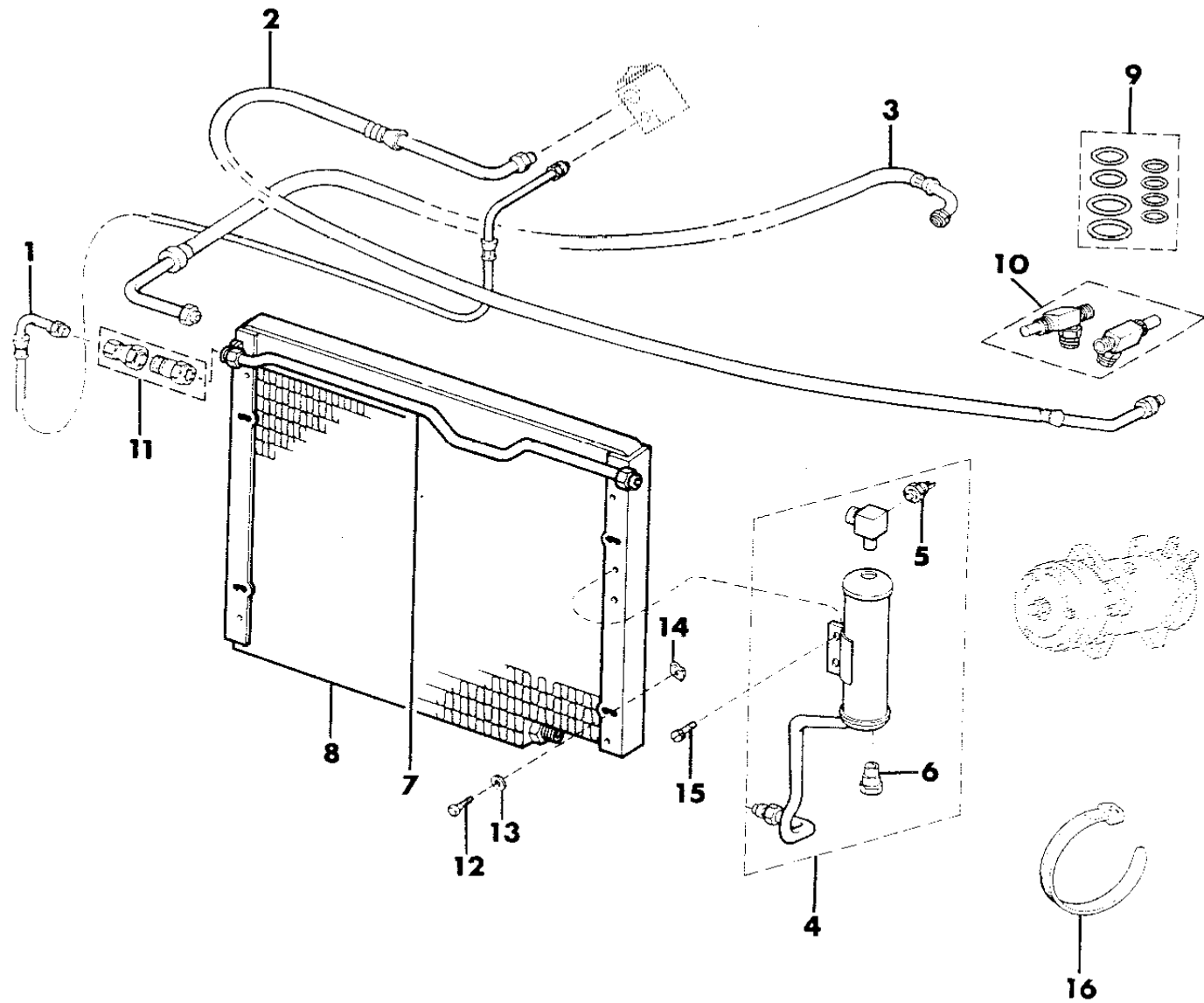
BODY STYLES:

MJ = Comanche Pickup
 SJ = Grand Wagoneer Wgn., J-10 & J-20 Pickups
 XJ = Cherokee, Wagoneer Limited
 YJ = Wrangler

AR = Use as Required - = Non Illustrated Part P.A.R. = Paint as Required

RECEIVER/DRIER, CONDENSER AND HOSES 4 CYLINDER ENGINE W/AMERICAN AIR CONDITIONING CHEROKEE, WAGONEER, COMANCHE
 Figure 24-1800

8 J 24 1800



| ITEM | PART NUMBER | QTY | BODY | MODEL | DESCRIPTION |
|------|-------------|-----|------|-------|--|
| 1 | 8350 4361 | 1 | | | HOSE, Receiver to Evaporator |
| 2 | 8350 4364 | 1 | | | HOSE, Evaporator to Compressor |
| 3 | 8350 4366 | 1 | | | HOSE, Compressor to Condenser |
| 4 | 8350 4367 | 1 | | | RECEIVER/DRIER |
| 5 | J374 1260 | 1 | | | SWITCH, Cut-Off |
| 6 | J369 2994 | 1 | | | VALVE PACKAGE, Relief *** |
| 7 | 8350 4368 | 1 | | | TUBE, Receiver |
| 8 | 8350 4897 | 1 | | | CORE, Condenser |
| 9 | 8350 1332 | AR | | | O-RING PACKAGE *** |
| 10 | 8350 2083 | 1 | | | VALVE PACKAGE, Suction and Discharge *** |
| 11 | 8350 4360 | 1 | | | FITTING PACKAGE *** |
| 12 | 1150 5066 | 4 | | | SCREW |
| 13 | 1150 0323 | 4 | | | WASHER |
| 14 | 1150 0660 | 4 | | | NUT |
| 15 | J812 0054 | 2 | | | SCREW |
| 16 | J322 3227 | 1 | | | STRAP |

MODEL CODES:

| | | |
|-----------------------------|-----------------------------|------------------------------|
| 15 = Grand Wagoneer 4 Dr. | 65 = Comanche 4WD-7 Ft. Box | 77 = Cherokee 4WD-2 Dr. |
| 25 = J-10 Pickup-119" W.B. | 66 = Comanche 2WD-7 Ft. Box | 78 = Cherokee 4WD-4 Dr. |
| 26 = J-10 Pickup-131" W.B. | 73 = Cherokee 2WD-2 Dr. | 79 = Cherokee 4WD-4 Dr.-Com |
| 27 = J-20 Pickup-131" W.B. | 74 = Cherokee 2WD-4 Dr. | 81 = Wrangler-93" W.B. |
| 63 = Comanche 4WD-6 Ft. Box | 75 = Wagoneer 4WD-4 Dr. | 82 = Wrangler-103" W.B.-Exp. |
| 64 = Comanche 2WD-6 Ft. Box | | |

BODY STYLES:

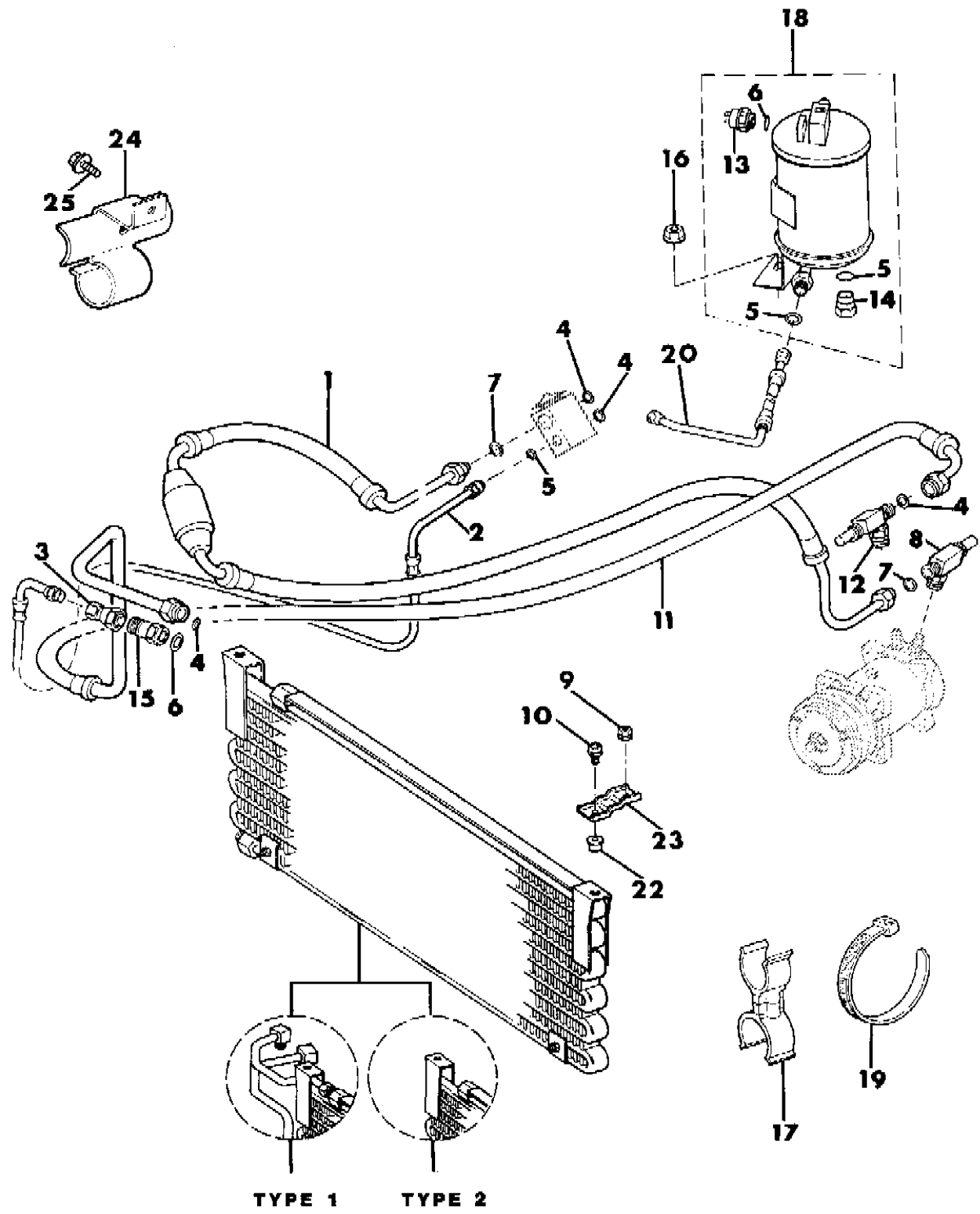
MJ = Comanche Pickup
 SJ = Grand Wagoneer Wgn., J-10 & J-20 Pickups
 XJ = Cherokee, Wagoneer Limited
 YJ = Wrangler

AR = Use as Required - = Non Illustrated Part P.A.R. = Paint as Required

RECEIVER/DRIER, CONDENSER AND HOSES 6 CYLINDER ENGINE W/FACTORY AIR CONDITIONING CHEROKEE, WAGONEER, COMANCHE

Figure 24-1900

8J24 1900A



| ITEM | PART NUMBER | QTY | BODY | MODEL | DESCRIPTION |
|------|-------------|-----|------|-------|--------------------------------|
| 1 | | | | | HOSE, Evaporator to Compressor |
| | 5600 2724 | 1 | | | 1987-88 |
| | 5600 2684 | 1 | | | 1989-90 |
| 2 | | | | | HOSE, Condenser to Receiver |
| | 5600 2189 | 1 | | | 1987 |
| | 5600 2731 | 1 | | | 1988-90 |
| 3 | J317 1795 | 1 | | | COUPLING, Female |
| 4 | J321 2112 | AR | | | O-RING |
| 5 | J321 2113 | AR | | | O-RING |
| 6 | J317 1788 | AR | | | O-RING |
| 7 | J322 2353 | AR | | | O-RING |
| 8 | 5600 0879 | 1 | | | VALVE, Suction |
| 9 | 1150 2722 | 2 | | | NUT |
| 10 | J400 6906 | 1 | | | SCREW |
| 11 | | | | | HOSE, Compressor to Condenser |
| | 5600 1662 | 1 | | | 1987 |
| | 5600 2732 | 1 | | | 1988-90 |
| 12 | 5300 0573 | 1 | | | VALVE, Discharge |
| 13 | J374 1260 | 1 | | | SWITCH, Cut-Off |
| 14 | J369 2994 | 1 | | | VALVE PACKAGE, Relief *** |
| 15 | J317 1794 | 1 | | | COUPLING, Male |
| 16 | J420 0046 | 1 | | | NUT |
| 17 | 5600 1786 | 1 | | | CLIP |
| 18 | 5600 1665 | 1 | | | DRIER, Receiver |
| 19 | J322 3227 | 1 | | | STRAP |
| 20 | 5600 1656 | 1 | | | HOSE, Receiver to H-Valve |
| 21 | | | | | CORE, Condenser |
| | 5600 2491 | 1 | | | Type 1 |
| | 5600 2957 | 1 | | | Type 2 (Stamped 56002956) |
| 22 | J400 3120 | 1 | | | NUT |
| 23 | 5600 2231 | 2 | | | BRACKET, Radiator to Condenser |
| 24 | 5600 1275 | 1 | | | BRACKET, Hose to Support |
| 25 | 3420 1489 | 1 | | | SCREW |

MODEL CODES:

| | | |
|-----------------------------|-----------------------------|------------------------------|
| 15 = Grand Wagoneer 4 Dr. | 65 = Comanche 4WD-7 Ft. Box | 77 = Cherokee 4WD-2 Dr. |
| 25 = J-10 Pickup-119" W.B. | 66 = Comanche 2WD-7 Ft. Box | 78 = Cherokee 4WD-4 Dr. |
| 26 = J-10 Pickup-131" W.B. | 73 = Cherokee 2WD-2 Dr. | 79 = Cherokee 4WD-4 Dr.-Com |
| 27 = J-20 Pickup-131" W.B. | 74 = Cherokee 2WD-4 Dr. | 81 = Wrangler-93" W.B. |
| 63 = Comanche 4WD-6 Ft. Box | 75 = Wagoneer 4WD-4 Dr. | 82 = Wrangler-103" W.B.-Exp. |
| 64 = Comanche 2WD-6 Ft. Box | | |

BODY STYLES:

MJ = Comanche Pickup
 SJ = Grand Wagoneer Wgn., J-10 & J-20 Pickups
 XJ = Cherokee, Wagoneer Limited
 YJ = Wrangler

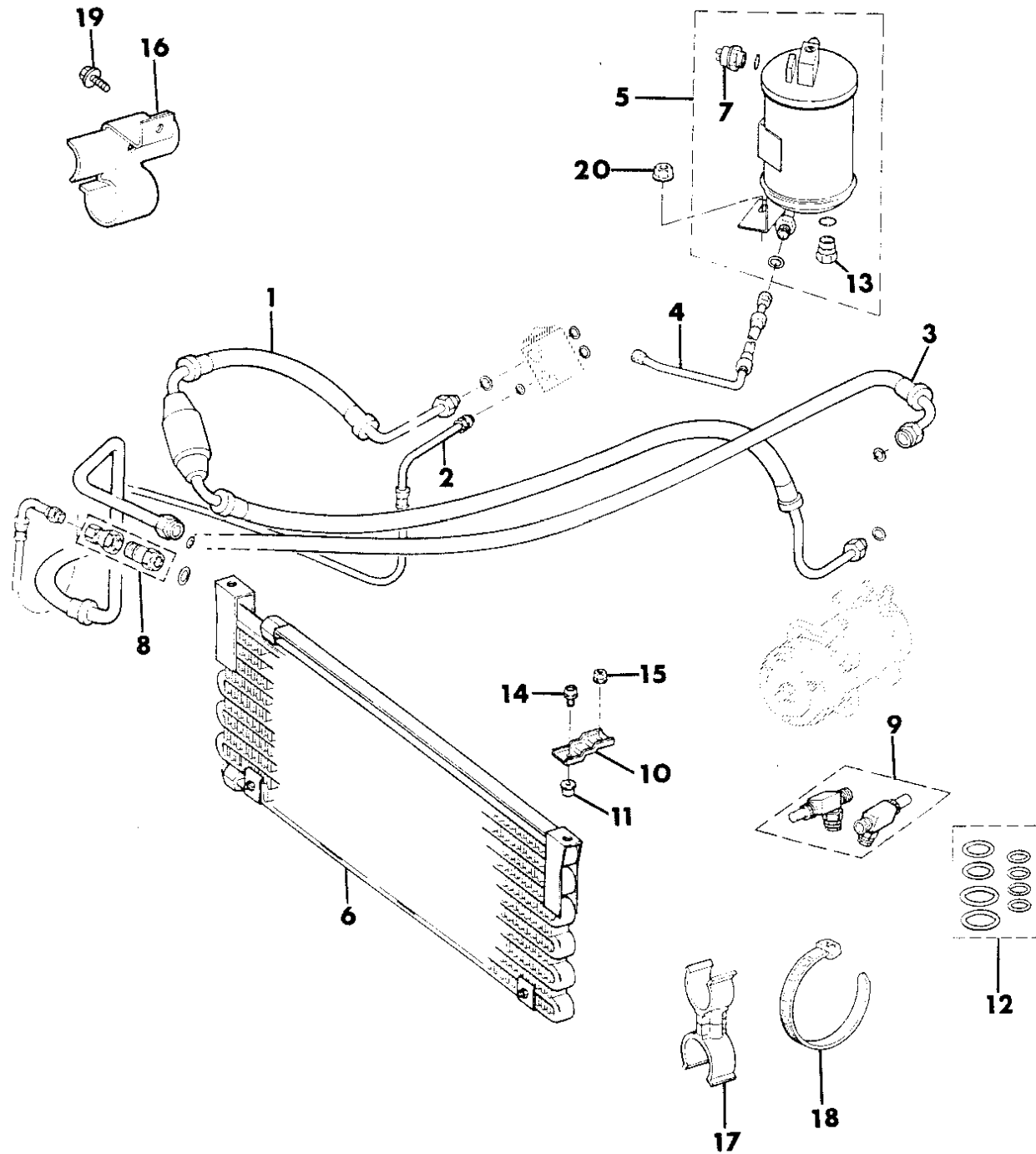
AR = Use as Required - = Non Illustrated Part P.A.R. = Paint as Required

RECEIVER/DRIER, CONDENSER AND HOSES 6 CYLINDER ENGINE W/AMERICAN AIR CONDITIONING CHEROKEE, WAGONEER, COMANCHE

Figure 24-2000

8 J 24 2000

| ITEM | PART NUMBER | QTY | BODY | MODEL | DESCRIPTION |
|------|-------------|-----|------|-------|---|
| 1 | 8350 5536 | 1 | | | HOSE, Evaporator to Compressor, Including Valve |
| 2 | 8350 4359 | 1 | | | HOSE, Receiver to Evaporator |
| 3 | 8350 4365 | 1 | | | HOSE, Compressor to Condenser |
| 4 | 5600 2189 | 1 | | | HOSE, Condenser to Receiver |
| 5 | 5600 1665 | 1 | | | RECEIVER/DRIER |
| 6 | 8350 4894 | 1 | | | CORE, Condenser |
| 7 | J374 1260 | 1 | | | SWITCH, Cut-Off |
| 8 | 8350 4360 | 1 | | | FITTING PACKAGE *** |
| 9 | 8350 2083 | 1 | | | VALVE PACKAGE, Suction and Discharge *** |
| 10 | 5600 2231 | 2 | | | BRACKET, Radiator to Condenser |
| 11 | J400 3120 | 1 | | | NUT, Well |
| 12 | 8350 1332 | 1 | | | O-RING PACKAGE *** |
| 13 | J369 2994 | 1 | | | VALVE PACKAGE, Relief *** |
| 14 | J400 6906 | 1 | | | SCREW |
| 15 | 1150 2722 | 2 | | | NUT |
| 16 | 5600 1275 | 1 | | | BRACKET, Hose Support |
| 17 | 5600 1786 | 1 | | | CLIP |
| 18 | J322 3227 | 1 | | | STRAP |
| 19 | 3420 1489 | 1 | | | SCREW |
| 20 | J420 0046 | 1 | | | NUT |



MODEL CODES:

| | | |
|-----------------------------|-----------------------------|------------------------------|
| 15 = Grand Wagoneer 4 Dr. | 65 = Comanche 4WD-7 Ft. Box | 77 = Cherokee 4WD-2 Dr. |
| 25 = J-10 Pickup-119" W.B. | 66 = Comanche 2WD-7 Ft. Box | 78 = Cherokee 4WD-4 Dr. |
| 26 = J-10 Pickup-131" W.B. | 73 = Cherokee 2WD-2 Dr. | 79 = Cherokee 4WD-4 Dr.-Com |
| 27 = J-20 Pickup-131" W.B. | 74 = Cherokee 2WD-4 Dr. | 81 = Wrangler-93" W.B. |
| 63 = Comanche 4WD-6 Ft. Box | 75 = Wagoneer 4WD-4 Dr. | 82 = Wrangler-103" W.B.-Exp. |
| 64 = Comanche 2WD-6 Ft. Box | | |

BODY STYLES:

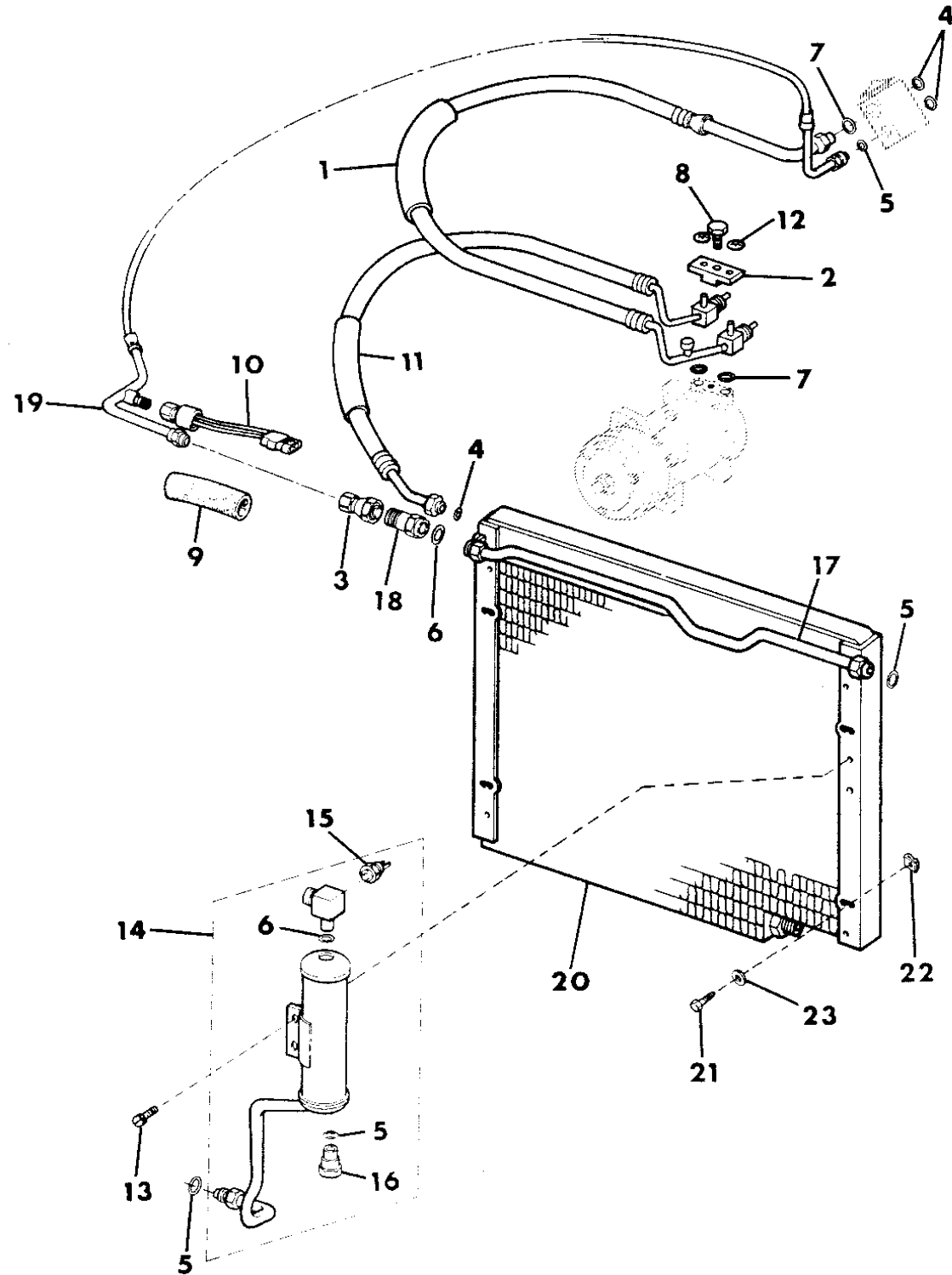
MJ = Comanche Pickup
 SJ = Grand Wagoneer Wgn., J-10 & J-20 Pickups
 XJ = Cherokee, Wagoneer Limited
 YJ = Wrangler

AR = Use as Required - = Non Illustrated Part P.A.R. = Paint as Required

RECEIVER/DRIER, CONDENSER AND HOSES DIESEL ENGINE W/FACTORY AIR CONDITIONING CHEROKEE, WAGONEER, COMANCHE

Figure 24-2100

8J24 2100



| ITEM | PART NUMBER | QTY | BODY | MODEL | DESCRIPTION |
|------|-------------|-----|------|-------|--|
| 1 | 5600 1273 | 1 | | | HOSE, Evaporator to Compressor, Including Valve |
| 2 | 5600 1403 | 1 | | | RETAINER, Valve |
| 3 | J317 1795 | 1 | | | COUPLING, Female |
| 4 | J321 2112 | 3 | | | O-RING |
| 5 | J321 2113 | 4 | | | O-RING |
| 6 | J317 1788 | 2 | | | O-RING |
| 7 | J322 2353 | 3 | | | O-RING |
| 8 | 3420 2171 | 1 | | | SCREW |
| 9 | J369 3082 | 1 | | | INSULATOR (Part must be Modified for this Application) |
| 10 | 5600 1310 | 1 | | | SWITCH, Cut-Off |
| 11 | 5600 2203 | 1 | | | HOSE, Compressor to Condenser, Including Valve |
| 12 | J400 6866 | 2 | | | NUT, Push |
| 13 | J812 0054 | 2 | | | SCREW |
| 14 | 5600 1938 | 1 | | | RECEIVER/DRIER *** |
| 15 | J374 1260 | 1 | | | SWITCH, Cut-Off |
| 16 | J369 2994 | 1 | | | VALVE PACKAGE, Relief *** |
| 17 | 5600 2202 | 1 | | | TUBE, Receiver |
| 18 | J317 1794 | 1 | | | COUPLING, Male |
| 19 | 5600 2201 | 1 | | | HOSE, Receiver to Evaporator |
| 20 | 5600 2205 | 1 | | | CORE, Condenser |
| 21 | 1150 5066 | 4 | | | SCREW |
| 22 | 1150 0660 | 4 | | | NUT |
| 23 | 1150 0323 | 4 | | | WASHER |

MODEL CODES:

| | | |
|-----------------------------|-----------------------------|------------------------------|
| 15 = Grand Wagoneer 4 Dr. | 65 = Comanche 4WD-7 Ft. Box | 77 = Cherokee 4WD-2 Dr. |
| 25 = J-10 Pickup-119" W.B. | 66 = Comanche 2WD-7 Ft. Box | 78 = Cherokee 4WD-4 Dr. |
| 26 = J-10 Pickup-131" W.B. | 73 = Cherokee 2WD-2 Dr. | 79 = Cherokee 4WD-4 Dr.-Com |
| 27 = J-20 Pickup-131" W.B. | 74 = Cherokee 2WD-4 Dr. | 81 = Wrangler-93" W.B. |
| 63 = Comanche 4WD-6 Ft. Box | 75 = Wagoneer 4WD-4 Dr. | 82 = Wrangler-103" W.B.-Exp. |
| 64 = Comanche 2WD-6 Ft. Box | | |

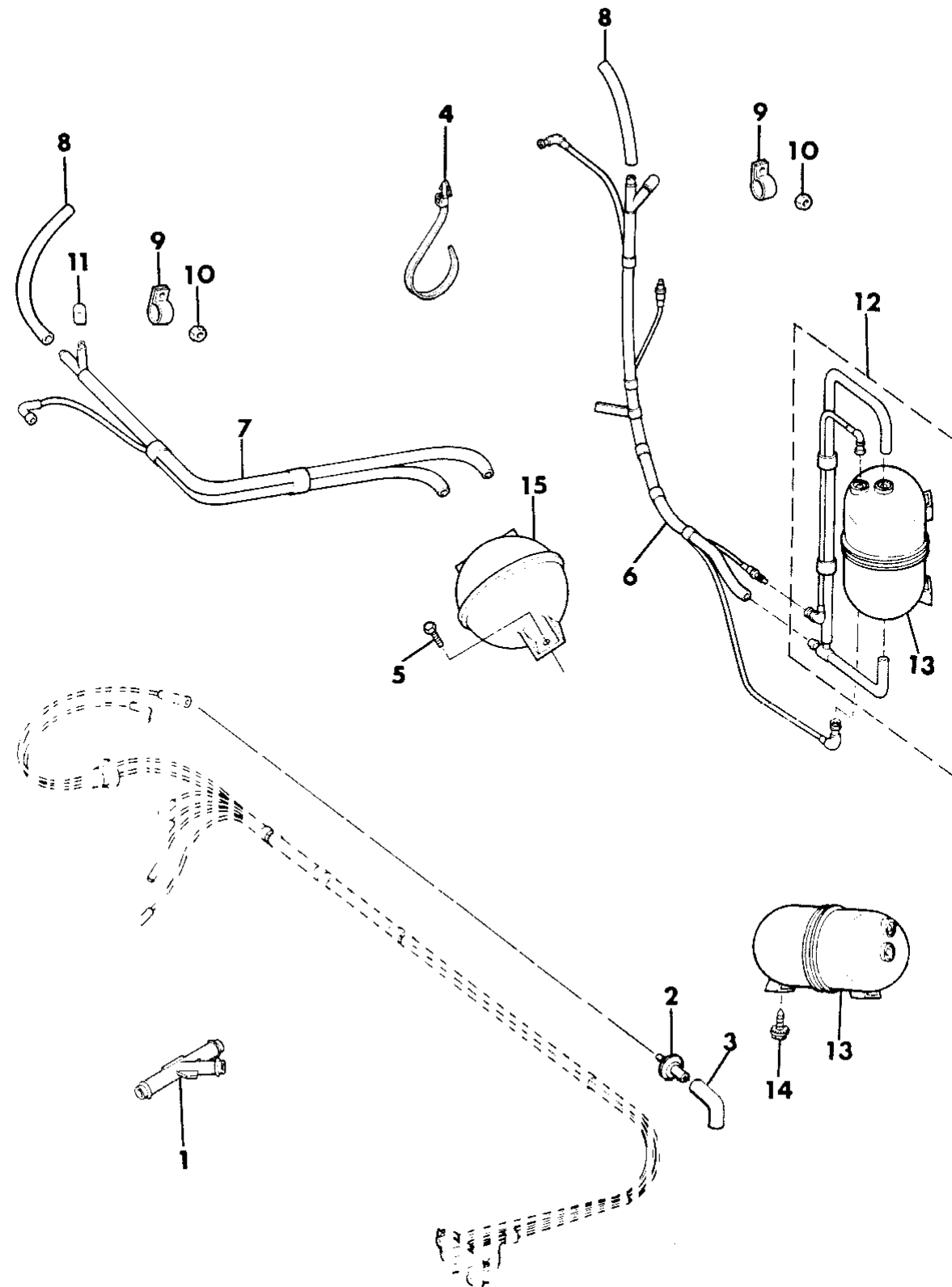
BODY STYLES:

MJ = Comanche Pickup
 SJ = Grand Wagoneer Wgn., J-10 & J-20 Pickups
 XJ = Cherokee, Wagoneer Limited
 YJ = Wrangler

AR = Use as Required - = Non Illustrated Part P.A.R. = Paint as Required

LINES, HEATER AND AIR CONDITIONING VACUUM CHEROKEE, WAGONEER, COMANCHE
Figure 24-2200

8J24 2200



| ITEM | PART NUMBER | QTY | BODY | MODEL | DESCRIPTION |
|------|-------------|-----|------|-------|--|
| 1 | J400 6848 | 1 | | | CONNECTOR, Diesel Engine |
| 2 | J322 5641 | 1 | | | VALVE, Check, Diesel Engine |
| 3 | 3300 0657 | 1 | | | HOSE, Diesel Engine |
| 4 | 3420 1788 | 1 | | | STRAP, w/o Diesel Engine |
| 5 | J400 2359 | 2 | | | SCREW |
| 6 | 5600 2602 | 1 | | | HOSE, Vacuum w/o Diesel Engine, w/Cruise Control |
| 7 | 5600 2562 | 1 | | | HOSE, Vacuum w/o Diesel Engine, w/o Cruise Control |
| 8 | 8330 0080 | AR | | | HOSE, Vacuum |
| 9 | J012 0523 | 1 | | | CLIP, 6 Cyl. Engine |
| 10 | J941 6918 | 1 | | | NUT, 6 Cyl. Engine |
| 11 | 3420 2137 | AR | | | CAP, Vacuum, w/o Cruise Control |
| 12 | 5600 2601 | 1 | | | HOSE, w/Tank w/o Diesel Engine, w/Cruise Control |
| 13 | 5300 3052 | 1 | | | TANK, Vacuum, w/Cruise Control |
| 14 | 1150 0994 | 2 | | | SCREW |
| 15 | 3600 1728 | 1 | | | TANK, Vacuum w/o Diesel Engine, w/o Cruise Control |

MODEL CODES:

| | | |
|-----------------------------|-----------------------------|------------------------------|
| 15 = Grand Wagoneer 4 Dr. | 65 = Comanche 4WD-7 Ft. Box | 77 = Cherokee 4WD-2 Dr. |
| 25 = J-10 Pickup-119" W.B. | 66 = Comanche 2WD-7 Ft. Box | 78 = Cherokee 4WD-4 Dr. |
| 26 = J-10 Pickup-131" W.B. | 73 = Cherokee 2WD-2 Dr. | 79 = Cherokee 4WD-4 Dr.-Com |
| 27 = J-20 Pickup-131" W.B. | 74 = Cherokee 2WD-4 Dr. | 81 = Wrangler-93" W.B. |
| 63 = Comanche 4WD-6 Ft. Box | 75 = Wagoneer 4WD-4 Dr. | 82 = Wrangler-103" W.B.-Exp. |
| 64 = Comanche 2WD-6 Ft. Box | | |

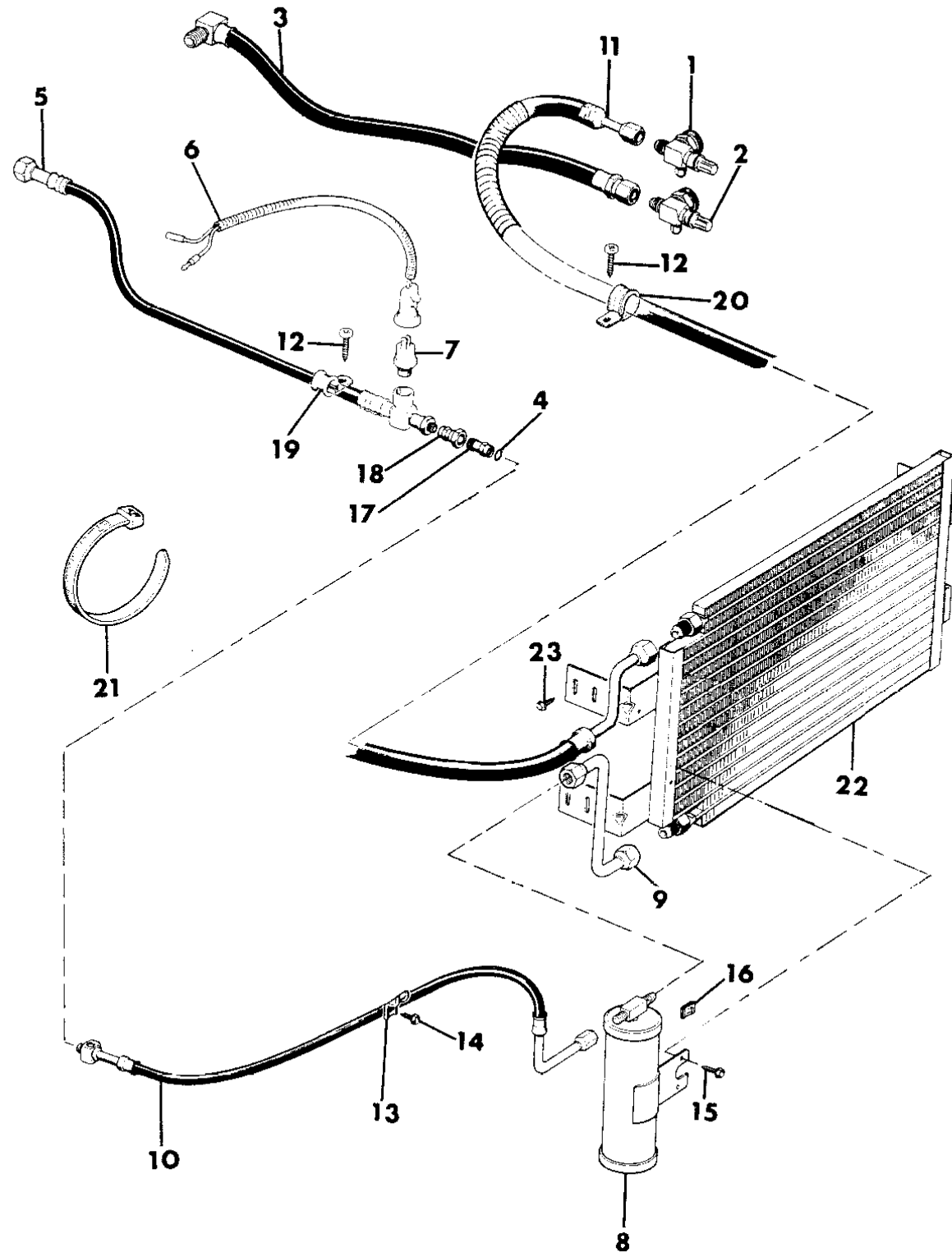
BODY STYLES:

MJ = Comanche Pickup
SJ = Grand Wagoneer Wgn., J-10 & J-20 Pickups
XJ = Cherokee, Wagoneer Limited
YJ = Wrangler

AR = Use as Required - = Non Illustrated Part P.A.R. = Paint as Required

RECEIVER/DRIER, CONDENSER AND HOSES W/AIR CONDITIONING GRAND WAGONEER, J10, J20
Figure 24-2300

8 J24 2300



| ITEM | PART NUMBER | QTY | BODY | MODEL | DESCRIPTION |
|------|-------------|-----|------|-------|---|
| 1 | J545 9856 | 1 | | | VALVE, Discharge w/York Compressor |
| | 5600 3162 | 1 | | | w/Sanden Compressor |
| 2 | J545 9857 | 1 | | | VALVE, Suction w/York Compressor |
| | 5600 3161 | 1 | | | w/Sanden Compressor |
| 3 | J546 3854 | 1 | | | HOSE, Evaporator to Compressor w/York Compressor |
| | 5600 3318 | 1 | | | w/Sanden Compressor |
| 4 | J317 1788 | AR | | | O-RING |
| 5 | J576 3649 | 1 | | | HOSE, Quick Coupling to Evaporator |
| 6 | J576 3526 | 1 | | | WIRE, Low Freon |
| 7 | J374 1260 | 1 | | | SWITCH, Cut-Off |
| 8 | J813 0315 | 1 | | | RECEIVER/DRIER *** 6 Cyl. Engine |
| | J813 0314 | 1 | | | 8 Cyl. Engine |
| 9 | J813 0316 | 1 | | | TUBE, Receiver |
| 10 | J813 0317 | 1 | | | HOSE, Receiver to Quick Coupling |
| 11 | J813 0318 | 1 | | | HOSE, Compressor to Condenser w/York Compressor |
| | 8350 5636 | 1 | | | w/Sanden Compressor |
| 12 | S016 1895 | AR | | | SCREW |
| 13 | J012 0525 | 1 | | | CLIP |
| 14 | 1150 2843 | 1 | | | SCREW |
| 15 | J812 0054 | 2 | | | SCREW |
| 16 | J044 5446 | 2 | | | NUT |
| 17 | J317 1794 | 1 | | | COUPLING, Male |
| 18 | J317 1795 | 1 | | | COUPLING, Female *** |
| 19 | S012 0530 | 2 | | | CLIP |
| 20 | J400 3838 | 1 | | | CLIP |
| 21 | J322 3227 | AR | | | STRAP |
| 22 | J813 0313 | 1 | | | CORE, Condenser 6 Cyl. Engine |
| | J813 0312 | 1 | | | 8 Cyl. Engine |
| 23 | J400 1042 | 4 | | | SCREW |

MODEL CODES:

| | | |
|-----------------------------|-----------------------------|------------------------------|
| 15 = Grand Wagoneer 4 Dr. | 65 = Comanche 4WD-7 Ft. Box | 77 = Cherokee 4WD-2 Dr. |
| 25 = J-10 Pickup-119" W.B. | 66 = Comanche 2WD-7 Ft. Box | 78 = Cherokee 4WD-4 Dr. |
| 26 = J-10 Pickup-131" W.B. | 73 = Cherokee 2WD-2 Dr. | 79 = Cherokee 4WD-4 Dr.-Com |
| 27 = J-20 Pickup-131" W.B. | 74 = Cherokee 2WD-4 Dr. | 81 = Wrangler-93" W.B. |
| 63 = Comanche 4WD-6 Ft. Box | 75 = Wagoneer 4WD-4 Dr. | 82 = Wrangler-103" W.B.-Exp. |
| 64 = Comanche 2WD-6 Ft. Box | | |

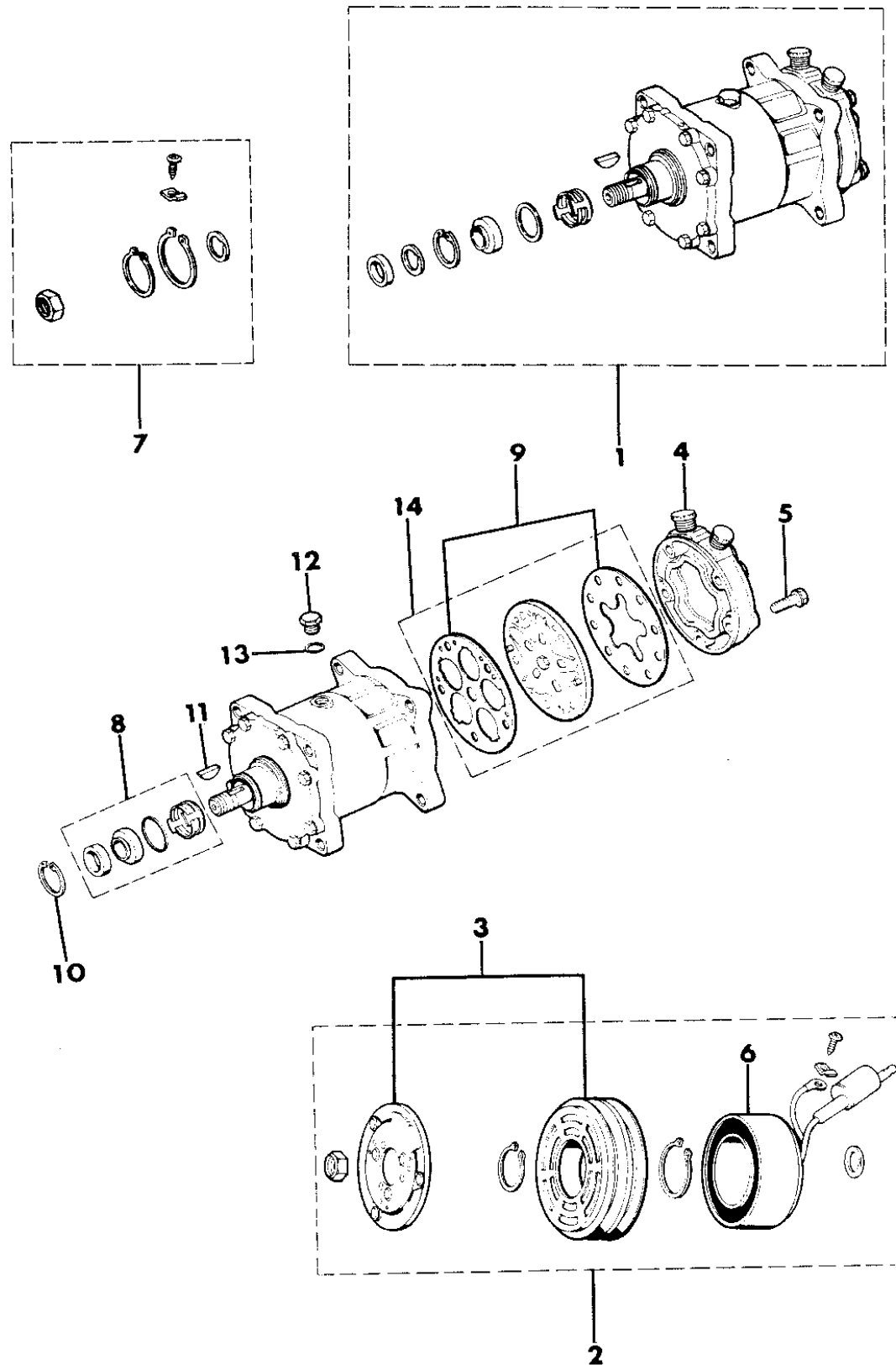
BODY STYLES:

MJ = Comanche Pickup
SJ = Grand Wagoneer Wgn., J-10 & J-20 Pickups
XJ = Cherokee, Wagoneer Limited
YJ = Wrangler

AR = Use as Required - = Non Illustrated Part P.A.R. = Paint as Required

COMPRESSOR 6 CYLINDER ENGINE W/FACTORY AIR CONDITIONING WRANGLER, YJ
Figure 24-2400

8J24 2400



| ITEM | PART NUMBER | QTY | BODY | MODEL | DESCRIPTION |
|------|-------------|-----|------|-------|-----------------------------|
| 1 | J813 3449 | 1 | | | COMPRESSOR |
| 2 | 8351 0034 | 1 | | | CLUTCH |
| 3 | J813 3446 | 1 | | | PULLEY, Drive |
| 4 | J813 3445 | 1 | | | HEAD, Cylinder |
| 5 | J813 3189 | 5 | | | SCREW |
| 6 | 8351 0032 | 1 | | | COIL, Clutch |
| 7 | J813 3192 | 1 | | | CLUTCH PACKAGE, Service *** |
| 8 | J813 3183 | 1 | | | SEAL PACKAGE, Clutch |
| 9 | J813 3186 | 1 | | | GASKET PACKAGE |
| 10 | J813 3182 | 1 | | | RING, Snap |
| 11 | J813 3191 | 1 | | | KEY, Shaft |
| 12 | J813 3185 | 1 | | | PLUG, Filler |
| 13 | J813 3184 | 1 | | | O-RING |
| 14 | J813 3187 | 1 | | | PLATE PACKAGE *** |

MODEL CODES:

| | | |
|-----------------------------|-----------------------------|------------------------------|
| 15 = Grand Wagoneer 4 Dr. | 65 = Comanche 4WD-7 Ft. Box | 77 = Cherokee 4WD-2 Dr. |
| 25 = J-10 Pickup-119" W.B. | 66 = Comanche 2WD-7 Ft. Box | 78 = Cherokee 4WD-4 Dr. |
| 26 = J-10 Pickup-131" W.B. | 73 = Cherokee 2WD-2 Dr. | 79 = Cherokee 4WD-4 Dr.-Com |
| 27 = J-20 Pickup-131" W.B. | 74 = Cherokee 2WD-4 Dr. | 81 = Wrangler-93" W.B. |
| 63 = Comanche 4WD-6 Ft. Box | 75 = Wagoneer 4WD-4 Dr. | 82 = Wrangler-103" W.B.-Exp. |
| 64 = Comanche 2WD-6 Ft. Box | | |

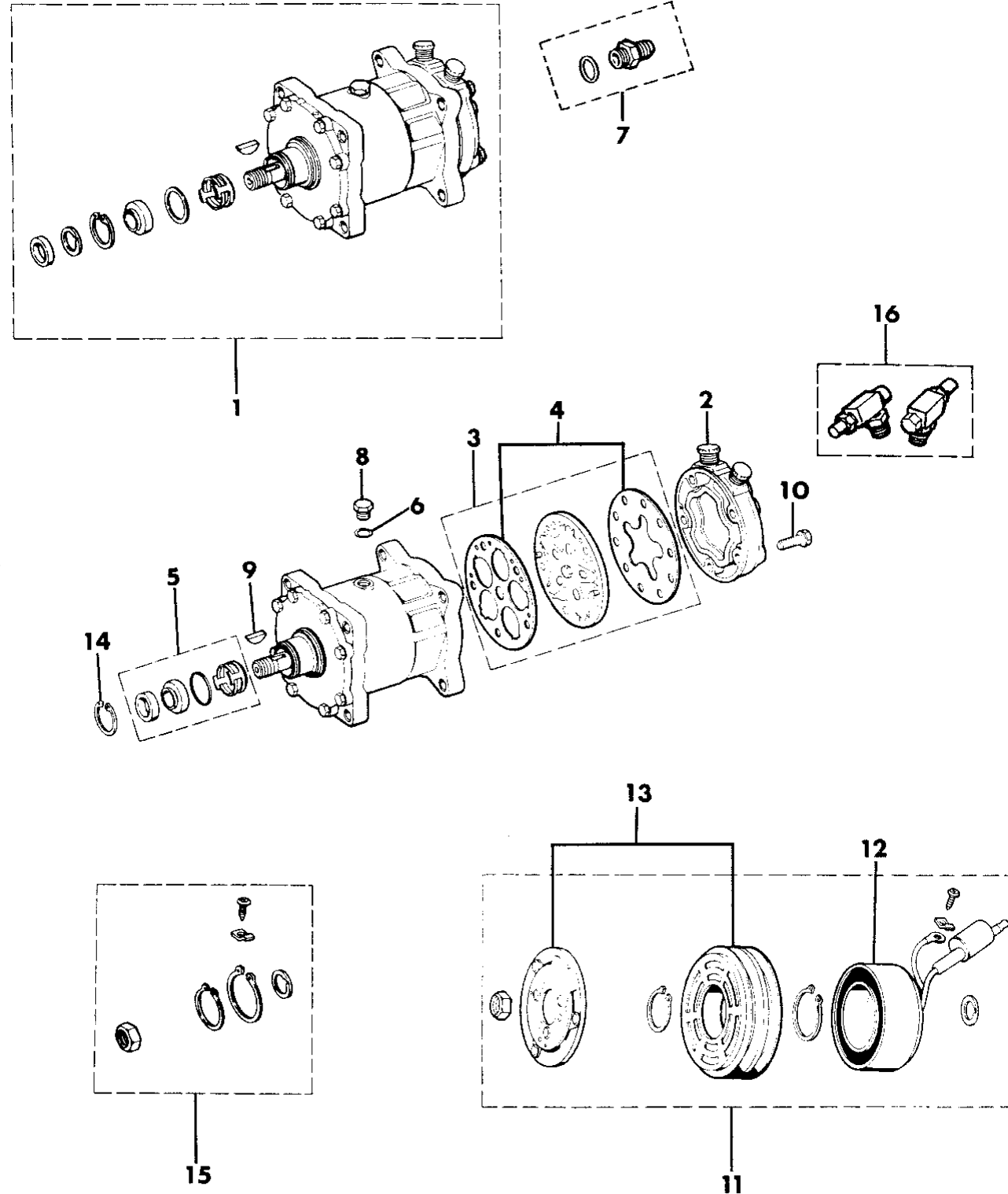
BODY STYLES:

MJ = Comanche Pickup
SJ = Grand Wagoneer Wgn., J-10 & J-20 Pickups
XJ = Cherokee, Wagoneer Limited
YJ = Wrangler

AR = Use as Required - = Non Illustrated Part P.A.R. = Paint as Required

COMPRESSOR, W/AMERICAN AIR CONDITIONING WRANGLER, YJ
Figure 24-2500

8J24 25 00



| ITEM | PART NUMBER | QTY | BODY | MODEL | DESCRIPTION |
|------|-------------|-----|------|-------|---|
| 1 | | | | | COMPRESSOR |
| | 8350 3362 | 1 | | | 4 Cyl. or 6 Cyl. Engine w/o Serpentine Belt Drive |
| | J813 3196 | 1 | | | 6 Cyl. Engine w/Serpentine Belt Drive |
| 2 | | | | | HEAD, Compressor Cylinder |
| | 8350 3363 | 1 | | | 4 Cyl. or 6 Cyl. Engine w/o Serpentine Belt Drive |
| | J813 3188 | 1 | | | 6 Cyl. Engine w/Serpentine Belt Drive |
| 3 | J813 3187 | 1 | | | PLATE PACKAGE *** |
| 4 | J813 3186 | 1 | | | GASKET PACKAGE |
| 5 | J813 3183 | 1 | | | SEAL PACKAGE, Clutch |
| 6 | J813 3184 | 1 | | | O-RING PACKAGE *** |
| 7 | J813 3190 | 2 | | | VALVE, Service Port |
| 8 | J813 3185 | 1 | | | PLUG, Filler |
| 9 | J813 3191 | 1 | | | KEY, Shaft |
| 10 | J813 3189 | 5 | | | SCREW |
| 11 | | | | | CLUTCH |
| | J813 3195 | 1 | | | 4 Cyl. or 6 Cyl. Engine w/o Serpentine Belt Drive |
| | 8350 3359 | 1 | | | 6 Cyl. Engine w/Serpentine Belt Drive |
| 12 | J813 3194 | 1 | | | COIL, Clutch |
| 13 | J813 3193 | 1 | | | PULLEY, Drive |
| 14 | J813 3182 | 1 | | | RING, Snap |
| 15 | J813 3192 | 1 | | | CLUTCH PACKAGE, Service *** |
| 16 | 8350 3358 | 1 | | | VALVE PACKAGE, Discharge and Suction *** |

MODEL CODES:

| | | |
|-----------------------------|-----------------------------|------------------------------|
| 15 = Grand Wagoneer 4 Dr. | 65 = Comanche 4WD-7 Ft. Box | 77 = Cherokee 4WD-2 Dr. |
| 25 = J-10 Pickup-119" W.B. | 66 = Comanche 2WD-7 Ft. Box | 78 = Cherokee 4WD-4 Dr. |
| 26 = J-10 Pickup-131" W.B. | 73 = Cherokee 2WD-2 Dr. | 79 = Cherokee 4WD-4 Dr.-Com |
| 27 = J-20 Pickup-131" W.B. | 74 = Cherokee 2WD-4 Dr. | 81 = Wrangler-93" W.B. |
| 63 = Comanche 4WD-6 Ft. Box | 75 = Wagoneer 4WD-4 Dr. | 82 = Wrangler-103" W.B.-Exp. |
| 64 = Comanche 2WD-6 Ft. Box | | |

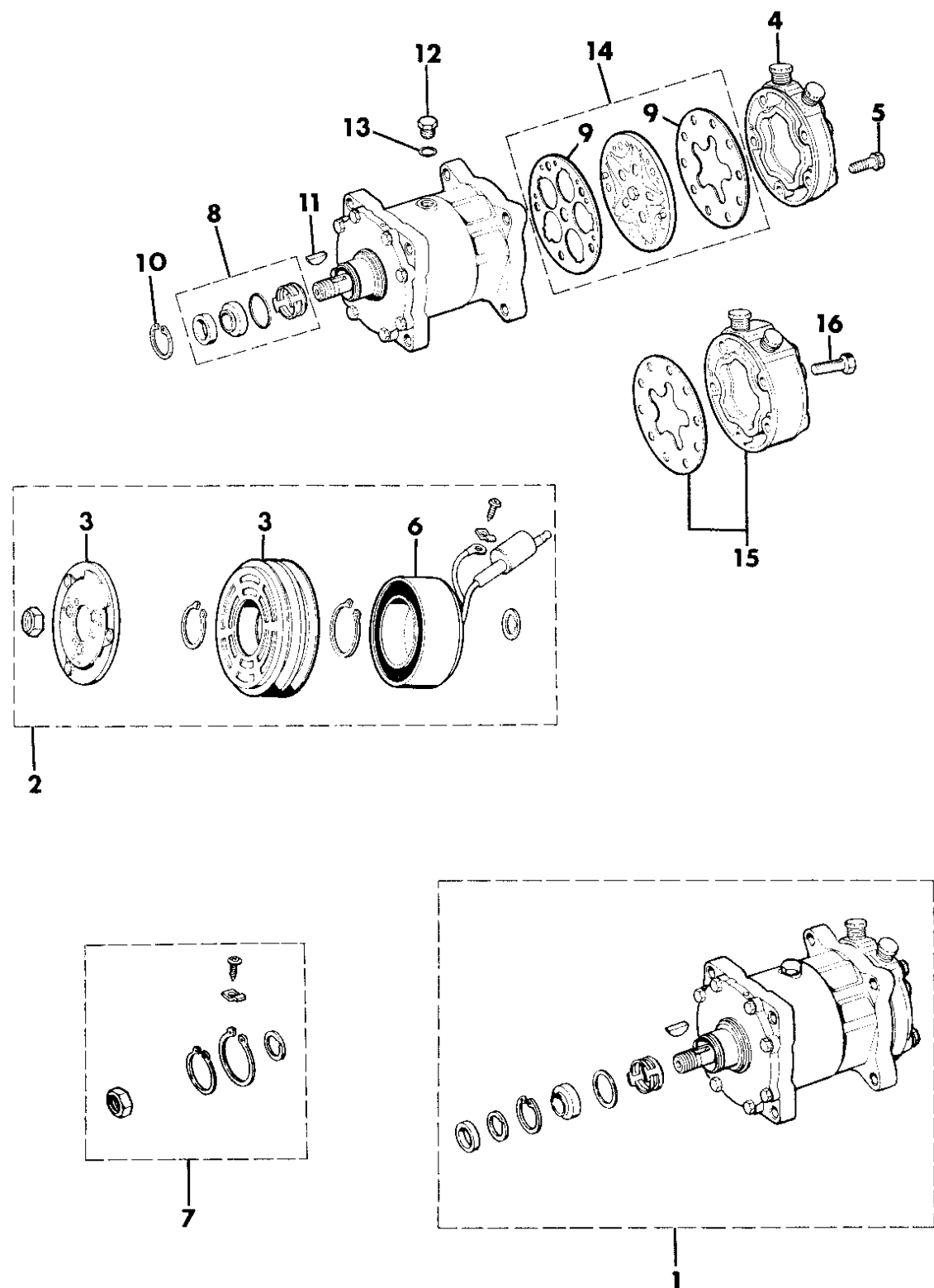
BODY STYLES:

MJ = Comanche Pickup
 SJ = Grand Wagoneer Wgn., J-10 & J-20 Pickups
 XJ = Cherokee, Wagoneer Limited
 YJ = Wrangler

AR = Use as Required - = Non Illustrated Part P.A.R. = Paint as Required

COMPRESSOR, AIR CONDITIONING CHEROKEE, WAGONEER, COMANCHE
Figure 24-2600

8J24 2600



| ITEM | PART NUMBER | QTY | BODY | MODEL | DESCRIPTION |
|------|-------------|-----|------|-------|--|
| 1 | | | | | COMPRESSOR |
| | J813 3449 | 1 | | | 4 Cyl. Engine w/Narrow Cylinder Head (Stamped U508SP3) |
| | 8350 5070 | 1 | | | 4 Cyl. Engine w/Wide Cylinder Head (Stamped 508IU) |
| | 8350 5070 | 1 | | | 6 Cyl. Engine |
| | 8350 1450 | 1 | | | Diesel Engine |
| 2 | | | | | CLUTCH |
| | 8351 0034 | 1 | | | 4 Cyl. Engine w/Narrow Cylinder Head |
| | 8350 1844 | 1 | | | 4 Cyl. Engine w/Wide Cylinder Head |
| | 8350 1844 | 1 | | | 6 Cyl. Engine |
| | 8351 0033 | 1 | | | Diesel Engine |
| 3 | | | | | PULLEY, Clutch Drive |
| | J813 3446 | 1 | | | 4 Cyl. Engine w/Narrow Cylinder Head |
| | 8350 1845 | 1 | | | 4 Cyl. Engine w/Wide Cylinder Head |
| | 8350 1845 | 1 | | | 6 Cyl. Engine |
| | J813 4177 | 1 | | | Diesel Engine |
| 4 | | | | | HEAD, Cylinder |
| | J813 3445 | 1 | | | 4 Cyl. Engine with 24mm wide Compressor Cylinder Head |
| | J813 4179 | 1 | | | Diesel Engine |
| 5 | J813 3189 | 5 | | | SCREW, w/Narrow Cylinder Head |
| 6 | 8351 0032 | 1 | | | COIL, Clutch |
| 7 | J813 3192 | 1 | | | CLUTCH PACKAGE, Service *** |
| 8 | J813 3183 | 1 | | | SEAL PACKAGE, Clutch |
| 9 | J813 3186 | 1 | | | GASKET PACKAGE |
| 10 | J813 3182 | 1 | | | RING, Snap |
| 11 | J813 3191 | 1 | | | KEY, Shaft |
| 12 | J813 3185 | 1 | | | PLUG, Filler |
| 13 | J813 3184 | 1 | | | O-RING |
| 14 | J813 3187 | 1 | | | PLATE PACKAGE *** |
| 15 | | | | | HEAD PACKAGE, Cylinder *** |
| | 8350 5071 | 1 | | | 4 Cyl. Engine with 45mm wide Compressor Cylinder Head |
| | 8350 5071 | 1 | | | 6 Cyl. Engine |
| 16 | 8350 6000 | 6 | | | SCREW, w/Wide Cylinder Head |

MODEL CODES:
 15 = Grand Wagoneer 4 Dr. 65 = Comanche 4WD-7 Ft. Box 77 = Cherokee 4WD-2 Dr.
 25 = J-10 Pickup-119" W.B. 66 = Comanche 2WD-7 Ft. Box 78 = Cherokee 4WD-4 Dr.
 26 = J-10 Pickup-131" W.B. 73 = Cherokee 2WD-2 Dr. 79 = Cherokee 4WD-4 Dr.-Com
 27 = J-20 Pickup-131" W.B. 74 = Cherokee 2WD-4 Dr. 81 = Wrangler-93" W.B.
 63 = Comanche 4WD-6 Ft. Box 75 = Wagoneer 4WD-4 Dr. 82 = Wrangler-103" W.B.-Exp.
 64 = Comanche 2WD-6 Ft. Box

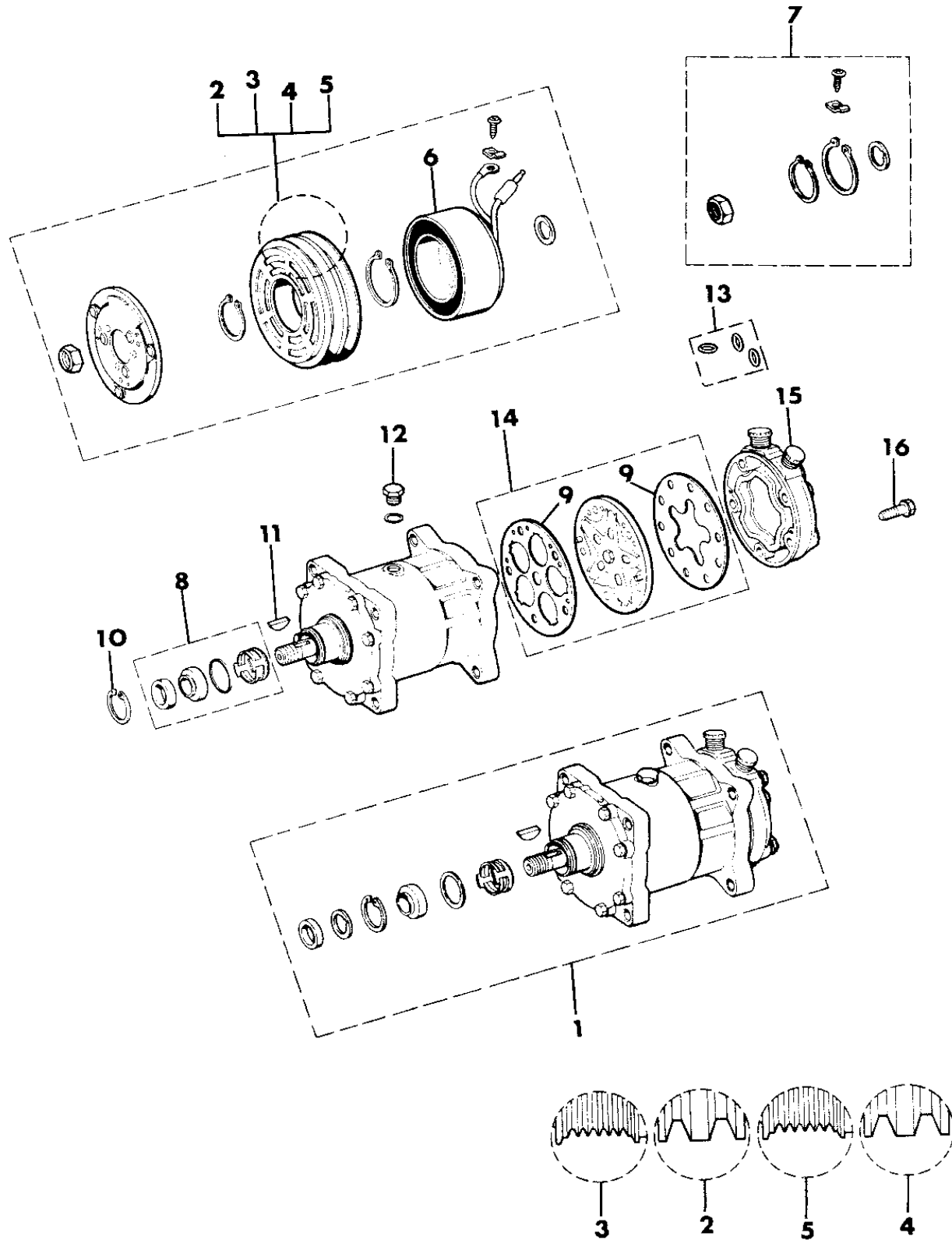
BODY STYLES:
 MJ = Comanche Pickup
 SJ = Grand Wagoneer Wgn., J-10 & J-20 Pickups
 XJ = Cherokee, Wagoneer Limited
 YJ = Wrangler

AR = Use as Required - = Non Illustrated Part P.A.R. = Paint as Required

COMPRESSOR, AIR CONDITIONING 6 CYLINDER ENGINE GRAND WAGONEER, J10, J20
Figure 24-2700

8J24 2700

| ITEM | PART NUMBER | QTY | BODY | MODEL | DESCRIPTION |
|------|-------------|-----|------|-------|-----------------------------|
| 1 | J813 3449 | 1 | | | COMPRESSOR |
| 2 | 8351 0033 | 1 | | | CLUTCH, exc. Calif. |
| 3 | 8351 0034 | 1 | | | CLUTCH, Calif. |
| 4 | J813 4177 | 1 | | | PULLEY, Drive, exc. Calif. |
| 5 | J813 3446 | 1 | | | PULLEY, Drive, Calif. |
| 6 | 8351 0032 | 1 | | | COIL, Clutch |
| 7 | J813 3192 | 1 | | | CLUTCH PACKAGE, Service *** |
| 8 | J813 3183 | 1 | | | SEAL PACKAGE, Clutch |
| 9 | J813 3186 | 1 | | | GASKET PACKAGE |
| 10 | J813 3182 | 1 | | | RING, Snap |
| 11 | J813 3191 | 1 | | | KEY, Shaft |
| 12 | J813 3185 | 1 | | | PLUG, Filler |
| 13 | J813 3184 | 1 | | | O-RING PACKAGE *** |
| 14 | J813 3187 | 1 | | | PLATE PACKAGE *** |
| 15 | J813 3445 | 1 | | | HEAD, Cylinder |
| 16 | J813 3189 | 5 | | | SCREW |



MODEL CODES:

| | | |
|-----------------------------|-----------------------------|------------------------------|
| 15 = Grand Wagoneer 4 Dr. | 65 = Comanche 4WD-7 Ft. Box | 77 = Cherokee 4WD-2 Dr. |
| 25 = J-10 Pickup-119" W.B. | 66 = Comanche 2WD-7 Ft. Box | 78 = Cherokee 4WD-4 Dr. |
| 26 = J-10 Pickup-131" W.B. | 73 = Cherokee 2WD-2 Dr. | 79 = Cherokee 4WD-4 Dr.-Com |
| 27 = J-20 Pickup-131" W.B. | 74 = Cherokee 2WD-4 Dr. | 81 = Wrangler-93" W.B. |
| 63 = Comanche 4WD-6 Ft. Box | 75 = Wagoneer 4WD-4 Dr. | 82 = Wrangler-103" W.B.-Exp. |
| 64 = Comanche 2WD-6 Ft. Box | | |

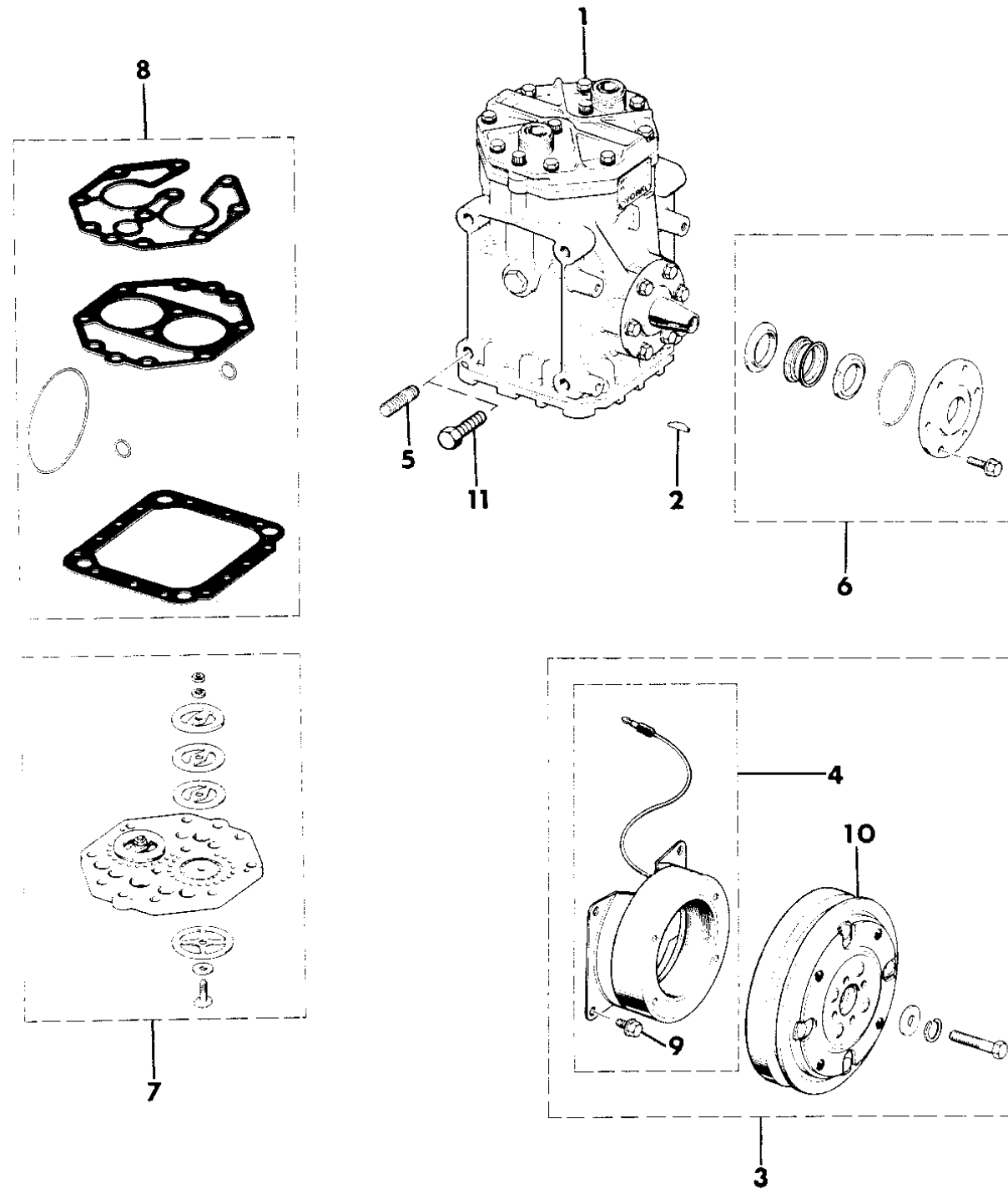
BODY STYLES:

MJ = Comanche Pickup
SJ = Grand Wagoneer Wgn., J-10 & J-20 Pickups
XJ = Cherokee, Wagoneer Limited
YJ = Wrangler

AR = Use as Required - = Non Illustrated Part P.A.R. = Paint as Required

COMPRESSOR, AIR CONDITIONING, YORK EIGHT CYLINDER GRAND WAGONEER, J10 ,J20
Figure 24-2800

8 J 24 2800



| ITEM | PART NUMBER | QTY | BODY | MODEL | DESCRIPTION |
|------|-------------|-----|------|-------|-----------------------------|
| 1 | J322 8826 | 1 | | | COMPRESSOR |
| 2 | J369 3097 | 1 | | | KEY, Shaft |
| 3 | J576 1332 | 1 | | | CLUTCH |
| 4 | J812 8244 | 1 | | | COIL See Note A |
| 5 | J400 7462 | 3 | | | STUD See Note B |
| 6 | J812 0180 | 1 | | | SEAL PACKAGE |
| 7 | J812 7440 | 1 | | | PLATE PACKAGE *** |
| 8 | J812 2073 | 1 | | | GASKET PACKAGE |
| 9 | J400 0741 | 4 | | | SCREW |
| 10 | J812 9533 | 1 | | | PULLEY, Drive See Note A |
| | J813 4175 | 1 | | | See Note B |
| 11 | J018 0122 | 4 | | | SCREW |

A - Use Pulley J8129533 or Coil J8128244 if the Compressor in the Vehicle has the Part Number of the Production Clutch Assembly 3692973 or J3692973 stamped to the Face of its Pulley.

B - Use Pulley J8134175 or Coil J8134174 if the Compressor in the Vehicle has the Part Number of the Production Clutch 5751322 or J5761322 shown on a Tag affixed to the Face of its Pulley. A Second Tag will show the name of the Vendor (OGURA).

MODEL CODES:

| | | |
|-----------------------------|-----------------------------|------------------------------|
| 15 = Grand Wagoneer 4 Dr. | 65 = Comanche 4WD-7 Ft. Box | 77 = Cherokee 4WD-2 Dr. |
| 25 = J-10 Pickup-119" W.B. | 66 = Comanche 2WD-7 Ft. Box | 78 = Cherokee 4WD-4 Dr. |
| 26 = J-10 Pickup-131" W.B. | 73 = Cherokee 2WD-2 Dr. | 79 = Cherokee 4WD-4 Dr.-Com |
| 27 = J-20 Pickup-131" W.B. | 74 = Cherokee 2WD-4 Dr. | 81 = Wrangler-93" W.B. |
| 63 = Comanche 4WD-6 Ft. Box | 75 = Wagoneer 4WD-4 Dr. | 82 = Wrangler-103" W.B.-Exp. |
| 64 = Comanche 2WD-6 Ft. Box | | |

BODY STYLES:

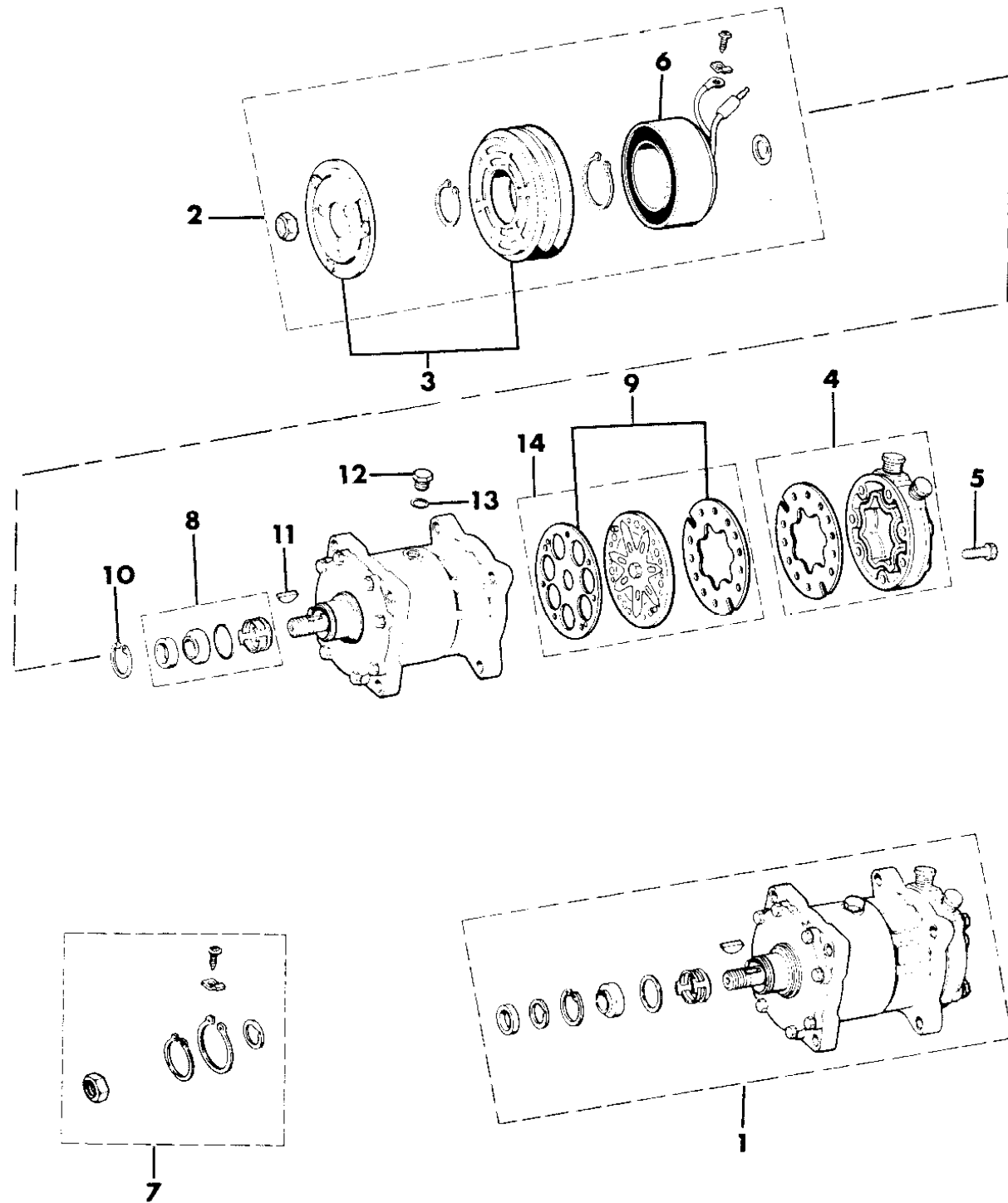
MJ = Comanche Pickup
SJ = Grand Wagoneer Wgn., J-10 & J-20 Pickups
XJ = Cherokee, Wagoneer Limited
YJ = Wrangler

AR = Use as Required - = Non Illustrated Part P.A.R. = Paint as Required

COMPRESSOR, AIR CONDITIONING, SANDEN 8 CYLINDER ENGINE GRAND WAGONEER
Figure 24-2900

8J24 2900

| ITEM | PART NUMBER | QTY | BODY | MODEL | DESCRIPTION |
|------|-------------|-----|------|-------|-------------------------------|
| 1 | 8350 5575 | 1 | | | COMPRESSOR, Air Conditioning |
| 2 | 8350 5577 | 1 | | | CLUTCH, Compressor |
| 3 | 8350 5578 | 1 | | | PULLEY, Clutch Drive |
| 4 | 8350 5576 | 1 | | | HEAD PACKAGE, Cylinder *** |
| 5 | J813 3189 | 6 | | | SCREW |
| 6 | 8350 4884 | 1 | | | COIL, Compressor Clutch |
| 7 | 8350 4885 | 1 | | | CLUTCH PACKAGE, Service *** |
| 8 | 8350 4807 | 1 | | | SEAL PACKAGE, Shaft |
| 9 | 8350 4809 | 1 | | | GASKET PACKAGE, Compressor |
| 10 | 8350 4808 | 1 | | | RING, Snap |
| 11 | J813 3191 | 1 | | | KEY, Shaft |
| 12 | J813 3185 | 1 | | | PLUG, Filler |
| 13 | J813 3184 | 1 | | | O-RING |
| 14 | 8350 4806 | 1 | | | PLATE PACKAGE, Compressor *** |



MODEL CODES:

| | | |
|-----------------------------|-----------------------------|------------------------------|
| 15 = Grand Wagoneer 4 Dr. | 65 = Comanche 4WD-7 Ft. Box | 77 = Cherokee 4WD-2 Dr. |
| 25 = J-10 Pickup-119" W.B. | 66 = Comanche 2WD-7 Ft. Box | 78 = Cherokee 4WD-4 Dr. |
| 26 = J-10 Pickup-131" W.B. | 73 = Cherokee 2WD-2 Dr. | 79 = Cherokee 4WD-4 Dr.-Com |
| 27 = J-20 Pickup-131" W.B. | 74 = Cherokee 2WD-4 Dr. | 81 = Wrangler-93" W.B. |
| 63 = Comanche 4WD-6 Ft. Box | 75 = Wagoneer 4WD-4 Dr. | 82 = Wrangler-103" W.B.-Exp. |
| 64 = Comanche 2WD-6 Ft. Box | | |

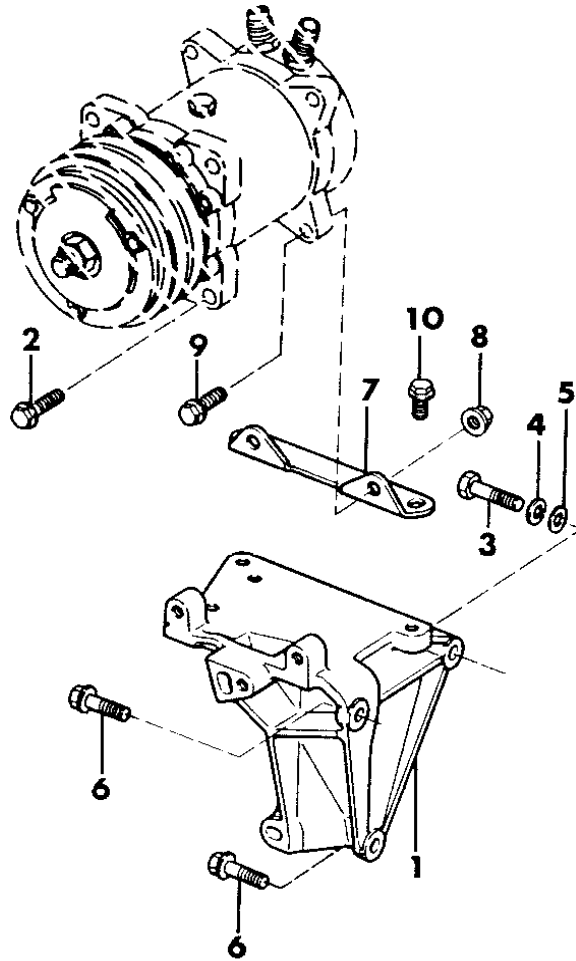
BODY STYLES:

MJ = Comanche Pickup
 SJ = Grand Wagoneer Wgn., J-10 & J-20 Pickups
 XJ = Cherokee, Wagoneer Limited
 YJ = Wrangler

AR = Use as Required - = Non Illustrated Part P.A.R. = Paint as Required

COMPRESSOR, W/AMERICAN AIR CONDITIONING WRANGLER, YJ
Figure 24-2500

8J24 3000



| ITEM | PART NUMBER | QTY | BODY | MODEL | DESCRIPTION |
|------|-------------|-----|------|-------|-------------------|
| 1 | 5300 0530 | 1 | | | BRACKET, Mounting |
| 2 | 3420 1869 | 2 | | | BOLT, 35mm Long |
| 3 | J018 0129 | 1 | | | BOLT, 1 7/8" Long |
| 4 | J012 0382 | 1 | | | WASHER |
| 5 | J400 1102 | 1 | | | WASHER |
| 6 | J400 6995 | 2 | | | BOLT, 1 1/8" Long |
| 7 | 5300 0529 | 1 | | | BRACKET, Mounting |
| 8 | 1150 6007 | 2 | | | NUT |
| 9 | 1150 2689 | 2 | | | BOLT, 30mm Long |
| 10 | 3420 1868 | 2 | | | BOLT, 16mm Long |

MODEL CODES:

| | | |
|-----------------------------|-----------------------------|------------------------------|
| 15 = Grand Wagoneer 4 Dr. | 65 = Comanche 4WD-7 Ft. Box | 77 = Cherokee 4WD-2 Dr. |
| 25 = J-10 Pickup-119" W.B. | 66 = Comanche 2WD-7 Ft. Box | 78 = Cherokee 4WD-4 Dr. |
| 26 = J-10 Pickup-131" W.B. | 73 = Cherokee 2WD-2 Dr. | 79 = Cherokee 4WD-4 Dr.-Com |
| 27 = J-20 Pickup-131" W.B. | 74 = Cherokee 2WD-4 Dr. | 81 = Wrangler-93" W.B. |
| 63 = Comanche 4WD-6 Ft. Box | 75 = Wagoneer 4WD-4 Dr. | 82 = Wrangler-103" W.B.-Exp. |
| 64 = Comanche 2WD-6 Ft. Box | | |

BODY STYLES:

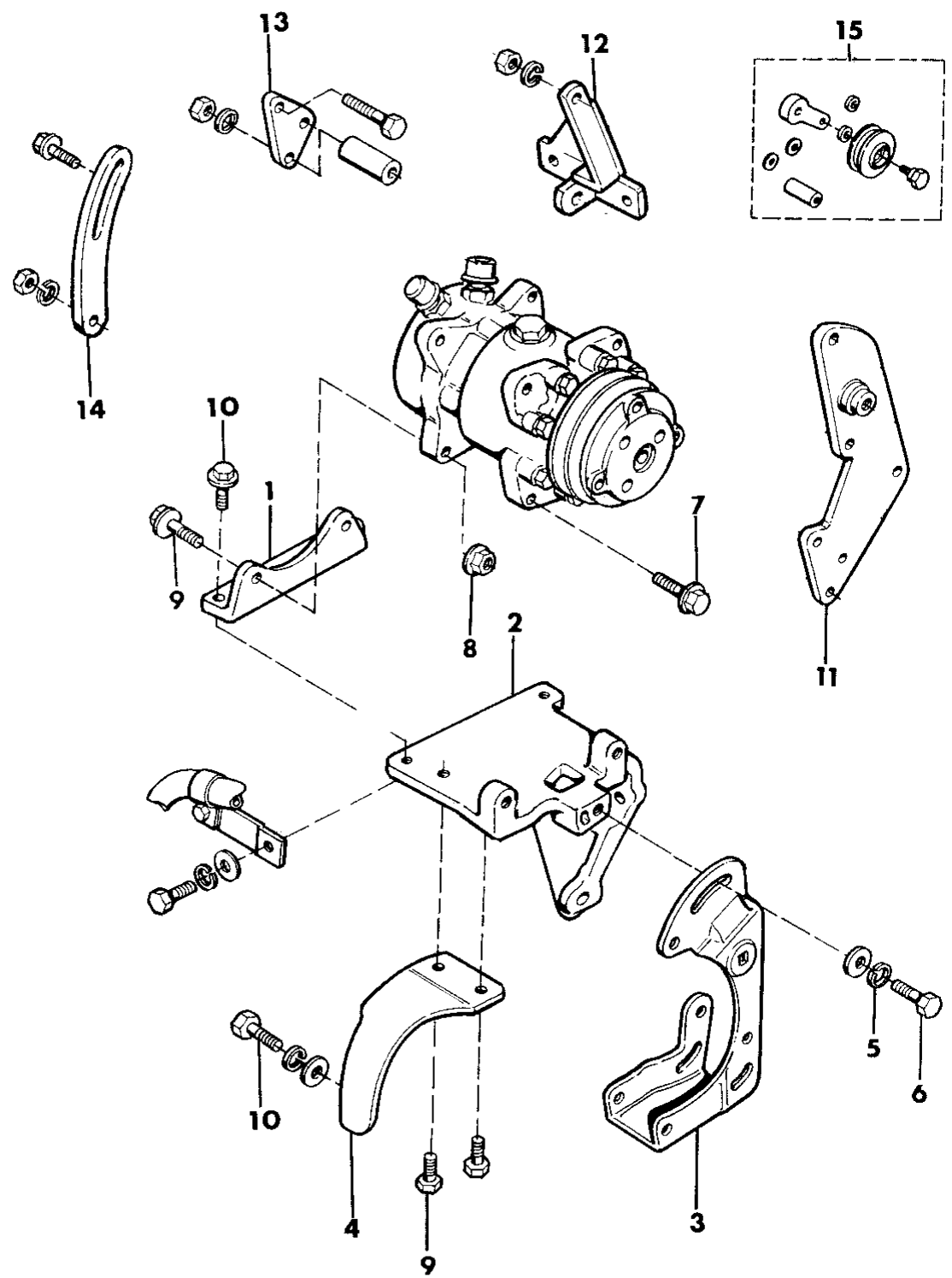
MJ = Comanche Pickup
 SJ = Grand Wagoneer Wgn., J-10 & J-20 Pickups
 XJ = Cherokee, Wagoneer Limited
 YJ = Wrangler

AR = Use as Required - = Non Illustrated Part P.A.R. = Paint as Required

COMPRESSOR MOUNTING W/AMERICAN AIR CONDITIONING 4 CYLINDER AND 6 CYLINDER ENGINE WRANGLER, YJ

Figure 24-3100

8J24 3100



| ITEM | PART NUMBER | QTY | BODY | MODEL | DESCRIPTION |
|------|-------------|-----|------|-------|---|
| 1 | 5300 0529 | 1 | | | BRACKET, Mounting w/Serpentine Belt Drive |
| 2 | 5300 0530 | 1 | | | BRACKET, Mounting w/Serpentine Belt Drive |
| 3 | 5300 1117 | 1 | | | BRACKET, Alternator w/Serpentine Belt Drive |
| 4 | 5300 1118 | 1 | | | BRACE, Alternator w/Serpentine Belt Drive |
| | J420 0406 | 1 | | | BOLT, Brace |
| 5 | J400 1104 | 5 | | | WASHER, w/Serpentine Belt Drive |
| 6 | J400 6995 | 1 | | | BOLT, w/Serpentine Belt Drive |
| 7 | 1150 2689 | 1 | | | BOLT, w/Serpentine Belt Drive |
| 8 | 1150 6007 | 2 | | | NUT, w/Serpentine Belt Drive *** |
| 9 | | | | | BOLT, w/Serpentine Belt Drive |
| | 3420 1869 | AR | | | 35 mm Long |
| | 3420 1868 | AR | | | 16 mm Long |
| 10 | J420 0406 | 1 | | | BOLT, w/Serpentine Belt Drive |
| 11 | 8350 3347 | 1 | | | BRACKET, Mounting w/o Serpentine Belt Drive |
| 12 | 8350 3348 | 1 | | | BRACKET, Alternator w/o Serpentine Belt Drive |
| 13 | 8350 1918 | 1 | | | SUPPORT, Compressor w/o Serpentine Belt Drive |
| 14 | 8350 3349 | 1 | | | BRACKET, Adjusting w/o Serpentine Belt Drive |
| 15 | 8350 3364 | 1 | | | IDLER PACKAGE, Belt w/o Serpentine Belt Drive *** |

MODEL CODES:
 15 = Grand Wagoneer 4 Dr. 65 = Comanche 4WD-7 Ft. Box 77 = Cherokee 4WD-2 Dr.
 25 = J-10 Pickup-119" W.B. 66 = Comanche 2WD-7 Ft. Box 78 = Cherokee 4WD-4 Dr.
 26 = J-10 Pickup-131" W.B. 73 = Cherokee 2WD-2 Dr. 79 = Cherokee 4WD-4 Dr.-Com
 27 = J-20 Pickup-131" W.B. 74 = Cherokee 2WD-4 Dr. 81 = Wrangler-93" W.B.
 63 = Comanche 4WD-6 Ft. Box 75 = Wagoneer 4WD-4 Dr. 82 = Wrangler-103" W.B.-Exp.
 64 = Comanche 2WD-6 Ft. Box

BODY STYLES:
 MJ = Comanche Pickup
 SJ = Grand Wagoneer Wgn., J-10 & J-20 Pickups
 XJ = Cherokee, Wagoneer Limited
 YJ = Wrangler

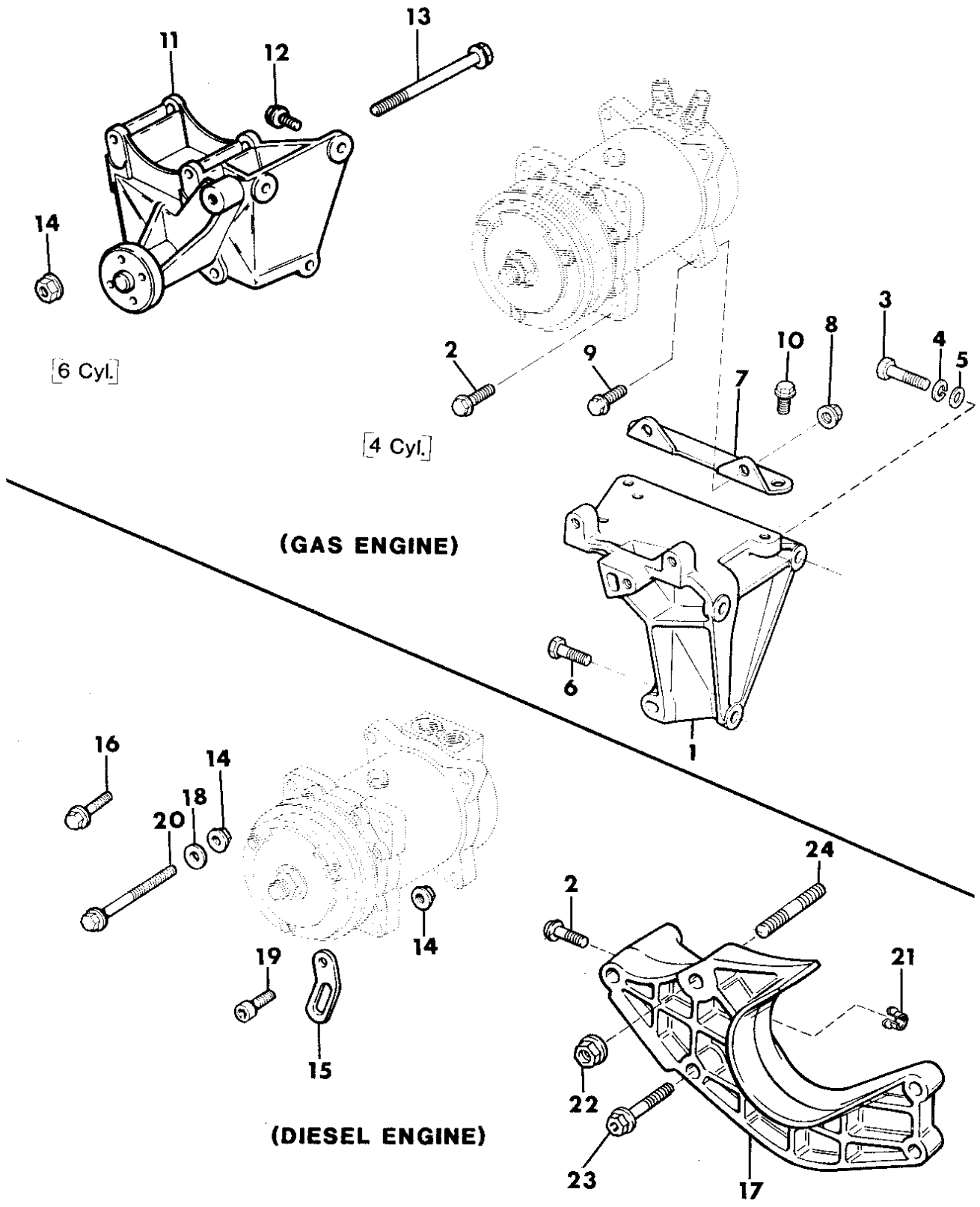
AR = Use as Required - = Non Illustrated Part P.A.R. = Paint as Required

COMPRESSOR MOUNTING W/FACTORY AIR CONDITIONING CHEROKEE, WAGONEER, COMANCHE

Figure 24-3200

8J24 3200

| ITEM | PART NUMBER | QTY | BODY | MODEL | DESCRIPTION |
|------|-------------|-----|------|-------|------------------------------|
| 1 | 5300 0530 | 1 | | | BRACKET, Mounting |
| 2 | 3420 1869 | 2 | | | BOLT, 35mm Long |
| 3 | J018 0129 | 1 | | | BOLT |
| 4 | J012 0382 | 1 | | | WASHER |
| 5 | J400 1102 | 1 | | | WASHER |
| 6 | J400 6995 | 2 | | | BOLT |
| 7 | 5300 0529 | 1 | | | BRACKET, Mounting |
| 8 | 1150 6007 | AR | | | NUT |
| 9 | 1150 2689 | 2 | | | BOLT |
| 10 | 3420 1868 | 2 | | | BOLT |
| 11 | 5300 2901 | 1 | | | BRACKET, Mounting w/o ECE |
| | 5300 5462 | 1 | | | w/ECE |
| 12 | J400 7585 | 3 | | | SCREW, 45mm Long |
| 13 | 3420 2168 | 2 | | | SCREW 1987-89 |
| | J941 7624 | 2 | | | 1990 |
| 14 | 1150 2812 | 2 | | | NUT |
| 15 | 5300 5157 | 1 | | | STRAP, Adjusting |
| 16 | 3420 1819 | 4 | | | SCREW, 45mm Long |
| 17 | 5300 1771 | 1 | | | BRACKET, Mounting |
| 18 | J400 1104 | 1 | | | WASHER |
| 19 | J420 0446 | 1 | | | BOLT, 35mm Long |
| 20 | 3420 2834 | 1 | | | BOLT, 130mm Long |
| 21 | 5300 0548 | 1 | | | SPACER |
| 22 | J420 0081 | 1 | | | NUT |
| 23 | 3420 2047 | 1 | | | BOLT, 65mm Long |
| 24 | 3420 1744 | 1 | | | STUD, 85mm Long |



MODEL CODES:

| | | |
|-----------------------------|-----------------------------|------------------------------|
| 15 = Grand Wagoneer 4 Dr. | 65 = Comanche 4WD-7 Ft. Box | 77 = Cherokee 4WD-2 Dr. |
| 25 = J-10 Pickup-119" W.B. | 66 = Comanche 2WD-7 Ft. Box | 78 = Cherokee 4WD-4 Dr. |
| 26 = J-10 Pickup-131" W.B. | 73 = Cherokee 2WD-2 Dr. | 79 = Cherokee 4WD-4 Dr.-Com |
| 27 = J-20 Pickup-131" W.B. | 74 = Cherokee 2WD-4 Dr. | 81 = Wrangler-93" W.B. |
| 63 = Comanche 4WD-6 Ft. Box | 75 = Wagoneer 4WD-4 Dr. | 82 = Wrangler-103" W.B.-Exp. |
| 64 = Comanche 2WD-6 Ft. Box | | |

BODY STYLES:

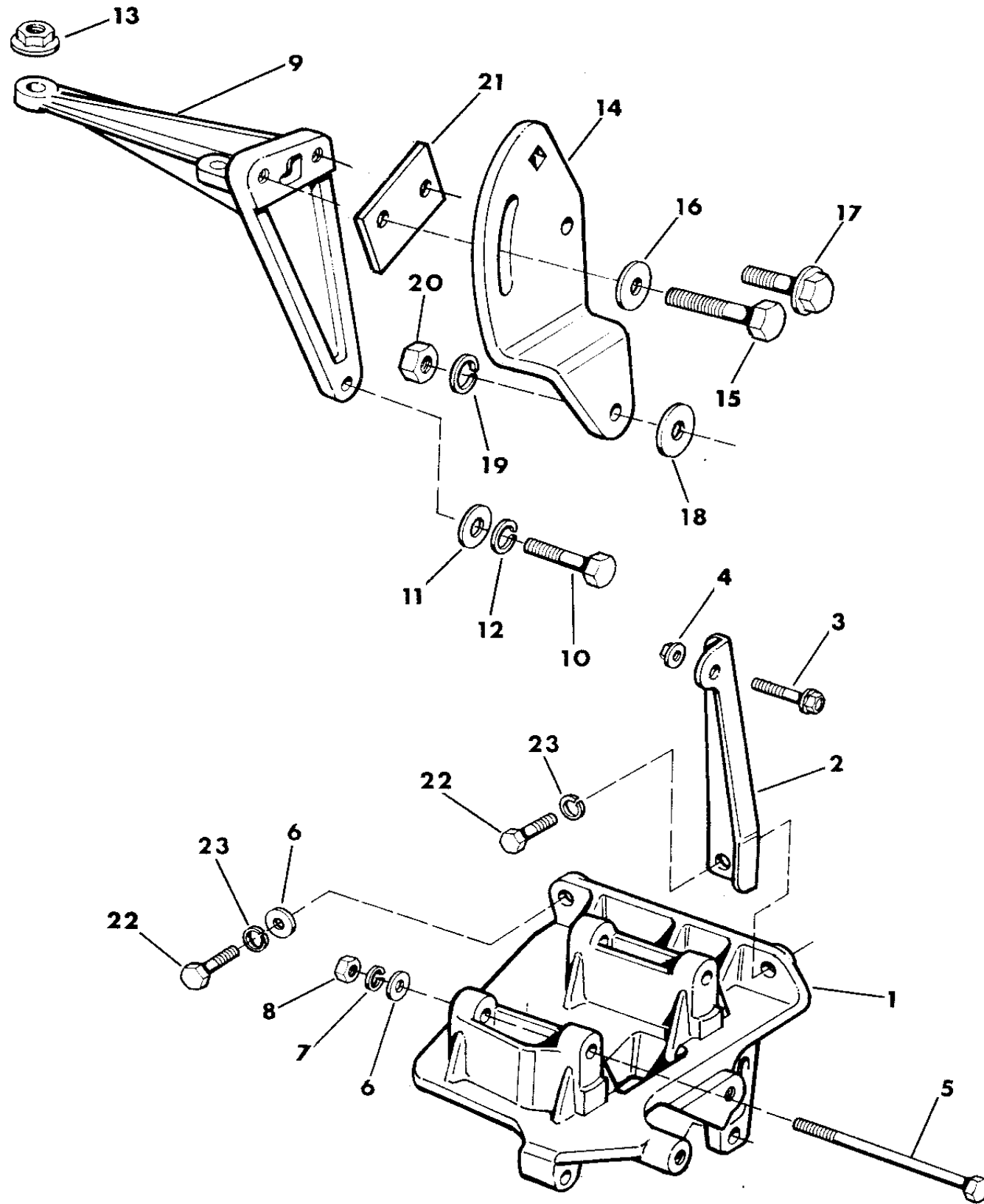
MJ = Comanche Pickup
 SJ = Grand Wagoneer Wgn., J-10 & J-20 Pickups
 XJ = Cherokee, Wagoneer Limited
 YJ = Wrangler

AR = Use as Required - = Non Illustrated Part P.A.R. = Paint as Required

COMPRESSOR MOUNTING, AIR CONDITIONING 6 CYLINDER ENGINE GRAND WAGONEER, J10, J20

Figure 24-3300

8J24 3300



| ITEM | PART NUMBER | QTY | BODY | MODEL | DESCRIPTION |
|------|-------------|-----|------|---------|--------------------------------|
| 1 | J323 9470 | 1 | | | BRACKET, Mounting |
| 2 | J323 9633 | 1 | | | BRACE, Compressor |
| 3 | J400 4010 | 1 | | | SCREW |
| 4 | S941 1507 | 1 | | | NUT |
| 5 | J941 7624 | 2 | | | SCREW |
| 6 | J400 1102 | AR | | | WASHER |
| 7 | J012 0930 | 2 | | | WASHER |
| 8 | S941 8738 | 2 | | | NUT |
| 9 | 3300 4224 | 1 | | | BRACKET, Idler Pulley Mounting |
| 10 | J018 0126 | 1 | | | SCREW |
| 11 | J400 1104 | 1 | | | WASHER |
| 12 | J012 0382 | 1 | | | WASHER |
| 13 | J400 4005 | 1 | | | NUT |
| 14 | J322 4472 | 1 | | | BRACKET, Idler |
| 15 | J941 9079 | 1 | | | SCREW |
| 16 | J400 5390 | 1 | | 1987-89 | WASHER |
| | J400 4943 | 1 | | 1990 | WASHER |
| 17 | J027 3776 | 1 | | | SCREW |
| 18 | J400 1289 | 1 | | | SPACER |
| 19 | J400 1898 | 1 | | | WASHER |
| 20 | S012 0370 | 1 | | | NUT |
| 21 | J322 4473 | 1 | | | SPACER |
| 22 | J018 0123 | AR | | | SCREW |
| 23 | J400 3803 | AR | | | WASHER |

MODEL CODES:

| | | |
|-----------------------------|-----------------------------|------------------------------|
| 15 = Grand Wagoneer 4 Dr. | 65 = Comanche 4WD-7 Ft. Box | 77 = Cherokee 4WD-2 Dr. |
| 25 = J-10 Pickup-119" W.B. | 66 = Comanche 2WD-7 Ft. Box | 78 = Cherokee 4WD-4 Dr. |
| 26 = J-10 Pickup-131" W.B. | 73 = Cherokee 2WD-2 Dr. | 79 = Cherokee 4WD-4 Dr.-Com |
| 27 = J-20 Pickup-131" W.B. | 74 = Cherokee 2WD-4 Dr. | 81 = Wrangler-93" W.B. |
| 63 = Comanche 4WD-6 Ft. Box | 75 = Wagoneer 4WD-4 Dr. | 82 = Wrangler-103" W.B.-Exp. |
| 64 = Comanche 2WD-6 Ft. Box | | |

BODY STYLES:

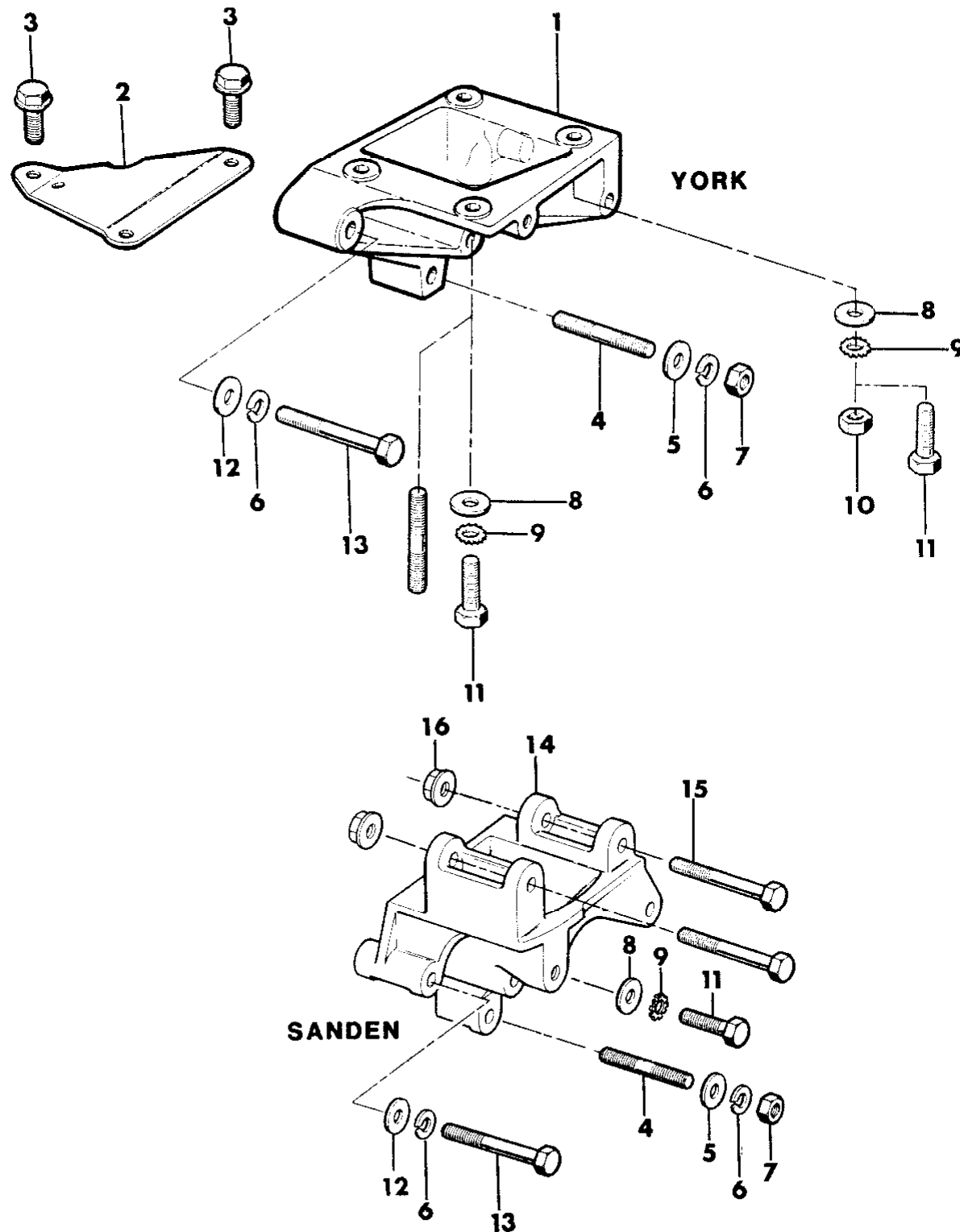
MJ = Comanche Pickup
 SJ = Grand Wagoneer Wgn., J-10 & J-20 Pickups
 XJ = Cherokee, Wagoneer Limited
 YJ = Wrangler

AR = Use as Required - = Non Illustrated Part P.A.R. = Paint as Required

COMPRESSOR MOUNTING, AIR CONDITIONING 8 CYLINDER ENGINE GRAND WAGONEER, J10, J20

Figure 24-3400

8J24 3400



| ITEM | PART NUMBER | QTY | BODY | MODEL | DESCRIPTION |
|------|-------------|-----|------|-------|---------------------------------------|
| 1 | J322 7681 | 1 | | | BRACKET, Mounting w/York Compressor |
| 2 | J323 4689 | 1 | | | BRACE, w/York Compressor |
| 3 | J027 4882 | 3 | | | SCREW, w/York Compressor |
| 4 | J400 5587 | 1 | | | STUD |
| 5 | J400 1116 | 1 | | | WASHER |
| 6 | J400 4809 | 2 | | | WASHER |
| 7 | J027 1506 | 1 | | | NUT |
| 8 | J400 1102 | 4 | | | WASHER |
| 9 | J012 0930 | 4 | | | WASHER |
| 10 | J012 0369 | 3 | | | NUT, w/York Compressor |
| 11 | J018 0122 | AR | | | SCREW |
| 12 | J400 1289 | 1 | | | SPACER |
| 13 | J018 0161 | 1 | | | SCREW |
| 14 | 5300 5420 | 1 | | | BRACKET, Mounting w/Sanden Compressor |
| 15 | J941 7624 | 2 | | | SCREW, w/Sanden Compressor |
| 16 | S941 1507 | 2 | | | NUT, w/Sanden Compressor |

MODEL CODES:

| | | |
|-----------------------------|-----------------------------|------------------------------|
| 15 = Grand Wagoneer 4 Dr. | 65 = Comanche 4WD-7 Ft. Box | 77 = Cherokee 4WD-2 Dr. |
| 25 = J-10 Pickup-119" W.B. | 66 = Comanche 2WD-7 Ft. Box | 78 = Cherokee 4WD-4 Dr. |
| 26 = J-10 Pickup-131" W.B. | 73 = Cherokee 2WD-2 Dr. | 79 = Cherokee 4WD-4 Dr.-Com |
| 27 = J-20 Pickup-131" W.B. | 74 = Cherokee 2WD-4 Dr. | 81 = Wrangler-93" W.B. |
| 63 = Comanche 4WD-6 Ft. Box | 75 = Wagoneer 4WD-4 Dr. | 82 = Wrangler-103" W.B.-Exp. |
| 64 = Comanche 2WD-6 Ft. Box | | |

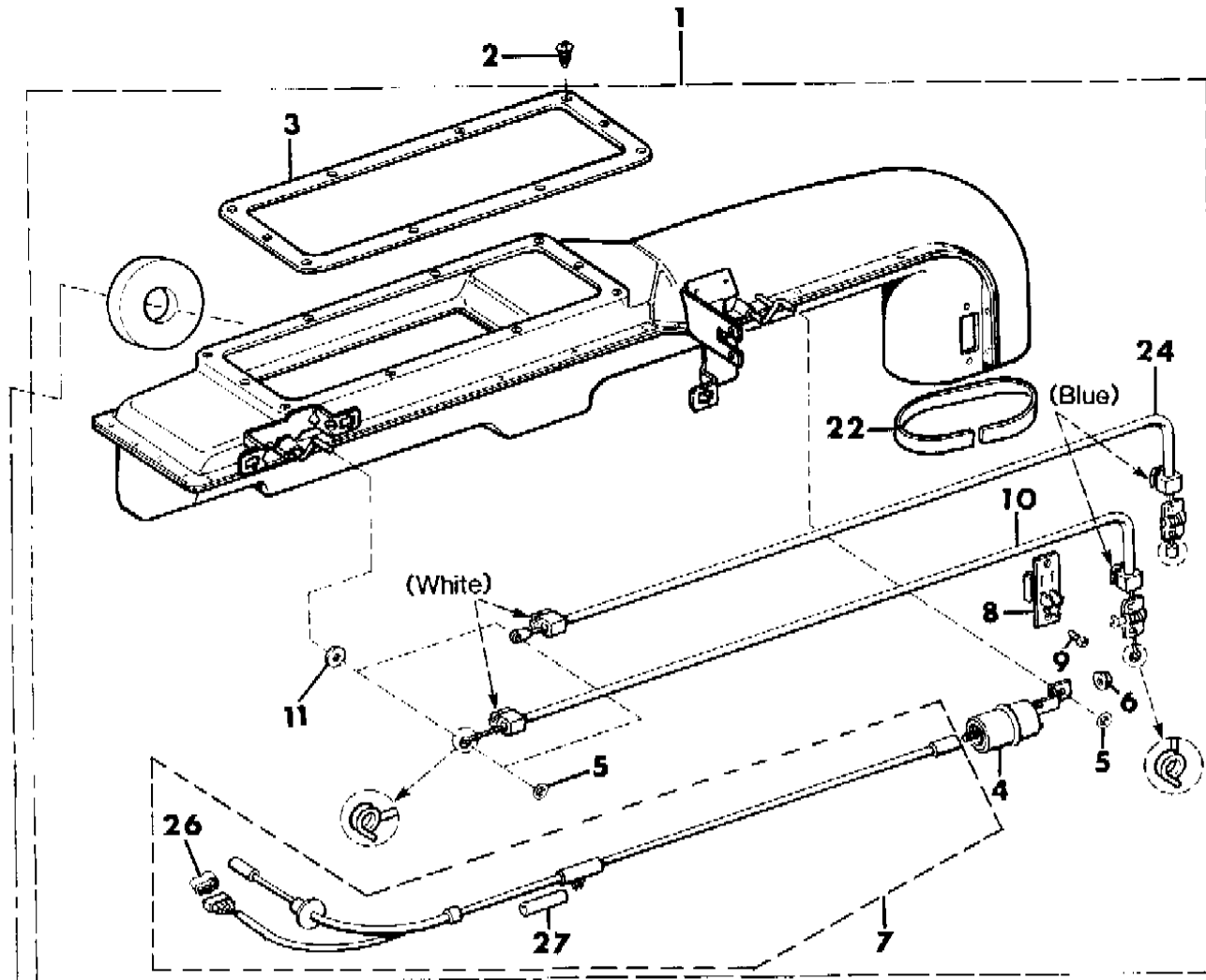
BODY STYLES:

MJ = Comanche Pickup
 SJ = Grand Wagoneer Wgn., J-10 & J-20 Pickups
 XJ = Cherokee, Wagoneer Limited
 YJ = Wrangler

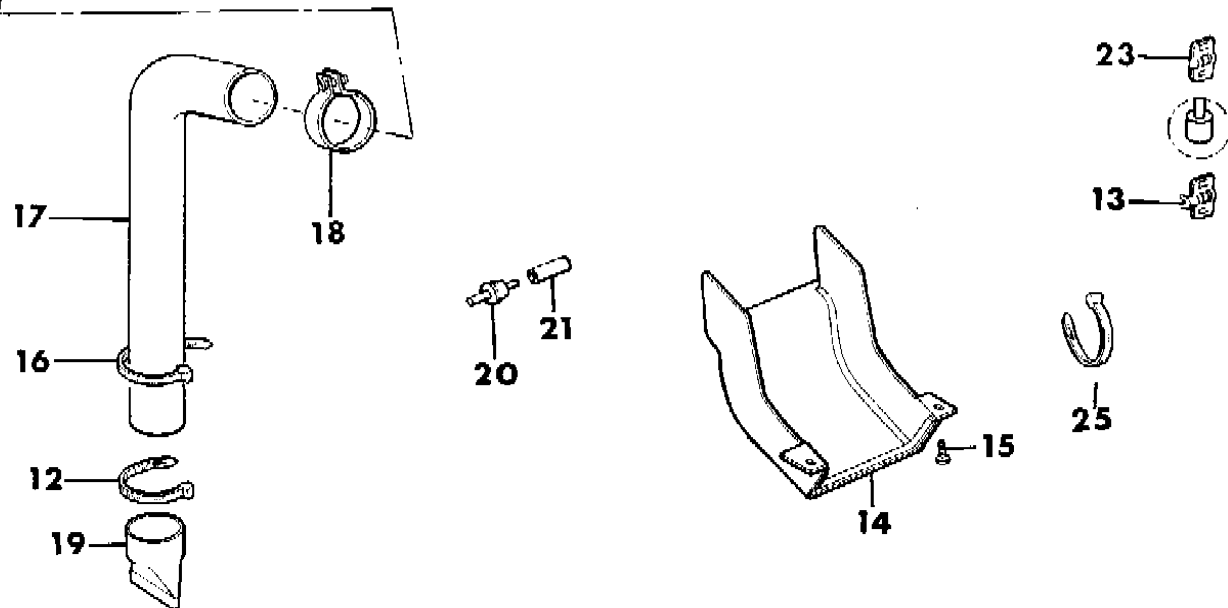
AR = Use as Required - = Non Illustrated Part P.A.R. = Paint as Required

AIR DISTRIBUTION DUCTS, FRESH AIR WRANGLER, YJ
Figure 24-3500

8J24 3500



| ITEM | PART NUMBER | QTY | BODY | MODEL | DESCRIPTION |
|------|-------------|-----|------|-------|-----------------------------|
| 1 | 5600 3810 | 1 | | | DUCT, Air |
| 2 | J400 4112 | 2 | | | SCREW |
| 3 | 5505 2592 | 1 | | | GASKET, Air Vent |
| 4 | 5600 1456 | 1 | | | MOTOR, Vacuum |
| 5 | J400 1714 | 2 | | | NUT |
| 6 | 3420 1001 | 2 | | | NUT |
| 7 | 5600 1470 | 1 | | | HARNESS, Vacuum |
| 8 | J096 1042 | 1 | | | RESISTOR |
| 9 | J400 5522 | 2 | | | SCREW |
| 10 | 5600 2697 | 1 | | | CABLE, Air Vent |
| 11 | J044 6152 | 1 | | | WASHER |
| 12 | J322 3227 | AR | | | STRAP |
| 13 | J400 5761 | 1 | | | CLIP |
| 14 | J546 2731 | 1 | | | DEFLECTOR, Air Vent |
| 15 | J400 5817 | 3 | | | SCREW |
| 16 | J400 6101 | 1 | | | STRAP |
| 17 | J546 3813 | 1 | | | HOSE, Drain |
| 18 | J320 3078 | 1 | | | CLAMP |
| 19 | J098 7079 | 1 | | | CAP, Drain |
| 20 | J322 5641 | 1 | | | VALVE, Check |
| 21 | 8330 0080 | AR | | | HOSE, Vacuum (1 ft. length) |
| 22 | 5600 2581 | 1 | | | SEAL, Duct |
| 23 | 5600 2700 | 1 | | | CLIP |
| 24 | 5600 2697 | 1 | | | CABLE, Air Vent |
| 25 | J323 0270 | 1 | | | STRAP |
| 26 | J322 6030 | 1 | | | CONNECTOR |
| 27 | J322 6031 | 1 | | | CONNECTOR |



MODEL CODES:

| | | |
|-----------------------------|-----------------------------|------------------------------|
| 15 = Grand Wagoneer 4 Dr. | 65 = Comanche 4WD-7 Ft. Box | 77 = Cherokee 4WD-2 Dr. |
| 25 = J-10 Pickup-119" W.B. | 66 = Comanche 2WD-7 Ft. Box | 78 = Cherokee 4WD-4 Dr. |
| 26 = J-10 Pickup-131" W.B. | 73 = Cherokee 2WD-2 Dr. | 79 = Cherokee 4WD-4 Dr.-Com |
| 27 = J-20 Pickup-131" W.B. | 74 = Cherokee 2WD-4 Dr. | 81 = Wrangler-93" W.B. |
| 63 = Comanche 4WD-6 Ft. Box | 75 = Wagoneer 4WD-4 Dr. | 82 = Wrangler-103" W.B.-Exp. |
| 64 = Comanche 2WD-6 Ft. Box | | |

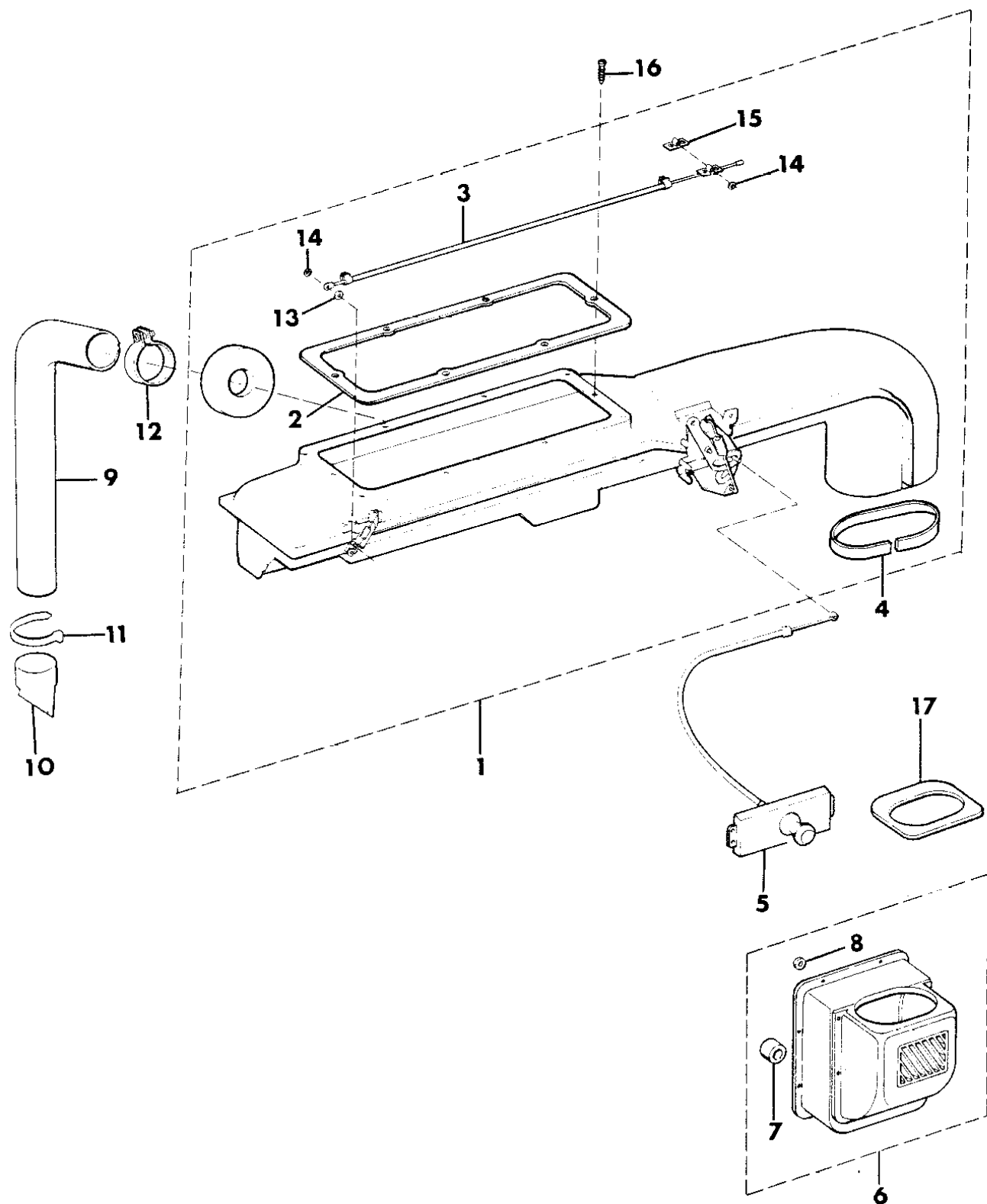
BODY STYLES:

MJ = Comanche Pickup
 SJ = Grand Wagoneer Wgn., J-10 & J-20 Pickups
 XJ = Cherokee, Wagoneer Limited
 YJ = Wrangler

AR = Use as Required - = Non Illustrated Part P.A.R. = Paint as Required

AIR DUCT AND OUTLET, FRESH AIR W/O HEATER EXPORT WRANGLER
Figure 24-3600

8J24 3600



| ITEM | PART NUMBER | QTY | BODY | MODEL | DESCRIPTION |
|------|-------------|-----|------|-------|------------------|
| 1 | 5600 2051 | 1 | | | DUCT, Air |
| 2 | 5505 2592 | 1 | | | GASKET, Air Vent |
| 3 | 5600 2964 | 1 | | | CABLE, Air Vent |
| 4 | 5600 2581 | 1 | | | SEAL, Duct |
| 5 | 5603 0036 | 1 | | | CONTROL, Vent |
| 6 | 5600 2560 | 6 | | | INLET, Fresh Air |
| 7 | J546 2712 | 1 | | | SEAL, Drain |
| 8 | J575 1404 | 2 | | | SPACER |
| 9 | J546 3813 | 1 | | | HOSE, Drain |
| 10 | J098 7079 | 1 | | | CAP, Drain |
| 11 | J322 3227 | 1 | | | STRAP |
| 12 | J320 3078 | 1 | | | CLAMP |
| 13 | J044 6152 | 1 | | | WASHER |
| 14 | J400 1714 | AR | | | NUT, Push |
| 15 | 5600 2700 | 1 | | | CLIP |
| 16 | J400 4112 | 4 | | | SCREW |
| 17 | J546 3794 | 1 | | | SEAL |

MODEL CODES:

| | | |
|-----------------------------|-----------------------------|------------------------------|
| 15 = Grand Wagoneer 4 Dr. | 65 = Comanche 4WD-7 Ft. Box | 77 = Cherokee 4WD-2 Dr. |
| 25 = J-10 Pickup-119" W.B. | 66 = Comanche 2WD-7 Ft. Box | 78 = Cherokee 4WD-4 Dr. |
| 26 = J-10 Pickup-131" W.B. | 73 = Cherokee 2WD-2 Dr. | 79 = Cherokee 4WD-4 Dr.-Com |
| 27 = J-20 Pickup-131" W.B. | 74 = Cherokee 2WD-4 Dr. | 81 = Wrangler-93" W.B. |
| 63 = Comanche 4WD-6 Ft. Box | 75 = Wagoneer 4WD-4 Dr. | 82 = Wrangler-103" W.B.-Exp. |
| 64 = Comanche 2WD-6 Ft. Box | | |

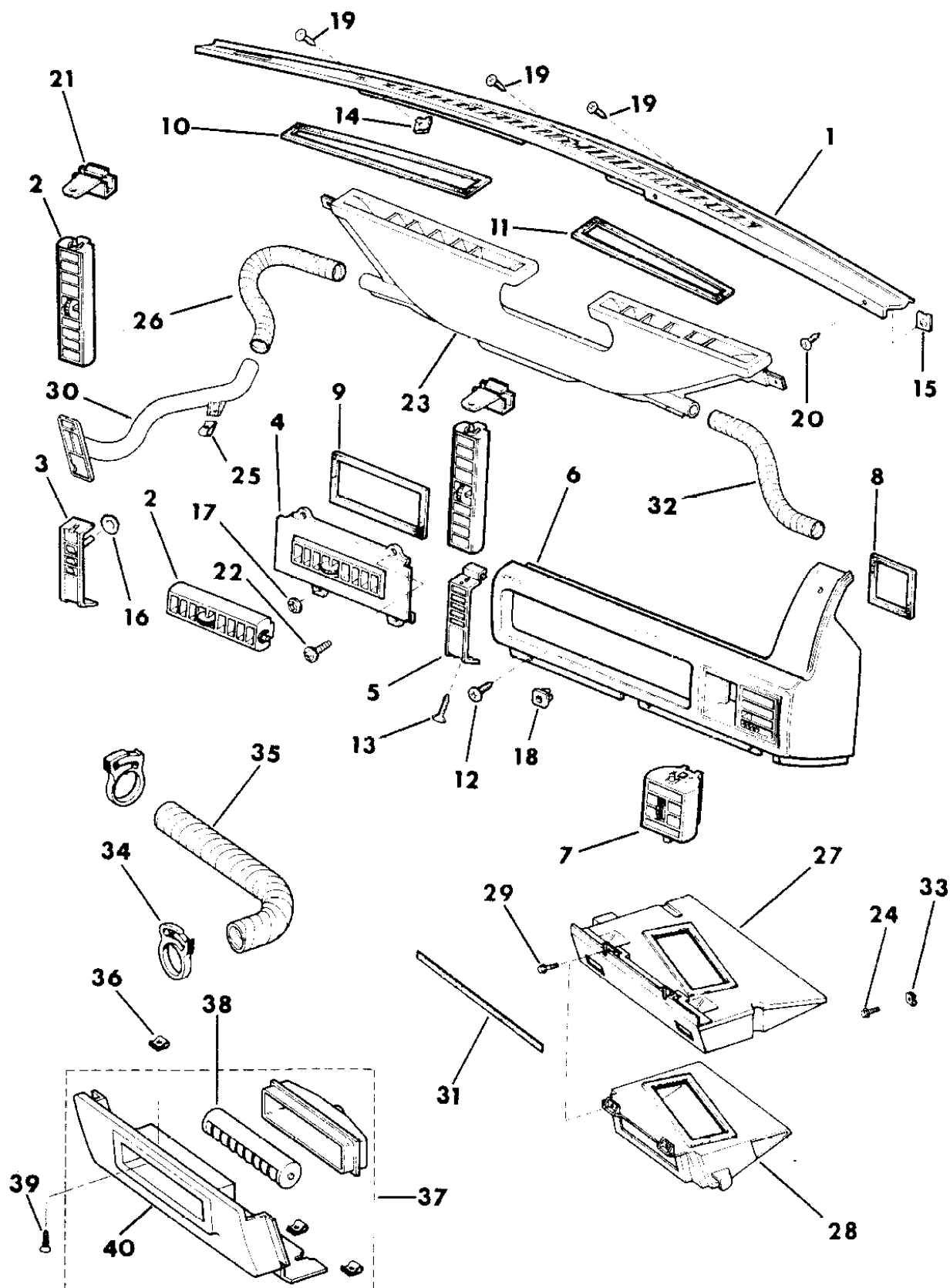
BODY STYLES:

MJ = Comanche Pickup
 SJ = Grand Wagoneer Wgn., J-10 & J-20 Pickups
 XJ = Cherokee, Wagoneer Limited
 YJ = Wrangler

AR = Use as Required - = Non Illustrated Part P.A.R. = Paint as Required

AIR DUCTS AND OUTLETS CHEROKEE, WAGONEER, COMANCHE
Figure 24-3700

8J24 3700A



| ITEM | PART NUMBER | QTY | BODY | MODEL | DESCRIPTION |
|------|-------------|-----|------|-------|---|
| 1 | 5501 1119 | 1 | | | BEZEL, Defroster (Paint as Required) |
| 2 | 5500 4027 | 3 | | | OUTLET, Air |
| 3 | 5500 4025 | 1 | | | BEZEL, Side Defroster |
| 4 | 5500 3165 | 1 | | | OUTLET, Air |
| 5 | 5500 4023 | 1 | | | BEZEL, Center Lower |
| 6 | | | | | BEZEL, Lower Right |
| | 5501 1112 | 1 | | | 1988-89 |
| | 5AG7 2JY6 | 1 | | | 1990 (Paint as Required) |
| 7 | 5500 4026 | 1 | | | OUTLET, Air |
| 8 | 5500 2875 | 1 | | | GASKET |
| 9 | 5500 3880 | 1 | | | GASKET |
| 10 | 5500 2424 | 1 | | | SEAL |
| 11 | 5500 2425 | 1 | | | SEAL |
| 12 | J400 2461 | 4 | | | SCREW |
| 13 | J400 5942 | 1 | | | SCREW |
| 14 | 3420 1497 | 4 | | | NUT |
| 15 | J400 4223 | 8 | | | NUT |
| 16 | 1150 1932 | 2 | | | NUT |
| 17 | J400 0459 | 4 | | | NUT |
| 18 | J400 4689 | 2 | | | NUT |
| 19 | 1150 0056 | 3 | | | SCREW |
| 20 | 1150 1119 | 2 | | | SCREW |
| 21 | 5500 2603 | 2 | | | RETAINER |
| 22 | 3420 1292 | 4 | | | SCREW |
| 23 | 5500 0364 | 1 | | | DUCT, Defroster |
| 24 | 3420 2344 | 2 | | | SCREW |
| 25 | J400 0383 | 1 | | | NUT |
| 26 | | | | | DUCT, Side Defroster |
| | 5500 0368 | 1 | | | 1987-89 |
| | 5500 5896 | 1 | | | 1990 |
| 27 | 5600 0610 | 1 | | | DUCT, Center Floor w/o Floor Console |
| 28 | 5600 0584 | 1 | | | DUCT, Blower to Console w/Floor Console |
| 29 | J448 9487 | 2 | | | SCREW |
| 30 | 5500 2205 | 1 | | | DUCT, Side Defroster |
| 31 | 5600 1218 | 1 | | | OVERLAY |
| 32 | 5500 5896 | 1 | | | DUCT, Side Defroster |
| 33 | 1150 0656 | 2 | | | NUT |

MODEL CODES:

| | | |
|-----------------------------|-----------------------------|------------------------------|
| 15 = Grand Wagoneer 4 Dr. | 65 = Comanche 4WD-7 Ft. Box | 77 = Cherokee 4WD-2 Dr. |
| 25 = J-10 Pickup-119" W.B. | 66 = Comanche 2WD-7 Ft. Box | 78 = Cherokee 4WD-4 Dr. |
| 26 = J-10 Pickup-131" W.B. | 73 = Cherokee 2WD-2 Dr. | 79 = Cherokee 4WD-4 Dr.-Com |
| 27 = J-20 Pickup-131" W.B. | 74 = Cherokee 2WD-4 Dr. | 81 = Wrangler-93" W.B. |
| 63 = Comanche 4WD-6 Ft. Box | 75 = Wagoneer 4WD-4 Dr. | 82 = Wrangler-103" W.B.-Exp. |
| 64 = Comanche 2WD-6 Ft. Box | | |

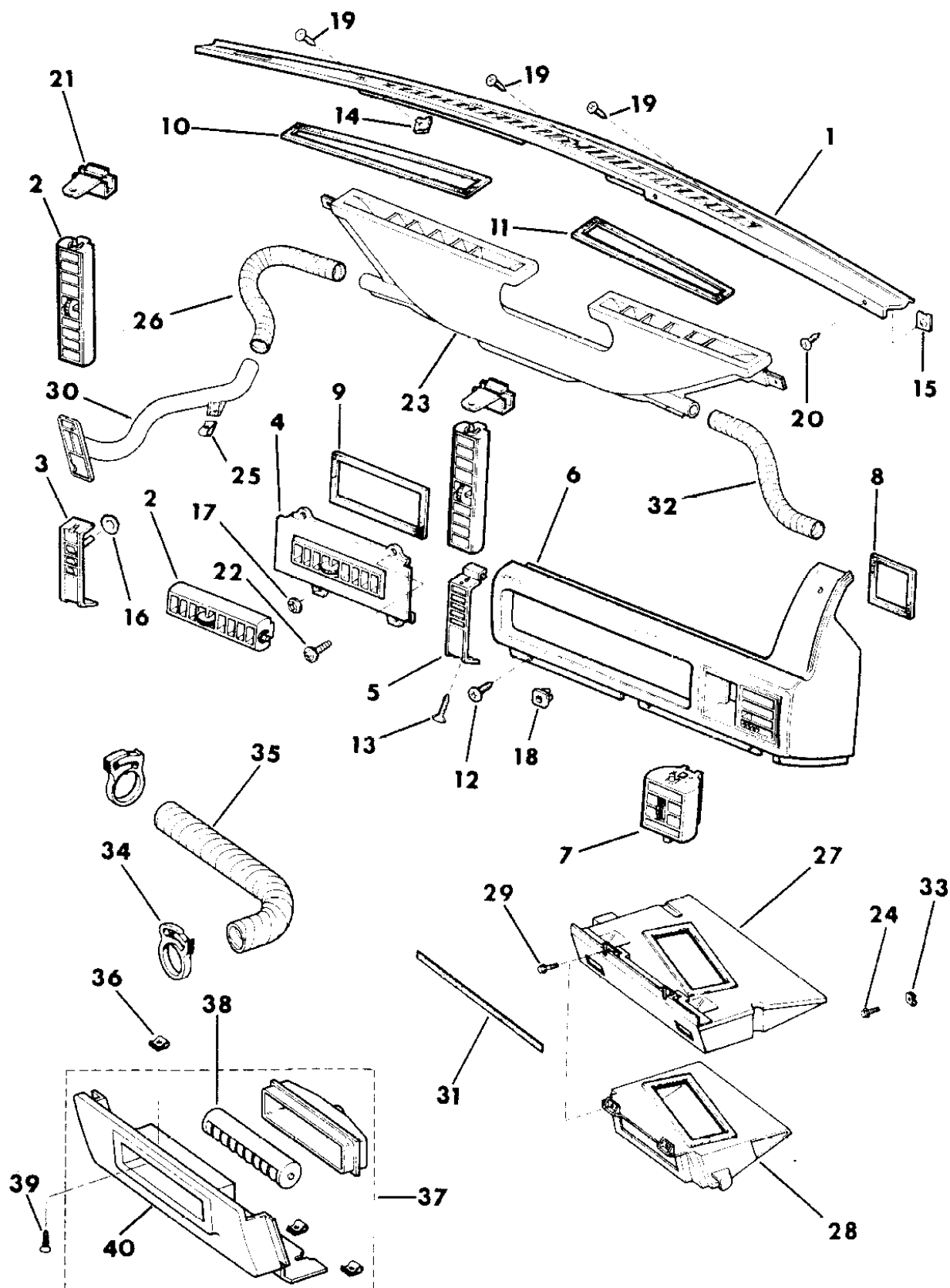
BODY STYLES:

MJ = Comanche Pickup
 SJ = Grand Wagoneer Wgn., J-10 & J-20 Pickups
 XJ = Cherokee, Wagoneer Limited
 YJ = Wrangler

AR = Use as Required - = Non Illustrated Part P.A.R. = Paint as Required

AIR DUCTS AND OUTLETS CHEROKEE, WAGONEER, COMANCHE
Figure 24-3700

8J24 3700A



| ITEM | PART NUMBER | QTY | BODY | MODEL | DESCRIPTION |
|------|-------------|-----|------|-------|--|
| 34 | J400 6818 | 2 | | | CLAMP |
| 35 | 5500 0368 | 1 | | | TUBE, w/Factory Installed Air (part modification required) |
| 36 | 1150 0656 | 4 | | | NUT |
| 37 | 5501 1090 | 1 | | | BEZEL, Lower Left 1988-89 (Paint as Required) |
| | 5DF3 2MY6 | 1 | | | 1990 |
| 38 | 5500 0929 | 1 | | | OUTLET, Air |
| 39 | 3420 1361 | AR | | | SCREW |
| 40 | 5AD4 4JY6 | 1 | | | BEZEL, Outlet |

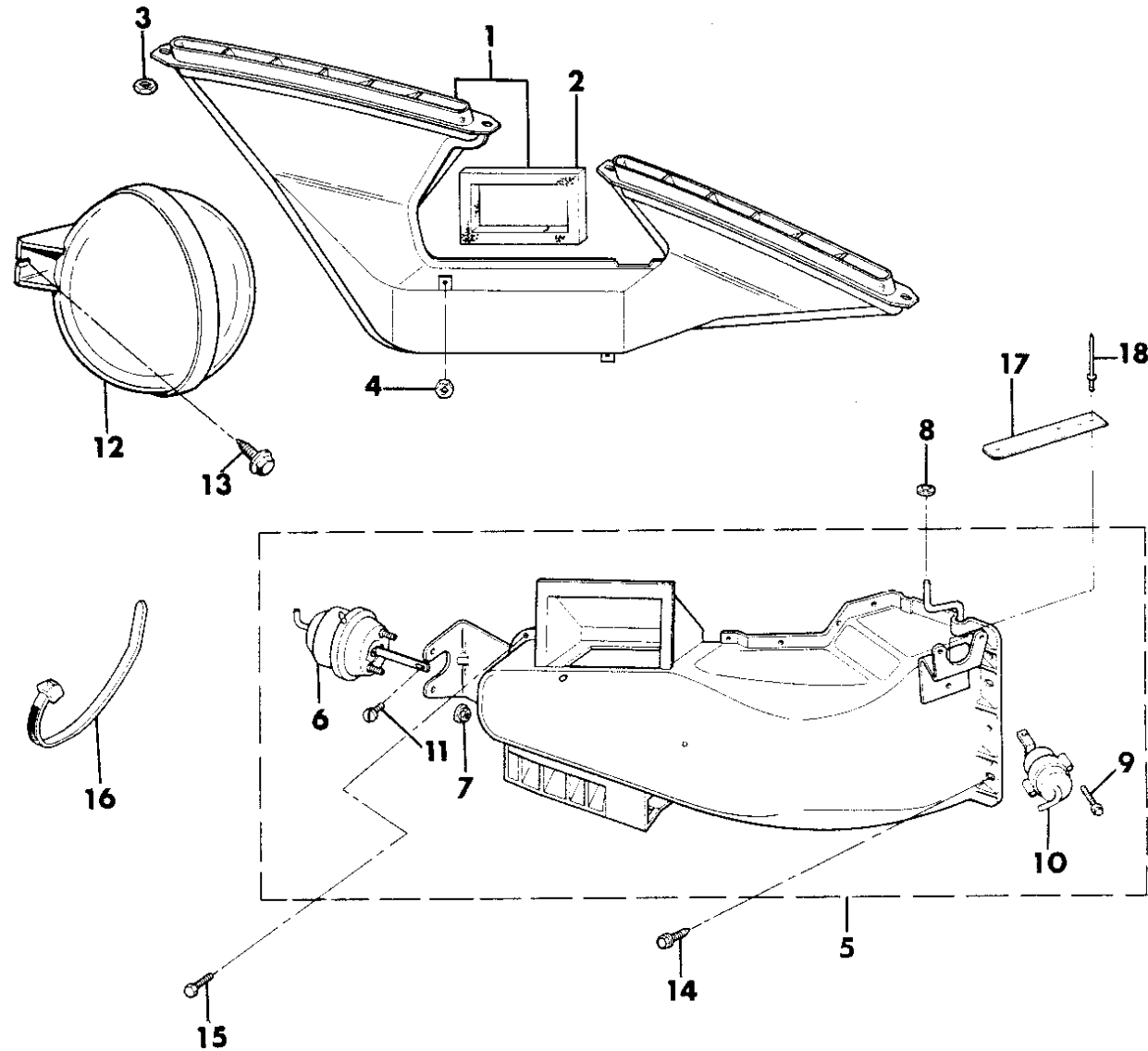
MODEL CODES:
 15 = Grand Wagoneer 4 Dr. 65 = Comanche 4WD-7 Ft. Box 77 = Cherokee 4WD-2 Dr.
 25 = J-10 Pickup-119" W.B. 66 = Comanche 2WD-7 Ft. Box 78 = Cherokee 4WD-4 Dr.
 26 = J-10 Pickup-131" W.B. 73 = Cherokee 2WD-2 Dr. 79 = Cherokee 4WD-4 Dr.-Com
 27 = J-20 Pickup-131" W.B. 74 = Cherokee 2WD-4 Dr. 81 = Wrangler-93" W.B.
 63 = Comanche 4WD-6 Ft. Box 75 = Wagoneer 4WD-4 Dr. 82 = Wrangler-103" W.B.-Exp.
 64 = Comanche 2WD-6 Ft. Box

BODY STYLES:
 MJ = Comanche Pickup
 SJ = Grand Wagoneer Wgn., J-10 & J-20 Pickups
 XJ = Cherokee, Wagoneer Limited
 YJ = Wrangler

AR = Use as Required - = Non Illustrated Part P.A.R. = Paint as Required

AIR DUCT, HEATING AND DEFROSTING GRAND WAGONEER
Figure 24-3800

8J24 3800



| ITEM | PART NUMBER | QTY | BODY | MODEL | DESCRIPTION |
|------|-------------|-----|------|---------|------------------------------|
| 1 | 5600 1689 | 1 | | | DUCT, Windshield Defroster |
| 2 | 5600 1837 | 1 | | | SEAL, Duct |
| 3 | J942 0863 | 4 | | | NUT |
| 4 | J400 3084 | 2 | | | NUT |
| 5 | 5600 1499 | 1 | | | HOUSING, Heat Distributor |
| 6 | 5600 1500 | 1 | | | MOTOR, Vacuum |
| 7 | 3420 1001 | 2 | | | NUT |
| 8 | J400 1714 | 1 | | | CLIP |
| 9 | J400 5057 | 2 | | | SCREW |
| 10 | J546 6016 | 1 | | | MOTOR, Vacuum |
| 11 | J400 3924 | 1 | | | SCREW |
| 12 | J374 1279 | 1 | | | TANK, Vacuum |
| | | | | 1987-89 | |
| | | | | 1990 | |
| 13 | J942 6241 | 2 | | | SCREW |
| 14 | J942 3952 | 2 | | | SCREW |
| 15 | S045 1673 | 1 | | | SCREW |
| 16 | J322 3227 | 2 | | | STRAP |
| 17 | 5600 2687 | 1 | | | BRACKET, Keyless Entry Relay |
| 18 | 3420 1975 | 2 | | | RIVET |

MODEL CODES:

| | | |
|-----------------------------|-----------------------------|------------------------------|
| 15 = Grand Wagoneer 4 Dr. | 65 = Comanche 4WD-7 Ft. Box | 77 = Cherokee 4WD-2 Dr. |
| 25 = J-10 Pickup-119" W.B. | 66 = Comanche 2WD-7 Ft. Box | 78 = Cherokee 4WD-4 Dr. |
| 26 = J-10 Pickup-131" W.B. | 73 = Cherokee 2WD-2 Dr. | 79 = Cherokee 4WD-4 Dr.-Com |
| 27 = J-20 Pickup-131" W.B. | 74 = Cherokee 2WD-4 Dr. | 81 = Wrangler-93" W.B. |
| 63 = Comanche 4WD-6 Ft. Box | 75 = Wagoneer 4WD-4 Dr. | 82 = Wrangler-103" W.B.-Exp. |
| 64 = Comanche 2WD-6 Ft. Box | | |

BODY STYLES:

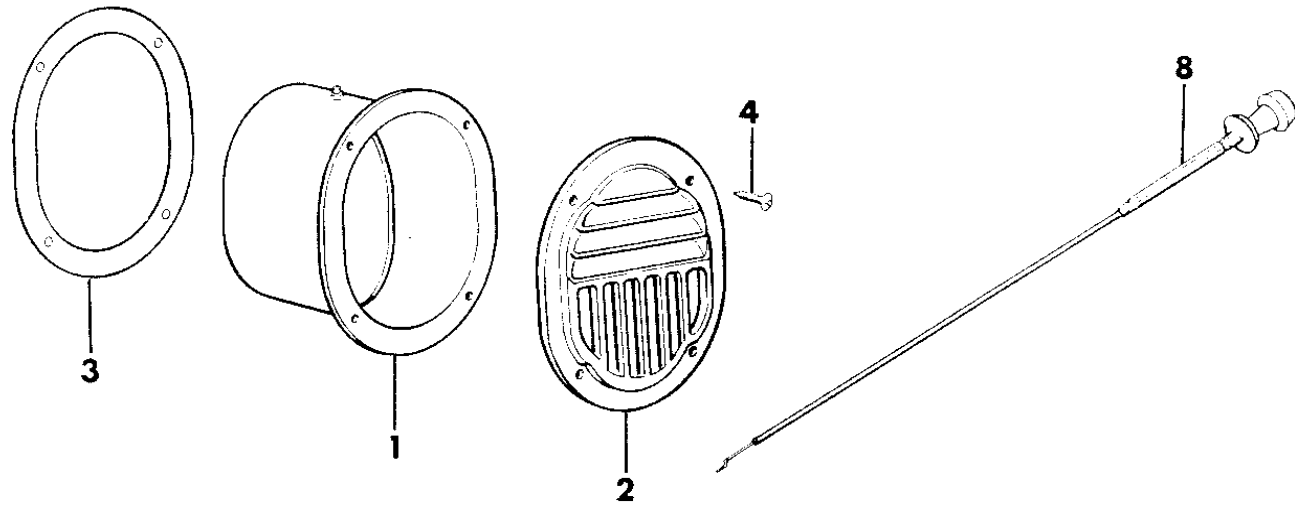
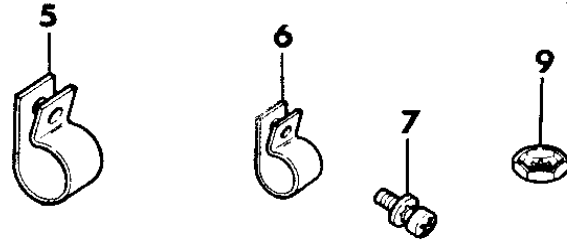
MJ = Comanche Pickup
 SJ = Grand Wagoneer Wgn., J-10 & J-20 Pickups
 XJ = Cherokee, Wagoneer Limited
 YJ = Wrangler

AR = Use as Required - = Non Illustrated Part P.A.R. = Paint as Required

**AIR DUCTS AND OUTLETS, FRESH AIR INTAKE GRAND WAGONEER
Figure 24-3900**

8J243900

| ITEM | PART NUMBER | QTY | BODY | MODEL | DESCRIPTION |
|------|-------------|-----|------|-------|------------------------|
| 1 | | | | | DUCT, Fresh Air Intake |
| | J095 9518 | 1 | | | Right |
| | J096 0889 | 1 | | | Left |
| 2 | J096 0153 | 2 | | | PLATE, Cover |
| 3 | J096 2430 | 2 | | | GASKET |
| 4 | J097 3467 | 8 | | | SCREW |
| 5 | J012 0523 | 1 | | | CLIP |
| 6 | J012 0520 | 2 | | | CLIP |
| 7 | J045 4782 | 2 | | | SCREW |
| 8 | 5600 1618-9 | 1 | | | CABLE, Air Vent |
| 9 | J942 0168 | 2 | | | NUT |



MODEL CODES:

| | | |
|-----------------------------|-----------------------------|------------------------------|
| 15 = Grand Wagoneer 4 Dr. | 65 = Comanche 4WD-7 Ft. Box | 77 = Cherokee 4WD-2 Dr. |
| 25 = J-10 Pickup-119" W.B. | 66 = Comanche 2WD-7 Ft. Box | 78 = Cherokee 4WD-4 Dr. |
| 26 = J-10 Pickup-131" W.B. | 73 = Cherokee 2WD-2 Dr. | 79 = Cherokee 4WD-4 Dr.-Com |
| 27 = J-20 Pickup-131" W.B. | 74 = Cherokee 2WD-4 Dr. | 81 = Wrangler-93" W.B. |
| 63 = Comanche 4WD-6 Ft. Box | 75 = Wagoneer 4WD-4 Dr. | 82 = Wrangler-103" W.B.-Exp. |
| 64 = Comanche 2WD-6 Ft. Box | | |

BODY STYLES:

MJ = Comanche Pickup
 SJ = Grand Wagoneer Wgn., J-10 & J-20 Pickups
 XJ = Cherokee, Wagoneer Limited
 YJ = Wrangler

AR = Use as Required - = Non Illustrated Part P.A.R. = Paint as Required

GROUP 25 - EMISSION SYSTEMS

| ILLUSTRATION TITLE | GROUP-FIG. NO. |
|---|----------------|
| PULSE AIR SYSTEMS | |
| PULSE AIR SYSTEM 4.2L ENGINE WRANGLER, YJ | Fig. 25-100 |
| PULSE AIR SYSTEM 4.2L ENGINE GRAND WAGONEER, J10 | Fig. 25-200 |
| AIR INJECTION SYSTEM | |
| AIR INJECTION SYSTEM 5.9L ENGINE GRAND WAGONEER, J10, J20 | Fig. 25-300 |
| EMISSION CONTROLS | |
| EMISSION CONTROLS 2.5L CARBURETED ENGINE - TYPE 1 WRANGLER, YJ | Fig. 25-400 |
| EMISSION CONTROLS 2.5L CARBURETED ENGINE - TYPE 2 WRANGLER, YJ | Fig. 25-500 |
| EMISSION CONTROLS 2.5L EFI ENGINE WRANGLER, YJ | Fig. 25-600 |
| EMISSION CONTROLS 4.2L ENGINE WRANGLER, YJ - CANADA 1987 | Fig. 25-675 |
| EMISSION CONTROLS 4.2L ENGINE WRANGLER, YJ | Fig. 25-700 |
| EMISSION CONTROLS 4.2L ENGINE WRANGLER - NRM OR KDX | Fig. 25-800 |
| EMISSION CONTROLS 2.5L EFI ENGINE CHEROKEE, WAGONEER, COMANCHE | Fig. 25-900 |
| EMISSION CONTROLS 4.0L ENGINE CHEROKEE, WAGONEER, COMANCHE | Fig. 25-1000 |
| EMISSION CONTROLS DIESEL ENGINE CHEROKEE, COMANCHE | Fig. 25-1100 |
| EMISSION CONTROLS 4.2L ENGINE GRAND WAGONEER, J10 | Fig. 25-1200 |
| EMISSION CONTROLS 4.2L ENGINE GRAND WAGONEER, J10, J20 - CANADA | Fig. 25-1250 |
| EMISSION CONTROLS 4.2L ENGINE GRAND WAGONEER, J10 - NRM | Fig. 25-1300 |
| EMISSION CONTROLS 5.9L ENGINE GRAND WAGONEER, J10, J20 - 1987 | Fig. 25-1350 |
| EMISSION CONTROLS 5.9L ENGINE GRAND WAGONEER, J10, J20 - CANADA, NRM - 1987 | Fig. 25-1375 |
| EMISSION CONTROLS 5.9L ENGINE - HEAVY DUTY GRAND WAGONEER, J10, J20 - 1988-90 | Fig. 25-1400 |
| VAPOR CANISTERS | |
| VAPOR CANISTER WRANGLER, YJ | Fig. 25-1500 |
| VAPOR CANISTER CHEROKEE, WAGONEER, COMANCHE | Fig. 25-1600 |
| VAPOR CANISTER GRAND WAGONEER, J10, J20 | Fig. 25-1700 |
| PCV SYSTEMS | |
| PCV SYSTEM 4.2L ENGINE WRANGLER, YJ | Fig. 25-1800 |
| PCV SYSTEM 2.5L CARBURETED ENGINE CHEROKEE, WAGONEER, COMANCHE - 1987 | Fig. 25-1875 |
| PCV SYSTEM 2.5L CARBURETED ENGINE CHEROKEE, WAGONEER, COMANCHE - 1988-90 | Fig. 25-1900 |
| PCV SYSTEM 4.2L ENGINE GRAND WAGONEER, J10 | Fig. 25-2000 |
| PCV SYSTEM 5.9L ENGINE GRAND WAGONEER, J10, J20 | Fig. 25-2100 |
| EMISSION LABELS | |
| EMISSION LABELS WRANGLER, YJ | Fig. 25-2200 |

ILLUSTRATION NOT AVAILABLE AT TIME OF PUBLICATION

GROUP 25 - EMISSION SYSTEMS

ILLUSTRATION TITLE

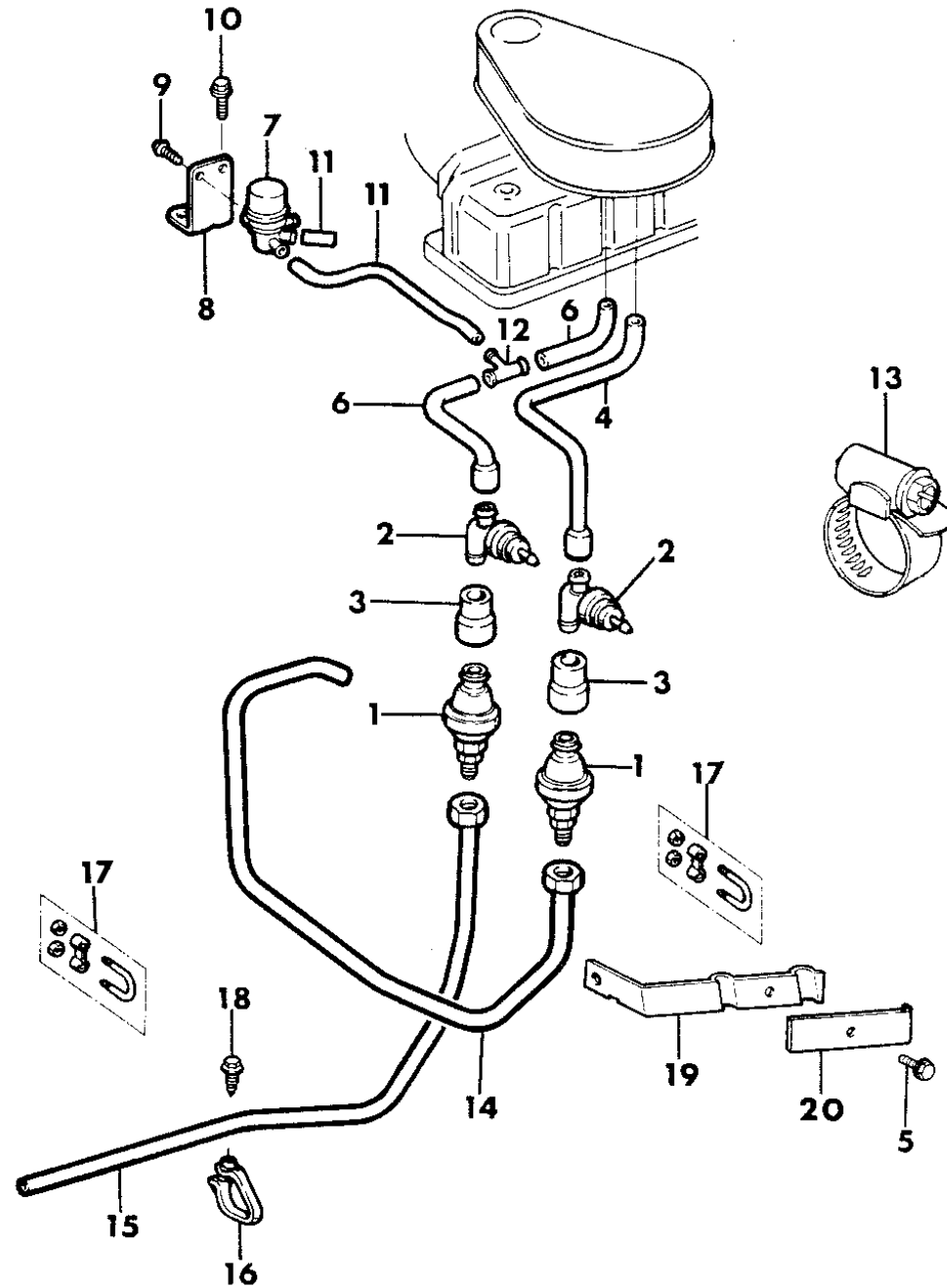
GROUP-FIG. NO.

EMISSION LABELS (Continued)

| | |
|--|--------------|
| EMISSION LABELS WRANGLER, YJ | Fig. 25-2200 |
| EMISSION LABELS CHEROKEE AND COMANCHE | Fig. 25-2300 |
| EMISSION LABELS GRAND WAGONEER, J10, J20 | Fig. 25-2400 |

PULSE AIR SYSTEM 4.2L ENGINE WRANGLER, YJ
Figure 25-100

8 J25 100



| ITEM | PART NUMBER | QTY | BODY | MODEL | DESCRIPTION |
|------|-------------|-----|------|-------|---------------------------------|
| 1 | 3300 4478 | 2 | | | VALVE, Check |
| 2 | 3300 0355 | 2 | | | VALVE, Air |
| 3 | 5300 3344 | 2 | | | HOSE, Pulse Air |
| 4 | 5300 3342 | 1 | | | HOSE, Pulse Air |
| 5 | J942 0151 | 1 | | | SCREW |
| 6 | | | | | HOSE, Pulse Air |
| | 5300 3343 | 1 | | | Man. Trans. - (Modify to Fit) |
| | 5300 3343 | 1 | | | Auto. Trans. |
| 7 | 5300 3347 | 1 | | | VALVE, Decel - Man. Trans. |
| 8 | 5300 3348 | 1 | | | BRACKET, Mounting - Man. Trans. |
| 9 | 3420 2323 | 2 | | | SCREW - Man. Trans. |
| 10 | J027 3573 | 2 | | | BOLT, Hex Flange - Man. Trans. |
| 11 | J812 5781 | 1 | | | HOSE - Bulk - Man. Trans. |
| 12 | 3300 0440 | 1 | | | TEE - Man. Trans. |
| 13 | | | | | CLAMP, Hose |
| | 3300 0784 | AR | | | .69" to .97" |
| | J320 3076 | AR | | | .56" to 1.06" |
| | J320 3077 | AR | | | 1.19" to 1.75" |
| 14 | 5200 2518 | 1 | | | TUBE, Pulse Air - Upstream |
| 15 | 5200 2519 | 1 | | | TUBE, Pulse Air - Downstream |
| 16 | 3300 0869 | 2 | | | CLAMP |
| 17 | 3300 0871 | 2 | | | CLAMP ASSEMBLY |
| 18 | J400 4692 | 2 | | | SCREW |
| 19 | 5200 2505 | 1 | | | BRACKET |
| 20 | 3300 0710 | 1 | | | PLATE |

MODEL CODES:

| | | |
|-----------------------------|-----------------------------|------------------------------|
| 15 = Grand Wagoneer 4 Dr. | 65 = Comanche 4WD-7 Ft. Box | 77 = Cherokee 4WD-2 Dr. |
| 25 = J-10 Pickup-119" W.B. | 66 = Comanche 2WD-7 Ft. Box | 78 = Cherokee 4WD-4 Dr. |
| 26 = J-10 Pickup-131" W.B. | 73 = Cherokee 2WD-2 Dr. | 79 = Cherokee 4WD-4 Dr.-Com |
| 27 = J-20 Pickup-131" W.B. | 74 = Cherokee 2WD-4 Dr. | 81 = Wrangler-93" W.B. |
| 63 = Comanche 4WD-6 Ft. Box | 75 = Wagoneer 4WD-4 Dr. | 82 = Wrangler-103" W.B.-Exp. |
| 64 = Comanche 2WD-6 Ft. Box | | |

BODY STYLES:

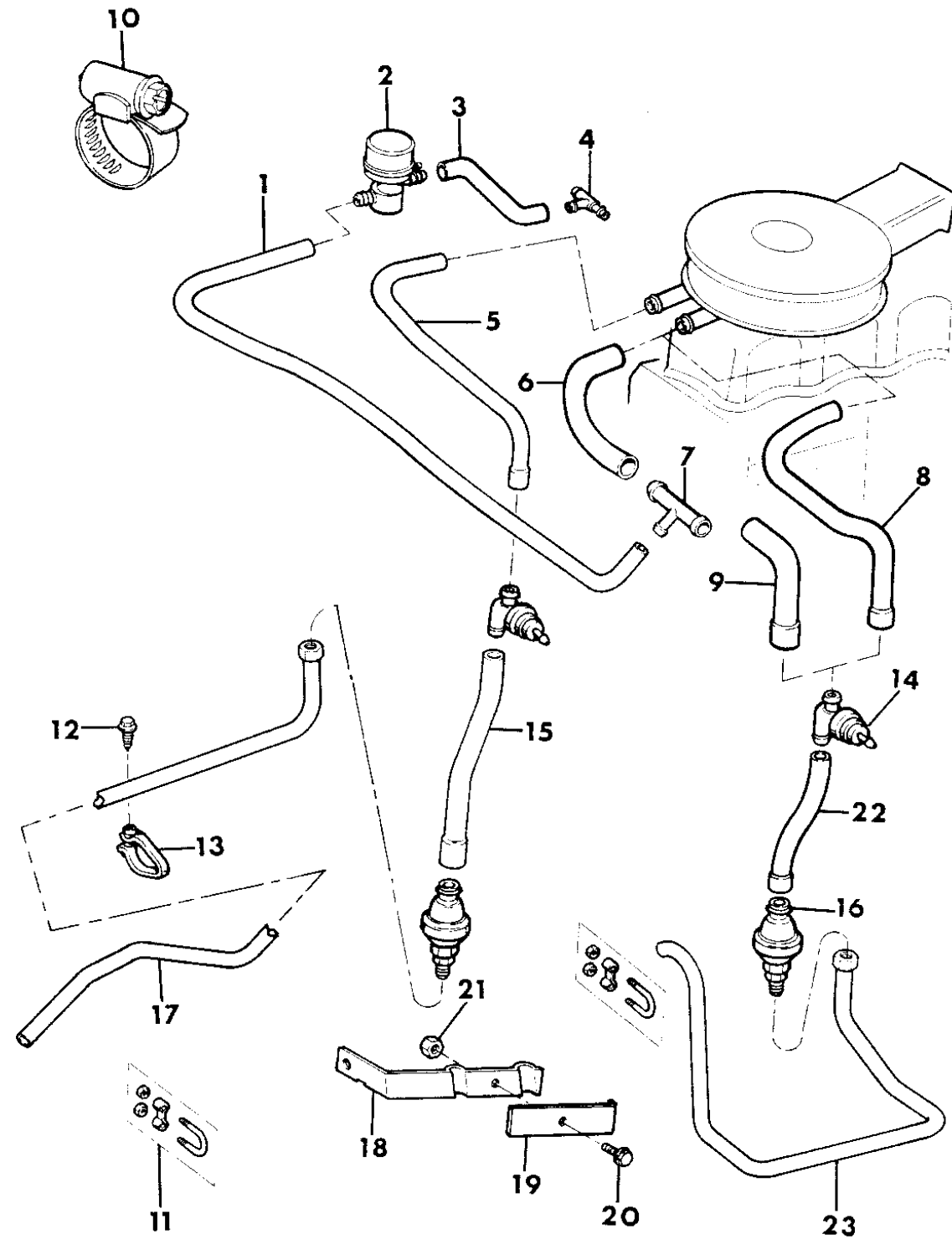
MJ = Comanche Pickup
 SJ = Grand Wagoneer Wgn., J-10 & J-20 Pickups
 XJ = Cherokee, Wagoneer Limited
 YJ = Wrangler

AR = Use as Required - = Non Illustrated Part P.A.R. = Paint as Required

PULSE AIR SYSTEM 4.2L ENGINE GRAND WAGONEER, J10

Figure 25-200

8J25 200



| ITEM | PART NUMBER | QTY | BODY | MODEL | DESCRIPTION |
|------|-------------|-----|------|-------|--|
| 1 | 5300 0971 | 1 | | | HOSE - Man. Trans. - Calif. |
| 2 | J323 7284 | 1 | | | VALVE, Decel - Man. Trans. - Calif. |
| 3 | 5300 1137 | 1 | | | HOSE - Man. Trans. - Calif. |
| 4 | 3420 1741 | 1 | | | CONNECTOR, Tee - Man. Trans. - Calif. |
| 5 | 3300 0899 | 1 | | | HOSE, Pulse Air |
| 6 | 5300 0973 | 1 | | | HOSE, Pulse Air - Man. Trans. - Calif. |
| 7 | 3300 0440 | 1 | | | CONNECTOR, Tee - Man. Trans. - Calif. |
| 8 | 3300 0898 | 1 | | | HOSE, Pulse Air |
| 9 | 5300 0972 | 1 | | | HOSE, Pulse Air - Man. Trans. - Calif. |
| 10 | J320 3077 | AR | | | CLAMP, Hose |
| 11 | 3300 0871 | 2 | | | CLAMP ASSEMBLY |
| 12 | J400 4692 | 1 | | | SCREW |
| 13 | 3300 0869 | 1 | | | CLAMP |
| 14 | 3300 0355 | 2 | | | VALVE, Control |
| 15 | J536 4364 | 1 | | | HOSE, Pulse Air |
| 16 | 3300 4478 | 2 | | | VALVE, Check |
| 17 | J536 4328 | 1 | | | TUBE, Pulse Air - Downstream |
| 18 | J536 4332 | 1 | | | BRACKET, Mounting |
| 19 | 3300 0710 | 1 | | | PLATE |
| 20 | S943 2476 | 1 | | | BOLT |
| 21 | J012 0375 | 1 | | | NUT |
| 22 | J536 4363 | 1 | | | HOSE, Pulse Air |
| 23 | J536 4323 | 1 | | | TUBE, Pulse Air - Upstream |

MODEL CODES:

| | | |
|-----------------------------|-----------------------------|------------------------------|
| 15 = Grand Wagoneer 4 Dr. | 65 = Comanche 4WD-7 Ft. Box | 77 = Cherokee 4WD-2 Dr. |
| 25 = J-10 Pickup-119" W.B. | 66 = Comanche 2WD-7 Ft. Box | 78 = Cherokee 4WD-4 Dr. |
| 26 = J-10 Pickup-131" W.B. | 73 = Cherokee 2WD-2 Dr. | 79 = Cherokee 4WD-4 Dr.-Com |
| 27 = J-20 Pickup-131" W.B. | 74 = Cherokee 2WD-4 Dr. | 81 = Wrangler-93" W.B. |
| 63 = Comanche 4WD-6 Ft. Box | 75 = Wagoneer 4WD-4 Dr. | 82 = Wrangler-103" W.B.-Exp. |
| 64 = Comanche 2WD-6 Ft. Box | | |

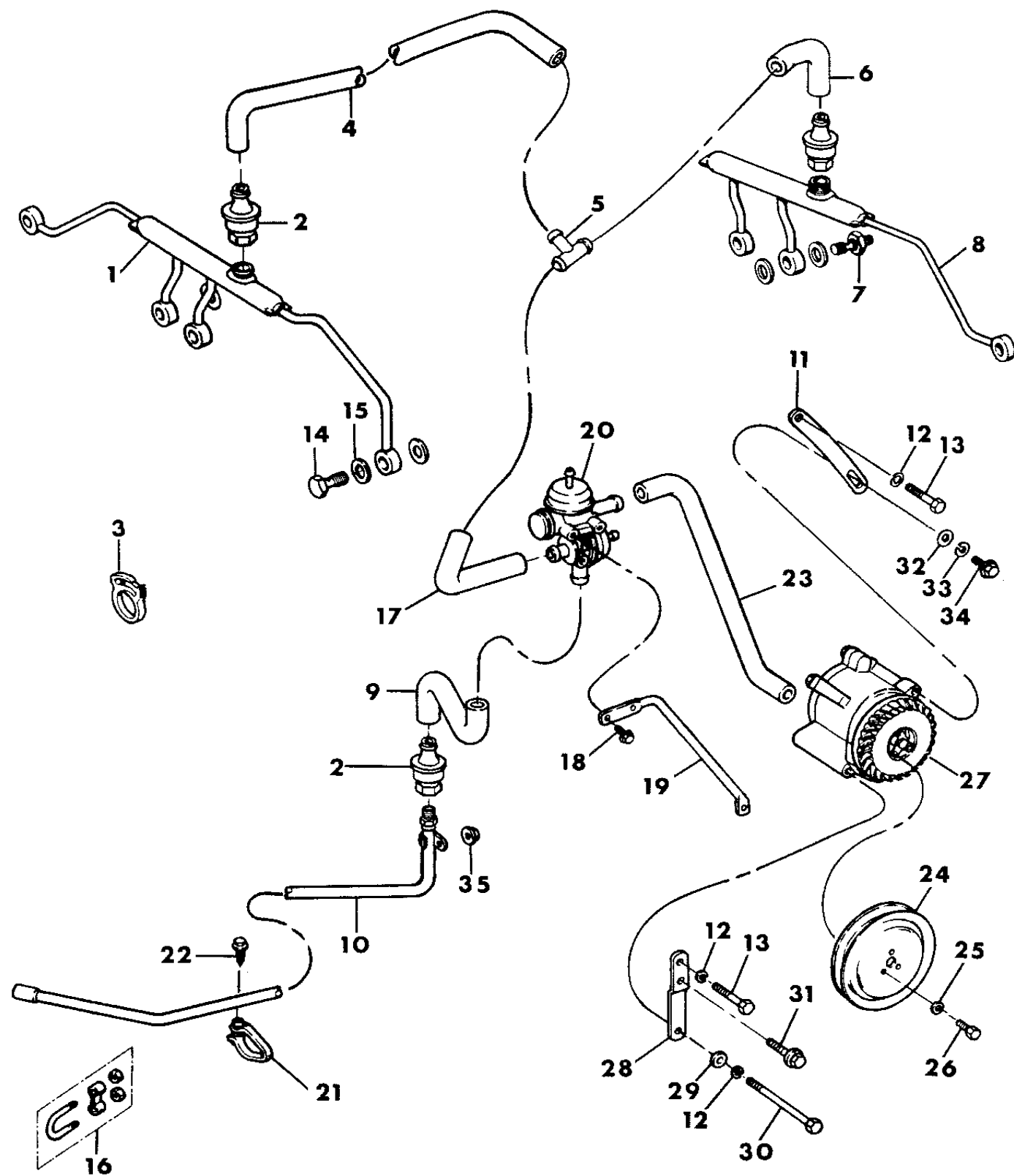
BODY STYLES:

MJ = Comanche Pickup
 SJ = Grand Wagoneer Wgn., J-10 & J-20 Pickups
 XJ = Cherokee, Wagoneer Limited
 YJ = Wrangler

AR = Use as Required - = Non Illustrated Part P.A.R. = Paint as Required

AIR INJECTION SYSTEM 5.9L ENGINE GRAND WAGONEER, J10, J20
Figure 25-300

8J25 300



| ITEM | PART NUMBER | QTY | BODY | MODEL | DESCRIPTION |
|------|-------------|-----|------|-------|-------------------------------------|
| 1 | J323 4692 | 1 | | | MANIFOLD, Air Injection - Right *** |
| 2 | J323 3960 | 3 | | | VALVE, Check |
| 3 | J400 6819 | 10 | | | CLAMP, Hose |
| 4 | 5300 2376 | 1 | | | HOSE, Upstream |
| 5 | 3300 1752 | 1 | | | CONNECTOR, Tee |
| 6 | 5300 2375 | 1 | | | HOSE, Upstream |
| 7 | J400 7222 | 1 | | | BOLT |
| 8 | J323 4691 | 1 | | | MANIFOLD, Air Injection - Lt. *** |
| 9 | 5300 2378 | 1 | | | HOSE, Downstream |
| 10 | J536 4861 | 1 | | | TUBE, Downstream |
| 11 | J322 9874 | 1 | | | BRACKET, Adjusting |
| 12 | J400 3803 | 3 | | | WASHER, Lock |
| 13 | J018 0137 | 2 | | | BOLT |
| 14 | J322 9425 | 6 | | | BOLT |
| 15 | J004 4042 | 14 | | | GASKET |
| 16 | J323 7055 | 1 | | | CLAMP ASSEMBLY |
| 17 | 5300 2377 | 1 | | | HOSE, Outlet |
| 18 | J400 7326 | 2 | | | SCREW |
| 19 | 5300 2379 | 1 | | | BRACKET, Mounting |
| 20 | 5300 2380 | 1 | | | VALVE, Control |
| 21 | J536 4880 | 2 | | | CLAMP |
| 22 | J400 4692 | 2 | | | SCREW |
| 23 | 5300 2382 | 1 | | | HOSE, Inlet |
| 24 | | | | | PULLEY, Air Pump |
| | J535 5780 | 1 | | | 6mm |
| | 5300 5088 | 1 | | | 8mm |
| 25 | | | | | WASHER, Lock |
| | S150 3963 | 3 | | | 6mm |
| | J012 0214 | 3 | | | 8mm |
| 26 | | | | | BOLT |
| | 1150 3877 | 3 | | | 6mm |
| | 1150 4336 | 3 | | | 8mm |
| 27 | | | | | PUMP, Air Injection |
| | J813 4211 | 1 | | | 6mm |
| | 5300 5087 | 1 | | | 8mm |
| 28 | J322 7683 | 1 | | | BRACKET, Mounting |
| 29 | J400 1104 | 1 | | | WASHER |

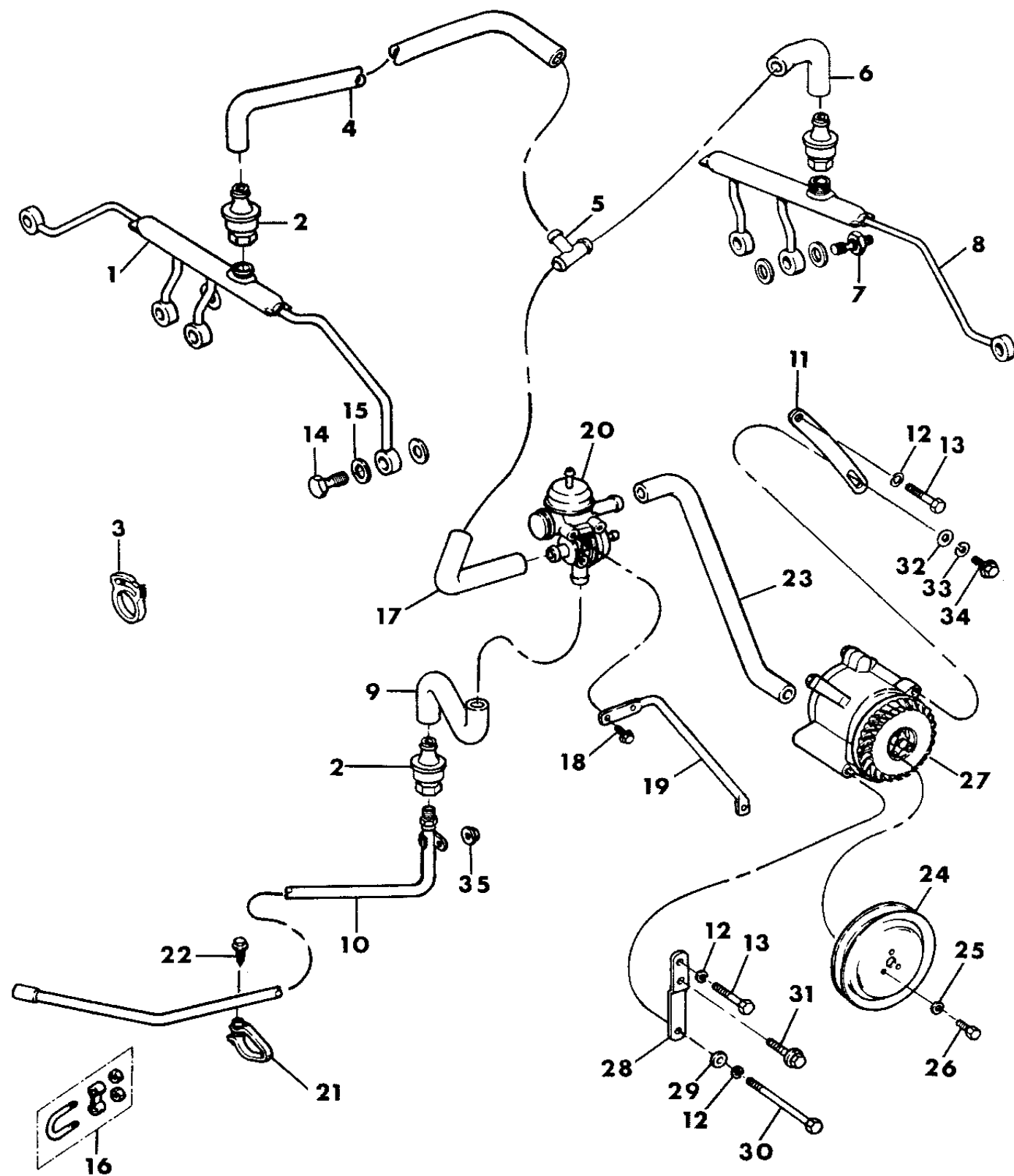
MODEL CODES:
 15 = Grand Wagoneer 4 Dr. 65 = Comanche 4WD-7 Ft. Box 77 = Cherokee 4WD-2 Dr.
 25 = J-10 Pickup-119" W.B. 66 = Comanche 2WD-7 Ft. Box 78 = Cherokee 4WD-4 Dr.
 26 = J-10 Pickup-131" W.B. 73 = Cherokee 2WD-2 Dr. 79 = Cherokee 4WD-4 Dr.-Com
 27 = J-20 Pickup-131" W.B. 74 = Cherokee 2WD-4 Dr. 81 = Wrangler-93" W.B.
 63 = Comanche 4WD-6 Ft. Box 75 = Wagoneer 4WD-4 Dr. 82 = Wrangler-103" W.B.-Exp.
 64 = Comanche 2WD-6 Ft. Box

BODY STYLES:
 MJ = Comanche Pickup
 SJ = Grand Wagoneer Wgn., J-10 & J-20 Pickups
 XJ = Cherokee, Wagoneer Limited
 YJ = Wrangler

AR = Use as Required - = Non Illustrated Part P.A.R. = Paint as Required

AIR INJECTION SYSTEM 5.9L ENGINE GRAND WAGONEER, J10, J20
Figure 25-300

8J25 300



| ITEM | PART NUMBER | QTY | BODY | MODEL | DESCRIPTION |
|------|-------------|-----|------|-------|--------------|
| 30 | J045 0517 | 1 | | | BOLT, Pivot |
| 31 | J027 4195 | 1 | | | SCREW |
| 32 | 1150 0273 | 1 | | | WASHER |
| 33 | 1150 0207 | 1 | | | WASHER, Lock |
| 34 | 1150 0829 | 1 | | | BOLT |
| 35 | J400 4008 | 1 | | | NUT |

MODEL CODES:

| | | |
|-----------------------------|-----------------------------|------------------------------|
| 15 = Grand Wagoneer 4 Dr. | 65 = Comanche 4WD-7 Ft. Box | 77 = Cherokee 4WD-2 Dr. |
| 25 = J-10 Pickup-119" W.B. | 66 = Comanche 2WD-7 Ft. Box | 78 = Cherokee 4WD-4 Dr. |
| 26 = J-10 Pickup-131" W.B. | 73 = Cherokee 2WD-2 Dr. | 79 = Cherokee 4WD-4 Dr.-Com |
| 27 = J-20 Pickup-131" W.B. | 74 = Cherokee 2WD-4 Dr. | 81 = Wrangler-93" W.B. |
| 63 = Comanche 4WD-6 Ft. Box | 75 = Wagoneer 4WD-4 Dr. | 82 = Wrangler-103" W.B.-Exp. |
| 64 = Comanche 2WD-6 Ft. Box | | |

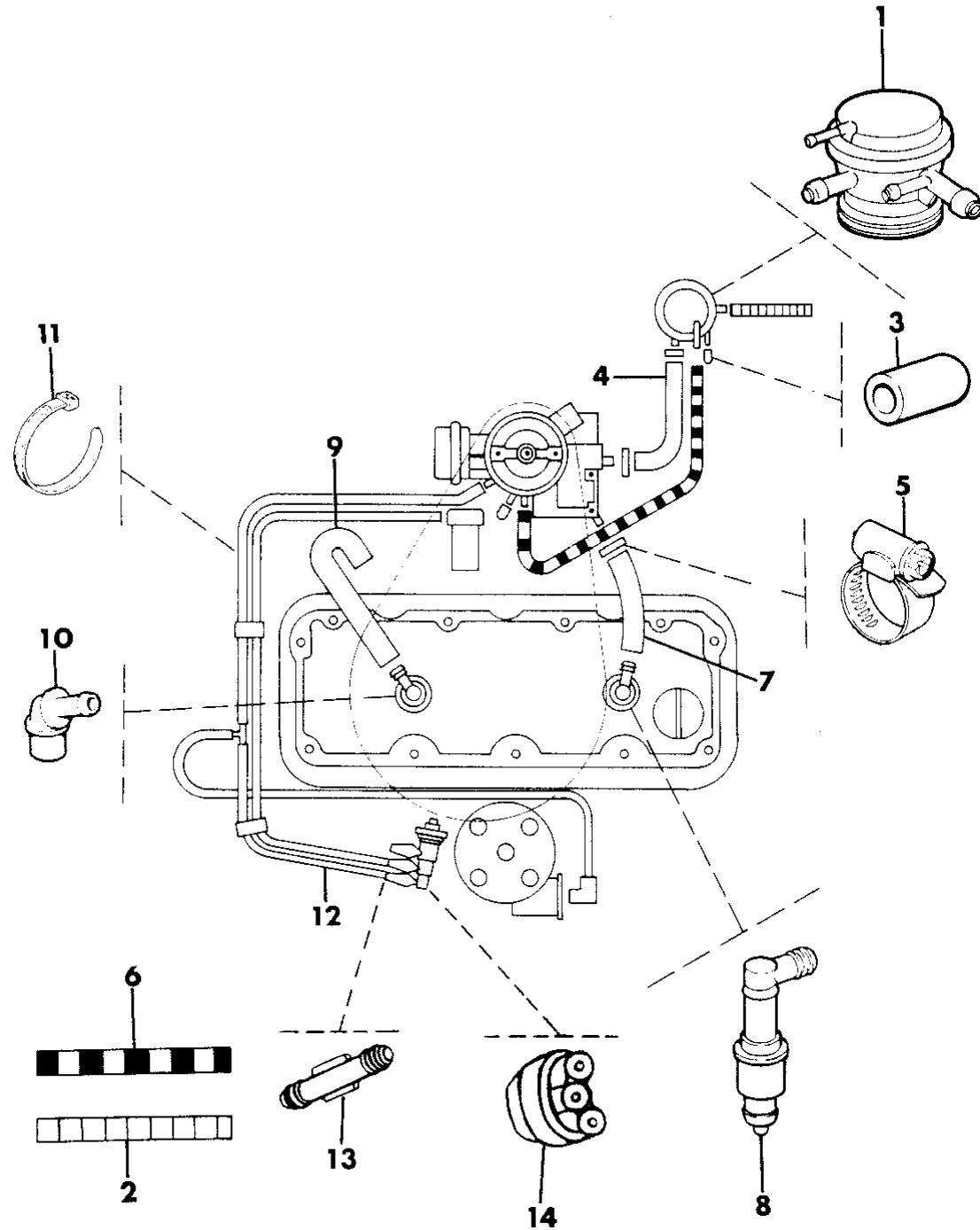
BODY STYLES:

MJ = Comanche Pickup
 SJ = Grand Wagoneer Wgn., J-10 & J-20 Pickups
 XJ = Cherokee, Wagoneer Limited
 YJ = Wrangler

AR = Use as Required - = Non Illustrated Part P.A.R. = Paint as Required

EMISSION CONTROLS 2.5L CARBURETED ENGINE - TYPE 1 WRANGLER, YJ
Figure 25-400

8J25 400



| ITEM | PART NUMBER | QTY | BODY | MODEL | DESCRIPTION |
|------|-------------|-----|------|-------|---------------------------|
| 1 | 5300 5104 | 1 | | | VALVE ASSEMBLY, Bowl Vent |
| 2 | J812 5781 | 1 | | | HOSE - Bulk .38" I.D. |
| 3 | J323 8283 | 2 | | | CAP, Plug |
| 4 | 3300 1332 | 1 | | | HOSE - (Modify to Fit) |
| 5 | 3300 0785 | AR | | | CLAMP, Hose |
| 6 | 8350 1071 | 1 | | | HOSE - Bulk .16" I.D. |
| 7 | 5300 5098 | 1 | | | HOSE |
| 8 | 3300 1239 | 1 | | | VALVE, PCV |
| 9 | 3300 1429 | 1 | | | HOSE |
| 10 | J323 6685 | 1 | | | ELBOW |
| 11 | J322 3227 | 1 | | | STRAP |
| 12 | 3300 2073 | 1 | | | HARNASS ASSEMBLY, Vacuum |
| 13 | J322 0180 | 1 | | | CONNECTOR, Straight |
| 14 | J323 5265 | 1 | | | CONNECTOR, 3 Port |

MODEL CODES:

| | | |
|-----------------------------|-----------------------------|------------------------------|
| 15 = Grand Wagoneer 4 Dr. | 65 = Comanche 4WD-7 Ft. Box | 77 = Cherokee 4WD-2 Dr. |
| 25 = J-10 Pickup-119" W.B. | 66 = Comanche 2WD-7 Ft. Box | 78 = Cherokee 4WD-4 Dr. |
| 26 = J-10 Pickup-131" W.B. | 73 = Cherokee 2WD-2 Dr. | 79 = Cherokee 4WD-4 Dr.-Com |
| 27 = J-20 Pickup-131" W.B. | 74 = Cherokee 2WD-4 Dr. | 81 = Wrangler-93" W.B. |
| 63 = Comanche 4WD-6 Ft. Box | 75 = Wagoneer 4WD-4 Dr. | 82 = Wrangler-103" W.B.-Exp. |
| 64 = Comanche 2WD-6 Ft. Box | | |

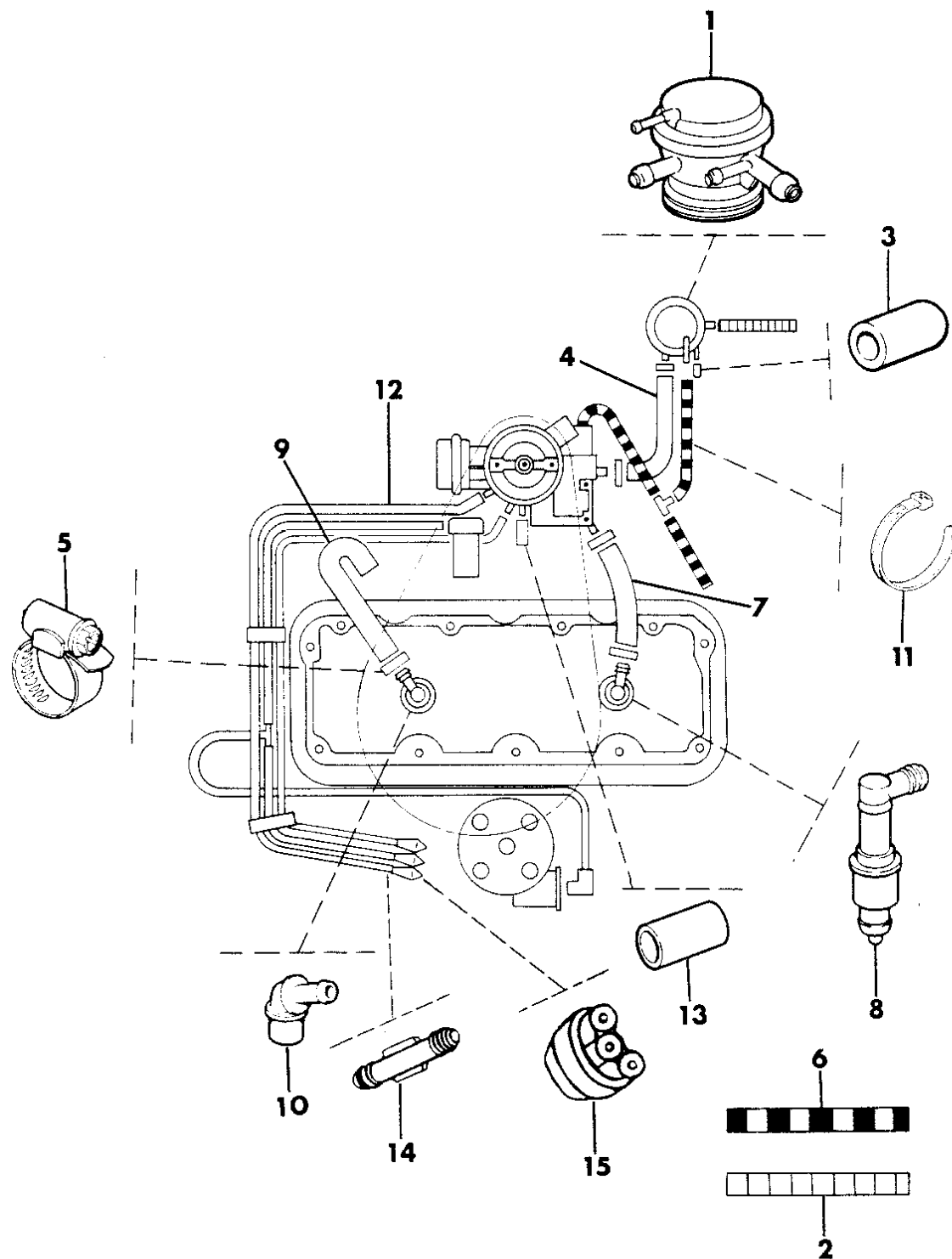
BODY STYLES:

MJ = Comanche Pickup
 SJ = Grand Wagoneer Wgn., J-10 & J-20 Pickups
 XJ = Cherokee, Wagoneer Limited
 YJ = Wrangler

AR = Use as Required - = Non Illustrated Part P.A.R. = Paint as Required

EMISSION CONTROLS 2.5L CARBURETED ENGINE - TYPE 2 WRANGLER, YJ
Figure 25-500

8J25 500



| ITEM | PART NUMBER | QTY | BODY | MODEL | DESCRIPTION |
|------|-------------|-----|------|-------|---------------------------|
| 1 | 5300 5104 | 1 | | | VALVE ASSEMBLY, Bowl Vent |
| 2 | J812 5781 | 1 | | | HOSE - Bulk .38" I.D. |
| 3 | J323 8283 | 1 | | | CAP, Plug |
| 4 | 3300 1332 | 1 | | | HOSE - (Modify to Fit) |
| 5 | 3300 0785 | AR | | | CLAMP, Hose |
| 6 | 8350 1071 | 1 | | | HOSE - Bulk .16" I.D. |
| 7 | 5300 5098 | 1 | | | HOSE |
| 8 | 3300 1239 | 1 | | | VALVE, PCV |
| 9 | 3300 1429 | 1 | | | HOSE |
| 10 | J323 6685 | 1 | | | ELBOW |
| 11 | J322 3227 | 1 | | | STRAP |
| 12 | 5300 5174 | 1 | | | HARNASS ASSEMBLY, Vacuum |
| 13 | J813 2325 | 1 | | | CAP, Plug |
| 14 | J322 0180 | 1 | | | CONNECTOR, Straight |
| 15 | J323 5265 | 1 | | | CONNECTOR, 3 Port |

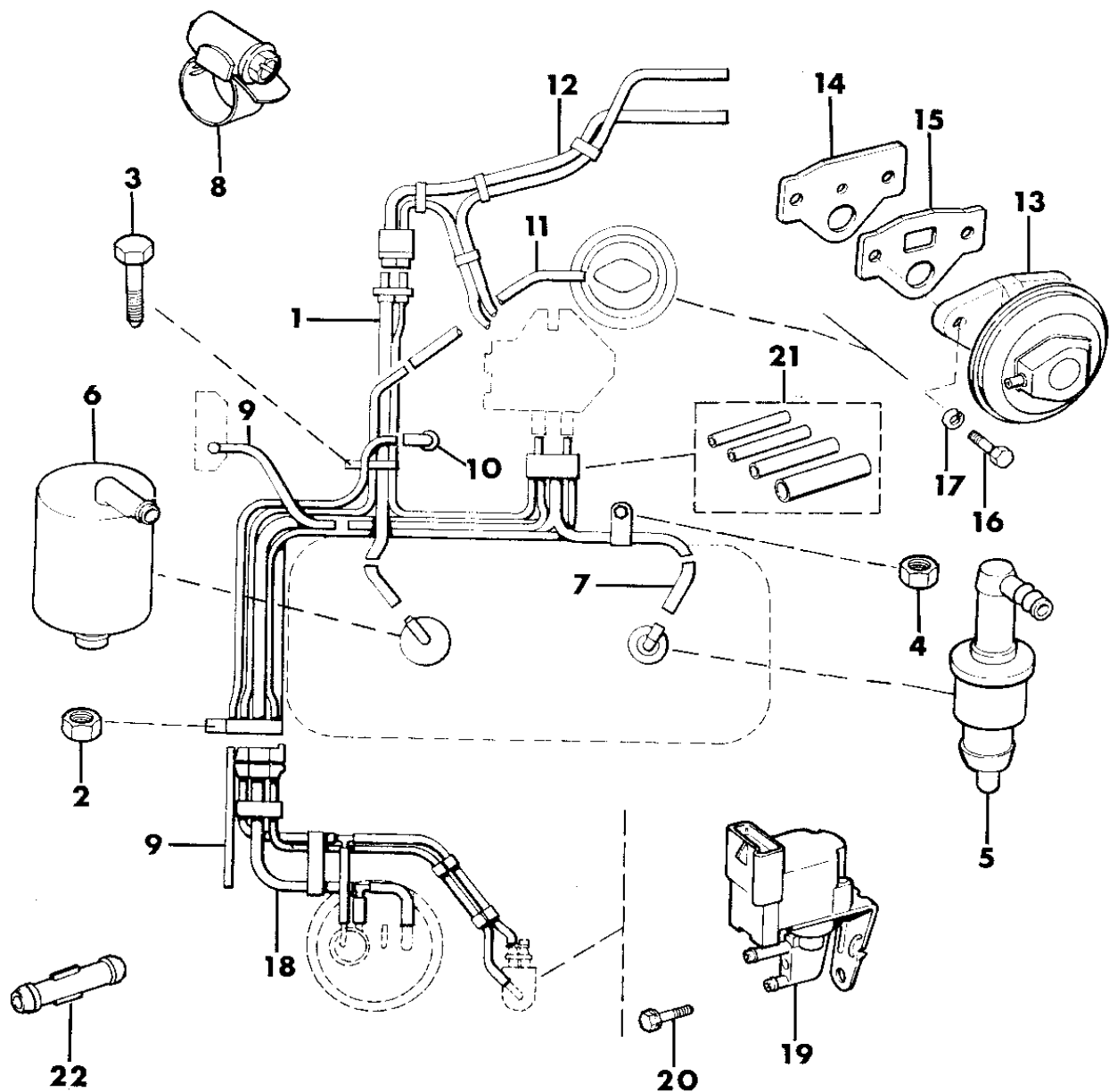
MODEL CODES:
 15 = Grand Wagoneer 4 Dr. 65 = Comanche 4WD-7 Ft. Box 77 = Cherokee 4WD-2 Dr.
 25 = J-10 Pickup-119" W.B. 66 = Comanche 2WD-7 Ft. Box 78 = Cherokee 4WD-4 Dr.
 26 = J-10 Pickup-131" W.B. 73 = Cherokee 2WD-2 Dr. 79 = Cherokee 4WD-4 Dr.-Com
 27 = J-20 Pickup-131" W.B. 74 = Cherokee 2WD-4 Dr. 81 = Wrangler-93" W.B.
 63 = Comanche 4WD-6 Ft. Box 75 = Wagoneer 4WD-4 Dr. 82 = Wrangler-103" W.B.-Exp.
 64 = Comanche 2WD-6 Ft. Box

BODY STYLES:
 MJ = Comanche Pickup
 SJ = Grand Wagoneer Wgn., J-10 & J-20 Pickups
 XJ = Cherokee, Wagoneer Limited
 YJ = Wrangler

AR = Use as Required - = Non Illustrated Part P.A.R. = Paint as Required

EMISSION CONTROLS 2.5L EFI ENGINE WRANGLER, YJ
Figure 25-600

8J25 600



| ITEM | PART NUMBER | QTY | BODY | MODEL | DESCRIPTION |
|------|-------------|-----|------|-------|-------------------------------|
| 1 | 8350 2725 | 1 | | | TUBE ASSEMBLY, Vacuum |
| 2 | J027 1172 | 1 | | | NUT, Hex |
| 3 | S017 9814 | 1 | | | SCREW |
| 4 | J027 1184 | 1 | | | NUT, Hex |
| 5 | 3300 1239 | 1 | | | VALVE, PCV |
| 6 | 5300 2466 | 1 | | | FILTER, Ventilation Valve |
| 7 | 8350 2726 | 2 | | | HOSE, Vacuum |
| 8 | | | | | CLAMP, Hose |
| | 3300 0786 | AR | | | .28" to .59" |
| | 3300 0785 | AR | | | .47" to .78" |
| | 3300 0784 | AR | | | .67" to .98" |
| 9 | 8330 0080 | AR | | | HOSE, Vacuum - Bulk |
| 10 | 5300 3944 | 1 | | | HOSE, Vacuum |
| 11 | J812 5995 | 1 | | | HOSE, Vacuum - Bulk |
| 12 | 5300 2481 | 1 | | | HARNES, Vacuum |
| 13 | 5300 2483 | 1 | | | VALVE, EGR |
| 14 | 5300 3898 | 1 | | | PLATE, Restrictor |
| 15 | 3300 4185 | 2 | | | GASKET |
| 16 | J018 0078 | 2 | | | BOLT |
| 17 | J012 0214 | 2 | | | WASHER, Lock |
| 18 | 5300 4462 | 1 | | | HARNES, Emission |
| 19 | 3300 2298 | 1 | | | SOLENOID, Vacuum Switch |
| 20 | 1150 2843 | 1 | | | SCREW |
| 21 | 8350 3498 | 1 | | | HOSE PACKAGE |
| 22 | 3300 0963 | AR | | | CONNECTOR, Straight 1/4 x 1/4 |

MODEL CODES:

| | | |
|-----------------------------|-----------------------------|------------------------------|
| 15 = Grand Wagoneer 4 Dr. | 65 = Comanche 4WD-7 Ft. Box | 77 = Cherokee 4WD-2 Dr. |
| 25 = J-10 Pickup-119" W.B. | 66 = Comanche 2WD-7 Ft. Box | 78 = Cherokee 4WD-4 Dr. |
| 26 = J-10 Pickup-131" W.B. | 73 = Cherokee 2WD-2 Dr. | 79 = Cherokee 4WD-4 Dr.-Com |
| 27 = J-20 Pickup-131" W.B. | 74 = Cherokee 2WD-4 Dr. | 81 = Wrangler-93" W.B. |
| 63 = Comanche 4WD-6 Ft. Box | 75 = Wagoneer 4WD-4 Dr. | 82 = Wrangler-103" W.B.-Exp. |
| 64 = Comanche 2WD-6 Ft. Box | | |

BODY STYLES:

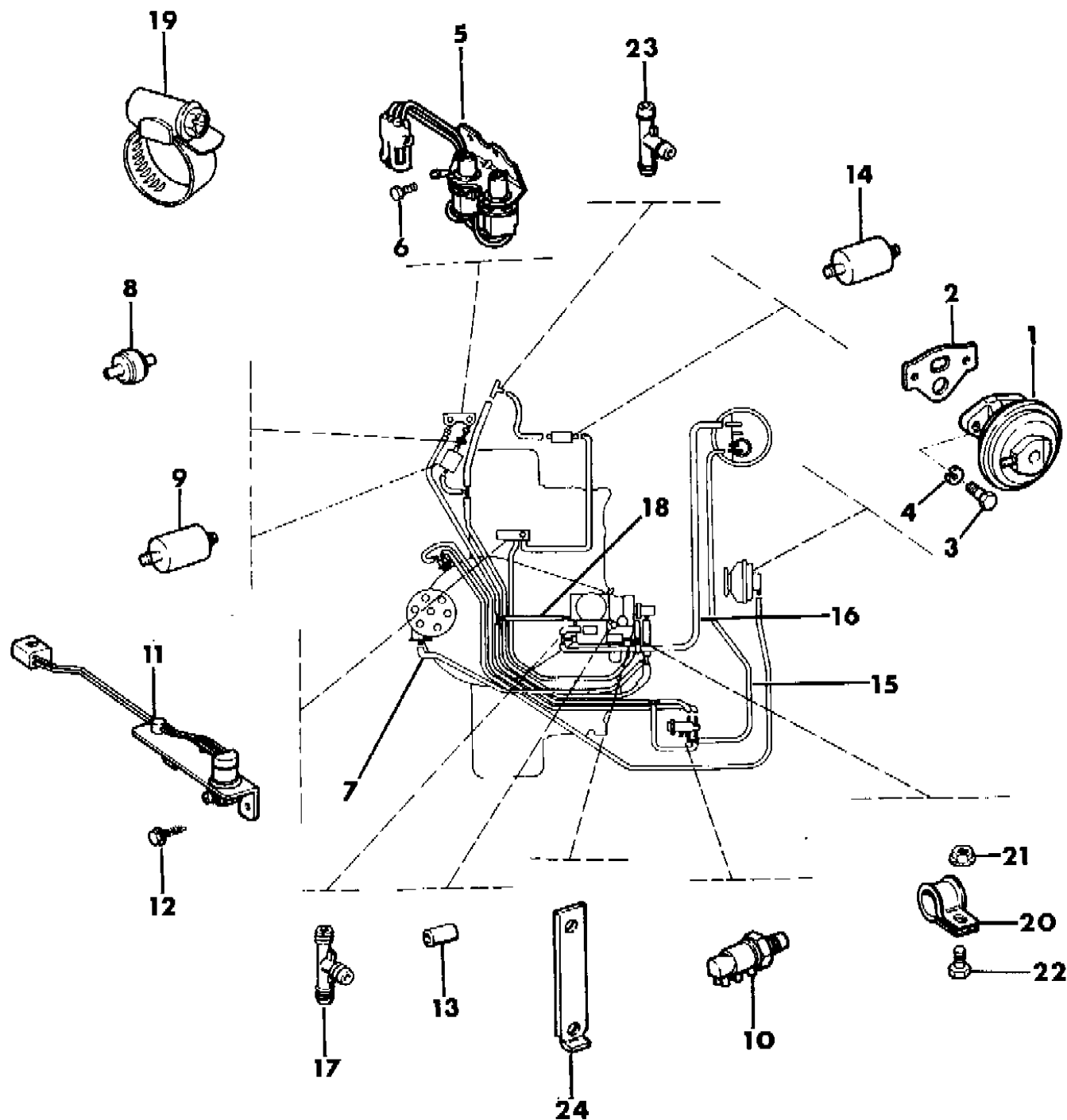
MJ = Comanche Pickup
SJ = Grand Wagoneer Wgn., J-10 & J-20 Pickups
XJ = Cherokee, Wagoneer Limited
YJ = Wrangler

AR = Use as Required - = Non Illustrated Part P.A.R. = Paint as Required

EMISSION CONTROLS 4.2L ENGINE WRANGLER, YJ - CANADA 1987

Figure 25-675

8J25 675



| ITEM | PART NUMBER | QTY | BODY | MODEL | DESCRIPTION |
|------|-------------|-----|------|-------|-------------------------|
| 1 | | | | | VALVE, EGR |
| | J324 1782 | 1 | | | Man. Trans. |
| | J324 0191 | 1 | | | Auto. Trans. |
| 2 | J322 1283 | 1 | | | GASKET, EGR Valve |
| 3 | | | | | BOLT |
| | J018 0078 | 1 | | | .88" |
| | J018 0079 | 1 | | | 1.0" |
| 4 | J012 0214 | 2 | | | WASHER, Lock |
| 5 | J324 0803 | 1 | | | SWITCH, Emission |
| 6 | J942 1073 | 2 | | | SCREW |
| 7 | 5300 4647 | 1 | | | HARNESS, Vacuum |
| 8 | J323 6284 | 1 | | | VALVE, Delay |
| 9 | 5300 5308 | 1 | | | RESERVOIR, Vacuum |
| 10 | J323 8932 | 1 | | | SWITCH, CTO |
| 11 | 3300 1946 | 1 | | | SOLENOID, Vacuum Switch |
| 12 | | | | | SCREW |
| | J400 6719 | 2 | | | Plastic Valve Cover |
| | J400 5731 | 2 | | | Aluminum Valve Cover |
| 13 | J813 2325 | 1 | | | CAP, Plug |
| 14 | J323 9603 | 1 | | | RESERVOIR, Vacuum |
| 15 | 8350 1071 | AR | | | HOSE - Bulk |
| 16 | J812 5781 | AR | | | HOSE - Bulk |
| 17 | J323 2983 | 1 | | | TEE |
| 18 | J323 2942 | 1 | | | HOSE |
| 19 | | | | | CLAMP |
| | 3300 0786 | AR | | | .28" to .59" |
| | 3300 0785 | AR | | | .47" to .78" |
| | 3300 0784 | AR | | | .69" to .97" |
| 20 | J012 5924 | 1 | | | CLIP |
| 21 | J027 1184 | 1 | | | NUT |
| 22 | S017 9814 | 1 | | | BOLT |
| 23 | J323 9827 | 1 | | | TEE |
| 24 | J536 3212 | 1 | | | BRACKET |

MODEL CODES:

| | | |
|-----------------------------|-----------------------------|------------------------------|
| 15 = Grand Wagoneer 4 Dr. | 65 = Comanche 4WD-7 Ft. Box | 77 = Cherokee 4WD-2 Dr. |
| 25 = J-10 Pickup-119" W.B. | 66 = Comanche 2WD-7 Ft. Box | 78 = Cherokee 4WD-4 Dr. |
| 26 = J-10 Pickup-131" W.B. | 73 = Cherokee 2WD-2 Dr. | 79 = Cherokee 4WD-4 Dr.-Com |
| 27 = J-20 Pickup-131" W.B. | 74 = Cherokee 2WD-4 Dr. | 81 = Wrangler-93" W.B. |
| 63 = Comanche 4WD-6 Ft. Box | 75 = Wagoneer 4WD-4 Dr. | 82 = Wrangler-103" W.B.-Exp. |
| 64 = Comanche 2WD-6 Ft. Box | | |

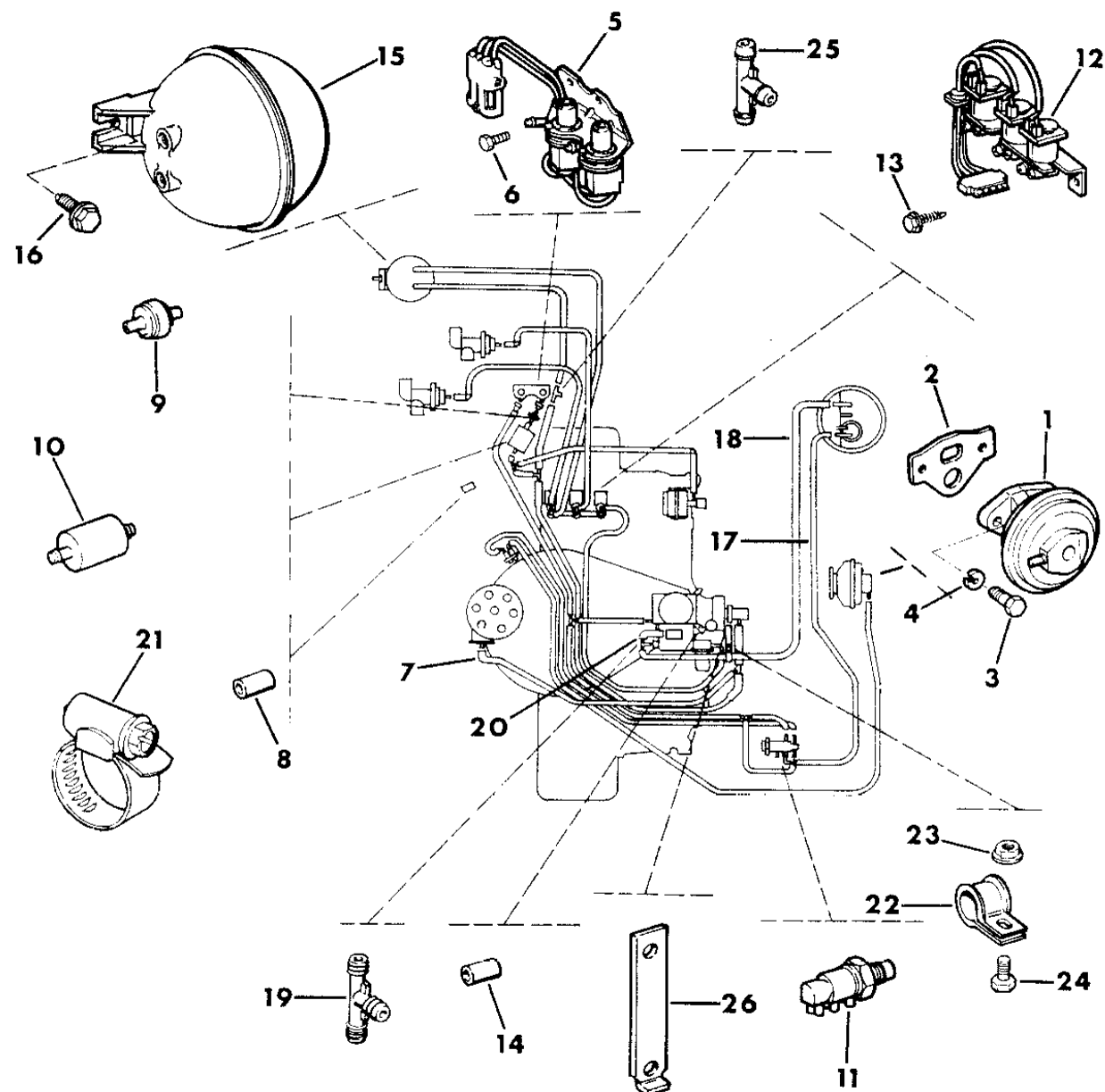
BODY STYLES:

MJ = Comanche Pickup
 SJ = Grand Wagoneer Wgn., J-10 & J-20 Pickups
 XJ = Cherokee, Wagoneer Limited
 YJ = Wrangler

AR = Use as Required - = Non Illustrated Part P.A.R. = Paint as Required

EMISSION CONTROLS 4.2L ENGINE WRANGLER, YJ
Figure 25-700

8 J 25 700



| ITEM | PART NUMBER | QTY | BODY | MODEL | DESCRIPTION |
|------|-------------|-----|------|-------|---|
| 1 | J324 1782 | 1 | | | VALVE, EGR exc. Calif. - Man. Trans. 1987 |
| | J324 0191 | 1 | | | exc. Calif. - Auto. Trans. 1987 |
| | J324 0097 | 1 | | | Calif. - 1987 |
| | 3300 4383 | 1 | | | 1988-90 |
| 2 | J322 1283 | 1 | | | GASKET 1987-89 |
| | 5300 7919 | 1 | | | 1990 |
| 3 | J018 0078 | 1 | | | BOLT .88" |
| | J018 0079 | 1 | | | 1.00" |
| | J012 0214 | 2 | | | WASHER, Lock |
| | J324 0803 | 1 | | | SWITCH, Emission |
| 6 | J942 1073 | 2 | | | SCREW |
| | | | | | |
| 7 | | | | | HARNESSES, Vacuum |
| | 5300 3814 | 1 | | | Man. Trans. 1987 |
| | 5300 5177 | 1 | | | Man. Trans. 1988-90 |
| | 5300 3814 | 1 | | | Auto. Trans. - (Modify to Fit) - also order J8132325 - 1987 |
| 8 | J813 2325 | 1 | | | CAP, Plug - Auto. Trans. |
| | J323 6284 | 1 | | | VALVE, Delay - Black/Purple |
| 10 | 5300 5308 | 1 | | | RESERVOIR, Vacuum |
| 11 | J323 8932 | 1 | | | SWITCH, CTO |
| 12 | 3300 1945 | 1 | | | SOLENOID, Vacuum Switch |
| 13 | | | | | SCREW |
| | J400 6719 | 2 | | | Plastic Valve Cover |
| | J400 5731 | 2 | | | Aluminum Valve Cover |
| 14 | J813 2325 | 1 | | | CAP, Plug |
| 15 | 5300 3408 | 1 | | | RESERVOIR, Vacuum |
| 16 | J942 6241 | 2 | | | SCREW |
| 17 | 8350 1071 | 1 | | | HOSE - Bulk |
| 18 | J812 5781 | 1 | | | HOSE - Bulk |
| 19 | J323 2983 | 1 | | | TEE |
| 20 | J323 2942 | 1 | | | HOSE |
| 21 | | | | | CLAMP, Hose |
| | 3300 0786 | AR | | | .28" to .59" |
| | 3300 0785 | AR | | | .47" to .78" |

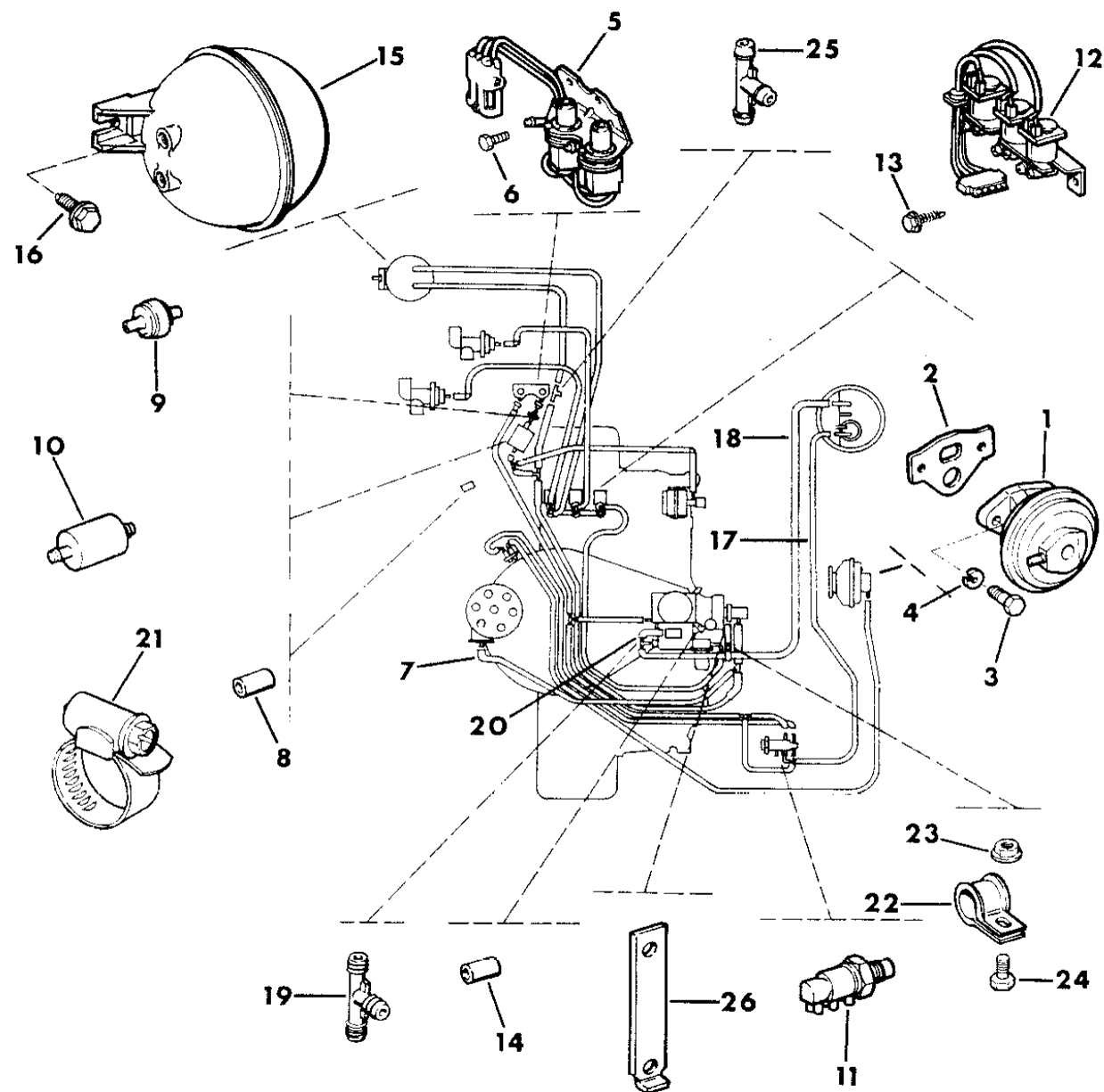
MODEL CODES:
15 = Grand Wagoneer 4 Dr. 65 = Comanche 4WD-7 Ft. Box 77 = Cherokee 4WD-2 Dr.
25 = J-10 Pickup-119" W.B. 66 = Comanche 2WD-7 Ft. Box 78 = Cherokee 4WD-4 Dr.
26 = J-10 Pickup-131" W.B. 73 = Cherokee 2WD-2 Dr. 79 = Cherokee 4WD-4 Dr.-Com
27 = J-20 Pickup-131" W.B. 74 = Cherokee 2WD-4 Dr. 81 = Wrangler-93" W.B.
63 = Comanche 4WD-6 Ft. Box 75 = Wagoneer 4WD-4 Dr. 82 = Wrangler-103" W.B.-Exp.
64 = Comanche 2WD-6 Ft. Box

BODY STYLES:
MJ = Comanche Pickup
SJ = Grand Wagoneer Wgn., J-10 & J-20 Pickups
XJ = Cherokee, Wagoneer Limited
YJ = Wrangler

AR = Use as Required - = Non Illustrated Part P.A.R. = Paint as Required

EMISSION CONTROLS 4.2L ENGINE WRANGLER, YJ
Figure 25-700

8 J 25 700



| ITEM | PART NUMBER | QTY | BODY | MODEL | DESCRIPTION |
|------|-------------|-----|------|-------|--------------|
| | 3300 0784 | AR | | | .69" to .97" |
| 22 | J012 5924 | 1 | | | CLIP |
| 23 | J027 1184 | 1 | | | NUT |
| 24 | S017 9814 | 1 | | | BOLT |
| 25 | J323 2982 | 1 | | | TEE |
| 26 | J536 3212 | 1 | | | BRACKET |

MODEL CODES:

| | | |
|-----------------------------|-----------------------------|------------------------------|
| 15 = Grand Wagoneer 4 Dr. | 65 = Comanche 4WD-7 Ft. Box | 77 = Cherokee 4WD-2 Dr. |
| 25 = J-10 Pickup-119" W.B. | 66 = Comanche 2WD-7 Ft. Box | 78 = Cherokee 4WD-4 Dr. |
| 26 = J-10 Pickup-131" W.B. | 73 = Cherokee 2WD-2 Dr. | 79 = Cherokee 4WD-4 Dr.-Com |
| 27 = J-20 Pickup-131" W.B. | 74 = Cherokee 2WD-4 Dr. | 81 = Wrangler-93" W.B. |
| 63 = Comanche 4WD-6 Ft. Box | 75 = Wagoneer 4WD-4 Dr. | 82 = Wrangler-103" W.B.-Exp. |
| 64 = Comanche 2WD-6 Ft. Box | | |

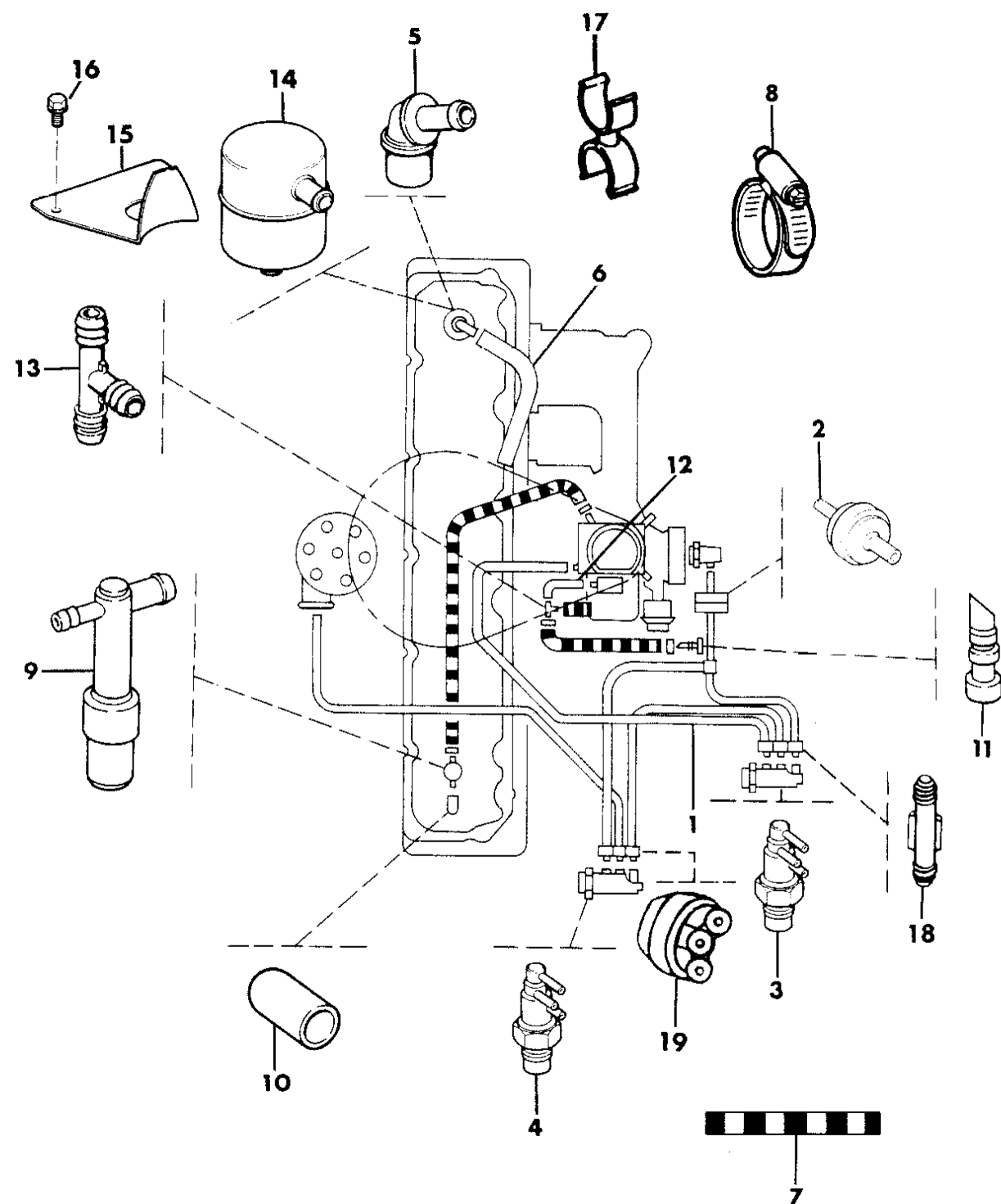
BODY STYLES:

MJ = Comanche Pickup
 SJ = Grand Wagoneer Wgn., J-10 & J-20 Pickups
 XJ = Cherokee, Wagoneer Limited
 YJ = Wrangler

AR = Use as Required - = Non Illustrated Part P.A.R. = Paint as Required

EMISSION CONTROLS 4.2L ENGINE WRANGLER - NRM OR KDX
Figure 25-800

8J25 800



| ITEM | PART NUMBER | QTY | BODY | MODEL | DESCRIPTION |
|------|-------------|-----|------|-------|--|
| 1 | | | | | HARNESSES, Vacuum |
| | 5300 5057 | 1 | | | w/o Heavy Duty Cooling |
| | 5300 5058 | 1 | | | w/Heavy Duty Cooling |
| 2 | J323 9383 | 1 | | | VALVE, Reverse Delay - Orange/White |
| 3 | J323 5917 | 1 | | | SWITCH, Spark CTO |
| 4 | J535 8881 | 1 | | | SWITCH, CTO - w/Heavy Duty Cooling |
| 5 | J323 6685 | 1 | | | ELBOW - w/o Severe Use Package |
| 6 | | | | | HOSE |
| | J323 9555 | 1 | | | w/o Severe Use Package |
| | J812 5781 | 1 | | | w/Severe Use Package - Bulk |
| 7 | J812 5781 | 1 | | | HOSE - Bulk .38" I.D. |
| 8 | | | | | CLAMP, Hose |
| | 3300 0785 | AR | | | .47" to .78" |
| | 3300 0784 | AR | | | .69" to .97" |
| | J320 3079 | 1 | | | 1.8." to 2.75" - w/Severe Use Package |
| 9 | J323 9068 | 1 | | | VALVE, PCV |
| 10 | J323 8283 | 1 | | | CAP, Plug |
| 11 | J535 2955 | 1 | | | CAP, Vent |
| 12 | J323 2942 | 1 | | | HOSE |
| 13 | J323 2983 | 1 | | | TEE |
| 14 | J805 3174 | 1 | | | BREATHER, Crankcase - w/Severe Use Package *** |
| 15 | J805 3013 | 1 | | | BRACKET, Mounting - w/Severe Use Package |
| 16 | J400 5731 | 2 | | | BOLT - w/Severe Use Package |
| 17 | 5200 1603 | 1 | | | CLIP - w/Severe Use Package |
| 18 | J322 0180 | 5 | | | CONNECTOR, Straight |
| 19 | J323 5265 | AR | | | CONNECTOR, 3 Port |

MODEL CODES:

| | | |
|-----------------------------|-----------------------------|------------------------------|
| 15 = Grand Wagoneer 4 Dr. | 65 = Comanche 4WD-7 Ft. Box | 77 = Cherokee 4WD-2 Dr. |
| 25 = J-10 Pickup-119" W.B. | 66 = Comanche 2WD-7 Ft. Box | 78 = Cherokee 4WD-4 Dr. |
| 26 = J-10 Pickup-131" W.B. | 73 = Cherokee 2WD-2 Dr. | 79 = Cherokee 4WD-4 Dr.-Com |
| 27 = J-20 Pickup-131" W.B. | 74 = Cherokee 2WD-4 Dr. | 81 = Wrangler-93" W.B. |
| 63 = Comanche 4WD-6 Ft. Box | 75 = Wagoneer 4WD-4 Dr. | 82 = Wrangler-103" W.B.-Exp. |
| 64 = Comanche 2WD-6 Ft. Box | | |

BODY STYLES:

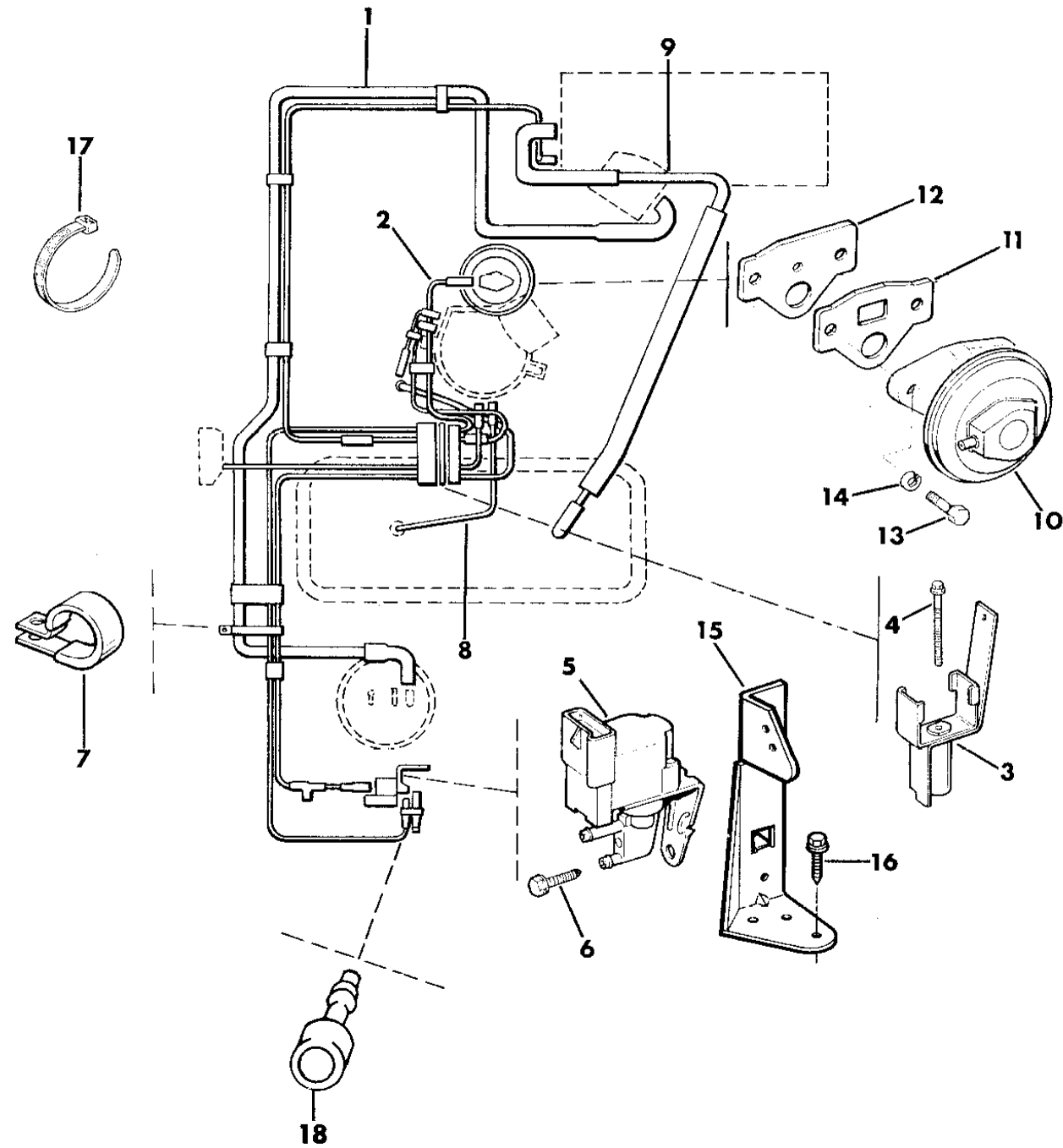
MJ = Comanche Pickup
SJ = Grand Wagoneer Wgn., J-10 & J-20 Pickups
XJ = Cherokee, Wagoneer Limited
YJ = Wrangler

AR = Use as Required - = Non Illustrated Part P.A.R. = Paint as Required

EMISSION CONTROLS 2.5L EFI ENGINE CHEROKEE, WAGONEER, COMANCHE
Figure 25-900

8 J 25 900

| ITEM | PART NUMBER | QTY | BODY | MODEL | DESCRIPTION |
|------|-------------|-----|------|-------|-------------------------------|
| 1 | | | | | HARNESS, Vacuum |
| | 5300 4415 | 1 | | | U.S. and Canada |
| | 5300 4415 | 1 | | | ECE - w/Unleaded Fuel |
| | 5300 4877 | 1 | | | ECE - w/Leaded Fuel |
| 2 | 5300 4414 | 1 | | | HARNESS, Vacuum |
| 3 | 5300 4543 | 1 | | | BRACKET ASSEMBLY |
| 4 | J943 7670 | 1 | | | BOLT |
| 5 | 3300 2298 | 1 | | | SOLENOID, EGR Vacuum |
| 6 | | | | | SCREW |
| | 1150 2843 | 1 | | | 1987 |
| | J400 1701 | 1 | | | 1988-90 |
| 7 | J400 0443 | 1 | | | CLIP |
| 8 | 5300 4720 | 1 | | | TUBE ASSEMBLY, Crankcase Vent |
| 9 | 5300 4946 | 1 | | | TUBE ASSEMBLY, Crankcase Vent |
| 10 | 5300 2483 | 1 | | | VALVE, EGR |
| 11 | 3300 4185 | 2 | | | GASKET |
| 12 | 5300 3898 | 1 | | | PLATE, Restrictor |
| 13 | J018 0078 | 2 | | | BOLT |
| 14 | J012 0214 | 2 | | | WASHER, Lock |
| 15 | 5300 4872 | 1 | | | BRACKET - w/Leaded Fuel |
| 16 | J941 9320 | 3 | | | SCREW - w/Leaded Fuel |
| 17 | 3420 1788 | 1 | | | STRAP |
| 18 | 3300 2358 | 1 | | | FILTER |



MODEL CODES:

| | | |
|-----------------------------|-----------------------------|------------------------------|
| 15 = Grand Wagoneer 4 Dr. | 65 = Comanche 4WD-7 Ft. Box | 77 = Cherokee 4WD-2 Dr. |
| 25 = J-10 Pickup-119" W.B. | 66 = Comanche 2WD-7 Ft. Box | 78 = Cherokee 4WD-4 Dr. |
| 26 = J-10 Pickup-131" W.B. | 73 = Cherokee 2WD-2 Dr. | 79 = Cherokee 4WD-4 Dr.-Com |
| 27 = J-20 Pickup-131" W.B. | 74 = Cherokee 2WD-4 Dr. | 81 = Wrangler-93" W.B. |
| 63 = Comanche 4WD-6 Ft. Box | 75 = Wagoneer 4WD-4 Dr. | 82 = Wrangler-103" W.B.-Exp. |
| 64 = Comanche 2WD-6 Ft. Box | | |

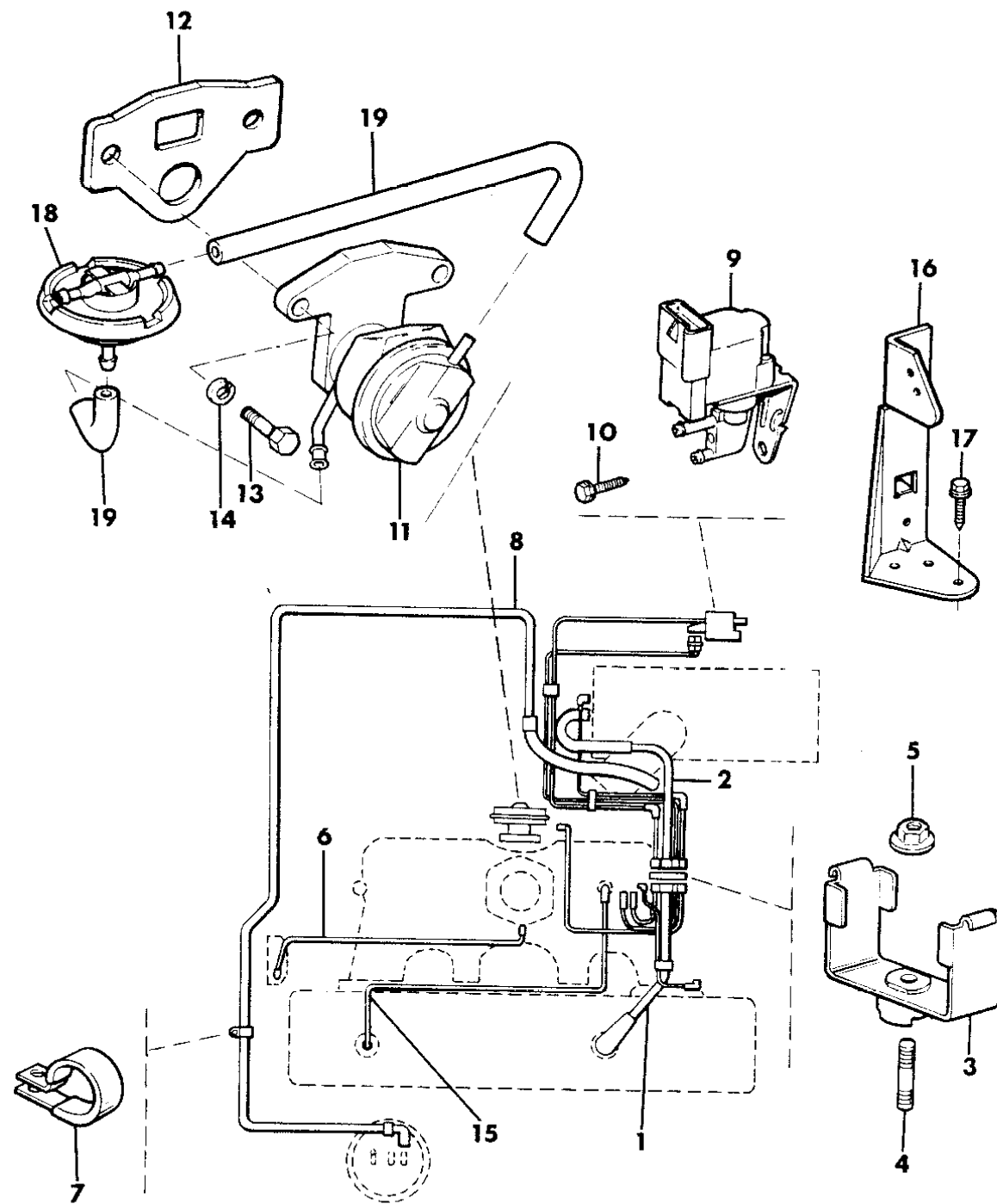
BODY STYLES:

MJ = Comanche Pickup
 SJ = Grand Wagoneer Wgn., J-10 & J-20 Pickups
 XJ = Cherokee, Wagoneer Limited
 YJ = Wrangler

AR = Use as Required - = Non Illustrated Part P.A.R. = Paint as Required

EMISSION CONTROLS 4.0L ENGINE CHEROKEE, WAGONEER, COMANCHE
Figure 25-1000

8J25 1000



| ITEM | PART NUMBER | QTY | BODY | MODEL | DESCRIPTION |
|------|-------------|-----|------|-------|-------------------------------|
| 1 | | | | | HARNESS, Vacuum |
| | 5300 4379 | 1 | | | 1987 |
| | 5300 4838 | 1 | | | 1988-90 |
| 2 | | | | | HARNESS, Vacuum |
| | 5300 4378 | 1 | | | 1987 |
| | 5300 4868 | 1 | | | 1988-90 |
| 3 | 5300 4501 | 1 | | | BRACKET ASSEMBLY |
| 4 | J400 5138 | 1 | | | STUD |
| 5 | J400 3587 | 1 | | | NUT |
| 6 | 5300 4589 | 1 | | | HOSE ASSEMBLY |
| 7 | J400 5341 | 1 | | | CLIP |
| 8 | 5300 4623 | 1 | | | TUBE ASSEMBLY, Crankcase Vent |
| 9 | 3300 2298 | 1 | | | SOLENOID, EGR Vacuum |
| 10 | | | | | SCREW |
| | 1150 2843 | 1 | | | 1987 |
| | J400 1701 | 1 | | | 1988-90 |
| 11 | | | | | VALVE, EGR |
| | 5300 3446 | 1 | | | 1987 |
| | 5300 4867 | 1 | | | 1988-90 |
| 12 | | | | | GASKET |
| | J322 1283 | 1 | | | 1987 |
| | 3300 4185 | 1 | | | 1988-90 |
| 13 | | | | | BOLT |
| | J018 0078 | 2 | | | 1987 |
| | J018 0079 | 2 | | | 1988-90 |
| 14 | J012 0214 | 2 | | | WASHER, Lock |
| 15 | 5300 4719 | 1 | | | TUBE ASSEMBLY, Crankcase Vent |
| 16 | 5300 4872 | 1 | | | BRACKET - w/Leaded Fuel |
| 17 | J941 9320 | 3 | | | SCREW - w/Leaded Fuel |
| 18 | 5300 4867 | 1 | | | TRANSDUCER, EGR |
| 19 | J812 5995 | 1 | | | HOSE, Vacuum Bulk |

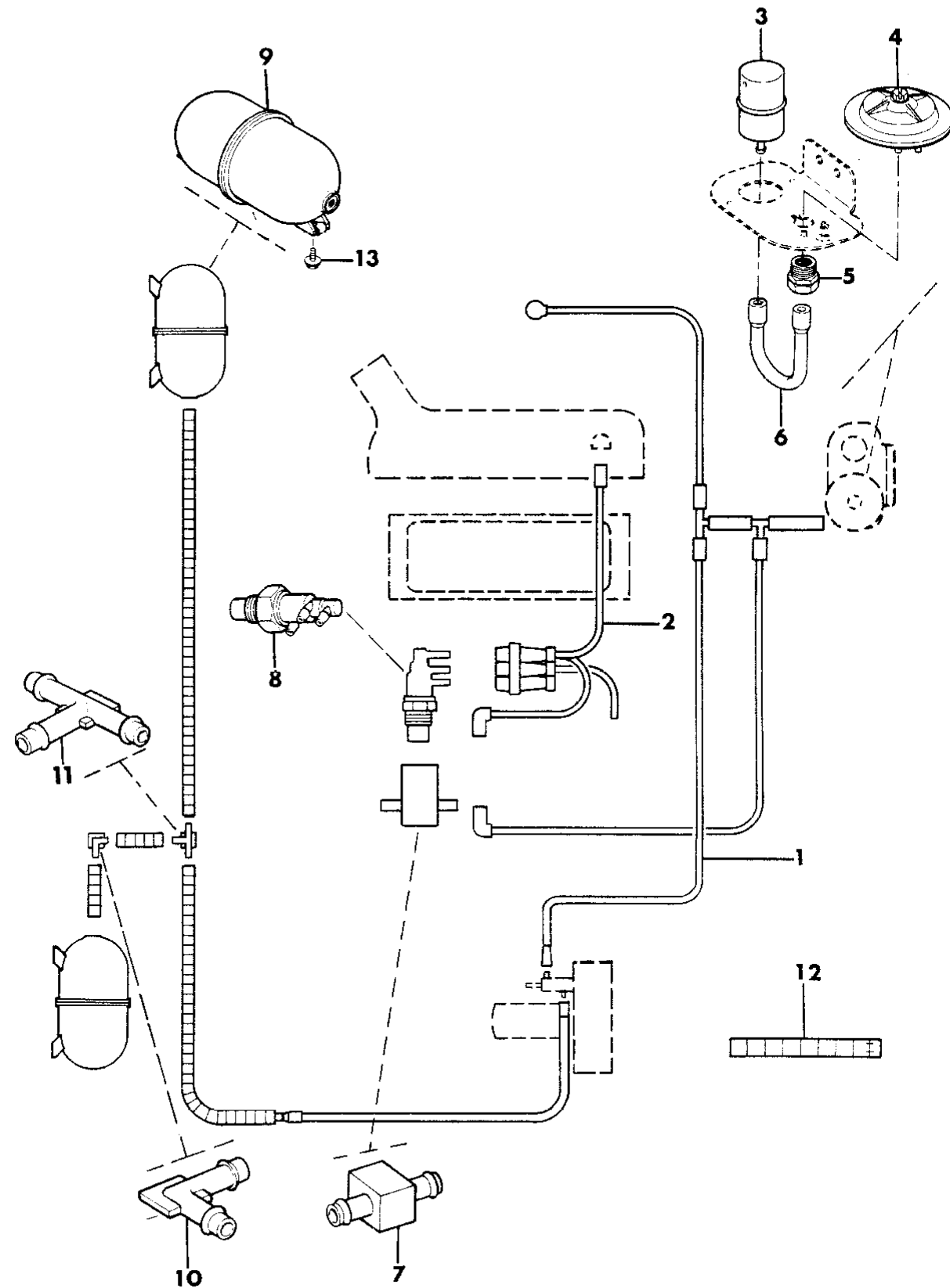
MODEL CODES:
 15 = Grand Wagoneer 4 Dr. 65 = Comanche 4WD-7 Ft. Box 77 = Cherokee 4WD-2 Dr.
 25 = J-10 Pickup-119" W.B. 66 = Comanche 2WD-7 Ft. Box 78 = Cherokee 4WD-4 Dr.
 26 = J-10 Pickup-131" W.B. 73 = Cherokee 2WD-2 Dr. 79 = Cherokee 4WD-4 Dr.-Com
 27 = J-20 Pickup-131" W.B. 74 = Cherokee 2WD-4 Dr. 81 = Wrangler-93" W.B.
 63 = Comanche 4WD-6 Ft. Box 75 = Wagoneer 4WD-4 Dr. 82 = Wrangler-103" W.B.-Exp.
 64 = Comanche 2WD-6 Ft. Box

BODY STYLES:
 MJ = Comanche Pickup
 SJ = Grand Wagoneer Wgn., J-10 & J-20 Pickups
 XJ = Cherokee, Wagoneer Limited
 YJ = Wrangler

AR = Use as Required - = Non Illustrated Part P.A.R. = Paint as Required

EMISSION CONTROLS DIESEL ENGINE CHEROKEE, COMANCHE
Figure 25-1100

8J25 1100



| ITEM | PART NUMBER | QTY | BODY | MODEL | DESCRIPTION |
|------|-------------|-----|------|-------|----------------------------|
| 1 | 5300 2441 | 1 | | | HARNES ASSEMBLY, Vacuum |
| 2 | 5300 1927 | 1 | | | HARNES ASSEMBLY, Vacuum |
| 3 | 5300 1929 | 1 | | | FILTER, Pressure Regulator |
| 4 | 5300 1928 | 1 | | | REGULATOR, Pressure |
| 5 | 3420 2172 | 1 | | | NUT |
| 6 | 5300 2240 | 1 | | | HOSE |
| 7 | 5300 1859 | 1 | | | TUBE ASSEMBLY, CTO Switch |
| 8 | 5300 1747 | 1 | | | SWITCH, CTO |
| 9 | 5300 2549 | 2 | | | RESERVOIR, Vacuum |
| 10 | 3300 2356 | AR | | | ELBOW, 90 Degrees |
| 11 | J323 2982 | 1 | | | CONNECTOR, Tee |
| 12 | 8330 0080 | 1 | | | HOSE - Bulk .22" I.D. |
| 13 | J400 2359 | 4 | | | SCREW |

MODEL CODES:

| | | |
|-----------------------------|-----------------------------|------------------------------|
| 15 = Grand Wagoneer 4 Dr. | 65 = Comanche 4WD-7 Ft. Box | 77 = Cherokee 4WD-2 Dr. |
| 25 = J-10 Pickup-119" W.B. | 66 = Comanche 2WD-7 Ft. Box | 78 = Cherokee 4WD-4 Dr. |
| 26 = J-10 Pickup-131" W.B. | 73 = Cherokee 2WD-2 Dr. | 79 = Cherokee 4WD-4 Dr.-Com |
| 27 = J-20 Pickup-131" W.B. | 74 = Cherokee 2WD-4 Dr. | 81 = Wrangler-93" W.B. |
| 63 = Comanche 4WD-6 Ft. Box | 75 = Wagoneer 4WD-4 Dr. | 82 = Wrangler-103" W.B.-Exp. |
| 64 = Comanche 2WD-6 Ft. Box | | |

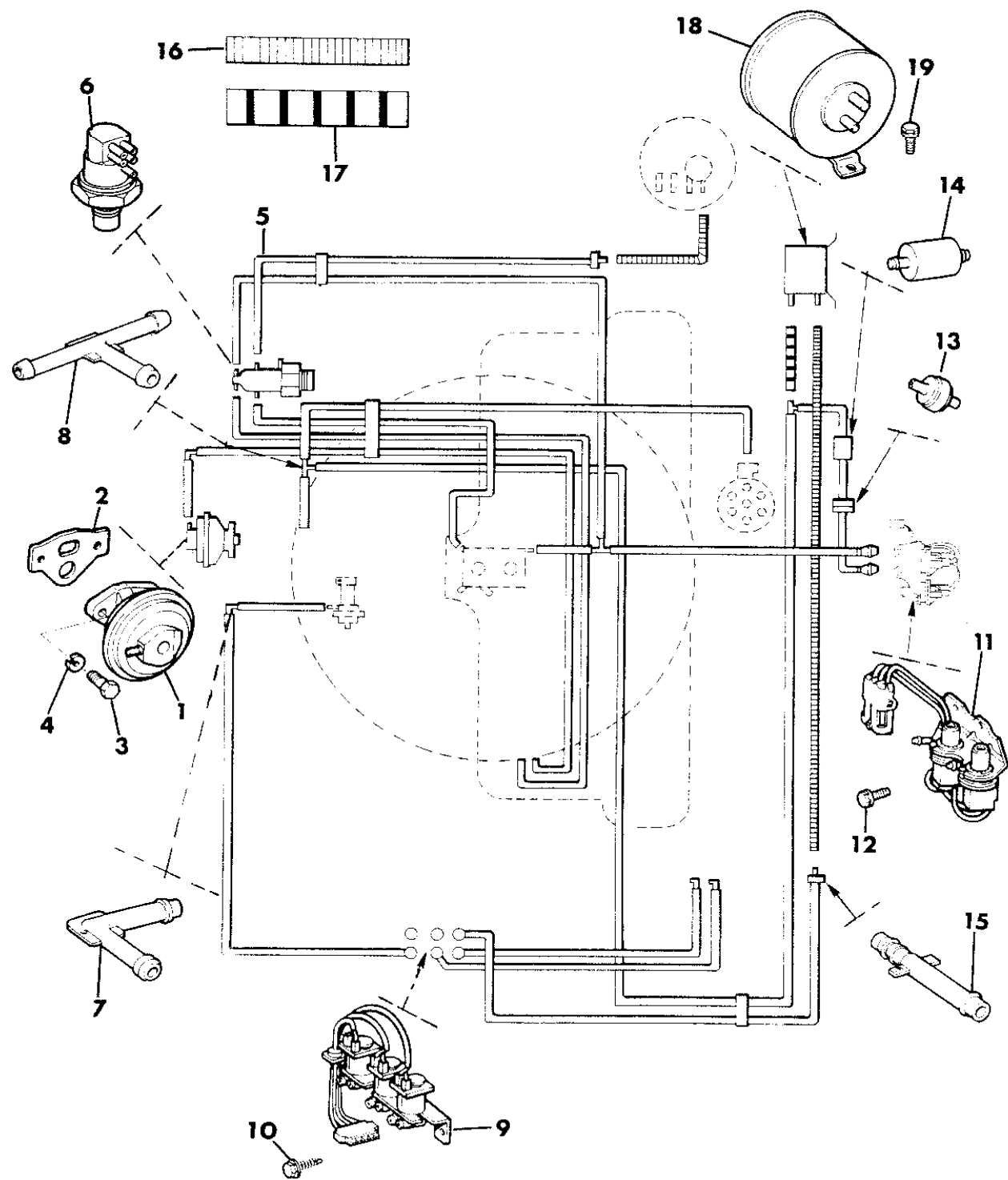
BODY STYLES:

MJ = Comanche Pickup
 SJ = Grand Wagoneer Wgn., J-10 & J-20 Pickups
 XJ = Cherokee, Wagoneer Limited
 YJ = Wrangler

AR = Use as Required - = Non Illustrated Part P.A.R. = Paint as Required

EMISSION CONTROLS 4.2L ENGINE GRAND WAGONEER, J10
Figure 25-1200

8 J25 1200



| ITEM | PART NUMBER | QTY | BODY | MODEL | DESCRIPTION |
|------|-------------|-----|------|-------|-----------------------------|
| 1 | | | | | VALVE, EGR |
| | J324 1727 | 1 | | | exc. Calif. |
| | 3300 1951 | 1 | | | Calif. |
| 2 | J322 1283 | 1 | | | GASKET, EGR |
| 3 | J018 0078 | 2 | | | BOLT |
| 4 | J012 0214 | 2 | | | WASHER, Lock |
| 5 | | | | | HARNASS, Vacuum |
| | 5300 2116 | 1 | | | exc. Calif. and Canada |
| | 3300 2075 | 1 | | | High Alt. |
| | 5300 1937 | 1 | | | Calif. |
| 6 | J323 8932 | 1 | | | SWITCH, Dual Function |
| 7 | 3300 0538 | AR | | | ELBOW, 90 Degrees |
| 8 | J323 9827 | AR | | | CONNECTOR, Tee |
| 9 | 3300 1945 | 1 | | | SOLENOID, Vacuum Switch |
| 10 | | | | | SCREW |
| | J400 6719 | 2 | | | Plastic Valve Cover |
| | J400 5731 | 2 | | | Aluminum Valve Cover |
| 11 | J324 0803 | 1 | | | SWITCH, Emission |
| 12 | J812 0052 | 2 | | | SCREW |
| 13 | J323 6284 | 1 | | | VALVE, Delay - Black/Purple |
| 14 | 5300 5308 | 1 | | | RESERVOIR, Vacuum - Black |
| 15 | 3300 0537 | AR | | | CONNECTOR |
| 16 | 8350 1071 | 1 | | | HOSE - Bulk .16" I.D. |
| 17 | 8330 0080 | 1 | | | HOSE - Bulk .22" I.D. |
| 18 | 5300 1068 | 1 | | | RESERVOIR, Vacuum |
| 19 | J942 6241 | 2 | | | SCREW |

MODEL CODES:
 15 = Grand Wagoneer 4 Dr. 65 = Comanche 4WD-7 Ft. Box 77 = Cherokee 4WD-2 Dr.
 25 = J-10 Pickup-119" W.B. 66 = Comanche 2WD-7 Ft. Box 78 = Cherokee 4WD-4 Dr.
 26 = J-10 Pickup-131" W.B. 73 = Cherokee 2WD-2 Dr. 79 = Cherokee 4WD-4 Dr.-Com
 27 = J-20 Pickup-131" W.B. 74 = Cherokee 2WD-4 Dr. 81 = Wrangler-93" W.B.
 63 = Comanche 4WD-6 Ft. Box 75 = Wagoneer 4WD-4 Dr. 82 = Wrangler-103" W.B.-Exp.
 64 = Comanche 2WD-6 Ft. Box

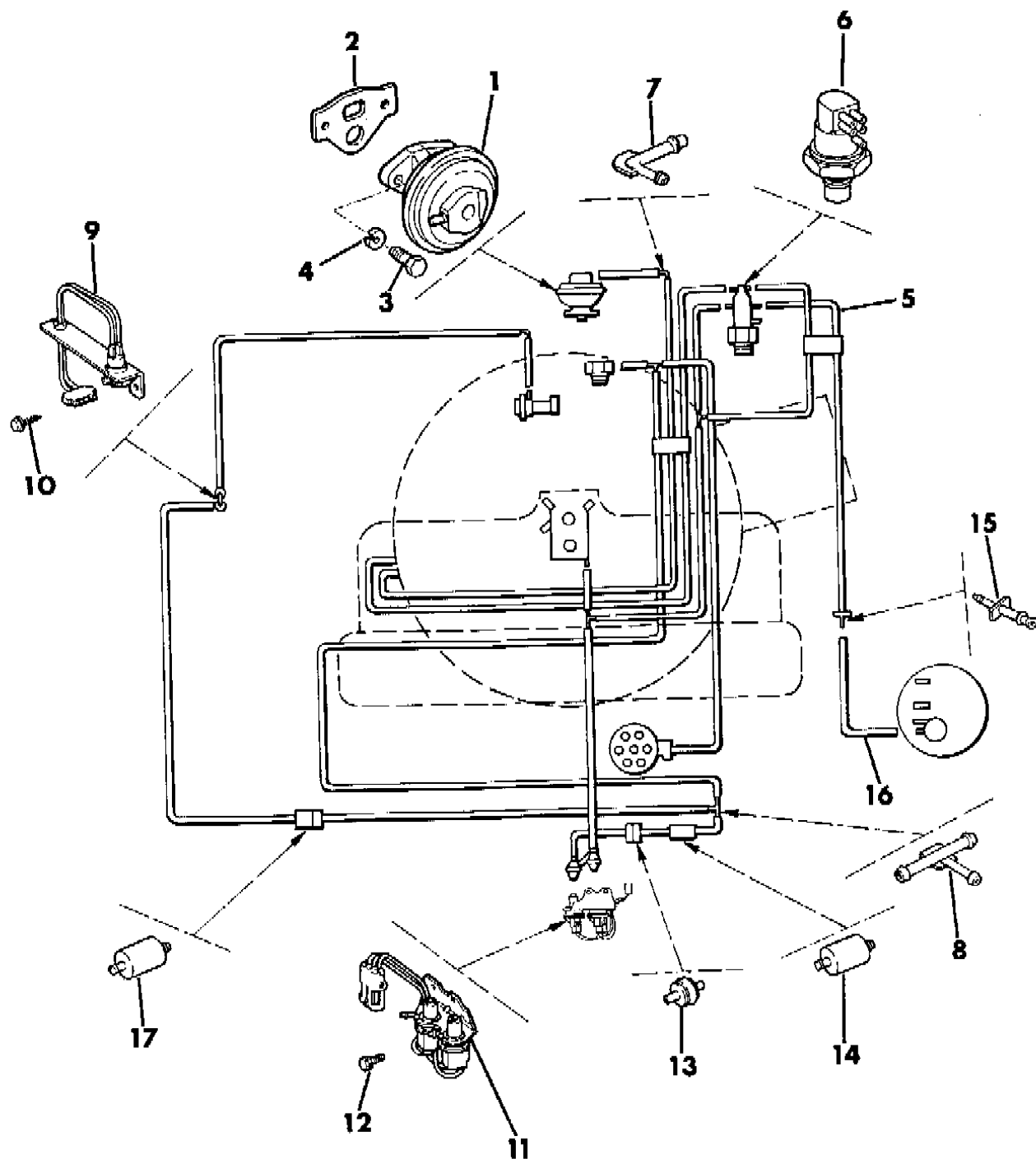
BODY STYLES:
 MJ = Comanche Pickup
 SJ = Grand Wagoneer Wgn., J-10 & J-20 Pickups
 XJ = Cherokee, Wagoneer Limited
 YJ = Wrangler

AR = Use as Required - = Non Illustrated Part P.A.R. = Paint as Required

EMISSION CONTROLS 4.2L ENGINE GRAND WAGONEER, J10, J20 - CANADA
Figure 25-1250

8 J25 1250

| ITEM | PART NUMBER | QTY | BODY | MODEL | DESCRIPTION |
|------|-------------|-----|------|-------|-------------------------|
| 1 | J324 1727 | 1 | | | VALVE, EGR |
| 2 | J322 1283 | 1 | | | GASKET |
| 3 | J018 0078 | 2 | | | BOLT |
| 4 | J012 0214 | 2 | | | WASHER, Lock |
| 5 | 5300 4652 | 1 | | | HARNASS, Vacuum |
| 6 | J323 8932 | 1 | | | SWITCH, Dual Function |
| 7 | 3300 0538 | AR | | | ELBOW, 90 Degree |
| 8 | J323 9827 | AR | | | CONNECTOR, Tee |
| 9 | 3300 1946 | 1 | | | SOLENOID, Vacuum Switch |
| 10 | | | | | SCREW |
| | J400 6719 | 1 | | | Plastic Valve Cover |
| | J400 5731 | 1 | | | Aluminum Valve Cover |
| 11 | J324 0803 | 1 | | | SWITCH, Emission |
| 12 | J812 0052 | 2 | | | SCREW |
| 13 | J323 6284 | 1 | | | VALVE, Delay |
| 14 | 5300 5308 | 1 | | | RESERVOIR, Vacuum |
| 15 | 3300 0537 | AR | | | CONNECTOR |
| 16 | 8350 1071 | AR | | | HOSE |
| 17 | J323 9603 | 1 | | | RESERVOIR, Vacuum |



MODEL CODES:

| | | |
|-----------------------------|-----------------------------|------------------------------|
| 15 = Grand Wagoneer 4 Dr. | 65 = Comanche 4WD-7 Ft. Box | 77 = Cherokee 4WD-2 Dr. |
| 25 = J-10 Pickup-119" W.B. | 66 = Comanche 2WD-7 Ft. Box | 78 = Cherokee 4WD-4 Dr. |
| 26 = J-10 Pickup-131" W.B. | 73 = Cherokee 2WD-2 Dr. | 79 = Cherokee 4WD-4 Dr.-Com |
| 27 = J-20 Pickup-131" W.B. | 74 = Cherokee 2WD-4 Dr. | 81 = Wrangler-93" W.B. |
| 63 = Comanche 4WD-6 Ft. Box | 75 = Wagoneer 4WD-4 Dr. | 82 = Wrangler-103" W.B.-Exp. |
| 64 = Comanche 2WD-6 Ft. Box | | |

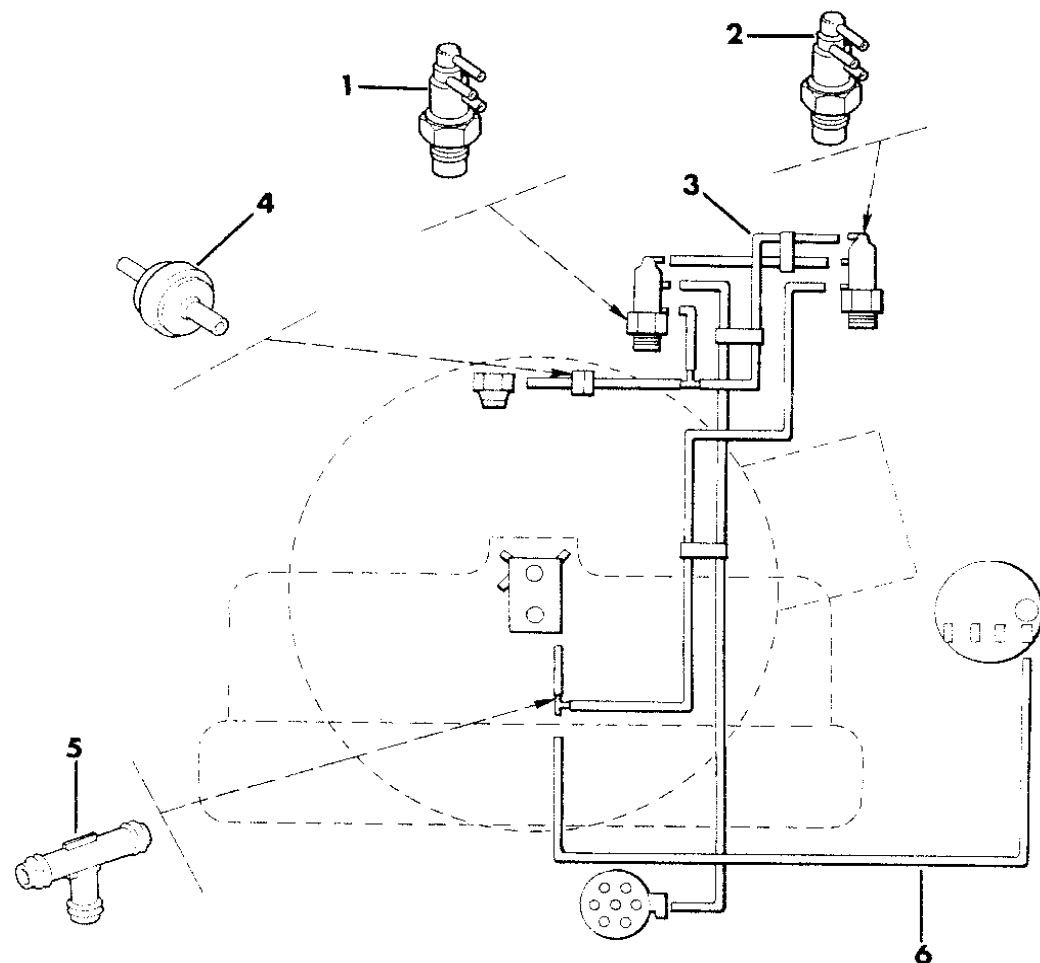
BODY STYLES:

MJ = Comanche Pickup
 SJ = Grand Wagoneer Wgn., J-10 & J-20 Pickups
 XJ = Cherokee, Wagoneer Limited
 YJ = Wrangler

AR = Use as Required - = Non Illustrated Part P.A.R. = Paint as Required

EMISSION CONTROLS 4.2L ENGINE GRAND WAGONEER, J10 - NRM
Figure 25-1300

8 J 25 1300



| ITEM | PART NUMBER | QTY | BODY | MODEL | DESCRIPTION |
|------|-------------|-----|------|-------|--|
| 1 | J535 8881 | 1 | | | SWITCH, HDC CTO - w/Heavy Duty Cooling |
| 2 | J323 5917 | 1 | | | SWITCH, Spark CTO |
| 3 | | | | | HARNASS, Vacuum |
| | 5300 0427 | 1 | | | w/o Heavy Duty Cooling |
| | 5300 0426 | 1 | | | w/Heavy Duty Cooling |
| 4 | J323 9383 | 1 | | | VALVE, Reverse Delay - Orange/White |
| 5 | J321 0891 | AR | | | CONNECTOR, Tee |
| 6 | 8350 1071 | 1 | | | HOSE - Bulk |

MODEL CODES:

| | | |
|-----------------------------|-----------------------------|------------------------------|
| 15 = Grand Wagoneer 4 Dr. | 65 = Comanche 4WD-7 Ft. Box | 77 = Cherokee 4WD-2 Dr. |
| 25 = J-10 Pickup-119" W.B. | 66 = Comanche 2WD-7 Ft. Box | 78 = Cherokee 4WD-4 Dr. |
| 26 = J-10 Pickup-131" W.B. | 73 = Cherokee 2WD-2 Dr. | 79 = Cherokee 4WD-4 Dr.-Com |
| 27 = J-20 Pickup-131" W.B. | 74 = Cherokee 2WD-4 Dr. | 81 = Wrangler-93" W.B. |
| 63 = Comanche 4WD-6 Ft. Box | 75 = Wagoneer 4WD-4 Dr. | 82 = Wrangler-103" W.B.-Exp. |
| 64 = Comanche 2WD-6 Ft. Box | | |

BODY STYLES:

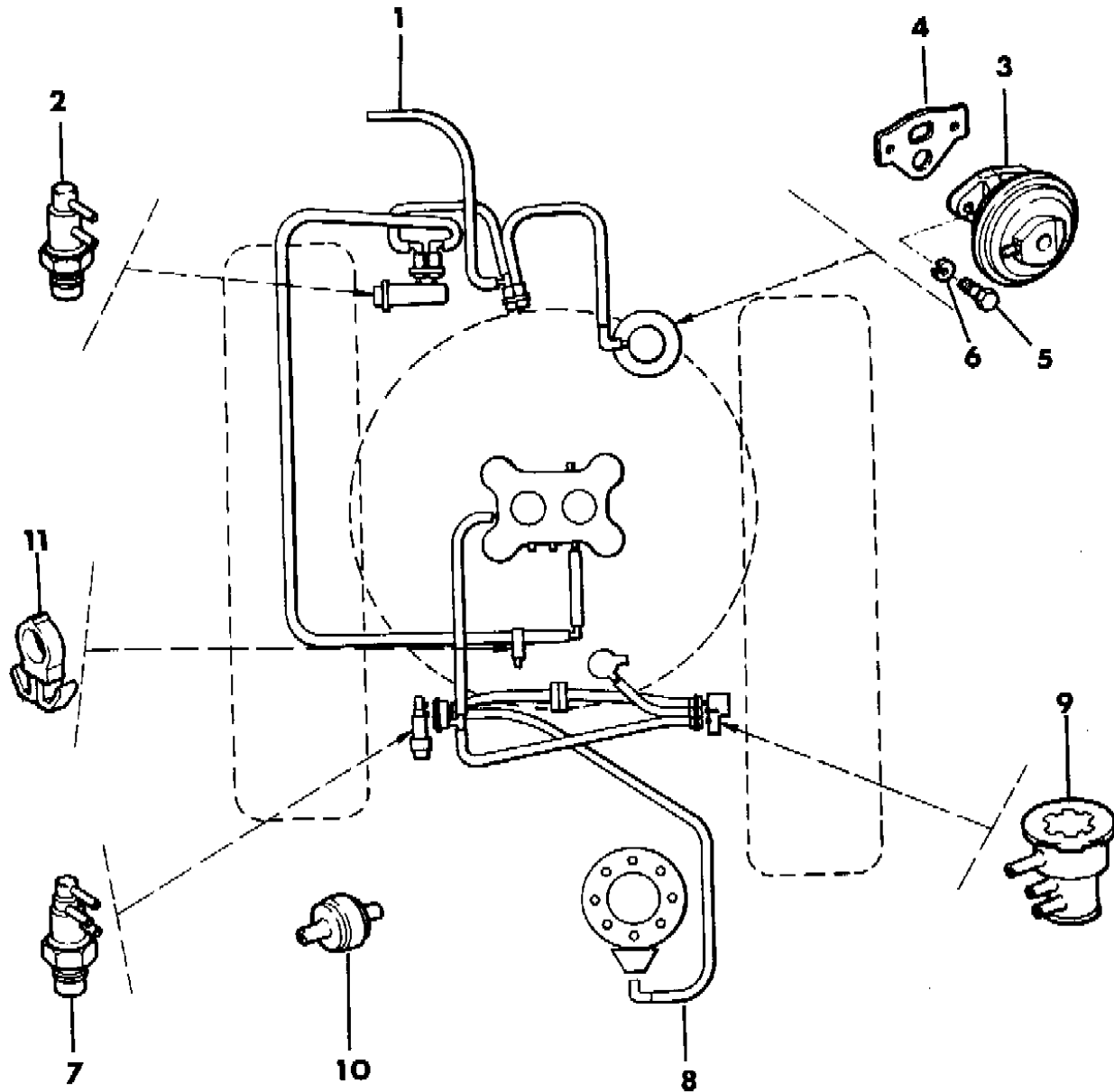
MJ = Comanche Pickup
 SJ = Grand Wagoneer Wgn., J-10 & J-20 Pickups
 XJ = Cherokee, Wagoneer Limited
 YJ = Wrangler

AR = Use as Required - = Non Illustrated Part P.A.R. = Paint as Required

EMISSION CONTROLS 5.9L ENGINE GRAND WAGONEER, J10, J20 - 1987
Figure 25-1350

8 J 25 1350A

| ITEM | PART NUMBER | QTY | BODY | MODEL | DESCRIPTION |
|------|-------------|-----|------|-------|-------------------------|
| 1 | 5300 2992 | 1 | | | HARNESSES, EGR Vacuum |
| 2 | 3300 1669 | 1 | | | SWITCH, Dual Function |
| 3 | J324 0102 | 1 | | | SWITCH, EGR CTO |
| 4 | J322 1283 | 1 | | | GASKETS, EGR *** |
| 5 | J018 0078 | 1 | | | BOLT |
| 6 | J012 0214 | 1 | | | WASHER, Lock |
| 7 | J323 5917 | 1 | | | SWITCH, Spark CTO |
| 8 | 5300 2997 | 1 | | | HARNESSES, Dist. Vacuum |
| 9 | J323 3991 | 1 | | | VALVE, Non-Linear |
| 10 | J323 6285 | 1 | | | VALVE, Reverse Delay |
| 11 | J400 6550 | 1 | | | CLIP |



MODEL CODES:

| | | |
|-----------------------------|-----------------------------|------------------------------|
| 15 = Grand Wagoneer 4 Dr. | 65 = Comanche 4WD-7 Ft. Box | 77 = Cherokee 4WD-2 Dr. |
| 25 = J-10 Pickup-119" W.B. | 66 = Comanche 2WD-7 Ft. Box | 78 = Cherokee 4WD-4 Dr. |
| 26 = J-10 Pickup-131" W.B. | 73 = Cherokee 2WD-2 Dr. | 79 = Cherokee 4WD-4 Dr.-Com |
| 27 = J-20 Pickup-131" W.B. | 74 = Cherokee 2WD-4 Dr. | 81 = Wrangler-93" W.B. |
| 63 = Comanche 4WD-6 Ft. Box | 75 = Wagoneer 4WD-4 Dr. | 82 = Wrangler-103" W.B.-Exp. |
| 64 = Comanche 2WD-6 Ft. Box | | |

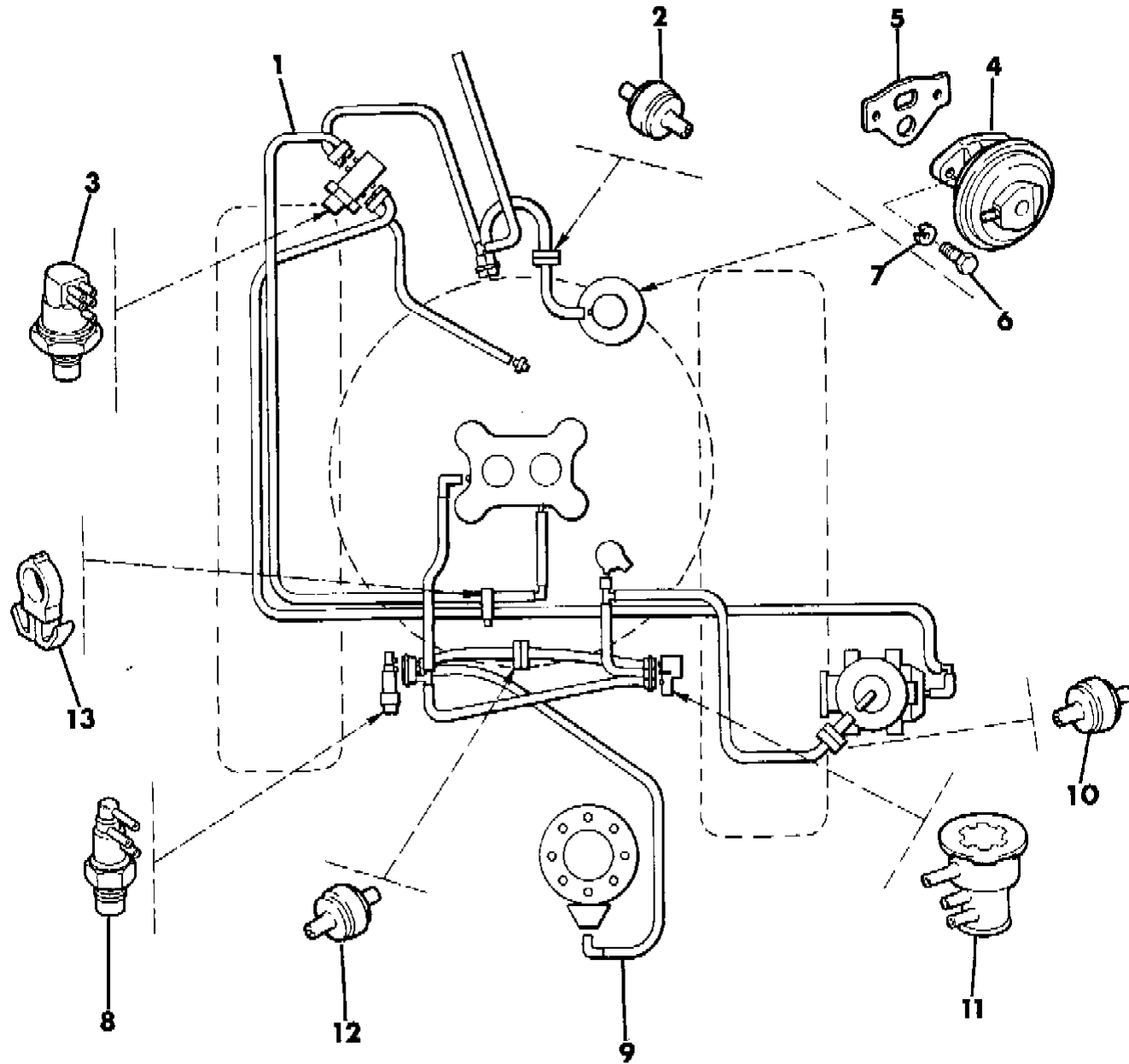
BODY STYLES:

MJ = Comanche Pickup
SJ = Grand Wagoneer Wgn., J-10 & J-20 Pickups
XJ = Cherokee, Wagoneer Limited
YJ = Wrangler

AR = Use as Required - = Non Illustrated Part P.A.R. = Paint as Required

EMISSION CONTROLS 5.9L ENGINE GRAND WAGONEER, J10, J20 - CANADA, NRM - 1987
Figure 25-1375

8 J 25 1375



| ITEM | PART NUMBER | QTY | BODY | MODEL | DESCRIPTION |
|------|-------------|-----|------|-------|-------------------------------|
| 1 | | | | | HARNESSES, EGR Vacuum |
| | 3300 2077 | 1 | | | Wagon - Canada |
| | 3300 2077 | 1 | | | Truck J10 - Canada |
| | 5300 2992 | 1 | | | Truck J20 - Canada |
| | 3300 2077 | 1 | | | Export |
| 2 | J324 1675 | 1 | | | SWITCH, EGR CTO |
| 3 | J324 0102 | 1 | | | VALVE, EGR |
| 4 | J322 1283 | 1 | | | GASKET |
| 5 | J018 0078 | 2 | | | BOLT |
| 6 | J012 0214 | 2 | | | WASHER, Lock |
| 7 | J323 5917 | 1 | | | SWITCH, Spark CTO |
| 8 | | | | | HARNESSES, Distributor Vacuum |
| | 5300 4913 | 1 | | | Wagon - Canada |
| | 5300 4913 | 1 | | | Truck J10 - Canada |
| | 5300 2997 | 1 | | | Truck J20 - Canada |
| | 3300 1988 | 1 | | | Export |
| 9 | J323 3991 | 1 | | | VALVE, Non-Linear |
| 10 | J323 6285 | 1 | | | VALVE, Reverse Delay |
| 11 | J400 6550 | 1 | | | CLIP |

MODEL CODES:

| | | |
|-----------------------------|-----------------------------|------------------------------|
| 15 = Grand Wagoneer 4 Dr. | 65 = Comanche 4WD-7 Ft. Box | 77 = Cherokee 4WD-2 Dr. |
| 25 = J-10 Pickup-119" W.B. | 66 = Comanche 2WD-7 Ft. Box | 78 = Cherokee 4WD-4 Dr. |
| 26 = J-10 Pickup-131" W.B. | 73 = Cherokee 2WD-2 Dr. | 79 = Cherokee 4WD-4 Dr.-Com |
| 27 = J-20 Pickup-131" W.B. | 74 = Cherokee 2WD-4 Dr. | 81 = Wrangler-93" W.B. |
| 63 = Comanche 4WD-6 Ft. Box | 75 = Wagoneer 4WD-4 Dr. | 82 = Wrangler-103" W.B.-Exp. |
| 64 = Comanche 2WD-6 Ft. Box | | |

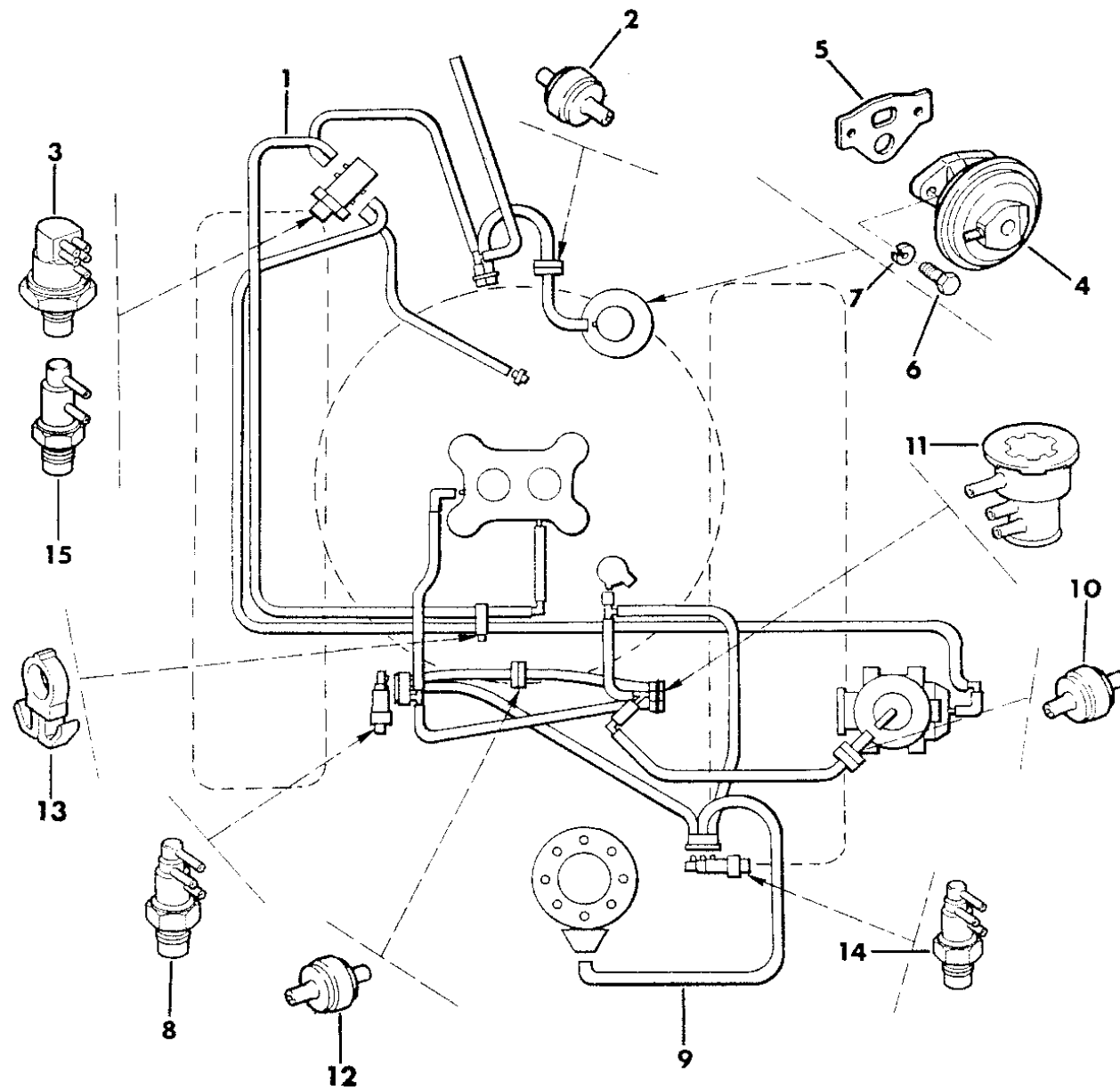
BODY STYLES:

MJ = Comanche Pickup
SJ = Grand Wagoneer Wgn., J-10 & J-20 Pickups
XJ = Cherokee, Wagoneer Limited
YJ = Wrangler

AR = Use as Required - = Non Illustrated Part P.A.R. = Paint as Required

EMISSION CONTROLS 5.9L ENGINE - HEAVY DUTY GRAND WAGONEER, J10, J20 - 1988-90
Figure 25-1400

8 J 25 1400



| ITEM | PART NUMBER | QTY | BODY | MODEL | DESCRIPTION |
|------|-------------|-----|------|-------|--|
| 1 | | | | | HARNESSES, EGR Vacuum |
| | 5300 2992 | 1 | | | U.S. |
| | 3300 2077 | 1 | | | Canada - Wagon and J10 1987 |
| | 5300 2992 | 1 | | | Canada 1988-90 |
| | 5300 5530 | 1 | | | High Alt. 1988-89 |
| | 3300 2077 | 1 | | | NRM |
| 2 | J323 6284 | 1 | | | VALVE, Delay - Black/Purple |
| 3 | 3300 1669 | 1 | | | SWITCH, Dual Function - U.S. and Canada |
| 4 | | | | | VALVE, EGR |
| | J324 0102 | 1 | | | U.S. and Canada 1987-89 |
| | J323 9372 | 1 | | | High Alt. 1987-89 |
| | 5300 6332 | 1 | | | 1990 |
| | 5300 4867 | 1 | | | TRANSDUCER |
| 5 | | | | | GASKET, EGR Valve |
| | J322 1283 | 1 | | | 1987-89 |
| | 3300 4185 | 1 | | | 1990 |
| 6 | J018 0078 | 2 | | | BOLT |
| 7 | J012 0214 | 2 | | | WASHER, Lock |
| 8 | J323 5917 | 1 | | | SWITCH, Spark CTO |
| 9 | 5300 2996 | 1 | | | HARNESSES, Distributor Vacuum |
| | 5300 4984 | 1 | | | Canada - Wagon and J10 1987 |
| | 5300 4984 | 1 | | | NRM |
| 10 | 5300 2381 | 1 | | | VALVE, Reverse Delay - Blue/White - U.S., High Alt. and Canada |
| 11 | J323 3991 | 1 | | | VALVE, Non-Linear |
| 12 | J323 6285 | 1 | | | VALVE, Reverse Delay - Purple/White |
| 13 | J400 6550 | 1 | | | CLIP |
| 14 | J535 8881 | 1 | | | SWITCH, HDC CTO |
| 15 | J324 1675 | 1 | | | SWITCH, EGR CTO - NRM |

MODEL CODES:

| | | |
|-----------------------------|-----------------------------|------------------------------|
| 15 = Grand Wagoneer 4 Dr. | 65 = Comanche 4WD-7 Ft. Box | 77 = Cherokee 4WD-2 Dr. |
| 25 = J-10 Pickup-119" W.B. | 66 = Comanche 2WD-7 Ft. Box | 78 = Cherokee 4WD-4 Dr. |
| 26 = J-10 Pickup-131" W.B. | 73 = Cherokee 2WD-2 Dr. | 79 = Cherokee 4WD-4 Dr.-Com |
| 27 = J-20 Pickup-131" W.B. | 74 = Cherokee 2WD-4 Dr. | 81 = Wrangler-93" W.B. |
| 63 = Comanche 4WD-6 Ft. Box | 75 = Wagoneer 4WD-4 Dr. | 82 = Wrangler-103" W.B.-Exp. |
| 64 = Comanche 2WD-6 Ft. Box | | |

BODY STYLES:

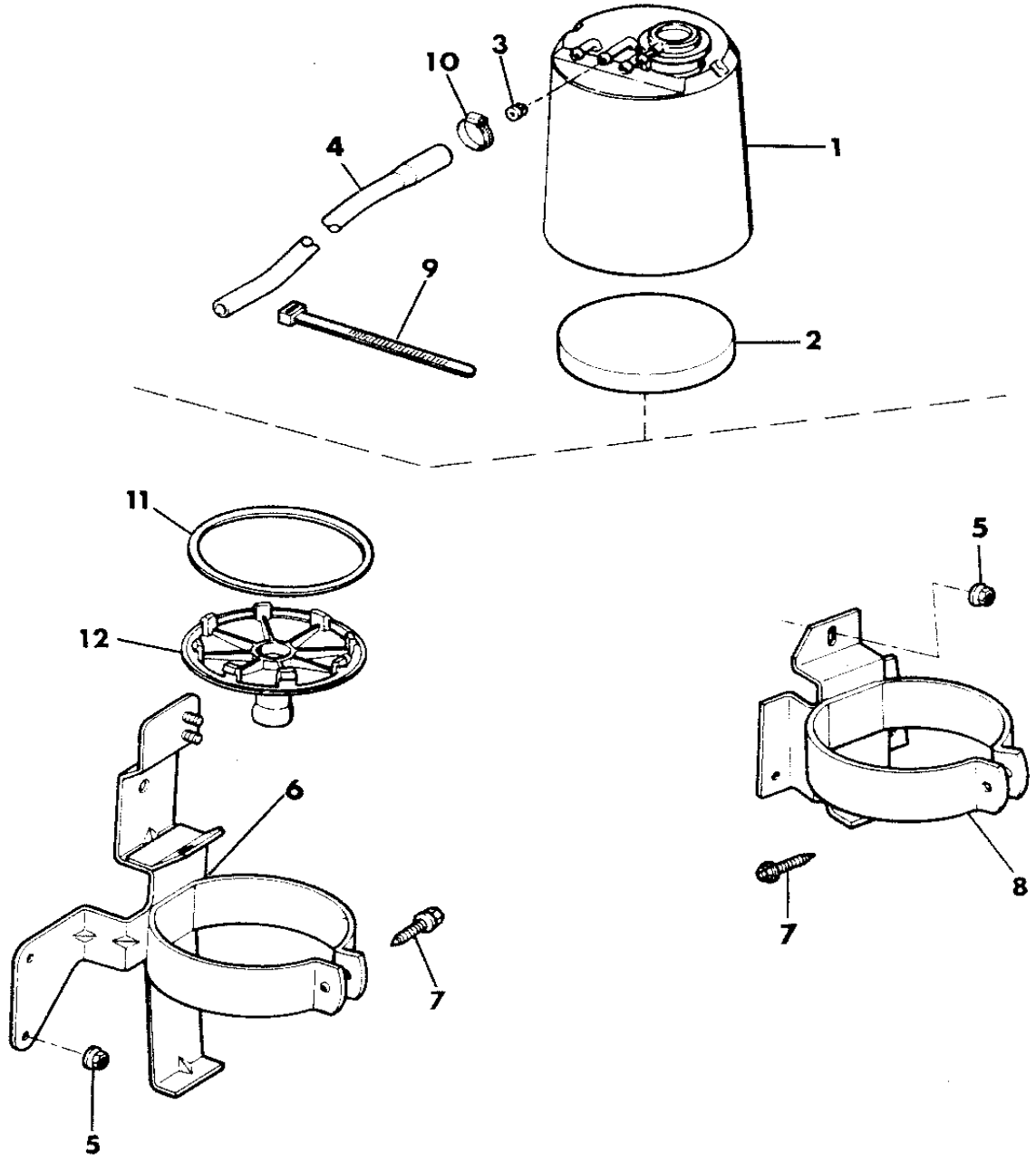
MJ = Comanche Pickup
 SJ = Grand Wagoneer Wgn., J-10 & J-20 Pickups
 XJ = Cherokee, Wagoneer Limited
 YJ = Wrangler

AR = Use as Required - = Non Illustrated Part P.A.R. = Paint as Required

VAPOR CANISTER WRANGLER, YJ
Figure 25-1500

8 J25 1500

| ITEM | PART NUMBER | QTY | BODY | MODEL | DESCRIPTION |
|------|-------------|-----|------|-------|---------------------------------|
| 1 | | | | | CANISTER, Vapor |
| | 3300 0056 | 1 | | | 2.5L Eng. |
| | J323 9479 | 1 | | | 4.2L Eng. |
| 2 | J322 7279 | 1 | | | FILTER |
| 3 | J321 3949 | 1 | | | PLUG, Metering |
| 4 | | | | | HOSE, Vent |
| | 5300 4621 | 1 | | | 2.5L Eng. |
| | J322 5799 | 1 | | | 4.2L Eng. |
| 5 | | | | | NUT, Flange |
| | 3420 1680 | 3 | | | 2.5L Eng. |
| | J400 3018 | 2 | | | 4.2L Eng. |
| 6 | 5300 2470 | 1 | | | BRACKET, Mounting - 2.5L Eng. |
| 7 | J942 0882 | 1 | | | SCREW |
| 8 | J535 7214 | 1 | | | BRACKET, Mounting - 4.2L Eng. |
| 9 | J322 3227 | 1 | | | STRAP, Hose Support - 4.2L Eng. |
| 10 | 3300 0785 | 1 | | | CLAMP, Hose |
| 11 | 3300 2496 | 1 | | | GASKET - 2.5L Eng. |
| 12 | J323 3599 | 1 | | | CAP, Drain - 2.5L Eng. |



MODEL CODES:

| | | |
|-----------------------------|-----------------------------|------------------------------|
| 15 = Grand Wagoneer 4 Dr. | 65 = Comanche 4WD-7 Ft. Box | 77 = Cherokee 4WD-2 Dr. |
| 25 = J-10 Pickup-119" W.B. | 66 = Comanche 2WD-7 Ft. Box | 78 = Cherokee 4WD-4 Dr. |
| 26 = J-10 Pickup-131" W.B. | 73 = Cherokee 2WD-2 Dr. | 79 = Cherokee 4WD-4 Dr.-Com |
| 27 = J-20 Pickup-131" W.B. | 74 = Cherokee 2WD-4 Dr. | 81 = Wrangler-93" W.B. |
| 63 = Comanche 4WD-6 Ft. Box | 75 = Wagoneer 4WD-4 Dr. | 82 = Wrangler-103" W.B.-Exp. |
| 64 = Comanche 2WD-6 Ft. Box | | |

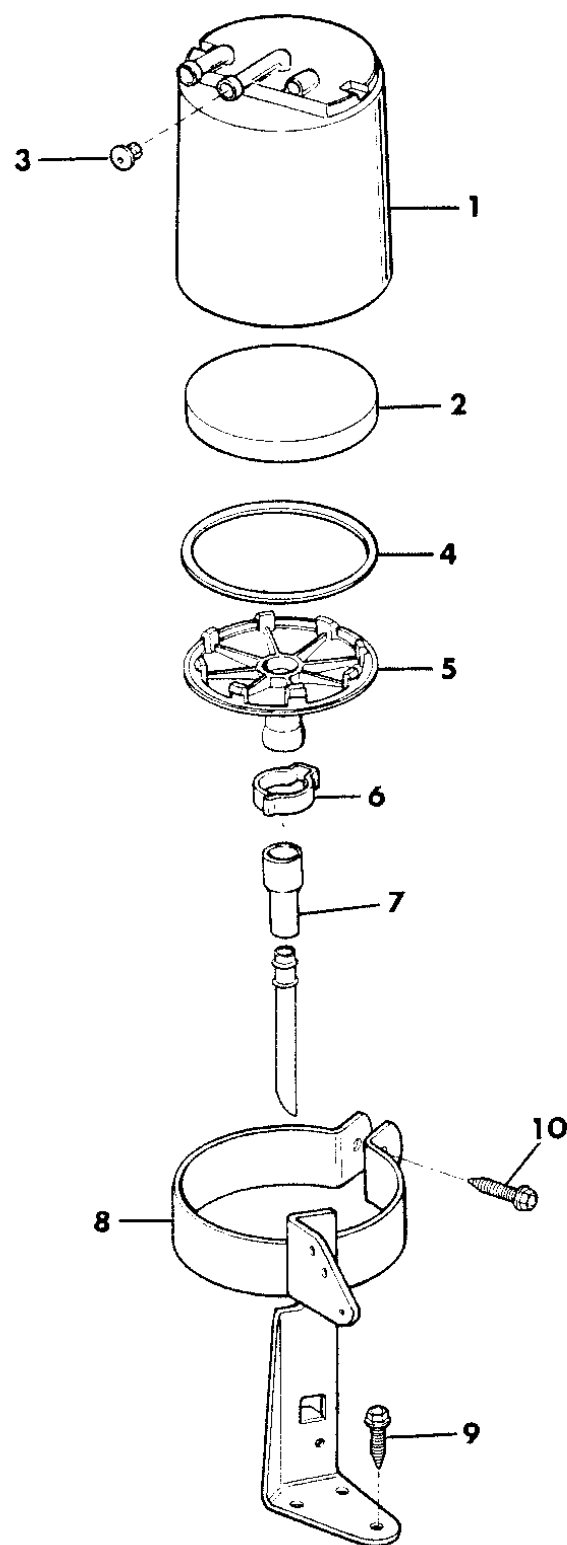
BODY STYLES:

MJ = Comanche Pickup
SJ = Grand Wagoneer Wgn., J-10 & J-20 Pickups
XJ = Cherokee, Wagoneer Limited
YJ = Wrangler

AR = Use as Required - = Non Illustrated Part P.A.R. = Paint as Required

VAPOR CANISTER CHEROKEE, WAGONEER, COMANCHE
Figure 25-1600

8 J 25 1600



| ITEM | PART NUMBER | QTY | BODY | MODEL | DESCRIPTION |
|------|-------------|-----|------|-------|-------------------|
| 1 | 3300 2870 | 1 | | | CANISTER, Vapor |
| 2 | J322 7279 | 1 | | | FILTER |
| 3 | J321 3949 | 1 | | | PLUG, Metering |
| 4 | 3300 2496 | 1 | | | GASKET |
| 5 | J323 3599 | 1 | | | CAP, Drain |
| 6 | J317 4254 | 1 | | | CLAMP, Hose |
| 7 | 5300 3071 | 1 | | | HOSE |
| 8 | 5300 4300 | 1 | | | BRACKET, Mounting |
| 9 | J941 9320 | 3 | | | SCREW |
| 10 | J942 0882 | 1 | | | SCREW |

MODEL CODES:

| | | |
|-----------------------------|-----------------------------|------------------------------|
| 15 = Grand Wagoneer 4 Dr. | 65 = Comanche 4WD-7 Ft. Box | 77 = Cherokee 4WD-2 Dr. |
| 25 = J-10 Pickup-119" W.B. | 66 = Comanche 2WD-7 Ft. Box | 78 = Cherokee 4WD-4 Dr. |
| 26 = J-10 Pickup-131" W.B. | 73 = Cherokee 2WD-2 Dr. | 79 = Cherokee 4WD-4 Dr.-Com |
| 27 = J-20 Pickup-131" W.B. | 74 = Cherokee 2WD-4 Dr. | 81 = Wrangler-93" W.B. |
| 63 = Comanche 4WD-6 Ft. Box | 75 = Wagoneer 4WD-4 Dr. | 82 = Wrangler-103" W.B.-Exp. |
| 64 = Comanche 2WD-6 Ft. Box | | |

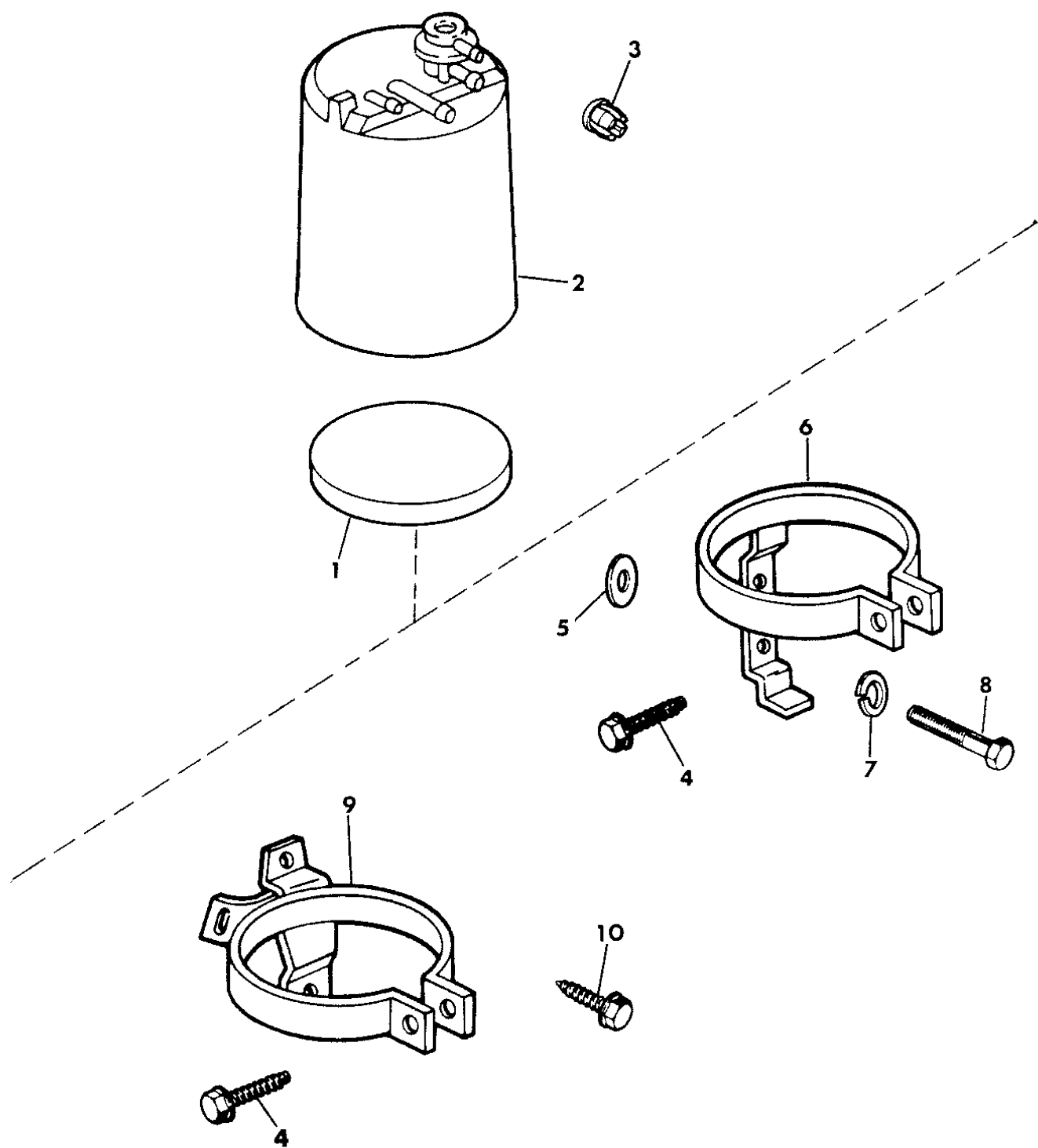
BODY STYLES:

MJ = Comanche Pickup
 SJ = Grand Wagoneer Wgn., J-10 & J-20 Pickups
 XJ = Cherokee, Wagoneer Limited
 YJ = Wrangler

AR = Use as Required - = Non Illustrated Part P.A.R. = Paint as Required

VAPOR CANISTER GRAND WAGONEER, J10, J20
Figure 25-1700

8J25 1700



| ITEM | PART NUMBER | QTY | BODY | MODEL | DESCRIPTION |
|------|-------------|-----|------|-------|-------------------------------|
| 1 | J322 7279 | 1 | | | FILTER |
| 2 | J323 9479 | 1 | | | CANISTER, Vapor |
| 3 | J321 3949 | 1 | | | PLUG, Metering |
| 4 | J942 0882 | 1 | | | SCREW |
| 5 | J044 6188 | 2 | | | WASHER - 4.2L Eng. |
| 6 | J535 4406 | 1 | | | BRACKET, Mounting - 4.2L Eng. |
| 7 | J012 0380 | 2 | | | WASHER, Lock - 4.2L Eng. |
| 8 | J018 0016 | 2 | | | BOLT - 4.2L Eng. |
| 9 | J535 8524 | 1 | | | BRACKET, Mounting - 5.9L Eng. |
| 10 | J400 5559 | 3 | | | SCREW - 5.9L Eng. |

MODEL CODES:

| | | |
|-----------------------------|-----------------------------|------------------------------|
| 15 = Grand Wagoneer 4 Dr. | 65 = Comanche 4WD-7 Ft. Box | 77 = Cherokee 4WD-2 Dr. |
| 25 = J-10 Pickup-119" W.B. | 66 = Comanche 2WD-7 Ft. Box | 78 = Cherokee 4WD-4 Dr. |
| 26 = J-10 Pickup-131" W.B. | 73 = Cherokee 2WD-2 Dr. | 79 = Cherokee 4WD-4 Dr.-Com |
| 27 = J-20 Pickup-131" W.B. | 74 = Cherokee 2WD-4 Dr. | 81 = Wrangler-93" W.B. |
| 63 = Comanche 4WD-6 Ft. Box | 75 = Wagoneer 4WD-4 Dr. | 82 = Wrangler-103" W.B.-Exp. |
| 64 = Comanche 2WD-6 Ft. Box | | |

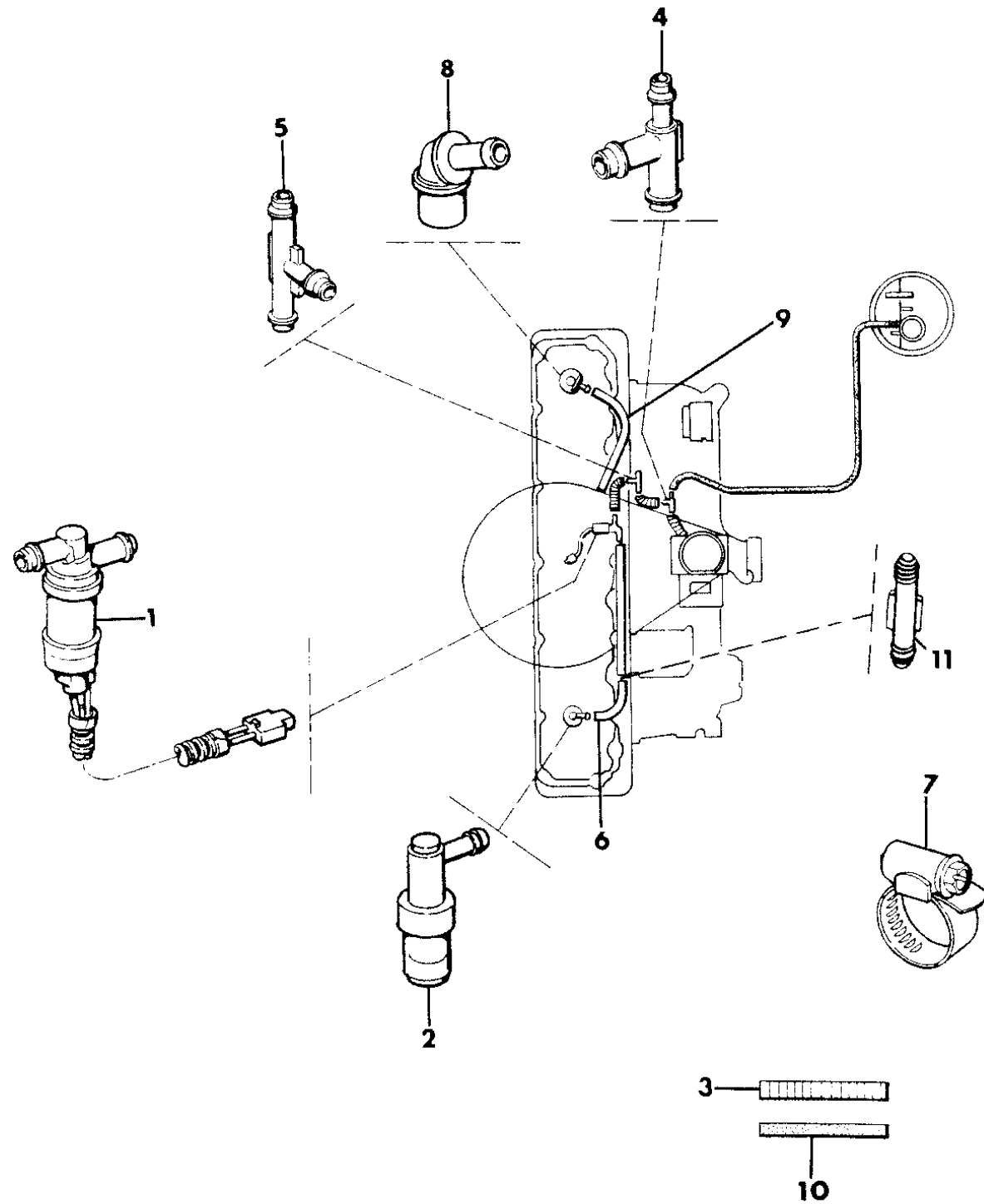
BODY STYLES:

MJ = Comanche Pickup
SJ = Grand Wagoneer Wgn., J-10 & J-20 Pickups
XJ = Cherokee, Wagoneer Limited
YJ = Wrangler

AR = Use as Required - = Non Illustrated Part P.A.R. = Paint as Required

PCV SYSTEM 4.2L ENGINE WRANGLER, YJ
Figure 25-1800

8J25 1800



| ITEM | PART NUMBER | QTY | BODY | MODEL | DESCRIPTION |
|------|-------------|-----|------|-------|------------------------|
| 1 | 3300 0722 | 1 | | | VALVE, Solenoid |
| 2 | 3300 0887 | 1 | | | VALVE, PCV |
| 3 | J812 5781 | 1 | | | HOSE - Bulk .38" I.D. |
| 4 | | | | | TEE |
| | 3420 1741 | 1 | | | Man. Trans. |
| | J323 9686 | 1 | | | Auto. Trans. |
| 5 | J323 7497 | 1 | | | TEE - Man. Trans. |
| 6 | | | | | HOSE - (Modify to Fit) |
| | 8350 3100 | 1 | | | Man. Trans. |
| | 3300 0721 | 1 | | | Auto. Trans. |
| 7 | | | | | CLAMP, Hose |
| | 3300 0786 | AR | | | .28" to .59" |
| | 3300 0785 | AR | | | .47" to .78" |
| | 3300 0784 | AR | | | .69" to .97" |
| 8 | J323 6685 | 1 | | | ELBOW |
| 9 | J323 9555 | 1 | | | HOSE |
| 10 | 8330 0080 | 1 | | | HOSE - Bulk .25" I.D. |
| 11 | 5300 5460 | 1 | | | RESTRICTOR |

MODEL CODES:

| | | |
|-----------------------------|-----------------------------|------------------------------|
| 15 = Grand Wagoneer 4 Dr. | 65 = Comanche 4WD-7 Ft. Box | 77 = Cherokee 4WD-2 Dr. |
| 25 = J-10 Pickup-119" W.B. | 66 = Comanche 2WD-7 Ft. Box | 78 = Cherokee 4WD-4 Dr. |
| 26 = J-10 Pickup-131" W.B. | 73 = Cherokee 2WD-2 Dr. | 79 = Cherokee 4WD-4 Dr.-Com |
| 27 = J-20 Pickup-131" W.B. | 74 = Cherokee 2WD-4 Dr. | 81 = Wrangler-93" W.B. |
| 63 = Comanche 4WD-6 Ft. Box | 75 = Wagoneer 4WD-4 Dr. | 82 = Wrangler-103" W.B.-Exp. |
| 64 = Comanche 2WD-6 Ft. Box | | |

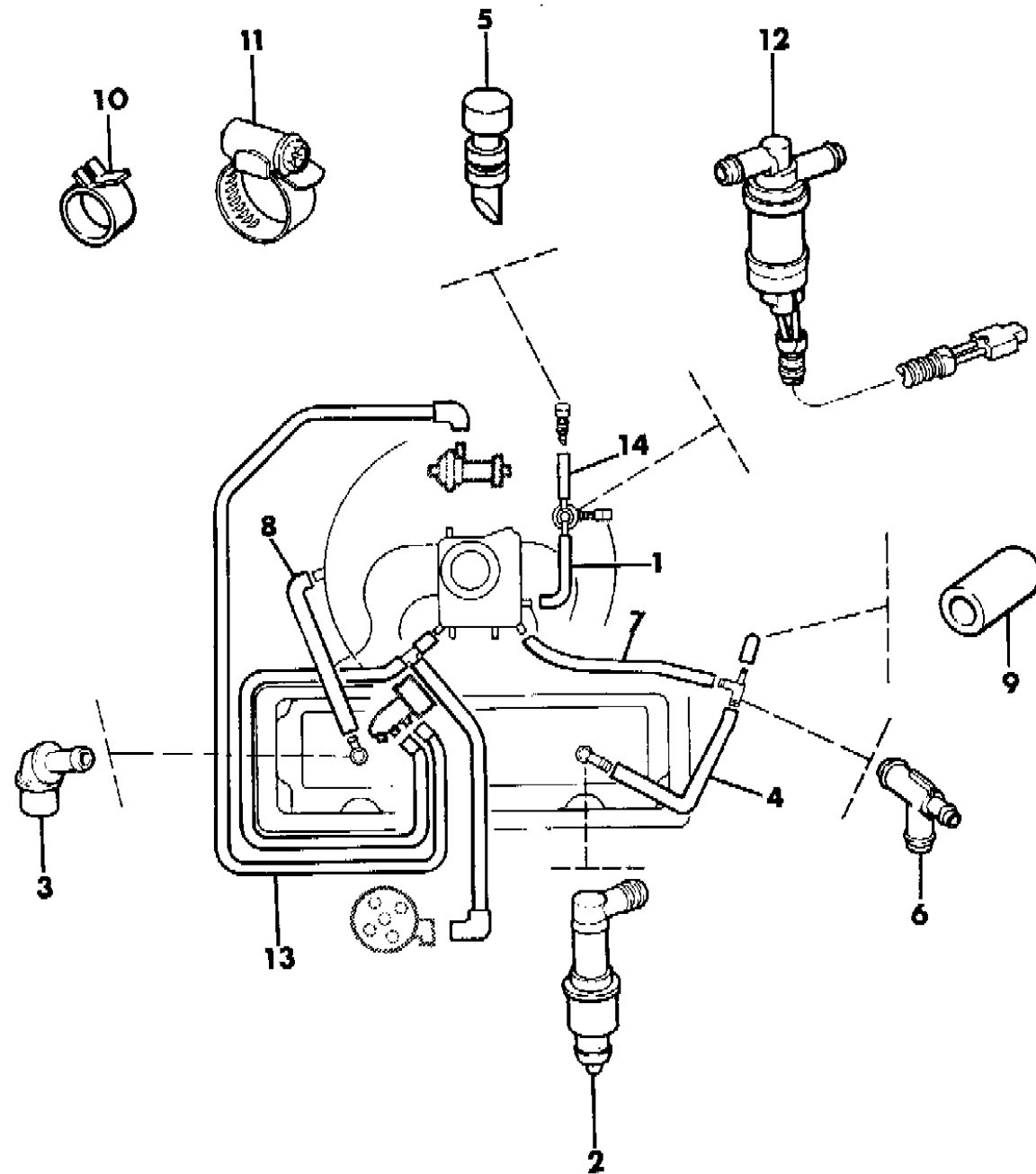
BODY STYLES:

MJ = Comanche Pickup
 SJ = Grand Wagoneer Wgn., J-10 & J-20 Pickups
 XJ = Cherokee, Wagoneer Limited
 YJ = Wrangler

AR = Use as Required - = Non Illustrated Part P.A.R. = Paint as Required

PCV SYSTEM 2.5L CARBURETED ENGINE CHEROKEE, WAGONEER, COMANCHE - 1987
Figure 25-1875

8J25 1875



| ITEM | PART NUMBER | QTY | BODY | MODEL | DESCRIPTION |
|------|-------------|-----|------|-------|-----------------|
| 1 | J812 5781 | AR | | | HOSE - Bulk |
| 2 | J813 2309 | 1 | | | VALVE, PCV |
| 3 | J323 6685 | 1 | | | ELBOW |
| 4 | 5300 1821 | 1 | | | HOSE |
| 5 | J535 2955 | 1 | | | CAP, Vent |
| 6 | 3420 1741 | 1 | | | TEE |
| 7 | 3300 1639 | 1 | | | HOSE |
| 8 | 5300 0611 | 1 | | | HOSE |
| 9 | J323 8283 | 1 | | | CAP |
| 10 | J321 9466 | AR | | | CLAMP, Hose |
| 11 | J320 3076 | AR | | | CLAMP, Hose |
| 12 | 5300 0848 | 1 | | | VALVE, Solenoid |
| 13 | 5300 1847 | 1 | | | HARNES, Vacuum |
| 14 | J812 5781 | AR | | | HOSE - Bulk |

MODEL CODES:

| | | |
|-----------------------------|-----------------------------|------------------------------|
| 15 = Grand Wagoneer 4 Dr. | 65 = Comanche 4WD-7 Ft. Box | 77 = Cherokee 4WD-2 Dr. |
| 25 = J-10 Pickup-119" W.B. | 66 = Comanche 2WD-7 Ft. Box | 78 = Cherokee 4WD-4 Dr. |
| 26 = J-10 Pickup-131" W.B. | 73 = Cherokee 2WD-2 Dr. | 79 = Cherokee 4WD-4 Dr.-Com |
| 27 = J-20 Pickup-131" W.B. | 74 = Cherokee 2WD-4 Dr. | 81 = Wrangler-93" W.B. |
| 63 = Comanche 4WD-6 Ft. Box | 75 = Wagoneer 4WD-4 Dr. | 82 = Wrangler-103" W.B.-Exp. |
| 64 = Comanche 2WD-6 Ft. Box | | |

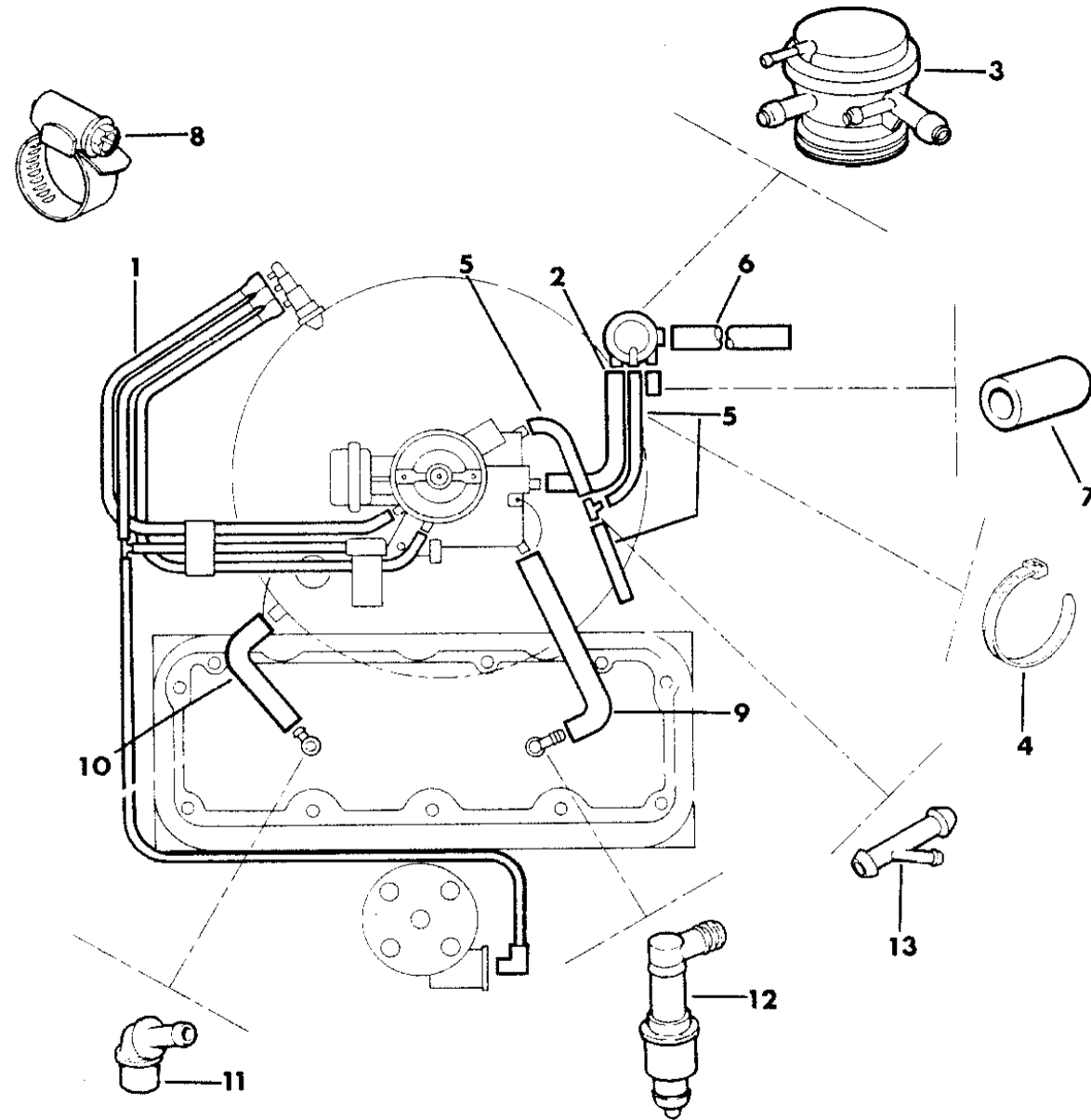
BODY STYLES:

MJ = Comanche Pickup
SJ = Grand Wagoneer Wgn., J-10 & J-20 Pickups
XJ = Cherokee, Wagoneer Limited
YJ = Wrangler

AR = Use as Required - = Non Illustrated Part P.A.R. = Paint as Required

PCV SYSTEM 2.5L CARBURETED ENGINE CHEROKEE, WAGONEER, COMANCHE - 1988-90
Figure 25-1900

8 J25 1900



| ITEM | PART NUMBER | QTY | BODY | MODEL | DESCRIPTION |
|------|-------------|-----|------|-------|------------------------------|
| 1 | 5300 5175 | 1 | | | HARNES, Vacuum |
| 2 | 3300 1332 | 1 | | | HOSE, Vent - (Modify to Fit) |
| 3 | 5300 5104 | 1 | | | VALVE ASSEMBLY, Bowl Vent |
| 4 | J322 3227 | 1 | | | STRAP, Tie |
| 5 | 8350 1071 | 1 | | | HOSE, Vacuum - Bulk |
| 6 | J812 5781 | 1 | | | HOSE, Vent - Bulk |
| 7 | J323 8283 | 1 | | | CAP |
| 8 | 3300 0785 | AR | | | CLAMP, Hose |
| 9 | 5300 5098 | 1 | | | HOSE, Crankcase Vent |
| 10 | 5300 0611 | 1 | | | HOSE, Crankcase Vent |
| 11 | J323 6685 | 1 | | | ELBOW |
| 12 | 3300 1239 | 1 | | | VALVE, PCV |
| 13 | 8310 0020 | 1 | | | FITTING, Vacuum |

MODEL CODES:

| | | |
|-----------------------------|-----------------------------|------------------------------|
| 15 = Grand Wagoneer 4 Dr. | 65 = Comanche 4WD-7 Ft. Box | 77 = Cherokee 4WD-2 Dr. |
| 25 = J-10 Pickup-119" W.B. | 66 = Comanche 2WD-7 Ft. Box | 78 = Cherokee 4WD-4 Dr. |
| 26 = J-10 Pickup-131" W.B. | 73 = Cherokee 2WD-2 Dr. | 79 = Cherokee 4WD-4 Dr.-Com |
| 27 = J-20 Pickup-131" W.B. | 74 = Cherokee 2WD-4 Dr. | 81 = Wrangler-93" W.B. |
| 63 = Comanche 4WD-6 Ft. Box | 75 = Wagoneer 4WD-4 Dr. | 82 = Wrangler-103" W.B.-Exp. |
| 64 = Comanche 2WD-6 Ft. Box | | |

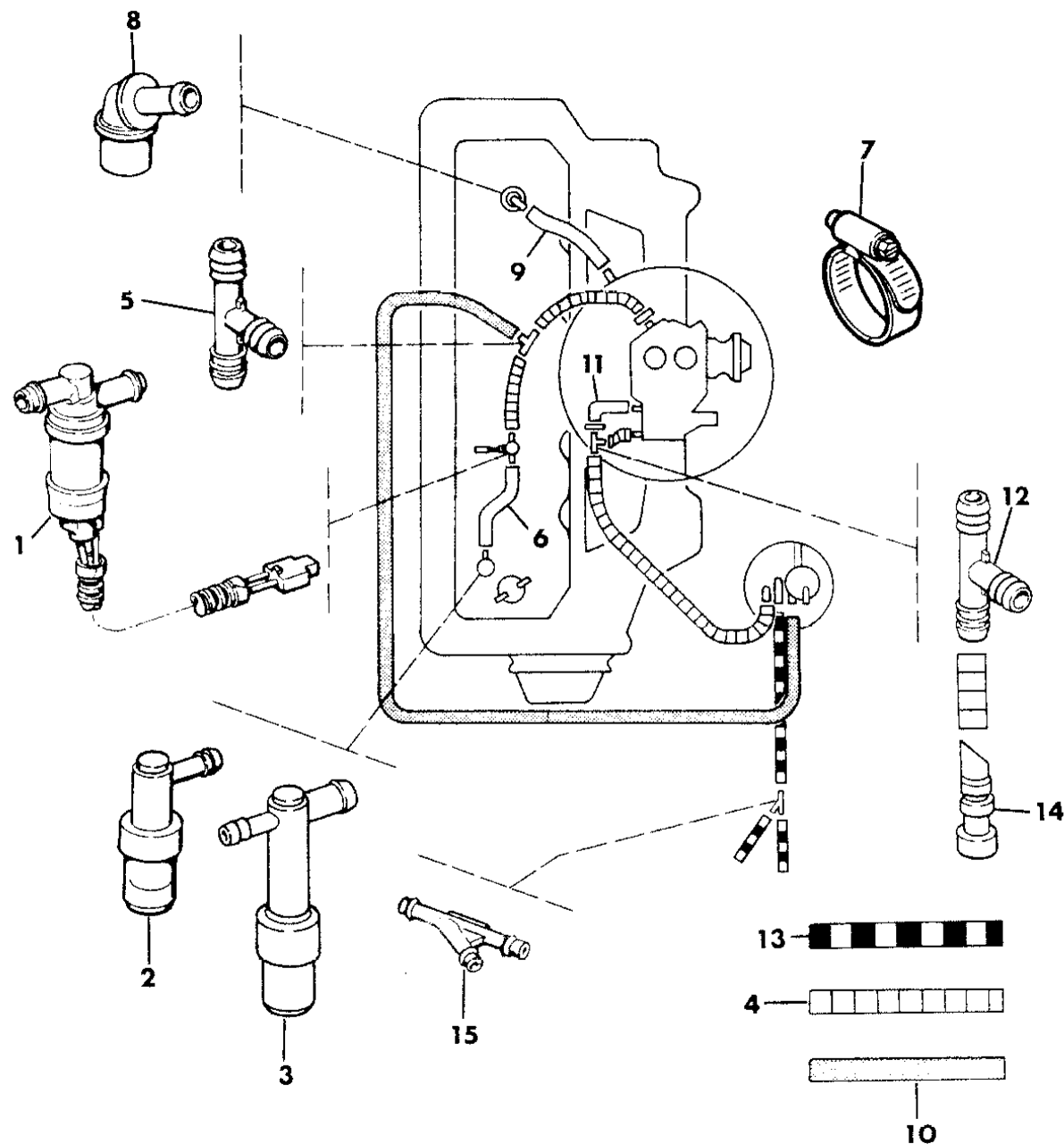
BODY STYLES:

MJ = Comanche Pickup
 SJ = Grand Wagoneer Wgn., J-10 & J-20 Pickups
 XJ = Cherokee, Wagoneer Limited
 YJ = Wrangler

AR = Use as Required - = Non Illustrated Part P.A.R. = Paint as Required

PCV SYSTEM 4.2L ENGINE GRAND WAGONEER, J10
Figure 25-2000

8 J 25 2000



| ITEM | PART NUMBER | QTY | BODY | MODEL | DESCRIPTION |
|------|-------------|-----|------|-------|-----------------------|
| 1 | 3300 0722 | 1 | | | VALVE, Solenoid |
| 2 | 3300 0887 | 1 | | | VALVE, PCV |
| 3 | J323 9068 | 1 | | | VALVE, PCV - NRM |
| 4 | J812 5781 | 1 | | | HOSE - Bulk .38" I.D. |
| 5 | | | | | TEE |
| | J323 9686 | 1 | | | exc. Calif. |
| | J323 7497 | 1 | | | Calif. |
| 6 | 3300 0721 | 1 | | | HOSE |
| | J812 5781 | 1 | | | HOSE - Bulk - NRM |
| 7 | | | | | CLAMP, Hose |
| | 3300 0786 | AR | | | .28" to .59" |
| | 3300 0785 | AR | | | .47" to .78" |
| | 3300 0784 | AR | | | .67" to .98" |
| 8 | J323 6685 | 1 | | | ELBOW |
| 9 | J323 9814 | 1 | | | HOSE |
| 10 | 8330 0080 | 1 | | | HOSE - Bulk .22" I.D. |
| 11 | J323 2942 | 1 | | | HOSE |
| 12 | J323 2983 | 1 | | | TEE |
| 13 | J812 5814 | 1 | | | HOSE - Bulk .28" I.D. |
| 14 | J535 2955 | 1 | | | CAP, Vent - NRM |
| 15 | J400 6848 | 1 | | 15 | CONNECTOR, Y - NRM |

MODEL CODES:

| | | |
|-----------------------------|-----------------------------|------------------------------|
| 15 = Grand Wagoneer 4 Dr. | 65 = Comanche 4WD-7 Ft. Box | 77 = Cherokee 4WD-2 Dr. |
| 25 = J-10 Pickup-119" W.B. | 66 = Comanche 2WD-7 Ft. Box | 78 = Cherokee 4WD-4 Dr. |
| 26 = J-10 Pickup-131" W.B. | 73 = Cherokee 2WD-2 Dr. | 79 = Cherokee 4WD-4 Dr.-Com |
| 27 = J-20 Pickup-131" W.B. | 74 = Cherokee 2WD-4 Dr. | 81 = Wrangler-93" W.B. |
| 63 = Comanche 4WD-6 Ft. Box | 75 = Wagoneer 4WD-4 Dr. | 82 = Wrangler-103" W.B.-Exp. |
| 64 = Comanche 2WD-6 Ft. Box | | |

BODY STYLES:

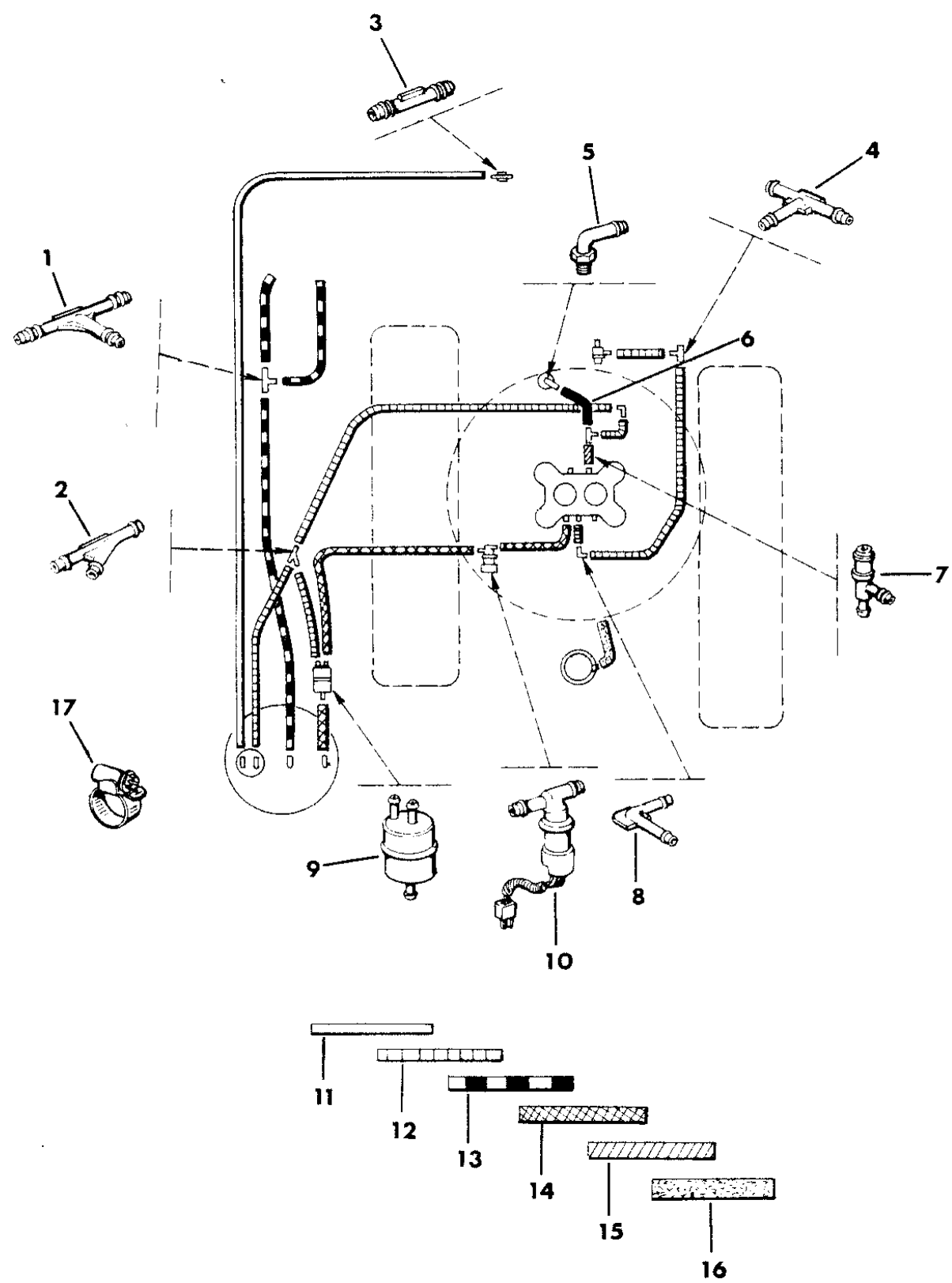
MJ = Comanche Pickup
 SJ = Grand Wagoneer Wgn., J-10 & J-20 Pickups
 XJ = Cherokee, Wagoneer Limited
 YJ = Wrangler

AR = Use as Required - = Non Illustrated Part P.A.R. = Paint as Required

PCV SYSTEM 5.9L ENGINE GRAND WAGONEER, J10, J20
Figure 25-2100

8 J 25 2100

| ITEM | PART NUMBER | QTY | BODY | MODEL | DESCRIPTION |
|------|-------------|-----|------|-------|-----------------------|
| 1 | J400 6635 | 1 | | 15 | CONNECTOR, Tee |
| 2 | J400 6848 | 1 | | | CONNECTOR, Y |
| 3 | J322 0180 | 1 | | | CONNECTOR |
| 4 | J323 2982 | 1 | | | CONNECTOR, Tee |
| 5 | J323 4264 | 1 | | | TUBE ASSEMBLY, PCV |
| 6 | J323 4267 | 1 | | | HOSE |
| 7 | J323 4216 | 1 | | | VALVE, PCV |
| 8 | 3300 2356 | 2 | | | ELBOW, 90 Degrees |
| 9 | 3300 1586 | 1 | | | TRAP, Liquid |
| 10 | 5300 0848 | 1 | | | VALVE, Solenoid |
| 11 | 8350 1071 | 1 | | | HOSE - Bulk .16" I.D. |
| 12 | 8330 0080 | 1 | | | HOSE - Bulk .22" I.D. |
| 13 | J535 0898 | 1 | | | HOSE - Bulk .28" I.D. |
| 14 | J812 5883 | 1 | | | HOSE - Bulk .34" I.D. |
| 15 | J812 5781 | 1 | | | HOSE - Bulk .38" I.D. |
| 16 | J812 5841 | 1 | | | HOSE - Bulk .50" I.D. |
| 17 | | | | | CLAMP, Hose |
| | 3300 0785 | AR | | | .47" to .78" |
| | 3300 0784 | AR | | | .67" to .98" |



MODEL CODES:
 15 = Grand Wagoneer 4 Dr. 65 = Comanche 4WD-7 Ft. Box 77 = Cherokee 4WD-2 Dr.
 25 = J-10 Pickup-119" W.B. 66 = Comanche 2WD-7 Ft. Box 78 = Cherokee 4WD-4 Dr.
 26 = J-10 Pickup-131" W.B. 73 = Cherokee 2WD-2 Dr. 79 = Cherokee 4WD-4 Dr.-Com
 27 = J-20 Pickup-131" W.B. 74 = Cherokee 2WD-4 Dr. 81 = Wrangler-93" W.B.
 63 = Comanche 4WD-6 Ft. Box 75 = Wagoneer 4WD-4 Dr. 82 = Wrangler-103" W.B.-Exp.
 64 = Comanche 2WD-6 Ft. Box

BODY STYLES:
 MJ = Comanche Pickup
 SJ = Grand Wagoneer Wgn., J-10 & J-20 Pickups
 XJ = Cherokee, Wagoneer Limited
 YJ = Wrangler

AR = Use as Required - = Non Illustrated Part P.A.R. = Paint as Required

EMISSION LABELS WRANGLER, YJ
Figure 25-2200

| ITEM | PART NUMBER | QTY | BODY | MODEL | DESCRIPTION |
|------|-------------|-----|------|-------|--|
| 1 | | | | | LABEL, Emissions |
| | | | | | The following labels are serviced for 1987 model year. Tag affixed to the Face of its Pulley. A Second Tag will show the name of the Vendor (OGURA). |
| | 5300 3743 | 1 | | | w/2.5L Engine and Manual Trans. 49 States |
| | 5300 3744 | 1 | | | High Altitude |
| | 5300 3745 | 1 | | | California |
| | 5300 3746 | 1 | | | Canada |
| | | | | | w/4.2L Engine and Auto Trans. |
| | 5300 3758 | 1 | | | 49 States |
| | 5300 3760 | 1 | | | High Altitude |
| | 5300 3762 | 1 | | | California |
| | | | | | w/4.2L Engine and Manual Trans |
| | 5300 3747 | 1 | | | 49 States |
| | 5300 3759 | 1 | | | High Altitude |
| | 5300 3761 | 1 | | | California |
| - | 3300 3304 | 1 | | | LABEL, Emissions Info (Catalytic), all engines and trans |
| | | | | | The following labels are serviced for 1988 model year. Tag affixed to the Face of its Pulley. A Second Tag will show the name of the Vendor (OGURA). |
| | 5300 4778 | 1 | | | w/2.5L Engine and Manual Trans 49 States |
| | 5300 4779 | 1 | | | High Altitude |
| | 5300 4780 | 1 | | | California |
| | | | | | w/4.2L Engine and Auto Trans |
| | 5300 4783 | 1 | | | 49 States |
| | 5300 4785 | 1 | | | High Altitude |
| | 5300 4787 | 1 | | | California |
| | | | | | w/4.2L Engine and Manual Trans |
| | 5300 4782 | 1 | | | 49 States |
| | 5300 4784 | 1 | | | High Altitude |
| | 5300 4786 | 1 | | | California |
| - | 5300 4752 | 1 | | | LABEL, Emission Info (Catalytic) 50 states & Canada, all engines and trans |
| | | | | | The following labels are serviced for 1989 model year. Tag affixed to the Face of its Pulley. A Second Tag will show the name of the Vendor (OGURA). |
| | 5300 5339 | 1 | | | w/2.5L Engine and Manual Trans 49 States w/o Canada Destination |

ILLUSTRATION NOT AVAILABLE AT TIME OF PUBLICATION

MODEL CODES:

| | | |
|-----------------------------|-----------------------------|------------------------------|
| 15 = Grand Wagoneer 4 Dr. | 65 = Comanche 4WD-7 Ft. Box | 77 = Cherokee 4WD-2 Dr. |
| 25 = J-10 Pickup-119" W.B. | 66 = Comanche 2WD-7 Ft. Box | 78 = Cherokee 4WD-4 Dr. |
| 26 = J-10 Pickup-131" W.B. | 73 = Cherokee 2WD-2 Dr. | 79 = Cherokee 4WD-4 Dr.-Com |
| 27 = J-20 Pickup-131" W.B. | 74 = Cherokee 2WD-4 Dr. | 81 = Wrangler-93" W.B. |
| 63 = Comanche 4WD-6 Ft. Box | 75 = Wagoneer 4WD-4 Dr. | 82 = Wrangler-103" W.B.-Exp. |
| 64 = Comanche 2WD-6 Ft. Box | | |

BODY STYLES:

MJ = Comanche Pickup
 SJ = Grand Wagoneer Wgn., J-10 & J-20 Pickups
 XJ = Cherokee, Wagoneer Limited
 YJ = Wrangler

AR = Use as Required - = Non Illustrated Part P.A.R. = Paint as Required

EMISSION LABELS WRANGLER, YJ
Figure 25-2200

| ITEM | PART NUMBER | QTY | BODY | MODEL | DESCRIPTION |
|------|-------------|-----|------|-------|--|
| | 5300 5340 | 1 | | | High Altitude |
| | 5300 5341 | 1 | | | California |
| | 5300 5342 | 1 | | | 49 States w/Canada Destination w/4.2L Engine and Auto Trans |
| | 5300 5344 | 1 | | | 49 States w/o Canada Destination |
| | 5300 5346 | 1 | | | High Altitude |
| | 5300 5348 | 1 | | | California |
| | 5300 5350 | 1 | | | 49 States w/Canada Destination w/4.2L Engine and Manual Trans |
| | 5300 5343 | 1 | | | 49 State w/o Canada Destination |
| | 5300 5345 | 1 | | | High Altitude |
| | 5300 5347 | 1 | | | California |
| | 5300 5349 | 1 | | | 49 State w/Canada Destination |

The following labels are serviced for 1990 model Year. Tag affixed to the Face of its Pulley. A Second Tag will show the name of the Vendor (OGURA).

| | | | | | |
|--|-----------|---|--|--|---|
| | 5277 706 | 1 | | | w/2.5L Engine and Manual Trans 49 State w/o Canada Destination |
| | 5283 611 | 1 | | | High Altitude |
| | 5283 612 | 1 | | | California |
| | 5300 5504 | 1 | | | 49 State w/Canada Destination w/4.2L Engine and Auto Trans |
| | 5283 604 | 1 | | | 49 State w/o Canada Destination (carb) |
| | 5283 606 | 1 | | | High Altitude |
| | 5283 608 | 1 | | | California w/4.2L Engine and Manual Trans |
| | 5283 603 | 1 | | | 49 State w/o Canada Destination (carb) |
| | 5277 605 | 1 | | | High Altitude |
| | 5283 607 | 1 | | | California |

ILLUSTRATION NOT AVAILABLE AT TIME OF PUBLICATION

MODEL CODES:

| | | |
|-----------------------------|-----------------------------|------------------------------|
| 15 = Grand Wagoneer 4 Dr. | 65 = Comanche 4WD-7 Ft. Box | 77 = Cherokee 4WD-2 Dr. |
| 25 = J-10 Pickup-119" W.B. | 66 = Comanche 2WD-7 Ft. Box | 78 = Cherokee 4WD-4 Dr. |
| 26 = J-10 Pickup-131" W.B. | 73 = Cherokee 2WD-2 Dr. | 79 = Cherokee 4WD-4 Dr.-Com |
| 27 = J-20 Pickup-131" W.B. | 74 = Cherokee 2WD-4 Dr. | 81 = Wrangler-93" W.B. |
| 63 = Comanche 4WD-6 Ft. Box | 75 = Wagoneer 4WD-4 Dr. | 82 = Wrangler-103" W.B.-Exp. |
| 64 = Comanche 2WD-6 Ft. Box | | |

BODY STYLES:

MJ = Comanche Pickup
 SJ = Grand Wagoneer Wgn., J-10 & J-20 Pickups
 XJ = Cherokee, Wagoneer Limited
 YJ = Wrangler

AR = Use as Required - = Non Illustrated Part P.A.R. = Paint as Required

EMISSION LABELS CHEROKEE AND COMANCHE
Figure 25-2300

| ITEM | PART NUMBER | QTY | BODY | MODEL | DESCRIPTION |
|--|-------------|-----|------|---------|---|
| 1 | | | | | LABEL, Emissions |
| The following labels are serviced for the 1987 model year. Tag affixed to the Face of its Pulley. A Second Tag will show the name of the Vendor (OGURA). | | | | | |
| - | 3300 3304 | 1 | | | LABEL, Emissions Info (Catalytic) 50 State w/2.5 and 4.0L Engine |
| The following labels are serviced for 1988 model year. Tag affixed to the Face of its Pulley. A Second Tag will show the name of the Vendor (OGURA). | | | | | |
| | 5300 4735 | 1 | | | w/2.5L Engine 49 States High Altitude |
| | 5300 4739 | 1 | | | California w/4.0L Engine |
| | 5300 4743 | 1 | | Exc. 65 | 49 States, High Altitude |
| | 5300 5274 | 1 | | 65,75 | 49 States, High Altitude, w/A/C |
| | 5300 4743 | 1 | | 65 | 49 States, High Altitude, Manual Trans.w/o A/C |
| | 5300 4747 | 1 | | | California |
| - | 5300 4752 | 1 | | | LABEL, Emissions Info (Catalytic), 50 States, Canada |
| The following labels are serviced for 1989 model year. Tag affixed to the Face of its Pulley. A Second Tag will show the name of the Vendor (OGURA). | | | | | |
| | 5300 6059 | 1 | | | w/2.5L Engine 49 States w/o Canada Destination |
| | 5300 6059 | 1 | | | High Altitude |
| | 5300 6060 | 1 | | | California |
| | 5300 6061 | 1 | | | 49 State w/Canada Destination w/4.0L Engine |
| | 5300 5320 | 1 | | | 49 State w/o Canada Destination, High Altitude |
| | 5300 5321 | 1 | | | California |
| | 5300 5322 | 1 | | | 49 States w/Canada Destination |
| The following labels are serviced for 1990 model year. Tag affixed to the Face of its Pulley. A Second Tag will show the name of the Vendor (OGURA). | | | | | |
| | 5283 712 | 1 | | | w/2.5L Engine 49 State w/o Canada Destination, High Altitude (EFI) |
| | 5277 714 | 1 | | | California w/4.0L Engine |
| | 5277 716 | 1 | | | 49 State w/o Canada Destination, High Altitude (EFI) |
| | 5277 726 | 1 | | 65,75 | California |
| | 5277 718 | 1 | | Exc.65, | California |

ILLUSTRATION NOT AVAILABLE AT TIME OF PUBLICATION

MODEL CODES:

| | | |
|-----------------------------|-----------------------------|------------------------------|
| 15 = Grand Wagoneer 4 Dr. | 65 = Comanche 4WD-7 Ft. Box | 77 = Cherokee 4WD-2 Dr. |
| 25 = J-10 Pickup-119" W.B. | 66 = Comanche 2WD-7 Ft. Box | 78 = Cherokee 4WD-4 Dr. |
| 26 = J-10 Pickup-131" W.B. | 73 = Cherokee 2WD-2 Dr. | 79 = Cherokee 4WD-4 Dr.-Com |
| 27 = J-20 Pickup-131" W.B. | 74 = Cherokee 2WD-4 Dr. | 81 = Wrangler-93" W.B. |
| 63 = Comanche 4WD-6 Ft. Box | 75 = Wagoneer 4WD-4 Dr. | 82 = Wrangler-103" W.B.-Exp. |
| 64 = Comanche 2WD-6 Ft. Box | | |

BODY STYLES:

MJ = Comanche Pickup
 SJ = Grand Wagoneer Wgn., J-10 & J-20 Pickups
 XJ = Cherokee, Wagoneer Limited
 YJ = Wrangler

AR = Use as Required - = Non Illustrated Part P.A.R. = Paint as Required

EMISSION LABELS GRAND WAGONEER, J10, J20
Figure 25-2400

ILLUSTRATION NOT AVAILABLE AT TIME OF PUBLICATION

| ITEM | PART NUMBER | QTY | BODY | MODEL | DESCRIPTION |
|------|-------------|-----|------|-------|--|
| 1 | | | | | LABEL, Emissions |
| | | | | | The following labels are serviced for 1987 model year. Tag affixed to the Face of its Pulley. A Second Tag will show the name of the Vendor (OGURA). |
| - | 3300 3304 | 1 | | | LABEL, Emission Info (Catalytic) w/5.9L Engine |
| | 5300 4077 | 1 | | 15,26 | California, Heavy Duty Cooling |
| | 5300 4076 | 1 | | 15,26 | California, Standard Cooling |
| | 5300 4073 | 1 | | 15,26 | 49 State, Heavy Duty Cooling, Automatic Trans. |
| | 5300 4071 | 1 | | 15,26 | 49 State, Standard Cooling |
| | 5300 4075 | 1 | | | High Altitude, Automatic Trans. |
| | 5300 4068 | 1 | | 27 | 49 State, Heavy Duty Cooling |
| | 5300 4067 | 1 | | 27 | High Altitude, Heavy Duty Cooling, Automatic Trans. |
| | 5300 4072 | 1 | | 27 | 49 State w/Canada Destination, Heavy Duty Cooling, Automatic Trans. |
| | | | | | w/4.2L Engine |
| | 5300 4064 | 1 | | 26 | 49 State, w/Manual Trans. |
| | 5300 4063 | 1 | | 26 | High Altitude, Manual Trans. |
| | 5300 4065 | 1 | | 26 | California, Manual Trans |
| | | | | | The following labels are serviced for the 1988 model year. Tag affixed to the Face of its Pulley. A Second Tag will show the name of the Vendor (OGURA). |
| | 5300 4923 | 1 | | 15,26 | High Altitude |
| | 5300 4929 | 1 | | 27 | High Altitude |
| | 5300 4924 | 1 | | 15,26 | 49 States |
| | 5300 4925 | 1 | | 27 | 49 States |
| | 5300 4933 | 1 | | 15,26 | California |
| - | 5300 4752 | 1 | | | LABEL, Emission Info, (Catalytic) |
| | | | | | The following labels are serviced for the 1989 model year. Tag affixed to the Face of its Pulley. A Second Tag will show the name of the Vendor (OGURA). |
| | 5300 6179 | 1 | | | High Altitude |
| | 5300 5331 | 1 | | | 49 State w/o Canada Destination |
| | 5300 5334 | 1 | | | California |
| - | 4268 928 | 1 | | | LABEL, Emission Info. (Catalytic) |
| | | | | | The following labels are serviced for the 1990 model year. Tag affixed to the Face of its Pulley. A Second Tag will show the name of the Vendor (OGURA). |
| | 5283 722 | 1 | | | High Altitude |
| | 5277 617 | 1 | | | 49 State (Carb) |
| | 5277 601 | 1 | | | California (Carb) |

MODEL CODES:

| | | |
|-----------------------------|-----------------------------|------------------------------|
| 15 = Grand Wagoneer 4 Dr. | 65 = Comanche 4WD-7 Ft. Box | 77 = Cherokee 4WD-2 Dr. |
| 25 = J-10 Pickup-119" W.B. | 66 = Comanche 2WD-7 Ft. Box | 78 = Cherokee 4WD-4 Dr. |
| 26 = J-10 Pickup-131" W.B. | 73 = Cherokee 2WD-2 Dr. | 79 = Cherokee 4WD-4 Dr.-Com |
| 27 = J-20 Pickup-131" W.B. | 74 = Cherokee 2WD-4 Dr. | 81 = Wrangler-93" W.B. |
| 63 = Comanche 4WD-6 Ft. Box | 75 = Wagoneer 4WD-4 Dr. | 82 = Wrangler-103" W.B.-Exp. |
| 64 = Comanche 2WD-6 Ft. Box | | |

BODY STYLES:

MJ = Comanche Pickup
 SJ = Grand Wagoneer Wgn., J-10 & J-20 Pickups
 XJ = Cherokee, Wagoneer Limited
 YJ = Wrangler

AR = Use as Required - = Non Illustrated Part P.A.R. = Paint as Required

GROUP 27 - WRANGLER

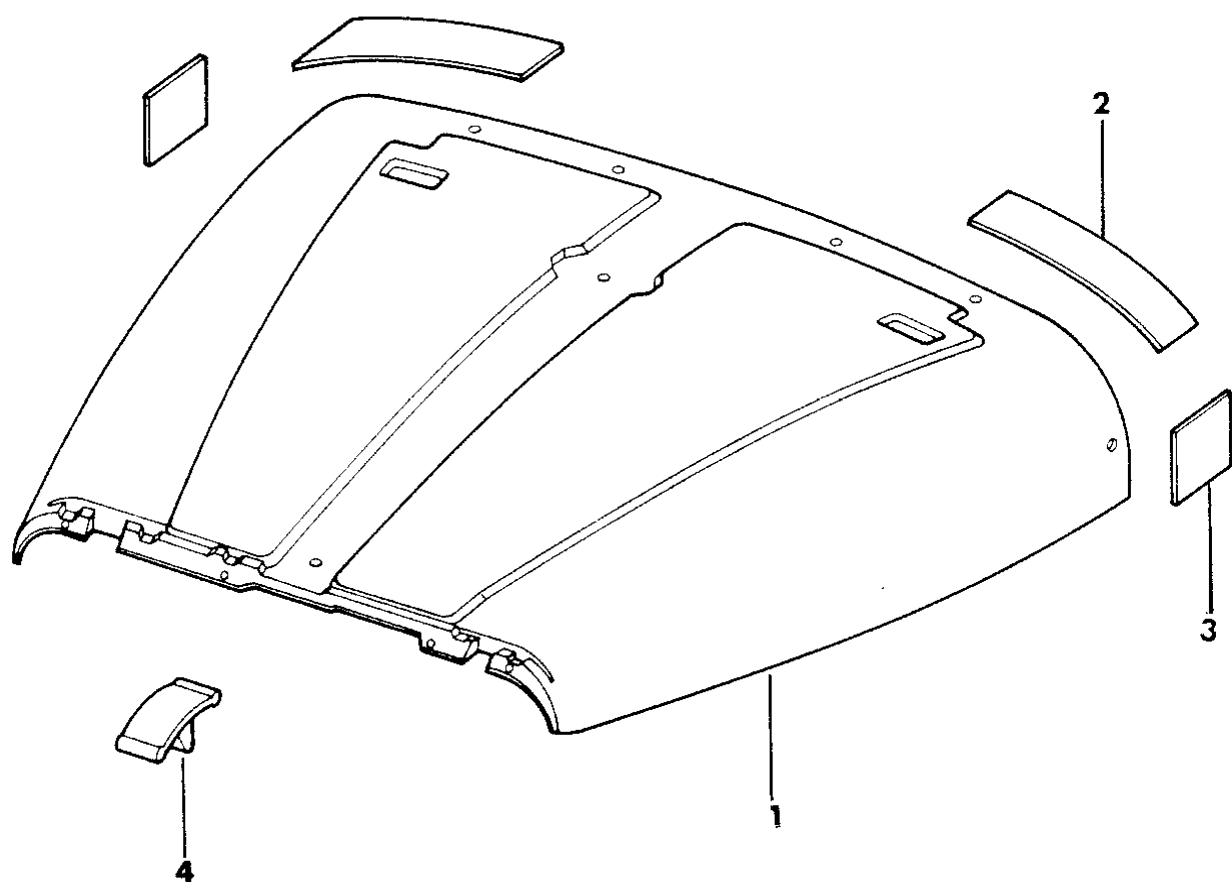
| ILLUSTRATION TITLE | GROUP-FIG. NO. |
|--|-----------------------|
| INSULATION COWL AND HOOD WRANGLER, YJ | Fig. 27-100 |
| SUNVISORS WRANGLER, YJ | Fig. 27-200 |
| CARPETS AND INTERIOR TRIM PANELS WRANGLER, YJ | Fig. 27-300 |
| DOOR TRIM PANELS HALF HARD DOORS WRANGLER, YJ | Fig. 27-400 |
| DOOR TRIM PANELS FULL HARD DOORS WRANGLER, YJ | Fig. 27-500 |
| COVERS, AND FRAME WITH PAD FRONT SEAT WRANGLER, YJ | Fig. 27-600 |
| COVERS, AND FRAME WITH PAD REAR SEAT WRANGLER, YJ | Fig. 27-700 |
| TRACKS FRONT SEAT WRANGLER, YJ | Fig. 27-800 |
| SEAT BELTS WRANGLER, YJ | Fig. 27-900 |

ILLUSTRATION NOT AVAILABLE AT TIME OF PUBLICATION

INSULATION COWL AND HOOD WRANGLER, YJ
Figure 27-100

8J27100

| ITEM | PART NUMBER | QTY | BODY | MODEL | DESCRIPTION |
|------|-------------|-----|------|-------|---------------------------|
| 1 | 5500 7802 | 1 | | | INSULATION, Hood |
| 2 | 5500 7804 | 2 | | | INSULATION, Cowl Top |
| 3 | 5500 7805 | 2 | | | INSULATION, Cowl Side |
| 4 | | | | | FASTENER, Hood Insulation |
| | J400 5513 | 12 | | | 1987-89 |
| | 6003 351 | 12 | | | 1990 |



MODEL CODES:

| | | |
|-----------------------------|-----------------------------|------------------------------|
| 15 = Grand Wagoneer 4 Dr. | 65 = Comanche 4WD-7 Ft. Box | 77 = Cherokee 4WD-2 Dr. |
| 25 = J-10 Pickup-119" W.B. | 66 = Comanche 2WD-7 Ft. Box | 78 = Cherokee 4WD-4 Dr. |
| 26 = J-10 Pickup-131" W.B. | 73 = Cherokee 2WD-2 Dr. | 79 = Cherokee 4WD-4 Dr.-Com |
| 27 = J-20 Pickup-131" W.B. | 74 = Cherokee 2WD-4 Dr. | 81 = Wrangler-93" W.B. |
| 63 = Comanche 4WD-6 Ft. Box | 75 = Wagoneer 4WD-4 Dr. | 82 = Wrangler-103" W.B.-Exp. |
| 64 = Comanche 2WD-6 Ft. Box | | |

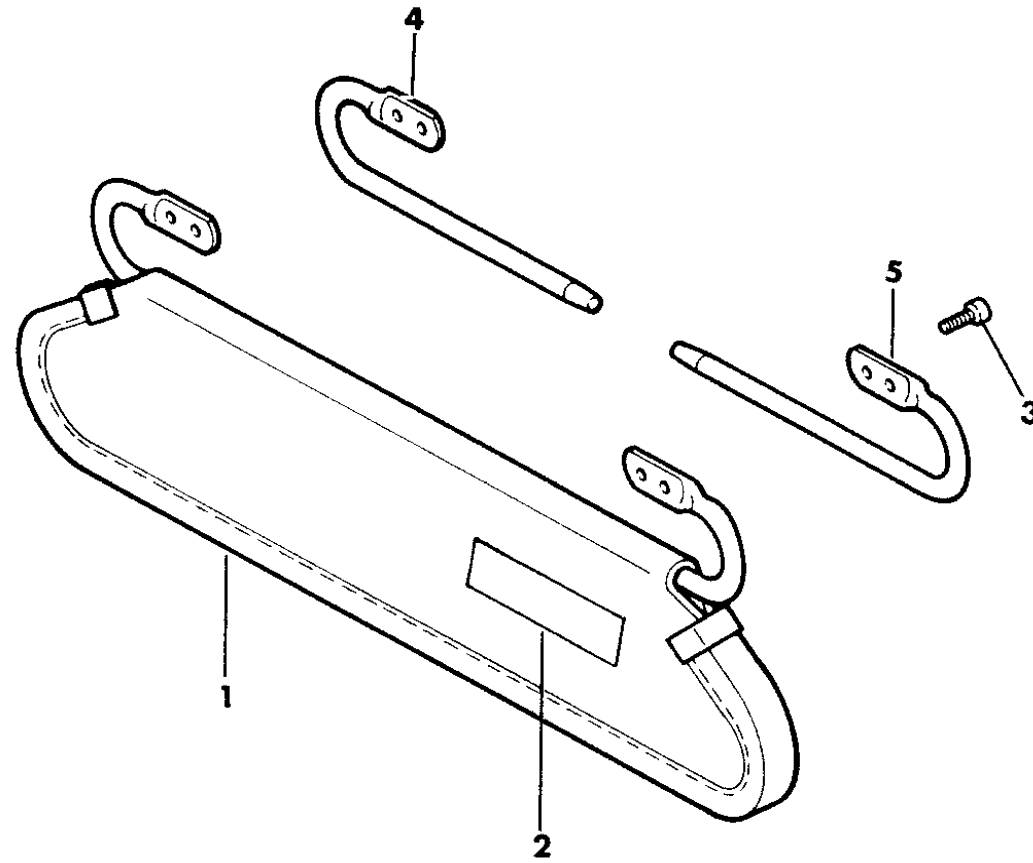
BODY STYLES:

MJ = Comanche Pickup
 SJ = Grand Wagoneer Wgn., J-10 & J-20 Pickups
 XJ = Cherokee, Wagoneer Limited
 YJ = Wrangler

AR = Use as Required - = Non Illustrated Part P.A.R. = Paint as Required

SUNVISORS WRANGLER, YJ
Figure 27-200

8J27200



| ITEM | PART NUMBER | QTY | BODY | MODEL | DESCRIPTION |
|------|-------------|-----|------|-------|-------------------------------|
| 1 | | | | | SUNVISOR ASSEMBLY *** |
| | 5501 0648-9 | 1 | | | Black, 1987 |
| | 5501 6338-9 | 1 | | | Charcoal, 1988-89 |
| | 5AE78-9 JS1 | 1 | | | Charcoal, 1990 |
| | 5501 0652-3 | 1 | | | Honey, 1987 |
| | 5502 1224-5 | 1 | | | Sand, 1989 |
| | 5AE78-9 JY1 | 1 | | | Sand, 1990 |
| | 5501 6340-1 | 1 | | | Tan, 1988 |
| 2 | | | | | LABEL, Sunvisor |
| | 5500 9555 | 1 | | | English, Safety Warning |
| | 5500 9556 | 1 | | | French, Safety Warning |
| | 5501 9388 | 1 | | | Command Track, U.S. |
| | 5501 9389 | 1 | | | Command Track, Canada, Export |
| 3 | J400 5969 | 8 | | | SCREW |
| 4 | J576 1344 | 2 | | | ROD, Support, Right, 1987-89 |
| 5 | J576 1345 | 2 | | | ROD, Support, Left, 1987-89 |

NOTE: For 1990 the sunvisor rod supports are only available in the sunvisor assembly. Tag affixed to the Face of its Pulley. A Second Tag will show the name of the Vendor (OGURA).

MODEL CODES:

| | | |
|-----------------------------|-----------------------------|------------------------------|
| 15 = Grand Wagoneer 4 Dr. | 65 = Comanche 4WD-7 Ft. Box | 77 = Cherokee 4WD-2 Dr. |
| 25 = J-10 Pickup-119" W.B. | 66 = Comanche 2WD-7 Ft. Box | 78 = Cherokee 4WD-4 Dr. |
| 26 = J-10 Pickup-131" W.B. | 73 = Cherokee 2WD-2 Dr. | 79 = Cherokee 4WD-4 Dr.-Com |
| 27 = J-20 Pickup-131" W.B. | 74 = Cherokee 2WD-4 Dr. | 81 = Wrangler-93" W.B. |
| 63 = Comanche 4WD-6 Ft. Box | 75 = Wagoneer 4WD-4 Dr. | 82 = Wrangler-103" W.B.-Exp. |
| 64 = Comanche 2WD-6 Ft. Box | | |

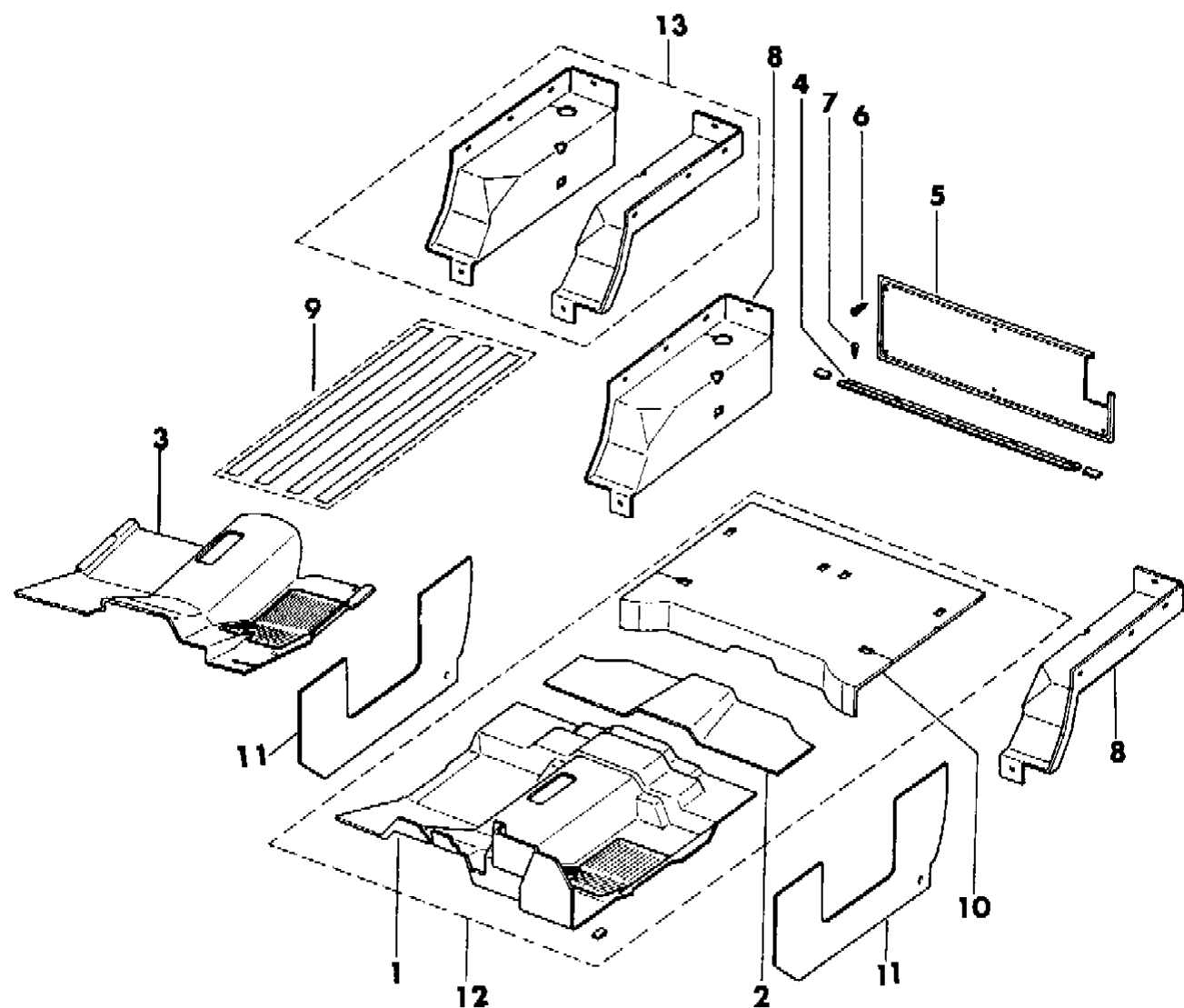
BODY STYLES:

MJ = Comanche Pickup
 SJ = Grand Wagoneer Wgn., J-10 & J-20 Pickups
 XJ = Cherokee, Wagoneer Limited
 YJ = Wrangler

AR = Use as Required - = Non Illustrated Part P.A.R. = Paint as Required

CARPETS AND INTERIOR TRIM PANELS WRANGLER, YJ
Figure 27-300

8J27300A



| ITEM | PART NUMBER | QTY | BODY | MODEL | DESCRIPTION |
|------|-------------|-----|------|-------|----------------------------|
| 1 | | | | | CARPET, Floor |
| | | | | | w/ Extra Quiet Insulation |
| | 5501 6399 | 1 | | | Black, 1987 |
| | 5501 8568 | 1 | | | Charcoal, 1988-89 |
| | 5AF1 0JA8 | 1 | | | Charcoal, 1990 |
| | 5501 6400 | 1 | | | Honey, 1987 |
| | 5502 1232 | 1 | | | Sand, 1989 |
| | 5AF1 0JY6 | 1 | | | Sand, 1990 |
| | 5501 8569 | 1 | | | Tan, 1988 |
| | | | | | w/o Extra Quiet Insulation |
| | 5501 8566 | 1 | | | Charcoal, 1988-89 |
| | 5AF0 9JA8 | 1 | | | Charcoal, 1990 |
| | 5501 9263 | 1 | | | Khaki, 1988-89 |
| | 5AF0 9JJ5 | 1 | | | Khaki, 1990 |
| | 5502 1229 | 1 | | | Sand, 1989 |
| | 5AF0 9JY6 | 1 | | | Sand, 1990 |
| | 5501 8567 | 1 | | | Tan, 1988 |
| 2 | | | | | CARPET |
| | | | | | w/ Extra Quiet Insulation |
| | J576 5152 | 1 | | | Black, 1987 |
| | 5501 6470 | 1 | | | Charcoal, 1988-89 |
| | 5AB0 2JA8 | 1 | | | Charcoal, 1990 |
| | J576 6232 | 1 | | | Honey, 1987 |
| | 5502 1233 | 1 | | | Sand, 1989 |
| | 5AB0 2JY6 | 1 | | | Sand, 1990 |
| | 5501 6471 | 1 | | | Tan, 1988 |
| | | | | | w/o Extra Quiet Insulation |
| | 5AE2 2JA8 | 1 | | | Charcoal, 1990 |
| | 5501 9264 | 1 | | | Khaki, 1988-89 |
| | 5AE2 2JJ5 | 1 | | | Khaki, 1990 |
| 3 | | | | | CARPET, Floor Mini |
| | 5501 5002 | 1 | | | Black, 1987 |
| | 5501 8565 | 1 | | | Charcoal, 1988-89 |
| 4 | J576 0665 | 1 | | | RETAINER |
| 5 | | | | | CARPET, Tailgate |
| | | | | | w/ Extra Quiet Insulation |
| | 5501 3330 | 1 | | | Black, 1987 |

MODEL CODES:

| | | |
|-----------------------------|-----------------------------|------------------------------|
| 15 = Grand Wagoneer 4 Dr. | 65 = Comanche 4WD-7 Ft. Box | 77 = Cherokee 4WD-2 Dr. |
| 25 = J-10 Pickup-119" W.B. | 66 = Comanche 2WD-7 Ft. Box | 78 = Cherokee 4WD-4 Dr. |
| 26 = J-10 Pickup-131" W.B. | 73 = Cherokee 2WD-2 Dr. | 79 = Cherokee 4WD-4 Dr.-Com |
| 27 = J-20 Pickup-131" W.B. | 74 = Cherokee 2WD-4 Dr. | 81 = Wrangler-93" W.B. |
| 63 = Comanche 4WD-6 Ft. Box | 75 = Wagoneer 4WD-4 Dr. | 82 = Wrangler-103" W.B.-Exp. |
| 64 = Comanche 2WD-6 Ft. Box | | |

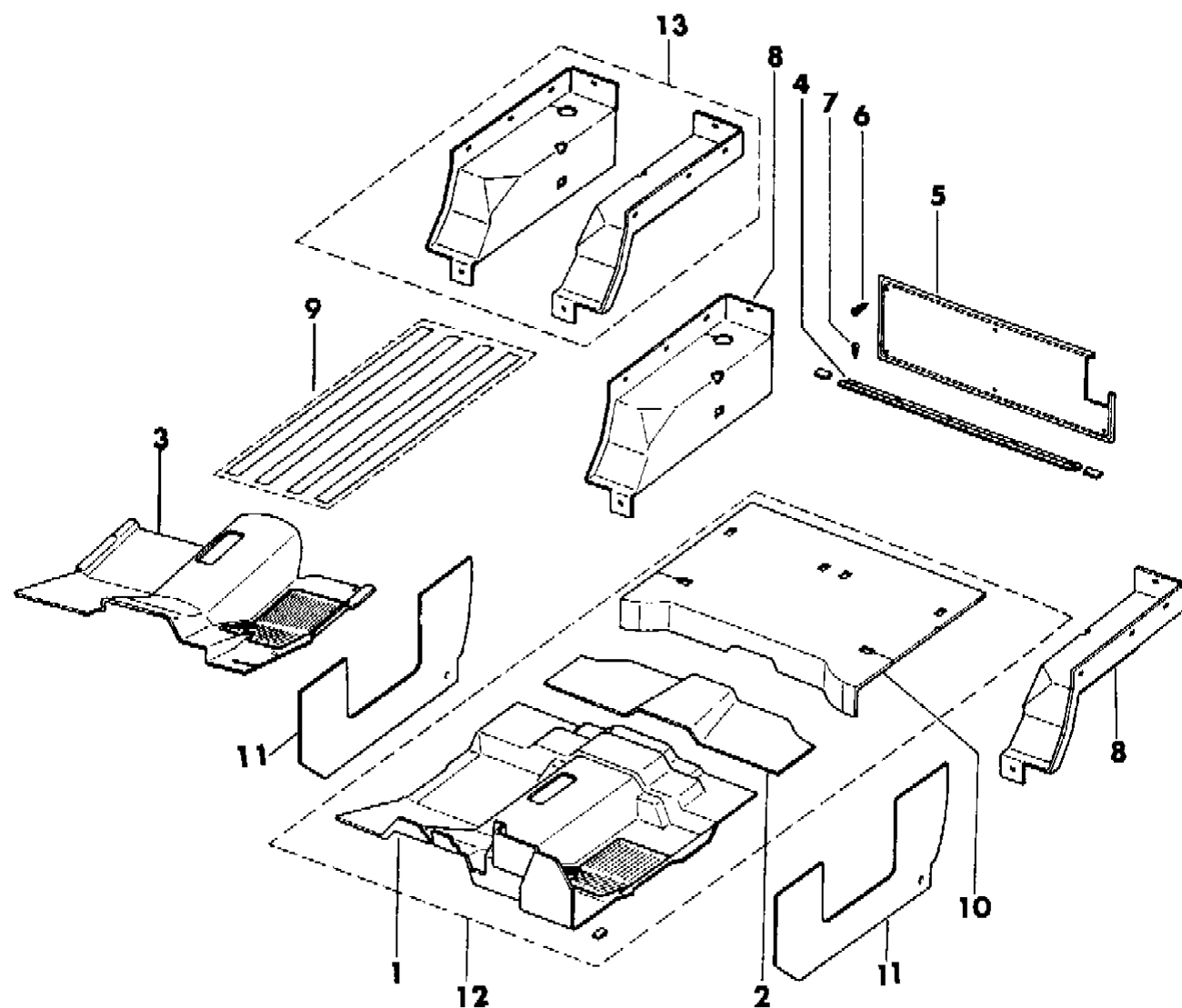
BODY STYLES:

MJ = Comanche Pickup
 SJ = Grand Wagoneer Wgn., J-10 & J-20 Pickups
 XJ = Cherokee, Wagoneer Limited
 YJ = Wrangler

AR = Use as Required - = Non Illustrated Part P.A.R. = Paint as Required

CARPETS AND INTERIOR TRIM PANELS WRANGLER, YJ
Figure 27-300

8J27300A



| ITEM | PART NUMBER | QTY | BODY | MODEL | DESCRIPTION |
|------|-------------|-----|------|-------|---|
| | 5501 6347 | 1 | | | Charcoal, 1988-89, (Up To 3-15-89) |
| | 5502 4877 | 1 | | | Charcoal, 1989, (After 3-15-89) |
| | 5AU4 9JA8 | 1 | | | Charcoal, 1990 |
| | 5501 3332 | 1 | | | Honey, 1987 |
| | 5502 1248 | 1 | | | Sand, 1989, (Up To 3-15-89) |
| | 5502 4880 | 1 | | | Sand, 1989, (After 3-15-89) |
| | 5AU4 9JY6 | 1 | | | Sand, 1990 |
| | 5501 6349 | 1 | | | Tan, 1988 w/o Extra Quiet Insulation |
| | 5502 0282 | 1 | | | Khaki, 1988-89, (Up To 1-2-89) |
| | 5502 4878 | 1 | | | Khaki, 1989, (After 1-2-89) |
| | 5AY1 2JJ5 | 1 | | | Khaki, 1990 |
| 6 | J400 1776 | 7 | | | SCREW |
| 7 | J400 5690 | 5 | | | SCREW |
| 8 | | | | | CARPET, Wheelhouse w/ Extra Quiet Insulation |
| | 5501 3166-7 | 1 | | | Black, 1987 |
| | 5501 5936-7 | 1 | | | Charcoal, 1988-89, (Up To 3-15-89) |
| | 5502 4680-1 | 1 | | | Charcoal, 1989, (After 3/15/89) |
| | 5AP44-5 JA8 | 1 | | | Charcoal, 1990 |
| | 5501 3168-9 | 1 | | | Honey, 1987 |
| | 5502 1244-5 | 1 | | | Sand, 1989, (Up To 3-15-89) |
| | 5502 4618-9 | 1 | | | Sand, 1989, (After 3/15/89) |
| | 5AP44-5 JY6 | 1 | | | Sand, 1990 |
| | 5501 5940-1 | 1 | | | Tan, 1988 w/o Extra Quiet Insulation |
| | 5AP46-7 JA8 | 1 | | | Charcoal, 1990 |
| | 5501 9270-1 | 1 | | | Khaki, 1988-89, (Up To 3-15-89) |
| | 5502 4678-9 | 1 | | | Khaki, 1989, (After 3-15-89) |
| | 5AP46-7 JJ5 | 1 | | | Khaki, 1990 |
| | 5AP46-7 JY6 | 1 | | | Sand, 1990 |
| 9 | J805 2571 | 1 | | | STRIP, Skid, (For Vehicle Assembled in Venezuela) *** |
| 10 | | | | | CARPET, Cargo w/ Extra Quiet Insulation |
| | 5501 6134 | 1 | | | Black, 1987 |
| | 5501 6518 | 1 | | | Charcoal, 1988-89 |
| | 5AF2 2JA8 | 1 | | | Charcoal, 1990 |

MODEL CODES:

| | | |
|-----------------------------|-----------------------------|------------------------------|
| 15 = Grand Wagoneer 4 Dr. | 65 = Comanche 4WD-7 Ft. Box | 77 = Cherokee 4WD-2 Dr. |
| 25 = J-10 Pickup-119" W.B. | 66 = Comanche 2WD-7 Ft. Box | 78 = Cherokee 4WD-4 Dr. |
| 26 = J-10 Pickup-131" W.B. | 73 = Cherokee 2WD-2 Dr. | 79 = Cherokee 4WD-4 Dr.-Com |
| 27 = J-20 Pickup-131" W.B. | 74 = Cherokee 2WD-4 Dr. | 81 = Wrangler-93" W.B. |
| 63 = Comanche 4WD-6 Ft. Box | 75 = Wagoneer 4WD-4 Dr. | 82 = Wrangler-103" W.B.-Exp. |
| 64 = Comanche 2WD-6 Ft. Box | | |

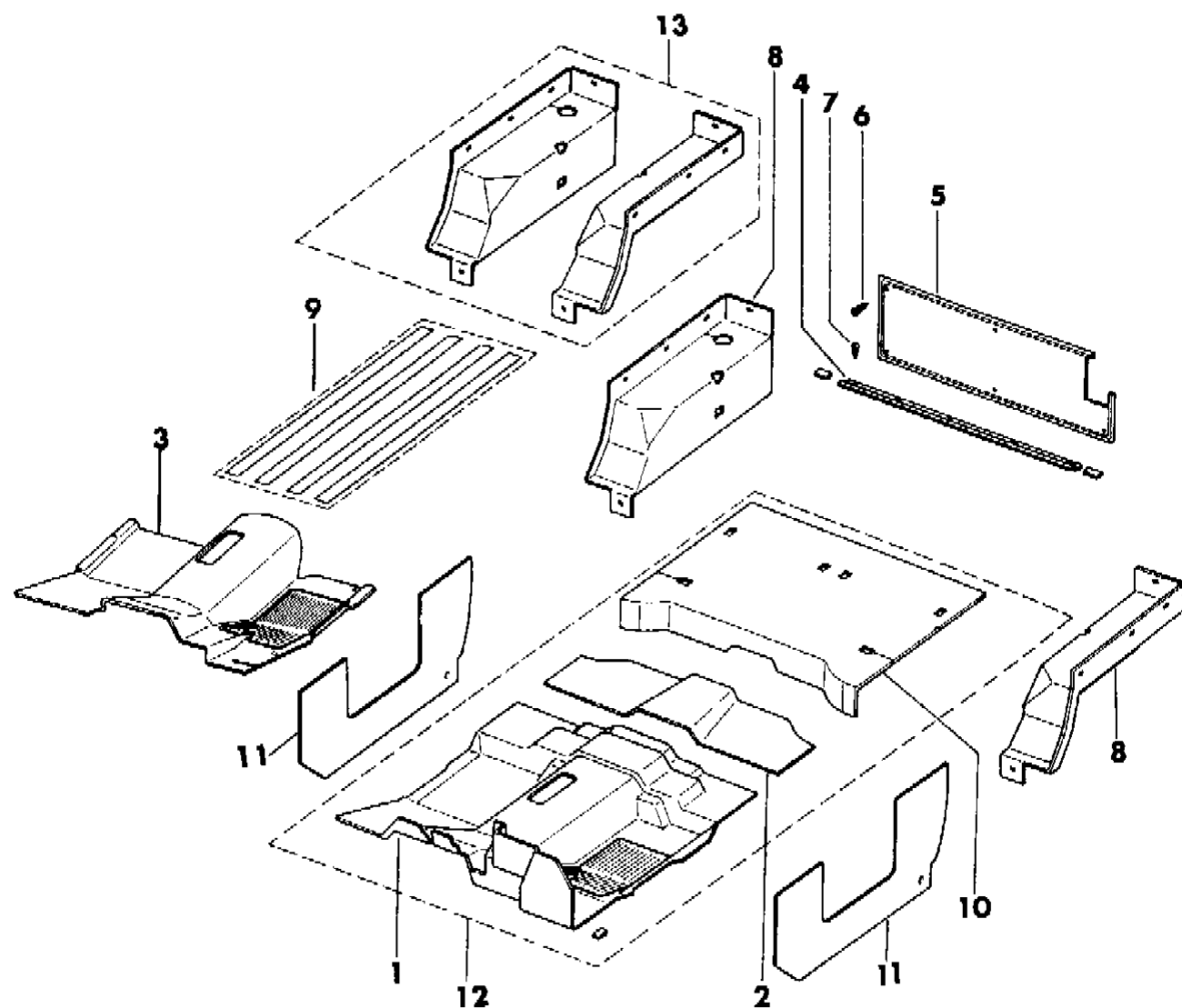
BODY STYLES:

MJ = Comanche Pickup
 SJ = Grand Wagoneer Wgn., J-10 & J-20 Pickups
 XJ = Cherokee, Wagoneer Limited
 YJ = Wrangler

AR = Use as Required - = Non Illustrated Part P.A.R. = Paint as Required

CARPETS AND INTERIOR TRIM PANELS WRANGLER, YJ
Figure 27-300

8J27300A



| ITEM | PART NUMBER | QTY | BODY | MODEL | DESCRIPTION |
|------|-------------|-----|------|-------|--|
| | 5501 6135 | 1 | | | Honey, 1987 |
| | 5502 1243 | 1 | | | Sand, 1989 |
| | 5AF2 2JY6 | 1 | | | Sand, 1990 |
| | 5501 6519 | 1 | | | Tan, 1988 |
| | | | | | w/o Extra Quiet Insulation |
| | 5AF2 1JA8 | 1 | | | Charcoal, 1990 |
| | 5501 9272 | 1 | | | Khaki, 1988-89 |
| | 5AF2 1JJ5 | 1 | | | Khaki, 1990 |
| | 5AF2 1JY6 | 1 | | | Sand, 1990 |
| 11 | | | | | CARPET, Side Trim |
| | J576 5128-9 | 1 | | | Black, 1987 |
| | 5501 6462-3 | 1 | | | Charcoal, 1988-89 |
| | 5AR94-5 JA8 | 1 | | | Charcoal, 1990 |
| | J576 6082-3 | 1 | | | Honey, 1987 |
| | 5502 1256-7 | 1 | | | Sand, 1989 |
| | 5AR94-5 JY6 | 1 | | | Sand, 1990 |
| | 5501 6464-5 | 1 | | | Tan, 1988 |
| 12 | | | | | CARPET, Floor, w/o Extra Quiet Insulation |
| | 8220 0540 | 1 | | | Black, 1987 |
| | 8220 0879 | 1 | | | Charcoal, 1988-90 |
| | 8220 0541 | 1 | | | Honey, 1987 |
| | 8220 1005 | 1 | | | Sand, 1989 |
| | 8220 0878 | 1 | | | Tan, 1988 |
| 13 | | | | | CARPET, Wheelhouse, w/o Extra Quiet Insulation |
| | 8220 0544 | 1 | | | Black, 1987 |
| | 8220 0881 | 1 | | | Charcoal, 1988-90 |
| | 8220 0545 | 1 | | | Honey, 1987 |
| | 8220 1004 | 1 | | | Sand, 1989-90 |
| | 8220 0880 | 1 | | | Tan, 1988 |

MODEL CODES:

| | | |
|-----------------------------|-----------------------------|------------------------------|
| 15 = Grand Wagoneer 4 Dr. | 65 = Comanche 4WD-7 Ft. Box | 77 = Cherokee 4WD-2 Dr. |
| 25 = J-10 Pickup-119" W.B. | 66 = Comanche 2WD-7 Ft. Box | 78 = Cherokee 4WD-4 Dr. |
| 26 = J-10 Pickup-131" W.B. | 73 = Cherokee 2WD-2 Dr. | 79 = Cherokee 4WD-4 Dr.-Com |
| 27 = J-20 Pickup-131" W.B. | 74 = Cherokee 2WD-4 Dr. | 81 = Wrangler-93" W.B. |
| 63 = Comanche 4WD-6 Ft. Box | 75 = Wagoneer 4WD-4 Dr. | 82 = Wrangler-103" W.B.-Exp. |
| 64 = Comanche 2WD-6 Ft. Box | | |

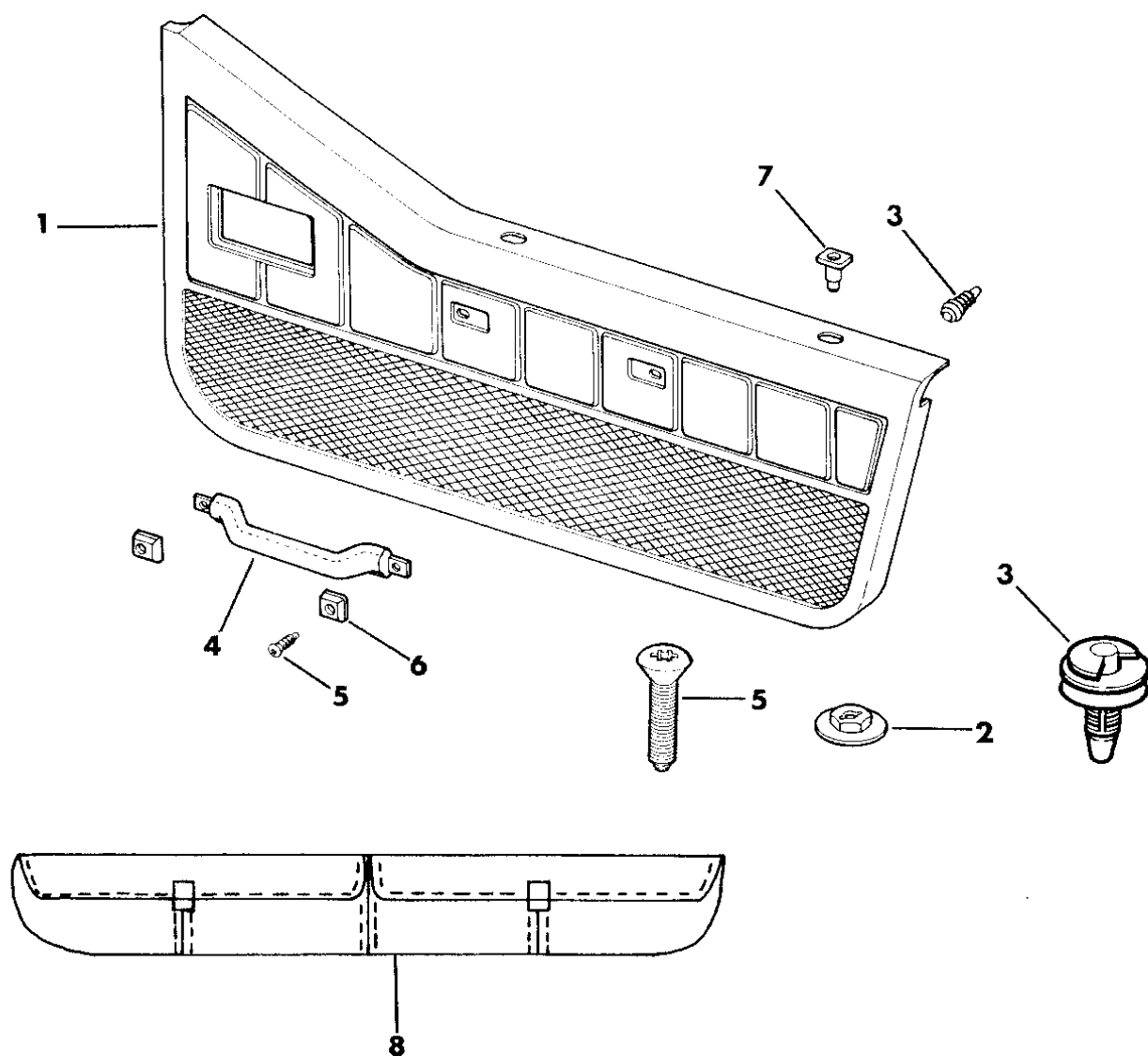
BODY STYLES:

MJ = Comanche Pickup
 SJ = Grand Wagoneer Wgn., J-10 & J-20 Pickups
 XJ = Cherokee, Wagoneer Limited
 YJ = Wrangler

AR = Use as Required - = Non Illustrated Part P.A.R. = Paint as Required

DOOR TRIM PANELS HALF HARD DOORS WRANGLER, YJ
Figure 27-400

8J27 400



| ITEM | PART NUMBER | QTY | BODY | MODEL | DESCRIPTION |
|------|-------------|-----|------|-------|---|
| 1 | | | | | PANEL, Door Trim |
| | 5501 6446-7 | 1 | | | Black, 1987 |
| | 5501 6296-7 | 1 | | | Charcoal, w/o map pocket, 1988-89 |
| | 5AY24-5 JY1 | 1 | | | Charcoal, w/o map pocket, 1990, base model, P.A.R. |
| | 5501 7530-1 | 1 | | | Charcoal, w/nylon mesh map pocket, 1988-89 |
| | 5AY26-7 JS1 | 1 | | | Charcoal, w/Nylon Mesh Map Pocket, Islander model, 1990 |
| | 5501 6448-9 | 1 | | | Honey, 1987 |
| | 5501 9578-9 | 1 | | | Khaki, 1988 |
| | 5502 1362-3 | 1 | | | Khaki, 1989 |
| | 5AY28-9 JJ5 | 1 | | | Khaki, 1990, w/Sahara Package |
| | 5502 1282-3 | 1 | | | Sand, 1989 |
| | 5AY24-5 JY1 | 1 | | | Sand, w/o map pockets, base model, 1990 |
| | 5501 6300-1 | 1 | | | Tan, w/o Map Pocket, 1988 |
| | 5501 7532-3 | 1 | | | Tan, w/Nylon Mesh Map Pocket, 1988 1990 |
| 2 | J545 0516 | 20 | | | NUT, 1987-89 |
| 3 | J400 6176 | 18 | | | FASTENER |
| 4 | | | | | HANDLE, Assist |
| | 5500 9801 | 2 | | | Black, 1987 |
| | 5501 6308 | 2 | | | Charcoal, 1988-89 |
| | 5AE5 0JS1 | 2 | | | Charcoal, 1990 |
| | 5502 1290 | 2 | | | Sand, 1989 |
| | 5AE5 0JY1 | 2 | | | Sand, 1990 |
| | 5501 6310 | 2 | | | Tan, 1988 |
| 5 | J400 7397 | 4 | | | SCREW |
| 6 | 5500 9804 | 4 | | | CAP, End |
| 7 | | | | | GROMMET |
| | 5501 6454 | 6 | | | 1987-89, (P.A.R.) |
| | 5AG2 2JS1 | 6 | | | 1990, Charcoal |
| | 5AG2 2JY1 | 6 | | | 1990, Sand |
| 8 | | | | | POCKET, Map w/Sahara Package |
| | 5502 2208-9 | 1 | | | 1989 |
| | 5AX62-3 JJ5 | 1 | | | 1990 |

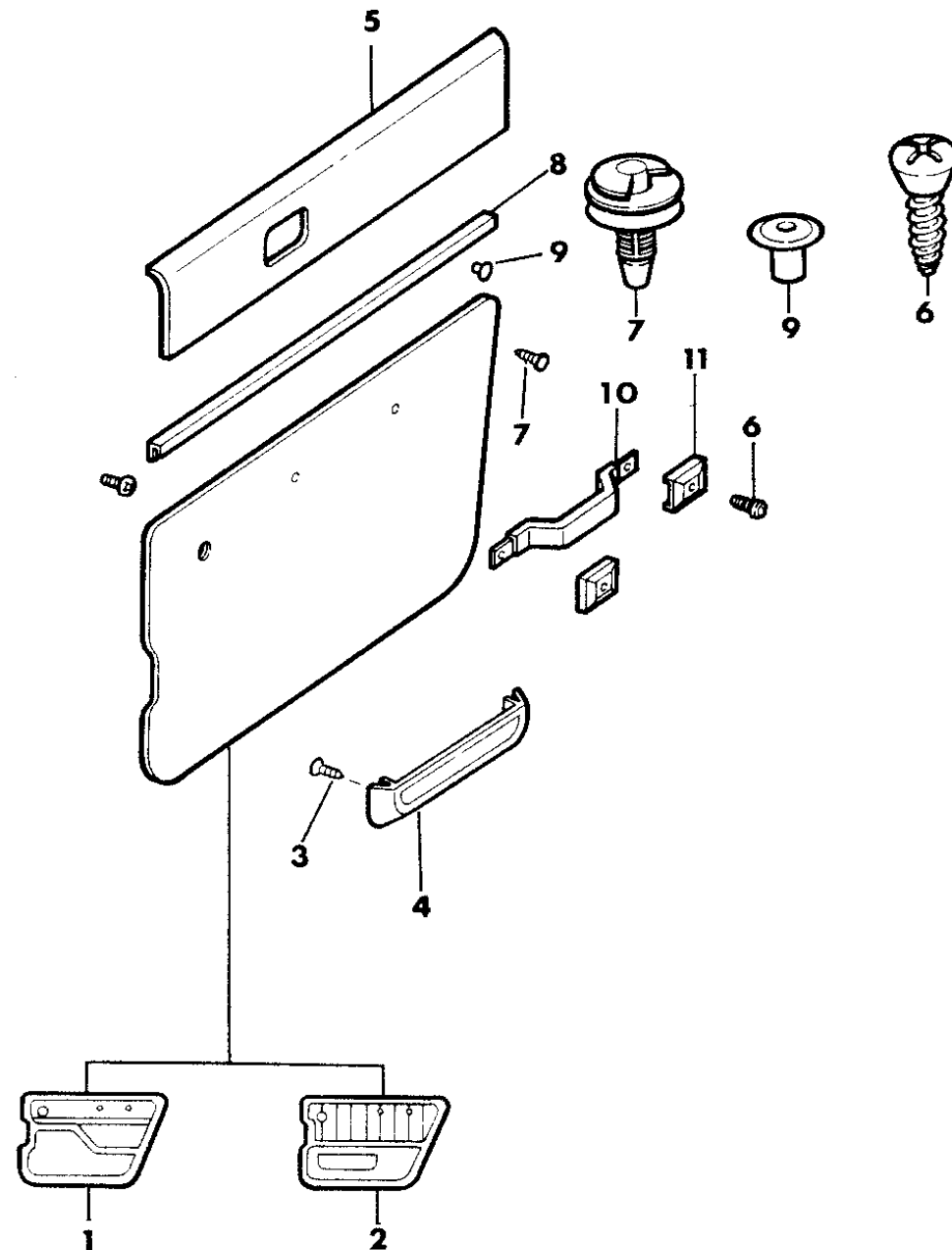
MODEL CODES:
 15 = Grand Wagoneer 4 Dr. 65 = Comanche 4WD-7 Ft. Box 77 = Cherokee 4WD-2 Dr.
 25 = J-10 Pickup-119" W.B. 66 = Comanche 2WD-7 Ft. Box 78 = Cherokee 4WD-4 Dr.
 26 = J-10 Pickup-131" W.B. 73 = Cherokee 2WD-2 Dr. 79 = Cherokee 4WD-4 Dr.-Com
 27 = J-20 Pickup-131" W.B. 74 = Cherokee 2WD-4 Dr. 81 = Wrangler-93" W.B.
 63 = Comanche 4WD-6 Ft. Box 75 = Wagoneer 4WD-4 Dr. 82 = Wrangler-103" W.B.-Exp.
 64 = Comanche 2WD-6 Ft. Box

BODY STYLES:
 MJ = Comanche Pickup
 SJ = Grand Wagoneer Wgn., J-10 & J-20 Pickups
 XJ = Cherokee, Wagoneer Limited
 YJ = Wrangler

AR = Use as Required - = Non Illustrated Part P.A.R. = Paint as Required

DOOR TRIM PANELS FULL HARD DOORS WRANGLER, YJ
Figure 27-500

8J27500



| ITEM | PART NUMBER | QTY | BODY | MODEL | DESCRIPTION |
|------|-------------|-----|------|-------|----------------------------|
| 1 | | | | | PANEL, Door Trim |
| | 5500 8856-7 | 1 | | | Black, 1987 |
| | 5501 6288-9 | 1 | | | Charcoal, 1988-89 |
| | 5AE12-3 JSA | 1 | | | Charcoal, 1990 |
| | 5500 8860-1 | 1 | | | Honey, 1987 |
| | 5502 1276-7 | 1 | | | Sand, 1989 |
| | 5AE12-3 JYY | 1 | | | Sand, 1990 |
| | 5501 6290-1 | 1 | | | Tan, 1988 |
| 2 | | | | | PANEL, Door Trim |
| | 5500 8862-3 | 1 | | | Black, 1987 |
| | 5501 6292-3 | 1 | | | Charcoal, 1988-89 |
| | 5AE14-5 JSA | 1 | | | Charcoal, 1990 |
| | 5500 8864-5 | 1 | | | Honey, 1987 |
| | 5501 9702-3 | 1 | | | Khaki, 1988 |
| | 5502 2206-7 | 1 | | | Khaki, 1989 |
| | 5AE14-5 JJ5 | 1 | | | Khaki, 1990 |
| | 5502 1278-9 | 1 | | | Sand, 1989 |
| | 5AE14-5 JYY | 1 | | | Sand, 1990 |
| | 5501 6294-5 | 1 | | | Tan, 1988 |
| 3 | 3420 2074 | 10 | | | SCREW |
| 4 | | | | | PANEL, Stowage Bin, P.A.R. |
| | 3500 7556 | 2 | | | 1987-89 |
| | 5AB8 9JY6 | 2 | | | 1990 |
| 5 | | | | | PANEL Door Trim Upper |
| | 5501 2878-9 | 1 | | | Black, 1987 |
| | 5501 6320-1 | 1 | | | Charcoal, 1988-89 |
| | 5BF74-5 JS1 | 1 | | | Charcoal, 1990 |
| | 5501 2880-1 | 1 | | | Honey, 1987 |
| | 5502 1280-1 | 1 | | | Sand, 1989 |
| | 5BF74-5 JY1 | 1 | | | Sand, 1990 |
| | 5501 6322-3 | 1 | | | Tan, 1988 |
| 6 | J400 6901 | 4 | | | SCREW |
| 7 | J400 6176 | 26 | | | FASTENER |
| 8 | J575 7742 | 2 | | | RETAINER |
| 9 | J400 4515 | 6 | | | RIVET |
| 10 | | | | | HANDLE, Assist |
| | 5500 9801 | 2 | | | Black, 1987 |

MODEL CODES:

| | | |
|-----------------------------|-----------------------------|------------------------------|
| 15 = Grand Wagoneer 4 Dr. | 65 = Comanche 4WD-7 Ft. Box | 77 = Cherokee 4WD-2 Dr. |
| 25 = J-10 Pickup-119" W.B. | 66 = Comanche 2WD-7 Ft. Box | 78 = Cherokee 4WD-4 Dr. |
| 26 = J-10 Pickup-131" W.B. | 73 = Cherokee 2WD-2 Dr. | 79 = Cherokee 4WD-4 Dr.-Com |
| 27 = J-20 Pickup-131" W.B. | 74 = Cherokee 2WD-4 Dr. | 81 = Wrangler-93" W.B. |
| 63 = Comanche 4WD-6 Ft. Box | 75 = Wagoneer 4WD-4 Dr. | 82 = Wrangler-103" W.B.-Exp. |
| 64 = Comanche 2WD-6 Ft. Box | | |

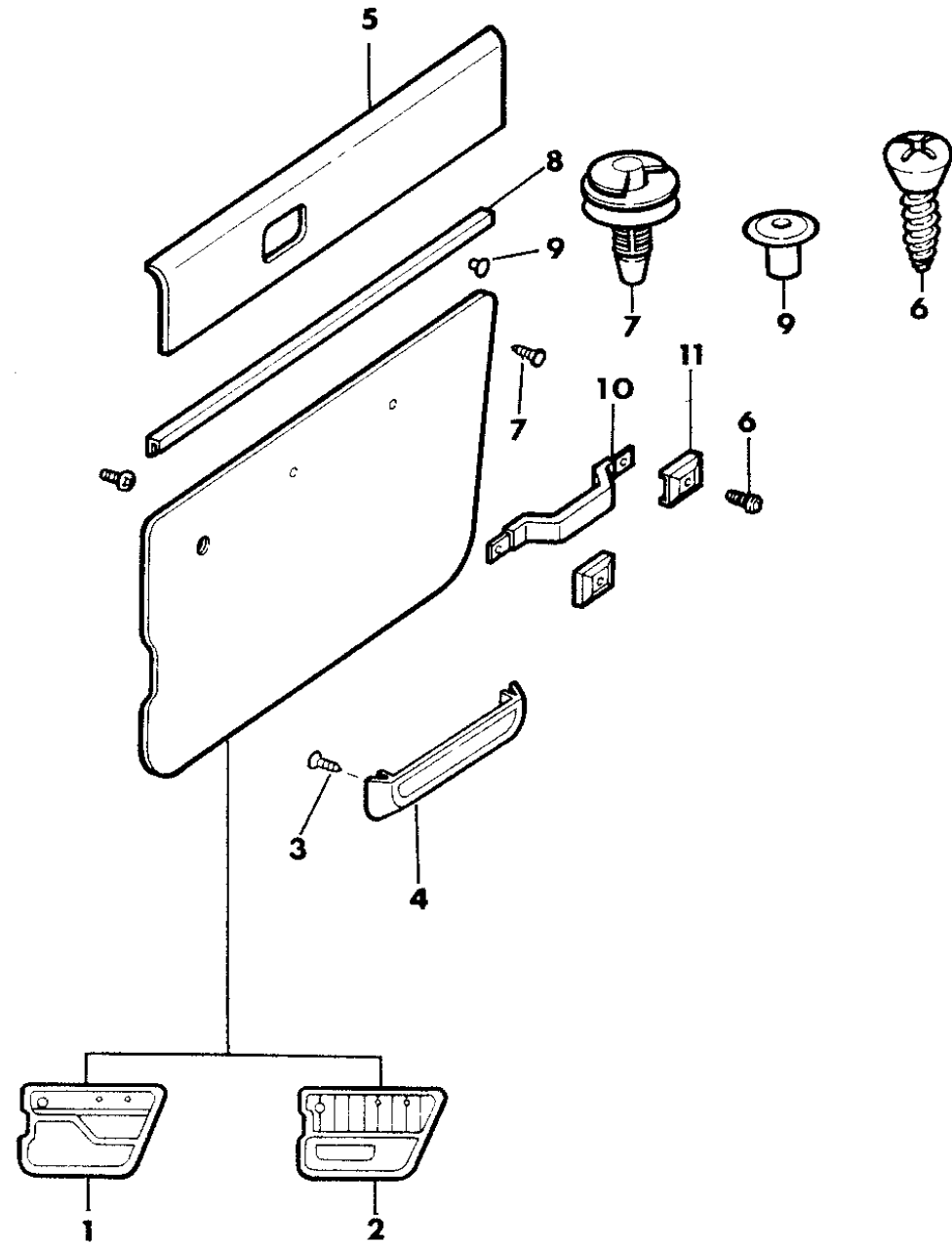
BODY STYLES:

MJ = Comanche Pickup
SJ = Grand Wagoneer Wgn., J-10 & J-20 Pickups
XJ = Cherokee, Wagoneer Limited
YJ = Wrangler

AR = Use as Required - = Non Illustrated Part P.A.R. = Paint as Required

DOOR TRIM PANELS FULL HARD DOORS WRANGLER, YJ
Figure 27-500

8J27500



| ITEM | PART NUMBER | QTY | BODY | MODEL | DESCRIPTION |
|------|-------------|-----|------|-------|-------------------|
| | 5501 6308 | 2 | | | Charcoal, 1988-89 |
| | 5AE5 0JS1 | 2 | | | Charcoal, 1990 |
| | 5500 9803 | 2 | | | Honey, 1987 |
| | 5502 1290 | 2 | | | Sand, 1989 |
| | 5AE5 0JY1 | 2 | | | Sand, 1990 |
| | 5501 6310 | 2 | | | Tan, 1988 |
| 11 | 5500 9804 | 4 | | | CAP, End |

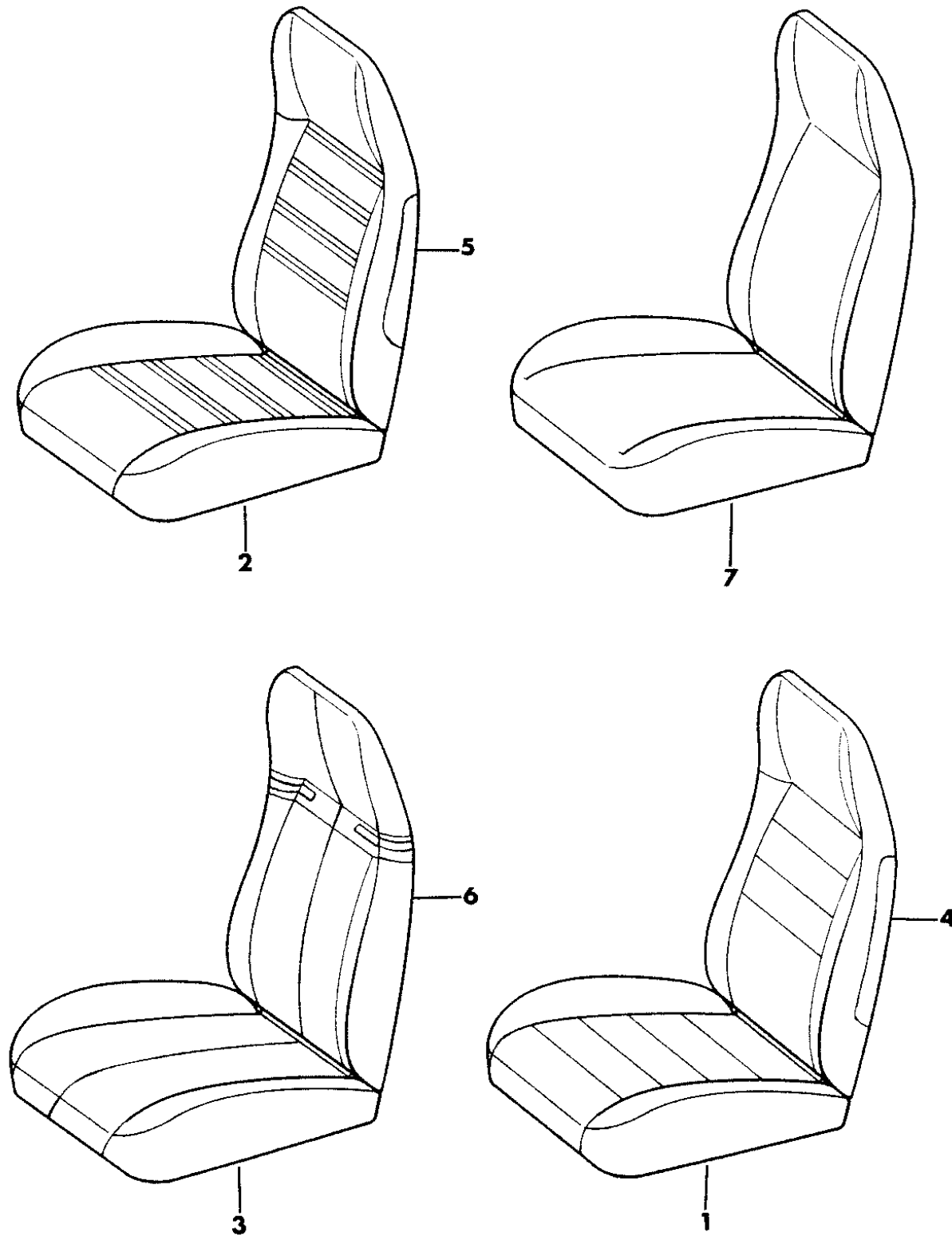
MODEL CODES:
 15 = Grand Wagoneer 4 Dr. 65 = Comanche 4WD-7 Ft. Box 77 = Cherokee 4WD-2 Dr.
 25 = J-10 Pickup-119" W.B. 66 = Comanche 2WD-7 Ft. Box 78 = Cherokee 4WD-4 Dr.
 26 = J-10 Pickup-131" W.B. 73 = Cherokee 2WD-2 Dr. 79 = Cherokee 4WD-4 Dr.-Com
 27 = J-20 Pickup-131" W.B. 74 = Cherokee 2WD-4 Dr. 81 = Wrangler-93" W.B.
 63 = Comanche 4WD-6 Ft. Box 75 = Wagoneer 4WD-4 Dr. 82 = Wrangler-103" W.B.-Exp.
 64 = Comanche 2WD-6 Ft. Box

BODY STYLES:
 MJ = Comanche Pickup
 SJ = Grand Wagoneer Wgn., J-10 & J-20 Pickups
 XJ = Cherokee, Wagoneer Limited
 YJ = Wrangler

AR = Use as Required - = Non Illustrated Part P.A.R. = Paint as Required

COVERS, AND FRAME WITH PAD FRONT SEAT WRANGLER, YJ
Figure 27-600

8J27600



| ITEM | PART NUMBER | QTY | BODY | MODEL | DESCRIPTION |
|------|-------------|-----|------|-------|---|
| 1 | | | | | COVER, Cushion |
| | 5502 1746 | 2 | | | Islander, Islander Vinyl |
| | 5AJ0 5JS1 | 2 | | | Charcoal, (R6SA or W6SA), 1988-89 |
| | | | | | Charcoal, (R6SA), 1990 |
| | | | | | Base, Jeep Vinyl |
| | 5500 9652 | 2 | | | Black, (1ED), 1987 |
| | 5501 6356 | 2 | | | Charcoal, (BDA or DDA or A6SA or G6SA or E6SA or P6SA or D6SA), 1988-89 |
| | 5AH9 0JS1 | 2 | | | Charcoal, (P6SA), 1990 |
| | 5500 9656 | 2 | | | Honey, (9ED), 1987 |
| | 5502 1306 | 2 | | | Sand, (A6YY or D6YY or G6YY or E6YY or P6YY), 1989 |
| | 5AH9 0JY1 | 2 | | | Sand, (P6YY), 1990 |
| | 5501 6358 | 2 | | | Tan, (BDE or DDE), 1988 |
| 2 | | | | | COVER, Cushion |
| | | | | | Laredo, Trail Cloth |
| | 5501 6360-1 | 1 | | | Charcoal, (BFA or DFA or A5SA or T5SA or K5SA or W5SA), 1988-89 |
| | 5AH96-7 JS1 | 1 | | | Charcoal, (T5SA), 1990 |
| | 5502 1324-5 | 1 | | | Sand, (K5YY or T5YY), 1989 |
| | 5AH96-7 JY6 | 1 | | | Sand, (T5YY), 1990 |
| | 5501 6362-3 | 1 | | | Tan, (BDE or DFE), 1988 |
| | | | | | Buffalo Vinyl |
| | 5500 9658-9 | 1 | | | Black, (1EF), 1987 |
| | 5500 9660-1 | 1 | | | Honey, (9EF), 1987 |
| 3 | | | | | COVER, Cushion |
| | | | | | Sahara, Trail Cloth |
| | 5501 9282 | 2 | | | Khaki, Tan, (BFF), 1988 |
| | 5502 1336 | 2 | | | Khaki, Sand, (S5YY or X5YY), 1989 |
| | 5AJ0 1JJ5 | 2 | | | Khaki, (C5YY), 1990 |
| 4 | | | | | COVER, Back |
| | | | | | Islander, Islander Vinyl |
| | 5502 1744-5 | 1 | | | Charcoal, (R6SA or W6SA), 1988-89 |
| | 5AS54-5 JS1 | 1 | | | Charcoal, (R6SA), 1990 |
| | | | | | Base, Jeep Vinyl |
| | 5500 9666-7 | 1 | | | Black, (1ED), 1987 |
| | 5501 6364-5 | 1 | | | Charcoal, (BDA or DDA or A6SA or D6SA or G6SA or E6SA or P6SA), 1988-89 |

MODEL CODES:

| | | |
|-----------------------------|-----------------------------|------------------------------|
| 15 = Grand Wagoneer 4 Dr. | 65 = Comanche 4WD-7 Ft. Box | 77 = Cherokee 4WD-2 Dr. |
| 25 = J-10 Pickup-119" W.B. | 66 = Comanche 2WD-7 Ft. Box | 78 = Cherokee 4WD-4 Dr. |
| 26 = J-10 Pickup-131" W.B. | 73 = Cherokee 2WD-2 Dr. | 79 = Cherokee 4WD-4 Dr.-Com |
| 27 = J-20 Pickup-131" W.B. | 74 = Cherokee 2WD-4 Dr. | 81 = Wrangler-93" W.B. |
| 63 = Comanche 4WD-6 Ft. Box | 75 = Wagoneer 4WD-4 Dr. | 82 = Wrangler-103" W.B.-Exp. |
| 64 = Comanche 2WD-6 Ft. Box | | |

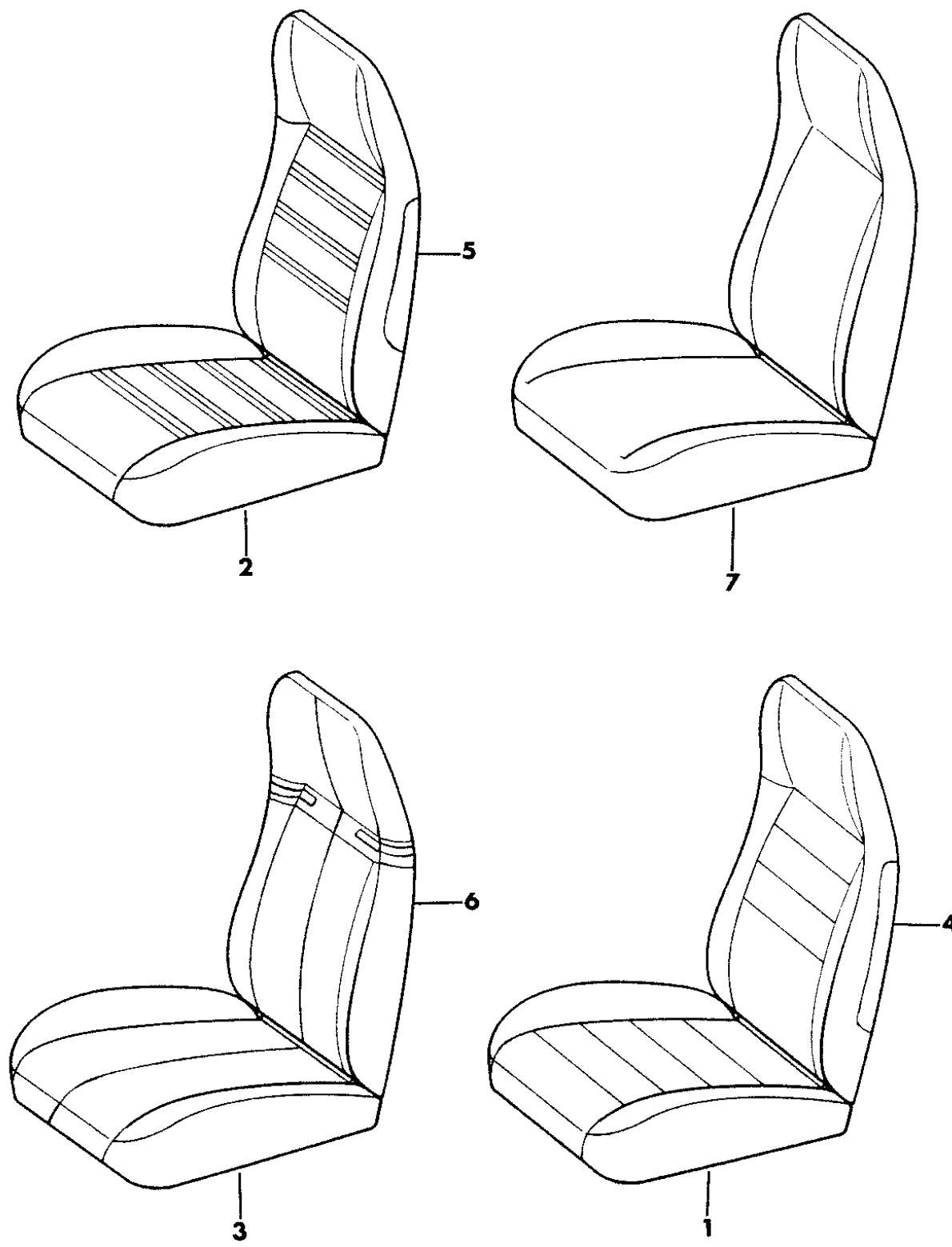
BODY STYLES:

MJ = Comanche Pickup
 SJ = Grand Wagoneer Wgn., J-10 & J-20 Pickups
 XJ = Cherokee, Wagoneer Limited
 YJ = Wrangler

AR = Use as Required - = Non Illustrated Part P.A.R. = Paint as Required

COVERS, AND FRAME WITH PAD FRONT SEAT WRANGLER, YJ
Figure 27-600

8J27600



| ITEM | PART NUMBER | QTY | BODY | MODEL | DESCRIPTION |
|------|-------------|-----|------|-------|--|
| | 5AS52-3 JS1 | 1 | | | Charcoal, (P6SA), 1990 |
| | 5500 9670-1 | 1 | | | Honey, (9ED), 1987 |
| | 5502 1304-5 | 1 | | | Sand (A6YY or D6YY or E6YY or G6YY or P6YY), 1989 |
| | 5AS52-3 JY1 | 1 | | | Sand, (P6YY), 1990 |
| | 5501 6366-7 | 1 | | | Tan, (BDE or DDE), 1988 |
| 5 | | | | | COVER, Back Laredo, Trail Cloth |
| | 5501 6368 | 2 | | | Charcoal, (BFA or DFA or A5SAor T5SA or K5SA or W5SA), 1988-89 |
| | 5AS5 6JS1 | 2 | | | Charcoal, (T5SA), 1990 (5AS56 Trm Does Not Fit 1990, Fits 91, Use 88-89 #'s For 1990 - The Earlier Covers Are More Narrow Than The Later Ones) |
| | 5502 1326 | 2 | | | Sand, (K5YY or T5YY), 1989 |
| | 5AS5 6JY6 | 2 | | | Sand, (T5YY), 1990 |
| | 5501 6370 | 2 | | | Tan, (BFE or DFE), 1988 Buffalo Vinyl |
| | 5500 9672 | 2 | | | Black, (1EF), 1987 |
| | 5500 9674 | 2 | | | Honey, (9EF), 1987 |
| 6 | | | | | COVER, Back Sahara, Trail Cloth |
| | 5501 9284 | 2 | | | Khaki, Tan, (BFF), 1988 |
| | 5502 1338 | 2 | | | Khaki, Sand, (C5YY or S5YY or X5YY), 1989 |
| | 5AS5 8JJ5 | 2 | | | Khaki, C5YY), 1990 |
| 7 | | | | | FRAME, Seat, (Includes Pad) |
| | J575 0571 | 2 | | | 1987-89 |
| | 5502 1516 | 2 | | | 1990 |

MODEL CODES:
 15 = Grand Wagoneer 4 Dr. 65 = Comanche 4WD-7 Ft. Box 77 = Cherokee 4WD-2 Dr.
 25 = J-10 Pickup-119" W.B. 66 = Comanche 2WD-7 Ft. Box 78 = Cherokee 4WD-4 Dr.
 26 = J-10 Pickup-131" W.B. 73 = Cherokee 2WD-2 Dr. 79 = Cherokee 4WD-4 Dr.-Com
 27 = J-20 Pickup-131" W.B. 74 = Cherokee 2WD-4 Dr. 81 = Wrangler-93" W.B.
 63 = Comanche 4WD-6 Ft. Box 75 = Wagoneer 4WD-4 Dr. 82 = Wrangler-103" W.B.-Exp.
 64 = Comanche 2WD-6 Ft. Box

BODY STYLES:
 MJ = Comanche Pickup
 SJ = Grand Wagoneer Wgn., J-10 & J-20 Pickups
 XJ = Cherokee, Wagoneer Limited
 YJ = Wrangler

AR = Use as Required - = Non Illustrated Part P.A.R. = Paint as Required

COVERS, AND FRAME WITH PAD REAR SEAT WRANGLER, YJ
Figure 27-700

8J27700

| ITEM | PART NUMBER | QTY | BODY | MODEL | DESCRIPTION |
|------|-------------|-----|------|-------|---|
| 1 | | | | | FRAME, Seat Back, w/Pad |
| | 5500 7757 | 1 | | | 1987-89 |
| | 5502 4688 | 1 | | | 1990 |
| | | | | | FRAME, Seat Back, w/Pad, w/(ECE) |
| | 5500 9426 | 1 | | | 1987-89 |
| | 5502 4728 | 1 | | | 1990 |
| 2 | 5500 7755 | 1 | | | FRAME, Cushion, w/Pad (Lever Latch 4713789) |
| 3 | 5500 8065 | 1 | | | COVER, Latch |
| 4 | J576 6316 | 3 | | | SUPPORT, Cushion |
| 5 | J095 8556 | 3 | | | BUMPER |
| 6 | J012 0376 | 3 | | | NUT |
| 7 | 5500 7753 | 1 | | | COVER, Hinge |
| 8 | 5500 7752 | 1 | | | COVER, Hinge |
| 9 | 3420 2315 | 4 | | | BOLT |
| 10 | J400 7317 | 2 | | | WASHER |
| 11 | J400 7315 | 2 | | | WASHER |
| 12 | 5501 4330 | 1 | | | STRAP |
| 13 | J400 6061 | 2 | | | PIN, Locking |
| 14 | 5500 7759 | 2 | | | BRACKET, Lock Striker |
| 15 | J400 5603 | 4 | | | SCREW |
| 16 | J576 6317 | 2 | | | BRACKET, Pivot |
| 17 | J400 4626 | 4 | | | SCREW |
| 18 | 5500 7760 | 2 | | | REINFORCEMENT |
| 19 | J096 8343 | 3 | | | SCREW |
| 20 | | | | | COVER, Back |
| | | | | | Islander, Islander Vinyl |
| | 5502 1752 | 1 | | | Charcoal, (R6SA or W6SA), 1988-89 |
| | 5AJ0 9JS1 | 1 | | | Charcoal, (R6SA), 1990 |
| 21 | | | | | COVER, Cushion |
| | | | | | Islander, Islander Vinyl |
| | 5502 1750 | 1 | | | Charcoal, (R6SA or W6SA), 1988-89 |
| | 5AJ0 8JS1 | 1 | | | Charcoal, (R6SA), 1990 |
| 22 | | | | | Cover, Back *** |
| | | | | | Base, Jeep Vinyl |
| | 5500 9685 | 1 | | | Black, (1ED), 1987 |
| | 5501 6388 | 1 | | | Charcoal, (BDA or DDA or A6SA or D6SA or G6SA or E6SA or P6SA), 1988-89 |

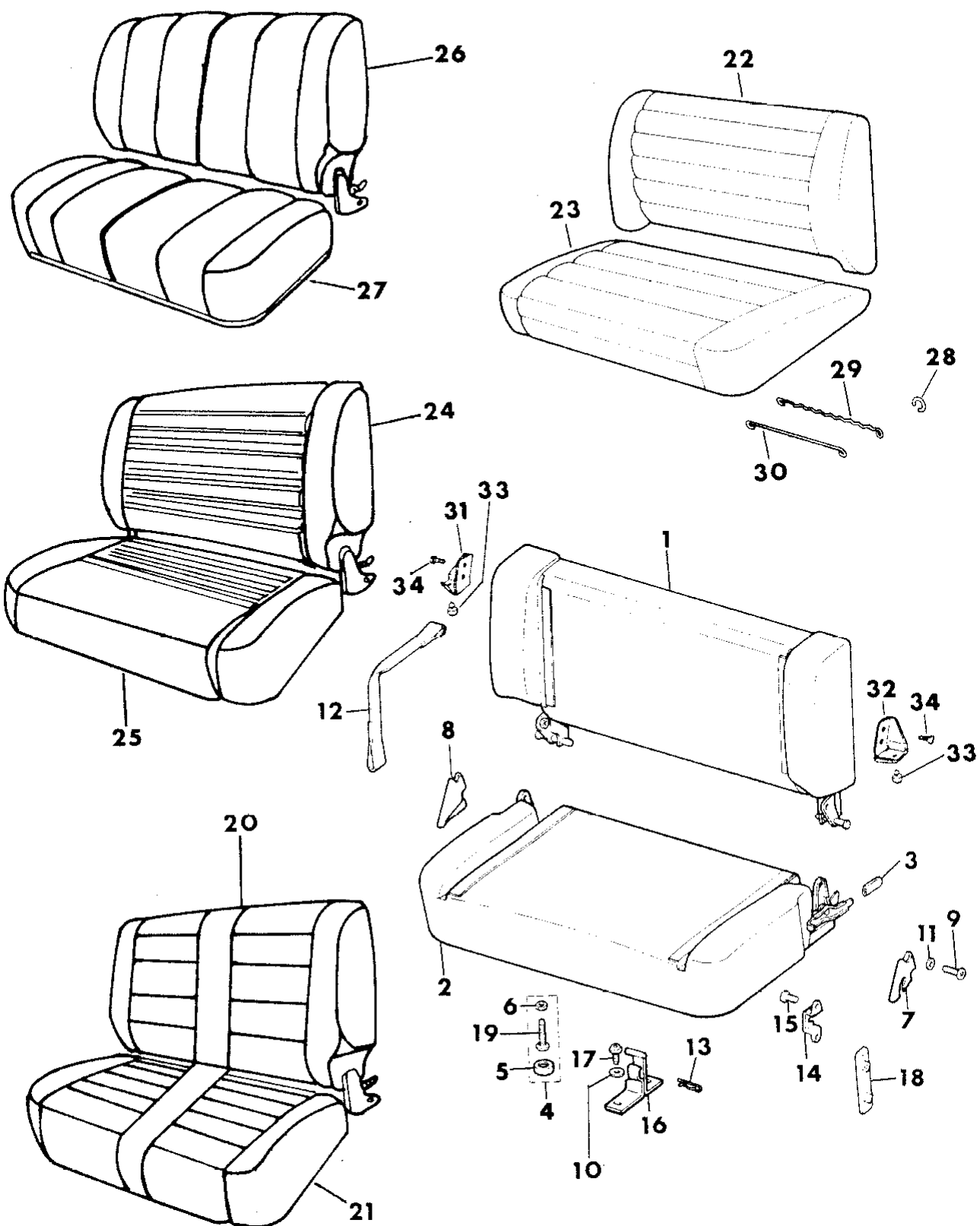
MODEL CODES:

| | | |
|-----------------------------|-----------------------------|------------------------------|
| 15 = Grand Wagoneer 4 Dr. | 65 = Comanche 4WD-7 Ft. Box | 77 = Cherokee 4WD-2 Dr. |
| 25 = J-10 Pickup-119" W.B. | 66 = Comanche 2WD-7 Ft. Box | 78 = Cherokee 4WD-4 Dr. |
| 26 = J-10 Pickup-131" W.B. | 73 = Cherokee 2WD-2 Dr. | 79 = Cherokee 4WD-4 Dr.-Com |
| 27 = J-20 Pickup-131" W.B. | 74 = Cherokee 2WD-4 Dr. | 81 = Wrangler-93" W.B. |
| 63 = Comanche 4WD-6 Ft. Box | 75 = Wagoneer 4WD-4 Dr. | 82 = Wrangler-103" W.B.-Exp. |
| 64 = Comanche 2WD-6 Ft. Box | | |

BODY STYLES:

MJ = Comanche Pickup
 SJ = Grand Wagoneer Wgn., J-10 & J-20 Pickups
 XJ = Cherokee, Wagoneer Limited
 YJ = Wrangler

AR = Use as Required - = Non Illustrated Part P.A.R. = Paint as Required



COVERS, AND FRAME WITH PAD REAR SEAT WRANGLER, YJ
Figure 27-700

8J27700

| ITEM | PART NUMBER | QTY | BODY | MODEL | DESCRIPTION |
|------|-------------|-----|------|-------|---|
| | 5AH9 5JS1 | 1 | | | Charcoal, (P6SA), 1990 |
| | 5500 9687 | 1 | | | Honey, (9ED), 1987 |
| | 5502 1312 | 1 | | | Sand, (A6YY or D6YY or G6YY oy E6YY or P6YY), 1989 |
| | 5AH9 5JY1 | 1 | | | Sand, (P6YY), 1990 |
| | 5501 6390 | 1 | | | Tan, (BDE or DDE), 1988 |
| 23 | | | | | COVER, Cushion *** Base, Jeep Vinyl |
| | 5500 9678 | 1 | | | Black, (1ED), 1987 |
| | 5501 6380 | 1 | | | Charcoal, (BDA or DDA or A6SA or D6SA or G6SA or E6SA or P6SA), 1988/89 |
| | 5AH9 4JS1 | 1 | | | Charcoal, (P6SA), 1990 |
| | 5500 9680 | 1 | | | Honey, (9ED), 1987 |
| | 5502 1310 | 1 | | | Sand, (A6YY or D6YY or G6YY or E6YY or P6YY),1989 |
| | 5AH9 4JY1 | 1 | | | Sand, (P6YY), 1990 |
| | 5501 6382 | 1 | | | Tan, (BDE or DDE), 1988 |
| 24 | | | | | COVER, Back Laredo, Trail Cloth |
| | 5501 6392 | 1 | | | Charcoal, (BFA or DFA or A5SA or T5SA or K5SA or W5SA), 1988-89 |
| | 5AJ0 0JS1 | 1 | | | Charcoal, (T5SA), 1990 |
| | 5502 1331 | 1 | | | Sand, (K5YY or T5YY), 1989 |
| | 5AJ0 0JY6 | 1 | | | Sand, (T5YY), 1990 |
| | 5501 6386 | 1 | | | Tan, (BFE or DFE), 1988 Buffalo Vinyl |
| | 5500 9688 | 1 | | | Black, (1EF), 1987 |
| | 5500 9689 | 1 | | | Honey, (9EF), 1987 |
| 25 | | | | | COVER, Cushion Laredo, Trail Cloth |
| | 5501 6384 | 1 | | | Charcoal, (BFA or DFA or A5SA or T5SA or K5SA or W5SA), 1988-89 |
| | 5AH9 9JS1 | 1 | | | Charcoal, (T5SA), 1990 |
| | 5502 1329 | 1 | | | Sand, (K5YY or T5YY), 1989 |
| | 5AH9 9JY6 | 1 | | | Sand, (T5YY), 1990 |
| | 5501 6386 | 1 | | | Tan, (BFE or DFE), 1988 Buffalo Vinyl |
| | 5500 9681 | 1 | | | Black, (1EF), 1987 |
| | 5500 9682 | 1 | | | Honey, (9EF), 1987 |

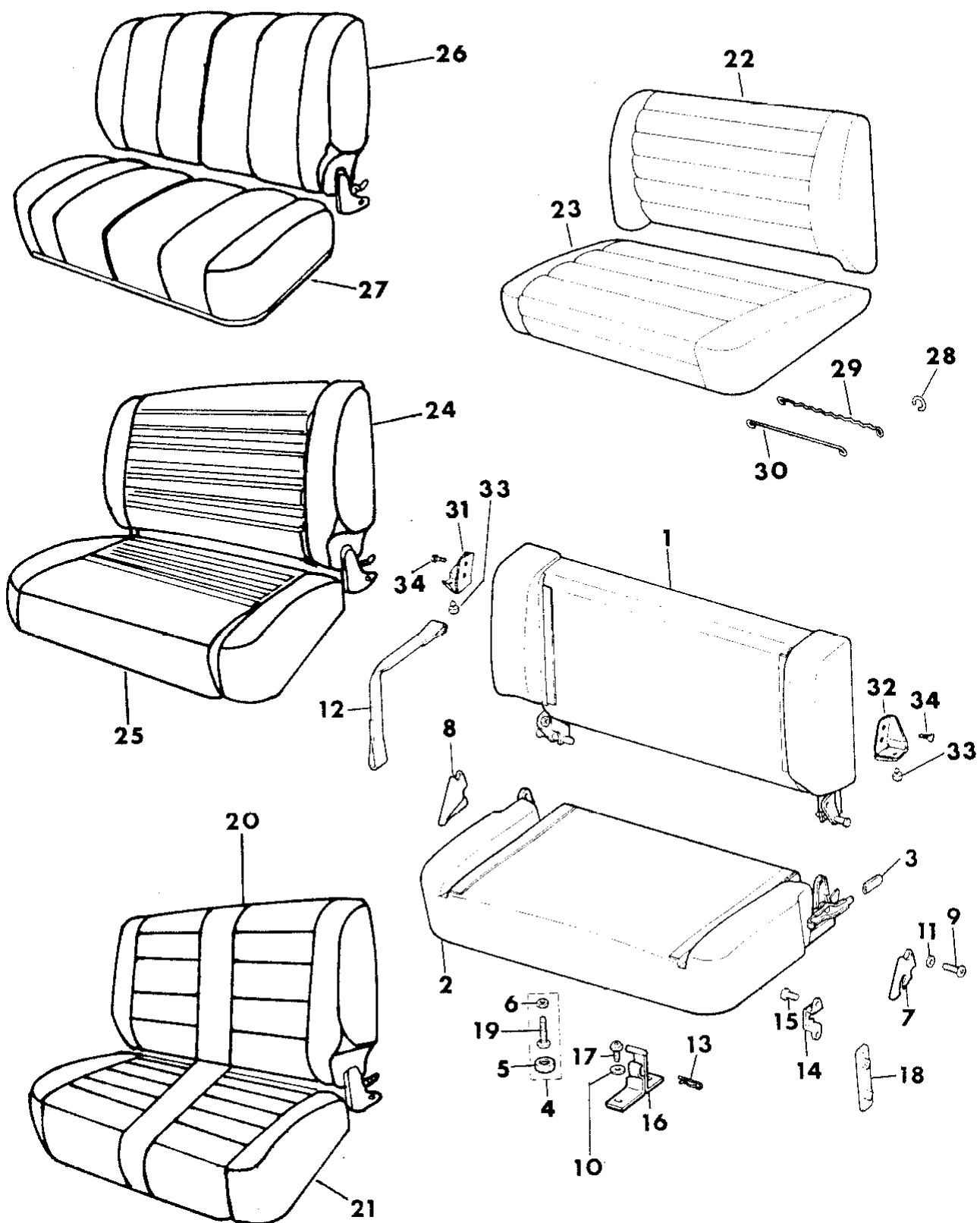
MODEL CODES:

| | | |
|-----------------------------|-----------------------------|------------------------------|
| 15 = Grand Wagoneer 4 Dr. | 65 = Comanche 4WD-7 Ft. Box | 77 = Cherokee 4WD-2 Dr. |
| 25 = J-10 Pickup-119" W.B. | 66 = Comanche 2WD-7 Ft. Box | 78 = Cherokee 4WD-4 Dr. |
| 26 = J-10 Pickup-131" W.B. | 73 = Cherokee 2WD-2 Dr. | 79 = Cherokee 4WD-4 Dr.-Com |
| 27 = J-20 Pickup-131" W.B. | 74 = Cherokee 2WD-4 Dr. | 81 = Wrangler-93" W.B. |
| 63 = Comanche 4WD-6 Ft. Box | 75 = Wagoneer 4WD-4 Dr. | 82 = Wrangler-103" W.B.-Exp. |
| 64 = Comanche 2WD-6 Ft. Box | | |

BODY STYLES:

MJ = Comanche Pickup
 SJ = Grand Wagoneer Wgn., J-10 & J-20 Pickups
 XJ = Cherokee, Wagoneer Limited
 YJ = Wrangler

AR = Use as Required - = Non Illustrated Part P.A.R. = Paint as Required



COVERS, AND FRAME WITH PAD REAR SEAT WRANGLER, YJ
Figure 27-700

8J27700

| ITEM | PART NUMBER | QTY | BODY | MODEL | DESCRIPTION |
|------|-------------|-----|------|-------|--|
| 26 | | | | | COVER, Back |
| | 5501 9288 | 1 | | | Sahara, Trail Cloth Khaki, Tan, (BFF), 1988 |
| | 5502 1757 | 1 | | | Khaki, Sand, (C5YY or S5YY or X5YY), 1989 |
| | 5AJ0 4JJ5 | 1 | | | Khaki, (C5YY), 1990 |
| 27 | | | | | COVER, Cushion |
| | 5501 9286 | 1 | | | Sahara, Trail Cloth Khaki, Tan, (BFF), 1988 |
| | 5502 1756 | 1 | | | Khaki, Sand, (C5YY or S5YY or X5YY), 1989 |
| | 5AJ0 3JJ5 | 1 | | | Khaki, (C5YY), 1990 |
| 28 | J436 3256 | AR | | | RING |
| 29 | J362 1468 | 2 | | | WIRE |
| 30 | J096 9187 | 4 | | | WIRE |
| 31 | 5500 9424 | 1 | | | BRACKET, Seat Back, (ECE) |
| 32 | 5500 9425 | 1 | | | BRACKET, (ECE) |
| 33 | J323 4895 | 2 | | | BUMPER, (ECE) |
| 34 | J018 0016 | 4 | | | BOLT, (ECE) |

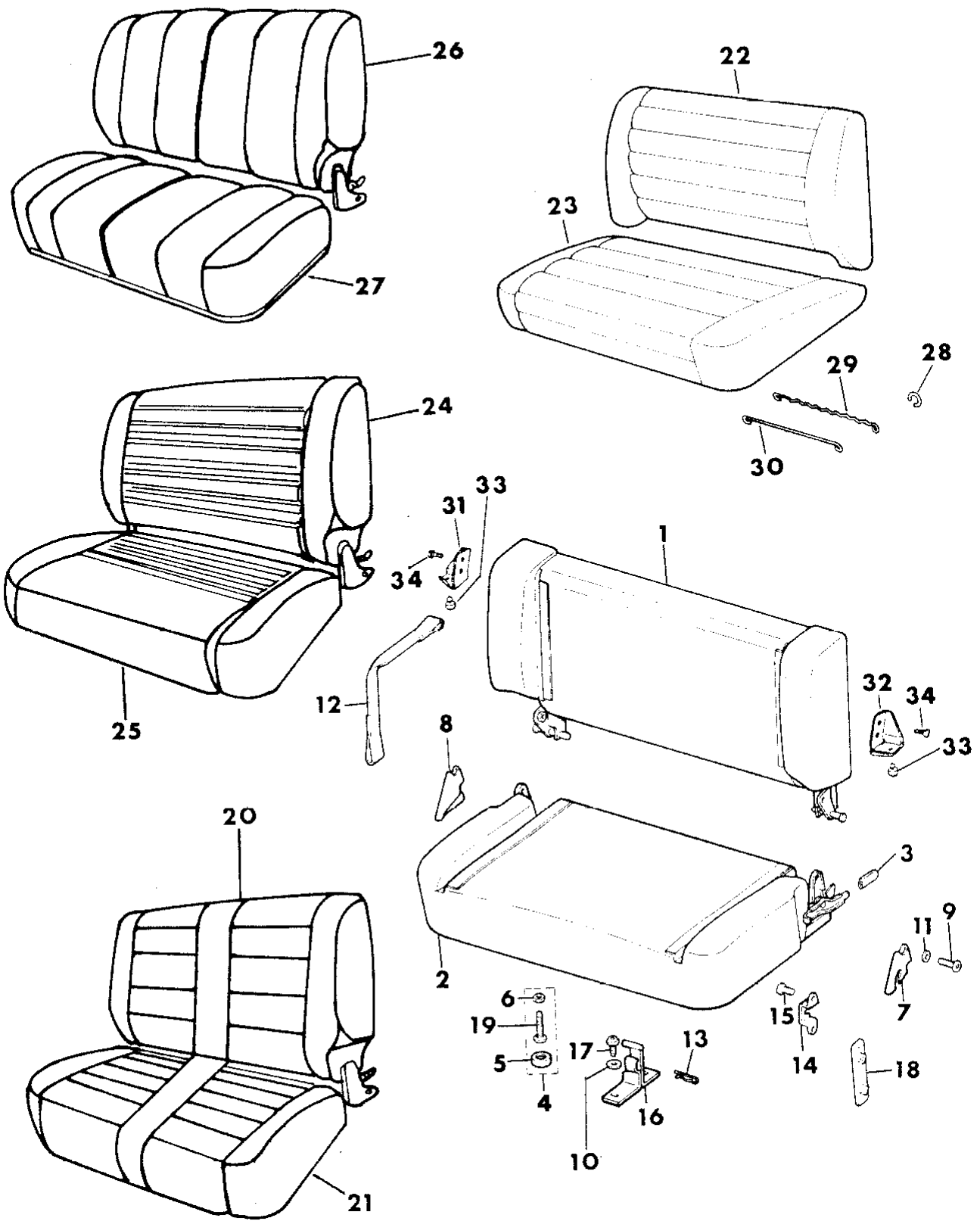
(ECE) = Emission Controlled European Tag affixed to the Face of its Pulley. A Second Tag will show the name of the Vendor (OGURA).

MODEL CODES:

| | | |
|-----------------------------|-----------------------------|------------------------------|
| 15 = Grand Wagoneer 4 Dr. | 65 = Comanche 4WD-7 Ft. Box | 77 = Cherokee 4WD-2 Dr. |
| 25 = J-10 Pickup-119" W.B. | 66 = Comanche 2WD-7 Ft. Box | 78 = Cherokee 4WD-4 Dr. |
| 26 = J-10 Pickup-131" W.B. | 73 = Cherokee 2WD-2 Dr. | 79 = Cherokee 4WD-4 Dr.-Com |
| 27 = J-20 Pickup-131" W.B. | 74 = Cherokee 2WD-4 Dr. | 81 = Wrangler-93" W.B. |
| 63 = Comanche 4WD-6 Ft. Box | 75 = Wagoneer 4WD-4 Dr. | 82 = Wrangler-103" W.B.-Exp. |
| 64 = Comanche 2WD-6 Ft. Box | | |

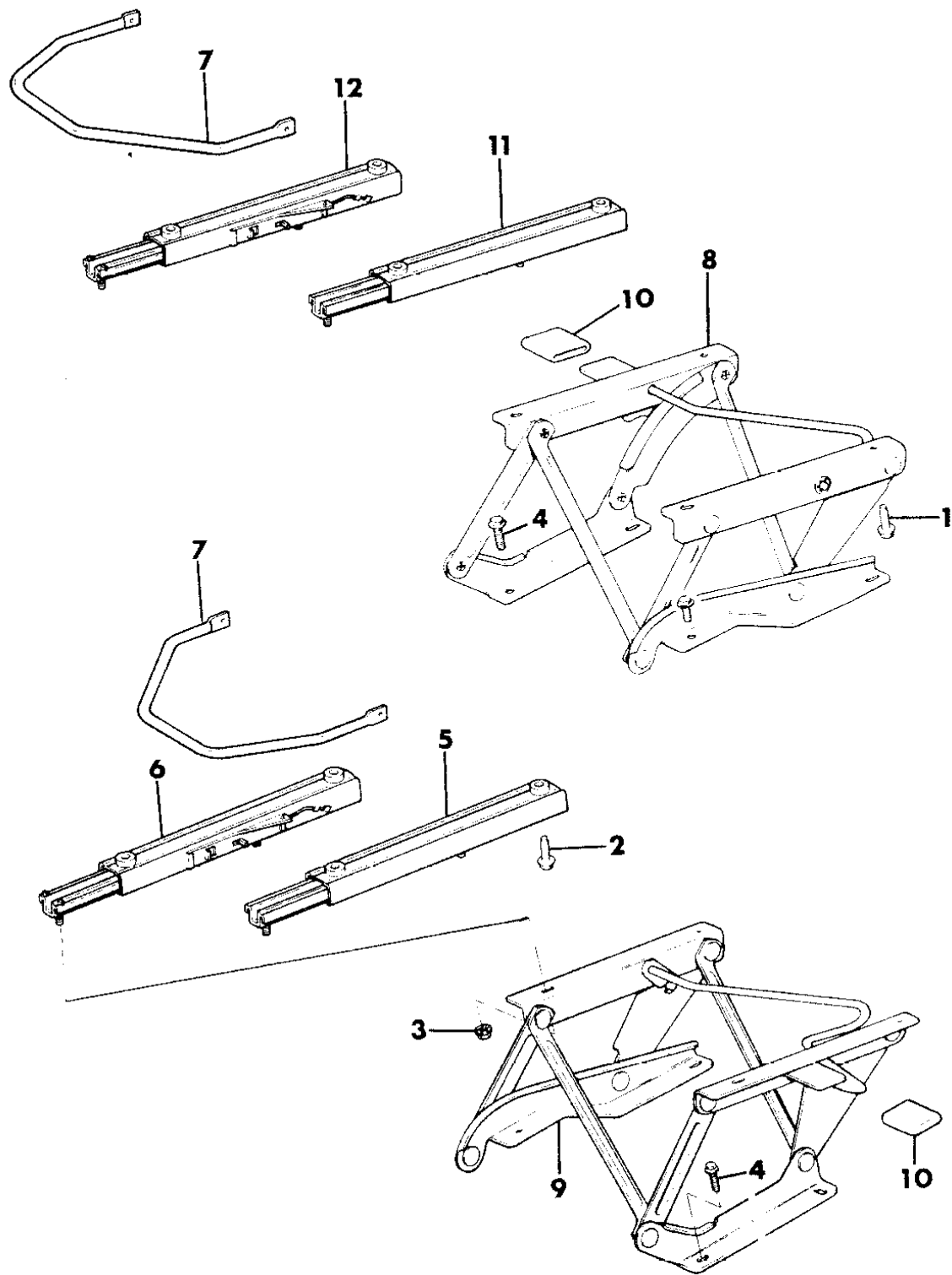
BODY STYLES:
 MJ = Comanche Pickup
 SJ = Grand Wagoneer Wgn., J-10 & J-20 Pickups
 XJ = Cherokee, Wagoneer Limited
 YJ = Wrangler

AR = Use as Required - = Non Illustrated Part P.A.R. = Paint as Required



TRACKS FRONT SEAT WRANGLER, YJ
Figure 27-800

8J27 800



| ITEM | PART NUMBER | QTY | BODY | MODEL | DESCRIPTION |
|------|-------------|-----|------|-------|---------------------------------|
| 1 | J400 4455 | 4 | | | SCREW |
| 2 | J400 4926 | 8 | | | SCREW |
| 3 | J812 2425 | 8 | | | NUT, Hex |
| 4 | J545 0077 | 8 | | | BOLT, w/Washer |
| 5 | 5501 1021 | 1 | | | TRACK, Seat |
| 6 | 5501 1020 | 1 | | | TRACK, Seat |
| 7 | 5501 1047 | 2 | | | HANDLE, Adjusting |
| 8 | 5500 9416 | 1 | | | SUPPORT, Cushion, Right 1987 |
| | 5501 9234 | 1 | | | 1988-90 |
| 9 | 5502 7117 | 1 | | | SUPPORT, Cushion, Left |
| 10 | J545 8945 | 2 | | | PROTECTOR |
| 11 | 5501 9237 | 1 | | | TRACK, Seat |
| 12 | 5501 9236 | 1 | | | TRACK, Seat |

MODEL CODES:

| | | |
|-----------------------------|-----------------------------|------------------------------|
| 15 = Grand Wagoneer 4 Dr. | 65 = Comanche 4WD-7 Ft. Box | 77 = Cherokee 4WD-2 Dr. |
| 25 = J-10 Pickup-119" W.B. | 66 = Comanche 2WD-7 Ft. Box | 78 = Cherokee 4WD-4 Dr. |
| 26 = J-10 Pickup-131" W.B. | 73 = Cherokee 2WD-2 Dr. | 79 = Cherokee 4WD-4 Dr.-Com |
| 27 = J-20 Pickup-131" W.B. | 74 = Cherokee 2WD-4 Dr. | 81 = Wrangler-93" W.B. |
| 63 = Comanche 4WD-6 Ft. Box | 75 = Wagoneer 4WD-4 Dr. | 82 = Wrangler-103" W.B.-Exp. |
| 64 = Comanche 2WD-6 Ft. Box | | |

BODY STYLES:

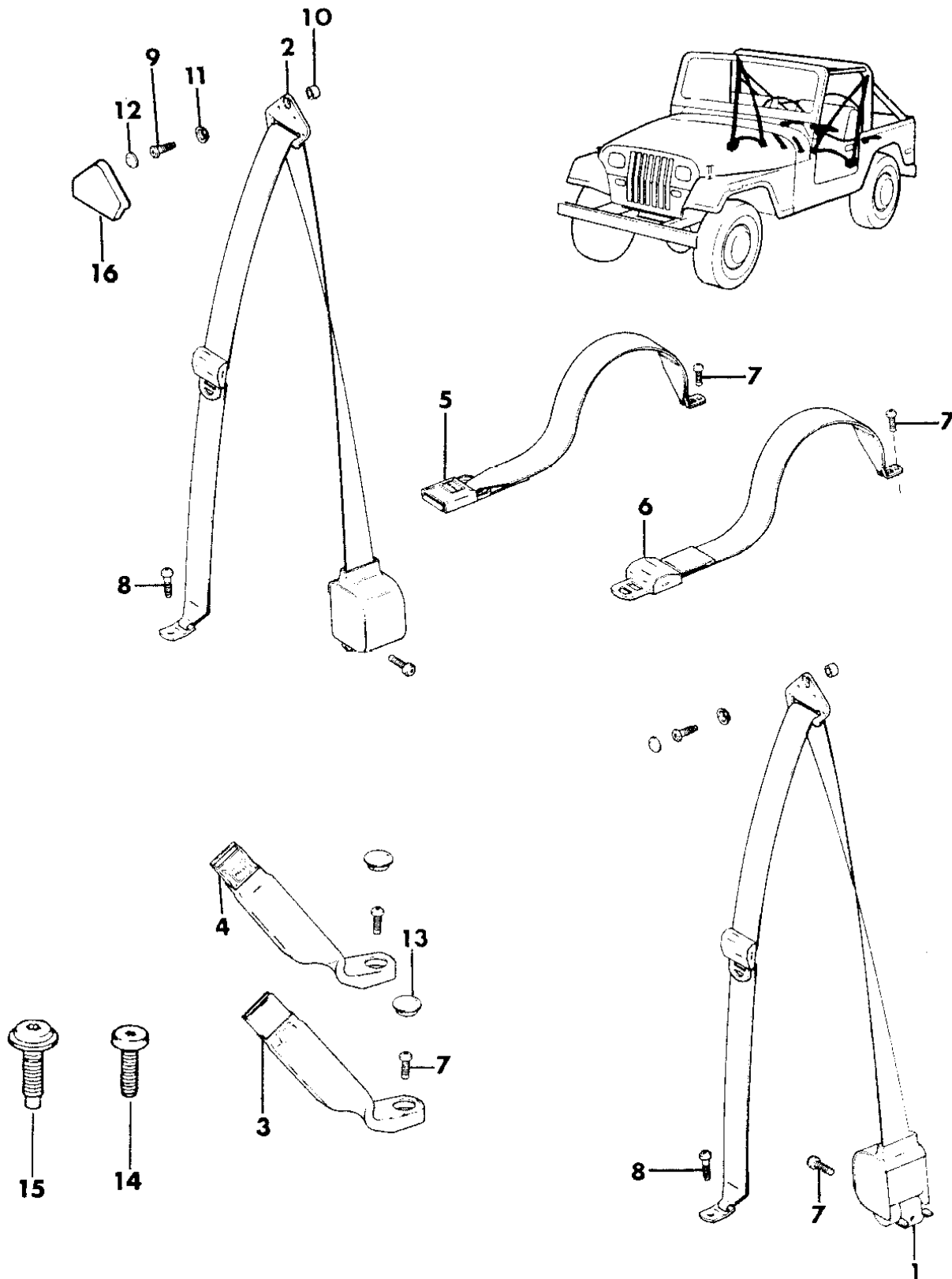
MJ = Comanche Pickup
SJ = Grand Wagoneer Wgn., J-10 & J-20 Pickups
XJ = Cherokee, Wagoneer Limited
YJ = Wrangler

AR = Use as Required - = Non Illustrated Part P.A.R. = Paint as Required

SEAT BELTS WRANGLER, YJ
Figure 27-900

8J27900

| ITEM | PART NUMBER | QTY | BODY | MODEL | DESCRIPTION |
|------|-------------|-----|------|-------|---|
| 1 | 5501 4487 | 1 | | | SEATBELT *** |
| | J576 2157 | 1 | | | SEATBELT, (ECE) *** |
| 2 | 5501 4486 | 1 | | | SEATBELT *** |
| | J576 2158 | 1 | | | SEATBELT, (ECE) *** |
| 3 | 5501 5419 | 1 | | | SEATBELT *** |
| | J576 0073 | 1 | | | SEATBELT, (ECE) *** |
| 4 | 5501 5418 | 1 | | | SEATBELT *** |
| | J576 0072 | 1 | | | SEATBELT, (ECE) *** |
| 5 | 5501 3092 | 2 | | | SEATBELT *** |
| | 5502 2170 | 2 | | | SEATBELT, (ECE) *** |
| 6 | 5501 3094 | 2 | | | SEATBELT *** |
| | 5502 2168 | 2 | | | SEATBELT, (ECE) *** |
| 7 | J400 6832 | 10 | | | BOLT, 1.38" Long *** |
| 8 | J400 5506 | 2 | | | BOLT, 1.45" Long *** |
| 9 | J400 7124 | 2 | | | BOLT, 1.95" Long *** |
| 10 | J400 7209 | 2 | | | SPACER |
| 11 | J400 7264 | 2 | | | WASHER |
| 12 | J400 7263 | 2 | | | CAP |
| 13 | J400 7262 | 2 | | | PLUG 1987-89 |
| | 5502 6552 | 2 | | | 1990 |
| 14 | J400 5603 | 4 | | | SCREW, 1.00" Long, w/o Folding Rear Seat |
| 15 | J400 6194 | 4 | | | SCREW, w/o Folding Rear Seat 1987-89, 1.25" Long |
| | J400 7073 | 4 | | | 1990 (3x8-16x1.25") |
| 16 | J575 6587 | 2 | | | COVER, Web Guide, (ECE) NOTE: (ECE) = Emission Controlled European *** |



MODEL CODES:

| | | |
|-----------------------------|-----------------------------|------------------------------|
| 15 = Grand Wagoneer 4 Dr. | 65 = Comanche 4WD-7 Ft. Box | 77 = Cherokee 4WD-2 Dr. |
| 25 = J-10 Pickup-119" W.B. | 66 = Comanche 2WD-7 Ft. Box | 78 = Cherokee 4WD-4 Dr. |
| 26 = J-10 Pickup-131" W.B. | 73 = Cherokee 2WD-2 Dr. | 79 = Cherokee 4WD-4 Dr.-Com |
| 27 = J-20 Pickup-131" W.B. | 74 = Cherokee 2WD-4 Dr. | 81 = Wrangler-93" W.B. |
| 63 = Comanche 4WD-6 Ft. Box | 75 = Wagoneer 4WD-4 Dr. | 82 = Wrangler-103" W.B.-Exp. |
| 64 = Comanche 2WD-6 Ft. Box | | |

BODY STYLES:

MJ = Comanche Pickup
SJ = Grand Wagoneer Wgn., J-10 & J-20 Pickups
XJ = Cherokee, Wagoneer Limited
YJ = Wrangler

AR = Use as Required - = Non Illustrated Part P.A.R. = Paint as Required

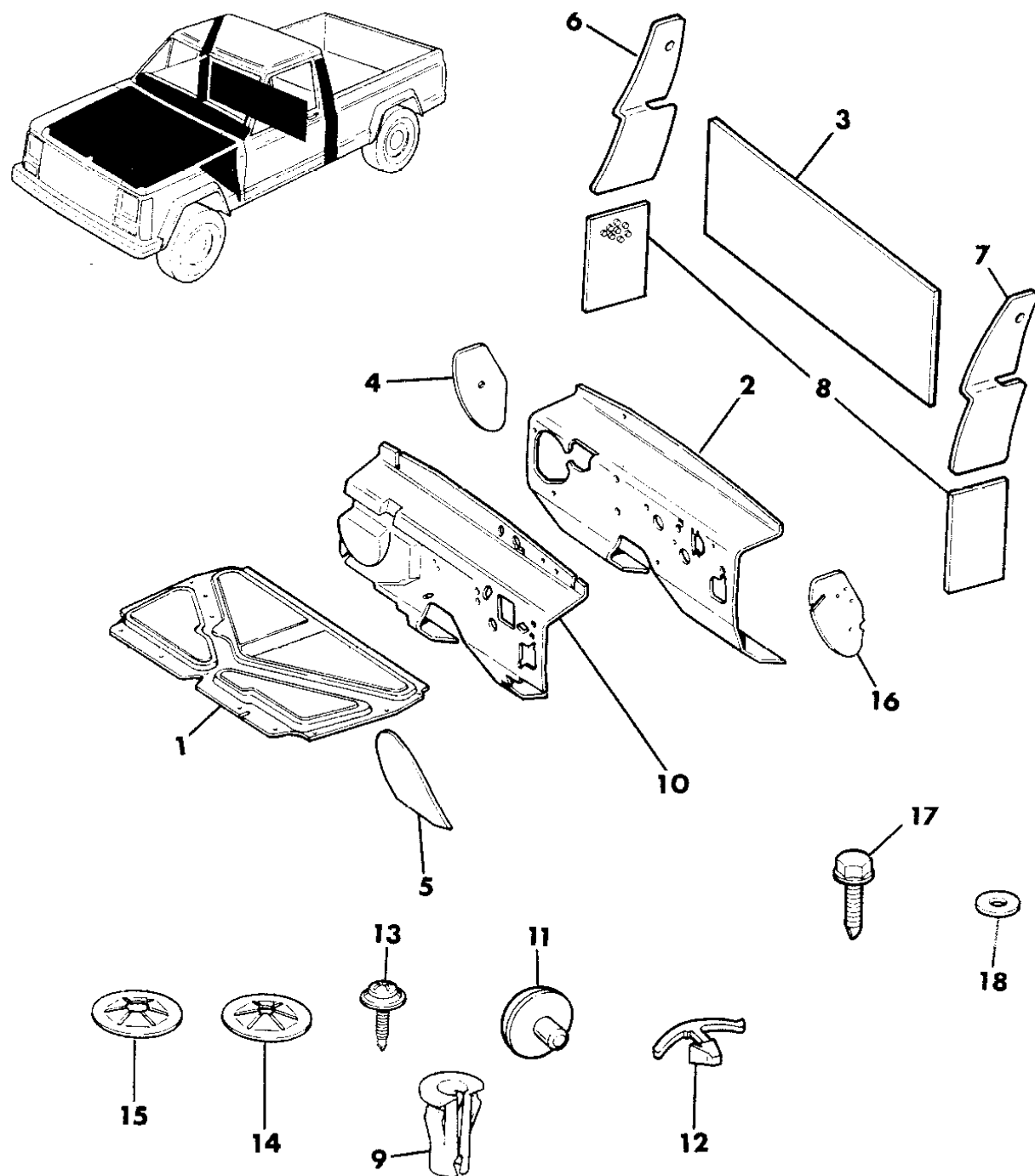
GROUP 43 - CHEROKEE, WAGONEER, COMANCHE

| ILLUSTRATION TITLE | GROUP-FIG. NO. |
|--|-----------------------|
| INSULATION CHEROKEE, WAGONEER, COMANCHE | Fig. 43-100 |
| HEADLINING AND UPPER TRIM MOULDINGS COMANCHE | Fig. 43-200 |
| HEADLINING AND UPPER TRIM MOULDINGS CHEROKEE, WAGONEER | Fig. 43-300 |
| SUNVISORS AND VANITY MIRRORS CHEROKEE, WAGONEER, COMANCHE, 1987-89 | Fig. 43-400 |
| SUNVISORS AND VANITY MIRRORS CHEROKEE, WAGONEER, COMANCHE, 1990 | Fig. 43-450 |
| PANELS, INTERIOR TRIM, FRONT 2 DOOR WAGON CHEROKEE | Fig. 43-500 |
| PANELS, INTERIOR TRIM, REAR 2 DOOR WAGON CHEROKEE | Fig. 43-600 |
| PANELS, INTERIOR TRIM COMANCHE | Fig. 43-700 |
| PANELS, INTERIOR TRIM, FRONT 4 DOOR WAGON CHEROKEE, WAGONEER | Fig. 43-800 |
| PANELS, INTERIOR TRIM, REAR 4 DOOR WAGON CHEROKEE, WAGONEER | Fig. 43-900 |
| CARPETS AND MATS CHEROKEE, WAGONEER, COMANCHE | Fig. 43-1000 |
| PANELS, DOOR TRIM WAGONEER | Fig. 43-1100 |
| INTERIOR DOOR TRIM PARTS CHEROKEE, WAGONEER | Fig. 43-1200 |
| PANELS, DOOR TRIM 2 DOOR WAGON CHEROKEE | Fig. 43-1300 |
| PANELS, DOOR TRIM 4 DOOR WAGON CHEROKEE | Fig. 43-1400 |
| PANELS, DOOR TRIM COMANCHE | Fig. 43-1500 |
| INTERIOR DOOR TRIM PARTS COMANCHE | Fig. 43-1600 |
| FRAME AND PAD 2 DOOR WAGON AND TRUCK CHEROKEE, COMANCHE | Fig. 43-1700 |
| FRAME AND PAD 4 DOOR WAGON CHEROKEE, WAGONEER | Fig. 43-1800 |
| FRAME, PAD, AND COVER BENCH SEAT COMANCHE | Fig. 43-1900 |
| FRAME AND PAD REAR SEAT CHEROKEE AND WAGONEER | Fig. 43-2000 |
| COVERS, SEAT UPHOLSTERY VINYL CHEROKEE 2 DOOR | Fig. 43-2100 |
| COVERS, SEAT UPHOLSTERY CLOTH OR LEATHER CHEROKEE 2 DOOR | Fig. 43-2200 |
| COVERS, SEAT UPHOLSTERY LEATHER OR CLOTH WAGONEER | Fig. 43-2300 |
| COVERS, SEAT UPHOLSTERY CLOTH AND LEATHER CHEROKEE 4 DOOR | Fig. 43-2400 |
| COVERS, SEAT UPHOLSTERY VINYL CHEROKEE 4 DOOR | Fig. 43-2500 |
| COVERS, SEAT UPHOLSTERY BUCKET SEATS COMANCHE | Fig. 43-2600 |
| TRACKS, LESS POWER SEATS BUCKET SEAT CHEROKEE | Fig. 43-2700 |
| TRACKS, WITH POWER SEATS BUCKET SEAT CHEROKEE, WAGONEER | Fig. 43-2800 |
| TRACKS, SEAT COMANCHE | Fig. 43-2900 |
| SEATBELTS, FRONT SEAT 2 DOOR WAGON CHEROKEE | Fig. 43-3000 |
| SEATBELTS, FRONT SEAT 4 DOOR WAGON CHEROKEE, WAGONEER | Fig. 43-3100 |
| SEATBELTS COMANCHE | Fig. 43-3200 |
| SEATBELTS, REAR SEAT, 1987-89 CHEROKEE, WAGONEER | Fig. 43-3300 |
| SEATBELTS, REAR SEAT, 1990 CHEROKEE, WAGONEER | Fig. 43-3325 |
| COVER, CARGO, TYPE 1 CHEROKEE, WAGONEER, 1987-88 | Fig. 43-3400 |
| COVER, CARGO, TYPE 2 CHEROKEE, WAGONEER, 1988-90 | Fig. 43-3500 |

ILLUSTRATION NOT AVAILABLE AT TIME OF PUBLICATION

INSULATION CHEROKEE, WAGONEER, COMANCHE
Figure 43-100

8J43 100



| ITEM | PART NUMBER | QTY | BODY | MODEL | DESCRIPTION |
|------|-------------|-----|------|-------|--|
| 1 | 5501 4347 | 1 | | | INSULATION, Hood |
| 2 | 5500 9692 | 1 | | | INSULATION, Dash Diesel Engine, 1987 |
| | 5501 9376 | 1 | | | Diesel Engine, 1988-90 |
| | 5500 9584 | 1 | | | Gasoline Engine, 1987 |
| | 5501 9386 | 1 | | | Gasoline Engine, 1988-90 (Note Item 2 Insulation is The Inner and Item 10 is the Outer |
| 3 | 5500 8106 | 1 | MJ | | INSULATION, Back Panel, optional |
| 4 | 5500 2684 | 1 | | | INSULATION, Cowl |
| 5 | 5500 4230 | 1 | | | INSULATION, Toe Board |
| 6-7 | 5501 0852-3 | 1 | MJ | | INSULATION, Quarter Panel, optional |
| 8 | 5500 8104 | 2 | MJ | | INSULATION, Quarter Panel, optional |
| 9 | 3420 1782 | 4 | | | CLIP |
| 10 | 5501 4756 | 1 | | | INSULATION, Dash |
| 11 | J308 1054 | AR | | | CLIP |
| 12 | J400 5513 | 13 | | | RETAINER, Hood Insulation 1987-89 |
| | 6003 351 | 13 | | | 1990 |
| 13 | J400 3095 | 2 | | | SCREW |
| 14 | J400 5955 | 4 | | | NUT, Push, .25" I.D. *** |
| 15 | J400 0235 | 2 | | | NUT, Push, .38" I.D. *** |
| 16 | 5500 2685 | 1 | | | INSULATION, Cowl |
| 17 | 1150 0100 | 4 | | | BOLT |
| 18 | 1150 0323 | 4 | | | WASHER |

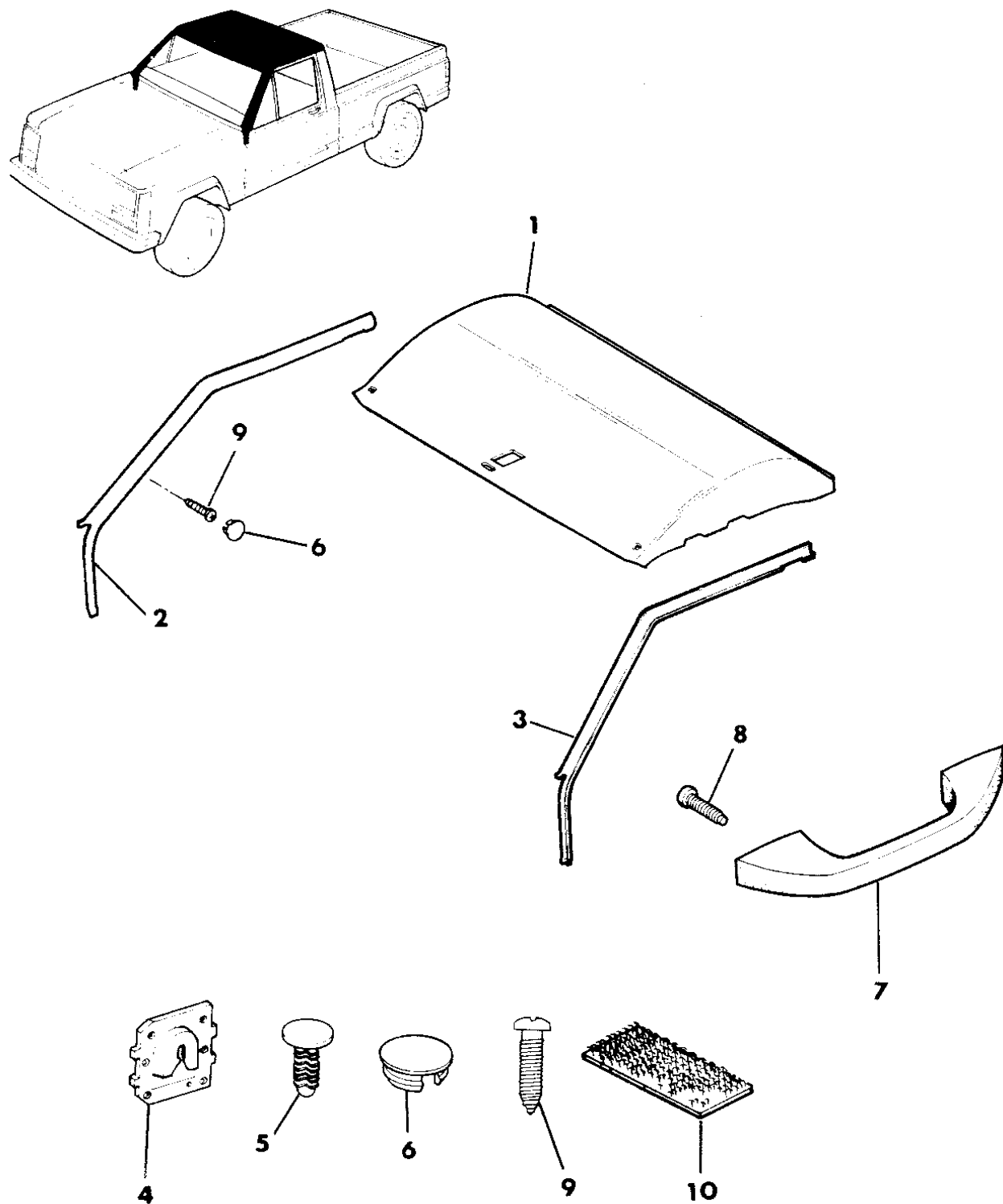
MODEL CODES:
 15 = Grand Wagoneer 4 Dr. 65 = Comanche 4WD-7 Ft. Box 77 = Cherokee 4WD-2 Dr.
 25 = J-10 Pickup-119" W.B. 66 = Comanche 2WD-7 Ft. Box 78 = Cherokee 4WD-4 Dr.
 26 = J-10 Pickup-131" W.B. 73 = Cherokee 2WD-2 Dr. 79 = Cherokee 4WD-4 Dr.-Com
 27 = J-20 Pickup-131" W.B. 74 = Cherokee 2WD-4 Dr. 81 = Wrangler-93" W.B.
 63 = Comanche 4WD-6 Ft. Box 75 = Wagoneer 4WD-4 Dr. 82 = Wrangler-103" W.B.-Exp.
 64 = Comanche 2WD-6 Ft. Box

BODY STYLES:
 MJ = Comanche Pickup
 SJ = Grand Wagoneer Wgn., J-10 & J-20 Pickups
 XJ = Cherokee, Wagoneer Limited
 YJ = Wrangler

AR = Use as Required - = Non Illustrated Part P.A.R. = Paint as Required

HEADLINING AND UPPER TRIM MOULDINGS COMANCHE
Figure 43-200

8J43 200



| ITEM | PART NUMBER | QTY | BODY | MODEL | DESCRIPTION |
|------|-------------|-----|------|-------|---------------------------------|
| 1 | | | | | HEADLINING |
| | | | | | 1987-89 |
| | 5500 6347 | 1 | | | Black, 1987 |
| | 5501 8133 | 1 | | | Charcoal, 1988-89 |
| | 5501 1682 | 1 | | | Cordovan, 1987-89 |
| | 5500 6346 | 1 | | | Medium Blue, 1987 |
| | 5501 8132 | 1 | | | Navy, 1988-89 |
| | 5501 1683 | 1 | | | Tan, 1988 |
| | 5502 0744 | 1 | | | Sand, 1989 |
| | | | | | 1990 |
| | 5BA0 2JS1 | 1 | | | Charcoal |
| | 5BA0 2JH9 | 1 | | | Cordovan |
| | 5BA0 2JY1 | 1 | | | Sand |
| 2 | | | | | MOULDING, Garnish, (MR), P.A.R. |
| | 5500 7188 | 1 | | | 1987-89 |
| | 5AD6 8JY1 | 1 | | | 1990 |
| 3 | | | | | MOULDING, Garnish, (MR), P.A.R. |
| | 5500 7181 | 1 | | | 1987-89 |
| | 5AD2 5JY1 | 1 | | | 1990 |
| 4 | 3420 1299 | 2 | | | CLIP, Retaining |
| 5 | 3420 1545 | 2 | | | CLIP |
| 6 | | | | | PLUG |
| | 3420 1485 | 4 | | | 1987, P.A.R. |
| | 3420 2160 | 4 | | | 1988-89, P.A.R. |
| | | | | | 1990 |
| | AW91 HS1 | 4 | | | Charcoal |
| | AW91 HH9 | 4 | | | Cordovan |
| | AW91 HY1 | 4 | | | Sand |
| 7 | | | | | HANDLE, Assist |
| | | | | | 1987-89 |
| | 5501 0763 | 1 | | | Black, 1987-88 |
| | 5501 7855 | 1 | | | Charcoal, 1988-89 |
| | 5501 1622 | 1 | | | Cordovan, 1987-89 |
| | 5501 0762 | 1 | | | Medium Blue, 1987 |
| | 5501 7854 | 1 | | | Navy, 1988-89 |
| | 5501 1623 | 1 | | | Tan, 1987-88 |
| | 5502 0643 | 1 | | | Sand, 1989 |

MODEL CODES:

| | | |
|-----------------------------|-----------------------------|------------------------------|
| 15 = Grand Wagoneer 4 Dr. | 65 = Comanche 4WD-7 Ft. Box | 77 = Cherokee 4WD-2 Dr. |
| 25 = J-10 Pickup-119" W.B. | 66 = Comanche 2WD-7 Ft. Box | 78 = Cherokee 4WD-4 Dr. |
| 26 = J-10 Pickup-131" W.B. | 73 = Cherokee 2WD-2 Dr. | 79 = Cherokee 4WD-4 Dr.-Com |
| 27 = J-20 Pickup-131" W.B. | 74 = Cherokee 2WD-4 Dr. | 81 = Wrangler-93" W.B. |
| 63 = Comanche 4WD-6 Ft. Box | 75 = Wagoneer 4WD-4 Dr. | 82 = Wrangler-103" W.B.-Exp. |
| 64 = Comanche 2WD-6 Ft. Box | | |

BODY STYLES:

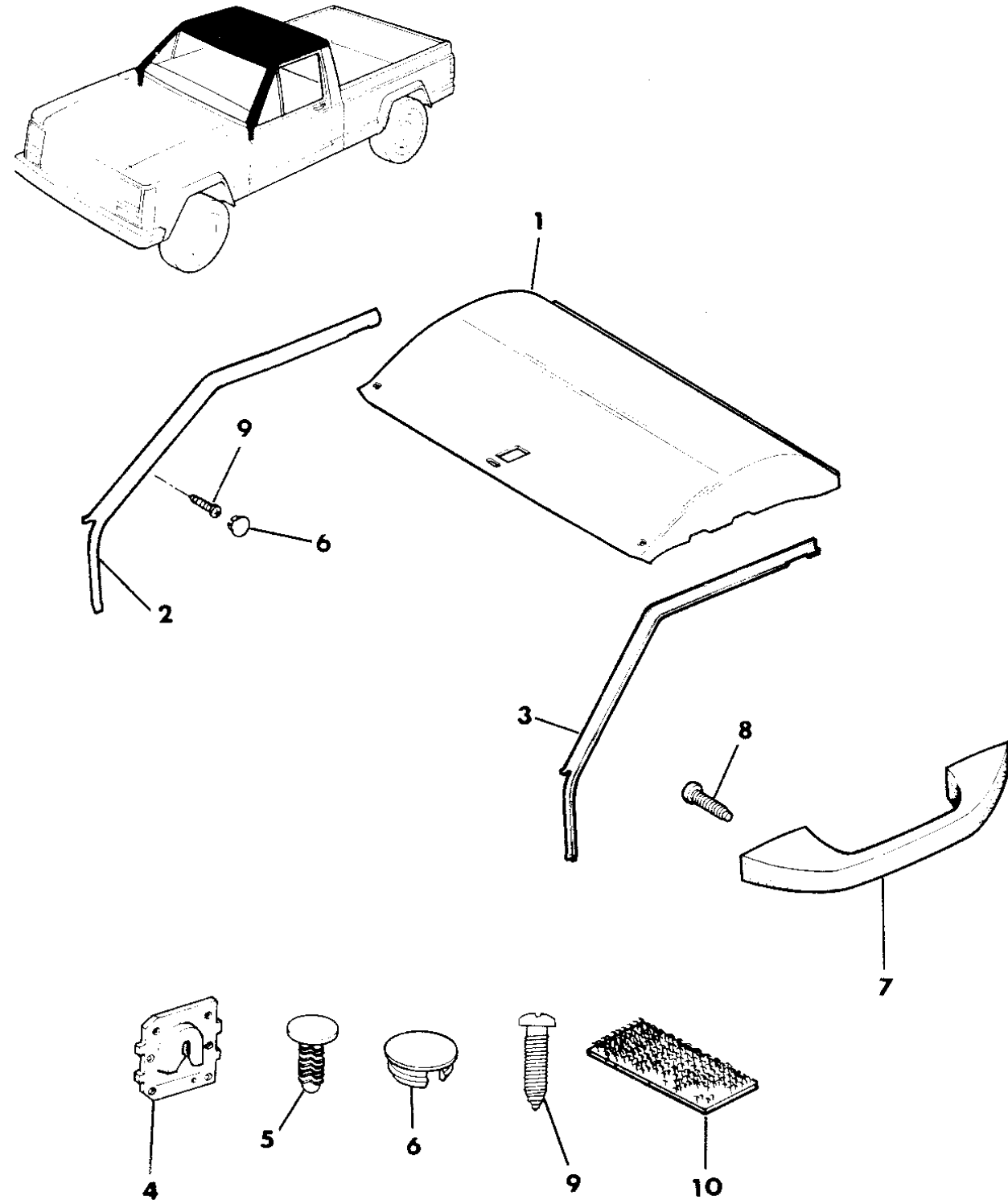
MJ = Comanche Pickup
 SJ = Grand Wagoneer Wgn., J-10 & J-20 Pickups
 XJ = Cherokee, Wagoneer Limited
 YJ = Wrangler

AR = Use as Required - = Non Illustrated Part P.A.R. = Paint as Required

HEADLINING AND UPPER TRIM MOULDINGS COMANCHE

Figure 43-200

8J43 200



| ITEM | PART NUMBER | QTY | BODY | MODEL | DESCRIPTION |
|------|-------------|-----|------|-------|-----------------------|
| | | | | | 1990 |
| | 5AD9 OJS1 | 1 | | | Charcoal |
| | 5AD9 OJH9 | 1 | | | Cordovan |
| | 5AD9 OJY1 | 1 | | | Sand |
| 8 | 3420 2189 | 2 | | | SCREW |
| 9 | | | | | SCREW |
| | 1150 0055 | 4 | | | 1987-89 |
| | J400 2465 | 4 | | | 1990 |
| 10 | 5500 6362 | 2 | | | FASTENER, Velcro Hook |

NOTE: (MR) = Modification required

MODEL CODES:

| | | |
|-----------------------------|-----------------------------|------------------------------|
| 15 = Grand Wagoneer 4 Dr. | 65 = Comanche 4WD-7 Ft. Box | 77 = Cherokee 4WD-2 Dr. |
| 25 = J-10 Pickup-119" W.B. | 66 = Comanche 2WD-7 Ft. Box | 78 = Cherokee 4WD-4 Dr. |
| 26 = J-10 Pickup-131" W.B. | 73 = Cherokee 2WD-2 Dr. | 79 = Cherokee 4WD-4 Dr.-Com |
| 27 = J-20 Pickup-131" W.B. | 74 = Cherokee 2WD-4 Dr. | 81 = Wrangler-93" W.B. |
| 63 = Comanche 4WD-6 Ft. Box | 75 = Wagoneer 4WD-4 Dr. | 82 = Wrangler-103" W.B.-Exp. |
| 64 = Comanche 2WD-6 Ft. Box | | |

BODY STYLES:

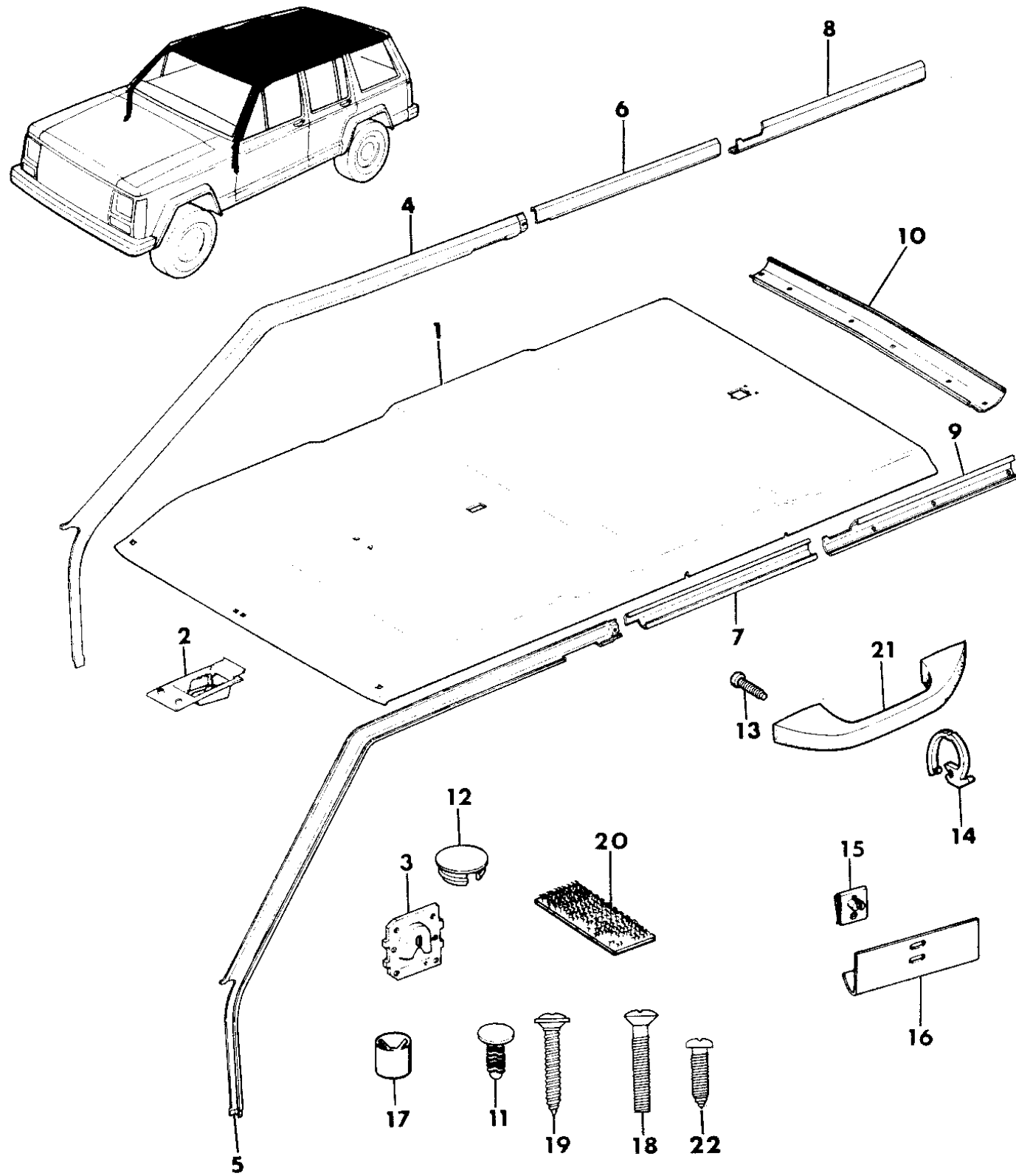
MJ = Comanche Pickup
 SJ = Grand Wagoneer Wgn., J-10 & J-20 Pickups
 XJ = Cherokee, Wagoneer Limited
 YJ = Wrangler

AR = Use as Required - = Non Illustrated Part P.A.R. = Paint as Required

HEADLINING AND UPPER TRIM MOULDINGS CHEROKEE, WAGONEER

Figure 43-300

8J43 300



| ITEM | PART NUMBER | QTY | BODY | MODEL | DESCRIPTION |
|------|-------------|-----|------|-------|--------------------------------------|
| 1 | | | | | HEADLINING |
| | | | | | 1987-89 |
| | 5500 9277 | 1 | | | Black, 1987 |
| | 5501 8129 | 1 | | | Charcoal, 1987-89 |
| | 5501 1628 | 1 | | | Cordovan, 1987-89 |
| | 5500 9276 | 1 | | | Medium Blue, 1987 |
| | 5501 8128 | 1 | | | Navy, 1988-89 |
| | 5501 1629 | 1 | | | Tan, 1987-88 |
| | 5502 0742 | 1 | | | Sand, 1989 |
| | | | | | 1990, w/o Sun Roof |
| | 5BA0 0JS1 | 1 | | | Charcoal |
| | 5BA0 0JH9 | 1 | | | Cordovan |
| | 5BA0 0JY1 | 1 | | | Sand |
| | 4626 225 | 1 | | | Cordovan, EUROPE, Commercial Package |
| | | | | | 1990 w/Sun Roof |
| | 5CJ0 8JS1 | 1 | | | Charcoal |
| | 5CJ0 8JH9 | 1 | | | Cordovan |
| | 5CJ0 8JY1 | 1 | | | Sand |
| 2 | | | | | HOUSING, Keyless Entry, P.A.R. |
| | 5500 6762 | 1 | | | 1987-89 |
| | 5BE8 4JY1 | 1 | | | 1990 |
| 3 | 3420 1299 | AR | | | CLIP, Retaining |
| 4 | | | | | MOULDING, Garnish |
| | | | | | 1987-89 |
| | 5500 7188 | 1 | | | 4 Door, P.A.R. |
| | 5500 7196 | 1 | | | 2 Door, P.A.R. |
| | | | | | 1990 |
| | 5AD6 8JY1 | 1 | | | 4 Door, P.A.R. |
| | 5AD7 2JY1 | 1 | | | 2 Door, P.A.R. |
| 5 | | | | | MOULDING, Garnish |
| | | | | | 1987-89 |
| | 5500 7181 | 1 | | | 4 Door, P.A.R. |
| | 5500 7197 | 1 | | | 2 Door, P.A.R. |
| | | | | | 1990 |
| | 5AD2 5JY1 | 1 | | | 4 Door, P.A.R. |
| | 5AD7 3JY1 | 1 | | | 2 Door, P.A.R. |
| 6-7 | 5500 7164-5 | 1 | | | MOULDING, Headlining, 4 Door, P.A.R. |

MODEL CODES:

| | | |
|-----------------------------|-----------------------------|------------------------------|
| 15 = Grand Wagoneer 4 Dr. | 65 = Comanche 4WD-7 Ft. Box | 77 = Cherokee 4WD-2 Dr. |
| 25 = J-10 Pickup-119" W.B. | 66 = Comanche 2WD-7 Ft. Box | 78 = Cherokee 4WD-4 Dr. |
| 26 = J-10 Pickup-131" W.B. | 73 = Cherokee 2WD-2 Dr. | 79 = Cherokee 4WD-4 Dr.-Com |
| 27 = J-20 Pickup-131" W.B. | 74 = Cherokee 2WD-4 Dr. | 81 = Wrangler-93" W.B. |
| 63 = Comanche 4WD-6 Ft. Box | 75 = Wagoneer 4WD-4 Dr. | 82 = Wrangler-103" W.B.-Exp. |
| 64 = Comanche 2WD-6 Ft. Box | | |

BODY STYLES:

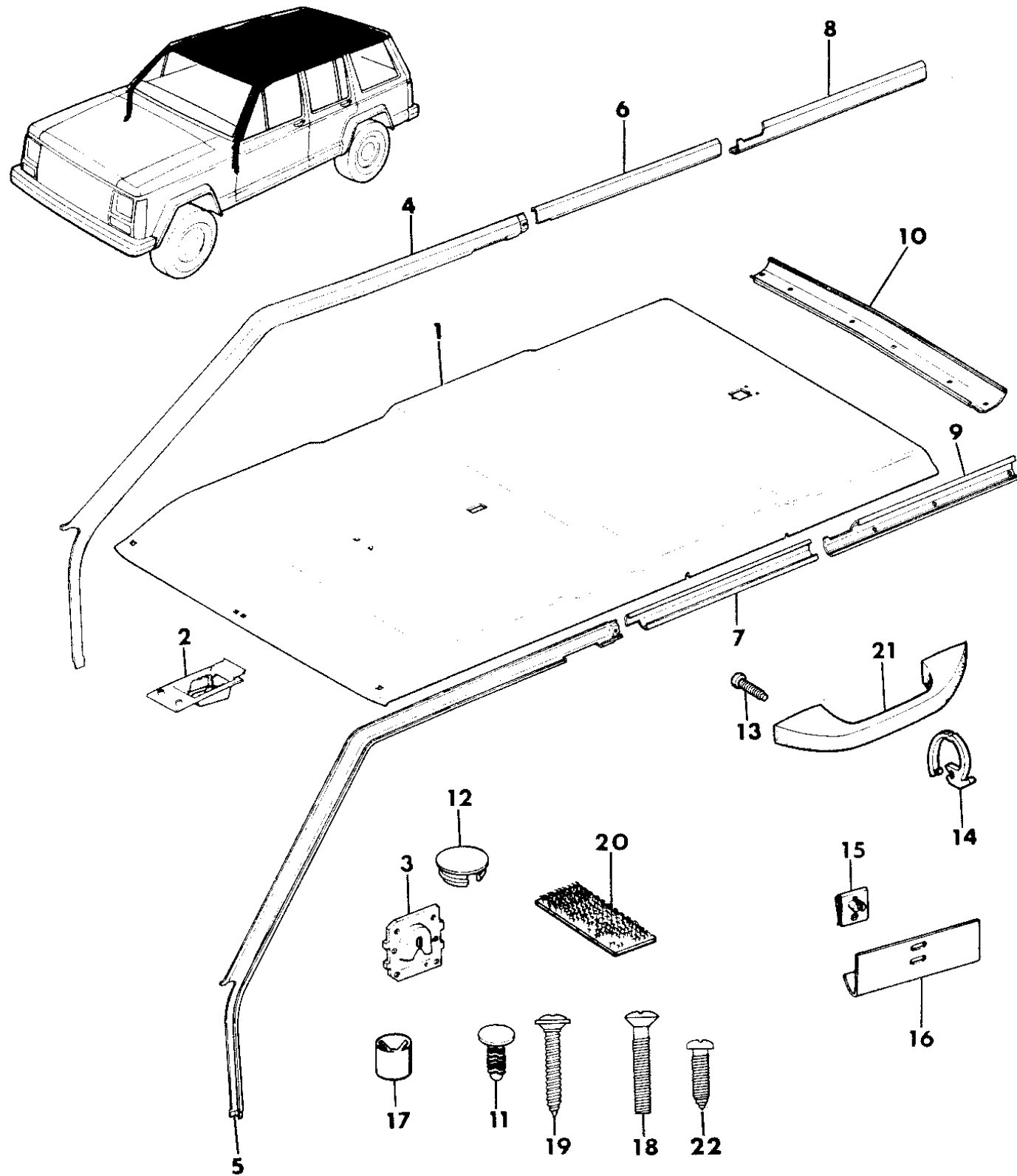
MJ = Comanche Pickup
 SJ = Grand Wagoneer Wgn., J-10 & J-20 Pickups
 XJ = Cherokee, Wagoneer Limited
 YJ = Wrangler

AR = Use as Required - = Non Illustrated Part P.A.R. = Paint as Required

HEADLINING AND UPPER TRIM MOULDINGS CHEROKEE, WAGONEER

Figure 43-300

8J43 300



| ITEM | PART NUMBER | QTY | BODY | MODEL | DESCRIPTION |
|------|-------------|-----|------|-------|-----------------------------|
| 8-9 | | | | | MOULDING, Headlining |
| | 5500 0446-7 | 1 | | | 4 Door, P.A.R. |
| | 5500 7162-3 | 1 | | | 2 Door, P.A.R. |
| 10 | 5500 2886 | 1 | | | MOULDING, Lift Door, P.A.R. |
| 11 | 3420 1545 | 6 | | | CLIP |
| 12 | | | | | PLUG |
| | 3420 2160 | 4 | | | 1987-89, P.A.R. 1990 |
| | AW91 HS1 | 4 | | | Charcoal |
| | AW91 HH9 | 4 | | | Cordovan |
| | AW91 HY1 | 4 | | | Sand |
| 13 | 3420 2189 | 6 | | | SCREW |
| 14 | | | | | HOOK, Coat |
| | | | | | 1987-89 |
| | 5501 0765 | 2 | | | Black, 1987 |
| | 5501 7861 | 2 | | | Charcoal, 1988-89 |
| | 5501 1702 | 2 | | | Cordovan, 1987-89 |
| | 5501 0764 | 2 | | | Medium Blue, 1987 |
| | 5501 7860 | 2 | | | Navy, 1988-89 |
| | 5501 1703 | 2 | | | Tan, 1987-88 |
| | 5502 0646 | 2 | | | Sand, 1989 |
| | | | | | 1990 |
| | 5AD9 1JS1 | 2 | | | Charcoal |
| | 5AD9 1JH9 | 2 | | | Cordovan |
| | 5AD9 1JY1 | 2 | | | Sand |
| 15 | J400 0322 | 6 | | | CLIP |
| 16 | J368 1225 | 6 | | | RETAINER |
| 17 | 5500 2520 | 6 | | | SPACER |
| 18 | 1150 1150 | 10 | | | SCREW, w/7mm head |
| 19 | | | | | SCREW, w/9mm head |
| | 3420 1413 | 6 | | | 1987-89 |
| | J400 6563 | 6 | | | 1990 |
| 20 | 5500 6362 | 2 | | | FASTENER, Velcro Hook |
| 21 | | | | | HANDLE, Assist |
| | | | | | 1987-89 |
| | 5501 0763 | 3 | | | Black, 1987 |
| | 5501 7855 | 3 | | | Charcoal, 1988-89 |

MODEL CODES:

| | | |
|-----------------------------|-----------------------------|------------------------------|
| 15 = Grand Wagoneer 4 Dr. | 65 = Comanche 4WD-7 Ft. Box | 77 = Cherokee 4WD-2 Dr. |
| 25 = J-10 Pickup-119" W.B. | 66 = Comanche 2WD-7 Ft. Box | 78 = Cherokee 4WD-4 Dr. |
| 26 = J-10 Pickup-131" W.B. | 73 = Cherokee 2WD-2 Dr. | 79 = Cherokee 4WD-4 Dr.-Com |
| 27 = J-20 Pickup-131" W.B. | 74 = Cherokee 2WD-4 Dr. | 81 = Wrangler-93" W.B. |
| 63 = Comanche 4WD-6 Ft. Box | 75 = Wagoneer 4WD-4 Dr. | 82 = Wrangler-103" W.B.-Exp. |
| 64 = Comanche 2WD-6 Ft. Box | | |

BODY STYLES:

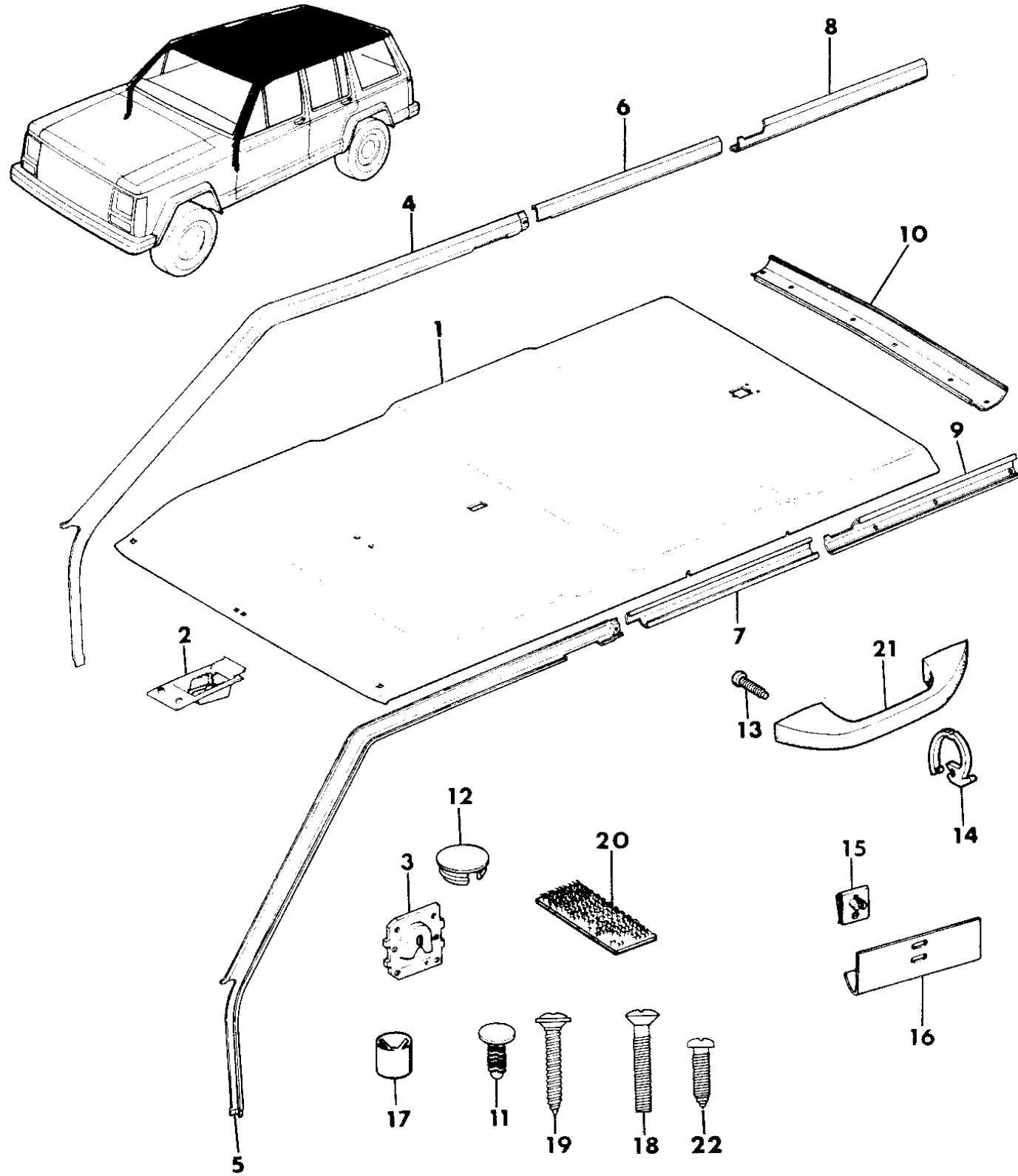
MJ = Comanche Pickup
 SJ = Grand Wagoneer Wgn., J-10 & J-20 Pickups
 XJ = Cherokee, Wagoneer Limited
 YJ = Wrangler

AR = Use as Required - = Non Illustrated Part P.A.R. = Paint as Required

HEADLINING AND UPPER TRIM MOULDINGS CHEROKEE, WAGONEER

Figure 43-300

8J43 300



| ITEM | PART NUMBER | QTY | BODY | MODEL | DESCRIPTION |
|------|-------------|-----|------|-------|-------------------|
| | 5501 1622 | 3 | | | Cordovan, 1987-89 |
| | 5501 0762 | 3 | | | Medium Blue, 1987 |
| | 5501 7854 | 3 | | | Navy, 1988-89 |
| | 5501 1623 | 3 | | | Tan, 1987-88 |
| | 5502 0643 | 3 | | | Sand, 1989 |
| | | | | | 1990 |
| | 5AD9 OJS1 | 3 | | | Charcoal |
| | 5AD9 OJH9 | 3 | | | Cordovan |
| | 5AD9 OJY1 | 3 | | | Sand |
| 22 | | | | | SCREW |
| | 1150 0055 | 4 | | | 1987-89 |
| | J400 2465 | 4 | | | 1990 |

MODEL CODES:

| | | |
|-----------------------------|-----------------------------|------------------------------|
| 15 = Grand Wagoneer 4 Dr. | 65 = Comanche 4WD-7 Ft. Box | 77 = Cherokee 4WD-2 Dr. |
| 25 = J-10 Pickup-119" W.B. | 66 = Comanche 2WD-7 Ft. Box | 78 = Cherokee 4WD-4 Dr. |
| 26 = J-10 Pickup-131" W.B. | 73 = Cherokee 2WD-2 Dr. | 79 = Cherokee 4WD-4 Dr.-Com |
| 27 = J-20 Pickup-131" W.B. | 74 = Cherokee 2WD-4 Dr. | 81 = Wrangler-93" W.B. |
| 63 = Comanche 4WD-6 Ft. Box | 75 = Wagoneer 4WD-4 Dr. | 82 = Wrangler-103" W.B.-Exp. |
| 64 = Comanche 2WD-6 Ft. Box | | |

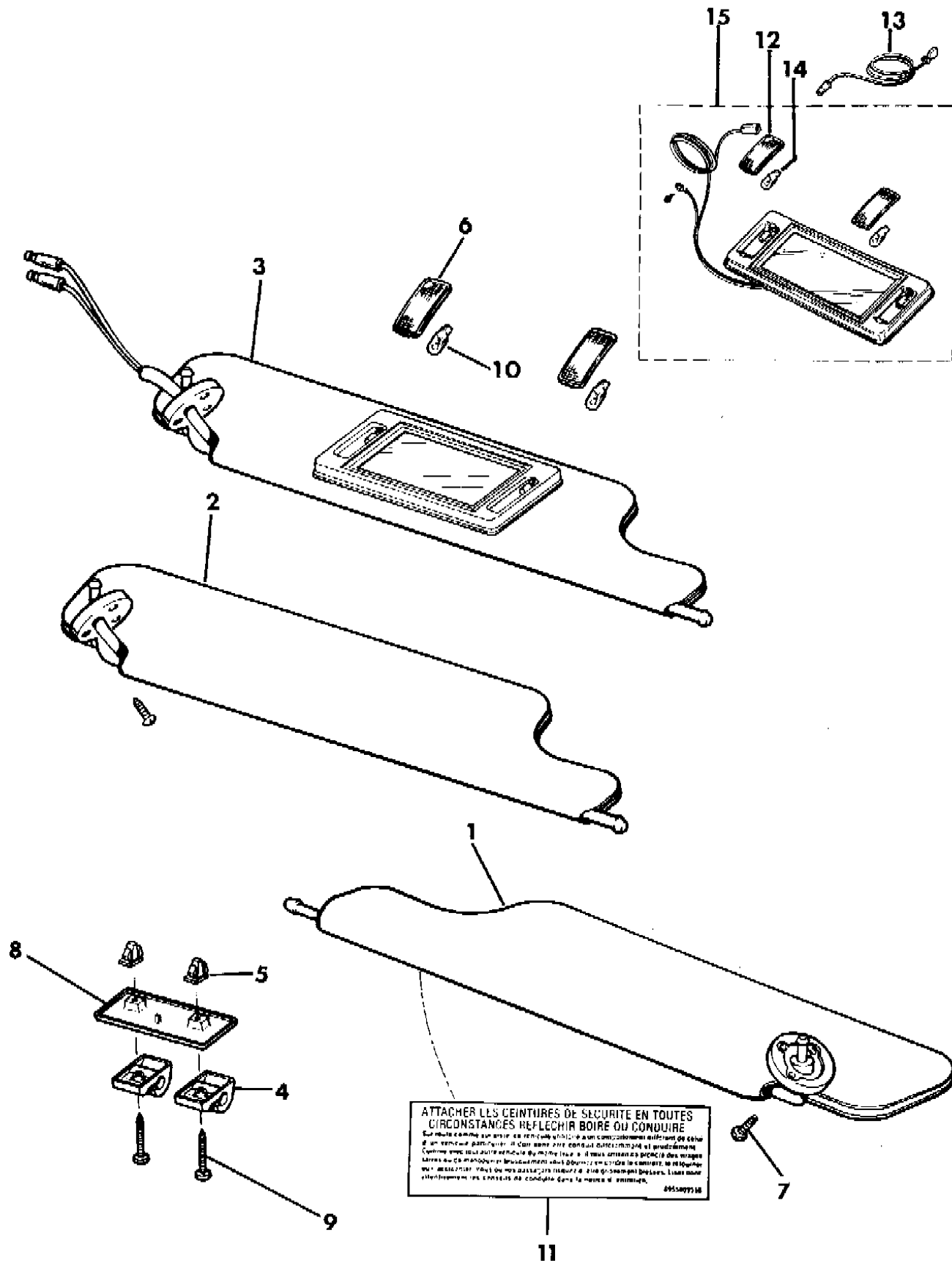
BODY STYLES:

MJ = Comanche Pickup
 SJ = Grand Wagoneer Wgn., J-10 & J-20 Pickups
 XJ = Cherokee, Wagoneer Limited
 YJ = Wrangler

AR = Use as Required - = Non Illustrated Part P.A.R. = Paint as Required

SUNVISORS AND VANITY MIRRORS CHEROKEE, WAGONEER, COMANCHE, 1987-89
Figure 43-400

8J43 400 A



| ITEM | PART NUMBER | QTY | BODY | MODEL | DESCRIPTION |
|------|-------------|-----|------|-------|-----------------------|
| 1 | | | | | SUNVISOR, Left *** |
| | | | | | Charcoal |
| | 5501 7841 | 1 | | | 1987 |
| | 5502 0385 | 1 | XJ | | U.S., Canada, 1988-89 |
| | 5502 0377 | 1 | MJ | | 1988-89 |
| | 5502 0377 | 1 | XJ | | w/NRM, 1988-89 |
| | 5502 0409 | 1 | XJ | | w/ECE, 1988-89 |
| | | | | | Cordovan |
| | 5501 5217 | 1 | XJ | | U.S., Canada, 1987 |
| | 5501 1918 | 1 | MJ | | 1987 |
| | 5501 1918 | 1 | XJ | | Export, 1987 |
| | 5502 0387 | 1 | XJ | | U.S., Canada, 1988-89 |
| | 5502 0379 | 1 | MJ | | 1988-89 |
| | 5502 0379 | 1 | XJ | | w/NRM, 1988-89 |
| | 5502 0411 | 1 | XJ | | w/ECE, 1988-89 |
| | | | | | Navy |
| | 5502 0383 | 1 | XJ | | U.S., Canada, 1988-89 |
| | 5502 0375 | 1 | MJ | | 1988-89 |
| | 5502 0375 | 1 | XJ | | w/NRM, 1988-89 |
| | 5502 0407 | 1 | XJ | | w/ECE, 1988-89 |
| | | | | | Sand |
| | 5502 0637 | 1 | XJ | | U.S., Canada, 1989 |
| | 5502 0633 | 1 | MJ | | 1989 |
| | 5502 0633 | 1 | XJ | | w/NRM, 1989 |
| | | | | | Tan |
| | 5501 5219 | 1 | XJ | | U.S., Canada, 1987 |
| | 5501 1920 | 1 | MJ | | 1987 |
| | 5501 1920 | 1 | XJ | | Export, 1987 |
| | 5502 0389 | 1 | XJ | | U.S. Canada, 1988 |
| | 5502 0381 | 1 | MJ | | 1988 |
| | 5502 0381 | 1 | XJ | | w/NRM, 1988 |
| 2 | | | | | SUNVISOR, Right *** |
| | | | | | Charcoal |
| | 5501 7833 | 1 | | | 1987 |
| | 5502 0376 | 1 | XJ | | 1988-89 |
| | 5502 0408 | 1 | XJ | | w/ECE, 1988-89 |
| | 5502 0376 | 1 | MJ | | 1988-89 |

MODEL CODES:

| | | |
|-----------------------------|-----------------------------|------------------------------|
| 15 = Grand Wagoneer 4 Dr. | 65 = Comanche 4WD-7 Ft. Box | 77 = Cherokee 4WD-2 Dr. |
| 25 = J-10 Pickup-119" W.B. | 66 = Comanche 2WD-7 Ft. Box | 78 = Cherokee 4WD-4 Dr. |
| 26 = J-10 Pickup-131" W.B. | 73 = Cherokee 2WD-2 Dr. | 79 = Cherokee 4WD-4 Dr.-Com |
| 27 = J-20 Pickup-131" W.B. | 74 = Cherokee 2WD-4 Dr. | 81 = Wrangler-93" W.B. |
| 63 = Comanche 4WD-6 Ft. Box | 75 = Wagoneer 4WD-4 Dr. | 82 = Wrangler-103" W.B.-Exp. |
| 64 = Comanche 2WD-6 Ft. Box | | |

BODY STYLES:

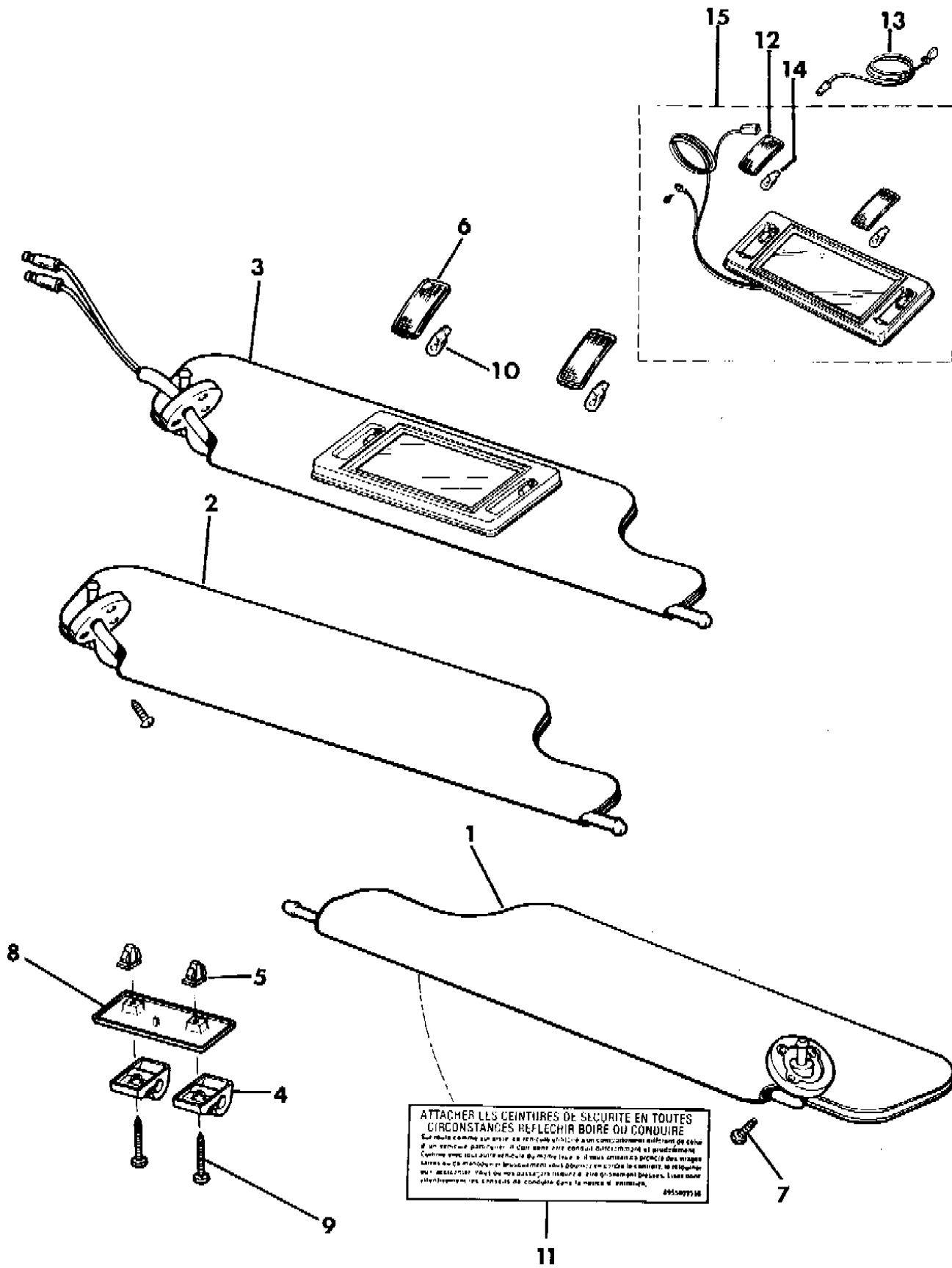
MJ = Comanche Pickup
SJ = Grand Wagoneer Wgn., J-10 & J-20 Pickups
XJ = Cherokee, Wagoneer Limited
YJ = Wrangler

AR = Use as Required - = Non Illustrated Part P.A.R. = Paint as Required

SUNVISORS AND VANITY MIRRORS CHEROKEE, WAGONEER, COMANCHE, 1987-89

Figure 43-400

8J43 400 A



| ITEM | PART NUMBER | QTY | BODY | MODEL | DESCRIPTION |
|------|-------------|-----|------|-------|---------------------------------------|
| | | | | | Cordovan |
| | 5501 1918 | 1 | XJ | | U.S., Canada, 1987 |
| | 5501 1918 | 1 | MJ | | 1987 |
| | 5501 1918 | 1 | XJ | | Export, 1987 |
| | 5502 0378 | 1 | XJ | | 1988-89 |
| | 5502 0410 | 1 | XJ | | w/ECE, 1988-89 |
| | 5502 0378 | 1 | MJ | | 1988-89 |
| | 5502 0374 | 1 | XJ | | Navy 1988-89 |
| | 5502 0406 | 1 | XJ | | w/ECE, 1988-89 |
| | 5502 0374 | 1 | MJ | | 1988-89 |
| | 5502 0632 | 1 | XJ | | Sand 1989 |
| | 5502 0632 | 1 | MJ | | 1989 |
| | 5501 1920 | 1 | XJ | | Tan U.S., Canada, 1987 |
| | 5501 1920 | 1 | MJ | | 1987 |
| | 5501 1920 | 1 | XJ | | Export, 1987 |
| | 5502 0380 | 1 | XJ | | 1988 |
| | 5502 0380 | 1 | MJ | | 1988 |
| 3 | | | | | SUNVISOR, w/lighted vanity, Right *** |
| | 5502 0384 | 1 | | | Charcoal, 1988-89 |
| | 5502 0386 | 1 | | | Cordovan, 1988-89 |
| | 5502 0382 | 1 | | | Navy, 1988-89 |
| | 5502 0636 | 1 | | | Sand, 1989 |
| | 5502 0388 | 1 | | | Tan, 1988 |
| 4 | | | | | SUPPORT |
| | 5500 8183 | 2 | | | Black, 1987 |
| | 5501 7853 | 2 | | | Charcoal, 1988-89 |
| | 5501 5214 | 2 | | | Cordovan, 1987-89 |
| | 5501 7852 | 2 | | | Navy, 1988-89 |
| | 5502 0642 | 2 | | | Sand, 1989 |
| | 5501 5215 | 2 | | | Tan, 1987-88 |
| 5 | | | | | NUT |
| | 3420 2590 | 2 | | | 1987 |
| | J400 5242 | 2 | | | 1988-89 |
| 6 | | | | | LENS, Light |
| | J812 8734 | 2 | | | |

MODEL CODES:

| | | |
|-----------------------------|-----------------------------|------------------------------|
| 15 = Grand Wagoneer 4 Dr. | 65 = Comanche 4WD-7 Ft. Box | 77 = Cherokee 4WD-2 Dr. |
| 25 = J-10 Pickup-119" W.B. | 66 = Comanche 2WD-7 Ft. Box | 78 = Cherokee 4WD-4 Dr. |
| 26 = J-10 Pickup-131" W.B. | 73 = Cherokee 2WD-2 Dr. | 79 = Cherokee 4WD-4 Dr.-Com |
| 27 = J-20 Pickup-131" W.B. | 74 = Cherokee 2WD-4 Dr. | 81 = Wrangler-93" W.B. |
| 63 = Comanche 4WD-6 Ft. Box | 75 = Wagoneer 4WD-4 Dr. | 82 = Wrangler-103" W.B.-Exp. |
| 64 = Comanche 2WD-6 Ft. Box | | |

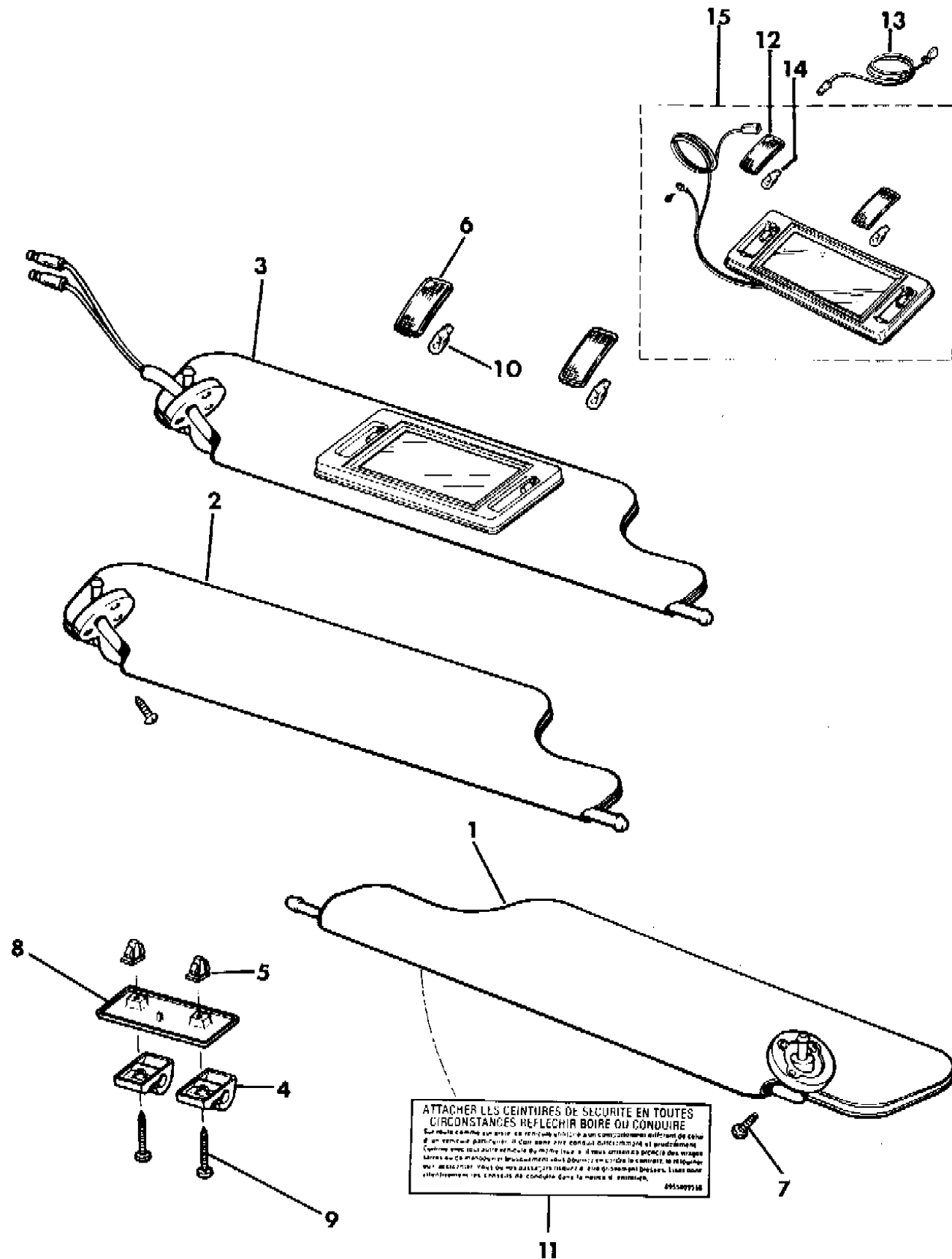
BODY STYLES:

MJ = Comanche Pickup
 SJ = Grand Wagoneer Wgn., J-10 & J-20 Pickups
 XJ = Cherokee, Wagoneer Limited
 YJ = Wrangler

AR = Use as Required - = Non Illustrated Part P.A.R. = Paint as Required

SUNVISORS AND VANITY MIRRORS CHEROKEE, WAGONEER, COMANCHE, 1987-89
Figure 43-400

8J43 400 A



| ITEM | PART NUMBER | QTY | BODY | MODEL | DESCRIPTION |
|------|-------------|-----|------|-------|-------------------------------|
| 7 | 1150 1150 | 6 | | | SCREW |
| 8 | 5500 6758 | 1 | | | BEZEL, Visor Retainer, P.A.R. |
| 9 | | | | | SCREW |
| | 3420 2589 | 2 | | | 1987 |
| | 3420 1406 | 2 | | | 1988-89 |
| 10 | J400 3086 | 2 | | | BULB |
| 11 | 5500 9558 | 1 | | | LABEL, French, Canada |
| 12 | J812 8734 | 2 | | | LENS, Light, 1987 |
| 13 | 8350 2952 | 2 | | | TERMINAL, 1987 *** |
| 14 | J400 3086 | 2 | | | BULB, 1987 |
| 15 | J576 5148 | 1 | | | MIRROR, Vanity, P.A.R., 1987 |

ECE = Economic Commission of Europe Tag affixed to the Face of its Pulley. A Second Tag will show the name of the Vendor (OGURA).

NRM = Non Regulated Markets Tag affixed to the Face of its Pulley. A Second Tag will show the name of the Vendor (OGURA).

MODEL CODES:

| | | |
|-----------------------------|-----------------------------|------------------------------|
| 15 = Grand Wagoneer 4 Dr. | 65 = Comanche 4WD-7 Ft. Box | 77 = Cherokee 4WD-2 Dr. |
| 25 = J-10 Pickup-119" W.B. | 66 = Comanche 2WD-7 Ft. Box | 78 = Cherokee 4WD-4 Dr. |
| 26 = J-10 Pickup-131" W.B. | 73 = Cherokee 2WD-2 Dr. | 79 = Cherokee 4WD-4 Dr.-Com |
| 27 = J-20 Pickup-131" W.B. | 74 = Cherokee 2WD-4 Dr. | 81 = Wrangler-93" W.B. |
| 63 = Comanche 4WD-6 Ft. Box | 75 = Wagoneer 4WD-4 Dr. | 82 = Wrangler-103" W.B.-Exp. |
| 64 = Comanche 2WD-6 Ft. Box | | |

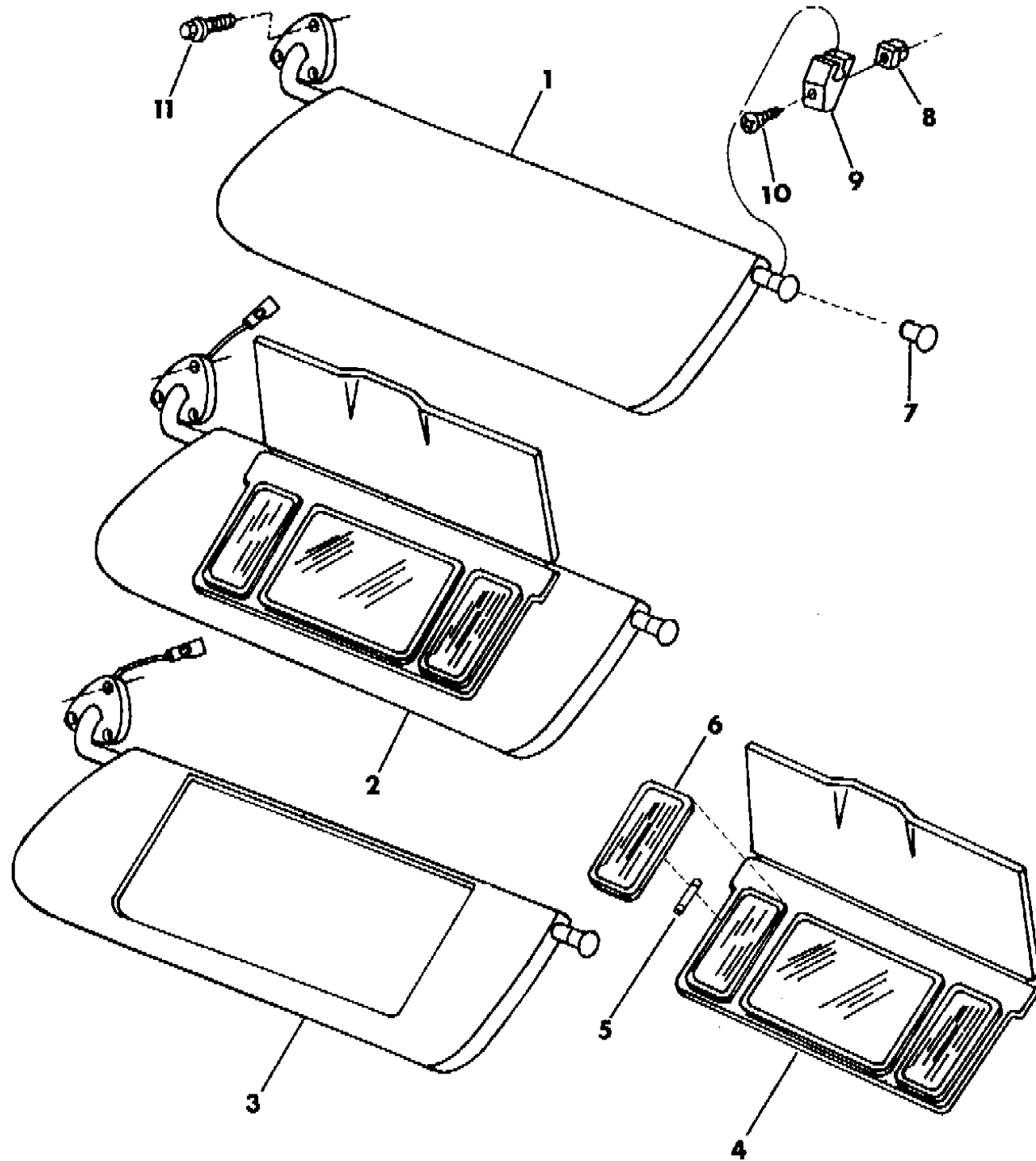
BODY STYLES:

MJ = Comanche Pickup
SJ = Grand Wagoneer Wgn., J-10 & J-20 Pickups
XJ = Cherokee, Wagoneer Limited
YJ = Wrangler

AR = Use as Required - = Non Illustrated Part P.A.R. = Paint as Required

SUNVISORS AND VANITY MIRRORS CHEROKEE, WAGONEER, COMANCHE, 1990
Figure 43-450

8J43 450



| ITEM | PART NUMBER | QTY | BODY | MODEL | DESCRIPTION |
|--|-------------|-----|------|-------|---|
| 1 | | | | | SUNVISOR ASSY, Non-Lighted *** |
| | | | | | Right |
| | 5AW4 4JS1 | 1 | | | Charcoal |
| | 5AW4 4JH9 | 1 | | | Cordovan |
| | 5AW4 4JY1 | 1 | | | Sand |
| | | | | | Left |
| | 5AW4 5JS1 | 1 | | | Charcoal |
| | 5AW4 5JH9 | 1 | | | Cordovan |
| | 5AW4 5JY1 | 1 | | | Sand |
| NOTE: Item 1; As original stock is exhausted a service package is available (it includes a pair of the new style visor). Tag affixed to the Face of its Pulley. A Second Tag will show the name of the Vendor (OGURA). | | | | | |
| 2 | | | | | SUNVISOR ASSY, Lighted, includes the vanity *** |
| | | | | | Right |
| | 5AK0 4JS1 | 1 | | | Charcoal |
| | 5AK0 4JH9 | 1 | | | Cordovan |
| | 5AK0 4JY1 | 1 | | | Sand |
| | | | | | Left |
| | 5AK0 5JS1 | 1 | | | Charcoal |
| | 5AK0 5JH9 | 1 | | | Cordovan |
| | 5AK0 5JY1 | 1 | | | Sand |
| 3 | | | | | SUNVISOR SUB-ASSY, Lighted, less the vanity *** |
| | | | | | Right |
| | 5BB1 6JS1 | 1 | | | Charcoal |
| | 5BB1 6JH9 | 1 | | | Cordovan |
| | 5BB1 6JY1 | 1 | | | Sand |
| | | | | | Left |
| | 5BB1 7JS1 | 1 | | | Charcoal |
| | 5BB1 7JH9 | 1 | | | Cordovan |
| | 5BB1 7JY1 | 1 | | | Sand |
| 4 | | | | | VANITY ASSY *** |
| | H640 JS1 | 2 | | | Charcoal |
| | H640 JH9 | 2 | | | Cordovan |
| | H640 JY1 | 2 | | | Sand |
| 5 | 6501 966 | 2 | | | BULB |
| 6 | 4410 693 | 2 | | | LENS |
| 7 | H315 CX9 | 2 | | | TIP |
| 8 | J400 5242 | 2 | | | NUT, Push In |

MODEL CODES:

| | | |
|-----------------------------|-----------------------------|------------------------------|
| 15 = Grand Wagoneer 4 Dr. | 65 = Comanche 4WD-7 Ft. Box | 77 = Cherokee 4WD-2 Dr. |
| 25 = J-10 Pickup-119" W.B. | 66 = Comanche 2WD-7 Ft. Box | 78 = Cherokee 4WD-4 Dr. |
| 26 = J-10 Pickup-131" W.B. | 73 = Cherokee 2WD-2 Dr. | 79 = Cherokee 4WD-4 Dr.-Com |
| 27 = J-20 Pickup-131" W.B. | 74 = Cherokee 2WD-4 Dr. | 81 = Wrangler-93" W.B. |
| 63 = Comanche 4WD-6 Ft. Box | 75 = Wagoneer 4WD-4 Dr. | 82 = Wrangler-103" W.B.-Exp. |
| 64 = Comanche 2WD-6 Ft. Box | | |

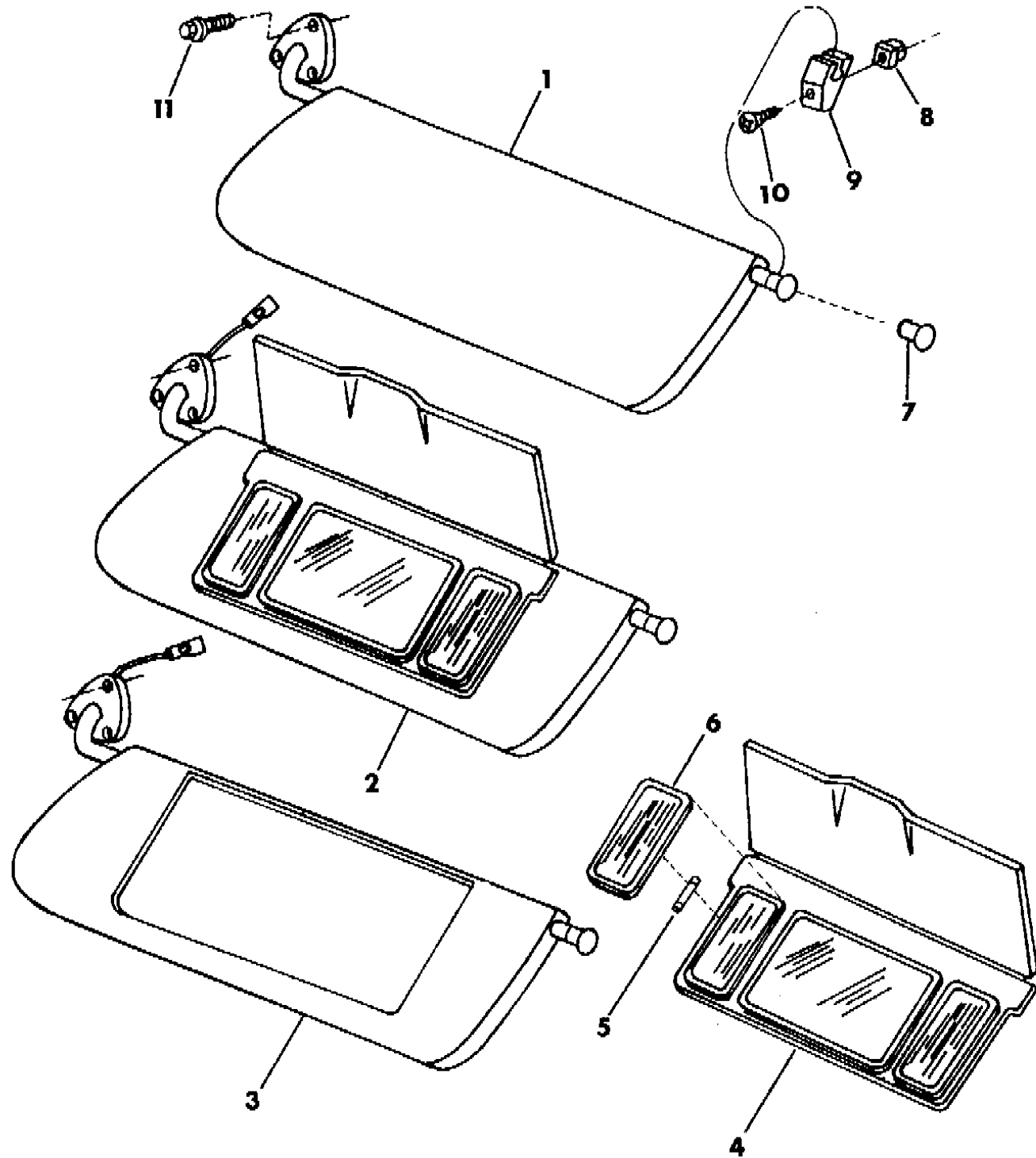
BODY STYLES:

MJ = Comanche Pickup
 SJ = Grand Wagoneer Wgn., J-10 & J-20 Pickups
 XJ = Cherokee, Wagoneer Limited
 YJ = Wrangler

AR = Use as Required - = Non Illustrated Part P.A.R. = Paint as Required

SUNVISORS AND VANITY MIRRORS CHEROKEE, WAGONEER, COMANCHE, 1990
Figure 43-450

8J43 450



| ITEM | PART NUMBER | QTY | BODY | MODEL | DESCRIPTION |
|------|-------------|-----|------|-------|--------------------------|
| 9 | | | | | CLIP, Sunvisor Retaining |
| | H335 JS1 | 2 | | | Charcoal |
| | H335 JH9 | 2 | | | Cordovan |
| | H335 JY1 | 2 | | | Sand |
| 10 | 3420 1406 | 2 | | | SCREW |
| 11 | 1150 1150 | 6 | | | SCREW |

MODEL CODES:

| | | |
|-----------------------------|-----------------------------|------------------------------|
| 15 = Grand Wagoneer 4 Dr. | 65 = Comanche 4WD-7 Ft. Box | 77 = Cherokee 4WD-2 Dr. |
| 25 = J-10 Pickup-119" W.B. | 66 = Comanche 2WD-7 Ft. Box | 78 = Cherokee 4WD-4 Dr. |
| 26 = J-10 Pickup-131" W.B. | 73 = Cherokee 2WD-2 Dr. | 79 = Cherokee 4WD-4 Dr.-Com |
| 27 = J-20 Pickup-131" W.B. | 74 = Cherokee 2WD-4 Dr. | 81 = Wrangler-93" W.B. |
| 63 = Comanche 4WD-6 Ft. Box | 75 = Wagoneer 4WD-4 Dr. | 82 = Wrangler-103" W.B.-Exp. |
| 64 = Comanche 2WD-6 Ft. Box | | |

BODY STYLES:

MJ = Comanche Pickup
SJ = Grand Wagoneer Wgn., J-10 & J-20 Pickups
XJ = Cherokee, Wagoneer Limited
YJ = Wrangler

AR = Use as Required - = Non Illustrated Part P.A.R. = Paint as Required

PANELS, INTERIOR TRIM, FRONT 2 DOOR WAGON CHEROKEE
Figure 43-500

8J43 500 A

| ITEM | PART NUMBER | QTY | BODY | MODEL | DESCRIPTION |
|------|-------------|-----|------|-------|----------------------------|
| 1-2 | | | | | PANEL, Quarter Trim |
| | | | | | 1987 |
| | 5500 5758-9 | 1 | | | P.A.R. |
| | | | | | 1988-89 |
| | 5501 8108-9 | 1 | | | Charcoal |
| | 5501 1728-9 | 1 | | | Cordovan |
| | 5501 8106-7 | 1 | | | Navy |
| | 5502 0726-7 | 1 | | | Sand, 1989 |
| | 5501 1730-1 | 1 | | | Tan, 1988 |
| | | | | | 1990 |
| | 5AC30-1 JS1 | 1 | | | Charcoal |
| | 5AC30-1 JH9 | 1 | | | Cordovan |
| | 5AC30-1 JY1 | 1 | | | Sand |
| 3-4 | | | | | COVER, Lock Pillar, P.A.R. |
| | | | | | 1987-89, P.A.R. |
| | | | | | 1990 |
| | 5AC76-7 JS1 | 1 | | | Charcoal |
| | 5AC76-7 JH9 | 1 | | | Cordovan |
| | 5AC76-7 JY1 | 1 | | | Sand |
| 5-6 | | | | | PANEL, Cowl Trim, P.A.R. |
| | | | | | 1987 |
| | 5501 1908-9 | 1 | | | 1988-89 |
| | 5AC36-7 JY1 | 1 | | | 1990 |
| 7 | | | | | PLATE, Inner Scuff |
| | | | | | 1987 |
| | 5501 3588 | 2 | | | Cordovan |
| | 5501 1558 | 2 | | | Tan |
| | | | | | 1988-89 |
| | 5501 7926 | 2 | | | Charcoal |
| | 5501 3588 | 2 | | | Cordovan |
| | 5501 7927 | 2 | | | Navy |
| | 5502 0670 | 2 | | | Sand, 1989 |
| | 5501 1558 | 2 | | | Tan, 1988 |
| | | | | | 1990 |
| | 5AC4 4JS1 | 2 | | | Charcoal |
| | 5AC4 4JH9 | 2 | | | Cordovan |
| | 5AC4 4JY1 | 2 | | | Sand |

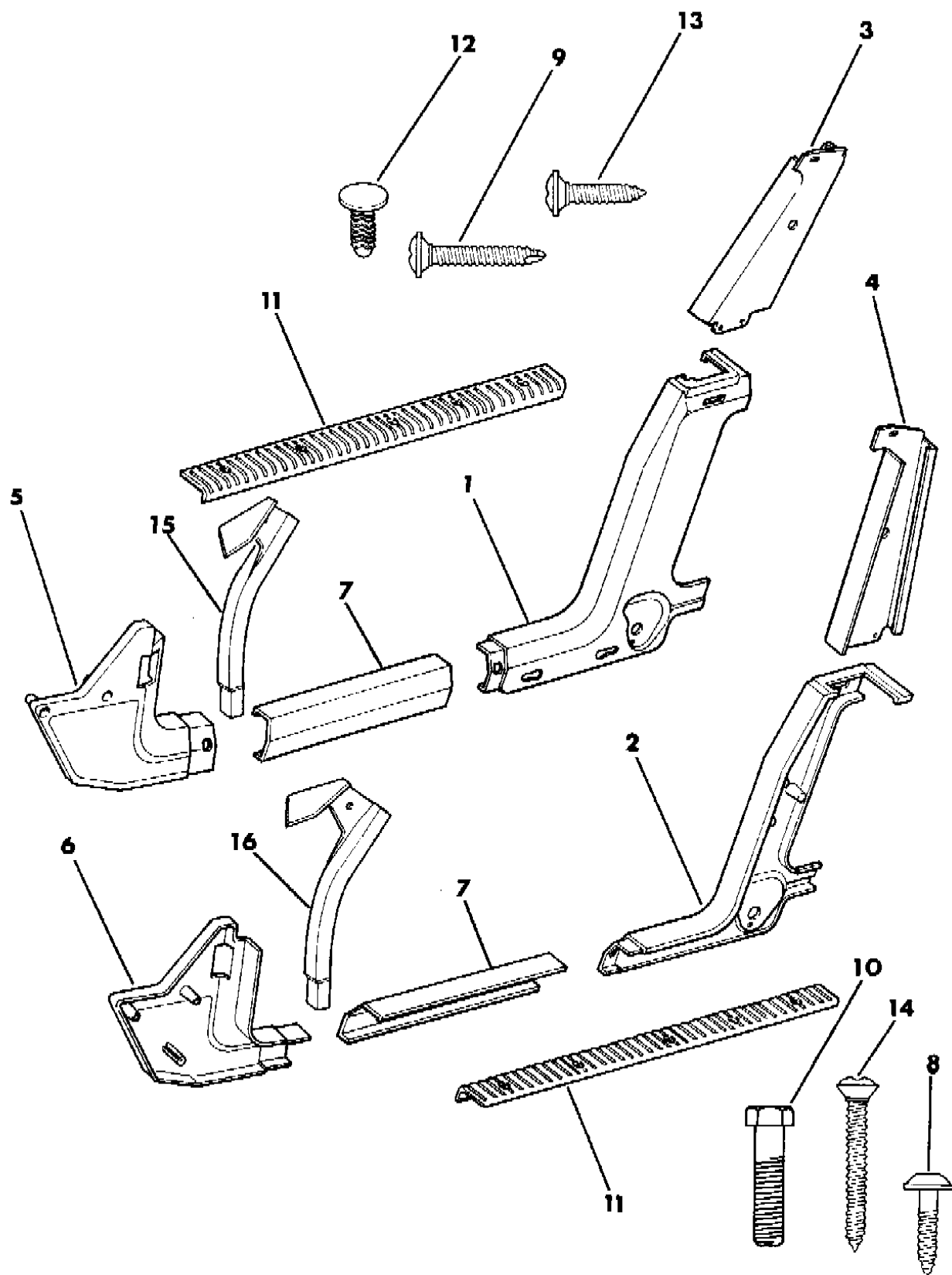
MODEL CODES:

| | | |
|-----------------------------|-----------------------------|------------------------------|
| 15 = Grand Wagoneer 4 Dr. | 65 = Comanche 4WD-7 Ft. Box | 77 = Cherokee 4WD-2 Dr. |
| 25 = J-10 Pickup-119" W.B. | 66 = Comanche 2WD-7 Ft. Box | 78 = Cherokee 4WD-4 Dr. |
| 26 = J-10 Pickup-131" W.B. | 73 = Cherokee 2WD-2 Dr. | 79 = Cherokee 4WD-4 Dr.-Com |
| 27 = J-20 Pickup-131" W.B. | 74 = Cherokee 2WD-4 Dr. | 81 = Wrangler-93" W.B. |
| 63 = Comanche 4WD-6 Ft. Box | 75 = Wagoneer 4WD-4 Dr. | 82 = Wrangler-103" W.B.-Exp. |
| 64 = Comanche 2WD-6 Ft. Box | | |

BODY STYLES:

MJ = Comanche Pickup
 SJ = Grand Wagoneer Wgn., J-10 & J-20 Pickups
 XJ = Cherokee, Wagoneer Limited
 YJ = Wrangler

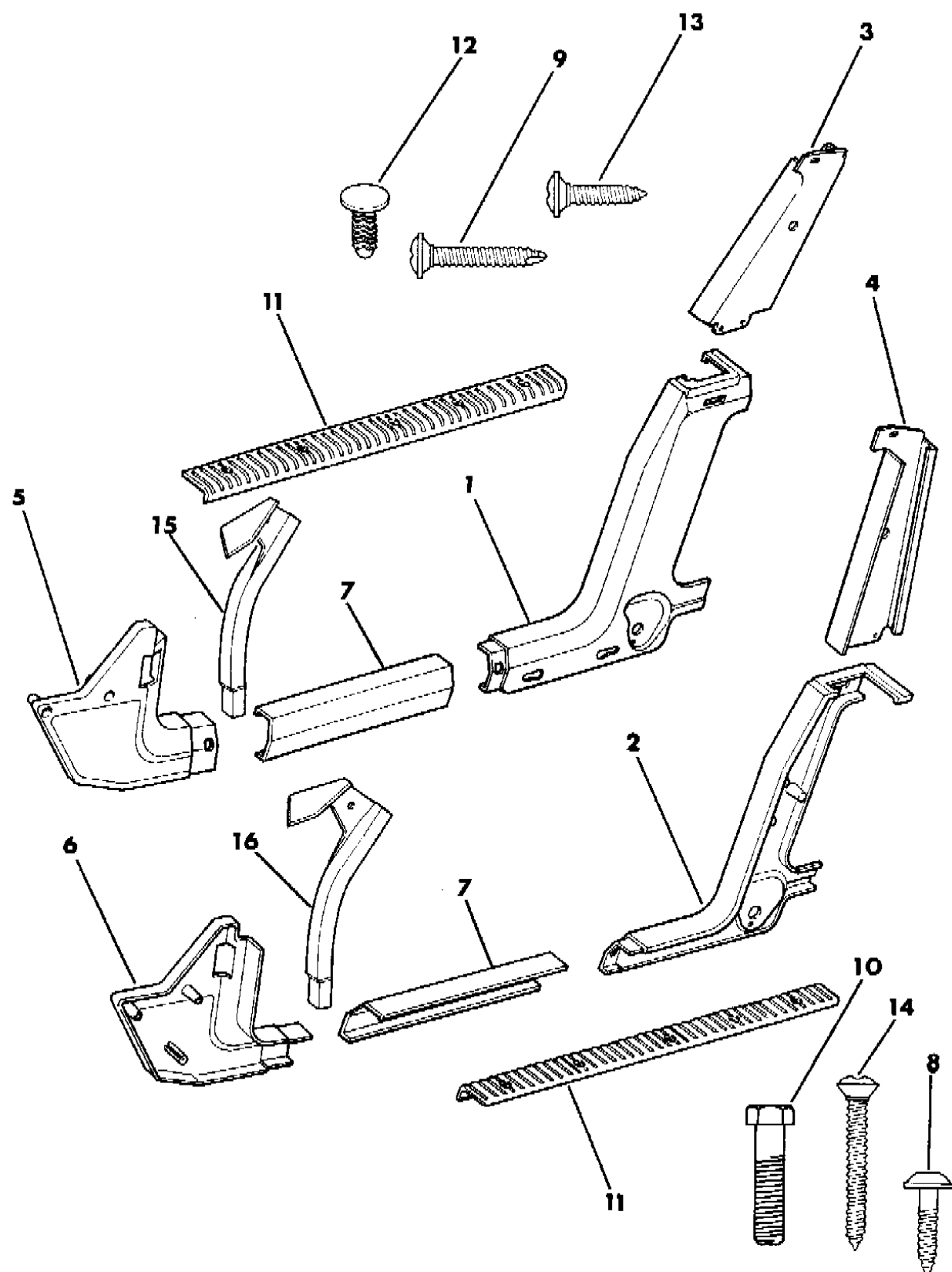
AR = Use as Required - = Non Illustrated Part P.A.R. = Paint as Required



PANELS, INTERIOR TRIM, FRONT 2 DOOR WAGON CHEROKEE
Figure 43-500

8J43 500 A

| ITEM | PART NUMBER | QTY | BODY | MODEL | DESCRIPTION |
|-------|-------------|-----|------|-------|------------------------------|
| 8 | 3420 1314 | 8 | | | SCREW, 13mm Long *** |
| 9 | 3420 1468 | 2 | | | SCREW, 25mm Long *** |
| | 3420 1398 | 6 | | | 25mm Long, 1987 |
| 10 | 1150 3059 | 4 | | | SCREW, 20mm Long *** |
| 11 | 5500 3374 | 2 | | | PLATE, Scuff |
| 12 | 3420 1545 | 4 | | | CLIP, Push |
| 13 | 3420 1403 | 10 | | | SCREW, 13mm Long *** |
| 14 | 3420 1400 | 10 | | | SCREW, 40mm Long *** |
| 15-16 | 5500 5538-9 | 1 | | | FILLER, Pillar, P.A.R., 1987 |



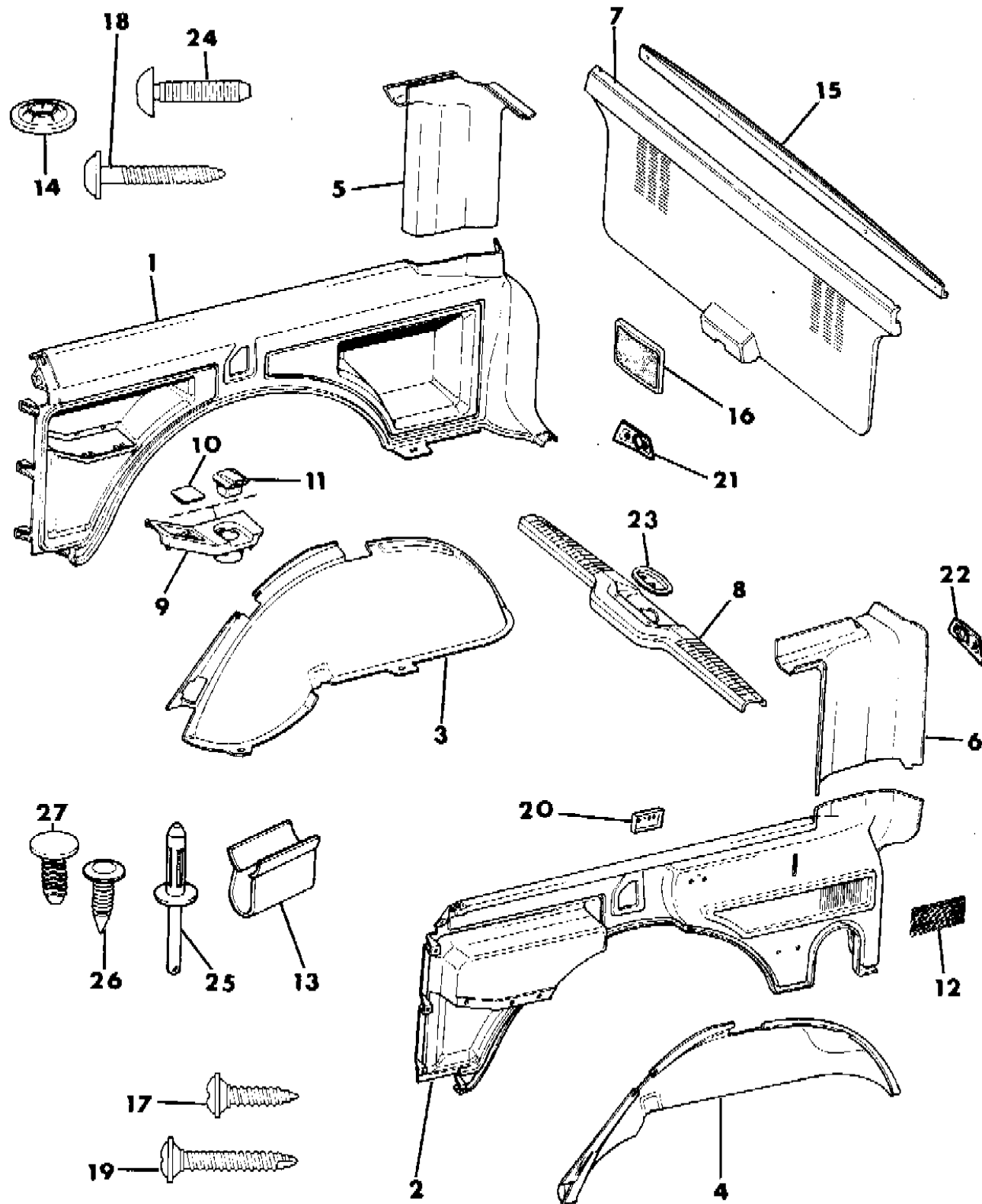
MODEL CODES:
 15 = Grand Wagoneer 4 Dr. 65 = Comanche 4WD-7 Ft. Box 77 = Cherokee 4WD-2 Dr.
 25 = J-10 Pickup-119" W.B. 66 = Comanche 2WD-7 Ft. Box 78 = Cherokee 4WD-4 Dr.
 26 = J-10 Pickup-131" W.B. 73 = Cherokee 2WD-2 Dr. 79 = Cherokee 4WD-4 Dr.-Com
 27 = J-20 Pickup-131" W.B. 74 = Cherokee 2WD-4 Dr. 81 = Wrangler-93" W.B.
 63 = Comanche 4WD-6 Ft. Box 75 = Wagoneer 4WD-4 Dr. 82 = Wrangler-103" W.B.-Exp.
 64 = Comanche 2WD-6 Ft. Box

BODY STYLES:
 MJ = Comanche Pickup
 SJ = Grand Wagoneer Wgn., J-10 & J-20 Pickups
 XJ = Cherokee, Wagoneer Limited
 YJ = Wrangler

AR = Use as Required - = Non Illustrated Part P.A.R. = Paint as Required

PANELS, INTERIOR TRIM, REAR 2 DOOR WAGON CHEROKEE
Figure 43-600

8J43600A



| ITEM | PART NUMBER | QTY | BODY | MODEL | DESCRIPTION |
|------|-------------|-----|------|-------|---------------------------------|
| 1-2 | | | | | PANEL, Quarter Trim |
| | | | | | 1987 |
| | 5501 1714-5 | 1 | | | P.A.R. |
| | | | | | 1988-89 |
| | 5501 8090-1 | 1 | | | Charcoal |
| | 5501 1712-3 | 1 | | | Cordovan |
| | 5501 8088-9 | 1 | | | Navy |
| | 5502 0718-9 | 1 | | | Sand |
| | 5501 1714-5 | 1 | | | Tan |
| 3-4 | | | | | 1990 |
| | 5AT02-3 JY1 | 1 | | | P.A.R. |
| | | | | | COVER, Wheelhouse, rubber |
| | | | | | 1987 |
| | 5500 8426-7 | 1 | | | P.A.R. |
| | | | | | 1988-89 |
| | 5501 8114-5 | 1 | | | Charcoal |
| | 5502 0730-1 | 1 | | | Sand |
| | 5501 1740-1 | 1 | | | Cordovan |
| | | | | | 1990 |
| | 5AC58-9 JS1 | 1 | | | Charcoal |
| | 5AC58-9 JY1 | 1 | | | Sand |
| 5-6 | | | | | COVER, Lift Door Pillar, P.A.R. |
| | | | | | 1987-89 |
| | 5500 5774-5 | 1 | | | |
| | | | | | 1990 |
| | 5AC78-9 JY1 | 1 | | | |
| 7 | | | | | PANEL, Lift Door Trim |
| | | | | | 1987 |
| | 5501 0187 | 1 | | | Black, rubber |
| | 5501 0189 | 1 | | | Med. Blue, rubber |
| | 5501 1813 | 1 | | | Tan, rubber |
| | 5501 0190 | 1 | | | Black, carpet |
| | 5501 1814 | 1 | | | Cordovan, carpet |
| | 5501 1815 | 1 | | | Tan, carpet |
| | | | | | 1988-89 |
| | 5501 8076 | 1 | | | Charcoal, rubber |
| | 5502 0711 | 1 | | | Sand, rubber |
| | 5501 1813 | 1 | | | Tan, rubber |
| | 5501 8078 | 1 | | | Charcoal, carpet |

MODEL CODES:

| | | |
|-----------------------------|-----------------------------|------------------------------|
| 15 = Grand Wagoneer 4 Dr. | 65 = Comanche 4WD-7 Ft. Box | 77 = Cherokee 4WD-2 Dr. |
| 25 = J-10 Pickup-119" W.B. | 66 = Comanche 2WD-7 Ft. Box | 78 = Cherokee 4WD-4 Dr. |
| 26 = J-10 Pickup-131" W.B. | 73 = Cherokee 2WD-2 Dr. | 79 = Cherokee 4WD-4 Dr.-Com |
| 27 = J-20 Pickup-131" W.B. | 74 = Cherokee 2WD-4 Dr. | 81 = Wrangler-93" W.B. |
| 63 = Comanche 4WD-6 Ft. Box | 75 = Wagoneer 4WD-4 Dr. | 82 = Wrangler-103" W.B.-Exp. |
| 64 = Comanche 2WD-6 Ft. Box | | |

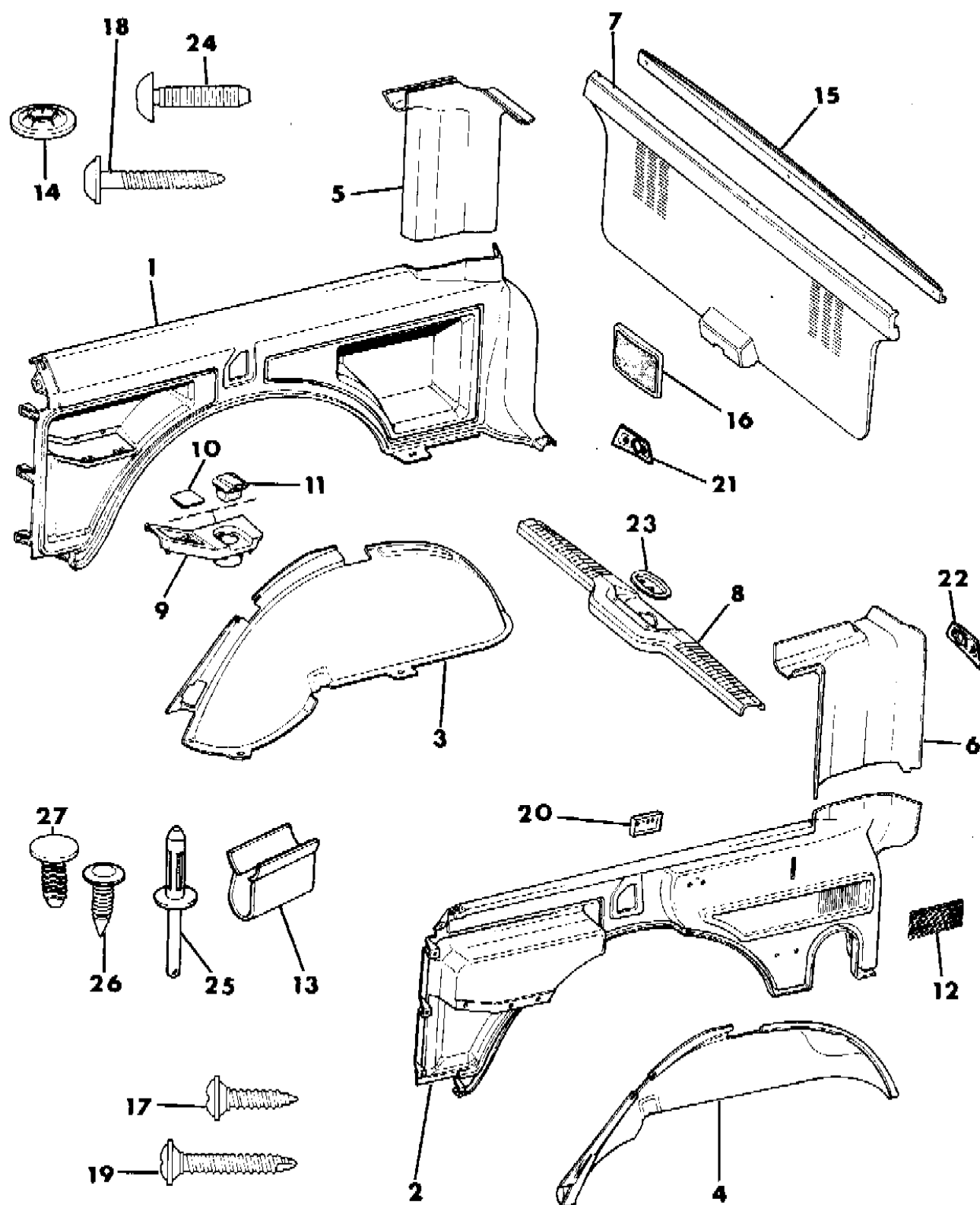
BODY STYLES:

MJ = Comanche Pickup
SJ = Grand Wagoneer Wgn., J-10 & J-20 Pickups
XJ = Cherokee, Wagoneer Limited
YJ = Wrangler

AR = Use as Required - = Non Illustrated Part P.A.R. = Paint as Required

PANELS, INTERIOR TRIM, REAR 2 DOOR WAGON CHEROKEE
Figure 43-600

8J43600A



| ITEM | PART NUMBER | QTY | BODY | MODEL | DESCRIPTION |
|------|-------------|-----|------|-------|--------------------------------------|
| | 5501 1814 | 1 | | | Cordovan, carpet |
| | 5501 8077 | 1 | | | Navy, carpet |
| | 5502 0713 | 1 | | | Sand, carpet |
| | 5501 1815 | 1 | | | Tan, carpet |
| | | | | | 1990 |
| | 5AE1 8JS1 | 1 | | | Charcoal, rubber |
| | 5AE1 8JY1 | 1 | | | Sand, rubber |
| | 5AE1 9JS1 | 1 | | | Charcoal, carpet |
| | 5AE1 9JH9 | 1 | | | Cordovan, carpet |
| | 5AE1 9JY1 | 1 | | | Sand, carpet |
| 8 | | | | | PLATE, Lift Door Scuff |
| | 5500 5757 | 1 | | | 1987, P.A.R. |
| | | | | | 1988-89 |
| | 5501 8067 | 1 | | | Charcoal |
| | 5501 1786 | 1 | | | Cordovan |
| | 5501 8066 | 1 | | | Navy |
| | 5502 0706 | 1 | | | Sand, 1989 |
| | 5501 1787 | 1 | | | Tan, 1988 |
| | | | | | 1990 |
| | 5AC5 5JS1 | 1 | | | Charcoal |
| | 5AC5 5JH9 | 1 | | | Cordovan |
| | 5AC5 5JY1 | 1 | | | Sand |
| 9 | 5500 5754-5 | 1 | | | COVER, Armrest, P.A.R. |
| - | 3420 1481 | 6 | | | NUT, Push On, Armrest Cover Mounting |
| 10 | | | | | COVER, Used w/o Ashtray |
| | 5500 2287 | 2 | | | P.A.R., 1987-89 |
| | 5AC6 4JS1 | 2 | | | Charcoal, 1990 |
| | 5AC6 4JH9 | 2 | | | Cordovan, 1990 |
| | 5AC6 4JY1 | 2 | | | Sand, 1990 |
| 11 | | | | | ASHTRAY *** |
| | 5500 5748 | 2 | | | P.A.R., 1987-89 |
| | 5AC6 0JS1 | 1 | | | P.A.R., 1990 |
| 12 | 5500 4406 | 1 | | | SCREEN, Louver |
| 13 | J400 1551 | 12 | | | CLIP |
| 14 | | | | | NUT, Push |
| | 3420 1481 | 12 | | | 10mm I.D., w/ premium radio |
| | J400 0271 | 8 | | | 6mm I.D., w/o premium radio |

MODEL CODES:

| | | |
|-----------------------------|-----------------------------|------------------------------|
| 15 = Grand Wagoneer 4 Dr. | 65 = Comanche 4WD-7 Ft. Box | 77 = Cherokee 4WD-2 Dr. |
| 25 = J-10 Pickup-119" W.B. | 66 = Comanche 2WD-7 Ft. Box | 78 = Cherokee 4WD-4 Dr. |
| 26 = J-10 Pickup-131" W.B. | 73 = Cherokee 2WD-2 Dr. | 79 = Cherokee 4WD-4 Dr.-Com |
| 27 = J-20 Pickup-131" W.B. | 74 = Cherokee 2WD-4 Dr. | 81 = Wrangler-93" W.B. |
| 63 = Comanche 4WD-6 Ft. Box | 75 = Wagoneer 4WD-4 Dr. | 82 = Wrangler-103" W.B.-Exp. |
| 64 = Comanche 2WD-6 Ft. Box | | |

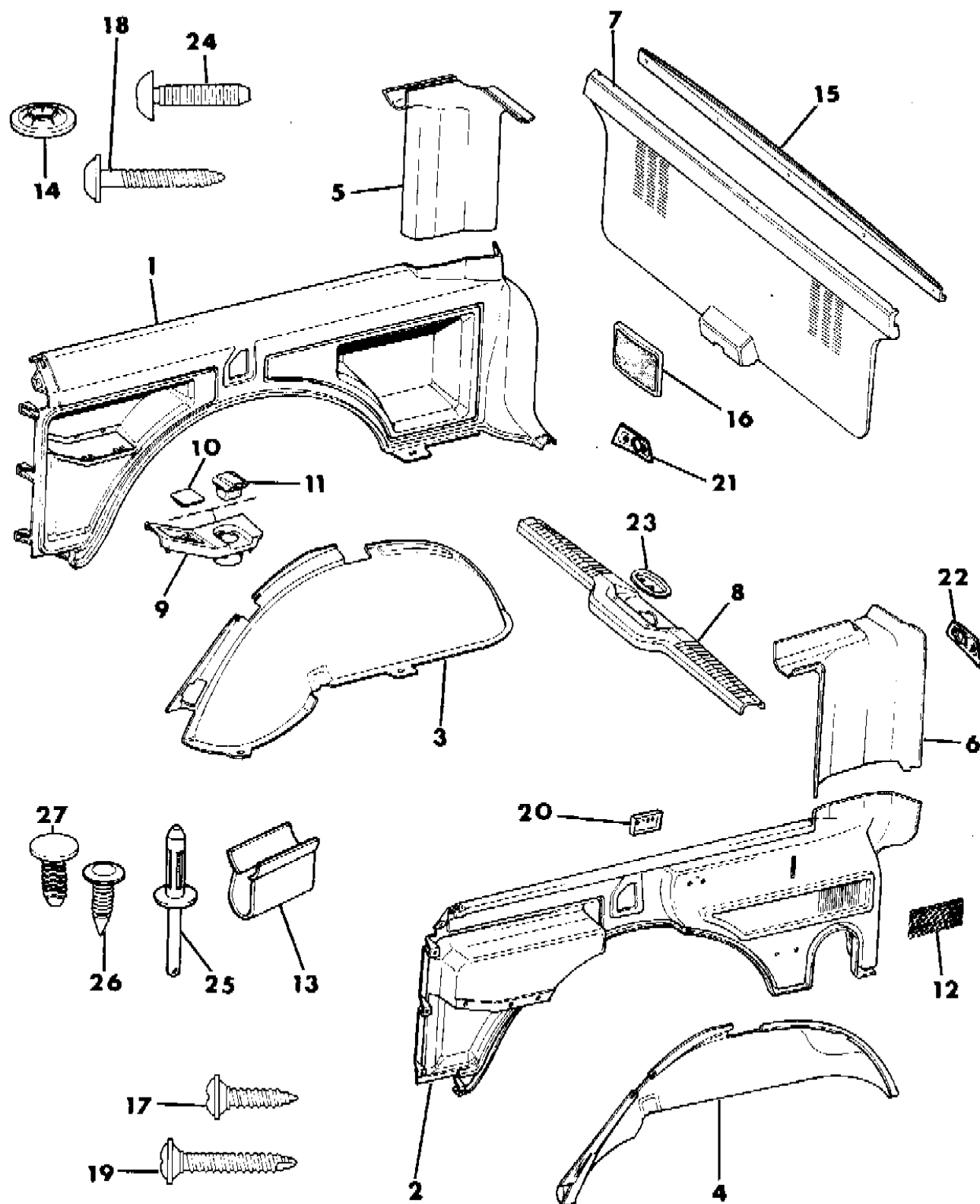
BODY STYLES:

MJ = Comanche Pickup
SJ = Grand Wagoneer Wgn., J-10 & J-20 Pickups
XJ = Cherokee, Wagoneer Limited
YJ = Wrangler

AR = Use as Required - = Non Illustrated Part P.A.R. = Paint as Required

PANELS, INTERIOR TRIM, REAR 2 DOOR WAGON CHEROKEE
Figure 43-600

8J43600A



| ITEM | PART NUMBER | QTY | BODY | MODEL | DESCRIPTION |
|------|-------------|-----|------|-------|--|
| 15 | | | | | RETAINER |
| | 3420 1299 | 1 | | | 1987 (Is a Retainer Clip Not The Strip Illus In Drawing) |
| | 5500 8064 | 1 | | | 1988-90 |
| 16 | | | | | GRILLE, Speaker |
| | | | | | 1987 |
| | 3501 4012 | 2 | | | Black |
| | 3501 4000 | 2 | | | Med. Blue |
| | 3501 6858 | 2 | | | Cordovan |
| | 3501 4001 | 2 | | | Tan |
| | | | | | w/o Premium Radio |
| | 3501 9986 | 2 | | | 1988-89, P.A.R. |
| | 5AB8 5JY1 | 2 | | | 1990 |
| | | | | | w/ Premium Radio *** |
| | | | | | 1988-89 |
| | 3502 3502 | 2 | | | Charcoal |
| | 3501 6858 | 2 | | | Cordovan |
| | 3502 1056 | 2 | | | Navy |
| | 3502 5335 | 2 | | | Sand, 1989 |
| | 3501 4001 | 2 | | | Tan, 1988 |
| | | | | | 1990 |
| | 5AB9 3JY6 | 2 | | | P.A.R. |
| 17 | | | | | SCREW |
| | 3420 1403 | 2 | | | 13mm Long |
| | 3420 1719 | 4 | | | 16mm Long |
| | 3420 1400 | 2 | | | 40mm Long |
| 18 | 3420 1468 | 4 | | | SCREW, 25mm Long *** |
| 19 | 3420 1398 | 6 | | | SCREW |
| 20 | | | | | PAD, Spare Tire Rest, P.A.R. |
| | 5500 5756 | 1 | | | 1987-89, P.A.R. |
| | | | | | 1990 |
| | 5AC9 1JS1 | 1 | | | Charcoal |
| | 5AC9 1JH9 | 1 | | | Cordovan |
| | 5AC9 1JY1 | 1 | | | Sand |
| 21 | 5500 5230 | 1 | | | COVER, Rear Header |
| 22 | 5501 5080 | 1 | | | COVER, Rear Header |
| 23 | 5500 4352 | 1 | | | RETAINER, Scuff Plate |
| 24 | 3420 1946 | 4 | | | SCREW, 19mm Long *** |

MODEL CODES:

| | | |
|-----------------------------|-----------------------------|------------------------------|
| 15 = Grand Wagoneer 4 Dr. | 65 = Comanche 4WD-7 Ft. Box | 77 = Cherokee 4WD-2 Dr. |
| 25 = J-10 Pickup-119" W.B. | 66 = Comanche 2WD-7 Ft. Box | 78 = Cherokee 4WD-4 Dr. |
| 26 = J-10 Pickup-131" W.B. | 73 = Cherokee 2WD-2 Dr. | 79 = Cherokee 4WD-4 Dr.-Com |
| 27 = J-20 Pickup-131" W.B. | 74 = Cherokee 2WD-4 Dr. | 81 = Wrangler-93" W.B. |
| 63 = Comanche 4WD-6 Ft. Box | 75 = Wagoneer 4WD-4 Dr. | 82 = Wrangler-103" W.B.-Exp. |
| 64 = Comanche 2WD-6 Ft. Box | | |

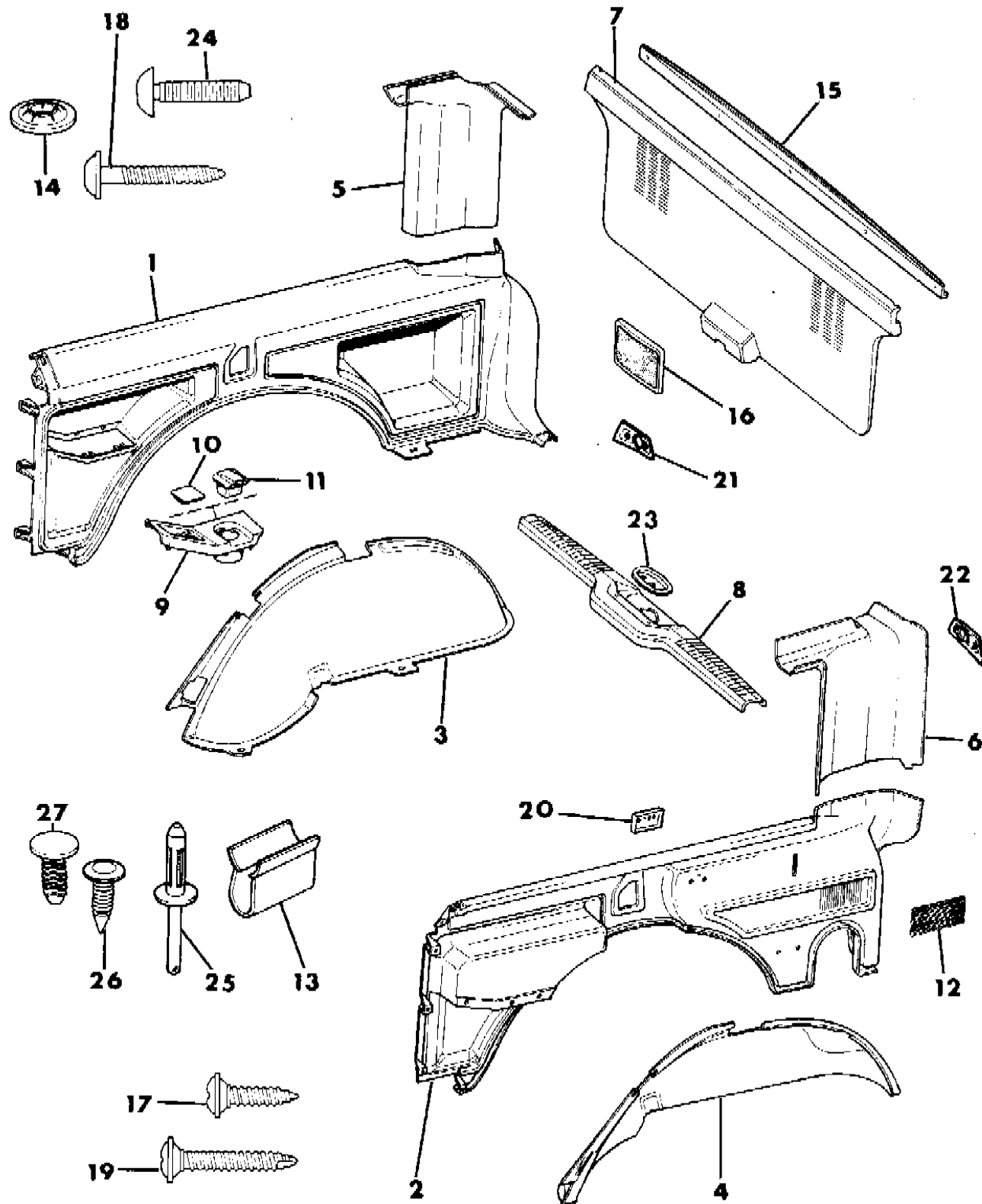
BODY STYLES:

MJ = Comanche Pickup
SJ = Grand Wagoneer Wgn., J-10 & J-20 Pickups
XJ = Cherokee, Wagoneer Limited
YJ = Wrangler

AR = Use as Required - = Non Illustrated Part P.A.R. = Paint as Required

PANELS, INTERIOR TRIM, REAR 2 DOOR WAGON CHEROKEE
Figure 43-600

8J43600A



| ITEM | PART NUMBER | QTY | BODY | MODEL | DESCRIPTION |
|------|-------------|-----|------|-------|---|
| 25 | | | | | RIVET |
| | 3420 1835 | 7 | | | 1987 P.A.R. |
| | 3420 1621 | 7 | | | 1988-90 |
| 26 | J400 7129 | 1 | | | FASTENER, P.A.R., 1987-88 |
| 27 | | | | | CLIP-RETAINER, trim panel to liftgate *** |
| | 3420 1545 | AR | | | 1987-90 |
| | 6502 078 | AR | | | 1990 |

MODEL CODES:

| | | |
|-----------------------------|-----------------------------|------------------------------|
| 15 = Grand Wagoneer 4 Dr. | 65 = Comanche 4WD-7 Ft. Box | 77 = Cherokee 4WD-2 Dr. |
| 25 = J-10 Pickup-119" W.B. | 66 = Comanche 2WD-7 Ft. Box | 78 = Cherokee 4WD-4 Dr. |
| 26 = J-10 Pickup-131" W.B. | 73 = Cherokee 2WD-2 Dr. | 79 = Cherokee 4WD-4 Dr.-Com |
| 27 = J-20 Pickup-131" W.B. | 74 = Cherokee 2WD-4 Dr. | 81 = Wrangler-93" W.B. |
| 63 = Comanche 4WD-6 Ft. Box | 75 = Wagoneer 4WD-4 Dr. | 82 = Wrangler-103" W.B.-Exp. |
| 64 = Comanche 2WD-6 Ft. Box | | |

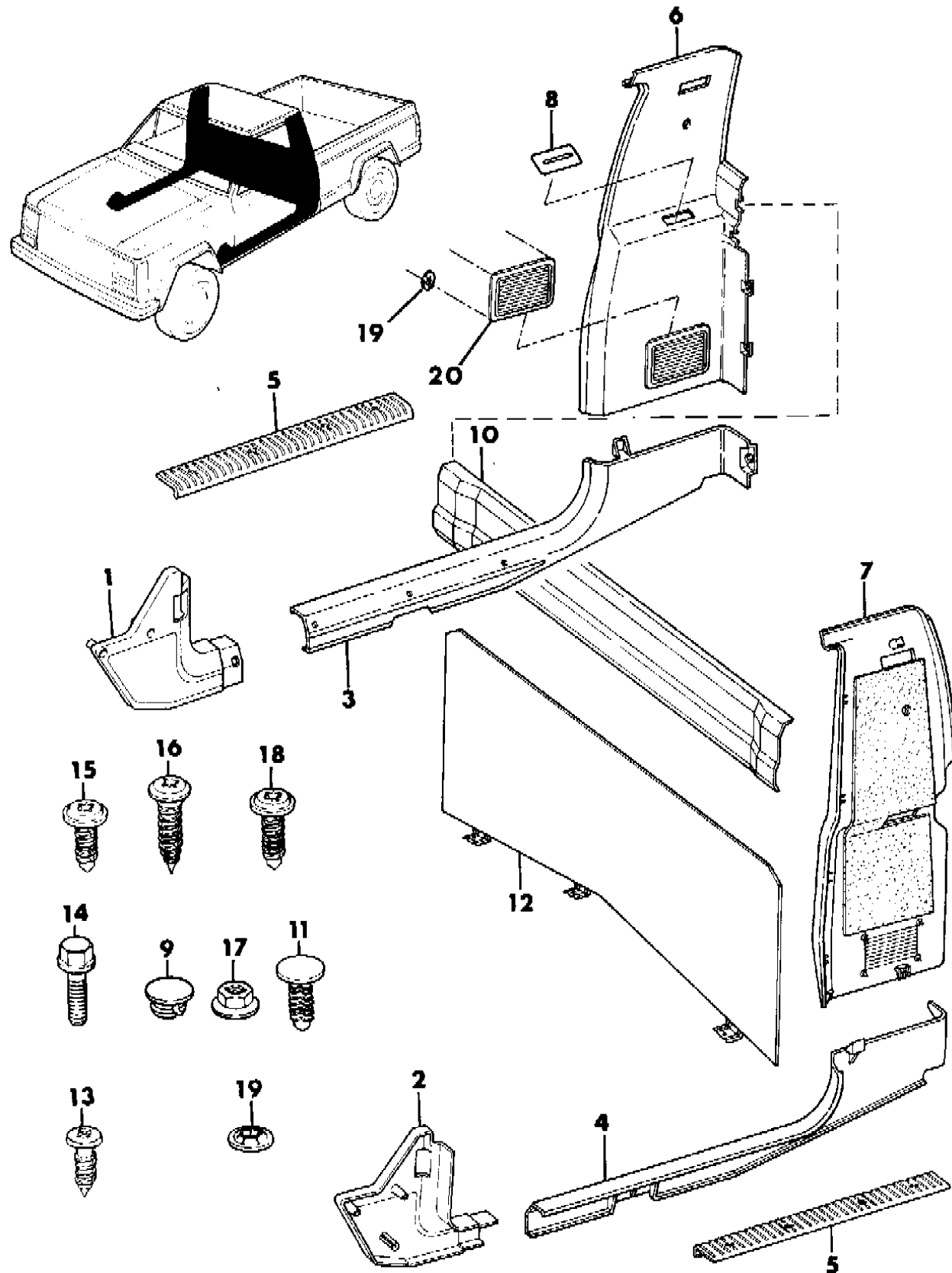
BODY STYLES:

MJ = Comanche Pickup
SJ = Grand Wagoneer Wgn., J-10 & J-20 Pickups
XJ = Cherokee, Wagoneer Limited
YJ = Wrangler

AR = Use as Required - = Non Illustrated Part P.A.R. = Paint as Required

PANELS, INTERIOR TRIM COMANCHE
Figure 43-700

8J43 700 A



| ITEM | PART NUMBER | QTY | BODY | MODEL | DESCRIPTION |
|------|-------------|-----|------|-------|---|
| 1 | 5500 6082 | 1 | | | PANEL, Cowl Trim, Right, P.A.R. 1987 |
| | 5501 1908 | 1 | | | 1988-89 |
| | 5AC3 6JY1 | 1 | | | 1990 |
| 2 | 5500 7233 | 1 | | | PANEL, Cowl Trim, Left, P.A.R. 1987 |
| | 5501 1913 | 1 | | | 1988-89 |
| | 5AD4 9JY1 | 1 | | | 1990 |
| 3-4 | | | | | PLATE, Inner Scuff 1987 |
| | 5500 6442-3 | 1 | | | Black |
| | 5500 6440-1 | 1 | | | Blue |
| | 5501 1560-1 | 1 | | | Cordovan |
| | 5501 1562-3 | 1 | | | Tan 1988-89 |
| | 5501 8472-3 | 1 | | | Charcoal |
| | 5501 1560-1 | 1 | | | Cordovan |
| | 5501 7946-7 | 1 | | | Navy |
| | 5502 0680-1 | 1 | | | Sand, 1989 |
| | 5501 1562-3 | 1 | | | Tan, 1988 1990 |
| | 5AD30-1 JS1 | 1 | | | Charcoal |
| | 5AD30-1 JH9 | 1 | | | Cordovan |
| | 5AD30-1 JY1 | 1 | | | Sand |
| 5 | 5500 3370 | 2 | | | PLATE, Scuff |
| 6-7 | 5500 8326-7 | 1 | | | PANEL, Quarter Trim, P.A.R. 1987-89 |
| | 5AE26-7 JY1 | 1 | | | 1990 |
| 8 | | | | | ESCUTCHEON, Seat Belt, 1987-89 |
| | 5502 0725 | 2 | | | P.A.R. 1990 |
| | 5AE2 3JS1 | 2 | | | Charcoal |
| | 5AE2 3JH9 | 2 | | | Cordovan |
| 9 | 5AE2 3JY1 | 2 | | | Sand |
| | | | | | PLUG, Button 1987-89 |

MODEL CODES:

| | | |
|-----------------------------|-----------------------------|------------------------------|
| 15 = Grand Wagoneer 4 Dr. | 65 = Comanche 4WD-7 Ft. Box | 77 = Cherokee 4WD-2 Dr. |
| 25 = J-10 Pickup-119" W.B. | 66 = Comanche 2WD-7 Ft. Box | 78 = Cherokee 4WD-4 Dr. |
| 26 = J-10 Pickup-131" W.B. | 73 = Cherokee 2WD-2 Dr. | 79 = Cherokee 4WD-4 Dr.-Com |
| 27 = J-20 Pickup-131" W.B. | 74 = Cherokee 2WD-4 Dr. | 81 = Wrangler-93" W.B. |
| 63 = Comanche 4WD-6 Ft. Box | 75 = Wagoneer 4WD-4 Dr. | 82 = Wrangler-103" W.B.-Exp. |
| 64 = Comanche 2WD-6 Ft. Box | | |

BODY STYLES:

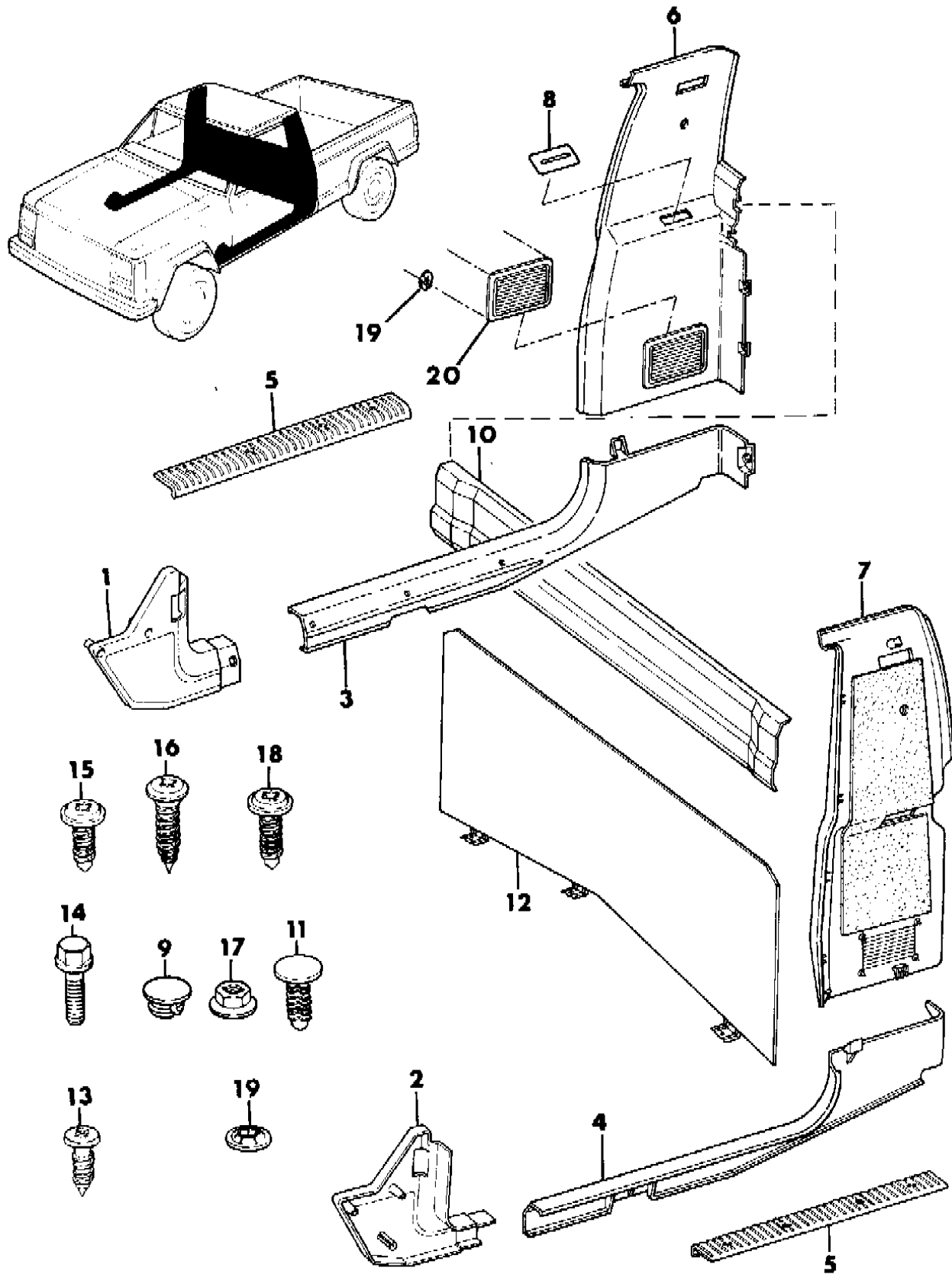
MJ = Comanche Pickup
SJ = Grand Wagoneer Wgn., J-10 & J-20 Pickups
XJ = Cherokee, Wagoneer Limited
YJ = Wrangler

AR = Use as Required - = Non Illustrated Part P.A.R. = Paint as Required

PANELS, INTERIOR TRIM COMANCHE

Figure 43-700

8J43 700 A



| ITEM | PART NUMBER | QTY | BODY | MODEL | DESCRIPTION |
|------|-------------|-----|------|-------|---|
| | 3420 2160 | 10 | | | P.A.R. 1990 |
| | AW91 HS1 | 10 | | | Charcoal |
| | AW91 HH9 | 10 | | | Cordovan |
| | AW91 HY1 | 10 | | | Sand |
| 10 | | | | | PANEL, Center Trim Upper, P.A.R. 1987-89 |
| | 5500 6375 | 1 | | | 1990 |
| | 5AF0 8JY1 | 1 | | | 1990 |
| 11 | 3420 1545 | 10 | | | CLIP |
| 12 | | | | | PANEL, Center Trim Lower 1987 |
| | 5500 7527 | 1 | | | Black |
| | 5500 7526 | 1 | | | Med. Blue |
| | 5501 1790 | 1 | | | Cordovan |
| | 5501 1791 | 1 | | | Tan |
| | | | | | 1988-89 |
| | 5501 8073 | 1 | | | Charcoal |
| | 5501 1790 | 1 | | | Cordovan |
| | 5501 8072 | 1 | | | Navy |
| | 5502 0709 | 1 | | | Sand, 1989 |
| | 5501 1791 | 1 | | | Tan, 1988 |
| | | | | | 1990 |
| | 5AD8 9JA8 | 1 | | | Charcoal |
| | 5AD8 9JH9 | 1 | | | Cordovan |
| | 5AD8 9JY6 | 1 | | | Sand |
| 13 | 1150 1610 | 4 | | | SCREW, 16mm Long *** |
| 14 | 1150 3059 | 4 | | | SCREW, 20mm Long *** |
| 15 | 3420 1314 | 2 | | | SCREW, 13mm Long *** |
| 16 | 3420 1400 | 6 | | | SCREW, 40mm Long *** |
| 17 | 1150 1932 | 6 | | | NUT |
| 18 | 3420 1468 | 2 | | | SCREW, 25mm Long *** |
| 19 | J400 0271 | 8 | | | FASTENER, Push On |
| 20 | 5AE2 4JY1 | 2 | | | GRILLE, Speaker/Exhauster, P.A.R. |

MODEL CODES:

| | | |
|-----------------------------|-----------------------------|------------------------------|
| 15 = Grand Wagoneer 4 Dr. | 65 = Comanche 4WD-7 Ft. Box | 77 = Cherokee 4WD-2 Dr. |
| 25 = J-10 Pickup-119" W.B. | 66 = Comanche 2WD-7 Ft. Box | 78 = Cherokee 4WD-4 Dr. |
| 26 = J-10 Pickup-131" W.B. | 73 = Cherokee 2WD-2 Dr. | 79 = Cherokee 4WD-4 Dr.-Com |
| 27 = J-20 Pickup-131" W.B. | 74 = Cherokee 2WD-4 Dr. | 81 = Wrangler-93" W.B. |
| 63 = Comanche 4WD-6 Ft. Box | 75 = Wagoneer 4WD-4 Dr. | 82 = Wrangler-103" W.B.-Exp. |
| 64 = Comanche 2WD-6 Ft. Box | | |

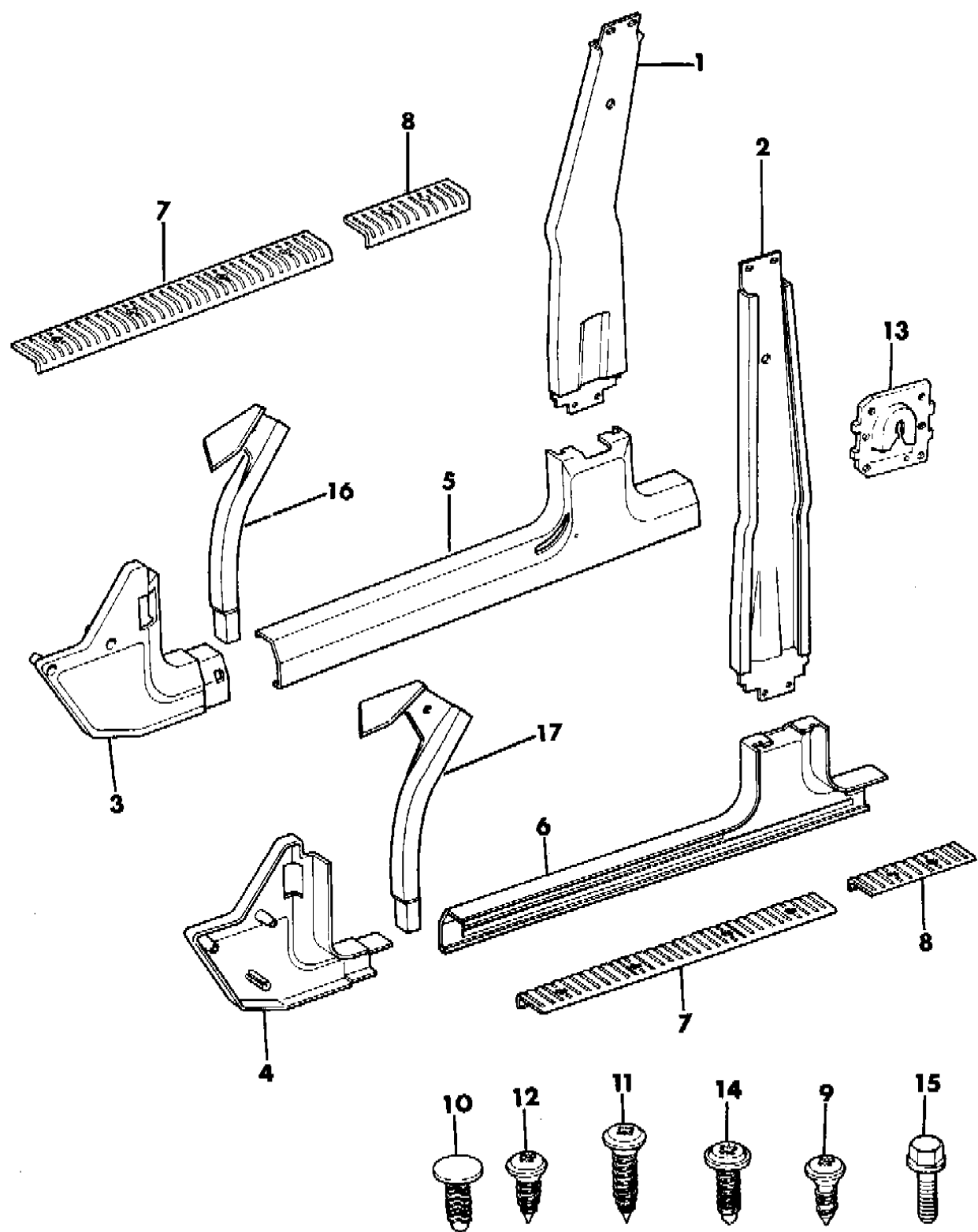
BODY STYLES:

MJ = Comanche Pickup
 SJ = Grand Wagoneer Wgn., J-10 & J-20 Pickups
 XJ = Cherokee, Wagoneer Limited
 YJ = Wrangler

AR = Use as Required - = Non Illustrated Part P.A.R. = Paint as Required

PANELS, INTERIOR TRIM, FRONT 4 DOOR CHEROKEE, WAGONEER
Figure 43-800

8J43 800 A



| ITEM | PART NUMBER | QTY | BODY | MODEL | DESCRIPTION |
|-------|-------------|-----|------|-------|----------------------------------|
| 1-2 | | | | | PANEL, Center Trim Upper, P.A.R. |
| | 5500 5764-5 | 1 | | | 1987-89 |
| | 5AC72-3 JY1 | 1 | | | 1990 |
| 3-4 | | | | | PANEL, Cowl Trim, P.A.R. |
| | 5500 6082-3 | 1 | | | 1987 |
| | 5502 0738 | 1 | | | 1988-89, Right |
| | 5501 1909 | 1 | | | 1988-89, Left |
| | 5AC36-7 JY1 | 1 | | | 1990 |
| 5-6 | | | | | COVER, Center Trim Lower |
| | 5500 5762-3 | 1 | | | 1987, P.A.R. |
| | | | | | 1988-89 |
| | 5501 8040-1 | 1 | | | Charcoal |
| | 5501 1754-5 | 1 | | | Cordovan |
| | 5501 8038-9 | 1 | | | Navy |
| | 5502 0694-5 | 1 | | | Sand, 1989 |
| | 5501 1756-7 | 1 | | | Tan, 1988 |
| | | | | | 1990 |
| | 5AC32-3 JS1 | 1 | | | Charcoal |
| | 5AC32-3 JH9 | 1 | | | Cordovan |
| | 5AC32-3 JY1 | 1 | | | Sand |
| 7 | 5500 3370 | 2 | | | PLATE, Scuff |
| 8 | 5500 3372 | 2 | | | PLATE, Scuff |
| 9 | | | | | SCREW, 13mm Long *** |
| | 3420 1403 | 12 | | | 1987-89 |
| | 3420 1717 | 12 | | | 1990 |
| 10 | 3420 1545 | 8 | | | CLIP |
| 11 | 3420 1400 | 10 | | | SCREW, 40mm Long *** |
| 12 | 3420 1314 | 4 | | | SCREW, 13mm Long *** |
| 13 | 3420 1299 | 2 | | | CLIP |
| 14 | 3420 1468 | 4 | | | SCREW, 25mm Long *** |
| 15 | 1150 3059 | 4 | | | SCREW, 20mm Long *** |
| 16-17 | 5500 5538-9 | 1 | | | Filler, Pillar, 1987 P.A.R. *** |

MODEL CODES:

| | | |
|-----------------------------|-----------------------------|------------------------------|
| 15 = Grand Wagoneer 4 Dr. | 65 = Comanche 4WD-7 Ft. Box | 77 = Cherokee 4WD-2 Dr. |
| 25 = J-10 Pickup-119" W.B. | 66 = Comanche 2WD-7 Ft. Box | 78 = Cherokee 4WD-4 Dr. |
| 26 = J-10 Pickup-131" W.B. | 73 = Cherokee 2WD-2 Dr. | 79 = Cherokee 4WD-4 Dr.-Com |
| 27 = J-20 Pickup-131" W.B. | 74 = Cherokee 2WD-4 Dr. | 81 = Wrangler-93" W.B. |
| 63 = Comanche 4WD-6 Ft. Box | 75 = Wagoneer 4WD-4 Dr. | 82 = Wrangler-103" W.B.-Exp. |
| 64 = Comanche 2WD-6 Ft. Box | | |

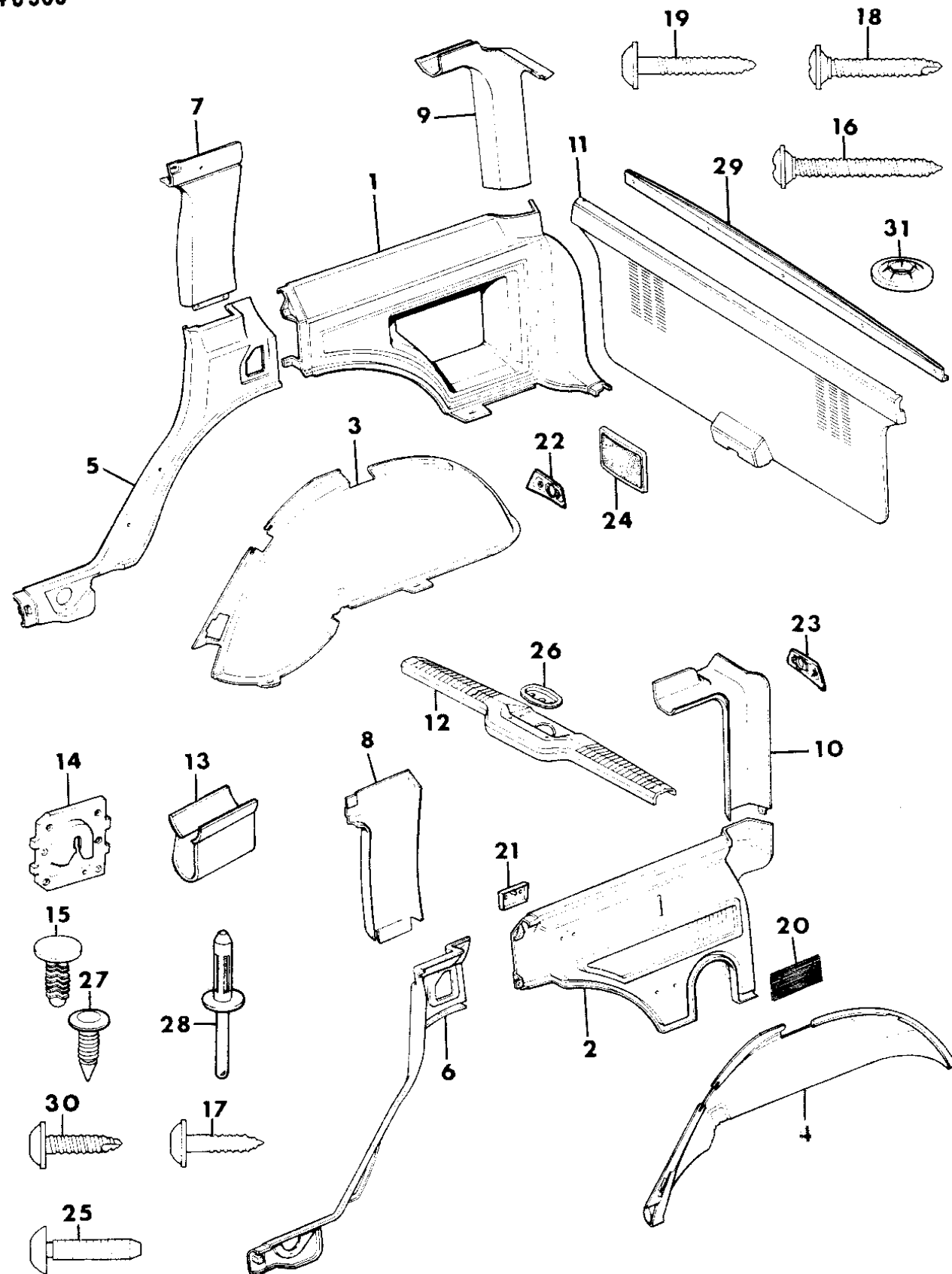
BODY STYLES:

MJ = Comanche Pickup
SJ = Grand Wagoneer Wgn., J-10 & J-20 Pickups
XJ = Cherokee, Wagoneer Limited
YJ = Wrangler

AR = Use as Required - = Non Illustrated Part P.A.R. = Paint as Required

PANELS, INTERIOR TRIM, REAR 4 DOOR CHEROKEE, WAGONEER
Figure 43-900

8J4 3900



| ITEM | PART NUMBER | QTY | BODY | MODEL | DESCRIPTION |
|------|-------------|-----|------|-------|--|
| 1-2 | | | | | PANEL, Quarter Trim |
| | 5501 1706 | 1 | | | 1987, Right, P.A.R. |
| | 5500 8307 | 1 | | | 1987, Left, P.A.R. |
| | 5501 8082-3 | 1 | | | 1988-89 Charcoal |
| | 5501 1704-5 | 1 | | | Cordovan |
| | 5501 8080-1 | 1 | | | Navy |
| | 5502 0714-5 | 1 | | | Sand, 1989 |
| | 5501 1706-7 | 1 | | | Tan, 1988 |
| 3-4 | 5AZ90-1 JY1 | 1 | | | 1990, P.A.R. |
| | 5500 8426-7 | 1 | | | COVER, Wheelhouse, Rubber 1987, P.A.R. 1988-89 |
| | 5501 8114-5 | 1 | | | Charcoal |
| | 5502 0730-1 | 1 | | | Sand, 1989 |
| | 5501 1740-1 | 1 | | | Tan, 1988 1990 |
| | 5AC58-9 JS1 | 1 | | | Charcoal |
| | 5AC58-9 JY1 | 1 | | | Sand |
| 5-6 | | | | | PANEL, Extension, P.A.R. |
| | 5500 5760-1 | 1 | | | 1987-89 |
| | 5AC40-1 JY1 | 1 | | | 1990 |
| 7-8 | | | | | COVER, Lock Pillar, P.A.R. |
| | 5500 5776-7 | 1 | | | 1987-89 |
| | 5AC74-5 JY1 | 1 | | | 1990 |
| 9-10 | | | | | COVER, Lift Door Pillar, P.A.R. |
| | 5500 5770-1 | 1 | | | 1987-89 |
| | 5AC80-1 JY1 | 1 | | | 1990 |
| 11 | | | | | PANEL, Lift Door Trim |
| | 5501 0187 | 1 | | | 1987 Black, rubber |
| | 5501 0190 | 1 | | | Black, carpet |
| | 5501 0189 | 1 | | | Med. Blue, rubber |
| | 5501 1814 | 1 | | | Cordovan, carpet |
| | 5501 1813 | 1 | | | Tan, rubber |
| | 5501 1815 | 1 | | | Tan, carpet 1988-89 |

MODEL CODES:

| | | |
|-----------------------------|-----------------------------|------------------------------|
| 15 = Grand Wagoneer 4 Dr. | 65 = Comanche 4WD-7 Ft. Box | 77 = Cherokee 4WD-2 Dr. |
| 25 = J-10 Pickup-119" W.B. | 66 = Comanche 2WD-7 Ft. Box | 78 = Cherokee 4WD-4 Dr. |
| 26 = J-10 Pickup-131" W.B. | 73 = Cherokee 2WD-2 Dr. | 79 = Cherokee 4WD-4 Dr.-Com |
| 27 = J-20 Pickup-131" W.B. | 74 = Cherokee 2WD-4 Dr. | 81 = Wrangler-93" W.B. |
| 63 = Comanche 4WD-6 Ft. Box | 75 = Wagoneer 4WD-4 Dr. | 82 = Wrangler-103" W.B.-Exp. |
| 64 = Comanche 2WD-6 Ft. Box | | |

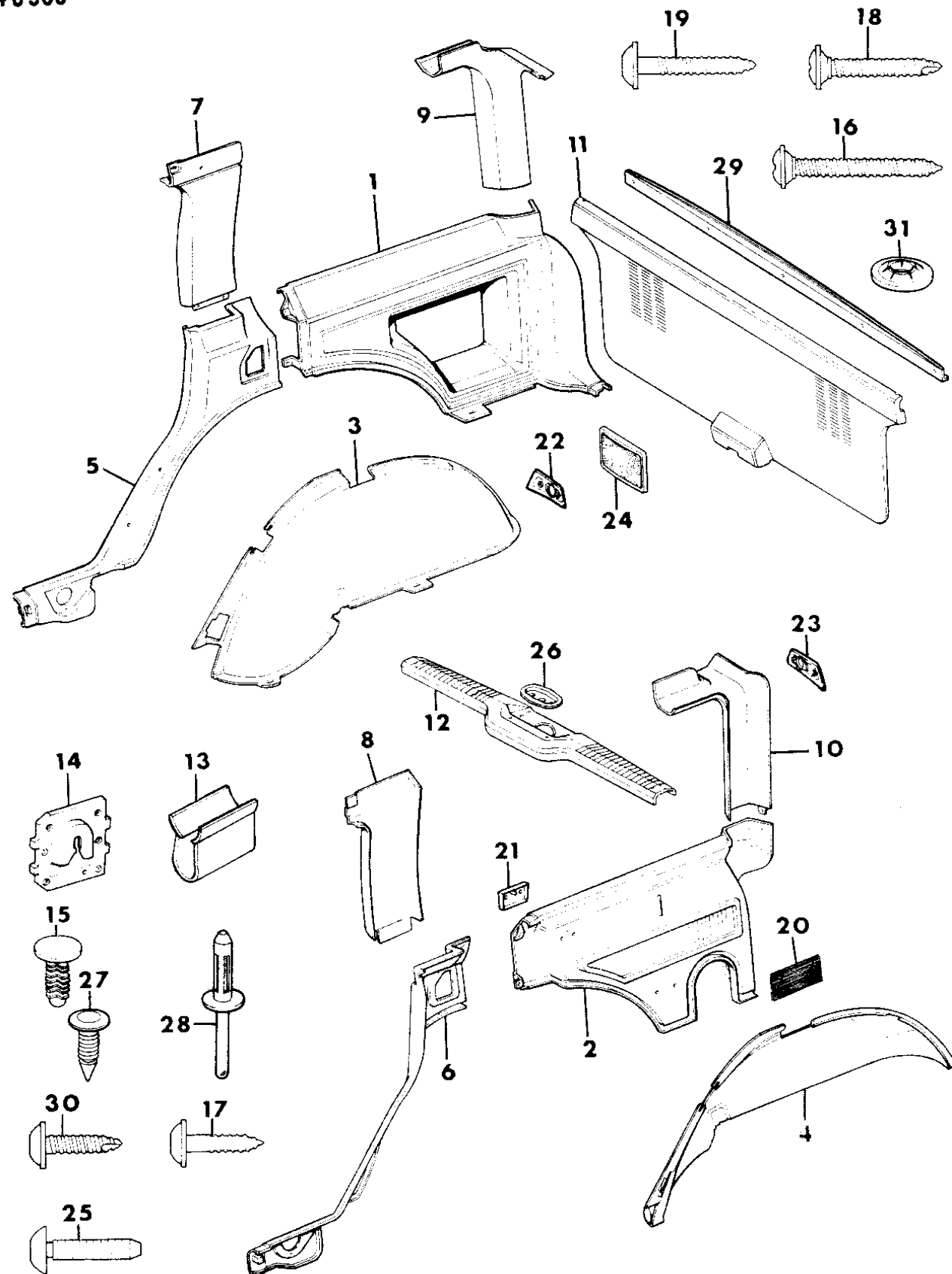
BODY STYLES:

MJ = Comanche Pickup
SJ = Grand Wagoneer Wgn., J-10 & J-20 Pickups
XJ = Cherokee, Wagoneer Limited
YJ = Wrangler

AR = Use as Required - = Non Illustrated Part P.A.R. = Paint as Required

PANELS, INTERIOR TRIM, REAR 4 DOOR CHEROKEE, WAGONEER
Figure 43-900

8J4 3900



| ITEM | PART NUMBER | QTY | BODY | MODEL | DESCRIPTION |
|------|-------------|-----|------|-------|---|
| | 5501 8076 | 1 | | | Charcoal, rubber |
| | 5502 0711 | 1 | | | Sand, rubber, 1989 |
| | 5501 1813 | 1 | | | Tan, rubber, 1988 |
| | 5501 8078 | 1 | | | Charcoal, carpet |
| | 5501 1814 | 1 | | | Cordovan, carpet |
| | 5501 8077 | 1 | | | Navy, carpet |
| | 5502 0713 | 1 | | | Sand, carpet, 1989 |
| | 5501 1815 | 1 | | | Tan, carpet, 1988 1990 |
| | 5AE1 8JY1 | 1 | | | P.A.R., w/o carpet |
| | 5AE1 9JS1 | 1 | | | Charcoal, carpet |
| | 5AE1 9JH9 | 1 | | | Cordovan, carpet |
| | 5AE1 9JY1 | 1 | | | Sand, carpet |
| 12 | | | | | PLATE, Lift Door Scuff |
| | 5500 5757 | 1 | | | 1987, P.A.R. 1988-89 |
| | 5501 8067 | 1 | | | Charcoal |
| | 5501 1786 | 1 | | | Cordovan |
| | 5501 8066 | 1 | | | Navy |
| | 5502 0706 | 1 | | | Sand, 1989 |
| | 5501 1787 | 1 | | | Tan, 1988 1990 |
| | 5AC5 5JS1 | 1 | | | Charcoal |
| | 5AC5 5JH9 | 1 | | | Cordovan |
| | 5AC5 5JY1 | 1 | | | Sand |
| 13 | J400 1551 | 12 | | | CLIP |
| 14 | 3420 1299 | 4 | | | RETAINER, Clip |
| 15 | | | | | CLIP-RETAINER, trim panel to liftgate *** |
| | 3420 1545 | AR | | | 1987-89 |
| | 6502 078 | 1 | | | 1990 |
| 16 | | | | | SCREW |
| | 3420 1403 | 4 | | | 13mm |
| | 3420 1719 | 4 | | | 16mm |
| | 3420 1400 | 2 | | | 40mm |
| 17 | 3420 1314 | 8 | | | SCREW, 13mm Long *** |
| 18 | 3420 1398 | 6 | | | SCREW, 25mm Long *** |
| 19 | 3420 1468 | 4 | | | SCREW, 25mm Long *** |

MODEL CODES:

| | | |
|-----------------------------|-----------------------------|------------------------------|
| 15 = Grand Wagoneer 4 Dr. | 65 = Comanche 4WD-7 Ft. Box | 77 = Cherokee 4WD-2 Dr. |
| 25 = J-10 Pickup-119" W.B. | 66 = Comanche 2WD-7 Ft. Box | 78 = Cherokee 4WD-4 Dr. |
| 26 = J-10 Pickup-131" W.B. | 73 = Cherokee 2WD-2 Dr. | 79 = Cherokee 4WD-4 Dr.-Com |
| 27 = J-20 Pickup-131" W.B. | 74 = Cherokee 2WD-4 Dr. | 81 = Wrangler-93" W.B. |
| 63 = Comanche 4WD-6 Ft. Box | 75 = Wagoneer 4WD-4 Dr. | 82 = Wrangler-103" W.B.-Exp. |
| 64 = Comanche 2WD-6 Ft. Box | | |

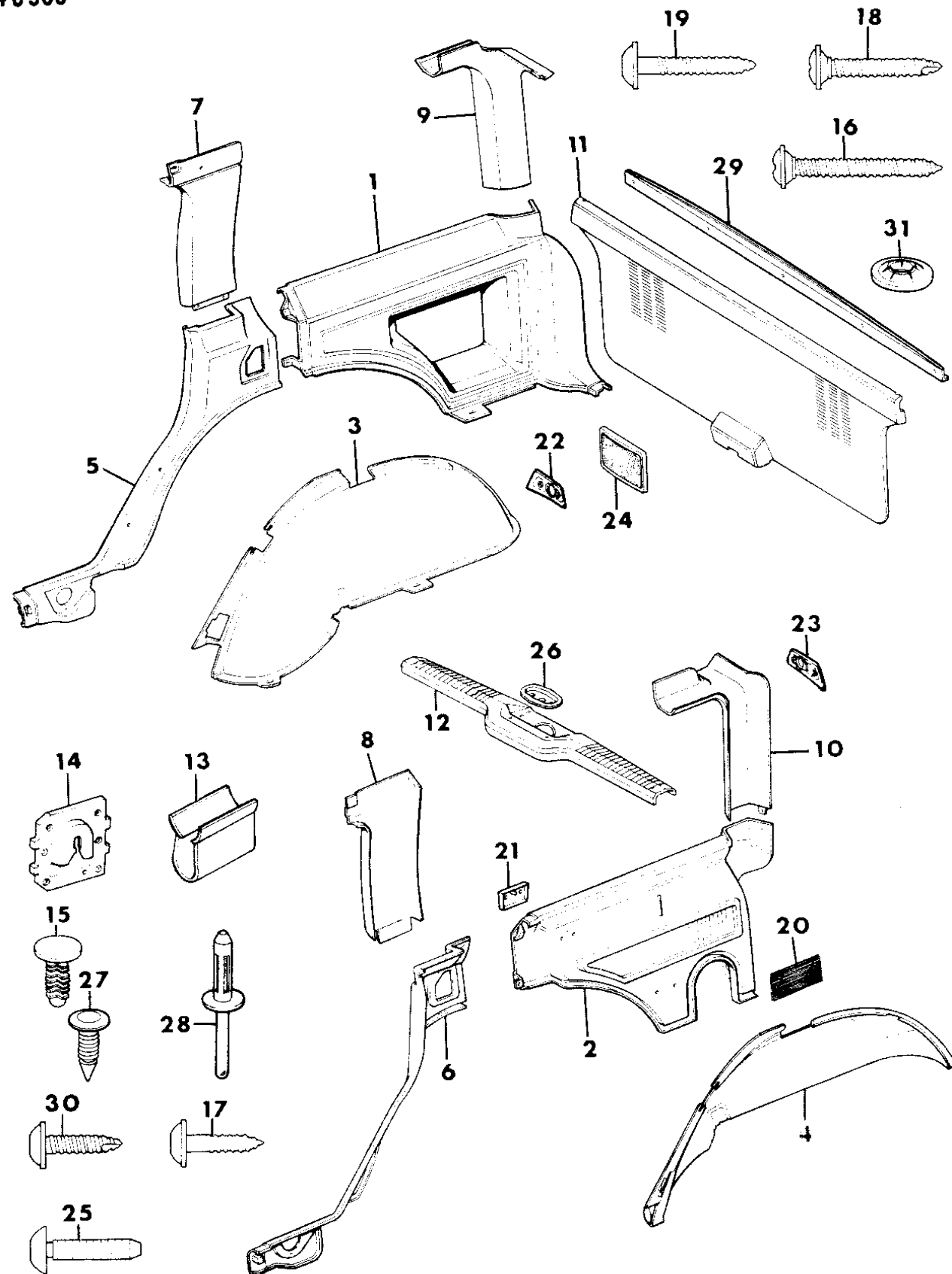
BODY STYLES:

MJ = Comanche Pickup
SJ = Grand Wagoneer Wgn., J-10 & J-20 Pickups
XJ = Cherokee, Wagoneer Limited
YJ = Wrangler

AR = Use as Required - = Non Illustrated Part P.A.R. = Paint as Required

PANELS, INTERIOR TRIM, REAR 4 DOOR CHEROKEE, WAGONEER
Figure 43-900

8J4 3900



| ITEM | PART NUMBER | QTY | BODY | MODEL | DESCRIPTION |
|------|-------------|-----|------|-------|--|
| 20 | 5500 4406 | 1 | | | SCREEN, Louver |
| 21 | 5500 5756 | 1 | | | PAD, Spare Tire Rest 1987-89 P.A.R. 1990 |
| | 5AC9 1JS1 | 1 | | | Charcoal |
| | 5AC9 1JH9 | 1 | | | Cordovan |
| | 5AC9 1JY1 | 1 | | | Sand |
| 22 | 5500 5230 | 1 | | | COVER, Rear Header, Right |
| 23 | 5501 5080 | 1 | | | COVER, Rear Header, Left |
| 24 | | | | | GRILLE, Speaker 1987 |
| | 3501 4012 | 2 | | | Black |
| | 3501 4000 | 2 | | | Medium Blue |
| | 3501 6858 | 2 | | | Cordovan |
| | 3501 4001 | 2 | | | Tan w/o Premium Sound |
| | 3501 9986 | 2 | | | 1988-89, P.A.R. |
| | 5AB8 5JY1 | 2 | | | 1990, P.A.R. w/ Premium Sound 1988-89 |
| | 3502 3502 | 2 | | | Charcoal |
| | 3501 6858 | 2 | | | Cordovan |
| | 3502 1056 | 2 | | | Navy |
| | 3502 5335 | 2 | | | Sand, 1989 |
| | 3501 4001 | 2 | | | Tan, 1988 1990 |
| | 5AB9 3JY6 | 2 | | | P.A.R. |
| 25 | 3420 1946 | 4 | | | SCREW, 19mm Long *** |
| 26 | 5500 4352 | 1 | | | RETAINER, Scuff Plate |
| 27 | J400 7129 | 1 | | | FASTENER, P.A.R., 1987-88 |
| 28 | | | | | RIVET |
| | 3420 1835 | 7 | | | 1987 |
| | 3420 1621 | 5 | | | 1988-90 |
| 29 | 5500 8064 | 1 | | | RETAINER |
| 30 | | | | | SCREW |
| | 3420 2419 | 8 | | | 1987 |
| | 3420 1292 | 2 | | | 1988-89, 13mm |

MODEL CODES:

| | | |
|-----------------------------|-----------------------------|------------------------------|
| 15 = Grand Wagoneer 4 Dr. | 65 = Comanche 4WD-7 Ft. Box | 77 = Cherokee 4WD-2 Dr. |
| 25 = J-10 Pickup-119" W.B. | 66 = Comanche 2WD-7 Ft. Box | 78 = Cherokee 4WD-4 Dr. |
| 26 = J-10 Pickup-131" W.B. | 73 = Cherokee 2WD-2 Dr. | 79 = Cherokee 4WD-4 Dr.-Com |
| 27 = J-20 Pickup-131" W.B. | 74 = Cherokee 2WD-4 Dr. | 81 = Wrangler-93" W.B. |
| 63 = Comanche 4WD-6 Ft. Box | 75 = Wagoneer 4WD-4 Dr. | 82 = Wrangler-103" W.B.-Exp. |
| 64 = Comanche 2WD-6 Ft. Box | | |

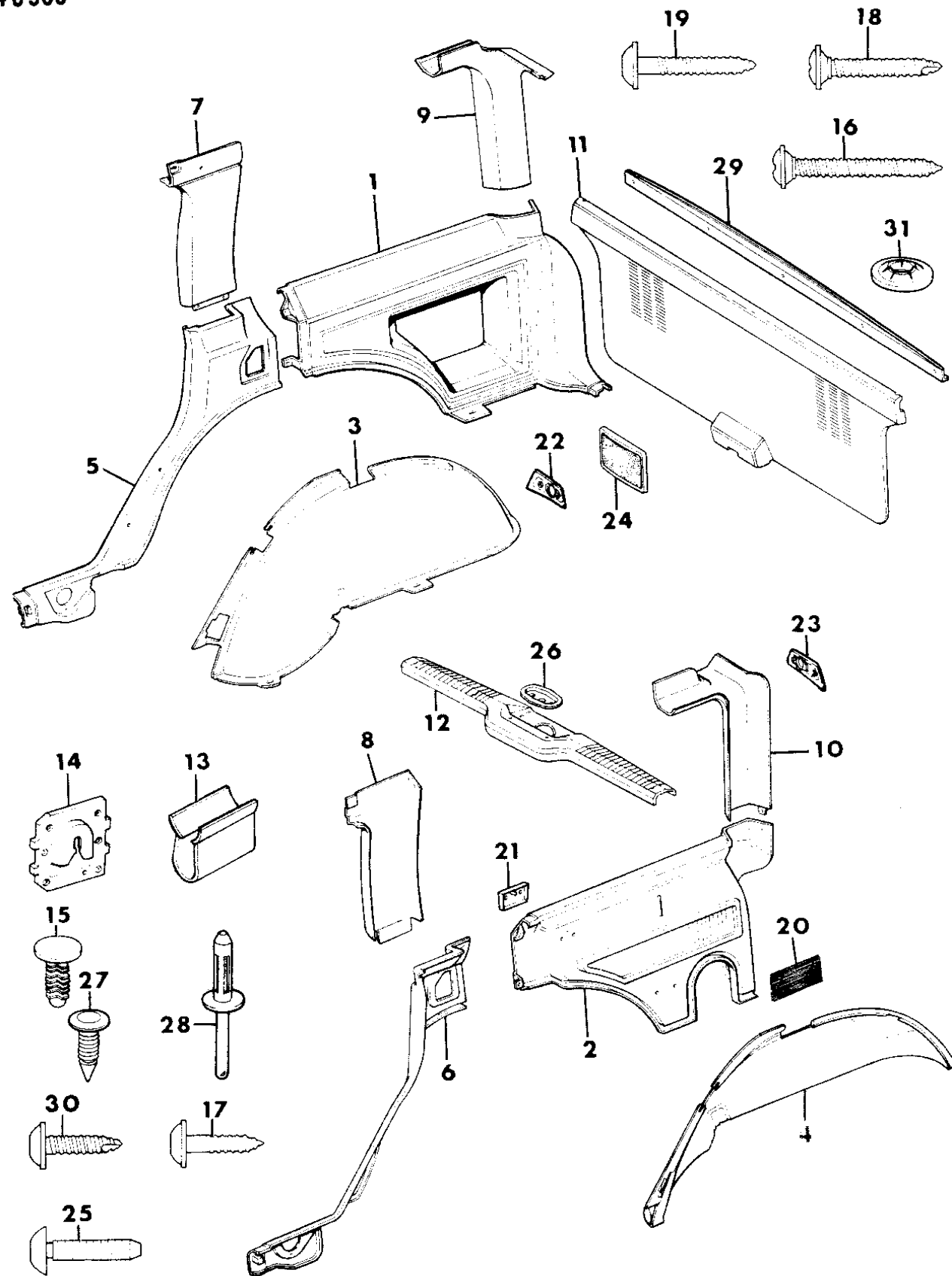
BODY STYLES:

MJ = Comanche Pickup
SJ = Grand Wagoneer Wgn., J-10 & J-20 Pickups
XJ = Cherokee, Wagoneer Limited
YJ = Wrangler

AR = Use as Required - = Non Illustrated Part P.A.R. = Paint as Required

PANELS, INTERIOR TRIM, REAR 4 DOOR CHEROKEE, WAGONEER
Figure 43-900

8J4 3900



| ITEM | PART NUMBER | QTY | BODY | MODEL | DESCRIPTION |
|------|-------------|-----|------|-------|---------------------------------|
| | J400 4642 | 2 | | | 1990, 13mm |
| 31 | | | | | RETAINER |
| | 3420 1481 | 12 | | | 10mm I.D., w/ Premium Radio |
| | J400 0271 | 8 | | | 6mm I.D., w/o Premium Radio *** |

MODEL CODES:

| | | |
|-----------------------------|-----------------------------|------------------------------|
| 15 = Grand Wagoneer 4 Dr. | 65 = Comanche 4WD-7 Ft. Box | 77 = Cherokee 4WD-2 Dr. |
| 25 = J-10 Pickup-119" W.B. | 66 = Comanche 2WD-7 Ft. Box | 78 = Cherokee 4WD-4 Dr. |
| 26 = J-10 Pickup-131" W.B. | 73 = Cherokee 2WD-2 Dr. | 79 = Cherokee 4WD-4 Dr.-Com |
| 27 = J-20 Pickup-131" W.B. | 74 = Cherokee 2WD-4 Dr. | 81 = Wrangler-93" W.B. |
| 63 = Comanche 4WD-6 Ft. Box | 75 = Wagoneer 4WD-4 Dr. | 82 = Wrangler-103" W.B.-Exp. |
| 64 = Comanche 2WD-6 Ft. Box | | |

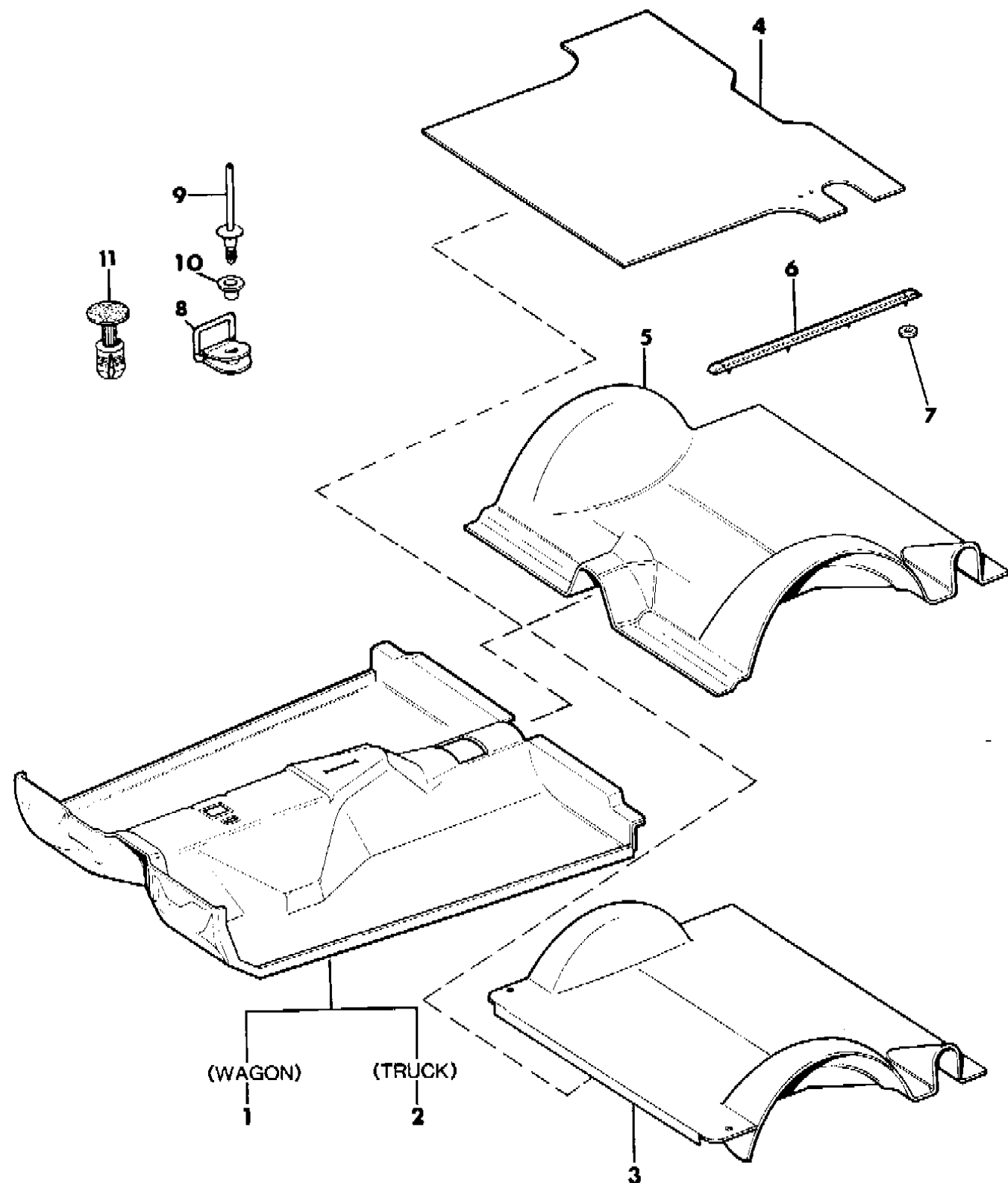
BODY STYLES:

MJ = Comanche Pickup
SJ = Grand Wagoneer Wgn., J-10 & J-20 Pickups
XJ = Cherokee, Wagoneer Limited
YJ = Wrangler

AR = Use as Required - = Non Illustrated Part P.A.R. = Paint as Required

CARPETS AND MATS CHEROKEE, WAGONEER, COMANCHE
Figure 43-1000

8J431000 A



| ITEM | PART NUMBER | QTY | BODY | MODEL | DESCRIPTION |
|------|-------------|-----|------|-------|---------------------------------|
| 1 | | | | | CARPET, Front Floor |
| | 5500 8700 | 1 | | | Rubber Mat, Black 1987 (LEQ) |
| | 5500 8707 | 1 | | | Black |
| | 5500 8706 | 1 | | | Med. Blue |
| | 5501 1538 | 1 | | | Tan 1987 (WEQ) |
| | 5500 8709 | 1 | | | Black |
| | 5500 8708 | 1 | | | Med. Blue |
| | 5501 1542 | 1 | | | Tan |
| | 5501 1541 | 1 | | | Cordovan 1988-89 (LEQ) |
| | 5501 7929 | 1 | | | Charcoal |
| | 5501 1537 | 1 | | | Cordovan |
| | 5501 7928 | 1 | | | Navy |
| | 5501 1538 | 1 | | | Tan, 1988 |
| | 5502 0671 | 1 | | | Sand, 1989 1988-89 (WEQ) |
| | 5501 9788 | 1 | | | Charcoal |
| | 5501 9789 | 1 | | | Cordovan |
| | 5501 9787 | 1 | | | Navy |
| | 5501 9790 | 1 | | | Tan, 1988 |
| | 5502 0673 | 1 | | | Sand, 1989 1990 (LEQ) |
| | 5BA4 5JA8 | 1 | | | Charcoal |
| | 5BA4 5JH9 | 1 | | | Cordovan |
| | 5BA4 5JY6 | 1 | | | Sand 1990 (WEQ) |
| | 5BA4 7JA8 | 1 | | | Charcoal |
| | 5BA4 7JH9 | 1 | | | Cordovan |
| | 5BA4 7JY6 | 1 | | | Sand |
| 2 | | | | | CARPET, Front Floor |
| | 5500 6431 | 1 | | | Black, rubber mat 1987 |
| | 5500 6435 | 1 | | | Black |
| | 5500 6434 | 1 | | | Med. Blue |
| | 5501 1552 | 1 | | | Tan |

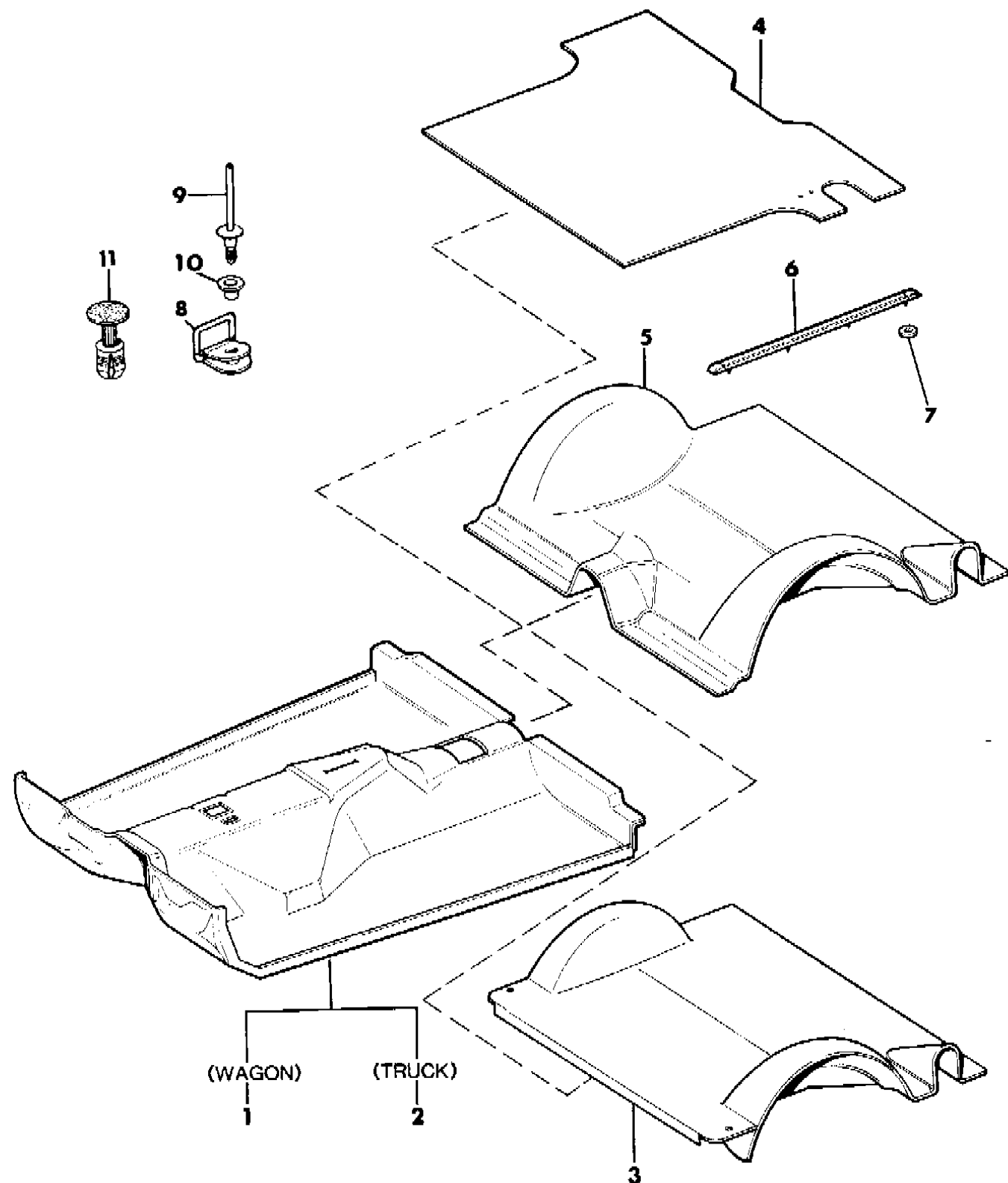
MODEL CODES:
 15 = Grand Wagoneer 4 Dr. 65 = Comanche 4WD-7 Ft. Box 77 = Cherokee 4WD-2 Dr.
 25 = J-10 Pickup-119" W.B. 66 = Comanche 2WD-7 Ft. Box 78 = Cherokee 4WD-4 Dr.
 26 = J-10 Pickup-131" W.B. 73 = Cherokee 2WD-2 Dr. 79 = Cherokee 4WD-4 Dr.-Com
 27 = J-20 Pickup-131" W.B. 74 = Cherokee 2WD-4 Dr. 81 = Wrangler-93" W.B.
 63 = Comanche 4WD-6 Ft. Box 75 = Wagoneer 4WD-4 Dr. 82 = Wrangler-103" W.B.-Exp.
 64 = Comanche 2WD-6 Ft. Box

BODY STYLES:
 MJ = Comanche Pickup
 SJ = Grand Wagoneer Wgn., J-10 & J-20 Pickups
 XJ = Cherokee, Wagoneer Limited
 YJ = Wrangler

AR = Use as Required - = Non Illustrated Part P.A.R. = Paint as Required

CARPETS AND MATS CHEROKEE, WAGONEER, COMANCHE
Figure 43-1000

8J431000 A



| ITEM | PART NUMBER | QTY | BODY | MODEL | DESCRIPTION |
|------|-------------|-----|------|-------|---|
| | | | | | 1987-89 |
| | 5501 1551 | 1 | | | Cordovan |
| | | | | | 1988-89 |
| | 5501 7935 | 1 | | | Charcoal |
| | 5501 1551 | 1 | | | Cordovan |
| | 5501 7934 | 1 | | | Navy |
| | 5501 1552 | 1 | | | Tan, 1988 |
| | 5502 0674 | 1 | | | Sand, 1989 |
| | | | | | 1990 |
| | 5AD2 2JA8 | 1 | | | Charcoal, Built Up To 2/28/90 |
| | 5BD7 8JA8 | 1 | | | Charcoal, Built 3/1/90 And Later |
| | 5AD2 2JH9 | 1 | | | Cordovan, Built Up To 2/28/90 |
| | 5BD7 8JH9 | 1 | | | Cordovan, Built 3/1/90 And Later |
| | 5AD2 2JY6 | 1 | | | Sand, Built Up To 2/28/90 |
| | 5BD7 8JY6 | 1 | | | Sand, Built 3/1/90 And Later |
| 3 | | | | | CARPET, Cargo, Cordovan, European Commercial Pkg. |
| | 5500 8726 | 1 | | | Med. Blue 1987 |
| | 5501 5359 | 1 | | | Cordovan 1987-89 |
| | 5BF7 3JH9 | 1 | | | 1990 |
| 4 | 5500 8727 | 1 | | | MAT, Rear Cargo, Black rubber |
| 5 | | | | | CARPET, Cargo |
| | | | | | 1987 |
| | 5500 8723 | 1 | | | Black (a) |
| | 5501 8720 | 1 | | | Black (c) |
| | 5500 8722 | 1 | | | Med. Blue (a) |
| | 5501 1930 | 1 | | | Cordovan (a) |
| | 5501 1938 | 1 | | | Cordovan (b) |
| | 5501 1940 | 1 | | | Tan (b) |
| | | | | | 1987-88 |
| | 5501 1932 | 1 | | | Tan (a) |
| | | | | | 1988-89 |
| | | | | | w/ Holes For Skid Strips |
| | 5501 9792 | 1 | | | Charcoal |
| | 5501 9791 | 1 | | | Cordovan |
| | 5501 9793 | 1 | | | Tan, 1988 |
| | 5502 0683 | 1 | | | Sand, 1989 |
| | | | | | 1990 |

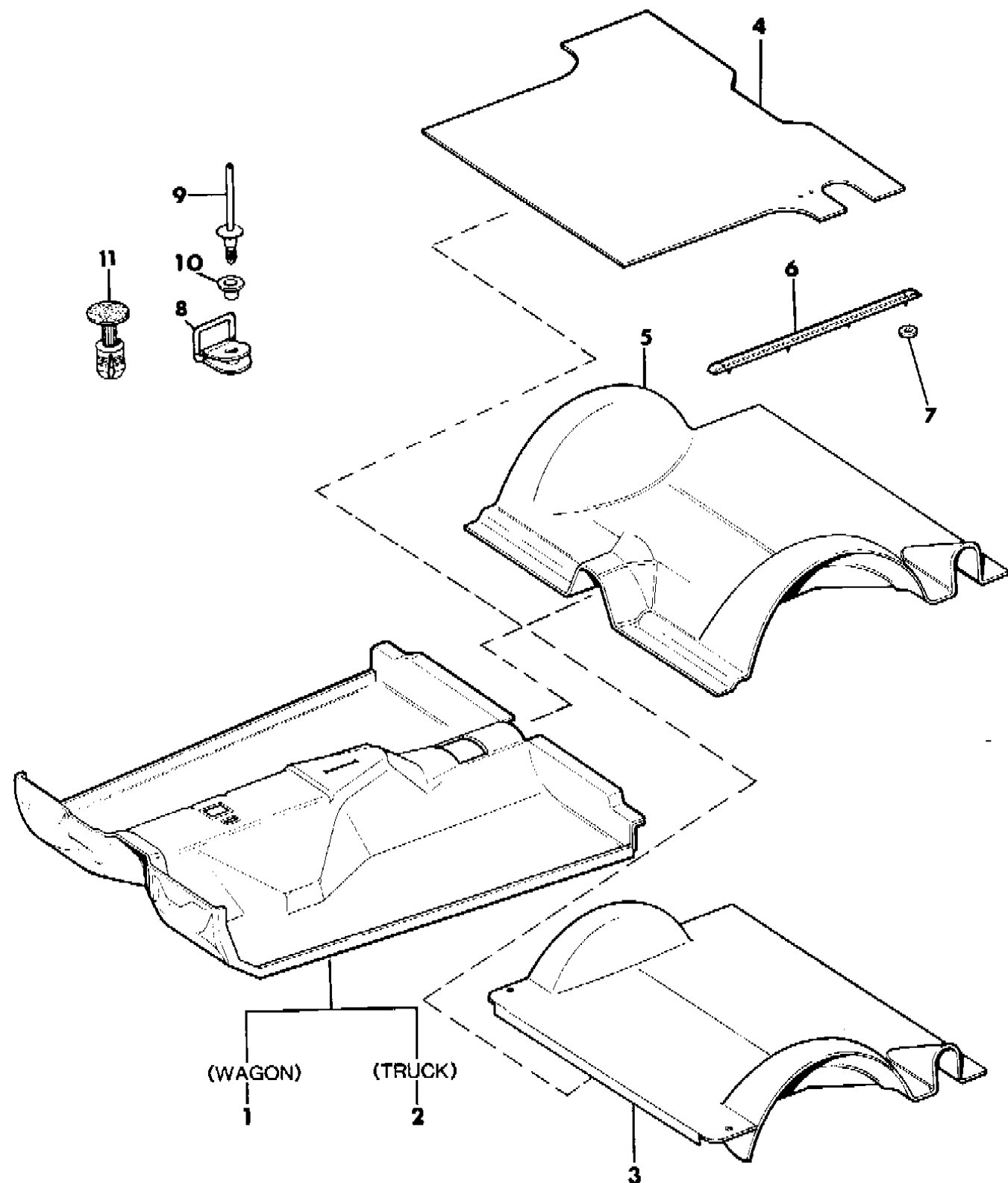
MODEL CODES:
 15 = Grand Wagoneer 4 Dr. 65 = Comanche 4WD-7 Ft. Box 77 = Cherokee 4WD-2 Dr.
 25 = J-10 Pickup-119" W.B. 66 = Comanche 2WD-7 Ft. Box 78 = Cherokee 4WD-4 Dr.
 26 = J-10 Pickup-131" W.B. 73 = Cherokee 2WD-2 Dr. 79 = Cherokee 4WD-4 Dr.-Com
 27 = J-20 Pickup-131" W.B. 74 = Cherokee 2WD-4 Dr. 81 = Wrangler-93" W.B.
 63 = Comanche 4WD-6 Ft. Box 75 = Wagoneer 4WD-4 Dr. 82 = Wrangler-103" W.B.-Exp.
 64 = Comanche 2WD-6 Ft. Box

BODY STYLES:
 MJ = Comanche Pickup
 SJ = Grand Wagoneer Wgn., J-10 & J-20 Pickups
 XJ = Cherokee, Wagoneer Limited
 YJ = Wrangler

AR = Use as Required - = Non Illustrated Part P.A.R. = Paint as Required

CARPETS AND MATS CHEROKEE, WAGONEER, COMANCHE
Figure 43-1000

8J431000 A



| ITEM | PART NUMBER | QTY | BODY | MODEL | DESCRIPTION |
|------|-------------|-----|------|-------|--|
| | 5BB5 9JA8 | 1 | | | Charcoal |
| | 5BB5 9JH9 | 1 | | | Cordovan |
| | 5BB5 9JY6 | 1 | | | Sand w/o Holes For Skid Strips 1988-89 |
| | 5501 7949 | 1 | | | Charcoal |
| | 5501 1930 | 1 | | | Cordovan |
| | 5501 7948 | 1 | | | Navy |
| | 5501 1932 | 1 | | | Tan, 1988 |
| | 5502 0682 | 1 | | | Sand, 1989 1990 |
| | 5BF7 2JA8 | 1 | | | Charcoal |
| | 5BF7 2JH9 | 1 | | | Cordovan |
| | 5BF7 2JY6 | 1 | | | Sand |
| 6 | 5500 1078 | 6 | | | STRIP, Skid |
| 7 | 3420 2014 | 12 | | | NUT, Push |
| 8 | | | | | LOOP, Cargo Tie Down *** |
| | 5500 6967 | 4 | | | 1987-89 |
| | 5502 5872 | 4 | | | 1990 |
| 9 | 3420 2083 | 4 | | | RIVET |
| 10 | 3420 2365 | 4 | | | WASHER |
| 11 | 5AA3 5JH9 | 2 | | | FASTENER, Cargo Carpet Mounting, EUROPE w/Commercial Package |

NOTE: (LEQ) = Less Extra-Quiet Insulation Package
 NOTE: (WEQ) = With Extra-Quiet Insulation Package
 (a) Except Wagoneer or Cherokee "Limited" or Cherokee "Laredo" Model
 (b) Wagoneer "Limited" or Cherokee "Laredo" Model
 (c) Cherokee "Limited" Model

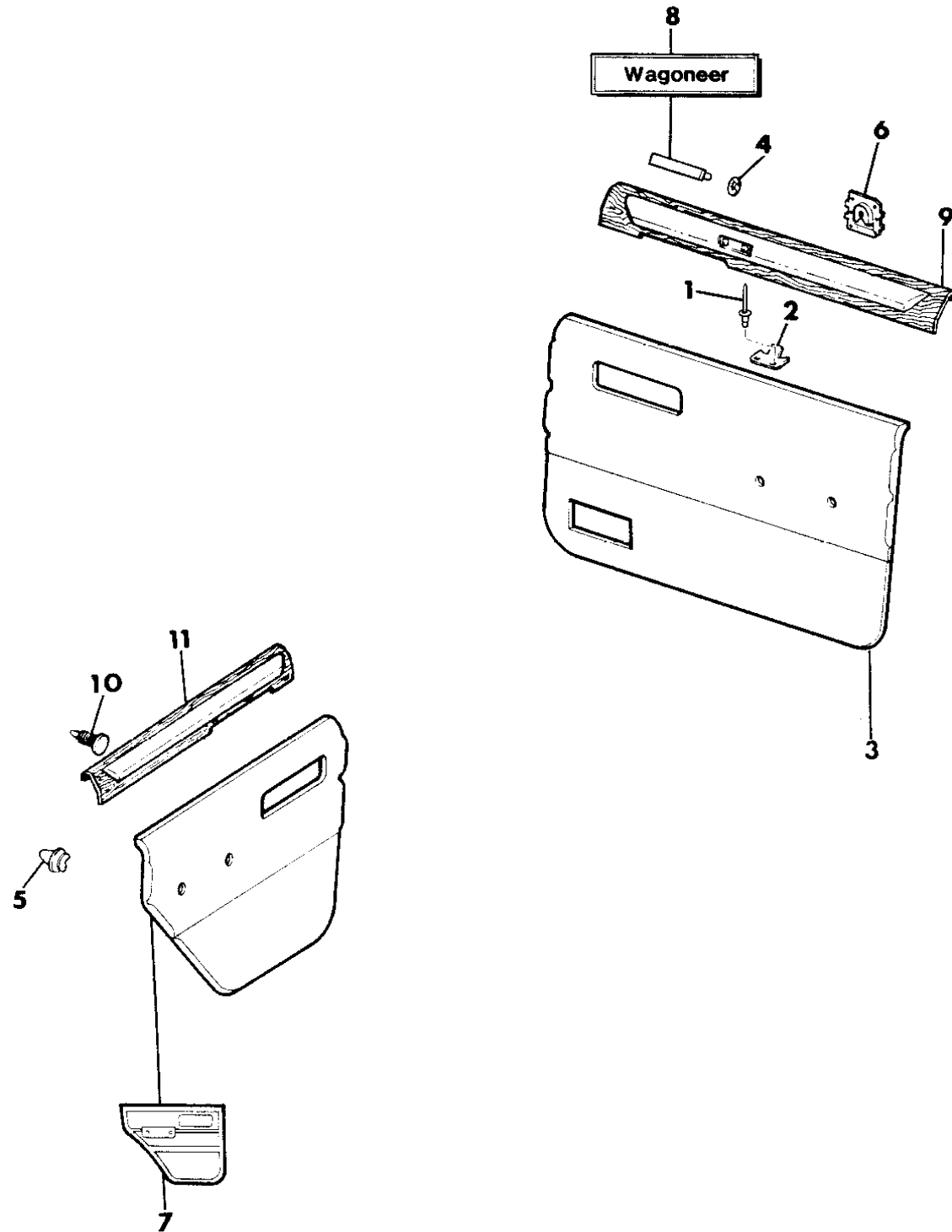
MODEL CODES:
 15 = Grand Wagoneer 4 Dr. 65 = Comanche 4WD-7 Ft. Box 77 = Cherokee 4WD-2 Dr.
 25 = J-10 Pickup-119" W.B. 66 = Comanche 2WD-7 Ft. Box 78 = Cherokee 4WD-4 Dr.
 26 = J-10 Pickup-131" W.B. 73 = Cherokee 2WD-2 Dr. 79 = Cherokee 4WD-4 Dr.-Com
 27 = J-20 Pickup-131" W.B. 74 = Cherokee 2WD-4 Dr. 81 = Wrangler-93" W.B.
 63 = Comanche 4WD-6 Ft. Box 75 = Wagoneer 4WD-4 Dr. 82 = Wrangler-103" W.B.-Exp.
 64 = Comanche 2WD-6 Ft. Box

BODY STYLES:
 MJ = Comanche Pickup
 SJ = Grand Wagoneer Wgn., J-10 & J-20 Pickups
 XJ = Cherokee, Wagoneer Limited
 YJ = Wrangler

AR = Use as Required - = Non Illustrated Part P.A.R. = Paint as Required

PANELS, DOOR TRIM WAGONEER
Figure 43-1100

8J43 1100



| ITEM | PART NUMBER | QTY | BODY | MODEL | DESCRIPTION |
|------|-------------|-----|------|-------|------------------------|
| 1 | 3420 1197 | 4 | | | RIVET |
| 2 | 5500 3629 | 2 | | | BRACKET, Door Trim |
| 3 | | | | | PANEL, Front Door Trim |
| | | | | | 1987 w/o "Limited" |
| | 5501 2524-5 | 1 | | | Black |
| | 5501 2526-7 | 1 | | | Cordovan |
| | 5501 2528-9 | 1 | | | Tan "Limited" |
| | 5501 2530-1 | 1 | | | Cordovan |
| | 5501 2532-3 | 1 | | | Tan 1988-89 |
| | 5501 9794-5 | 1 | | | Cordovan |
| | 5501 9796-7 | 1 | | | Tan, 1988 |
| | 5502 0782-3 | 1 | | | Sand, 1989 1990 |
| | 5AD36-7 JH9 | 1 | | | Cordovan |
| | 5AD36-7 JYY | 1 | | | Sand |
| 4 | J400 0459 | 4 | | | NUT |
| 5 | 3420 1681 | AR | | | CLIP |
| 6 | 3420 1299 | 2 | | | CLIP, Retaining |
| 7 | | | | | PANEL, Rear Door Trim |
| | | | | | 1987 w/o "Limited" |
| | 5501 2536-7 | 1 | | | Black |
| | 5501 2538-9 | 1 | | | Cordovan |
| | 5501 2540-1 | 1 | | | Tan "Limited" |
| | 5501 2542-3 | 1 | | | Cordovan |
| | 5501 2544-5 | 1 | | | Tan 1988-89 |
| | 5501 9802-3 | 1 | | | Cordovan |
| | 5501 9804-5 | 1 | | | Tan, 1988 |
| | 5502 0798-9 | 1 | | | Sand, 1989 1990 |
| | 5AD38-9 JH9 | 1 | | | Cordovan |
| | 5AD38-9 JYY | 1 | | | Sand |

MODEL CODES:

| | | |
|-----------------------------|-----------------------------|------------------------------|
| 15 = Grand Wagoneer 4 Dr. | 65 = Comanche 4WD-7 Ft. Box | 77 = Cherokee 4WD-2 Dr. |
| 25 = J-10 Pickup-119" W.B. | 66 = Comanche 2WD-7 Ft. Box | 78 = Cherokee 4WD-4 Dr. |
| 26 = J-10 Pickup-131" W.B. | 73 = Cherokee 2WD-2 Dr. | 79 = Cherokee 4WD-4 Dr.-Com |
| 27 = J-20 Pickup-131" W.B. | 74 = Cherokee 2WD-4 Dr. | 81 = Wrangler-93" W.B. |
| 63 = Comanche 4WD-6 Ft. Box | 75 = Wagoneer 4WD-4 Dr. | 82 = Wrangler-103" W.B.-Exp. |
| 64 = Comanche 2WD-6 Ft. Box | | |

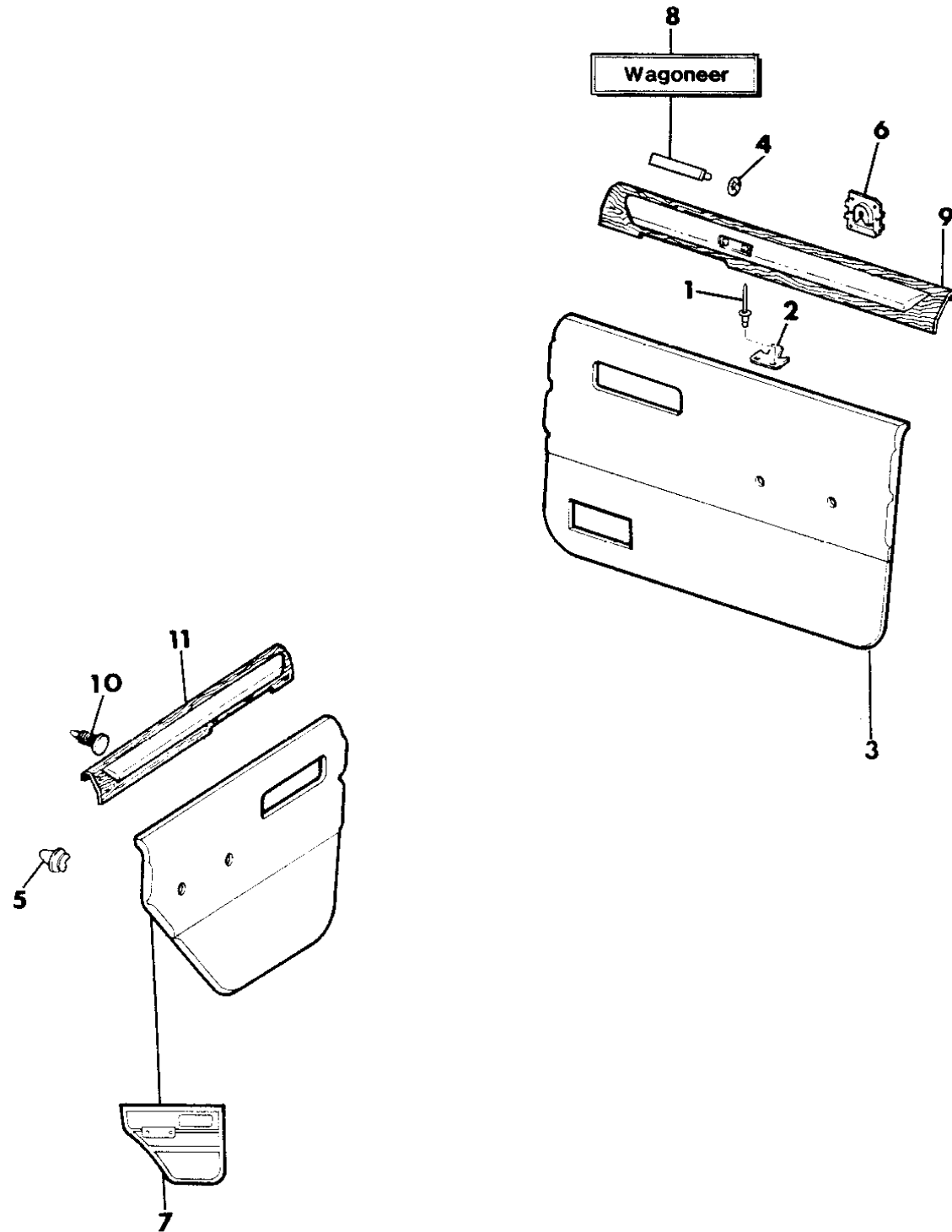
BODY STYLES:

MJ = Comanche Pickup
SJ = Grand Wagoneer Wgn., J-10 & J-20 Pickups
XJ = Cherokee, Wagoneer Limited
YJ = Wrangler

AR = Use as Required - = Non Illustrated Part P.A.R. = Paint as Required

PANELS, DOOR TRIM WAGONEER
Figure 43-1100

8J43 1100



| ITEM | PART NUMBER | QTY | BODY | MODEL | DESCRIPTION |
|------|-------------|-----|------|-------|----------------------------|
| 8 | 5500 3122 | 2 | | | NAMEPLATE, Wagoneer *** |
| 9 | | | | | MOULDING, Front Trim Panel |
| | | | | | 1987 |
| | | | | | "Limited" |
| | 5501 2554-5 | 1 | | | Cordovan |
| | 5501 2556-7 | 1 | | | Tan |
| | | | | | 1988-89 |
| | 5501 2554-5 | 1 | | | Cordovan |
| | 5501 2556-7 | 1 | | | Tan, 1988 |
| | 5502 0786-7 | 1 | | | Sand, 1989 |
| | | | | | 1990 |
| | 5AC86-7 JH9 | 1 | | | Cordovan |
| | 5AC86-7 JY1 | 1 | | | Sand |
| 10 | 3420 1545 | 10 | | | CLIP |
| 11 | | | | | MOULDING, Trim Panel |
| | | | | | 1987 |
| | | | | | "Limited" |
| | 5501 2562-3 | 1 | | | Cordovan |
| | 5501 2564-5 | 1 | | | Tan |
| | | | | | 1988-89 |
| | 5501 2562-3 | 1 | | | Cordovan |
| | 5501 2564-5 | 1 | | | Tan, 1988 |
| | 5502 0802-3 | 1 | | | Sand, 1989 |
| | | | | | 1990 |
| | 5AC88-9 JH9 | 1 | | | Cordovan |
| | 5AC88-9 JY1 | 1 | | | Sand |

MODEL CODES:

| | | |
|-----------------------------|-----------------------------|------------------------------|
| 15 = Grand Wagoneer 4 Dr. | 65 = Comanche 4WD-7 Ft. Box | 77 = Cherokee 4WD-2 Dr. |
| 25 = J-10 Pickup-119" W.B. | 66 = Comanche 2WD-7 Ft. Box | 78 = Cherokee 4WD-4 Dr. |
| 26 = J-10 Pickup-131" W.B. | 73 = Cherokee 2WD-2 Dr. | 79 = Cherokee 4WD-4 Dr.-Com |
| 27 = J-20 Pickup-131" W.B. | 74 = Cherokee 2WD-4 Dr. | 81 = Wrangler-93" W.B. |
| 63 = Comanche 4WD-6 Ft. Box | 75 = Wagoneer 4WD-4 Dr. | 82 = Wrangler-103" W.B.-Exp. |
| 64 = Comanche 2WD-6 Ft. Box | | |

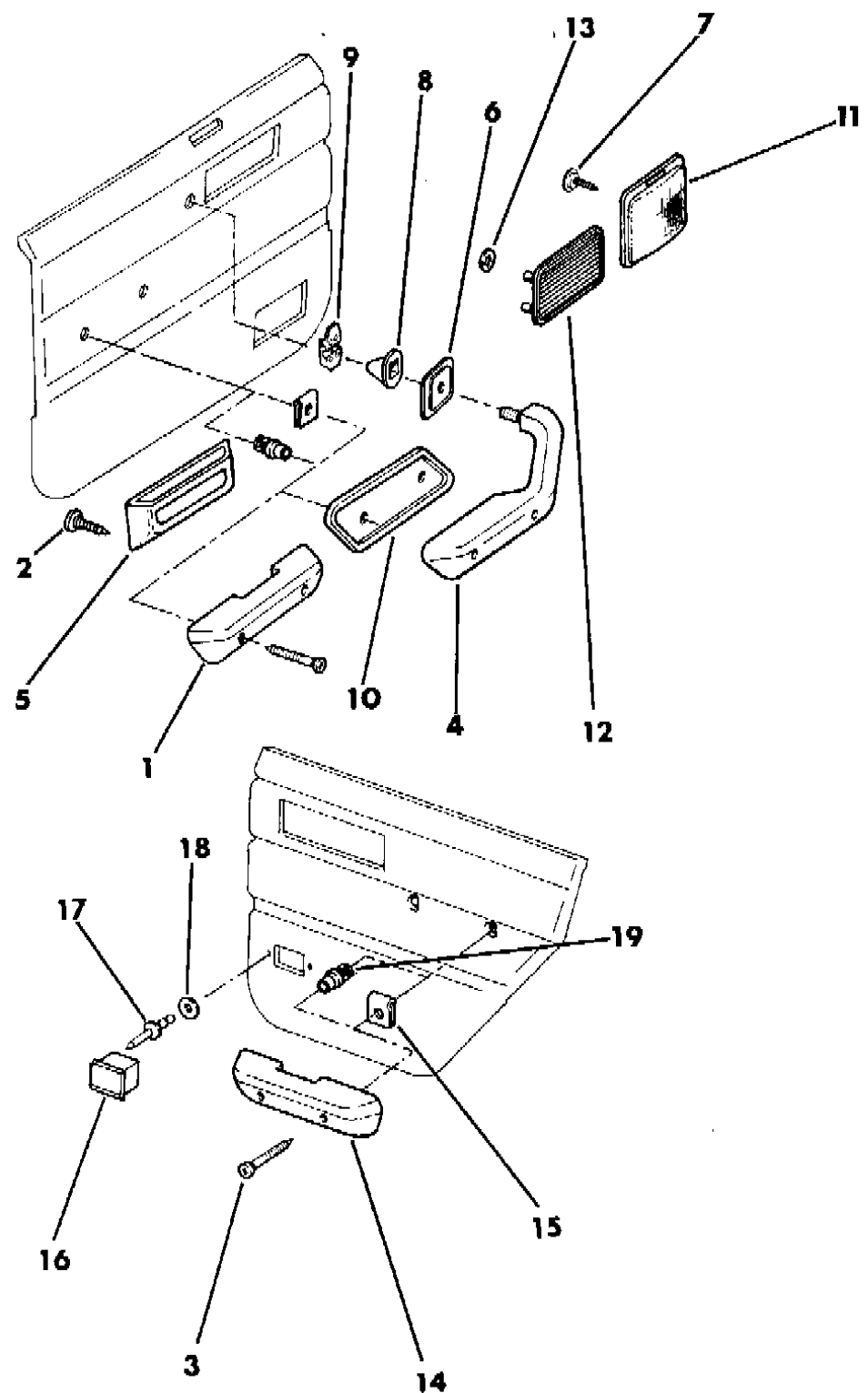
BODY STYLES:

MJ = Comanche Pickup
SJ = Grand Wagoneer Wgn., J-10 & J-20 Pickups
XJ = Cherokee, Wagoneer Limited
YJ = Wrangler

AR = Use as Required - = Non Illustrated Part P.A.R. = Paint as Required

INTERIOR DOOR TRIM PARTS CHEROKEE, WAGONEER
Figure 43-1200

8J431200A



| ITEM | PART NUMBER | QTY | BODY | MODEL | DESCRIPTION |
|------|-------------|-------------|------|-----------|----------------------|
| 1 | | | | | ARMREST |
| | | | | | Right |
| | | 3501 3737 | 1 | | Black 1987 |
| | | 3500 8334 | 1 | | Med. Blue 1987 |
| | | 3500 9215 | 1 | | Tan 1987-88 |
| | | 3501 9989 | 1 | | Cordovan 1987-89 |
| | | 3502 5313 | 1 | | Sand, 1989 |
| | | 3502 3019 | 1 | | Charcoal |
| | | 3502 3023 | 1 | | Navy |
| | | | | | Left |
| | | 3501 3736 | 1 | | Black 1987 |
| | | 3500 8331 | 1 | | Med. Blue 1987 |
| | | 3500 9214 | 1 | | Tan 1987-88 |
| | | 3501 9988 | 1 | | Cordovan 1987-89 |
| | 3502 5312 | 1 | | Sand 1989 | |
| | 3502 3018 | 1 | | Charcoal | |
| | 3502 3022 | 1 | | Navy | |
| | | | | 1990 | |
| | | | | Left | |
| | 5AW6 9JS1 | 1 | | Charcoal | |
| | 5AW6 9JH9 | 1 | | Cordovan | |
| | 5AW6 9JY1 | 1 | | Sand | |
| | | | | Right | |
| | 5AW6 8JS1 | 1 | | Charcoal | |
| | 5AW6 8JH9 | 1 | | Cordovan | |
| | 5AW6 8JY1 | 1 | | Sand | |
| 2 | 3420 2074 | 10 | | | SCREW |
| 3 | | | | | SCREW |
| | 1150 0068 | 8 | | | 4 Door |
| | 1150 0068 | 4 | | | 2 Door |
| 4 | | | | | ARMREST |
| | | 3501 3750-1 | 1 | | Black 1987 |
| | | 3500 8332-3 | 1 | | Med. Blue 1987 |
| | | 3500 9210-1 | 1 | | Tan 1987-88 |
| | | 3501 5844-5 | 1 | | Cordovan 1987-89 |
| | | 3502 5316-7 | 1 | | Tan 1989 Charcoal |

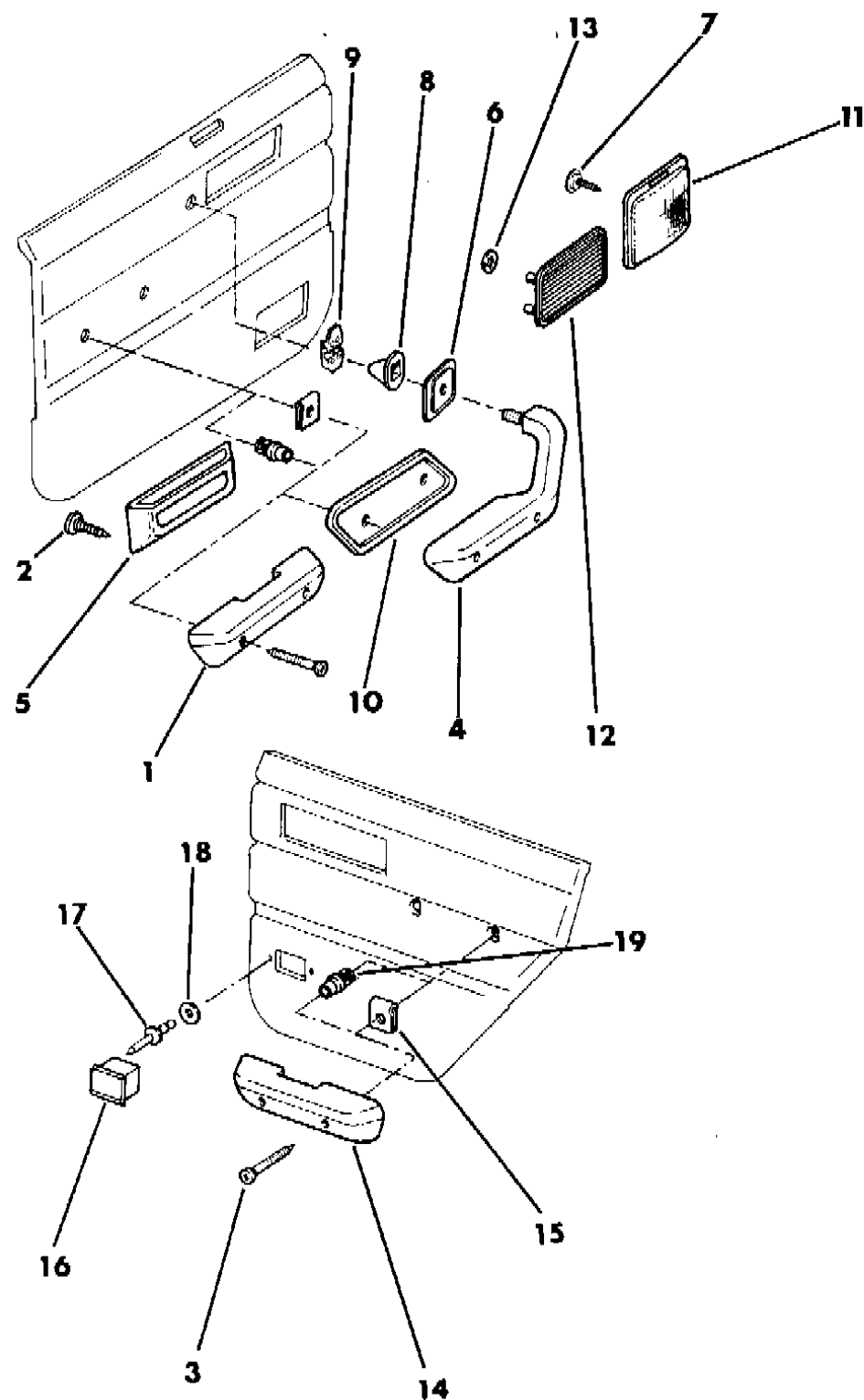
MODEL CODES:
 15 = Grand Wagoneer 4 Dr. 65 = Comanche 4WD-7 Ft. Box 77 = Cherokee 4WD-2 Dr.
 25 = J-10 Pickup-119" W.B. 66 = Comanche 2WD-7 Ft. Box 78 = Cherokee 4WD-4 Dr.
 26 = J-10 Pickup-131" W.B. 73 = Cherokee 2WD-2 Dr. 79 = Cherokee 4WD-4 Dr.-Com
 27 = J-20 Pickup-131" W.B. 74 = Cherokee 2WD-4 Dr. 81 = Wrangler-93" W.B.
 63 = Comanche 4WD-6 Ft. Box 75 = Wagoneer 4WD-4 Dr. 82 = Wrangler-103" W.B.-Exp.
 64 = Comanche 2WD-6 Ft. Box

BODY STYLES:
 MJ = Comanche Pickup
 SJ = Grand Wagoneer Wgn., J-10 & J-20 Pickups
 XJ = Cherokee, Wagoneer Limited
 YJ = Wrangler

AR = Use as Required - = Non Illustrated Part P.A.R. = Paint as Required

INTERIOR DOOR TRIM PARTS CHEROKEE, WAGONEER
Figure 43-1200

8J431200A



| ITEM | PART NUMBER | QTY | BODY | MODEL | DESCRIPTION |
|------|-------------|-----|------|-------|---------------------------|
| | 3502 1096-7 | 1 | | | Except "Limited" |
| | 3502 4786-7 | 1 | | | "Limited" |
| | 3502 1094-5 | 1 | | | Navy 1990 |
| | 5AB98-9 JS1 | 1 | | | Charcoal |
| | 5AB98-9 JA8 | 1 | | | Dk. Charcoal |
| | 5AB98-9 JH9 | 1 | | | Cordovan |
| | 5AB98-9 JY1 | 1 | | | Sand |
| | 5AB98-9 JY6 | 1 | | | Dk. Sand |
| 5 | | | | | PANEL, Stowage Bin |
| | 3500 9954 | 2 | | | 1987-89, P.A.R. |
| | 5AB8 9JY6 | 2 | | | 1990, P.A.R. |
| 6 | 5500 3128-9 | 1 | | | BEZEL, Armrest |
| 7 | 3420 2419 | 8 | | | SCREW |
| 8 | J307 7045 | 2 | | | NIPPLE, Armrest |
| 9 | J307 6062 | 2 | | | CLIP |
| 10 | 3500 1916-7 | 1 | | | ESCUTCHEON, Armrest |
| 11 | | | | | GRILLE, Speaker |
| | 3501 4012 | 2 | | | Black 1987 |
| | 3501 4000 | 2 | | | Med. Blue 1987 |
| | 3501 6858 | 2 | | | Cordovan 1987-89 |
| | 3502 1056 | 2 | | | Navy 1988-89 |
| | 3501 4001 | 2 | | | Tan 1987-88 |
| | 3502 5335 | 2 | | | Sand 1989 |
| | 3502 3502 | 2 | | | Charcoal |
| | | | | | 1990 |
| | 5AB9 3JY6 | 2 | | | P.A.R. |
| 12 | | | | | GRILLE, Speaker/Exhauster |
| | 3501 9986 | 2 | | | 1987-89, P.A.R. |
| | 5AB8 5JY1 | 2 | | | 1990, P.A.R. |
| 13 | J400 0271 | 8 | | | FASTENER |
| 14 | | | | | ARMREST, 4 Door |
| | 5500 8083 | 2 | | | Black 1987 |
| | 5500 8082 | 2 | | | Med. Blue 1987 |
| | 5500 9646 | 2 | | | Tan 1987-88 |
| | 5501 1854 | 2 | | | Cordovan 1987-89 |
| | 5502 0790 | 2 | | | Sand 1989 |

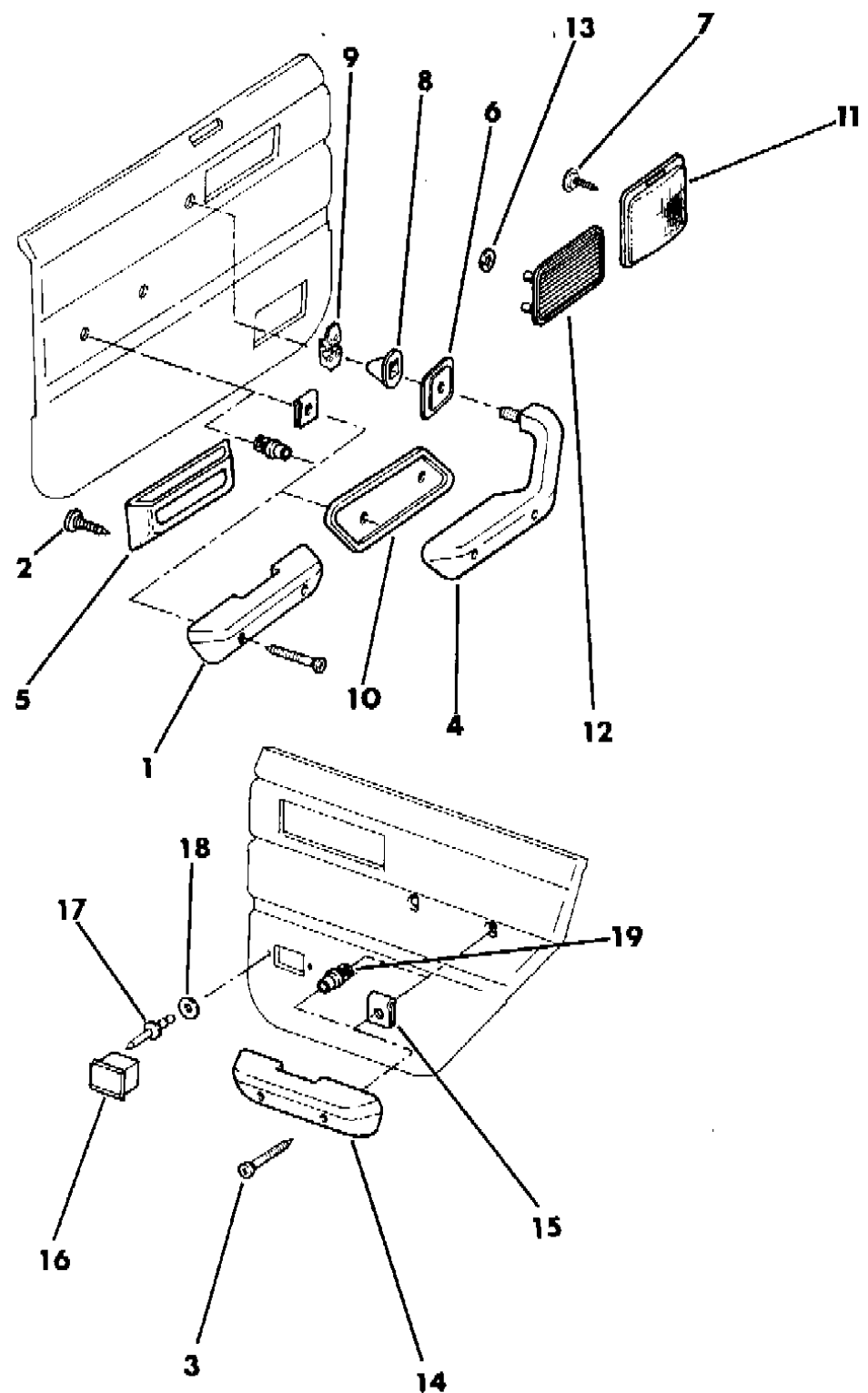
MODEL CODES:
 15 = Grand Wagoneer 4 Dr. 65 = Comanche 4WD-7 Ft. Box 77 = Cherokee 4WD-2 Dr.
 25 = J-10 Pickup-119" W.B. 66 = Comanche 2WD-7 Ft. Box 78 = Cherokee 4WD-4 Dr.
 26 = J-10 Pickup-131" W.B. 73 = Cherokee 2WD-2 Dr. 79 = Cherokee 4WD-4 Dr.-Com
 27 = J-20 Pickup-131" W.B. 74 = Cherokee 2WD-4 Dr. 81 = Wrangler-93" W.B.
 63 = Comanche 4WD-6 Ft. Box 75 = Wagoneer 4WD-4 Dr. 82 = Wrangler-103" W.B.-Exp.
 64 = Comanche 2WD-6 Ft. Box

BODY STYLES:
 MJ = Comanche Pickup
 SJ = Grand Wagoneer Wgn., J-10 & J-20 Pickups
 XJ = Cherokee, Wagoneer Limited
 YJ = Wrangler

AR = Use as Required - = Non Illustrated Part P.A.R. = Paint as Required

INTERIOR DOOR TRIM PARTS CHEROKEE, WAGONEER
Figure 43-1200

8J431200A



| ITEM | PART NUMBER | QTY | BODY | MODEL | DESCRIPTION |
|------|-------------|-----|------|-------|---|
| | | | | | Charcoal |
| | 5501 8905 | 2 | | | Except "Limited" |
| | 5502 0012 | 2 | | | "Limited" |
| | 5501 8904 | 2 | | | Navy |
| | | | | | 1990 |
| | 5AC3 4JS1 | 2 | | | Charcoal |
| | 5AC3 4JA8 | 2 | | | Dk. Charcoal |
| | 5AC3 4JH9 | 2 | | | Cordovan |
| | 5AC3 4JY1 | 2 | | | Sand |
| | 5AC3 4JY6 | 2 | | | Dk. Sand |
| 15 | | | | | NUT, Key Slot, armrest mounting, 1987-89 |
| | J308 1009 | 8 | | | 4 Door |
| | J308 1009 | 4 | | | 2 Door |
| 16 | | | | | ASHTRAY, 4 Door, P.A.R. *** |
| | 5500 2759 | 2 | | | 1987-89 |
| | 5AC3 5JY6 | 2 | | | 1990 |
| 17 | 3420 1197 | 4 | | | RIVET |
| 18 | 1150 0348 | 4 | | | WASHER, 4 Door |
| 19 | | | | | CLIP, Retainer, armrest mounting, 1989-90 |
| | 6502 112 | 8 | | | 4 Door |
| | 6502 112 | 4 | | | 2 Door |

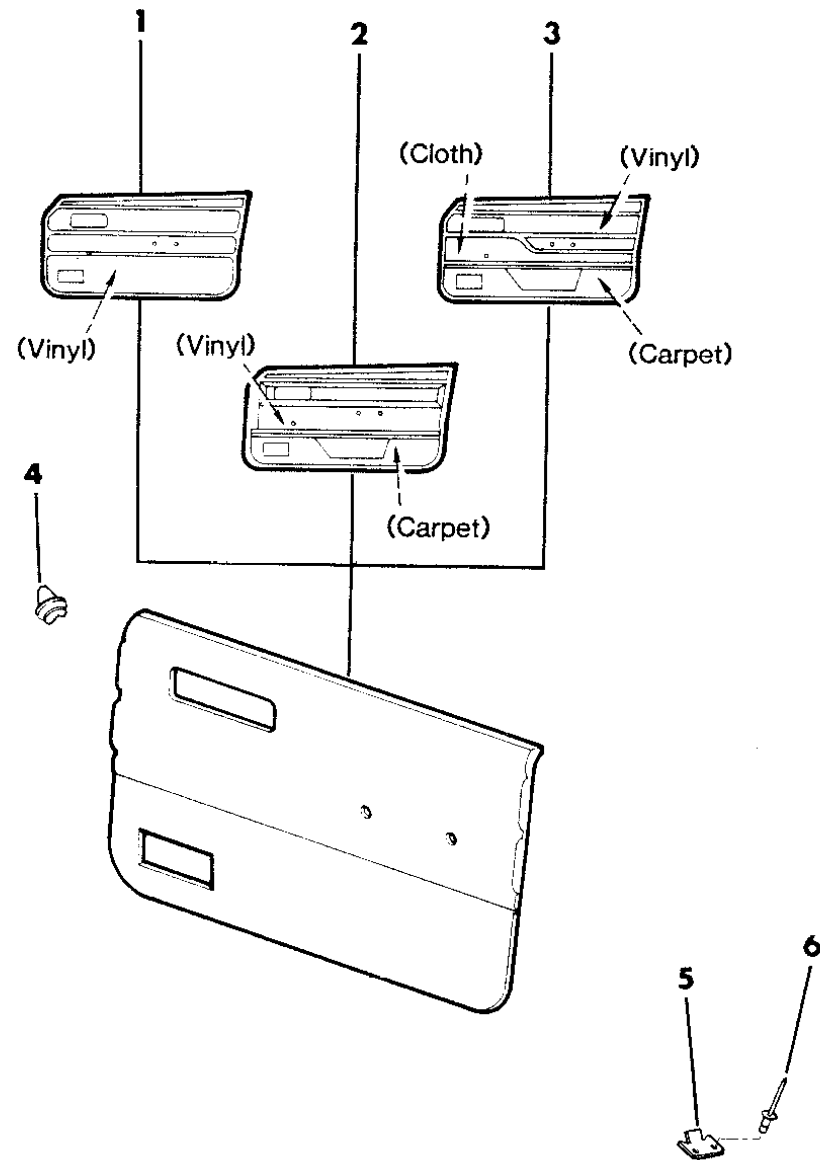
MODEL CODES:
 15 = Grand Wagoneer 4 Dr. 65 = Comanche 4WD-7 Ft. Box 77 = Cherokee 4WD-2 Dr.
 25 = J-10 Pickup-119" W.B. 66 = Comanche 2WD-7 Ft. Box 78 = Cherokee 4WD-4 Dr.
 26 = J-10 Pickup-131" W.B. 73 = Cherokee 2WD-2 Dr. 79 = Cherokee 4WD-4 Dr.-Com
 27 = J-20 Pickup-131" W.B. 74 = Cherokee 2WD-4 Dr. 81 = Wrangler-93" W.B.
 63 = Comanche 4WD-6 Ft. Box 75 = Wagoneer 4WD-4 Dr. 82 = Wrangler-103" W.B.-Exp.
 64 = Comanche 2WD-6 Ft. Box

BODY STYLES:
 MJ = Comanche Pickup
 SJ = Grand Wagoneer Wgn., J-10 & J-20 Pickups
 XJ = Cherokee, Wagoneer Limited
 YJ = Wrangler

AR = Use as Required - = Non Illustrated Part P.A.R. = Paint as Required

PANELS, DOOR TRIM 2 DOOR WAGON CHEROKEE
Figure 43-1300

8J431300



| ITEM | PART NUMBER | QTY | BODY | MODEL | DESCRIPTION |
|------|-------------|-------------|------|------------------------------------|--|
| 1 | | | | | PANEL, Door Trim |
| | | | | | 1987-89 |
| | | 5501 2436-7 | 1 | | Black, 1987 |
| | | 5501 8182-3 | 1 | | Charcoal, 1988-89 |
| | | 5501 2438-9 | 1 | | Tan, 1987-88 |
| | | 5502 0772-3 | 1 | | Sand, 1989 |
| | | 5AE62-3 JSA | 1 | | 1990, "Sport" and Base Model Charcoal |
| | 5AE62-3 JYY | 1 | | Sand | |
| 2 | | | | | PANEL, Door Trim |
| | | | | | 1987-89 |
| | | 5501 2442-3 | 1 | | Black, (a), 1987 |
| | | 5501 8528-9 | 1 | | Black, (b), 1987 |
| | | | | | Charcoal, 1988-89 |
| | | 5501 8186-7 | 1 | | Except "Limited" |
| | | 5501 9972-3 | 1 | | "Limited" |
| | | 5501 2444-5 | 1 | | Cordovan, (a), 1987 |
| | | 5501 8530-1 | 1 | | Cordovan, (b), 1987-89 |
| | | 5501 2440-1 | 1 | | Medium Blue, (a), 1987 |
| | | 5501 8526-7 | 1 | | Medium Blue, (b), 1987 |
| | | 5501 8184-5 | 1 | | Navy, 1988-89 |
| | | 5501 2446-7 | 1 | | Tan, (a), 1987 |
| | | 5501 8532-3 | 1 | | Tan, (b), 1987-88 |
| | | 5502 0774-5 | 1 | | Sand, 1989 |
| | | | | 1990, "Pioneer" and "Euro Package" | |
| | 5AE64-5 JSA | 1 | | Charcoal | |
| | 5AE64-5 JH9 | 1 | | Cordovan | |
| | 5AE64-5 JYY | 1 | | Sand | |
| | | | | 1990 "Limited" | |
| | 5AG52-3 JSA | 1 | | Charcoal | |
| | 5AG52-3 JYY | 1 | | Sand | |
| 3 | | | | | PANEL, Door Trim |
| | | | | | 1987-89 |
| | | 5501 8188-9 | 1 | | Charcoal, Hunter's Plaid |
| | | 5502 4514-5 | 1 | | Charcoal, Luggage Cloth |
| | | 5501 2458-9 | 1 | | Cordovan, Hunter's Plaid |
| | 5502 4512-3 | 1 | | Cordovan, Luggage Cloth | |

MODEL CODES:

| | | |
|-----------------------------|-----------------------------|------------------------------|
| 15 = Grand Wagoneer 4 Dr. | 65 = Comanche 4WD-7 Ft. Box | 77 = Cherokee 4WD-2 Dr. |
| 25 = J-10 Pickup-119" W.B. | 66 = Comanche 2WD-7 Ft. Box | 78 = Cherokee 4WD-4 Dr. |
| 26 = J-10 Pickup-131" W.B. | 73 = Cherokee 2WD-2 Dr. | 79 = Cherokee 4WD-4 Dr.-Com |
| 27 = J-20 Pickup-131" W.B. | 74 = Cherokee 2WD-4 Dr. | 81 = Wrangler-93" W.B. |
| 63 = Comanche 4WD-6 Ft. Box | 75 = Wagoneer 4WD-4 Dr. | 82 = Wrangler-103" W.B.-Exp. |
| 64 = Comanche 2WD-6 Ft. Box | | |

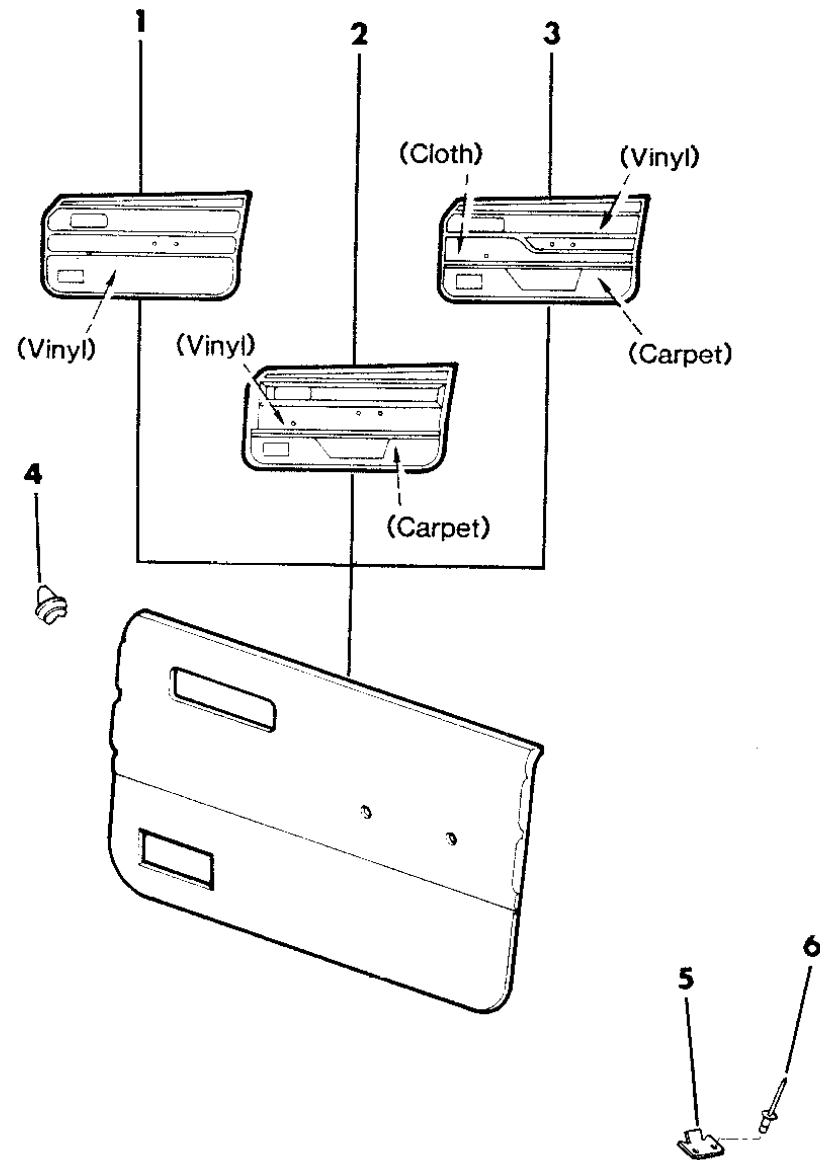
BODY STYLES:

MJ = Comanche Pickup
SJ = Grand Wagoneer Wgn., J-10 & J-20 Pickups
XJ = Cherokee, Wagoneer Limited
YJ = Wrangler

AR = Use as Required - = Non Illustrated Part P.A.R. = Paint as Required

PANELS, DOOR TRIM 2 DOOR WAGON CHEROKEE
Figure 43-1300

8J431300



| ITEM | PART NUMBER | QTY | BODY | MODEL | DESCRIPTION |
|------|-------------|-----|------|-------|--------------------|
| | 5501 2460-1 | 1 | | | Tan, 1987 |
| | | | | | 1990 "Laredo" |
| | 5AE72-3 JSA | 1 | | | Charcoal |
| | 5AE72-3 JH9 | 1 | | | Cordovan |
| | 5AE72-3 JYY | 1 | | | Sand |
| 4 | 3420 1681 | 30 | | | CLIP |
| 5 | 5500 3629 | 2 | | | BRACKET, Door Trim |
| 6 | 3420 1197 | 4 | | | RIVET |

(a), 1987 Vehicle No. 00001 thru No. 55297 Tag affixed to the Face of its Pulley. A Second Tag will show the name of the Vendor (OGURA).

(b), 1987 Vehicle No. 55298 thru No.... Tag affixed to the Face of its Pulley. A Second Tag will show the name of the Vendor (OGURA).

MODEL CODES:

| | | |
|-----------------------------|-----------------------------|------------------------------|
| 15 = Grand Wagoneer 4 Dr. | 65 = Comanche 4WD-7 Ft. Box | 77 = Cherokee 4WD-2 Dr. |
| 25 = J-10 Pickup-119" W.B. | 66 = Comanche 2WD-7 Ft. Box | 78 = Cherokee 4WD-4 Dr. |
| 26 = J-10 Pickup-131" W.B. | 73 = Cherokee 2WD-2 Dr. | 79 = Cherokee 4WD-4 Dr.-Com |
| 27 = J-20 Pickup-131" W.B. | 74 = Cherokee 2WD-4 Dr. | 81 = Wrangler-93" W.B. |
| 63 = Comanche 4WD-6 Ft. Box | 75 = Wagoneer 4WD-4 Dr. | 82 = Wrangler-103" W.B.-Exp. |
| 64 = Comanche 2WD-6 Ft. Box | | |

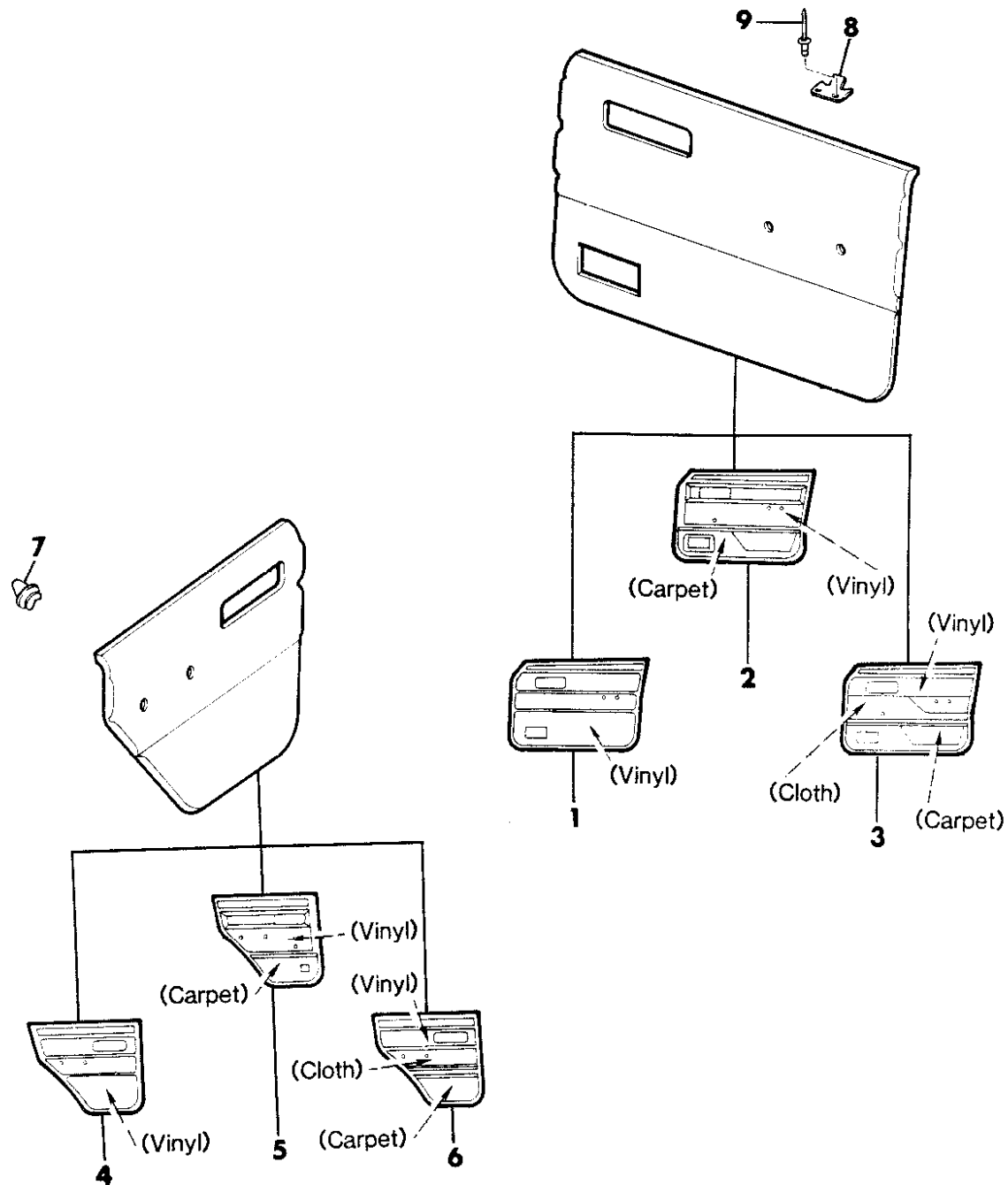
BODY STYLES:

MJ = Comanche Pickup
SJ = Grand Wagoneer Wgn., J-10 & J-20 Pickups
XJ = Cherokee, Wagoneer Limited
YJ = Wrangler

AR = Use as Required - = Non Illustrated Part P.A.R. = Paint as Required

PANELS, DOOR TRIM 4 DOOR WAGON CHEROKEE
Figure 43-1400

8J431400



| ITEM | PART NUMBER | QTY | BODY | MODEL | DESCRIPTION |
|------|-------------|-------------|------|--------------------------------|-----------------------------|
| 1 | | | | | PANEL, Front Door Trim |
| | | | | | 1987 |
| | | 5501 2380-1 | 1 | | Black |
| | | 5501 2382-3 | 1 | | Tan |
| | | | | | 1988-89 |
| | | 5501 8172-3 | 1 | | Charcoal |
| | | 5501 2382-3 | 1 | | Tan, 1988 |
| | | 5502 0768-9 | 1 | | Sand, 1989 |
| | | | | | 1990 "Sport" and Base Model |
| | | 5AE56-7 JSA | 1 | | Charcoal |
| | 5AE56-7 JH9 | 1 | | Cordovan | |
| | 5AE56-7 JYY | 1 | | Sand | |
| 2 | | | | | PANEL, Front Door Trim |
| | | | | | 1987 |
| | | | | | Black |
| | | 5501 2390-1 | 1 | | (A) |
| | | 5501 8512-3 | 1 | | (B) |
| | | | | | Medium Blue |
| | | 5501 2388-9 | 1 | | (A) |
| | | 5501 8510-1 | 1 | | (B) |
| | | 5501 8896-7 | 1 | | Charcoal |
| | | | | | Cordovan |
| | | 5501 2392-3 | 1 | | (A) |
| | | 5501 8514-5 | 1 | | (B) |
| | | | | | Tan |
| | | 5501 2394-5 | 1 | | (A) |
| | | 5501 8516-7 | 1 | | (B) |
| | | | | | 1988-89 |
| | | | | | Charcoal |
| | | 5501 8178-9 | 1 | | Except "Limited" |
| | | 5501 9144-5 | 1 | | "Limited" |
| | | 5501 8514-5 | 1 | | Cordovan |
| | 5501 8176-7 | 1 | | Navy | |
| | 5501 8516-7 | 1 | | Tan, 1988 | |
| | 5502 0770-1 | 1 | | Sand, 1989 | |
| | | | | 1990 "Pioneer" and "Euro Pkg." | |
| | 5AE58-9 JSA | 1 | | Charcoal | |

MODEL CODES:

| | | |
|-----------------------------|-----------------------------|------------------------------|
| 15 = Grand Wagoneer 4 Dr. | 65 = Comanche 4WD-7 Ft. Box | 77 = Cherokee 4WD-2 Dr. |
| 25 = J-10 Pickup-119" W.B. | 66 = Comanche 2WD-7 Ft. Box | 78 = Cherokee 4WD-4 Dr. |
| 26 = J-10 Pickup-131" W.B. | 73 = Cherokee 2WD-2 Dr. | 79 = Cherokee 4WD-4 Dr.-Com |
| 27 = J-20 Pickup-131" W.B. | 74 = Cherokee 2WD-4 Dr. | 81 = Wrangler-93" W.B. |
| 63 = Comanche 4WD-6 Ft. Box | 75 = Wagoneer 4WD-4 Dr. | 82 = Wrangler-103" W.B.-Exp. |
| 64 = Comanche 2WD-6 Ft. Box | | |

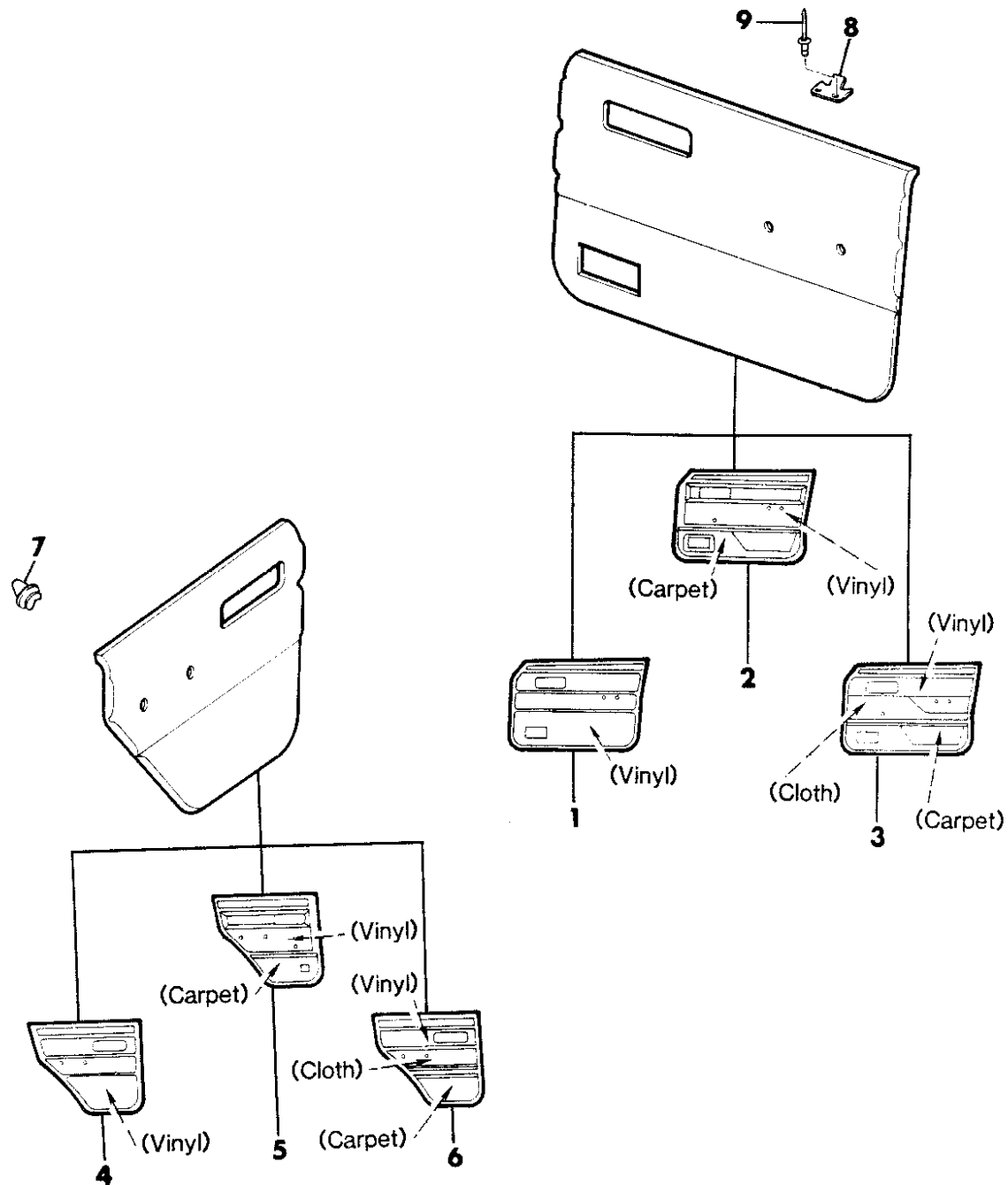
BODY STYLES:

MJ = Comanche Pickup
 SJ = Grand Wagoneer Wgn., J-10 & J-20 Pickups
 XJ = Cherokee, Wagoneer Limited
 YJ = Wrangler

AR = Use as Required - = Non Illustrated Part P.A.R. = Paint as Required

PANELS, DOOR TRIM 4 DOOR WAGON CHEROKEE
Figure 43-1400

8J431400



| ITEM | PART NUMBER | QTY | BODY | MODEL | DESCRIPTION |
|------|-------------|-----|------|-------|-----------------------------|
| | 5AE58-9 JH9 | 1 | | | Cordovan |
| | 5AE58-9 JYY | 1 | | | Sand |
| | 5AG50-1 JSA | 1 | | | 1990 "Limited" Charcoal |
| | 5AG50-1 JYY | 1 | | | Sand |
| 3 | | | | | PANEL, Front Door Trim |
| | | | | | 1987 |
| | 5501 2406-7 | 1 | | | Cordovan |
| | 5501 2408-9 | 1 | | | Tan |
| | | | | | 1988-89 |
| | | | | | Charcoal |
| | 5501 8180-1 | 1 | | | Hunter's Plaid |
| | 5501 8204-5 | 1 | | | Luggage Cloth |
| | | | | | Cordovan |
| | 5501 2406-7 | 1 | | | Hunter's Plaid |
| | 5501 2526-7 | 1 | | | Luggage Cloth |
| | | | | | 1990 "Laredo" |
| | 5AE60-1 JSA | 1 | | | Charcoal |
| | 5AE60-1 JH9 | 1 | | | Cordovan |
| | 5AE60-1 JYY | 1 | | | Sand |
| 4 | | | | | PANEL, Rear Door Trim |
| | | | | | 1987 |
| | 5501 2410-1 | 1 | | | Black |
| | 5501 2412-3 | 1 | | | Tan |
| | | | | | 1988-89 |
| | 5501 8206-7 | 1 | | | Charcoal |
| | 5501 2412-3 | 1 | | | Tan, 1988 |
| | 5502 0792-3 | 1 | | | Sand, 1989 |
| | | | | | 1990 "Sport" and Base Model |
| | 5AE68-9 JSA | 1 | | | Charcoal |
| | 5AE68-9 JYY | 1 | | | Sand |
| 5 | | | | | PANEL, Rear Door Trim |
| | | | | | 1987 |
| | | | | | Black |
| | 5501 2416-7 | 1 | | | (A) |
| | 5501 8520-1 | 1 | | | (B) |
| | | | | | Medium Blue |

MODEL CODES:

| | | |
|-----------------------------|-----------------------------|------------------------------|
| 15 = Grand Wagoneer 4 Dr. | 65 = Comanche 4WD-7 Ft. Box | 77 = Cherokee 4WD-2 Dr. |
| 25 = J-10 Pickup-119" W.B. | 66 = Comanche 2WD-7 Ft. Box | 78 = Cherokee 4WD-4 Dr. |
| 26 = J-10 Pickup-131" W.B. | 73 = Cherokee 2WD-2 Dr. | 79 = Cherokee 4WD-4 Dr.-Com |
| 27 = J-20 Pickup-131" W.B. | 74 = Cherokee 2WD-4 Dr. | 81 = Wrangler-93" W.B. |
| 63 = Comanche 4WD-6 Ft. Box | 75 = Wagoneer 4WD-4 Dr. | 82 = Wrangler-103" W.B.-Exp. |
| 64 = Comanche 2WD-6 Ft. Box | | |

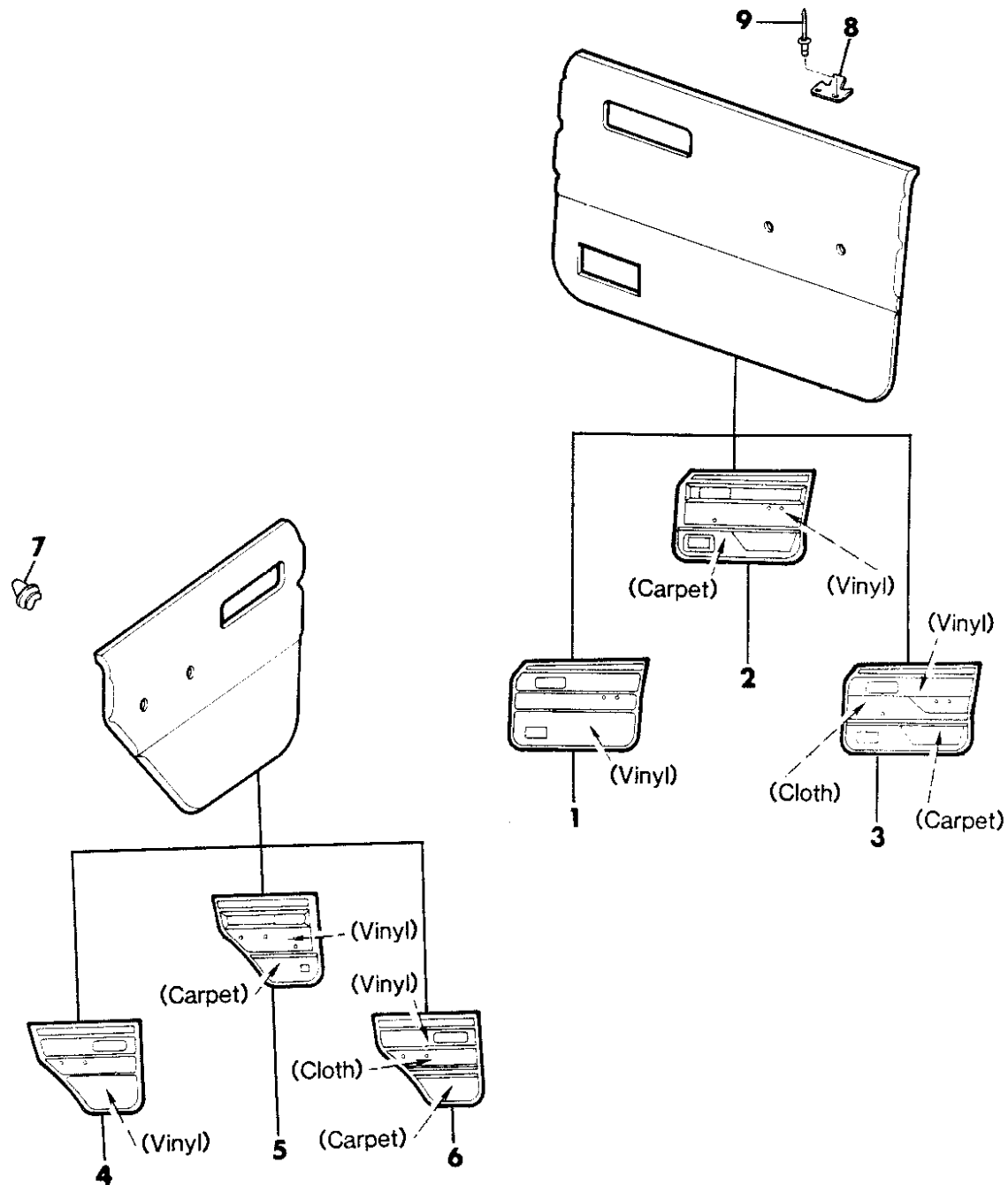
BODY STYLES:

MJ = Comanche Pickup
SJ = Grand Wagoneer Wgn., J-10 & J-20 Pickups
XJ = Cherokee, Wagoneer Limited
YJ = Wrangler

AR = Use as Required - = Non Illustrated Part P.A.R. = Paint as Required

PANELS, DOOR TRIM 4 DOOR WAGON CHEROKEE
Figure 43-1400

8J431400



| ITEM | PART NUMBER | QTY | BODY | MODEL | DESCRIPTION |
|------|-------------|-----|------|-------|--|
| | 5501 2414-5 | 1 | | | (A) |
| | 5501 8518-9 | 1 | | | (B) |
| | 5501 8898-9 | 1 | | | Charcoal Cordovan |
| | 5501 2418-9 | 1 | | | (A) |
| | 5501 8522-3 | 1 | | | (B) Tan |
| | 5501 2420-1 | 1 | | | (A) |
| | 5501 8524-5 | 1 | | | (B) |
| | | | | | 1988-89 Charcoal Except "Limited" "Limited" |
| | 5501 8210-1 | 1 | | | |
| | 5501 9140-1 | 1 | | | |
| | 5501 8522-3 | 1 | | | Cordovan |
| | 5501 8208-9 | 1 | | | Navy |
| | 5501 8524-5 | 1 | | | Tan, 1988 |
| | 5502 0794-5 | 1 | | | Sand, 1989 |
| | | | | | 1990 "Pioneer" and "Euro Pkg." |
| | 5AE70-1 JSA | 1 | | | Charcoal |
| | 5AE70-1 JH9 | 1 | | | Cordovan |
| | 5AE70-1 JYY | 1 | | | Sand |
| | | | | | 1990 "Limited" |
| | 5AG62-3 JSA | 1 | | | Charcoal |
| | 5AG62-3 JYY | 1 | | | Sand |
| 6 | | | | | PANEL, Rear Door Trim |
| | | | | | 1987 |
| | 5501 2432-3 | 1 | | | Cordovan |
| | 5501 2434-5 | 1 | | | Tan |
| | | | | | 1988-89 |
| | | | | | Charcoal |
| | 5501 8212-3 | 1 | | | Hunter's Plaid |
| | 5502 4518-9 | 1 | | | Luggage Cloth Cordovan |
| | | | | | 1987 |
| | 5501 2432-3 | 1 | | | Hunter's Plaid |
| | 5502 4516-7 | 1 | | | Luggage Cloth |
| | | | | | 1990 "Laredo" |
| | 5AE66-7 JSA | 1 | | | Charcoal |

MODEL CODES:

| | | |
|-----------------------------|-----------------------------|------------------------------|
| 15 = Grand Wagoneer 4 Dr. | 65 = Comanche 4WD-7 Ft. Box | 77 = Cherokee 4WD-2 Dr. |
| 25 = J-10 Pickup-119" W.B. | 66 = Comanche 2WD-7 Ft. Box | 78 = Cherokee 4WD-4 Dr. |
| 26 = J-10 Pickup-131" W.B. | 73 = Cherokee 2WD-2 Dr. | 79 = Cherokee 4WD-4 Dr.-Com |
| 27 = J-20 Pickup-131" W.B. | 74 = Cherokee 2WD-4 Dr. | 81 = Wrangler-93" W.B. |
| 63 = Comanche 4WD-6 Ft. Box | 75 = Wagoneer 4WD-4 Dr. | 82 = Wrangler-103" W.B.-Exp. |
| 64 = Comanche 2WD-6 Ft. Box | | |

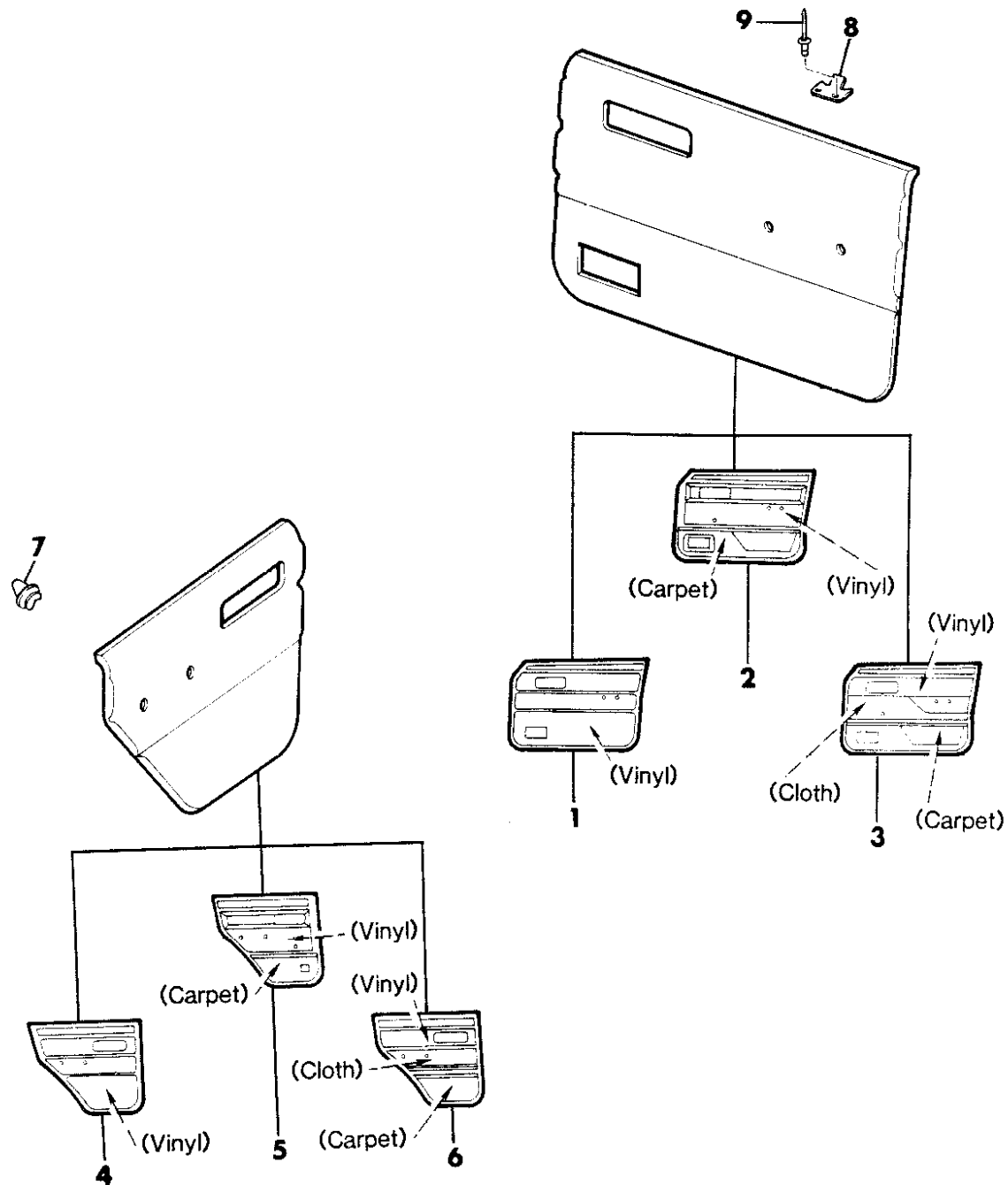
BODY STYLES:

MJ = Comanche Pickup
SJ = Grand Wagoneer Wgn., J-10 & J-20 Pickups
XJ = Cherokee, Wagoneer Limited
YJ = Wrangler

AR = Use as Required - = Non Illustrated Part P.A.R. = Paint as Required

PANELS, DOOR TRIM 4 DOOR WAGON CHEROKEE
Figure 43-1400

8J43 1400



| ITEM | PART NUMBER | QTY | BODY | MODEL | DESCRIPTION |
|------|-------------|-----|------|-------|--------------------|
| | 5AE66-7 JH9 | 1 | | | Cordovan |
| | 5AE66-7 JYY | 1 | | | Sand |
| 7 | 3420 1681 | AR | | | CLIP |
| 8 | 5500 3629 | 2 | | | BRACKET, Door Trim |
| 9 | 3420 1197 | 4 | | | RIVET |

(A), 1987 Vehicle No. 1 thru No. 55297 Tag affixed to the Face of its Pulley. A Second Tag will show the name of the Vendor (OGURA).
(B), 1987 Vehicle No. 55298 thru No.... Tag affixed to the Face of its Pulley. A Second Tag will show the name of the Vendor (OGURA).

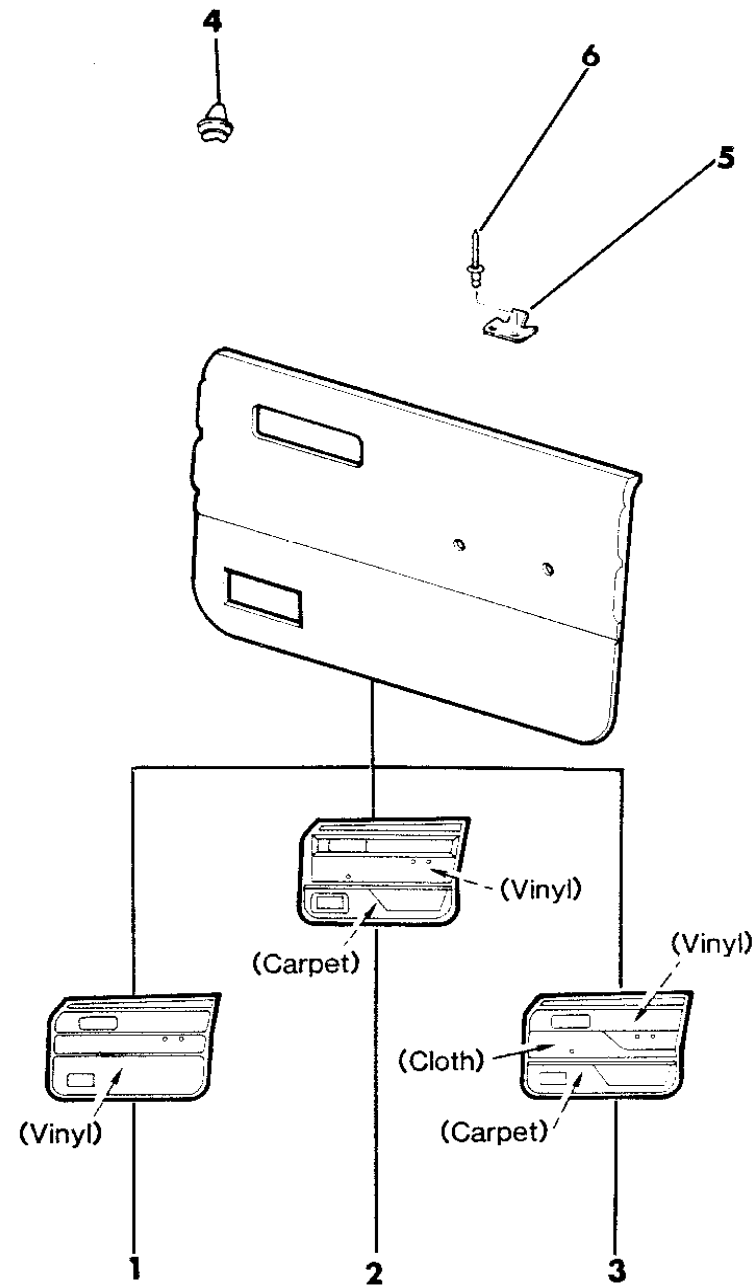
- MODEL CODES:
- | | | |
|-----------------------------|-----------------------------|------------------------------|
| 15 = Grand Wagoneer 4 Dr. | 65 = Comanche 4WD-7 Ft. Box | 77 = Cherokee 4WD-2 Dr. |
| 25 = J-10 Pickup-119" W.B. | 66 = Comanche 2WD-7 Ft. Box | 78 = Cherokee 4WD-4 Dr. |
| 26 = J-10 Pickup-131" W.B. | 73 = Cherokee 2WD-2 Dr. | 79 = Cherokee 4WD-4 Dr.-Com |
| 27 = J-20 Pickup-131" W.B. | 74 = Cherokee 2WD-4 Dr. | 81 = Wrangler-93" W.B. |
| 63 = Comanche 4WD-6 Ft. Box | 75 = Wagoneer 4WD-4 Dr. | 82 = Wrangler-103" W.B.-Exp. |
| 64 = Comanche 2WD-6 Ft. Box | | |

- BODY STYLES:
- MJ = Comanche Pickup
 - SJ = Grand Wagoneer Wgn., J-10 & J-20 Pickups
 - XJ = Cherokee, Wagoneer Limited
 - YJ = Wrangler

AR = Use as Required - = Non Illustrated Part P.A.R. = Paint as Required

PANELS, DOOR TRIM COMANCHE
Figure 43-1500

8J43 1500



| ITEM | PART NUMBER | QTY | BODY | MODEL | DESCRIPTION | |
|------|-------------|-------------|------|-------|------------------|---|
| 1 | | | | | PANEL, Door Trim | |
| | | | | | 1987-89 | |
| | | 5501 2380-1 | 1 | | | Black, 1987 |
| | | 5501 8172-3 | 1 | | | Charcoal, 1988-89 |
| | | 5501 3466-7 | 1 | | | Cordovan, 1987-89 |
| | | 5501 8174-5 | 1 | | | Navy, 1988-89 |
| | | 5501 3464-5 | 1 | | | Medium Blue, 1987 |
| | | 5501 2382-3 | 1 | | | Tan, 1987-88 |
| | | 5502 0768-9 | 1 | | | Sand, 1989 |
| | | 5AE56-7 JSA | 1 | | | 1990 "Sportruck" and Base Model Charcoal |
| | 5AE56-7 JH9 | 1 | | | Cordovan | |
| | 5AE56-7 JYY | 1 | | | Sand | |
| 2 | | | | | PANEL, Door Trim | |
| | | | | | 1987-89 | |
| | | 5501 2390-1 | 1 | | | Black, (a), 1987 |
| | | 5501 8512-3 | 1 | | | Black, (b), 1987 |
| | | 5501 8178-9 | 1 | | | Charcoal, 1988-89 |
| | | 5501 2392-3 | 1 | | | Cordovan, (a), 1987 |
| | | 5501 8514-5 | 1 | | | Cordovan, (b), 1987-89 |
| | | 5501 2388-9 | 1 | | | Medium Blue, (a), 1987 |
| | | 5501 8510-1 | 1 | | | Medium Blue, (b), 1987 |
| | | 5501 8176-7 | 1 | | | Navy, 1988-89 |
| | | 5501 2394-5 | 1 | | | Tan, (a), 1987 |
| | | 5501 8516-7 | 1 | | | Tan, (b), 1987-88 |
| | | 5502 0770-1 | 1 | | | Sand, 1989 |
| | | 5AE58-9 JSA | 1 | | | 1990 "Eliminator" and "Pioneer" Charcoal |
| | 5AE58-9 JH9 | 1 | | | Cordovan | |
| | 5AE58-9 JYY | 1 | | | Sand | |
| 3 | | | | | PANEL, Door Trim | |
| | | | | | 1987-88 | |
| | | 5501 8180-1 | 1 | | | Charcoal, 1988 |
| 4 | | | | | CLIP | |
| | | 3420 1681 | AR | | | |
| | | 5500 3629 | 2 | | | BRACKET, Door Trim |

MODEL CODES:

| | | |
|-----------------------------|-----------------------------|------------------------------|
| 15 = Grand Wagoneer 4 Dr. | 65 = Comanche 4WD-7 Ft. Box | 77 = Cherokee 4WD-2 Dr. |
| 25 = J-10 Pickup-119" W.B. | 66 = Comanche 2WD-7 Ft. Box | 78 = Cherokee 4WD-4 Dr. |
| 26 = J-10 Pickup-131" W.B. | 73 = Cherokee 2WD-2 Dr. | 79 = Cherokee 4WD-4 Dr.-Com |
| 27 = J-20 Pickup-131" W.B. | 74 = Cherokee 2WD-4 Dr. | 81 = Wrangler-93" W.B. |
| 63 = Comanche 4WD-6 Ft. Box | 75 = Wagoneer 4WD-4 Dr. | 82 = Wrangler-103" W.B.-Exp. |
| 64 = Comanche 2WD-6 Ft. Box | | |

BODY STYLES:

MJ = Comanche Pickup
SJ = Grand Wagoneer Wgn., J-10 & J-20 Pickups
XJ = Cherokee, Wagoneer Limited
YJ = Wrangler

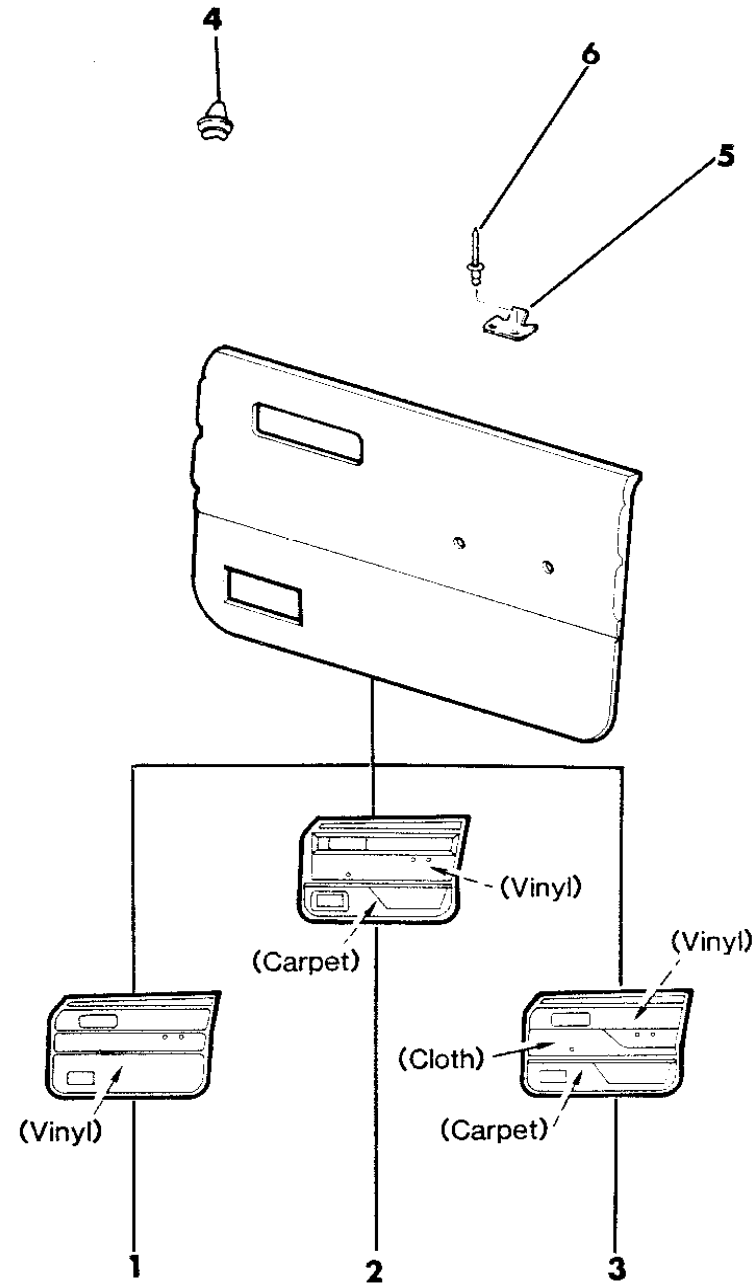
AR = Use as Required - = Non Illustrated Part P.A.R. = Paint as Required

PANELS, DOOR TRIM COMANCHE
Figure 43-1500

8J43 1500

| ITEM | PART NUMBER | QTY | BODY | MODEL | DESCRIPTION |
|------|-------------|-----|------|-------|-------------|
|------|-------------|-----|------|-------|-------------|

| | | | | | |
|--|-----------|---|--|--|-------|
| 6 | 3420 1197 | 4 | | | RIVET |
| (a), 1987 Vehicle No. 00001 thru No. 55297 Tag affixed to the Face of its Pulley. A Second Tag will show the name of the Vendor (OGURA). | | | | | |
| (b), 1987 Vehicle No. 55298 thru No.... Tag affixed to the Face of its Pulley. A Second Tag will show the name of the Vendor (OGURA). | | | | | |



MODEL CODES:

| | | |
|-----------------------------|-----------------------------|------------------------------|
| 15 = Grand Wagoneer 4 Dr. | 65 = Comanche 4WD-7 Ft. Box | 77 = Cherokee 4WD-2 Dr. |
| 25 = J-10 Pickup-119" W.B. | 66 = Comanche 2WD-7 Ft. Box | 78 = Cherokee 4WD-4 Dr. |
| 26 = J-10 Pickup-131" W.B. | 73 = Cherokee 2WD-2 Dr. | 79 = Cherokee 4WD-4 Dr.-Com |
| 27 = J-20 Pickup-131" W.B. | 74 = Cherokee 2WD-4 Dr. | 81 = Wrangler-93" W.B. |
| 63 = Comanche 4WD-6 Ft. Box | 75 = Wagoneer 4WD-4 Dr. | 82 = Wrangler-103" W.B.-Exp. |
| 64 = Comanche 2WD-6 Ft. Box | | |

BODY STYLES:

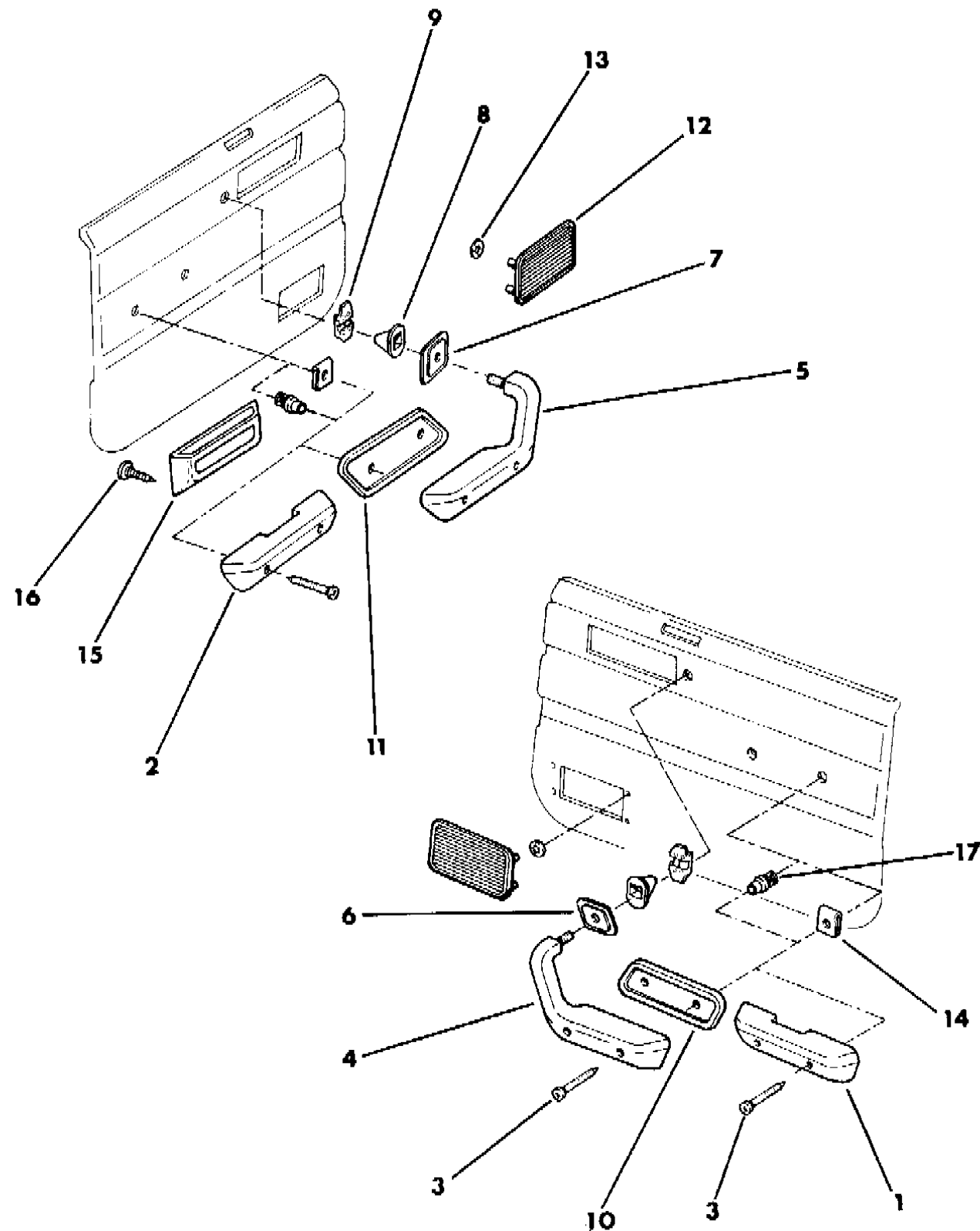
MJ = Comanche Pickup
SJ = Grand Wagoneer Wgn., J-10 & J-20 Pickups
XJ = Cherokee, Wagoneer Limited
YJ = Wrangler

AR = Use as Required - = Non Illustrated Part P.A.R. = Paint as Required

INTERIOR DOOR TRIM PARTS COMANCHE

Figure 43-1600

8J43 1600 A



| ITEM | PART NUMBER | QTY | BODY | MODEL | DESCRIPTION |
|------|-------------|-----------|------|------------|--------------------|
| 1 | | | | | ARMREST, Right *** |
| | | | | | 1987 |
| | | 3501 3737 | 1 | | Black |
| | | 3500 8334 | 1 | | Med. Blue |
| | | 3501 9989 | 1 | | Cordovan |
| | | 3500 9215 | 1 | | Tan |
| | | | | | 1988-89 |
| | | | | | 2WD |
| | | 5501 8905 | 1 | | Charcoal |
| | | 5501 1854 | 1 | | Cordovan |
| | | 5501 8904 | 1 | | Navy |
| | | 5500 9646 | 1 | | Tan, 1988 |
| | | 5502 0790 | 1 | | Sand, 1989 |
| | | | | | 4WD |
| | | 3502 3019 | 1 | | Charcoal |
| | 3501 9989 | 1 | | Cordovan | |
| | 3502 3023 | 1 | | Navy | |
| | 3500 9215 | 1 | | Tan, 1988 | |
| | 3502 5313 | 1 | | Sand, 1989 | |
| | | | | 1990 | |
| | | | | 2WD | |
| | 5AC3 4JS1 | 1 | | Charcoal | |
| | 5AC3 4JH9 | 1 | | Cordovan | |
| | 5AC3 4JY1 | 1 | | Sand | |
| | | | | 4WD | |
| | 5AW6 8JS1 | 1 | | Charcoal | |
| | 5AW6 8JH9 | 1 | | Cordovan | |
| | 5AW6 8JY1 | 1 | | Sand | |
| 2 | | | | | ARMREST, Left *** |
| | | | | | 1987 |
| | | 3501 3736 | 1 | | Black |
| | | 3500 8331 | 1 | | Med. Blue |
| | | 3501 9988 | 1 | | Cordovan |
| | | 3500 9214 | 1 | | Tan |
| | | | | | 1988-89 |
| | | | | 2WD | |
| | 5501 8905 | 1 | | Charcoal | |

MODEL CODES:

| | | |
|-----------------------------|-----------------------------|------------------------------|
| 15 = Grand Wagoneer 4 Dr. | 65 = Comanche 4WD-7 Ft. Box | 77 = Cherokee 4WD-2 Dr. |
| 25 = J-10 Pickup-119" W.B. | 66 = Comanche 2WD-7 Ft. Box | 78 = Cherokee 4WD-4 Dr. |
| 26 = J-10 Pickup-131" W.B. | 73 = Cherokee 2WD-2 Dr. | 79 = Cherokee 4WD-4 Dr.-Com |
| 27 = J-20 Pickup-131" W.B. | 74 = Cherokee 2WD-4 Dr. | 81 = Wrangler-93" W.B. |
| 63 = Comanche 4WD-6 Ft. Box | 75 = Wagoneer 4WD-4 Dr. | 82 = Wrangler-103" W.B.-Exp. |
| 64 = Comanche 2WD-6 Ft. Box | | |

BODY STYLES:

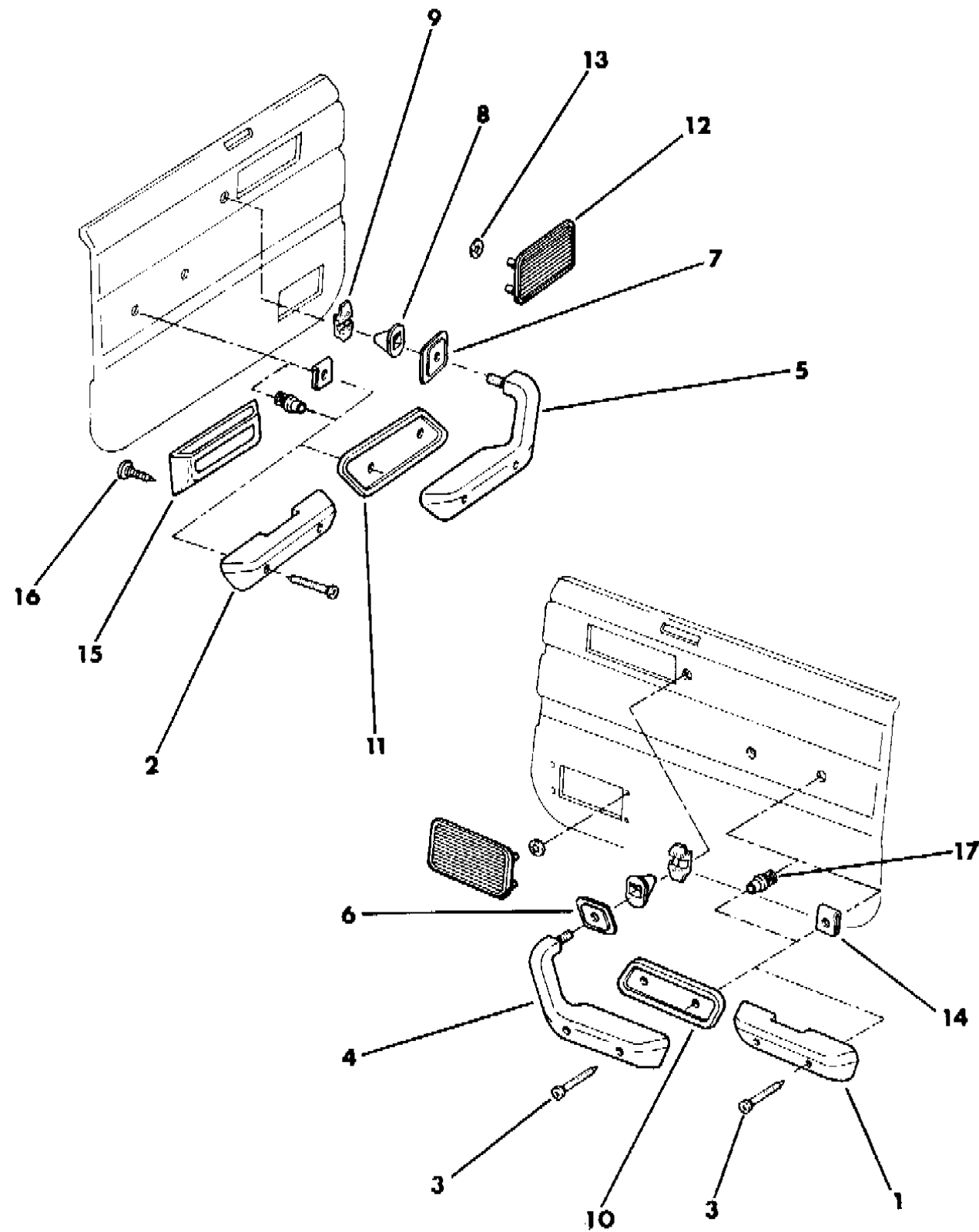
MJ = Comanche Pickup
 SJ = Grand Wagoneer Wgn., J-10 & J-20 Pickups
 XJ = Cherokee, Wagoneer Limited
 YJ = Wrangler

AR = Use as Required - = Non Illustrated Part P.A.R. = Paint as Required

INTERIOR DOOR TRIM PARTS COMANCHE

Figure 43-1600

8J43 1600 A



| ITEM | PART NUMBER | QTY | BODY | MODEL | DESCRIPTION |
|------|-------------|-----|------|-------|---------------------------|
| | 5501 1854 | 1 | | | Cordovan |
| | 5501 8904 | 1 | | | Navy |
| | 5500 9646 | 1 | | | Tan, 1988 |
| | 5502 0790 | 1 | | | Sand, 1989 4WD |
| | 3502 3018 | 1 | | | Charcoal |
| | 3501 9988 | 1 | | | Cordovan |
| | 3502 3022 | 1 | | | Navy |
| | 3500 9214 | 1 | | | Tan, 1988 |
| | 3502 5312 | 1 | | | Sand, 1989 1990 2WD |
| | 5AC3 4JS1 | 1 | | | Charcoal |
| | 5AC3 4JH9 | 1 | | | Cordovan |
| | 5AC3 4JY1 | 1 | | | Sand 4WD |
| | 5AW6 9JS1 | 1 | | | Charcoal |
| | 5AW6 9JH9 | 1 | | | Cordovan |
| | 5AW6 9JY1 | 1 | | | Sand |
| 3 | 1150 0068 | 4 | | | SCREW |
| 4-5 | | | | | ARMREST |
| | | | | | 1987 |
| | 3501 3750-1 | 1 | | | Black |
| | 3500 8332-3 | 1 | | | Med. Blue |
| | 3501 5844-5 | 1 | | | Cordovan |
| | 3500 9210-1 | 1 | | | Tan 1988-89 |
| | 3502 1096-7 | 1 | | | Charcoal |
| | 3501 5844-5 | 1 | | | Cordovan |
| | 3502 1094-5 | 1 | | | Navy |
| | 3500 9210-1 | 1 | | | Tan, 1988 |
| | 3502 5316-7 | 1 | | | Sand, 1989 1990 |
| | 5AB98-9 JS1 | 1 | | | Charcoal |
| | 5AB98-9 JH9 | 1 | | | Cordovan |
| | 5AB98-9 JY1 | 1 | | | Sand |
| 6-7 | 5500 3128-9 | 1 | | | BEZEL, Armrest |

MODEL CODES:

| | | |
|-----------------------------|-----------------------------|------------------------------|
| 15 = Grand Wagoneer 4 Dr. | 65 = Comanche 4WD-7 Ft. Box | 77 = Cherokee 4WD-2 Dr. |
| 25 = J-10 Pickup-119" W.B. | 66 = Comanche 2WD-7 Ft. Box | 78 = Cherokee 4WD-4 Dr. |
| 26 = J-10 Pickup-131" W.B. | 73 = Cherokee 2WD-2 Dr. | 79 = Cherokee 4WD-4 Dr.-Com |
| 27 = J-20 Pickup-131" W.B. | 74 = Cherokee 2WD-4 Dr. | 81 = Wrangler-93" W.B. |
| 63 = Comanche 4WD-6 Ft. Box | 75 = Wagoneer 4WD-4 Dr. | 82 = Wrangler-103" W.B.-Exp. |
| 64 = Comanche 2WD-6 Ft. Box | | |

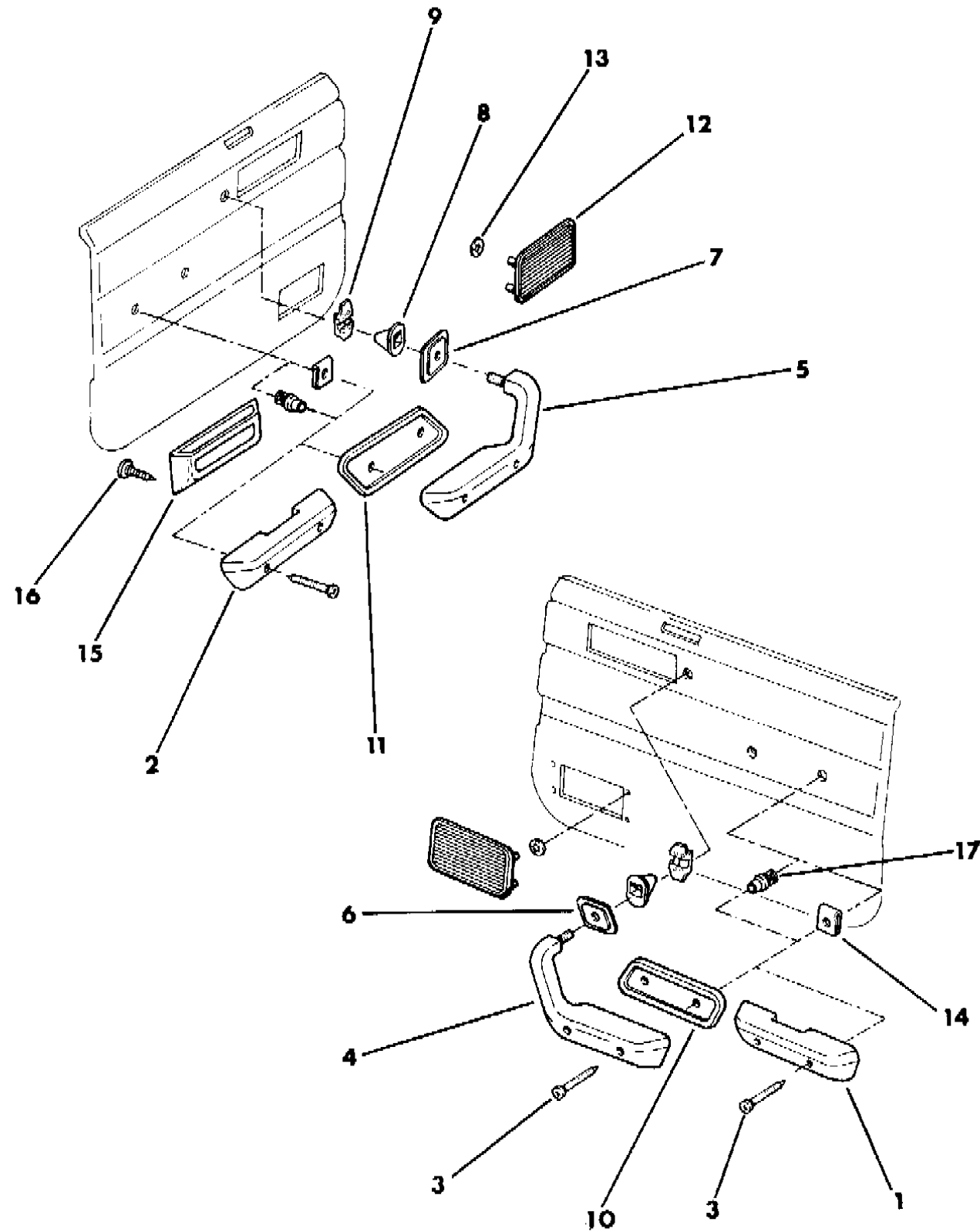
BODY STYLES:

| |
|---|
| MJ = Comanche Pickup |
| SJ = Grand Wagoneer Wgn., J-10 & J-20 Pickups |
| XJ = Cherokee, Wagoneer Limited |
| YJ = Wrangler |

AR = Use as Required - = Non Illustrated Part P.A.R. = Paint as Required

INTERIOR DOOR TRIM PARTS COMANCHE
Figure 43-1600

8J43 1600 A



| ITEM | PART NUMBER | QTY | BODY | MODEL | DESCRIPTION |
|-------|-------------|-----|------|-------|----------------------------------|
| 8 | J307 7045 | 2 | | | NIPPLE, Armrest |
| 9 | J307 6062 | 2 | | | CLIP |
| 10-11 | 3500 1916-7 | 1 | | | ESCUTCHEON, Armrest |
| 12 | | | | | GRILLE, Speaker, P.A.R. |
| | 3501 9986 | 2 | | | 1987-89 |
| | 5AB8 5JY1 | 2 | | | 1990 |
| 13 | J400 0271 | 8 | | | FASTENER |
| 14 | J308 1009 | 4 | | | NUT, Key Slot, armrest mounting |
| 15 | | | | | PANEL, Stowage Bin, P.A.R. |
| | 3500 9954 | 2 | | | 1987-89 |
| | 5AB8 9JY6 | 2 | | | 1990 |
| 16 | 3420 2074 | 10 | | | SCREW |
| 17 | 6502 112 | 4 | | | CLIP, Retainer, armrest mounting |

MODEL CODES:

| | | |
|-----------------------------|-----------------------------|------------------------------|
| 15 = Grand Wagoneer 4 Dr. | 65 = Comanche 4WD-7 Ft. Box | 77 = Cherokee 4WD-2 Dr. |
| 25 = J-10 Pickup-119" W.B. | 66 = Comanche 2WD-7 Ft. Box | 78 = Cherokee 4WD-4 Dr. |
| 26 = J-10 Pickup-131" W.B. | 73 = Cherokee 2WD-2 Dr. | 79 = Cherokee 4WD-4 Dr.-Com |
| 27 = J-20 Pickup-131" W.B. | 74 = Cherokee 2WD-4 Dr. | 81 = Wrangler-93" W.B. |
| 63 = Comanche 4WD-6 Ft. Box | 75 = Wagoneer 4WD-4 Dr. | 82 = Wrangler-103" W.B.-Exp. |
| 64 = Comanche 2WD-6 Ft. Box | | |

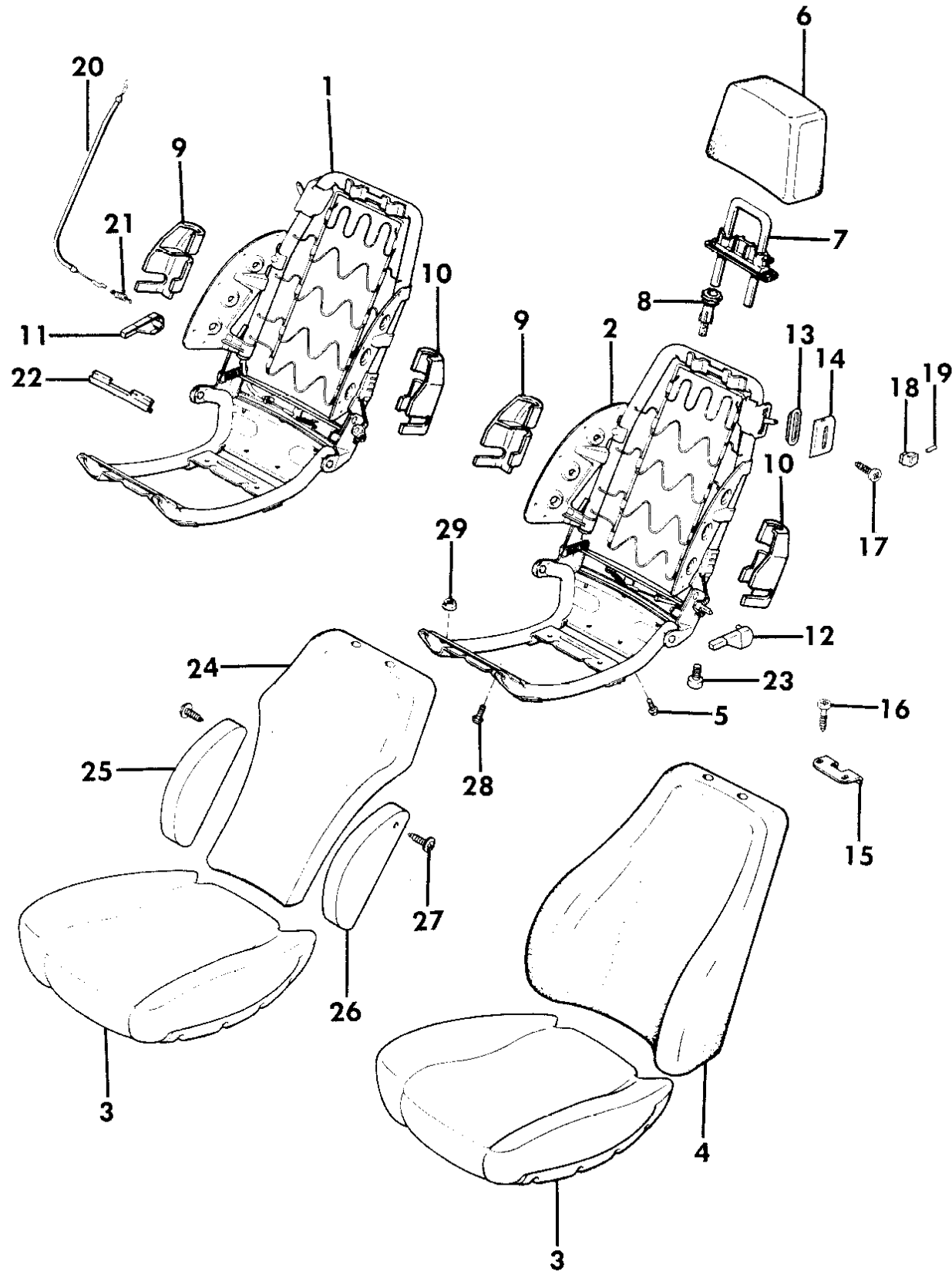
BODY STYLES:

MJ = Comanche Pickup
 SJ = Grand Wagoneer Wgn., J-10 & J-20 Pickups
 XJ = Cherokee, Wagoneer Limited
 YJ = Wrangler

AR = Use as Required - = Non Illustrated Part P.A.R. = Paint as Required

FRAME AND PAD 2 DOOR WAGON AND TRUCK CHEROKEE, COMANCHE
Figure 43-1700

8J431700



| ITEM | PART NUMBER | QTY | BODY | MODEL | DESCRIPTION |
|------|-------------|-----|------|---------|---------------------------|
| 1-2 | | | | | FRAME, Seat |
| | | | | | w/o Reclining Seat Back |
| | 3500 7342-3 | 1 | | 1987 | |
| | 5502 6296-7 | 1 | | 1988-90 | |
| | 5502 7460-1 | 1 | | | w/ Reclining Seat Back |
| 3 | 3500 0762 | 2 | | | PAD, Cushion |
| 4 | 3500 2769 | 2 | | | PAD, Back |
| 5 | 1150 4735 | 4 | | | BOLT |
| 6 | 3500 1690 | 2 | | | PAD, Headrest |
| 7 | 3500 3669 | 2 | | | POST, Headrest |
| 8 | 3500 9926 | 4 | | | CYLINDER, Headrest |
| 9 | 3500 4712 | 2 | | | COVER, Bracket |
| 10 | 3500 4713 | 2 | | | COVER, Bracket |
| 11 | 3500 3686 | 1 | | | HANDLE, Recliner |
| 12 | 3500 2930 | 1 | | | HANDLE, Recliner |
| 13 | 3500 6735 | 2 | | | GASKET, Lever |
| 14 | | | | | BEZEL, Back Lever, P.A.R. |
| | 3500 6863 | 2 | | 1987-89 | |
| | 5AB8 8JY1 | 2 | | 1990 | |
| 15 | 3500 3105 | 2 | | | BEZEL, Lock |
| 16 | 3420 1487 | 4 | | | SCREW |
| 17 | 3420 1466 | 4 | | | SCREW |
| 18 | | | | | KNOB, Seat Latch, P.A.R. |
| | | | | 1987-89 | |
| | 5500 2897 | 2 | | | P.A.R. |
| | | | | 1990 | |
| | 5AC6 8JS1 | 2 | | | Charcoal |
| | 5AC6 8JA8 | 2 | | | Dk. Charcoal |
| | 5AC6 8JH9 | 2 | | | Cordovan |
| | 5AC6 8JY1 | 2 | | | Sand |
| | 5AC6 8JY6 | 2 | | | Dk. Sand |
| 19 | J045 5735 | 2 | | | PIN, Spring |
| 20 | 3500 6068 | 2 | | | CABLE, Seat Release |
| 21 | 3500 6069 | 2 | | | SPRING, Return |
| 22 | 3500 6526 | 2 | | | COVER, Latch |
| 23 | 4778 342 | 4 | | | BUMPER PACKAGE, Stop |
| 24 | 3500 5470 | 2 | | | PAD, Back |

MODEL CODES:

| | | |
|-----------------------------|-----------------------------|------------------------------|
| 15 = Grand Wagoneer 4 Dr. | 65 = Comanche 4WD-7 Ft. Box | 77 = Cherokee 4WD-2 Dr. |
| 25 = J-10 Pickup-119" W.B. | 66 = Comanche 2WD-7 Ft. Box | 78 = Cherokee 4WD-4 Dr. |
| 26 = J-10 Pickup-131" W.B. | 73 = Cherokee 2WD-2 Dr. | 79 = Cherokee 4WD-4 Dr.-Com |
| 27 = J-20 Pickup-131" W.B. | 74 = Cherokee 2WD-4 Dr. | 81 = Wrangler-93" W.B. |
| 63 = Comanche 4WD-6 Ft. Box | 75 = Wagoneer 4WD-4 Dr. | 82 = Wrangler-103" W.B.-Exp. |
| 64 = Comanche 2WD-6 Ft. Box | | |

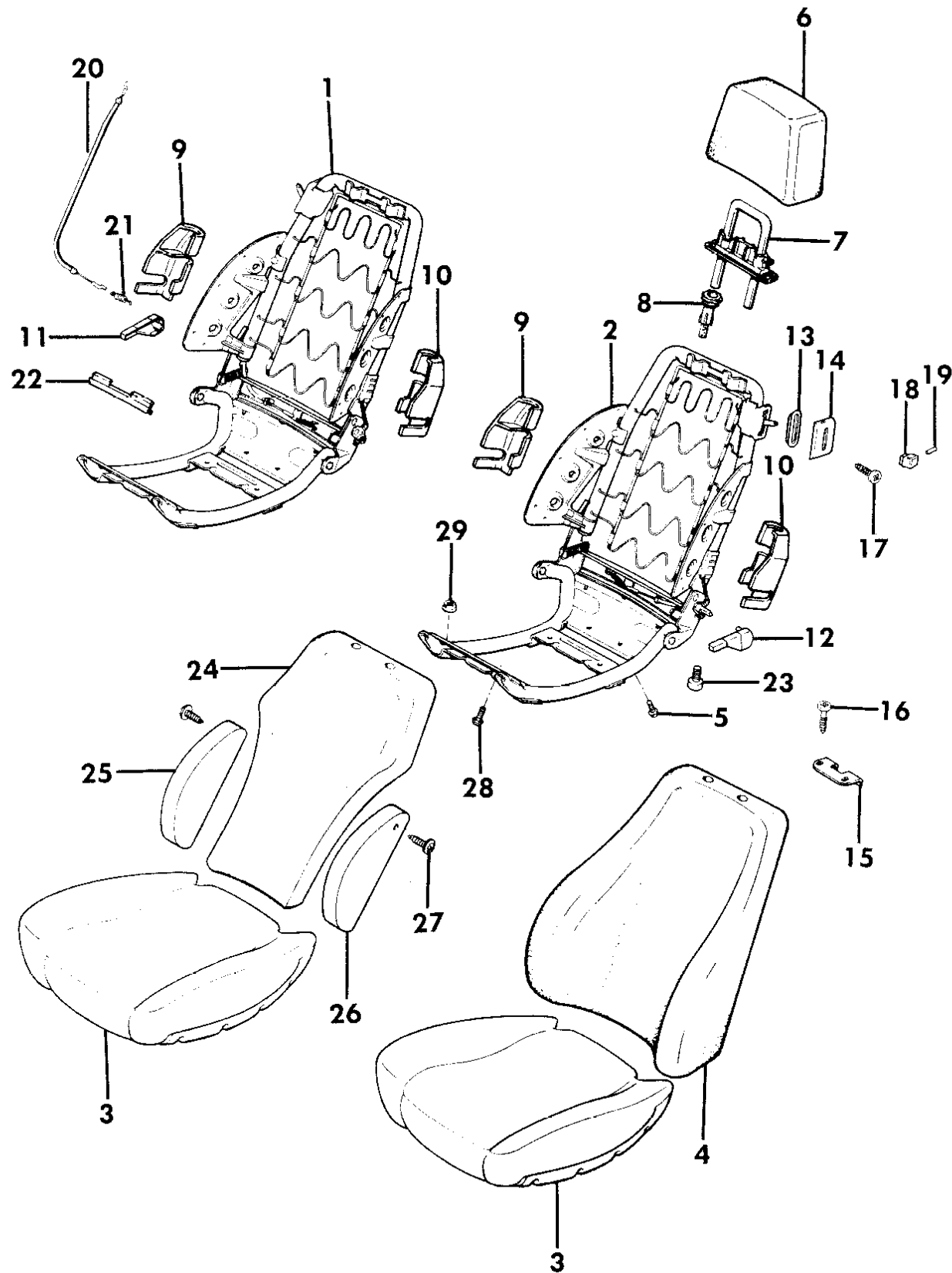
BODY STYLES:

MJ = Comanche Pickup
SJ = Grand Wagoneer Wgn., J-10 & J-20 Pickups
XJ = Cherokee, Wagoneer Limited
YJ = Wrangler

AR = Use as Required - = Non Illustrated Part P.A.R. = Paint as Required

FRAME AND PAD 2 DOOR WAGON AND TRUCK CHEROKEE, COMANCHE
Figure 43-1700

8J431700



| ITEM | PART NUMBER | QTY | BODY | MODEL | DESCRIPTION |
|------|-------------|-----|------|-------|----------------|
| 25 | 3501 1228 | 2 | | | PAD, Side Wing |
| 26 | 3501 1229 | 2 | | | PAD, Side Wing |
| 27 | 3420 1314 | 4 | | | SCREW |
| 28 | 3420 1257 | 8 | | | SCREW |
| 29 | 1150 2729 | 4 | | | NUT |

MODEL CODES:

| | | |
|-----------------------------|-----------------------------|------------------------------|
| 15 = Grand Wagoneer 4 Dr. | 65 = Comanche 4WD-7 Ft. Box | 77 = Cherokee 4WD-2 Dr. |
| 25 = J-10 Pickup-119" W.B. | 66 = Comanche 2WD-7 Ft. Box | 78 = Cherokee 4WD-4 Dr. |
| 26 = J-10 Pickup-131" W.B. | 73 = Cherokee 2WD-2 Dr. | 79 = Cherokee 4WD-4 Dr.-Com |
| 27 = J-20 Pickup-131" W.B. | 74 = Cherokee 2WD-4 Dr. | 81 = Wrangler-93" W.B. |
| 63 = Comanche 4WD-6 Ft. Box | 75 = Wagoneer 4WD-4 Dr. | 82 = Wrangler-103" W.B.-Exp. |
| 64 = Comanche 2WD-6 Ft. Box | | |

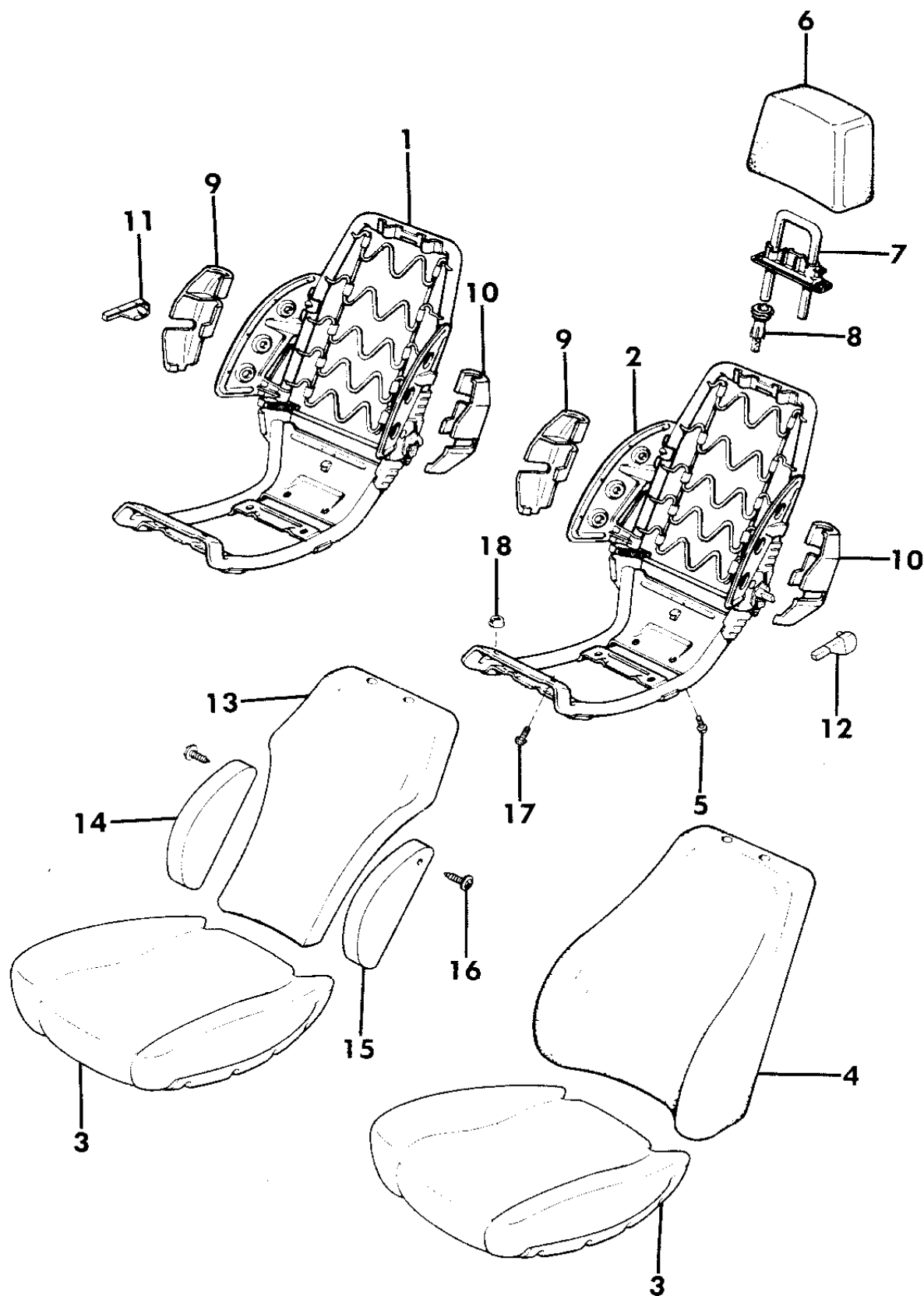
BODY STYLES:

MJ = Comanche Pickup
SJ = Grand Wagoneer Wgn., J-10 & J-20 Pickups
XJ = Cherokee, Wagoneer Limited
YJ = Wrangler

AR = Use as Required - = Non Illustrated Part P.A.R. = Paint as Required

FRAME AND PAD 4 DOOR WAGON CHEROKEE, WAGONEER
Figure 43-1800

8J431800



| ITEM | PART NUMBER | QTY | BODY | MODEL | DESCRIPTION |
|------|-------------|-----|------|-------|--|
| 1 | | | | | FRAME, Seat, Right |
| | | | | | w/o Reclining Seat Back |
| | 3500 0747 | 1 | | | 1987-89 |
| | 5502 8904 | 1 | | | 1990 |
| | 3500 6980 | 1 | | | w/Reclining Seat Back |
| 2 | | | | | FRAME, Seat, Left |
| | | | | | w/o Reclining Seat Back |
| | 3500 0747 | 1 | | | 1987-89 |
| | 5502 8904 | 1 | | | 1990 |
| | 3500 6981 | 1 | | | w/Reclining Seat Back |
| 3 | 3500 0762 | 2 | | | PAD, Cushion |
| 4 | 3500 2769 | 2 | | | PAD, Back (35002769 Used on Pioneer and Ero Pkgs.) |
| 5 | 1150 4735 | 4 | | | BOLT |
| 6 | 3500 1690 | 2 | | | PAD, Headrest |
| 7 | 3500 3669 | 2 | | | POST, Headrest |
| 8 | 3500 9926 | 4 | | | CYLINDER, Headrest |
| 9 | 3500 4710 | 2 | | | COVER, Bracket |
| 10 | 3500 4711 | 2 | | | COVER, Bracket |
| 11 | 3500 3686 | 1 | | | HANDLE, Recliner, Right |
| 12 | 3500 2930 | 1 | | | HANDLE, Recliner, Left |
| 13 | 3500 5470 | 2 | | | PAD, Back |
| 14 | 3501 1228 | 2 | | | PAD, Side Wing |
| 15 | 3501 1229 | 2 | | | PAD, Side Wing |
| 16 | 3420 1314 | 4 | | | SCREW |
| 17 | 3420 1257 | 8 | | | SCREW |
| 18 | 1150 2729 | 4 | | | NUT |

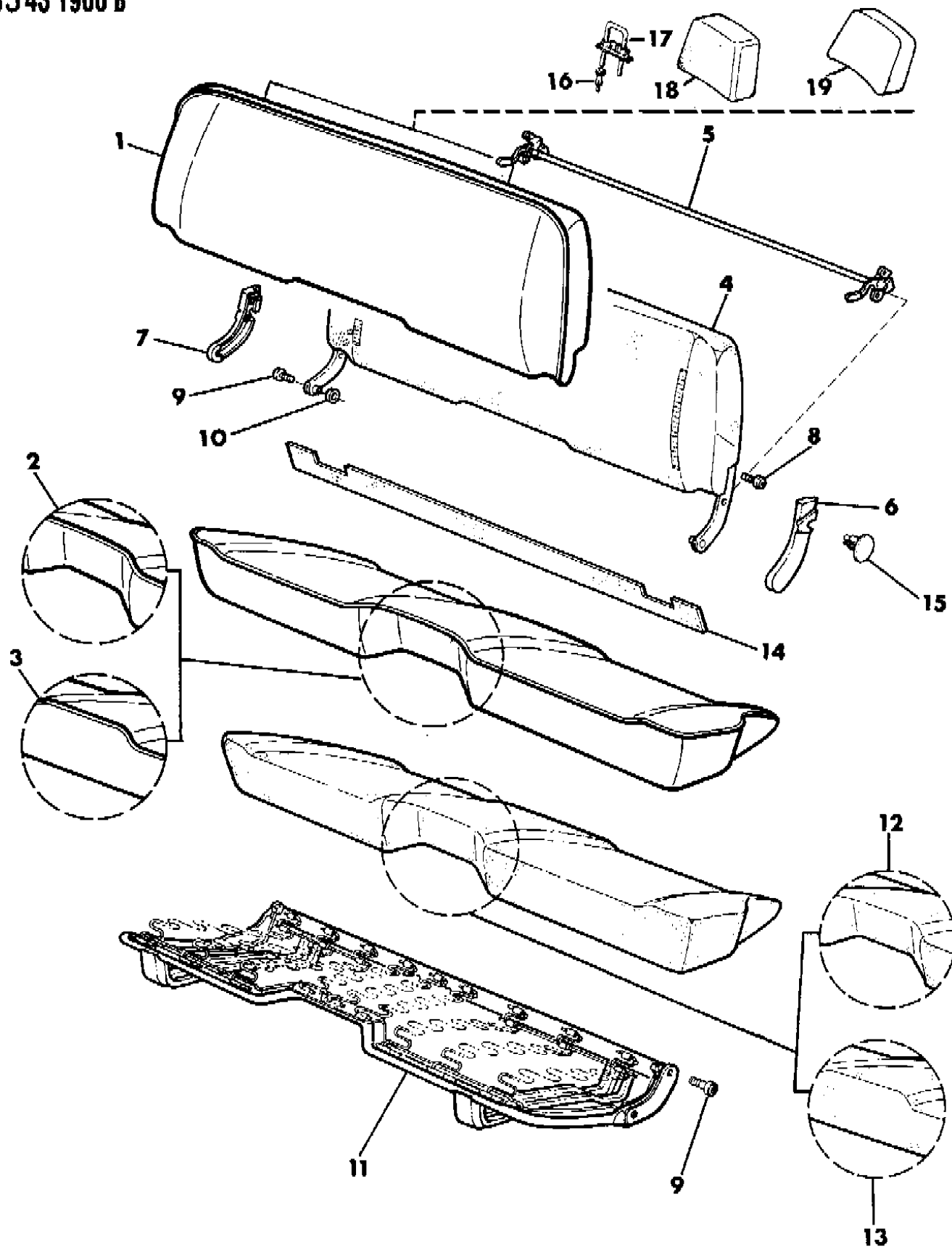
MODEL CODES:
 15 = Grand Wagoneer 4 Dr. 65 = Comanche 4WD-7 Ft. Box 77 = Cherokee 4WD-2 Dr.
 25 = J-10 Pickup-119" W.B. 66 = Comanche 2WD-7 Ft. Box 78 = Cherokee 4WD-4 Dr.
 26 = J-10 Pickup-131" W.B. 73 = Cherokee 2WD-2 Dr. 79 = Cherokee 4WD-4 Dr.-Com
 27 = J-20 Pickup-131" W.B. 74 = Cherokee 2WD-4 Dr. 81 = Wrangler-93" W.B.
 63 = Comanche 4WD-6 Ft. Box 75 = Wagoneer 4WD-4 Dr. 82 = Wrangler-103" W.B.-Exp.
 64 = Comanche 2WD-6 Ft. Box

BODY STYLES:
 MJ = Comanche Pickup
 SJ = Grand Wagoneer Wgn., J-10 & J-20 Pickups
 XJ = Cherokee, Wagoneer Limited
 YJ = Wrangler

AR = Use as Required - = Non Illustrated Part P.A.R. = Paint as Required

FRAME, PAD, AND COVER BENCH SEAT COMANCHE
Figure 43-1900

8J43 1900 B



| ITEM | PART NUMBER | QTY | BODY | MODEL | DESCRIPTION |
|------|-------------|-----|------|-------|--|
| 1 | | | | | COVER, Back |
| | | | | | 1987 |
| | | | | | Tooled Grain Vinyl |
| | 5501 2838 | 1 | | | Black (1AT or 1YT) |
| | 5501 2839 | 1 | | | Med Blue (3AT or 3YT) |
| | 5501 2010 | 1 | | | Cordovan (4AT or 4YT) |
| | 5501 2012 | 1 | | | Tan (6AT or 6YT) |
| | | | | | Mesa Cloth |
| | 5500 7934 | 1 | | | Black (1AU or 1YU) |
| | 5500 7935 | 1 | | | Med Blue (3AU or 3YU) |
| | 5501 2014 | 1 | | | Cordovan (4AU or 4YU) |
| | 5501 2016 | 1 | | | Tan (6AU or 6YU) |
| | | | | | Celtic Grain Vinyl |
| | 5500 7926 | 1 | | | Black (1AX or 1YX) |
| | 5500 7927 | 1 | | | Med Blue (3AX or 3YX) |
| | 5501 2006 | 1 | | | Cordovan (4AX or 4YX) |
| | 5501 2008 | 1 | | | Tan (6AX or 6YX) |
| | | | | | 1988-89 |
| | | | | | Canyon Cloth |
| | 5501 8314 | 1 | | | Charcoal, (B1SA or D1SA or E1SA or X1SA or 2AH or 2YH) |
| | 5501 8315 | 1 | | | Navy, (B1Q8 or D1Q8 or E1Q8 or X1Q8 or 3AH or 3YH) |
| | 5501 8316 | 1 | | | Cordovan, (B1H9 or D1H9 or E1H9 or X1H9 or 5AH or 5YH) |
| | 5501 8317 | 1 | | | Tan, (6AH or 6YH) |
| | 5502 0857 | 1 | | | Sand, (B1YY or D1YY or E1YY or X1YY) |
| | | | | | Premium Vinyl |
| | 5501 8312 | 1 | | | Charcoal, (F2SA or X2SA or 2AT or 2YT) |
| | 5501 8313 | 1 | | | Navy, (F2Q8 or X2Q8 or 3AT or 3YT) |
| | 5501 2010 | 1 | | | Cordovan, (F2H9 or X2H9 or 5AT or 5YT) |
| | 5501 2012 | 1 | | | Tan, (6AT or 6YT) |
| | 5502 0856 | 1 | | | Sand, (F2YY or X2YY) |
| | | | | | Celtic Vinyl |
| | 5501 8310 | 1 | | | Charcoal, (2AX or 2YX) |
| | 5501 8311 | 1 | | | Navy, (3AX or 3YX) |
| | 5501 2006 | 1 | | | Cordovan, (5AX or 5YX) |
| | 5501 2008 | 1 | | | Tan, (6AX or 6YX) |
| | | | | | 1990 |
| | | | | | Canyon Cloth |

MODEL CODES:

| | | |
|-----------------------------|-----------------------------|------------------------------|
| 15 = Grand Wagoneer 4 Dr. | 65 = Comanche 4WD-7 Ft. Box | 77 = Cherokee 4WD-2 Dr. |
| 25 = J-10 Pickup-119" W.B. | 66 = Comanche 2WD-7 Ft. Box | 78 = Cherokee 4WD-4 Dr. |
| 26 = J-10 Pickup-131" W.B. | 73 = Cherokee 2WD-2 Dr. | 79 = Cherokee 4WD-4 Dr.-Com |
| 27 = J-20 Pickup-131" W.B. | 74 = Cherokee 2WD-4 Dr. | 81 = Wrangler-93" W.B. |
| 63 = Comanche 4WD-6 Ft. Box | 75 = Wagoneer 4WD-4 Dr. | 82 = Wrangler-103" W.B.-Exp. |
| 64 = Comanche 2WD-6 Ft. Box | | |

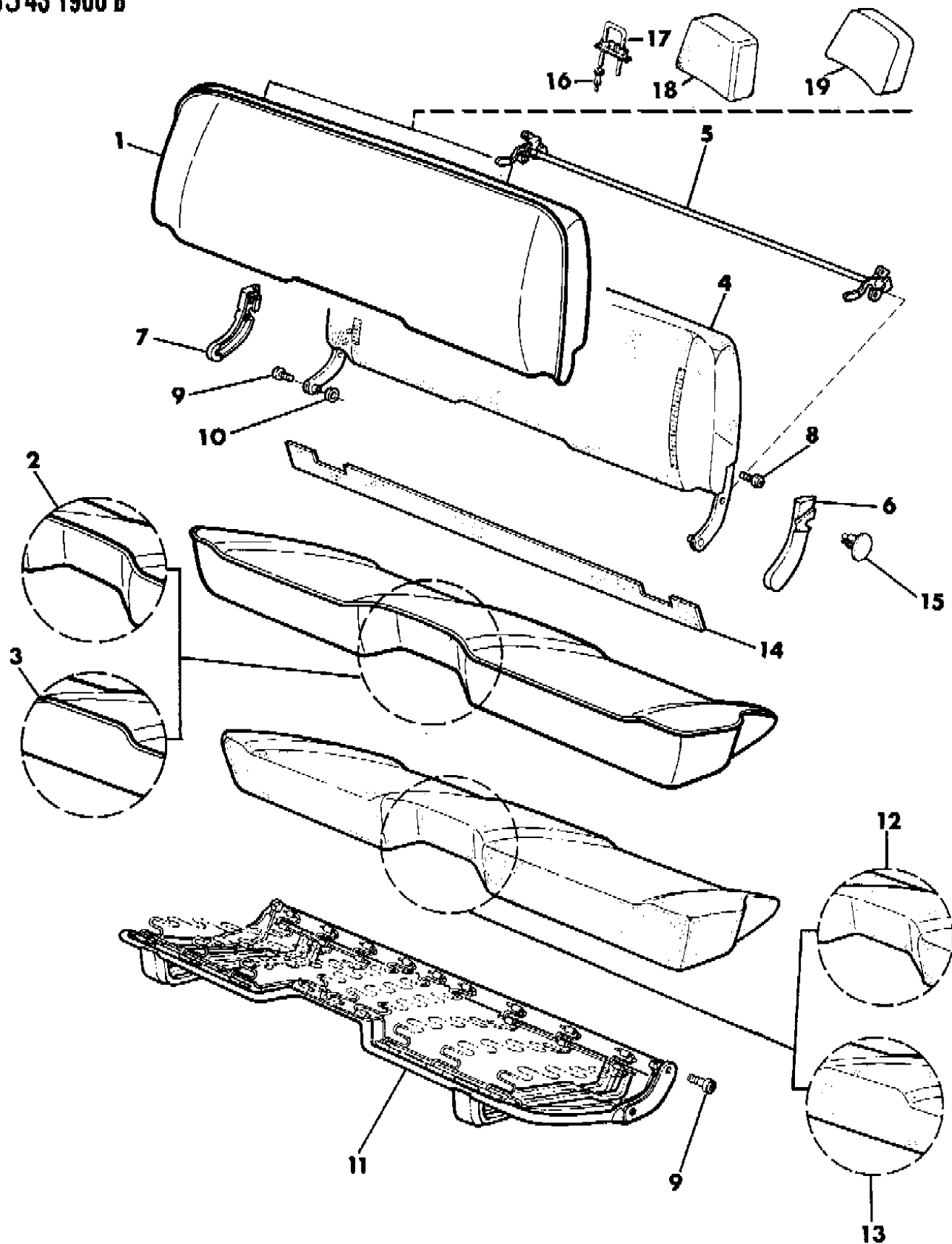
BODY STYLES:

MJ = Comanche Pickup
 SJ = Grand Wagoneer Wgn., J-10 & J-20 Pickups
 XJ = Cherokee, Wagoneer Limited
 YJ = Wrangler

AR = Use as Required - = Non Illustrated Part P.A.R. = Paint as Required

FRAME, PAD, AND COVER BENCH SEAT COMANCHE
Figure 43-1900

8J43 1900 B



| ITEM | PART NUMBER | QTY | BODY | MODEL | DESCRIPTION |
|------|-------------|-----|------|-------|---------------------------------------|
| | 5BA6 6JS1 | 1 | | | Charcoal, (X1SA,E1SA) |
| | 5BA6 6JH9 | 1 | | | Cordovan, (X1H9,E1H9) |
| | 5BA6 6JY6 | 1 | | | Sand, (X1YY,E1YY) Premium Vinyl |
| | 5BA6 4JS1 | 1 | | | Charcoal, (F2SA,X2SA) |
| | 5BA6 4JH9 | 1 | | | Cordovan, (F2H9,X2H9) |
| | 5BA6 4JY1 | 1 | | | Sand, (F2YY,X2YY) |
| 2 | | | | | COVER, Cushion 1987 |
| | | | | | Tooled Grain Vinyl |
| | 5501 2830 | 1 | | | Black (1YT) |
| | 5501 2831 | 1 | | | Med Blue (3YT) |
| | 5501 1978 | 1 | | | Cordovan (4YT) |
| | 5501 1980 | 1 | | | Tan (6YT) |
| | | | | | Mesa Cloth |
| | 5500 7918 | 1 | | | Black (1YU) |
| | 5500 7919 | 1 | | | Med Blue (3YU) |
| | 5501 1982 | 1 | | | Cordovan (4YU) |
| | 5501 1984 | 1 | | | Tan (6YU) |
| | | | | | Celtic Grain Vinyl |
| | 5500 7910 | 1 | | | Black (1YX) |
| | 5500 7911 | 1 | | | Med Blue (3YX) |
| | 5501 1974 | 1 | | | Cordovan (4YX) |
| | 5501 1976 | 1 | | | Tan (6YX) |
| | | | | | 1988-89 |
| | | | | | Canyon Cloth |
| | 5501 8298 | 1 | | | Charcoal, (B1SA or X1SA or 2YH) |
| | 5501 8299 | 1 | | | Navy, (B1Q8 or X1Q8 or 3YH) |
| | 5501 8300 | 1 | | | Cordovan, (B1H9 or X1H9 or 5YH) |
| | 5501 8301 | 1 | | | Tan, (6YH) |
| | 5502 0851 | 1 | | | Sand, (B1YY or X1YY) Premium Vinyl |
| | 5501 8296 | 1 | | | Charcoal, (X2SA or 2YT) |
| | 5501 8297 | 1 | | | Navy, (X2Q8 or 2YT) |
| | 5501 1978 | 1 | | | Cordovan, (X2H9 or 5YT) |
| | 5501 1980 | 1 | | | Tan, (6YT) |
| | 5502 0850 | 1 | | | Sand, (X2YY) |

MODEL CODES:

| | | |
|-----------------------------|-----------------------------|------------------------------|
| 15 = Grand Wagoneer 4 Dr. | 65 = Comanche 4WD-7 Ft. Box | 77 = Cherokee 4WD-2 Dr. |
| 25 = J-10 Pickup-119" W.B. | 66 = Comanche 2WD-7 Ft. Box | 78 = Cherokee 4WD-4 Dr. |
| 26 = J-10 Pickup-131" W.B. | 73 = Cherokee 2WD-2 Dr. | 79 = Cherokee 4WD-4 Dr.-Com |
| 27 = J-20 Pickup-131" W.B. | 74 = Cherokee 2WD-4 Dr. | 81 = Wrangler-93" W.B. |
| 63 = Comanche 4WD-6 Ft. Box | 75 = Wagoneer 4WD-4 Dr. | 82 = Wrangler-103" W.B.-Exp. |
| 64 = Comanche 2WD-6 Ft. Box | | |

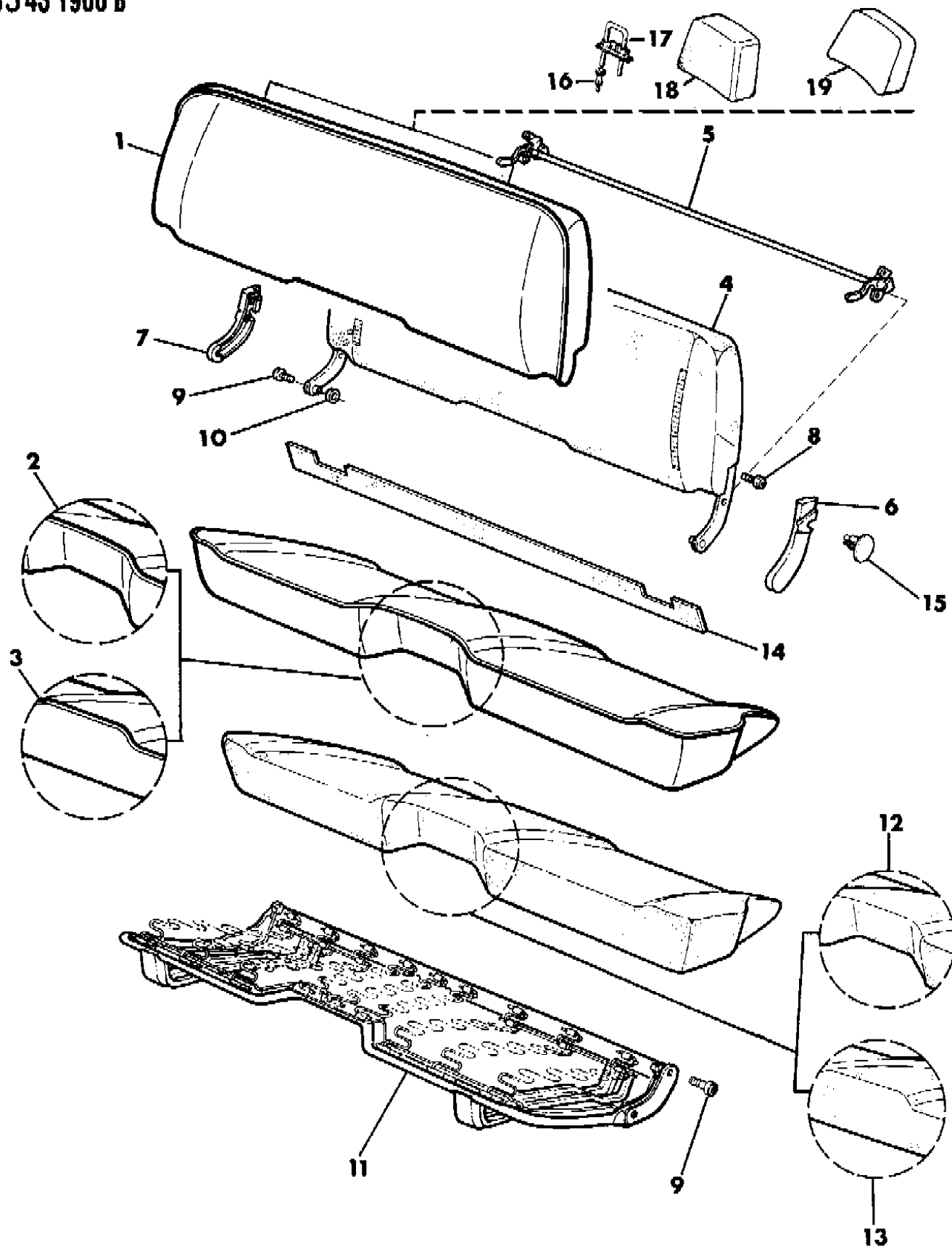
BODY STYLES:

MJ = Comanche Pickup
 SJ = Grand Wagoneer Wgn., J-10 & J-20 Pickups
 XJ = Cherokee, Wagoneer Limited
 YJ = Wrangler

AR = Use as Required - = Non Illustrated Part P.A.R. = Paint as Required

FRAME, PAD, AND COVER BENCH SEAT COMANCHE
Figure 43-1900

8J43 1900 B



| ITEM | PART NUMBER | QTY | BODY | MODEL | DESCRIPTION |
|------|-------------|-----|------|-------|---------------------------------|
| | | | | | Celtic Vinyl |
| | 5501 8294 | 1 | | | Charcoal, (2YX) |
| | 5501 8295 | 1 | | | Navy, (3YX) |
| | 5501 1974 | 1 | | | Cordovan, (5YX) |
| | 5501 1976 | 1 | | | Tan, (6YX) |
| | | | | | 1990 |
| | | | | | Canyon Cloth |
| | 5AH3 2JS1 | 1 | | | Charcoal, (X1SA) |
| | 5AH3 2JH9 | 1 | | | Cordovan, (X1H9) |
| | 5AH3 2JY6 | 1 | | | Sand, (X1YY) |
| | | | | | Premium Vinyl |
| | 5AH3 1JS1 | 1 | | | Charcoal, (X2SA) |
| | 5AH3 1JH9 | 1 | | | Cordovan, (X2H9) |
| | 5AH3 1JY1 | 1 | | | Sand, (X2YY) |
| 3 | | | | | COVER, Cushion |
| | | | | | 1987 |
| | | | | | Tooled Grain Vinyl |
| | 5501 2834 | 1 | | | Black (1AT) |
| | 5501 2835 | 1 | | | Med Blue (3AT) |
| | 5501 1994 | 1 | | | Cordovan (4AT) |
| | 5501 1996 | 1 | | | Tan (6AT) |
| | | | | | Mesa Cloth |
| | 5500 9702 | 1 | | | Black (1AU) |
| | 5500 9703 | 1 | | | Med Blue (3AU) |
| | 5501 1998 | 1 | | | Cordovan (4AU) |
| | 5501 2000 | 1 | | | Tan (6AU) |
| | | | | | Tooled Grain Vinyl |
| | 5500 9694 | 1 | | | Black (1AX) |
| | 5500 9695 | 1 | | | Med Blue (3AX) |
| | 5501 1990 | 1 | | | Cordovan (4AX) |
| | 5501 1992 | 1 | | | Tan (6AX) |
| | | | | | 1988-89 |
| | | | | | Canyon Cloth |
| | 5501 8306 | 1 | | | Charcoal, (D1SA or E1SA or 2AH) |
| | 5501 8307 | 1 | | | Navy, (D1Q8 or E1Q8 or 3AH) |
| | 5501 8308 | 1 | | | Cordovan, (D1H9 or E1H9 or 5AH) |
| | 5501 8309 | 1 | | | Tan, (6AH) |

MODEL CODES:

| | | |
|-----------------------------|-----------------------------|------------------------------|
| 15 = Grand Wagoneer 4 Dr. | 65 = Comanche 4WD-7 Ft. Box | 77 = Cherokee 4WD-2 Dr. |
| 25 = J-10 Pickup-119" W.B. | 66 = Comanche 2WD-7 Ft. Box | 78 = Cherokee 4WD-4 Dr. |
| 26 = J-10 Pickup-131" W.B. | 73 = Cherokee 2WD-2 Dr. | 79 = Cherokee 4WD-4 Dr.-Com |
| 27 = J-20 Pickup-131" W.B. | 74 = Cherokee 2WD-4 Dr. | 81 = Wrangler-93" W.B. |
| 63 = Comanche 4WD-6 Ft. Box | 75 = Wagoneer 4WD-4 Dr. | 82 = Wrangler-103" W.B.-Exp. |
| 64 = Comanche 2WD-6 Ft. Box | | |

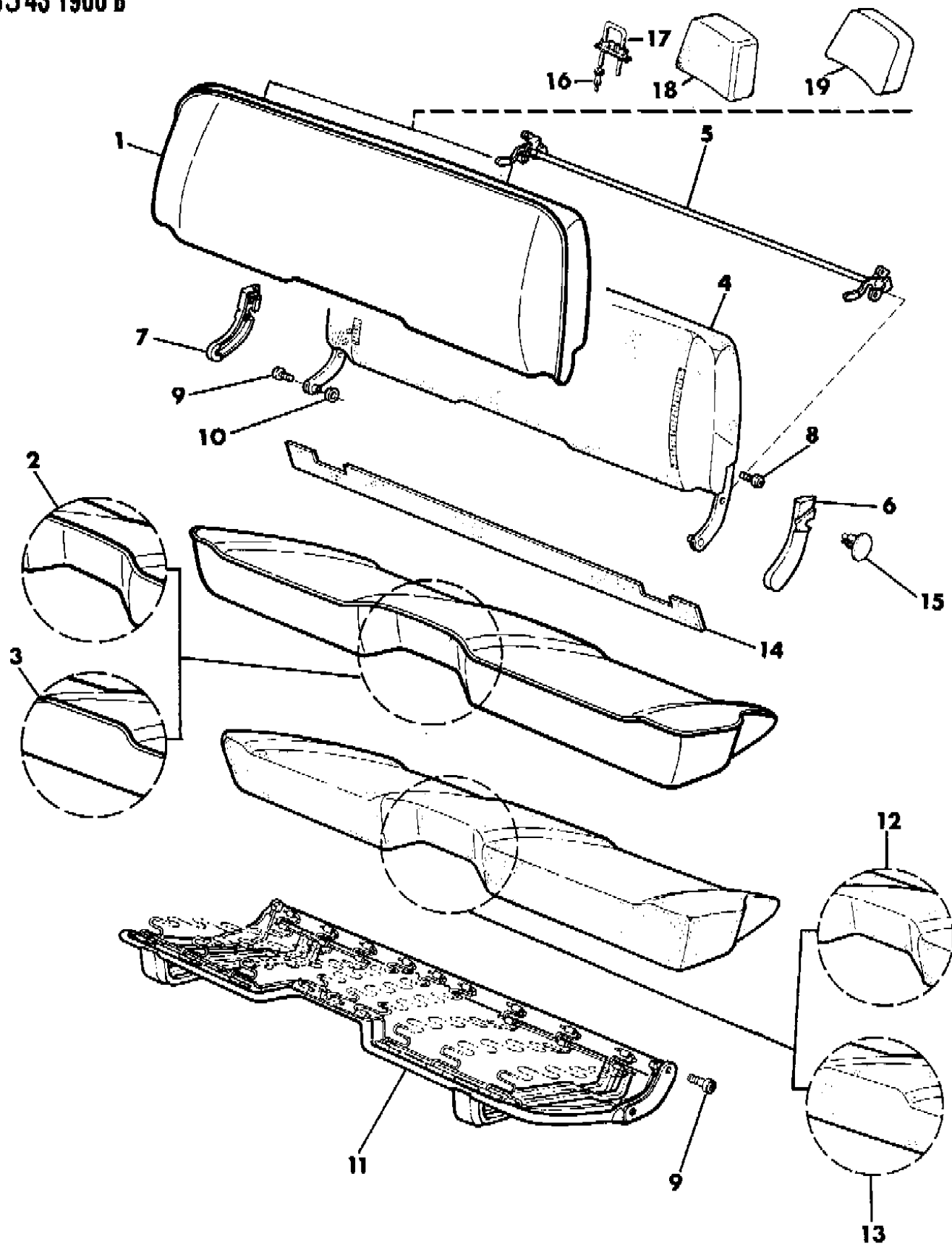
BODY STYLES:

MJ = Comanche Pickup
 SJ = Grand Wagoneer Wgn., J-10 & J-20 Pickups
 XJ = Cherokee, Wagoneer Limited
 YJ = Wrangler

AR = Use as Required - = Non Illustrated Part P.A.R. = Paint as Required

FRAME, PAD, AND COVER BENCH SEAT COMANCHE
Figure 43-1900

8J43 1900 B



| ITEM | PART NUMBER | QTY | BODY | MODEL | DESCRIPTION |
|------|-------------|-----|------|-------|---|
| | 5502 0854 | 1 | | | Sand, (D1YY or E1YY) |
| | 5501 8304 | 1 | | | Premium Vinyl |
| | 5501 8305 | 1 | | | Charcoal, (F2SA or 2AT) |
| | 5501 1994 | 1 | | | Navy, (F2Q8 or 3AT) |
| | 5501 1996 | 1 | | | Cordovan, (F2H9 or 5AT) |
| | 5501 1996 | 1 | | | Tan, (6AT) |
| | 5502 0853 | 1 | | | Sand, (F2YY) |
| | 5501 8302 | 1 | | | Celtic Vinyl |
| | 5501 8302 | 1 | | | Charcoal, (2AX) |
| | 5501 8303 | 1 | | | Navy, (3AX) |
| | 5501 1990 | 1 | | | Cordovan, (5AX) |
| | 5501 1992 | 1 | | | Tan, (6AX) |
| | | | | | 1990 |
| | 5AH3 4JS1 | 1 | | | Canyon Cloth |
| | 5AH3 4JH9 | 1 | | | Charcoal, (E1SA) |
| | 5AH3 4JY6 | 1 | | | Cordovan, (E1H9) |
| | | | | | Sand, (E1YY) |
| | 5AH3 3JS1 | 1 | | | Premium Vinyl |
| | 5AH3 3JH9 | 1 | | | Charcoal, (F2SA) |
| | 5AH3 3JY1 | 1 | | | Cordovan, (F2H9) |
| | | | | | Sand, (F2YY) |
| 4 | | | | | FRAME, Seat Back, w/pad, w/latch - item 5 |
| | 5500 8836 | 1 | | | 1987-89, used w/o headrest |
| | 5502 6384 | 1 | | | 1990, used w/ headrest |
| 5 | 5500 8835 | 1 | | | LATCH, Seat Back |
| 6 | | | | | COVER, Hinge, Left |
| | 5500 6471 | 1 | | | 1987-89, P.A.R. |
| | | | | | 1990 |
| | 5AE3 9JS1 | 1 | | | Charcoal |
| | 5AE3 9JH9 | 1 | | | Cordovan |
| | 5AE3 9JY1 | 1 | | | Sand |
| 7 | | | | | COVER, Hinge, Right |
| | 5500 6470 | 1 | | | 1987-89, P.A.R. |
| | | | | | 1990 |
| | 5AE3 8JS1 | 1 | | | Charcoal |
| | 5AE3 8JH9 | 1 | | | Cordovan |
| | 5AE3 8JY1 | 1 | | | Sand |

MODEL CODES:

| | | |
|-----------------------------|-----------------------------|------------------------------|
| 15 = Grand Wagoneer 4 Dr. | 65 = Comanche 4WD-7 Ft. Box | 77 = Cherokee 4WD-2 Dr. |
| 25 = J-10 Pickup-119" W.B. | 66 = Comanche 2WD-7 Ft. Box | 78 = Cherokee 4WD-4 Dr. |
| 26 = J-10 Pickup-131" W.B. | 73 = Cherokee 2WD-2 Dr. | 79 = Cherokee 4WD-4 Dr.-Com |
| 27 = J-20 Pickup-131" W.B. | 74 = Cherokee 2WD-4 Dr. | 81 = Wrangler-93" W.B. |
| 63 = Comanche 4WD-6 Ft. Box | 75 = Wagoneer 4WD-4 Dr. | 82 = Wrangler-103" W.B.-Exp. |
| 64 = Comanche 2WD-6 Ft. Box | | |

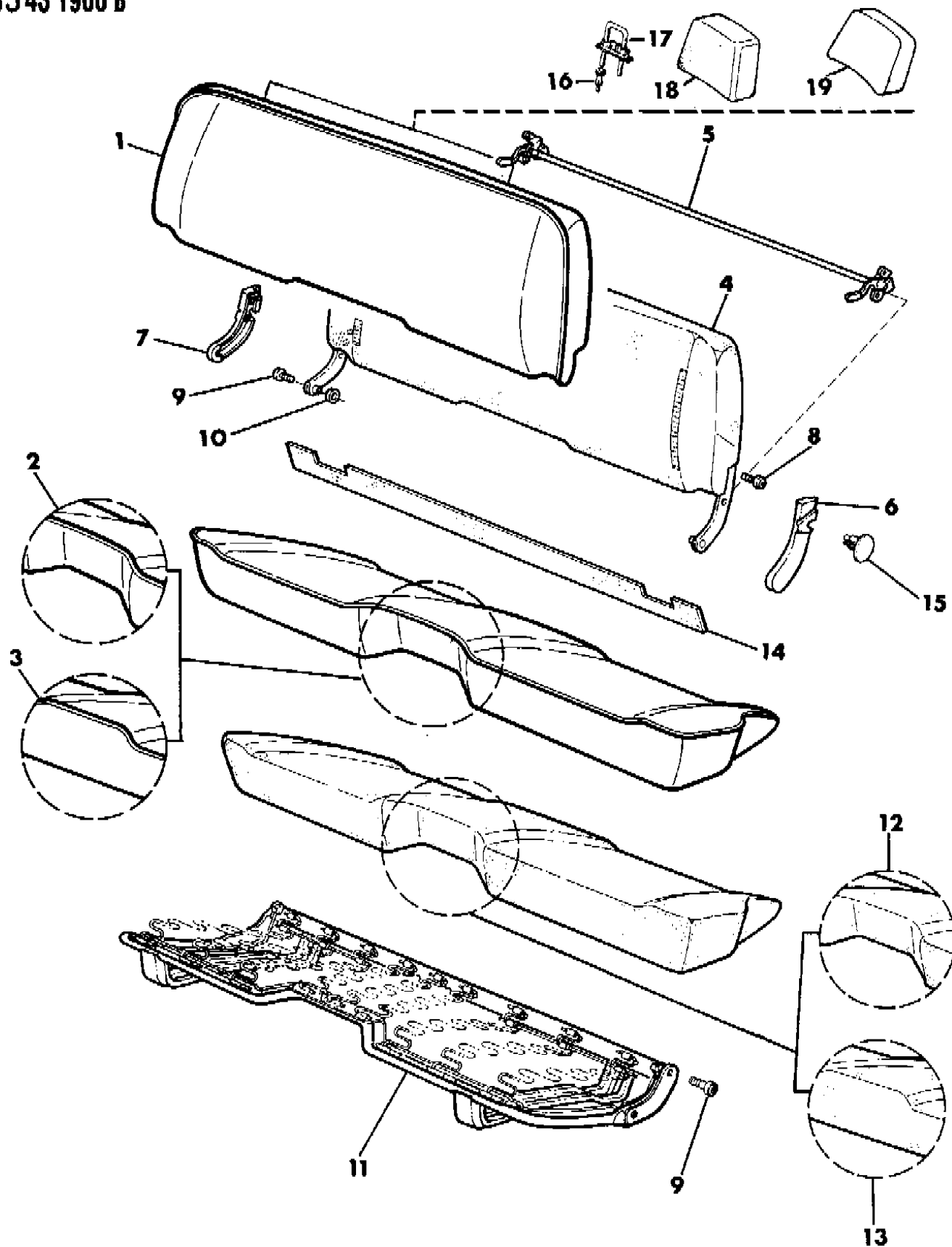
BODY STYLES:

| |
|---|
| MJ = Comanche Pickup |
| SJ = Grand Wagoneer Wgn., J-10 & J-20 Pickups |
| XJ = Cherokee, Wagoneer Limited |
| YJ = Wrangler |

AR = Use as Required - = Non Illustrated Part P.A.R. = Paint as Required

FRAME, PAD, AND COVER BENCH SEAT COMANCHE
Figure 43-1900

8J43 1900 B



| ITEM | PART NUMBER | QTY | BODY | MODEL | DESCRIPTION |
|------|-------------|-----|------|-------|-------------------------|
| 8 | | | | | BOLT, lock to seat back |
| | 3420 1596 | 4 | | | 1987-89 |
| | 3420 1655 | 4 | | | 1990 |
| 9 | 3420 2181 | 4 | | | BOLT |
| 10 | J400 7070 | 2 | | | WASHER |
| 11 | 5500 4290 | 1 | | | FRAME, Cushion |
| 12 | 5500 4292 | 1 | | | PAD, Cushion |
| 13 | 5500 9710 | 1 | | | PAD, Cushion |
| 14 | J374 1218 | 1 | | | PROTECTOR, Cushion Edge |
| 15 | 3420 1845 | 4 | | | RIVET |
| 16 | 3500 9926 | 4 | | | CYLINDER |
| 17 | 3500 3669 | 2 | | | POST, Headrest *** |
| 18 | 3501 3969 | 2 | | | PAD, Headrest |
| 19 | | | | | COVER, Headrest |
| | 5BA8 2JS1 | 2 | | | Charcoal |
| | 5BA8 2JH9 | 2 | | | Cordovan |
| | 5BA8 2JY1 | 2 | | | Sand |

MODEL CODES:

| | | |
|-----------------------------|-----------------------------|------------------------------|
| 15 = Grand Wagoneer 4 Dr. | 65 = Comanche 4WD-7 Ft. Box | 77 = Cherokee 4WD-2 Dr. |
| 25 = J-10 Pickup-119" W.B. | 66 = Comanche 2WD-7 Ft. Box | 78 = Cherokee 4WD-4 Dr. |
| 26 = J-10 Pickup-131" W.B. | 73 = Cherokee 2WD-2 Dr. | 79 = Cherokee 4WD-4 Dr.-Com |
| 27 = J-20 Pickup-131" W.B. | 74 = Cherokee 2WD-4 Dr. | 81 = Wrangler-93" W.B. |
| 63 = Comanche 4WD-6 Ft. Box | 75 = Wagoneer 4WD-4 Dr. | 82 = Wrangler-103" W.B.-Exp. |
| 64 = Comanche 2WD-6 Ft. Box | | |

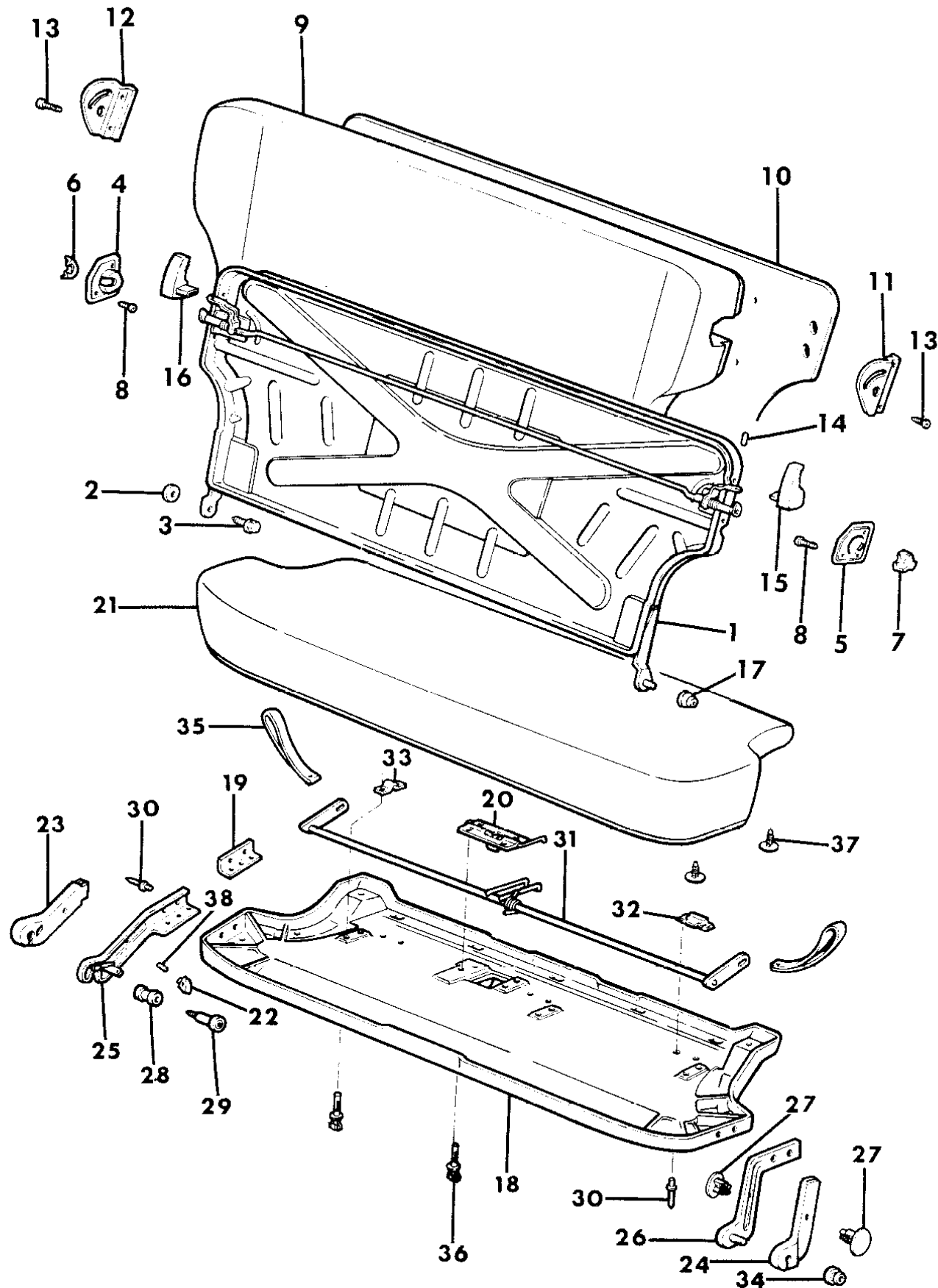
BODY STYLES:

MJ = Comanche Pickup
 SJ = Grand Wagoneer Wgn., J-10 & J-20 Pickups
 XJ = Cherokee, Wagoneer Limited
 YJ = Wrangler

AR = Use as Required - = Non Illustrated Part P.A.R. = Paint as Required

FRAME AND PAD REAR SEAT CHEROKEE AND WAGONEER
Figure 43-2000

8J43 2000



| ITEM | PART NUMBER | QTY | BODY | MODEL | DESCRIPTION |
|-------|-------------|-----|------|-------|-----------------------------|
| 1 | | | | | PANEL, Back |
| | 5500 0404 | 1 | | | Except (ECE), Up to 9/1/89 |
| | 5502 6016 | 1 | | | Except (ECE), After 9/1/89 |
| | 5501 7737 | 1 | | | (ECE), 1987-89 |
| | 5502 6022 | 1 | | | (ECE), 1990 |
| 2 | 5500 5617 | AR | | | SPACER |
| 3 | 3420 1537 | 2 | | | SCREW, rear seat back hinge |
| 4-5 | 5500 0416-7 | 1 | | | BRACKET, Lock Striker |
| 6-7 | 5500 1212-3 | 1 | | | BUMPER, Latch Striker |
| 8 | 3420 2189 | 6 | | | SCREW |
| 9 | 5500 0405 | 1 | | | PAD, Back |
| 10 | 5500 3616 | 1 | | | BOARD, Foundation |
| 11-12 | | | | | BEZEL, Back Trim |
| | | | | | 1987-89 |
| | 5500 8804-5 | 1 | | | P.A.R. |
| | | | | | 1990 |
| | 5AC66-7 JS1 | 1 | | | Charcoal |
| | 5AC66-7 JA8 | 1 | | | Dk. Charcoal |
| | 5AC66-7 JH9 | 1 | | | Cordovan |
| | 5AC66-7 JY1 | 1 | | | Sand |
| | 5AC66-7 JY6 | 1 | | | Dk. Sand |
| 13 | 3420 1314 | 4 | | | SCREW |
| 14 | J045 5735 | 3 | | | PIN, Spring |
| 15-16 | | | | | KNOB, Seat Latch |
| | | | | | 1987-89 |
| | 5500 5156-7 | 1 | | | P.A.R. |
| | | | | | 1990 |
| | 5AD46-7 JS1 | 1 | | | Charcoal |
| | 5AD46-7 JA8 | 1 | | | Dk. Charcoal |
| | 5AD46-7 JH9 | 1 | | | Cordovan |
| | 5AD46-7 JY1 | 1 | | | Sand |
| | 5AD46-7 JY6 | 1 | | | Dk. Sand |
| 17 | 5500 1230 | 1 | | | GROMMET |
| 18 | 5500 1214 | 1 | | | PANEL, Cushion |
| 19 | 5500 2833 | 2 | | | REINFORCEMENT |
| 20 | 5500 0426 | 1 | | | LATCH, Cushion |
| 21 | 5500 4573 | 1 | | | PAD, Cushion |

MODEL CODES:

| | | |
|-----------------------------|-----------------------------|------------------------------|
| 15 = Grand Wagoneer 4 Dr. | 65 = Comanche 4WD-7 Ft. Box | 77 = Cherokee 4WD-2 Dr. |
| 25 = J-10 Pickup-119" W.B. | 66 = Comanche 2WD-7 Ft. Box | 78 = Cherokee 4WD-4 Dr. |
| 26 = J-10 Pickup-131" W.B. | 73 = Cherokee 2WD-2 Dr. | 79 = Cherokee 4WD-4 Dr.-Com |
| 27 = J-20 Pickup-131" W.B. | 74 = Cherokee 2WD-4 Dr. | 81 = Wrangler-93" W.B. |
| 63 = Comanche 4WD-6 Ft. Box | 75 = Wagoneer 4WD-4 Dr. | 82 = Wrangler-103" W.B.-Exp. |
| 64 = Comanche 2WD-6 Ft. Box | | |

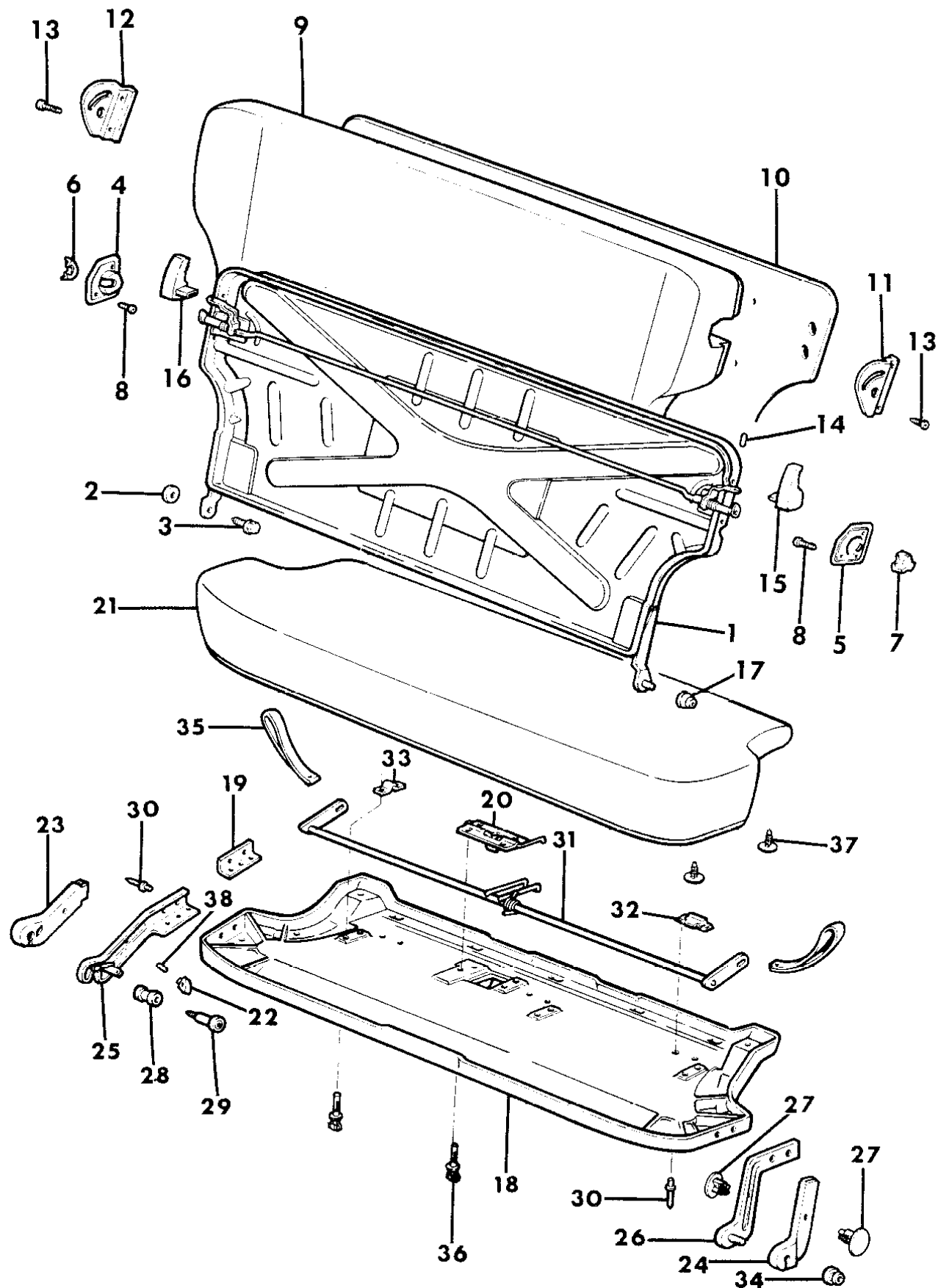
BODY STYLES:

MJ = Comanche Pickup
 SJ = Grand Wagoneer Wgn., J-10 & J-20 Pickups
 XJ = Cherokee, Wagoneer Limited
 YJ = Wrangler

AR = Use as Required - = Non Illustrated Part P.A.R. = Paint as Required

FRAME AND PAD REAR SEAT CHEROKEE AND WAGONEER
Figure 43-2000

8J43 2000



| ITEM | PART NUMBER | QTY | BODY | MODEL | DESCRIPTION |
|-------|-------------|-----|------|-------|---|
| 22 | | | | | KNOB, Seat Latch |
| | 5500 2897 | 1 | | | 1987-89, P.A.R. *** 1990 |
| | 5AC6 8JS1 | 1 | | | Charcoal |
| | 5AC6 8JA8 | 1 | | | Dk. Charcoal |
| | 5AC6 8JH9 | 1 | | | Cordovan |
| | 5AC6 8JY1 | 1 | | | Sand |
| | 5AC6 8JY6 | 1 | | | Dk. Sand |
| 23 | | | | | COVER, Hinge, Right |
| | 5500 6140 | 1 | | | 1987-89, P.A.R. 1990 |
| | 5AC4 6JA8 | 1 | | | Charcoal |
| | 5AC4 6JH9 | 1 | | | Cordovan |
| | 5AC4 6JY6 | 1 | | | Sand |
| 24 | | | | | COVER, Hinge, Left |
| | 5500 6141 | 1 | | | 1987-89, P.A.R. 1990 |
| | 5AC4 7JA8 | 1 | | | Charcoal |
| | 5AC4 7JH9 | 1 | | | Cordovan |
| | 5AC4 7JY6 | 1 | | | Sand |
| 25-26 | 5500 1136-7 | 1 | | | HINGE, Latch |
| 27 | 3420 1845 | 4 | | | RIVET |
| 28 | 5500 2437 | 1 | | | BUSHING |
| 29 | 3420 1530 | 1 | | | BOLT |
| 30 | 3420 1557 | 8 | | | RIVET |
| 31 | 5500 4302 | 1 | | | RELEASE, Latch |
| 32 | 5500 4317 | 3 | | | BRACKET, Pad Retainer |
| 33 | 5500 4301 | 3 | | | BRACKET, Latch |
| 34 | 5500 1230 | 1 | | | GROMMET |
| 35 | | | | | STRAP, Seat Latch |
| | | | | | 1987-89 *** |
| | 5500 8815 | 2 | | | Black, 1987 |
| | 5501 8293 | 2 | | | Charcoal, w/o Leather Upholstery, 1988-89 |
| | 5501 9982 | 2 | | | Charcoal, w/Leather Upholstery, 1988-89 |
| | 5501 2238 | 2 | | | Cordovan, 1987-89 |
| | 5500 8814 | 2 | | | Medium Blue, 1987 |
| | 5501 8292 | 2 | | | Navy, 1988-89 |

MODEL CODES:

| | | |
|-----------------------------|-----------------------------|------------------------------|
| 15 = Grand Wagoneer 4 Dr. | 65 = Comanche 4WD-7 Ft. Box | 77 = Cherokee 4WD-2 Dr. |
| 25 = J-10 Pickup-119" W.B. | 66 = Comanche 2WD-7 Ft. Box | 78 = Cherokee 4WD-4 Dr. |
| 26 = J-10 Pickup-131" W.B. | 73 = Cherokee 2WD-2 Dr. | 79 = Cherokee 4WD-4 Dr.-Com |
| 27 = J-20 Pickup-131" W.B. | 74 = Cherokee 2WD-4 Dr. | 81 = Wrangler-93" W.B. |
| 63 = Comanche 4WD-6 Ft. Box | 75 = Wagoneer 4WD-4 Dr. | 82 = Wrangler-103" W.B.-Exp. |
| 64 = Comanche 2WD-6 Ft. Box | | |

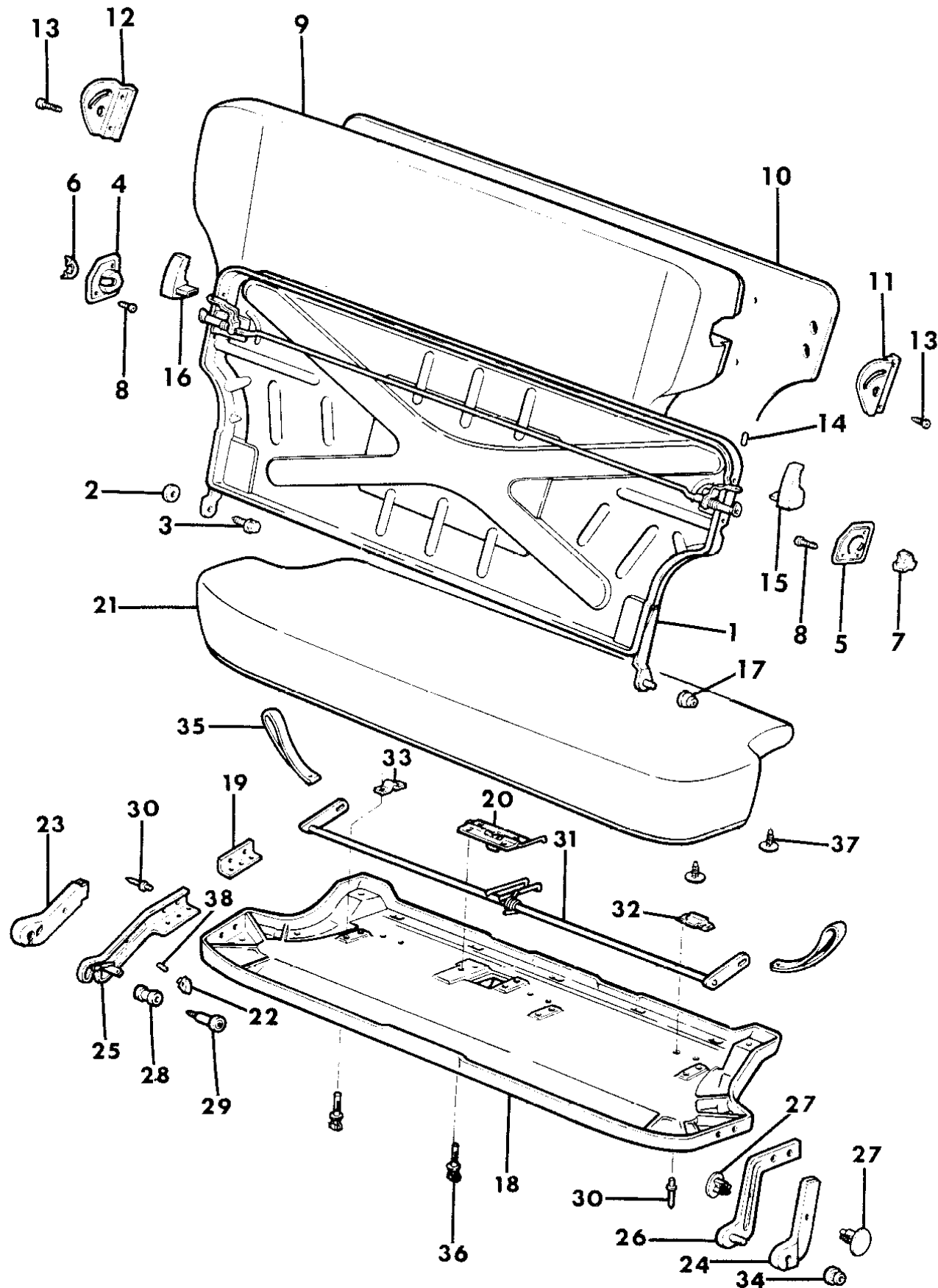
BODY STYLES:

MJ = Comanche Pickup
 SJ = Grand Wagoneer Wgn., J-10 & J-20 Pickups
 XJ = Cherokee, Wagoneer Limited
 YJ = Wrangler

AR = Use as Required - = Non Illustrated Part P.A.R. = Paint as Required

FRAME AND PAD REAR SEAT CHEROKEE AND WAGONEER
Figure 43-2000

8J43 2000



| ITEM | PART NUMBER | QTY | BODY | MODEL | DESCRIPTION |
|------|-------------|-----|------|-------|--------------------|
| | 5501 2240 | 2 | | | Tan, 1987-88 |
| | 5502 0848 | 2 | | | Sand, 1989 1990 |
| | 5AJ4 7JS1 | 2 | | | Charcoal |
| | 5AJ4 7JH9 | 2 | | | Cordovan |
| | 5AJ4 7JXB | 2 | | | Graphite |
| | 5AJ4 7JY1 | 2 | | | Sand |
| | 5AJ4 7JY6 | 2 | | | Dk. Sand |
| 36 | | | | | RIVET, Plastic |
| | 3420 2073 | AR | | | Except (ECE) |
| | 3420 2078 | AR | | | (ECE) |
| 37 | | | | | FASTENER |
| | J400 7187 | 6 | | | 1987-89, P.A.R. |
| | | | | | 1990 |
| | 5AA3 4JS1 | 6 | | | Charcoal |
| | 5AA3 4JH9 | 6 | | | Cordovan |
| | 5AA3 4JA8 | 6 | | | Dark Charcoal |
| | 5AA3 4JY6 | 6 | | | Sand |
| 38 | J045 5735 | 1 | | | PIN, Spring |

(ECE) = Economic Commission of Europe Tag affixed to the Face of its Pulley. A Second Tag will show the name of the Vendor (OGURA).

MODEL CODES:

| | | |
|-----------------------------|-----------------------------|------------------------------|
| 15 = Grand Wagoneer 4 Dr. | 65 = Comanche 4WD-7 Ft. Box | 77 = Cherokee 4WD-2 Dr. |
| 25 = J-10 Pickup-119" W.B. | 66 = Comanche 2WD-7 Ft. Box | 78 = Cherokee 4WD-4 Dr. |
| 26 = J-10 Pickup-131" W.B. | 73 = Cherokee 2WD-2 Dr. | 79 = Cherokee 4WD-4 Dr.-Com |
| 27 = J-20 Pickup-131" W.B. | 74 = Cherokee 2WD-4 Dr. | 81 = Wrangler-93" W.B. |
| 63 = Comanche 4WD-6 Ft. Box | 75 = Wagoneer 4WD-4 Dr. | 82 = Wrangler-103" W.B.-Exp. |
| 64 = Comanche 2WD-6 Ft. Box | | |

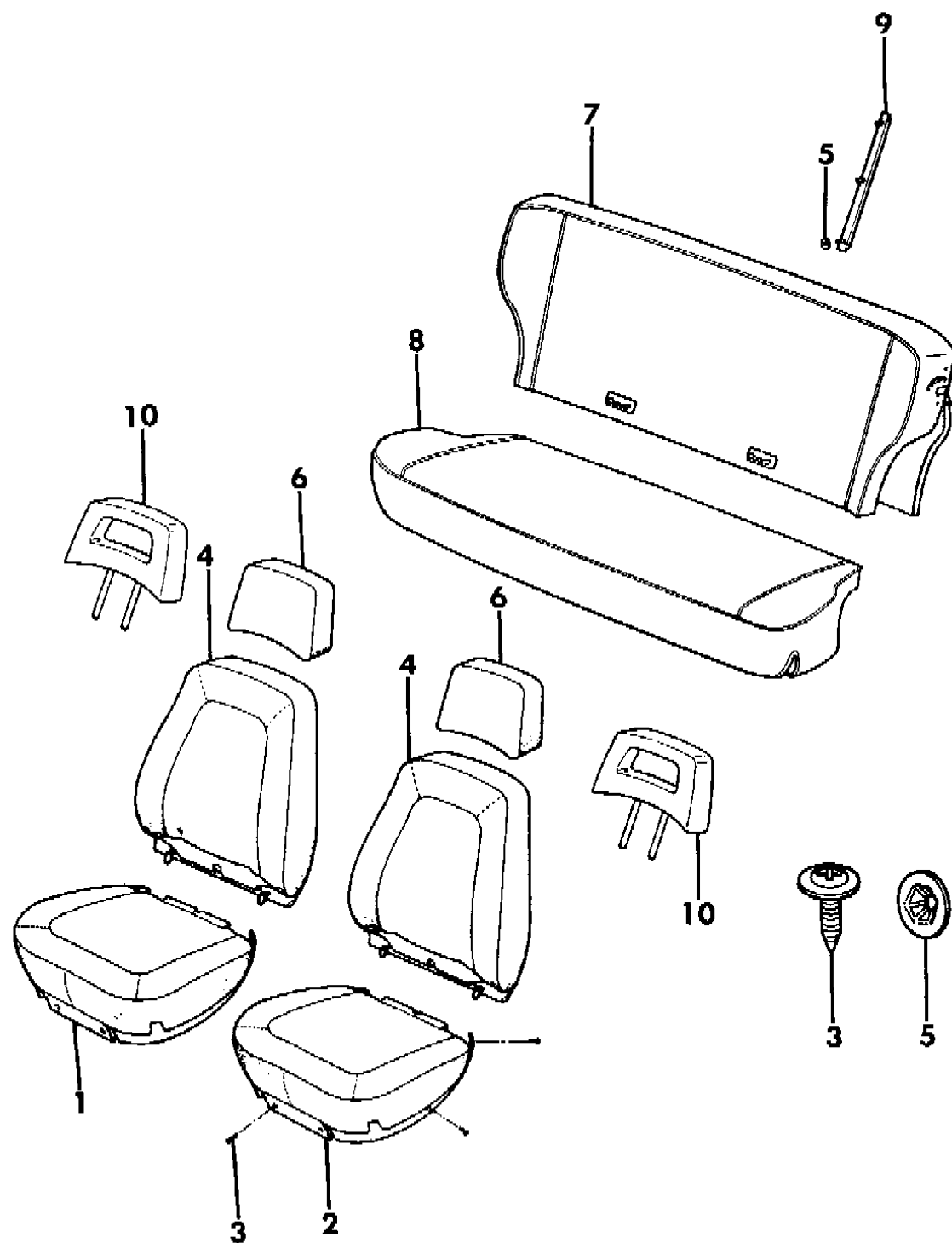
BODY STYLES:

MJ = Comanche Pickup
 SJ = Grand Wagoneer Wgn., J-10 & J-20 Pickups
 XJ = Cherokee, Wagoneer Limited
 YJ = Wrangler

AR = Use as Required - = Non Illustrated Part P.A.R. = Paint as Required

COVERS, SEAT UPHOLSTERY VINYL CHEROKEE 2 DOOR
Figure 43-2100

8J43 2100 A



| ITEM | PART NUMBER | QTY | BODY | MODEL | DESCRIPTION |
|------|-------------|-----|------|-------|-----------------------------|
| 1-2 | | | | | COVER, Cushion |
| | | | | | 1987 |
| | | | | | Celtic, Vinyl |
| | 5501 4444-5 | 1 | | | Black, (1PX) |
| | 5501 2138-9 | 1 | | | Tan, (6PX) |
| | | | | | Premium Vinyl |
| | 5501 2712-3 | 1 | | | Black, (1QT) |
| | 5501 2142-3 | 1 | | | Cordovan, (4QT) |
| | 5501 2708-9 | 1 | | | Medium Blue, (3QT) |
| | 5501 2146-7 | 1 | | | Tan, (6QT) |
| | | | | | 1988-89 |
| | | | | | Celtic Vinyl |
| | 5501 2138-9 | 1 | | | Tan, (6PX) (a) |
| | 5502 2020-1 | 1 | | | Tan, (6PX) (b) |
| | 5501 8322-3 | 1 | | | Charcoal, (2PX) (a) |
| | 5502 2016-7 | 1 | | | Charcoal, (2PX) (b) |
| | | | | | Premium Vinyl |
| | 5501 2146-7 | 1 | | | Tan, (6QT) (a) |
| | 5502 2036-7 | 1 | | | Tan, (6QT) (b) |
| | 5501 2142-3 | 1 | | | Cordovan, (5QT) (a) |
| | 5502 2032-3 | 1 | | | Cordovan, (5QT) (b) |
| | 5501 8326-7 | 1 | | | Navy, (3QT) (a) |
| | 5502 2024-5 | 1 | | | Navy, (3QT) (b) |
| | 5501 8330-1 | 1 | | | Charcoal, (2QT or F8SA) (a) |
| | 5502 2028-9 | 1 | | | Charcoal, (2QT or F8SA) (b) |
| | 5502 0864-5 | 1 | | | Sand, (F8YY) |
| | | | | | 1990 |
| | | | | | Premium Vinyl |
| | 5AH42-3 JS1 | 1 | | | Charcoal, (F8SA) |
| | 5AH42-3 JY1 | 1 | | | Sand, (F8YY) |
| 3 | 3420 1314 | 12 | | | SCREW |
| 4 | | | | | COVER, Back |
| | | | | | 1987 |
| | | | | | Celtic Vinyl |
| | 5501 2166 | 2 | | | Black, (1PX) |
| | 3501 2604 | 2 | | | Tan, (6PX) |
| | | | | | Premium Vinyl |

MODEL CODES:

| | | |
|-----------------------------|-----------------------------|------------------------------|
| 15 = Grand Wagoneer 4 Dr. | 65 = Comanche 4WD-7 Ft. Box | 77 = Cherokee 4WD-2 Dr. |
| 25 = J-10 Pickup-119" W.B. | 66 = Comanche 2WD-7 Ft. Box | 78 = Cherokee 4WD-4 Dr. |
| 26 = J-10 Pickup-131" W.B. | 73 = Cherokee 2WD-2 Dr. | 79 = Cherokee 4WD-4 Dr.-Com |
| 27 = J-20 Pickup-131" W.B. | 74 = Cherokee 2WD-4 Dr. | 81 = Wrangler-93" W.B. |
| 63 = Comanche 4WD-6 Ft. Box | 75 = Wagoneer 4WD-4 Dr. | 82 = Wrangler-103" W.B.-Exp. |
| 64 = Comanche 2WD-6 Ft. Box | | |

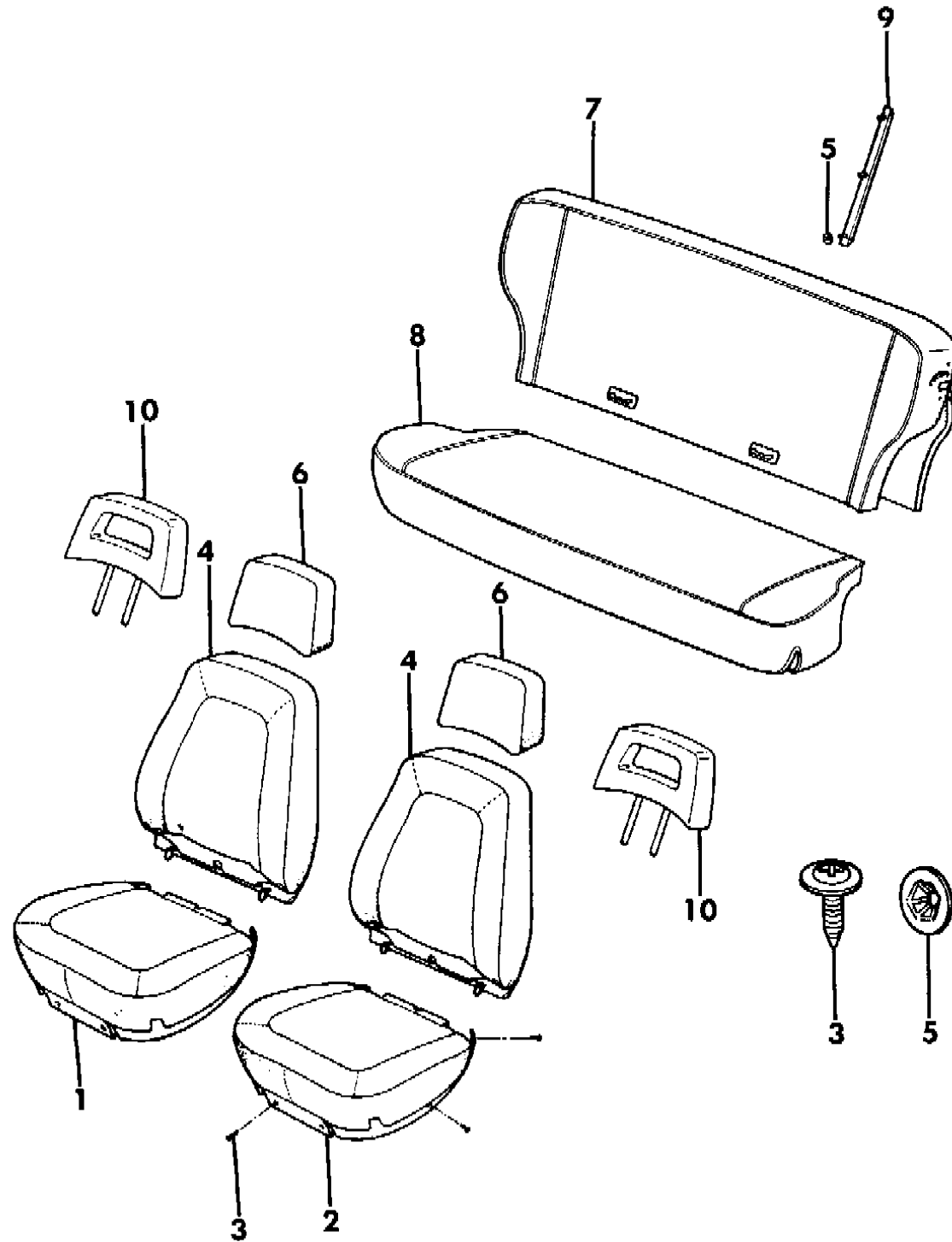
BODY STYLES:

MJ = Comanche Pickup
 SJ = Grand Wagoneer Wgn., J-10 & J-20 Pickups
 XJ = Cherokee, Wagoneer Limited
 YJ = Wrangler

AR = Use as Required - = Non Illustrated Part P.A.R. = Paint as Required

COVERS, SEAT UPHOLSTERY VINYL CHEROKEE 2 DOOR
Figure 43-2100

8J43 2100 A



| ITEM | PART NUMBER | QTY | BODY | MODEL | DESCRIPTION |
|------|-------------|-----|------|-------|---|
| | 5501 2726 | 2 | | | Black, (1QT) |
| | 5501 2170 | 2 | | | Cordovan, (4QT) |
| | 5501 2724 | 2 | | | Medium Blue, (3QT) |
| | 5501 2174 | 2 | | | Tan, (6QT) 1988-89 |
| | 3501 2604 | 2 | | | Celtic Vinyl Tan, (6PX) |
| | 3502 3356 | 2 | | | Charcoal, (2PX) Premium Vinyl |
| | 5501 9312 | 2 | | | Tan, (6QT) |
| | 5501 9308 | 2 | | | Cordovan, (5QT) |
| | 5501 8358 | 2 | | | Navy, (3QT) |
| | 5501 8360 | 2 | | | Charcoal, (2QT or F8SA) |
| | 5502 1146 | 2 | | | Sand, (F8YY) 1990 Premium Vinyl |
| | 5AH5 0JS1 | 2 | | | Charcoal, (F8SA) |
| | 5AH5 0JY1 | 2 | | | Sand, (F8YY) |
| 5 | 3420 2014 | 12 | | | NUT, Push |
| 6 | | | | | COVER, Headrest, for solid type headrest 1987-89 |
| | 5500 9103 | 2 | | | Black, 1987 |
| | 3502 1229 | 2 | | | Charcoal, 1988-89 |
| | 3501 7042 | 2 | | | Cordovan, 1987-89 |
| | 3502 1228 | 2 | | | Navy, 1988-89 |
| | 3500 7250 | 2 | | | Medium Blue, 1987 |
| | 3502 5326 | 2 | | | Sand, 1989 |
| | 3501 3109 | 2 | | | Tan, 1987-88 1990 |
| | 5AJ4 9JS1 | 2 | | | Charcoal |
| | 5AJ4 9JY1 | 2 | | | Sand |
| 7 | | | | | COVER, Back 1987 |
| | 5501 4467 | 1 | | | Celtic Vinyl Black, (1PX) |
| | 5501 2256 | 1 | | | Tan, (6PX) Premium Vinyl |

MODEL CODES:

| | | |
|-----------------------------|-----------------------------|------------------------------|
| 15 = Grand Wagoneer 4 Dr. | 65 = Comanche 4WD-7 Ft. Box | 77 = Cherokee 4WD-2 Dr. |
| 25 = J-10 Pickup-119" W.B. | 66 = Comanche 2WD-7 Ft. Box | 78 = Cherokee 4WD-4 Dr. |
| 26 = J-10 Pickup-131" W.B. | 73 = Cherokee 2WD-2 Dr. | 79 = Cherokee 4WD-4 Dr.-Com |
| 27 = J-20 Pickup-131" W.B. | 74 = Cherokee 2WD-4 Dr. | 81 = Wrangler-93" W.B. |
| 63 = Comanche 4WD-6 Ft. Box | 75 = Wagoneer 4WD-4 Dr. | 82 = Wrangler-103" W.B.-Exp. |
| 64 = Comanche 2WD-6 Ft. Box | | |

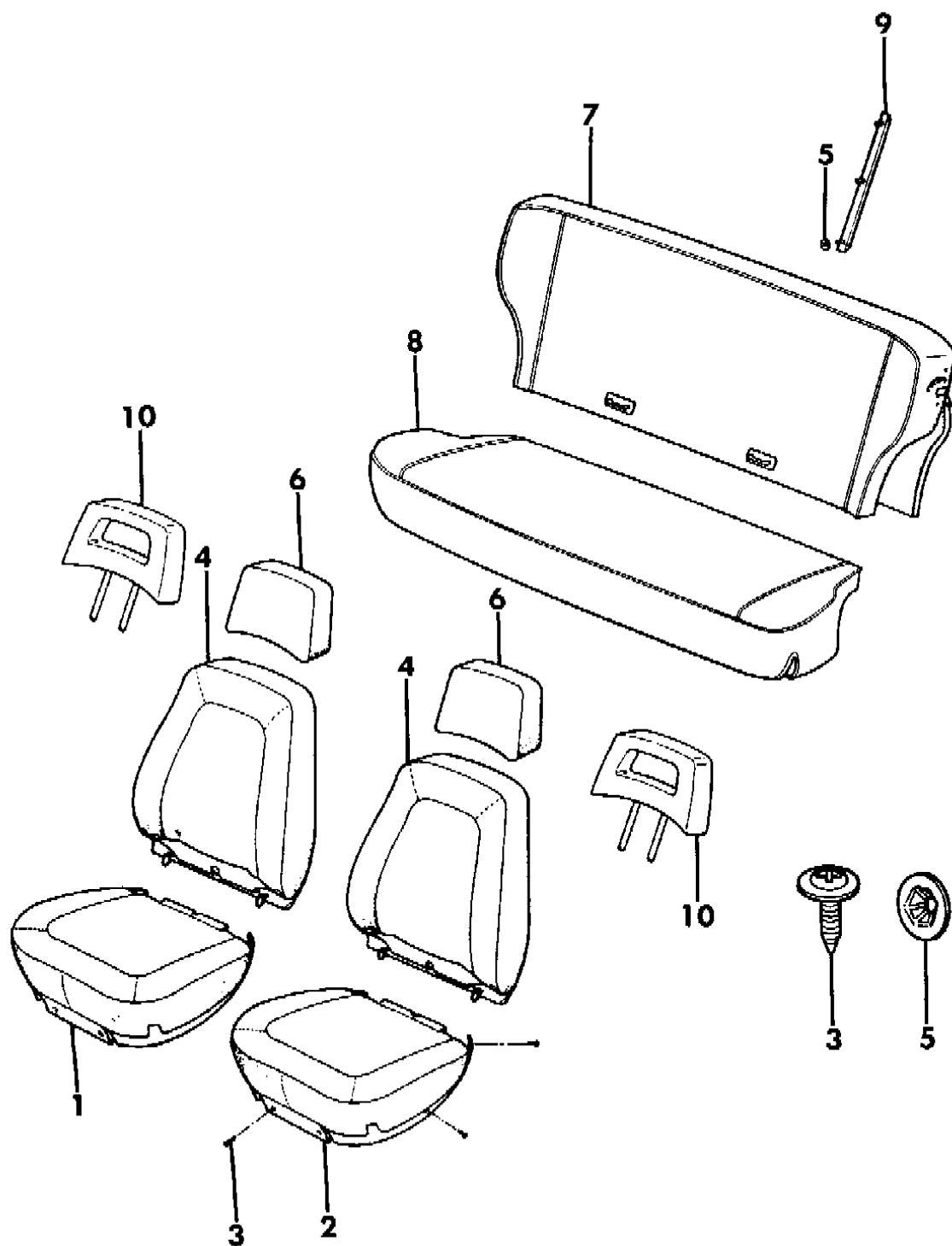
BODY STYLES:

MJ = Comanche Pickup
 SJ = Grand Wagoneer Wgn., J-10 & J-20 Pickups
 XJ = Cherokee, Wagoneer Limited
 YJ = Wrangler

AR = Use as Required - = Non Illustrated Part P.A.R. = Paint as Required

COVERS, SEAT UPHOLSTERY VINYL CHEROKEE 2 DOOR
Figure 43-2100

8J43 2100 A



| ITEM | PART NUMBER | QTY | BODY | MODEL | DESCRIPTION |
|------|-------------|-----|------|-------|-----------------------------------|
| | 5501 2741 | 1 | | | Black, (1QT) |
| | 5501 2258 | 1 | | | Cordovan, (4QT) |
| | 5501 2740 | 1 | | | Medium Blue, (3QT) |
| | 5501 2260 | 1 | | | Tan, (6QT) |
| | | | | | 1988-89 |
| | 5501 2256 | 1 | | | Celtic Vinyl Tan, (6PX) |
| | 5501 8404 | 1 | | | Charcoal, (2PX) Premium, Vinyl |
| | 5501 2260 | 1 | | | Tan, (6QT) |
| | 5501 2258 | 1 | | | Cordovan, (5QT) |
| | 5501 8406 | 1 | | | Navy, (3QT) |
| | 5501 8407 | 1 | | | Charcoal, (2QT) (a) |
| | 5502 2074 | 1 | | | Charcoal, (2QT) (b) |
| | 5502 2075 | 1 | | | Sand, (F8YY) 1990 |
| | | | | | Premium Vinyl |
| | 5BB4 1JS1 | 1 | | | Charcoal, (F8SA) |
| | 5BB4 1JY1 | 1 | | | Sand, (F8YY) |
| 8 | | | | | COVER, Cushion 1987 |
| | 5501 4466 | 1 | | | Celtic Vinyl Black, (1PX) |
| | 5501 2242 | 1 | | | Tan, (6PX) Premium Vinyl |
| | 5501 2737 | 1 | | | Black, (1QT) |
| | 5501 2244 | 1 | | | Cordovan, (4QT) |
| | 5501 2736 | 1 | | | Medium Blue, (3QT) |
| | 5501 2246 | 1 | | | Tan, (6QT) |
| | | | | | 1988-89 |
| | 5501 2242 | 1 | | | Celtic Vinyl Tan, (6PX) |
| | 5501 8392 | 1 | | | Charcoal, (2PX) Premium, Vinyl |
| | 5501 2246 | 1 | | | Tan, (6QT) |
| | 5501 2244 | 1 | | | Cordovan, (5QT) |
| | 5501 8394 | 1 | | | Navy, (3QT) |

MODEL CODES:

| | | |
|-----------------------------|-----------------------------|------------------------------|
| 15 = Grand Wagoneer 4 Dr. | 65 = Comanche 4WD-7 Ft. Box | 77 = Cherokee 4WD-2 Dr. |
| 25 = J-10 Pickup-119" W.B. | 66 = Comanche 2WD-7 Ft. Box | 78 = Cherokee 4WD-4 Dr. |
| 26 = J-10 Pickup-131" W.B. | 73 = Cherokee 2WD-2 Dr. | 79 = Cherokee 4WD-4 Dr.-Com |
| 27 = J-20 Pickup-131" W.B. | 74 = Cherokee 2WD-4 Dr. | 81 = Wrangler-93" W.B. |
| 63 = Comanche 4WD-6 Ft. Box | 75 = Wagoneer 4WD-4 Dr. | 82 = Wrangler-103" W.B.-Exp. |
| 64 = Comanche 2WD-6 Ft. Box | | |

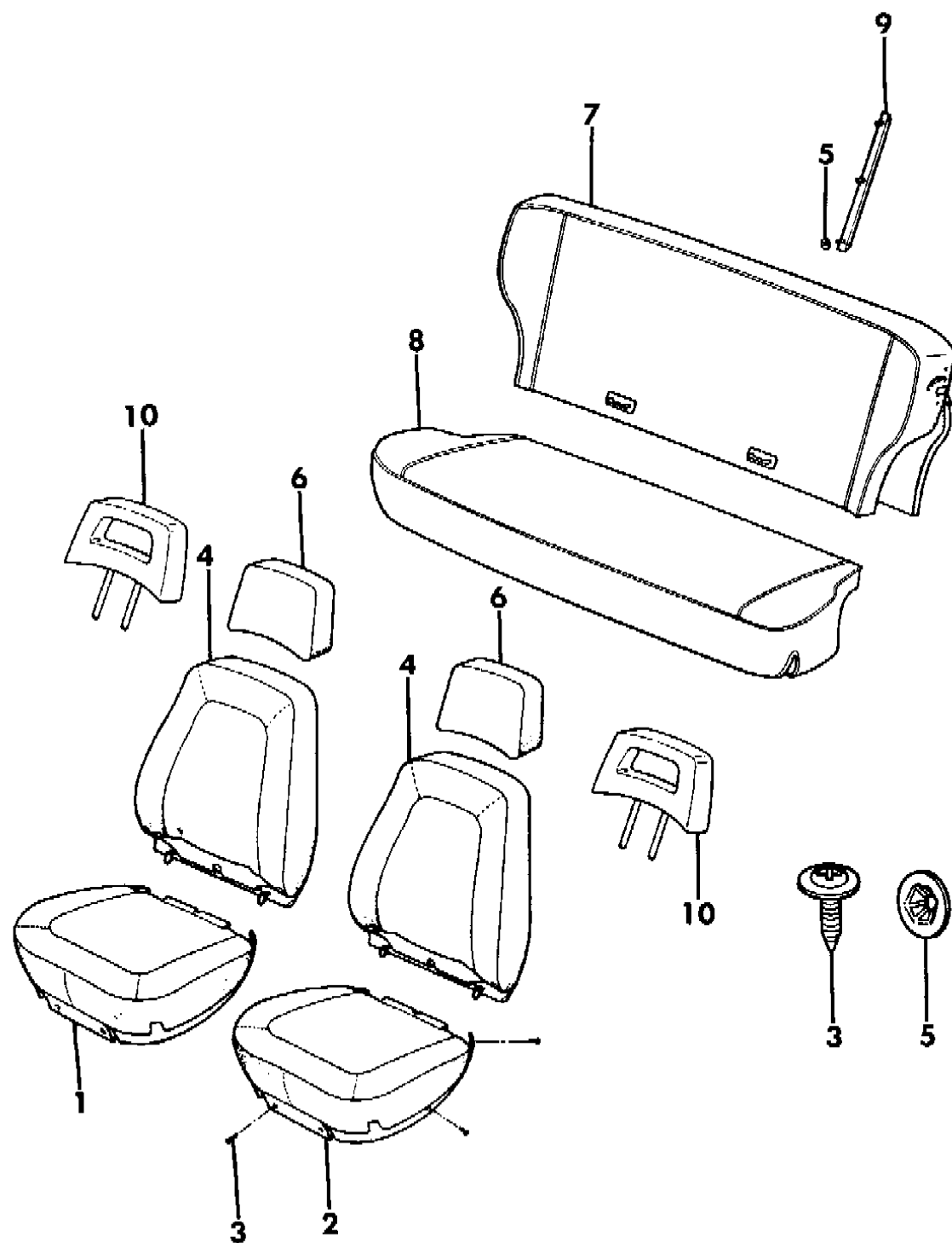
BODY STYLES:

MJ = Comanche Pickup
 SJ = Grand Wagoneer Wgn., J-10 & J-20 Pickups
 XJ = Cherokee, Wagoneer Limited
 YJ = Wrangler

AR = Use as Required - = Non Illustrated Part P.A.R. = Paint as Required

COVERS, SEAT UPHOLSTERY VINYL CHEROKEE 2 DOOR
Figure 43-2100

8J43 2100 A



| ITEM | PART NUMBER | QTY | BODY | MODEL | DESCRIPTION |
|------|-------------|-----|------|-------|---|
| | 5501 8396 | 1 | | | Charcoal, (2QT) |
| | 5502 0884 | 1 | | | Sand, (F8YY) 1990 Premium Vinyl Charcoal, (F8SA) |
| | 5AH7 8JS1 | 1 | | | Sand, (F8YY) |
| | 5AH7 8JY1 | 1 | | | STRIP, Skid |
| 9 | 5500 1076 | 6 | | | HEADREST ASSY, see thru type *** 1988-89 |
| 10 | | | | | |
| | 3501 7044 | 1 | | | Tan, (6PX or 6QT) |
| | 3502 1231 | 1 | | | Charcoal, (2PX or 2QT or F8SA) |
| | 3501 7046 | 1 | | | Cordovan, (5QT) |
| | 3502 1230 | 1 | | | Navy, (3QT) |

NOTE: (a) 1988 Vehicle No. 000001 Thru No. 133539
 NOTE: (b) Vehicle No. 133540 thru No....

MODEL CODES:

| | | |
|-----------------------------|-----------------------------|------------------------------|
| 15 = Grand Wagoneer 4 Dr. | 65 = Comanche 4WD-7 Ft. Box | 77 = Cherokee 4WD-2 Dr. |
| 25 = J-10 Pickup-119" W.B. | 66 = Comanche 2WD-7 Ft. Box | 78 = Cherokee 4WD-4 Dr. |
| 26 = J-10 Pickup-131" W.B. | 73 = Cherokee 2WD-2 Dr. | 79 = Cherokee 4WD-4 Dr.-Com |
| 27 = J-20 Pickup-131" W.B. | 74 = Cherokee 2WD-4 Dr. | 81 = Wrangler-93" W.B. |
| 63 = Comanche 4WD-6 Ft. Box | 75 = Wagoneer 4WD-4 Dr. | 82 = Wrangler-103" W.B.-Exp. |
| 64 = Comanche 2WD-6 Ft. Box | | |

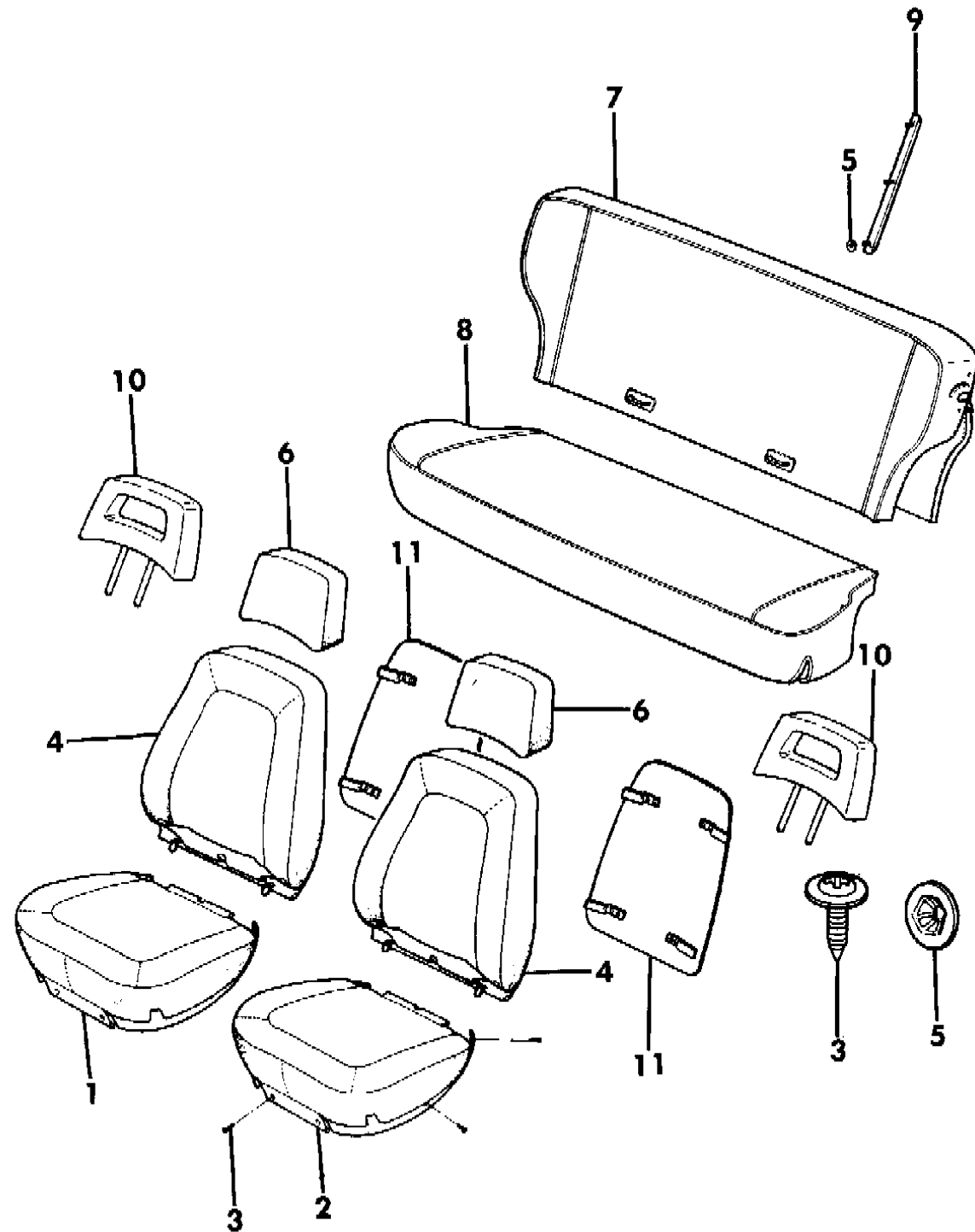
BODY STYLES:

MJ = Comanche Pickup
 SJ = Grand Wagoneer Wgn., J-10 & J-20 Pickups
 XJ = Cherokee, Wagoneer Limited
 YJ = Wrangler

AR = Use as Required - = Non Illustrated Part P.A.R. = Paint as Required

COVERS, SEAT UPHOLSTERY CLOTH OR LEATHER CHEROKEE 2 DOOR
Figure 43-2200

8J43 2200 A



| ITEM | PART NUMBER | QTY | BODY | MODEL | DESCRIPTION |
|------|-------------|-----|------|-------|--------------------------------------|
| 1-2 | | | | | COVER, Front Cushion |
| | | | | | 1987 |
| | | | | | Mesa Cloth |
| | 5500 7854-5 | 1 | | | Black, (1QU) |
| | 5500 7856-7 | 1 | | | Med. Blue, (3QU) |
| | 5501 2150-1 | 1 | | | Cordovan, (4QU) |
| | 5501 2154-5 | 1 | | | Tan, (6QU) |
| | | | | | Hunter Plaid Cloth |
| | 5501 2158-9 | 1 | | | Cordovan, (4QW) |
| | 5501 2162-3 | 1 | | | Tan, (6QW) |
| | | | | | 1988-89 |
| | | | | | Canyon Cloth |
| | 5501 8346-7 | 1 | | | Tan, (6QH) (a) |
| | 5502 2052-3 | 1 | | | Tan, (6QH) (b) |
| | 5501 8342-3 | 1 | | | Cordovan, (5QH or B7H9 or X7H9), (a) |
| | 5502 2048-9 | 1 | | | Cordovan, (5QH or B7H9 or X7H9), (b) |
| | 5501 8334-5 | 1 | | | Navy, (3QH or B7Q8 or X7Q8), (a) |
| | 5502 2040-1 | 1 | | | Navy, (3QH or B7Q8 or X7Q8), (b) |
| | 5501 8338-9 | 1 | | | Charcoal, (2QH or B7SA or X7SA), (a) |
| | 5502 2044-5 | 1 | | | Charcoal, (2QH or B7SA or X7SA), (b) |
| | 5502 0868-9 | 1 | | | Sand, (B7YY or (X7YY) |
| | | | | | Hunter's Plaid |
| | 5501 2158-9 | 1 | | | Cordovan, (5QW or W7H9), (a) |
| | 5502 2056-7 | 1 | | | Cordovan, (5QW or W7H9), (b) |
| | 5501 8350-1 | 1 | | | Charcoal, (2QW or W7SA), (a) |
| | 5502 2060-1 | 1 | | | Charcoal, (2QW or W7SA), (b) |
| | | | | | Luggage Cloth |
| | 5502 4530-1 | 1 | | | Cordovan, (Q7H9) |
| | 5502 2014-5 | 1 | | | Charcoal, (Q7SA) |
| | | | | | Leather |
| | 5501 9968-9 | 1 | | | Charcoal, (1QL or MLSA or XLSA) |
| | | | | | 1990 |
| | | | | | Luggage Cloth |
| | 5AH36-7 JS1 | 1 | | | Charcoal, (Q7SA) |
| | 5AH36-7 JH9 | 1 | | | Cordovan, (Q7H9) |
| | 5AH36-7 JY6 | 1 | | | Sand, (Q7YY) |
| | | | | | Canyon Cloth |

MODEL CODES:

| | | |
|-----------------------------|-----------------------------|------------------------------|
| 15 = Grand Wagoneer 4 Dr. | 65 = Comanche 4WD-7 Ft. Box | 77 = Cherokee 4WD-2 Dr. |
| 25 = J-10 Pickup-119" W.B. | 66 = Comanche 2WD-7 Ft. Box | 78 = Cherokee 4WD-4 Dr. |
| 26 = J-10 Pickup-131" W.B. | 73 = Cherokee 2WD-2 Dr. | 79 = Cherokee 4WD-4 Dr.-Com |
| 27 = J-20 Pickup-131" W.B. | 74 = Cherokee 2WD-4 Dr. | 81 = Wrangler-93" W.B. |
| 63 = Comanche 4WD-6 Ft. Box | 75 = Wagoneer 4WD-4 Dr. | 82 = Wrangler-103" W.B.-Exp. |
| 64 = Comanche 2WD-6 Ft. Box | | |

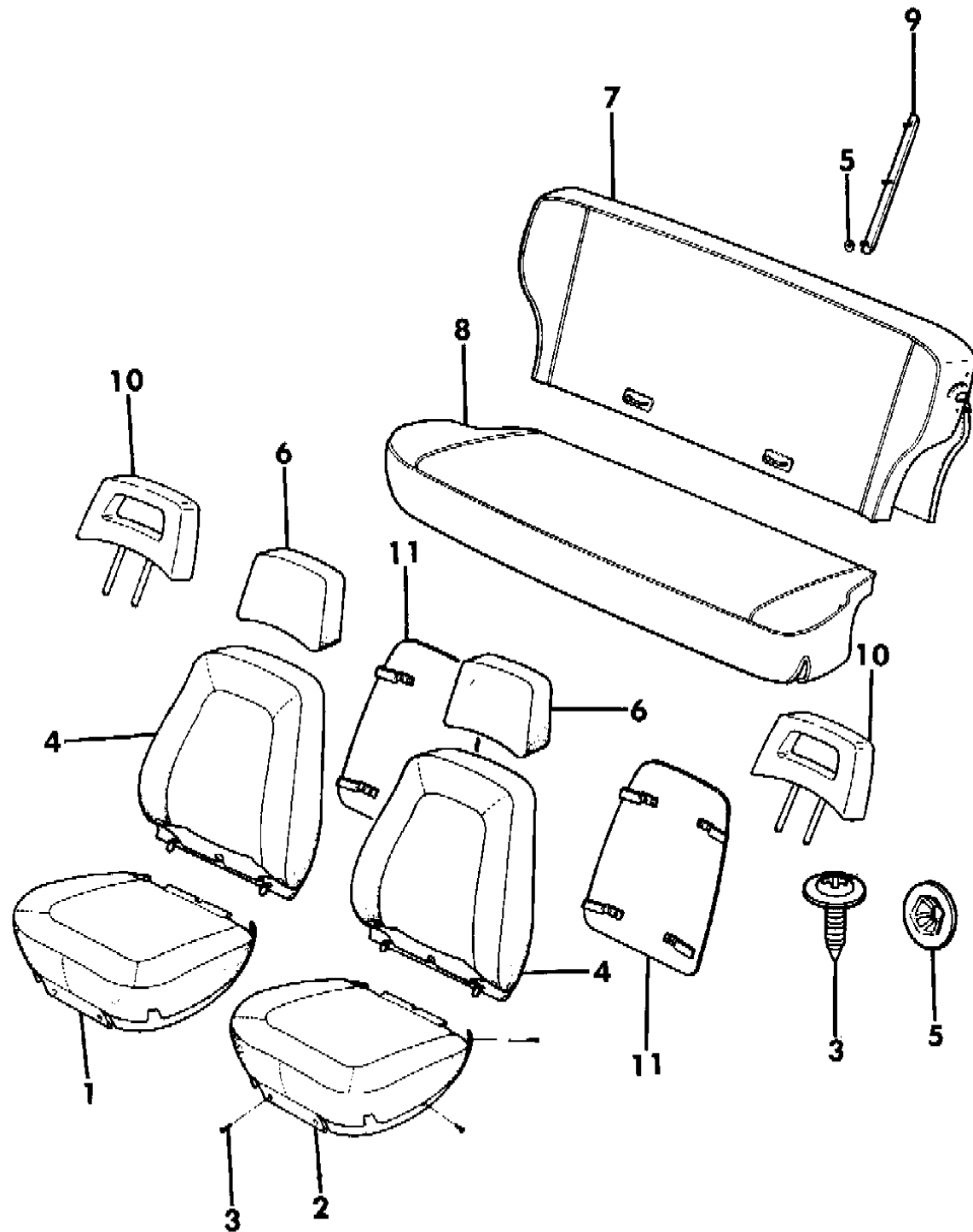
BODY STYLES:

MJ = Comanche Pickup
 SJ = Grand Wagoneer Wgn., J-10 & J-20 Pickups
 XJ = Cherokee, Wagoneer Limited
 YJ = Wrangler

AR = Use as Required - = Non Illustrated Part P.A.R. = Paint as Required

COVERS, SEAT UPHOLSTERY CLOTH OR LEATHER CHEROKEE 2 DOOR
Figure 43-2200

8J43 2200 A



| ITEM | PART NUMBER | QTY | BODY | MODEL | DESCRIPTION |
|------|-------------|-----|------|-------|--|
| | 5AH46-7 JS1 | 1 | | | Charcoal, (X7SA) |
| | 5AH46-7 JH9 | 1 | | | Cordovan, (X7H9) |
| | 5AH46-7 JY6 | 1 | | | Sand, (X7YY) Leather |
| | 5AH56-7 JXB | 1 | | | Charcoal, (XLSA) |
| | 5AH56-7 JY6 | 1 | | | Sand, (XLYY) |
| 3 | 3420 1314 | 12 | | | SCREW |
| 4 | | | | | COVER, Back 1987 |
| | | | | | Mesa Cloth |
| | 5500 8988 | 2 | | | Black, (1QU) |
| | 5500 8982 | 2 | | | Med. Blue, (3QU) |
| | 5501 2178 | 2 | | | Cordovan, (4QU) |
| | 5501 2182 | 2 | | | Tan, (6QU) Hunter Plaid |
| | 5501 2188-9 | 1 | | | Cordovan, (4QW) |
| | 5501 2190-1 | 1 | | | Tan, (6QW) 1988-89 |
| | | | | | Canyon Cloth |
| | 5501 8374 | 2 | | | Tan, (6QH) |
| | 5501 8370 | 2 | | | Cordovan, (5QH or B7H9 or X7H9) |
| | 5501 8362 | 2 | | | Navy, (3QH or B7Q8 or X7Q8) |
| | 5501 8366 | 2 | | | Charcoal, (2QH or B7SA or X7SA) |
| | 5502 0873 | 2 | | | Sand, (B7YY or X7YY) Hunter's Plaid |
| | 5501 9316-7 | 1 | | | Cordovan, (5QW or W7H9) |
| | 5501 8378-9 | 1 | | | Charcoal, (2QW or W7SA) Luggage Cloth |
| | 5502 4526-7 | 1 | | | Cordovan, (Q7H9) |
| | 5502 4528-9 | 1 | | | Charcoal, (Q7SA) Leather |
| | 5501 9970-1 | 1 | | | Charcoal, (1QL or MLSA or XLSA) 1990 |
| | | | | | Luggage Cloth |
| | 5AK52-3 JS1 | 1 | | | Charcoal, (Q7SA) |
| | 5AK52-3 JH9 | 1 | | | Cordovan, (Q7H9) |
| | 5AK52-3 JY6 | 1 | | | Sand, (Q7YY) |

MODEL CODES:

| | | |
|-----------------------------|-----------------------------|------------------------------|
| 15 = Grand Wagoneer 4 Dr. | 65 = Comanche 4WD-7 Ft. Box | 77 = Cherokee 4WD-2 Dr. |
| 25 = J-10 Pickup-119" W.B. | 66 = Comanche 2WD-7 Ft. Box | 78 = Cherokee 4WD-4 Dr. |
| 26 = J-10 Pickup-131" W.B. | 73 = Cherokee 2WD-2 Dr. | 79 = Cherokee 4WD-4 Dr.-Com |
| 27 = J-20 Pickup-131" W.B. | 74 = Cherokee 2WD-4 Dr. | 81 = Wrangler-93" W.B. |
| 63 = Comanche 4WD-6 Ft. Box | 75 = Wagoneer 4WD-4 Dr. | 82 = Wrangler-103" W.B.-Exp. |
| 64 = Comanche 2WD-6 Ft. Box | | |

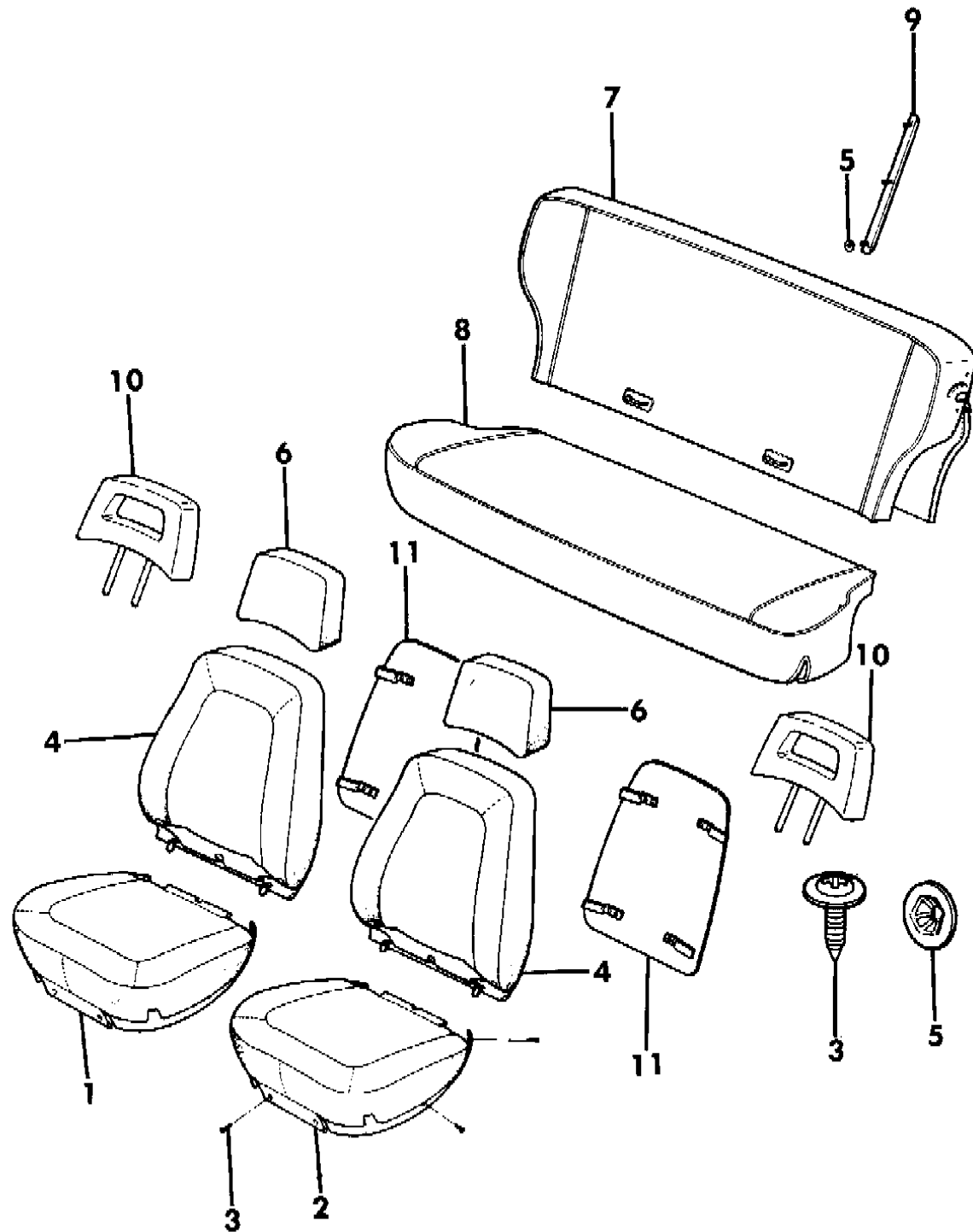
BODY STYLES:

MJ = Comanche Pickup
 SJ = Grand Wagoneer Wgn., J-10 & J-20 Pickups
 XJ = Cherokee, Wagoneer Limited
 YJ = Wrangler

AR = Use as Required - = Non Illustrated Part P.A.R. = Paint as Required

COVERS, SEAT UPHOLSTERY CLOTH OR LEATHER CHEROKEE 2 DOOR
Figure 43-2200

8J43 2200 A



| ITEM | PART NUMBER | QTY | BODY | MODEL | DESCRIPTION |
|------|-------------|-----|------|-------|------------------------------|
| | | | | | Canyon Cloth |
| | 5AH5 2JS1 | 2 | | | Charcoal, (X7SA) |
| | 5AH5 2JH9 | 2 | | | Cordovan, (X7H9) |
| | 5AH5 2JY6 | 2 | | | Sand, (X7YY) |
| | | | | | Leather |
| | 5AH58-9 JXB | 1 | | | Charcoal, (XLSA) |
| | 5AH58-9 JY6 | 1 | | | Sand, (XLYY) |
| 5 | 3420 2014 | 12 | | | NUT Push *** |
| 6 | | | | | COVER, Headrest, solid type |
| | | | | | 1987 |
| | | | | | Mesa Cloth |
| | 5500 9103 | 2 | | | Black, (1QU) |
| | 3500 7250 | 2 | | | Med. Blue, (3QU) |
| | 3501 7042 | 2 | | | Cordovan, (4QU) |
| | 3501 3109 | 2 | | | Tan, (6QU) |
| | | | | | Hunter Plaid Cloth |
| | 3501 7042 | 2 | | | Cordovan, (4QW) |
| | 3501 3109 | 2 | | | Tan, (6QW) |
| | | | | | 1988-89 |
| | | | | | Used with cloth upholstery |
| | 3501 3109 | 2 | | | Tan, (6QH) |
| | 3501 7042 | 2 | | | Cordovan |
| | 3502 1228 | 2 | | | Navy |
| | 3502 1229 | 2 | | | Charcoal |
| | 3502 5326 | 2 | | | Sand |
| | | | | | Used with leather upholstery |
| | 5501 9214 | 2 | | | Charcoal |
| | | | | | 1990 |
| | | | | | Used with cloth upholstery |
| | 5AJ4 9JS1 | 2 | | | Charcoal |
| | 5AJ4 9JH9 | 2 | | | Cordovan |
| | 5AJ4 9JY1 | 2 | | | Sand |
| | | | | | Used with leather upholstery |
| | 5AY9 4JXB | 2 | | | Charcoal |
| | 5AY9 4JY6 | 2 | | | Sand |
| 7 | | | | | COVER, Back |
| | | | | | 1987 |

MODEL CODES:

| | | |
|-----------------------------|-----------------------------|------------------------------|
| 15 = Grand Wagoneer 4 Dr. | 65 = Comanche 4WD-7 Ft. Box | 77 = Cherokee 4WD-2 Dr. |
| 25 = J-10 Pickup-119" W.B. | 66 = Comanche 2WD-7 Ft. Box | 78 = Cherokee 4WD-4 Dr. |
| 26 = J-10 Pickup-131" W.B. | 73 = Cherokee 2WD-2 Dr. | 79 = Cherokee 4WD-4 Dr.-Com |
| 27 = J-20 Pickup-131" W.B. | 74 = Cherokee 2WD-4 Dr. | 81 = Wrangler-93" W.B. |
| 63 = Comanche 4WD-6 Ft. Box | 75 = Wagoneer 4WD-4 Dr. | 82 = Wrangler-103" W.B.-Exp. |
| 64 = Comanche 2WD-6 Ft. Box | | |

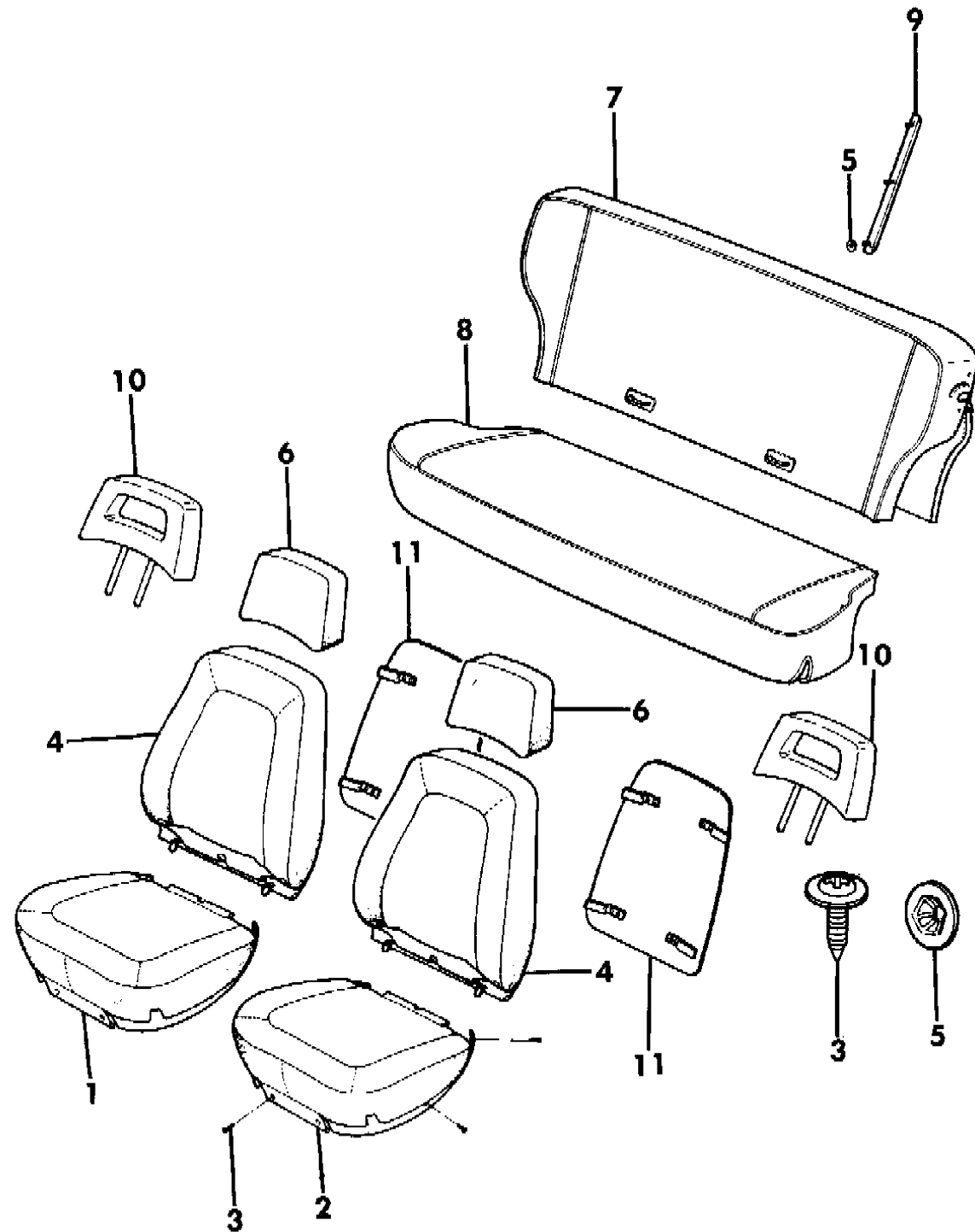
BODY STYLES:

MJ = Comanche Pickup
 SJ = Grand Wagoneer Wgn., J-10 & J-20 Pickups
 XJ = Cherokee, Wagoneer Limited
 YJ = Wrangler

AR = Use as Required - = Non Illustrated Part P.A.R. = Paint as Required

COVERS, SEAT UPHOLSTERY CLOTH OR LEATHER CHEROKEE 2 DOOR
Figure 43-2200

8J43 2200 A



| ITEM | PART NUMBER | QTY | BODY | MODEL | DESCRIPTION |
|------|-------------|-----|------|-------|---|
| | | | | | Mesa Cloth |
| | 5500 9033 | 2 | | | Black (1QU) |
| | 5500 9032 | 1 | | | Med. Blue (3QU) |
| | 5501 2262 | 1 | | | Cordovan, (4QU) |
| | 5501 2264 | 1 | | | Tan, (6QU) |
| | 5501 2266 | 1 | | | Hunter Plaid Cloth Cordovan, (4QW) |
| | 5501 2268 | 1 | | | Tan, (6QW) 1988-89 |
| | 5501 8411 | 1 | | | Canyon Cloth Tan, (6QH) |
| | 5501 8410 | 1 | | | Cordovan, (5QH or B7H9 or X7H9) |
| | 5501 8408 | 1 | | | Navy, (3QH or B7Q8 or X7Q8) |
| | 5501 8409 | 1 | | | Charcoal, (2QH or B7SA or X7SA) |
| | 5502 0888 | 1 | | | Sand, (B7YY or X7YY) Hunter's Plaid Cordovan, (5QW or W7H9) |
| | 5501 9932 | 1 | | | Charcoal, (2QW or W7SA) |
| | 5501 9933 | 1 | | | Luggage Cloth Cordovan, (Q7H9) |
| | 5502 4384 | 1 | | | Charcoal, (Q7SA) |
| | 5502 4385 | 1 | | | Leather Charcoal, (1QL or MLSA or XLSA) *** 1990 |
| | 5501 9836 | 1 | | | Luggage Cloth Charcoal, (Q7SA) |
| | 5BB4 3JS1 | 1 | | | Cordovan, (Q7H9) |
| | 5BB4 3JH9 | 1 | | | Sand, (Q7YY) |
| | 5BB4 3JY6 | 1 | | | Canyon Cloth Charcoal, (X7SA) |
| | 5BB4 0JS1 | 1 | | | Cordovan, (X7H9) |
| | 5BB4 0JH9 | 1 | | | Sand, (X7YY) |
| | 5BB4 0JY6 | 1 | | | Leather Charcoal, (XLSA) |
| | 5BB4 5JXB | 1 | | | Sand, (XLYY) |
| 8 | 5BB4 5JY6 | 1 | | | COVER, Cushion 1987 |

MODEL CODES:

| | | |
|-----------------------------|-----------------------------|------------------------------|
| 15 = Grand Wagoneer 4 Dr. | 65 = Comanche 4WD-7 Ft. Box | 77 = Cherokee 4WD-2 Dr. |
| 25 = J-10 Pickup-119" W.B. | 66 = Comanche 2WD-7 Ft. Box | 78 = Cherokee 4WD-4 Dr. |
| 26 = J-10 Pickup-131" W.B. | 73 = Cherokee 2WD-2 Dr. | 79 = Cherokee 4WD-4 Dr.-Com |
| 27 = J-20 Pickup-131" W.B. | 74 = Cherokee 2WD-4 Dr. | 81 = Wrangler-93" W.B. |
| 63 = Comanche 4WD-6 Ft. Box | 75 = Wagoneer 4WD-4 Dr. | 82 = Wrangler-103" W.B.-Exp. |
| 64 = Comanche 2WD-6 Ft. Box | | |

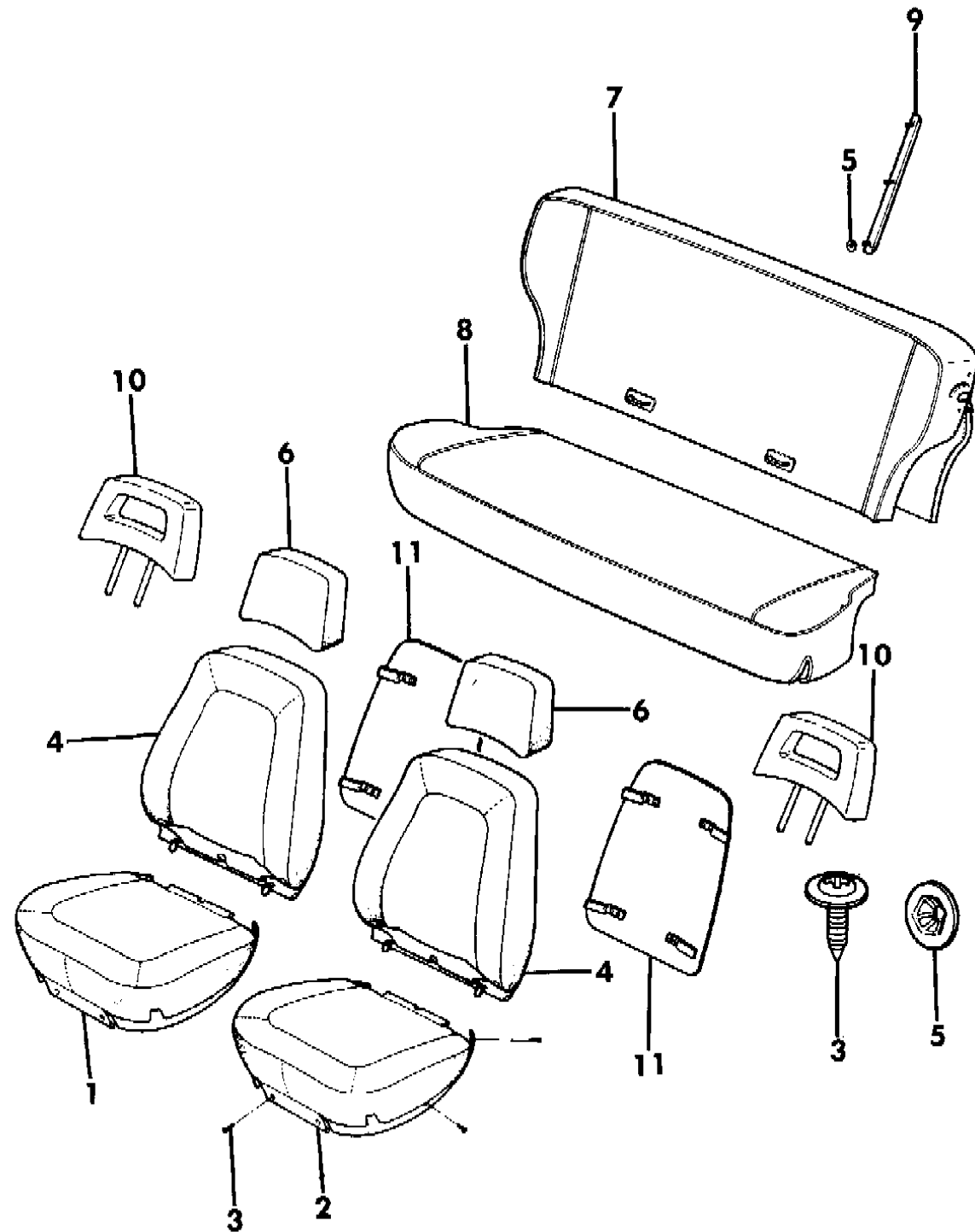
BODY STYLES:

MJ = Comanche Pickup
 SJ = Grand Wagoneer Wgn., J-10 & J-20 Pickups
 XJ = Cherokee, Wagoneer Limited
 YJ = Wrangler

AR = Use as Required - = Non Illustrated Part P.A.R. = Paint as Required

COVERS, SEAT UPHOLSTERY CLOTH OR LEATHER CHEROKEE 2 DOOR
Figure 43-2200

8J43 2200 A



| ITEM | PART NUMBER | QTY | BODY | MODEL | DESCRIPTION |
|------|-------------|-----|------|-------|----------------------------------|
| | | | | | Mesa Cloth |
| | 5500 9023 | 1 | | | Black (1QU) |
| | 5500 9022 | 1 | | | Med. Blue, (3QU) |
| | 5501 2248 | 1 | | | Cordovan, (4QU) |
| | 5501 2250 | 1 | | | Tan, (6QU) |
| | 5501 2252 | 1 | | | Hunter Plaid Cloth |
| | 5501 2254 | 1 | | | Cordovan, (4QW) |
| | | | | | Tan, (6QW) |
| | | | | | 1988-89 |
| | 5501 8401 | 1 | | | Canyon Cloth |
| | 5501 8400 | 1 | | | Tan, (6QH) |
| | 5501 8398 | 1 | | | Cordovan, (5QH or B7H9 or X7H9) |
| | 5501 8399 | 1 | | | Navy, (3QH or B7Q8 or X7Q8) |
| | 5502 0885 | 1 | | | Charcoal, (2QH or B7SA or X7SA) |
| | | | | | Sand, (B7YY or X7YY) |
| | 5501 2252 | 1 | | | Hunter's Plaid |
| | 5501 8402 | 1 | | | Cordovan, (5QW or W7H9) |
| | | | | | Charcoal, (2QW or W7SA) |
| | 5501 2270 | 1 | | | Luggage Cloth |
| | 5501 8414 | 1 | | | Cordovan, (Q7H9) |
| | | | | | Charcoal, (Q7SA) |
| | 5501 9329 | 1 | | | Leather |
| | | | | | Charcoal, (1QL or MLSA or XLSA) |
| | | | | | 1990 |
| | 5AK5 5JS1 | 1 | | | Luggage Cloth |
| | 5AK5 5JH9 | 1 | | | Charcoal, (Q7SA) |
| | 5AK5 5JY6 | 1 | | | Cordovan, (Q7H9) |
| | | | | | Sand, (Q7YY) |
| | 5AH7 9JS1 | 1 | | | Canyon Cloth |
| | 5AH7 9JH9 | 1 | | | Charcoal, (X7SA) |
| | 5AH7 9JY6 | 1 | | | Cordovan, (X7H9) |
| | | | | | Sand, (X7YY) |
| | 5AH8 3JXB | 1 | | | Leather |
| | 5AH8 3JY6 | 1 | | | Charcoal, (XLSA) |
| | | | | | Sand, (XLYY) |
| 9 | 5500 1076 | 6 | | | STRIP, Skid *** |
| 10 | | | | | HEADREST ASSY, see thru type *** |

MODEL CODES:

| | | |
|-----------------------------|-----------------------------|------------------------------|
| 15 = Grand Wagoneer 4 Dr. | 65 = Comanche 4WD-7 Ft. Box | 77 = Cherokee 4WD-2 Dr. |
| 25 = J-10 Pickup-119" W.B. | 66 = Comanche 2WD-7 Ft. Box | 78 = Cherokee 4WD-4 Dr. |
| 26 = J-10 Pickup-131" W.B. | 73 = Cherokee 2WD-2 Dr. | 79 = Cherokee 4WD-4 Dr.-Com |
| 27 = J-20 Pickup-131" W.B. | 74 = Cherokee 2WD-4 Dr. | 81 = Wrangler-93" W.B. |
| 63 = Comanche 4WD-6 Ft. Box | 75 = Wagoneer 4WD-4 Dr. | 82 = Wrangler-103" W.B.-Exp. |
| 64 = Comanche 2WD-6 Ft. Box | | |

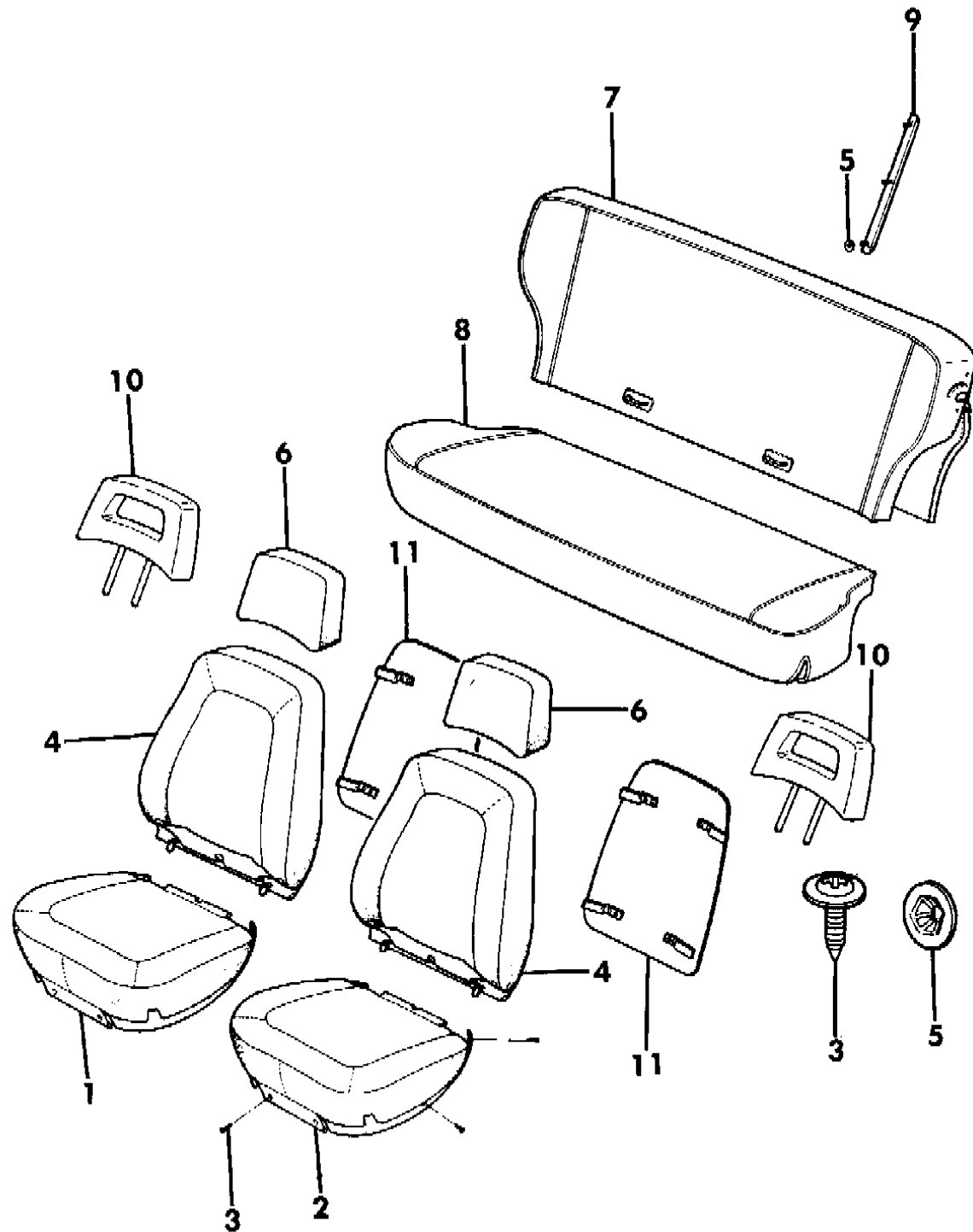
BODY STYLES:

MJ = Comanche Pickup
 SJ = Grand Wagoneer Wgn., J-10 & J-20 Pickups
 XJ = Cherokee, Wagoneer Limited
 YJ = Wrangler

AR = Use as Required - = Non Illustrated Part P.A.R. = Paint as Required

COVERS, SEAT UPHOLSTERY CLOTH OR LEATHER CHEROKEE 2 DOOR
Figure 43-2200

8J43 2200 A



| ITEM | PART NUMBER | QTY | BODY | MODEL | DESCRIPTION |
|------|-------------|-----|------|-------|---|
| | | | | | 1988-89 |
| | 3501 7044 | 2 | | | Tan, (6QH) |
| | 3501 7046 | 2 | | | Cordovan |
| | 3502 1230 | 2 | | | Navy |
| | 3502 1231 | 2 | | | Charcoal |
| | | | | | 1990 |
| | 5AB9 2JS1 | 2 | | | Charcoal |
| | 5AB9 2JH9 | 2 | | | Cordovan |
| | 5AB9 2JY1 | 2 | | | Sand |
| 11 | | | | | PANEL, Kick, used with leather upholstery |
| | | | | | 1987 |
| | | | | | Mesa Cloth |
| | 5500 8770 | 2 | | | Black (1QU) |
| | 5500 8375 | 2 | | | Med. Blue (3QU) |
| | 5501 2068 | 2 | | | Cordovan (4QU) |
| | 5500 7065 | 2 | | | Tan, (6QU) |
| | | | | | Hunter Plaid Cloth |
| | 5501 2072 | 2 | | | Cordovan, (4QW) |
| | 5501 2074 | 2 | | | Tan, (6QW) |
| | | | | | 1988-89 |
| | 5502 0174 | 2 | | | Charcoal |
| | | | | | 1990 |
| | 5BC2 7JXB | 2 | | | Charcoal |
| | 5BC2 7JY6 | 2 | | | Sand |

(a) For 1988 Vehicles up to serial no. 133539. Tag affixed to the Face of its Pulley. A Second Tag will show the name of the Vendor (OGURA).

(b) For Vehicles after 133540. Tag affixed to the Face of its Pulley. A Second Tag will show the name of the Vendor (OGURA).

MODEL CODES:

| | | |
|-----------------------------|-----------------------------|------------------------------|
| 15 = Grand Wagoneer 4 Dr. | 65 = Comanche 4WD-7 Ft. Box | 77 = Cherokee 4WD-2 Dr. |
| 25 = J-10 Pickup-119" W.B. | 66 = Comanche 2WD-7 Ft. Box | 78 = Cherokee 4WD-4 Dr. |
| 26 = J-10 Pickup-131" W.B. | 73 = Cherokee 2WD-2 Dr. | 79 = Cherokee 4WD-4 Dr.-Com |
| 27 = J-20 Pickup-131" W.B. | 74 = Cherokee 2WD-4 Dr. | 81 = Wrangler-93" W.B. |
| 63 = Comanche 4WD-6 Ft. Box | 75 = Wagoneer 4WD-4 Dr. | 82 = Wrangler-103" W.B.-Exp. |
| 64 = Comanche 2WD-6 Ft. Box | | |

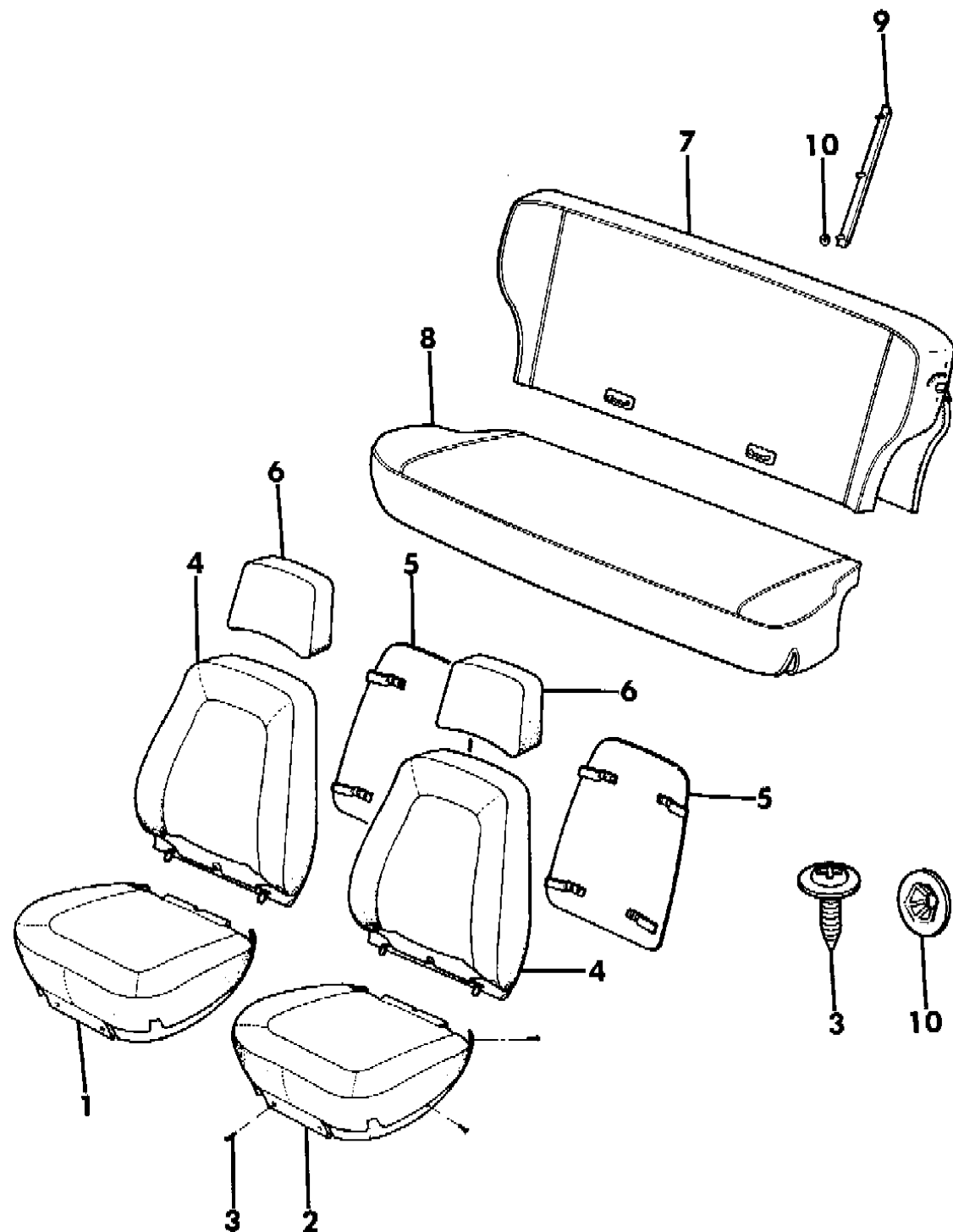
BODY STYLES:

MJ = Comanche Pickup
 SJ = Grand Wagoneer Wgn., J-10 & J-20 Pickups
 XJ = Cherokee, Wagoneer Limited
 YJ = Wrangler

AR = Use as Required - = Non Illustrated Part P.A.R. = Paint as Required

COVERS, SEAT UPHOLSTERY LEATHER OR CLOTH WAGONEER
Figure 43-2300

8J43 2300 A



| ITEM | PART NUMBER | QTY | BODY | MODEL | DESCRIPTION |
|------|-------------|-----|------|-------|------------------------------|
| 1-2 | | | | | COVER, Cushion |
| | | | | | 1987 |
| | | | | | Base, Cloth |
| | 5501 4448-9 | 1 | | | Black, (1QG) |
| | 5501 2196-7 | 1 | | | Tan, (6QG) |
| | 5501 2194-5 | 1 | | | Cordovan, (4QG) |
| | | | | | Limited, Leather |
| | 5501 2198-9 | 1 | | | Cordovan, (4QL) |
| | 5501 2200-1 | 1 | | | Tan, (6QL) |
| | | | | | 1988-89 |
| | 5501 9828-9 | 1 | | | Tan, (6QL) (a) |
| | 5502 2066-7 | 1 | | | Tan, (6QL) (b) |
| | 5501 9826-7 | 1 | | | Cordovan, (5QL) (a) |
| | 5502 2064-5 | 1 | | | Cordovan, (YLH9 or 5QL), (b) |
| | 5502 0876-7 | 1 | | | Sand, (YLYY) (b) |
| | | | | | 1990 |
| | 5AH54-5 JY6 | 1 | | | Sand, (YLYY) |
| | 5AH54-5 JH9 | 1 | | | Cordovan, (YLH9) |
| 3 | 3420 1314 | 12 | | | SCREW |
| 4 | | | | | COVER, Back |
| | | | | | 1987 |
| | | | | | Base, Cloth |
| | 5501 4450 | 2 | | | Black, (1QG) |
| | 5501 2204 | 2 | | | Tan, (6QG) |
| | 5501 2202 | 2 | | | Cordovan, (4QG) |
| | | | | | Limited, Leather |
| | 5501 2206 | 2 | | | Cordovan, (4QL) |
| | 5501 2208 | 2 | | | Tan, (6QL) |
| | | | | | 1988-89 |
| | 5501 2208 | 2 | | | Tan, (6QL) |
| | 5501 2206 | 2 | | | Cordovan, (YLH9 or 5QL) |
| | 5502 0878 | 2 | | | Sand, (YLYY) |
| | | | | | 1990 |
| | 5AH6 0JY6 | 2 | | | Sand, (YLYY) |
| | 5AH6 0JH9 | 2 | | | Cordovan, (YLH9) |
| 5 | | | | | PANEL, Kick |
| | | | | | 1987 |

MODEL CODES:

| | | |
|-----------------------------|-----------------------------|------------------------------|
| 15 = Grand Wagoneer 4 Dr. | 65 = Comanche 4WD-7 Ft. Box | 77 = Cherokee 4WD-2 Dr. |
| 25 = J-10 Pickup-119" W.B. | 66 = Comanche 2WD-7 Ft. Box | 78 = Cherokee 4WD-4 Dr. |
| 26 = J-10 Pickup-131" W.B. | 73 = Cherokee 2WD-2 Dr. | 79 = Cherokee 4WD-4 Dr.-Com |
| 27 = J-20 Pickup-131" W.B. | 74 = Cherokee 2WD-4 Dr. | 81 = Wrangler-93" W.B. |
| 63 = Comanche 4WD-6 Ft. Box | 75 = Wagoneer 4WD-4 Dr. | 82 = Wrangler-103" W.B.-Exp. |
| 64 = Comanche 2WD-6 Ft. Box | | |

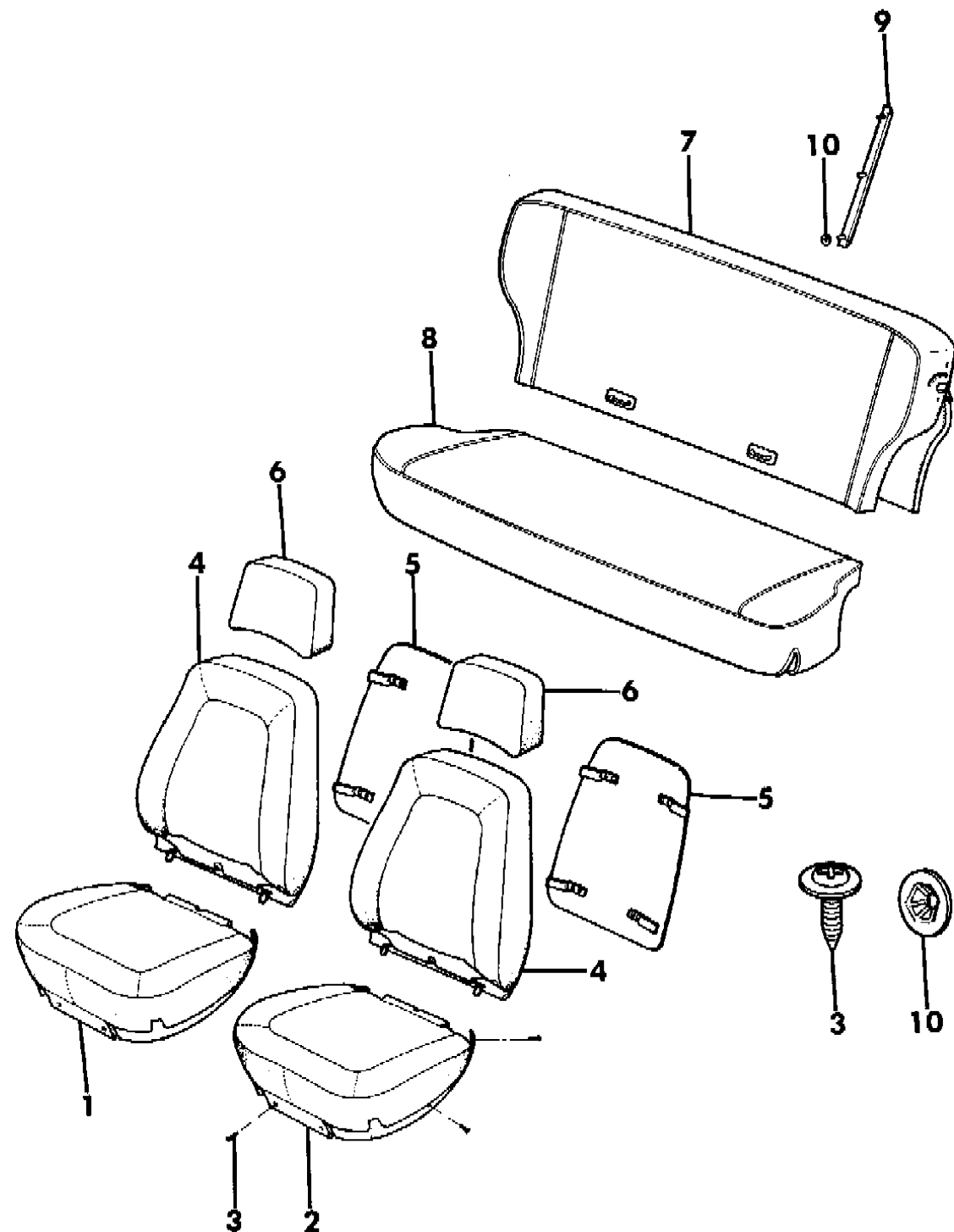
BODY STYLES:

MJ = Comanche Pickup
 SJ = Grand Wagoneer Wgn., J-10 & J-20 Pickups
 XJ = Cherokee, Wagoneer Limited
 YJ = Wrangler

AR = Use as Required - = Non Illustrated Part P.A.R. = Paint as Required

COVERS, SEAT UPHOLSTERY LEATHER OR CLOTH WAGONEER
Figure 43-2300

8J43 2300 A



| ITEM | PART NUMBER | QTY | BODY | MODEL | DESCRIPTION |
|------|-------------|-----|------|-------|-------------------------|
| | | | | | Base, Cloth |
| | 5500 8770 | 2 | | | Black, (1QG) |
| | 5500 7065 | 2 | | | Tan, (6QG) |
| | 5501 2068 | 2 | | | Cordovan, (4QG) |
| | | | | | Limited, Leather |
| | 5501 2072 | 2 | | | Cordovan, (4QL) |
| | 5501 2074 | 2 | | | Tan, (6QL) |
| | | | | | 1988-89 |
| | 5501 2074 | 2 | | | Tan, (6QL) |
| | 5501 2072 | 2 | | | Cordovan, (YLH9 or 5QL) |
| | 5502 0808 | 2 | | | Sand, (YLYY) |
| | | | | | 1990 |
| | 5AG7 8JY6 | 2 | | | Sand, (YLYY) |
| | 5AG7 8JH9 | 2 | | | Cordovan, (YLH9) |
| 6 | | | | | COVER, Headrest |
| | | | | | 1987 |
| | | | | | Base, Cloth |
| | 5500 9103 | 2 | | | Black, (1QG) |
| | 3501 3109 | 2 | | | Tan, (6QG) |
| | 3501 7042 | 2 | | | Cordovan, (4QG) |
| | | | | | Limited, Leather |
| | 5501 4345 | 2 | | | Cordovan, (4QL) |
| | 5501 4346 | 2 | | | Tan, (6QL) |
| | | | | | 1988-89 |
| | 5501 4346 | 2 | | | Tan, (6QL) |
| | 5501 4345 | 2 | | | Cordovan, (YLH9 or 5QL) |
| | 5502 0895 | 2 | | | Sand, (YLYY) |
| | | | | | 1990 |
| | 5AJ4 8JH9 | 2 | | | Cordovan, (YLH9) |
| | 5AJ4 8JY6 | 2 | | | Sand, (YLYY) |
| 7 | | | | | COVER, Back |
| | | | | | 1987 |
| | | | | | Base, Cloth |
| | 5501 4469 | 1 | | | Black, (1QG) |
| | 5501 2280 | 1 | | | Tan, (6QG) |
| | 5501 2278 | 1 | | | Cordovan, (4QG) |
| | | | | | Limited, Leather |

MODEL CODES:

| | | |
|-----------------------------|-----------------------------|------------------------------|
| 15 = Grand Wagoneer 4 Dr. | 65 = Comanche 4WD-7 Ft. Box | 77 = Cherokee 4WD-2 Dr. |
| 25 = J-10 Pickup-119" W.B. | 66 = Comanche 2WD-7 Ft. Box | 78 = Cherokee 4WD-4 Dr. |
| 26 = J-10 Pickup-131" W.B. | 73 = Cherokee 2WD-2 Dr. | 79 = Cherokee 4WD-4 Dr.-Com |
| 27 = J-20 Pickup-131" W.B. | 74 = Cherokee 2WD-4 Dr. | 81 = Wrangler-93" W.B. |
| 63 = Comanche 4WD-6 Ft. Box | 75 = Wagoneer 4WD-4 Dr. | 82 = Wrangler-103" W.B.-Exp. |
| 64 = Comanche 2WD-6 Ft. Box | | |

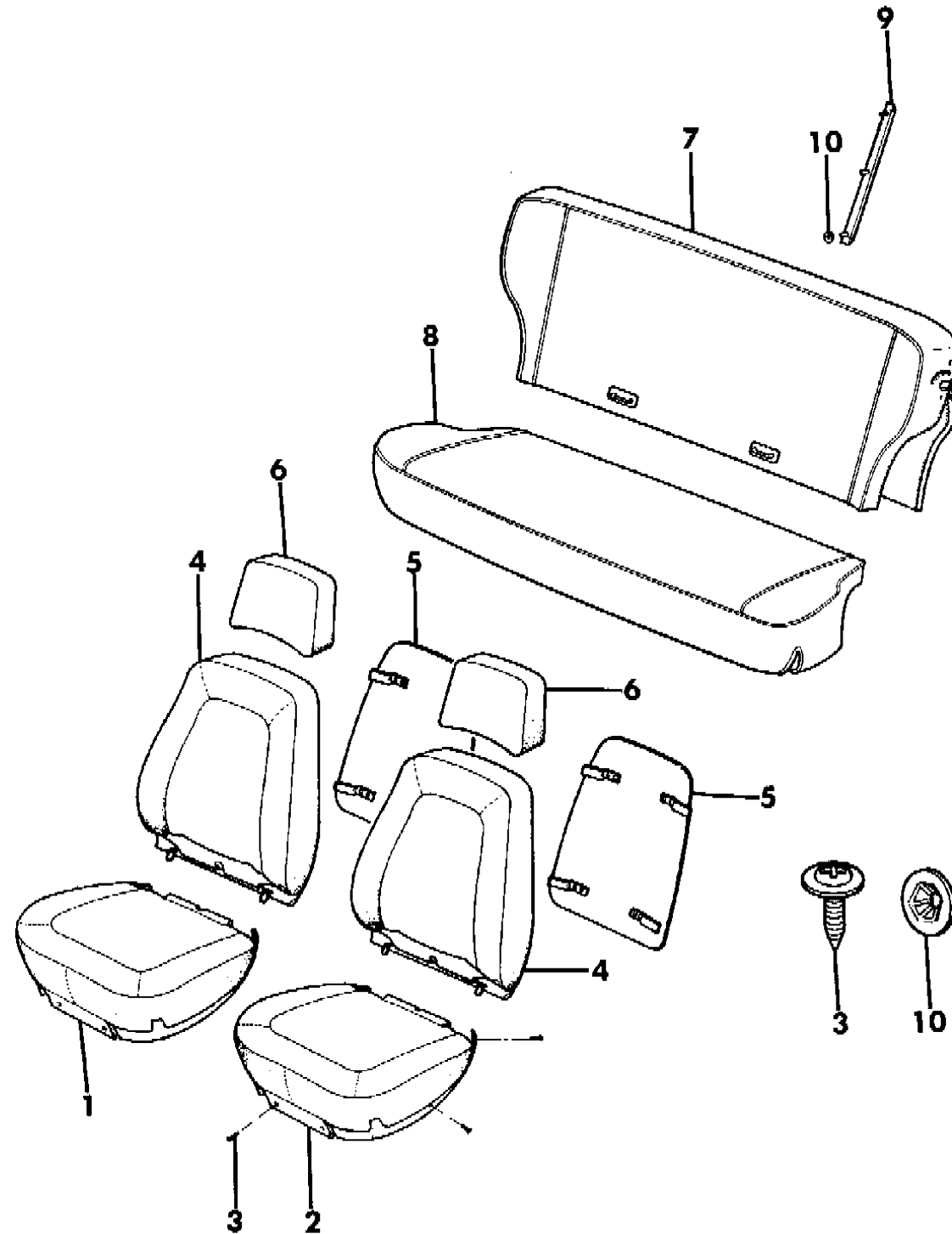
BODY STYLES:

MJ = Comanche Pickup
 SJ = Grand Wagoneer Wgn., J-10 & J-20 Pickups
 XJ = Cherokee, Wagoneer Limited
 YJ = Wrangler

AR = Use as Required - = Non Illustrated Part P.A.R. = Paint as Required

COVERS, SEAT UPHOLSTERY LEATHER OR CLOTH WAGONEER
Figure 43-2300

8J43 2300 A



| ITEM | PART NUMBER | QTY | BODY | MODEL | DESCRIPTION |
|------|-------------|-----|------|-------|---|
| | 5501 2282 | 1 | | | Cordovan, (4QL) |
| | 5501 2284 | 1 | | | Tan, (6QL) 1988-89 |
| | 5501 9835 | 1 | | | Tan, (6QL) |
| | 5501 9834 | 1 | | | Cordovan, (YLH9 or 5QL) |
| | 5502 0890 | 1 | | | Sand, (YLYY) 1990 |
| | 5BB4 2JY6 | 1 | | | Sand, (YLYY) |
| | 5BB4 2JH9 | 1 | | | Cordovan, (YLH9) |
| 8 | | | | | COVER, Cushion 1987 Base, Cloth Black, (1QG) |
| | 5501 4468 | 1 | | | Tan, (6QG) |
| | 5501 2272 | 1 | | | Cordovan, (4QG) |
| | 5501 2270 | 1 | | | Limited, Leather |
| | 5501 2274 | 1 | | | Cordovan, (4QL) |
| | 5501 2276 | 1 | | | Tan, (6QL) 1988-89 |
| | 5501 2276 | 1 | | | Tan, (6QL) |
| | 5501 2274 | 1 | | | Cordovan, (YLH9 or 5QL) |
| | 5502 0889 | 1 | | | Sand, (YLYY) 1990 |
| | 5AH8 2JY6 | 1 | | | Sand, (YLYY) |
| | 5AH8 2JH9 | 1 | | | Cordovan, (YLH9) |
| 9 | 5500 1076 | 6 | | | STRIP, Skid |
| 10 | 3420 2014 | 12 | | | NUT, Push NOTE: (a) = 1988 Vehicle No. 000001 Thru No.133539 NOTE: (b) = Vehicle No. 133540 Thru No.... |

MODEL CODES:

| | | |
|-----------------------------|-----------------------------|------------------------------|
| 15 = Grand Wagoneer 4 Dr. | 65 = Comanche 4WD-7 Ft. Box | 77 = Cherokee 4WD-2 Dr. |
| 25 = J-10 Pickup-119" W.B. | 66 = Comanche 2WD-7 Ft. Box | 78 = Cherokee 4WD-4 Dr. |
| 26 = J-10 Pickup-131" W.B. | 73 = Cherokee 2WD-2 Dr. | 79 = Cherokee 4WD-4 Dr.-Com |
| 27 = J-20 Pickup-131" W.B. | 74 = Cherokee 2WD-4 Dr. | 81 = Wrangler-93" W.B. |
| 63 = Comanche 4WD-6 Ft. Box | 75 = Wagoneer 4WD-4 Dr. | 82 = Wrangler-103" W.B.-Exp. |
| 64 = Comanche 2WD-6 Ft. Box | | |

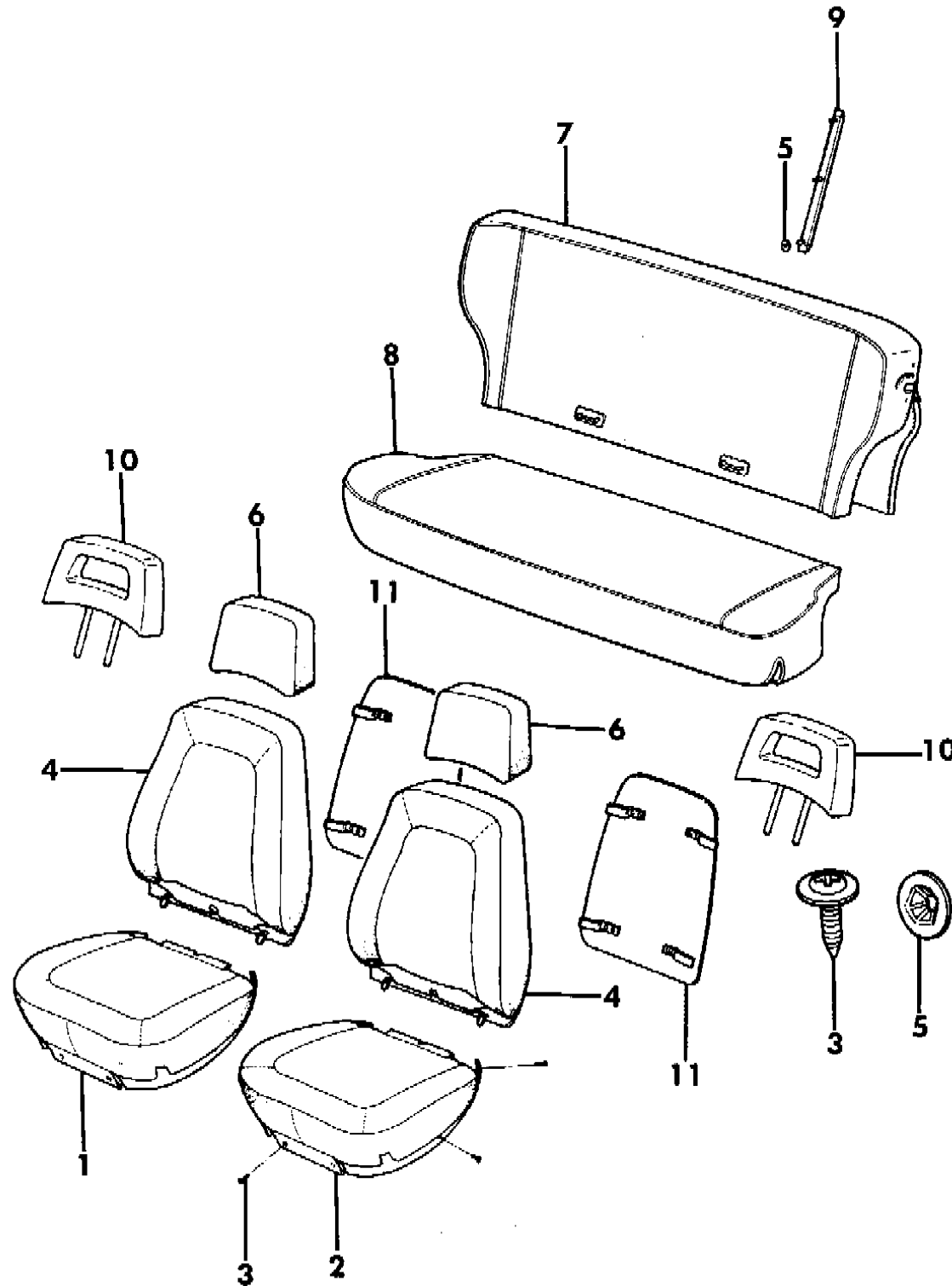
BODY STYLES:

MJ = Comanche Pickup
 SJ = Grand Wagoneer Wgn., J-10 & J-20 Pickups
 XJ = Cherokee, Wagoneer Limited
 YJ = Wrangler

AR = Use as Required - = Non Illustrated Part P.A.R. = Paint as Required

COVERS, SEAT UPHOLSTERY CLOTH AND LEATHER CHEROKEE 4 DOOR
Figure 43-2400

8J43 2400 A



| ITEM | PART NUMBER | QTY | BODY | MODEL | DESCRIPTION |
|------|-------------|-----|------|-------|--------------------------------------|
| 1-2 | | | | | COVER, Cushion |
| | | | | | 1987 |
| | | | | | Mesa, Cloth |
| | 5500 8952-3 | 1 | | | Black, (1QU) |
| | 5500 8950-1 | 1 | | | Medium Blue, (3QU) |
| | 5501 2156-7 | 1 | | | Tan, (6QU) |
| | 5501 2152-3 | 1 | | | Cordovan, (4QU) |
| | | | | | Leather |
| | 5501 9034-5 | 1 | | | Black, (1QL), (c) |
| | 5501 9334-5 | 1 | | | Charcoal, (1QL), (d) |
| | | | | | Hunter Plaid, Cloth |
| | 5501 2160-1 | 1 | | | Cordovan, (4QW) |
| | 5501 2164-5 | 1 | | | Tan, (6QW) |
| | | | | | 1988-89 |
| | | | | | Canyon Cloth |
| | 5501 8340-1 | 1 | | | Charcoal, (2QH or B7SA or X7SA), (a) |
| | 5501 8336-7 | 1 | | | Navy, (3QH or B7Q8 or X7Q8), (a) |
| | 5501 8344-5 | 1 | | | Cordovan, (5QH or B7H9 or X7H9), (a) |
| | 5501 8348-9 | 1 | | | Tan, (6QH), (a) |
| | 5502 2046-7 | 1 | | | Charcoal, (B7SA or X7SA or 2QH), (b) |
| | 5502 2042-3 | 1 | | | Navy, (B7Q8 or X7Q8, or 3QH), (b) |
| | 5502 2050-1 | 1 | | | Cordovan, (B7H9 or X7H9 or 5QH), (b) |
| | 5502 2054-5 | 1 | | | Tan, (6QH), (b) |
| | 5502 0870-1 | 1 | | | Sand, (B7YY or X7YY or 2QH), (b) |
| | | | | | Hunter's Plaid |
| | 5501 8352-3 | 1 | | | Charcoal, (2QW or W7SA), (a) |
| | 5501 2160-1 | 1 | | | Cordovan, (5QW or W7H9) (a) |
| | 5502 2062-3 | 1 | | | Charcoal, (W7SA or 2QW), (b) |
| | 5502 2058-9 | 1 | | | Cordovan, (W7H9 or 5QW), (b) |
| | | | | | Leather |
| | 5501 9334-5 | 1 | | | Charcoal, (1QL or MLSA or XLSA) |
| | | | | | Luggage Cloth |
| | 5502 4522-3 | 1 | | | Charcoal, (Q7SA) |
| | 5502 4520-1 | 1 | | | Cordovan, (Q7H9) |
| | | | | | 1990 |
| | | | | | Leather |
| | 5AH64-5 JXB | 1 | | | Charcoal, (XLSA) |

MODEL CODES:

| | | |
|-----------------------------|-----------------------------|------------------------------|
| 15 = Grand Wagoneer 4 Dr. | 65 = Comanche 4WD-7 Ft. Box | 77 = Cherokee 4WD-2 Dr. |
| 25 = J-10 Pickup-119" W.B. | 66 = Comanche 2WD-7 Ft. Box | 78 = Cherokee 4WD-4 Dr. |
| 26 = J-10 Pickup-131" W.B. | 73 = Cherokee 2WD-2 Dr. | 79 = Cherokee 4WD-4 Dr.-Com |
| 27 = J-20 Pickup-131" W.B. | 74 = Cherokee 2WD-4 Dr. | 81 = Wrangler-93" W.B. |
| 63 = Comanche 4WD-6 Ft. Box | 75 = Wagoneer 4WD-4 Dr. | 82 = Wrangler-103" W.B.-Exp. |
| 64 = Comanche 2WD-6 Ft. Box | | |

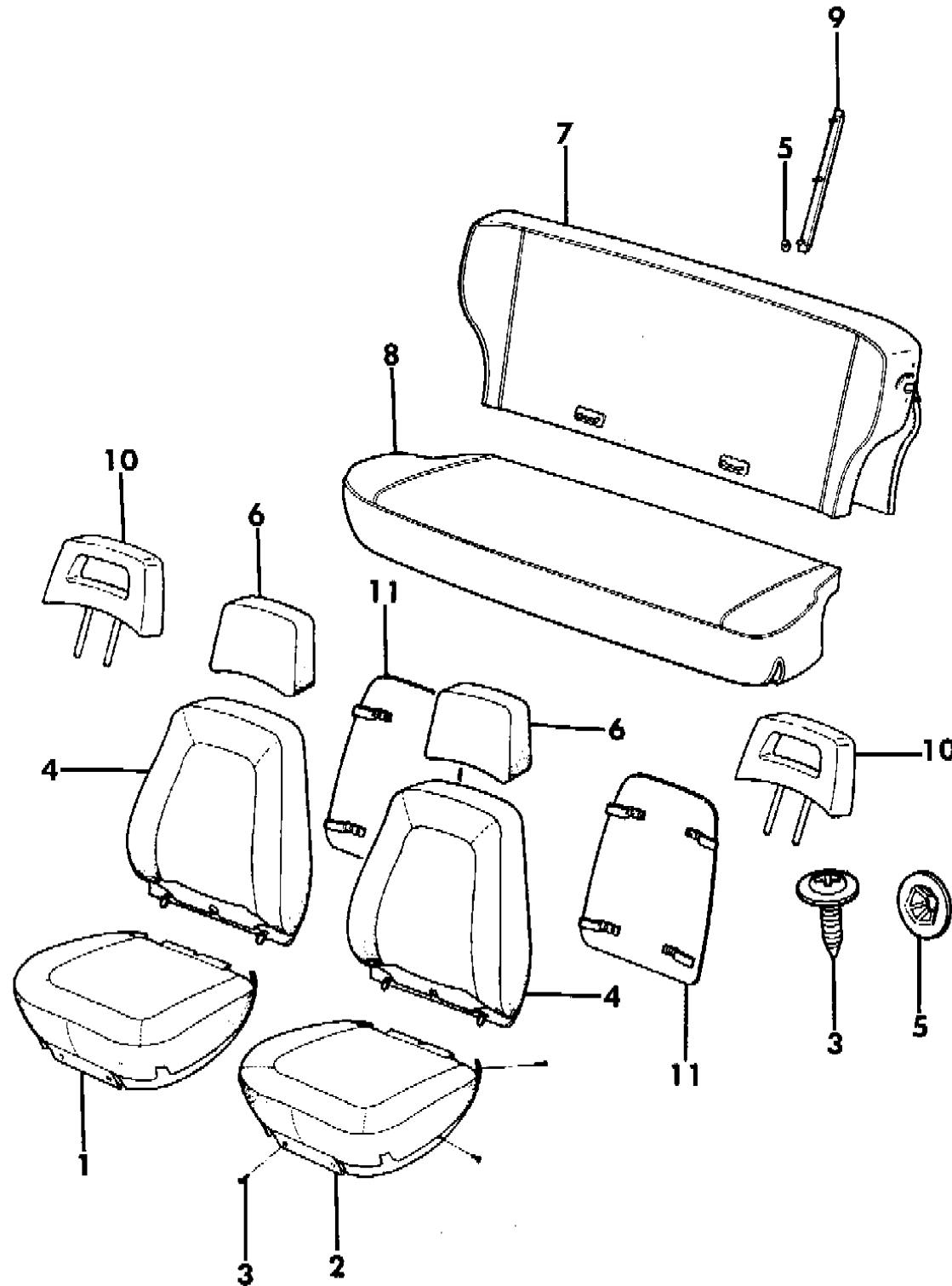
BODY STYLES:

MJ = Comanche Pickup
 SJ = Grand Wagoneer Wgn., J-10 & J-20 Pickups
 XJ = Cherokee, Wagoneer Limited
 YJ = Wrangler

AR = Use as Required - = Non Illustrated Part P.A.R. = Paint as Required

COVERS, SEAT UPHOLSTERY CLOTH AND LEATHER CHEROKEE 4 DOOR
Figure 43-2400

8J43 2400 A



| ITEM | PART NUMBER | QTY | BODY | MODEL | DESCRIPTION |
|------|-------------|-----|------|-------|---------------------------------|
| | 5AH64-5 JY6 | 1 | | | Sand, (XLYY) |
| | 5AH48-9 JS1 | 1 | | | Canyon Cloth |
| | 5AH48-9 JY6 | 1 | | | Charcoal, (X7SA) |
| | 5AH48-9 JH9 | 1 | | | Sand, (X7YY) |
| | | | | | Cordovan, (X7H9) |
| | 5AK50-1 JS1 | 1 | | | Luggage Cloth |
| | 5AK50-1 JH9 | 1 | | | Charcoal, (Q7SA) |
| | 5AK50-1 JY6 | 1 | | | Cordovan, (Q7H9) |
| | | | | | Sand, (Q7YY) |
| 3 | 3420 1314 | 12 | | | SCREW |
| 4 | | | | | COVER, Back |
| | | | | | 1987 |
| | | | | | Mesa, Cloth |
| | 5500 8990 | 2 | | | Black, (1QU) |
| | 5500 8986 | 2 | | | Medium Blue, (3QU) |
| | 5501 2184 | 2 | | | Tan, (6QU) |
| | 5501 2180 | 2 | | | Cordovan, (4QU) |
| | | | | | Leather |
| | 5501 9039 | 2 | | | Black, (1QL), (c) |
| | 5501 9336 | 2 | | | Charcoal, (1QL), (d) |
| | | | | | Hunter Plaid, Cloth |
| | 5501 2186 | 2 | | | Cordovan, (4QW) |
| | 5501 2192 | 2 | | | Tan, (6QW) |
| | | | | | 1988-89 |
| | | | | | Canyon Cloth |
| | 5501 8368 | 2 | | | Charcoal, (2QH or B7SA or X7SA) |
| | 5501 8364 | 2 | | | Navy, (3QH or B7Q8 or X7Q8) |
| | 5501 8372 | 2 | | | Cordovan, (5QH or B7H9 or X7H9) |
| | 5501 8376 | 2 | | | Tan, (6HQ) |
| | 5502 0874 | 2 | | | Sand, (B7YY or X7YY or 2QH) |
| | | | | | Hunter's Plaid |
| | 5501 8380 | 2 | | | Charcoal, (2QW or W7SA) |
| | 5501 9318 | 2 | | | Cordovan, (5QW or W7H9) |
| | | | | | Leather |
| | 5501 9336 | 2 | | | Charcoal, (1QL or MLSA or XLSA) |
| | | | | | Luggage Cloth |
| | 5501 8384 | 2 | | | Charcoal, (Q7SA) |

MODEL CODES:

| | | |
|-----------------------------|-----------------------------|------------------------------|
| 15 = Grand Wagoneer 4 Dr. | 65 = Comanche 4WD-7 Ft. Box | 77 = Cherokee 4WD-2 Dr. |
| 25 = J-10 Pickup-119" W.B. | 66 = Comanche 2WD-7 Ft. Box | 78 = Cherokee 4WD-4 Dr. |
| 26 = J-10 Pickup-131" W.B. | 73 = Cherokee 2WD-2 Dr. | 79 = Cherokee 4WD-4 Dr.-Com |
| 27 = J-20 Pickup-131" W.B. | 74 = Cherokee 2WD-4 Dr. | 81 = Wrangler-93" W.B. |
| 63 = Comanche 4WD-6 Ft. Box | 75 = Wagoneer 4WD-4 Dr. | 82 = Wrangler-103" W.B.-Exp. |
| 64 = Comanche 2WD-6 Ft. Box | | |

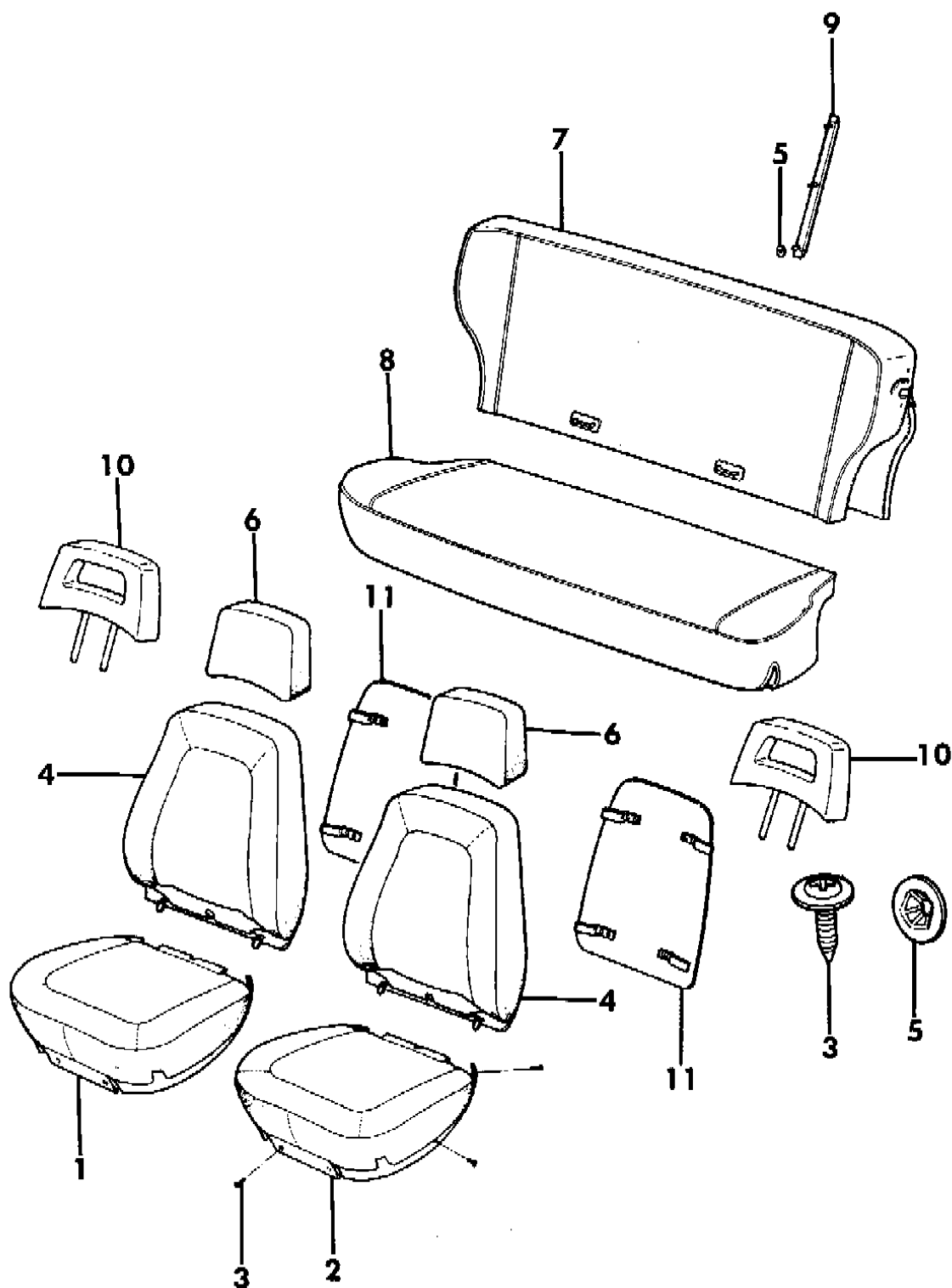
BODY STYLES:

MJ = Comanche Pickup
 SJ = Grand Wagoneer Wgn., J-10 & J-20 Pickups
 XJ = Cherokee, Wagoneer Limited
 YJ = Wrangler

AR = Use as Required - = Non Illustrated Part P.A.R. = Paint as Required

COVERS, SEAT UPHOLSTERY CLOTH AND LEATHER CHEROKEE 4 DOOR
Figure 43-2400

8J43 2400 A



| ITEM | PART NUMBER | QTY | BODY | MODEL | DESCRIPTION |
|------|-------------|-----|------|-------|---|
| | 5501 9322 | 2 | | | Cordovan, (Q7H9) 1990 Leather |
| | 5AH6 2JXB | 2 | | | Charcoal, (XLSA) |
| | 5AH6 2JY6 | 2 | | | Sand, (XLYY) |
| | 5AH5 3JS1 | 2 | | | Canyon Cloth Charcoal, (X7SA) |
| | 5AH5 3JH9 | 2 | | | Cordovan, (X7H9) |
| | 5AH5 3JY6 | 2 | | | Sand, (X7YY) |
| | 5AK5 4JS1 | 2 | | | Luggage Cloth Charcoal, (Q7SA) |
| | 5AK5 4JH9 | 2 | | | Cordovan, (Q7H9) |
| | 5AK5 4JY6 | 2 | | | Sand, (Q7YY) |
| 5 | 3420 2014 | 12 | | | NUT, Push |
| 6 | | | | | COVER, Headrest, For Solid Type Headrest 1987 Mesa, Cloth |
| | 5500 9103 | 2 | | | Black, (1QU) |
| | 3500 7250 | 2 | | | Medium Blue, (3QU) |
| | 3501 3109 | 2 | | | Tan, (6QU) |
| | 3501 7042 | 2 | | | Cordovan, (4QU) |
| | 5501 9042 | 2 | | | Leather Black, (1QL), (c) |
| | 5501 9214 | 2 | | | Charcoal, (1QL), (d) Hunter Plaid, Cloth |
| | 3501 7042 | 2 | | | Cordovan, (4QW) |
| | 3501 3109 | 2 | | | Tan, (6QW) 1988-89 Used With Cloth Upholstery |
| | 3502 1229 | 2 | | | Charcoal |
| | 3502 1228 | 2 | | | Navy |
| | 3501 7042 | 2 | | | Cordovan |
| | 3501 3109 | 2 | | | Tan, (6QH) |
| | 3502 5326 | 2 | | | Sand Used With Leather Upholstery |
| | 5501 9214 | 2 | | | Charcoal 1990 |

MODEL CODES:

| | | |
|-----------------------------|-----------------------------|------------------------------|
| 15 = Grand Wagoneer 4 Dr. | 65 = Comanche 4WD-7 Ft. Box | 77 = Cherokee 4WD-2 Dr. |
| 25 = J-10 Pickup-119" W.B. | 66 = Comanche 2WD-7 Ft. Box | 78 = Cherokee 4WD-4 Dr. |
| 26 = J-10 Pickup-131" W.B. | 73 = Cherokee 2WD-2 Dr. | 79 = Cherokee 4WD-4 Dr.-Com |
| 27 = J-20 Pickup-131" W.B. | 74 = Cherokee 2WD-4 Dr. | 81 = Wrangler-93" W.B. |
| 63 = Comanche 4WD-6 Ft. Box | 75 = Wagoneer 4WD-4 Dr. | 82 = Wrangler-103" W.B.-Exp. |
| 64 = Comanche 2WD-6 Ft. Box | | |

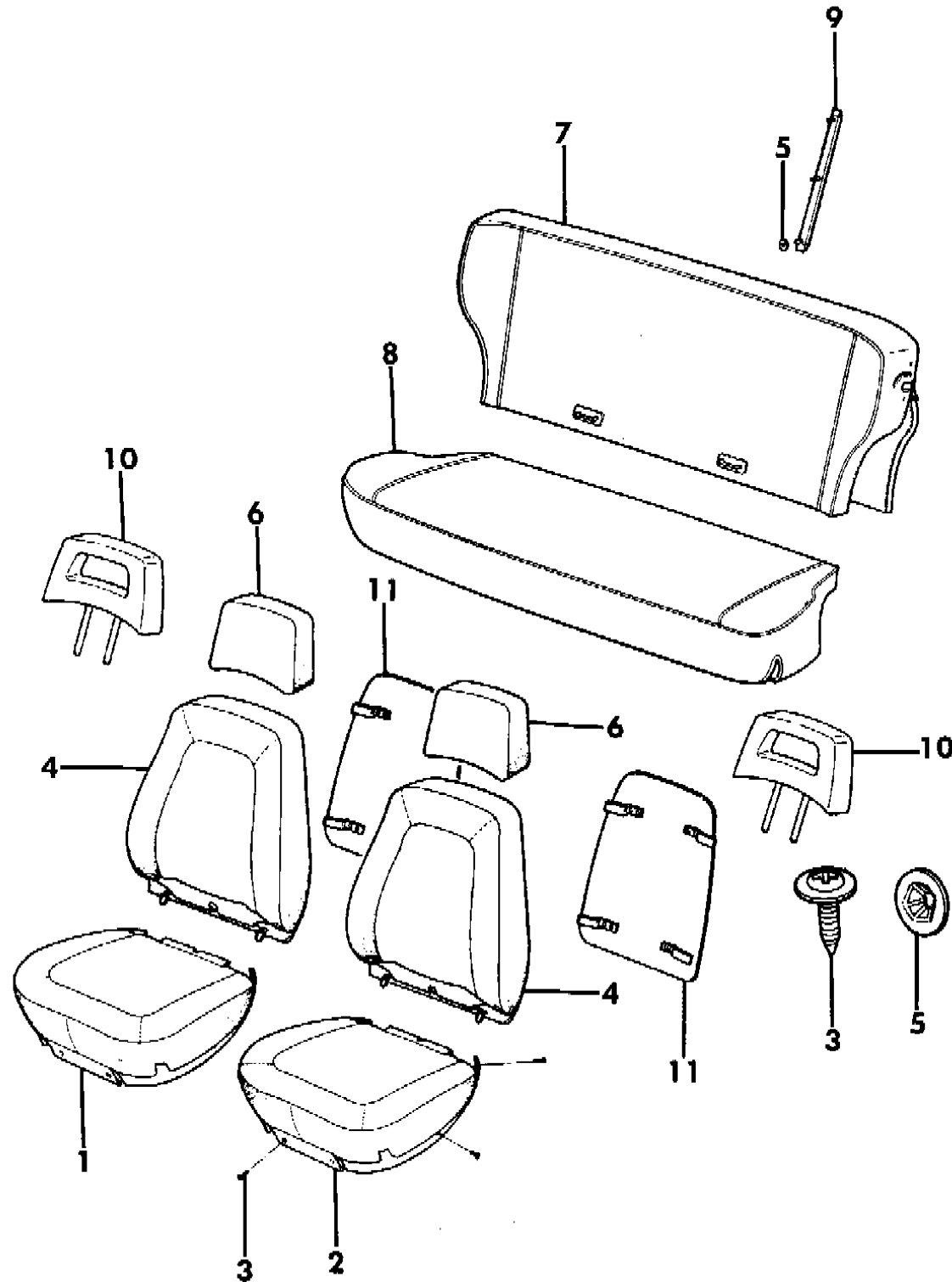
BODY STYLES:

MJ = Comanche Pickup
 SJ = Grand Wagoneer Wgn., J-10 & J-20 Pickups
 XJ = Cherokee, Wagoneer Limited
 YJ = Wrangler

AR = Use as Required - = Non Illustrated Part P.A.R. = Paint as Required

COVERS, SEAT UPHOLSTERY CLOTH AND LEATHER CHEROKEE 4 DOOR
Figure 43-2400

8J43 2400 A



| ITEM | PART NUMBER | QTY | BODY | MODEL | DESCRIPTION |
|------|-------------|-----|------|-------|---------------------------------|
| | | | | | Used With Cloth Upholstery |
| | 5AJ4 9JS1 | 2 | | | Charcoal |
| | 5AJ4 9JH9 | 2 | | | Cordovan |
| | 5AJ4 9JY1 | 2 | | | Sand |
| | | | | | Used With Leather Upholstery |
| | 5AY9 4JXB | 2 | | | Charcoal |
| | 5AY9 4JY6 | 2 | | | Sand |
| 7 | | | | | COVER, Back 1987 |
| | | | | | Mesa, Cloth |
| | 5500 9033 | 1 | | | Black, (1QU) |
| | 5500 9032 | 1 | | | Medium Blue, (3QU) |
| | 5501 2264 | 1 | | | Tan, (6QU) |
| | 5501 2262 | 1 | | | Cordovan, (4QU) |
| | | | | | Leather |
| | 5501 9041 | 1 | | | Black, (1QL), (c) |
| | 5502 0002 | 1 | | | Charcoal, (1QL), (d) |
| | | | | | Hunter Plaid, Cloth |
| | 5501 2266 | 1 | | | Cordovan, (4QW) |
| | 5501 2268 | 1 | | | Tan, (6QW) 1988-89 *** |
| | | | | | Canyon Cloth |
| | 5501 8409 | 1 | | | Charcoal, (2QH or B7SA or X7SA) |
| | 5501 8408 | 1 | | | Navy, (3QH or B7Q8 or X7Q8) |
| | 5501 8410 | 1 | | | Cordovan, (5QH or B7H9 or X7H9) |
| | 5501 8411 | 1 | | | Tan, (6QH) |
| | 5502 0888 | 1 | | | Sand, (B7YY or X7YY or 2QH) |
| | | | | | Hunter's Plaid |
| | 5501 9933 | 1 | | | Charcoal, (2QW or W7SA) |
| | 5501 9932 | 1 | | | Cordovan, (5QW or W7H9) |
| | | | | | Leather |
| | 5501 9836 | 1 | | | Charcoal, (1QL or MLSA or XLSA) |
| | | | | | Luggage Cloth |
| | 5502 4385 | 1 | | | Charcoal, (Q7SA) |
| | 5502 4384 | 1 | | | Cordovan, (Q7H9) 1990 |
| | | | | | Leather |

MODEL CODES:

| | | |
|-----------------------------|-----------------------------|------------------------------|
| 15 = Grand Wagoneer 4 Dr. | 65 = Comanche 4WD-7 Ft. Box | 77 = Cherokee 4WD-2 Dr. |
| 25 = J-10 Pickup-119" W.B. | 66 = Comanche 2WD-7 Ft. Box | 78 = Cherokee 4WD-4 Dr. |
| 26 = J-10 Pickup-131" W.B. | 73 = Cherokee 2WD-2 Dr. | 79 = Cherokee 4WD-4 Dr.-Com |
| 27 = J-20 Pickup-131" W.B. | 74 = Cherokee 2WD-4 Dr. | 81 = Wrangler-93" W.B. |
| 63 = Comanche 4WD-6 Ft. Box | 75 = Wagoneer 4WD-4 Dr. | 82 = Wrangler-103" W.B.-Exp. |
| 64 = Comanche 2WD-6 Ft. Box | | |

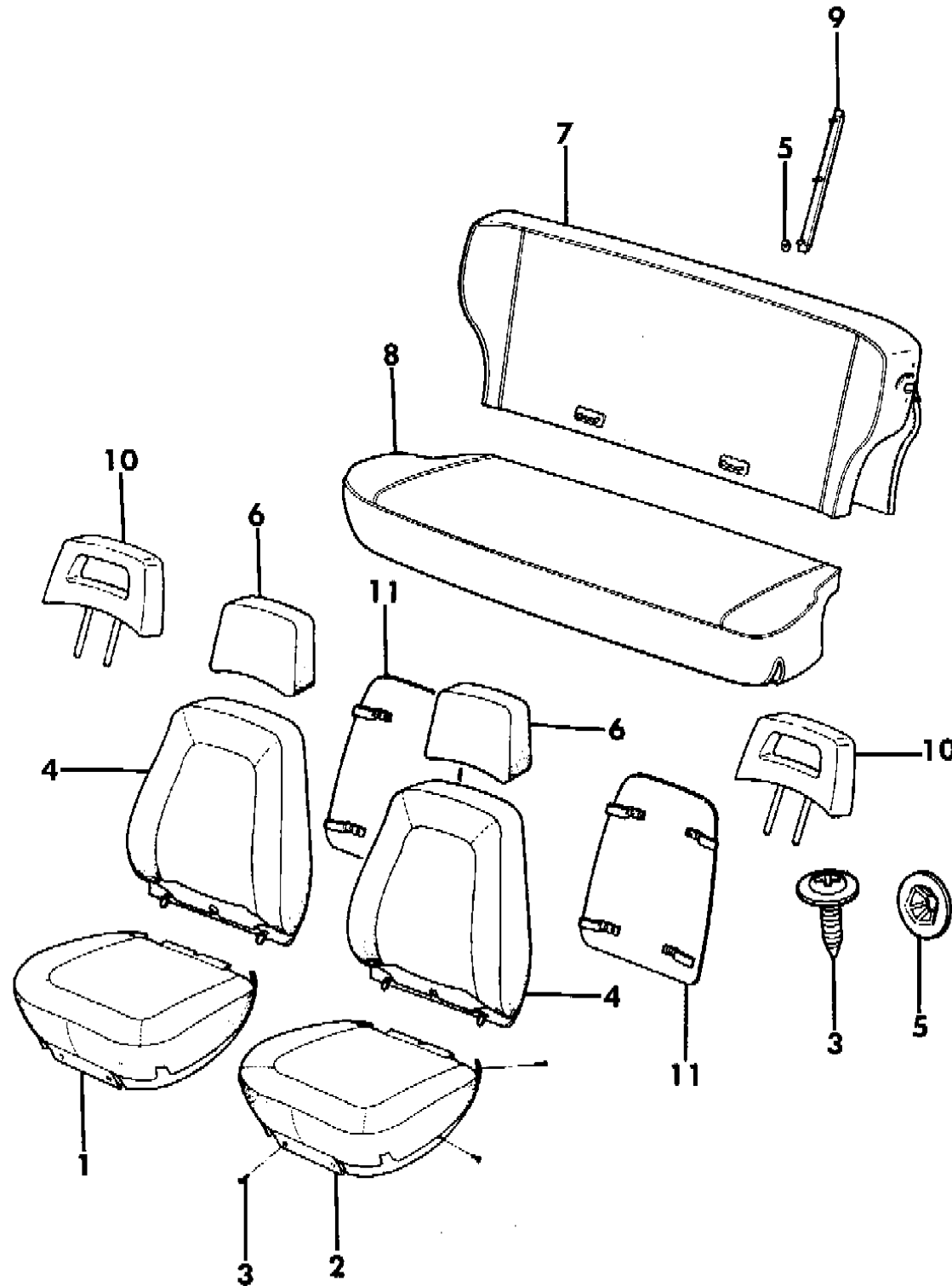
BODY STYLES:

MJ = Comanche Pickup
 SJ = Grand Wagoneer Wgn., J-10 & J-20 Pickups
 XJ = Cherokee, Wagoneer Limited
 YJ = Wrangler

AR = Use as Required - = Non Illustrated Part P.A.R. = Paint as Required

COVERS, SEAT UPHOLSTERY CLOTH AND LEATHER CHEROKEE 4 DOOR
Figure 43-2400

8J43 2400 A



| ITEM | PART NUMBER | QTY | BODY | MODEL | DESCRIPTION |
|------|-------------|-----|------|-------|---------------------------------|
| | 5BB4 5JXB | 1 | | | Charcoal, (XLSA) |
| | 5BB4 5JY6 | 1 | | | Sand, (XLYY) |
| | 5BB4 3JS1 | 1 | | | Luggage Cloth |
| | 5BB4 3JH9 | 1 | | | Charcoal, (Q7SA) |
| | 5BB4 3JY6 | 1 | | | Cordovan, (Q7H9) |
| | 5BB4 0JS1 | 1 | | | Sand, (Q7YY) |
| | 5BB4 0JY6 | 1 | | | Canyon Cloth |
| | 5BB4 0JH9 | 1 | | | Charcoal, (X7SA) |
| 8 | | | | | Sand, (X7YY) |
| | | | | | Cordovan, (X7H9) |
| | | | | | COVER, Cushion |
| | | | | | 1987 |
| | | | | | Mesa, Cloth |
| | 5500 9023 | 1 | | | Black, (1QU) |
| | 5500 9022 | 1 | | | Medium Blue, (3QU) |
| | 5501 2250 | 1 | | | Tan, (6QU) |
| | 5501 2248 | 1 | | | Cordovan, (4QU) |
| | | | | | Leather |
| | 5501 9040 | 1 | | | Black, (1QL), (c) |
| | 5501 9329 | 1 | | | Charcoal, (1QL), (d) |
| | | | | | Hunter Plaid, Cloth |
| | 5501 2252 | 1 | | | Cordovan, (4QW) |
| | 5501 2254 | 1 | | | Tan, (6QW) |
| | | | | | 1988-89 |
| | | | | | Canyon Cloth |
| | 5501 8399 | 1 | | | Charcoal, (2QH or B7SA or X7SA) |
| | 5501 8398 | 1 | | | Navy, (3QH or B7Q8 or X7Q8) |
| | 5501 8400 | 1 | | | Cordovan, (5QH or B7H9 or X7H9) |
| | 5501 8401 | 1 | | | Tan, (6QH) |
| | 5502 0885 | 1 | | | Sand, (B7YY or X7YY or 2QH) |
| | | | | | Hunter's Plaid |
| | 5501 8402 | 1 | | | Charcoal, (2QW or W7SA) |
| | 5501 2252 | 1 | | | Cordovan, (5QW or W7H9) |
| | | | | | Leather |
| | 5501 9329 | 1 | | | Charcoal, (1QL or MLSA or XLSA) |
| | | | | | Luggage Cloth |
| | 5501 8414 | 1 | | | Charcoal, (Q7SA) |

MODEL CODES:

| | | |
|-----------------------------|-----------------------------|------------------------------|
| 15 = Grand Wagoneer 4 Dr. | 65 = Comanche 4WD-7 Ft. Box | 77 = Cherokee 4WD-2 Dr. |
| 25 = J-10 Pickup-119" W.B. | 66 = Comanche 2WD-7 Ft. Box | 78 = Cherokee 4WD-4 Dr. |
| 26 = J-10 Pickup-131" W.B. | 73 = Cherokee 2WD-2 Dr. | 79 = Cherokee 4WD-4 Dr.-Com |
| 27 = J-20 Pickup-131" W.B. | 74 = Cherokee 2WD-4 Dr. | 81 = Wrangler-93" W.B. |
| 63 = Comanche 4WD-6 Ft. Box | 75 = Wagoneer 4WD-4 Dr. | 82 = Wrangler-103" W.B.-Exp. |
| 64 = Comanche 2WD-6 Ft. Box | | |

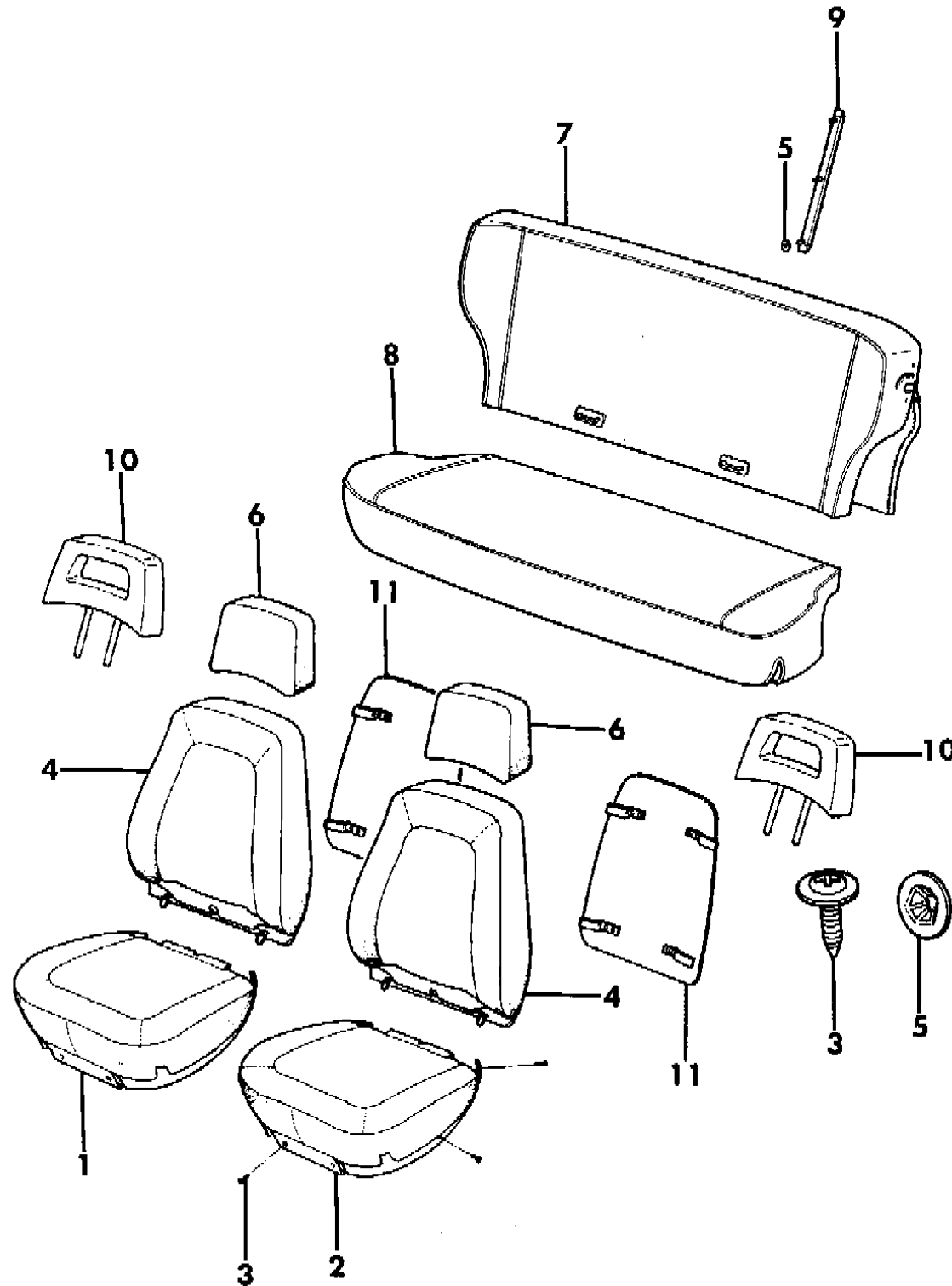
BODY STYLES:

MJ = Comanche Pickup
 SJ = Grand Wagoneer Wgn., J-10 & J-20 Pickups
 XJ = Cherokee, Wagoneer Limited
 YJ = Wrangler

AR = Use as Required - = Non Illustrated Part P.A.R. = Paint as Required

COVERS, SEAT UPHOLSTERY CLOTH AND LEATHER CHEROKEE 4 DOOR
Figure 43-2400

8J43 2400 A



| ITEM | PART NUMBER | QTY | BODY | MODEL | DESCRIPTION |
|------|-------------|-----|------|-------|---|
| | 5501 2270 | 1 | | | Cordovan, (Q7H9) 1990 Leather |
| | 5AH8 3JXB | 1 | | | Charcoal, (XLSA) |
| | 5AH8 3JY6 | 1 | | | Sand, (XLYY) |
| | 5AH7 9JS1 | 1 | | | Canyon Cloth Charcoal, (X7SA) |
| | 5AH7 9JY6 | 1 | | | Sand, (X7YY) |
| | 5AH7 9JH9 | 1 | | | Cordovan, (X7H9) |
| | 5AK5 5JS1 | 1 | | | Luggage Cloth Charcoal, (Q7SA) |
| | 5AK5 5JH9 | 1 | | | Cordovan, (Q7H9) |
| | 5AK5 5JY6 | 1 | | | Sand, (Q7YY) |
| 9 | 5500 1076 | 6 | | | STRIP, Skid |
| 10 | | | | | HEADREST ASSY, See Thru Type *** 1988-89 |
| | 3502 1231 | 2 | | | Charcoal |
| | 3502 1230 | 2 | | | Navy |
| | 3501 7046 | 2 | | | Cordovan |
| | 3501 7044 | 2 | | | Tan, (6QH) 1990 |
| | 5AB9 2JS1 | 2 | | | Charcoal |
| | 5AB9 2JH9 | 2 | | | Cordovan |
| | 5AB9 2JY1 | 2 | | | Sand |
| 11 | | | | | PANEL, Kick, Used With Leather Upholstery 1987 |
| | 5500 8770 | 2 | | | Mesa, Cloth Black, (1QU) |
| | 5500 8375 | 2 | | | Medium Blue, (3QU) |
| | 5500 7065 | 2 | | | Tan, (6QU) |
| | 5501 2068 | 2 | | | Cordovan, (4QU) Leather |
| | 5501 8804 | 2 | | | Black, (1QL) |
| | 5501 8804 | 2 | | | Charcoal, (1QL) Hunter Plaid, Cloth |
| | 5501 2072 | 2 | | | Cordovan, (4QW) |
| | 5501 2074 | 2 | | | Tan, (6QW) |

MODEL CODES:

| | | |
|-----------------------------|-----------------------------|------------------------------|
| 15 = Grand Wagoneer 4 Dr. | 65 = Comanche 4WD-7 Ft. Box | 77 = Cherokee 4WD-2 Dr. |
| 25 = J-10 Pickup-119" W.B. | 66 = Comanche 2WD-7 Ft. Box | 78 = Cherokee 4WD-4 Dr. |
| 26 = J-10 Pickup-131" W.B. | 73 = Cherokee 2WD-2 Dr. | 79 = Cherokee 4WD-4 Dr.-Com |
| 27 = J-20 Pickup-131" W.B. | 74 = Cherokee 2WD-4 Dr. | 81 = Wrangler-93" W.B. |
| 63 = Comanche 4WD-6 Ft. Box | 75 = Wagoneer 4WD-4 Dr. | 82 = Wrangler-103" W.B.-Exp. |
| 64 = Comanche 2WD-6 Ft. Box | | |

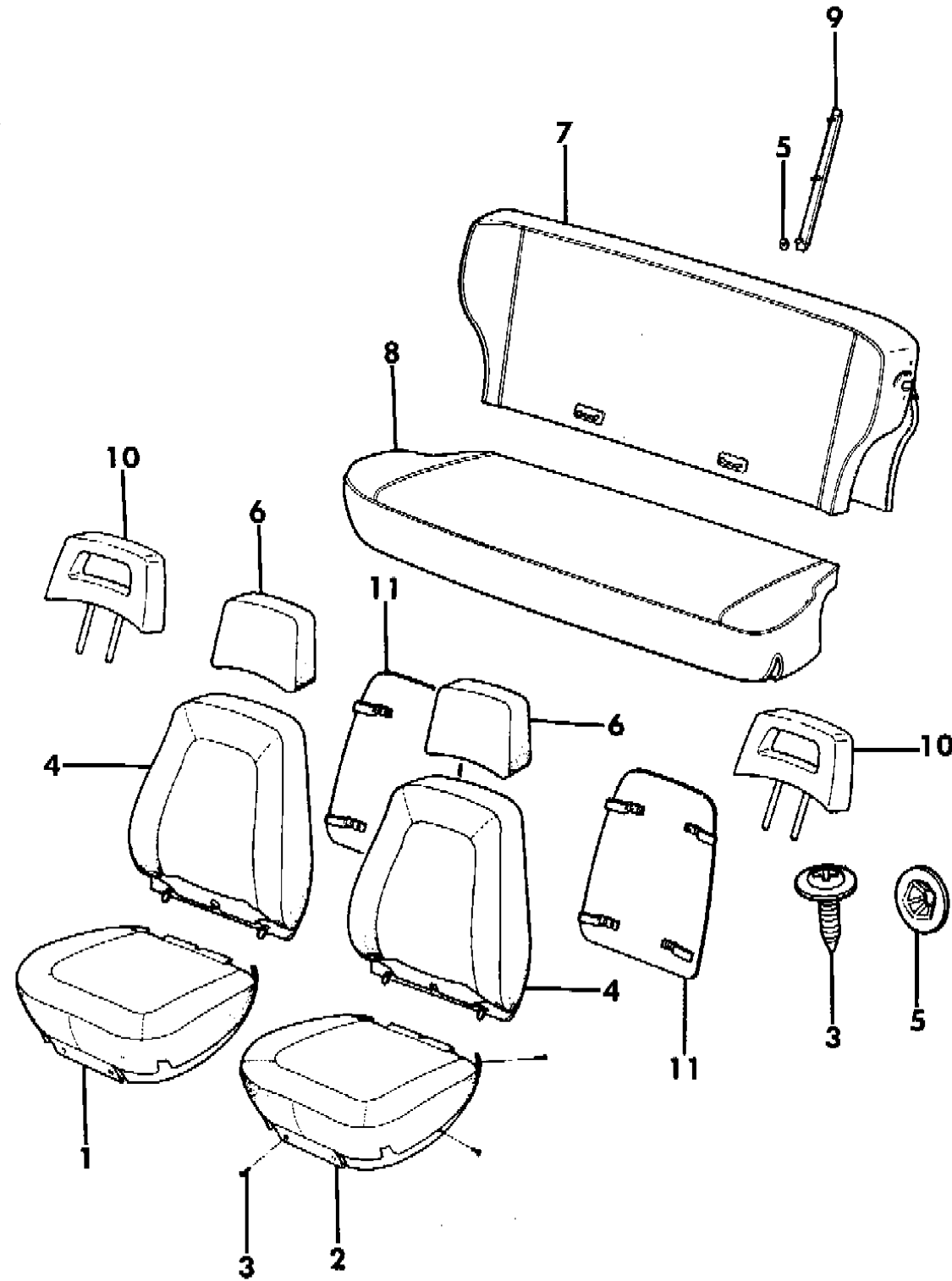
BODY STYLES:

MJ = Comanche Pickup
 SJ = Grand Wagoneer Wgn., J-10 & J-20 Pickups
 XJ = Cherokee, Wagoneer Limited
 YJ = Wrangler

AR = Use as Required - = Non Illustrated Part P.A.R. = Paint as Required

COVERS, SEAT UPHOLSTERY CLOTH AND LEATHER CHEROKEE 4 DOOR
Figure 43-2400

8J43 2400 A



| ITEM | PART NUMBER | QTY | BODY | MODEL | DESCRIPTION |
|------|-------------|-----|------|-------|-------------|
| | | | | | 1988-89 |
| | 5502 0174 | 2 | | | Charcoal |
| | | | | | 1990 |
| | 5BC2 7JXB | 2 | | | Charcoal |
| | 5BC2 7JY6 | 2 | | | Sand |

(a), 1988 Vehicle No. 000001 Thru No 133539
 (b), Vehicle No.133540 thru No....
 (c), 1987 Vehicle No. 00001 thru No. 175679
 (d), 1987 Vehicle No. 175680 thru No....

MODEL CODES:

| | | |
|-----------------------------|-----------------------------|------------------------------|
| 15 = Grand Wagoneer 4 Dr. | 65 = Comanche 4WD-7 Ft. Box | 77 = Cherokee 4WD-2 Dr. |
| 25 = J-10 Pickup-119" W.B. | 66 = Comanche 2WD-7 Ft. Box | 78 = Cherokee 4WD-4 Dr. |
| 26 = J-10 Pickup-131" W.B. | 73 = Cherokee 2WD-2 Dr. | 79 = Cherokee 4WD-4 Dr.-Com |
| 27 = J-20 Pickup-131" W.B. | 74 = Cherokee 2WD-4 Dr. | 81 = Wrangler-93" W.B. |
| 63 = Comanche 4WD-6 Ft. Box | 75 = Wagoneer 4WD-4 Dr. | 82 = Wrangler-103" W.B.-Exp. |
| 64 = Comanche 2WD-6 Ft. Box | | |

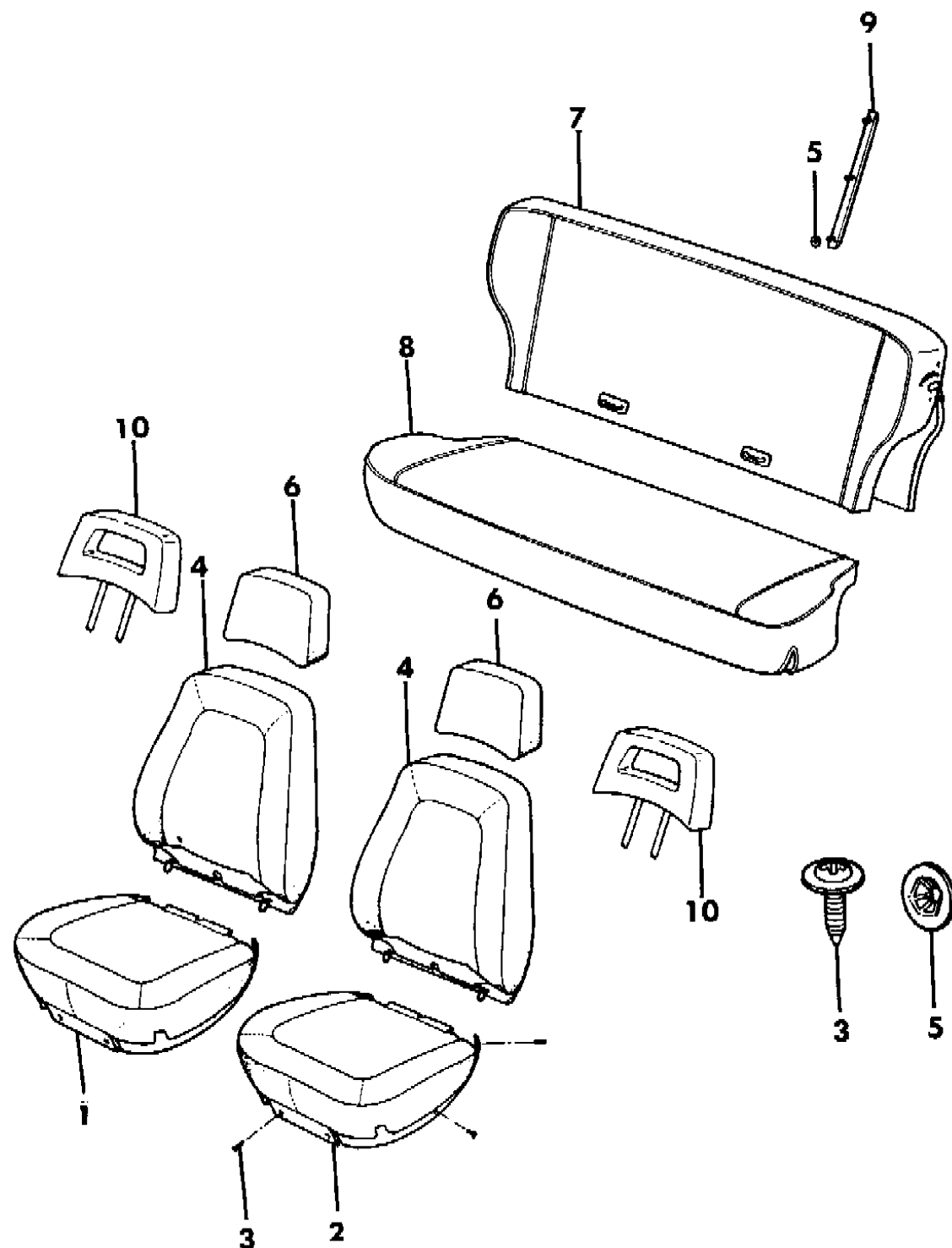
BODY STYLES:

MJ = Comanche Pickup
 SJ = Grand Wagoneer Wgn., J-10 & J-20 Pickups
 XJ = Cherokee, Wagoneer Limited
 YJ = Wrangler

AR = Use as Required - = Non Illustrated Part P.A.R. = Paint as Required

COVERS, SEAT UPHOLSTERY VINYL CHEROKEE 4 DOOR
Figure 43-2500

8J43 2500 A



| ITEM | PART NUMBER | QTY | BODY | MODEL | DESCRIPTION |
|------|-------------|-----|------|-------|------------------------------|
| 1-2 | | | | | COVER, Cushion |
| | | | | | 1987 |
| | | | | | Premium Vinyl |
| | 5501 2714-5 | 1 | | | Black (1QT) |
| | 5501 2710-1 | 1 | | | Med. Blue (3QT) |
| | 5501 2144-5 | 1 | | | Cordovan (4QT) |
| | 5501 2148-9 | 1 | | | Tan (6QT) |
| | | | | | Celtic Vinyl |
| | 5501 4446-7 | 1 | | | Black, (1PX) |
| | 5501 2140-1 | 1 | | | Tan, (6PX) |
| | | | | | 1988-89 |
| | | | | | Premium Vinyl |
| | 5501 8332-3 | 1 | | | Charcoal, (2QT or F8SA), (a) |
| | 5501 8328-9 | 1 | | | Navy, (3QT), (a) |
| | 5501 2144-5 | 1 | | | Cordovan, (5QT), (a) |
| | 5501 2148-9 | 1 | | | Tan, (6QT), (a) |
| | 5502 2030-1 | 1 | | | Charcoal, (F8SA or 2QT), (b) |
| | 5502 2026-7 | 1 | | | Navy, (3QT), (b) |
| | 5502 2034-5 | 1 | | | Cordovan, (5QT), (b) |
| | 5502 2038-9 | 1 | | | Tan, (6QT), (b) |
| | 5502 0866-7 | 1 | | | Sand, (F8YY), (b) |
| | | | | | Celtic Vinyl |
| | 5501 8324-5 | 1 | | | Charcoal, (2PX), (a) |
| | 5501 2140-1 | 1 | | | Tan, (6PX), (a) |
| | 5502 2018-9 | 1 | | | Charcoal, (2PX), (b) |
| | 5502 2022-3 | 1 | | | Tan, (6PX), (b) |
| | | | | | 1990 |
| | | | | | Premium Vinyl |
| | 5AH44-5 JS1 | 1 | | | Charcoal, (F8SA) |
| | 5AH44-5 JY1 | 1 | | | Sand, (F8YY) |
| 3 | 3420 1314 | 12 | | | SCREW |
| 4 | | | | | COVER, Back |
| | | | | | 1987 |
| | | | | | Premium Vinyl |
| | 5501 2727 | 2 | | | Black (1QT) |
| | 5501 2725 | 2 | | | Med. Blue (3QT) |
| | 5501 2172 | 2 | | | Cordovan (4QT) |

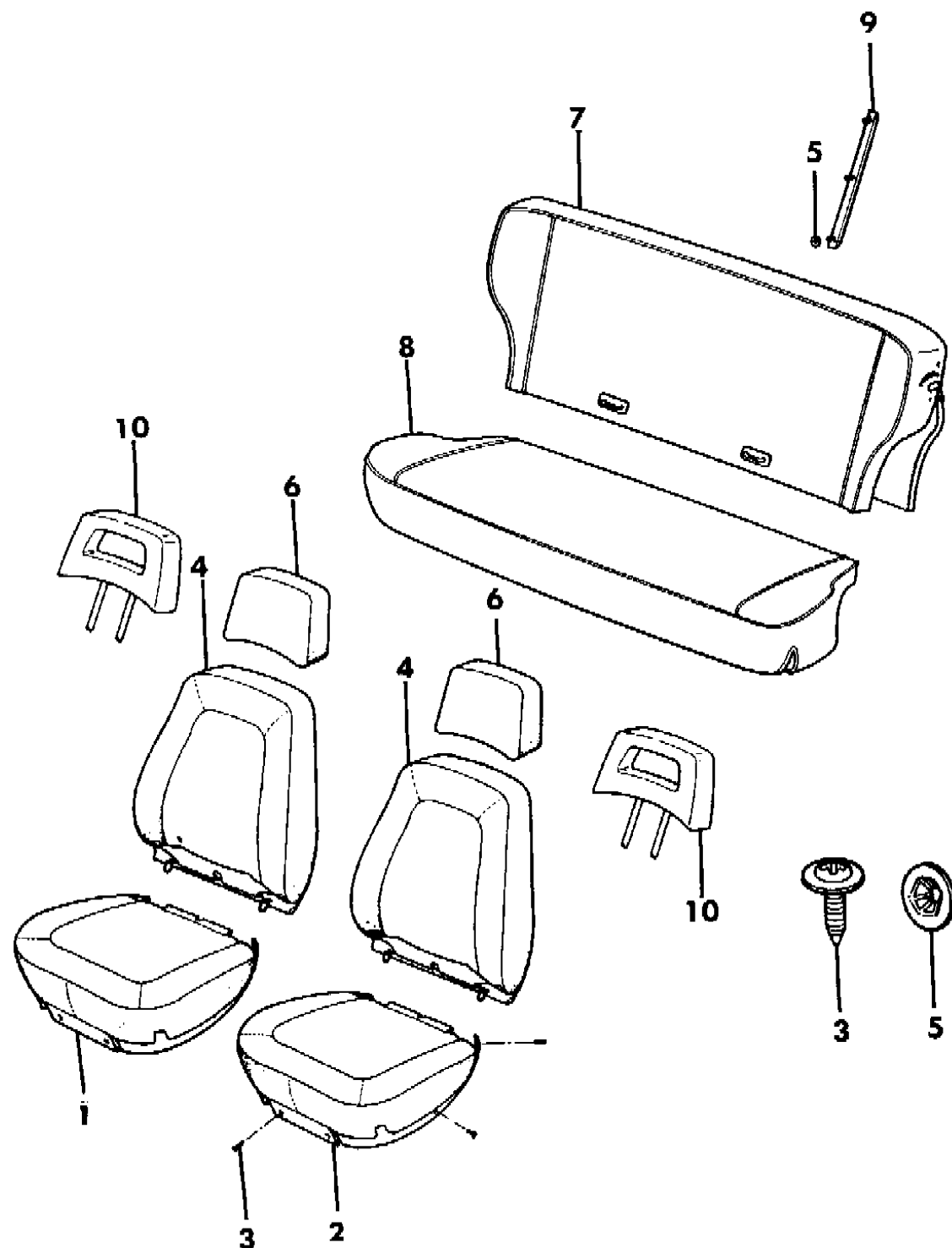
MODEL CODES:
 15 = Grand Wagoneer 4 Dr. 65 = Comanche 4WD-7 Ft. Box 77 = Cherokee 4WD-2 Dr.
 25 = J-10 Pickup-119" W.B. 66 = Comanche 2WD-7 Ft. Box 78 = Cherokee 4WD-4 Dr.
 26 = J-10 Pickup-131" W.B. 73 = Cherokee 2WD-2 Dr. 79 = Cherokee 4WD-4 Dr.-Com
 27 = J-20 Pickup-131" W.B. 74 = Cherokee 2WD-4 Dr. 81 = Wrangler-93" W.B.
 63 = Comanche 4WD-6 Ft. Box 75 = Wagoneer 4WD-4 Dr. 82 = Wrangler-103" W.B.-Exp.
 64 = Comanche 2WD-6 Ft. Box

BODY STYLES:
 MJ = Comanche Pickup
 SJ = Grand Wagoneer Wgn., J-10 & J-20 Pickups
 XJ = Cherokee, Wagoneer Limited
 YJ = Wrangler

AR = Use as Required - = Non Illustrated Part P.A.R. = Paint as Required

COVERS, SEAT UPHOLSTERY VINYL CHEROKEE 4 DOOR
Figure 43-2500

8J43 2500 A



| ITEM | PART NUMBER | QTY | BODY | MODEL | DESCRIPTION |
|------|-------------|-----|------|-------|--|
| | 5501 2176 | 2 | | | Tan (6QT) |
| | 5501 2168 | 2 | | | Celtic Vinyl Black, (1PX) |
| | 3501 2602 | 2 | | | Tan, (6PX) 1988-89 |
| | 5501 8361 | 2 | | | Premium Vinyl Charcoal, (2QT or F8SA) |
| | 5501 8359 | 2 | | | Navy, (3QT) |
| | 5501 9310 | 2 | | | Cordovan, (5QT) |
| | 5501 9314 | 2 | | | Tan, (6QT) |
| | 5502 1147 | 2 | | | Sand, (F8YY) Celtic Vinyl |
| | 3502 3355 | 2 | | | Charcoal, (2PX) |
| | 3501 2602 | 2 | | | Tan, (6PX) 1990 |
| | 5AH5 1JS1 | 2 | | | Premium Vinyl Charcoal, (F8SA) |
| | 5AH5 1JY1 | 2 | | | Sand, (F8YY) |
| 5 | 3420 2014 | 12 | | | NUT, Push |
| 6 | | | | | COVER, Headrest, for solid type headrest 1987 |
| | 5500 9103 | 2 | | | Premium Vinyl Black (1QT) |
| | 3500 7250 | 2 | | | Med. Blue (3QT) |
| | 3501 7042 | 2 | | | Cordovan (4QT) |
| | 3501 3109 | 2 | | | Tan (6QT) Celtic Vinyl |
| | 5500 9103 | 2 | | | Black, (1PX) |
| | 3501 3109 | 2 | | | Tan, (6PX) 1988-89 |
| | 3502 1229 | 2 | | | Charcoal |
| | 3502 1228 | 2 | | | Navy |
| | 3501 7042 | 2 | | | Cordovan |
| | 3501 3109 | 2 | | | Tan, (6QT) |
| | 3502 5326 | 2 | | | Sand 1990 |
| | 5AJ4 9JS1 | 2 | | | Charcoal |

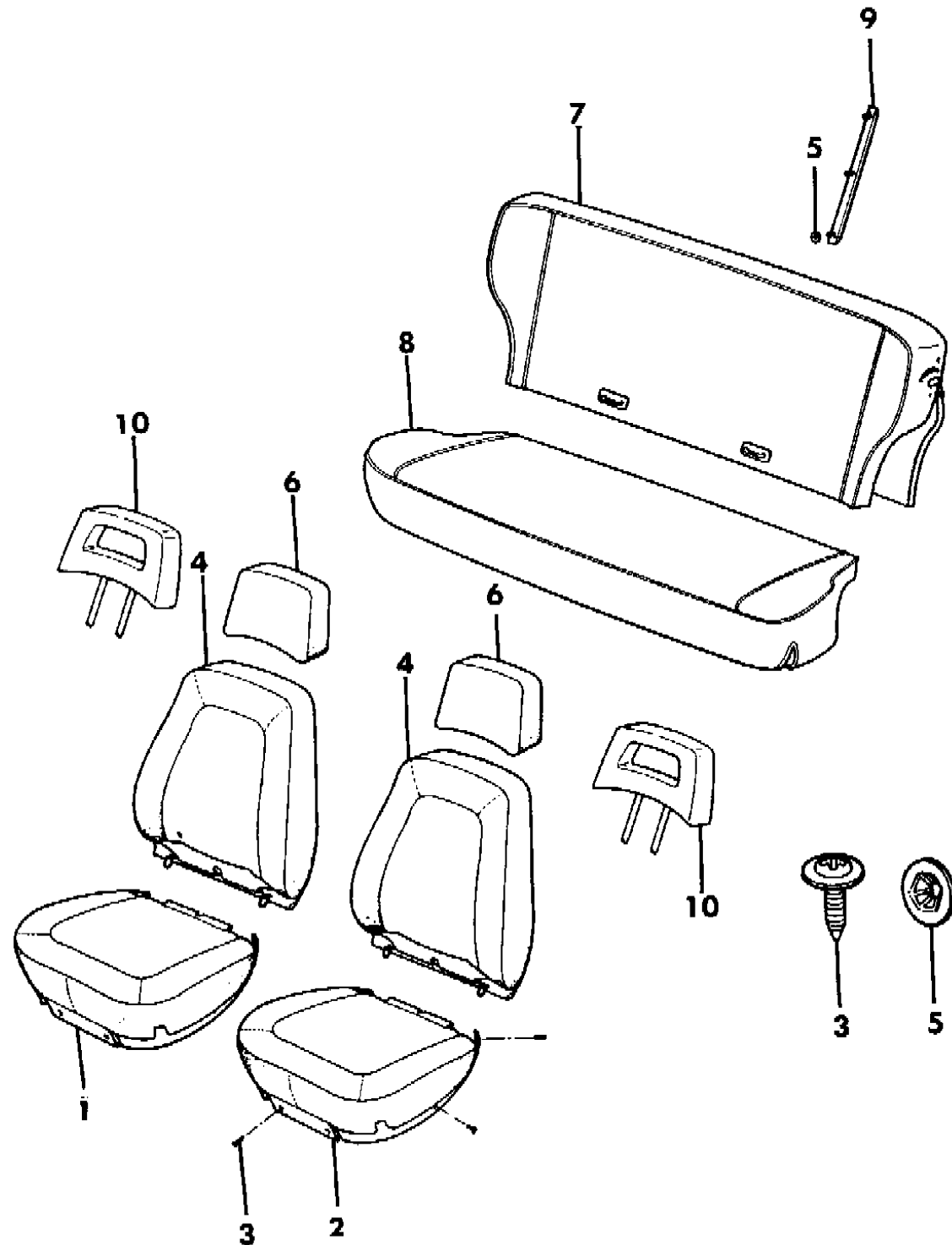
MODEL CODES:
 15 = Grand Wagoneer 4 Dr. 65 = Comanche 4WD-7 Ft. Box 77 = Cherokee 4WD-2 Dr.
 25 = J-10 Pickup-119" W.B. 66 = Comanche 2WD-7 Ft. Box 78 = Cherokee 4WD-4 Dr.
 26 = J-10 Pickup-131" W.B. 73 = Cherokee 2WD-2 Dr. 79 = Cherokee 4WD-4 Dr.-Com
 27 = J-20 Pickup-131" W.B. 74 = Cherokee 2WD-4 Dr. 81 = Wrangler-93" W.B.
 63 = Comanche 4WD-6 Ft. Box 75 = Wagoneer 4WD-4 Dr. 82 = Wrangler-103" W.B.-Exp.
 64 = Comanche 2WD-6 Ft. Box

BODY STYLES:
 MJ = Comanche Pickup
 SJ = Grand Wagoneer Wgn., J-10 & J-20 Pickups
 XJ = Cherokee, Wagoneer Limited
 YJ = Wrangler

AR = Use as Required - = Non Illustrated Part P.A.R. = Paint as Required

COVERS, SEAT UPHOLSTERY VINYL CHEROKEE 4 DOOR
Figure 43-2500

8J43 2500 A



| ITEM | PART NUMBER | QTY | BODY | MODEL | DESCRIPTION |
|------|-------------|-----|------|-------|---|
| | 5AJ4 9JY1 | 2 | | | Sand |
| 7 | | | | | COVER, Back 1987 Premium Vinyl |
| | 5501 2741 | 1 | | | Black (1QT) |
| | 5501 2740 | 1 | | | Med. Blue (3QT) |
| | 5501 2258 | 1 | | | Cordovan (4QT) |
| | 5501 2260 | 1 | | | Tan (6QT) Celtic Vinyl |
| | 5501 4467 | 1 | | | Black (1PX) |
| | 5501 2256 | 1 | | | Tan, (6PX) 1988-89 Premium Vinyl |
| | 5501 8407 | 1 | | | Charcoal, (2QT or F8SA), (a) |
| | 5502 2074 | 1 | | | Charcoal, (2QT or F8SA) (b) |
| | 5501 8406 | 1 | | | Navy, (3QT) |
| | 5501 2258 | 1 | | | Cordovan, (5QT) |
| | 5501 2260 | 1 | | | Tan, (6QT) |
| | 5502 2075 | 1 | | | Sand, (F8YY) Celtic Vinyl |
| | 5501 8404 | 1 | | | Charcoal, (2PX) |
| | 5501 2256 | 1 | | | Tan, (6PX) 1990 Premium Vinyl |
| | 5BB4 1JS1 | 1 | | | Charcoal, (F8SA) |
| | 5BB4 1JY1 | 1 | | | Sand, (F8YY) |
| 8 | | | | | COVER, Cushion 1987 Premium Vinyl |
| | 5501 2737 | 1 | | | Black (1QT) |
| | 5501 2736 | 1 | | | Med. Blue (3QT) |
| | 5501 2244 | 1 | | | Cordovan (4QT) |
| | 5501 2246 | 1 | | | Tan (6QT) Celtic Vinyl |
| | 5501 4466 | 1 | | | Black, (1PX) |
| | 5501 2242 | 1 | | | Tan, (6PX) 1988-89 |

MODEL CODES:

| | | |
|-----------------------------|-----------------------------|------------------------------|
| 15 = Grand Wagoneer 4 Dr. | 65 = Comanche 4WD-7 Ft. Box | 77 = Cherokee 4WD-2 Dr. |
| 25 = J-10 Pickup-119" W.B. | 66 = Comanche 2WD-7 Ft. Box | 78 = Cherokee 4WD-4 Dr. |
| 26 = J-10 Pickup-131" W.B. | 73 = Cherokee 2WD-2 Dr. | 79 = Cherokee 4WD-4 Dr.-Com |
| 27 = J-20 Pickup-131" W.B. | 74 = Cherokee 2WD-4 Dr. | 81 = Wrangler-93" W.B. |
| 63 = Comanche 4WD-6 Ft. Box | 75 = Wagoneer 4WD-4 Dr. | 82 = Wrangler-103" W.B.-Exp. |
| 64 = Comanche 2WD-6 Ft. Box | | |

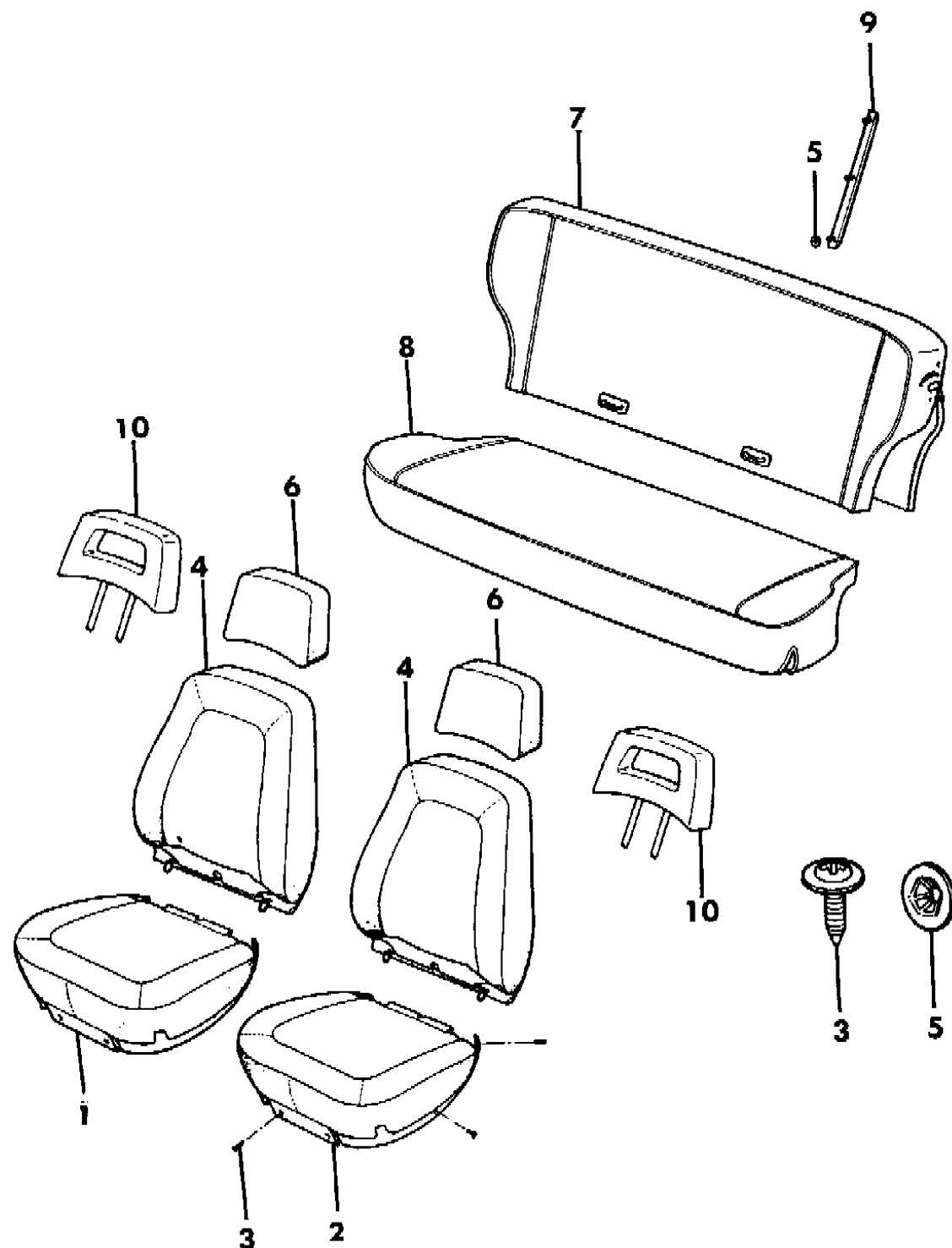
BODY STYLES:

MJ = Comanche Pickup
 SJ = Grand Wagoneer Wgn., J-10 & J-20 Pickups
 XJ = Cherokee, Wagoneer Limited
 YJ = Wrangler

AR = Use as Required - = Non Illustrated Part P.A.R. = Paint as Required

COVERS, SEAT UPHOLSTERY VINYL CHEROKEE 4 DOOR
Figure 43-2500

8J43 2500 A



| ITEM | PART NUMBER | QTY | BODY | MODEL | DESCRIPTION |
|------|-------------|-----|------|-------|----------------------------------|
| | | | | | Premium Vinyl |
| | 5501 8396 | 1 | | | Charcoal, (2QT or F8SA) |
| | 5501 8394 | 1 | | | Navy, (3QT) |
| | 5501 2244 | 1 | | | Cordovan, (5QT) |
| | 5501 2246 | 1 | | | Tan, (6QT) |
| | 5502 0884 | 1 | | | Sand, (F8YY) |
| | | | | | Celtic Vinyl |
| | 5501 8392 | 1 | | | Charcoal, (2PX) |
| | 5501 2242 | 1 | | | Tan, (6PX) |
| | | | | | 1990 |
| | | | | | Premium Vinyl |
| | 5AH7 8JS1 | 1 | | | Charcoal, (F8SA) |
| | 5AH7 8JY1 | 1 | | | Sand, (F8YY) |
| 9 | 5500 1076 | 6 | | | STRIP, Skid |
| 10 | | | | | HEADREST ASSY, see thru type *** |
| | | | | | 1988-89 |
| | 3502 1231 | 2 | | | Charcoal |
| | 3502 1230 | 2 | | | Navy |
| | 3501 7046 | 2 | | | Cordovan |
| | 3501 7044 | 2 | | | Tan |

NOTE: (a) = 1988 Vehicle No. 000001 Thru No. 133539
 NOTE: (b) = Vehicle No. 133540 thru No....

MODEL CODES:

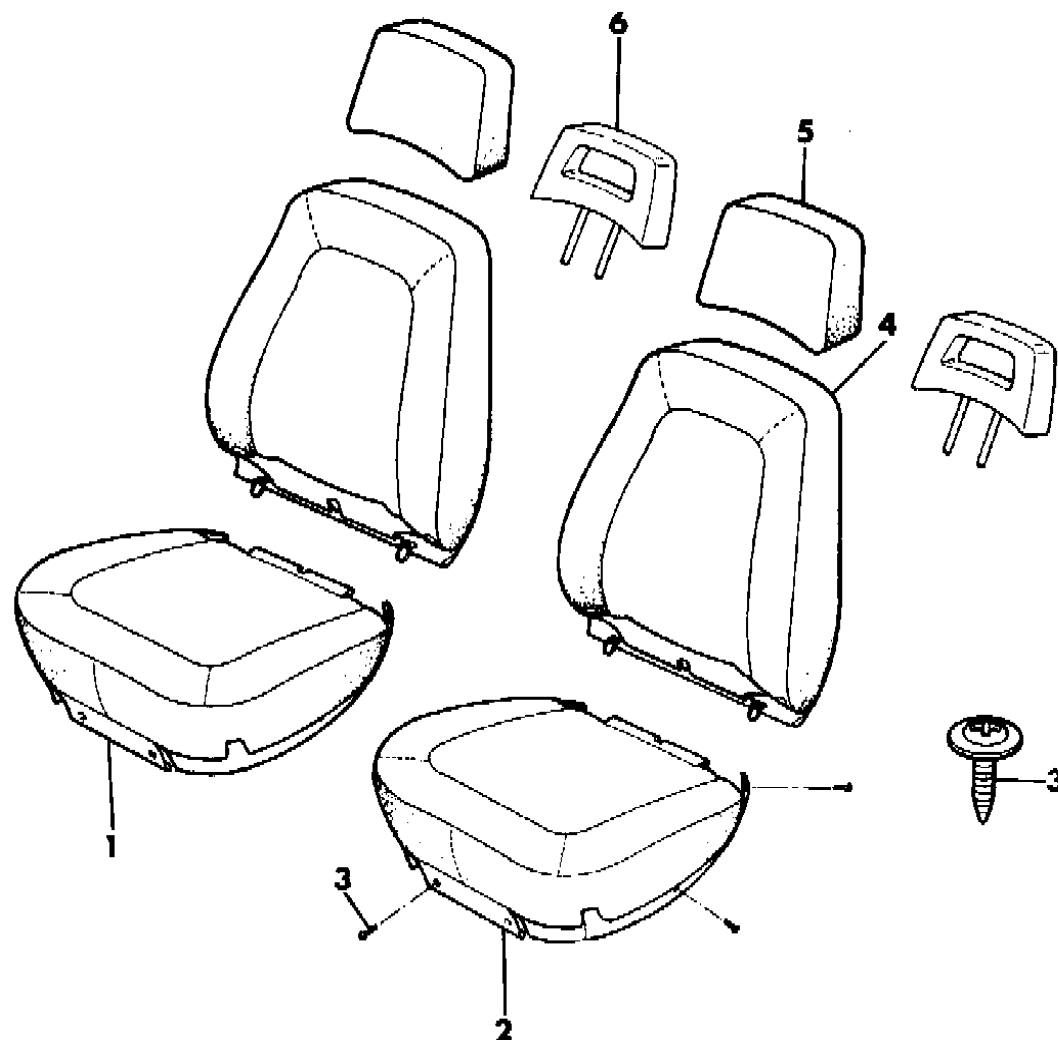
| | | |
|-----------------------------|-----------------------------|------------------------------|
| 15 = Grand Wagoneer 4 Dr. | 65 = Comanche 4WD-7 Ft. Box | 77 = Cherokee 4WD-2 Dr. |
| 25 = J-10 Pickup-119" W.B. | 66 = Comanche 2WD-7 Ft. Box | 78 = Cherokee 4WD-4 Dr. |
| 26 = J-10 Pickup-131" W.B. | 73 = Cherokee 2WD-2 Dr. | 79 = Cherokee 4WD-4 Dr.-Com |
| 27 = J-20 Pickup-131" W.B. | 74 = Cherokee 2WD-4 Dr. | 81 = Wrangler-93" W.B. |
| 63 = Comanche 4WD-6 Ft. Box | 75 = Wagoneer 4WD-4 Dr. | 82 = Wrangler-103" W.B.-Exp. |
| 64 = Comanche 2WD-6 Ft. Box | | |

BODY STYLES:
 MJ = Comanche Pickup
 SJ = Grand Wagoneer Wgn., J-10 & J-20 Pickups
 XJ = Cherokee, Wagoneer Limited
 YJ = Wrangler

AR = Use as Required - = Non Illustrated Part P.A.R. = Paint as Required

COVERS, SEAT UPHOLSTERY BUCKET SEATS COMANCHE
Figure 43-2600

8J43 2600 A



| ITEM | PART NUMBER | QTY | BODY | MODEL | DESCRIPTION |
|------|-------------|-----|------|-------|------------------------------|
| 1-2 | | | | | COVER, Cushion |
| | | | | | 1987 |
| | | | | | Tooled Vinyl |
| | 5501 2712-3 | 1 | | | Black, (1NT) |
| | 5501 2142-3 | 1 | | | Cordovan, (4NT) |
| | 5501 2708-9 | 1 | | | Medium Blue, (3NT) |
| | 5501 2146-7 | 1 | | | Tan, (6NT) |
| | | | | | Hunter Plaid |
| | 5501 2158-9 | 1 | | | Cordovan, (4NW) |
| | 5501 2162-3 | 1 | | | Tan, (6NW) |
| | | | | | 1988-89 |
| | | | | | Luggage Cloth |
| | 5501 9928-9 | 1 | | | Charcoal, (2NG or Q7SA), (a) |
| | 5502 2014-5 | 1 | | | Charcoal, (2NG or Q7SA), (b) |
| | | | | | Premium Vinyl |
| | 5501 8330-1 | 1 | | | Charcoal, (2NT or X8SA), (a) |
| | 5502 2028-9 | 1 | | | Charcoal, (2NT or X8SA), (b) |
| | 5501 8326-7 | 1 | | | Navy, (3NT, or X8Q8), (a) |
| | 5502 2024-5 | 1 | | | Navy, (3NT or X8Q8), (b) |
| | 5501 2142-3 | 1 | | | Cordovan, (5NT or X8H9), (a) |
| | 5502 2032-3 | 1 | | | Cordovan, (5NT or X8H9), (b) |
| | 5502 0864-5 | 1 | | | Sand, (X8YY) |
| | 5501 2146-7 | 1 | | | Tan, (6NT), (a) |
| | 5502 2036-7 | 1 | | | Tan, (6NT), (b) |
| | | | | | Hunter's Plaid |
| | 5501 8350-1 | 1 | | | Charcoal, (2NW), (a) |
| | 5502 2060-1 | 1 | | | Charcoal, (2NW), (b) |
| | 5501 2158-9 | 1 | | | Cordovan, (5NW), (a) |
| | 5502 2056-7 | 1 | | | Cordovan, (5NW), (b) |
| | | | | | 1990 |
| | | | | | Luggage Cloth |
| | 5AH36-7 JS1 | 1 | | | Charcoal, (Q7SA) |
| | | | | | Premium Vinyl |
| | 5AH42-3 JS1 | 1 | | | Charcoal, (X8SA) |
| | 5AH42-3 JY1 | 1 | | | Sand, (X8YY) |
| | 5AH42-3 JH9 | 1 | | | Cordovan, (X8H9) |
| 3 | 3420 1314 | 12 | | | SCREW |

MODEL CODES:

| | | |
|-----------------------------|-----------------------------|------------------------------|
| 15 = Grand Wagoneer 4 Dr. | 65 = Comanche 4WD-7 Ft. Box | 77 = Cherokee 4WD-2 Dr. |
| 25 = J-10 Pickup-119" W.B. | 66 = Comanche 2WD-7 Ft. Box | 78 = Cherokee 4WD-4 Dr. |
| 26 = J-10 Pickup-131" W.B. | 73 = Cherokee 2WD-2 Dr. | 79 = Cherokee 4WD-4 Dr.-Com |
| 27 = J-20 Pickup-131" W.B. | 74 = Cherokee 2WD-4 Dr. | 81 = Wrangler-93" W.B. |
| 63 = Comanche 4WD-6 Ft. Box | 75 = Wagoneer 4WD-4 Dr. | 82 = Wrangler-103" W.B.-Exp. |
| 64 = Comanche 2WD-6 Ft. Box | | |

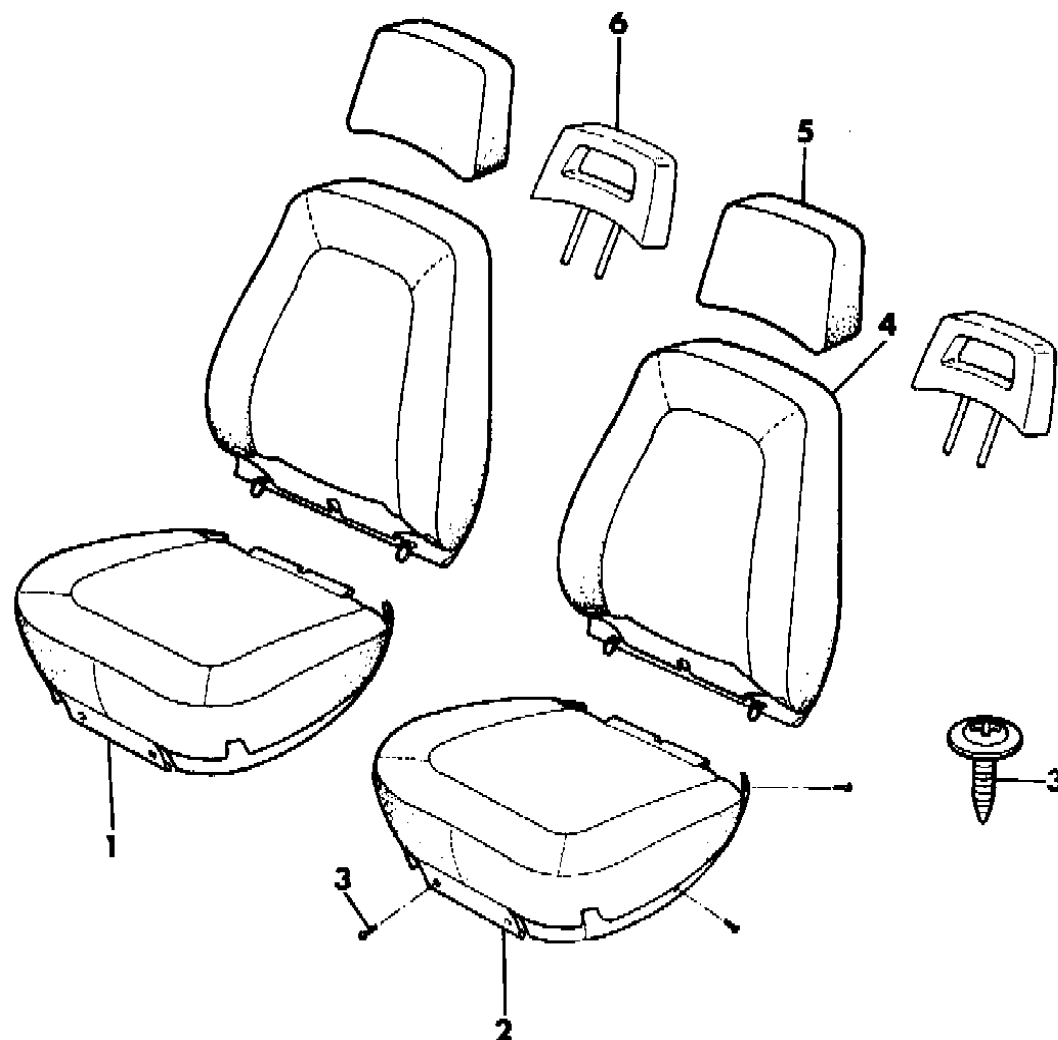
BODY STYLES:

MJ = Comanche Pickup
 SJ = Grand Wagoneer Wgn., J-10 & J-20 Pickups
 XJ = Cherokee, Wagoneer Limited
 YJ = Wrangler

AR = Use as Required - = Non Illustrated Part P.A.R. = Paint as Required

COVERS, SEAT UPHOLSTERY BUCKET SEATS COMANCHE
Figure 43-2600

8J43 2600 A



| ITEM | PART NUMBER | QTY | BODY | MODEL | DESCRIPTION |
|------|-------------|-----|------|-------|--|
| 4 | | | | | COVER, Back |
| | | | | | 1987 |
| | | | | | Tooled Vinyl |
| | 5501 2732 | 2 | | | Black, (1NT) |
| | 5501 3450 | 2 | | | Cordovan, (4NT) |
| | 5501 2733 | 2 | | | Medium Blue, (3NT) |
| | 5501 3448 | 2 | | | Tan, (6NT) |
| | | | | | Hunter Plaid |
| | 5501 3454-5 | 1 | | | Cordovan, (4NW) |
| | 5501 3452-3 | 1 | | | Tan, (6NW) |
| | | | | | 1988-89 |
| | | | | | Luggage Cloth |
| | 5501 9930-1 | 1 | | | Charcoal, (Q7SA or 2NG) |
| | | | | | Premium Vinyl |
| | 5501 8386 | 2 | | | Charcoal, (X8SA or 2NT) |
| | 5501 8387 | 2 | | | Navy, (X8Q8 or 3NT) |
| | 5501 3450 | 2 | | | Cordovan, (X8H9 or 5NT) |
| | 5502 0879 | 2 | | | Sand, (X8YY) |
| | 5501 3448 | 2 | | | Tan, (6NT) |
| | | | | | Hunter's Plaid |
| | 5501 8388-9 | 1 | | | Charcoal, (2NW) |
| | 5501 3454-5 | 1 | | | Cordovan, (5NW) |
| | | | | | 1990 |
| | | | | | Luggage Cloth |
| | 5AH38-9 JS1 | 1 | | | Charcoal, (Q7SA) |
| | | | | | Premium Vinyl |
| | 5AH6 1JS1 | 2 | | | Charcoal, (X8SA) |
| | 5AH6 1JH9 | 2 | | | Cordovan, (X8H9) |
| | 5AH6 1JY1 | 2 | | | Sand, (X8YY) |
| 5 | | | | | COVER, Headrest, for solid type headrest |
| | | | | | 1987-89 |
| | 5500 9103 | 2 | | | Black, 1987 |
| | 3502 1229 | 2 | | | Charcoal, 1988-89 |
| | 3500 7250 | 2 | | | Medium Blue, 1987 |
| | 3502 1228 | 2 | | | Navy, 1988-89 |
| | 3501 7042 | 2 | | | Cordovan, 1987-89 |
| | 3502 5326 | 2 | | | Sand, 1989 |

MODEL CODES:

| | | |
|-----------------------------|-----------------------------|------------------------------|
| 15 = Grand Wagoneer 4 Dr. | 65 = Comanche 4WD-7 Ft. Box | 77 = Cherokee 4WD-2 Dr. |
| 25 = J-10 Pickup-119" W.B. | 66 = Comanche 2WD-7 Ft. Box | 78 = Cherokee 4WD-4 Dr. |
| 26 = J-10 Pickup-131" W.B. | 73 = Cherokee 2WD-2 Dr. | 79 = Cherokee 4WD-4 Dr.-Com |
| 27 = J-20 Pickup-131" W.B. | 74 = Cherokee 2WD-4 Dr. | 81 = Wrangler-93" W.B. |
| 63 = Comanche 4WD-6 Ft. Box | 75 = Wagoneer 4WD-4 Dr. | 82 = Wrangler-103" W.B.-Exp. |
| 64 = Comanche 2WD-6 Ft. Box | | |

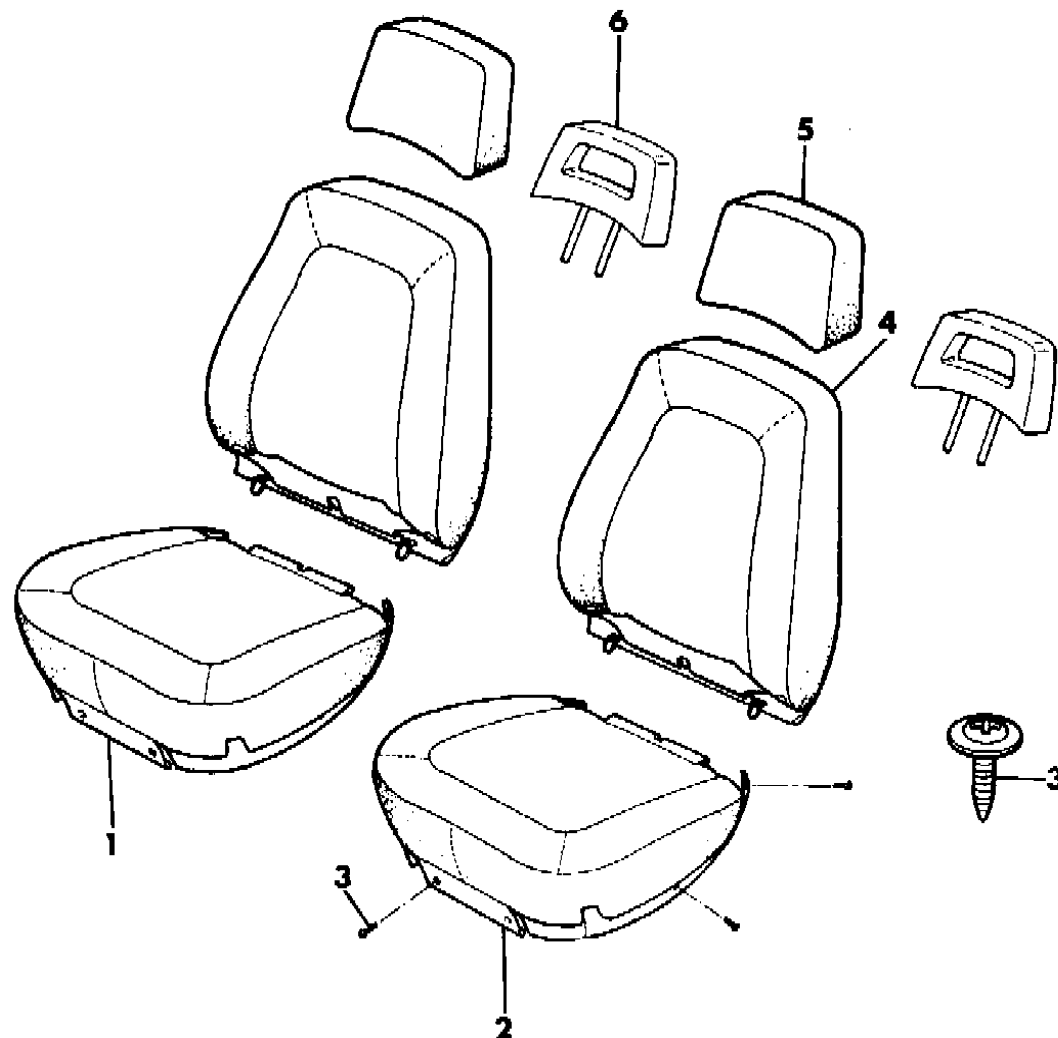
BODY STYLES:

MJ = Comanche Pickup
 SJ = Grand Wagoneer Wgn., J-10 & J-20 Pickups
 XJ = Cherokee, Wagoneer Limited
 YJ = Wrangler

AR = Use as Required - = Non Illustrated Part P.A.R. = Paint as Required

COVERS, SEAT UPHOLSTERY BUCKET SEATS COMANCHE
Figure 43-2600

8J43 2600 A



| ITEM | PART NUMBER | QTY | BODY | MODEL | DESCRIPTION |
|------|-------------|-----|------|-------|--|
| | 3501 3109 | 2 | | | Tan, 1987-88 |
| | | | | | 1990 |
| | 5AJ4 9JS1 | 2 | | | Charcoal |
| | 5AJ4 9JH9 | 2 | | | Cordovan |
| | 5AJ4 9JY1 | 2 | | | Sand |
| 6 | | | | | HEADREST ASSY, see thru type *** |
| | | | | | 1988-89 |
| | 3502 1231 | 2 | | | Charcoal |
| | 3502 1230 | 2 | | | Navy |
| | 3501 7046 | 2 | | | Cordovan |
| | 3501 7044 | 2 | | | Tan |
| | | | | | NOTE: (a) 1988 Vehicle No. 000001 thru No.133539 |
| | | | | | NOTE: (b) Vehicle No. 133540 Thru No.... |

MODEL CODES:

| | | |
|-----------------------------|-----------------------------|------------------------------|
| 15 = Grand Wagoneer 4 Dr. | 65 = Comanche 4WD-7 Ft. Box | 77 = Cherokee 4WD-2 Dr. |
| 25 = J-10 Pickup-119" W.B. | 66 = Comanche 2WD-7 Ft. Box | 78 = Cherokee 4WD-4 Dr. |
| 26 = J-10 Pickup-131" W.B. | 73 = Cherokee 2WD-2 Dr. | 79 = Cherokee 4WD-4 Dr.-Com |
| 27 = J-20 Pickup-131" W.B. | 74 = Cherokee 2WD-4 Dr. | 81 = Wrangler-93" W.B. |
| 63 = Comanche 4WD-6 Ft. Box | 75 = Wagoneer 4WD-4 Dr. | 82 = Wrangler-103" W.B.-Exp. |
| 64 = Comanche 2WD-6 Ft. Box | | |

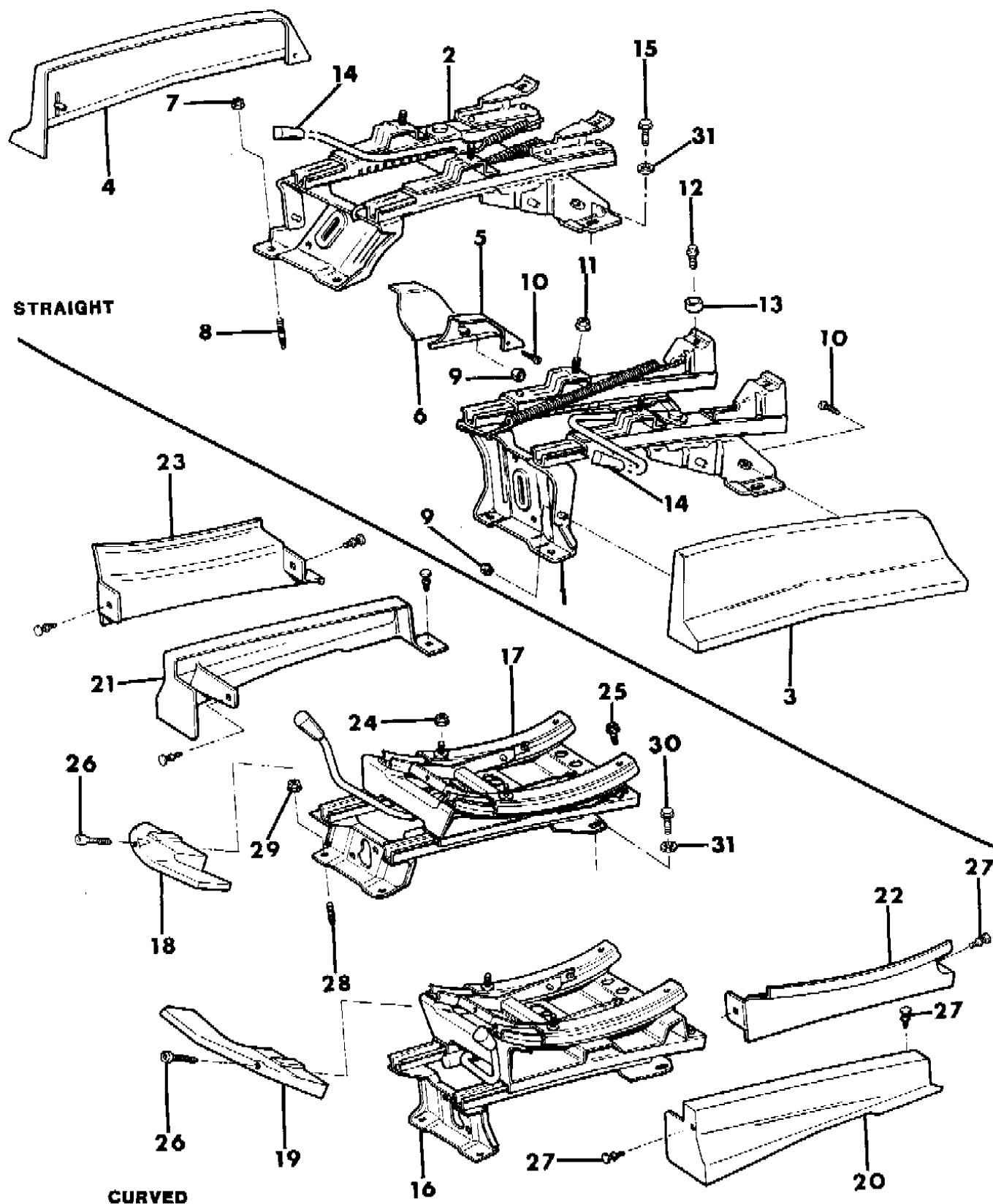
BODY STYLES:

MJ = Comanche Pickup
 SJ = Grand Wagoneer Wgn., J-10 & J-20 Pickups
 XJ = Cherokee, Wagoneer Limited
 YJ = Wrangler

AR = Use as Required - = Non Illustrated Part P.A.R. = Paint as Required

TRACKS, LESS POWER SEATS BUCKET SEAT CHEROKEE
Figure 43-2700

8J43 2700 A



| ITEM | PART NUMBER | QTY | BODY | MODEL | DESCRIPTION |
|-------|-------------|-----|------|-------|---|
| 1 | 5500 0381 | 1 | | | TRACK, Seat, Left, straight |
| 2 | 5500 0382 | 1 | | | TRACK, Seat, Right, straight |
| 3-4 | | | | | COVER, Track |
| | 5500 8740-1 | 1 | | | 1987-89, P.A.R. |
| | 5AC20-1 JA8 | 1 | | | 1990, Charcoal |
| | 5AC20-1 JH9 | 1 | | | 1990, Cordovan |
| | 5AC20-1 JY6 | 1 | | | 1990, Sand |
| 5-6 | | | | | COVER, Track |
| | 5500 8744-5 | 1 | | | 1987-89, P.A.R. |
| | 5AC22-3 JA8 | 1 | | | 1990, Charcoal |
| | 5AC22-3 JH9 | 1 | | | 1990, Cordovan |
| | 5AC22-3 JY6 | 1 | | | 1990, Sand |
| 7 | | | | | NUT |
| | 1150 2811 | 4 | | | 1987-89 |
| | 3420 1918 | 4 | | | 1990 |
| 8 | 3420 2209 | 4 | | | STUD |
| 9 | J400 6535 | 4 | | | NUT |
| 10 | | | | | SCREW |
| | 1150 1012 | 4 | | | 1987-89 |
| | J400 2461 | 4 | | | 1990 |
| 11 | 1150 2729 | 4 | | | NUT |
| 12 | 1150 4735 | 4 | | | BOLT |
| 13 | 5500 5555 | 8 | | | SPACER, optional |
| 14 | 8350 1412 | 2 | | | KNOB, Seat Latch |
| 15 | 3420 1257 | 4 | | | SCREW |
| 16-17 | 5500 6602-3 | 1 | | | TRACK, Seat, curved |
| 18-19 | 5500 6970-1 | 1 | | | HANDLE, Rocker |
| 20-21 | 5500 7042-3 | 1 | | | COVER, Track, P.A.R. (Casting # 55006852) |
| 22-23 | 5500 7222-3 | 1 | | | COVER, Track, P.A.R. |
| 24 | 1150 2729 | 8 | | | NUT |
| 25 | 1150 4735 | 4 | | | BOLT |
| 26 | T302 5006 | 2 | | | SCREW |
| 27 | | | | | FASTENER |
| | 3420 2138 | 12 | | | 1987-89, P.A.R. |
| | | | | | 1990 |
| | 5AA3 5JS1 | 12 | | | Charcoal |
| | 5AA3 5JH9 | 12 | | | Cordovan |

MODEL CODES:

| | | |
|-----------------------------|-----------------------------|------------------------------|
| 15 = Grand Wagoneer 4 Dr. | 65 = Comanche 4WD-7 Ft. Box | 77 = Cherokee 4WD-2 Dr. |
| 25 = J-10 Pickup-119" W.B. | 66 = Comanche 2WD-7 Ft. Box | 78 = Cherokee 4WD-4 Dr. |
| 26 = J-10 Pickup-131" W.B. | 73 = Cherokee 2WD-2 Dr. | 79 = Cherokee 4WD-4 Dr.-Com |
| 27 = J-20 Pickup-131" W.B. | 74 = Cherokee 2WD-4 Dr. | 81 = Wrangler-93" W.B. |
| 63 = Comanche 4WD-6 Ft. Box | 75 = Wagoneer 4WD-4 Dr. | 82 = Wrangler-103" W.B.-Exp. |
| 64 = Comanche 2WD-6 Ft. Box | | |

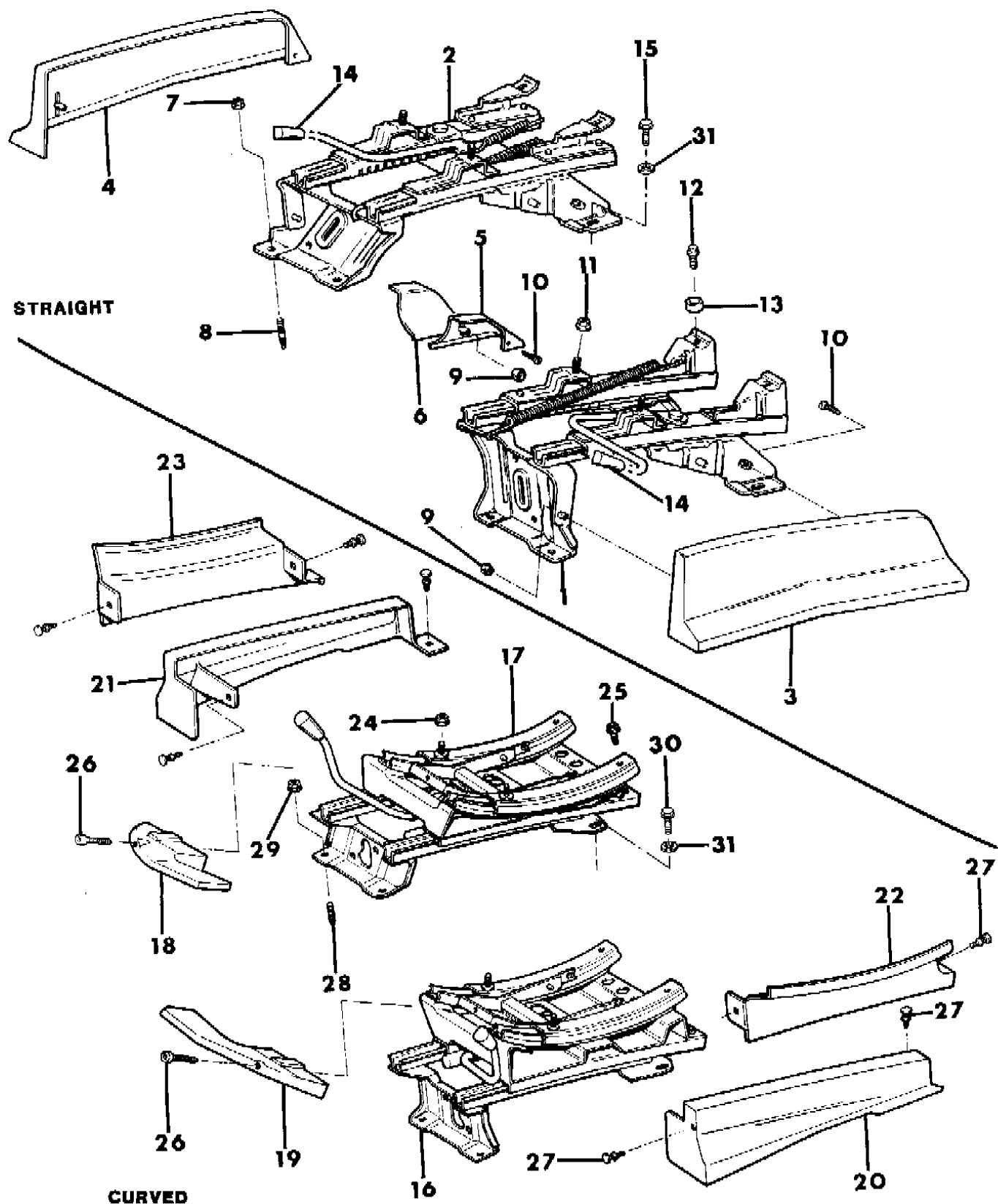
BODY STYLES:

MJ = Comanche Pickup
SJ = Grand Wagoneer Wgn., J-10 & J-20 Pickups
XJ = Cherokee, Wagoneer Limited
YJ = Wrangler

AR = Use as Required - = Non Illustrated Part P.A.R. = Paint as Required

TRACKS, LESS POWER SEATS BUCKET SEAT CHEROKEE
Figure 43-2700

8J43 2700 A



| ITEM | PART NUMBER | QTY | BODY | MODEL | DESCRIPTION |
|------|-------------|-----|------|-------|-------------|
| | 5AA3 5JY1 | 12 | | | Sand |
| 28 | 3420 2209 | 4 | | | STUD |
| 29 | 1150 2811 | 4 | | | NUT |
| 30 | 3420 1257 | 4 | | | SCREW |
| 31 | 1150 0323 | 4 | | | WASHER |

MODEL CODES:

| | | |
|-----------------------------|-----------------------------|------------------------------|
| 15 = Grand Wagoneer 4 Dr. | 65 = Comanche 4WD-7 Ft. Box | 77 = Cherokee 4WD-2 Dr. |
| 25 = J-10 Pickup-119" W.B. | 66 = Comanche 2WD-7 Ft. Box | 78 = Cherokee 4WD-4 Dr. |
| 26 = J-10 Pickup-131" W.B. | 73 = Cherokee 2WD-2 Dr. | 79 = Cherokee 4WD-4 Dr.-Com |
| 27 = J-20 Pickup-131" W.B. | 74 = Cherokee 2WD-4 Dr. | 81 = Wrangler-93" W.B. |
| 63 = Comanche 4WD-6 Ft. Box | 75 = Wagoneer 4WD-4 Dr. | 82 = Wrangler-103" W.B.-Exp. |
| 64 = Comanche 2WD-6 Ft. Box | | |

BODY STYLES:

MJ = Comanche Pickup
SJ = Grand Wagoneer Wgn., J-10 & J-20 Pickups
XJ = Cherokee, Wagoneer Limited
YJ = Wrangler

AR = Use as Required - = Non Illustrated Part P.A.R. = Paint as Required

TRACKS, WITH POWER SEATS BUCKET SEAT CHEROKEE, WAGONEER
Figure 43-2800

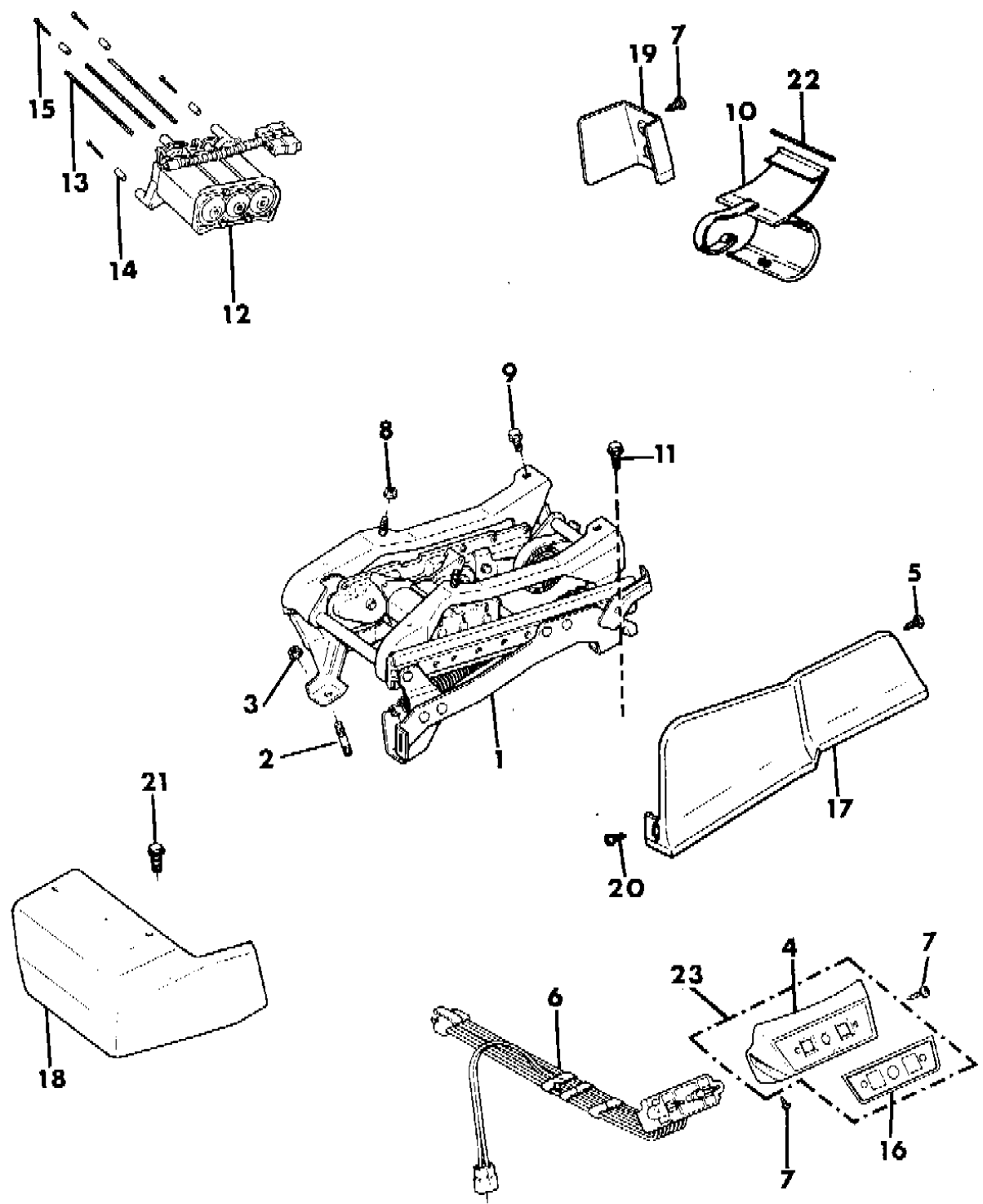
8J43 2800 A

| ITEM | PART NUMBER | QTY | BODY | MODEL | DESCRIPTION |
|------|-------------|-----|------|-------|--|
| 1 | | | | | TRACK, Power Seat |
| | 5500 8542-3 | 1 | | | For vehicles built up to 5/14/90 |
| | 5600 6288-9 | 1 | | | For vehicles built 5/15/90 and later |
| 2 | 3420 2209 | 8 | | | STUD |
| 3 | 1150 2811 | 8 | | | NUT |
| 4 | 5501 0692-3 | 1 | | | BEZEL, Switch, 1987-89, P.A.R. |
| 5 | | | | | SCREW |
| | 1150 1012 | AR | | | 16mm Long |
| | J400 4642 | AR | | | 13mm Long |
| | J400 4664 | AR | | | 20mm Long |
| 6 | | | | | SWITCH ASSY, Power Seat |
| | 5600 1598-9 | 1 | | | 1987 |
| | 5600 2896-7 | 1 | | | 1988-90, For vehicles built up to 5/14/90 |
| | 5600 6284-5 | 1 | | | 1990, For vehicles built 5/15/90 and later |
| 7 | 3420 1781 | 4 | | | SCREW |
| 8 | 1150 2729 | 4 | | | NUT |
| 9 | 1150 4735 | 4 | | | BOLT |
| 10 | | | | | COVER, Carpet |
| | | | | | 1987 |
| | | | | | Right |
| | 5500 8751 | 1 | | | Black, Except Cherokee Limited |
| | 5501 8807 | 1 | | | Black, Cherokee Limited |
| | 5500 8749 | 1 | | | Medium Blue |
| | 5501 2041 | 1 | | | Cordovan, Except Wagoneer Limited or Cherokee Laredo |
| | 5501 2049 | 1 | | | Cordovan, Wagoneer Limited, or Cherokee Laredo |
| | 5501 2043 | 1 | | | Tan, Except Wagoneer Limited, or Cherokee Laredo |
| | 5501 2051 | 1 | | | Tan, Wagoneer Limited or Cherokee Laredo |
| | | | | | Left |
| | 5500 8750 | 1 | | | Black, Except Cherokee Limited |
| | 5501 8806 | 1 | | | Black, Cherokee Limited |
| | 5500 8748 | 1 | | | Medium Blue |
| | 5501 2040 | 1 | | | Cordovan, Except Wagoneer Limited or Cherokee Laredo |
| | 5501 2048 | 1 | | | Cordovan, Wagoneer Limited or Cherokee Laredo |
| | 5501 2042 | 1 | | | Tan, Except Wagoneer Limited or Cherokee Laredo |
| | 5501 2050 | 1 | | | Tan, Wagoneer Limited or Cherokee Laredo |
| | | | | | 1988-89 |
| | | | | | Right |

MODEL CODES:
 15 = Grand Wagoneer 4 Dr. 65 = Comanche 4WD-7 Ft. Box 77 = Cherokee 4WD-2 Dr.
 25 = J-10 Pickup-119" W.B. 66 = Comanche 2WD-7 Ft. Box 78 = Cherokee 4WD-4 Dr.
 26 = J-10 Pickup-131" W.B. 73 = Cherokee 2WD-2 Dr. 79 = Cherokee 4WD-4 Dr.-Com
 27 = J-20 Pickup-131" W.B. 74 = Cherokee 2WD-4 Dr. 81 = Wrangler-93" W.B.
 63 = Comanche 4WD-6 Ft. Box 75 = Wagoneer 4WD-4 Dr. 82 = Wrangler-103" W.B.-Exp.
 64 = Comanche 2WD-6 Ft. Box

BODY STYLES:
 MJ = Comanche Pickup
 SJ = Grand Wagoneer Wgn., J-10 & J-20 Pickups
 XJ = Cherokee, Wagoneer Limited
 YJ = Wrangler

AR = Use as Required - = Non Illustrated Part P.A.R. = Paint as Required



TRACKS, WITH POWER SEATS BUCKET SEAT CHEROKEE, WAGONEER
Figure 43-2800

8J43 2800 A

| ITEM | PART NUMBER | QTY | BODY | MODEL | DESCRIPTION |
|------|-------------|-----|------|-------|--|
| | 5501 8239 | 1 | | | Charcoal, Except Wagoneer Limited or Cherokee Limited or Cherokee Laredo |
| | 5501 9813 | 1 | | | Charcoal, Cherokee Laredo or Cherokee Limited |
| | 5501 2041 | 1 | | | Cordovan, Except Wagoneer Limited or Cherokee Laredo or Cherokee Limited |
| | 5501 2049 | 1 | | | Cordovan, Wagoneer Limited or Cherokee Laredo |
| | 5501 8237 | 1 | | | Navy, Except Wagoneer Limited or Cherokee Laredo or Cherokee Limited |
| | 5501 2043 | 1 | | | Tan, Except Wagoneer Limited or Cherokee Laredo or Cherokee Limited, 1988 |
| | 5501 2051 | 1 | | | Tan, Wagoneer Limited, 1988 |
| | 5502 0817 | 1 | | | Sand, Except Wagoneer Limited or Cherokee Laredo or Cherokee Limited, 1989 |
| | 5502 0821 | 1 | | | Sand, Wagoneer Limited, 1989 |
| | 5501 8238 | 1 | | | Charcoal, Except Wagoneer Limited or Cherokee Laredo or Cherokee Limited |
| | 5501 9812 | 1 | | | Charcoal, Cherokee Laredo or Cherokee Limited |
| | 5501 2040 | 1 | | | Cordovan, Except Wagoneer Limited or Cherokee Laredo or Cherokee Limited |
| | 5501 2048 | 1 | | | Cordovan, Wagoneer Limited or Cherokee Laredo |
| | 5501 8236 | 1 | | | Navy, Except Wagoneer Limited or Cherokee Laredo or Cherokee Limited |
| | 5501 2042 | 1 | | | Tan, Except Wagoneer Limited or Cherokee Laredo or Cherokee Limited, 1988 |
| | 5501 2050 | 1 | | | Tan, Wagoneer Limited, 1988 |
| | 5502 0816 | 1 | | | Sand, Except Wagoneer Limited or Cherokee Laredo or Cherokee Limited, 1989 |
| | 5502 0820 | 1 | | | Sand, Wagoneer Limited, 1989 |
| | | | | | 1990 |
| | | | | | With Euro Package, 12 ounce |
| | | | | | Right |
| | 5AD5 7JA8 | 1 | | | Charcoal |
| | 5AD5 7JH9 | 1 | | | Cordovan |
| | 5AD5 7JY6 | 1 | | | Sand |
| | | | | | Left |
| | 5AD5 6JA8 | 1 | | | Charcoal |

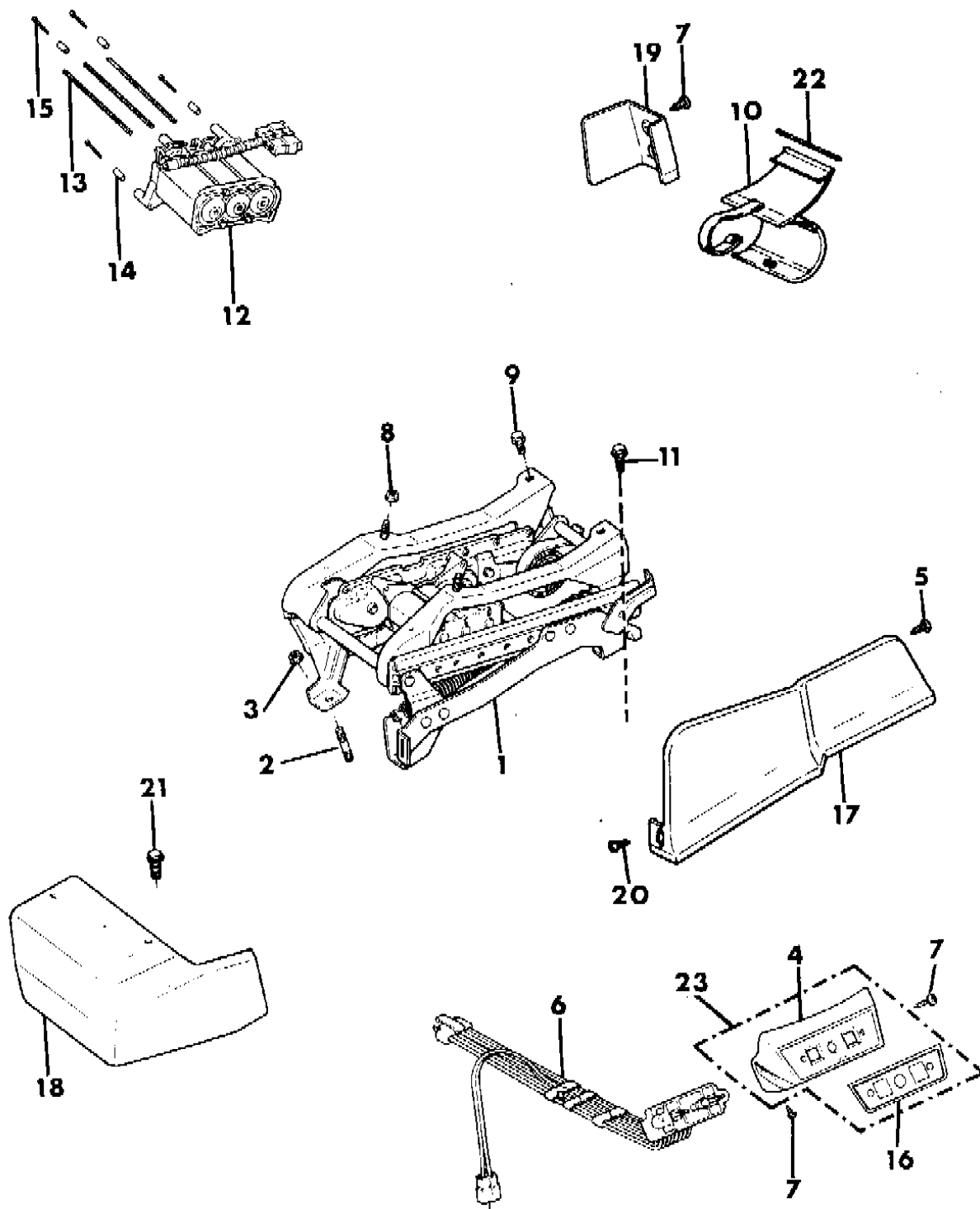
MODEL CODES:

| | | |
|-----------------------------|-----------------------------|------------------------------|
| 15 = Grand Wagoneer 4 Dr. | 65 = Comanche 4WD-7 Ft. Box | 77 = Cherokee 4WD-2 Dr. |
| 25 = J-10 Pickup-119" W.B. | 66 = Comanche 2WD-7 Ft. Box | 78 = Cherokee 4WD-4 Dr. |
| 26 = J-10 Pickup-131" W.B. | 73 = Cherokee 2WD-2 Dr. | 79 = Cherokee 4WD-4 Dr.-Com |
| 27 = J-20 Pickup-131" W.B. | 74 = Cherokee 2WD-4 Dr. | 81 = Wrangler-93" W.B. |
| 63 = Comanche 4WD-6 Ft. Box | 75 = Wagoneer 4WD-4 Dr. | 82 = Wrangler-103" W.B.-Exp. |
| 64 = Comanche 2WD-6 Ft. Box | | |

BODY STYLES:

| |
|---|
| MJ = Comanche Pickup |
| SJ = Grand Wagoneer Wgn., J-10 & J-20 Pickups |
| XJ = Cherokee, Wagoneer Limited |
| YJ = Wrangler |

AR = Use as Required - = Non Illustrated Part P.A.R. = Paint as Required



TRACKS, WITH POWER SEATS BUCKET SEAT CHEROKEE, WAGONEER
Figure 43-2800

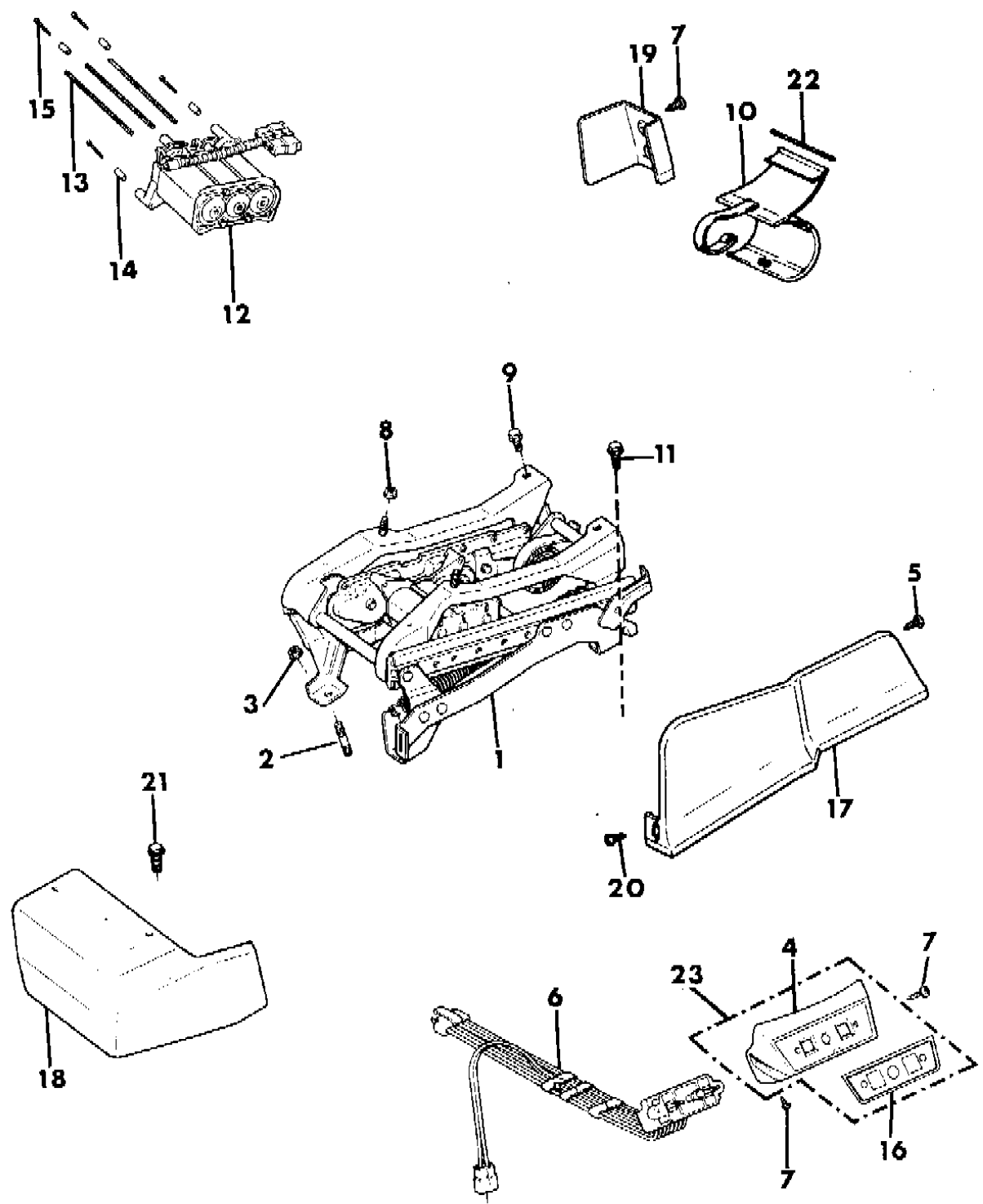
8J43 2800 A

| ITEM | PART NUMBER | QTY | BODY | MODEL | DESCRIPTION |
|------|-------------|-----|------|-------|---|
| | 5AD5 6JH9 | 1 | | | Cordovan |
| | 5AD5 6JY6 | 1 | | | Sand |
| | 5AD5 5JA8 | 1 | | | Charcoal |
| | 5AD5 5JH9 | 1 | | | Cordovan |
| | 5AD5 5JY6 | 1 | | | Sand |
| | 5AD5 4JA8 | 1 | | | Charcoal |
| | 5AD5 4JH9 | 1 | | | Cordovan |
| | 5AD5 4JY6 | 1 | | | Sand |
| 11 | | | | | SCREW |
| | 3420 1888 | 2 | | | 1987 |
| | 3420 1257 | 2 | | | 1988-90 |
| 12 | | | | | MOTOR |
| | 5600 1587 | 2 | | | For vehicles built up to 5/14/90 |
| | 5600 6286 | 2 | | | For vehicles built 5/15/90 and later (Stamped 56001073) |
| 13 | 8350 2059 | 6 | | | CABLE |
| 14 | 8350 2060 | 8 | | | BUSHING |
| 15 | 8350 2061 | 8 | | | SCREW |
| 16 | | | | | OVERLAY |
| | 5500 4508 | 2 | | | Woodgrain |
| | 5500 6716 | 2 | | | Black |
| 17 | | | | | COVER, Track |
| | | | | | 1987-89 |
| | 5500 8782 | 1 | | | Right |
| | 5500 8783 | 1 | | | Left |
| | | | | | 1990 |
| | | | | | Right |
| | 5AD0 6JA8 | 1 | | | Charcoal |
| | 5AD0 6JH9 | 1 | | | Cordovan |
| | 5AD0 6JY6 | 1 | | | Sand |
| | | | | | Left |
| 18 | 5AD0 7JY6 | 1 | | | P.A.R. |
| | | | | | COVER, Track, P.A.R. |
| | | | | | 1987-89 |
| | 5500 8786 | 1 | | | Right |

MODEL CODES:
 15 = Grand Wagoneer 4 Dr. 65 = Comanche 4WD-7 Ft. Box 77 = Cherokee 4WD-2 Dr.
 25 = J-10 Pickup-119" W.B. 66 = Comanche 2WD-7 Ft. Box 78 = Cherokee 4WD-4 Dr.
 26 = J-10 Pickup-131" W.B. 73 = Cherokee 2WD-2 Dr. 79 = Cherokee 4WD-4 Dr.-Com
 27 = J-20 Pickup-131" W.B. 74 = Cherokee 2WD-4 Dr. 81 = Wrangler-93" W.B.
 63 = Comanche 4WD-6 Ft. Box 75 = Wagoneer 4WD-4 Dr. 82 = Wrangler-103" W.B.-Exp.
 64 = Comanche 2WD-6 Ft. Box

BODY STYLES:
 MJ = Comanche Pickup
 SJ = Grand Wagoneer Wgn., J-10 & J-20 Pickups
 XJ = Cherokee, Wagoneer Limited
 YJ = Wrangler

AR = Use as Required - = Non Illustrated Part P.A.R. = Paint as Required



TRACKS, WITH POWER SEATS BUCKET SEAT CHEROKEE, WAGONEER
Figure 43-2800

8J43 2800 A

| ITEM | PART NUMBER | QTY | BODY | MODEL | DESCRIPTION |
|------|-------------|-----|------|-------|----------------------------|
| | 5500 8787 | 1 | | | Left |
| | | | | | 1990 |
| | 5AD5 8JY6 | 1 | | | Right |
| | 5AD0 9JY6 | 1 | | | Left |
| 19 | | | | | Cover, Track, P.A.R. *** |
| | | | | | 1987-89 |
| | 5500 6134 | 1 | | | Passenger Seat |
| | 5500 6135 | 1 | | | Driver seat |
| | | | | | 1990 |
| | 5AD1 0JY6 | 1 | | | Passenger Seat |
| | 5AD1 1JY6 | 1 | | | Driver Seat |
| 20 | | | | | SCREW |
| | 1150 1012 | 12 | | | 1987-89 |
| | J400 2461 | 12 | | | 1990 |
| 21 | 3420 1314 | 4 | | | SCREW |
| 22 | 5500 3346 | 2 | | | WIRE, Cover |
| 23 | | | | | BEZEL AND OVERLAY ASSY *** |
| | | | | | Right |
| | | | | | Wagoneer |
| | 5AK4 6JH9 | 1 | | | Cordovan |
| | 5AK4 6JY6 | 1 | | | Sand |
| | | | | | Except Wagoneer |
| | 5AD3 4JA8 | 1 | | | Charcoal |
| | 5AD3 4JH9 | 1 | | | Cordovan |
| | 5AD3 4JY1 | 1 | | | Sand |
| | 5AD3 4KY6 | 1 | | | Dk. Sand |
| | | | | | Left |
| | | | | | Wagoneer |
| | 5AK4 7JH9 | 1 | | | Cordovan |
| | 5AK4 7JY6 | 1 | | | Sand |
| | | | | | Except Wagoneer |
| | 5AD3 5JA8 | 1 | | | Charcoal |
| | 5AD3 5JH9 | 1 | | | Cordovan |
| | 5AD3 5JY1 | 1 | | | Sand |
| | 5AD3 5KY6 | 1 | | | Dk. Sand |

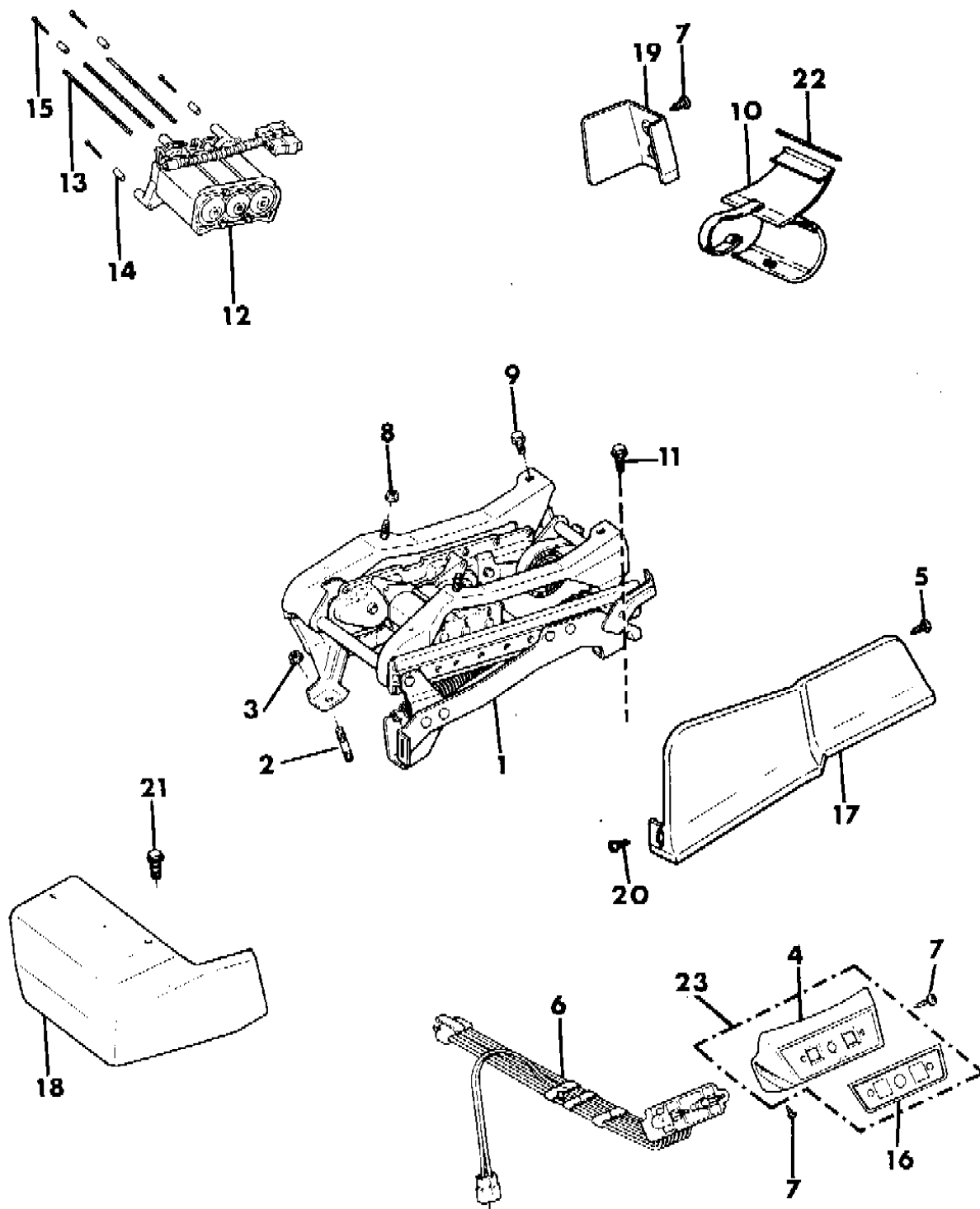
MODEL CODES:

| | | |
|-----------------------------|-----------------------------|------------------------------|
| 15 = Grand Wagoneer 4 Dr. | 65 = Comanche 4WD-7 Ft. Box | 77 = Cherokee 4WD-2 Dr. |
| 25 = J-10 Pickup-119" W.B. | 66 = Comanche 2WD-7 Ft. Box | 78 = Cherokee 4WD-4 Dr. |
| 26 = J-10 Pickup-131" W.B. | 73 = Cherokee 2WD-2 Dr. | 79 = Cherokee 4WD-4 Dr.-Com |
| 27 = J-20 Pickup-131" W.B. | 74 = Cherokee 2WD-4 Dr. | 81 = Wrangler-93" W.B. |
| 63 = Comanche 4WD-6 Ft. Box | 75 = Wagoneer 4WD-4 Dr. | 82 = Wrangler-103" W.B.-Exp. |
| 64 = Comanche 2WD-6 Ft. Box | | |

BODY STYLES:

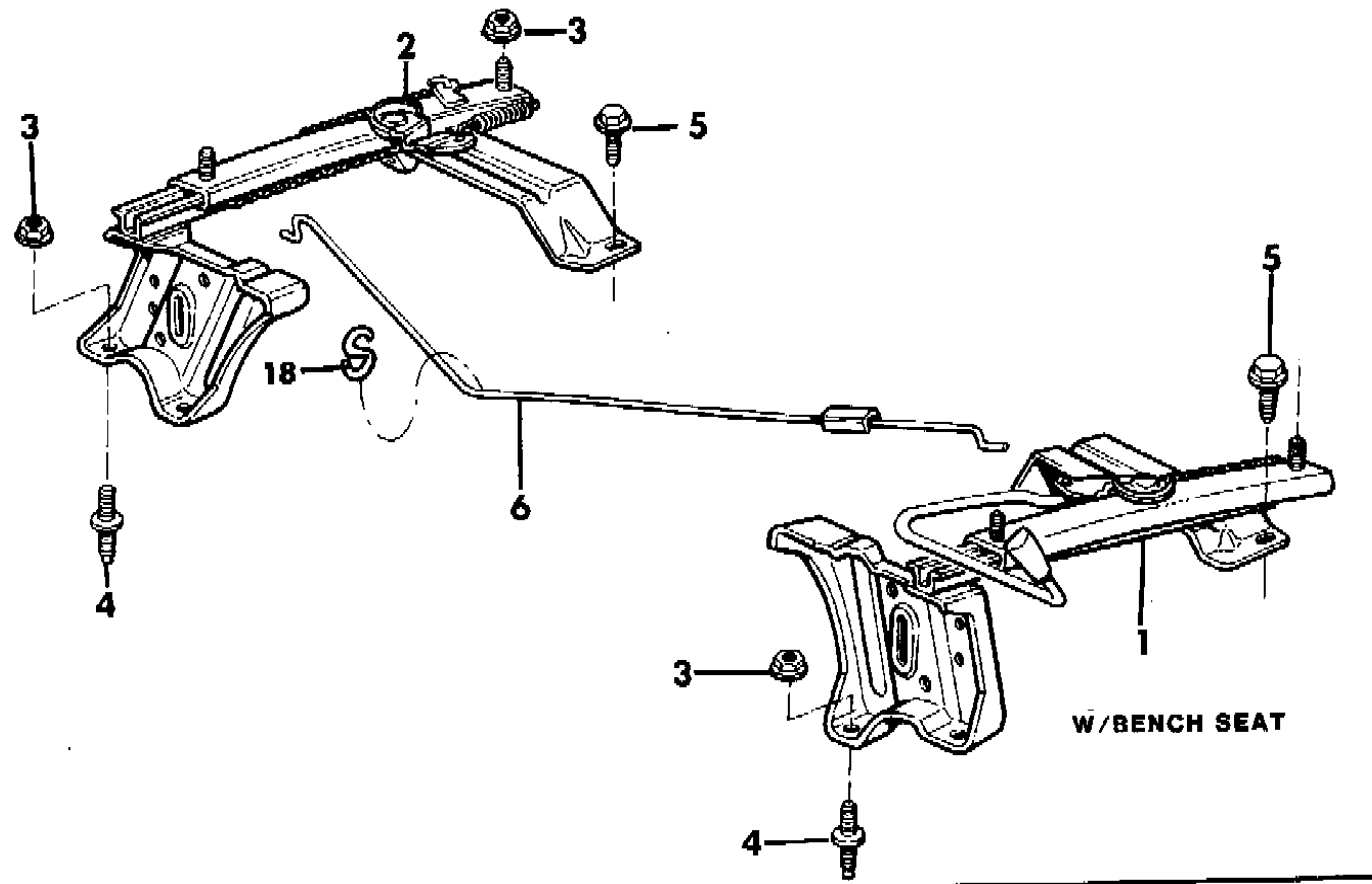
MJ = Comanche Pickup
SJ = Grand Wagoneer Wgn., J-10 & J-20 Pickups
XJ = Cherokee, Wagoneer Limited
YJ = Wrangler

AR = Use as Required - = Non Illustrated Part P.A.R. = Paint as Required

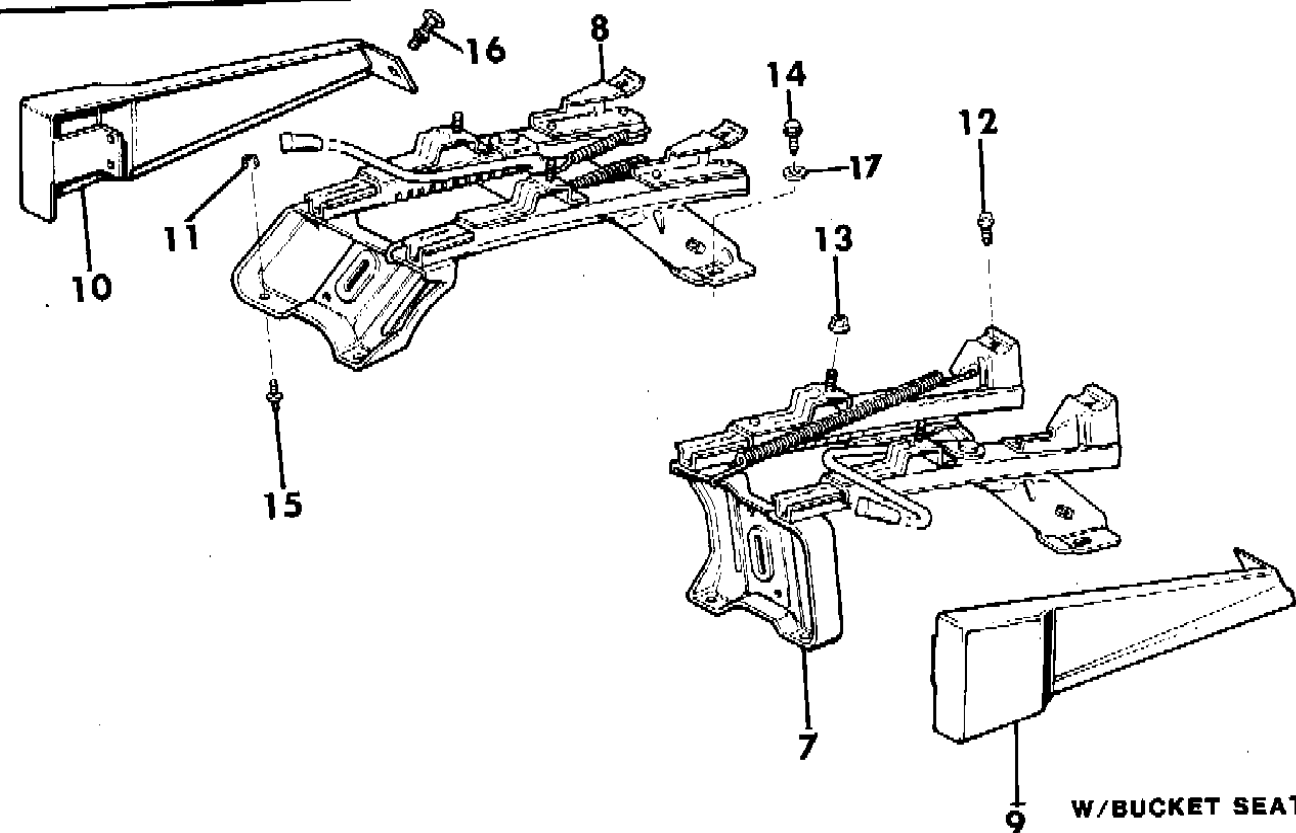


TRACKS, SEAT COMANCHE
Figure 43-2900

8J43 2900 A



W/BENCH SEAT



W/BUCKET SEAT

| ITEM | PART NUMBER | QTY | BODY | MODEL | DESCRIPTION |
|------|-------------|-----|------|---------|--------------------------------------|
| 1 | 5500 4295 | 1 | | | TRACK, Seat, Left |
| 2 | 5500 4294 | 1 | | | TRACK, Seat, Right |
| 3 | 1150 2811 | 8 | | | NUT |
| 4 | 3420 2209 | 4 | | | STUD |
| 5 | 3420 1257 | 4 | | | SCREW |
| 6 | 5501 4302 | 1 | | | WIRE, Seat Adjuster |
| 7 | 5500 4297 | 1 | | | TRACK, Seat, Left |
| 8 | 5500 4296 | 1 | | | TRACK, Seat, Right |
| 9 | | | | | COVER, Track, Left, P.A.R. |
| | 5500 6483 | 1 | | 1987-89 | |
| | 5AD5 1JY6 | 1 | | 1990 | |
| 10 | | | | | COVER, Track, Right, P.A.R. |
| | 5500 6482 | 1 | | 1987-89 | |
| | 5AD5 0JY6 | 1 | | 1990 | |
| 11 | 1150 2811 | 8 | | | NUT |
| 12 | 1150 4735 | 4 | | | BOLT |
| 13 | 1150 2729 | 4 | | | NUT |
| 14 | | | | | SCREW |
| | 3420 1888 | 4 | | 1987 | |
| | 3420 1257 | 4 | | 1988-89 | |
| 15 | 3420 2209 | 4 | | | STUD |
| 16 | 3420 2138 | AR | | | FASTENER |
| 17 | 1150 0323 | 4 | | | WASHER |
| 18 | 5500 9257 | 2 | | | GUIDE, track connector wire assembly |

MODEL CODES:

| | | |
|-----------------------------|-----------------------------|------------------------------|
| 15 = Grand Wagoneer 4 Dr. | 65 = Comanche 4WD-7 Ft. Box | 77 = Cherokee 4WD-2 Dr. |
| 25 = J-10 Pickup-119" W.B. | 66 = Comanche 2WD-7 Ft. Box | 78 = Cherokee 4WD-4 Dr. |
| 26 = J-10 Pickup-131" W.B. | 73 = Cherokee 2WD-2 Dr. | 79 = Cherokee 4WD-4 Dr.-Com |
| 27 = J-20 Pickup-131" W.B. | 74 = Cherokee 2WD-4 Dr. | 81 = Wrangler-93" W.B. |
| 63 = Comanche 4WD-6 Ft. Box | 75 = Wagoneer 4WD-4 Dr. | 82 = Wrangler-103" W.B.-Exp. |
| 64 = Comanche 2WD-6 Ft. Box | | |

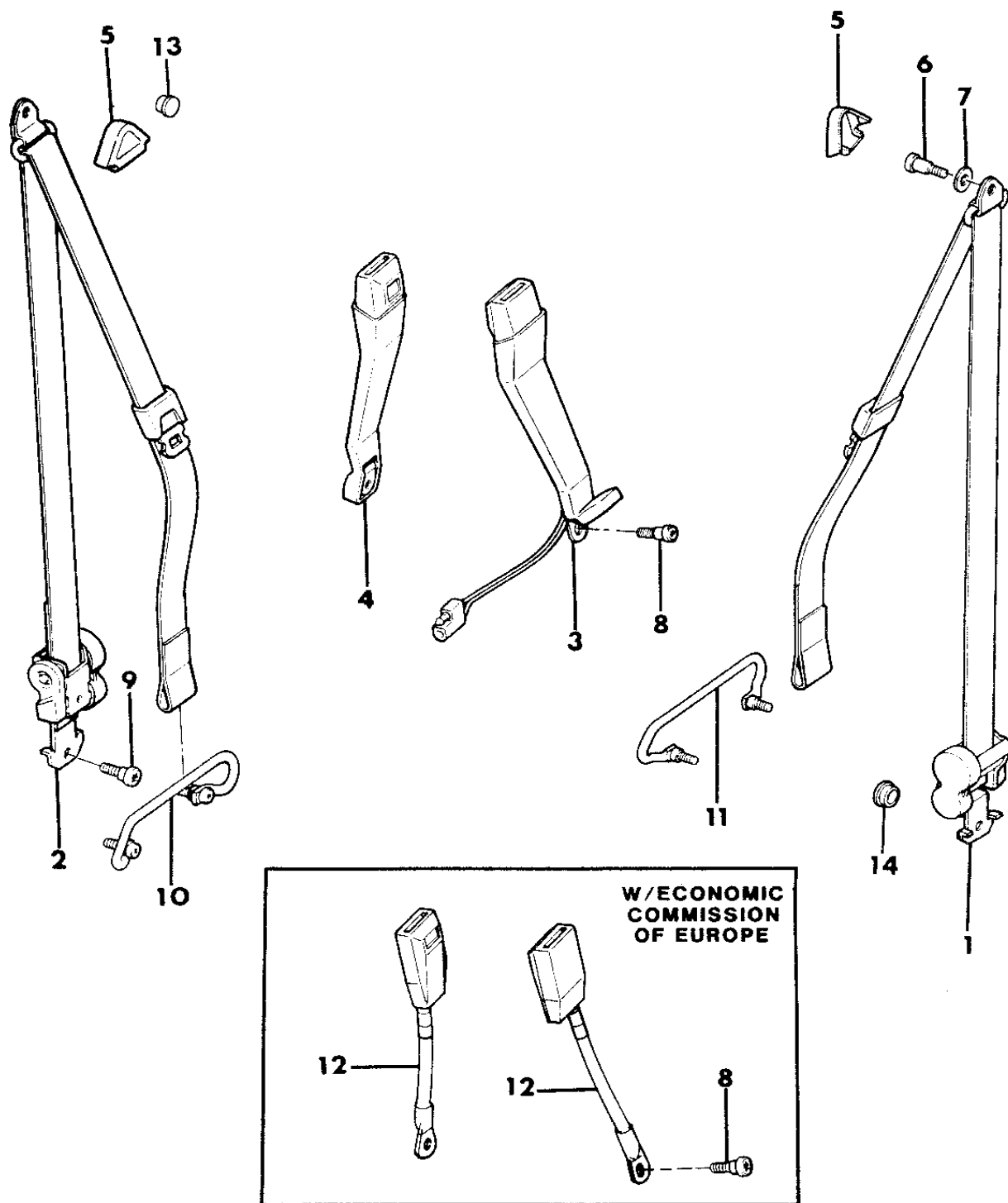
BODY STYLES:

MJ = Comanche Pickup
SJ = Grand Wagoneer Wgn., J-10 & J-20 Pickups
XJ = Cherokee, Wagoneer Limited
YJ = Wrangler

AR = Use as Required - = Non Illustrated Part P.A.R. = Paint as Required

SEATBELTS, FRONT SEAT 2 DOOR WAGON CHEROKEE
Figure 43-3000

8J433000



| ITEM | PART NUMBER | QTY | BODY | MODEL | DESCRIPTION |
|------|-------------|-----|------|-------|-----------------------------|
| 1-2 | | | | | SEATBELT *** |
| | | | | | 1987-89 |
| | 5501 3006-7 | 1 | | | Black, 1987 |
| | 5501 3008-9 | 1 | | | Med. Blue, 1987 |
| | 5501 3012-3 | 1 | | | Cordovan, 1987 |
| | 5500 5582 | 2 | | | Oatmeal, (ECE), 1987 |
| | 5501 3010-1 | 1 | | | Tan |
| | 5502 0458-9 | 1 | | | Charcoal, 1988 |
| | 5502 1900-1 | 1 | | | Charcoal, 1989 |
| | 5501 9074-5 | 1 | | | Cordovan, 1988 |
| | 5502 1906-7 | 1 | | | Cordovan, 1989 |
| | 5502 0460-1 | 1 | | | Navy, 1988 |
| | 5502 1902-3 | 1 | | | Navy, 1989 |
| | 5502 5286-7 | 1 | | | Sand, 1989 |
| | 5501 9072-3 | 1 | | | Tan, 1988 |
| | 5500 5580 | 2 | | | Black (ECE), 1987-90 |
| | | | | | 1990 |
| | 5AX10-1 JA8 | 1 | | | Charcoal |
| | 5AX10-1 JY6 | 1 | | | Sand |
| | 5AX10-1 JH9 | 1 | | | Cordovan |
| 3 | | | | | SEATBELT, Left inboard *** |
| | | | | | 1987 |
| | 5501 5061 | 1 | | | Black |
| | 5501 5063 | 1 | | | Med. Blue |
| | 5501 5067 | 1 | | | Cordovan |
| | 5501 5065 | 1 | | | Tan |
| | | | | | 1988-89 |
| | 5501 7893 | 1 | | | Charcoal |
| | 5501 9059 | 1 | | | Cordovan |
| | 5501 7897 | 1 | | | Navy |
| | 5502 0659 | 1 | | | Sand |
| | 5501 9057 | 1 | | | Tan |
| | | | | | 1990 |
| | 5AF5 1JA8 | 1 | | | Charcoal |
| | 5AF5 1JH9 | 1 | | | Cordovan |
| | 5AF5 1JY6 | 1 | | | Sand |
| 4 | | | | | SEATBELT, Right inboard *** |

MODEL CODES:

| | | |
|-----------------------------|-----------------------------|------------------------------|
| 15 = Grand Wagoneer 4 Dr. | 65 = Comanche 4WD-7 Ft. Box | 77 = Cherokee 4WD-2 Dr. |
| 25 = J-10 Pickup-119" W.B. | 66 = Comanche 2WD-7 Ft. Box | 78 = Cherokee 4WD-4 Dr. |
| 26 = J-10 Pickup-131" W.B. | 73 = Cherokee 2WD-2 Dr. | 79 = Cherokee 4WD-4 Dr.-Com |
| 27 = J-20 Pickup-131" W.B. | 74 = Cherokee 2WD-4 Dr. | 81 = Wrangler-93" W.B. |
| 63 = Comanche 4WD-6 Ft. Box | 75 = Wagoneer 4WD-4 Dr. | 82 = Wrangler-103" W.B.-Exp. |
| 64 = Comanche 2WD-6 Ft. Box | | |

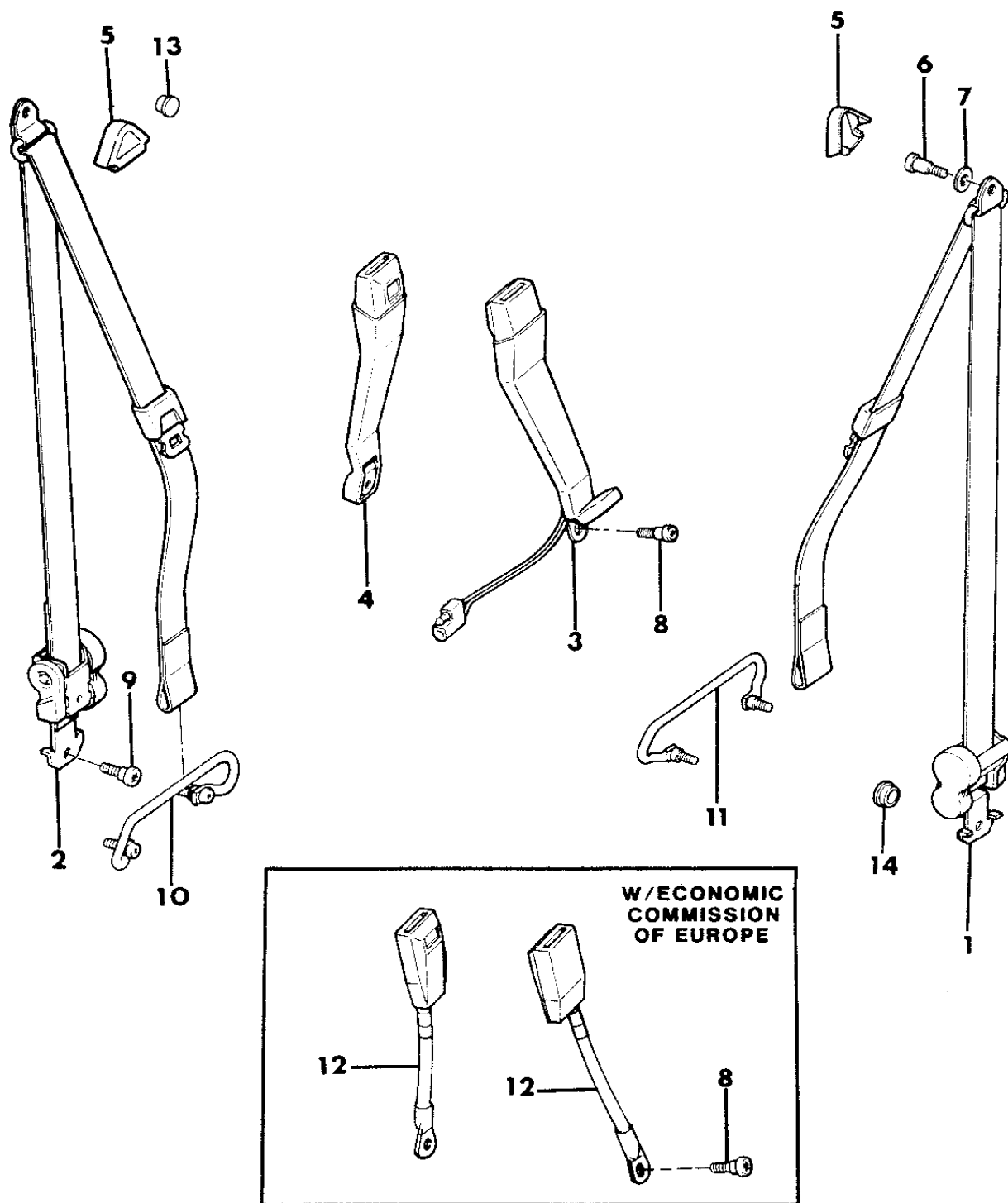
BODY STYLES:

MJ = Comanche Pickup
 SJ = Grand Wagoneer Wgn., J-10 & J-20 Pickups
 XJ = Cherokee, Wagoneer Limited
 YJ = Wrangler

AR = Use as Required - = Non Illustrated Part P.A.R. = Paint as Required

SEATBELTS, FRONT SEAT 2 DOOR WAGON CHEROKEE
Figure 43-3000

8J433000



| ITEM | PART NUMBER | QTY | BODY | MODEL | DESCRIPTION |
|------|-------------|-----|------|-------|--------------------------|
| | | | | | 1987 |
| | 5500 8698 | 1 | | | Black |
| | 5500 8696 | 1 | | | Med. Blue |
| | 5501 3232 | 1 | | | Cordovan |
| | 5501 3230 | 1 | | | Tan |
| | | | | | 1988-89 |
| | 5501 7890 | 1 | | | Charcoal |
| | 5501 9058 | 1 | | | Cordovan |
| | 5501 7894 | 1 | | | Navy |
| | 5502 0658 | 1 | | | Sand |
| | 5501 9056 | 1 | | | Tan |
| | | | | | 1990 |
| | 5AF7 0JA8 | 1 | | | Charcoal |
| | 5AF7 0JH9 | 1 | | | Cordovan |
| | 5AF7 0JY6 | 1 | | | Sand |
| 5 | | | | | COVER, Web Guide, P.A.R. |
| | 3500 7352 | 2 | | | w/1987 Type Seatbelt |
| | 5502 1388 | 2 | | | w/1988 Type Seatbelt |
| | 5502 1388 | 2 | | | 1989, (ECE) |
| | 5AC8 4JY1 | 2 | | | 1990, (ECE) |
| 6 | J400 7124 | 2 | | | BOLT |
| 7 | J400 7315 | 2 | | | WASHER |
| 8 | J400 6366 | 2 | | | BOLT |
| 9 | J400 5505 | 2 | | | BOLT |
| 10 | 5500 2948 | 1 | | | BAR, Slide, Right |
| 11 | 5500 2949 | 1 | | | BAR, Slide, Left |
| 12 | 5500 5588 | 2 | | | SEATBELT (ECE) *** |
| 13 | | | | | COVER, Bolt |
| | 3502 3040 | 2 | | | P.A.R., 1989 |
| | 5AB9 6HA8 | 2 | | | Charcoal, 1990 |
| | 5AB9 6JH9 | 2 | | | Cordovan, 1990 |
| | 5AB9 6JY6 | 2 | | | Sand, 1990 |
| 14 | | | | | COVER, Bolt |
| | 3420 2551 | 2 | | | P.A.R., 1988-89 |
| | 5AB2 2JA8 | 2 | | | Charcoal, 1990 |
| | 5AB2 2JH9 | 2 | | | Cordovan, 1990 |
| | 5AB2 2JY6 | 2 | | | Sand, 1990 |

MODEL CODES:

| | | |
|-----------------------------|-----------------------------|------------------------------|
| 15 = Grand Wagoneer 4 Dr. | 65 = Comanche 4WD-7 Ft. Box | 77 = Cherokee 4WD-2 Dr. |
| 25 = J-10 Pickup-119" W.B. | 66 = Comanche 2WD-7 Ft. Box | 78 = Cherokee 4WD-4 Dr. |
| 26 = J-10 Pickup-131" W.B. | 73 = Cherokee 2WD-2 Dr. | 79 = Cherokee 4WD-4 Dr.-Com |
| 27 = J-20 Pickup-131" W.B. | 74 = Cherokee 2WD-4 Dr. | 81 = Wrangler-93" W.B. |
| 63 = Comanche 4WD-6 Ft. Box | 75 = Wagoneer 4WD-4 Dr. | 82 = Wrangler-103" W.B.-Exp. |
| 64 = Comanche 2WD-6 Ft. Box | | |

BODY STYLES:

MJ = Comanche Pickup
 SJ = Grand Wagoneer Wgn., J-10 & J-20 Pickups
 XJ = Cherokee, Wagoneer Limited
 YJ = Wrangler

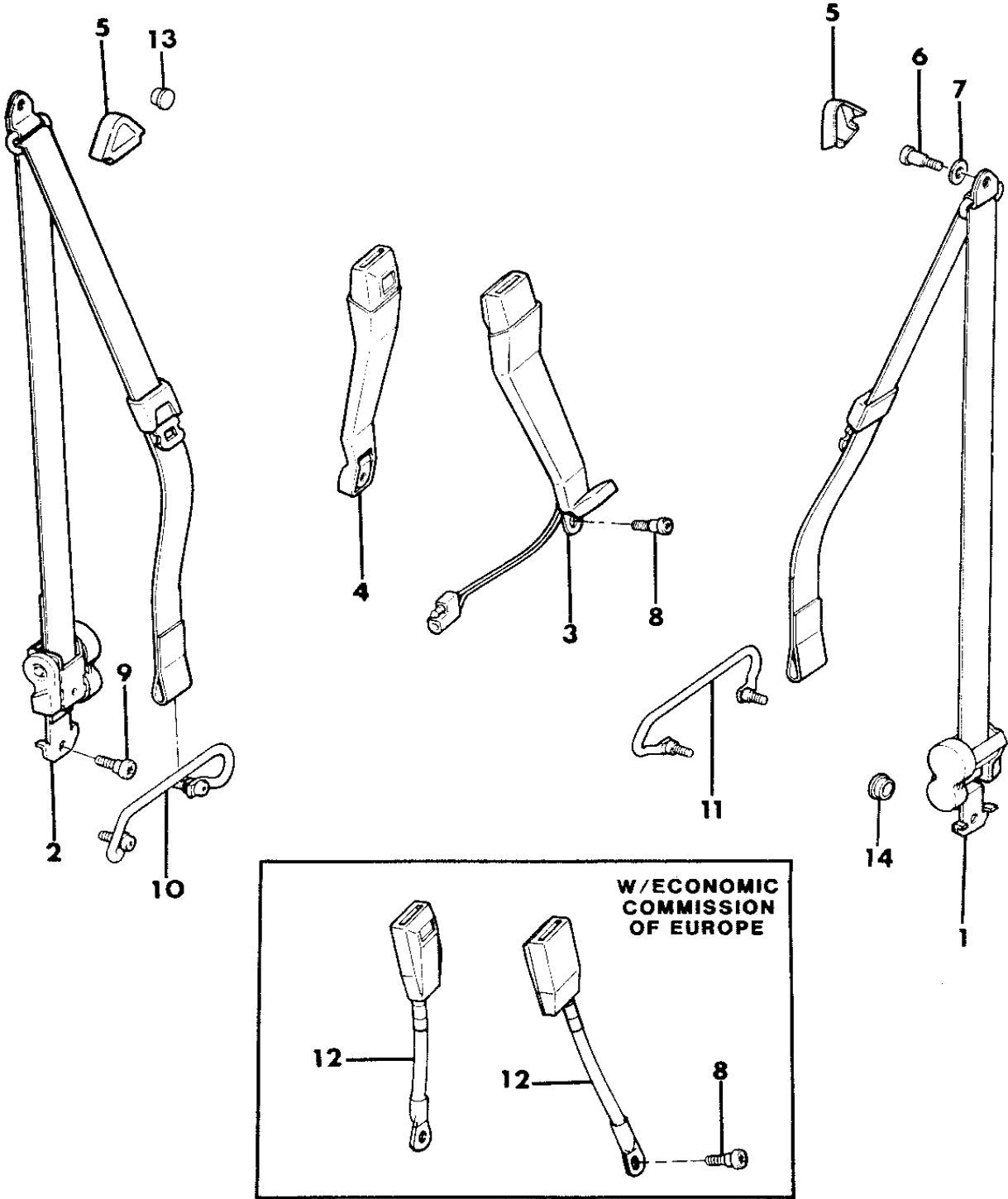
AR = Use as Required - = Non Illustrated Part P.A.R. = Paint as Required

SEATBELTS, FRONT SEAT 2 DOOR WAGON CHEROKEE
Figure 43-3000

8J433000

| ITEM | PART NUMBER | QTY | BODY | MODEL | DESCRIPTION |
|------|-------------|-----|------|-------|-------------|
|------|-------------|-----|------|-------|-------------|

(ECE) = Economic Commission of Europe Tag affixed to the Face of its Pulley. A Second Tag will show the name of the Vendor (OGURA).



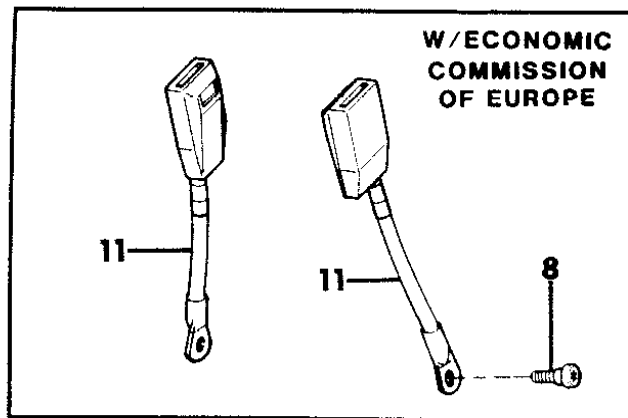
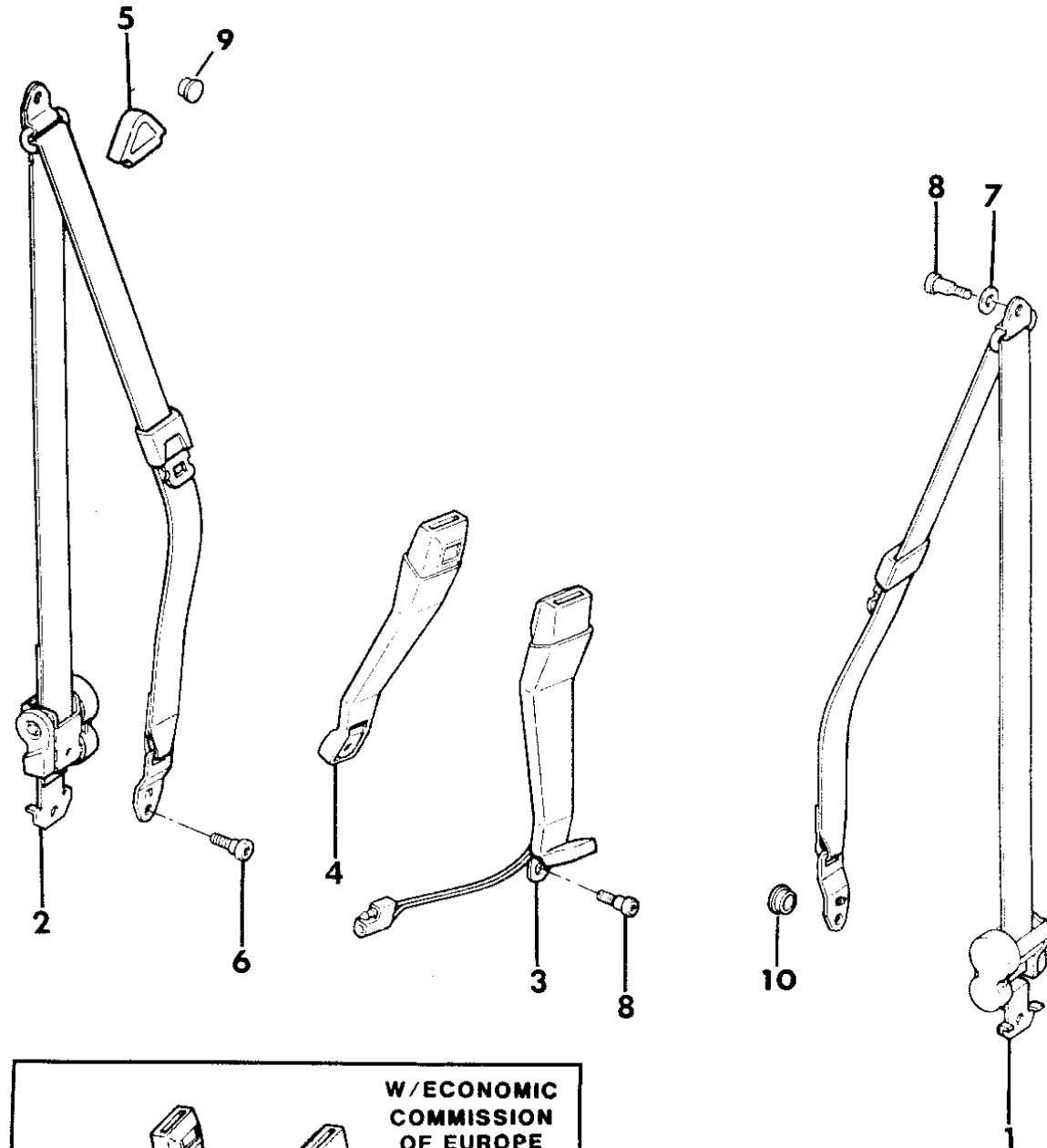
- MODEL CODES:**
- | | | |
|-----------------------------|-----------------------------|------------------------------|
| 15 = Grand Wagoneer 4 Dr. | 65 = Comanche 4WD-7 Ft. Box | 77 = Cherokee 4WD-2 Dr. |
| 25 = J-10 Pickup-119" W.B. | 66 = Comanche 2WD-7 Ft. Box | 78 = Cherokee 4WD-4 Dr. |
| 26 = J-10 Pickup-131" W.B. | 73 = Cherokee 2WD-2 Dr. | 79 = Cherokee 4WD-4 Dr.-Com |
| 27 = J-20 Pickup-131" W.B. | 74 = Cherokee 2WD-4 Dr. | 81 = Wrangler-93" W.B. |
| 63 = Comanche 4WD-6 Ft. Box | 75 = Wagoneer 4WD-4 Dr. | 82 = Wrangler-103" W.B.-Exp. |
| 64 = Comanche 2WD-6 Ft. Box | | |

- BODY STYLES:**
 MJ = Comanche Pickup
 SJ = Grand Wagoneer Wgn., J-10 & J-20 Pickups
 XJ = Cherokee, Wagoneer Limited
 YJ = Wrangler

AR = Use as Required - = Non Illustrated Part P.A.R. = Paint as Required

SEATBELTS, FRONT SEAT 4 DOOR WAGON CHEROKEE, WAGONEER
Figure 43-3100

8J43 3100



| ITEM | PART NUMBER | QTY | BODY | MODEL | DESCRIPTION |
|------|-------------|-----|------|-------|-----------------------------|
| 1-2 | | | | | SEATBELT *** |
| | | | | | 1987 |
| | 5501 2996-7 | 1 | | | Black |
| | 5501 2998-9 | 1 | | | Med. Blue |
| | 5501 3002-3 | 1 | | | Cordovan |
| | 5501 3000-1 | 1 | | | Tan |
| | 5500 5574-5 | 1 | | | Oatmeal (ECE) |
| | | | | | 1988-89 |
| | 5502 0454-5 | 1 | | | Charcoal, 1988 |
| | 5502 1630-1 | 1 | | | Charcoal, 1989 |
| | 5501 9066-7 | 1 | | | Cordovan, 1988 |
| | 5502 1636-7 | 1 | | | Cordovan, 1989 |
| | 5502 0456-7 | 1 | | | Navy, 1988 |
| | 5502 1632-3 | 1 | | | Navy, 1989 |
| | 5501 9064-5 | 1 | | | Tan, 1988 |
| | 5502 1896-7 | 1 | | | Sand, 1989 |
| | 5500 5572-3 | 1 | | | Black (ECE) |
| | | | | | 1990 |
| | 5AJ40-1 JA8 | 1 | | | Charcoal |
| | 5AJ40-1 JH9 | 1 | | | Cordovan |
| | 5AJ40-1 JY6 | 1 | | | Sand |
| | 5BD18-9 JX9 | 1 | | | Black, (ECE) |
| 3 | | | | | SEATBELT, Left, inboard *** |
| | | | | | 1987 |
| | 5501 5061 | 1 | | | Black |
| | 5501 5063 | 1 | | | Med. Blue |
| | 5501 5067 | 1 | | | Cordovan |
| | 5501 5065 | 1 | | | Tan |
| | | | | | 1988-89 |
| | 5501 7893 | 1 | | | Charcoal |
| | 5501 9059 | 1 | | | Cordovan |
| | 5501 7897 | 1 | | | Navy |
| | 5501 9057 | 1 | | | Tan |
| | 5502 0659 | 1 | | | Sand |
| | | | | | 1990 |
| | 5AF5 1JA8 | 1 | | | Charcoal |
| | 5AF5 1JH9 | 1 | | | Cordovan |

MODEL CODES:

| | | |
|-----------------------------|-----------------------------|------------------------------|
| 15 = Grand Wagoneer 4 Dr. | 65 = Comanche 4WD-7 Ft. Box | 77 = Cherokee 4WD-2 Dr. |
| 25 = J-10 Pickup-119" W.B. | 66 = Comanche 2WD-7 Ft. Box | 78 = Cherokee 4WD-4 Dr. |
| 26 = J-10 Pickup-131" W.B. | 73 = Cherokee 2WD-2 Dr. | 79 = Cherokee 4WD-4 Dr.-Com |
| 27 = J-20 Pickup-131" W.B. | 74 = Cherokee 2WD-4 Dr. | 81 = Wrangler-93" W.B. |
| 63 = Comanche 4WD-6 Ft. Box | 75 = Wagoneer 4WD-4 Dr. | 82 = Wrangler-103" W.B.-Exp. |
| 64 = Comanche 2WD-6 Ft. Box | | |

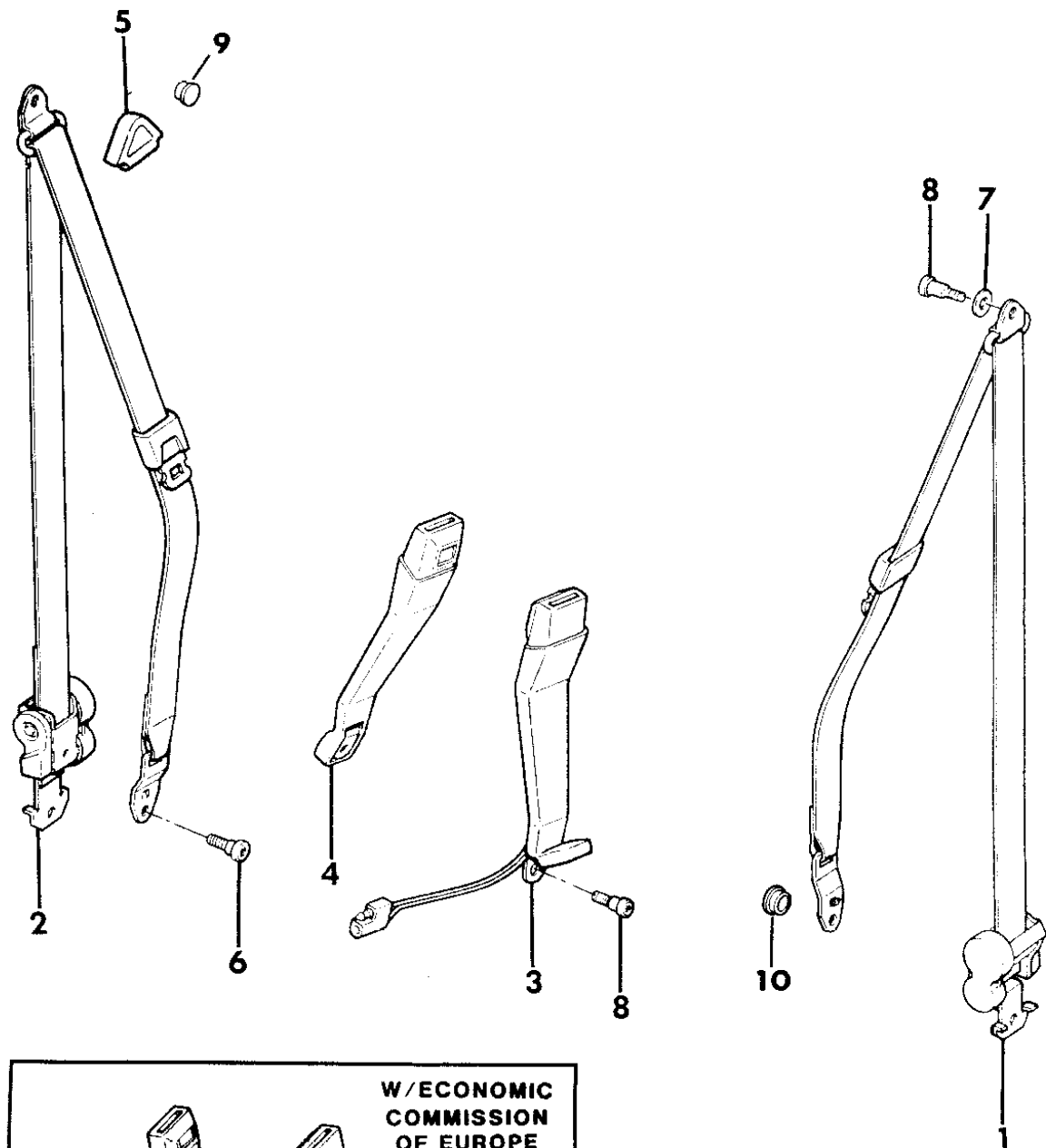
BODY STYLES:

MJ = Comanche Pickup
SJ = Grand Wagoneer Wgn., J-10 & J-20 Pickups
XJ = Cherokee, Wagoneer Limited
YJ = Wrangler

AR = Use as Required - = Non Illustrated Part P.A.R. = Paint as Required

SEATBELTS, FRONT SEAT 4 DOOR WAGON CHEROKEE, WAGONEER
Figure 43-3100

8J43 3100



| ITEM | PART NUMBER | QTY | BODY | MODEL | DESCRIPTION |
|------|-------------|-----|------|-------|------------------------------|
| | 5AF5 1JY6 | 1 | | | Sand |
| 4 | | | | | SEATBELT, Right, inboard *** |
| | | | | | 1987 |
| | 5500 8698 | 1 | | | Black |
| | 5500 8696 | 1 | | | Med. Blue |
| | 5501 3232 | 1 | | | Cordovan |
| | 5501 3230 | 1 | | | Tan |
| | | | | | 1988-89 |
| | 5501 7890 | 1 | | | Charcoal |
| | 5501 9058 | 1 | | | Cordovan |
| | 5501 7894 | 1 | | | Navy |
| | 5501 9056 | 1 | | | Tan |
| | 5502 0658 | 1 | | | Sand |
| | | | | | 1990 |
| | 5AF7 0JA8 | 1 | | | Charcoal |
| | 5AF7 0JH9 | 1 | | | Cordovan |
| | 5AF7 0JY6 | 1 | | | Sand |
| 5 | | | | | COVER, Web Guide, P.A.R. |
| | 3500 7352 | 2 | | | w/1987 Type Seatbelt |
| | 5502 1388 | 2 | | | w/1988 Type Seatbelt |
| | 5502 1388 | 2 | | | 1989, (ECE) |
| | 5AC8 4JY1 | 2 | | | 1990, (ECE), P.A.R. |
| 6 | J400 5505 | 2 | | | BOLT |
| 7 | J400 7315 | 2 | | | WASHER |
| 8 | J400 7124 | 4 | | | BOLT, 1987 |
| | J400 6366 | 4 | | | 1988-90 |
| 9 | | | | | COVER, Bolt |
| | 3502 3040 | 2 | | | P.A.R., 1989 |
| | 5AB9 6HA8 | 2 | | | Charcoal, 1990 |
| | 5AB9 6JH9 | 2 | | | Cordovan, 1990 |
| | 5AB9 6JY6 | 2 | | | Sand, 1990 |
| 10 | | | | | COVER, Bolt |
| | 3420 2551 | 2 | | | P.A.R., 1988/89 |
| | 5AB2 2JA8 | 2 | | | Charcoal, 1990 |
| | 5AB2 2JH9 | 2 | | | Cordovan, 1990 |
| | 5AB2 2JY6 | 2 | | | Sand, 1990 |
| 11 | 5500 5588 | 2 | | | SEATBELT (ECE) *** |

MODEL CODES:

| | | |
|-----------------------------|-----------------------------|------------------------------|
| 15 = Grand Wagoneer 4 Dr. | 65 = Comanche 4WD-7 Ft. Box | 77 = Cherokee 4WD-2 Dr. |
| 25 = J-10 Pickup-119" W.B. | 66 = Comanche 2WD-7 Ft. Box | 78 = Cherokee 4WD-4 Dr. |
| 26 = J-10 Pickup-131" W.B. | 73 = Cherokee 2WD-2 Dr. | 79 = Cherokee 4WD-4 Dr.-Com |
| 27 = J-20 Pickup-131" W.B. | 74 = Cherokee 2WD-4 Dr. | 81 = Wrangler-93" W.B. |
| 63 = Comanche 4WD-6 Ft. Box | 75 = Wagoneer 4WD-4 Dr. | 82 = Wrangler-103" W.B.-Exp. |
| 64 = Comanche 2WD-6 Ft. Box | | |

BODY STYLES:

MJ = Comanche Pickup
 SJ = Grand Wagoneer Wgn., J-10 & J-20 Pickups
 XJ = Cherokee, Wagoneer Limited
 YJ = Wrangler

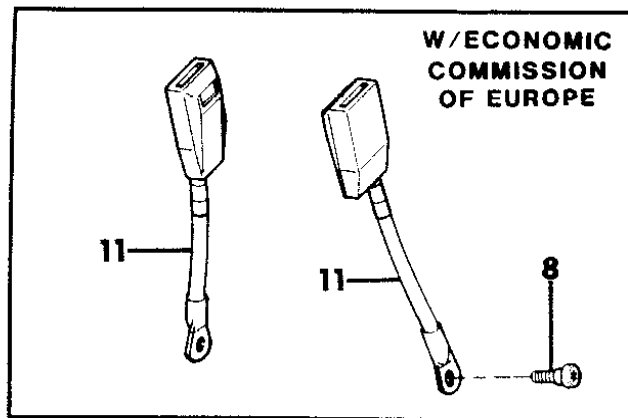
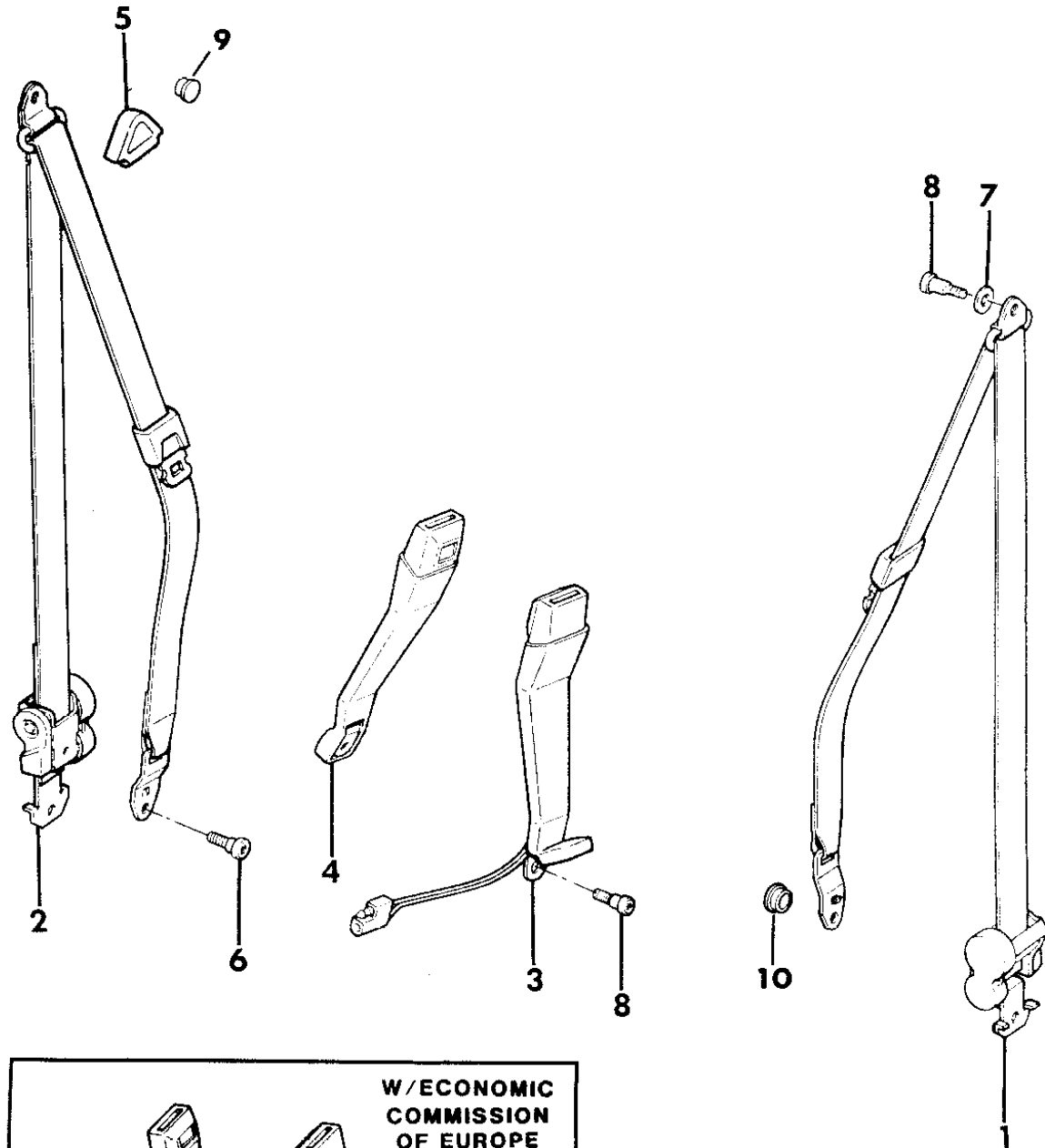
AR = Use as Required - = Non Illustrated Part P.A.R. = Paint as Required

SEATBELTS, FRONT SEAT 4 DOOR WAGON CHEROKEE, WAGONEER
Figure 43-3100

8J43 3100

| ITEM | PART NUMBER | QTY | BODY | MODEL | DESCRIPTION |
|------|-------------|-----|------|-------|-------------|
|------|-------------|-----|------|-------|-------------|

(ECE) = Economic Commission of Europe Tag affixed to the Face of its Pulley. A Second Tag will show the name of the Vendor (OGURA).



MODEL CODES:

| | | |
|-----------------------------|-----------------------------|------------------------------|
| 15 = Grand Wagoneer 4 Dr. | 65 = Comanche 4WD-7 Ft. Box | 77 = Cherokee 4WD-2 Dr. |
| 25 = J-10 Pickup-119" W.B. | 66 = Comanche 2WD-7 Ft. Box | 78 = Cherokee 4WD-4 Dr. |
| 26 = J-10 Pickup-131" W.B. | 73 = Cherokee 2WD-2 Dr. | 79 = Cherokee 4WD-4 Dr.-Com |
| 27 = J-20 Pickup-131" W.B. | 74 = Cherokee 2WD-4 Dr. | 81 = Wrangler-93" W.B. |
| 63 = Comanche 4WD-6 Ft. Box | 75 = Wagoneer 4WD-4 Dr. | 82 = Wrangler-103" W.B.-Exp. |
| 64 = Comanche 2WD-6 Ft. Box | | |

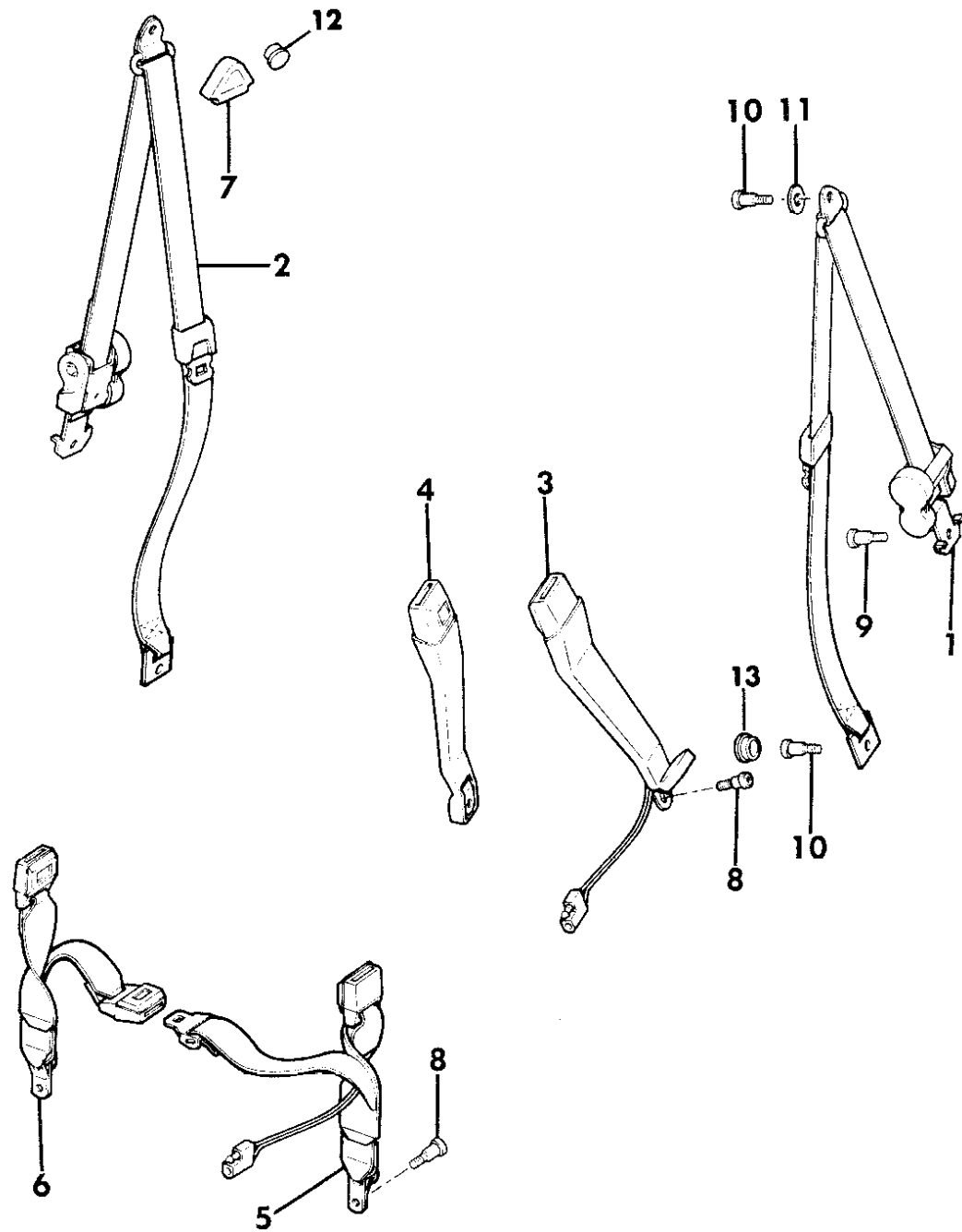
BODY STYLES:

MJ = Comanche Pickup
SJ = Grand Wagoneer Wgn., J-10 & J-20 Pickups
XJ = Cherokee, Wagoneer Limited
YJ = Wrangler

AR = Use as Required - = Non Illustrated Part P.A.R. = Paint as Required

SEATBELTS COMANCHE
Figure 43-3200

8J43 3200



| ITEM | PART NUMBER | QTY | BODY | MODEL | DESCRIPTION |
|------|-------------|-----|------|-------|------------------------------|
| 1-2 | | | | | SEATBELT *** |
| | | | | | 1987 |
| | 5501 3272-3 | 1 | | | Black |
| | 5501 3274-5 | 1 | | | Medium Blue |
| | 5501 3278-9 | 1 | | | Cordovan |
| | 5501 3276-7 | 1 | | | Tan |
| | | | | | 1988-89 |
| | 5502 0464-5 | 1 | | | Charcoal, 1988 |
| | 5502 1646-7 | 1 | | | Charcoal, 1989 |
| | 5501 9636-7 | 1 | | | Cordovan, 1988 |
| | 5502 1652-3 | 1 | | | Cordovan, 1989 |
| | 5502 0466-7 | 1 | | | Navy, 1988 |
| | 5502 1648-9 | 1 | | | Navy, 1989 |
| | 5501 9634-5 | 1 | | | Tan, 1988 |
| | 5502 1912-3 | 1 | | | Sand, 1989 |
| | | | | | 1990 |
| | 5AJ44-5 JA8 | 1 | | | Charcoal |
| | 5AJ44-5 JH9 | 1 | | | Cordovan |
| | 5AJ44-5 JY6 | 1 | | | Sand |
| 3 | | | | | SEATBELT, Left, Inboard *** |
| | | | | | 1987 |
| | 5501 5061 | 1 | | | Black |
| | 5501 5063 | 1 | | | Medium Blue |
| | 5501 5067 | 1 | | | Cordovan |
| | 5501 5065 | 1 | | | Tan |
| | | | | | 1988-89 |
| | 5501 7893 | 1 | | | Charcoal |
| | 5501 9059 | 1 | | | Cordovan |
| | 5501 7897 | 1 | | | Navy |
| | 5501 9057 | 1 | | | Tan |
| | 5502 0659 | 1 | | | Sand |
| | | | | | 1990 |
| | 5AF5 1JA8 | 1 | | | Charcoal |
| | 5AF5 1JH9 | 1 | | | Cordovan |
| | 5AF5 1JY6 | 1 | | | Sand |
| 4 | | | | | SEATBELT, Right, Inboard *** |
| | | | | | 1987 |

MODEL CODES:

| | | |
|-----------------------------|-----------------------------|------------------------------|
| 15 = Grand Wagoneer 4 Dr. | 65 = Comanche 4WD-7 Ft. Box | 77 = Cherokee 4WD-2 Dr. |
| 25 = J-10 Pickup-119" W.B. | 66 = Comanche 2WD-7 Ft. Box | 78 = Cherokee 4WD-4 Dr. |
| 26 = J-10 Pickup-131" W.B. | 73 = Cherokee 2WD-2 Dr. | 79 = Cherokee 4WD-4 Dr.-Com |
| 27 = J-20 Pickup-131" W.B. | 74 = Cherokee 2WD-4 Dr. | 81 = Wrangler-93" W.B. |
| 63 = Comanche 4WD-6 Ft. Box | 75 = Wagoneer 4WD-4 Dr. | 82 = Wrangler-103" W.B.-Exp. |
| 64 = Comanche 2WD-6 Ft. Box | | |

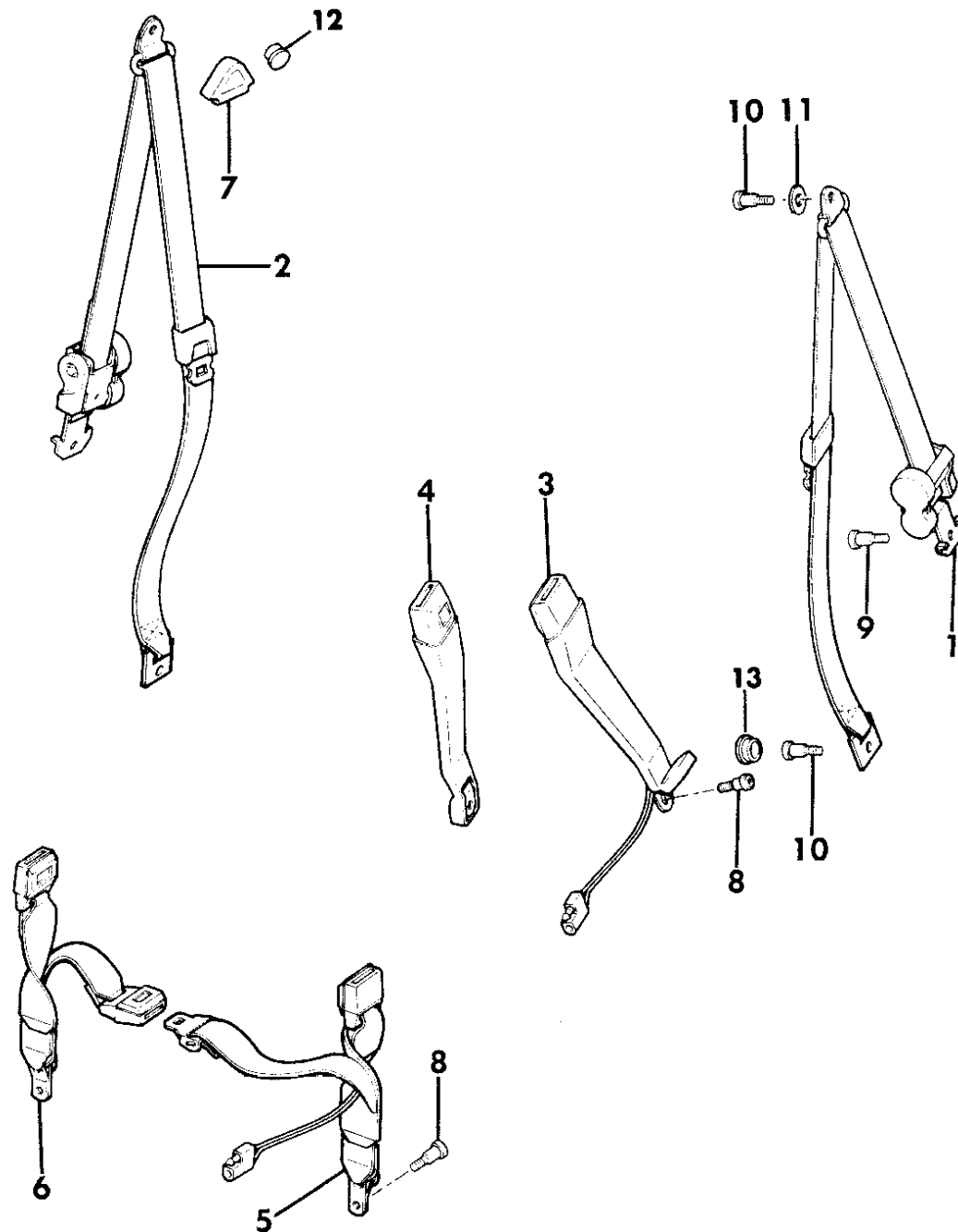
BODY STYLES:

MJ = Comanche Pickup
 SJ = Grand Wagoneer Wgn., J-10 & J-20 Pickups
 XJ = Cherokee, Wagoneer Limited
 YJ = Wrangler

AR = Use as Required - = Non Illustrated Part P.A.R. = Paint as Required

SEATBELTS COMANCHE
Figure 43-3200

8J43 3200



| ITEM | PART NUMBER | QTY | BODY | MODEL | DESCRIPTION |
|------|-------------|-----|------|-------|------------------------------|
| | 5500 8698 | 1 | | | Black |
| | 5500 8696 | 1 | | | Medium Blue |
| | 5501 3232 | 1 | | | Cordovan |
| | 5501 3230 | 1 | | | Tan |
| | | | | | 1988-89 |
| | 5501 7890 | 1 | | | Charcoal |
| | 5501 9058 | 1 | | | Cordovan |
| | 5501 7894 | 1 | | | Navy |
| | 5501 9056 | 1 | | | Tan |
| | 5502 0658 | 1 | | | Sand |
| | | | | | 1990 |
| | 5AF7 0JA8 | 1 | | | Charcoal |
| | 5AF7 0JH9 | 1 | | | Cordovan |
| | 5AF7 0JY6 | 1 | | | Sand |
| 5 | | | | | SEATBELT, Left, Inboard *** |
| | | | | | 1987 |
| | 5501 5069 | 1 | | | Black |
| | 5501 5071 | 1 | | | Medium Blue |
| | 5501 5075 | 1 | | | Cordovan |
| | 5501 5073 | 1 | | | Tan |
| | | | | | 1988-89 |
| | 5501 7909 | 1 | | | Charcoal |
| | 5501 9083 | 1 | | | Cordovan |
| | 5501 7913 | 1 | | | Navy |
| | 5501 9081 | 1 | | | Tan |
| | 5502 0665 | 1 | | | Sand |
| | | | | | 1990 |
| | 5AF4 7JA8 | 1 | | | Charcoal |
| | 5AF4 7JH9 | 1 | | | Cordovan |
| | 5AF4 7JY6 | 1 | | | Sand |
| 6 | | | | | SEATBELT, Right, Inboard *** |
| | | | | | 1987 |
| | 5501 3280 | 1 | | | Black |
| | 5501 3282 | 1 | | | Medium Blue |
| | 5501 3286 | 1 | | | Cordovan |
| | 5501 3284 | 1 | | | Tan |
| | | | | | 1988-89 |

MODEL CODES:

| | | |
|-----------------------------|-----------------------------|------------------------------|
| 15 = Grand Wagoneer 4 Dr. | 65 = Comanche 4WD-7 Ft. Box | 77 = Cherokee 4WD-2 Dr. |
| 25 = J-10 Pickup-119" W.B. | 66 = Comanche 2WD-7 Ft. Box | 78 = Cherokee 4WD-4 Dr. |
| 26 = J-10 Pickup-131" W.B. | 73 = Cherokee 2WD-2 Dr. | 79 = Cherokee 4WD-4 Dr.-Com |
| 27 = J-20 Pickup-131" W.B. | 74 = Cherokee 2WD-4 Dr. | 81 = Wrangler-93" W.B. |
| 63 = Comanche 4WD-6 Ft. Box | 75 = Wagoneer 4WD-4 Dr. | 82 = Wrangler-103" W.B.-Exp. |
| 64 = Comanche 2WD-6 Ft. Box | | |

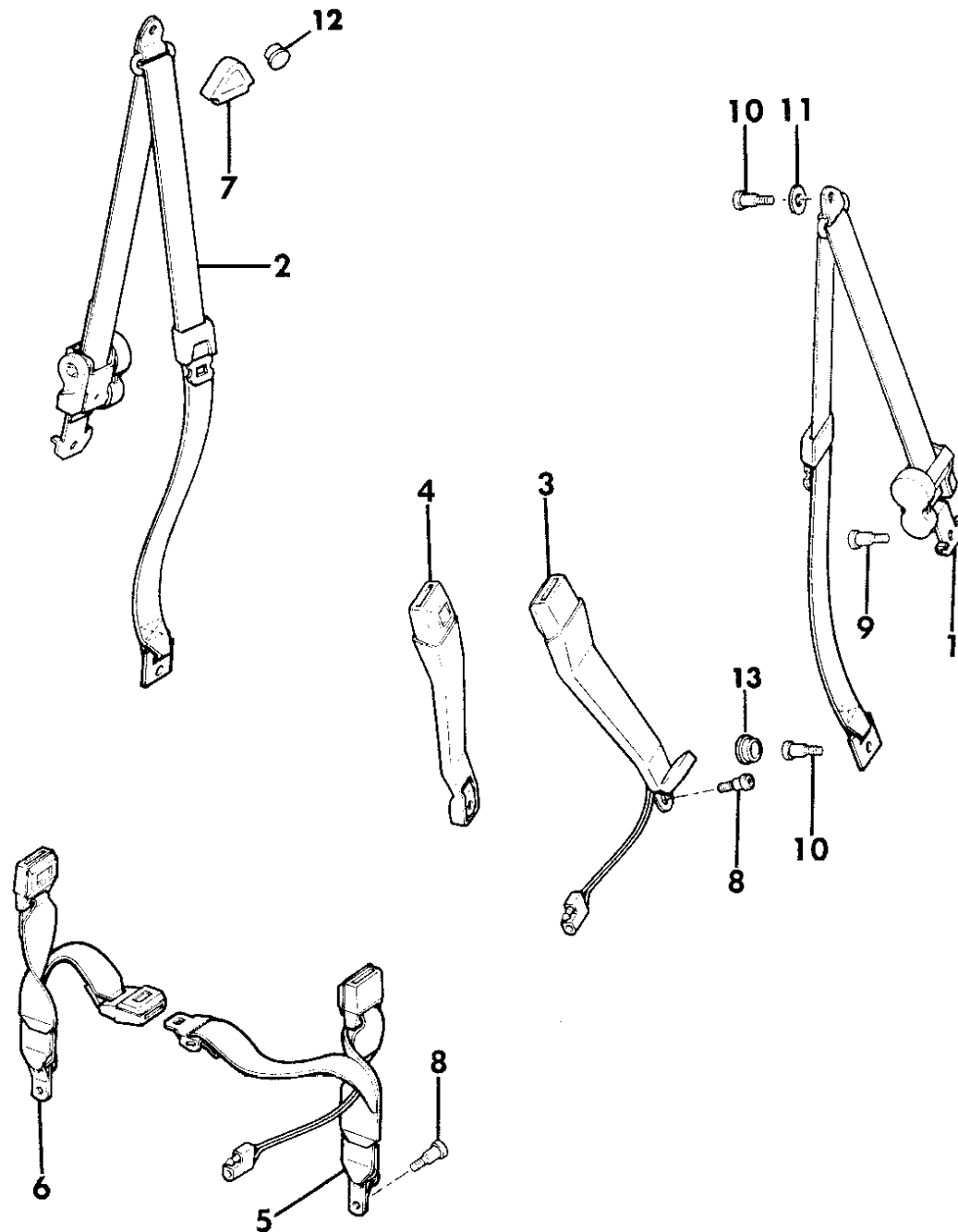
BODY STYLES:

MJ = Comanche Pickup
SJ = Grand Wagoneer Wgn., J-10 & J-20 Pickups
XJ = Cherokee, Wagoneer Limited
YJ = Wrangler

AR = Use as Required - = Non Illustrated Part P.A.R. = Paint as Required

SEATBELTS COMANCHE
Figure 43-3200

8J43 3200



| ITEM | PART NUMBER | QTY | BODY | MODEL | DESCRIPTION |
|------|-------------|-----|------|-------|--|
| | 5501 7906 | 1 | | | Charcoal |
| | 5501 9082 | 1 | | | Cordovan |
| | 5501 7910 | 1 | | | Navy |
| | 5501 9080 | 1 | | | Tan |
| | 5502 0664 | 1 | | | Sand |
| | 5AF4 6JA8 | 1 | | 1990 | Charcoal |
| | 5AF4 6JH9 | 1 | | | Cordovan |
| | 5AF4 6JY6 | 1 | | | Sand |
| 7 | 3500 7352 | 2 | | | COVER, Web Guide used w/ 1988 type seatbelt |
| | 5502 1388 | 2 | | | 1989 |
| 8 | J400 6366 | 2 | | | BOLT |
| 9 | J400 5505 | 2 | | | BOLT |
| 10 | J400 5507 | 4 | | | BOLT |
| 11 | J400 7315 | 2 | | | WASHER |
| 12 | 3502 3040 | 2 | | | COVER, Bolt P.A.R., 1989 |
| | 5AB9 6HA8 | 2 | | | Charcoal, 1990 |
| | 5AB9 6JH9 | 2 | | | Cordovan, 1990 |
| | 5AB9 6JY6 | 2 | | | Sand, 1990 |
| 13 | 3420 2551 | 2 | | | COVER, Bolt P.A.R., 1988/89 |
| | 5AB2 2JA8 | 2 | | | Charcoal, 1990 |
| | 5AB2 2JH9 | 2 | | | Cordovan, 1990 |
| | 5AB2 2JY6 | 2 | | | Sand, 1990 |

MODEL CODES:

| | | |
|-----------------------------|-----------------------------|------------------------------|
| 15 = Grand Wagoneer 4 Dr. | 65 = Comanche 4WD-7 Ft. Box | 77 = Cherokee 4WD-2 Dr. |
| 25 = J-10 Pickup-119" W.B. | 66 = Comanche 2WD-7 Ft. Box | 78 = Cherokee 4WD-4 Dr. |
| 26 = J-10 Pickup-131" W.B. | 73 = Cherokee 2WD-2 Dr. | 79 = Cherokee 4WD-4 Dr.-Com |
| 27 = J-20 Pickup-131" W.B. | 74 = Cherokee 2WD-4 Dr. | 81 = Wrangler-93" W.B. |
| 63 = Comanche 4WD-6 Ft. Box | 75 = Wagoneer 4WD-4 Dr. | 82 = Wrangler-103" W.B.-Exp. |
| 64 = Comanche 2WD-6 Ft. Box | | |

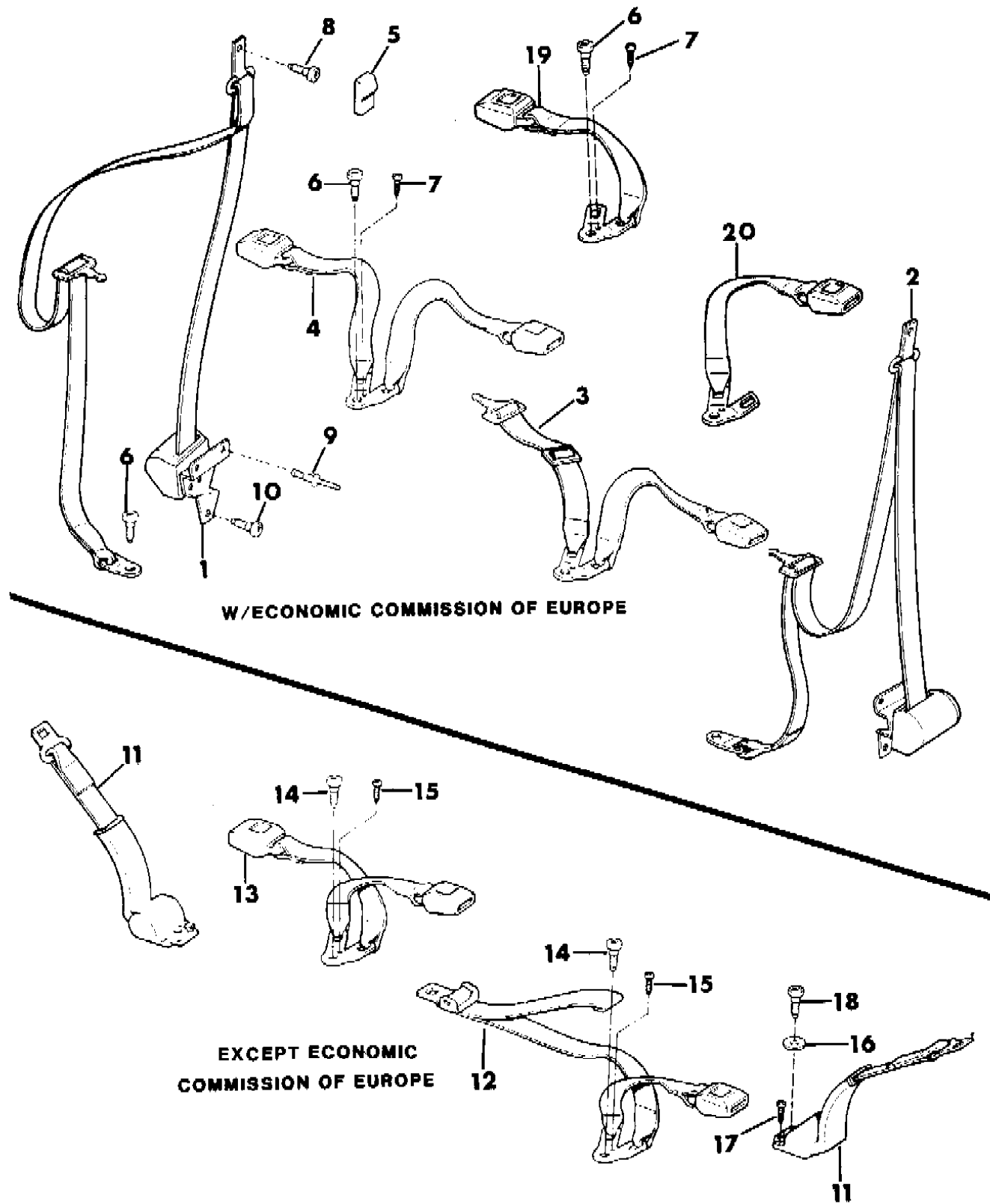
BODY STYLES:

MJ = Comanche Pickup
SJ = Grand Wagoneer Wgn., J-10 & J-20 Pickups
XJ = Cherokee, Wagoneer Limited
YJ = Wrangler

AR = Use as Required - = Non Illustrated Part P.A.R. = Paint as Required

SEATBELTS, REAR SEAT, 1987-89 CHEROKEE, WAGONEER
Figure 43-3300

8 J43 3300 A



| ITEM | PART NUMBER | QTY | BODY | MODEL | DESCRIPTION |
|------|-------------|-----|------|-------|--------------------------|
| 1-2 | | | | | SEATBELT *** |
| | 5500 7098-9 | 1 | | | Black |
| | 5500 7100-1 | 1 | | | Oatmeal, 1987 |
| 3-4 | 5501 8468-9 | 1 | | | SEATBELT *** |
| 5 | 5500 9071 | 1 | | | COVER, Web Guide, P.A.R. |
| 6 | J400 5505 | 4 | | | BOLT |
| 7 | S150 0063 | 2 | | | SCREW |
| 8 | J400 7124 | 2 | | | BOLT |
| 9 | 3420 1557 | 4 | | | RIVET |
| 10 | J941 9293 | 2 | | | BOLT |
| 11 | | | | | SEATBELT |
| | 5501 3016 | 2 | | | Black, 1987 |
| | 5501 3018 | 2 | | | Medium Blue, 1987 |
| | 5501 3022 | 2 | | | Cordovan, 1987 |
| | 5501 9629 | 2 | | | Cordovan, 1988-89 |
| | 5501 3020 | 2 | | | Tan, 1987 |
| | 5502 0462 | 2 | | | Charcoal |
| | 5501 9629 | 2 | | | Cordovan |
| | 5502 0463 | 2 | | | Navy |
| | 5502 0666 | 2 | | | Sand, 1989 |
| | 5501 9628 | 2 | | | Tan, 1988 |
| 12 | | | | | SEATBELT |
| | | | | | Left |
| | 5501 3027 | 1 | | | Black, 1987 |
| | 5501 3029 | 1 | | | Medium Blue, 1987 |
| | 5501 3033 | 1 | | | Cordovan, 1987 |
| | 5501 9181 | 1 | | | Cordovan, 1988-89 |
| | 5501 3031 | 1 | | | Tan, 1987 |
| | 5501 7917 | 1 | | | Charcoal |
| | 5501 9181 | 1 | | | Cordovan |
| | 5501 7921 | 1 | | | Navy |
| | 5502 0669 | 1 | | | Sand, 1989 |
| | 5501 9179 | 1 | | | Tan, 1988 |
| 13 | | | | | SEATBELT |
| | | | | | Right |
| | 5501 3026 | 1 | | | Black, 1987 |
| | 5501 3028 | 1 | | | Medium Blue, 1987 |

MODEL CODES:

| | | |
|-----------------------------|-----------------------------|------------------------------|
| 15 = Grand Wagoneer 4 Dr. | 65 = Comanche 4WD-7 Ft. Box | 77 = Cherokee 4WD-2 Dr. |
| 25 = J-10 Pickup-119" W.B. | 66 = Comanche 2WD-7 Ft. Box | 78 = Cherokee 4WD-4 Dr. |
| 26 = J-10 Pickup-131" W.B. | 73 = Cherokee 2WD-2 Dr. | 79 = Cherokee 4WD-4 Dr.-Com |
| 27 = J-20 Pickup-131" W.B. | 74 = Cherokee 2WD-4 Dr. | 81 = Wrangler-93" W.B. |
| 63 = Comanche 4WD-6 Ft. Box | 75 = Wagoneer 4WD-4 Dr. | 82 = Wrangler-103" W.B.-Exp. |
| 64 = Comanche 2WD-6 Ft. Box | | |

BODY STYLES:

MJ = Comanche Pickup
 SJ = Grand Wagoneer Wgn., J-10 & J-20 Pickups
 XJ = Cherokee, Wagoneer Limited
 YJ = Wrangler

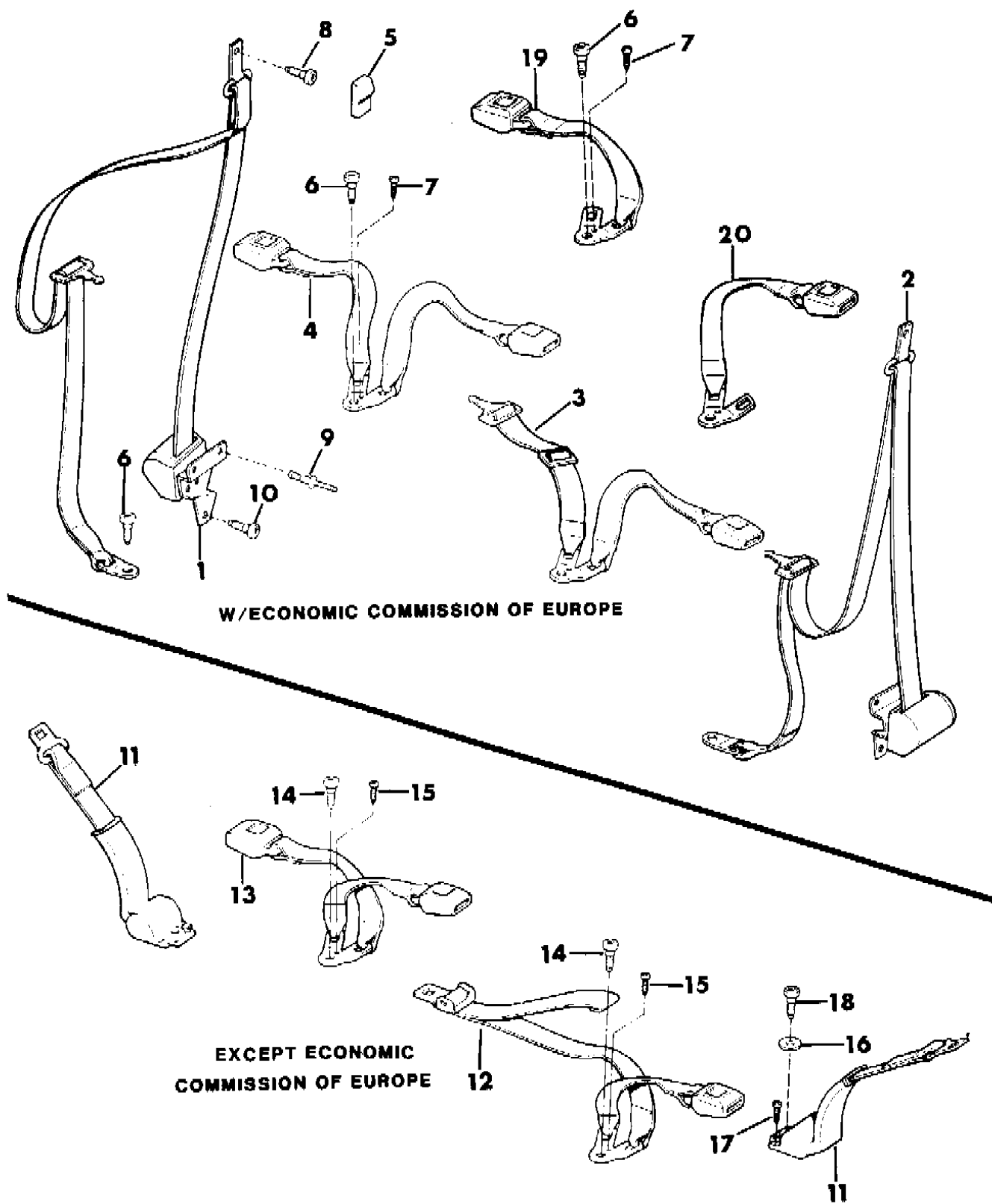
AR = Use as Required - = Non Illustrated Part P.A.R. = Paint as Required

SEATBELTS, REAR SEAT, 1987-89 CHEROKEE, WAGONEER
Figure 43-3300

8 J 43 3300 A

| ITEM | PART NUMBER | QTY | BODY | MODEL | DESCRIPTION |
|------|-------------|-----|------|-------|--|
| | 5501 3032 | 1 | | | Cordovan, 1987 |
| | 5501 9180 | 1 | | | Cordovan, 1988-89 |
| | 5501 3030 | 1 | | | Tan, 1987 |
| | 5501 7916 | 1 | | | Charcoal |
| | 5501 9180 | 1 | | | Cordovan |
| | 5501 7920 | 1 | | | Navy |
| | 5502 0668 | 1 | | | Sand, 1989 |
| | 5501 9178-9 | 1 | | | Tan, 1988 |
| 14 | J400 5505 | 2 | | | BOLT |
| 15 | S150 0063 | AR | | | SCREW |
| 16 | | | | | WASHER |
| | J400 2057 | 4 | | | 1987 |
| | J400 5729 | 4 | | | 1988-89 |
| 17 | J942 3952 | 2 | | | SCREW |
| 18 | J400 5506 | 2 | | | BOLT |
| 19 | | | | | SEATBELT, (ECE) *** |
| | 5500 8388 | 1 | | | Black, 1987 |
| | 5500 8390 | 1 | | | Oatmeal, 1987 |
| 20 | | | | | SEATBELT, (ECE) *** |
| | 5500 8387 | 1 | | | Black, 1987 |
| | 5500 8389 | 1 | | | Oatmeal, 1987 |
| | 4519 075 | AR | | | ANCHOR PACKAGE, Teather Child Seat 1989-90 *** |

(ECE) = Economic Commission of Europe Tag affixed to the Face of its Pulley. A Second Tag will show the name of the Vendor (OGURA).



MODEL CODES:

- | | | |
|-----------------------------|-----------------------------|------------------------------|
| 15 = Grand Wagoneer 4 Dr. | 65 = Comanche 4WD-7 Ft. Box | 77 = Cherokee 4WD-2 Dr. |
| 25 = J-10 Pickup-119" W.B. | 66 = Comanche 2WD-7 Ft. Box | 78 = Cherokee 4WD-4 Dr. |
| 26 = J-10 Pickup-131" W.B. | 73 = Cherokee 2WD-2 Dr. | 79 = Cherokee 4WD-4 Dr.-Com |
| 27 = J-20 Pickup-131" W.B. | 74 = Cherokee 2WD-4 Dr. | 81 = Wrangler-93" W.B. |
| 63 = Comanche 4WD-6 Ft. Box | 75 = Wagoneer 4WD-4 Dr. | 82 = Wrangler-103" W.B.-Exp. |
| 64 = Comanche 2WD-6 Ft. Box | | |

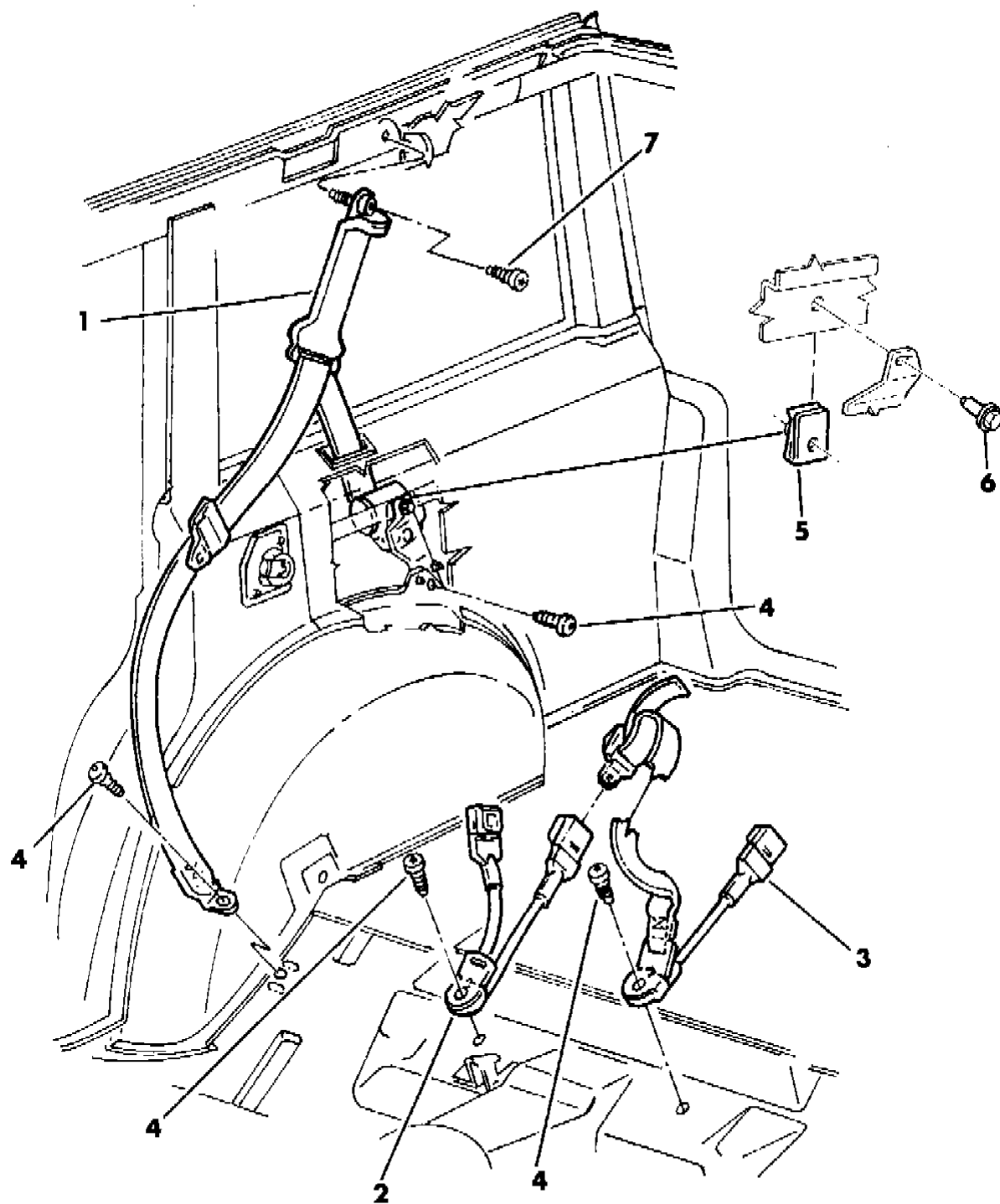
BODY STYLES:

- MJ = Comanche Pickup
 SJ = Grand Wagoneer Wgn., J-10 & J-20 Pickups
 XJ = Cherokee, Wagoneer Limited
 YJ = Wrangler

AR = Use as Required - = Non Illustrated Part P.A.R. = Paint as Required

SEATBELTS, REAR SEAT, 1990 CHEROKEE, WAGONEER
Figure 43-3325

8J433325



| ITEM | PART NUMBER | QTY | BODY | MODEL | DESCRIPTION |
|------|-------------|-----|------|-------|--|
| 1 | | | | | SEATBELT, retractor and belt assembly *** |
| | | | | | Right |
| | | | | | Except (ECE) |
| | 5BD7 4JA8 | 1 | | | Charcoal |
| | 5BD7 4JH9 | 1 | | | Cordovan |
| | 5BD7 4JY6 | 1 | | | Sand |
| | | | | | (ECE) |
| | 5BD8 0JX9 | 1 | | | Black |
| | | | | | Left |
| | | | | | Except (ECE) |
| | 5BD7 5JA8 | 1 | | | Charcoal |
| | 5BD7 5JH9 | 1 | | | Cordovan |
| | 5BD7 5JY6 | 1 | | | Sand |
| | | | | | (ECE) |
| | 5BD8 1JX9 | 1 | | | Black |
| 2 | | | | | SEATBELT, buckle assembly, inner right *** |
| | | | | | Except (ECE) |
| | 5BD7 6JA8 | 1 | | | Charcoal |
| | 5BD7 6JH9 | 1 | | | Cordovan |
| | 5BD7 6JY6 | 1 | | | Sand |
| | | | | | (ECE) |
| | 5BE4 8JX9 | 1 | | | Black |
| 3 | | | | | SEATBELT, belt and buckle assembly, inner left *** |
| | | | | | Except (ECE) |
| | 5BD7 7JA8 | 1 | | | Charcoal |
| | 5BD7 7JH9 | 1 | | | Cordovan |
| | 5BD7 7JY6 | 1 | | | Sand |
| | | | | | (ECE) |
| | 5BE4 9JX9 | 1 | | | Black |
| 4 | J400 6998 | 6 | | | BOLT |
| 5 | 6100 041 | 2 | | | NUT, U-Type |
| 6 | 6100 275 | 2 | | | SCREW |
| 7 | J400 7124 | 2 | | | BOLT, Shoulder |

(ECE) = Economic Commission of Europe Tag affixed to the Face of its Pulley. A Second Tag will show the name of the Vendor (OGURA).

MODEL CODES:

| | | |
|-----------------------------|-----------------------------|------------------------------|
| 15 = Grand Wagoneer 4 Dr. | 65 = Comanche 4WD-7 Ft. Box | 77 = Cherokee 4WD-2 Dr. |
| 25 = J-10 Pickup-119" W.B. | 66 = Comanche 2WD-7 Ft. Box | 78 = Cherokee 4WD-4 Dr. |
| 26 = J-10 Pickup-131" W.B. | 73 = Cherokee 2WD-2 Dr. | 79 = Cherokee 4WD-4 Dr.-Com |
| 27 = J-20 Pickup-131" W.B. | 74 = Cherokee 2WD-4 Dr. | 81 = Wrangler-93" W.B. |
| 63 = Comanche 4WD-6 Ft. Box | 75 = Wagoneer 4WD-4 Dr. | 82 = Wrangler-103" W.B.-Exp. |
| 64 = Comanche 2WD-6 Ft. Box | | |

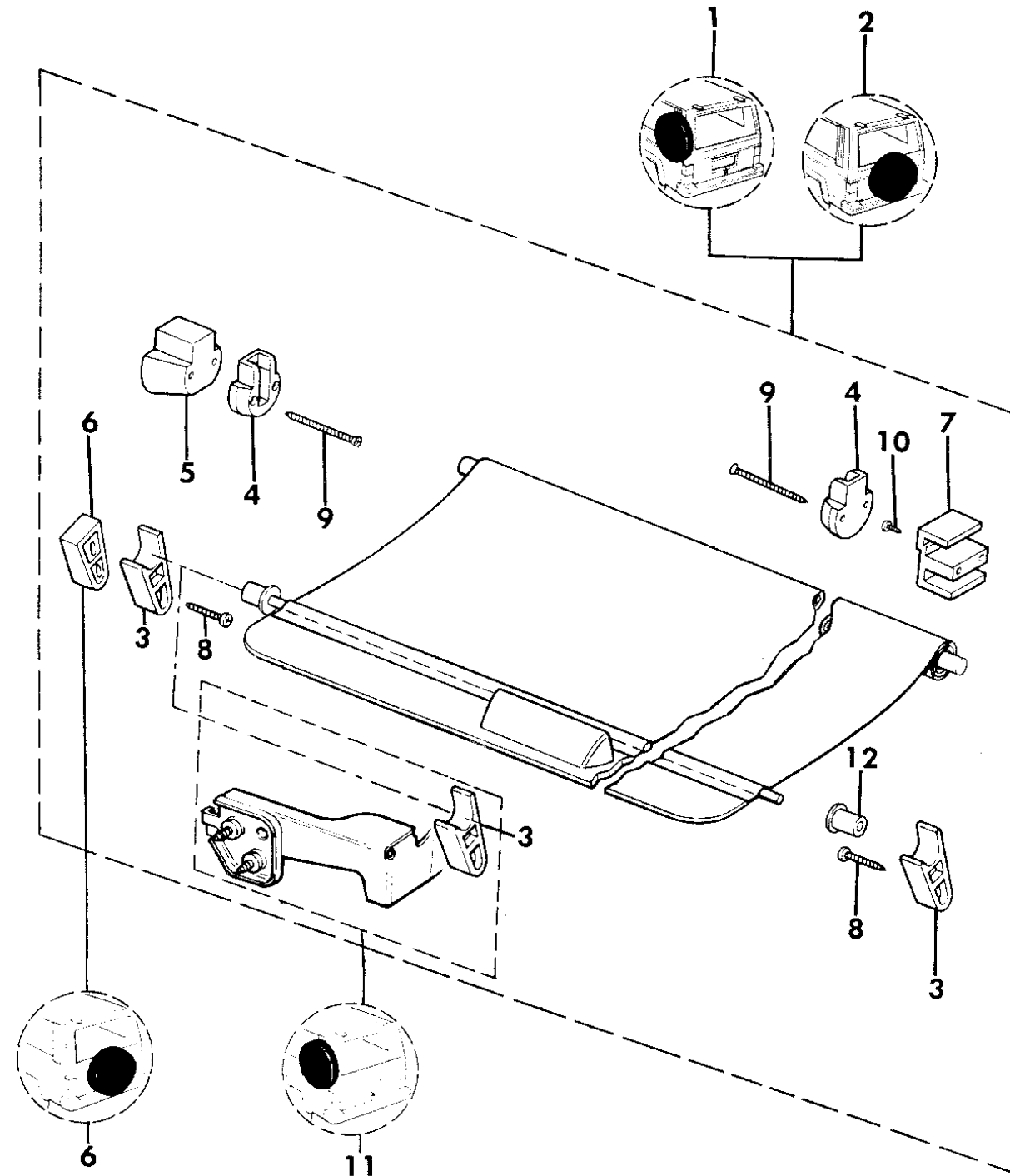
BODY STYLES:

MJ = Comanche Pickup
 SJ = Grand Wagoneer Wgn., J-10 & J-20 Pickups
 XJ = Cherokee, Wagoneer Limited
 YJ = Wrangler

AR = Use as Required - = Non Illustrated Part P.A.R. = Paint as Required

COVER, CARGO, TYPE 1 CHEROKEE, WAGONEER, 1987-88
Figure 43-3400

8J43 3400



| ITEM | PART NUMBER | QTY | BODY | MODEL | DESCRIPTION |
|------|-------------|-----|------|-------|------------------------------|
| 1 | | | | | COVER, Cargo |
| | 8220 0399 | 1 | | | Black, (a), 1987 |
| | 8220 0400-1 | 1 | | | Medium Blue, (a), 1987 |
| | 8220 0913 | 1 | | | Charcoal, (a) |
| | 8220 0567 | 1 | | | Cordovan (a) 1987-88 |
| | 8220 0912 | 1 | | | Navy (a) |
| | 8220 0568 | 1 | | | Tan (a) 1987-88 |
| 2 | | | | | COVER, Cargo |
| | 8220 0401 | 1 | | | Black, (b), 1987 |
| | 8220 0402 | 1 | | | Medium Blue, (b), 1987 |
| | 8220 0915 | 1 | | | Charcoal (b) |
| | 8220 0569 | 1 | | | Cordovan (b) 1987-88 |
| | 8220 0914 | 1 | | | Navy (b) |
| | 8220 0570 | 1 | | | Tan (b) 1987-88 |
| 3 | 3500 4944 | 2 | | | BRACKET, Cargo Cover, P.A.R. |
| 4 | J575 6611 | 2 | | | BRACKET, Cargo Cover, P.A.R. |
| 5 | 5500 5633 | 1 | | | SPACER, P.A.R. |
| 6 | 5500 5629 | 1 | | | SPACER, P.A.R. (b) |
| 7 | 5500 5522 | 1 | | | SPACER |
| 8 | 3420 1967 | 4 | | | SCREW |
| 9 | 3420 1951 | 4 | | | SCREW |
| 10 | 3420 1298 | 1 | | | SCREW |
| 11 | 5500 7320 | 1 | | | BRACKET ASSY, P.A.R. (a) *** |
| 12 | 8350 0432 | 2 | | | CAP, End, P.A.R. |

NOTE: (a) = With Inside Mounted Polyspare Tire
 NOTE: (b) = With Outside Mounted Spare Tire

MODEL CODES:

| | | |
|-----------------------------|-----------------------------|------------------------------|
| 15 = Grand Wagoneer 4 Dr. | 65 = Comanche 4WD-7 Ft. Box | 77 = Cherokee 4WD-2 Dr. |
| 25 = J-10 Pickup-119" W.B. | 66 = Comanche 2WD-7 Ft. Box | 78 = Cherokee 4WD-4 Dr. |
| 26 = J-10 Pickup-131" W.B. | 73 = Cherokee 2WD-2 Dr. | 79 = Cherokee 4WD-4 Dr.-Com |
| 27 = J-20 Pickup-131" W.B. | 74 = Cherokee 2WD-4 Dr. | 81 = Wrangler-93" W.B. |
| 63 = Comanche 4WD-6 Ft. Box | 75 = Wagoneer 4WD-4 Dr. | 82 = Wrangler-103" W.B.-Exp. |
| 64 = Comanche 2WD-6 Ft. Box | | |

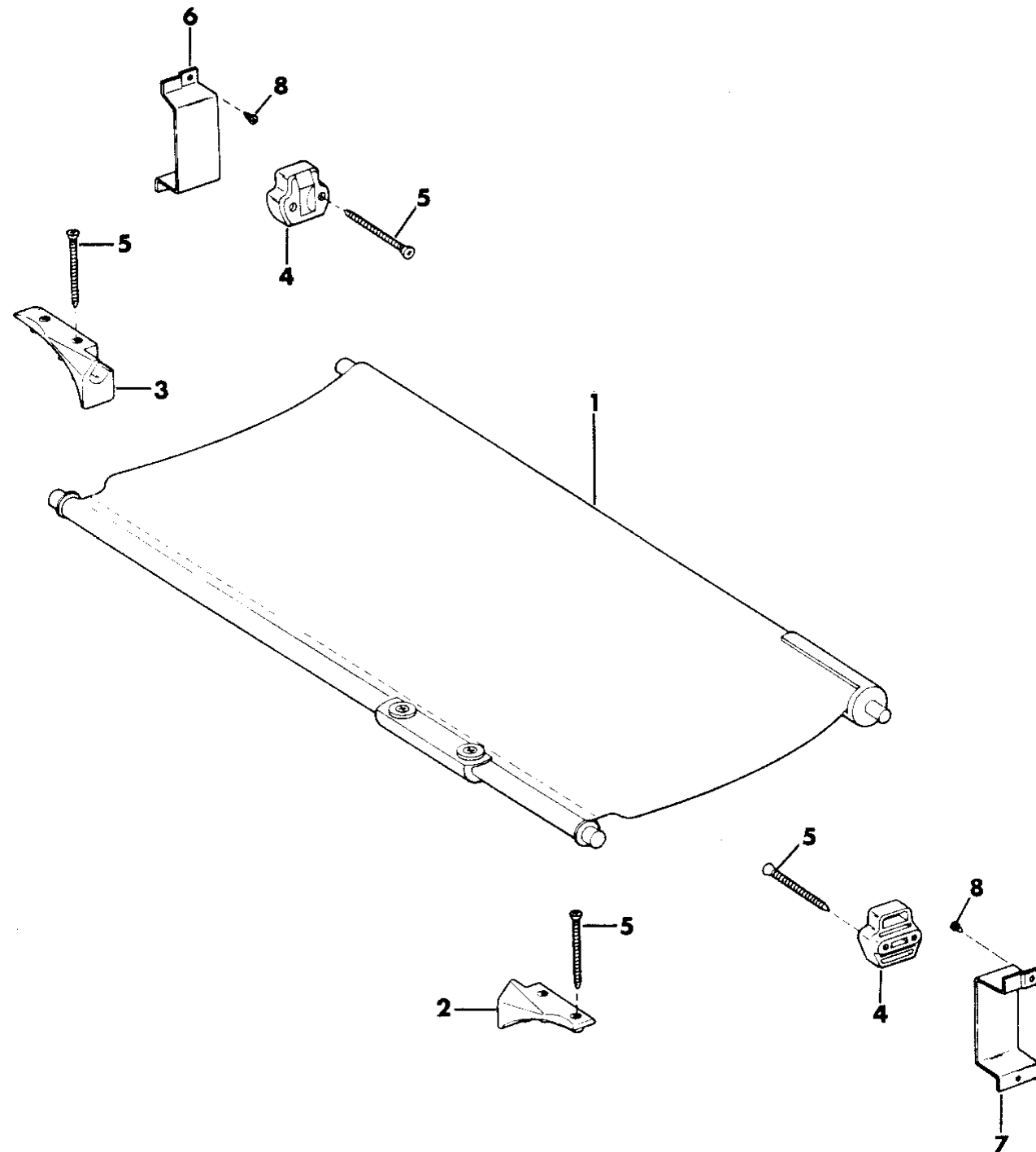
BODY STYLES:

MJ = Comanche Pickup
 SJ = Grand Wagoneer Wgn., J-10 & J-20 Pickups
 XJ = Cherokee, Wagoneer Limited
 YJ = Wrangler

AR = Use as Required - = Non Illustrated Part P.A.R. = Paint as Required

COVER, CARGO, TYPE 2 CHEROKEE, WAGONEER, 1988-90
Figure 43-3500

8J43 3500



| ITEM | PART NUMBER | QTY | BODY | MODEL | DESCRIPTION |
|------|-------------|-----|------|-------|----------------------|
| 1 | | | | | COVER, Cargo |
| | | | | | 1988-89 |
| | 5502 0434 | 1 | | | Charcoal (a) |
| | 5502 0438 | 1 | | | Charcoal (b) |
| | 5502 0435 | 1 | | | Cordovan (a) |
| | 5502 0439 | 1 | | | Cordovan (b) |
| | 5502 0433 | 1 | | | Navy (a) |
| | 5502 0437 | 1 | | | Navy (b) |
| | 5502 0647 | 1 | | | Sand (a) |
| | 5502 0648 | 1 | | | Sand (b) |
| | 5502 0436 | 1 | | | Tan (a) |
| | 5502 0440 | 1 | | | Tan (b) |
| | | | | | 1990 |
| | 5AF6 0JS1 | 1 | | | Charcoal, (a) |
| | 5AF6 0JH9 | 1 | | | Cordovan, ((a) |
| | 5AF6 0JY1 | 1 | | | Sand, (a) |
| | 5AF6 1JS1 | 1 | | | Charcoal, (b) |
| | 5AF6 1JH9 | 1 | | | Cordovan, (b) |
| | 5AF6 1JY1 | 1 | | | Sand, (b) |
| 2 | | | | | BRACKET, Cargo Cover |
| | 5502 0444 | 1 | | | 1988-89, P.A.R. |
| | | | | | 1990 |
| | 5AF6 2JS1 | 1 | | | Charcoal |
| | 5AF6 2JH9 | 1 | | | Cordovan |
| | 5AF6 2JY1 | 1 | | | Sand |
| 3 | | | | | BRACKET, Cargo Cover |
| | 5502 0445 | 1 | | | 1988-89, P.A.R. |
| | | | | | 1990 |
| | 5AF6 3JS1 | 1 | | | Charcoal |
| | 5AF6 3JH9 | 1 | | | Cordovan |
| | 5AF6 3JY1 | 1 | | | Sand |
| 4 | | | | | BRACKET, Cargo Cover |
| | 5502 0451 | 2 | | | 1988-89, P.A.R. |
| | | | | | 1990 |
| | 5AF7 1JS1 | 2 | | | Charcoal |
| | 5AF7 1JH9 | 2 | | | Cordovan |
| | 5AF7 1JY1 | 2 | | | Sand |

MODEL CODES:

| | | |
|-----------------------------|-----------------------------|------------------------------|
| 15 = Grand Wagoneer 4 Dr. | 65 = Comanche 4WD-7 Ft. Box | 77 = Cherokee 4WD-2 Dr. |
| 25 = J-10 Pickup-119" W.B. | 66 = Comanche 2WD-7 Ft. Box | 78 = Cherokee 4WD-4 Dr. |
| 26 = J-10 Pickup-131" W.B. | 73 = Cherokee 2WD-2 Dr. | 79 = Cherokee 4WD-4 Dr.-Com |
| 27 = J-20 Pickup-131" W.B. | 74 = Cherokee 2WD-4 Dr. | 81 = Wrangler-93" W.B. |
| 63 = Comanche 4WD-6 Ft. Box | 75 = Wagoneer 4WD-4 Dr. | 82 = Wrangler-103" W.B.-Exp. |
| 64 = Comanche 2WD-6 Ft. Box | | |

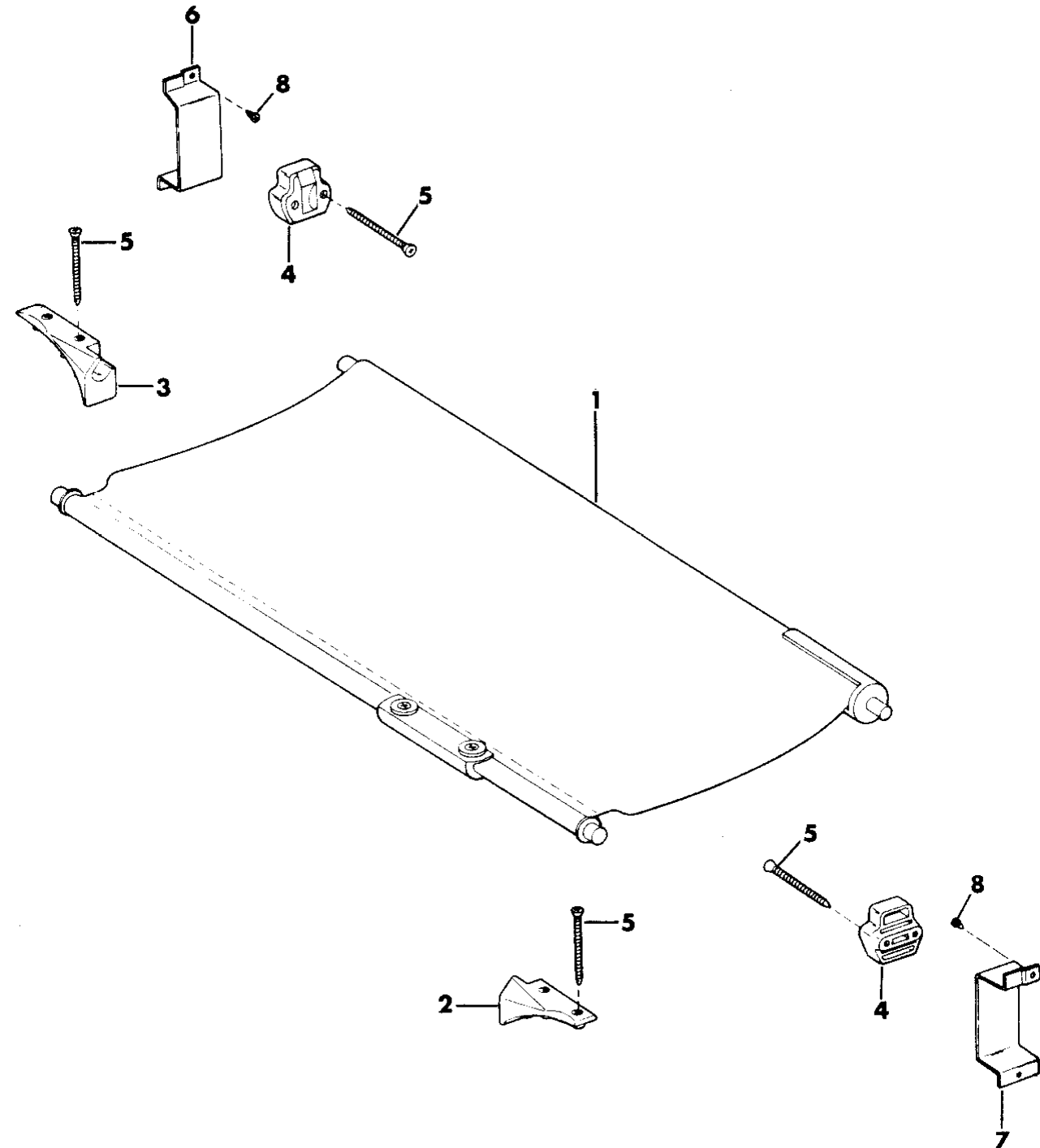
BODY STYLES:

MJ = Comanche Pickup
 SJ = Grand Wagoneer Wgn., J-10 & J-20 Pickups
 XJ = Cherokee, Wagoneer Limited
 YJ = Wrangler

AR = Use as Required - = Non Illustrated Part P.A.R. = Paint as Required

COVER, CARGO, TYPE 2 CHEROKEE, WAGONEER, 1988-90
Figure 43-3500

8J43 3500



| ITEM | PART NUMBER | QTY | BODY | MODEL | DESCRIPTION |
|------|-------------|-----|------|-------|-------------|
| 5 | 1150 1614 | 8 | | | SCREW |
| 6 | 5501 9400 | 1 | | | EXTENSION |
| 7 | 5501 9401 | 1 | | | EXTENSION |
| 8 | 1150 1011 | 4 | | | SCREW |

NOTE: (a) With Inside Mounted Polyspare Tire
NOTE: (b) With Inside Mounted Conventional Spare Tire ***

MODEL CODES:

| | | |
|-----------------------------|-----------------------------|------------------------------|
| 15 = Grand Wagoneer 4 Dr. | 65 = Comanche 4WD-7 Ft. Box | 77 = Cherokee 4WD-2 Dr. |
| 25 = J-10 Pickup-119" W.B. | 66 = Comanche 2WD-7 Ft. Box | 78 = Cherokee 4WD-4 Dr. |
| 26 = J-10 Pickup-131" W.B. | 73 = Cherokee 2WD-2 Dr. | 79 = Cherokee 4WD-4 Dr.-Com |
| 27 = J-20 Pickup-131" W.B. | 74 = Cherokee 2WD-4 Dr. | 81 = Wrangler-93" W.B. |
| 63 = Comanche 4WD-6 Ft. Box | 75 = Wagoneer 4WD-4 Dr. | 82 = Wrangler-103" W.B.-Exp. |
| 64 = Comanche 2WD-6 Ft. Box | | |

BODY STYLES:

MJ = Comanche Pickup
SJ = Grand Wagoneer Wgn., J-10 & J-20 Pickups
XJ = Cherokee, Wagoneer Limited
YJ = Wrangler

AR = Use as Required - = Non Illustrated Part P.A.R. = Paint as Required

GROUP 28 - GRAND WAGONEER

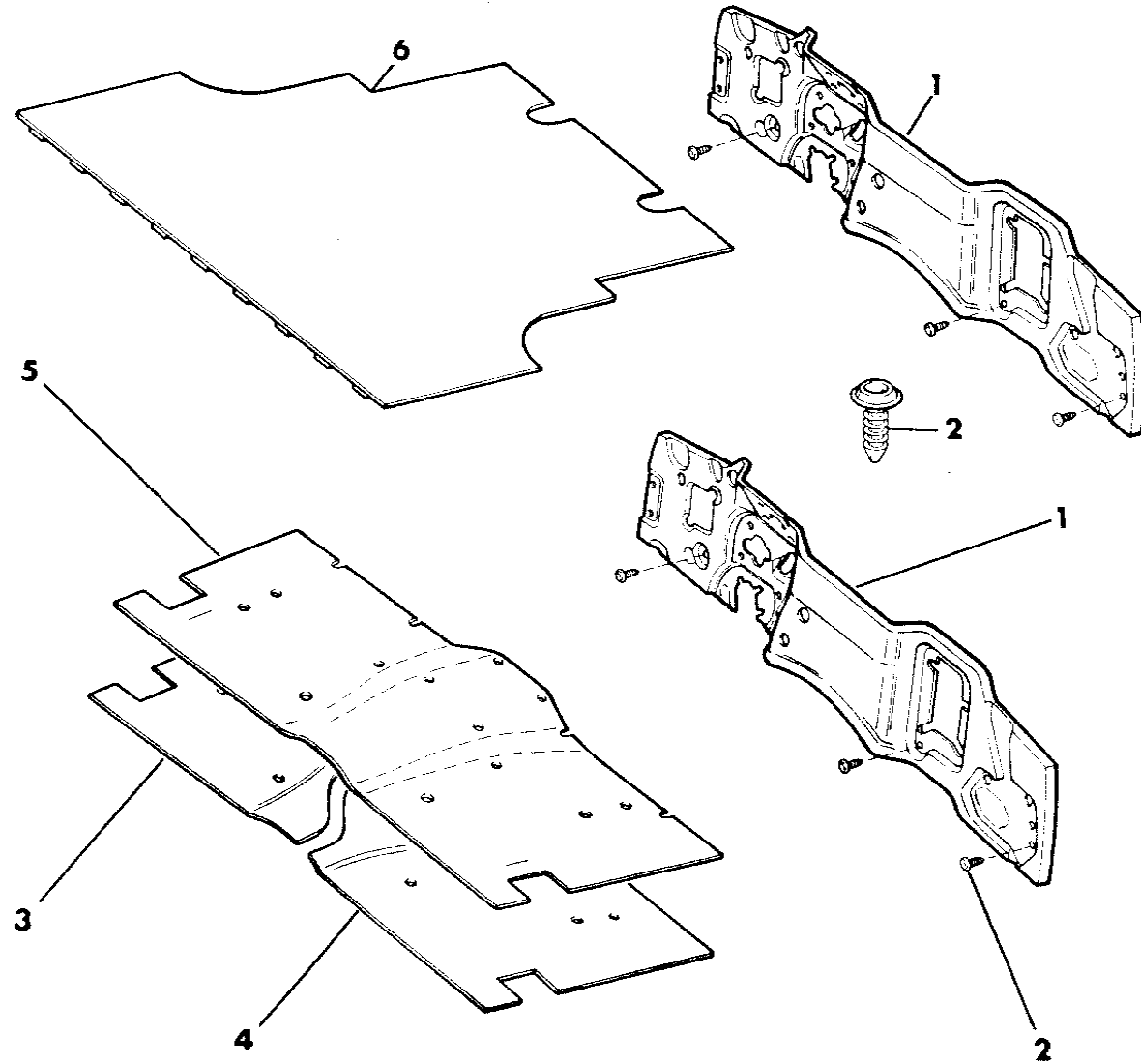
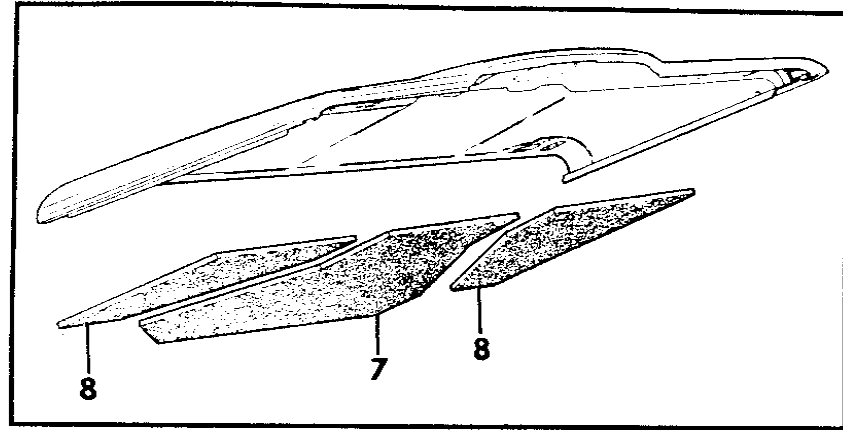
| ILLUSTRATION TITLE | GROUP-FIG. NO. |
|---|-----------------------|
| INSULATION GRAND WAGONEER, J10, J20 | Fig. 28-100 |
| HEADLINING, WITH SLIDING SUNROOF GRAND WAGONEER | Fig. 28-200 |
| HEADLINING AND UPPER TRIM MOLDINGS GRAND WAGONEER | Fig. 28-300 |
| HEADLINING AND UPPER TRIM MOLDINGS J10, J20, 1987-88 | Fig. 28-400 |
| SUNVISORS AND VANITY MIRROR GRAND WAGONEER, J10, J20 | Fig. 28-450 |
| PANELS, INTERIOR TRIM GRAND WAGONEER | Fig. 28-500 |
| CARPETS AND MATS GRAND WAGONEER, J10, J20 | Fig. 28-600 |
| PANELS, DOOR TRIM GRAND WAGONEER, J10, J20 | Fig. 28-700 |
| INTERIOR TRIM PARTS, DOOR GRAND WAGONEER, J10, J20 | Fig. 28-800 |
| FRAME, PAD, AND COVERS ARMREST AND CENTER CUSHION GRAND WAGONEER | Fig. 28-900 |
| FRAME, PAD, AND COVERS BENCH SEAT GRAND WAGONEER 1987-88 | Fig. 28-1000 |
| FRAME, PAD, AND COVERS BUCKET SEAT GRAND WAGONEER | Fig. 28-1100 |
| FRAME, PAD, AND COVERS BENCH SEAT J10 J20 1987-88 | Fig. 28-1200 |
| FRAME, PAD, AND COVERS REAR SEAT GRAND WAGONEER | Fig. 28-1300 |
| TRACKS, LESS POWER SEATS BUCKET SEAT GRAND WAGONEER 1987-89 | Fig. 28-1400 |
| TRACKS, W/O POWER SEATS BENCH SEAT GRAND WAGONEER, J10, J20 1987-88 | Fig. 28-1450 |
| TRACKS, WITH POWER SEATS BUCKET SEAT GRAND WAGONEER | Fig. 28-1500 |
| SEAT BELTS, FRONT AND REAR GRAND WAGONEER, J10, J20 | Fig. 28-1600 |
| COVER, CARGO GRAND WAGONEER | Fig. 28-1700 |

ILLUSTRATION NOT AVAILABLE AT TIME OF PUBLICATION

INSULATION GRAND WAGONEER, J10, J20
Figure 28-100

8J28 100

| ITEM | PART NUMBER | QTY | BODY | MODEL | DESCRIPTION |
|------|-------------|-----|------|-------|---------------------------|
| 1 | J576 4337 | 1 | | | INSULATION, Dash |
| 2 | J400 1934 | 3 | | | FASTENER |
| 3 | J545 8803 | 1 | | 26,27 | INSULATION, Floor 1987-88 |
| 4 | J545 8804 | 1 | | 26,27 | INSULATION, Floor 1987-88 |
| 5 | J545 8805 | 1 | | 26,27 | INSULATION, Floor 1987-88 |
| 6 | 5501 1510 | 1 | | 15 | INSULATION, Cargo |
| 7 | J546 0143 | 1 | | | INSULATION, Hood |
| 8 | J546 0166 | 2 | | | INSULATION, Hood |



MODEL CODES:

| | | |
|-----------------------------|-----------------------------|------------------------------|
| 15 = Grand Wagoneer 4 Dr. | 65 = Comanche 4WD-7 Ft. Box | 77 = Cherokee 4WD-2 Dr. |
| 25 = J-10 Pickup-119" W.B. | 66 = Comanche 2WD-7 Ft. Box | 78 = Cherokee 4WD-4 Dr. |
| 26 = J-10 Pickup-131" W.B. | 73 = Cherokee 2WD-2 Dr. | 79 = Cherokee 4WD-4 Dr.-Com |
| 27 = J-20 Pickup-131" W.B. | 74 = Cherokee 2WD-4 Dr. | 81 = Wrangler-93" W.B. |
| 63 = Comanche 4WD-6 Ft. Box | 75 = Wagoneer 4WD-4 Dr. | 82 = Wrangler-103" W.B.-Exp. |
| 64 = Comanche 2WD-6 Ft. Box | | |

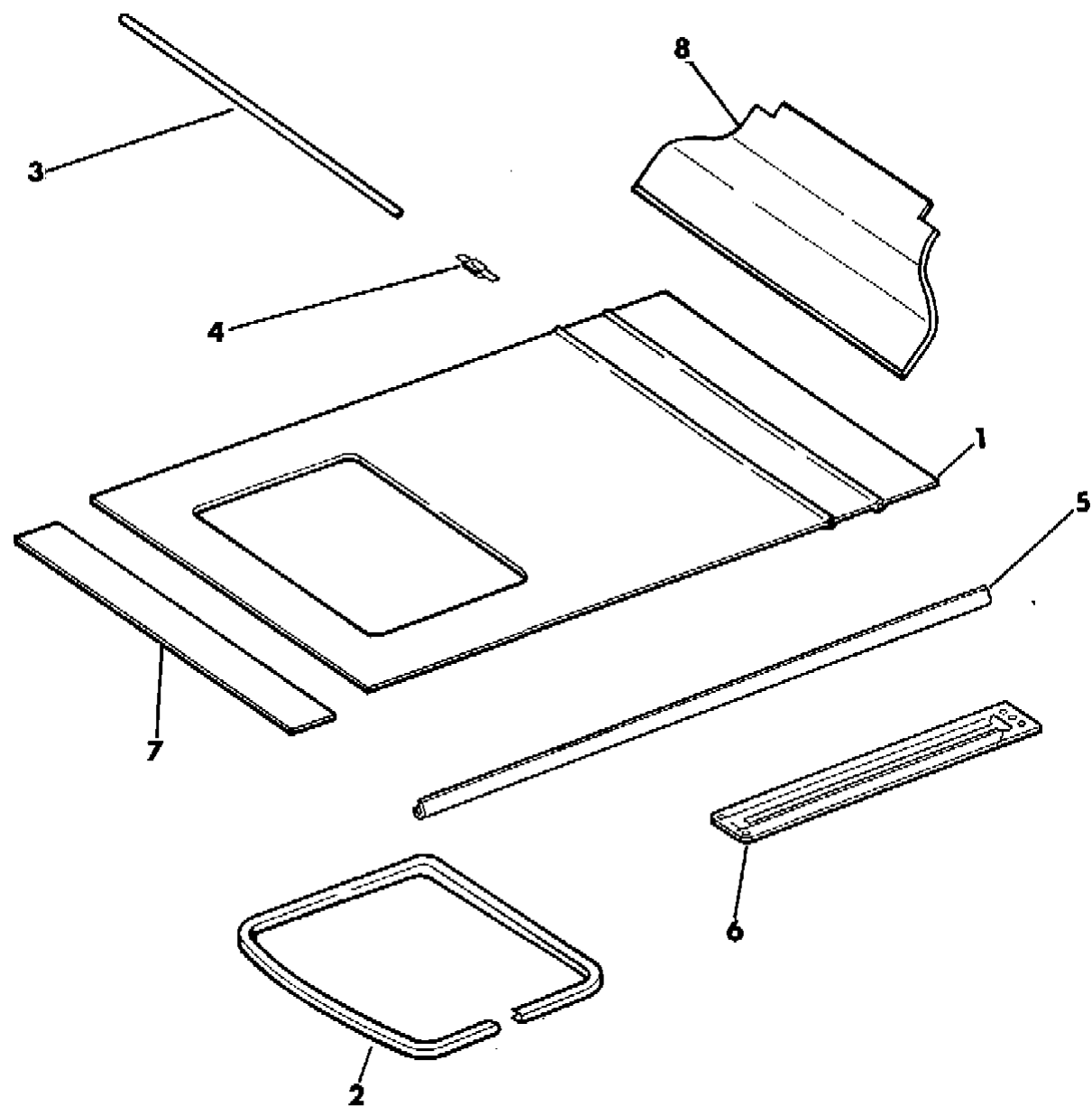
BODY STYLES:

MJ = Comanche Pickup
 SJ = Grand Wagoneer Wgn., J-10 & J-20 Pickups
 XJ = Cherokee, Wagoneer Limited
 YJ = Wrangler

AR = Use as Required - = Non Illustrated Part P.A.R. = Paint as Required

HEADLINING, WITH SLIDING SUNROOF GRAND WAGONEER
Figure 28-200

8J28 200 A



| ITEM | PART NUMBER | QTY | BODY | MODEL | DESCRIPTION |
|------|-------------|-----|------|-------|---|
| 1 | | | | | HEADLINING |
| | 8350 4515 | 1 | | | Cordovan, 1987 |
| | 8350 5365 | 1 | | | Cordovan, 1988-90 |
| | 5252 179 | 1 | | | Sand, 1989-90 |
| | 8350 4514 | 1 | | | Tan, 1987 |
| | 8350 5364 | 1 | | | Tan, 1988 |
| 2 | | | | | WELT |
| | J813 3205 | 1 | | | Black |
| | 5252 621 | 1 | | | Cordovan |
| | 5252 620 | 1 | | | Sand |
| 3 | J813 3213 | 2 | | | WIRE |
| 4 | J813 3723 | 4 | | | CLIP |
| 5 | | | | | RETAINER |
| | 8350 4470 | 1 | | | Right |
| | 8350 4471 | 1 | | | Left |
| 6 | J813 3216 | 2 | | | BRACKET |
| 7 | 8350 5363 | 1 | | | FOUNDATION, Headliner, Front, 1988-90 *** |
| 8 | 8350 5362 | 1 | | | FOUNDATION, Headliner, Rear, 1988-90 *** |

MODEL CODES:

| | | |
|-----------------------------|-----------------------------|------------------------------|
| 15 = Grand Wagoneer 4 Dr. | 65 = Comanche 4WD-7 Ft. Box | 77 = Cherokee 4WD-2 Dr. |
| 25 = J-10 Pickup-119" W.B. | 66 = Comanche 2WD-7 Ft. Box | 78 = Cherokee 4WD-4 Dr. |
| 26 = J-10 Pickup-131" W.B. | 73 = Cherokee 2WD-2 Dr. | 79 = Cherokee 4WD-4 Dr.-Com |
| 27 = J-20 Pickup-131" W.B. | 74 = Cherokee 2WD-4 Dr. | 81 = Wrangler-93" W.B. |
| 63 = Comanche 4WD-6 Ft. Box | 75 = Wagoneer 4WD-4 Dr. | 82 = Wrangler-103" W.B.-Exp. |
| 64 = Comanche 2WD-6 Ft. Box | | |

BODY STYLES:

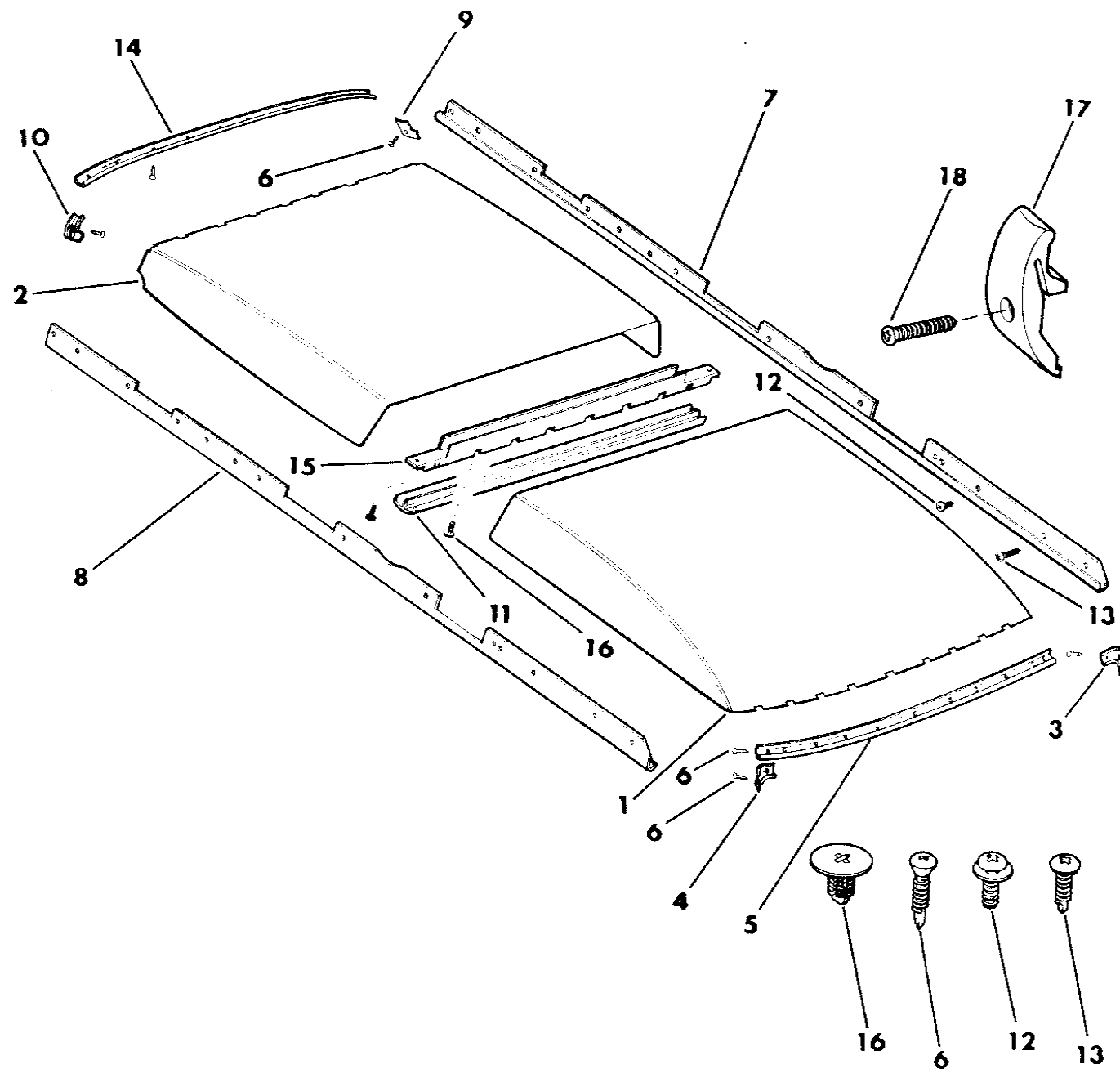
MJ = Comanche Pickup
 SJ = Grand Wagoneer Wgn., J-10 & J-20 Pickups
 XJ = Cherokee, Wagoneer Limited
 YJ = Wrangler

AR = Use as Required - = Non Illustrated Part P.A.R. = Paint as Required

HEADLINING AND UPPER TRIM MOLDINGS GRAND WAGONEER

Figure 28-300

8J28 300



| ITEM | PART NUMBER | QTY | BODY | MODEL | DESCRIPTION |
|------|-------------|-----------|-----------|-------|--|
| 1 | | | | | HEADLINING, Front *** |
| | | | | | Cloth |
| | | 5501 1181 | 1 | | Cordovan, 1987-89, Modification Required |
| | | 5AA7 8JH9 | 1 | | Cordovan, 1990 |
| | | 5502 1458 | 1 | | Sand, 1989, Modification Required |
| | | 5AA7 8JY1 | 1 | | Sand, 1990 |
| | | 5501 1182 | 1 | | Tan, 1987-88 Vinyl *** |
| 2 | | | | | HEADLINING, Rear *** |
| | | | | | Cloth |
| | | 5501 1184 | 1 | | Cordovan, 1987-89 |
| | | 5AG9 6JH9 | 1 | | Cordovan, 1990 |
| | | 5502 2086 | 1 | | Sand, 1989 |
| | | 5AG9 6JY1 | 1 | | Sand, 1990 |
| | | 5501 1185 | 1 | | Tan, 1987-88 Vinyl *** |
| 3 | | | | | Tan, 1987-88 |
| | 3 | | | | CAP, Molding, Left |
| | | | J545 3701 | 1 | |
| | | 5AA4 3JH9 | 1 | | Cordovan, 1990 |
| 4 | | | | | Sand, 1990 |
| | 4 | | | | CAP, Molding, Right |
| | | | J545 3702 | 1 | |
| | | 5AA4 2JH9 | 1 | | Cordovan, 1990 |
| 5 | | | | | Sand, 1990 |
| | 5 | | | | MOLDING, Header, P.A.R. *** |
| | | | J545 3687 | 1 | |
| | | 5AA4 0JY1 | 1 | | 1990 |
| 6 | J400 4930 | 22 | | | SCREW |
| 7 | | | | | MOLDING, Headlining, Left *** |
| | | 5501 1191 | 1 | | Cordovan, w/o Overhead Console, 1987-89 |
| | | 5502 1781 | 1 | | Cordovan, w/Overhead Console, 1989 |
| | | 5AA3 9JH9 | 1 | | Cordovan, 1990 |
| | | 5502 1003 | 1 | | Sand, w/o Overhead Console, 1989 |
| | | 5502 1779 | 1 | | Sand, w/Overhead Console, 1989 |
| | | 5AA3 9JY1 | 1 | | Sand, 1990 |

MODEL CODES:

| | | |
|-----------------------------|-----------------------------|------------------------------|
| 15 = Grand Wagoneer 4 Dr. | 65 = Comanche 4WD-7 Ft. Box | 77 = Cherokee 4WD-2 Dr. |
| 25 = J-10 Pickup-119" W.B. | 66 = Comanche 2WD-7 Ft. Box | 78 = Cherokee 4WD-4 Dr. |
| 26 = J-10 Pickup-131" W.B. | 73 = Cherokee 2WD-2 Dr. | 79 = Cherokee 4WD-4 Dr.-Com |
| 27 = J-20 Pickup-131" W.B. | 74 = Cherokee 2WD-4 Dr. | 81 = Wrangler-93" W.B. |
| 63 = Comanche 4WD-6 Ft. Box | 75 = Wagoneer 4WD-4 Dr. | 82 = Wrangler-103" W.B.-Exp. |
| 64 = Comanche 2WD-6 Ft. Box | | |

BODY STYLES:

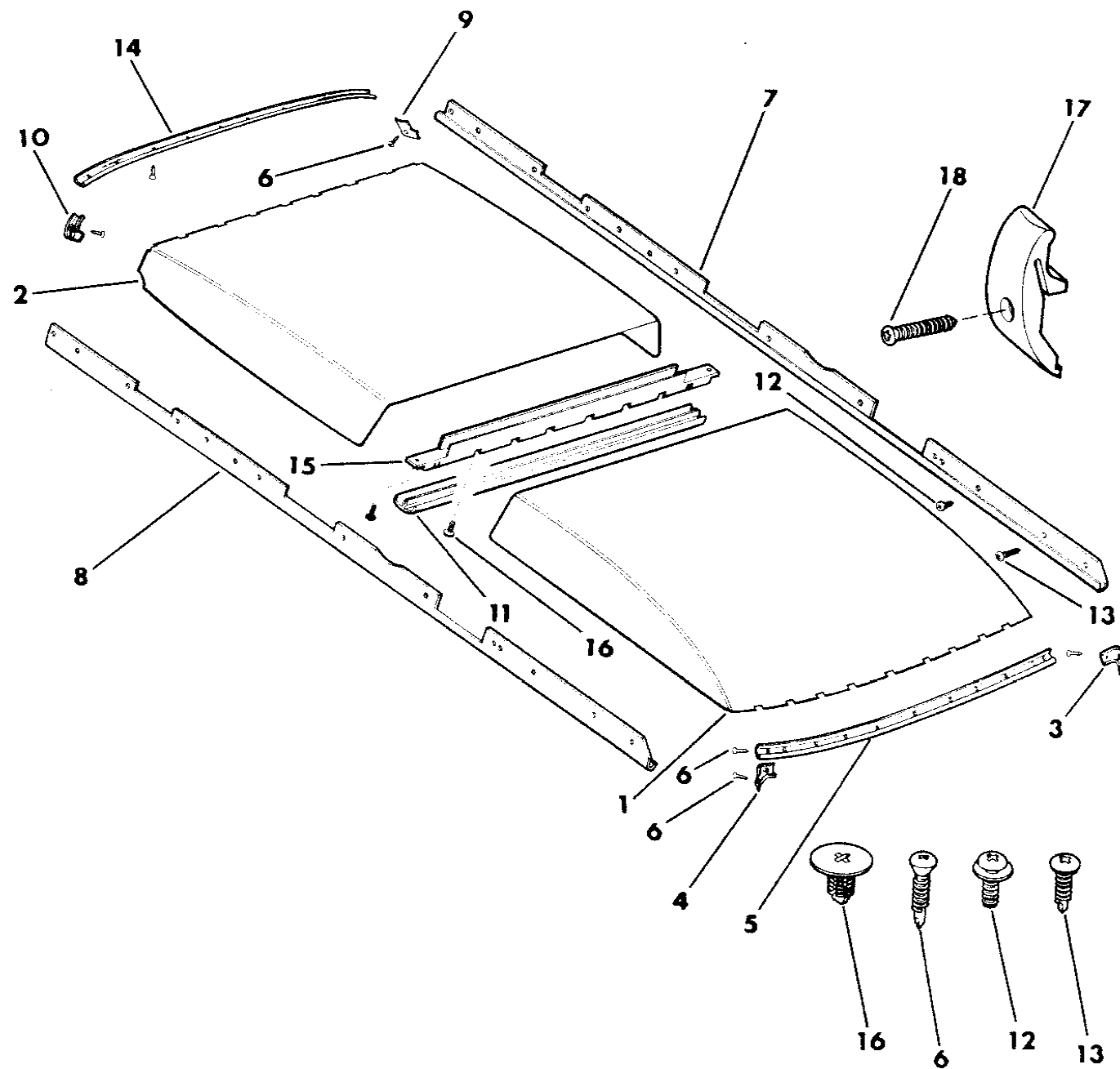
MJ = Comanche Pickup
 SJ = Grand Wagoneer Wgn., J-10 & J-20 Pickups
 XJ = Cherokee, Wagoneer Limited
 YJ = Wrangler

AR = Use as Required - = Non Illustrated Part P.A.R. = Paint as Required

HEADLINING AND UPPER TRIM MOLDINGS GRAND WAGONEER

Figure 28-300

8J28 300



| ITEM | PART NUMBER | QTY | BODY | MODEL | DESCRIPTION |
|------|-------------|-----|------|-------|--------------------------------|
| | 5501 1189 | 1 | | | Tan, 1987-88 |
| 8 | | | | | MOLDING, Headlining, Right *** |
| | 5501 1190 | 1 | | | Cordovan, 1987-89 |
| | 5AA3 8JH9 | 1 | | | Cordovan, 1990 |
| | 5502 1002 | 1 | | | Sand, 1989 |
| | 5AA3 8JY1 | 1 | | | Sand, 1990 |
| | 5501 1188 | 1 | | | Tan, 1987-88 |
| 9 | | | | | CAP, Molding, Left |
| | J545 3714 | 1 | | | P.A.R., 1987-89 |
| | 5AA4 5JH9 | 1 | | | Cordovan, 1990 |
| | 5AA4 5JY1 | 1 | | | Sand, 1990 |
| 10 | | | | | CAP, Molding, Right |
| | J545 3714 | 1 | | | P.A.R., 1987-89 |
| | 5AA4 4JH9 | 1 | | | Cordovan, 1990 |
| | 5AA4 4JY1 | 1 | | | Sand, 1990 |
| 11 | | | | | MOLDING, Headlining *** |
| | 5501 1203 | 1 | | | Cordovan, 1987-89 |
| | 5AA7 4JH9 | 1 | | | Cordovan, 1990 |
| | 5502 1008 | 1 | | | Sand, 1989 |
| | 5AA7 4JY1 | 1 | | | Sand, 1990 |
| | 5501 1202 | 1 | | | Tan, 1987-88 |
| 12 | J097 4764 | 16 | | | SCREW |
| 13 | J400 4924 | 2 | | | SCREW |
| 14 | | | | | MOLDING, Rear Garnish *** |
| | J545 3693 | 1 | | | P.A.R., 1987-89 |
| | 5AA4 1JH9 | 1 | | | Cordovan, 1990 |
| | 5AA4 1JY1 | 1 | | | Sand, 1990 |
| 15 | J546 9297 | 1 | | | RETAINER |
| 16 | J400 6088 | 8 | | | FASTENER |
| 17 | | | | | HOOK, Coat |
| | 5501 1212 | 2 | | | Cordovan, 1987-89 |
| | 5502 0914 | 2 | | | Sand, 1989 |
| | 5501 1213 | 2 | | | Tan, 1987-88 |
| | 5AA1 9JY1 | 2 | | | P.A.R., 1990 |
| 18 | J942 2397 | 2 | | | SCREW |

MODEL CODES:

| | | |
|-----------------------------|-----------------------------|------------------------------|
| 15 = Grand Wagoneer 4 Dr. | 65 = Comanche 4WD-7 Ft. Box | 77 = Cherokee 4WD-2 Dr. |
| 25 = J-10 Pickup-119" W.B. | 66 = Comanche 2WD-7 Ft. Box | 78 = Cherokee 4WD-4 Dr. |
| 26 = J-10 Pickup-131" W.B. | 73 = Cherokee 2WD-2 Dr. | 79 = Cherokee 4WD-4 Dr.-Com |
| 27 = J-20 Pickup-131" W.B. | 74 = Cherokee 2WD-4 Dr. | 81 = Wrangler-93" W.B. |
| 63 = Comanche 4WD-6 Ft. Box | 75 = Wagoneer 4WD-4 Dr. | 82 = Wrangler-103" W.B.-Exp. |
| 64 = Comanche 2WD-6 Ft. Box | | |

BODY STYLES:

MJ = Comanche Pickup
 SJ = Grand Wagoneer Wgn., J-10 & J-20 Pickups
 XJ = Cherokee, Wagoneer Limited
 YJ = Wrangler

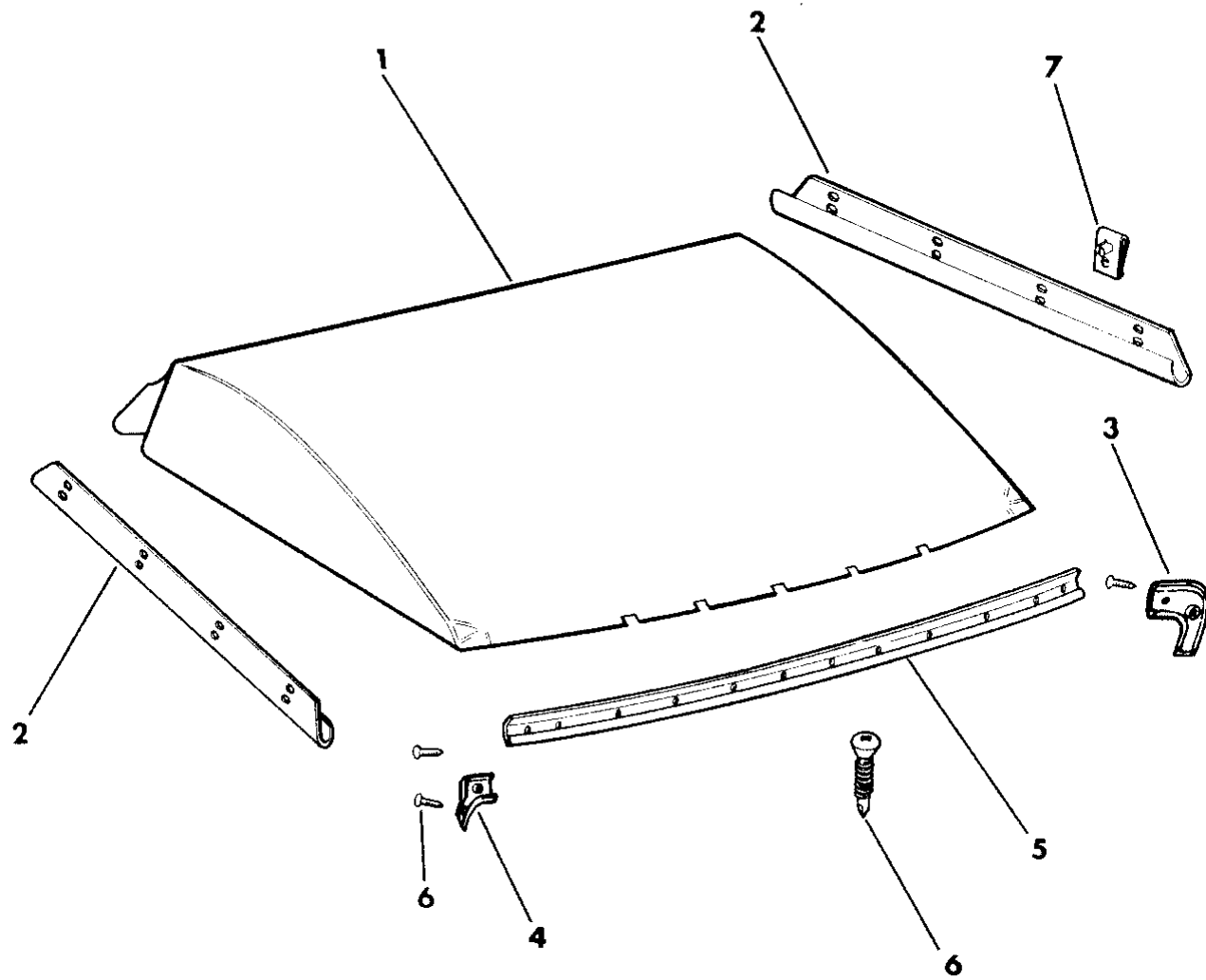
AR = Use as Required - = Non Illustrated Part P.A.R. = Paint as Required

HEADLINING AND UPPER TRIM MOLDINGS J10, J20, 1987-88

Figure 28-400

8J28 400

| ITEM | PART NUMBER | QTY | BODY | MODEL | DESCRIPTION |
|------|-------------|-----|------|-------|------------------------------|
| 1 | | | | | HEADLINING |
| | 5501 1187 | 1 | | | Tan, Cloth |
| | 5501 1186 | 1 | | | Tan, Vinyl |
| 2 | 5501 1192 | 2 | | | MOLDING, Headlining, Tan *** |
| 3 | J545 3701 | 1 | | | CAP, Molding, P.A.R. |
| 4 | J545 3702 | 1 | | | CAP, Molding, P.A.R. |
| 5 | J545 3687 | 1 | | | MOLDING, Header, P.A.R. *** |
| 6 | J400 4930 | 11 | | | SCREW |
| 7 | J400 0322 | 6 | | | CLIP |



MODEL CODES:

| | | |
|-----------------------------|-----------------------------|------------------------------|
| 15 = Grand Wagoneer 4 Dr. | 65 = Comanche 4WD-7 Ft. Box | 77 = Cherokee 4WD-2 Dr. |
| 25 = J-10 Pickup-119" W.B. | 66 = Comanche 2WD-7 Ft. Box | 78 = Cherokee 4WD-4 Dr. |
| 26 = J-10 Pickup-131" W.B. | 73 = Cherokee 2WD-2 Dr. | 79 = Cherokee 4WD-4 Dr.-Com |
| 27 = J-20 Pickup-131" W.B. | 74 = Cherokee 2WD-4 Dr. | 81 = Wrangler-93" W.B. |
| 63 = Comanche 4WD-6 Ft. Box | 75 = Wagoneer 4WD-4 Dr. | 82 = Wrangler-103" W.B.-Exp. |
| 64 = Comanche 2WD-6 Ft. Box | | |

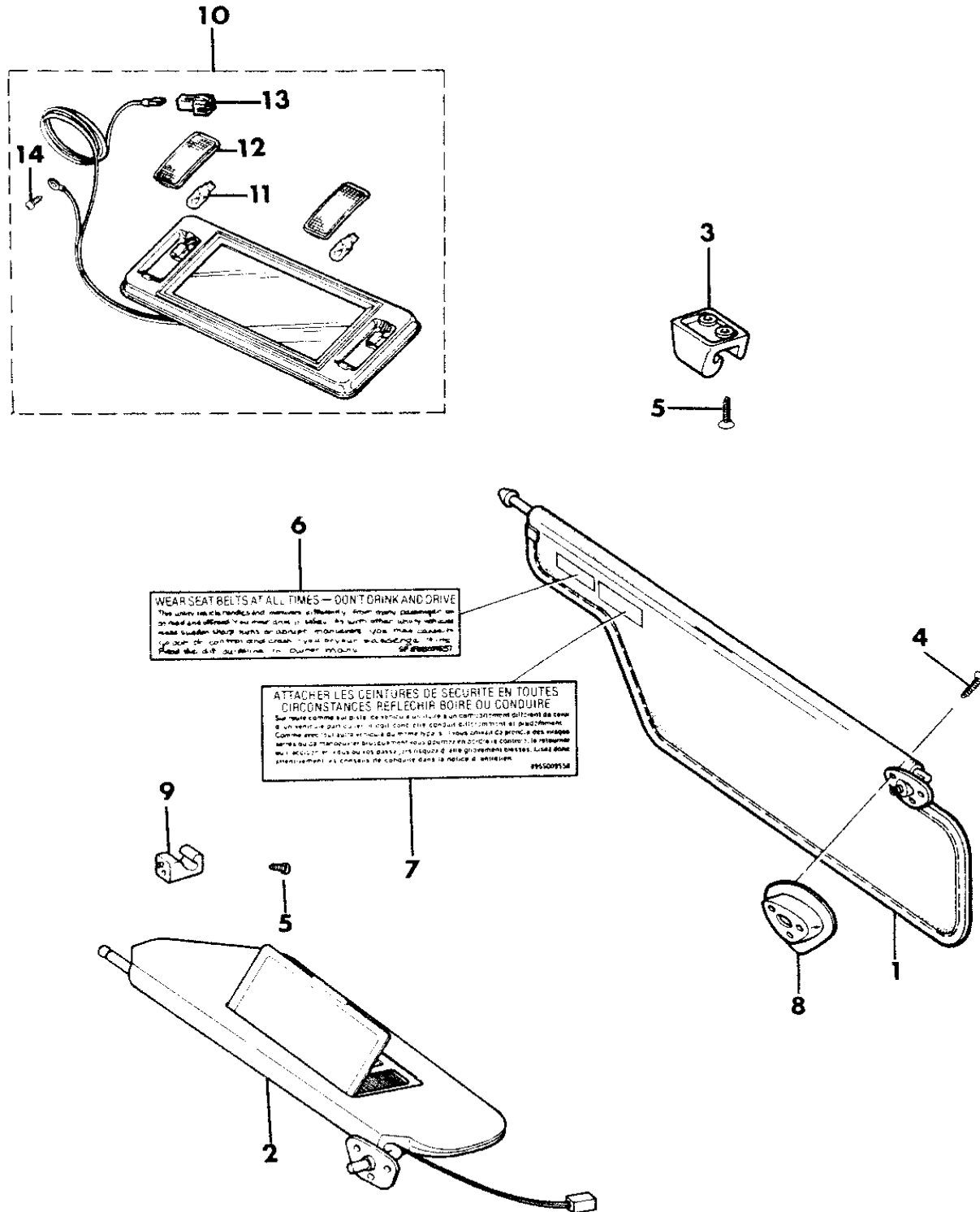
BODY STYLES:

MJ = Comanche Pickup
 SJ = Grand Wagoneer Wgn., J-10 & J-20 Pickups
 XJ = Cherokee, Wagoneer Limited
 YJ = Wrangler

AR = Use as Required - = Non Illustrated Part P.A.R. = Paint as Required

SUNVISORS AND VANITY MIRROR GRAND WAGONEER, J10, J20
Figure 28-450

8J28450



| ITEM | PART NUMBER | QTY | BODY | MODEL | DESCRIPTION |
|------|-------------|-----|-------|-------|--|
| 1 | | | | | SUNVISOR, w/o Overhead Console *** |
| | | | | | Right (for lighted vanity see item 10) |
| | 5501 1408 | 1 | | | Cordovan, Cloth, 1987-89 |
| | 5AG9 2JH9 | 1 | | | Cordovan, Cloth, 1990 |
| | 5502 0908 | 1 | | | Sand, Cloth, 1989 |
| | 5AG9 2JY1 | 1 | | | Sand, 1990 |
| | 5501 1402 | 1 | | | Tan, Cloth, 1987-88 |
| | 5501 1396 | 1 | | | Tan, Vinyl, 1987-88 |
| | | | | | Left *** |
| | 5501 4975 | 1 | | | Cordovan, Cloth, 1987-89 |
| | 5AG9 5JH9 | 1 | | | Cordovan, Cloth, 1990 |
| | 5502 0909 | 1 | 15 | | Sand, Cloth, Export, 1989 |
| | 5502 0911 | 1 | 15 | | Sand, Cloth, U.S., Canada, 1989 |
| | 5AG9 5JY1 | 1 | | | Sand, Cloth, 1990 |
| | 5501 4403 | 1 | 26,27 | | Tan, Cloth, 1987-88 |
| | 5501 4403 | 1 | 15 | | Tan, Cloth, Export, 1987-88 |
| | 5501 4973 | 1 | 15 | | Tan, Cloth, U.S., Canada, 1987-88 |
| | 5501 1397 | 1 | | | Tan, Vinyl, Also Order Label Item 6 or 7 |

Vehicles w/sun roof only have lighted vanity on passenger side Tag affixed to the Face of its Pulley. A Second Tag will show the name of the Vendor (OGURA).

| | | | | | |
|---|-----------|---|--|--|--------------------------------------|
| 2 | | | | | SUNVISOR, w/ Overhead Console *** |
| | | | | | Right *** |
| | 5502 4328 | 1 | | | Cordovan, 1988-89 |
| | 5AB0 6JH9 | 1 | | | Cordovan, 1990 |
| | 5502 4326 | 1 | | | Sand, 1988-89 |
| | 5AB0 6JY1 | 1 | | | Sand, 1990 |
| | | | | | Left |
| | 5502 4329 | 1 | | | Cordovan, U.S., Canada, 1988-89 |
| | 5AB0 7JH9 | 1 | | | Cordovan, U.S., Canada, 1990 |
| | 5502 4333 | 1 | | | Cordovan, Export, 1988-89 |
| | 5AB0 9JH9 | 1 | | | Cordovan, Export, 1990 |
| | 5502 4327 | 1 | | | Sand, U.S., Canada, 1989 |
| | 5AB0 7JY1 | 1 | | | Sand, U.S., Canada, 1990 |
| | 5502 4331 | 1 | | | Sand, Export, 1989 |
| | 5AB0 9JY1 | 1 | | | Sand, Export, 1990 |
| 3 | | | | | SUPPORT, Visor, w/o Overhead Console |
| | J576 0671 | 1 | | | 1988-89, Black, P.A.R. |

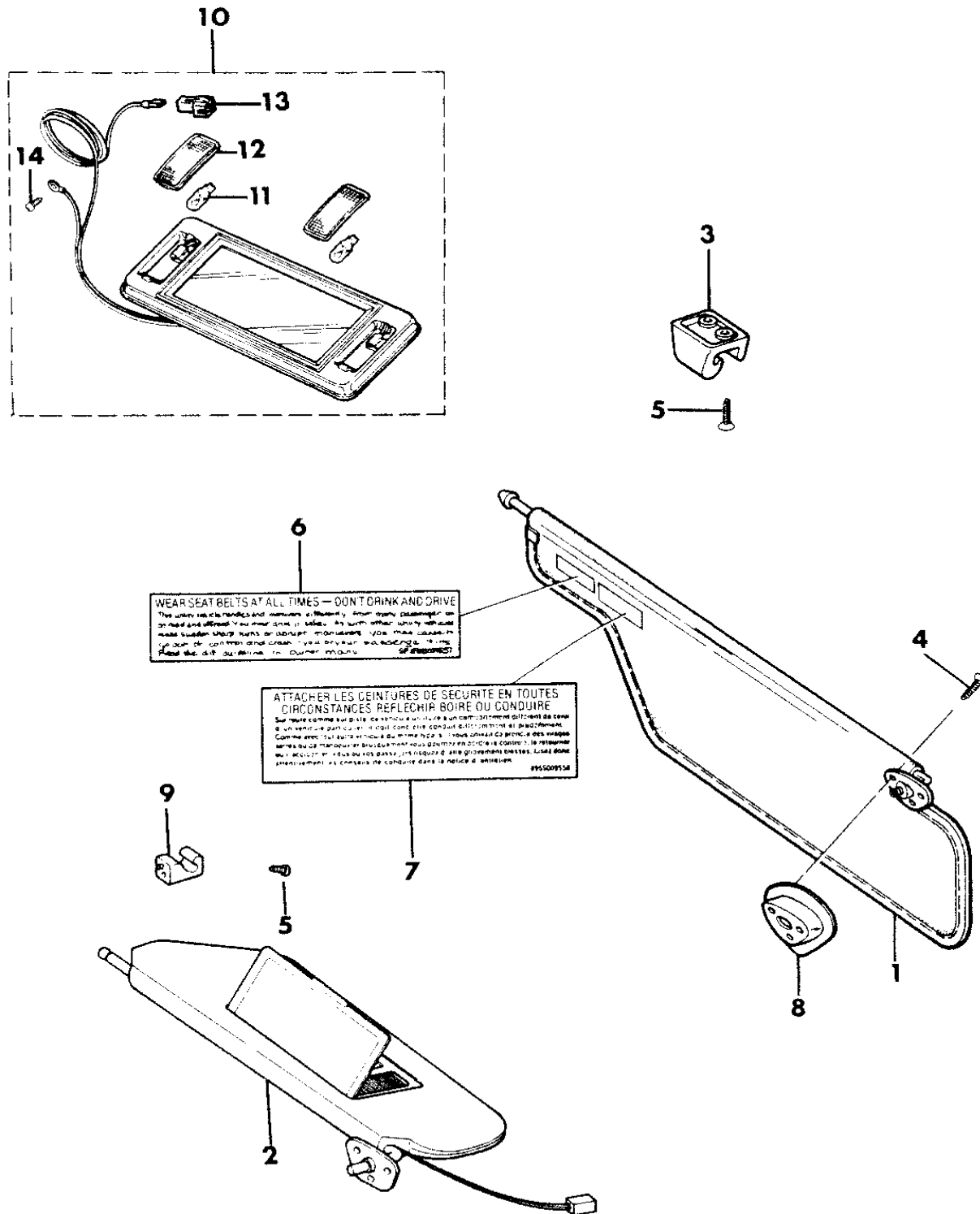
- MODEL CODES:
- | | | |
|-----------------------------|-----------------------------|------------------------------|
| 15 = Grand Wagoneer 4 Dr. | 65 = Comanche 4WD-7 Ft. Box | 77 = Cherokee 4WD-2 Dr. |
| 25 = J-10 Pickup-119" W.B. | 66 = Comanche 2WD-7 Ft. Box | 78 = Cherokee 4WD-4 Dr. |
| 26 = J-10 Pickup-131" W.B. | 73 = Cherokee 2WD-2 Dr. | 79 = Cherokee 4WD-4 Dr.-Com |
| 27 = J-20 Pickup-131" W.B. | 74 = Cherokee 2WD-4 Dr. | 81 = Wrangler-93" W.B. |
| 63 = Comanche 4WD-6 Ft. Box | 75 = Wagoneer 4WD-4 Dr. | 82 = Wrangler-103" W.B.-Exp. |
| 64 = Comanche 2WD-6 Ft. Box | | |

- BODY STYLES:
- MJ = Comanche Pickup
 - SJ = Grand Wagoneer Wgn., J-10 & J-20 Pickups
 - XJ = Cherokee, Wagoneer Limited
 - YJ = Wrangler

AR = Use as Required - = Non Illustrated Part P.A.R. = Paint as Required

SUNVISORS AND VANITY MIRROR GRAND WAGONEER, J10, J20
Figure 28-450

8J28450



| ITEM | PART NUMBER | QTY | BODY | MODEL | DESCRIPTION |
|------|-------------|-----|------|-------|---|
| | 5AA9 5JH9 | 1 | | | 1990, Cordovan |
| | 5AA9 5JY1 | 1 | | | 1990, Sand |
| 4 | S016 2459 | 6 | | | SCREW |
| 5 | | | | | SCREW |
| | J448 9490 | 2 | | | 1987-89 |
| | 3420 1467 | 2 | | | 1990 |
| 6 | 5500 9557 | 1 | | | LABEL, English, 1987-89 |
| 7 | 5500 9558 | 1 | | | LABEL, French, 1987-89 |
| 8 | | | | | ESCUTCHEON |
| | | | | | Right |
| | J576 5032 | 1 | | | P.A.R., 1987-89 |
| | 5AA0 4JH9 | 1 | | | Cordovan, 1990 |
| | 5AA0 4JY1 | 1 | | | Sand, 1990 |
| | | | | | Left, w/o Overhead Console |
| | J576 5033 | 1 | | | P.A.R., 1987-89 |
| | 5AA0 5JH9 | 1 | | | Cordovan, 1990 |
| | 5AA0 5JY1 | 1 | | | Sand, 1990 |
| | | | | | Left, w/ Overhead Console |
| | J576 5033 | 1 | | | P.A.R., 1987-89, Modification Required |
| | 5AH0 7JH9 | 1 | | | Cordovan, 1990 |
| | 5AH0 7JY1 | 1 | | | Sand, 1990 |
| 9 | | | 15 | | SUPPORT, Visor, w/Overhead Console |
| | 5502 1725 | 2 | | | 1988-89, P.A.R. |
| | H335 JH9 | 2 | | | 1990, Cordovan |
| | H335 JY1 | 2 | | | 1990, Sand |
| 10 | | | | | MIRROR, Vanity, w/o Overhead Console, Right |
| | 5501 6006 | 1 | | | P.A.R., 1987-89 |
| | 5AF2 0JH9 | 1 | | | Cordovan, 1990 |
| | 5AF2 0JY1 | 1 | | | Sand, 1990 |
| 11 | | | | | BULB |
| | J400 3086 | 2 | | | w/o Overhead Console 1987-90 |
| | J812 5723 | 4 | | | w/ Overhead Console, 1988-89 |
| | 9433 184 | 4 | | | 1990 |
| 12 | | | | | LENS |
| | J812 8734 | 2 | | | w/o Overhead Console 1987-90 |
| | 4410 693 | 4 | | | w/ Overhead Console, 1988-90 |
| 13 | J575 0947 | 1 | | | CONNECTOR, 1987-89 |

MODEL CODES:

| | | |
|-----------------------------|-----------------------------|------------------------------|
| 15 = Grand Wagoneer 4 Dr. | 65 = Comanche 4WD-7 Ft. Box | 77 = Cherokee 4WD-2 Dr. |
| 25 = J-10 Pickup-119" W.B. | 66 = Comanche 2WD-7 Ft. Box | 78 = Cherokee 4WD-4 Dr. |
| 26 = J-10 Pickup-131" W.B. | 73 = Cherokee 2WD-2 Dr. | 79 = Cherokee 4WD-4 Dr.-Com |
| 27 = J-20 Pickup-131" W.B. | 74 = Cherokee 2WD-4 Dr. | 81 = Wrangler-93" W.B. |
| 63 = Comanche 4WD-6 Ft. Box | 75 = Wagoneer 4WD-4 Dr. | 82 = Wrangler-103" W.B.-Exp. |
| 64 = Comanche 2WD-6 Ft. Box | | |

BODY STYLES:

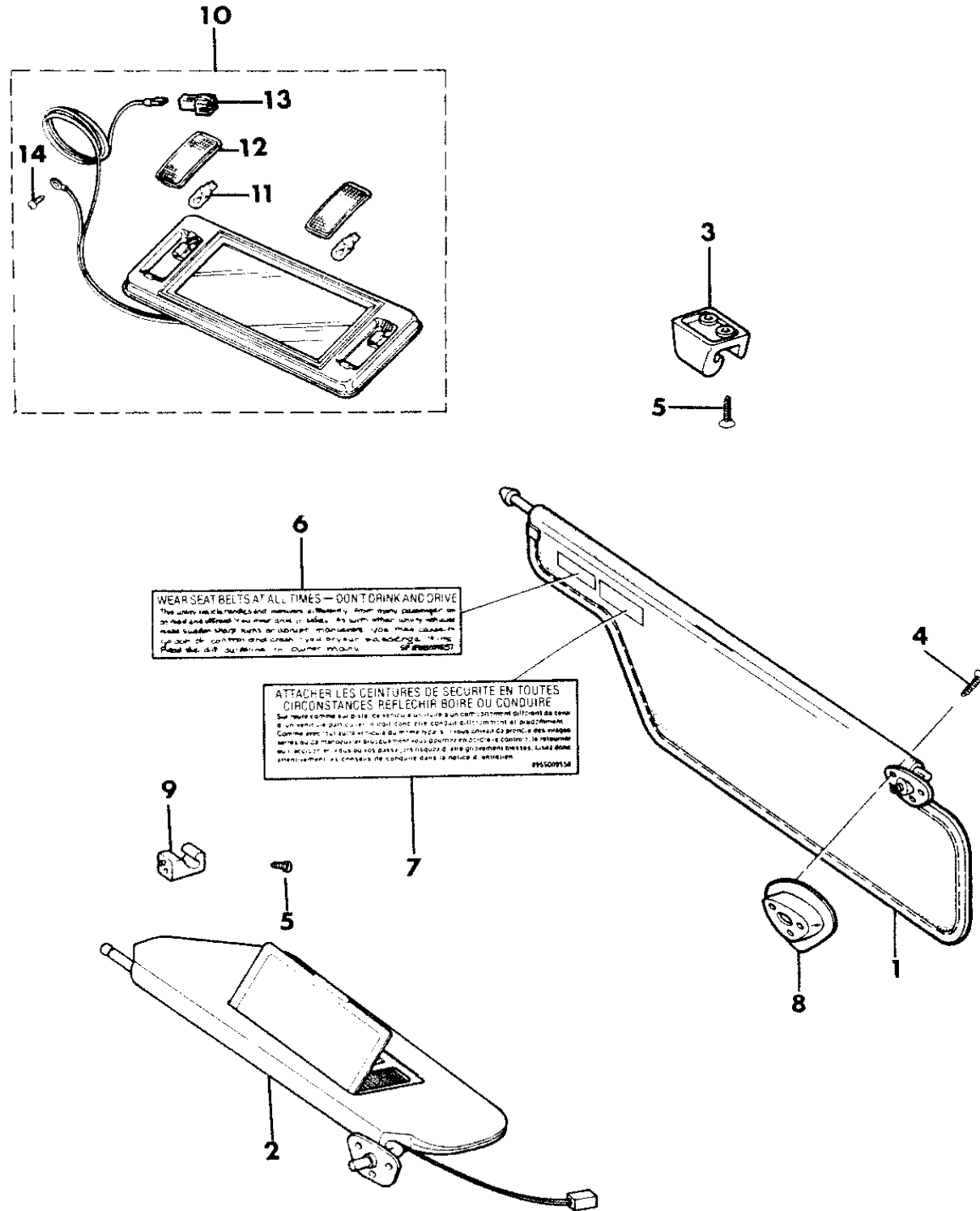
MJ = Comanche Pickup
SJ = Grand Wagoneer Wgn., J-10 & J-20 Pickups
XJ = Cherokee, Wagoneer Limited
YJ = Wrangler

AR = Use as Required - = Non Illustrated Part P.A.R. = Paint as Required

SUNVISORS AND VANITY MIRROR GRAND WAGONEER, J10, J20
Figure 28-450

8J28450

| ITEM | PART NUMBER | QTY | BODY | MODEL | DESCRIPTION |
|------|-------------|-----|------|-------|-------------|
| 14 | J941 4721 | 1 | | | SCREW |



MODEL CODES:

| | | |
|-----------------------------|-----------------------------|------------------------------|
| 15 = Grand Wagoneer 4 Dr. | 65 = Comanche 4WD-7 Ft. Box | 77 = Cherokee 4WD-2 Dr. |
| 25 = J-10 Pickup-119" W.B. | 66 = Comanche 2WD-7 Ft. Box | 78 = Cherokee 4WD-4 Dr. |
| 26 = J-10 Pickup-131" W.B. | 73 = Cherokee 2WD-2 Dr. | 79 = Cherokee 4WD-4 Dr.-Com |
| 27 = J-20 Pickup-131" W.B. | 74 = Cherokee 2WD-4 Dr. | 81 = Wrangler-93" W.B. |
| 63 = Comanche 4WD-6 Ft. Box | 75 = Wagoneer 4WD-4 Dr. | 82 = Wrangler-103" W.B.-Exp. |
| 64 = Comanche 2WD-6 Ft. Box | | |

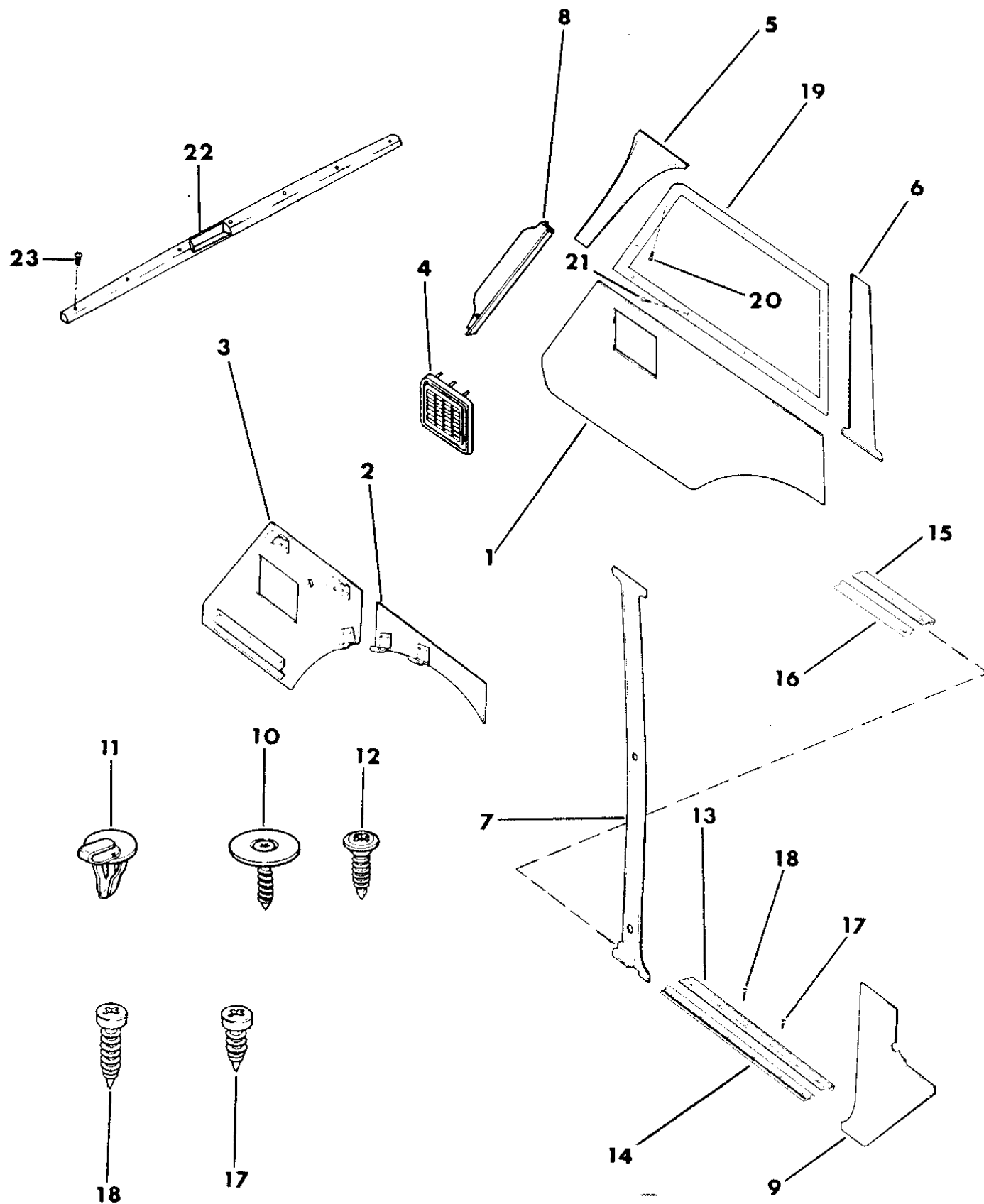
BODY STYLES:
MJ = Comanche Pickup
SJ = Grand Wagoneer Wgn., J-10 & J-20 Pickups
XJ = Cherokee, Wagoneer Limited
YJ = Wrangler

AR = Use as Required - = Non Illustrated Part P.A.R. = Paint as Required

PANELS, INTERIOR TRIM GRAND WAGONEER

Figure 28-500

8J28 500



| ITEM | PART NUMBER | QTY | BODY | MODEL | DESCRIPTION |
|------|-------------|-----|------|-------|------------------------------|
| 1 | | | | | PANEL, Quarter Trim, Left |
| | 5501 1219 | 1 | | | Cordovan, 1987-89 |
| | 5AG3 3JH9 | 1 | | | Cordovan, 1990 |
| | 5501 1249 | 1 | | | Tan, Base Wagon 1987-88 |
| 2 | | | | | PANEL, Quarter Trim, Right |
| | 5501 1228 | 1 | | | Cordovan, 1987-89 |
| | 5AG3 6JH9 | 1 | | | Cordovan, 1990 |
| | 5501 1248 | 1 | | | Tan, Base Wagon 1987-88 |
| 3 | | | | | PANEL, Quarter Trim, Right |
| | 5501 1218 | 1 | | | Cordovan, 1987-89 |
| | 5AG3 2JH9 | 1 | | | Cordovan, 1990 |
| | 5501 1250 | 1 | | | Tan, Base Wagon 1987-88 |
| 4 | | | | | GRILLE, w/Bezel Rear Speaker |
| | 3501 6858 | 2 | | | Cordovan, 1987-89 |
| | 3501 4001 | 2 | | | Tan, 1987-88 |
| | 5AB9 3JY6 | 2 | | | P.A.R., Sand, 1990 |
| 5 | | | | | PANEL, Quarter Trim Right |
| | 5501 1232-3 | 1 | | | Cordovan, 1987-89 |
| | 5AG40-1 JH9 | 1 | | | Cordovan, 1990 |
| | 5502 0992-3 | 1 | | | Sand, 1989 |
| | 5AG40-1 JY1 | 1 | | | Sand, 1990 |
| 6 | | | | | PANEL, Quarter Trim |
| | 5501 1258-9 | 1 | | | Cordovan, 1987-89 |
| | 5AA06-7 JH9 | 1 | | | Cordovan, 1990 |
| | 5502 0976-7 | 1 | | | Sand, 1989 |
| | 5AA06-7 JY1 | 1 | | | Sand, 1990 |

MODEL CODES:

| | | |
|-----------------------------|-----------------------------|------------------------------|
| 15 = Grand Wagoneer 4 Dr. | 65 = Comanche 4WD-7 Ft. Box | 77 = Cherokee 4WD-2 Dr. |
| 25 = J-10 Pickup-119" W.B. | 66 = Comanche 2WD-7 Ft. Box | 78 = Cherokee 4WD-4 Dr. |
| 26 = J-10 Pickup-131" W.B. | 73 = Cherokee 2WD-2 Dr. | 79 = Cherokee 4WD-4 Dr.-Com |
| 27 = J-20 Pickup-131" W.B. | 74 = Cherokee 2WD-4 Dr. | 81 = Wrangler-93" W.B. |
| 63 = Comanche 4WD-6 Ft. Box | 75 = Wagoneer 4WD-4 Dr. | 82 = Wrangler-103" W.B.-Exp. |
| 64 = Comanche 2WD-6 Ft. Box | | |

BODY STYLES:

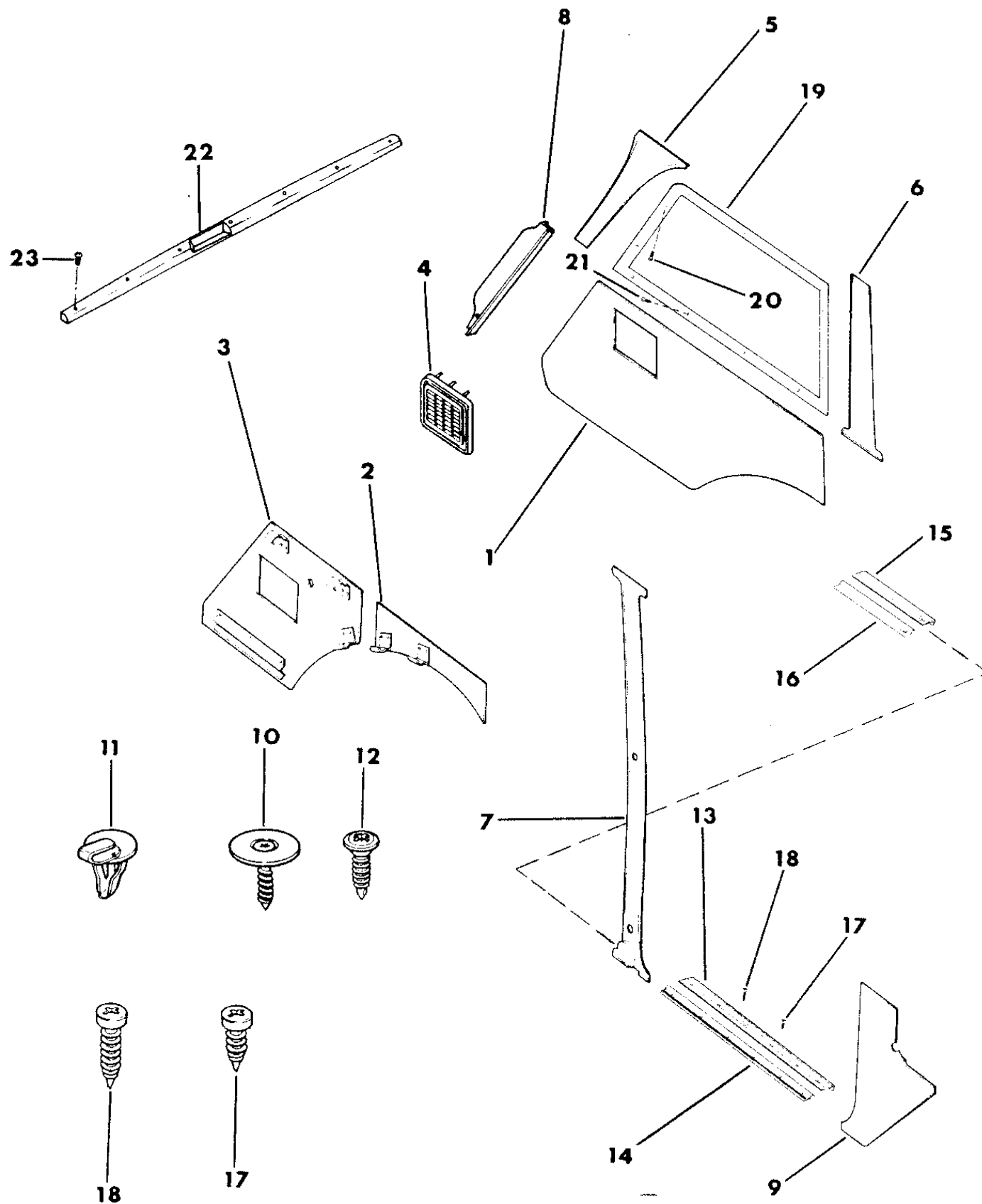
MJ = Comanche Pickup
 SJ = Grand Wagoneer Wgn., J-10 & J-20 Pickups
 XJ = Cherokee, Wagoneer Limited
 YJ = Wrangler

AR = Use as Required - = Non Illustrated Part P.A.R. = Paint as Required

PANELS, INTERIOR TRIM GRAND WAGONEER

Figure 28-500

8J28 500



| ITEM | PART NUMBER | QTY | BODY | MODEL | DESCRIPTION |
|------|-------------|-----|------|-------|-------------------------------------|
| | 5501 1260-1 | 1 | | | Tan, 1987-88 |
| 7 | | | | | PANEL, Center Pillar |
| | 5501 1262-3 | 1 | | | Cordovan, 1987-89 |
| | 5502 0978-9 | 1 | | | Sand, 1989 |
| | 5AB04-5 JY1 | 1 | | | P.A.R. 1990 |
| | 5501 1264-5 | 1 | | | Tan, 1987-88 |
| 8 | | | | | Left |
| | | | | | COVER, "D" Pillar, P.A.R. |
| | J576 5512 | 1 | | | Right, 1987-89 |
| | J576 5511 | 1 | | | Left, 1987-89 |
| | 5252 484 | 1 | | | Right, 1990 |
| | 5252 485 | 1 | | | Left, 1990 |
| 9 | | | | | COWL, Trim |
| | 5501 1394-5 | 1 | | | Cordovan, 1987-89 |
| | 5AA92-3 JH9 | 1 | | | Cordovan, 1990 |
| | 5502 0898-9 | 1 | | | Sand, 1989 |
| | 5AA92-3 JY1 | 1 | | | Sand, 1990 |
| | 5501 1392-3 | 1 | | | Tan, 1987-88 |
| 10 | 3420 2419 | 4 | | | SCREW |
| 11 | J400 4047 | 10 | | | CLIP, Trim Panel |
| 12 | J097 4764 | 4 | | | SCREW |
| 13 | J546 8673 | 2 | | | PLATE, Scuff, outer |
| 14 | J545 0534 | 2 | | | PLATE, Scuff, inner |
| 15 | J546 8674 | 2 | | | PLATE, Scuff, outer |
| 16 | J545 0535 | 2 | | | PLATE, Scuff, inner |
| 17 | J400 4924 | 1 | | | SCREW (8-18x.44) |
| 18 | | | | | SCREW |
| | J400 1499 | 1 | | | 1.25" Long, 1987-89 |
| | J942 2397 | 1 | | | (8-18x1.00) |
| 19 | | | | | MOLDING, Quarter Window, P.A.R. *** |
| | J095 7852 | 1 | | | Right |
| | J095 7851 | 1 | | | Left |
| 20 | J400 4938 | 14 | | | SCREW |
| 21 | J016 8626 | 18 | | | SCREW, (10-12x1.50) |
| 22 | | | | | PROTECTOR, Tailgate Glass |
| | 5501 9733 | 1 | | | Cordovan, 1988-89 |
| | 5AF3 8JH9 | 1 | | | Cordovan, 1990 |

MODEL CODES:

| | | |
|-----------------------------|-----------------------------|------------------------------|
| 15 = Grand Wagoneer 4 Dr. | 65 = Comanche 4WD-7 Ft. Box | 77 = Cherokee 4WD-2 Dr. |
| 25 = J-10 Pickup-119" W.B. | 66 = Comanche 2WD-7 Ft. Box | 78 = Cherokee 4WD-4 Dr. |
| 26 = J-10 Pickup-131" W.B. | 73 = Cherokee 2WD-2 Dr. | 79 = Cherokee 4WD-4 Dr.-Com |
| 27 = J-20 Pickup-131" W.B. | 74 = Cherokee 2WD-4 Dr. | 81 = Wrangler-93" W.B. |
| 63 = Comanche 4WD-6 Ft. Box | 75 = Wagoneer 4WD-4 Dr. | 82 = Wrangler-103" W.B.-Exp. |
| 64 = Comanche 2WD-6 Ft. Box | | |

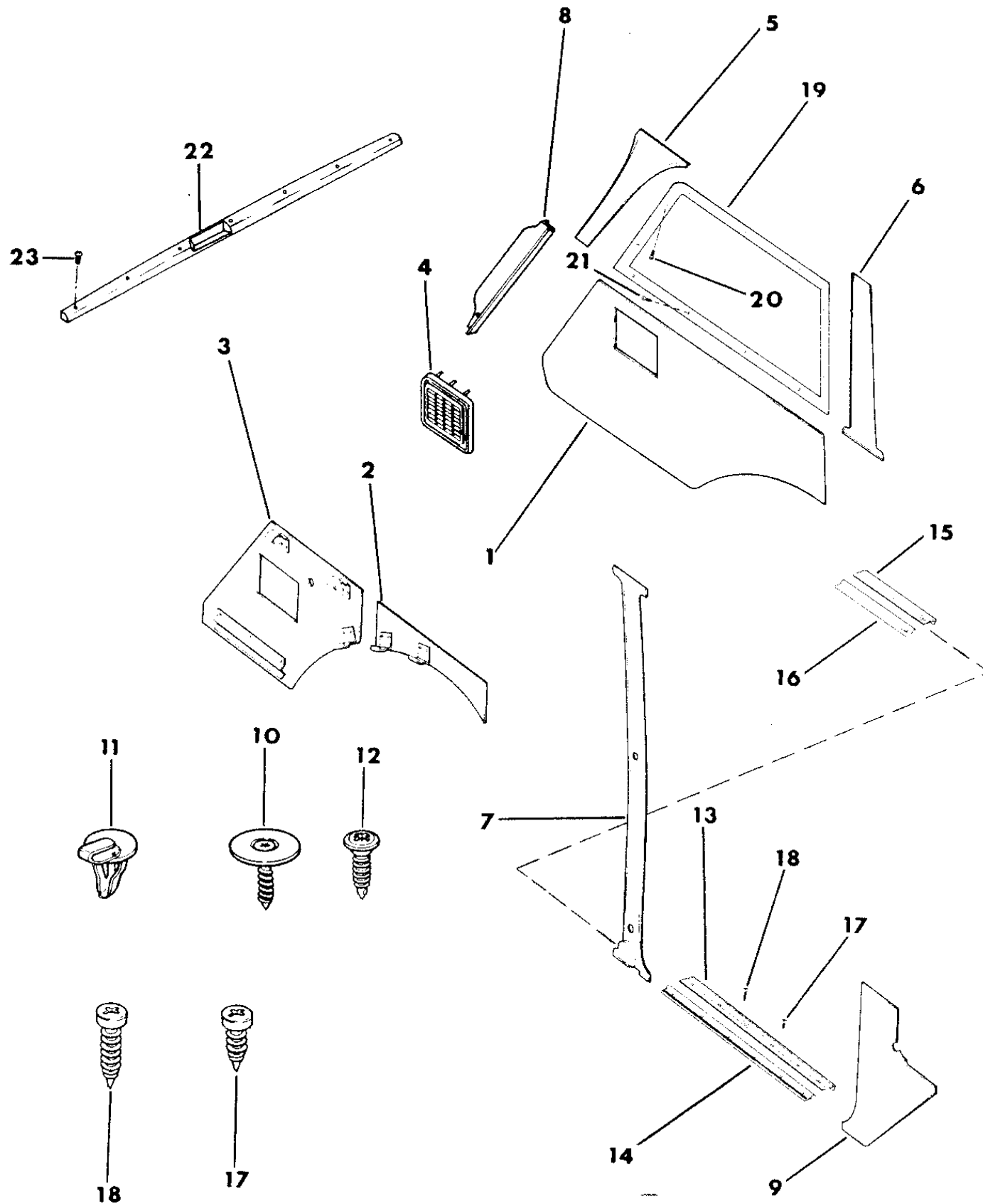
BODY STYLES:

MJ = Comanche Pickup
 SJ = Grand Wagoneer Wgn., J-10 & J-20 Pickups
 XJ = Cherokee, Wagoneer Limited
 YJ = Wrangler

AR = Use as Required - = Non Illustrated Part P.A.R. = Paint as Required

PANELS, INTERIOR TRIM GRAND WAGONEER
Figure 28-500

8J28 500



| ITEM | PART NUMBER | QTY | BODY | MODEL | DESCRIPTION |
|------|-------------|-----|------|-------|-------------|
| | 5502 0996 | 1 | | | Sand, 1989 |
| | 5AF3 8JY1 | 1 | | | Sand, 1990 |
| | 5501 9732 | 1 | | | Tan, 1988 |
| 23 | J400 2461 | 7 | | | SCREW |

MODEL CODES:

| | | |
|-----------------------------|-----------------------------|------------------------------|
| 15 = Grand Wagoneer 4 Dr. | 65 = Comanche 4WD-7 Ft. Box | 77 = Cherokee 4WD-2 Dr. |
| 25 = J-10 Pickup-119" W.B. | 66 = Comanche 2WD-7 Ft. Box | 78 = Cherokee 4WD-4 Dr. |
| 26 = J-10 Pickup-131" W.B. | 73 = Cherokee 2WD-2 Dr. | 79 = Cherokee 4WD-4 Dr.-Com |
| 27 = J-20 Pickup-131" W.B. | 74 = Cherokee 2WD-4 Dr. | 81 = Wrangler-93" W.B. |
| 63 = Comanche 4WD-6 Ft. Box | 75 = Wagoneer 4WD-4 Dr. | 82 = Wrangler-103" W.B.-Exp. |
| 64 = Comanche 2WD-6 Ft. Box | | |

BODY STYLES:

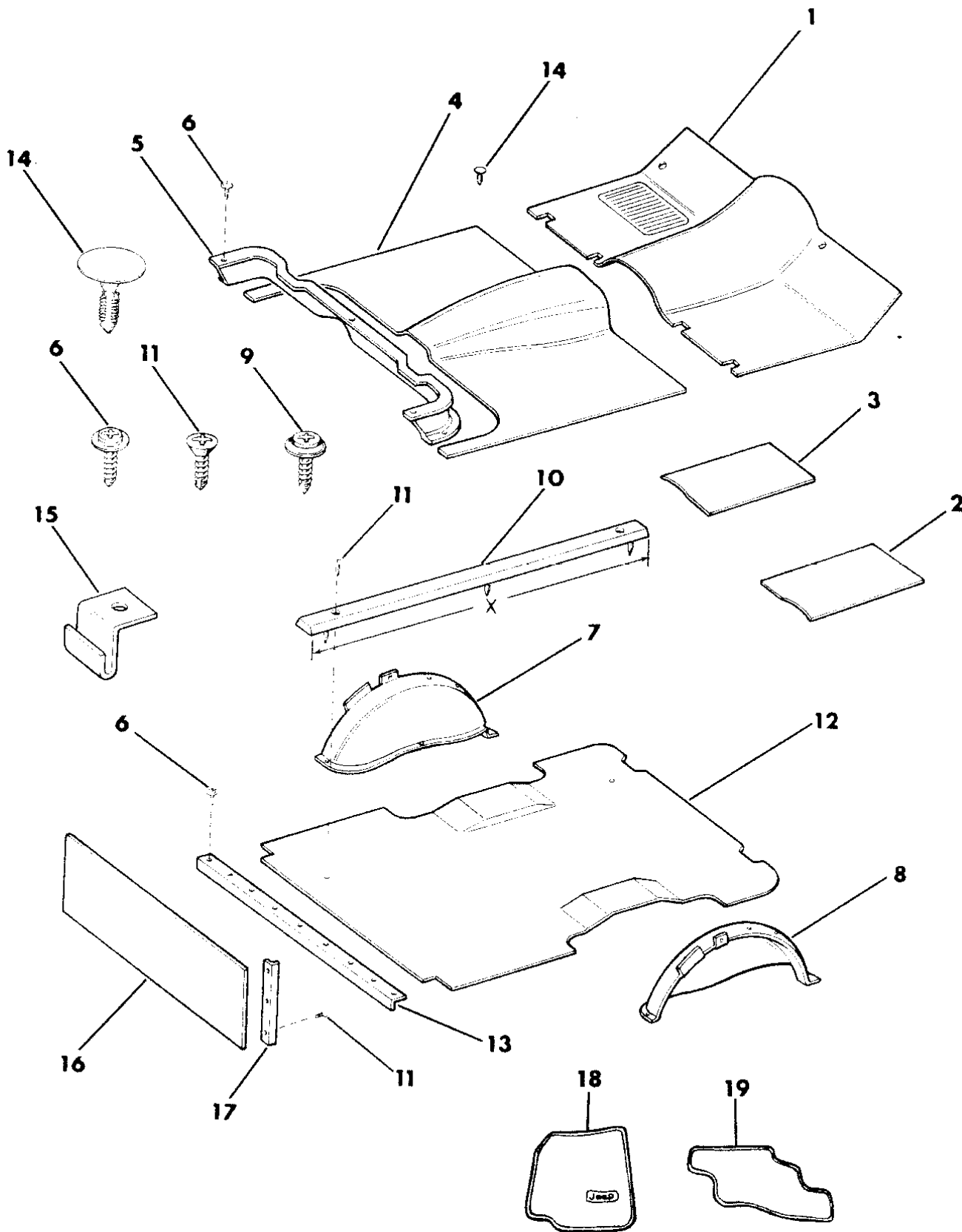
MJ = Comanche Pickup
SJ = Grand Wagoneer Wgn., J-10 & J-20 Pickups
XJ = Cherokee, Wagoneer Limited
YJ = Wrangler

AR = Use as Required - = Non Illustrated Part P.A.R. = Paint as Required

CARPETS AND MATS GRAND WAGONEER, J10, J20

Figure 28-600

8J28 600



| ITEM | PART NUMBER | QTY | BODY | MODEL | DESCRIPTION |
|------|-------------|-----|------|-------|------------------------------------|
| 1 | 5501 1656 | 1 | | | MAT, Front Floor, Black |
| | 5501 1413 | 1 | | | CARPET, Floor Cordovan, 1987-89 |
| | 5AE9 0JH9 | 1 | | | Cordovan, 1990 |
| | 5502 0953 | 1 | | | Sand, 1989 |
| | 5AE9 0JY6 | 1 | | | Sand, 1990 |
| | 5501 1415 | 1 | | | Tan, 1987-88 |
| 2 | J545 2342 | 1 | | 26,27 | MAT, Front Floor, Black 1987-88 |
| | 5501 1418 | 1 | | 26,27 | CARPET, Floor, Tan 1987-88 |
| 3 | J545 2341 | 1 | | 26,27 | MAT, Front Floor, Black 1987-88 |
| | 5501 1419 | 1 | | 26,27 | CARPET, Floor, Tan 1987-88 |
| 4 | J575 3432 | 1 | | | MAT, Rear Floor, Black 1987-89 |
| | | | | | CARPET, Rear |
| | 5501 1414 | 1 | | | Cordovan, 1987-89 |
| | 5AA9 4JH9 | 1 | | | Cordovan, 1990 |
| | 5502 0954 | 1 | | | Sand, 1989 |
| | 5AA9 4JY6 | 1 | | | Sand, 1990 |
| | 5501 1416 | 1 | | | Tan, 1987-88 |
| 5 | | | | | PANEL, Trim |
| | J097 5748 | 1 | | | Black, Plastic 1987-89 |
| | 5501 1424 | 1 | | | Cordovan, 1987-89 |
| | 5AA7 5JH9 | 1 | | | Cordovan, 1990 |
| | 5502 0964 | 1 | | | Sand, Optional, Base Wagon, 1989 |
| | 5502 1435 | 1 | | | Sand, Grand Wagoneer, 1989 |
| | 5AA7 5JY6 | 1 | | | Sand, Grand Wagoneer, 1990 |
| | 5501 1422 | 1 | | | Tan, Optional, Base Wagon, 1987-88 |
| | 5501 1426 | 1 | | | Tan, Grand Wagoneer, 1987-88 |
| 6 | J097 4764 | AR | | | SCREW, .50" Long *** |
| 7 | | | | | COVER, Wheelhouse |
| | 5501 1273 | 1 | | | Cordovan, 1987-89 |
| | 5AA8 1JH9 | 1 | | | Cordovan, 1990 |
| | 5502 0969 | 1 | | | Sand, 1989 |
| | 5AA8 1JY6 | 1 | | | Sand, 1990 |
| | 5501 1275 | 1 | | | Tan, 1987-88 |
| 8 | | | | | COVER, Wheelhouse |
| | 5501 1272 | 1 | | | Cordovan, 1987-89 |
| | 5AA8 0JH9 | 1 | | | Cordovan, 1990 |

MODEL CODES:

| | | |
|-----------------------------|-----------------------------|------------------------------|
| 15 = Grand Wagoneer 4 Dr. | 65 = Comanche 4WD-7 Ft. Box | 77 = Cherokee 4WD-2 Dr. |
| 25 = J-10 Pickup-119" W.B. | 66 = Comanche 2WD-7 Ft. Box | 78 = Cherokee 4WD-4 Dr. |
| 26 = J-10 Pickup-131" W.B. | 73 = Cherokee 2WD-2 Dr. | 79 = Cherokee 4WD-4 Dr.-Com |
| 27 = J-20 Pickup-131" W.B. | 74 = Cherokee 2WD-4 Dr. | 81 = Wrangler-93" W.B. |
| 63 = Comanche 4WD-6 Ft. Box | 75 = Wagoneer 4WD-4 Dr. | 82 = Wrangler-103" W.B.-Exp. |
| 64 = Comanche 2WD-6 Ft. Box | | |

BODY STYLES:

MJ = Comanche Pickup
 SJ = Grand Wagoneer Wgn., J-10 & J-20 Pickups
 XJ = Cherokee, Wagoneer Limited
 YJ = Wrangler

AR = Use as Required - = Non Illustrated Part P.A.R. = Paint as Required

CARPETS AND MATS GRAND WAGONEER, J10, J20
Figure 28-600

8J28 600

| ITEM | PART NUMBER | QTY | BODY | MODEL | DESCRIPTION |
|------|-------------|-----|------|-------|------------------------------------|
| | 5502 0968 | 1 | | | Sand, 1989 |
| | 5AA8 0JY6 | 1 | | | Sand, 1990 |
| | 5501 1274 | 1 | | | Tan, 1987-88 |
| 9 | J400 1776 | 12 | | | SCREW, .56" Long *** |
| 10 | | | | | STRIP, Skid |
| | J545 6616 | 2 | | | X = 17" |
| | J545 6615 | 2 | | | X = 26" |
| | J545 5576 | 3 | | | X = 48" |
| 11 | J400 4955 | 28 | | | SCREW, 1.00" Long *** |
| 12 | | | | | MAT or CARPET, Rear Cargo *** |
| | J545 1847 | 1 | | | MAT, Black CARPET |
| | 5501 1423 | 1 | | | Cordovan, 1987-89 |
| | 5AA4 8JH9 | 1 | | | Cordovan, 1990 |
| | 5502 0963 | 1 | | | Sand, 1989 |
| | 5AA4 8JY6 | 1 | | | Sand, 1990 |
| | 5501 1425 | 1 | | | Tan, 1987-88 |
| 13 | J096 6036 | 1 | | | RETAINER |
| 14 | J400 4875 | 8 | | | PLUG, P.A.R. |
| 15 | J545 5596 | 6 | | | BRACKET, Support |
| 16 | | | | | CARPET, Tailgate |
| | 5501 1428 | 1 | | | Cordovan, 1987-89 |
| | 5AA7 6JH9 | 1 | | | Cordovan, 1990 |
| | 5502 0966 | 1 | | | Sand, 1989 |
| | 5AA7 6JY6 | 1 | | | Sand, 1990 |
| | 5501 1427 | 1 | | | Tan, Optional, Base Wagon, 1987-88 |
| | 5501 1429 | 1 | | | Tan, Grand Wagoneer, 1987-88 |
| 17 | J545 5577 | 7 | | | STRIP, Skid |
| 18 | | | | | FLOOR MATS, Carpeted |
| | | | | | Front, Set of Two |
| | 5252 240 | 1 | | | Cordovan |
| | 5252 241 | 1 | | | Sand, Dark |
| 19 | | | | | FLOOR MATS, Carpeted |
| | | | | | Rear, Set of Two |
| | 5252 242 | 1 | | | Cordovan |
| | 5252 243 | 1 | | | Sand, Dark |

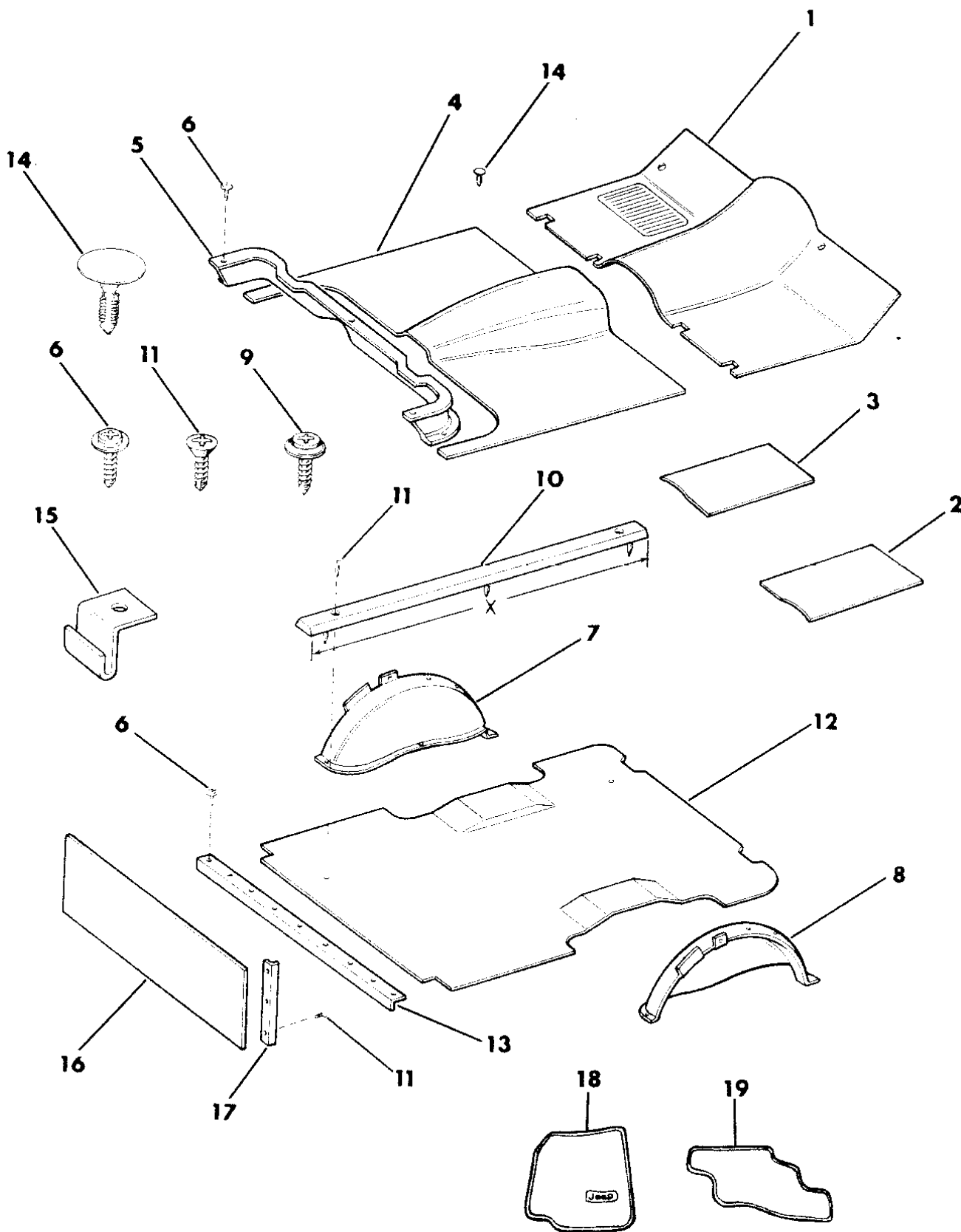
MODEL CODES:

| | | |
|-----------------------------|-----------------------------|------------------------------|
| 15 = Grand Wagoneer 4 Dr. | 65 = Comanche 4WD-7 Ft. Box | 77 = Cherokee 4WD-2 Dr. |
| 25 = J-10 Pickup-119" W.B. | 66 = Comanche 2WD-7 Ft. Box | 78 = Cherokee 4WD-4 Dr. |
| 26 = J-10 Pickup-131" W.B. | 73 = Cherokee 2WD-2 Dr. | 79 = Cherokee 4WD-4 Dr.-Com |
| 27 = J-20 Pickup-131" W.B. | 74 = Cherokee 2WD-4 Dr. | 81 = Wrangler-93" W.B. |
| 63 = Comanche 4WD-6 Ft. Box | 75 = Wagoneer 4WD-4 Dr. | 82 = Wrangler-103" W.B.-Exp. |
| 64 = Comanche 2WD-6 Ft. Box | | |

BODY STYLES:

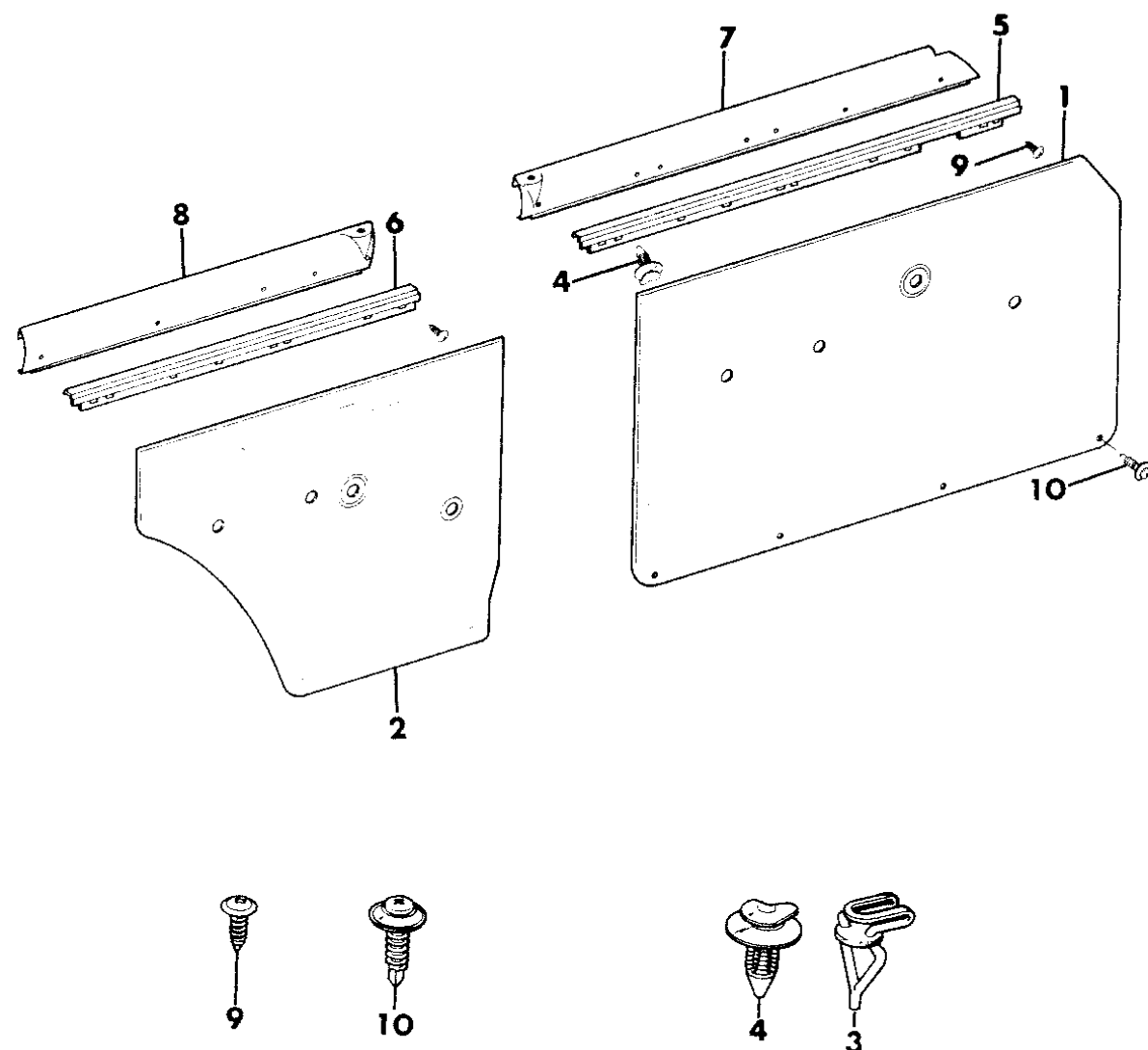
MJ = Comanche Pickup
 SJ = Grand Wagoneer Wgn., J-10 & J-20 Pickups
 XJ = Cherokee, Wagoneer Limited
 YJ = Wrangler

AR = Use as Required - = Non Illustrated Part P.A.R. = Paint as Required



PANELS, DOOR TRIM GRAND WAGONEER, J10, J20
Figure 28-700

8J28 700



| ITEM | PART NUMBER | QTY | BODY | MODEL | DESCRIPTION |
|------|-------------|-----|------|-------|-------------------------------|
| 1 | | | | | PANEL, Door Trim |
| | | | | | Cordovan |
| | 5501 5326-7 | 1 | | | 1987-89, (Up To 4-14-89) |
| | 5502 4794-5 | 1 | | | 1989, (After 4-15-89) |
| | 5AG66-7 JH9 | 1 | | | 1990, (Up To 10-1-89) |
| | 5BB62-3 JH9 | 1 | | | 1990, (After 10-2-89) |
| | | | | | Sand |
| | 5502 1016-7 | 1 | | | 1989, (Up To 4-14-89) |
| | 5502 4796-7 | 1 | | | 1989, (After 4-15-89) |
| | 5AG66-7 JYY | 1 | | | 1990, (Up To 10-1-89) |
| | 5BB62-3 JYY | 1 | | | 1990, (After 10-2-89) |
| | | | | | Tan, |
| | 5501 1286-7 | 1 | | | 1987-88, w/Vinyl Upholstery |
| | 5501 1290-1 | 1 | | | 1987-88, w/Cloth Upholstery |
| | 5501 5328-9 | 1 | | | 1987-88, w/Leather Upholstery |
| 2 | | | | | PANEL, Door Trim |
| | | | | | Cordovan |
| | 5501 5330-1 | 1 | | | 1987-89, (Up To 4-14-89) |
| | 5502 4566-7 | 1 | | | 1989, (After 4-15-89) |
| | 5AG76-7 JH9 | 1 | | | 1990, (Up To 10-1-89) |
| | 5BA24-5 JH9 | 1 | | | 1990, (After 10-1-89) |
| | | | | | Sand |
| | 5502 1030-1 | 1 | | | 1989, (Up To 4-14-89) |
| | 5502 4802-3 | 1 | | | 1989, (After 4-14-89) |
| | 5AG76-7 JYY | 1 | | | 1990, (Up To 10-1-89) |
| | 5BA24-5 JYY | 1 | | | 1990, (After 10-1-89) |
| | | | | | Tan |
| | 5501 1288-9 | 1 | | | 1987-88 w/Vinyl Upholstery |
| | 5501 1292-3 | 1 | | | 1987-88, w/Cloth Upholstery |
| | 5501 5332-3 | 1 | | | 1987-88, w/Leather Upholstery |
| 3 | J400 6179 | 28 | | | FASTENER *** |
| 4 | J400 6176 | 28 | | | FASTENER |
| 5 | | | | | RETAINER, Trim Panel |
| | | | | | Cordovan |
| | 5501 1317 | 2 | | | 1987-89 |
| | 5AA0 8JH9 | 2 | | | 1990 |
| | | | | | Sand |

MODEL CODES:
 15 = Grand Wagoneer 4 Dr. 65 = Comanche 4WD-7 Ft. Box 77 = Cherokee 4WD-2 Dr.
 25 = J-10 Pickup-119" W.B. 66 = Comanche 2WD-7 Ft. Box 78 = Cherokee 4WD-4 Dr.
 26 = J-10 Pickup-131" W.B. 73 = Cherokee 2WD-2 Dr. 79 = Cherokee 4WD-4 Dr.-Com
 27 = J-20 Pickup-131" W.B. 74 = Cherokee 2WD-4 Dr. 81 = Wrangler-93" W.B.
 63 = Comanche 4WD-6 Ft. Box 75 = Wagoneer 4WD-4 Dr. 82 = Wrangler-103" W.B.-Exp.
 64 = Comanche 2WD-6 Ft. Box

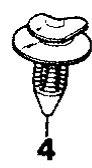
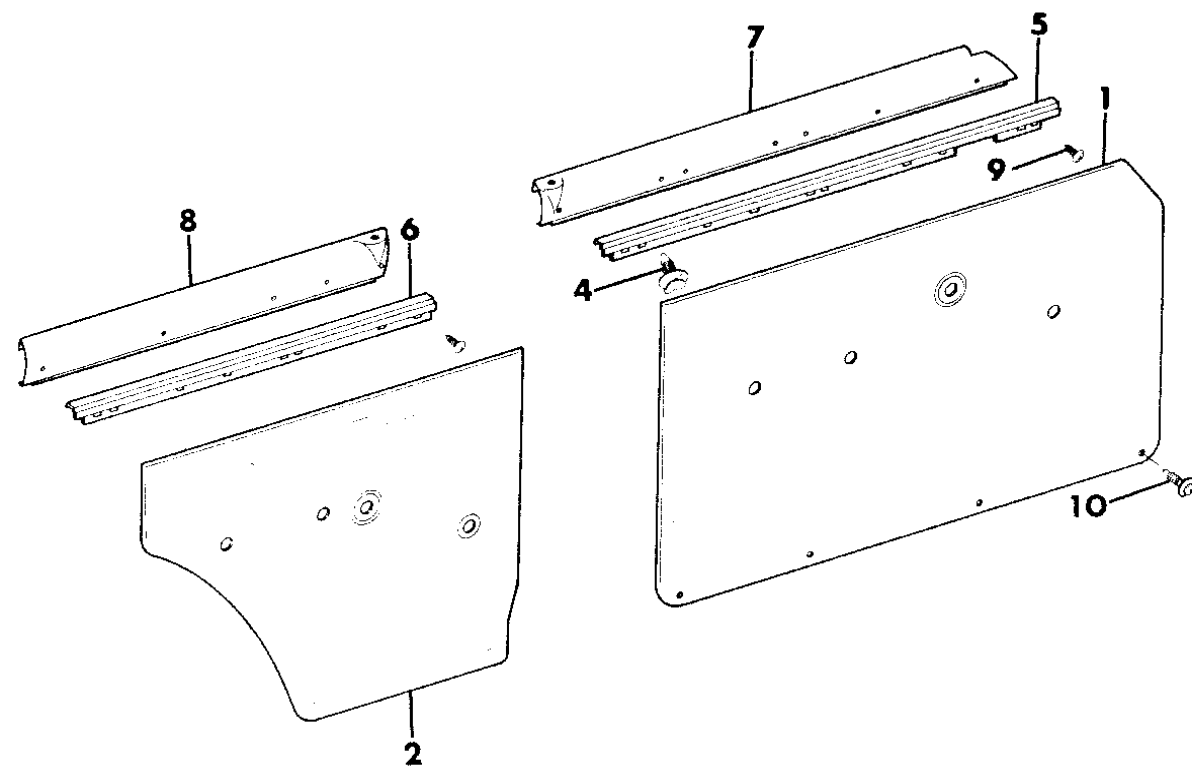
BODY STYLES:
 MJ = Comanche Pickup
 SJ = Grand Wagoneer Wgn., J-10 & J-20 Pickups
 XJ = Cherokee, Wagoneer Limited
 YJ = Wrangler

AR = Use as Required - = Non Illustrated Part P.A.R. = Paint as Required

PANELS, DOOR TRIM GRAND WAGONEER, J10, J20

Figure 28-700

8J28 700



| ITEM | PART NUMBER | QTY | BODY | MODEL | DESCRIPTION |
|------|-------------|-----|------|-------|---|
| | 5502 1022 | 2 | | | 1989 |
| | 5AA0 8JY1 | 2 | | | 1990 |
| | J098 1842 | 2 | | | Stainless Steel |
| | 5501 1316 | 2 | | | Tan, 1987-88 |
| 6 | | | | | RETAINER, Trim Panel |
| | 5501 1319 | 2 | | | Cordovan |
| | 5501 1319 | 2 | | | 1987-89 |
| | 5AA0 9JH9 | 2 | | | 1990 |
| | | | | | Sand |
| | 5502 1034 | 2 | | | 1989 |
| | 5AA0 9JY1 | 2 | | | 1990 |
| | J098 1843 | 2 | | | Stainless Steel |
| | 5501 1318 | 2 | | | Tan, 1987-88 |
| 7 | 5501 1076-7 | 1 | | | MOLDING, Trim Panel, Grand Wagoneer *** |
| 8 | 5501 1078-9 | 1 | | | MOLDING, Trim Panel, Grand Wagoneer *** |
| 9 | J400 4812 | 16 | | | SCREW, .38" Long *** |
| 10 | J400 3095 | 14 | | | SCREW, .75" Long *** |

MODEL CODES:

| | | |
|-----------------------------|-----------------------------|------------------------------|
| 15 = Grand Wagoneer 4 Dr. | 65 = Comanche 4WD-7 Ft. Box | 77 = Cherokee 4WD-2 Dr. |
| 25 = J-10 Pickup-119" W.B. | 66 = Comanche 2WD-7 Ft. Box | 78 = Cherokee 4WD-4 Dr. |
| 26 = J-10 Pickup-131" W.B. | 73 = Cherokee 2WD-2 Dr. | 79 = Cherokee 4WD-4 Dr.-Com |
| 27 = J-20 Pickup-131" W.B. | 74 = Cherokee 2WD-4 Dr. | 81 = Wrangler-93" W.B. |
| 63 = Comanche 4WD-6 Ft. Box | 75 = Wagoneer 4WD-4 Dr. | 82 = Wrangler-103" W.B.-Exp. |
| 64 = Comanche 2WD-6 Ft. Box | | |

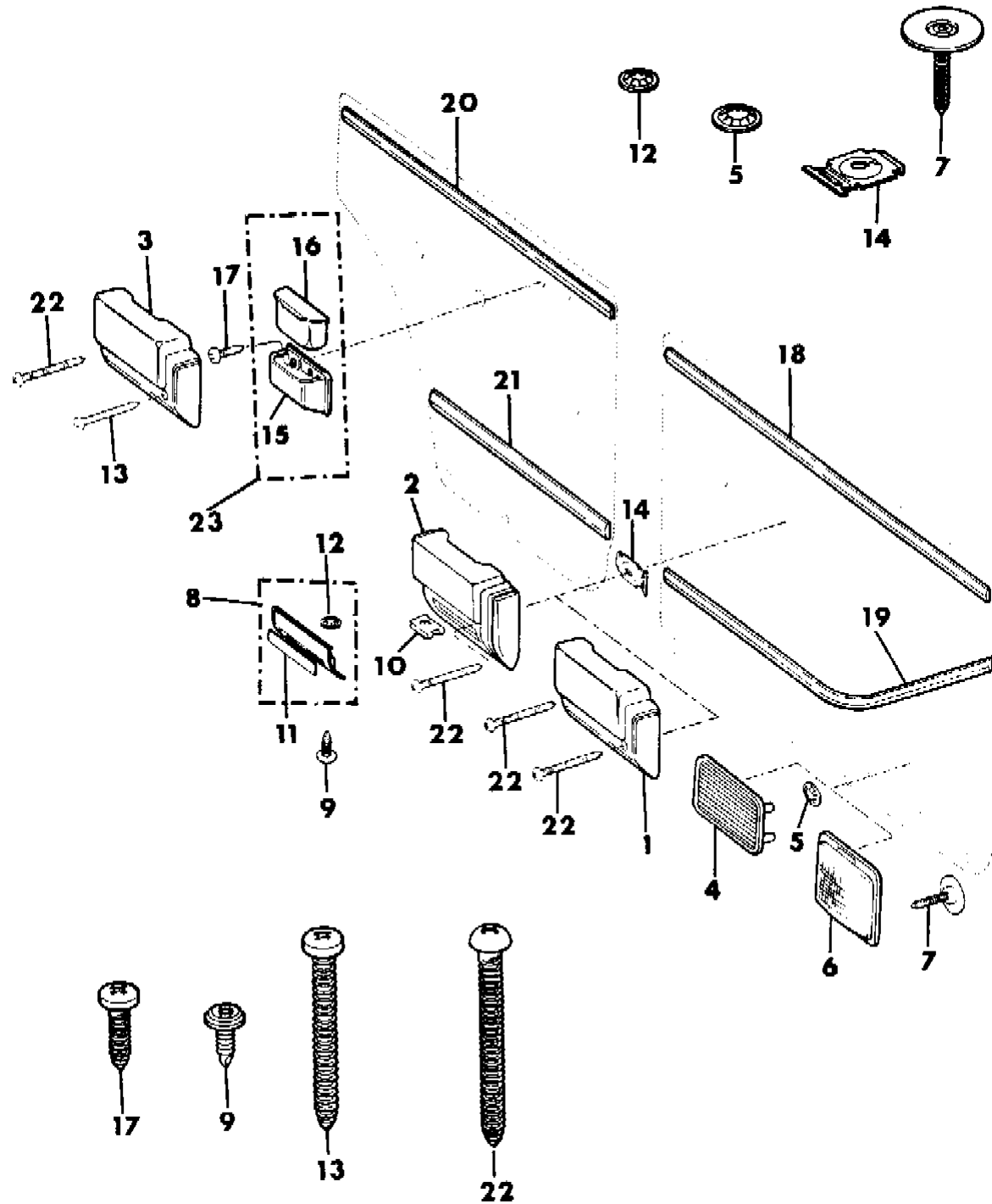
BODY STYLES:

MJ = Comanche Pickup
 SJ = Grand Wagoneer Wgn., J-10 & J-20 Pickups
 XJ = Cherokee, Wagoneer Limited
 YJ = Wrangler

AR = Use as Required - = Non Illustrated Part P.A.R. = Paint as Required

INTERIOR TRIM PARTS, DOOR GRAND WAGONEER, J10, J20
Figure 28-800

8J28 800 A



| ITEM | PART NUMBER | QTY | BODY | MODEL | DESCRIPTION |
|------|-------------|-----|------|-------|---------------------------------|
| 1 | | | | | ARMREST, Base Model |
| | 5502 1023 | 2 | | | Sand, 1989 |
| | 5501 1344 | 2 | | | Tan, 1987-88 |
| 2 | | | | | ARMREST, Grand Wagoneer |
| | 5501 1346 | 2 | | | Cordovan, 1987-89 |
| | 5AA3 1JH9 | 2 | | | Cordovan, 1990 |
| | 5502 1025 | 2 | | | Sand, 1989 |
| | 5AA3 1JY1 | 2 | | | Sand, 1990 |
| | 5501 1345 | 2 | | | Tan, 1987-88 |
| 3 | | | | | ARMREST |
| | 5501 1347 | 2 | | | Cordovan, 1987-89 |
| | 5AA2 6JH9 | 2 | | | Cordovan, 1990 |
| | 5502 1037 | 2 | | | Sand, 1989 |
| | 5AA2 6JY1 | 2 | | | Sand, 1990 |
| | 5501 1348 | 2 | | | Tan, 1987-88 |
| 4 | | | | | GRILLE, Speaker, P.A.R. |
| | 3500 2017 | 2 | | | 1987 |
| | J373 9240 | 2 | | | 1988-89 |
| 5 | J400 0271 | 8 | | | FASTENER, .250" I.D. |
| 6 | | | | | GRILLE, Speaker |
| | 3501 6858 | 2 | | | Cordovan, 1987-89 |
| | 3502 5335 | 2 | | | Sand, 1989 |
| | 3501 4001 | 2 | | | Tan, 1987-88 |
| | 5AB9 3JY6 | 2 | | | P.A.R., 1990 |
| 7 | 3420 2419 | 8 | | | SCREW |
| 8 | 5501 1327 | 2 | | | INSERT, Armrest |
| 9 | J400 4642 | 4 | | | SCREW, .56" Long *** |
| 10 | J943 3155 | 4 | | | NUT, U-Type |
| 11 | J373 5331 | 2 | | | REFLECTOR, Insert |
| 12 | J400 1714 | 4 | | | NUT, Push, .190" I.D. |
| 13 | S016 2113 | 2 | | | SCREW, 2.00" Long 1987-89 |
| 14 | J400 4058 | 8 | | | NUT, Spring |
| 15 | J576 5306 | 2 | | | COVER, Ashtray, 1987-89, P.A.R. |
| 16 | J364 9527 | 2 | | | ASHTRAY, 1987-89 *** |
| 17 | | | | | SCREW |
| | J448 9490 | 6 | | | 1987-89 |
| | 3420 1467 | 6 | | | 1990 |

MODEL CODES:

| | | |
|-----------------------------|-----------------------------|------------------------------|
| 15 = Grand Wagoneer 4 Dr. | 65 = Comanche 4WD-7 Ft. Box | 77 = Cherokee 4WD-2 Dr. |
| 25 = J-10 Pickup-119" W.B. | 66 = Comanche 2WD-7 Ft. Box | 78 = Cherokee 4WD-4 Dr. |
| 26 = J-10 Pickup-131" W.B. | 73 = Cherokee 2WD-2 Dr. | 79 = Cherokee 4WD-4 Dr.-Com |
| 27 = J-20 Pickup-131" W.B. | 74 = Cherokee 2WD-4 Dr. | 81 = Wrangler-93" W.B. |
| 63 = Comanche 4WD-6 Ft. Box | 75 = Wagoneer 4WD-4 Dr. | 82 = Wrangler-103" W.B.-Exp. |
| 64 = Comanche 2WD-6 Ft. Box | | |

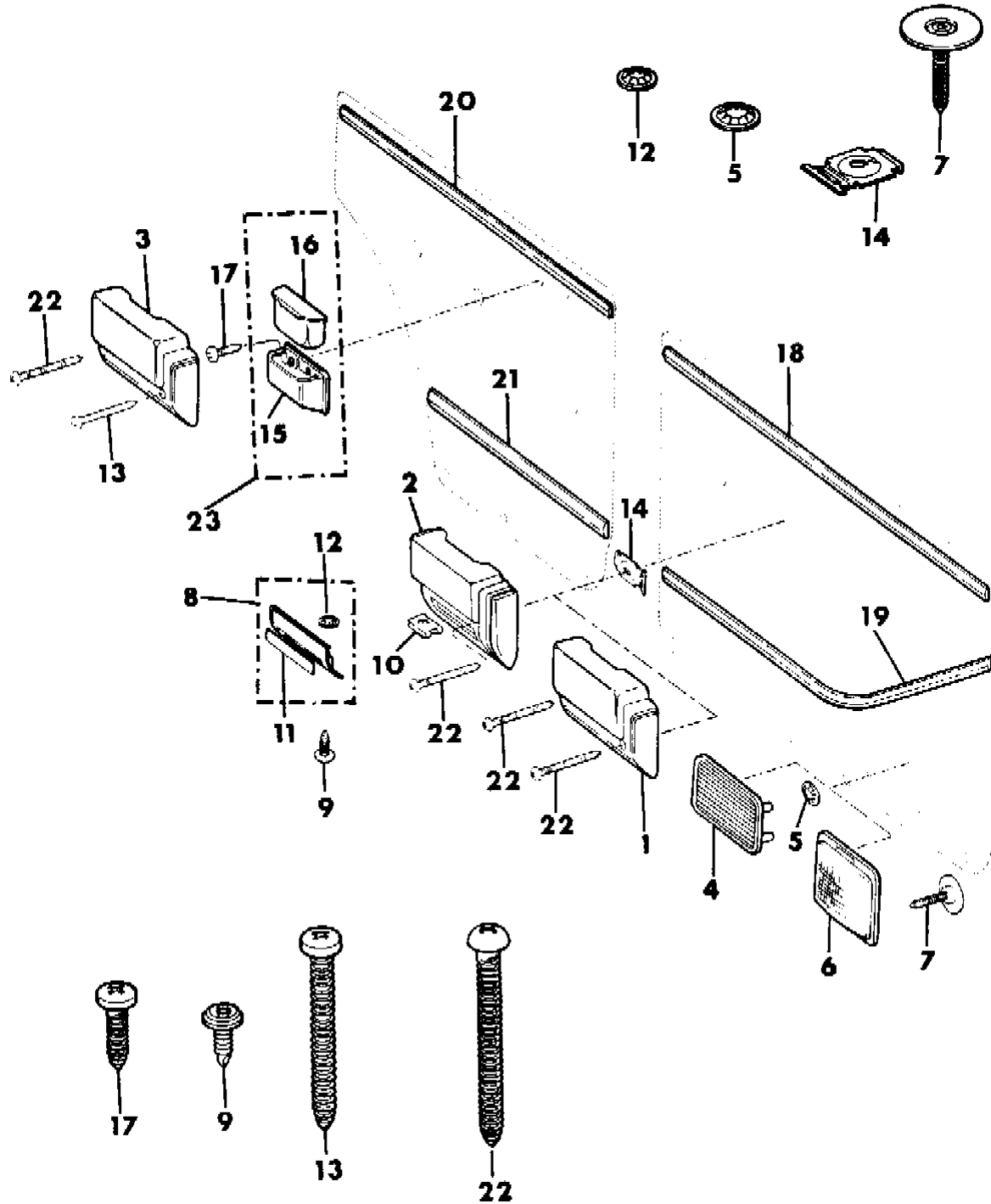
BODY STYLES:

MJ = Comanche Pickup
SJ = Grand Wagoneer Wgn., J-10 & J-20 Pickups
XJ = Cherokee, Wagoneer Limited
YJ = Wrangler

AR = Use as Required - = Non Illustrated Part P.A.R. = Paint as Required

INTERIOR TRIM PARTS, DOOR GRAND WAGONEER, J10, J20
Figure 28-800

8J28 800 A



| ITEM | PART NUMBER | QTY | BODY | MODEL | DESCRIPTION |
|------|-------------|-----|------|-------|-------------------------|
| 18 | 5501 5322 | 2 | | | MOLDING, Door *** |
| 19 | 5501 1068-9 | 1 | | | MOLDING, Door *** |
| 20 | 5501 5324 | 2 | | | MOLDING, Door *** |
| 21 | 5501 1086 | 2 | | | MOLDING, Door *** |
| 22 | J045 0614 | 6 | | | SCREW, 2.25" Long *** |
| 23 | | | | | ASHTRAY, Assy. 1990 *** |
| | 5AA1 4JH9 | 2 | | | Cordovan |
| | 5AA1 4JY1 | 2 | | | Sand |

MODEL CODES:

| | | |
|-----------------------------|-----------------------------|------------------------------|
| 15 = Grand Wagoneer 4 Dr. | 65 = Comanche 4WD-7 Ft. Box | 77 = Cherokee 4WD-2 Dr. |
| 25 = J-10 Pickup-119" W.B. | 66 = Comanche 2WD-7 Ft. Box | 78 = Cherokee 4WD-4 Dr. |
| 26 = J-10 Pickup-131" W.B. | 73 = Cherokee 2WD-2 Dr. | 79 = Cherokee 4WD-4 Dr.-Com |
| 27 = J-20 Pickup-131" W.B. | 74 = Cherokee 2WD-4 Dr. | 81 = Wrangler-93" W.B. |
| 63 = Comanche 4WD-6 Ft. Box | 75 = Wagoneer 4WD-4 Dr. | 82 = Wrangler-103" W.B.-Exp. |
| 64 = Comanche 2WD-6 Ft. Box | | |

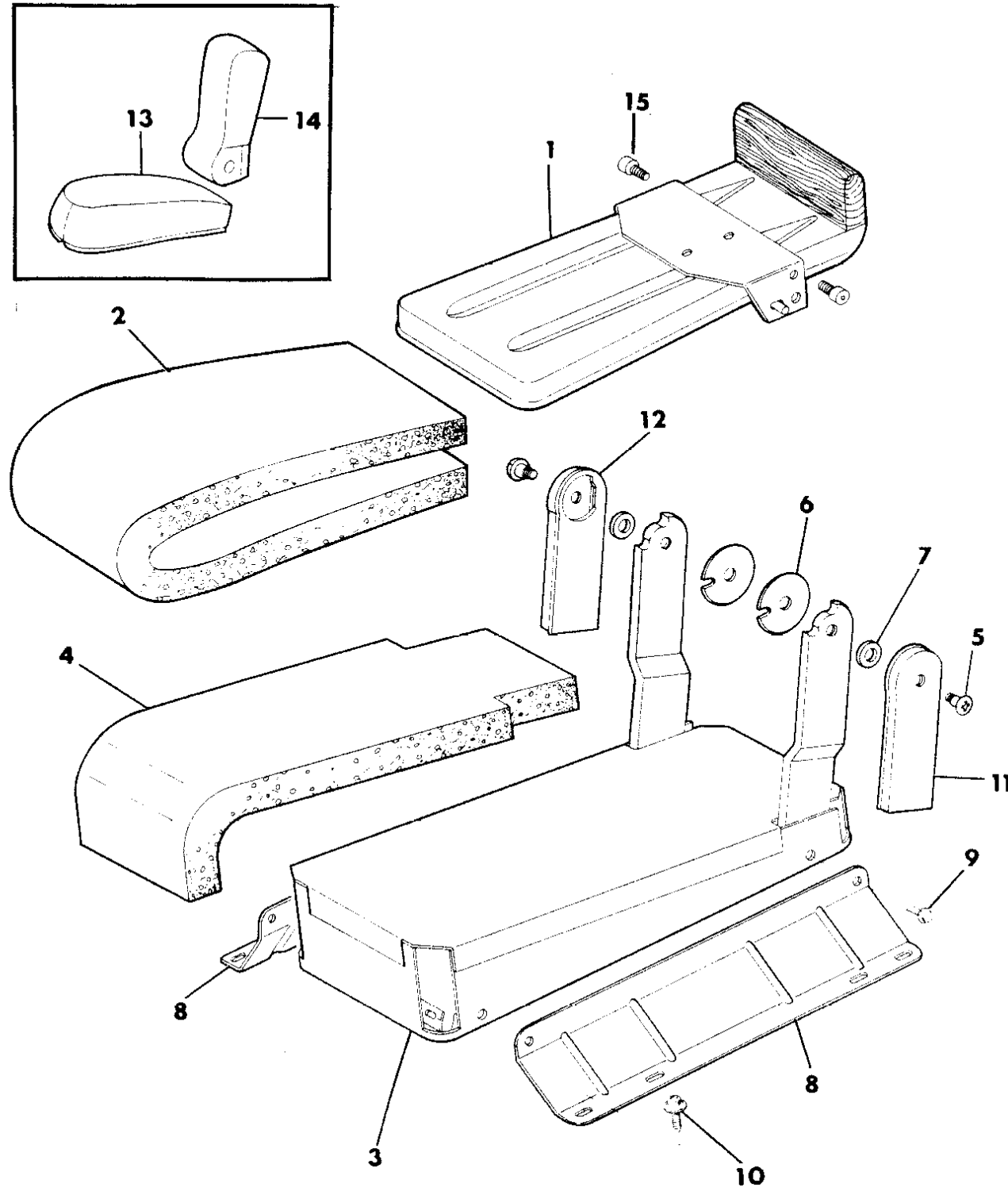
BODY STYLES:

MJ = Comanche Pickup
SJ = Grand Wagoneer Wgn., J-10 & J-20 Pickups
XJ = Cherokee, Wagoneer Limited
YJ = Wrangler

AR = Use as Required - = Non Illustrated Part P.A.R. = Paint as Required

FRAME, PAD, AND COVERS ARMREST AND CENTER CUSHION GRAND WAGONEER
Figure 28-900

8J28 900



| ITEM | PART NUMBER | QTY | BODY | MODEL | DESCRIPTION |
|------|-------------|-----|------|-------|---|
| 1 | J575 5613 | 1 | | | FRAME, Back |
| 2 | J545 2137 | 1 | | | PAD, Back |
| 3 | J545 2147 | 1 | | | FRAME, Cushion |
| 4 | J545 2154 | 1 | | | PAD, Cushion |
| 5 | J400 6131 | 2 | | | SCREW |
| 6 | J352 0016 | 2 | | | PROTECTOR |
| 7 | J400 1104 | 2 | | | WASHER |
| 8 | J545 6380 | 2 | | | SUPPORT |
| 9 | J400 3931 | 4 | | | SCREW |
| 10 | J400 4455 | 4 | | | SCREW |
| 11 | J545 5029 | 1 | | | COVER, Bracket P.A.R. 1987-89 |
| | 5AA4 7JH9 | 1 | | | Cordovan, 1990 |
| | 5AA4 7JY6 | 1 | | | Sand, 1990 |
| 12 | J545 5030 | 1 | | | COVER, Bracket P.A.R., 1987-89 |
| | 5AA4 6JH9 | 1 | | | Cordovan, 1990 |
| | 5AA4 6JY6 | 1 | | | Sand, 1990 |
| 13 | J545 5030 | 1 | | | COVER, Armrest Leather interior |
| | 5501 1487 | 1 | | | Cordovan, 1987-89 |
| | 5AH7 6JH9 | 1 | | | Cordovan, 1990 |
| | 5502 1057 | 1 | | | Sand, 1989 |
| | 5AH7 6JY6 | 1 | | | Sand, 1990 |
| | 5501 1485 | 1 | | | Tan, 1987-88 |
| | 5501 1483 | 1 | | | Vinyl or Cloth interior Tan, 1987-88 |
| 14 | J545 5030 | 1 | | | COVER, Armrest Leather interior |
| | 5501 1488 | 1 | | | Cordovan, 1987-89 |
| | 5AH7 7JH9 | 1 | | | Cordovan, 1990 |
| | 5502 1058 | 1 | | | Sand, 1989 |
| | 5AH7 7JY6 | 1 | | | Sand, 1990 |
| | 5501 1486 | 1 | | | Tan, 1987-88 Vinyl or Cloth interior |
| | 5501 1484 | 1 | | | Tan, 1987-88 |
| 15 | J400 6131 | 2 | | | SCREW, Torx |

MODEL CODES:

| | | |
|-----------------------------|-----------------------------|------------------------------|
| 15 = Grand Wagoneer 4 Dr. | 65 = Comanche 4WD-7 Ft. Box | 77 = Cherokee 4WD-2 Dr. |
| 25 = J-10 Pickup-119" W.B. | 66 = Comanche 2WD-7 Ft. Box | 78 = Cherokee 4WD-4 Dr. |
| 26 = J-10 Pickup-131" W.B. | 73 = Cherokee 2WD-2 Dr. | 79 = Cherokee 4WD-4 Dr.-Com |
| 27 = J-20 Pickup-131" W.B. | 74 = Cherokee 2WD-4 Dr. | 81 = Wrangler-93" W.B. |
| 63 = Comanche 4WD-6 Ft. Box | 75 = Wagoneer 4WD-4 Dr. | 82 = Wrangler-103" W.B.-Exp. |
| 64 = Comanche 2WD-6 Ft. Box | | |

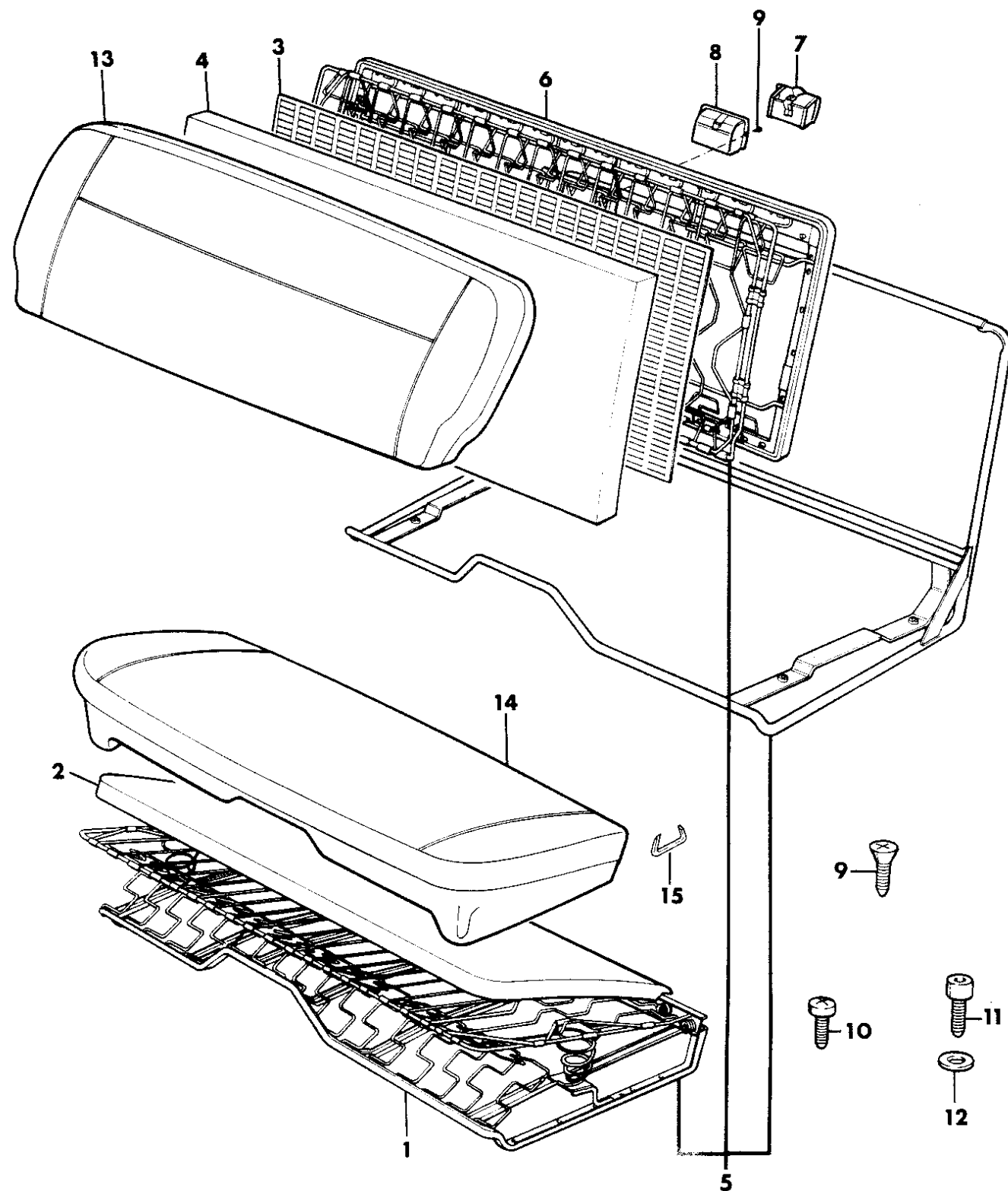
BODY STYLES:

MJ = Comanche Pickup
 SJ = Grand Wagoneer Wgn., J-10 & J-20 Pickups
 XJ = Cherokee, Wagoneer Limited
 YJ = Wrangler

AR = Use as Required - = Non Illustrated Part P.A.R. = Paint as Required

FRAME, PAD, AND COVERS BENCH SEAT GRAND WAGONEER 1987-88
Figure 28-1000

8J28 1000



| ITEM | PART NUMBER | QTY | BODY | MODEL | DESCRIPTION |
|------|-------------|-----|------|-------|-----------------------------|
| 1 | J546 1206 | 1 | | | SPRING, Cushion |
| 2 | J546 1249 | 1 | | | PAD, Cushion |
| 3 | J546 1250 | 1 | | | PROTECTOR |
| 4 | J545 0863 | 1 | | | PAD, Back |
| 5 | J576 0907 | 1 | | | FRAME, Assy. Seat |
| 6 | J575 4524 | 1 | | | SPRING, Back |
| 7 | J096 0655 | 1 | | | ASHTRAY |
| 8 | J095 9077 | 1 | | | RETAINER, Ashtray |
| 9 | J941 4732 | 2 | | | SCREW, .50" Long *** |
| 10 | J016 3162 | 2 | | | SCREW, .50" Long *** |
| 11 | J400 4554 | 2 | | | SCREW, .44" Long *** |
| 12 | J044 6188 | 2 | | | WASHER |
| 13 | 5501 1441 | 1 | | | COVER, Back (6AN or ANE) |
| 14 | 5501 1444 | 1 | | | COVER, Cushion (6AN or ANE) |
| 15 | J436 3256 | AR | | | RING |

MODEL CODES:

| | | |
|-----------------------------|-----------------------------|------------------------------|
| 15 = Grand Wagoneer 4 Dr. | 65 = Comanche 4WD-7 Ft. Box | 77 = Cherokee 4WD-2 Dr. |
| 25 = J-10 Pickup-119" W.B. | 66 = Comanche 2WD-7 Ft. Box | 78 = Cherokee 4WD-4 Dr. |
| 26 = J-10 Pickup-131" W.B. | 73 = Cherokee 2WD-2 Dr. | 79 = Cherokee 4WD-4 Dr.-Com |
| 27 = J-20 Pickup-131" W.B. | 74 = Cherokee 2WD-4 Dr. | 81 = Wrangler-93" W.B. |
| 63 = Comanche 4WD-6 Ft. Box | 75 = Wagoneer 4WD-4 Dr. | 82 = Wrangler-103" W.B.-Exp. |
| 64 = Comanche 2WD-6 Ft. Box | | |

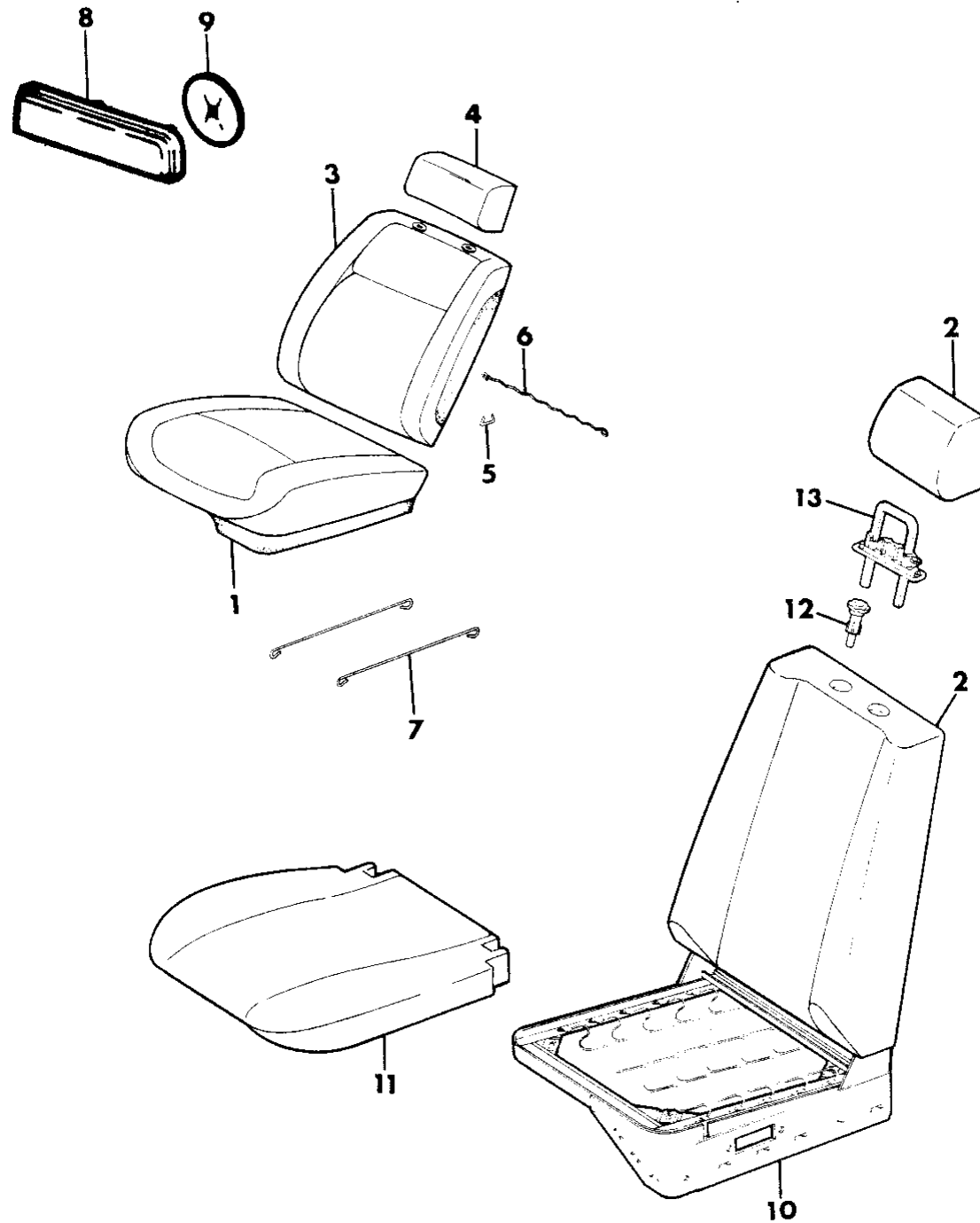
BODY STYLES:

MJ = Comanche Pickup
SJ = Grand Wagoneer Wgn., J-10 & J-20 Pickups
XJ = Cherokee, Wagoneer Limited
YJ = Wrangler

AR = Use as Required - = Non Illustrated Part P.A.R. = Paint as Required

FRAME, PAD, AND COVERS BUCKET SEAT GRAND WAGONEER
Figure 28-1100

8J28 1100



| ITEM | PART NUMBER | QTY | BODY | MODEL | DESCRIPTION |
|------|-------------|-----|------|-------|--|
| 1 | | | | | COVER, Cushion |
| | 5501 1448-9 | 1 | | | Cordovan, (4BL or 5BL or ALH9), 1987-89 |
| | 5AH68-9 JH9 | 1 | | | Cordovan, (ALH9), 1990 |
| | 5502 1046-7 | 1 | | | Sand, (ALYY), 1989 |
| | 5AH68-9 JY6 | 1 | | | Sand, (ALYY), 1990 |
| 2 | 5501 1460-1 | 1 | | | Tan, Vinyl, (6BN) 1987-88 |
| | 5501 1456-7 | 1 | | | Tan, Cloth, (6BG) 1987-88 |
| | 5501 1464-5 | 1 | | | Tan, Leather, (6BL or CLE) 1987-88 |
| | 3500 1690 | 2 | | | PAD, Headrest |
| 3 | | | | | COVER, Back |
| | 5501 1452 | 2 | | | Cordovan, (4BL or 5BL or ALH9), 1987-89 |
| | 5AH7 0JH9 | 2 | | | Cordovan, (ALH9), 1990 |
| | 5502 1050 | 2 | | | Sand, (ALYY), 1989 |
| | 5AH7 0JY6 | 2 | | | Sand, (ALYY), 1990 |
| | 5501 1462 | 2 | | | Tan, Vinyl, (6BN) 1987-88 |
| | 5501 1458 | 2 | | | Tan, Cloth, (6BG) 1987-88 |
| | 5501 1463 | 2 | | | Tan, Leather, (6BL or CLE), 1987-88 |
| 4 | | | | | COVER, Headrest |
| | 5501 4345 | 2 | | | Cordovan, (4BL or 5BL or ALH9), 1987-89 |
| | 5AJ4 8JH9 | 2 | | | Cordovan, (ALH9), 1990 |
| | 5502 0895 | 2 | | | Sand, (ALYY), 1989 |
| | 5AJ4 8JY6 | 2 | | | Sand, (ALYY), 1990 |
| | 5501 4346 | 2 | | | Tan, (6BG or 6BL or 6BN or CLE), 1987-88 |
| 5 | J436 3256 | AR | | | RING |
| 6 | J362 1468 | 2 | | | WIRE, Back Cover |
| 7 | J545 2230 | 4 | | | WIRE, Cover |
| 8 | 5501 1447 | 4 | | | BUTTON, Trim, Vinyl Upholstery |
| 9 | J400 5214 | 8 | | | RETAINER, Vinyl Upholstery |
| 10 | J576 6598-9 | 1 | | | FRAME, Seat (HS Recliner on Frame) |
| 11 | J545 8622 | 2 | | | PAD, Cushion |
| 12 | | | | | CYLINDER, Headrest |
| | T134 9642 | 4 | | | 1987-88 |
| | 3500 9926 | 4 | | | 1990 |
| 13 | 3500 3669 | 2 | | | POST, Headrest |

MODEL CODES:

| | | |
|-----------------------------|-----------------------------|------------------------------|
| 15 = Grand Wagoneer 4 Dr. | 65 = Comanche 4WD-7 Ft. Box | 77 = Cherokee 4WD-2 Dr. |
| 25 = J-10 Pickup-119" W.B. | 66 = Comanche 2WD-7 Ft. Box | 78 = Cherokee 4WD-4 Dr. |
| 26 = J-10 Pickup-131" W.B. | 73 = Cherokee 2WD-2 Dr. | 79 = Cherokee 4WD-4 Dr.-Com |
| 27 = J-20 Pickup-131" W.B. | 74 = Cherokee 2WD-4 Dr. | 81 = Wrangler-93" W.B. |
| 63 = Comanche 4WD-6 Ft. Box | 75 = Wagoneer 4WD-4 Dr. | 82 = Wrangler-103" W.B.-Exp. |
| 64 = Comanche 2WD-6 Ft. Box | | |

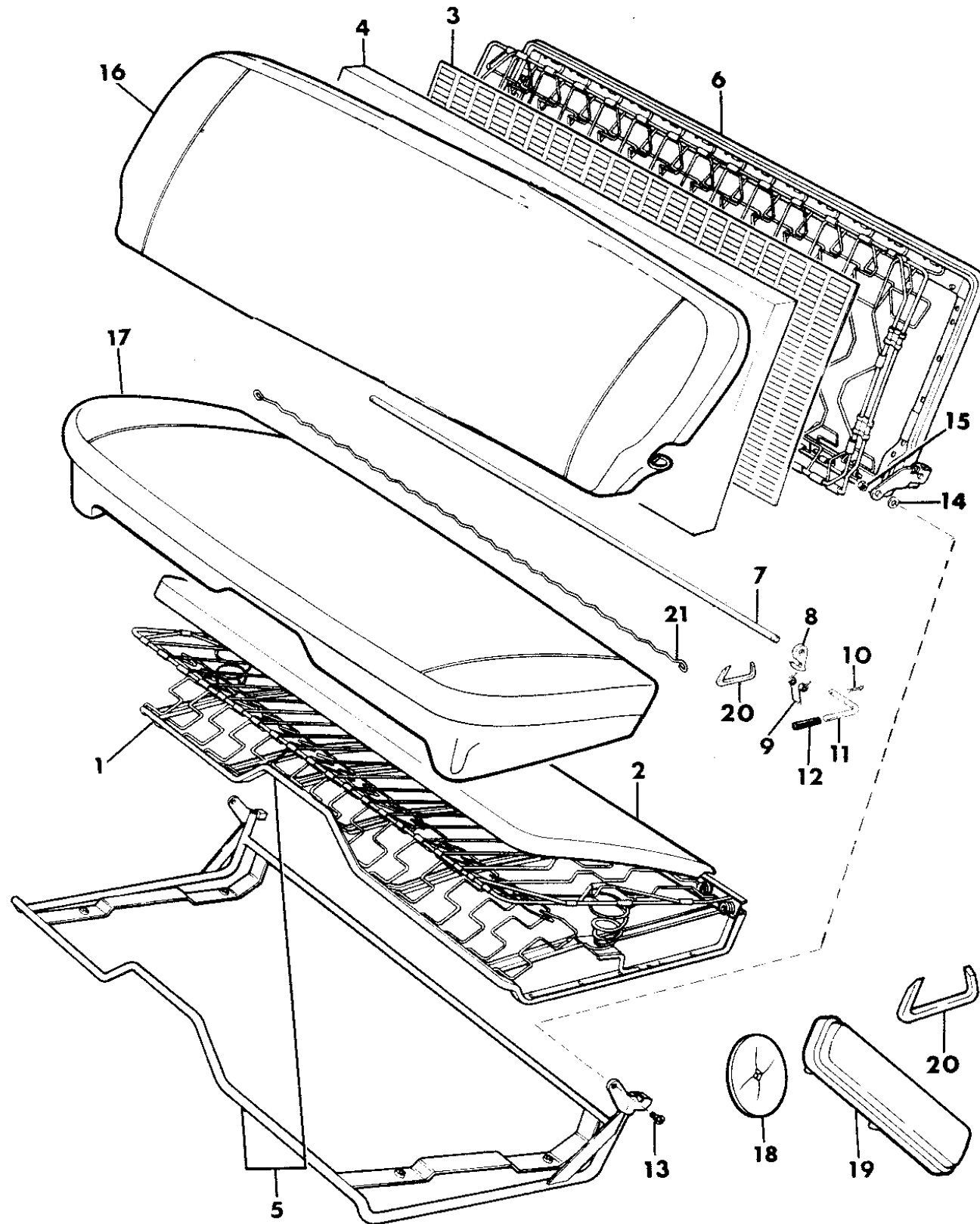
BODY STYLES:

MJ = Comanche Pickup
 SJ = Grand Wagoneer Wgn., J-10 & J-20 Pickups
 XJ = Cherokee, Wagoneer Limited
 YJ = Wrangler

AR = Use as Required - = Non Illustrated Part P.A.R. = Paint as Required

FRAME, PAD, AND COVERS BENCH SEAT J10 J20 1987-88
Figure 28-1200

8J28 1200



| ITEM | PART NUMBER | QTY | BODY | MODEL | DESCRIPTION |
|------|-------------|-----|------|-------|----------------------|
| 1 | J546 1206 | 1 | | | SPRING, Cushion |
| 2 | J546 1249 | 1 | | | PAD, Cushion |
| 3 | J546 1250 | 1 | | | PROTECTOR |
| 4 | J545 0863 | 1 | | | PAD, Back |
| 5 | J575 3976 | 1 | | | FRAME, ASSY. Cushion |
| 6 | J546 1280 | 1 | | | FRAME, ASSY. Back |
| 7 | J546 1497 | 1 | | | BAR, Latch |
| 8 | J545 8764 | 2 | | | PAWL, Locking |
| 9 | J545 8766 | 2 | | | SPRING, Latch |
| 10 | J400 4295 | 2 | | | PIN, Latch |
| 11 | J546 4906 | 2 | | | ROD, Latch Release |
| 12 | J546 1704 | 2 | | | KNOB, Seat Latch |
| 13 | J400 3577 | 2 | | | SCREW |
| 14 | J400 4437 | 2 | | | WASHER |
| 15 | J941 3447 | 2 | | | NUT |
| 16 | | | | | COVER, Back |
| | 5501 1442 | 1 | | | (6AN or ANE) |
| | 5501 1443 | 1 | | | (6AT or ATE) |
| 17 | | | | | COVER, Cushion |
| | 5501 1445 | 1 | | | (6AN or ANE) |
| | 5501 1446 | 1 | | | (6AT or ATE) |
| 18 | J400 5214 | 6 | | | RETAINER |
| 19 | 5501 1447 | 3 | | | BUTTON, Trim |
| 20 | J436 3256 | AR | | | RING |
| 21 | J362 1474 | 2 | | | WIRE, Cover Back |

MODEL CODES:

| | | |
|-----------------------------|-----------------------------|------------------------------|
| 15 = Grand Wagoneer 4 Dr. | 65 = Comanche 4WD-7 Ft. Box | 77 = Cherokee 4WD-2 Dr. |
| 25 = J-10 Pickup-119" W.B. | 66 = Comanche 2WD-7 Ft. Box | 78 = Cherokee 4WD-4 Dr. |
| 26 = J-10 Pickup-131" W.B. | 73 = Cherokee 2WD-2 Dr. | 79 = Cherokee 4WD-4 Dr.-Com |
| 27 = J-20 Pickup-131" W.B. | 74 = Cherokee 2WD-4 Dr. | 81 = Wrangler-93" W.B. |
| 63 = Comanche 4WD-6 Ft. Box | 75 = Wagoneer 4WD-4 Dr. | 82 = Wrangler-103" W.B.-Exp. |
| 64 = Comanche 2WD-6 Ft. Box | | |

BODY STYLES:

MJ = Comanche Pickup
 SJ = Grand Wagoneer Wgn., J-10 & J-20 Pickups
 XJ = Cherokee, Wagoneer Limited
 YJ = Wrangler

AR = Use as Required - = Non Illustrated Part P.A.R. = Paint as Required

FRAME, PAD, AND COVERS REAR SEAT GRAND WAGONEER

Figure 28-1300

8J28 1300

| ITEM | PART NUMBER | QTY | BODY | MODEL | DESCRIPTION |
|------|-------------|-----|------|-------|------------------------|
| 1 | J545 1749 | 1 | | | FRAME, Cushion |
| 2 | J545 1752 | 1 | | | SPRING, Cushion |
| 3 | J098 8178 | 1 | | | PAD, Cushion |
| 4 | J576 2581 | 1 | | | FRAME, Back 1987-89 |
| | 5502 5266 | 1 | | | 1990 |
| 5 | J545 0748 | 1 | | | PAD, Back |
| 6 | J545 6885 | 1 | | | PROTECTOR |
| 7 | J545 9072 | 1 | | | HINGE, Seat Back |
| 8 | J545 7302 | 1 | | | HINGE, Latch |
| 9 | J545 7301 | 1 | | | HINGE, Latch |
| 10 | J098 7303 | 1 | | | SPRING, Lock |
| 11 | J098 7301 | 1 | | | LATCH, Seat Back |
| 12 | J098 1570 | 1 | | | GUIDE |
| 13 | J098 1574 | 1 | | | SPACER |
| 14 | J545 2032 | 2 | | | BRACKET, Hinge Pivot |
| 15 | J400 4455 | 6 | | | SCREW |
| 16 | J096 8071 | 2 | | | BUMPER |
| 17 | J016 3219 | 2 | | | SCREW |
| 18 | J545 1758 | 2 | | | BUMPER |
| 19 | J400 4295 | 1 | | | PIN, Hitch |
| 20 | J400 4437 | 1 | | | WASHER |
| 21 | | | | | STRAP |
| | 5501 1266 | 1 | | | Cordovan, 1987-89 |
| | 5AA5 0JH9 | 1 | | | Cordovan, 1990 |
| | 5502 0980 | 1 | | | Sand, 1989 |
| | 5AA5 0JY1 | 1 | | | Sand, 1990 |
| | 5501 1267 | 1 | | | Tan, 1987-88 |
| 22 | J013 8485 | 1 | | | WASHER |
| 23 | J400 5807 | 1 | | | BOLT |
| 24 | J400 6197 | 2 | | | SCREW |
| 25 | J576 2102 | 1 | | | PROTECTOR |
| 26 | J400 6655 | 5 | | | NUT, U-Type |
| 27 | J098 1583 | 2 | | | CUSHION |
| 28 | J081 6278 | 2 | | | CAP, End |
| 29 | J012 0388 | 2 | | | WASHER |
| 30 | J095 7717 | 2 | | | BOLT |

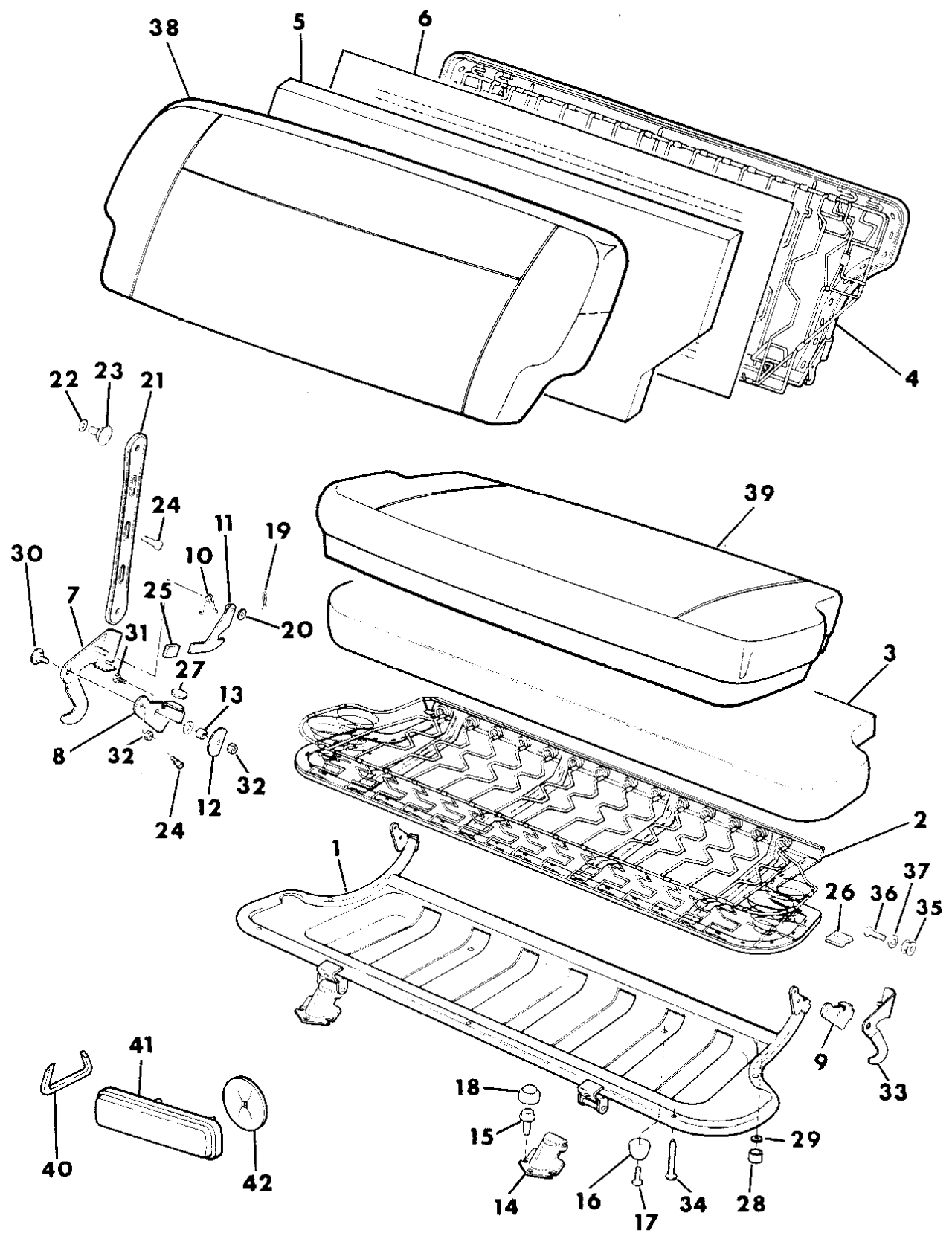
MODEL CODES:

| | | |
|-----------------------------|-----------------------------|------------------------------|
| 15 = Grand Wagoneer 4 Dr. | 65 = Comanche 4WD-7 Ft. Box | 77 = Cherokee 4WD-2 Dr. |
| 25 = J-10 Pickup-119" W.B. | 66 = Comanche 2WD-7 Ft. Box | 78 = Cherokee 4WD-4 Dr. |
| 26 = J-10 Pickup-131" W.B. | 73 = Cherokee 2WD-2 Dr. | 79 = Cherokee 4WD-4 Dr.-Com |
| 27 = J-20 Pickup-131" W.B. | 74 = Cherokee 2WD-4 Dr. | 81 = Wrangler-93" W.B. |
| 63 = Comanche 4WD-6 Ft. Box | 75 = Wagoneer 4WD-4 Dr. | 82 = Wrangler-103" W.B.-Exp. |
| 64 = Comanche 2WD-6 Ft. Box | | |

BODY STYLES:

MJ = Comanche Pickup
 SJ = Grand Wagoneer Wgn., J-10 & J-20 Pickups
 XJ = Cherokee, Wagoneer Limited
 YJ = Wrangler

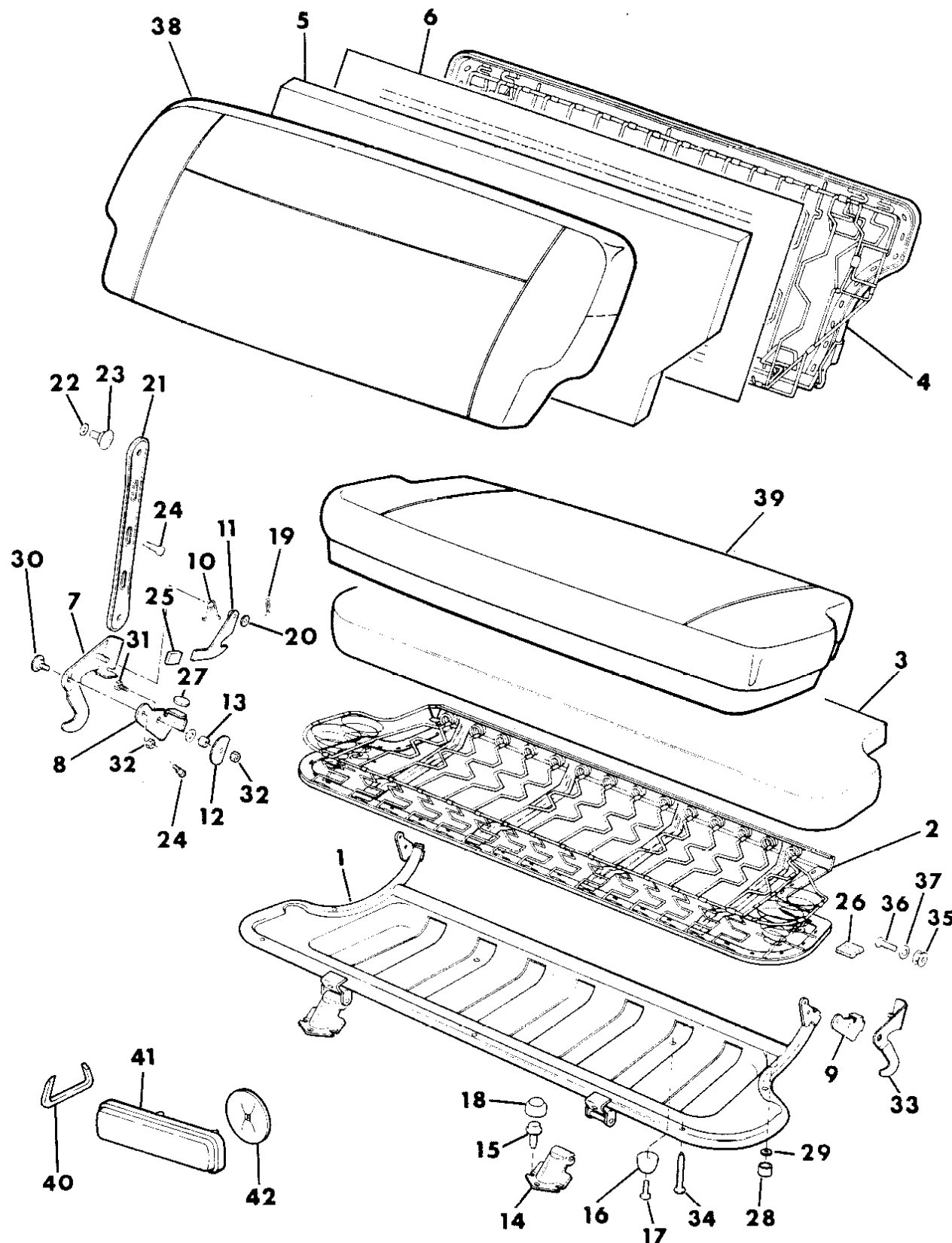
AR = Use as Required - = Non Illustrated Part P.A.R. = Paint as Required



FRAME, PAD, AND COVERS REAR SEAT GRAND WAGONEER

Figure 28-1300

8J28 1300



| ITEM | PART NUMBER | QTY | BODY | MODEL | DESCRIPTION |
|------|-------------|-----|------|-------|---|
| 31 | J400 4979 | 1 | | | SCREW |
| 32 | J941 3447 | 2 | | | NUT |
| 33 | J575 2997 | 1 | | | HINGE, Latch |
| 34 | J096 3325 | 5 | | | SCREW |
| 35 | J545 1571 | 2 | | | SPOOL, Rear Seat Latch |
| 36 | | | | | SCREW |
| | J545 3506 | 2 | | | 1987-89 |
| | 5502 5968 | 2 | | | 1990 |
| 37 | | | | | WASHER, Plain |
| | S012 0390 | AR | | | 1987-89 |
| | J400 5641 | AR | | | 1990 |
| 38 | | | | | COVER, Back |
| | 5501 1472 | 1 | | | Cordovan, (4BL or 5BL or ALH9), 1987-89 |
| | 5AH8 7JH9 | 1 | | | Cordovan, (ALH9), 1990 |
| | 5502 1068 | 1 | | | Sand, (ALYY), 1989 |
| | 5AH8 7JY6 | 1 | | | Sand, (ALYY), 1990 |
| | 5501 1477 | 1 | | | Tan, Vinyl, (6BN or 6AN or ANE) 1987-88 |
| | 5501 1475 | 1 | | | Tan, Cloth, (6BG), 1987 |
| | 5501 1479 | 1 | | | Tan, Leather, (6BL or CLE) 1987-88 |
| 39 | | | | | COVER, Cushion |
| | 5501 1469 | 1 | | | Cordovan, (4BL or 5BL or ALH9), 1987-89 |
| | 5AH8 6JH9 | 1 | | | Cordovan, (ALH9), 1990 |
| | 5502 1064 | 1 | | | Sand, (ALYY), 1989 |
| | 5AH8 6JY6 | 1 | | | Sand, (ALYY), 1990 |
| | 5501 1476 | 1 | | | Tan, Vinyl, (6BN or 6AN or ANE) 1987-88 |
| | 5501 1474 | 1 | | | Tan, Cloth, (6BG), 1987 |
| | 5501 1478 | 1 | | | Tan, Leather, (6BL or CLE) 1987-88 |
| 40 | J436 3256 | AR | | | RING |
| 41 | 5501 1447 | 4 | | | BUTTON, Trim, Vinyl Upholstery |
| 42 | J400 5214 | 8 | | | RETAINER, Vinyl Upholstery |

MODEL CODES:

| | | |
|-----------------------------|-----------------------------|------------------------------|
| 15 = Grand Wagoneer 4 Dr. | 65 = Comanche 4WD-7 Ft. Box | 77 = Cherokee 4WD-2 Dr. |
| 25 = J-10 Pickup-119" W.B. | 66 = Comanche 2WD-7 Ft. Box | 78 = Cherokee 4WD-4 Dr. |
| 26 = J-10 Pickup-131" W.B. | 73 = Cherokee 2WD-2 Dr. | 79 = Cherokee 4WD-4 Dr.-Com |
| 27 = J-20 Pickup-131" W.B. | 74 = Cherokee 2WD-4 Dr. | 81 = Wrangler-93" W.B. |
| 63 = Comanche 4WD-6 Ft. Box | 75 = Wagoneer 4WD-4 Dr. | 82 = Wrangler-103" W.B.-Exp. |
| 64 = Comanche 2WD-6 Ft. Box | | |

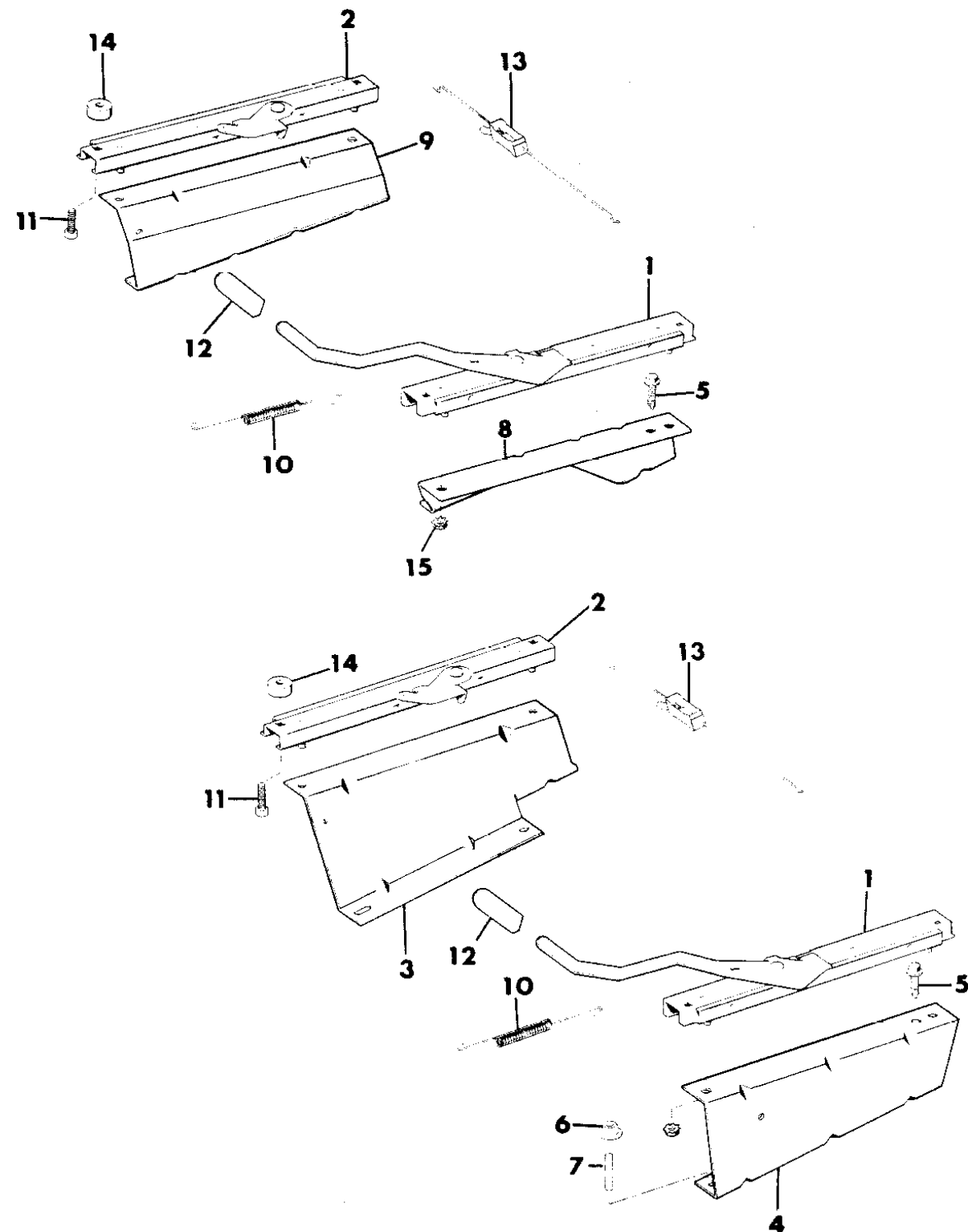
BODY STYLES:

MJ = Comanche Pickup
 SJ = Grand Wagoneer Wgn., J-10 & J-20 Pickups
 XJ = Cherokee, Wagoneer Limited
 YJ = Wrangler

AR = Use as Required - = Non Illustrated Part P.A.R. = Paint as Required

TRACKS, LESS POWER SEATS BUCKET SEAT GRAND WAGONEER 1987-89
Figure 28-1400

8J28 1400



| ITEM | PART NUMBER | QTY | BODY | MODEL | DESCRIPTION |
|------|-------------|-----|------|-------|---|
| 1 | J546 1247 | 2 | | | TRACK, Seat |
| 2 | J098 7421 | 2 | | | TRACK, Seat |
| 3 | J575 1109 | 1 | | | SUPPORT, Cushion, Driver Seat Inboard |
| 4 | J545 1761 | 1 | | | SUPPORT, Cushion, Driver Seat Outboard |
| 5 | J400 4860 | 2 | | | BOLT |
| 6 | J400 4322 | 6 | | | NUT |
| 7 | J400 4912 | 6 | | | STUD |
| 8 | J545 1983 | 1 | | | SUPPORT, Cushion, Passenger Seat Inboard |
| 9 | J545 2501 | 1 | | | SUPPORT, Cushion, Passenger Seat Outboard |
| 10 | J096 1059 | 2 | | | SPRING, Adjuster |
| 11 | J400 4926 | 8 | | | SCREW |
| 12 | J546 1281 | 2 | | | HANDLE, Adjusting |
| 13 | J545 7703 | 2 | | | WIRE, Seat Adjuster |
| 14 | J545 5277 | 4 | | | SPACER |
| 15 | J027 1187 | 8 | | | NUT |

MODEL CODES:

| | | |
|-----------------------------|-----------------------------|------------------------------|
| 15 = Grand Wagoneer 4 Dr. | 65 = Comanche 4WD-7 Ft. Box | 77 = Cherokee 4WD-2 Dr. |
| 25 = J-10 Pickup-119" W.B. | 66 = Comanche 2WD-7 Ft. Box | 78 = Cherokee 4WD-4 Dr. |
| 26 = J-10 Pickup-131" W.B. | 73 = Cherokee 2WD-2 Dr. | 79 = Cherokee 4WD-4 Dr.-Com |
| 27 = J-20 Pickup-131" W.B. | 74 = Cherokee 2WD-4 Dr. | 81 = Wrangler-93" W.B. |
| 63 = Comanche 4WD-6 Ft. Box | 75 = Wagoneer 4WD-4 Dr. | 82 = Wrangler-103" W.B.-Exp. |
| 64 = Comanche 2WD-6 Ft. Box | | |

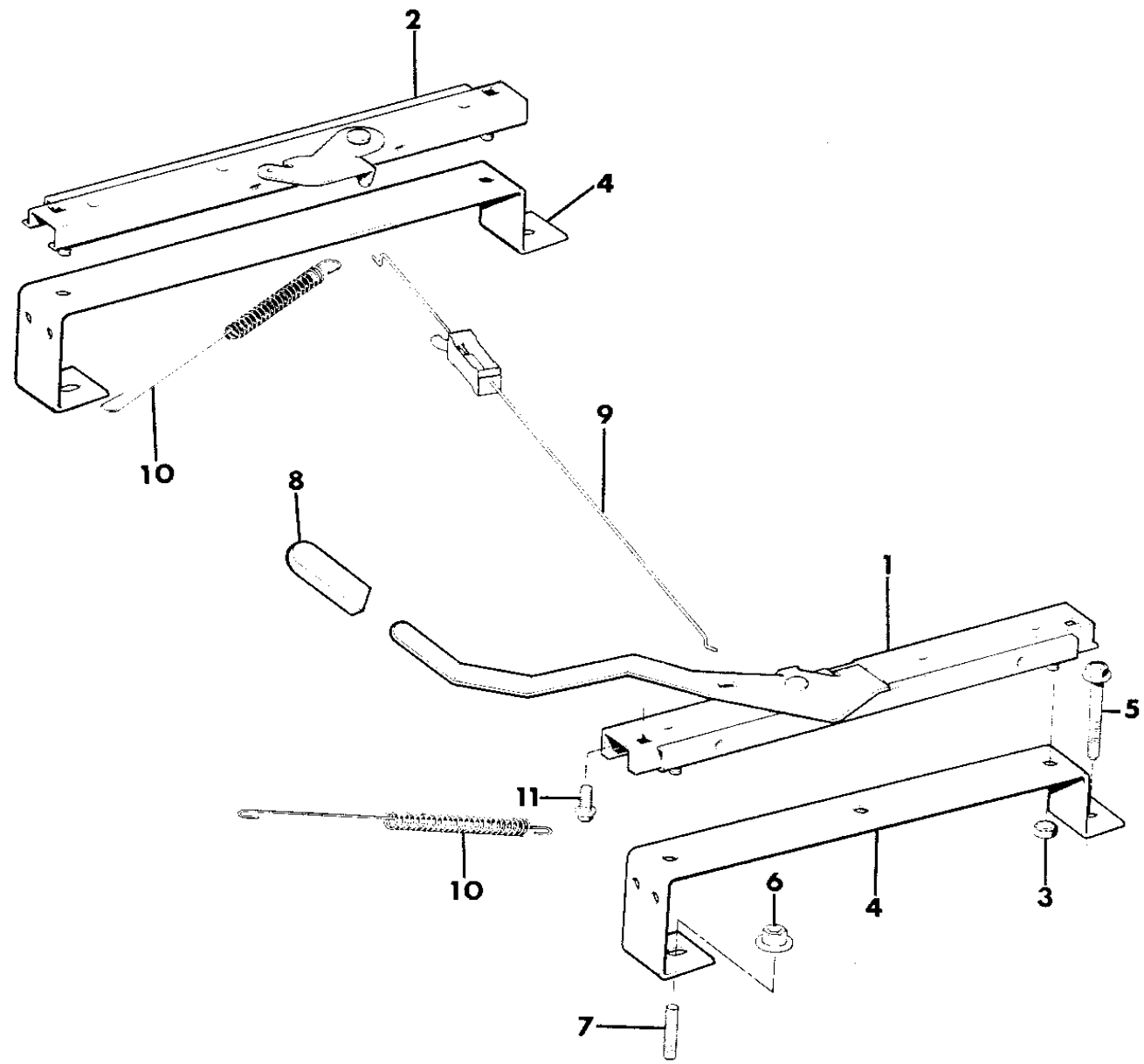
BODY STYLES:

MJ = Comanche Pickup
SJ = Grand Wagoneer Wgn., J-10 & J-20 Pickups
XJ = Cherokee, Wagoneer Limited
YJ = Wrangler

AR = Use as Required - = Non Illustrated Part P.A.R. = Paint as Required

TRACKS, W/O POWER SEATS BENCH SEAT GRAND WAGONEER, J10, J20 1987-88
Figure 28-1450

8J28 1450



| ITEM | PART NUMBER | QTY | BODY | MODEL | DESCRIPTION |
|------|-------------|-----|------|-------|---------------------|
| 1 | J546 1247 | 1 | | | TRACK, Seat |
| 2 | J098 7421 | 1 | | | TRACK, Seat |
| 3 | J027 1187 | 4 | | | NUT |
| 4 | J098 7337 | 2 | | | BRACKET, Support |
| 5 | J400 4860 | 2 | | | BOLT |
| 6 | J400 4322 | 2 | | | NUT |
| 7 | J400 4912 | 2 | | | STUD |
| 8 | J546 1281 | 1 | | | HANDLE, Adjusting |
| 9 | J545 0629 | 1 | | | WIRE, Seat Adjuster |
| 10 | J096 1059 | 2 | | | SPRING, Adjuster |
| 11 | J400 4926 | 4 | | | SCREW |

MODEL CODES:

| | | |
|-----------------------------|-----------------------------|------------------------------|
| 15 = Grand Wagoneer 4 Dr. | 65 = Comanche 4WD-7 Ft. Box | 77 = Cherokee 4WD-2 Dr. |
| 25 = J-10 Pickup-119" W.B. | 66 = Comanche 2WD-7 Ft. Box | 78 = Cherokee 4WD-4 Dr. |
| 26 = J-10 Pickup-131" W.B. | 73 = Cherokee 2WD-2 Dr. | 79 = Cherokee 4WD-4 Dr.-Com |
| 27 = J-20 Pickup-131" W.B. | 74 = Cherokee 2WD-4 Dr. | 81 = Wrangler-93" W.B. |
| 63 = Comanche 4WD-6 Ft. Box | 75 = Wagoneer 4WD-4 Dr. | 82 = Wrangler-103" W.B.-Exp. |
| 64 = Comanche 2WD-6 Ft. Box | | |

BODY STYLES:

MJ = Comanche Pickup
SJ = Grand Wagoneer Wgn., J-10 & J-20 Pickups
XJ = Cherokee, Wagoneer Limited
YJ = Wrangler

AR = Use as Required - = Non Illustrated Part P.A.R. = Paint as Required

TRACKS, WITH POWER SEATS BUCKET SEAT GRAND WAGONEER
Figure 28-1500

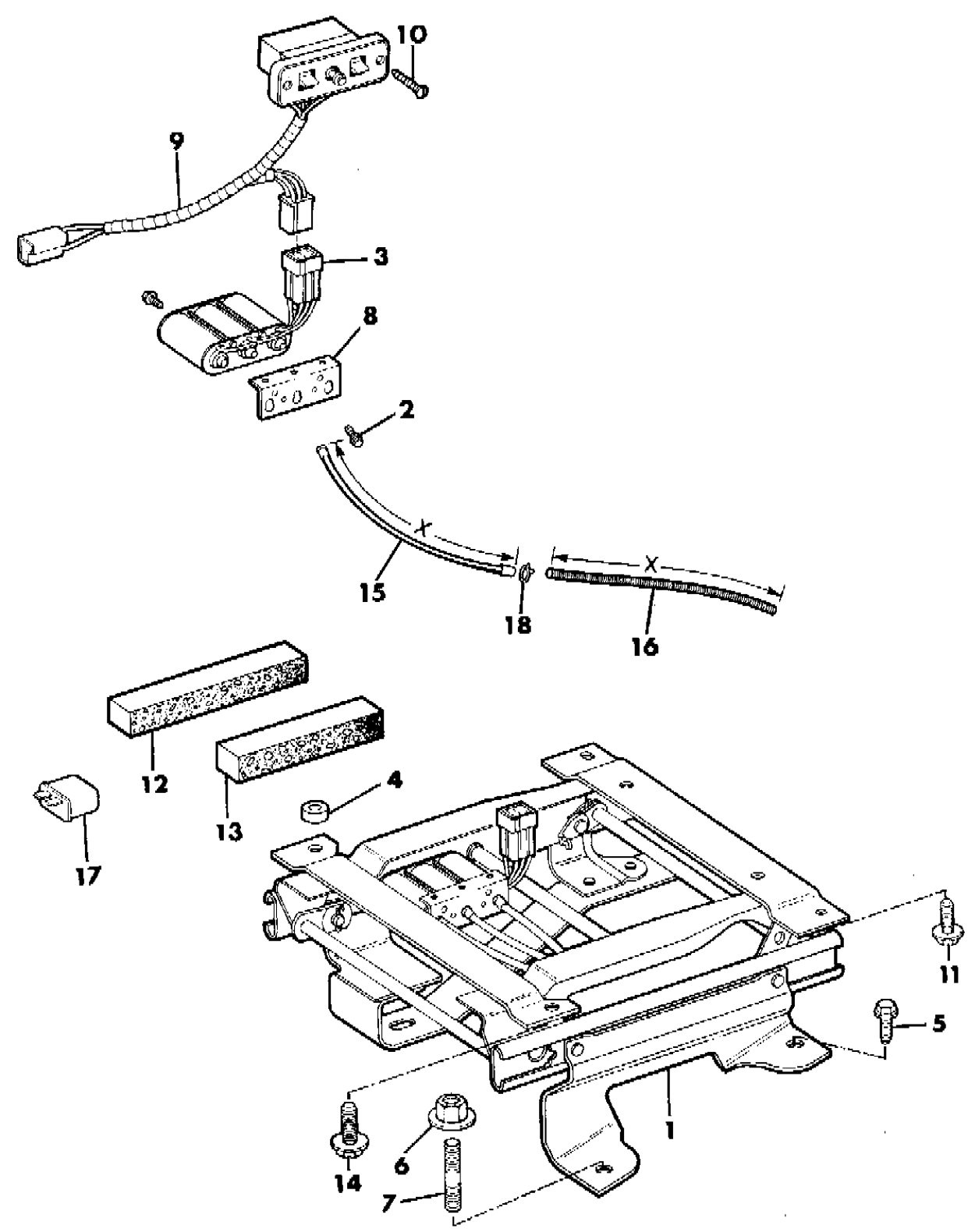
8J28 1500A

| ITEM | PART NUMBER | QTY | BODY | MODEL | DESCRIPTION |
|------|-------------|-----|------|-------|--|
| 1 | | | | | TRACK, Power Seat |
| | J575 1964 | 1 | | | Driver Seat |
| | J575 1965 | 1 | | | Passenger Seat |
| 2 | J812 0054 | 8 | | | SCREW |
| 3 | J813 1636 | 2 | | | MOTOR, Assy. Power Seat |
| 4 | J066 9842 | 12 | | | SPACER |
| 5 | J400 4860 | 2 | | | BOLT |
| 6 | J400 4322 | 6 | | | NUT |
| 7 | J400 4912 | 6 | | | STUD |
| 8 | J813 2663 | 2 | | | BRACKET |
| 9 | J576 1773 | 1 | | | SWITCH, Assy. Power Seat, Left (Add J5761772 Right Side) |
| 10 | J320 9830 | 4 | | | SCREW |
| 11 | J400 4926 | 4 | | | SCREW, 1.00" Long *** |
| 12 | J575 5304 | 2 | | | PAD, Deadener, 11.00" Long 1987-88 |
| 13 | J575 5303 | 2 | | | PAD, Deadener, 9.00" Long |
| 14 | J400 4927 | 4 | | | SCREW, 1.50" Long *** |
| 15 | | | | | TUBE, Assy. Cable |
| | 8350 1362 | 2 | | | X= 6.25" |
| | 8350 1361 | 2 | | | X= 6.69" |
| | 8350 1365 | 2 | | | X= 7.88" |
| | 8350 1363 | 2 | | | X= 8.38" |
| | J813 3263 | 2 | | | X= 8.62" |
| | 8350 1364 | 2 | | | X= 8.88" |
| 16 | | | | | CABLE, Power Seat |
| | 8350 1354 | 2 | | | X= 7.25" |
| | 8350 1352 | 2 | | | X= 7.75" |
| | 8350 1359 | 2 | | | X= 9.00" |
| | 8351 0189 | 2 | | | X= 9.44" |
| | 8350 1353 | 2 | | | X= 9.75" |
| | 8350 1358 | 2 | | | X= 10.0" |
| 17 | | | | | BREAKER, Circuit *** |
| | J323 4524 | 1 | | | 1987-89 |
| | 8350 7005 | 1 | | | 1990 |
| 18 | | | | | CLAMP |
| | S027 2844 | 6 | | | 1987-89 |
| | 2448 770 | 6 | | | 1990 |

MODEL CODES:
 15 = Grand Wagoneer 4 Dr. 65 = Comanche 4WD-7 Ft. Box 77 = Cherokee 4WD-2 Dr.
 25 = J-10 Pickup-119" W.B. 66 = Comanche 2WD-7 Ft. Box 78 = Cherokee 4WD-4 Dr.
 26 = J-10 Pickup-131" W.B. 73 = Cherokee 2WD-2 Dr. 79 = Cherokee 4WD-4 Dr.-Com
 27 = J-20 Pickup-131" W.B. 74 = Cherokee 2WD-4 Dr. 81 = Wrangler-93" W.B.
 63 = Comanche 4WD-6 Ft. Box 75 = Wagoneer 4WD-4 Dr. 82 = Wrangler-103" W.B.-Exp.
 64 = Comanche 2WD-6 Ft. Box

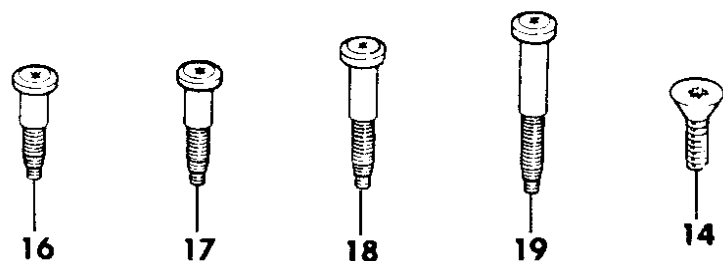
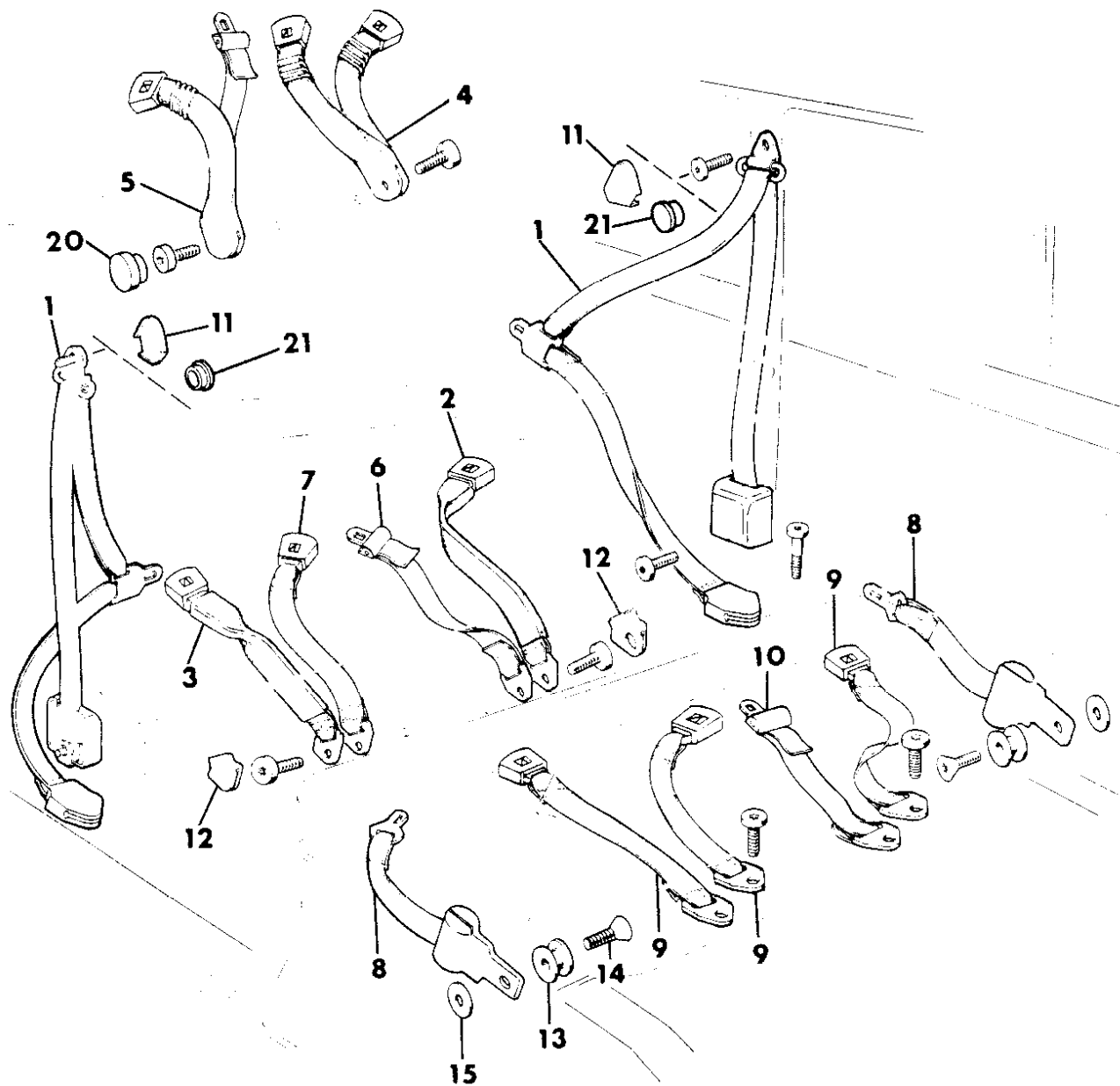
BODY STYLES:
 MJ = Comanche Pickup
 SJ = Grand Wagoneer Wgn., J-10 & J-20 Pickups
 XJ = Cherokee, Wagoneer Limited
 YJ = Wrangler

AR = Use as Required - = Non Illustrated Part P.A.R. = Paint as Required



SEAT BELTS, FRONT AND REAR GRAND WAGONEER, J10, J20
Figure 28-1600

8J28 1600



| ITEM | PART NUMBER | QTY | BODY | MODEL | DESCRIPTION |
|------|-------------|-----|------|-------|--------------------------------|
| 1 | | | | | SEAT BELT |
| | 5501 3129 | 2 | | | Cordovan, 1987 |
| | 5501 9612 | 2 | | | Cordovan, 1988 |
| | 5502 2414-5 | 1 | | | Cordovan, 1989 (Up To 3-22-89) |
| | 5502 2414 | 2 | | | Cordovan, 1989 (After 3-22-89) |
| | 5AH0 2JH9 | 2 | | | Cordovan, 1990 |
| | 5502 2412-3 | 1 | | | Sand, 1989 (Up To 3-22-89) |
| | 5502 2412 | 2 | | | Sand, 1989 (After 3-22-89) |
| | 5AH0 2JY6 | 2 | | | Sand, 1990 |
| | 5501 3120 | 2 | | | Tan, 1987 |
| | 5501 9610 | 2 | | | Tan, 1988 |
| 2 | | | | | SEAT BELT |
| | 5501 3121 | 1 | | | Tan, 1987 |
| | 5501 9614 | 1 | | | Tan, 1988 |
| 3 | | | | | SEAT BELT |
| | 5501 3119 | 1 | | | Tan, 1987 |
| | 5501 9609 | 1 | | | Tan, 1988 |
| 4 | | | | | SEAT BELT |
| | 5501 3125 | 1 | | | Cordovan, 1987 |
| | 5501 9615 | 1 | | | Cordovan, 1988-89 |
| | 5AF5 4JH9 | 1 | | | Cordovan, 1990 |
| | 5502 0932 | 1 | | | Sand, 1989 |
| | 5AF5 4JY6 | 1 | | | Sand, 1990 |
| | 5501 3123 | 1 | | | Tan, 1987 |
| | 5501 9616 | 1 | | | Tan, 1988 |
| 5 | | | | | SEAT BELT |
| | 5501 3124 | 1 | | | Cordovan, 1987 |
| | 5501 9611 | 1 | | | Cordovan, 1988-89 |
| | 5AF8 1JH9 | 1 | | | Cordovan, 1990 |
| | 5502 0930 | 1 | | | Sand, 1989 |
| | 5AF8 1JY6 | 1 | | | Sand, 1990 |
| | 5501 3122 | 1 | | | Tan, 1987 |
| | 5501 9613 | 1 | | | Tan, 1988 |
| 6 | | | | | SEAT BELT |
| | 5501 3126 | 1 | | | Tan, 1987 |
| | 5501 9618 | 1 | | | Tan, 1988 |
| 7 | | | | | SEAT BELT |

MODEL CODES:

| | | |
|-----------------------------|-----------------------------|------------------------------|
| 15 = Grand Wagoneer 4 Dr. | 65 = Comanche 4WD-7 Ft. Box | 77 = Cherokee 4WD-2 Dr. |
| 25 = J-10 Pickup-119" W.B. | 66 = Comanche 2WD-7 Ft. Box | 78 = Cherokee 4WD-4 Dr. |
| 26 = J-10 Pickup-131" W.B. | 73 = Cherokee 2WD-2 Dr. | 79 = Cherokee 4WD-4 Dr.-Com |
| 27 = J-20 Pickup-131" W.B. | 74 = Cherokee 2WD-4 Dr. | 81 = Wrangler-93" W.B. |
| 63 = Comanche 4WD-6 Ft. Box | 75 = Wagoneer 4WD-4 Dr. | 82 = Wrangler-103" W.B.-Exp. |
| 64 = Comanche 2WD-6 Ft. Box | | |

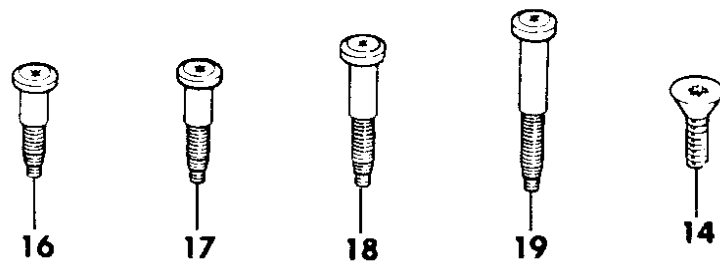
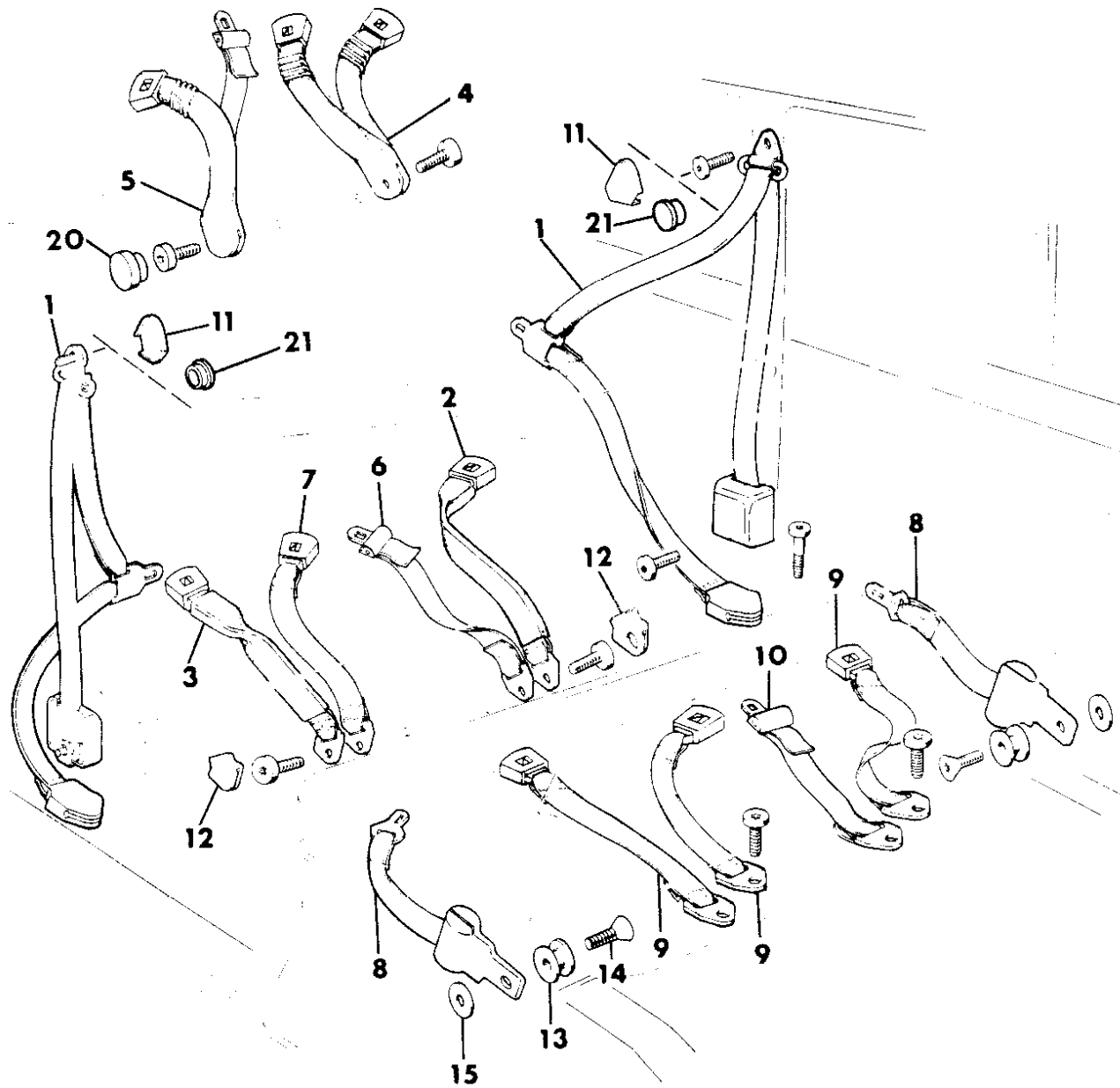
BODY STYLES:

MJ = Comanche Pickup
 SJ = Grand Wagoneer Wgn., J-10 & J-20 Pickups
 XJ = Cherokee, Wagoneer Limited
 YJ = Wrangler

AR = Use as Required - = Non Illustrated Part P.A.R. = Paint as Required

SEAT BELTS, FRONT AND REAR GRAND WAGONEER, J10, J20
Figure 28-1600

8J28 1600



| ITEM | PART NUMBER | QTY | BODY | MODEL | DESCRIPTION |
|------|-------------|-----|------|-------|--------------------------|
| | 5501 3127 | 1 | | | Tan, 1987 |
| | 5501 9617 | 1 | | | Tan, 1988 |
| 8 | | | | | SEAT BELT |
| | 5501 3131 | 2 | | | Cordovan, 1987 |
| | 5501 9620 | 2 | | | Cordovan, 1988-89 |
| | 5AF5 5JH9 | 2 | | | Cordovan, 1990 |
| | 5502 0935 | 2 | | | Sand, 1989 |
| | 5AF5 5JY6 | 2 | | | Sand, 1990 |
| | 5501 3134 | 2 | | | Tan, 1987 |
| 9 | | | | | SEAT BELT |
| | 5501 3130 | 3 | | | Cordovan, 1987 |
| | 5501 9619 | 3 | | | Cordovan, 1988-89 |
| | 5AF5 2JH9 | 3 | | | Cordovan, 1990 |
| | 5502 0934 | 3 | | | Sand, 1989 |
| | 5AF5 2JY6 | 3 | | | Sand, 1990 |
| | 5501 3133 | 3 | | | Tan, 1987 |
| 10 | | | | | SEAT BELT |
| | 5501 3136 | 1 | | | Cordovan, 1987 |
| | 5501 9623 | 1 | | | Cordovan, 1988-89 |
| | 5AF5 3JH9 | 1 | | | Cordovan, 1990 |
| | 5502 0926 | 1 | | | Sand, 1989 |
| | 5AF5 3JY6 | 1 | | | Sand, 1990 |
| | 5501 3126 | 1 | | | Tan, 1987 |
| 11 | | | | | COVER, Web Guide, P.A.R. |
| | 5501 9618 | 1 | | | Tan, 1988 |
| | 3500 7352 | 2 | | | 1987-89 |
| | 5502 1388 | 2 | | | 1990 |
| 12 | | | | | COVER, Bolt |
| | J368 4028 | 2 | | | P.A.R. 1987-89 |
| | 5AA2 2JH9 | 2 | | | Cordovan, 1990 |
| | 5AA2 2JY6 | 2 | | | Sand, 1990 |
| 13 | J545 1571 | 2 | | | RETAINER |
| 14 | | | | | SCREW |
| | J545 3506 | 2 | | | 1988-89 |
| | 5502 5968 | 2 | | | 1990 |

MODEL CODES:

| | | |
|-----------------------------|-----------------------------|------------------------------|
| 15 = Grand Wagoneer 4 Dr. | 65 = Comanche 4WD-7 Ft. Box | 77 = Cherokee 4WD-2 Dr. |
| 25 = J-10 Pickup-119" W.B. | 66 = Comanche 2WD-7 Ft. Box | 78 = Cherokee 4WD-4 Dr. |
| 26 = J-10 Pickup-131" W.B. | 73 = Cherokee 2WD-2 Dr. | 79 = Cherokee 4WD-4 Dr.-Com |
| 27 = J-20 Pickup-131" W.B. | 74 = Cherokee 2WD-4 Dr. | 81 = Wrangler-93" W.B. |
| 63 = Comanche 4WD-6 Ft. Box | 75 = Wagoneer 4WD-4 Dr. | 82 = Wrangler-103" W.B.-Exp. |
| 64 = Comanche 2WD-6 Ft. Box | | |

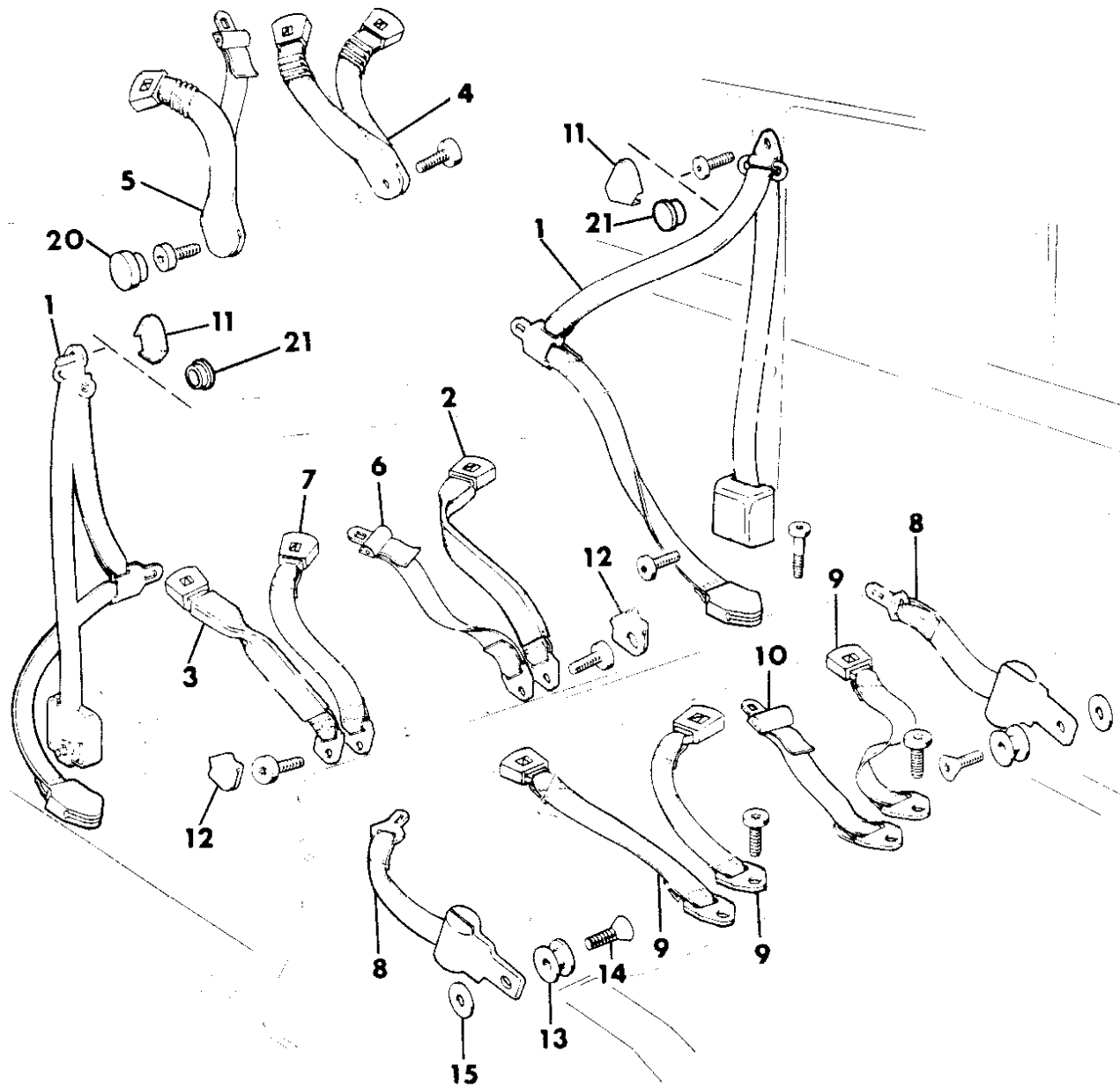
BODY STYLES:

MJ = Comanche Pickup
SJ = Grand Wagoneer Wgn., J-10 & J-20 Pickups
XJ = Cherokee, Wagoneer Limited
YJ = Wrangler

AR = Use as Required - = Non Illustrated Part P.A.R. = Paint as Required

SEAT BELTS, FRONT AND REAR GRAND WAGONEER, J10, J20
Figure 28-1600

8J28 1600



| ITEM | PART NUMBER | QTY | BODY | MODEL | DESCRIPTION |
|------|-------------|-----|------|-------|-------------------------|
| 15 | S012 0390 | 4 | | | WASHER |
| 16 | J400 5505 | AR | | | BOLT, 1.32" Long *** |
| 17 | J400 5506 | AR | | | BOLT, 1.45" Long *** |
| 18 | J400 5507 | AR | | | BOLT, 1.87" Long *** |
| 19 | J400 5607 | 4 | | | BOLT, 2.62" Long *** |
| 20 | | | | | COVER, Bolt |
| | 3420 2551 | 2 | | | P.A.R. m17 Dia. 1988-89 |
| | 5AB2 2JH9 | 2 | | | Cordovan, m24 Dia. 1990 |
| | 5AB2 2JY6 | 2 | | | Sand, m24 Dia. 1990 |
| 21 | | | | | COVER, Web Guide |
| | 3502 3040 | 2 | | | P.A.R. 1988-89 |
| | 5AB9 6JH9 | 2 | | | Cordovan, 1990 |
| | 5AB9 6JY6 | 2 | | | Sand, 1990 |

MODEL CODES:

| | | |
|-----------------------------|-----------------------------|------------------------------|
| 15 = Grand Wagoneer 4 Dr. | 65 = Comanche 4WD-7 Ft. Box | 77 = Cherokee 4WD-2 Dr. |
| 25 = J-10 Pickup-119" W.B. | 66 = Comanche 2WD-7 Ft. Box | 78 = Cherokee 4WD-4 Dr. |
| 26 = J-10 Pickup-131" W.B. | 73 = Cherokee 2WD-2 Dr. | 79 = Cherokee 4WD-4 Dr.-Com |
| 27 = J-20 Pickup-131" W.B. | 74 = Cherokee 2WD-4 Dr. | 81 = Wrangler-93" W.B. |
| 63 = Comanche 4WD-6 Ft. Box | 75 = Wagoneer 4WD-4 Dr. | 82 = Wrangler-103" W.B.-Exp. |
| 64 = Comanche 2WD-6 Ft. Box | | |

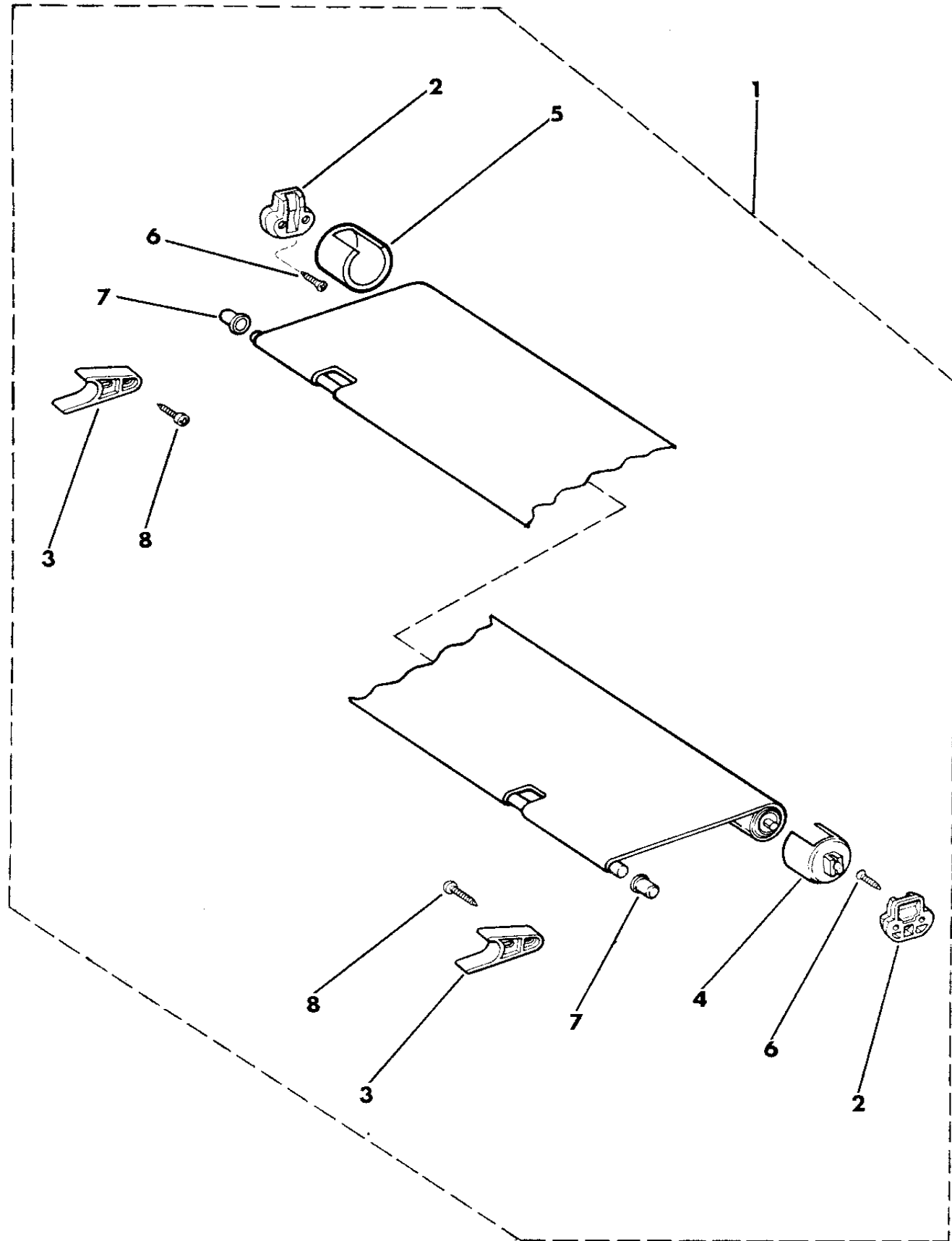
BODY STYLES:

MJ = Comanche Pickup
SJ = Grand Wagoneer Wgn., J-10 & J-20 Pickups
XJ = Cherokee, Wagoneer Limited
YJ = Wrangler

AR = Use as Required - = Non Illustrated Part P.A.R. = Paint as Required

COVER, CARGO GRAND WAGONEER
Figure 28-1700

8J281700



| ITEM | PART NUMBER | QTY | BODY | MODEL | DESCRIPTION |
|------|-------------|-----|------|-------|---------------------------------|
| 1 | | | | | COVER, Cargo |
| | 5501 1277 | 1 | | | Cordovan, 1987-89 |
| | 5AE8 4JH9 | 1 | | | Cordovan, 1990 |
| | 5502 0917 | 1 | | | Sand, 1989 |
| | 5AE8 4JY1 | 1 | | | Sand, 1990 |
| | 5501 1278 | 1 | | | Tan, 1987-88 |
| 2 | | | | | BRACKET, Cargo Cover |
| | J575 6611 | 2 | | | P.A.R. 1987-89 |
| | 5AH0 5JH9 | 2 | | | Cordovan, 1990 |
| | 5AH0 5JY1 | 2 | | | Sand, 1990 |
| 3 | | | | | BRACKET, Cargo Cover |
| | J575 6615 | 2 | | | P.A.R. 1987-89 |
| | 5AH0 6JH9 | 2 | | | Cordovan, 1990 |
| | 5AH0 6JY1 | 2 | | | Sand, 1990 |
| 4 | J813 3744 | 1 | | | CAP, Cargo Cover, Right, P.A.R. |
| 5 | J813 3745 | 1 | | | CAP, Cargo Cover, Left, P.A.R. |
| 6 | J942 6530 | 4 | | | SCREW |
| 7 | 8350 0432 | 2 | | | CAP, End, P.A.R. |
| 8 | J942 2397 | 4 | | | SCREW |

MODEL CODES:

| | | |
|-----------------------------|-----------------------------|------------------------------|
| 15 = Grand Wagoneer 4 Dr. | 65 = Comanche 4WD-7 Ft. Box | 77 = Cherokee 4WD-2 Dr. |
| 25 = J-10 Pickup-119" W.B. | 66 = Comanche 2WD-7 Ft. Box | 78 = Cherokee 4WD-4 Dr. |
| 26 = J-10 Pickup-131" W.B. | 73 = Cherokee 2WD-2 Dr. | 79 = Cherokee 4WD-4 Dr.-Com |
| 27 = J-20 Pickup-131" W.B. | 74 = Cherokee 2WD-4 Dr. | 81 = Wrangler-93" W.B. |
| 63 = Comanche 4WD-6 Ft. Box | 75 = Wagoneer 4WD-4 Dr. | 82 = Wrangler-103" W.B.-Exp. |
| 64 = Comanche 2WD-6 Ft. Box | | |

BODY STYLES:

MJ = Comanche Pickup
 SJ = Grand Wagoneer Wgn., J-10 & J-20 Pickups
 XJ = Cherokee, Wagoneer Limited
 YJ = Wrangler

AR = Use as Required - = Non Illustrated Part P.A.R. = Paint as Required